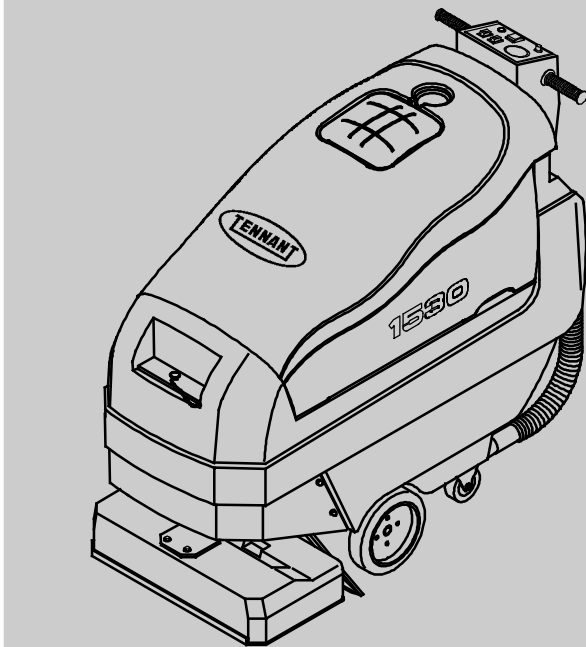




# 1530

**Carpet Extractor  
Extractor para Alfombras  
Extracteur de moquette**

**Operator and Parts Manual  
Manual De Operador  
Y Lista De Repuestos  
Opérateur Manuel et  
Liste Des Pièces**



Model Part No.:  
614000



To view, print or download  
the latest manual, visit:

[www.tennantco.com/manuals](http://www.tennantco.com/manuals)

[www.tennantco.com](http://www.tennantco.com)

**613908  
Rev. 05 (08-2018)**



# OPERATION

---

This manual is furnished with each new model. It provides necessary operation and maintenance instructions and an illustrated parts list.

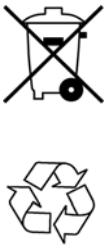


**Read this manual completely and understand the machine before operating or servicing it.**

When ordering replacement parts, use the illustrated parts lists section in this manual. Before ordering parts or supplies, be sure to have your machine model number and serial number available. Parts and supplies may be ordered by phone or mail from any authorized parts and service center, distributor or from any of the manufacturer's subsidiaries.

This machine will provide excellent service. However, the best results will be obtained at minimum costs if:

- The machine is operated with reasonable care.
- The machine is maintained regularly - per the machine maintenance instructions provided.
- The machine is maintained with manufacturer supplied or equivalent parts.



**PROTECT THE ENVIRONMENT**

Please dispose of packaging materials, old machine components such as batteries, hazardous fluids such as antifreeze and oil, in a safe environmentally way according to your local waste disposal regulations.

Always remember to recycle.

---

## MACHINE DATA

---

Please fill out at time of installation for future reference.

Model No.- \_\_\_\_\_

Install. Date - \_\_\_\_\_

Serial No.- \_\_\_\_\_

### Tennant Company

PO Box 1452

Minneapolis, MN 55440

Phone: (800) 553- 8033

[www.tennantco.com](http://www.tennantco.com)

Specifications and parts are subject to change without notice.

©2002, 2003, 2007, 2011, 2013, 2018 Tennant Company. All rights reserved.

Printed in U.S.A.

TABLE OF CONTENTS	(ESPAÑOL....22)	(FRANÇAIS....44)	
<b>SAFETY PRECAUTIONS</b> .....	<b>4</b>	<b>TRANSPORTING MACHINE</b> .....	<b>17</b>
GROUNDING INSTRUCTIONS .....	5	<b>STORING MACHINE</b> .....	<b>17</b>
<b>WARNING LABELS</b> .....	<b>5</b>	<b>RECOMMENDED STOCK ITEMS</b> .....	<b>17</b>
<b>MACHINE COMPONENTS</b> .....	<b>6</b>	<b>TROUBLESHOOTING</b> .....	<b>18</b>
<b>CONTROL CONSOLE SYMBOLS</b> .....	<b>7</b>	<b>SPECIFICATIONS</b> .....	<b>19</b>
<b>MACHINE INSTALLATION</b> .....	<b>8</b>	<b>MACHINE DIMENSIONS</b> .....	<b>20</b>
UNCRATING MACHINE .....	8	<b>ELECTRICAL DIAGRAMS</b> .....	<b>64</b>
<b>MACHINE SETUP</b> .....	<b>8</b>	<b>RECOMMENDED MAINTENANCE ITEMS</b> .....	<b>66</b>
FILLING SOLUTION TANK .....	8	<b>PARTS LIST</b> .....	<b>68</b>
ADJUSTING CONTROL GRIP HEIGHT .....	9	SOLUTION TANK GROUP .....	68
CONNECTING MACHINE TO		RECOVERY TANK GROUP .....	70
POWER SOURCE .....	9	CONTROL CONSOLE GROUP .....	72
<b>MACHINE OPERATION</b> .....	<b>10</b>	CONSOLE PANEL GROUP .....	74
PRE- OPERATION CHECKS .....	10	DRIVE GROUP (S/N 10492843- ) .....	76
OPERATING MACHINE .....	10	DRIVE GROUP (S/N 00000000- 10492842) .	78
WHILE OPERATING MACHINE .....	11	ACTUATOR AND	
OPERATING ACCESSORY		PICK- UP VACUUM SHOE GROUP .....	80
TOOLS (OPTIONAL) .....	12	BRUSH BASE GROUP .....	82
MACHINE CIRCUIT BREAKERS .....	13	PLUMBING GROUP .....	84
<b>DRAINING TANKS</b> .....	<b>13</b>	PUMP BREAKDOWN .....	86
<b>MACHINE MAINTENANCE</b> .....	<b>14</b>	<b>OPTIONS</b> .....	<b>87</b>
DAILY MAINTENANCE .....	14	SOLUTION AND VACUUM HOSES .....	87
WEEKLY MAINTENANCE .....	15	HAND TOOL, 127 mm (5 in) .....	88
MONTHLY MAINTENANCE .....	15	HAND TOOL, CREVICE, 76 mm (3 in) .....	88
QUARTERLY MAINTENANCE .....	16	HAND TOOL, UPHOLSTERY,	
<b>ADJUSTING THE BRUSH HEIGHT</b> .....	<b>16</b>	LOW PRESSURE .....	89
<b>MACHINE JACKING</b> .....	<b>17</b>	FLOOR TOOL LOW PRESSURE	
		330mm (13 in) .....	90
		FLOOR TOOL LOW PRESSURE	
		406mm (16 in) .....	92

# OPERATION

---

---


## SAFETY PRECAUTIONS

---

This machine is intended for commercial use. It is designed exclusively to clean carpets and upholstery in an indoor environment and is not constructed for any other use. Use only recommended accessory tools and commercially available carpet cleaners intended for machine application.

All operators must read, understand and practice the following safety precautions.

The following warning alert symbol and the "FOR SAFETY" heading are used throughout this manual as indicated in their description:

 **WARNING:** To warn of hazards or unsafe practices which could result in severe personal injury or death.

**FOR SAFETY:** To identify actions which must be followed for safe operation of equipment.

---

Failure to follow these warnings may result in: personal injury, electrocution, electrical shock, fire or explosion.

 **WARNING:** Do Not Use Flammable Liquids Or Operate Machine In Or Near Flammable Liquids, Vapors Or Combustible Dusts.

This machine is not equipped with an explosion proof motors. The electric motors will spark upon start up and during operation which could cause a flash fire or explosion if machine is used in an area where flammable vapors/liquids or combustible dusts are present.

 **WARNING:** Do Not Pick Up Flammable Materials Or Reactive Metals.

 **WARNING:** Do Not Operate With Damaged Power Cord. Do Not Modify Plug. Unplug power Cord Before Servicing Machine.

If the supply cord is damaged or broken, it must be replaced by the manufacturer or it's service agent or a similarly qualified person in order to avoid a hazard.

 **WARNING:** Do Not Use Outdoors. Do Not Expose To Rain. Store Indoors.

 **WARNING:** Moving parts. Turn off power before working on machine.

 **WARNING:** Actuator pinch point. Stay clear of brush head lift area.

---

The following information signals potentially dangerous conditions to the operator or equipment:

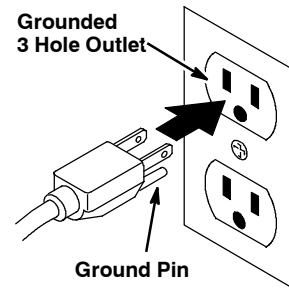
### FOR SAFETY:

1. Do not operate machine:
  - With flammable liquids or near flammable vapors as an explosion or flash fire may occur.
  - Unless trained and authorized.
  - Unless operator manual is read and understood.
  - Unless cord is properly grounded.
  - With damaged cord or plug.
  - If not in proper operating condition.
  - In outdoor areas.
  - In standing water.
  - With the use of additional extension cords. Only use manufacturer's extension cord equipped with machine which has proper capacity and is grounded.
2. Before operating machine:
  - Make sure all safety devices are in place and operate properly.
3. When using machine:
  - Do not run machine over cord.
  - Do not pull machine by plug or cord.
  - Do not pull cord around sharp edges or corners.
  - Do not unplug by pulling on cord.
  - Do not stretch cord.
  - Do not handle plug with wet hands.
  - Keep cord away from heated surfaces.
  - Go slow on inclines and slippery surfaces.
  - Use care when reversing machine.
  - Report machine damage or faulty operation immediately.
  - Never allow children to play on or around.
  - Follow mixing and handling instructions on chemical containers.
4. Before leaving or servicing machine:
  - Stop on level surface.
  - Turn off machine.
  - Unplug cord from wall outlet.

5. When servicing machine:
  - Unplug cord from wall outlet.
  - Avoid moving parts. Do not wear loose jackets, shirts, or sleeves.
  - Block machine tires before jacking up.
  - Use hoist or jack that will support the weight of the machine.
  - Use manufacturer supplied or approved replacement parts.
  - All repairs must be performed by a qualified service person.
  - Do not modify the machine from it's original design.
  
6. When transporting machine:
  - Turn machine off.
  - Get assistance when lifting machine.
  - Unplug cord from wall outlet.
  - Use a recommended ramp when loading/unloading into/off truck or trailer.
  - Use tie-down straps to secure machine to truck or trailer.

## GROUNDING INSTRUCTIONS

Machine must be grounded. If it should malfunction or breakdown, grounding provides a path of least resistance for electrical current to reduce the risk of electrical shock. This machine is equipped with a cord having an equipment-grounding conductor and grounding plug. The plug must be plugged into an appropriate outlet that is properly installed in accordance with all local codes and ordinances. Do not remove ground pin; if missing, replace plug before use.

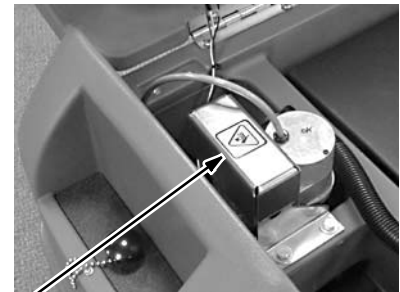


## WARNING LABELS

The warning labels appear on the machine in the locations indicated. Replace labels if they become damaged or illegible.

**WARNING LABEL - LOCATED ON RECOVERY TANK COVER.**

	<b>⚠ WARNING</b>	<b>⚠ AVERTISSEMENT</b>	<b>⚠ ADVERTENCIA</b>
	<b>EXPLOSION, FIRE AND SHOCK HAZARD. AVOID INJURY.</b>	<b>RISQUE D'EXPLOSION, D'INCENDIE ET DE DÉCHARGE. ÉVITEZ LES BLESSURES.</b>	<b>PELIGRO DE EXPLOSIÓN, FUEGO, DESCARGA EVITE LESIONES.</b>
	• Do Not Use or Pick Up Flammable Materials.	• N'utilisez Pas ou Ne Ramassez Pas de Matériaux Inflammables.	• No Use Ó Recoja Materiales Flamables.
	• Do Not Use Near Flammable Liquids, Vapors or Combustible Dusts.	• N'utilisez Pas Près de Liquides, Vapeurs ou Poussières Inflammables.	• No Use Cerca De Líquidos Flamables, Vapores Ó Materiales Combustibles.
	• Do Not Operate With Damaged Power Cord. Do Not Modify Plug. Unplug Power Cord Before Servicing Machine.	• N'utilisez Pas la Machine Avec un Cordon d'Alimentation Endommagé. Ne Modifiez Pas la Prise. Débranchez le Cordon d'Alimentation Avant d'Entretenir la Machine.	• No Use Con Cable De Corriente Dañado. No Altere El Enchufe. Desconecte Cable De Corriente Antes Del Mantenimiento.
	• Do Not Use Outdoors. Do Not Expose to Rain. Store Indoors.	• N'utilisez Pas en Extérieur. N'Exposez Pas à la Pluie. Entrezposez à l'Intérieur.	• No Use Al Aire Libre. No Exponga A La Lluvia. Guarde Bajo Techo.
			1026383



**MOVING PARTS LABEL - LOCATED ON BRUSH BASE.**

**⚠ WARNING: Moving parts. Turn off power before working on machine.**



**PINCH POINT HAZARD LABEL - LOCATED ON THE ACTUATOR MOUNTING BRACKET**

**⚠ WARNING: Actuator pinch point. Stay clear of brush head lift area.**

# OPERATION


## MACHINE COMPONENTS




1. Control Console
2. Control Console Height Adjustment Lever
3. Control Grips
4. ON/OFF Key Switch
5. Power ON/OFF Indicator Light
6. Power Cord
7. Circuit Breaker Panel
8. Speed Control Knob
9. Solution ON/OFF Switch
10. Cleaning Function Selector Switch
11. Cleaning Mode/Travel Selector Switch
12. Recovery Tank Cover
13. Recovery Tank Drain Hose
14. Solution Tank


15. Solution Tank Drain Hose
16. Solution Tank Front Fill Port
17. Solution Tank Rear Fill Port
18. Solution Tank Level Hose
19. Solution Tank Filter
20. Brush Base
21. Pick-Up Vacuum Shoe
22. Drive Wheels
23. Intake Vacuum Hose
24. Accessory Tool Solution Hose Coupler
25. Accessory Tool Vacuum Hose Connector.
26. Anti-Static Drag Chains
27. 23m (75 ft) Extension Cord
28. Belt Clip

CONTROL CONSOLE SYMBOLS


 Main Power Indicator Light


 Slow Speed


 Fast Speed

 Solution Pump


 Brush


 Vacuum


 Surface Clean Mode

 Travel Mode

 Deep Clean Mode

 Accessory Floor Tool

 Main Power 17A Circuit Breaker

 Brush Motor 2.5A Circuit Breaker

 Drive Motor 4.5A Circuit Breaker

# OPERATION

---

## MACHINE INSTALLATION

---

### UNCRATING MACHINE

1. Carefully check carton for signs of damage. Report damages at once to carrier.
2. To uncrate the machine, remove the rear and front shipping brackets that secure the machine to the pallet. Position the supplied ramp at the rear of the machine and carefully back the machine off the pallet. Make sure the brush base is in the raised position.

**ATTENTION:** Use the supplied ramp when uncrating machine to prevent machine damage.

---

## MACHINE SETUP

---

### FILLING SOLUTION TANK

1. With the brush base in the up position, push the machine to a filling site.

**FOR SAFETY:** Before leaving or servicing machine, stop on level surface, turn off machine and unplug cord from wall outlet..

**NOTE:** Check that the solution tank filter is installed before filling. The filter is located at the rear of the machine near the floor.

2. The solution tank is equipped with front and rear filling ports for your convenience (Figure 1). Fill the solution tank with 113 liters (30 gals) of clean water at 60°C (140°F) maximum temperature.



FIG. 1

**NOTE:** When filling solution tank with a bucket, make sure that the bucket is clean. Do not use the same bucket for filling and emptying the machine.

The clear hose at the rear of the machine indicates the amount of water in the solution tank (Figure 2).



FIG. 2

3. Pour a recommended cleaning detergent into the solution tank according to the mixing instructions on the bottle (Figure 3).

**NOTE:** As an alternative to mixing the cleaning detergent in the solution tank, a pump-up sprayer can be used to apply the cleaning detergent on the floor.

**FOR SAFETY:** When using machine, follow mixing and handling instructions on chemical containers.



FIG. 3

**⚠ WARNING:** Do Not Use Flammable Liquids Or Operate Machine In Or Near Flammable Liquids, Vapors Or Combustible Dusts.



## ADJUSTING CONTROL GRIP HEIGHT

The machine has five control grip height settings.

To adjust, pull the console height trigger and lift or lower the console to a comfortable operating height. Release trigger to lock position (Figure 4).



FIG. 4

## CONNECTING MACHINE TO POWER SOURCE

1. Connect the 23 m (75 ft) extension cord into the machine's pigtail cord.
2. Plug the extension cord into a grounded wall outlet (Figure 5).

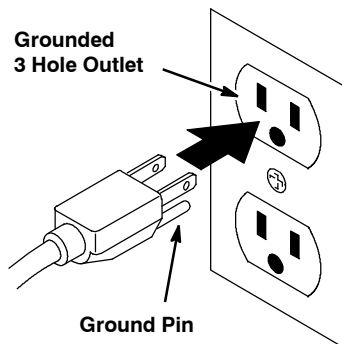


FIG. 5

**FOR SAFETY: Do not operate machine unless cord is properly grounded.**

**FOR SAFETY: Do not operate machine with the use of additional extension cords. Only use manufacturer's extension cord equipped with machine which has proper capacity and is grounded.**

3. Attach the belt clip to the power cord (Figure 6).



FIG. 6

**⚠ WARNING: Do Not Operate With Damaged Power Cord. Do Not Modify Plug. Unplug power Cord Before Servicing Machine.**

If the supply cord is damaged or broken, it must be replaced by the manufacturer or its service agent or a similarly qualified person in order to avoid a hazard.

# OPERATION

## MACHINE OPERATION

**FOR SAFETY: Do not operate machine unless operator manual is read and understood.**

### PRE- OPERATION CHECKS

1. Vacuum the floor and remove any debris.
2. Inspect the power cord for damage. Replace immediately if damaged.
3. Check that the spray bar is installed.
4. Inspect the spray tips for proper spray pattern (See MACHINE MAINTENANCE).

### OPERATING MACHINE

1. Turn the key and the solution pump switch to the ON position (Figure 7).

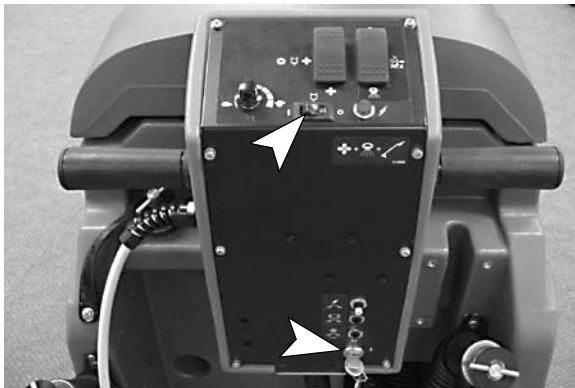


FIG. 7

2. Select the desired cleaning mode by pressing the cleaning mode/travel switch towards the Surface Clean or Deep Clean Mode symbol (Figure 8).



**SURFACE CLEAN MODE:** Use this mode for routine surface cleaning. This mode allows you to operate the machine at a cleaning pace up to 100 ft. per minute.



**DEEP CLEAN MODE:** Use this mode for restoring soiled carpets. This mode requires you to operate the machine at a slower cleaning pace up to 50 ft. per minute.



**TRAVEL MODE:** Use this mode to transport machine. This mode will automatically shut off the vacuum, solution and brush and raise the brush base to the travel position.

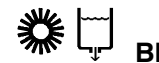


FIG. 8

3. Position the cleaning function switch to the Brush/Solution/Vacuum symbols (Figure 9). See the switch function descriptions below.



**BRUSH, SOLUTION AND VACUUM:** Use this position when surface and deep cleaning.



**BRUSH AND SOLUTION:** Use this position when double scrubbing is necessary. Double scrubbing is a cleaning method of making two or more passes over a heavily soiled area without the use of vacuum pick up. This process allows the solution to work deep into the soiled area.



**VACUUM:** Use this position when only vacuum pick up is necessary, primarily after the double scrubbing process.



FIG. 9

4. Turn the speed control knob to the slowest setting to avoid an abrupt take-off when starting to clean (Figure 10).
5. To begin cleaning, rotate the control grips completely forward and gradually turn the speed control knob to the desired cleaning speed (Figure 10). The maximum speed is preset for each cleaning mode. The Deep Clean Mode cleans at 50 ft. per minute while the Surface Clean Mode cleans at 100 ft. per minute.

**NOTE:** The brush, solution and drive will start when the control grips are rotated forward.



FIG. 10

6. To operate the machine in reverse, simply rotate the control grips backwards. The brush base will automatically lift off the floor when reversing.
7. To stop the machine, position the machine on a level surface and gradually release the control grips.
8. After cleaning, perform the Daily Maintenance procedures (See MACHINE MAINTENANCE).

## WHILE OPERATING MACHINE

**⚠ WARNING: Do Not Pick Up Flammable Materials Or Reactive Metals.**

**⚠ WARNING: Do Not Use Flammable Liquids Or Operate Machine In Or Near Flammable Liquids, Vapors Or Combustible Dusts.**

This machine is not equipped with an explosion proof motors. The electric motors will spark upon start up and during operation which could cause a flash fire or explosion if machine is used in an area where flammable vapors/liquids or combustible dusts are present.

1. Overlap each cleaning path by 50 mm (2 in).
2. Use a collapsing rectangle pattern when cleaning large rooms (Figure 11).

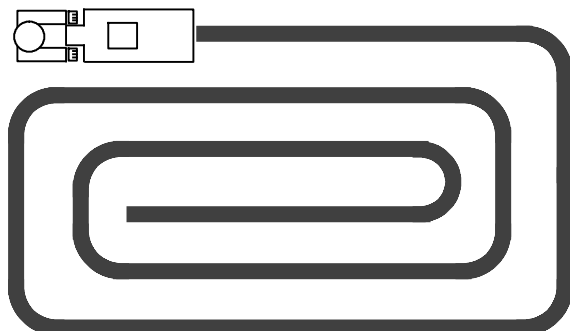


FIG. 11

3. Periodically observe the recovery tank for excessive foam buildup. Pour a recommended foam control solution into the recovery tank to breakdown foam.

**ATTENTION: Do not allow foam or water to enter float shut-off screen, vacuum motor damage will result; not covered by warranty. Foam will not activate the float shut-off screen.**

4. For excessive heavily soiled areas, use the double scrub switch function (Brush/Solution symbols).
5. If the cleaning path leaves streaks, clean or replace the spray tips (See MACHINE MAINTENANCE).
6. When cleaning on inclines, always clean moving downward, never upward. Never climb inclines that exceed 5 degrees, machine damage may occur.

**FOR SAFETY: When using machine, go slow on inclines and slippery surfaces.**

7. Observe the clear hose at the rear of the machine for remaining solution (Figure 12). The hose has 15 liter increment markings printed on it. 15 liters of solution will last approximately 4 minutes. When the solution tank runs dry, put the machine in the travel mode, turn the key off, unplug the power cord and push to the dumping site.

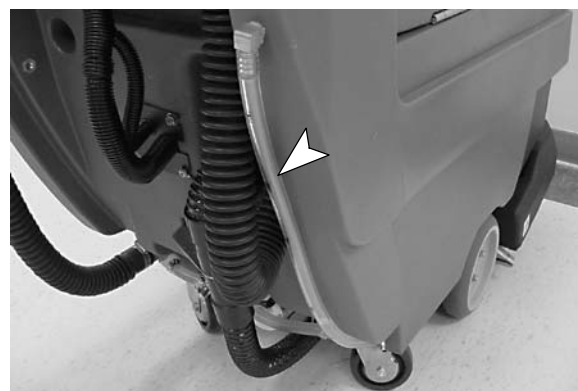


FIG. 12

8. Work away from the wall outlet and power cord to prevent cord damage.

**FOR SAFETY: When using machine, do not run machine over cord, do not pull machine by plug or cord, do not pull cord around sharp edges or corners, do not unplug by pulling on cord and do not handle plug with wet hands.**

# OPERATION

## OPERATING ACCESSORY TOOLS (OPTIONAL)

The optional accessory tools allow you to clean upholstery and areas that the machine is unable to clean, such as alcoves, stairs, corners and small rooms.

For a complete list of accessory tools see the OPTIONS section in this manual.

**NOTE:** When cleaning upholstery, always check cleaning instructions sewn in the furniture by manufacturer.

1. Turn the key to the OFF position.

**FOR SAFETY: Before leaving or servicing machine, stop on level surface, turn off machine and unplug cord from wall outlet.**

**⚠ WARNING: Do Not Use Flammable Liquids Or Operate Machine In Or Near Flammable Liquids, Vapors Or Combustible Dusts.**

2. Connect the accessory tool's solution hose to the quick disconnect coupler located at the rear of the machine (Figure 13).

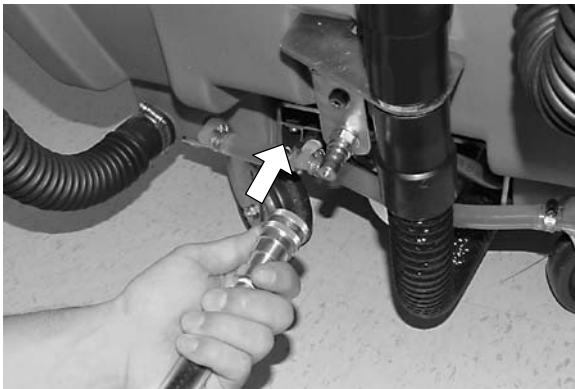


FIG. 13

3. Disconnect the lower vacuum hose from the machine and replace it with the accessory's tool vacuum hose (Figure 14).



FIG. 14

4. Turn the key to the ON position.

5. Position the cleaning function switch towards the vacuum symbol and the cleaning mode switch towards the deep clean mode symbol (Figure 15).



FIG. 15

6. Place the accessory tool on the area to be cleaned. Squeeze the trigger on the accessory tool and slowly pull the tool backwards while applying downward pressure (Figure 16). Release the trigger 6 inches from end of stroke. When returning to the next stroke, push the tool forward over the same path with trigger released. Continue this pull and push method with a 2-4 inch overlap.

**⚠ WARNING: Do Not Pick Up Flammable Materials Or Reactive Metals.**



FIG. 16

7. After cleaning, relieve the water pressure from the accessory tool before disconnecting the solution hose. Squeeze trigger for five seconds after turning the key off.

## MACHINE CIRCUIT BREAKERS

The machine is equipped with three resettable circuit breakers to protect the machine from damage. If a circuit breaker should trip during operation, determine cause, allow motor to cool and then manually reset the breaker button. The circuit breaker panel is located at rear of machine (Figure 17).

- 17A Main Power Circuit Breaker
- 4.5A Drive Motor Circuit Breaker
- 2.5A Brush Motor Circuit Breaker

The vacuum motor is protected by an internal thermal switch. When the thermal switch detects excessive heat, the motor will automatically shut off. After the motor cools down, the switch will reset. If the thermal switch should trip, turn off the main power switch, unplug the power cord and inspect the machine for air-flow obstructions.



FIG. 17

## DRAINING TANKS

Drain the recovery tank:

- After each use.
- When refilling solution tank.
- When the solution tank runs dry.
- When the float shut-off screen, located inside recovery tank, is activated.

1. Push the machine to the draining site.

**FOR SAFETY: Before leaving or servicing machine, stop on level surface, turn off machine and unplug cord from wall outlet.**

2. Remove the drain hose from the hose hook and position over drain site. Turn the knob on the hose plug counter-clockwise and pull plug to drain. The recovery tank drain hose is located on the right side and the solution tank drain hose is on the left side (Figure 18).

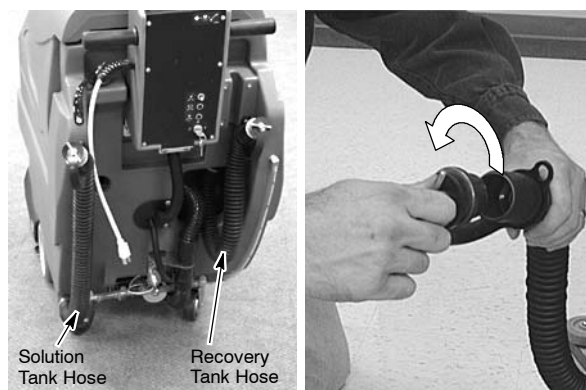


FIG. 18

3. Flush out the recovery tank and the intake opening with clean water (Figure 19).

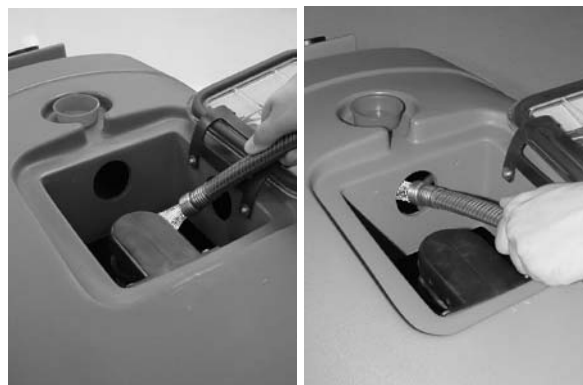


FIG. 19

4. Replace the drain hose plug(s) securely after draining and return hose(s) to hook.

# OPERATION

## MACHINE MAINTENANCE

To keep machine in good working condition, simply follow daily, weekly and monthly maintenance procedures.

**FOR SAFETY: Before leaving or servicing machine, stop on level surface, turn off machine and unplug cord from wall outlet.**

**ATTENTION: Contact an Authorized Service Center for machine repairs. Machine repairs performed by other than an authorized person will void your warranty.**

### DAILY MAINTENANCE (Every 4 Hours of Use)

1. Inspect the cord grip and power cord for damage (Figure 20). Replace immediately if damaged.



FIG. 20

**⚠ WARNING: Do Not Operate With Damaged Power Cord. Do Not Modify Plug. Unplug power Cord Before Servicing Machine.**

If the supply cord is damaged or broken, it must be replaced by the manufacturer or it's service agent or a similarly qualified person in order to avoid a hazard.

2. Drain the recovery tank and rinse it out thoroughly (Figure 21).



FIG. 21

3. Remove the recovery tank plug and flush out the recovery intake opening with water (Figure 22).



FIG. 22

4. Remove and rinse off the float shut-off screen located in recovery tank (Figure 23).



FIG. 23

5. Remove any entangled carpet fibers and debris from the brush base (Figure 24).



FIG. 24

- Remove any debris lodged in the pickup vacuum shoe (Figure 25).



FIG. 25

- Clean the machine housing with an all purpose cleaner and damp cloth.

**ATTENTION: Do not power spray or hose off machine. Electrical component damage due to water is not covered by warranty.**

## WEEKLY MAINTENANCE (Every 20 Hours of Use)

- Inspect the spray tips for proper spray pattern.  
To inspect spray pattern:
  - Remove the shroud above the brush base and lower the brush base to the floor.
  - Remove the spray bar from the brush base. Do not disconnect the spray bar from the quick-disconnect coupler.
  - Plug the power cord into wall outlet and turn the key to the ON position.
  - Set the machine in the Deep Clean Mode and turn the speed control knob to the lowest setting.
  - While holding the spray bar with spray tips pointing downward, briefly turn the control grips forward. Observe the spray pattern for any blockage (Figure 26).
  - Clean or replace defective spray tips (See MONTHLY MAINTENANCE).



FIG. 26

- Remove the solution tank filter from underneath the machine and clean the screen. Make sure the solution tank is empty before removing filter (Figure 27).

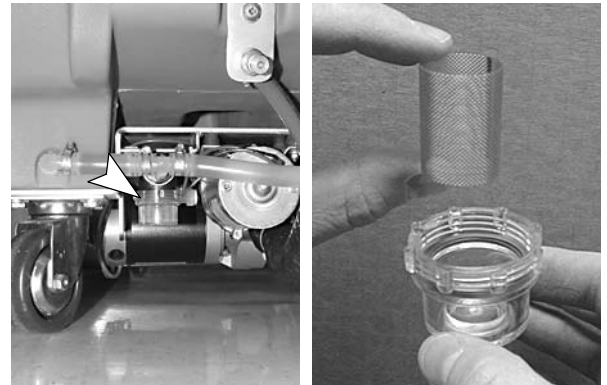


FIG. 27

## MONTHLY MAINTENANCE (Every 80 Hours of Use)

- Flush the pump system with an acetic acid solution to dissolve normal alkaline chemical buildup. Follow procedure below:
  - Position the machine over a floor drain.
  - Pour 11 liters (3 gal) of hot water into the solution tank, do not exceed 60°C (140°F). Pour 750 ml (24oz.) of an acetic acid into the solution tank.

**FOR SAFETY: When using machine, follow mixing and handling instructions on chemical containers.**

- Operate the machine in the Deep Clean Mode for 30 seconds. To keep the machine from propelling forward, raise the brush base and place a 16 inch 2x4 board centered under the pickup vacuum shoe. Then lower the brush base in order to lift the drive wheels off the floor (Figure 28).



FIG. 28

- After operating the machine for 30 seconds, shut off the power and let the machine set overnight to allow the acetic acid solution to breakdown the alkaline buildup.

## OPERATION

- e. Next day, disperse the remaining acetic acid solution and rinse the solution system with 11 liters (3 gal) of clean water.
2. Disconnect the spray bar and twist out the six quick-release spray tips. Soak the spray tips in an acetic acid solution for up to six hours. Do not use pointed objects to unplug tips, damage will occur (Figure 29).

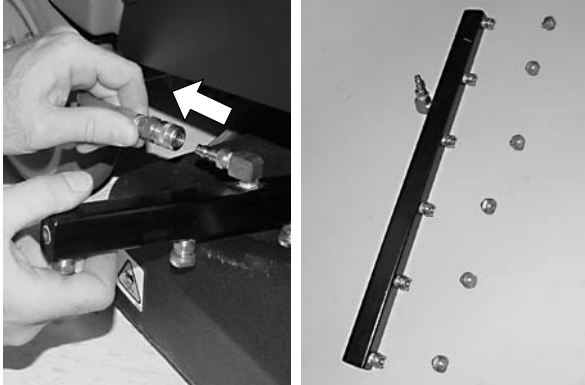


FIG. 29

3. Lubricate the caster grease fittings with a water resistant grease (Figure 30).

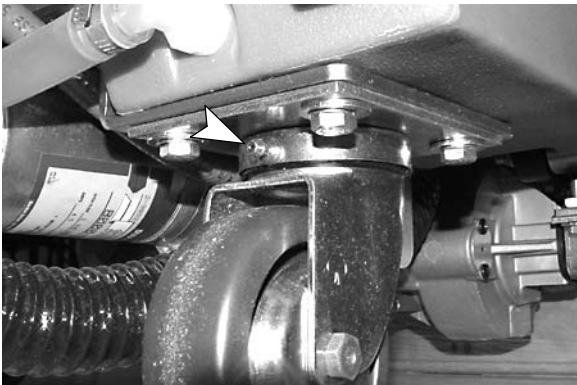


FIG. 30

4. Lubricate all pivot points and rollers with silicone spray then coat with a water resistant grease to maintain smooth operation.
5. Check the machine for water leaks and loose nuts and bolts.

### QUARTERLY MAINTENANCE (Every 250 Hours of Use)

Check the drive transaxle, vacuum and brush motors for carbon brush wear, replace brushes when worn to a length of 10 mm (0.38 in) or less.

Contact an Authorized Service Center for carbon brush inspection.

**FOR SAFETY: When servicing machine, all repairs must be performed by a qualified service person.**

## ADJUSTING THE BRUSH HEIGHT

The brush height is factory set to accommodate commercial grade loop pile carpets. When operating machine on taller carpet piles, the brush height must be adjusted accordingly. If the brush height is not properly adjusted, the brush circuit breaker may trip.

1. Park the machine on a level surface. Lower the brush base, turn the key off and unplug the cord.

**FOR SAFETY: Before leaving or servicing machine, stop on level surface, turn off machine and unplug cord from wall outlet.**

2. Remove the metal shroud above the brush base to access the two adjustment knobs (Figure 31).



FIG. 31

3. Using a 7/16" wrench, loosen the top and bottom jam nuts on the two adjustment knobs, 2 nuts per knob (Figure 32).

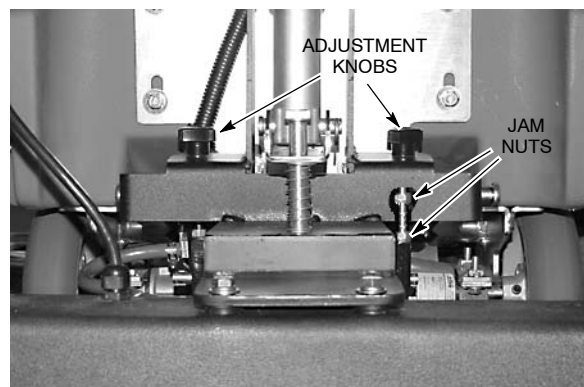


FIG. 32

4. Turn the adjustment knobs counter-clockwise to raise brush and clockwise to lower. Make sure to turn both knobs EQUALLY in order to keep brush parallel to the floor. One full turn of the knob will move the brush 1.5mm (1/16"). Retighten the top and bottom jam nuts after adjustment is made and replace the metal shroud.



- To adjust the brush height back to the original factory set height, place the machine on a hard floor surface and lower the brush base to the floor. Following the adjustment procedure, adjust the brush height so that the brush bristles just touch the floor then turn both knobs 3 full turns counter-clockwise (Figure 33).

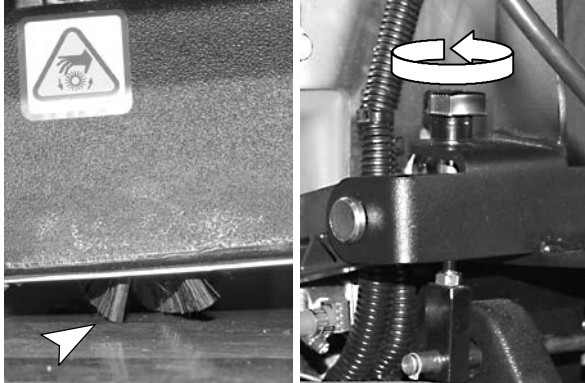


FIG. 33

## MACHINE JACKING

Use the designated locations under the solution tank for jacking up the machine. Use a piece of wood to distribute the machine weight load (Figure 34).

Stop the machine on a flat level surface and block machine tires before jacking up the machine.



FIG. 34

**FOR SAFETY: When servicing machine, block machine tires before jacking machine up.**

**FOR SAFETY: When servicing machine, jack machine up at designated locations only. Block machine up with jack stands.**

## TRANSPORTING MACHINE

When transporting the machine by use of trailer or truck, be certain to follow tie-down procedures below:

**FOR SAFETY: When using machine, go slow on inclines and slippery surfaces.**

- Set the machine in the Travel Mode.
- Load the machine using a recommended loading ramp.
- Position the front of the machine up against the front of the trailer or truck. Once machine is positioned, lower the brush base and turn off key.
- Place a block behind each drive wheel to prevent machine from rolling.
- Place tie-down straps over the top of the machine to prevent it from tipping. It may be necessary to install tie-down brackets to the floor of your trailer or truck.

**FOR SAFETY: When transporting machine, use a recommended ramp when loading/unloading into/off truck or trailer, use tie-down straps to secure machine to truck or trailer.**

## STORING MACHINE

- Drain and rinse tanks thoroughly.
- Store the machine in a dry area with the brush base in the raised position.
- Remove the recovery tank cover to promote air circulation.

**ATTENTION: If storing the machine in freezing temperatures, be certain to drain tanks, purge pump and remove the solution tank filter located under the machine at rear. Damage due to freezing temperatures is not covered by warranty.**

**⚠ WARNING: Do Not Use Outdoors. Do Not Expose To Rain. Store Indoors.**

# OPERATION

## TROUBLESHOOTING

PROBLEM	CAUSE	SOLUTION
Machine will not operate.	Faulty key switch.	Contact Service Center.
	Power cord disconnected.	Connect power cord.
	Faulty power cord.	Replace power cord immediately.
	MAIN circuit breaker has tripped.	Determine cause and reset breaker.
	Building circuit breaker has tripped.	Determine cause and reset circuit breaker in building.
Brush motor will not operate.	Brush circuit breaker has tripped.	Check for obstruction in brush and reset the brush circuit breaker button.
		Adjust the brush height and reset brush circuit breaker button.
	Faulty cleaning function switch.	Contact Service Center.
	Control grips not rotated.	Rotate grips forward.
	Faulty brush motor or wiring.	Contact Service Center.
	Loose or broken belt.	Contact Service Center.
	Worn carbon brushes.	Contact Service Center.
Vacuum motor will not operate.	Faulty cleaning function switch.	Contact Service Center.
	Brush base is raised off floor.	Lower brush base.
	Vacuum motor internal thermal switch activated.	Determine cause and wait for motor to cool down.
	Faulty vacuum motor or wiring.	Contact Service Center.
	Worn carbon brushes.	Contact Service Center.
Drive motor does not operate.	Drive motor circuit breaker has tripped.	Determine cause and reset breaker button.
	Faulty speed control board or connection.	Contact Service Center.
	Faulty drive motor.	Contact Service Center.
	Faulty wiring.	Contact Service Center.
	Worn carbon brushes.	Contact Service Center.
Drive motor operates, but not correctly.	Faulty potentiometer or speed control board.	Contact Service Center.
	Loose wire connection.	Contact Service Center.
Uneven or no solution spray.	Solution switch is not activated.	Turn solution switch on.
	Spray tips are plugged.	Remove and clean.
	Solution tank is empty.	Fill solution tank.
	Clogged solution line or solution tank filter.	Remove hose and blow compressed air through it. Flush solution tank after each use.
	Solution tank filter is plugged. Filter is located under machine at rear.	Drain solution tank, remove filter and clean.
	Faulty pump switch.	Contact Service Center.
	Faulty pump or solenoid.	Contact Service Center.

**TROUBLESHOOTING - Continued**

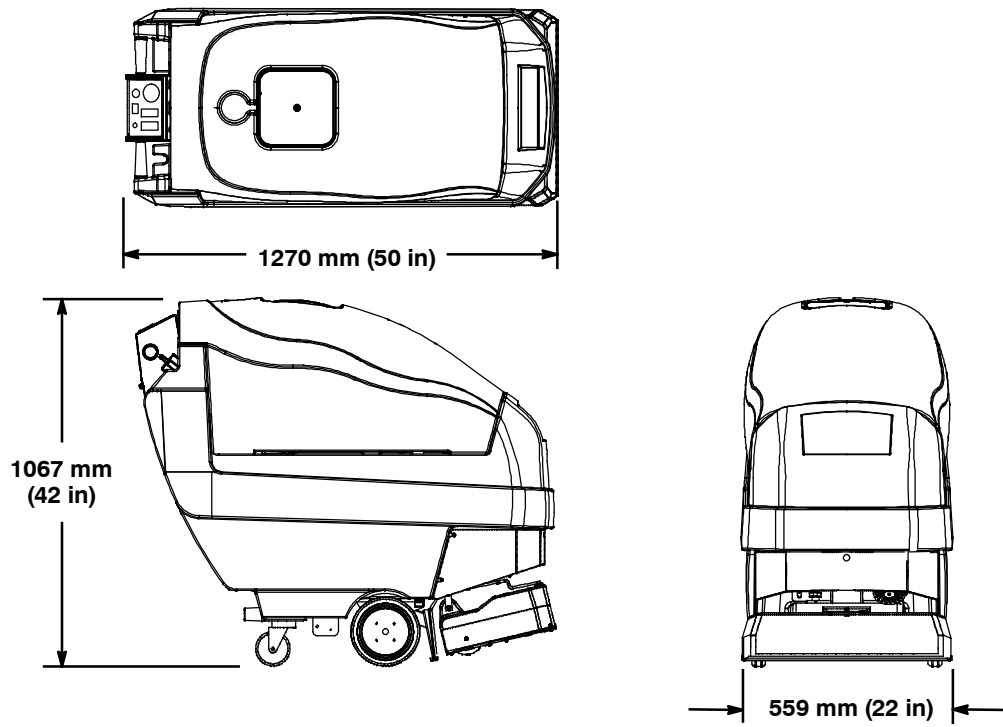
<b>PROBLEM</b>	<b>CAUSE</b>	<b>SOLUTION</b>
Poor vacuum recovery.	Recovery tank is full.	Empty recovery tank.
	Float Shut-off screen inside recovery tank is clogged.	Remove screen and clean.
	Pickup vacuum shoe is clogged with debris.	Clean pickup vacuum shoe.
	Loose drain hose plug.	Tighten plug.
	Vacuum hose connections are loose or hose has a hole.	Push hose cuffs firmly on connections. Replace hose if damaged.
	Clogged vacuum hose.	Remove clogged debris.
	Recovery tank inlet hole is obstructed.	Empty recovery tank and tilt tank sideways to access inlet hole, remove obstruction.
	Recovery tank cover is not in place.	Properly position lid.
	Worn tank cover gasket.	Replace gasket.
	Loose vacuum motor.	Contact Service Center.
Faulty actuator.	Contact Service Center.	

**SPECIFICATIONS**

<b>MODEL</b>	<b>1530</b>
LENGTH	1270 mm (50 in)
WIDTH	559 mm (22 in)
HEIGHT	1067 mm (42 in)
WEIGHT	180 Kg (395 lb)
RECOVERY TANK CAPACITY	80 L (21 Gal)
SOLUTION TANK CAPACITY	113.6 L (30 Gal)
MAXIMUM CLEANING RATE	Surface Clean Mode: 1022 m <sup>2</sup> (11,000 sq ft) per hour Deep Clean Mode: 511 m <sup>2</sup> per hour (5,500 sq ft)
MAXIMUM SPEED	Surface Clean Mode: 30 m (100 ft) per minute Deep Clean Mode: 15 m (50 ft) per minute Travel Mode: 45 m (150 ft) per minute
CLEANING PATH WIDTH	483 mm (19 in)
DRIVE SYSTEM	120V Transaxle, .19 kw (.25 hp)
MAXIMUM RATED CLIMB	5° with full tanks / 9° with empty tanks
BRUSH MOTOR	120V, .25 h.p., 1800 rpm, 2800 brush rpm, 1.5 A, 186W
VACUUM MOTOR	120V, 1.63 h.p., 3- stage 5.7 in, 10A. 1200W
WATER LIFT / AIR FLOW	2972 mm (117 in) / 99cfm (2.80m <sup>3</sup> ) per minute
PUMP	120V, 6.9 bar (100 psi), 3.8 L (1 gal.) per minute.
TOTAL POWER CONSUMPTION	120V, 14 Amps
POWER CORD LENGTH	23 m (75 ft)
DECIBEL RATING AT OPERATOR'S EAR, INDOORS ON CARPET	72 dB(A)

Specifications are subject to change without notice.

## MACHINE DIMENSIONS



Este manual se incluye en todos los modelos nuevos. Proporciona la información necesaria para su utilización y mantenimiento.



**Lea todo el manual detenidamente para comprender el funcionamiento de la máquina antes de utilizarla o revisarla.**

Use la Lista de Piezas incluida en este manual al ordenar piezas de repuesto. Antes de ordenar piezas o suministros, asegúrese de tener el número de modelo y el número de serie de su máquina. Las piezas y los suministros pueden ordenarse por teléfono o por correo de cualquier centro autorizado de piezas y servicios, distribuidor de piezas o de cualquier subsidiaria del fabricante.

Esta máquina proporcionará un servicio excelente. Sin embargo, los mejores resultados se obtienen a un costo mínimo si:

- La máquina se opera con un cuidado razonable.
- La máquina se mantiene con regularidad, según las instrucciones de mantenimiento provistas.
- La máquina se mantiene con las piezas provistas por el fabricante o equivalentes.

## DATOS DE LA MÁQUINA

Por favor complete al momento de la instalación para referencia futura.

No. de Modelo- \_\_\_\_\_

Fecha de instalación - \_\_\_\_\_

No. de Serie- \_\_\_\_\_

### PROTECCIÓN DEL MEDIO AMBIENTE



Deseche el material de embalaje, los componentes usados de la máquina como las baterías y los líquidos peligrosos como el anticongelante y el aceite, de forma segura para el medio ambiente, de acuerdo con las normativas o disposiciones locales.



No olvide reciclar.

# OPERACIÓN

---

## INDICE

---

<b>PRECAUCIONES DE SEGURIDAD</b> .....	<b>24</b>	<b>TRANSPORTE DE LA MAQUINA</b> .....	<b>39</b>
INSTRUCCIONES DE CONEXION		<b>ALMACENAJE DE LA MAQUINA</b> .....	<b>39</b>
A TIERRA .....	25	<b>ARTICULOS RECOMENDADOS A TENER EN</b>	
<b>ETIQUETAS DE ADVERTENCIA</b> .....	<b>26</b>	<b>EXISTENCIA</b> .....	<b>39</b>
<b>COMPONENTES DE LA MAQUINA</b> .....	<b>27</b>	<b>LOCALIZACION DE FALLAS</b> .....	<b>40</b>
<b>SIMBOLOS DE LA CONSOLA DE CONTROL</b> .	<b>28</b>	<b>ESPECIFICACIONES</b> .....	<b>42</b>
<b>INSTALACION DE LA MAQUINA</b> .....	<b>29</b>	<b>DIMENSIONES DE LA MAQUINA</b> .....	<b>63</b>
DESEMPAQUE DE LA MAQUINA .....	29	<b>DIAGRAMAS ELECTRICAS</b> .....	<b>64</b>
<b>PREPARACION DE LA MAQUINA</b> .....	<b>29</b>	<b>ARTICULOS RECOMENDADOS A TENER EN</b>	
LLENADO DEL TANQUE DE SOLUCIÓN ...	29	<b>EXISTENCIA</b> .....	<b>66</b>
AJUSTE DE LA ALTURA DE		<b>LISTA DE PIEZAS</b> .....	<b>68</b>
LA EMPUÑADURA DE CONTROL .....	30	<b>OPCIONES</b> .....	<b>87</b>
CONEXION DE LA MAQUINA A UNA			
FUENTE DE POTENCIA .....	30		
<b>OPERACION DE LA MAQUINA</b> .....	<b>30</b>		
INSPECCIONES DE PREOPERACIÓN ....	30		
OPERACION DE LA MAQUINA .....	30		
AL OPERAR LA MÁQUINA .....	32		
OPERACION DE LAS HERRAMIENTAS DE			
ACCESORIOS (OPCIONAL) .....	33		
INTERRUPTORES DE CIRCUITO DE LA			
MAQUINA .....	34		
<b>TANQUES DE DRENAJE</b> .....	<b>34</b>		
<b>MANTENIMIENTO DE LA MAQUINA</b> .....	<b>34</b>		
MANTENIMIENTO DIARIO .....	35		
MANTENIMIENTO SEMANAL .....	36		
MANTENIMIENTO MENSUAL .....	36		
MANTENIMIENTO TRIMESTRAL .....	37		
<b>AJUSTE DE LA ALTURA DEL CEPILLO</b> .....	<b>37</b>		
<b>ELEVACION DE LA MAQUINA</b> .....	<b>38</b>		

---

## PRECAUCIONES DE SEGURIDAD

---

Esta máquina está diseñada para el uso comercial. Se ha diseñado exclusivamente para limpiar alfombras y tapizados en un ambiente interior y no se fabrica para ningún otro uso. Use sólo herramientas de accesorios recomendados y limpiadores de alfombras comercialmente disponibles formulados para la aplicación de la máquina.

Todos los operadores deben leer, entender y practicar las precauciones siguientes de seguridad.

El siguiente símbolo de alerta de advertencia y el encabezamiento de "PARA SEGURIDAD" se usan en este manual como se indica en su descripción:

**⚠ ADVERTENCIA:** Para advertir de riesgos o prácticas inseguras que podrían resultar en lesiones personales graves o la muerte.

**PARA SEGURIDAD:** Para identificar acciones que deben seguirse para el funcionamiento seguro del equipo.

---

El no seguir estas advertencias puede resultar en: lesiones personales, electrocución, choque eléctrico, fuego o explosión.

**⚠ ADVERTENCIA:** No use líquidos inflamables ni opere la máquina en o cerca de líquidos y vapores inflamables o polvos combustibles.

Esta máquina no está equipada con motores a prueba de explosión. Los motores eléctricos emiten chispas al arrancar y durante el funcionamiento lo que podría causar un fuego explosivo o explosión si la máquina se usa en una área donde están presentes vapores/líquidos inflamables o polvos combustibles.

**⚠ ADVERTENCIA:** No aspire materiales inflamables o metales reactivos.

**⚠ ADVERTENCIA:** No opere con un cordón de potencia dañado. No modifique el enchufe. Desenchufe el cordón de potencia antes de prestar servicio a la máquina.

Si el cordón de potencia está dañado o roto, debe ser reemplazado por el fabricante o su agente de servicio o una persona igualmente calificada para evitar riesgos.

**⚠ ADVERTENCIA:** No use al aire libre. No exponga a la lluvia. Almacene en un recinto cerrado.

**⚠ ADVERTENCIA:** Piezas móviles. Apague antes de trabajar en la máquina.

**⚠ ADVERTENCIA:** Punto de presión del actuador. Manténgase alejado del área elevadora del cabezal.

---

La información siguiente señala condiciones potencialmente peligrosas para el operador o el equipo:

### PARA SEGURIDAD:

1. No opere la máquina:
  - Con líquidos inflamables o cerca de los vapores inflamables ya que puede ocurrir una explosión o fuego explosivo.
  - A menos que esté capacitado y autorizado.
  - A menos que se haya leído y entendido el manual del funcionamiento.
  - A menos que el cordón esté bien conectado a tierra.
  - Con un cordón o enchufe dañado.
  - Si no está en buen estado de operación.
  - En áreas al aire libre.
  - En agua estancada.
  - Con el uso de cordones adicionales de extensión. Use sólo el cordón de extensión del fabricante equipado con la máquina que tenga una capacidad apropiada y esté conectado a tierra.
2. Antes de arrancar la máquina:
  - Asegúrese que todos los dispositivos de seguridad están en su lugar y operando apropiadamente.
3. Al usar máquina:
  - No pase la máquina sobre el cordón.
  - No tire de la máquina por el enchufe o el cordón.
  - No tire del cordón sobre bordes o esquinas aguzados.
  - No desenchufe tirando del cordón.
  - No estire el cordón.
  - No maneje el enchufe con las manos mojadas.
  - Mantenga el cordón alejado de superficies calientes.
  - Avance lentamente en las cuestas y superficies resbaladizas.
  - Sea precavido al retroceder la máquina.

# OPERACIÓN

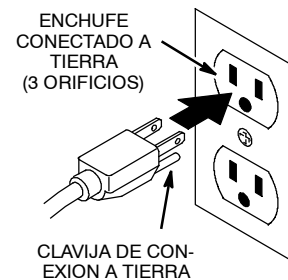
---

- Informe inmediatamente acerca de daños o una operación defectuosa de la máquina.
  - Nunca permita que los niños jueguen en o alrededor de la máquina.
  - Siga las instrucciones de mezcla y manejo indicados en los recipientes químicos.
4. Antes de salir de o reparar la máquina:
- Deténgala en una superficie nivelada.
  - Apague la máquina.
  - Desenchufe el cordón del tomacorrientes de pared.
5. Al prestar servicio a la máquina:
- Desenchufe el cordón del tomacorrientes de pared.
  - Evite las piezas móviles. No use chaquetas, camisas, o mangas, holgadas.
  - Bloquee las ruedas de la máquina antes de alzar.
  - Eleve la máquina en ubicaciones designadas solamente. Bloquee la máquina con los soportes del jack.
  - Use piezas de repuesto provistas o aprobadas por el fabricante.
  - Todas las reparaciones deben ser realizadas por una persona de servicio calificada.
  - No modifique la máquina de su diseño original.
6. Al transportar máquina:
- Apague la máquina.
  - Obtenga ayuda al alzar la máquina.
  - Desenchufe el cordón del tomacorrientes de pared.
  - Use una rampa recomendada al cargar/descargar al/ fuera del camión o remolque .
  - Use correas de amarre para asegurar la máquina al camión o remolque.

---

## INSTRUCCIONES DE CONEXION A TIERRA

La máquina debe conectarse a tierra. En caso de mal funcionamiento o avería, la conexión a tierra proporciona un recorrido de menor resistencia a la corriente eléctrica para reducir el riesgo de choque eléctrico. Esta máquina está equipada con un cordón que tiene un conductor de conexión a tierra del equipo y un enchufe de conexión a tierra. El enchufe debe enchufarse a un tomacorrientes apropiado que esté bien instalado de acuerdo con todos los códigos y ordenanzas locales. No extraiga la clavija de conexión a tierra, si falta reemplace el enchufe antes de usar.



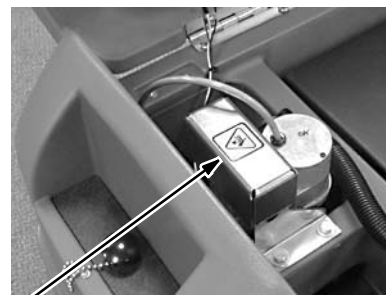


## ETIQUETAS DE ADVERTENCIA

Las etiquetas de advertencia aparecen en la máquina en las ubicaciones indicadas. Reemplace las etiquetas si se dañan o son ilegibles.

**ETIQUETA DE ADVERTENCIA - LOCALIZADA EN LA CUBIERTA DEL TANQUE DE RECUPERACION.**

 <b>WARNING</b>	 <b>AVERTISSEMENT</b>	 <b>ADVERTENCIA</b>
<b>EXPLOSION, FIRE AND SHOCK HAZARD. AVOID INJURY.</b> <ul style="list-style-type: none"> <li>Do Not Use or Pick Up Flammable Materials.</li> <li>Do Not Use Near Flammable Liquids, Vapors or Combustible Dusts.</li> <li>Do Not Operate With Damaged Power Cord. Do Not Modify Plug. Unplug Power Cord Before Servicing Machine.</li> <li>Do Not Use Outdoors. Do Not Expose to Rain. Store Indoors.</li> </ul>	<b>RISQUE D'EXPLOSION, D'INCENDIE ET DE DÉCHARGE. ÉVITEZ LES BLESSURES.</b> <ul style="list-style-type: none"> <li>N'utilisez Pas ou Ne Ramassez Pas de Matériaux Inflammables.</li> <li>N'utilisez Pas Près de Liquides, Vapeurs ou Poussières Inflammables.</li> <li>N'utilisez Pas la Machine Avec un Cordon d'Alimentation Endommagé. Ne Modifiez Pas la Prise. Débranchez le Cordon d'Alimentation Avant d'Entrettenir la Machine.</li> <li>N'utilisez Pas en Extérieur. N'Exposez Pas à la Pluie. Entrezposez à l'Intérieur.</li> </ul>	<b>PELIGRO DE EXPLOSIÓN, FUEGO, DESCARGA EVITE LESIONES.</b> <ul style="list-style-type: none"> <li>No Use Ó Recoja Materiales Flamables.</li> <li>No Use Cerca De Líquidos Flamables, Vapores Ó Materiales Combustibles.</li> <li>No Use Con Cable De Corriente Dañado. No Altere El Enchufe. Desconecte Cable De Corriente Antes Del Mantenimiento.</li> <li>No Use Al Aire Libre. No Exponga A La Lluvia. Guarde Bajo Techo.</li> </ul>



**ETIQUETA DE PIEZAS MOVILES - UBICADA EN LA BASE DEL CEPILLO.**

**ADVERTENCIA: Piezas móviles. Apague la electricidad antes de trabajar en máquina.**



**ETIQUETA DE RIESGO DE PUNTO DE PRESION - UBICADA EN EL SOPORTE DE MONTAJE DEL ACTUADOR**

**ADVERTENCIA: Punto de presión del actuador. Manténgase alejado del área elevadora del cabezal.**








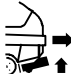





# OPERACIÓN

## COMPONENTES DE LA MAQUINA



1. Consola de control
2. Palanca de ajuste de altura de la consola de control
3. Empuñaduras de control
4. Conmutador de llave ON/OFF
5. Luz indicadora de energía ON/OFF
6. Cordón de potencia
7. Panel del interruptor de circuito
8. Perilla de control de velocidad
9. Conmutador ON/OFF de la solución
10. Conmutador selector de la función de limpieza
11. Conmutador de modo de limpieza/Selector de recorrido
12. Cubierta del tanque de recuperación
13. Manguera de drenaje del tanque de recuperación
14. Tanque de solución
15. Manguera de drenaje del tanque de solución
16. Orificio delantero de llenado del tanque de solución
17. Orificio posterior de llenado del tanque de solución
18. Manguera de nivel del tanque de solución
19. Filtro del tanque de solución
20. Base del cepillo
21. Zapata de vacío de aspiración
22. Ruedas impulsoras
23. Manguera de toma de aspiración
24. Acople de la manguera de solución de la herramienta de accesorio
25. Conector de la manguera de vacío de la herramienta de accesorio.
26. Cadenas de arrastre antiestáticas
27. Cordón de extensión de 23m (75 pies)
28. Broche de cinturón

## SIMBOLOS DE LA CONSOLA DE CONTROL

	Luz indicadora de la potencia principal		Vacío		Herramienta de piso de accesorio
	Velocidad lenta		Modo de limpieza de superficie		Interruptor de circuito de 17A de la potencia principal
	Velocidad rápida		Modo de recorrido		Interruptor de circuito de 2.5A del motor del cepillo
	Bomba de solución		Modo de limpieza profunda		Interruptor de circuito de 4.5A del motor propulsor
	Cepillo				

# OPERACIÓN

## INSTALACION DE LA MAQUINA

### DESEMPAQUE DE LA MAQUINA

1. Inspeccione cuidadosamente la caja por señales de daño. Informe inmediatamente al transportista en caso de daños.
2. Para desempacar la máquina, extraiga los soportes delantero y posterior de transporte que aseguran la máquina a la tarima. Coloque en posición la rampa provista en la parte posterior de la máquina y haga retroceder la máquina cuidadosamente fuera de la tarima. Asegúrese que la base del cepillo esté en la posición elevada.

**ATENCIÓN:** Use la rampa provista al desempacar la máquina para evitar daños a la máquina.

### PREPARACION DE LA MAQUINA

#### LLENADO DEL TANQUE DE SOLUCIÓN

1. Con la base del cepillo en la posición elevada, empuje la máquina a un sitio de llenado.

**PARA SEGURIDAD:** Antes de salir de o prestar servicio a la máquina, deténgase en una superficie nivelada, apague la máquina y desenchufe el cordón del tomacorrientes de la pared.

**NOTA:** Inspeccione que antes de llenar está instalado el filtro del tanque de solución. El filtro está ubicado en la parte posterior de la máquina cerca del piso.

2. El tanque de solución está equipado con orificios delanteros y posteriores de llenado para su conveniencia (Figura 1). Llene el tanque de solución con 113 litros (30 gal.) de agua limpia a 60° C (140° F) a temperatura máxima.

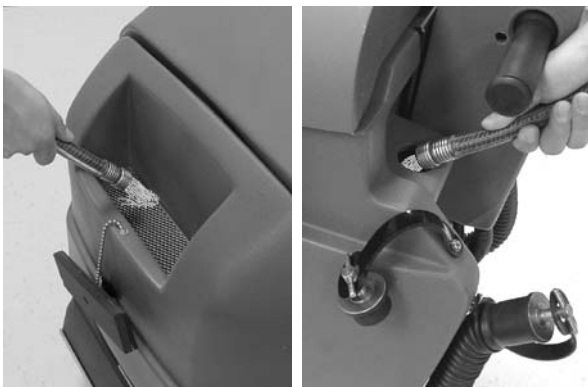


FIG. 1

**NOTA:** Al llenar el tanque de solución con un balde, asegúrese que el balde esté limpio. No use el mismo balde para llenar y vaciar la máquina.

La manguera transparente en la parte posterior de la máquina indica la cantidad de agua en el tanque de solución (Figura 2).



FIG. 2

3. Vierta un detergente limpiador recomendado dentro del tanque de solución de acuerdo con las instrucciones de mezcla en la botella (Figura 3).

**NOTA:** Como alternativa a mezclar el detergente limpiador en el tanque de solución, puede usarse un rociador de bomba para aplicar el detergente limpiador al piso.

**POR SEGURIDAD:** Al usar la máquina, siga las instrucciones de mezcla y manejo en los envases de la materia química.



FIG. 3

**⚠ ADVERTENCIA:** No use líquidos inflamables ni opere la máquina en o cerca de líquidos/vapores inflamables, o polvos combustibles.

## AJUSTE DE LA ALTURA DE LA EMPUÑADURA DE CONTROL

La máquina tiene cinco configuraciones de la altura de la empuñadura de control.

Para ajustar, oprima el gatillo de altura de la consola y eleve o baje la consola a una altura cómoda de operación. Suelte el gatillo para calzar en posición (Figura 4).



FIG. 4

## CONEXION DE LA MAQUINA A UNA FUENTE DE POTENCIA

1. Conecte el cordón de extensión de 23 m (75 pies) al cordón trenzado de la máquina.
2. Enchufe el cordón de extensión a un tomacorrientes de pared conectado a tierra (Figura 5).

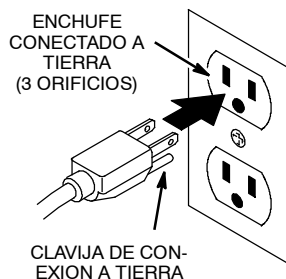


FIG. 5

**PARA SEGURIDAD:** No opere la máquina a menos que el cordón esté bien conectado a tierra.

**PARA SEGURIDAD:** No opere la máquina con el uso de cordones adicionales de extensión. Use sólo el cordón de extensión del fabricante equipado con la máquina que tenga una capacidad apropiada y esté conectado a tierra.

3. Sujete el broche del cinturón al cordón de potencia (Figura 6).



FIG. 6

**⚠ ADVERTENCIA:** No opere con un cordón de potencia dañado. No modifique el enchufe. Desenchufe el cordón de potencia antes de prestar servicio a la máquina.

Si el cordón de potencia está dañado o roto, debe ser reemplazado por el fabricante o su agente de servicio o una persona igualmente calificada para evitar riesgos.

## OPERACION DE LA MAQUINA

**PARA SEGURIDAD:** No opere la máquina a menos que haya leído y entendido el Manual del Operador.

### INSPECCIONES DE PREOPERACIÓN

1. Aspire el piso y extraiga los desechos.
2. Inspeccione el cordón de potencia por daños. Reemplace inmediatamente si está dañado.
3. Inspeccione que esté instalada la barra rociadora.
4. Inspeccione las puntas rociadoras por un patrón apropiado de rociado (Vea MANTENIMIENTO DE LA MAQUINA).

### OPERACION DE LA MAQUINA

1. Gire la llave y el conmutador de la bomba de solución a la posición ON (Figura 7).

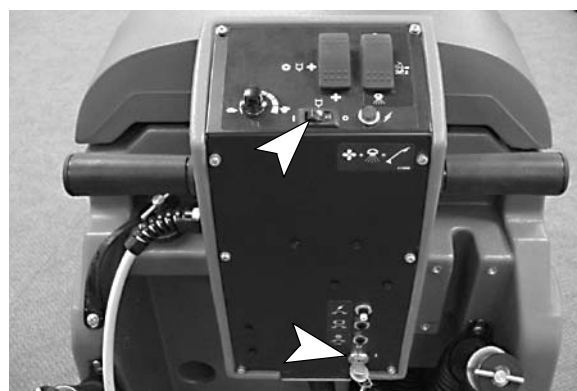


FIG. 7

# OPERACIÓN

2. Seleccione el modo deseado de limpieza oprimiendo el conmutador de modo de limpieza/recorrido hacia el símbolo de Surface Clean o Deep Clean Mode (Figura 8).



### MODO DE LIMPIEZA DE SUPERFICIE:

Use este modo para limpieza de rutina de superficie. Este modo le permite operar a un paso de limpieza de hasta 100 pies por minuto.



### MODO DE LIMPIEZA PROFUNDA:

Use este modo para restaurar las alfombras sucias. Este modo requiere que usted opere la máquina a un paso más lento de limpieza de hasta 50 pies por minuto.



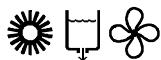
### MODO DE RECORRIDO:

Use este modo para transportar la máquina. Este modo corta automáticamente el vacío, la solución y el cepillo y eleva la base del cepillo a la posición de recorrido



FIG. 8

3. Coloque el conmutador de la función de limpieza en los símbolos de Brush/Solution/Vacuum (Figura 9). Vea abajo las descripciones de la función del conmutador.



### CEPILLO, SOLUCION Y VACIO:

Use esta posición en la limpieza de superficie y profundidad.



### CEPILLO Y SOLUCION:

Use esta posición cuando es necesaria una frotación doble. La frotación doble es un método de limpieza de efectuar dos o más pases sobre un área muy sucia sin usar aspiración. Este proceso permite que la solución penetre profundamente en el área sucia.



**VACIO:** Use esta posición cuando sólo se requiere aspirar, principalmente después del proceso de frotación doble.



FIG. 9

4. Gire la perilla de control de velocidad a la configuración más lenta para evitar un arranque abrupto al comenzar la limpieza (Figura 10).
5. Para comenzar a limpiar, gire completamente las empuñaduras de control hacia adelante y gire gradualmente la perilla de control de velocidad a la velocidad deseada de limpieza (Figura 10). La velocidad máxima está preconfigurada para cada modo de limpieza. El Modo de Limpieza Profunda limpia a 50 pies por minuto mientras que el Modo de Limpieza de Superficie limpia a 100 pies por minuto.

**NOTA:** El cepillo, solución y propulsor arrancan cuando las empuñaduras de control se giran hacia adelante.



FIG. 10

6. Para operar la máquina en retroceso, simplemente gire hacia atrás las empuñaduras de control. La base del cepillo se levanta automáticamente del piso al retroceder.
7. Para detener la máquina, coloque la máquina en posición en una superficie nivelada y gradualmente suelte las empuñaduras de control.

- Después de limpiar, efectúe los procedimientos de mantenimiento diario (Vea MANTENIMIENTO DE LA MAQUINA).

## AL OPERAR LA MÁQUINA

**⚠ ADVERTENCIA:** No aspire materiales inflamables o metales reactivos.

**⚠ ADVERTENCIA:** No use líquidos inflamables ni opere la máquina en o cerca de líquidos y vapores, inflamables o polvos combustibles.

Esta máquina no está equipada con motores a prueba de explosión. Los motores eléctricos emiten chispas al arrancar y durante la operación lo que puede causar un fuego explosivo o una explosión si la máquina se usa en un área donde están presentes vapores/líquidos inflamables o polvos combustibles.

- Overlap each cleaning path by 50 mm (2 in).
- Use a collapsing rectangle pattern when cleaning large rooms (Figure 11).

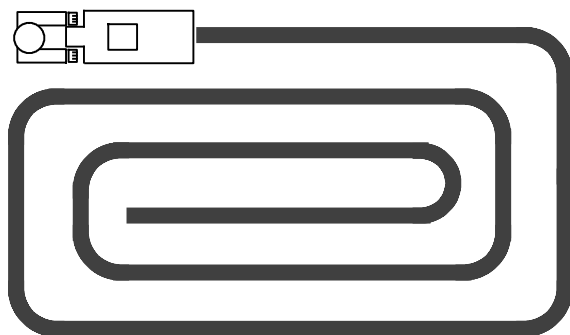


FIG. 11

- Observe periódicamente el tanque de recuperación por una acumulación excesiva de espuma. Vierta una solución recomendada de control de espuma en el tanque de recuperación para disolver la espuma.

**ATENCIÓN:** No permita que espuma o agua entren al tamiz flotante de corte ya que de otra manera resultará en daños al motor de vacío, no cubierto por garantía. La espuma no activa el tamiz flotante de corte.

- Para áreas excesivamente sucias, use la función de conmutador de frotación doble Símbolos de Cepillo/Solución.
- Si el recorrido de limpieza deja estrías, limpie o reemplace las puntas rociadoras (Vea MANTENIMIENTO DE LA MAQUINA).

- Al limpiar en pendientes, limpie siempre descendiendo y nunca ascendiendo. Nunca ascienda pendientes que excedan 5 grados ya que pueden ocurrir daños a la máquina.

**PARA SEGURIDAD:** Al usar la máquina, avance lentamente en las pendientes y las superficies resbaladizas.

- Observe la manguera transparente en la parte posterior de la máquina por la solución restante (Figura 12). La manguera tiene marcas de incrementos de 15 litros impresas. 15 litros de solución duran 4 minutos aproximadamente. Cuando el tanque de solución está seco, coloque la máquina en el modo de recorrido, gire la llave a off, desenchufe el cordón de potencia y empuje al sitio de descarte.

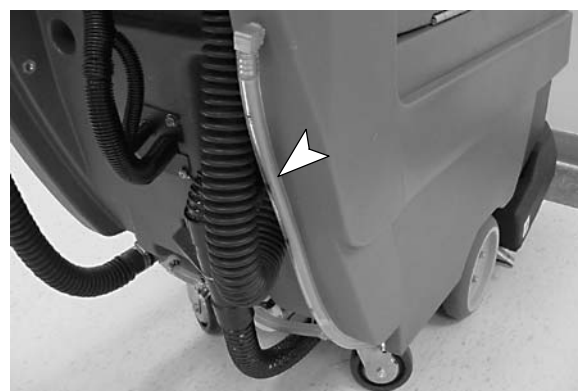


FIG. 12

- Para evitar daños al cordón, trabaje alejándose del tomacorrientes de pared y del cordón de potencia.

**PARA SEGURIDAD:** Al usar la máquina, no pase la máquina sobre el cordón, no tire de la máquina por el enchufe o el cordón, no tire del cordón alrededor de bordes o esquinas aguzadas, no desenchufe tirando del cordón y no maneje el enchufe con las manos mojadas.

# OPERACIÓN

## OPERACION DE LAS HERRAMIENTAS DE ACCESORIOS (OPCIONAL)

Las herramientas opcionales de accesorio le permiten limpiar tapicería y áreas que la máquina no puede limpiar, tales como alcobas, escaleras, rincones y cuartos pequeños.

Vea la sección de OPCIONES en este manual para una lista completa de herramientas de accesorio.

**NOTA:** Al limpiar tapicería, inspeccione siempre las instrucciones de limpieza cosidas en el mueble por el fabricante.

1. Gire la llave a la posición OFF.

**PARA SEGURIDAD:** Antes de salir de o prestar servicio a la máquina, deténgase en una superficie nivelada, apague la máquina y desenchufe el cordón del tomacorrientes de la pared.

**⚠ ADVERTENCIA:** No use líquidos inflamables ni opere la máquina en o cerca de líquidos/vapores inflamables, o polvos combustibles.

2. Conecte la manguera de solución de las herramientas de accesorio al acople de desconexión rápida ubicado en la parte posterior de la máquina (Figura 13).



FIG. 13

3. Desconecte la manguera inferior de vacío de la máquina y reemplácela con la manguera de vacío de la herramienta de accesorio (Figura 14).



FIG. 14

4. Gire la llave a la posición ON.
5. Coloque en posición el conmutador de función de limpieza hacia el símbolo de vacío y el conmutador del símbolo de vacío hacia el símbolo de modo de limpieza profunda (Figura 15).



FIG. 15

6. Coloque la herramienta de accesorio en el área a limpiar. Oprima el gatillo en la herramienta de accesorio y retroceda lentamente la herramienta mientras aplica una presión descendente (Figura 16). Suelte el gatillo a 6 pulgadas del final de la carrera. Al retornar a la próxima carrera, empuje la herramienta hacia adelante sobre el mismo recorrido con el gatillo suelto. Continúe este método de tirar y empujar con una superposición de 2-4 pulgadas.

**⚠ ADVERTENCIA:** No aspire materiales inflamables o metales reactivos.



FIG. 16

7. Después de limpiar, disminuya la presión de agua de la herramienta de accesorio antes de desconectar la manguera de solución. Oprima el gatillo por cinco segundos después de apagar (llave en off).



## INTERRUPTORES DE CIRCUITO DE LA MAQUINA

La máquina está equipada con tres interruptores de circuito reconfigurables para proteger a la máquina contra daños. Si se activa un interruptor de circuito durante la operación, determine la causa, permita que el motor se enfríe y a continuación reconfigure manualmente el botón del interruptor. El panel del interruptor de circuito está ubicado en la parte posterior de la máquina (Figura 17).

- Interruptor de circuito de 17A de la potencia principal
- Interruptor de circuito de 4.5A del motor propulsor
- Interruptor de circuito de 2.5A del motor del cepillo

El motor de vacío está protegido por un conmutador térmico interno. Cuando el conmutador térmico detecta un calor excesivo, el motor se apaga automáticamente. Después que el motor se enfría, el conmutador se reconfigura. Si el conmutador térmico se activa, apague el conmutador de la potencia principal, desenchufe el cordón de potencia e inspeccione la máquina por obstrucciones del flujo de aire.



FIG. 17

## TANQUES DE DRENAJE

Drene el tanque de recuperación:

- Después de cada uso.
- Al volver a llenar el tanque de solución.
- Cuando se seca el tanque de solución.
- Cuando se activa el tamiz flotante de corte, ubicado dentro del tanque de recuperación.

1. Empuje la máquina al sitio de drenaje.

**PARA SEGURIDAD: Antes de salir de o prestar servicio a la máquina, deténgase en una superficie nivelada, apague la máquina y desenchufe el cordón del tomacorrientes de la pared.**

2. Extraiga la manguera de drenaje del gancho de la manguera y coloque en posición sobre el sitio de drenaje. Gire la perilla en el tapón de la manguera en sentido contrario a las agujas del reloj y tire del tapón para drenar. La manguera de drenaje del tanque de recuperación está ubicada en el lado derecho y la manguera de drenaje del tanque de solución está en el lado izquierdo (Figura 18).

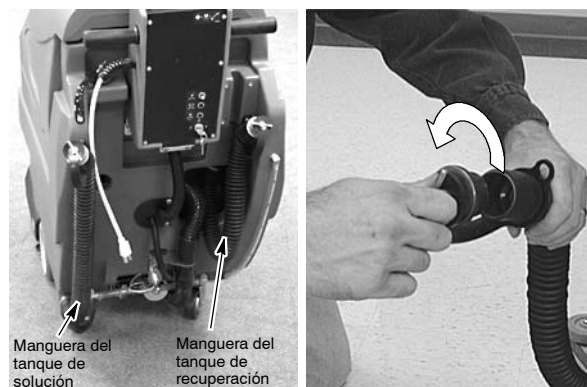


FIG. 18

3. Lave el tanque de recuperación y la abertura de toma con agua limpia (Figura 19).

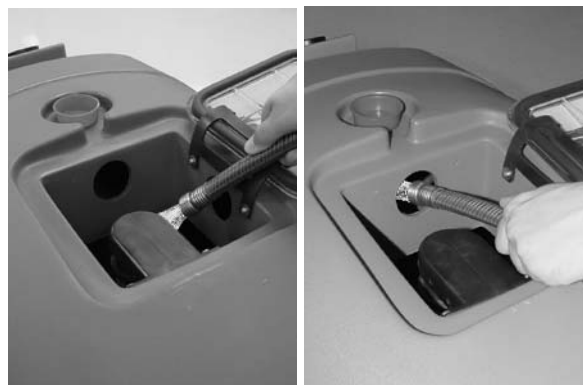


FIG. 19

4. Vuelva a colocar seguramente el tapón(es) de drenaje después de drenar y coloque la manguera(s) en el gancho.

## MANTENIMIENTO DE LA MAQUINA

Para mantener la máquina en buenas condiciones de trabajo, simplemente siga los procedimientos diarios, semanales y mensuales, de mantenimiento.

**PARA SEGURIDAD: Antes de salir de o prestar servicio a la máquina, deténgase en una superficie nivelada, apague la máquina y desenchufe el cordón del tomacorrientes de la pared.**

**ATENCIÓN: Consulte con un Centro de Servicio Autorizado para las reparaciones de la máquina. Las reparaciones a la máquina efectuadas por personas no autorizadas cancela su garantía.**

# OPERACIÓN

## MANTENIMIENTO DIARIO (Cada 4 Horas de Uso)

1. Inspeccione la empuñadura del cordón y el cordón de potencia por daños (Figura 20). Reemplace inmediatamente si está dañado.

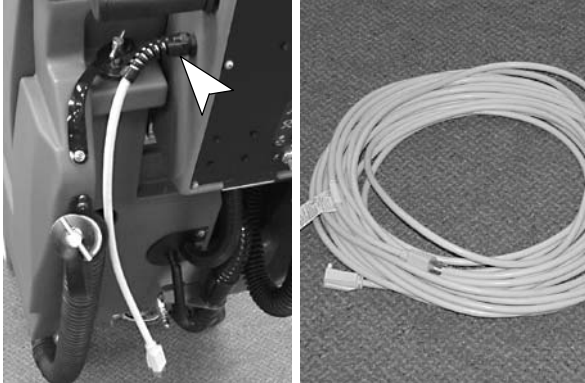


FIG. 20

**⚠ ADVERTENCIA:** No opere con un cordón de potencia dañado. No modifique el enchufe. Desenchufe el cordón de potencia antes de prestar servicio a la máquina.

Si el cordón de potencia está dañado o roto, debe ser reemplazado por el fabricante o su agente de servicio o una persona igualmente calificada para evitar riesgos.

2. Drene el tanque de recuperación y enjuague bien (Figura 21).



FIG. 21

3. Extraiga el tapón del tanque de recuperación y lave con agua la abertura de toma de recuperación (Figura 22).



FIG. 22

4. Extraiga y enjuague el tamiz flotante de corte ubicada en el tanque de recuperación (Figura 23).



FIG. 23

5. Extraiga de la base del cepillo las fibras enredadas de la alfombra y desechos de la base del cepillo (Figura 24).



FIG. 24

- Extraiga los desechos que se encuentran en la zapata de toma de vacío (Figura 25).

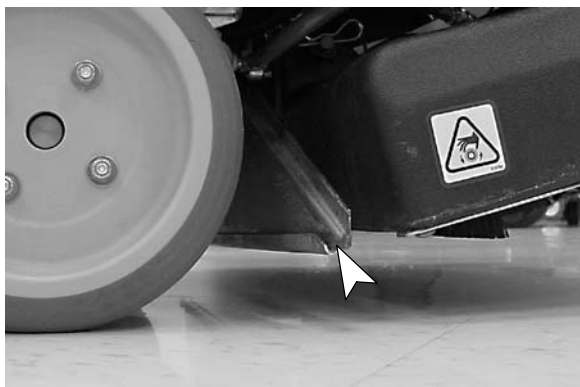


FIG. 25

- Limpie el cerramiento de la máquina con un limpiador universal y un trapo húmedo.

**ATENCIÓN: No rocíe con elementos mecánicos ni limpie con manguera la máquina. Los daños a los componentes eléctricos debidos al agua no están cubiertos por la garantía.**

## MANTENIMIENTO SEMANAL (Cada 20 Horas de Uso)

- Inspeccione las puntas rociadoras para un patrón apropiado de rociado.
 

Para inspeccionar el patrón de rociado:

  - Extraiga la cubierta sobre la base del cepillo y baje la base del cepillo al piso.
  - Extraiga la barra rociadora de la base del cepillo. No desconecte la barra rociadora del acople de desconexión rápida.
  - Enchufe el cable eléctrico y coloque la llave en la posición de encendido.
  - Configure la máquina en Deep Clean Mode y gire la perilla de control de velocidad a la configuración más baja.
  - Mientras sujeta la barra rociadora con las puntas rociadoras apuntadas hacia abajo, gire brevemente hacia adelante las empuñaduras de control. Observe el patrón de rociado por bloqueos (Figura 26).
  - Limpie o reemplace las puntas rociadoras defectuosas (Vea MANTENIMIENTO MENSUAL).



FIG. 26

- Extraiga el filtro del tanque de solución desde abajo de la máquina y limpie el tamiz. Asegúrese que el tanque de solución está vacío antes de extraer el filtro (Figura 27).

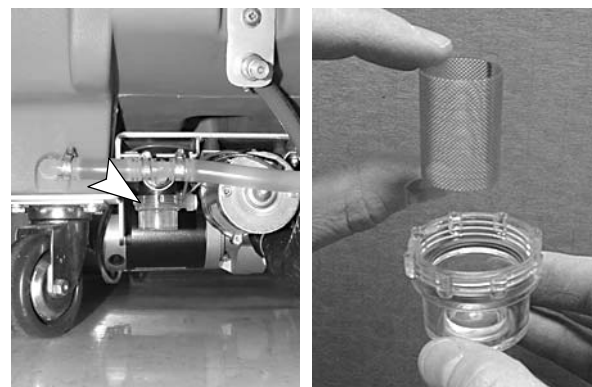


FIG. 27

## MANTENIMIENTO MENSUAL (Cada 80 Horas de Uso)

- Lave el sistema de la bomba con una solución de ácido acético para disolver la acumulación normal de químicos alcalinos. Siga el procedimiento de abajo:
  - Coloque la máquina en posición sobre un drenaje de piso.
  - Vierta 11 litros (3 gal) de agua caliente en el tanque de solución, no exceda 60°C (140°F). Vierta 750 ml (24oz.) de un ácido acético en el tanque de solución.

**PARA SEGURIDAD: Al usar la máquina, siga las instrucciones de mezcla y manejo en los recipientes químicos.**

# OPERACIÓN

- c. Opere la máquina en modo de limpieza profunda por 30 segundos. para evitar que la máquina surja hacia adelante, eleve la base del cepillo y coloque una tabla de 16 pul. 2x4 centrada debajo de la zapata de toma de vacío. A continuación baje la base del cepillo para elevar las ruedas propulsoras del piso (Figura 28).



FIG. 28

- d. Después de operar la máquina por 30 segundos, corte la energía y permita que la máquina descansa durante la noche para permitir que la solución de ácido acético disuelva la acumulación de materia alcalina.
  - e. Al día siguiente, disperse la solución restante de solución de ácido acético y enjuague el sistema de solución con 11 litros (3 gal) de agua limpia.
2. Desconecte la barra rociadora y tuerza las seis puntas rociadoras de desconexión rápida. Empape las puntas rociadoras en una solución de ácido acético por hasta seis horas. No use objetos aguzados para destapar las puntas ya que se dañarán (Figura 29).

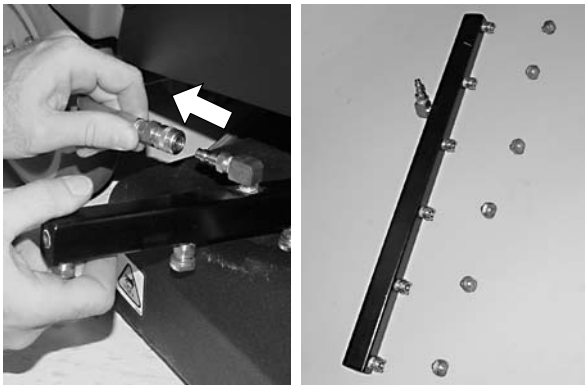


FIG. 29

3. Lubrique los engrasadores de las ruedas metálicas con una grasa resistente al agua (Figura 30).

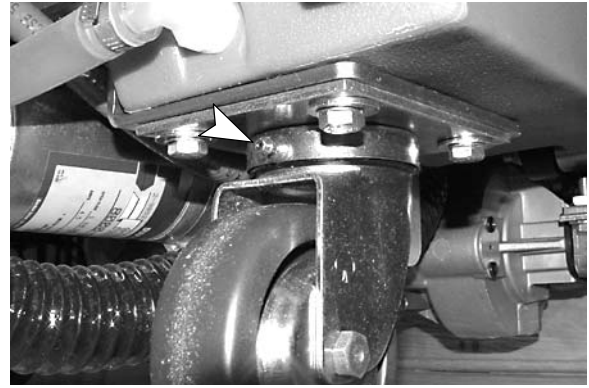


FIG. 30

4. Lubrique todos los puntos de pivote y rodillos con rociador de siliconas y a continuación recubra con grasa resistente al agua para mantener una operación uniforme.
5. Inspeccione la máquina por pérdidas de agua y tuercas y pernos flojos.

## MANTENIMIENTO TRIMESTRAL (Cada 250 Horas de Uso)

Inspeccione el eje propulsor transversal, motores de vacío y cepillo por desgaste de las escobillas de carbón. Reemplace las escobillas cuando se hayan gastado a un largo de 10 mm (0.38 pul.) o menos. Para la inspección de las escobillas de carbón consulte con un Centro Autorizado de Servicio.

**PARA SEGURIDAD: Al prestar servicio a la máquina, todas las reparaciones deben ser efectuadas por personal calificado de servicio.**

## AJUSTE DE LA ALTURA DEL CEPILLO

La altura del cepillo se configura de fábrica para acomodar alfombras de lanilla loop de grado comercial. Al operar la máquina en lanillas más altas de alfombras, debe ajustarse en consecuencia la altura del cepillo. Si la altura del cepillo no se ajusta apropiadamente, puede activarse el interruptor de circuito.

1. Estacione la máquina en una superficie nivelada. Baje la base del cepillo, apague con la llave y desenchufe el cordón.

**PARA SEGURIDAD: Antes de salir de o prestar servicio a la máquina, deténgase en una superficie nivelada y apague la máquina y desenchufe el cordón del tomacorrientes de la pared.**

- Extraiga la cubierta de metal sobre la base del cepillo para obtener acceso a las dos perillas de ajuste (Figura 31).



FIG. 31

- Usando una llave de 7/16", afloje las contratuercas del tope y del fondo en las dos perillas de ajuste, 2 tuercas por perilla (Figura 32).

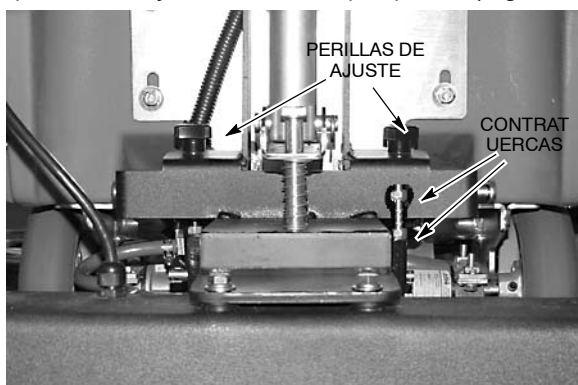


FIG. 32

- Gire las perillas de ajuste en sentido contrario a las agujas del reloj para elevar el cepillo y en el sentido de las agujas del reloj para bajar. Asegúrese de girar IGUALMENTE ambas perillas para mantener el cepillo paralelo al piso. Un giro completo de la perilla mueve el cepillo 1.5mm (1/16"). Vuelva a ajustar las contratuercas del tope y del fondo después de efectuar el ajuste y vuelva a colocar la cubierta de metal.
- Para ajustar la altura del cepillo a la altura original configurada de fábrica, coloque la máquina sobre una superficie de piso duro y baje la base del cepillo al piso. Siguiendo al procedimiento de ajuste, ajuste la altura del cepillo de manera que las cerdas del cepillo apenas toquen el piso y a continuación gire ambas perillas 3 giros completos en sentido opuesto a las agujas del reloj (Figura 33).

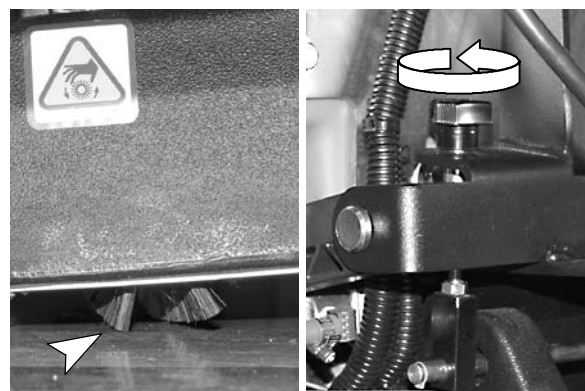


FIG. 33

## ELEVACION DE LA MAQUINA

Use las ubicaciones designadas debajo del tanque de solución para elevar la máquina. Use un trozo de madera para distribuir la carga del peso de la máquina (Figura 34).

Detenga la máquina en una superficie nivelada plana y bloquee las ruedas antes de elevar la máquina.



FIG. 34

**PARA SEGURIDAD:** Al prestar servicio a la máquina, bloquee las ruedas antes de elevar la máquina.

**PARA SEGURIDAD:** Al prestar servicio a la máquina, elévela en las ubicaciones designadas solamente. Bloquee la máquina con los caballetes del jack.

---

## TRANSPORTE DE LA MAQUINA

---

Al transportar la máquina en un acoplado o camión, asegúrese de seguir los procedimientos de amarre de abajo:

**PARA SEGURIDAD: Al usar la máquina avance lentamente en pendientes y superficies resbaladizas.**

1. Configure la máquina en Modo de Transporte.
2. Cargue la máquina usando una rampa recomendada de carga.
3. Coloque en posición el frente de la máquina contra el frente del acoplado o camión. Una vez que la máquina está en posición, baje la base del cepillo y apague con la llave.
4. Coloque un bloque detrás de cada rueda motora para evitar que la máquina ruede.
5. Coloque correas de amarre sobre el tope de la máquina para evitar que vuelque. Puede ser necesario instalar soportes de amarre en el piso de su acoplado o camión.

**NOTA:** No use las empuñaduras de control para asegurar la máquina, al transportar.

**PARA SEGURIDAD: Al transportar la máquina, use una rampa recomendada cuando cargue al/descargue del camión o acoplado, use correas de amarre para asegurar la máquina al camión o acoplado.**


---

## ALMACENAJE DE LA MAQUINA

---

1. Drene y enjuague bien los tanques.
2. Almacene la máquina en un área seca con la base del cepillo en la posición elevada.
3. Extraiga la cubierta del tanque de recuperación para promover la circulación de aire.

**ATENCION: Si almacena la máquina a temperaturas de congelación, asegúrese de drenar los tanques, purgar la bomba y extraer el filtro del tanque de solución ubicado debajo de la parte posterior de la máquina. Los daños debidos a las temperaturas de congelación no están cubiertas por la garantía.**

** ADVERTENCIA: No use al aire libre. No exponga a la lluvia. Almacene en un recinto cerrado.**

**LOCALIZACION DE FALLAS**

<b>PROBLEMA</b>	<b>CAUSA</b>	<b>SOLUCION</b>
La máquina no funciona.	Conmutador de llave defectuoso.	Consulte con el Centro de Servicio.
	Cordón de potencia desconectado.	Conecte el cordón de potencia.
	Cordón de potencia defectuoso.	Reemplace inmediatamente el cordón de potencia.
	El interruptor PRINCIPAL de circuito está activado	Determine la causa y reconfigure el interruptor.
	El interruptor de circuito del edificio se ha activado.	Determine la causa y reconfigure el interruptor de circuito en el edificio.
El motor del cepillo no funciona.	Se ha activado el interruptor de circuito del cepillo.	Inspeccione por obstrucción en el cepillo y reconfigure el botón del interruptor de circuito del cepillo.
		Ajuste la altura del cepillo y reconfigure el botón del interruptor de circuito del cepillo.
	Conmutador defectuoso de la función de limpieza.	Consulte con el Centro de Servicio.
	Las empuñaduras de control no se han girado.	Gire las empuñaduras hacia adelante.
	Motor o cableado defectuoso del cepillo.	Consulte con el Centro de Servicio.
	Correa floja o rota.	Consulte con el Centro de Servicio.
	Escobillas de carbón gastadas.	Consulte con el Centro de Servicio.
El motor de vacío no funciona.	Conmutador defectuoso de la función de limpieza.	Consulte con el Centro de Servicio.
	La base del cepillo está elevada del piso.	Baje la base del cepillo.
	Se ha activado el interruptor de circuito de vacío.	Determine la causa y reconfigure el botón del interruptor de circuito.
	Motor de vacío o cableado defectuoso.	Consulte con el Centro de Servicio.
	Escobillas de carbón gastadas.	Consulte con el Centro de Servicio.
El motor propulsor no funciona.	Se ha activado el interruptor de circuito del motor propulsor.	Determine la causa y reconfigure el botón del interruptor.
	Tablero de control de velocidad o conexión defectuosa.	Consulte con el Centro de Servicio.
	Motor propulsor defectuoso.	Consulte con el Centro de Servicio.
	Cableado defectuoso.	Consulte con el Centro de Servicio.
	Escobillas de carbón gastadas.	Consulte con el Centro de Servicio.
El motor propulsor no funciona correctamente.	Potenciómetro o tablero de control de velocidad defectuoso.	Consulte con el Centro de Servicio.
	Conexión floja del cable.	Consulte con el Centro de Servicio.
Rociado de solución irregular o faltante.	El conmutador de solución no está activado.	Active el conmutador de solución.
	Las puntas rociadoras están taponadas.	Extraiga y limpie.

# OPERACIÓN

## LOCALIZACION DE FALLAS - Continuación

PROBLEMA	CAUSA	SOLUCION
Rociado de solución irregular o faltante.	El tanque de solución está vacío.	Llene el tanque de solución.
	Tubería de solución o filtro del tanque de solución taponados.	Extraiga la manguera y sople aire comprimido dentro. Enjuague el tanque de solución después de cada uso.
	El filtro del tanque de solución está taponado. El filtro está ubicado debajo de la máquina en la parte posterior.	Drene el tanque de solución, extraiga el filtro y limpie.
	Conmutador defectuoso de la bomba.	Consulte con el Centro de Servicio.
	Bomba o solenoide defectuosos.	Consulte con el Centro de Servicio.
Mala recuperación de vacío.	El tanque de recuperación está lleno.	Tanque vacío de recuperación.
	El tamiz flotante de corte dentro del tanque de recuperación está taponado.	Extraiga el tamiz y limpie.
	La zapata de vacío de aspiración está taponada con desechos.	Limpie la zapata de vacío de aspiración.
	Tapón flojo de la manguera de drenaje.	Ajuste el tapón.
	Las conexiones de la manguera de vacío están flojas o la manguera está perforada.	Empuje firmemente las mordazas de la manguera sobre las conexiones. Reemplace la manguera si está dañada.
	Manguera de vacío taponada.	Extraiga los desechos .
	Está obstruido el orificio de entrada del tanque.	Vacíe el tanque de recuperación e incline lateralmente el tanque para obtener acceso al orificio de entrada, elimine la obstrucción.
	La cubierta del tanque de recuperación no está en su lugar.	Coloque la tapa en la posición correcta.
	Junta gastada de la cubierta del tanque.	Reemplace la junta.
	Motor de vacío flojo.	Consulte con el Centro de Servicio.
Actuador defectuoso.	Consulte con el Centro de Servicio.	

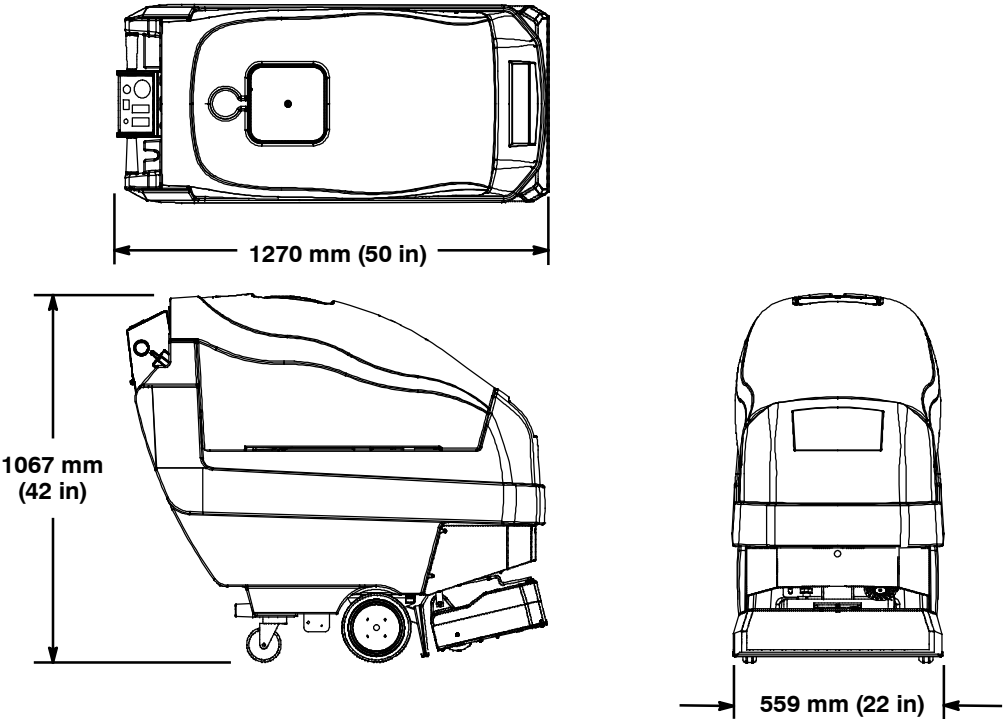


**ESPECIFICACIONES**

<b>MODELO</b>	<b>1530</b>
LONGITUD	1270 mm (50 in)
ANCHURA	559 mm (22 in)
ALTURA	1067 mm (42 in)
PESO	180 Kg (395 lb)
CAPACIDAD DEL DEPÓSITO DE RECUPERACIÓN	80 L (21 Gal)
CAPACIDAD DEL DEPÓSITO DE LA DISOLUCIÓN	113.6 L (30 Gal)
VELOCIDAD DE LIMPIEZA (MAX)	Modo de Limpieza de Superficie: 1022 m <sup>2</sup> (11,000 sq ft) por hora Modo de Limpieza Profunda: 511 m <sup>2</sup> por hora (5,500 sq ft)
VELOCIDAD (MAX)	Modo de Limpieza de Superficie: 30 m (100 ft) por minuto Modo de Limpieza Profunda: 15 m (50 ft) por minuto Modo de Recorrido: 45 m (150 ft) por minuto
ANCHURA DEL CARRIL DE LIMPIEZA	483 mm (19 in)
SISTEMA DE IMPULSIÓN	120V Eje de transmisión, .19 kw (.25 hp)
PENDIENTE MÁXIMA DE ASCENSO	5° con los tanques llenos / 9° con los tanques vacíos
MOTOR DEL CEPILLO	120V, .25 h.p., 1800 rpm 2800 cepillo rpm, 1.5 A, 186W
MOTOR DE ASPIRACIÓN	Dos 120V, 1.63 h.p., 3- tiempos 5.7 in, 10 A. 1200W
ELEVACIÓN DE AGUA/ FLUJO DE AIRE	2972 mm (117 in) / 99cfm (2.80m <sup>3</sup> ) por minuto
BOMBA	120V, 6.9 bar (100 psi), 3.8 L (1 gal.) por minuto.
TOTAL POWER CONSUMPTION	120V, 14 A
LONGITUD DEL CABLE ELÉCTRICO	23 m (75 ft)
DECIBELIOS A LA ALTURA DEL OPERARIO EN RECINTO CERRADO CON SUELO ENMOQUETADO.	72 dB(A)

Las especificaciones pueden cambiar sin aviso previo.

**DIMENSIONES DE LA MAQUINA**



Ce manuel est fourni avec chaque nouveau modèle. Il fournit les instructions nécessaires au fonctionnement et à l'entretien.



**Nous vous recommandons de lire ce manuel dans son intégralité et de vous familiariser avec la machine avant de l'utiliser ou de procéder à son entretien.**



Une liste complète de pièces détachées avec illustrations accompagne également chaque nouveau modèle. Utilisez la liste de pièces détachées pour commander des pièces de rechange. Avant de commander des pièces ou des fournitures, soyez sûr d'avoir avec vous le numéro de modèle de la machine et le numéro de série. Les pièces et les fournitures se commandent par téléphone ou par courrier auprès de tout centre de dépannage agréé, de tout distributeur ou de l'une des filiales du fabricant.

Cette machine vous fournira d'excellents services. Toutefois, vous obtiendrez les meilleurs résultats pour un prix de revient minimum si:

- La machine est manipulée avec un certain soin.
- La machine fait l'objet d'un entretien régulier conformément aux instructions d'entretien de ce manuel.
- L'entretien de la machine est effectué avec des pièces fournies par le fabricant ou des pièces équivalentes.

## DONNÉES DE LA MACHINE

A remplir au moment de l'installation à titre de référence.

Modèle n° \_\_\_\_\_

Date d'installation - \_\_\_\_\_

N° série - \_\_\_\_\_



### PROTECTION DE L'ENVIRONNEMENT

Veillez éliminer les matériaux d'emballage, les composants d'anciennes machines comme les batteries, les fluides dangereux tels que l'antigel ou l'huile, d'une manière sûre au point de vue environnemental, suivant la réglementation locale en vigueur en matière d'élimination des déchets.



N'oubliez pas de toujours recycler.

## TABLE DES MATIÈRES

---

<b>MESURES DE SÉCURITÉ</b> .....	<b>45</b>	<b>ENTREPOSAGE DE LA MACHINE</b> .....	<b>60</b>
INSTRUCTIONS DE MISE À LA TERRE ...	46	<b>ARTICLES DE STOCK RECOMMANDÉS</b> .....	<b>60</b>
<b>ETIQUETTES DE MISE EN GARDE</b> .....	<b>47</b>	<b>DÉPISTAGE DES PANNES</b> .....	<b>61</b>
<b>COMPOSANTS DE LA MACHINE</b> .....	<b>48</b>	<b>DONNÉES TECHNIQUES</b> .....	<b>63</b>
<b>SYMBOLES DU PANNEAU DE CONTRÔLE</b> ...	<b>49</b>	<b>DIMENSIONS DE LA MACHINE</b> .....	<b>63</b>
<b>INSTALLATION DE LA MACHINE</b> .....	<b>50</b>	<b>ELECTRICAL DIAGRAMS</b> .....	<b>64</b>
DÉBALLAGE DE LA MACHINE .....	50	<b>ARTICLES DE STOCK RECOMMANDÉS</b> .....	<b>66</b>
<b>MISE EN SERVICE DE LA MACHINE</b> .....	<b>50</b>	<b>LISTE DES PIÈCES</b> .....	<b>68</b>
REPLISSAGE DU RÉSERVOIR DE		<b>ÉQUIPEMENT AU CHOIX</b> .....	<b>87</b>
SOLUTION .....	50		
REGLAGE DE LA HAUTEUR DES			
POIGNEES DE COMMANDE .....	51		
BRANCHEMENT DE LA MACHINE SUR UNE			
SOURCE D'ALIMENTATION .....	51		
<b>FONCTIONNEMENT DE L'APPAREIL</b> .....	<b>51</b>		
CONTRÔLES AVANT LA MISE EN			
FONCTIONNEMENT .....	51		
FONCTIONNEMENT DE LA MACHINE ....	52		
PENDANT L'UTILISATION DE LA MACHINE	53		
FONCTIONNEMENT DES ACCESSOIRES			
(EN OPTION) .....	54		
COUPE- CIRCUIT DE LA MACHINE .....	55		
<b>VIDANGE DES RÉSERVOIRS</b> .....	<b>55</b>		
<b>ENTRETIEN DE LA MACHINE</b> .....	<b>56</b>		
ENTRETIEN QUOTIDIEN .....	56		
ENTRETIEN HEBDOMADAIRE .....	57		
ENTRETIEN MENSUEL .....	58		
ENTRETIEN TRIMESTRIEL .....	59		
<b>RÉGLAGE DE LA HAUTEUR DE BROSSE</b> ....	<b>59</b>		
<b>SOULEVEMENT AU CRIC DE LA MACHINE</b> ..	<b>60</b>		
<b>TRANSPORT DE LA MACHINE</b> .....	<b>60</b>		

## MESURES DE SÉCURITÉ

Cette machine est conçue pour un usage commercial. Elle est destinée exclusivement au nettoyage des moquettes et tissus d'ameublement dans un environnement intérieur et ne convient pas à un quelconque autre usage. Utilisez uniquement des accessoires et des produits nettoyants pour moquettes disponibles dans le commerce, prévus pour l'utilisation de la machine.

Tous les opérateurs sont tenus de lire et comprendre les consignes de sécurité suivantes et de se familiariser avec celles-ci.

Le symbole de mise en garde suivant et l'en-tête « POUR VOTRE SECURITE » sont utilisés tout au long de ce manuel comme indiqué dans leur description:

**⚠ MISE EN GARDE:** identifie la présence de dangers ou les opérations dangereuses susceptibles de blesser grièvement ou de provoquer la mort.

**POUR VOTRE SECURITÉ:** identifie les instructions qui doivent être suivies afin de garantir la sécurité lors de l'utilisation de l'équipement.

Le fait d'ignorer ces avertissements peut entraîner: des blessures personnelles, une électrocution, un choc électrique, un incendie ou une explosion.

**⚠ MISE EN GARDE :** N'utilisez pas de liquides inflammables ou n'utilisez pas la machine dans ou près de liquides ou vapeurs inflammables ou poussières combustibles.

Cette machine n'est pas équipée de moteurs protégés contre les explosions. Les moteurs électriques émettent des étincelles au moment du démarrage et pendant leur fonctionnement, ce qui peut entraîner un incendie instantané ou une explosion si la machine est utilisée dans une zone où des vapeurs/liquides inflammables ou des poussières combustibles, sont présents.

**⚠ MISE EN GARDE:** Ne ramassez pas de matériaux inflammables ou de métaux réactifs.

**⚠ MISE EN GARDE:** N'utilisez pas la machine avec un cordon d'alimentation endommagé. Ne modifiez pas la prise. Débranchez le cordon d'alimentation avant d'entretenir la machine.

Si le cordon d'alimentation est endommagé ou rompu, il doit être remplacé par le fabricant ou son agent de maintenance ou toute autre personne qualifiée, afin d'éviter tout danger.

**⚠ MISE EN GARDE:** N'utilisez pas en extérieur. N'exposez pas à la pluie. Entrez à l'intérieur.

**⚠ MISE EN GARDE:** Pièces mobiles. Coupez le contact avant de travailler sur la machine.

**⚠ MISE EN GARDE:** Point de coincement du vérin. Restez hors de portée de la zone de levage de la tête de brosse.

Les signaux d'information ci-après indiquent les situations potentiellement dangereuses pour l'opérateur ou l'équipement:

### POUR VOTRE SECURITÉ:

#### 1. N'utilisez pas la machine:

- avec des liquides inflammables ou près de vapeurs inflammables, afin d'éviter le risque d'explosion ou d'incendie instantané.
- Si vous n'y êtes pas formé et autorisé.
- Avant d'avoir lu et compris le manuel opérateur.
- Si le cordon n'est pas correctement relié à la terre.
- Avec des cordons ou prises endommagés.
- Si elle n'est pas en bon état de marche.
- À l'extérieur.
- Dans l'eau stagnante.
- Avec des rallonges de cordons supplémentaires. Utilisez uniquement les rallonges de cordons équipées avec la machine; celles-ci possèdent la capacité adéquate et sont reliées à la terre.

#### 2. Avant d'utiliser la machine:

- Assurez-vous que tous les dispositifs de sécurité se trouvent à leur place et fonctionnent correctement.

#### 3. Lors de l'utilisation de la machine:

- Ne roulez pas sur le cordon avec l'appareil.
- Ne tirez pas la machine par la prise ou le cordon.
- Ne tirez pas le cordon près des bords ou des coins vifs.
- Ne débranchez pas l'appareil en tirant sur le cordon.
- N'étirez pas le cordon.
- Ne manipulez pas la prise avec des mains mouillées.
- Éloignez le cordon des surfaces chaudes.
- Roulez lentement sur les pentes et sur les surfaces glissantes.

# FONCTIONNEMENT

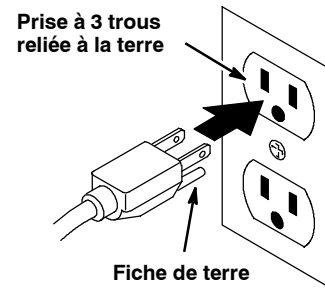
---

- Soyez prudent lorsque vous effectuez une marche arrière.
  - Signalez immédiatement tout dommage occasionné à la machine ou tout mauvais fonctionnement.
  - Empêchez les enfants de jouer à proximité de la machine.
  - Suivez les instructions de mélange et de manipulation indiquées sur les conteneurs chimiques.
4. Avant de quitter ou d'entretenir la machine:
- Arrêtez la machine sur une surface horizontale.
  - Coupez le contact de la machine.
  - Débranchez le cordon de la prise murale.
5. Lors de l'entretien de la machine:
- Débranchez le cordon de la prise murale.
  - Évitez les pièces mobiles. Ne portez pas de veste ou de chemise large ou de manches amples.
  - Bloquez les roues de la machine avant de la soulever avec un cric.
  - Utilisez un levier ou cric pouvant supporter le poids de la machine.
  - Utilisez des pièces de rechanges fournies ou agréées par le fabricant.
  - Toutes les réparations doivent être effectuées uniquement par un technicien qualifié.
  - Ne modifiez pas le design d'origine de la machine.
6. Lors du transport de la machine:
- Coupez le contact de la machine.
  - Demandez de l'aide pour soulever la machine.
  - Débranchez le cordon de la prise murale.
  - Lorsque vous chargez la machine sur le camion ou la remorque ou lorsque vous la déchargez, utilisez une rampe recommandée.
  - Utilisez des sangles pour arrimer la machine sur le camion ou la remorque.

---

## INSTRUCTIONS DE MISE À LA TERRE

La machine doit être mise à la terre. En cas de dysfonctionnement ou de panne, la mise à la terre offre une voie de moindre résistance au courant électrique, afin de réduire le risque de décharge électrique. Cette machine est équipée d'un cordon muni d'un conducteur de terre principale et d'une fiche avec mise à la terre. La fiche doit être branchée sur une prise appropriée montée correctement, conformément aux réglementations et codes en vigueur au niveau local. Ne supprimez pas la fiche de mise à la terre ; si celle-ci manque, remplacez la prise avant d'utiliser la machine.



## ETIQUETTES DE MISE EN GARDE

Les étiquettes de mise en garde se trouvent sur la machine aux endroits indiqués. Remplacez les étiquettes quand elles sont endommagées ou qu'elles deviennent illisibles.

**ÉTIQUETTE MISE EN GARDE - SITUÉE SUR LE COUVERCLE DU RÉSERVOIR DE RÉCUPÉRATION.**

⚠ WARNING	⚠ AVERTISSEMENT	⚠ ADVERTENCIA
 <p><b>EXPLOSION, FIRE AND SHOCK HAZARD. AVOID INJURY.</b></p> <ul style="list-style-type: none"> <li>• Do Not Use or Pick Up Flammable Materials.</li> <li>• Do Not Use Near Flammable Liquids, Vapors or Combustible Dusts.</li> <li>• Do Not Operate With Damaged Power Cord. Do Not Modify Plug. Unplug Power Cord Before Servicing Machine.</li> <li>• Do Not Use Outdoors. Do Not Expose to Rain. Store Indoors.</li> </ul>	<p><b>RISQUE D'EXPLOSION, D'INCENDIE ET DE DÉCHARGE. ÉVITEZ LES BLESSURES.</b></p> <ul style="list-style-type: none"> <li>• N'utilisez Pas ou Ne Ramassez Pas de Matériaux Inflammables.</li> <li>• N'utilisez Pas Près de Liquides, Vapeurs ou Poussières Inflammables.</li> <li>• N'utilisez Pas la Machine Avec un Cordon d'Alimentation Endommagé. Ne Modifiez Pas la Prise. Débranchez le Cordon d'Alimentation Avant d'Entretenir la Machine.</li> <li>• N'utilisez Pas en Extérieur. N'Exposez Pas à la Pluie. Entrezposez à l'Intérieur.</li> </ul>	<p><b>PELIGRO DE EXPLOSIÓN, FUEGO, DESCARGA EVITE LESIONES.</b></p> <ul style="list-style-type: none"> <li>• No Use Ó Recoja Materiales Flammables.</li> <li>• No Use Cerca De Líquidos Flammables, Vapores Ó Materiales Combustibles.</li> <li>• No Use Con Cable De Corriente Dañado. No Altere El Enchufe. Desconecte Cable De Corriente Antes Del Mantenimiento.</li> <li>• No Use Al Aire Libre. No Exponga A La Lluvia. Guarde Bajo Techo.</li> </ul>
1026383		



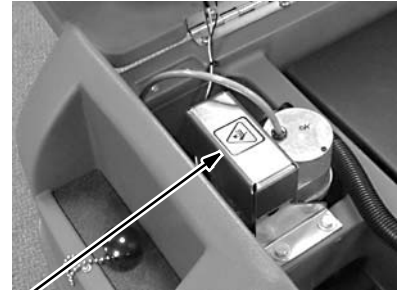
**ÉTIQUETTE PIÈCES MOBILES - SITUÉE SUR LA BASE DE LA BROSSE.**

**⚠ MISE EN GARDE: Pièces mobiles. Coupez le contact avant de travailler sur la machine.**



**ÉTIQUETTE DANGER POINT DE PINCEMENT - SITUÉE SUR LA BRIDE DE FIXATION DU VÉRIN**

**⚠ MISE EN GARDE: Point de coincement du vérin. Restez hors de portée de la zone de levage de la tête de brosse.**



# FONCTIONNEMENT

## COMPOSANTS DE LA MACHINE



1. Panneau de contrôle
2. Levier de réglage de la hauteur du panneau de contrôle
3. Poignées de commande
4. Contacte Marche/Arrêt
5. Voyant marche-arrêt
6. Cordon d'alimentation
7. Tableau des coupe-circuit
8. Bouton de commande de la vitesse
9. Bouton d'activation/de désactivation du système de distribution de la solution
10. Sélecteur de fonction de nettoyage
11. Sélecteur de mode nettoyage/déplacement
12. Couverture du réservoir de récupération
13. Tuyau de vidange du réservoir de récupération
14. Réservoir de solution
15. Tuyau de vidange du réservoir de solution
16. Orifice de remplissage avant du réservoir de solution
17. Orifice de remplissage arrière du réservoir de solution
18. Tuyau de niveau du réservoir de solution
19. Filtre du réservoir de solution
20. Base de la brosse
21. Sabot de ramassage à extraction
22. Roues motrices
23. Tuyau d'aspiration d'admission
24. Raccord du tuyau de solution de l'accessoire
25. Connecteur du tuyau d'aspiration de l'accessoire
26. Chaînes à drague antistatiques
27. Rallonge de cordon de 23 m (75 ft)
28. Attache de ceinture



## SYMBOLES DU PANNEAU DE CONTROLE



Voyant de l'alimentation principale



Extracteur



Outil de sol



Petite vitesse



Mode Nettoyage de surface



Coupe-circuit 17 A de l'alimentation principale



Grande vitesse



Mode Déplacement



Coupe-circuit 2,5 A du moteur de la brosse



Pompe à solution



Mode Nettoyage en profondeur



Coupe-circuit 4,5A du moteur de propulsion



Brosse

## INSTALLATION DE LA MACHINE

### DÉBALLAGE DE LA MACHINE

1. Vérifiez soigneusement si le carton ne présente pas de dommages. Signalez immédiatement tout dommage au transporteur.
2. Pour enlever la machine de la caisse, retirez les amarres d'expédition avant et arrière qui fixent la machine sur la palette. Placez la rampe fournie à l'arrière de la machine et faites reculer la machine avec précaution, pour la descendre de la palette. Veillez à ce que la base de la brosse soit en position relevée.

**ATTENTION:** Utilisez la rampe fournie lorsque vous enlevez la machine de la caisse, afin d'éviter son endommagement.

### MISE EN SERVICE DE LA MACHINE

#### REPLISSAGE DU RÉSERVOIR DE SOLUTION

1. Avec la base de la brosse en position relevée, poussez la machine vers un site de remplissage.

**POUR VOTRE SECURITÉ:** Avant de quitter ou d'entretenir la machine, arrêtez-la sur une surface horizontale, coupez le contact et débranchez le cordon d'alimentation de la prise murale.

**REMARQUE:** Assurez-vous que le filtre du réservoir de solution est installé avant de remplir le réservoir. Le filtre est situé à l'arrière de la machine, près du sol.

2. Le réservoir de solution est équipé d'orifices de remplissage avant et arrière pour votre confort (Figure 1). Remplissez le réservoir de solution avec 113 litres (30 gal) d'une eau claire à une température maximale de 60°C.

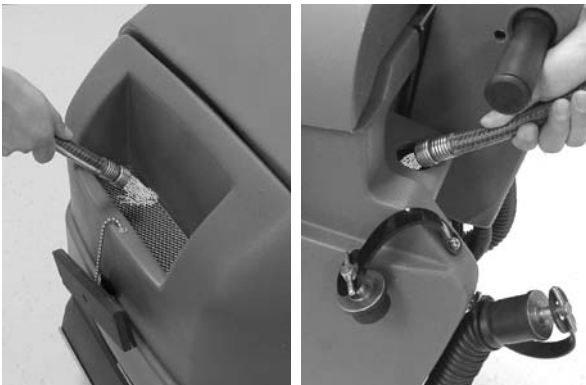


FIG. 1

**REMARQUE:** lorsque vous remplissez le réservoir de solution avec un seau, assurez-vous que le seau est propre. N'utilisez pas le même seau pour remplir et pour vider la machine.

Le tuyau transparent à l'arrière de la machine indique la quantité d'eau dans le réservoir de solution (Figure 2).



FIG. 2

3. Versez un produit détergent recommandé dans le réservoir de solution, suivant les instructions de mélange figurant sur le flacon (Figure 3).

**REMARQUE:** Au lieu de mélanger le détergent de nettoyage dans le réservoir de solution, vous pouvez également utiliser un pulvérisateur de refoulement pour appliquer le détergent sur le sol.

**POUR VOTRE SECURITÉ:** lorsque vous utilisez la machine, suivez les instructions de mélange et de manipulation indiquées sur les conteneurs chimiques.



FIG. 3

**⚠ MISE EN GARDE:** N'utilisez pas de liquides inflammables ou n'utilisez pas la machine dans ou près de liquides ou vapeurs inflammables ou poussières combustibles.

## REGLAGE DE LA HAUTEUR DES POIGNEES DE COMMANDE

La machine comporte cinq réglages de hauteur des poignées de commande.

Pour effectuer le réglage, tirez sur le déclencheur de hauteur du panneau et soulevez ou abaissez le panneau pour obtenir une hauteur opérationnelle confortable. Relâchez le déclencheur en position de blocage (Figure 4).



FIG. 4

## BRANCHEMENT DE LA MACHINE SUR UNE SOURCE D'ALIMENTATION

1. Branchez la rallonge de cordon de 23 m (75 ft) sur le toron de raccordement de la machine.
2. Branchez ensuite la rallonge de cordon d'alimentation dans une prise murale reliée à la terre (Figure 5).

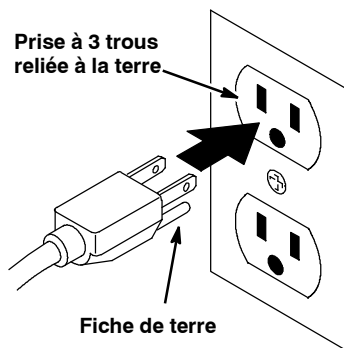


FIG. 5

**POUR VOTRE SECURITÉ:** N'utilisez la machine que si le cordon est correctement relié à la terre.

**POUR VOTRE SECURITÉ:** N'utilisez pas la machine avec des rallonges de câbles supplémentaires. Utilisez uniquement les rallonges de cordons équipées avec la machine; celles-ci possèdent la capacité adéquate et sont reliées à la terre.

3. Fixez l'attache de ceinture au cordon d'alimentation (Figure 6).



FIG. 6

**⚠ MISE EN GARDE:** N'utilisez pas la machine avec un cordon d'alimentation endommagé. Ne modifiez pas la prise. Débranchez le cordon d'alimentation avant d'entretenir la machine.

Si le cordon d'alimentation est endommagé ou rompu, il doit être remplacé par le fabricant ou son agent de maintenance ou toute autre personne qualifiée, afin d'éviter tout danger.

## FONCTIONNEMENT DE L'APPAREIL

**POUR VOTRE SECURITÉ:** n'utilisez pas la machine avant d'avoir lu et compris le manuel opérateur.

### CONTRÔLES AVANT LA MISE EN FONCTIONNEMENT

1. Passez l'aspirateur sur le sol et retirez les débris.
2. Vérifiez si le cordon d'alimentation n'est pas endommagé. Remplacez-les immédiatement en cas de dommage.
3. Assurez-vous que la barre de diffusion est installée.
4. Examinez la trajectoire des gicleurs (Voir ENTRETIEN DE LA MACHINE).

## FONCTIONNEMENT DE LA MACHINE

1. Tournez la clé et le commutateur de la pompe de solution en position ON (Figure 7).

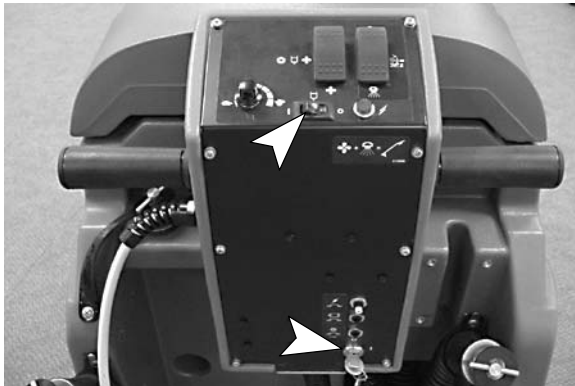


FIG. 7

2. Sélectionnez le mode de nettoyage souhaité en plaçant le commutateur de mode nettoyage/déplacement sur le symbole de mode Nettoyage de surface ou Nettoyage en profondeur (Figure 8).



### MODE DE NETTOYAGE DE SURFACE:

utilisez ce mode pour le nettoyage de surface de routine. Ce mode vous permet de faire fonctionner la machine à une vitesse de nettoyage maximale d'environ 30 m (98 ft) par minute.



### MODE DE NETTOYAGE EN PROFONDEUR:

utilisez ce mode pour remettre en état les moquettes particulièrement sales. Ce mode nécessite que vous utilisiez la machine à une vitesse de nettoyage plus lente d'environ 15 m (49 ft) par minute maximum.



**MODE DÉPLACEMENT:** Utilisez ce mode pour transporter la machine. Ce mode coupe automatiquement l'extracteur, la diffusion de solution et la brosse et la base de la brosse se lève en position de déplacement.



FIG. 8

3. Placez le commutateur de fonction de nettoyage sur les symboles Brosse/Solution/Extracteur (Figure 9). Reportez-vous aux descriptions des fonctions du commutateur, ci-dessous.



### BROSSE, SOLUTION ET

**EXTRACTEUR:** Utilisez cette position lors du nettoyage en surface et en profondeur.



### BROSSE ET SOLUTION:

Utilisez cette position lorsqu'un double brossage est nécessaire. Le double brossage est une méthode de nettoyage consistant à effectuer deux passages ou plus sur une surface très sale, sans utilisation du ramassage par extraction. Ce procédé permet à la solution de travailler en profondeur dans la zone sale.



**EXTRACTEUR:** Utilisez cette position lorsque seul le ramassage par extraction est nécessaire, principalement après le processus de brossage double.



FIG. 9

4. Tournez le bouton de commande de la vitesse vers le réglage le plus lent, afin d'éviter un départ brusque lorsque vous commencez le nettoyage (Figure 10).

5. Pour commencer le nettoyage, faites pivoter les poignées de commande totalement vers l'avant et tournez graduellement le bouton de commande de la vitesse vers la vitesse de nettoyage souhaitée (Figure 10). La vitesse maximale est pré-réglée pour chaque mode de nettoyage. En mode de nettoyage en profondeur, la machine parcourt environ 15 mètres (49 ft) par minute; en mode de nettoyage en surface, elle parcourt 30 m (98 ft) par minute.

**REMARQUE:** La brosse, la solution et l'entraînement sont activés lorsque les poignées de commande sont pivotées vers l'avant.



FIG. 10

6. Pour faire fonctionner la machine en marche arrière, faites pivoter simplement les poignées de commande vers l'arrière. La base de la brosse se soulève automatiquement en marche arrière.
7. Pour arrêter la machine, placez la machine sur une surface égale et relâchez graduellement les poignées de contrôle.
8. Après le nettoyage, effectuez les procédures d'entretien quotidien (Voir ENTRETIEN DE LA MACHINE).

## PENDANT L'UTILISATION DE LA MACHINE

**⚠ MISE EN GARDE:** Ne ramassez pas de matériaux inflammables ou de métaux réactifs.

**⚠ MISE EN GARDE:** N'utilisez pas de liquides inflammables ou n'utilisez pas la machine dans ou près de liquides ou vapeurs inflammables ou poussières combustibles.

Cette machine n'est pas équipée de moteurs protégés contre les explosions. Les moteurs électriques émettent des étincelles au moment du démarrage et pendant leur fonctionnement, ce qui peut entraîner un incendie instantané ou une explosion si la machine est utilisée dans une zone où des vapeurs/liquides inflammables ou des poussières combustibles, sont présents.

1. Faites chevaucher de 50 mm (2 in) chaque couloir de nettoyage.
2. Utilisez un motif de rectangle collapsant lorsque vous nettoyez une pièce large (Figure 11).

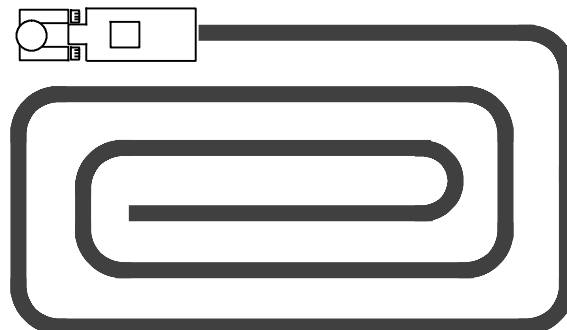


FIG. 11

3. Contrôlez périodiquement l'excès de mousse dans le réservoir de récupération. Versez une solution de contrôle de mousse recommandée dans le réservoir de récupération, pour éliminer la mousse.

**ATTENTION:** Veillez à ne pas laisser pénétrer de mousse ou d'eau dans le filtre d'arrêt à flotteur, afin d'éviter l'endommagement du moteur de l'extracteur (non couvert par la garantie). La mousse n'active pas le filtre d'arrêt à flotteur.

4. Pour les surfaces particulièrement sales, utilisez la fonction de double brosseage (Symboles Brosse/Solution).
5. Si le couloir de nettoyage laisse des traînées, nettoyez ou remplacez les gicleurs (Voir ENTRETIEN DE LA MACHINE).
6. Lorsque vous nettoyez sur les pentes, nettoyez toujours vers le bas, jamais vers le haut. Ne montez jamais des pentes dépassant 5° ; vous risquez d'endommager la machine.

**POUR VOTRE SECURITÉ:** lors de l'utilisation de la machine, roulez lentement sur les pentes et sur les surfaces glissantes.

# FONCTIONNEMENT

7. Observez le tuyau transparent à l'arrière de la machine pour voir la solution restante (Figure 12). Le tuyau possède une marque indiquant 15 litres (4 gal) imprimée. 15 litres (4 gal) de solutions suffisent pour environ 4 minutes de nettoyage. Lorsque le réservoir de solution est vide, placez la machine en mode de déplacement, coupez le contact, débranchez le cordon d'alimentation et poussez la machine vers le site de vidage.

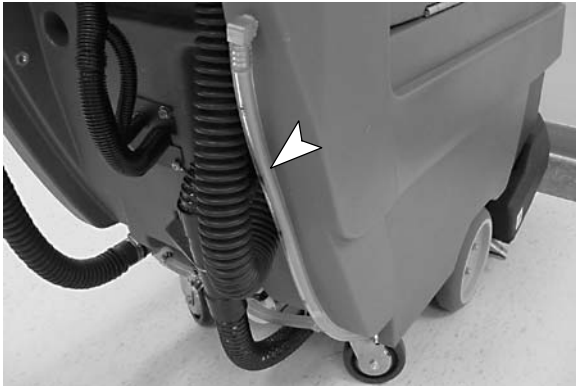


FIG. 12

8. Restez à l'écart de la prise murale et du cordon d'alimentation pour éviter d'endommager le cordon d'alimentation.

**POUR VOTRE SECURITÉ:** Lorsque vous utilisez la machine, ne roulez pas sur le cordon, ne tirez pas la machine par la prise ou le cordon, ne tirez pas le cordon sur des arêtes ou des coins tranchants, ne débranchez pas la machine en tirant sur le cordon et ne manipulez pas la prise avec des mains humides.

## FONCTIONNEMENT DES ACCESSOIRES (EN OPTION)

Les accessoires vous permettent de nettoyer le tissu d'ameublement et les zones que la machine est incapable de nettoyer, telles que les alcôves, les escaliers, les angles et les petites pièces.

Pour une liste complète d'accessoires, reportez-vous à la section OPTIONS de ce manuel.

**REMARQUE:** Lorsque vous nettoyez des tissus d'ameublement, vérifiez toujours les instructions de nettoyage du fabricant cousues dans le meuble.

1. Tournez la clé de contact en position OFF.

**POUR VOTRE SECURITÉ:** Avant de quitter ou d'entretenir la machine, arrêtez-la sur une surface horizontale, coupez le contact et débranchez le cordon d'alimentation de la prise murale.

**⚠ MISE EN GARDE:** N'utilisez pas de liquides inflammables ou n'utilisez pas la machine dans ou près de liquides ou vapeurs inflammables ou poussières combustibles.

2. Branchez le tuyau de solution de l'accessoire sur le raccord rapide situé à l'arrière de la machine (Figure 13).



FIG. 13

3. Débranchez de la machine le tuyau d'aspiration inférieur et remplacez-le par le tuyau d'aspiration de l'accessoire (Figure 14).



FIG. 14

4. Tournez la clé en position ON.
5. Placez le sélecteur de fonction de nettoyage sur le symbole d'extracteur et le sélecteur de mode de nettoyage sur le symbole du mode de nettoyage en profondeur (Figure 15).



FIG. 15

6. Placez l'accessoire sur la surface à nettoyer. Appuyez sur le déclencheur de l'accessoire et tirez lentement l'outil vers l'arrière tout en appliquant une pression vers le bas (Figure 16). Relâchez le déclencheur 15,24 cm (6 in) avant la fin de course. Lorsque vous revenez vers la bande suivante, poussez l'outil de sol vers l'avant sur la même trace avec le déclencheur relâché. Maintenez cette méthode pousser-tirer avec un chevauchement de 50 mm (2 in) à 100 mm (3.9 in).

**⚠ MISE EN GARDE: Ne ramassez pas de matériaux inflammables ou de métaux réactifs.**



FIG. 16

7. Après le nettoyage, réduisez la pression d'eau dans l'accessoire, avant de débrancher le tuyau de solution. Appuyez sur le déclencheur pendant cinq secondes après avoir coupé l'alimentation de la machine.

## COUPE- CIRCUIT DE LA MACHINE

La machine est équipée de trois coupe- circuit réenclenchables pour la protéger contre l'endommagement. Si un coupe- circuit se déclenche durant le fonctionnement de la machine, déterminez la cause, laissez refroidir le moteur, puis réenclenchez manuellement le bouton du coupe- circuit. Le tableau de coupe- circuit se trouve à l'arrière de la machine (Figure 17).

- Coupe- circuit de l'alimentation principale 17 A
- Coupe- circuit du moteur de propulsion 4,5 A
- Coupe- circuit du moteur de la brosse 2,5 A

Le moteur d'extracteur est protégé par un thermorupteur interne. Lorsque le thermorupteur détecte une chaleur excessive, le moteur se coupe automatiquement. Une fois le moteur refroidi, le thermorupteur est réenclenché. Si le thermorupteur se déclenche, coupez l'alimentation principale, débranchez le cordon d'alimentation et inspectez la machine pour détecter les obstructions éventuelles au niveau de la circulation de l'air.



FIG. 17

## VIDANGE DES RÉSERVOIRS

Videz le réservoir de récupération:

- Après chaque emploi.
- Lorsque vous remplissez le réservoir de solution.
- Lorsque le réservoir de solution se vide.
- Lorsque le filtre d'arrêt à flotteur, situé dans le réservoir de récupération, est activé.

1. Poussez la machine jusqu'au site de vidange.

**POUR VOTRE SECURITÉ: Avant de quitter ou d'entretenir la machine, arrêtez-la sur une surface horizontale, coupez le contact et débranchez le cordon d'alimentation de la prise murale.**

# FONCTIONNEMENT

- Retirez le tuyau de vidange du crochet de support et placez-le au-dessus du site de vidange. Tournez dans le sens contraire des aiguilles d'une montre le bouton du bouchon de tuyau et tirez sur le bouchon pour effectuer la vidange. Le tuyau de vidange du réservoir de récupération est situé du côté droit et le tuyau de vidange du réservoir de solution est situé du côté gauche (Figure 18).

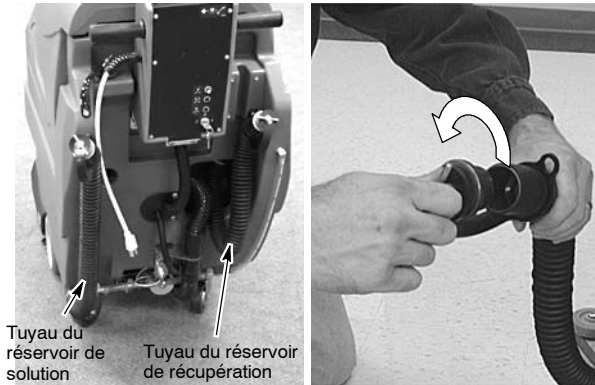


FIG. 18

- Rincez le réservoir de récupération et l'orifice d'aspiration à l'eau claire (Figure 19).

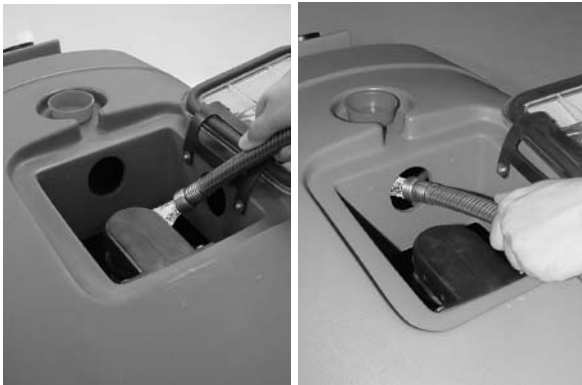


FIG. 19

- Remplacez et vissez fermement le(s) bouchon(s) de(s) tuyau(s) de vidange après la vidange et remplacez le(s) tuyau(x) sur le(s) crochet(s).

## ENTRETIEN DE LA MACHINE

Pour garder la machine en bon état de marche, suivez les procédures d'entretien quotidiennes, hebdomadaires et mensuelles.

**POUR VOTRE SECURITÉ: Avant de quitter ou d'entretenir la machine, arrêtez-la sur une surface horizontale, coupez le contact et débranchez le cordon d'alimentation de la prise murale.**

**ATTENTION: Contactez un service de réparation agréé pour les réparations de la machine. Les réparations effectuées sur la machine par une personne non autorisée entraînent l'annulation de votre garantie.**

## ENTRETIEN QUOTIDIEN

(Toutes les 4 heures de service)

- Vérifiez si la poignée du cordon et le cordon d'alimentation ne sont pas endommagés (Figure 20). Remplacez-les immédiatement en cas de dommage.



FIG. 20

**⚠ MISE EN GARDE: N'utilisez pas la machine avec un cordon d'alimentation endommagé. Ne modifiez pas la prise. Débranchez le cordon d'alimentation avant d'entretenir la machine.**

**Si le cordon d'alimentation est endommagé ou rompu, il doit être remplacé par le fabricant ou son agent de maintenance ou toute autre personne qualifiée, afin d'éviter tout danger.**

- Videz et rincez soigneusement le réservoir de récupération (Figure 21).



FIG. 21



3. Retirez le bouchon du réservoir de récupération et rincez à l'eau l'ouverture d'aspiration (Figure 22).



FIG. 22

4. Retirez du réservoir de récupération le filtre d'arrêt à flotteur et nettoyez-le (Figure 23).



FIG. 23

5. Retirez les fibres de moquettes et les débris enroulés sur la base de la brosse (Figure 24).

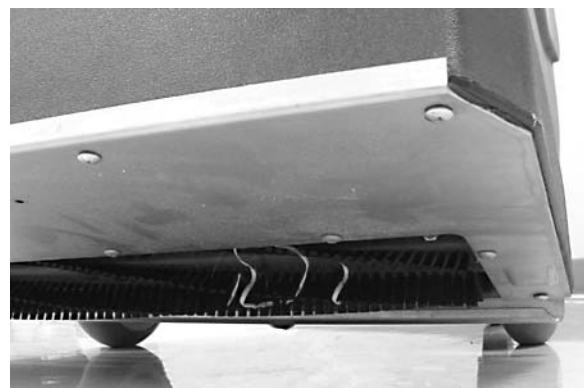


FIG. 24

6. Retirez les débris coincés dans le sabot de ramassage à extraction (Figure 25).



FIG. 25

7. Nettoyez la machine avec un produit d'entretien multi-usages et un chiffon humide.

**ATTENTION: N'utilisez pas de jet de pression sur la machine. L'endommagement de composants électrique dû à l'eau n'est pas couvert par la garantie.**

## ENTRETIEN HEBDOMADAIRE (Toutes les 20 heures de service)

1. Examinez la trajectoire des gicleurs.  
Pour inspecter la trajectoire de pulvérisation :
  - a. Retirez le carter situé au-dessus de la base de la brosse et abaissez la base de la brosse sur le sol.
  - b. Retirez la barre de diffusion de la base de la brosse. Ne déconnectez pas la barre de diffusion du raccord rapide.
  - c. Branchez le cordon d'alimentation sur la prise de murale et tournez la clé de contact en position ON.
  - d. Placez la machine en mode de nettoyage en profondeur et placez le bouton de commande de vitesse sur le réglage de vitesse le plus bas.
  - e. Tout en maintenant la barre de diffusion avec les gicleurs pointant vers le bas, tournez brièvement vers l'avant les poignées de commande. Observez la trajectoire de pulvérisation pour déceler tout blocage (Figure 26).
  - f. Nettoyez ou remplacez les gicleurs défectueux (Voir ENTRETIEN MENSUEL).



FIG. 26

2. Retirez le filtre du réservoir de solution sous la machine et nettoyez le filtre. Assurez-vous que le réservoir de solution est vide au moment du démontage du filtre (Figure 27).

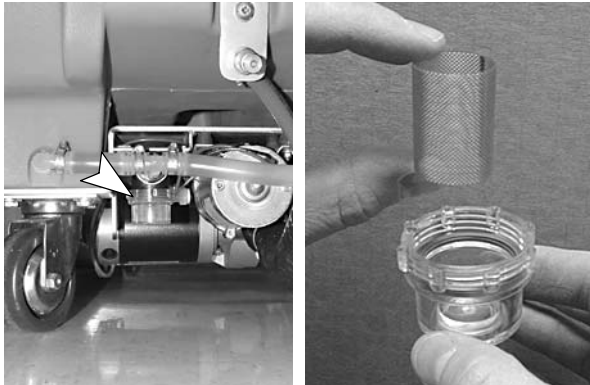


FIG. 27

## ENTRETIEN MENSUEL

(Toutes les 80 heures de service)

1. Rincez le système de pompage avec une solution d'acide acétique pour dissoudre la formation normale de produits chimiques alcalins. Suivez les instructions ci-après:
  - a. Placez la machine au dessus d'un siphon de sol.
  - b. Versez 11 litres (2.9 gal) d'eau chaude dans le réservoir de solution ; ne dépassez pas une température de 60°C. Versez 750 ml (2 gal) d'acide acétique dans le réservoir de solution.

**POUR VOTRE SECURITÉ: lorsque vous utilisez la machine, suivez les instructions de mélange et de manipulation indiquées sur les conteneurs chimiques.**

- c. Utilisez la machine en mode de nettoyage en profondeur pendant 30 secondes. Afin d'empêcher la machine d'avancer, soulevez la base de la brosse et placez un madrier de 40 cm (16 in) 2x4 centré sous le sabot de ramassage à extraction. Abaissez ensuite la base de la brosse pour pouvoir soulever les roues motrices (Figure 28).



FIG. 28

- d. Après avoir fait fonctionner la machine pendant 30 secondes, coupez l'alimentation et laissez reposer la machine pendant la nuit afin de permettre à la solution d'acide acétique de décomposer l'accumulation de dépôt alcalin.
  - e. Le jour suivant, dispersez le reste de solution d'acide acétique et rincez le système de solution avec 11 litres (2.9 in) d'eau claire.
2. Déconnectez la barre de diffusion et dévissez les six gicleurs à raccord rapide. Trempez les gicleurs dans une solution d'acide acétique pendant six heures maximum. N'utilisez pas d'objets pointus pour retirer les gicleurs; vous risquez de les endommager (Figure 29).

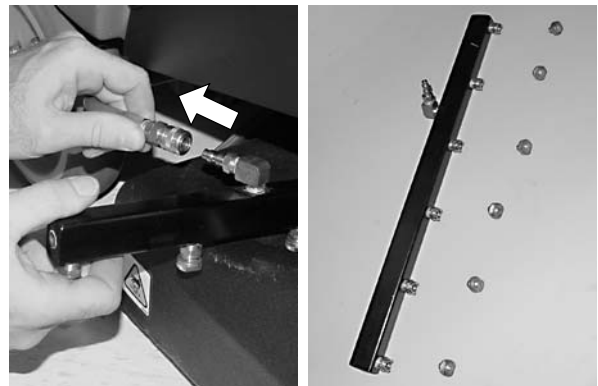


FIG. 29

3. Lubrifiez les graisseurs des roulettes avec une graisse imperméable (Figure 30).

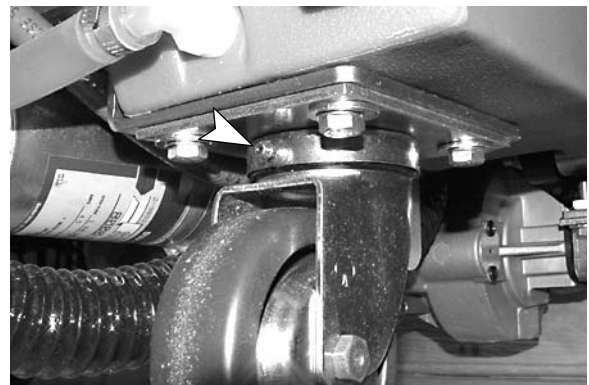


FIG. 30

4. Lubrifiez toutes les articulations et les roulettes avec du silicone sous forme de spray; puis, appliquez-y une graisse imperméable pour assurer un fonctionnement régulier.
5. Vérifiez la présence éventuelle de fuites d'eau et le serrage des écrous et des boulons.

## ENTRETIEN TRIMESTRIEL (Toutes les 250 heures de service)

Vérifiez l'usure des balais de charbon des moteurs de l'arbre de transmission, de l'extracteur et de la brosse ; remplacez les balais quand leur longueur est inférieure ou égale à 10 mm (0.39 in).

Contactez un centre d'entretien agréé pour un contrôle des balais de charbon.

**POUR VOTRE SECURITÉ: Lors du dépannage de la machine, toutes les réparations doivent être effectuées uniquement par un technicien qualifié.**

## RÉGLAGE DE LA HAUTEUR DE BROSSÉ

La hauteur de brosse est réglée en usine pour correspondre aux moquettes bouclées de qualité commerciale. Lorsque vous utilisez la machine sur des moquettes à poils plus longs, la hauteur de brosse doit être ajustée en conséquence. Si la hauteur de brosse n'est pas ajustée correctement, le coupe-circuit de la brosse risque de se déclencher.

1. Garez la machine sur une surface horizontale. Abaissez la base de la brosse, coupez le contact et débranchez le cordon d'alimentation.

**POUR VOTRE SECURITÉ: Avant de quitter ou d'entretenir la machine, arrêtez-la sur une surface horizontale, coupez le contact et débranchez le cordon d'alimentation de la prise murale.**

2. Retirez le carter métallique au-dessus de la base de la brosse, afin d'accéder aux deux boutons d'ajustement (Figure 31).



FIG. 31

3. À l'aide d'une clé de 11 mm (0.43 in), desserrez les contre-écrous supérieur et inférieur sur les deux boutons d'ajustement, 2 écrous par bouton (Figure 32).

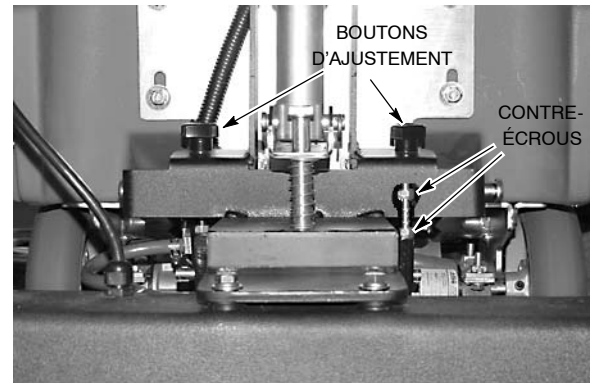


FIG. 32

4. Tournez les boutons d'ajustement dans le sens contraire des aiguilles d'une montre pour soulever la brosse et dans le sens des aiguilles d'une montre pour l'abaisser. Veillez à tourner les deux boutons de manière égale, afin que la brosse reste parallèle au sol. Un tour complet du bouton correspond à un déplacement de la brosse de 1,5 mm (0.06 in). Resserrez les contre-écrous supérieur et inférieur une fois que l'ajustement est effectué et replacez le carter métallique.
5. Pour ramener la brosse à la hauteur d'origine réglée en usine, placez la machine sur une surface de sol dure et abaissez la base de la brosse sur le sol. En suivant la procédure d'ajustement, réglez la hauteur de brosse de sorte que les poils de la brosse touchent juste le sol, puis tournez les deux boutons de 3 tours complets dans le sens contraire des aiguilles d'une montre (Figure 33).

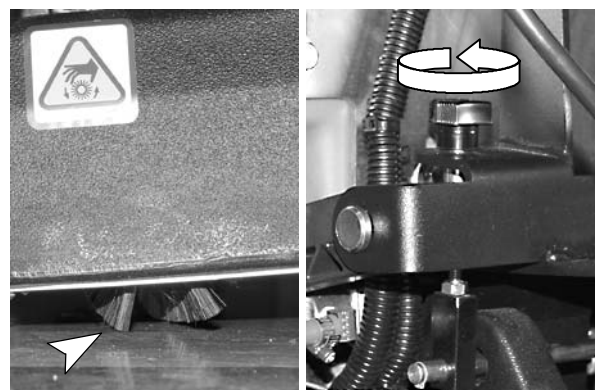


FIG. 33

---

## SOULEVEMENT AU CRIC DE LA MACHINE

---

Utilisez les endroits désignés sous le réservoir de solution pour soulever la machine au cric. Utilisez un morceau de bois pour répartir la charge de la machine (Figure 34).

Avant de lever la machine au cric, arrêtez la machine sur une surface plate, et bloquez les roues.



FIG. 34

**POUR VOTRE SECURITÉ:** Lors de l'entretien, bloquez les roues de la machine avant de la soulever avec un cric.

**POUR VOTRE SECURITÉ:** Lors de l'entretien de la machine, utilisez le cric uniquement aux endroits désignés à cet effet. Bloquez la machine avec les positions de cric.

---

## TRANSPORT DE LA MACHINE

---

Lorsque vous transportez la machine à l'aide d'une remorque ou d'un camion, veuillez suivre les instructions suivantes pour attacher la machine.

**POUR VOTRE SECURITÉ:** lors de l'utilisation de la machine, roulez lentement sur les pentes et sur les surfaces glissantes.

1. Placez la machine en mode Déplacement.
2. Chargez la machine à l'aide d'une rampe de chargement recommandée.
3. Placez l'avant de la machine contre l'avant de la remorque ou du camion. Une fois la machine placée, abaissez la base de la brosse et coupez le contact.
4. Placez un bloc derrière chaque roue motrice pour éviter que la machine ne roule.

5. Passez des sangles par-dessus la machine pour l'empêcher de basculer. Il se peut qu'il soit nécessaire d'installer des brides d'attache au plancher de votre remorque ou camion.

**POUR VOTRE SECURITÉ:** lors du transport de la machine, utilisez une rampe recommandée lorsque vous chargez la machine sur le camion ou la remorque ou lorsque vous la déchargez, utilisez des sangles pour fixer la machine sur le camion ou la remorque.

---

## ENTREPOSAGE DE LA MACHINE

---

1. Vidangez et rincez les réservoirs soigneusement.
2. Entrez la machine dans un endroit sec avec la base de la brosse en position relevée.
3. Ouvrez le réservoir de récupération pour faciliter la circulation de l'air.

**ATTENTION :** Lorsque vous entreposez la machine à des températures inférieures à zéro, veillez à vider les réservoirs, à purger la pompe et à retirer le filtre du réservoir de solution situé sous l'arrière de la machine. Les dommages occasionnés par le gel ne sont pas couverts par la garantie.

**⚠ MISE EN GARDE :** N'utilisez pas en extérieur. N'exposez pas à la pluie. Entrez la machine à l'intérieur.

**DÉPISTAGE DES PANNES**

<b>PROBLÈME</b>	<b>CAUSE</b>	<b>REMÈDE</b>
La machine ne fonctionne pas	Contact défectueux.	Contactez le service de dépannage.
	Cordon d'alimentation débranché.	Branchez le cordon d'alimentation.
	Cordon d'alimentation défectueux.	Remplacez immédiatement le cordon d'alimentation.
	Coupe- circuit principal s'est déclenché.	Déterminez la cause et réenclenchez le coupe- circuit.
	Coupe- circuit du bâtiment déclenché.	Déterminez la cause et réenclenchez le coupe- circuit du bâtiment.
Le moteur de brosse ne fonctionne pas.	Coupe- circuit de la brosse déclenché.	Vérifiez la présence d'obstacles au niveau de la brosse et réenclenchez le coupe- circuit de la brosse.
		Ajustez la hauteur de la brosse et réenclenchez le coupe- circuit de la brosse.
	Sélecteur de fonction de nettoyage défectueux.	Contactez le service de dépannage.
	Les poignées de commande ne sont pas actionnées.	Tournez les poignées vers l'avant.
	Moteur ou câble de la brosse défectueux.	Contactez le service de dépannage.
	Courroie lâche ou rompue.	Contactez le service de dépannage.
	Balais de charbon usés.	Contactez le service de dépannage.
Le moteur de l'extracteur ne fonctionne pas.	Sélecteur de fonction de nettoyage défectueux.	Contactez le service de dépannage.
	La base de la brosse est soulevée au- dessus du sol.	Abaissez la base de la brosse.
	Thermorupteur interne du moteur d'extracteur activé.	Déterminez la cause et attendez que le moteur refroidisse.
	Moteur ou câble de l'extracteur défectueux.	Contactez le service de dépannage.
	Balais de charbon usés.	Contactez le service de dépannage.
Le moteur du système d'entraînement ne fonctionne pas.	Coupe- circuit du moteur du système d'entraînement déclenché.	Déterminez la cause et réenclenchez le coupe- circuit.
	Connexion ou carte du circuit de commande de la vitesse défectueuse.	Contactez le service de dépannage.
	Moteur du système d'entraînement défectueux.	Contactez le service de dépannage.
	Câblage défectueux.	Contactez le service de dépannage.
	Balais de charbon usés.	Contactez le service de dépannage.
Le moteur du système d'entraînement fonctionne, mais pas convenablement.	Potentiomètre ou carte du circuit de commande de la vitesse défectueux.	Contactez le service de dépannage.
	Fil détaché.	Contactez le service de dépannage.

## DÉPISTAGE DES PANNES - Suite

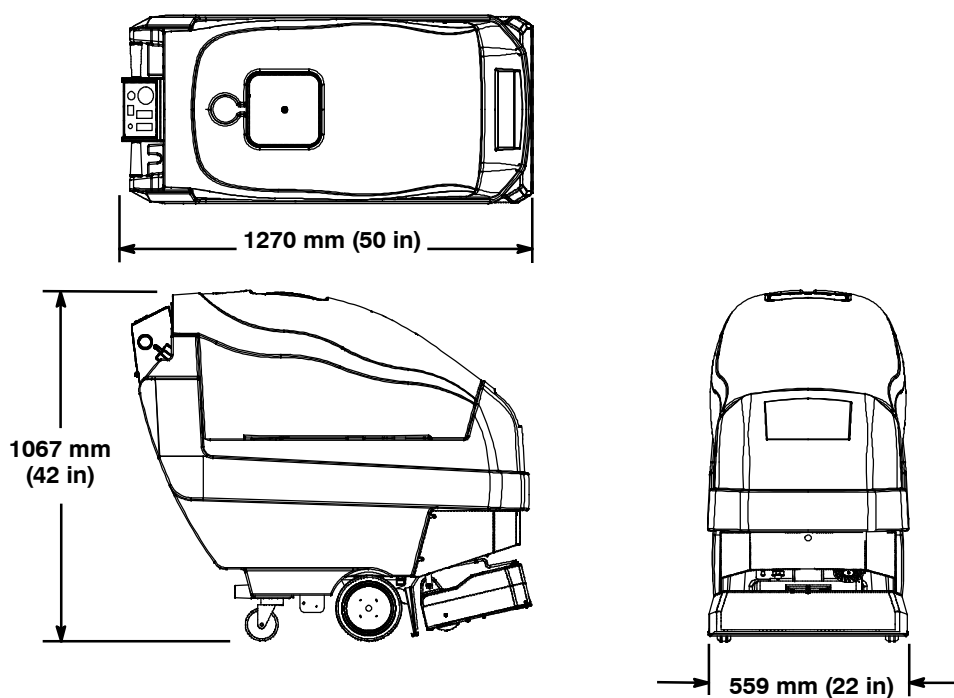
PROBLÈME	CAUSE	REMÈDE
Diffusion de solution irrégulière ou nulle.	Bouton du système de distribution de solution non activé.	Activez le bouton du système de distribution de la solution.
	Les gicleurs sont obstrués.	Enlevez et nettoyez.
	Réservoir de solution vide.	Remplissez le réservoir de solution.
	Conduite de solution ou filtre de réservoir de solution bouchés.	Enlevez le tuyau et soufflez-y de l'air comprimé. Rincez le réservoir de solution après chaque emploi.
	Le filtre du réservoir de solution est obstrué. Le filtre se trouve sous la machine à l'arrière.	Vidangez le réservoir de solution, retirez et nettoyez le filtre.
	Commutateur de pompe défectueux.	Contactez le service de dépannage.
	Pompe ou solénoïde défectueux.	Contactez le service de dépannage.
Aspiration de récupération insuffisante.	Réservoir de récupération est plein.	Videz le réservoir de récupération.
	Le filtre d'arrêt à flotteur du réservoir de récupération est bouché.	Enlevez le filtre et nettoyez-le.
	Le sabot de ramassage à extraction est obstrué par des débris.	Nettoyez le sabot de ramassage à extraction.
	Bouchon du tuyau de vidange desserré.	Serrez le bouchon.
	Raccords du tuyau d'aspiration sont détachés ou tuyau est percé.	Enfonchez bien les extrémités du tuyau dans les raccords. Remplacez le tuyau s'il est endommagé.
	Tuyau d'aspiration obstrué.	Enlevez les débris responsables de l'obstruction.
	Trou d'alimentation du réservoir de récupération est obstrué.	Videz le réservoir de récupération et soulevez-le par le côté pour accéder au trou d'alimentation et enlevez les débris responsables de l'obstruction.
	Le couvercle du réservoir de récupération est mal placé.	Placez correctement couvercle.
	Joint d'étanchéité du couvercle de réservoir usé.	Remplacez le joint.
	Moteur de l'extracteur desserré.	Contactez le service de dépannage.
	Vérin défectueux.	Contactez le service de dépannage.

## DONNÉES TECHNIQUES

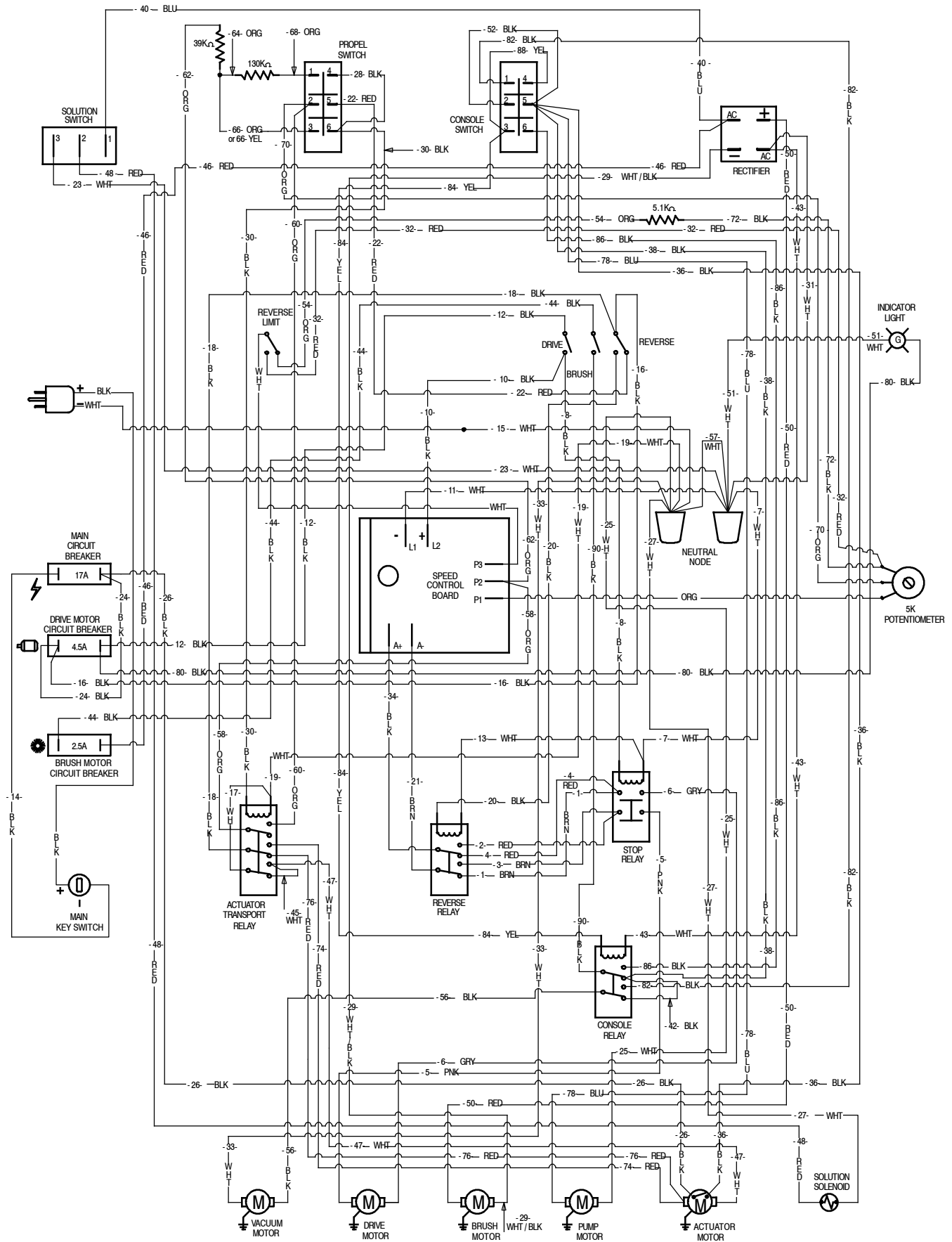
<b>MODÈLE</b>	<b>1530</b>
LONGUEUR	1.270 mm
LARGEUR	559 mm
HAUTEUR	1.067 mm
POIDS	180 kg
CAPACITÉ DU RÉSERVOIR DE RÉCUPÉRATION	80 l
CAPACITÉ DU RÉSERVOIR DE SOLUTION	113,6 l
CAPACITÉ MAXIMALE DE NETTOYAGE	Mode Nettoyage de surface : 1.022 m <sup>2</sup> par heure
	Mode Nettoyage en profondeur : 511 m <sup>2</sup> par heure
VITESSE MAXIMALE	Mode Nettoyage de surface : 30 m par minute
	Mode Nettoyage en profondeur : 15 m par minute
	Mode Déplacement : 45 m par minute
LARGEUR DE LA TRACE DE NETTOYAGE	483 mm
SYSTÈME D'ENTRAÎNEMENT	Arbre de transmission 120 V, 0,19 kw
DÉCLIVITÉ MAXIMALE EN MONTÉE	5° avec réservoirs pleins / 9° avec réservoirs vides
MOTEUR DE BROSSE	120 V, 0,25 CV, 1.800 tr/min, brosse 2.800 tr/min, 1,5 A, 186 W
MOTEUR D'EXTRACTION	120 V, 1,63 CV, 3 étages 136,8 mm, 10 A. 1.200 W
HAUTEUR D'ASPIRATION / CIRCULATION D'AIR	2.972 mm / 2,80 m <sup>3</sup> par minute
POMPE	120 V, 6,9 bar, 3,8 l par minute.
CONSOMMATION ÉLECTRIQUE TOTALE	120 V, 14 Amps
LONGUEUR DU CORDON D'ALIMENTATION	23 m
NIVEAU SONORE AU NIVEAU DE L'OREILLE DE L'OPÉRATEUR, À L'INTÉRIEUR SUR DE LA MOQUETTE	72 dB (A)

Les spécifications sont susceptibles d'être modifiées sans préavis.

## DIMENSIONS DE LA MACHINE



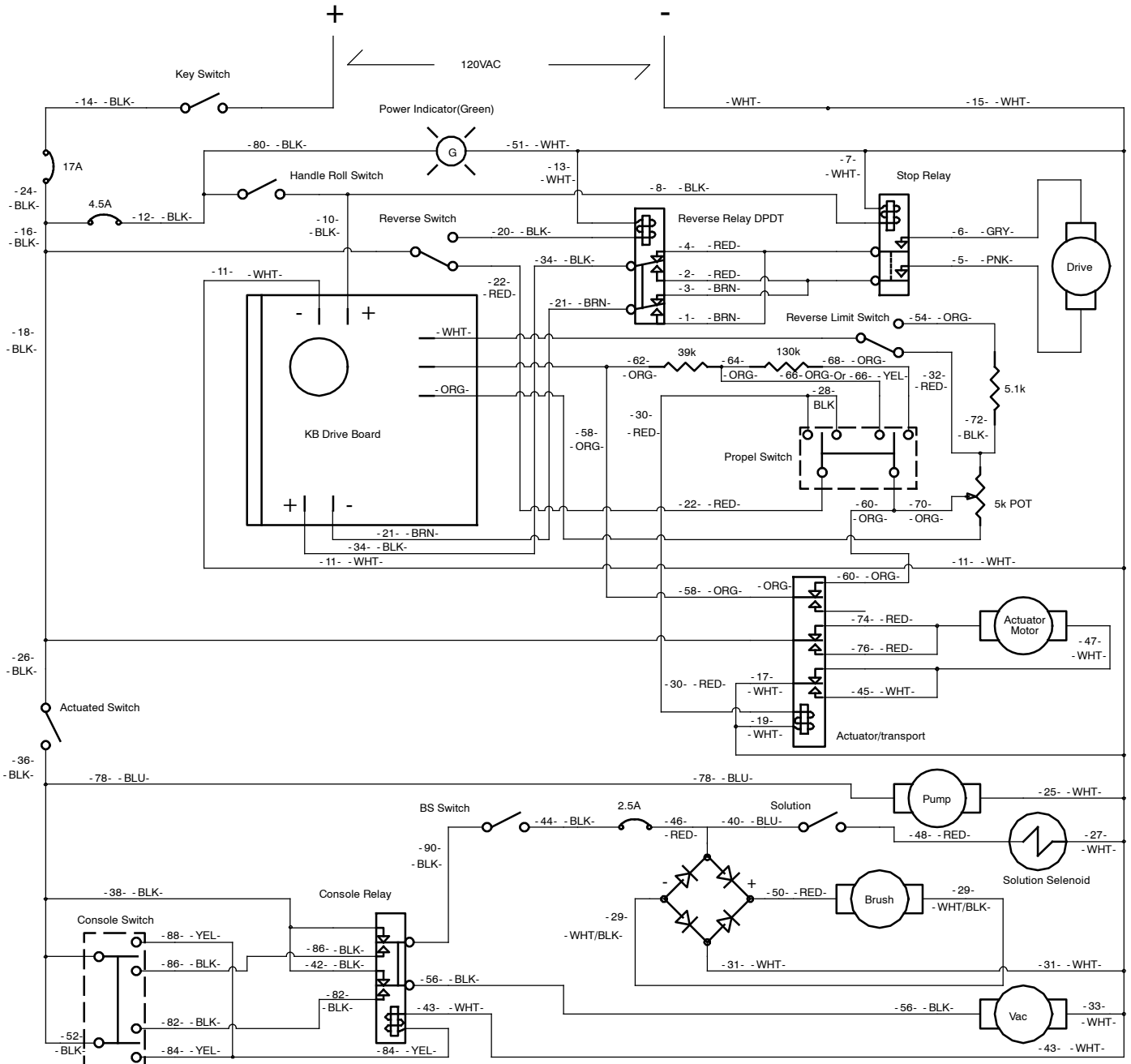
## 120V WIRING DIAGRAM





# ELECTRICAL DIAGRAMS - DIAGRAMAS ELECTRICAS - SYSTEM ÉLECTRIQUE

## 120V LADDER DIAGRAM



# RECOMMENDED MAINTENANCE ITEMS

---

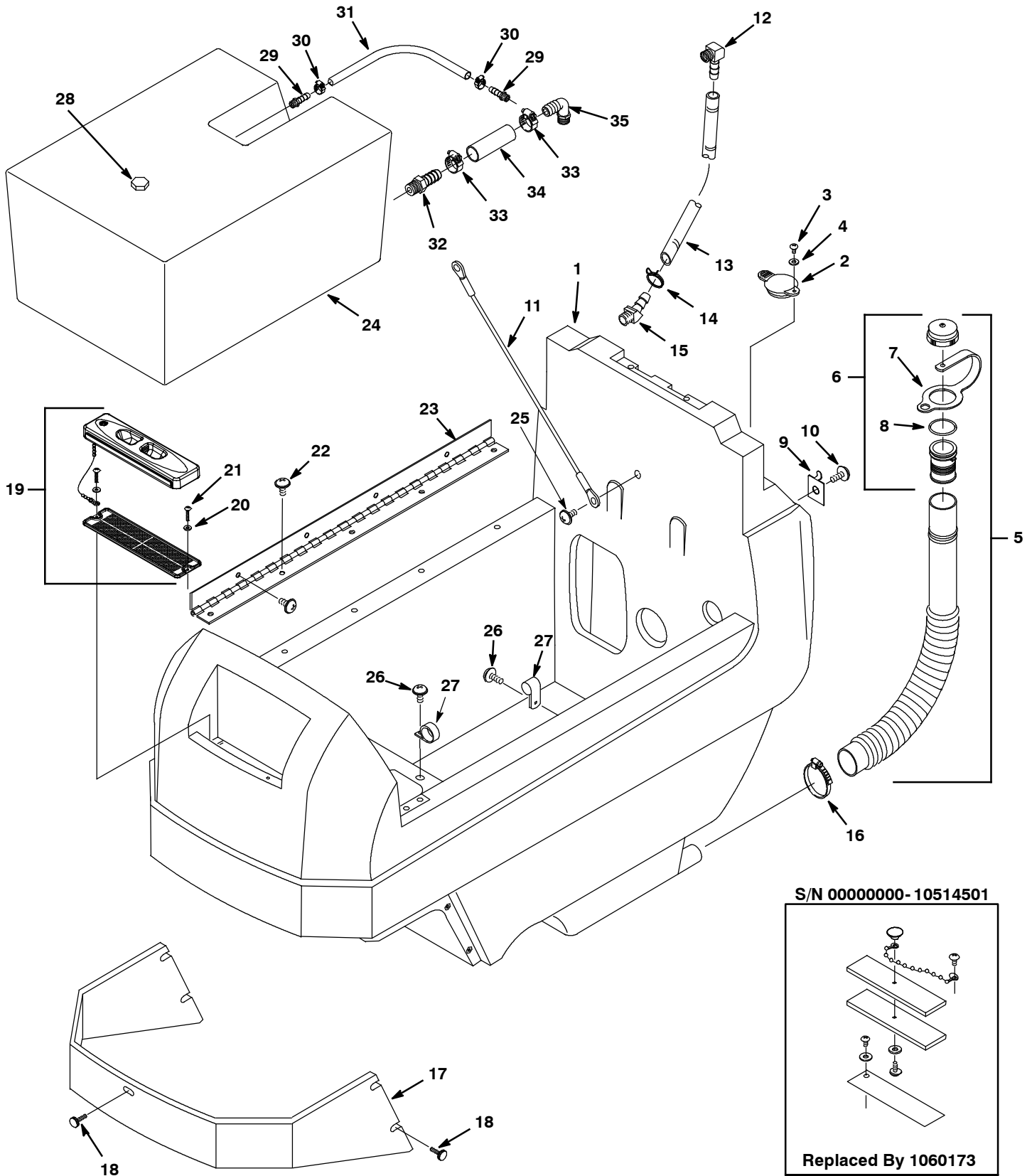
## RECOMMENDED MAINTENANCE ITEMS

REF	PART #	DESCRIPTION	QTY.
	1001608	GASKET, REC. TANK COVER	1
	630052	FLOAT, SHUT-OFF (2) BALL	1
	626092	GASKET, VACUUM FAN	1
	130416	MOTOR, VACUUM 5.7 3STG 120V	1
	630119	GASKET, CONSOLE 3.1X8.0X420	2
	630453	GASKET, CONSOLE 143MM	2
	1049048	CASTER, SWIVEL, 4.0D 1.4W	2

REF	PART #	DESCRIPTION	QTY.
	607452	WHEEL, 8.0DX2.0W TPR	2
	240063	BRUSH, CYLINDRICAL	1
	230409	BELT, TIMING	1
	1006924	FILTER, SCREEN 3/8MX1/2H ELB	2
	1007428	FILTER, BOWL & SCREEN	1
	180632	FILTER, SCREEN INLINE	1
	180638	FILTER, SCREEN 125MESH	1



SOLUTION TANK GROUP



# PARTS LIST - LISTA DE PIEZAS - LISTE DES PIÈCES

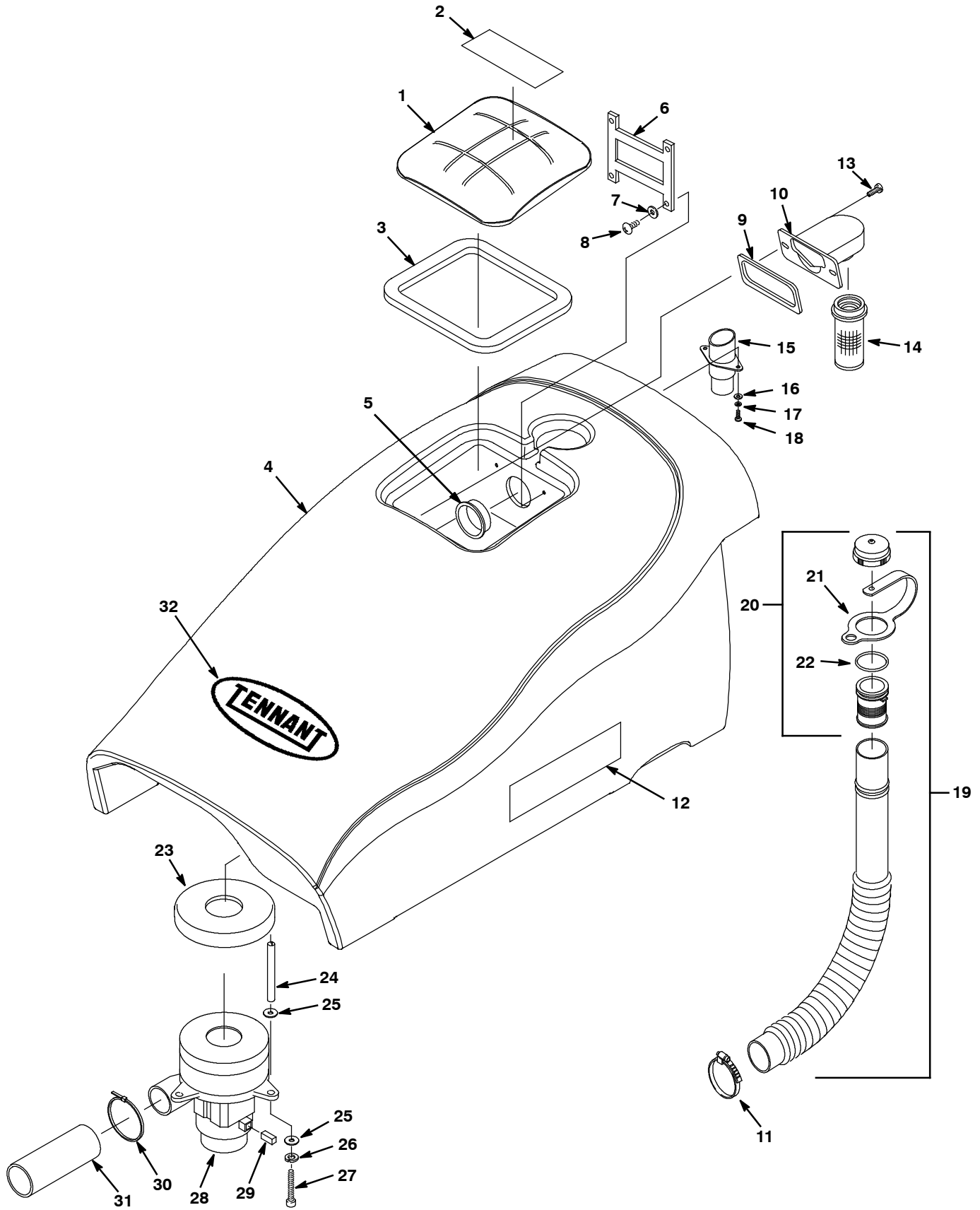
## SOLUTION TANK GROUP

REF	PART #	DESCRIPTION	QTY.
1	611344	TANK, SOLUTION TEAL	1
2	1012965	CAP, PORT, SOLUTION FILL	1
3	1018155	SCREW, PAN, M4.8 X 16 TCUT	1
4	01683	WASHER, FLAT, #10 SS	1
▽ 5	1010143	HOSE, DRAIN ASSEMBLY 31.2"	1
▲▽ 6	1008639	CAP, DRAIN ASSEMBLY	1
▲▲ 7	1019563	STRAP, DRAIN CAP	1
▲▲ 8	1008637	O- RING, 1.48"ID X 1.76"OD	1
9	601460	CLIP, DRAIN HOSE	2
10	1019349	SCREW, TRS, M6 X 1.0 X 16, SEMS	2
11	140960	CABLE, REC TANK SUPPORT	1
12	150419	FITTING, 1/4MX3/8H ELBOW	1
13	613923	HOSE, SIGHT GAGE	1
14	607775	CLAMP, HOSE .63- .66 2 WIRE BLK	1
15	605394	FITTING, BRS, E45, BM06/PM04 T	1
16	11531	CLAMP, HOSE, WORMDRIVE 1.06- 2.00D, .56W	1
17	606147	SHROUD, SCRUB HEAD	1
18	603012	KNOB, FRONT SHROUD	5

REF	PART #	DESCRIPTION	QTY.
19	1060173	COVER ASSY, TANK, SOLTN FILL (SN 10514502- )	1
20	140032	WASHER, #6 FLAT	2
21	140826	SCREW, #6X3/4 PANPHL	2
22	1019349	SCREW, TRS, M6 X 1.0 X 16, SEMS	9
23	605244	HINGE, RECOVERY TANK	1
24	1002187	TANK, SOLUTION EXTRA	1
25	1019349	SCREW, TRS, M6 X 1.0 X 16, SEMS	2
26	1019349	SCREW, TRS, M6 X 1.0 X 16, SEMS	3
27	606697	CLAMP 1.125 DIA	3
28	630146	FITTING, 3/8M PLUG NYLON	1
29	150516	FITTING, BRS 1/4M X 3/8H	2
30	54333	CLAMP, HOSE WRMDRIVE .31- .88	2
31	613923	HOSE, 3/8ID X 5/8OD X 1.25' GRAY	1
32	1006923	FITTING, BARB 1"NPT X 1" HOSE	1
33	11399	CLAMP, HOSE WRMDRIVE .81- 1.50	2
34	613922	HOSE, 1"ID X 1- 1/4OD X .33'	1
35	1006922	FITTING, ELBOW 1"NPT X 1" HOSE	1

▽ ASSEMBLY  
▲ INCLUDED IN ASSEMBLY

RECOVERY TANK GROUP



# PARTS LIST - LISTA DE PIEZAS - LISTE DES PIÈCES

## RECOVERY TANK GROUP

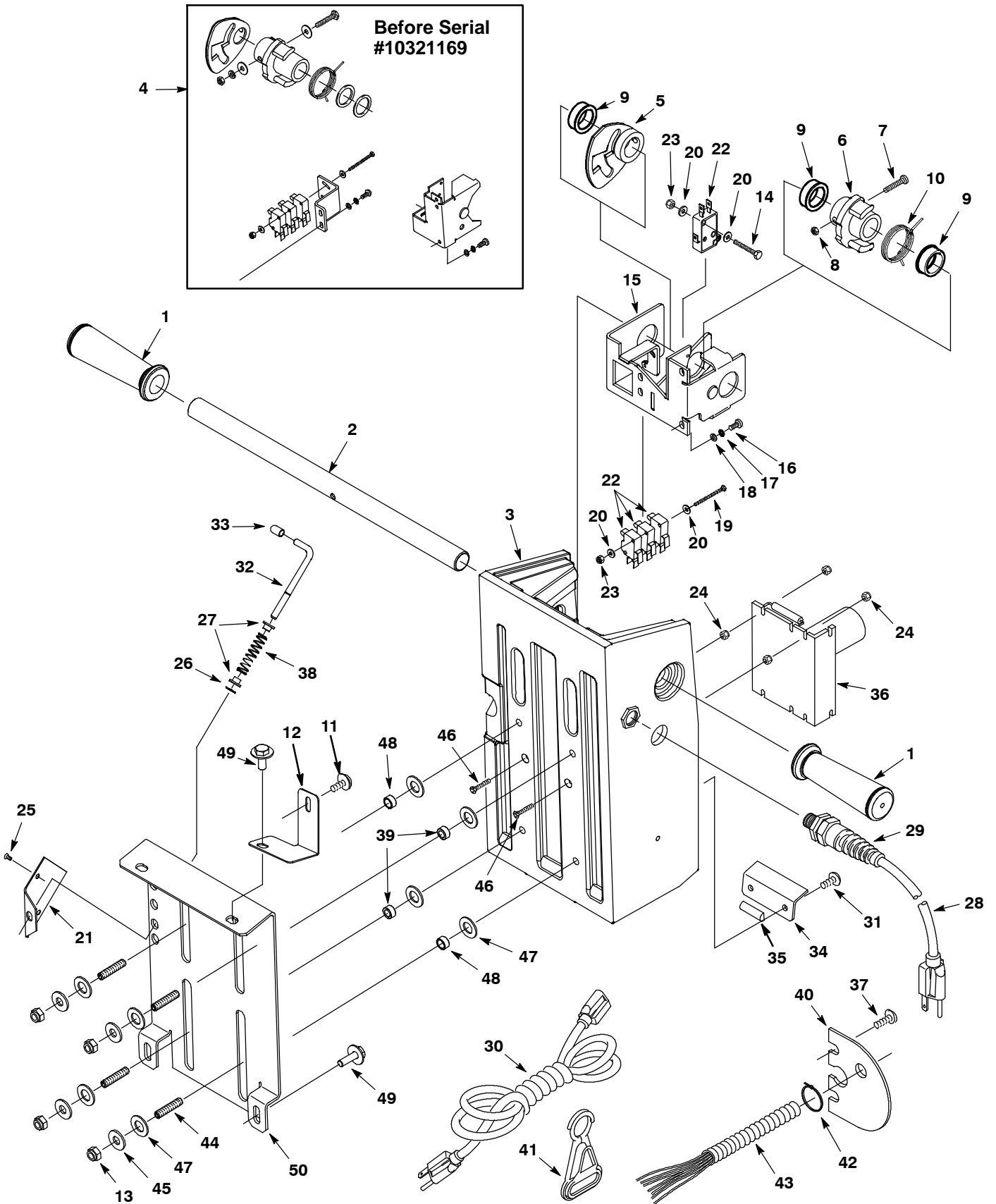
REF	PART #	DESCRIPTION	QTY.
▽ 1	1008286	ASM., LID & LABEL	1
▲ 2	1026383	LABEL, WARNING [EXPL,FIRE,SHK EN/FR/ES]	1
▲ 3	1001608	GASKET, REC. TANK COVER	1
4	1001933	TANK, RECOVERY, TEAL	1
5	610979	PLUG, CAP 2"	1
6	630056	STRAP, TANK COVER RETAINING	1
7	1009168	WASHER, FLAT, 0.17B 0.75D .04	4
8	140872	SCREW, #6X3/8 PANPHL	4
9	630255	GASKET, FLOAT MOUNT	1
10	630053	MOUNT, FLOAT CAGE	1
11	11531	CLAMP, HOSE, WORMDRIVE 1.06- 2.00D, .56W	1
12	613756	LABEL, 1530 SIDE RH/LH	2
13	1019349	SCREW, TRS, M6 X 1.00 X 16, SS, SEMS	2
14	630052	FLOAT, SHUT- OFF (2) BALL	1
15	607372	ADAPTER, HOSE	1
16	200301016	WASHER, M5.3 FLAT	2

REF	PART #	DESCRIPTION	QTY.
17	1026457	WASHER, LOCK, SPLIT, M5	2
18	06932	SCREW, M5X.8X10	2
▽ 19	1010143	HOSE, DRAIN ASSEMBLY 31.2"	1
▲▽20	1008639	CAP, DRAIN ASSEMBLY	1
▲▲21	1019563	STRAP, DRAIN CAP	1
▲▲22	1008637	O- RING, 1.48"ID X 1.76"OD	1
23	626092	GASKET, VACUUM FAN	1
24	626041	SPACER	3
25	140000	WASHER, 1/4 FLAT	6
26	140016	WASHER, 1/4 LOCK	3
27	626123	SCREW, M6X100 HXHDCP	3
▽ 28	130416	MOTOR, VACUUM 5.7 3STG 120V	1
▲ 29	190160	BRUSH, CARBON, W/HOLDER (1PKG = 2BRUSHES)	1
30	130041	WIRE TIE, NYLON	1
31	600009	MUFFLER, VAC EXHAUST	1
32	630229	DECAL, TENNANT	1

▽ ASSEMBLY  
▲ INCLUDED IN ASSEMBLY

# PARTS LIST - LISTA DE PIEZAS - LISTE DES PIÈCES

## CONTROL CONSOLE GROUP





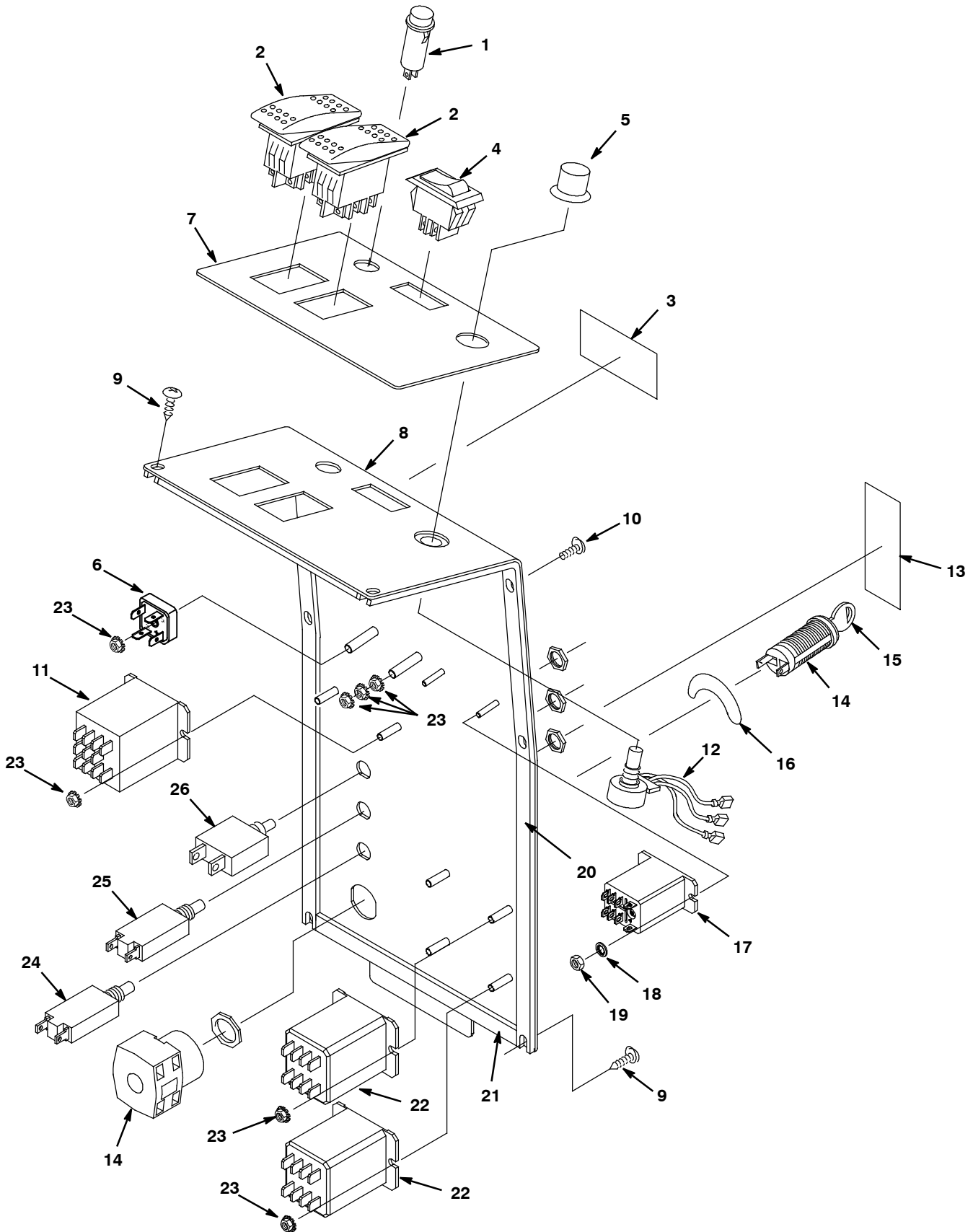
# PARTS LIST - LISTA DE PIEZAS - LISTE DES PIÈCES

## CONTROL CONSOLE GROUP

REF	PART #	DESCRIPTION	QTY.
1	1066506	GRIP, HANDLE, ROUND	2
2	630093	HANDLE, BAR, .875" O.D. X 15.5" LG	1
3	610924	CONTROL HSG TEAL (RM- CO)	1
4	1036932	KIT, BRACKET, POTENTIOMETER (BEFORE SN 10321169)	1
5	1034750	CAM, PLATE, SWITCH	1
6	1034754	HUB/GEAR ASSY, 22.4ID	1
7	33944	SCREW, PAN, PHL, M6 X 1.00 X 35	1
8	07785	NUT, HEX, STD, M6 X 1.00, SS	1
9	1074799	BUSHING, GRIP, THROTTLE [1610] (AFTER SN 10811647)	3
9	605351	BUSHING, .88, BLK (BEFORE SN 10811648)	3
10	630088	SPRING, TORS, CENTER, .072MW, ZN	1
11	1019349	SCREW, TRS, M6 X 1.0 X 16, SEMS	1
12	1006906	BRACKET, REC TANK LATCH	1
13	08709	NUT, HEX, LOCK, M8 X 1.25, NL	4
14	579213	SCREW, M3X.5X2 HXHDCP	2
15	1034553	WLDT, POT, CONSOLE	1
16	579259	SCREW, PAN, M4 X 0.7 X 12, PHL, PL	4
17	200301014	WASHER M4.3X10.1X1 FLT ZN	4
18	02938	WASHER, LOCK, INT, 08, SS	4
19	600392	SCREW, HEX HD M3X40	2
20	601127000	WASHER M3.7X8X.5 FLT ZN	8
21	630087	PLATE LATCH RETAINER	1
22	611005	SWITCH, ROLLER, 16A MICRO	4
23	579211	NUT, HEX, LOCK, M3 X .5, SS	4
24	33932	NUT, HEX, LOCK, M4 X 0.70 NL	4
25	630114	SCREW, FLT, M4 X 0.7 X 8, PHL, ZN	2
26	630084	RING, RETAINING, EXT, 4.62MM	1

REF	PART #	DESCRIPTION	QTY.
27	630083	BUSHING, LATCH	2
28	1007412	CORD, 14/3X34 YELLOW SMOOTH	1
29	130167	GRIP, STRAIN- RELIEF 1/2NPT BLK	1
30	130229	CORD, 14/3X75' YELLOW SMOOTH	1
31	1019349	SCREW, TRS, M6 X 1.0 X 16, SEMS	2
32	630081	LEVER, LATCH, CONSOLE ADJUST	1
33	630094	CAP, VINYL, 2.26ID X 12.7LG, BLK	1
34	630086	PLATE, STRAIN- RELIEF, 11GA ZN	1
35	606888	SKID STRIP, .75" LONG	1
36	1009595	BOARD, SPEED CONTROL 120V	1
37	1019349	SCREW, TRS, M6 X 1.0 X 16, SEMS	2
38	630082	SPRING, CMPR, 10.7D, 0.9W, 44.4L MW ZN	1
39	630259	BEARING, 9.5ID, 12.7OD, 6.4LG, BRZ	2
40	605067	RETAINER, HARNESS, WIRE	1
41	130176	CLIP, CORD STRAIN- RELIEF YLW	1
42	130042	TIE, CABLE, NYL	2
43	613626	HARNESS, WIRE MAIN	1
44	607461	SCREW, SET, M8X1.25X35, W/PATCH	4
45	32491	WASHER, FLAT, 0.31 STD	4
46	06930	SCREW, M4 X 0.7 X 30	2
47	608562	WASHER, FLAT, 0.51B 0.94D .06, NYL	8
48	607783	BEARING, SLEEVE, .314ID .503OD .25 BRNZ	2
49	1020341	SCREW, HEX, M8 X 1.25 X 20,SS, SEMS	4
50	608563	PLATE, CONSOLE SLIDE	1

CONSOLE PANEL GROUP



# PARTS LIST - LISTA DE PIEZAS - LISTE DES PIÈCES

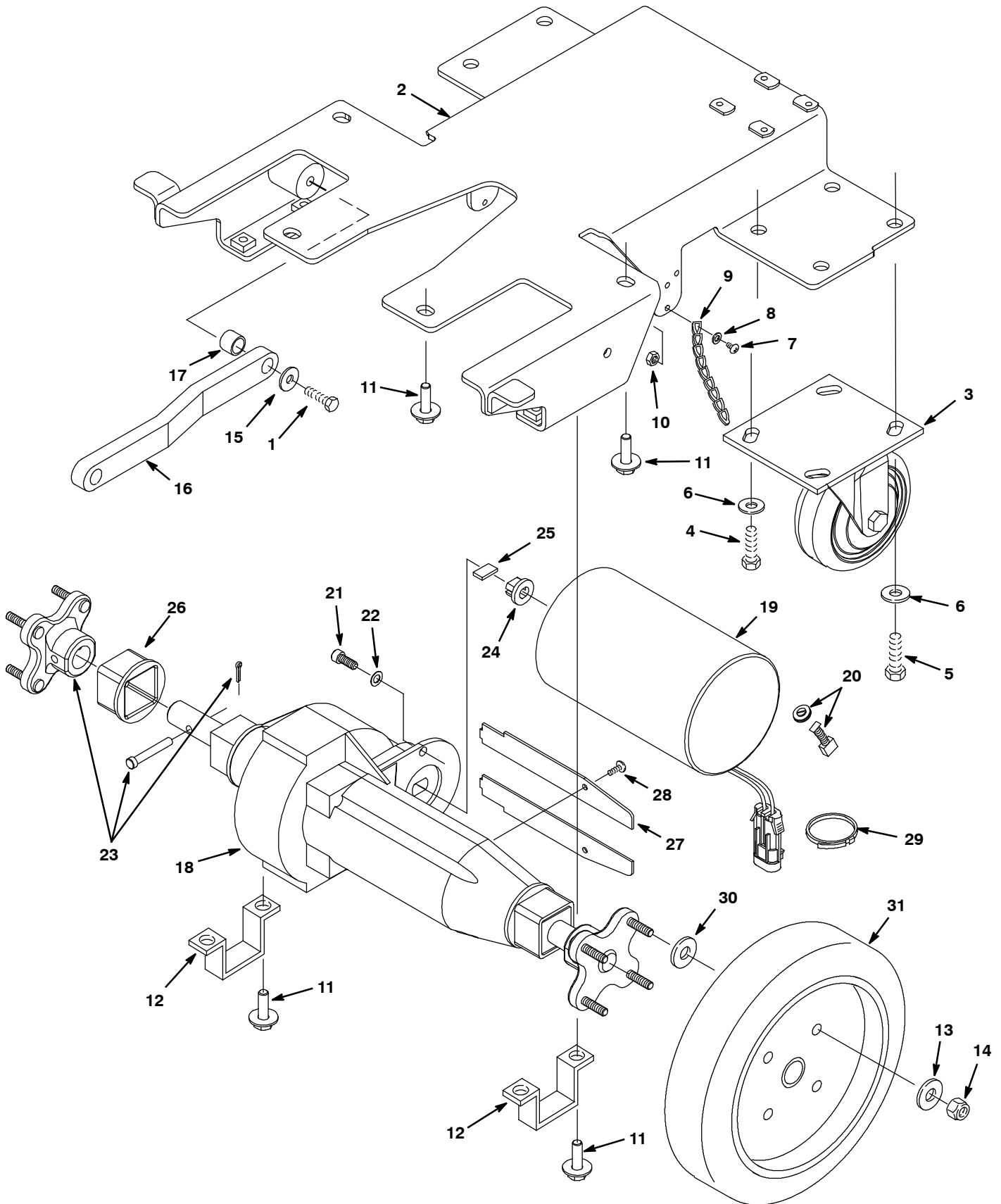
## CONSOLE PANEL GROUP

REF	PART #	DESCRIPTION	QTY.
1	1006920	LIGHT, GREEN LED	1
2	609657	SWITCH, ROCKER ON/OFF/ON	2
3	613906	LABEL, ACCESSORY TOOL	1
4	1007628	SWITCH, ROCKER 250VDC	1
5	630265	KNOB, SPEED LIMIT	1
6	130304	RECTIFIER, BRIDGE 600V 15AMP	1
7	613758	LABEL, DASH	1
8	1006141	PANEL, SWITCH	1
9	1009324	SCREW, PAN, PHL, 10- 16 X 0.50,BLK	4
10	607006	SCREW, TRS, M4 X 0.70 X 12, PHL	4
11	1006916	RELAY, 3DPDT (ACT/TRANS)	1
12	1008520	HARNESS, W/POT. 5K	1
13	613903	LABEL, CIRCUIT BREAKERS	1

REF	PART #	DESCRIPTION	QTY.
14	130785	SWITCH, KEY	1
15	607821	KEY, REPLACEMENT	1
16	604793	DECAL, KEYSWITCH ON(1)/OFF(0)	1
17	1007817	RELAY, 120 DPDT (VACUUM)	1
18	39658	WASHER, LOCK, INT, 04	2
19	01754	NUT, HEX, STD, M3 X 0	2
20	630119	GASKET, CONSOLE 3.1X8.0X420	2
21	630453	GASKET, CONSOLE 143MM	2
22	1006918	RELAY, DPDT (STOP/REVERSE)	2
23	1007109	NUT, M4 X .7 KEP EXT LOCK	10
24	130746	BREAKER, CIRCUIT 2.5A	1
25	582510	BREAKER, CIRCUIT 4.5A	1
26	1006477	BREAKER, CIRCUIT 17AMP	1

# PARTS LIST - LISTA DE PIEZAS - LISTE DES PIÈCES

## DRIVE GROUP (S/N 10492843- )



# PARTS LIST - LISTA DE PIEZAS - LISTE DES PIÈCES

## DRIVE GROUP (S/N 10492843- )

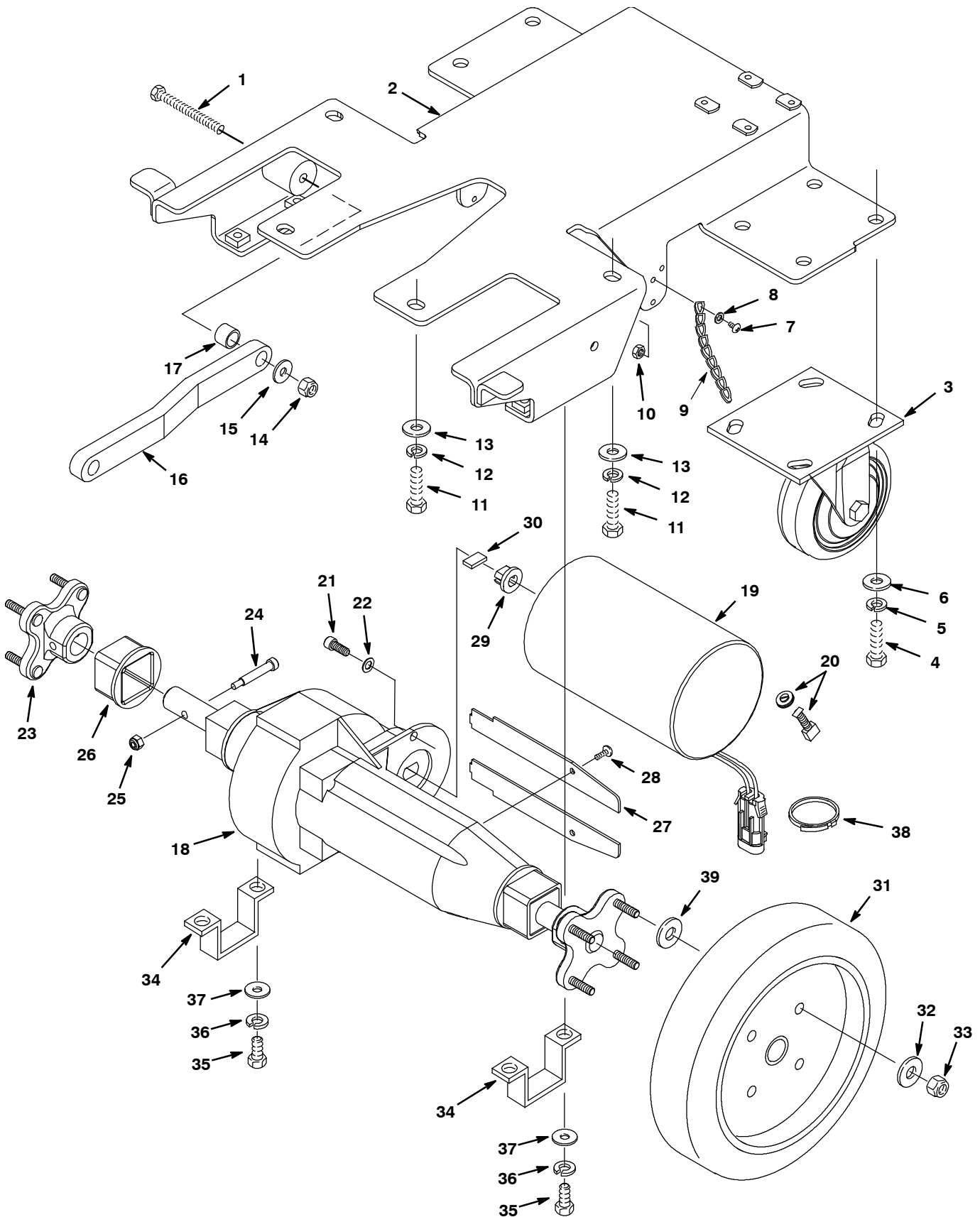
REF	PART #	DESCRIPTION	QTY.
1	74440	SCREW, HEX, M8 X 1.25 X 40, NL, SS	2
2	1062687	FRAME WLDT, MAIN	1
3	1049048	CASTER, SWIVEL, 4.0D 1.4W	2
4	1015852	SCREW, HEX, M8 X 1.25 X 25, NL, FL, SS	4
5	1016399	SCREW, HEX, M8 X 1.25 X 30, NL, SS	4
6	01685	WASHER, FLAT, 0.38B 0.88D .08, SS	8
7	24265	SCREW, PAN, PHL, M4 X 0.70 X 16 SS	1
8	200301014	WASHER, M4.3 FLAT	1
9	1017986	CHAIN, STATIC, 143MML	1
10	02850	NUT, M4 HXLCK	1
11	1020341	SCREW, HEX, M8 X 1.25 X 20, SS, SEMS	8
12	606001	BRACKET, TRANSAXLE	2
13	140000	WASHER, 1/4 FLAT	8
14	41169	NUT, HEX LOCK .25-20 NL	8
15	01685	WASHER, FLAT, 0.38B 0.88D .08, SS	2
16	222027	ARM, HEAD LIFT	2

REF	PART #	DESCRIPTION	QTY.
17	606056	SLEEVE, HEAD ARM	2
▽	612843	TRANSAXLE, 120V MOTOR 72RPM	1
▲ 18	612873	TRANSAXLE, REPL. BODY ONLY	1
▲▽ 19	612876	MOTOR, TRANSAXLE	1
▲▲ 20	612881	KIT, CARBON BRUSH (2/PK)	1
▲ 21	612874	COUPLING, TRANSAXLE	1
▲ 22	612875	KEY, TRANSAXLE	1
▲ 23	1063591	RETAINER, HUB, TRANSAXLE WHEEL (INCLUDES CLEVIS AND COTTER PIN)	2
▲ 24	01681	SCREW, 1/4- 20X3/4 SHCS	2
▲ 25	32982	WASHER, 1/4 INT. LOCK	2
▲ 26	612880	SLEEVE, TRANSAXLE REPL.	2
▲ 27	N/A	COVER, TRANSAXLE	2
▲ 28	577031000	SCREW, #8X1/2 PANPHL	2
29	130041	WIRE TIE, NYLON	2
30	140053	WASHER, 9/32X7/8X1/8	8
31	607452	WHEEL, 8.0DX2.0W TPR	2

▽ ASSEMBLY  
 ▲ INCLUDED IN ASSEMBLY

# PARTS LIST - LISTA DE PIEZAS - LISTE DES PIÈCES

## DRIVE GROUP (S/N 00000000-10492842)



# PARTS LIST - LISTA DE PIEZAS - LISTE DES PIÈCES

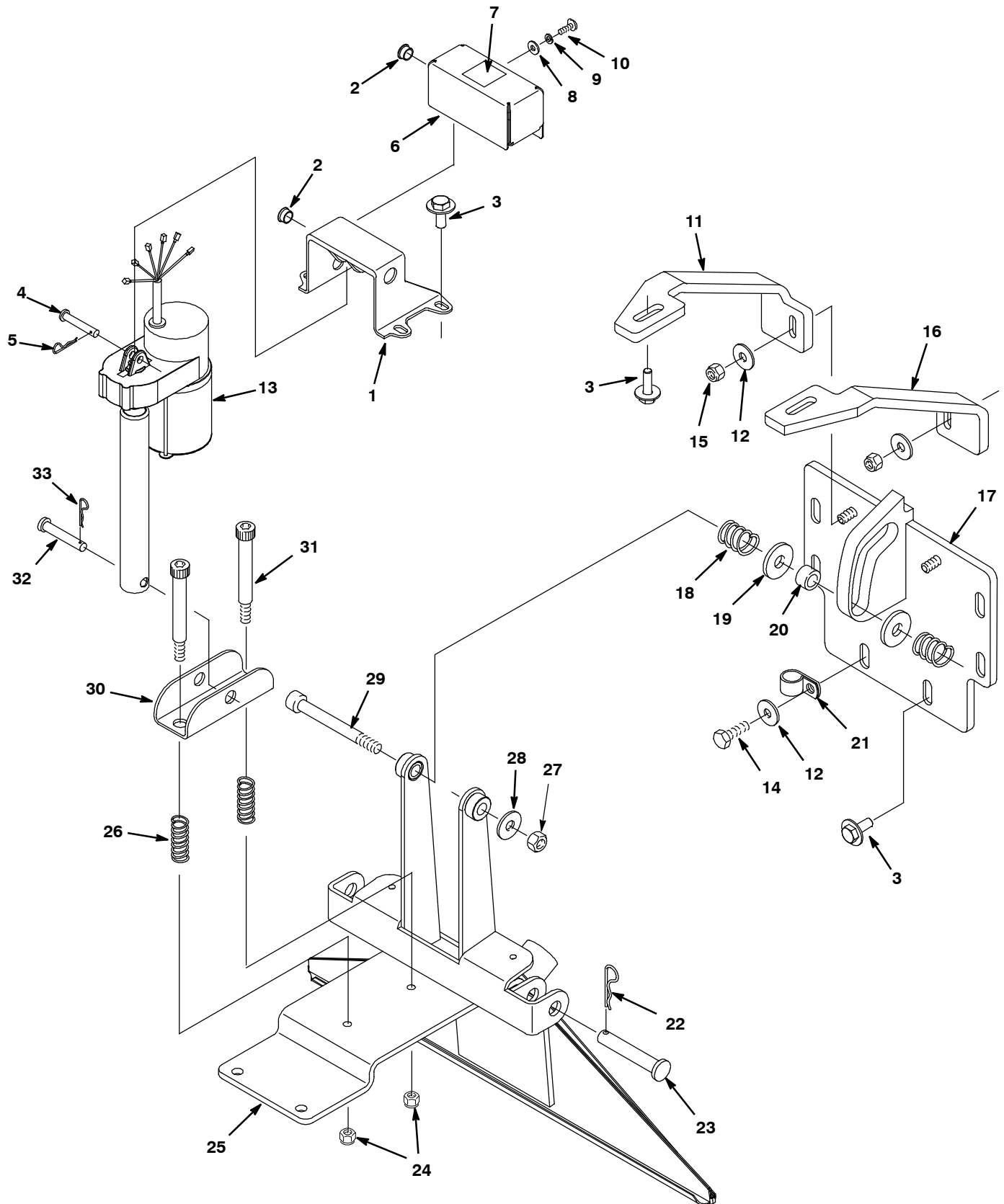
## DRIVE GROUP (S/N 00000000- 10492842)

REF	PART #	DESCRIPTION	QTY.
1	575544000	SCREW, M8X1.25X80 HXHDCP	2
2	1002360	FRAME, TRANSAXLE (ALSO ORDER HARDWARE 74440 & 01685 QTY 2)	1
3	1029695	CASTER, 4.0D X 1.38W	2
4	09010	SCREW, M8X1.25X25 HXHDCP	8
5	200370019	WASHER, M8.4 LOCK	8
6	32491	WASHER, 5/16 FLAT	8
7	140287	SCREW, 10- 24X3/8	1
8	200301014	WASHER, M4.3 FLAT	1
9	605950	CHAIN, LINK 8"	1
10	02850	NUT, M4 HXLCK	1
11	16931	SCREW, HEX, M8X1.25X20, 8.8	4
12	200370019	WASHER, M8.4 LOCK	4
13	32491	WASHER, 5/16 FLAT	4
14	08709	NUT, M8 HXLCK	2
15	32491	WASHER, 5/16 FLAT	2
16	222027	ARM, HEAD LIFT	2
17	606056	SLEEVE, HEAD ARM	2
∇	612843	TRANSAXLE, 120V MOTOR 72RPM	1
▲ 18	612873	TRANSAXLE, REPL. BODY ONLY	1
▲∇ 19	612876	MOTOR, TRANSAXLE	1
▲▲ 20	612881	KIT, CARBON BRUSH (2/PK)	1

REF	PART #	DESCRIPTION	QTY.
▲▲ 21	01681	SCREW, 1/4- 20X3/4 SHCS	2
▲▲ 22	32982	WASHER, 1/4 INT. LOCK	2
▲ 23	612879	HUB, WHEEL, TRANSAXLE	2
▲ 24	31249	BOLT, #10- 24 SHOULDER	2
▲ 25	140552	NUT, #10- 24 NYLOCK	2
▲ 26	612880	SLEEVE, TRANSAXLE REPL.	2
▲ 27	N/A	COVER, TRANSAXLE	2
▲ 28	577031000	SCREW, #8X1/2 PANPHL	2
▲ 29	612874	COUPLING, TRANSAXLE	1
▲ 30	612875	KEY, TRANSAXLE	1
31	607452	WHEEL, 8.0DX2.0W TPR	2
32	140000	WASHER, 1/4 FLAT	8
33	41169	NUT, HEX LOCK .25- 20 NL	8
34	606001	BRACKET, TRANSAXLE	2
35	200031494	SCREW, M8X1.25X30 HXHD	4
36	200370019	WASHER, M8.4 LOCK	4
37	32491	WASHER, 5/16 FLAT	4
38	130041	WIRE TIE, NYLON	2
39	140053	WASHER, 9/32X7/8X1/8	8

∇ ASSEMBLY  
▲ INCLUDED IN ASSEMBLY

ACTUATOR AND PICK-UP VACUUM SHOE GROUP





# PARTS LIST - LISTA DE PIEZAS - LISTE DES PIÈCES

## ACTUATOR AND PICK-UP VACUUM SHOE GROUP

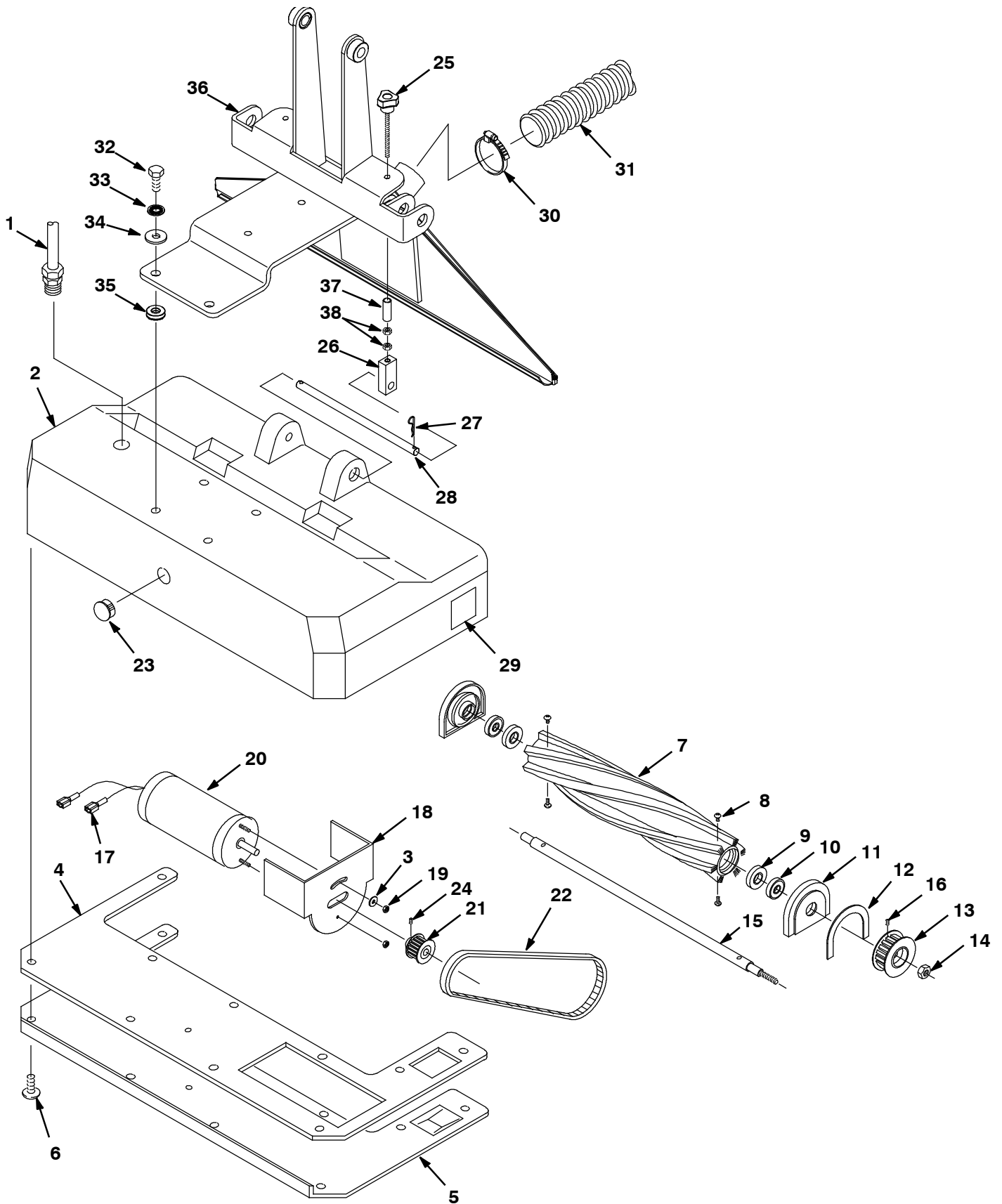
REF	PART #	DESCRIPTION	QTY.
1	1010154	BRACKET, ACTUATOR MOUNT	1
2	130110	BUSHING, STRAIN- RELIEF	2
3	1020341	SCREW, HEX, M8 X 1.25 X 20, SS, SEMS	11
4	29558	PIN, CLEVIS 0.37D X 1.50L	1
5	140626	PIN, HITCH	1
6	1007819	HOUSING, CAPACITOR	1
7	606521	DECAL, GENERAL HAZARD	1
8	200301016	WASHER, M5.3X10X1 FLAT	2
9	200351016	WASHER, M5.1 LOCK	2
10	06935	SCREW, PAN, PHL, M5 X 0.80 X 25 4.8	2
11	611049	BRACKET, SUPPORT, RIGHT	1
12	01685	WASHER, FLAT, 0.38B 0.88D .08, SS	3
13	1006913	ACTUATOR, 120V	1
14	1015852	SCREW, HEX, M8 X 1.25 X 25, NL, FL	1
15	08709	NUT, M8 HXLCK	2
16	611050	BRACKET, SUPPORT LEFT	1
17	608199	BRACKET, LIFT TRACK RLR HEAD	1

REF	PART #	DESCRIPTION	QTY.
18	607920	SPRING, .72OD X1.00 LG	2
19	607568	WASHER,THRUST, 1-1/2 OD	2
20	608198	ROLLER , LINKAGE	1
21	140314	CLAMP, CABLE INSULATED 3/4	1
22	02942	PIN, HAIR COTTER	2
23	222210	PIN, CLEVIS 2.12L	2
24	59156	NUT, 3/8- 16 NYLCK	2
25	1002197	VACUUM, SHOE 22"	1
26	32553	SPRING, CMPR	2
27	59156	NUT, 3/8- 16 NYLCK	1
28	140046	WASHER, 1.00 X .392	1
29	45960	SCREW, SHLDR 3/8- 16X4.25	1
30	1001612	BRACKET, ACTUATOR SPRING	1
31	1002728	BOLT, SHLDR .50DX3.00 .38- 16	2
32	630448	PIN, CLEVIS, .50DIA X 2.25	1
33	578421	PIN, COTTER, .12" X 1.00"	1

- ▽ ASSEMBLY  
 ▲ INCLUDED IN ASSEMBLY

# PARTS LIST - LISTA DE PIEZAS - LISTE DES PIÈCES

## BRUSH BASE GROUP



# PARTS LIST - LISTA DE PIEZAS - LISTE DES PIÈCES

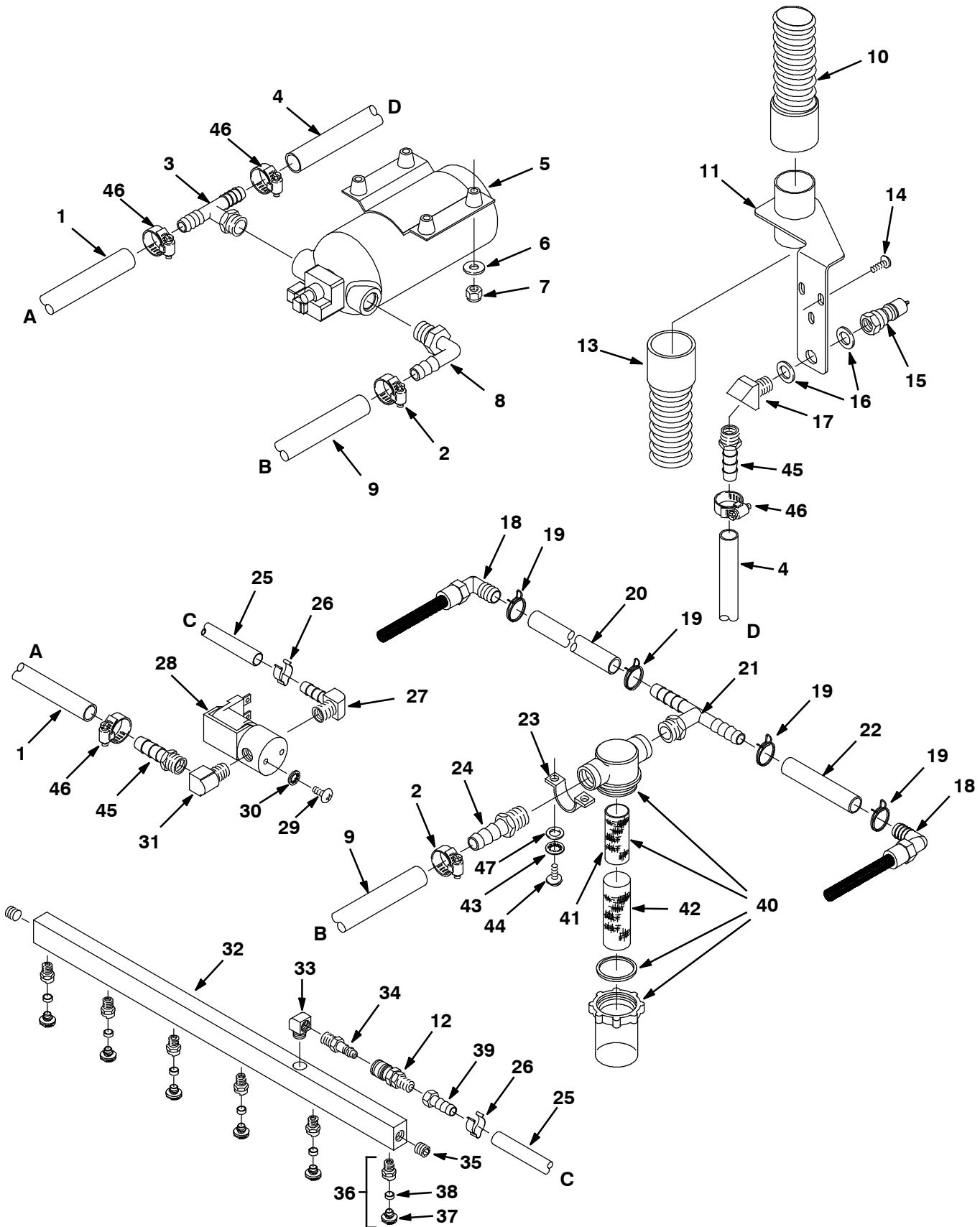
## BRUSH BASE GROUP

REF	PART #	DESCRIPTION	QTY.
1	130290	CORD, 18/3X36" SJT	1
2	101106	BASE, 22"	1
3	200315016	WASHER, FLAT	1
4	100157	GASKET, BASE PLATE	1
5	611919	PLATE, BASE	1
6	140197	SCREW, 10- 24X3/8 TRSPHL	11
▽	700422	ASM., BRUSH	1
▲	7	240063 BRUSH, CYLINDER	1
▲	8	24672 SCREW, 1/4- 20X3/4	4
▲	9	100049 SEAL, BRUSH BEARING	2
▲	10	140125 BEARING, BRUSH	2
▲	11	230261 BLOCK, BEARING	2
▲	12	100005 GASKET, BEARING BLOCK	1
▲	13	230408 PULLEY, BRUSH	1
▲	14	140548 NUT 5/16	1
▲	15	230406 SHAFT, BRUSH 22"	1
▲	16	140859 SCREW, SET 1/4- 20X1/4	1
17	130096	TERMINAL, MALE DSCNT 16- 14	2
18	230411	BRACKET, BRUSH MOTOR	1
19	140518	NUT, KEP 10- 32	2

REF	PART #	DESCRIPTION	QTY.
20	1063938	MOTOR, ELE, 115VDC, .25HP	1
21	230410	PULLEY, MOTOR	1
22	230409	BELT, TIMING	1
23	130154	PLUG, DOME	1
24	140859	SCREW, SET 1/4- 20X1/4	1
25	1002467	KNOB, W 1/4 - 20X3 STUD	2
26	1002476	KNUCKLE, 1/4- 20X3/8ID	2
27	140626	PIN, HITCH	2
28	1002472	SHAFT, PIVOT, BRUSH ASM	1
29	578769	DECAL, MOVING PARTS	2
30	11531	CLAMP, HOSE, WORMDRIVE 1.06- 2.00D, .56W	1
31	613760	HOSE, VAC 1- 1/2X32 ONE CUFF	1
32	140219	SCREW, HEX .31- 18X1.00, SS	2
33	32984	WASHER, LOCK, INT, 0.31	2
34	01685	WASHER, FLAT, 0.38B 0.88D .08, SS	2
35	1006925	WASHER, 88OD X .41ID X .25TH [2PC KIT]	2
36	1002197	SHOE, VACUUM 22"	1
37	1008421	SPACER, 1/2OD X 1.50LG	2
38	32520	NUT, HEX JAM .25- 20	4

▽ ASSEMBLY  
▲ INCLUDED IN ASSEMBLY

PLUMBING GROUP



# PARTS LIST - LISTA DE PIEZAS - LISTE DES PIÈCES

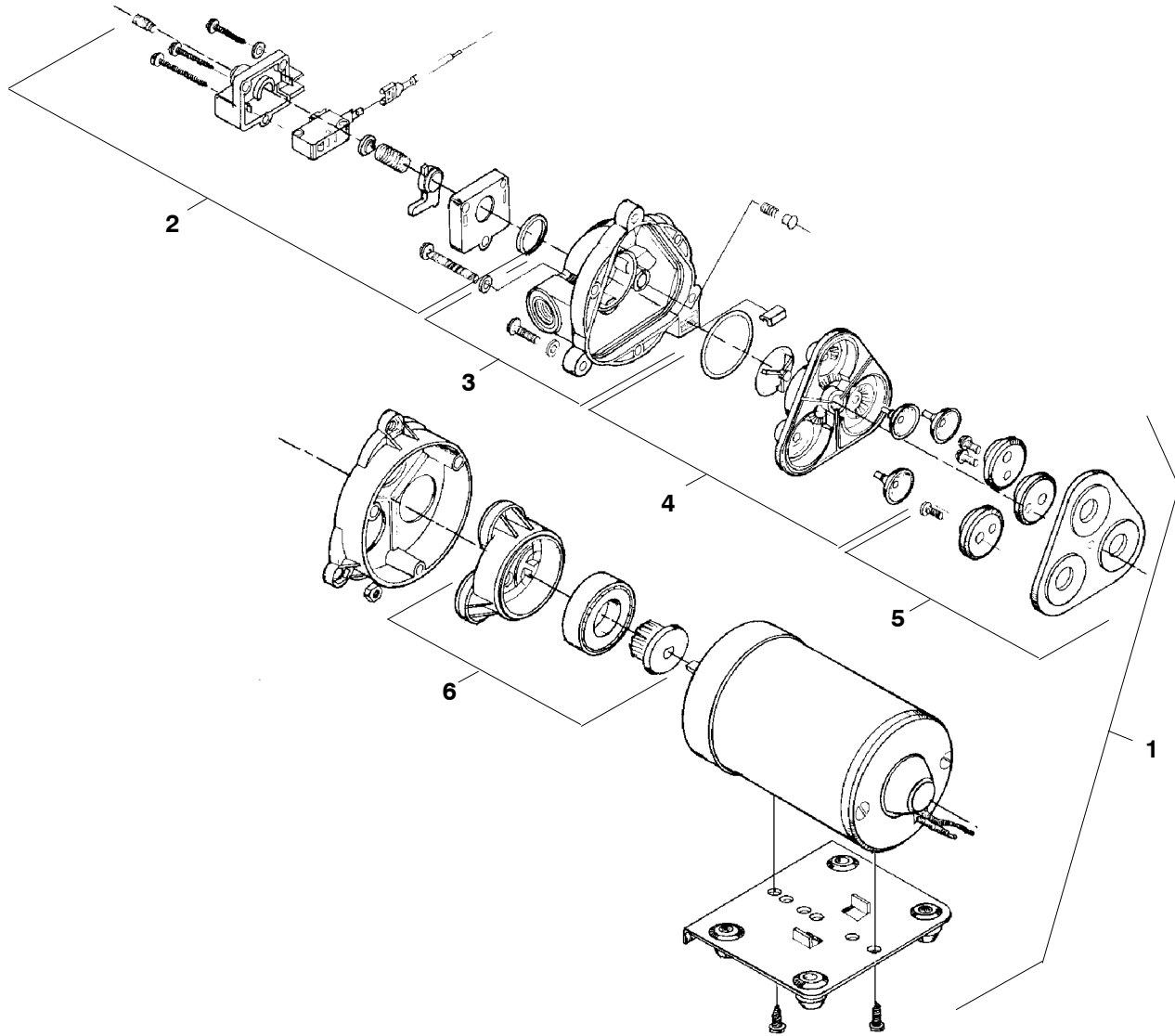
## PLUMBING GROUP

REF	PART #	DESCRIPTION	QTY.
1	613961	HOSE, 1/2IDX3/4ODX.92' RED	1
2	54333	CLAMP, HOSE WRMDRIVE .31- .88	2
3	605046	FITTING, 3/8MX3/8HX3/8 TEE	1
4	613961	HOSE, 1/2IDX3/4ODX.92' RED	1
5	180103	PUMP, SOL 100PSI 120VAC	1
6	19066	WASHER, FLAT #10	2
7	140552	NUT, HEX 10- 24 NYLON	2
8	1017532	FITTING, PLSTC, E90, BM08/PM06	1
9	613916	HOSE, 1/2IDX3/4ODX12"	1
10	613759	HOSE, VAV 1- 1/2X34 W/CUFFS	1
11	1001611	BRACKET, QC WAND HOOKUP	1
12	150915	FITTING, BRS QDC 1/8 SER 5	1
13	613760	HOSE, VAC 1- 1/2X32 ONE CUFF	1
14	1019349	SCREW, TRS, M6 X 1.0 X 16, SEMS	3
15	150933	FITTING, BRS QDC 1/4F SER 60	1
16	140058	WASHER, .543X.875X.062 WAND	2
17	150403	FITTING, BRS E45 04PM/04PF	1
18	1006924	FILTER, SCREEN 3/8MX1/2H ELB	2
19	607776	CLAMP, HOSE .73- .77 WIRE BLK	4
20	613520	TUBING, 1/2IDX3/4ODX.730'	1
21	605046	FITTING, 3/8MX1/2HX1/2H TEE NY	1
22	613513	TUBING, 1/2IDX3/4ODX.270'	1
23	605056	BRACKET, FILTER MOUNT	2
24	14884	FITTING, BRS STR BM08/PM06	1
25	613434	HOSE, PVC, BRD, 0.25ID 0.50OD 24.0L	1

REF	PART #	DESCRIPTION	QTY.
26	140325	CLAMP, HOSE 1/2" EAR	2
27	150418	FITTING, 1/4MX1/4H BARB 90 BRS	1
28	1010246	SOLENOID, WATER SOL. 120VAC	1
29	140801	SCREW, TRS 8- 32X3/8 PHL	2
30	02938	WASHER, LOCK INT #08	2
31	27048	FITTING, BRS, E90, PF04/PM04	1
▽	613918	ASM., SPRAY BAR	1
▲ 32	230407	MANIFOLD, SOL SPRAYBAR 22"	1
▲ 33	150407	FITTING, 1/8MX1/8F ELB STRT 90	1
▲ 34	150921	FITTING, BRS QDC 1/8M SER 5	1
▲ 35	150208	FITTING, 1/8M PLUG BRS SKHD	2
▲▽36	201011	FITTING, JET 80015 1/8Q JET	6
▲▲37	201013	TIP, REPLACEMENT (80015)	1
▲▲38	201015	SEAL, NOZZLE, SPRAY	1
39	150520	FITTING, 1/8FX1/4H BARB	1
▽ 40	1007428	FILTER, BOWL & SCREEN	1
▲ 41	180632	FILTER, SCREEN INLINE	1
42	180638	FILTER, SCREEN 125MESH	1
43	1026457	WASHER, LOCK, SPLIT, M5	4
44	09200	SCREW, PAN, PHL, M5 X	4
45	150517	FITTING, BRS, STR, BM08/PM04	2
46	63810	CLAMP, HOSE, 0.56- 1.06D, .56W	4
47	140011	WASHER, 3/16 FLAT	4

▽ ASSEMBLY  
 ▲ INCLUDED IN ASSEMBLY

PUMP BREAKDOWN

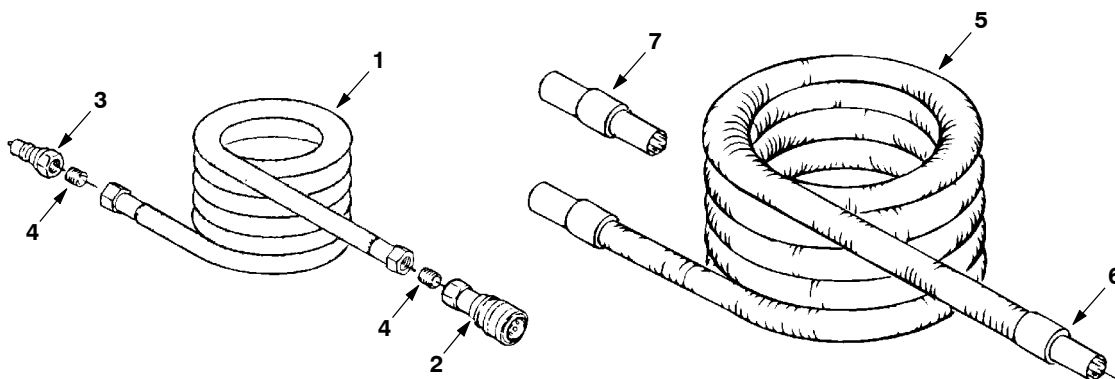


REF	PART #	DESCRIPTION	QTY.
▽ 1	180103	PUMP, 100 PSI 120V (COMPLETE)	1
▲ 2	190129	KIT, PUMP PRESSURE SWITCH	1
	190172	KIT, PUMP PRS SWITCH (VITON)	1
	190134	KIT, PUMP DIAPHRAGM ONLY	1
▲ 3	190128	KIT, PUMP UPPER HOUSING	1
	190124	KIT, PUMP CHECK VALVE ONLY	1

REF	PART #	DESCRIPTION	QTY.
▲ 4	190171	KIT, PUMP VALVE (VITON)	1
▲ 5	190131	KIT, PUMP SERVICE	1
▲ 6	190130	KIT, PUMP LOWER HOUSING	1

▽ ASSEMBLY  
▲ INCLUDED IN ASSEMBLY

## HOSES, SOLUTION AND VACUUM



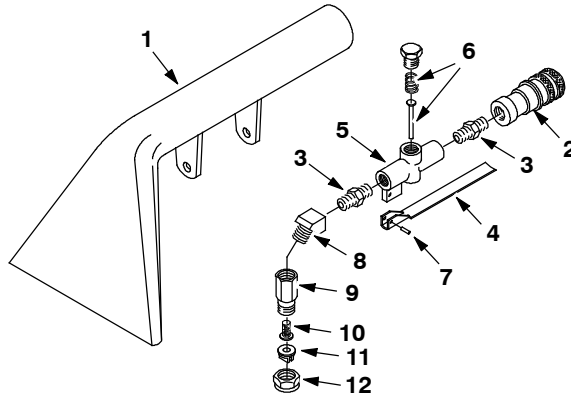
REF	PART #	DESCRIPTION	QTY.
∇ 1	160185	HOSE, SOLUTION 4.6M (15')	1
	610792	HOSE, SOLUTION 7.6M (25')	1
	160192	HOSE, SOLUTION 15.2M (50')	1
▲ 2	150913	FITTING, BRS QDC PF04 SER 60	1
▲ 3	150933	FITTING, BRS QDC PM04 SER 60	1
▲ 4	150615	FITTING, BRS STR PM04 CLOSE	2

∇ ASSEMBLY  
 ▲ INCLUDED IN ASSEMBLY

REF	PART #	DESCRIPTION	QTY.
∇ 5	160400	HOSE, VACUUM 4.6M (15')	1
	160401	HOSE, VACUUM 7.6M (25')	1
	160402	HOSE, VACUUM 15.2M (50')	1
▲ 6	160430	CUFF, HOSE 1.5 X 1.5 BLACK	2
▲ 7	160451	CONNECTOR, VAC HOSE 38MM (1.5IN)	1
N/S	220040	BAG, HOSE NYLON MESH W/DRAWSTRING	1

# OPTIONS - OPCIONES - ÉQUIPEMENT AU CHOIX

## HAND TOOL, 127 mm (5 in)

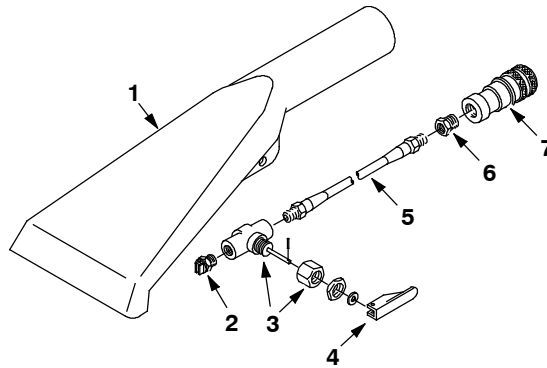


REF	PART #	DESCRIPTION	QTY.	
▽	200505	ASM., HAND TOOL 5" SERIES 60	1	
▲	1	200431.BK	TOOL, HAND BLACK	1
▲	2	150913	FITTING, BRS QDC PF04 SER60	1
▲	3	150606	FITTING, BRS STR PF04 HEX NIP	2
▲	4	200905	LEVER, K- VALVE W/PIN	1
▲	5	210210	VALVE, FLOW CONTROL 04PF	1
▲	6	190600	KIT, K- VALVE REPAIR	1

REF	PART #	DESCRIPTION	QTY.	
▲	7	140609	PIN, ROLL 0.187D X 0.56L	1
▲	8	150403	FITTING, BRS E45 PF04/PF04	1
▲	9	200992	FITTING, BRS STR PF02 SWIVEL	1
▲	10	200996	FILTER, SCREEN 100MESH	1
▲	11	200965	FITTING, BRS TIP, 8002 T- JET	1
▲	12	200994	CAP, NOZZLE SPRAY (8002)	1

▽ ASSEMBLY  
▲ INCLUDED IN ASSEMBLY

## HAND TOOL, CREVICE 76 mm (3 in)



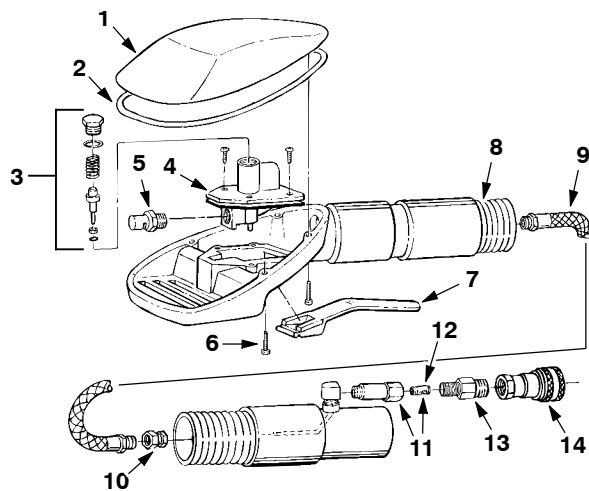
REF	PART #	DESCRIPTION	QTY.	
▽	200517	TOOL, CREVICE LP/HP SER 60	1	
▲	1	200436.BK	TOOL, CREVICE BLACK	1
▲	2	200975	FITTING, BRS TIP #5002 1/8V- JET	1
▲	3	210014	VALVE, TOGGLE 02PF W/NUT	1

REF	PART #	DESCRIPTION	QTY.	
▲	4	210020	POSITIONER, VALVE HANDLE	1
▲	5	160106	HOSE, SOLUTION CREVICE TOOL	1
▲	6	150100	FITTING, BRS STR PF04/PF02	1
▲	7	150913	FITTING, BRS QDC PF04 SER 60	1

▽ ASSEMBLY  
▲ INCLUDED IN ASSEMBLY



## HAND TOOL, UPHOLSTERY LOW PRESSURE

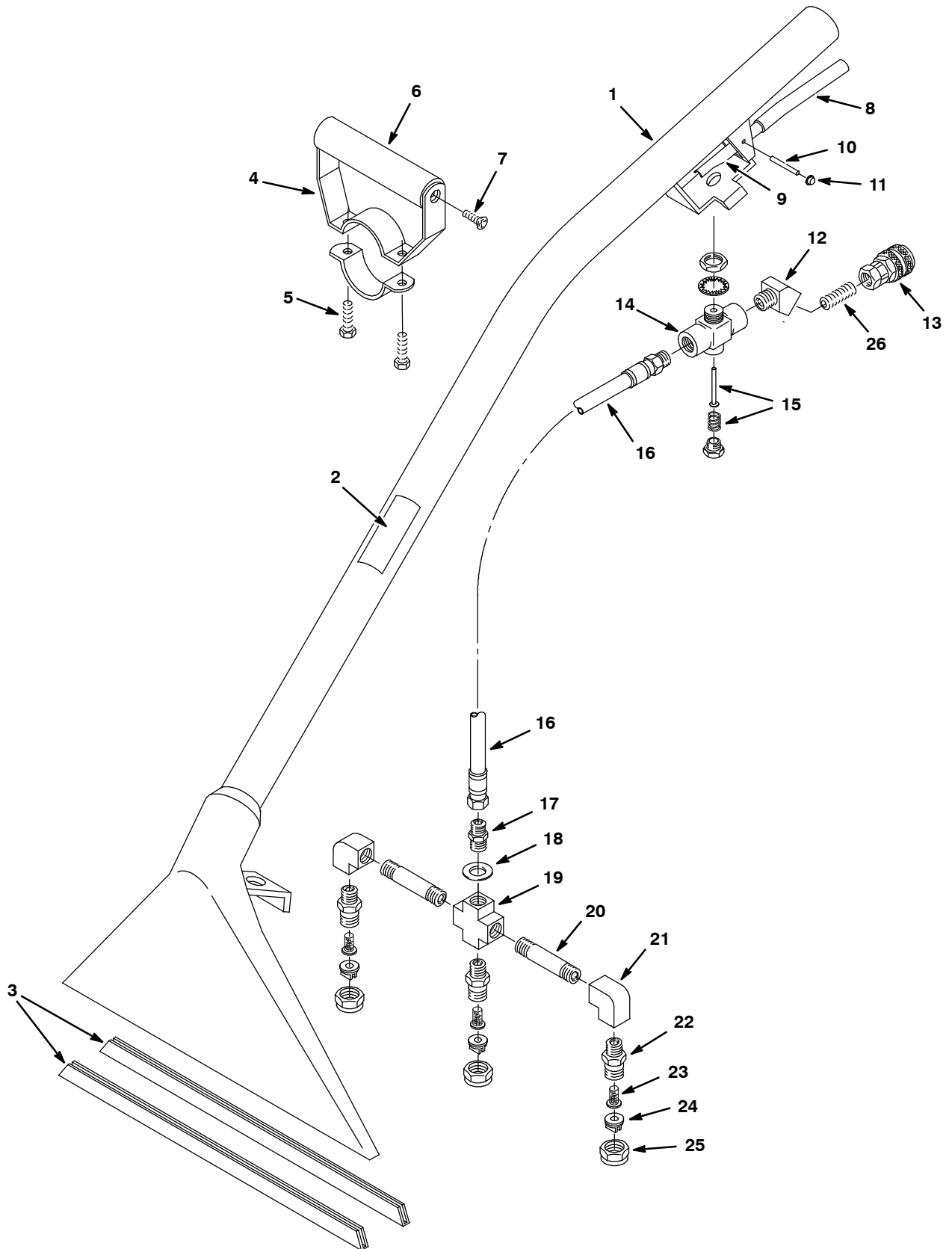


REF	PART #	DESCRIPTION	QTY.
∇	200540	TOOL, UPHOLSTERY LP SER 60	1
▲ 1	200845	COVER, UPHOLSTERY TOOL	1
▲ 2	200843	GASKET, COVER	1
▲ 3	190631	KIT, SERVICE LP UPHOLSTERY	1
▲ 4	210226	VALVE, WATER/SOL 120VAC LP	1
▲ 5	200991	FITTING, SS TIP 1/8K-JET	1
▲ 6	200838	SCREW, #06- 32 X 0.75	4
▲ 7	200840	TRIGGER, UPHOLSTERY TOOL	1

REF	PART #	DESCRIPTION	QTY.
▲ 8	200844	HOSE, VAC UPHOLSTERY TOOL W/O CUFFS	1
▲ 9	200837	HOSE, UPHOLSTERY TOOL	1
▲ 10	200848	FITTING, BRASS (3 PCS)	1
▲ 11	200842	FILTER, INLINE COMPLETE	1
▲ 12	200841	SCREEN ONLY, INLINE FILTER	1
▲ 13	150606	FITTING, BRS STR PF04 HEX NIP	1
▲ 14	150913	FITTING , BRS QDC PF04 SER 60	1

∇ ASSEMBLY  
 ▲ INCLUDED IN ASSEMBLY

FLOOR TOOL, LOW PRESSURE 330 mm (13 in)



# OPTIONS - OPCIONES - ÉQUIPEMENT AU CHOIX

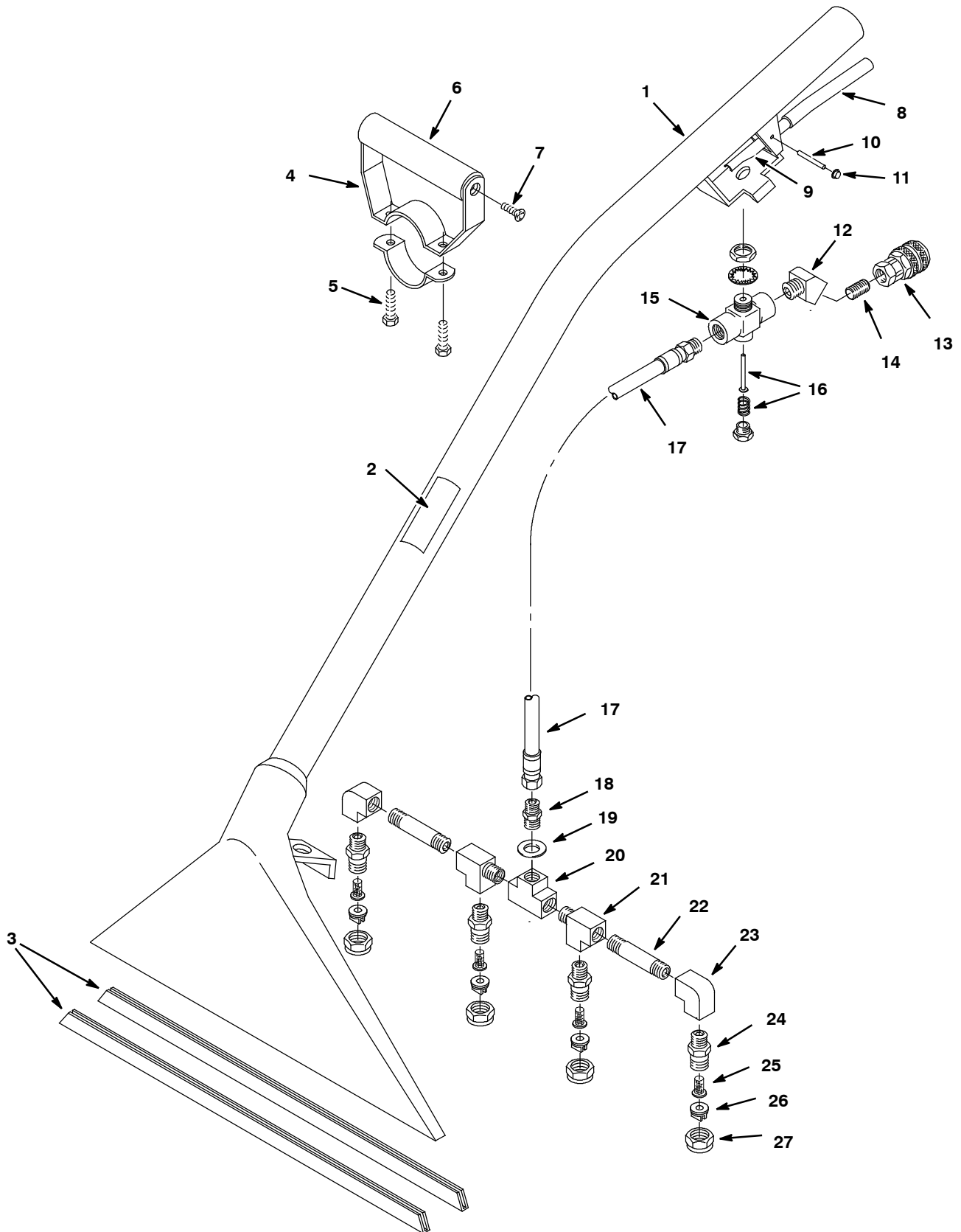
## FLOOR TOOL, LOW PRESSURE 330 mm (13 in)

REF	PART #	DESCRIPTION	QTY.
▽	600048	TOOL, 330MM (13 IN) FLOOR LP SER 60	1
▲ 1	200403.BK	TOOL, FLOOR BLACK	1
▲ 2	120846	DECAL, LOW PRESSURE TOOL	1
▲ 3	200939	SHOE, 330MM (13 IN) FLR TOOL	2
▲▽ 4	200927	GRIP, HAND ADJ. COMPLETE	1
▲▲ 5	01697	SCREW, HEX .25- 20 X 0.62	2
▲▲ 6	200912	GRIP, HANDLE FOAM	1
▲▲ 7	140834	SCREW, FLT .25- 20 X 0.62 PHL	2
▲ 8	200809	SLEEVE, HANDLE FLOOR TOOL	1
▲ 9	200902	HANDLE, IMPERIAL VALVE	1
▲ 10	140605	PIN, HANDLE IMPERIAL	1
▲ 11	140520	NUT, 1/4 PUSH BLK	2
▲ 12	150403	FITTING, BRS E45 PM04/PF04	1
▲ 13	150913	FITTING, BRS QDC PF04 SER 60	1

▽ ASSEMBLY  
 ▲ INCLUDED IN ASSEMBLY

REF	PART #	DESCRIPTION	QTY.
▲▽ 14	210150	VALVE, FLOW CONTROL PF04	1
▲▲ 15	190603	KIT, REPAIR IMPERIAL	1
▲ 16	160170	WAND, HOSE ASSEMBLY 46"	1
▲ 17	150606	FITTING, BRS STR PM04 HEX NIP	1
▲ 18	140058	WASHER, .54B X .88D X .06 WAND	1
▲▽	700062	ASM., SPRAYBAR WO/TIPS	1
▲▲ 19	150700	FITTING, BRS TEE PF04 CROSS	1
▲▲ 20	150600	FITTING, 1/4MX2" NIPPLE BRS	2
▲▲ 21	150401	FITTING, BRS E90 PF04/PF04	2
▲▲ 22	200993	SPRAY BODY, 1/4" MALE BRASS	3
▲ 23	200996	FILTER, SCREEN 100 MESH	3
▲ 24	200964	FITTING, TIP 11003 T- JET BRS	3
▲ 25	200994	CAP, NOZZLE SPRAY (8002)	3
▲ 26	150615	FITTING, BRS STR PM04 CLOSE	1
N/S	200170	SQUEEGEE ASSY, 380MM/15.0 COMPLT	1

FLOOR TOOL, LOW PRESSURE 406 mm (16 in)



# OPTIONS - OPCIONES - ÉQUIPEMENT AU CHOIX

## FLOOR TOOL, LOW PRESSURE 406 mm (16 in)

REF	PART #	DESCRIPTION	QTY.
▽	200503	TOOL, 406MM (16 IN) FLOOR LP SER 60	1
▲ 1	200411.BK	TOOL, FLOOR 406MM (16 IN)	1
▲ 2	120846	DECAL, LOW PRESSURE TOOL	1
▲ 3	200956	SHOE, 406MM (16 IN) FLR TOOL	2
▲▽ 4	200927	GRIP, HAND ADJ. COMPLETE	1
▲▲ 5	01697	SCREW, HEX .25- 20 X 0.62	2
▲▲ 6	200912	GRIP, HANDLE FOAM	1
▲▲ 7	140834	SCREW, FLT .25- 20 X 0.62 PHL	2
▲ 8	200809	SLEEVE, HANDLE FLOOR TOOL	1
▲ 9	200902	HANDLE, IMPERIAL VALVE	1
▲ 10	140605	PIN, HANDLE IMPERIAL	1
▲ 11	140520	NUT, 1/4 PUSH BLK	2
▲ 12	150403	FITTING, BRS E45 PM04/PF04	1
▲ 13	150913	FITTING, BRS QDC PF04 SER 60	1
▲ 14	150615	FITTING, BRS STR PM04 CLOSE	1

REF	PART #	DESCRIPTION	QTY.
▲▽ 15	210150	VALVE, FLOW CONTROL PF04	1
▲▲ 16	190603	KIT, REPAIR IMPERIAL	1
▲ 17	160170	WAND, HOSE ASSEMBLY 46"	1
▲ 18	150606	FITTING, BRS STR PM04 HEX NIP	1
▲ 19	140058	WASHER, .54B X .88D X .06 WAND	1
▲▽	700656	ASM., SPRAYBAR 16" WO/TIPS	1
▲▲ 20	150706	FITTING, BRS TEE PF04	1
▲▲ 21	150709	FITTING, BRS TEE PF04/PF04/PF04	2
▲▲ 22	150600	FITTING, 1/4MX2" NIPPLE BRS	2
▲▲ 23	150401	FITTING, BRS E90 PF04/PF04	2
▲▲ 24	200993	SPRAY BODY, 1/4" MALE BRASS	4
▲ 25	200996	FILTER, SCREEN 100 MESH	4
▲ 26	200964	FITTING, TIP 11003 T- JET BRS	4
▲ 27	200994	CAP, NOZZLE SPRAY (8002)	4

▽ ASSEMBLY  
 ▲ INCLUDED IN ASSEMBLY