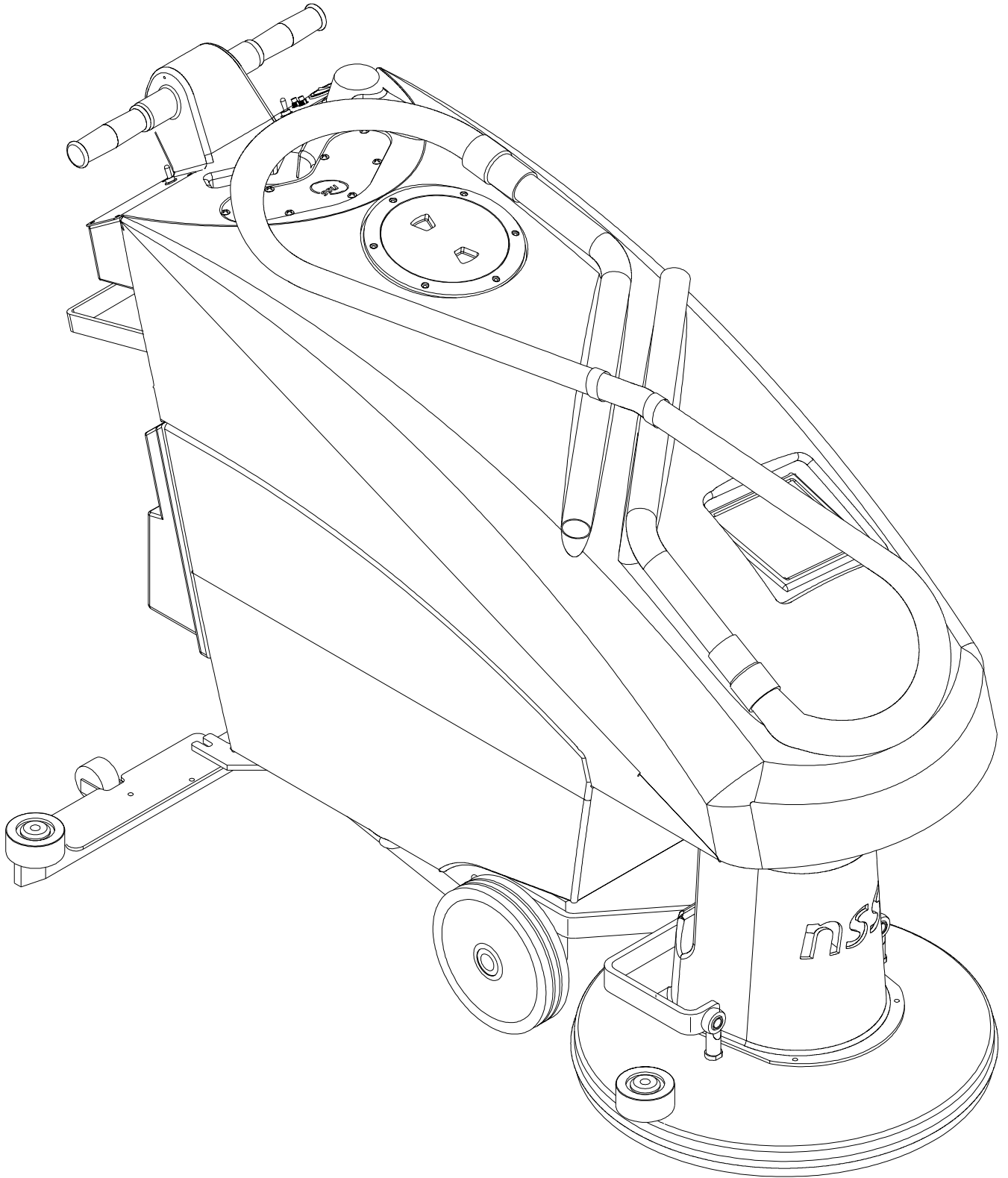


WRANGLER 2016

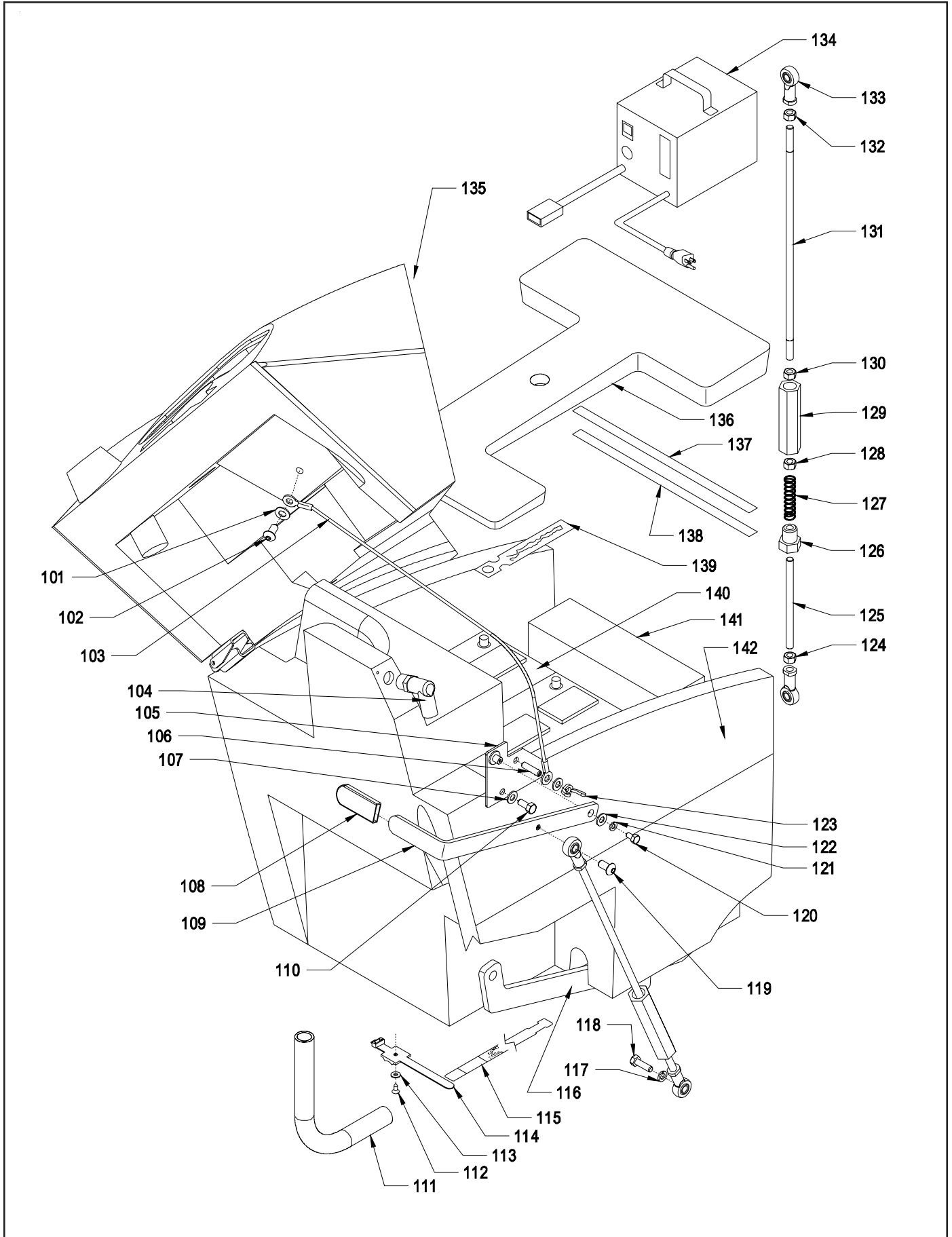
WHEEL DRIVE, PAD ASSIST & ELECTRIC MODELS



BRUSH LIFT

<u>ITEM</u>	<u>PART NO.</u>	<u>DESCRIPTION</u>	<u>QTY.</u>
101	9121960	3/8 EXTERNAL STAR LOCK WASHER	1
102	9122030	3/8-16 X 3/4 BUTTON HEAD SOCKET SCREW	1
103	2694261	CABLE	1
104	2391771	90° HOSE BARB 3/4 I.D. X 1/2 NPT NYLON	1
105	2397291	BRACKET DECK LIFT HANDLE	1
106	9121383	5/16-18 X 1 1/4 SET SCREW	1
107	9121410	5/16 EXTERNAL STAR LOCK WASHER	3
108	2397331	DECK LIFT HANDLE GRIP	1
109	2397281	HANDLE DECK LIFT	1
110	9121640	5/16-18 X 3/4 HEX BOLT	2
111	8791150	VINYL HOSE, 3/4" I.D. X 1" O.D. (38" LENGTH)	1
112	9120540	10-24 X 1/2 FLAT HEAD PHILLIPS MACHINE SCREW	1
113	9120330	10 EXTERNAL STAR LOCK WASHER	1
114	2397271	UNIVERSAL MOUNTING STRAP	1
115	2397421	SOLUTION GAUGE	1
116	2397303	DECK LIFT	1
117	9122100	3/8 SPLIT LOCK WASHER	1
118	9122260	3/8-16 X 1 HEX BOLT	1
119	9122030	3/8-16 X 3/4 BUTTON HEAD SOCKET SCREW	1
120	9121160	1/4-20 X 3/8 HEX BOLT	1
121	9120880	1/4 SPLIT LOCK WASHER	1
122	9120930	9/32 I.D. X 5/8 O.D. X .051/.080 THICK SAE FLAT WASHER (1/4)	1
123	9121440	5/16-18 WING NUT	1
124	9122010	3/8-24 HEX NUT	1
125	2691811	SHORT LIFT ROD, BRUSH	1
126	2691831	HOUSING - SPRING, RETAINER	1
127	2691841	SPRING, BRUSH PRESSURE	1
128	9122140	3/8-16 HEX NUT WITH NY-LOK INSERT	1
129	2691821	HOUSING - SPRING, BRUSH LIFT	1
130	9122000	3/8-16 HEX NUT	1
131	2397581	LIFT ROD 13"	1
132	9122010	3/8-24 HEX NUT	1
133	4490531	3/8" ROD END	2
134	2391991	24 VOLT BATTERY CHARGER 50HZ 24 VOLT AC	1
	2392011	24 VOLT BATTERY CHARGER 120 VOLT AC - GELL BATTERY	1
	2392511	BATTERY CHARGER 24 VOLT DC, 100 VOLT AC EXPORT ONLY	1
	2392941	24 VOLT BATTERY CHARGER 240 VOLT AC - GELL BATTERY	1
	2396071	CHARGER - 24 VOLT BATTERY, 10 AMP, 120 VOLT	1
	2396081	CHARGER - 24 VOLT BATTERY, 25 AMP, 120 VOLT	1
135	2397061	RECOVERY TANK	1
136	2391963	CAST IRON WEIGHT [USE FOR ELECTRIC MODELS]	1
137	9997550	VELCRO HOOK [USE FOR ELECTRIC MODELS]	1'
138	9997560	VELCRO LOOP [USE FOR ELECTRIC MODELS]	1'
139	2392761	WARNING TAG - BATTERY TERMINAL	1
140	2392111	BATTERY 12 VOLT, 130 A.H.	2
	3390361	BATTERY 6 VOLT, 220 A.H.	4
	6393651	BATTERY 12 VOLT, 145 A.H.	2
	2392731	BATTERY 12 VOLT GELL CELL	2
	2392821	BATTERY 12 VOLT, 130 A.H., DRY	2
141	2392191	BATTERY BLOCK	2
142	2397071	SOLUTION TANK	1

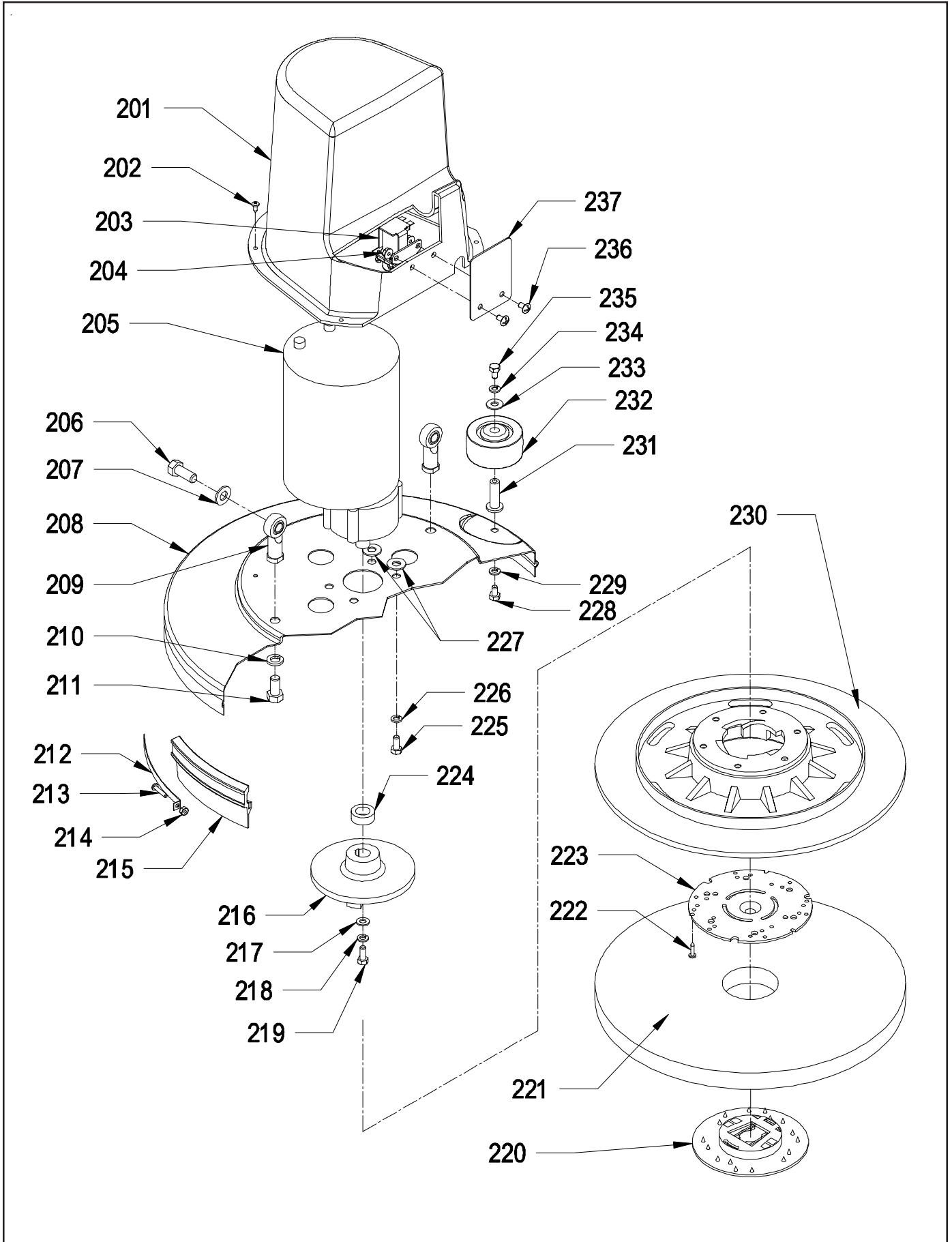
BRUSH LIFT



BRUSH HEAD

ITEM	PART NO.	DESCRIPTION	QTY.
201	2397081	MOTOR HOUSING	1
202	9120790	10 X 5/8 PAN HEAD PHILLIPS SHEET METAL SCREW	4
203	2397181	WATER SOLENOID 24 VOLT	1
	2397721	WATER SOLENOID 120 VOLT [USE ON ELECTRIC MODELS]	1
204	9120910	1/4-20 HEX NUT WITH STAR LOCK WASHER	2
205	2393001	GEAR MOTOR, 3/4 HP, 24 VOLT DC	1
	2393011	GEAR MOTOR, 3/4 HP, 120 VOLT AC [USE ON ELECTRIC MODELS]	1
206	9122580	1/2-13 X 2 HEX BOLT	2
207	9122450	17/32 I.D. X 1 1/6 O.D. X .074/.121 THICK SAE FLAT WASHER (1/2)	2
208	2397213	DECK SKIRT	1
209	2391941	BALL JOINT	2
210	9122420	1/2 SPLIT LOCK WASHER	2
211	9122700	1/2-20 X 1 HEX BOLT	2
212	2391702	SKIRT BAND	1
213	9120450	10-24 X 1 ROUND HEAD PHILLIPS MACHINE SCREW	1
214	9120350	10-24 HEX NUT WITH NY-LOK INSERT	1
215	2391121	BUMPER GUARD	1
216	2393052	CLUTCH CASTING	1
217	9121390	11/32 I.D. X 11/16 O.D. X .051/.080 THICK SAE FLAT WASHER (5/16)	1
218	9121520	5/16 SPLIT LOCK WASHER	1
219	9121640	5/16-18 X 3/4 HEX BOLT	1
220	4495481	LOCK RING DEEP (YELLOW)	1
	5990731	SPRING CLIP PAD HOLDER SET (WHITE INCLUDES BASE)	1
221	-----	SEE ACCESSORIES PAGE FOR PADS AND BRUSHES	
222	9120790	10 X 5/8 PAN HEAD SHEET METAL SCREW	3
223	5297691	PAD HOLDER BASE (YELLOW)	1
	5990731	SPRING CLIP PAD HOLDER SET (WHITE INCLUDES BASE)	1
224	2393061	SPACER	1
225	9122220	3/8-16 X 3/4 HEX BOLT	4
226	9122100	3/8 SPLIT LOCK WASHER	4
227	9121980	13/32 I.D. X 1 O.D. X .12 THICK FLAT WASHER (11 GAUGE)	2
228	9121560	5/16-18 X 1/2 HEX BOLT	1
229	9121410	5/16 EXTERNAL STAR LOCK WASHER	1
230	2892601	PAD DRIVER	1
231	2392276	AXLE, BUMPER WHEEL	1
232	2790281	3" BUMPER WHEEL	1
233	9121390	11/32 I.D. X 11/16 O.D. X .051/.080 THICK SAE FLAT WASHER (5/16)	1
234	9121410	5/16 EXTERNAL STAR LOCK WASHER	1
235	9121560	5/16-18 X 1/2 HEX BOLT	1
236	9121090	1/4-20 X 5/8 TRUSS HEAD PHILLIPS MACHINE SCREW	2
237	2397741	BRACKET, DRAIN HOSE CATCH	1

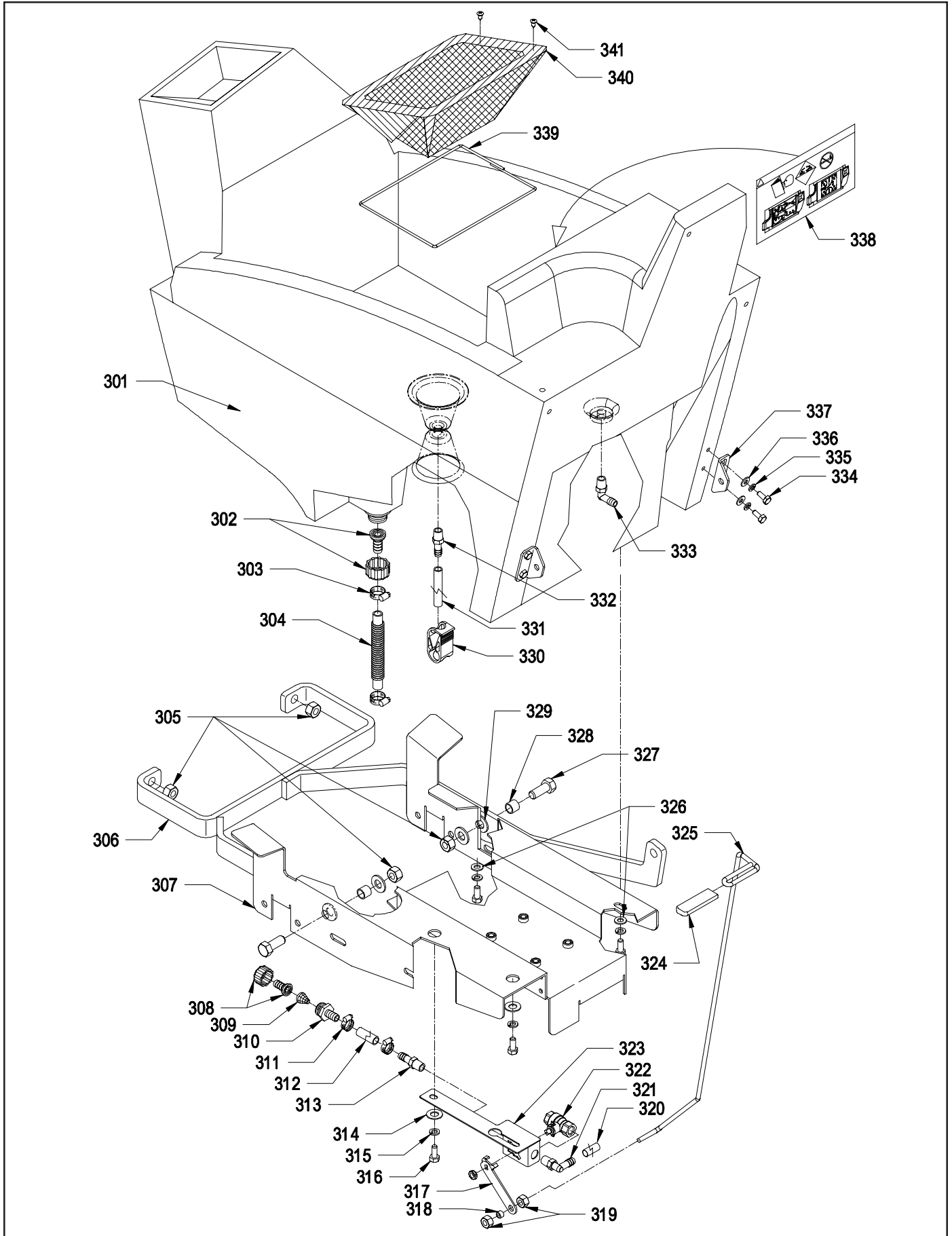
BRUSH HEAD



SOLUTION TANK AND FRAME

ITEM	PART NO.	DESCRIPTION	QTY.
301	2397071	SOLUTION TANK	1
302	2690251	FILTER FITTING HOSE BARB AND COLLAR	1
303	4892651	HOSE CLAMP - 1/4 TO 13/16	2
304	2692551	CONVOLUTED TUBING - 6 1/2"	1
305	9122507	1/2-13 HEX NUT WITH NY-LOK INSERT	4
306	2397303	DECK LIFT	1
307	2397103	FRAME	1
308	2690251	FILTER FITTING HOSE BARB & COLLAR	1
309	2690241	FILTER SCREEN	1
310	2490981	FITTING 1/2 HOSE X MALE GHT	1
311	4892651	HOSE CLAMP - 1/4" TO 13/16"	2
312	8791180	VINYL HOSE 1/2 I.D. X 7/8 O.D. (3.5" LENGTH)	1
313	2495161	FITTING 1/4 NPT X 1/2 BARB STRAIGHT	1
314	9121390	11/32 I.D. X 11/16 O.D. X .051/.080 THICK SAE FLAT WASHER (5/16)	2
315	9121520	5/16 SPLIT LOCK WASHER	4
316	9121640	5/16-18 X 3/4 HEX BOLT	4
317	2397981	VALVE LEVER LARGE PIVOT HOLE	1
318	2791281	BUSHING SPACER	1
319	9120900	1/4-20 HEX NUT WITH NY-LOK INSERT	2
320	8791180	VINYL HOSE 1/2 I.D. X 3/4 O.D. (37" LENGTH)	1
321	2495151	FITTING, ELL 1/2 BARB X 1/4 NPT - NYLON	1
322	2397961	MANUAL SOLUTION VALVE, STEEL STEM	1
323	2397971	2016 VALVE BRACKET	1
324	2391181	GRIP, VALVE LEVER	1
325	2397191	HANDLE SOLUTION VALVE	1
326	9121390	11/32 I.D. X 11/16 O.D. X .051/.080 THICK SAE FLAT WASHER (5/16)	2
327	9122550	1/2-13 X 2 HEX BOLT	2
328	2790751	BUSHING SPACER	2
329	9122450	17/32 I.D. X 1 1/16 O.D. X .074/.121 THICK SAE FLAT WASHER (1/2)	4
330	3390661	TUBBING CONTROL VALVE	1
331	8791070	VINYL HOSE, 3/8 I.D. X 1/2 O.D. (30" LENGTH)	1
332	2397551	FITTING 1/4 NPT X 3/8 BARB	1
333	2391771	90° HOSE BARB 3/4 I.D. X 1/2 NPT NYLON	1
334	9121210	1/4-20 X 5/8 HEX BOLT	4
335	9120880	1/4 SPLIT LOCK WASHER	4
336	9120930	9/32 I.D. X 5/8 O.D. X .051/.080 THICK WASHER (1/4)	4
337	2397611	HINGE BRACKET	2
338	2397401	DECAL KIT	1
339	2397541	BAG RING	1
340	2397531	SOLUTION INLET FILTER	1
341	9120205	8 X 1/2 PAN HEAD PHILLIPS SHEET METAL SCREW	2

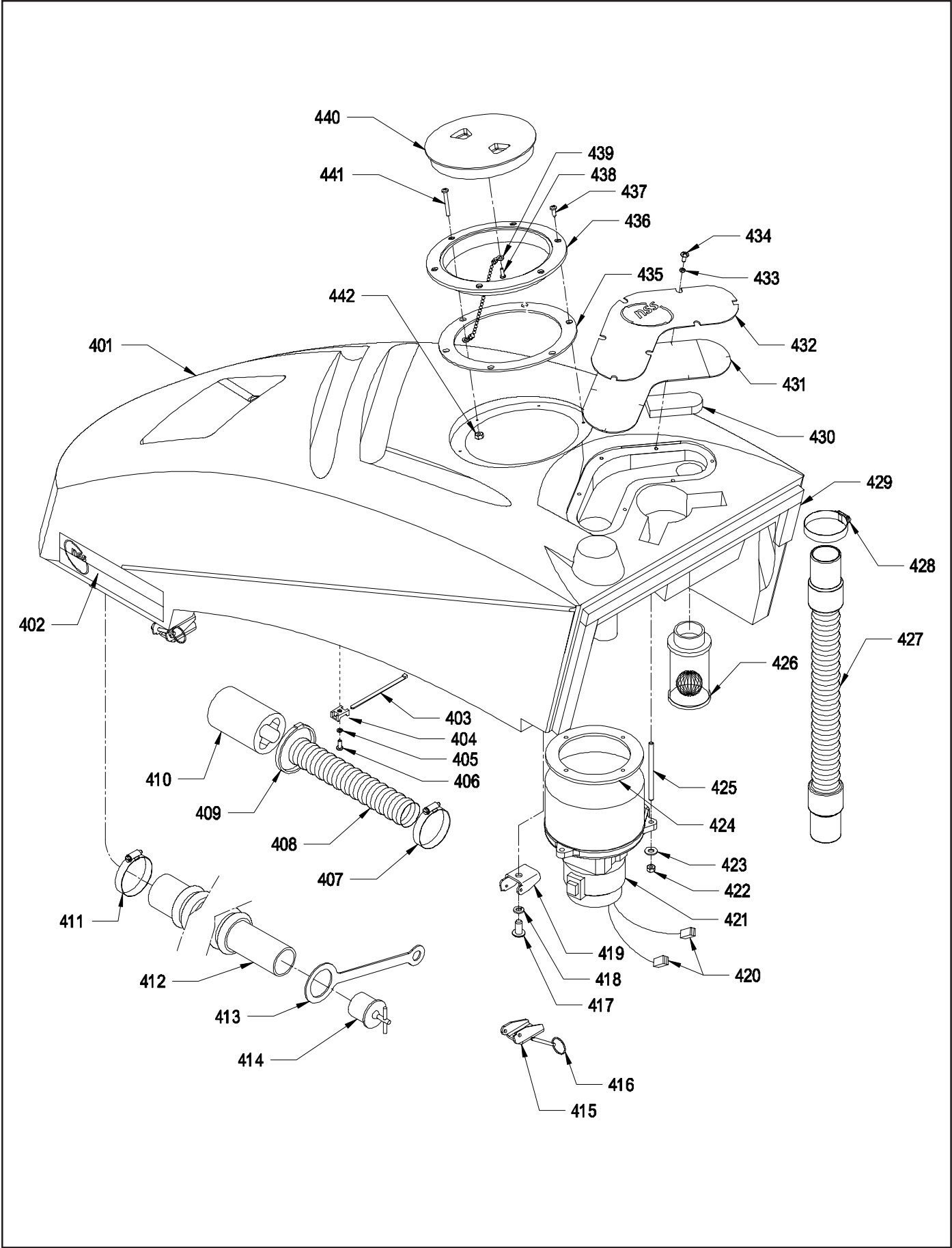
SOLUTION TANK AND FRAME



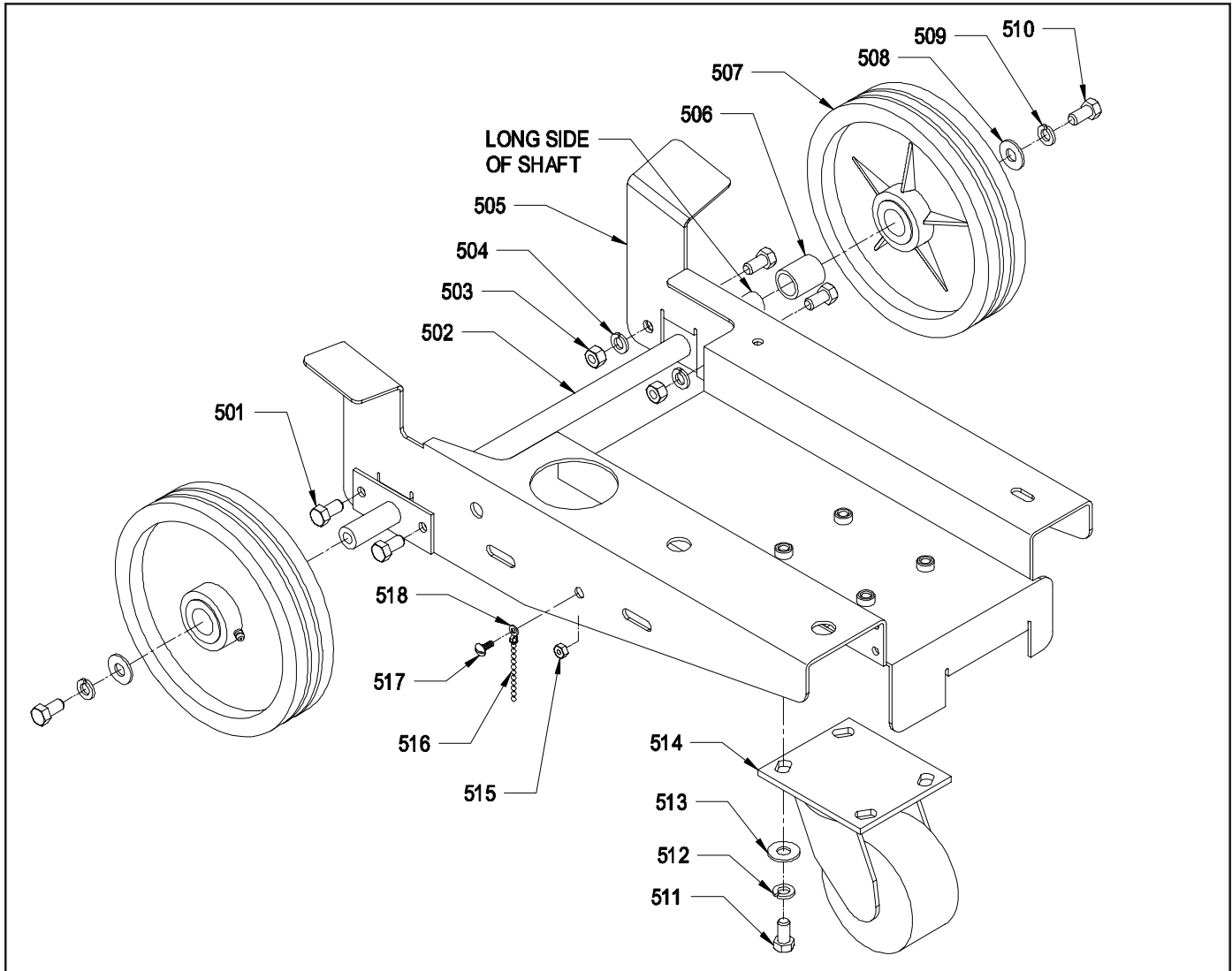
RECOVERY TANK

ITEM	PART NO.	DESCRIPTION	QTY.
401	2397061	RECOVERY TANK	1
402	2397401	DECAL KIT	2
403	9123000	11" LONG WIRE TIE	1
404	2397671	CLIP, TIE STRAP	1
405	9120330	10 EXTERNAL STAR LOCK WASHER	1
406	9120510	10-24 X 1/2 TRUSS HEAD PHILLIPS MACHINE SCREW	1
407	4495441	HOSE CLAMP, 1 9/16 TO 2 1/2	1
408	2397691	VAC MOTOR HOSE EXHAUST - 18" LONG	1
409	9123000	11" LONG WIRE TIE	1
410	7691261	EXHAUST MUFFLER TUBE	1
411	4495441	HOSE CLAMP, 1 9/16 TO 2 1/2	1
412	2391671	DRAIN HOSE, CRUSH PROOF	1
413	2791881	PLUG STRAP	1
414	2795621	DRAIN PLUG	1
415	2397031	LOWER HINGE BRACKET	2
416	2397041	HINGE PIN	2
417	9121570	5/16-18 X 1/2 BUTTON SOCKET HEAD CAP SCREW	5
418	9121520	5/16 SPLIT LOCK WASHER	5
419	2397021	UPPER HINGE BRACKET	2
420	5490171	FULLY INSULATED MALE TERMINAL 14-16 GAGE	2
421	2395571	MOTOR, VAC 24 VOLT - 3 STAGE	1
	2397571	CARBON BRUSH REPLACEMENT - 24 VOLT	2
	2391071	MOTOR, VAC 120 VOLT - 2 STAGE [USE ON ELECTRIC MODELS]	1
	2392581	CARBON BRUSH REPLACEMENT - 120 VOLT	2
422	9120900	1/4-20 HEX NUT WITH NY-LOK INSERT	3
423	9120930	9/32 I.D. X 5/8 O.D. X .051/.080 THICK SAE FLAT WASHER (1/4)	3
424	4690101	VAC MOTOR / FLOAT GASKET	1
425	9121363	1/4-20 X 4 1/2 FULL THREADED STUD	3
426	2391541	FLOAT SCREEN ASSEMBLY	1
427	2690591	SQUEEGEE VAC HOSE WITH CUFFS	1
428	4495441	HOSE CLAMP, 1 9/16 TO 2 1/2	1
429	8891100	GASKET MATERIAL 1/2" X 1" (26" LENGTH)	1
430	2397591	VAC FILTER	1
431	2397441	VAC PLATE GASKET	1
432	2397411	VAC PLATE	1
433	9120330	10 EXTERNAL STAR LOCK WASHER	7
434	9120510	10-24 X 1/2 TRUSS HEAD PHILLIPS MACHINE SCREW	7
435	2690891	RECOVER TANK LID GASKET	1
436	2690921	BLACK RING, RECOVERY TANK	1
	2690881	RECOVERY TANK LID ASSEMBLY (INCL. ITEMS 438, 440, 441,442)	1
437	9120205	8 X 1/2 PAN HEAD PHILLIPS SHEET METAL SCREW	1
438	9120205	8 X 1/2 PAN HEAD PHILLIPS SHEET METAL SCREW	5
439	2690931	LID CHAIN	1
440	2690911	LID, CLEAR	1
441	9120450	10-24 X 1 ROUND HEAD PHILLIPS MACHINE SCREW	1
442	9120360	10-24 HEX NUT WITH STAR LOCK WASHER	1

RECOVERY TANK

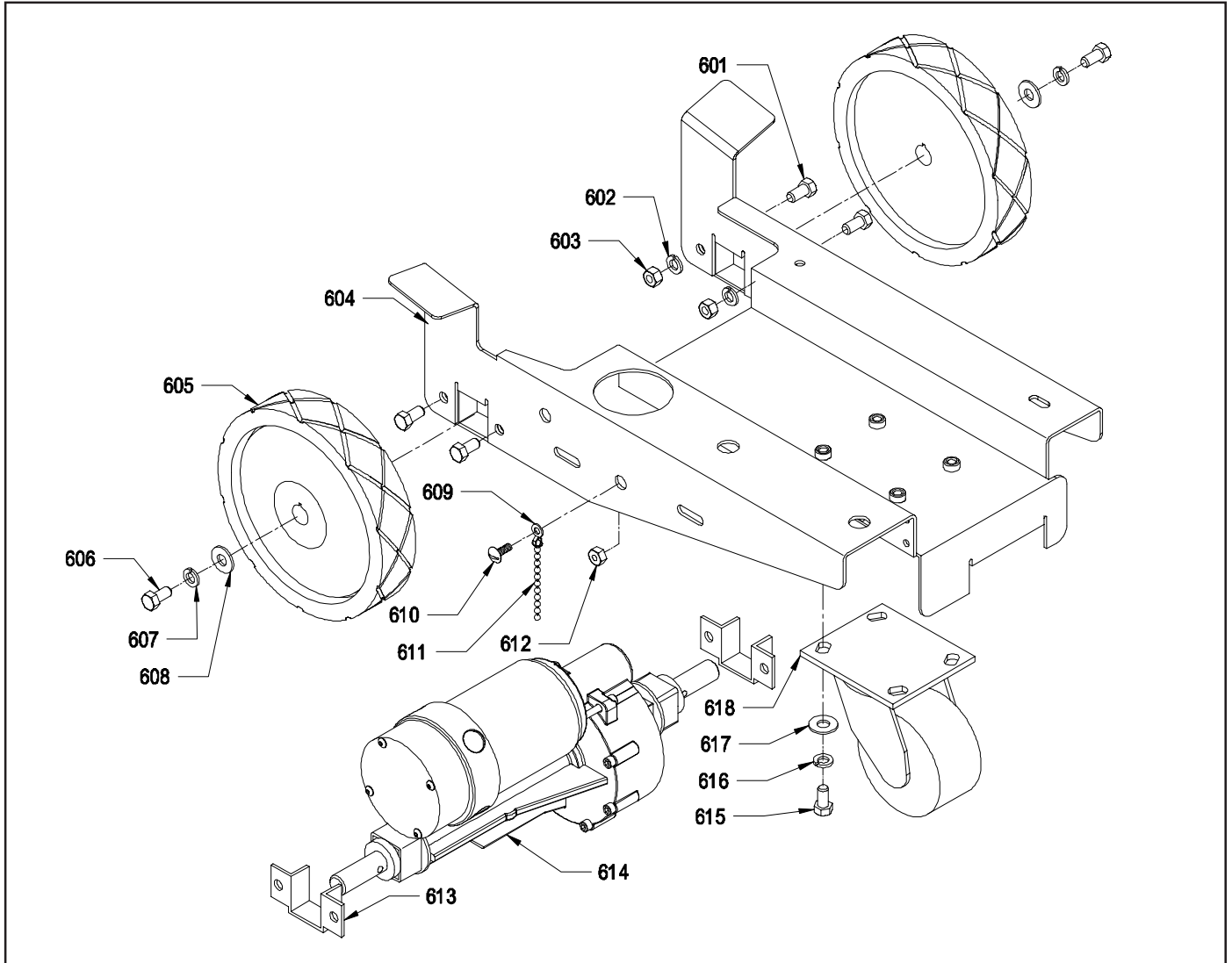


WHEEL ASSEMBLY "PAD ASSIST AND ELECTRIC MODELS"



<u>ITEM</u>	<u>PART NO.</u>	<u>DESCRIPTION</u>	<u>QTY.</u>
501	9122220	3/8-16 X 3/4 HEX BOLT	4
502	2397311	AXLE	1
503	9122000	3/8-16 HEX NUT	4
504	9122100	3/8 SPLIT LOCK WASHER	4
505	2397103	FRAME	1
506	7690551	DRIVE CASTING SPACER	1
507	2391931	WHEEL, 8" WITH GROOVES	2
508	9121980	7/16 I.D. X 1 O.D. X .075/.080 THICK SAE FLAT WASHER (3/8)	2
509	9122100	3/8 SPLIT LOCK WASHER	2
510	9122220	3/8-16 X 3/4 HEX BOLT	2
511	9122220	3/8-16 X 3/4 HEX BOLT	4
512	9122100	3/8 SPLIT LOCK WASHER	4
513	9121980	7/16 I.D. X 1 O.D. X .075/.080 THICK SAE FLAT WASHER (3/8)	4
514	6492061	RED 4" CASTER	1
	4490391	REPLACEMENT RED CASTER WHEEL ONLY	1
	4490491	REPLACEMENT SOFT GREY CASTER WHEEL AND BUSHING	1
515	9120360	10-24 HEX NUT WITH STAR LOCK WASHER	1
516	6491860	ROUND BEAD CHAIN	8"
517	9120510	10-24 X 1/2 TRUSS HEAD PHILLIPS SCREW	1
518	6491871	END COUPLING ROUND BEAD CHAIN	1

WHEEL ASSEMBLY "WHEEL DRIVE"

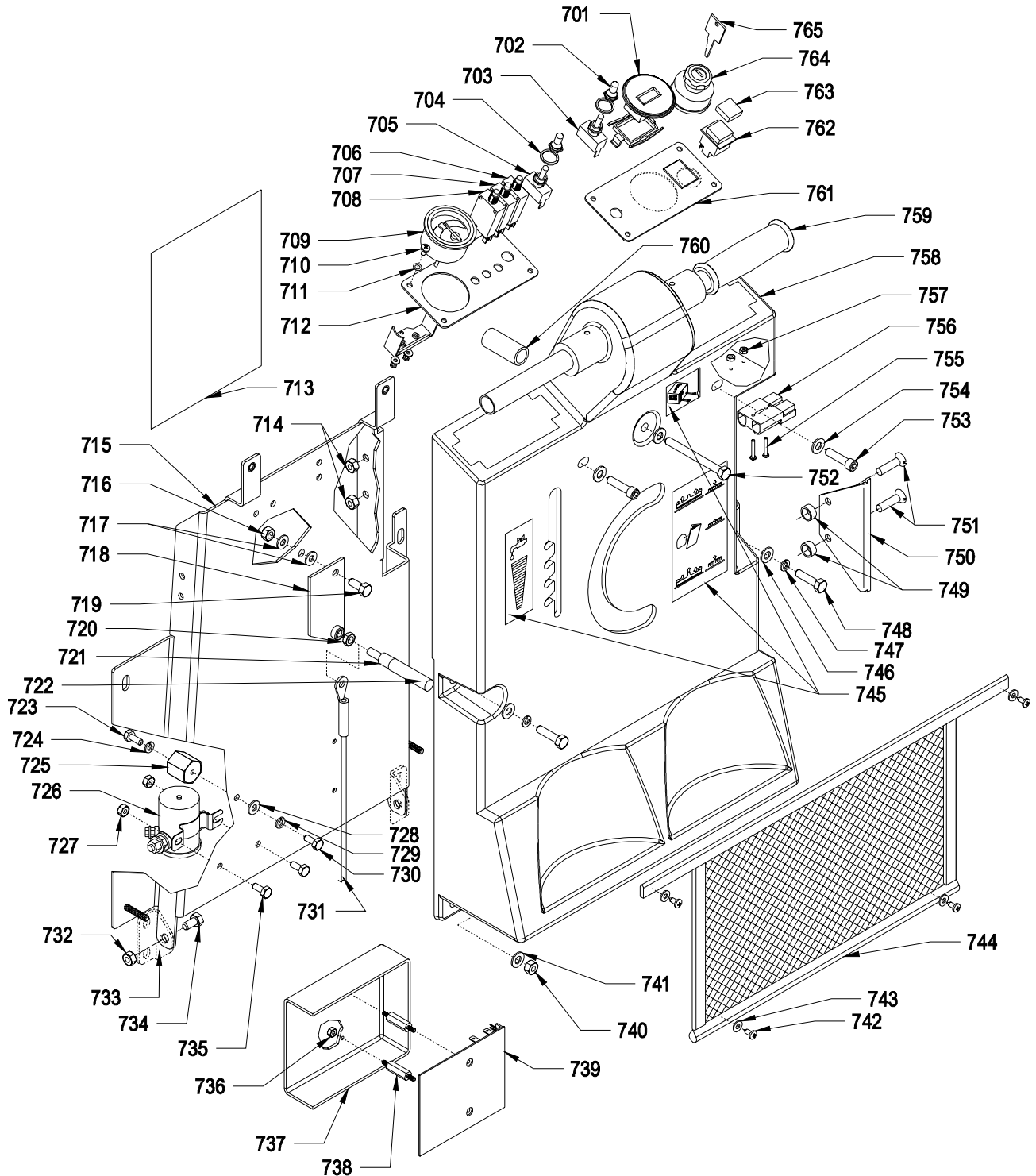


<u>ITEM</u>	<u>PART NO.</u>	<u>DESCRIPTION</u>	<u>QTY.</u>
601	9122220	3/8-16 X 3/4 HEX BOLT	4
602	9122100	3/8 SPLIT LOCK WASHER	4
603	9122000	3/8-16 HEX NUT	4
604	2397103	FRAME	1
605	2395501	WHEEL - DRIVE, 8 X 2	2
606	9122220	3/8-16 X 3/4 HEX BOLT	2
607	9122100	3/8 SPLIT LOCK WASHER	2
608	9121980	7/16 I.D. X 1 O.D. X .075/.080 THICK SAE FLAT WASHER (3/8)	2
609	6491871	END COUPLING ROUND BEAD CHAIN	1
610	9120510	10-24 X 1/2 TRUSS HEAD PHILLIPS SCREW	1
611	6491860	ROUND BEAD CHAIN	8"
612	9120360	10-24 HEX NUT WITH STAR LOCK WASHER	1
613	2397111	TRANSAXLE BRACKET	2
614	2397011	TRANSAXLE	1
615	9122220	3/8-16 X 3/4 HEX BOLT	4
616	9122100	3/8 SPLIT LOCK WASHER	4
617	9121980	7/16 I.D. X 1 O.D. X .075/.080 THICK SAE FLAT WASHER (3/8)	4
618	6492061	RED 4" CASTER	1
	4490391	REPLACEMENT RED CASTER WHEEL ONLY	1
	4490491	REPLACEMENT SOFT GREY CASTER WHEEL AND BUSHING	1

HANDLE AND ELECTRICAL COMPONENTS

ITEM	PART NO.	DESCRIPTION	QTY.
701	2397361	HOUR METER - OPTIONAL	1
702	0693141	RUBBER SWITCH BOOT	2
703	2792041	SWITCH, TOGGLE VAC	1
704	0691851	1/4 INTERNAL STAR LOCK WASHER	2
705	4491101	TOGGLE SWITCH	1
706	2397521	CIRCUIT BREAKER 25 AMP WITH SCREW TERMINALS	1
707	2490891	CIRCUIT BREAKER 15 AMP	1
708	2391361	CIRCUIT BREAKER 24 VOLT 30 AMP	1
709	2391391	BATTERY METER WITH HARDWARE	1
710	9120205	8 X 1/2 PAN HEAD PHILLIPS SHEET METAL SCREW	8
711	9120330	10 EXTERNAL STAR LOCK WASHER	8
712	2397321	DASH PLATE - LEFT	1
713	2397631	WIRE DIAGRAM DECAL - PAD ASSIST	1
	2397891	WIRE DIAGRAM DECAL - WHEEL DRIVE	1
714	9121430	5/16-18 HEX NUT WITH NY-LOK INSERT	2
715	2397123	REAR PANEL	1
716	9121430	5/16-18 THIN HEX NUT WITH NY-LOK INSERT	1
717	9121390	11/32 I.D. X 11/16 O.D. X .051/.080 THICK SAE FLAT WASHER (5/16)	2
718	2397141	SQUEEGEE LIFT HANDLE BRACKET	1
719	9121640	5/16-18 X 3/4 HEX BOLT	1
720	9121990	3/8-16 HEX JAM NUT	1
721	2397131	SQUEEGEE LIFT HANDLE	1
722	2397601	GRIP, SQUEEGEE LIFT HANDLE	1
723	9121210	1/4-20 X 5/8 HEX BOLT [WHEEL DRIVE]	1
724	9120880	1/4 SPLIT LOCK WASHER	1
725	4490561	INSULATED STANDOFF	1
726	2391351	CONTACTOR, 24 VOLT	1
727	9120910	1/4-20 HEX NUT WITH STAR LOCK WASHER	2
728	9120930	9/32 I.D. X 5/8 O.D. X .051/.080 THICK SAE FLAT WASHER (1/4)	1
729	9120970	1/4 EXTERNAL STAR LOCK WASHER	1
730	9121170	1/4-20 X 1/2 HEX BOLT	1
731	2495301	SQUEEGEE LIFT CABLE	1
732	9121430	5/16-18 HEX NUT WITH NY-LOK INSERT	2
733	2397611	HINGE BRACKET	2
734	9121600	5/16-18 X 5/8 HEX BOLT	2
735	9121210	1/4-20 X 5/8 HEX BOLT	2
736	9120020	6-32 HEX NUT WITH STAR LOCK WASHER	2
737	2694021	COVER, SPEED CONTROL	1
738	2694031	STAND OFF, SPEED CONTROL COVER	2
739	2490821	SPEED CONTROL	1
740	9120910	1/4-20 HEX NUT WITH STAR LOCK WASHER	2
741	9120930	9/32 I.D. X 5/8 O.D. X .051/.080 THICK SAE FLAT WASHER (1/4)	2
742	9120205	8 X 1/2 PAN HEAD PHILLIPS SHEET METAL SCREW	4
743	9120370	7/32 I.D. X 1/2 O.D. X .032/.065 THICK SAE FLAT WASHER (#10)	4
744	2397381	HANDLE NET	1
745	2397401	DECAL KIT	1
746	9121390	11/32 I.D. X 11/16 O.D. X .051/.080 THICK SAE FLAT WASHER (5/16)	2
747	9121520	5/16 SPLIT LOCK WASHER	2
748	9121720	5/16-18 X 1 1/4 FULL THREADED HEX HEAD BOLT	2
749	2391461	PIVOT SPACER	2
750	2397651	BRACKET, DECK HEIGHT	1
751	9121470	5/16-18 X 1 FLAT HEAD PHILLIPS MACHINE SCREW	2
752	9121370	5/16-18 X 3 1/4 HEX BOLT	1
753	9121885	5/16-18 X 1 SOCKET HEAD CAP SCREW	2
754	9121390	11/32 I.D. X 11/16 O.D. X .051/.080 THICK SAE FLAT WASHER (5/16)	3
755	9120090	6-32 X 7/8 PAN HEAD PHILLIPS MACHINE SCREW	2
756	2392091	CHARGER PLUG ONLY - RED 24 VOLT	1
	2397431	WIRE ASSEMBLY CHARGE PLUG	1
757	9120020	6-32 HEX NUT WITH STAR LOCK WASHER	2
758	2397091	HANDLE, PAD ASSIST	1
	2397171	HANDLE, WHEEL DRIVE	1
759	3392901	HANDLE GRIP	2

HANDLE AND ELECTRICAL COMPONENTS

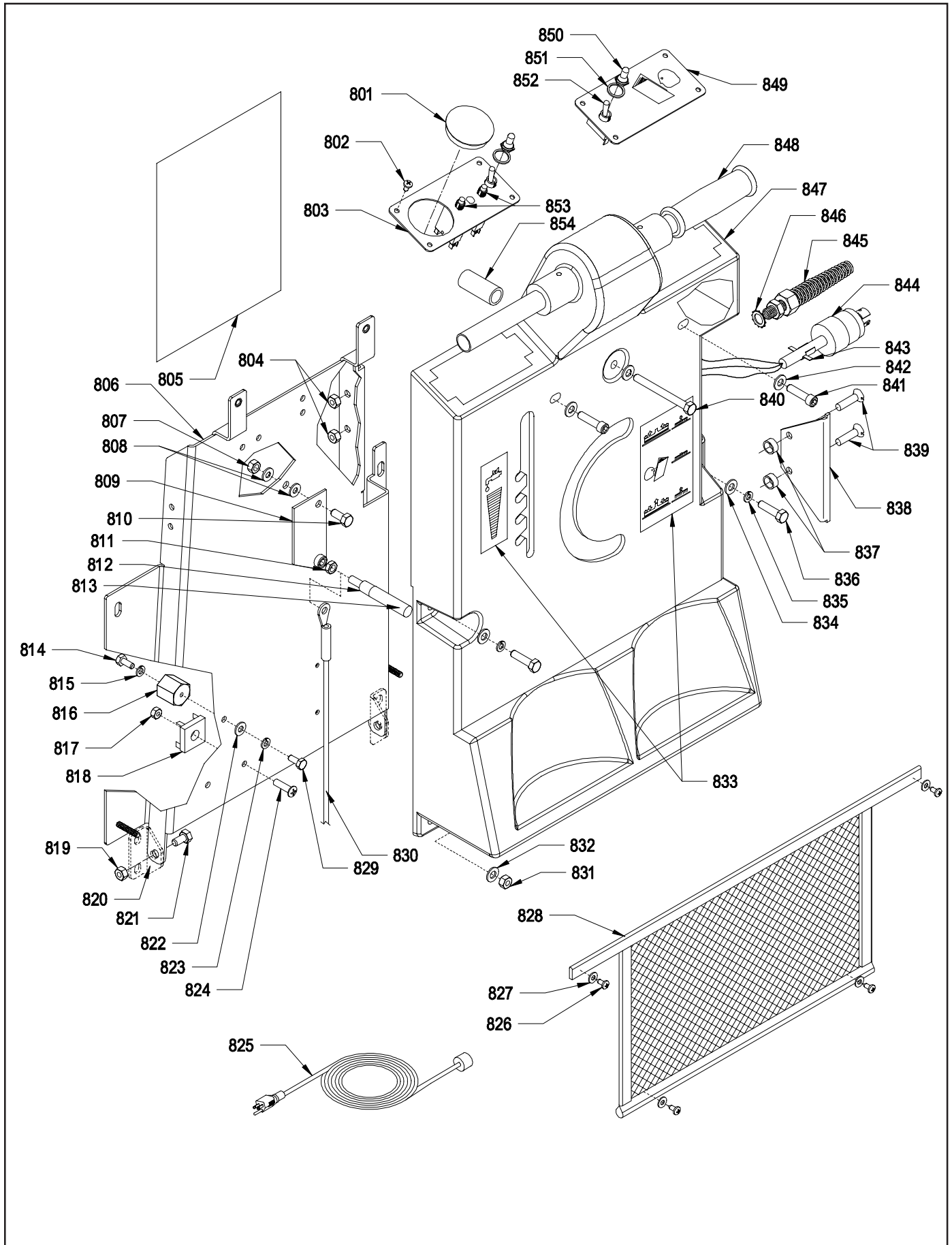


760	2397371	HANDLE SPACER	1
761	2397341	DASH PLATE - RIGHT WITH MASTER SWITCH CUT OUT [WHEEL DRIVE]	1
	2397351	DASH PLATE - RIGHT, OPTIONAL KEY SWITCH AND HOUR METER	1
	2397481	DASH PLATE - RIGHT [PAD ASSIST]	1
762	2690691	MASTER SWITCH	1
763	4890781	PUSH BUTTON SWITCH BOOT	1
764	2397461	OPTIONAL KEY SWITCH [INCLUDES 2 KEYS]	1
	2397469	KEY SWITCH OPTION KIT - INCLUDES	
		701, 761(2397351), 764 & 2397751 Instruction Sheet]	1
765	2397471	REPLACEMENT KEY	1

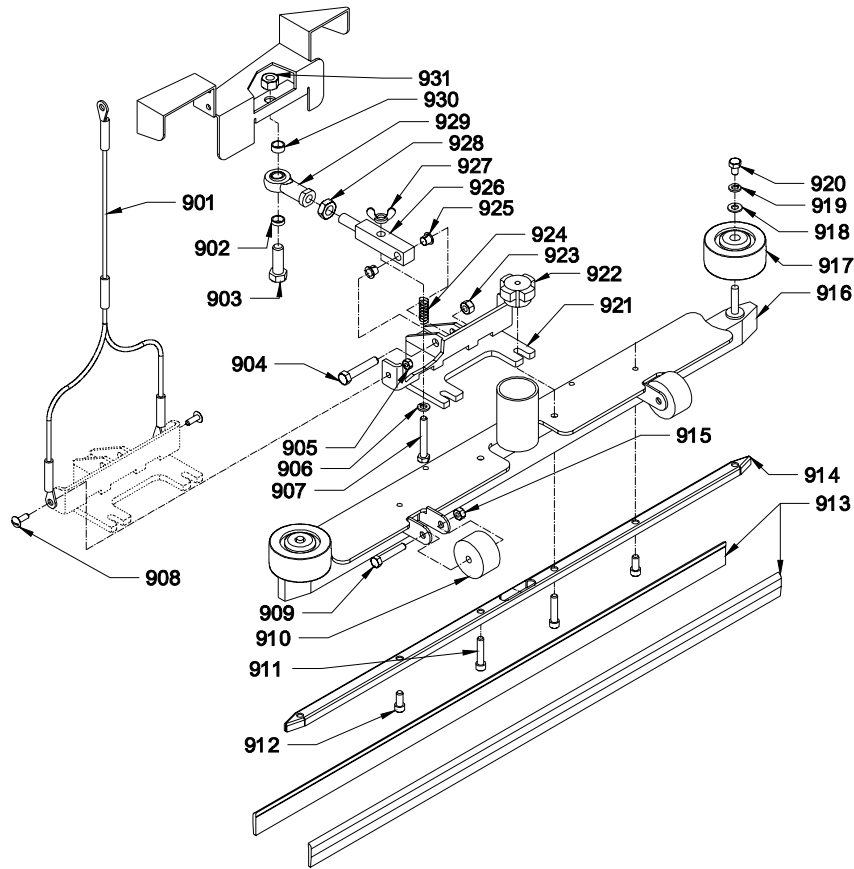
HANDLE & ELECTRICAL COMPONENTS "ELECTRIC MODELS"

ITEM	PART NO.	DESCRIPTION	QTY.
801	2397771	PLUG, 2" HOLE	1
802	9120205	8 X 1/2 PAN HEAD PHILLIPS SHEET METAL SCREW	8
803	2397321	DASH PLATE - LEFT	1
804	9121430	5/16-18 HEX NUT WITH NY-LOK INSERT	2
805	2397731	WIRE DIAGRAM DECAL - ELECTRIC 120 VOLT	1
806	2397123	REAR PANEL	1
807	9121430	5/16-18 THIN HEX NUT WITH NY-LOK INSERT	1
808	9121390	11/32 I.D. X 11/16 O.D. X .051/.080 THICK SAE FLAT WASHER (5/16)	2
809	2397141	SQUEEGEE LIFT HANDLE BRACKET	1
810	9121640	5/16-18 X 3/4 HEX BOLT	1
811	9121990	5/16-18 HEX JAM NUT	1
812	2397131	SQUEEGEE LIFT HANDLE	1
813	2397601	GRIP, SQUEEGEE LIFT HANDLE	1
814	9121210	1/4-20 X 5/8 HEX BOLT	1
815	9120880	1/4 SPLIT LOCK WASHER	1
816	4490561	INSULATED STANDOFF	1
817	9120690	10-32 HEX NUT WITH STAR LOCK WASHER	1
818	5492741	RECTIFIER	1
819	9121430	5/16-18 HEX NUT WITH NY-LOK INSERT	2
820	2397611	HINGE BRACKET	2
821	9121600	5/16-18 x 5/8 HEX BOLT	2
822	9120930	9/32 I.D. X 5/8 O.D. X .051/.080 THICK SAE FLAT WASHER (1/4)	1
823	9120970	1/4 EXTERNAL STAR LOCK WASHER	1
824	9120430	10-24 X 3/4 ROUND HEAD PHILLIPS MACHINE SCREW	1
825	5293791	CORD - 75 FEET, 14-3 ST, 120 VOLT	1
	5592081	FEMALE TWIST LOCK [REPLACEMENT PART]	1
826	9120205	8 X 1/2 PAN HEAD PHILLIPS SHEET METAL SCREW	4
827	9120370	7/32 I.D. X 1/2 O.D. X .032/.065 THICK SAE FLAT WASHER (#10)	4
828	2397381	HANDLE NET	1
829	9121170	1/4-20 X 1/2 HEX BOLT	1
830	2495301	SQUEEGEE LIFT CABLE	1
831	9120910	1/4-20 HEX NUT WITH STAR LOCK WASHER	2
832	9120930	9/32 I.D. X 5/8 O.D. X .051/.080 THICK SAE FLAT WASHER (1/4)	2
833	2397401	DECAL KIT	1
834	9121390	11/32 I.D. X 11/16 O.D. X .051/.080 THICK SAE FLAT WASHER (5/16)	2
835	9121520	5/16 SPLIT LOCK WASHER	2
836	9121720	5/16-18 X 1 1/4 FULL THREADED HEX HEAD BOLT	2
837	2391461	PIVOT SPACER	2
838	2397651	BRACKET, DECK HEIGHT	1
839	9121470	5/16-18 X 1 FLAT HEAD PHILLIPS MACHINE SCREW	2
840	9121370	5/16-18 X 3 1/4 HEX BOLT	1
841	9121885	5/16-18 X 1 SOCKET HEAD CAP SCREW	2
842	9121390	11/32 I.D. X 11/16 O.D. X .051/.080 THICK SAE FLAT WASHER (5/16)	3
843	5091661	CORD CLAMP	1
844	2397711	STUB CORD WITH MALE TWIST LOCK - 120V	1
845	5091671	STRAIN RELIEF - METAL	1
846	5390261	STRAIN RELIEF NUT	1
847	2397091	HANDLE, PAD ASSIST & ELECTRIC MODELS	1
848	3392901	HANDLE GRIP	2
849	2397481	DASH PLATE RIGHT (PAD ASSIST & ELECTRIC MODELS)	1
850	0693141	RUBBER SWITCH BOOT	2
851	0691851	1/4 INTERNAL STAR LOCK WASHER	2
852	2792041	SWITCH, TOGGLE [VAC & BRUSH]	2
853	2392201	CIRCUIT BREAKER - 120 VOLT	2
854	2397371	HANDLE SPACER	1

HANDLE AND ELECTRICAL COMPONENTS "ELECTRIC MODELS"

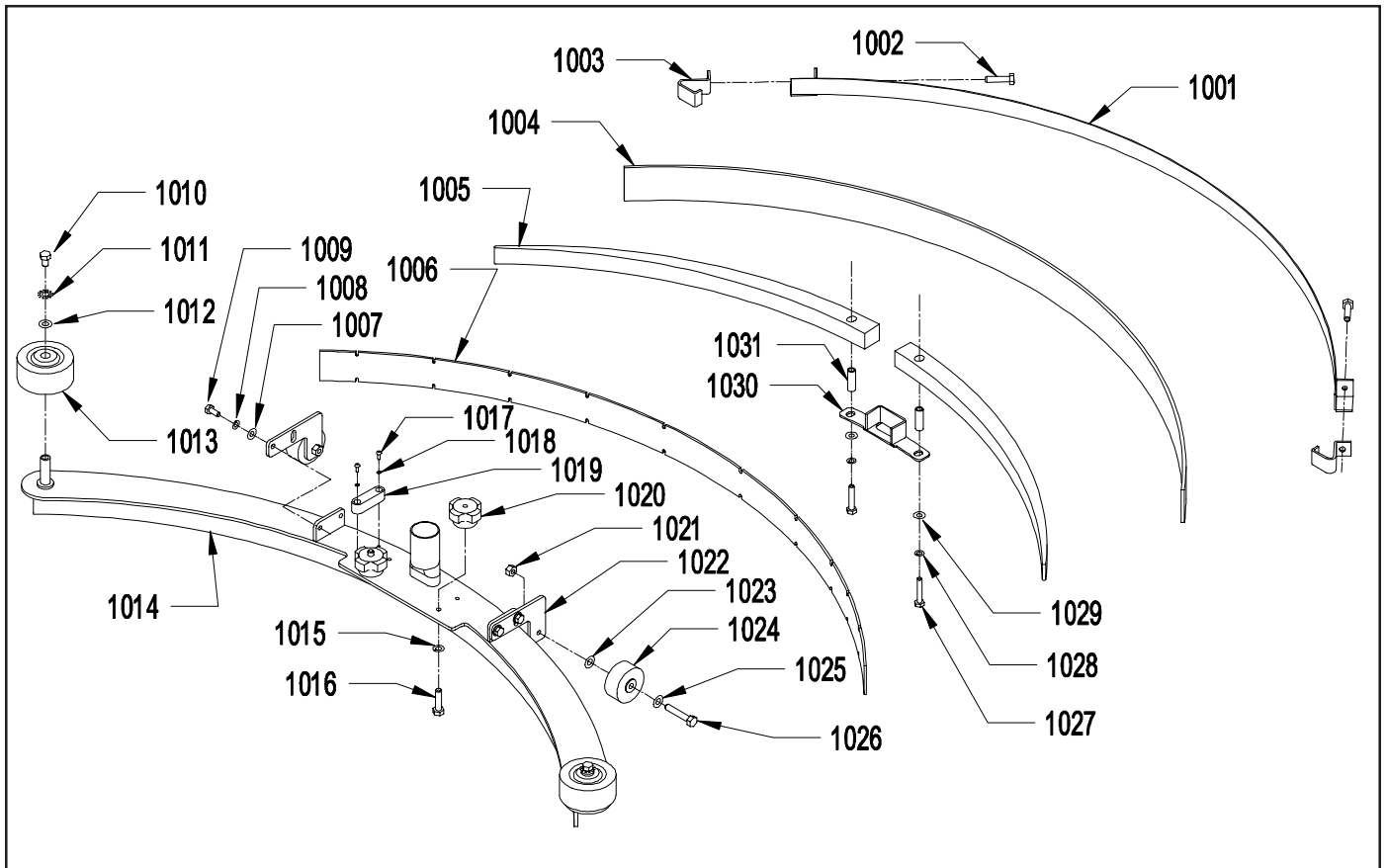


STRAIGHT SQUEEGEE



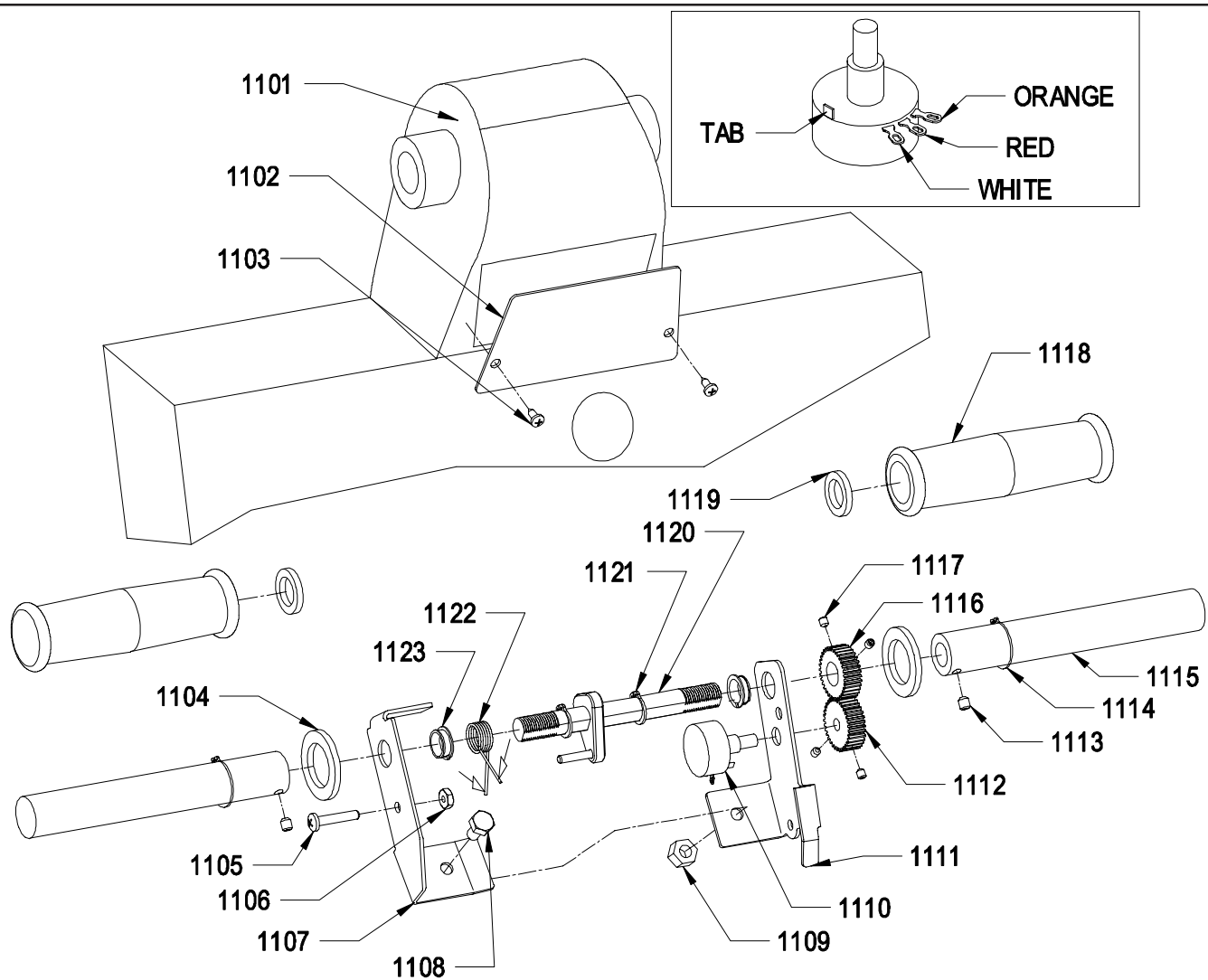
<u>ITEM</u>	<u>PART NO.</u>	<u>DESCRIPTION</u>	<u>QTY.</u>
	2692539	STRAIGHT SQUEEGEE ASSEMBLY	1
901	2495301	SQUEEGEE LIFT CABLE	1
902	2391461	BUSHING LIFT LEVER	1
903	9122650	1/2-13 X 2-1/4 HEX BOLT	1
904	9122340	3/8-16 X 2 HEX BOLT	1
905	9120900	1/4-20 HEX NUT WITH NY-LOK INSERT	2
906	9121520	5/16 SPLIT LOCK WASHER	1
907	9121840	5/16-18 X 2 1/4 FULL THREADED HEX BOLT	1
908	9121010	1/4-20 X 3/4 TRUSS HEAD PHILLIPS MACHINE SCREW	2
909	9121760	5/16-18 X 1 3/4 HEX BOLT	2
910	3096741	WHEEL, BUMPER - SMALL GREY	2
911	9121920	5/16-18 X 1 1/2 SOCKET HEAD CAP SCREW	2
912	9121880	5/16-18 X 3/4 SOCKET HEAD CAP SCREW	2
913	2791061	32" REPLACEMENT SQUEEGEE BLADES	2
914	2692533	INNER CHANNEL	1
915	9121450	5/16-18 HEX NUT WITH NY-LOK INSERT	2
916	2692539	STRAIGHT SQUEEGEE ASSEMBLY	1
917	2790281	3" BUMPER WHEEL	2
918	9121390	11/32 I.D. X 11/16 O.D. X .051/.080 THICK SAE FLAT WASHER (5/16)	2
919	9121410	5/16 EXTERNAL STAR LOCK WASHER	2
920	9121560	5/16-18 X 1/2 HEX BOLT	2
921	2397151	SQUEEGEE MOUNT BRACKET	1
922	2791002	KNOB - SQUEEGEE	2
923	9122140	3/8-16 HEX NUT WITH NY-LOK INSERT	1
924	3695581	HEIGHT ADJUSTING SPRING	1
925	1391171	3/8 FLANGE NYLINER	2
926	2397161	SQUEEGEE PIVOT ROD	1
927	9121445	5/16-18 WING NUT WITH NY-LOK	1
928	9122670	1/2-20 HEX JAM NUT	1
929	2391941	BALL JOINT	1
930	2790751	BUSHING SPACER	1
931	9122507	1/2-13 HEX NUT WITH NY-LOK INSERT	1

CURVED SQUEEGEE



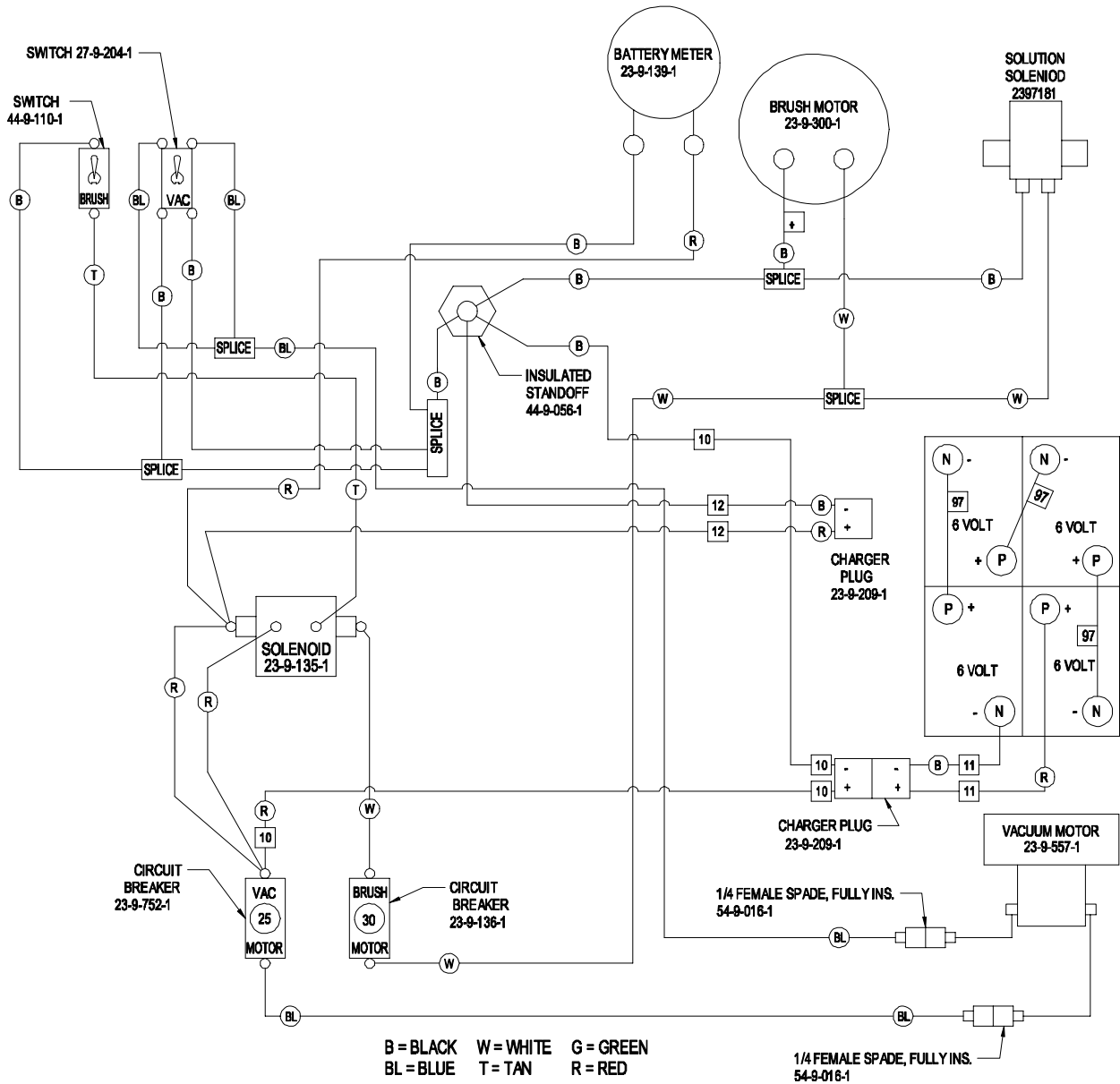
<u>ITEM</u>	<u>PART NO.</u>	<u>DESCRIPTION</u>	<u>QTY.</u>
	2492499	CURVED SQUEEGEE COMPLETE	1
1001	2492551	REAR SECURING STRAP	1
1002	9121720	5/16-18 X 1 1/4 FULL THREADED HEX HEAD BOLT	2
1003	2492561	HOOKED END	2
1004	2492531	REAR BLADE	1
1005	2492511	CENTER WEDGE	2
1006	2492521	FRONT BLADE	1
1007	9120930	9/32 I.D. X 5/8 O.D. X .051/.080 THICK SAE FLAT WASHER (1/4)	4
1008	9120880	1/4 SPLIT LOCK WASHER	4
1009	9121210	1/4-20 X 5/8 HEX BOLT	4
1010	9121560	5/16-18 X 1/2 HEX BOLT	2
1011	9121410	5/16 EXTERNAL STAR LOCK WASHER	2
1012	9121390	11/32 I.D. X 11/16 O.D. X .051/.080 THICK SAE FLAT WASHER (5/16)	2
1013	2790281	BUMPER WHEEL	2
1014	2492503	MAIN HOUSING	1
1015	9121520	5/16 SPLIT LOCK WASHER	2
1016	9121720	5/16-18 X 1 1/4 FULL THREADED HEX HEAD BOLT	2
1017	9120070	6-32 X 3/8 ROUND HEAD PHILLIPS MACHINE SCREW	2
1018	9120030	6 SPLIT LOCK WASHER	2
1019	2492581	SQUEEGEE LEVEL	1
1020	2791002	SQUEEGEE KNOB	2
1021	9121450	5/16-18 HEX NUT WITH NY-LOK INSERT	2
1022	2492571	DOLLY WHEEL MOUNTING BRACKET	2
1023	9121390	11/32 I.D. X 11/16 O.D. X .051/.080 THICK SAE FLAT WASHER (5/16)	2
1024	3096741	ROLLER WHEEL	2
1025	9121390	11/32 I.D. X 11/16 O.D. X .051/.080 THICK SAE FLAT WASHER (5/16)	2
1026	9121760	5/16-18 X 1 3/4 HEX BOLT	2
1027	9121280	1/4-20 X 1 1/2 HEX BOLT	2
1028	9120880	1/4 SPLIT LOCK WASHER	2
1029	9120930	9/32 I.D. X 5/8 O.D. X .051/.080 THICK SAE FLAT WASHER (1/4)	2
1030	2492541	CENTER HOLD DOWN	1
1031	2492591	CENTER HOLD DOWN SPACER	2

HANDLE ASSEMBLY "WHEEL DRIVE"



<u>ITEM</u>	<u>PART NO.</u>	<u>DESCRIPTION</u>	<u>QTY.</u>
1101	2397171	HANDLE, WHEEL DRIVE	1
1102	2397453	COVER - WHEEL DRIVE HANDLE	1
1103	9120205	8 X 1/2 PAN HEAD PHILLIPS SHEET METAL SCREW	2
1104	9123210	.891 X 1.5 X .125 THICK SAE FLAT WASHER	2
1105	9120575	10-24 X 2 1/4 SOCKET HEAD CAP SCREW	1
1106	9120360	10-24 HEX NUT WITH STAR LOCK WASHER	1
1107	2397241	TWIST GRIP BRACKET, LEFT SIDE	1
1108	9121170	1/4-20 X 1/2 HEX BOLT	1
1109	9120910	1/4-20 HEX NUT WITH STAR LOCK WASHER	1
1110	2694131	POTENTIOMETER	1
1111	2397231	TWIST GRIP BRACKET, RIGHT SIDE	1
1112	2691941	DRIVEN GEAR, POTENTIOMETER	1
1113	9120840	1/4-20 X 3/16 SET SCREW - KNURL POINT	2
1114	2397221	RETAINING RING, 7/8" SHAFT	2
1115	2397261	HANDLE GRIP BASE	2
1116	2691931	DRIVE GEAR, HANDLE BAR	1
1117	9120840	1/4-20 X 3/16 SET SCREW - KNURL POINT	4
1118	3392901	HANDLE GRIP	2
1119	9121980	7/16 I.D. X 1 O.D. X .075/.080 THICK SAE FLAT WASHER (3/8)	2
1120	2397251	HANDLE BAR	1
1121	5091701	RETAINING RING	2
1122	3392661	TORSION SPRING	1
1123	7690691	NYLINER	2

WIRING DIAGRAM "PAD ASSIST"

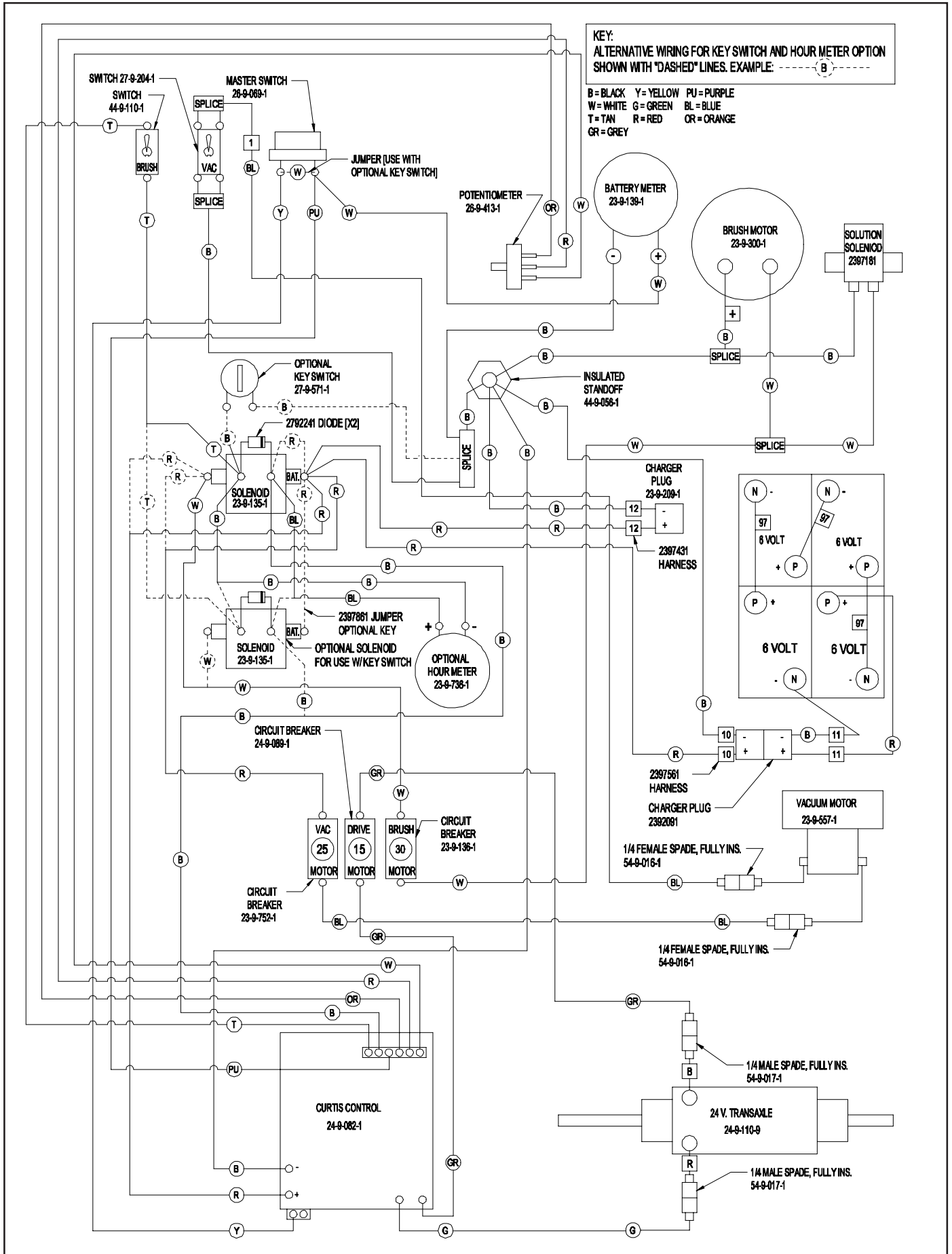


ITEM	PART NO.	DESCRIPTION	QTY.
	2397501	WIRE HARNESS	1
10	2397561	WIRE ASSEMBLY, ANDERSON TO STANDOFF	1
11	2396141	WIRE ASSEMBLY, TO POSITIVE/NEGATIVE BATTERY	1
12	2397431	WIRE ASSEMBLY, CHARGE PLUG TO STANDOFF/SOLENOID	1
97	2391981	BATTERY JUMPER 3/8 RING	3
	4491101	TOGGLE SWITCH, MOTOR	1
	2792041	TOGGLE SWITCH, VAC	1
	4490561	INSULATED STANDOFF	1
	2391391	BATTERY METER - WITH HARDWARE	1
	2393001	GEAR MOTOR, IMPERIAL, 3/4 HP 24V DC	1
	2397181	WATER SOLENOID 24 VOLT	1
	2391351	CONTACTOR, 24 VOLT	1
	2397361	HOUR METER, OPTIONAL	1
	2397461	KEY SWITCH, OPTIONAL	1
	2392091	CHARGER PLUG ONLY, 24 VOLT RED	1
	2397521	CIRCUIT BREAKER, 25 AMP, SCREW TERMINALS	1
	2391361	CIRCUIT BREAKER, 30 AMP	1
	5490161	FULLY INSULATED FEMALE SPADE TERMINAL 14-16 GAGE	2
	2395571	MOTOR, VAC 24 VOLT 3 STAGE	1

WIRING DIAGRAM "WHEEL DRIVE"

<u>ITEM</u>	<u>PART NO.</u>	<u>DESCRIPTION</u>	<u>QTY.</u>
	2397511	WIRE HARNESS	1
10	2397561	WIRE ASSEMBLY, ANDERSON TO STANDOFF	1
11	2396141	WIRE ASSEMBLY, TO POSITIVE/NEGATIVE BATTERY	1
12	2397431	WIRE ASSEMBLY, CHARGE PLUG TO STANDOFF/SOLENOID OR KEY SWITCH	1
97	2391981	BATTERY JUMPER 3/8 RING	3
	4491101	TOGGLE SWITCH, MOTOR	1
	2792041	TOGGLE SWITCH, VAC	1
	2690691	MASTER SWITCH	1
	2694131	POTENTIOMETER, CURTIS SPEED CONTROL	1
	4490561	INSULATED STANDOFF	1
	2391391	BATTERY METER - WITH HARDWARE	1
	2393001	GEAR MOTOR, IMPERIAL, 3/4 HP 24V DC	1
	2397181	WATER SOLENOID 24 VOLT	1
	2391351	CONTACTOR, 24 VOLT	1
	2397361	HOUR METER, OPTIONAL	1
	2395711	KEY SWITCH, OPTIONAL	1
	2397521	CIRCUIT BREAKER, 25 AMP, SCREW TERMINALS	1
	2490891	CIRCUIT BREAKER, 15 AMP	1
	2391361	CIRCUIT BREAKER, 30 AMP	1
	5490161	FULLY INSULATED FEMALE SPADE TERMINAL 14-16 GAGE	2
	5490171	FULLY INSULATED MALE SPADE TERMINAL 14-16 GAGE	2
	2392091	CHARGER PLUG ONLY, RED 24 VOLT	1
	2395571	MOTOR, VAC 24 VOLT 3 STAGE	1
	2490821	SPEED CONTROL, CURTIS	1
	2491109	TRANSAXLE ASSEMBLY	1
	2397861	WIRE, 2016 SOLENOID JUMPER	1

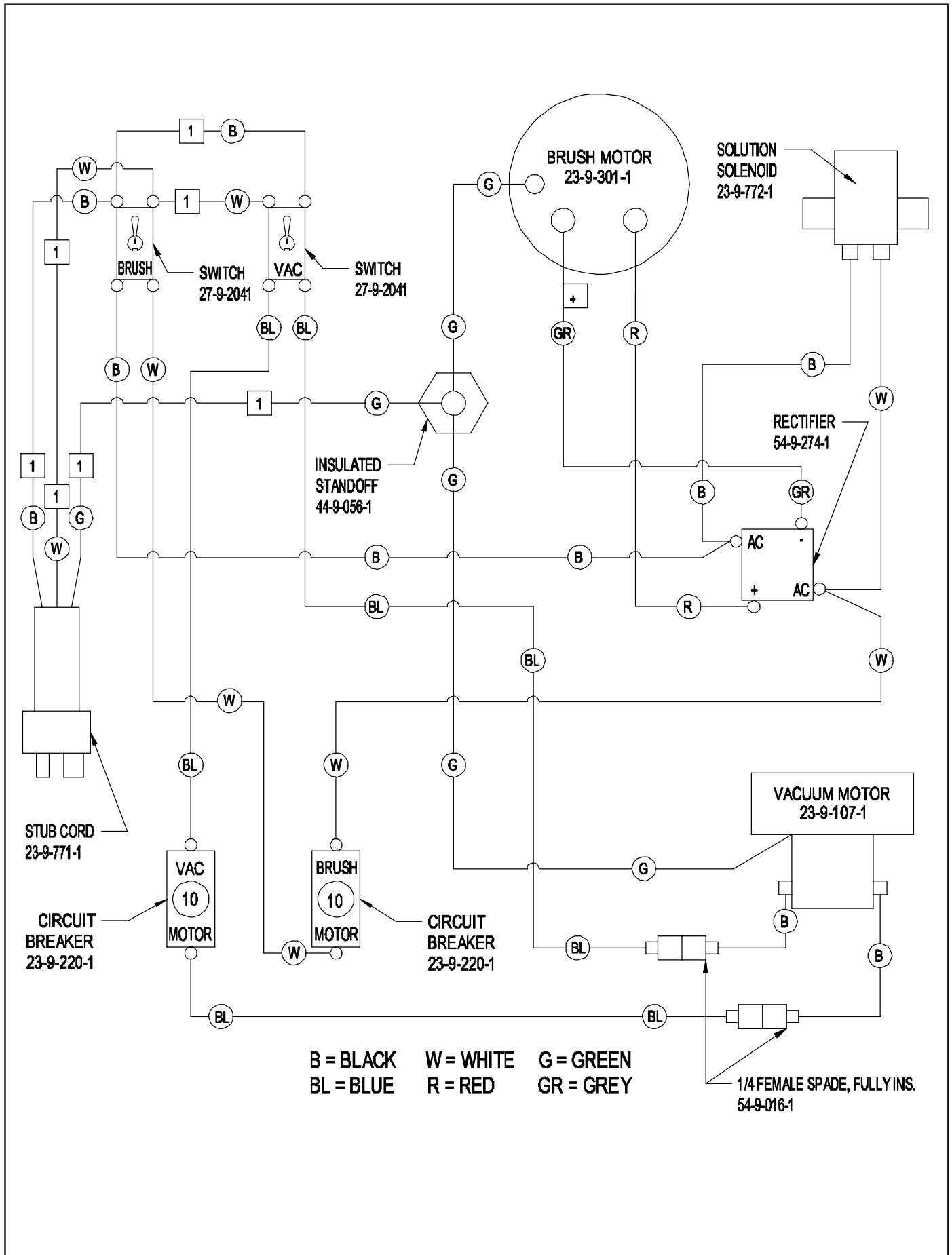
WIRING DIAGRAM "WHEEL DRIVE"



WIRING DIAGRAM "ELECTRIC"

<u>ITEM</u>	<u>PART NO.</u>	<u>DESCRIPTION</u>	<u>QTY.</u>
1	2397701	WIRE HARNESS, ELECTRIC	1
	2397711	STUB CORD WIRE HARNESS	1
	2792041	TOGGLE SWITCH	2
	2393011	BRUSH MOTOR	1
	2397721	SOLUTION SOLENOID VALVE 120 VOLT	1
	4490561	INSULATED STANDOFF	1
	5492741	RECTIFIER	1
	2392201	CIRCUIT BREAKER	2
	2391071	VAC MOTOR	1
	5490161	FULLY INSULATED FEMALE SPADE TERMINAL 14-16 GAGE	2

WIRING DIAGRAM "ELECTRIC"



B = BLACK W = WHITE G = GREEN
BL = BLUE R = RED GR = GREY

1/4 FEMALE SPADE, FULLY INS.
54-9-016-1

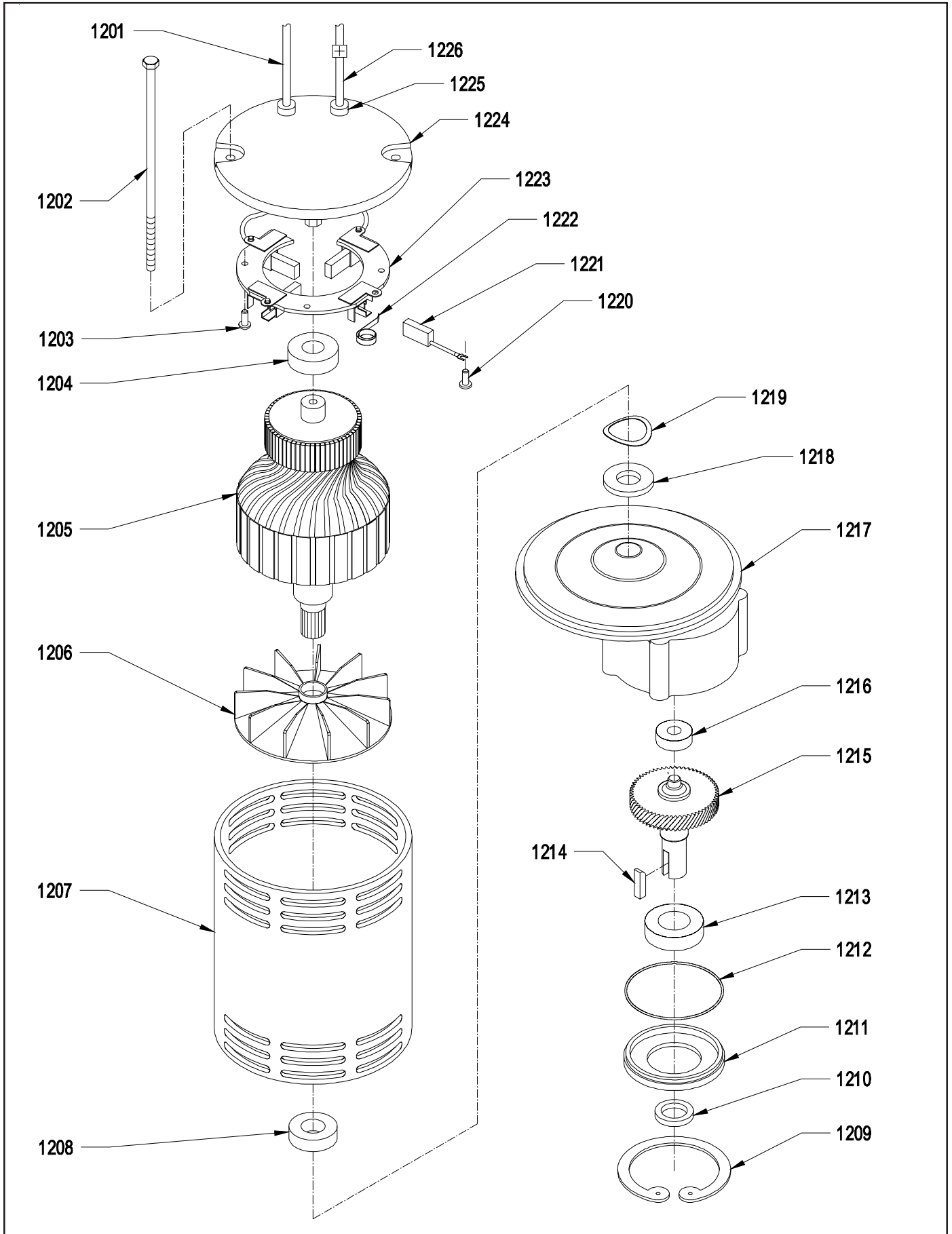
BRUSH GEAR MOTOR

<u>ITEM</u>	<u>PART NO.</u>	<u>DESCRIPTION</u>	<u>QTY.</u>
	2393001	COMPLETE MOTOR ASSEMBLY	1
1201	3391221	NEGATIVE LEAD	1
1202	3391201	1/4-20 X 7 3/4 THRU BOLT	2
1203	9120600	10-24 X 1/2 PAN HEAD THREAD CUTTING SCREW	2
1204	5092041	TOP END BEARING	1
1205	2393251	ARMATURE ASSEMBLY, INCLUDES VENT FAN AND BEARINGS	1
1206	3391191	ARMATURE VENT FAN	1
1207	3391041	STATOR FRAME ASSEMBLY WITH MAGNETS	1
1208	3391051	BOTTOM END BEARING	1
1209	3391171	SNAP RING	1
1210	3391161	OIL SEAL, SMALL	1
1211	3391151	END CAP	1
1212	3391141	"O" RING	1
1213	3391131	BOTTOM BEARING, LARGE	1
1214	2792681	1/4 X 1/4 X 1 MOTOR KEY	1
1215	3391121	GEAR SHAFT	1
1216	3391111	TOP BEARING, SMALL	1
1217	3391101	GEAR BOX - HOUSING ONLY	1
	3391181	GEAR BOX ASSEMBLY, (INCLUDES ITEMS 1209-1218)	1
1218	3391091	OIL SEAL, LARGE	1
1219	2797591	HELICAL WASHER 1 13/32 X 1 7/8 - 2 WAVE SPRING WASHER	1
1220	————	10-32 X 1/2 PAN HEAD SLOTTED SCREW, BRASS	4
1221	3391081	CARBON BRUSH	4
1222	2797571	CARBON BRUSH SPRING	4
1223	3391021	BRUSH BOARD ASSEMBLY, INCL. CARBON BRUSHES & SPRINGS	1
1224	3391001	TOP END BRACKET ONLY	1
	3391011	TOP END BRACKET WITH BRUSH BOARD ASSEMBLY	1
1225	3391071	STRAIN RELIEF	2
1226	3391211	POSITIVE LEAD	1

2016 ELECTRIC 120V LISTED BELOW [2307100]

<u>ITEM</u>	<u>PART NO.</u>	<u>DESCRIPTION</u>	<u>QTY.</u>
	2393011	COMPLETE MOTOR ASSEMBLY 120 VOLT	1
1201	2393271	NEGATIVE LEAD	1
1205	2393161	ARMATURE ASSEMBLY, INCLUDES VENT FAN AND BEARINGS	1
1207	2393151	STATOR FRAME ASSEMBLY WITH MAGNETS	1
1221	2393241	CARBON BRUSH	4
1223	2393171	BRUSH BOARD ASSEMBLY, INCL. CARBON BRUSHES & SPRINGS	1
1224	3391001	TOP END BRACKET ONLY	1
	2393181	TOP END BRACKET WITH BRUSH BOARD ASSEMBLY	1
1225	2393201	STRAIN RELIEF	2
1226	2393261	POSITIVE LEAD	1

BRUSH GEAR MOTOR



ACCESSORIES

CLUTCH PLATES



- 2893001 Aluminum Clutch Plate, 4" Diameter, 3 Holes
- 2890981 Plastic Clutch Plate, 4" Diameter 3 Holes
- 2890991 Aluminum Clutch Plate, 5" Diameter, 6 Holes
- 2890101 Plastic Clutch Plate, 5" Diameter, 6 Holes
- 2890971 Plastic Clutch Plate, 5" Diameter, 6 Holes Brown Tru Fit
- 2890101 Plastic Clutch Plate 5" Diameter, 6 Holes White Spin Off

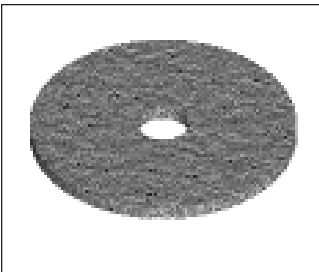
PAD CUP

- 5990731 Cream Pad Cup



20" PAD DRIVERS AND BRUSHES

- 2892211 20" Poly Back Tufted Pad Driver
- 2892601 20" Structural Foam Pad Driver
- 2892031 20" Wood Back Bassine Scrub Brush - *general scrub*
- 2892201 20" Poly Back Nylon Fill Scrub Brush - *light to medium scrub*
- 2892651 20" Poly Back Fill Scrub Brush with glide - *carpet shampooing*
- 2892701 20" Poly Brush, Shower Feed - *Standard Carpet Scrub*
- 2892711 20" Poly Back Nylon Grit Fill Scrub Brush - *Heavy Concrete Scrub*
- 2892901 20" Poly Black Scrub Grit Brush - *Mild to Medium Scrub*



BURNISHING (175 TO 3000 RPM) FLOOR PADS

- 7992051 20" NSS Lite Blue Polish / Burnish Pad

SCRUBBING (150 TO 300 RPM) FLOOR PADS

- 7992041 20" NSS UHS Clean Buff Pad
- 7992031 20" NSS Blue Scrub Pad
- 7992021 20" NSS Green Scrub Pad



STRIPPING (150 TO 300 RPM) FLOOR PADS

- 7992001 20" NSS Black Strip Pad
- 7992011 20" NSS Brown Strip Pad

TOOL KITS

- 2392129 Wrangler 20 Wet Pick Up Tool Kit
 - Includes: Tube Handle
 - Vacuum Hose
 - Squeegee Tool
 - Aluminum Connector
 - Velcro Loop
 - Velcro Hook

NOTES



NSS ® Enterprises, Inc.

3115 Frenchmens Road, Toledo, Ohio 43607
Phone# (419) 531-2121 FAX# (419) 531-3761

NSS ® Enterprises, Inc. European Distribution Centre
Unit II, Pinfold Trading Estate * 55 Nottingham Road
STAPLEFORD, NOTTINGHAM NG9 8AD ENGLAND U.K.
PHONE: (44) 0115 939 1568 * FAX: (44) 0115 949 0615