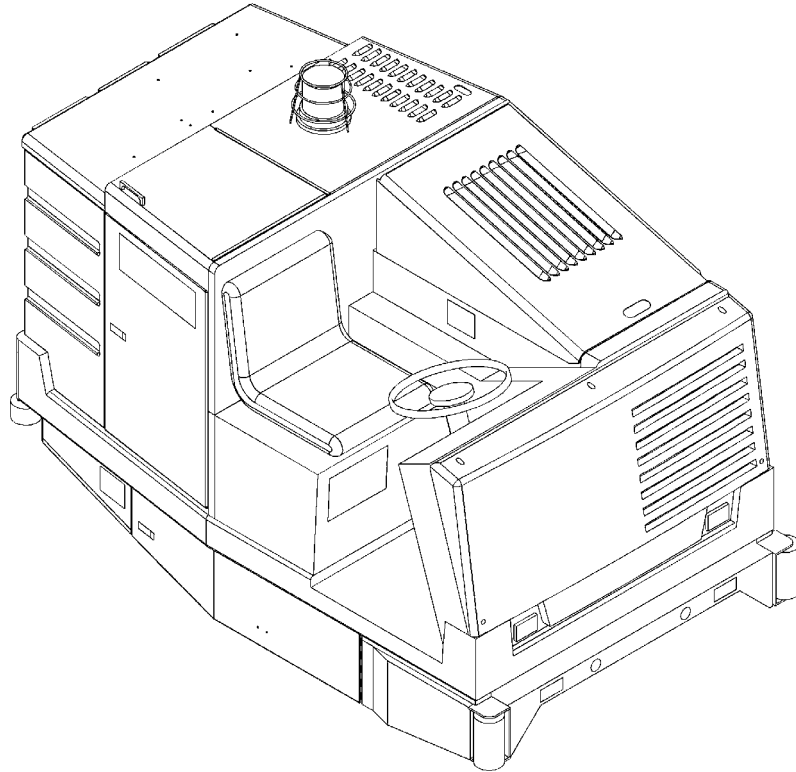


Hydro-Retriever™ 2052

CR 1300



PARTS LIST

Advance MODEL 56460240 (LPG)

Nilfisk MODEL 56460280 (LPG)

This manual covers GM powered 2004 certified models only.



**Nilfisk
Advance**

setting standards

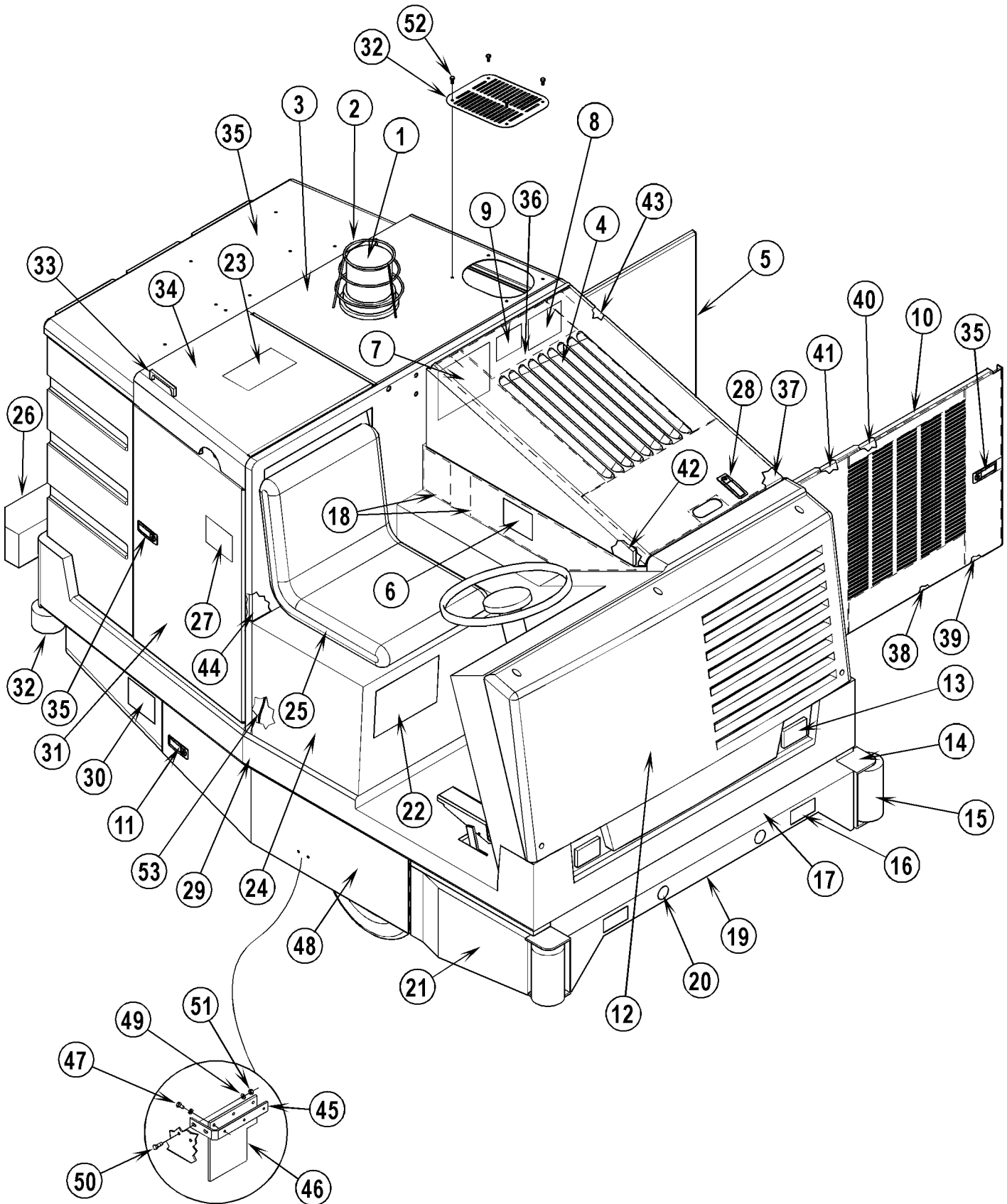
9/04 revised 4/09 FORM NO. 56042455
BOOK E SECTION 1.3.1

DESCRIPTION	PLAN
OUTER BODY-1.....	E-1.3.1-3
OUTER BODY-2.....	E-1.3.1-5
OPERATOR'S COMPARTMENT	E-1.3.1-7
RADIATOR & AIR FILTER.....	E-1.3.1-9
ENGINE ASSEMBLY.....	E-1.3.1-11
EXHAUST ASSEMBLY	E-1.3.1-13
LPG TANK ASSEMBLY.....	E-1.3.1-15
GOVERNOR ACTUATOR ASSEMBLY	E-1.3.1-17
DRIVE PEDAL LINKAGE.....	E-1.3.1-19
OIL RESERVOIR ASSEMBLY.....	E-1.3.1-21
CONTROL VALVE ASSEMBLY.....	E-1.3.1-23
BRUSH DRIVE ASSEMBLY.....	E-1.3.1-25
FRONT SKIRTS.....	E-1.3.1-27
STEERING / SPINDLE ASSEMBLY.....	E-1.3.1-29
BROOM HOUSING.....	E-1.3.1-31
RIGHT DOOR / LEFT BLADE ASSEMBLIES	E-1.3.1-33
HYDRAULIC SCHEMATIC.....	E-1.3.1-35
FAN ASSEMBLY	E-1.3.1-37
FRONT DRIVE WHEELS.....	E-1.3.1-39
BRAKE SYSTEM	E-1.3.1-41
SQUEEGEE SYSTEM	E-1.3.1-43
MOUNT ASSEMBLY	E-1.3.1-45
SQUEEGEE ASSEMBLY	E-1.3.1-47
ACTUATOR ASSEMBLY.....	E-1.3.1-49
SOLUTION SYSTEM.....	E-1.3.1-51
RECOVERY TANK.....	E-1.3.1-53
WIRING DIAGRAM	E-1.3.1-55
WIRING DIAGRAM CONTINUED.....	E-1.3.1-57

WHEN ORDERING PARTS

- * Use the 8 digit numbers from the "Ref. No." columns in this parts list.
- * Specify the model and serial number of the machine.
- * Use the space below to record the model and serial number for future reference.

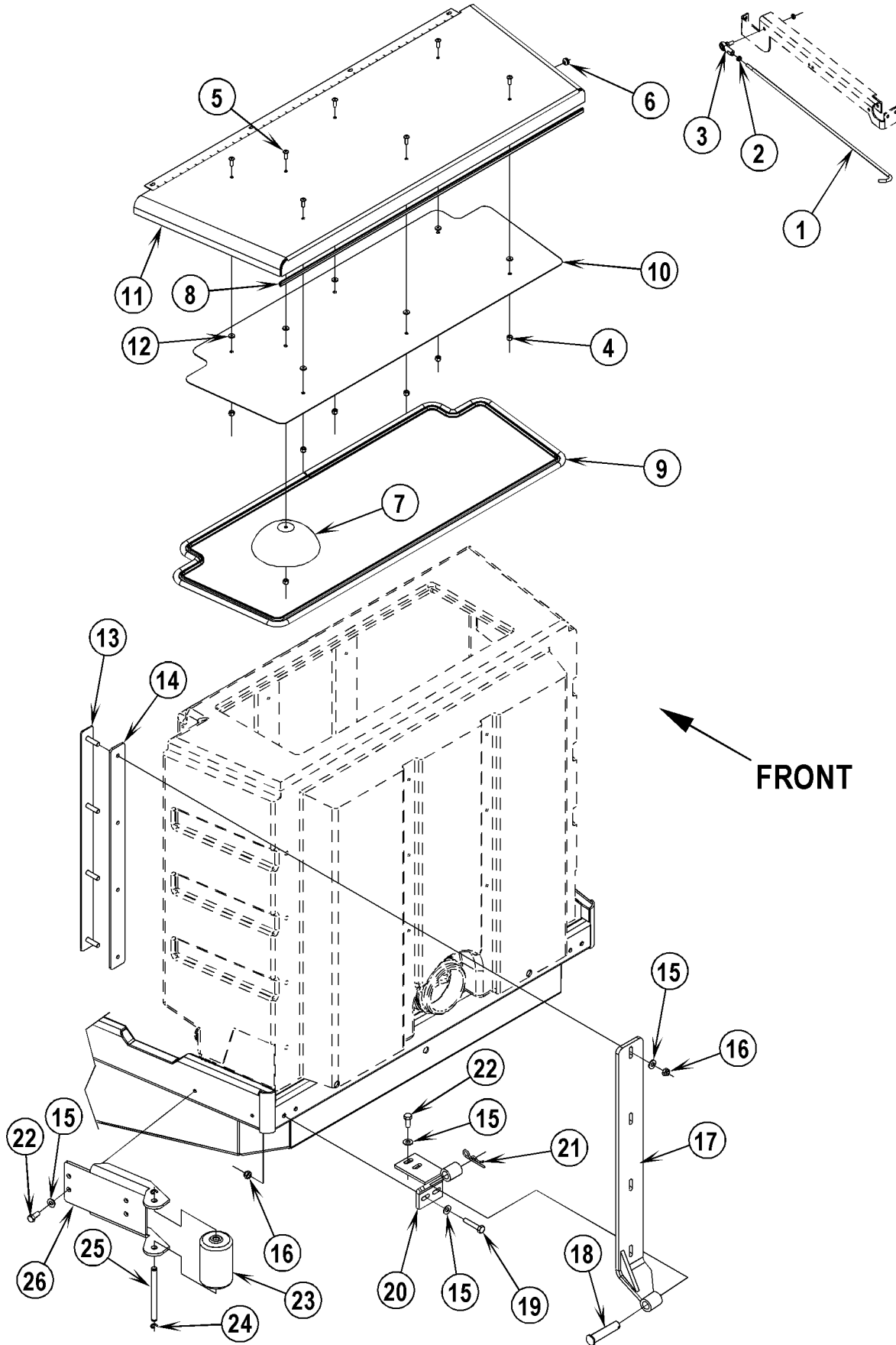
Model _____ Serial No. _____



04-9	OUTER BODY-1	BOOK E		
05-9	Hydro-Retriever™ 2052 / CR 1300	E	1.3.1	3

Item	Ref. No.	Qty	Description	Item	Ref. No.	Qty	Description
1	56482463	1	Strobe Light TSB 743	35	56455979	3	Lockable Door Latch
2	56482464	1	Light Guard	36	56455837	1	Insulation, Rear Hood
3	56455370	1	Cover, Top Left	37	56455769	1	Insulation, Front Hood
4	56455445	1	Hood Weld't.	38	56455823	1	Insulation, Lower L.H. Door
*	56457624	1	Hinge	39	56455806	1	Insulation, Rear L.H. Door
*	56385238	1	Cylinder	40	56455807	1	Insulation, Upper L.H. Door
*	56386314	2	Leg, Leveler	41	56455805	1	Insulation, Front L.H. Door
*	56386316	2	Cap, snap	42	56455765	1	Insulation, RH Side Hood
5	56455368	1	Door, Left	*	56455761	1	Insulation, LH Side Hood
*	56455587	1	Hinge	*	56455773	1	Insulation, Access Door
*	56386314	2	Leg, Leveler	43	56455767	2	Insulation, Side Hood
*	56386316	2	Cap, snap	44	56455783	1	Insulation, Seat Backrest Panel
6	56015427	1	Decal, Warning Tip Over	45	56455326	1	Mount, Splash Guard
7	56016117	1	Decal, Hydraulic	*	56455506	1	Right Door Weld't.
8	56015424	1	Decal, Warning Hydraulic	*	56418471	1	Door Latch
9	56014704	1	Decal, RPM	*	56455595	1	Left Broom Door Assembly
10	56455597	1	Door, Engine	*	56002098	5	Wsh, Flt SAE 1/4
*	56455598	1	Hinge	*	56002155	2	Scr, Hex Hd 1/4-20 x .75
*	56386314	2	Leg, Leveler	*	56002708	2	Nut, Hex Nyl Loc 1/4-20
*	56386316	2	Cap, snap	*	56009033	7	Scr, Hex Thd Form 1/4-20 x .50
11	56418471	2	Door Latch	*	56455324	1	Guard, Left Splash
12	56455585	1	Fascia, Front End (2052)	*	56455326	1	Mount, Splash Guard
	56455970	1	Fascia, Front End (CR 1300)	*	56455504	1	Left Door Weld't.
*	56009259	5	Scr, Pan Phil Type F 1/4-20 x 1.50	*	56418471	1	Door Latch
13	56454528	2	Headlight	46	56455322	1	Guard, Right Splash
*	56459069	2	Plate	47	56009033	7	Scr, Hex Thd Form 1/4-20 x .50
14	56457640	1	Skirt Weldment, Left	48	56455593	1	Right Broom Door Assembly
15	56409335	2	Bumper	49	56002098	5	Wsh, Flt SAE 1/4
*	56409336	2	Pin	50	56002155	2	Scr, Hex Hd 1/4-20 x .75
*	56003266	4	Ring, Ret Ext Type E	51	56002708	2	Nut, Hex Nyl Loc 1/4-20
16	56025478	2	Decal, Flow Control	52	56001854	4	Scr, Hex Hd 1/4-20 x .50
17	56457635	1	Bracket Weldment	53	56456849	1	Cable, .06 x 23.0"
18	56455771	1	Insulation, L.H. Operators Panel				
19	56457643	1	Panel	*	56016363	2	Decal, Warning Hot
20	56030080	2	Decal, Hands Clear	**	56455457	1	Overhead Guard Kit
21	56457642	1	Skirt Weldment, Right	**	56376501	1	Bumper Assembly Kit
22	56015737	1	Decal, Impeller Drive	**	56455987	1	Backup Alarm Kit
23	56014517	1	Decal, Important	**	56459293	1	Hose & Wand Kit
24	56459074	1	Panel Seat, Weldment	**	56419369	1	Seat Belt Kit
*	56457632	1	Hinge				
25	56481346	1	Seat				
*	56495871	1	Seat Slide				
26	56456880	1	Weight				
27	56025506	1	Decal, LPG (Propane)				
28	56455981	1	Lockable Door Latch				
29	56455939	1	Chassis Weldment				
30	56015425	2	Decal, Warning Broom				
31	56455399	1	Door, Right				
*	56455587	1	Hinge				
*	56386314	2	Leg, Leveler				
*	56386316	2	Cap, snap				
32	56460214	1	Cover, Top				
33	56300101	1	Handle				
34	56455397	1	Right Cover Weldment				
*	56455589	1	Hinge				
*	56455531	1	Prop Rod				
*	56460275	1	Retainer, Prop Rod				
*	56455528	1	Strut				

* = Not Shown
** = Optional Accessory

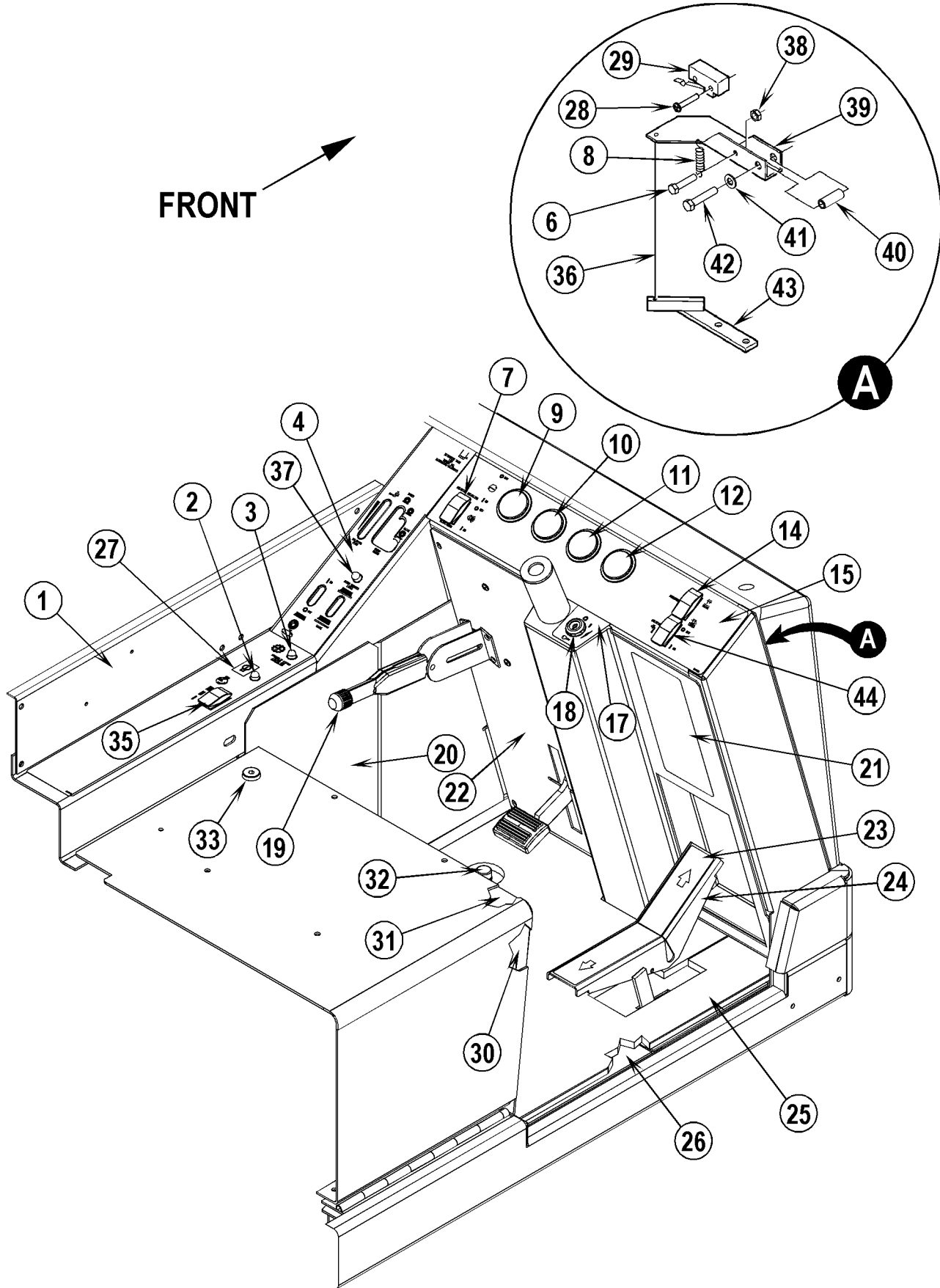


Item	Ref. No.	Qty	Description
1	56455957	1	Prop Rod
2	56009142	2	Nut, Hex Machine 1/4-20
3	56463720	1	Rod End
4	56002491	7	Nut, Hex Nyl Loc SS 1/4-20
5	56002957	7	Scr, Pan Phil SS 1/4-20 x .75
6	56321559	1	Grommet
7	56454718	1	Deflector
8	56455637	1	Trim, Rear Cover
9#	56380530	1	Bulb Seal-100 IN
10	56456006	1	Seal, Cover
11	56456007	1	Cover Weldment
	56456008	1	Rear Cover Assembly (#4-12)
12	56900737	7	Washer, Sealing 1/4
13	56455927	2	Stud Plate Weldment
14	56455915	2	Gasket
15	56002063	20	Wsh, Flt SAE 3/8
16	56002769	12	Nut, Hex Nyl Loc 3/8-16
17	56455924	1	Left Top Hinge Weldment
*	56455976	1	Right Top Hinge Weldment
18	56455922	2	Pin, Hinge
19	56002091	4	Scr, Hex Hd 3/8-16 x 2.00
20	56455925	1	Left Bottom Hinge Weldment
*	56455978	1	Right Bottom Hinge Weldment
21	56477583	2	Pin, Hair
22	56002256	8	Scr, Hex Type F 3/8-16 x 1.00
	56456379	2	Rear Roller Kit (#22, 23-26)
23	56392102	2	Wheel, Roller
24	56003264	4	Ring, Ret Type E .50
25	56455995	2	Axle, Roller
26	56455991	2	Mount, Rear Roller

* = Not Shown

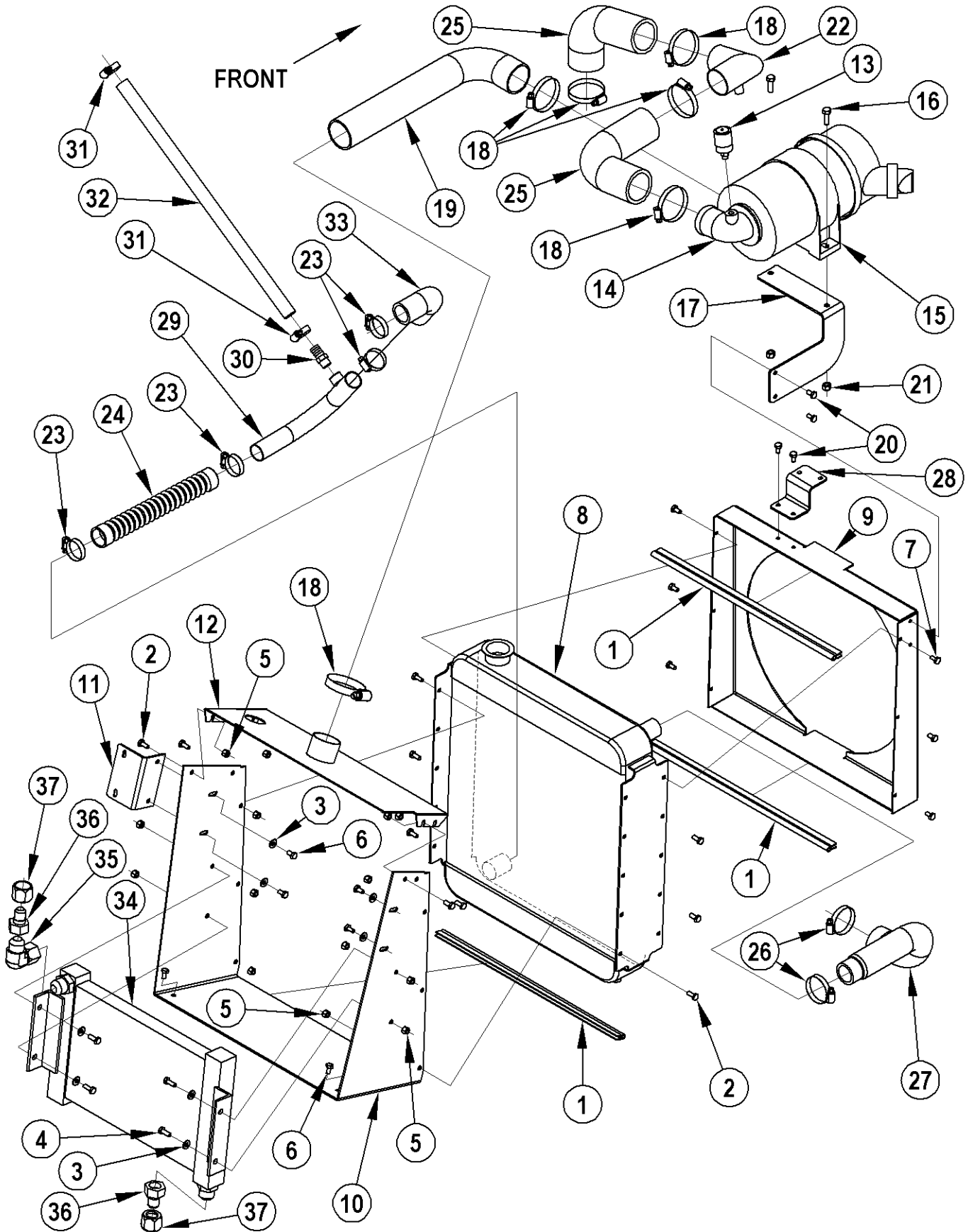
= Revised or new since last update

FRONT

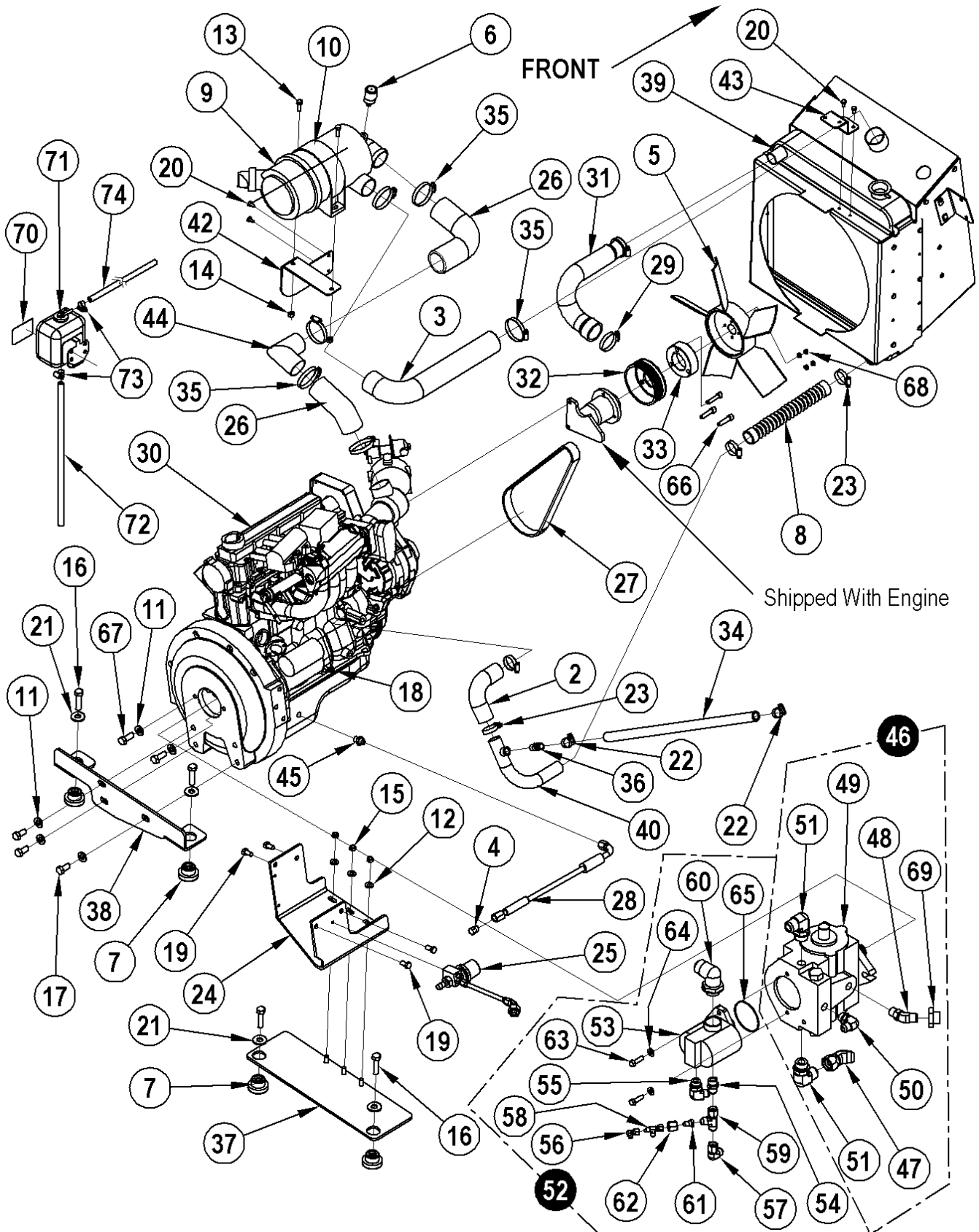


Item	Ref. No.	Qty	Description
1	56457672	1	Panel
2	56456465	1	Engine Warning Light (MIL)
3	56456469	1	Hydraulic Filter Indicator Light
4	56016145	1	Decal, Control Panel
5			Intentionally Omitted
6	56003078	1	Scr, Hex Hd 10-24 x 1.00
7	56393312	1	Headlight Switch
8	56245008	1	Spring
9	56478363	1	Hour Meter
10	56482044	1	Volt Meter
11	56489600	1	Coolant Temperature Gauge
12	56489592	1	Oil Pressure Gauge
13			Intentionally Omitted
14	56393312	1	Squeegee Up-Down Switch
15	56016139	1	Decal, Control Panel
16			Intentionally Omitted
17	56016141	1	Decal, Key Switch
18	56478640	1	Key Switch
*	56478641	1	Replacement Key
19	56448200	1	Parking Brake Lever
20	56457462	1	Door
21	56014601	1	Decal, Caution
22	56459070	1	Panel
23	56449958	1	Pedal, Mat
24	56455848	1	Pedal
25	56460277	1	Floor Mat
26	56459233	1	Floor Plate
27	56015911	1	Decal, Engine Warning Light
28	56003009	2	Scr, Hex Hd 6-32 x 1.00
29	56388019	1	Brush Switch
30	56457476	1	Foam
31	56457474	2	Foam
32	56441555	1	Horn Switch
33	56455982	1	Compression Latch
*	56459952	1	Spacer, Latch
35	56455819	1	Rocker Switch
36	56456805	1	Cable
37	56456464	1	Brush Indicator Light
38	56002768	1	Nut, Hex Nyl Loc 10-24
39	56456807	1	Lever
40	56471220	1	Bushing
41	56002098	1	Wsh, Flt SAE 1/4
42	56001833	1	Scr, Hex Hd 1/4-20 x 1.50
43	56456809	1	Bracket
44	56393312	1	Solution Switch

* = Not Shown



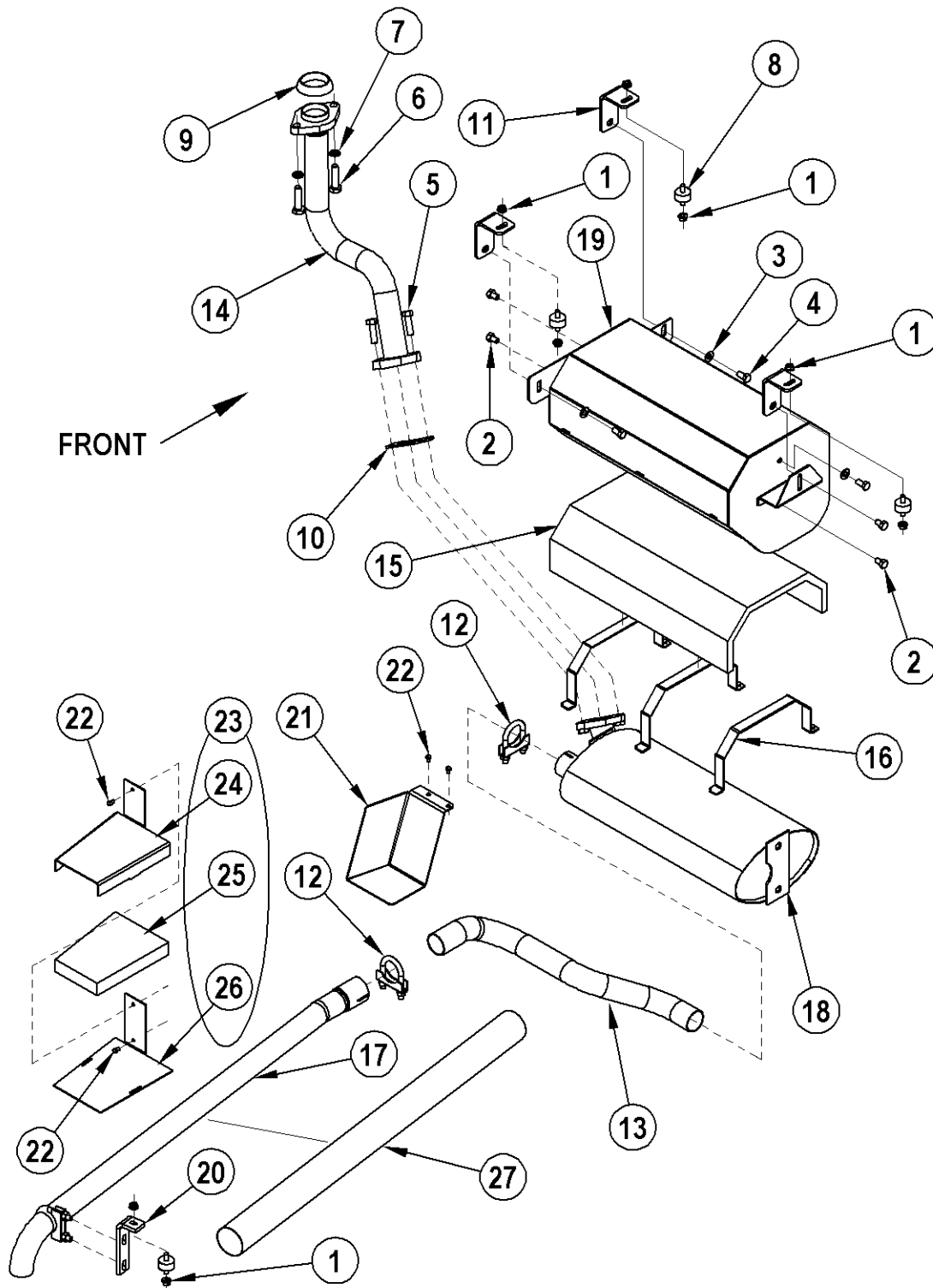
Item	Ref. No.	Qty	Description
	56460203	1	Assembly, Radiator (items 1-12)
1	56418955	3	Gasket
2	56001836	10	Scr, Hex Hd 1/4-20 x .62
3	56002098	8	Wsh, Flt SAE 1/4
4	56002155	4	Scr, Hex Hd 1/4-20 x .75
5	56002708	14	Nut, Hex Nyl Loc 1/4-20
6	56003039	6	Scr, Hex Hd Loc 1/4-20 x .50
7	56009033	6	Scr, Hex Thd Form 1/4-20 x .50
8	56305316	1	Radiator
9	56460199	1	Radiator Mount Bracket
10	56460204	1	Shroud, Inlet
11	56460208	1	Bracket, Radiator Right
12	56460276	1	Shroud, Top
13	56478461	1	Indicator, Service
14	56482478	1	Cleaner, Air
15	56482621	1	Band Assy
16	56002221	2	Scr, Hex Hd 5/16-18 x 1.00
17	56460257	1	Bracket, Air Filter
18	56440213	6	Clamp, Hose SAE #32
19	56418430	1	Hose, Flexible Air Inlet
20	56009033	4	Scr, Hex Thd Form 1/4-20 x .50
21	56002701	2	Nut, Hex Nyl Loc 5/16-18
22	56460270	1	Tube Weldment
23	56131601	4	Clamp, Hose SAE #16
24	56482333	1	Hose, Coolant
25	56305113	1	Hose, Air
26	56329145	2	Clamp, Hose SAE #24
27	56419570	1	Radiator Hose
28	56460265	1	Bracket, Vaporizer
29	56460213	1	Tube, Lower Radiator
30	56456436	1	Barb, Adapter 5/8 x 3/8 NPT
31	56112771	2	Clamp, Hose SAE #10
32	56462070	1	Hose, Heater 20.00
33	56418227	1	Hose, Lower Radiator
	56460212	1	Oil Cooler Assembly (items 34-37)
34	56460205	1	Cooler, Oil Hydraulic
35	56900306	1	Elbow, 90 W/nut
36	56900469	2	Reducer, Nut
37	56900506	2	Nut Tube End 1-1/16-12



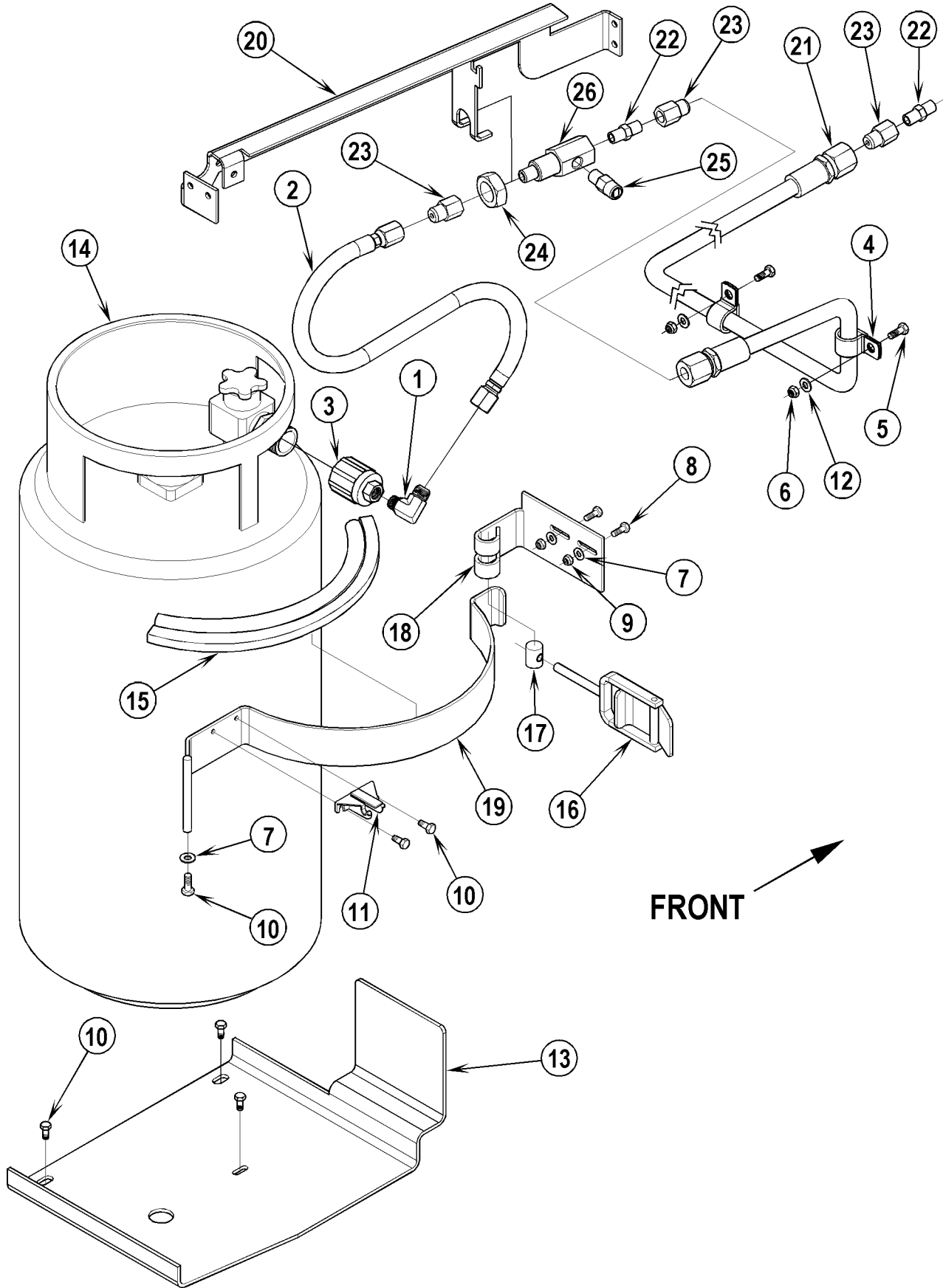
Item	Ref. No.	Qty	Description	Item	Ref. No.	Qty	Description
1			Intentionally Omitted	58	56900341	1	Tee, Run W/Nut
2	56418227	1	Hose, Lower Radiator	59	56900344	1	Tee, Run W/Nut
3	56418430	1	Hose, Flexible Air Inlet	60	56900352	1	Elbow, 90 O-Ring
4	56462247	1	Plug, Hex 37 Flared	61	56900462	1	Reducer Nut
5	56463704	1	Fan, Suction	62	56900504	1	Nut Tube End 3/4-16
6	56478461	1	Indicator, Service	63	56003029	2	Scr, Hex Hd Loc 3/8-16 x 1.25
7	56478685	4	Mount, Rubber	64	56002063	2	Wsh, Flt SAE 3/8
8	56482333	1	Hose, Coolant	65	56488002	1	O-Ring
9	56482478	1	Cleaner, Air	66	56002316	3	Scr, Soc Hd 3/8-16 x 1.50
10	56482621	1	Band Assy	67	56003022	2	Scr, Hex Hd Loc 1/2-13 x 1.25
11	56001879	5	Wsh, Flt SAE 1/2	68	56003626	4	Nut, Hex Nyl Loc-Thin 1/4-28
12	56002063	3	Wsh, Flt SAE 3/8	69	56900604	1	Reducer, O-Ring
13	56002221	2	Scr, Hex Hd 5/16-18 x 1.00	70	56015463	1	Decal, Coolant Level
14	56002701	2	Nut, Hex Nyl Loc 5/16-18	71	56305267	1	Bottle, Overflow
15	56002841	3	Nut, Hex Nyl Loc-Thin 3/8-16	72	56492259	1	Hose, Fuel Line
16	56002983	4	Scr, Hex Hd 1/2-13 x 2.00	73	56756364	2	Clamp, Hose SAE #4
17	56003083	3	Scr, Hex Hd Loc 1/2-13 x 1.00	74	56478488	1	Hose, Fuel Line
18	56003352	1	Nut Hex M8 x 1.25				
19	56003442	4	Scr, Hex Nyl Loc M10-1.5 x 20mm	*	56305273	1	Alternator, 70A
20	56009033	4	Scr, Hex Thd Form 1/4-20 x .50	*	56304794	1	Ignition Coil
21	56009115	4	Wsh, Flt Harden .594 x 1.375 x .134	*	56305411	1	Thermostat W/Gasket
22	56112771	2	Clamp, Hose SAE #10	*	56305275	1	Starter Motor (before TSBUS2006-921)
23	56131601	4	Clamp, Hose SAE #16	*	56305998	1	Starter Motor (after TSBUS2006-921)
24	56305084	1	Engine Mount, Front	*	56305986	1	Water Pump
25	56305094	1	Oil Switch Assembly	*	56305980	1	Coolant Sensor
*	56305098	1	Oil Pressure Switch	*	56305404	1	Crank Position Sensor
*	56305619	1	Sender, Pressure	*	56305993	1	LP Lock Off
26	56305113	1	Hose, Air	*	56305982	1	Mixer LP
27	56419615	1	Belt, Fan	*	56305981	1	Vaporizer LP
28	56305374	1	Hose Assy	*	56305992	1	Throttle Actuator
29	56329145	2	Clamp, Hose SAE #24	*	56305991	1	M.A.P Sensor
30	56419512	1	Engine, GM 1.6L Propane	*	56305271	1	Exhaust Gasket, Manifold
31	56419570	1	Radiator Hose	*	56305272	1	Oil Filter Cartridge
32	56419607	1	Sheave, Fan	*	56305098	1	Oil Pressure Switch
33	56419617	1	Fan Spacer Assy	*	56305107	1	O ² Sensor
34	56419626	1	Hose, Heater 25.00	*	56305985	1	Wire Harness, Engine
35	56440213	6	Clamp, Hose SAE #32	*	56419646	1	Electronic Control Unit
36	56456436	1	Barb, Adapter 5/8 X 3/8 NPT	*	56305410	1	Fuel Filter LP
37	56460196	1	Mount, Front Engine	*	56605596	1	Plug Wire Kit
38	56460197	1	Mount, Rear Engine	*	56305979	1	Spark Plug
39	56460203	1	Assembly, Radiator NOTE #1	*	56305988	1	Timing Belt (cam)
40	56460213	1	Weldt Tube, Lower Radiator	*	56419648	1	KTR Pump Drive Plate, 15 Tooth
41	56460255	1	Cable Asm, Blk 4 AWG	*	56305987	1	PCV Valve
42	56460257	1	Bracket, Air Filter	*	56460287	1	Vapor Hose
43	56460265	1	Bracket, Vaporizer	*	56501005	2	Gallons of Anti-freeze, 50/50
44	56460270	1	Tube Weldment	*	56456392	1	Tray, Battery
45	56900300	1	Connector, Male, Metric				
46	56460216	1	Hydrostatic Assy (#47-51, 69) NOTE #2				
47	56900326	1	Elbow, 45 W/Nut				
48	56900154	1	Elbow, 45 O-Ring W/Nut				
49	56459464	1	Pump, Piston				
50	56900104	1	Elbow, 90 O-Ring				
51	56900106	2	Elbow, 90 O-Ring				
52	56460215	1	Gear Pump Assy (#53-65) NOTE #2				
53	56460158	1	Pump, Dual Gear				
54	56900015	1	Connector, O-Ring				
55	56900114	1	Elbow, 90 O-Ring				
56	56900301	1	Elbow, 90 W/Nut				
57	56900304	1	Elbow, 90 W/Nut				

* = Not Shown

NOTE #1: Refer to Radiator Assembly pages for a breakdown of parts.
NOTE #2: Refer to Hydraulic Schematic for hydraulic hoses and routing.



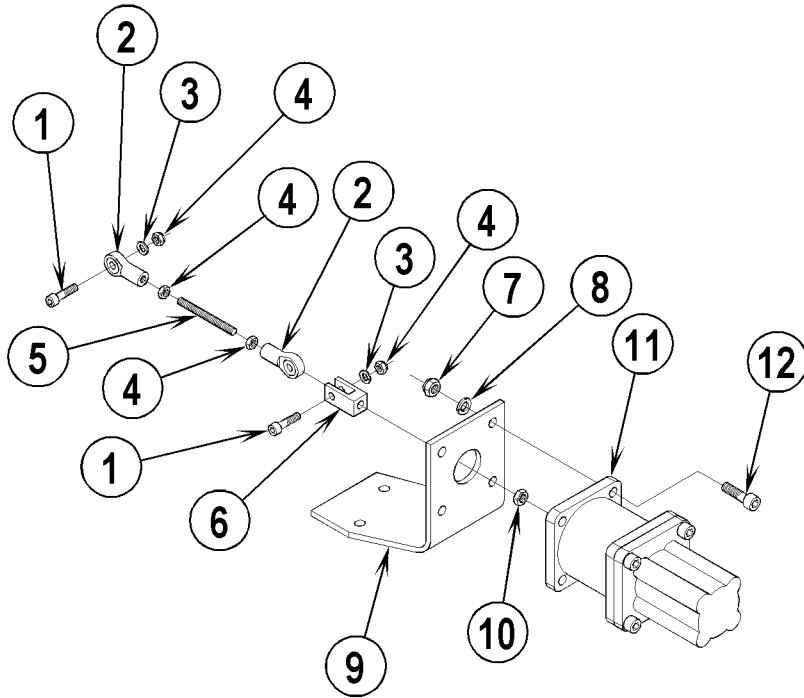
Item	Ref. No.	Qty	Description
1	56001827	8	Nut, Hex Flange Loc 1/4-20
2	56001862	4	Scr, Hex Hd 5/16-18 x .50
3	56001939	3	Wsh, Flt SAE 5/16
4	56002035	3	Scr, Hex Hd 5/16-18 x .62
5	56002254	2	Scr, Hex Hd 3/8-24 x 1.25
6	56003683	2	Scr, Hex M10-1.50 X 40mm Class 10.9
7	56003684	2	Wsh, Nord-Lock M10
8	56305216	4	Stud Mount, Silicone
9	56305271	1	Exhaust Gasket (supplied with engine)
10	56305549	1	Gasket, Exhaust
11	56305580	3	Bracket, Muffler Hanger
12	56456833	3	Clamp, Muffler 2.25
13	56460178	1	Tube, Exhaust
14	56460179	1	Weldment, Pipe Exhaust
15	56460181	1	Insulation, Thermal
16	56460182	3	Retainer, Insulation
17	56460187	1	Weldment, Pipe Exhaust
18	56460188	1	Muffler/Cat. Con. (2052)
	56460278	1	Muffler (CR 1300)
19	56460189	1	Heat Shield Weldment
20	56460211	1	Bracket, Tailpipe
21	56460266	1	Shield, Exhaust
22	56009039	4	Scr, Hex Hd 10-24 X .50
23	56460268	1	Assembly, Shield (#24-26)
24	56460267	1	Shield, Heat Rear
25	56460269	1	Insulation, Thermal
26	56460288	1	Shield, Heat
27	56305343	1	Sleeve, Insulation



Item	Ref. No.	Qty	Description
1	56456608	1	Elbow, Male 90°
2	56305503	1	Hose, Assy
3	56369675	1	Coupler, Female
4	56496276	2	Clamp, Hose Support
5	56002221	2	Scr, Hex Hd 5/16-18 x 1.00
6	56002701	2	Nut, Hex Nyl Loc 5/16-18
7	56002098	3	Wsh, Flt SAE 1/4
8	56002093	2	Scr, Hex Hd 1/4-20 x 1.00
9	56002708	2	Nut, Hex Nyl Loc 1/4-20
10	56009033	6	Scr, Hex Thd Form 1/4-20 x .50
11	56386058	1	Hanger
12	56001939	2	Wsh, Flt SAE 5/16
13	56455673	1	Tray, Tank
14	56456590	1	Tank, L.P.
15#	56380531	1	Bulb Seal-24 IN
16	56455862	1	Latch Weldment
17	56455867	1	Pivot, Yoke
18	56455870	1	Bracket, Yoke
19	56455861	1	Propane Tank Strap Weldment
20	56460275	1	Weldment, Bracket
21	56456586	1	Hose Assembly
22	56742317	2	Nipple, 1/4-18
23	56305505	3	Adapter, SAE 45 Deg.
24	56002615	1	Nut, Hex Jam 7/8-14
25	56456624	1	Vent 1/4 NPT
26	56418934	1	Fitting, Bulkhead

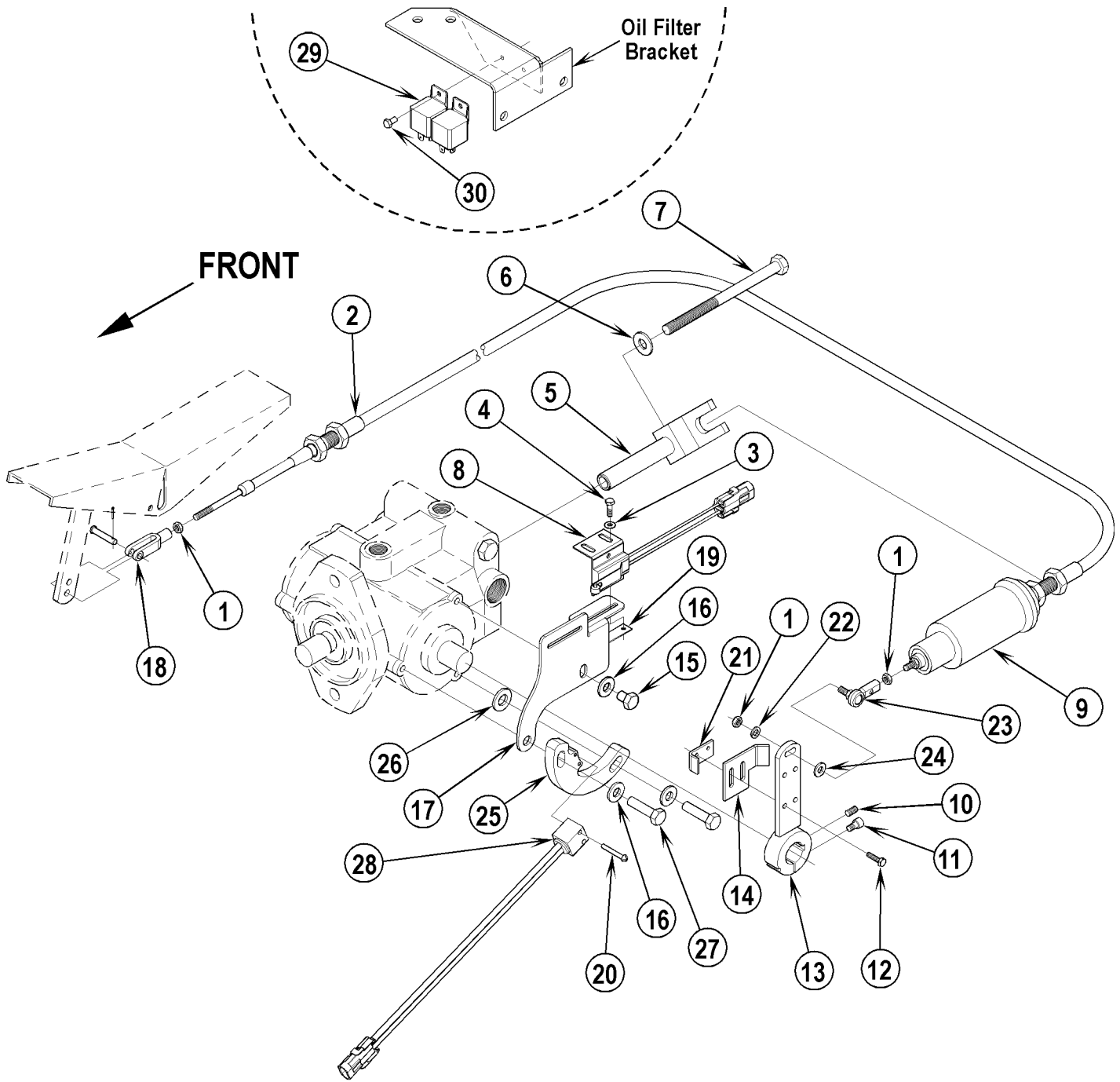
= Revised or new since last update

PROPANE ACTUATOR ASSEMBLY



Hydro-Retriever™ 2052 / CR 1300

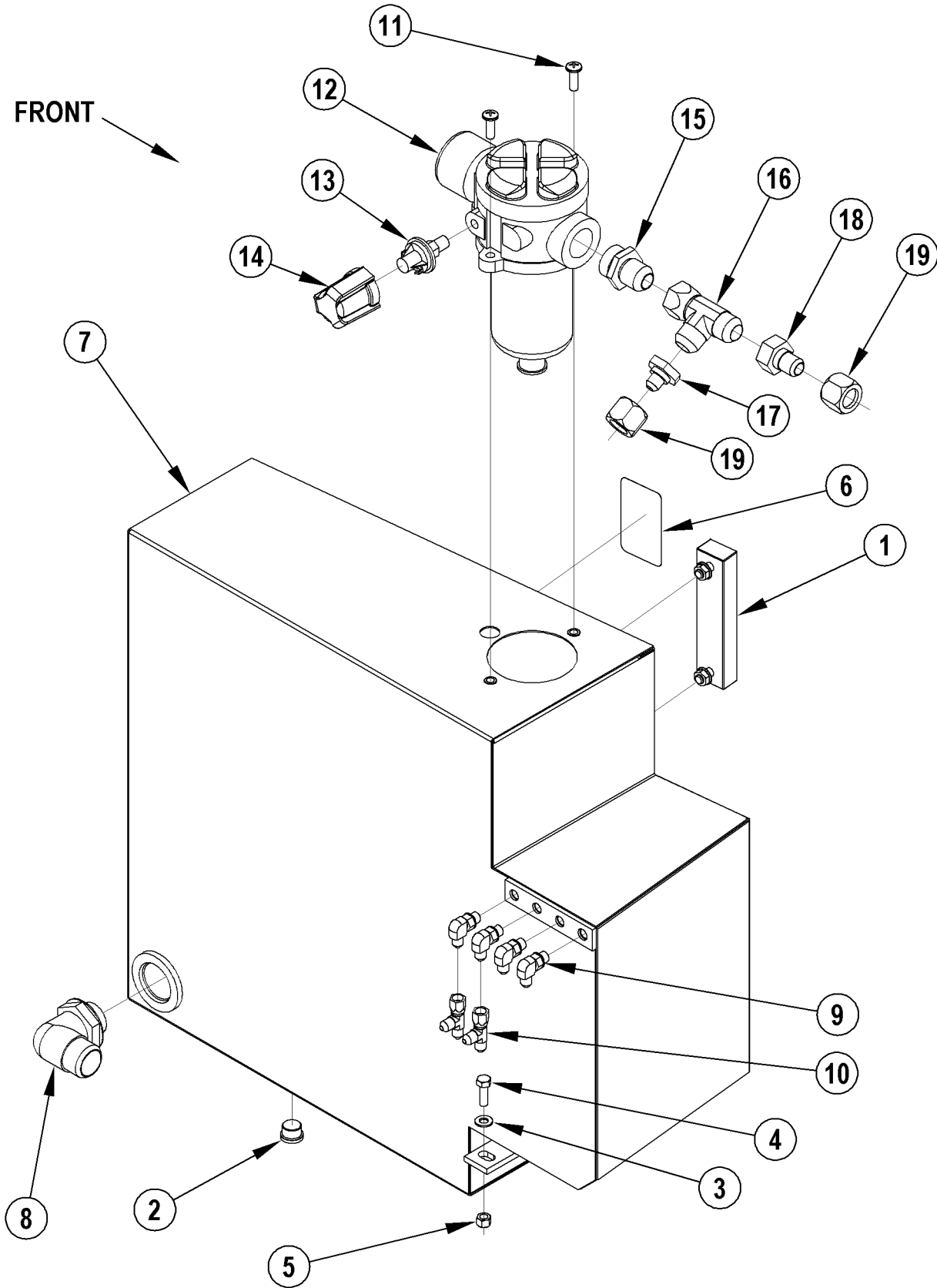
Item	Ref. No.	Qty	Description
	56455049	1	Actuator / Linkage Assembly (#1-12)
1	56455291	2	Scr, Pan Phil 10-32 x .75
2	56455284	2	Rod End Bearing
3	56455287	2	Lock Washer #10
4	56455290	4	Nut, Hex Nyl Loc #10-32
5	56455286	1	Thd Rod 10-32 x 2.00
6	56455283	1	Clevis
7	56455289	4	Nut, Hex Nyl Loc 1/4-28
8	56455285	4	Lock Washer 1/4
9	56455228	1	Bracket, Actuator Mounting
10	56455292	1	Nut, Hex M6-1.00
11	56455822	1	Actuator Assembly
12	56455288	4	Scr, Soc SS 1/4-28 x .87



Hydro-Retriever™ 2052 / CR 1300

Item	Ref. No.	Qty	Description
1	56009142	3	Nut, Hex Machine 1/4-28
2	56455800	1	Cable
3	56001954	2	Wsh, Flt SAE #10
4	56002503	2	Scr, Hex Hd 10-24 x .50
5	56455802	1	Bracket Weldment
6	56002063	1	Wsh, Flt SAE 3/8
7	56003044	1	Scr, Hex 3/8-16 x 6.50
8	56462362	1	Switch
9	56455799	1	Hydro-Back
10	56002119	1	Scr, Soc Set Loc 1/4-20 x .50
11	56002115	1	Scr, Soc Hd 1/4-20 x .50
12	56002504	2	Scr, Hex 10-24 x .75
13	56455803	1	Pump Arm Weldment
14	56455779	1	Actuator, Switch
15	56002208	1	Scr, Hex Hd 3/8-16 x .50
16	56002063	3	Wsh, Flt SAE 3/8
17	56455781	1	Bracket, Switch
18	56482542	1	Clevis Assembly (W / pin)
19	56324310	1	Nut Plate
20	56002697	2	Scr, Pan Phil 8-32 x 1.25
21	56455831	1	Nut, Plate
22	56009064	1	Wsh, Int Shprf 1/4
23	56463720	1	Ball Joint
24	56002098	1	Wsh, Flt SAE 1/4
25	56459958	1	Mount, Neutral Safety Switch
26	56002168	1	Wsh, Flt STD 1/2
27	56002747	2	Scr, Hex Thd/Hd 3/8-16 x 1.50
28	56460005	1	Sealed Ball Switch
29	56418387	2	Relay
30	56009012	2	Scr, Hex Hd Thd Form 10-24 x .38

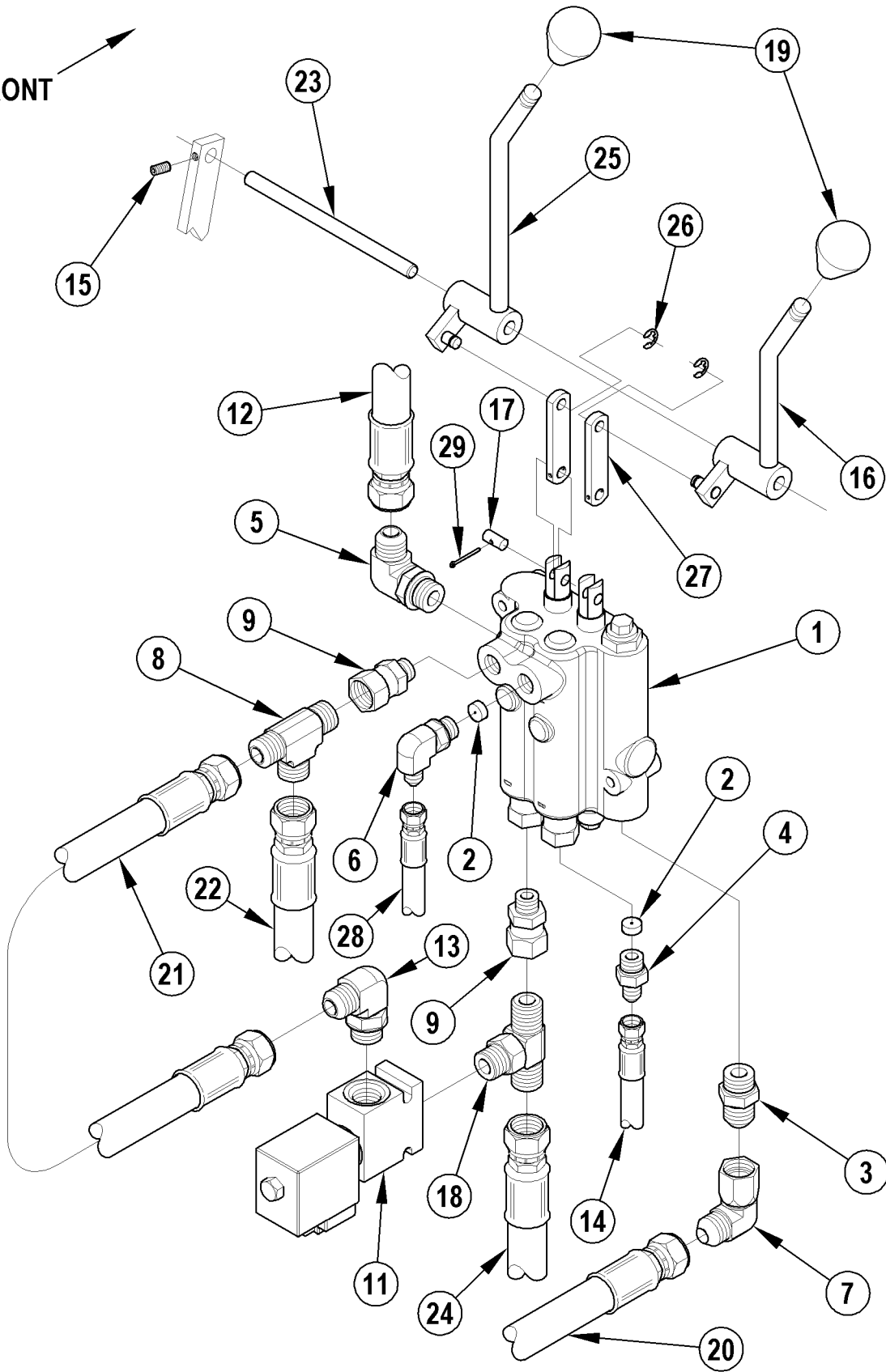
FRONT



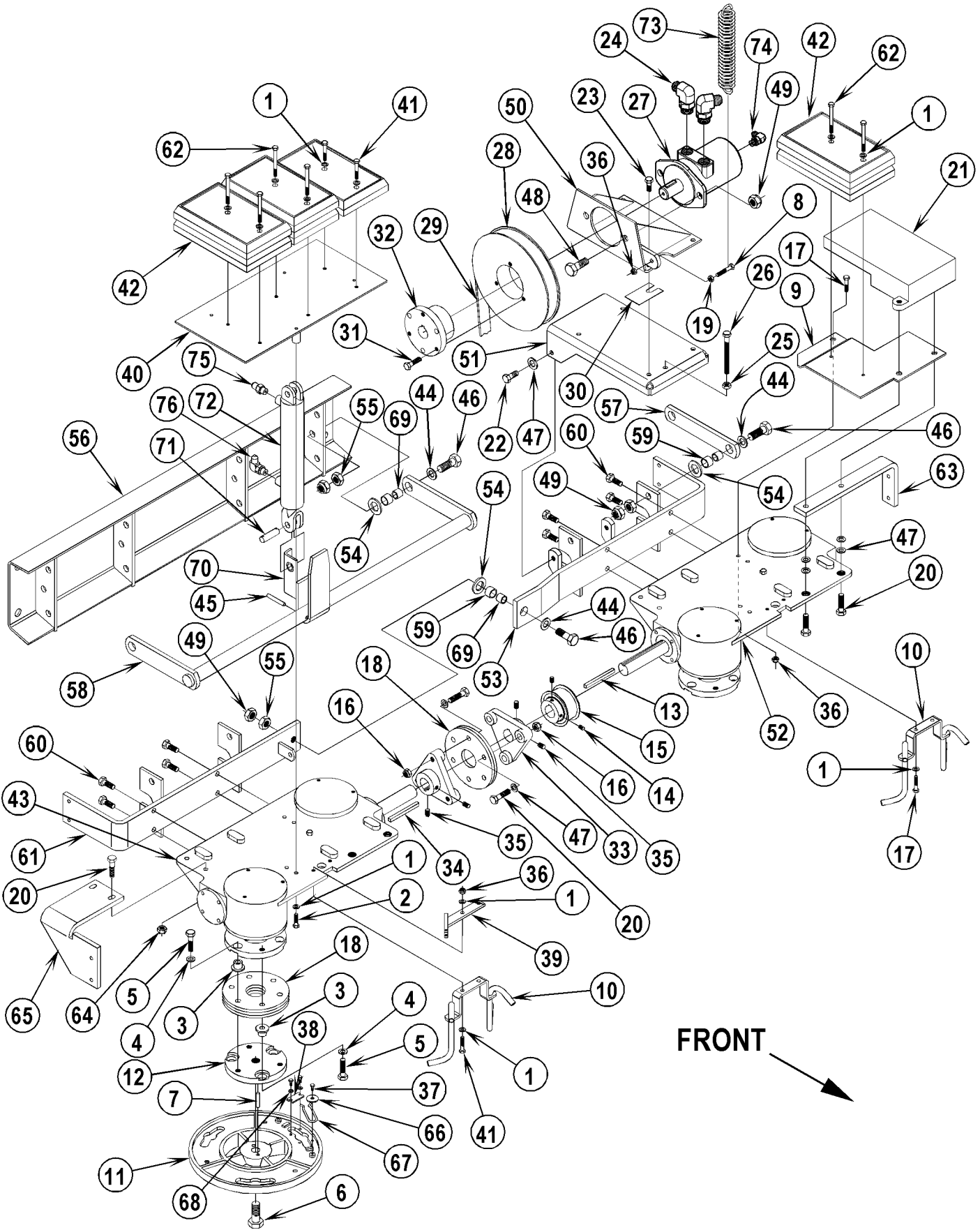
Item	Ref. No.	Qty	Description
	56460167	1	Reservoir Assembly (items 1-19)
1	56459479	1	Gauge, Level
2	56463403	1	Plug, Hex Soc O-Ring
3	56001939	1	Wsh, Flt SAE 5/16
4	56002221	1	Scr, Hex Hd 5/16-18 x 1.00
5	56002701	1	Nut, Hex Nyl Loc 5/16-18
6	56016372	1	Decal, Hydraulic Level
7	56460168	1	Reservoir Weldment
8	56900352	1	Elbow, 90 O-Ring
9	56900101	4	Elbow, 90 O-Ring
10	56900341	2	Tee, Run W/Nut
	56460231	1	Filter Assembly (items 11-19)
11	56002943	2	Scr, Pan Phil Loc 5/16-18 x 1.00
12	56304878	1	Filter, Hydraulic Return
*	56305995	1	Oil Filter Seal Kit
13	56418994	1	Switch, N.O. Pressure
14	56419241	1	Dust Boot
15	56900018	1	Connector, O-Ring
16	56900346	1	Tee, Run W/Nut
17	56900468	1	Reducer Nut
18	56900469	1	Reducer Nut
19	56900506	2	Nut Tube End 1-1/16-12

* = Not Shown

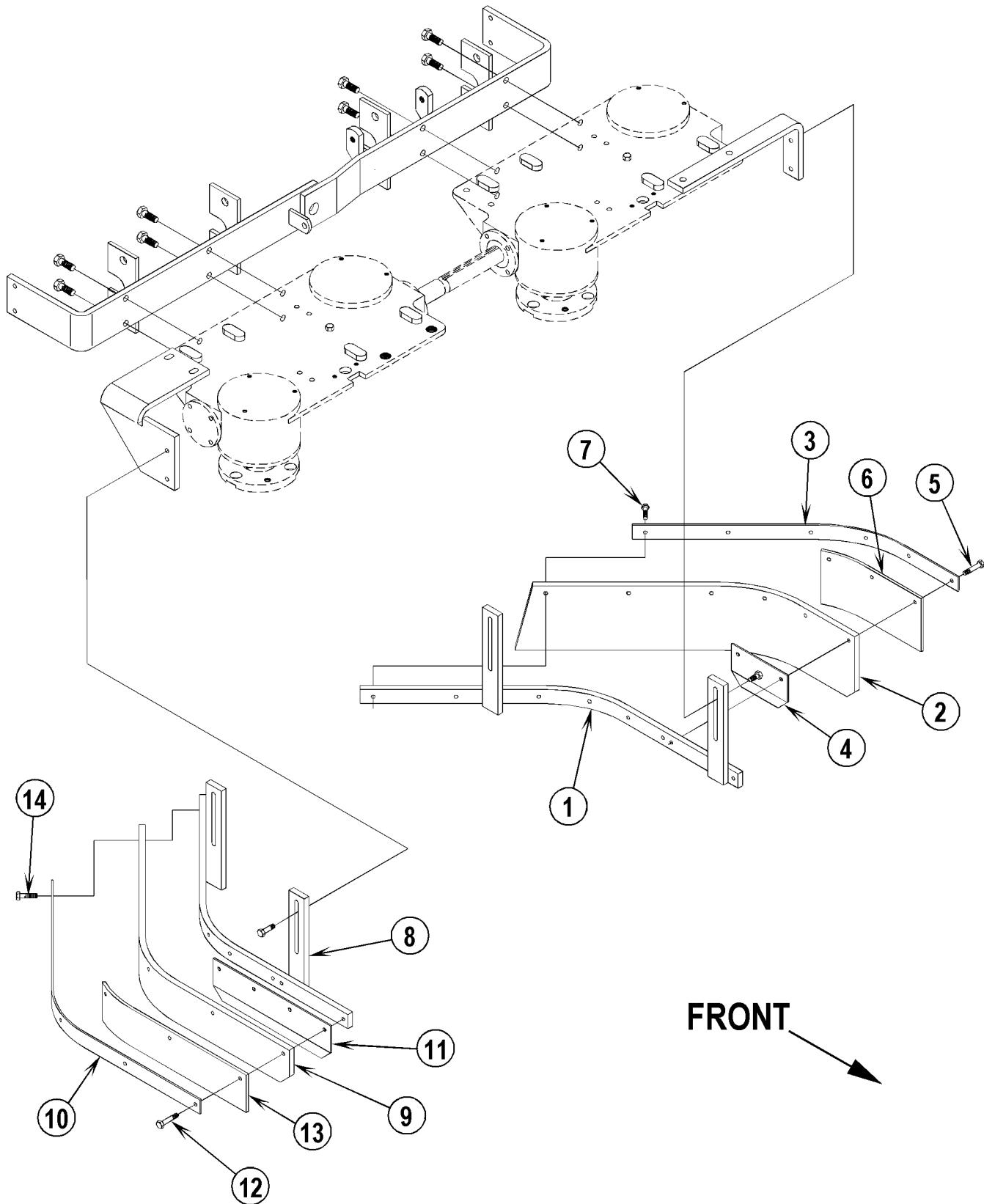
FRONT



Item	Ref. No.	Qty	Description
	56460229	1	Manual Valve Assembly (items 1-9)
1	56493369	1	Valve, Hyd. Directional Control
2	56456931	2	Orifice Plate
3	56900004	1	Connector, O-Ring
4	56900011	1	Connector, O-Ring
5	56900104	1	Elbow, 90 O-Ring
6	56900110	1	Elbow, 90 O-Ring
7	56900304	1	Elbow, 90 W/Nut
8	56900444	1	Tee, Union
9	56900926	2	Connector, O-Ring W/37° Swivel
10	56460228	1	Bypass Valve Assembly (items 11, 13, 18)
11	56459482	1	Valve, 2 Way Solenoid
12	56460246	1	Hose Assy. (hose ID #12)
13	56900104	1	Elbow, 90 O-Ring
14	56458672	1	Hose Assy. (hose ID #14)
15	56002160	1	Scr, Soc Set Loc 8-32 x .38
16	56455617	1	Lever Weldment
17	56455627	2	Pin
18	56900254	1	Tee, Branch O-Ring
19	56378534	2	Knob
20	56496220	1	Hose Assy. (hose ID #20)
21	56456565	1	Hose Assy. (hose ID #21)
22	56460248	1	Hose Assy. (hose ID #22)
23	56455629	1	Rod
24	56460249	1	Hose Assy. (hose ID #24)
25	56455664	1	Lever Weldment
26	56003268	2	Sht., Ret. Ring Ext. .25 Dia.
27	56455625	2	Linkage
28	56460253	1	Hose Assy. (hose ID #28)
29	56001882	2	Pin, Cotter .06 x .75



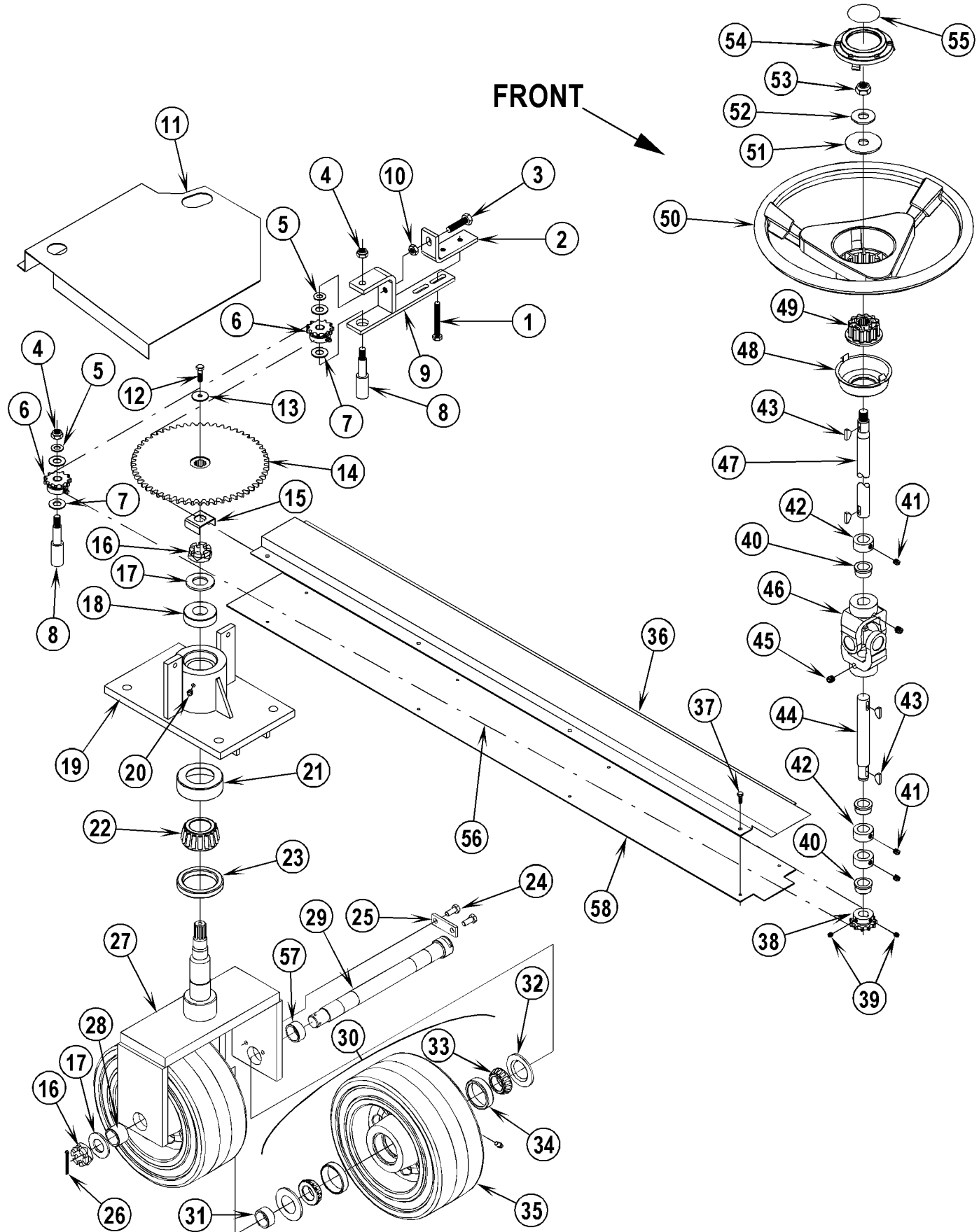
Item	Ref. No.	Qty	Description	Item	Ref. No.	Qty	Description
	56459251	1	Brush Drive Assembly (#1-69)	46	56001968	19	Scr, Hex Hd 1/2-13 x 1.50
1	56001906	17	Wsh, Flt STD 1/4	47	56002063	12	Wsh, Flt 3/8
2	56001821	2	Scr, Hex Hd 1/4-20 x .88	48	56455542	2	Screw
3	56448268	24	Bushing, Flange	49	56002843	21	Nut, Hex Nyl Loc-Thin 1/2-13
4	56002068	24	Wsh, Lock High Collar 3/8	50	56459442	1	Motor Mount Weld't.
5	56448271	24	Scr, Hex Hd 3/8-16 x 2.00	51	56459441	1	Bracket
6	56002156	4	Scr, Hex Hd 5/8-18 x 1.50	52	56550114	1	Left Gearcase Assy.
7	56362077	8	Pin, Dowel .25 x 1.25	53	56458870	1	Bracket Weld't., Left
8	56002093	1	Scr, Hex Hd 1/4-20 x 1.00	54	56367192	18	Washer .75 x 1.25 x .12
9	56459240	1	Plate	55	56441236	19	Nut, Spring Lock 1/2
10	56455517	2	Pipe Weld't.	56	56455469	1	Bracket Weld't.
11	56363189	4	Holder Casting	57	56453909	8	Bar, Parallel
12	56448263	4	Coupler, Lower	58	56455492	1	Bar Weld't.
13	56404381	1	Key, Sq. .25 x 3.00	59	56367168	19	Bearing, Sleeve .62
14	56002930	2	Scr, Soc Set Loc 1/4-20 x .38	60	56002256	8	Scr, Hex Hd 3/8-16 x 1.00
15	56462524	1	Pulley, Synchronous	61	56458872	1	Bracket Weld't., Right
16	56002841	6	Nut, Hex Nyl Loc-Thin 3/8-16	62	56001856	6	Scr, Hex Hd 1/4-20 x 2.25
17	56002155	3	Scr, Hex Hd 1/4-20 x .75	63	56458854	1	Strap
18	56104647	14	Thermoid Disc	64	56002701	2	Nut, Hex Nyl Loc 5/16-18
19	56009081	1	Nut, Hex Jam 1/4-20	65	56458051	1	Plate
20	56002684	10	Scr, Hex Hd 3/8-16 x 1.75	66	56151114	4	Washer .26 x .90 x .06
21	56455462	1	Weight	67	56366463	4	Spring Retainer
22	56002663	2	Scr, Hex 3/8-16 x 1.00	68	56002011	8	Washer, Shprf #10
23	56002037	4	Scr, Hex Hd 5/16-18 x .88	69	56367206	19	Bushing .50 x .62 x .53
24	56900114	2	Elbow 90° 3/4-16	70	56455548	1	Yoke
25	56009016	1	Nut, Hex Jam 1/2-13	71	56455570	1	Pin
26	56002217	1	Scr, Hex Thd to Hd 1/2-13 x 3.00		56460227	1	Scrub Lift Cyl Assy (items 72, 75, 76)
	56460226	1	Scrub Motor Assy (items 24, 27, 74)	72	56449748	1	Cylinder
27	56479606	1	Motor, Scrub Brush TSB 739	73	56448119	1	Spring
*	56479577	1	Seal Kit (for 56479606)	74	56900101	1	Elbow, 90 O-Ring
28	56100040	1	Pulley, Synchronous	75	56900001	1	Connector, O-Ring
29	56463880	1	Belt, Synchronous TSB 832	76	56900101	1	Elbow, 90 O-Ring
30	56477625	2	Shim	**	56505761	4	Magna-Grit 46 Brush
31	56001858	3	Scr, Hex Hd 3/8-16 x 1.25	**	56505762	4	Dyna-Grit 80 Brush
32	56462345	1	Split Taper Bushing	**	56505763	4	Aglite Grit 500 Brush
33	56462527	2	Universal Casting	**	56505764	4	Prolene Brush
34	56442135	1	Key, Sq. .25 x 1.63	**	56505765	4	Prolite Brush
35	56001826	4	Scr, Soc Set Loc 5/16-18 x .50	**	56505766	4	Union Mix Brush
36	56002840	5	Nut, Hex Nyl Loc-Thin 1/4-20	**	56505767	4	MidGrit 240 Brush
37	56002043	12	Scr, Pan Hd 10-24 x .38	**	56505768	4	MidLite 180 Brush
38	56366455	4	Stop, Plate	**	56505760	4	Pad Holder
39	56456809	1	Bracket Weld't.	**	56451123	1	Scarifier Kit
40	56456815	1	Bracket Weld't.	**	56451124	1	Grinding Kit
41	56001878	4	Scr, Hex Hd 1/4-20 x 1.25				
42	56453907	7	Weight, Casting				
43	56550115	1	Right Gearcase Assy.	** =	Optional Accessory		
44	56367214	35	Washer .51 x .93 x .07	* =	Not Shown		
45	56002571	2	Pin, Spring .25 x 1.75				



Hydro-Retriever™ 2052 / CR 1300

Item	Ref. No.	Qty	Description
	56458880	1	Skirt Assembly, Left (#1-7)
	56458878	1	Skirt Assembly, Right (#8-14)
1	56458852	1	Mount Weld't., Left
2	56459854	1	Blade
**	56458928	1	Blade (Gum Rubber)
3	56458874	1	Strap
4	56458934	1	Plate
5	56009088	3	Scr, Hex Thd Form 1/4-20 x 1.25
6	56458930	1	Blade, Backup
7	56002686	3	Scr, Hex Thd Form 1/4-20 x 1.00
8	56458850	1	Mount Weld't., Right
9	56459855	1	Blade
**	56458840	1	Blade (Gum Rubber)
10	56458844	1	Strap
11	56458936	1	Plate
12	56009088	3	Scr, Hex Thd Form 1/4-20 x 1.25
13	56458932	1	Blade, Backup
14	56002686	3	Scr, Hex Thd Form 1/4-20 x 1.00

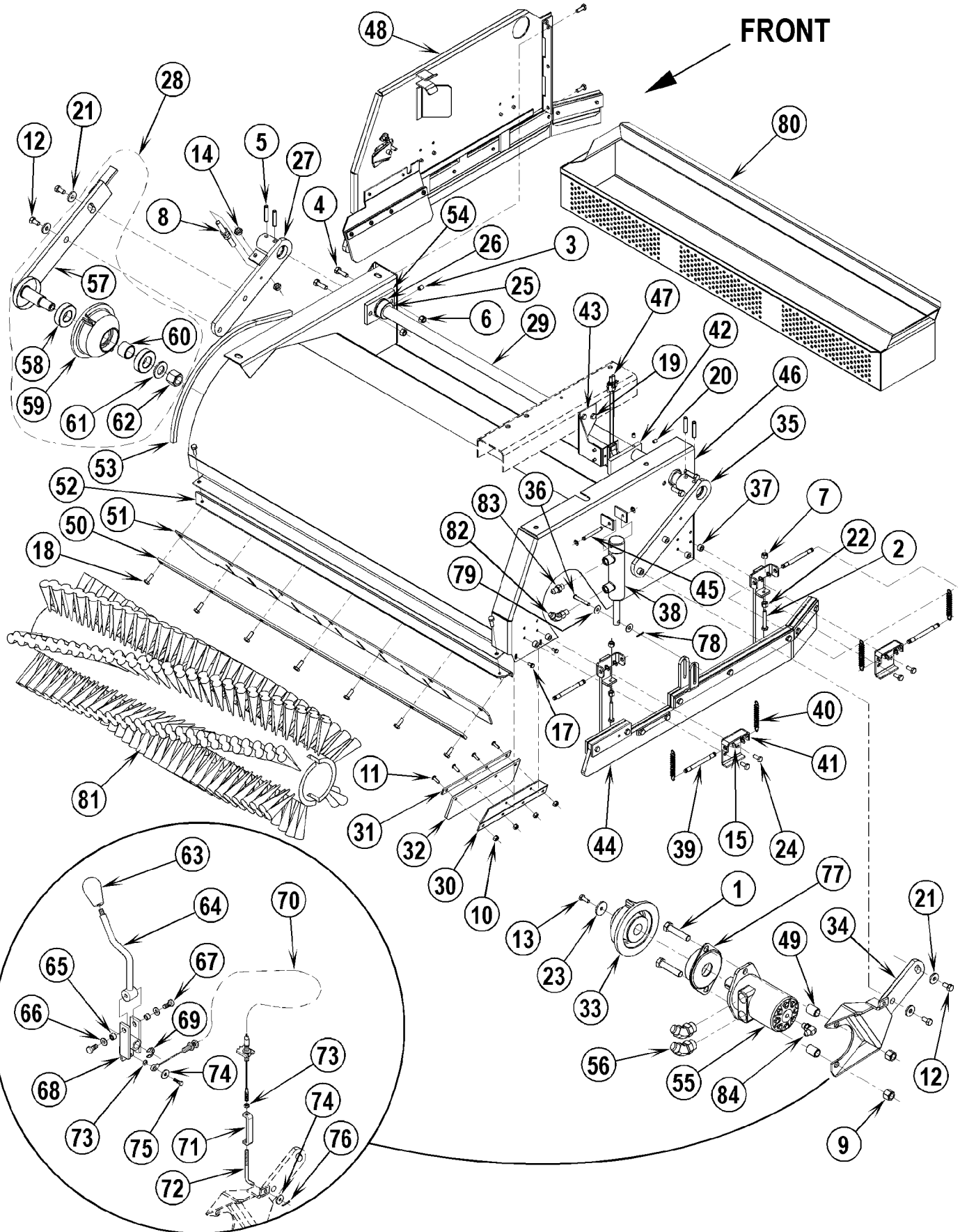
** = Optional Accessory



Item	Ref. No.	Qty	Description	Item	Ref. No.	Qty	Description
	56454108	1	Steering Idler Assy (#1-10)	36	56456875	1	Channel
1	56002154	2	Scr, Hex Thd To Hd 5/16-18 x 2.75	37	56009135	8	Scr, Hex Thd Form 10-24 x .62
2	56454118	1	Angle	38	56454098	1	Sprocket
3	56002747	1	Scr, Hex Thd To Hd 3/8-16 x 1.50	39	56002930	2	Scr, Soc Set Loc 1/4-20 x .38
4	56002841	1	Nut, Hex Nyl Loc-Thin 3/8-16	40	56250414	3	Bearing, Flange
5	56002055	1	Wsh, Flt STD 3/8	41	56002086	3	Scr, Soc Set Loc 5/16-18 x .25
6	56454079	2	Sprocket Assembly	42	56367095	3	Collar, Shaft
*	56454078	2	Sprocket	43	56003228	4	Key, WDF #606
*	56366633	4	Bearing, Sleeve	44	56454096	1	Shaft
*	56101737	2	Fitting, Lube 1/4-23	45	56003081	2	Scr, Soc Set Loc 3/8-16 x .38
7	56002168	2	Wsh, Flt STD 1/2	46	56454081	1	Universal Joint
8	56454109	2	Pin	47	56454093	1	Shaft, Steering
9	56454121	1	Bracket Weldment	48	56497308	1	Cup
10	56009085	1	Nut, Hex Jam 3/8-16	49	56497560	1	Adapter
11	56459178	1	Guard	50	56497306	1	Steering Wheel
12	56001821	1	Scr, Hex Hd 1/4-20 x .88	51	56497542	1	Washer
13	56009002	1	Wsh, Flt .26 x .90 x .06	52	56002115	1	Wsh, Flt STD 1/2
14	56453526	1	Sprocket Weldment	53	56002773	1	Nut, Hex Nyl Loc 1/2-20
15	56453542	1	Tab, Lock	54	56497543	1	Cap
16	56110817	2	Nut, Castle 7/8-14	55		1	Decal
17	56002228	2	Wsh, Flt SAE 7/8	56	56454100	1	Chain, Steering
18	56378380	1	Bearing, Ball	*	56445118	1	Link Offset
19	56459861	1	Housing Weldment	58	56456871	1	Panel
20	56101737	1	Fitting, Lube 1/4-28	57	56460184	1	Bushing
21	56900074	1	Bearing, Race				
22	56101370	1	Bearing, Tapered				
23	56103845	1	Seal, Shaft				
24	56002956	2	Scr, Hex Hd Loc 5/16-18 x .75				
25	56453562	1	Retainer				
26	56002181	1	Pin, Cotter .12 x 1.50				
	56453031	1	Spindle Assembly (#27-35)				
27	56453067	1	Spindle Weld't.				
28	56453029	1	Bushing				
29	56453064	1	Axle				
30	56453068	2	Wheel Assy (#32-35)				
*	56369128	1	Fitting, Lube 1/4-28				
31	56460185	1	Bushing				
32	56448169	2	Seal, Shaft NOTE				
33	56448171	2	Bearing, Cone NOTE				
34	56900073	2	Bearing, Cup NOTE				
35	56453003	1	Wheel NOTE				

* = Not Shown

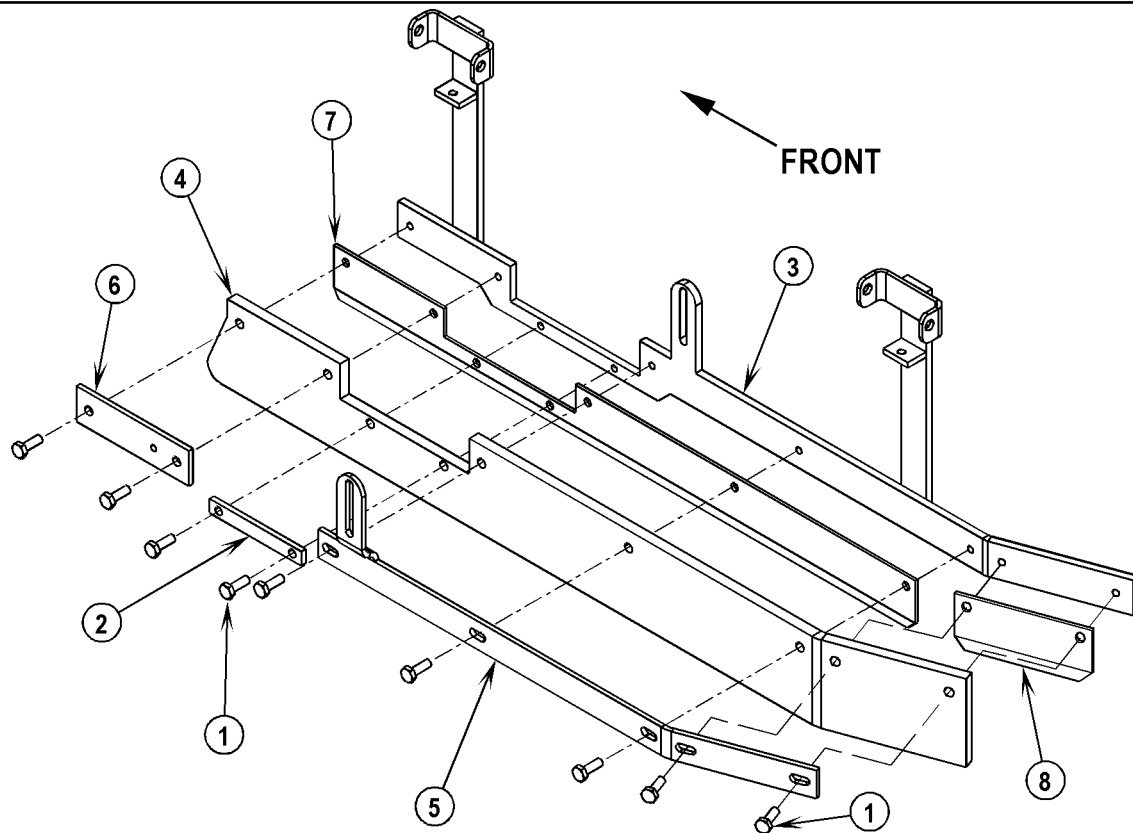
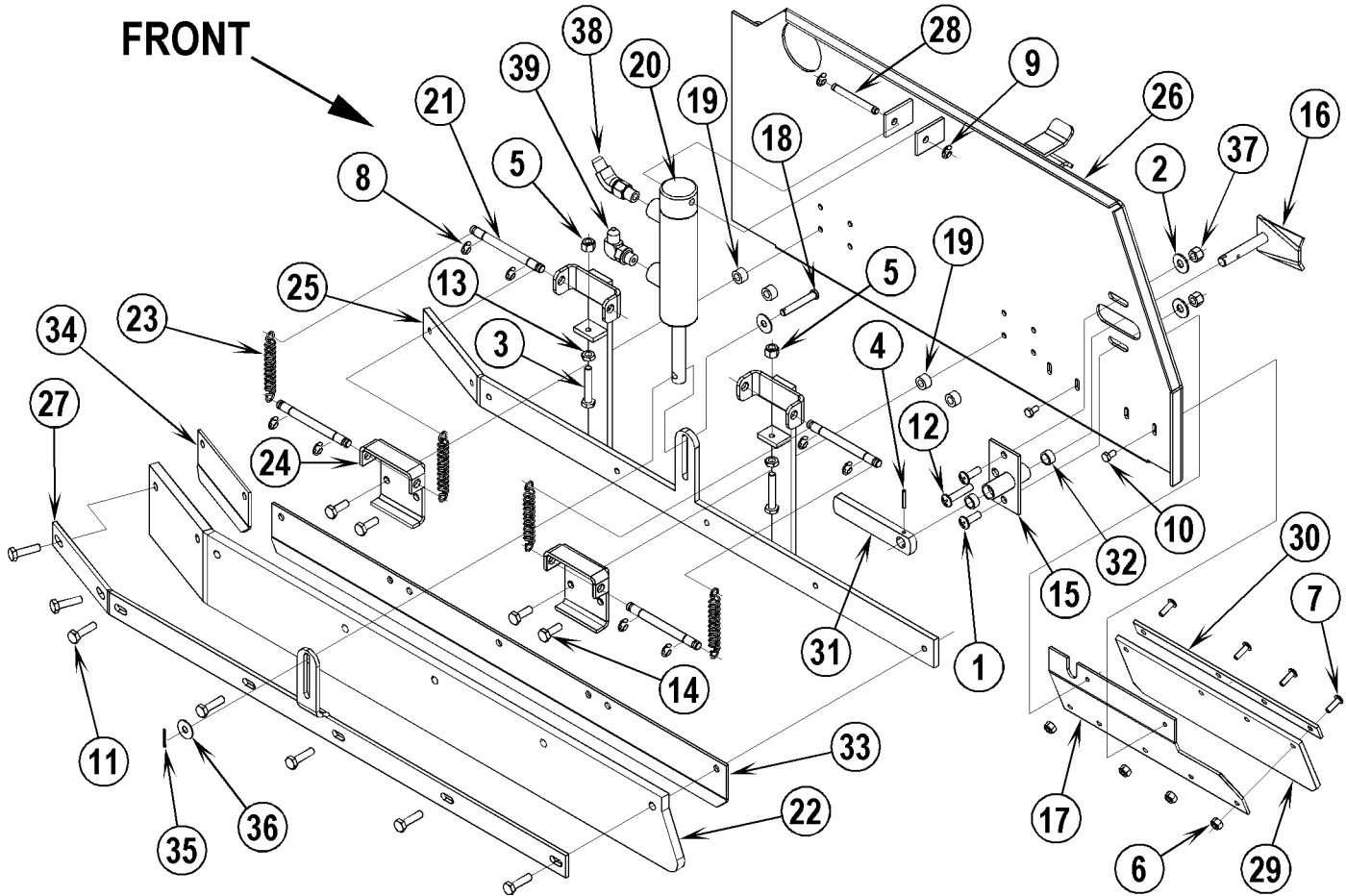
NOTE: Quantities are for one wheel assembly.



Item	Ref. No.	Qty	Description	Item	Ref. No.	Qty	Description
1	56001920	2	Scr, Hex Hd 1/2-13 x 2.25	44	56455358	1	Left Blade Assembly (see associated pages)
2	56001967	2	Scr, Hex Hd 1/4-20 x 1.75	45	56455391	1	Pin, Mounting
3	56002021	2	Scr, Soc Set loc 5/16-18 x 1.00	46	56455394	1	Broom Housing Weldment
4	56002221	4	Scr, Hex Hd 5/16-18 x 1.00	47	56455403	1	Switch (Skirt Raise / Lower)
5	56002225	4	Pin, Spring .31 x 1.50	*	56324310	1	Nut Plate
6	56002701	4	Nut, Hex Nyl Loc 5/16-18	48	56455427	1	Right Door Assembly (see associated pages)
7	56002708	2	Nut, Hex Nyl Loc 1/4-20	49	56457734	2	Bushing
8	56002747	2	Scr, Hex Thd To Hd 3/8-16 x 1.50	50	56459156	1	Strap
9	56002770	2	Nut, Hex Nyl Loc 1/2-13	51	56459157	1	Skirt
10	56002836	4	Nut, Hex Nyl Loc SS 10-24	52	56459158	1	Angle
11	56002896	4	Scr, Pan Phil SS 10-24 x .62	53	56472091	1	Gasket 3/8 x 3/8 x 18.5
12	56002929	4	Scr, Hex Hd Loc 5/16-18 x .62	54	56479273	2	Pillow Block
13	56002948	1	Scr, Hex Hd Loc 1/4-20 x .75	55	56460218	1	Sweep Motor Assy (items 55, 56, 84)
14	56003015	2	Nut, Hex Jam SS 3/8-16	56	56479606	1	Motor, Main Broom
15	56003261	8	Ring, Ret Ext Type E .31 Dia	*	56479577	1	Seal Kit (for 56479606)
16	56003268	2	Ring, Ret Ext Type E Reinf. .25 Dia	56	56900164	2	Elbow, 45° STR.-THD.
17	56009012	4	Scr, Hex Thd Form 10-24 x .38	57	56453750	1	Arm Weldment
18	56009018	11	Scr, Hex Thd Form 1/4-20 x .75	58	56479430	2	Bearing, Ball
19	56009019	2	Scr, Hex Thd Form 1/4-20 x .38	59	56470636	1	Idler Lug
20	56009076	2	Scr, Soc Set Loc	60	56470728	1	Bushing 1 x 1.2 x .90
21	56009122	4	Wsh, Flt .34 x .93 x .12	61	56002141	1	Wsh, Flt SAE 3/4
22	56009179	2	Nut, Hex Machine 1/4-20	62	56002862	1	Nut, Hex Nyl Loc 3/4-10
23	56009199	1	Wsh, Flt Brass .26 x 1.25 x .12	63	56364527	1	Knob
24	56009250	4	Scr, Hex Thd Form 1/4-20 x .62 Note 1	64	56455640	1	Broom Lift Handle
25	56444820	2	Collar	65	56320595	2	Bushing
26	56444944	2	Bearing, Flange	66	56002220	2	Wsh, Flt Std 5/16
27	56453742	1	Lever Weldment	67	56002929	2	Scr, Hex Loc 5/16-18 x .62
28	56453760	1	Arm Assembly, Broom (#57-62)	68	56455632	1	Broom Lift Lever
29	56453784	1	Shaft	69	56003265	1	Retaining Ring
30	56453856	1	Plate	70	56454150	1	Broom Lift Cable
31	56453862	1	Strap	71	56454152	1	Turnbuckle
32	56453865	1	Blade	72	56350079	1	Linkage Rod
33	56455237	1	Hub	73	56009179	2	Nut, Hex Machine 1/4-20
34	56455239	1	Bracket Weldment	74	56002098	2	Wsh, Flt SAE 1/4
35	56455249	1	Lever Weldment	75	56002155	1	Scr, Hex 1/4-20 x .75
36	56003193	1	Clevis Pin .25 x 1.625	76	56001882	1	1/16-3/4 Cotter Pin
37	56455298	4	Spacer Note 1	77	56455997	1	Broom Motor Seal Guard
	56460223	1	Skirt Lift Cyl Left Assy (items 38, 82, 83)	78	56002363	1	Pin, Cotter 1/16 x 5/8
38	56455299	1	Cylinder, Hydraulic	79	56009025	2	Wsh, Flt .266 x .750 x .036
39	56455300	4	Pin, Yoke	80	56459244	1	Hopper
40	56365068	4	Spring, Extension	81	56505001	1	Main Broom
41	56455306	2	Guide, Slide	82	56900151	1	Elbow, 45 O-Ring w/nut
42	56455338	1	Lever, Switch	83	56900001	1	Connector, O-Ring
43	56455350	1	Mount, Switch	84	56900101	1	Elbow, 90 O-Ring

* = Not Shown

Note 1: Be sure of correct assembly, four Screws (24) go in the bottom holes of Guides (41) through the Spacers (37) and then they must go into the corresponding bottom holes in the broom housing.



04-9	RIGHT DOOR / LEFT BLADE ASSEMBLIES	BOOK E		
05-9	Hydro-Retriever™ 2052 / CR 1300	E	1.3.1	33

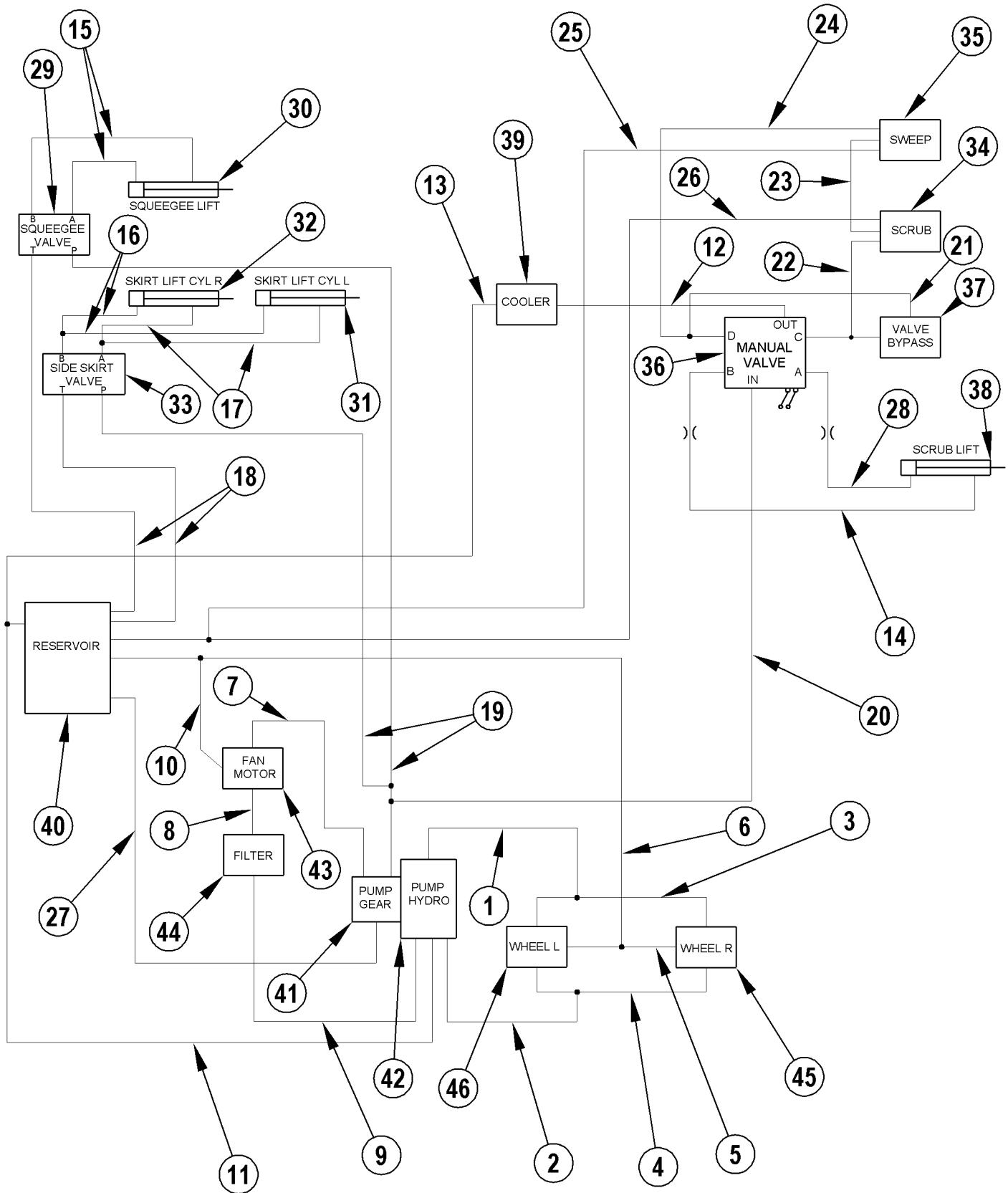
Item	Ref. No.	Qty	Description
			Right Door Assembly
1	56002957	2	Scr, Pan Phil SS 1/4-20 x .75
2	56001906	2	Wsh, Flt STD 1/4
3	56009028	2	Scr, Pan Phil SS 1/4-20 x 1.50
4	56001984	1	Pin, Spr. .12 x .75
5	56002708	2	Nut, Hex Nyl Loc 1/4-20
6	56002836	4	Nut, Hex Nyl Loc SS 10-24
7	56002896	4	Scr, Pan Phil SS 10-24 x .62
8	56003261	8	Ring, Ret Ext Type E .31 Dia.
9	56003268	2	Ring, Ret Ext Type E Reinf. .25 Dia.
10	56009012	2	Scr, Hex Thd Form 10-24 x .38
11	56009054	7	Scr, Hex Hd Type 23 1/4-20 x 1.00
12	56002958	1	Scr, Pan Phil SS 1/4-20 x 1.25
13	56009087	2	Nut, Hex Jam 1/4-20
14	56009018	4	Scr, Hex Thd Form 1/4-20 x .75 Note 1
15	56453680	1	Bracket Weldment
16	56453690	1	Latch Weldment
17	56453854	1	Plate
18	56003193	1	Clevis Pin .25 x 1.625
19	56455298	4	Spacer See Note 1
	56460224	1	Skirt Lift Cyl Right Assy (item 38-39)
20	56455299	1	Cylinder, Hydraulic
21	56455300	4	Pin, Yoke
22	56459853	1	Blade, Right Side
**	56455302	1	Blade, Right Side (Gum Rubber)
23	56365068	4	Spring, Extension
24	56455306	2	Guide, Slide
25	56455314	1	Right Blade Weldment
26	56455316	1	Door Weldment
27	56455388	1	Plate, Right Side Actuator
28	56455391	1	Pin, Mounting
29	56459415	1	Blade
30	56459416	1	Strap
31	56479371	1	Handle
32	56491658	2	Bearing, Sleeve
33	56455753	1	Strip, Forming
34	56455751	1	Strip, Rear Forming
35	56002363	1	Pin, Cotter 1/16 x 5/8
36	56009025	2	Wsh, Flt .266 x .750 x .036
37	56002491	2	Nut, Hex Nyl Loc SS 1/4-20
38	56900151	1	Elbow, 45 O-Ring w/nut
39	56900101	1	Elbow, 90 O-Ring

** = Optional Accessory

Note 1: Be sure of correct assembly, four Screws (14) go in the bottom holes of Guides (24) through the Spacers (19) and then they must go into the corresponding bottom holes in the door weldment.

Item	Ref. No.	Qty	Description
			Left Blade Assembly
1	56009054	9	Scr, Hex Type 23 1/4-20 x 1.00
2	56459257	1	Strap
3	56455354	1	Left Blade Weld't.
4	56459852	1	Blade, Left Side
**	56455356	1	Blade, Left Side (Gum Rubber)
5	56455360	1	Plate, Left Side Acuator
6	56458898	1	Strap
7	56455755	1	Strip, Forming
8	56455751	1	Strip, Rear Forming

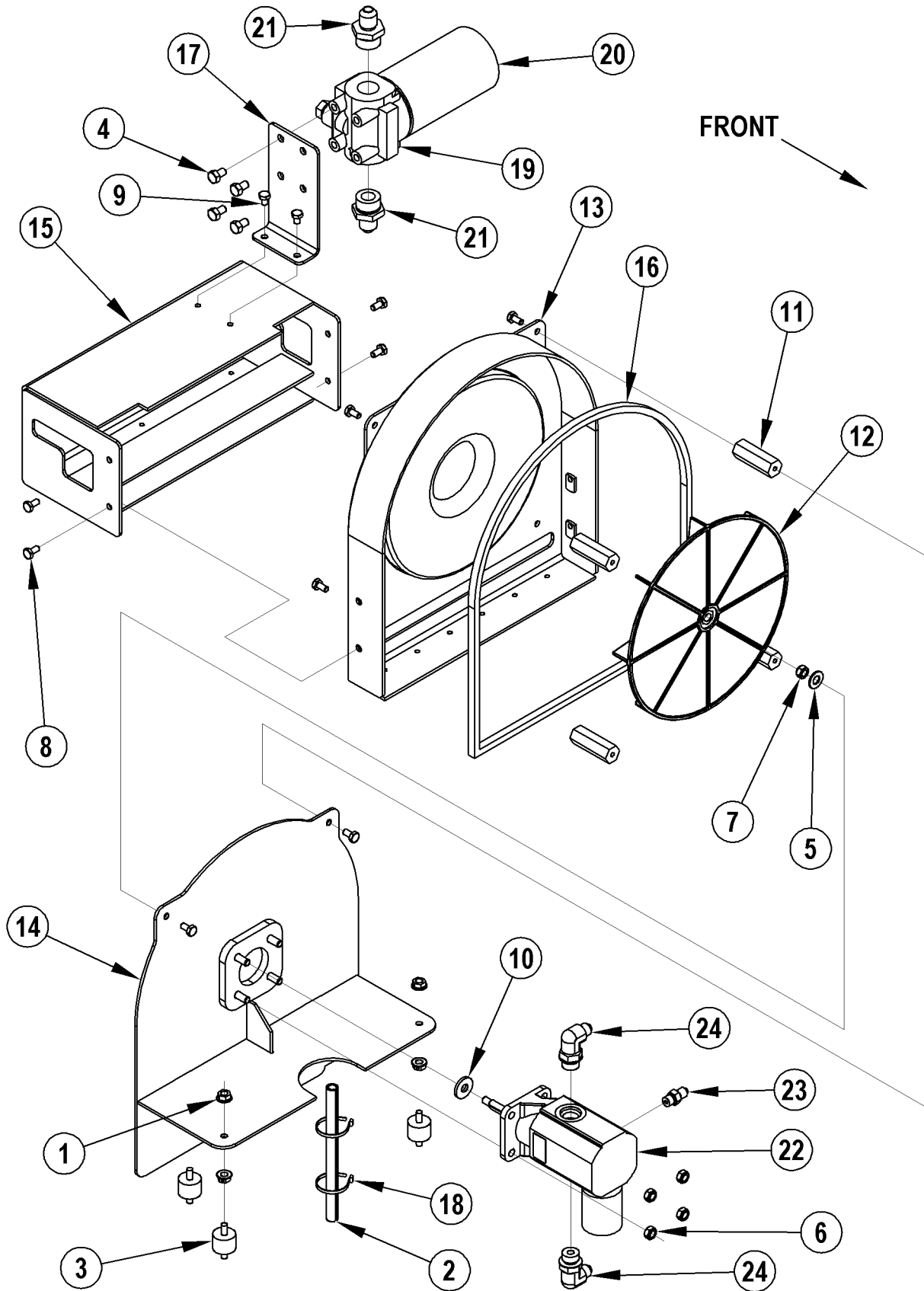
** = Optional Accessory



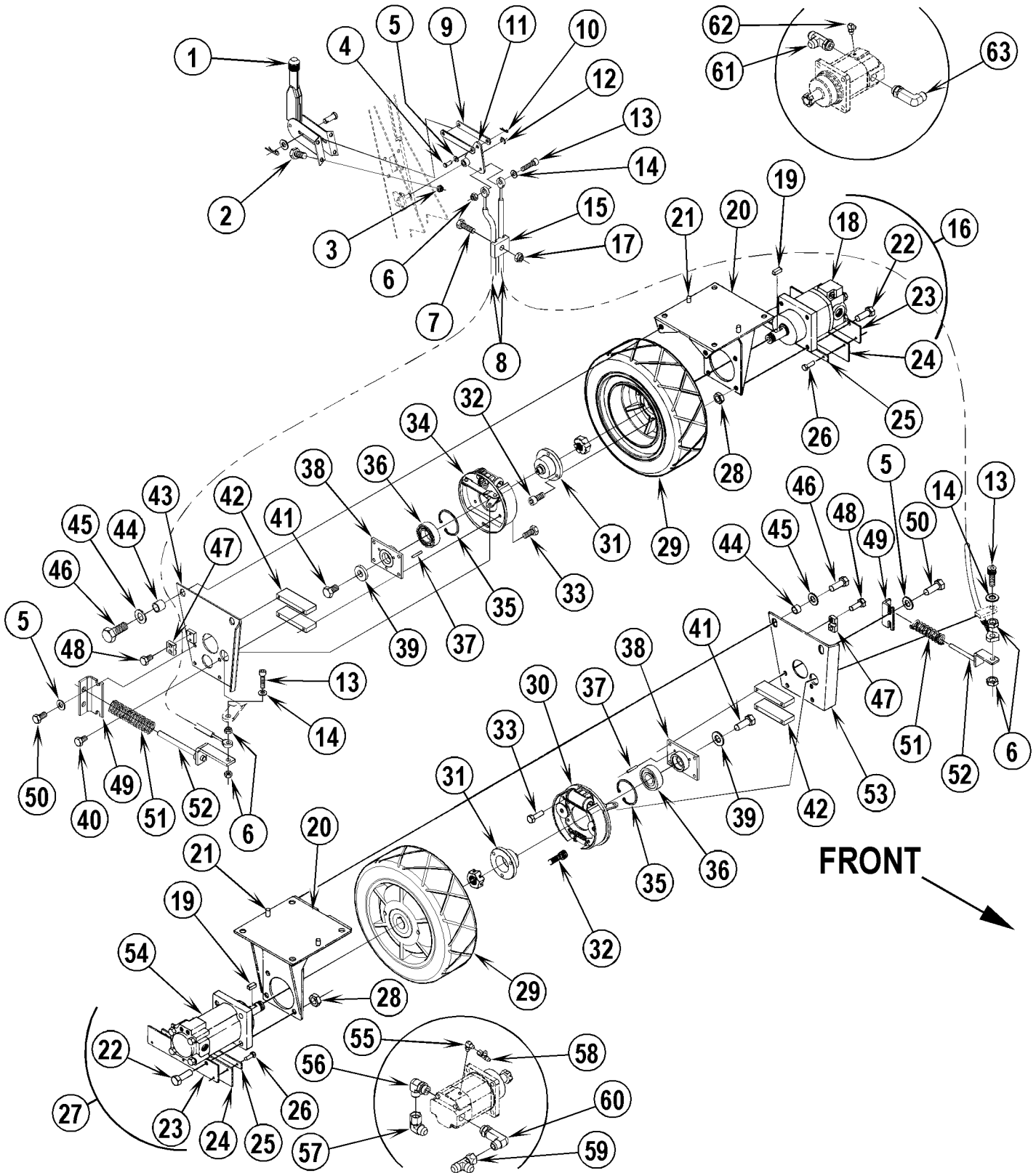
Hydro-Retriever™ 2052 / CR 1300

Item	Ref. No.	Qty	Description
1	56460234	1	Hose Assy
2	56460235	1	Hose Assy
3	56460236	1	Hose Assy
4	56460237	1	Hose Assy
5	56460238	1	Hose Assy
6	56460239	1	Hose Assy
7	56460241	1	Hose Assy
8	56460242	1	Hose Assy
9	56460243	1	Hose Assy
10	56460244	1	Hose Assy
11	56460245	1	Hose Assy
12	56460246	1	Hose Assy
13	56460247	1	Hose Assy
14	56458672	1	Hose Assy
15	56492676	2	Hose Assy
16	56455540	1	Hose Assy
17	56455539	1	Hose Assy
18	56456919	2	Hose Assy
19	56490167	2	Hose Assy
20	56496220	1	Hose Assy
21	56456565	1	Hose Assy
22	56460248	1	Hose Assy
23	56456901	1	Hose Assy
24	56460249	1	Hose Assy
25	56460250	1	Hose Assy
26	56460251	1	Hose Assy
27	56460252	1	Hose Assy
28	56460253	1	Hose Assy
29	56460221	1	Squeegee Lift Valve Assy
30	56460222	1	Squeegee Lift Cyl Assy
31	56460223	1	Skirt Lift Cyl L Assy
32	56460224	1	Skirt Lift Cyl R Assy
33	56460225	1	Skirt Lift Valve Assy
34	56460226	1	Scrub Motor Assy
35	56460218	1	Sweep Motor Assy
36	56460229	1	Manual Valve Assy
37	56460228	1	Bypass Valve Assy
38	56460227	1	Scrub Lift Cyl Assy
39	56460212	1	Oil Cooler Assy
40	56460167	1	Reservoir Assy
41	56460215	1	Gear Pump Assy
42	56460216	1	Hydrostatic Assy
43	56460217	1	Fan Motor Assy
44	56460210	1	Oil Filter Assembly
45	56460219	1	Drive Wheel R Assy
46	56460220	1	Drive Wheel L Assy
*	56496276	4	P-Clamp
*	56462945	1	Clamp, Twin

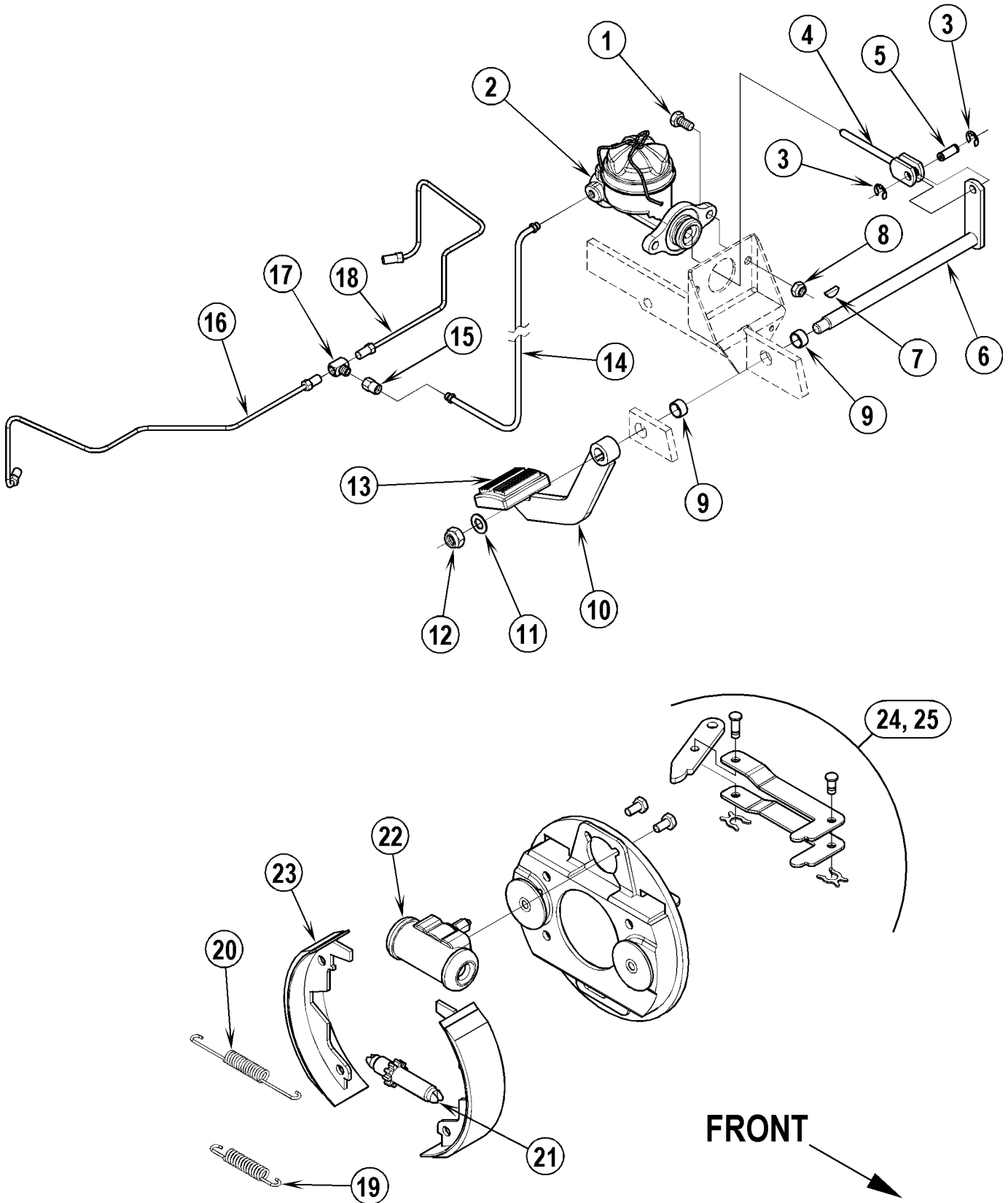
* = Not Shown



Item	Ref. No.	Qty	Description
1	56009217	6	Nut, Hex Flange Loc
2	56418918	1	Conduit
3	56478684	3	Mount, Rubber
4	56001862	4	Scr, Hex Hd 5/16-18 x .50
5	56002063	1	Wsh, Flt SAE 3/8
6	56002826	4	Nut, Hex Nyl Loc-Thin 5/16-18
7	56002866	1	Nut, Hex Nyl Loc-Thin 5/16-24
8	56003039	12	Scr, Hex Hd Loc 1/4-20 x .50
9	56009019	2	Scr, Hex Thd Form 1/4-20 x .38
10	56009107	1	Wsh, Flt SS .378 X 1.000 x .120
11	56304806	4	Spacer
12	56305018	1	Impeller
13	56460151	1	Scroll Weldment
14	56460153	1	Motor Weldment
15	56460159	1	Sound Box Weldment
16	56460163	1	Seal
17	56460209	1	Mount, Oil Filter
18	56478246	2	Tie, Cable
	56460210	1	Oil Filter Assembly (items 19-21)
19	56419253	1	Head, Oil Filter
20	56419254	1	Oil Filter Cartridge
21	56900016	2	Connector, O-Ring
	56460217	1	Fan Motor Assembly (items 22-24)
22	56418971	1	Motor, Hydraulic .161 CIR
23	56900001	1	Connector, O-Ring
24	56900112	2	Elbow, 90 O-Ring



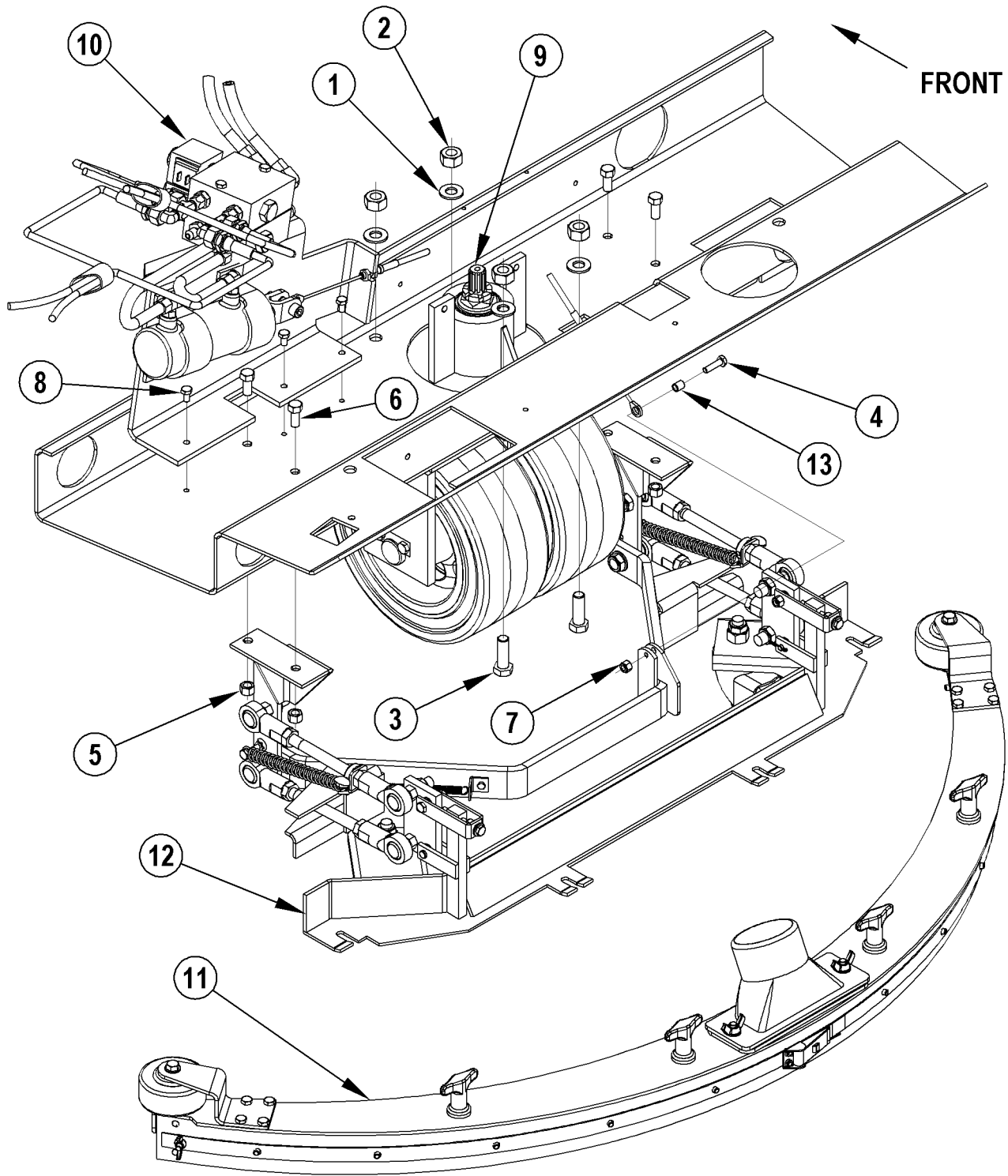
Item	Ref. No.	Qty	Description	Item	Ref. No.	Qty	Description
1	56448200	1	Brake Lever w/ Pin	56460220	1	Drive Wheel Left Assy (items 54-60)	
2	56002127	4	Scr, Hex Hd 3/8-16 x .75	54	56456902	1	Drive Motor
3	56002769	4	Nut, Hex Nyl Loc 3/8-16	55	56900101	1	Elbow, 90 O-Ring
4	56455357	1	Pin	56	56900106	1	Elbow, 90 O-Ring
5	56001939	4	Wsh, Flt SAE 5/16	57	56900306	1	Elbow, 90 W/Nut
6	56002708	5	Nut, Hex Nyl Loc 1/4-20	58	56900341	1	Tee, Run W/Nut
7	56002221	1	Scr, Hex Hd 5/16-18 x 1.00	59	56900346	1	Tee, Run W/Nut
8	56455307	2	Cable	60	56900526	1	Elbow, 90 Long O-Ring
9	56455361	2	Bar	61	56900206	1	Tee, Run O-Ring
10	56001882	1	Pin, Cotter .06 x .75	62	56900101	1	Elbow, 90 O-Ring
11	56455353	1	Lever	63	56900526	1	Elbow, 90 Long O-Ring
12	56321427	1	Retaining Ring				
13	56002034	3	Scr, Soc Hd 1/4-20 x 1.00				
14	56002098	3	Wsh, Flt SAE 1/4				
15	56455359	1	Clamp				
16	56459176	1	Right Wheel Assembly				
17	56002701	1	Nut, Hex Nyl Loc 5/16-18				
	56460219	1	Drive Wheel Right Assy (items 18, 61-63)				
18	56456902	1	Drive Motor				
19	56003251	2	Key, sq .31 x 1.25				
20	56455319	2	Bracket				
21	56002460	4	Pin, Spr. .38 x .75				
22	56002983	8	Scr, Hex Hd 1/2-13 x 2.00				
23	56459155	2	Bracket				
24	56459153	2	Skirt				
25	56459154	2	Strap				
26	56002514	6	Scr, Hex Hd 1/4-20 x .75				
27	56459177	1	Left Wheel Assembly				
28	56002770	9	Nut, Hex Nyl Loc 1/2-13				
29	56455963	2	Wheel				
	56455960	2	Tire 14" X 10" X 4-1/2"				
30	56477822	1	Left Stator Assembly				
31	56455348	2	Jackshaft				
32	56001959	6	Scr, Soc Hd 5/16-18 x .75				
33	56002456	8	Scr, Hex Hd Loc 5/16-18 x .75				
34	56477819	1	Right Stator Assembly				
35	56456326	2	Retaining Ring				
36	56372773	2	Bearing				
37	56469054	6	Pin				
38	56455340	2	Bracket				
39	56244832	2	Washer				
40	56002923	4	Scr, Hex Hd Loc 5/16-18 x .50				
41	56003021	2	Scr, Hex Hd Loc 3/8-16 x .62				
42	56455339	4	Bar				
43	56455329	1	Right Bracket				
44	56367206	4	Bushing				
45	56367214	4	Washer				
46	56003022	4	Scr, Hex Hd Loc 1/2-13 x 1.25				
47	56477884	2	Clamp				
48	56001862	4	Scr, Hex Hd 5/16-18 x .50				
49	56455363	2	Bracket				
50	56002929	4	Scr, Hex Hd Loc 5/16-18 x .62				
51	56373869	2	Spring				
52	56455371	2	Bracket				
53	56455335	1	Left Bracket				



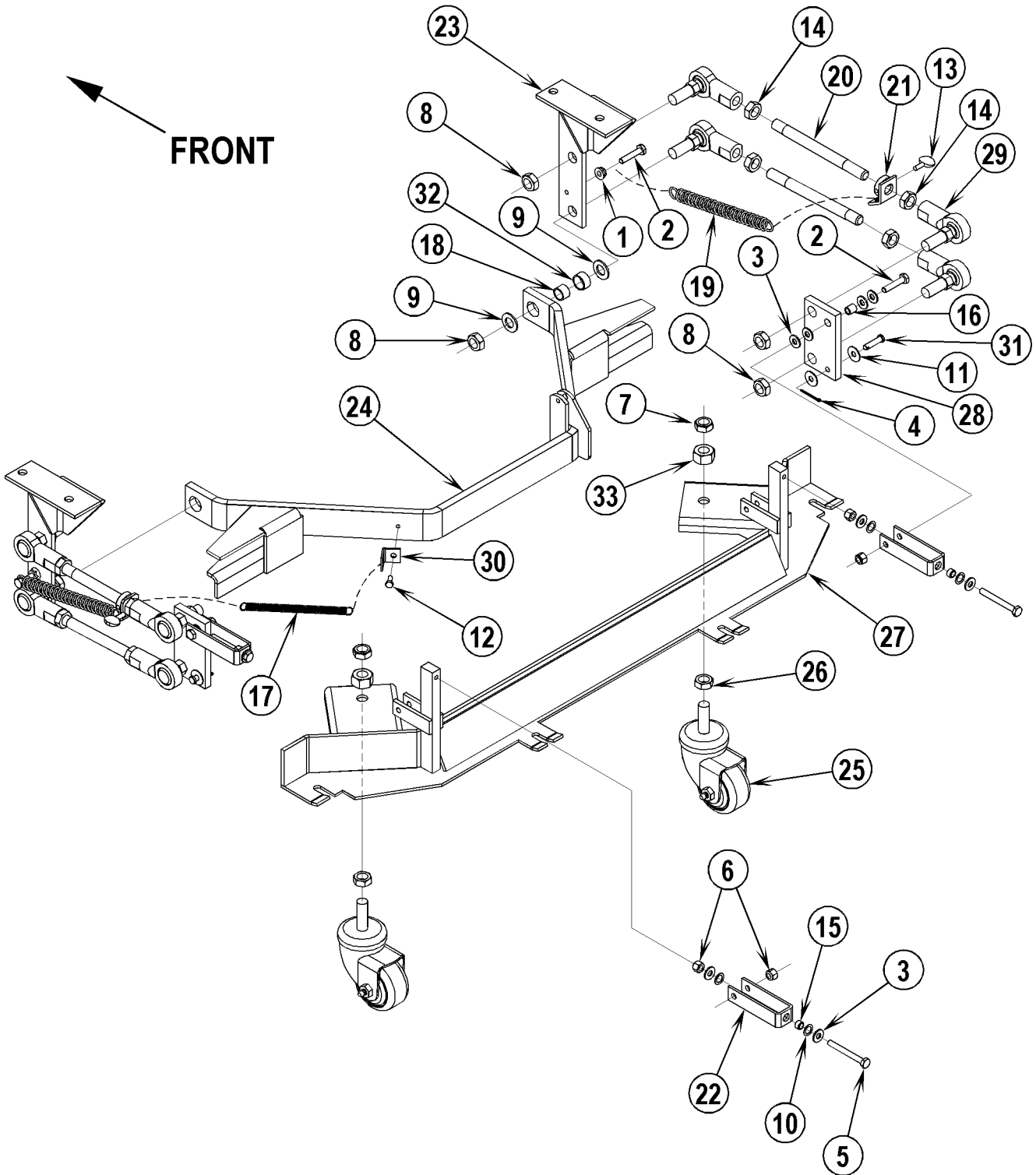
Hydro-Retriever™ 2052 / CR 1300

Item	Ref. No.	Qty	Description
1	56002127	2	Scr, Hex Hd 3/8-16 x .75
2	56477828	1	Master Cylinder
3	56321427	2	Retaining Ring
4	56477909	1	Rod
5	56477902	1	Pin
6	56455347	1	Shaft
7	56124028	1	Woodruff Key
8	56002769	2	Nut, Hex Nyl Loc 3/8-16
9	56370878	2	Bearing
10	56455341	1	Pedal
11	56367214	1	Washer
12	56002770	1	Nut, Hex Nyl Loc 1/2-13
13	56365002	1	Rubber Pad
14	56456845	1	Brake Line
15	56477831	1	Connector
16	56456843	1	Brake Line
17	56477832	1	Tee
18	56456841	1	Brake Line
19	56480396	2	Adjuster Spring
20	56480394	2	Shoe Return Spring
21	56480398	2	Adjuster
22	56480380	1	Left Wheel Cylinder
*	56480378	1	Right Wheel Cylinder
23	56477838	2	Brake Shoes (Set of 2)
24	56477819	1	Right Stator Assembly
25	56477822	1	Left Stator Assembly

* = Not Shown

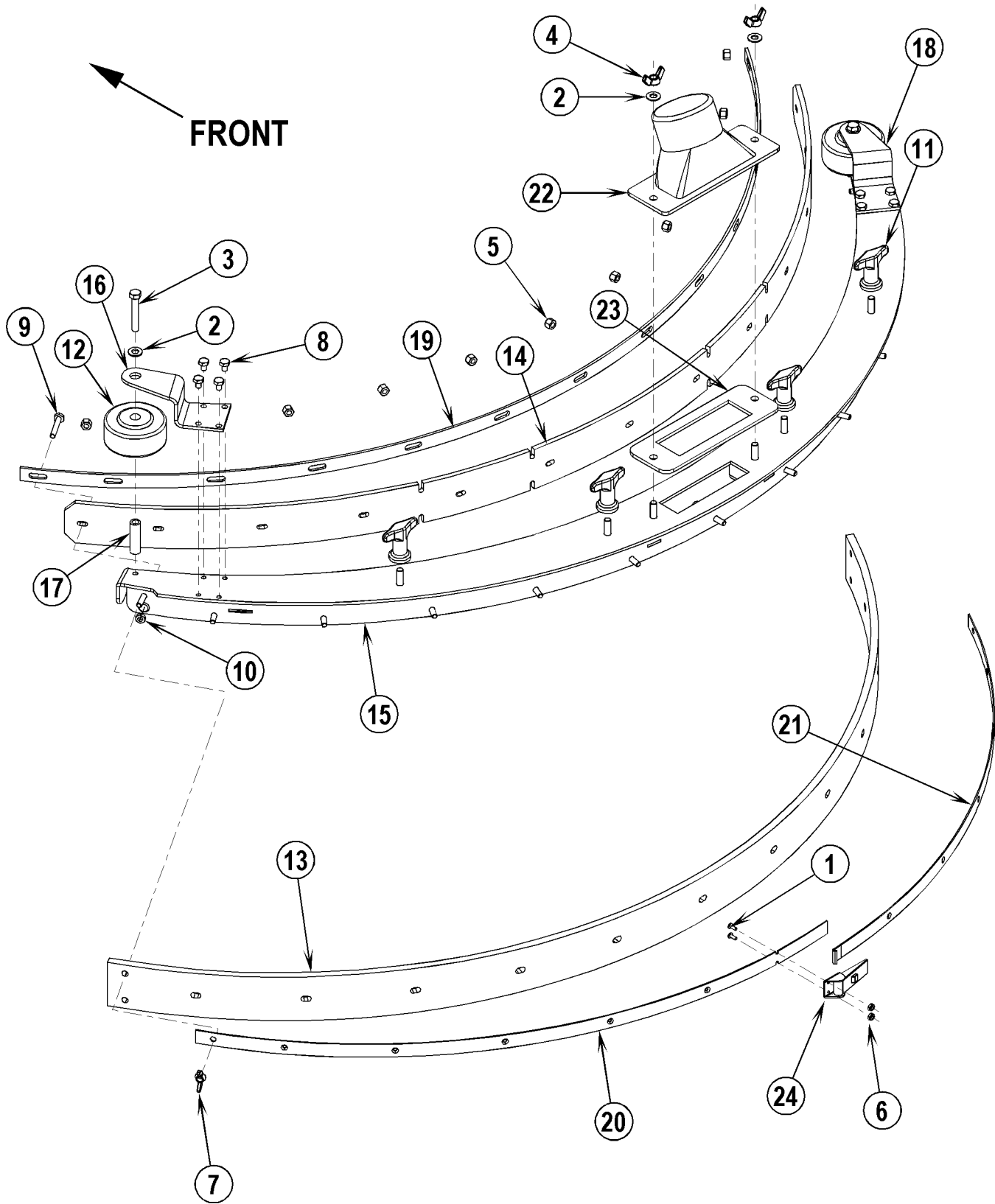


Item	Ref. No.	Qty	Description
	56455853	1	Squeegee Mount Assembly
1	56001879	4	Wsh, Flt SAE 1/2
2	56001891	4	Nut, Hex Hvy 1/2-13
3	56001968	4	Scr, Hex Hd 1/2-13 x 1.50
4	56002093	1	Scr, Hex Hd 1/4-20 x 1.00
5	56002123	4	Nut, Hex Machine 3/8-16
6	56002271	4	Scr, Hex Hd 3/8-16 x .88
7	56002708	1	Nut, Hex Nyl Loc 1/4-20
8	56009033	3	Scr, Hex Thd Form 1/4-20 x .50
9	56453031	1	Spindle Assembly (see Steering / Spindle Assembly)
10	56460050	1	Actuator Assembly (see Actuator Assembly)
11	56455875	1	Squeegee Assembly (see Squeegee Assembly)
12	56459093	1	Mount Assembly (see Mount Assembly)
13	56321532	1	Bushing .25 x .37 x .40



Hydro-Retriever™ 2052 / CR 1300

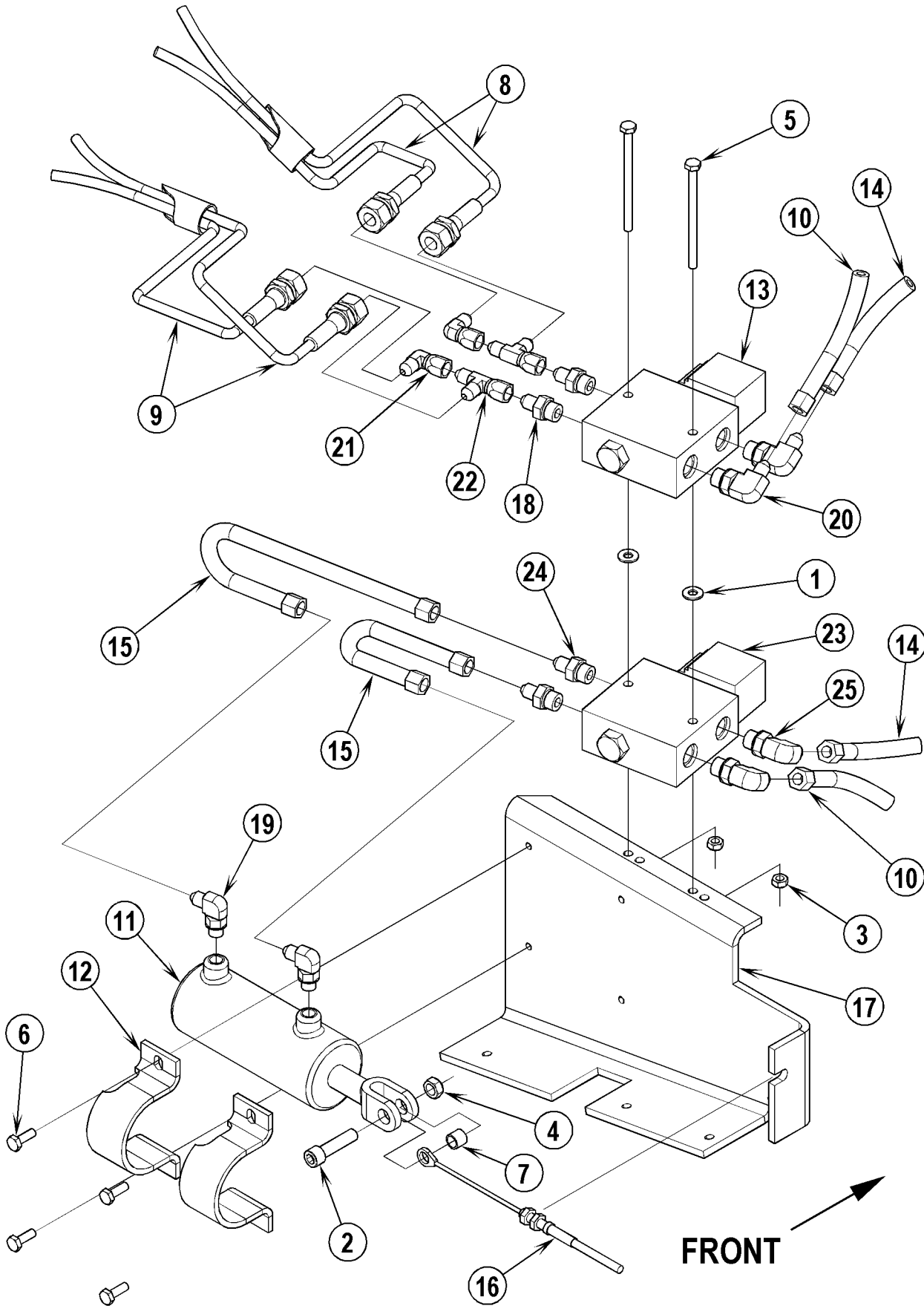
Item	Ref. No.	Qty	Description
	56459093	1	Mount Assembly
1	56001827	2	Nut, Whiz 1/4-20
2	56001878	4	Scr, Hex Hd 1/4-20 x 1.25
3	56002098	12	Wsh, Flt SAE 1/4
4	56002363	2	Pin, Cotter .06 x .62
5	56002703	2	Scr, Hex Thd To Hd 1/4-20 x 2.25
6	56002708	4	Nut, Hex Nyl Loc 1/4-20
7	56002843	2	Nut, Hex Nyl Loc-Thin 1/2-13
8	56002868	8	Nut, Hex Nyl Loc-Thin 1/2-20
9	56009017	4	Wsh, Flt Harden .516 x .938 x .75
10	56009023	4	Washer, Wave .375
11	56009025	4	Wsh, Flt .266 x .750 x .036
12	56009039	1	Scr, Hex Thd Form 10-24 x .50
13	56009058	2	Screw, Thumb 1/4 x 1/2
14	56009089	8	Nut, Hex Jam 1/2-20
15	56206784	2	Bushing
16	56321532	2	Bushing .25 x .37 x .40
17	56358560	1	Spring, Ext.
18	56360627	2	Bushing
19	56448112	2	Spring, Ext.
20	56454273	4	Rod
21	56454276	2	Collar Weldment
22	56454285	2	Yoke
23	56456783	2	Bracket Weldment
24	56458818	1	Lifter Weldment
25	56407344	2	Caster Wheel
26	56009016	2	Nut, Hex Jam 1/2-13
27	56459091	1	Mount Weldment
28	56459092	2	Plate
29	56477813	8	Ball Joint
30	56482208	1	Tab
31	56487989	2	Clevis Pin .25 x 1.00
32	56491656	2	Bearing, Sleeve
33	56001891	2	Nut, Hex Hvy 1/2-13



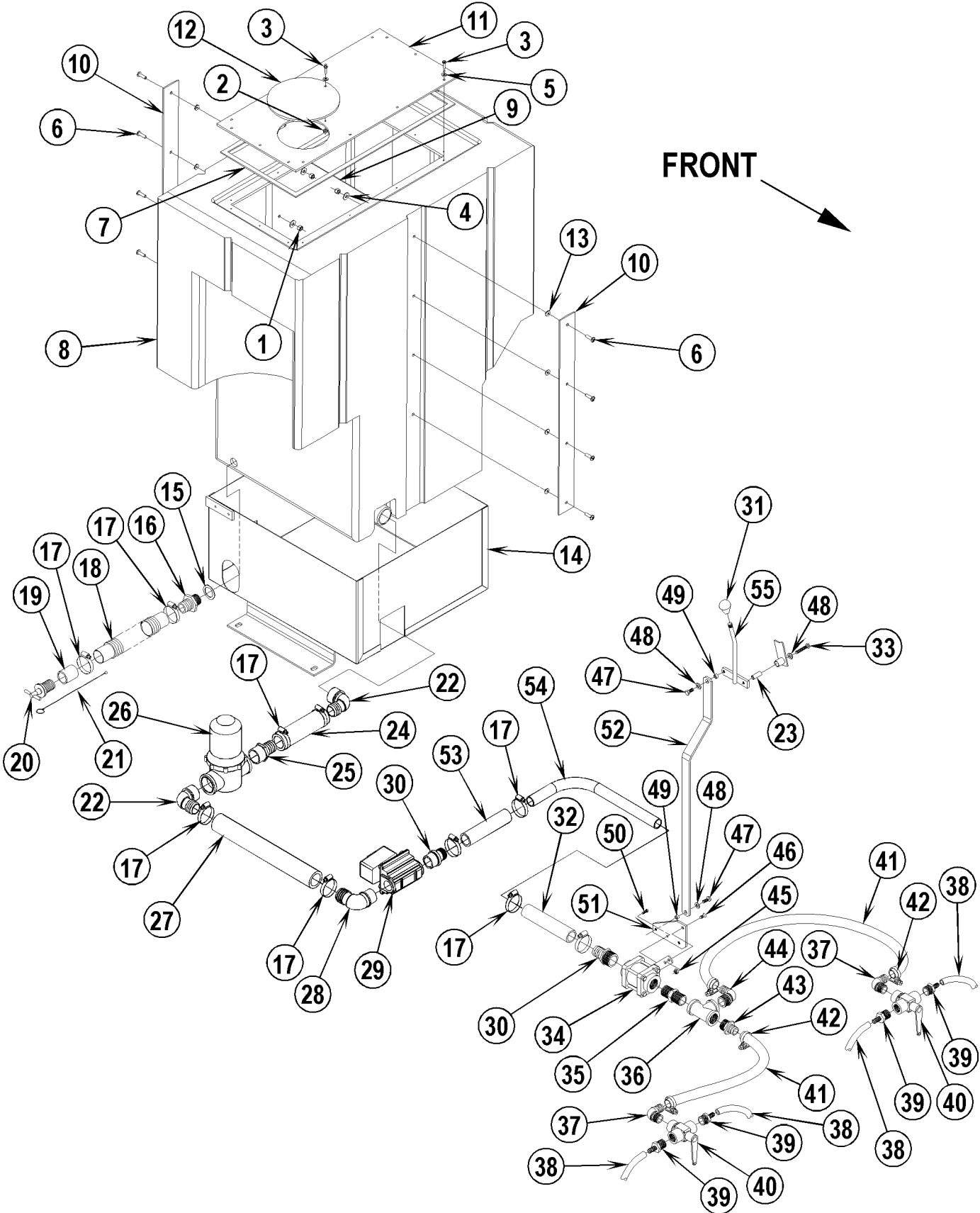
Item	Ref. No.	Qty	Description
	56455875	1	Squeegee Assembly
1	56001904	2	Scr, Pan Phil 6-32 x .38
2	56001939	4	Wsh, Flt SAE 5/16
3	56002013	2	Scr, Hex Thd To Hd 5/16-18 x 2.00
4	56002370	2	Nut, Wing 5/16-18
5	56002708	11	Nut, Hex Nyl Loc 1/4-20
6	56002864	2	Nut, Hex Nyl Loc-Thin 6-32
7	56003089	2	Nut, Wing 1/4-20
8	56009019	8	Scr, Hex Thd Form 1/4-20 x .38
9	56009028	2	Scr, Hex Thd Form 1/4-20 x 1.50
10	56009087	2	Nut, Hex Jam 1/4-20
11	56370711	4	Nut, Thumb
12	56386127	2	Wheel, 3.00 x 1.25
13	56455854	1	Blade, Rear
14	56455855	1	Blade, Front
15	56455874	1	Tool Weldment
16	56455877	1	Mount, Left Squeegee Wheel
17	56455878	2	Bushing
18	56455883	1	Mount, Right Squeegee Wheel
19	56455964	1	Strap, Front Blade
20	56455965	1	Strap, Rear Left Blade
21	56455966	1	Strap, Rear Right Blade
22	56459102	1	Adapter, Squeegee
23	56459281	1	Gasket, Inlet
24	56471194	1	Latch Assembly
*	56455618	1	Hose, Squeegee
**	56455859	1	Blade Kit (Gum Rubber)
**	56455882	1	Blade, Front (Replaces #14)
**	56455881	1	Blade, Rear (Replaces #13)
**	56455858	1	Blade Kit (Linatex)

* = Not Shown

** = Optional Accessory



Item	Ref. No.	Qty	Description
	56460050	1	Actuator Assembly
1	56002098	2	Wsh, Flt SAE 1/4
2	56002316	1	Scr, Soc Hd 3/8-16 x 1.50
3	56002840	2	Nut, Hex Nyl Loc-Thin 1/4-20
4	56002841	1	Nut, Hex Nyl Loc-Thin 3/8-16
5	56002986	2	Scr, Hex Hd 1/4-20 x 3.75
6	56009018	4	Scr, Hex Thd Form 1/4-20 x .75
7	56388326	1	Bushing
8	56455539	1	Hose & Sleeve Assy
	56455543	1	Hose Assy
	56455544	1	Hose Assy
	56455550	1	Sleeve, Protective
	56477613	2	Tie, Cable
9	56455540	1	Hose & Sleeve Assy
	56455546	1	Hose Assy
	56455547	1	Hose Assy
	56455549	1	Sleeve, Protective
	56477613	2	Tie, Cable
10	56456919	2	Hose Assy
	56460222	1	Squeegee Lift Cylinder Assy (items 11, 19)
11	56459163	1	Cylinder
12	56459164	2	Strap
	56460225	1	Skirt Lift Valve Assy (items 13, 18, 20-22)
13	56459236	1	Valve, Control
14	56490167	2	Hose Assy
15	56492676	2	Hose Assy
16	56460048	1	Cable Assy
17	56460049	1	Mount
18	56900011	2	Connector, O-Ring
19	56900101	2	Elbow, 90 O-Ring
20	56900110	2	Elbow, 90 O-Ring
21	56900301	2	Elbow, 90 W/Nut
22	56900341	2	Tee, Run W/Nut
	56460221	1	Squeegee Lift Valve Assy (items 23-25)
23	56459236	1	Valve, Control
24	56900011	2	Connector, O-Ring
25	56900110	2	Elbow, 90 O-Ring

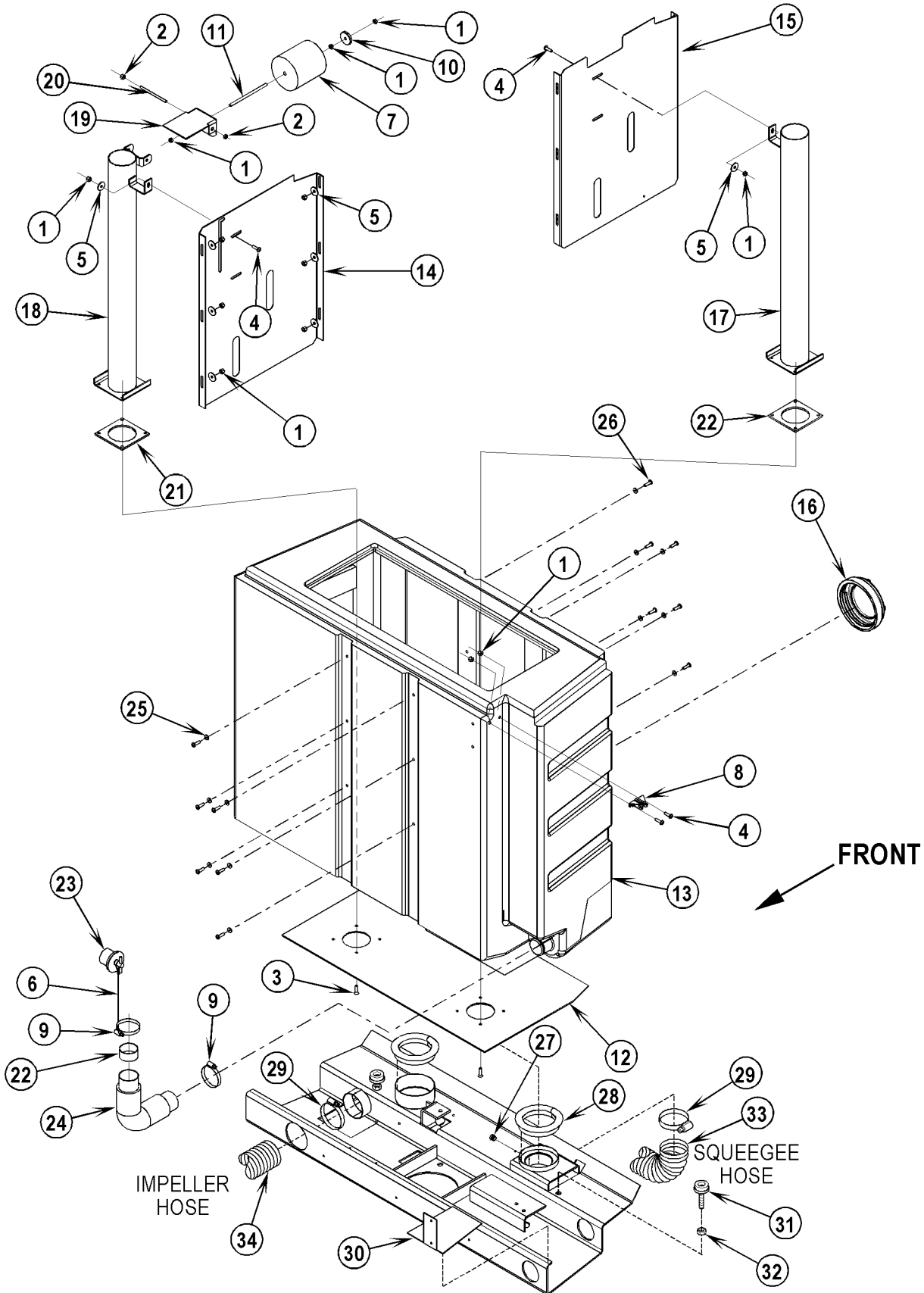


Hydro-Retriever™ 2052 / CR 1300

Item	Ref. No.	Qty	Description	Item	Ref. No.	Qty	Description
	56455423	1	Solution Tank Assembly (#1-13)	31	56378534	1	Knob
1	56002491	8	Nut, Hex Nyl Loc SS 1/4-20	32	56456473	1	Hose
2	56002849	1	Nut, Hex Nyl Loc-Thin SS 10-24	33	56001833	1	Scr, Hex Hd 1/4-20 x 1.50
3	56002894	15	Scr, Pan Phil SS 10-24 x .75	34	56456617	1	Valve Assy. W/Handle
4	56002914	8	Wsh, Flt STD SS 1/4	35	56456799	1	Nipple, 3/4 NPT PVC
5	56002916	15	Wsh, Flt SAE SS #10	36	56324029	1	Tee, 3/4 NPT PVC
6	56002958	8	Scr, Pan Phil 1/4-20 x 1.25	37	56244985	2	Barb, 3/4 x 1/2 NPT x 90°
7	56209435	1	Gasket RS .12 x .50 x 72"	38	56456830	4	Tube, 3/8 x 10.00
8	56455381	1	Solution Tank	*	56373792	4	Spring, Com. .30 x 5.50
9	56455413	1	Baffle, Solution Tank	39	56749202	4	Barb, 3/8 x 1/2 NPT
10	56455421	2	Strap, Solution Tank	40	56454612	2	Valve, Flow Control
11	56455486	1	Cover	41	56456835	2	Hose, 3/4 x 15.00
12	56456072	1	Cover	*	56245010	2	Spring, Com. .68 x 15.00
13	56900737	8	Washer, Sealing 1/4	42	56244969	4	Clamp, Hose SAE 12
14	56455431	1	Base Weld't.	43	56456801	1	Hose, Insert 3/4 NPT
15	56456068	1	Washer, Sealing	44	56456802	1	Barb, Elbow 3/4 NPT x 3/4
16	56743086	1	Barb, 1" Hose	45	56002840	1	Nut, Hex Nyl Loc-Thin 1/4-20
17	56329145	10	Clamp, Hose SAE 24	46	56002784	1	Scr, Flt Phil 1/4-20 x .75
18	56386035	1	Hose, Flex	47	56001836	2	Scr, Hex Hd 1/4-20 x .62
19	56459433	1	Sleeve, Hose End	48	56002098	2	Wsh, Flt SAE 1/4
20	56260098	1	Plug, T-Handle	49	56379298	2	Bushing
21	56261378	1	Strap, Cork	50	56002894	1	Scr, Pan Phil SS 10-24 x .75
22	56900913	2	Fitting, Male Elbow Barb 1-1/4 NPT x 1.25	51	56456827	1	Lever
23	56471220	1	Bushing	52	56456821	1	Linkage
24	56456243	1	Hose	53	56460283	1	Hose, 1.00
25	56900910	1	Fitting, Barb Adapter 1-1/4 NPT x 1.25	54	56460284	1	Tube, Water
26	56456241	1	Strainer, In-Line	55	56455643	1	Lever
**	56455838	1	Bowl, Strainer				
*	56477616	2	Cable Ties (used to mount Strainer to chassis)				
27	56460282	1	Hose, 1.25				
28	56900911	1	Fitting, Male Elbow Barb 1 NPT x 1.25				
29	56459481	1	Valve, 2 Way Solenoid (L5)				
30	56454168	2	Barb, 1 NPT x 1 Male				

* = Not Shown

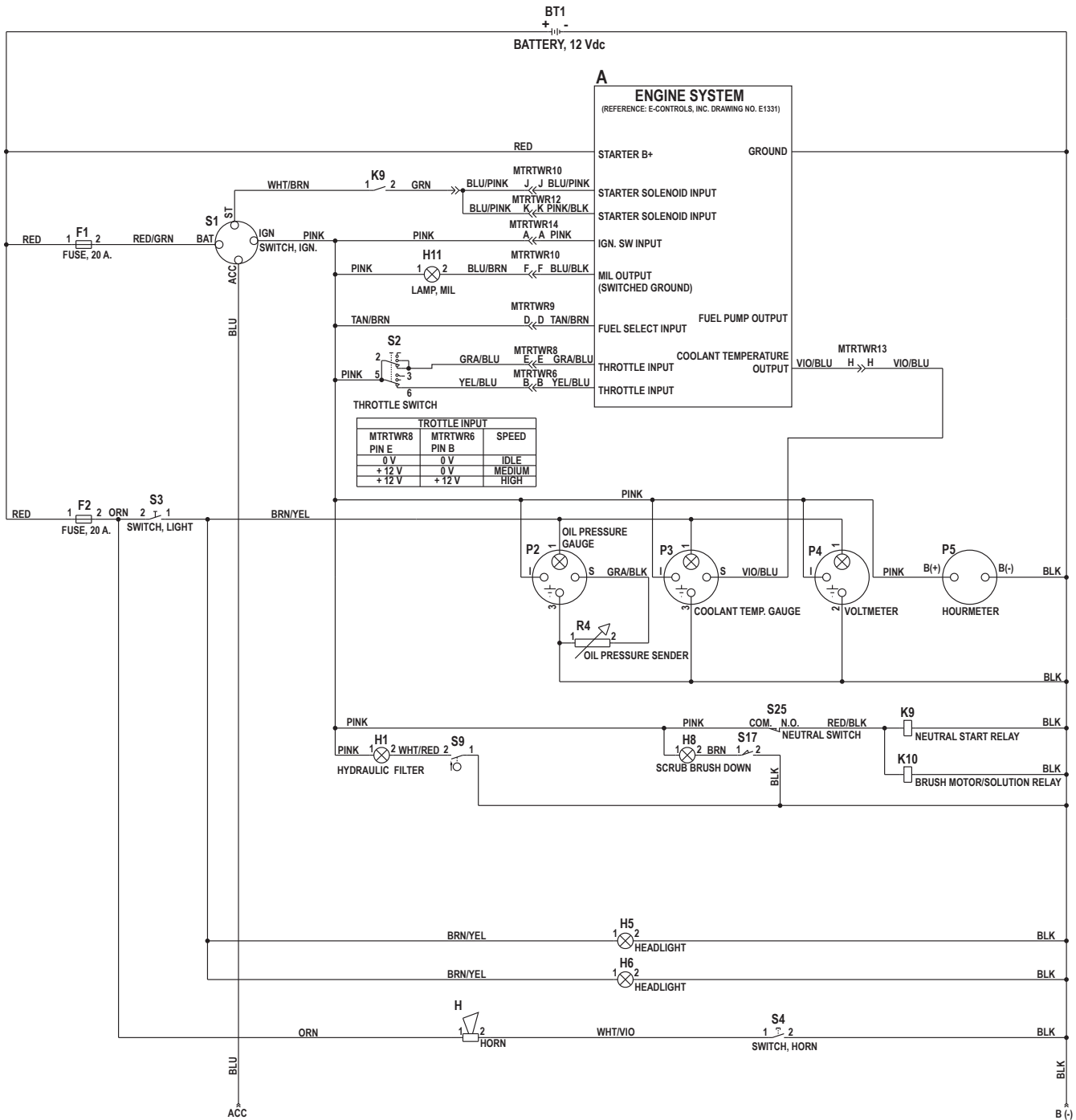
** = Optional Accessory



Hydro-Retriever™ 2052 / CR 1300

Item	Ref. No.	Qty	Description	Item	Ref. No.	Qty	Description
	56456003	1	Recovery Tank Assembly (#1-26) (2052)	20	56459131	1	Rod
	56456011	1	Recovery Tank Assembly (#1-26) (CR 1300)	21	56459136	2	Gasket
1	56002491	23	Nut, Hex Nyl Loc SS 1/4-20	22	56459250	1	Tube
2	56002850	2	Nut, Hex Nyl Loc-Thin SS 1/4-20	23	56459253	1	Plug, T-Handle
3	56003074	8	Scr, Flt Phil SS 1/4-20 x 1.00	24	56459254	1	Hose
4	56003087	4	Scr, Pan Phil SS 1/4-20 x .88	25	56900737	12	Washer, Sealing 1/4
5	56009060	15	Wsh, Flt SS .26 x 1.00 x .07	26	56002958	12	Scr, Pan Phil SS 1/4-20 x 1.25
6	56261378	1	Cork Strap	27	56481546	1	Plug, 1/8-27 NPT
7	56385349	1	Float	28	56455984	2	Gasket, Bulb 1' (.304 M)
8	56386058	1	Hanger	29	56352829	2	Hose Clamp
9	56440213	2	Clamp, Hose SAE #32	30	56455495	1	Shield, Heat
10	56454721	2	Weight	31	56449221	2	Bumper 1.43 Dia.
11	56454724	1	Rod	32	56009016	2	Nut, Hex Jam 1/2-13
12	56455378	1	Plate, Recovery Tank	33	56459255	1	Hose, Squeegee
13	56456002	1	Recovery Tank (2052)	34	56455622	1	Hose, Impeller
	56456012	1	Recovery Tank (CR 1300)	*	56016374	1	Decal, Drain Tank
14	56455386	1	Baffle, Right	*	56016375	1	Decal, Warning Cap Release
15	56455387	1	Baffle, Left				
16	56455671	1	Cleanout Cap Assembly				
*	56488867	1	O-Ring				
*	56455826	1	Inner Ring				
*	56455825	1	Outer Ring				
*	56455435	1	Gasket, Cleanout Cap				
17	56455582	1	Left Standpipe Weld't.				
18	56455583	1	Right Standpipe Weld't.				
19	56459130	1	Shutoff				

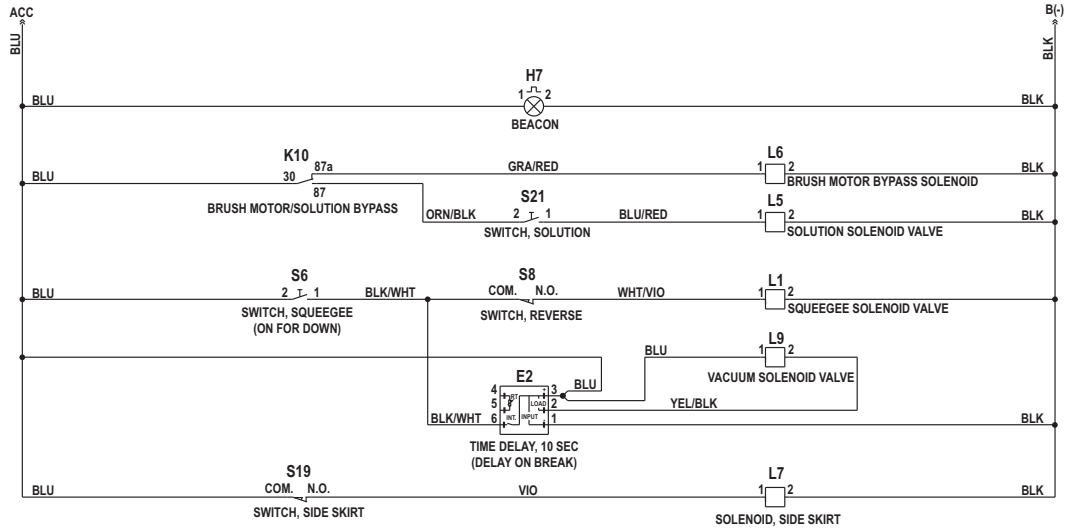
* = Not Shown



Item	Ref. No.	Qty	Description
A	NA	1	Engine System
BT1	56441511	1	Battery, 12Vdc
F1	56900755	1	20A Fuse
F2	56900755	1	20A Fuse
H	56442054	1	Horn
H1	56456469	1	Hydraulic Filter Indicator Light
H5	56454528	1	Headlight
H6	56454528	1	Headlight
H8	56456464	1	Brush Indicator Light
H11	56456465	1	Engine Warning Light (MIL)
K9	56418387	1	Neutral Start Relay
K10	56418387	1	Brush Motor/Solution Relay
P2	56489592	1	Oil Pressure Gauge
P3	56489600	1	Coolant Temperature Gauge
P4	56482044	1	Volt Meter
P5	56478363	1	Hour Meter
R4	56305619	1	Oil Pressure Sender
S1	56478640	1	Key Switch
**	56478641	1	Replacement Key
S2	56455819	1	Throttle Switch
S3	56393312	1	Headlight Switch
S4	56441555	1	Horn Switch
S9	56418994	1	Switch, Hyd Filter Indicator
S17	56388019	1	Brush Switch
S25	56460005	1	Switch, Neutral Safety
*	56460202	1	Harness, Main Wiring
*	56305402	1	Harness, Engine Wiring
*	56460023	1	Harness, Bypass (Connects to S25 & K9)

* = Not Shown

** = Optional (Not Included)



Hydro-Retriever™ 2052 / CR 1300

E

1.3.1

57

Item	Ref. No.	Qty	Description
E2	56460258	1	Time Delay
H7	56482463	1	Beacon
K10	56418387	1	Brush Motor/Solution Relay
L1	56459236	1	Squeegee Solenoid Valve
L5	56459481	1	Solution Solenoid Valve
L6	56459482	1	Brush Motor Bypass Solenoid
L7	56459236	1	Side Skirt Solenoid Valve
L9	NA	1	Vacuum Solenoid Valve (part of 56460217)
S6	56393312	1	Squeegee Up-Down Switch
S8	56462362	1	Reverse Switch
S19	56455403	1	Side Skirt Switch
S21	56393312	1	Solution Switch



**Nilfisk
Advance**

setting standards

Nilfisk-Advance, Inc.
14600 21st Avenue North
Plymouth, MN 55447-3408
www.nilfisk-advance.com
Phone: 800-989-2235
Fax: 800-989-6566
©2009 Nilfisk-Advance, Inc.