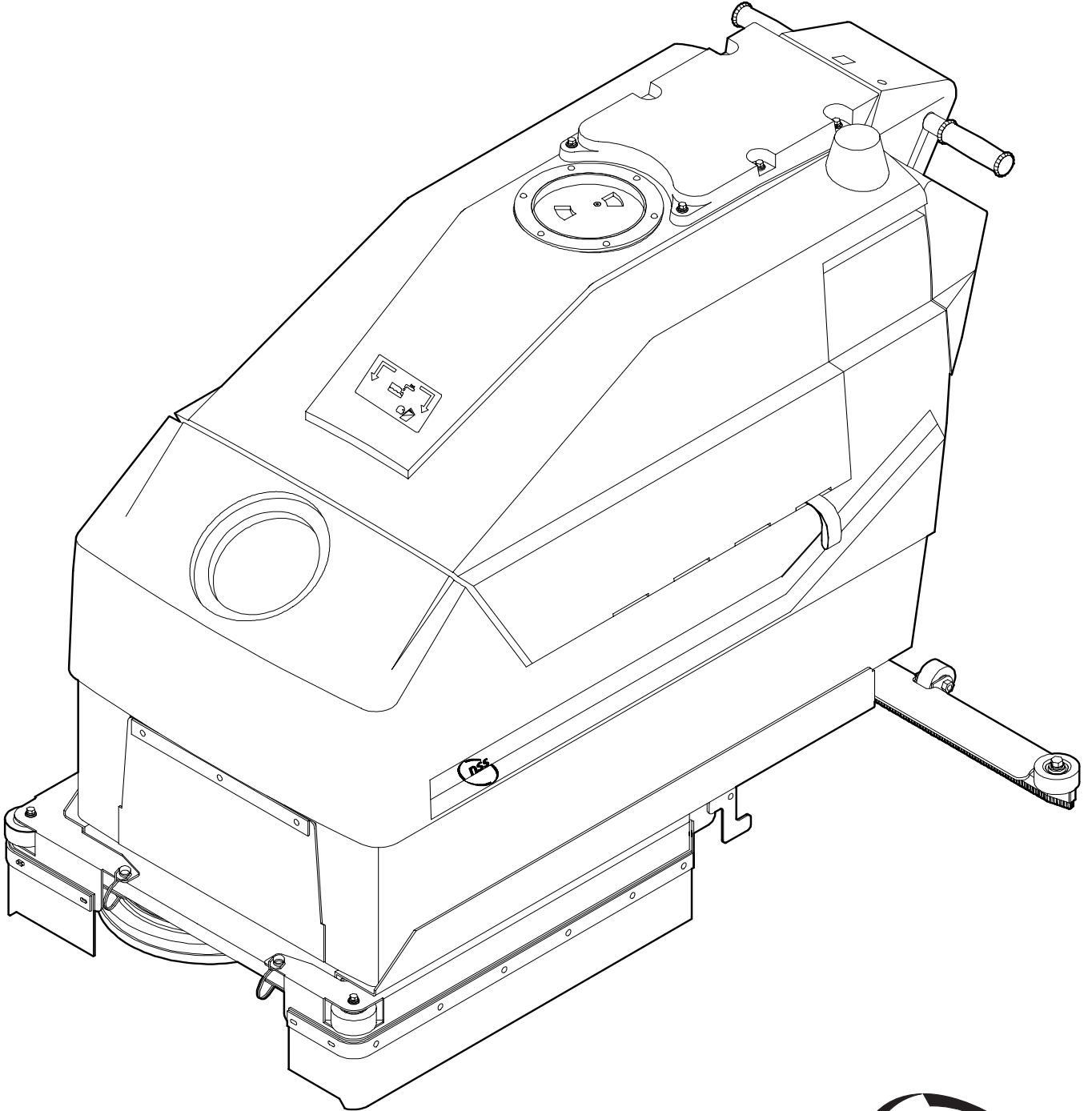
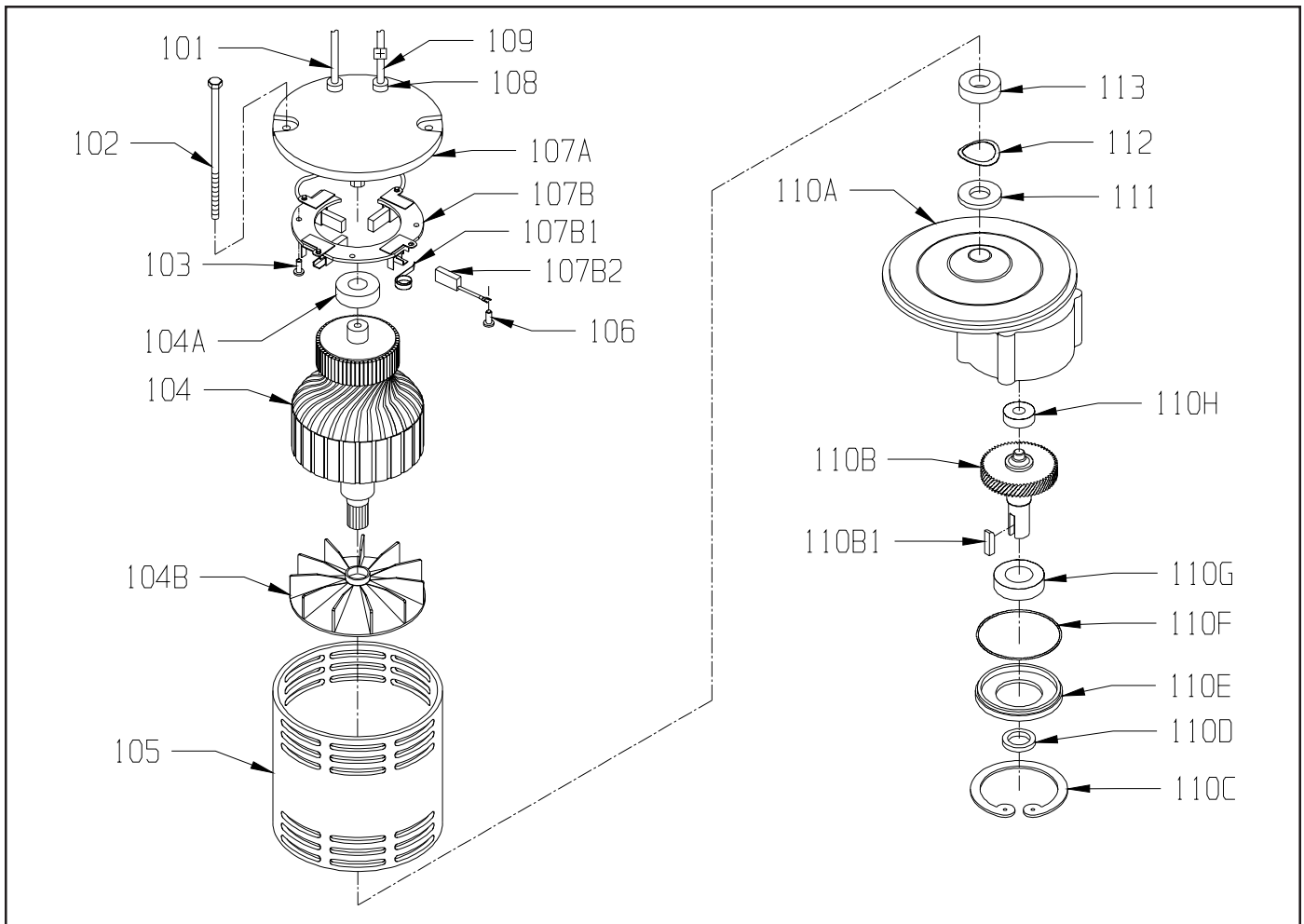


PARTS LIST  
**WRANGLER 2625 DB**



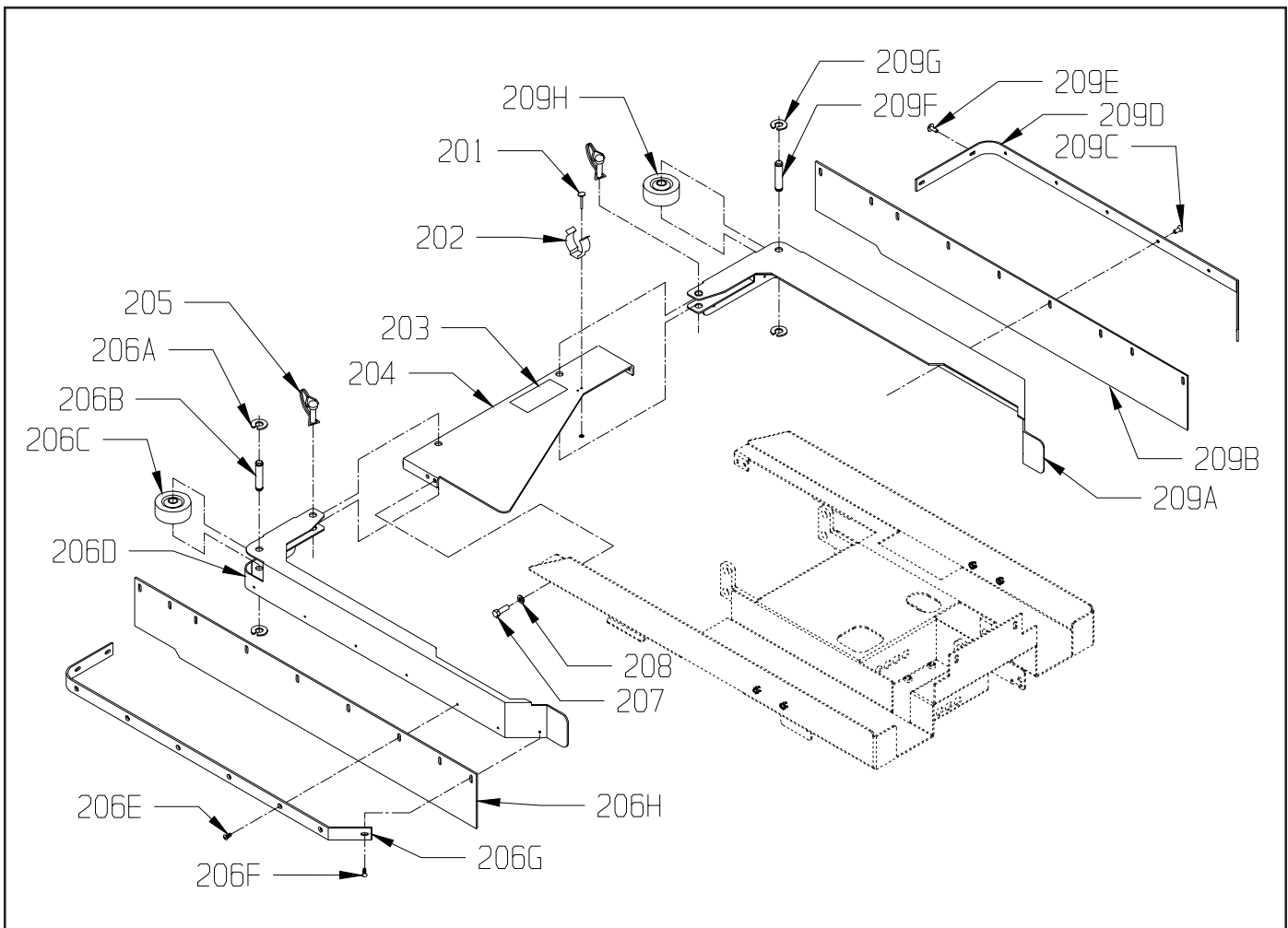
## NOTES

# BRUSH GEAR MOTOR



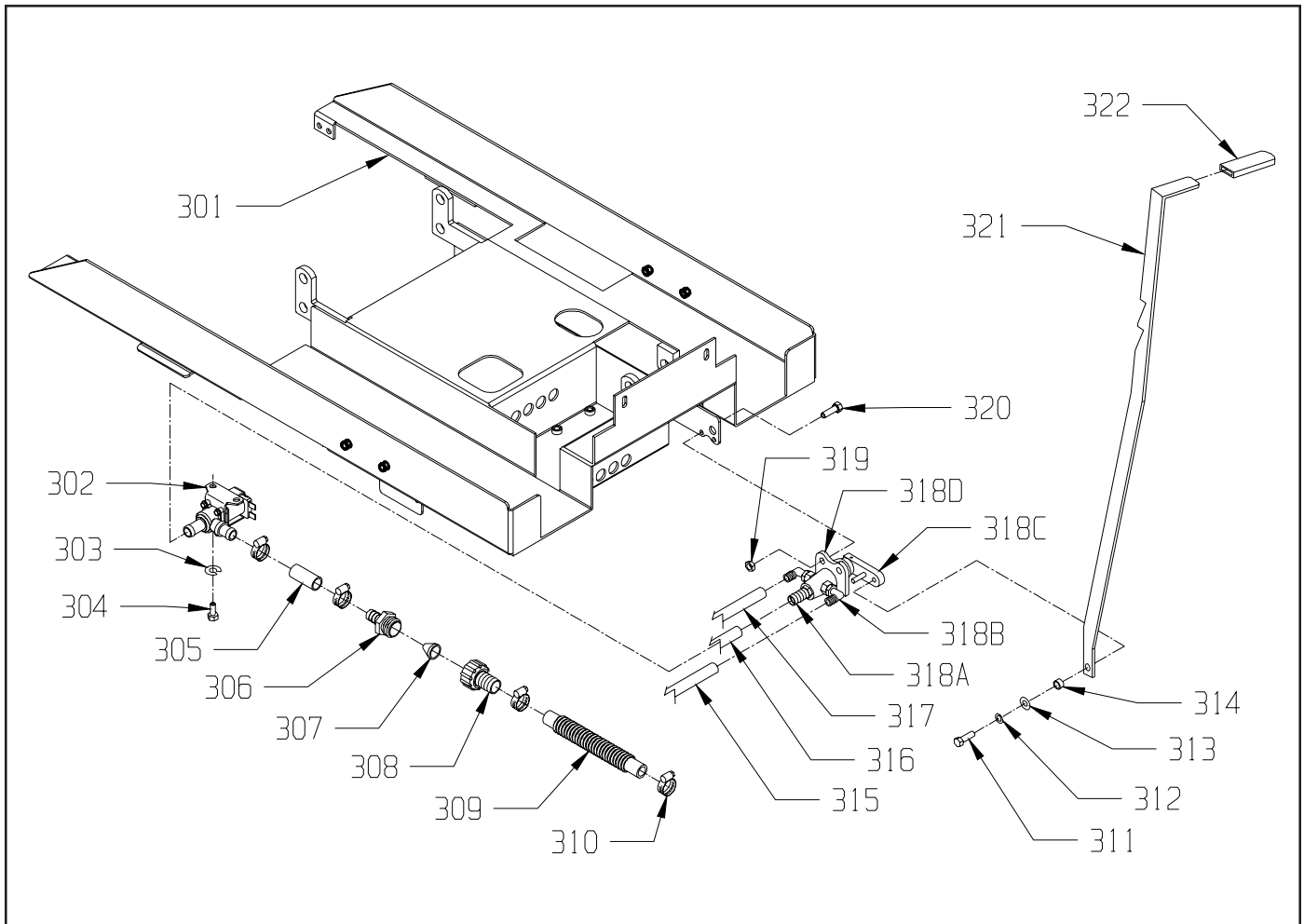
<u>ITEM</u>	<u>PART NO.</u>	<u>PART DESCRIPTION</u>	<u>QTY.</u>
	2393001	COMPLETE MOTOR ASSEMBLY	1
101	3391221	NEGATIVE LEAD	1
102	3391201	1/4-20 X 7 3/4 THRU BOLT	2
103	_____	10-24 X 1/2 SELF TAP ROUND HEAD SLOTTED SCREW	2
104	2393251	ARMATURE ASSEMBLY - INCLUDES:	1
104A	5092041	TOP END BEARING	1
104B	3391191	ARMATURE VENT FAN	1
105	3391041	STATOR FRAME ASSEMBLY WITH MAGNETS	1
106	_____	10-32 X 1/2 PAN HEAD SLOTTED SCREW, BRASS	4
107	3391011	TOP END BRACKET WITH BRUSH BOARD ASSEMBLY - INCLUDES:	1
107A	3391001	TOP END BRACKET ONLY	1
107B	3391021	BRUSH BOARD ASSEMBLY - INCLUDES:	1
107B1	3391081	CARBON BRUSH	4
107B2	2797571	CARBON BRUSH SPRING	4
108	3391071	STRAIN RELIEF	2
109	3391211	POSITIVE LEAD	1
110	3391181	GEAR BOX ASSEMBLY - INCLUDES:	1
110A	3391101	GEAR BOX - HOUSING ONLY	1
110B	3391121	GEAR SHAFT - INCLUDES:	1
110B1	2792681	1/4 X 1/4 X 1 MOTOR KEY	1
110C	3391171	SNAP RING	1
110D	3391161	OIL SEAL - SMALL	1
110E	3391151	END CAP	1
110F	3391141	"O" RING	1
110G	3391131	BOTTOM BEARING - LARGE	1
110H	3391111	TOP BEARING - SMALL	1
111	3391091	OIL SEAL - LARGE	1
112	2797591	1 13/32 I.D. X 1 7/8 O.D. 2 WAVE SPRING WASHER	1
113	3391131	BOTTOM END BEARING	1

## SIDE SKIRT ASSEMBLY



<b>ITEM</b>	<b>PART NO.</b>	<b>DESCRIPTION</b>	<b>QTY.</b>
201	9120301	1/8 X 1/4 RIVET BLIND - DOME HEAD - PACK OF 10	2
202	7691921	SPRING CLIP, HOSE	1
203	2491301	COLOR DECAL KIT - RECOVERY TANK DRAIN	1
204	2490153	SKIRT MOUNT BRACKET	1
205	9121950	3/8 X 1 5/8 CLEVIS PIN WITH RETAINER - PACK OF 1	2
206	2499019	LEFT SKIRT ASSEMBLY - INCLUDES:	1
206A	9122496	RETAINING RING	2
206B	2490311	AXLE -BUMPER WHEEL	1
206C	2790281	3" BUMPER WHEEL	1
206D	2490223	LEFT SKIRT	1
206E	9120540	10-24 X 1/2 FLAT HEAD PHILLIPS MACHINE SCREW - PACK OF 10	6
206F	9120410	10-24 X 1/2 ROUND HEAD PHILLIPS MACHINE SCREW - PACK OF 10	3
206G	2490261	LEFT SKIRT STRAP	1
206H	2490241	LEFT WIPER	1
207	9121640	5/16-18 X 3/4 HEX BOLT - PACK OF 5	4
208	9121520	5/16 SPLIT LOCK WASHER - PACK OF 10	4
209	2499029	RIGHT SKIRT ASSEMBLY - INCLUDES:	1
209A	2490233	RIGHT SKIRT	1
209B	2490251	RIGHT WIPER	1
209C	9120540	10-24 X 1/2 FLAT HEAD PHILLIPS MACHINE SCREW - PACK OF 10	5
209D	2490271	RIGHT SKIRT STRAP	1
209E	9120410	10-24 X 1/2 ROUND HEAD PHILLIPS MACHINE SCREW - PACK OF 10	4
209F	2490311	AXLE -BUMPER WHEEL	1
209G	9122496	RETAINING RING	2
209H	2790281	3" BUMPER WHEEL	1

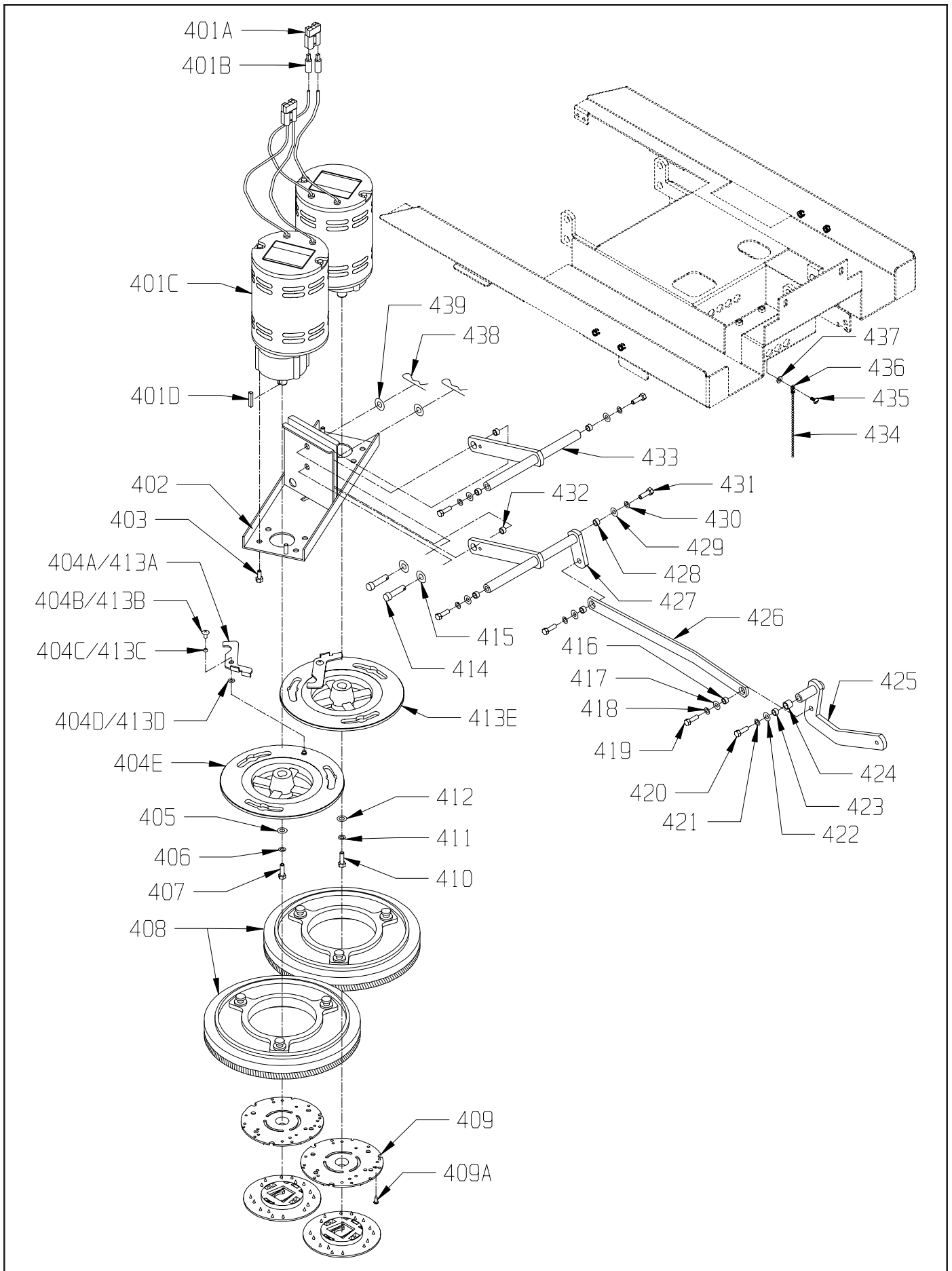
## SOLUTION VALVE ASSEMBLY



<b>ITEM</b>	<b>PART NO.</b>	<b>DESCRIPTION</b>	<b>QTY</b>
301	2491123	CHASSIS	1
302	2397181	SOLUTION SOLENOID VALVE	1
303	9120880	1/4 SPLIT LOCK WASHER - PACK OF 10	2
304	9121090	1/4-20 X 1/2 TRUSS HEAD PHILLIPS MACHINE SCREW - PACK OF 5	2
305	8791180	1/2 I.D. X 3/4 O.D. VINYL TUBING (2" LONG)	.2'
306	2490981	FITTING 1/2 HOSE X MALE GHT	1
307	2690241	FILTER SCREEN	1
308	2690251	FILTER FITTING HOSE BARB AND COLLAR	1
309	2692551	CONVOLUTED TUBING 6.5"	1
310	4892651	HOSE CLAMP - 1/4" TO 13/16"	4
311	9121250	1/4-20 X 3/4 HEX BOLT - PACK OF 10	1
312	9120880	1/4 SPLIT LOCK WASHER - PACK OF 10	1
313	9120930	9/32 I.D. X 5/8 O.D. X .051/.080 THICK SAE FLAT WASHER (1/4) - PACK OF 10	1
314	2791281	BUSHING SPACER	1
315	8791070	3/8 I.D. X 1/2 O.D. VINYL HOSE (43.5" LONG)	3.6'
316	8791180	1/2 I.D. X 3/4 O.D. VINYL TUBING (18" LONG)	1.5'
317	8791070	3/8 I.D. X 1/2 O.D. VINYL HOSE (48.5" LONG)	4'
318	2692909	SOLUTION VALVE ASSEMBLY - INCLUDES:	1
318A	2495161	FITTING - 1/2 HOSE BARB X 1/4 MNPT	1
318B	2490601	90 DEGREE HOSE BARB 3/8 - 1/4 MNPT	2
318C	2791416	VALVE LEVER	1
318D	2791401	SOLUTION VALVE	1
319	9120900	1/4-20 HEX NUT WITH NY-LOK INSERT - PACK OF 10	2
320	9121250	1/4-20 X 3/4 HEX BOLT - PACK OF 10	2
321	2690283	SOLUTION VALVE LEVER	1
322	2391181	GRIP - VALVE LEVER	1

<u>ITEM</u>	<u>PART NO.</u>	<u>DESCRIPTION</u>	<u>QTY.</u>
401	2499049	GEAR MOTOR - 3/4HP - 24 VOLT DC ASSEMBLY - INCLUDES:	2
401A	2391901	CHARGER PLUG - RED 24 VOLT	2
401B	4490721	CONTACT PINS - ANDERSON	4
401C	2393001	GEAR MOTOR - 3/4HP - 24 VOLT DC	2
401D	2792681	1/4 SQUARE X 1 LONG KEY - STEEL	2
402	2490173	BRUSH MOTOR MOUNT	1
403	9122220	3/8-16 X 3/4 HEX BOLT - PACK OF 5	8
404	2792499	LEFT BRUSH DRIVE PLATE ASSEMBLY - INCLUDES:	1
404A	2790211	BRUSH PLATE LATCH	1
404B	9121090	1/4-20 X 1/2 TRUSS HEAD PHILLIPS MACHINE SCREW - PACK OF 5	1
404C	2791281	BUSHING SPACER	1
404D	9122120	3/8 I.D. X 5/8 O.D. X .031 THICK 1 WAVE SPRING WASHER (3/8) - PACK OF 5	1
404E	2790202	BRUSH DRIVE PLATE	1
405	9121400	3/8 I.D. X 7/8 O.D. X .064/.104 THICK WROUGHT WASHER (5/16) - PACK OF 10	2
406	9121520	5/16 SPLIT LOCK WASHER - PACK OF 10	2
407	9121680	5/16-18 X 1 HEX BOLT - PACK OF 5	2
408	2694491	13" PAD DRIVER - SEE ACCESSORY PAGE FOR TYPES OF BRUSHES	2
409	5990731	SPRING CLIP PAD HOLDER SET - INCLUDES:	2
409A	9120506	8 X 5/8 PAN HEAD SHEET METAL SCREW - PACK OF 1	3
410	9121680	5/16-18 X 1 HEX BOLT - PACK OF 5	2
411	9121520	5/16 SPLIT LOCK WASHER - PACK OF 10	2
412	9121400	3/8 I.D. X 7/8 O.D. X .064/.104 THICK WROUGHT WASHER (5/16) - PACK OF 10	2
413	2792489	RIGHT BRUSH DRIVE PLATE ASSEMBLY - INCLUDES:	1
413A	2790211	BRUSH PLATE LATCH	1
413B	9121090	1/4-20 X 1/2 TRUSS HEAD PHILLIPS MACHINE SCREW - PACK OF 5	1
413C	2791281	BUSHING SPACER	1
413D	9122120	3/8 I.D. X 5/8 O.D. X .031 THICK 1 WAVE SPRING WASHER (3/8) - PACK OF 5	1
413E	2790202	BRUSH DRIVE PLATE	1
414	9122561	1/2 X 1 1/4 CLEVIS PIN - PACK OF 1	2
415	9122450	17/32 I.D. X 1 1/16 O.D. X .074/.121 THICK SAE FLAT WASHER (1/2) - PACK OF 5	2
416	2391461	BUSHING SPACER	2
417	9122450	17/32 I.D. X 1 1/16 O.D. X .074/.121 THICK SAE FLAT WASHER (1/2) - PACK OF 5	2
418	9122420	1/2 SPLIT LOCK WASHER - PACK OF 5	2
419	9122530	1/2-13 X 1 HEX BOLT - PACK OF 1	2
420	9122550	1/2-13 X 1 1/2 HEX BOLT - PACK OF 1	1
421	9122420	1/2 SPLIT LOCK WASHER - PACK OF 5	1
422	9122450	17/32 I.D. X 1 1/16 O.D. X .074/.121 THICK SAE FLAT WASHER (1/2) - PACK OF 5	1
423	2790751	BUSHING SPACER	1
424	4492791	PIVOT BUSHING	1
425	2490211	BRUSH LIFT ARM - REAR	1
426	2490201	BRUSH LIFT BAR	1
427	2490181	BRUSH LIFT ARM - FRONT	1
428	2790751	BUSHING SPACER	4
429	9122450	17/32 I.D. X 1 1/16 O.D. X .074/.121 THICK SAE FLAT WASHER (1/2) - PACK OF 5	4
430	9122420	1/2 SPLIT LOCK WASHER - PACK OF 5	4
431	9122550	1/2-13 X 1 1/2 HEX BOLT - PACK OF 1	4
432	2790751	BUSHING SPACER	2
433	2490191	BRUSH LIFT ARM GUIDE	1
434	6491860	ROUND BEAD CHAIN (6" LONG)	.5'
435	9120510	10-24 X 1/2 TRUSS HEAD PHILLIPS MACHINE SCREW - PACK OF 10	1
436	6491871	END COUPLING ROUND BEAD CHAIN	1
437	9120330	#10 EXTERNAL STAR LOCK WASHER - PACK OF 10	1
438	9120312	1/8 X 1 HUMPED COTTER PIN - PACK OF 5	2
439	9122450	17/32 I.D. X 1 1/16 O.D. X .074/.121 THICK SAE FLAT WASHER (1/2) - PACK OF 5	2

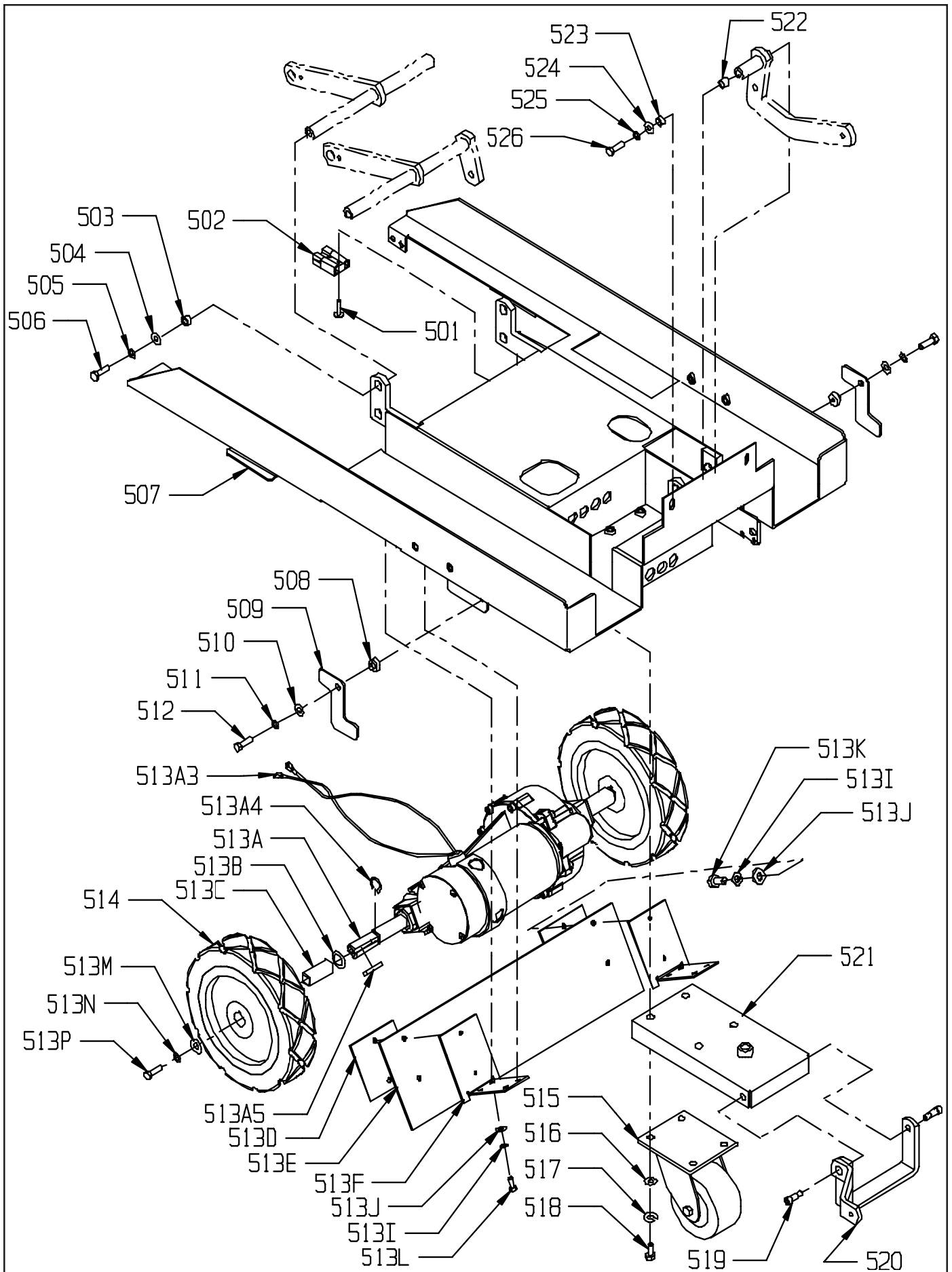
# BRUSH MOTOR ASSEMBLY



<u>ITEM</u>	<u>PART NO.</u>	<u>DESCRIPTION</u>	<u>QTY</u>
501	9120090	6-32 X 7/8 PAN HEAD PHILLIPS MACHINE SCREW - PACK OF 10	4
502	2391901	CHARGER PLUG - RED - 24VOLTS	2
503	2790751	BUSHING SPACER	4
504	9122450	17/32 I.D. X 1 1/16 O.D. X .074/.121 THICK SAE FLAT WASHER (1/2) - PACK OF 5	4
505	9122420	1/2 SPLIT LOCK WASHER - PACK OF 5	4
506	9122550	1/2-13 X 1 1/2 HEX BOLT - PACK OF 1	4
507	2491123	CHASSIS	1
508	2691771	PIN, SKIRT LATCH	2
509	2490651	SKIRT LATCH	2
510	9120930	9/32 I.D. X 5/8 O.D. X .051/.080 THICK SAE FLAT WASHER (1/4) - PACK OF 10	2
511	9120880	1/4 SPLIT LOCK WASHER - PACK OF 10	2
512	9121250	1/4-20 X 3/4 HEX BOLT - PACK OF 10	2
513	2692989	TRANSAXLE (STATURE) 23 5/8 KIT - INCLUDES:	1
513A	2491111	TRANSAXLE (STATURE) 23-5/8 - INCLUDES:	1
513A1	2491131	MOTOR - INCLUDES:	1
	2491201	BRUSH	4
	2491211	BRUSH HOLDER	4
513A2	2491151	RUBBER GROMMET	2
513A3	2690581	1/4 SPADE MALE TERMINAL 10-12 YELLOW	2
513A4	5293151	RETAINING RING	2
513A5	9120825	3/16 SQUARE X 7/8 LONG KEY - STEEL - PACK OF 1	2
513B	9123105	3/4 I DX 1 1/4 OD WASHER PACK OF 5	2
513C	2692941	AXLE SLEEVE	2
513D	2692971	TRANSAXLE FLAP BRACKET	2
513E	2692961	TRANSAXLE FLAP	1
513F	2692951	TRANSAXLE BRACKET	2
513G	2693291	930-AA GREASE 1.75 OZ.	1
513H	2693311	W 26 TRANSAXLE KIT INSTRUCTION	1
513I	9120880	1/4 SPLIT LOCK WASHER PACK OF 10	8
513J	9120930	9/32 ID X 5/8 OD FLAT WASHER PACK OF 10	4
513K	9121210	1/4-20 X 5/8 HEX BOLT - PACK OF 10	4
513L	9121250	1/4-20 X 3/4 HEX BOLT - PACK OF 10	4
513M	9121980	7/16 I.D. X 1 O.D. X .075/.080 THICK SAE FLAT WASHER (3/8) - PACK OF 10	2
513N	9122100	3/8 SPLIT LOCK WASHER - PACK OF 10	2
513P	9122220	3/8-16 X 3/4 HEX BOLT PACK OF 5	2
514	2395501	DRIVE WHEEL - 8" X 2"	2
515	6492061	RED 4 INCH CASTER	1
515A	4490391	RED CASTER - WHEEL ONLY	1
516	9121980	7/16 I.D. X 1 O.D. X .075/.080 THICK SAE FLAT WASHER (3/8) - PACK OF 10	4
517	9122100	3/8 SPLIT LOCK WASHER - PACK OF 10	4
518	9122260	3/8-16 X 1 HEX BOLT - PACK OF 2	4
519	9121500	5/16 X1/2 SOCKET HEAD SHOULDER BOLT (1/4-20) - PACK OF 1	2
520	2490751	SQUEEGEE LIFT	1
521	2490741	SQUEEGE MOUNT BRACKET	1
522	4492791	PIVOT BUSHING	1
523	2790751	BUSHING SPACER	1
524	9122450	17/32 I.D. X 1 1/16 O.D. X .074/.121 THICK SAE FLAT WASHER (1/2) - PACK OF 5	1
525	9122420	1/2 SPLIT LOCK WASHER - PACK OF 5	1
526	9122550	1/2-13 X 1 1/2 HEX BOLT - PACK OF 1	1

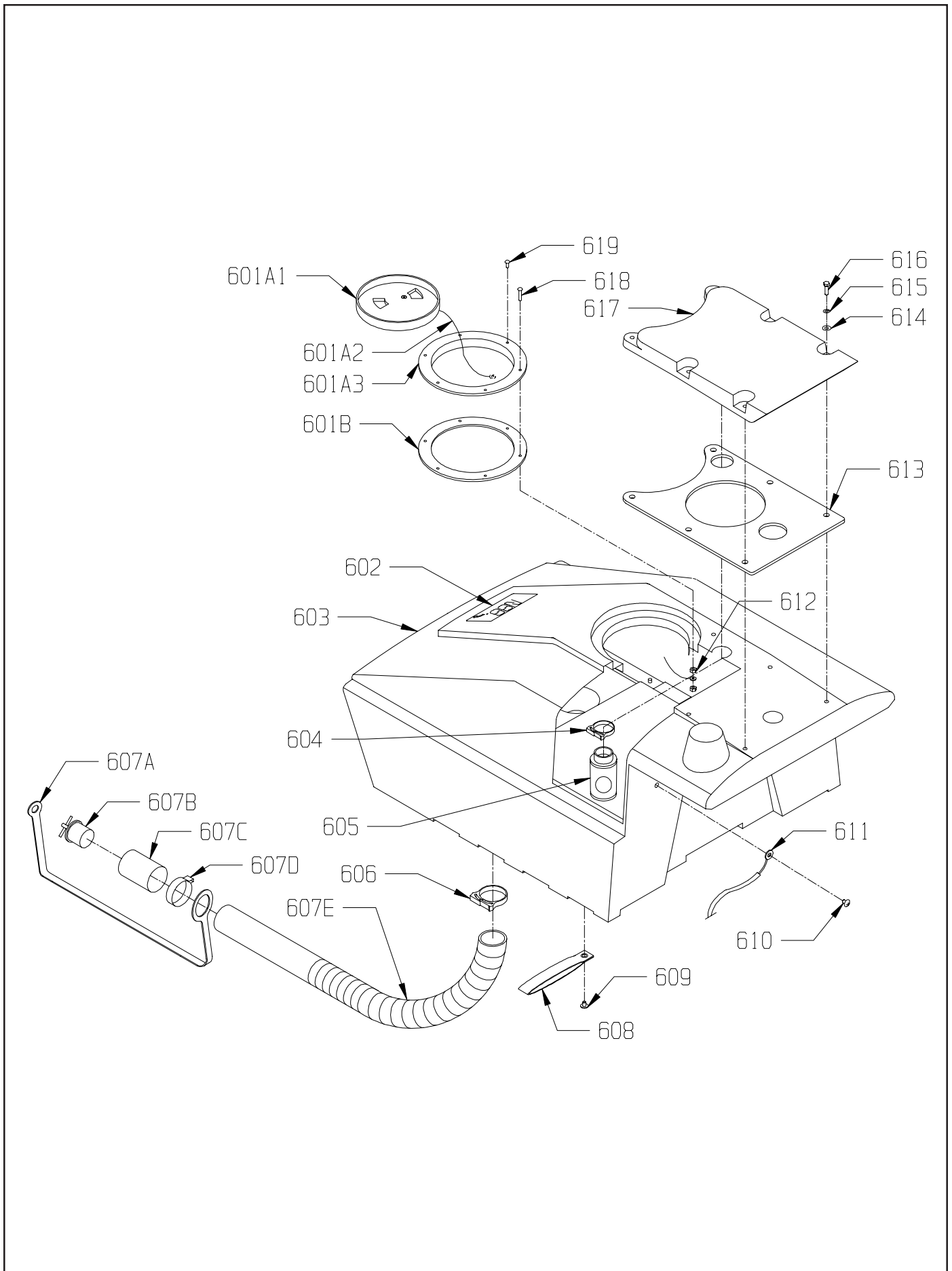


# TRANSAXLE AND FRAME ASSEMBLY



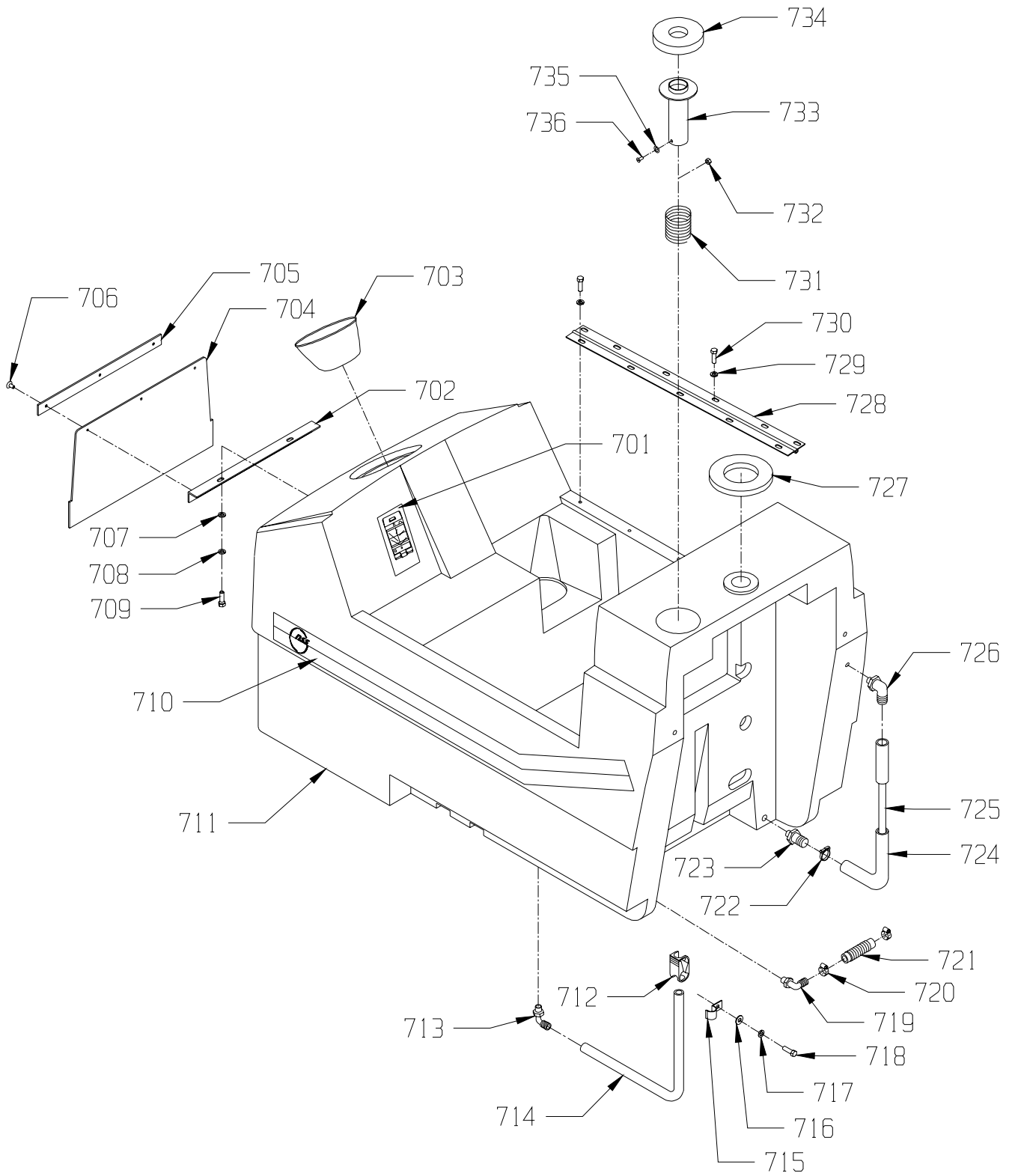
<u>ITEM</u>	<u>PART NO.</u>	<u>DESCRIPTION</u>	<u>QTY.</u>
601	2690889	RECOVERY TANK LID AND GASKET ASSEMBLY - INCLUDES:	1
601A	2690881	RECOVERY TANK LID ASSEMBLY - INCLUDES:	1
601A1	2690911	CLEAR TANK LID	1
601A2	2690931	LID RETAINING CHAIN	1
601A3	2690921	LID MOUNTING RING	1
601B	2690891	RING GASKET	1
602	2491301	COLOR DECAL KIT - SOLUTION FILL	1
603	2490021	RECOVERY TANK	1
604	4894081	HOSE CLAMP - 1.593" TO 1.812" DIAMETER	1
605	2391541	FLOAT SCREEN ASSEMBLY	1
606	4495441	NYLON HOSE CLAMP 11 9/16" TO 2 1/2" DIAMETER	1
607	2699149	DRAIN HOSE ASSEMBLY - INCLUDES:	1
607A	2791881	PLUG STRAP	1
607B	2795621	DRAIN PLUG	1
607C	2391661	HOSE TUBE	1
607D	2393451	HOSE CLAMP - 1 13/16 STAINLESS	2
607E	2691121	DRAIN HOSE - RECOVERY TANK	1
608	4896141	STRAP - TANK SUPPORT	1
609	9121090	1/4-20 X 1/2 TRUSS HEAD PHILLIPS MACHINE SCREW - PACK OF 5	1
610	9120990	1/4-20 X 3/8 TRUSS HEAD PHILLIPS MACHINE SCREW - PACK OF 5	2
611	2690961	RECOVERY TANK HOLDING STRAP	1
612	9120360	10-24 HEX NUT WITH STAR LOCK WASHER - PACK OF 10	2
613	2490381	GASKET - TOP VAC BOX	1
614	9120930	9/32 I.D. X 5/8 O.D. X .051/.080 THICK FLAT WASHER (1/4)-PACK OF 10	6
615	9120880	1/4 SPLIT LOCK WASHER - PACK OF 10	6
616	9121060	1/4-20 X 1 1/4 HEX BOLT - PACK OF 5	6
617	2490321	TOP VAC BOX	1
618	9120480	10-24 X 1 3/4 ROUND HEAD PHILLIPS MACHINE SCREW - PACK OF 5	1
619	9120790	10 X 5/8 PAN HEAD PHILLIPS SHEET METAL SCREW - PACK OF 10	5

# RECOVERY TANK ASSEMBLY



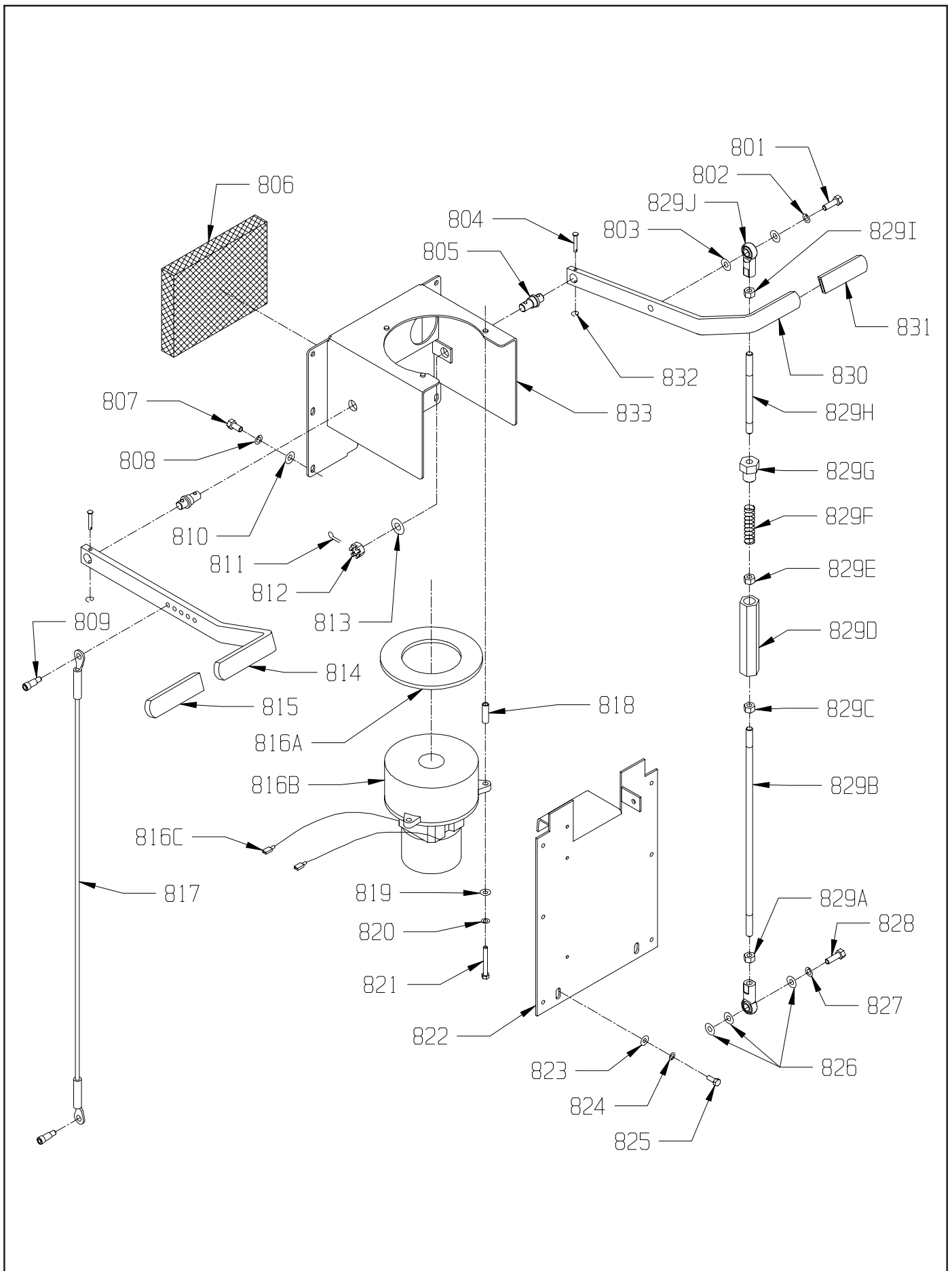
<u>ITEM</u>	<u>PART NO</u>	<u>DESCRIPTION</u>	<u>QTY.</u>
701	2491301	COLOR DECAL KIT - BATTERY HOOK UP	1
702	2490361	FRONT COVER BRACKET	1
703	2499039	FILTER ASSEMBLY - SOLUTION TANK - INCLUDES:	1
703A	2490541	FILTER BAG SCREEN	1
703B	2490551	FILTER BAG FRAME	1
704	2490351	FRONT COVER	1
705	2490341	FRONT COVER RETAINER	1
706	9120550	10-24 X 5/8 FLAT HEAD PHILLIPS MACHINE SCREW - PACK OF 10	3
707	9120930	9/32 I.D. X 5/8 O.D. X .051/.080 THICK FLAT WASHER (1/4)-PACK OF 10	2
708	9120880	1/4 SPLIT LOCK WASHER - PACK OF 10	2
709	9121170	1/4-20 X 1/2 HEX BOLT - PACK OF 10	2
710	2491301	COLOR DECAL KIT - SIDE LABEL	2
711	2490011	SOLUTION TANK	1
712	3390661	TUBING CONTROL VALVE	1
713	2691961	1/2 HOSE BARB 90 DEGREE X 3/8 MPT PLASTIC	1
714	8791070	VINYL HOSE - 3/8 I.D. X 1/2" O.D. X 43.5" LONG	3.6
715	2690971	HOSE CLIP	1
716	9120930	9/32 I.D. X 5/8 O.D. X .051/.080 THICK FLAT WASHER (1/4)-PACK OF 10	1
717	9120880	1/4 SPLIT LOCK WASHER - PACK OF 10	1
718	9121250	1/4-20 X 3/4 HEX BOLT - PACK OF 10	1
719	2490791	FITTING ELL - 3/8 BARB X 3/8 MNPT	1
720	4892651	HOSE CLAMP - 1/4" TO 13/16" DIAMETER	4
721	2692551	CONVOLUTED TUBING 6.5"	1
722	2392141	HOSE CLAMP - 11/16" TO 1 1/4" DIAMETER	1
723	2691731	SOLUTION TANK DRAIN FITTING	1
724	8791030	VINYL HOSE - 3/4 I.D. X 1" O.D. X 21" LONG	1.8
725	2690811	SOLUTION DRAIN HOSE GAUGE	1
726	2391771	90 DEGREE HOSE BARB 3/4 I.D. X 1/2 NPT	1
727	2692761	GASKET - VAC TUBE	1
728	2490371	RECOVERY TANK HINGE	1
729	9120880	1/4 SPLIT LOCK WASHER - PACK OF 10	11
730	9121170	1/4-20 X 1/2 HEX BOLT - PACK OF 10	11
731	2391581	SPRING - TUBE ADAPTOR	1
732	9120360	10-24 HEX NUT WITH STAR LOCK WASHER - PACK OF 10	1
733	2690851	TUBE ADAPTOR	1
734	2690861	GASKET - TUBE ADAPTOR	1
735	9120320	10 SPLIT LOCK WASHER - PACK OF 10	1
736	9120380	10-24 X 3/8 ROUND HEAD PHILLIPS MACHINE SCREW - PACK OF 10	1

# SOLUTION TANK ASSEMBLY



<b>ITEM</b>	<b>PART NO.</b>	<b>DESCRIPTION</b>	<b>QTY.</b>
801	9122260	3/8-16 X 1 HEX BOLT - PACK OF 2	1
802	9122100	3/8 SPLIT LOCK WASHER - PACK OF 10	1
803	9121980	7/16 I.D. X 1 O.D. X .075/.080 THICK FLAT WASHER (3/8)-PACK OF 2	2
804	2391951	3/16 X 1 CLEVIS PIN - PACK OF 1	2
805	2490661	PIVOT STUD	2
806	2691041	FILTER MUFFLER	1
807	9121210	1/4-20 X 5/8 HEX BOLT - PACK OF 10	6
808	9120880	1/4 SPLIT LOCK WASHER - PACK OF 10	6
809	9122020	3/8 X 3/8 SOCKET HEAD SHOULDER BOLT - PACK OF 1	2
810	9120930	9/32 I.D. X 5/8 O.D. X .051/.080 THICK FLAT WASHER (1/4)-PACK OF 2	6
811	9120312	3/8 X 1 HUMPED COTTER PIN - PACK OF 5	2
812	9122675	1/2-13 HEX SLOTTED NUT - PACK OF 1	2
813	9122450	17/32 I.D. X 1 1/16 O.D. X .074/.121 THICK FLAT WASHER (1/2)-PACK OF 5	2
814	2691643	SQUEEGEE LIFT HANDLE	1
815	2690981	HANDLE GRIP	1
816	2499059	VAC MOTOR ASSEMBLY - INCLUDES:	1
816A	2490561	GASKET - VAC MOTOR	1
816B	2395571	3 STAGE VAC MOTOR - 24VOLT - INCLUDES:	1
816B1	2397571	CARBON BRUSH	2
816C	5490161	FULLY INSULATED FEMALE TERMINAL 14-16 GAGE	2
817	2694261	LIFT CABLE - SQUEEGEE	1
818	2490691	SPACER - VAC MOUNTING	3
819	9120930	9/32 I.D. X 5/8 O.D. X .051/.080 THICK FLAT WASHER (1/4)-PACK OF 10	3
820	9120880	1/4 SPLIT LOCK WASHER - PACK OF 10	3
821	9121150	1/4-20 X 2 1/4 ROUND HEAD PHILLIPS MACHINE SCREW-PACK OF 2	3
822	2490283	CONTROL PANEL MOUNTING BRACKET	1
823	9121390	11/32 I.D. X 11/16 O.D. X .051/.080 THICK FLAT WASHER (5/16)-PACK OF 10	2
824	9121520	5/16 SPLIT LOCK WASHER - PACK OF 10	2
825	9121640	5/16-18 X 3/4 HEX BOLT - PACK OF 5	2
826	9121980	7/16 I.D. X 1 O.D. X .075/.080 THICK FLAT WASHER (3/8)-PACK OF 2	3
827	9122100	3/8 SPLIT LOCK WASHER - PACK OF 10	1
828	9122300	3/8-16 X 1 1/4 HEX BOLT - PACK OF 2	1
829	2699079	COMPLETE BRUSH LIFT ROD ASSEMBLY - INCLUDES:	1
829A	9122010	3/8-24 HEX NUT - PACK OF 5	1
829B	2691801	BRUSH LIFT ROD - MEDIUM	1
829C	9122000	3/8-16 HEX NUT - PACK OF 10	1
829D	2691821	SPRING HOUSING - BRUSH LIFT	1
829E	9122140	3/8-16 HEX NUT WITH NY-LOK INSERT - PACK OF 10	1
829F	2691841	BRUSH PRESSURE SPRING	1
829G	2691831	RETAINER - SPRING HOUSING	1
829H	2691811	BRUSH LIFT ROD - SHORT	1
829I	9122010	3/8-24 HEX NUT - PACK OF 5	1
829J	4490531	3/8 ROD END	2
830	2691373	BRUSH LIFT HANDLE	1
831	2690981	LIFT HANDLE GRIP	1
832	2392561	CIRCLE COTTER - #CC-7	2
833	2490293	VAC MOTOR AND LIFT ARM MOUNT	1

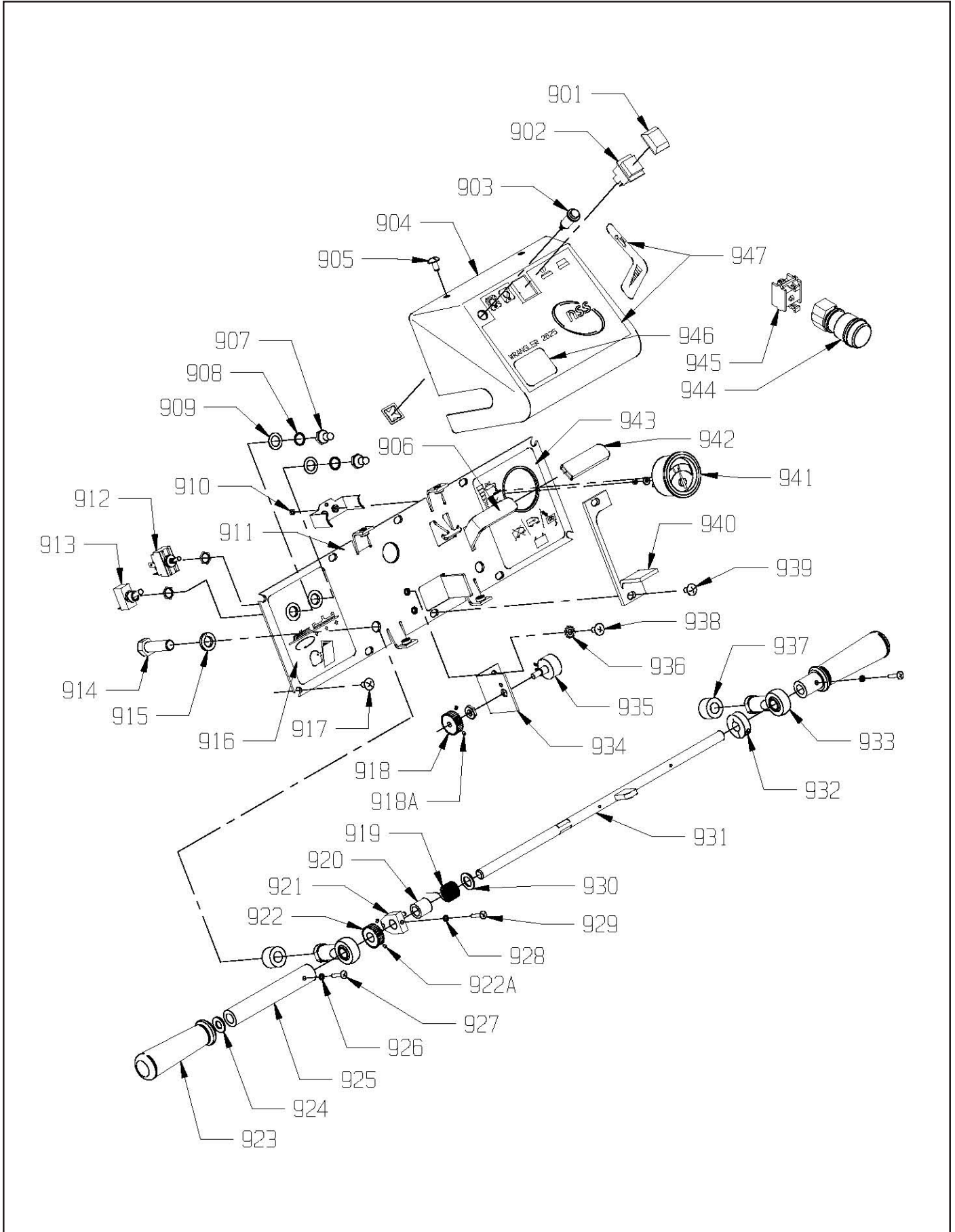
# LIFT LEVER ASSEMBLY



<b>ITEM</b>	<b>PART NO.</b>	<b>DESCRIPTION</b>	<b>QTY.</b>
901	4890781	PUSH BUTTON SWITCH BOOT	1
902	2690691	MASTER SWITCH	1
903	2490481	LIGHT - INDICATOR - GREEN, 24 VOLT, WITH CLIP	1
904	2692331	CONTROL PANEL COVER	1
	2692681	CONTROL PANEL COVER - EMERGENCY STOP - OPTIONAL	1
905	9121090	1/4-20 X 1/2 TRUSS HEAD PHILLIPS MACHINE SCREW - PACK OF 5	4
906	2690283	VALVE LEVER	1
907	0693141	RUBBER SWITCH BOOT	2
908	0691851	1/2" INTERNAL STAR LOCK WASHER	2
909	9122465	.516 I.D. X .813 O.D. X .027/.030 THICK FLAT WASHER - PACK OF 2	2
910	9120020	6-32 HEX NUT WITH STAR LOCK WASHER - PACK OF 10	2
911	2694043	CONTROL PLATE	1
912	2792041	TOGGLE SWITCH - VACUUM	1
913	4491101	TOGGLE SWITCH - MOTOR	1
914	9122710	1/2-20 X 1 3/4 HEX BOLT - PACK OF 1	2
915	9122420	1/2 SPLIT LOCK WASHER - PACK OF 5	2
916	2694361	BATTERY METER / LEFT CONTROL PANEL DECAL KIT	1
917	9120990	1/4-20 X 3/8 TRUSS HEAD PHILLIPS MACHINE SCREW - PACK OF 5	8
918	2691941	DRIVEN GEAR - POTENTIOMETER - INCLUDES:	1
918A	9120170	8-32 X 3/16 SET SCREW - KNURL POINT - STEEL - PACK OF 5	2
919	6496091	SPRING TORSION .81 ID .067 WIRE	1
920	6496081	BEARING PLAIN SLEEVE .5 X .75 X .75 LENGTH	1
921	2695691	TORSION SPRING DRIVER WR26	1
922	2691931	DRIVE GEAR - HANDLE - INCLUDES:	1
922A	9120170	8-32 X 3/16 SET SCREW - KNURL POINT - STEEL - PACK OF 5	2
923	3392901	HANDLE GRIP	2
924	9121400	3/8 I.D. X 7/8 O.D. X .064/.104 THICK WROUGHT WASHER (5/16)-PACK OF 10	2
925	2691871	HANDLE GRIP BASE	2
926	9120200	#8 SPLIT LOCK WASHER - PACK OF 10	2
927	9120270	8-32 X 7/8 ROUND HEAD PHILLIPS MACHINE SCREW - PACK OF 10	2
928	9120200	#8 SPLIT LOCK WASHER - PACK OF 10	1
929	9120260	8-32 X 3/4 ROUND HEAD SCREW - PACK OF 10	1
930	3393841	WASHER, AN 1/2 X .053-.073	1
931	2695681	HANDLE BAR	1
932	3393891	COLLAR, SHAFT 1/2"	1
933	2391941	BALL JOINT	2
934	2692751	POTENTIOMETER BRACKET - 1.5"	1
935	2694131	POTENTIOMETER	1
936	9120970	1/4 EXTERNAL STAR LOCK WASHER - PACK OF 10	2
937	2691891	HANDLE BAR SPACER	2
938	9121090	1/4-20 X 1/2 TRUSS HEAD PHILLIPS MACHINE SCREW - PACK OF 5	2
939	9121090	1/4-20 X 1/2 TRUSS HEAD PHILLIPS MACHINE SCREW - PACK OF 5	2
940	2491251	TORSION SPRING STOP	1
941	2391391	BATTERY METER WITH HARDWARE	1
942	2391181	GRIP - VALVE LEVER	1
943	2694361	BATTERY METER / LEFT CONTROL PANEL DECAL KIT	1
944	3393549	EMERGENCY STOP KIT - OPTIONAL - INCLUDES:	1
944A	3393521	ACTUATOR, EMERGENCY STOP	1
944B	3393531	EMERGENCY STOP WASHER	1
945	7691301	EMERGENCY STOP BLOCK - OPTIONAL	1
946	5392401	WARNING - FIRE DECAL	1
947	2694371	MASTER SWITCH / SOLUTION CONTROL DECAL KIT	1

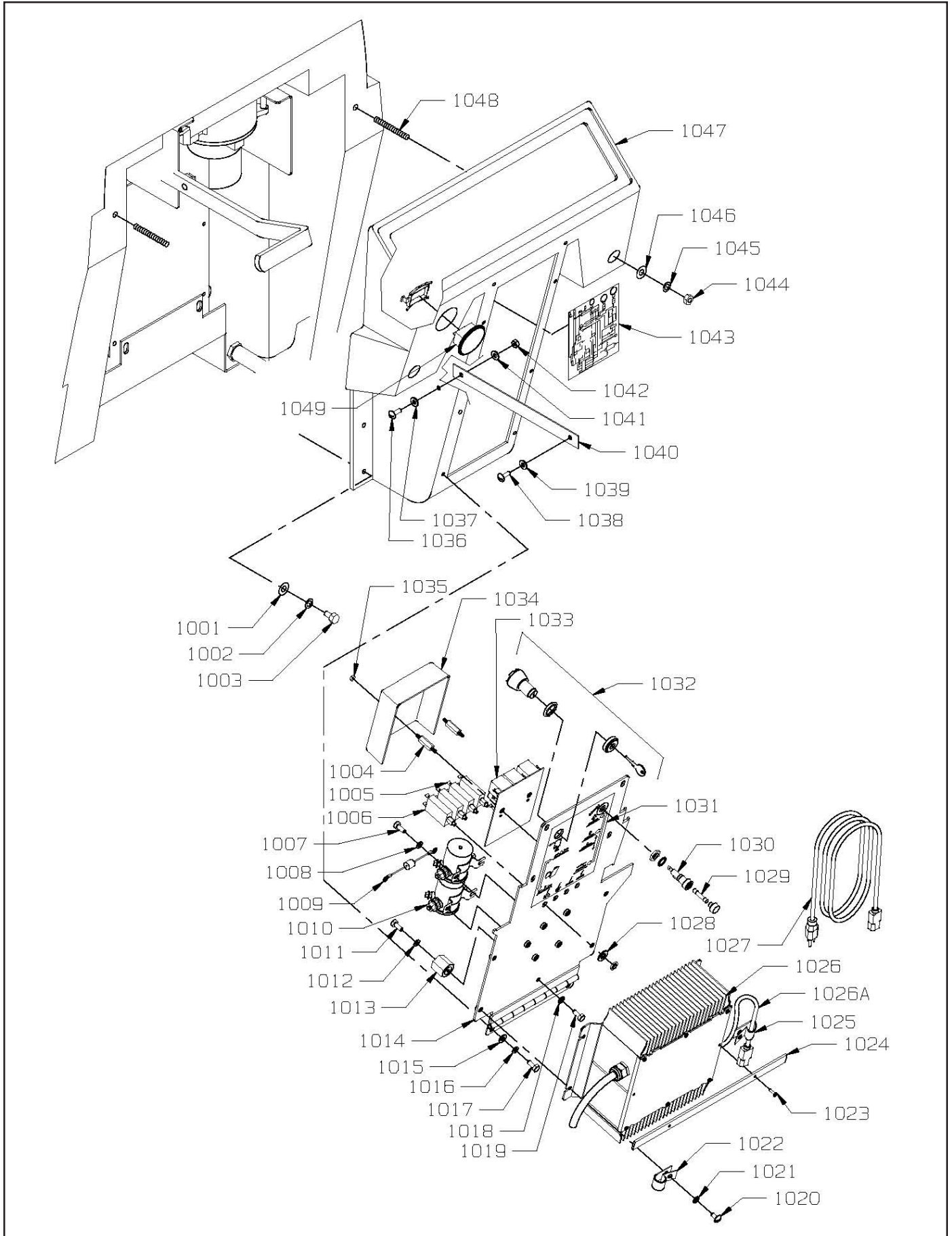


# OPERATOR CONTROL PANEL

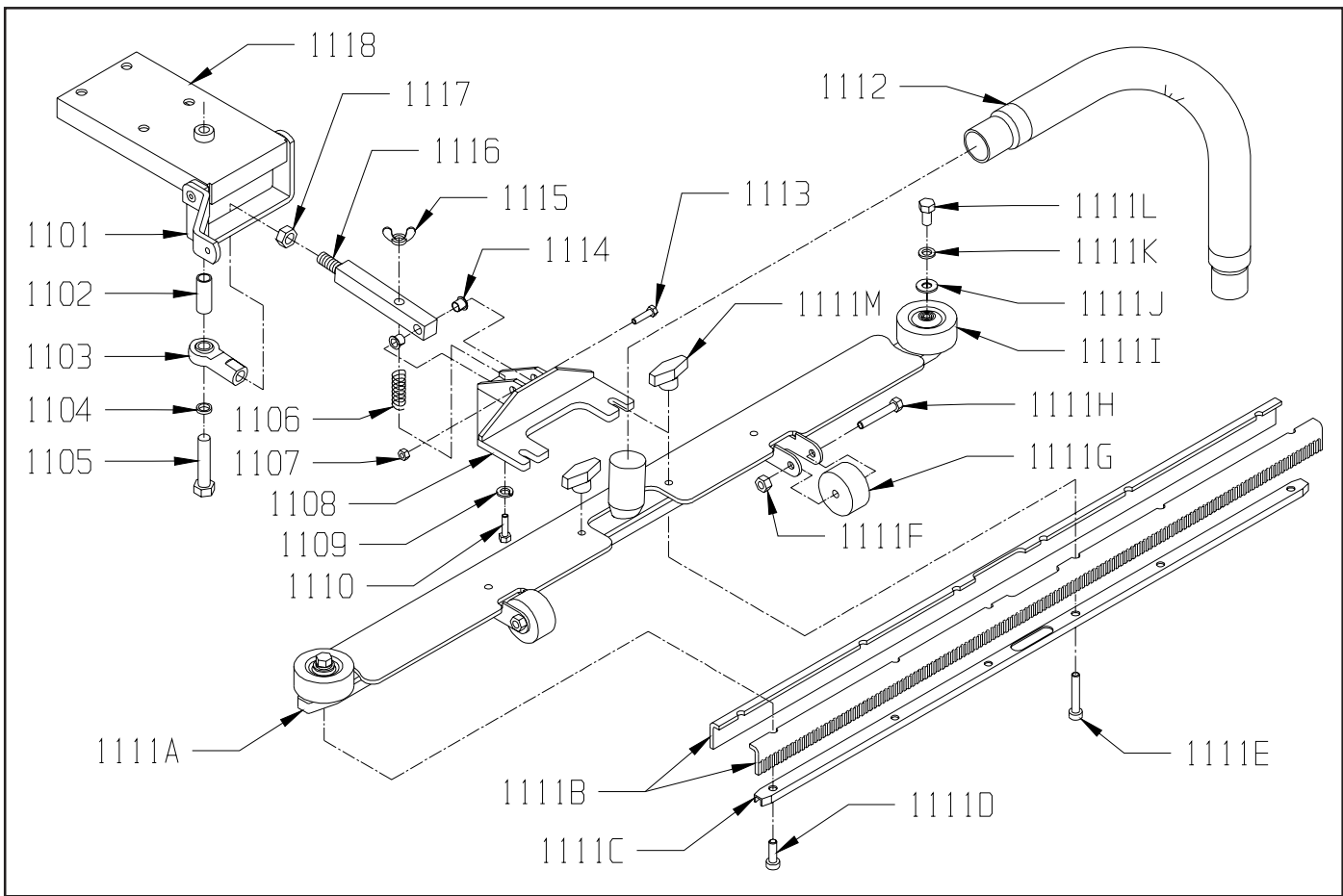


<b>ITEM</b>	<b>PART NO.</b>	<b>DESCRIPTION</b>	<b>QTY.</b>
1001	9120930	9/32 I.D. X 5/8 O.D. X .051/.080 THICK FLAT WASHER (1/4) - PACK OF 10	5
1002	9120880	1/4 SPLIT LOCK WASHER - PACK OF 10	5
1003	9121250	1/4-20 X 3/4 HEX BOLT - PACK OF 10	5
1004	2694031	COVER STANDOFF - CURTIS	2
1005	2694121	25 AMP CIRCUIT BREAKER	3
1006	2490891	15 AMP CIRCUIT BREAKER	1
1007	9121210	1/4-20 X 5/8 HEX BOLT - PACK OF 10	4
1008	9120880	1/4 SPLIT LOCK WASHER - PACK OF 10	4
1009	2792241	SILICON RECTIFIER	2
1010	2391351	SOLENOID - 24VOLT	2
1011	9121210	1/4-20 X 5/8 HEX BOLT - PACK OF 10	1
1012	9120970	1/4 EXTERNAL STAR LOCK WASHER - PACK OF 10	1
1013	4490561	INSULATED STANDOFF	1
1014	2491293	REAR COVER PANEL - OBC	1
1015	9120930	9/32 I.D. X 5/8 O.D. X .051/.080 THICK FLAT WASHER (1/4) - PACK OF 10	6
1016	9120880	1/4 SPLIT LOCK WASHER - PACK OF 10	6
1017	9121170	1/4-20 X 1/2 HEX BOLT - PACK OF 10	6
1018	9121210	1/4-20 X 5/8 HEX BOLT - PACK OF 10	1
1019	9120880	1/4 SPLIT LOCK WASHER - PACK OF 10	1
1020	9121000	1/4-20 X 5/8 TRUSS HEAD PHILLIPS MACHINE SCREW - PACK OF 5	4
1021	9120970	1/4 EXTERNAL STAR LOCK WASHER - PACK OF 10	4
1022	4890851	CABLE CLAMP, #COV-090 KMC	1
1023	9120085	M3.5 X 19 PAN HEAD PHILLIPS SHEET METAL SCREW	2
1024	2491283	CORD WRAP - OBC	1
1025	4890851	CABLE CLAMP, #COV-090 KMC	1
1026	2491271	ONBOARD CHARGER 24 VOLT 21 AMP - INCLUDES:	1
1026A	2491311	REPLACEMENT AC CORD AND PANEL ASSEMBLY	1
1027	6495701	120 VOLT ONBOARD CHARGER CORD	1
1027	6495711	240 VOLT ONBOARD CHARGER CORD	1
1028	9121400	3/8 I.D. X 7/8 O.D. X .064/.104 THICK WROUGHT WASHER (5/16)-PACK OF 10	4
1029	6495741	3AG FAST-ACTING FUSE 4 AMP	1
1030	4990321	FUSE HOLDER WITH NUT AND WASHER	1
1031	2491301	COLOR DECAL KIT - REAR COVER PANEL	1
1032	2795711	KEY SWITCH AND KEY - OPTIONAL - INCLUDES:	1
1032A	2796131	REPLACEMENT KEY	1
1033	2490821	SPEED CONTROL - CURTIS - 24VOLT	1
1034	2694021	SPEED CONTROL COVER - CURTIS	1
1035	9120190	8-32 HEX NUT WITH STAR LOCK WASHER - PACK OF 10	2
1036	9121000	1/4-20 X 5/8 TRUSS HEAD PHILLIPS MACHINE SCREW - PACK OF 5	1
1037	9120930	9/32 I.D. X 5/8 O.D. X .051/.080 THICK FLAT WASHER (1/4) - PACK OF 10	1
1038	9121000	1/4-20 X 5/8 TRUSS HEAD PHILLIPS MACHINE SCREW - PACK OF 5	1
1039	9120930	9/32 I.D. X 5/8 O.D. X .051/.080 THICK FLAT WASHER (1/4) - PACK OF 10	1
1040	4896141	STRAP - TANK SUPPORT	1
1041	9120930	9/32 I.D. X 5/8 O.D. X .051/.080 THICK FLAT WASHER (1/4) - PACK OF 10	1
1042	9120900	1/4-20 HEX NUT WITH NY-LOK INSERT - PACK OF 10	1
1043	2491301	COLOR DECAL KIT - WIRING DIAGRAM	1
1044	9121990	3/8-16 HEX JAM NUT - PACK OF 10	2
1045	9122100	3/8 SPLIT LOCK WASHER - PACK OF 10	2
1046	9121980	7/16 I.D. X 1 O.D. X .075/.080 THICK FLAT WASHER (3/8) - PACK OF 2	2
1047	2692691	CONTROL PANEL	1
1048	9122353	3/8-16 X 3 SET SCREW - PACK OF 1	2
1049	2397361	HOUR METER - INCLUDES THE CLIP	1

# REAR COVER PANEL ASSEMBLY

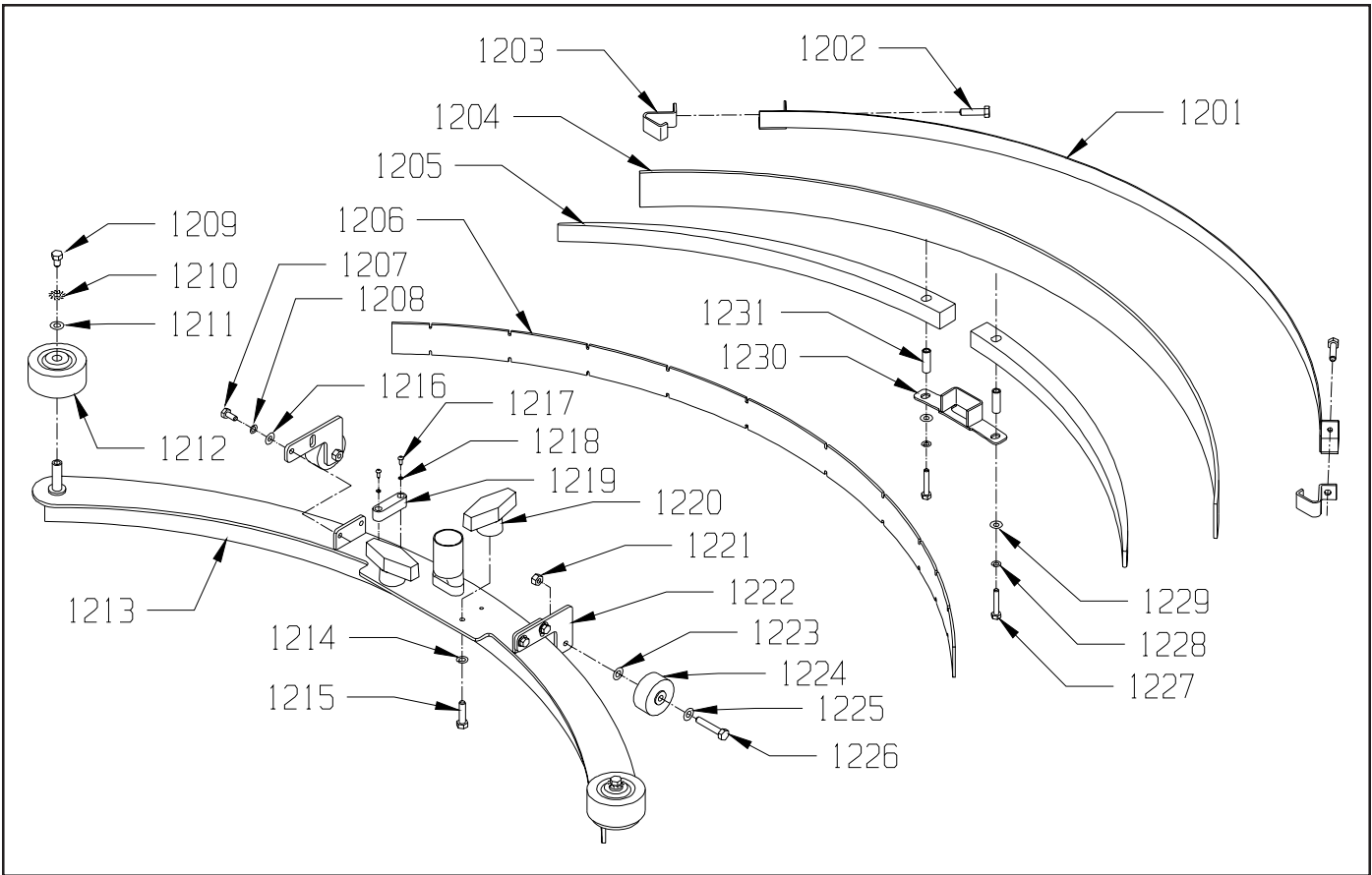


## SQUEEGEE ASSEMBLY



<b>ITEM</b>	<b>PART NO.</b>	<b>DESCRIPTION</b>	<b>QTY.</b>
1101	2490751	SQUEEGEE LIFT	1
1102	2490591	SQUEEGEE PIVOT SPACER	1
1103	2391941	BALL JOINT	1
1104	1090981	SWITCH GUARD SPACER	1
1105	9122660	1/2-13 X 3 HEX BOLT WITH NYLON PATCH - PACK OF 1	1
1106	3695581	HEIGHT ADJUSTING SPRING	1
1107	9122140	3/8-16 HEX NUT WITH NY-LOK INSERT - PACK OF 5	1
1108	2490761	SQUEEGEE MOUNT BRACKET	1
1109	9121520	5/16 SPLIT LOCK WASHER - PACK OF 10	1
1110	9121840	5/16-18 X 2 1/4 FULL THREADED HEX BOLT - PACK OF 1	1
1111	2692539	SQUEEGEE ASSEMBLY 27" - INCLUDES	1
1111A	2692523	SQUEEGEE OUTER CHANNEL 27"	1
1111B	2791061	SQUEEGEE BLADE - 27" SET OF 2	1
1111C	2692533	SQUEEGEE INNER CHANNEL 27"	1
1111D	9121880	5/16-18 X 3/4 SOCKET HEAD CAP SCREW - PACK OF 2	4
1111E	9121920	5/16-18 X 1 1/2 SOCKET HEAD CAP SCREW - PACK OF 2	2
1111F	9121450	5/16-18 HEX NUT WITH NY-LOK INSERT - PACK OF 5	2
1111G	3096741	ROLLER WHEEL	2
1111H	9121640	5/16-18 X 3/4 HEX BOLT - PACK OF 5	2
1111I	2790281	3" BUMPER WHEEL	2
1111J	9121390	11/32 I.D. X 11/16 O.D. X .051/.080 THICK SAE FLAT WASHER (5/16) - PACK OF 10	2
1111K	9121410	5/16 EXTERNAL STAR LOCK WASHER - PACK OF 10	2
1111L	9121560	5/16-18 X 1/2 HEX BOLT - PACK OF 5	2
1111M	3392971	T - KNOB - SQUEEGEE	2
1112	2690591	SQUEEGEE VAC HOSE WITH CUFFS	1
1113	9122340	3/8-16 X 2 HEX BOLT - PACK OF 2	1
1114	1391171	3/8 FLANGE NYLINER	2
1115	9121440	5/16-18 WING NUT - PACK OF 2	1
1116	1390156	SQUEEGEE PIVOT ROD	1
1117	9122670	1/2-20 HEX JAM NUT - PACK OF 5	1
1118	2490741	SQUEEGEE PIVOT BRACKET	1

# CURVED SQUEEGEE ASSEMBLY

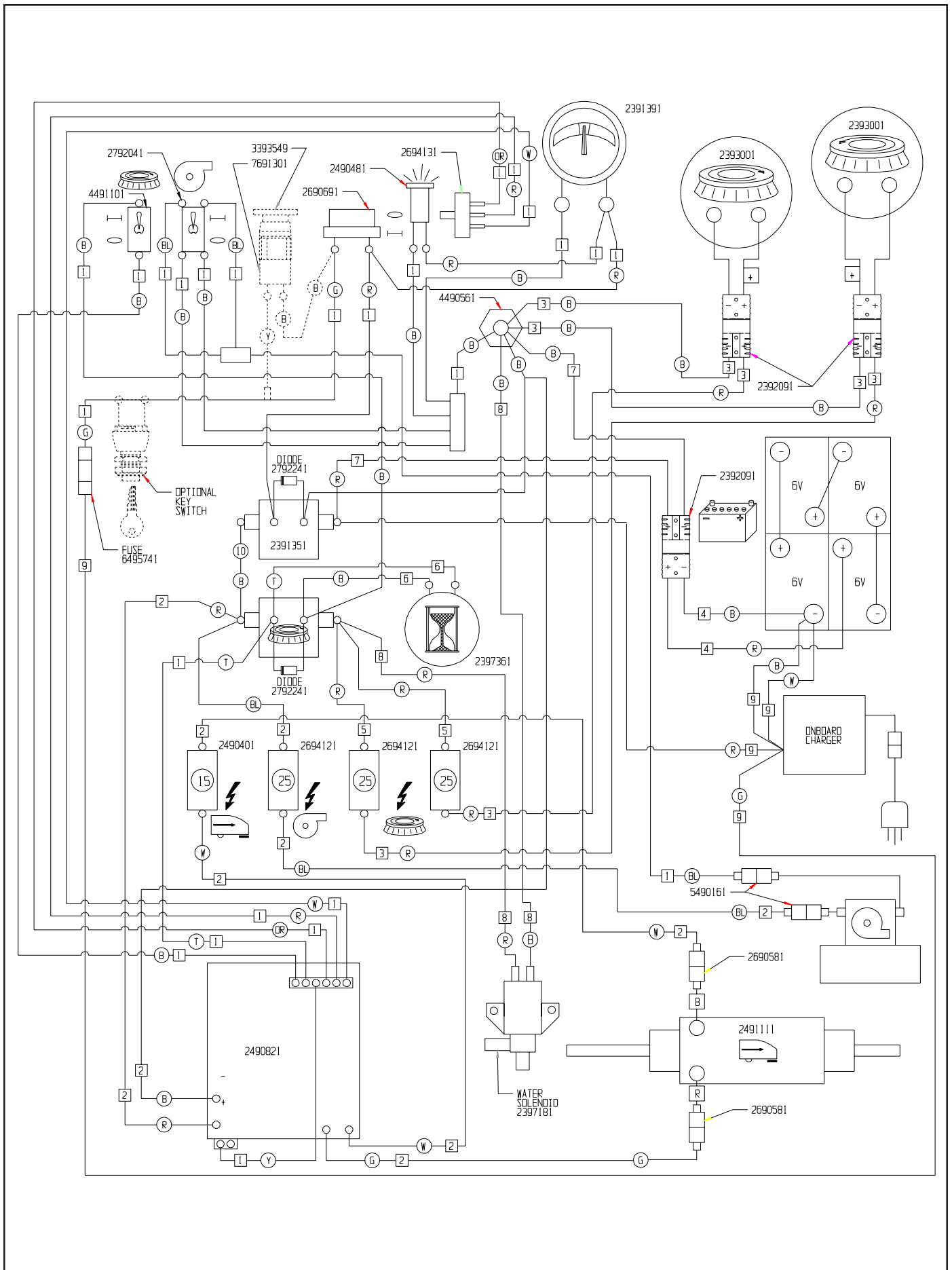


<u>ITEM</u>	<u>PART NO.</u>	<u>DESCRIPTION</u>	<u>QTY.</u>
	2492499	CURVED SQUEEGEE ASSEMBLY - INCLUDES:	1
1201	2492551	REAR SECURING STRAP	1
1202	9121720	5/16-18 X 1 1/4 FULL THREADED HEX HEAD BOLT - PACK OF 2	2
1203	2492561	HOOKED END	2
1204	2492531	REAR BLADE	1
1205	2492511	CENTER WEDGE	2
1206	2492521	FRONT BLADE	1
1207	9121210	1/4-20 X 5/8 HEX BOLT - PACK OF 10	4
1208	9120880	1/4 SPLIT LOCK WASHER - PACK OF 10	4
1209	9121560	5/16-18 X 1/2 HEX BOLT - PACK OF 5	2
1210	9121410	5/16 EXTERNAL STAR LOCK WASHER - PACK OF 10	2
1211	9121390	11/32 I.D. X 11/16 O.D. X .051/.080 THICK SAE FLAT WASHER (5/16) - PACK OF 10	2
1212	2790281	BUMPER WHEEL	2
1213	2492503	MAIN HOUSING	1
1214	9121520	5/16 SPLIT LOCK WASHER - PACK OF 10	2
1215	9121720	5/16-18 X 1 1/4 FULL THREADED HEX HEAD BOLT - PACK OF 2	2
1216	9120930	9/32 I.D. X 5/8 O.D. X .051/.080 THICK SAE FLAT WASHER (1/4) - PACK OF 10	4
1217	9120070	6-32 X 3/8 ROUND HEAD PHILLIPS MACHINE SCREW - PACK OF 10	2
1218	9120030	6 SPLIT LOCK WASHER - PACK OF 10	2
1219	2492581	SQUEEGEE LEVEL	1
1220	3392971	T- KNOB - SQUEEGEE	2
1221	9121450	5/16-18 HEX NUT WITH NY-LOK INSERT - PACK OF 5	2
1222	2492571	DOLLY WHEEL MOUNTING BRACKET	2
1223	9121390	11/32 I.D. X 11/16 O.D. X .051/.080 THICK SAE FLAT WASHER (5/16) - PACK OF 10	2
1224	3096741	ROLLER WHEEL	2
1225	9121390	11/32 I.D. X 11/16 O.D. X .051/.080 THICK SAE FLAT WASHER (5/16) - PACK OF 10	2
1226	9121760	5/16-18 X 1 3/4 HEX BOLT - PACK OF 2	2
1227	9121280	1/4-20 X 1 1/2 HEX BOLT - PACK OF 5	2
1228	9120880	1/4 SPLIT LOCK WASHER - PACK OF 10	2
1229	9120930	9/32 I.D. X 5/8 O.D. X .051/.080 THICK SAE FLAT WASHER (1/4) - PACK OF 10	2
1230	2492541	CENTER HOLD DOWN	1
1231	2492591	CENTER HOLD DOWN SPACER	2



<b>ITEM</b>	<b>PART NO.</b>	<b>DESCRIPTION</b>	<b>QTY.</b>
1	2491321	UPPER WIRING HARNESS - OBC	1
2	2694171	LOWER WIRING HARNESS	1
3	2490811	BRUSH MOTOR WIRE ASSEMBLY	1
4	2396141	WIRE ASSEMBLY ANDERSON TO POSITIVE / NEGATIVE BATTERY	1
5	2694181	POSITIVE BRUSH JUMPER	1
6	2490991	WIRE ASSEMBLY - HOUR METER	1
7	2396151	WIRE ASSEMBLY ANDERSON TO SOLENOID/STANDOFF	1
8	2491001	WIRE ASSEMBLY - WATER SOLENOID	1
9	2491271	24 VOLT ONBOARD CHARGER	1
10	2792141	WIRE #6 X 6"	1
97	2391981	BATTERY JUMPER 3/8 RING	3
—	2391351	CONTACTOR, 24 VOLT	2
—	2391391	BATTERY METER WITH HARDWARE	1
—	2391901	CHARGER PLUG ONLY - RED 24 VOLT	6
—	2393001	GEAR MOTOR - 3/4 HP 24 VOLT DC	2
—	2395571	VAC MOTOR - 24 VOLT - 3 STAGE	1
—	2397181	WATER SOLENOID 24 VOLT	1
—	2397361	HOUR METER	1
—	2490481	GREEN INDICATOR LIGHT - 24 VOLT WITH CLIP	1
—	2490821	SPEED CONTROL - CURTIS - 24 VOLT	1
—	2490891	15 AMP CIRCUIT BREAKER	1
—	2490961	#6 RING TERMINAL 18-22 GAGE OPTIONAL WITH KEY SWITCH	2
—	2490991	WIRE ASSEMBLY HOUR METER	1
—	2491111	TRANSAXLE - 24"	1
—	2690581	1/4 MALE SPADE TERMINAL FULLY INSULATED 10-12 GAGE	2
—	2690691	MASTER SWITCH	1
—	2692661	WIRE, JUMPER TO EMERGENCY STOP	1
—	2692671	WIRE, EMERGENCY STOP TO MASTER	1
—	2694121	25 AMP CIRCUIT BREAKER	3
—	2694131	POTENTIOMETER	1
—	2792041	TOGGLE SWITCH	1
—	2792241	SILICON RECTIFIER	2
—	2690529	KEY SWITCH KIT (OPTIONAL)	-
—	2795739	HOUR METER KIT (SERVICE OPTION)	-
—	3393549	EMERGENCY STOP KIT (OPTIONAL)	-
—	4490561	INSULATED STANDOFF	1
—	4491101	TOGGLE SWITCH	1
—	4990321	FUSE HOLDER WITH NUT AND WASHER	1
—	5490161	FULLY INSULATED FEMALE TERMINAL 14-16 GAGE	2
—	6495701	120 VOLT ONBOARD CHARGER CORD	1
—	6495711	240 VOLT ONBOARD CHARGER CORD	1
—	6495741	3AG FAST-ACTING FUSE 4 AMP	1
—	7691301	EMERGENCY STOP BLOCK (OPTIONAL)	-

# ELECTRICAL WIRING DIAGRAM



## ACCESSORIES

### PAD DRIVER AND BRUSHES

2694491 13" POLY BACK TUFT PAD DRIVER  
2694481 13" POLY BACK SCRUB GRIT BRUSH  
2694511 13" BRUSH - NYLON  
2694521 13" BRUSH - NYLOGRIT

### BURNISHING FLOOR PADS

7991341 NSS 13" UHS CLEANBUFF PAD (CASE OF 5)  
7991351 NSS 13" LITE BLUE SOFT FINNISH PAD (CASE OF 5)

### SCRUBBING FLOOR PADS

7991321 NSS 13" GREEN SCRUB PAD (CASE OF 5)  
7991331 NSS 13" BLUE SCRUB PAD (CASE OF 5)  
7991301 NSS 13" BLACK STRIP PAD (CASE OF 5)

### PAD CUP

5990731 SPRING CLIP PAD HOLDER SET - INCLUDES:  
9120506 8 X 5/8 PAN HEAD SHEET METAL SCREW 3

### BATTERIES

3390361 6 VOLT BATTERY - 225 AMP/HR - WET  
3390951 6 VOLT BATTERY - 225 AMP/HR - DRY  
6491931 6 VOLT BATTERY - 180 AMP/HR - GEL

### TOOL KITS

2392129 WET PICKUP KIT - INCLUDES:  
2291211 5" CONNECTOR - ALUMINUM  
2391231 VACUUM HOSE - 7 FOOT  
5797011 TOOL - SQUEEGEE WITH WHEELS - 15"  
5790469 STEEL WAND - 2 PIECE  
2391241 HOSE STRAP  
9997550 VELCRO HOOK  
9997560 VELCRO LOOP

2392179 BRUSH / SQUEEGEE KIT - INCLUDES:  
2291211 5" CONNECTOR - ALUMINUM  
2290209 STEEL WAND - 1 PIECE  
2391231 VACUUM HOSE - 7 FOOT  
3097849 14" BRUSH / SQUEEGEE TOOL



### **NSS ® Enterprises, Inc.**

3115 Frenchmens Road, Toledo, Ohio 43607  
PHONE (419) 531-2121 FAX (419) 531-3761  
NSS ® Enterprises, Inc. European Distribution Centre  
Unit II, Pinfold Trading Estate \* 55 Nottingham Road  
STAPLEFORD, NOTTINGHAM NG9 8AD ENGLAND U.K.  
PHONE: (44) 0115 939 1568 \* FAX: (44) 0115 949 0615