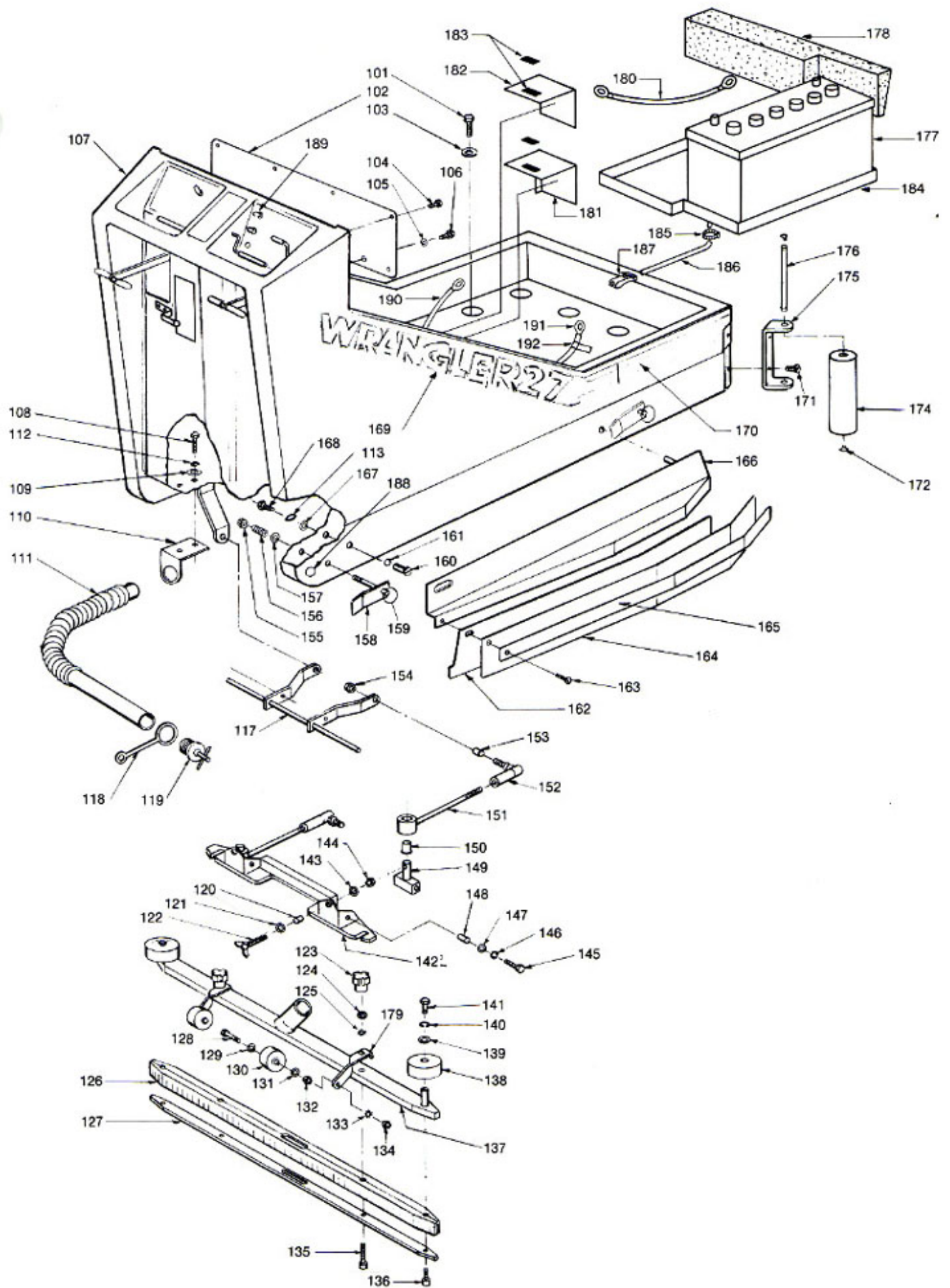


Wrangler 27, Drawing #1

Item No.	Part No.	Part Name	Qty. Req'd.	Item No.	Part No.	Part Name	Qty. Req'd.
101		3/8-16 x 1 Hex Bolt	7	157		1/2 Flat Washer	4
102	27-9-086-3	Switch Panel	1	158	27-9-052-1	Latch	4
103		3/8 Fender Washer (1 1/2 o.d.)	7	159	10-9-980-1	Key Ring	4
104		#10 x 3/8 Pan Hd. Philips Type 25	6	160	27-9-057-6	Rear Skirt Pin	2
105		5/16 Flat Washer	3	161	50-9-170-1	Retaining Ring	2
106		5/16-18 x 3/4 Hex Bolt	3	162	27-9-067-1	Urethane Side Wiper	2
107	27-9-001-1	Chassis Housing	1	163		10-24 x 3/8 Round Hd. Philips Screw	16
108		1/4-20 x 5/8 Hex Bolt	2	164	27-9-058-1	Splash Guard	2
109		1/4 Flat Washer	2	165	27-9-059-1	Retainer Strap	2
110	27-9-180-6	Drain Hose Bracket	1	166	27-9-050-3	Left Skirt Only	1
111	27-9-187-1	Drain Hose, Recovery Tank	1	166	27-9-051-3	Right Skirt Only	1
112		1/4 Lock Washer	2	167		1/4 Flat Washer 3/4 OD	2
113		1/4 Lock Washer	2	168		1/4-20 x 1 1/4 Hex Bolt	2
117	27-9-113-6	Squeegee Lift Bracket	1	169	27-9-198-1	Left Wrangler Label	1
118	27-9-188-1	Plug Strap	1	169	27-9-199-1	Right Wrangler Label	1
119	27-9-562-1	Drain Plug, Recovery Tank	1	170	27-9-200-1	Front Body Stripe	5.5 ft
120	27-9-128-6	Bushing Spacer	2	171		3/8-16 x 3/4 Flat Head Screw	4
121		1/4 Flat Washer (SAE)	2	172	50-9-170-1	Retaining Ring	4
122	27-9-590-1	1/4-20 x 1 3/4 Thumbscrew, S/S	2	174	27-9-024-1	Bumper Roller	2
123	27-9-100-2	Squeegee Knob	2	175	27-9-565-3	Bumper Roller Bracket	2
124		5/16-18 Hex Nut	2	176	27-9-566-6	Bumper Roller Axle	2
125		5/16 Ext. Star Lock Washer	2	177	44-9-106-1	12 Volt Battery	3
126	27-9-106-1	Squeegee Blade	1	178	27-9-182-1	Battery Block	1
127	27-9-105-3	Inner Channel	1	179	27-9-099-6	Squeegee Roller Bracket	2
128		5/16-18 x 2 Hex Bolt	2	180	23-9-198-1	Battery Jumper Cable w/Ring Term.	2
129		5/16 Flat Washer	2	181	27-9-582-1	Right Brush Motor Shield	1
130	30-9-674-1	Wheel	2	182	27-9-583-1	Left Brush Motor Shield	1
131		5/16 Flat Washer	2	183	99-9-755-0	Velcro Hook	.5 ft.
132		5/16-18 Hex Nut	2		99-9-756-0	Velcro Loop	.5 ft.
133		5/16 Ext. Star Lock Washer	2	184	27-9-563-9	Battery Tray Ass'y.	1
134		5/16-18 Hex Nut	2	185	36-9-018-1	Hose Clamp	1
135		5/16-18 x 1 1/2 Socket Cap Screw - S/S	2	186	87-9-115-0	Battery Tray Drain Tube	.8 ft.
136		5/16-18 x 3/4 Socket Cap Screw - S/S	2	187	33-9-066-1	Drain Tube Control Valve	1
137	27-9-101-3	Squeegee Housing	1	188	06-9-076-1	Plug Button	1
138	27-9-028-1	Bumper Wheel	2	189	06-9-314-1	Rubber Switch Boot	1
139		5/16 Flat Washer	2	190	27-9-615-1	Negative Battery Cable, Black	1
140		5/16 Lock Washer	2	191	27-9-616-1	Positive Battery Cable, Red	1
141		5/16-18 x 1/2 Hex Bolt	2	192	23-9-276-1	Battery Terminal Warning Label	1
142	27-9-125-6	Squeegee Mount	1				
143		1/4 Flat Washer (SAE)	2	ASSEMBLIES			
144		1/4-20 Jam Nut	2	137	27-9-259-9	Squeegee Assembly	1
145		1/4-20 x 3/4 Hex Bolt	4	166	27-9-050-9	Left Skirt Assembly	1
146		1/4 Lock Washer	4	166	27-9-051-9	Right Skirt Assembly	1
147		1/4 Flat Washer	4				
148	27-9-128-6	Bushing Spacer	4				
149	27-9-130-1	Pivot Block	2				
150	27-9-137-1	Flange Bearing	2				
151	27-9-134-9	Pivot Arm Ass'y. w/Bearing	2				
152	27-9-138-1	Ball Joint	2				
153	27-9-075-6	Bushing Spacer	2				
154		1/2-20 Hex Nut	2				
155	27-9-556-1	1/2-13 Hex Lock Nut, Thin	4				
156	27-9-056-1	Latch Spring	4				

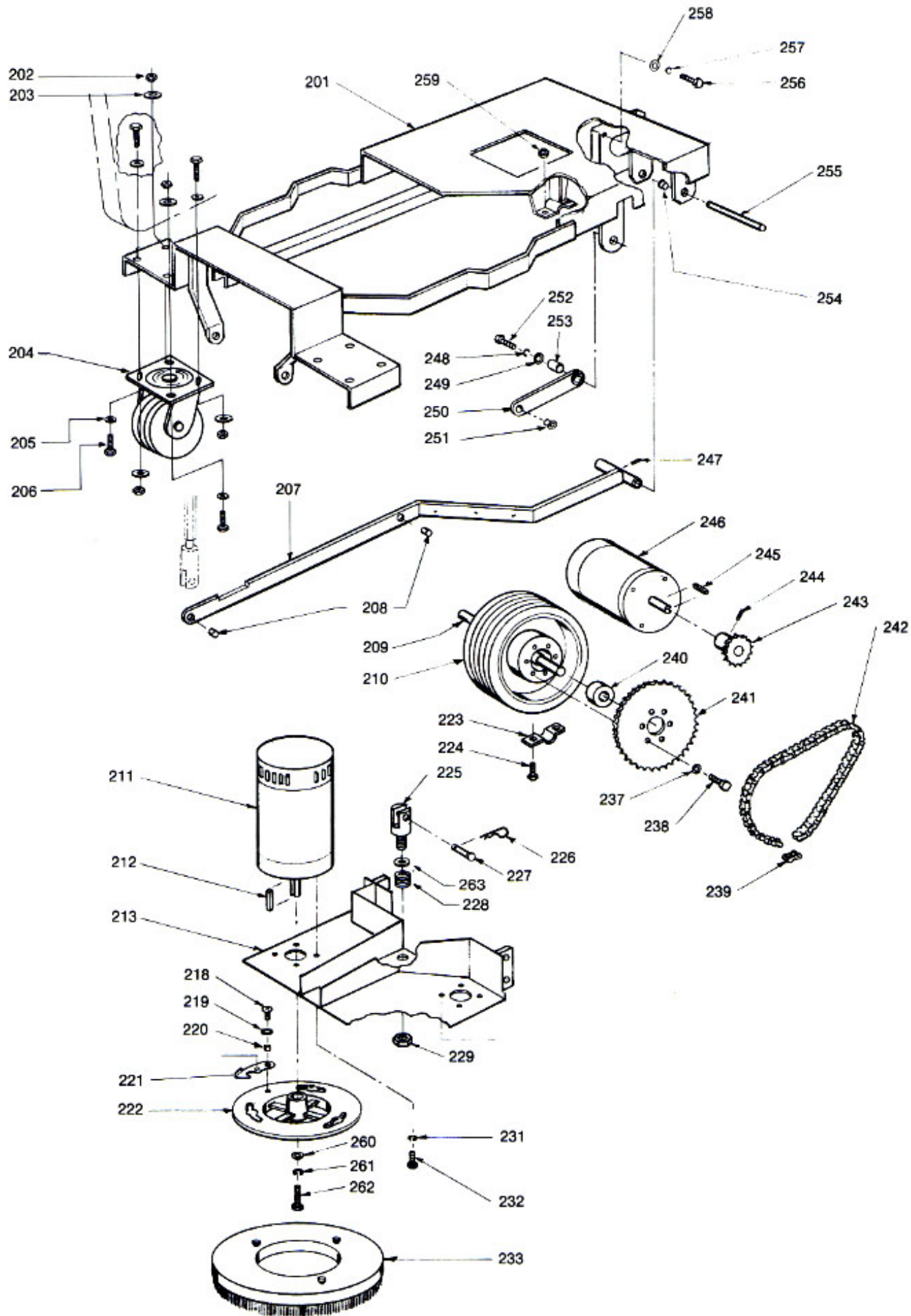
(Note: Item #137 includes the following Item Numbers: 123, 124, 125, 126, 127, 128, 129, 130, 131, 132, 133, 134, 135, 136, 137, 138, 139, 140, 141 and 179).

(Note: Item #166 includes the following Item Numbers: #162, 163, 164, 165 and 166).



Wrangler 27, Drawing #2

Item No.	Part No.	Part Name	Qty. Req'd.	Item No.	Part No.	Part Name	Qty. Req'd.
201	27-9-035-3	Base Plate	1	27-9-570-1	Replacement Face w/Foam Cushion, 12½ Diam.	1	
202	-----	¾-16 Hex Nut	8	27-9-597-1	Replacement Face w/Foam Cushion, 13½ Diam.	1	
203	-----	¾ Flat Washer	8	27-9-569-1	Drive Lugs w/Mount Screws (pkg of 3)	1	
204	44-9-050-1	Caster	2	52-9-768-1	Pad Holding Cup, Male (center lock)	1	
	44-9-039-1	Caster Wheel Only, w/bearing		52-9-769-1	Pad Holding Base, Female (center lock base)	1	
205	-----	¾ Flat Washer	8	27-9-568-1	Mounting Screws For Base (pkg. of 3)	1	
206	-----	¾-16 x 1¼ Hex Bolt, S/S	8	237	-----	5/16 Lock Washer	6
207	27-9-070-3	Lift Arm	1	238	-----	5/16-18 x 1 Hex Bolt, S/S	6
208	27-9-075-6	Bushing Spacer	2	239	27-9-521-1	Master Link	1
209	27-9-030-2	Drive Wheel Axle	1	240	27-9-031-1	Ball Bearing	2
210	27-9-007-1	Drive Wheel, 10"	1	241	27-9-033-6	Wheel Sprocket	1
	27-9-007-9	Drive Wheel Ass'y, incl, #209, 210, 240		242	27-9-034-1	Chain, Includes #239	1
211	27-9-008-1	Brush Motor	2	243	27-9-032-6	Motor Sprocket Includes Set Screws	1
212	27-9-268-1	Motor Key ¼ x ¼ x 1	1	244	-----	5/16-18 x ¾ Set Screw	2
218	-----	¼-20 x ½ Truss Hd. Phillips Screw	2	245	27-9-268-1	Motor Key ¼ x ¼ x 1	1
219	44-9-062-1	¾ Spring Washer	2	246	27-9-010-1	Drive Motor	1
220	27-9-128-6	Bushing Spacer	2	247	-----	5/16-18 x ¾ Set Screw	1
221	27-9-021-6	Brush Plate Latch	2	248	-----	½ Lock Washer	8
222	27-9-020-2	Drive Plate Only	2	249	-----	½ Flat Washer	8
	27-9-248-9	Right Brush Drive Ass'y.	1	250	27-9-074-9	Lift Arm Ass'y. w/Flange Bearing	4
	27-9-249-9	Left Brush Drive Ass'y.	1	251	27-9-076-1	Flange Bearing	8
223	27-9-043-3	Axle Clamp	2	252	27-9-046-1	½-13 x 1¼ Hex Bolt	8
224	-----	¾-16 x 1 Hex Bolt, S/S	4	253	27-9-075-6	Bushing Spacer	8
225	27-9-090-6	Clevis	1	254	27-9-076-1	Flange Bearing	2
226	27-9-097-1	Hair Spring Cotter Pin	1	255	27-9-073-6	Lift Arm Pin	1
227	27-9-096-1	Clevis Pin ½ x 1½	1	256	-----	¼-20 x 1 Hex Bolt, S/S	4
228	27-9-595-1	Brush Pressure Spring	1	257	-----	¼ Lock Washer	4
229	-----	¾-11 Hex Lock Nut	1	258	-----	¼ Flat Washer	4
231	-----	¼ Split Lock Washer, S/S	8	259	-----	¾-16 Hex Lock Nut	4
232	-----	¼-20 x 1 Hex Bolt, S/S	8	260	-----	5/16 Flat Washer	2
233	27-9-250-1	Bassine Brush	2	261	-----	5/16 Ext. Star Lock Washer	2
	27-9-251-1	Nylon Brush	2	262	-----	5/16-18 x ¾ Hex Bolt	2
	27-9-253-1	Wire Brush	2	263	27-9-596-1	Brush Pressure Washer	1
	27-9-252-1	Nylo Grit Brush	2				
	27-9-254-1	Foam Block Pad Driver w/bristles	2				
	27-9-523-1	Replacement (Pad Holding) Split Ring Only for 27-9-254-1	2				
	27-9-524-1	Replacement Pad Holder, Includes Screws for 27-9-254-1	2				
	27-9-255-1	Easy Change Pad Driver	2				

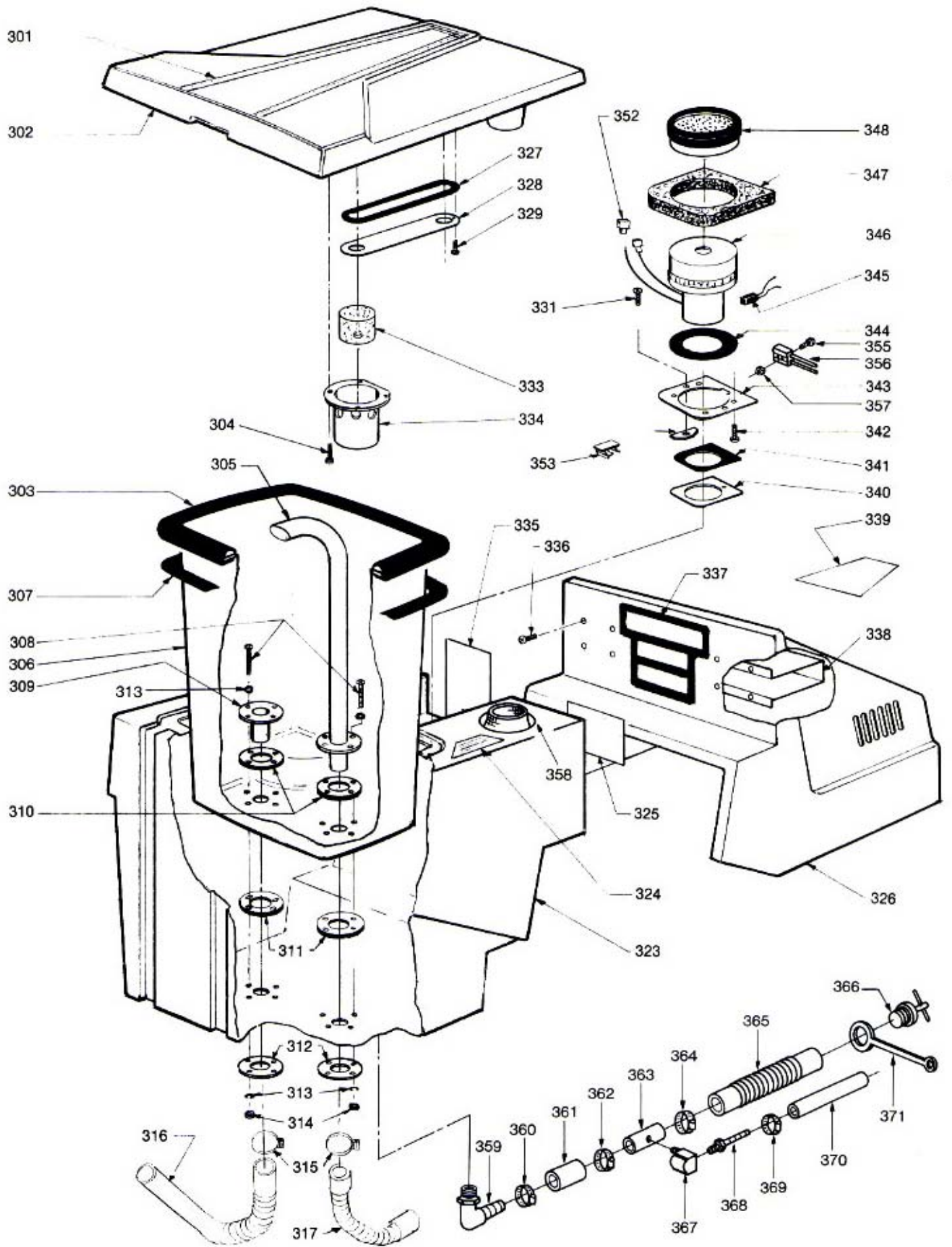


Wrangler 27, Drawing #3

Wrangler 27 300 Series Effective S/N 35H50855

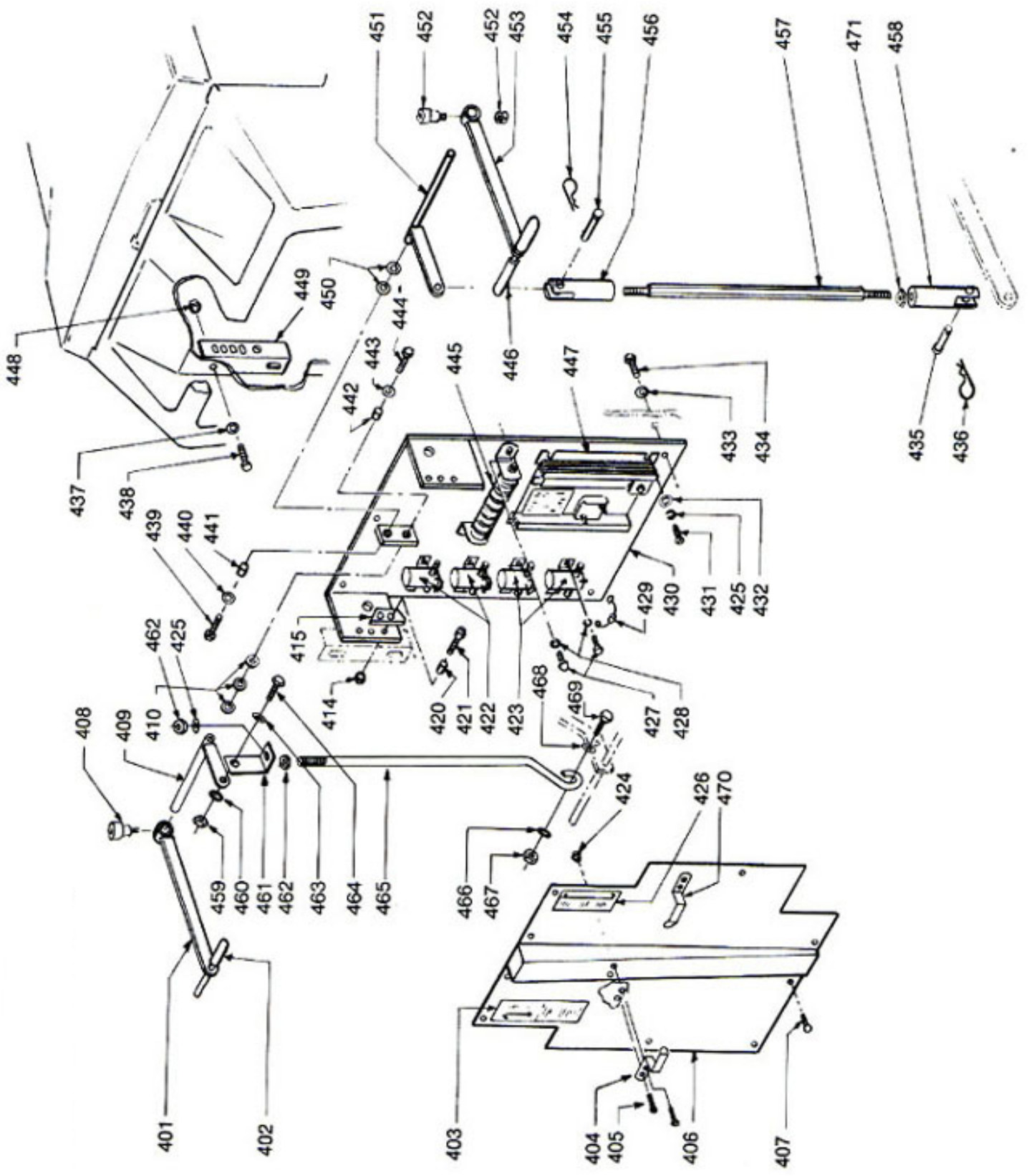
Item No.	Part No.	Part Name	Qty. Req'd.	Item No.	Part No.	Part Name	Qty. Req'd.
301	27-9-195-1	Vacuum Cover Label	1	303	27-9-577-1	Extruded Tank Gasket	1
302	27-9-005-1	Top Cover	1	318-322	-----	Obsolete	
*303	88-9-110-0	Gasket	64"	330	-----	Obsolete	
304	-----	¼-20 x ¾ Truss Hd. Philips Screw	4	332	-----	Obsolete	
305	27-9-175-3	Inlet Tube	1	348	27-9-575-9	Vac Filter w/Extruded Gasket	1
306	27-9-004-1	Recovery Tank	1	32-9-112-1		Vac Filter Only	
307	88-9-114-0	Gasket	8 ft.	27-9-575-1		Extruded Gasket Only	
308	-----	¼-20 x 2 Rd. Head Philips Screw, S/S	8	349-351	-----	Obsolete	
309	27-9-173-3	Drain Tube	1	355	-----	6-32 x 1 Round Hd. Philips Screw	2
310	27-9-171-1	Tube Gasket ½" Thick	2	356	27-9-209-1	Charger Plug Ass'y. w/Wires #61	1
311	27-9-170-1	Tube Gasket 5/16" Thick	2	44-9-190-1		Charger Plug Only	
312	27-9-172-6	Washer	2	357	-----	6-32 Hex Nut	2
313	-----	¼ Lock Washer, S/S	8	358	27-9-189-9	Solution Tank Filter	2
314	-----	¼-20 Hex Nut, S/S	8	359	27-9-544-0	90° Nylon Hose Barb, 1"	1
315	36-9-562-1	Hose Clamp	2	360	23-9-214-1	Hose Clamp	1
316	27-9-187-1	Drain Hose, Recovery Tank	1	361	-----	Not Available, Cut 2" from #365	
317	27-9-029-9	Squeegee Vac Hose Ass'y.	1	362	23-9-214-1	Hose Clamp	1
*318	15-9-165-1	¼ Pipe Nipple	1	363	27-9-587-1	Solution Pipe	1
*319	27-9-184-1	Washer	1	364	23-9-214-1	Hose Clamp	1
*320	27-9-185-1	Rubber Washer	1	365	27-9-541-1	Solution Drain Hose	1
*321	27-9-184-1	Washer	1	366	27-9-542-1	Solution Drain Plug, 1"	1
*322	27-9-183-1	¼ NPT Lock Nut	1	367	27-9-585-1	Brass Elbow 90° x ¼ NPT	1
323	27-9-003-1	Solution Tank	1	368	33-9-047-1	Brass Hose Barb ¼ NPT x ½	1
324	27-9-190-1	Clean Water Label	1	369	27-9-584-1	Hose Clamp	1
325	27-9-194-1	Battery & Charger Label	1	370	87-9-113-0	½" Solution Hose	2 ft.
326	27-9-002-1	Battery Cover		371	27-9-549-1	Plug Strap, 1 "	1
327	27-9-015-1	Gasket, Vacuum Chamber	1	**	27-9-589-9	Drain Hose Ass'y., Incl. #359-#370	1
328	27-9-016-6	Vacuum Chamber Plate	1				
329	-----	10-24 x ½ Flat Head Philips Screw	6				
*330	88-9-110-0	Gasket	2 ft.				
331	-----	¼-20 x 1 Hex Bolt, S/S	2				
*332	-----	¼ Lock Washer	2				
333	27-9-013-9	Float w/Weight	1				
334	27-9-012-1	Float Chamber	1				
335	27-9-192-1	Warning Label	1				
336		#10 x ½ Self Tapping Screw	8				
337	27-9-163-1	Hood Cover Gasket	1				
338	27-9-047-3	Air Duct	1				
339	27-9-196-1	NSS Horse Label	1				
340	27-9-161-6	Air Plate	1				
341	27-9-162-1	Gasket					
342	-----	10-24 x ⅝ Self Tapping Rd. Hd. Screw	4				
343	27-9-160-6	Mount Plate	1				
344	46-9-010-1	Gasket					
345	27-9-257-1	Carbon Brush	2				
346	27-9-009-1	Vacuum Motor - Lamb	1				
	27-9-258-9	Vacuum Motor Ass'y.	1				
347	27-9-164-1	Gasket Vacuum Exhaust	1				
*348	32-9-112-1	Vacuum Filter	1				
*349	38-9-114-1	90° Elbow	1				
*350	38-9-066-1	⅜ Hose Barb	1				
*351	87-9-107-0	⅜ Vinyl Tubing	15"				
352	54-9-017-1	Male Push On Coupler	2				
353	27-9-011-1	Wire Clip	1				

* Thru S/N 35H50854



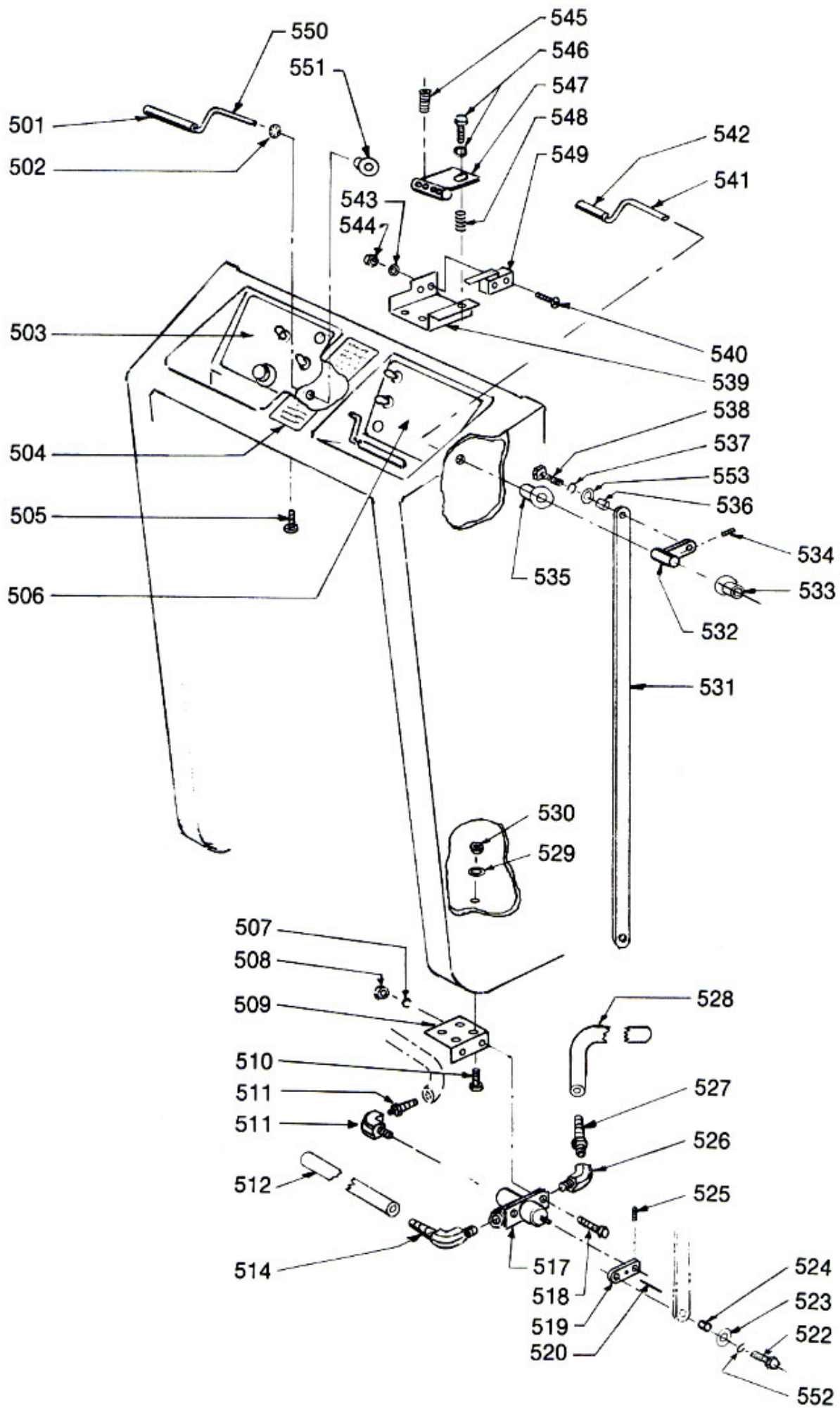
Wrangler 27, Drawing #4

Item No.	Part No.	Part Name	Qty. Req'd.
401	27-9-120-1	Lift Handle, Squeegee	1
402	27-9-269-1	Handle Grip	2
403	27-9-193-1	Squeegee Control Label	1
404	27-9-538-3	Hose Clip	1
405	-----	10-24 x 1/2 Self Tap Philips Screw	4
406	27-9-085-3	Rear Panel	1
407	-----	#10 x 5/8 Pan Hd. Philips Type 25	9
408	27-9-087-1	Shoulder Screw	1
409	27-9-110-1	Lift Shaft-Squeegee	1
410	-----	1/2 Flat Washer	3
414	-----	1/4-20 Lock Nut	2
415	27-9-084-6	Lock Plate, Squeegee	1
	33-9-046-6	Lift Block, Brush	1
420	27-9-128-6	Bushing Spacer	1
421	-----	1/4-20 x 1 Socket Head Cap Screw	3
		1/4-20 x 1 1/4 Socket Head Cap Screw	1
422	27-9-202-1	Contactactor (4 Post)	2
423	27-9-203-1	Contactactor (6 Post)	2
424	-----	10-24 Lock Nut	2
425	-----	1/4 Lock Washer	4
426	27-9-191-1	Brush Control Label	1
427	-----	1/4-20 x 3/8 Truss Hd. Philips Screw	10
428	-----	1/4 Lock Washer	10
429	27-9-224-1	Silicon Rectifier (Diode)	4
430	27-9-080-3	Control Panel	1
431	-----	10-24 x 3/8 Rd. Hd. Philips Screw	4
432	-----	#10 Flat Washer	4
433	-----	5/16 Flat Washer	8
434	-----	5/16-18 x 3/4 Hex Bolt	8
435	27-9-096-1	Clevis Pin 1/2 x 1 1/2	1
436	27-9-097-1	Hair Spring Cotter Pin	1
437	-----	1/4 Flat Washer (SAE)	4
438	-----	1/4-20 x 3/4 Hex Bolt	4
439	27-9-046-1	1/2-13 x 1 1/4 Hex Bolt	1
440	-----	1/2 Flat Washer	1
441	27-9-075-6	Bushing Spacer	1
442	27-9-075-6	Bushing Spacer	1
443	-----	1/2 Flat Washer	1
444	27-9-046-1	1/2-13 x 1 1/4 Hex Bolt	1
445	27-9-201-1	Resistor	1
446	27-9-269-1	Handle Grip	
447	27-9-006-1	Speed Control (Incl. Potentiometer)	1
448	-----	1/4-20 Lock Nut	4
449	27-9-079-3	Angle Support	2
450	-----	1/2 Flat Washer	2
451	27-9-107-1	Lift Shaft, Brush	1
452	27-9-087-1	Shoulder Screw	1
		10-24 Lock Nut	
453	27-9-120-1	Lift Handle, Brush	1
454	27-9-097-1	Hair Spring Cotter Pin	1
455	27-9-095-1	Clevis Pin 3/8 x 1 1/4	1
456	27-9-092-6	Top Clevis	1
457	27-9-094-6	Lift Rod, Brush	1
458	27-9-091-6	Lower Clevis	1
459	-----	3/8-16 Hex Nut	1
460	-----	3/8 Int. Star Lock Washer	1
461	27-9-158-1	Lift Rod Bracket	1
462	-----	1/4-20 Hex Nut	1
463	-----	3/8 Flat Washer	1
464	-----	3/8-16 x 1 Hex Bolt	1
465	27-9-157-1	Threaded Lift Rod, Squeegee	1
466	-----	3/8 Int. Star Lock Washer	1
467	-----	3/8-16 Hex Nut	1
468	-----	3/8 Flat Washer	1
469	-----	3/8-16 x 1 Hex Bolt	1
470	27-9-537-3	Hose Clip	1
471	-----	1/2-13 Hex Nut	1



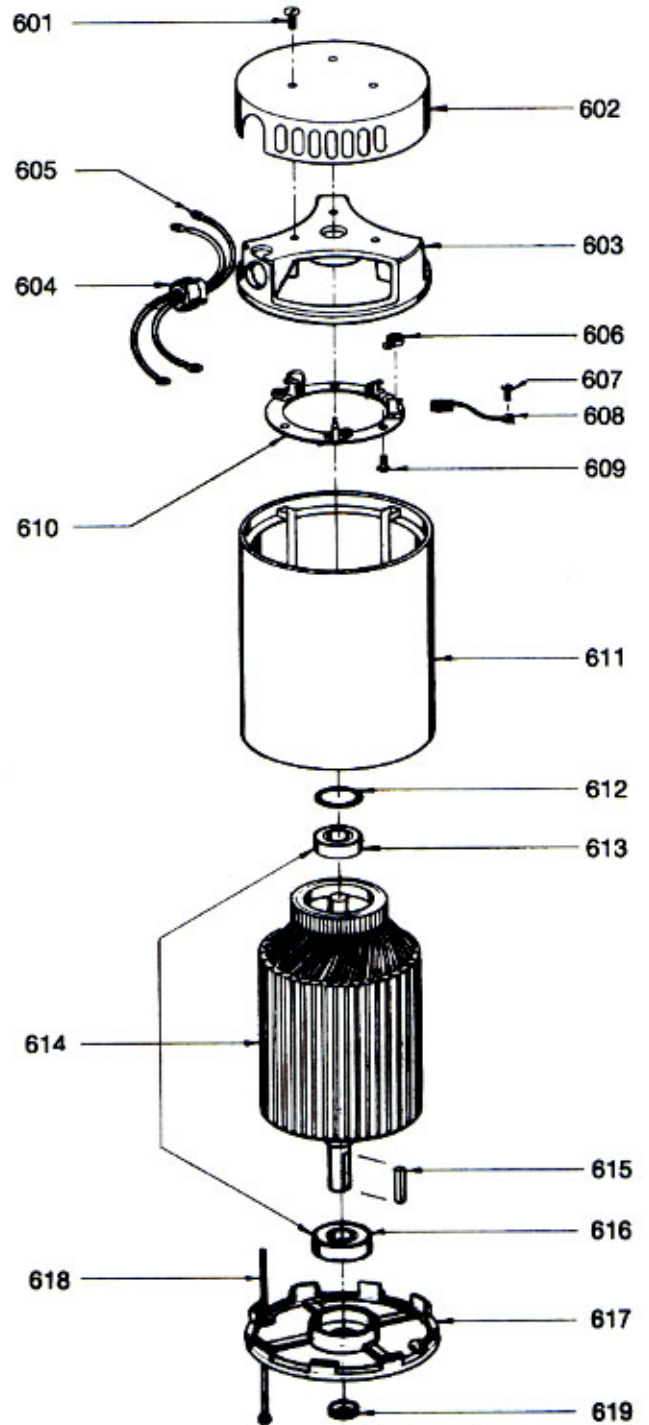
Wrangler 27, Drawing #5

Item No.	Part No.	Part Name	Qty. Req'd.
501	27-9-152-1	Grip	2
502	27-9-156-1	Retaining Ring	2
503	27-9-246-1	Left Control Label	1
504	27-9-245-1	Operating Label	1
505	-----	¼-20 x ½ Truss Hd. Philips Screw	2
506	27-9-247-1	Right Control Label	1
507	-----	¼ Lock Washer	2
508	-----	¼-20 Hex Nut	2
509	27-9-144-6	Valve Bracket	1
510	-----	¼-20 x ¾ Hex Bolt	4
511	27-9-585-1	90° Brass Elbow - ¼ NPT	1
	33-9-047-1	Brass Hose Barb, ½ x ¼ NPT	1
512	87-9-107-0	Vinyl Tubing to Left Brush	32"
514	27-9-179-1	90° Hose Barb - ¼ NPT	1
517	27-9-140-1	Solution Valve	1
518	-----	¼-20 x ⅝ Hex Bolt	2
519	27-9-141-6	Valve Lever	1
520	-----	3/16 x 1 Roll Pin	1
522	-----	¼-20 x ¾ Hex Bolt	1
523	-----	¼ Flat Washer	1
524	27-9-128-6	Bushing Spacer	1
525	-----	3/32 x ⅝ Roll Pin	1
526	27-9-586-1	45° Brass Elbow - ¼ NPT	1
527	38-9-066-1	Hose Barb x ¼ MPT	1
528	87-9-107-0	Tubing to Right Brush	21"
529	-----	¼ Flat Washer	4
530	-----	¼-20 Lock Nut	4
531	27-9-142-1	Valve Link	1
532	27-9-143-6	Valve Arm	1
533	27-9-153-2	Flang Bearing	1
534	-----	10-24 x ¾ Set Screw	1
535	27-9-153-2	Flange Bearing	1
536	27-9-128-6	Bushing Spacer	1
537	-----	¼-20 Lock Washer	1
538	-----	¼-20 x ¾ Hex Bolt	1
539	27-9-150-6	Switch Bracket	1
540	-----	6-32 x 1 Round Hd. Philips Screw	2
541	27-9-146-6	Valve Handle	1
542	27-9-147-1	Valve Handle Grip	1
543	-----	#6 External Star Washer	2
544	-----	6-32 Hex Nut	2
545	-----	¼-20 x 5/16 Set Screw	4
546	-----	⅜-16 x 20 Hex Bolt	1
Not Shown	-----	⅜ Flat Washer	1
547	27-9-154-6	Handle Mount	1
548	27-9-169-1	Spring	1
549	44-9-107-1	Switch	1
550	27-9-151-6	Switch Handle	2
551	27-9-155-2	Flange Bearing	2
552	-----	¼ Lock Washer	1
553	-----	¼ Flat Washer	1



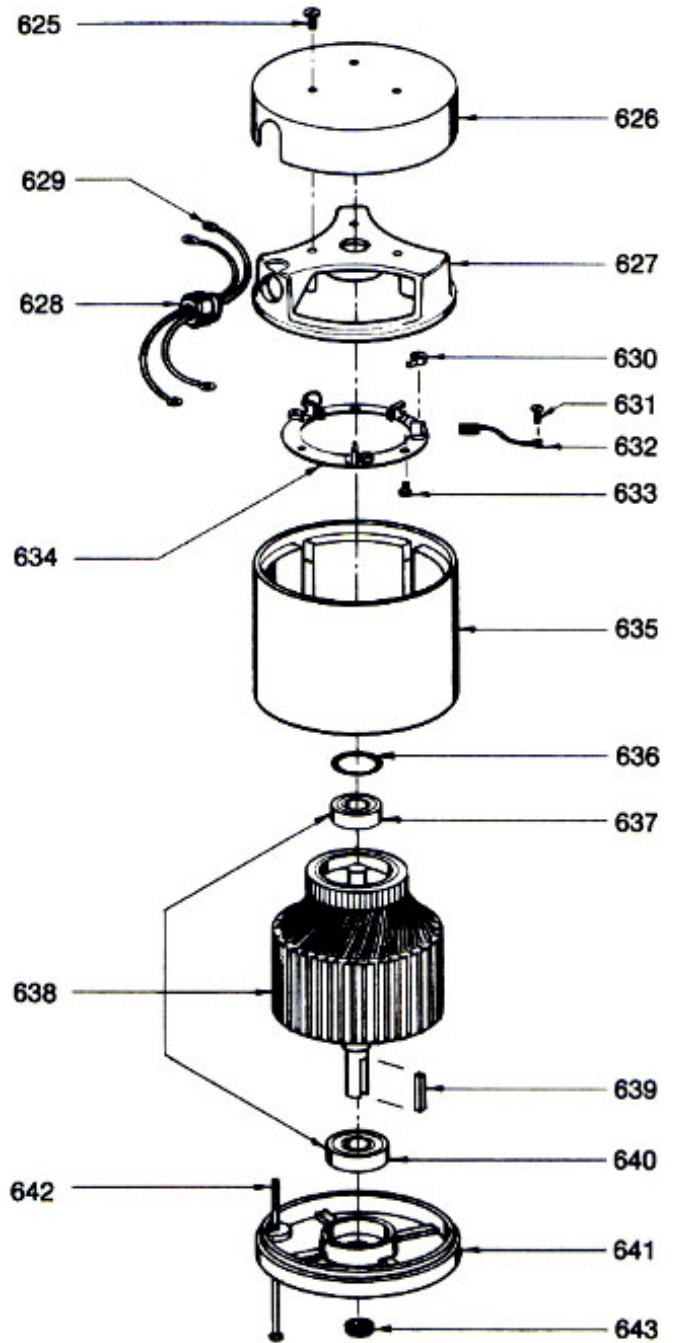
Brush Motor 27-9-008-1

Item No.	Part No.	Part Name	Qty. Req'd.
601		1/4-20x3/8 Pan Head Screw	3
602	27-9-764-1	Top Cover	1
603	27-9-754-1	Top End Bell w/Brush Board Ass'y	1
604	27-9-763-1	Heyco	1
605	27-9-758-1	Lead Ass'y (1 wire w/terminals)	2
606	27-9-757-1	Brush Spring	4
607		10-32x3/8 Brass Pan Head Screw	4
608	27-9-756-1	Brush Ass'y (Carbon Brush w/lead & terminal)	4
609		10-24-x1/2 Self Tapping Rd. Hd. Screw	3
610	27-9-755-1	Brush Board Ass'y w/springs & brushes	1
611	27-9-750-1	Stator Frame Ass'y. w/magnets	1
612	27-9-759-1	Helical Washer	1
613	27-9-753-1	Bearing F.E. (Commutator End)	1
614	27-9-751-1	Armature Ass'y w/bearings	1
615	27-9-268-1	Shaft Key	1
616	27-9-752-1	Bearing, B.E. (Shaft End)	1
617	27-9-762-1	Bottom End Bell (Back End Bracket)	1
618	27-9-760-1	Thru Bolt	2
619	27-9-773-1	Shaft Seal	1



Drive Motor 27-9-010-1

Item No.	Part No.	Part Name	Qty. Req'd.
625		1/4-20x3/8 Pan Head Screw	3
626	27-9-772-1	Top Cover	1
627	27-9-767-1	Top End Bell w/Brush Board Ass'y	1
628	27-9-763-1	Heyco	1
629	27-9-758-1	Lead Ass'y (1 wire w/terminals)	2
630	27-9-757-1	Brush Spring	4
631		10-32x3/8 Brass Pan Head Screw	4
632	27-9-769-1	Brush Ass'y (Carbon Brush w/lead & terminal)	4
633		10-24-x1/2 Self Tapping Rd. Hd. Screw	3
634	27-9-768-1	Brush Board Ass'y w/springs brushes	1
635	27-9-765-1	Stator Frame Ass'y. w/magnets	1
636	27-9-759-1	Helical Washer	1
637	27-9-753-1	Bearing F.E. (Commutator End)	1
638	27-9-766-1	Armature Ass'y w/bearings	1
639	27-9-268-1	Shaft Key	1
640	27-9-752-1	Bearing, B.E. (Shaft End)	1
641	27-9-771-1	Bottom End Bell (Back End Bracket)	1
642	27-9-770-1	Thru Bolt	2
643	27-9-773-1	Shaft Seal	1



Wiring Diagram Wrangler 27

Marker & Item No.	Part No.	Gauge x Length	Terminals	Where Used
1	23-9-198-1	4 x 15	Ring Terminals (2)	Battery Jumper Cable (2 required)
3	44-9-120-1	6 x 14	#10 Ring-5/16 Ring	Circuit Breaker - Brush Solenoid
6	44-9-127-1	6 x 56	5/16 Ring - ¼ Ring	Drive Motor - Reverse Solenoid
35	27-9-210-1	6 x 56	5/16 Ring - ¼ Ring	Drive Motor - Forward Solenoid
36	27-9-211-1	4 x 60	Battery - 5/16 Ring	Negative Battery - Main Solenoid
37	27-9-615-1	4 x 60	Battery - 5/16 Ring	Pos. Battery - Forward Solenoid
38	27-9-616-1	6 x 56	5/16 Ring ¼ Ring	Brush Motors - Forward Solenoid
39	27-9-215-1	6 x 50	¼ Ring - #10 Ring	Brush Motors - Circuit Breaker
40	27-9-227-1	12 x 60	¼ Insulated Male Spade - Female Spade ¼	Vacuum Motor - Switch
41	27-9-228-1	12 x 60	¼ Insulated Male Spade - 5/16 Ring	Vacuum Motor - Solenoid
42	27-9-213-1	6 x 12	5/16 Ring - ¼ Ring	Forward Pos. Solenoid - Speed Control
43	27-9-229-1	6 x 12	5/16 Ring - ¼ Ring	Male Neg. Solenoid - Battery Speed Control
44	27-9-230-1	6 x 12	5/16 Ring - ¼ Ring	Reverse Neg. Solenoid - Armature Speed Control
45	27-9-212-1	6 x 22	5/16 Ring - 10 Ring	Reverse Solenoid - Resistor
46	27-9-231-1	6 x 22	5/16 Ring - 10 Ring	Resistor - Forward Solenoid
47	27-9-214-1	6 x 6	5/16 Ring (Both) (2)	Forward & Reverse Solenoid Term. - Term.
48	27-9-232-1	6 x 6	5/16 Ring (Both)	Forward Solenoid - Reverse Solenoid
49	27-9-216-1	14 x 12	¼ Female Spade (Both)	Forward/Reverse Switch - Deadman Switch
50	27-9-217-1	14 x 17	3/16 Female Spade - 5/16 Ring	Brush Solenoid - Light
51	27-9-218-1	14 x 8	#10 Ring (Both)	Brush Solenoid - Reverse Solenoid
52	27-9-233-1	14 x 8	#10 Ring (Both)	Forward Solenoid - Reverse Solenoid
53	27-9-219-1	14 x 6	5/16 Ring - 10 Ring	Main Solenoid Terminal - Terminal
54	27-9-234-1	14 x 6	5/16 Ring - 10 Ring	Brush Solenoid Terminal - Terminal
55	27-9-220-1	14 x 24	10 Ring - ¼ Female Spade	Reverse Solenoid - Forward/Reverse Switch
56	27-9-235-1	14 x 24	10 Ring - ¼ Female Spade	Forward Solenoid - Reverse/Forward Switch
57	27-9-221-1	14 x 26	¼ Female Spade - 10 Ring	Brush Solenoid - Brush Switch
58	27-9-236-1	14 x 26	¼ Female Spade - 10 Ring	Main Solenoid - Master Switch
59	27-9-222-1	14 x 10	¼ Female Spade w/Piggy Back (Both)	Brush Switch - Master Switch
60	27-9-223-1	14 x 3	¼ Female Spade w/Piggy Back (Both)	Vacuum Switch Jumper
61	27-9-209-1	———	Anderson Charger Plug w/wires, 36 Volt	Battery Charger to Batteries
	44-9-190-1	———	Anderson Charger Plug Only, 36 Volt	Battery Charger to Batteries
WIRES	———	10 x 30"	Anderson Crimpon - ¾ Ring	Charger Plug to Battery
WIRES	———	10 x 22"	Anderson Crimpon - ¾ Ring	Charger Plug to Battery
62	27-9-237-1	14 x 6	¼ Female Spade (Both)	Vacuum Switch - Brush Switch
63	27-9-238-1	6 x 13	5/16 Ring (Both)	Brush Solenoid - Main Solenoid
64	27-9-239-1	14 x 5	3/16 Female Spade - ¼ Female Spade	Master Switch - Light
65	27-9-240-1	12 x 34	5/16 Ring - ¼ Female Spade	Reverse Solenoid - Vacuum Switch
66	27-9-241-1	14 x 28	5/16 Ring - ¼ Female Spade	Reverse Solenoid - Deadman Switch
RED	27-9-242-1	18 x 30	Butt - Twist & Tin	Potentiometer - Speed Control
ORANGE	27-9-243-1	18 x 3	Butt - Twist & Tin	Potentiometer - Speed Control
WHITE	27-9-244-1	18 x 3	Butt - Twist & Tin	Potentiometer - Speed Control

