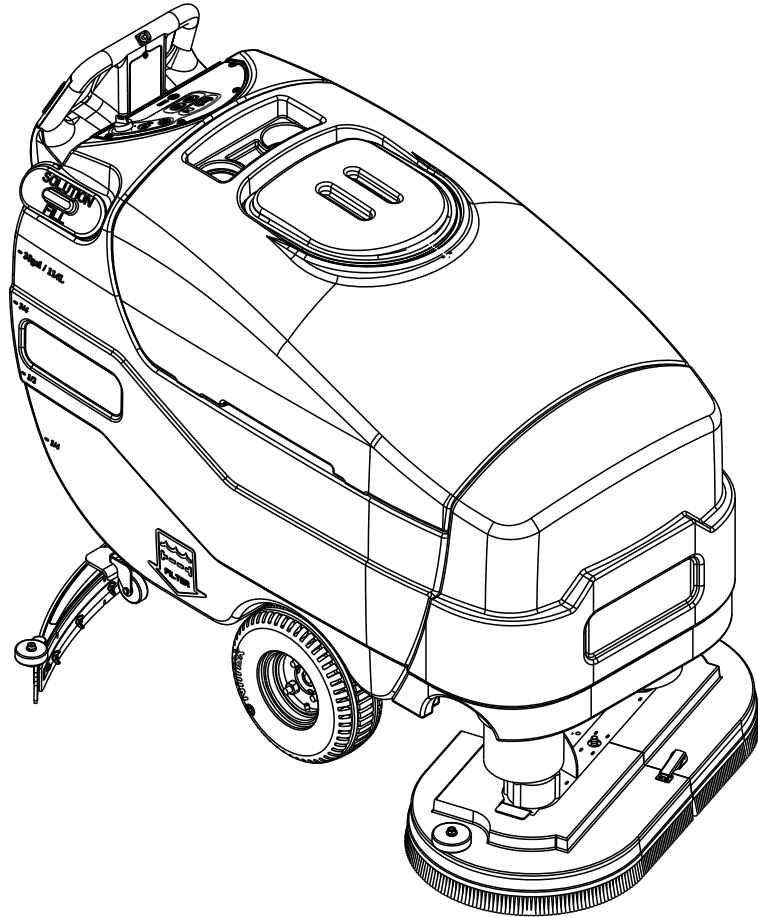


34 RST, 34 RST EcoFlex™



PARTS LIST

Active Models:

56315900(34 RST D), 56315902(34 RST D / W/Strainer)

Obsolete Models:

56315901(34 RST D-C), 56381029 (X34D),

56315903(34 RST D / W/Battery Watering),

56381809(34 RST D-C / W/Strainer), 56381031 (X34D-C)



Advance

TABLE OF CONTENTS

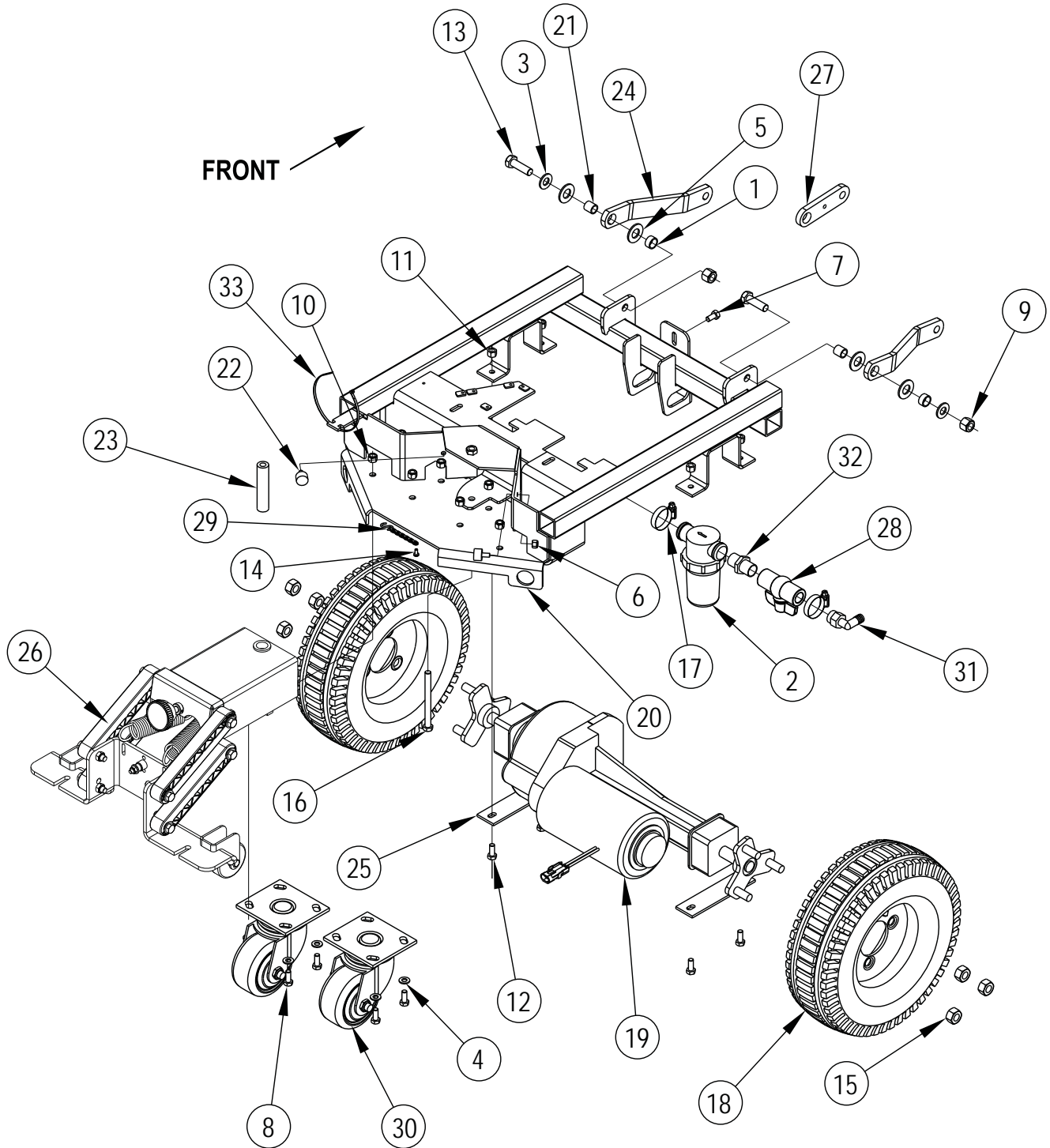
<u>DESCRIPTION</u>	<u>PAGE</u>
Chassis System.....	2-3
Chassis System - Squeegee Linkage Assy	4-5
Decal System.....	6-7
Recovery System.....	8-9
Scrub System	10-11
Solution - Electrical System-1 - EcoFlex™	12-13
Solution - Electrical System-2 - EcoFlex™	14-15
Solution - Electrical System-1 - STD	16-17
Solution - Electrical System-2 - STD	18-19
Chemical Assy - EcoFlex™	20
Handle Assy.....	21
Squeegee Assy.....	22-23
Ladder Diagram.....	24-25
Battery Watering System	26
Optional Kits & Accessories.....	27
Brush Selector Guide-Disk	28
Squeegee Blade Selector Guide	29

WHEN ORDERING PARTS

- * Use the part numbers from the "Ref. No." columns in this parts list.
- * Specify the model and serial number of the machine.
- * Use the space below to record the model and serial number for future reference.

Model _____ Serial No. _____

CHASSIS SYSTEM

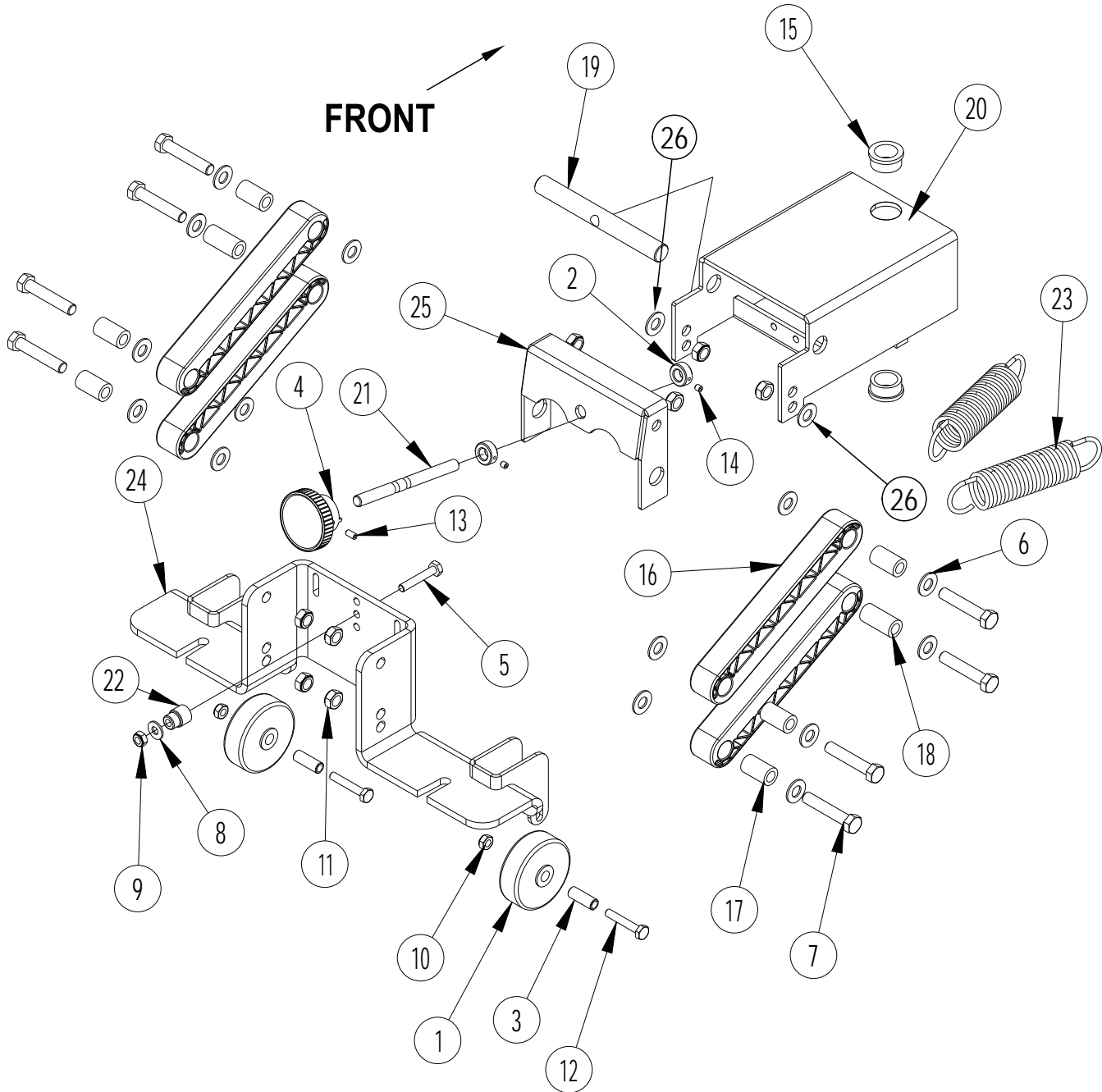


CHASSIS SYSTEM

<u>Item</u>	<u>Ref. No.</u>	<u>Qty</u>	<u>Description</u>
1	56370878	2	Bearing, Sleeve
2	56412173	1	Solution Filter
3	56001879	2	Wsh, Flt SAE 1/2
4	56001939	10	Wsh, Flt SAE 5/16
5	56002022	4	Wsh, Flt SAE 5/8
6	56002708	2	Nut, Hex Nyl Loc 1/4-20
7	56003012	3	Scr, Hex SS 5/16-18 X .75
8	56003179	8	Scr, Hex Thd To Hd M8-1.25 X 20mm
9	56003312	2	Nut, Hex Nyl Loc M12-1.75
10	56003389	8	Nut, Hex Nyl Loc M8-1.25
11	56003405	4	Nut, Hex Nyl Loc SS M8-1.25
12	56003435	4	Scr, Hex SS M8-1.25 X 20mm
13	56003637	2	Scr, Hex M12-1.75 X 40mm
14	56009030	1	Scr, Pan Phil Thd Form 10-24 X .38
15	56009116	6	Nut, Hex Hvy 1/2-20
16	56009241	1	Scr, Hex 3/8-16 X 4.25
17	56131601	2	Clamp, Hose SAE #16
18	56315171	1	Kit, Drive Wheel TSBUS2010-1074 (Before February 2011)
18	56315177	2	Wheel, Drive (After February 2011)
	9096219000	2	Wheel, Polyurethane-Traction (optional)
19	56382500	1	Transaxle, 36v (M1)
[]	56315676	1	Motor
[]	56315677	4	Carbon Brush
[]	56315678	2	Neoprene Mounting Sleeve
[]	56380511	A/R	Kit-Hub Transaxle 36V TSBUS2008-1023 / TSBUS2009-1042
[]	56381779	1	Transaxle Service Kit TSBUS2011-0004
[]	56380164	1	Kit-Coupling
20	56315073	1	Weldment, Chassis
21	56315080	2	Bushing
22	56315111	2	Cylindrical Mount
23	56315154	1	Bushing, Spacer
24	56315918	2	Linkage Arm
25	56315202	2	Plate, Transaxle Mount TSBUS2010-1074
26	56315210	1	Assembly, Squeegee Linkage Large
27	56315239	1	Linkage Arm,
28	56381475	1	Ball Valve
29	56315691	1	Ground Chain
30	56365555	2	Caster Swivel 4.0x2.0
31	56409152	1	Barb, 90 Elbow 1/2 X 1/2npt
32	56412182	1	Nipple, Hex 3/4-14
33	56478523	1	Tie, Cable

[] = Not Shown

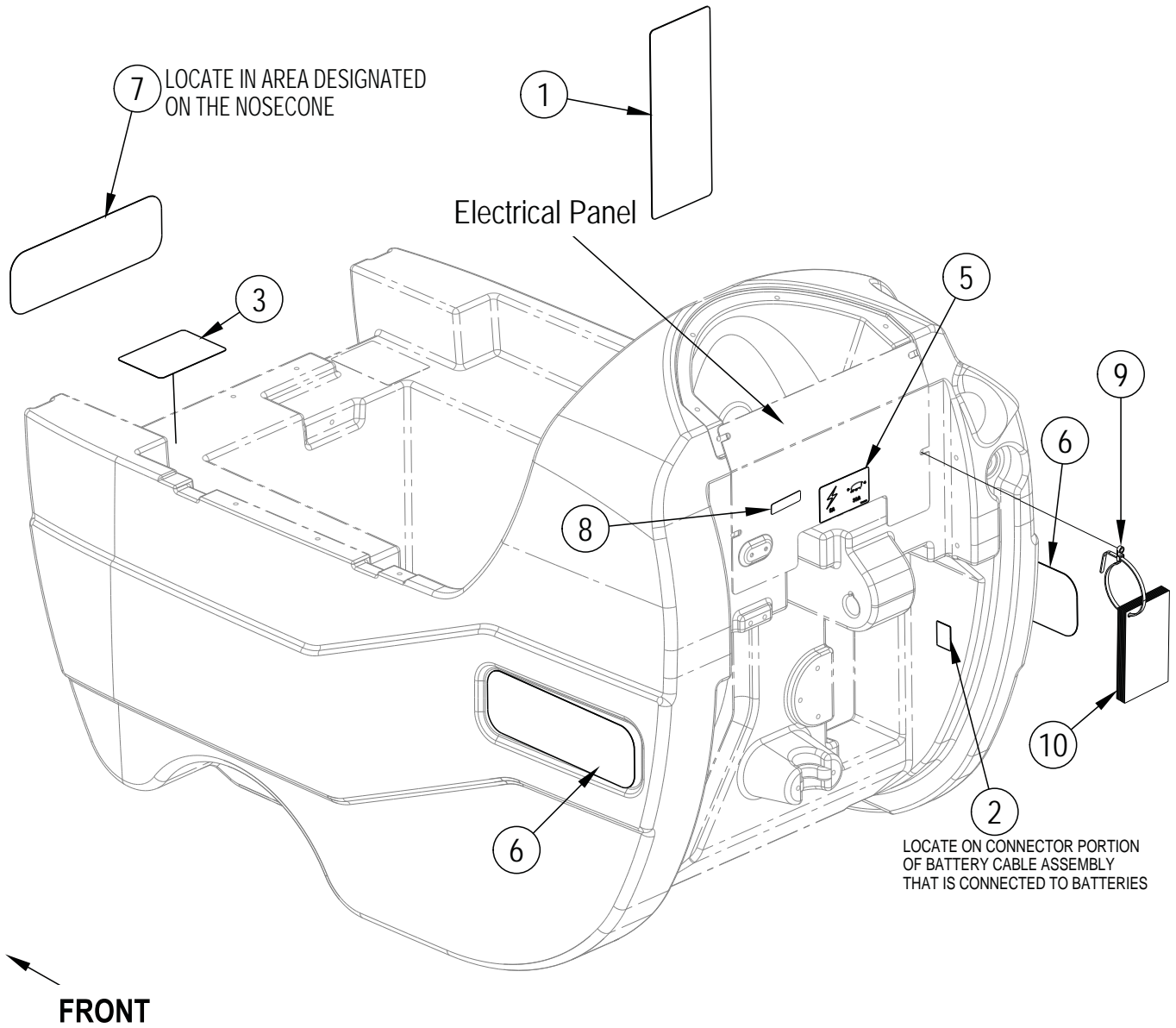
CHASSIS SYSTEM - SQUEEGEE LINKAGE ASSY



CHASSIS SYSTEM - SQUEEGEE LINKAGE ASSY

<u>Item</u>	<u>Ref. No.</u>	<u>Qty</u>	<u>Description</u>
	56315210	1	Squeegee Linkage Assembly
1	56324350	2	Wheel
2	56331076	2	Collar
3	56315580	2	Bushing
4	56475480	1	Knob
5	56001833	1	Scr, Hex 1/4-20 X 1.50
6	56002063	14	Wsh, Flt SAE 3/8
7	56002091	8	Scr, Hex 3/8-16 X 2.00
8	56002098	1	Wsh, Flt SAE 1/4
9	56002840	1	Nut, Hex Nyl Loc-Thin 1/4-20
10	56002850	2	Nut, Hex Nyl Loc-Thin SS 1/4-20
11	56003219	8	Nut, Hex Nyl Loc-Thin 3/8-16
12	56002880	2	Scr, Hex SS 1/4-20 X 1.75
13	56003123	1	Scr, Soc Set 10-2 4x .38
14	56009084	2	Scr, Soc Set Loc 10-24 X .19
15	56250414	2	Bearing, Flange
16	56315941	4	Linkage Arm, Molded
17	56315067	6	Spacer, Phenolic
18	56315068	2	Spacer, Phenolic
19	56315082	1	Pin
20	56315208	1	Weldment, Squeegee Large
21	56315240	1	Rod, Adjustment
22	56315245	1	Bushing, Squeegee Cable
23	56315295	2	Spring, Extension
24	56315698	1	Weldment, Squeegee Mount
25	56315713	1	Bracket, Squeegee Level
26	56002940	2	Wsh, Flt SAE SS 5/8

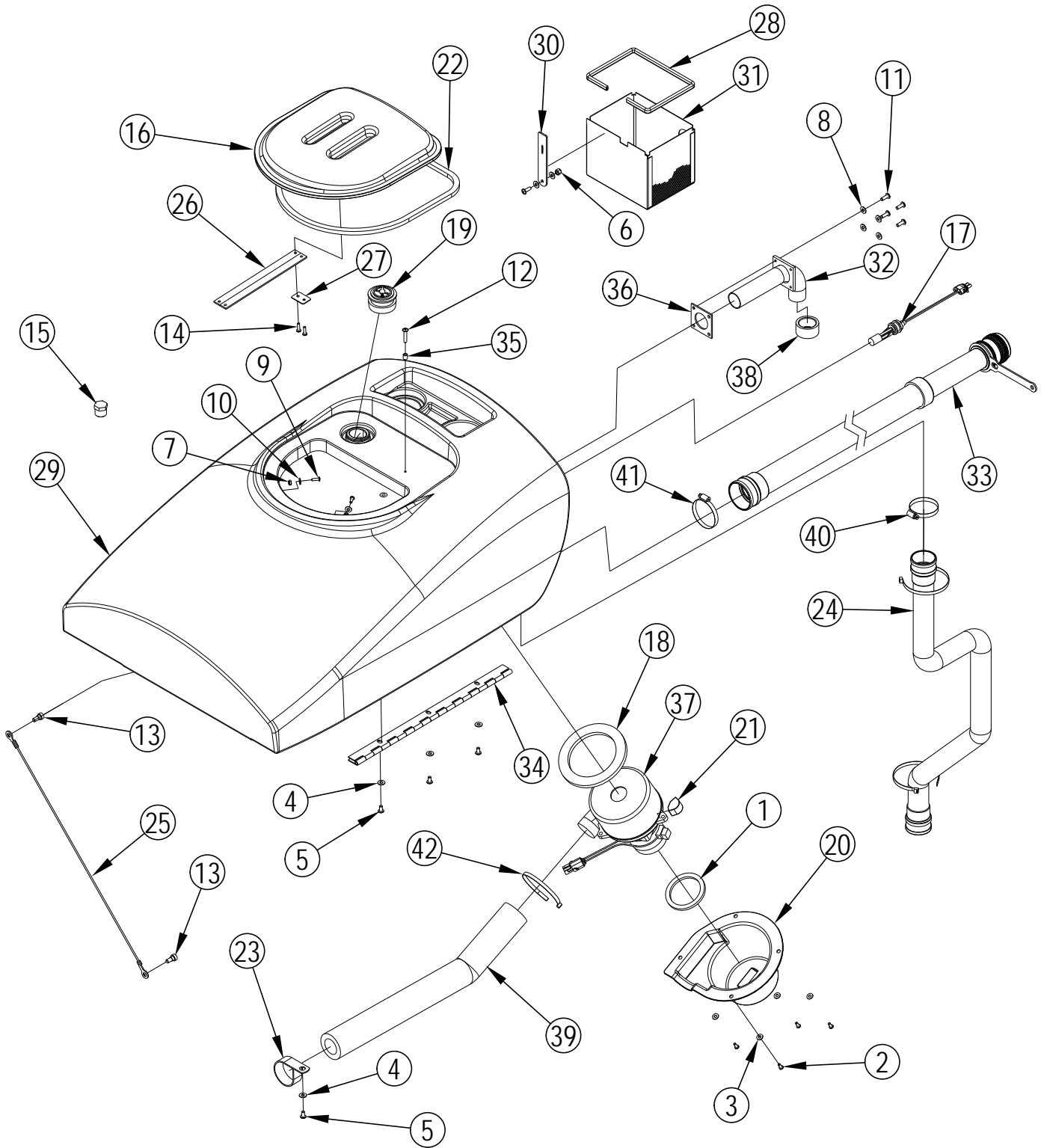
DECAL SYSTEM



DECAL SYSTEM

<u>Item</u>	<u>Ref. No.</u>	<u>Qty</u>	<u>Description</u>
1	56014601	1	Decal, Caution
2	56016324	1	Decal, Charger
3	56015259	1	Decal, Battery Wiring
5	56016690	1	Decal, Circuit Breaker
6	56315919	2	Decal-34RST (STD models)
	56381115	2	Decal-34RST EcoFlex (EcoFlex models)
7	56016730	1	Decal, Advance
8	56014450	1	Decal, Patent Number
9	2-00-04937	1	Hose Tie W/Eyelet
10	L3018A	1	Instruction Booklet

RECOVERY SYSTEM



RECOVERY SYSTEM

Item	Ref. No.	Qty	Description
1	56412154	1	Gasket, Vacuum Duct
2	56001993	4	Scr, Pan Phil 10-24 X .50
3	56002053	4	Wsh, Flt STD #10
4	56002098	4	Wsh, Flt SAE 1/4
5	56002145	4	Scr, Pan Phil 1/4-20 X .50
6	56002491	2	Nut, Hex Nyl Loc SS 1/4-20 NOTE 1
7	56002849	2	Nut, Hex Nyl Loc-Thin SS 10-24
8	56002859	7	Wsh, Flt SAE SS 1/4 NOTE 1
9	56002894	2	Scr Pan Phil SS 10-24 X .75
10	56002919	2	Wsh, Flt Std SS #10
11	56002957	5	Scr, Pan Phil SS 1/4-20 X .75 NOTE 1
12	56002958	1	Scr, Pan Phil SS 1/4-20 X 1.25 NOTE 1
13	56003730	2	Scr Soc Hd.38X.25 5/16-18
14	56003711	2	Scr Pan SS Plastite 10-14 X.62
15	56305464	1	Plug, 3/4 Hex Pipe NOTE 2
16	56315176	1	Cover, Recovery Tank
17	56315096	1	Switch, Electromagnetic (S4)
18	56315098	1	Gasket
19	56315099	1	Screen, Fan Inlet
20	56315102	1	Shroud, Vac Motor
21	56315141	3	Mount, Vibration
22	56315220	1	Gasket, Recovery Lid
23	56315257	1	Clamp, P
24	56315268	1	Vac Hose Assy.
25	56315272	1	Cable Assy

Item	Ref. No.	Qty	Description
26	56315303	2	Retaining, Strap
27	56315346	1	Plate
28	56315484	1	Trim, Edge NOTE 1
29	56315406	1	Tank, Recovery (std)
	56315407	1	Tank, Recovery NOTE 1
30	56315486	1	Strap, Linatex NOTE 1
31	56315487	1	Basket, Strainer NOTE 1
32	56315488	1	Adaptor, Hose Weldment NOTE 1
33	56381940	1	Drain Hose NOTE 3
*	56601411	1	Drain Hose Cap Kit
*	56601413	1	Drain Hose kit NOTE 3
**	56601410	1	Drain Hose Extension
34	56315694	1	Hinge
35	56321532	1	Bushing .25x.37x.40 NOTE 1
36	56380763	1	Gasket NOTE 1
37	56391208	1	Vac Motor Assy (M4)
[]#	56377001	1	Carbon Brush Set of 2 NOTE 4
[]#	56212223	1	Carbon Brush Set of 2 NOTE 5
38	56410446	1	Adapter NOTE 1
39	56315375	1	Foam, Acoustical
*	56315597	1	Sound Reduction Kit
40	56440213	1	Clamp, Hose SAE #32
41	56456797	1	Clamp, Hose SAE #36
42	56477613	3	Tie, Cable

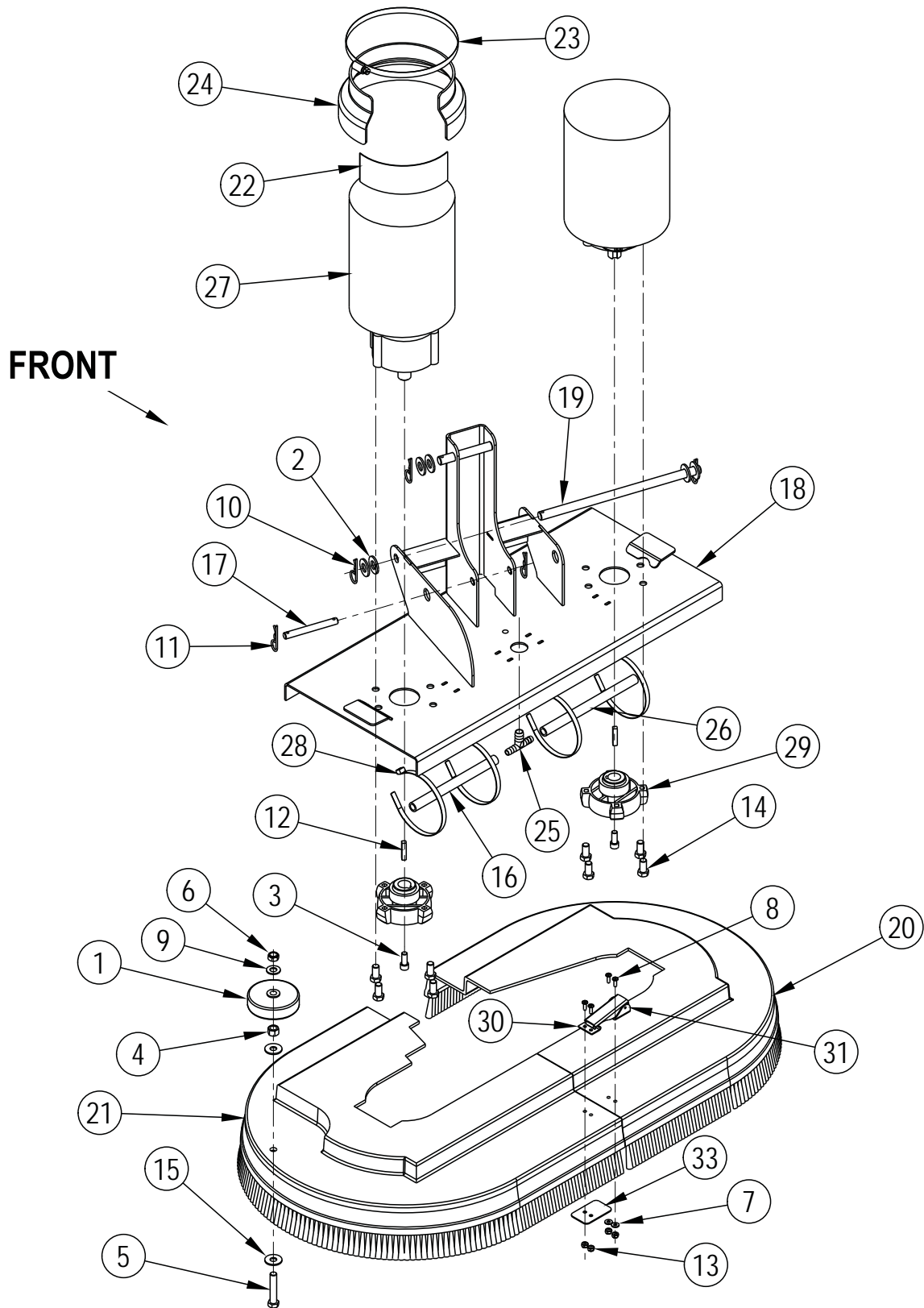
= Revised or new since last update

[] = Not Shown

* = Optional, Not Included

NOTE 1: These items are only found on model 56315902 with the recovery tank strainer.**NOTE 2:** Not used after March 2008.**NOTE 3:** Drain Hoses 56315638 and 56601405 have been replaced by Drain Hose 56381940 in production. When replacing 56315638 or 56601405 you need to order Drain Hose Kit 56601413.**NOTE 4:#** For machines built before June 2011 with Vac Motor 56377470 – use Carbon Brushes 56377001.**NOTE 5:#** For machines built after June 2011 with Vac Motor 56109731 – use Carbon Brushes 56212223.

SCRUB SYSTEM



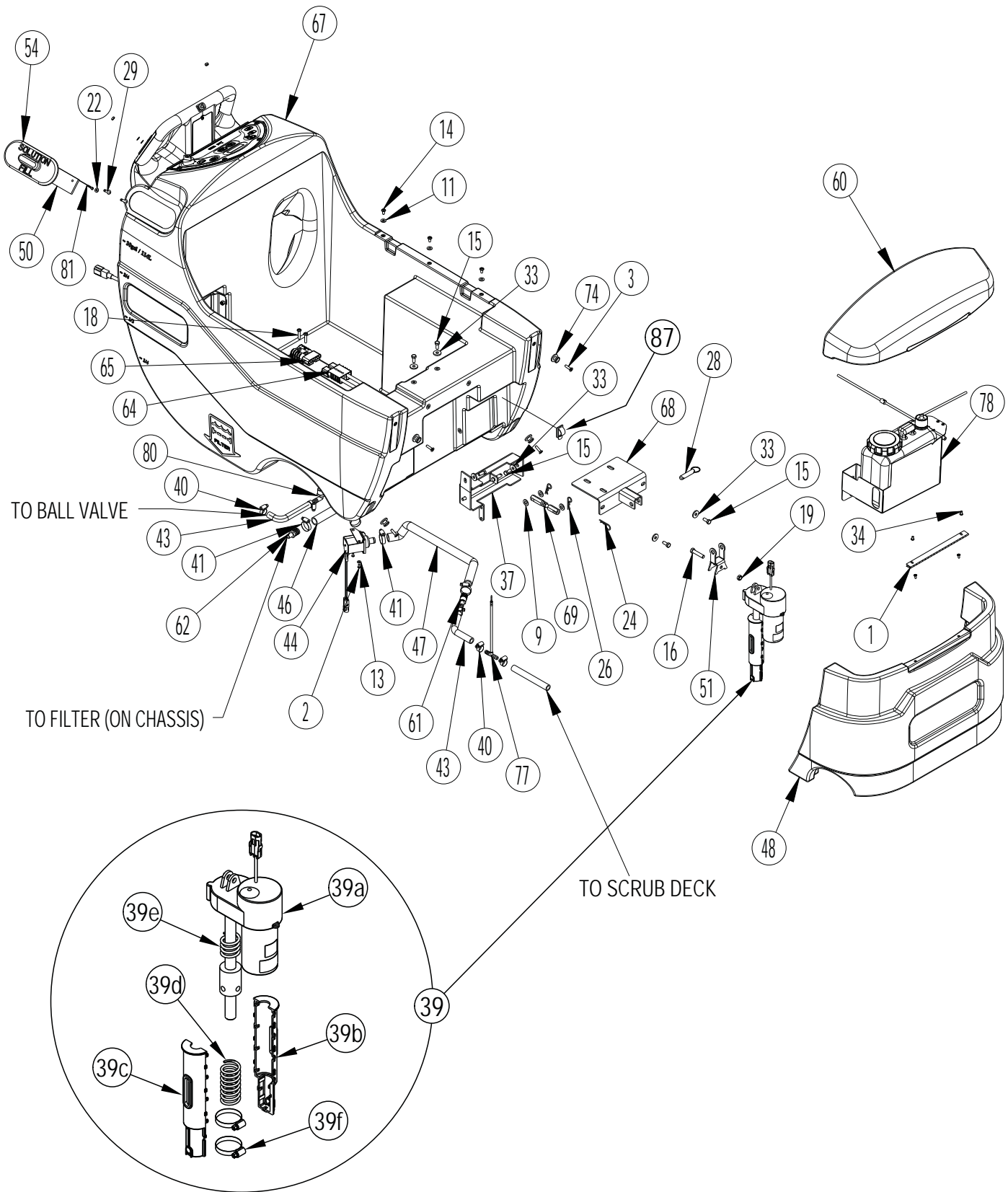
SCRUB SYSTEM

<u>Item</u>	<u>Ref. No.</u>	<u>Qty</u>	<u>Description</u>
1	56324499	1	Wheel 3.00
2	56001879	6	Wsh, Flt Sae 1/2
3	56001959	2	Scr, Soc Hd 5/16-18 X 0.75
4	56002123	1	Nut, Hex Machine 3/8-16
5	56002470	1	Scr, Hex Thd To Hd 3/8-16 X 2.00
6	56002841	1	Nut, Hex Nyl Loc-Thin 3/8-16
7	56002875	2	Wsh, Flt Sae Ss #8
8	56002876	4	Scr, Pan Phil Ss 8-32 X .50
9	56002910	1	Wsh, Flt Sae Ss 3/8
10	56002959	3	Pin, Cotter Hair
11	56003120	2	Pin, Cotter Hair .0915 X .375
12	56003245	2	Key, Sq .25 X 1.19
13	56003309	4	Nut, Hex Nyl Loc-Thin Ss 8-32
14	56003338	8	Scr, Hex Loc Ss 3/8-16 X .75
15	56009213	2	Wsh, Flt .392x1.00x.075
16	56315060	1	Hose, Pvc .38id X 6.75
17	56315161	1	Pin
18	56315910	1	Deck Weldment
19	56315915	1	Pin, Linkage Pivot
20	56315950	1	Brush Housing Lh
	56315955	1	Brush Housing Assy – Left (Items 7, 8, 13, 20, 31)
21	56315951	1	Brush Housing Rh
	56315956	1	Brush Housing Assy – Right (Items 1, 4, 5, 6, 8, 9, 13, 15, 21, 30, 33)
22	56315952	1	Decal, Cover
23	56355488	1	Clamp, Hose Sae #96
24	56397112	1	Shroud, Motor
25	56397300	1	Tee, Barb
26	56397301	1	Hose, Pvc .38id X 7.50
27	56397316	2	Motor / Gear Unit Assembly 36v (M2 / M3) TSBUS2010-1059
[]	56397139	4	Carbon Brush NOTE 1
[]	56397138	4	Brush Spring NOTE 1
[]	56380637	1	Brush Board Assy NOTE 1
28	56477613	4	Tie, Cable
29	56382665	2	Gimbal-Collar Assembly
30	55451a	1	Keeper, Latch
31	55721A	1	Draw Latch
33	69186a	1	Tab, Latch, Brush
Optional Brushes			
[]	56315942	2	Pad Holder-17 Gimbal
[]	10384A	2	Brush, Light Grit
[]	11430B	2	Brush, Medium Grit
[]	11425B	2	Brush, Heavy Grit
[]	11424B	2	Brush, Polypropylene
[]	10875A	2	Brush, Nylon

[] = Not Shown

NOTE 1: If your Motor / Gear Unit Assembly has a serial tag from Imperial Electric order (4) Carbon Brushes 56397139 or (4) Brush Springs 56397138.
If your Motor / Gear Unit Assembly has a serial tag from Nilfisk-Advance order Brush Board Assy 56380637.

SOLUTION - ELECTRICAL SYSTEM-1 - EcoFlex™



SOLUTION - ELECTRICAL SYSTEM-1 - EcoFlex™

Item	Ref. No.	Qty	Description	Item	Ref. No.	Qty	Description
1	56302168	1	Hinge	46	56305318	1	Hose, Spiral .750 X 10.5"
2	56001818	2	Scr-Pan Phil 8-32 X .38	47	56305591	1	Hose, Spiral .750 X 25"
3	56001832	4	Scr, Flt Phil 1/4-20 X 1.00	48	56315087	1	Nose Cone
4	56001854	1	Scr, Hex 1/4-20 X .50	49	56315121	1	Guide, Cable
5	56001939	4	Wsh, Flt Sae 5/16	50	56315166	1	Plate
6	56001954	2	Wsh, Flt Sae #10	51	56315191	1	Yoke, Actuator
7	56001993	2	Scr-Pan Phil 10-24 X .50	52	56315774	1	Charger-On Board 36V NOTE 1 / NOTE 3 / NOTE 4
8	56002053	6	Wsh, Flt Std #10	[]	56315747	1	Thermistor Repair Kit (for 56315774)
9	56002063	3	Wsh, Flt Sae 3/8	53	56315206	1	Bracket, Charger NOTE 1
10	56002066	8	Scr-Pan Phil 1/4-20 X .62 NOTE 1	54	56315219	1	Cover, Solution Fill
11	56002098	6	Wsh, Flt Sae 1/4	55	56315243	1	Cable Assy
12	56002124	8	Scr-Pan Phil 10-24 X .62	56	56315255	1	Circuit Breaker, 5 Amp
13	56002140	2	Wsh, Flt Sae #8	57	56315256	1	Circuit Breaker, 30 Amp
14	56002145	5	Scr-Pan Phil 1/4-20 X .50	58	56383385	1	Cord Charger Yellow US NOTE 1
15	56002667	7	Scr, Hex 5/16-18 X .75	59	56315382	1	Clip, Conduit
16	56002684	1	Scr, Hex 3/8-16 X 1.75	60	56315609	1	Cover, Chemical Tank
17	56002708	4	Nut, Hex Nyl Loc 1/4-20 NOTE 1	61	56315625	1	Barb, Coupler 1/2 X 3/4
18	56002825	2	Scr-Pan Phil 1/4-20 X 1.25 NOTE 1	62	56315634	2	Barb, Adaptor 3/4 X 1/2 Npt
19	56002841	1	Nut, Hex Nyl Loc-Thin 3/8-16	63	56315683	1	Barb, 90 Elbow 3/4 X 3/8npt
20	56002849	1	Nut, Hex Nyl Loc-Thin Ss 10-24	64	56315686	1	Charge Connector Assy (to batteries) NOTE 1
21	56002896	1	Scr, Pan Phil Ss 10-24 X .62	65	56315687	1	Charge Connector Assy (to electrical box) NOTE 1
22	56002916	2	Wsh, Flt Sae Ss #10	66	56315730	1	Lever, Squeegee Lift
23	56002919	1	Wsh, Flt Std Ss #10	67	56315733	1	Tank, Solution
24	56002959	1	Pin, Cotter Hair	68	56315744	1	Weldment, Actuator Mount
25	56003005	4	Scr, Hex 5/16-18 X 1.75	69	56315836	1	Turnbuckle Assy
26	56003120	2	Pin, Cotter Hair .0915 X .375	70	56315930	1	Handle Assembly
27	56003223	1	Pin, Cot Hair .148 X Dia .62/1.00	71	56315947	1	Assembly-Electrical Box
28	56003679	1	Pin, Ring .50 X 1.63	71a	56002462	7	Scr, Pan Phil 1/4-20 X .38
29	56009006	2	Scr, Pan Phil Ss Type Ab 10-16x1.00	71b	56002561	4	Nut, Hex W/ Shprf 1/4-20
30	56009030	3	Scr, Pan Phil Thd Form 10-24 X .38 NOTE 1	71c	56003698	2	Scr, Pan Phil Thd Form 8-32 X .75
31	56009039	2	Scr, Hex Thd Form 10-24 X .50	71d	56009030	2	Scr, Pan Phil Thd Form 10-24 X .38
32	56009117	1	Wsh, Flt 1.031 X 1.859 X 0.48	71e	56009203	3	Stud, 1/4-20
33	56009122	7	Wsh, Flt .344 X .938 X .125	71f	56315182	1	Panel, Electrical
34	56009139	4	Scr, Pan Phil Loc 10-24 X .38	71g	56315925	1	Controller, Speed (A2) TSBUS2011-0004
35	56009206	4	Scr, Truss Phil-Blk 10-24x.50	71h	56395453	1	Contacto 36v, 200 Amp (K1 / Brush Motor) NOTE 5
36	56109502	1	Panel Eiectical Assy	71i	56395455	1	Contacto 36v, 100 Amp (K2 / Vac Motor)
37	56109524	1	Pivot Weldment	71j	2-00-04203	4	Insulator, Terminal
38	56109553	1	Plate Circuit Breaker	71k	56380544	1	Clamp, .875 P
39	56109595	1	Lift Actuator Assembly	71l	56412089	1	Fuse, 150 Amp (F1)
39a	56109597	1	Actuator	71m	56469858	3	Standoff, Insulated
[]	56109596	1	Plastic Nut	72	56325219	1	Tie, Cable
[]	56109636	1	Spring Housing Kit	73	56331154	1	Clamp, Plastic
39b	56109547	1	Spring Housing Bottom	74	56365777	4	Lug, Brush Driver
39c	56109546	1	Spring Housing Top	75	56379139	1	Hose, Pvc
39d	56420018	1	Compression Spring	76	56383092	1	Control Panel Kit
39e	56412071	1	Compression Spring	77	56381099	1	Tee Assembly
39f	56329145	2	Clamp-Hose SAE #24	78	56381104	1	Chemical Tank Assy
40	56219932	5	Clamp- Hose Sae #6	79	56396199	1	Clamp, Plastic
41	56244969	5	Clamp- Hose Sae #12	80	56409152	1	Barb, 90 Elbow 1/2 X 1/2npt
42	56249884	1	Plate	81	56410254	1	Wire Rope, 6 Inch
43	56262561	3	Hose, Spiral .500	83	56486112	2	Clamp-P NOTE 1
44#	56303275	1	Solenoid Valve Assy TSB-FC-2015-023	84	56398000	1	Connector Assy (to batteries) NOTE 2
45	56303553	1	Key Switch Assembly	85	56315687	1	Connector Assy (to electrical box) NOTE 2
				86	56002825	2	Scr, Pan Phil 1/4-20 x 1.25 NOTE 2
				87	7-13-07096	1	Clamp-Adjustable

[] = Not Shown

= Revised or new since last update

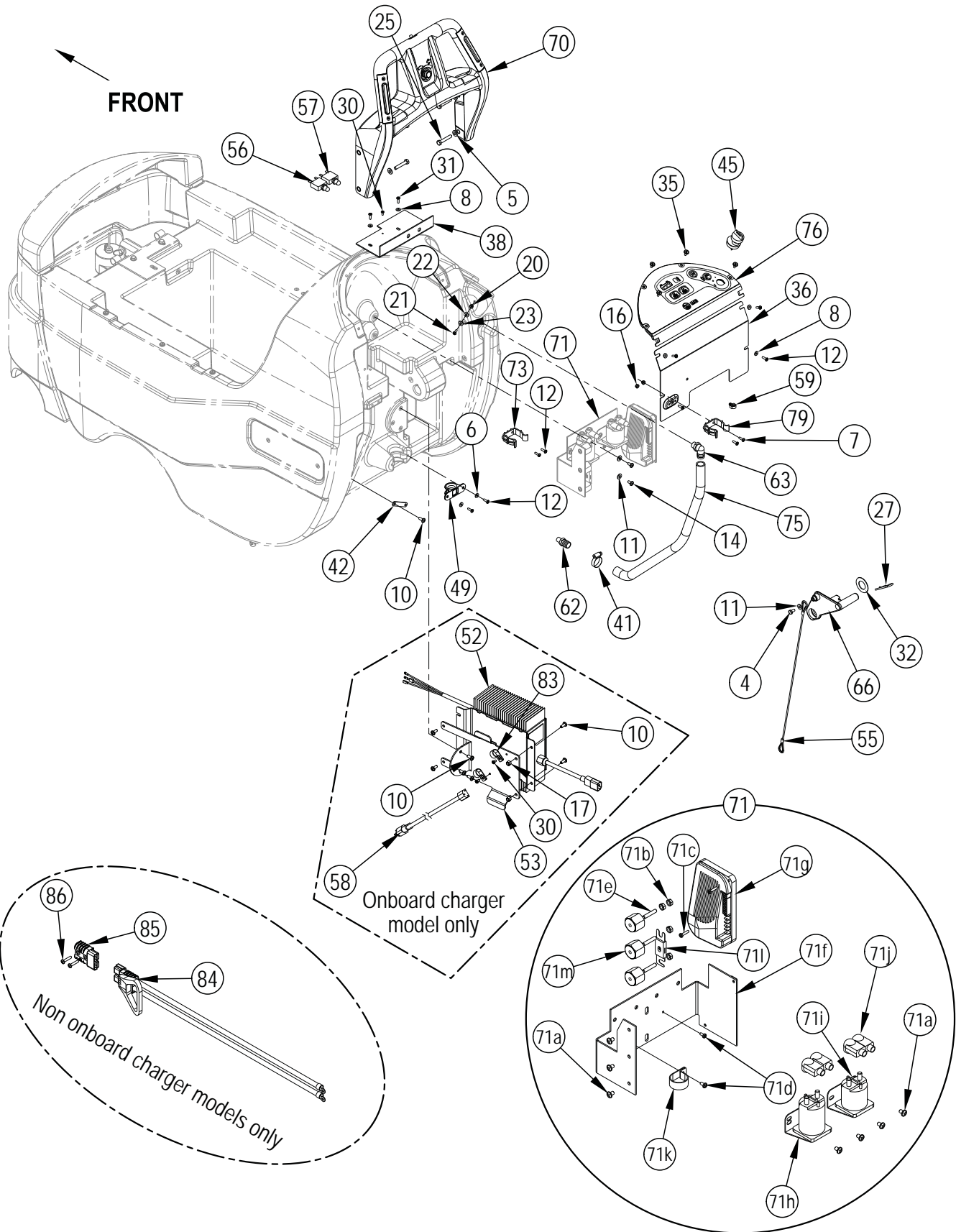
NOTE 1: These items are only used on model 56381031.

NOTE 2: These items are only used on model 56381029.

NOTE 3: The charger software can be programmed with a computer and the QuiQ Programmer kit 56315732.

NOTE 4: **TSBUS2007-979 / TSBUS2008-984 / TSBUS2008-1003 / TSBUS2008-1008**NOTE 5: **TSBUS2008-1020**

SOLUTION - ELECTRICAL SYSTEM-2 - EcoFlex™



SOLUTION - ELECTRICAL SYSTEM-2 - EcoFlex™

Item	Ref. No.	Qty	Description	Item	Ref. No.	Qty	Description
1	56302168	1	Hinge	46	56305318	1	Hose, Spiral .750 X 10.5"
2	56001818	2	Scr-Pan Phil 8-32 X .38	47	56305591	1	Hose, Spiral .750 X 25"
3	56001832	4	Scr, Flt Phil 1/4-20 X 1.00	48	56315087	1	Nose Cone
4	56001854	1	Scr, Hex 1/4-20 X .50	49	56315121	1	Guide, Cable
5	56001939	4	Wsh, Flt Sae 5/16	50	56315166	1	Plate
6	56001954	2	Wsh, Flt Sae #10	51	56315191	1	Yoke, Actuator
7	56001993	2	Scr-Pan Phil 10-24 X .50	52	56315774	1	Charger-On Board 36V NOTE 1 / NOTE 3 / NOTE 4
8	56002053	6	Wsh, Flt Std #10	[]	56315747	1	Thermistor Repair Kit (for 56315774)
9	56002063	3	Wsh, Flt Sae 3/8	53	56315206	1	Bracket, Charger NOTE 1
10	56002066	8	Scr-Pan Phil 1/4-20 X .62 NOTE 1	54	56315219	1	Cover, Solution Fill
11	56002098	6	Wsh, Flt Sae 1/4	55	56315243	1	Cable Assy
12	56002124	8	Scr-Pan Phil 10-24 X .62	56	56315255	1	Circuit Breaker, 5 Amp
13	56002140	2	Wsh, Flt Sae #8	57	56315256	1	Circuit Breaker, 30 Amp
14	56002145	5	Scr-Pan Phil 1/4-20 X .50	58	56383385	1	Cord Charger Yellow US NOTE 1
15	56002667	7	Scr, Hex 5/16-18 X .75	59	56315382	1	Clip, Conduit
16	56002684	1	Scr, Hex 3/8-16 X 1.75	60	56315609	1	Cover, Chemical Tank
17	56002708	4	Nut, Hex Nyl Loc 1/4-20 NOTE 1	61	56315625	1	Barb, Coupler 1/2 X 3/4
18	56002825	2	Scr-Pan Phil 1/4-20 X 1.25 NOTE 1	62	56315634	2	Barb, Adaptor 3/4 X 1/2 Npt
19	56002841	1	Nut, Hex Nyl Loc-Thin 3/8-16	63	56315683	1	Barb, 90 Elbow 3/4 X 3/8npt
20	56002849	1	Nut, Hex Nyl Loc-Thin Ss 10-24	64	56315686	1	Charge Connector Assy (to batteries) NOTE 1
21	56002896	1	Scr, Pan Phil Ss 10-24 X .62	65	56315687	1	Charge Connector Assy (to electrical box) NOTE 1
22	56002916	2	Wsh, Flt Sae Ss #10	66	56315730	1	Lever, Squeegee Lift
23	56002919	1	Wsh, Flt Std Ss #10	67	56315733	1	Tank, Solution
24	56002959	1	Pin, Cotter Hair	68	56315744	1	Weldment, Actuator Mount
25	56003005	4	Scr, Hex 5/16-18 X 1.75	69	56315836	1	Turnbuckle Ass'y
26	56003120	2	Pin, Cotter Hair .0915 X .375	70	56315930	1	Handle Assembly
27	56003223	1	Pin, Cot Hair .148 X Dia .62/1.00	71	56315947	1	Assembly-Electrical Box
28	56003679	1	Pin, Ring .50 X 1.63	71a	56002462	7	Scr, Pan Phil 1/4-20 X .38
29	56009006	2	Scr-Pan Phil Ss Type Ab 10-16x1.00	71b	56002561	4	Nut, Hex W/ Shprf 1/4-20
30	56009030	3	Scr, Pan Phil Thd Form 10-24 X .38 NOTE 1	71c	56003698	2	Scr, Pan Phil Thd Form 8-32 X .75
31	56009039	2	Scr, Hex Thd Form 10-24 X .50	71d	56009030	2	Scr, Pan Phil Thd Form 10-24 X .38
32	56009117	1	Wsh, Flt 1.031 X 1.859 X 0.48	71e	56009203	3	Stud, 1/4-20
33	56009122	7	Wsh, Flt .344 X .938 X .125	71f	56315182	1	Panel, Electrical
34	56009139	4	Scr, Pan Phil Loc 10-24 X .38	71g	56315925	1	Controller, Speed (A2) TSBUS2011-0004
35	56009206	4	Scr, Truss Phil-Blk 10-24x.50	71h	56395453	1	Contacto 36v, 200 Amp (K1 / Brush Motor) NOTE 5
36	56109502	1	Panel Eiectical Assy	71i	56395455	1	Contacto 36v, 100 Amp (K2 / Vac Motor)
37	56109524	1	Pivot Weldment	71j	2-00-04203	4	Insulator, Terminal
38	56109553	1	Plate Circuit Breaker	71k	56380544	1	Clamp, .875 P
39	56109595	1	Lift Actuator Assembly	71l	56412089	1	Fuse, 150 Amp (F1)
39a	56109597	1	Actuator	71m	56469858	3	Standoff, Insulated
[]	56109596	1	Plastic Nut	72	56325219	1	Tie, Cable
[]	56109636	1	Spring Housing Kit	73	56331154	1	Clamp, Plastic
39b	56109547	1	Spring Housing Bottom	74	56365777	4	Lug, Brush Driver
39c	56109546	1	Spring Housing Top	75	56379139	1	Hose, Pvc
39d	56420018	1	Compression Spring	76	56383092	1	Control Panel Kit
39e	56412071	1	Compression Spring	77	56381099	1	Tee Assembly
39f	56329145	2	Clamp-Hose SAE #24	78	56381104	1	Chemical Tank Assy
40	56219932	5	Clamp- Hose Sae #6	79	56396199	1	Clamp, Plastic
41	56244969	5	Clamp- Hose Sae #12	80	56409152	1	Barb, 90 Elbow 1/2 X 1/2npt
42	56249884	1	Plate	81	56410254	1	Wire Rope, 6 Inch
43	56262561	3	Hose, Spiral .500	83	56486112	2	Clamp-P NOTE 1
44#	56303275	1	Solenoid Valve Assy TSB-FC-2015-023	84	56398000	1	Connector Assy (to batteries) NOTE 2
45	56303553	1	Key Switch Assembly	85	56315687	1	Connector Assy (to electrical box) NOTE 2
				86	56002825	2	Scr, Pan Phil 1/4-20 x 1.25 NOTE 2
				87	7-13-07096	1	Clamp-Adjustable

[] = Not Shown

= Revised or new since last update

NOTE 1: These items are only used on model 56381031.

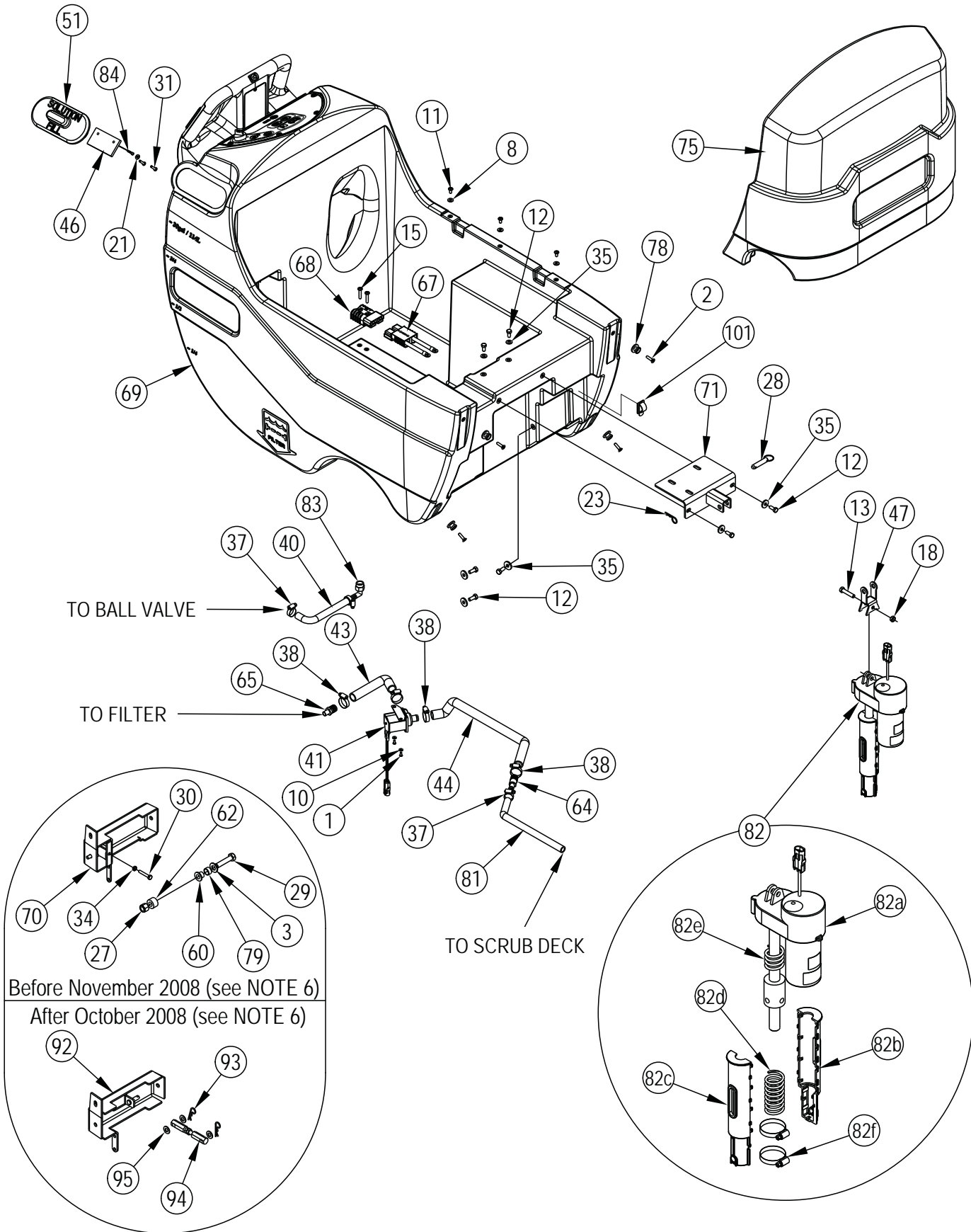
NOTE 2: These items are only used on model 56381029.

NOTE 3: The charger software can be programmed with a computer and the QuiQ Programmer kit 56315732.

NOTE 4: TSBUS2007-979 / TSBUS2008-984 / TSBUS2008-1003 / TSBUS2008-1008

NOTE 5: TSBUS2008-1020

SOLUTION - ELECTRICAL SYSTEM-1 - STD



SOLUTION - ELECTRICAL SYSTEM-1 - STD

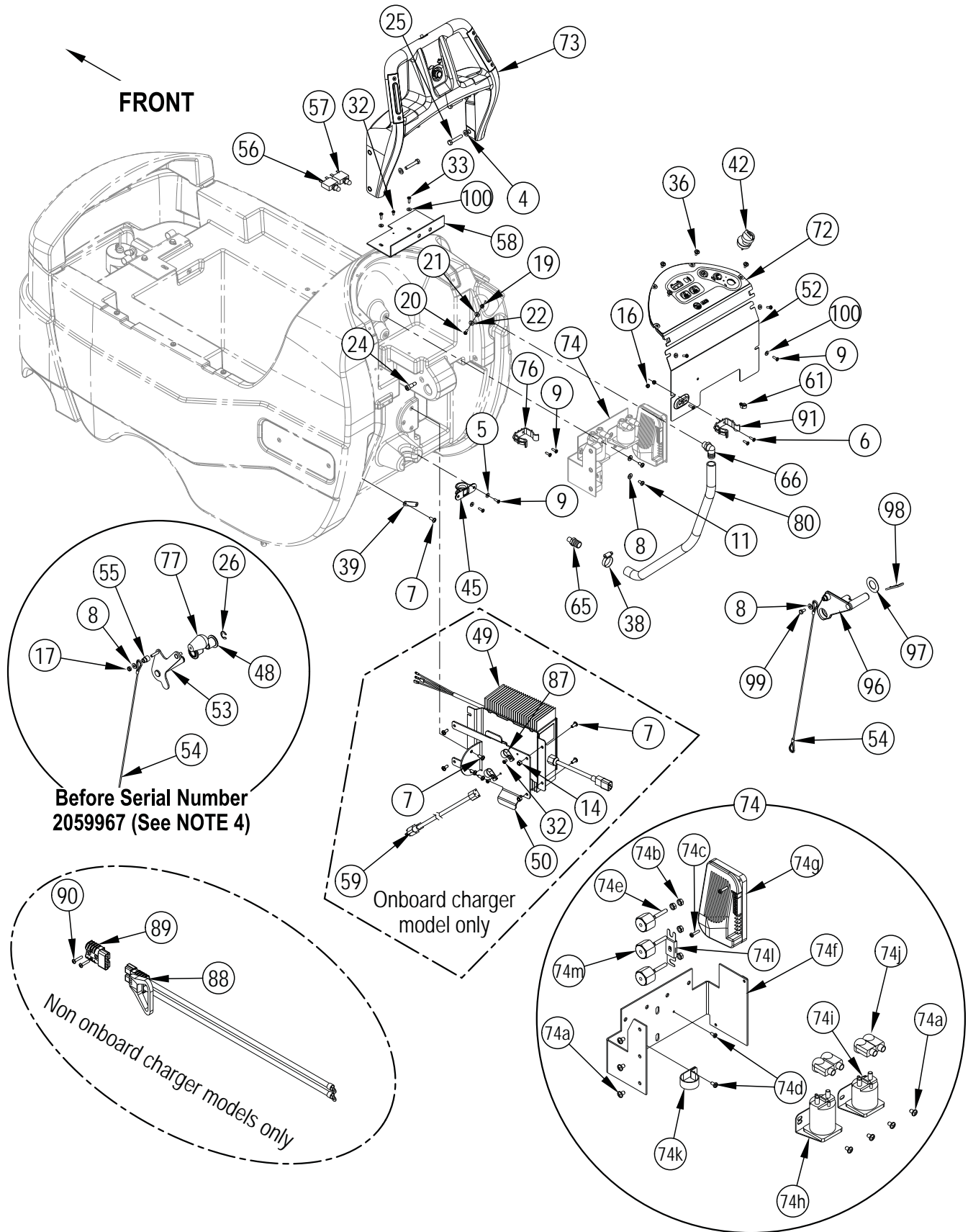
Item	Ref. No.	Qty	Description
1	56001818	2	Scr, Pan Phil 8-32 X .38
2	56001832	4	Scr, Flt Phil 1/4-20 X 1.00
3	56001879	1	Wsh, Flt Sae 1/2 NOTE 6
4	56001939	4	Wsh, Flt Sae 5/16
5	56001954	2	Wsh, Flt Sae #10
6	56001993	2	Scr, Pan Phil 10-24 X .50
7	56002066	8	Scr, Pan Phil 1/4-20 X .62 NOTE 1
8	56002098	6	Wsh, Flt Sae 1/4 NOTE 4
9	56002124	8	Scr, Pan Phil 10-24 X .62
10	56002140	2	Wsh, Flt Sae #8
11	56002145	5	Scr, Pan Phil 1/4-20 X .50
12	56002667	7	Scr, Hex 5/16-18 X .75
13	56002684	1	Scr, Hex 3/8-16 X 1.75
14	56002708	4	Nut, Hex Nyl Loc 1/4-20 NOTE 1
15	56002825	2	Scr, Pan Phil 1/4-20 X 1.25 NOTE 1
16	56002832	2	Nut, Hex Nyl Loc-Thin 10-24 NOTE 5
17	56002840	1	Nut, Hex Nyl Loc-Thin 1/4-20 NOTE 4
18	56002841	1	Nut, Hex Nyl Loc-Thin 3/8-16
19	56002849	1	Nut, Hex Nyl Loc-Thin Ss 10-24
20	56002896	1	Scr, Pan Phil Ss 10-24 X .62
21	56002916	2	Wsh, Flt Sae Ss #10
22	56002919	1	Wsh, Flt Std Ss #10
23	56002959	1	Pin, Cotter Hair
24	56002962	1	Scr, Soc Shd .38 X .62 X 5/16-18 NOTE 4
25	56003005	4	Scr, Hex 5/16-18 X 1.75
26	56003266	1	Ring, Ret Ext Type E 0.75 Dia NOTE 4
27	56003312	1	Nut, Hex Nyl Loc M12-1.75 NOTE 6
28	56003679	1	Pin, Ring .50 X 1.63
29	56003708	1	Scr, Hex M12-1.75 X 55mm NOTE 6
30	56003709	1	Scr, Hex Thd To Hd 1/4-20 X 1.50 NOTE 6
31	56009006	2	Scr, Pan Phil SS Type Ab 10-16 X 1.00
32	56009030	3	Scr, Pan Phil Thd Form 10-24 X .38 NOTE 1
33	56009039	2	Scr, Hex Thd Form 10-24 X .50
34	56009087	1	Nut, Hex Jam 1/4-20 NOTE 6
35	56009122	7	Wsh, Flt .344 X .938 X .125
36	56009206	4	Scr, Truss Phil-Blk 10-24x.50
37	56219932	3	Clamp, Hose Sae #6
38	56244969	5	Clamp, Hose Sae #12
39	56249884	1	Plate
40	56262561	1	Hose, Spiral .500
41#	56303275	1	Solenoid Valve Assy (L1) TSB-FC-2015-023
42	56303553	1	Key Switch Assembly (S3)
[]	56303526	A/R	Set of 2 Keys (for 56303553)
43	56305318	1	Hose, Spiral .750 X 10.5'
44	56305591	1	Hose, Spiral .750 X 25'
45	56315121	1	Guide, Cable
46	56315166	1	Plate
47	56315191	1	Yoke, Actuator
48	56315193	2	Bushing, Flange NOTE 4
49	56315774	1	Charger On-Board 36V NOTE 1 / NOTE 3 / NOTE 10
[]	56315747	1	Thermistor Repair Kit (for 56315774)
50	56315206	1	Bracket, Charger NOTE 1
51	56315219	1	Cover, Solution Fill
52	56109502	1	Panel, Electrical NOTE 5
53	56315236	1	Weldment, Squeegee Lift NOTE 4 / TSBUS2008-1021
54	56315243	1	Cable Assy NOTE 4
55	56315245	1	Bushing, Squeegee Cable NOTE 4
56	56315255	1	Circuit Breaker, 5 Amp (F2)
57	56315256	1	Circuit Breaker, 30 Amp (F3)
58	56109553	1	Plate, Circuit Breaker NOTE 7
59	56383385	1	Cord Charger Yellow US NOTE 1
60	56315380	1	Bushing NOTE 6

Item	Ref. No.	Qty	Description
61	56315382	1	Clip, Conduit
62	56315479	1	Bushing NOTE 6
64	56315625	1	Barb, Coupler 1/2 X 3/4
65	56315634	2	Barb, Adaptor 3/4 X 1/2 Npt
66	56315683	1	Barb, 90 Elbow 3/4 X 3/8npt
67	56315686	1	Charge Connector Assy
68	56315687	1	Charge Connector Assy
69	56315733	1	Tank, Solution
*	56109560	1	Solution Tank Kit NOTE 8
70	56315736	1	Pivot Weldment NOTE 6
71	56315744	1	Weldment, Actuator Mount
72	56315924	1	Control Panel Assy
73	56315930	1	Handle Assembly
74	56315947	1	Assembly, Electrical Box (74a-74m)
74a	56002462	7	Scr, Pan Phil 1/4-20 X .38
74b	56002561	4	Nut, Hex W/ Shprf 1/4-20
74c	56003698	2	Scr, Pan Phil Thd Form 8-32 X .75
74d	56009030	2	Scr, Pan Phil Thd Form 10-24 X .38
74e	56009203	3	Stud, 1/4-20
74f	56315182	1	Panel, Electrical
74g	56315925	1	Controller, Speed (A2) TSBUS2011-0004
74h	56395453	1	Contacto 36v, 200 Amp (K1 / Brush Motor) NOTE 11
74i	56395455	1	Contacto 36v, 100 Amp (K2 / Vac Motor)
74j	2-00-04203	4	Insulator, Terminal
74k	56380544	1	Clamp, .875 P
74l	56412089	1	Fuse, 150 Amp (F1)
74m	56469858	3	Standoff, Insulated
75	56315949	1	Nose Cone, One Piece
76	56331154	1	Clamp, Plastic
77	56364527	1	Knob NOTE 4
78	56365777	4	Lug, Brush Driver
79	56370878	1	Bearing, Sleeve NOTE 6
80	56379139	1	Hose, Pvc
81	56387302	1	Hose, Solution
82	56109595	1	Lift Actuator Assembly (82a-82e) NOTE 9 / TSBUS2009-1040
82a	56109597	1	Actuator
[]	56109596	1	Plastic Nut
[]	56109636	1	Spring Housing Kit
82b	56109547	1	Spring Housing Bottom
82c	56109546	1	Spring Housing Top
82d	56420018	1	Compression Spring
82e	56412071	1	Compression Spring
82f	56329145	2	Clamp-Hose SAE #24
83	56409152	1	Barb, 90 Elbow 1/2 X 1/2npt
84	56410254	1	Wire Rope, 6 Inch
87	56486112	2	Clamp, P NOTE 1
88	56398000	1	Connector Assy (to batteries) NOTE 2
89	56315687	1	Connector Assy (to electrical box) NOTE 2
90	56002825	2	Scr, Pan Phil 1/4-20 x 1.25 NOTE 2
91	56396199	1	Clamp, Plastic
92	56109524	1	Pivot Weldt, NOTE 6
93	56003120	2	Pin, Cotter Hair .0915 x .375 NOTE 6
94	56315836	1	Turnbuckle NOTE 6
95	56002063	3	Wsh, Flt SAE 3/8 NOTE 6
96	56315730	1	Lever, Squeegee Lift TSBUS2008-1021 / NOTE 4
97	56009117	1	Wsh, Flt 1.03 x 1.85 x .48 NOTE 4
98	56003223	1	Pin, Cot Hair NOTE 4
99	56001854	1	Scr, Hex 1/4-20 x .50 NOTE 4
100	56002053	6	Wsh, Flt STD #10
101	7-13-07096	1	Clamp-Adjustable
[]	56325219	1	Tie, Cable

[] = Not Shown
= Revised or new since last update

- NOTE 1: These items are only used on model 56315901.
- NOTE 2: These items are only used on model 56315900.
- NOTE 3: The charger software can be programmed with a computer and the QuiQ Programmer kit 56315732.
- NOTE 4: As of serial number 2059967 the following items (56002962, 56364527, 56002840, 56003266, 56315193, 56315236 & 56315245) are no longer used in production. If you need to replace any of these items please order the following group of parts (56315730, 56009117, 56003223, 56001854 / items 96 through 99) in a quantity of 1 each.
- NOTE 5: As of serial number 2059967 the following items (56002832, 56315222 & 56412285) are no longer used in production. If you need to replace 56315222 or 56412285 please order 56109502.
- NOTE 6: As of October 2008 the following items (56370878, 56001879, 56003312, 56003708, 56315736, 56315380, 56315479, 56003709, 56009087) are no longer used in production. If you need to replace any of these items please order Kit 56109540.
- NOTE 7: 56315259 and 56315532 are no longer used in production. If you need to replace either of these items please order 56109553.
- NOTE 8: If replacing the solution tank on a machine with the old style squeegee lift level (56315236), please order Solution Tank Kit 56109560.
- NOTE 9: Actuator 56109595 replaces actuator 56396049 as of September 2009.
- NOTE 10: TSBUS2007-979 / TSBUS2008-984 / TSBUS2008-1003 / TSBUS2008-1008
- NOTE 11: TSBUS2008-1020

SOLUTION - ELECTRICAL SYSTEM-2 - STD



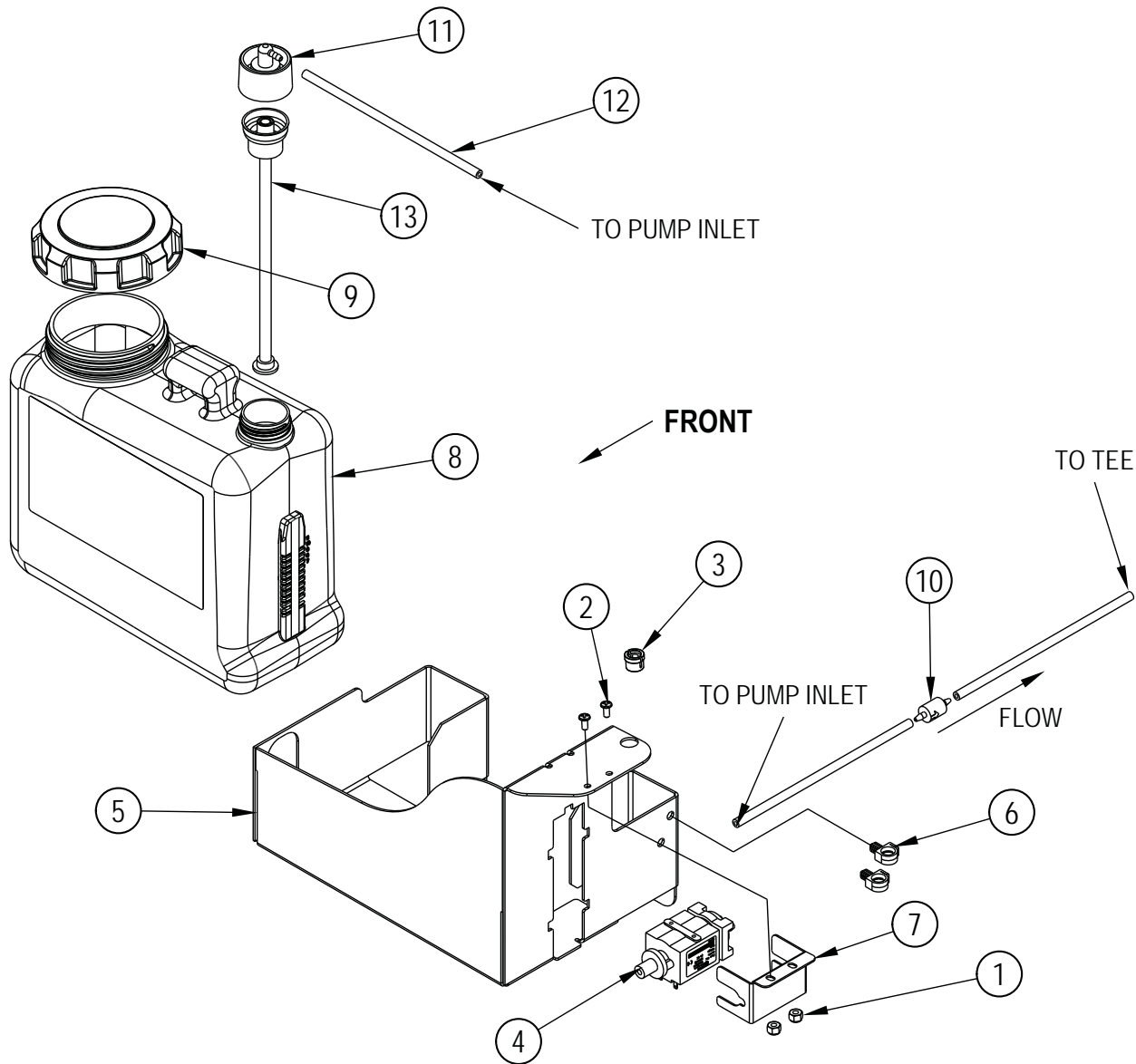
SOLUTION - ELECTRICAL SYSTEM-2 - STD

Item	Ref. No.	Qty	Description
1	56001818	2	Scr, Pan Phil 8-32 X .38
2	56001832	4	Scr, Flt Phil 1/4-20 X 1.00
3	56001879	1	Wsh, Flt Sae 1/2 NOTE 6
4	56001939	4	Wsh, Flt Sae 5/16
5	56001954	2	Wsh, Flt Sae #10
6	56001993	2	Scr, Pan Phil 10-24 X .50
7	56002066	8	Scr, Pan Phil 1/4-20 X .62 NOTE 1
8	56002098	6	Wsh, Flt Sae 1/4 NOTE 4
9	56002124	8	Scr, Pan Phil 10-24 X .62
10	56002140	2	Wsh, Flt Sae #8
11	56002145	5	Scr, Pan Phil 1/4-20 X .50
12	56002667	7	Scr, Hex 5/16-18 X .75
13	56002684	1	Scr, Hex 3/8-16 X 1.75
14	56002708	4	Nut, Hex Nyl Loc 1/4-20 NOTE 1
15	56002825	2	Scr, Pan Phil 1/4-20 X 1.25 NOTE 1
16	56002832	2	Nut, Hex Nyl Loc-Thin 10-24 NOTE 5
17	56002840	1	Nut, Hex Nyl Loc-Thin 1/4-20 NOTE 4
18	56002841	1	Nut, Hex Nyl Loc-Thin 3/8-16
19	56002849	1	Nut, Hex Nyl Loc-Thin Ss 10-24
20	56002896	1	Scr, Pan Phil Ss 10-24 X .62
21	56002916	2	Wsh, Flt Sae Ss #10
22	56002919	1	Wsh, Flt Std Ss #10
23	56002959	1	Pin, Cotter Hair
24	56002962	1	Scr, Soc Shd .38 X .62 X 5/16-18 NOTE 4
25	56003005	4	Scr, Hex 5/16-18 X 1.75
26	56003266	1	Ring, Ret Ext Type E 0.75 Dia NOTE 4
27	56003312	1	Nut, Hex Nyl Loc M12-1.75 NOTE 6
28	56003679	1	Pin, Ring .50 X 1.63
29	56003708	1	Scr, Hex M12-1.75 X 55mm NOTE 6
30	56003709	1	Scr, Hex Thd To Hd 1/4-20 X 1.50 NOTE 6
31	56009006	2	Scr, Pan Phil Ss Type Ab 10-16 X 1.00
32	56009030	3	Scr, Pan Phil Thd Form 10-24 X .38 NOTE 1
33	56009039	2	Scr, Hex Thd Form 10-24 X .50
34	56009087	1	Nut, Hex Jam 1/4-20 NOTE 6
35	56009122	7	Wsh, Flt .344 X .938 X .125
36	56009206	4	Scr, Truss Phil-Blk 10-24x.50
37	56219932	3	Clamp, Hose Sae #6
38	56244969	5	Clamp, Hose Sae #12
39	56249884	1	Plate
40	56262561	1	Hose, Spiral .500
41#	56303275	1	Solenoid Valve Assy (L1) TSB-FC-2015-023
42	56303553	1	Key Switch Assembly (S3)
[]	56303526	A/R	Set of 2 Keys (for 56303553)
43	56305318	1	Hose, Spiral .750 X 10.5'
44	56305591	1	Hose, Spiral .750 X 25'
45	56315121	1	Guide, Cable
46	56315166	1	Plate
47	56315191	1	Yoke, Actuator
48	56315193	2	Bushing, Flange NOTE 4
49	56315774	1	Charger On-Board 36V NOTE 1 / NOTE 3 / NOTE 10
[]	56315747	1	Thermistor Repair Kit (for 56315774)
50	56315206	1	Bracket, Charger NOTE 1
51	56315219	1	Cover, Solution Fill
52	56109502	1	Panel, Electrical NOTE 5
53	56315236	1	Weldment, Squeegee Lift NOTE 4 / TSBUS2008-1021
54	56315243	1	Cable Assy NOTE 4
55	56315245	1	Bushing, Squeegee Cable NOTE 4
56	56315255	1	Circuit Breaker, 5 Amp (F2)
57	56315256	1	Circuit Breaker, 30 Amp (F3)
58	56109553	1	Plate, Circuit Breaker NOTE 7
59	56383385	1	Cord Charger Yellow US NOTE 1
60	56315380	1	Bushing NOTE 6

Item	Ref. No.	Qty	Description
61	56315382	1	Clip, Conduit
62	56315479	1	Bushing NOTE 6
64	56315625	1	Barb, Coupler 1/2 X 3/4
65	56315634	2	Barb, Adaptor 3/4 X 1/2 Npt
66	56315683	1	Barb, 90 Elbow 3/4 X 3/8npt
67	56315686	1	Charge Connector Assy
68	56315687	1	Charge Connector Assy
69	56315733	1	Tank, Solution
*	56109560	1	Solution Tank Kit NOTE 8
70	56315736	1	Pivot Weldment NOTE 6
71	56315744	1	Weldment, Actuator Mount
72	56315924	1	Control Panel Assy
73	56315930	1	Handle Assembly
74	56315947	1	Assembly, Electrical Box (74a-74m)
74a	56002462	7	Scr, Pan Phil 1/4-20 X .38
74b	56002561	4	Nut, Hex W/ Shprf 1/4-20
74c	56003698	2	Scr, Pan Phil Thd Form 8-32 X .75
74d	56009030	2	Scr, Pan Phil Thd Form 10-24 X .38
74e	56009203	3	Stud, 1/4-20
74f	56315182	1	Panel, Electrical
74g	56315925	1	Controller, Speed (A2) TSBUS2011-0004
74h	56395453	1	Contacto 36v, 200 Amp (K1 / Brush Motor) NOTE 11
74i	56395455	1	Contacto 36v, 100 Amp (K2 / Vac Motor)
74j	2-00-04203	4	Insulator, Terminal
74k	56380544	1	Clamp, .875 P
74l	56412089	1	Fuse, 150 Amp (F1)
74m	56469858	3	Standoff, Insulated
75	56315949	1	Nose Cone, One Piece
76	56331154	1	Clamp, Plastic
77	56364527	1	Knob NOTE 4
78	56365777	4	Lug, Brush Driver
79	56370878	1	Bearing, Sleeve NOTE 6
80	56379139	1	Hose, Pvc
81	56387302	1	Hose, Solution
82	56109595	1	Lift Actuator Assembly (82a-82e) NOTE 9 / TSBUS2009-1040
82a	56109597	1	Actuator
[]	56109596	1	Plastic Nut
[]	56109636	1	Spring Housing Kit
82b	56109547	1	Spring Housing Bottom
82c	56109546	1	Spring Housing Top
82d	56420018	1	Compression Spring
82e	56412071	1	Compression Spring
82f	56329145	2	Clamp-Hose SAE #24
83	56409152	1	Barb, 90 Elbow 1/2 X 1/2npt
84	56410254	1	Wire Rope, 6 Inch
87	56486112	2	Clamp, P NOTE 1
88	56398000	1	Connector Assy (to batteries) NOTE 2
89	56315687	1	Connector Assy (to electrical box) NOTE 2
90	56002825	2	Scr, Pan Phil 1/4-20 x 1.25 NOTE 2
91	56396199	1	Clamp, Plastic
92	56109524	1	Pivot Weldt. NOTE 6
93	56003120	2	Pin, Cotter Hair .0915 x .375 NOTE 6
94	56315836	1	Turnbuckle NOTE 6
95	56002063	3	Wsh, Flt SAE 3/8 NOTE 6
96	56315730	1	Lever, Squeegee Lift TSBUS2008-1021 / NOTE 4
97	56009117	1	Wsh, Flt 1.03 x 1.85 x .48 NOTE 4
98	56003223	1	Pin, Cot Hair NOTE 4
99	56001854	1	Scr, Hex 1/4-20 x .50 NOTE 4
100	56002053	6	Wsh, Flt STD #10
101	7-13-07096	1	Clamp-Adjustable
[]	56325219	1	Tie, Cable

[] = Not Shown
 # = Revised or new since last update

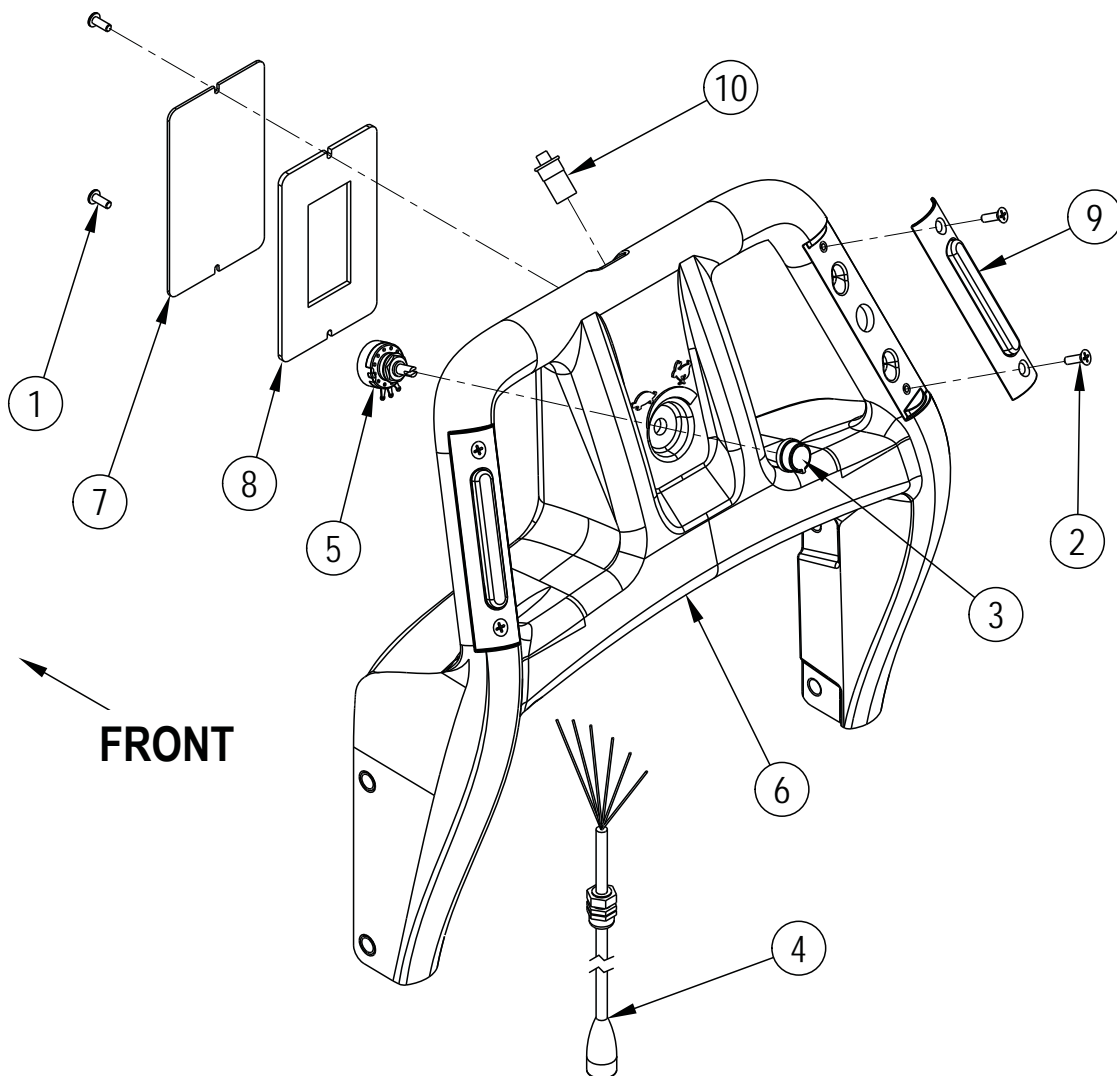
NOTE 1: These items are only used on model 56315901.
NOTE 2: These items are only used on model 56315900.
NOTE 3: The charger software can be programmed with a computer and the QuiQ Programmer kit 56315732.
NOTE 4: As of serial number 2059967 the following items (56002962, 56364527, 56002840, 56003266, 56315193, 56315236 & 56315245) are no longer used in production. If you need to replace any of these items please order the following group of parts (56315730, 56009117, 56003223, 56001854 / items 96 through 99) in a quantity of 1 each.
NOTE 5: As of serial number 2059967 the following items (56002832, 56315222 & 56412285) are no longer used in production. If you need to replace 56315222 or 56412285 please order 56109502.
NOTE 6: As of October 2008 the following items (56370878, 56001879, 56003312, 56003708, 56315736, 56315380, 56315479, 56003709, 56009087) are no longer used in production. If you need to replace any of these items please order Kit 56109540.
NOTE 7: 56315259 and 56315532 are no longer used in production. If you need to replace either of these items please order 56109553.
NOTE 8: If replacing the solution tank on a machine with the old style squeegee lift level (56315236), please order Solution Tank Kit 56109560.
NOTE 9: Actuator 56109595 replaces actuator 56396049 as of September 2009.
NOTE 10: TSBUS2007-979 / TSBUS2008-984 / TSBUS2008-1003 / TSBUS2008-1008
NOTE 11: TSBUS2008-1020



CHEMICAL ASSY - EcoFlex™

Item	Ref. No.	Qty	Description
	56381104	1	Chemical Tank Assy
1	56002877	2	Nut, Hex Nyl Loc SS 8-32
2	56003018	2	Scr, Pan Phil SS 8-32 X .38
3	56003699	1	Bushing, 1/4 Id Snub
4	56315241	1	Pump, Chemical
5	56315644	1	Bracket, Tank Mounting
6	56315382	2	Clip, Conduit
7	56315476	1	Bracket, Chemical Pump
8	56601544	1	Chemical Bottle Assy
**	56601545	A/R	Chemical Bottle Assy (8, 9, 13)
9	56315517	1	Cap, Raw
10	56315522	1	Check Valve, 1/8 Barb, 125 PSI
11	56315523	1	Cap, Dry Break, 1/8 Barb, 90°
12	56315524	3	Hose, Chemical Resistant, 7"
13	56315527	1	Insert, Dry Break

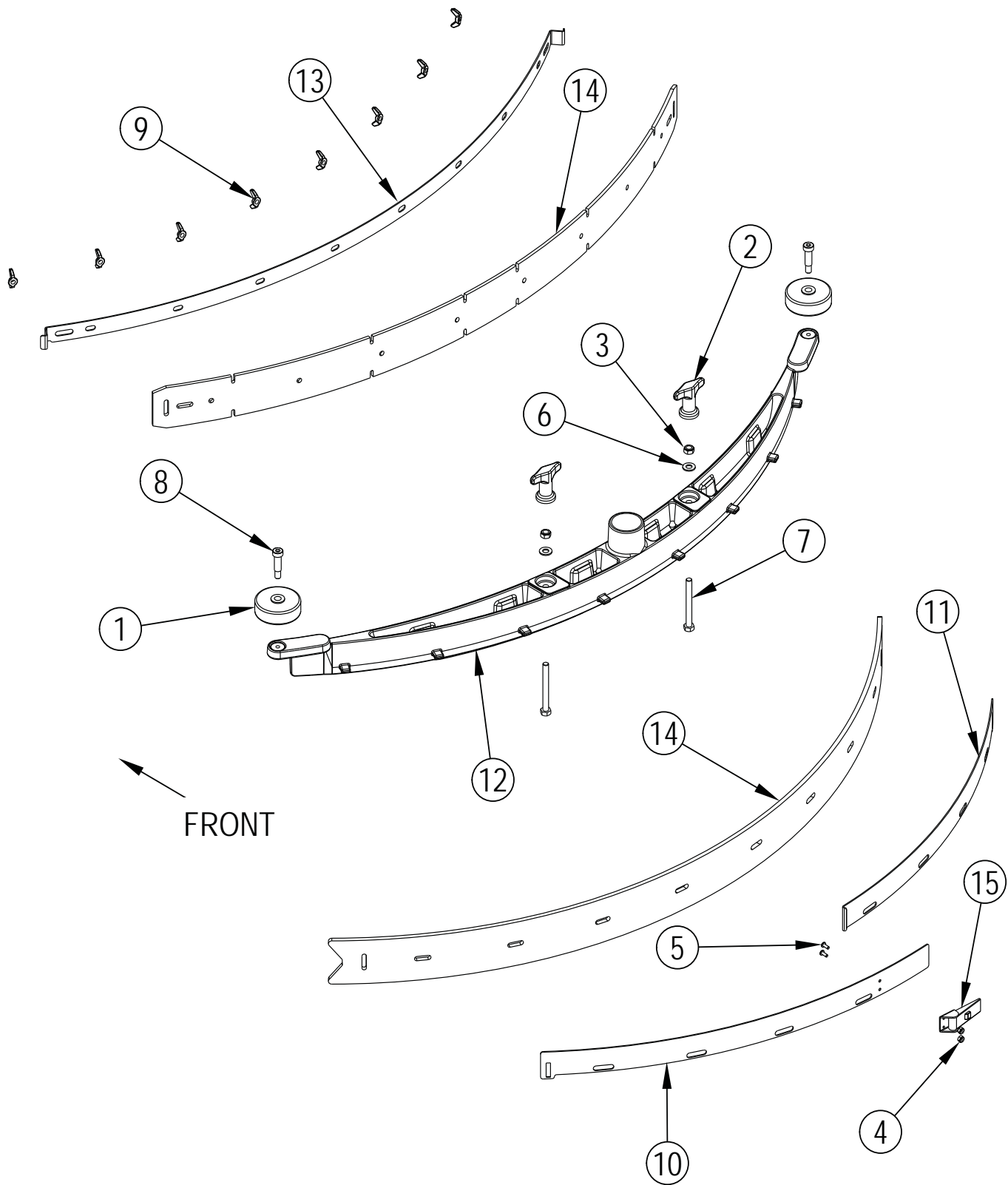
** = Optional, Not Included



HANDLE ASSY

Item	Ref. No.	Qty	Description
	56315930	1	Handle Assembly
1	56002043	2	Scr, Pan Phil 10-24 X .38
2	56002178	4	Scr, Flt Phil 10-24 X .50
3	56315280	1	Knob
4	56315928	1	Harness, Handle
5	56315929	1	Potentiometer, 100k (R1)
6	56315931	1	Handle, Rotomold
7	56315932	1	Access Plate
8	56315933	1	Gasket, Access Panel
9	56315935	2	Palm Switch Assembly (S6 / S7)
10	56315945	1	Switch, Spst Mom. (S5)

SQUEEGEE ASSY



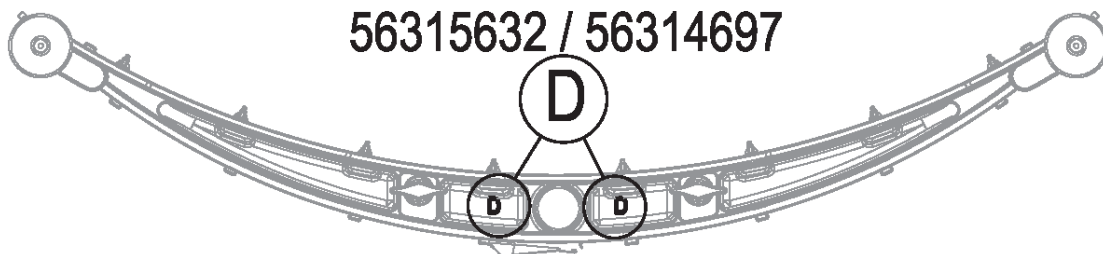
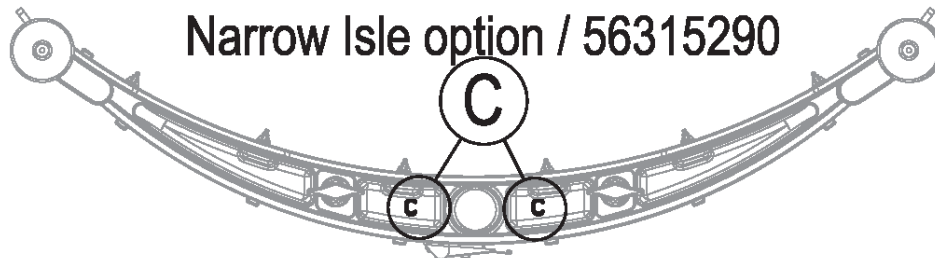
SQUEEGEE ASSY

Item	Ref. No.	Qty	Description
	56315632	1	Squeegee Assembly "D" (STD) NOTE 2
	56315290	1	Squeegee Assembly "C" (Narrow Isle Option) NOTE 2
1	56324350	2	Wheel
2	56370711	2	Nut, Thumb
3	56002851	2	Nut, Hex Nyl Loc-Thin Ss 5/16-18
4	56002907	2	Nut, Hex Nyl Loc SS 6-32
5	56002909	2	Scr. Pan Phil SS 6-32 X .38
6	56002938	2	Wsh, Flt Sae SS 5/16
7	56003736	2	Scr. Hex Thd to Hd SS 5/16-18 X 3.00
8	56003472	2	Scr. Soc Shd .38 X 1.00 X 5/16-18
9	56009111	8	Nut, Wing SS 1/4-20
10	56109667	1	Strap, Left Rear "D" (used on 56315632) NOTE 2 / TSBUS2009-1037
	56109664	1	Strap, Left Rear "C" (used on 56315290) NOTE 2 / TSBUS2009-1037
11	56109668	1	Strap, Right Rear "D" (used on 56315632) NOTE 2 / TSBUS2009-1037
	56109665	1	Strap, Right Rear "C" (used on 56315290) NOTE 2 / TSBUS2009-1037
12	56314694	1	Squeegee Tool, Cast "D" (used on 56315632)
	56314325	1	Squeegee Tool, Cast "C" (used on 56315290)
13	56314696	1	Strap, Front "D" (used on 56315632) NOTE 2
	56314322	1	Strap, Front "C" (used on 56315290) NOTE 2
14	56315674	1	Kit, Gum Rubber Squeegee Blade "D" (used on 56315632) NOTE 1
	56315348	1	Kit, Gum Rubber Squeegee Blade "C" (used on 56315290) NOTE 1
15	56471194	1	Latch Assembly
Squeegee Blade Kits for 56315632			
	56315674	1	Kit, Gum Rubber Squeegee Blade "D" NOTE 1
*	56314865	1	Kit, Red Gum Rubber Squeegee Blade "D" NOTE 1
*	56315856	1	Kit, PU Squeegee Blade "D" NOTE 1
"C" Squeegee Blade Kits for 56315290			
	56315348	1	Kit, Gum Rubber Squeegee Blade "C" NOTE 1
*	56315352	1	Kit, Red Gum Rubber Squeegee Blade "C" NOTE 1
*	56315855	1	Kit, PU Squeegee Blade "C" NOTE 1

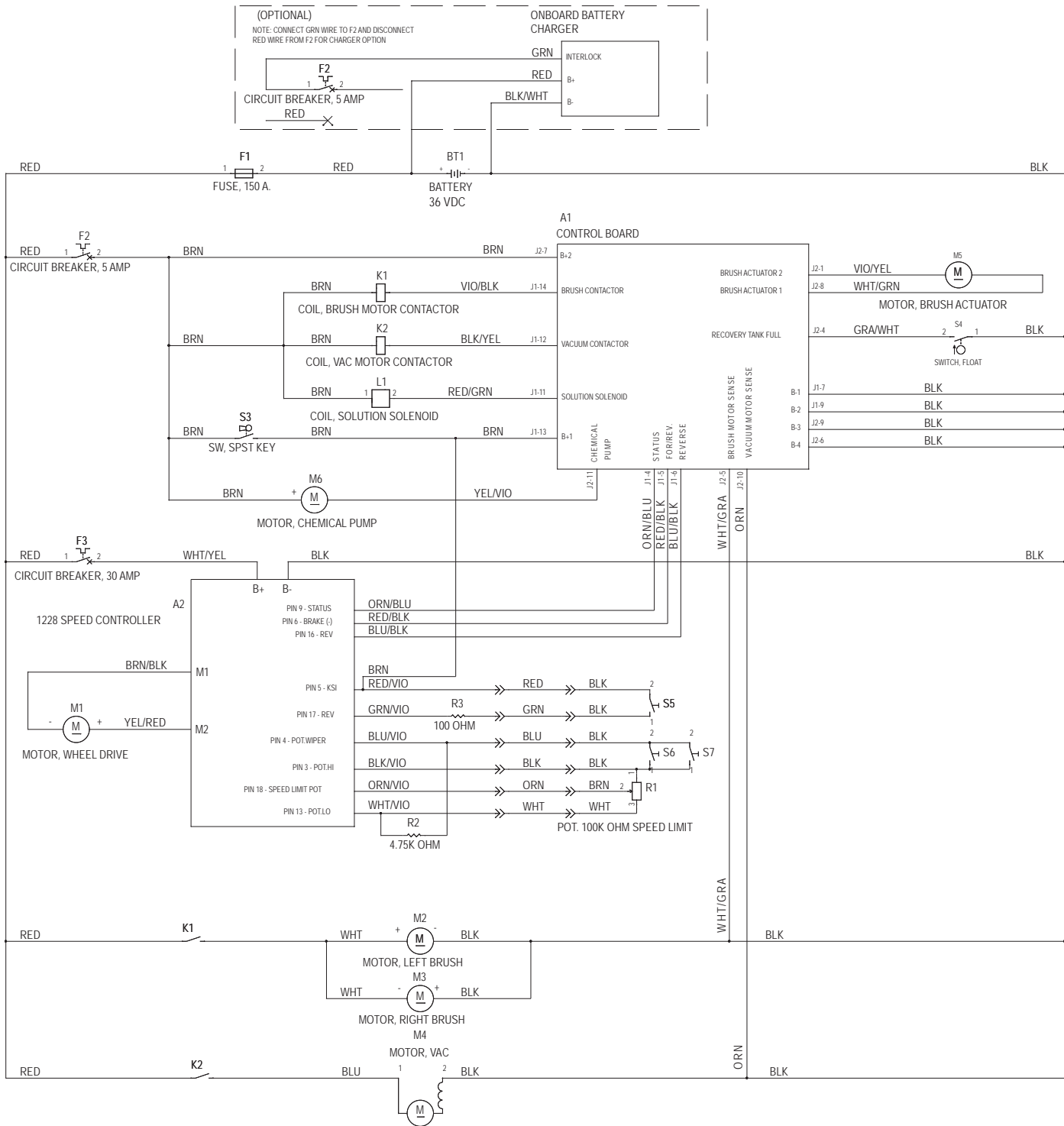
* = Optional, Not Included

NOTE 1: All squeegee blade kits include both front and rear squeegee blades.

NOTE 2: To replace squeegee straps on machines without Latch Support 56109554 (item 16) order one of the two following Strap Kits:
 56109669-Strap Kit-D (for Squeegee Assy 56315632) or 56109666-Strap Kit-C (for Squeegee Assy 56315290).
 These kits include both rear straps, front strap and the latch.



LADDER DIAGRAM



LADDER DIAGRAM

<u>Item</u>	<u>Ref. No.</u>	<u>Qty</u>	<u>Description</u>
A1	56315924	1	Control Panel Assy (STD)
	56383092	1	Control Panel Kit (EcoFlex)
A2	56315925	1	Speed Control TSBUS2011-0004
BT1	NA	6	Battery
F1	56412089	1	Fuse, 150 Amp
F2	56315255	1	Circuit Breaker, 5 Amp
F3	56315256	1	Circuit Breaker, 30 Amp
K1	56395453	1	Contactora, Brush Motor TSBUS2008-1020
K2	56395455	1	Contactora, Vac Motor
L1#	56303275	1	Solenoid, Solution TSB-FC-2015-023
M1	56382500	1	Transaxle, 36v
[]	56315676	1	Motor
[]	56315677	4	Carbon Brush
[]	56315678	2	Neoprene Mounting Sleeve
M2	56397316	1	Motor, Left Brush TSBUS2010-1059
[]	56397139	4	Carbon Brush NOTE 2
[]	56397138	4	Brush Spring NOTE 2
[]	56380637	1	Brush Board Assy NOTE 2
M3	56397316	1	Motor, Right Brush TSBUS2010-1059
[]	56397139	4	Carbon Brush NOTE 2
[]	56397138	4	Brush Spring NOTE 2
[]	56380637	1	Brush Board Assy NOTE 2
M4	56391208	1	Vac Motor Assy
[]#	56377001	1	Carbon Brush Set of 2 NOTE 3
[]#	56212223	1	Carbon Brush Set of 2 NOTE 4
M5	56109597	1	Motor, Brush Actuator TSBUS2009-1040
[]	56109596	1	Plastic Nut
M6	56315241	1	Chemical Pump (Optional)
R1	56315929	1	Potentiometer, 100K Ohm, Speed Limit
R2	N/A	1	Resister, 4.7K Ohm (part of 56315920)
S3	56303553	1	Switch, Key
[]	56303526	A/R	Set of 2 Replacement Keys
S4	56315096	1	Switch, Float
S5	56315945	1	Switch, SPST MOM
S6	56315935	1	Switch, Palm Assy
S7	56315935	1	Switch, Palm Assy
[]	56315774	1	Charger, Onboard 36V (Onboard Charger Models Only) NOTE 1 / TSBUS2007-979 / TSBUS2008-984 / TSBUS2008-1003 / TSBUS2008-1008
[]	56315747	1	Thermister Repair Kit (for 56315774)
[]	56315920	1	Harness, Main
[]	56315750	1	Vacuum Harness
[]	56416445	3	Cable Assy 4 AWG (Battery Cables)
[]	56456460	2	Cable Assy 4 X 12 (Battery Cables)
[]	56372673	12	Boot, Battery Post
[]	56478246	12	Tie, Cable
[]	56314119	2	Spacer, Battery

[] = Not Shown

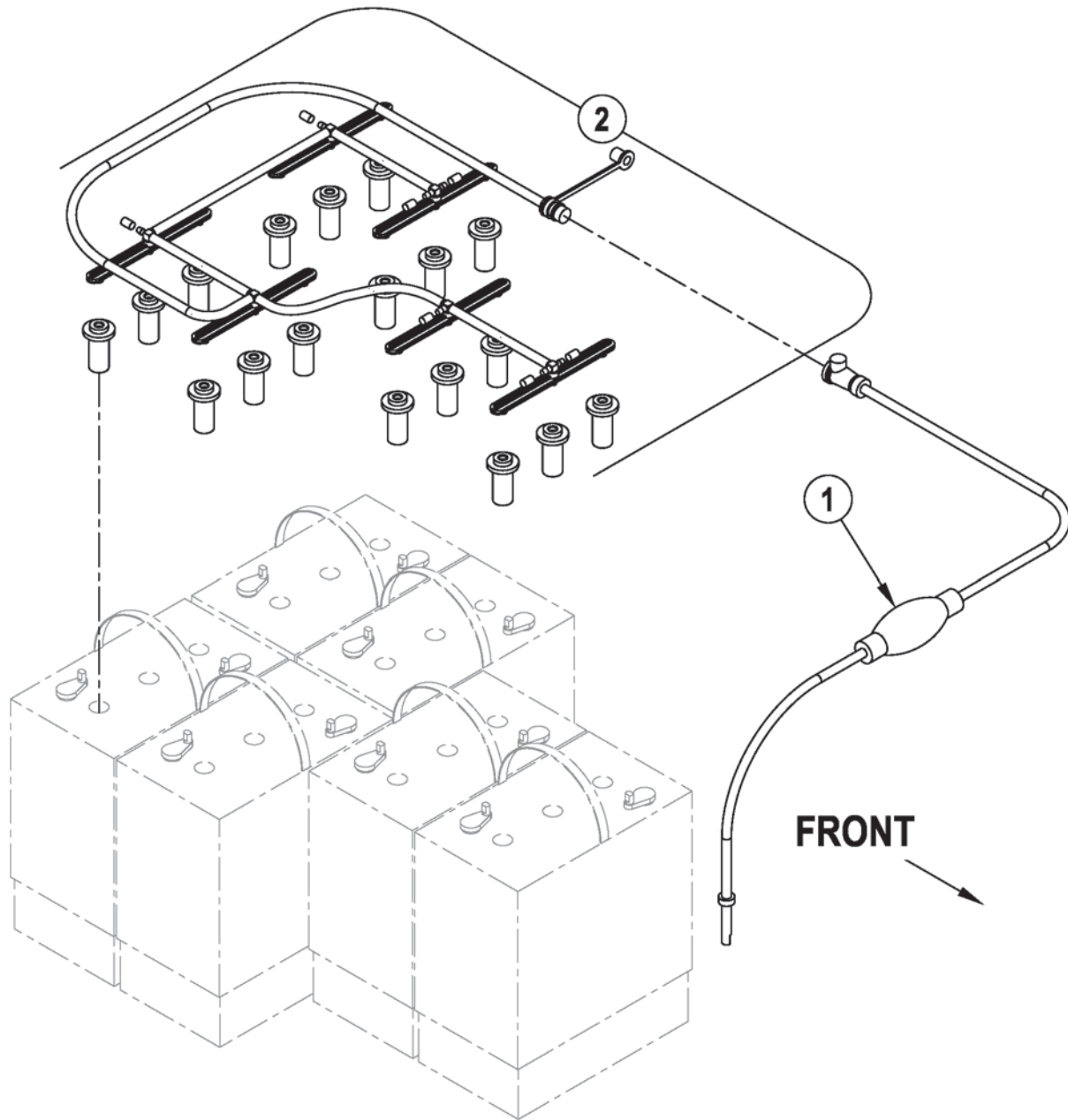
= Revised or new since last update

NOTE 1: The charger software can be programmed with a computer and the QuiQ Programmer kit 56315732.

NOTE 2: If your Motor / Gear Unit Assembly has a serial tag from Imperial Electric order (4) Carbon Brushes 56397139 or (4) Brush Springs 56397138. If your Motor / Gear Unit Assembly has a serial tag from Nilfisk-Advance order Brush Board Assy 56380637.

NOTE 3:# For machines built before June 2011 with Vac Motor 56377470 – use Carbon Brushes 56377001.

NOTE 4:# For machines built after June 2011 with Vac Motor 56109731 – use Carbon Brushes 56212223.



BATTERY WATERING SYSTEM

Item	Ref. No.	Qty	Description
	56314974	1	Battery Watering System (items 1-2) (standard on model 56315903)
	56314981	1	Battery Watering Kit (includes 56314974 and instruction sheet 56040853)
1	56314978	1	Pump
2	56314979	1	Manifold Assembly

OPTIONAL KITS & ACCESSORIES

<u>Ref. No.</u>	<u>Qty</u>	<u>Description</u>
Options		
* 56315732	A/R	QuiQ Programmer Kit NOTE 2 TSBUS2007-979
* 9096219000	2	Wheel, Polyurethane – Traction
* 56314981	A/R	Battery Watering Kit
* 56315290	1	Squeegee Assy "C" (Narrow isle Option)
* 56314697	1	Squeegee Assy "D" (Red Gum Rubber)
* 56315958	1	Handle Lowering Kit
NOTE: Replacement parts for the kits listed above can be found on each kit's associated instruction sheet.		
Kits for Squeegee 56315632		
56315674	1	Kit, Gum Rubber Squeegee Blade "D" NOTE 1
* 56314865	1	Kit, Red Gum Rubber Squeegee Blade "D" NOTE 1
* 56315856	1	Kit, PU Squeegee Blade "D" NOTE 1
* 56109585	1	Strap Kit-D
Kits for Squeegee 56315290		
56315348	1	Kit, Gum Rubber Squeegee Blade "C" NOTE 1
* 56315352	1	Kit, Red Gum Rubber Squeegee Blade "C" NOTE 1
* 56315855	1	Kit, PU Squeegee Blade "C" NOTE 1
* 56109584	1	Strap Kit-C
Accessories		
* 56315316	A/R	Tote Bag
* 56383571	A/R	Programmer-User
* 56383572	A/R	Programmer Cable-Molex
* 56397453	6	Indicator, Battery Level (1 per battery)
* 56044407	A/R	Literature Pack (Prior to introduction of EcoFlex)
* 56044593	A/R	Literature Pack (After introduction of EcoFlex)
Optional Brushes		
* 56315942	2	Pad Holder-17 Gimbal
* 10384A	2	Brush, Light Grit
* 11430B	2	Brush, Medium Grit
* 11425B	2	Brush, Heavy Grit
* 11424B	2	Brush, Polypropylene
* 10875A	2	Brush, Nylon

* = Optional, Not Included

NOTE 1: All squeegee blade kits include both front and rear squeegee blades.

NOTE 2: The charger software can be programmed with a computer and the QuiQ Programmer kit 56315732.

BRUSH SELECTOR GUIDE - DISK

We provide brushes and pad holders that will give you the best possible performance between machine and floor. Following are descriptions of the materials and their applications.

- 10384A Lite Grit: Least aggressive grit brush for general medium duty scrubbing on terrazzo, sealed and unsealed concrete, less aggressive than Clean Grit or Super Grit brushes.
- 110430A Clean Grit: Medium duty scrubbing for tough soils on concrete, tile and other resilient floors. Most popular choice of the grit brushes.
- 11425B Super Grit: Most aggressive of the grit brushes for heavy duty scrubbing on hard floors.
- 11424B Polypropylene: Designed for medium-duty scrubbing on concrete, terrazzo and vinyl floor tile.
- 10875A Nylon: For light duty scrubbing applications.

BRUSHES

- 56315942 - Pad Holder-17 Gimbal
10384A - Light Grit
11430B - Medium Grit
11425B - Heavy Grit
11424B - Polypropylene
10875A - Nylon

SQUEEGEE BLADE SELECTOR GUIDE

Gum Rubber: Provides superior wiping action on tile, terrazzo, and polished floors.

Red Gum Rubber: Provides longest life on finished or unfinished concrete floors.

Polyurethane: Oil resistance provides superior life in applications with oily floors.

SQUEEGEE BLADE APPLICATION GUIDE(SUGGESTION ONLY)

	Gum Rubber (Natural Rubber)	Red Gum Rubber (Natural Rubber)	Polyurethane/ Pentathane
Performance Traits			
Tear Strength		X	X
Abrasion Resistance		X	X
Applications			
Oil Resistant Applications			X
Appearance	Tan	Red	Translucent



Advance

14600 21st Avenue North
Plymouth, MN 55447-3408

www.advance-us.com

Phone: 800-989-2235

Fax: 800-989-6566

©2015 Nilfisk-Advance, Inc.

A Nilfisk-Advance Brand