

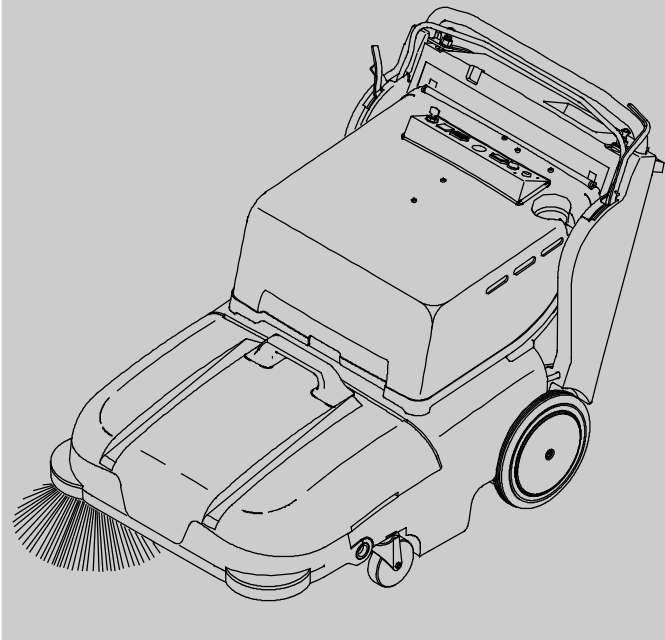
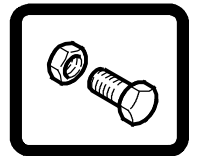


# 3640

(Electric)

Sweeper

## Parts Manual



**TennantTrue® Parts**



For the latest Parts manuals and other language Operator manuals, visit:

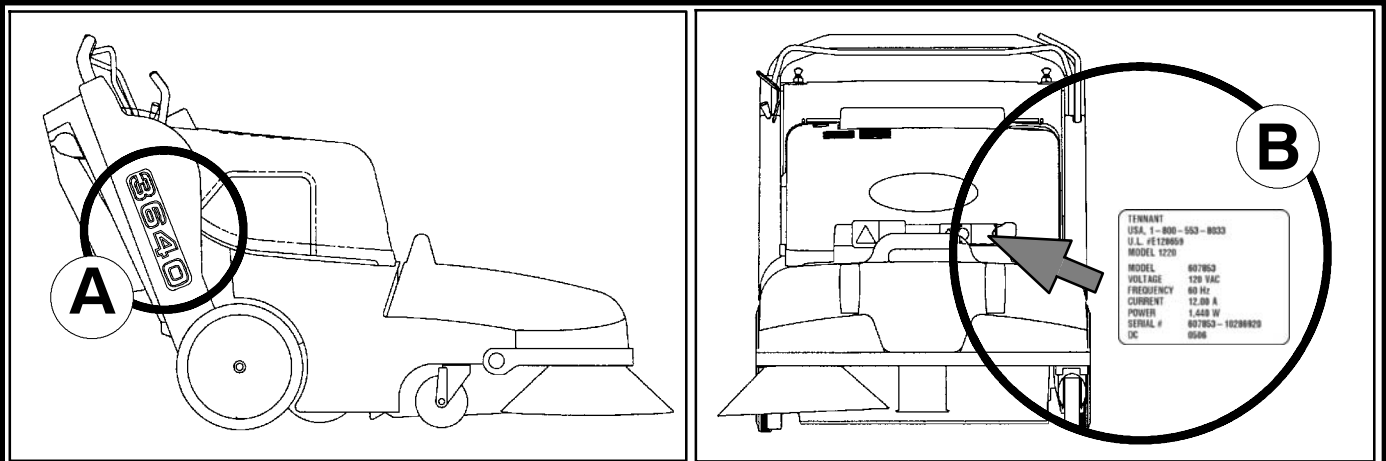
[www.tennantco.com/manuals](http://www.tennantco.com/manuals)

**North America / International / Japan**

[www.tennantco.com](http://www.tennantco.com)

9014884  
Rev. 13 (03-2016)





Ref	Part No.	Serial Number	Description	Qty.
1	82681	(000000- )	Bracket Wldt, Lpg Mount	1
▽ 2	63810	(000000- )	Latch Assy, Lpg Tank Mtg, W/Nut	4
▲ 3	51839	(000000- )	Nut Adjustable, Lpg Tank Mtg	2
4	49263	(000000- )	Tie, Cable	3
(D)	82556	(000000- 001039)	Bracket, Vaporizer	1
	54930	(000000- )	Vaporizer, LPG	1

**HOW TO ORDER PARTS - See diagram above**

Only use TENNANT Company supplied or equivalent parts. Parts and supplies may be ordered online, by phone, by fax or by mail.

Follow the steps below to ensure prompt delivery.

1. (A) Identify the machine model.
2. (B) Identify the machine serial number from the data label.
3. (C) Ensure the proper serial number is used from the parts list.
4. Identify the part number and quantity.  
Do not order by page or reference numbers.
5. Provide your name, company name, customer ID number, billing and shipping address, phone number and purchase order number.
6. Provide detail shipping instructions.

- (D) ▽ - identifies an assembly  
▲ - identifies parts included in assembly

**Please fill out at time of installation for future reference.**

Model No. - \_\_\_\_\_  
 Serial No. - \_\_\_\_\_  
 Machine Options - \_\_\_\_\_  
 Sales Rep. - \_\_\_\_\_  
 Sales Rep. phone no. - \_\_\_\_\_  
 Customer ID Number - \_\_\_\_\_  
 Installation Date - \_\_\_\_\_

**Tennant Company**

PO Box 1452  
 Minneapolis, MN 55440  
 Phone: (800) 553- 8033 or (763) 513- 2850  
 www.tennantco.com

**Tennant Company Japan**

9F Industry & Trade Center, 2 Yamashita- cho  
 Naka- ku, Yokohama, Kanagawa 231- 0023  
 JAPAN  
 Phone: 045- 640- 5630  
 Fax: 045- 640- 5604

www.tennant.co.jp

JP

**パーツの発注方法 ? 上記の図を参照してください**

TENNANT社製のパーツまたは同等品のみをお使いください。  
パーツやサプライ品のご注文は、オンライン、電話、FAX、または手紙でお願いいたします。  
確実にお届けできるように、以下の情報お知らせください。

1. **(A)** 製品のモデル名をお知らせください。
2. **(B)** 製品のデータラベルに印刷されているシリアル番号をお知らせください。
3. **(C)** パーツリストを参照して、シリアル番号が正しいかご確認ください。
4. パーツ番号と数量をお知らせください。マニュアル/カタログのページ番号や参照番号でのご注文はご遠慮ください。
5. お客様のお名前、会社名、顧客ID番号、請求/発送先住所、電話番号、注文書番号をお知らせください。
6. 発送に関するご希望があれば、明記してください。

- (D)** ▽ - アセンブリを示します  
▲ - アセンブリに含まれるパーツを示します

**後日確認できるように、設置時に記入してください。**

モデルNo. - \_\_\_\_\_

シリアルNo. - \_\_\_\_\_

製品のオプション - \_\_\_\_\_

販売代理店 - \_\_\_\_\_

販売代理店の電話番号 - \_\_\_\_\_

顧客ID番号 - \_\_\_\_\_

設置日 - \_\_\_\_\_



## SECTION 2

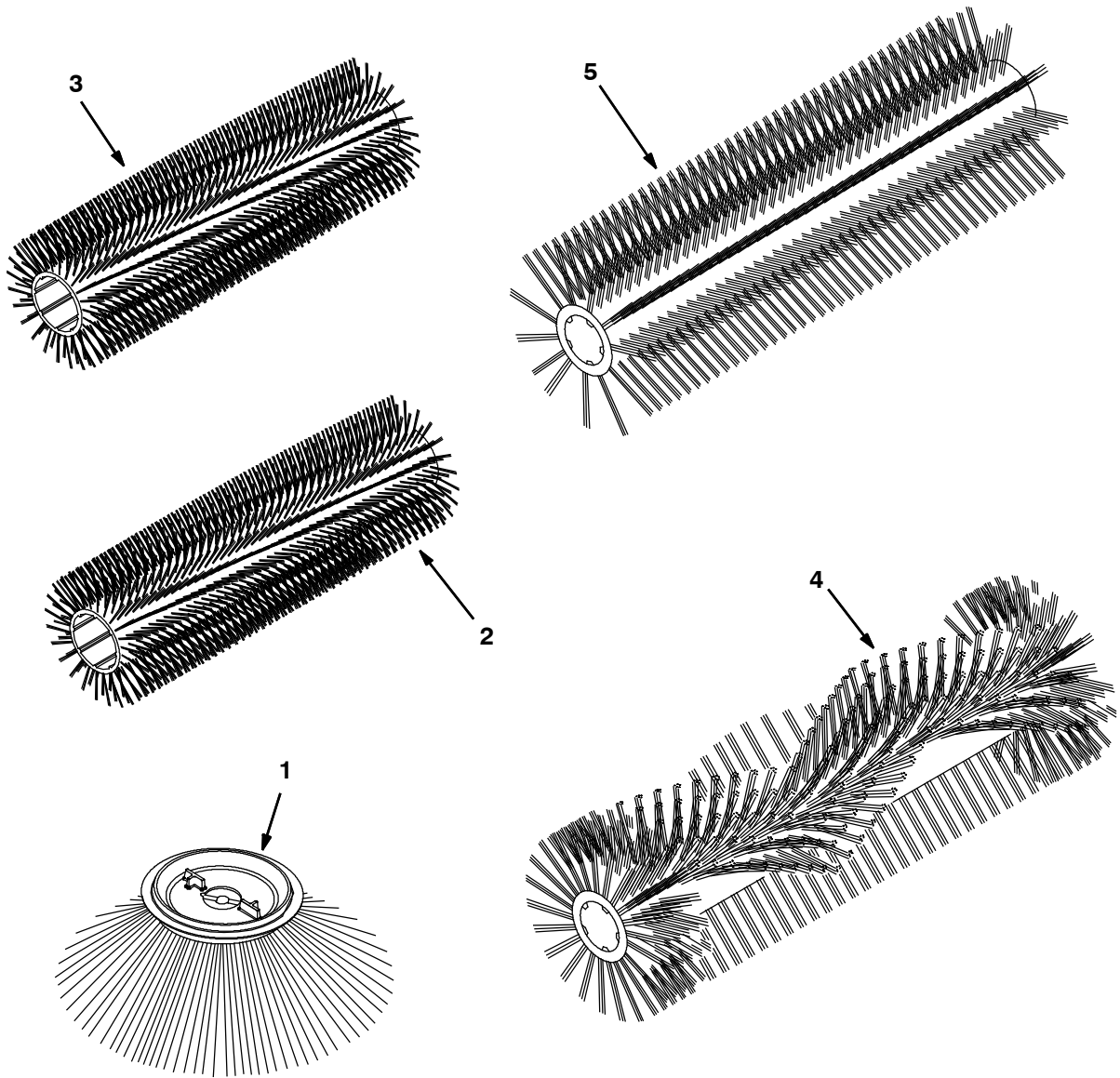
Contents	Page
Fig. 1 - General Recommended Maintenance	
Items .....	2-2
Fig. 2 - Replacement Brushes .....	2-3
Fig. 3 - Main Frame Group .....	2-4
Fig. 4 - Drive System Group .....	2-6
Fig. 5 - Main Brush Group .....	2-8
Fig. 6 - Side Brush Group .....	2-10
Fig. 7 - Hopper Group .....	2-12
Fig. 8 - Vacuum Fan Group .....	2-14
Fig. 9 - Vacuum Housing Group .....	2-16
Fig. 10 - Vacuum Housing Group (Japan Market) .....	2-18
Fig. 11 - Panel Filter Group .....	2-20
Fig. 12 - Brush Lift Handles Group .....	2-22
Fig. 13 - Clutch and Shift Handle Group .....	2-24
Fig. 14 - Electric Motor Group .....	2-26
Fig. 15 - Battery Cover Group .....	2-28
Fig. 16 - EE Battery Cover And Circuit Breaker Group .....	2-30
Fig. 17 - Battery Cable Harness Group .....	2-32
Fig. 18 - Instrument Panel Group .....	2-33
Fig. 19 - EE Instrument Panel Group .....	2-34
Fig. 20 - Electrical Schematic .....	2-35
Fig. 21 - Wire Harness Group .....	2-36
Fig. 21 - Wire Harness Group, EE (S/N 000000- 10417525) .....	2-37
Fig. 21 - Wire Harness Group, EE (S/N 10417526-         ) .....	2-38
Fig. 22 - Label Group .....	2-40

# STANDARD PARTS

Fig. 1 - General Recommended Maintenance Items

Ref.	Part No.	Serial Number	Description	Qty.
▽	1	80269	(000000- ) Replmt Kit, Skirts & Seals	1
▲	2	379214	(000000- ) Skirt, Rear	1
▲	3	378811	(000000- ) Kit, Side Skirt, Rh	1
▲	4	378812	(000000- ) Kit, Skirt, Side, Lh	1
▲	5	80373	(000000- ) Seal	1
▲	6	80315	(000000- ) Seal	1
▲	7	373142	(000000- ) Skirt, Hopper	1
▲	8	80392	(000000- ) Gasket, Cuff	1
▲	9	80096	(000000- ) Seal, Chamber	1
▲	10	80260	(000000- ) Gasket, Vac Fan	1
▲	11	72970	(000000- ) Rivet, Plstc	5
▲	12	80186	(000000- ) Plate, Skirt, Retainer	5
	13	1067680	(000000- ) Bag, Vacuum, Paper [1pick=1pkg] (1 Pkg = 10 Bags)	1
	14	80141	(000000- ) Angle, Lip	1
	15	222403	(000000- ) Wheel, 2.0 Dia	1
	16	1037199	(000000- ) Filter, Panl, Dust, 2.7 X 15.0 X 22.0	1
	17	80117	(000000- ) Kit, Replmt Main Br Belt	1
	18	80464	(000000- ) Hose, Flex	1
	19	01739	(000000- ) Kit, Brush	1
	20	01740	(000000- ) Spring, Brush	1
	21	80125	(000000- ) Brush & Spring Assy	1
	22	80152	(000000- ) Belt, Flat	1
	23	80940	(000000- ) Belt, V	1
	24	377365	(000000- ) Pin, Brush, Main	1

Fig. 2 - Replacement Brushes



350846 - ALL

Ref.	Part No.	Serial Number	Description	Qty.
1	80042	(000000-	) Brush, Side	1
1	378804	(000000-	) Brush, Side STFP	1
2	80058	(000000-	) Brush, Sweep, 24Lg Poly	1
3	80355	(000000-	) Brush, Carpet	1
4	80351	(000000-	) Brush, Sweep, Sandwedge	1
5	378802	(000000-	) Brush, Sweep, P&W	1

**Fig. 3 - Main Frame Group**

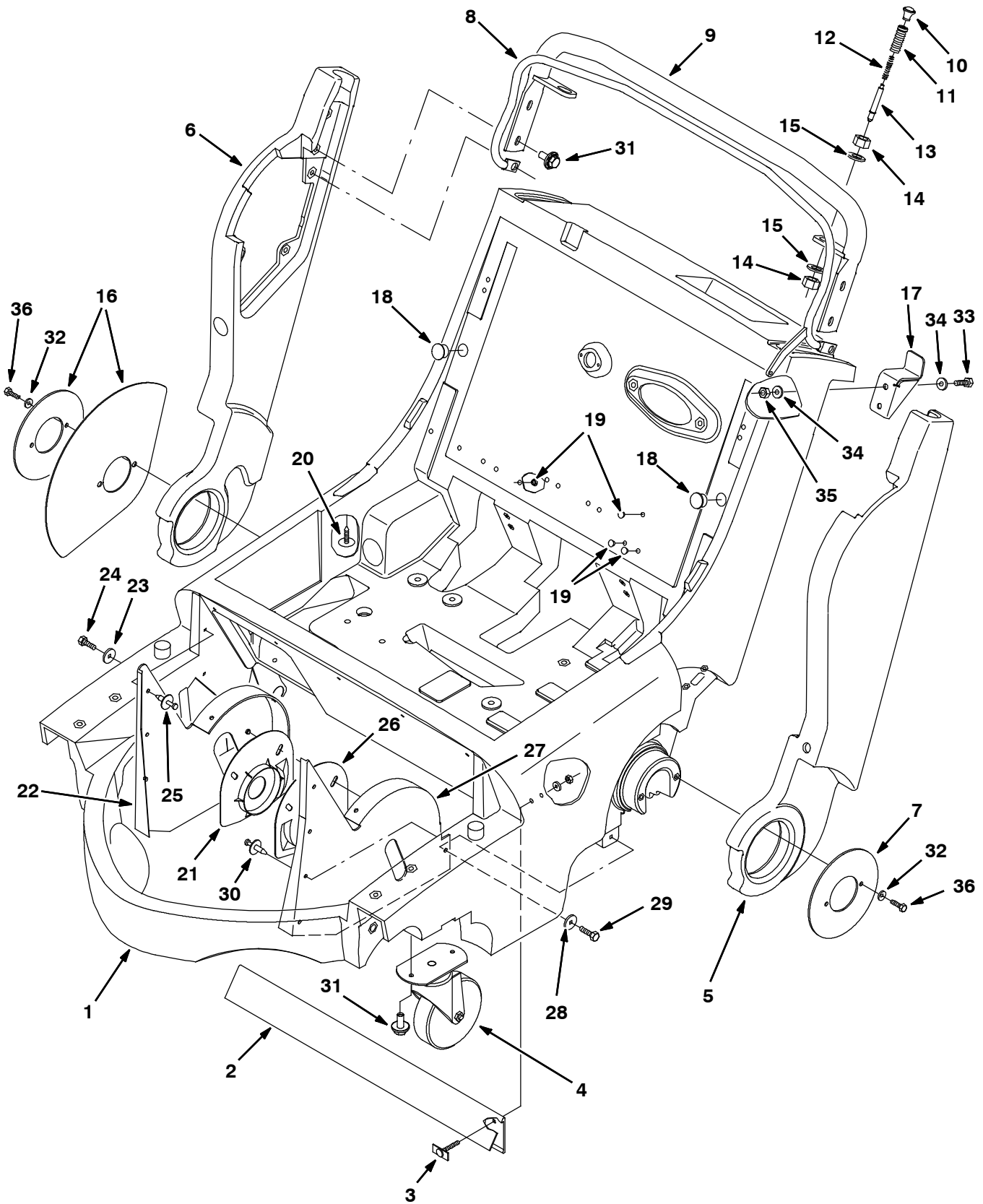




Fig. 3 - Main Frame Group

Ref.	Part No.	Serial Number	Description	Qty.
1	9005828	(000000-	) Frame, Main, [3640]	1
2	379214	(000000-	) Skirt, Rear	1
3	80186	(000000-	) Plate, Skirt, Retainer	5
4	80028	(000000-	) Caster, 5.0D X 1.37 Wheel	2
5	9005830	(000000-	) Handle, Main, Lh, Afmkt [3640]	1
6	9005831	(000000-	) Handle, Main, Rh, Afmkt [3640]	1
7	80037	(000000-	) Plate, Retainer	1
8	80945	(000000-	) Lever, Clutch, Wldt	1
9	80430	(000000-	) Handle, Steering	1
▽	379228	(000000-	) Kit, Repair, Adj Handle	2
▲	10 80180	(000000-	) Knob,#10- 32,0.81Dia,Plastic	2
▲	11 80445	(000000-	) Sleeve, Threaded	2
▲	12 80448	(000000-	) Spring, Comp 0.34Idx.045Wire	2
▲	13 373141	(000000-	) Pin, Handle Adjustment	2
▲	14 763066	(000000-	) Nut,Hx Jam M16X2.0 Din 439	4
▲	15 04400	(000000-	) Washer- Flt 17 X30X3 Ss M16	2
	16 80105	(000000-	) Shield, Dirt Kit	1
	17 80106	(000000-	) Bracket, Handle Stop	1
	18 130161	(000000-	) Plug, Hole, Rnd, 0.88d, Blk	2
	19 80061	(000000-	) Plug, Hole .297	4
	20 378770	(000000-	) Clip	1
▽	378811	(000000-	) Kit, Skirt, Rh	1
▲	21 378806	(000000-	) Guard	1
▲	22 378809	(000000-	) Skirt	1
▲	23 41178	(000000-	) Washer, Flat, .25 Fender	1
▲	24 20394	(000000-	) Screw, Hex, #10 X 0.62, Fmg Ab	1
▲	25 72968	(000000-	) Rivet, Plstc	7
▽	378812	(000000-	) Kit, Skirt, Lh	1
▲	26 378807	(000000-	) Guard	1
▲	27 378810	(000000-	) Skirt	1
▲	28 41178	(000000-	) Washer, Flat, .25 Fender	1
▲	29 20394	(000000-	) Screw, Hex, #10 X 0.62, Fmg Ab	1
▲	30 72968	(000000-	) Rivet, Plstc	7
▲	31 1020341	(000000-	) Screw, Hex, M8 X 1.25 X 20, Ss, Sems	6
	32 32490	(000000-	) Washer, Flat, 0.25 Std	4
	33 76570	(000000-	) Screw, Hex, M8 X 1.25 X 30, 8.8	2
	34 32491	(000000-	) Washer, Flat, 0.31 Std	4
	35 08709	(000000-	) Nut, Hex, Lock, M8 X 1.25, NI	2
	36 06942	(000000-	) Screw, Hex, M6 X 1.0 X 16, 8.8	4

Fig. 4 - Drive System Group

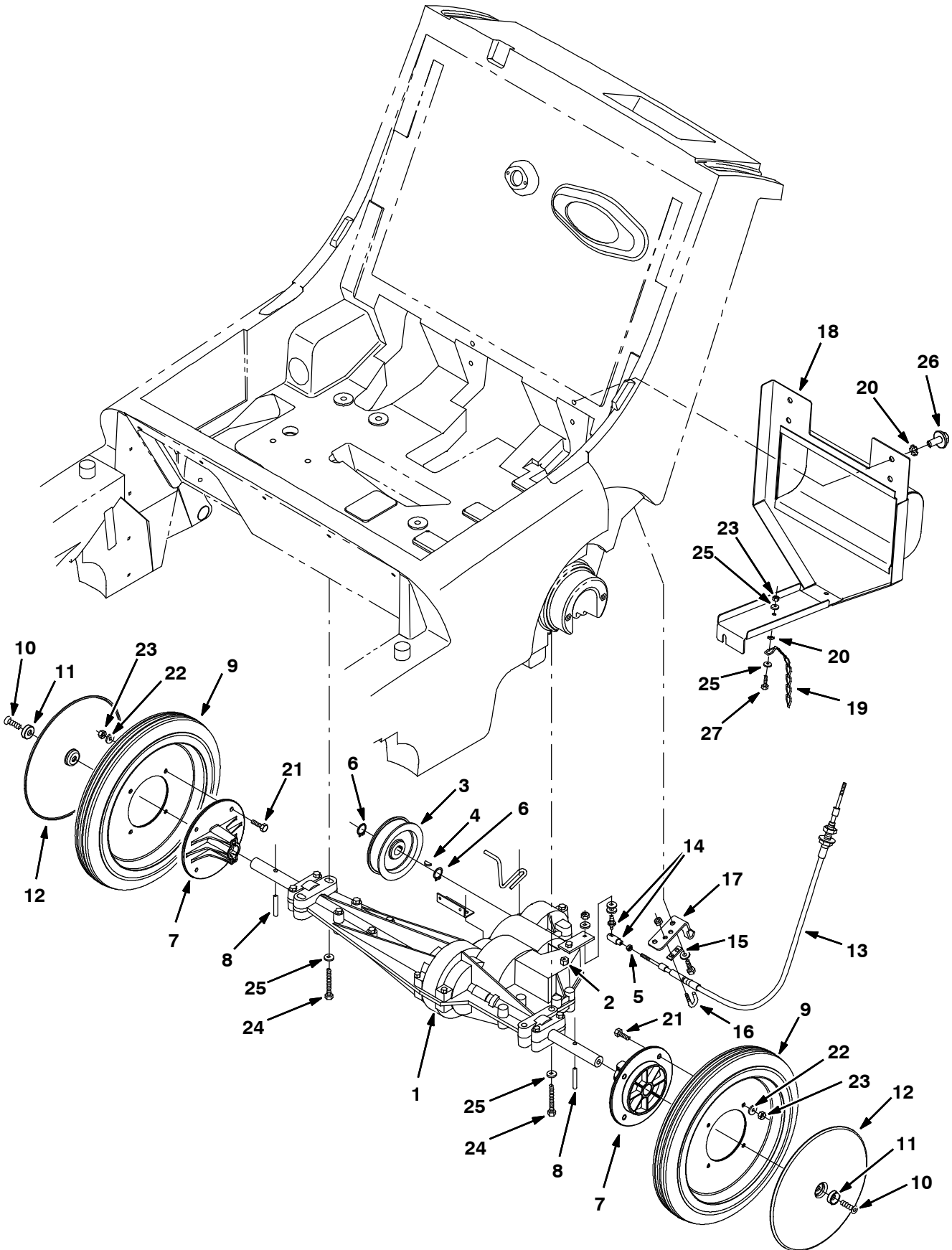


Fig. 4 - Drive System Group

Ref.	Part No.	Serial Number	Description	Qty.
▽	1	80476	(000000- ) Kit, Transaxle Assy (see breakdowns)	1
▲	2	80471	(000000- ) Fitting, Relief 1/8	1
	3	80110	(000000- ) Sheave, Flat, 3.7Od	1
	4	00500- 4	(000000- ) Key- Wdruff 0.12 0.50 Asa#0404	1
	5	01713	(000000- ) Nut- Hx Std 10- 32 G2 Pltd	1
	6	33373	(000000- ) Ring, Retain,Ex,0.62Od,Heavydt	1
	7	373105	(000000- ) Hub, Wheel	2
	8	18276	(000000- ) Pin,Dowel,0.2502Dia.X 1.50 Lg	2
	9	80148	(000000- ) Tire & Wheel Assy	2
	10	222692	(000000- ) Screw- Flat 8X1.25 25Nylon Loc	2
	11	80922	(000000- ) Washer, Finish M8 Pltd	2
	12	80465	(000000- ) Hubcap	2
	13	80415	(000000- ) Cable, Shift, Push Pull	1
	14	80158	(000000- ) Balljoint,	1
	15	80429	(000000- ) Support, Cable	1
	16	80425	(000000- ) Bolt, Bent, M6	1
	17	80113	(000000- ) Plate, Support, Cable	1
	18	80962	(000000- ) Plate Wldt, Backstop	1
	19	222842	(000000- ) Chain, Static, Brass	1
	19	46307	(000000- ) Chain, Coil, Str, 2/0, 05.5l 04 Link (Japan)	1
	20	41141	(000000- ) Washer, Lock, Int- Ext, .31	2
	21	06943	(000000- ) Screw, Hex, M6 X 1.0 X 20, 8.8	8
	22	32483	(000000- ) Washer, Flat, 0.25 Sae	8
	23	08708	(000000- ) Nut, Hex, Lock, M6 X 1.0, NI	9
	24	06949	(000000- ) Screw, Hex, M6 X 1.0 X 50, 8.8	4
	25	32490	(000000- ) Washer, Flat, 0.25 Std	6
	26	1020341	(000000- ) Screw, Hex, M8 X 1.25 X 20, Ss, Sems	4
	27	06943	(000000- ) Screw, Hex, M6 X 1.0 X 20, 8.8	1

Fig. 5 - Main Brush Group

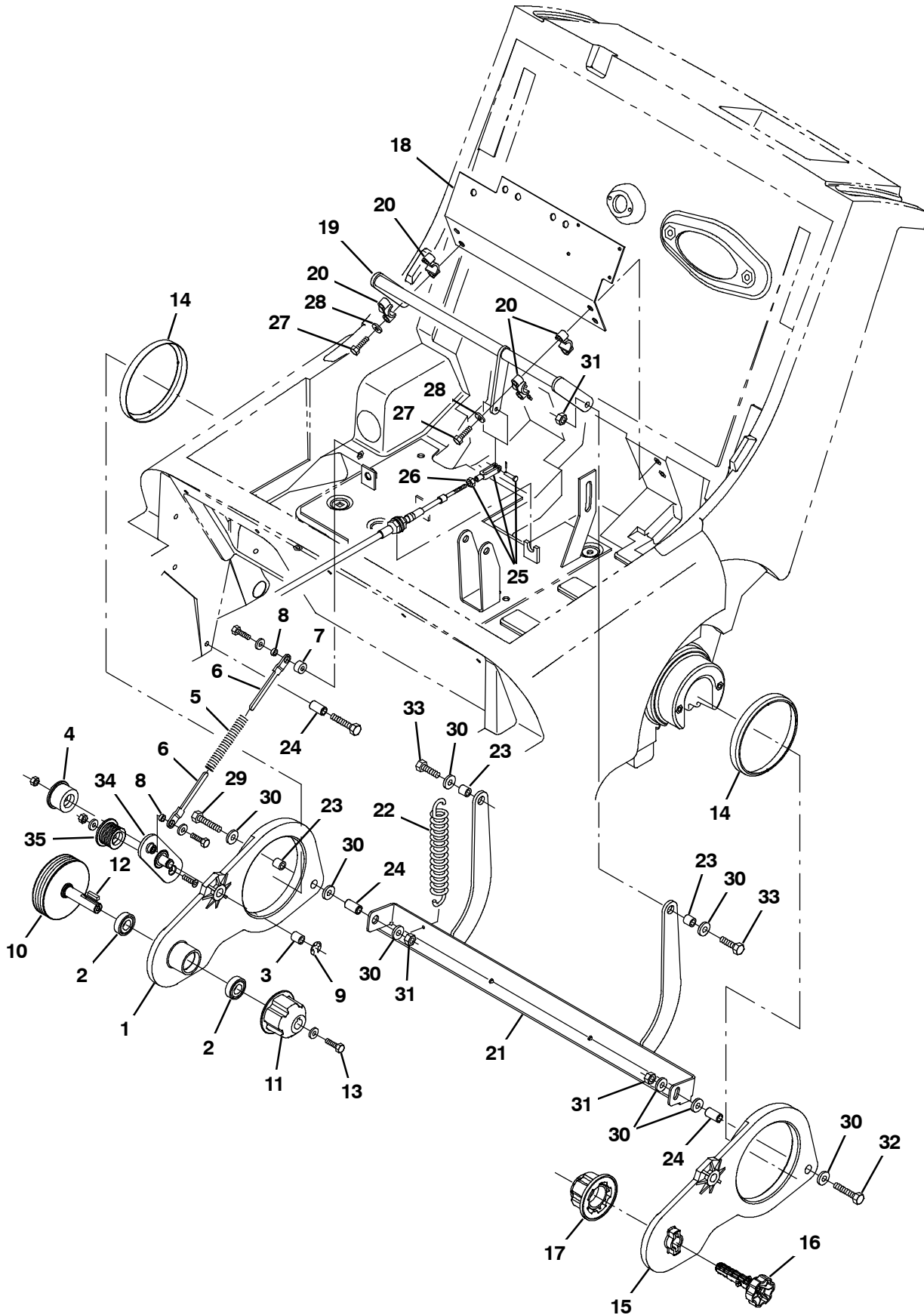


Fig. 5 - Main Brush Group

	Ref.	Part No.	Serial Number	Description	Qty.
▽	1	80047	(000000-	) Arm, Brush	1
▲	2	41360	(000000-	) Bearing, Ball, 0.59b 1.26d 0.35w[2seal]	2
▲	3	63233	(000000-	) Bushing, Sleeve, 0.50b 0.59d 0.50l, Bnz	1
	4	80079	(000000-	) Pulley, Idler	1
	5	80159	(000000-	) Spring, Comp,	1
	6	373140	(000000-	) Strip, Spring, Comp	2
	7	80937	(000000-	) Sleeve, .025Ob .62D .34Pm	1
	8	80491	(000000-	) Sleeve, .25Ob .38D .156Ss	2
	9	80492	(000000-	) Ring, Retaining, Ex	1
	10	80048	(000000-	) Shaft, Sheave	1
	11	378805	(000000-	) Plug, Brush Drive	1
	12	00911	(000000-	) Key Square 0.18 0.18 00.75 Lg	1
	13	11329	(000000-	) Scr- Hexssm 6X1.0 16 Nylonloc	1
	14	80371	(000000-	) Ring, Wear	2
	15	80424	(000000-	) Arm, Brush, Idler Side	1
	16	377365	(000000-	) Pin, Main Brush	1
	17	1057629	(000000-	) Plug, Idler, Brush [Sgl Brg]	1
	18	80956	(000000-	) Plate, Support, Cross Shaft	1
	19	80379	(000000-	) Shaft, Wldt, Cross	1
	20	80387	(000000-	) Block, Bearing 0.625Dia	4
	21	80384	(000000-	) Link Wldt, Brush Lift	1
	22	379217	(000000-	) Spring, Extension	1
	23	222460	(000000-	) Sleeve	3
	24	80395	(000000-	) Sleeve, .318B .50D .65Ss	3
▽	25	27880	(000000-	) Yoke Assy.	1
▲	26	01713	(000000-	) Nut- Hx Std 10- 32 G2 Pltd	1
	27	06946	(000000-	) Scr- Hex m06 x 1.0x 35 8.8	4
	28	32490	(000000-	) Washer- Flt	4
	29	39278	(000000-	) Screw, Hex, M8 X 1.25 X 50, 8.8	1
	30	32491	(000000-	) Washer, Flat, 0.31 Std	8
	31	08709	(000000-	) Nut, Hex, Lock, M8 X 1.25, NI	4
	32	06955	(000000-	) Screw, Hex, M8 X 1.25 X 35, 8.8	1
	33	76570	(000000-	) Screw, Hex, M8 X 1.25 X 30, 8.8	2
	34	80053	(000000-	) Plate, Pivot	1
	35	80075	(000000-	) Pulley, Idler	1

Fig. 6 - Side Brush Group

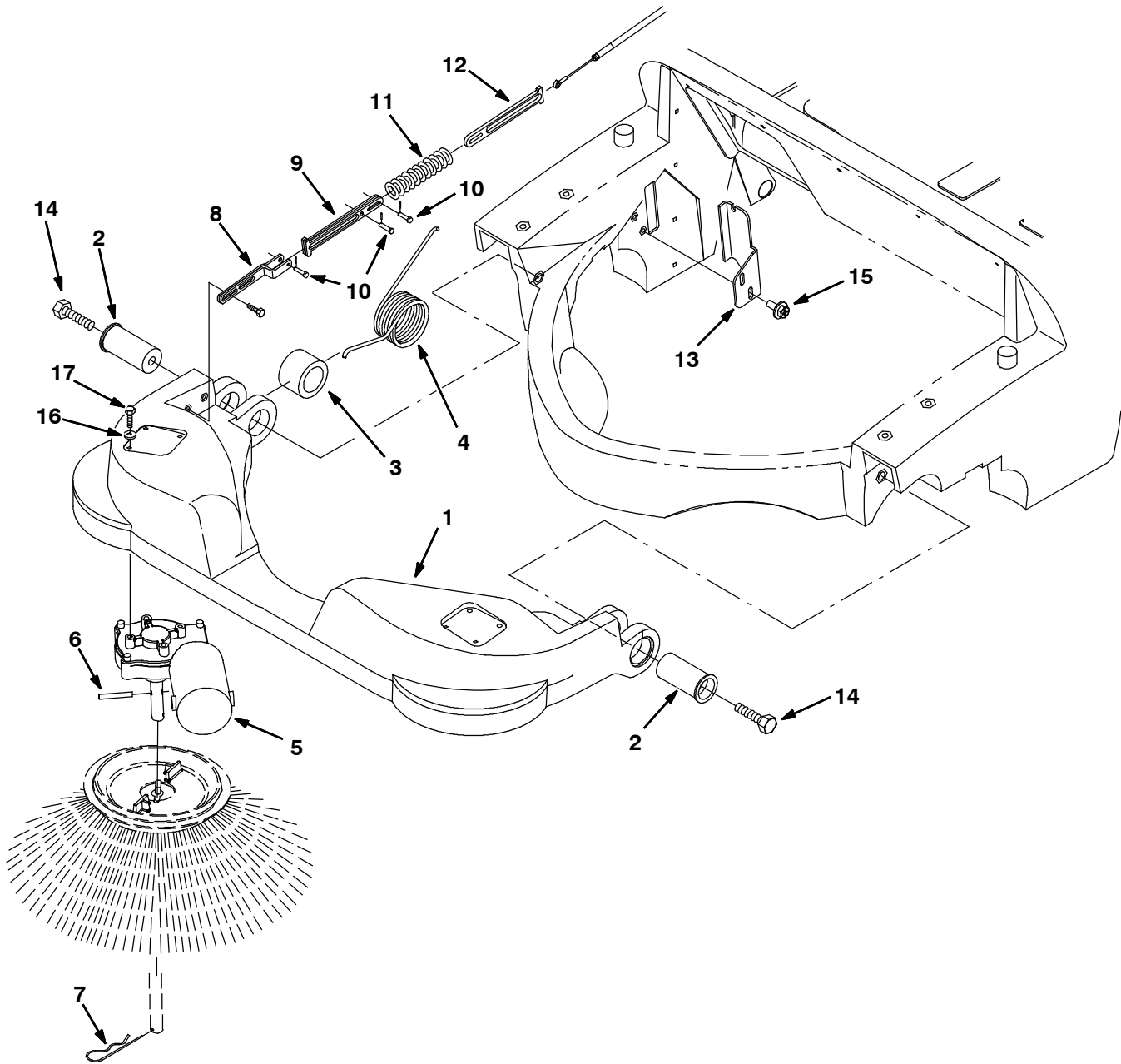


Fig. 6 - Side Brush Group

Ref.	Part No.	Serial Number	Description	Qty.
1	9005829	(000000-	) Housing, Brush, Side, Afmkt [3640]	1
2	80016	(000000-	) Pivot, Bushing	2
3	80321	(000000-	) Sleeve, 1.45B 2.1D 1.5 Pltd	1
4	379207	(000000-	) Spring, Torsion	1
▽	5	1056183	(000000-) Motor, Ele, 24vdc 0068rpm 0.08hp 04.5a	1
▲	80126	(000000-	) Brush&Spring Assy Se	1
▲	80127	(000000-	) Brush Cap Se	2
▲	369795	(000000-	) Holder, Brush	2
▲	369796	(000000-	) Clip	2
6	11516	(000000-	) Pin,Roll,.25Odx1.75L,.250/.256	1
7	02942	(000000-	) Pin,Hair Cotter .12Wire 2.37SI	1
8	80155	(000000-	) Bracket Wldt, Lift	1
9	379216	(000000-	) Strip, Spring	2
10	76782	(000000-	) Pin,Clevis,0.19 Dia.X 0.75 Lg	3
11	80484	(000000-	) Spring, Comp, 0.74Idx.11 Wire	1
12	379215	(000000-	) Strip, Spring	1
13	80010	(000000-	) Bracket, Cable	1
14	06974	(000000-	) Screw, Hex, M12 X 1.75 X 80, 8.8	2
15	1034731	(000000-	) Screw, Hex, M6 X 1.00 X 16, Sems, Ss	2
16	32490	(000000-	) Washer, Flat, 0.25 Std	4
17	06942	(000000-	) Screw, Hex, M6 X 1.00 X 16, 8.8	4

Fig. 7 - Hopper Group

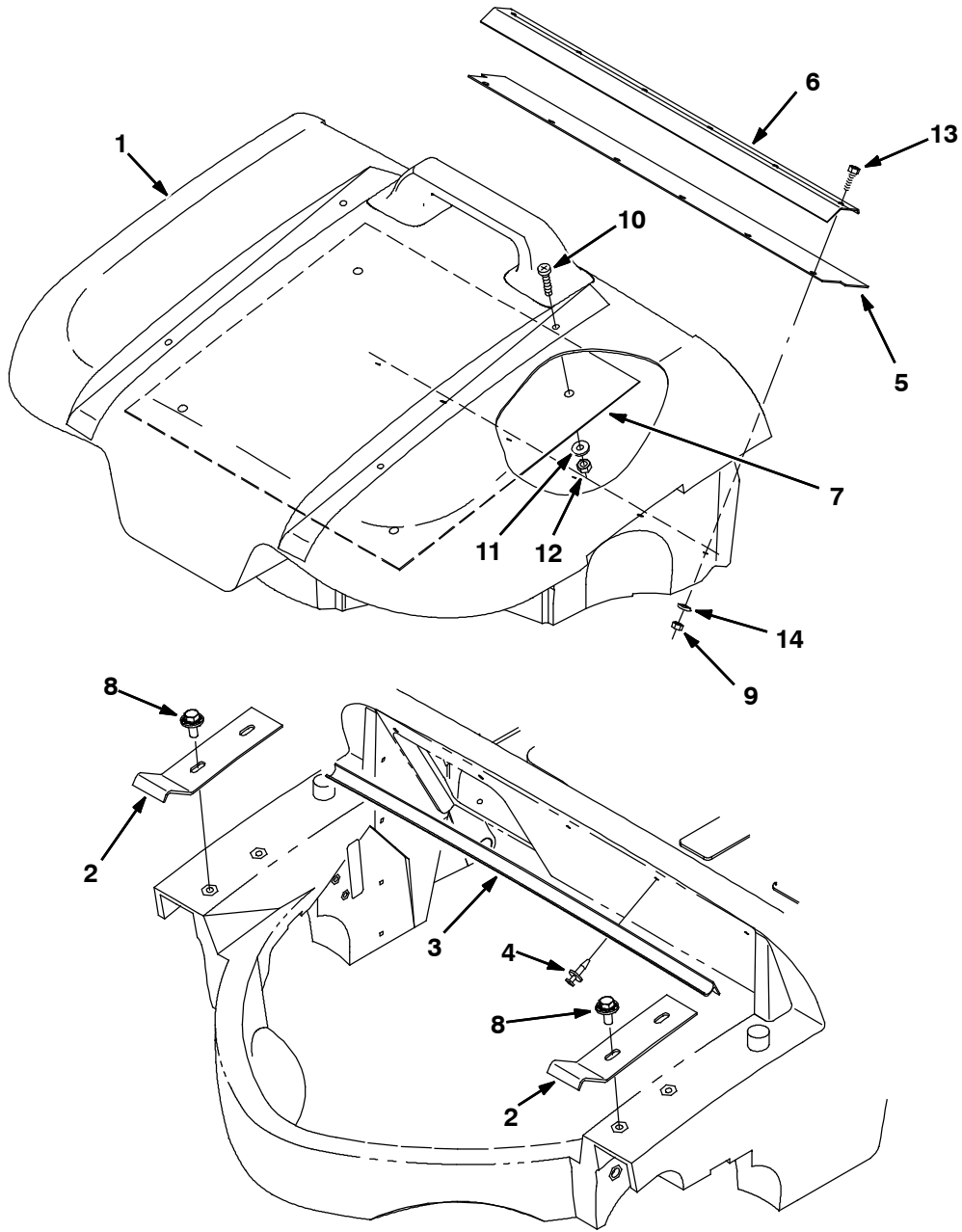




Fig. 7 - Hopper Group

Ref.	Part No.	Serial Number	Description	Qty.
1	9005833	(000000-	) Hopper, Afmkt [3640]	1
2	80958	(000000-	) Bracket, Support	2
3	80315	(000000-	) Seal	1
4	72970	(000000-	) Rivet, Plstc	5
5	373142	(000000-	) Skirt, Hopper	1
6	80141	(000000-	) Angle, Lip	1
7	80266	(000000-	) Plate, Firewall	1
8	1020341	(000000-	) Screw, Hex, M8 X 1.25 X 20, Ss, Sems	4
9	08712	(000000-	) Nut, Hex, Lock, M6 X 1.0, Ss, NI	6
10	09737	(000000-	) Screw, Pan, M8 X 1.25 X 20, 4.8	4
11	01685	(000000-	) Washer, Flat, 0.31 Ss	4
12	08713	(000000-	) Nut, Hex, Lock, M8 X 1.25, NI, Ss	4
13	08716	(000000-	) Screw, Hex, M6 X 1.0 X 20, Ss	6
14	32490	(000000-	) Washer, Flat, 0.25 Std	6

Fig. 8 - Vacuum Fan Group

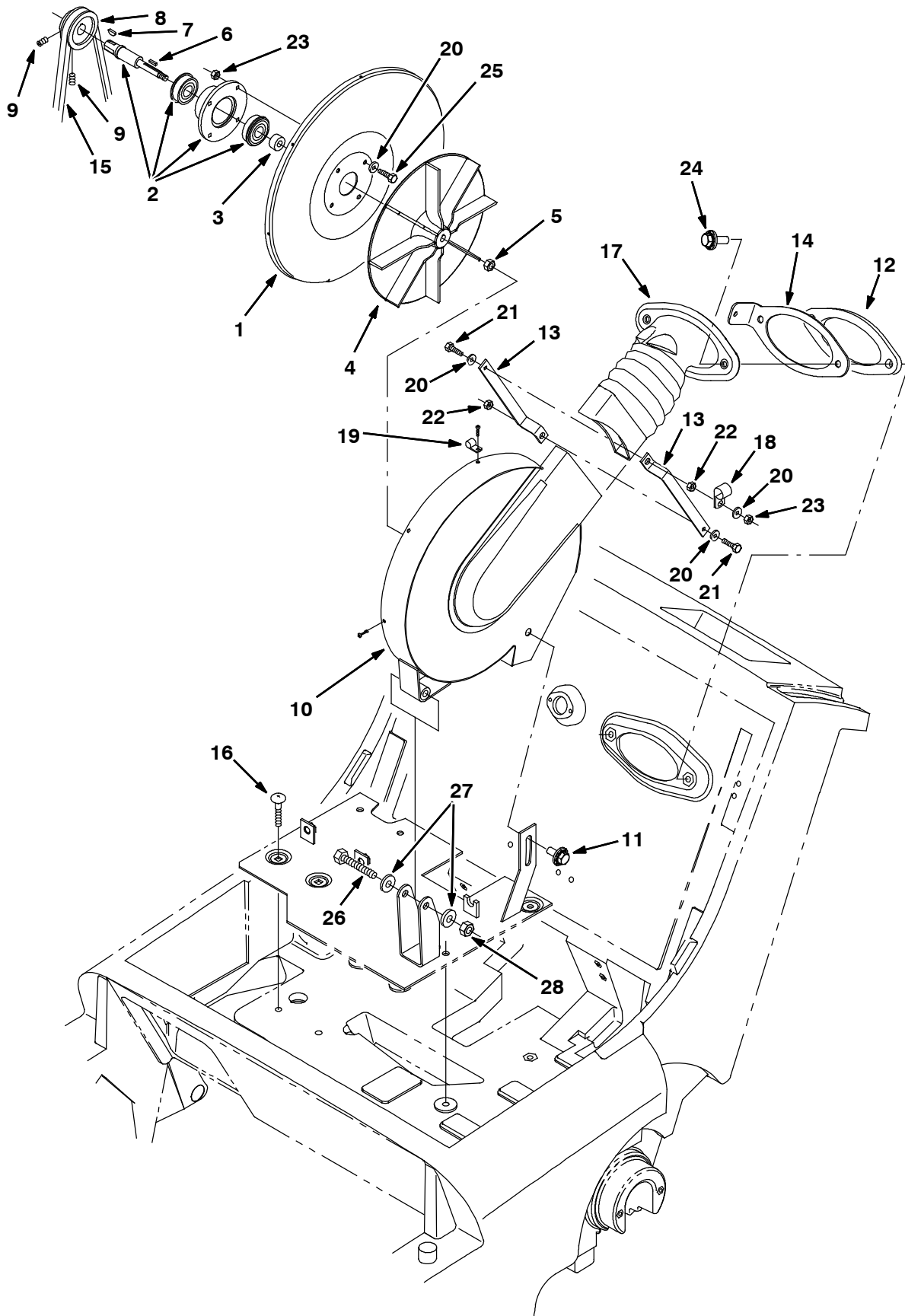


Fig. 8 - Vacuum Fan Group

Ref.	Part No.	Serial Number	Description	Qty.
1	80314	(000000-	) Plate, Backing, Vac Fan	1
2	16934	(000000-	) Shaft,Brg&Flange Assy- Fan	1
3	379203	(000000-	) Spacer	1
4	80320	(000000-	) Impeller, 9.06 Dia X 0.375B	1
5	87299	(000000-	) Nut- Hxflexloc .31- 24 Thin Pltd	1
6	00960	(000000-	) Key Square 0.12 0.12 00.50 Lg	1
7	00500- 4	(000000-	) Key- Wdruff 0.12 0.50 Asa#0404	1
8	1025304	(000000-	) Sheave, [3l/4],1grv, 1.8/2.1pd 0.63b	1
9	46820	(000000-	) Scr- Set .31- 18X0.38 Nylon Loc	2
10	80088	(000000-	) Vacuum Fan Housing	1
11	1020341	(000000-	) Screw, Hex, M8 X 1.25 X 20, Ss, Sems	1
12	80260	(000000-	) Gasket, Vac Fan	1
13	80104	(000000-	) Bar, Transition Mtg	2
14	80029	(000000-	) Plate, Vac Fan, Prop Rod	1
15	80940	(000000-	) V- Belt 3L 230 - One	1
16	69915	(000000-	) Bolt- Carrm 8X1.25 40 4.6	2
17	80136	(000000-	) Transition, Vacfan, Electric	1
18	67767	(000000-	) Clamp, Cable	1
19	09385	(000000-	) Clamp, Cable, Poly	1
20	32490	(000000-	) Washer, Flat, 0.25 Std	7
21	06943	(000000-	) Screw, Hex, M6 X 1.0 X 20, 8.8	2
22	07790	(000000-	) Nut, Hex, Fling, M6 X 1.0	2
23	08708	(000000-	) Nut, Hex, Lock, M6 X 1.0, NI	5
24	1072628	(000000-	) Screw, Hex, M8 X 1.25 X 25, Ss, Sems	2
25	06942	(000000-	) Screw, Hex, M6 X 1.0 X 16, 8.8	4
26	06963	(000000-	) Screw, Hex, M10 X 1.5 X 60, 8.8	1
27	32485	(000000-	) Washer, Flat, 0.38 Sae	2
28	41430	(000000-	) Nut, Hex, Lock, M10 X 1.5, NI	1

**Fig. 9 - Vacuum Housing Group**

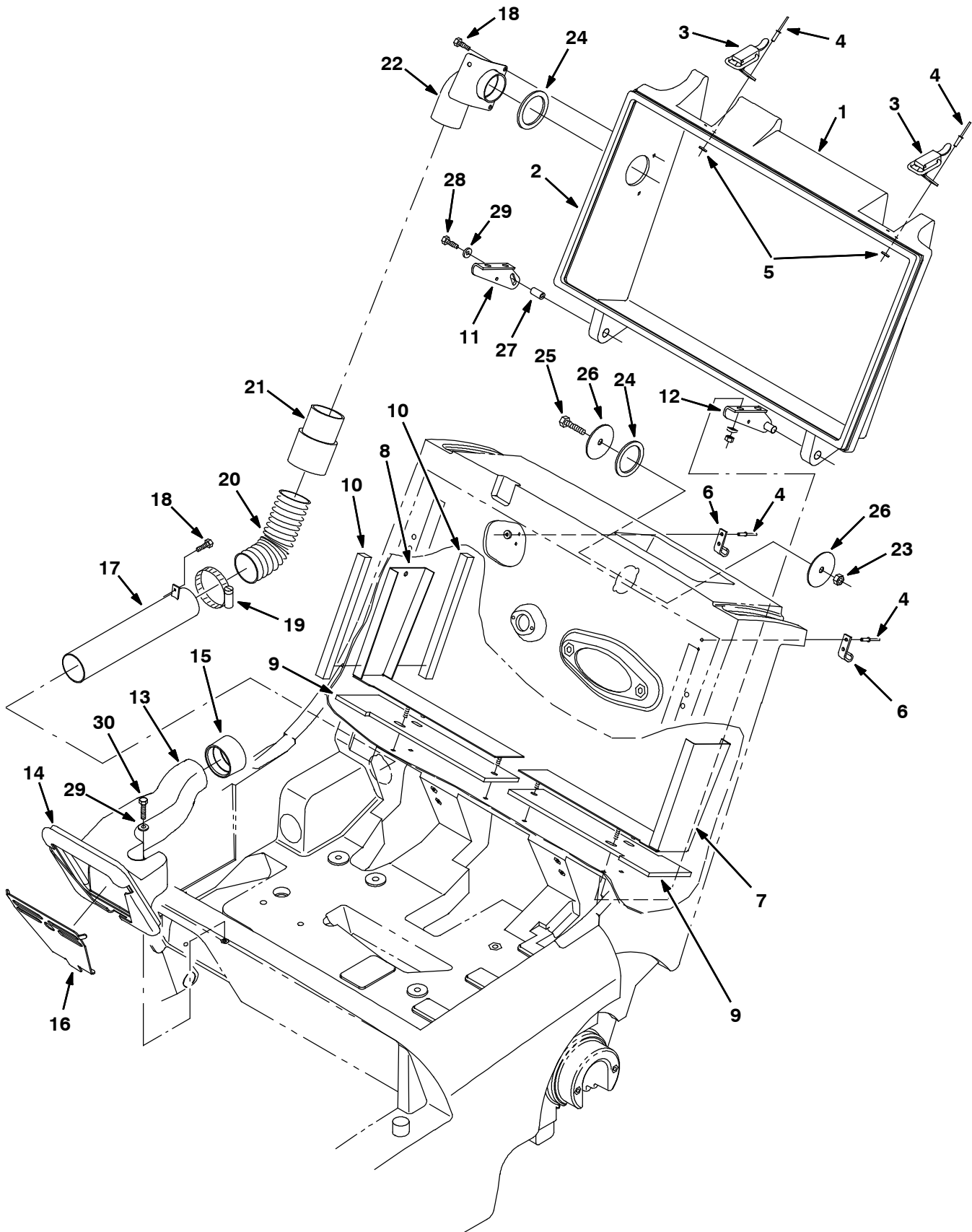


Fig. 9 - Vacuum Housing Group

Ref.	Part No.	Serial Number	Description	Qty.
1	373147	(000000-	) Kit, Replmt, Door, Filter	1
2	80373	(000000-	) Seal	1
3	23709	(000000-	) Catch, Draw Pull	2
4	80218	(000000-	) Rivet, Pop .196Dx.76X38Dhd	8
5	08793	(000000-	) Washer	8
6	80368	(000000-	) Clip, Latch	2
7	80971	(000000-	) Plate	1
8	80021	(000000-	) Bracket, Sealing, Rh	1
9	80052	(000000-	) Seal, Cover	2
10	80064	(000000-	) Seal, Foam .62 .62 8.0	4
11	379227	(000000-	) Bracket, Pivot	1
12	80011	(000000-	) Bracket, Pivot Lh	1
13	9005836	(000000-	) Duct, Vacuum, Hi- Flow, Afmkt [3640]	1
14	80096	(000000-	) Seal, Chamber	1
15	373116	(000000-	) Seal, Tube, Vacuum	1
16	80017	(000000-	) Screen, Vacuum Inlet	1
17	373123	(000000-	) Tube, Vacuum	1
18	20394	(000000-	) Screw, Hex, #10 X 0.62, Fmg Ab	4
19	22297	(000000-	) Clamp, Wormdrive	1
20	373118	(000000-	) Hose, Flex	1
21	83285	(000000-	) Cuff, Hose	1
22	373113	(000000-	) Coupling, Hose, Elbow	1
23	08709	(000000-	) Nut, Hex, Lock, M08- 1.25,NI	1
24	80392	(000000-	) Gasket, Cuff	2
25	76570	(000000-	) Screw, Hex, M08- 1.25 X 30, 8.8	1
26	373117	(000000-	) Washer, Flat, 0.38b 2.25d .07, Stl, Pnt	2
27	379226	(000000-	) Pin, Tapped	1
28	06942	(000000-	) Screw, Hex M06	1
29	32490	(000000-	) Washer, Flat .25	2
30	06945	(000000-	) Screw, Hex, M6 X 1.0 X 30, 8.8	1

Fig. 10 - Vacuum Housing Group (Japan Market)

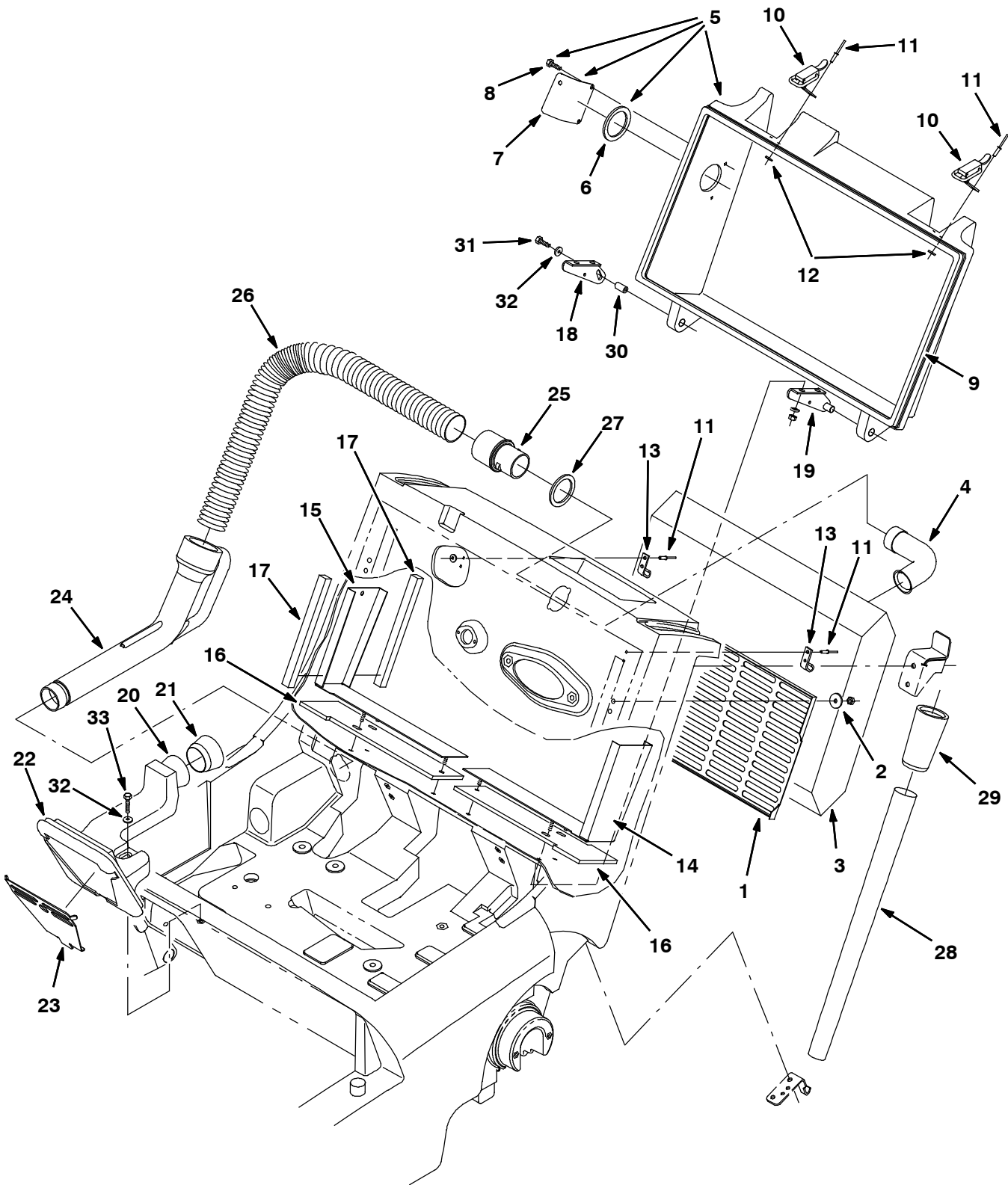


Fig. 10 - Vacuum Housing Group (Japan Market)

Ref.	Part No.	Serial Number	Description	Qty.	
1	80103	(000000-	) Screen, Vacuum Bag	1	
2	41178	(000000-	) Washer, Flat, .25 Fender	2	
3	80432	(000000-	) Bag, Vacuum, Disposable 10PK	1	
4	80433	(000000-	) Tube, Vacuum	1	
▽	5	373147	(000000-	) Kit, Replmt, Door, Filter	1
▲	6	80392	(000000-	) Gasket, Cuff	1
▲	7	373145	(000000-	) Cover, Hole	1
▲	8	20394	(000000-	) Screw, Hex #10	3
	9	80373	(000000-	) Seal	1
	10	23709	(000000-	) Catch, Draw Pull	2
	11	80218	(000000-	) Rivet, Pop .196Dx.76X38Dhd	8
	12	08793	(000000-	) Washer	8
	13	80368	(000000-	) Clip, Latch	2
	14	80971	(000000-	) Plate	1
	15	80021	(000000-	) Bracket, Sealing, Rh	1
	16	80052	(000000-	) Seal, Cover	2
	17	80064	(000000-	) Seal, Foam .62 .62 8.0	4
	18	379227	(000000-	) Bracket, Pivot	1
	19	80011	(000000-	) Bracket, Pivot Lh	1
	20	9005838	(000000-	) Housing, Vacuum, Afmkt [3640]	1
	21	373125	(000000-	) Seal, Vac Wand	1
	22	80096	(000000-	) Seal, Chamber	1
	23	80017	(000000-	) Screen, Vacuum Inlet	1
	24	9005837	(000000-	) Nozzle, Wand, Vacuum, 1.8od, Afmkt[3640]	1
	25	80270	(000000-	) Cuff, Flex	1
	26	80464	(000000-	) Hose, Flex	1
	27	80392	(000000-	) Gasket, Cuff	1
	28	190039	(000000-	) Tube, Extn, Blk [W- 500]	1
	29	80299	(000000-	) Coupling, Vac- Wand	1
	30	379226	(000000-	) Pin, Tapped	1
	31	06942	(000000-	) Screw, Hex, M06	1
	32	32490	(000000-	) Washer, Flat, .25	2
	33	06945	(000000-	) Screw, Hex, M6 X 1.0 X 30, 8.8	1





Fig. 11 - Panel Filter Group

	Ref.	Part No.	Serial Number	Description	Qty.
▽		80243	(000000-	) Filter Kit, Panl, 24vdc, Ci [6080/3640]	1
▲	1	80436	(000000-	) Bar, Shaker, Motor	1
▲	2	360930	(000000-	) Sleeve	2
▲	3	87515	(000000-	) Grommet, Rubber	2
▲	4	379218	(000000-	) Bracket, Shaker	2
▲	5	80437	(000000-	) Strap, Shaker Motor	1
▲	6	44893	(000000-	) Bar, Flat	1
▲	7	1053321	(000000-	) Weight, Eccentric, Pntd	1
▲	8	20634	(000000-	) Screw, Set, #10	2
▲	9	80033	(000000-	) Bracket, Retainer	2
▲	10	80107	(000000-	) Strike, Latch	1
▲	11	23709	(000000-	) Catch, Draw Pull	1
▲	12	80296	(000000-	) Switch, Rocker	1
▲	13	1059575	(000000-	) Motor, Ele, 24vdc 1440rpm 0.08hp 03.0a	1
▲	14	49309	(000000-	) Relay, 24V	1
▲	15	80328	(000000-	) Timer, 24V	1
▲	16	1037199	(000000-	) Filter, Panl, Dust, 2.7 X 15.0 X 22.0	1
▲	17	06942	(000000-	) Screw, Hex, M6 X 1.0 X 16, 8.8	4
▲	18	32490	(000000-	) Washer, Flat, 0.25 Std	4
▲	19	09023	(000000-	) Screw, Hex, M8 X 1.25 X 35, Ss, FI	2
▲	20	32486	(000000-	) Washer, Flat, 0.50 Sae	2
▲	21	01685	(000000-	) Washer, Flat, 0.31 Ss	2
▲	22	12312	(000000-	) Screw, Hex, M5 X 0.8 X 12, 8.8	4
▲	23	06549	(000000-	) Nut, Hex, Lock, M5 X 0.8, NI	4

Fig. 12 - Brush Lift Handles Group

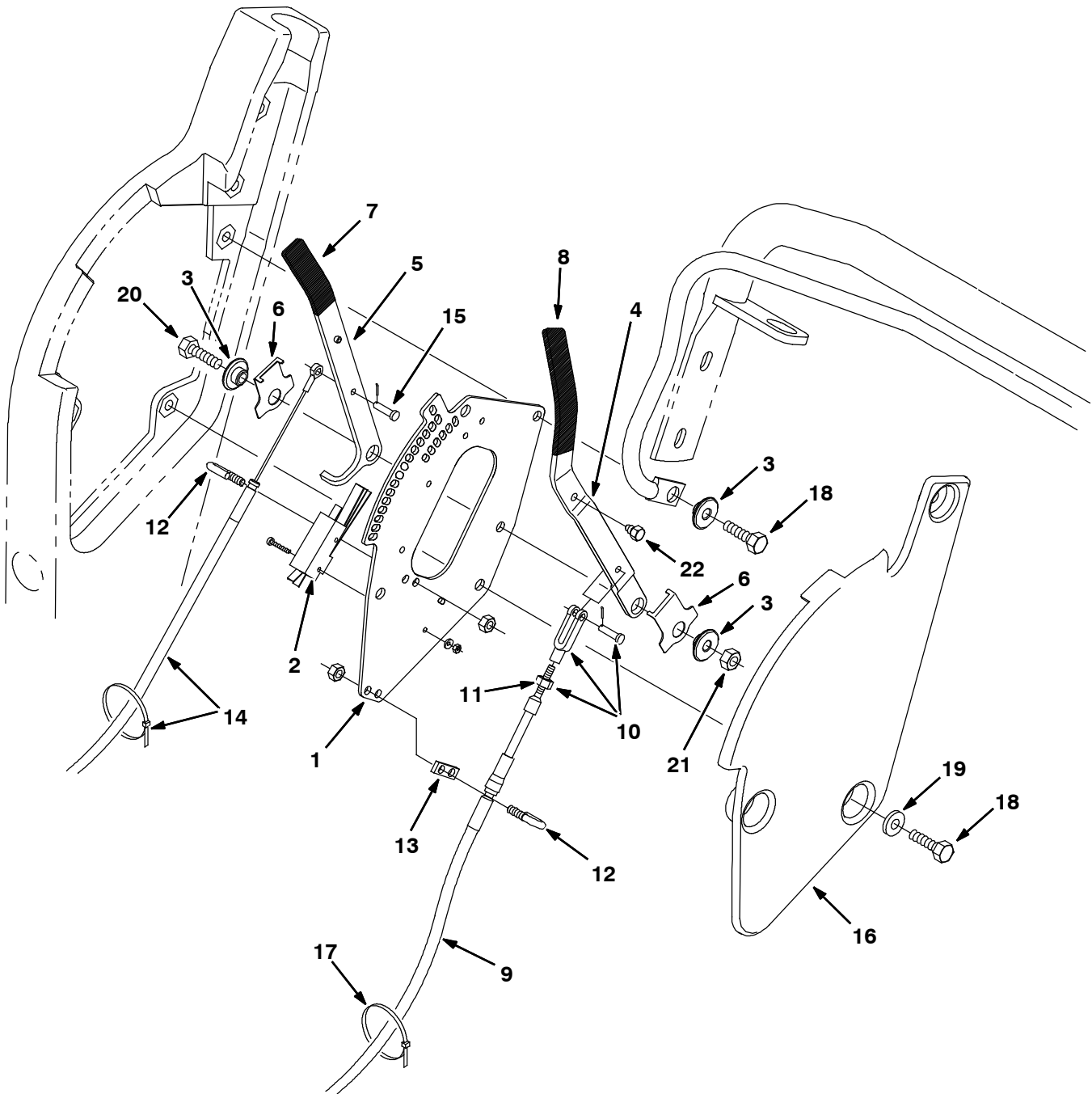


Fig. 12 - Brush Lift Handles Group

Ref.	Part No.	Serial Number	Description	Qty.
1	80411	(000000-	) Plate, Mounting Rh	1
2	1008142	(000000-	) Switch, Snap Actn, 250vdc 25a Spdt	1
3	80950	(000000-	) Bushing, Flanged	3
4	379211	(000000-	) Handle, Lift, Main Brush	1
5	379210	(000000-	) Handle, Lift, Side Brush	1
6	80480	(000000-	) Spring, Detent	2
7	80372	(000000-	) Grip, Vinyl .18X.75.2.00	1
8	80979	(000000-	) Grip, Vinyl .18X .75X 5.00	1
9	80190	(000000-	) Cable Assy, Main Brush	1
▽	10	27880	(000000-) Yoke Assy.	1
▲	11	01713	(000000-) Nut- Hx Std 10-32 G2 Pltd	1
12	80425	(000000-	) Bolt, Bent, M6	2
13	80429	(000000-	) Support, Cable	1
14	80302	(000000-	) Replacement Kit, Sidebrush Cable	1
15	36376	(000000-	) Pin, Clevis, .19 Dia.X .50 Lg	1
16	80414	(000000-	) Plate, Access, Rh	1
17	49266	(000000-	) Tie, Cable 1.75D Max 7.50Lg	2
18	12273	(000000-	) Screw, Hex, M8 X 1.25 X 20, Ss, NI	4
19	01685	(000000-	) Washer, Flat, 0.31 Ss	3
20	76570	(000000-	) Screw, Hex, M8 X 1.25 X 30, 8.8	1
21	08709	(000000-	) Nut, Hex, Lock, M8 X 1.25, NI	1
22	80972	(000000-	) Bolt, .25- 28, Mtg, Swp, Carpet [3640]	1

Fig. 13 - Clutch and Shift Handle Group

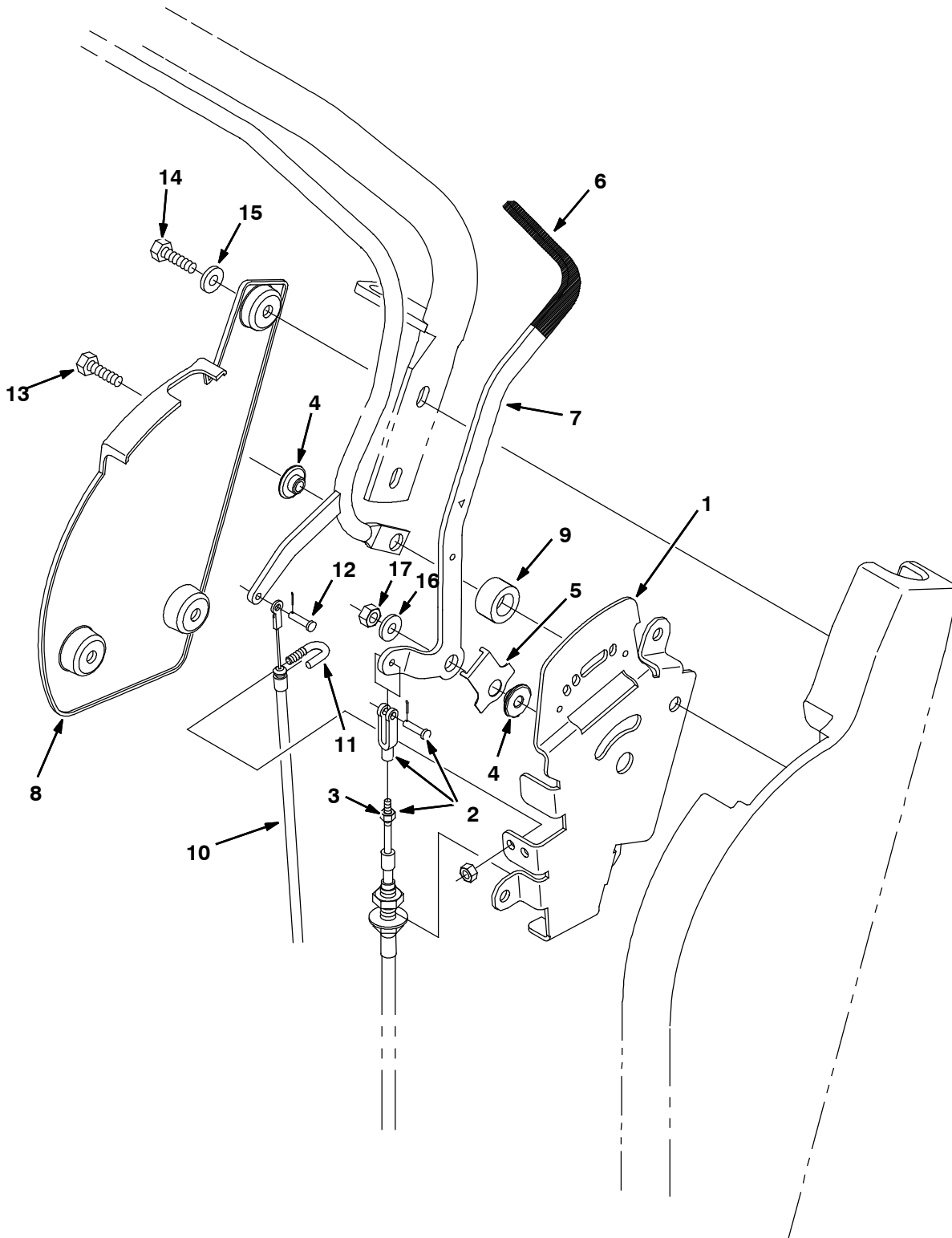


Fig. 13 - Clutch and Shift Handle Group

Ref.	Part No.	Serial Number	Description	Qty.
	1	80428	(000000- ) Plate, Pivot, Lh	1
▽	2	80184	(000000- ) Yoke Assy, 10- 32	1
▲	3	01713	(000000- ) Nut- Hx Std 10- 32 G2 Pltd	1
	4	80950	(000000- ) Bushing, Flanged	2
	5	80480	(000000- ) Spring, Detent	1
	6	80979	(000000- ) Grip, Vinyl .18X .75X 5.00	1
	7	80927	(000000- ) Handle, Shift	1
	8	80589	(000000- ) Plate, Access, Lh	1
	9	80496	(000000- ) Spacer, Pivot .62Lg	1
	10	80192	(000000- ) Cable, Pull Cl	1
	11	80425	(000000- ) Bolt, Bent, M6	1
	12	36376	(000000- ) Pin, Clevis, .19 Dia.X .50 Lg	1
	13	12333	(000000- ) Screw, Hex, M8 X 1.25 X 25, Ss, NI	1
	14	12273	(000000- ) Screw, Hex, M8 X 1.25 X 20, Ss, NI	3
	15	01685	(000000- ) Washer, Flat, 0.31 Ss	3
	16	32490	(000000- ) Washer, Flat, 0.25 Std	1
	17	08709	(000000- ) Nut, Hex, Lock, M8 X 1.25, NI	1

Fig. 14 - Electric Motor Group

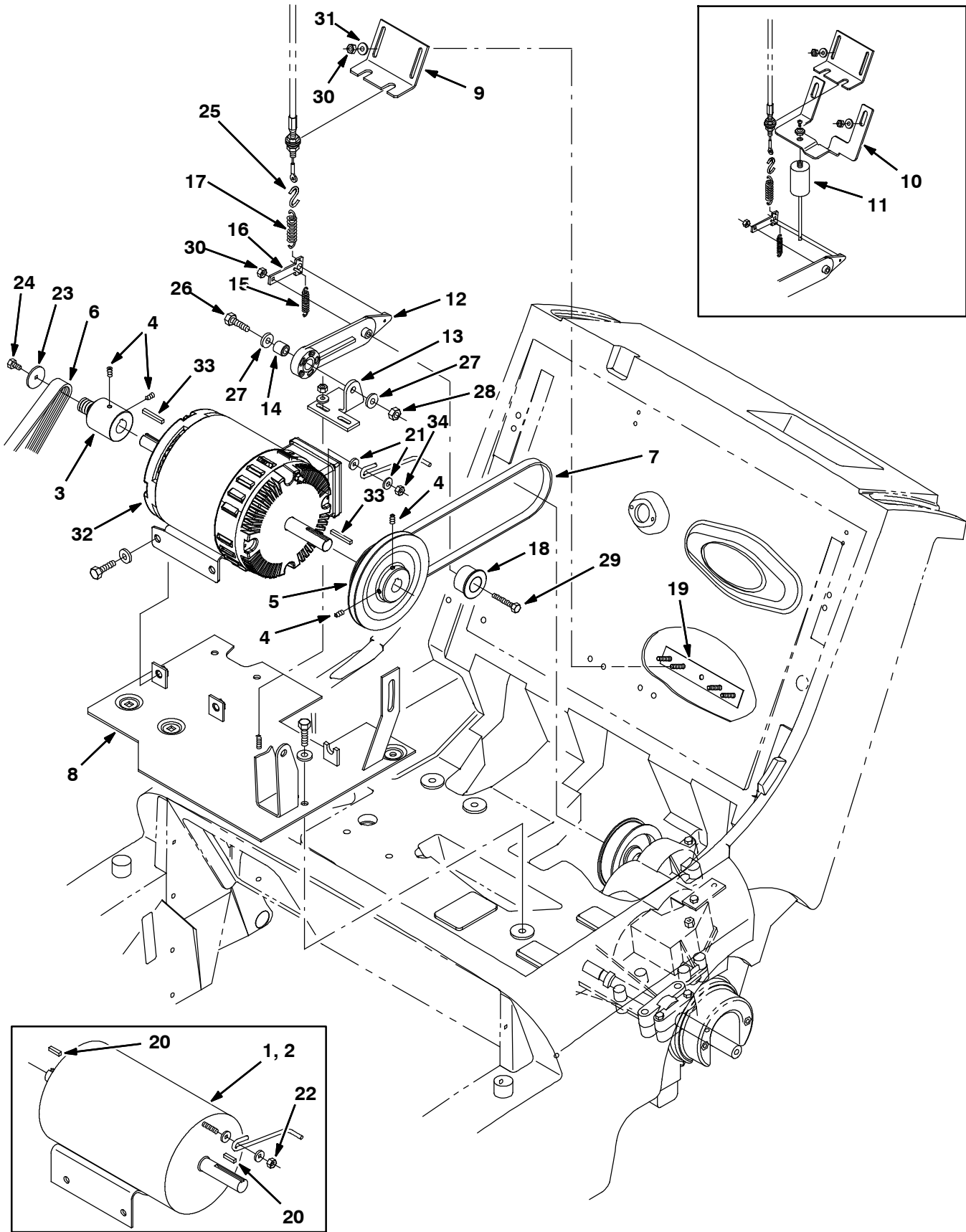


Fig. 14 - Electric Motor Group

Ref.	Part No.	Serial Number	Description	Qty.
▽	1	377431	(000000- 10566878 ) Motor, Ele, 24vdc 1.00hp 1750rpm 42.0a (Replaced by 1068526)	1
▲		01739	(000000- ) Brush Kit - 4 Brushes Included	1
▲		01740	(000000- ) Brush Spring (1 Only )	4
▽	2	377406	(000000- 10704457 ) Motor, Ele, 24vdc 1.00hp 1750rpm 46.0a (EE Model) (Replaced by 1068525)	1
▲		01739	(000000- ) Brush Kit - 4 Brushes Included	1
▲		01740	(000000- ) Brush Spring (1 Only )	4
	3	373139	(000000- ) Pulley, Drive	1
	4	09162	(000000- ) Scr- Set M 6X1.0 8 Nylonloc	4
	5	80242	(000000- ) Sheave, 3L 2Gr 3.2Pd 5.5Pd	1
▽		80117	(000000- ) Belt Kit, Main Brush, Replmt[6080/3640e]	1
▲	6	80139	(000000- ) Belt, Ribbed, 36.0l [J8]	1
	7	80152	(000000- ) Belt, Flat .75Wide X 33.0 Circ	1
	8	80357	(000000- ) Plate Wldt, Floor, Elec	1
	9	80407	(000000- ) Bracket, Cable, Clutch	1
	10	80065	(000000- xxxxxx ) Bracket, Mounting, Dampener, E (Replaced by None)	1
	11	80959	(000000- xxxxxx ) Dampener, Push, 15Lbs (Replaced by None)	1
	12	80405	(000000- ) Arm, Clutch Pivot	1
	13	80406	(000000- ) Bracket, Clutch Pivot	1
	14	80409	(000000- ) Sleeve, .344B .62D .58	1
	15	378769	(000000- ) Sprng,Tens, .36Od .03Wire 1.5L	1
	16	80319	(000000- ) Bar, Clutch	1
	17	75575	(000000- ) Spring, Tens,0.5Dx.06Wire 2.5L	1
	18	80079	(000000- ) Pulley, Idler	1
	19	80408	(000000- ) Plate, Cable, Clutch	1
	20	00915	(000000- 10566878 ) Key, Square .18x .18x 1.38	2
	21	80322	(000000- ) Brake, Belt, Elec	1
	22	75934	(000000- 10566878 ) Nut, Hex, Lock, .25- 20, NI	1
	23	41178	(000000- ) Washer, Flat, Fender	1
	24	06941	(000000- ) Scr, Hex, M6	1
	25	43363	(000000- ) S- Hook	1
	26	06955	(000000- ) Screw, Hex, M8 X 1.25 X 35, 8.8	1
	27	32491	(000000- ) Washer, Flat, 0.31 Std	2
	28	08709	(000000- ) Nut, Hex, Lock, M8 X 1.25, NI	1
	29	06946	(000000- ) Screw, Hex, M6 X 1.0 X 35, 8.8	1
	30	08708	(000000- ) Nut, Hex, Lock, M6 X 1.0, NI	3
	31	32490	(000000- ) Washer, Flat, 0.25 Std	2
▽	32	1068526	(10566879- ) Motor Kit, Ele, 24vdc 1750rpm 1.00hp	1
		1066574	(10566879- ) Vr, Brush Kit, Motor (1 Pkg = 4 Brushes)	1
▽	32	1068525	(10704458- ) Motor Kit, Ele, 24vdc 1750rpm 1.00hp (EE Model)	1
		1066574	(10704458- ) Vr, Brush Kit, Motor (1 Pkg = 4 Brushes)	1
▲	33	00916	(10566879- ) Key, Sq, 0.19 X 0.19, 1.50l	2
▲	34	08708	(10566879- ) Nut, Hex, Lock, M6 X 1.00, NI	1

Fig. 15 - Battery Cover Group

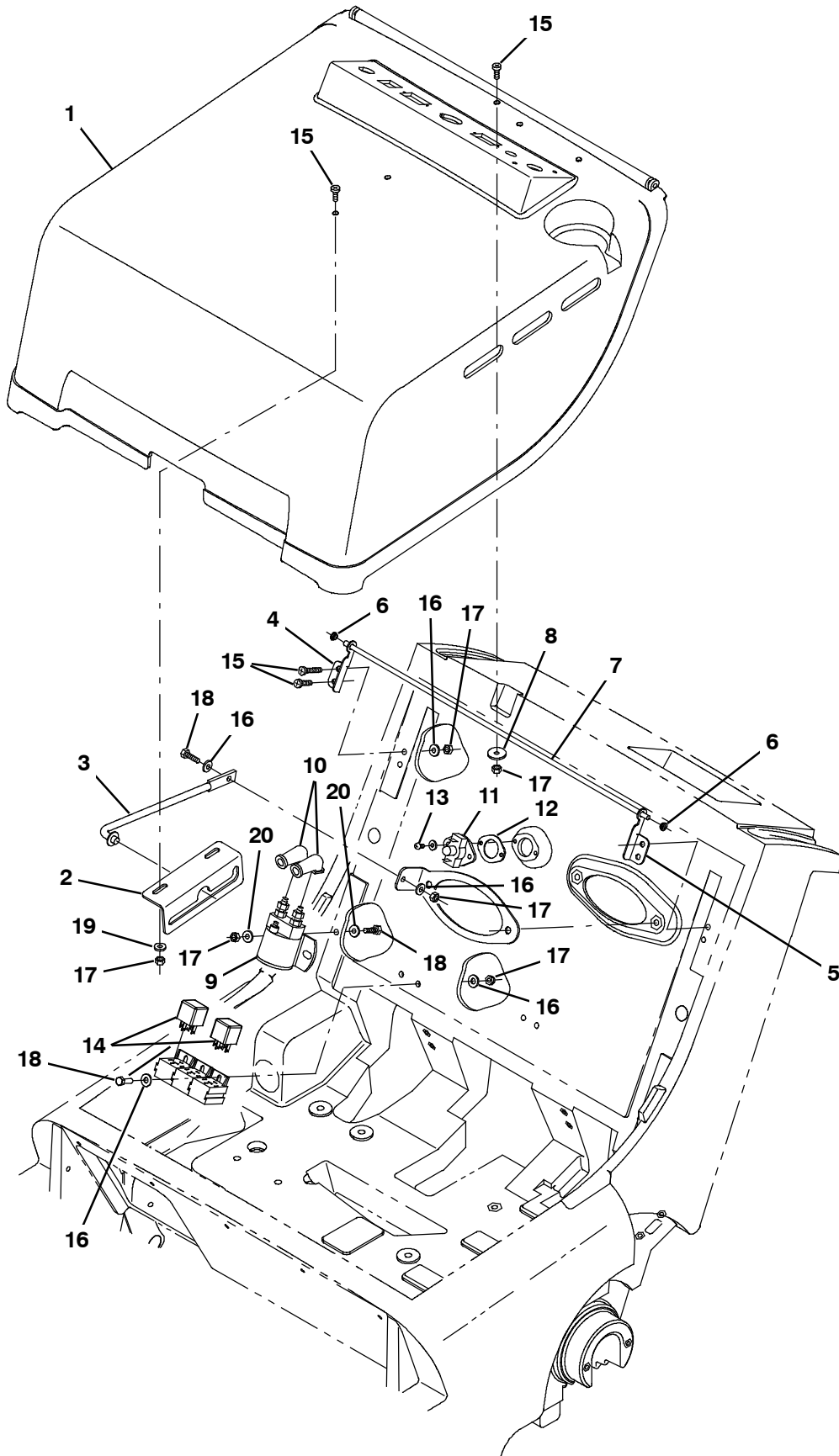




Fig. 15 - Battery Cover Group

Ref.	Part No.	Serial Number	Description	Qty.
1	80195	(000000-	) Cover, Battery, Complt, W/ Label	1
1	80204	(000000-	) Cover, Battery, Compartment, W/ Label TJ (Japan)	1
2	80364	(000000-	) Bracket, Rod, Propel	1
3	54615	(000000-	) Rod, Seat	1
4	80949	(000000-	) Pivot, Hinge, Eng Cover, Rh,E	1
5	80837	(000000-	) Pivot, Hinge, Eng Cover, Left	1
6	80921	(000000-	) Bearing, Snap- In, .250 Bore	2
7	80924	(000000-	) Rod, Hinge Pin, Nylon	1
8	41178	(000000-	) Washer, Flat, 0.25 Fender	1
9	02424	(000000-	) Contactor, 24Volt Dc	1
10	02076	(000000-	) Boot, 90 Deg .50D .57X .84	2
11	02712	(000000-	) Thermostat Assembly,140 Deg	1
12	82733	(000000-	) Gasket, Fire Switch	1
13	49162	(000000-	) Screw- Pan 08- 10X.050	2
14	49309	(000000-	) Relay, 24V Dc Spdt	2
15	09164	(000000-	) Screw, Pan, M6 X 1.0 X 20, 4.8	7
16	32483	(000000-	) Washer, Flat, 0.25 Sae	10
17	08708	(000000-	) Nut, Hex, Lock, M6 X 1.0, NI	12
18	06943	(000000-	) Screw, Hex, M6 X 1.0 X 20, 8.8	5
19	01684	(000000-	) Washer, Flat, 0.25 Ss	2
20	32490	(000000-	) Washer, Flat, 0.25 Std	4

Fig. 16 - EE Battery Cover And Circuit Breaker Group

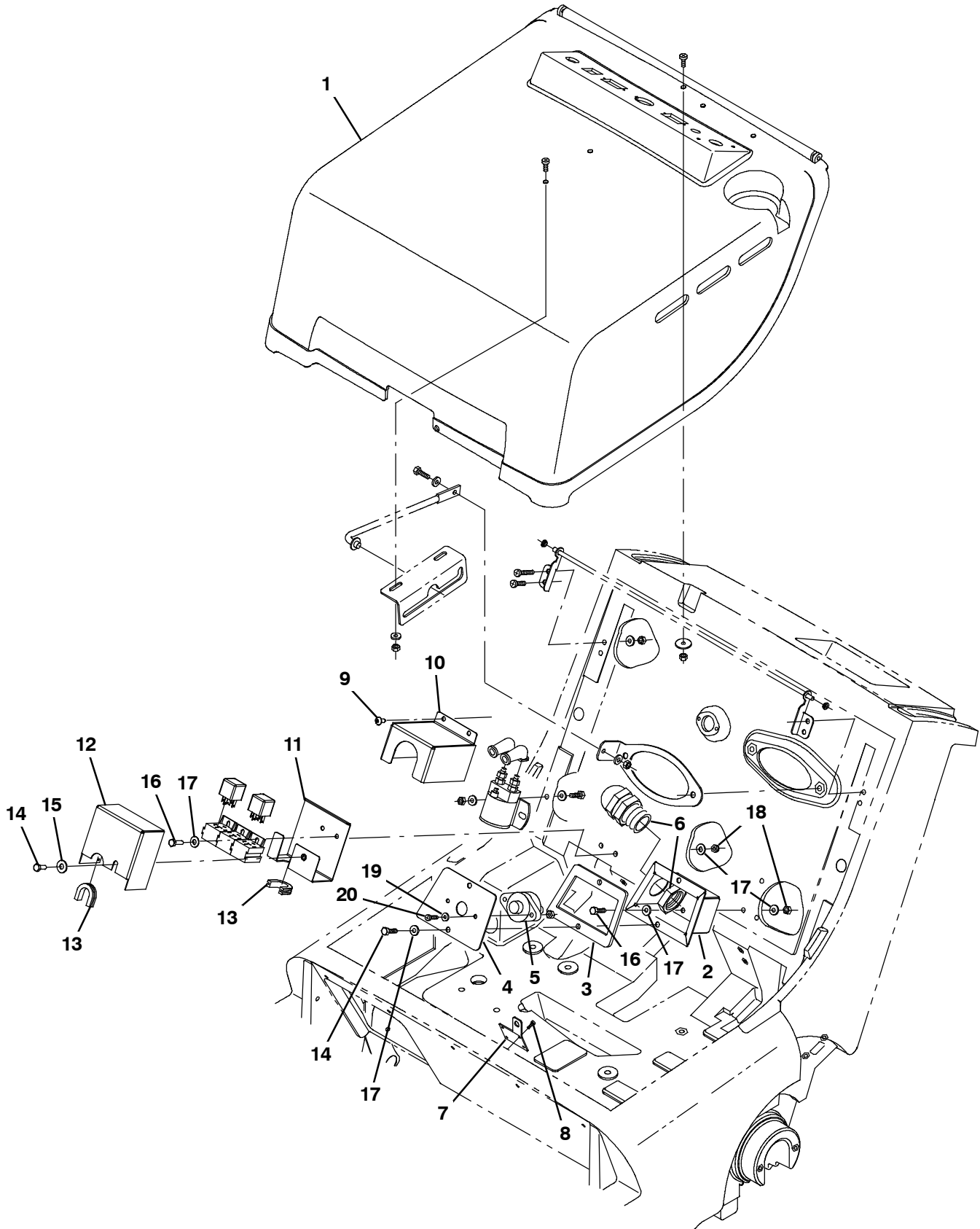
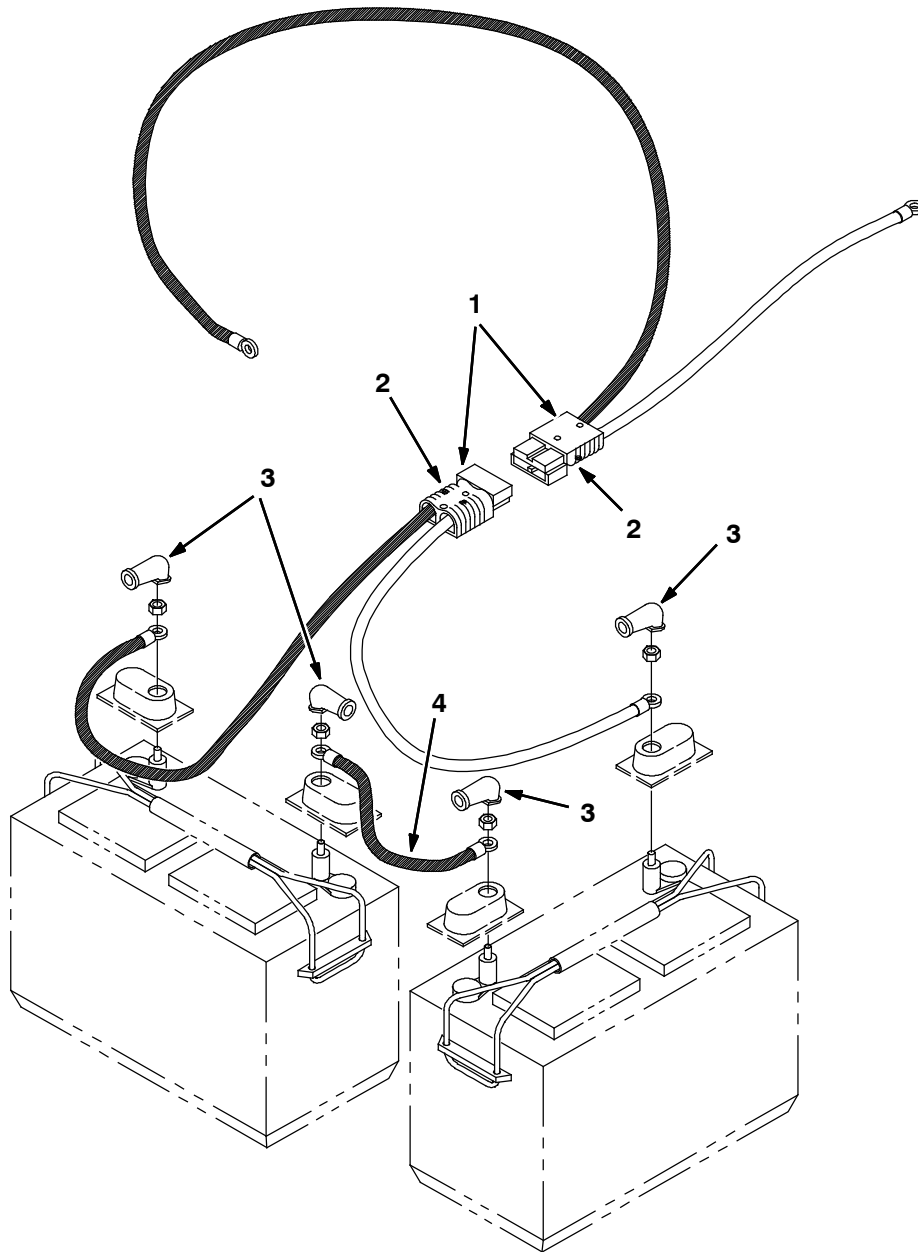


Fig. 16 - EE Battery Cover And Circuit Breaker Group

Ref.	Part No.	Serial Number	Description	Qty.
1	80196	(000000-	) Hood, Ee w/Labels	1
2	80245	(000000-	) Box, Circuit Breaker, Ee	1
3	80247	(000000-	) Gasket, Box, Circuit Breaker	1
4	80248	(000000-	) Plate, Cover, Box, Ee	1
5	375118	(000000-	) Circuitbreaker, 40 Resetable	1
6	222726	(000000-	) Strain Relief, .72/.97Cord	1
7	80273	(000000-	) Plate, Lock, Ee	1
8	222267	(000000-	) Screw, Pan, Fmg, #06 X 0.50	4
9	1009324	(000000-	) Screw, Pan, Phl, 10- 16 X 0.50,Blk[Typ17]	2
10	1054932	(000000-	) Contactor, Enclosure [3640]	1
11	1045300	(000000-	) Base, Cover, Relay [3640 Ee, UI]	1
12	1045299	(000000-	) Cover, Relay [3640 Ee, UI]	1
13	10632- 2	(000000-	) Grommet, Rbr, 0.62id, F/0.9h, .12 Matl	2
14	06942	(000000-	) Screw, Hex, M6 X 1.0 X 16, 8.8	3
15	32490	(000000-	) Washer, Flat, 0.25, Std	1
16	06943	(000000-	) Screw, Hex, M6 X 1.0 X 20, 8.8	4
17	32483	(000000-	) Washer, Flat, 0.25, Sae	10
18	08708	(000000-	) Nut, Hex, Lock, M6 X 1.00, NI	4
19	06933	(000000-	) Screw, Pan, M5 X 0.80 X 16, 4.8	2
20	01683	(000000-	) Washer, Flat, 0.22b 0.50d .05, Ss [#10]	2

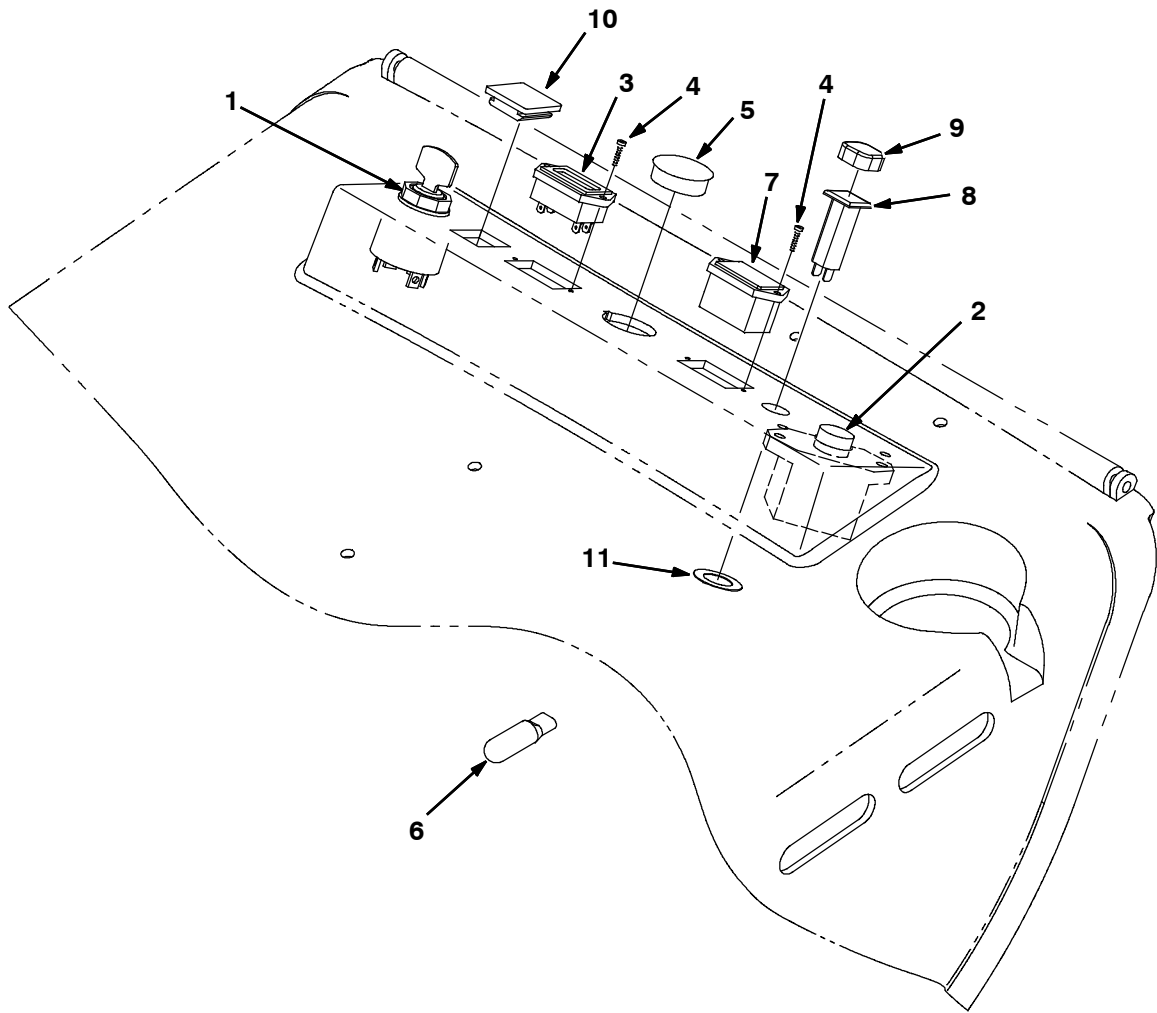
**Fig. 17 - Battery Cable Harness Group**



350876 - E

	Ref.	Part No.	Serial Number	Description	Qty.
▽	1	49443	(000000-	) Harness, Cable, Battery	2
▲	2	49548	(000000-	) Connector, [Anderson], 50a, Red	1
	3	02076	(000000-	) Boot, 90deg .50d .57d X .84	4
	4	63735	(000000-	) Wire, 06ga 11.0l Blk .38ring /.38ring	1

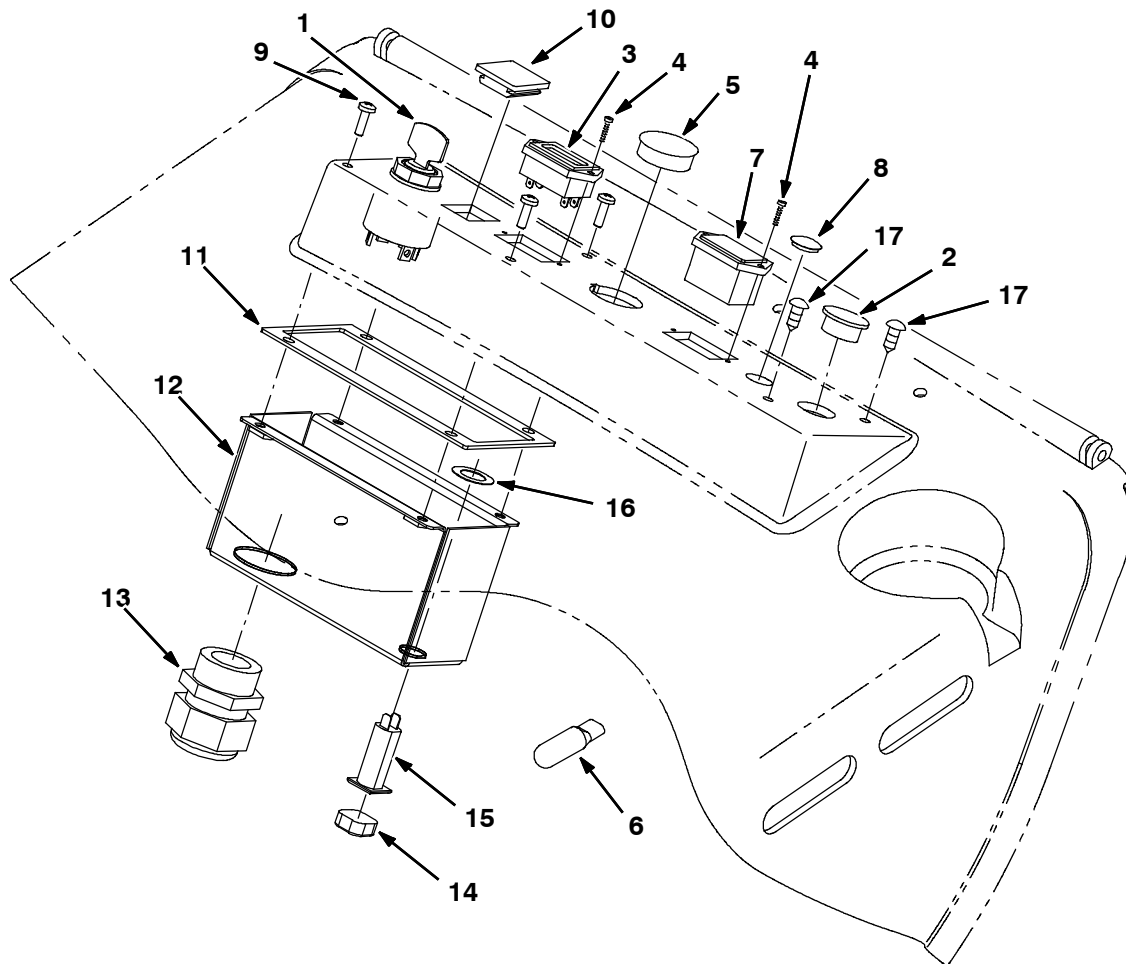
Fig. 18 - Instrument Panel Group



350880 - E

Ref.	Part No.	Serial Number	Description	Qty.
▽	1	80331	(000000- ) Switch, Key	1
▲		80181	(000000- ) Key Set Rn	1
	2	375119	(000000- ) Circuitbreaker, 50.0a [Resetable]	1
	3	80327	(000000- ) Meter, Discharge, Battery	1
	4	222267	(000000- ) Screw, Pnfmg 6X.50 Type Ab	4
	5	76888	(000000- ) Plugbtn 1.25H.12 Max Blacknyl	1
	6	222290	(000000- ) Diode, Elec, Plug	1
	7	377433	(000000- ) Gauge, Hourmeter, 12- 60vdc, Analog [10k]	1
	8	1064188	(10511016- ) Circuitbreaker, 15.0a, Resetable	1
	8	1045858	(000000- 10511015 ) Circuitbreaker, 15a, Resetable (Rpld by 9004588)	1
	9	1064191	(10511016- ) Boot, Circuitbreaker	1
	9	1046173	(000000- 10511015 ) Boot, Circuitbreaker (Rpld by 1064191)	1
	10	80277	(000000- ) Plug, Switch	1
	11	1064190	(10511016- ) Washer, Lock, Int, 0.60, Stl	1
	11	1046176	(000000- 10511015 ) Ring, Retaining, Circuitbreaker (Rpld by 1064190)	1

**Fig. 19 - EE Instrument Panel Group**



350880 - EE

Ref.	Part No.	Serial Number	Description	Qty.
▽	1	80331	(000000- ) Switch, Key	1
▲		80181	(000000- ) Key Set Rn	1
	2	130161	(000000- ) Plug, Hole, Rnd, 0.88d, Blk	1
	3	80327	(000000- ) Meter, Discharge, Battery	1
	4	222267	(000000- ) Screw, Pnfmng 6X.50 Type Ab	4
	5	76888	(000000- ) Plugbtn 1.25H.12 Max Blacknyl	1
	6	222290	(000000- ) Diode, Elec, Plug	1
	7	377433	(000000- ) Gauge, Hourmeter, 12- 60vdc, Analog [10k]	1
	8	57167	(10417526- ) Plug, Hole, Rnd, 0.62h .03- .12, Blk Nyl	1
	9	06933	(10417526- ) Screw, Pan, Phl, M5 X 0.80 X 16, 4.8	4
	10	80277	(000000- ) Plug, Switch	1
	11	1056107	(10417526- ) Gasket, Cover [3640ee]	1
	12	1055423	(10417526- ) Enclosure, Switch [3640 Ee]	1
	13	222726	(10417526- ) Strainrelief, .72/.97cord, 1.47d	1
	14	1064191	(10511016- ) Boot, Circuitbreaker	1
	14	1046173	(10417526- 10511015 ) Boot, Circuitbreaker (Rpld by 1064191)	1
	15	1064188	(10511016- ) Circuitbreaker, 15.0a, Resetable	1
	15	1045858	(10417526- 10511015 ) Circuitbreaker, 15a, Resetable (Rpld by 9004588)	1
	16	1064190	(10511016- ) Washer, Lock, Int, 0.60, Stl	1
	16	1046176	(10417526- 10511015 ) Ring, Retaining, Circuitbreaker (Rpld by 1064190)	1
	17	77399	(000000- ) Plug, Hole	2

Fig. 20 - Electrical Schematic

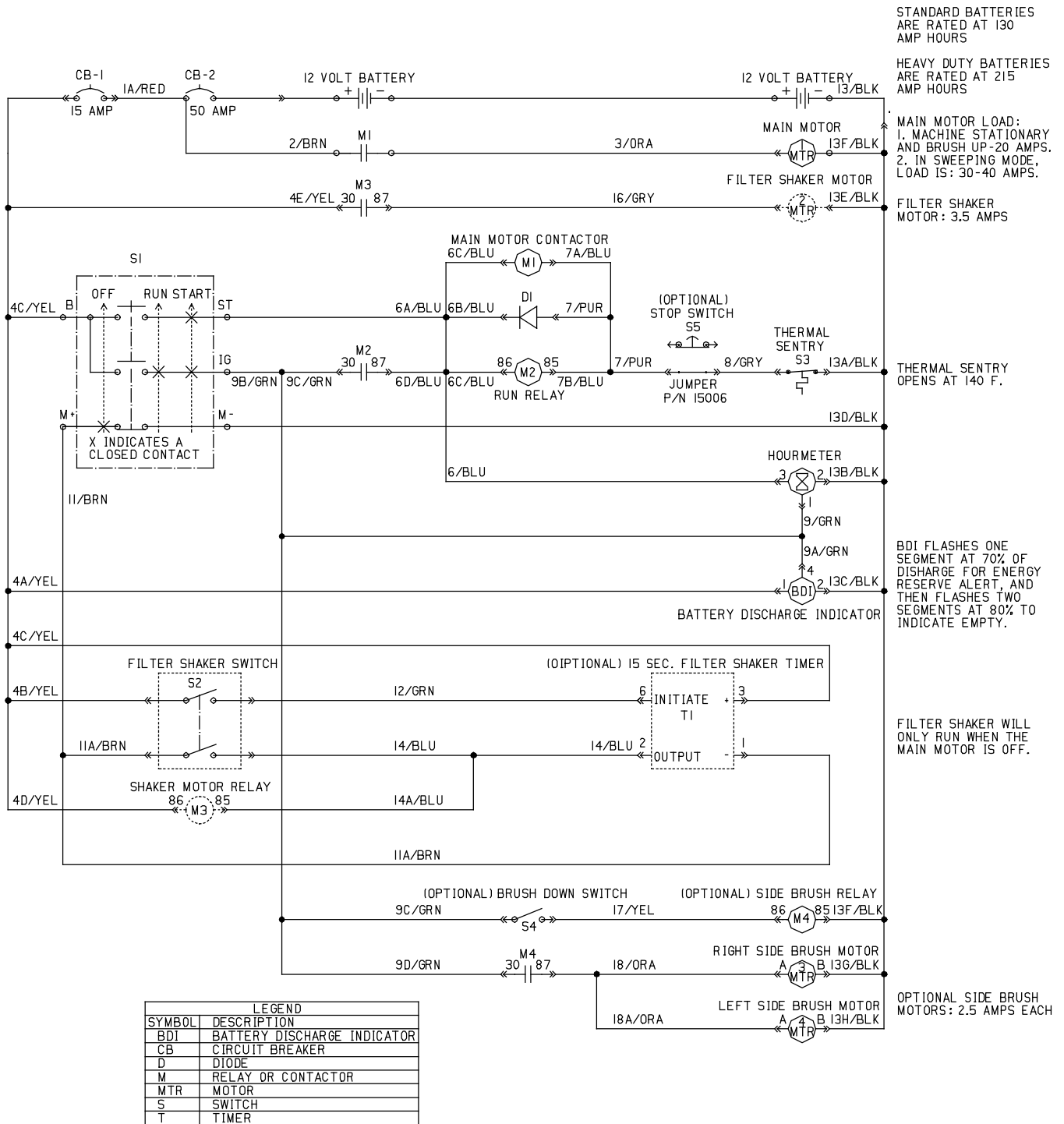
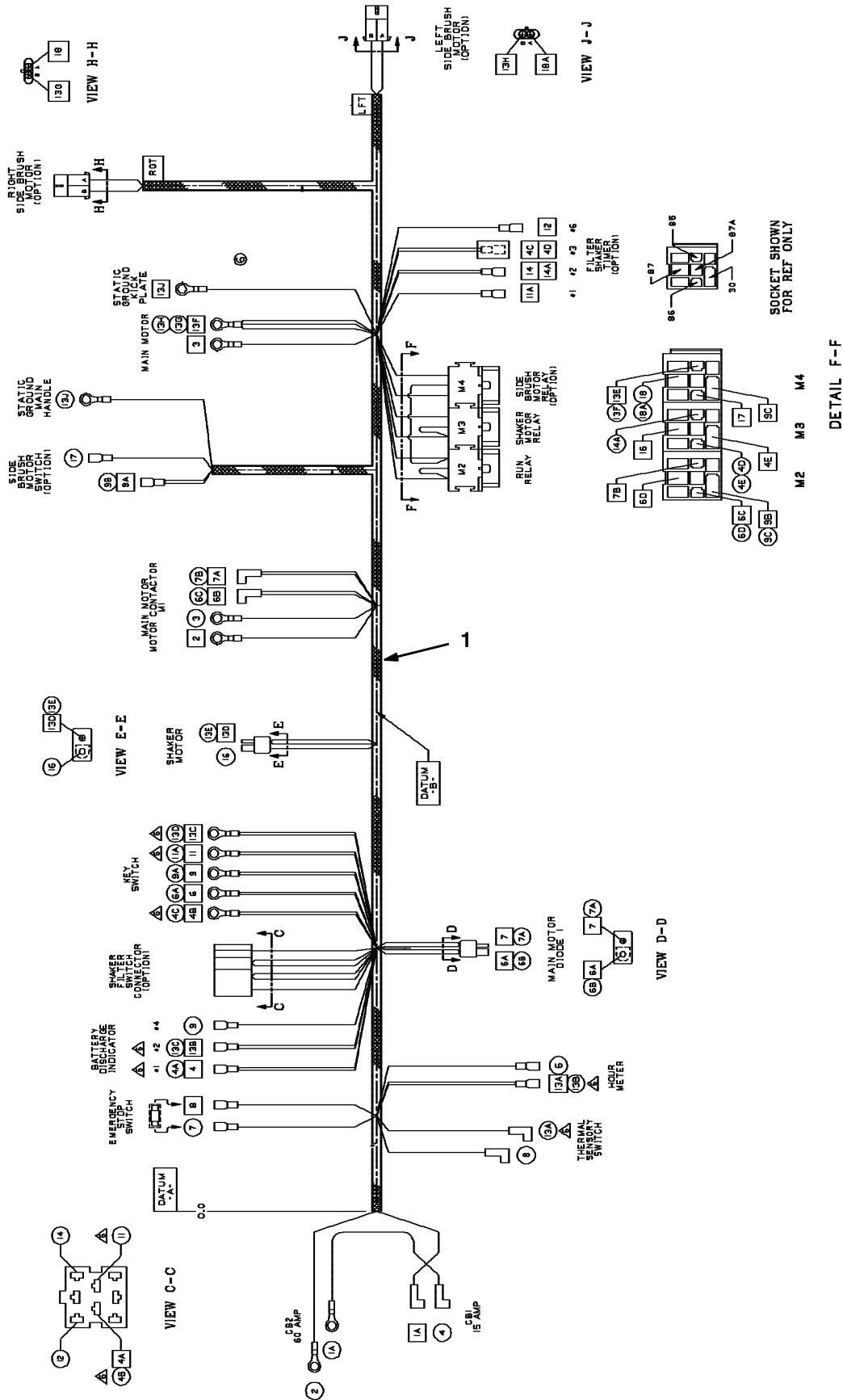


Fig. 21 - Wire Harness Group

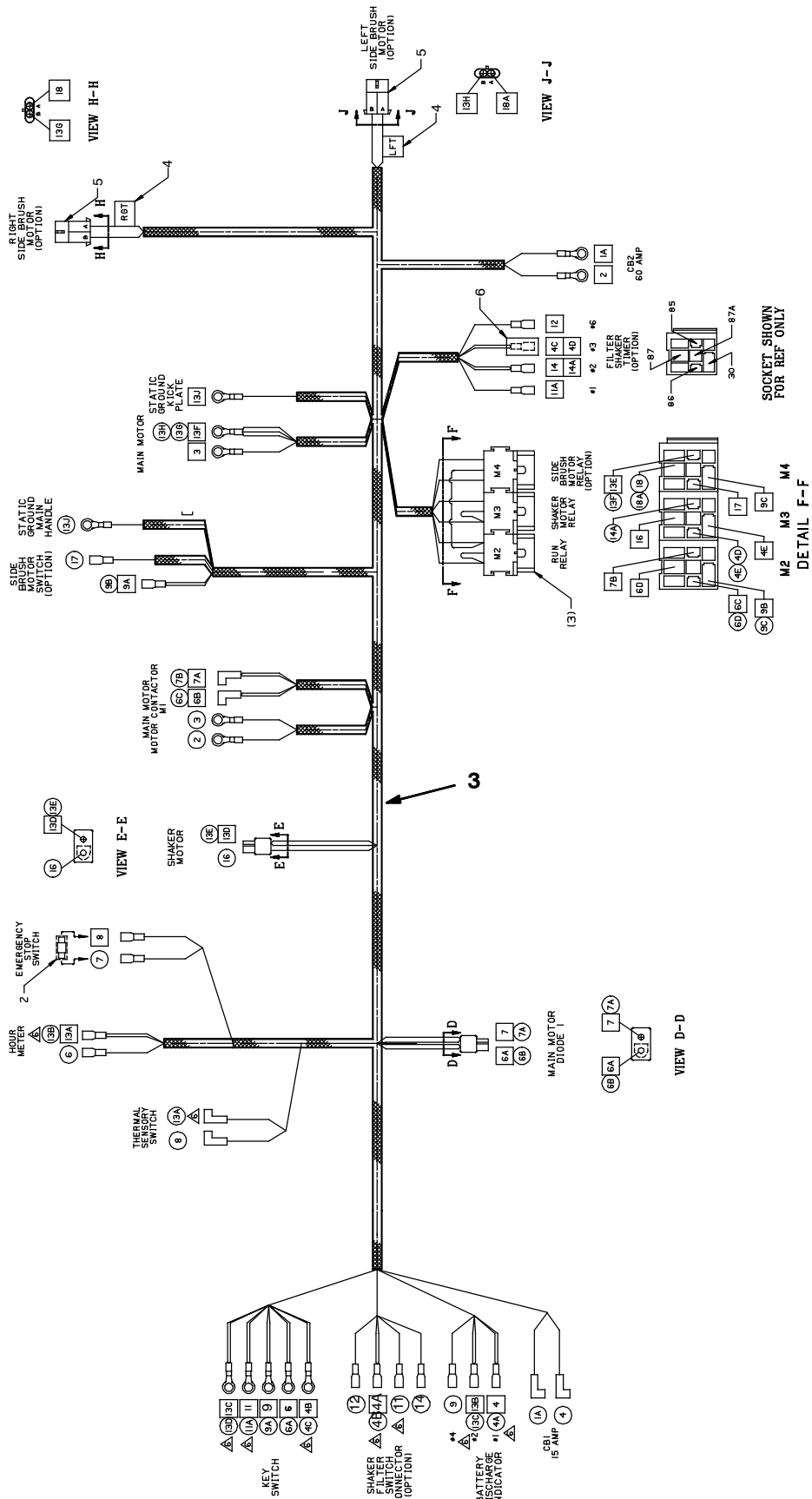


351320 - E





Fig. 21 - Wire Harness Group, EE (S/N 10417526- )



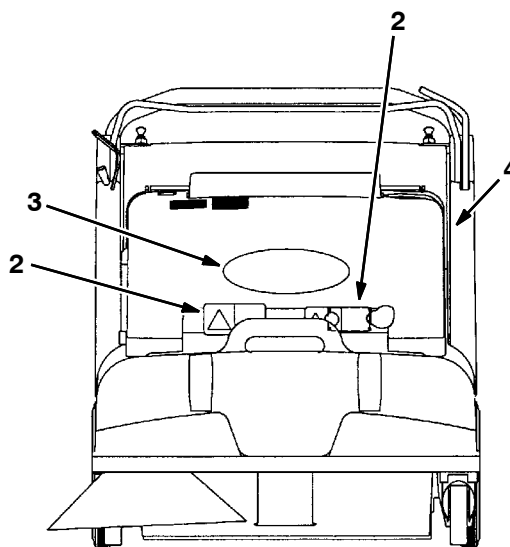
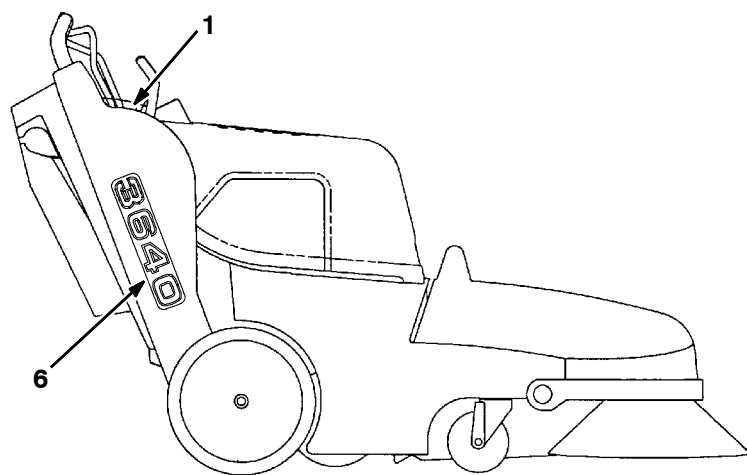
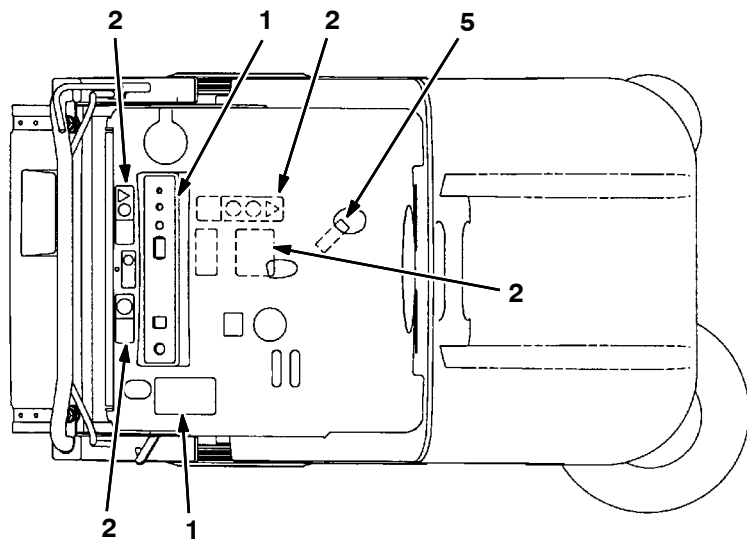
1055961 - EE

Fig. 21 - Wire Harness Group

351320, 351317 - E, EE

Ref.	Part No.	Serial Number	Description	Qty.
1	80602	(000000-	) Harness, Wire, Main E	1
2	80229	(000000- 10417525	) Harness, Wire, Main EE	1
3	1055961	(10417526-	) Harness, Main, Ee [3640 Ee]	1

**Fig. 22 - Label Group**



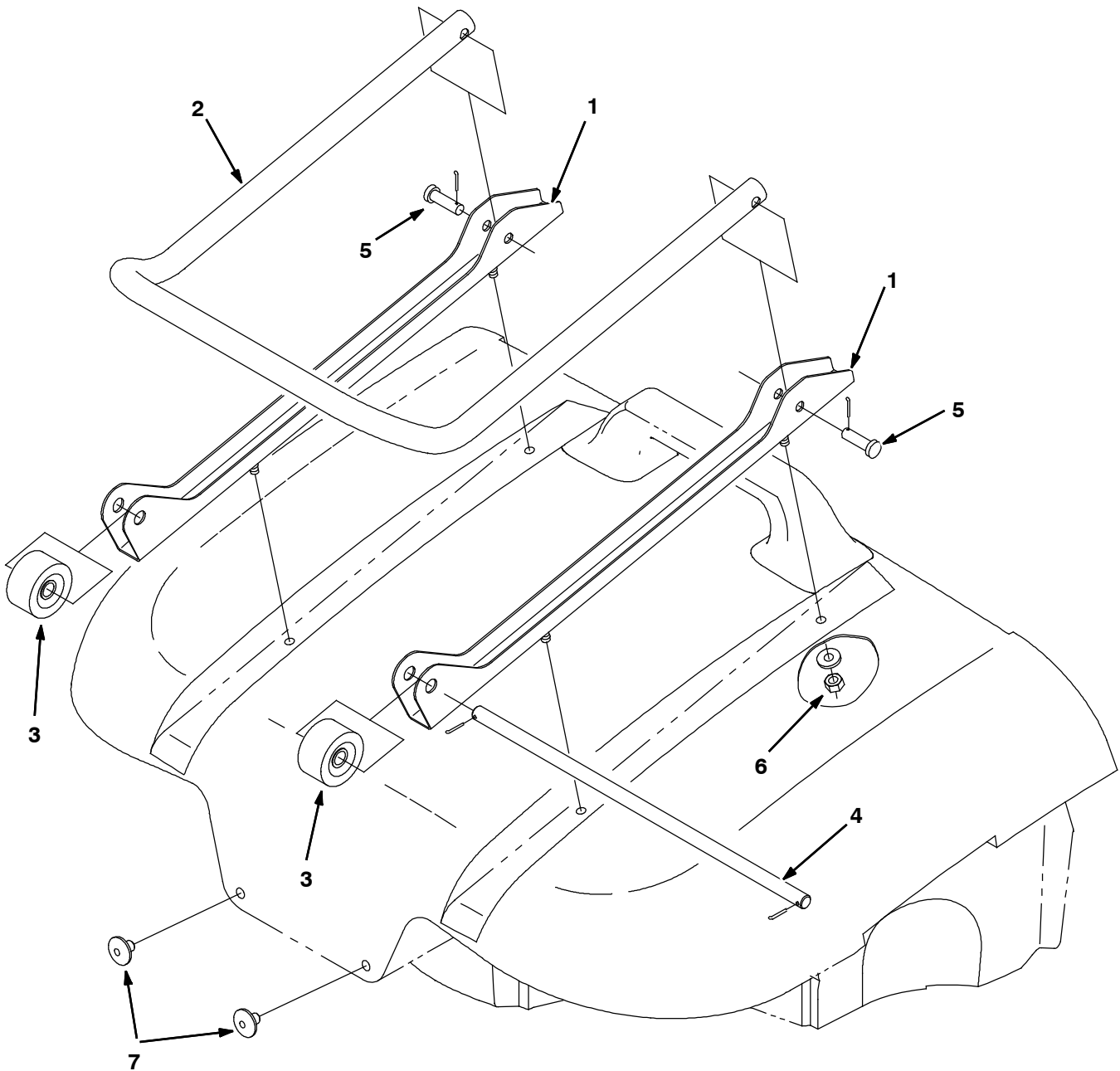
350910 - E, EE

Ref.	Part No.	Serial Number	Description	Qty.
1	80349	(000000-	) Label Set, Operational 3640 E	1
2	80951	(000000-	) Label Set, Info/Hzrd [6080/3640]	1
2	80206	(000000-	) Label Set, Info/Hzrd, Tj [6080/3640] (Japan)	1
3	09806	(000000-	) Label, Tennant Logo	1
4	08823	(000000-	) Label, EE	1
5	80112	(000000-	) Label, Charger Connection	1
6	1048749	(000000-	) Label, Side [3640]	2

# SECTION 3

<b>Contents</b>	<b>Page</b>
Fig. 1 - Hopper Dump Assist Kit .....	3-2
Fig. 2 - Dual Side Brush Kit .....	3-4
Fig. 3 - Vacuum Bag Kit .....	3-6
Fig. 4 - High Flow To Standard Panel Kit .....	3-8
Fig. 5 - High Flow To Standard Bag Kit .....	3-10
Fig. 6 - Standard To High Air Flow Kit .....	3-12
Fig. 7 - High Flow Vacuum Wand Kit .....	3-14
Fig. 8 - Vacuum Wand Extend Kit .....	3-16
Fig. 9 - Hepa Filter Kit .....	3-18
Fig. 10 - Wide Track Wheels Kit .....	3-20
Fig. 11 - Battery Group, 130AH, Wet .....	3-22
Fig. 12 - Battery Group, 225AH, Wet .....	3-24
Fig. 13 - Hydrolink® Battery Watering System Kit .....	3-25
Fig. 14 - Battery Charger Group, 24V/11A (130Ah batteries), 1073638, 9009308 .....	3-26
Fig. 15 - Battery Charger Group, 24V/19A (225Ah batteries), 1029256 .....	3-27
Fig. 16 - Battery Charger Group, 24VDC/19A 50/60HZ, 1067630 (Japan Market) ..	3-28
Fig. 17 - Steel Static Chain Kit .....	3-29
Fig. 18 - Battery Cutout Button Kit .....	3-30
Fig. 19 - Hinge Repair Kit .....	3-31
Fig. 20 - Carpet Sweeping Kits, 130AH .....	3-32
Fig. 21 - Carpet Sweeping Kits, 225AH .....	3-33
Fig. 22 - Main Brush Downpressure Kit .....	3-34
Fig. 23 - Documentation Group .....	3-35

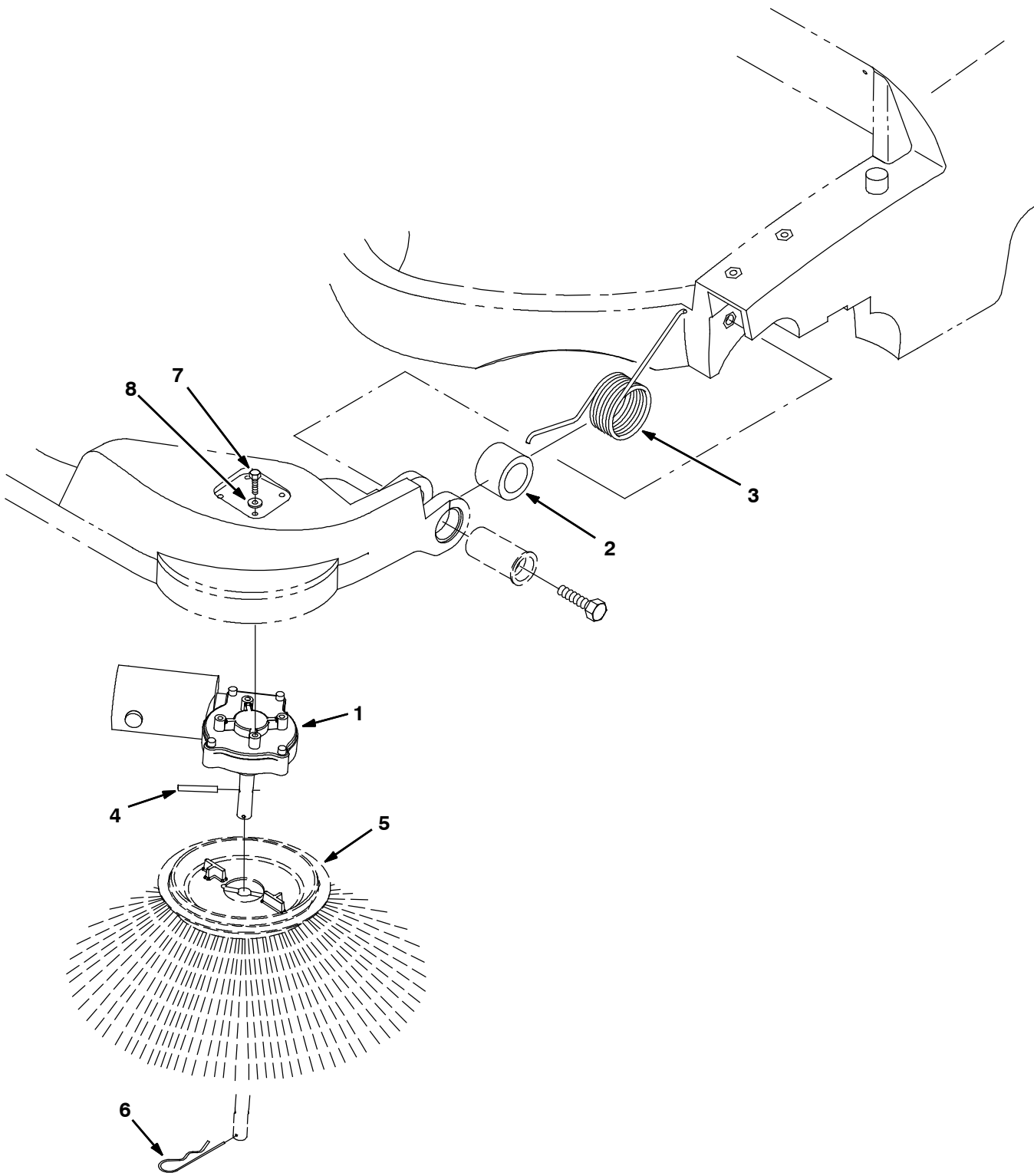
Fig. 1 - Hopper Dump Assist Kit



**Fig. 1 - Hopper Dump Assist Kit**

	<b>Ref.</b>	<b>Part No.</b>	<b>Serial Number</b>	<b>Description</b>	<b>Qty.</b>
▽		80249	(000000-	) Hopper Dump Assist Kit	1
▲	1	80960	(000000-	) Bracket, Hopper Assist	2
▲	2	80961	(000000-	) Handle, Hopper Assist	1
▲	3	222403	(000000-	) Wheel, 2.0 Dia	2
▲	4	80289	(000000-	) Shaft, Hopper Assist	1
▲	5	29557	(000000-	) Pin,Clevis,0.37 Dia.X 1.25 Lg	2
▲	6	08713	(000000-	) Nut- Hxlocnyln M 8X1.25 Reg Ss	4
▲	7	80300	(000000-	) Button, Wear	2

Fig. 2 - Dual Side Brush Kit

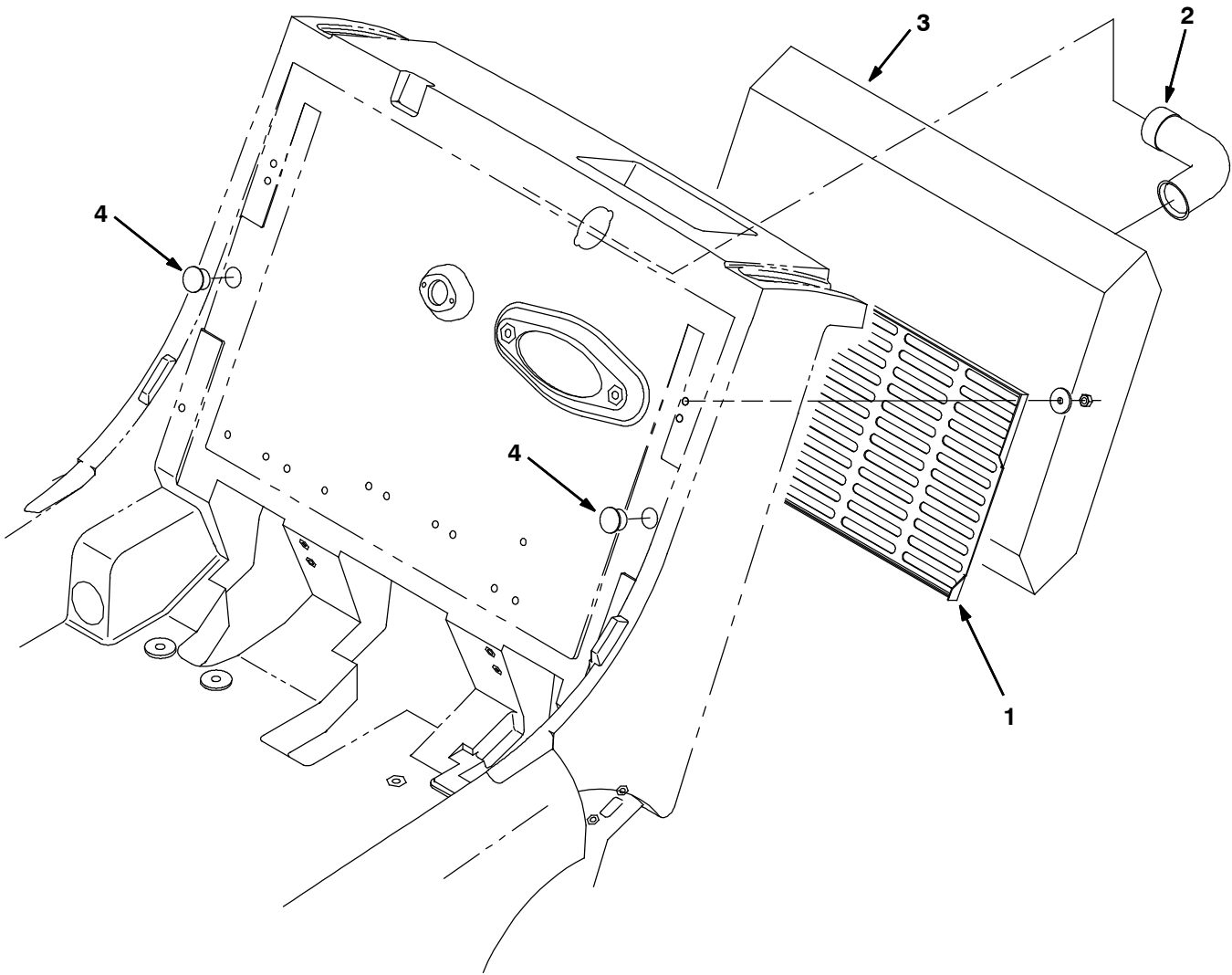




**Fig. 2 - Dual Side Brush Kit**

	<b>Ref.</b>	<b>Part No.</b>	<b>Serial Number</b>	<b>Description</b>	<b>Qty.</b>
▽		378763	(000000-	) Kit, Brush, Side, Dual, 24V	1
▲▽	1	1056182	(000000-	) Motor, Ele, 24vdc 0068rpm 0.08hp 04.5a	1
▲▲		80125	(000000-	) Brush & Spring Assy	1
▲▲		80127	(000000-	) Cap, Brush	2
▲▲		369795	(000000-	) Holder, Brush	2
▲▲		369796	(000000-	) Clip	2
▲	2	80321	(000000-	) Sleeve	1
▲	3	379206	(000000-	) Spring, Torsion	1
▲	4	11516	(000000-	) Pin	1
▲	5	80042	(000000-	) Side Brush	1
▲	6	02942	(000000-	) Pin, Hair Cotter	1
▲	7	06942	(000000-	) Screw, Hex, M6 X 1.00 X 16, 8.8	4
▲	8	32490	(000000-	) Washer, Flat, 0.25 Std	4

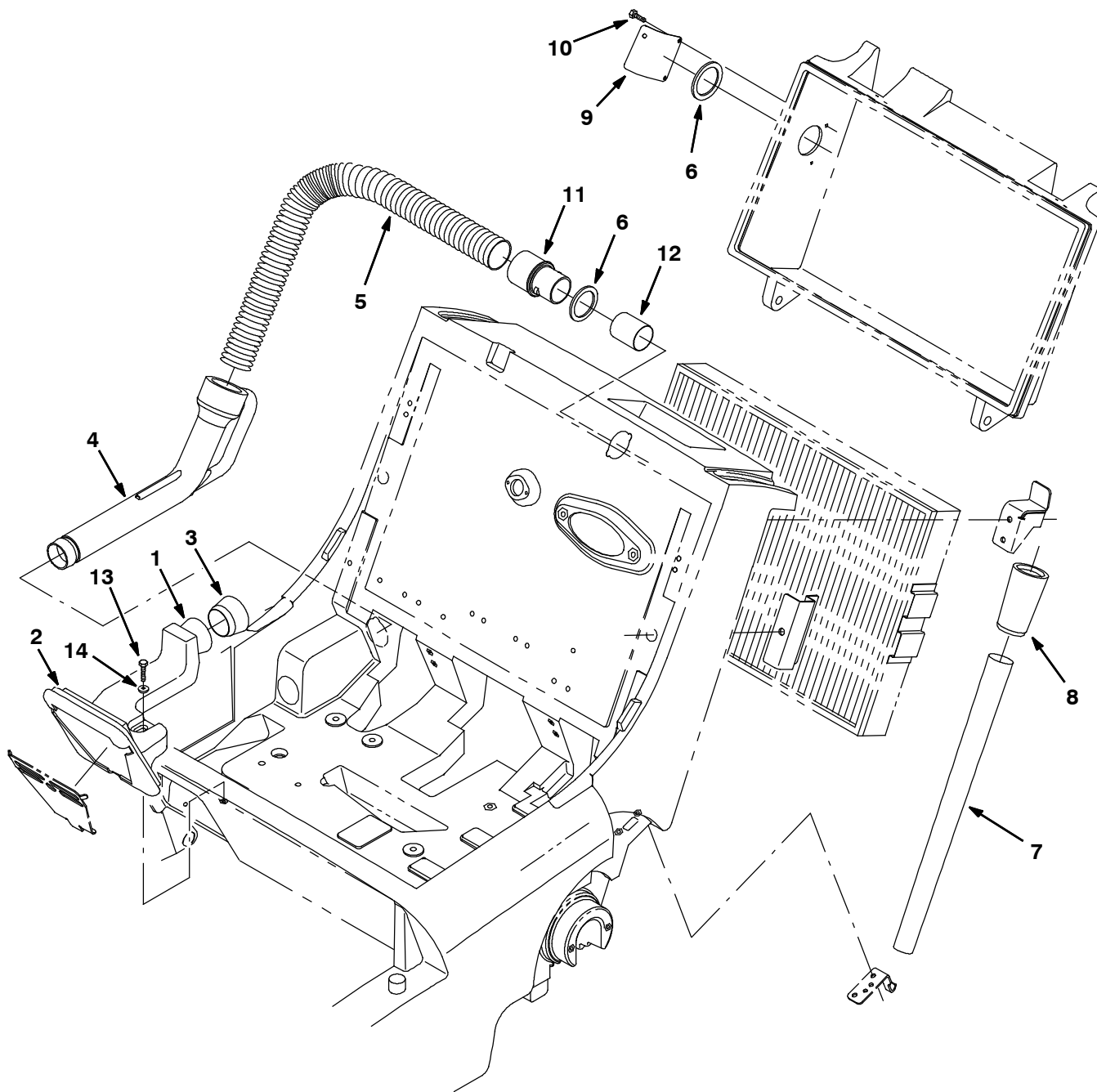
Fig. 3 - Vacuum Bag Kit



**Fig. 3 - Vacuum Bag Kit**

	<b>Ref.</b>	<b>Part No.</b>	<b>Serial Number</b>	<b>Description</b>	<b>Qty.</b>
▽		80301	(000000-	) Conv Kit. Panel Filter To Bag	1
▲	1	80103	(000000-	) Screen, Vacuum Bag	1
▲	2	80433	(000000-	) Tube, Vacuum	1
▲	3	1067680	(000000-	) Bag, Vacuum, Paper [1pick=1pkg] (1 Pkg = 10 Bags)	1
▲	4	80288	(000000-	) Plug Button	2

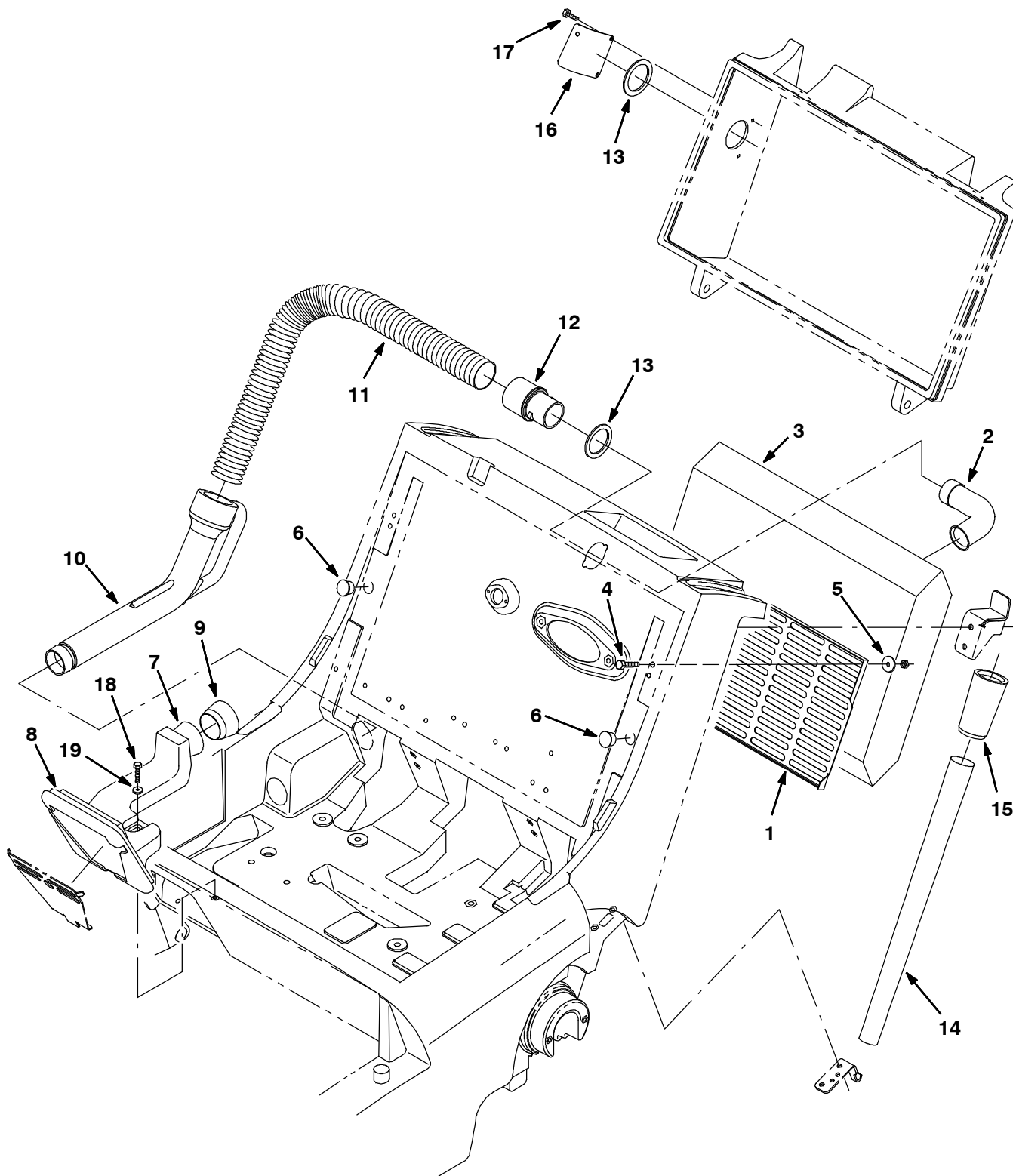
Fig. 4 - High Flow To Standard Panel Kit



**Fig. 4 - High Flow To Standard Panel Kit**

	<b>Ref.</b>	<b>Part No.</b>	<b>Serial Number</b>	<b>Description</b>	<b>Qty.</b>
▽		373148	(000000-	) Kit, High Air Flow To Std, Pan	1
▲▽		373129	(000000-	) Kit, Replmt Vacuum Chamber	1
▲▲	1	9005838	(000000-	) Housing, Vacuum, Afmkt [3640]	1
▲▲	2	80096	(000000-	) Seal, Chamber	1
▲▲	3	373125	(000000-	) Seal, Vac Wand	1
▲▲	4	9005837	(000000-	) Nozzle, Wand, Vacuum, 1.8od, Afmkt[3640]	1
▲	5	80464	(000000-	) Hose, Flex	1
▲	6	80392	(000000-	) Gasket, Cuff	2
▲	7	190039	(000000-	) Tube, Extn, Blk [W- 500]	1
▲	8	80299	(000000-	) Coupling, Vac- Wand	1
▲	9	373145	(000000-	) Cover, Hole	1
▲	10	20394	(000000-	) Screw, Hex, #10	3
▲	11	80270	(000000-	) Cuff, Flex	1
▲	12	80050	(000000-	) Tube, Hose	1
▲	13	06945	(000000-	) Screw, Hex, M6 X 1.0 X 30, 8.8	1
▲	14	32490	(000000-	) Washer, Flat, 0.25 Std	1

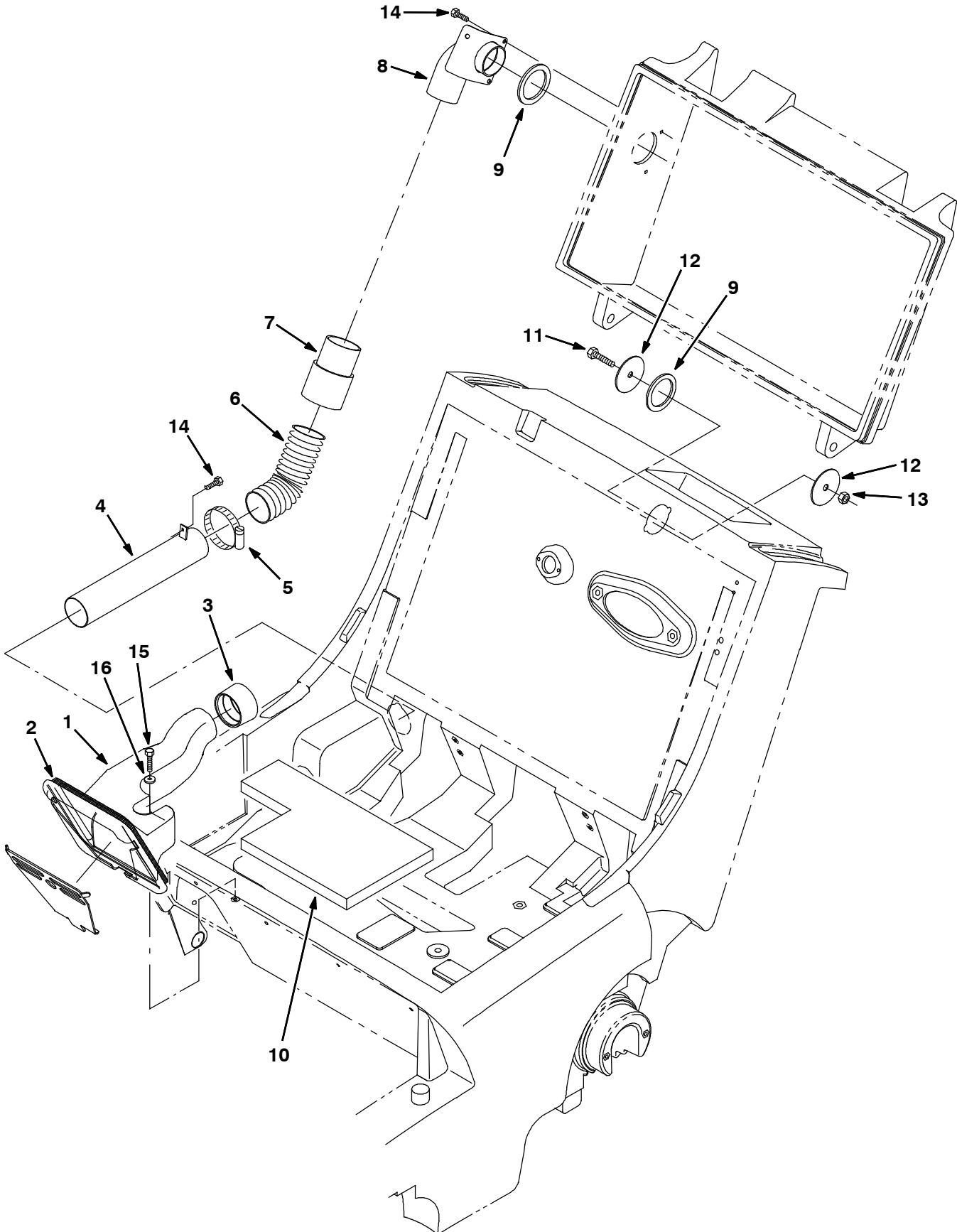
Fig. 5 - High Flow To Standard Bag Kit



**Fig. 5 - High Flow To Standard Bag Kit**

	<b>Ref.</b>	<b>Part No.</b>	<b>Serial Number</b>	<b>Description</b>	<b>Qty.</b>
▽		373152	(000000-	) Kit, Hi- Flow To Std, Bag	1
▲	1	80103	(000000-	) Screen, Vacuum Bag	1
▲	2	80433	(000000-	) Tube, Vacuum	1
▲	3	1067680	(000000-	) Bag, Vacuum, Paper [1pick=1pkg] (1 Pkg = 10 Bags)	1
▲	4	09258	(000000-	) Screw, Pan, M06- 1.0 X 40, 4.8	2
▲	5	41178	(000000-	) Washer, Flat, .25 Fender	2
▲	6	80288	(000000-	) Plug Button	2
▲▽		373129	(000000-	) Kit, Replmt Vacuum Chamber	1
▲▲	7	9005838	(000000-	) Housing, Vacuum, Afmkt [3640]	1
▲▲	8	80096	(000000-	) Seal, Chamber	1
▲▲	9	373125	(000000-	) Seal, Vac Wand	1
▲▲	10	9005837	(000000-	) Nozzle, Wand, Vacuum, 1.8od, Afmkt[3640]	1
▲	11	80464	(000000-	) Hose, Flex	1
▲	12	80270	(000000-	) Cuff, Flex	1
▲	13	80392	(000000-	) Gasket, Cuff	2
▲	14	190039	(000000-	) Tube, Extn, Blk [W- 500]	1
▲	15	80299	(000000-	) Coupling, Vac- Wand	1
▲	16	373145	(000000-	) Cover, Hole	1
▲	17	20394	(000000-	) Screw, Hex, #10	3
▲	18	06945	(000000-	) Screw, Hex, M6 X 1.0 X 30, 8.8	1
▲	19	32490	(000000-	) Washer, Flat, 0.25 Std	1

Fig. 6 - Standard To High Air Flow Kit

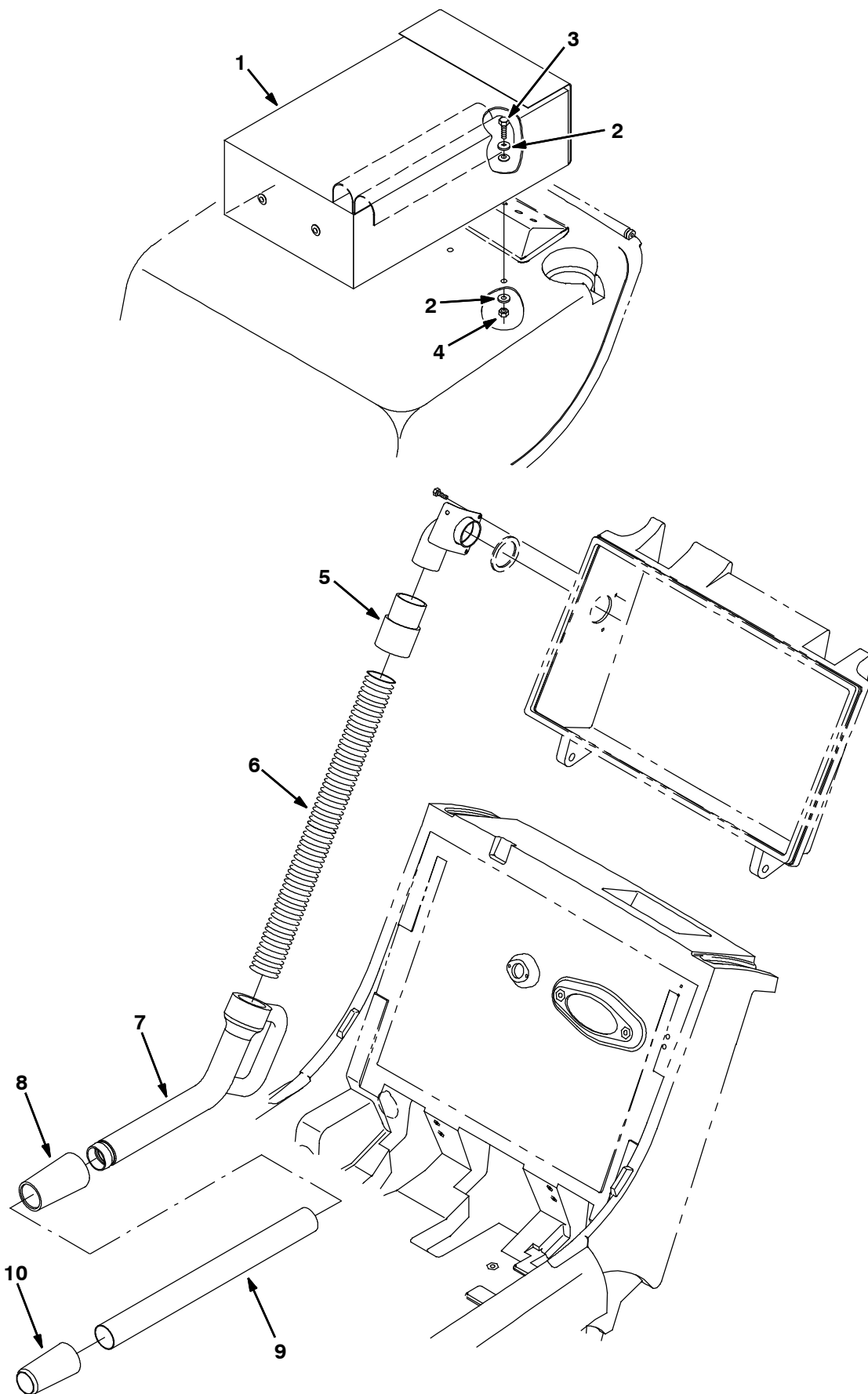




**Fig. 6 - Standard To High Air Flow Kit**

	<b>Ref.</b>	<b>Part No.</b>	<b>Serial Number</b>	<b>Description</b>	<b>Qty.</b>
▽		373121	(000000-	) Kit, High Vac System Airflow	1
▲	1	9005836	(000000-	) Duct, Vacuum, Hi- Flow, Afmkt [3640]	1
▲	2	80096	(000000-	) Seal, Chamber	1
▲	3	373116	(000000-	) Seal, Tube, Vacuum	1
▲	4	373123	(000000-	) Tube, Vacuum	1
▲	5	22297	(000000-	) Clamp, Wormdrive	1
▲	6	373118	(000000-	) Hose, Flex	1
▲	7	83285	(000000-	) Cuff, Hose	1
▲	8	373113	(000000-	) Coupling, Hose, Elbow	1
▲	9	80392	(000000-	) Gasket, Cuff	2
▲	10	373119	(000000-	) Spacer, Battery	1
▲	11	76570	(000000-	) Screw, Hex, M08- 1.25 X 30, 8.8	1
▲	12	373117	(000000-	) Washer, Flat, 0.38b 2.25d .07, Stl, Pnt	2
▲	13	08709	(000000-	) Nut, Hex, Lock, M08- 1.25	1
▲	14	20394	(000000-	) Screw, Hex, #10	3
▲	15	06945	(000000-	) Screw, Hex, M6 X 1.0 X 30, 8.8	1
▲	16	32490	(000000-	) Washer, Flat, 0.25 Std	1

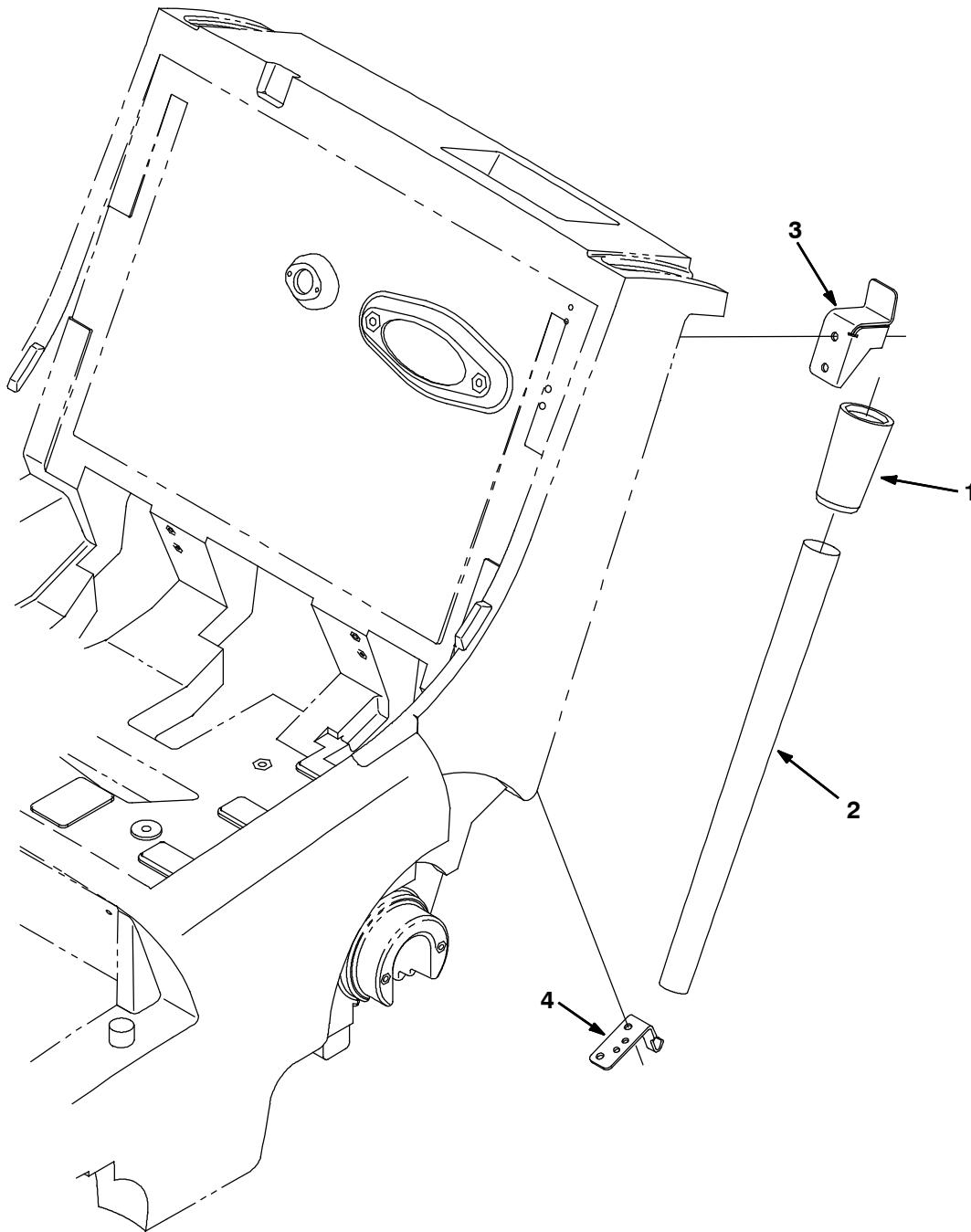
Fig. 7 - High Flow Vacuum Wand Kit



**Fig. 7 - High Flow Vacuum Wand Kit**

	<b>Ref.</b>	<b>Part No.</b>	<b>Serial Number</b>	<b>Description</b>	<b>Qty.</b>
▽		373137	(000000-	) Kit, Vac Wand F/Hi Air Flow	1
▲	1	65580	(000000-	) Bag, Power	1
▲	2	32492	(000000-	) Washer, Flat, .38 Hard	4
▲	3	39277	(000000-	) Screw, Hex, M08- 1.25 X 25, 8.8	2
▲	4	08709	(000000-	) Nut, Hex, Lock, M08- 1.25	2
▲	5	83285	(000000-	) Cuff, Hose	1
▲	6	83289	(000000-	) Hose, Flex	1
▲	7	9005835	(000000-	) Nozzle, Wand, Vacuum, Afmkt [3640]	1
▲	8	83287	(000000-	) Coupling, Vac Wand	1
▲	9	379204	(000000-	) Tube, Vac Wand	1
▲	10	80299	(000000-	) Coupling, Vac- Wand	1

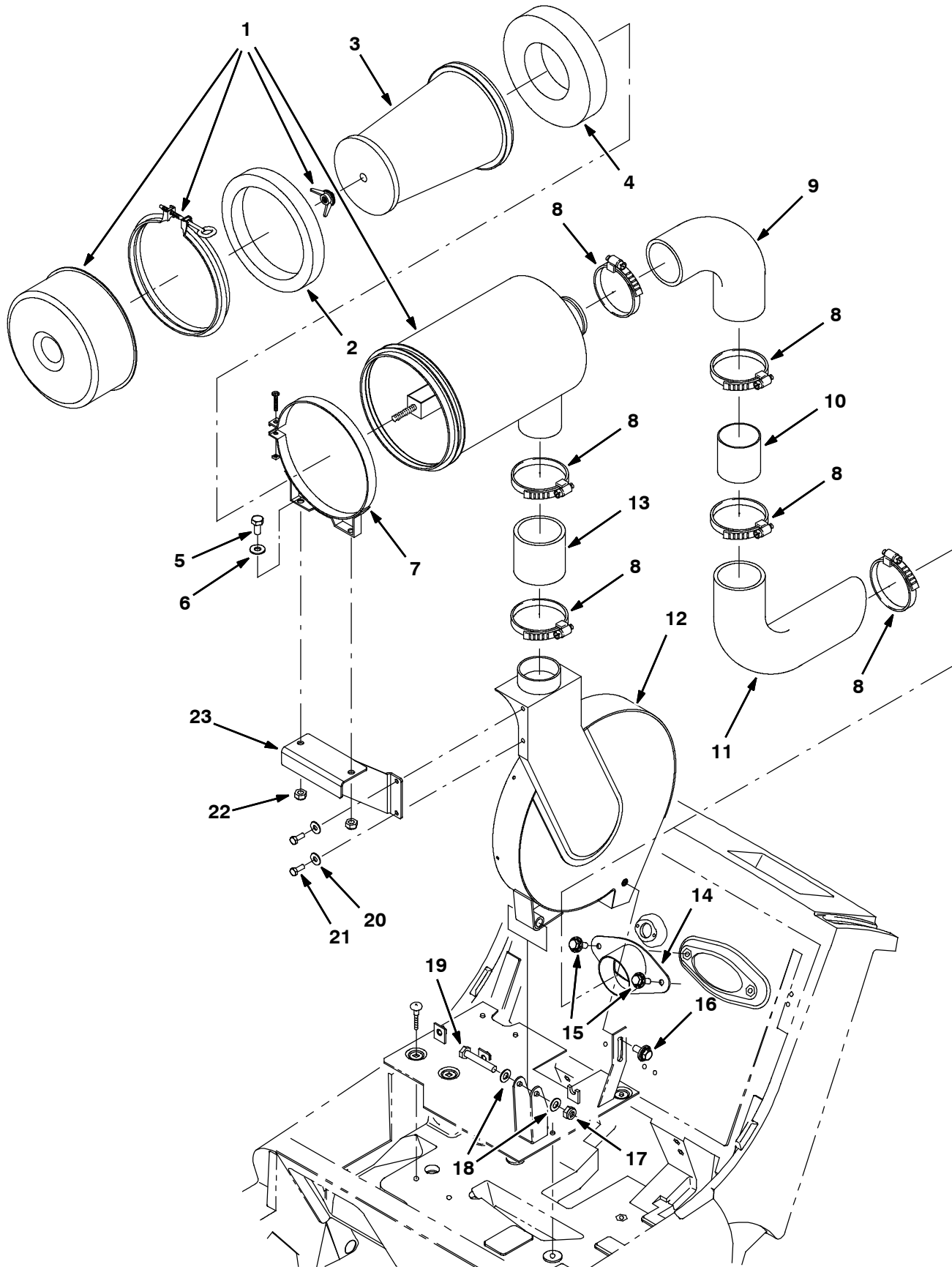
Fig. 8 - Vacuum Wand Extend Kit



**Fig. 8 - Vacuum Wand Extend Kit**

	<b>Ref.</b>	<b>Part No.</b>	<b>Serial Number</b>	<b>Description</b>	<b>Qty.</b>
▽		373106	(000000-	) Kit, Vacuum Wand, Extend	1
▲	1	80299	(000000-	) Coupling, Vac-Wand	1
▲	2	190039	(000000-	) Tube, Extn, Blk [W- 500]	1
▲	3	80106	(000000-	) Bracket, Handle, Stop	1
▲	4	80113	(000000-	) Plate, Cable, Mount	1

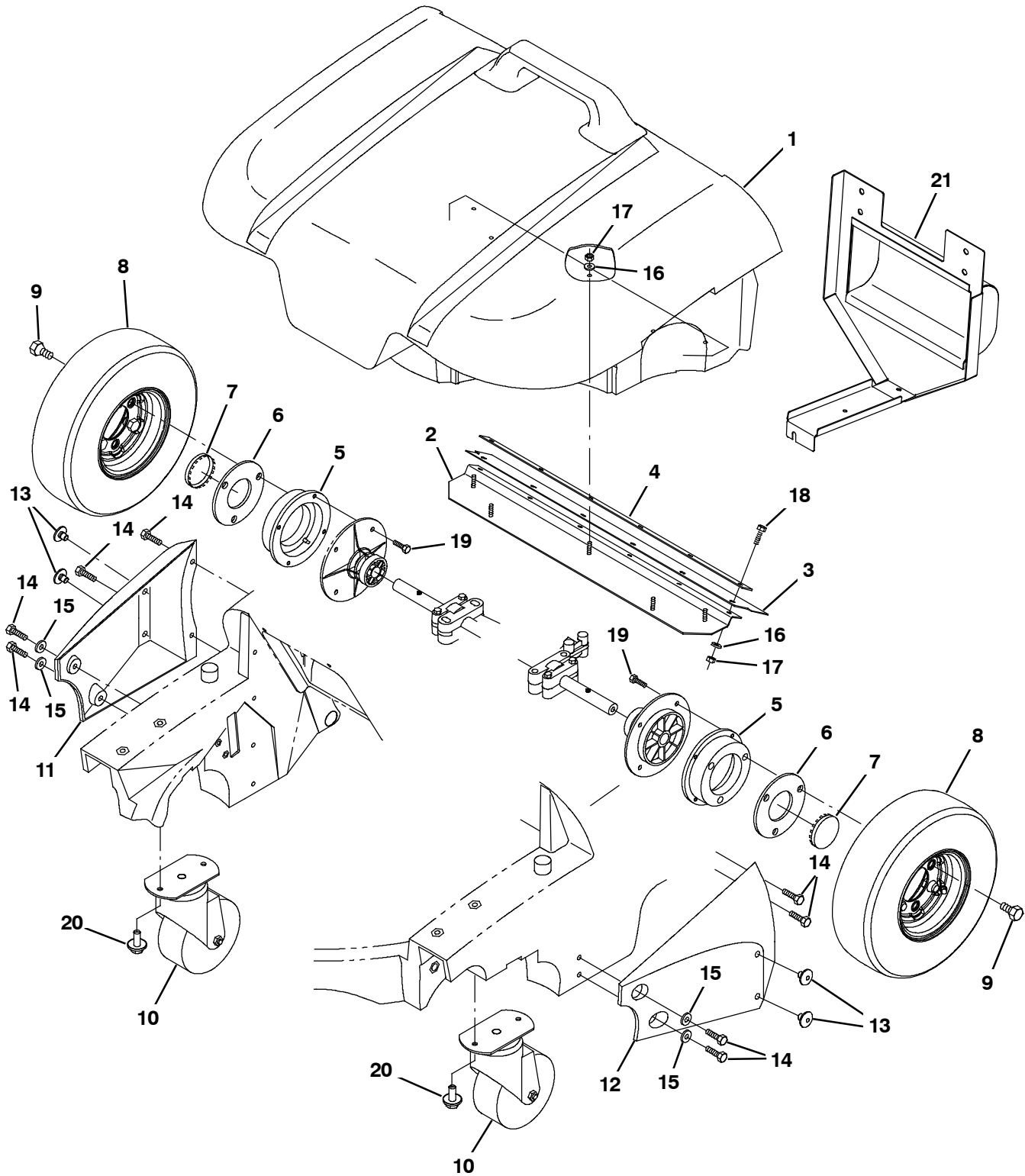
Fig. 9 - Hepa Filter Kit



**Fig. 9 - Hepa Filter Kit**

<b>Ref.</b>	<b>Part No.</b>	<b>Serial Number</b>	<b>Description</b>	<b>Qty.</b>
1	75609	(000000-	) Filter Assy, Air, 3.0 Inlet	1
2	310156	(000000-	) Spacer, Fltr, Front	1
3	310159	(000000-	) Filter, Hepa	1
4	310155	(000000-	) Spacer, Fltr, Rear	1
5	15675	(000000-	) Screw, Hex, M8 X 1.25 X 16, Ss	1
6	32490	(000000-	) Washer, Flat, 0.25, Std	2
7	75606	(000000-	) Band, Mtg, Fltr, Air, 8.00id	2
8	43555	(000000-	) Clamp, Hose, Wormdrive, 2.62- 3.50d	6
9	310153	(000000-	) Cs, Hose, Elbow, Air- Clnr / Cplg	1
10	310151	(000000-	) Tube, Cplg, Hose	1
11	310154	(000000-	) Cs, Hose, Elbow, Cplg / Adapter	1
12	310150	(000000-	) Cs, Housing Wldt, Vacfan	1
13	310152	(000000-	) Cs, Hose, Vacfan / Air- Clnr	1
14	310149	(000000-	) Adapter Wldt, Hose, Frame	1
15	1072628	(000000-	) Screw, Hex, M8 X 1.25 X 25, Ss, Sems	2
16	1020341	(000000-	) Screw, Hex, M8 X 1.25 X 20, Ss, Sems	1
17	41430	(000000-	) Nut, Hex, Lock, M10 X 1.5, NI	1
18	32485	(000000-	) Washer, Flat, 0.38, Sae	2
19	06963	(000000-	) Screw, Hex, M10 X 1.50 X 60, 8.8	1
20	01684	(000000-	) Washer, Flat, 0.27b 0.69d .05, Ss	2
21	15678	(000000-	) Screw, Hex, M6 X 1.00 X 16, Ss	1
22	08709	(000000-	) Nut, Hex, Lock, M8 X 1.25, NI	2
23	310148	(000000-	) Bracket Wldt, Fltr, Air, Elec [6080]	1

Fig. 10 - Wide Track Wheels Kit

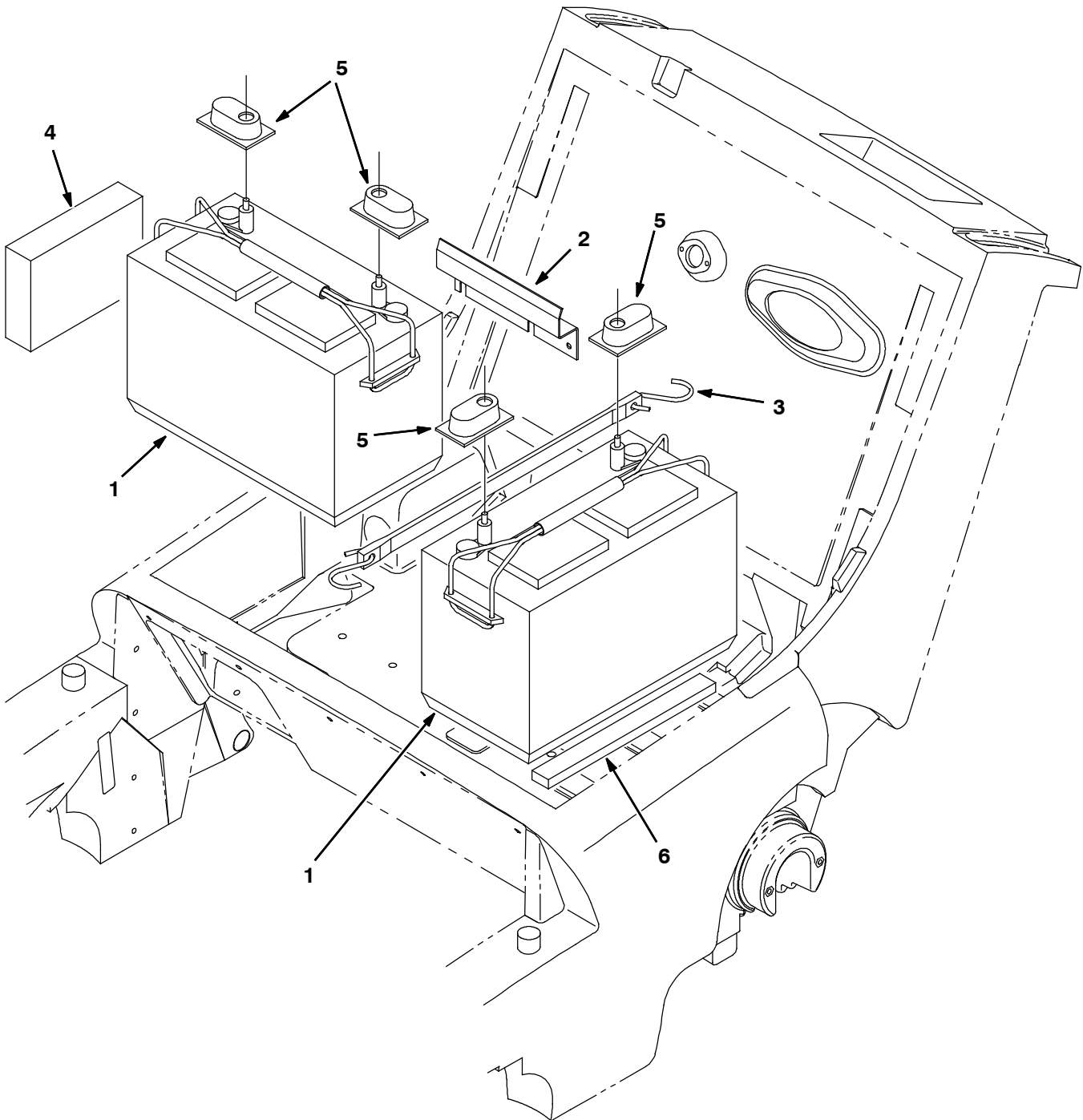




**Fig. 10 - Wide Track Wheels Kit**

	<b>Ref.</b>	<b>Part No.</b>	<b>Serial Number</b>	<b>Description</b>	<b>Qty.</b>
▽		80252	(000000-	) Kit, Wheels, Wide Track 6080	1
▲	1	9005834	(000000-	) Hopper, Wide Track, Afmkt [3640]	1
▲	2	80220	(000000-	) Plate, Wear	1
▲	3	373142	(000000-	) Skirt, Hopper	1
▲	4	80230	(000000-	) Retainer, Lip	1
▲	5	80211	(000000-	) Adaptor, Wheel	2
▲	6	80306	(000000-	) Plate, Hub- Cap	2
▲	7	47178- 6	(000000-	) Plugbtn 2.00H .04- .19 Chromstl	2
▲	8	1052673	(000000-	) Tire Assy, Pneu, 4.10/3.5- 06 3.5bc/3bolt	2
▲	9	80276	(000000-	) Bolt, Lug,	6
▲	10	1049023	(000000-	) Caster, Swivel, 5.0d 2.0w, 2hole, Neo	2
▲	11	80216	(000000-	) Guard, Wheel , Right	1
▲	12	378803	(000000-	) Guard, Wheel, Left	1
▲	13	80300	(000000-	) Button, Plug	4
▲	14	39394	(000000-	) Screw, Hex, .31- 09 X 1.25, Wood	8
▲	15	32491	(000000-	) Washer, Flat, 0.31, Std	4
▲	16	01684	(000000-	) Washer, Flat, 0.25 Ss	11
▲	17	08712	(000000-	) Nut, Hex, Lock, M6 X 1.0, Ss, NI	11
▲	18	08716	(000000-	) Screw, Hex, M6 X 1.0 X 20, Ss	6
▲	19	87308	(000000-	) Screw, Hex, M6 X 1.0 X 12, 8.8	8
▲	20	1020341	(000000-	) Screw, Hex, M8 X 1.25 X 20, Ss, Sems	4
▲	21	379229	(000000-	) Plate Wldt, Back, Stop, Hd	1

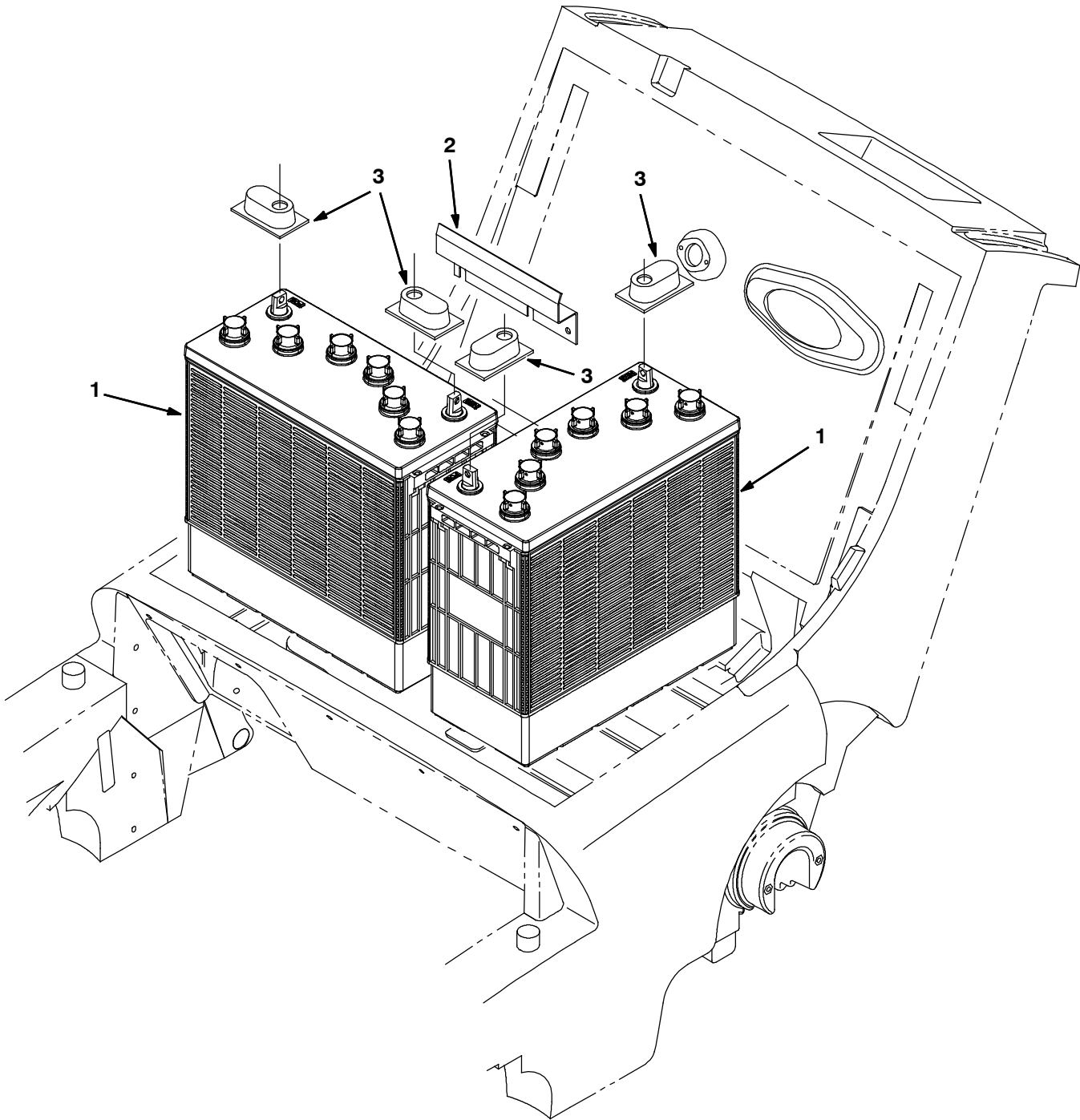
Fig. 11 - Battery Group, 130AH, Wet



**Fig. 11 - Battery Group, 130AH, Wet**

	<b>Ref.</b>	<b>Part No.</b>	<b>Serial Number</b>	<b>Description</b>	<b>Qty.</b>
▽		80232	(000000-	) Battery Kit, 24vdc, 130ah, Wet, Ci[3640]	1
▲	1	130869	(000000-	) Battery, 12vdc 0130ah [30xhs- Wnt]	2
▲	2	379205	(000000-	) Bracket, Battery	1
▲	3	33671	(000000-	) Strap,Rubber Tie- Down	1
▲	4	80134	(000000-	) Spacer, Battery, Foam, 1.75 X 4.8 X 7.0	1
▲	5	1041030	(000000-	) Cap, Battery (Short Black - Standard)	4
	5	45962	(000000-	) Cap, Plstc, .04 1.38 X 2.30 0.5L (Tall Clear - Optional)	4
	6	13294	(000000-	) Seal, Rbr, .50 X 1.00 X 10.5 (NLA - No Longer Available W/O Replacement)	1

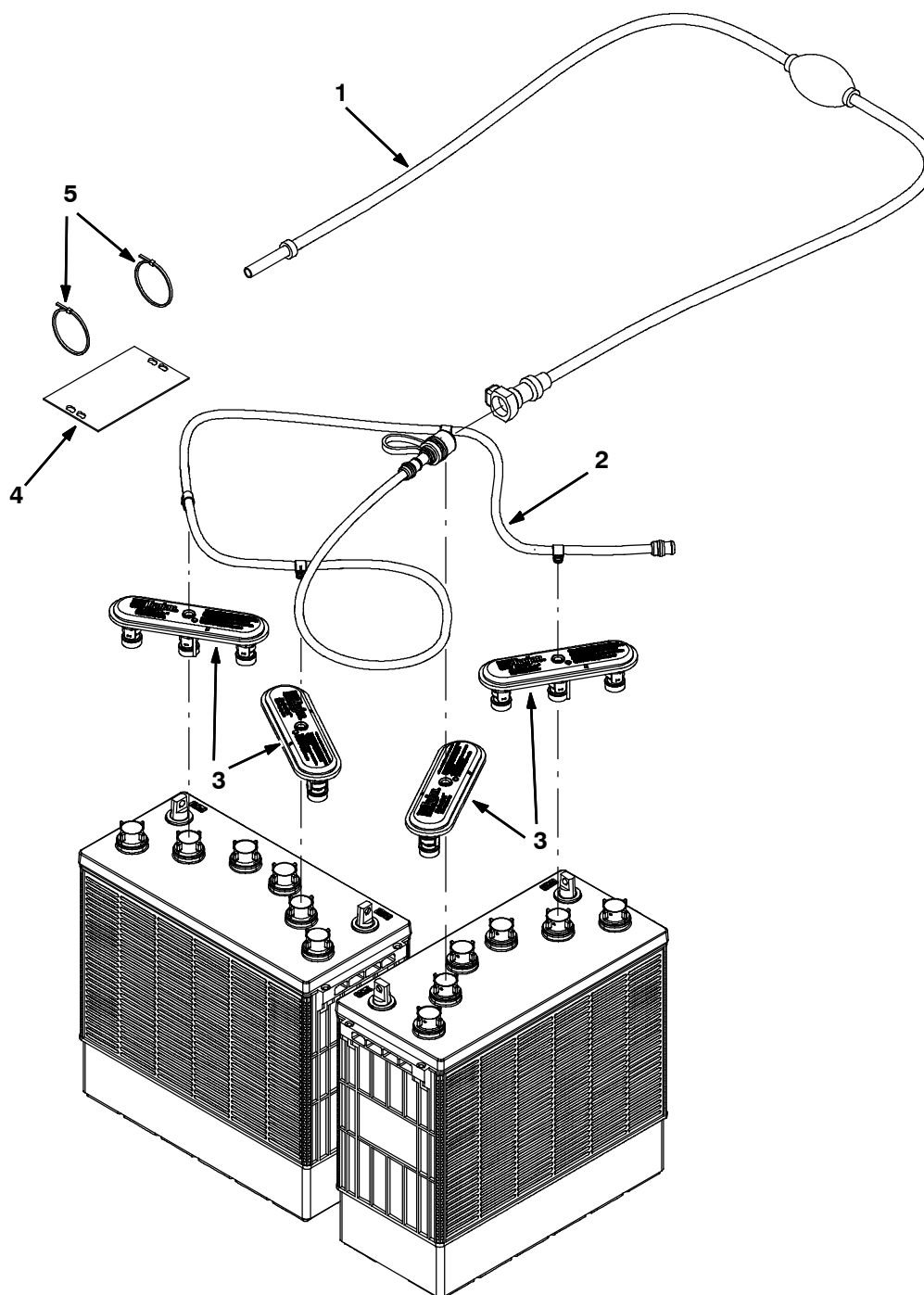
**Fig. 12 - Battery Group, 225AH, Wet**



350899 - E

Ref.	Part No.	Serial Number	Description	Qty.
1	1070591	(000000-	) Battery, Wet, 12vdc 0225ah	2
2	379205	(000000-	) Bracket, Battery	1
3	1041030	(000000-	) Cap, Battery (Short Black - Optional)	4
3	45962	(000000-	) Cap, Plstc, .04 1.38 X 2.30 0.5L (Tall Clear - Optional)	4

Fig. 13 - Hydrolink® Battery Watering System Kit



350899 - E

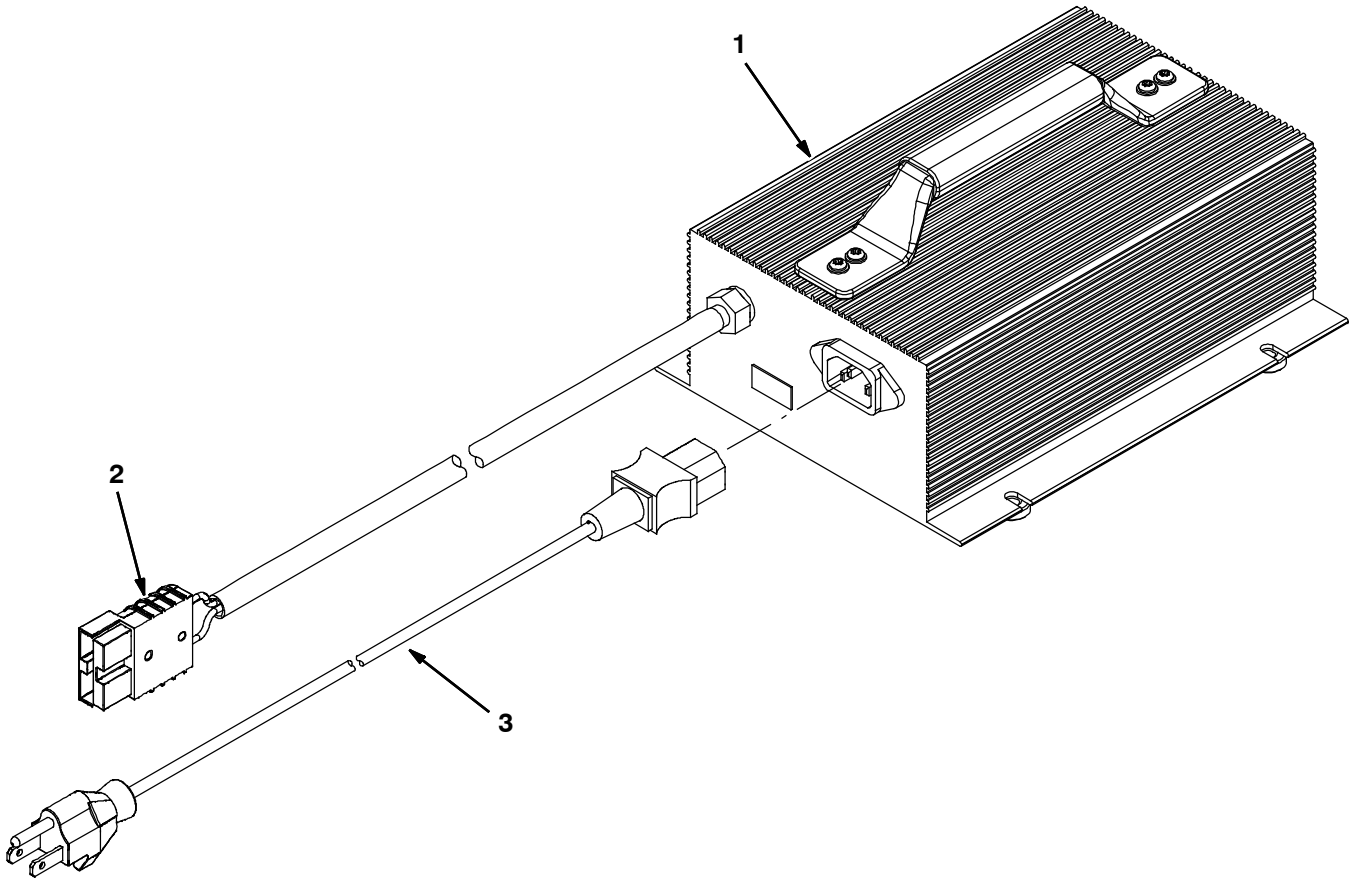
Ref.	Part No.	Serial Number	Description	Qty.
▽	9010300	(000000-	) Pump Kit, Fill, Battery,24vdc,Ci[Trojan]	1
▲	1 1058939	(000000-	) Pump Kit, Fill, Battery	1
▲	2 1070394	(000000-	) Tube, Water, Battery, 24vdc [Trojan]	1
▲	3 1204142	(000000-	) Cap, Fill, Battery [Trojan]	4
▲	4 1071084	(000000-	) Label, Tag, Battery [Hydrolink Watering]	1
▲	5 130773	(000000-	) Tie, Cable, Nyl, 11.0l, .14w, 3.0 Max. D	2

\*THIS KIT IS INTENDED FOR USE WITH TROJAN® LEAD ACID BATTERIES ONLY.

HYDROLINK® IS A REGISTERED TRADEMARK OF TROJAN® BATTERY COMPANY.

## OPTIONS

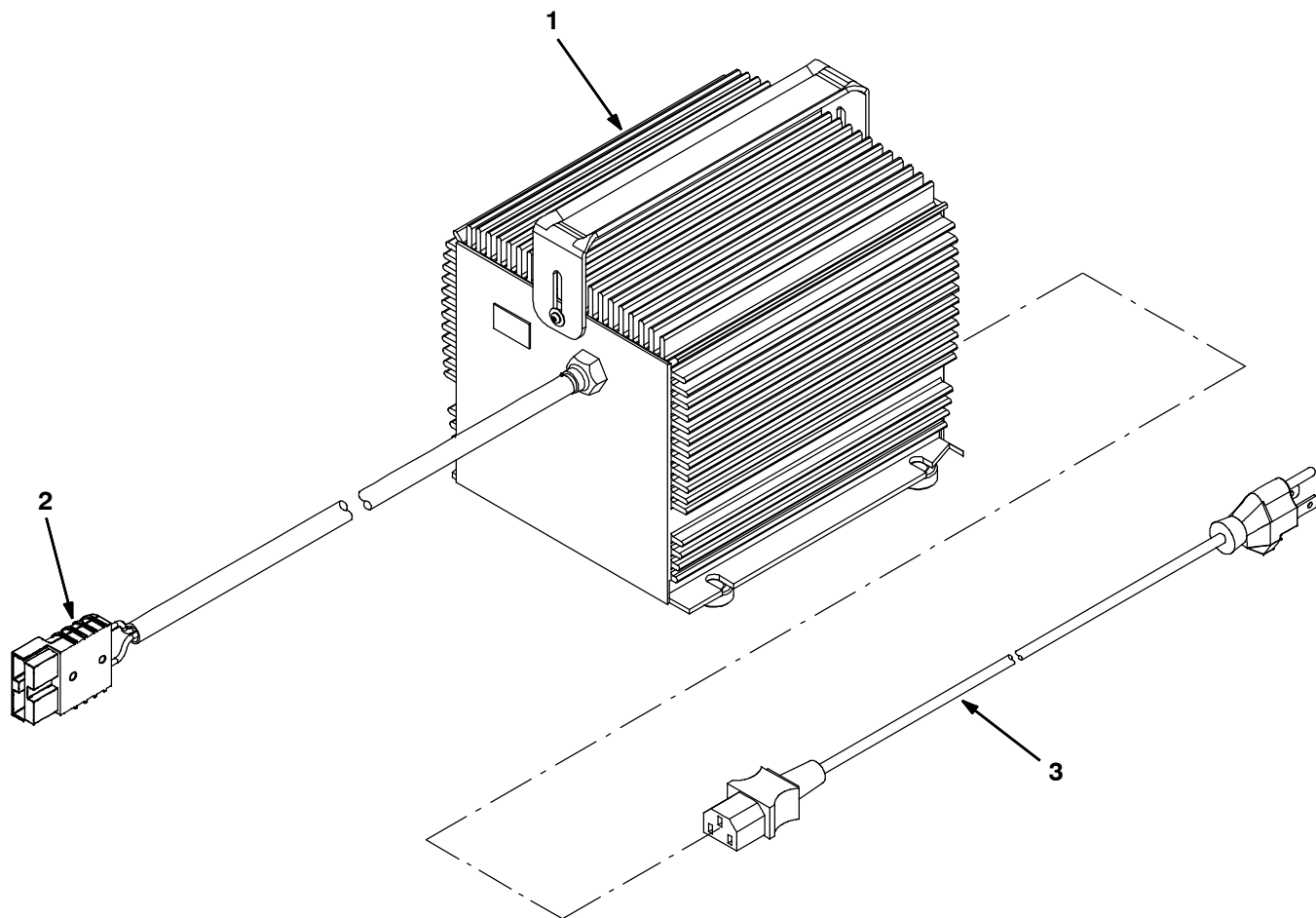
Fig. 14 - Battery Charger Group, 24V/11A (130Ah batteries), 1073638, 9009308



354778 - E

Ref.	Part No.	Serial Number	Description	Qty.
▽	1	1073638	(000000- ) Charger, 24vdc 11a Var Vac 1ph 50/60hz	1
▲	2	605387	(000000- ) Connector, Anderson, 50a,Red W/O Contact	1
▲	3	1017079	(000000- ) Cord, Extn, 16ga /3, 10ft [Sjt]	1
▽	1	9009308	(000000- ) Charger Kit, 24vdc, 11a Var 50/60hz[Kor] (Korea)	1
▲	2	605387	(000000- ) Connector, Anderson, 50a,Red W/O Contact	1
▲	3	1070626	(000000- ) Cord, Power, 2.5m L, 7mm Dia, Blk[Korea]	1

Fig. 15 - Battery Charger Group, 24V/19A (225Ah batteries), 1029256

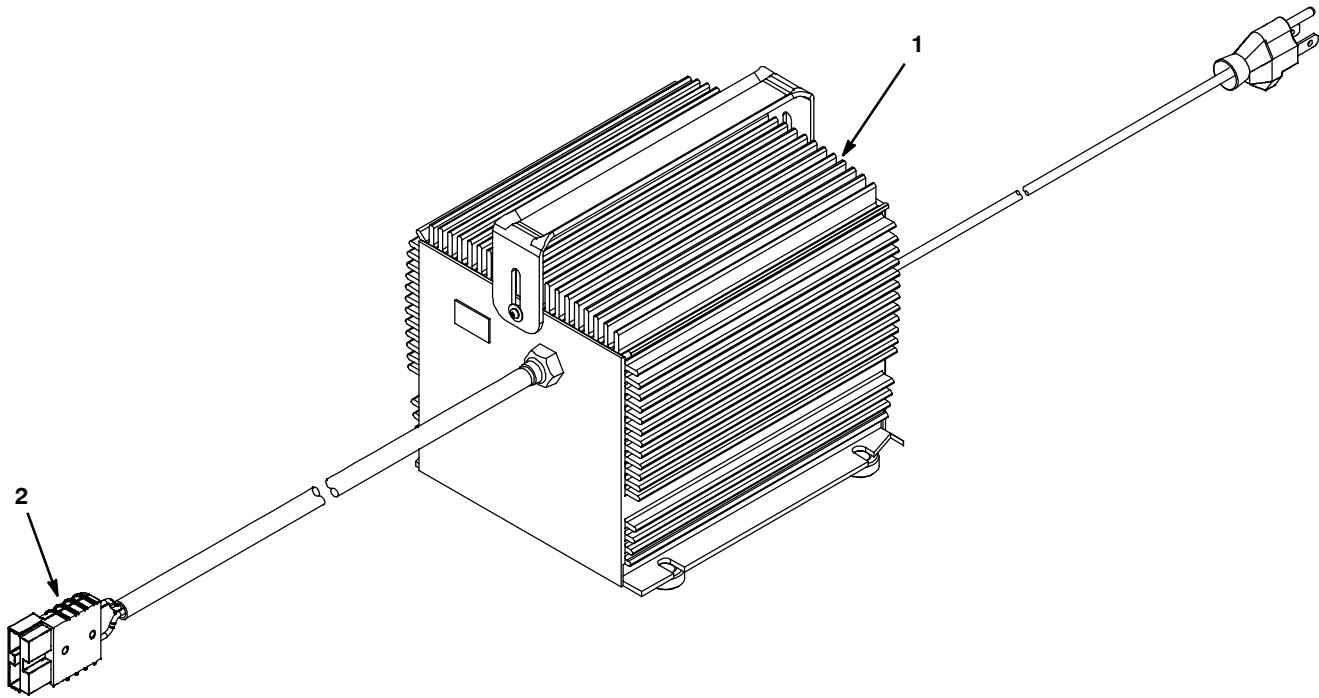


354779 - E

Ref.	Part No.	Serial Number	Description	Qty.
▽ 1	1029256	(000000-	) Charger, 24vdc, 19a Var Vac 1ph 50/60hz	1
▲ 2	605387	(000000-	) Connector, Anderson, 50a,Red W/O Contact	1
▲ 3	1017079	(000000-	) Cord, Extn, 16ga /3, 010ft [Sjt]	1

# OPTIONS

Fig. 16 - Battery Charger Group, 24VDC/19A 50/60HZ, 1067630 (Japan Market)

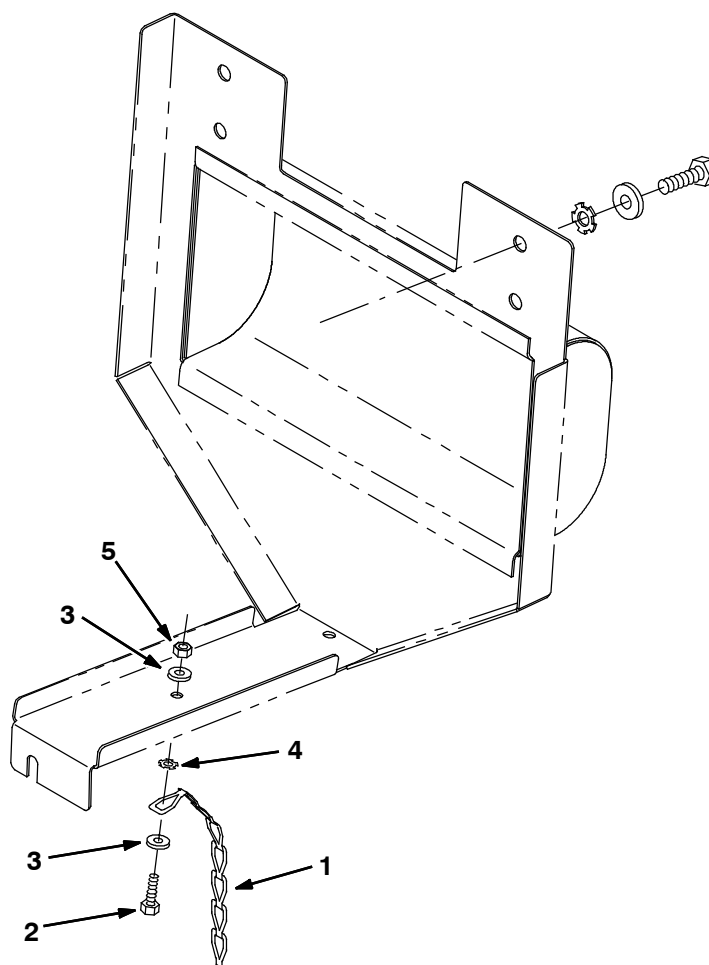


08080 - E

Ref.	Part No.	Serial Number	Description	Qty.
▽	1	1067630	(000000- ) Charger, 24vdc, 19a Var Vac 50/60hz (Japan)	1
▲	2	605387	(000000- ) Connector, Anderson, 050a, Red [W/O Con]	1



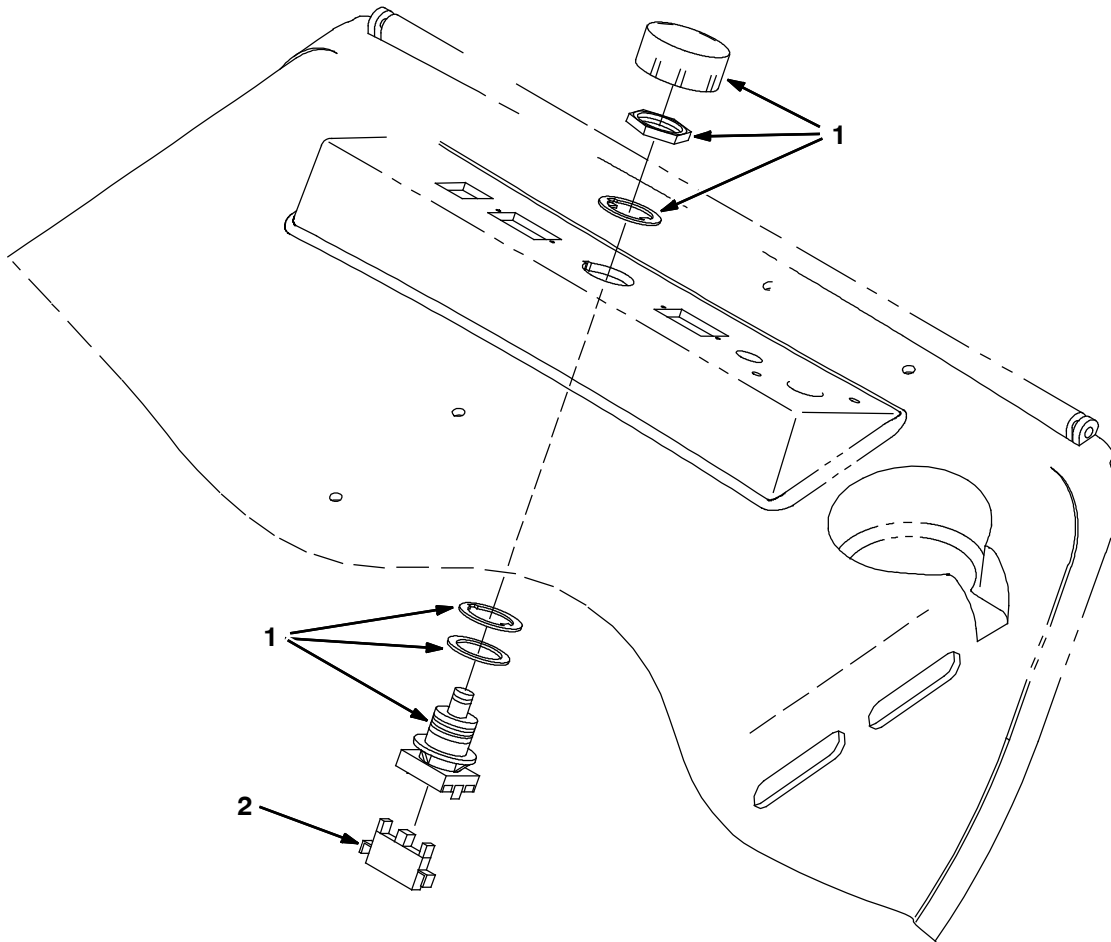
Fig. 17 - Steel Static Chain Kit



350936 - ALL

Ref.	Part No.	Serial Number	Description	Qty.
▽	379007	(000000-	) Kit, Chain, Static, Steel	1
▲	1 46307	(000000-	) Chain, Link	1
▲	2 06943	(000000-	) Screw, Hex, M06- 1.0 X 20, 8.8	1
▲	3 32490	(000000-	) Washer, Flat, .25 Hard	2
▲	4 41141	(000000-	) Washer, Lock, Int- Ext, .31	1
▲	5 08708	(000000-	) Nut, Hex, Lock, M06	1

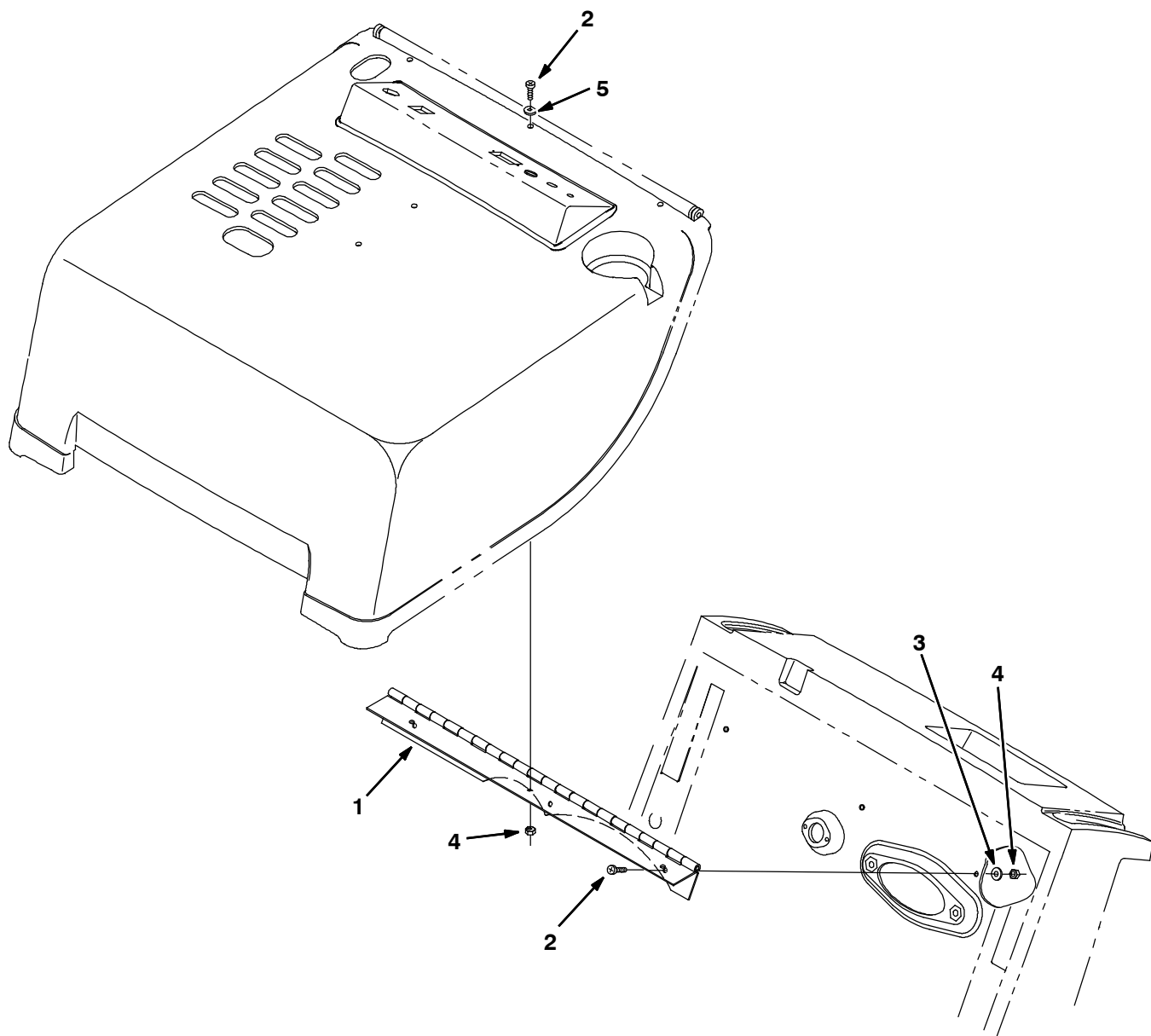
**Fig. 18 - Battery Cutout Button Kit**



350918 - E

Ref.	Part No.	Serial Number	Description	Qty.
▽	222664	(000000-	) Battery Cutout Button Kit	1
▲	1 78553	(000000-	) Switch, Pushbutton	1
▲	2 65665	(000000-	) Contact, Switch	1

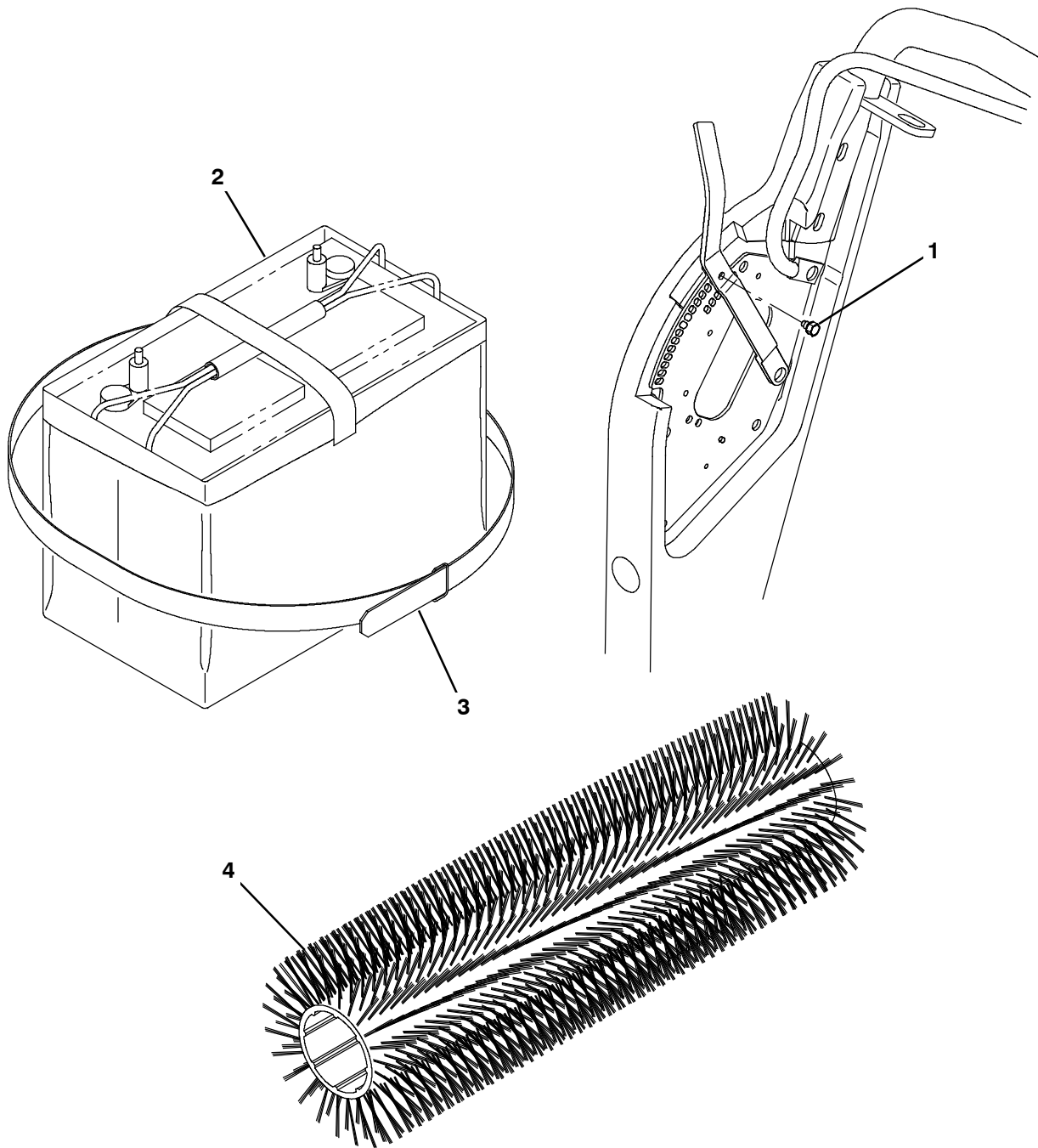
Fig. 19 - Hinge Repair Kit



352794 - ALL

Ref.	Part No.	Serial Number	Description	Qty.
▽	379220	(000000-	) Kit, Hinge Repair	1
▲	1 379221	(000000-	) Hinge, Cover, 6080	1
▲	2 363503	(000000-	) Screw, Pan, M06- 1.0 X 12, Ss	6
▲	3 32483	(000000-	) Washer, Flat, .25 Sae	3
▲	4 08708	(000000-	) Nut, Hex, Lock, M06	6
▲	5 379219	(000000-	) Washer, Flat, Rework	3

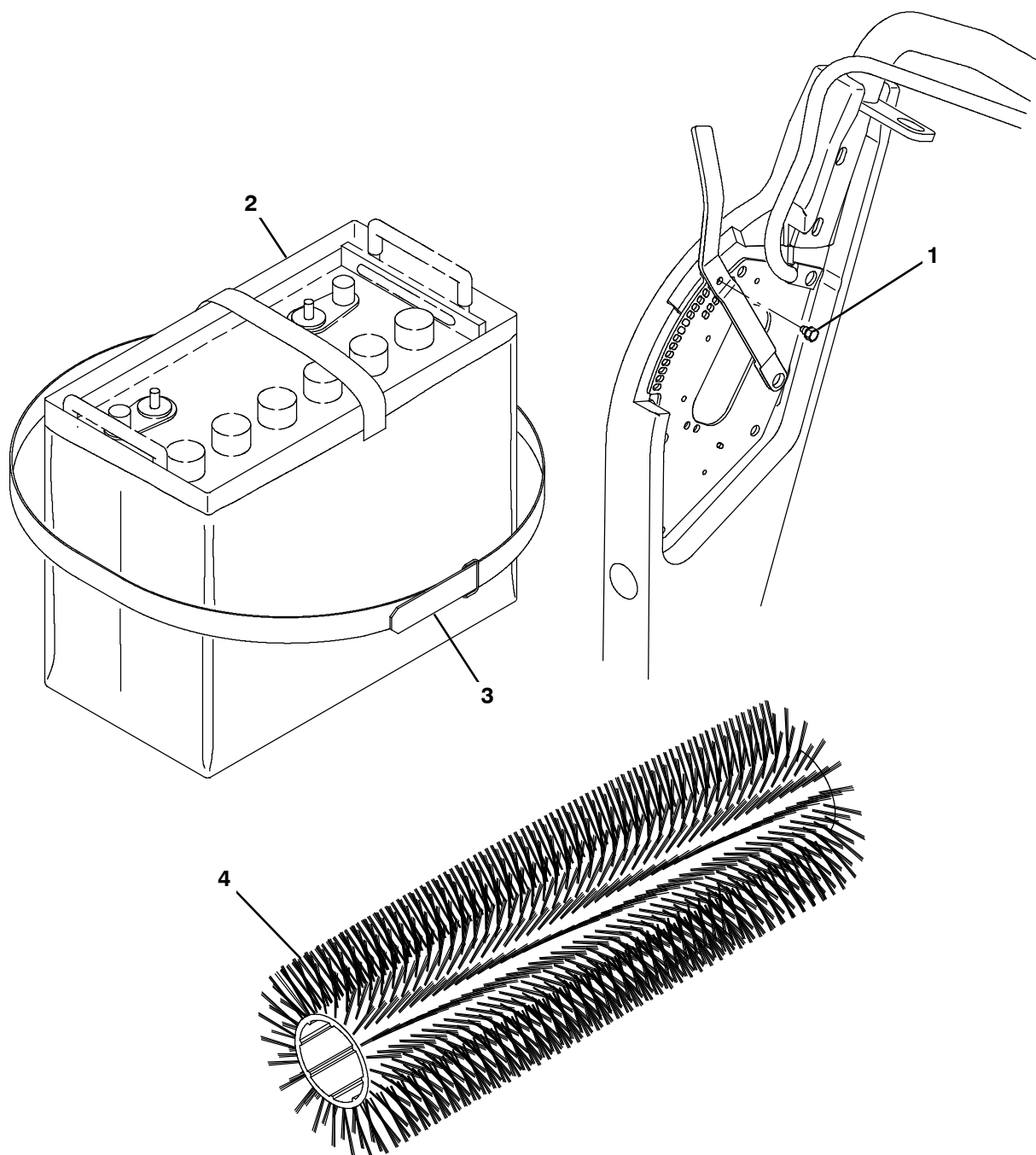
**Fig. 20 - Carpet Sweeping Kits, 130AH**



350923 - E

Ref.	Part No.	Serial Number	Description	Qty.
▽	377388	(000000-	) Sweep Kit, Carpet, 130ah, Ci[Less Brush]	1
▲	1 80972	(000000-	) Bolt, .25- 28, Mtg, Swp, Carpet [3640]	1
▲	2 80120	(000000-	) Bag, Battery, 130ah	2
▲	3 378764	(000000-	) Strap	2
▽	377446	(000000-	) Sweep Kit, Carpet, 130ah, Ci [W/ Brush]	1
▲	1 80972	(000000-	) Bolt, .25- 28, Mtg, Swp, Carpet [3640]	1
▲	2 80120	(000000-	) Bag, Battery, 130ah	2
▲	3 378764	(000000-	) Strap	2
▲	4 80355	(000000-	) Brush, Swp, 24l, 12 Sr, Umx Carpet ,Spl	1

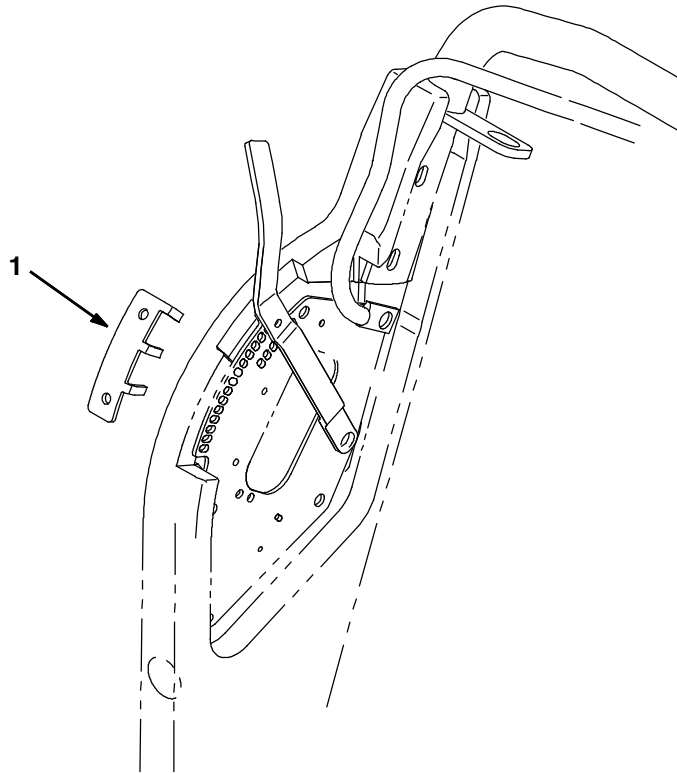
Fig. 21 - Carpet Sweeping Kits, 225AH



354784 - E

Ref.	Part No.	Serial Number	Description	Qty.
▽	377424	(000000-	) Sweep Kit, Carpet, 215ah, Ci[Less Brush]	1
▲	1 80972	(000000-	) Bolt, .25- 28, Mtg, Swp, Carpet [3640]	1
▲	2 80122	(000000-	) Bag, Battery, 215ah	2
▲	3 378764	(000000-	) Strap	2
▽	377455	(000000-	) Sweep Kit, Carpet, 215ah, Ci [W/ Brush]	1
▲	1 80972	(000000-	) Bolt, .25- 28, Mtg, Swp, Carpet [3640]	1
▲	2 80122	(000000-	) Bag, Battery, 215ah	2
▲	3 378764	(000000-	) Strap	2
▲	4 80355	(000000-	) Brush, Swp, 24l, 12 Sr, Umx Carpet ,Spl	1

**Fig. 22 - Main Brush Downpressure Kit**



351287 - ALL

	<b>Ref.</b>	<b>Part No.</b>	<b>Serial Number</b>	<b>Description</b>	<b>Qty.</b>
▽		378768	(000000-	) Main Brush Downpressure Kit	1
▲	1	378765	(000000-	) Limiter, Travel, Brush	1

**Fig. 23 - Documentation Group**

<b>Ref.</b>	<b>Part No.</b>	<b>Serial Number</b>	<b>Description</b>	<b>Qty.</b>
	9014884	(000000-	) Manual, Parts [3640 Na/Intl]	1
	330560	(000000-	) Manual, Oper [3640 Ele, Na]	1
	330564	(000000-	) Manual, Oper [3640 Ele, Jp]	1
	330562	(000000-	) Manual Opmt 3640E Es	1
	330563	(000000-	) Manual Opmt 3640E Fr	1
	330565	(000000-	) Manual Service 3640 E	1
	9009350	(000000-	) Media, Cd- Rom, Oprtr [6080/3640]	1



To view, print, order, download the latest Parts manual, other language Operator manuals, and Use and Care Guides (wall charts), visit:

[www.tennantco.com/manual](http://www.tennantco.com/manual)





# SECTION 4

<u>Contents</u>	<u>Page</u>
Fig. 1 - Transaxle Breakdown, 80476 .....	4-2

**Fig. 1 - Transaxle Breakdown, 80476**

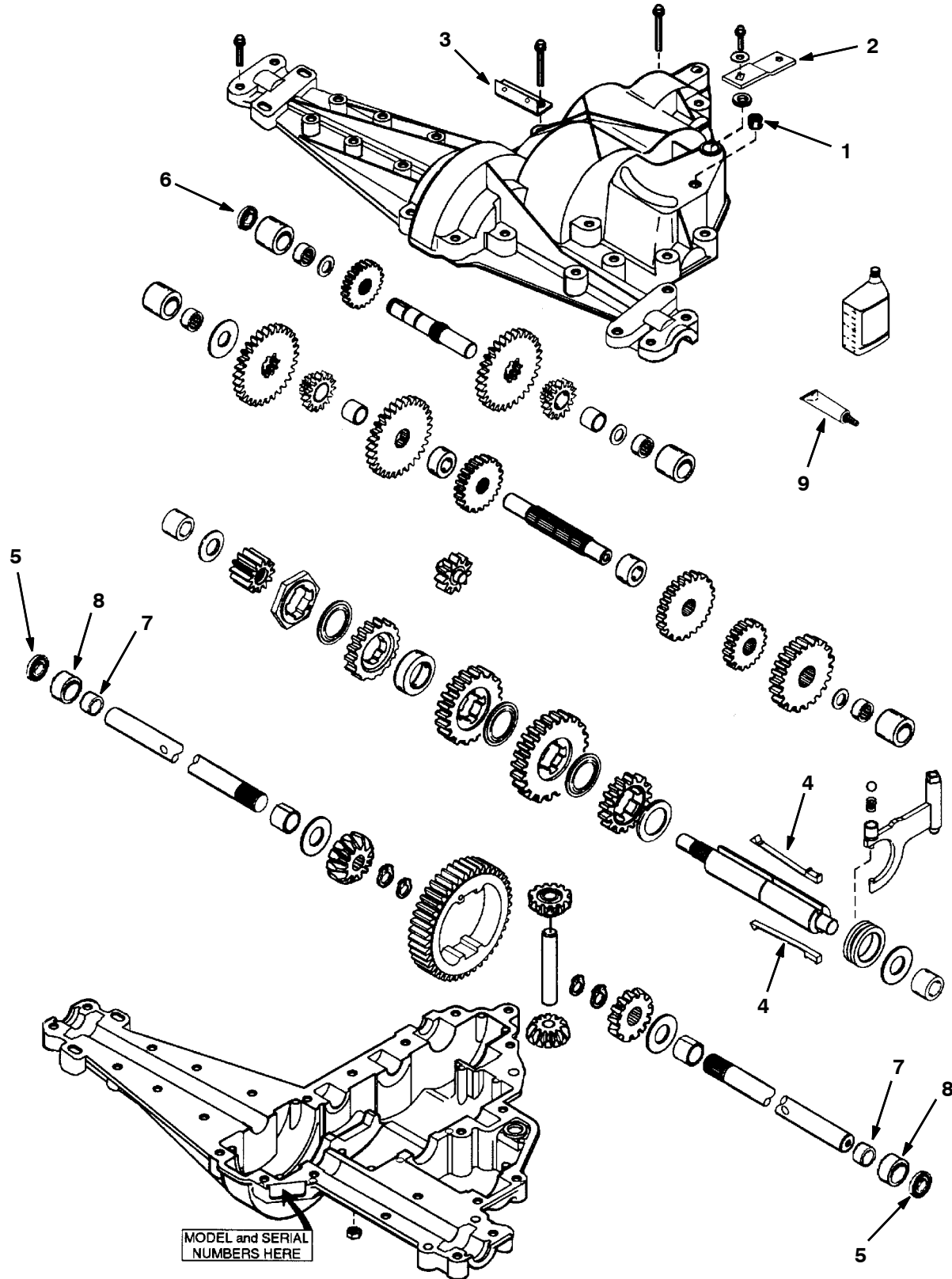


Fig. 1 - Transaxle Breakdown, 80476

	Ref.	Part No.	Serial Number	Description	Qty.
▽		80476	(000000-	) Kit, Transaxle Assy	1
▲	1	80471	(000000-	) Fitting, Relief 1/8	1
▲	2	80417	(000000-	) Lever, Shift	1
▲	3	80499	(000000-	) Bracket, Return Spring	1
▲▽		80472	(000000-	) Kit, Transaxle Repair	1
▲▲	4	80473	(000000-	) Key, Shifter Te	2
▲▲	5	80474	(000000-	) Seal, Axle Te	2
▲▲	6	80475	(000000-	) Seal, Shaft, Input Te	1
▲▲	7	80352	(000000-	) Bearing, Axle	2
▲▲	8	80353	(000000-	) Sleeve, Bearing	2
▲▲	9	08317	(000000-	) Sealant,Silastic Rtv732- 3 Oz.	1