

Eagle Power



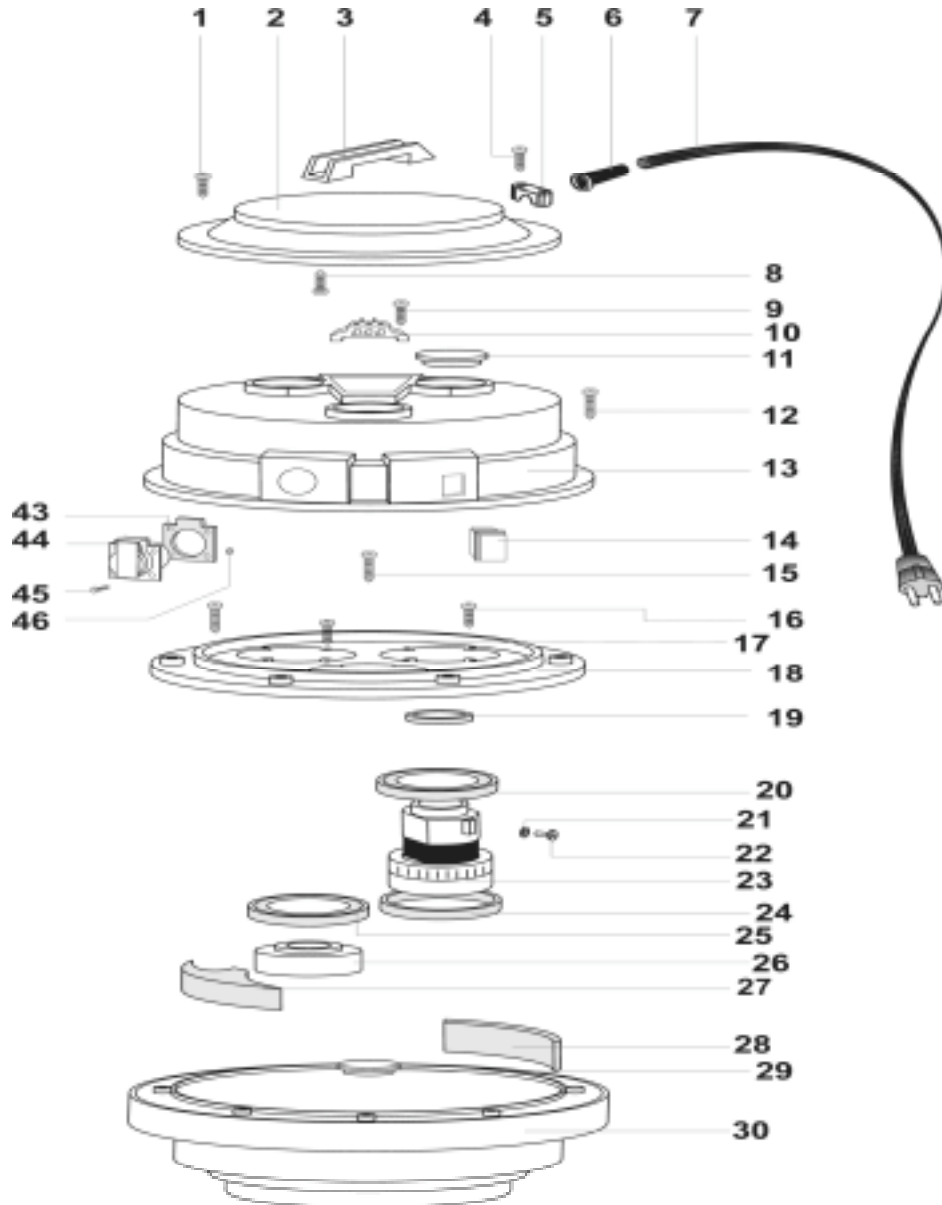
**415DS
AUTO DISCHARGE
WET SOLUTION VAC**

PARTS MANUAL

REV A

October 2002

415DS-AUTO DISCH WET SOLUTION VAC-HEAD ASSY



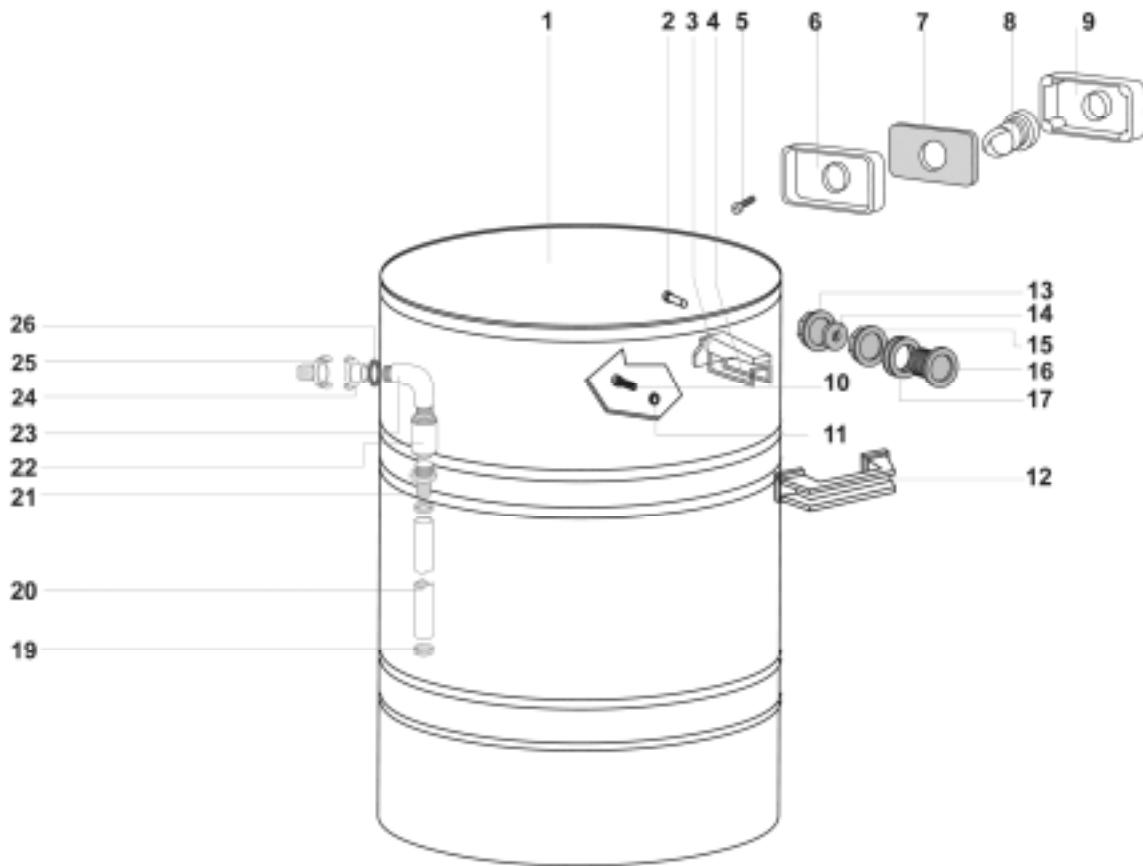
415DS-AUTO DISCH WET SOLUTION VAC-HEAD ASSY

POS.	PART#	DESCRIPTION	QTY.
1	S81006	SCREW, (PHILLIPS) M5 X 20	6
2	S81150	COVER, DOME, BLACK	1
3	S82992	HANDLE, LIFT	1
4	S81006	SCREW, (PHILLIPS) M5 X 20	2
5	S80139	CLAMP, CORD	1
6	S80138L	STRAIN RELIEF, "L"	1
7	S81122	ELECTRIC CORD, 3 X 16 AWG	1
8	S81006	SCREW, (PHILLIPS) M5 X 20	2

415DS-AUTO DISCH WET SOLUTION VAC-HEAD ASSY

POS.	PART#	DESCRIPTION	QTY.
9	S81005	SCREW, M5 X 14	2
10	S80508	TERMINAL BLOCK	1
11	S83383AU	PLUG	2
12	S81050	SCREW, M5 X 35	7
13	S83756AU	COVER	1
14	S80326	SWITCH, ON/OFF	1
15	S81026	SCREW, M5 X 30	4
16	S81006	SCREW, (PHILLIPS) M5 X 20	1
17	S81098	SCREW, M5 X 16	1
18	S80464AU	MOTOR BASE, BLACK 415	1
19	S83969	GASKET, MOTOR EXHAUST	3
20	S83901	L GASKET W/O H H=5.5	1
21	S81024	WASHER, NOTCHED, M4	1
22	S81064	SCREW, M4 X 8	1
23	S81120S	MOTOR, 1000W/120V 60HZ	1
24	S83901	L GASKET W/O H H=5.5	1
25	S83901	L GASKET W/O H H=5.5	2
26	S83451	PLUG	2
27	S83454	FILTER	3
28	S83456	FILTER	3
29	S83519	CAP	2
30	S80488	415 BASE WITH GASKET	1
43	S83453	GASKET	1
44	S83452	PLUG RECEPTICAL, SCHUKO	1
45	S86377	SCREW	4
46	S81854	NUT	4

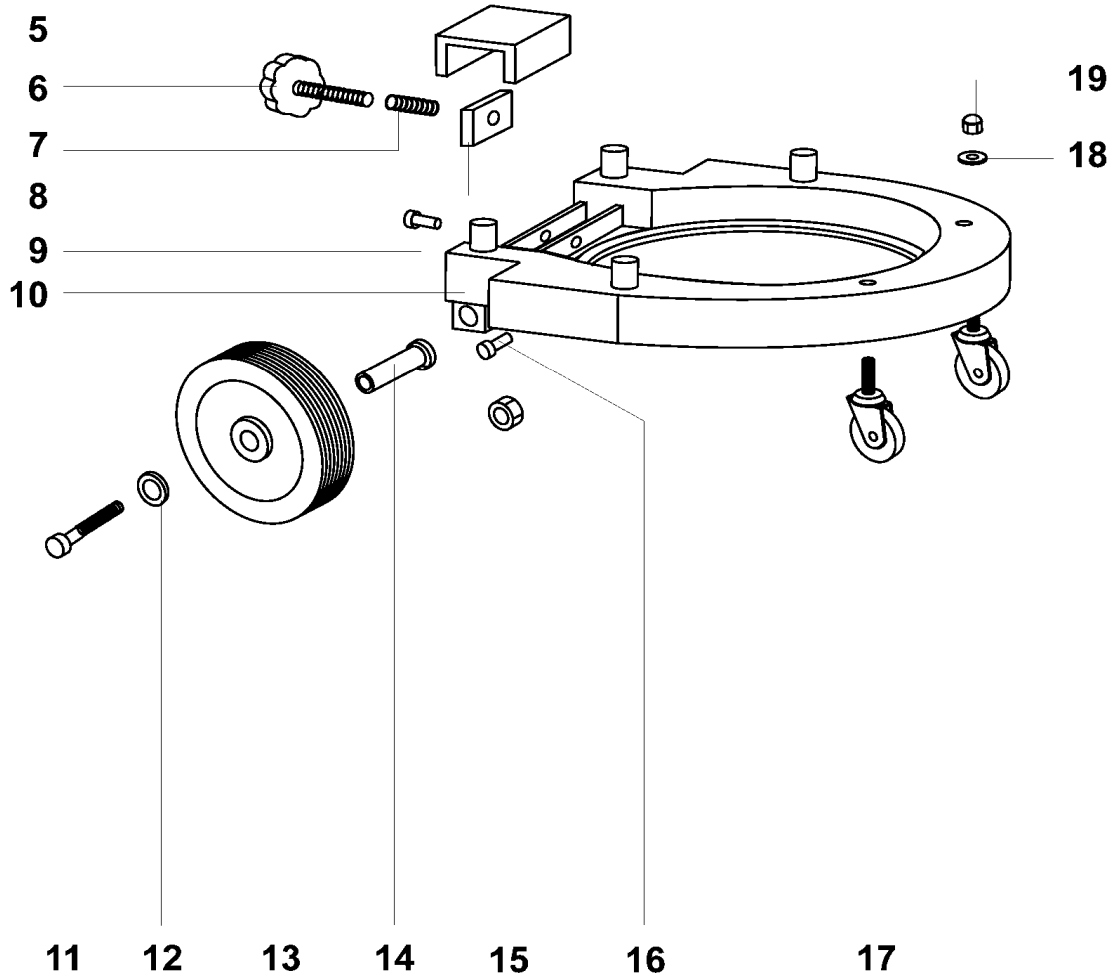
415DS-AUTO DISCH. WET SOLUTION VAC-TANK ASSY.



415DS-AUTO DISCH. WET SOLUTION VAC-TANK ASSY.

POS.	PART#	DESCRIPTION	QTY.
1	S81559	TANK	1
2	S81301	RIVET, M5 X 30	6
3	S80125	LATCH, HOOK	2
4	S80126	SCREW	2
5	S81026	SCREW, M5 X 30	4
6	S82586	GASKET R 205 BLACK	1
7	S82846	GASKET	1
8	S82593	DEFLECTOR, TANK	1
9	S82652	HOSE, ADAPTOR	1
10	S83629	SCREW, 5 X 25, ZINC	4
11	S83883	WASHER, PLASTIC	4
12	S82993	HANDLE	2
13	S86452	PLASTIC NUT, DS TANK	1
14	S86458	GROMMET, DS TANK	1
15	S80803	GROMMET RING, DS TANK	1
16	S86453	PLUG INSERT, DS TANK	1
17	S86454	GROMMET	2

415DS-AUTO DISCH. WET SOLUTION VAC-BASE ASSY.



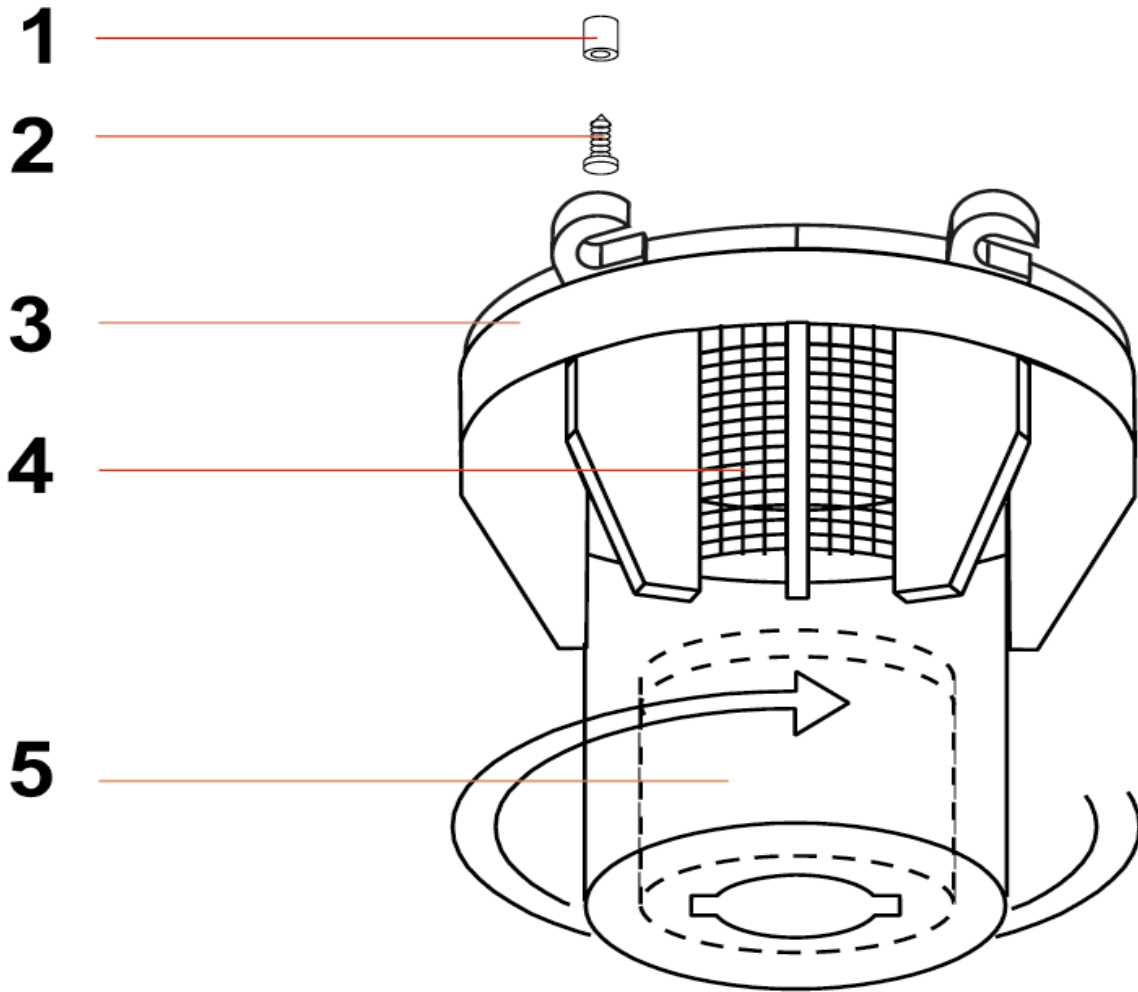
415DS-AUTO DISCH. WET SOLUTION VAC-BASE ASSY.

POS.	PART#	DESCRIPTION	QTY.
1	S80918	HANDLE	1
2	S80917	TUBE	2
3	S80913	T-TUBE	2
4	S81301	RIVET	2
5	S80902	BLOCK, SMALL	1
6	S80914	HAND WHEEL, M8 X 60	1
7	S81402	SPIRAL SRING	1
8	S81403	PLATE, THREADED, LOCK-UP	1
9	S81301	RIVET	2
10	S80901	BODY MARKET TROLLEY	1
11	S80915	SCREW, M12 X 140	2
12	S81028	WASHER, FLAT, M12	2
13	S80904	WHEEL	2

415DS-AUTO DISCH. WET SOLUTION VAC-BASE ASSY.

POS.	PART#	DESCRIPTION	QTY.
14	S81401	BUSHING, REAR, WHEEL	2
15	S82052	SPACER	2
16	S81302	RIVET	2
17	S80479	FRONT WHEEL	2
18	S81012	WASHER, FLAT, M10	6
19	S80478	NUT, CAP, M10	2
20	S86250	HAND GRIP	2

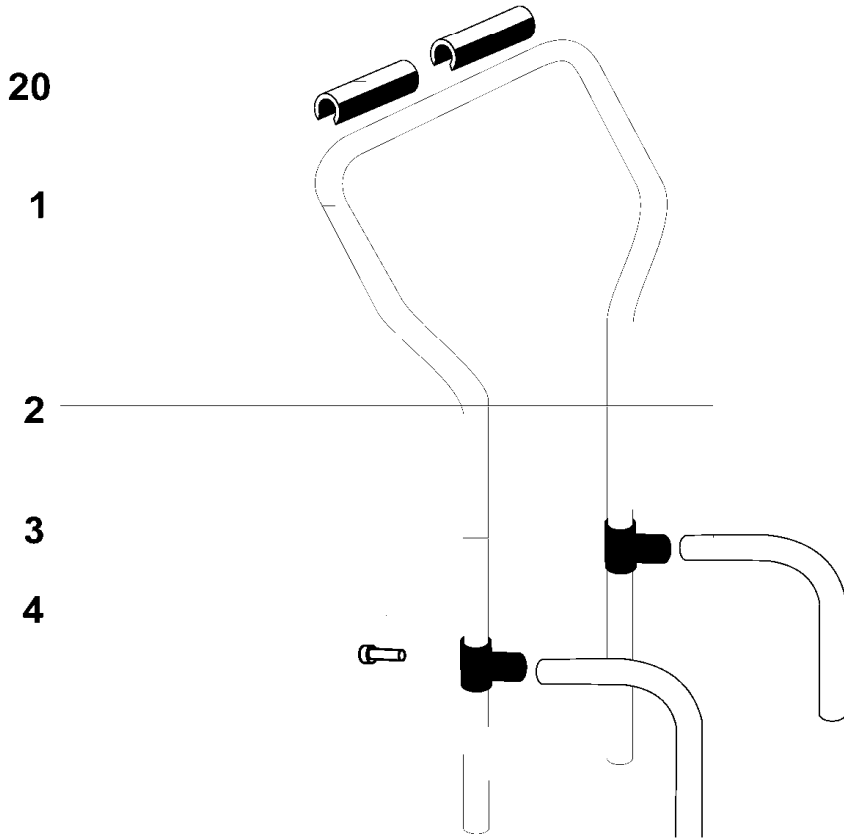
415DS-AUTO DISCH. WET SOLUTION VAC-FLOAT ASSY



415DS-AUTO DISCH. WET SOLUTION VAC-FLOAT ASSY.

POS.	PART#	DESCRIPTION	QTY.
1	S83706	BUSHING, 8 DIAMETER	4
2	S83724	SCREW, 5 X 25	4
3	S82823	BODY, FILTER SUPPORT	1
4	S83117	STRAINER	1
5	S82676	FLOAT	1

415DS-AUTO DISCH. WET SOLUTION VAC-HANDLE ASSY.



415DS-AUTO DISCH. WET SOLUTION VAC-HANDLE ASSY.

POS.	PART#	DESCRIPTION	QTY.
19	S81736	CLAMP, HOSE	2
20	S81452	HOSE	1
21	S86467	HOSE FITTING	1
22	S81456	BACKFLOW VALVE	1
23	S86466	ELBOW FITTING	1
24	S86469	QUICK LOCK	1
25	S86470	QUICK LOCK WITH HOSE BARB	1
26	S86489	GASKET	1



Warranty Policy

Limited Warranty

Eagle Power Products (EPP) warrants new cleaning equipment against defects in material and workmanship under normal use and service to the original purchaser as detailed below.

10 Years

Subject to the conditions stated below, EPP warrants polyethylene tanks and housings to be free from defects in materials and workmanship for a period of ten years.

3 Years

Subject to the conditions stated below, EPP warrants all automatic scrubber components to be free from defects in materials and workmanship for a 3-year period. Parts replaced or repaired are warranted for the remainder of the original warranty period.

1 Year

Subject to the conditions stated below, EPP warrants all other cleaning equipment components to be free from defects in materials and workmanship for a 1-year period. Parts replaced or repaired are warranted for the remainder of the original warranty period. Batteries are prorated for one year.

EPP will furnish and charge for replacement parts, including transportation, to the original owner through an EPP authorized service center. If the part is returned within 30 days and is found defective, the owner will be credited for the cost of the replacement part including shipping and handling.

Labor charges are covered for one year from the date of purchase if provided by an authorized EPP service center. Travel is covered for 90 days for battery operated equipment only.

Wear items exempt from warranty include belts, carbon brushes, power cords, wheels, pad drivers, clutch plates, brushes, pads, handle grips, filters, screens, throttle cables, and squeegees.

This warranty shall not apply to failures caused by misuse or abuse, improper maintenance as stated in the operation manuals, use of unauthorized repair parts, repairs by other than an EPP authorized service center, and damage in transit.

EPP disclaims and denies any liability for any direct, indirect, special incidental or consequential damage which may be suffered as a result of sale, delivery, servicing, use, loss of any product, downtime, labor, freight, or other charges not expressly included herein.

Date Purchased: _____

Model Number: _____

Serial Number: _____

Please be sure to record this information. This information will be necessary for future warranty claims.



1174 Northland Drive Mendota Heights, MN 55120
651.686.5399 Fax 651.686.5695
www.eaglepower.com

Eagle Power Products Sales and Service Provided by: