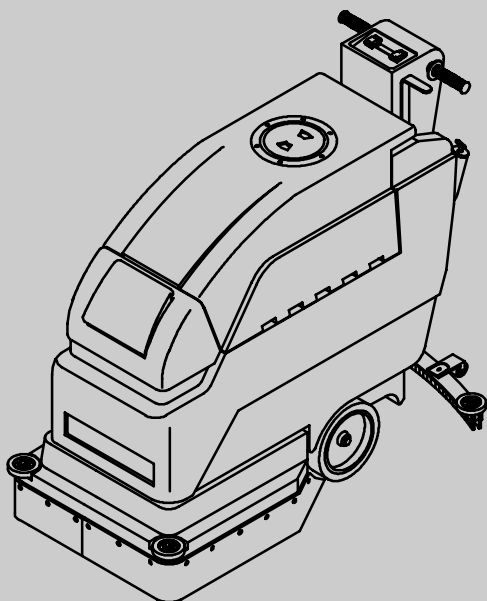




5200

**Electric Automatic Scrubber
Fregadora Automática Eléctrico**

**Operator and Parts Manual
Manual De Operador
Y Lista De Repuestos**



Model Part No.:
609601



OPERATION

This manual is furnished with each new model. It provides necessary operation and maintenance instructions and an illustrated parts list.

Read this manual completely and understand the machine before operating or servicing it.

Use the illustrated Parts Lists to order parts. Before ordering parts or supplies, be sure to have your machine model number and serial number handy. Parts and supplies may be ordered by phone or mail from any authorized parts and service center, distributor or from any of the manufacturer's subsidiaries.

This machine will provide excellent service. However, the best results will be obtained at minimum costs if:

- The machine is operated with reasonable care.
- The machine is maintained regularly - per the maintenance instructions provided.
- The machine is maintained with manufacturer supplied or equivalent parts.

MACHINE DATA

Please fill out at time of installation for future reference.

Model No.- _____

Install. Date - _____

Serial No.- _____

©2000, 2001, 2004, 2007 Tennant Company

Printed in U.S.A.

Specifications and parts are subject to change without notice.

TABLE OF CONTENTS (ESPAÑOL ÍNDICE....15)

| | | | |
|--------------------------------------|-----------|--------------------------------------|-----------|
| SAFETY PRECAUTIONS | 3 | TRANSPORTING MACHINE | 11 |
| GROUNDING INSTRUCTIONS | 4 | STORING MACHINE | 12 |
| SAFETY LABEL | 4 | RECOMMENDED STOCK ITEMS | 12 |
| MACHINE COMPONENTS | 5 | TROUBLE SHOOTING | 13 |
| MACHINE INSTALLATION | 6 | SPECIFICATIONS | 14 |
| UNCRATING MACHINE | 6 | ELECTRICAL DIAGRAMS | 30 |
| FILLING BALLAST TANK | 6 | PARTS LIST | 32 |
| MACHINE SETUP | 6 | REPLACEMENT BRUSHES AND | |
| ATTACHING SQUEEGEE | 6 | PAD DRIVER GROUP | 32 |
| INSTALLING BRUSH OR PAD DRIVER | 6 | SOLUTION TANK GROUP | 34 |
| FILLING SOLUTION TANK | 7 | SOLUTION TANK REAR PANEL GROUP .. | 36 |
| CONNECTING POWER CORD | 8 | RECOVERY TANK GROUP | 38 |
| MACHINE OPERATION | 8 | CONTROL CONSOLE GROUP | 40 |
| PRE-OPERATION CHECKS | 8 | LEVER GROUP | 42 |
| WHILE OPERATING MACHINE | 9 | WHEEL GROUP, BRUSH ASSIST MODEL .. | 44 |
| BRUSH MOTOR CIRCUIT BREAKER | 9 | BRUSH DRIVE GROUP | 46 |
| DRAINING TANKS | 10 | SKIRT GROUP | 48 |
| DRAINING RECOVERY TANK | 10 | CURVED SQUEEGEE GROUP | 50 |
| DRAINING SOLUTION TANK | 10 | OPTIONS | 52 |
| MACHINE MAINTENANCE | 11 | SQUEEGEE WAND ASSEMBLY | 52 |
| DAILY MAINTENANCE | 11 | | |
| MONTHLY MAINTENANCE | 11 | | |
| QUARTERLY MAINTENANCE | 11 | | |

SAFETY PRECAUTIONS

This machine is intended for commercial use. It is designed exclusively to scrub hard floors in an indoor environment and is not constructed for any other use. Use only recommended pads, brushes and commercially available floor cleaners intended for machine application.

All operators must read, understand and practice the following safety precautions.

The following warning alert symbol and the "FOR SAFETY" heading are used throughout this manual as indicated in their description:

⚠ WARNING: To warn of hazards or unsafe practices which could result in severe personal injury or death.

FOR SAFETY: To identify actions which must be followed for safe operation of equipment.

Failure to follow these warnings may result in: personal injury, electrocution, electrical shock, fire or explosion.

⚠ WARNING: Do Not Use Flammable Liquids Or Operate Machine In Or Near Flammable Liquids, Vapors Or Combustible Dusts.

This machine is not equipped with explosion proof motors. The electric motors will spark upon start up and during operation which could cause a flash fire or explosion if machine is used in an area where flammable vapors/liquids or combustible dusts are present.

⚠ WARNING: Do Not Pick Up Flammable Materials Or Reactive Metals.

⚠ WARNING: Do Not Operate With Damaged Power Cord. Do Not Modify Plug. Unplug power Cord Before Servicing Machine.

If the supply cord is damaged or broken, it must be replaced by the manufacturer or it's service agent or a similarly qualified person in order to avoid a hazard.

⚠ WARNING: Do Not Use Outdoors. Do Not Expose To Rain. Store Indoors.

The following information signals potentially dangerous conditions to the operator or equipment:

FOR SAFETY:

1. Do not operate machine:
 - With flammable liquids or near flammable vapors as an explosion or flash fire may occur.
 - Unless trained and authorized.
 - Unless operator manual is read and understood.
 - Unless cord is properly grounded.
 - With damaged cord or plug.
 - If not in proper operating condition.
 - In outdoor areas.
 - In standing water.
 - With the use of additional extension cords. Only use manufacturer's extension cord equipped with machine which has proper capacity and is grounded.
2. Before operating machine:
 - Make sure all safety devices are in place and operate properly.
3. When using machine:
 - Do not run machine over cord.
 - Do not pull machine by plug or cord.
 - Do not pull cord around sharp edges or corners.
 - Do not unplug by pulling on cord.
 - Do not stretch cord.
 - Do not handle plug with wet hands.
 - Keep cord away from heated surfaces.
 - Go slow on inclines and slippery surfaces.
 - Wear non-slip shoes.
 - Use care when reversing machine.
 - Report machine damage or faulty operation immediately.
 - Never allow children to play on or around.
 - Follow mixing and handling instructions on chemical containers.
4. Before leaving or servicing machine:
 - Stop on level surface.
 - Turn off machine.
 - Unplug cord from wall outlet.

OPERATION

5. When servicing machine:

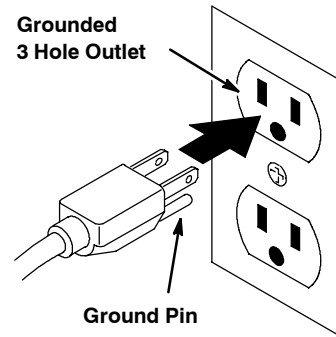
- Unplug cord from wall outlet.
- Avoid moving parts. Do not wear loose jackets, shirts, or sleeves.
- Block machine tires before jacking up.
- Use hoist or jack that will support the weight of the machine.
- Use manufacturer supplied or approved replacement parts.
- All repairs must be performed by a qualified service person.
- Do not modify the machine from its original design.

6. When transporting machine:

- Turn machine off.
- Get assistance when lifting machine.
- Unplug cord from wall outlet.
- Use a recommended ramp when loading/unloading into/off truck or trailer.
- Use tie-down straps to secure machine to truck or trailer.

GROUNDING INSTRUCTIONS

Machine must be grounded. If it should malfunction or breakdown, grounding provides a path of least resistance for electrical current to reduce the risk of electrical shock. This machine is equipped with a cord having an equipment-grounding conductor and grounding plug. The plug must be plugged into an appropriate outlet that is properly installed in accordance with all local codes and ordinances. Do not remove ground pin; if missing, replace plug before use.



SAFETY LABEL

The safety label appears on the machine in the location indicated. Replace label if it becomes damaged or illegible.

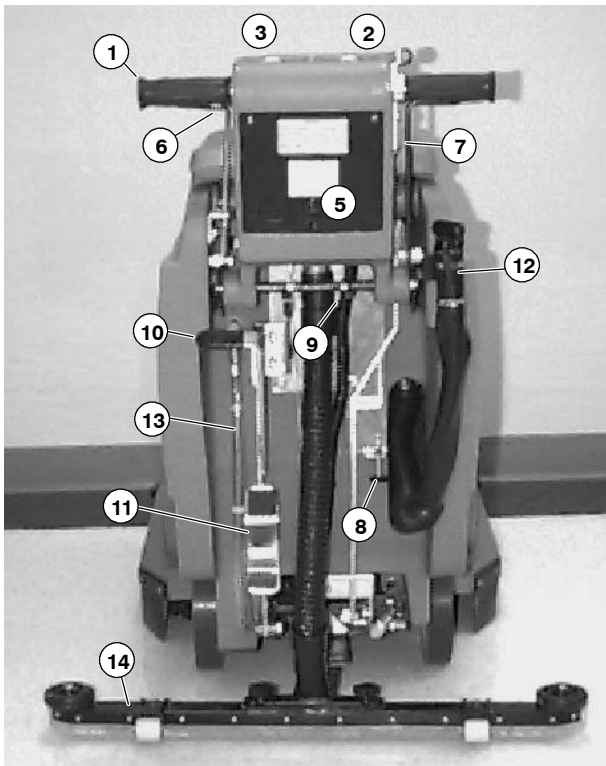


WARNING LABEL - LOCATED ON TOP OF THE RECOVERY TANK.

| ⚠ WARNING | ⚠ AVERTISSEMENT | ⚠ ADVERTENCIA |
|--|---|---|
| EXPLOSION, FIRE AND SHOCK HAZARD. AVOID INJURY. <ul style="list-style-type: none">• Do Not Use or Pick Up Flammable Materials.• Do Not Use Near Flammable Liquids, Vapors or Combustible Dusts.• Do Not Operate With Damaged Power Cord.• Do Not Modify Plug. Unplug Power Cord Before Servicing Machine.• Do Not Use Outdoors. Do Not Expose to Rain. Store indoors. | RISQUE D'EXPLOSION, D'INCENDIE ET DE DÉCHARGE. ÉVITEZ LES BLESSURES. <ul style="list-style-type: none">• N'utilisez Pas ou Ne Ramassez Pas de Matériaux Inflammables.• N'utilisez Pas Près de Liquides, Vapeurs ou Poussières Inflammables.• N'utilisez Pas la Machine Avec un Cordon d'Alimentation Endommagé. Ne Modifiez Pas la Prise. Débranchez le Cordon d'Alimentation Avant d'Entretenir la Machine.• N'utilisez Pas en Extérieur. N'Exposez Pas à la Pluie. Entrezposez à l'Intérieur. | PELIGRO DE EXPLOSIÓN, FUEGO, DESCARGA EVITE LESIONES. <ul style="list-style-type: none">• No Use Ó Recoja Materiales Flamables.• No Use Cerca De Líquidos Flamables, Vapores O Materiales Combustibles.• No Use Con Cable De Corriente Dañado. No Altere El Enchufe. Desconecte Cable De Corriente Antes Del Mantenimiento.• No Use Al Aire Libre. No Exponga A La Lluvia. Guarde Bajo Techo. |

1026383

MACHINE COMPONENTS



- | | |
|---|---|
| <ul style="list-style-type: none"> 1. Control Grips 2. Vacuum ON/OFF Switch 3. Brush ON/OFF Switch 4. Wall Rollers 5. Brush Circuit Breaker 6. Squeegee Lift Lever 7. Solution Flow Lever 8. Solution Flow Adjustment Knob 9. Adjustable Control Console Levers 10. Brush Lift Lever 11. Brush Lift Foot Lever | <ul style="list-style-type: none"> 12. Recovery Tank Drain Hose 13. Solution Tank Drain Hose 14. Squeegee Assembly 15. Control Console 16. Recovery Tank 17. Recovery Tank Lid 18. Solution Fill Door 19. Safety Lights 20. Rear Drive Wheel 21. Scrub Head 22. Scrub Head Skirt |
|---|---|

OPERATION

MACHINE INSTALLATION

UNCRATING MACHINE

Carefully check carton for signs of damage. Report damages at once to carrier. Check carton contents to ensure all accessories are included.

To uncrate your machine, remove straps and raise brush head. To raise scrub head, step down firmly on the bottom brush lift foot pedal until pedal locks into the raised position. Carefully lift or create a ramp using crate boards to remove machine from pallet.

ATTENTION: Do not roll machine off pallet, damage may occur.

FILLING BALLAST TANK

After removing machine from shipping pallet, hinge over the recovery tank and fill ballast tank with clean water. Replace plug securely after filling (Figure 1). *(Models sold in Canada require recovery tank lock bracket removal to access ballast tank).*



FIG. 1

MACHINE SETUP

ATTACHING SQUEEGEE

1. Pull back on squeegee lift lever to raise squeegee mount bracket.
2. Loosen two thumb knobs on squeegee and slide squeegee into slot at rear of squeegee mount bracket. Make sure that squeegee roller wheels are facing toward the rear (Figure 2).

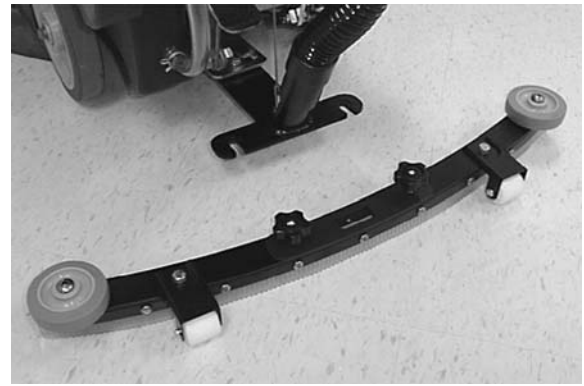


FIG. 2

3. Tighten thumb knobs securely.

INSTALLING BRUSH OR PAD DRIVER

1. Turn machine off.

FOR SAFETY: Before leaving or servicing machine, stop on level surface and turn off machine.

2. Lower scrub head. Step down firmly on top pedal and push pedal forward to lower (Figure 3).



FIG. 3

3. Position squeegee swivel mechanism so it's centered behind machine.
4. Tilt machine back to access motor hub.
5. Select a recommended pad or brush that best meets your cleaning needs.

NOTE: Consult your authorized distributor for pad and brush recommendations.

6. **(For Pad Installation)** Attach pad to pad driver before installing driver to motor hub. To attach pad, remove plastic centerlock from pad driver and position pad centered on driver, replace centerlock securely (Figure 4).



FIG. 4

7. Attach brush/pad driver to motor hub. Align 3 mounting studs with slots in motor hub and give the driver a quick turn toward the spring clip on the motor hub to attach brush/pad driver. Be certain that spring clip locks into one of the studs on the driver before operating machine (Figure 5).



FIG. 5

8. Raise scrub head. To raise brush head, step down firmly on the bottom brush lift foot pedal until brush locks into the raised position (Figure 6).



FIG. 6

FILLING SOLUTION TANK

1. Push machine to fill station. Raise squeegee and scrub head when transporting.
2. Pull solution flow lever completely back to shut off solution flow (Figure 7).



FIG. 7

3. Open solution fill door at front of machine and fill solution tank with 38L (10 gal) of clean water, 60°C (140°F) maximum temperature. Or use the rear fill port to fill solution tank. The clear tube below the fill port has 19L (5 gal) increment markers to indicate amount of water in tank (Figure 8).

NOTE: The water must **not** be hotter than 60°C (140°F) or tank damage may occur.

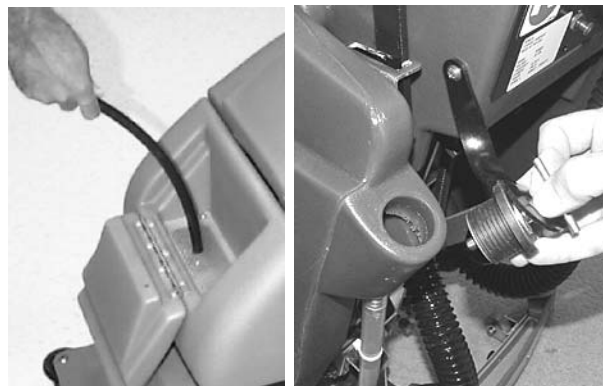


FIG. 8

NOTE: If filling with a bucket be certain that bucket is clean. This will prevent possible solution line clogs.

4. Add cleaning chemical. See proper dilution ratio instructions on bottle.

FOR SAFETY: When using machine, follow mixing and handling instructions on chemical containers.

ATTENTION: Use only recommended detergents. Machine damage due to improper detergent usage will void the manufacturer's warranty. Contact your Tennant Sales Representative for detergent recommendations.

OPERATION

⚠ WARNING: Do Not Use Flammable Liquids Or Operate Machine In Or Near Flammable Liquids, Vapors Or Combustible Dusts.

CONNECTING POWER CORD

Connect the supplied extension cord to machine. Plug cord into a grounded wall outlet (Figure 9).

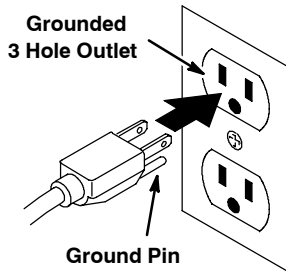


FIG. 9

FOR SAFETY: Do not operate machine with the use of additional extension cords. Only use manufacturer's extension cord equipped with machine which has proper capacity and is grounded.

MACHINE OPERATION

FOR SAFETY: Do not operate machine unless operator manual is read and understood.

⚠ WARNING: Do Not Operate With Damaged Power Cord. Do Not Modify Plug. Unplug power Cord Before Servicing Machine.

If the supply cord is damaged or broken, it must be replaced by the manufacturer or it's service agent or a similarly qualified person in order to avoid a hazard.

PRE-OPERATION CHECKS

1. Sweep and dust mop floor.
2. Inspect power cord for damage, replace immediately if damaged.
3. Check that a pad/brush is installed.
4. Check that squeegee is installed.

1. Adjust control grips to a comfortable operating height (*three settings*). Squeeze together two levers under console to raise or lower control grips (Figure 10).



FIG. 10

2. Lower squeegee by releasing squeegee lift lever from the lock position (Figure 11).



FIG. 11

3. Lower brush head, step down firmly on top brush lift pedal and push pedal forward to lower (Figure 12).



FIG. 12

4. Turn vacuum switch to the on position.

5. Push solution flow lever forward to desired flow rate. Solution will immediately begin to flow once lever is activated (Figure 13).



FIG. 13

To adjust the maximum solution flow rate, turn solution flow adjustment knob down to increase or up to decrease (Figure 14).

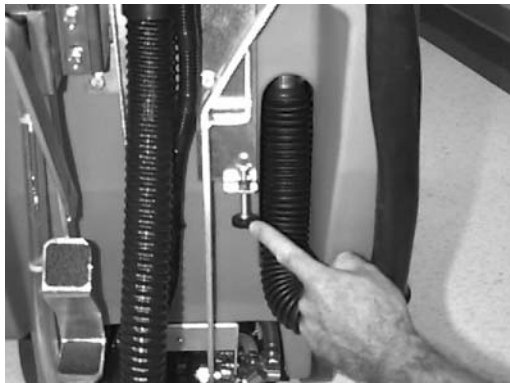


FIG. 14

6. Turn brush switch to the on position.

ATTENTION: To prevent floor finish damage, DO NOT leave machine at stand still once brush begins to spin.

7. Begin scrubbing by pushing machine forward.

WHILE OPERATING MACHINE

⚠ WARNING: Do Not Pick Up Flammable Materials Or Reactive Metals.

FOR SAFETY: When using machine, go slow on inclines and slippery surfaces.

1. Periodically check for excessive foam in recovery tank (look through clear lid). If excessive foam appears, pour a foam control solution into the recovery tank.

ATTENTION: Do not allow foam or water to enter float shut-off screen, vacuum motor damage will result; not covered by warranty. Foam will not activate float shut-off screen.

2. If more scrubbing pressure is needed for small heavily soiled areas, simply pull brush lift lever upward while operating (Figure 15).

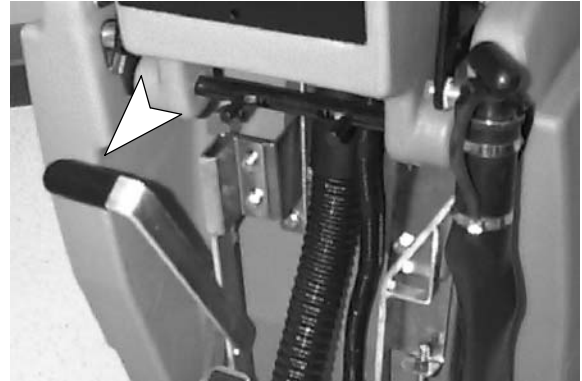


FIG. 15

3. If squeegee leaves streaks, raise squeegee and wipe both blades with a cloth.
4. Before stopping or turning machine around, pull back on solution control lever to shut off solution flow.
5. View clear tube at rear of machine for remaining cleaning solution.
6. When the solution tank runs dry, turn off brush switch, shut off solution control lever and continue to vacuum until all dirty water is consumed into the recovery tank. Raise the squeegee and scrub head and drain recovery tank (See DRAINING TANKS).

BRUSH MOTOR CIRCUIT BREAKER

Machine is equipped with a circuit breaker to protect brush motor from damage. If the brush motor circuit breaker trips, it can not be reset immediately. Determine reason why breaker tripped, allow motor to cool and then reset. Circuit breaker will trip due to brush motor overload. Clean or change pad if breaker should trip. Brush motor circuit breaker button is located at rear of control console.

OPERATION

DRAINING TANKS

1. Turn machine off and unplug cord from wall outlet.

FOR SAFETY: Before leaving or servicing machine, stop on level surface, turn off machine and unplug cord from wall outlet.

2. Raise squeegee and scrub head and transport machine to floor drain.

NOTE: If using bucket to drain machine, do not use same bucket for filling solution tank.

DRAINING RECOVERY TANK

When finished scrubbing or when refilling solution tank, recovery tank should be drained and cleaned.

ATTENTION: If recovery tank is not drained before refilling, foam or water may enter the float shut-off screen and damage vacuum motor. Foam will not activate float shut-off screen.

1. Remove drain hose from holder, position hose over floor drain and twist off drain hose plug. To completely drain recovery tank, hinge open tank and flip up tank support stand to rest tank on (Figure 16).



FIG. 16

2. Clean recovery tank after each use. Use a hose to rinse out recovery tank. Be careful not to spray water into float shut-off screen.
3. Replace drain hose plug tightly after draining.

DRAINING SOLUTION TANK

To drain leftover cleaning solution from solution tank perform the following steps:

1. Pull clear tube off hose barb at rear of machine and drain solution into floor drain or bucket (Figure 17).



FIG. 17

2. Rinse solution tank with clean water after each use. This will prevent clogging due to chemical buildup.
3. Push solution flow lever forward to rinse out solution flow system.
4. Reconnect clear tube. Be certain tube is completely pushed on hose barb.

MACHINE MAINTENANCE

To keep machine in good working condition, simply follow machines daily and monthly maintenance procedures.

⚠ WARNING: Hazardous Voltage. Shock or electrocution can result. Unplug machine before servicing.

ATTENTION: Contact an Authorized Service Center for machine repairs. Machine repairs performed by other than an authorized person will void your warranty.

DAILY MAINTENANCE (Every 4 Hours of Use)

1. Inspect power cord and cord grip for damage. Replace immediately if damaged. Always coil extension cord neatly after each use.
2. Remove and clean pad/brush.
3. Remove and clean float shut-off screen located in recovery tank (Figure 18).



FIG. 18

4. Drain and rinse tanks thoroughly. After draining tanks, hinge recovery tank until you can see vacuum intake hole at rear of tank. Remove any debris in hole if necessary.
5. Raise squeegee and wipe it down with a dry cloth. Store squeegee in the up position to prevent squeegee damage.
6. Clean machine with an all purpose cleaner and damp cloth.

ATTENTION: Do not power spray or hose off machine. Electrical component damage may result.

MONTHLY MAINTENANCE (Every 80 Hours of Use)

1. Lubricate all linkage pivot points with silicon spray then coat with a water resistant grease to maintain a smooth operation.
2. Check machine for water leaks and loose nuts and bolts.

QUARTERLY MAINTENANCE (Every 250 Hours of Use)

Inspect motors for carbon brush wear. Replace brushes when worn to a length of 10mm (0.38 in.) or less. Contact an Authorized Service Center for carbon brush inspection.

ATTENTION: Contact an Authorized Service Center for machine repairs. Machine repairs performed by other than an authorized person will void the warranty.

TRANSPORTING MACHINE

When transporting machine by use of trailer or truck, be certain to follow tie-down procedures below:

FOR SAFETY: When using machine, go slow on inclines and slippery surfaces.

1. Raise squeegee and scrub head.
2. Load machine using a recommended loading ramp.
3. Position front of machine up against front of trailer of truck. Once machine is positioned, lower scrub head and squeegee.
4. Place a block behind the main wheel and the rear casters.
5. Place tie-down straps over top of machine and secure straps to floor. It may be necessary to install tie-down brackets to the floor of your trailer or truck.

NOTE: Do not use control grips to secure machine for transporting.

FOR SAFETY: When transporting machine, use a recommended ramp when loading/unloading into/off truck or trailer, use tie-down straps to secure machine to truck or trailer.

OPERATION

STORING MACHINE

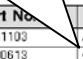
Store machine in a dry area in the upright position. Before storing machine be certain to flush tanks and drain machine of all water. Remove recovery tank lid to promote air circulation. Raise pad driver and squeegee off floor to prevent damage.

ATTENTION If storing machine in freezing temperatures, be certain to drain machine of all water. Damage due to freezing temperatures is not covered by warranty.

 **WARNING: Do Not Use Outdoors. Do Not Expose To Rain. Store Indoors.**

RECOMMENDED STOCK ITEMS

Refer to Parts List section for recommended stock items. Stock Items are clearly identified with a bullet preceding the parts description. See example below:



| Ref. | Part No. | Description | Qty. |
|------|----------|-----------------|------|
| 1 | 701103 | ASM., STANDPIPE | 1 |
| 2 | 180618 | ●FLOAT, SHUTOFF | 1 |
| 3 | 230197 | NIPPLE | 1 |
| 4 | 101714 | ●GASKET | 1 |
| 5 | 210240 | NUT, FLANGED | 1 |

TROUBLE SHOOTING

| PROBLEM | CAUSE | SOLUTION |
|--------------------------------|--|---|
| No power. | Tripped building circuit breaker. | Reset breaker. |
| | Faulty extension cord. | Replace extension cord. |
| | Faulty pigtail cord. | Contact Service Center. |
| Brush motor does not operate. | Faulty brush switch. | Contact Service Center. |
| | Machine circuit breaker has tripped. | Clean or replace pad or brush and reset breaker button. |
| | Rectifier has burned out. | Contact Service Center. |
| | Faulty wiring. | Contact Service Center. |
| | Faulty brush motor. | Contact Service Center. |
| | Carbon brushes worn. | Contact Service Center. |
| Vacuum motor does not operate. | Faulty vacuum switch or wiring. | Contact Service Center. |
| | Faulty vacuum motor. | Contact Service Center. |
| | Carbon brushes worn. | Contact Service Center. |
| Little or no solution flow. | Solution flow lever is not activated. | Push solution flow lever forward. |
| | Solution line is clogged. | Remove hose and blow compressed air through it. |
| | Solution valve is clogged. | Remove valve and clean. Do not scratch or damage inside of valve. |
| | Solution flow adjustment knob needs adjusting. | Adjust solution flow knob to increase solution flow. Turn knob down to increase flow. |
| Poor water pick up. | Recovery tank is full. | Empty recovery tank. |
| | Ball float shutoff screen inside recovery tank is clogged. | Remove screen and clean. |
| | Squeegee is clogged with debris. | Clean squeegee. |
| | Squeegee blades are worn. | Replace squeegee blades. |
| | Squeegee thumbscrews are loose. | Tighten thumbscrews. |
| | Vacuum hose connections are loose or hose has a hole. | Push vacuum hose cuffs firmly on connections. Replace hose if damaged. |
| | Vacuum hose is clogged with debris. | Remove clogged debris. |
| | Tank gasket is defective. | Replace tank gasket. |
| | Recovery tank water inlet is plugged. Inlet is located at bottom of recovery tank. | Empty recovery tank and tilt it sideways to locate inlet hole, remove clogged debris. |
| | Drain hose plug is loose. | Tighten drain plug. |
| | Clear recovery tank lid is loose. | Tighten lid. |
| Vacuum motor is loose. | Tighten down vacuum motor. Do not over tighten and damage motor. | |
| Safety lights do not work. | Flasher is burned out. | Contact Service Center. |

OPERATION

SPECIFICATIONS

| Model | 5200 |
|---|-----------------------------------|
| LENGTH | 1194 mm (47 in.) |
| WIDTH | 559 mm (22 in.) |
| HEIGHT | 965 mm (38 in.) |
| WEIGHT | 108 Kg (238 lb) |
| SOLUTION TANK CAPACITY | 38 L (10 gal) |
| RECOVERY TANK CAPACITY | 45 L (12 gal) |
| CLEANING PATH WIDTH | 508 mm (20 in.) |
| TOTAL POWER CONSUMPTION | 120V, 14.0A, 1416w |
| BRUSH MOTOR | .75hp, 250 rpm, 120v, 6.5A, 550w |
| VACUUM MOTOR | 1.15hp, 2 stage, 120v, 866w, 7.5A |
| WATER LIFT | 2083 mm (82 in.) |
| POWER CORD LENGTH | 14/3, 23m (75 ft.) |
| DECIBEL RATING AT OPERATOR'S EAR, INDOORS ON TILE | 70dB(A) |

Este manual se proporciona con cada nuevo modelo. Proporciona instrucciones necesarias de mantenimiento y lista ilustrada de piezas.

Antes de operar o prestar servicio a la máquina, lea completamente este manual y entienda la máquina.

Para ordenar piezas use las Listas Ilustradas de las Piezas. Asegúrese de tener listo el número de modelo y de serie de la máquina, antes de ordenar piezas o suministros. Las piezas y suministros pueden ordenarse por teléfono o por correo de cualquier centro autorizado de piezas y servicio, distribuidor o de cualquiera de las subsidiarias del fabricante.

Esta máquina proporcionará un servicio excelente. Sin embargo, los mejores resultados se obtienen a un costo mínimo si:

- La máquina se opera con un cuidado razonable.
- La máquina se mantiene con regularidad, según las instrucciones de mantenimiento provistas.
- La máquina se mantiene con las piezas provistas por el fabricante o equivalentes.

DATOS DE LA MÁQUINA

Por favor complete en el momento de la instalación, para referencia futura.

No. de modelo - _____

Fecha de instalación - _____

Nº de Serie- _____

© 2000, 2001, 2004, 2007 Tennant Company
Printed in U.S.A.

ÍNDICE


| | | | |
|---|-----------|---|-----------|
| MEDIDAS DE SEGURIDAD | 16 | TRANSPORTE DE LA MÁQUINA | 26 |
| INSTRUCCIONES DE CONEXION A TIERRA | 17 | ALMACENAMIENTO DE LA MÁQUINA | 26 |
| ETIQUETA DE SEGURIDAD | 18 | RECOMENDACIONES PARA EL ALMACENAMIENTO | 26 |
| COMPONENTES DE LA MÁQUINA | 19 | LOCALIZACIÓN DE AVERÍAS | 27 |
| INSTALACIÓN DE LA MÁQUINA | 20 | ESPECIFICACIONES | 29 |
| DESEMBALADO DE LA MÁQUINA | 20 | DIAGRAMAS ELECTRICAS | 30 |
| LLENAR EL TANQUE DE DESECHO | 20 | LISTA DE PIEZAS | 32 |
| PREPARACIÓN DE LA MÁQUINA | 20 | CEPILLO DEL REEMPLAZO Y GRUPO DEL | |
| FIJACIÓN DE LA ESCOBILLA DE GOMA | 20 | MANDO DE LA ALMOHADILLA | 32 |
| INSTALACIÓN DEL IMPULSOR DEL CEPILLO | | GRUPE DEL DEPÓSITO DE DISOLUCIÓN | 34 |
| O DE LA ALMOHADILLA | 20 | CONJUNTO PANEL TRASERA | 36 |
| LLENADO DEL DEPÓSITO DE LA DISOLUCIÓN . | 21 | CONJUNTO DESPÓSITO RECUPERAR | 38 |
| ENCHUFE EL CABLE EN LA TOMA DE LA PARED | 22 | CONJUNTO CONSOLA DE CONTROLES | 40 |
| FUNCIONAMIENTO DE LA MÁQUINA | 22 | CONJUNTO DE PALANCAS | 42 |
| COMPROBACIONES PREVIAS A LA PUESTA EN | | GRUPO DE RUEDAS, MODELO | |
| FUNCIONAMIENTO | 22 | BRUSH ASSIST | 44 |
| DURANTE LA UTILIZACIÓN DE LA MÁQUINA ... | 23 | CONJUNTO IMPULSO DE CEPILLO | 46 |
| CORTACIRCUITOS DEL MOTOR DE LA | | CONJUNTO JUEGO | 48 |
| ALMOHADILLA | 24 | CONJUNTO PALETA ENCORUADO | 50 |
| VACIADO DE LOS DEPÓSITOS | 24 | OPCIONES | 52 |
| VACIADO DEL DEPÓSITO DE RECUPERACIÓN . | 24 | GRUPE D'ASPIRATION ET RACLETTE À MAIN | 52 |
| VACIADO DEL DEPÓSITO DE LA DISOLUCIÓN . | 25 | | |
| MANTENIMIENTO DE LA MÁQUINA | 25 | | |
| MANTENIMIENTO DIARIO | 25 | | |
| MANTENIMIENTO MENSUAL | 25 | | |
| MANTENIMIENTO TRIMESTRAL | 26 | | |

MEDIDAS DE SEGURIDAD

Esta máquina está diseñada para el uso comercial. Se ha diseñado exclusivamente para limpiar pisos duros en un ambiente interior y no se fabrica para ningún otro uso. Use sólo limpiadores recomendados de pisos comercialmente disponibles para la aplicación de la máquina.


Todos los operadores deben leer, entender y practicar las precauciones siguientes de seguridad.

El siguiente símbolo de alerta de advertencia y el encabezamiento de "PARA SEGURIDAD" se usan en este manual como se indica en su descripción:

 **ADVERTENCIA:** Para advertir de riesgos o prácticas inseguras que podrían resultar en lesiones personales graves o la muerte.


PARA SEGURIDAD: Para identificar acciones que deben seguirse para el funcionamiento seguro del equipo.

El no seguir estas advertencias puede resultar en: lesiones personales, electrocución, choque eléctrico, fuego o explosión.


 **ADVERTENCIA:** No use líquidos inflamables ni opere la máquina en o cerca de líquidos y vapores inflamables o polvos combustibles.

Esta máquina no está equipada con motores a prueba de explosión. Los motores eléctricos emiten chispas al arrancar y durante el funcionamiento lo que podría causar un fuego explosivo o explosión si la máquina se usa en una área donde están presentes vapores/líquidos inflamables o polvos combustibles.

 **ADVERTENCIA:** No aspire materiales inflamables o metales reactivos.

 **ADVERTENCIA:** No opere con un cordón eléctrico dañado. No modifique el enchufe. Desenchufe el cordón eléctrico antes de reparar la máquina.

Si el cordón del suministro se daña o se rompe, debe ser reemplazado por el fabricante o su agente de servicio o una persona similarmente calificada para evitar un riesgo.

 **ADVERTENCIA:** No use al aire libre o en superficies húmedas. No exponga a la lluvia. Almacén bajo techo.

La información siguiente señala condiciones potencialmente peligrosas para el operador o el equipo:

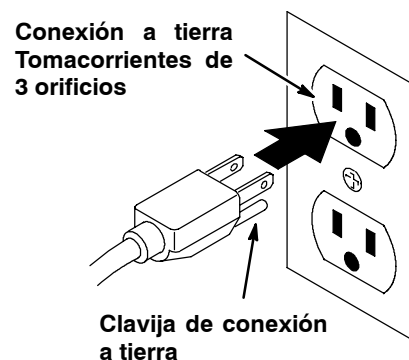
PARA SEGURIDAD:

1. No opere la máquina:
 - Con líquidos inflamables o cerca de los vapores inflamables ya que puede ocurrir una explosión o fuego explosivo.
 - A menos que está capacitado y autorizado.
 - A menos que se haya leído y entendido el manual del funcionamiento.
 - A menos que el cordón se conecte apropiadamente a tierra.
 - Con un cordón o enchufe dañados.
 - Si no está en condición de ejecutar una operación apropiada.
 - En áreas al aire libre.
 - En agua estancada.
 - Con cables alargadores adicionales. Utilice únicamente los alargadores proporcionados por el fabricante junto a la máquina para asegurarse de que presentan la capacidad y toma de tierra adecuadas.
2. Antes de arrancar la máquina:
 - Asegúrese que todos los dispositivos de seguridad están en su lugar y operando apropiadamente.
3. Al usar máquina:
 - No pase la máquina encima del cordón.
 - No tire de la máquina por el enchufe o el cordón.
 - Evite pasar el cable por bordes agudos o esquinas.
 - No desenchufe tirando del cordón.
 - No estire el cordón.
 - No maneje el enchufe con las manos húmedas.
 - Mantenga el cordón lejos de las superficies calientes.
 - Avance lentamente en las cuestas y superficies resbaladizas.
 - Use zapatos antiresbalosos.
 - Sea precavido al retroceder la máquina.
 - Informe inmediatamente acerca de daños o un funcionamiento defectuoso.
 - Nunca permita que los niños jueguen en o alrededor de la máquina.
 - Siga las instrucciones de mezcla y manejo indicados en los recipientes químicos.

4. **Antes de salir de o reparar la máquina:**
 - Deténgala en una superficie nivelada.
 - Apague la máquina.
 - Desenchufe cordón del tomacorriente de la pared.
5. **Al prestar servicio a la máquina:**
 - Desenchufe cordón del tomacorriente de la pared.
 - Evite las piezas móviles. No use chaquetas, camisas, o mangas, holgadas.
 - Calce las ruedas de la máquina antes de levantarla con un gato.
 - Use gúinches o gatos para soportar el peso de la máquina.
 - Use piezas de repuesto provistas o aprobadas por el fabricante.
 - Todas las reparaciones deben ser realizadas por una persona de servicio calificada.
 - No modifique la máquina de su diseño original.
6. **Al transportar máquina:**
 - Apague la máquina.
 - Obtenga ayuda al alzar la máquina.
 - Desenchufe cordón del tomacorriente de la pared.
 - Use una rampa recomendada al cargar/descargar al/ fuera del camión o remolque .
 - Use correas de amarre para asegurar la máquina al camión o remolque.

INSTRUCCIONES DE CONEXION A TIERRA

La máquina debe conectarse a tierra. En caso de mal funcionamiento o desarreglo, la conexión a tierra provee un recorrido de menor resistencia para la corriente eléctrica para reducir el riesgo de choque eléctrico. Esta máquina está equipada con un cordón con un conductor de conexión a tierra del equipo y enchufe de conexión a tierra. El enchufe debe enchufarse en un tomacorrientes apropiado correctamente instalado de acuerdo con todos los códigos y ordenanzas locales. No extraer la clavija de conexión a tierra; si falta, reemplazar el enchufe antes de usar.



OPERACIÓN

ETIQUETA DE SEGURIDAD

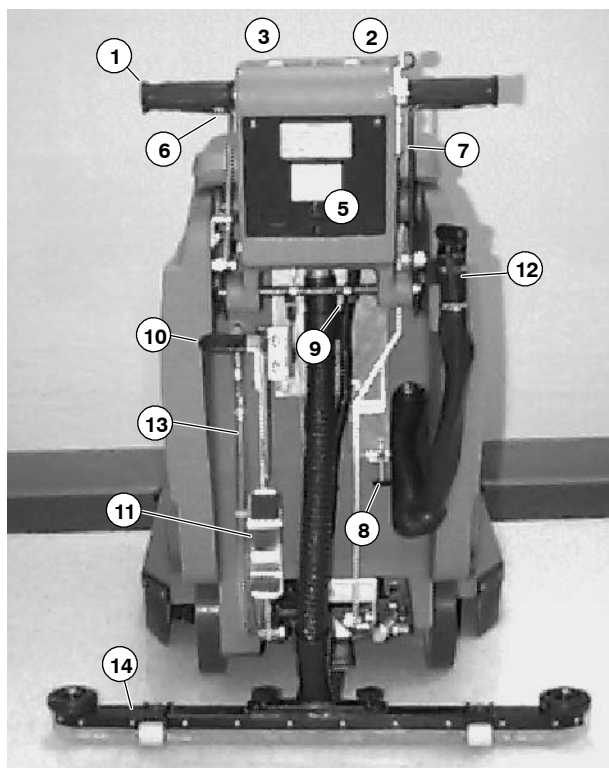
La etiqueta de seguridad aparece en la máquina en la localización indicada. Sustituya la etiqueta si llega a ser dañada o ilegible.

ETIQUETA DE SEGURIDAD - LOCALIZADA EN EL TANQUE DE RECUPERACION.

| | ⚠ WARNING | ⚠ AVERTISSEMENT | ⚠ ADVERTENCIA |
|---|--|---|---|
|  | EXPLOSION, FIRE AND SHOCK HAZARD. AVOID INJURY. | RISQUE D'EXPLOSION, D'INCENDIE ET DE DECHARGE. EVITEZ LES BLESSURES. | PELIGRO DE EXPLOSIÓN, FUEGO, DESCARGA EVITE LESIONES. |
|  | • Do Not Use or Pick Up Flammable Materials. | • N'utilisez Pas ou Ne Ramassez Pas de Matériaux Inflammables. | • No Use Ó Recoja Materiales Flamables. |
|  | • Do Not Use Near Flammable Liquids, Vapors or Combustible Dusts. | • N'utilisez Pas Près de Liquides, Vapeurs ou Poussières Inflammables. | • No Use Cerca De Líquidos Flamables, Vapores Ó Materiales Combustibles. |
|  | • Do Not Operate With Damaged Power Cord. Do Not Modify Plug, Unplug Power Cord Before Servicing Machine. | • N'utilisez Pas la Machine Avec un Cordon d'Alimentation Endommagé. Ne Modifiez Pas la Prise. Débranchez le Cordon d'Alimentation Avant d'Entretien la Machine. | • No Use Con Cable De Corriente Dañado. No Altere El Enchufe. Desconecte Cable De Corriente Antes Del Mantenimiento. |
|  | • Do Not Use Outdoors. Do Not Expose to Rain. Store Indoors. | • N'utilisez Pas en Extérieur. N'Exposez Pas à la Pluie. Entreposez à l'intérieur. | • No Use Al Aire Libre. No Exponga A La Lluvia. Guardé Bajo Techo. |
|  | | | |



COMPONENTES DE LA MÁQUINA



1. Mandos de control
2. Interruptor de Encendido/Apagado (ON/OFF) de la aspiración
3. Interruptor de Encendido/Apagado (ON/OFF) del cepillo
4. Rodillos de pared
5. Cortacircuitos del cepillo.
6. Palanca de elevación de la escobilla de goma
7. Palanca del flujo de la disolución
8. Botón de ajuste del flujo de la disolución
9. Palancas de ajuste de la consola de control
10. Palanca de elevación del cepillo
11. Pedal de elevación del cepillo

12. Manguera de vaciado del depósito de recuperación
13. Manguera de vaciado del depósito de recuperación con indicación en galones.
14. Conjunto de la escobilla de goma
15. Consola de control
16. Depósito de recuperación
17. Tapa del depósito de recuperación
18. Puerta de relleno de la disolución
19. Luces de seguridad
20. Rueda de tracción trasera
21. Cabezal de fregado
22. Aleta del cabezal de fregado

OPERACIÓN

INSTALACIÓN DE LA MÁQUINA

DESEMBALADO DE LA MÁQUINA

Compruebe cuidadosamente si la caja de cartón muestra daños. En caso de que así sea informe inmediatamente de los daños al transportista. Controle el contenido de la caja para asegurarse que incluye todos los accesorios. La escobilla de goma está embalada con la máquina. Los impulsores de las almohadillas están embalados aparte.

Para desembalar la máquina retire las cintas y eleve el cabezal de barrido. Para elevar este cabezal pise firmemente sobre la parte inferior del pedal de elevación del cepillo hasta que dicho pedal quede bloqueado en la posición elevada. Levante la máquina con cuidado o utilice una rampa formada con las planchas de embalaje para retirar la máquina del pallet.

ATENCIÓN: No ruede equipo de pallet. Puede danarse.

LLENAR EL TANQUE DE DESECHO

Después de retirar la máquina del pallet. Abra el depósito de recuperación y llene el tanque de desecho con agua limpia. Cierre de nuevo el tapón después de llenar (Figura 1). *(Las máquinas vendidas en Canadá requieren herramienta para remover tanque de desecho).*



FIG. 1

PREPARACIÓN DE LA MÁQUINA

FIJACIÓN DE LA ESCOBILLA DE GOMA

1. Empuje hacia atrás la palanca de elevación de la escobilla de goma para elevar el soporte de la escobilla de goma.
2. Afloje los dos tornillos de orejas de la escobilla de goma e introduzca dicha escobilla deslizándola en las ranuras de la parte posterior del soporte de la escobilla de goma. Asegúrese de que las ruedas del rodillo de la escobilla de goma se encuentran hacia atrás (Figura 2).

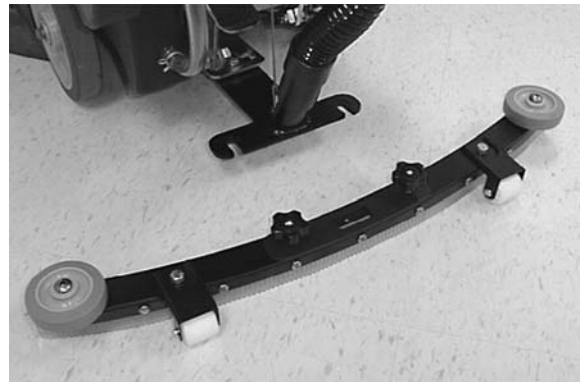


FIG. 2

3. Fije los tornillos de orejas.

INSTALACIÓN DEL IMPULSOR DEL CEPILLO O DE LA ALMOHADILLA

1. Apague todos los interruptores y desenchufe el cable eléctrico.

PARA SEGURIDAD: Al abandonar o revisar la máquina, deténgase en una superficie plana, apague la máquina.

2. Baje el cabezal del cepillo, pise con fuerza la parte superior del pedal y empuje dicho pedal hacia delante (Figura 3).



FIG. 3

3. Coloque el mecanismo de nivelación de la escobilla de goma de manera que se encuentre centrado por la parte trasera de la máquina.
4. Levante la máquina sobre la escobilla de goma de manera que se pueda acceder al cubo del motor para instalar el impulsor de cepillo/de la almohadilla.
5. Seleccione el cepillo o la escobilla recomendado que mejor se ajuste a sus necesidades.

NOTA: Consulte a su distribuidor autorizado para la elección del cepillo o de la almohadilla adecuados para su caso específico.

6. **(Instalación de la almohadilla)** Fije la almohadilla al impulsor de la almohadilla. Sujete la almohadilla antes de instalar el impulsor de dicha almohadilla en el cubo del motor. Retire el cierre central de plástico del impulsor de la almohadilla. Coloque la almohadilla en el centro del impulsor de la almohadilla y vuelva a colocar y fijar el cierre central (Figura 4).



FIG. 4

7. Conecte el impulsor del cepillo o de la almohadilla al cubo del motor. Alinee los tres pernos de montaje con las ranuras del cubo del motor. Gire rápidamente el impulsor hacia el sujetador de resorte del cubo del motor. Asegúrese de que el impulsor de la almohadilla está bien sujeto y que el sujetador de resorte se introduzca en uno de los pernos del impulsor antes de poner la máquina en funcionamiento (Figura 5).



FIG. 5

8. Elevación del cabezal de barrido: Pise firmemente la parte inferior del pedal de elevación del cepillo hasta que el cepillo quede bloqueado en la posición elevada (Figura 6).



FIG. 6

LLENADO DEL DEPÓSITO DE LA DISOLUCIÓN

1. Empuje o dirija la máquina a la estación de llenado. Levante la escobilla de goma y el cepillo durante el transporte.
2. Cierre del flujo de la disolución: Tire hacia atrás de la palanca del flujo de la disolución (Figura 7).



FIG. 7

3. Abra la puerta de llenado de la disolución que se encuentra en la parte delantera de la máquina y llene el depósito de la disolución con 10 galones (38 litros) de agua limpia (temperatura máxima de 140°F/60°C). O utilice el orificio de llenado trasero para llenar el depósito de la disolución. El tubo transparente que se encuentra debajo del orificio de llenado tiene unas marcas cada 5 galones (19 litros) que indican el volumen de agua del depósito (Figura 8).

NOTA: La temperatura del agua **NO** debe ser superior a los 60°C (140°F) ya que se podría dañar el tanque.

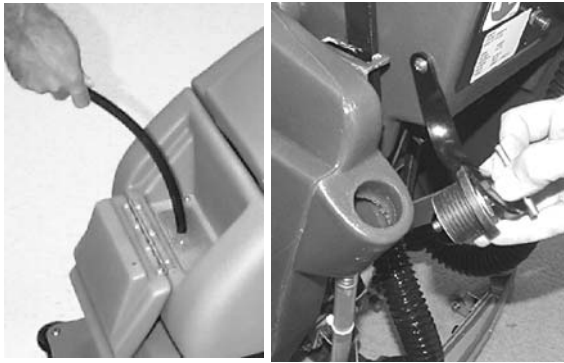


FIG. 8

NOTA: Si utiliza un cubo para llenar el depósito, asegúrese de que dicho cubo esté limpio para evitar que se obstruyan las tuberías de la disolución.

4. Añada el producto de limpieza. Consulte en las instrucciones del envase la proporción correcta de la disolución.

PARA SEGURIDAD: Al usar la máquina, observe las instrucciones de mezcla y manejo de los recipientes de sustancias químicas.

ATENCIÓN: Utilice únicamente productos de limpieza recomendados, NO utilice sustitutos. Consulte a un distribuidor autorizado acerca de los productos recomendados.

⚠ ADVERTENCIA: No use líquidos inflamables ni opere la máquina en o cerca de líquidos y vapores inflamables o polvos combustibles.

ENCHUFE EL CABLE EN LA TOMA DE LA PARED

Conecte a la máquina el cable alargador que se incluye en la misma. Enchufe el cable en una toma de la pared con toma de tierra (Figura 9).

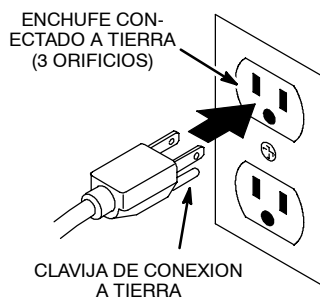


FIG. 9

PARA SEGURIDAD: No opere la máquina usando cordones de extensión adicionales. Use sólo el cordón de extensión del fabricante equipado con la máquina que tenga una capacidad apropiada y esté conectado a tierra.

FUNCIONAMIENTO DE LA MÁQUINA

PARA SEGURIDAD: No utilice la máquina salvo que el operario haya leído y comprendido el manual de instrucciones.

⚠ ADVERTENCIA: No operar la máquina a menos que la máquina esté bien conectada a tierra. No operar la máquina con un cordón o enchufe dañado. No operar la máquina con el uso de un cordón de extensión.

Si el cordón del suministro se daña o se rompe, debe ser reemplazado por el fabricante o su agente de servicio o una persona similarmente calificada para evitar un riesgo.

COMPROBACIONES PREVIAS A LA PUESTA EN FUNCIONAMIENTO

1. Barra el suelo para eliminar partículas y otros restos.
 2. Controle si el cable eléctrico está deteriorado. Sustitúyalo inmediatamente si lo está.
 3. Controle que están instalados los cepillos o almohadillas.
 4. Controle que está instalada la escobilla de goma.
1. Ajuste los mandos de control a una altura de manejo cómoda (*tres ajustes posibles*). Presione las dos palancas que se encuentran bajo la consola para elevar o bajar los mandos de control (Figura 10).



FIG. 10

2. Baje la escobilla de goma liberando palanca de elevación de la escobilla de goma de su posición de bloqueo (Figura 11).



FIG. 11

3. Bajada del cabezal de barrido: Pise con fuerza la parte superior del pedal de elevación del cepillo y empuje dicho pedal hacia delante para liberarlo (Figura 12).



FIG. 12

4. Coloque el interruptor de aspiración en la posición de encendido (ON).
5. Empuje la palanca del flujo de la disolución ligeramente hacia delante para activar el paso de la disolución. Cuanto más empuje dicha palanca hacia delante mayor será el flujo de disolución. Empuje la palanca completamente para que el flujo sea máximo. La disolución empezará a fluir inmediatamente después de activar la palanca (Figura 13).



FIG. 13

Para aumentar o disminuir el flujo máximo de la disolución gire el botón de ajuste del flujo de la disolución. Gire el botón hacia abajo para incrementar el flujo y hacia arriba para reducirlo (Figura 14).

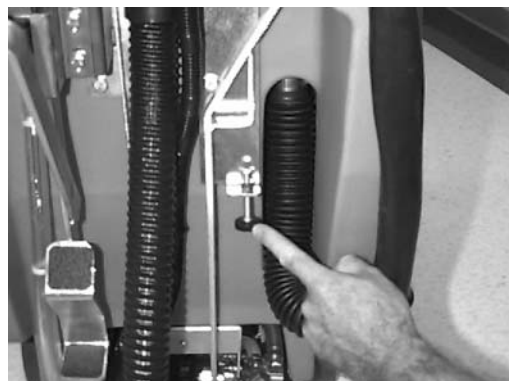


FIG. 14

6. Coloque el interruptor de barrido en la posición de encendido (ON).

ATENCIÓN: Para evitar el deterioro del acabado del suelo NO deje la máquina parada cuando los cepillos empiecen a girar.

7. Comience la operación de fregado empujando la máquina hacia delante.

DURANTE LA UTILIZACIÓN DE LA MÁQUINA

⚠ ADVERTENCIA: No aspire materiales inflamables o metales reactivos.

PARA SEGURIDAD: Conduzca despacio cuando utilice la máquina en pendientes o superficies resbaladizas.

1. Compruebe periódicamente que no exista acumulación de espuma en el depósito de recuperación (mire a través de la tapa transparente). Si la acumulación de espuma empieza a ser excesiva, añada un producto desespumante al contenido del depósito de recuperación.

ATENCIÓN: No permita que se introduzca espuma o agua en el filtro de flotador de cierre porque podría averiarse el motor de aspiración; la garantía no cubre este tipo de averías. La espuma no activará el filtro del flotador de cierre.

OPERACIÓN

2. Cuando sea necesaria una mayor presión de fregado para limpiar pequeñas áreas muy sucias, bastará tirar hacia arriba de la palanca de elevación del cepillo (Figura 15).

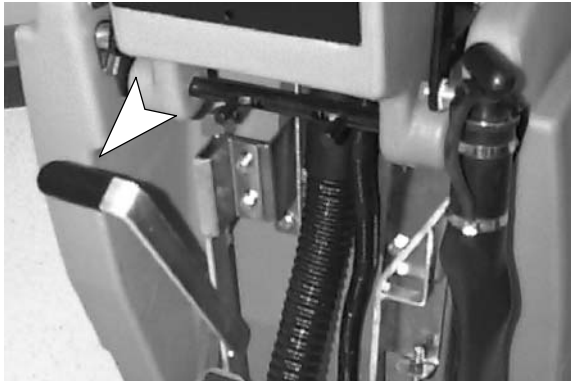


FIG. 15

3. Si la escobilla de goma deja marcas, eleve la escobilla de goma y limpie las láminas con un paño.
4. Antes de detener o girar la máquina, tire hacia atrás de la palanca de control de la disolución para detener el paso de disolución.
5. Controle a través del tubo indicador transparente la disolución que queda en el depósito de la disolución.
6. Cuando se vacíe el depósito de la disolución, coloque el interruptor del cepillo en la posición de apagado (OFF), cierre el flujo de la disolución mediante la palanca del flujo de la disolución y continúe aspirando hasta que todo el agua sucia se introduzca en el depósito de recuperación. Levante la escobilla de goma y el cabezal de barrido y vacíe el depósito de recuperación (Consulte el apartado de VACIADO DE LOS DEPÓSITOS).

CORTACIRCUITOS DEL MOTOR DE LA ALMOHADILLA

La máquina está provista de un cortacircuitos para proteger el motor de la almohadilla. Cuando el cortacircuitos del motor de la almohadilla se activa, no puede reajustarse inmediatamente. Determine la causa de la activación del cortacircuitos, deje que el motor se enfríe y a continuación reajuste el cortacircuitos. El cortacircuitos se activará cuando exista una sobrecarga excesiva de la almohadilla. Limpie o sustituya la almohadilla en caso de activación del cortacircuitos. El botón del cortacircuitos del motor de la almohadilla se encuentra en la parte posterior de la consola de control.

VACIADO DE LOS DEPÓSITOS

1. Apague la máquina y desenchufe el cable eléctrico.

PARA SEGURIDAD: Al abandonar o revisar la máquina, deténgase en una superficie plana, apague la máquina.

2. Levante la escobilla de goma y el cabezal de barrido y dirija la máquina a desagüe más cercano del suelo.

NOTA: Si utiliza un cubo para vaciar la máquina, no utilice el mismo cubo para llenar el depósito de la disolución.

VACIADO DEL DEPÓSITO DE RECUPERACIÓN

El depósito de recuperación debe vaciarse antes de rellenar el depósito de la disolución. Para vaciar el depósito de recuperación realice los siguientes pasos:

ATENCIÓN: Si el depósito de recuperación no se vacía entre las diferentes operaciones de llenado, puede introducirse espuma y agua en el tubo vertical de aspiración y averiar el motor de aspiración. La garantía no cubre las averías del motor de aspiración causadas por la introducción de agua o espuma.

1. Retire la manguera de vaciado de su soporte, coloque la manguera en el desagüe del suelo y desenrosque el tapón de la manguera de vaciado. Para vaciar completamente el depósito de recuperación, desplace dicho depósito lateralmente girándolo sobre la bisagra, monte el soporte del depósito y coloque el depósito sobre dicho soporte (Figura 16).



FIG. 16

2. Aclare el depósito de recuperación después de cada uso. Esto evitará malos olores. Destornille la tapa transparente del depósito de recuperación. Utilice una manguera para aclarar el depósito de recuperación. Tenga cuidado de no introducir agua en el flotador de cierre.

3. Cierre de nuevo el tapón de la manguera de vaciado cuando el depósito esté vacío.

VACIADO DEL DEPÓSITO DE LA DISOLUCIÓN

Para vaciar los restos de disolución del depósito de la disolución haga lo siguiente:

1. Extraiga la lengüeta de manguera marcadora transparente de la parte posterior de la máquina tirando de ella y vacíe la disolución limpiadora en el desagüe o en un cubo (Figura 17).



FIG. 17

2. Aclare el depósito de la disolución con agua limpia después de cada uso. Esto evitará obstrucciones debidas a la acumulación de productos químicos. Utilice la manguera transparente para vaciar el agua limpia.
3. Empuje la palanca del flujo de la disolución hacia delante para aclarar el sistema de flujo de la disolución.
4. Conecte de nuevo la manguera transparente a la lengüeta de la manguera. Asegúrese de que la manguera está bien introducida en la lengüeta de la manguera.

MANTENIMIENTO DE LA MÁQUINA

Para mantener la máquina en buenas condiciones, bastará realizar diaria, semanal y mensualmente las operaciones de mantenimiento.

PARA SEGURIDAD: Al revisar la máquina, deténgala en una superficie horizontal, apague la máquina y desconecte el cable eléctrico del enchufe de la pared.

ATENCIÓN: Póngase en contacto con un Centro de Servicio autorizado para reparar las máquinas. Las reparaciones de máquinas realizadas por personas no autorizadas invalidarán la garantía.

MANTENIMIENTO DIARIO

1. Limpie el cable con un paño húmedo después de cada uso. Controle si el cable eléctrico está deteriorado, sustitúyalo inmediatamente en caso de estar deteriorado o gastado.
2. Retire y limpie el cepillo o la almohadilla. No utilice nunca almohadillas sucias durante las operaciones de limpieza.
3. Retire y limpie la suciedad y las pelusas del filtro del flotador situado en el depósito de recuperación (Figura 18).



FIG. 18

4. Vacíe y limpie los depósitos en profundidad. Después de aclarar los depósitos, desplace lateralmente el depósito de recuperación sobre su bisagra hasta poder ver el orificio de entrada de la aspiración situado en la parte posterior del depósito. En caso necesario retire los restos que puedan bloquear dicho orificio.
5. Levante la escobilla de goma y límpiela con un paño seco. Guarde la escobilla de goma en la posición elevada para evitar que resulte dañada.
6. Limpie el bastidor de la máquina con un limpiador no abrasivo que no contenga disolventes.

ATENCIÓN: No moje la máquina rociándola o con la manguera. Podría averiar los componentes eléctricos.

MANTENIMIENTO MENSUAL

1. Lubrique la conexión de los puntos pivotantes con un spray de silicona y cúbralo a continuación con una grasa impermeable para permitir un funcionamiento suave.
2. Controle que la máquina no presenta escapes de agua ni tornillos ni tuercas flojos.

OPERACIÓN

MANTENIMIENTO TRIMESTRAL

Controle el desgaste del cepillo de carbono del eje de transmisión, de los motores de aspiración y del cepillo, sustituya los cepillos cuando la longitud de sus cerdas sea igual o inferior a 10mm (0,38 pulg.). Póngase en contacto con el Centro de servicio autorizado para el mantenimiento de los motores.

ATENCIÓN: Pongase en contacto con un Centro de Servicio autorizado para reparar las máquinas. Las reparaciones de máquinas realizadas por personas no autorizadas invalidarán la garantía.

TRANSPORTE DE LA MÁQUINA

Al transportar la máquina en un remolque o camión, asegúrese de seguir las instrucciones indicadas a continuación:

PARA SEGURIDAD: Conduzca despacio cuando utilice la máquina en pendientes o superficies resbaladizas.

1. Eleve la escobilla de goma y el cabezal de fregado.
2. Cargue la máquina utilizando la rampa de carga recomendada.
3. Coloque la parte delantera de la máquina contra la parte delantera del remolque o camión. Una vez colocada la máquina en la posición correcta, baje el cabezal de fregado y la escobilla de goma.
4. Coloque un calzo detrás de la rueda tractora y de las ruedecillas traseras.
5. Pase las cintas de sujeción por la parte superior de la máquina y sujételas al suelo. Es posible que sea necesario instalar puntos de anclaje en el suelo del remolque o camión.

NOTA: No utilice los puños de control para fijar la máquina para el transporte.

PARA SEGURIDAD: Al transportar máquina, use una rampa recomendada cuando se carga/descarga a/fuera de un camión o acoplado, use correas de amarre para asegurar la máquina al camión o remolque.

ALMACENAMIENTO DE LA MÁQUINA

Guarde la máquina en un sitio seco en posición vertical. Antes de guardar la máquina asegúrese de limpiar los depósitos y vaciar el agua de la máquina. Retire la tapa del depósito de recuperación para facilitar la circulación de aire. Levante el impulsor de la almohadilla y la escobilla de goma de manera que no toquen el suelo; esto evitará que se deterioren.

ATENCIÓN: Si guarda la máquina a temperaturas inferiores a 05C, asegúrese de vaciar todo el agua de la máquina. La garantía no cubre averías debidas a heladas.

⚠ ADVERTENCIA: No use al aire libre o en superficies húmedas. No exponga a la lluvia. Almacén bajo techo.

RECOMENDACIONES PARA EL ALMACENAMIENTO

Consulte la sección de Lista de Repuestos para ver que productos son los recomendados. Los elementos de almacén están claramente identificados con una marca colocada delante de la descripción de la pieza. Consulte el siguiente ejemplo:

| Ref. | Part No. | Description | Qty. |
|------|----------|-----------------|------|
| 1 | 701103 | ASM., STANDPIPE | 1 |
| 2 | 180618 | ●FLOAT, SHUTOFF | 1 |
| 3 | 230197 | NIPPLE | 1 |
| 4 | 101714 | ●GASKET | 1 |
| 5 | 210240 | NUT, FLANGED | 1 |

LOCALIZACIÓN DE AVERÍAS

| PROBLEMA | CAUSA | SOLUCIÓN |
|---|--|---|
| No hay alimentación, no funciona nada. | Máquina desenchufada. | Enchufar la máquina. |
| | Cortacircuitos del edificio activado. | Reajustar el cortacircuitos y cambiar a otro circuito diferente. |
| | Cable eléctrico defectuoso. | Contactar con el Servicio Técnico. |
| | Interruptor de la llave defectuoso. | Contactar con el Servicio Técnico. |
| El motor del cepillo no funciona. | Interruptor del cepillo defectuoso. | Contactar con el Servicio Técnico. |
| | Cortacircuitos de la máquina activado. | Limpiar o sustituir el cepillo o la almohadilla y reajustar el cortacircuitos. |
| | Rectificador fundido. | Contactar con el Servicio Técnico. |
| | Cableado defectuoso. | Contactar con el Servicio Técnico. |
| | Motor del cepillo defectuoso. | Contactar con el Servicio Técnico. |
| | Cepillos de carbón gastados. | Contactar con el Servicio Técnico. |
| El motor de aspiración no funciona. | Interruptor de aspiración o cableado defectuoso. | Contactar con el Servicio Técnico. |
| | Motor de aspiración defectuoso. | Contactar con el Servicio Técnico. |
| | Cepillos de carbón gastados. | Contactar con el Servicio Técnico. |
| El flujo de la disolución es insuficiente o nulo. | La palanca del flujo de la disolución no ha sido activada | Empujar la palanca del flujo de la disolución hacia delante. |
| | Tubería de la disolución bloqueada. | Extraer la manguera y limpiarla con aire comprimido. Para evitar que se vuelva a bloquear aclarar el depósito de la disolución con agua limpia después de cada uso. |
| | Válvula de la disolución bloqueada. | Extraer la válvula y limpiarla. No raye ni dañe el interior de la válvula. |
| | Es necesario ajustar el botón de ajuste el flujo de la disolución. | Ajuste el botón del flujo de la disolución para incrementar dicho flujo. Gire el botón hacia abajo para aumentar el flujo. |

OPERACIÓN

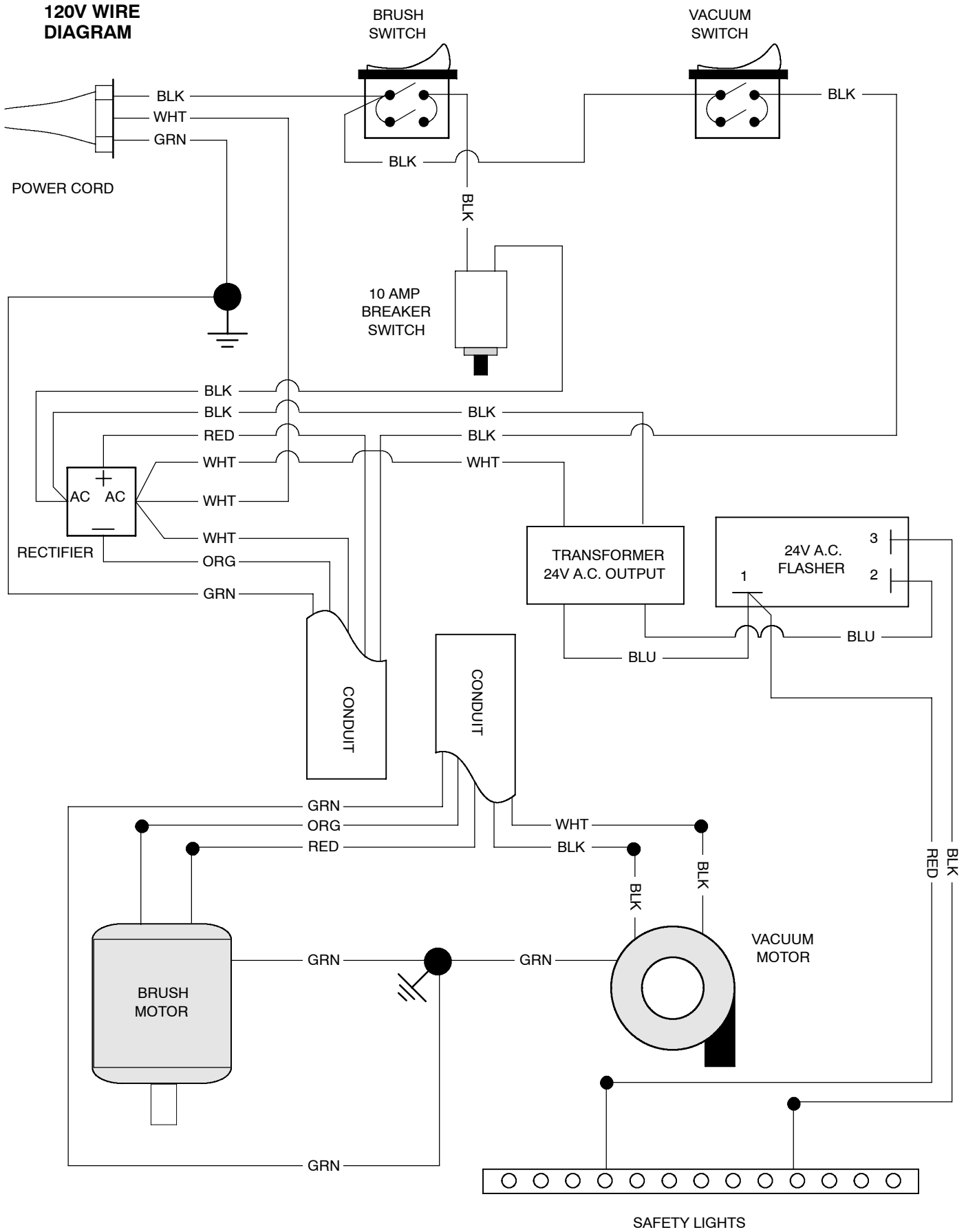
LOCALIZACIÓN DE AVERÍAS - continuación

| PROBLEMA | CAUSA | SOLUCIÓN |
|--|---|---|
| Funcionamiento defectuoso de las escobilla de goma | Depósito de recuperación lleno. | Vaciar el depósito de recuperación. |
| | Filtro del flotador de cierre del depósito de recuperación obstruido. | Extraer el filtro y limpiarlo. |
| | Escobilla de goma bloqueada por restos. | Limpiar la escobilla de goma |
| | Láminas de la escobilla de goma gastadas. | Sustituir las láminas de la escobilla de goma. |
| | Tornillos de orejas de la escobilla de goma flojos. | Apretar los tornillos de orejas. |
| | Conexiones de la manguera de aspiración flojas u orificio en la manguera de aspiración. | Introducir bien la manguera de aspiración en sus conexiones. Sustituir la manguera si está dañada. |
| | Manguera de aspiración bloqueada por restos. | Retirar los restos que la bloquean. |
| | Junta del depósito defectuosa. | Sustituir la junta del depósito. |
| | Entrada al depósito de recuperación bloqueada. La entrada se encuentra en la parte inferior del depósito de recuperación. | Vaciar el depósito de recuperación y levantarlo lateralmente para localizar el orificio de entrada, retirar los restos que bloquean dicho orificio. |
| | Tapón de vaciado de la manguera mal cerrado. | Cerrar bien el tapón de vaciado. |
| | Tapa transparente del depósito de recuperación floja. | Cerrar bien la tapa. |
| | Motor de aspiración flojo. | Fijar el motor de impulsión. No apretar demasiado porque podría dañar el motor. |
| Las luces de seguridad no funcionan. | Transformador defectuoso. Contactar con el Servicio Técnico. | |

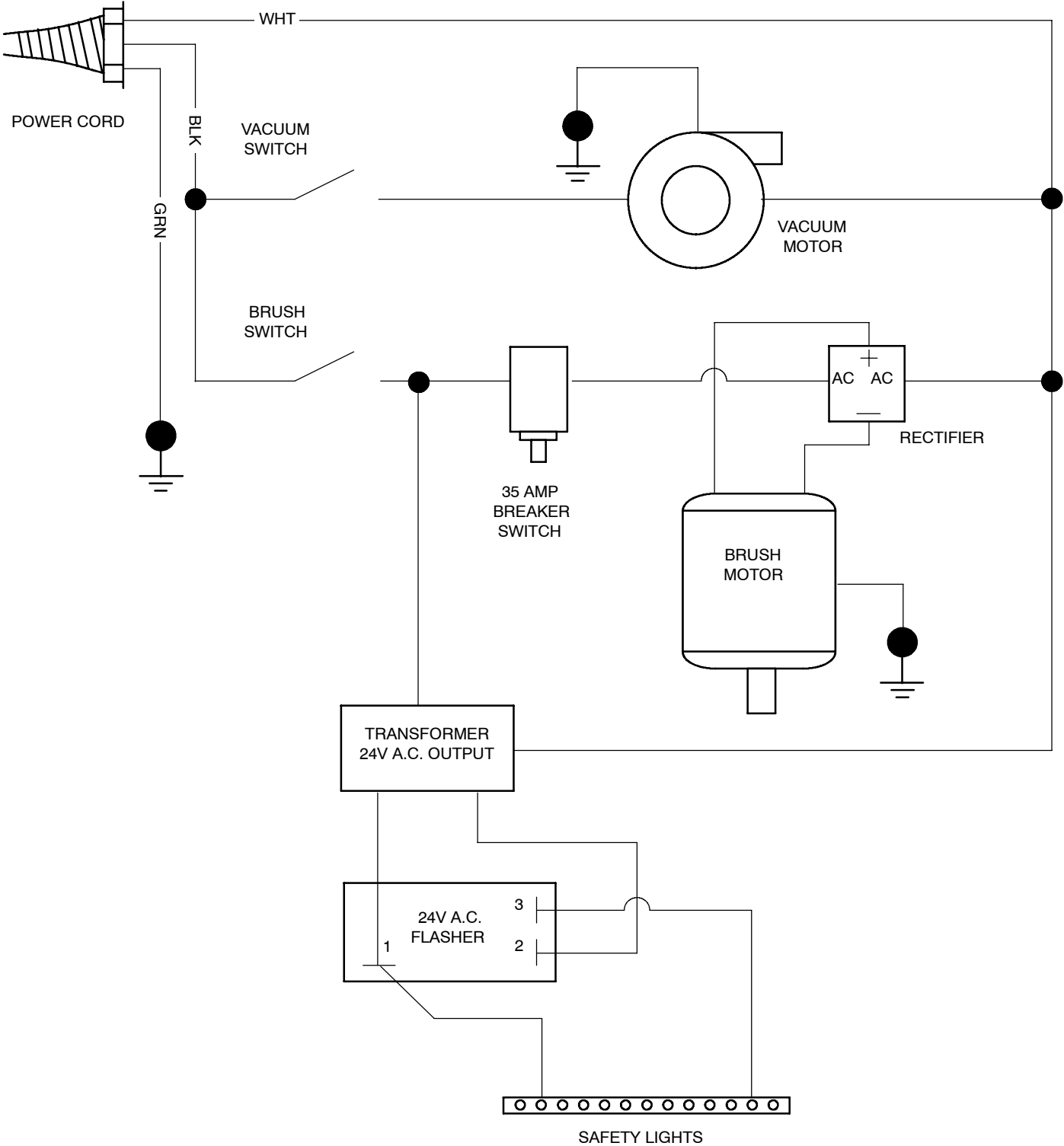
ESPECIFICACIONES

| MODELO | 5200 |
|---|-----------------------------------|
| LONGITUD | 1194 mm (47 pulg.) |
| ANCHURA | 559 mm (22 pulg.) |
| ALTURA | 965 mm (38 pulg.) |
| PESO | 108 Kg (238 lb) |
| CAPACIDAD DEL DEPÓSITO DE LA DISOLUCIÓN | 38 L (10 gal) |
| CAPACIDAD DEL DEPÓSITO DE RECUPERACIÓN | 45 L (12 gal) |
| ANCHURA DEL CARRIL DE LIMPIEZA | 508 mm (20 pulg.) |
| POTENCIA TOTAL | 120V, 14.0A, 1416w |
| MOTOR DEL CEPILLO | .75hp, 250 rpm, 120v, 6.5A, 550w |
| MOTOR DE ASPIRACIÓN | 1.15hp, 2 stage, 120v, 866w, 7.5A |
| ELEVACIÓN DEL AGUA | 2083 mm (82 pulg.) |
| LONGITUD DEL CABLE ELÉCTRICO | 14/3, 23m (75 ft) |
| RUIDO (EN DECIBELIOS) A LA ALTURA DEL OPERARIO EN UN RECINTO CERRADO CON SUELO DE BALDOSAS. | 70dB(A) |

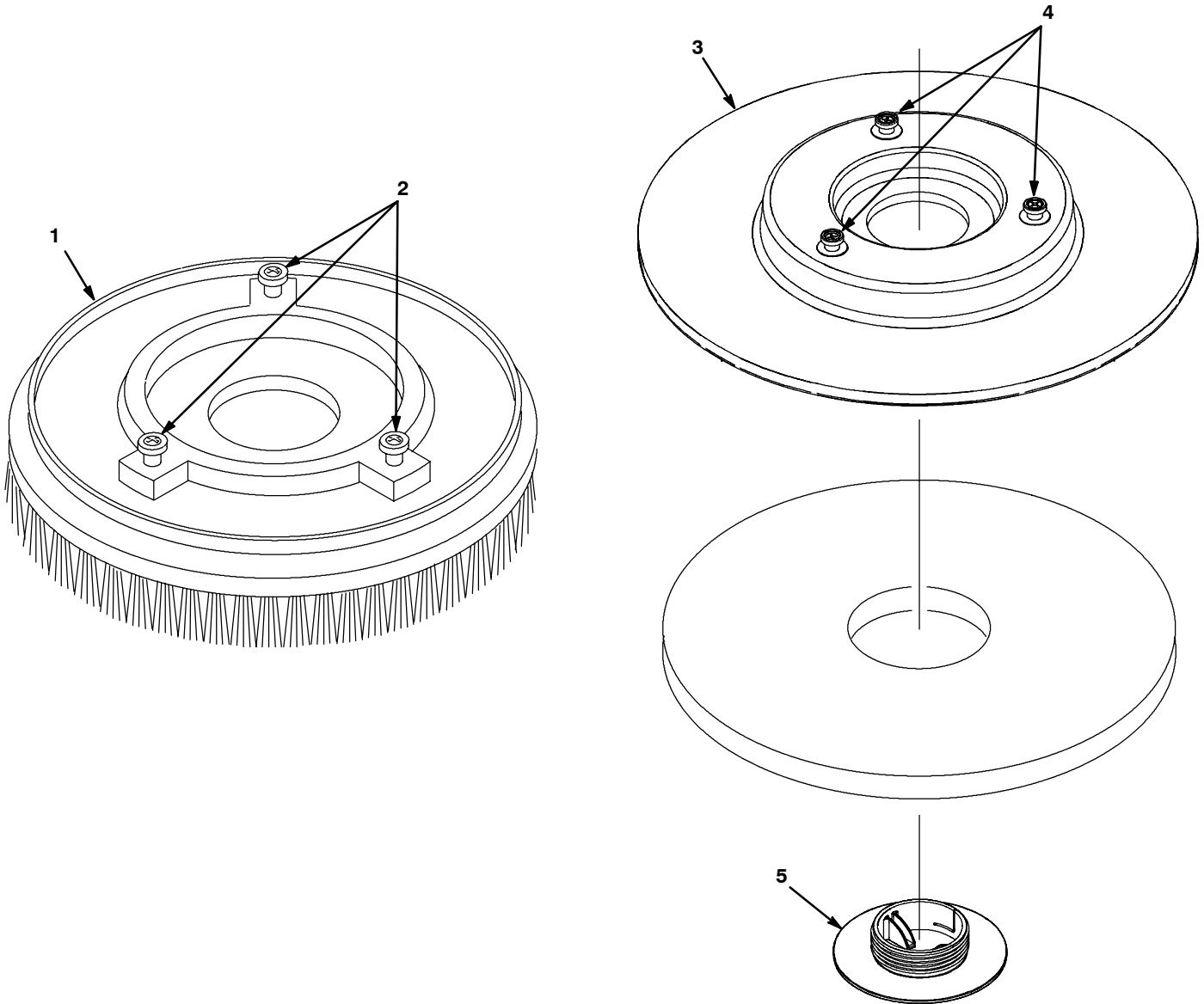
ELECTRICAL DIAGRAMS DIAGRAMAS ELECTRICAS



120V LADDER
DIAGRAM



REPLACEMENT BRUSHES AND PAD DRIVER GROUP
CEPILLO DEL REEMPLAZO Y GRUPO DEL MANDO DE LA ALMOHADILLA



**REPLACEMENT BRUSHES AND PAD DRIVER GROUP
CEPILLO DEL REEMPLAZO Y GRUPO DEL MANDO DE LA ALMOHADILLA**

| REF | PART # | DESCRIPTION | QTY. |
|-----|--------|-----------------------------|------|
| ▽ 1 | 240250 | ●BRUSH, POLY-SCRUB | 1 |
| | 240251 | ●BRUSH, DYNA-SCRUB | 1 |
| | 240252 | ●BRUSH, NYLON SCRUB/STRIP | 1 |
| | 240253 | ●BRUSH, STRATA SCRUB/STRIP | 1 |
| ▲ 2 | 240238 | ●LUGS, W/ SCREWS (SET OF 3) | 3 |

| REF | PART # | DESCRIPTION | QTY. |
|-----|---------|--|------|
| ▽ 3 | 1033173 | ●DRIVER, PAD, 20.0D | 1 |
| ▲ 4 | 240254 | ●LUGS, W/SCREWS (SET OF 3) | 3 |
| ▲ 5 | 630473 | ●DEVICE, CENTERING, RH PAD RETAINER | 1 |

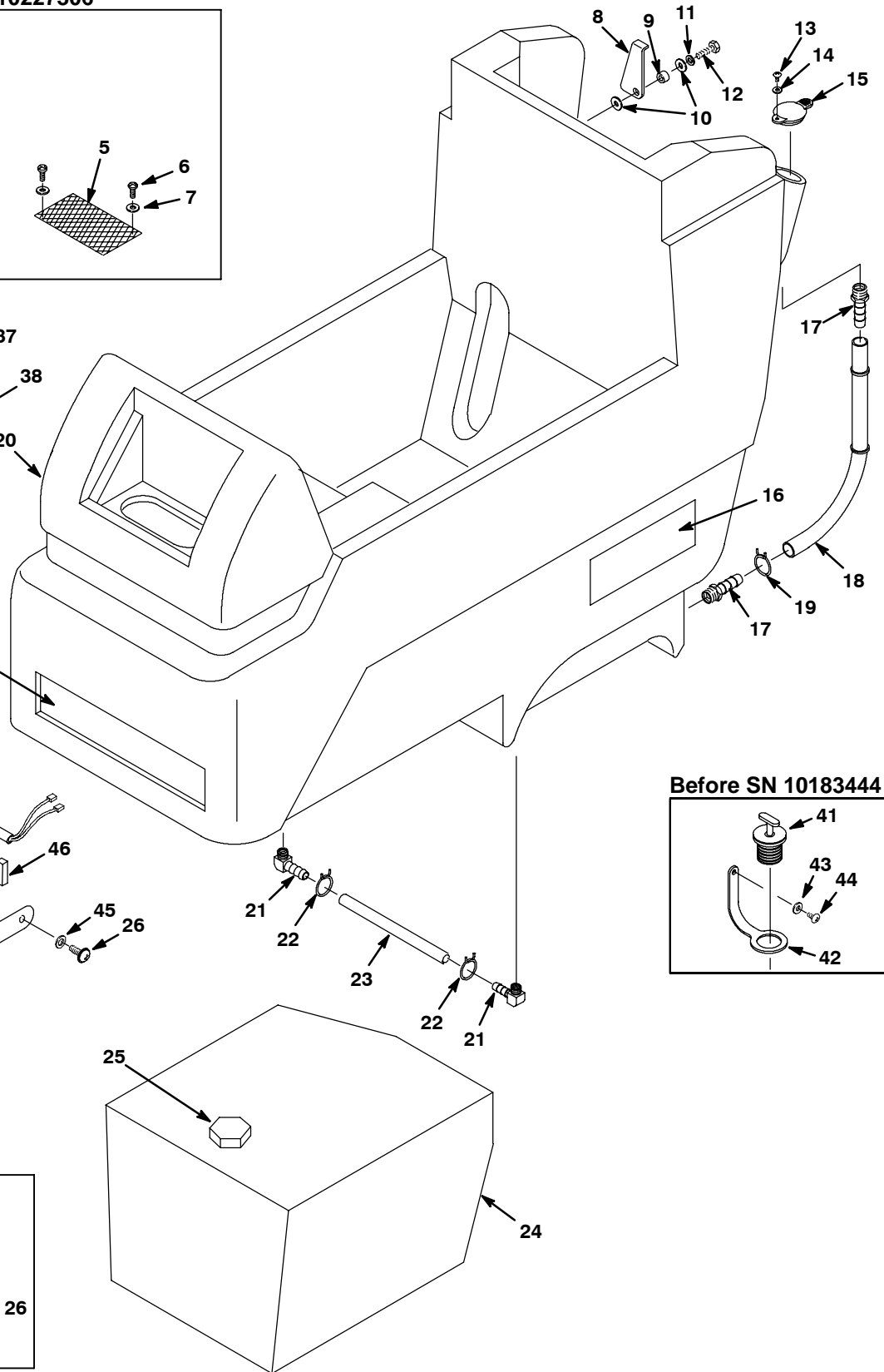
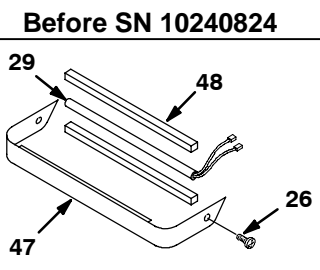
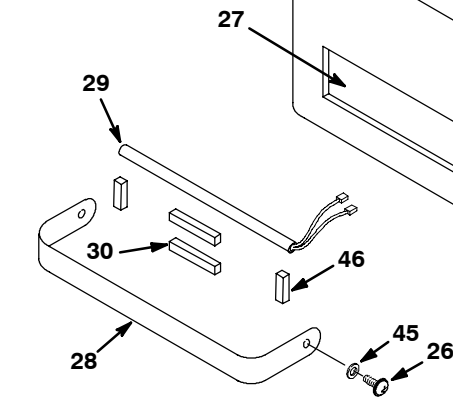
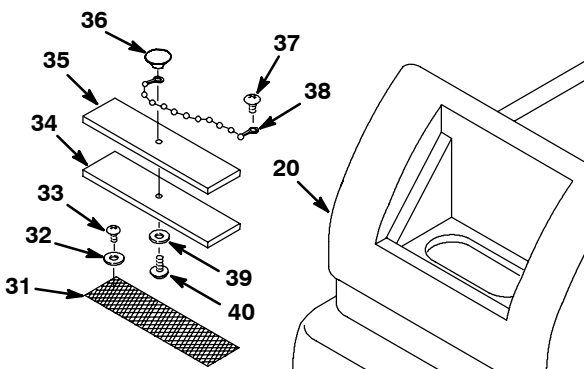
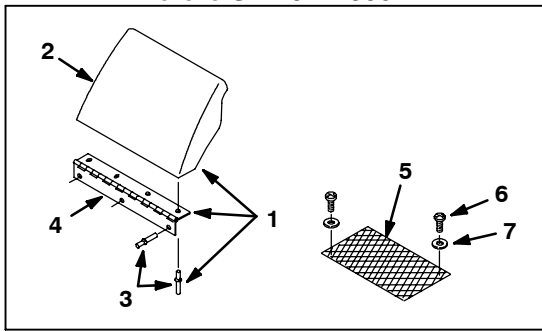
▽ ASSEMBLY / CONJUNTO

▲ INCLUDED IN ASSEMBLY / INCLUIDO EN EL CONJUNTO

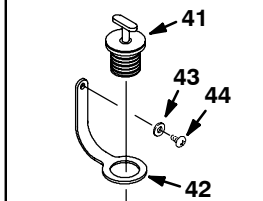
● RECOMMENDED STOCK ITEMS / ARTICULOS RECOMENDADOS

SOLUTION TANK GROUP
GRUPE DEL DEPÓSITO DE DISOLUCIÓN

Before SN 10227306



Before SN 10183444



SOLUTION TANK GROUP GRUPE DEL DEPÓSITO DE DISOLUCIÓN

| REF | PART # | DESCRIPTION | QTY. |
|-----|---------|--|------|
| ▽ 1 | 607982 | ASM, COVER SOL. TANK TEAL (BEFORE SN 10227306) | 1 |
| ▲ 2 | 607515 | COVER, SOLUTION TANK TEAL (BEFORE SN 10227306) | 1 |
| ▲ 3 | 140706 | RIVET, POP 1/8 (BEFORE SN 10227306) | 7 |
| ▲ 4 | 611068 | HINGE, COVER (BEFORE SN 10227306) | 1 |
| 5 | 607099 | ●SCREEN, SOLUTION-FILL (BEFORE SN 10227306) | 1 |
| 6 | 3701.6 | SCREW, #6 X 3/8 PHL SHTMTL (BEFORE SN 10227306) | 2 |
| 7 | 140032 | WASHER, #6 FLAT (BEFORE SN 10227306) | 2 |
| 8 | 230925 | SUPPORT, RECOVERY TANK | 1 |
| 9 | 611418 | SLEEVE, 0.437D 0.315B 0.146 | 1 |
| 10 | 140027 | WASHER, FLAT, 0.35B 0.75D .04 SS | 2 |
| 11 | 140015 | WASHER, LOCK, SPLT 0.31 SS | 1 |
| 12 | 140226 | SCREW, HEX .31-18 X 0.62 | 1 |
| 13 | 140340 | SCREW, PAN, #10-24 X 0.62, SS, TYP 25 | 1 |
| 14 | 01683 | WASHER, FLAT, #10 SS | 1 |
| 15 | 1012965 | CAP, PORT, SOLUTION FILL | 1 |
| 16 | 608120 | DECAL, 5200 SIDE | 2 |
| 17 | 14884 | FITTING, BRS STR BM08/PM06 | 2 |
| 18 | 700420 | ASM., HOSE W/SOL. INDICATOR | 1 |
| 19 | 607776 | CLAMP, HOSE 2WIRE BLK | 1 |
| 20 | 1023566 | TANK, SOLTN, RM-TL, TRIMMED [2001] | 1 |
| | 1023722 | TANK KIT, SOLTN, RM-TL TRIMMED [2001] (BEFORE SN 10183444) | 1 |
| 21 | 150419 | FITTING, E90, PM04/BM06 | 2 |
| 22 | 607775 | CLAMP, HOSE 2WIRE BLK | 2 |
| 23 | 606240 | ●HOSE, 3/8IDX5/8ODX10.25 | 1 |
| 24 | 602713 | TANK, BALLAST | 1 |
| 25 | 230119 | FITTING, 1-1/4M HEX PLUG | 1 |

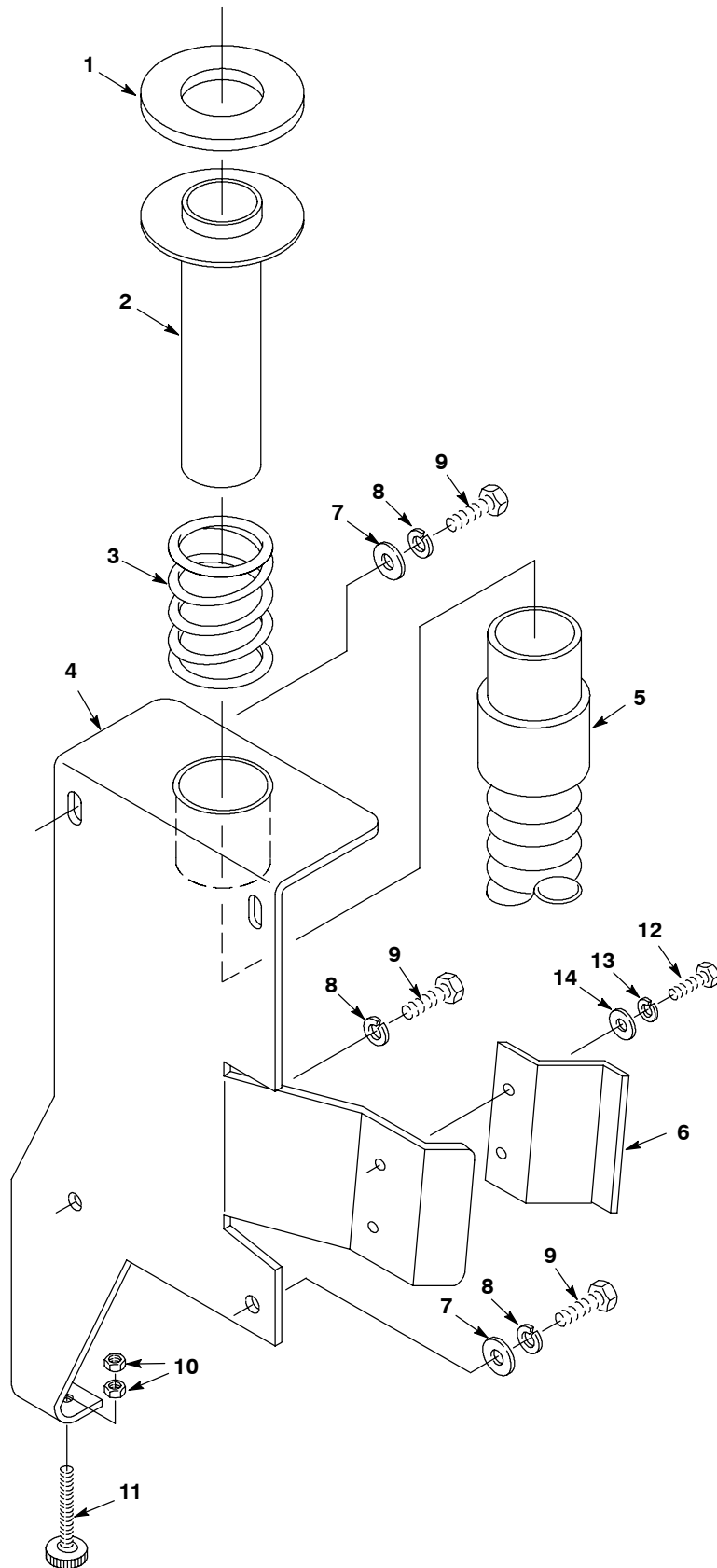
| REF | PART # | DESCRIPTION | QTY. |
|-----|-----------|--|------------|
| 26 | 140835 | SCREW, 10-24X3/8 PAN PHL | 2 |
| 27 | 120210 | DECAL, TENNANT LOGO | 1 |
| 28 | 1020769 | SHIELD, LIGHT | 1 |
| 29 | 1024583 | LIGHT, SAFETY 24VDC 14" | 1 |
| 30 | 613454 | GASKET, CLSD CELL, .5 (1.17FT) | .25 FT |
| 31 | 606146 | SCREEN, FLTR, SOLTN FILL NAT | 1 |
| 32 | 140032 | WASHER, FLAT, #6, SS | 2 |
| 33 | 140826 | SCREW, PAN, #06-32 X 0.75, PHL, SS SHTMTL | 2 |
| 34 | 605062 | ●GASKET, COVER, SOLUTION FILL | 1 |
| 35 | 605061 | COVER SOLUTION FILL | 1 |
| 36 | 578301 | ●KNOB 10-32F FILL-COVER | 1 |
| 37 | 140826 | SCREW, PAN, #06-32 X 0.75, PHL, SS SHTMTL | 1 |
| 38 | 621443 | ●CHAIN, BALL, #10, 157MML, SS | 1 |
| 39 | 07514 | WASHER, LOCK, INT, #10, SS | 1 |
| 40 | 578201000 | SCREW, PAN, #10-32 X 0.50, PHL, PL | 1 |
| 41 | 621324 | ●PLUG, EXPANDABLE 1.50D (BEFORE SN 10183444) | 1 |
| 42 | 600476 | ●STRAP, PLUG REAR FILL (BEFORE SN 10183444) | 1 |
| 43 | 19066 | WASHER, FLAT #10 (BEFORE SN 10183444) | 1 |
| 44 | 140350 | SCREW, #10X1/2 (BEFORE SN 10183444) | 1 |
| 45 | 19324 | WASHER, FLAT, #10 SAE | 2 |
| 46 | 613454 | GASKET, CLSD CELL, .5 (1.17FT) | .125 FT |
| 47 | 612764 | SHIELD, LIGHT (BEFORE SN 10240824) | 1 |
| 48 | 613454 | GASKET, CLSD CELL, .5 (1.17FT) (BEFORE SN 10240824) | 1.17 FT |

▽ ASSEMBLY / CONJUNTO

▲ INCLUDED IN ASSEMBLY / INCLUIDO EN EL CONJUNTO

● RECOMMENDED STOCK ITEMS / ARTICULOS RECOMENDADOS

SOLUTION TANK REAR PANEL GROUP
CONJUNTO PANEL TRASERA



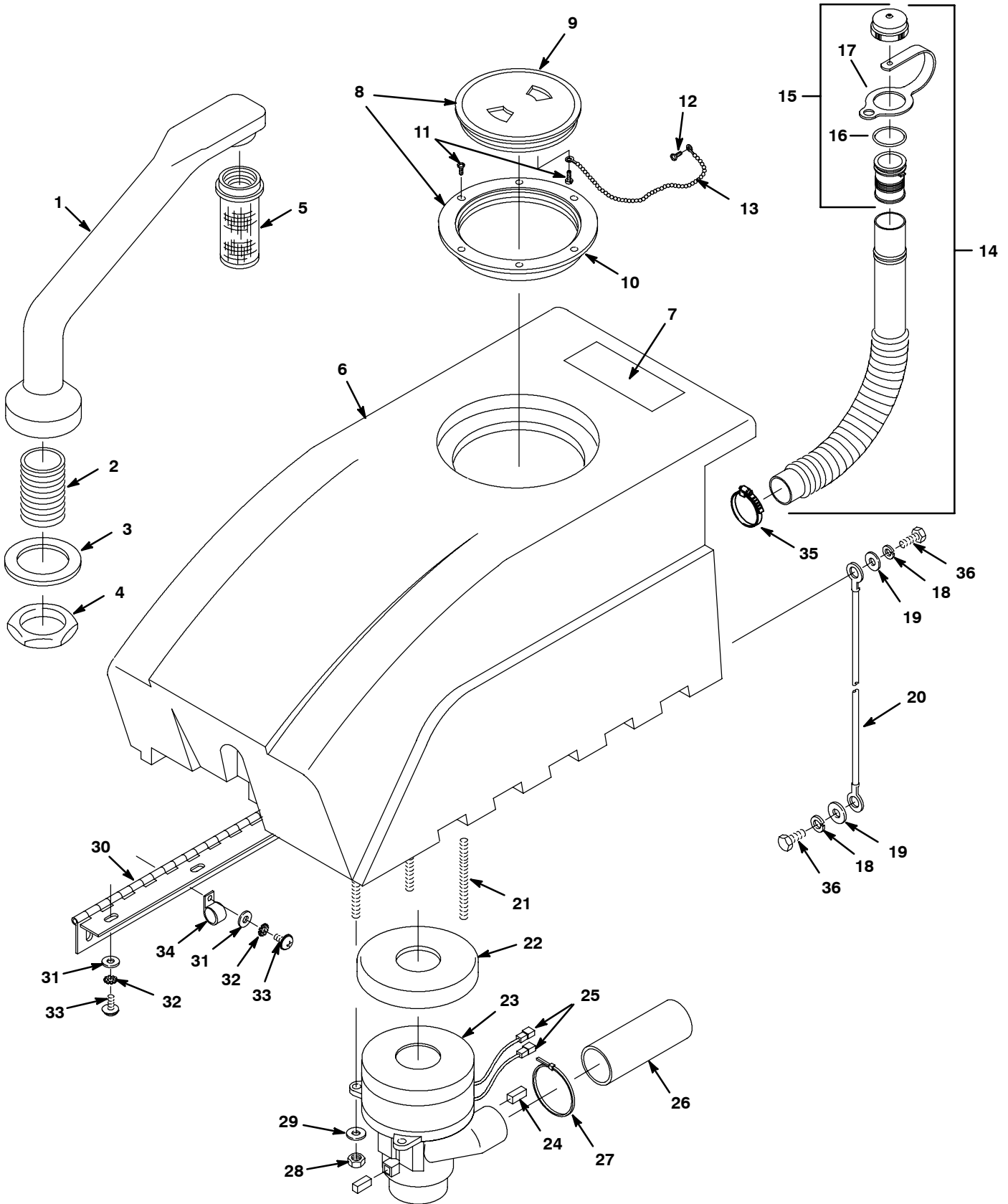
SOLUTION TANK REAR PANEL GROUP
CONJUNTO PANEL TRASERA

| REF | PART # | DESCRIPTION | QTY. |
|-----|---------|---|------|
| 1 | 100151 | ●GASKET, TUBE ADAPTER | 1 |
| 2 | 230664 | ADAPTER, TUBE | 1 |
| 3 | 140424 | SPRING, TUBE-ADAPTER | 1 |
| 4 | 1001210 | BRACKET, TUBE MOUNTING | 1 |
| 5 | 612798 | ●HOSE, VACUUM, 1.50ID X 027.0L, 2CUFF, BLK | 1 |
| 6 | 230872 | LATCH, PLATE BRUSH LIFT | 1 |
| 7 | 140027 | WASHER, 5/16 FLAT | 3 |
| 8 | 140015 | WASHER, 5/16 SPLITLOCK | 4 |

| REF | PART # | DESCRIPTION | QTY. |
|-----|--------|---|------|
| 9 | 140226 | SCREW, 5/16-18X5/8 | 4 |
| 10 | 140548 | NUT, 5/16 FINJAM | 2 |
| 11 | 240191 | KNOB ASSY, RND 1.00D .31-18 2.0L PLSTC | 1 |
| 12 | 140259 | SCREW, 1/4-20X5/8 | 2 |
| 13 | 140016 | WASHER, LOCK .25 | 2 |
| 14 | 140000 | WASHER, 1/4 FLAT | 2 |

● RECOMMENDED STOCK ITEMS / ARTICULOS RECOMENDADOS

RECOVERY TANK GROUP
CONJUNTO DESPÓSITO RECUPERAR



RECOVERY TANK GROUP
CONJUNTO DESPÓSITO RECUPERAR

| REF | PART # | DESCRIPTION | QTY. |
|-------|---------|---|------|
| ▽ 1 | 701103 | ASM, STANDPIPE W/NIPPLE | 1 |
| ▲ 2 | 606088 | FITTING, 1-1/2" NIPPLE | 1 |
| 3 | 101714 | ●GASKET, WASTE AIR CHAMBER | 1 |
| 4 | 210240 | NUT, 1-1/2 FPT FLNG METAL | 1 |
| 5 | 180613 | ●FLOAT, SHUT-OFF (1) BALL | 1 |
| ▽ 6 | 614149 | ASM., TANK REC. TEAL | 1 |
| ▲ 7 | 1026383 | LABEL, WARNING [EXPL, FIRE, SHK EN/FR/ES] | 1 |
| ▽ 8 | 100102 | ●ASM., LID CLEAR W/STND HOLE | 1 |
| ▲ 9 | 100105 | ●LID, CLEAR CENTER ONLY | 1 |
| ▲ 10 | 100109 | ●LID, OUTER RING ONLY | 1 |
| 11 | 140826 | SCREW, #6 X 3/4 PHL SHTMTL | 7 |
| 12 | 3701.6 | SCREW, #6 X 3/8 PHL SHTMTL | 1 |
| 13 | 230513 | CHAIN | 1 |
| ▽ 14 | 1010143 | ●ASM., DRAIN HOSE | 1 |
| ▲▽ 15 | 1008639 | ●ASM., CAP, DRAIN HOSE | 1 |
| ▲ 16 | 1008637 | ●O-RING | 1 |
| ▲ 17 | 1019563 | ●STRAP, DRAIN CAP | 1 |
| 18 | 140016 | WASHER, 1/4 LOCK | 2 |

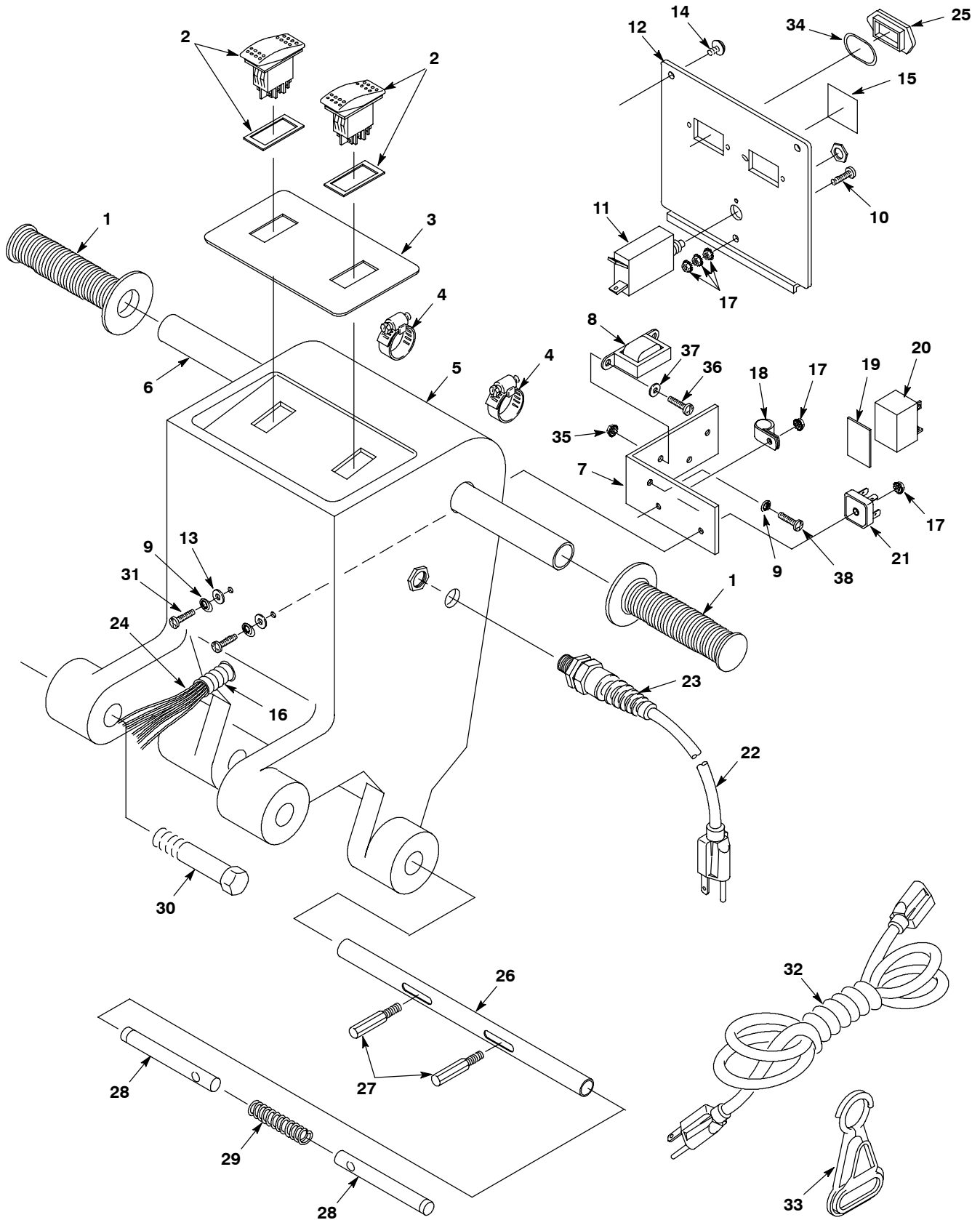
| REF | PART # | DESCRIPTION | QTY. |
|------|--------|--|------|
| 19 | 140000 | WASHER, 1/4 FLAT | 2 |
| 20 | 140960 | ●CABLE, REC. TANK SUPPORT | 1 |
| 21 | 606923 | STUD, 1/4-20 X 4.00 | 3 |
| 22 | 100038 | ●GASKET VAC MOTOR 5.7 | 1 |
| ▽ 23 | 130402 | ●MOTOR, VAC 5.7 2S 120V | 1 |
| ▲ 24 | 190155 | ●BRUSH, CARBON 2/PK | 2 |
| 25 | 130133 | TERMINAL, MALE .25 | 2 |
| 26 | 600009 | ●MUFFLER, VAC EXHAUST | 1 |
| 27 | 130041 | WIRE TIE, 11-1/2X.19 | 1 |
| 28 | 41169 | NUT, HEX LOCK .25-20 NY | 3 |
| 29 | 140000 | WASHER, 1/4 FLAT | 3 |
| 30 | 605244 | ●HINGE, RECOVERY TANK | 1 |
| 31 | 140000 | WASHER, 1/4 FLAT | 9 |
| 32 | 140052 | WASHER, LOCK EXT 0.25 | 9 |
| 33 | 140885 | SCREW, TRS 1/4-20 X 0.50 PHL | 9 |
| 34 | 140300 | CLAMP, INSULATED 1/2"ID | 1 |
| 35 | 11531 | CLAMP, HOSE, WORMDRIVE, 1.06-2.00D, .56W | 1 |
| 36 | 140259 | SCREW, 1/4-20X5/8 | 2 |

▽ ASSEMBLY / CONJUNTO

▲ INCLUDED IN ASSEMBLY / INCLUIDO EN EL CONJUNTO

● RECOMMENDED STOCK ITEMS / ARTICULOS RECOMENDADOS

CONTROL CONSOLE GROUP
CONJUNTO CONSOLA DE CONTROLES



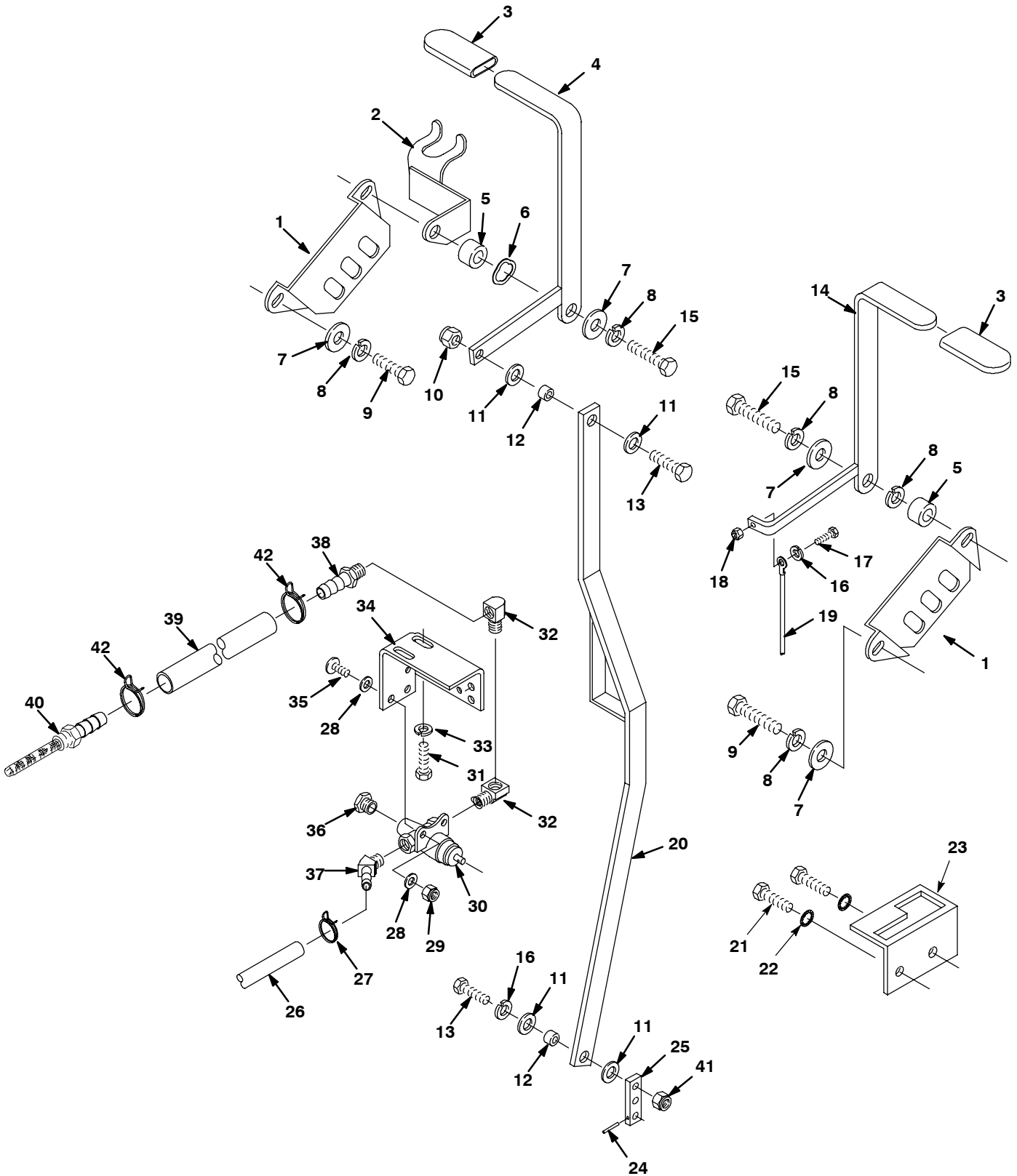
CONTROL CONSOLE GROUP
CONJUNTO CONSOLA DE CONTROLES

| REF | PART # | DESCRIPTION | QTY. |
|-----|--------|-------------------------------|------|
| 1 | 200823 | GRIP, HANDLE TUBE | 2 |
| 2 | 608605 | ●SWITCH, ROCKER DPST SEAL | 2 |
| 3 | 600813 | DECAL, DASH | 1 |
| 4 | 614157 | CLAMP, HOSE | 2 |
| 5 | 607531 | CONTROL, CONSOLE TEAL | 1 |
| 6 | 230709 | HANDLE, TUBE | 1 |
| 7 | 230744 | BRACKET, ELECTRONICS MOUNT | 1 |
| 8 | 130025 | ●TRANSFORMER, 24V/115/230V.2A | 1 |
| 9 | 140018 | WASHER, LOCK #10 INT | 3 |
| 10 | 140900 | SCREW, TRS 10-24 X 0.75 PHL | 1 |
| 11 | 130755 | ●BREAKER, CIRCUIT 10A 120V | 1 |
| 12 | 610949 | COVER, CONTROL CONSOLE | 1 |
| 13 | 140011 | WASHER, FLAT 0.18 | 2 |
| 14 | 140197 | SCREW, TRS 10-24X0.38 PHL SEM | 2 |
| 15 | 606105 | LABEL, HZRD DO NOT SPRAY | 1 |
| 16 | 605841 | ●LOOM, .75DIA X 6FT | 1 |
| 17 | 140519 | NUT, 10-24 KEP | 5 |
| 18 | 140323 | CLAMP, CABLE 1/2ID NY NATURAL | 1 |
| 19 | 606243 | TAPE, ACRYLIC FOAM, 1"WX12L | 1 |
| 20 | 130024 | ●FLASHER, 24V AC 120V | 1 |

| REF | PART # | DESCRIPTION | QTY. |
|-----|--------|--|------|
| 21 | 190753 | ●RECTIFIER, 60A/600V | 1 |
| 22 | 130227 | CORD, 14/3X20" YELLOW (120V) | 1 |
| 23 | 130167 | STRAIN-RELIEF, CORD ELEC. .50 NPT BLK (120V) | 1 |
| 24 | 611760 | HARNESS, WIRE MAIN | 1 |
| 25 | 609969 | ●PLUG, HOUR METER | 2 |
| 26 | 230715 | TUBE, HANDLE ADJUSTMENT | 1 |
| 27 | 230649 | PIN, HANDLE ADJUSTMENT | 2 |
| 28 | 230710 | PIN, HANDLE LOCK | 2 |
| 29 | 140415 | SPRING, LOCK PIN | 1 |
| 30 | 140241 | BOLT, SHLD .620 X 2.00 | 2 |
| 31 | 140804 | SCREW, RND 10-24 X 1 PHL | 2 |
| 32 | 130229 | CORD, EXT 14/3X75' (120V) | 1 |
| 33 | 130176 | ●CLIP, BELT STRAIN-RELIEF | 1 |
| 34 | 605823 | ●O-RING, .926 ID X .99600 | 2 |
| 35 | 140539 | NUT, 6-32 KEP | 2 |
| 36 | 140831 | SCREW, 6-32 X 5/8 RND PHL | 2 |
| 37 | 140032 | WASHER. #6 FLAT | 2 |
| 38 | 140887 | SCREW, 10-24 X 3/8 PAN PHL | 1 |

● RECOMMENDED STOCK ITEMS / ARTICULOS RECOMENDADOS

LEVER GROUP
CONJUNTO DE PALANCAS



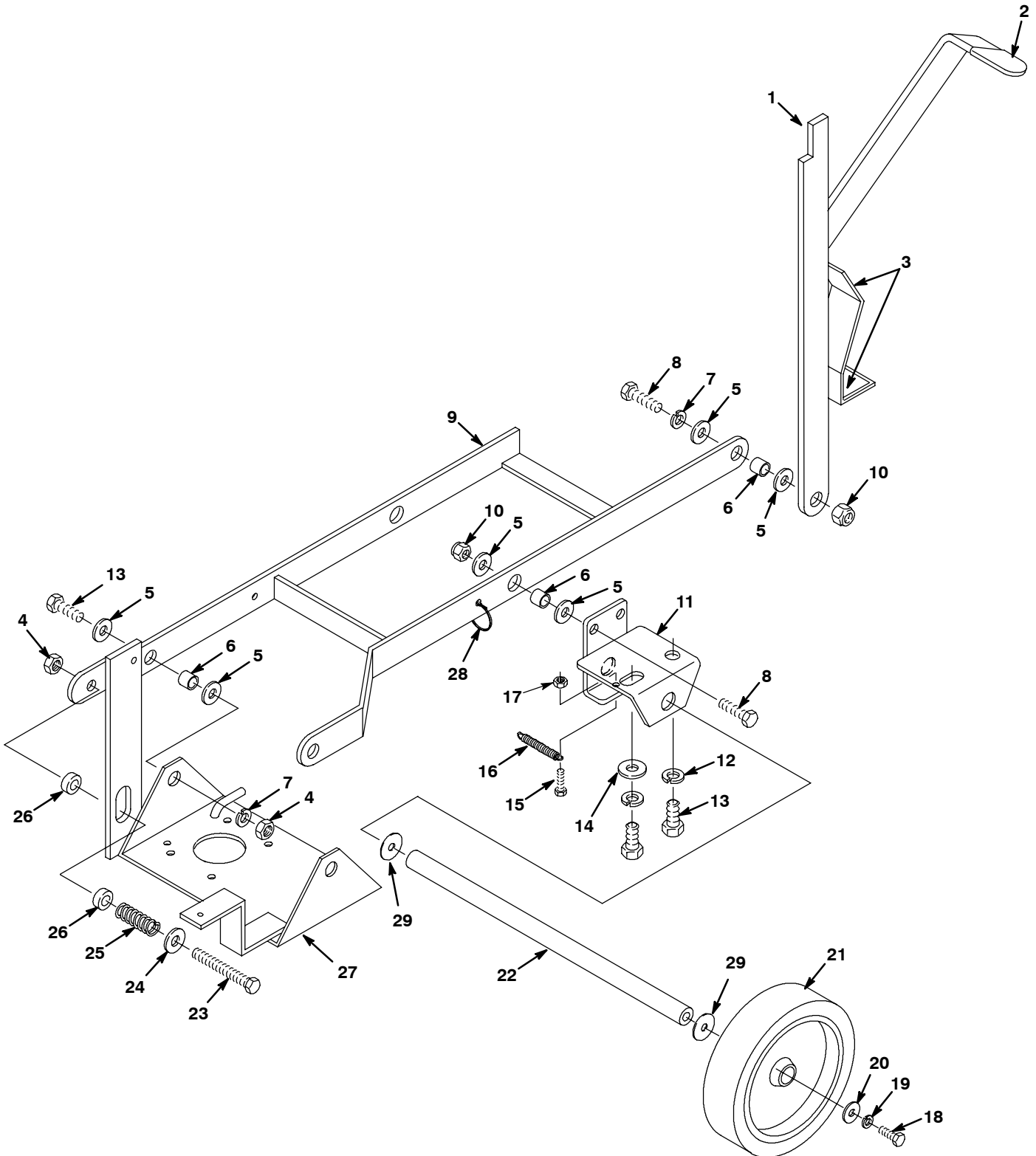
LEVER GROUP
CONJUNTO DE PALANCAS

| REF | PART # | DESCRIPTION | QTY. |
|-----|---------|---------------------------------|------|
| 1 | 230661 | PLATE, LOCK CONTROL HOUSING | 2 |
| 2 | 611979 | WELDMENT, DRAIN HOSE HANGER | 1 |
| 3 | 200816 | ●GRIP, HANDLE | 2 |
| 4 | 230719 | HANDLE, SOLUTION VALVE | 1 |
| 5 | 230735 | BUSHING, SPACER | 2 |
| 6 | 140060 | WASHER, .505 X .750 X .045 WAVE | 1 |
| 7 | 140027 | WASHER, 5/16 FLAT | 4 |
| 8 | 140015 | WASHER, 5/16 SPLITLOCK | 4 |
| 9 | 140226 | SCREW, 5/16-18X5/8 | 2 |
| 10 | 32520 | NUT, .25-20 HEXJAM | 1 |
| 11 | 140000 | WASHER, 1/4 FLAT | 4 |
| 12 | 140134 | SLEEVE, 0.376D 0.253B 0.28L | 2 |
| 13 | 140208 | SCREW, HEX .25-20 X 1.00 | 2 |
| 14 | 230728 | HANDLE, SQUEEGEE LIFT | 1 |
| 15 | 140221 | SCREW, HEX .31-18X1.25 | 2 |
| 16 | 140016 | WASHER, 1/4 LCK | 2 |
| 17 | 140259 | SCREW, 1/4-20X5/8 | 1 |
| 18 | 140510 | NUT, 1/4-20 HEXJAM | 1 |
| 19 | 1015636 | ●CABLE, SQUEEGEE LIFT | 1 |
| 20 | 230718 | LEVER, SOLUTION VALVE | 1 |
| 21 | 140951 | SCREW, 10-24X7/16 | 2 |

| REF | PART # | DESCRIPTION | QTY. |
|-----|--------|----------------------------|------|
| 22 | 140018 | WASHER, LOCK INT #10 | 2 |
| 23 | 230712 | PLATE, SQUEEGEE LOCK | 1 |
| 24 | 140616 | PIN, ROLL | 1 |
| 25 | 230657 | ARM, VALVE | 1 |
| 26 | 606238 | HOSE, 3/8IDX5/8ODX18 | 1 |
| 27 | 607776 | CLAMP, HOSE 2WIRE BLK | 1 |
| 28 | 140011 | WASHER, 3/16 FLAT | 4 |
| 29 | 140552 | NUT, 10-24 NYLOCK | 2 |
| 30 | 210259 | ●VALVE, BALL 3-WAY | 1 |
| 31 | 140259 | SCREW, HEX .25-20 X .62 | 2 |
| 32 | 27048 | FITTING, BRS E90 04PM/04PF | 2 |
| 33 | 140016 | WASHER, 1/4 LOCK | 2 |
| 34 | 600750 | BRACKET, VALVE | 1 |
| 35 | 140895 | SCREW, 10-24X3/4 | 2 |
| 36 | 150206 | FITTING, BRS PLUG 04PM HEX | 1 |
| 37 | 605394 | FITTING, BRS E45 BM06/PM04 | 1 |
| 38 | 150517 | FITTING, BRS STR 04PM/08BM | 1 |
| 39 | 606241 | HOSE, 1/2ID X 6" | 1 |
| 40 | 180629 | FILTER, SCREEN 012 MESH | 1 |
| 41 | 41169 | NUT, HEX LOCK .25-20 NL | 1 |
| 42 | 607775 | CLAMP, HOSE 2WIRE BLK | 2 |

● RECOMMENDED STOCK ITEMS / ARTICULOS RECOMENDADOS

WHEEL GROUP, BRUSH ASSIST MODEL
GRUPO DE RUEDAS, MODELO BRUSH ASSIST



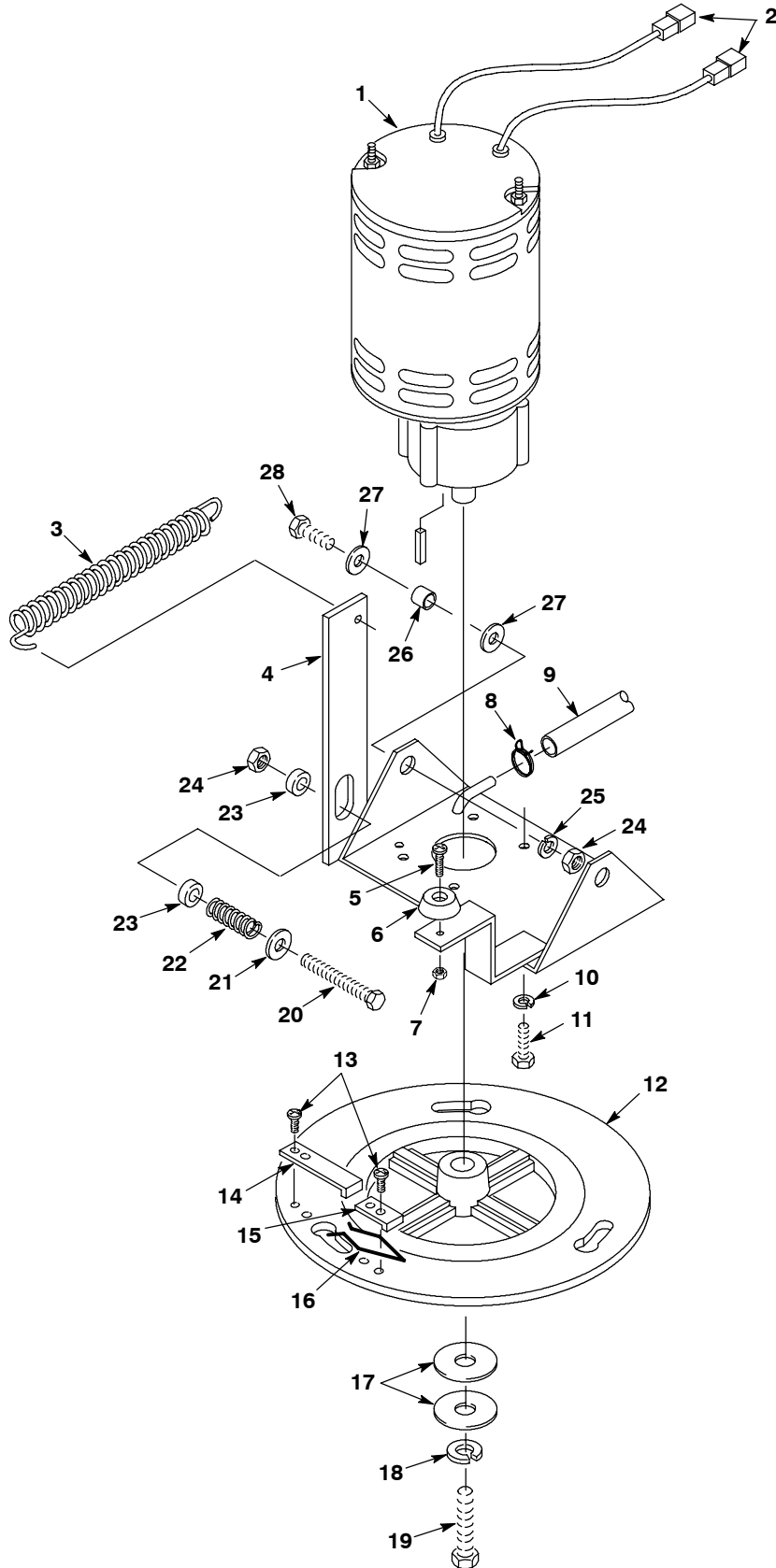
WHEEL GROUP, BRUSH ASSIST MODEL
GRUPO DE RUEDAS, MODELO BRUSH ASSIST

| REF | PART # | DESCRIPTION | QTY. |
|-----|--------|--------------------------------|------|
| 1 | 230874 | LEVER, BRUSH LIFT FOOT | 1 |
| 2 | 200816 | GRIP, HANDLE | 1 |
| 3 | 102560 | PAD, NON-SLIP 1.62 SQ. | 2 |
| 4 | 140509 | NUT, 1/2-13 HEXJAM | 4 |
| 5 | 140045 | WASHER, .510X1.25X.06 FLAT | 10 |
| 6 | 140139 | SLEEVE, 0.625D 0.50B 0.25L STL | 6 |
| 7 | 140024 | WASHER, 1/2 LOCK | 3 |
| 8 | 140236 | SCREW, .50-13 X 1.25 | 5 |
| 9 | 230870 | WELDMENT, LIFT BRACKET | 1 |
| 10 | 02931 | NUT, HEX .50-13 LOCK NY | 2 |
| 11 | 230869 | BRACKET, AXLE & SQ PIVOT MNT | 2 |
| 12 | 140024 | WASHER, LOCK 0.50 | 4 |
| 13 | 140237 | SCREW, HEX .50-13 X 1.00 | 6 |
| 14 | 140045 | WASHER, .510X1.25X.06 FLAT | 2 |
| 15 | 02991 | SCREW, HEX .31-18 X 0.75 | 2 |

| REF | PART # | DESCRIPTION | QTY. |
|-----|----------|----------------------------------|------|
| 16 | 140433 | SPRING, EXT .50 X 3.00 | 2 |
| 17 | 140506 | NUT, 5/16-18 HEX | 2 |
| 18 | 02994 | SCREW, HEX .38-16 X 0.75 | 2 |
| 19 | 140017 | WASHER, LOCK SPLIT 0.38 | 2 |
| 20 | 140028 | WASHER, FLAT .38 | 2 |
| 21 | 1012022 | ●WHEEL 8"X1.5" | 2 |
| 22 | 230743 | SHAFT, AXLE .75D 166L | 1 |
| 23 | 140234 | SCREW, 1/2-13X2-1/2 HXHDCP | 1 |
| 24 | 3148.816 | WASHER, 0.52B 0.88D .06 | 1 |
| 25 | 140430 | SPRING, HANDLE LOCK | 1 |
| 26 | 140127 | BEARING, THRUST | 2 |
| 27 | 230871 | BRACKET, MOTOR MOUNT | 1 |
| 28 | 130040 | WIRE TIE, NYLON | 1 |
| 29 | 140047 | WASHER, FLAT, 0.75 1.25D .06, SS | 2 |

● RECOMMENDED STOCK ITEMS / ARTICULOS RECOMENDADOS

BRUSH DRIVE GROUP
CONJUNTO IMPULSO DE CEPILLO



BRUSH DRIVE GROUP
CONJUNTO IMPULSO DE CEPILLO

| REF | PART # | DESCRIPTION | QTY. |
|-----|--------|-------------------------------|------|
| ▽ 1 | 130481 | ●MOTOR, BRUSH DRIVE (120V) | 1 |
| ▲ | 22117 | ●BRUSH, CARBON | 4 |
| ▲ | 190742 | ●ASM, CARBON BRUSH CARD | 1 |
| 2 | 130192 | TERMINAL ENDS | 2 |
| 3 | 140431 | SPRING, EXT 1.0 X 5.00 X 0.95 | 1 |
| 4 | 230871 | BRACKET, MOTOR MOUNT | 1 |
| 5 | 140823 | SCREW, TRS 10-24 X 0.63 PHL | 1 |
| 6 | 100091 | BUMPER, RECESSED | 1 |
| 7 | 140552 | NUT, HEX 10-24 NY | 1 |
| 8 | 607775 | CLAMP, HOSE 2WIRE BLK | 1 |
| 9 | 609924 | HOSE, 3/8IDX5/8ODX19" CLEAR | 1 |
| 10 | 140017 | WASHER, LOCK SPLIT 0.38 | 4 |
| 11 | 69225 | SCREW, HEX, .38-16 X 1.00, SS | 4 |
| 12 | 606335 | PLATE, DRIVE MOLDED | 1 |
| 13 | 140197 | SCREW, TRS 10-24X0.38 PHLSEM | 4 |

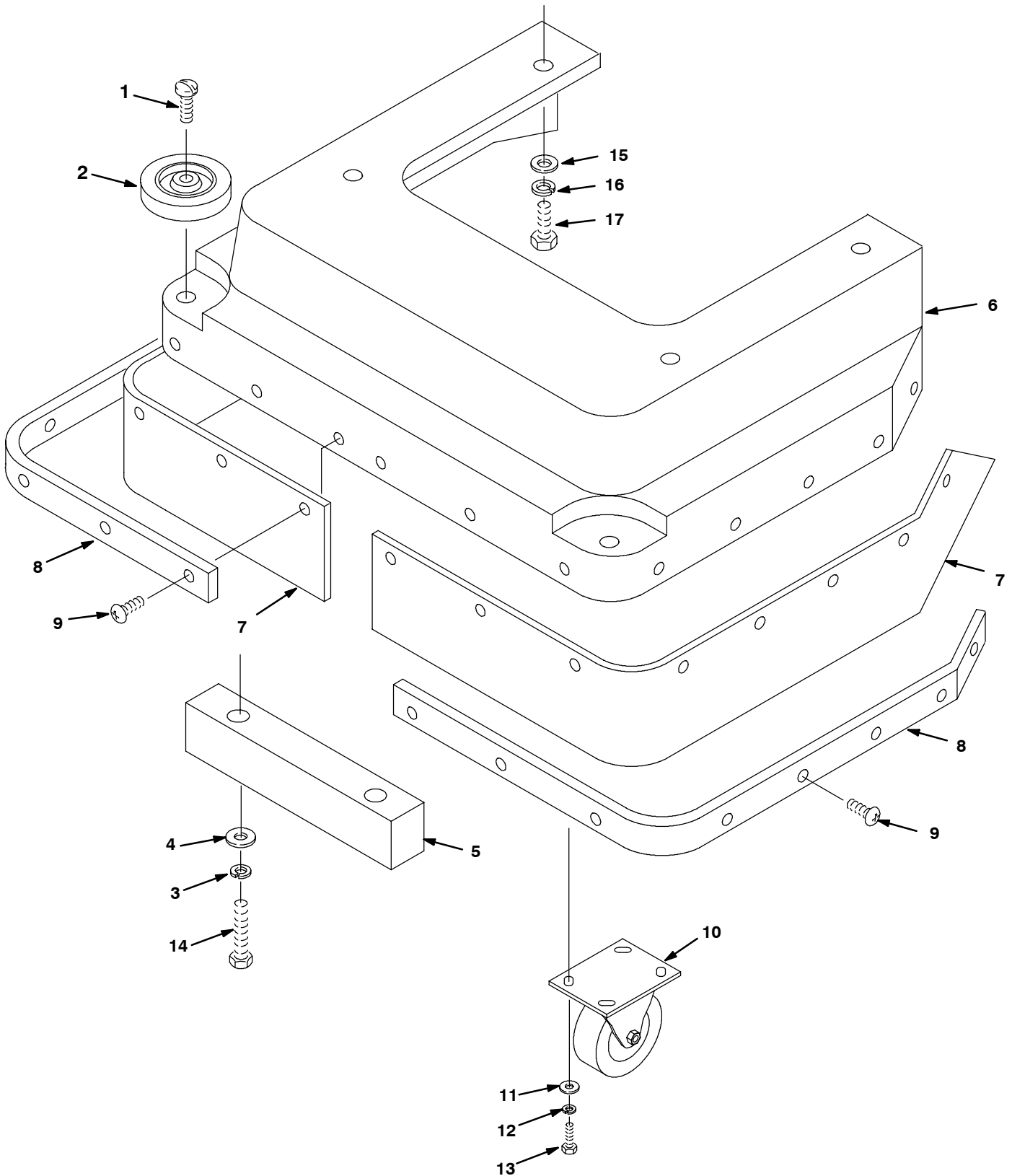
| REF | PART # | DESCRIPTION | QTY. |
|-----|----------|------------------------------|------|
| 14 | 230697 | ●STOP, DRIVER RELEASE | 1 |
| 15 | 230651 | ●CLAMP, BRUSH PLATE | 1 |
| 16 | 140417 | ●CLIP, SPRING | 1 |
| 17 | 25732 | WASHER, 0.36B 1.25D .093 FLT | 2 |
| 18 | 140015 | WASHER, LOCK SPLIT 0.31 | 1 |
| 19 | 140219 | SCREW, HEX .31-18 X 1.00 | 1 |
| 20 | 140234 | SCREW, HEX .50-13 X 2.50 | 1 |
| 21 | 3148.816 | WASHER, 0.52B 0.88D .06 | 1 |
| 22 | 140430 | SPRING, HANDLE LOCK | 1 |
| 23 | 140127 | BEARING, THURST | 2 |
| 24 | 140509 | NUT, 1/2-13 HXJM | 3 |
| 25 | 140024 | WASHER, LOCK 0.50 | 2 |
| 26 | 140139 | SLEEVE, 0.625D 0.500B 0.25L | 2 |
| 27 | 140045 | WASHER, .51BX1.25DX.06 FLAT | 4 |

▽ ASSEMBLY / CONJUNTO

▲ INCLUDED IN ASSEMBLY / INCLUIDO EN EL CONJUNTO

● RECOMMENDED STOCK ITEMS / ARTICULOS RECOMENDADOS

SKIRT GROUP
CONJUNTO JUEGO



SKIRT GROUP
CONJUNTO JUEGO

| REF | PART # | DESCRIPTION | QTY. |
|-----|---------|-------------------------------|------|
| ∇ | 608789 | ASM, SKIRT 20" TEAL | 1 |
| ▲ | 140799 | ●SCREW, TRS .31-18 X 1.50 PHL | 2 |
| ▲ | 1014918 | ●WHEEL, RBR 3"X1" W/BUSHINGS | 2 |
| ▲ | 140015 | WASHER, 5/16 SPLITLOCK | 4 |
| ▲ | 140027 | WASHER, 5/16 FLAT | 2 |
| ▲ | 230875 | WEIGHT, 2X2.5X9.5 | 1 |
| ▲ | 607537 | SKIRT, HSG. 20" TEAL | 1 |
| ▲ | 605958 | ●GUARD, SPLASH | 2 |
| ▲ | 605959 | STRAP, SPLASH GUARD | 2 |

| REF | PART # | DESCRIPTION | QTY. | |
|-----|--------|-------------|-------------------------------|----|
| ▲ | 9 | 605975 | SCREW, TRS 10-24X0.50 PHL SEM | 16 |
| ▲ | 10 | 606986 | ●CASTER, SWIVEL 3"X1.25" | 2 |
| ▲ | 11 | 140000 | WASHER, 1/4 FLAT | 8 |
| ▲ | 12 | 140016 | WASHER, LOCK 0.25 | 8 |
| ▲ | 13 | 140259 | SCREW, HEX .25-20 X .62 | 8 |
| ▲ | 14 | 140220 | SCREW, 5/16-18X2-1/2 TAP | 2 |
| | 15 | 140027 | WASHER, FLAT 0.31 | 4 |
| | 16 | 140015 | WASHER, LOCK SPLT 0.31 | 4 |
| | 17 | 140216 | SCREW, HEX .31-18 X 1.50 | 4 |

∇ ASSEMBLY / CONJUNTO

▲ INCLUDED IN ASSEMBLY / INCLUIDO EN EL CONJUNTO

● RECOMMENDED STOCK ITEMS / ARTICULOS RECOMENDADOS

CURVED SQUEEGEE ASSEMBLY
CONJUNTO PALETA ENCORUADO

| REF | PART # | DESCRIPTION | QTY. |
|------|-----------|--|------|
| 1 | 9001504 | MOUNT, PIVOT, SQGE [2001] (BEFORE SN 10245053) | 1 |
| 2 | 140045 | WASHER, 0.51B 1.25D .06 FLAT | 4 |
| 3 | 140024 | WASHER, LOCK 0.50 | 2 |
| 4 | 140237 | SCREW, HEX .50-13 X 1.00 | 2 |
| 5 | 1015636 | ●CABLE, SQUEEGEE LIFT | 1 |
| 6 | 140139 | SLEEVE, 0.625D 0.50B 0.25L | 2 |
| 7 | 140524 | NUT, 1/4-20 KEP | 2 |
| 8 | 140433 | SPRING, EXT .50 X 3.00 | 2 |
| 9 | 160617 | ●HOSE, VAC 1 1/2X24" W/CUFFS | 1 |
| 10 | 230730.BK | BRACKET, SQUEEGEE MOUNT | 1 |
| ∇ | 603261 | ●ASM., SQUEEGEE CURVED | 1 |
| ▲ 11 | 1011094 | ●KNOB, RND 1.50 DIA 5 EAR | 2 |
| ▲ 12 | 603260 | ●GASKET, SQUEEGEE CURVED | 1 |
| ▲ 13 | 140226 | SCREW, HEX .31-18 X 0.62 | 2 |
| ▲ 14 | 140015 | WASHER, LOCK SPLIT 0.31 | 2 |
| ▲ 15 | 700844 | ●ASM, SQUEEGEE ROLLER | 2 |

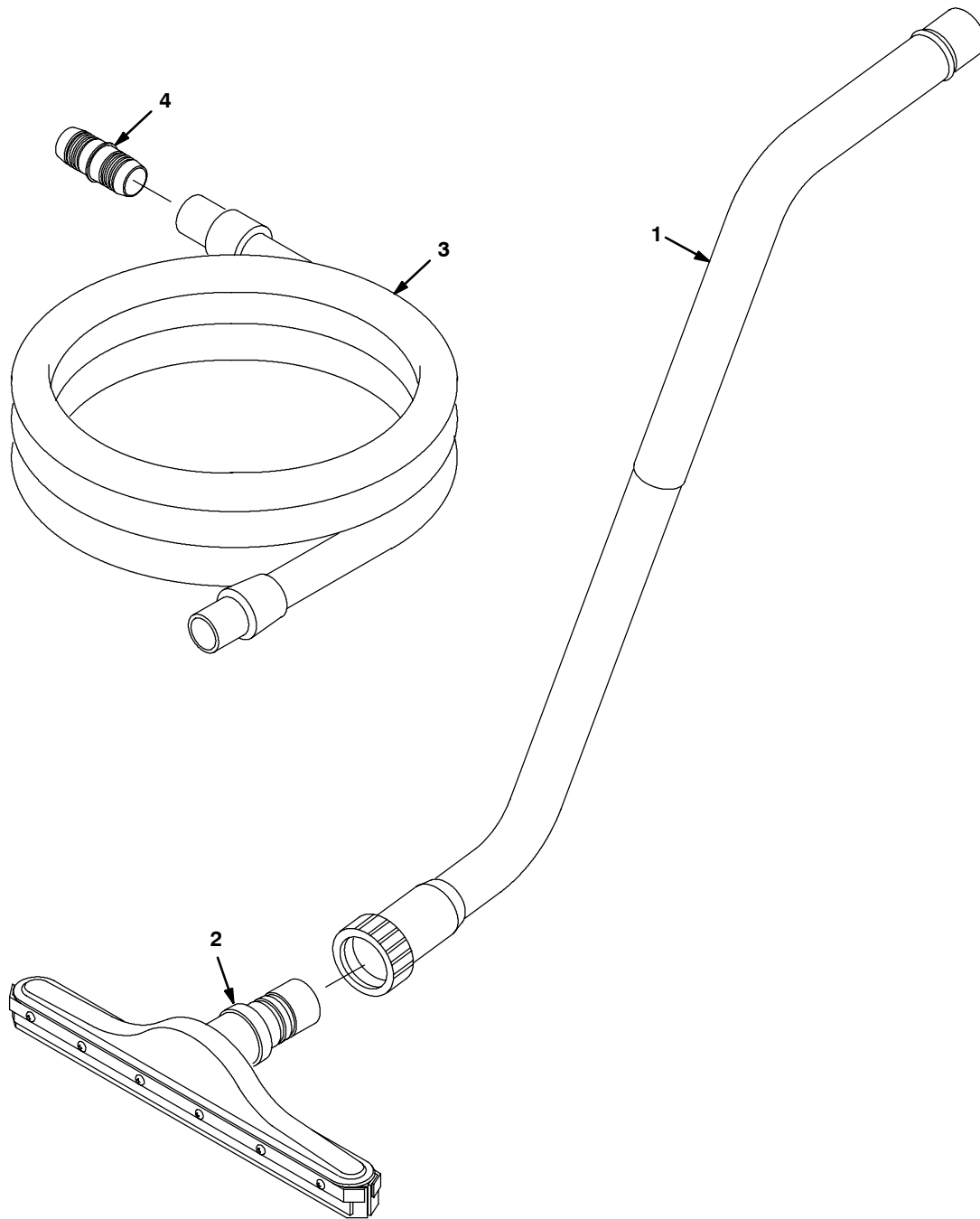
| REF | PART # | DESCRIPTION | QTY. |
|------|-----------|--|------|
| ▲ 16 | 140799 | SCREW, TRS .31-18 X 1.50 | 2 |
| ▲ 17 | 1014918 | ●WHEEL, RBR 3"X1" W/BUSHINGS | 2 |
| ▲ 18 | 602959 | WELDMENT, SQUEEGEE 20" | 1 |
| ▲ 19 | 605975 | SCREW, TRS 10-24X.50 PHL SEM | 18 |
| ▲ 20 | 602964 | ●PLATE, SQUEEGEE RETAINING | 2 |
| ▲ 21 | 603659 | ●BLADE, URETHANE (STANDARD) | 2 |
| ▲ 22 | 140221 | SCREW, HEX .31-18 X 1.25 | 2 |
| ∇ | 611453 | ●KIT, SQUEEGEE LINATEX (OPTIONAL) | 1 |
| ▲ | 607465 | ●BLADE, LINATEX REAR ONLY (OPTIONAL) | 1 |
| ▲ | 611449 | ●BLADE, LINATEX FRONT ONLY (OPTIONAL) | 1 |
| | 606676 | ●BLADE, GUM RUBBER REAR ONLY (OPTIONAL) | 1 |
| 23 | 608834 | MOUNT, PIVOT, SQGE | 1 |
| 24 | 578244000 | WASHER, M6.4X10 LCK SS | 1 |
| 25 | 150015 | FITTING, GREASE, .25-28M | 1 |

∇ ASSEMBLY

▲ INCLUDED IN ASSEMBLY

● RECOMMENDED STOCK ITEMS

**SQUEEGEE WAND ASSEMBLY
GROUPE D'ASPIRATION ET RACLETTE À MAIN**



| REF | PART # | DESCRIPTION | QTY. |
|-----|--------|------------------------|------|
| ▽ | 190928 | ●ASM, WAND DOUBLE BEND | 1 |
| ▲ 1 | 6108.1 | WAND, DOUBLE BEND | 1 |
| ▲ 2 | 13840 | SQUEEGEE ASM PUSH/PULL | 1 |

| REF | PART # | DESCRIPTION | QTY. |
|-----|--------|----------------------|------|
| ▲ 3 | 160481 | ●HOSE, VAC 1-1/2X10' | 1 |
| ▲ 4 | 160451 | CONNECTOR, VAC HOSE | 1 |

▽ ASSEMBLY / CONJUNTO

▲ INCLUDED IN ASSEMBLY / INCLUIDO EN EL CONJUNTO

● RECOMMENDED STOCK ITEMS / ARTICULOS RECOMENDADOS