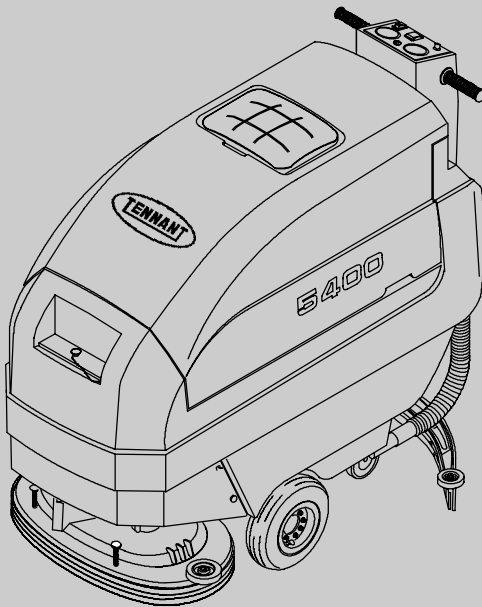




5400

Scrubber-Dryer
Fregadora-Secadora
Brosseuse-Sècheuse

Operator and Parts Manual
Manual De Operador
Y Lista De Repuestos
Opérateur Manuel et
Liste Des Pièces



Model Part No.:

- 606931 - Disc Standard, 610 mm (24 in)
- 606932 - Disc ES, 610 mm (24 in)
- 607525 - Disc Wand Prep, 610 mm (24 in)
- 606933 - Disc Deluxe, 610 mm (24 in)
- 606934 - Cylindrical Standard, 610 mm (24 in)
- 606935 - Cylindrical ES, 610 mm (24 in)
- 607526 - Cylindrical Wand Prep, 610 mm (24 in)
- 606936 - Cylindrical Deluxe, 610 mm (24 in)
- 610877 - Disc Standard, 660 mm (26 in)
- 610878 - Disc ES, 660 mm (26 in)
- 610879 - Disc Wand Prep, 660 mm (26 in)
- 610880 - Disc Deluxe, 660 mm (26 in)
- 398040 - Disc FaST, 610 mm (24 in)
- 398041 - Disc FaST, 660 mm (26 in)



The Safe Scrubbing Alternative



OPERATION

This manual is furnished with each new model. It provides necessary operation and maintenance instructions and an illustrated parts list.

Read this manual completely and understand the machine before operating or servicing it.

When ordering replacement parts, use the illustrated parts lists section in this manual. Before ordering parts or supplies, be sure to have your machine model number and serial number available. Parts and supplies may be ordered by phone or mail from any authorized parts and service center, distributor or from any of the manufacturer's subsidiaries.

This machine will provide excellent service. However, the best results will be obtained at minimum costs if:

- The machine is operated with reasonable care.
- The machine is maintained regularly - per the machine maintenance instructions provided.
- The machine is maintained with manufacturer supplied or equivalent parts.

MACHINE DATA

Please fill out at time of installation for future reference.

Model No.- _____

Install. Date - _____

Serial No.- _____



PROTECT THE ENVIRONMENT

Please dispose of packaging materials, old machine components such as batteries, hazardous fluids such as antifreeze and oil, in a safe environmentally way according to your local waste disposal regulations.



Always remember to recycle.

Tennant Company

PO Box 1452

Minneapolis, MN 55440

Phone: (800) 553-8033 or (763) 513-2850

www.tennantco.com

©1998, 1999, 2000, 2001, 2002, 2003, 2006 Tennant Company

Printed in U.S.A.

FaST Foam Scrubbing Technology logo and ES are registered United States trademarks of Tennant Company.

Specifications and parts are subject to change without notice.

TABLE OF CONTENTS	(ESPAÑOL.....35)	(FRANÇAIS....73)	
SAFETY PRECAUTIONS	4	SQUEEGEE BLADE ADJUSTMENT	26
SAFETY LABELS	5	BATTERY MAINTENANCE	27
MACHINE COMPONENTS	6	MACHINE JACKING	28
CONTROL CONSOLE SYMBOLS	7	TRANSPORTING MACHINE	28
MACHINE INSTALLATION	8	STORING MACHINE	28
UNCRATING MACHINE	8	FREEZE PROTECTION	28
INSTALLING BATTERIES	8	FaST SYSTEM FREEZE PROTECTION	29
MACHINE SETUP	9	RECOMMENDED STOCK ITEMS	30
ATTACHING SQUEEGEE ASSEMBLY	9	TROUBLESHOOTING	31
INSTALLING BRUSHES/PADS (DISC SCRUB HEAD MODEL)	9	SPECIFICATIONS	33
(FOR CYLINDRICAL BRUSH SCRUB HEAD MODEL)	10	MACHINE DIMENSIONS	34
INSTALLING FaST-PAK AGENT (OPTION)	10	ELECTRICAL DIAGRAMS	109
FILLING SOLUTION TANK	11	PARTS LIST	112
MACHINE OPERATION	11	REPLACEMENT BRUSH AND PAD DRIVER GROUP	112
PRE-OPERATION CHECKS	11	SOLUTION TANK GROUP	114
OPERATING MACHINE	12	RECOVERY TANK GROUP	116
EMERGENCY STOPPING (OPTION)	13	CONTROL CONSOLE GROUP	118
OPERATING FaST SCRUB SYSTEM (OPTION)	13	COMPONENT PANEL GROUP	120
OPERATING ES (OPTION)	14	DRIVE GROUP	122
WHILE OPERATING MACHINE	14	SCRUB HEAD ACTUATOR GROUP	124
OPERATING OFF-AISLE WAND (OPTION)	15	DISK SCRUB HEAD GROUP, 610 mm (24 in)	126
CIRCUIT BREAKERS / FUSE	16	DISK SCRUB HEAD GROUP, 660 mm (26 in)	128
HOUR METER	16	CYLINDRICAL BRUSH SCRUB HEAD GROUP, 610 mm (24 in)	130
DRAINING TANKS	16	CYLINDRICAL BRUSH SCRUB HEAD GROUP, 610 mm (24 in) - CONT.	132
ADJUSTING SCRUB HEAD	17	SQUEEGEE CONTROL GROUP	134
DISC BRUSH SCRUB HEAD	17	SQUEEGEE ASSEMBLY GROUP - STD. WIDTH, 838 mm (33 in) /	136
CYLINDRICAL BRUSH SCRUB HEAD	17	SOLUTION GROUP, STANDARD MODEL ..	138
REMOVING BRUSHES/PADS	19	SOLUTION GROUP, FaST MODEL	140
DISC SCRUB HEAD	19	SOLUTION GROUP, FaST MODEL - CONTINUED	142
CYLINDRICAL SCRUB HEAD	20	FaST SOLUTION PUMP BREAKDOWN	144
CHANGING SCRUB HEADS	20	FaST AIR PUMP BREAKDOWN	144
CHARGING BATTERIES	22	BATTERY AND CHARGER GROUP	145
MACHINE MAINTENANCE	23	BATTERY CABLE GROUP	146
DAILY MAINTENANCE	23	OPTIONS	147
MONTHLY MAINTENANCE	24	POWER WAND HOSE GROUP	147
QUARTERLY MAINTENANCE	25	DELUXE POWER WAND GROUP	148
SQUEEGEE BLADES	25	POWER WAND GROUP	150
REPLACING OR ROTATING THE FRONT SQUEEGEE BLADE	25	ACCESSORY CONSOLE GROUP	152
REPLACING OR ROTATING THE REAR SQUEEGEE BLADE	26	ES (EXTENDED SCRUB) SOLUTION GROUP	154
		WAND SOLUTION GROUP	155


OPERATION

SAFETY PRECAUTIONS

This machine is intended for commercial use. It is designed exclusively to scrub hard floors in an indoor environment and is not constructed for any other use. Use only recommended pads, brushes and commercially approved floor cleaners intended for machine application.

All operators must read, understand and practice the following safety precautions.

The following warning alert symbol and the "FOR SAFETY" heading are used throughout this manual as indicated in their description:

 **WARNING:** To warn of hazards or unsafe practices which could result in severe personal injury or death.

FOR SAFETY: To identify actions which must be followed for safe operation of equipment.

Failure to follow these warnings may result in personal injury, electrical shock, fire or explosion.

 **WARNING:** Fire Or Explosion Hazard:

- Never Use Flammable Liquids Or Operate Machine in Or Near Flammable Liquids, Vapors Or Combustible Dusts.

This machine is not equipped with explosion proof motors. The electric motors will spark upon start up and during operation which could cause a flash fire or explosion if machine is used in an area where flammable vapors/liquids or combustible dusts are present.

- Do Not Pick Up Flammable Materials Or Reactive Metals.
- Batteries Emit Hydrogen Gas. Keep Sparks And Open Flame Away. Keep Battery Compartment Open When Charging.

 **WARNING:** Electrical Shock Hazard. Disconnect Battery Cables Before Servicing Machine.

 **WARNING:** Spinning Brush. Keep Hands Away. Turn Off Power Before Working On Machine.

 **WARNING:** Actuator Pinch Point. Stay Clear Of Head Lift Area.

The following information signals potentially dangerous conditions to the operator or equipment:

FOR SAFETY:

1. Do not operate machine:
 - With flammable liquids or near flammable vapors as an explosion or flash fire may occur.
 - Unless trained and authorized.
 - Unless operator manual is read and understood.
 - If not in proper operating condition.
2. Before operating machine:
 - Make sure all safety devices are in place and operate properly.
3. When using machine:
 - Go slow on inclines and slippery surfaces.
 - Wear non-slip shoes.
 - Reduce speed when turning.
 - Use care when reversing machine.
 - Report machine damage or faulty operation immediately.
 - Never allow children to play on or around.
 - Follow mixing and handling instructions on chemical containers.
4. Before leaving or servicing machine:
 - Stop on level surface.
 - Turn off machine.
 - Set parking brake, if equipped.
5. When servicing machine:
 - Avoid moving parts. Do not wear loose jackets, shirts, or sleeves.
 - Disconnect battery connections before working on machine.
 - Wear protective gloves and eye protection when handling batteries or battery cables.
 - Avoid contact with battery acid.
 - Jack machine up at designated locations only. Block machine up with jack stands.
 - Use hoist or jack that will support the weight of the machine.
 - Do not power spray or hose off machine. Electrical malfunction may occur.
 - Use manufacturer supplied or approved replacement parts.
 - All repairs must be performed by a qualified service person.
 - Do not modify the machine from its original design.

6. When transporting machine:

- Turn machine off.
- Use a recommended ramp when loading/unloading into/off truck or trailer.

- Use tie-down straps to secure machine to truck or trailer.
- Set parking brake, if equipped.

SAFETY LABELS

The safety labels appear on the machine in the locations indicated. Replace labels if they are missing or become damaged or illegible.

WARNING LABEL - LOCATED ON THE RECOVERY TANK COVER.

⚠ WARNING	⚠ AVERTISSEMENT	⚠ ADVERTENCIA
 <p>EXPLOSION, FIRE AND SHOCK HAZARD. AVOID INJURY.</p> <ul style="list-style-type: none"> • Do Not Use or Pick Up Flammable Materials. • Do Not Use Near Flammable Liquids, Vapors or Combustible Dusts. • Keep Sparks and Open Flame Away When Charging Batteries. Keep Battery Hood Open When Charging. • Disconnect Battery Cables and Charger Cord Before Servicing. 	<p>RISQUE D'EXPLOSION, D'INCENDIE ET DE DECHARGE. EVITEZ LES BLESSURES.</p> <ul style="list-style-type: none"> • N'utilisez Pas ou Ne Ramassez Pas de Matériaux Inflammables. • N'utilisez Pas Près de Liquides, Vapeurs ou Poussières Inflammables. • Eloignez les Sources d'Étincelles ou de Flamme Ouverte Lors du Chargement des Batteries. Laissez Ouvert le Capot du Compartiment des Batteries Lors de la Mise en Charge. • Débranchez les Câbles de Batterie et la Cordon du Chargeur Avant l'Entretien. 	<p>PELIGRO DE EXPLOSIÓN, FUEGO, DESCARGA EVITE LESIONES.</p> <ul style="list-style-type: none"> • No Use Ó Recoja Materiales Flammables. • No Use Cerca De Líquidos Flammables, Vapores Ó Materiales Combustibles. • Mantenga Chispas Y Fuego Alejados Mientras Carga Baterías. Mantenga Tapa De Batería Abierta Mientras Carga. • Desconecte Cable De Batería Y Cable Del Cargador Antes Del Mantenimiento.



GENERAL HAZARD LABEL - LOCATED ON THE ACTUATOR MOUNTING BRACKET

⚠ WARNING: Actuator pinch point. Stay clear of head lift area.



MOVING PARTS LABEL - LOCATED ON THE SCRUB HEAD SHROUD.

⚠ WARNING: Moving parts. Turn off power before working on machine.

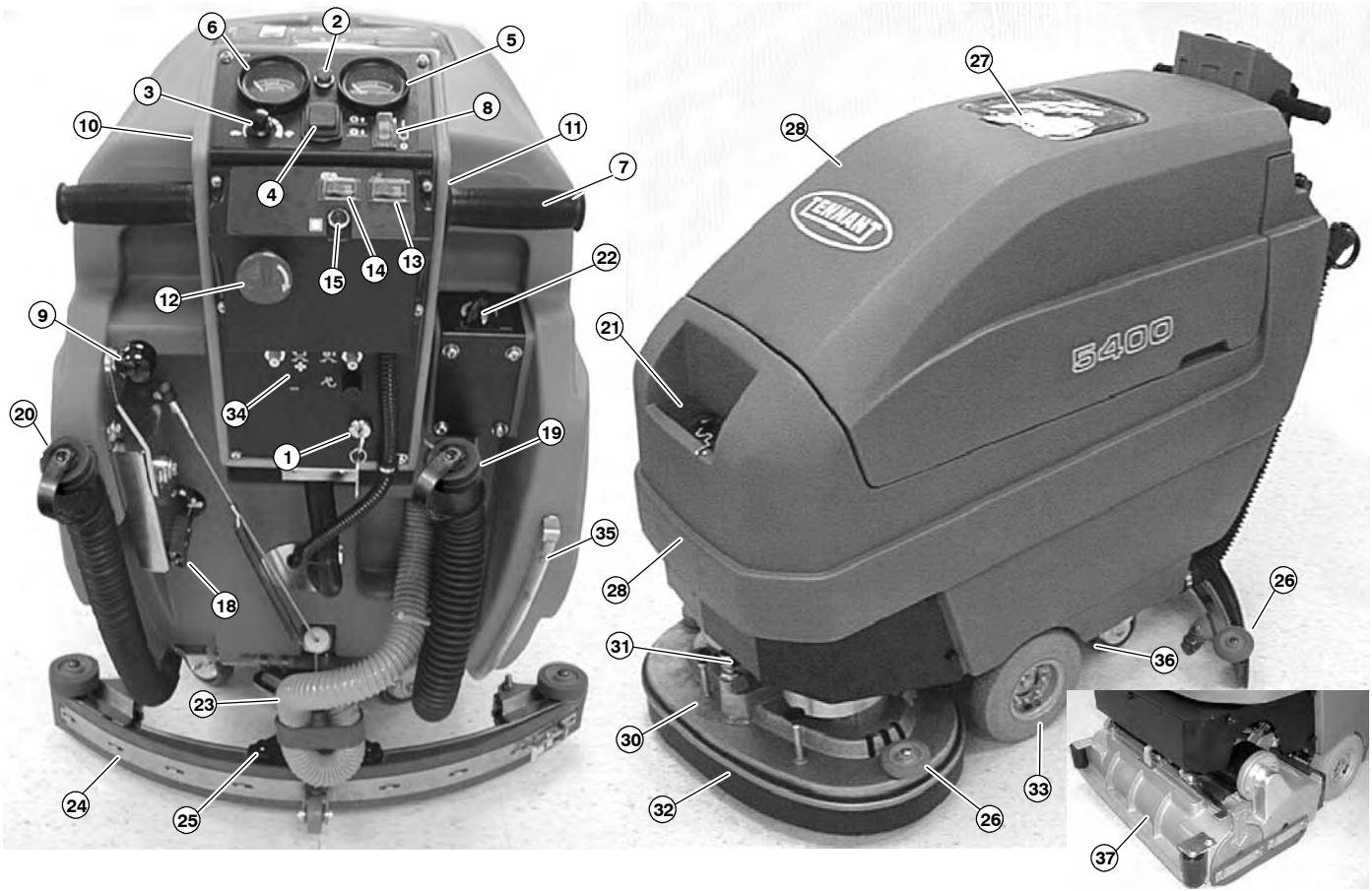
BATTERY CHARGE LABEL - LOCATED ON THE RECOVERY TANK COVER AND BOTTOM SIDE OF RECOVERY TANK.

⚠ WARNING: Keep sparks and open flame away. Keep battery hood open when charging.

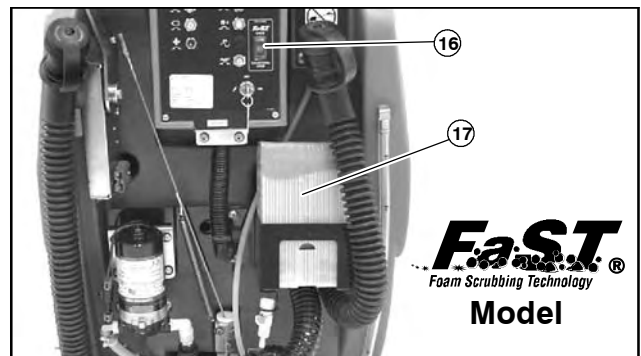


OPERATION

MACHINE COMPONENTS




1. Key Switch
2. Power ON/OFF Indicator Light
3. Speed Control Knob
4. Brush Pressure Switch
5. Brush Pressure Meter
6. Battery Meter
7. Control Grips
8. Solution ON/OFF Switch
9. Squeegee Lift Lever
10. Control Console
11. Control Console Height Adjustment Lever
12. Power Kill Button (Option)
13. Wand ON/OFF Switch (Option)
14. ES ON/OFF Switch (Option)
15. ES Pump Indicator Light (Option)
16. FaST System ON/OFF Switch (Option)
17. FaST-PAK Dispensing System (Option)
18. Charger Plug
19. Recovery Tank Drain Hose
20. Solution Tank Drain Hose
21. Solution Fill Port
22. Solution Flow Adjustment Knob
23. Squeegee Vacuum Hose
24. Squeegee Assembly





25. Squeegee Thumb Knobs
26. Wall Rollers
27. Recovery Tank Lid
28. Recovery Tank
29. Solution Tank
30. Interchangeable Disc Scrub Head
31. Scrub Head Leveling Screw
32. Scrub Head Skirt
33. Drive Wheels
34. Circuit Breaker Panel
35. Solution Tank Level Hose
36. Parking Brake (Option)
37. Interchangeable Cylindrical Brush Scrub Head


CONTROL CONSOLE SYMBOLS


 Main Power Indicator Light

 FaST System Switch (option)


 Vacuum Motor 25A Circuit Breaker

 Slow Speed

 Main Power 10A Circuit Breaker


 ES (Extended Scrub)


 Fast Speed

 Brush Motor (RH) 30A Circuit Breaker

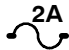
 ES Pump Indicator Light


 Brush Pressure Switch

 Brush Motor (LH) 30A Circuit Breaker


 Off-Aisle Wand


 Solution Switch & Solution Control

 Circuit Board 2A Fuse


 Parking Brake (Option)

 Brush Pressure Meter

 Drive Motor 15A Circuit Breaker

 Read Manual Before Operating

 Battery Charge Meter

 FaST System 10A Circuit Breaker (option)

OPERATION

MACHINE INSTALLATION

UNCRATING MACHINE

1. Carefully check carton for signs of damage. Report damages at once to carrier.
2. Check Carton Contents list, contact distributor for missing items.

Carton Contents:

- 1 - Battery Tray (#613971)
- 4 - Batteries, 235 Ah 6V (#606897)
- 3 - Battery Cables (#130364)
- 8 - Battery Post Caps (#45962)
- 8 - Black Battery Boots (#611221)
- 1 - Squeegee Assembly (#612025)
- 2 - Bumper Wheels (#1014918AM) (Disc Scrub Head Model)

Scrub brushes, pad drivers and pads must be purchased separately (See PARTS LIST section).

3. To uncrate your machine: unbolt rear of chassis from shipping pallet, remove shipping straps and carefully lift machine with assistance or use a ramp to remove from pallet.

ATTENTION: Do not roll machine off pallet, machine damage may occur.

ATTENTION: To prevent possible machine damage, install batteries after removing machine from shipping pallet.

4. Install bumper wheels on scrub head (Disc Scrub Head Model).

INSTALLING BATTERIES

⚠ WARNING: Fire Or Explosion Hazard. Batteries Emit Hydrogen Gas. Keep Sparks And Open Flame Away. Keep Battery Hood Open When Charging.

FOR SAFETY: When servicing machine, wear protective gloves and eye protection when handling batteries and battery cables. Avoid contact with battery acid.

Recommended Battery Specifications:

Four 6 volt, deep cycle, 235 amp. hour batteries. Maximum battery dimensions are 181 mm (7.13 in) W x 260 mm (10.25 in) L x 292 mm (11.50 in) H.

1. Remove key from machine and set parking brake, if equipped.
2. Hinge open recovery tank to access battery compartment. Remove loose battery cables from compartment (Figure 1).

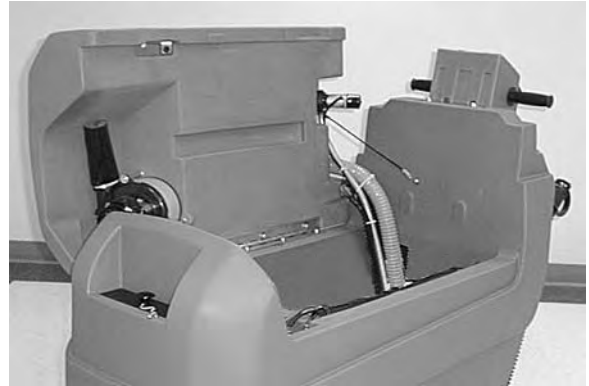


FIG. 1

3. Carefully install batteries into battery compartment tray and arrange battery posts as shown (Figure 2).

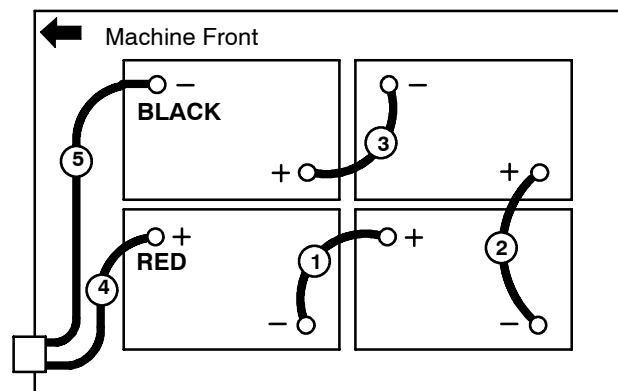


FIG. 2

ATTENTION: Do not drop batteries into compartment, battery and machine housing damage may result. This damage is not covered by warranty.

4. Before connecting battery cables, make sure terminals and posts are clean. Use a post cleaner and wire brush to clean posts and terminals.
5. Connect cables to battery posts in numerical order as labeled, RED TO POSITIVE & BLACK TO NEGATIVE, use battery post covers and rubber boots supplied (Figure 2).

NOTE: Apply a light coating of non-metallic grease or protective spray on the cable connections to prevent battery corrosion.

6. Check battery meter charge level. Machine must be in full operation for correct reading (See MACHINE OPERATION). Charge batteries if necessary.

MACHINE SETUP

ATTACHING SQUEEGEE ASSEMBLY

1. Turn key to the off position.

FOR SAFETY: Before leaving or servicing machine, stop on level surface, turn off machine, and set parking brake, if equipped.

2. Raise squeegee mount bracket using squeegee lift lever (Figure 3).



FIG. 3

3. Loosen two thumb knobs on squeegee and slide squeegee into slots of squeegee mount bracket. Tighten thumb knobs securely (Figure 4).



FIG. 4

4. Connect the vacuum hose to the squeegee assembly. Loop the hose as shown using the hose clip provided (Figure 5).

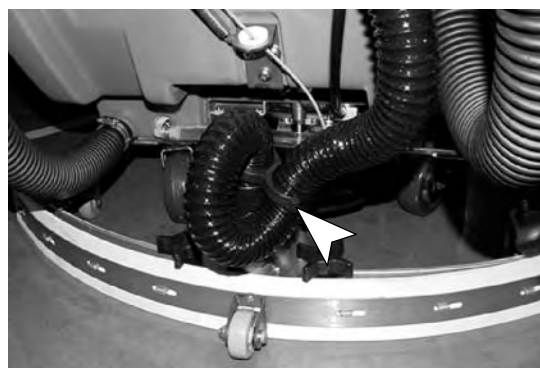


FIG. 5

INSTALLING BRUSHES/PADS (Disc Scrub Head Model)

NOTE: Consult an authorized distributor for pad/brush recommendations.

1. Press bottom half of brush pressure switch until scrub head is completely raised (Figure 6).



FIG. 6

2. Turn key to the off position.

FOR SAFETY: Before leaving or servicing machine, stop on level surface, turn off machine, and set parking brake, if equipped.

3. Attach pads to pad drivers before installing drivers. Secure pad with centerlock (Figure 7).

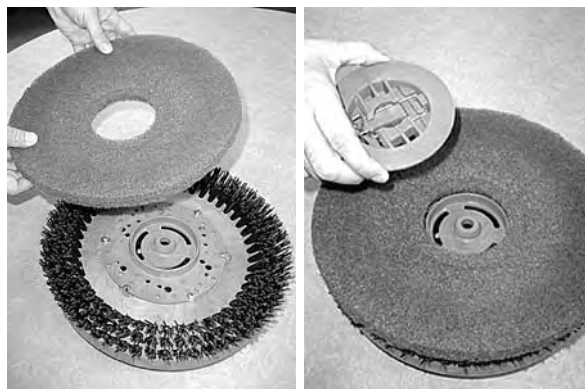


FIG. 7

OPERATION

- Align brush/pad driver under motor hub and push driver upward to engage. Be certain that brushes/pad drivers are secure before operating machine (Figure 8).



FIG. 8

- To remove brush/pad drivers: raise scrub head, turn machine off, remove key and push brush release knobs downward (Figure 9).

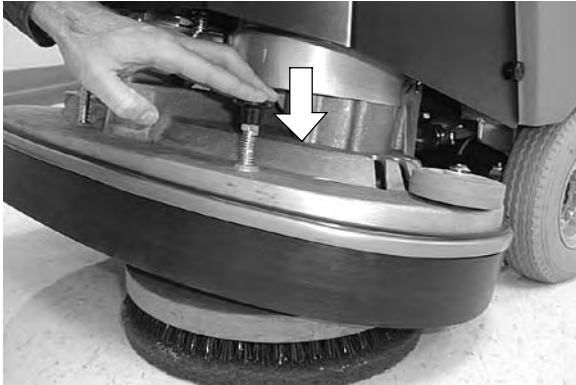


FIG. 9

(For Cylindrical Brush Scrub Head Model)

See REMOVING BRUSHES/PADS.

INSTALLING FaST-PAK AGENT (OPTION)

Machine must be equipped with the FaST Option.

- Remove the perforated knock-outs from the FaST-PAK 365 Floor Cleaning Concentrate carton. Do not remove the bag from the carton. Pull out the bag's hose connector at the bottom of the bag and remove the orange hose cap from the connector (Figure 10).

ATTENTION: The FaST-PAK 365 Floor Cleaning Concentrate is specifically designed for the FaST system scrubbing application. **NEVER** use a substitute, machine damage will result.

FOR SAFETY: When using machine, always follow the handling instructions on chemical container.

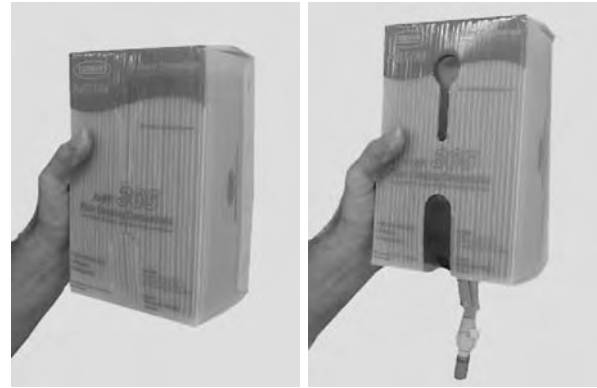


FIG. 10

- Place the FaST-PAK carton in the carton holder at the rear of the machine and connect the supply hose to the FaST-PAK bag (Figure 11).

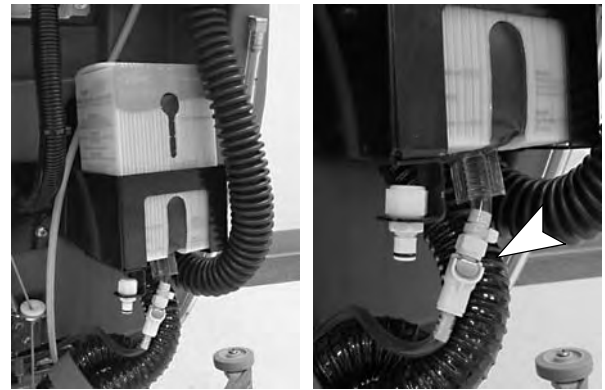


FIG. 11

NOTE: If any dried concentrate is visible on the supply hose connector or on the FaST-PAK connector, soak and clean with warm water.

- Make sure to connect the supply hose onto the hose storing plug when not in use (Figure 12). This will prevent the FaST solution system from drying out and clogging up the supply hose.



FIG. 12

- The FaST solution system **MUST** be primed for first time use. To prime system, make sure the solution tank is empty and operate the machine in the FaST Scrub Mode for 3 minutes (See MACHINE OPERATION). **This step is only required for first time FaST system use.**

FILLING SOLUTION TANK

ATTENTION: When using FaST system (Option). USE CLEAR COOL WATER ONLY. DO NOT add cleaning agents in solution tank. Conventional cleaning agents/restorers may cause failure to the FaST solution system.

1. Transport machine to filling station. Raise squeegee and scrub head when transporting.
2. Turn key to the off position.

FOR SAFETY: Before leaving or servicing machine, stop on level surface, turn off machine, and set parking brake, if equipped.

3. Remove fill-port cover at front of machine and fill solution tank with clean water, 60°C (140°F) maximum. The clear hose at rear of machine indicates amount of water in solution tank (Figure 13).

NOTE: The water must *not* be hotter than 60°C (140°F) or tank damage may occur.

NOTE: If filling with a bucket be certain that bucket is clean. This will prevent possible solution line clogs.



FIG. 13

4. For conventional scrubbing, pour a recommended cleaning detergent into the solution tank according to mixing instructions on bottle. For FaST scrubbing (Option), DO NOT add cleaning agents in solution tank.

ATTENTION: For Conventional Scrubbing, only use recommended cleaning detergents. Machine damage due to improper detergent usage will void the manufacturer's warranty.

⚠ WARNING: Fire or Explosion Hazard. Never Use Flammable Liquids.

FOR SAFETY: When using machine, follow mixing and handling instructions on chemical containers.

5. If equipped with ES option, pour between 19 and 38 liters (5 and 10 gal) of hot water, 60°C (140°F) maximum, into recovery tank (Figure 14) (See OPERATING ES OPTION).

NOTE: The water must *not* be hotter than 60°C (140°F) or tank damage may occur.

NOTE: If filling with a bucket be certain that bucket is clean. This will prevent possible solution line clogs.



FIG. 14

MACHINE OPERATION

FOR SAFETY: Do not operate machine, unless operation manual is read and understood.

⚠ WARNING: Fire Or Explosion Hazard. Never Operate Machine In Or Near Flammable Liquids, Vapors Or Combustible Dusts.

PRE-OPERATION CHECKS

1. Sweep and dust-mop floor (disc brush model only).
2. Check battery meter's charge level, machine must be in full operation for correct reading.
3. Check that pads/brushes are installed.
4. Lower pads/brushes to floor and check that scrub skirt touches floor all the way around scrub head.
5. Check that squeegee is installed and condition of squeegee blades.
6. Check that debris trough is installed and empty (cylindrical brush model).
7. FaST Scrubbing (option): Make sure that the solution tank is filled with **clear cool water only**. All conventional cleaning agents/restorers must be drained and rinsed from solution tank. Check FaST-PAK agent level, replace carton as needed.

OPERATION

OPERATING MACHINE

NOTE: If your machine is equipped with the FaST or ES Option, refer to pages 13 and 14 for additional operation procedures.

1. Release parking brake, if equipped (Figure 15).



FIG. 15

2. Adjust control console to a comfortable operating height, 5 settings. To adjust height, pull control console trigger and lift or lower console to desired height, release trigger to lock position (Figure 16).



FIG. 16

3. Turn the key and solution switch to the ON position.
4. To conventional scrub with a FaST model, make sure the FaST system switch is in the off (O) position (Figure 17).



FIG. 17

5. Lower squeegee assembly to floor using the squeegee lift lever, vacuum motor will automatically turn on (Figure 18).



FIG. 18

6. Press top half of brush pressure switch to lower scrub head to floor (Figure 19).



FIG. 19

NOTE: The brushes and solution will start when control grips are rotated.

7. Turn speed control knob to slowest setting (Figure 20).



FIG. 20

- Rotate control grips completely forward and gradually turn speed control knob to a desired maximum scrubbing speed (Figure 21).

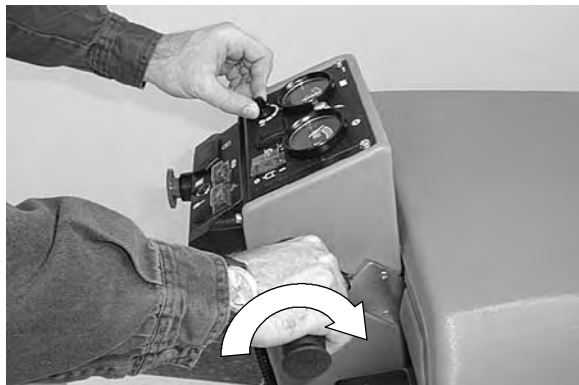


FIG. 21

- Turn solution flow knob to desired solution flow rate (Figure 22).

NOTE: When scrubbing with the FaST Option, the solution flow is pre-set by the FaST system.



FIG. 22

- Observe brush pressure meter while operating. Meter should read within the green zone, press brush pressure switch to adjust (Figure 23).

ATTENTION: Do not operate machine with pad pressure meter in red zone, circuit breakers will trip and floor damage may occur.

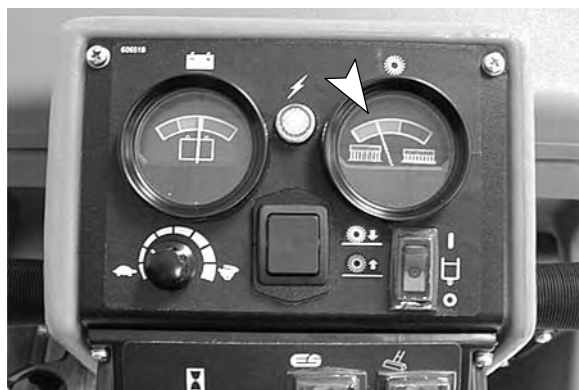


FIG. 23

- To operate machine in reverse, gradually rotate control grips backwards.
- To stop scrubbing, release control grips, raise scrub head and squeegee.
- After scrubbing, perform the Daily Maintenance procedures (See MACHINE MAINTENANCE).

EMERGENCY STOPPING (OPTION)

In the event of an emergency while operating, strike the power kill button at rear of control console to halt machine. Turn button clockwise to reset (Figure 24).



FIG. 24

OPERATING FaST SCRUB SYSTEM (OPTION)

How the FaST System operates (Foam Scrubbing Technology). The FaST-PAK concentrate agent is injected into the system with a mixture of a small amount water and compressed air. This mixture creates a large volume of expanded wet foam. The expanded foam mixture is then dispersed onto the floor while two scrubbing discs go to work. By the time the squeegee picks up the mixture, the patented foaming agent has collapsed and recovered into the recovery tank. By performing the FaST system application, you can increase your productivity rate by 30% by reducing your dump/fill cycle. You will also reduce your chemical usage and storage space. One FaST-PAK of concentrated agent allows you to scrub up to 1 million sq. ft.

- Make sure that the FaST-PAK 365 Floor Cleaning Concentrate carton is properly installed (See INSTALLING FaST-PAK AGENT).
- Make sure that the solution tank is filled with clear cool water only. DO NOT add conventional cleaning agents in solution tank. Conventional cleaning agents/restorers in the solution tank will result in premature FaST system failure.

OPERATION

3. Press the FaST system switch to the on (I) position (Figure 25).

NOTE: To scrub with clear water only, simply press the FaST system switch to the off (O) position. This will allow you to operate the machine in a rinsing application.



FIG. 25

4. Make sure that the main solution switch is in the ON position.

NOTE: The water flow rate from the solution tank is automatically regulated by the operation of the FaST system. The solution flow rate can not be adjusted by the Solution Control Adjustment Knob during the FaST Scrub mode.

5. Follow the standard MACHINE OPERATION instructions to begin scrubbing.

General Information: The FaST and ES options can not be equipped on the same machine.

OPERATING ES (OPTION)

ES option extends scrubbing time by reusing recovered water. The recovered water is filtered and recycled back into the solution tank for reuse.

NOTE: The ES Option is not available for FaST models.

1. Pour between 19 and 38 liters (5 and 10 gal) of hot water, 60°C (140°F) maximum, into recovery tank when filling solution tank (Figure 26).

NOTE: The water must **not** be hotter than 60°C (140°F) or tank damage may occur.

NOTE: If filling with a bucket be certain that bucket is clean. This will prevent possible solution line clogs.

⚠ WARNING: Fire Or Explosion Hazard. Never Operate Machine In Or Near Flammable Liquids, Vapors Or Combustible Dusts.



FIG. 26

2. Turn ES switch on when ready to begin scrubbing. The ES indicator light will automatically turn on and off when recovery tank reaches its recycling point (Figure 27).



FIG. 27

NOTE: If ES indicator light remains on, drain tanks and clean ES filter located in recovery tank.

3. Follow the standard MACHINE OPERATION instructions to begin scrubbing.

WHILE OPERATING MACHINE

FOR SAFETY: When using machine, go slow on inclines and slippery surfaces.

1. Overlap each path by 50 mm (2 in).
2. Keep machine moving to prevent damage to finish or floor.
3. Observe brush pressure meter while operating. Meter should read within the green zone, press brush pressure switch to adjust.

ATTENTION: Do not operate machine with pad pressure meter in red zone, circuit breakers will trip and floor damage may occur.

4. Periodically observe recovery tank for excessive foam. Pour a recommended foam control solution into recovery tank if excessive foam appears.

ATTENTION: Do not allow foam or water to enter float shut-off screen, vacuum motor damage will result; not covered by warranty. Foam will not activate float shut-off screen.

5. For heavily soiled areas, double scrubbing is recommended. First scrub area with squeegee up, let solution set for 3-5 minutes, then scrub area a second time with squeegee down.
6. Disc Scrub Head: Change or turn pads over when worn.
7. Cylindrical Brush Scrub Head: If you experience excessive brush vibration or poor scrubbing performance, see ADJUSTING SCRUB BRUSH.
8. If squeegee leaves streaks, raise and wipe blades with a cloth. Pre-sweep area to prevent streaking.
9. Observe battery meter. When needle drops into red zone, stop scrubbing and recharge batteries.

ATTENTION: Do not operate machine with battery meter in red zone, battery damage will result.

⚠ WARNING: Fire Or Explosion Hazard. Do Not Pick Up Flammable Materials Or Reactive Metals.

OPERATING OFF-AISLE WAND (OPTION)

The off-aisle wand allows you to scrub areas that the machine is unable to reach.

NOTE: The off-aisle wand Option is not available for FaST models.

1. Turn key to the off position and set parking brake, if equipped.

FOR SAFETY: Before leaving or servicing machine, stop on level surface, turn off machine, and set parking brake, if equipped.

2. Connect solution hose to quick disconnect coupler located behind right drive wheel (Figure 28).

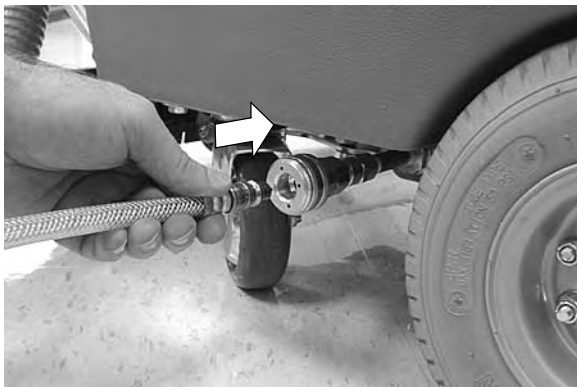


FIG. 28

3. Disconnect squeegee vacuum hose from squeegee assembly and connect wand's vacuum hose using hose adapter (Figure 29).



FIG. 29

4. Connect hoses to wand.
5. Turn key and wand switch to the on position (Figure 30).



FIG. 30

6. Lower squeegee lever knob to activate vacuum motor (Figure 31).



FIG. 31

OPERATION

7. Squeeze lever on wand and spray solution on floor. Scrub floor with brush side of wand and vacuum up solution with squeegee side of wand (Figure 32).

⚠ WARNING: Fire Or Explosion Hazard. Do Not Pick Up Flammable Materials Or Reactive Metals.



FIG. 32

CIRCUIT BREAKERS / FUSE

The 5400 is equipped with five resettable circuit breakers and one fuse to protect machine from damage. If a circuit breaker should trip during operation, determine cause, allow motor to cool and then manually reset breaker. If replacing the fuse, never substitute a higher fuse than specified. Circuit breaker panel is located at rear of machine (Figure 33).

- 10A Main Circuit Breaker
- 15A Drive Motor Circuit Breaker
- 25A Vacuum Motor Circuit Breaker
- 30A Brush Motor Circuit Breaker (2)
- 2A Circuit Board Fuse
- 10A FaST System (option)



FIG. 33

HOUR METER

The hour meter records number of hours the machine has been powered on. Use hour meter to determine when to perform recommended maintenance procedures and to record service history (Figure 34).

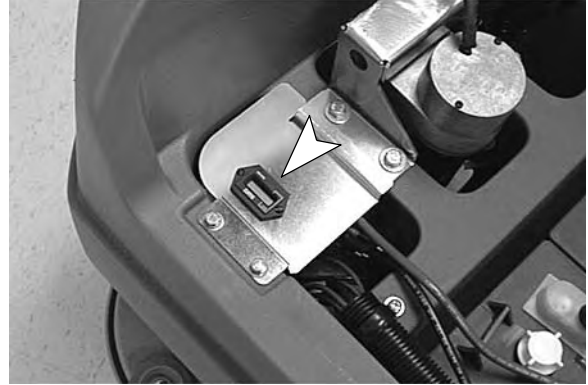


FIG. 34

DRAINING TANKS

Drain recovery tank:

- After each use.
- Between solution tank refills.
- When squeegee starts trailing water.
- When solution flow stops.
- When float shut-off screen, located inside recovery tank, is activated.
- If optional ES indicator light remains on.

1. Drive machine to floor drain and turn key off.

FOR SAFETY: Before leaving or servicing machine, stop on level surface, turn off machine, and set parking brake, if equipped.

2. Remove drain hose from hose hook. Right side hose drains recovery tank and left side hose drains solution tank. Turn drain hose cap counter-clockwise and remove to drain (Figure 35).

NOTE: If using a bucket to drain machine, do not use same bucket for filling solution tank. This will prevent possible solution line clogs.

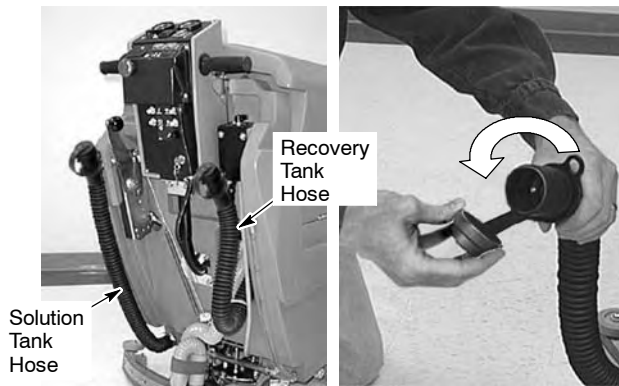


FIG. 35

3. Flush out recovery tank with clean water.

NOTE: The water must **not** be hotter than 60 °C (140 °F) or tank damage may occur. Do not use steam to clean tank.

4. If you operated the ES option, you must drain solution tank also. Flush out solution tank with clean water.
5. Replace drain hose cap(s) securely.
6. When finished scrubbing, perform the Daily Maintenance procedures (See MACHINE MAINTENANCE).

ADJUSTING SCRUB HEAD

DISC BRUSH SCRUB HEAD

NOTE: Before adjusting scrub head, check tire pressure and fill solution tank.

1. With pads/brushes installed, lower scrub head to floor and apply maximum pad pressure.
2. Turn off machine and remove key.

FOR SAFETY: Before leaving or servicing machine, stop on level surface, turn off machine, and set parking brake, if equipped.

3. From center front and back of scrub head, measure distance from top edge of scrub head to floor (Figure 36).



FIG. 36

4. If scrub head is not level, loosen lock nut and turn scrub head leveling screw to level, 1 inch wrench required. Tighten down lock nut once head is level (Figure 37).

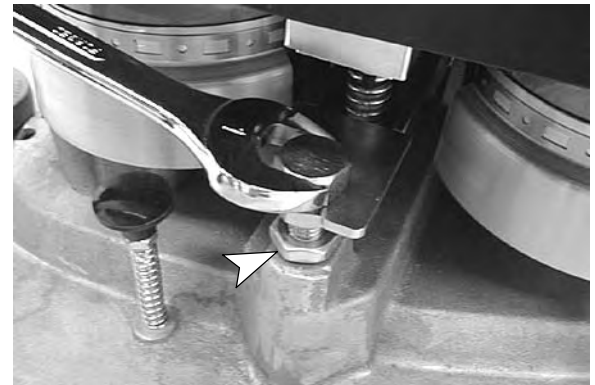


FIG. 37

CYLINDRICAL BRUSH SCRUB HEAD

To check for proper brush adjustment perform the following steps:

NOTE: Before checking or adjusting scrub brush, check tire pressure and fill solution tank.

1. Apply a powdered substance, such as chalk, on a smooth, level floor.
2. With scrub head raised, position scrub head over test area and set parking brake, if equipped.
3. Lower scrub head to floor with minimal down pressure.
4. Turn solution switch to the off position.
5. Turn speed control knob to slowest setting and slightly rotate control grips forward for 2 seconds while holding machine in one spot.

OPERATION

NOTE: If a powdered substance is not available, let brushes spin for 30 seconds in one spot.

6. Release parking brake, raise scrub head and reverse machine from test area.
7. Observe brush pattern on floor. Both brushes should leave an even, parallel pattern (Figure 38).

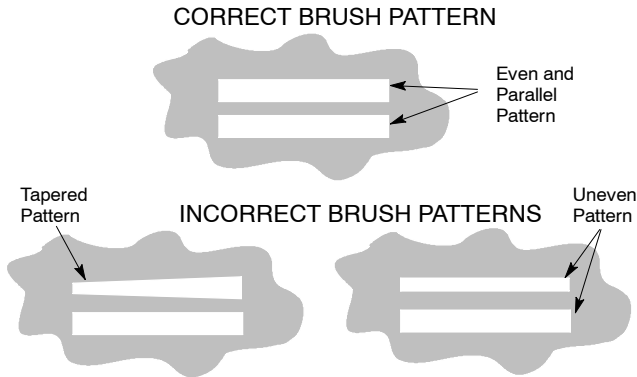


FIG. 38

8. If brush pattern represents one of the incorrect patterns, adjustment is required.

To adjust cylindrical brush with uneven pattern:

1. Lower scrub head to floor and apply maximum down pressure.
2. Turn off machine and remove key.

FOR SAFETY: Before leaving or servicing machine, stop on level surface, turn off machine, and set parking brake, if equipped.

3. Measure distance from bottom edge of scrub head to floor at all four corners (Figure 39).

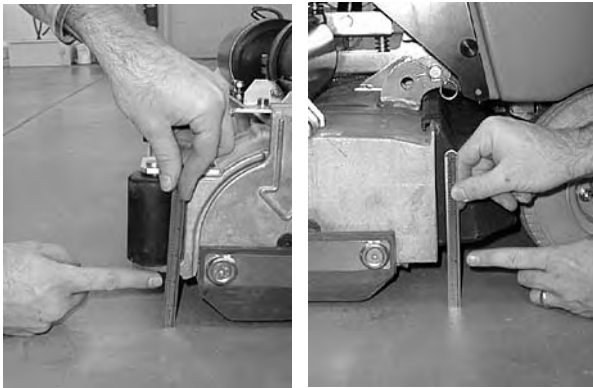


FIG. 39

4. If scrub head is not level, loosen lock nut and turn scrub head leveling screw clockwise to lower rear brush width or counter-clockwise to lower front brush width, 1 inch wrench required (Figure 40).

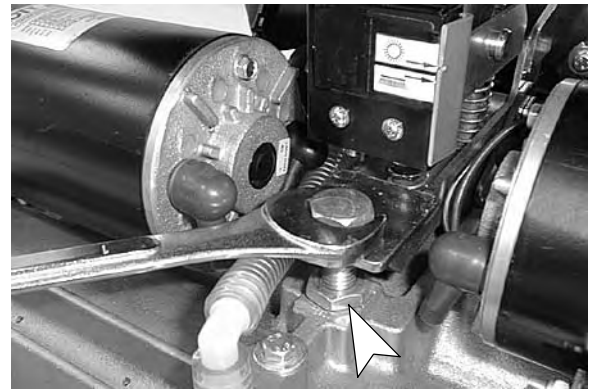


FIG. 40

5. Recheck brush pattern, readjust if necessary.

To adjust cylindrical brush with tapered pattern:

1. Raise scrub head off floor and remove key.

FOR SAFETY: Before leaving or servicing machine, stop on level surface, turn off machine, and set parking brake, if equipped.

2. Remove idler plate that has the tapered brush pattern. To remove idler plate from scrub head, push spring mount tab downward, then pull bottom of plate down and outward (Figure 41).

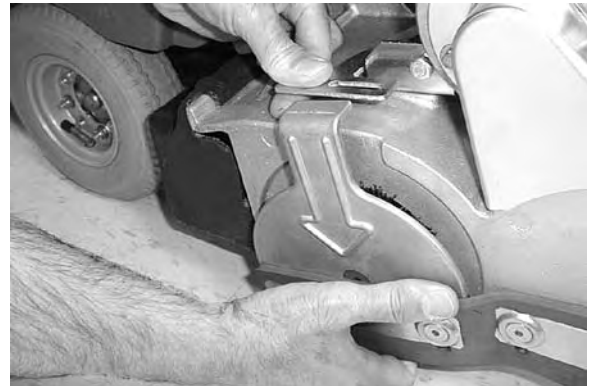


FIG. 41

3. Pull idler plate off end of brush.

4. Hold brush plug shaft with .375 inch wrench and loosen Allen head screw, 6 mm Allen wrench required (Figure 42).



FIG. 42

5. When adjusting front brush, turn shaft clockwise to lower brush end. If adjusting rear brush, turn shaft counter-clockwise to lower brush end. Retighten Allen screw after adjusting (Figure 43).



FIG. 43

6. Replace idler plate and recheck brush pattern, readjust if necessary.

REMOVING BRUSHES/PADS

DISC SCRUB HEAD

Disc brushes should be replaced if bristles are worn to a length of 10 mm (0.38 in) or less.

NOTE: Always replace brushes as a set. Never replace just one.

1. Press bottom half of brush pressure switch until scrub head is completely raised.
2. Turn key to the off position.

FOR SAFETY: Before leaving or servicing machine, stop on level surface, turn off machine, and set parking brake, if equipped.

3. Push brush release knobs downward to release scrub brushes/pad drivers (Figure 44).



FIG. 44

4. Squeeze retaining clip on centerlock to remove pad (Figure 45).

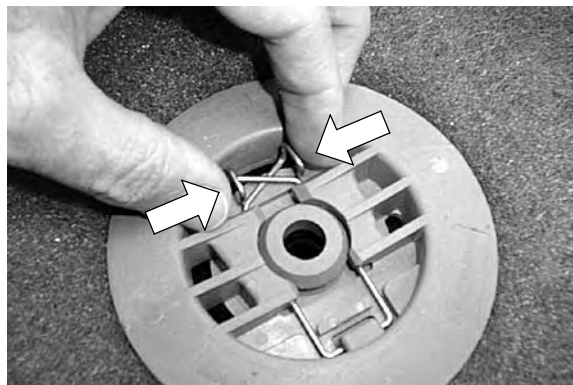


FIG. 45

OPERATION

CYLINDRICAL SCRUB HEAD

Cylindrical brushes should be replaced if bristles are worn to a length of 10 mm (0.38 in) or less.

NOTE: Always replace brushes as a set. Never replace just one.

1. Raise scrub head off floor and remove key.

FOR SAFETY: Before leaving or servicing machine, stop on level surface, turn off machine, and set parking brake, if equipped.

2. Remove idler plates from scrub head. To remove idler, push spring mount tab downward, then pull bottom of plate down and outward (Figure 46).

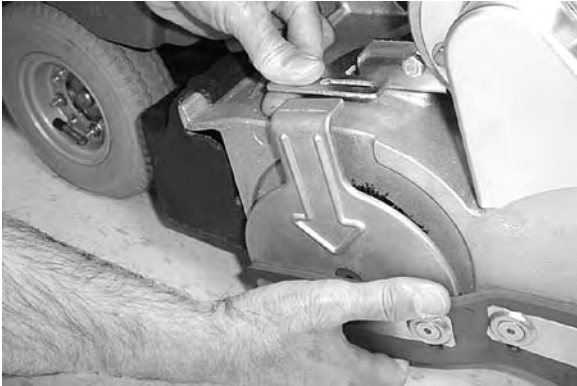


FIG. 46

3. Pull idler plate off end of brush. Remove brush from scrub head.
4. Install idler plate on new brush and reinstall brush (Figure 47).

NOTE: Make sure end of brush that has a double row of bristles goes towards the idler plate.

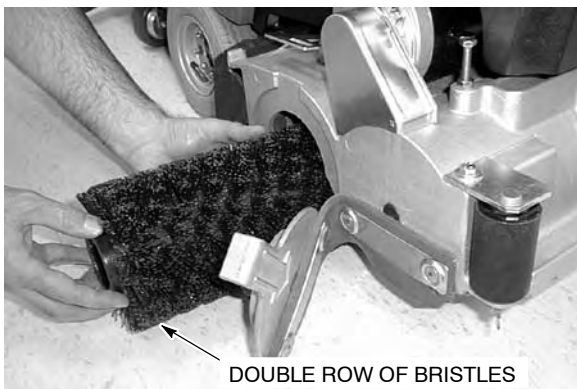


FIG. 47

5. Repeat steps for other brush on opposite side of scrub head.
6. Check brush adjustment (See ADJUSTING SCRUB HEAD).

CHANGING SCRUB HEADS

Two types of scrub heads are available for the 5400 model, disc brush and cylindrical brush. They are easily interchangeable.

The disc brush scrub head is designed to scrub smooth surfaces without debris, and the cylindrical brush scrub head is designed to scrub tile and uneven floors with small, light debris.

1. Lower scrub head to floor, do not apply any down pressure.
2. Turn machine off, remove key and set parking brake, if equipped.

FOR SAFETY: Before leaving or servicing machine, stop on level surface, turn off machine, and set parking brake, if equipped.

3. Remove shroud located above scrub head. The hex spacer is required for cylindrical brush scrub head only (Figure 48).

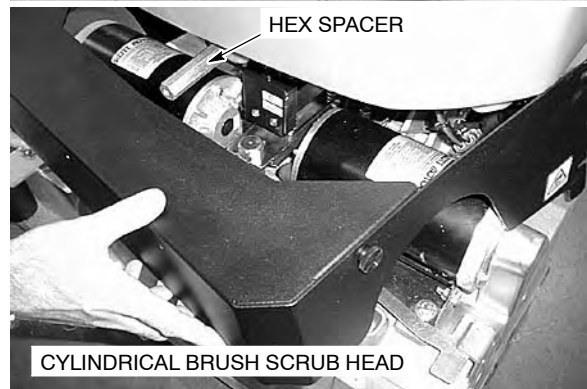
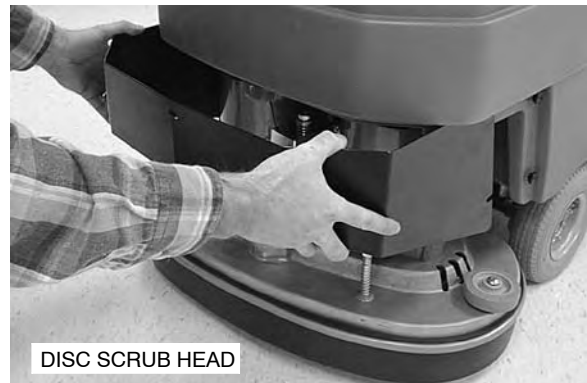


FIG. 48

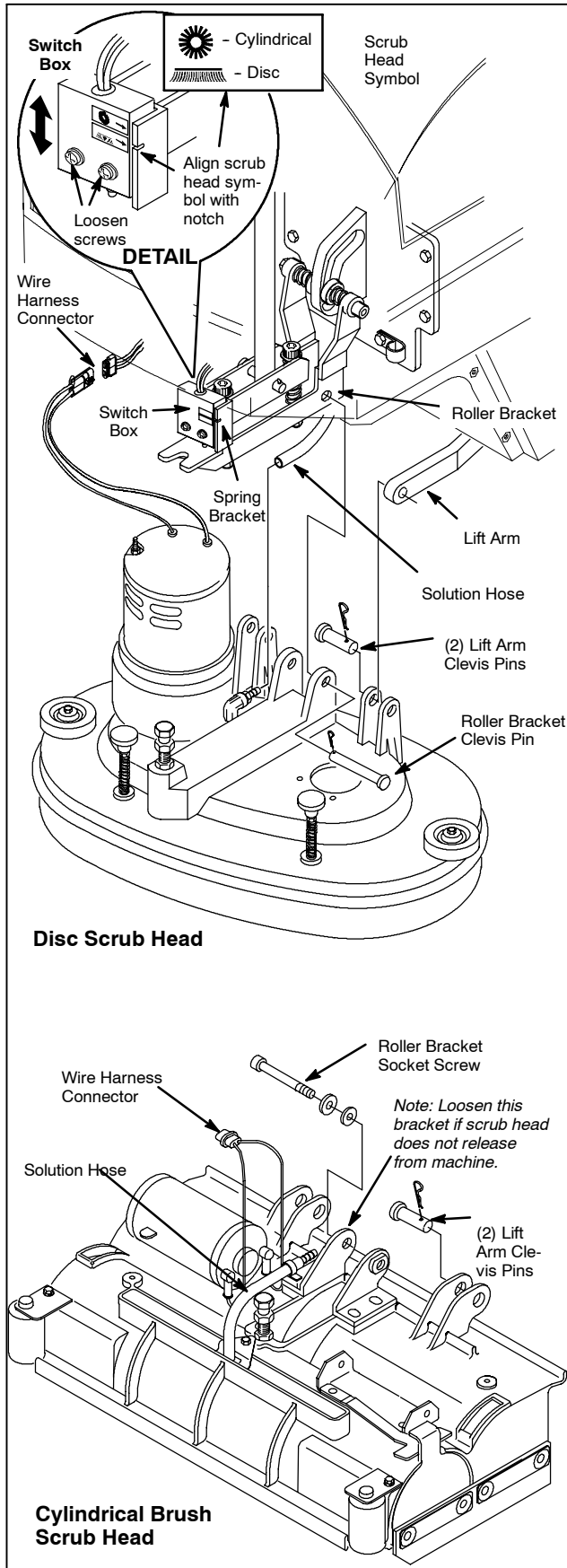


FIG. 49

4. Disconnect solution hose from scrub head (Figure 49).
5. Unplug brush motor wire harness connectors (Figure 49).
6. Remove two clevis pins that connect scrub head to lift arms (Figure 49).

For Disc Scrub Head: Remove a third clevis pin that connects scrub head to roller bracket (Figure 49).

For Cylindrical brush Scrub Head: Remove socket screw that connects scrub head to roller bracket, use a 5/16" Allen wrench (Figure 49).

7. Pull scrub head away from machine.
8. Loosen the two mounting screws on the switch box and align the corresponding scrub head symbol, printed on the switch box, with the notch in the spring bracket (Figure 49 - DETAIL). Retighten screws after adjusting.
9. When changing to cylindrical brush scrub head you must install squeegee swing stop screws, 17mm wrench and 8mm socket wrench required. Remove screws when using the disc brush scrub head (Figure 50).

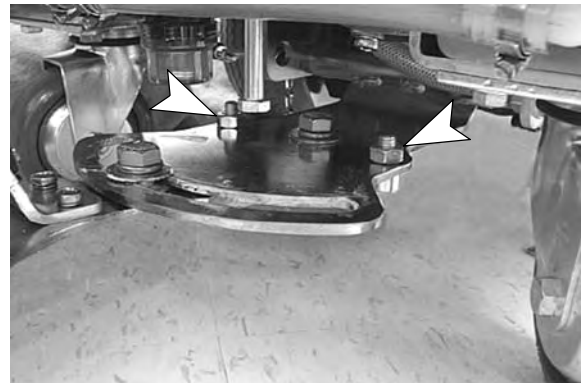


FIG. 50

10. Repeat steps in reverse order to install other scrub head. Make sure leveling screw engages bracket slot as shown (Figure 51).



FIG. 51

OPERATION

CHARGING BATTERIES

ATTENTION: To prolong the life of the batteries and to provide optimum machine performance, **ONLY** recharge the batteries after a total of 30 minutes of use or more. Do not leave batteries discharged for lengthy periods.

The following charging instructions are intended for battery chargers supplied with the machine. Only use a battery charger with the following specifications to prevent battery damage.

BATTERY CHARGER SPECIFICATIONS:

- OUTPUT VOLTAGE - 24 VOLTS
- OUTPUT CURRENT - 20 AMPS
- AUTOMATIC SHUT-OFF CIRCUIT
- FOR DEEP CYCLE BATTERY CHARGING

1. Transport machine to a well ventilated area for charging.

⚠ WARNING: Fire Or Explosion Hazard. Batteries Emit Hydrogen Gas. Keep Sparks And Open Flame Away. Keep Battery Compartment Open When Charging.

2. Before charging the batteries, check the electrolyte level in each battery cell (Figure 52).



FIG. 52

FOR SAFETY: When servicing machine, wear protective gloves and eye protection when handling batteries or battery cables. Avoid contact with battery acid.

The electrolyte level (A) should slightly cover the battery plates (B). Add distilled water as needed. DO NOT OVERFILL, the fluid may expand and overflow while charging. Replace cell caps before charging (Figure 53).

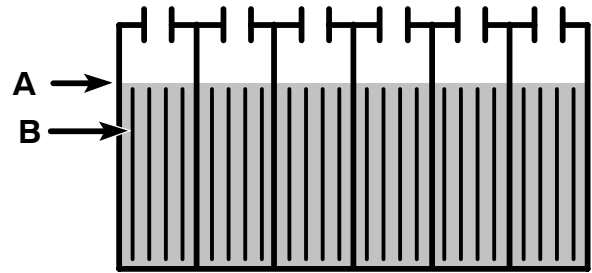


FIG. 53

3. Connect the charger's AC power supply cord to a properly grounded receptacle (Figure 54).

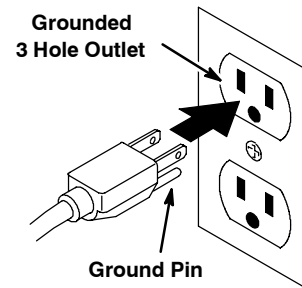


FIG. 54

4. Connect battery charger into machine's charging receptacle as shown. Flip up hood support stand and rest hood on stand (Figure 55).



FIG. 55

5. The charger will automatically begin charging and shut off when fully charged.

NOTE: The machine will not operate once the battery charger is connected.

ATTENTION: Do not disconnect the charger's DC cord from the machine's receptacle when the charger is operating. Arcing may result. If the charger must be interrupted during charging, disconnect the AC power supply cord first.

⚠ WARNING: Fire Or Explosion Hazard. Batteries Emit Hydrogen Gas. Keep Sparks And Open Flame Away. Keep Battery Compartment Open When Charging.

- After charging, check the electrolyte level (A) again. The level should be approximately 1 cm (0.38 in) from the bottom of the fill-port (B) (Figure 56). Add distilled water if needed. **DO NOT OVERFILL.**

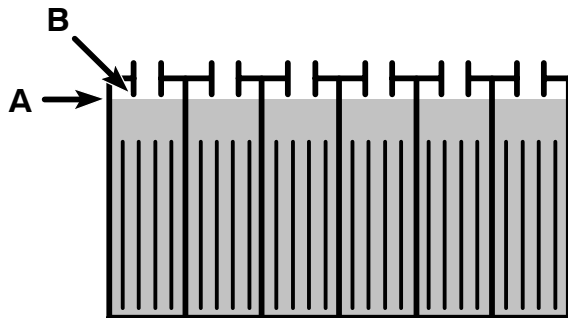


FIG. 56

MACHINE MAINTENANCE

To keep machine in good working condition, simply follow daily, weekly and monthly maintenance procedures.

FOR SAFETY: Before leaving or servicing machine, stop on level surface, turn off machine, and set parking brake, if equipped.

⚠ WARNING: Electrical Hazard. Disconnect Battery Cables Before Servicing Machine.

ATTENTION: Contact an Authorized Service Center for machine repairs. Machine repairs performed by other than an authorized person will void your warranty.

DAILY MAINTENANCE (After Every Use)

- Drain and flush out tanks with clean water (Figure 57).



FIG. 57

- Remove recovery tank plug and flush intake opening with water (Figure 58).

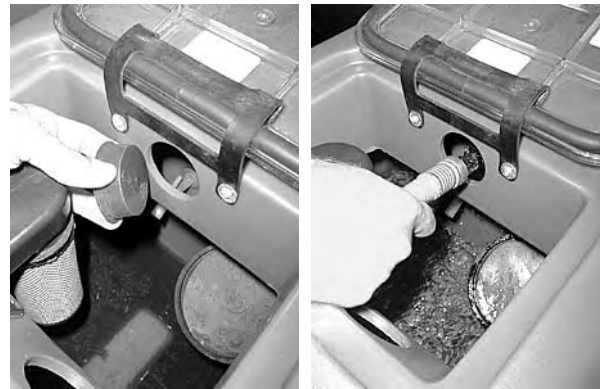


FIG. 58

- FaST Model Only: When FaST-PAK carton is not installed on machine, make sure that the supply hose is connected the hose storing plug. This will prevent the FaST solution system from drying out and clogging up (Figure 59). If any dried concentrate is visible on the FaST-PAK connector or the supply hose connector, soak in warm water to remove.

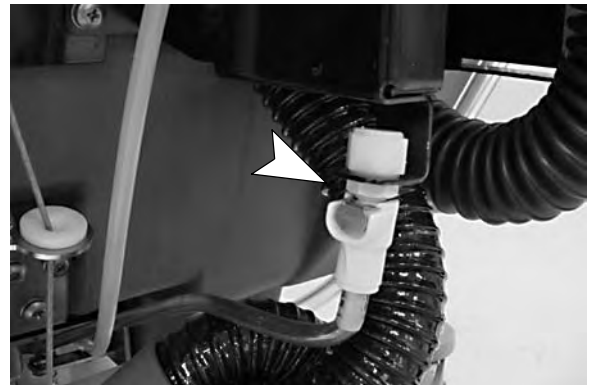


FIG. 59

- Remove and rinse float shut-off screen located in recovery tank (Figure 60).



FIG. 60

- Cylindrical brush scrub head: Empty and rinse debris trough (Figure 61).



FIG. 61

6. Check brushes for entangled debris.
7. Change pads or brushes if worn or damaged.
8. Check scrub head skirt(s) for wear and adjustment.
9. If equipped with ES option, remove ES filter and clean. Filter is located inside recovery tank (Figure 62).



FIG. 62

10. If equipped with ES option, clean ES float switch located inside recovery tank (Figure 63).

NOTE: If scrubbing an area where metal shavings are present, it is recommended that you clean the ES float switch more frequently. The ES float switch is equipped with a magnet which will attract metal shavings.



FIG. 63

11. Raise squeegee and wipe it down with a dry cloth. Store squeegee in the up position to prevent squeegee damage.

12. Clean machine housing with an all purpose cleaner and damp cloth.

ATTENTION: Do not power spray or hose off machine. Electrical component damage may result.

13. Recharge the batteries after a total of 30 minutes of use or more (See CHARGING BATTERIES).

MONTHLY MAINTENANCE (Every 80 Hours of Use)

1. Flush solution system. Pour 11.3 L (3 gal) of hot water into solution tank. Add an alkaline detergent according to mixing instructions. Over a floor drain, briefly operate machine, ES option and wand option for 30 seconds each. Turn key off and leave machine overnight. Next day, disperse remaining alkaline detergent and rinse solution system.
2. Remove bowl filter from underneath machine and clean screen. Make sure solution tank is empty before removing filter (Figure 64).

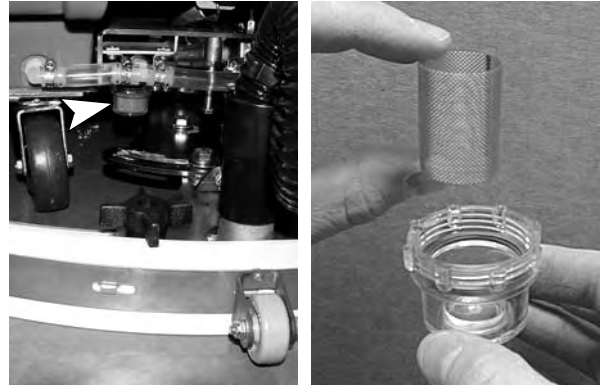


FIG. 64

3. Check fluid level in battery cells (See BATTERY MAINTENANCE).
4. Clean battery tops to prevent corrosion (See BATTERY MAINTENANCE).
5. Check for loose or corroded battery cables.
6. Check brushes for proper adjustment (See ADJUSTING SCRUB HEAD).
7. Lubricate caster grease fittings with a water resistant grease.
8. Check air pressure in tires. Proper air pressure for standard pneumatic tire is 315 to 345 kPa (45 to 50 psi).
9. Lubricate all pivot points and rollers with silicone spray then coat with a water resistant grease to maintain smooth operation.

10. Cylindrical Brush Scrub Head: Check brush belt tension. Proper belt deflection should be 3 mm (0.1 in) at midpoint, with 1.13–1.22 Kg (2.5–2.7 lbs) force (Figure 65).

⚠ WARNING: Electrical Hazard. Disconnect Battery Cables Before Servicing Machine.

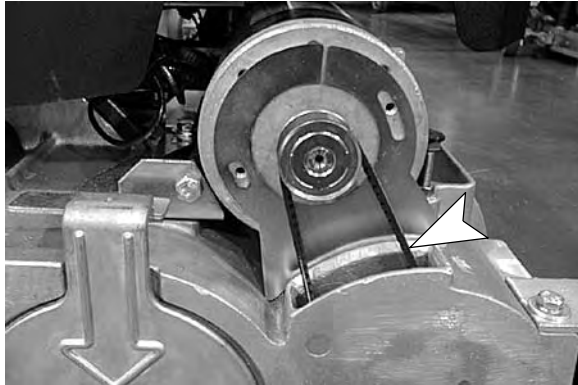


FIG. 65

ATTENTION: Contact an Authorized Service Center for machine repairs.

11. Check machine for water leaks and loose nuts and bolts.

QUARTERLY MAINTENANCE (Every 250 Hours of Use)

1. Check the drive transaxle motor, the vacuum motor and the brush motor for carbon brush wear. Replace carbon brushes when worn to a length of 10 mm (0.38 in) or less.

Contact an Authorized Service Center for machine repairs.

FOR SAFETY: When servicing machine, all repairs must be performed by a qualified service person.

⚠ WARNING: Electrical Hazard. Disconnect Battery Cables Before Servicing Machine.

2. FaST Model Only: Remove and clean out the air filter with compressed air. The FaST system air filter is attached to the air pump (Figure 66).



FIG. 66

SQUEEGEE BLADES

The squeegee has two squeegee blades. The front blade has two wiping edges. To use both of them, rotate the blade end-for-end.

The rear blade has four wiping edges. To use them all, start with one wiping edge. To use the next wiping edge, rotate the blade end-for-end. To use the next wiping edge, rotate the top edges down, bottom edges up. To use the last edge, rotate the blade end-for-end.

Replace any worn or damaged squeegee blades.

REPLACING OR ROTATING THE FRONT SQUEEGEE BLADE

1. Turn the machine power off and set the parking brake if your machine has this option.

FOR SAFETY: Before leaving or servicing machine, stop on level surface, turn off machine, set parking brake and remove key

2. Make sure the squeegee is raised off the floor.
3. Remove the six thumbscrews holding the retainer and squeegee blade to the squeegee frame (Figure 67).

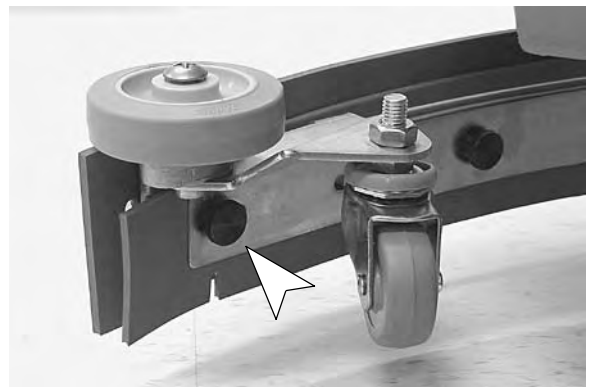


FIG. 67

4. Pull the squeegee blade off the squeegee frame.
5. Rotate the squeegee blade end for end to allow a new edge to face the front of the machine.
6. Line up the squeegee blade and the retainer to the squeegee frame
7. Secure the blade and retainer to the squeegee frame with the six thumbscrews.

OPERATION

REPLACING OR ROTATING THE REAR SQUEEGEE BLADE

1. Turn the machine power off and set the parking brake if your machine has this option.

FOR SAFETY: Before leaving or servicing machine, stop on level surface, turn off machine, and set parking brake, if equipped.

2. Make sure the squeegee is raised off the floor.
3. Loosen the retainer clamp and remove the retainer from the squeegee frame (Figure 68).

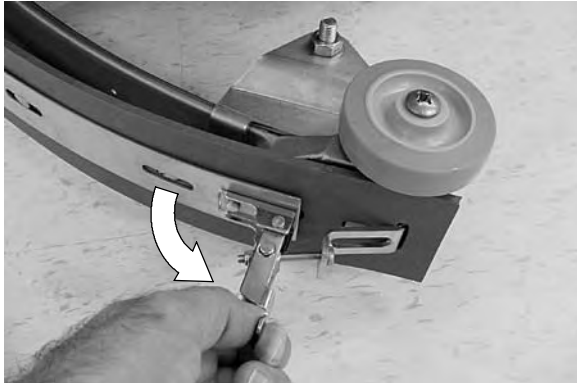


FIG. 68

4. Remove the squeegee blade and backup strip from the squeegee frame.
5. Replace or rotate the squeegee blade to allow a new edge to face the front of the machine.
6. Place the squeegee blade and backup strip on the squeegee frame
7. Secure the squeegee blade and backup strip with the retainer. Tighten the retainer clamp.

SQUEEGEE BLADE ADJUSTMENT

The adjustment of the squeegee blades are factory set and require no further adjustment. Squeegee adjustment is only necessary if it comes out of adjustment.

For optimum squeegee blade performance, the squeegee assembly casters must be adjusted to a specified height as described below.

1. To check the squeegee assembly for proper adjustment, remove the squeegee assembly from the machine and place it on a level surface. Measure the distance between the caster and the surface. It should measure approximately 1.58 mm (1/16") (Figure 69).
2. To adjust the caster height, loosen the top nut and remove the plastic bearing cover to access the adjustment nut. Turn the adjustment nut until properly adjusted (Figure 69). After adjusting, tighten the top nut and replace the plastic bearing cover. Repeat step for the other caster.

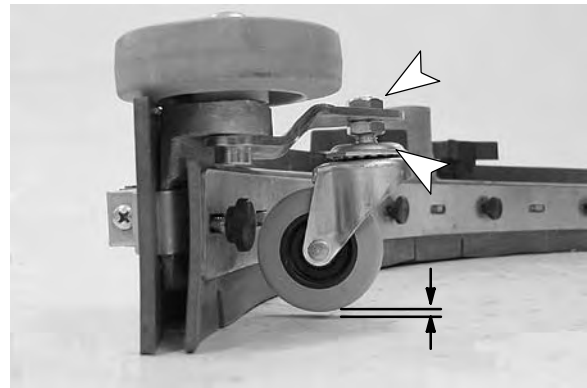


FIG. 69

3. During machine operation, with the casters properly adjusted, the squeegee blades should deflect as shown (Figure 70).



FIG. 70

BATTERY MAINTENANCE

⚠ WARNING: Fire Or Explosion Hazard. Batteries Emit Hydrogen Gas. Keep Sparks And Open Flame Away. Keep Battery Compartment Open When Charging.

FOR SAFETY: When servicing machine, wear protective gloves and eye protection when handling batteries and battery cables. Avoid contact with battery acid.

1. Check the specific gravity using a hydrometer to determine the charge level and the condition of the batteries (Figure 71). If one or more of the battery cells read lower than the other battery cells (0.050 or more), the cell is damaged, shorted, or is about to fail. Check the hydrometer readings against the following chart to determine the remaining battery charge level.

NOTE: Do not take readings immediately after adding distilled water. If the water and acid are not thoroughly mixed, the readings may not be accurate.



FIG. 71

SPECIFIC GRAVITY at 27°C (80°F)	BATTERY CHARGE
1.265	100% CHARGED
1.223	75% CHARGED
1.185	50% CHARGED
1.148	25% CHARGED
1.110	DISCHARGED

NOTE: If the readings are taken when the battery electrolyte is any temperature other than 27°C (80°F), the reading must be temperature corrected. Add or subtract to the specific gravity reading 0.004, 4 points, for each 6°C (43°F) above or below 27°C (80°F).

2. Always follow proper charging instructions (See CHARGING BATTERIES).

3. Check the electrolyte level (A) in each battery cell **after charging batteries**. The level should be approximately 1 cm from the bottom of the fill-port (B). Add distilled water if needed (Figure 72). **DO NOT OVERFILL.**

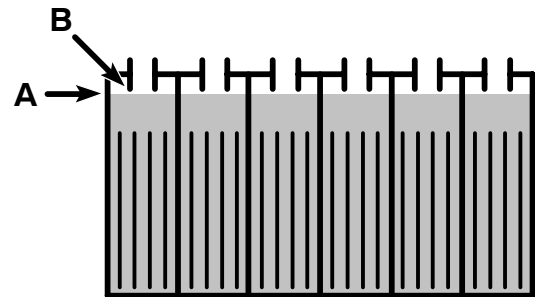


FIG. 72

4. Keep the battery tops clean to prevent battery corrosion.

To clean batteries:

FOR SAFETY: When servicing machine, wear protective gloves and eye protection when handling batteries and battery cables. Avoid contact with battery acid.

- a. Mix a strong solution of baking soda and water (Figure 73).



FIG. 73

- b. Brush the solution sparingly over the battery tops and cable connectors.

NOTE: Do not allow baking soda solution to enter battery cells.

- c. Use a wire brush to clean the battery terminals and cable connectors.
- d. After cleaning, apply a coating of clear battery post protectant to the terminals and cable connectors.

5. Check for loose or worn cables. Replace if worn.

OPERATION

MACHINE JACKING

Use designated locations under the solution tank for jacking up machine. Use a piece of wood to distribute machine weight load (Figure 74).

Always stop machine on a flat level surface and block machine tires before jacking up machine.



FIG. 74

FOR SAFETY: When servicing machine, block machine tires before jacking machine up.

FOR SAFETY: When servicing machine, jack machine up at designated locations only. Block machine up with jack stands.

TRANSPORTING MACHINE

When transporting machine by use of trailer or truck, be certain to follow tie-down procedures below:

FOR SAFETY: When using machine, go slow on inclines and slippery surfaces.

1. Raise squeegee and scrub head.
2. Load machine using a recommended loading ramp.
3. Position front of machine up against front of trailer or truck. Once machine is positioned, lower scrub head and squeegee.
4. Set parking brake, if equipped, and place a block behind each drive wheel to prevent machine from rolling.

5. Secure machine using tie-down brackets located at rear of machine frame, if equipped. It may be necessary to install tie-down brackets to the floor of your trailer or truck.
6. Place tie-down straps over top of machine to prevent it from tipping.

NOTE: Do not use control grips to secure machine for transporting.

FOR SAFETY: When transporting machine, use a recommended ramp when loading/unloading on/off truck or trailer. Use tie-down straps to secure machine to truck or trailer.

STORING MACHINE

1. Charge batteries before storing. Never store machine with discharged batteries.
2. Drain and rinse tanks thoroughly.
3. Store machine in a dry area with squeegee and scrub head in the raised position.
4. Remove recovery tank lid to promote air circulation.

ATTENTION: Do not expose machine to rain; store indoors.

FREEZE PROTECTION

1. Be sure the solution tank and recovery tank are empty.
2. Pour 3.8 L of pre-mixed automotive-type windshield washer solution into the solution tank.
3. Turn the machine power on.
4. Start the solution flow.
5. The washer solution does not need to be drained from the solution tank.

FaST SYSTEM FREEZE PROTECTION

FaST Winterizing Kit #613898 is required.

1. Disconnect the FaST-PAK from the system and connect the quick-disconnect fitting, supplied with kit, to the inlet line of the concentrate pump.
2. Using a small cup, drain as much of the FaST concentrate from the inlet line as possible (Figure 75). If the concentrate does not flow out of the line, simply squeeze and release the inlet hose several times.



FIG. 75

3. Install the hose, supplied with kit, onto the fitting. Using a small cup, pour RV antifreeze into this hose until inlet line and hose are full. If the antifreeze does not flow through the coupling, squeeze and release the inlet line several times (Figure 76).



FIG. 76

4. Tape the inlet hose to the side of the FaST-PAK holder to keep the hose vertical (Figure 77). Run the machine in the FaST mode until there is no foam coming from the machine. This indicates the RV antifreeze has been flushed through the concentrate pump. This step could take anywhere from 5 to 10 minutes depending on how much FaST concentrate was left in the inlet line after draining.

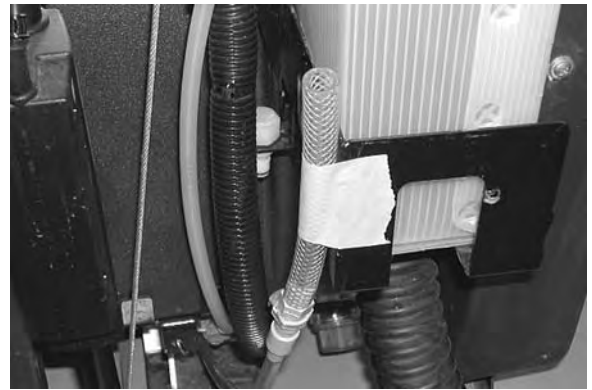


FIG. 77

5. Drain the solution tank and remove the water strainer cup located under the machine. Leave the cup and strainer off of the machine, and operate the machine in the FaST mode for 1–2 minutes. Clean the strainer if needed and reinstall strainer and cup to machine (Figure 78).



FIG. 78

6. Remove the kit's quick disconnect fitting and hose from the concentrate pump inlet line. Connect the inlet line to the storage plug on the FaST-PAK bracket. This will prevent any contaminants from entering concentrate system (Figure 79).

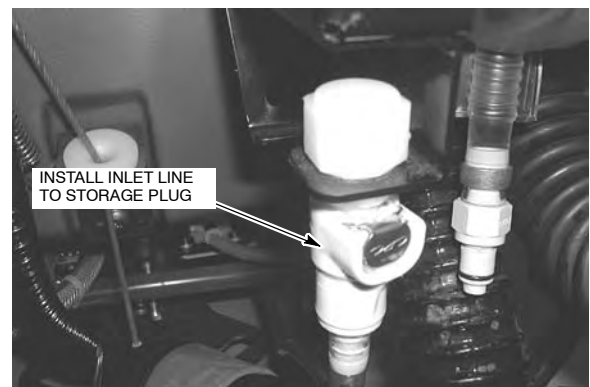


FIG. 79


OPERATION

DRAINING ANTIFREEZE AFTER STORING

1. Remove the concentrate line from the storage plug and install the quick-disconnect fitting, supplied with kit, into the inlet line of the concentrate pump.
2. Drain as much of the excess RV antifreeze as possible. If the antifreeze does not flow out of the line, squeeze and release the inlet hose several times.
3. Install the FaST-PAK into its holder. Remove the kit fitting from the concentrate line and connect the concentrate line to the FaST-PAK. If the concentrate does not flow into the line, simply squeeze and release the inlet hose several times.
4. Run the machine in the FaST mode for 5 minutes before adding water to the solution tank. Add water to the solution tank and the machine is now ready for service. It may be several minutes until the FaST system is back to the optimum operating condition.

RECOMMENDED STOCK ITEMS

Refer to the Parts List Manual for recommended stock items. Stock Items are clearly identified with a bullet preceding the parts description. See example below:



Ref.	Part No.	Description	Qty.
1	701103	ARM, STANDPIPE	1
2	180612	● FLOAT, SHUTOFF	1
3	230197	NIPPLE	1
4	101714	● GASKET	1
5	210240	NUT, FLANGED	1

TROUBLESHOOTING

PROBLEM	CAUSE	SOLUTION
Machine will not operate.	Faulty key switch.	Contact Service Center.
	Batteries need charging.	See CHARGING BATTERIES.
	Faulty battery(s).	Replace battery(s).
	Loose battery cable.	Tighten loose cable.
	MAIN circuit breaker has tripped.	Determine cause and reset breaker.
	Optional power kill button activated.	Turn button clockwise to reset.
Brush motors will not operate.	Faulty brush switch.	Contact Service Center.
	Control grips not rotated.	Rotate grips.
	Brush circuit breaker has tripped.	Replace pad or adjust pad pressure and reset brush circuit breaker button.
	Faulty brush motor or wiring.	Contact Service Center.
	Worn carbon brushes.	Contact Service Center.
	Faulty brush solenoid.	Contact Service Center.
Vacuum motor will not operate.	Faulty vacuum switch.	Contact Service Center.
	Squeegee is raised off floor.	Lower squeegee.
	Main circuit breaker has tripped.	Remove obstruction and reset circuit breaker button.
	Vacuum motor circuit breaker has tripped.	Determine cause and reset circuit breaker button.
	Faulty vacuum motor or wiring.	Contact Service Center.
	Worn carbon brushes.	Contact Service Center.
Little or no solution flow.	Solution switch is not activated.	Turn on solution switch.
	Clogged solution line or solution tank filter.	Remove hose and blow compressed air through it. Flush solution tank after each use.
	Clogged solution valve or solenoid.	Remove valve or solenoid and clean. Do not scratch inside of valve.
	Faulty solution switch or solenoid.	Contact Service Center.
	Solution flow knob not activated.	Turn solution flow knob.
	Loose set screw on solution knob.	Calibrate knob and tighten screw.
Poor Scrubbing Performance.	Brushes/pads out of adjustment.	See ADJUSTING SCRUB HEAD.
	Worn Brushes/pads.	Replace brushes/pads.
	Debris caught in brushes/pads.	Remove debris.
	Low tire pressure.	Increase tire pressure.
	Low battery charge.	Charge batteries.
	Incorrect brush/pad pressure.	Readjust brush/pad pressure.
	Broken Brush belt (cylindrical brush).	Replace belts.
Poor Drive Traction.	Pad pressure set too high.	Decrease brush pressure.
	Tires slipping.	Contact distributor for advice.
	Uneven brush pressure.	Level scrub head.
	Broken brush belt (cylindrical brush).	Replace belt.

OPERATION

TROUBLESHOOTING - Continued

PROBLEM	CAUSE	SOLUTION
Poor water pickup.	Recovery tank is full and ball float has been activated.	Empty recovery tank.
	Ball float screen inside recovery tank is clogged.	Remove screen and clean.
	Clogged squeegee.	Clean squeegee.
	Worn squeegee blades.	Replace squeegee blades.
	Loose squeegee thumbscrews.	Tighten thumbscrews.
	Vacuum hose connections are loose or hose has a hole.	Push hose cuffs firmly on connections. Replace hose if damaged.
	Clogged vacuum hose.	Remove clogged debris.
	Recovery tank inlet hole is obstructed.	Empty recovery tank and tilt tank sideways to access inlet hole, remove obstruction.
	Worn tank lid gasket.	Replace gasket.
	Loose drain hose plug.	Tighten plug.
	Recovery tank lid not in place.	Properly position lid.
	Loose vacuum motor.	Contact Service Center.
	Battery charge level is low.	Charge batteries. Do not run machine when battery meter is in the red zone.
ES option not operating.	ES filter is clogged.	Remove and clean ES filter.
	Faulty ES pump.	Contact Service Center.
	Faulty ES ON/OFF switch.	Contact Service Center.
	ES float switch is dirty.	Rinse off float switch located in recovery tank.
	Faulty ES float switch.	Contact Service Center.
Short run time.	Batteries not fully charged.	Charge batteries.
	Defective batteries.	Replace battery.
	Batteries need maintenance.	See BATTERY MAINTENANCE.
	Faulty charger.	Repair or replace battery charger.
FaST System Option does not operate.	Solution switch is not activated.	Turn on solution switch.
	FaST system switch is not turned on.	Turn on FaST system switch.
	FaST circuit breaker has tripped.	Determine cause and reset the 10A circuit breaker button.
	Clogged FaST-PAK supply hose and/or connectors.	Soak connector and hose in warm water and clean.
	FaST-PAK carton is empty or not connected.	Replace FaST-PAK carton and/or connect supply hose.
	Clogged flow control orifice.	Remove orifice, clean and reinstall (refer to parts list diagram).
	Faulty scrub mode switch.	Contact Service Center.
	Faulty pump or air compressor.	Contact Service Center.
	Clogged solution tank filter.	Drain solution tank. remove solution tank filter, clean and reinstall.

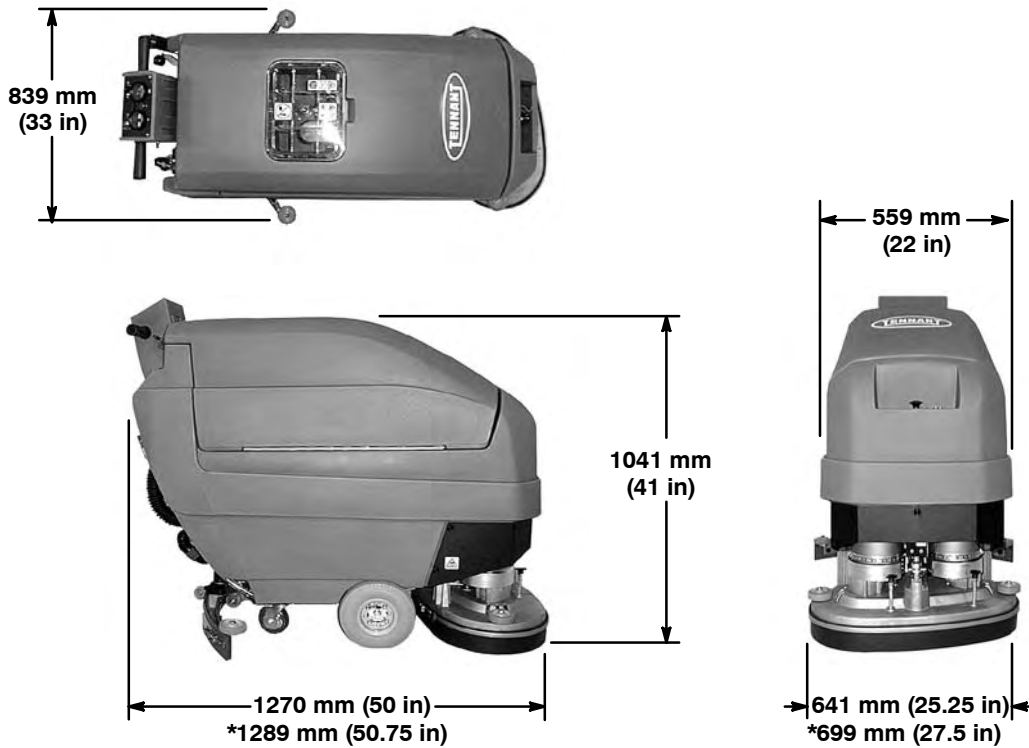
SPECIFICATIONS

MODEL	610 mm (24 in) Disc Head	660 mm (26 in) Disc Head	610 mm (24 in) Cylindrical Head
LENGTH	1270 mm (50 in)	1289 mm (50.75 in)	1359 mm (53.50 in)
WIDTH / WIDTH WITH SCRUB HEAD	559 mm (22 in) / 641 mm (25.25 in)	559 mm (22 in) / 699 mm (27.5 in)	559 mm (22 in) / 667 mm (26.25 in)
HEIGHT	1041 mm (41 in)	1041 mm (41 in)	1041 mm (41 in)
WEIGHT	142 kg (314 lb) / 260 Kg (570 lb) with batteries	142 kg (314 lb) / 260 Kg (570 lb) with batteries	142 kg (314 lb) / 260 Kg (570 lb) with batteries
RECOVERY TANK CAPACITY	80 L (21 Gal)	80 L (21 Gal)	80 L (21 Gal)
SOLUTION TANK CAPACITY	80 L (21 Gal)	80 L (21 Gal)	80 L (21 Gal)
ES OPTION SOLUTION FILL CAPACITY	117 L (31 Gal)	117 L (31 Gal)	117 L (31 Gal)
DRIVE SYSTEM	Transaxle, 24 V, .15 kw (.2 hp)	Transaxle, 24 V, .15 kw (.2 hp)	Transaxle, 24 V, .15 kw (.2 hp)
CLEANING RATE	2415 m ² per hour (26,000 sq ft)	2601 m ² per hour (28,000 sq ft)	2415 m ² per hour (26,000 sq ft)
CLEANING PATH WIDTH	610 mm (24 in)	660 mm (26 in)	610 mm (24 in)
PAD PRESSURE	Variable 0-54 kg (0-120 lb)	Variable 0-54 kg (0-120 lb)	Variable 0-41 kg (0-90 lb)
SQUEEGEE WIDTH	839 mm (33 in)	839 mm (33 in)	839 mm (33 in)
TOTAL POWER CONSUMPTION	60 Amp nominal	60 Amp nominal	60 Amp nominal
BRUSH MOTOR	Two - .75 h.p., 270 rpm, 24 V, 33 A	Two - .75 h.p., 270 rpm, 24 V, 33 A	Two - .63 h.p., 1700 rpm, 670 brush rpm, 24 V, 23 A
VACUUM MOTOR	.75 h.p., 3-stage 5.7 in, 24 V, 21 A	.75 h.p., 3-stage 5.7 in, 24 V, 21 A	.75 h.p., 3-stage 5.7 in, 24 V, 21 A
WATER LIFT	1829 mm (72 in)	1829 mm (72 in)	1829 mm (72 in)
BATTERIES	Four - 6 V, 235 AH	Four - 6 V, 235 AH	Four - 6 V, 235 AH
RUN TIME PER CHARGE	Up to 2.5 hours	Up to 2.5 hours	Up to 2.5 hours
DECIBEL RATING AT OPERATOR'S EAR, INDOORS ON TILE.	74 dB(A)	74 dB(A)	74 dB(A)

FaST SYSTEM (OPTION)		
SOLUTION PUMP	24 Volt DC, 3.5 A, 1.5 GPM open flow, 45 psi bypass setting	N/A
SOLUTION FLOW RATE	0.57 LPM (0.15 GPM)	N/A
DETERGENT PUMP	24 Volt, 20 Watts	N/A
CONCENTRATE FLOW RATE	0.55 CC/Minute (0.02 Ounces/Minute)	N/A
CONCENTRATE TO WATER DILUTION RATIO	1:1000	N/A
AIR COMPRESSOR	24 Volt DC, 0.6 Maximum Amp draw	N/A
AIR COMPRESSOR FLOW RATE	8.7 LPM (0.3 CFM) open flow	N/A

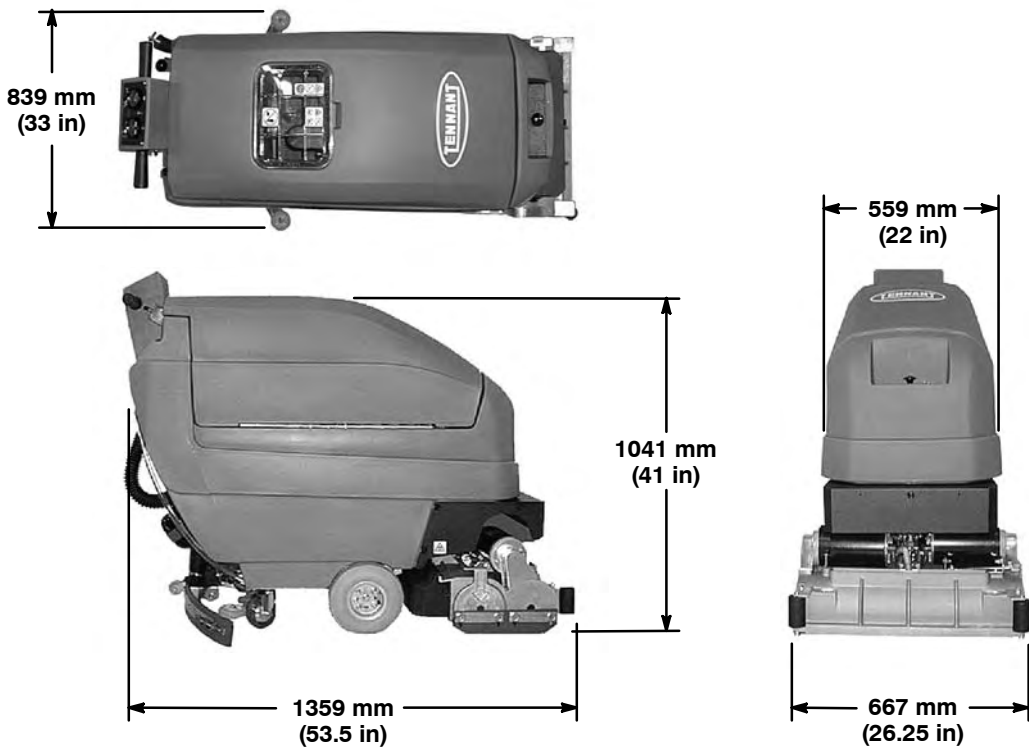
OPERATION

MACHINE DIMENSIONS - 610 mm (24 in) and 660 mm (26 in) DISC MODELS



* Dimensions apply to 660 mm (26 in) disc models only

MACHINE DIMENSIONS - 610 mm (24 in) CYLINDRICAL BRUSH MODEL



Este manual se incluye en todos los modelos nuevos. Proporciona la información necesaria para su utilización y mantenimiento.

Lea todo el manual detenidamente para comprender la máquina antes de utilizarla o revisarla.

Use la Lista de Piezas incluida en este manual al ordenar piezas de repuesto. Antes de ordenar piezas o suministros, asegúrese de tener el número de modelo y el número de serie de su máquina. Las piezas y los suministros pueden ordenarse por teléfono o por correo de cualquier centro autorizado de piezas y servicios, distribuidor de piezas o de cualquier subsidiaria del fabricante.

Esta máquina proporcionará un servicio excelente. Sin embargo, los mejores resultados se obtienen a un costo mínimo si:

- La máquina se opera con un cuidado razonable.
- La máquina se mantiene con regularidad, según las instrucciones de mantenimiento provistas.
- La máquina se mantiene con las piezas provistas por el fabricante o equivalentes.

DATOS DE LA MÁQUINA

Por favor complete al momento de la instalación para referencia futura.

No. de Modelo- _____

Fecha de instalación - _____

No. de Serie- _____



PROTECCIÓN DEL MEDIO AMBIENTE

Deseche el material de embalaje, los componentes usados de la máquina como las baterías y los líquidos peligrosos como el anticongelante y el aceite, de forma segura para el medio ambiente, de acuerdo con las normativas o disposiciones locales.



No olvide reciclar.

ÍNDICE

MEDIDAS DE SEGURIDAD	37	VACIADO DE LOS TANQUES	52
ADHESIVOS DE SEGURIDAD	39	AJUSTE DEL CABEZAL DE FREGADO	52
COMPONENTES DE LA MÁQUINA	40	CABEZAL DE FREGADO CON CEPILLO	
SÍMBOLOS DEL PANEL DE CONTROL	41	DE DISCO	52
INSTALACIÓN DE LA MÁQUINA	42	CABEZAL DE FREGADO CON CEPILLO	
DESEMPAQUE DE LA MÁQUINA	42	CILÍNDRICO	53
INSTALACIÓN DE LAS BATERÍAS	42	EXTRACCIÓN DE CEPILLOS/ALMOHADILLAS	55
PREPARACIÓN DE LA MÁQUINA	43	CABEZAL DE FREGADO DE DISCO	55
INSTALACIÓN DEL CONJUNTO DE LA		CABEZAL DE FREGADO CILÍNDRICO	55
ESCOBILLA DE GOMA	43	SUSTITUCIÓN DE LOS CABEZALES DE	
INSTALACIÓN DE CEPILLOS/ALMOHADILLAS ..	43	FREGADO	56
INSTALACIÓN DEL PRODUCTO FaST-PAK		CARGA DE LAS BATERÍAS	58
(OPCIONAL)	44	MANTENIMIENTO DE LA MÁQUINA	59
LLENADO DEL DEPÓSITO DE LA DISOLUCIÓN .	45	MANTENIMIENTO DIARIO	59
OPERACIÓN DE LA MÁQUINA	46	MANTENIMIENTO MENSUAL	61
INSPECCIONES DE PREOPERACIÓN	46	MANTENIMIENTO TRIMESTRAL	61
OPERACION DE LA MÁQUINA	46	HOJAS DE LA RASQUETA	62
PARADA DE EMERGENCIA	48	COMO RECAMBIAR O HACER ROTAR LA	
FUNCIONAMIENTO DEL SISTEMA DE		HOJA DE RASQUETA DELANTERA	62
FREGADO FaST (OPCIONAL)	48	COMO RECAMBIAR O HACER ROTAR LA HOJA	
FUNCIONAMIENTO DEL SISTEMA ES OPCIONAL	49	DE RASQUETA TRASERA	62
AL OPERAR LA MÁQUINA	49	AJUSTE DE LAS LÁMINAS DE LA ESCOBILLA ..	63
FUNCIONAMIENTO DEL TUBO ALARGADOR		MANTENIMIENTO DE LA BATERÍA	63
OPCIONAL	50		
CORTACIRCUITOS / FUSIBLE	51		
CONTADOR DE HORAS	51		

OPERACIÓN

ELEVACIÓN DE LA MÁQUINA	64	OPCIONES	147
TRANSPORTE DE LA MÁQUINA	65	CONJUNTO DE LA MANGUERA	
ALMACENAMIENTO DE LA MÁQUINA	65	DEL TUBO ELÉCTRICO	147
PROTECCIÓN CONTRA HELADAS	65	GRUPO DEL TUBO ELÉCTRICO DELUXE .	148
PROTECCIÓN CONTRA HELADAS DEL		GRUPO DEL TUBO ELÉCTRICO	150
SISTEMA FaST	65	GRUPO DE ACCESORIOS DE LA CONSOLA	152
VACIADO DEL ANTICONGELANTE DESPUÉS		ES GRUPO DE LA SOLUCIÓN	154
DEL ALMACENAMIENTO	66	GRUPO DE TUBERÍAS DEL TUBO	155
RECOMENDACIONES PARA EL			
ALMACENAMIENTO	67		
LOCALIZACIÓN DE AVERÍAS	68		
ESPECIFICACIONES	71		
DIMENSIONES DE LA MÁQUINA	72		
DIAGRAMAS ELECTRICAS	73		
LISTA DE PIEZAS	112		
SUSTITUCIÓN DEL CONJUNTO DE CEPILLOS			
E IMPULSOR DE LA ALMOHADILLA	112		
GRUPE DEL DEPÓSITO DE DISOLUCIÓN .	114		
CONJ. DESPOSITO RECUPERAR	116		
CONJUNTO CONSOLA DE CONTROLES ..	118		
GRUPO TABLERO DE COMPONENTÉ	120		
GRUPO DE TRANSMISIÓN	122		
GRUPO DEL ACTUADOR DEL CABEZAL			
DE FREGADO	124		
GRUPO DEL CABEZAL DE FREGADO DE			
DISCO, 610 mm (24 pulg)	126		
GRUPO DEL CABEZAL DE FREGADO DE			
DISCO, 660 mm (26 pulg) /	128		
GRUPO DEL CABEZAL DE FREGADO CON			
CEPILLO CILÍNDRICO, 610 mm (24 pulg) ..	130		
GRUPO DEL CABEZAL DE FREGADO			
CON CEPILLO CILÍNDRICO,			
610 mm (24 pulg) - CONT.	132		
GRUPO DE CONTROL DE LA			
ESCOBILLA DE GOMA	134		
CONJUNTO PALETA, 838 mm (33 pulg)	136		
GRUPO DE SOLUCION,			
MODELO ESTANDARD	138		
GRUPO DE SOLUCIÓN, MODELO FaST ..	140		
GRUPO DE SOLUCIÓN, MODELO			
FaST, CONTINUACIÓN	142		
AVERÍA DE LA BOMBA DE DISOLUCIÓN ..	144		
AVERÍA DE LA BOMBA DE AIRE	144		
CONJUNTO DE BATERÍA Y CARGADOR ..	145		
GRUPO CABLE DE LA BATERÍA	146		

MEDIDAS DE SEGURIDAD

Esta máquina está destinada al uso comercial. Está diseñada exclusivamente para fregar suelos en recintos cerrados y no debe utilizarse para ningún otro uso. Utilice únicamente los cepillos, almohadillas y limpiadores de suelos específicos recomendados para máquinas disponibles en el mercado.

Todos los operarios deben leer, comprender y cumplir las siguientes medidas de seguridad:

A lo largo de todo el manual se utilizan los siguientes símbolos de advertencia y encabezados "PARA SU SEGURIDAD" descritos a continuación:

⚠ ADVERTENCIA: Advierte sobre riesgos o prácticas inseguras que podrían provocar lesiones personales graves o fatales.

PARA SU SEGURIDAD: Identifica las operaciones que debe realizar para una utilización segura del equipo.

El no cumplimiento de estas advertencias puede causar lesiones personales, descargas eléctricas, incendios y explosiones.

⚠ ADVERTENCIA: Peligro de incendio o explosión:

- Nunca utilice líquidos inflamables ni haga funcionar la máquina en las proximidades de líquidos, vapores o polvos inflamables.
La máquina no está equipada con motores a prueba de explosiones. Los motores eléctricos producirán chispas tanto durante el arranque y como durante su utilización que pueden provocar incendios o explosiones si utiliza la máquina en presencia de líquidos o vapores inflamables o partículas combustibles.
- No recoja materiales inflamables ni metales reactivos.
- Las baterías emiten hidrógeno. Mantenga chispas y llamas alejadas de la máquina. Mantenga el compartimento de la batería abierto mientras realiza la operación de carga.

⚠ ADVERTENCIA: Peligro choque eléctrico. Desconecte los cables de la batería antes de realizar reparaciones en la máquina.

⚠ ADVERTENCIA: Cepillo giratorio. Mantenga alejadas las manos. Apague la máquina antes de trabajar en ella.

⚠ ADVERTENCIA: Punto de pinzamiento del actuador. Manténgase alejado de la zona de elevación del cabezal.

La siguiente información indica las condiciones potencialmente peligrosas para el operario o equipo.

PARA SU SEGURIDAD:

1. No utilice la máquina:
 - Con líquidos inflamables o cerca de gases inflamables, ya que podría provocar explosiones o llamaradas.
 - Salvo que esté debidamente formado y autorizado.
 - Salvo haber leído y comprendido el manual del operario.
 - Si la máquina no funciona correctamente.
2. Antes de arrancar la máquina:
 - Asegúrese de que todos los dispositivos de seguridad se encuentren en su lugar y funcionen correctamente.
3. Al utilizar la máquina:
 - Conduzca despacio en pendientes y superficies resbaladizas.
 - Utilice calzado antideslizante.
 - Reduzca la velocidad al realizar giros.
 - Sea precavido al retroceder la máquina.
 - Informe inmediatamente de las averías de la máquina o si el funcionamiento no es correcto.
 - No permita nunca que los niños jueguen encima o alrededor de la máquina.
 - Siga las instrucciones de mezcla y manipulación indicadas en los depósitos para los productos químicos.
4. Antes de abandonar o revisar la máquina:
 - Deténgase en una superficie horizontal.
 - Apague la máquina.
 - Ponga el freno de estacionamiento, si existe.
5. Al revisar la máquina:
 - Evite las partes en movimiento. No utilice chaquetas, camisas o mangas sueltas.
 - Desconecte las conexiones de la batería antes de empezar a trabajar en la máquina.
 - Utilice guantes y gafas de protección al trabajar con las baterías o sus cables.
 - Evite el contacto con el ácido de la batería.
 - Levante la máquina sólo por los lugares destinados a ello. Sujete la máquina con los soportes del gato.
 - Use gúinches o gatos para soportar el peso de la máquina.

OPERACIÓN

- No moje la máquina rociándola o utilizando una manguera. Pueden producirse fallos eléctricos.
 - Utilice repuestos suministrados o aprobados por el fabricante.
 - Todas las reparaciones deben ser realizadas por personal técnico cualificado.
 - No modifique el diseño original de la máquina.
6. Al transportar la máquina:
- Apague la máquina.
 - Utilice una rampa al cargar/descargar la máquina en/de un camión o remolque.
 - Utilice las cintas para fijar la máquina al camión o remolque.
 - Ponga el freno de estacionamiento, si existe.

ADHESIVOS DE SEGURIDAD

Los adhesivos de seguridad se encuentran en las posiciones indicadas a continuación. Sustituya los adhesivos si se han desprendido, están deteriorados o son ilegibles.

ETIQUETA DE ADVERTENCIA - ESTÁ SITUADA EN LA CUBIERTA DEL TANQUE DE RECUPERACIÓN.

	⚠ WARNING	⚠ AVERTISSEMENT	⚠ ADVERTENCIA
	EXPLOSION, FIRE AND SHOCK HAZARD. AVOID INJURY.	RISQUE D'EXPLOSION, D'INCENDIE ET DE DECHARGE. EVITEZ LES BLESSURES.	PELIGRO DE EXPLOSIÓN, FUEGO, DESCARGA EVITE LESIONES.
	• Do Not Use or Pick Up Flammable Materials.	• N'utilisez Pas ou Ne Ramassez Pas de Matériaux Inflammables.	• No Use Cerca De Líquidos Flamables, Vapores O Materiales Combustibles.
	• Do Not Use Near Flammable Liquids, Vapors or Combustible Dusts.	• N'utilisez Pas Près de Liquides, Vapeurs ou Poussières Inflammables.	• Mantenga Chispas Y Fuego Alejados Mientras Carga Baterías. Mantenga Tapa De Batería Abierta Mientras Carga.
	• Keep Sparks and Open Flame Away When Charging Batteries. Keep Battery Hood Open When Charging.	• Eloignez les Sources d'Étincelles ou de Flamme Ouverte Lors du Chargement des Batteries. Laissez Ouvert le Capot du Compartiment des Batteries Lors de la Mise en Charge.	• Desconecte Cable De Batería Y Cable Del Cargador Antes Del Mantenimiento.
	• Disconnect Battery Cables and Charger Cord Before Servicing.	• Débranchez les Câbles de Batterie et la Cordon du Chargeur Avant l'Entretien.	



ETIQUETA GENERAL DE PELIGRO –SITUADO EN EL SOPORTE DEL ACTUADOR

⚠ ADVERTENCIA: Punto de pinzamiento del actuador. Manténgase alejado de la zona de elevación del cabezal.



ETIQUETA DE PIEZAS MÓVILES – SITUADO EN LA CUBIERTA PROTECTORA DE LA CABEZA DE FREGADO

⚠ ADVERTENCIA: Piezas en movimiento. Apague la máquina antes de trabajar en ella.

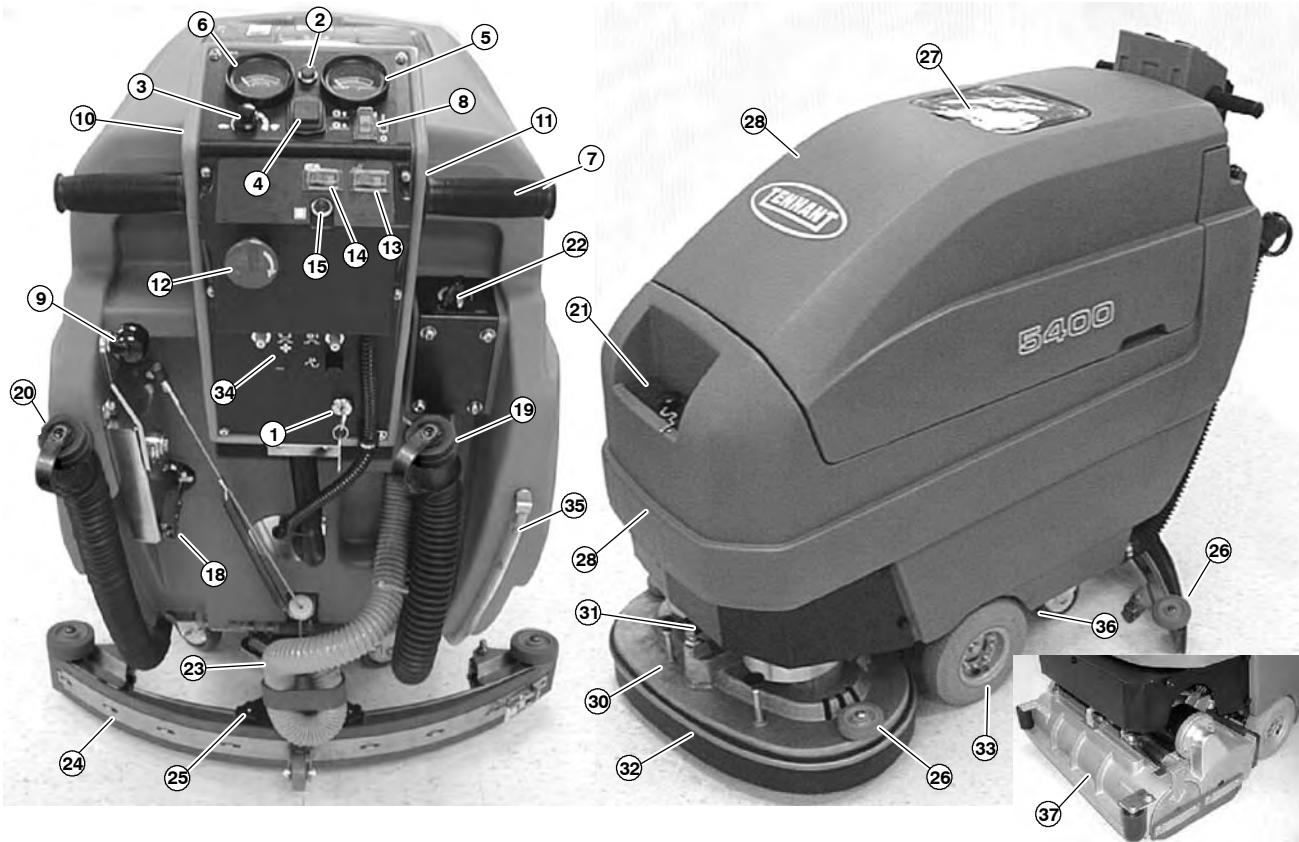
ETIQUETA DE NIVEL DE CARGA DE LA BATERÍA – SITUADO EN LA TAPA DEL DEPÓSITO DE RECUPERACIÓN Y EN EL LADO INFERIOR DEL DEPÓSITO DE RECUPERACIÓN

⚠ ADVERTENCIA: Las baterías emiten hidrógeno gaseoso. Existe peligro de incendio o explosión. Mantenga chispas y llamas alejadas de la máquina. Mantenga las tapas abiertas durante la operación de carga.

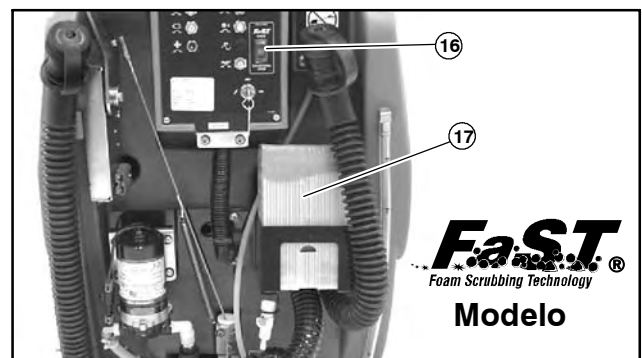


OPERACIÓN

COMPONENTES DE LA MÁQUINA






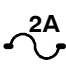






1. Contacto para la llave
2. Indicador luminoso de encendido/apagado
3. Botón de control de la velocidad
4. Interruptor de presión del cepillo
5. Indicador de la presión del cepillo
6. Nivel de carga de la batería.
7. Puños de control
8. Interruptor de encendido/apagado de la disolución
9. Palanca de elevación de la escobilla de goma
10. Consola de control
11. Palanca de ajuste de la altura de la consola de control
12. Botón de parada
13. Interruptor de encendido/apagado del tubo de aspiración
14. Interruptor de encendido/apagado del sistema ES (opcional)
15. Indicador luminoso de la bomba del sistema ES (opcional)
16. Interruptor de Encendido/Apagado del sistema FaST (opcional)
17. Sistema Dosificador FaST-PAK (opcional)
18. Enchufe del cargador
19. Manguera de vaciado del depósito de recuperación
20. Manguera de vaciado del depósito de la disolución
21. Abertura de llenado de la disolución
22. Mando de ajuste del flujo de disolución



23. Manguera de aspiración de la escobilla de goma
24. Conjunto de la escobilla de goma
25. Palometas de la escobilla de goma
26. Rodillos de pared
27. Tapa del depósito de recuperación
28. Depósito de recuperación
29. Depósito de la disolución
30. Cabecial de fregado de disco intercambiable
31. Tornillo de nivelación del cabecial de fregado
32. Aleta del cabecial de fregado
33. Ruedas impulsoras
34. Panel de cortacircuitos
35. Manguera de nivel del depósito de la disolución
36. Freno de estacionamiento
37. Cepillo cilíndrico intercambiable Cabecial de fregado

SÍMBOLOS DEL PANEL DE CONTROL

	Indicador luminoso de encendido		FaST Interruptor (Modelo FaST)		Cortacircuitos de 25 A del motor de aspiración
	Velocidad baja		Cortacircuitos de 10 A del circuito principal		Sistema ES (Fregado prolongado)
	Velocidad rápida		Cortacircuitos de 30 A del motor del cepillo (Dcho.)		Bomba del sistema ES Indicador luminoso
	Interruptor de presión del cepillo		Cortacircuitos de 30 A del motor del cepillo (Izqdo.)		Tubo alargador
			Fusible de 2 A del circuito		Freno de estacionamiento
	Interruptor de la disolución y Control de la disolución		Cortacircuitos de 15 A del motor impulsor		Lea el Manual antes de utilizar la máquina
	Indicador de la presión del cepillo		Sistema FaST, cortacircuitos de 10 A (opcional)		
	Nivel de carga de la batería				

OPERACIÓN

INSTALACIÓN DE LA MÁQUINA

DESEMPAQUE DE LA MÁQUINA

1. Compruebe cuidadosamente si la caja presenta señales de deterioro. En caso de que encuentre daños, informe inmediatamente al transportista.
2. Compruebe el contenido de la caja con la lista adjunta, póngase en contacto con el distribuidor si falta algo.

Contenido de la caja:

- 1 - Bandeja de la batería (#613971)
- 4 - Baterías, 235 Ah 6 V (#606897)
- 3 - Cables para las baterías (#130364)
- 8 - Tapas para los bornes de la batería (#45962)
- 8 - Manguitos de goma negro para el cable de la batería (#611221)
- 1 - Conjunto Rasqueta (#612025)
- 2 - Ruedas de parachoques (#1014918AM)
(Modelo con cabezal de fregado de disco)

Cepillos de fregado, impulsores de las almohadillas y almohadillas deben adquirirse separadamente (Consulte la sección LISTA DE PIEZAS).

3. Para desembalar la máquina: desatornille la parte trasera del chasis del pallet de transporte, retire las cintas de transporte y retire la máquina del pallet con una rampa o ayuda de alguien.

ATENCIÓN: No haga rodar la máquina para retirarla del pallet porque podría averiarse.

ATENCIÓN: Para evitar el posible deterioro de la máquina, instale las baterías antes de retirar la máquina del pallet de transporte.

4. Coloque el amortiguador de golpes sobre la cabeza de la máquina (Modelo con cabezal de fregado de disco).

INSTALACIÓN DE LAS BATERÍAS

⚠ ADVERTENCIA: Peligro de incendio o explosión. Las baterías emiten hidrógeno. Mantenga chispas y llamas alejadas de la máquina. Mantenga la tapa del compartimento de la batería abierto mientras realiza la operación de carga.

PARA SU SEGURIDAD: Al revisar la máquina, utilice guantes y gafas de protección cuando manipule las baterías y sus cables. Evite el contacto con el ácido de la batería.

Características recomendadas de la batería:

Cuatro baterías de ciclo profundo de 6 voltios, 235 amperios hora. Las dimensiones máximas de la batería son 181 mm (7,13 pulg.) Anc. x 260 mm (10,25 pulg.) Long. x 292 mm (11,50 pulg.) Alt.

1. Retire la llave de la máquina y ponga el freno de estacionamiento, si existe.
2. Gire el depósito de recuperación sobre su bisagra para acceder al compartimento de la batería. Retire los cables sueltos de la batería de sus compartimento (Figura 1).



FIG. 1

3. Instale con cuidado las baterías en la bandeja del compartimento de la batería y coloque los bornes de la batería como se indica. (Figura 2).

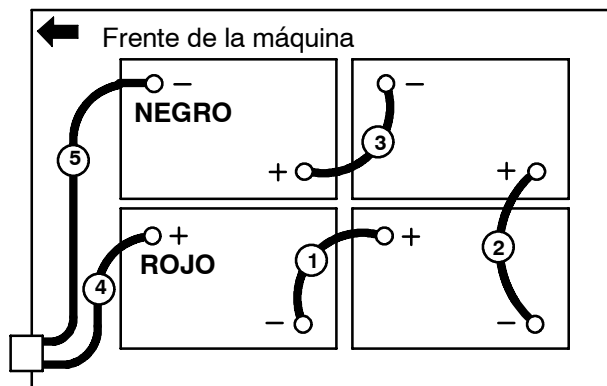


FIG. 2

ATENCIÓN: No deje caer las baterías en su compartimento o las baterías y su soporte podrían resultar dañados. La garantía no cubre estos daños.

4. Antes de conectar los cables de la batería, asegúrese de que los bornes y terminales están limpios. Utilice un limpiador de bornes y un cepillo de alambre para limpiar bornes y terminales.
5. Conecte los cables a los bornes de la batería en el orden numérico indicado, ROJO A POSITIVO y NEGRO A NEGATIVO, utilice las fundas y manguitos de goma adjuntos para los bornes de la batería (Figura 2).

NOTA: Aplique una capa ligera de grasa no metálica o spray protector en las conexiones del cable para evitar la corrosión de la batería.

6. Compruebe el nivel de carga de la batería. La máquina debe estar funcionando para obtener el valor correcto (Consulte la sección OPERACIÓN DE LA MÁQUINA). Cargue las baterías en caso necesario.

PREPARACIÓN DE LA MÁQUINA

INSTALACIÓN DEL CONJUNTO DE LA ESCOBILLA DE GOMA

1. Gire la llave hasta la posición de apagado.

PARA SU SEGURIDAD: Antes de abandonar o revisar la máquina, deténgase en una superficie plana, apague la máquina y ponga el freno de estacionamiento, si existe.

2. Levante la abrazadera del soporte de la escobilla de goma con la palanca de elevación de la escobilla de goma (Figura 3).



FIG. 3

3. Afloje las dos palometas de la escobilla de goma e introduzca la escobilla en las ranuras de la abrazadera del soporte de la escobilla de goma. Apriete bien las palometas (Figura 4).

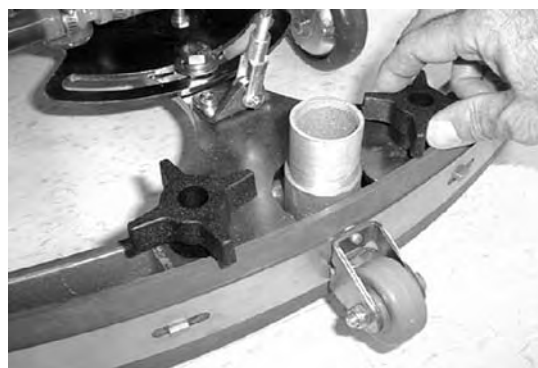


FIG. 4

4. Conecte la manguera de aspiración al conjunto de la escobilla de goma. Enrolle la manguera como se muestra utilizando el clip de manguera que se proporciona (Figura 5).

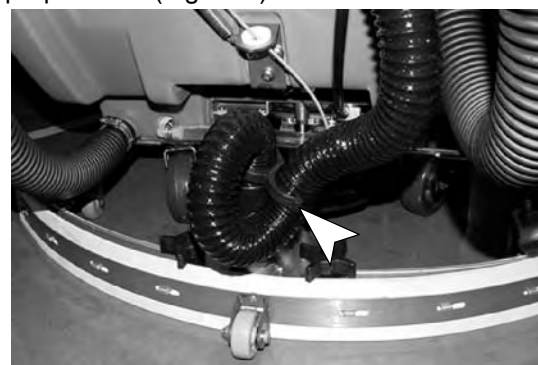


FIG. 5

INSTALACIÓN DE CEPILLOS/ALMOHADILLAS (Modelo con cabezal de fregado de disco)

NOTA: Consulte a un distribuidor autorizado acerca de los cepillos y almohadillas recomendados.

1. Pulse la mitad inferior del interruptor de presión del cepillo hasta que el cabezal de fregado esté totalmente elevado (Figura 6).



FIG. 6

OPERACIÓN

2. Gire la llave hasta la posición de apagado.

PARA SU SEGURIDAD: Antes de abandonar o revisar la máquina, deténgase en una superficie plana, apague la máquina y ponga el freno de estacionamiento, si existe.

3. Instale las almohadillas en sus impulsores antes de instalar los impulsores. Asegure la almohadilla con el cierre central (Figura 7).

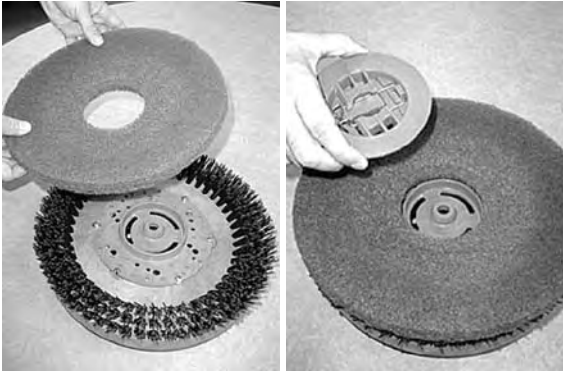


FIG. 7

4. Alinee el impulsor del cepillo/almohadilla por debajo del cubo del motor y empuje el impulsor hacia arriba para encajarlo en su lugar. Asegúrese que los impulsores de cepillos/almohadillas estén bien sujetos antes de poner la máquina en marcha (Figura 8).

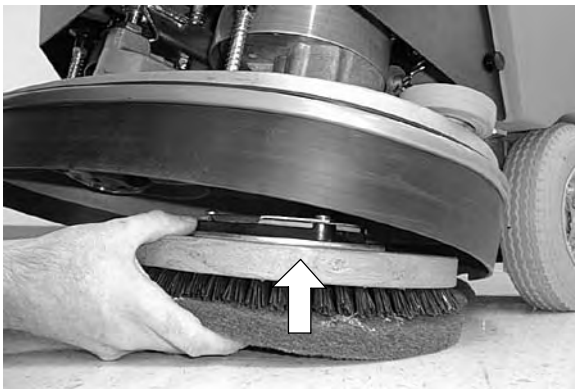


FIG. 8

5. Para extraer los impulsores del cepillo/la almohadilla: levante el cabezal de fregado, apague la máquina, extraiga la llave y empuje hacia abajo los mandos de liberación del cepillo (Figura 9).

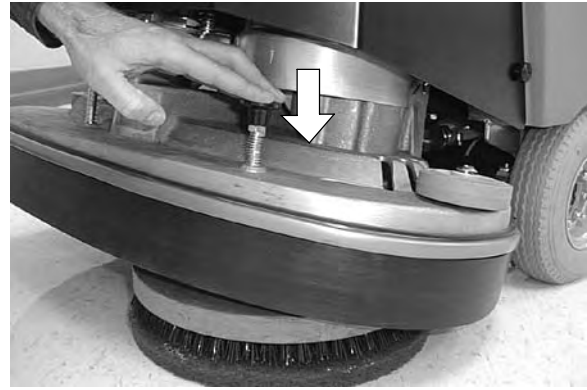


FIG. 9

(Modelo con cabezal de fregado con cepillo cilíndrico)

Consulte la sección EXTRACCIÓN DE CEPILLOS/ALMOHADILLAS.

INSTALACIÓN DEL PRODUCTO FaST-PAK (OPCIONAL)

La máquina debe estar equipada con el sistema FaST.

1. Abra el envase del limpiador concentrado para suelos FaST-Pak 365 por las marcas perforadas con este fin. No retire la bolsa del envase. Extraiga el conector de la manguera de la bolsa situado en la parte inferior de dicha bolsa y retire el tapón naranja de la manguera del conector (Figura 10).

ATENCIÓN: El limpiador concentrado de suelos FaST-Pak 365 está diseñado específicamente para su utilización con el sistema de fregado FaST. No utilice NUNCA sustitutos, podría averiar la máquina.

PARA SU SEGURIDAD: Al utilizar la máquina, siga siempre las instrucciones de uso indicadas en el envase del producto químico.

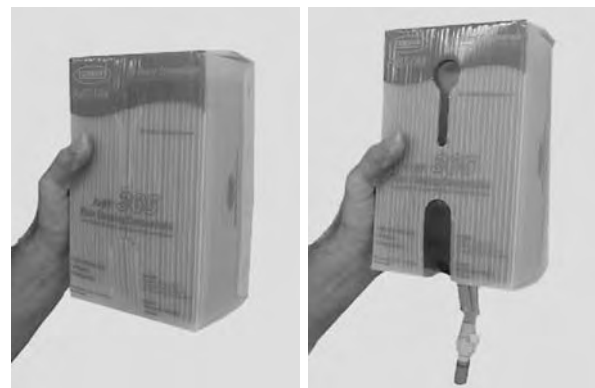


FIG. 10

- Coloque el envase de FaST-PAK en el soporte situado en la parte posterior de la máquina y conecte la manguera de alimentación a la bolsa del FaST-PAK (Figura 11).

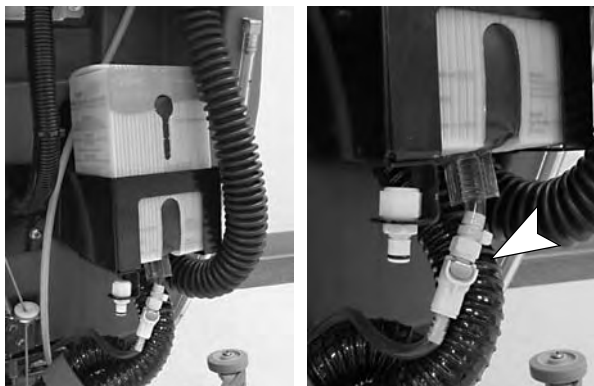


FIG. 11

NOTA: Si observa restos de producto concentrado seco en el conector de la manguera de alimentación o en el conector del FaST-PAK, sumérjalos y límpielos con agua caliente.

- Asegúrese de conectar la manguera de alimentación en el orificio de almacenamiento de la manguera cuando no la esté utilizando (Figura 12). Esto evitará que el sistema de disolución FaST se reseque y se bloquee la manguera de alimentación.



FIG. 12

- El sistema de disolución FaST deberá cebarse antes de la primera utilización. Para cebar dicho sistema, asegúrese de que el depósito de disolución esté vacío y haga funcionar la máquina en el modo de fregado FaST durante tres minutos. (Consulte el apartado de OPERACIÓN DE LA MÁQUINA). **Sólo es necesario realizar este paso antes de utilizar el sistema FaST por primera vez.**

LLENADO DEL DEPÓSITO DE LA DISOLUCIÓN

ATENCIÓN: UTILICE ÚNICAMENTE AGUA LIMPIA Y FRÍA cuando utilice el sistema FaST opcional. **NO AÑADA** productos limpiadores al depósito de disolución. La adición de limpiadores/restauradores tradicionales puede averiar el sistema de disolución FaST.

- Dirija la máquina a la estación de llenado. Mantenga la escobilla de goma y el cabezal de fregado levantados durante el transporte.
- Gire la llave hasta la posición de apagado.

PARA SU SEGURIDAD: Antes de abandonar o revisar la máquina, deténgase en una superficie plana, apague la máquina y ponga el freno de estacionamiento, si existe.

- Retire la tapa del orificio de llenado de la máquina y llene el depósito de disolución con agua caliente limpia, a una temperatura máxima de 60°C (140°F). La manguera transparente de la parte trasera de la máquina indica la cantidad de agua del depósito de disolución (Figura 13).

NOTA: La temperatura del agua **NO** debe ser superior a los 60 °C (140 °F) ya que se podría dañar el tanque.

NOTA: Si utiliza un cubo para llenar el depósito, asegúrese de que dicho cubo esté limpio para evitar que se obstruyan las tuberías de la disolución.



FIG. 13

- Añada la cantidad de detergente de acuerdo con las instrucciones del envase. **NO AÑADA** productos limpiadores al depósito de disolución para el fregado con el sistema FaST (opcional).

ATENCIÓN: Para el fregado convencional, utilice únicamente detergentes de limpieza. Los daños en la máquina debidos al uso inapropiado de detergentes anularán la garantía del fabricante.

⚠ ADVERTENCIA: Peligro de incendio o explosión. No utilizar **NUNCA** líquidos inflamables.

OPERACIÓN

PARA SU SEGURIDAD: Siga las instrucciones de mezcla y manipulación indicadas en los envases de los productos químicos cuando utilice la máquina.

5. Si su máquina tiene un sistema ES opcional, vierta de 10 a 38 litros (5 a 10 galones) de agua caliente, 60°C (140°F) de temperatura máxima, en el depósito de recuperación (Figura 14) (Consulte el apartado de FUNCIONAMIENTO DEL SISTEMA ES OPCIONAL).

NOTA: La temperatura del agua **NO** debe ser superior a los 60 °C (140 °F) ya que se podría dañar el tanque.

NOTA: Si utiliza un cubo para llenar el depósito, asegúrese de que dicho cubo esté limpio para evitar que se obstruyan las tuberías de la disolución.



FIG. 14

OPERACIÓN DE LA MÁQUINA

PARA SU SEGURIDAD: No utilice la máquina antes de haber leído y entendido el manual.

⚠ ADVERTENCIA: Peligro de incendio o explosión. NUNCA haga funcionar la máquina sobre o en las proximidades de líquidos, vapores o polvos inflamables.

INSPECCIONES DE PREOPERACIÓN

1. Barra el suelo y quite el polvo (sólo en modelos con cepillo de disco).
2. Compruebe el nivel de carga de la batería, la máquina debe estar funcionando para obtener el valor correcto.
3. Compruebe que los cepillos/almohadillas estén instalados.
4. Baje los cepillos/almohadillas hasta el suelo y compruebe que la aleta de fregado toca el suelo en todo el perímetro del cabezal de fregado.
5. Compruebe que la escobilla esté instalada y que las láminas de la escobilla se encuentran en buenas condiciones.

6. Compruebe que el depósito de residuos esté instalado y vacío (modelo con cepillo cilíndrico).
7. Fregado con sistema FaST (opcional): Controle que el depósito de disolución esté lleno de agua limpia y fría, sin ningún producto añadido. Vacíe completamente los detergentes/restauradores convencionales que haya en el depósito de disolución y aclare dicho depósito. Controle el nivel de producto FaST-PAK y sustituya el envase en caso necesario.

OPERACIÓN DE LA MÁQUINA

NOTA: Si la máquina está equipada con un sistema FaST o un sistema ES opcionales, consulte en las páginas 48 las instrucciones adicionales de funcionamiento.

1. Quite el freno de estacionamiento, si existe (Figura 15).



FIG. 15

2. Ajuste la consola de control a una altura de trabajo cómoda, 5 ajustes. Para ajustar la altura, tire del mando de la consola de control y súbala o bájela a la altura deseada, suelte el mando para inmovilizar la consola en posición (Figura 16).



FIG. 16

3. Gire la llave y el interruptor de la disolución a la posición de encendido.

- Para fregar de modo convencional con el modelo con sistema FaST, asegúrese de que el interruptor de dicho sistema se encuentra en la posición de apagado (O) (Figura 17).



FIG. 17

- Baje el conjunto de la escobilla de goma hasta el suelo utilizando la palanca de elevación de la escobilla, el motor de aspiración se activará automáticamente (Figura 18).



FIG. 18

- Pulse la mitad superior del interruptor de presión del cepillo para bajar el cabezal de fregado hasta el suelo (Figura 19).



FIG. 19

NOTA: Los cepillos y el flujo de disolución se activarán al girar los puños de control.

- Gire el botón de control de la velocidad al ajuste más lento (Figura 20).



FIG. 20

- Gire completamente los puños de control hacia delante y gire paulatina mente el botón de control de la velocidad hasta alcanzar la velocidad máxima de fregado deseada (Figura 21).

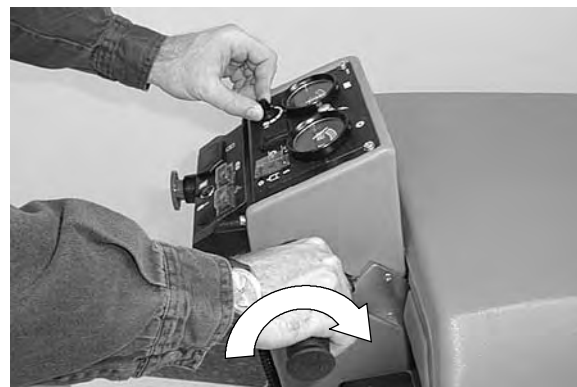


FIG. 21

- Gire el botón del flujo de la disolución a la posición deseada (Figura 22).

NOTA: Al fregar con el sistema FaST, dicho sistema ajusta previamente el flujo de disolución.



FIG. 22

OPERACIÓN

10. Controle la presión del cepillo cuando la máquina esté en funcionamiento. El valor debe encontrarse en la zona verde, pulse el interruptor de presión del cepillo para ajustarla (Figura 23).

ATENCIÓN: No utilice la máquina cuando el indicador de la presión de la almohadilla se encuentre en la zona roja, el cortacircuitos se activará y puede deteriorar el suelo.



FIG. 23

11. Para desplazar la máquina marcha atrás, gire los mandos de control gradualmente hacia atrás.
12. Para detener el fregado, suelte los mandos de control y eleve el cabezal de fregado y la escobilla de goma.
13. Después de la operación de fregado, realice las Operaciones Diarias de Mantenimiento (Consulte la sección de MANTENIMIENTO DE LA MÁQUINA).

PARADA DE EMERGENCIA (OPCIONAL)

En caso de emergencia durante la utilización de la máquina, pulse el botón de parada de la parte posterior de la consola de control para detener la máquina. Gire el botón en el sentido de las agujas del reloj para reajustarlo (Figura 24).



FIG. 24

FUNCIONAMIENTO DEL SISTEMA DE FREGADO FaST (OPCIONAL)

Funcionamiento del sistema FaST (Foam Scrubbing Technology) El producto concentrado FaST-PAK se inyecta en el sistema mezclado con una pequeña cantidad de agua y aire comprimido. La mezcla produce gran cantidad de espuma húmeda expandida. La mezcla de espuma expandida se aplica sobre el suelo mientras dos discos de fregado están en funcionamiento. Cuando la escobilla de goma recoge la mezcla, el agente espumante patentado ya ha perdido su volumen y puede recogerse en el depósito de recuperación. La utilización del sistema FaST puede incrementar un 30 % la eficacia del fregado gracias a la reducción del ciclo de vaciado/llenado. También reduce el empleo de productos químicos y el espacio necesario para el almacenamiento. Un envase FaST-PAK de producto concentrado puede fregar hasta 1 millón de pies cuadrados.

1. Asegúrese de que el envase de producto limpiador concentrado de suelos FaST-PAK 365 esté instalado correctamente (consulte el apartado de INSTALACIÓN DEL PRODUCTO FaST-PAK).
2. Controle que el depósito de disolución esté lleno de agua limpia y fría, sin ningún producto añadido. NO AÑADA productos limpiadores convencionales al depósito de disolución. La adición de productos limpiadores/restauradores convencionales puede provocar el fallo prematuro del sistema FaST.
3. Sitúe el interruptor del sistema FaST en la posición (I) (Figura 25).

NOTA: Para fregar únicamente con agua limpia, basta pulsar el interruptor del sistema FaST y situarlo en la posición de apagado (O). Esto permitirá utilizar la máquina para aplicaciones de aclarado.



FIG. 25

4. Asegúrese de que el interruptor principal de disolución se encuentra en la posición de ENCENDIDO (ON).

NOTA: Cuando el sistema FaST está activado, la regulación del flujo de agua procedente del depósito de disolución es automática. En el modo de fregado FaST, no es posible ajustar el flujo de disolución mediante el botón de Control del Ajuste de Disolución.

5. Siga las instrucciones de OPERACIÓN DE LA MÁQUINA para iniciar la operación de fregado.

Información general: Una misma máquina no puede estar equipada simultáneamente con los sistemas ES y FaST.

FUNCIONAMIENTO DEL SISTEMA ES OPCIONAL

El sistema ES opcional prolonga el tiempo de fregado reutilizando el agua recuperada. El agua recuperada se filtra y recicla y vuelve al depósito para su reutilización.

NOTA: Los modelos con sistema FaST no incluyen el sistema ES (opcional).

1. Vierta de 19 a 38 litros (5 a 10 galones) de agua caliente, a una temperatura máxima de 60°C (140°F) en el depósito de recuperación al llenar el depósito de la disolución (Figura 26).

NOTA: La temperatura del agua **NO** debe ser superior a los 60 °C (140 °F) ya que se podría dañar el tanque.

NOTA: Si utiliza un cubo para llenar el depósito, asegúrese de que dicho cubo esté limpio para evitar que se obstruyan las tuberías de la disolución.

⚠ ADVERTENCIA: Peligro de incendio o explosión. NUNCA haga funcionar la máquina sobre o en las proximidades de líquidos, vapores o polvos inflamables.



FIG. 26

2. Encienda el interruptor del sistema ES cuando esté listo para comenzar la operación de fregado. El indicador luminoso del sistema ES se encenderá y apagará automáticamente cuando el depósito de recuperación alcance su punto de reciclaje (Figura 27).



FIG. 27

NOTA: Si permanece encendido el indicador luminoso, vacíe los depósitos y limpie el filtro ES que se encuentra en el depósito de recuperación.

3. Siga las instrucciones de OPERACIÓN DE LA MÁQUINA para iniciar la operación de fregado.

AL OPERAR LA MÁQUINA

PARA SU SEGURIDAD: Conduzca despacio cuando utilice la máquina en pendientes o superficies resbaladizas.

1. Haga que las pistas de fregado solapen 50 mm (2 pulg.)
2. Mantenga la máquina en movimiento para evitar que el acabado del suelo se deteriore.
3. Controle la presión del cepillo cuando la máquina esté en funcionamiento. El valor debe encontrarse en la zona verde, pulse el interruptor de presión del cepillo para ajustarla.

ATENCIÓN: No utilice la máquina cuando el indicador de la presión de la almohadilla se encuentre en la zona roja, el cortacircuitos se activará y puede deteriorar el suelo.

4. Compruebe periódicamente si la formación de espuma en el depósito de recuperación es excesiva. Vierta un producto para el control de la formación de espuma en el depósito de recuperación si existe demasiada espuma.

ATENCIÓN: No permita que se introduzca espuma o agua en el filtro de flotador de cierre porque podría averiarse el motor de aspiración; la garantía no cubre este tipo de averías. La espuma no activará el filtro del flotador de cierre.

OPERACIÓN

5. Para zonas muy sucias, se recomienda el fregado doble. En primer lugar, friegue la zona con la escobilla de goma elevada, permita que la disolución actúe durante 3-5 minutos y, a continuación, friegue la zona por segunda vez con la escobilla de goma bajada.
6. Cabezal de fregado de disco: Cambie o gire las almohadillas cuando estén gastadas.
7. Cabezal de fregado con cepillo cilíndrico: Si las vibraciones del cepillo son excesivas o el fregado no es satisfactorio, consulte el apartado AJUSTE DEL CEPILLO DE FREGADO.
8. Si la escobilla de goma deja marcas, eleve y limpie las láminas con un paño. Barra con anterioridad la zona que desea fregar para evitar la formación de marcas.
9. Controle el nivel de carga de la batería. Cuando el indicador se encuentre en la zona roja, detenga el fregado y recargue las baterías.

ATENCIÓN: No utilice la máquina cuando el indicador de nivel de carga de la batería se encuentra en la zona roja, podría averiar la batería.

⚠ ADVERTENCIA: Peligro de incendio o explosión. No recoja materiales inflamables ni metales reactivos.

FUNCIONAMIENTO DEL TUBO ALARGADOR OPCIONAL

El tubo alargador opcional le permite fregar áreas que se encuentran fuera del alcance de la máquina.

NOTA: Los modelos con sistema FaST no incluyen el tubo opcional para acceder a lugares difíciles.

1. Gire la llave a la posición de apagado y ponga el freno de estacionamiento, si existe.

PARA SU SEGURIDAD: Antes de abandonar o revisar la máquina, deténgase en una superficie plana, apague la máquina y ponga el freno de estacionamiento, si existe.

2. Conecte la manguera de la disolución al acoplamiento de desconexión rápida situado detrás de la rueda impulsora derecha (Figura 28).

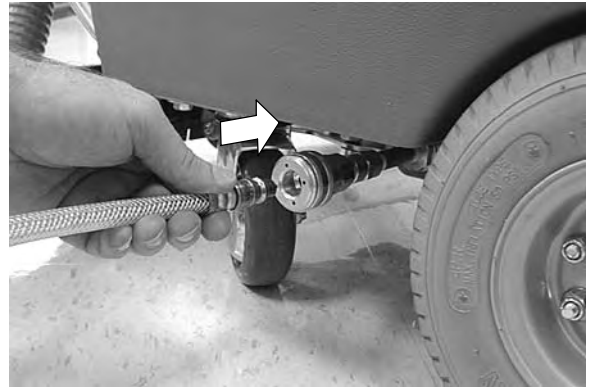


FIG. 28

3. Desconecte la manguera de aspiración de la escobilla de goma del conjunto de la escobilla de goma y conecte la manguera de aspiración del tubo con el adaptador suministrado con el tubo (Figura 29).



FIG. 29

4. Conecte las mangueras al tubo.
5. Gire la llave y el interruptor del tubo a la posición de encendido (Figura 30).



FIG. 30

- Baje el mando de la palanca de la escobilla de goma para activar el motor de aspiración (Figura 31).



FIG. 31

- Apriete la palanca del tubo y rocíe el suelo con disolución. Friegue el suelo con el lado del cepillo del tubo y recoja la disolución con el lado de la escobilla de goma del tubo (Figura 32).

⚠ ADVERTENCIA: Peligro de incendio o explosión. No recoja materiales inflamables ni metales reactivos.



FIG. 32

CORTACIRCUITOS / FUSIBLE

El modelo 5400 está equipado con cinco cortacircuitos reajustables y un fusible para proteger la máquina de averías. Si el cortacircuitos se activa durante la utilización, determine la causa de la activación, deje que el motor se enfríe y reajuste el cortacircuitos manualmente. Si sustituye el fusible, no utilice nunca uno de valor superior al especificado. El panel de cortacircuitos se encuentra en la parte trasera de la máquina (Figura 33).

- Cortacircuitos principal de 10 AM
- Cortacircuitos de 15 A del motor impulsor
- Cortacircuitos de 25 A del motor de aspiración
- Cortacircuitos de 30 A del motor del cepillo (2)
- Fusible de 2A del circuito
- 10 A Sistema FaST (opcional)



FIG. 33

CONTADOR DE HORAS

El contador de horas registra el número de horas que la máquina ha estado en funcionamiento. Utilice el contador de horas para determinar cuándo deben realizarse las operaciones de mantenimiento y registrar el historial de servicio (Figura 34).



FIG. 34

VACIADO DE LOS TANQUES

Vaciado del depósito de recuperación:

- Después de cada uso.
- Entre dos operaciones de llenado del depósito de disolución.
- Cuando la escobilla de goma no recoja bien el agua.
- Cuando se detenga el flujo de la disolución.
- Cuando el filtro del flotador de cierre, situado en el interior del depósito de recuperación, se active.
- Si el indicador luminoso del sistema ES opcional se mantenga encendido.

1. Dirija la máquina a un desagüe del suelo y gire la llave a la posición de apagado

PARA SU SEGURIDAD: Antes de abandonar o revisar la máquina, deténgase en una superficie plana, apague la máquina y ponga el freno de estacionamiento, si existe.

2. Extraiga la manguera de vaciado de su soporte. La manguera del lado derecho vacía el depósito de recuperación y la del lado izquierdo el depósito de la disolución. Gire el mando de la manguera de vaciado en sentido contrario al de las agujas del reloj y quite el tapón para vaciar el depósito (Figura 35).

NOTA: Si utiliza un cubo para vaciar la máquina, no utilice el mismo cubo para llenar el depósito de la disolución.

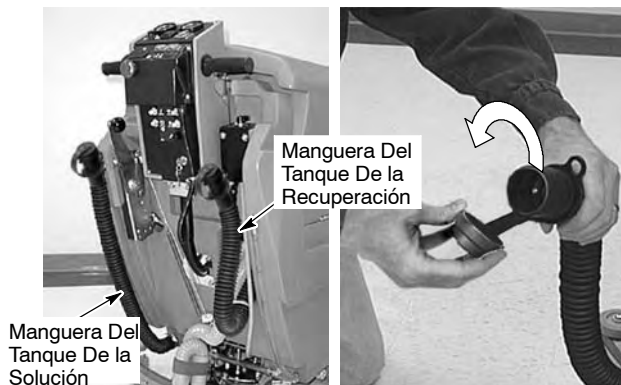


FIG. 35

3. Aclare el depósito de recuperación con agua limpia.

NOTA: La temperatura del agua no debe ser superior a los 60 °C(140 °F) ya que se podría dañar el tanque. No se debe usar vapor para limpiar el tanque.

4. Si ha utilizado el sistema ES opcional, también deberá vaciar el depósito de la disolución. Aclare el depósito de la disolución con agua limpia.
5. Vuelva a colocar el (los) tapón(tapones) de la manguera de vaciado.
6. Después de terminar la operación de fregado, realice las Operaciones Diarias de Mantenimiento (Consulte la sección MANTENIMIENTO DE LA MÁQUINA).

AJUSTE DEL CABEZAL DE FREGADO

CABEZAL DE FREGADO CON CEPILLO DE DISCO

NOTA: Antes de ajustar el cabezal de fregado, compruebe la presión de las llantas y llene el depósito de la disolución.

1. Baje el cabezal de fregado con los cepillos/almohadillas instalados hasta el suelo y aplique la presión máxima a la almohadilla.
2. Apague la máquina y retire la llave del contacto

PARA SU SEGURIDAD: Antes de abandonar o revisar la máquina, deténgase en una superficie plana, apague la máquina y ponga el freno de estacionamiento, si existe.

3. Mida la distancia desde el borde superior del cabezal de fregado al suelo en el centro delantero y trasero del cabezal de fregado (Figura 36).



FIG. 36

- Si el cabezal de fregado no está nivelado, afloje la tuerca de fijación y gire el tornillo de nivelación de dicho cabezal para nivelarlo, necesitará una llave de 1 pulgada. Vuelva a apretar la tuerca de fijación una vez nivelado el cabeza (Figura 37).



FIG. 37

CABEZAL DE FREGADO CON CEPILLO CILÍNDRICO

Para comprobar el correcto ajuste del cepillo realice las siguientes operaciones:

NOTA: Antes de comprobar o ajustar el cepillo de fregado, compruebe la presión de las llantas y llene el depósito de la disolución.

- Aplique un producto en forma de polvo, como tiza, en un suelo liso y horizontal.
- Coloque la máquina, con el cabezal de fregado elevado, de modo que dicho cabezal se sitúe sobre la zona de prueba y ponga el freno de estacionamiento, si existe.
- Baje el cabezal de fregado hasta el suelo aplicando la presión mínima del cepillo.
- Gire el interruptor de la disolución hasta la posición de apagado.
- Gire el botón de control de la velocidad a la velocidad más lenta y gire ligeramente los mandos de control hacia delante durante 2 segundos mientras mantiene la máquina inmóvil.

NOTA: Si no dispone de ningún producto en polvo, deje funcionar los cepillos durante 30 segundos sobre el mismo lugar.

- Quite el freno de estacionamiento, eleve el cabezal de fregado y aleje la máquina de la zona de prueba desplazándose marcha atrás.

- Observe en el suelo el patrón del cepillo. Los dos cepillos deben dejar un patrón paralelo y uniforme (Figura 38).

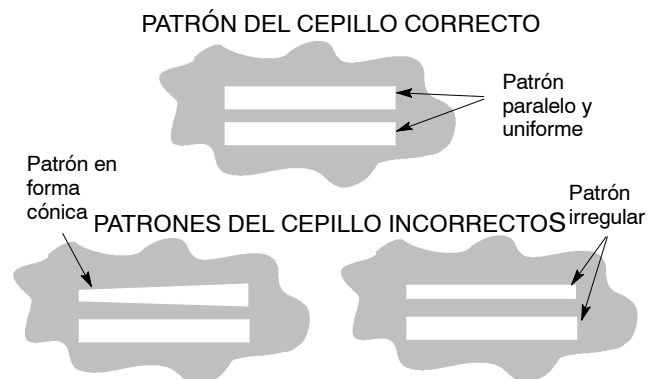


FIG. 38

- Si el patrón del cepillo es incorrecto, necesitará ajustarlo.

Ajuste del patrón irregular de un cepillo cilíndrico:

- Baje el cabezal de fregado hasta el suelo y aplique la presión máxima al cepillo.
- Apague la máquina y retire la llave del contacto

PARA SU SEGURIDAD: Antes de abandonar o revisar la máquina, deténgase en una superficie plana, apague la máquina y ponga el freno de estacionamiento, si existe.

- Mida la distancia desde el borde inferior del cabezal de fregado al suelo en las cuatro esquinas (Figura 39).

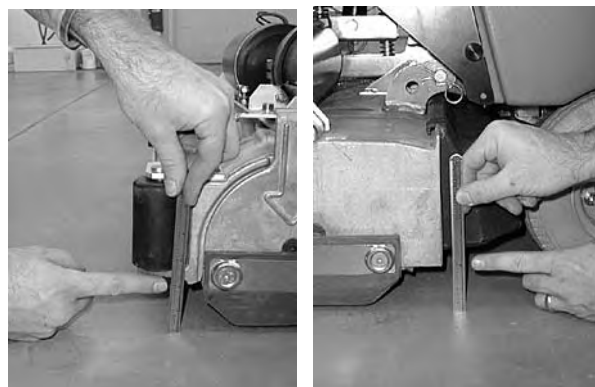


FIG. 39

OPERACIÓN

- Si el cabezal no está horizontal, afloje la tuerca de fijación y gire el tornillo en el sentido de las agujas del reloj para reducir la anchura trasera del cepillo o en sentido contrario al de las agujas del reloj para reducir la anchura delantera del reloj, necesitará una llave de 1 pulgada (Figura 40).

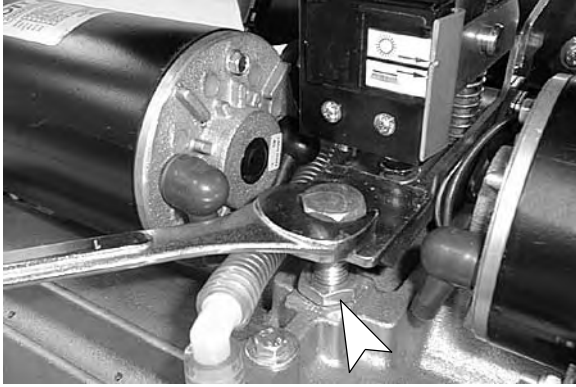


FIG. 40

- Vuelva a comprobar el patrón del cepillo y a reajustar en caso necesario.

Ajuste del patrón cónico de un cepillo cilíndrico:

- Eleve el cabezal de fregado del suelo y retire la llave de contacto.

PARA SU SEGURIDAD: Antes de abandonar o revisar la máquina, deténgase en una superficie plana, apague la máquina y ponga el freno de estacionamiento, si existe.

- Extraiga la placa intermedia del patrón cónico del cepillo. Para extraer la placa intermedia del cabezal de fregado, empuje la lengüeta elástica del soporte hacia abajo y, a continuación, tire de la parte inferior de la placa hacia abajo y hacia fuera (Figura 41).



FIG. 41

- Extraiga el extremo de la placa intermedia del cepillo.
- Sujete el eje de la clavija del cepillo con una llave de 6 mm (0,374 pulg.) y afloje el tornillo de cabeza Allen, necesitará una llave Allen de 6 mm (Figura 42).



FIG. 42

- Para ajustar el cepillo delantero, gire el eje en el sentido de las agujas del reloj para bajar el extremo del cepillo. Para ajustar el cepillo trasero, gire el eje en sentido contrario al de las agujas del reloj para bajar el extremo del cepillo. Vuelva a apretar el tornillo Allen después del ajuste (Figura 43).



FIG. 43

- Vuelva a instalar la placa intermedia y compruebe de nuevo el patrón del cepillo y vuelva a ajustarlo en caso necesario.

EXTRACCIÓN DE CEPILLOS/ALMOHADILLAS

CABEZAL DE FREGADO DE DISCO

Sustituya los cepillos de disco si las cerdas están gastadas y su longitud es igual o inferior a 10 mm (0,38 pulg.)

NOTA: Sustituya siempre los cepillos por juegos. Nunca los sustituya individualmente.

1. Pulse la mitad inferior del interruptor de presión del cepillo hasta que el cabezal de fregado esté totalmente elevado (Figura 6).
2. Gire la llave hasta la posición de apagado.

PARA SU SEGURIDAD: Antes de abandonar o revisar la máquina, deténgase en una superficie plana, apague la máquina y ponga el freno de estacionamiento, si existe.

3. Empuje hacia abajo los botones de liberación del cepillo para liberar los impulsores de los cepillos/almohadillas de fregado (Figura 44).



FIG. 44

4. Empuje el clip de sujeción del cierre central para extraer la almohadilla (Figura 45).

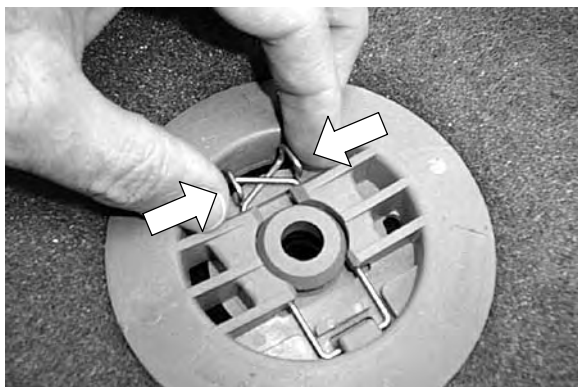


FIG. 45

CABEZAL DE FREGADO CILÍNDRICO

Sustituya los cepillos cilíndricos si las cerdas están gastadas y su longitud es igual a 10 mm (0,38 pulg.) o inferior.

NOTA: Sustituya siempre los cepillos por juegos. Nunca los sustituya individualmente.

1. Eleve el cabezal de fregado del suelo y retire la llave de contacto.

PARA SU SEGURIDAD: Al abandonar o revisar la máquina, deténgase en una superficie plana, apague la máquina y ponga el freno de estacionamiento, si existe.

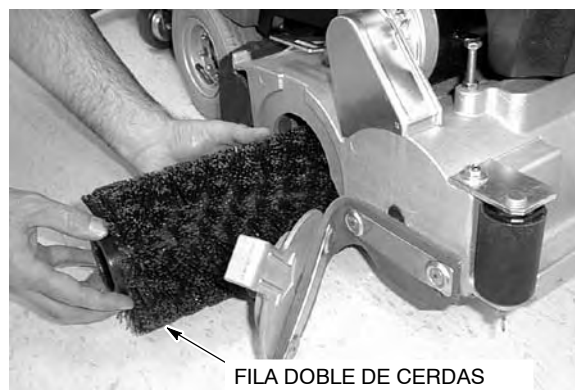
2. Extraiga las placas intermedias del cabezal de fregado. Para extraer la placa intermedia, empuje de la lengüeta elástica del soporte hacia abajo y, a continuación, tire de la parte inferior de la placa hacia abajo y hacia fuera (Figura 46).



FIG. 46

3. Extraiga el extremo de la placa intermedia del cepillo. Extraiga el cepillo del cabezal de fregado.
4. Instale la placa intermedia en el cepillo de nuevo y vuelva a instalar el cepillo (Figura 47).

NOTA: Asegúrese de que el extremo del cepillo con la fila doble de cerdas se dirige hacia la placa intermedia.



FILA DOBLE DE CERDAS

FIG. 47

OPERACIÓN

5. Repita las mismas operaciones para el cepillo del lado opuesto del cabezal de fregado.
6. Compruebe el ajuste del cepillo (Consulte el apartado AJUSTE DEL CABEZAL DE FREGADO).

SUSTITUCIÓN DE LOS CABEZALES DE FREGADO

Existen dos tipos de cabezales de fregado disponibles para el modelo 5400: cepillo de disco y cepillo cilíndrico. Pueden intercambiarse fácilmente sin necesidad de herramientas.

El cabezal de fregado del cepillo de disco está diseñado para fregar superficies lisas sin residuos, y el cabezal de fregado de cepillo cilíndrico está diseñado para fregar suelos irregulares y de baldosas con residuos pequeños y ligeros.

1. Baje el cabezal de fregado hasta el suelo y no aplique ninguna presión al cepillo.
2. Apague la máquina, retire la llave y ponga el freno de estacionamiento, si existe.

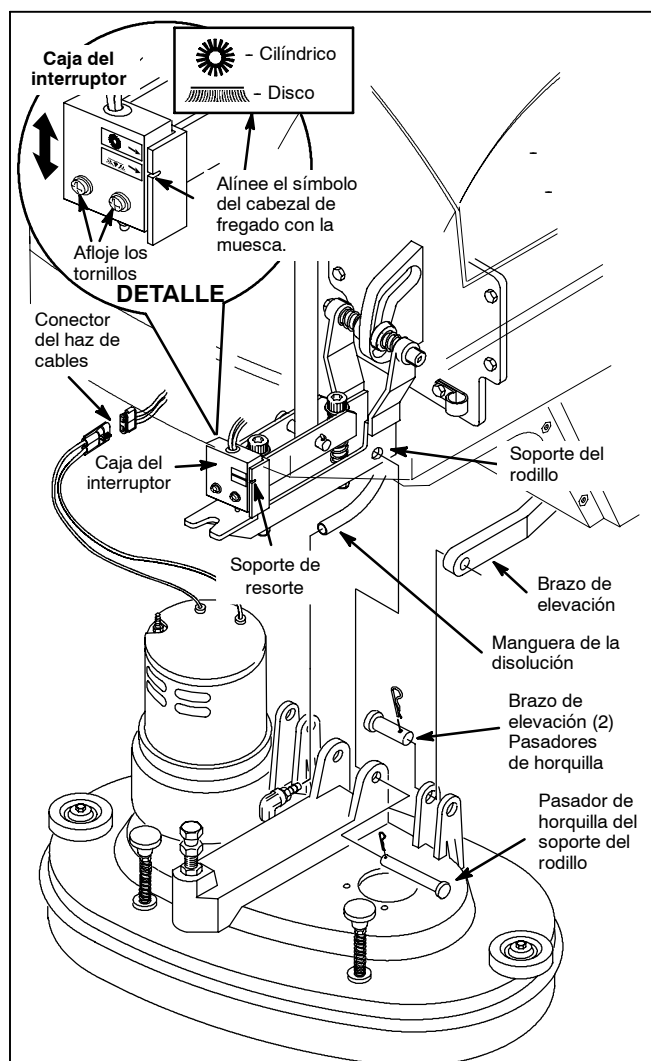
PARA SU SEGURIDAD: Antes de abandonar o revisar la máquina, deténgase en una superficie plana, apague la máquina y ponga el freno de estacionamiento, si existe.

3. Retire la cubierta situada sobre el cabezal de fregado. El espaciador hexagonal sólo será necesario para el cabezal de fregado de cepillo cilíndrico (Figura 48).

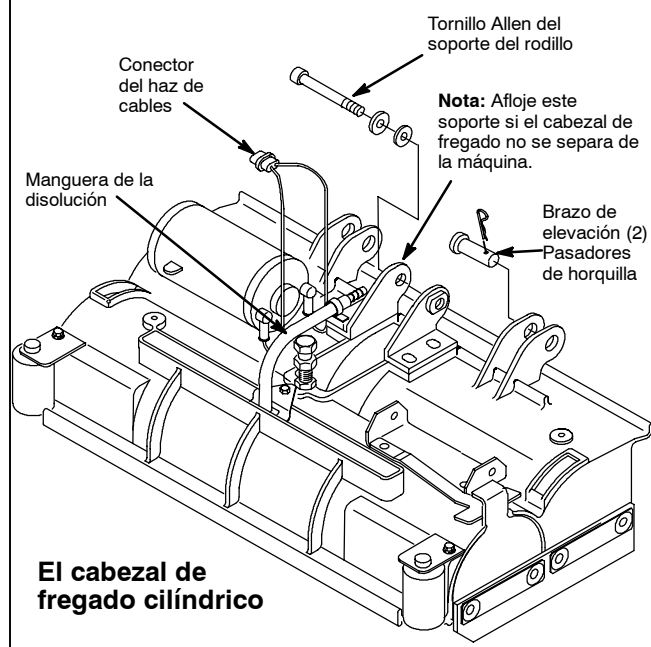


FIG. 48

4. Desconecte la manguera de la disolución del cabezal de fregado (Figura 49).
5. Desenchufe los conectores del haz de cables del motor del cepillo (Figura 49).



El cabezal de fregado de disco



El cabezal de fregado cilíndrico

FIG. 49

6. Retire los dos pasadores de horquilla que conectan el cabezal de fregado con los brazos elevadores (Figura 49).

Para el cabezal de fregado de disco: Retire los tres pasadores de horquilla que conectan el cabezal de fregado al soporte del rodillo (Figura 49).

Para el cabezal de fregado cilíndrico: Retire el tornillo Allen que conecta el cabezal de fregado al soporte del rodillo, utilice una llave Allen 5/16" (Figura 49).

7. Extraiga el cabezal de fregado de la máquina.
8. Afloje los dos tornillos de fijación de la caja de interruptores y alinee el símbolo del cabezal de fregado correspondiente, impreso en la caja de interruptores, con la muesca del soporte de resorte. (Figura 49 – DETALLE). Vuelva a apretar los tornillos después del ajuste.
9. Al cambiar al cabezal de fregado de cepillo cilíndrico deberá instalar los tornillos de tope de balanceo de la escobilla de goma, para lo que necesitará una llave de 17mm y una llave de tubo de 8 mm. Retire los tornillos cuando utilice un cabezal de fregado con cepillo de disco (Figura 50).

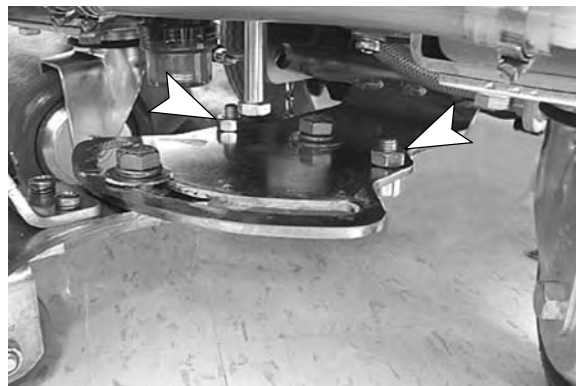


FIG. 50

10. Repita los pasos en orden inverso para instalar otro cabezal de fregado. Asegúrese de que el tornillo de nivelación encaja en la ranura del soporte como se muestra (Figura 51).



FIG. 51

CARGA DE LAS BATERÍAS

ATENCIÓN: Para prolongar la vida útil de las baterías y obtener un rendimiento óptimo de la máquina, recargue ÚNICAMENTE las baterías si se ha utilizado la máquina más de 30 minutos. No deje nunca las baterías descargadas durante periodos largos.

Las siguientes instrucciones de carga se refieren sólo a los cargadores suministrados con la máquina. Utilice únicamente cargadores de baterías de las siguientes características para evitar el deterioro de las baterías.

CARACTERÍSTICAS DEL CARGADOR DE BATERÍAS:

- VOLTAJE DE SALIDA 24 VOLTIOS
- CORRIENTE DE SALIDA 20 AMP
- CIRCUITO DE DESCONEXIÓN AUTOMÁTICA
- PARA CARGAR BATERÍAS DE CICLO PROFUNDO

1. Dirija la máquina a una zona bien ventilada para cargar las baterías.

⚠ ADVERTENCIA: Peligro de incendio o explosión. Las baterías emiten hidrógeno. Mantenga chispas y llamas alejadas de la máquina. Mantenga el compartimento de la batería abierto mientras realiza la operación de carga.

2. Antes de cargar las baterías, compruebe el nivel de electrolito en cada elemento de la batería (Figura 52).



FIG. 52

PARA SU SEGURIDAD: Al revisar la máquina, utilice guantes y gafas de protección cuando manipule las baterías y sus cables. Evite el contacto con el ácido de la batería.

El nivel del electrolito (A) debe cubrir ligeramente los electrodos de la batería (B). Añada agua destilada si es necesario. **NO LLENE EN EXCESO**, el nivel del líquido puede expandirse y desbordarse al cargar. Coloque de nuevo las tapas de los elementos antes de la operación de carga (Figura 53).

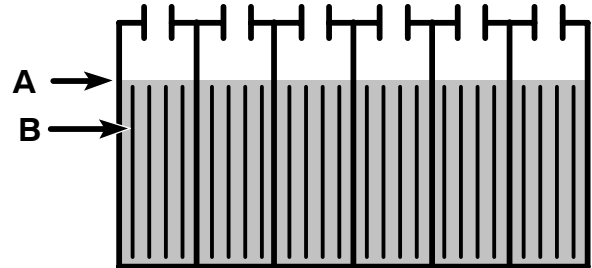
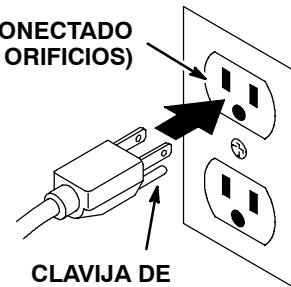


FIG. 53

3. Conecte el cable de alimentación eléctrica de CA del cargador a un enchufe con toma de tierra adecuada (Figura 54).

ENCHUFE CONECTADO A TIERRA (3 ORIFICIOS)



CLAVIJA DE CONEXION A TIERRA

FIG. 54

4. Conecte el cargador de la batería al receptáculo de carga de la máquina como muestra la figura. Coloque la barra de apoyo del capó y coloque el capó sobre dicho apoyo (Figura 55).



FIG. 55

5. El cargador comenzará la carga automáticamente y se apagará cuando la carga sea completa.

NOTA: La máquina no funciona cuando el cargador de la batería está conectado.

ATENCIÓN: No desenchufe del receptáculo de la máquina el cable de CC del cargador cuando esté en funcionamiento. Pueden producirse arcos voltaicos. Si es necesario interrumpir la carga, desenchufe el cable de alimentación de CA primero.

⚠ ADVERTENCIA: Peligro de incendio o explosión. Las baterías emiten hidrógeno. Mantenga chispas y llamas alejadas de la máquina. Mantenga el compartimento de la batería abierto mientras realiza la operación de carga.

- Después de realizar la carga, compruebe el nivel del electrolito (A) de nuevo. El nivel debe estar a aproximadamente 1 cm (0.38 pulg) de la parte inferior del orificio de llenado (B) (Figura 56). Añada agua destilada en caso necesario. **NO LLENE EN EXCESO.**

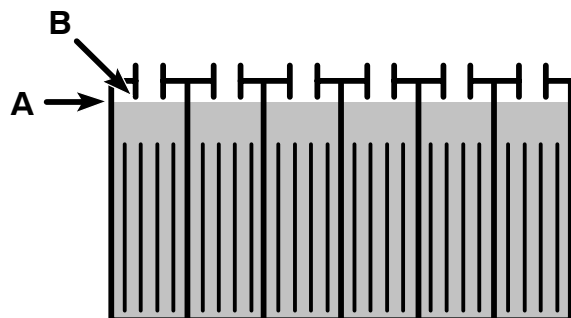


FIG. 56

MANTENIMIENTO DE LA MÁQUINA

Para mantener la máquina en buenas condiciones, bastará realizar diaria, semanal y mensualmente las operaciones de mantenimiento.

PARA SU SEGURIDAD: Antes de abandonar o revisar la máquina, deténgase en una superficie plana, apague la máquina y ponga el freno de estacionamiento, si existe.

⚠ ADVERTENCIA: Peligro eléctrico. Desconecte los cables de la batería antes de realizar reparaciones en la máquina.

ATENCIÓN: Póngase en contacto con el Centro de servicio autorizado para reparación de máquinas. Las reparaciones de máquinas realizadas por personas no autorizadas invalidarán la garantía.

MANTENIMIENTO DIARIO (Después de cada uso)

- Vacíe y aclare con agua limpia los depósitos (Figura 57).



FIG. 57

- Retire el tapón del depósito de recuperación y aclare con agua el orificio de entrada (Figura 58).

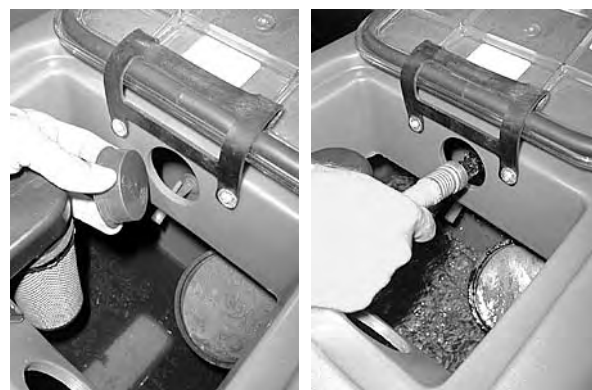


FIG. 58

- Sólo Modelo FaST: Asegúrese de que la manguera de alimentación esté conectada al orificio de almacenamiento de la manguera cuando el envase de FaST-PAK no esté instalado en la máquina. Esto evitará que el sistema de disolución FaST se reseque y se bloquee la manguera de alimentación (Figura 59) Si observa producto reseco en el conector del FaST-PAK o en el conector de la manguera de alimentación, sumérjalo en agua caliente para eliminarlo.

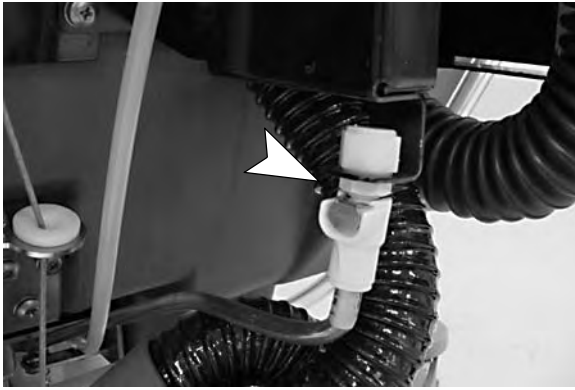


FIG. 59

4. Extraiga y aclare el filtro del flotador cierre situado en el depósito de recuperación (Figura 60).



FIG. 60

5. Cabezal de fregado con cepillo cilíndrico: Vacíe y aclare el depósito de residuos (Figura 61).



FIG. 61

6. Compruebe si hay residuos enredados en los cepillos.
7. Cambie las almohadillas o cepillos si están gastados o deteriorados.
8. Compruebe el desgaste y ajuste de aletas del cabezal de fregado.

9. Si la máquina tiene un equipo ES opcional, retire el filtro ES y límpielo, el filtro se encuentra en el interior del depósito de recuperación (Figura 62).



FIG. 62

10. Si la máquina está equipada con el sistema ES opcional, limpie el interruptor del flotador ES situado en el interior del depósito de recuperación (Figura 63).

NOTA: Si friega un área donde haya virutas metálicas, se recomienda limpiar el interruptor del filtro del sistema ES más frecuentemente. El interruptor del flotador del sistema ES incluye un imán que atraerá las virutas metálicas.



FIG. 63

11. Eleve la escobilla de goma y límpiela con un trapo viejo. Guarde la escobilla en la posición elevada para evitar que se deteriore.
12. Limpie el bastidor de la máquina con un limpiador general y un paño húmedo.

ATENCIÓN: No moje la máquina rociándola o con la manguera. Podría averiar los componentes eléctricos.

13. Recargue las baterías después de haberlas utilizado durante un tiempo mínimo de 30 minutos (Consulte CARGA DE LAS BATERÍAS).

MANTENIMIENTO MENSUAL (Cada 80 horas de uso)

1. Aclare el sistema de la disolución. Vierta 11,3 litros (3 galones) de agua caliente en el depósito de la disolución. Añada un detergente alcalino de acuerdo con las instrucciones de mezcla. Haga funcionar brevemente la máquina, el sistema ES y el tubo opcionales durante 30 segundos cada uno sobre un desagüe del suelo. Apague la máquina y deje actuar la mezcla durante la noche. Al día siguiente, vacíe el resto de detergente alcalino y aclare el sistema de la disolución.
2. Extraiga la taza del filtro de debajo de la máquina y limpie dicho filtro. Asegúrese de que el depósito de la disolución está vacío antes de extraer el filtro (Figura 64)

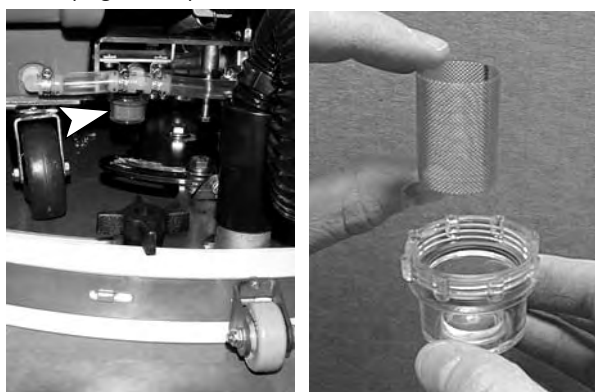


FIG. 64

3. Controle el nivel del líquido en los elementos de la batería (Consulte el apartado MANTENIMIENTO DE LA BATERÍA).
4. Limpie la parte superior de la batería para evitar la corrosión (Consulte el apartado MANTENIMIENTO DE LA BATERÍA).
5. Controle si existen cables de la batería oxidados o sueltos.
6. Compruebe que el ajuste del cepillo es el correcto. (Consulte el apartado AJUSTE DEL CABEZAL DE FREGADO).
7. Lubrique los puntos de lubricación de la ruedecilla con grasa impermeable.
8. Controle la presión de aire de los neumáticos. La presión de aire correcta para las llantas neumáticas estándar es de 315 a 345 kPa (45 a 50 psi).

9. Lubrique todos los puntos pivotantes y rodillos con spray de silicona y a continuación cúbralos con grasa impermeable para que funcionen suavemente.
10. Cabecial de fregado con cepillo cilíndrico: Controle la tensión de la correa del cepillo. La desviación correcta de la correa en el punto medio es de 3 mm (0,1") al aplicar una fuerza de 1,13-1,22 kg (2,5-2,7 lbs)(Figura 65).

⚠ ADVERTENCIA: Peligro eléctrico. Desconecte los cables de la batería antes de realizar reparaciones en la máquina.

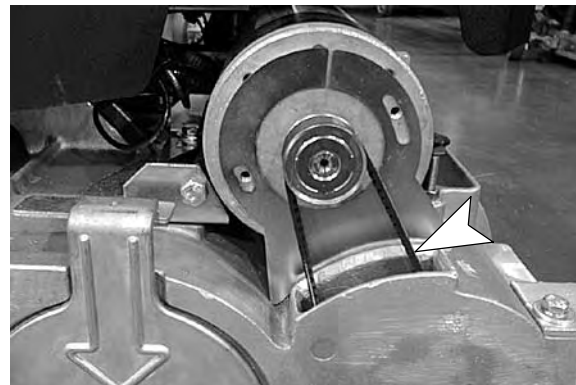


FIG. 65

ATENCIÓN: Póngase en contacto con un Centro de Servicio autorizado para reparación de máquinas.

11. Controle si la máquina presenta fugas de agua y si existen tuercas y tornillos flojos.

MANTENIMIENTO TRIMESTRAL (Cada 250 horas de uso)

1. Inspeccione el motor propulsor del eje transversal, los motores de aspiración y los motores de los cepillos, por desgaste de las escobillas de carbón. Reemplace las escobillas cuando estén desgastadas a un largo de 10 mm (0.38 pulg) o menos.

Póngase en contacto con un Centro de Servicio autorizado para reparar las reparaciones necesarias.

PARA SU SEGURIDAD: Todas las reparaciones deben ser realizadas por una persona de servicio calificada.

⚠ ADVERTENCIA: Peligro eléctrico. Desconecte los cables de la batería antes de realizar reparaciones en la máquina.

OPERACIÓN

2. El filtro de aire del sistema FaST está sujeto a la bomba de aire. Extraiga y limpie el filtro de aire con aire comprimido cada 250 horas de utilización de la máquina (Figura 66).



FIG. 66

HOJAS DE LA RASQUETA

La rasqueta lleva dos hojas. La hoja delantera tiene dos bordes limpiadores. Para usar ambos bordes, hacer rotar la hoja en sentido horizontal, cambiando sus extremos de posición.

La hoja trasera tiene cuatro bordes limpiadores. Para usarlos todos, empezar con un borde. Tras gastarlo, hacer rotar la hoja en sentido horizontal, cambiando los extremos de posición. Para usar el próximo borde, hacer rotar la hoja en sentido vertical. Para usar el último borde, hacer rotar la hoja en sentido horizontal.

Las hojas gastadas o dañadas deben ser recambiadas.

COMO RECAMBIAR O HACER ROTAR LA HOJA DE RASQUETA DELANTERA

1. Apagar la máquina y apretar el freno de estacionamiento, en caso de que la máquina lleve esta opción.

PARA SU SEGURIDAD: Antes de abandonar o revisar la máquina, deténgase en una superficie plana, ponga el freno de estacionamiento, apague la máquina y retire la llave del contacto.

2. Cerciorarse de que la rasqueta esté levantada del suelo (Figura 67).
3. Quitar los seis tornillos de orejas que fijan el sujetador y la hoja en el bastidor de la rasqueta (Figura 67).

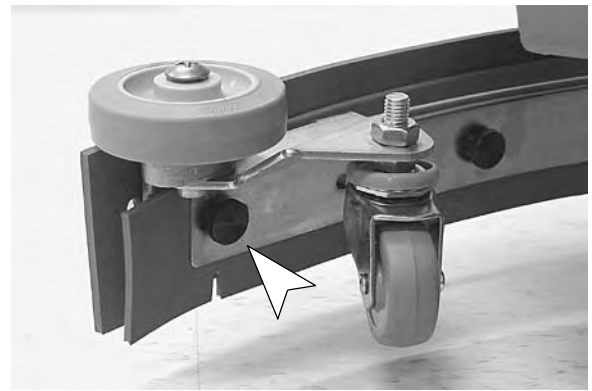


FIG. 67

4. Quitar la hoja del bastidor.
5. Hacer rotar la hoja en sentido horizontal para que un borde limpiador nuevo quede en la parte delantera.
6. Alinear la hoja y el sujetador con el bastidor.
7. Fijar la hoja y el sujetador en el bastidor con los seis tornillos de orejas.

COMO RECAMBIAR O HACER ROTAR LA HOJA DE RASQUETA TRASERA

1. Apagar la máquina y apretar el freno de estacionamiento, en caso de que la máquina lleve esta opción.

PARA SU SEGURIDAD: Antes de abandonar o revisar la máquina, deténgase en una superficie plana, apague la máquina y ponga el freno de estacionamiento, si existe.

2. Cerciorarse de que la rasqueta esté levantada del suelo.
3. Soltar la grapa y quitar el sujetador del bastidor de la rasqueta (Figura 68).

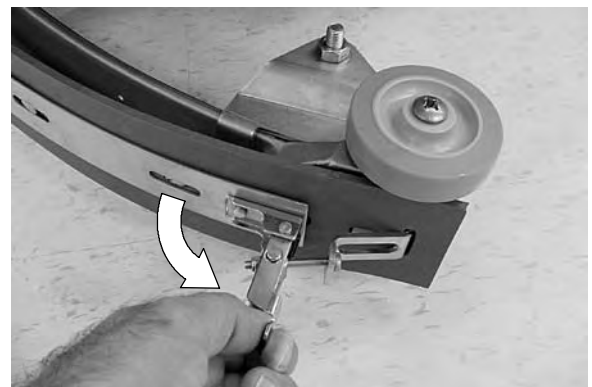


FIG. 68

4. Retire la lámina de la escobilla de goma y la banda de protección del soporte de la escobilla de goma.
5. Recambiar o, para usar un borde nuevo, hacer rotar la hoja.
6. Colocar la hoja y la placa de retenida en el bastidor.
7. Fijar la hoja de la rasqueta y la placa de retenida con el sujetador. Apretar la grapa.

AJUSTE DE LAS LÁMINAS DE LA ESCOBILLA

El ajuste de las cuchillas del escurridor se efectúa de fábrica y no se requiere un ajuste adicional. El ajuste del escurridor es sólo necesario si se desajusta.

Para obtener un rendimiento óptimo de la lámina de la escobilla, las ruedecillas del conjunto de la escobilla deben ajustarse a una altura especificada como se describe a continuación.

1. Para comprobar el correcto ajuste del conjunto de la escobilla, retire el conjunto de la escobilla de la máquina y colóquelo sobre una superficie horizontal. Mida la distancia entre la ruedecilla y la superficie. Debe medir aproximadamente 1.58 mm (1/16 in) (Figure 69).
2. Para ajustar la altura de la ruedecilla, afloje la tuerca superior y retire la cubierta de plástico del cojinete para acceder a la tuerca de ajuste. Gire la tuerca de ajuste hasta que el ajuste sea el correcto (Figura 69). Después de realizar el ajuste, apriete la tuerca superior y vuelva a colocar la cubierta de plástico del cojinete. Repita la misma operación con la otra ruedecilla.

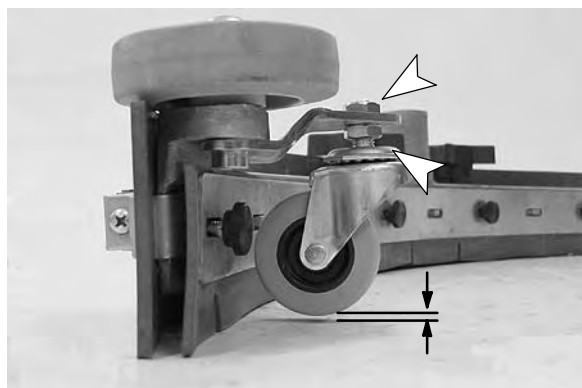


FIG. 69

3. Durante el funcionamiento de la máquina, con las ruedecillas adecuadamente ajustadas, las láminas de la escobilla deben curvarse como se muestra (Figure 70).



FIG. 70

MANTENIMIENTO DE LA BATERÍA

⚠ ADVERTENCIA: Peligro de incendio o explosión. Las baterías emiten hidrógeno. Mantenga chispas y llamas alejadas de la máquina. Mantenga el compartimento de la batería abierto mientras realiza la operación de carga.

PARA SU SEGURIDAD: Al revisar la máquina, utilice guantes y gafas de protección cuando manipule las baterías y sus cables. Evite el contacto con el ácido de la batería.

1. Compruebe la densidad específica utilizando un densímetro para determinar el nivel de carga y el estado de las baterías (Figura 71). Si el valor de uno o más elementos de la batería es inferior al de los otros elementos de la batería (0,050 ó más), este elemento está deteriorado, en cortocircuito o a punto de fallar. Compare los valores obtenidos con el densímetro con los del siguiente esquema para determinar el nivel de carga que queda en la batería.

NOTA: No tome medidas inmediatamente después de añadir agua destilada. Si el agua y el ácido no están bien mezclados, es posible que el valor medido puede no sea correcto.



FIG. 71

OPERACIÓN

DENSIDAD ESPECÍFICA a 27°C (80°F)	CARGA DE LA BATERÍA
1,265	100% DE CARGA
1,223	75% DE CARGA
1,185	50% DE CARGA
1,148	25% DE CARGA
1,110	DESCARGADA

NOTA: Si la temperatura del electrolito de la batería a la que se miden los valores no es de 27°C (80°F), deberá corregir el valor dependiendo de la temperatura. Sume o reste 0,004, 4 puntos, al valor de la densidad específica por cada 6°C (43°F) de diferencia por encima o debajo de 27°C (80°F).

2. Siga siempre las instrucciones de la operación de carga (consulte CARGA DE LAS BATERÍAS).
3. Controle el nivel de electrolito (A) en todos los elementos de las baterías después de realizar la operación de carga. El nivel debe estar a aproximadamente 1 cm de la parte inferior del orificio de llenado (B). Añada agua destilada en caso necesario (Figura 72). **NO LLENE EN EXCESO.**

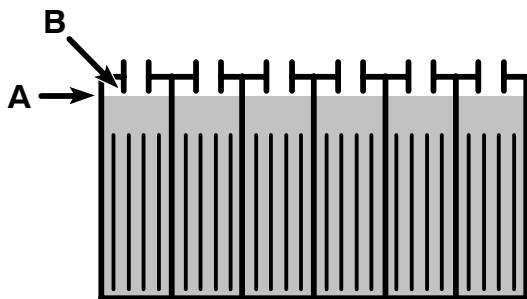


FIG. 72

4. Mantenga limpias las partes superiores de las baterías para evitar la corrosión.

Limpieza de las baterías:

PARA SU SEGURIDAD: Al revisar la máquina, utilice guantes y gafas de protección cuando manipule las baterías y sus cables. Evite el contacto con el ácido de la batería.

- a. Haga una solución concentrada de bicarbonato y agua (Figura 73).



FIG. 73

- b. Rocíe ligeramente las partes superiores de las baterías y conectores de cables con la disolución.

NOTA: No permita que la solución de bicarbonato se introduzca en los elementos de las baterías.

- c. Utilice un cepillo de cerdas metálicas para limpiar los bornes y conectores de cables.
 - d. Después de la limpieza, aplique una capa de protector transparente de bornes de baterías a los bornes y conectores de cables.
5. Controle si existen cables gastados o sueltos. Sustitúyalos si están gastados.

ELEVACIÓN DE LA MÁQUINA

Para levantar la máquina con un gato, utilice los lugares indicados debajo del depósito de la disolución. Utilice una pieza de madera para distribuir el peso de la máquina (Figura 74).

Detenga siempre la máquina en una superficie plana y calce las llantas antes de elevar la máquina con el gato.



FIG. 74

PARA SU SEGURIDAD: Al revisar la máquina, calce las ruedas de la máquina antes de elevarla con el gato.

PARA SU SEGURIDAD: Al revisar la máquina, levante la máquina sólo por los lugares destinados a este fin. Sujete la máquina con los soportes del gato.

TRANSPORTE DE LA MÁQUINA

Al transportar la máquina en un remolque o camión, asegúrese de seguir las instrucciones indicadas a continuación:

PARA SU SEGURIDAD: Conduzca despacio cuando utilice la máquina en pendientes o superficies resbaladizas.

1. Eleve la escobilla de goma y el cabezal de fregado.
2. Cargue la máquina utilizando la rampa de carga recomendada.
3. Coloque la parte delantera de la máquina contra la parte delantera del remolque o camión. Una vez colocada la máquina en la posición correcta, baje el cabezal de fregado y la escobilla de goma.
4. Ponga el freno de estacionamiento, si existe, y calce las ruedas impulsoras para evitar que la máquina ruede.
5. Asegure la máquina con las abrazaderas de fijación situadas en la parte trasera del chasis de la máquina, si existen. Es posible que sea necesario instalar puntos de anclaje en el suelo del remolque o camión.
6. Pase las cintas de anclaje por la parte superior de la máquina para evitar que ésta vuelque.

NOTA: No utilice los puños de control para fijar la máquina para el transporte.

PARA SU SEGURIDAD: Al transportar la máquina, utilice una rampa para cargarla/descargarla en/de un camión o remolque. Utilice las cintas de sujeción para fijar la máquina al camión o remolque.

ALMACENAMIENTO DE LA MÁQUINA

1. Cargue las baterías antes de guardar la máquina. No guarde nunca máquina con las baterías descargadas.
2. Vacíe y aclare bien los depósitos.
3. Guarde la máquina en lugar fresco y seco, con la escobilla de goma y el cabezal de fregado en la posición elevada.
4. Retire la tapa del depósito de recuperación para facilitar la circulación de aire.

ATENCIÓN: No permita que la lluvia moje la máquina, guárdela en recintos cerrados.

PROTECCIÓN CONTRA HELADAS

1. Asegúrese de que el depósito de la disolución esté vacío.
2. Vierta 3,8 l de disolución limpiadora para parabrisas previamente mezclada tipo automóvil en el depósito de la disolución.
3. Ponga la máquina en marcha.
4. Inicio del flujo de disolución.
5. No es necesario vaciar la disolución limpiadora del depósito de la disolución.

PROTECCIÓN CONTRA HELADAS DEL SISTEMA FaST

Necesitará el Juego de Invierno FaST #613898.

1. Desconecte el FaST-PAK del sistema y conecte el conector de desconexión rápida del juego en la tubería de entrada de la bomba de concentrado.
2. Utilice una taza pequeña, elimine todo el concentrado FaST posible de las tuberías de entrada. Si el concentrado no fluye por la tubería, apriete y suelte la manguera de entrada varias veces (Figura 75).



FIG. 75

OPERACIÓN

3. Instale la manguera (incluida en el juego de invierno) en el conector. Utilice una taza pequeña y vierta el anticongelante RV en dicha manguera hasta que la tubería de entrada y la manguera estén llenas. Si el anticongelante no fluye por el conector, apriete y suelte la manguera de entrada varias veces (Figura 76).



FIG. 76

4. Incline la manguera de entrada hacia el lado del soporte del FaST-PAK para mantener la manguera vertical. Haga funcionar la máquina en el modo FaST hasta que no salga más espuma. Esto indica que el anticongelante RV ha aclarado la bomba de concentrado. Este paso puede durar de 5 a 10 minutos dependiendo de la cantidad de concentrado FaST presente en la tubería de entrada después de la operación de vaciado (Figura 77).



FIG. 77

5. Vacíe el depósito de disolución y retire la copa del filtro situada debajo de la máquina. Retire la copa y el filtro de la máquina y haga funcionar la máquina en el modo FaST durante 1-2 minutos. Limpie el filtro en caso necesario y vuelva a instalar dicho filtro y la copa en la máquina (Figura 78).



FIG. 78

6. Retire el conector de desconexión rápida y la manguera de la tubería de entrada de la bomba de concentrado. Conecte la tubería de entrada al orificio de almacenaje del soporte del FaST-PAK. Esto evitará la introducción de contaminantes en el sistema de concentrado (Figura 79).



FIG. 79


VACIADO DEL ANTICONGELANTE DESPUÉS DEL ALMACENAMIENTO

1. Retire la tubería de concentrado del orificio de almacenamiento e instale el conector de desconexión rápida que incluye el juego de invierno en la tubería de entrada de la bomba del concentrado.
2. Vacíe todo el exceso de anticongelante RV que sea posible. Si el concentrado no fluye por la tubería, apriete y suelte la manguera de entrada varias veces.
3. Instale el FaST-PAK en su soporte. Retire el conector del juego de invierno de la tubería de concentrado y conecte esta tubería al FaST-PAK. Si el concentrado no fluye por la tubería, apriete y suelte la manguera de entrada varias veces.

4. Haga funcionar la máquina en el modo FaST durante 5 minutos antes de añadir agua al depósito de disolución. Añada agua al depósito de disolución y la máquina volverá a estar lista para ser utilizada. Es posible que el sistema FaST necesite varios minutos para alcanzar un funcionamiento óptimo.

RECOMENDACIONES PARA EL ALMACENAMIENTO

Consulte la sección de Lista de Repuestos para ver que productos son los recomendados. Los elementos de almacén están claramente identificados con una marca colocada delante de la descripción de la pieza. Consulte el siguiente ejemplo:



Ref.	Part No.	Description	Qty.
1	701105	ASM, STANDPIPE	1
2	160612	•FLOAT, SHUTOFF	1
3	230107	NIPPLE	1
4	101714	•GASKET	1
5	210240	NUT, FLANGED	1

OPERACIÓN

LOCALIZACIÓN DE AVERÍAS

PROBLEMA	CAUSA	SOLUCIÓN
La máquina no se enciende.	Interruptor de la llave de contacto defectuoso.	Póngase en contacto con el Centro de Servicio.
	Necesita cargar las baterías.	Consulte la sección OPERACIÓN DE CARGA DE LAS BATERÍAS.
	Batería(s) averiada(s).	Sustituya la(s) batería(s).
	Cable de la batería flojo.	Fije el cable suelto.
	Cortacircuitos PRINCIPAL activado.	Determine la causa y reajuste el cortacircuitos.
	Botón de parada activado.	Gire el botón en el sentido de las agujas del reloj para reajustarlo.
Los motores del cepillo no se encienden.	Interruptor del cepillo defectuoso.	Póngase en contacto con el Centro de Servicio.
	Los mandos de control no giran.	Gire los mandos.
	Cortacircuitos del cepillo activado.	Sustituya la almohadilla o ajuste la presión de la misma y vuelva a reajustar el circuito del cepillo.
	Motor del cepillo o cableado defectuoso.	Póngase en contacto con el Centro de Servicio.
	Cepillos de carbono gastados.	Póngase en contacto con el Centro de Servicio.
	Solenoide del cepillo defectuoso.	Póngase en contacto con el Centro de Servicio.
El motor de aspiración no se enciende.	Interruptor de aspiración defectuoso.	Baje la escobilla de goma.
	Escobilla de goma está elevada.	Retire la obstrucción y reajuste el botón de cortacircuitos.
	Cortacircuitos principal activado.	Determine la causa y reajuste el botón cortacircuitos.
	Cortacircuitos del motor de aspiración activado.	Póngase en contacto con el Centro de Servicio.
	Motor de aspiración o cableado defectuoso.	Póngase en contacto con el Centro de Servicio.
	Cepillos de carbono gastados.	Póngase en contacto con el Centro de Servicio.
Flujo de disolución escaso o nulo	El interruptor de la disolución no está activado.	Gire el interruptor de la disolución.
	Tubería de la disolución o filtro del depósito de la disolución atascados.	Retire la manguera e introduzca aire comprimido en dicha manguera. Aclare el depósito de la disolución después de cada uso.
	Válvula o solenoide de la disolución atascados.	Retire la válvula o solenoide y límpielos. No raye el interior de la válvula.
	Solenoide o interruptor de la disolución defectuosos.	Póngase en contacto con el Centro de Servicio.
	Mando del flujo de la disolución sin activar.	Gire el mando del flujo de la disolución.
	Afloje el tornillo de fijación del mando de la disolución.	Calibre el mando y vuelva a apretar tornillos.

LOCALIZACIÓN DE AVERÍAS - Continuación

PROBLEMA	CAUSA	SOLUCIÓN
Operación de fregado no satisfactoria.	Cepillos/almohadillas mal ajustados.	Consulte la sección AJUSTE DEL CABEZAL DE FREGADO
	Cepillos/almohadillas gastadas.	Sustitución de cepillos/almohadillas.
	Residuos bloqueando cepillos y almohadillas.	Retire los residuos.
	Presión de las llantas baja.	Aumente la presión de las llantas.
	Nivel de carga de la batería bajo.	Cargue las baterías.
	Presión del cepillo/almohadilla incorrecta.	Reajuste la presión del cepillo/ almohadilla.
	Correa del cepillo rota (cepillo cilíndrico).	Sustituya las correas.
Tracción insuficiente	Excesiva presión de la almohadilla.	Reduzca la presión del cepillo.
	Deslizamiento de las llantas.	Consulte al distribuidor.
	Presión del cepillo irregular.	Nivele el cabezal de fregado.
	Correa del cepillo rota (cepillo cilíndrico).	Sustituya la correa.
Recogida de agua insuficiente	El depósito de recuperación está lleno y flotador se activa.	Vacíe el depósito de recuperación
	Filtro del flotador del interior del depósito de recuperación atascado.	Extraiga el filtro y límpielo.
	Escobilla de goma atascada.	Limpie la escobilla de goma.
	Láminas de la escobilla de goma gastadas.	Sustituya las láminas de la escobilla de goma.
	Afloje las palometas de la escobilla de goma.	Apriete las palometas.
	Las conexiones de la manguera de aspiración están flojas o la manguera está perforada.	Introduzca bien los manguitos de la manguera sobre las conexiones. Sustituya la manguera si está deteriorada.
	Manguera de aspiración bloqueada.	Retire los residuos atascados.
	Orificio de entrada del depósito de recuperación bloqueado.	Vacíe el depósito de recuperación e incline el depósito lateralmente para acceder al orificio de entrada, extraiga la obstrucción.
	Junta de la tapa del depósito gastada.	Sustituya la junta.
	Tapón de la manguera de vaciado mal cerrado	Cierre bien el tapón.
	Tapa del depósito de recuperación mal instalada.	Coloque correctamente la tapa.
	Motor de aspiración suelto.	Póngase en contacto con el Centro de Servicio.
	El nivel de carga de la batería es bajo.	Cargue las baterías. No utilice la máquina cuando el indicador del nivel de carga de la batería se encuentre en la zona roja.

OPERACIÓN

LOCALIZACIÓN DE AVERÍAS - Continuación

PROBLEMA	CAUSA	SOLUCIÓN
El sistema ES opcional no funciona.	El filtro del sistema ES está atascado.	Extraiga y limpie el filtro del sistema ES.
	Bomba ES averiada.	Póngase en contacto con el Centro de Servicio.
	Interruptor de ENCENDIDO/APAGADO del sistema ES, averiado.	Póngase en contacto con el Centro de Servicio.
	Flotador del sistema ES sucio.	Aclare el interruptor del flotador que se encuentra en el depósito de recuperación.
	Interruptor del flotador del sistema ES, averiado.	Póngase en contacto con el Centro de Servicio.
Escasa autonomía.	Las baterías no están totalmente cargadas	Cargue las baterías.
	Baterías defectuosas.	Sustituya la batería.
	Las baterías necesitan ser revisadas.	Consulte la sección MANTENIMIENTO DE BATERÍAS
	Cargador defectuoso.	Repare o sustituya el cargador de la batería.
El Sistema FaST no funciona.	Interruptor de la disolución apagado.	Encender el interruptor de la disolución.
	El interruptor del sistema FaST no está encendido.	Encender el interruptor del sistema FaST.
	Cortacircuitos de sistema FaST activado.	Determinar la causa y reajustar el botón del cortacircuitos de 10 A.
	Manguera de alimentación y/o conectores del sistema FaST-PAK bloqueados.	Sumergir el conector y la manguera en agua caliente y limpiar.
	Envase de FaST-PAK vacío o sin conectar.	Sustituir el envase de FaST-PAK y/o conectar la manguera de alimentación.
	Dosificador de control del flujo bloqueado.	Retirar el dosificador, limpiar y volver a instalar (consultar el esquema de la lista de piezas).
	Interruptor del modo de fregado defectuoso.	Contactar con el Servicio Técnico.
	Bomba o compresor de aire defectuosos.	Contactar con el Servicio Técnico.
Filtro del depósito de disolución bloqueado.	Vaciar el depósito de disolución, extraer el filtro del depósito de disolución, limpiar y reinstalar.	

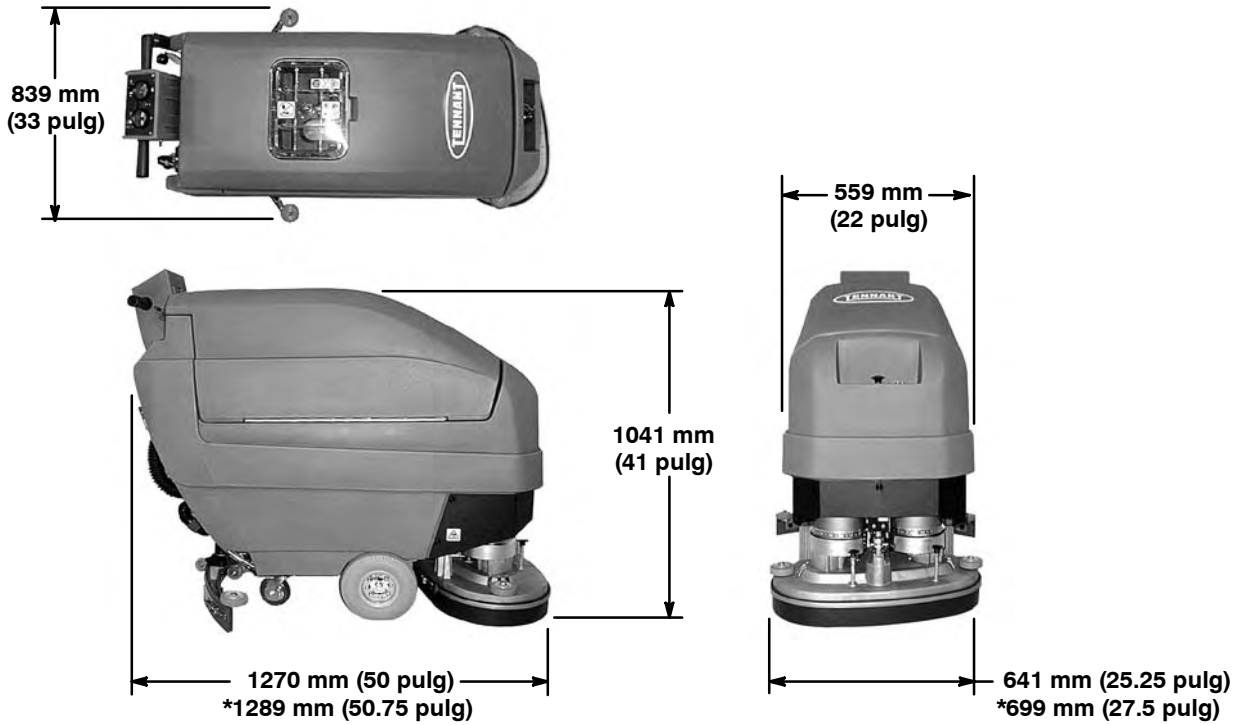
ESPECIFICACIONES

MODELO	Cabezal de Fregado de Disco de 610 mm (24 pulg)	Cabezal de Fregado de Disco de 660 mm (26 pulg)	Cabezal de Fregado Cilíndrico de 610 mm (24 pulg)
LONGITUD	1270 mm (50 pulg)	1289 mm (50.75 pulg)	1359 mm (53.50 pulg)
ANCHURA / ANCHURA CON CABEZAL DE FREGADO	559 mm (22 pulg) / 641 mm (25.25 pulg)	559 mm (22 pulg) / 699 mm (27.5 pulg)	559 mm (22 pulg) / 667 mm (26.25 pulg)
ALTURA	1041 mm (41 pulg)	1041 mm (41 pulg)	1041 mm (41 pulg)
PESO	142 kg (314 lb) / 260 Kg (570 lb) con baterías	142 kg (314 lb) / 260 Kg (570 lb) con baterías	142 kg (314 lb) / 260 Kg (570 lb) con baterías
CAPACIDAD DEL DEPÓSITO DE RECUPERACIÓN	80 L (21 Gal)	80 L (21 Gal)	80 L (21 Gal)
CAPACIDAD DEL DEPÓSITO DE LA DISOLUCIÓN	80 L (21 Gal)	80 L (21 Gal)	80 L (21 Gal)
CAPACIDAD DE DISOLUCIÓN DEL SISTEMA ES OPCIONAL	117 L (31 Gal)	117 L (31 Gal)	117 L (31 Gal)
SISTMA IMPULSOR	Eje de transmisión, 24 V, .15 kw (.2 hp)	Eje de transmisión, 24 V, .15 kw (.2 hp)	Eje de transmisión, 24 V, .15 kw (.2 hp)
VELOCIDAD DE LIMPIEZA	2415 m ² por hora (26,000 sq ft)	2601 m ² por hora (28,000 sq ft)	2415 m ² por hora (26,000 sq ft)
ANCHURA DE LA PISTA DE LIMPIEZA	610 mm (24 pulg)	660 mm (26 pulg)	610 mm (24 pulg)
PRESIÓN DE LA ALMOHADILLA	Variable 0-54 kg (0-120 lb)	Variable 0-54 kg (0-120 lb)	Variable 0-41 kg (0-90 lb)
ANCHURA DE LA ESCOBILLA DE GOMA	839 mm (33 pulg)	839 mm (33 pulg)	839 mm (33 pulg)
CONSUMO ENERGÉTICO TOTAL	60 Amp nominal	60 Amp nominal	60 Amp nominal
MOTOR DEL CEPILLO	Dos - .75 h.p., 270 rpm, 24 V, 33 A	Dos - .75 h.p., 270 rpm, 24 V, 33 A	Dos - .63 h.p., 1700 rpm, 670 brush rpm, 24 V, 23 A
MOTOR DE ASPIRACIÓN	.75 h.p., 3-fases 5.7 pulg, 24 V, 21 A	.75 h.p., 3-fases 5.7 pulg, 24 V, 21 A	.75 h.p., 3-fases 5.7 pulg, 24 V, 21 A
ELEVACIÓN DEL AGUA	1829 mm (72 pulg)	1829 mm (72 pulg)	1829 mm (72 pulg)
BATERÍAS	Cuatro - 6 V, 235 AH	Cuatro - 6 V, 235 AH	Cuatro - 6 V, 235 AH
AUTONOMÍA POR CARGA	Hasta 2.5 horas	Hasta 2.5 horas	Hasta 2.5 horas
NIVEL DE RUIDOS, RECINTO INTERIOR CON SUELO DE BALDOSA	74 dB(A)	74 dB(A)	74 dB(A)

SISTEMA FaST (OPCIONAL)		
BOMBA DE DISOLUCIÓN	24 Volt DC, 3.5 A, 1.5 GPM flujo, 45 psi ajuste de derivación	N/A
FLUJO DE LA DISOLUCIÓN	0.57 LPM (0.15 GPM)	N/A
BOMBA DE DETERGENTE	24 Volt, 20 wat	N/A
FLUJO DE CONCENTRADO	0,0.55 cc/minuto (0.02 onzas/minuto)	N/A
RAZÓN DE DILUCIÓN CONCENTRADO:AGUA	1:1000	N/A
COMPRESOR DE AIRE	24 Volt DC, 0,6 amperaje máximo	N/A
FLUJO DEL COMPRESOR DE AIRE	8,7 LPM (0,3 CFM) flujo abierto	N/A

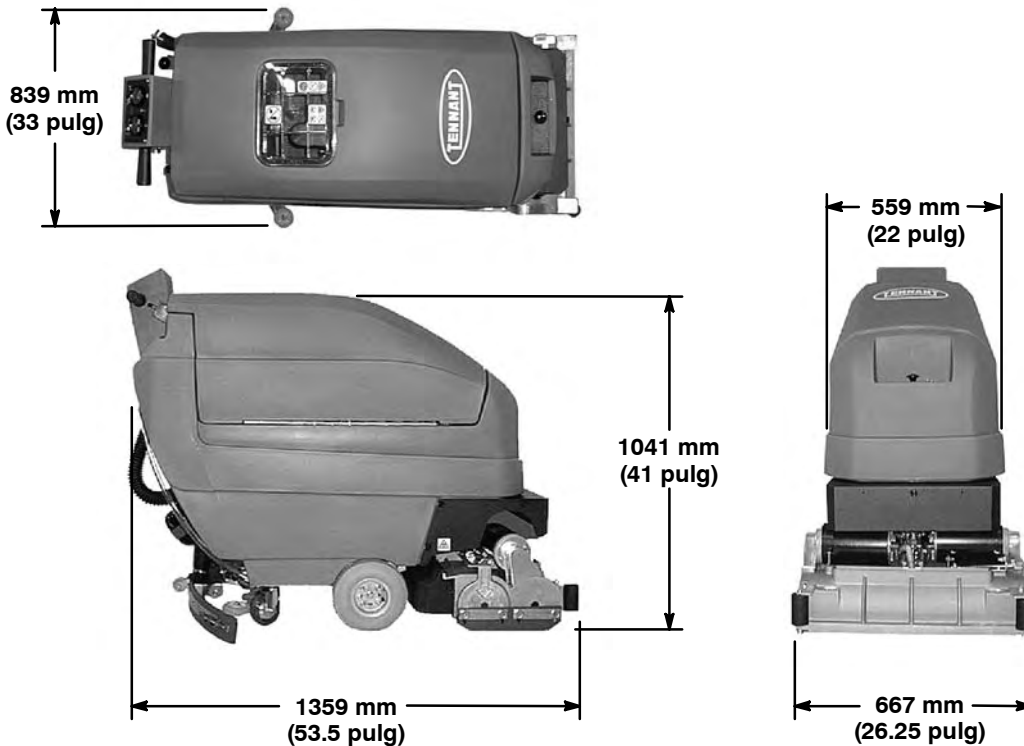
OPERACIÓN

DIMENSIONES DE LA MÁQUINA - MODELOS DE DISCO de 610 mm (24 pulg) y 660 mm (26 pulg)



* Dimensiones válidas exclusivamente para modelos de disco de 660 mm (26 pulg)

DIMENSIONES DE LA MÁQUINA - MODELO DE CEPILLO CILÍNDRICO de 610mm (24 pulg)



Ce manuel est fourni avec chaque nouveau modèle. Il fournit les instructions nécessaires au fonctionnement et à l'entretien.

Lisez complètement ce manuel et familiarisez-vous avec la machine avant de l'utiliser ou de l'entretenir.

Une liste complète de pièces détachées avec illustrations accompagne également chaque nouveau modèle. Utilisez la liste de pièces détachées pour commander des pièces de rechange. Avant de commander des pièces ou des fournitures, soyez sûr d'avoir avec vous le numéro de modèle de la machine et le numéro de série. Les pièces et les fournitures se commandent par téléphone ou par courrier auprès de tout centre de dépannage agréé, de tout distributeur ou de l'une des filiales du fabricant.

Cette machine vous fournira d'excellents services. Toutefois, vous obtiendrez les meilleurs résultats pour un prix de revient minimum si:

- La machine est manipulée avec un certain soin.
- La machine fait l'objet d'un entretien régulier conformément aux instructions d'entretien de ce manuel.
- L'entretien de la machine est effectué avec des pièces fournies par le fabricant ou des pièces équivalentes.

DONNÉES DE LA MACHINE

A remplir au moment de l'installation à titre de référence.

Modèle n° _____

Date d'installation - _____

N° série - _____



PROTECTION DE L'ENVIRONNEMENT

Veillez éliminer les matériaux d'emballage, les composants d'anciennes machines comme les batteries, les fluides dangereux tels que l'antigel ou l'huile, d'une manière sûre au point de vue environnemental, suivant la réglementation locale en vigueur en matière d'élimination des déchets.



N'oubliez pas de toujours recycler.

TABLE DES MATIÈRES

MESURES DE SÉCURITÉ	75	UTILISATION DE LA MACHINE	84
ÉTIQUETTES DE MISE EN GARDE	77	CONTRÔLES AVANT LA MISE EN	
MACHINE COMPONENTS	78	FONCTIONNEMENT	84
CONTROL CONSOLE SYMBOLS	79	COMMANDE DE LA MACHINE	84
INSTALLATION DE LA MACHINE	80	ARRET D'URGENCE (EN OPTION)	86
DEBALLAGE DE LA MACHINE	80	UTILISATION DU SYSTEME DE BROSSAGE	
INSTALLATION DES BATTERIES	80	FaST (EN OPTION)	86
MISE EN SERVICE DE LA MACHINE	81	UTILISATION DE L' ES (EN OPTION)	86
FIXATION DE L'ASSEMBLAGE DU RACLOIR	81	PENDANT L'UTILISATION DE LA MACHINE	87
INSTALLATION DES BROSSES/PATINS		UTILISATION DE LA MANCHE HORS	
(MODÈLE À TÊTE DE BROSSAGE À DISQUE)	81	PASSAGE EN OPTION	88
(MODÈLE À TÊTE DE BROSSAGE		COUPE-CIRCUIT / FUSIBLE	89
CYLINDRIQUE)	82	COMPTEUR HORAIRE	89
INSTALLATION DE L'AGENT		VIDANGE DES RESERVOIRS	89
FaST PAK (OPTION)	82	REGLAGE DE LA TETE DE BROSSAGE	90
REPLISSAGE DU RÉSERVOIR		TETE DE BROSSAGE A DISQUE	90
DE SOLUTION	83	TETE DE BROSSAGE CYLINDRIQUE	90
		RETRAIT DES BROSSES/PATINS	92
		TETE DE BROSSAGE A DISQUE	92
		TETE DE BROSSAGE CYLINDRIQUE	92

FONCTIONNEMENT

CHANGEMENT DES TETES DE BROSSAGE ..	93	GRUPE CABLES DES BATTERIES	146
CHARGE DES BATTERIES	95	ÉQUIPEMENT AU CHOIX	147
ENTRETIEN DE LA MACHINE	96	TUYAU D'AUXILIAIRE D'ASPIRATION	147
ENTRETIEN QUOTIDIEN	96	GRUPE DE LUXE DE	
ENTRETIEN HEBDOMADAIRE	97	BAGUETTE DE PUISSANCE	148
QUARTERLY MAINTENANCE	98	GRUPE DE LUXE DE	
LAMES DU RACLOIR	99	BAGUETTE DE PUISSANCE	149
CHANGEMENT OU RENVERSEMENT DE LA		GRUPE DE BAGUETTE DE PUISSANCE .	150
LAME AVANT DU RACLOIR	99	GRUPE DE BAGUETTE DE PUISSANCE .	151
CHANGEMENT OU RENVERSEMENT DE LA		GRUPE PANNEAU ACCESSOIRE	152
LAME ARRIERE DU RACLOIR	99	ES GRUPE DE SOLUTION	154
RÉGLAGE DES LAMES DE RACLOIR	99	GRUPE TUYAUTERIE DE MANCHE	155
ENTRETIEN DES BATTERIES	100		
SOULEVEMENT AU CRIC DE LA MACHINE ..	101		
TRANSPORT DE LA MACHINE	101		
ENTREPOSAGE DE LA MACHINE	102		
PROTECTION CONTRE LE GEL	102		
PROTECTION ANTIGEL DU SYSTEME FaST	102		
PIECES DE STOCK RECOMMANDEES	103		
DEPISTAGE DES PANNES	104		
DONNEES TECHNIQUES	107		
DIMENSIONS DE LA MACHINE	108		
SYSTÈM ÉLECTRIQUE	109		
LISTE DES PIÈCES	112		
GRUPE REMPLACEMENT DES BROSSES			
ET DU PIGNON MENANT DE PATIN	112		
ENSEMBLE DU RÉSERVOIR DE SOLUTION	114		
GRUPE RESERVOIR DE RECUPERATION	116		
GRUPE TABLEAU DE COMMANDE	118		
TABLEAU DES COMPOSANTS	120		
GRUPE D'ENTRAINEMENT	122		
GRUPE VERIN DE TETE DE BROSSAGE	124		
GRUPE TETE DE BROSSAGE A			
DISQUE, 610 mm (24 in)	126		
GRUPE TETE DE BROSSAGE A			
DISQUE, 660 mm (26 in)	128		
GRUPE TETE DE BROSSAGE			
CYLINDRIQUE, 610 mm (24 in)	130		
GRUPE TETE DE BROSSAGE			
CYLINDRIQUE, 610 mm (24 in) - CONT. ..	132		
GRUPE COMMANDE DE RACLOIR	134		
GRUPE DE LA RACLETTE, 838 mm (33 in)	136		
GRUPE DE SOLUTION,			
MODÈLE STANDARD	138		
GRUPE SOLUTION, MODÈLE FaST	140		
GRUPE SOLUTION, MODÈLE			
FaST - CONTINUÉ	142		
PANNE DE POMPE A SOLUTION	144		
PANNE DE POMPE A AIR	144		
GRUPE DE BATTERIE ET DE CHARGEUR	145		

MESURES DE SÉCURITÉ

Cette machine est conçue pour un usage commercial. Elle est destinée exclusivement à nettoyer les sols intérieurs à surface dure et ne convient pas à un quelconque autre usage. Utilisez uniquement des patins, des brosses et des produits nettoyants pour sols disponibles dans le commerce, prévus pour l'application de la machine.

Tous les opérateurs sont tenus de lire et comprendre les consignes de sécurité suivantes et de se familiariser avec celles-ci.

Le symbole de mise en garde suivant et l'en-tête « POUR VOTRE SECURITE » sont utilisés tout au long de ce manuel comme indiqué dans leur description :

⚠ MISE EN GARDE : identifie la présence de dangers ou les opérations dangereuses susceptibles de blesser grièvement ou de provoquer la mort.

POUR VOTRE SECURITÉ : identifie les instructions qui doivent être suivies afin de garantir la sécurité lors de l'utilisation de l'équipement.

Le fait de ne pas respecter ces avertissements peut entraîner des blessures, un choc électrique, un incendie ou une explosion.

⚠ MISE EN GARDE : danger d'incendie ou d'explosion :

- N'utilisez jamais de liquides inflammables ou n'utilisez pas la machine dans ou près de liquides ou vapeurs inflammables ou de poussières combustibles.

Cette machine n'est pas équipée de moteurs protégés contre les explosions. Les moteurs électriques émettent des étincelles au moment du démarrage et pendant leur fonctionnement, ce qui peut entraîner un incendie instantané ou une explosion si la machine est utilisée dans une zone où des vapeurs/liquides inflammables ou des poussières combustibles, sont présents.

- Ne ramassez pas de matériaux inflammables ou de métaux réactifs.
- Les batteries émettent du gaz hydrogène. Evitez toute étincelle et toute flamme nue à proximité des batteries. Laissez ouvert le compartiment des batteries pendant la mise en charge.

⚠ MISE EN GARDE : danger de choc électrique. Débranchez les câbles de la batterie avant l'entretien ou la réparation de la machine.

⚠ MISE EN GARDE : brosse en rotation. Eloignez vos mains. Coupez le contact avant de travailler sur la machine.

⚠ MISE EN GARDE : Point de coincement du vérin. Restez hors de portée de la zone de levage de la tête.

Les signaux d'information ci-après indiquent les situations potentiellement dangereuses pour l'opérateur ou l'équipement :

POUR VOTRE SECURITÉ :

1. N'utilisez pas la machine :
 - avec des liquides inflammables ou près de vapeurs inflammables, afin d'éviter le risque d'explosion ou d'incendie instantané.
 - Si vous n'y êtes pas formé et autorisé.
 - Avant d'avoir lu et compris le manuel opérateur.
 - Si elle n'est pas en bon état de marche.
2. Avant d'utiliser la machine :
 - Assurez-vous que tous les dispositifs de sécurité se trouvent à leur place et fonctionnent correctement.
3. Lors de l'utilisation de la machine :
 - Roulez lentement sur les pentes et sur les surfaces glissantes.
 - Portez des chaussures antidérapantes.
 - Réduisez la vitesse dans les tournants.
 - Prenez soin en renversant la machine.
 - Signalez immédiatement tout dommage occasionné à la machine ou tout mauvais fonctionnement.
 - Empêchez les enfants de jouer à proximité de la machine.
 - Suivez les instructions de mélange et de manipulation indiquées sur les conteneurs chimiques.
4. Avant de quitter ou d'entretenir la machine :
 - Arrêtez la machine sur une surface horizontale.
 - Coupez le contact de la machine.
 - Engagez le frein parking, si la machine est équipée de cette option.

5. Lors de l'entretien de la machine :

- Évitez les pièces mobiles. Ne portez pas de veste ou de chemise large ou de manches amples.
- Déconnectez les cosses des batteries avant de travailler sur la machine.
- Portez des gants et des lunettes de protection lorsque vous maniez les batteries ou les câbles de batteries.
- Évitez tout contact avec l'acide des batteries.
- Utilisez le cric uniquement aux endroits désignés à cet effet. Bloquez la machine avec les positions de cric.
- Utilisez un levier ou cric pouvant supporter le poids de la machine.
- N'utilisez pas de jet de pression sur la machine. Un dysfonctionnement électrique risque de se produire.
- Utilisez des pièces de rechanges fournies ou agréées par le fabricant.
- Toutes les réparations doivent être effectuées uniquement par un technicien qualifié.
- Ne modifiez pas le design d'origine de la machine.

6. Lors du transport de la machine :

- Coupez le contact de la machine.
- Lorsque vous chargez la machine sur le camion ou la remorque ou lorsque vous la déchargez, utilisez une rampe recommandée.
- Utilisez des sangles pour arrimer la machine sur le camion ou la remorque.
- Engagez le frein parking, si la machine est équipée de cette option.

ÉTIQUETTES DE MISE EN GARDE

Les étiquettes de mise en garde se trouvent sur la machine aux endroits indiqués. Remplacez les étiquettes lorsqu'elles sont endommagées ou qu'elles deviennent illisibles.

ÉTIQUETTE MISE EN GARDE - SITUÉE SUR LE COUVERCLE DU RÉSERVOIR DE RÉCUPÉRATION.

⚠ WARNING	⚠ AVERTISSEMENT	⚠ ADVERTENCIA
 <p>EXPLOSION, FIRE AND SHOCK HAZARD. AVOID INJURY.</p> <ul style="list-style-type: none"> • Do Not Use or Pick Up Flammable Materials. • Do Not Use Near Flammable Liquids, Vapors or Combustible Dusts. • Keep Sparks and Open Flame Away When Charging Batteries. Keep Battery Hood Open When Charging. • Disconnect Battery Cables and Charger Cord Before Servicing. 	<p>RISQUE D'EXPLOSION, D'INCENDIE ET DE DÉCHARGE. ÉVITEZ LES BLESSURES.</p> <ul style="list-style-type: none"> • N'utilisez Pas ou Ne Ramassez Pas de Matériaux Inflammables. • N'utilisez Pas Près de Liquides, Vapeurs ou Poussières Inflammables. • Éloignez les Sources d'Étincelles ou de Flamme Ouverte Lors du Chargement des Batteries. Laissez Ouvert le Capot du Compartiment des Batteries Lors de la Mise en Charge. • Débranchez les Câbles de Batterie et la Cordon du Chargeur Avant l'Entretien. 	<p>PELIGRO DE EXPLOSIÓN, FUEGO, DESCARGA EVITE LESIONES.</p> <ul style="list-style-type: none"> • No Use Ó Recoja Materiales Flamables. • No Usa Cerca De Líquidos Flamables, Vapores Ó Materiales Combustibles. • Mantenga Chispas Y Fuego Alejados Mientras Carga Baterías. Mantenga Tapa De Batería Abierta Mientras Carga. • Desconecte Cable De Batería Y Cable Del Cargador Antes Del Mantenimiento.



ETIQUETTE DANGER GENERAL – SITUÉE SUR LA BRIDE DE FIXATION DU VÉRIN

⚠ MISE EN GARDE: Point de coincement du vérin. Restez hors de portée de la zone de levage de la tête.



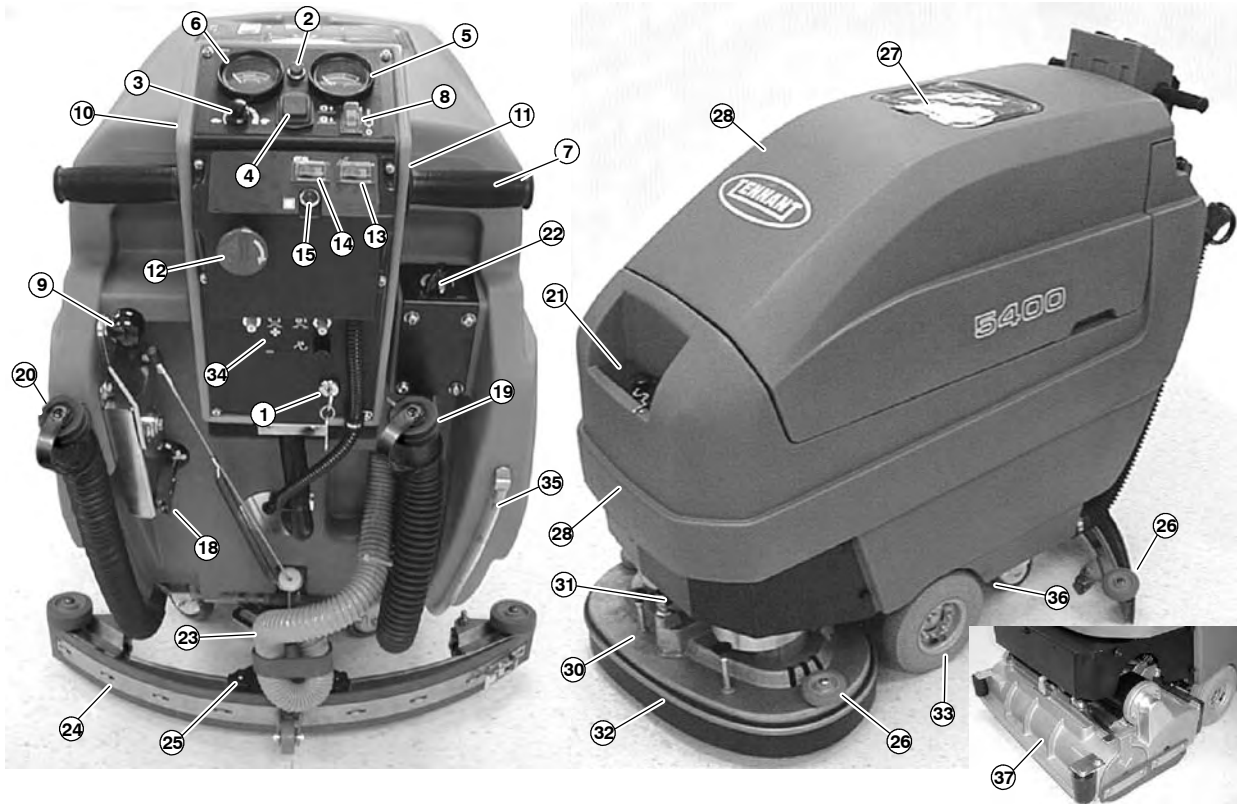
ETIQUETTE PIÈCES MOBILES – SITUÉE SUR L'ENVELOPPE DE PROTECTION DE LA TÊTE DE BROSSAGE

⚠ MISE EN GARDE: Pièces mobiles. Coupez le contact avant de travailler sur la machine.

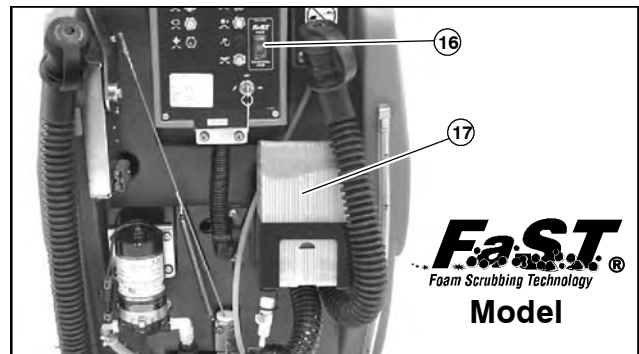
ETIQUETTE CHARGE DE LA BATTERIE – SITUÉE SUR LE COUVERCLE DU RÉSERVOIR DE RÉCUPÉRATION ET AU FOND DU RÉSERVOIR DE RÉCUPÉRATION

⚠ MISE EN GARDE: Les batteries émettent de l'hydrogène. Ce gaz est susceptible d'exploser ou de s'enflammer. Évitez toute étincelle et toute flamme nue à proximité des batteries. Laissez les couvercles ouverts pendant la mise en charge.












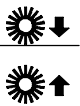


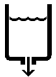
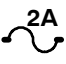








1. Contact
2. Voyant marche-arrêt
3. Bouton de commande de la vitesse
4. Bouton de pression des brosses
5. Indicateur de la pression des brosses
6. Indicateur du niveau de charge des batteries
7. Poignées de commande
8. Bouton d'activation/de désactivation du système de distribution de la solution
9. Levier du racloir
10. Panneau de contrôle
11. Levier de réglage de la hauteur du panneau de contrôle
12. Bouton de coupure de l'alimentation
13. Bouton d'activation/de désactivation de la manche (Option)
14. Bouton d'activation/de désactivation de l'ES™ (Option)
15. Voyant indicateur de pompe ES™ (Option)
16. Bouton Marche/Arrêt du système FaST™ (option)
17. Système de diffusion FaST™ PAK (option)
18. Prise du chargeur
19. Tuyau de vidange du réservoir de récupération
20. Tuyau de vidange du réservoir de solution
21. Trou de remplissage de la solution
22. Bouton de réglage du débit de solution



23. Tuyau d'aspiration du racloir
24. Bloc racloir
25. Molettes du racloir
26. Roulettes de mur
27. Couvercle du réservoir de récupération
28. Réservoir de récupération
29. Réservoir de solution
30. Tête de brossage à disque interchangeable
31. Vis de mise à niveau de la tête de brossage
32. Jupe de la tête de nettoyage
33. Roues motrices
34. Tableau des coupe-circuit
35. Tuyau de niveau du réservoir de solution
36. Frein parking (option)
37. Brosse cylindrique interchangeable
Tête de nettoyage

CONTROL CONSOLE SYMBOLS

	Voyant de l'alimentation principale		FaST™ Bouton (Modèle FaST™)		Coupe-circuit 25A du moteur d'extracteur
	Petite vitesse		Coupe-circuit 10A de l'alimentation principale		ES™ (Brossage étendu)
	Grande vitesse		Coupe-circuit 30A (RH) du moteur de brosse		Pompe ES™ Voyant indicateur
	Bouton de pression des brosses		Coupe-circuit 30A (LH) du moteur de brosse		Manche hors passage
	Bouton de solution & commande de la solution		Fusible 2A de la plaquette de circuits imprimés		Frein parking
	Indicateur de pression des brosses		Coupe-circuit 15A du moteur de propulsion		Lisez d'abord le mode d'emploi
	Indicateur du niveau de charge des batteries		Système FaST™, coupe-circuit 10A (option)		

FONCTIONNEMENT

INSTALLATION DE LA MACHINE

DEBALLAGE DE LA MACHINE

1. Vérifiez soigneusement si le carton ne présente pas de dommages. Signalez immédiatement tout dommage au transporteur.
2. Vérifiez la liste du contenu du carton; contactez votre distributeur en cas d'éléments manquants.

Contenu du carton:

- 1 - Cuvette d'accumulateur (#613971)
- 4 - batteries, 235 Ah 6 V (#606897)
- 3 - câbles de batterie (#130364)
- 8 - couvercles de cosses de batterie (#45962)
- 8 - manchons de batteries noirs (#611221)
- 1 - Ens.Raclette (#612025)
- 2 - Roulettes d'amortissement (#1014918AM)
(Modèle à tête de brossage à disque)

Les brosses, le système d'entraînement du patin et les patins doivent être achetés séparément (voir la section LISTE DE PIECES DETACHEES).

3. Pour retirer la machine du carton: dévissez l'arrière du châssis de la palette d'expédition, retirez les bandes d'expédition et soulevez délicatement la machine avec une aide ou utilisez une rampe pour la retirer de la palette.

ATTENTION: Ne faites pas rouler la machine de la palette pour éviter de l'endommager.

ATTENTION: Pour éviter un endommagement de la machine, installez les batteries après avoir retiré la machine de la palette d'expédition.

4. Installez les roulettes d'amortissement sur la tête de brossage (Modèle à tête de brossage à disque).

INSTALLATION DES BATTERIES

⚠ MISE EN GARDE: Les batteries émettent de l'hydrogène. Ce gaz est susceptible d'exploser ou de s'enflammer. Eloignez-les de toute étincelle ou flamme. Laissez les capots ouverts pendant la charge.

POUR VOTRE SECURITE: Quand vous effectuez l'entretien de la machine, portez des gants de protection quand vous manipulez les batteries et les câbles de batterie. Evitez tout contact avec l'acide de la batterie.

Spécifications des batteries recommandées:

Quatre batteries 6 volt, 235 ah, à cycle intensif. Les dimensions maximales de la batterie sont 181 mm (7,13 in) l x 260 mm (10,25 in) L x 292 mm (11,50 in) H.

1. Retirez la clé de la machine et engagez le frein parking, si la machine est équipée de cette option.
2. Faites pivoter le réservoir de récupération pour accéder au compartiment de batteries. Retirez les câbles de batteries lâches (Figure 1).

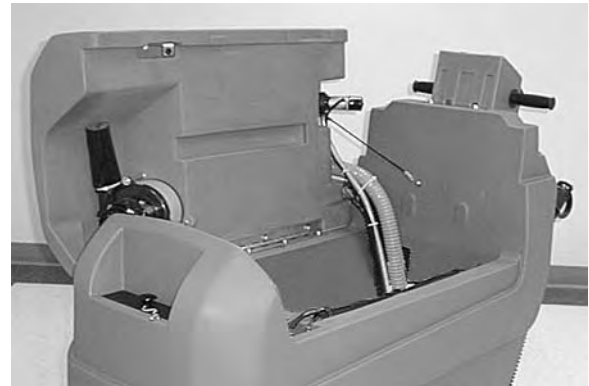


FIG. 1

3. Installez délicatement les batteries dans la cuvette de compartiment de batteries et arrangez les cosses de batterie comme indiqué (Figure 2).

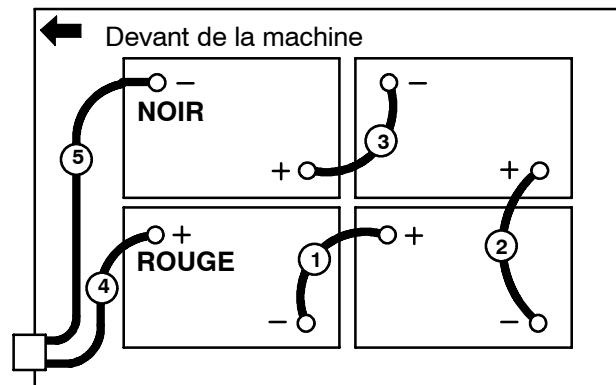


FIG. 2

ATTENTION: Ne laissez pas tomber les batteries dans le compartiment pour éviter d'endommager les batteries et la carrosserie de la machine. Ces dommages ne sont pas couverts par la garantie.

4. Avant de connecter les câbles de batterie, veillez à ce que les bornes et les cosses soient propres. Utilisez un nettoyant de cosses et une brosse métallique pour nettoyer les cosses et les bornes.
5. Connectez les câbles sur les cosses de batterie dans l'ordre numérique indiqué, ROUGE SUR POSITIF & NOIR SUR NEGATIF, utilisez les couvercles de cosses de batteries et les manchons de caoutchouc fournis. (Figure 2).

REMARQUE: Appliquez une légère couche de graisse non métallique ou de laque de protection sur les connexions de câble pour éviter la corrosion des batteries.

- Contrôlez l'indicateur du niveau de charge des batteries. La machine doit être en marche complète pour obtenir une lecture correcte (Voir UTILISATION DE LA MACHINE). Chargez les batteries si nécessaire.

MISE EN SERVICE DE LA MACHINE

FIXATION DE L'ASSEMBLAGE DU RACLOIR

- Tournez la clé en position OFF.

POUR VOTRE SECURITÉ: Avant de quitter ou d'entretenir la machine, arrêtez la machine sur une surface horizontale, engagez le frein parking, coupez le contact et enlevez la clé.

- Levez la bride de montage du racloir en utilisant le levier de soulèvement du racloir (Figure 3).



FIG. 3

- Dévissez les deux molettes du racloir et faites glisser le racloir dans les fentes de la bride de montage du racloir. Vissez fermement les molettes (Figure 4).



FIG. 4

- Branchez le tuyau d'extraction sur l'assemblage du racloir ; veillez à ce que le tuyau d'extraction forme un pli, en utilisant la bande de caoutchouc fournie (Figure 5).

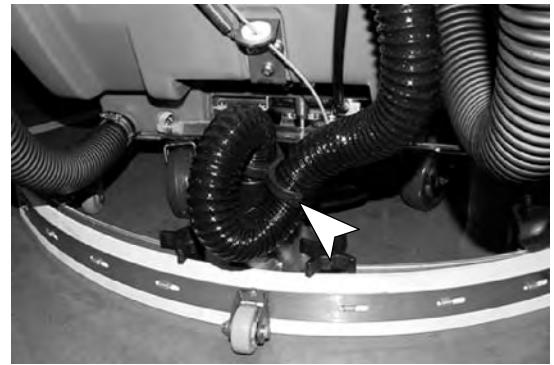


FIG. 5

INSTALLATION DES BROSSES/PATINS (Modèle à tête de brossage à disque)

REMARQUE: Consultez un distributeur agréé pour toute recommandation en matière de patin.

- Enfoncez à moitié la base du bouton de pression de brosse, jusqu'à ce que la tête de brosse soit complètement relevée (Figure 6).



FIG. 6

- Tournez la clé en position OFF.

POUR VOTRE SECURITÉ: Avant de quitter ou d'entretenir la machine, arrêtez la machine sur une surface horizontale, engagez le frein parking, coupez le contact et enlevez la clé.

- Fixez les patins sur les pignons menants de patins avant d'installer les pignons. Fixez le patin avec le verrou central (Figure 7).

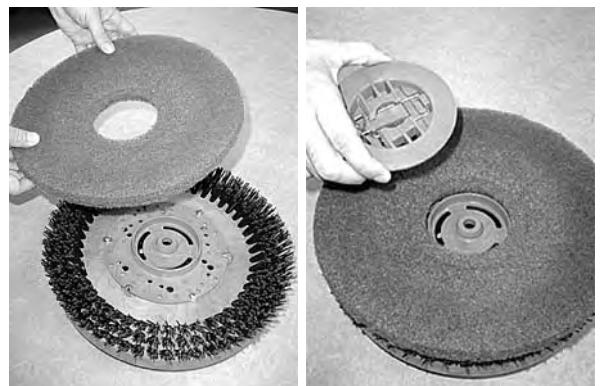


FIG. 7

FONCTIONNEMENT

- Alignez le pignon de brosse/patin sous le moyeu moteur et poussez le pignon vers le haut pour l'engager. Assurez-vous que les pignons de brosses/patin sont fixés avant d'utiliser la machine (Figure 8).

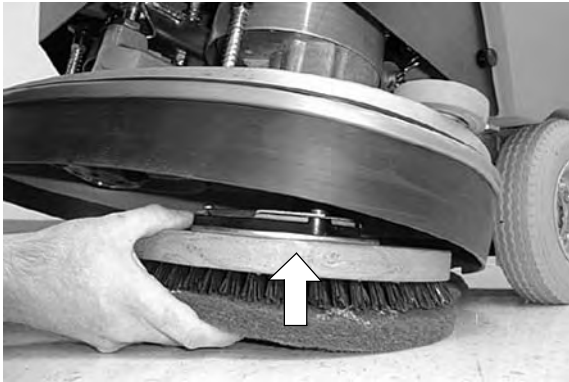


FIG. 8

- Pour retirer les pignons de brosse/patin: relevez la tête de brossage, coupez le contact de la machine, retirez la clé et poussez vers le bas les boutons de retenue de brosse (Figure 9).

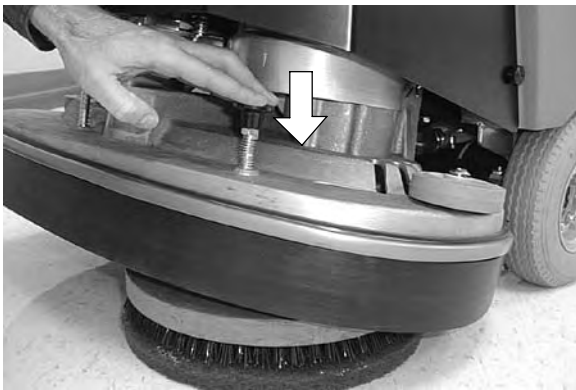


FIG. 9

(Modèle à tête de brossage cylindrique)

Voir RETRAIT DES BROSSES/PATINS.

INSTALLATION DE L'AGENT FaST™ PAK (OPTION)

La machine doit être équipée de l'option FaST™.

- Retirez les éjecteurs perforés du carton de concentré de nettoyant pour sols FaST™ PAK 365. N'enlevez pas le sac du carton. Tirez le raccord de tuyau du sac à la base du sac et retirez le bouchon orange du raccord (Figure 10).

ATTENTION: Le concentré nettoyant pour sols FaST™ PAK 365 est spécialement conçu pour être utilisé avec l'application de brossage avec système FaST™. N'utilisez JAMAIS un produit de substitution, ceci provoquera l'endommagement de la machine.

POUR VOTRE SECURITE : Quand vous utilisez la machine, suivez toujours les instructions de manipulation indiquées sur le conteneur chimique.

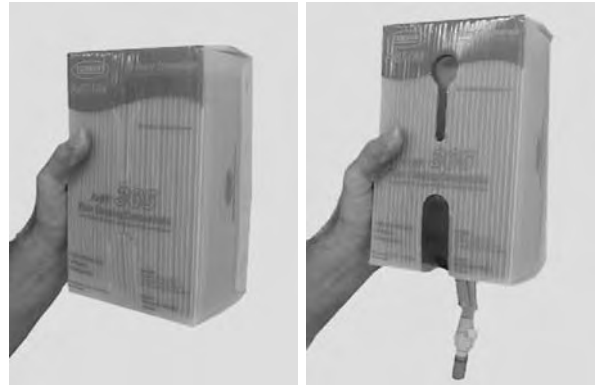


FIG. 10

- Placez le carton de FaST™ PAK dans le support de carton situé à l'arrière de la machine et branchez le tuyau d'alimentation sur le sac FaST™ PAK (Figure 11).

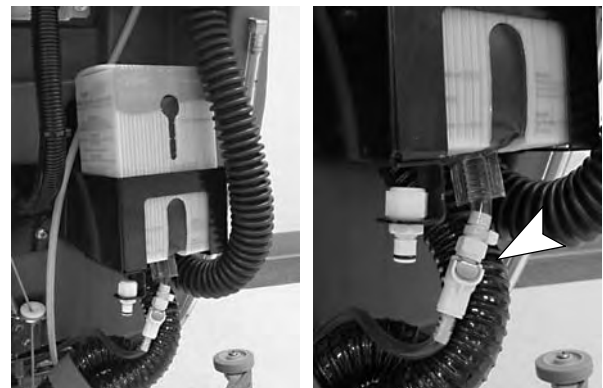


FIG. 11

REMARQUE: Si du concentré séché est visible sur le raccord du tuyau d'alimentation ou sur le raccord FaST™ PAK, trempez-les dans l'eau chaude et nettoyez-les.

- Veillez à brancher le tuyau d'alimentation sur le bouchon de stockage du tuyau, quand celui-ci n'est pas utilisé (Figure 12). Ceci permet d'éviter que le système de solution FaST™ sèche et obstrue le tuyau d'alimentation.

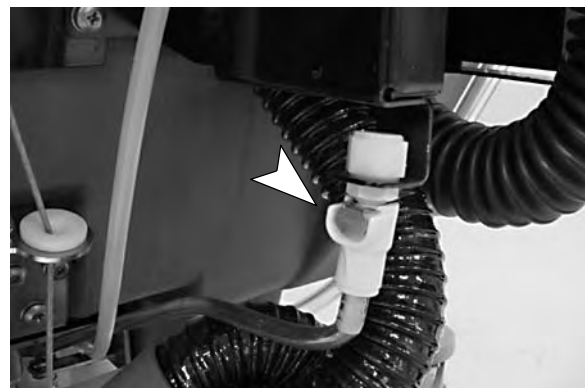


FIG. 12

4. Le système de solution FaST™ DOIT être amorcé lors de la première utilisation. Pour amorcer le système, assurez-vous que le réservoir de solution est vide et faites fonctionner la machine en mode de brossage FaST™ pendant 3 minutes (Voir FONCTIONNEMENT DE LA MACHINE).
Cette étape est nécessaire uniquement pour la première utilisation du système FaST™.

REPLISSAGE DU RÉSERVOIR DE SOLUTION

ATTENTION : Quand vous utilisez le système FaST (en option), UTILISEZ UNIQUEMENT DE L'EAU CLAIRE FROIDE. N'ajoutez PAS d'agents nettoyants dans le réservoir de solution. Les agents nettoyants/régénérateurs conventionnels peuvent provoquer la panne du système de solution FaST.

1. Transportez la machine jusqu'au poste de ravitaillement. Relevez le racloir et la tête de brossage pendant le transport.
2. Tournez la clé en position OFF.

POUR VOTRE SECURITÉ : Avant de quitter ou d'entretenir la machine, arrêtez-la sur une surface horizontale, coupez le contact et engagez le frein parking, si la machine en est équipée.

3. Retirez le couvercle de la porte de remplissage situé à l'avant de la machine et remplissez le réservoir de solution avec de l'eau chaude propre, 60°C (140°F) maximum. Le tuyau translucide situé à l'arrière de la machine indique la quantité d'eau dans le réservoir de solution (Figure 13).

REMARQUE : La température de l'eau ne doit pas excéder 60°C (140°F), afin d'éviter tout endommagement du réservoir.

REMARQUE : Si vous remplissez le réservoir avec un seau, assurez-vous que le seau est propre. Ceci permet d'éviter tout risque d'obstruction des conduites du système de distribution de la solution.



FIG. 13

4. Pour le brossage conventionnel, versez un produit détergent recommandé dans le réservoir de solution, suivant les instructions de mélange figurant sur le flacon. Pour le brossage FaST™ (en option), n'ajoutez PAS d'agents nettoyants dans le réservoir de solution.

ATTENTION: Utilisez uniquement des détergents recommandés pour le brossage conventionnel, n'utilisez PAS de produits de substitution. Consultez un distributeur agréé pour toute recommandation en matière de produits détergents.

⚠ MISE EN GARDE : danger d'incendie ou d'explosion. N'utilisez jamais de liquides inflammables ou n'utilisez pas la machine dans ou près de liquides ou vapeurs inflammables ou de poussières combustibles.

POUR VOTRE SECURITE: Quand vous utilisez la machine, suivez les instructions de mélange et de manipulation indiquées sur les conteneurs chimiques.

5. Si la machine est équipée de l'option ES, remplissez entre 19 et 38 litres (5 and 10 gal) d'eau chaude, 60°C (140°F) maximum, dans le réservoir de récupération (Figure 14) (Voir UTILISATION DE L'OPTION ES™).

REMARQUE : La température de l'eau ne doit pas excéder 60°C (140°F), afin d'éviter tout endommagement du réservoir.

REMARQUE : Si vous remplissez le réservoir avec un seau, assurez-vous que le seau est propre. Ceci permet d'éviter tout risque d'obstruction des conduites du système de distribution de la solution.



FIG. 14

FONCTIONNEMENT

UTILISATION DE LA MACHINE

POUR VOTRE SECURITE: N'utilisez pas la machine avant d'avoir lu et compris le manuel.

⚠ MISE EN GARDE : danger d'incendie ou d'explosion. N'utilisez jamais de liquides inflammables ou n'utilisez pas la machine dans ou près de liquides ou vapeurs inflammables ou de poussières combustibles.

CONTRÔLES AVANT LA MISE EN FONCTIONNEMENT

1. Balayez et essuyez la poussière du sol (modèle à brosse à disque uniquement).
2. Vérifiez le niveau de charge des batteries; la machine doit être en marche complète pour obtenir une lecture correcte.
3. Check that pads/brushes are installed.
4. Abaissez les patins/brosses sur le sol et assurez-vous que la jupe de brossage touche le sol tout le long de latête de brossage.
5. Assurez-vous que le racloir est installé et vérifiez l'état des lames du racloir.
6. Assurez-vous que la cuve à débris est installée et vide (modèle à brosse cylindrique).
7. Brosage FaST™ (option): Assurez-vous que le réservoir de solution est rempli uniquement d'eau claire froide. Assurez-vous que tous les agents nettoyants/régénérateurs conventionnels sont vidangés et rincés dans le réservoir de solution. Vérifiez le niveau d'agent concentré du FaST™ PAK, remplacez le carton le cas échéant.

COMMANDE DE LA MACHINE

REMARQUE: Si votre machine ES équipée de l'option FaST ou ES, reportez-vous aux page 86 pour les procédures d'opération supplémentaires.

1. Relâchez le frein parking, si la machine est équipée de cette option (Figure 15).



FIG. 15

2. Ajustez le panneau de contrôle pour obtenir une hauteur d'utilisation confortable ; 5 positions. Pour ajuster la hauteur, tirez le déclencheur du panneau de contrôle et levez ou abaissez le panneau pour obtenir la hauteur souhaitée, relâchez le déclencheur en position de blocage (Figure 16).



FIG. 16

3. Tournez la clé et le bouton de solution en position ON.
4. Pour le brossage conventionnel avec un modèle équipé du système FaST, veillez à ce que le bouton du système FaST soit en position d'arrêt (O) (Figure 17).



FIG. 17

5. Abaissez l'assemblage de racloir sur le sol en utilisant le levier du racloir ; le moteur d'extraction démarre automatiquement (Figure 18).



FIG. 18

6. Enfoncez à moitié le sommet du bouton de pression de brosse pour abaissez la tête de brossage sur le sol (Figure 19).



FIG. 19

REMARQUE: Les brosses et la solution sont activées quand vous faites pivoter les poignées de commande.

7. Mettez le bouton de commande de la vitesse sur la position inférieure. (Figure 20).



FIG. 20

8. Faites complètement pivoter les poignées de commande vers l'avant et tournez graduellement le bouton de commande de vitesse vers la vitesse de brossage maximale souhaitée (Figure 21).

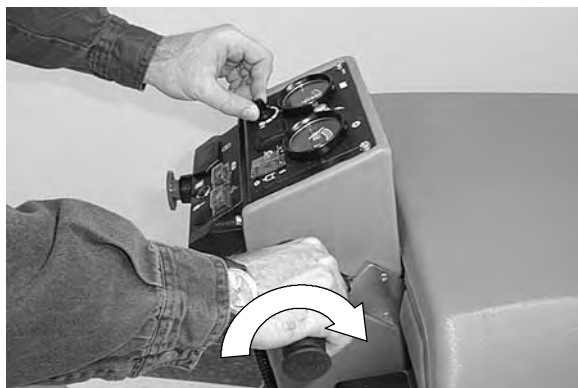


FIG. 21

9. Tournez le bouton de flux de solution vers le débit de solution souhaité (Figure 22).

REMARQUE : Lorsque vous brossez avec l'option FaST, le débit de solution est pré-réglé par le système FaST.



FIG. 22

10. Observez l'indicateur de pression de brossage pendant l'utilisation. L'indicateur doit se trouver dans la zone verte, appuyez sur le bouton de pression de brosse pour effectuer le réglage (Figure 23).

ATTENTION: Ne faites pas fonctionner la machine avec l'indicateur de pression de patin en zone rouge ; les coupe-circuit se déclenchent et le sol risque d'être endommagé.



FIG. 23

11. Pour faire fonctionner la machine en marche arrière, faites pivoter graduellement les poignées de commande vers l'arrière.
12. Pour arrêter le brossage, relâchez les poignées de commande, relevez la tête de brossage et le racloir.
13. Après le brossage, effectuez les procédures d'entretien quotidien (Voir ENTRETIEN DE LA MACHINE).

ARRET D'URGENCE (en option)

Dans le cas d'une urgence en cours de fonctionnement, appuyez sur le bouton de coupure de l'alimentation à l'arrière du panneau de commande, pour arrêter la machine. Tournez le bouton dans le sens des aiguilles d'une montre pour réenclencher (Figure 24).



FIG. 24

UTILISATION DU SYSTEME DE BROSSAGE FaST (en option)

Comment fonctionne le système FaST (Foam Scrubbing Technology = technologie de brossage en milieu moussant). L'agent concentré FaST PAK est injecté dans le système avec un mélange composé d'une petite quantité d'eau et d'air comprimé. Ce mélange crée un grand volume de mousse humide expansée. Le mélange de mousse expansée est ensuite dispersé sur le sol, tandis que les deux disques de brossage se mettent en marche. Quand le racloir récupère le mélange, l'agent moussant breveté cesse d'être actif et est récupéré dans le réservoir de récupération. L'utilisation du système FaST peut augmenter votre productivité de 30%, en réduisant vos cycles de vidage/remplissage. Elle permet également de réduire l'utilisation de produits chimiques ainsi que l'espace de stockage. Un FaST PAK d'agent concentré permet un brossage d'environ 305 000 m².

1. Assurez-vous que le carton de concentré nettoyant pour sols FaST™ PAK 365 est correctement installé (Voir INSTALLATION DE L'AGENT FaST PAK).
2. Assurez-vous que le réservoir de solution est rempli uniquement d'eau claire froide. N'ajoutez PAS d'agents nettoyants conventionnels dans le réservoir de solution. La présence d'agents nettoyants/régénérateurs conventionnels dans le réservoir de solution provoquera la panne prématurée du système FaST.
3. Placez le bouton du système FaST en position de marche (I) (Figure 25).

REMARQUE : Pour brosser à l'eau claire seulement, il vous suffit de placer le bouton du système FaST en position d'arrêt (O). Ceci vous permet d'utiliser la machine dans une application de rinçage.



FIG. 25

4. Assurez-vous que le bouton de solution principal est en position ON.

REMARQUE : Le débit d'eau s'écoulant du réservoir de solution est régulé automatiquement par l'activation du système FaST. Pendant le brossage en mode de brossage FaST, le débit de solution ne peut pas être ajusté par l'intermédiaire du bouton de réglage de la commande de solution.

5. Suivez les instructions standard du FONCTIONNEMENT DE LA MACHINE pour débiter le brossage.

Informations générales : Les options FaST et ES ne peuvent pas être installées sur la même machine.

UTILISATION DE L' ES (en option)

L'option ES permet d'allonger la durée de brossage en réutilisant l'eau récupérée. L'eau récupérée est filtrée et recyclée dans le réservoir de solution pour être réutilisée.

REMARQUE : L'option ES n'est pas disponible pour les modèles FaST.

1. Remplissez entre 19 et 38 litres (5 and 10 gal) d'eau chaude, 60°C (140°F) maximum, dans le réservoir de récupération quand vous remplissez le réservoir de solution (Figure 26).

REMARQUE : La température de l'eau ne doit pas excéder 60°C (140°F), afin d'éviter tout endommagement du réservoir.

REMARQUE : Si vous remplissez le réservoir avec un seau, assurez-vous que le seau est propre. Ceci permet d'éviter tout risque d'obstruction des conduites du système de distribution de la solution.

⚠ MISE EN GARDE : danger d'incendie ou d'explosion. N'utilisez jamais de liquides inflammables ou n'utilisez pas la machine dans ou près de liquides ou vapeurs inflammables ou de poussières combustibles.



FIG. 26

2. Tournez le bouton ES quand vous êtes prêt pour le brossage. L'indicateur ES s'allume automatiquement et s'éteint quand le réservoir de récupération atteint son point de recyclage (Figure 27).



FIG. 27

REMARQUE: Si le voyant d'indicateur ES reste allumé, vidangez les réservoir et nettoyez le filtre ES situé dans le réservoir de récupération.

3. Suivez les instructions standard du FONCTIONNEMENT DE LA MACHINE pour débiter le brossage.

PENDANT L'UTILISATION DE LA MACHINE

POUR VOTRE SECURITE: Lors de l'utilisation de la machine, roulez lentement sur les pentes et sur les surfaces glissantes.

1. Faites chevaucher de 50 mm chaque couloir.
2. Déplacez constamment la machine pour éviter d'endommager la finition ou le sol.

3. Observez l'indicateur de pression de brossage pendant l'utilisation. L'indicateur doit se trouver dans la zone verte, appuyez sur le bouton de pression de brosse pour effectuer le réglage.

ATTENTION: Ne faites pas fonctionner la machine avec l'indicateur de pression de patin en zone rouge ; les coupe-circuit se déclenchent et le sol risque d'être endommagé.

4. Contrôlez périodiquement l'excès de mousse dans le réservoir de récupération. Ajoutez une solution de contrôle de mousse recommandée dans le réservoir de récupération, si un excès de mousse apparaît.

ATTENTION: Veillez à ne pas laisser entrer de mousse ou d'eau dans le filtre à flotteur pour éviter d'endommager le moteur d'extracteur ; ceci n'est pas couvert par la garantie. La mousse n'active pas le filtre à flotteur.

5. Pour les zones très sales, le double brossage est recommandé. Brossez d'abord la zone avec le racloir relevé, laissez agir la solution pendant 3-5 minutes, puis brossez la zone une deuxième fois, avec le racloir abaissé.
6. Tête de brossage à disque: Remplacez ou retournez les patins quand ils sont usés.
7. Tête de brossage cylindrique: Si vous observez une vibration de brosse excessive ou un brossage inefficace, reportez-vous à la section REGLAGE DE LA BROSSE DURE.
8. Si le racloir laisse des traînées, relevez le racloir et essuyez les lames avec un chiffon. Balayez au préalable la zone pour éviter la formation de traînées.
9. Observez le niveau de charge des batteries. Quand l'aiguille atteint la zone rouge, arrêtez le brossage et rechargez les batteries.

ATTENTION: N'utilisez pas la machine quand le niveau de charge des batteries se trouve en zone rouge ; ceci risque d'endommager les batteries.

⚠ MISE EN GARDE: Les matériaux inflammables ou les métaux réactifs peuvent provoquer une explosion ou un incendie. Ne pas ramasser.

UTILISATION DE LA MANCHE HORS PASSAGE EN OPTION

La manche hors passage en option permet de brosser des zones que la machine ne réussit pas à atteindre.

REMARQUE : L'option Auxiliaire hors passage n'est pas disponible pour les modèles FaST.

1. Tournez la clé en position OFF et engagez le frein parking, si la machine est équipée de cette option.

REMARQUE : Si vous utilisez un seau pour vidanger la machine, n'employez pas le même seau pour remplir le réservoir de solution. Ceci permet d'éviter tout risque d'obstruction des conduites du système de distribution de la solution.

2. Connectez le tuyau de solution pour débrancher rapidement le coupleur situé derrière la roue motrice (Figure 28).

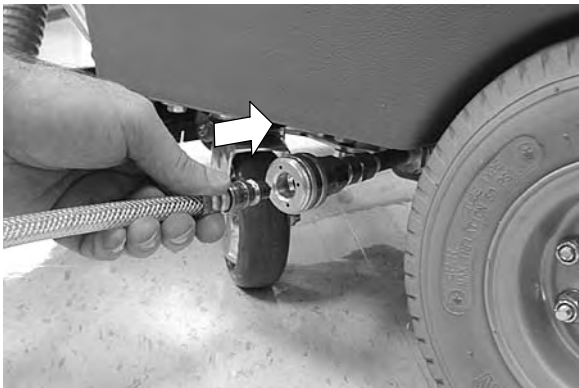


FIG. 28

3. Débranchez le tuyau d'extraction du racloir de l'assemblage du racloir et branchez le tuyau d'extraction de la manche en utilisant l'adaptateur fourni avec la manche (Figure 29).



FIG. 29

4. Branchez les tuyaux sur la manche.

5. Tournez la clé et le bouton de manche en position ON (Figure 30).



FIG. 30

6. Abaissez le bouton du levier de racloir pour activer le moteur d'extraction (Figure 31).



FIG. 31

7. Pressez le levier sur la manche et diffusez la solution sur le sol. Brossez le sol avec le côté brosse de la manche et absorbez la solution avec le côté racloir de la manche (Figure 32).

⚠ MISE EN GARDE : danger d'incendie ou d'explosion. Ne ramassez pas de matériaux inflammables ou de métaux réactifs.



FIG. 32

COUPE-CIRCUIT / FUSIBLE

Le modèle 5400 est équipé de cinq coupe-circuit réenclenchables et d'un fusible pour éviter l'endommagement de la machine. Si un coupe-circuit se déclenche pendant le fonctionnement, déterminez la cause, laissez refroidir le moteur et réenclenchez manuellement le coupe-circuit. Quand vous remplacez le fusible, n'utilisez jamais un fusible d'une capacité supérieure à la capacité spécifiée. Le panneau de coupe-circuit se trouve à l'arrière de la machine (Figure 33).

- Coupe-circuit principal 10A
- Coupe-circuit du moteur de propulsion 15A
- Coupe-circuit du moteur d'extraction 25A
- Coupe-circuit du moteur de brosse 30A (2)
- Coupe-circuit Système FaST™ 10 A (option)



FIG. 33

COMPTEUR HORAIRE

Le compteur horaire enregistre le nombre d'heures de service de la machine. Utilisez le compteur horaire pour déterminer quand effectuer les procédures d'entretien recommandées et pour enregistrer l'historique de l'entretien (Figure 34).



FIG. 34

VIDANGE DES RESERVOIRS

Videz le réservoir de récupération:

- Après chaque emploi.
- Entre les remplissages du réservoir de solution.
- Quand le racloir commence à laisser des traînées d'eau.
- Quand le débit de solution s'arrête.
- Quand le filtre à flotteur, situé dans le réservoir de récupération, est activé.
- Si le voyant indicateur ES en option reste allumé.

1. Conduisez la machine jusqu'au trou de vidange au sol et coupez le contact.

POUR VOTRE SECURITÉ : Avant de quitter ou d'entretenir la machine, arrêtez-la sur une surface horizontale, coupez le contact et engagez le frein parking, si la machine en est équipée.

2. Retirez le tuyau de vidange du crochet. Le tuyau droit permet de vidanger le réservoir de récupération et le tuyau gauche permet de vidanger le réservoir de solution. Tournez le bouton de tuyau de vidange dans le sens contraire des aiguilles d'une montre et retirez le bouchon pour effectuer la vidange (Figure 35).

REMARQUE : Si vous utilisez un seau pour vidanger la machine, n'employez pas le même seau pour remplir le réservoir de solution. Ceci permet d'éviter tout risque d'obstruction des conduites du système de distribution de la solution.

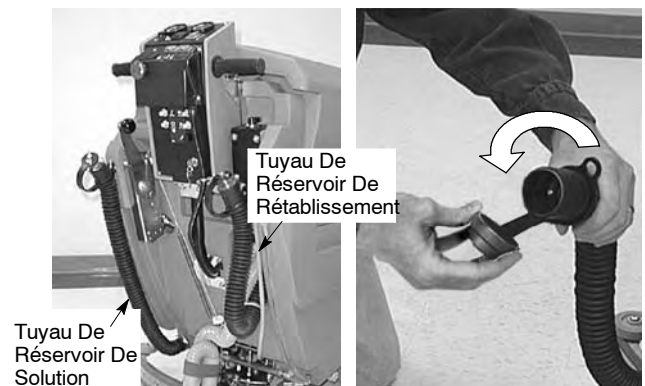


FIG. 35

3. Rincez le réservoir de récupération avec de l'eau propre.

REMARQUE : La température de l'eau ne doit pas excéder 60°C (140°F), afin d'éviter tout endommagement du réservoir.

FONCTIONNEMENT

4. Si vous avez utilisé l'option ES, vous devez vidanger également le réservoir de solution. Rincez le réservoir de solution avec de l'eau propre.
5. Remettez et enfoncez fermement le(s) bouchon(s) de tuyau(x) de vidange.
6. Quand le brossage est achevé, effectuez les procédures d'entretien quotidien (Voir ENTRETIEN DE LA MACHINE).

REGLAGE DE LA TÊTE DE BROSSAGE

TÊTE DE BROSSAGE A DISQUE

REMARQUE: Avant de régler la tête de brossage, vérifiez la pression des pneus et remplissez le réservoir de solution.

1. Avec les brosses/patins installés, abaissez la tête de brossage sur le sol et appliquez une pression maximale.
2. Coupez le contact et enlevez la clé.

POUR VOTRE SECURITÉ : Avant de quitter ou d'entretenir la machine, arrêtez-la sur une surface horizontale, coupez le contact et engagez le frein parking, si la machine en est équipée.

3. A partir du centre avant et arrière de la tête de brossage, mesurez la distance entre le bord supérieur de la tête de brossage et le sol (Figure 36).



FIG. 36

4. Si la tête de brossage n'est pas à niveau, desserrez l'écrou de blocage et tournez la vis de mise à niveau. Resserrez l'écrou de blocage une fois la mise à niveau effectuée (Figure 37).

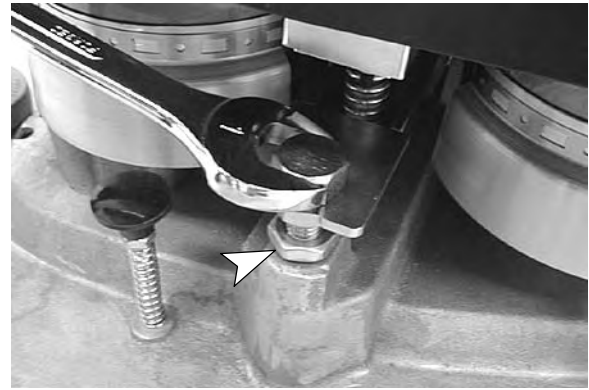


FIG. 37

TÊTE DE BROSSAGE CYLINDRIQUE

Pour vérifier le bon réglage de la brosse, suivez les étapes suivantes:

REMARQUE: Avant de vérifier ou de régler la brosse, vérifiez la pression des pneus et remplissez le réservoir de solution.

1. Appliquez une substance poudreuse, telle que de la craie, sur une surface plate et lisse.
2. Avec la tête de brossage relevée, positionnez la tête au-dessus de la zone de test et engagez le frein parking, si la machine en est équipée.
3. Abaissez la tête de brossage sur le sol avec une pression d'abaissement minimale.
4. Tournez le bouton de solution en position OFF.
5. Tournez le bouton de commande de vitesse en position minimale et faites légèrement pivoter vers l'avant les deux poignées de commande pendant 2 secondes, tout en maintenant la machine sur place.

REMARQUE: Si vous ne disposez pas de substance poudreuse, faites tourner les brosses pendant 30 secondes sur place.

6. Relâchez le frein parking, relevez la tête de brossage et retirez la machine de la zone de test.
7. Observez la trace des brosses sur le sol. Les deux brosses doivent laisser une trace égale et parallèle (Figure 38).

TRACE DE BROSSES CORRECTE

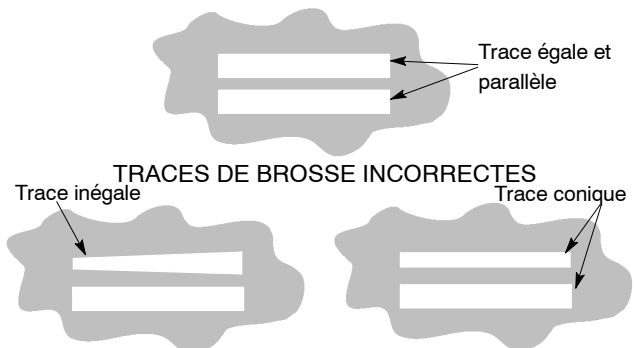


FIG. 38

8. Si la trace de brossage correspond à une des traces incorrectes, l'ajustement est nécessaire.

Pour ajuster une brosse cylindrique avec une trace inégale:

1. abaissez la tête de brossage sur le sol avec une pression d'abaissement maximale.
2. Coupez le contact et enlevez la clé.

POUR VOTRE SECURITÉ : Avant de quitter ou d'entretenir la machine, arrêtez-la sur une surface horizontale, coupez le contact et engagez le frein parking, si la machine en est équipée.

3. Mesurez la distance entre le bord inférieur de la tête de brossage et le sol, aux quatre coins (Figure 39).

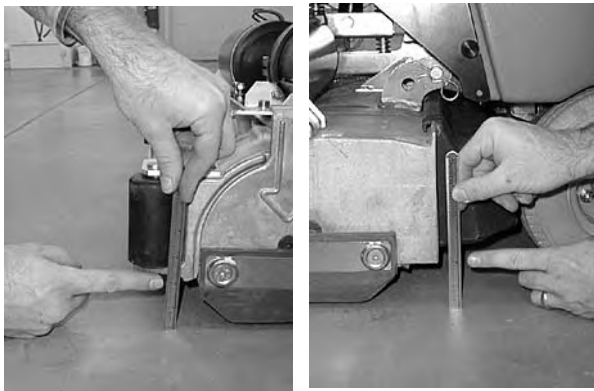


FIG. 39

4. Si la tête de brossage n'est pas à niveau, desserrez l'écrou de blocage et tournez la vis dans le sens des aiguilles d'une montre pour diminuer la largeur de la brosse arrière ou dans le sens contraire des aiguilles d'une montre pour diminuer la largeur de la brosse avant (1 clé d'un pouce est requise) (Figure 40).

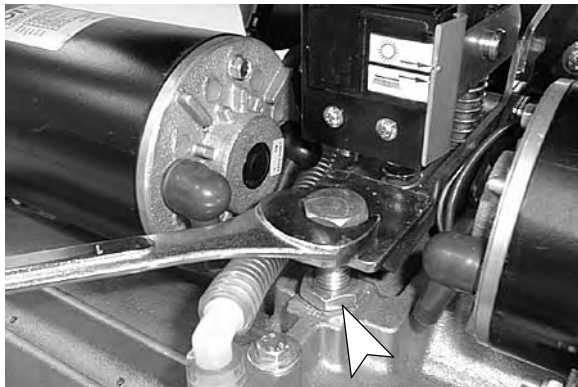


FIG. 40

5. Vérifiez à nouveau la trace de brosse et réajustez si nécessaire.

Pour ajuster une brosse cylindrique avec une trace conique:

1. Relevez la tête de brossage et retirez la clé de contact.

POUR VOTRE SECURITE: Avant de quitter ou d'entretenir la machine, arrêtez-la sur une surface horizontale, coupez le contact et engagez le frein parking, si la machine en est équipée.

2. Retirez le plateau intermédiaire comportant la trace de brosse conique. Pour retirer le plateau intermédiaire de la tête de brossage, poussez vers le bas la patte montée sur ressort, puis tirez le plateau vers le bas et l'extérieur (Figure 41).

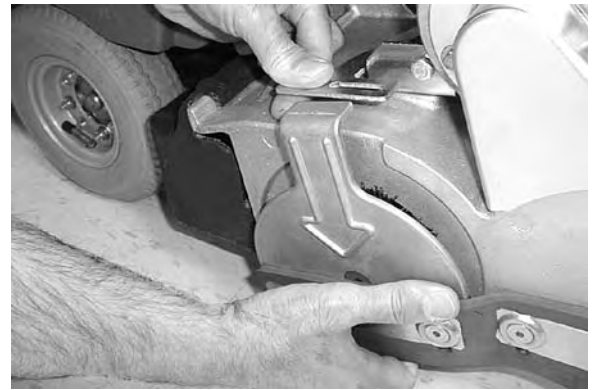


FIG. 41

3. Tirez le plateau intermédiaire hors de l'extrémité de la brosse.
4. Maintenez l'arbre emboîtable de brosse avec une clé de 0,375 pouce et desserrez la vis à tête Allen (une clé Allen de 6 mm est requise (Figure 42).



FIG. 42

FONCTIONNEMENT

5. Quand vous ajustez la brosse avant, tournez l'arbre dans le sens des aiguilles d'une montre pour abaisser l'extrémité de la brosse. Quand vous ajustez la brosse arrière, tournez l'arbre dans le sens contraire des aiguilles d'une montre pour abaisser l'extrémité de la brosse. Resserrez la vis Allen après l'ajustement (Figure 43).



FIG. 43

6. Remplacez le plateau intermédiaire et vérifiez à nouveau la trace de brosse; réajustez si nécessaire.

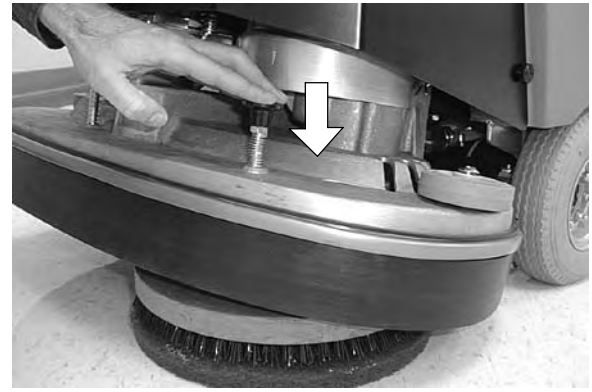


FIG. 44

4. Pincez l'étrier de retenue du verrou central pour retirer le patin (Figure 45).

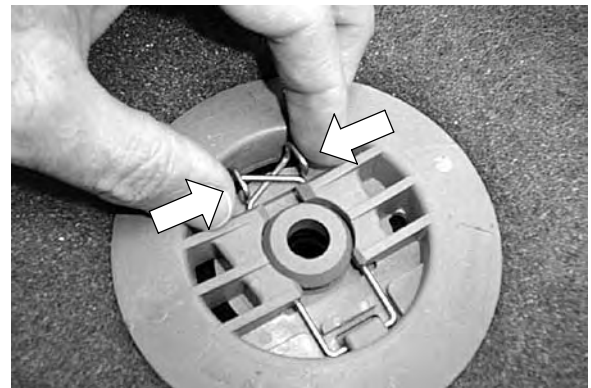


FIG. 45

RETRAIT DES BROSSES/PATINS

TETE DE BROSSAGE A DISQUE

Disc brushes should be replaced if bristles are worn to a length of 10 mm (0.38 in) or less.

Les brosses à disque doivent être remplacées si les poils sont usés jusqu'à une longueur de 10mm (0.38 in) ou moins.

REMARQUE: Remplacez toujours les brosses par jeu. Ne remplacez jamais une brosse seule.

1. Enfoncez à moitié la base du bouton de pression de brosse, jusqu'à ce que la tête de brosse soit complètement relevée (Figure 6).
2. Tournez la clé en position OFF.

POUR VOTRE SECURITÉ: Avant de quitter ou d'entretenir la machine, arrêtez la machine sur une surface horizontale, engagez le frein parking, coupez le contact et enlevez la clé.

3. Poussez vers le bas les boutons de retenue de brosse pour relâcher les pignons de brosses/patins (Figure 44).

TETE DE BROSSAGE CYLINDRIQUE

Les brosses cylindriques doivent être remplacées si les poils sont usés jusqu'à une longueur de 10mm ou moins.

REMARQUE: Remplacez toujours les brosses par jeu. Ne remplacez jamais une brosse seule.

1. Relevez la tête de brossage et retirez la clé de contact.

POUR VOTRE SECURITÉ : Avant de quitter ou d'entretenir la machine, arrêtez-la sur une surface horizontale, coupez le contact et engagez le frein parking, si la machine en est équipée.

- Retirez les plateaux intermédiaires de la tête de brossage. Pour retirer le plateau, poussez vers le bas la patte montée sur ressort, puis tirez la base du plateau vers le bas et vers l'extérieur (Figure 46).

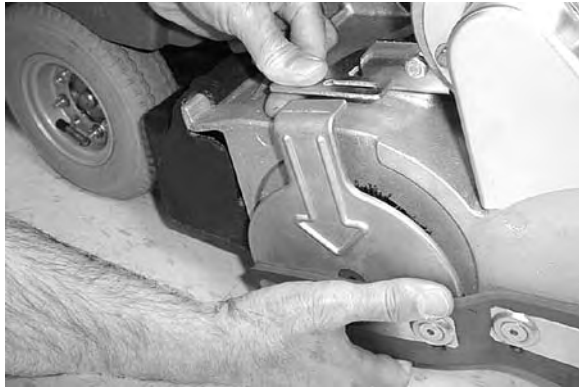
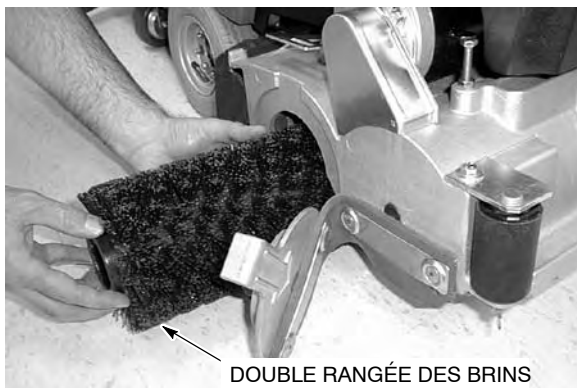


FIG. 46

- Tirez le plateau intermédiaire hors de l'extrémité de la brosse. Retirez la brosse de la tête de brossage.
- Installez le plateau intermédiaire sur une nouvelle brosse et réinstallez la brosse (Figure 47).

REMARQUE: Veillez à ce que l'extrémité de la brosse comportant la double rangée de poils soit placée vers la plaque intermédiaire.



DOUBLE RANGÉE DES BRINS

FIG. 47

- Répétez les étapes pour l'autre brosse, située de l'autre côté de la tête de brossage.
- Vérifiez l'ajustement de la brosse (Voir AJUSTEMENT DE LA TETE DE BROSSAGE).

CHANGEMENT DES TETES DE BROSSAGE

Deux types de têtes de brossage sont disponibles pour le modèle 5400, la brosse à disque et la brosse cylindrique. Ces têtes sont facilement interchangeables, sans utilisation d'outils.

La tête de brossage à brosse à disque est conçue pour broser des surfaces lisses sans débris ; la tête de brossage cylindrique est conçue pour broser des sols carrelés et inégaux avec de petits débris légers.

- Abaissez la tête de brossage sur le sol sans appliquer de pression d'abaissement.
- Coupez le contact et engagez le frein de parcage si votre machine est équipée de cette option.

POUR VOTRE SECURITÉ: Avant de quitter ou d'entretenir la machine, arrêtez la machine sur une surface horizontale, engagez le frein parking, coupez le contact et enlevez la clé.

- Retirez l'enveloppe de protection située au-dessus de la tête de brossage. L'écarteur six pans est uniquement nécessaire pour la tête de brossage cylindrique (Figure 48).



TETE DE BROSSAGE A DISQUE

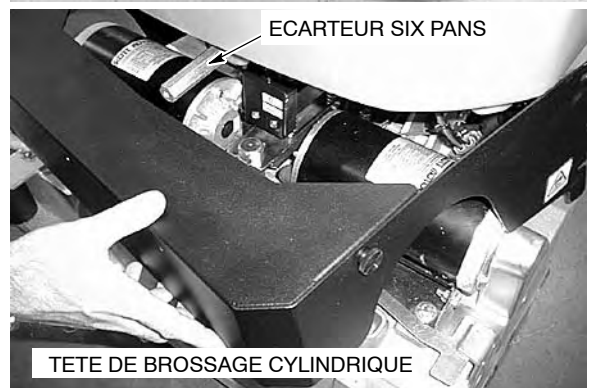


FIG. 48

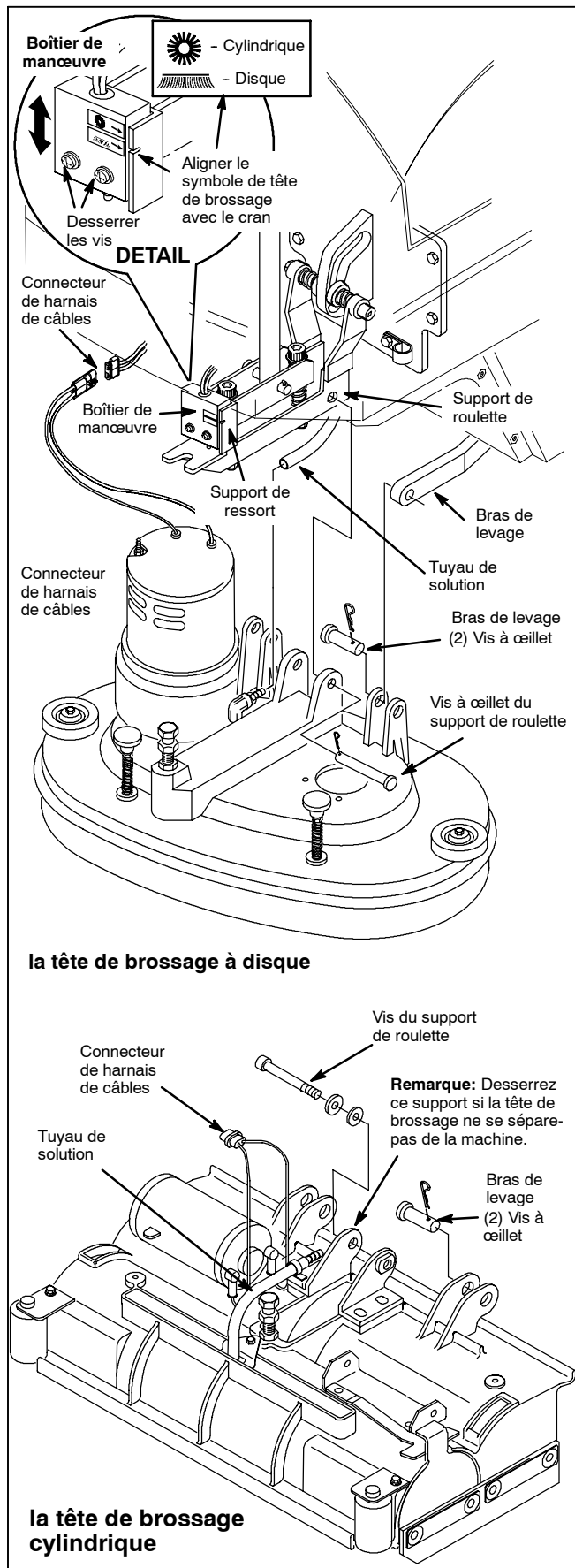


FIG. 49

4. Débranchez le tuyau de solution de la tête de brossage (Figure 49).
5. Déconnectez les connecteurs de harnais de câbles (Figure 49).
6. Retirez deux vis à œillet connectant la tête de brossage avec les bras de levage (Figure 49).
Pour la tête de brossage à disque: Retirez une troisième vis à œillet connectant la tête de brossage avec le support de roulette (Figure 49).
Pour la tête de brossage cylindrique: Retirez la vis connectant la tête de brossage avec le support de roulette, à l'aide d'une clé allen 5/16" (Figure 49).
7. Retirez la tête de brossage de la machine.
8. Desserrez les deux vis de fixation sur le boîtier de manœuvre et alignez le symbole de tête de brossage correspondant imprimé sur le boîtier de manœuvre, avec le cran du support de ressort (Figure 49 –DETAIL). Resserrez les vis après le réglage.
9. Quand vous changez pour une tête de brossage cylindrique, vous devez installer les vis de butée orientable du racloir (une clé 17 mm et une clé à douille 8 mm sont nécessaires). Retirez les vis quand vous utilisez la tête de brossage à disque (Figure 50).

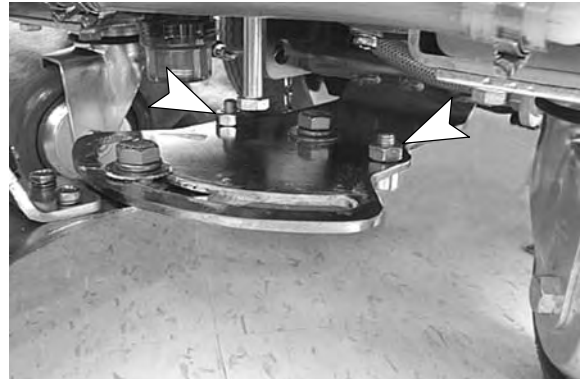


FIG. 50

10. Répétez les étapes en sens inverse pour installer une autre tête de brossage. Veillez à ce que la vis de mise à niveau s'engage dans la fente de bride, comme illustré (Figure 51).



FIG. 51

CHARGE DES BATTERIES

ATTENTION : pour prolonger la durée de vie des batteries et obtenir des performances optimales, rechargez les batteries UNIQUEMENT après une durée d'utilisation totale de 30 minutes ou plus. Ne laissez jamais les batteries se décharger sur de longues périodes.

Les instructions de mise en charge ci-dessous sont destinées uniquement aux chargeurs de batteries fournis avec la machine. Utilisez uniquement un chargeur de batterie ayant les caractéristiques ci-dessous, afin d'éviter l'endommagement des batteries.

SPÉCIFICATIONS DU CHARGEUR DE BATTERIS:

- TYPE DE CHARGEUR :
 - POUR DES BATTERIES SANS ENTRETIEN OU
 - POUR DES BATTERIES PLOMB-ACIDE
- TENSION DE SORTIE - 24 VOLTS
- COURANT DE SORTIE - 15 AMPÈRES
- CIRCUIT DE COUPURE AUTOMATIQUE
- POUR LA MISE EN CHARGE DE BATTERIES A CYCLE INTENSIF

1. Transportez la machine dans un endroit bien aéré pour recharger les batteries.

⚠ MISE EN GARDE : danger d'incendie ou d'explosion. Les batteries émettent du gaz hydrogène. Evitez toute étincelle et toute flamme nue à proximité des batteries. Laissez ouvert le compartiment des batteries pendant la mise en charge.

2. Batteries plomb-acide : avant de mettre en charge les batteries, vérifiez le niveau d'électrolyte dans chaque élément de batterie (Figure 52).



FIG. 52

POUR VOTRE SECURITÉ : lorsque vous entretenez la machine, portez des gants et des lunettes de protection quand vous maniez les batteries et les câbles de batterie. Evitez tout contact avec l'acide des batteries.

Le niveau d'électrolyte (A) doit légèrement recouvrir les plaques de batteries (B). Ajoutez de l'eau distillée si nécessaire. **NE REMPLISSEZ PAS TROP**, le fluide va augmenter de volume et risque de déborder lors de la mise en charge. Remettez les bouchons sur les éléments, avant la mise en charge (Figure 53).

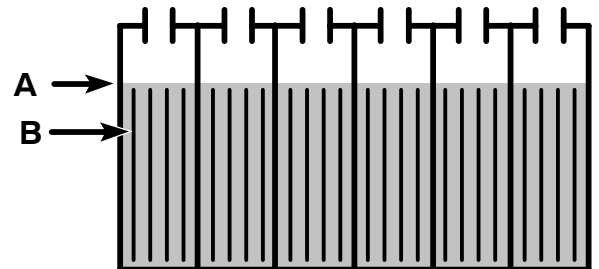


FIG. 53

3. Branchez le cordon d'alimentation CA du chargeur sur une prise mise à la terre correctement (Figure 54).

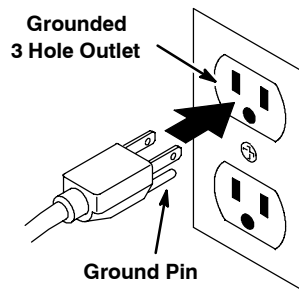


FIG. 54

4. Posez le réservoir de récupération sur la béquille de support, afin de faciliter la ventilation durant la mise en charge (Figure 55).



FIG. 55

5. Le chargeur commence automatiquement à charger et se coupe lorsque les batteries sont complètement chargées.

FONCTIONNEMENT

REMARQUE : la machine ne fonctionne plus dès que le chargeur de batterie est branché.

ATTENTION : ne débranchez pas le cordon d'alimentation en courant continu de la prise de la machine lorsque le chargeur est en fonctionnement. Ceci peut provoquer des étincelles. Si le chargeur doit être arrêté durant la mise en charge, débranchez d'abord le cordon d'alimentation en courant alternatif.

⚠ MISE EN GARDE : danger d'incendie ou d'explosion. Les batteries émettent du gaz hydrogène. Évitez toute étincelle et toute flamme nue à proximité des batteries. Laissez ouvert le compartiment des batteries pendant la mise en charge.

6. Batteries plomb-acide : après le chargement, vérifiez le niveau d'électrolyte (A) des batteries. Le niveau doit se trouver environ à 1 cm du bord inférieur de l'orifice de remplissage (B) (Figure 56). Ajoutez de l'eau distillée si nécessaire. **NE REMPLISSEZ PAS TROP.**

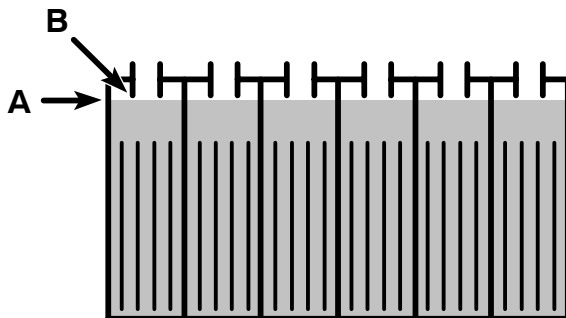


FIG. 56

ENTRETIEN DE LA MACHINE

Pour garder la machine en bon état de marche, suivez simplement les procédures d'entretien quotidiennes, hebdomadaires et

POUR VOTRE SECURITÉ: Avant de quitter ou d'entretenir la machine, arrêtez la machine sur une surface horizontale, engagez le frein parking, coupez le contact et enlevez la clé.

⚠ MISE EN GARDE : danger électrique. Débranchez les câbles de la batterie avant l'entretien ou la réparation de la machine.

ATTENTION: Contactez un service de réparation agréé pour les réparations de la machine. Les réparations effectuées par une autre personne que celle agréée entraînent une annulation de votre garantie.

ENTRETIEN QUOTIDIEN (Après Chaque Utilisation)

1. Vidangez et rincez les réservoirs avec de l'eau propre (Figure 57).



FIG. 57

2. Retirez le bouchon du réservoir de récupération et rincez à l'eau l'ouverture d'aspiration (Figure 58).

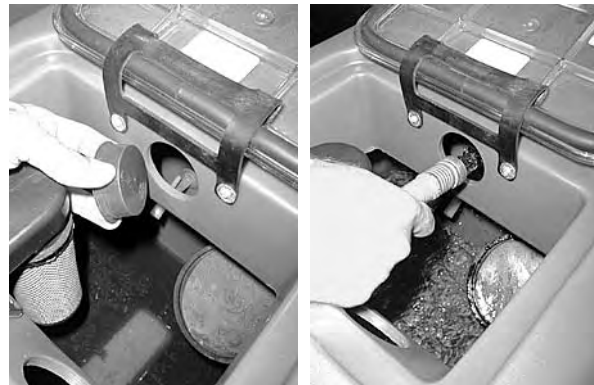


FIG. 58

3. Modèle FaST uniquement : Quand le carton FaST PAK n'est pas installé sur la machine, veillez à ce que le tuyau d'alimentation soit branché sur le bouchon de stockage du tuyau. Ceci permet d'éviter que le système de solution FaST™ sèche et obstrue le tuyau d'alimentation (Figure 59). Si du concentré séché est visible sur le raccord du tuyau d'alimentation ou sur le raccord FaST™ PAK, trempez-les dans l'eau chaude pour éliminer la solution.

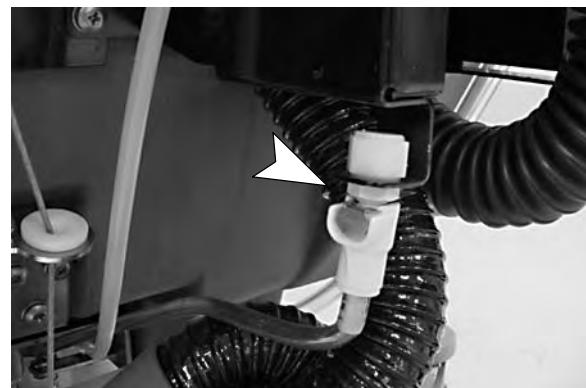


FIG. 59

- Retirez et rincez le filtre à flotteur situé dans le réservoir de récupération (Figure 60).



FIG. 60

- Tête de brosseage cylindrique: Videz et rincez la cuve à déchets (Figure 61).

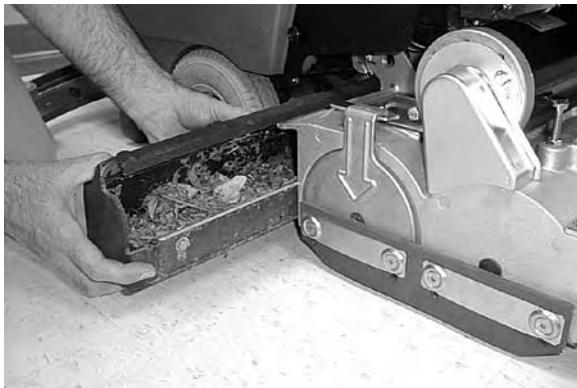


FIG. 61

- Contrôlez la présence de débris coincés dans les brosses.
- Changez les patins ou les brosses en cas d'usure ou d'endommagement.
- Vérifiez l'usure et le réglage de la ou des jupes de la tête de brosseage.
- Si la machine est équipée de l'option ES, retirez et nettoyez le filtre ES ; le filtre est situé dans le réservoir de récupération (Figure 62).



FIG. 62

- Si la machine est équipée de l'option ES, nettoyez l'interrupteur à flotteur ES situé dans le réservoir de récupération (Figure 63).

REMARQUE : Lorsque vous brossez une zone comportant des copeaux métalliques, il est recommandé de nettoyer plus fréquemment l'interrupteur à flotteur ES. L'interrupteur à flotteur ES est équipé d'un aimant qui attire les copeaux métalliques.

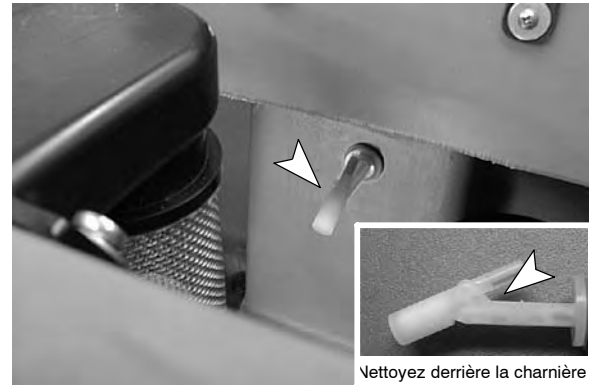


FIG. 63

- Relevez le racloir et essuyez-le avec un chiffon sec. Au repos, placez le racloir en position haute, pour éviter un endommagement du racloir.
- Nettoyez la machine avec un produit d'entretien multi-usages et un chiffon humide.

ATTENTION: N'utilisez pas de jet de pression sur la machine. L'endommagement des composants électriques dû à l'eau n'est pas couvert par la garantie.

- Rechargez les batteries après un total de 30 minutes de service ou plus (Voir CHARGE DES BATTERIES).

ENTRETIEN HEBDOMADAIRE (Toutes les 80 heures de service)

- Rincez le système de rinçage de solution. Remplissez 11, 3 l (3 gal) d'eau chaude dans le réservoir de solution. Ajoutez un détergent alcalin suivant les instructions de mélange. Faites fonctionner brièvement l'option ES et la manche de la machine au-dessus d'une rigole dans le sol, sur une durée de 30 secondes pour chaque option. Coupez le contact et laissez reposer la machine pendant la nuit. Le jour suivant, dispersez le restant de détergent alcalin et rincez le système de solution.

2. Retirez le filtre en cuve situé sous la machine et nettoyez le filtre. Veillez Le réservoir de solution est vide au moment du démontage du filtre (Figure 64).

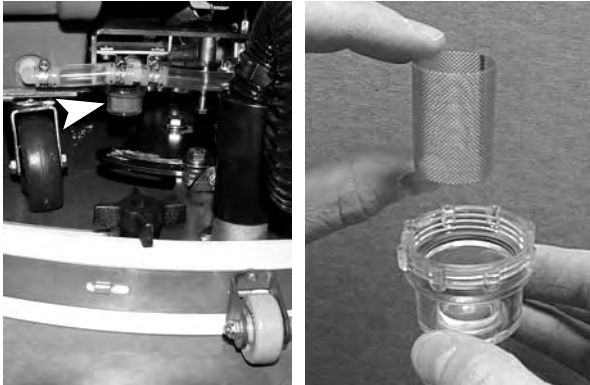


FIG. 64

3. Contrôlez le niveau de liquide des éléments des batteries (Voir ENTRETIEN DES BATTERIES).
4. Nettoyez la partie supérieure des batteries pour éviter la corrosion (Voir ENTRETIEN DES BATTERIES).
5. Vérifiez si les câbles des batteries ne sont pas détachés ou corrodés.
6. Vérifiez l'ajustement des brosses (Voir AJUSTEMENT DE LA TETE DE BROSSAGE).
7. Lubrifiez les graisseurs des roulettes avec une graisse imperméable.
8. Vérifiez la pression des pneus. La pression adéquate pour un pneu standard est de 315 à 345 kPa.
9. Lubrifiez tous les points de pivot et les roulettes avec un spray au silicone puis recouvrez avec une graisse résistant à l'eau pour maintenir un fonctionnement régulier.
10. Tête de brossage cylindrique: Vérifiez la tension de la courroie. La flexion de courroie correcte doit être de 3 mm (0.1 in) au point central, pour une force de 1,13-1,22 kg (2.5-2.7 lbs) (Figure 65).

⚠ WARNING: Electrical Hazard. Quand vous entretenez la machine, débranchez les connexions de batteries avant de travailler sur la machine.

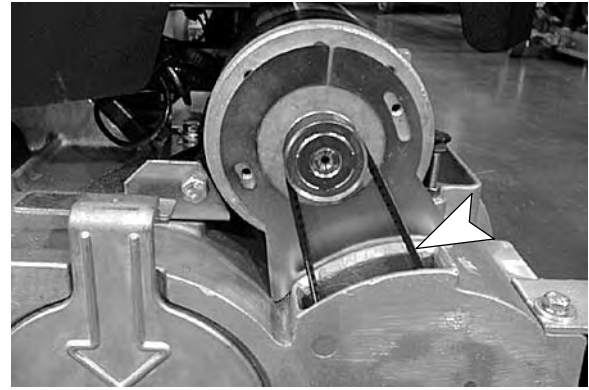


FIG. 65

ATTENTION: Contactez un service de réparation agréé pour les réparations de la machine.

11. Vérifiez la présence éventuelle de fuites d'eau et le serrage des écrous et des boulons.

ENTRETIEN TRIMESTRIEL (Toutes les 250 heures d'utilisation)

1. Vérifiez l'usure des balais de charbon des moteurs de l'arbre de transmission, de l'extracteur et des brosses ; remplacez les balais s'ils mesurent 10 mm (0.38 in) ou moins.

Contactez un service de réparation agréé pour l'entretien des moteurs.

POUR VOTRE SECURITÉ : Lors du dépannage de la machine, toutes les réparations doivent être effectuées uniquement par un technicien qualifié.

⚠ MISE EN GARDE : danger électrique. Débranchez les câbles de la batterie avant l'entretien ou la réparation de la machine.

2. Le filtre à air du système FaST est fixé sur la pompe à air. Retirez et nettoyez le filtre à air avec de l'air comprimé, toutes les 250 heures de service de la machine (Figure 66).



FIG. 66

LAMES DU RACLOIR

Le racloir est équipé de deux lames. La lame avant comporte deux côtés de raclage. Pour les utiliser tous les deux, retournez la lame dans le sens horizontal.

La lame arrière comporte quatre côtés de raclage. Pour les utiliser tous les quatre, commencez par l'un des côtés. Pour utiliser le côté de raclage suivant, retournez la lame dans le sens horizontal. Pour utiliser le côté de raclage suivant, retournez la lame dans le sens vertical. Pour utiliser le dernier côté, retournez la lame dans le sens horizontal.

Remplacez toutes les lames présentant des dommages ou une usure.

CHANGEMENT OU RENVÈREMENT DE LA LAME AVANT DU RACLOIR

1. Coupez le contact et engagez le frein de parcage si votre machine est équipée de cette option.

POUR VOTRE SÉCURITÉ : Avant de quitter ou d'entretenir la machine, arrêtez la machine sur une surface horizontale, engagez le frein parking, coupez le contact et enlevez la clé.

2. Vérifiez que le racloir ne touche pas le sol.
3. Enlevez les six vis à oreilles qui servent à fixer le logement et la lame du racloir sur le cadre du racloir (Figure 67).

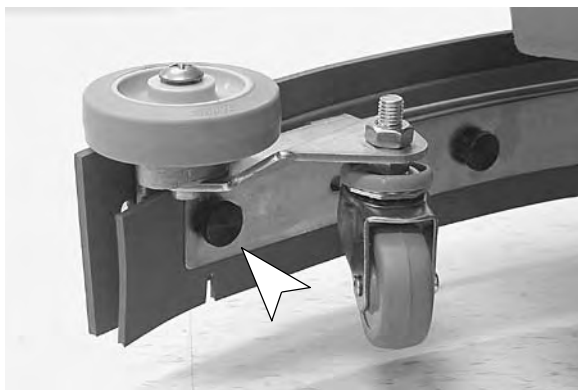


FIG. 67

4. Retirez la lame du racloir du cadre du racloir.
5. Renversez la lame du racloir dans le sens horizontal pour diriger un nouveau côté vers l'avant de la machine.
6. Faites correspondre la lame du racloir et le logement avec le cadre du racloir.
7. Fixez la lame et le logement au cadre du racloir avec les six vis à oreille.

CHANGEMENT OU RENVÈREMENT DE LA LAME ARRIERE DU RACLOIR

1. Coupez le contact et engagez le frein de parcage si votre machine est équipée de cette option.

POUR VOTRE SÉCURITÉ : Avant de quitter ou d'entretenir la machine, arrêtez-la sur une surface horizontale, coupez le contact et engagez le frein parking, si la machine en est équipée.

2. Vérifiez que le racloir ne touche pas le sol.
3. Relâchez l'attache du logement et enlevez le logement du cadre du racloir (Figure 68).

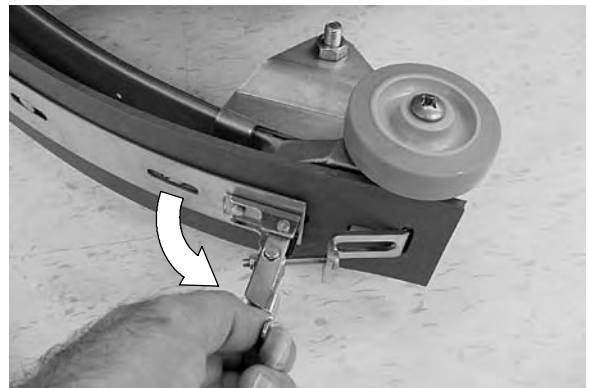


FIG. 68

4. Retirez la lame de racloir et la bande de renfort du châssis du racloir.
5. Changez ou renversez la lame du racloir pour qu'un nouveau côté soit dirigé vers l'avant de la machine.
6. Mettez la lame du racloir et la bande de support sur le cadre du racloir.
7. Fixez la lame du racloir et la bande de support au logement. Serrez l'attache du logement.

RÉGLAGE DES LAMES DE RACLOIR

Le réglage des lames de racloir est effectué en usine et ne nécessite pas d'ajustement particulier. Le réglage du racloir est nécessaire uniquement en cas de dérèglement.

Pour une performance optimale des lames de racloir, les roulettes du bloc de racloir doivent être réglées à une hauteur spécifique, comme décrit ci-dessous.

1. Pour vérifier le bon réglage du bloc de racloir, retirez le bloc de racloir de la machine et placez-le sur une surface égale. Mesurez la distance entre la roulette et la surface. Cette distance doit être environ 1,58 mm (Figure 69).

FONCTIONNEMENT

2. Pour régler la hauteur de roulette, desserrez l'écrou supérieur et retirez le carter en plastique du roulement pour accéder à l'écrou de réglage. Tournez l'écrou de réglage jusqu'à ce que vous obteniez le bon réglage (Figure 69). Après le réglage, resserrez l'écrou supérieur et remplacez le carter en plastique du roulement. Répétez l'opération pour l'autre roulette.

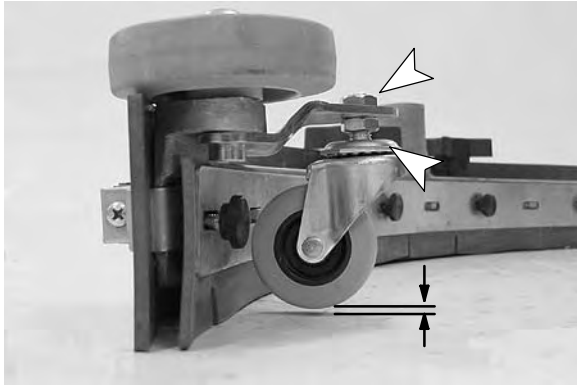


FIG. 69

3. Durant le fonctionnement de la machine avec les roulettes réglées correctement, les lames de racler doivent avoir une déflexion comme illustré (Figure 70).



FIG. 70

ENTRETIEN DES BATTERIES (Batteries plomb-acide)

⚠ MISE EN GARDE : danger d'incendie ou d'explosion. Les batteries émettent du gaz hydrogène. Évitez toute étincelle et toute flamme nue à proximité des batteries. Laissez ouvert le compartiment des batteries pendant la mise en charge.

POUR VOTRE SECURITÉ : lorsque vous entretenez la machine, portez des gants et des lunettes de protection quand vous maniez les batteries et les câbles de batterie. Évitez tout contact avec l'acide des batteries.

1. Vérifiez la densité spécifique à l'aide d'un hydromètre, pour déterminer le niveau de charge et l'état des batteries (Figure 71). Si un ou plusieurs des éléments des batteries est (sont) plus faible(s) que les autres éléments des batteries (de 0,050 ou plus), cela signifie que l'élément (les éléments) est (sont) endommagé(s), que sa (leur) capacité est réduite ou qu'il(s) va (vont) bientôt tomber en panne. Comparez les mesures hydrométriques avec le tableau suivant pour déterminer le niveau de charge.

REMARQUE : n'effectuez pas de mesures juste après avoir ajouté de l'eau distillée. Si l'eau et l'acide ne sont pas bien mélangés, il se peut que les mesures ne soient pas exactes.



FIG. 71

DENSITÉ SPÉCIFIQUE à 27°C	CHARGE DE BATTERIE
1,265	Chargée à 100%
1,223	Chargée à 75%
1,185	Chargée à 50%
1,148	Chargée à 25%
1,110	Déchargée

REMARQUE : si les lectures sont effectuées quand la température de l'électrolyte est autre que 27 °C (80°F), la lecture doit être corrigée par rapport au niveau de température. Ajoutez ou soustrayez 0,004 (4 points) à la lecture de densité spécifique, pour chaque 6 °C au-dessus ou au-dessous de 27 °C (80°F).

2. Suivez toujours attentivement les instructions de chargement (Voir CHARGEMENT DES BATTERIES).

- Après la mise en charge des batteries, vérifiez le niveau d'électrolyte (A) **dans chaque élément de batterie**. Le niveau doit se trouver environ à 1 cm du bord inférieur de l'orifice de remplissage (B). Ajoutez de l'eau distillée si nécessaire (Figure 72). **NE REMPLISSEZ PAS TROP.**

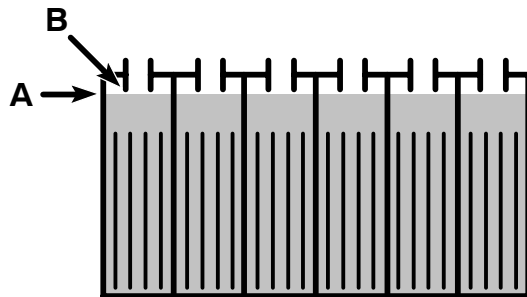


FIG. 72

- Nettoyez la partie supérieure des batteries pour prévenir la corrosion des batteries.

Pour nettoyer les batteries:

POUR VOTRE SECURITÉ : lorsque vous entretenez la machine, portez des gants et des lunettes de protection quand vous maniez les batteries et les câbles de batterie. Evitez tout contact avec l'acide des batteries.

- Préparez une solution concentrée de bicarbonate de soude (Figure 73).



FIG. 73

- Brossez les surfaces supérieures et les cosses de câbles des batteries en utilisant la solution avec modération.

REMARQUE : veillez à ce que la solution de bicarbonate de soude ne pénètre pas dans les éléments des batteries.

- Utilisez une brosse métallique pour nettoyer les bornes et les cosses de câbles.
 - Une fois le nettoyage terminé, appliquez une couche de produit de protection pour batteries sur les bornes et les cosses de câbles.
- Vérifiez si les câbles ne sont pas débranchés ou usés. Remplacez-les s'ils sont usés.

SOULEVEMENT AU CRIC DE LA MACHINE

Utilisez les endroits désignés sous le réservoir de solution pour soulever la machine au cric. Utilisez un morceau de bois pour répartir la charge de la machine (Figure 74).

Arrêtez toujours la machine sur une surface plate et bloquez les roues de la machine, avant de la soulever au cric.



FIG. 74

POUR VOTRE SECURITE: Lors de l'entretien, bloquez les roues de la machine avant de la soulever au cric.

POUR VOTRE SECURITE: Lors de l'entretien de la machine, utilisez le cric uniquement aux endroits désignés à cet effet. Bloquez la machine avec les montants de cric.

TRANSPORT DE LA MACHINE

Lorsque vous transportez la machine à l'aide d'une remorque ou d'un camion, veuillez suivre les instructions suivantes pour attacher la machine:

POUR VOTRE SECURITE: Lors de l'utilisation de la machine, roulez lentement sur les pentes et sur les surfaces glissantes.

- Relevez le racloir et la tête de nettoyage.
- Chargez la machine à l'aide d'une rampe de chargement recommandée.
- Mettez l'avant de la machine contre l'avant de la remorque ou du camion. Une fois la machine en position, abaissez la tête de brossage et le racloir.
- Engagez le frein parking, si la machine est équipée de cette option et placez des blocs derrière chaque roue motrice, pour empêcher la machine de rouler.

FONCTIONNEMENT

5. Fixez la machine en utilisant les brides situées à l'arrière du châssis, si la machine est équipée de brides. Il peut s'avérer nécessaire d'installer des brides de fixation sur le plancher du camion ou de la remorque.
6. Passez des sangles par-dessus la machine pour l'empêcher de basculer.

REMARQUE: N'utilisez pas les poignées de commande pour attacher la machine pendant le transport.

POUR VOTRE SECURITÉ: Avant de quitter ou d'entretenir la machine, arrêtez la machine sur une surface horizontale, engagez le frein parking, coupez le contact et enlevez la clé.

ENTREPOSAGE DE LA MACHINE

1. Chargez les batteries avant l'entreposage. N'entreposez jamais la machine avec des batteries déchargées.
2. Vidangez et rincez les réservoirs soigneusement.
3. Entreposez la machine à l'abri de l'humidité avec le racloir et la tête de brossage en position relevée.
4. Enlevez le couvercle du réservoir de récupération pour favoriser la circulation d'air.

ATTENTION: N'exposez pas la machine à la pluie ; entreposez-la à l'intérieur.

PROTECTION CONTRE LE GEL

1. Contrôlez si le réservoir de solution est vide.
2. Versez 3,8 l. d'une solution de lave-glace prémélangée pour voitures dans le réservoir de solution.
3. Allumez la machine.
4. Démarrez la distribution de solution.
5. La solution de lave-glace ne doit pas être vidangée du réservoir de solution.

PROTECTION ANTIGEL DU SYSTEME FaST

Kit de mise en état pour l'hiver #613898 est requis.

1. Débranchez le FaST PAK du système et branchez le raccord rapide, fourni avec le kit, sur la conduite d'admission de la pompe à concentré.
2. A l'aide d'un petit gobelet, videz le plus possible de concentré FaST de la conduite d'admission. Si le concentré ne s'écoule pas, pressez et relâchez plusieurs fois le tuyau d'admission (Figure 75).



FIG. 75

3. Installez sur le raccord le tuyau fourni avec le kit. A l'aide d'un petit gobelet, versez de l'antigel dans ce tuyau jusqu'à ce que la conduite d'admission et le tuyau soient pleins. Si l'antigel ne s'écoule pas par le raccord, pressez et relâchez plusieurs fois la conduite d'admission (Figure 76).



FIG. 76

4. A l'aide de ruban adhésif, fixez le tuyau d'admission sur le côté du support du FaST PAK pour maintenir le tuyau en position verticale. Faites tourner la machine en mode FaST jusqu'à ce que la mousse ne s'écoule plus de la machine. Cela indique que l'antigel a été évacué de la pompe à concentré. Cette étape peut prendre de 5 à 10 minutes suivant la quantité de concentré FaST restant dans la conduite d'admission après la vidange (Figure 77).



FIG. 77

- Vidangez le réservoir de solution et retirez la coupelle du filtre à eau située sous la machine. Laissez la coupelle et le filtre hors de la machine et faites tourner la machine en mode FaST pendant 1 à 2 minutes. Nettoyez le filtre si nécessaire et réinstallez le filtre et la coupelle sur la machine (Figure 78).



FIG. 78

- Retirez le raccord rapide et le tuyau du kit de la conduite d'admission de la pompe à concentré. Branchez la conduite d'admission sur le bouchon de stockage sur le support du FaST PAK. Ceci permet d'éviter la pénétration de contaminants dans le système de concentré (Figure 79).



FIG. 79

VIDANGE DE L'ANTIGEL APRES L'ENTREPOSAGE

- Débranchez la conduite de concentré du bouchon de stockage et branchez le raccord rapide, fourni avec le kit, sur la conduite d'admission de la pompe à concentré.
- Vidangez le plus possible l'excès d'antigel. Si l'antigel ne s'écoule pas, pressez et relâchez plusieurs fois le tuyau d'admission.
- Installez le FaST PAK dans son support. Débranchez le raccord du kit de la conduite de concentré et branchez la conduite de concentré sur le FaST PAK. Si le concentré ne s'écoule pas, pressez et relâchez plusieurs fois le tuyau d'admission.
- Faites tourner la machine pendant 5 minutes en mode FaST avant d'ajouter de l'eau dans le réservoir de solution. Ajoutez de l'eau dans le réservoir de solution ; la machine est à présent prête pour l'exploitation. Il peut s'écouler plusieurs minutes avant que le système FaST ne revienne à sa condition de fonctionnement optimale.

PIECES DE STOCK RECOMMANDEES

Reportez-vous à la section Liste des pièces pour les pièces de stock recommandées. Les pièces de stock sont identifiées clairement à l'aide d'un point précédant la description des pièces. Voir exemple ci-dessous:

Ref.	Part No.	Description	Qty.
1	701103	ARM, STANDPIPE	1
2	180612	● FLOAT, SHUTOFF	1
3	230197	NIPPLE	1
4	101714	● GASKET	1
5	210240	NUT, FLANGED	1

FONCTIONNEMENT

DEPISTAGE DES PANNES

PROBLEME	CAUSE	REMEDE
La machine ne se met pas en route	Contact défectueux.	Contactez le service de dépannage
	Les batteries doivent être chargées	Voyez CHARGEMENT DES BATTERIES.
	Batterie(s) défectueuse(s)	Remplacez batterie(s)
	Câble de batterie détaché	Rebranchez le câble
	Le coupe-circuit principal s'est déclenché.	Déterminez la cause et réenclenchez le coupe-circuit
	Bouton de coupure de l'alimentation activé	Tournez le bouton dans le sens des aiguilles d'une montre pour réenclencher
Les moteurs de brosse ne se mettent pas en marche	Bouton de brosse défectueux	Contactez le service de dépannage
	Les poignées de commande ne sont pas actionnées	Faites pivoter les poignées
	Le coupe-circuit de la brosse déclenché	Remplacez le patin ou ajustez la pression du patin et réenclenchez le bouton du coupe-circuit de la brosse
	Moteur ou câble de la brosse défectueux	Contactez le service de dépannage
	Balais de charbon usés	Contactez le service de dépannage
	Solénoïde de brosse défectueux	Contactez le service de dépannage
Le moteur d'extraction ne se met pas en marche	Bouton de l'extracteur défectueux	Contactez le service de dépannage
	Le racloir est relevé	Abaissez le racloir
	Le coupe-circuit principal s'est déclenché	Enlevez les débris responsables de l'obstruction et réenclenchez le bouton du coupe-circuit
	Le coupe-circuit de l'extracteur déclenché tripped	Déterminez la cause et réenclenchez le bouton du coupe-circuit
	Moteur ou câble de l'extracteur défectueux	Contactez le service de dépannage
	Balais de charbon usés	Contactez le service de dépannage
Débit de solution faible ou nul	Le bouton du système de distribution de la solution n'est pas activé	Activez le bouton du système de distribution de la solution
	Conduite de solution ou filtre de réservoir de solution bouchés	Enlevez le tuyau et soufflez-y de l'air comprimé. Rincez le réservoir de solution après chaque emploi
	Clapet de solution ou solénoïde obstrués	Enlevez le clapet ou le solénoïde et nettoyez-les. Veillez à ne pas érafler l'intérieur du clapet
	Bouton de distribution de la solution ou solénoïde défectueux	Contactez le service de dépannage
	Bouton de distribution de la solution non activé	Tournez le bouton de distribution de la solution
	Desserrez la vis de solution sur le bouton de solution	Calibrer le bouton et serrez la vis

DEPISTAGE DES PANNES - Suite

PROBLEME	CAUSE	REMEDE
Brossage non satisfaisant	Brosses/patins déréglés	Voir AJUSTEMENT DE LA TETE DE BROSSAGE
	Brosses/patins usés	Remplacez les brosses/patins
	Débris coincés dans lesbrosses/patins	Retirez les débris
	Pression de pneu insuffisante	Augmentez la pression des pneus
	Niveau de charge des batteries faible	Rechargez les batteries
	Pression de brosse/patin incorrecte	Réajustez la pression de brosse/patin
	Courroie de brosse cassée (brosse cylindrique)	Remplacez les courroies
Traction faible	La pression des patins est trop forte	Diminuez la pression de brosse
	Patinage des pneus	Contactez le distributeur pour des conseils
	Pression de brosse inégale	Mettez à niveau la tête de brossage
	Courroie de brosse cassée (brosse cylindrique)	Remplacez la courroie
Ramassage de l'eau non satisfaisant	Le réservoir de récupération est plein et le flotteur sphérique a été activé.	Videz le réservoir de récupération.
	Le filtre à flotteur sphérique à l'intérieur du réservoir de récupération est obstrué.	Enlevez le filtre et nettoyez-le
	Racloir obstrué	Nettoyez le racloir
	Lames de racloir usées	Remplacez les lames de racloir
	les vis papillons du racloir sont desserrées	Resserrez les vis papillons
	Les raccords du tuyau d'aspiration sont détachés ou le tuyau est percé	Enfoncez bien les extrémités du tuyau dans les raccords. Remplacez le tuyau s'il est endommagé
	Tuyau d'aspiration obstrué	Enlevez les débris responsables de l'obstruction
	Trou d'alimentation du réservoir de récupération est obstrué is obstructed	Videz le réservoir de récupération et soulevez-le par le côté pour accéder au trou d'alimentation et enlevez les débris responsables de l'obstruction
	Joint d'étanchéité du couvercle de réservoir usé	Remplacez le joint
	Bouchon du tuyau de vidange desserré	Serrez le bouchon
	Le couvercle du réservoir de récupération est mal placé	Placez correctement le couvercle
	Moteur de l'extracteur desserré	Contactez le service de dépannage
Le niveau de charge des batteries est bas	Rechargez les batteries. N'utilisez pas la machine quand l'aiguille de l'indicateur de charge des batteries se trouve dans la zone rouge	

DEPISTAGE DES PANNES - Suite

PROBLEME	CAUSE	REMEDE
L'option ES ne fonctionne pas	Le filtre ES est obstrué	Enlevez le filtre du système ES et nettoyez-le
	Pompe ES défectueuse	Contactez le service de dépannage
	Interrupteur ES ON/OFF défectueux	Contactez le service de dépannage
	Interrupteur à flotteur ES sale	Rincez l'interrupteur à flotteur situé dans le réservoir de récupération
	Interrupteur à flotteur ES défectueux	Contactez le service de dépannage
Brève durée de fonctionnement	Les batteries ne sont pas complètement chargées	Rechargez les batteries
	Batteries défectueuses	Remplacez les batteries
	Les batteries doivent être entretenues	Voir ENTRETIEN DES BATTERIES
	Chargeur défectueux	Réparez ou remplacez le chargeur de batterie
Le système FaST™ en option ne fonctionne pas.	Bouton du système de distribution de solution non activé.	Activez le bouton du système de distribution de la solution.
	Le bouton du système FaST n'est pas activé.	Activez le bouton du système FaST.
	Coupe-circuit FaST déclenché.	Déterminez la cause et réenclenchez le bouton du coupe-circuit de 10 A.
	Tuyau d'alimentation et/ou raccords du FaST PAK obstrués.	Trempez les raccords et le tuyau dans l'eau chaude et nettoyez-les.
	Le carton FaST PAK est vide ou n'est pas raccordé.	Remplacez le carton FaST PAK et/ou branchez le tuyau d'alimentation.
	Orifice de commande de débit obstrué.	Retirez l'orifice, nettoyez-le et réinstallez-le (reportez-vous à la liste de pièces détachées).
	Bouton de mode de brossage défectueux.	Contactez le service de dépannage.
	Pompe ou compresseur d'air défectueux.	Contactez le service de dépannage.
Filtre du réservoir de solution obstrué.	Vidangez le réservoir de solution. Retirez le filtre du réservoir de solution, nettoyez-le et réinstallez-le.	

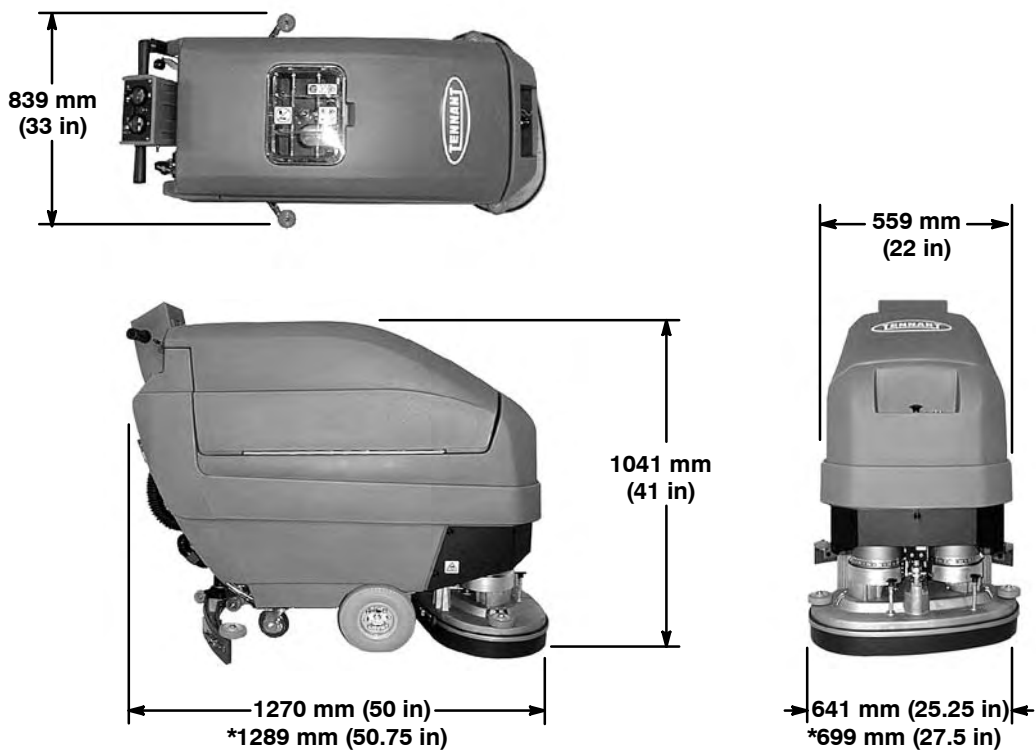
DONNEES TECHNIQUES

MODELE	610 mm (24 in) Tête de brossage à disque	660 mm (26 in) Tête de brossage à disque	610 mm (24 in) Tête de brossage à disque
LONGUEUR	1270 mm (50 in)	1289 mm (50.75 in)	1359 mm (53.50 in)
LARGEUR / LARGEUR AVEC TETE DE BROSSAGE	559 mm (22 in) / 641 mm (25.25 in)	559 mm (22 in) / 699 mm (27.5 in)	559 mm (22 in) / 667 mm (26.25 in)
HAUTEUR	1041 mm (41 in)	1041 mm (41 in)	1041 mm (41 in)
POIDS	142 kg (314 lb) / 260 Kg (570 lb) avec batteries	142 kg (314 lb) / 260 Kg (570 lb) avec batteries	142 kg (314 lb) / 260 Kg (570 lb) avec batteries
CAPACITE DU RESERVOIR DE RECUPERATION	80 L (21 Gal)	80 L (21 Gal)	80 L (21 Gal)
CAPACITE DU RESERVOIR DE SOLUTION	80 L (21 Gal)	80 L (21 Gal)	80 L (21 Gal)
CAPACITE DE REMPLISSAGE DE SOLUTION POUR L'OPTION ES™	117 L (31 Gal)	117 L (31 Gal)	117 L (31 Gal)
SYSTEME D'ENTRAINEMENT	Arbre de transmission, 24 V, .15 kw (.2 hp)	Arbre de transmission, 24 V, .15 kw (.2 hp)	Arbre de transmission, 24 V, .15 kw (.2 hp)
CAPACITE DE NETTOYAGE	2415 m ² par heure (26,000 sq ft)	2601 m ² par heure (28,000 sq ft)	2415 m ² par heure (26,000 sq ft)
LARGEUR DE LA TRACE DE NETTOYAGE	610 mm (24 in)	660 mm (26 in)	610 mm (24 in)
PRESSION DU PATIN	Variable de 0-54 kg (0-120 lb)	Variable de 0-54 kg (0-120 lb)	Variable de 0-41 kg (0-90 lb)
LARGEUR DU RACLOIR	839 mm (33 in)	839 mm (33 in)	839 mm (33 in)
CONSOMMATION ELECTRIQUE TOTALE	60 Amp nominal	60 Amp nominal	60 Amp nominal
MOTEUR DE BROSSE	Deux - .75 h.p., 270 t/m, 24 V, 33 A	Deux - .75 h.p., 270 t/m, 24 V, 33 A	Deux - .63 h.p., 1700 t/m, 670 brush rpm, 24 V, 23 A
MOTEUR D'EXTRACTION	.75 h.p., 3-étages 5.7 in, 24 V, 21 A	.75 h.p., 3-étages 5.7 in, 24 V, 21 A	.75 h.p., 3-étages 5.7 in, 24 V, 21 A
HAUTEUR D'ASPIRATION	1829 mm (72 in)	1829 mm (72 in)	1829 mm (72 in)
BATTERIES	Quatre - 6 V, 235 AH	Quatre - 6 V, 235 AH	Quatre - 6 V, 235 AH
DUREE DE FONCTIONNEMENT PAR CHARGE	Jusqu'à 2,5 heures	Jusqu'à 2,5 heures	Jusqu'à 2,5 heures
NIVEAU SONORE AU NIVEAU DE L'OREILLE DE L'OPERATEUR, A L 'INTERIEUR SUR DU CARRELAGE	74 dB(A)	74 dB(A)	74 dB(A)

SYSTEME FaST (OPTION)		
POMPE A SOLUTION	24 Volts CC, 3,5 A, circulation ouverte 5,7 l/min, réglage de dérivation 45 psi	N/A
DEBIT DE LA SOLUTION	0.57 l/min (0.15 GPM)	N/A
POMPE A DETERGENT	24 Volt, 20 Watts	N/A
DEBIT DU CONCENTRE	0.55 CC/Minute (0.02 Ounces/Minute)	N/A
TAUX DE DILUTION DU CONCENTRE DANS L'EAU	1:1000	N/A
COMPRESSEUR D'AIR	24 Volt DC, consommation 0,6 A maximum	N/A
DEBIT DU COMPRESSEUR D'AIR	8.7 LPM (0.3 CFM) circulation ouverte	N/A

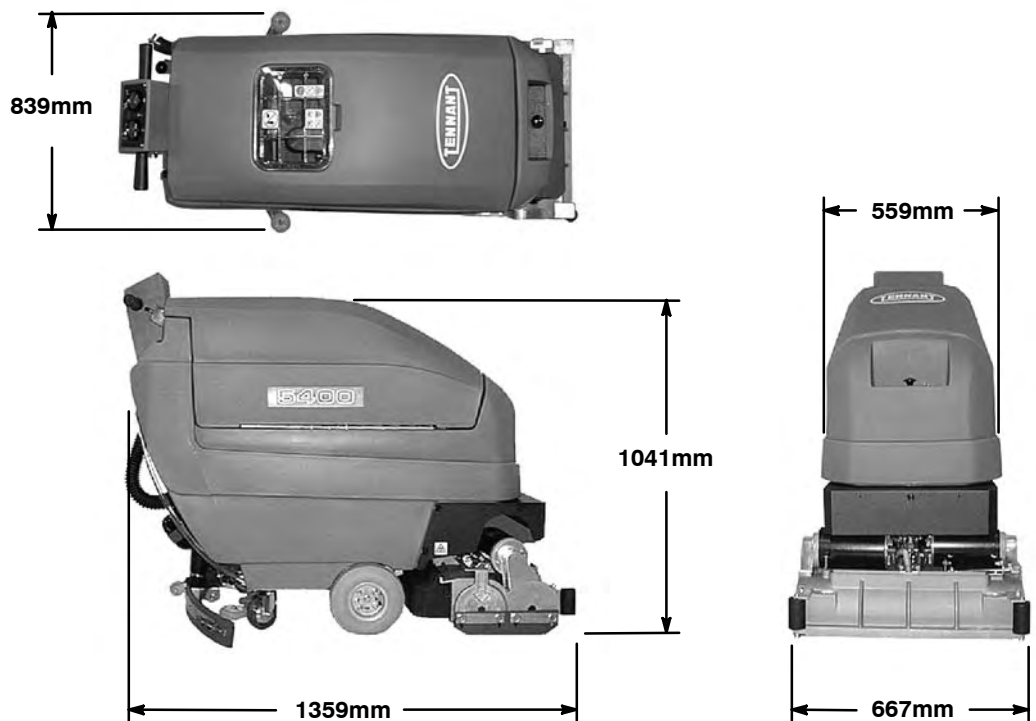
FONCTIONNEMENT

DIMENSIONS DE LA MACHINE – 610 mm MODELES A DISQUE



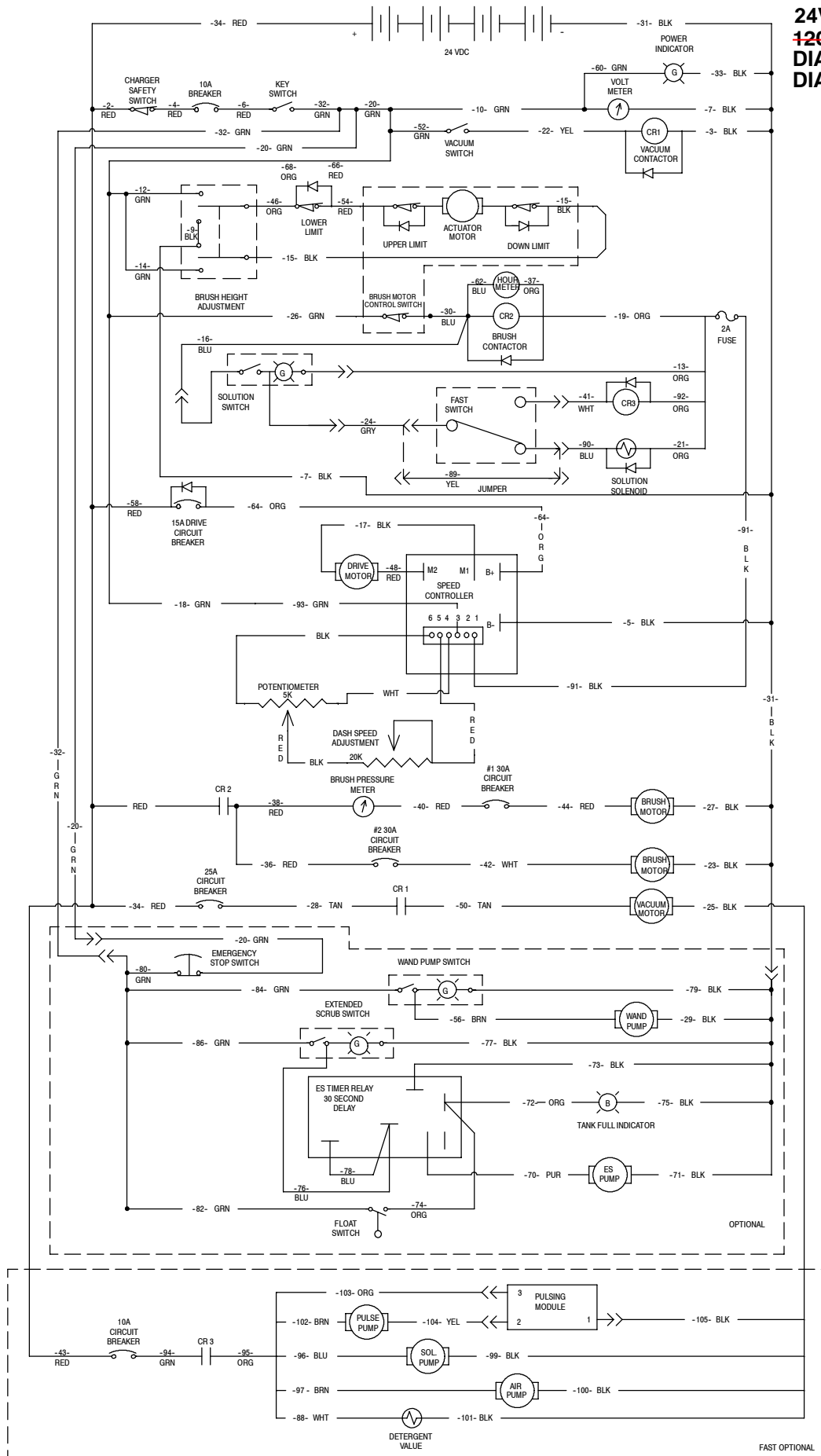
* Les dimensions s'appliquent aux modèles de disque de 660 millimètres (26 in) seulement

DIMENSIONS DE LA MACHINE – 610 mm MODELE A BROSSE CYLINDRIQUE



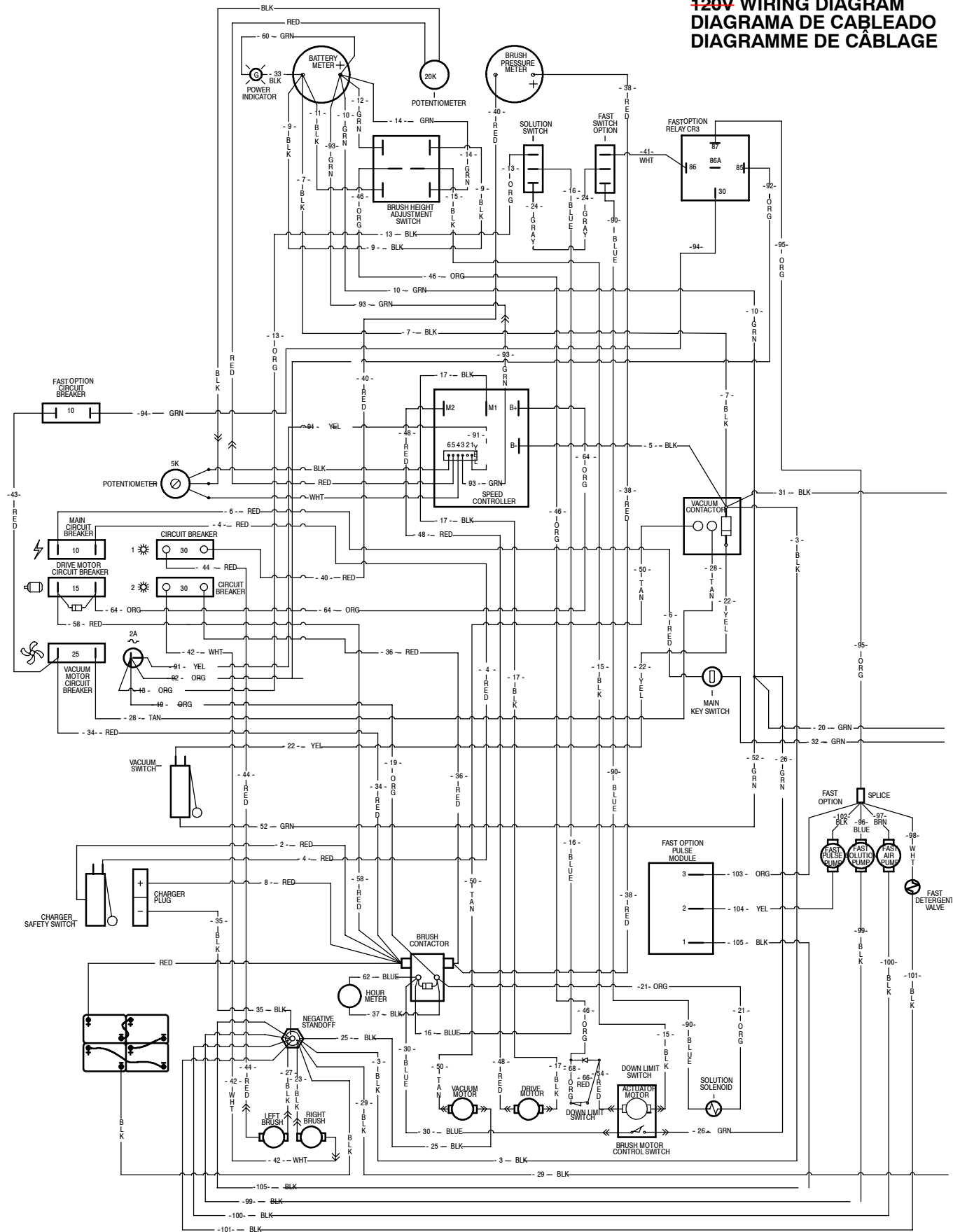
ELECTRICAL DIAGRAMS - DIAGRAMAS ELECTRICAS - SYSTEM ÉLECTRIQUE

24V
~~120V~~ LADDER DIAGRAM
 DIAGRAMA ESCALONADO
 DIAGRAMME D'ÉCHELLE



24V

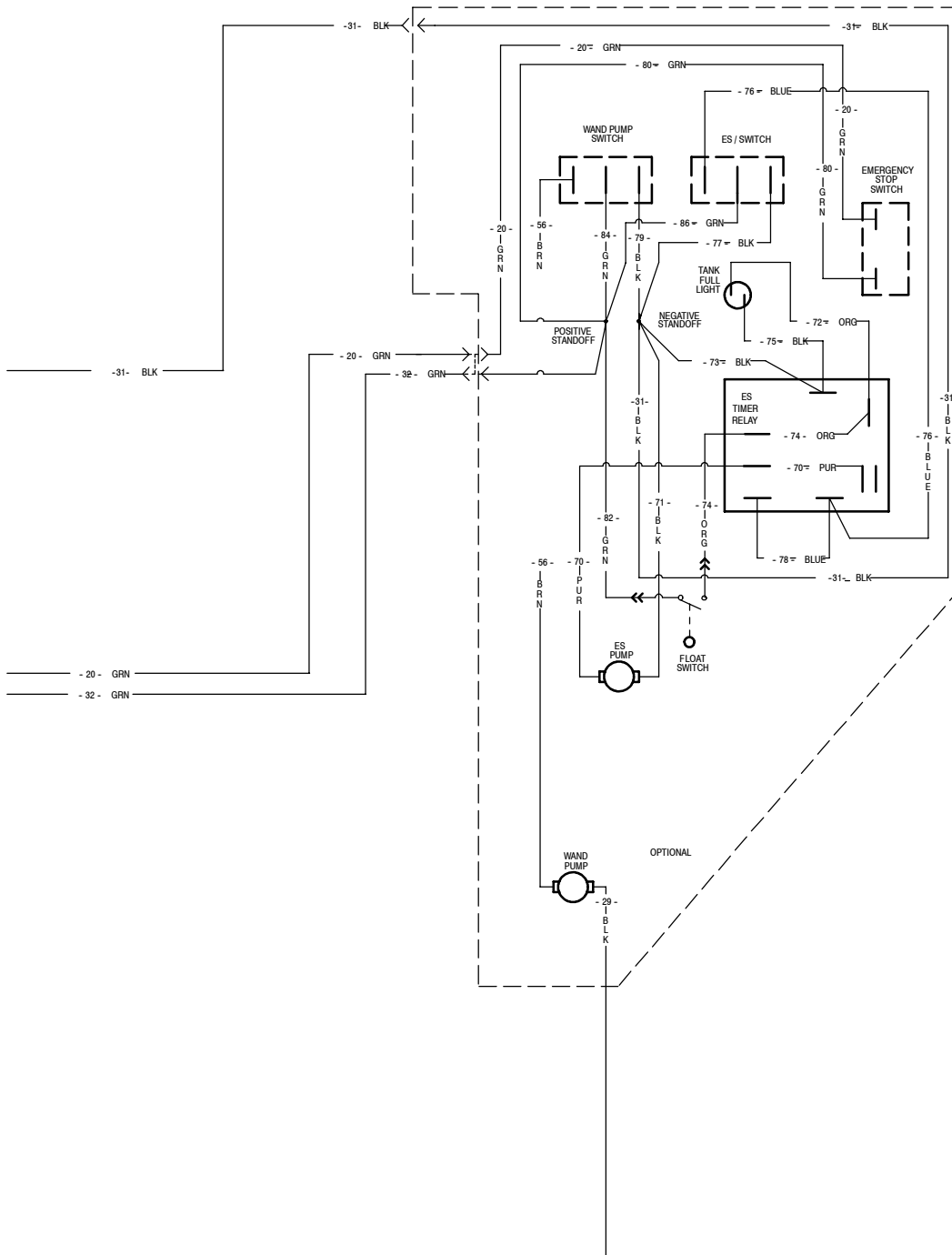
120V WIRING DIAGRAM
DIAGRAMA DE CABLEADO
DIAGRAMME DE CÂBLAGE



ELECTRICAL DIAGRAMS - DIAGRAMAS ELECTRICAS - SYSTEM ÉLECTRIQUE

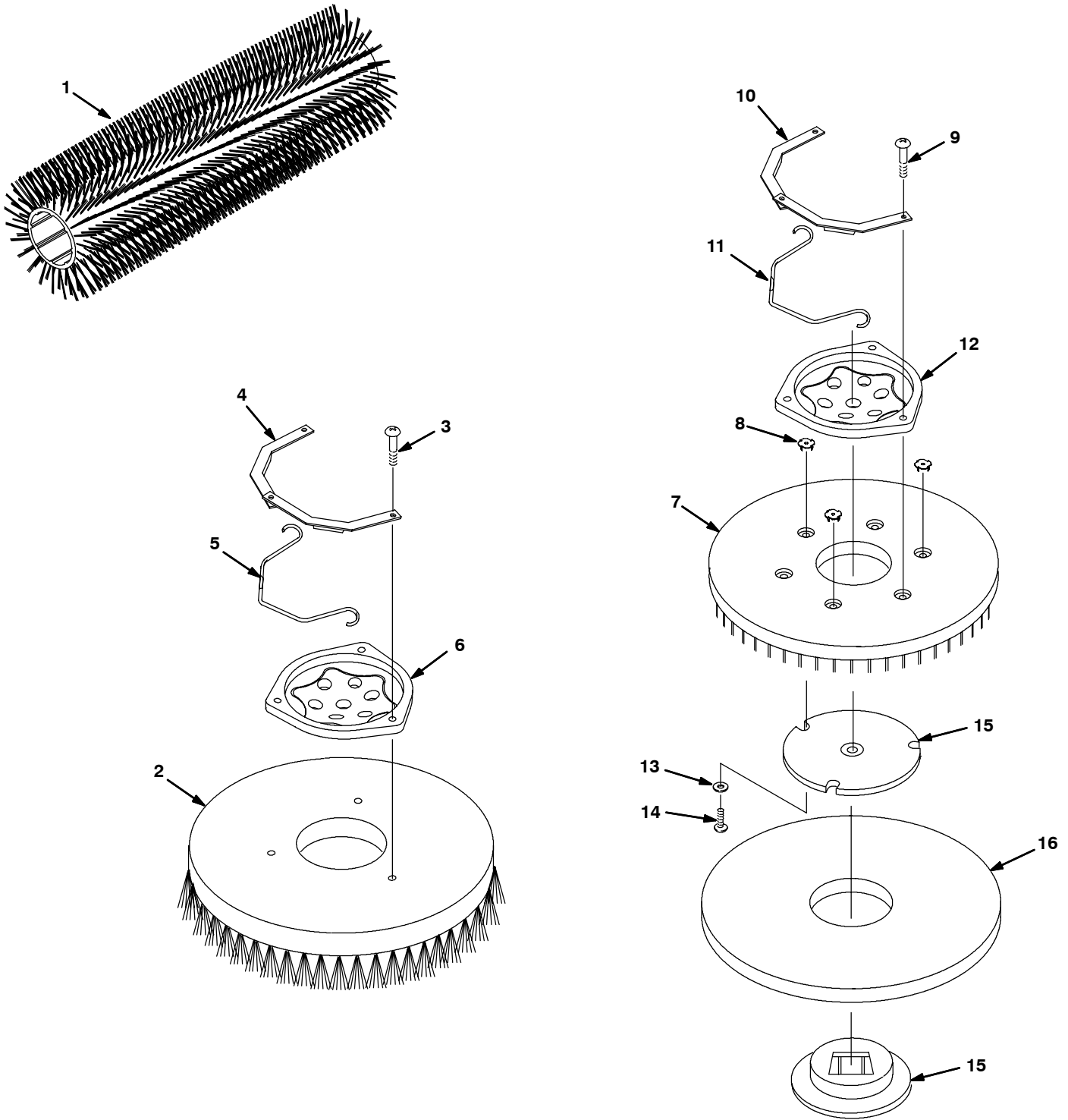
24V

~~120V~~ WIRING DIAGRAM (OPTIONS)
DIAGRAMA DE CABLEADO (OPCIONES)
DIAGRAMME DE CÂBLAGE (OPTIONS)



PARTS LIST - LISTA DE PIEZAS - LISTE DES PIÈCES

REPLACEMENT BRUSH AND PAD DRIVER GROUP / SUSTITUCIÓN DEL CONJUNTO DE CEPILLOS E IMPULSOR DE LA ALMOHADILLA / GROUPE REMPLACEMENT DES BROSSES ET DU PIGNON MENANT DE PATIN



PARTS LIST - LISTA DE PIEZAS - LISTE DES PIÈCES

REPLACEMENT BRUSH AND PAD DRIVER GROUP / SUSTITUCIÓN DEL CONJUNTO DE CEPILLOS E IMPULSOR DE LA ALMOHADILLA / GROUPE REMPLACEMENT DES BROSSES ET DU PIGNON MENANT DE PATIN

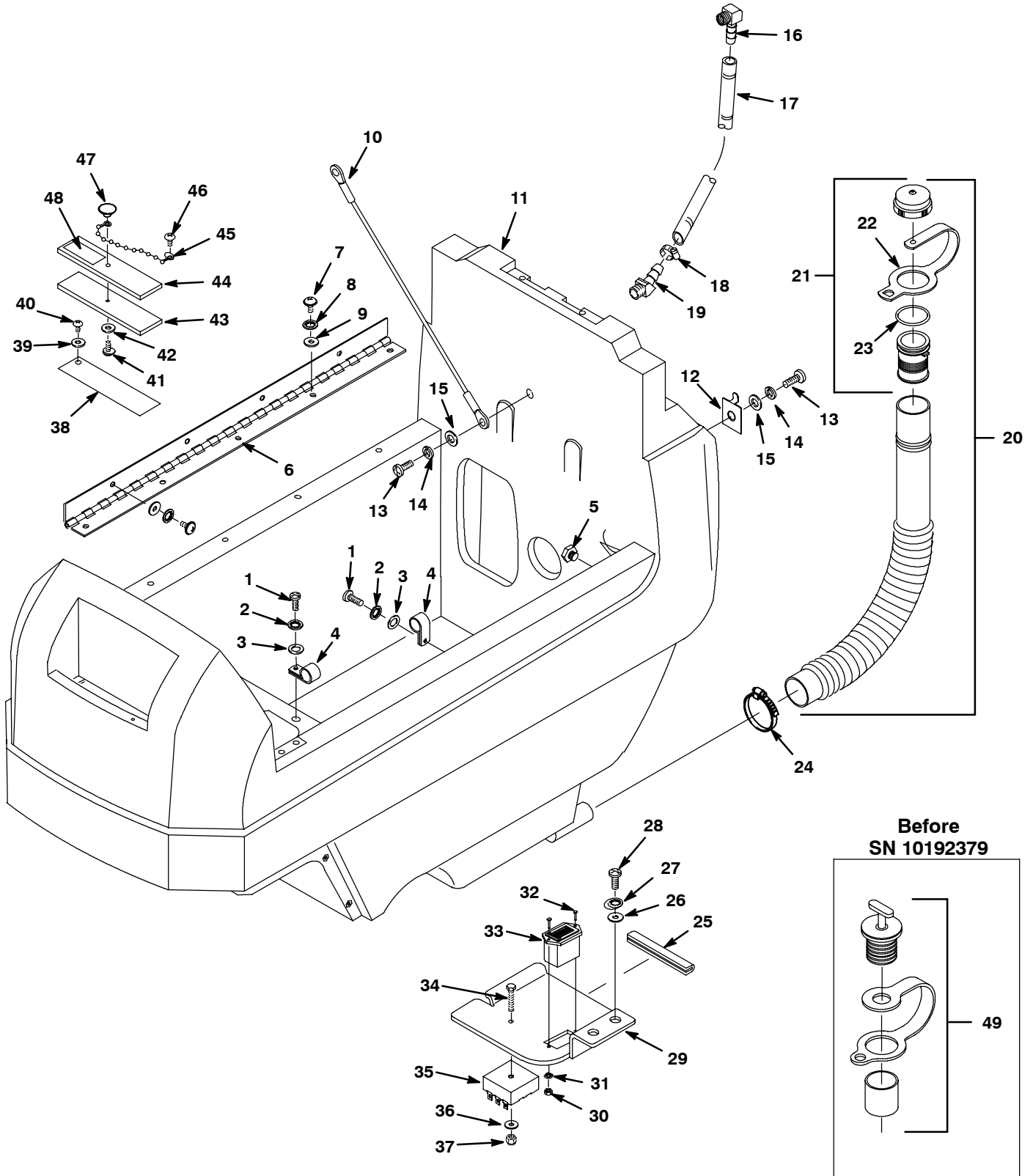
REF	PART #	DESCRIPTION	QTY.
1	385910	●BRUSH, CYLINDRICAL, SOFT NYLON, 610MM (24 IN)	2
	385911	●BRUSH, CYLINDRICAL, POLY, 610MM (24 IN)	2
	385912	●BRUSH, CYLINDRICAL, HEAVY DUTY POLY, 610MM (24 IN)	2
	385913	●BRUSH, CYLINDRICAL, ABRASIVE GRIT, 610MM (24 IN)	2
∇ 2	385906	●BRUSH, DISK, POLY, 305MM (12 IN)	2
	385905	●BRUSH, DISK, SOFT NYLON, 305MM (12 IN)	2
	385907	●BRUSH, DISK, ABRASIVE GRIT, 305MM (12 IN)	2
	385923	●BRUSH, DISK, POLY, 330MM (13 IN)	2
	385925	●BRUSH, DISK, SOFT NYLON, 330MM (13 IN)	2
	385924	●BRUSH, DISK, ABRASIVE GRIT, 330MM (13 IN)	2
▲ 3	32747	SCREW, PAN, M6X1.0X40	3
▲ 4	21852	●BRACKET, RETAINER, SPRING	2
▲ 5	21853	●SPRING, BRUSH RETAINING	1
▲ 6	1017112	●HUB, DRIVE, BRUSH 3 HOLE	1

- ∇ ASSEMBLY / CONJUNTO / ENSEMBLE
 ▲ INCLUDED IN ASSEMBLY / INCLUIDO A CONJUNTA / Y COMPRIS EN ENSEMBLE
 ● RECOMMENDED STOCK ITEM / PIEZAS RECOMENDADAS EN ALMACÉN / ÉLÉMENTS DE STOCK RECOMMANDÉS

REF	PART #	DESCRIPTION	QTY.
∇ 7	385944	●ASSEMBLY, PAD DRIVER, 305MM (12 IN)	2
	385946	●ASSEMBLY, PAD DRIVER, 330MM (13 IN)	2
▲ 8	10908	NUT, T, M4 X 0.7	3
▲ 9	32747	SCREW, PAN, M6X1.0X40	3
▲ 10	21852	●BRACKET, RETAINER, SPRING	2
▲ 11	21853	●SPRING, BRUSH RETAINING	1
▲ 12	1017112	HUB, DRIVE, BRUSH 3 HOLE	1
▲ 13	41579	WASHER, FLAT #8	3
▲ 14	04403	SCREW, PAN, M4 X 07 X 25 NL	3
▲ 15	370095	●CENTERLOCK	1
16	385943	●PAD, STRIPPER, BROWN, 305MM (12 IN)	1
	385942	●PAD, SCRUBBER, BLUE, 305MM (12 IN)	1
	385941	●PAD, BUFFING, RED, 305MM (12 IN)	1
	385940	●PAD, POLISHING, WHITE, 305MM (12 IN)	1
	89046	●PAD, STRIPPER, BROWN, 330MM (13 IN)	1
	89047	●PAD, SCRUBBER, BLUE, 330MM (13 IN)	1
	89048	●PAD, BUFFING, RED, 330MM (13 IN)	1
	89049	●PAD, POLISHING, WHITE, 330MM (13 IN)	1

PARTS LIST - LISTA DE PIEZAS - LISTE DES PIÈCES

SOLUTION TANK GROUP / GRUPE DEL DEPÓSITO DE DISOLUCIÓN / ENSEMBLE DU RÉSERVOIR DE SOLUTION



PARTS LIST - LISTA DE PIEZAS - LISTE DES PIÈCES

SOLUTION TANK GROUP / GRUPE DEL DEPÓSITO DE DISOLUCIÓN / ENSEMBLE DU RÉSERVOIR DE SOLUTION

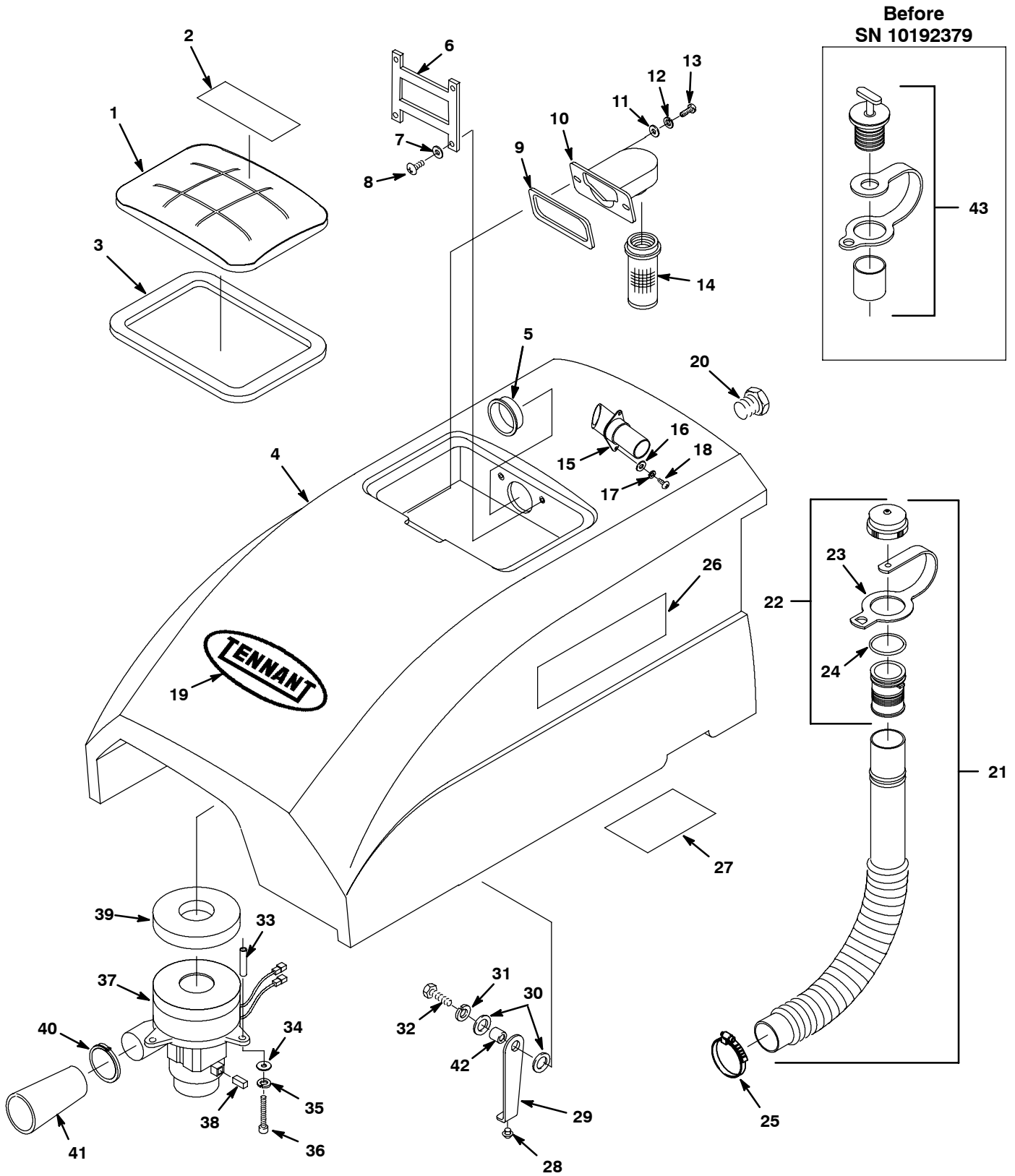
REF	PART #	DESCRIPTION	QTY.
1	608322	SCREW, M6X1.0X16 TRSPHL	3
2	578244000	WASHER, M6.4 LOCK	3
3	140000	WASHER, 1/4 FLAT	3
4	606697	CLAMP 1.125 DIA	3
5	630146	PLUG, 3/8"	1
6	605244	HINGE, RECOVERY TANK	1
7	608322	SCREW, M6X1.0X16 TRSPHL	9
8	578244000	WASHER, M6.4 LOCK	9
9	140000	WASHER, 1/4 FLAT	9
10	140960	●CABLE, REC TANK SUPPORT	1
11	611344	TANK, SOLUTION - TEAL	1
12	601460	CLIP, DRAIN HOSE	1
13	608322	SCREW, M6X1.0X16 TRSPHL	2
14	578244000	WASHER, M6.4 LOCK	2
15	140000	WASHER, 1/4 FLAT	2
16	150419	FITTING, 1/4MX3/8H ELBOW	1
17	606879	HOSE, SIGHT GAGE	1
18	43844	CLAMP, HOSE, WORMDRIVE, 0.25-0.62D	1
19	605394	FITTING, BRS, E45, BM06/PM04 T	1
▽ 20	1010143	●HOSE, DRAIN, ASSY, 1.5D X 32.3L, BLK	1
▲▽21	1008639	●ASM., CAP, DRAIN HOSE	1
▲22	1019563	●STRAP, DRAIN CAP	1
▲23	1008637	●O RING, 1.48" ID, 1.76" OD	1
24	11531	CLAMP, HOSE, WORMDRIVE, 1.06-2.00D, .56W	1
25	606889	EDGING, PLASTIC 1/8 X 3.6"	1

REF	PART #	DESCRIPTION	QTY.
26	140000	WASHER, 1/4 FLAT	2
27	578244000	WASHER, M6.4 LOCK	2
28	608322	SCREW, M6X1.0X16 TRSPHL	2
29	606524	BRACKET, HOUR METER	1
30	579211	NUT, M3 HEXLCK	2
31	200301012	WASHER, M3 FLAT	2
32	200070266	SCREW, M3X.5X16 PANPHL	2
33	377433	●GAUGE, HOUR METER 12-80VDC	1
34	06945	SCREW, HEX M06X1.0X30 (FAST OPTION)	1
35	1005325	●TIMER, PUMP, DETERGENT 24V-36V (FAST OPTION)	1
36	32483	WASHER, FLAT .25 (FAST OPTION)	1
37	08708	NUT, HEX LOCK M06X1.0 NY (FAST OPTION)	1
38	606146	●SCREEN, SOLUTION FILL	1
39	140032	WASHER, #6 FLAT	2
40	140826	SCREW, #6X3/4 PANPHL	2
41	578201000	SCREW, #10-32X.5 PANPHL	1
42	140018	WASHER, #10 LOCK	1
43	605062	●GASKET, SOLUTION FILL COVER	1
44	605061	●COVER, SOLUTON FILL	1
45	621443	●CHAIN, DRAIN PLUG	1
46	140826	SCREW, #6X3/4 PANPHL	1
47	578301	●KNOB, FILL COVER	1
48	391451	LABEL, ATTENTION (FAST MODEL)	1
49	N/A	CAP, DRAIN ASSEMBLY - REPLACED BY ASSEM. ITEM #20	1

- ▽ ASSEMBLY / CONJUNTO / ENSEMBLE
- ▲ INCLUDED IN ASSEMBLY / INCLUIDO A CONJUNTA / Y COMPRIS EN ENSEMBLE
- RECOMMENDED STOCK ITEM / PIEZAS RECOMENDADAS EN ALMACÉN / ÉLÉMENTS DE STOCK RECOMMANDÉS

PARTS LIST - LISTA DE PIEZAS - LISTE DES PIÈCES

RECOVERY TANK GROUP / CONJ. DESPOSITO RECUPERAR / GROUPE RESERVOIR DE RECUPERATION



PARTS LIST - LISTA DE PIEZAS - LISTE DES PIÈCES

RECOVERY TANK GROUP / CONJ. DESPOSITO RECUPERAR / GROUPE RESERVOIR DE RECUPERATION

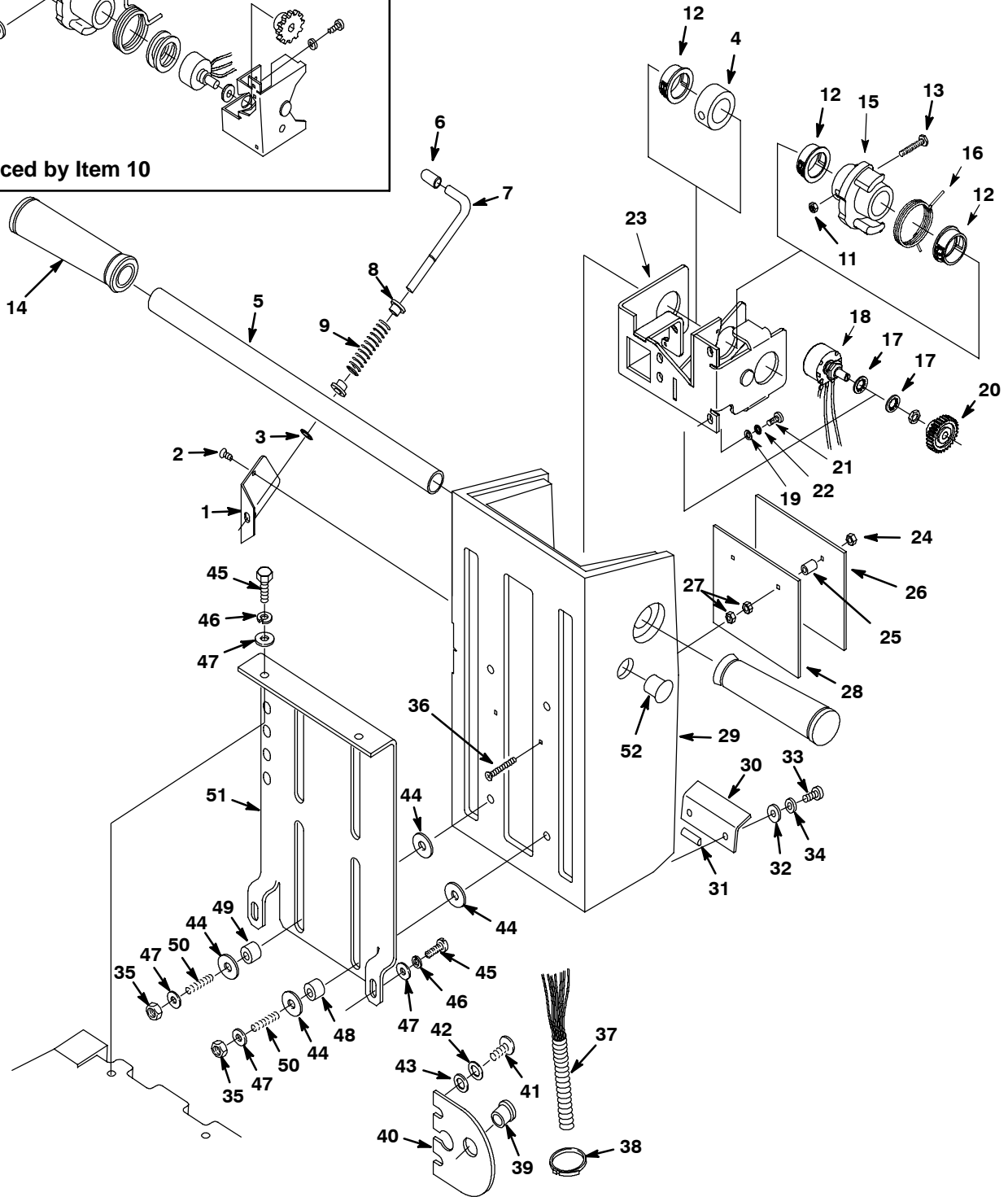
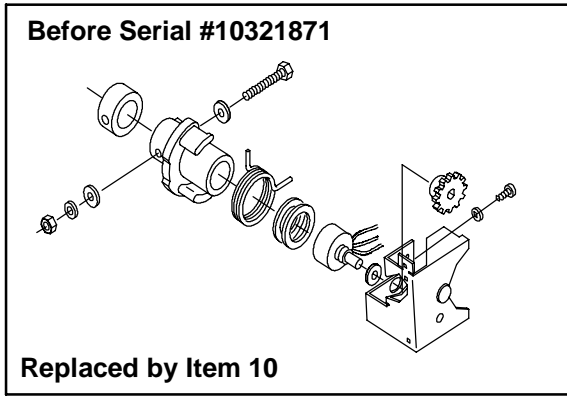
REF	PART #	DESCRIPTION	QTY.
▽ 1	613716	ASM., LID & LABEL	1
▲ 2	1026386	LABEL, WARNING 7X2.25 DC SCRB/EXTR/BRN	1
▲ 3	630367	●GASKET, REC. TANK COVER	1
4	606587	TANK, RECOVERY, TEAL	1
5	610979	PLUG, CAP 2"	1
6	630056	STRAP, TANK COVER RETAINING	1
7	1009168	WASHER, .174 FLAT	4
8	140872	SCREW, #6X3/8 PANPHL	4
9	630255	GASKET, FLOAT MOUNT	1
10	630053	MOUNT, FLOAT CAGE	1
11	140000	WASHER, 1/4 FLAT	2
12	578244000	WASHER, M6.4 LOCK	2
13	608322	SCREW, M6X1.0X16 TRSPHL	2
14	630052	●FLOAT CAGE, W/BALL	1
15	607372	ADAPTER, HOSE	1
16	200301016	WASHER, M5.3 FLAT	2
17	1026457	WASHER, LOCK M5	2
18	200070382	SCREW, M5X.8X10	2
19	630229	DECAL, TENNANT	1
20	630147	PLUG, 3/4"	1
▽ 21	1017865	●HOSE, DRAIN, ASSY, 1.5D X 37.5L, BLK	1
▲▽ 22	1008639	●ASM., CAP, DRAIN HOSE	1
▲ 23	1019563	●STRAP, DRAIN CAP	1

REF	PART #	DESCRIPTION	QTY.
▲ 24	1008637	●O RING, 1.48" ID, 1.76" OD	1
25	11531	CLAMP, HOSE, WORMDRIVE, 1.06-2.00D, .56W	1
26	606401	DECAL, 5400	2
	1005333	DECAL, 5400 FAST	2
27	606520	DECAL, BATTERY PLACEMENT	1
28	1014544	●BUMPER, RUBBER	1
29	606527	●SUPPORT, RECOVERY TANK	1
30	140027	WASHER, 5/16 FLAT	2
31	140015	WASHER, 5/16 LOCK	1
32	200031486	SCREW, M8X1.25X16 HXHDCP	1
33	626041	SPACER	3
34	140000	WASHER, 1/4 FLAT	3
35	140016	WASHER, 1/4 LOCK	3
36	626123	SCREW, M6X100 HXHDCP	3
▽ 37	605057	●MOTOR, VACUUM 5.7 3STG 24VDC	1
▲ 38	190163	●BRUSH, CARBON, 2/PK	1
39	626092	●GASKET, VACUUM FAN	1
40	130041	WIRE TIE, NYLON	1
41	600009	●MUFFLER, VAC EXHAUST	1
42	611418	SLEEVE, P/M, .437D .315B .14L	1
43	N/A	CAP, DRAIN ASSEMBLY - REPLACED BY ASSEM. ITEM #21	1

- ▽ ASSEMBLY / CONJUNTO / ENSEMBLE
- ▲ INCLUDED IN ASSEMBLY / INCLUIDO A CONJUNTA / Y COMPRIS EN ENSEMBLE
- RECOMMENDED STOCK ITEM / PIEZAS RECOMENDADAS EN ALMACÉN / ÉLÉMENTS DE STOCK RECOMMANDÉS

PARTS LIST - LISTA DE PIEZAS - LISTE DES PIÈCES

CONTROL CONSOLE GROUP / CONJUNTO CONSOLA DE CONTROLES / GROUPE TABLEAU DE COMMANDE



PARTS LIST - LISTA DE PIEZAS - LISTE DES PIÈCES

CONTROL CONSOLE GROUP / CONJUNTO CONSOLA DE CONTROLES / GROUPE TABLEAU DE COMMANDE

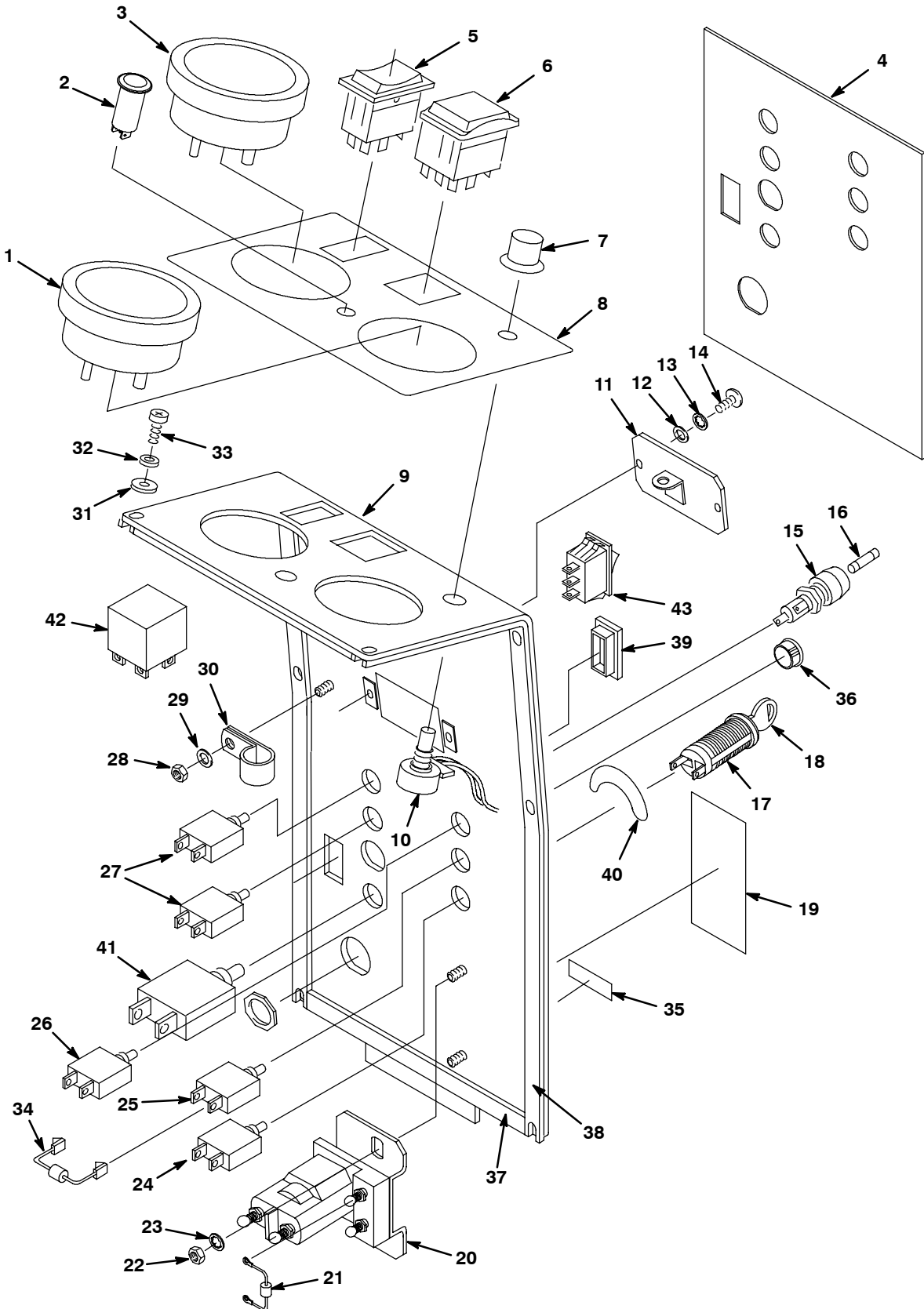
REF	PART #	DESCRIPTION	QTY.
1	630087	PLATE, LATCH RETAINER	1
2	630114	SCREW, M4X.7X8 FLTPHL	2
3	630084	RING, RETAINING EXT.	1
4	630217	COLLAR	1
5	630093	HANDLEBAR	1
6	630094	GRIP, CONSOLE ADJUST LEVER	1
7	630081	LEVER, CONSOLE ADJUST.	1
8	630083	BUSHING, LATCH	2
9	630082	SPRING	1
▽ 10	1036932	KIT, BRACKET, POTENTIOMETER (BEFORE SN 10321871)	1
▲ 11	579029	NUT, HEX, STD, M6 X 1.0, DIN 934P	1
▲ 12	605351	BUSHING, .88, BLK	3
▲ 13	578580	SCREW, HEX, M6 X 1.0 X 35, DN933	1
▲ 14	222648	●GRIP, HANDLE TUBE	2
▲ 15	1034754	●ASSEMBLY, HUB/GEAR	1
16	630088	●SPRING, CENTER	1
▲ 17	32988	WASHER, LOCK, INT. 0.38	2
18	613734	●POTENTIOMETER & WIRING ASM	1
▲ 19	200301014	WASHER M4.3X10.1X1 FLT ZN	4
20	1026373	●GEAR	1
▲ 21	579259	SCREW, PAN, M4 X 0.7 X 12, PHL, PL	4
▲ 22	02938	WASHER, LOCK, INT, 08, SS	4
▲ 23	1034553	WLDT, POT, CONSOLE	1
24	02850	NUT, M4 HXLCK	2
25	610943	SPACER, .217ID, .315OD, .375L	2
26	630104	BOARD, SPEED CONTROL	1

REF	PART #	DESCRIPTION	QTY.
27	02850	NUT, M4 HXLCK	4
28	630128	HEATSINK, 11GA. ALUM.	1
29	610924	CONSOLE - TEAL	1
30	630086	PLATE, STRAIN RELIEF	1
31	606888	SKID STRIP, .75" LONG	1
32	140000	WASHER, 1/4 FLAT	2
33	608322	SCREW, M6X1.0X16 TRSPLH	2
34	578244000	WASHER, M6.4 LOCK	2
35	08709	NUT, M8 HXLCK	4
36	611895	SCREW, FLT, M4 X 0.7 X 40, PHL	2
37	613374	HARNESS, WIRE MAIN W/FaST	1
37	606726	HARNESS, WIRE MAIN W/O FaST	1
38	130042	WIRE TIE, NYLON	2
39	130104	BUSHING, SNAP .875 ID	1
40	605067	RETAINER, WIRE HARNESS	1
41	608322	SCREW, M6X1.0X16 TRSPLH	2
42	578244000	WASHER, M6.4 LOCK	2
43	140000	WASHER, 1/4 FLAT	2
44	608562	WASHER, .506 FLAT, NYLON	8
45	578237000	SCREW, M8X1.25X18 HXHDCP	4
46	200370019	WASHER, M8.4 LOCK	4
47	32491	WASHER, 5/16 FLAT	8
48	607783	BEARING, .314ID, .503OD	2
49	630259	BEARING, 9.5ID, 12.7OD	2
50	607461	SCREW, SET, M8X1.25X35	4
51	608563	PLATE, CONSOLE SLIDE	1
52	130280	PLUG, DOME	1

- ▽ ASSEMBLY / CONJUNTO / ENSEMBLE
- ▲ INCLUDED IN ASSEMBLY / INCLUIDO A CONJUNTA / Y COMPRIS EN ENSEMBLE
- RECOMMENDED STOCK ITEM
PIEZAS RECOMENDADAS EN ALMACÉN
ELEMENTS DE STOCK RECOMMANDÉS

PARTS LIST - LISTA DE PIEZAS - LISTE DES PIÈCES

COMPONENT PANEL GROUP / GRUPO TABLERO DE COMPONENTÉ / TABLEAU DES COMPOSANTS



PARTS LIST - LISTA DE PIEZAS - LISTE DES PIÈCES

COMPONENT PANEL GROUP / GRUPO TABLERO DE COMPONENTÉ / TABLEAU DES COMPOSANTS

REF	PART #	DESCRIPTION	QTY.
1	630091AM	●METER, BATTERY	1
2	130738	●LIGHT, INDICATOR GREEN	1
3	606990AM	●GAUGE, BRUSH PRESSURE	1
4	613983	LABEL, FAST SWITCH (FAST MODEL)	1
5	630419	●SWITCH, SOLUTION	1
6	1007012	●SWITCH, BRUSH PRESSURE	1
7	630265	●KNOB, SPEED LIMIT	1
8	606518	DECAL, DASH	1
9	605044	PANEL, SWITCH	1
10	630133AM	●RESISTOR, 0-20K, SPEED CONTROL	1
11	605045	PLATE, SWITCH COVER	1
12	575541000	WASHER, M5.3 FLAT	2
13	1026457	WASHER, LOCK M5	2
14	1026454	SCREW, PAN M5 X 0.8 X10	2
15	578418	●FUSEHOLDER, BAYONETTE	1
16	<u>601091</u>	●FUSE, 2AMP	1
∇ 17	130785AM	●SWITCH, KEY	1
▲ 18	607821	●KEY, REPLACEMENT	1
19	606519	DECAL, CIRCUIT BREAKERS	1
20	603008AM	●CONTACTOR	1
21	606404	●ASM, DIODE W/RING TERMINALS	1
22	08708	NUT, M6 HXLCK	2
23	6306.4	WASHER, 1/4 FLAT	2

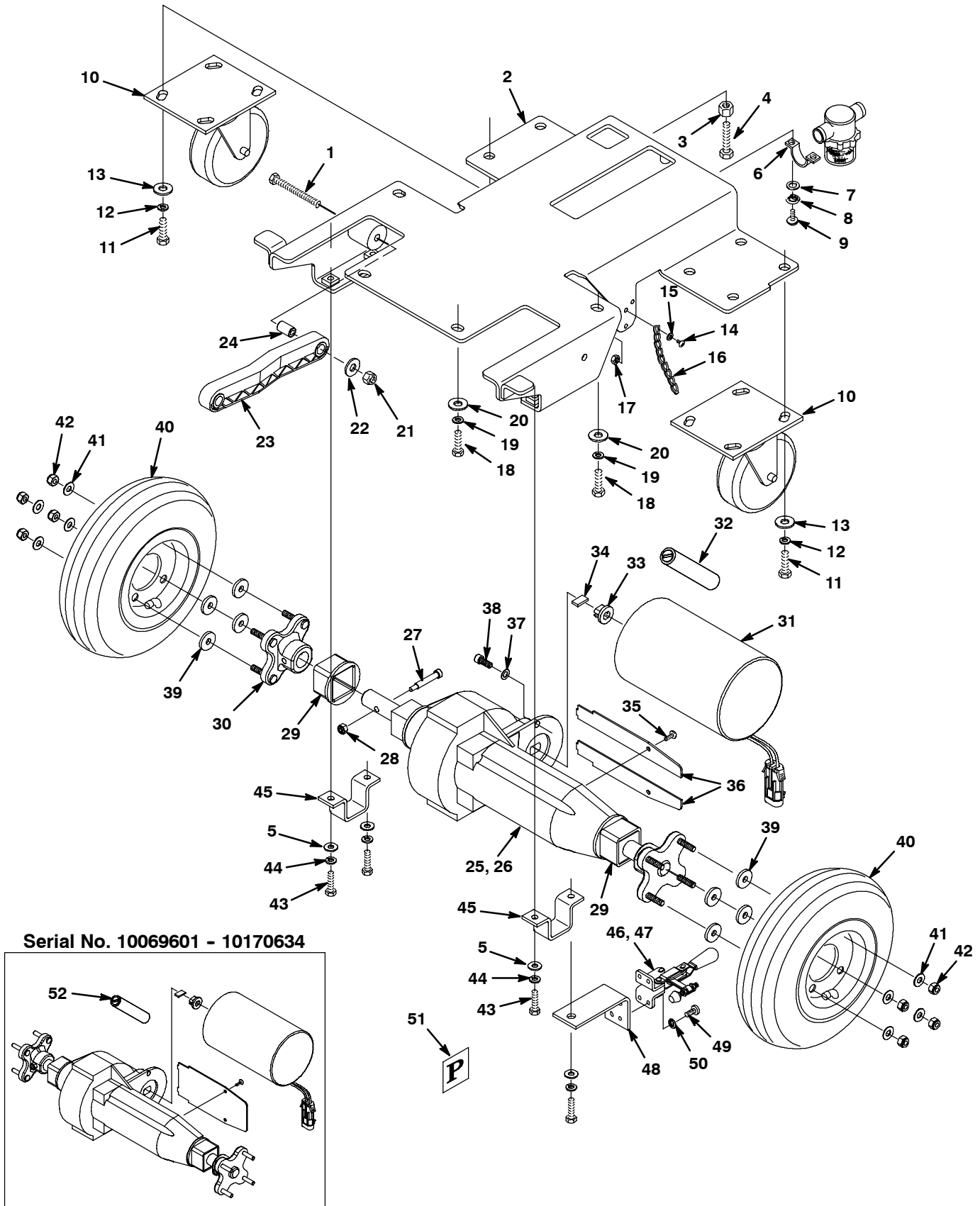
130785

REF	PART #	DESCRIPTION	QTY.
24	612485AM	●BREAKER, CIRCUIT 25 AMP	1
25	603487AM	●BREAKER, CIRCUIT 15 AMP	1
26	130737AM	●BREAKER, CIRCUIT BRUSH 10 AMP	1
27	606780	●BREAKER, CIRCUIT 30 AMP	2
28	09739	NUT, M5X.8 NYLCK	1
29	575541000	WASHER, M5.3 FLAT	1
30	140323	CLAMP, NYLON 1/2"	1
31	200301014	WASHER, M4.3 FLAT	8
32	140023	WASHER, #8 LOCK	8
33	200070340	SCREW, M4X.7X8 PANPHL	8
34	607394	●DIODE	1
35	-	DECAL, PAT. PEND.	1
36	130280	PLUG, DOME 7/16 BLACK	1
37	630453	GASKET, CONSOLE 143MM	2
38	630119	GASKET, CONSOLE 3.1X8.0X420	2
39	582150	PLUG, SWITCH HOLE	1
40	604793	DECAL, KEYSWITCH ON(1)/OFF(0)	1
41	130737AM	●CIRCUITBREAKER, 10.0A (FAST MODEL)	1
42	49309	●RELAY, 24VDC, 40A, SPDT (FAST MODEL)	1
43	130787	●SWITCH, ROCKER SPDT (FAST MODEL)	1

- ∇ ASSEMBLY / CONJUNTO / ENSEMBLE
- ▲ INCLUDED IN ASSEMBLY / INCLUIDO A CONJUNTA / Y COMPRIS EN ENSEMBLE
- RECOMMENDED STOCK ITEM / PIEZAS RECOMENDADAS EN ALMACÉN / ÉLÉMENTS DE STOCK RECOMMANDÉS

PARTS LIST - LISTA DE PIEZAS - LISTE DES PIÈCES

DRIVE GROUP / GRUPO DE TRANSMISIÓN / GROUPE D'ENTRAÎNEMENT



PARTS LIST - LISTA DE PIEZAS - LISTE DES PIÈCES

DRIVE GROUP / GRUPO DE TRANSMISIÓN / GROUPE D'ENTRAÎNEMENT

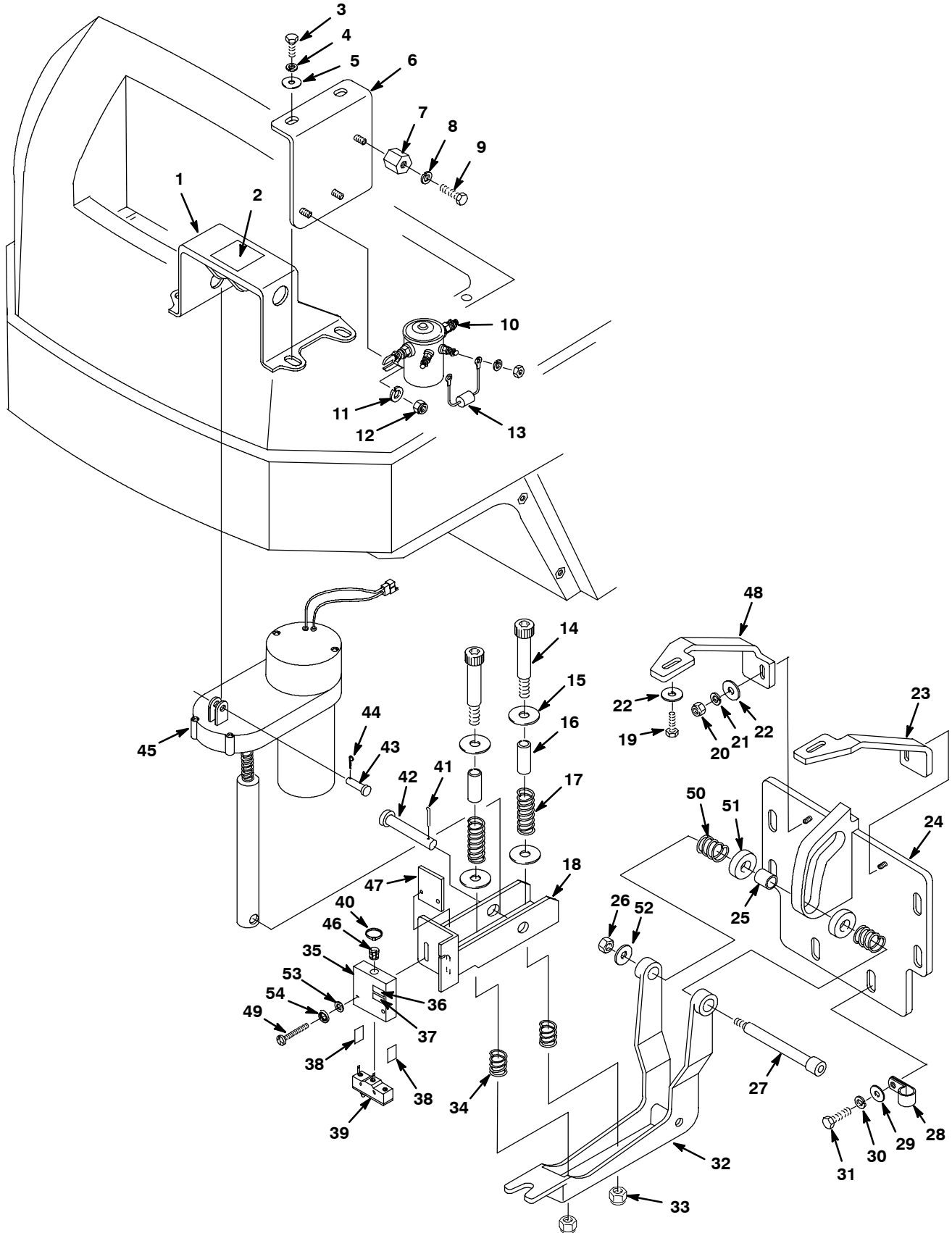
REF	PART #	DESCRIPTION	QTY.
1	575544000	SCREW, M8X1.25X80 HXHDCP	2
2	606014	FRAME, TRANSAXLE	1
3	07786	NUT, M8 HEX	1
4	575544000	SCREW, M8X1.25X80 HXHDCP	1
5	32491	WASHER, 5/16 FLAT	4
6	605056	BRACKET, FILTER MOUNT	2
7	140011	WASHER, 3/16 FLAT	4
8	1026457	WASHER, LOCK M5	4
9	09200	SCREW, PAN M5 X 0.8 X12 PHL	4
10	1029695 630002	●CASTER, 4.0DX1.38W, 400LB CAP	2
11	09010	SCREW, M8X1.25X25 HXHDCP	8
12	200370019	WASHER, M8.4 LOCK	8
13	32491	WASHER, 5/16 FLAT	8
14	140287	SCREW, 10-24X3/8	2
15	200301014	WASHER, M4.3 FLAT	2
16	605950	●CHAIN, LINK 8"	2
17	02850	NUT, M4 HXLCK	2
18	16931	SCREW, HEX, M8 X 1.25 X 20	4
19	200370019	WASHER, M8.4 LOCK	4
20	32491	WASHER, 5/16 FLAT	4
21	08709	NUT, M8 HXLCK	2
22	32491	WASHER, 5/16 FLAT	2
23	222027	ARM, HEAD LIFT	2
24	606056	SLEEVE, HEAD ARM	2
∇ 25	1013312	●TRANSAXLE, 24V MOTOR, 116RPM	1
	613160	TRANSAXLE KIT, 24VDC RPLMT (BEFORE SN 10069601)	1
▲ 26	612873	TRANSAXLE, REPLMT, BODY ONLY	1
▲ 27	31249	BOLT, SHLD, .25D X 1.25, #10-24	2
▲ 28	140552	NUT, HEX, LOCK, #10-24, NL, SS	2
▲ 29	612880	SLEEVE, TRANSAXLE REPLMT	2
▲ 30	612879	HUB, WHEEL, TRANSAXLE REPLMT	2

REF	PART #	DESCRIPTION	QTY.
▲∇31	614165	●MOTOR KIT, REPLMNT 24VDC	1
▲32	614166	●KIT, BRUSH CARBON QTY (4)	1
▲33	612874	COUPLING, TRANSAXLE REPLMT	1
▲34	612875	KEY, SPECIAL, TRANSAXLE REPLMT	1
▲35	577031000	SCREW, #8X1/2 PANPHL ZN	2
36	N/A	COVER, SHAFT	2
▲37	32982	WASHER, LOCK, INT, 0.25	2
▲38	33951	SCREW, SOC, M6X1.0X20, 12.9	2
39	140053	WASHER, 9/32X7/8X1/8	8
40	630215	●WHEEL, PNEUMATIC, AIR	2
	640013	●WHEEL, NEOPRENE, SOLID	2
	600352	●WHEEL, FOAM FILLED	2
	604357	●KIT, PNEUMATIC WHEEL, AIR	1
	606754	●KIT, NEOPRENE WHEEL, SOLID	1
	604259	●KIT, FOAM FILLED WHEEL	1
41	140000	WASHER, 1/4 FLAT	8
42	140501	NUT, 1/4-20 NYLCK	8
43	200031494	SCREW, M8X1.25X30 HXHD	4
44	200370019	WASHER, M8.4 LOCK	4
45	606001	BRACKET, TRANSAXLE	2
∇ 46	606751	KIT, PARKING BRAKE (OPTION)	1
▲ 47	606823	BRACKET, BRAKE	1
▲ 48	140887	SCREW, #10-24X3/8 PANPHL	4
▲ 49	140018	WASHER, #10 LOCK	4
▲ 50	600634	CLAMP, PARKING BRAKE	1
▲ 51	600624	DECAL, PARKING BRAKE	1
52	612883	●KIT, BRUSH CARBON 2/PK (SN 10069601 - 10170634) FOR MOTOR #612877	1
N/S	130041	WIRE TIE, NYLON	2

- ∇ ASSEMBLY / CONJUNTO / ENSEMBLE
- ▲ INCLUDED IN ASSEMBLY / INCLUIDO A CONJUNTA / Y COMPRIS EN ENSEMBLE
- RECOMMENDED STOCK ITEM / PIEZAS RECOMENDADAS EN ALMACÉN / ÉLÉMENTS DE STOCK RECOMMANDÉS

PARTS LIST - LISTA DE PIEZAS - LISTE DES PIÈCES

SCRUB HEAD ACTUATOR GROUP / GRUPO DEL ACTUADOR DEL CABEZAL DE FREGADO / GROUPE VERIN DE TETE DE BROSSAGE



PARTS LIST - LISTA DE PIEZAS - LISTE DES PIÈCES

SCRUB HEAD ACTUATOR GROUP / GRUPO DEL ACTUADOR DEL CABEZAL DE FREGADO / GROUPE VERIN DE TETE DE BROSSAGE

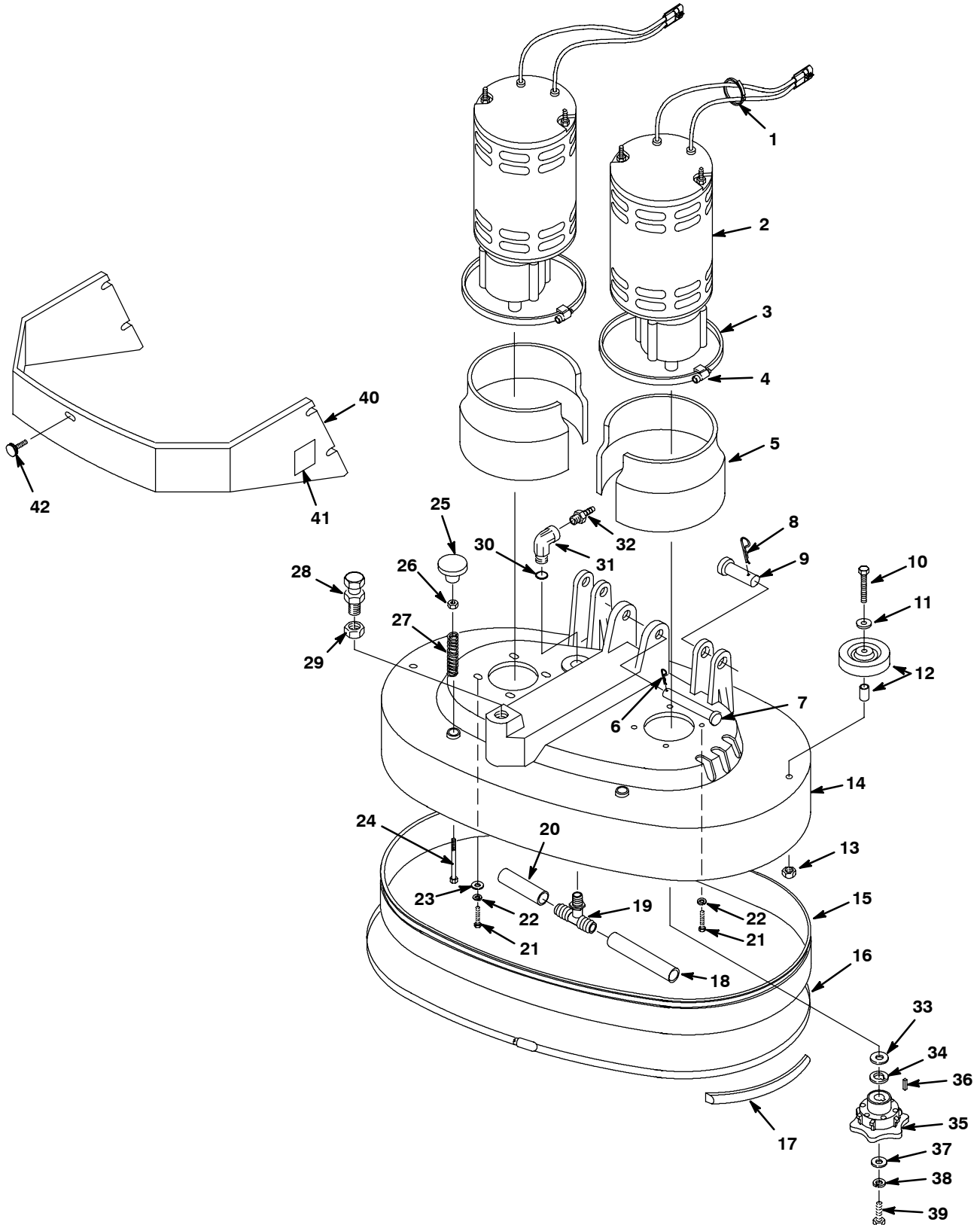
REF	PART #	DESCRIPTION	QTY.
1	1010154	BRACKET, ACTUATOR MOUNT	1
2	606521	DECAL, GENERAL HAZARD	1
3	16931	SCREW, HEX, M8 X 1.25 X 20	4
4	200370019	WASHER, M8.4 LOCK	4
5	32491	WASHER, 5/16 FLAT	4
6	606523	BRACKET, CONTACTOR	1
7	76062	●INSULATOR, PANEL & SWITCH-BOARD	1
8	140016	WASHER, 1/4 LOCK	1
9	069762126	SCREW, 1/4-20X5/8 HEX	1
10	605905AM	●SOLENOID, 24 VDC	1
11	6306.4	WASHER, 1/4 FLAT	2
12	08708	NUT, M6 HXLCK	2
13	606404	●ASM, DIODE W/RING TERMINALS	1
14	45960	●SCREW, SHLDR 3/8-16X4.25	2
15	32486	WASHER, .50 FLAT	4
16	609765	SLEEVE .50 ID X .63 OD X 1.31LG	2
17	45261	●SPRING	2
18	609698	BRACKET, SCRUBHEAD SPRING	1
19	16931	SCREW, HEX M8 X 1.25 X 20	2
20	08709	NUT, M8 HXLCK	2
21	200370019	WASHER, M8.4 LOCK	2
22	32491	WASHER, 5/16 FLAT	4
23	611050	BRACKET, ROLLER SUPPORT, LEFT	1
24	608199	BRACKET, HEADLIFT TRACK	1
25	608198	●ROLLER, LINKAGE	1
26	59156	NUT, 3/8-16 NYLCK	1
27	45960	●SCREW, SHLDR 3/8-16X4.25	1

REF	PART #	DESCRIPTION	QTY.
28	140314	CLAMP, INSULATED 3/4	1
29	32491	WASHER, 5/16 FLAT	6
30	200370019	WASHER, M8.4 LOCK	6
31	16931	SCREW, HEX M8 X 1.25 X 20	6
32	1010021	BRACKET, ROLLER, SCRUBHEAD	1
33	59156	NUT, 3/8-16 NYLCK	2
34	63185	●SPRING, 2.0LGX.84ODX.098WIRE	2
▽ 35	610211	BOX, SWITCH	1
▲ 36	609702	DECAL, SWITCH CYL. HEAD	1
▲ 37	609701	DECAL, SWITCH DISK HEAD	1
▲ 38	609697	DECAL, BARRIER SWITCH	2
39	606668	●SWITCH, MOMENT	1
40	130041	WIRE TIE, NYLON	1
41	578421	PIN, COTTER, .12" X 1.00"	1
42	630448	PIN, CLEVIS, .50DIA X 2.25	1
43	29558	●PIN, CLEVIS, 0.37 D X 1.50L	1
44	140626	●PIN, HITCH	1
45	606091	●ACTUATOR, 24VDC	1
46	607115	BUSHING, STRAIN RELIEF	1
47	607114	PLATE, BRACKET	1
48	611049	BRACKET, ROLLER SUPPORT, RIGHT	1
49	607398	SCREW, #6-32X1.25	2
50	607920	●SPRING, .72OD X1.00 LG	2
51	607568	●WASHER, THRUST, 1-1/2 OD	2
52	140046	WASHER, 1.00 X .392	1
53	140032	WASHER, #6 FLAT	2
54	140042	WASHER, #6 LOCK	2

- ▽ ASSEMBLY / CONJUNTO / ENSEMBLE
- ▲ INCLUDED IN ASSEMBLY / INCLUIDO A CONJUNTA / Y COMPRIS EN ENSEMBLE
- RECOMMENDED STOCK ITEM / PIEZAS RECOMENDADAS EN ALMACÉN / ÉLÉMENTS DE STOCK RECOMMANDÉS

PARTS LIST - LISTA DE PIEZAS - LISTE DES PIÈCES

DISK SCRUB HEAD GROUP, 610 mm (24 in) / GRUPO DEL CABEZAL DE FREGADO DE DISCO, 610 mm (24 pulg) / GROUPE TETE DE BROSSAGE A DISQUE, 610 mm (24 in)



PARTS LIST - LISTA DE PIEZAS - LISTE DES PIÈCES

DISK SCRUB HEAD GROUP, 610 mm (24 in) / GRUPO DEL CABEZAL DE FREGADO DE DISCO, 610 mm (24 pulg) / GROUPE TETE DE BROSSAGE A DISQUE, 610 mm (24 in)

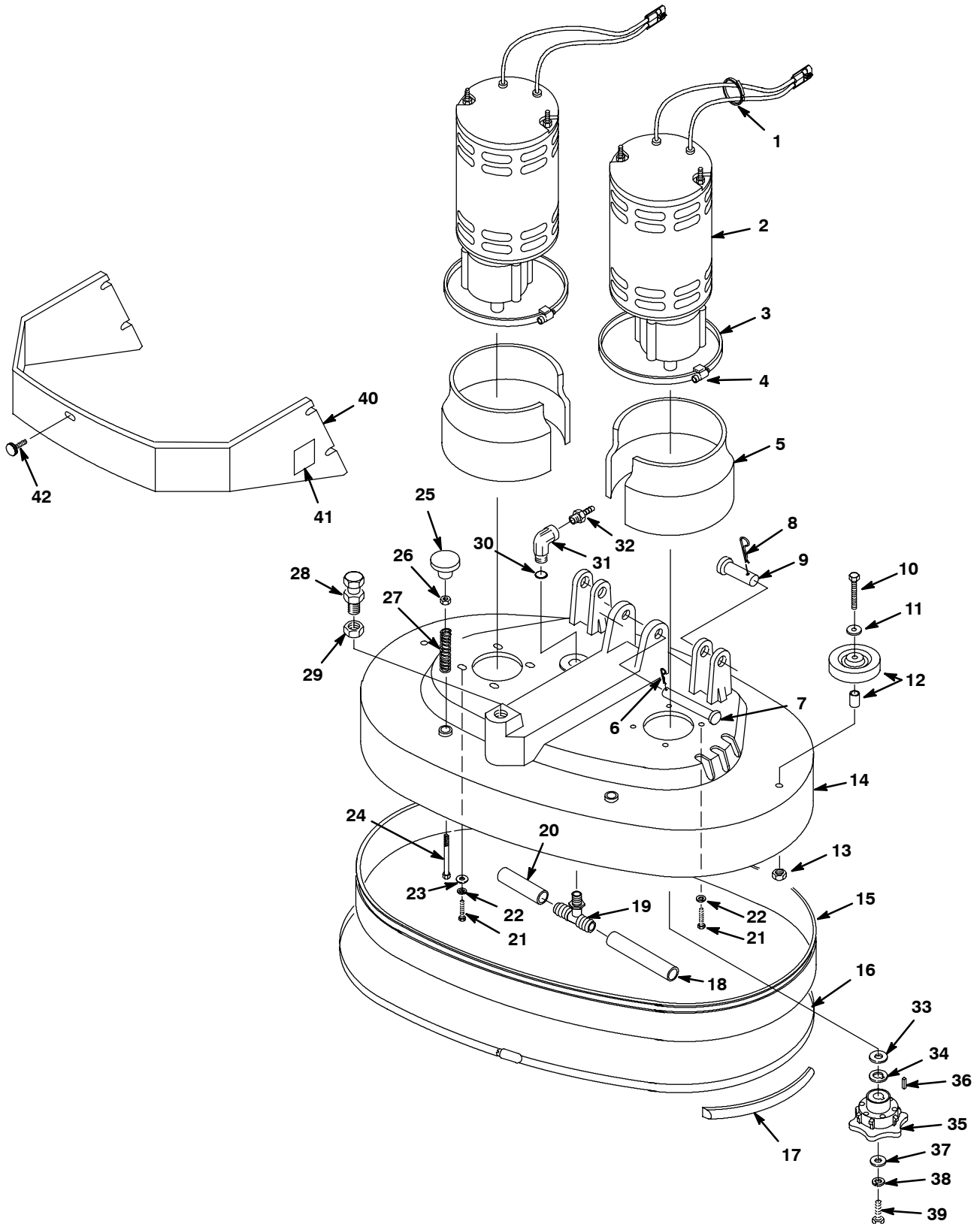
REF	PART #	DESCRIPTION	QTY.
∇	606761	KIT, SCRUBHEAD DISK FIELD INSTALLED	1
▲	1	130040 WIRE TIE, NYLON 6 X .115	2
▲∇	2	605054 ●MOTOR, .75HP 270RPM 24VDC	2
▲	190741	●BRUSH, CARD ASM	2
▲	190970	●BRUSH, CARBON	4
▲	602088000	BEARING, .15 AND 3 HP MOTOR	1
▲	222618	BEARING, LOWER	1
▲	374005	GEARBOX, MOTOR	1
▲	3	606883 BAND, SS 16.12"	2
▲	4	602044000AM FASTENER, ADJUSTING	2
▲	5	611691 SHROUD, WATER, MOTOR	2
▲	6	140626 ●PIN, HITCH	1
▲	7	606078 ●CLEVIS PIN, .375DIA X 3	1
▲	8	02942 ●PIN HAIR, .12 WIRE 2.375	2
▲	9	222210 ●PIN CLEVIS, .625 DIA X 2.12	2
▲	10	222505 SCREW, M8X1.25X45 HXHDCP	2
▲	11	32491 WASHER, 5/16 FLAT	2
▲	12	1014918AM ●WHEEL, RBR, 3"X1" W/BUSHINGS	2
▲	13	08709 NUT, M8 HXLCK	2
▲	14	604978 CASTING, DISC SCRUB HEAD	1
▲	15	604981 ●SKIRT, SCRUB HEAD	1
▲∇	16	069767094 ●KIT, BAND REPLACEMENT	1
▲	602044000AM	FASTENER, ADJ. SKIRT	1
▲	17	606884 ●SKID STRIP, 1.219M (48")	1
▲	18	606885 TUBING, 3/8 ID X 7.75"	1

REF	PART #	DESCRIPTION	QTY.
▲	19	605052 FITTING, 1/8"NPTM X 3/8"	1
▲	20	606886 TUBING, 3/8 ID X 2.75"	1
▲	21	140202 SCREW, 3/8-16X1 HXHDCP	8
▲	22	140017 WASHER, 3/8 LOCK	8
▲	23	140028 WASHER, 3/8 FLAT	4
▲	24	606072 SCREW, 3/8-16X4.5 HXHDCP	2
▲	25	626083 ●KNOB, 3/8	2
▲	26	039708223 NUT, 3/8-16 HXJMJ	2
▲	27	626081 ●SPRING, COMP	2
▲	28	606548 ADJUSTER, STUD	1
▲	29	3147 NUT, HEAVY HEX JAM 5/8-11	1
▲	30	605058 ●O-RING	1
▲	31	605047 FITTING, 90 ELBOW	1
▲	32	1023581 FITTING, PLSTC, STR, PM08/BM08	1
▲	33	069760023 WASHER, .77 FLAT	2
▲	34	621471 SPACER, .75X1.12	2
▲	35	626022 ●HUB, DRIVE	2
▲	36	630454 KEY, SQUARE, .25" X 1.12"LG	2
▲	37	1028796 WASHER, FLAT, 0.33B 1.00D .18	2
▲	38	140015 WASHER, 5/16 LOCK	2
▲	39	140221 SCREW, 5/16-18X1-1/4 HXHDCP	2
▲	40	606147 SHROUD, SCRUB HEAD	1
▲	41	578769 DECAL, MOVING PARTS	2
▲	42	603012 KNOB, M6	5

- ∇ ASSEMBLY / CONJUNTO / ENSEMBLE
- ▲ INCLUDED IN ASSEMBLY / INCLUIDO A CONJUNTA / Y COMPRIS EN ENSEMBLE
- RECOMMENDED STOCK ITEM / PIEZAS RECOMENDADAS EN ALMACÉN / ÉLÉMENTS DE STOCK RECOMMANDÉS

PARTS LIST - LISTA DE PIEZAS - LISTE DES PIÈCES

DISK SCRUB HEAD GROUP, 660 mm (26 in) / GRUPO DEL CABEZAL DE FREGADO DE DISCO, 660 mm (26 pulg) / GROUPE TÊTE DE BROSSAGE A DISQUE, 660 mm (26 in)



PARTS LIST - LISTA DE PIEZAS - LISTE DES PIÈCES

DISK SCRUB HEAD GROUP, 660 mm (26 in) / GRUPO DEL CABEZAL DE FREGADO DE DISCO, 660 mm (26 pulg) / GROUPE TETE DE BROSSAGE A DISQUE, 660 mm (26 in)

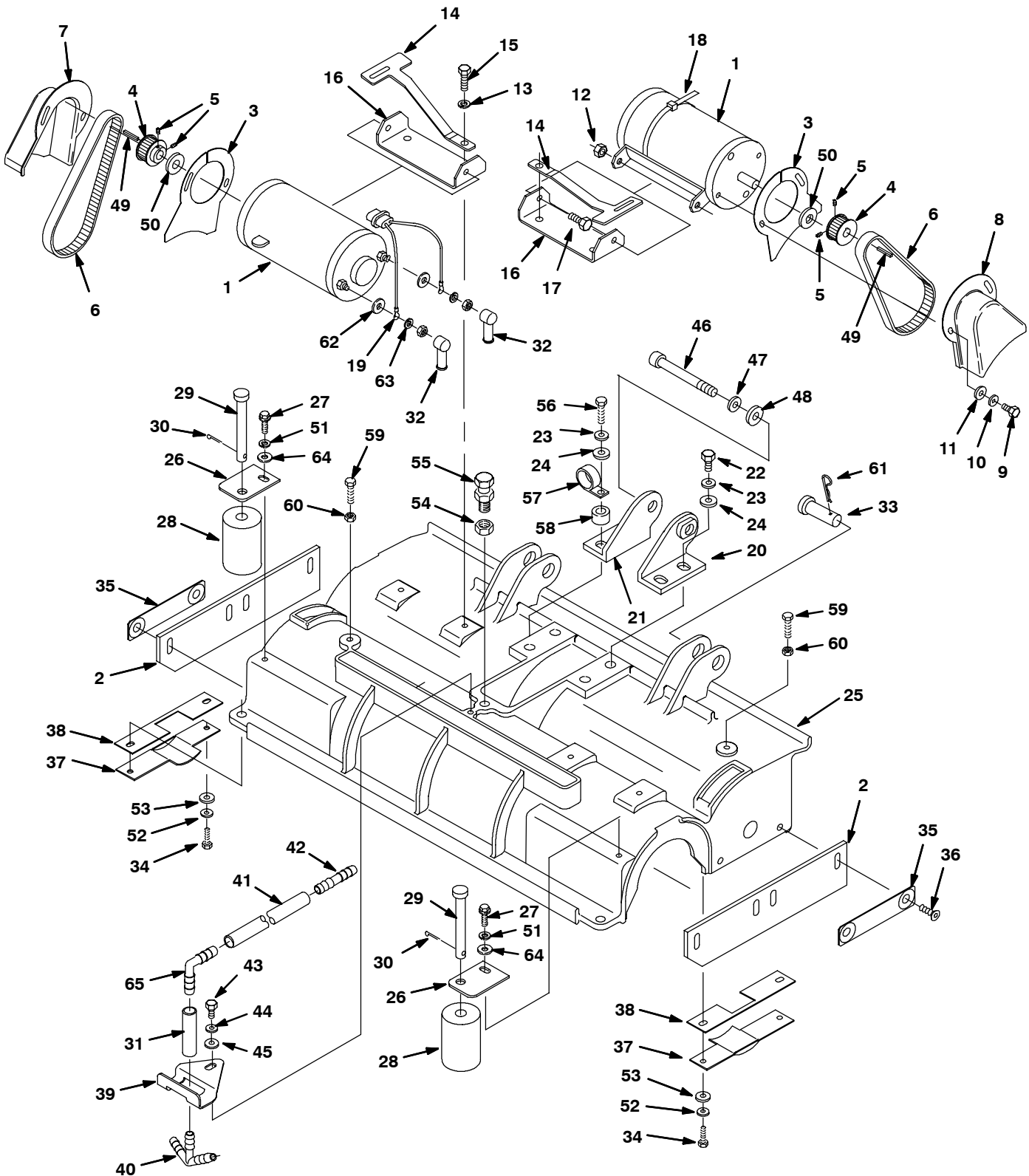
REF	PART #	DESCRIPTION	QTY.
∇	610873	KIT, SCRUBHEAD, DISK FIELD INSTALLED	1
▲ 1	130040	WIRE TIE, NYLON 6 X .115	2
▲∇ 2	605054	●MOTOR, .75HP 270RPM 24VDC	2
▲	190741	●BRUSH, CARD ASM	2
▲	190970	●BRUSH, CARBON	4
▲	602088000	BEARING, .15 AND 3 HP MOTOR	1
▲	222618	BEARING, LOWER	1
▲	374005	GEARBOX, MOTOR	1
▲ 3	606883	BAND, SS 16.12"	2
▲ 4	602044000AM	FASTENER, ADJUSTING	2
▲ 5	611691	SHROUD, WATER, MOTOR	2
▲ 6	140626	●PIN, HITCH	1
▲ 7	606078	●CLEVIS PIN, .375DIA X 3	1
▲ 8	02942	●PIN HAIR, .12 WIRE 2.375	2
▲ 9	222210	●PIN CLEVIS, .625 DIA X 2.12	2
▲ 10	222505	SCREW, M8X1.25X45 HXHDCP	2
▲ 11	32491	WASHER, 5/16 FLAT	2
▲ 12	1014918AM	●WHEEL, RBR, 3"X1" W/BUSHING	2
▲ 13	08709	NUT, M8 HXLCK	2
▲ 14	609939	CASTING, DISC SCRUB HEAD 26"	1
▲ 15	610902	●SKIRT, SCRUB HEAD	1
▲∇ 16	069767094	●KIT, BAND REPLACEMENT	1
▲	602044000AM	FASTENER, ADJ. SKIRT	1
▲ 17	630613	●SKID STRIP, 1.289M (50.75")	1
▲ 18	609470	TUBING, 3/8 ID X 8"	1

REF	PART #	DESCRIPTION	QTY.
▲ 19	605052	FITTING, 1/8"NPTM X 3/8"	1
▲ 20	606362	TUBING, 3/8 ID X 3"	1
▲ 21	140202	SCREW, 3/8-16X1 HXHDCP	8
▲ 22	140017	WASHER, 3/8 LOCK	8
▲ 23	140028	WASHER, 3/8 FLAT	4
▲ 24	606072	SCREW, 3/8-16X4.5 HXHDCP	2
▲ 25	626083	●KNOB, 3/8	2
▲ 26	039708223	NUT, 3/8-16 HXJM	2
▲ 27	626081	●SPRING, COMP	2
▲ 28	606548	ADJUSTER, STUD	1
▲ 29	3147	NUT, HEAVY HEX JAM 5/8-11	1
▲ 30	605058	●O-RING	1
▲ 31	605047	FITTING, 90 ELBOW	1
▲ 32	1023581	FITTING, PLSTC, STR, PM08/BM08	1
▲ 33	069760023	WASHER, .77 FLAT	2
▲ 34	621471	SPACER, .75X1.12	2
▲ 35	626022	●HUB, DRIVE	2
▲ 36	630454	KEY, SQUARE, .25" X 1.12"LG	2
▲ 37	1028796	WASHER, FLAT, 0.33B 1.00D .18	2
▲ 38	140015	WASHER, 5/16 LOCK	2
▲ 39	140221	SCREW, 5/16-18X1-1/4 HXHDCP	2
▲ 40	606147	SHROUD, SCRUB HEAD	1
▲ 41	578769	DECAL, MOVING PARTS	2
▲ 42	603012	●KNOB, M6	5

- ∇ ASSEMBLY / CONJUNTO / ENSEMBLE
- ▲ INCLUDED IN ASSEMBLY / INCLUIDO A CONJUNTA / Y COMPRIS EN ENSEMBLE
- RECOMMENDED STOCK ITEM / PIEZAS RECOMENDADAS EN ALMACÉN / ÉLÉMENTS DE STOCK RECOMMANDÉS

PARTS LIST - LISTA DE PIEZAS - LISTE DES PIÈCES

CYLINDRICAL BRUSH SCRUB HEAD GROUP, 610 mm (24 in) /
GRUPO DEL CABEZAL DE FREGADO CON CEPILLO CILÍNDRICO, 610 mm (24 pulg) /
GROUPE TÊTE DE BROSSAGE CYLINDRIQUE, 610 mm (24 in)



PARTS LIST - LISTA DE PIEZAS - LISTE DES PIÈCES

CYLINDRICAL BRUSH SCRUB HEAD GROUP, 610 mm (24 in) / GRUPO DEL CABEZAL DE FREGADO CON CEPILLO CILÍNDRICO, 610 mm (24 pulg) / GROUPE TETE DE BROSSAGE CYLINDRIQUE, 610 mm (24 in)

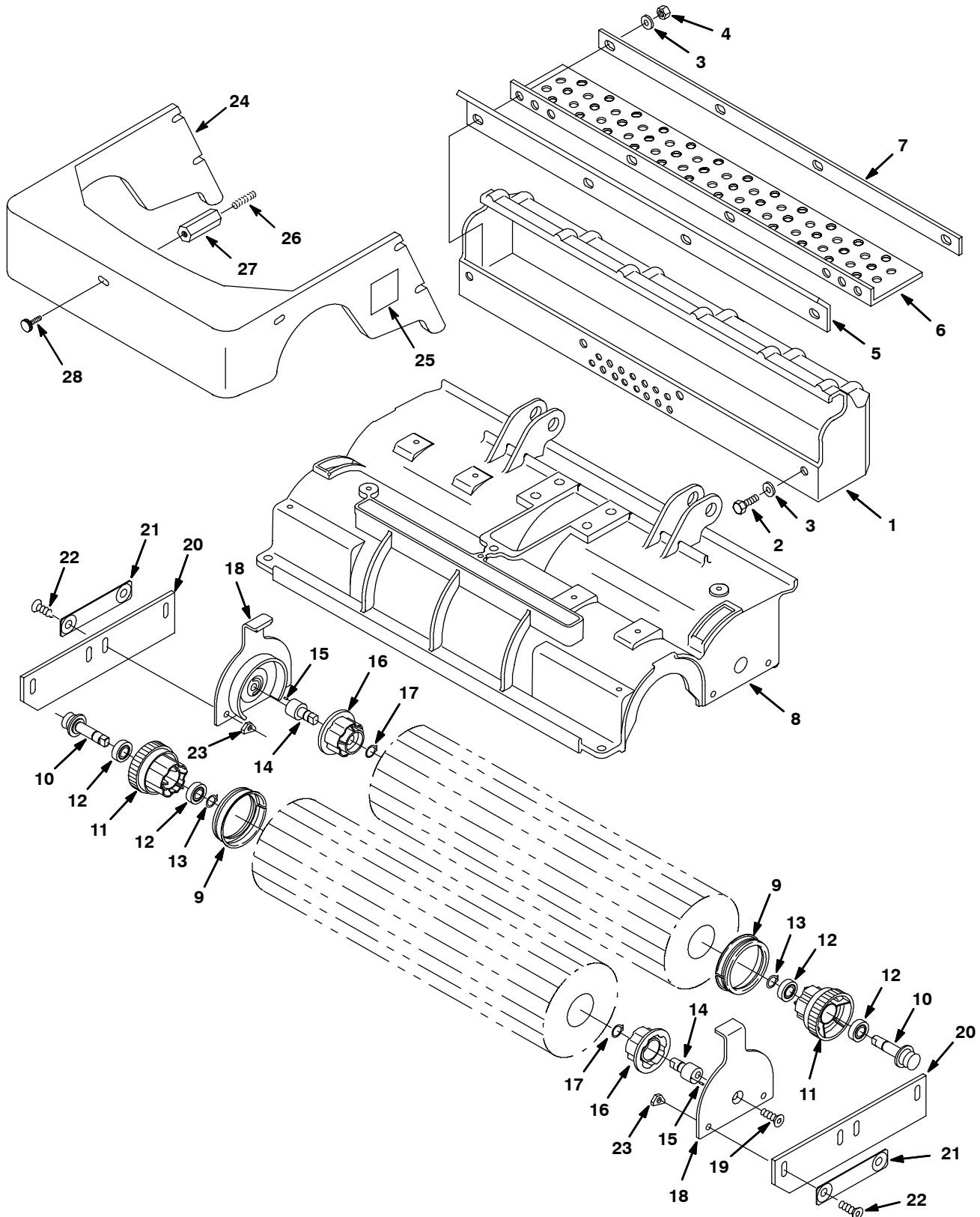
REF	PART #	DESCRIPTION	QTY.
∇	606760	KIT, SCRUBHEAD, CYLINDRICAL FIELD INSTALLED	1
▲ 1	604980	●MOTOR, 24V, 1500RPM, 23AMP	2
	190152AM	●CARBON BRUSH (PKG OF 4)	2
	605305	●SPRING NEGATOR	8
▲ 2	608473	●SKIRT, SIDE CYL. SCRUBHEAD	2
▲ 3	223563	SHIELD, BELT	2
▲ 4	222202	●SPROCKET, DRIVE	2
▲ 5	222818	●SCREW, SET 8-32 X .25 NYLON	4
▲ 6	397688	●BELT, SYNCHRONOUS	2
▲ 7	223560	GUARD, BELT RH	1
▲ 8	223561	GUARD, BELT LH	1
▲ 9	15678	SCREW, M6X1X16 HEX	4
▲ 10	200662017	WASHER, LOCK 6.4ID	4
▲ 11	140000	WASHER, 1/4 FLAT	4
▲ 12	08709	NUT, M8 HXLCK	4
▲ 13	200370019	WASHER, M8.4 LOCK	4
▲ 14	222209	SPRING, DOOR	2
▲ 15	16931	SCREW, HEX M8 X 1.25 X 20	4
▲ 16	606533	BRACKET, MOUNTING, MOTOR	2
▲ 17	16931	SCREW, HEX M8 X 1.25 X 20	4
▲ 18	130773	WIRE TIE	4
▲ 19	606795	●HARNES, MOTOR	2
▲ 20	607805	BRACKET, CYL-HEAD, LH	1
▲ 21	607804	BRACKET, CYL-HEAD, RH	1
▲ 22	16931	SCREW, HEX M8 X 1.25 X 20	3
▲ 23	200370019	WASHER, M8.4 LOCK	4
▲ 24	32491	WASHER, 5/16 FLAT	4
▲ 25	606672	SCRUBBER HEAD, CYL BRUSH, 610MM (24 IN)	1
▲ 26	222179	BRACKET, ROLLER	2
▲ 27	16931	SCREW, HEX M8 X 1.25 X 20	2
▲ 28	222178	●ROLLER, WALL	2
▲ 29	222196	PIN, CLEVIS, .5 DIA, 4.25 LG	2
▲ 30	578421	PIN, COTTER, 1/8X1	2
▲ 31	606225	●HOSE, 1/2" ID	1

REF	PART #	DESCRIPTION	QTY.
▲ 32	608964	BOOT, TERMINAL BLACK	4
▲ 33	222210	●PIN CLEVIS, .62 DIA X 2.12 L	2
▲ 34	15678	SCREW, M6X1X16 HEX	4
▲ 35	222182	●BAR, SUPPORT	4
▲ 36	79506	SCREW, M8X1.25X30 FLAT	8
▲ 37	223566	●BRACKET, SHIELD	2
▲ 38	223569	●GASKET, SHIELD	2
▲ 39	606569	BRACKET, T-FITTING, SCRUB-HEAD	1
▲ 40	222536	●TEE, FITTING, BARB	1
▲ 41	608176	●HOSE, REINFORCED 1/2ID	1
▲ 42	606674	●CONNECTOR, UNION .5X.5	1
▲ 43	16931	SCREW, HEX M8 X 1.25 X 20	1
▲ 44	200370019	WASHER, M8.4 LOCK	1
▲ 45	32491	WASHER, 5/16 FLAT	1
▲ 46	605050	SCREW, 3/8-16X2.75	1
▲ 47	140022	WASHER, 3/8 LOCK	1
▲ 48	140046	WASHER, 1.00X.392X0.90	1
▲ 49	00954	●KEY, SQUARE, .12X.12X1.0LG	2
▲ 50	630447	●WASHER, NYLON, 12.7, 25.4	2
▲ 51	200370019	WASHER, M8.4 LOCK	2
▲ 52	200662017	WASHER, LOCK, 6.4ID	4
▲ 53	140000	WASHER, 1/4 FLAT	4
▲ 54	3147	●NUT, HEAVY HEX JAM 5/8-11	1
▲ 55	606548	●STUD, ADJUSTER	1
▲ 56	200031499	SCREW, M8X1.25X40	1
▲ 57	140314	CLAMP, CABLE INSULATED 3/4ID	1
▲ 58	069767163	SPACER, 1X.75	1
▲ 59	578717	SCREW, M8X1.25X50	2
▲ 60	07786	NUT, M8 HEX	2
▲ 61	02942	●PIN, HAIR, CTR, .62D .12 WIRE	2
▲ 62	6306.4	WASHER, 1/4 FLAT	4
▲ 63	200370019	WASHER, M8.4 LOCK	4
▲ 64	32491	WASHER, 5/16 FLAT	2
▲ 65	604317	●ELBOW, 90° 1/2" ID	1

- ∇ ASSEMBLY / CONJUNTO / ENSEMBLE
- ▲ INCLUDED IN ASSEMBLY / INCLUIDO A CONJUNTA / Y COMPRIS EN ENSEMBLE
- RECOMMENDED STOCK ITEM / PIEZAS RECOMENDADAS EN ALMACÉN / ÉLÉMENTS DE STOCK RECOMMANDÉS

PARTS LIST - LISTA DE PIEZAS - LISTE DES PIÈCES

CYLINDRICAL BRUSH SCRUB HEAD GROUP, 610 mm (24 in) - CONT. /
GRUPO DEL CABEZAL DE FREGADO CON CEPILLO CILÍNDRICO, 610 mm (24 pulg) - CONT. /
GROUPE TÊTE DE BROSSAGE CYLINDRIQUE, 610 mm (24 in) - CONT.



PARTS LIST - LISTA DE PIEZAS - LISTE DES PIÈCES

CYLINDRICAL BRUSH SCRUB HEAD GROUP, 610 mm (24 in) - CONT. / GRUPO DEL CABEZAL DE FREGADO CON CEPILLO CILÍNDRICO, 610 mm (24 pulg) - CONT. / GROUPE TETE DE BROSSAGE CYLINDRIQUE, 610 mm (24 in) - CONT.

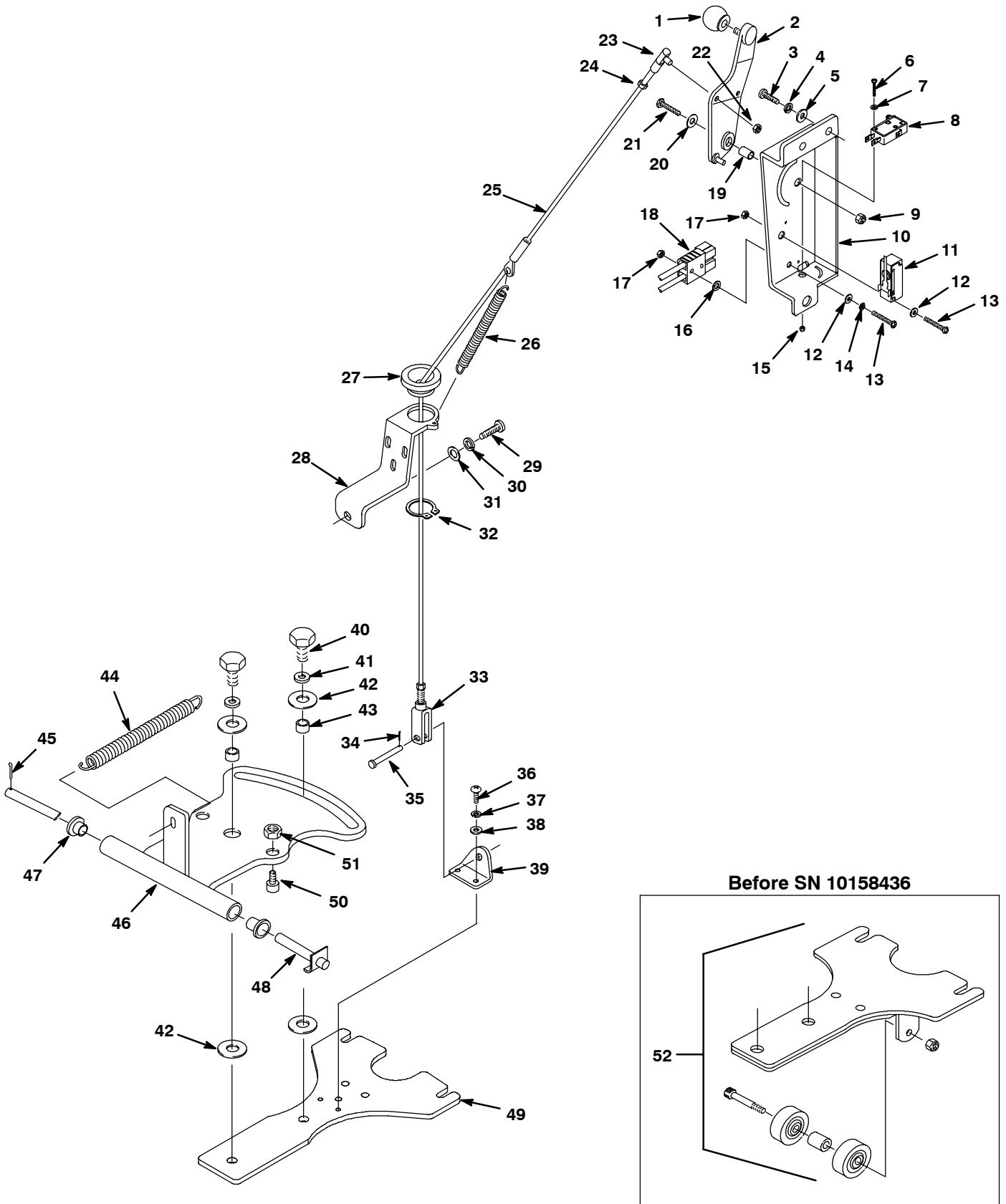
REF	PART #	DESCRIPTION	QTY.
∇	606760	KIT, SCRUBHEAD, CYL, (CONT.)	1
▲ 1	608167	HOPPER, DEBRIS, 610MM (24 IN)	1
▲ 2	09007	SCREW, M6X1X25 HXHDCP	4
▲ 3	140000	WASHER, 1/4 FLAT	8
▲ 4	08712	NUT, M6X1 NYLOCK	4
▲ 5	606657	LIP, HOPPER DEBRIS, 610MM (24 IN)	1
▲ 6	222669	SKIRT, HOPPER DEBRIS, 610MM (24 IN)	1
▲ 7	606656	STRIP, RETAINING, HOPPER, 610MM (24 IN)	1
▲ 8	606672	●SCRUBBER HEAD, CYLINDRICAL BRUSH 610 MM (24 IN)	1
▲ 9	222820	●SEAL, RING	2
▲∇	222751	●PLUG, DRIVE ASM	2
▲10	222176	●SHAFT, DRIVE PLUG	2
▲11	222062	●PLUG, BRUSH DRIVE	2
▲12	41360	●BEARING, BALL, 0.59B 1.26D 0.35W	4
▲13	01516	●RING, RETAIN, EX, 0.59OD,BASIC	2

REF	PART #	DESCRIPTION	QTY.
▲∇	222752	●PLUG, IDLER ASM	2
▲14	222177	●SHAFT, IDLER PLUG	2
▲15	222184	●PIN, ROLL	2
▲16	379202	●PLUG, BRUSH	2
▲17	01516	●RING, RETAIN, EX,0.59OD	2
▲ 18	369460	●DOOR, BRUSH	2
▲ 19	390996	●SCREW, M10X1.5X20 FLAT	2
▲ 20	608473	●SKIRT, SCRUB HEAD, SIDE	2
▲ 21	222182	●BAR, SUPPORT	4
▲ 22	79506	●SCREW, M8X1.25X30 FLAT	8
▲ 23	607256	●NUT, RETAINER, SKIRT	4
▲ 24	607992	SHROUD, CYLINDRICAL BRUSH	1
▲ 25	578769	DECAL, MOVING PARTS	2
▲ 26	200251444	●SCREW, SET M6X30MM	1
▲ 27	608191	STANDOFF, SHROUD, SCRUB-HEAD	1
▲ 28	603012	●KNOB, M6	7

- ∇ ASSEMBLY / CONJUNTO / ENSEMBLE
- ▲ INCLUDED IN ASSEMBLY / INCLUIDO A CONJUNTA / Y COMPRIS EN ENSEMBLE
- RECOMMENDED STOCK ITEM / PIEZAS RECOMENDADAS EN ALMACÉN / ÉLÉMENTS DE STOCK RECOMMANDÉS

PARTS LIST - LISTA DE PIEZAS - LISTE DES PIÈCES

SQUEEGEE CONTROL GROUP / GRUPO DE CONTROL DE LA ESCOBILLA DE GOMA / GROUPE COMMANDE DE RACLOIR



PARTS LIST - LISTA DE PIEZAS - LISTE DES PIÈCES

SQUEEGEE CONTROL GROUP / GRUPO DE CONTROL DE LA ESCOBILLA DE GOMA / GROUPE COMMANDE DE RACLOIR

REF	PART #	DESCRIPTION	QTY.
1	601425	●KNOB, SQUEEGEE LEVER	1
2	1010221	LEVER, SQUEEGEE	1
3	16931	SCREW, HEX M8 X 1.25 X 20	3
4	200370019	WASHER, M8.4 LOCK	3
5	32491	WASHER, 5/16 FLAT	3
6	579213	SCREW, M3X.5X20 HXHDCP	2
7	601127000	WASHER, M3.7 FLAT	2
8	600437	●SWITCH, ROLLER 15A	1
9	08709	NUT, M8 HXLCK	1
10	612834	BRACKET, SQUEEGEE LEVER	1
11	1013132	●SWITCH, LEVER, SNAP ACTION	1
12	140026	WASHER, #6 FLAT	4
13	140829	SCREW, #6-32X1 PANPHL	4
14	140019	WASHER, #6 LOCK	2
15	579211	NUT, M3	2
16	140011	WASHER, 3/16 FLAT	2
17	140066	NUT, #6-32	4
18	605387	●CONNECTOR, RED 50A W/O CONTACTS	1
19	1014336	●SLEEVE, BEARING, 8.4MMB, 12.6MMD, 14.5MM	1
20	25732	WASHER, 1.25X.359X.093 FLAT	1
21	200031494	SCREW, M8X1.25X30 HXHD	1
22	13513	NUT, 1/4-28 HEXLCK	1
23	069760371	●BALL JOINT	1
24	607953	NUT, 1/4-28 HEX JAM	1
25	605051	●CABLE, SQUEEGEE LIFT	1
26	605063	●SPRING, SQUEEGEE LEVER	1

REF	PART #	DESCRIPTION	QTY.
27	1009363	●BUSHING, CABLE	1
28	606012	BRACKET, CABLE GUIDE	1
29	608322	SCREW, M6X1.0X16 TRSPHL	3
30	578244000	WASHER, M6.4 LOCK	3
31	140000	WASHER, 1/4 FLAT	3
32	621236	●RING, RETAINING	1
33	605068	●YOKE, ADJUSTMENT	1
34	08170	●PIN, COTTER	1
35	605070	●PIN, CLEVIS	1
36	608322	SCREW, M6X1.0X16 TRSPHL	2
37	578244000	WASHER, M6.4 LOCK	2
38	140000	WASHER, 1/4 FLAT	2
39	605066	BRACKET, SQUEEGEE CABLE	1
40	140237	SCREW, 1/2-13X1 HXHDCP	2
41	140024	WASHER, 1/2 LOCK	2
42	140045	WASHER, .510X1.25X.06 FLT	4
43	140139	BUSHING, BRUSH LIFT PEDAL	2
44	140423	●SPRING, BRUSH PRESSURE	1
45	578421	PIN, COTTER	1
▽ 46	610206	BRACKET, SQUEEGEE PIVOT	1
▲ 47	606058	●BEARING, FLANGE	2
48	606057	PIN, HEADLESS	1
49	1011342	BRACKET, SQUEEGEE MOUNT	1
50	607010	*SCREW, M10X1.5X20 SHCS	2
51	200160018	*NUT, M10 HEXLCK	2
52	N/A	BRACKET, SQUEEGEE MOUNT - REPLACED BY KIT NO. 614116	1

▽ ASSEMBLY / CONJUNTO / ENSEMBLE

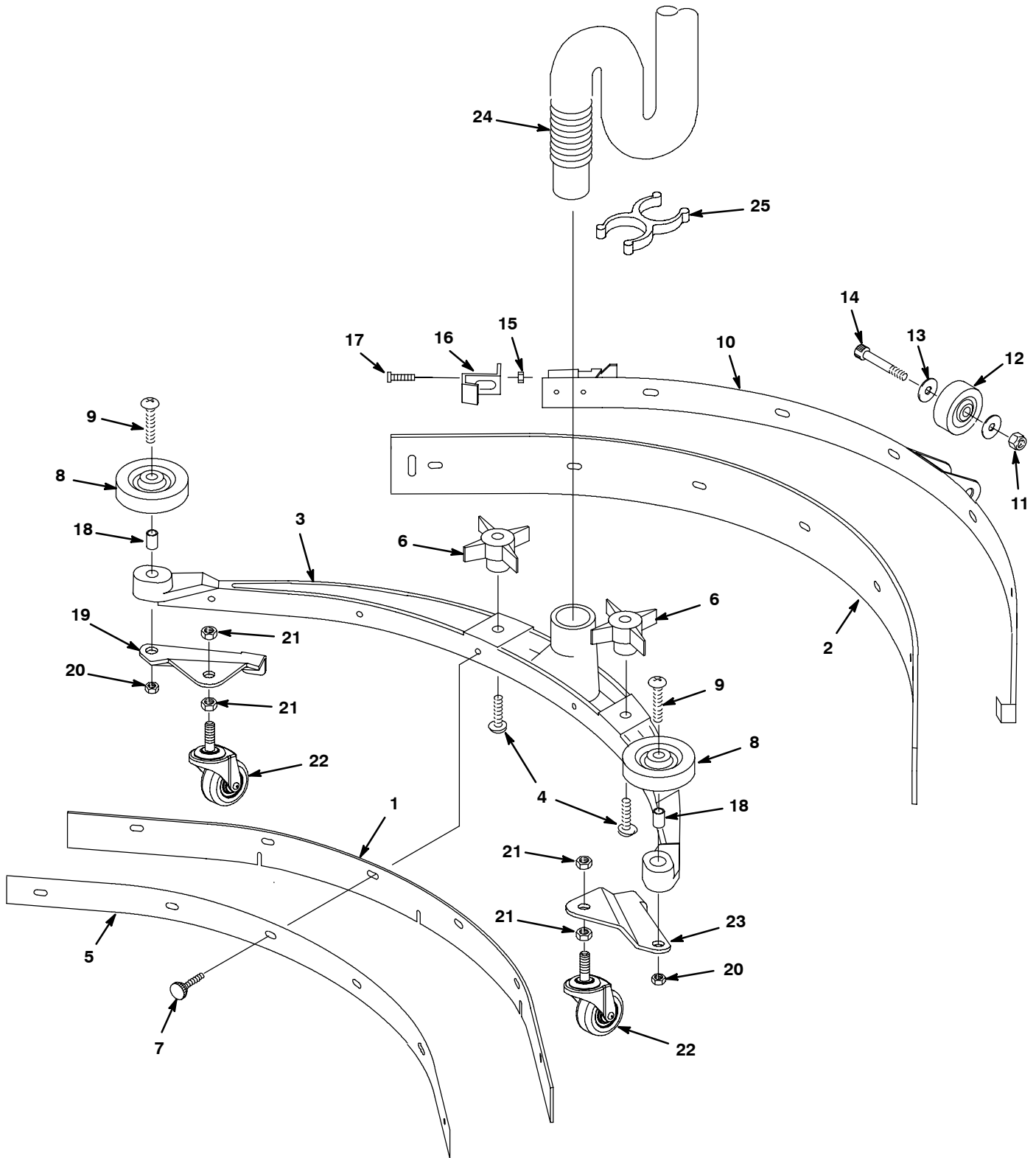
▲ INCLUDED IN ASSEMBLY / INCLUIDO A CONJUNTA / Y COMPRIS EN ENSEMBLE

● RECOMMENDED STOCK ITEM / PIEZAS RECOMENDADAS EN ALMACÉN / ÉLÉMENTS DE STOCK RECOMMANDÉS

*** HARDWARE REQUIRED FOR CYLINDRICAL BRUSH MODEL ONLY /
HARDWARE REQUERIDO PARA EL MODELO DEL CEPILLO DE
CYLINDRICAL SOLAMENTE / MATÉRIEL REQUIS POUR LE MODÈLE DE
BROSSE DE CYLINDRICAL SEULEMENT.**

PARTS LIST - LISTA DE PIEZAS - LISTE DES PIÈCES

SQUEEGEE ASSEMBLY GROUP - STD. WIDTH, 838 mm (33 in) /
CONJUNTO PALETA, 838 mm (33 pulg) / GROUPE DE LA RACLETTE, 838 mm (33 in)



PARTS LIST - LISTA DE PIEZAS - LISTE DES PIÈCES

SQUEEGEE ASSEMBLY GROUP - STD. WIDTH, 838 mm (33 in) / CONJUNTO PALETA, 838 mm (33 pulg) / GROUPE DE LA RACLETTE, 838 mm (33 in)

REF	PART #	DESCRIPTION	QTY.
▽	612025*	ASSEMBLY, SQUEEGEE, LINATEX	1
▲▽	606758	●KIT, SQUEEGEE BLADES, LINATEX	1
▲ 1	605030	●BLADE, FRONT SQUEEGEE, LINATEX (RED)	1
▲ 2	605029	●BLADE, REAR SQUEEGEE, LINATEX (RED)	1
▽	613036*	ASSEMBLY, SQUEEGEE, GUM RUBBER	1
▲▽	606757	●KIT, SQUEEGEE BLADES, GUM RUBBER	1
▲ 1	605028	●BLADE, FRONT SQUEEGEE, GUM RUBBER (TAN)	1
▲ 2	605027	●BLADE, REAR SQUEEGEE, GUM RUBBER (TAN)	1
▽	613043*	ASSEMBLY, SQUEEGEE, URETHANE	1
▲▽	606759	●KIT, SQUEEGEE BLADES, URETHANE	1
▲ 1	605032	●BLADE, FRONT SQUEEGEE, URETHANE (WHITE)	1
▲ 2	605031	●BLADE, REAR SQUEEGEE, URETHANE (WHITE)	1
▲ 3	611462	CASTING, SQUEEGEE	1
▲ 4	140799	SCREW, TRS, .31-18 X 1.50, PHL	2
▲ 5	605034	RETAINER, FRONT STRIP	1
▲ 6	370100	●KNOB, STAR, 2.80D 4EAR 1.1L .31-18 PLSTC	2
▲ 7	603012	●KNOB, RND, 19D, PLSTIC, M6X12 STUD	6

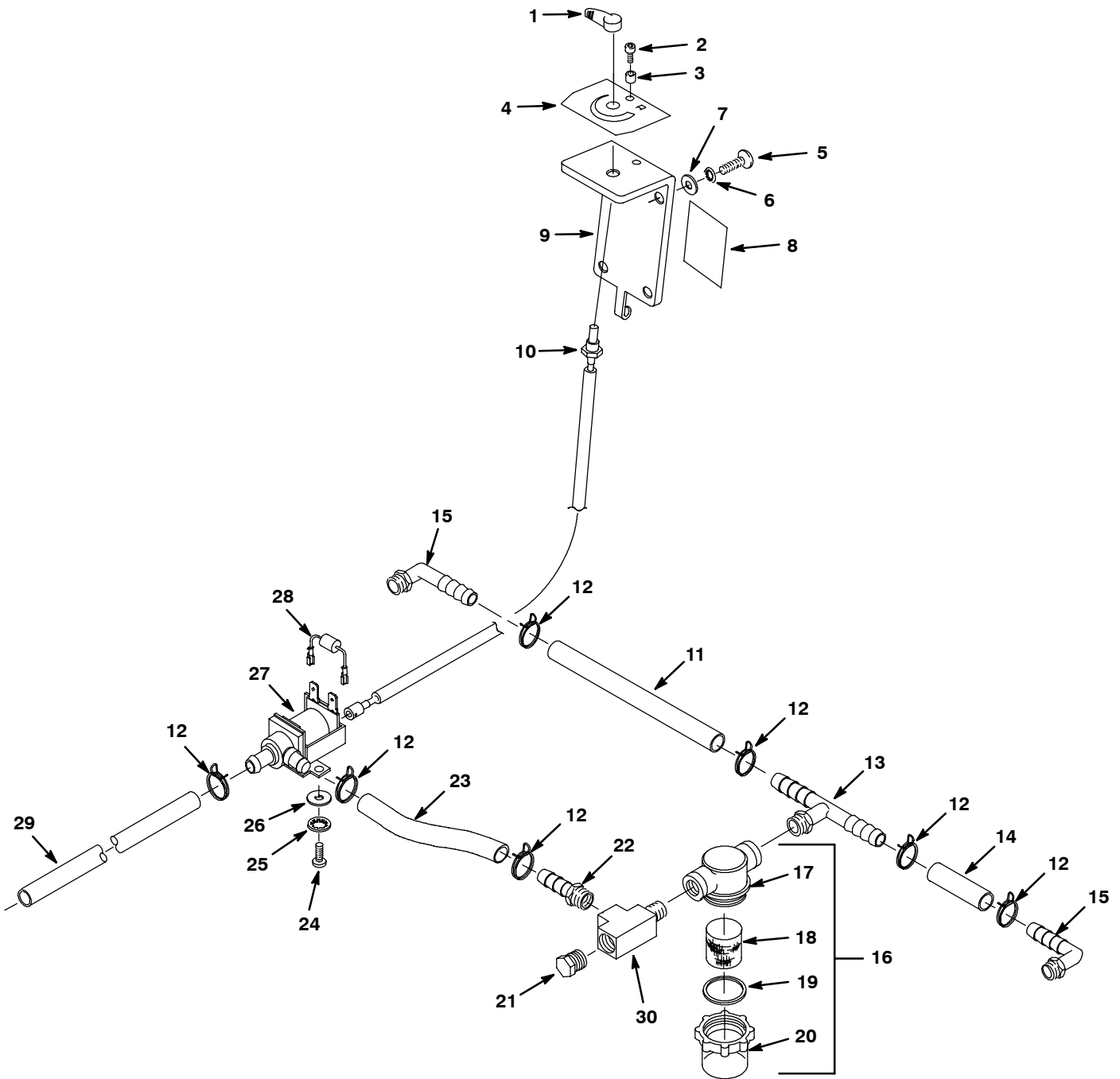
REF	PART #	DESCRIPTION	QTY.
▲ 8	1010560	●WHEEL, BMPR, 80D X 25W, NON-MARKING	2
▲ 9	611489	SCREW, TRS, .31-18 X 1.88, PHL	2
▲ 10	605033	SQUEEGEE, BAND ASM REAR	1
▲ 11	601108000	NUT, 5/16-18 HXLCK THIN NY	1
▲ 12	630477	●WHEEL, 2.0D 0.38W POLY GRAY	1
▲ 13	140028	WASHER, 3/8 FLAT	2
▲ 14	600187	SCREW, SHOULDER, 3/8 X 1 1/4	1
▲ 15	09739	NUT, M5X.8 NYLOCK	1
▲ 16	605069	CLIP, SQUEEGEE BAND	1
▲ 17	630389	SCREW, M5 7/8X45 PANPHL	1
▲ 18	222460	SLEEVE, P/M 0.496D 0.318B 0.50L 430SS	2
▲ 19	1010488	BRACKET, CASTER MTG, SWIVEL, RH (After SN 10158435)	1
▲ 20	140506	NUT, HEX, STD, .31-18, SS	2
▲ 21	39312	NUT, HEX, STD, M10 X 1.5 (After SN 10158435)	4
▲ 22	1006343	●CASTER, SWIVEL, 2.0 D 0.8W, M10 STEM (After SN 10158435)	2
▲ 23	1006347	BRACKET, CASTER MTG, SWIVEL, LH (After SN 10158435)	1
24	605041	●HOSE, SQUEEGEE	1
25	1014079	●CLIP, HOSE, GRIPPER, 1.50ID, DBL, BLK PP	1

- ▽ ASSEMBLY / CONJUNTO / ENSEMBLE
- ▲ INCLUDED IN ASSEMBLY / INCLUIDO A CONJUNTA / Y COMPRIS EN ENSEMBLE
- RECOMMENDED STOCK ITEM / PIEZAS RECOMENDADAS EN ALMACÉN / ÉLÉMENTS DE STOCK RECOMMANDÉS

*** NOTE: CASTER SQUEEGEE KIT # 614116 IS REQUIRED FOR MACHINES BUILT BEFORE 10-16-02 OR BEFORE MACHINE SERIAL NO. 10158436.**

PARTS LIST - LISTA DE PIEZAS - LISTE DES PIÈCES

SOLUTION GROUP, STANDARD MODEL / GRUPO DE SOLUCION, MODELO ESTANDAR /
GROUPE DE SOLUTION, MODÈLE STANDARD



PARTS LIST - LISTA DE PIEZAS - LISTE DES PIÈCES

SOLUTION GROUP, STANDARD MODEL / GRUPO DE SOLUCION, MODELO ESTANDAR / ENSEMBLE DES CONDUITES

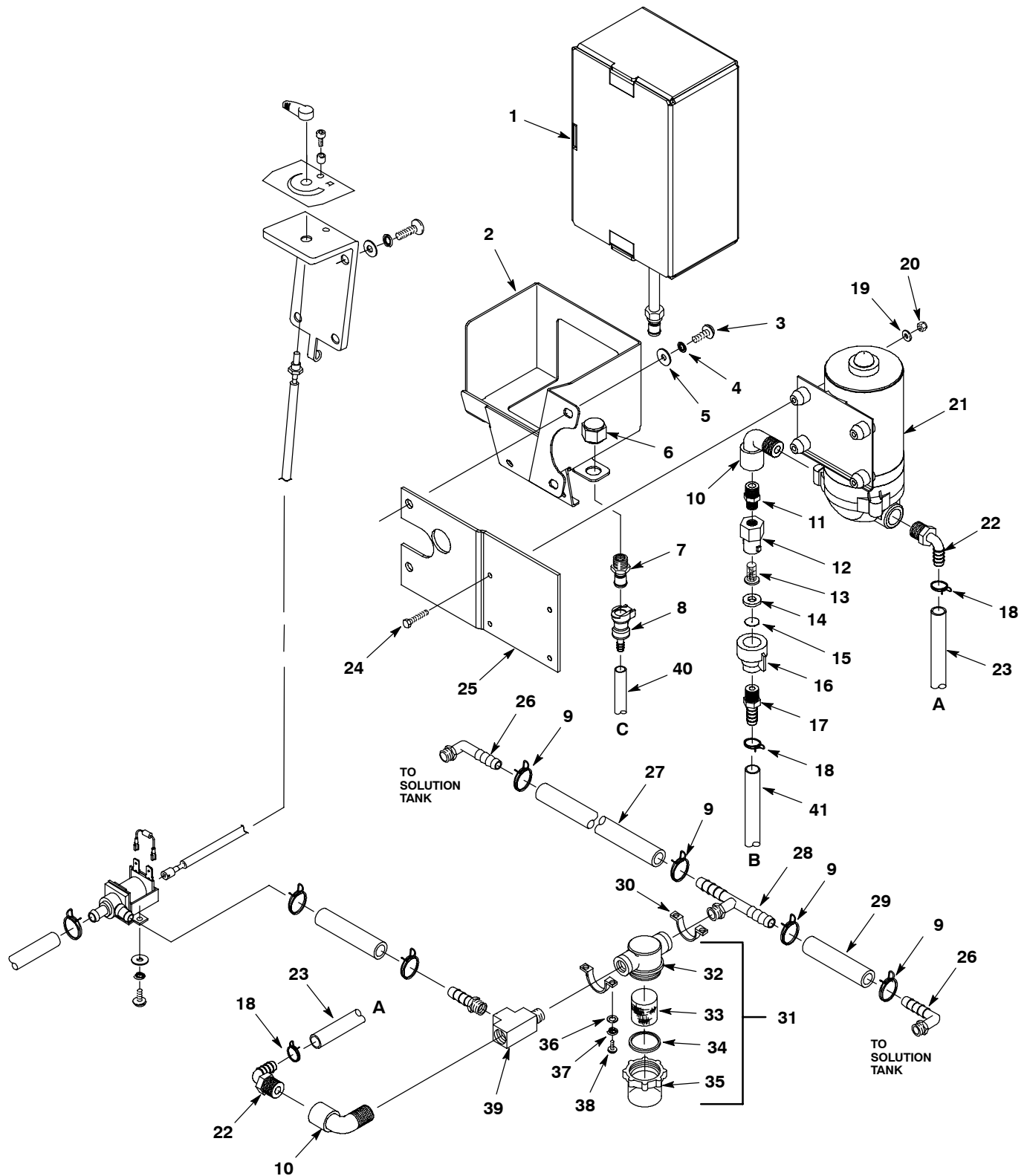
REF	PART #	DESCRIPTION	QTY.
1	630116	●KNOB, VALVE ADJUSTING	1
2	200001343	SCREW, M4X.7X12 SKHDCP	1
3	630452	SPACER, 4.3X8.0X5.0	1
4	630233	DECAL, FLOW CONTROL	1
5	608322	SCREW, M6X1.0X16 TRSPHL	4
6	578244000	WASHER, M6.4 LOCK	4
7	140000	WASHER, 1/4 FLAT	4
8	606105	DECAL, DO NOT SPRAY	1
9	606061	BRACKET, SOLUTION FLOW KNOB	1
10	606053	●CABLE, SOLUTION FLOW	1
069760726	069760725	HOSE, SOLUTION 0.75OD 8.9L	1
12	607776	CLAMP, HOSE .73-.77 WIRE BLK	4
13	605046	FITTING, TEE	1
069760725	069760726	HOSE, .50ID x 3.0IL	1
15	1017532	FITTING, PLSTC, E90, PM06/BM08	2

- ▽ ASSEMBLY / CONJUNTO / ENSEMBLE
- ▲ INCLUDED IN ASSEMBLY / INCLUIDO A CONJUNTA / Y COMPRIS EN ENSEMBLE
- RECOMMENDED STOCK ITEM / PIEZAS RECOMENDADAS EN ALMACÉN / ÉLÉMENTS DE STOCK RECOMMANDÉS

REF	PART #	DESCRIPTION	QTY.
▽ 16	1005302	●SCREEN, INLINE 80 MESH	1
▲ 17	613993	●BODY, TOP FILTER	1
▲ 18	1005304	●SCREEN, FILTER 80 MESH	1
▲ 19	613992	●GASKET, FILTER	1
▲ 20	613991	●BOWL, CLEAR FILTER	1
21	630146	PLUG, 3/8"NPT, NYLON	1
22	14884	FITTING, 3/8MX1/2H	1
23	069760725	HOSE, SOLUTION .50ID x 3.0IL	1
24	608322	SCREW, M6X1.0X16 TRSPHL	2
25	578244000	WASHER, M6.4 LOCK	2
26	140000	WASHER, 1/4 FLAT	2
27	603310	●VALVE, SOLENOID 24VDC	1
	614265	●KIT, WATER VALVE REBUILD	1
28	607394	●ASM, DIODE	1
29	613426	HOSE, 1/2ID X 3/4OD 160145 UOM=FT 3.00	1
30	601483	TEE, STREET 3/8 NPT	1

PARTS LIST - LISTA DE PIEZAS - LISTE DES PIÈCES

SOLUTION GROUP, FaST MODEL / GRUPO DE SOLUCIÓN, MODELO FaST /
GROUPE SOLUTION, MODÈLE FaST



PARTS LIST - LISTA DE PIEZAS - LISTE DES PIÈCES

SOLUTION GROUP, FaST MODEL / GRUPO DE SOLUCIÓN, MODELO FaST / GROUPE SOLUTION, MODÈLE FaST

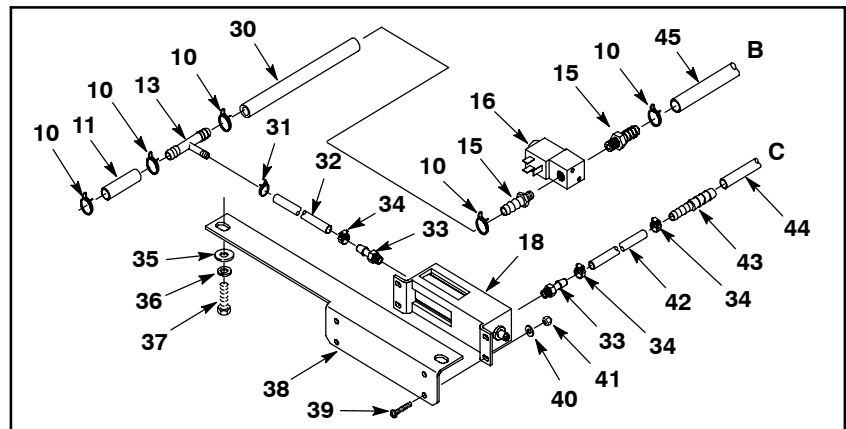
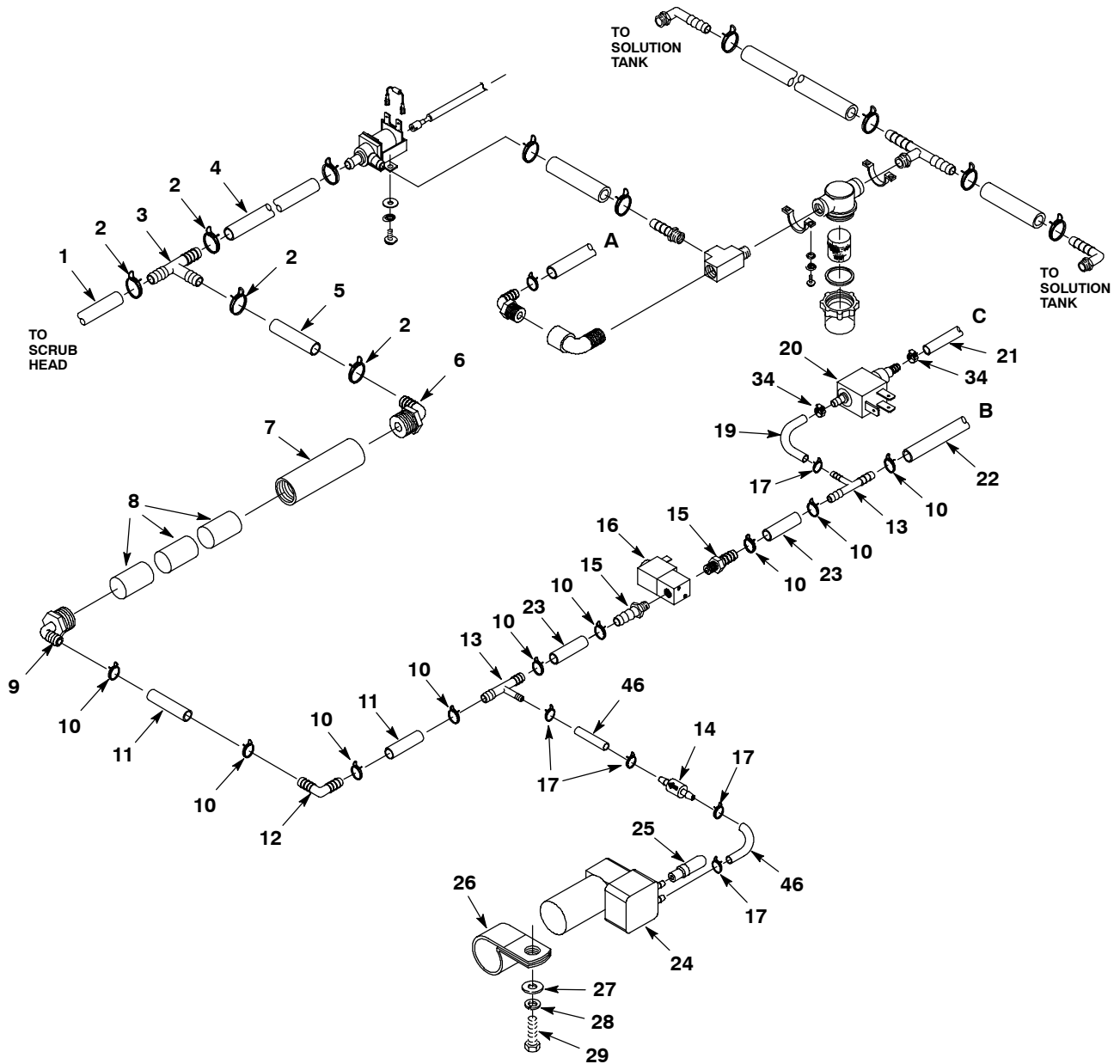
REF	PART #	DESCRIPTION	QTY.
1	1017015	●DETERGENT PKG, 2 LITER 365	1
	1017022	●DETERGENT PKG, 2 LITER 665	1
2	1002196	BRACKET, HOLDER BOX CONCENTRATE	1
3	608322	SCREW, M6X1.0X16 TRSPHL	2
4	578244000	WASHER, M6.4 LOCK	2
5	140000	WASHER, 1/4 FLAT	2
6	1005435	●FITTING, PLSTC PIPE CAP	1
7	1002899	●COUPLING, MALE .25NPT	1
8	1002898	●COUPLING, FEM W/VALVE .25 BRB	1
9	607776	CLAMP, HOSE .73-.77 2 WIRE BLK	4
10	1005318	FITTING, PLSTC, E90 PF06/PM06	2
11	1005219	FITTING, PLSTC, STR PM04/PM06	1
▽	1005321	FITTING, PLSTC, CAP ASM	1
▲	1005507	FITTING, PLSTC, BODY SPRAY	1
▲	1006447	●STRAINER, ORIFICE	1
▲	1005508	WASHER, .034B 0.75D 0.12	1
▲	1005509	PLATE, ORIFICE, 0.035ID	1
▲	1005506	FITTING, PLSTC CAP SPRAY	1
17	49186	FITTING, PLSTC STR BM06/PM04	1
18	607775	CLAMP, HOSE .63-.66 2 WIRE BLK	3
19	19065	WASHER, FLAT #08	4
20	02850	NUT, HEX LOCK M04X.07	4

REF	PART #	DESCRIPTION	QTY.
21	1005620	●PUMP, SOLUTION 24VDC	1
22	1005630	FITTING, PLSTC E90 BM06/PM06	2
23	391443	HOSE, PVC, BRD .38IDX17.0L	1
24	09205	SCREW, HEX M06X0.7X25, 8.8	4
25	1005615	BRACKET, PUMP WATER	1
26	1017532	FITTING, PLSTC, E90, PM06/BM08	2
27	069760726	HOSE, 0.5ID X 225MM	1
28	605046	FITTING, TEE	1
29	069760725	HOSE, SOLUTION 1/2IDX3.25"	1
30	605056	BRACKET, FILTER MOUNT	2
▽ 31	1005302	●SCREEN, INLINE 80 MESH	1
▲ 32	613993	●BODY, TOP FILTER	1
▲ 33	1005304	●SCREEN, FILTER 80 MESH	1
▲ 34	613992	●GASKET, FILTER	1
▲ 35	613991	●BOWL, CLEAR FILTER	1
36	140011	WASHER, 3/16 FLAT	4
37	1026457	WASHER, LOCK M5	4
38	09200	SCREW, PAN M5 X 0.8 X12 PHL	4
39	601483	TEE, STREET 3/8 NPT	1
40	613947	HOSE, PVC .25IDX24.0	1
41	391443	HOSE, PVC, BRD, .38IDX17.0	1

- ▽ ASSEMBLY / CONJUNTO / ENSEMBLE
- ▲ INCLUDED IN ASSEMBLY / INCLUIDO A CONJUNTA / Y COMPRIS EN ENSEMBLE
- RECOMMENDED STOCK ITEM / PIEZAS RECOMENDADAS EN ALMACÉN / ÉLÉMENTS DE STOCK RECOMMANDÉS

PARTS LIST - LISTA DE PIEZAS - LISTE DES PIÈCES

SOLUTION GROUP, FaST MODEL - CONTINUED / GRUPO DE SOLUCIÓN, MODELO FaST, CONTINUACIÓN / GROUPE SOLUTION, MODÈLE FaST - CONTINUÉ



PARTS LIST - LISTA DE PIEZAS - LISTE DES PIÈCES

SOLUTION GROUP, FaST MODEL - CONTINUED / GRUPO DE SOLUCIÓN, MODELO FaST - CONTINUACIÓN / GROUPE SOLUTION, MODÈLE FaST - CONTINUÉ

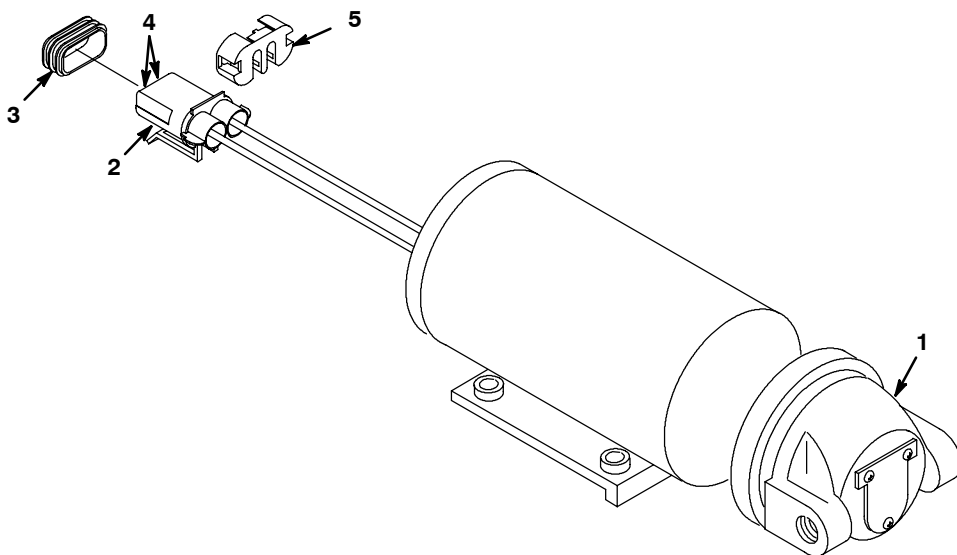
REF	PART #	DESCRIPTION	QTY.
1	613718	HOSE, PVC, BRD, .50ID X 13.0L	1
2	607776	CLAMP, HOSE .73-.77 2 WIRE BLK	4
3	63245-1	FITTING, TEE BM08/BM08/BM08	1
4	613718	HOSE, PVC, BRD, .50ID X 13.0L	1
5	613719	HOSE, PVC, BRD, .50ID X 0.60L	1
6	1005552	FITTING, PLSTC E90 BM08/PM12	1
7	1005086	TUBE, PLASTIC 25MM ID	1
8	1002789	FILTER, FOAM	3
9	79484	FITTING, PLSTC E90 BM06/PM12	1
10	607775	CLAMP, HOSE .63-.66 2 WIRE BLK	9
11	613717	HOSE, PVC, BRD, .38IDX2	2
12	20951	FITTING, PLSTC E90 BM06/BM06	1
13	61456	FITTING, TEE BM06/BM03/BM06	2
14	1005327	FITTING, CVALVE BM03/BM03	1
15	1005375	FITTING, PLSTC STR BM06/PM02	1
16	1002530	●VALVE, SHUTOFF ELECT 24VDC	1
17	613735	CLAMP, HOSE .40-.42 2 WIRE	5
▽ 18	613944	●KIT, REPLACEMENT PUMP	1
▲ 19	613720	HOSE, .19IDX3.0 VINYL	1
▲ 20	1005413	●PUMP, DETG. 24VDC CEME	1
▲ 21	613947	HOSE, PVC .25IDX24.0	1
▲ 22	391443	HOSE, PVC, BRD, .38IDX17.0	1
▲ 23	613717	HOSE, PVC BRAIDED .38IDX2	2

REF	PART #	DESCRIPTION	QTY.
24	1002344	●PUMP, AIR	1
25	1005255	●FILTER, ASM AIR	1
26	53466	CLAMP, CABLE, STL, 1.50DX1.00W	1
27	32491	WASHER, FLAT, .31 STD	1
28	200370019	WASHER, LOCK M8.4	1
29	09010	SCREW, HEX, M08X1.25X25	1
30	1005444	HOSE, PVC BRAIDED .38IDX5	1
31	613735	CLAMP, HOSE .40-.42 2 WIRE	1
32	391448	HOSE, PVC 0.19IDX19.5L	1
33	1005739	FITTING, PLSTC STR, BM03, 1/4-28	2
34	43844	CLAMP, HOSE .25-.62OD	2
35	32491	WASHER, FLAT, .31 STD	2
36	200370019	WASHER, LOCK M8.4	2
37	09010	SCREW, HEX, M08X1.25X25	2
38	1005356	BRACKET, PUMP, CONCENTRATE	1
39	09206	SCREW, HEX M04X0.7X12, 8.8	4
40	19065	WASHER, FLAT #08	4
41	02850	NUT, HEX LOCK M04X.07	4
42	391447	HOSE, PVC, 0.19IDX8.5L	1
43	1005324	FITTING, PLSTC STR BM03/BM04	1
44	391446	HOSE, PVC .25IDX24.0	1
45	391444	HOSE, PVC, BRD, .38IDX14.0	1
46	613720	HOSE, .19IDX3.0 VINYL	2

- ▽ ASSEMBLY / CONJUNTO / ENSEMBLE
- ▲ INCLUDED IN ASSEMBLY / INCLUIDO A CONJUNTA / Y COMPRIS EN ENSEMBLE
- RECOMMENDED STOCK ITEM / PIEZAS RECOMENDADAS EN ALMACÉN / ÉLÉMENTS DE STOCK RECOMMANDÉS

PARTS LIST - LISTA DE PIEZAS - LISTE DES PIÈCES

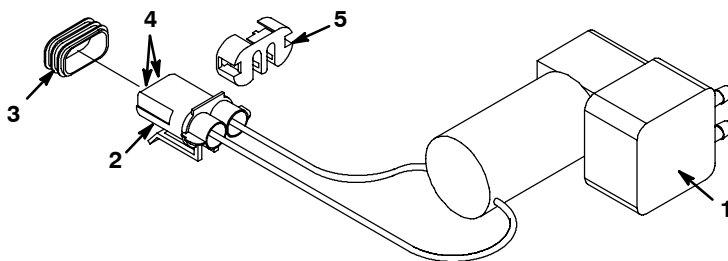
FaST SOLUTION PUMP BREAKDOWN / AVERÍA DE LA BOMBA DE DISOLUCIÓN / PANNE DE POMPE A SOLUTION



REF	PART #	DESCRIPTION	QTY.
▽	1005620	●PUMP, SOLTN, ELE, 24VDC	1
▲ 1	391433	●KIT, REPAIR, HEAD, PUMP, WATER	1
▲ 2	78950	●CONNECTOR, FEM, 2CAV	1

REF	PART #	DESCRIPTION	QTY.
▲ 3	10917	●SEAL, WIRE, 14/16GA	2
▲ 4	78951	●TERMINAL, FEM, 16/18GA	2
▲ 5	78952	●LOCK, SECONDARY, M/F, 2CAV	1

FaST AIR PUMP BREAKDOWN / AVERÍA DE LA BOMBA DE AIRE / PANNE DE POMPE A AIR



REF	PART #	DESCRIPTION	QTY.
▽	1002344	●PUMP, AIR, ELE, 24VDC	1
▲ 1	391449	●KIT, REPAIR, DIAPHRAGM, AIR COMPRESSOR	1
▲ 2	78950	●CONNECTOR, FEM, 2CAV	1

REF	PART #	DESCRIPTION	QTY.
▲ 3	10917	●SEAL, WIRE, 14/16GA	2
▲ 4	78951	●TERMINAL, FEM, 16/18GA	2
▲ 5	78952	●LOCK, SECONDARY, M/F, 2CAV	1

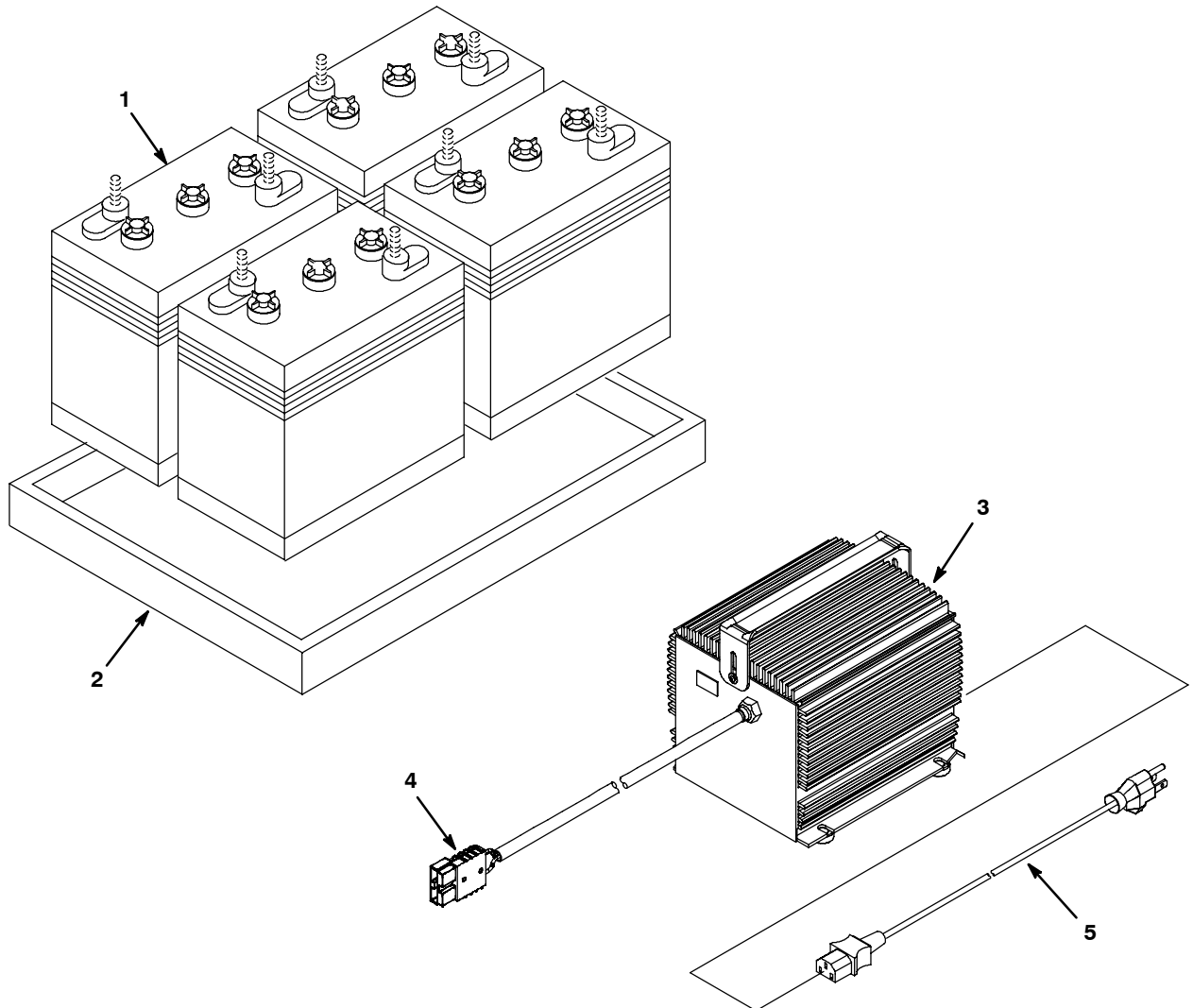
▽ ASSEMBLY / CONJUNTO / ENSEMBLE

▲ INCLUDED IN ASSEMBLY / INCLUIDO A CONJUNTA / Y COMPRIS EN ENSEMBLE

● RECOMMENDED STOCK ITEM / PIEZAS RECOMENDADAS EN ALMACÉN / ÉLÉMENTS DE STOCK RECOMMANDÉS

PARTS LIST - LISTA DE PIEZAS - LISTE DES PIÈCES

BATTERY AND CHARGER GROUP / CONJUNTO DE BATERÍA Y CARGADOR / GROUPE DE BATTERIE ET DE CHARGEUR



REF	PART #	DESCRIPTION	QTY.
▽ 1	606897	●BATTERY KIT (SET OF 4)	1
▲	222280	●BATTERY, 6V, RESCAP, 129 WET	4
2	613971	●TRAY, BATTERY	1

▽ ASSEMBLY / CONJUNTO / ENSEMBLE

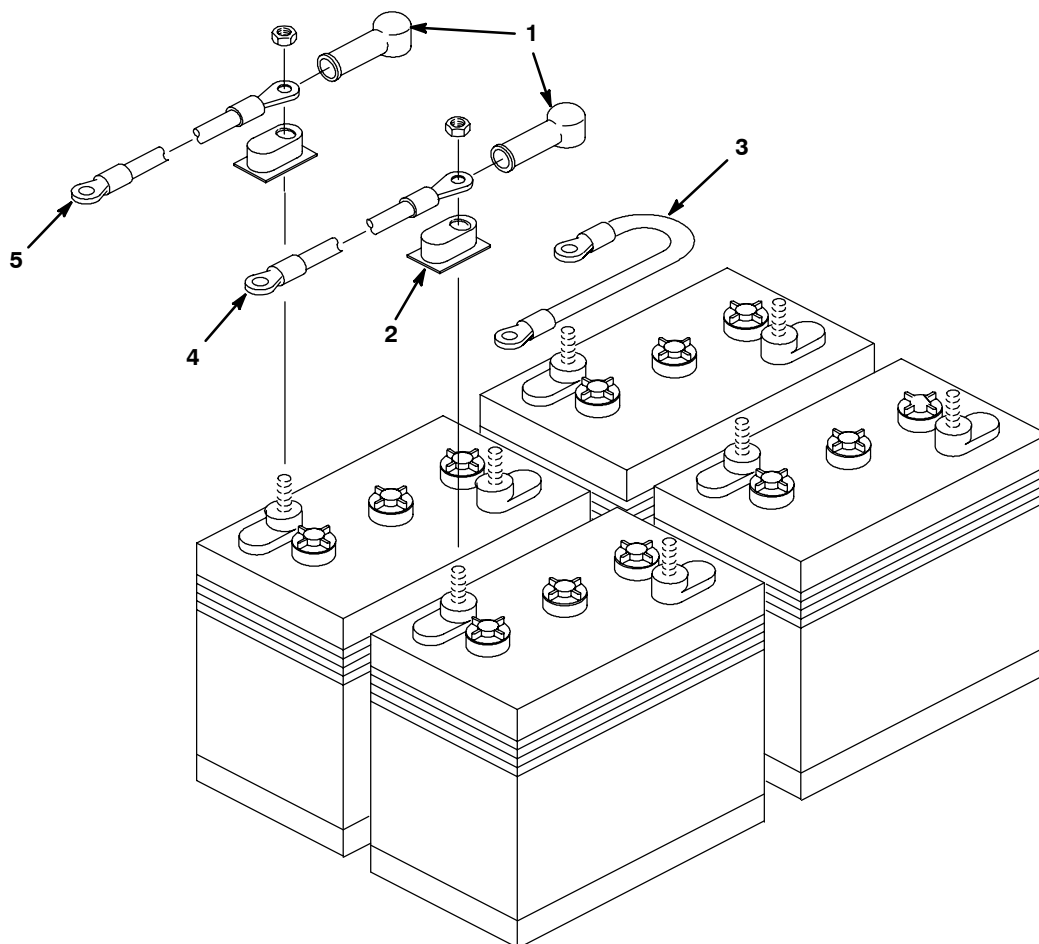
▲ INCLUDED IN ASSEMBLY / INCLUIDO A CONJUNTA / Y COMPRIS EN ENSEMBLE

● RECOMMENDED STOCK ITEM / PIEZAS RECOMENDADAS EN ALMACÉN / ÉLÉMENTS DE STOCK RECOMMANDÉS

REF	PART #	DESCRIPTION	QTY.
▽ 3	1029256	●CHARGER, 24VDC, 19A VAR VAC 1PH 50/60HZ	1
▲ 4	605387	●CONNECTOR, ANDERSON, 50A, RED W/O CONTACT	1
5	1017079	●CORD, EXTN, 16GA /3, 010FT [SJT]	1

PARTS LIST - LISTA DE PIEZAS - LISTE DES PIÈCES

BATTERY CABLE GROUP / GRUPO CABLE DE LA BATERÍA / GROUPE CABLES DES BATTERIES

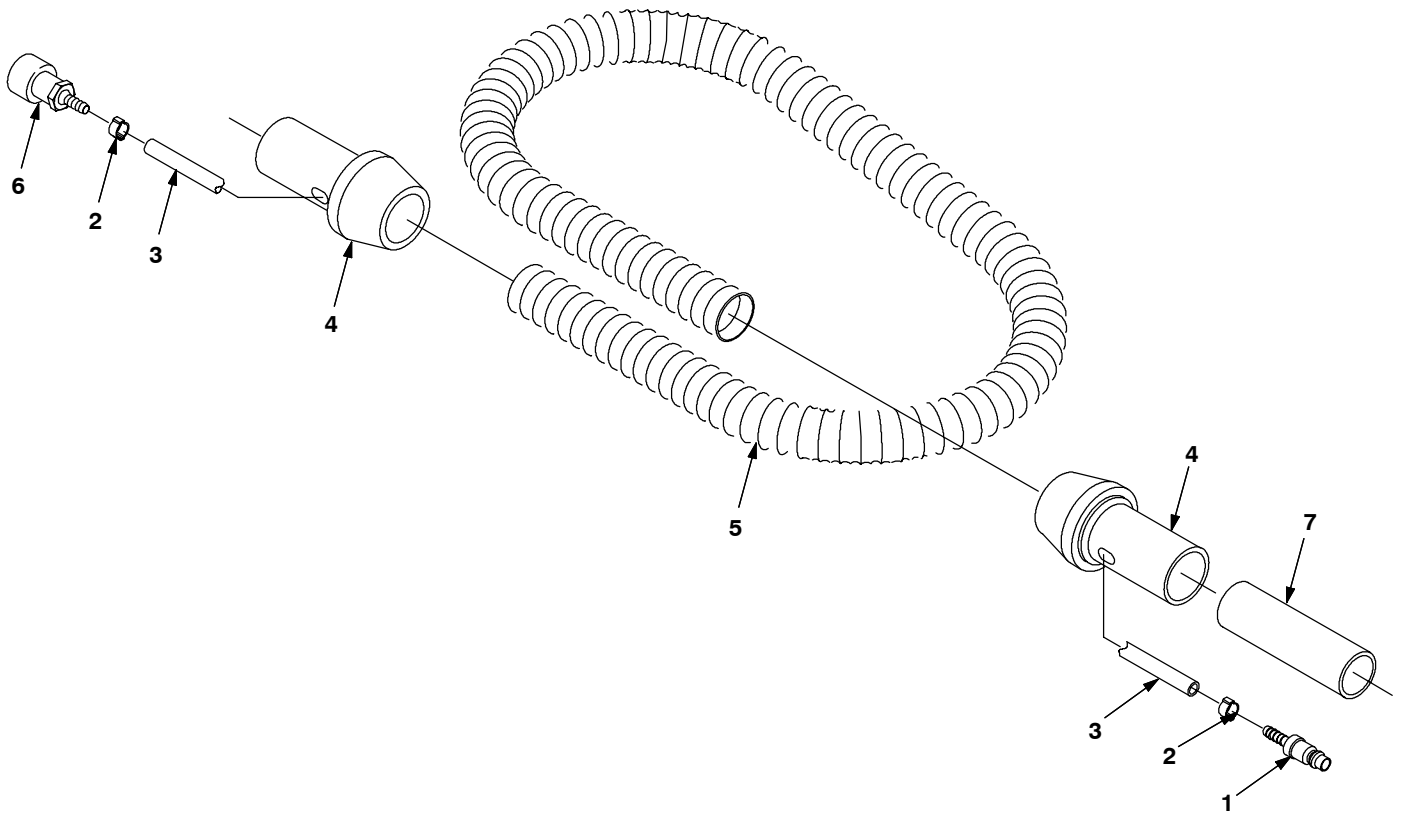


REF	PART #	DESCRIPTION	QTY.
1	611221	●TERMINAL BOOT, BLACK	8
2	45962	●COVER, TERMINAL	8
3	130364	CABLE, BATT. #6 BLKX15" 5/16X3/8	3

REF	PART #	DESCRIPTION	QTY.
4	602872	CABLE, BATT. REDX28"	1
5	602871	CABLE, BATT. BLKX24"	1

- RECOMMENDED STOCK ITEM / PIEZAS RECOMENDADAS EN ALMACÉN / ÉLÉMENTS DE STOCK RECOMMANDÉS

POWER WAND HOSE GROUP / CONJUNTO DE LA MANGUERA DEL TUBO ELÉCTRICO / TUYAU D'AUXILIAIRE D'ASPIRATION



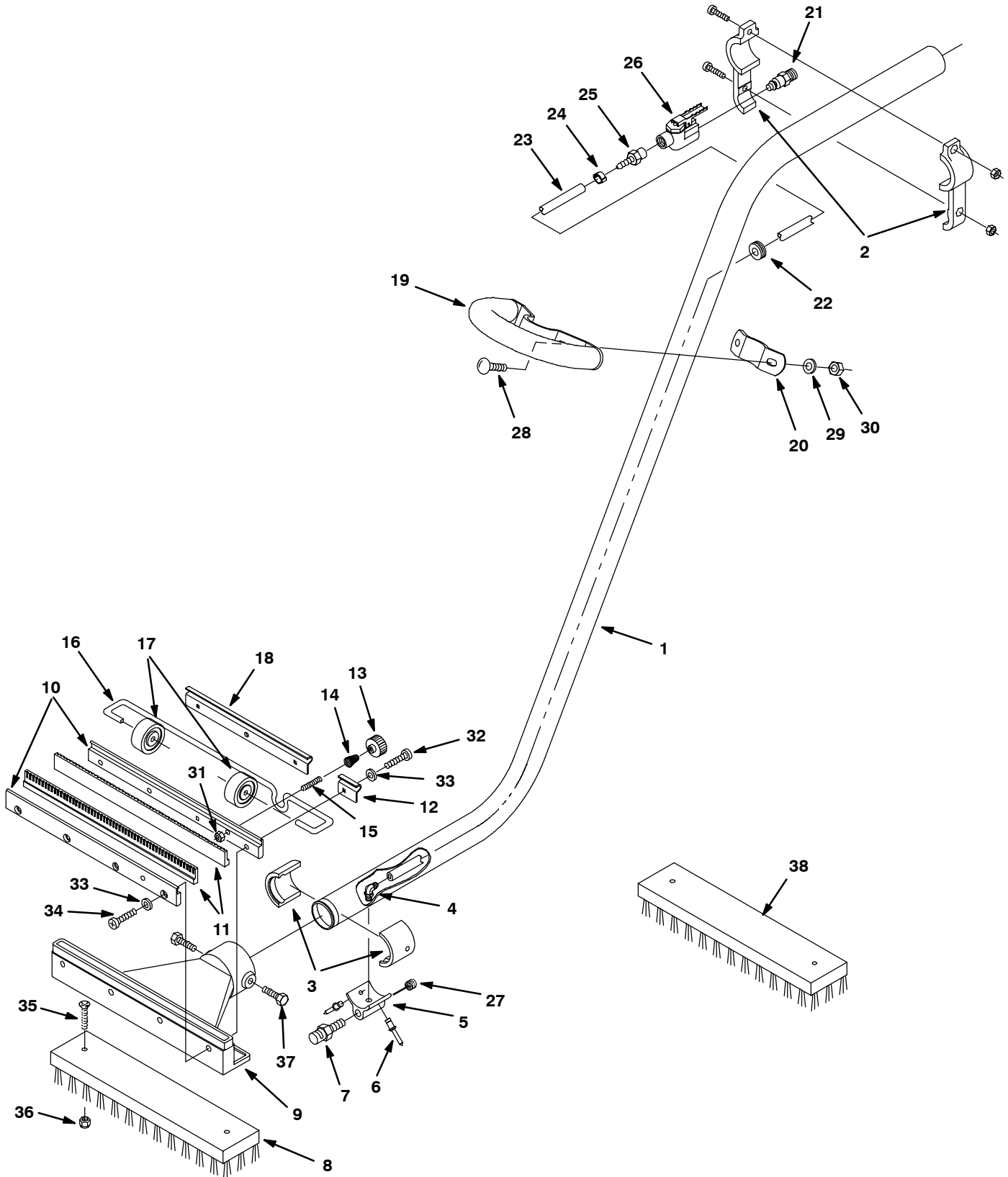
REF	PART #	DESCRIPTION	QTY.
▽	65341	●ASM., POWER WAND HOSE	1
▲	1	●FITTING, STL, QDC, PM06/BM04	1
▲	2	●CLAMP, HOSE, EAR, 11-13MM	2
▲	3	●HOSE, PVC, 0.25ID X 157L	1
▲	4	●CUFF, SWIVEL 1-1/2 BLACK	2

REF	PART #	DESCRIPTION	QTY.
▲	5	●HOSE, VACUUM, 1.5D X 10'L, GRAY	1
▲	6	●FITTING, BRS, QDC, PF04/BM04	1
	7	●TUBE, 1.50D, 5.0L	1

- ▽ ASSEMBLY / CONJUNTO / ENSEMBLE
- ▲ INCLUDED IN ASSEMBLY / INCLUIDO A CONJUNTA / Y COMPRIS EN ENSEMBLE
- RECOMMENDED STOCK ITEM / PIEZAS RECOMENDADAS EN ALMACÉN / ÉLÉMENTS DE STOCK RECOMMANDÉS

OPTIONS - OPCIONES - ÉQUIPEMENT AU CHOIX

DELUXE POWER WAND GROUP / GRUPO DEL TUBO ELÉCTRICO DELUXE / GROUPE DE LUXE DE BAGUETTE DE PUISSANCE



OPTIONS - OPCIONES - ÉQUIPEMENT AU CHOIX

DELUXE POWER WAND GROUP / GRUPO DEL TUBO ELÉCTRICO DELUXE / GROUPE DE LUXE DE BAGUETTE DE PUISSANCE

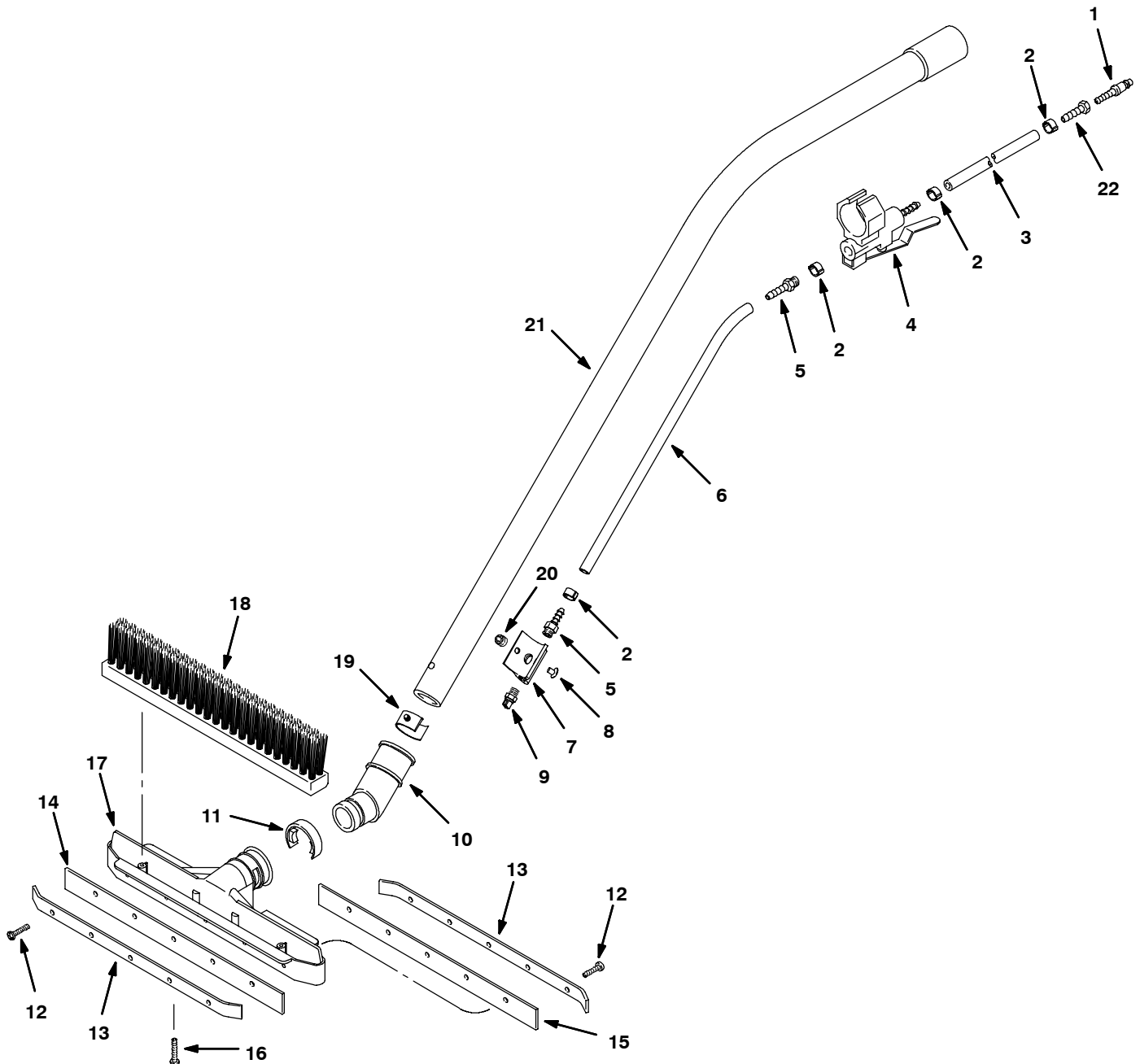
REF	PART #	DESCRIPTION	QTY.
∇	65340	●ASM., DELUXE POWER WAND	1
▲ 1	578060000	WAND, DOUBLE BEND, DIA 38.1MM	1
▲ 2	578077000	BRACKET, VALVE MOUNTING WAND	1
▲ 3	578061000	ADAPTER, HEAD/WAND	2
▲ 4	578214000	FITTING, PLSTC, E90, PM02/BM04	1
▲ 5	579112	FITTING, SPRAY NOZZLE ADAPTER	1
▲ 6	602036000	RIVET, BLIND	2
▲ 7	578066000	●FITTING, BRS, TIP, 75, 1/8K-JET	1
▲ 8	65610	●BRUSH, DECK, POLYPRO BLOCK	1
▲ 9	578063000	HEAD, WAND	1
▲ 10	578078000	RETAINER, SQUEEGEE WAND	2
▲ 11	578074000	●BLADE, SQUEEGEE	2
▲ 12	578124000	BRACKET, AXLE 1 HOLE	1
▲ 13	578439	NUT, THUMB, M6X1.0, 30DIA	1
▲ 14	613732	SPRING, CMPR, CONICAL 15MM	1
▲ 15	578143000	SCREW, SET M6X1.0X40 CUPPT	1
▲ 16	578126000	AXLE, WAND	1
▲ 17	578125000	●WHEEL, 41.3D, 19.1W, RBR	2
▲ 18	578123000	BRACKET, AXLE, 3 HOLE	1
▲ 19	578155000	HANDLE WLDT, WAND	1

REF	PART #	DESCRIPTION	QTY.
▲ 20	578154000	BRACKET, HANDLE WAND	1
▲ 21	578091000	●FITTING, BRS, QDC, PM04 PLUG	1
▲ 22	578164000	GROMMET, 0.38ID, 0.62GD, .06GW	1
▲ 23	578821000	●HOSE, 1/4ID X 3/8OD X 1.22M	1.22 M
▲ 24	578161000	CLAMP, HOSE, EAR, 8-11MM	1
▲ 25	578094000	FITTING, BRS, STR, PM04/BM04	1
▲ 26	578064000	●VALVE, WATER CONTROL	1
▲ 27	150208	FITTING, BRS, STR, PM02 PLUG SKHD	1
▲ 28	20399	BOLT, CARRIAGE .25-20 X 0.75	2
▲ 29	200304017	WASHER, FLAT M6.4 X 13 X 1.6	2
▲ 30	41169	NUT, HEX LOCK .25-20 NL	2
▲ 31	07785	NUT, HEX STD M6 X 1.0, A2, SS	1
▲ 32	1026454	SCREW, PAN M5 X 0.8 X 10 PHL	4
▲ 33	07514	WASHER, LOCK, INT, #10, SS	8
▲ 34	578144000	SCREW, PAN M5 X 0.8 X 16 PHL	4
▲ 35	578566	SCREW, 4 X 30 FLTPHL, SS	2
▲ 36	33932	NUT, HEX, LOCK, M4 X 0.7 NL, SS	2
▲ 37	140885	SCREW, TRS .25-20 X 0.50 PHL	2
38	65582	●BRUSH, SCRUB ABRASIVE NTRL NYLON 80GRIT (OPTIONAL)	1

- ∇ ASSEMBLY / CONJUNTO / ENSEMBLE
- ▲ INCLUDED IN ASSEMBLY / INCLUIDO A CONJUNTA / Y COMPRIS EN ENSEMBLE
- RECOMMENDED STOCK ITEM / PIEZAS RECOMENDADAS EN ALMACÉN / ÉLÉMENTS DE STOCK RECOMMANDÉS

OPTIONS - OPCIONES - ÉQUIPEMENT AU CHOIX

POWER WAND GROUP / GRUPO DEL TUBO ELÉCTRICO / GROUPE DE BAGUETTE DE PUISSANCE



OPTIONS - OPCIONES - ÉQUIPEMENT AU CHOIX

POWER WAND GROUP / GRUPO DEL TUBO ELÉCTRICO / GROUPE DE BAGUETTE DE PUISSANCE

REF	PART #	DESCRIPTION	QTY.
▽	579908	●WAND ASM., POWER	1
▲ 1	578091000	●FITTING, BRS, QDC, PM04, PLUG	1
▲ 2	578160000	CLAMP, HOSE, EAR, 11-13MM	4
▲ 3	613536	●HOSE, 1/4ID X 7/16OD X .400M (578227000)	0.40 M
▲ 4	579107	●VALVE, WATER FLOW CNTRL	1
▲ 5	150525	FITTING, BRS, STR, PM02/BM04	2
▲ 6	613537	●HOSE, 1/4ID X 7/16OD X 1.083M (578227000)	1.08 M
▲ 7	579112	FITTING, SPRAY NOZZLE ADPTR	1
▲ 8	579198	RIVET, BLIND	2
▲ 9	579137	●FITTING, BRS, TIP, 9508 1/8V-JET	1
▲ 10	579113	SWIVEL, WAND ATTACHMENT	1
▲ 11	579132	RING ATTACHMENT	1

REF	PART #	DESCRIPTION	QTY.
▲ 12	579135	SCREW, SELF TD UNITED	10
▲ 13	579103	RETAINER, WAND BLADE	2
▲ 14	579239	●BLADE, SQGE, FRONT, 333MML, URETHANE	1
▲ 15	579230	●BLADE, SQGE, REAR, 333MML, URETHANE	1
▲ 16	579147	SCREW, PAN, #6-32 X 1.5, T-CUT	2
▲ 17	579101	HEAD, WAND	1
▲ 18	579102	●BRUSH, WAND TWO ROW	1
▲ 19	579187	CLIP, SPRING, 32MM	1
▲ 20	150208	FITTING, BRS, STR, PM02, PLUG SKHD	1
▲ 21	579109	WAND, SINGLE BEND	1
▲ 22	150510	FITTING, BRS, STR, PF04/BM04	1

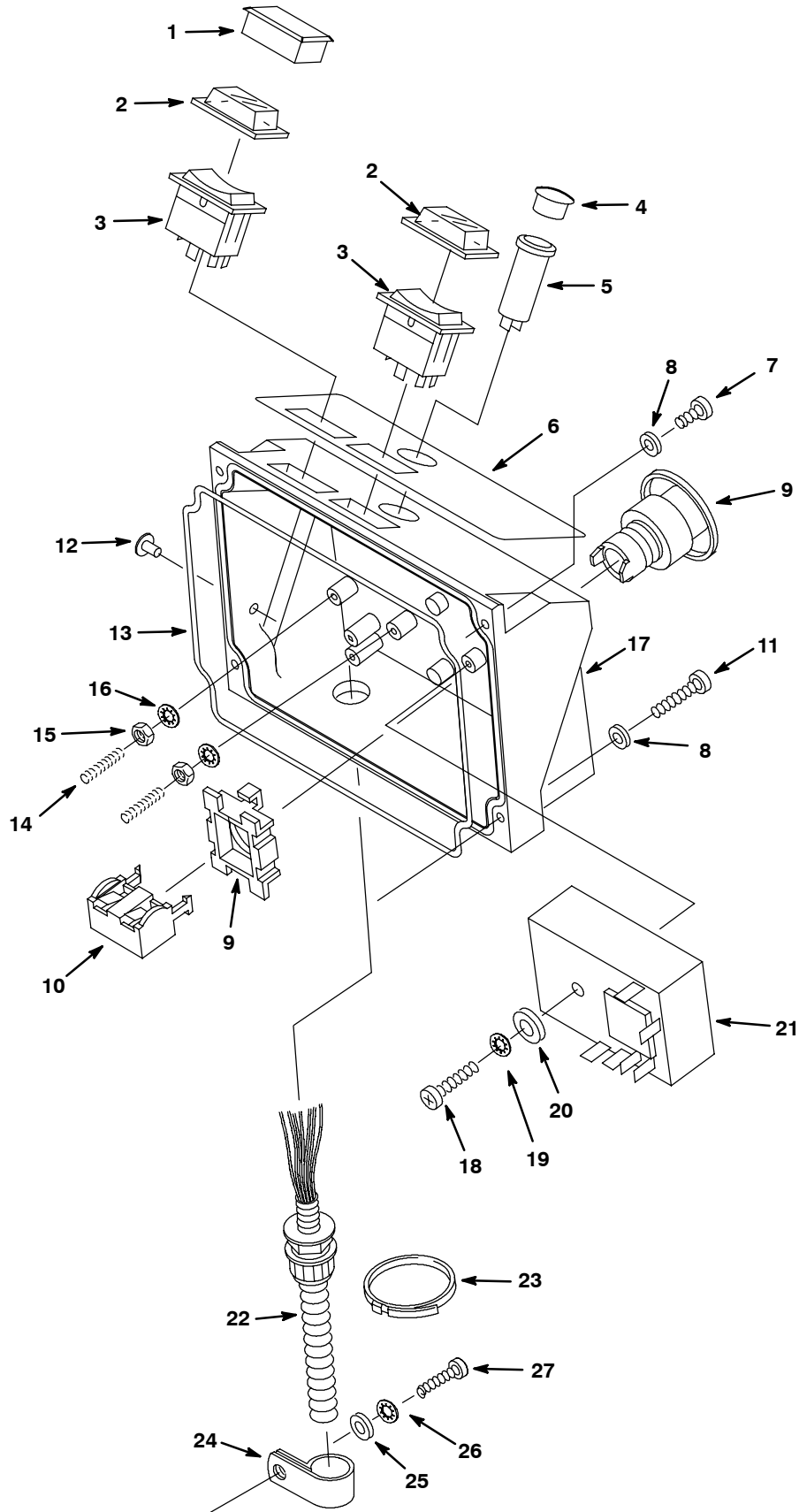
▽ ASSEMBLY / CONJUNTO / ENSEMBLE

▲ INCLUDED IN ASSEMBLY / INCLUIDO A CONJUNTA / Y COMPRIS EN ENSEMBLE

● RECOMMENDED STOCK ITEM / PIEZAS RECOMENDADAS EN ALMACÉN / ÉLÉMENTS DE STOCK RECOMMANDÉS

OPTIONS - OPCIONES - ÉQUIPEMENT AU CHOIX

ACCESSORY CONSOLE GROUP / GRUPO DE ACCESORIOS DE LA CONSOLA / GRUPE PANNEAU ACCESSOIRE



OPTIONS - OPCIONES - ÉQUIPEMENT AU CHOIX

ACCESSORY CONSOLE GROUP / GRUPO DE ACCESORIOS DE LA CONSOLA / GRUPE PANNEAU ACCESSOIRE

REF	PART #	DESCRIPTION	QTY.
	606762	●KIT, EMERGENCY STOP	1
	606763*	●KIT, ES/EMERGENCY STOP	1
	606764*	●KIT, EMERGENCY STOP/WAND PUMP	1
	606765*	●KIT, ES/WAND PUMP/EMERG. STOP	1
	609099*	●KIT, WAND PUMP ADD-ON	1
1	582150	●BUTTON, PLUG, ACCESSORY SWITCH	1
2	578720	●SPLASHGUARD, ROCKER SWITCH	2
3	630419	●SWITCH, ROCKER, 28VDC SPST	2
4	069764626	●PLUG, HOLE 012.7	1
5	630142	●LIGHT, PILOT, 24VDC, BLUE	1
6	606522	DECAL, ES/WAND CONSOLE	1
7	140287	SCREW, PAN, M4X0.7X16, PHL, SS	2
8	02938	WASHER, LOCK, INT, 08, SS	4
9	630100	●SWITCH, PUSH, E-STOP	1
10	630097	●SWITCH, CONTACT, VC	1
11	200070354	SCREW, PAN, M4X0.7X30, PHL, SS	2
12	578852	RIVET, PLSTC, .200D X 0.28, SNAP	1

● RECOMMENDED STOCK ITEM / PIEÇAS RECOMENDADAS EN ALMACÉN / ÉLÉMENTS DE STOCK RECOMMANDÉS

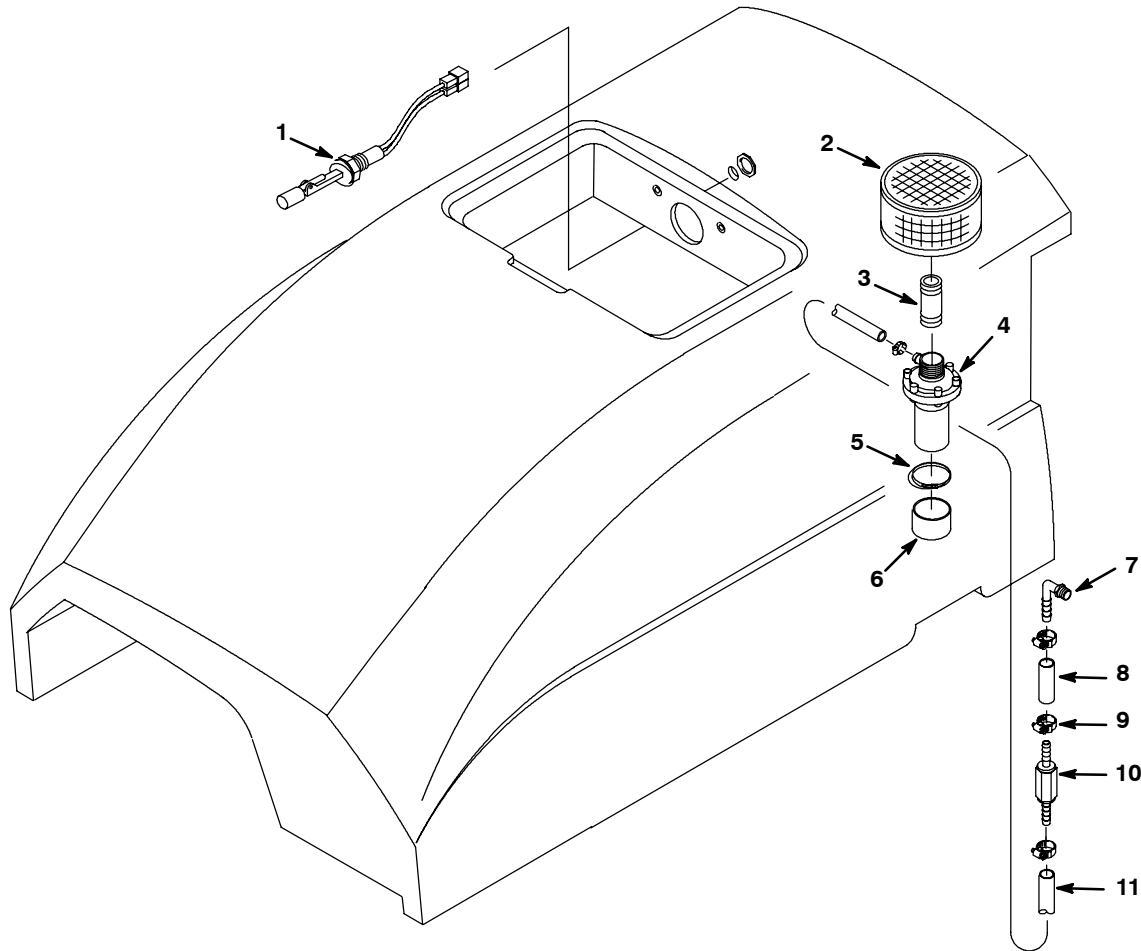
* NOT AVAILABLE FOR FaST MODELS / NO DISPONIBLE PARA LOS MODELOS DE FAST / PAS DISPONIBLE POUR FAST MODÈLES

N/S= NOT SHOWN / NO INDICADO / NON MONTRÉ

REF	PART #	DESCRIPTION	QTY.
13	630442	●SEAL, O-RING, 540MM FR ACCESS CONSOLE	1
14	601271	SCREW, STUD, M4X0.7X25, ZN	2
15	200102014	NUT, HEX, STD, M4X0.7	2
16	02938	WASHER, LOCK, INT, 08, SS	2
17	630140	CONSOLE, OPTIONS	1
18	630334	SCREW, PAN, #06-32X1.38, PHL, TCUT	1
19	02938	WASHER, LOCK, INT, 08, SS	1
20	140026	WASHER, #6 FLAT	1
21	630145	●TIMER, 24VDC RANGE: 30SEC	1
22	606736	HARNESS, ES	1
23	130773	TIE, CABLE, NYL, 11.0L .14W 3.0	1
24	606727	CLAMP, CABLE, STL, 0.62D X .38W, 1H, VYN	1
25	200301014	WASHER, M4.3 X 10.1 X 1 FLT	1
26	02938	WASHER, LOCK, INT, 08, SS	1
27	579259	SCREW, PAN, M4X0.7X12, PHL, ZN	1
N/S	606734	HARNESS, E-STOP	1
N/S	606735	HARNESS, PUMP, WAND	1
N/S	606736	HARNESS, ES	1

OPTIONS - OPCIONES - ÉQUIPEMENT AU CHOIX

ES (EXTENDED SCRUB) SOLUTION GROUP / ES GRUPO DE LA SOLUCIÓN / ES GRUPE DE SOLUTION

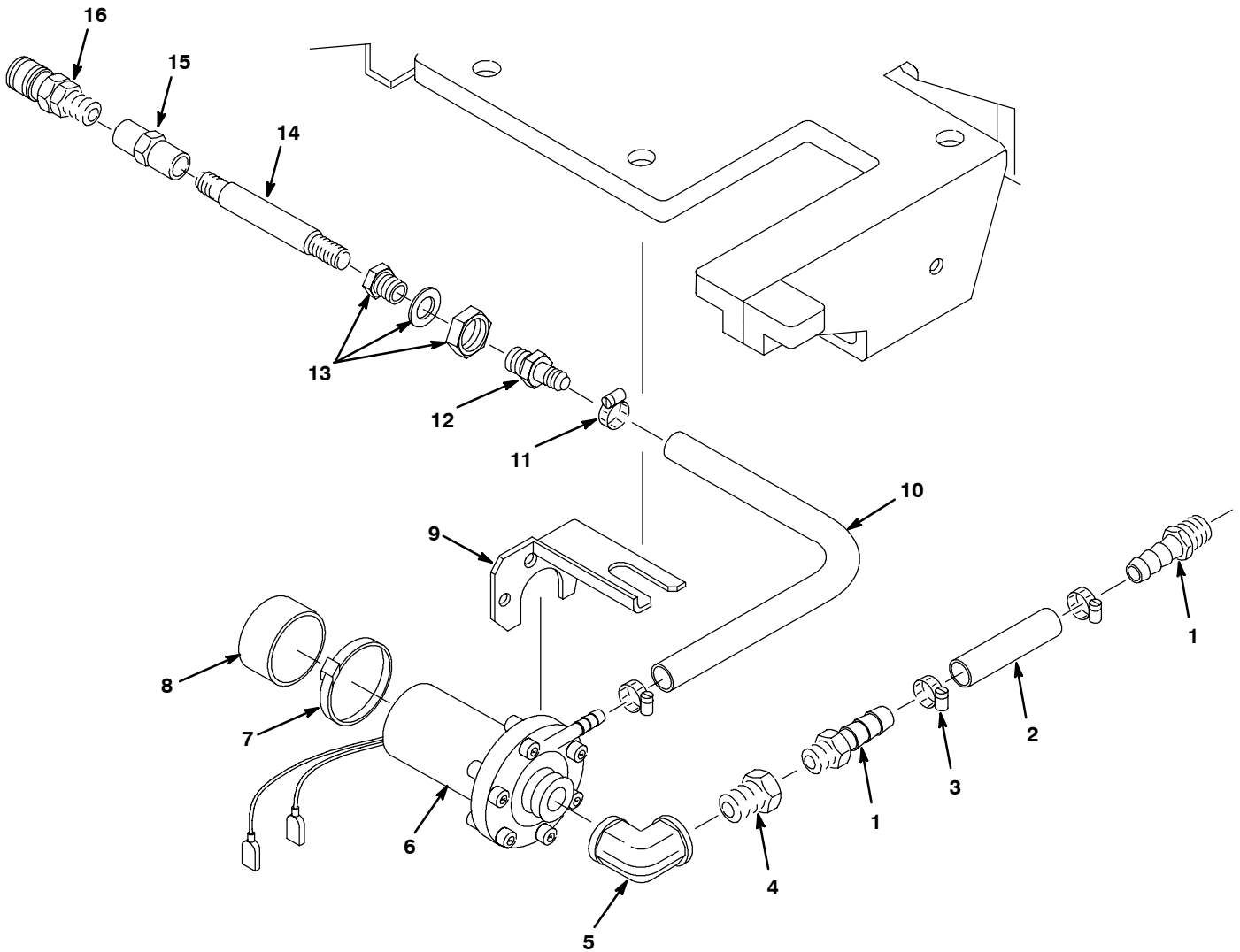


REF	PART #	DESCRIPTION	QTY.
1	603166	●SWITCH, LEVEL, LIQUID, 28VDC .28A	1
2	630138	●FILTER, SCREEN 100 MESH	1
3	605065	FITTING, PVC, STR, PM12 X 3.0, NIPPLE	1
4	630136	●PUMP, SOL, 24VDC	1
5	130041	TIE, CABLE, NYL, 11.5L .19W	1
6	605064	●CAP, VINYL, 1.38 D 1.6L	1

REF	PART #	DESCRIPTION	QTY.
7	150412	FITTING, PLSTC, E90, PM06/BM06	1
8	630439	HOSE, 2.5" FR CHK VALVE/TANK	0.20 FT
9	54333	CLAMP, HOSE, WORMDRIVE, 0.31-0.88D. .31W	4
10	210044	●VALVE, CHECK, GPM 1 PSI, BM06/BM06	1
11	607102	HOSE, 3/8IDX5/8ODX2.5FT (376720)	2.50 FT

- RECOMMENDED STOCK ITEM / PIEZAS RECOMENDADAS EN ALMACÉN / ÉLÉMENTS DE STOCK RECOMMANDÉS

WAND SOLUTION GROUP / GRUPO DE TUBERÍAS DEL TUBO / GROUPE TUYAUTERIE DE MANCHE



REF	PART #	DESCRIPTION	QTY.
1	150538	FITTING, PLSTC, STR, PM06/BM06	2
2	606363	HOSE, 3/8ID X 5/8OD X 13" (376720)	1.08 FT
3	54333	CLAMP, HOSE, WORMDRIVE, 0.31-0.88D, .31W	2
4	630252	FITTING, BRS, STR, PM12/PF06, BUSHING	1
5	630251	FITTING, PIPE, E90, PF12/PF12	1
6	630136	●PUMP, SOL 24VDC	1
7	130041	TIE, CABLE, NYL, 11.5L .19W	1
8	605064	●CAP, VINYL, 1.38 D 1.6L	1

REF	PART #	DESCRIPTION	QTY.
9	606104	BRACKET, WAND PUMP	1
10	607103	HOSE, 3/8ID X 5/8OD X 1.25FT (376720)	1.25 FT
11	54333	CLAMP, HOSE, WORMDRIVE, 0.31-0.88D, .31W	2
12	150516	FITTING, BRS, STR, BM06/PM04	1
13	150300	FITTING, BRS, STR, PF04/PF04 BH	1
14	579214	FITTING, BRS, STR, PF04/PM04 2.5L NIPPLE	1
15	150302	FITTING, BRS, STR, PF04/PF04	1
16	608292	●QUICK CONN, FEMALE, 3/8"X1/4"	1

- RECOMMENDED STOCK ITEM / PIEZAS RECOMENDADAS EN ALMACÉN / ÉLÉMENTS DE STOCK RECOMMANDÉS