

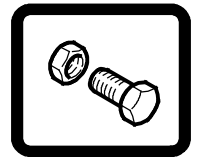


5700EE

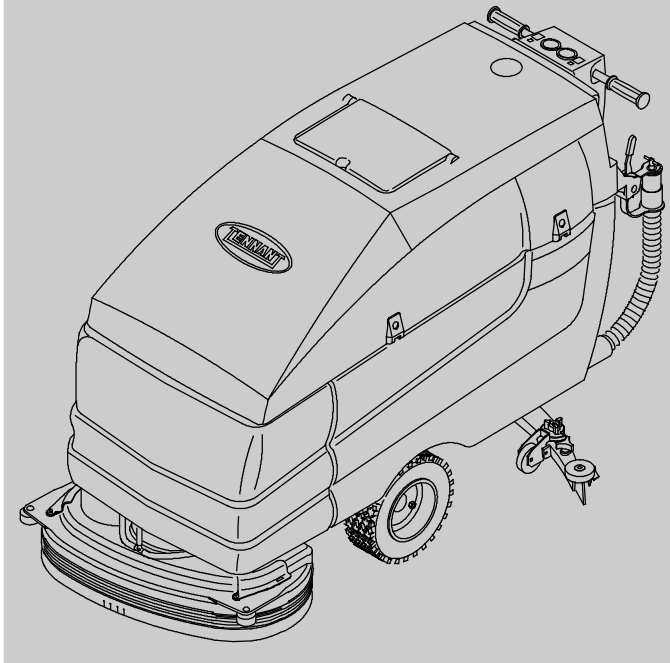
(Electric)

Walk-Behind Scrubber

Parts Manual



(S/N 1000000-)



TennantTrue® Parts
ES® Extended Scrub System



For the latest Parts manuals and other language Operator manuals, visit:

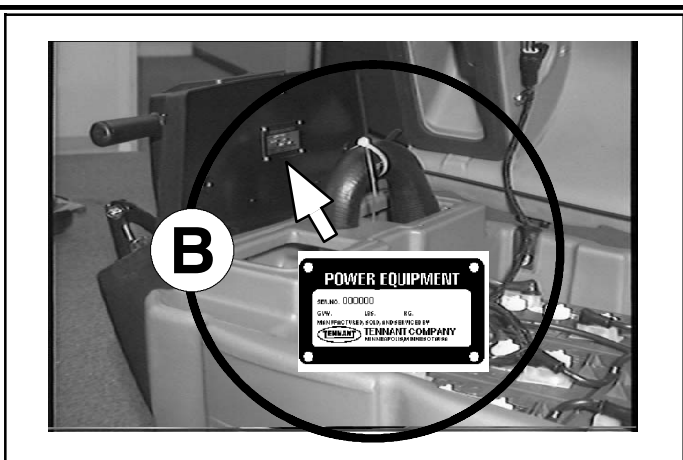
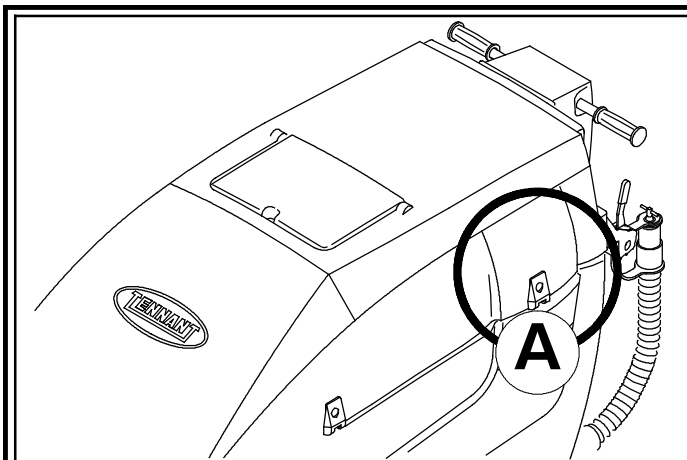
www.tennantco.com/manuals

North America / International

www.tennantco.com

331536
Rev. 07 (10-2015)





| Ref | Part No. | Serial Number | Description | Qty. |
|-----|----------|-----------------------|---------------------------------|------|
| 1 | 82681 | (10000000-) | Bracket Wldt, Lpg Mount | 1 |
| 2 | 63810 | (10000000-) | Latch Assy, Lpg Tank Mtg, W/Nut | 4 |
| 3 | 51839 | (10000000-) | Nut Adjustable, Lpg Tank Mtg | 2 |
| 4 | 49263 | (10000000-) | Tie, Cable | 3 |
| 5 | 82556 | (10000000- 10001039) | Bracket, Vaporizer | 1 |
| 6 | 54930 | (10000000-) | Vaporizer, LPG | 1 |

HOW TO ORDER PARTS - See diagram above

Only use TENNANT Company supplied or equivalent parts. Parts and supplies may be ordered online, by phone, by fax or by mail.

Follow the steps below to ensure prompt delivery.

1. (A) Identify the machine model.
2. (B) Identify the machine serial number from the data plate.
3. (C) Ensure the proper serial number is used from the parts list.
4. Identify the part number and quantity. Do not order by page or reference numbers.
5. Provide your name, company name, customer ID number, billing and shipping address, phone number and purchase order number.
6. Provide detail shipping instructions.

- (D) ▽ - Identifies an assembly
 ▲ - Identifies parts included in assembly

Please fill out at time of installation for future reference.

Model No. - _____

Serial No. - _____

Machine Options - _____

Sales Rep. - _____

Sales Rep. phone no. - _____

Customer ID Number - _____

Installation Date - _____

Tennant Company

PO Box 1452
 Minneapolis, MN 55440
 Phone: (800) 553- 8033 or (763) 513- 2850
 www.tennantco.com

Specifications and parts are subject to change without notice.

Copyright © 2006-2015 TENNANT Company, Printed in U.S.A.

GENERAL RECOMMENDED MAINTENANCE

General Recommended Maintenance Items

| Ref. | Part No. | Serial Number | Description | Qty. |
|------|----------|---------------|---|------|
| | 222241 | (10000000- |) Blade, Sqge, Front, 43.66l Rbr [800mm] | 1 |
| | 222242 | (10000000- |) Blade, Sqge, Rear, 45.65l Linatex [32"] | 1 |
| ▽ | 222423 | (10000000- |) Blade Kit, Sqge, Rbr [800] | 1 |
| ▲ | 222384 | (10000000- |) Blade, Sqge, Tile, 43.66l [Linard, 32"] | 1 |
| ▲ | 222386 | (10000000- |) Blade, Sqge, Rear, 45.65l Gum [32"] | 1 |
| ▽ | 222429 | (10000000- |) Blade Kit, Sqge, Pyu [800] | 1 |
| ▲ | 222392 | (10000000- |) Blade, Sqge, Front, 43.66l Pyu [32"] | 1 |
| ▲ | 222388 | (10000000- |) Blade, Sqge, Rear, 45.65l Pyu [32"] | 1 |
| | 222066 | (10000000- |) Wheel, 3.0 Dia | 4 |
| | 82138 | (10000000- |) Nut Speed, Retainer, .25- 20 Thd | 2 |
| | 222178 | (10000000- |) Roller, Bumper | 2 |
| | 222403 | (10000000- |) Wheel, 2.0 Dia | 2 |
| | 222431 | (10000000- |) Skirt Assy, Disc Head, 32" | 1 |
| ▽ | 222711 | (10000000- |) Replm Kit, Brush Skirts | 1 |
| ▲ | 222180 | (10000000- |) Skirt, Scrub Head | 4 |
| | 223568 | (10000000- |) Skirt, Deflector | 2 |

▽ - Identifies an assembly

▲ - Identifies parts included in assembly

SECTION 2

| Contents | Page | Contents | Page |
|---|-------------|---|-------------|
| Fig. 1 - Brushes, Replacement, Cylindrical | 2-2 | Fig. 19 - Operator Console Group (S/N 10000000- 10367556) | 2-38 |
| Fig. 2 - Brushes And Pad Drivers, Replacement, Model 800, 800 mm (32 in) | 2-4 | Fig. 20 - Electrical Panel Group (S/N 10367557-) | 2-40 |
| Fig. 3 - Main Frame and Drive Group (S/N 10000000- 10705714) | 2-6 | Fig. 21 - Electrical Panel Group (S/N 10335670- 10367556) | 2-42 |
| Fig. 4 - Main Frame and Drive Group (S/N 10705715-) | 2-8 | Fig. 22 - Electrical Panel Group (S/N 10000000- 10335669) | 2-44 |
| Fig. 5 - Tire and Rim Assembly, Black | 2-10 | Fig. 23 - Squeegee Lift Group | 2-46 |
| Fig. 6 - Scrub Head Lift Group | 2-12 | Fig. 24 - Squeegee Linkage Group | 2-48 |
| Fig. 7 - Scrub Head Kit, Model 800D, 800 mm (32 in) (S/N 10578962-) | 2-14 | Fig. 25 - Squeegee Group, Model 800, 800 mm (32 in) | 2-50 |
| Fig. 8 - Scrub Head Kit, Model 800D, 800 mm (32 in) (S/N 10000000- 10578961) | 2-16 | Fig. 26 - Electrical Schematic (S/N 10335670-) | 2-52 |
| Fig. 9 - Scrub Head Drive Group, Model 800C, 800 mm (32 in) | 2-18 | Fig. 27 - Electrical Schematic (S/N 10000000- 10335669) | 2-54 |
| Fig. 10 - Scrub Head Frame Group, Model 800C, 800 mm (32 in) | 2-20 | Fig. 28 - Electrical Wire Harness Group (S/N 10436743-) | 2-56 |
| Fig. 11 - Recovery Tank Group | 2-22 | Fig. 29 - Electrical Wire Harness Group (S/N 10378922- 10436742) | 2-60 |
| Fig. 12 - Solution Tank Group | 2-24 | Fig. 30 - Electrical Wire Harness Group (S/N 10335670- 10378921) | 2-64 |
| Fig. 13 - Vacuum Fan Group | 2-26 | Fig. 31 - Electrical Wire Harness Group (S/N 10000000- 10335669) | 2-69 |
| Fig. 14 - Solution Control Group | 2-28 | Fig. 32 - Label Group | 2-72 |
| Fig. 15 - Battery Group (S/N 10335670-) | 2-30 | | |
| Fig. 16 - Battery Group (S/N 10000000- 10335669) | 2-32 | | |
| Fig. 17 - Steering Control Group | 2-34 | | |
| Fig. 18 - Operator Console Group (S/N 10367557-) | 2-36 | | |

Fig. 1 - Brushes, Replacement, Cylindrical

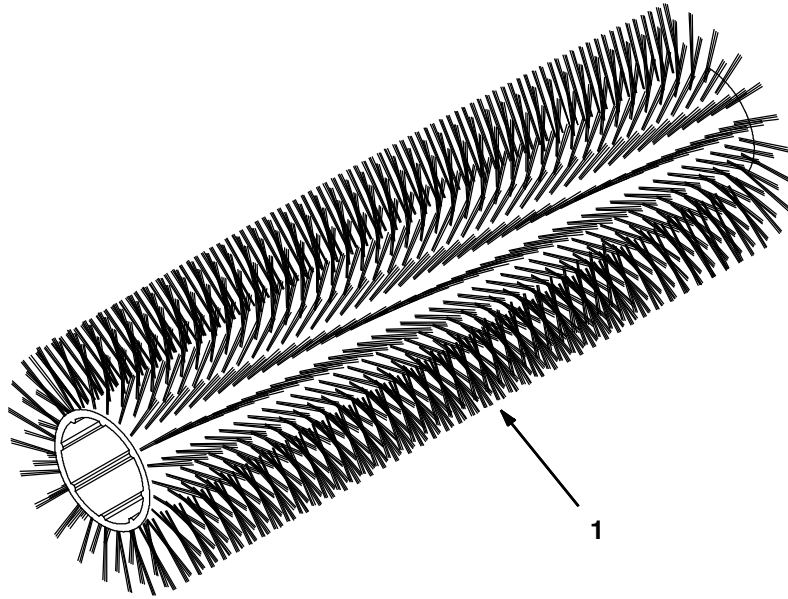


Fig. 1 - Brushes, Replacement, Cylindrical

| Ref. | Part No. | Serial Number | Description | Qty. |
|------|----------|---------------|---|------|
| 1 | 222307 | (10000000- |) Brush, Scb, 32l, 18sr, Pyp, Spl [Grout] | 2 |
| 1 | 374042 | (10000000- |) Brush, Scb, 32l, 18sr, Hd Pyp, Spl | 2 |
| 1 | 222308 | (10000000- |) Brush, Scb, 32l, 18sr, Nyl, Spl | 2 |
| 1 | 222309 | (10000000- |) Brush, Scb, 32l, 18sr, Abr, Spl | 2 |

Fig. 2 - Brushes And Pad Drivers, Replacement, Model 800, 800 mm (32 in)

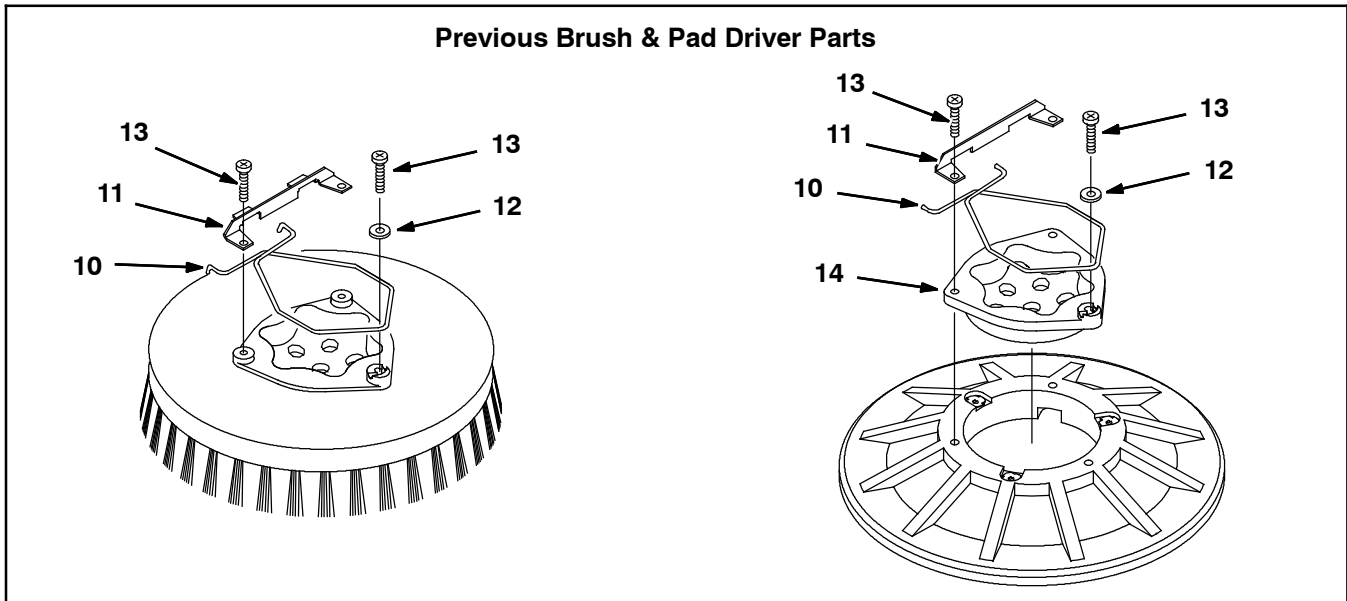
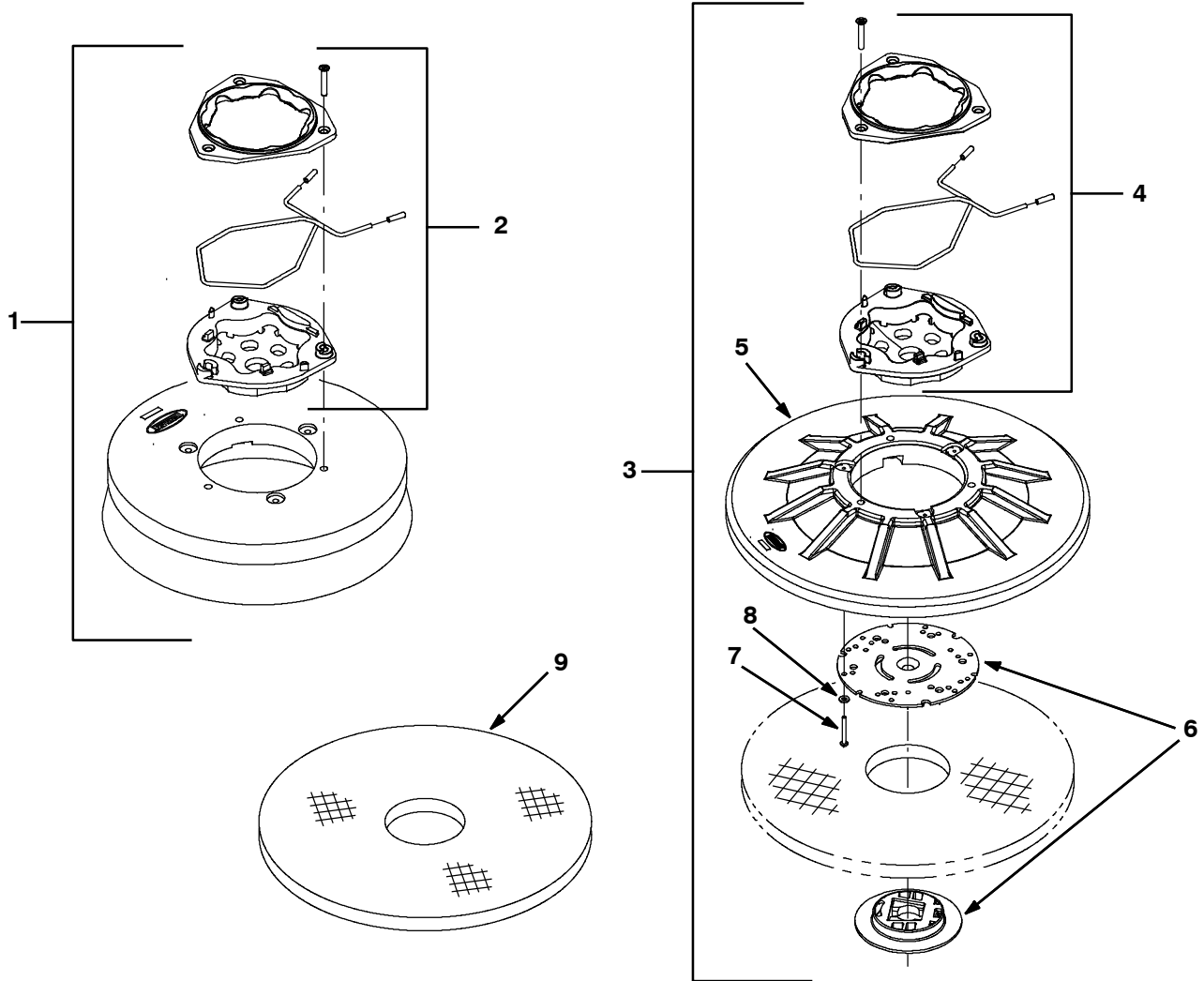


Fig. 2 - Brushes And Pad Drivers, Replacement, Model 800, 800 mm (32 in)

| | Ref. | Part No. | Serial Number | Description | Qty. |
|---|-------------|-----------------|----------------------|--|-------------|
| ▽ | 1 | 1220235 | (10000000- |) Brush Assy, Disk, Scb, 16.0d, Nyl | 2 |
| ▲ | 2 | 9014662 | (10000000- |) Brush Kit, Hub Assy, Drive, Ci [Hdpe In] | 1 |
| ▽ | 1 | 1220241 | (10000000- |) Brush Assy, Disk, Scb, 16.0d, Pyp | 2 |
| ▲ | 2 | 9014662 | (10000000- |) Brush Kit, Hub Assy, Drive, Ci [Hdpe In] | 1 |
| ▽ | 1 | 1221543 | (10000000- |) Brush Assy, Disk, Scb, 16.0d, Sab | 2 |
| ▲ | 2 | 9014662 | (10000000- |) Brush Kit, Hub Assy, Drive, Ci [Hdpe In] | 1 |
| ▽ | 3 | 1220199 | (10000000- |) Driver Assy, Pad, 16.0d | 2 |
| ▲ | 4 | 9014662 | (10000000- |) Brush Kit, Hub Assy, Drive, Ci [Hdpe In] | 1 |
| ▲ | 5 | 397976 | (10000000- |) Disk, Driver, Pad, W/ Face, 16.0d | 1 |
| ▲ | 6 | 370095 | (10000000- |) Device, Centering, Clip On, TI [Gf Pp] | 1 |
| ▲ | 7 | 09198 | (10000000- |) Screw, Pan, Phl, M4 X 0.70 X 35, Ss | 3 |
| ▲ | 8 | 41579 | (10000000- |) Washer, Flat, 08, Ss | 3 |
| | 9 | 63248- 1 | (10000000- |) Pad, Strip 16D Brown | 2 |
| | 9 | 63248- 2 | (10000000- |) Pad, Scrub 16D Blue | 2 |
| | 9 | 63248- 3 | (10000000- |) Pad, Buff 16D Red | 2 |
| | 9 | 63248- 4 | (10000000- |) Pad, Polish 16D White | 2 |
| | 9 | 370092 | (10000000- |) Pad, Strip- Hd 16D Black | 2 |
| | 9 | 1051027 | (10000000- |) Pad, Surf Prep, 16.0d [Mar, 1pick=1pad] | 2 |

Previous Brush And Pad Driver Parts

| | | | | | |
|--|----|---------|------------|--|---|
| | 10 | 14838 | (10000000- |) Spring, Brush Retaining | 1 |
| | 11 | 24299 | (10000000- |) Bracket, Spring Retainer | 1 |
| | 12 | 01684 | (10000000- |) Washer, Flat, 0.25 Ss | 1 |
| | 13 | 32746 | (10000000- |) Screw, Pan, M6 X 1.0 X 35, Ss | 3 |
| | 14 | 15539 | (10000000- |) Adaptor, Brush | 1 |
| | | 1042499 | (10000000- |) Brush Assy, Disk, Scb, 16.0d, Nyl (Replaced By 1220235) | 2 |
| | | 30241 | (10000000- |) Brush- Disk Scr 16 D Assy Poly (Replaced By 1220241) | 2 |
| | | 1042504 | (10000000- |) Brush Assy, Disk, Scb, 16.0d, Sab (Replaced By 1221543) | 2 |
| | | 397916 | (10000000- |) Driver Assy, Pad, 16d (Replaced By 1220199) | 2 |

▽ - Identifies an assembly

▲ - Identifies parts included in assembly

STANDARD PARTS

Fig. 3 - Main Frame and Drive Group (S/N 1000000-10705714)

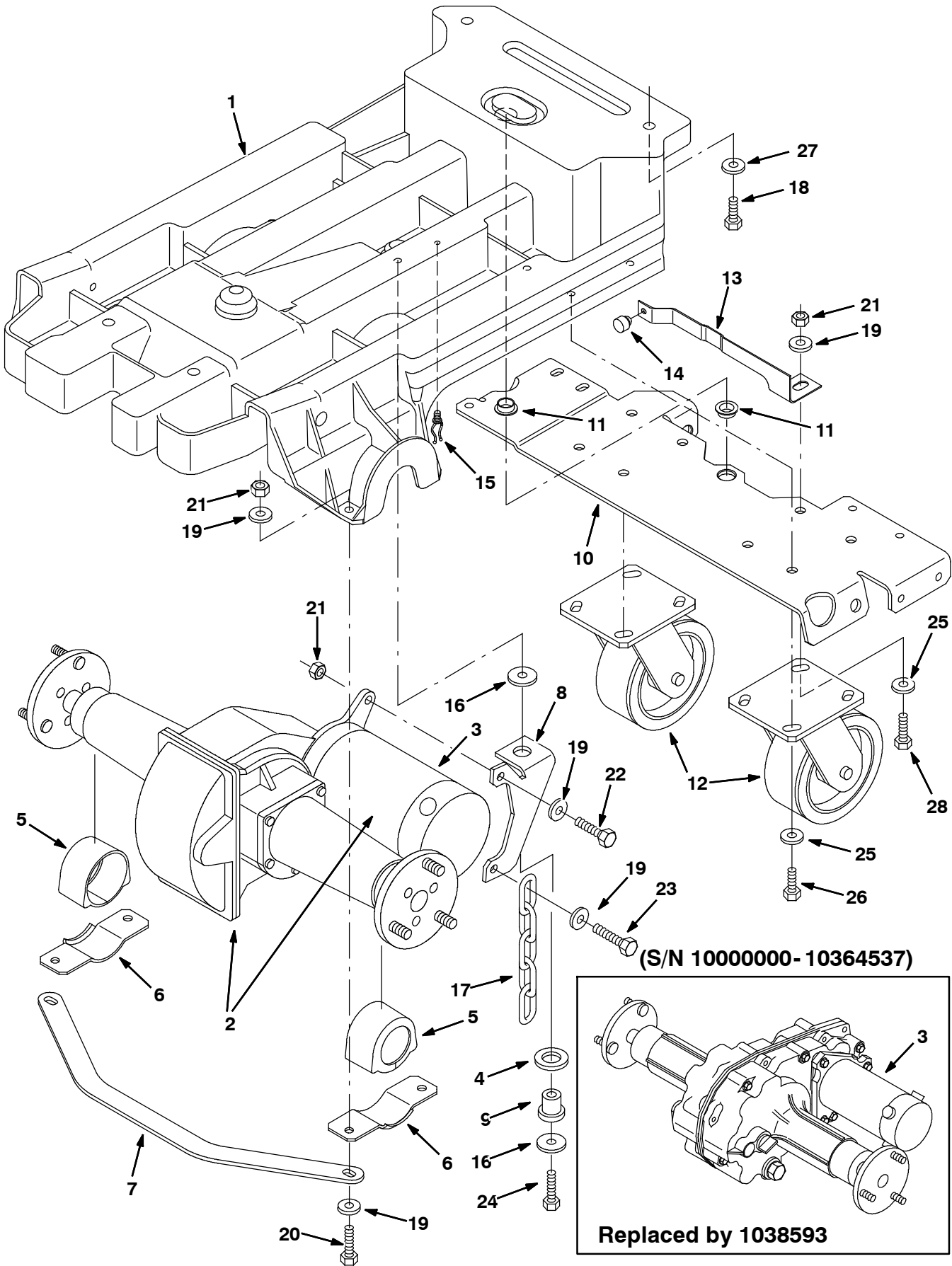


Fig. 3 - Main Frame and Drive Group (S/N 10000000- 10705714)

| Ref. | Part No. | Serial Number | Description | Qty. |
|------|----------|---------------|---|------|
| | 1 | 398311 | (10000000-) Frame, Main | 1 |
| ▽ | 2 | 1038593 | (10000000- 10705714) Transaxle Assy, w/Motor [W/O Park Lock] (Replaced by 9011941 - Breakdown Parts Not Available) | 1 |
| ▲▽ | 3 | 1040886 | (10364538- 10705714) Vr, Motor, Transaxle | 1 |
| ▲ | | 1040891 | (10364538- 10705714) Vr, Brush, Motor, Transaxle | 1 |
| | 3 | 1031761 | (10000000- 10364537) Motor, Ele, 36Vdc 2000Rpm 0.50Hp (See Breakdown) | 1 |
| | 4 | 39350 | (10000000-) Washer, Flat, 0.75, Sae | 1 |
| | 5 | 222035 | (10000000-) Isolator, Transaxle | 2 |
| | 6 | 222036 | (10000000-) Bracket, Mtg, Isolator | 2 |
| | 7 | 222098 | (10000000-) Bracket, Support, Frame | 1 |
| | 8 | 222039 | (10000000- 10705714) Bracket, Mtg, Transaxle (Replaced by 1072660) | 1 |
| | 9 | 54274 | (10000000-) Isolator- Vibration, 125Lb.Ratng | 1 |
| | 10 | 222085 | (10000000-) Bracket, Caster Pad | 1 |
| | 11 | 04843 | (10000000-) Bearing, Flange .625 Bore | 2 |
| | 12 | 1049046 | (10000000-) Caster, Swivel, 5.0d 2.0w, 4hole, Gray | 2 |
| | 13 | 222469 | (10000000-) Spring, Centering | 1 |
| | 14 | 51787 | (10000000-) Bumper, Rubber | 1 |
| | 15 | 30406 | (10000000-) Clip, Keeper, St | 1 |
| | 16 | 1014563 | (10000000-) Washer, Flat, 0.40b 1.12d .12, Ss | 2 |
| | 17 | 222842 | (10000000-) Chain,Static, Brass | 1 |
| | 18 | 12273 | (10000000-) Scr- Hexssm 8X1.25 20 Nylonloc | 4 |
| | 19 | 01685 | (10000000-) Washer Flt .31 Ss | 8 |
| | 20 | 09011 | (10000000-) Scr Hexssm 8X1.25 30 | 4 |
| | 21 | 08713 | (10000000-) Nut- Hxlocnyln M 8X1.25 Reg Ss | 8 |
| | 22 | 09011 | (10000000-) Screw, Hex, M8 X 1.25 X 30, Ss | 1 |
| | 23 | 222505 | (10000000-) Scr Hexssm 8X1.25 45 | 1 |
| | 24 | 59658 | (10000000-) Scr Hexssm 8X1.25 35 Nylonloc | 1 |
| | 25 | 41186 | (10000000-) Washer, Bellville .31 Pltd | 8 |
| | 26 | 12333 | (10000000-) Scr- Hexssm 8X1.25 25 Nylonloc | 6 |
| | 27 | 1017218 | (10000000-) Washer, Flat, 0.321b 1.00d .12, Ss | 8 |
| | 28 | 09010 | (10000000-) Scr Hexssm 8X1.25 25 | 2 |

▽ - Identifies an assembly

▲ - Identifies parts included in assembly

Fig. 4 - Main Frame and Drive Group (S/N 10705715-)

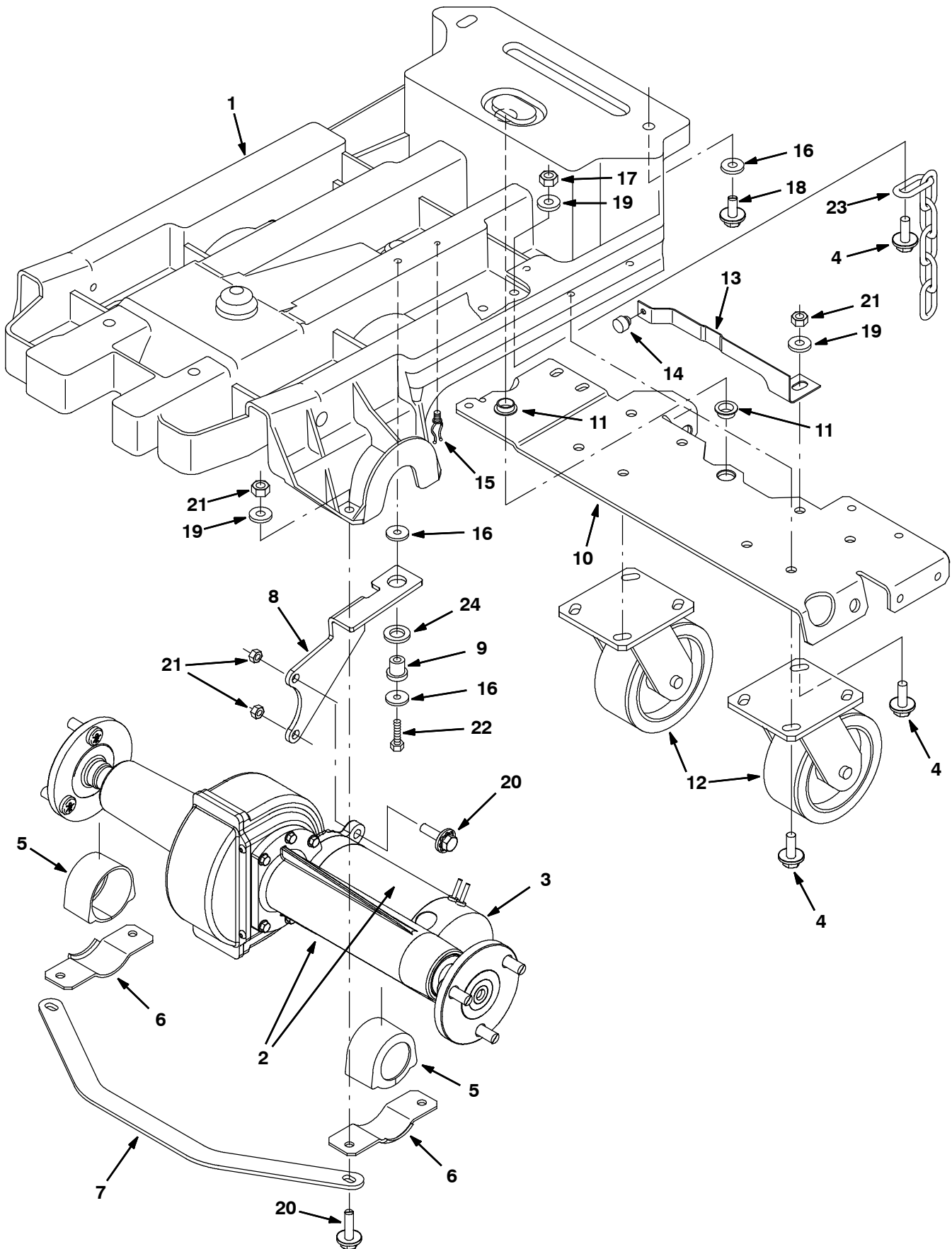


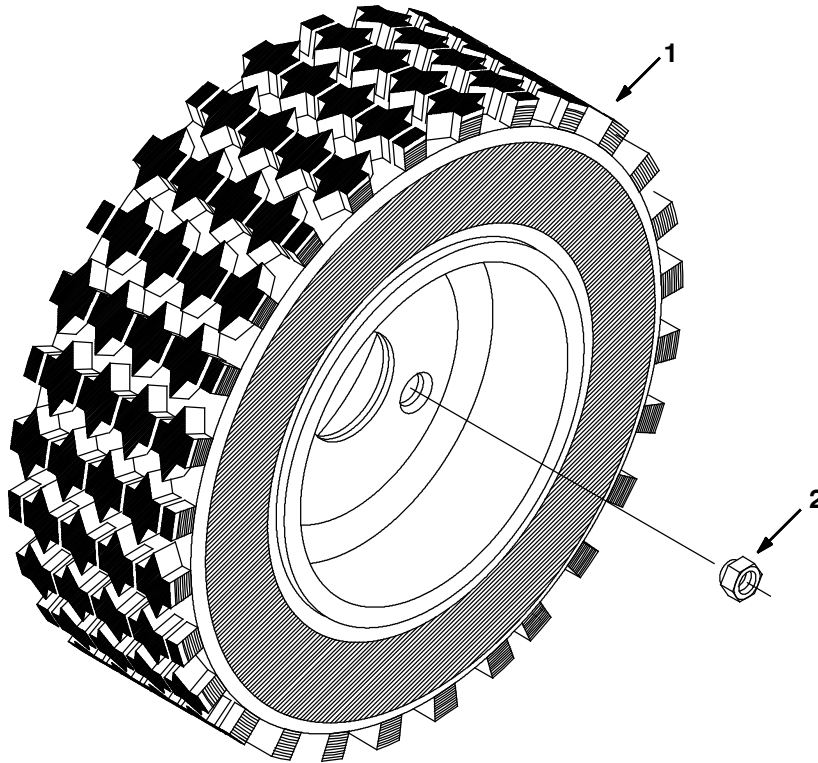
Fig. 4 - Main Frame and Drive Group (S/N 10705715-)

| Ref. | Part No. | Serial Number | Description | Qty. |
|------|----------|---------------|--|------|
| | 1 | 398311 | (10000000-) Frame, Main | 1 |
| ▽ | 2 | 1072422 | (10705715-) Transaxle Assy, W/ Motor [W/O Park Lock] | 1 |
| ▲▽ | 3 | 1072554 | (10705715-) Vr, Motor Kit, Transaxle [5680/5700] (Breakdown Parts Not Available) | 1 |
| ▲ | | 1072555 | (10705715-) Vr, Brush Kit, Motor 1072554 | 1 |
| | 4 | 1072628 | (10000000-) Screw, Hex, M8 X 1.25 X 25, Ss, Sems | 9 |
| | 5 | 222035 | (10000000-) Isolator, Transaxle | 2 |
| | 6 | 222036 | (10000000-) Bracket, Mtg, Isolator | 2 |
| | 7 | 222098 | (10000000-) Bracket, Support, Frame | 1 |
| | 8 | 1072660 | (10705715-) Bracket, Mtg, Transaxle | 1 |
| | 9 | 54274 | (10000000-) Isolator- Vibration, 125Lb. Ratng | 1 |
| | 10 | 222085 | (10000000-) Bracket, Caster Pad | 1 |
| | 11 | 04843 | (10000000-) Bearing, Flange .625 Bore | 2 |
| | 12 | 222467 | (10000000-) Caster, 5.0 Dia Wheel | 2 |
| | 13 | 222469 | (10000000-) Spring, Centering | 1 |
| | 14 | 51787 | (10000000-) Bumper, Rubber | 1 |
| | 15 | 30406 | (10000000-) Clip, Keeper, St | 1 |
| | 16 | 1014563 | (10000000-) Washer, Flt, 0.40b 1.12d .12, Ss | 4 |
| | 17 | 08713 | (10000000-) Nut- Hxlocnyln M 8X1.25 Reg Ss | 1 |
| | 18 | 1020341 | (10000000-) Screw, Hex, M8 X 1.25 X 20, Ss, Sems | 4 |
| | 19 | 01685 | (10000000-) Washer, Flat, 0.38b 0.88d .08, Ss | 16 |
| | 20 | 1072816 | (10000000-) Screw, Hex, M8 X 1.25 X 30, Ss, Sems | 6 |
| | 21 | 08713 | (10000000-) Nut- Hxlocnyln M 8X1.25 Reg Ss | 8 |
| | 22 | 59658 | (10000000-) Scr Hexssm 8X1.25 35 Nylonloc | 1 |
| | 23 | 43500 | (10000000-) Chain, Coil, Str, #210, 09.0L 07 Link | 1 |
| | 24 | 39350 | (10000000-) Washer, Flat, 0.75, Sae | 1 |

▽ - Identifies an assembly

▲ - Identifies parts included in assembly

Fig. 5 - Tire and Rim Assembly, Black



| Ref. | Part No. | Serial Number | Description | Qty. |
|------|----------|---------------|---|------|
| ▽ | 1 | 1059450 | (10000000-) Tire Assy, Pneu, Blk, 4.10/3.5- 06 3.5bc | 2 |
| ▲▽ | 374049 | (10000000-) | Tire, Blk, 4.10/3.50- 6 [With Tube] | 1 |
| ▲▲ | 04658 | (10000000-) | Innertube, 4.10 X 350 | 1 |
| | 2 | 11109 | (10000000-) Nut, Wheel | 6 |

▽ - Identifies an assembly

▲ - Identifies parts included in assembly

Fig. 6 - Scrub Head Lift Group

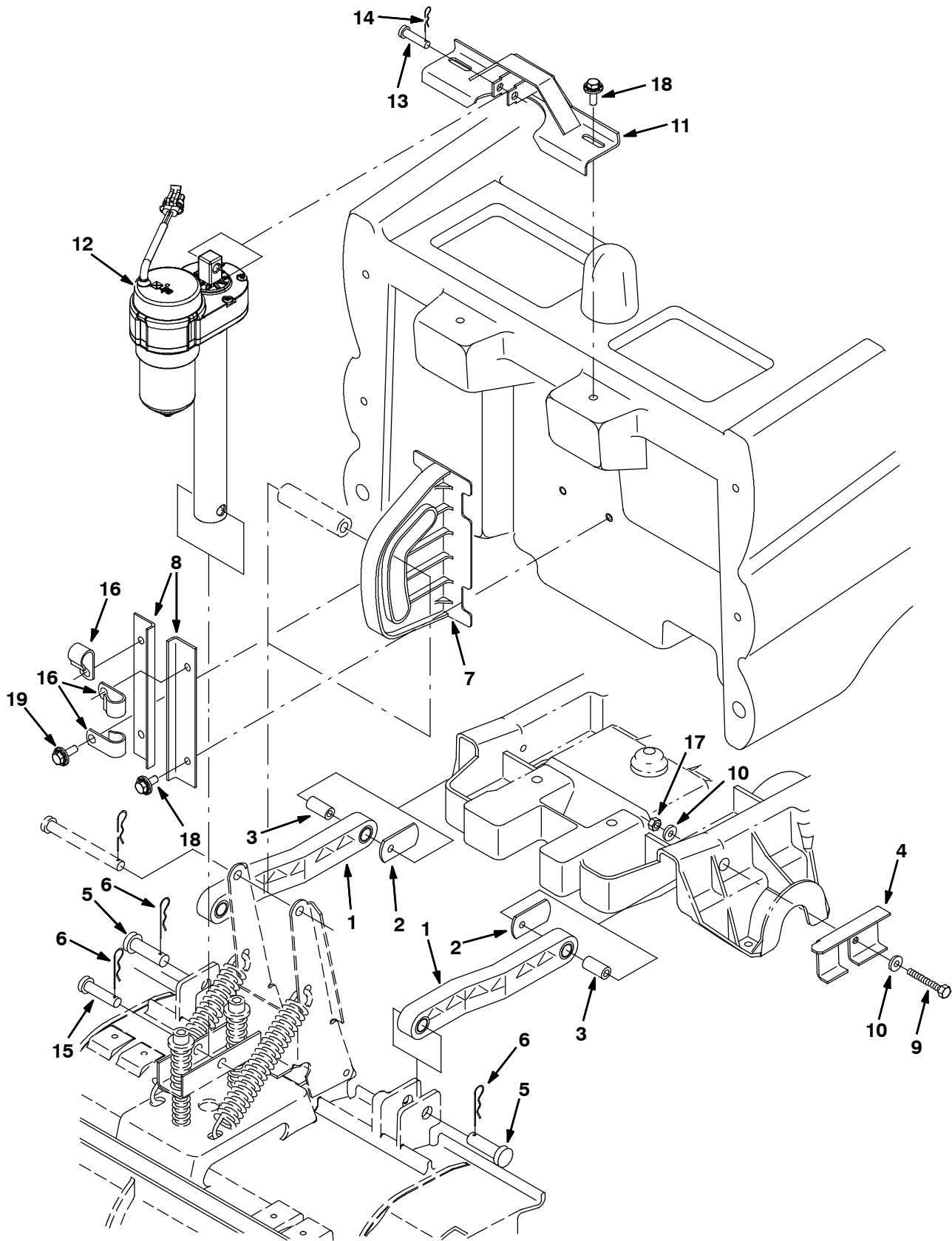


Fig. 6 - Scrub Head Lift Group

| Ref. | Part No. | Serial Number | Description | Qty. |
|------|----------|---------------|--|------|
| 1 | 222027 | (10000000- |) Arm, Lift, Head | 2 |
| 2 | 222099 | (10000000- |) Spacer, Lift Arm | 2 |
| 3 | 222028 | (10000000- |) Sleeve, .344B .62D1.3 Bronze | 2 |
| 4 | 222488 | (10000000- |) Bracket, Tank Support | 1 |
| 5 | 222210 | (10000000- |) Pin, Clevis, 0.62 Dia X 2.00Lg | 2 |
| 6 | 02942 | (10000000- |) Pin,Hair Cotter .12Wire 2.37Sl | 3 |
| 7 | 222034 | (10000000- |) Bracket, Guide, Roller | 1 |
| 8 | 222054 | (10000000- |) Bracket, Roller Guide | 2 |
| 9 | 222504 | (10000000- |) Scr Hexssm 8X1.25 55 | 2 |
| 10 | 01685 | (10000000- |) Washer, Flat, 0.38b 0.88d .08, Ss | 4 |
| 11 | 222051 | (10000000- |) Bracket, Mounting, Actuator | 1 |
| 12 | 9006241 | (10000000- |) Actuator Kit, Replmt [5700] | 1 |
| 13 | 29558 | (10000000- |) Pin,Clevis,0.37 Dia.X 1.50 Lg | 1 |
| 14 | 86866 | (10000000- |) Pin, Hair Cotter .375D .072Wir | 1 |
| 15 | 51534 | (10000000- |) Pin,Clevis,0.50 Dia.X 2.00 Lg | 1 |
| 16 | 30407 | (10000000- |) Clip, Keeper, Open | 3 |
| 17 | 08713 | (10000000- |) Nut- Hxlocnyln M 8X1.25 Reg Ss | 2 |
| 18 | 1072628 | (10000000- |) Screw, Hex, M8 X 1.25 X 25, Ss, Sems | 2 |
| 19 | 1020341 | (10000000- |) Screw, Hex, M8 X 1.25 X 20, Ss, Sems | 5 |

STANDARD PARTS

Fig. 7 - Scrub Head Kit, Model 800D, 800 mm (32 in) (S/N 10578962-)

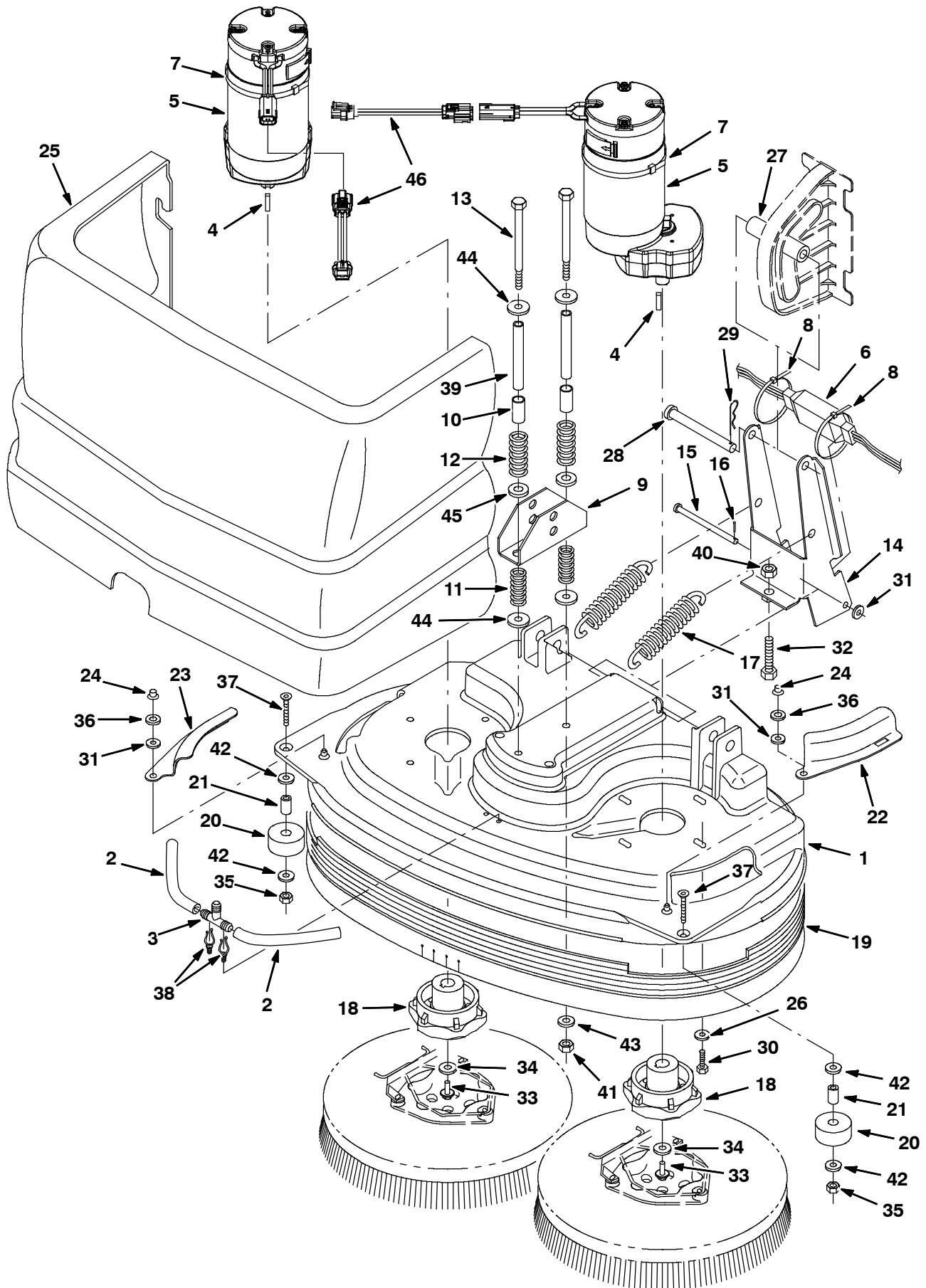


Fig. 8 - Scrub Head Kit, Model 800D, 800 mm (32 in) (S/N 10578962-)

| Ref. | Part No. | Serial Number | Description | Qty. |
|------|------------|---------------|---|------|
| ▽ | 222018 | (10000000- |) Scrub Head Kit Ee 800D | 1 |
| ▲ | 1 1030875 | (10000000- |) Housing, Head, 80cm, Disk [5680/5700] | 1 |
| ▲ | 2 222535 | (10000000- |) Hose, Vinyl .38Id .56Od 8.0L | 2 |
| ▲ | 3 222536 | (10000000- |) Fitting- Plastic Tee 06Bm/06Bm/ | 1 |
| ▲ | 4 00928 | (10578962- |) Key, Sq, 0.25 X 0.25, 1.00l | 2 |
| ▲ | 5 1063882 | (10578962- |) Motor, Ele, 36vdc 0330rpm 0.60hp | 2 |
| ▲ | 6 222836 | (10000000- |) Harness, Wire, Disk Head, Elec | 1 |
| ▲ | 7 44961 | (10000000- |) Tie, Cable 4.00 Max 14.50Lg | 4 |
| ▲ | 8 49263 | (10000000- |) Tie Cable 3.00D Max 11.41Lg | 2 |
| ▲ | 9 1012088 | (10000000- |) Bracket, Mtg, Spring | 1 |
| ▲ | 10 140148 | (10000000- |) Sleeve, P/M, 0.50b 0.63d 1.4l, Stl Pl | 2 |
| ▲ | 11 63185 | (10000000- |) Spring,Comp,.84Odx.10Wire 2.0L | 2 |
| ▲ | 12 45261 | (10000000- |) Sprng,Comp,0.74Idx.11Wire 2.5L | 2 |
| ▲ | 13 20178 | (10000000- |) Screw, Hex, .38- 16 X 5.50, G5 | 2 |
| ▲ | 14 222838 | (10000000- |) Bracket, Pivot | 1 |
| ▲ | 15 222207 | (10000000- |) Pin, Clevis, 0.31Dia X4.5Lg | 1 |
| ▲ | 16 08346 | (10000000- |) Pin, Cotter, .125 X 0.75 | 1 |
| ▲ | 17 222363 | (10000000- |) Spring, Tension | 2 |
| ▲ | 18 377364 | (10000000- |) Hub, Drive, Brush, Disk, 0.75b 6t | 2 |
| ▲ | 19 222431 | (10000000- |) Skirt Assy, Disc Head, 32" | 1 |
| ▲ | 20 222403 | (10000000- |) Wheel, 2.0 Dia | 2 |
| ▲ | 21 222496 | (10000000- |) Sleeve | 2 |
| ▲ | 22 222404 | (10000000- |) Door, Scrub Head, Lh | 1 |
| ▲ | 23 222405 | (10000000- |) Door, Scrub Head, Rh | 1 |
| ▲ | 24 59849 | (10000000- |) Nut, Retainer R/.312 Dia | 2 |
| ▲ | 25 9005800 | (10000000- |) Cover, Front, Teal, Afmkt [5700 Disk] | 1 |
| ▲ | 26 41186 | (10000000- |) Washer- Belleville .31 Pltd | 8 |
| ▲ | 27 222055 | (10000000- |) Roller, Linkage, Head | 1 |
| ▲ | 28 222197 | (10000000- |) Pin, Clevis 0.50 Dia X 4.75Lg | 1 |
| ▲ | 29 02942 | (10000000- |) Pin,Hair Cotter .12Wire 2.37Sl | 1 |
| ▲ | 30 09291 | (10578962- |) Screw, Hex, M10 X 1.50 X 20, Ss | 8 |
| ▲ | 31 01685 | (10000000- |) Washer Flt .31 Ss | 3 |
| ▲ | 32 05720 | (10000000- |) Scr- Hexssm10X1.5 40 Full Thd | 1 |
| ▲ | 33 1072628 | (10000000- |) Screw, Hex, M8 X 1.25 X 25, Ss, Sems | 2 |
| ▲ | 34 1017218 | (10000000- |) Washer, Flat, 0.32b 1.00d .12, Ss | 2 |
| ▲ | 35 08713 | (10000000- |) Nut- Hxlocnyln M 8X1.25 Reg Ss | 2 |
| ▲ | 36 32713 | (10000000- |) Washer, .406B .81D .09Ureth | 2 |
| ▲ | 37 33943 | (10000000- |) Scr- Flt M8 X 1.25 40 | 2 |
| ▲ | 38 30406 | (10000000- |) Clip, Keeper, St | 2 |
| ▲ | 39 1029426 | (10000000- |) Tube, Rnd, 0.40id 0.50od 04.3l, Ss | 2 |
| ▲ | 40 39312 | (10000000- |) Nut, Hex, Std, M10 X 1.5 | 1 |
| ▲ | 41 59156 | (10000000- |) Nut, Hex, Lock, .38- 16, NI, Ss | 2 |
| ▲ | 42 140027 | (10000000- |) Washer, Flat, 0.35b 0.75d .04, Ss | 4 |
| ▲ | 43 01685 | (10000000- |) Washer, Flat, 0.38b 0.88d .08, Ss | 2 |
| ▲ | 44 32662 | (10000000- |) Washer, Flat, 0.38b 1.22d .06, Ss | 4 |
| ▲ | 45 32486 | (10000000- |) Washer, Flt .50 SAE | 2 |
| ▲ | 46 1066734 | (10578962- |) Harness, Adapter, Motor | 2 |

▽ - Identifies an assembly

▲ - Identifies parts included in assembly

STANDARD PARTS

Fig. 8 - Scrub Head Kit, Model 800D, 800 mm (32 in) (S/N 10000000-10578961)

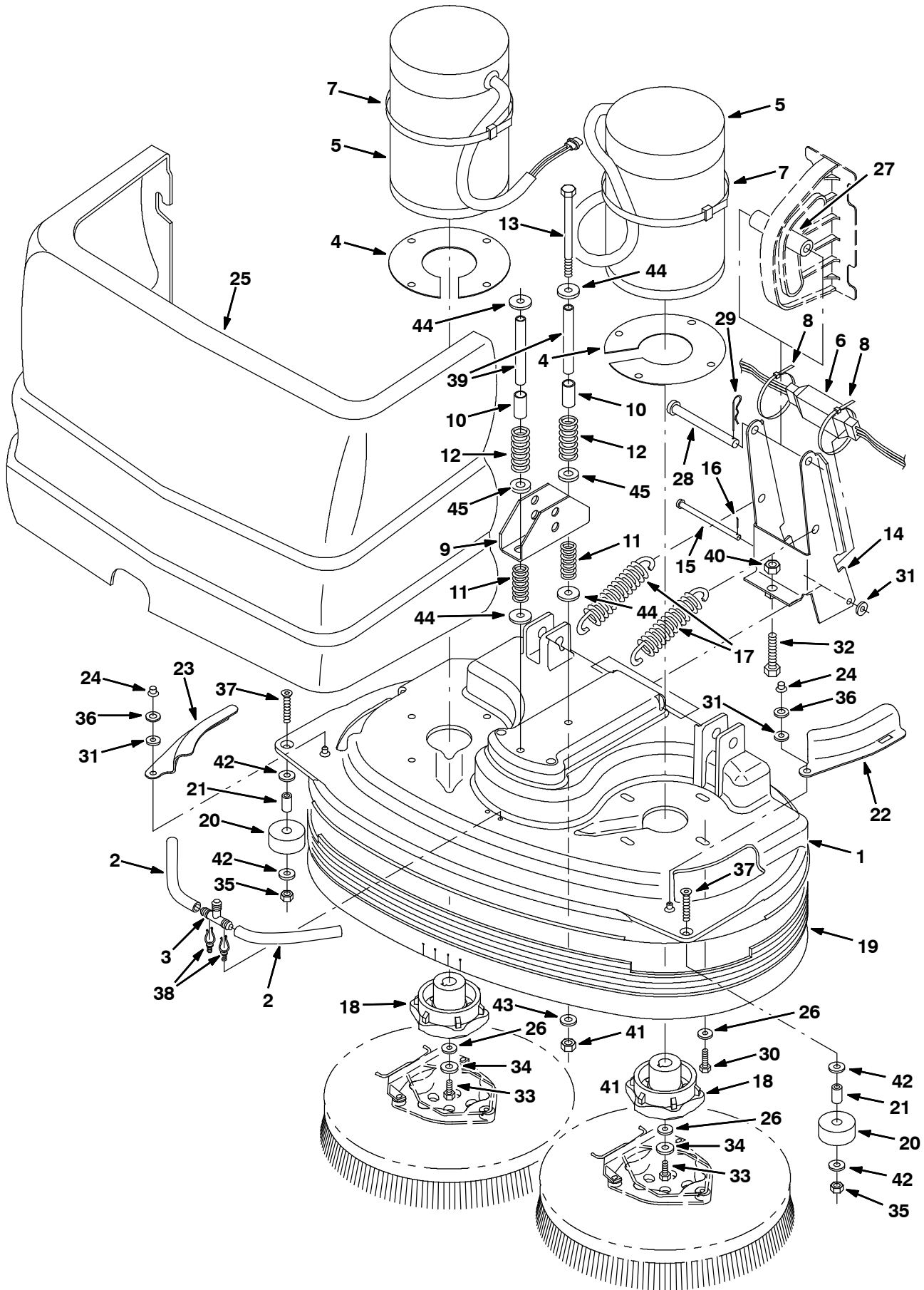


Fig. 8 - Scrub Head Kit, Model 800D, 800 mm (32 in) (S/N 10000000- 10578961)

| Ref. | Part No. | Serial Number | Description | Qty. |
|------|------------|---------------------|--|------|
| ▽ | 222018 | (10000000- |) Scrub Head Kit Ee 800D | 1 |
| ▲ | 1 1030875 | (10000000- |) Housing, Head, 80cm, Disk [5680/5700] | 1 |
| ▲ | 2 222535 | (10000000- |) Hose, Vinyl .38Id .56Od 8.0L | 2 |
| ▲ | 3 222536 | (10000000- |) Fitting- Plastic Tee 06Bm/06Bm/ | 1 |
| ▲ | 4 222440 | (10000000- 10578961 |) Gasket, End Bell (Replaced by 1069606) | 2 |
| ▲ | 5 222708 | (10000000- 10578961 |) Motor Assy, Elec, Ee 0.6Hp (See Breakdowns) (Replaced by 1068558) | 2 |
| ▲ | 6 222836 | (10000000- |) Harness, Wire, Disk Head, Elec | 1 |
| ▲ | 7 44961 | (10000000- |) Tie, Cable 4.00 Max 14.50Lg | 4 |
| ▲ | 8 49263 | (10000000- |) Tie Cable 3.00D Max 11.41Lg | 2 |
| ▲ | 9 1012088 | (10000000- |) Bracket, Mtg, Spring | 1 |
| ▲ | 10 140148 | (10000000- |) Sleeve, P/M, 0.50b 0.63d 1.4l, Stl PI | 2 |
| ▲ | 11 63185 | (10000000- |) Spring,Comp,.84Odx.10Wire 2.0L | 2 |
| ▲ | 12 45261 | (10000000- |) Sprng,Comp,0.74Idx.11Wire 2.5L | 2 |
| ▲ | 13 20178 | (10000000- |) Screw, Hex, .38- 16 X 5.50, G5 | 2 |
| ▲ | 14 222838 | (10000000- |) Bracket, Pivot | 1 |
| ▲ | 15 222207 | (10000000- |) Pin, Clevis, 0.31Dia X4.5Lg | 1 |
| ▲ | 16 08346 | (10000000- |) Pin, Cotter, .125 X 0.75 | 1 |
| ▲ | 17 222363 | (10000000- |) Spring, Tension | 2 |
| ▲ | 18 377364 | (10000000- |) Hub, Drive, Brush, Disk, 0.75b 6t | 2 |
| ▲ | 19 222431 | (10000000- |) Skirt Assy, Disc Head, 32" | 1 |
| ▲ | 20 222403 | (10000000- |) Wheel, 2.0 Dia | 2 |
| ▲ | 21 222496 | (10000000- |) Sleeve | 2 |
| ▲ | 22 222404 | (10000000- |) Door, Scrub Head, Lh | 1 |
| ▲ | 23 222405 | (10000000- |) Door, Scrub Head, Rh | 1 |
| ▲ | 24 59849 | (10000000- |) Nut, Retainer R/.312 Dia | 2 |
| ▲ | 25 9005800 | (10000000- |) Cover, Front, Teal, Afmkt [5700 Disk] | 1 |
| ▲ | 26 41186 | (10000000- |) Washer- Belleville .31 Pltd | 10 |
| ▲ | 27 222055 | (10000000- |) Roller, Linkage, Head | 1 |
| ▲ | 28 222197 | (10000000- |) Pin, Clevis 0.50 Dia X 4.75Lg | 1 |
| ▲ | 29 02942 | (10000000- |) Pin,Hair Cotter .12Wire 2.37Sl | 1 |
| ▲ | 30 01698 | (10000000- 10578961 |) Scr Hexss.25- 20X1.00 | 8 |
| ▲ | 31 01685 | (10000000- |) Washer Flt .31 Ss | 3 |
| ▲ | 32 05720 | (10000000- |) Scr- Hexssm10X1.5 40 Full Thd | 1 |
| ▲ | 33 02991 | (10000000- |) Scr Hexss.31- 18X0.75 | 2 |
| ▲ | 34 01686 | (10000000- |) Washer Flt .38 Ss | 2 |
| ▲ | 35 08713 | (10000000- |) Nut- Hxlocnyln M 8X1.25 Reg Ss | 2 |
| ▲ | 36 32713 | (10000000- |) Washer, .406B .81D .09Ureth | 2 |
| ▲ | 37 33943 | (10000000- |) Scr- Flt M8 X 1.25 40 | 2 |
| ▲ | 38 30406 | (10000000- |) Clip, Keeper, St | 2 |
| ▲ | 39 1029426 | (10000000- |) Tube, Rnd, 0.40id 0.50od 04.3l, Ss | 2 |
| ▲ | 40 39312 | (10000000- |) Nut, Hex, Std, M10 X 1.5 | 1 |
| ▲ | 41 59156 | (10000000- |) Nut, Hex, Lock, .38- 16, NI, Ss | 2 |
| ▲ | 42 32490 | (10000000- |) Washer, Flat, 0.25 Std | 4 |
| ▲ | 43 01685 | (10000000- |) Washer, Flat, 0.38b 0.88d .08, Ss | 2 |
| ▲ | 44 32662 | (10000000- |) Washer, Flat, 0.38b 1.22d .06, Ss | 4 |
| ▲ | 45 32486 | (10000000- |) Washer, Flt .50 SAE | 2 |

▽ - Identifies an assembly

▲ - Identifies parts included in assembly

STANDARD PARTS

Fig. 9 - Scrub Head Drive Group, Model 800C, 800 mm (32 in)

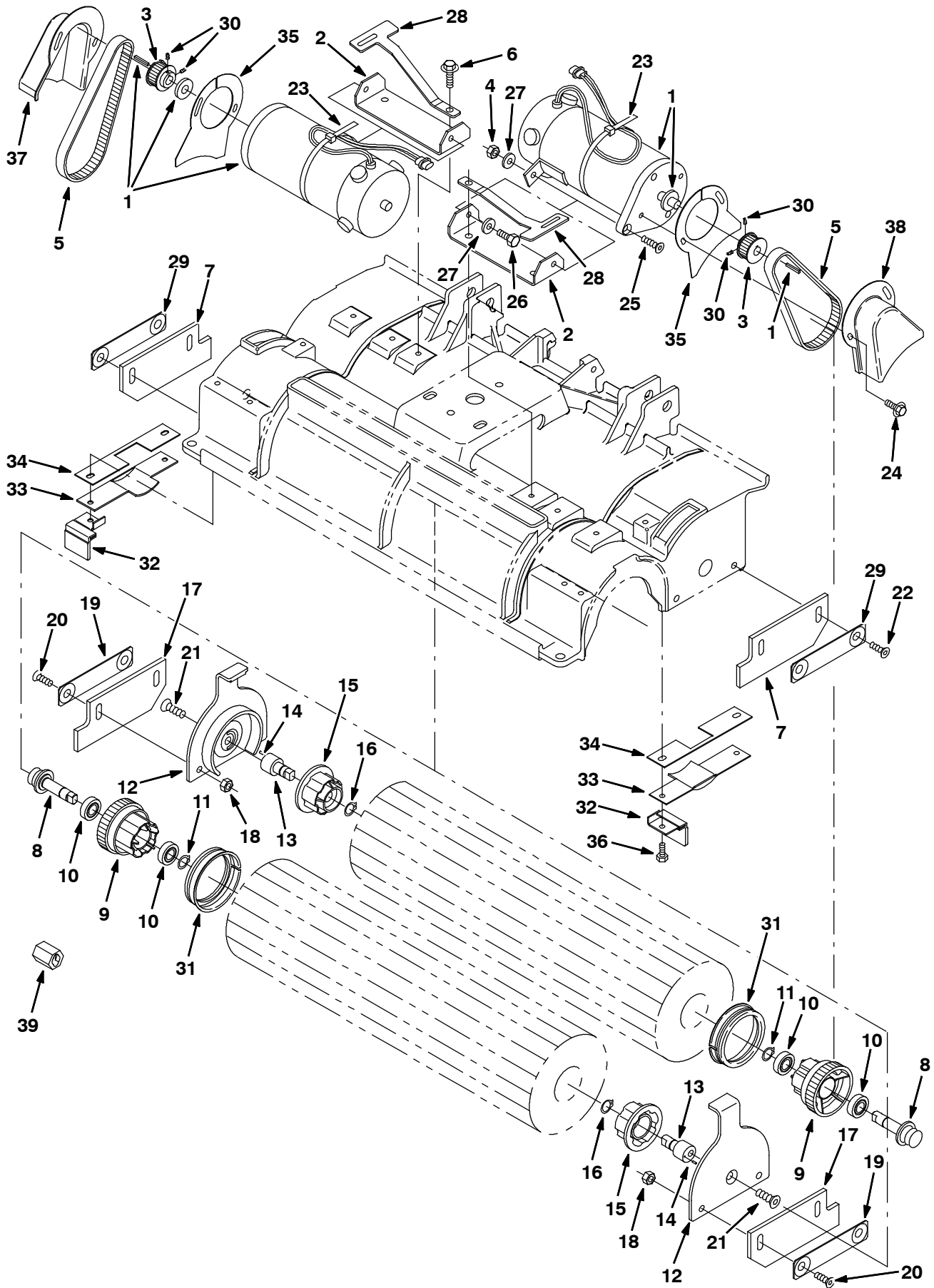


Fig. 9 - Scrub Head Drive Group, Model 800C, 800 mm (32 in)

NOTE: Scrub Head Kit, Tennant Part Number 222016, includes Fig. 9, and Fig. 10.

| Ref. | Part No. | Serial Number | Description | Qty. | |
|------|----------|---------------------|---|--|---|
| 1 | 1038426 | (10355043- |) Motor, Ele, 36Vdc 1700Rpm 0.75Hp (See Breakdowns) | 2 | |
| | 375175 | (10000000- 10355042 |) Motor, Ele, 36Vdc 1700Rpm 0.75Hp (See Breakdowns) | 2 | |
| 2 | 223564 | (10000000- |) Bracket, Mounting, Motor | 2 | |
| 3 | 375195 | (10000000- |) Sprocket, Drive | 2 | |
| 4 | 08713 | (10000000- |) Nut- Hxlocnyln M 8X1.25 Reg Ss | 4 | |
| 5 | 377505 | (10000000- |) Belt, Replmt, Brush Drive, F/222201 | 2 | |
| 6 | 76099 | (10000000- |) Scr- Hxfmg M8 X 1.25 25 | 4 | |
| 7 | 222180 | (10000000- |) Skirt, Scrub Head | 2 | |
| ∇ | 222751 | (10000000- |) Plug Drive Assy | 2 | |
| ▲ | 8 | 222176 | (10000000- |) Shaft, Drive Plug | 1 |
| ▲ | 9 | 1040931 | (10000000- |) Plug, Brush, Drive | 1 |
| ▲ | 10 | 41360 | (10000000- |) Bearing- Ball,0.59B 1.26D 0.35W | 2 |
| ▲ | 11 | 01516 | (10000000- |) Ring,Retain,Ex,0.59Od,Basic | 1 |
| ∇ | 374082 | (10000000- |) Door Assy, Brush | 2 | |
| ▲ | 12 | 1044145 | (10000000- |) Door, Brush | 1 |
| ▲∇ | 222752 | (10000000- |) Plug Idler Assy | 1 | |
| ▲▲ | 13 | 222177 | (10000000- |) Shaft, Idler Plug | 1 |
| ▲▲ | 14 | 222184 | (10000000- |) Pin, Roll | 1 |
| ▲▲ | 15 | 1057629 | (10000000- |) Plug, Idler, Brush [Sgl Brg] | 1 |
| ▲▲ | 16 | 01516 | (10000000- |) Ring,Retain,Ex,0.59Od,Basic | 1 |
| ▲ | 17 | 222180 | (10000000- |) Skirt, Scrub Head | 1 |
| ▲ | 18 | 08713 | (10000000- |) Nut- Hxlocnylon M 8X1.25 Reg Ss | 2 |
| ▲ | 19 | 222182 | (10000000- |) Bar, Support | 1 |
| ▲ | 20 | 74077 | (10000000- |) Scr- Flt M8 X 1.25 25 Ss | 2 |
| ▲ | 21 | 390996 | (10000000- |) Scr- Flt M10 X 1.5 20, Ss NI | 1 |
| | 22 | 07810 | (10000000- |) Scr Flt M8 x 1.25 25 | 4 |
| | 23 | 44961 | (10000000- |) Tie, Cable 4.00D Max 14.50 Lg | 2 |
| | 24 | 1034731 | (10000000- |) Screw, Hex, M6 X 1.00 X 16, Ss, Sems | 4 |
| | 25 | 74077 | (10000000- |) Screw, Flat,M 8X1.25 Ss | 2 |
| | 26 | 09740 | (10000000- |) Scr Hexssm 8X1.25 | 2 |
| | 27 | 01685 | (10000000- |) Washer, Flat, 0.38b 0.88d .08, Ss | 6 |
| | 28 | 222209 | (10000000- |) Spring, Door | 2 |
| | 29 | 222182 | (10000000- |) Bar, Support | 2 |
| | 30 | 222818 | (10000000- |) Scr- Set 8- 32 X .25 Nylon Loc | 4 |
| | 31 | 222820 | (10000000- |) Seal, Ring | 2 |
| | 32 | 223568 | (10000000- |) Skirt, Deflector | 2 |
| | 33 | 223566 | (10000000- |) Bracket, Shield | 2 |
| | 34 | 223569 | (10000000- |) Gasket, Shield | 2 |
| | 35 | 223563 | (10000000- |) Shield, Belt | 2 |
| | 36 | 15675 | (10000000- |) Screw, Hex, M8 X 1.25 X 16, Ss | 4 |
| | 37 | 223560 | (10000000- |) Guard, Belt, Rh | 1 |
| | 38 | 223561 | (10000000- |) Guard, Belt, Lh | 1 |
| | 39 | 1010506 | (10000000- |) Tool, Removal, Shaft, F/ 222176 | 1 |

∇ - Identifies an assembly

▲ - Identifies parts included in assembly

Fig. 10 - Scrub Head Frame Group, Model 800C, 800 mm (32 in)

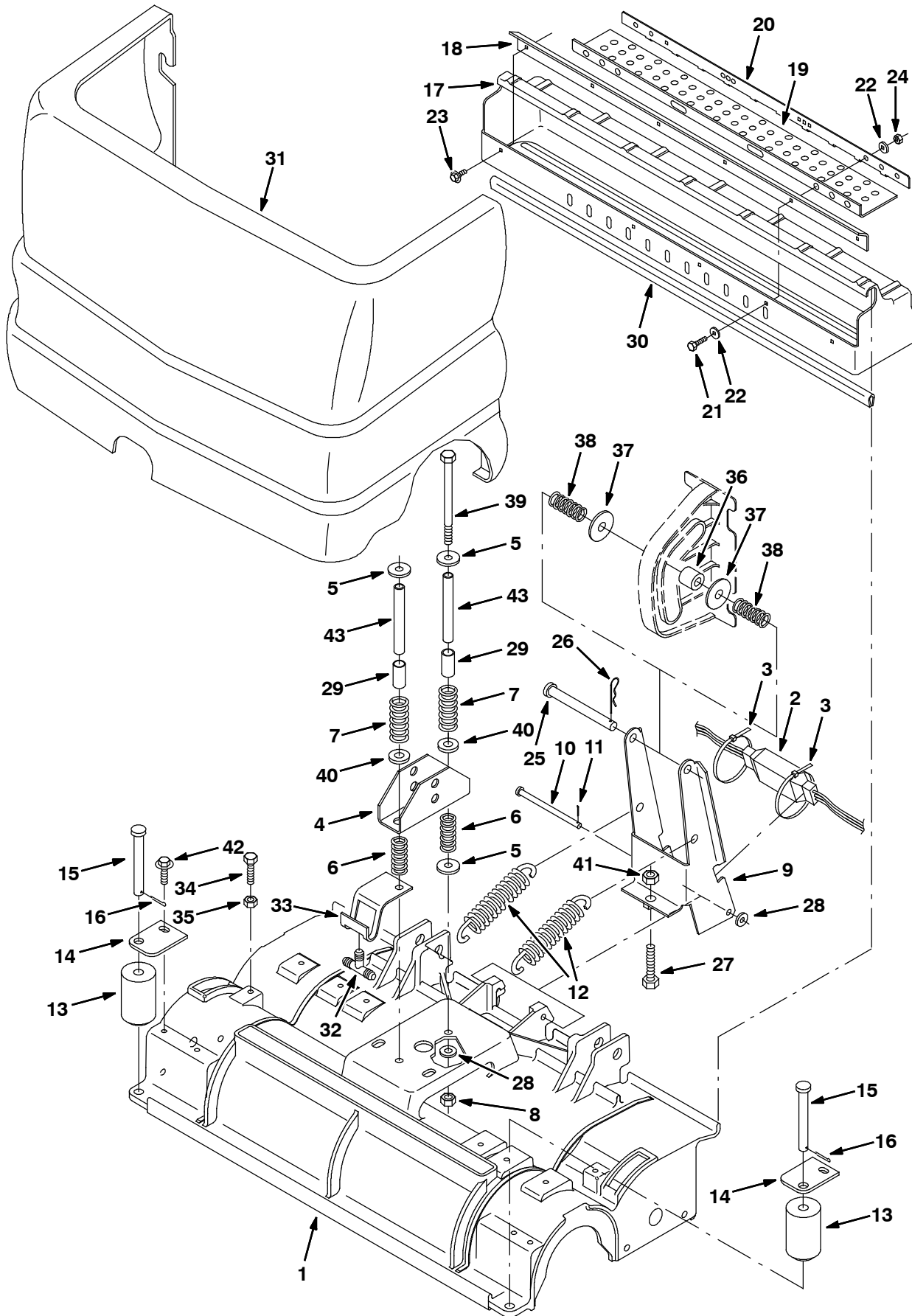


Fig. 10 - Scrub Head Frame Group, Model 800C, 800 mm (32 in)

NOTE: Scrub Head Kit, Tennant Part Number 222016, includes Fig. 9, and Fig. 10.

| Ref. | Part No. | Serial Number | Description | Qty. | |
|------|----------|---------------|--|--|---|
| 1 | 1022253 | (10000000- |) Housing, Cyl, Mach, 800mm | 1 | |
| 2 | 222835 | (10000000- |) Harness, Wire, Cyl Head, Elec | 1 | |
| 3 | 49263 | (10000000- |) Tie Cable 3.00D Max 11.41Lg | 2 | |
| 4 | 1012088 | (10000000- |) Bracket, Mtg, Spring | 1 | |
| 5 | 32662 | (10000000- |) Washer, Flat, 0.38b 1.22d .06, Ss | 3 | |
| 6 | 63185 | (10000000- |) Spring, Comp, .84Odx.10Wire 2.0L | 2 | |
| 7 | 45261 | (10000000- |) Sprng, Comp, 0.74Idx.11Wire 2.5L | 2 | |
| 8 | 59156 | (10000000- |) Nut, Hex, Lock, .38- 16, NI, Ss | 2 | |
| 9 | 222838 | (10000000- |) Bracket, Pivot | 1 | |
| 10 | 222207 | (10000000- |) Pin, Clevis, 0.31Dia X4.5Lg | 1 | |
| 11 | 08346 | (10000000- |) Pin, Cotter .125X0.75 | 2 | |
| 12 | 222363 | (10000000- |) Spring, Tension | 2 | |
| 13 | 222178 | (10000000- |) Roller, Bumper | 2 | |
| 14 | 222179 | (10000000- |) Bracket, Mounting, Roller | 2 | |
| 15 | 222196 | (10000000- |) Pin, Roller | 2 | |
| 16 | 08346 | (10000000- |) Pin, Cotter .125X0.75 | 2 | |
| ▽ | 222825 | (10000000- |) Tray Kit, Debris, 32.0, Ci | 1 | |
| ▲ | 17 | 9005727 | (10000000- |) Tray, Debris, 32.0l, Afmkt [5680/5700] | 1 |
| ▲ | 18 | 222204 | (10000000- |) Lip, Debris Tray 32" | 1 |
| ▲ | 19 | 222669 | (10000000- |) Skirt, Debris Tray | 1 |
| ▲ | 20 | 222670 | (10000000- |) Strip, Debris Tray | 1 |
| ▲ | 21 | 09007 | (10000000- |) Scr- Hexssm6X1.0 25 | 4 |
| ▲ | 22 | 01684 | (10000000- |) Washer Flt .25 Ss | 6 |
| ▲ | 23 | 74455 | (10000000- |) Scr- Hxfmg M6 X 1.0 20 | 2 |
| ▲ | 24 | 08708 | (10000000- |) Nut, Hex, Lock, M6 X 1.0, NI | 4 |
| 25 | 222197 | (10000000- |) Pin, Clevis 0.50 Dia X 4.75Lg | 1 | |
| 26 | 02942 | (10000000- |) Pin, Hair Cotter .12Wire 2.37Sl | 1 | |
| 27 | 05720 | (10000000- |) Scr- Hexssm10X1.5 40 Full Thd | 1 | |
| 28 | 01685 | (10000000- |) Washer, Flat, 0.38b 0.88d .08, Ss | 3 | |
| 29 | 140148 | (10000000- |) Sleeve, P/M, 0.50b 0.63d 1.4l, Stl Pl | 2 | |
| 30 | 374007 | (10000000- |) Channel | 1 | |
| 31 | 9005801 | (10000000- |) Cover, Front, Teal, Afmkt [5680/5700 Cyl | 1 | |
| 32 | 222536 | (10000000- |) Fitting- Plastic Tee 06Bm/06Bm/ | 1 | |
| 33 | 222523 | (10000000- |) Bracket, Hose Guide | 1 | |
| 34 | 09023 | (10000000- |) Screw, Hex, M08 X 1.25 X 35, Ss | 2 | |
| 35 | 08713 | (10000000- |) Nut, Hex, Lock, M08 X 1.25, NI, Ss | 2 | |
| 36 | 374162 | (10000000- |) Roller, Rwk | 1 | |
| 37 | 51564 | (10000000- |) Washer, 0.53b 1.75d .12, Stl, Pl | 2 | |
| 38 | 397255 | (10000000- |) Spring, Cmpr, 0.85od .08wir 2.0l | 2 | |
| 39 | 20178 | (10000000- |) Screw, Hex, .38- 16 X 5.50, G5 | 2 | |
| 40 | 32486 | (10000000- |) Washer, Flt .50 SAE | 2 | |
| 41 | 39312 | (10000000- |) Nut, Hex, Std, M10 X 1.5 | 1 | |
| 42 | 76099 | (10000000- |) Screw, Hex, M8 X 1.25 X 25, Fmg | 2 | |
| 43 | 1029426 | (10000000- |) Tube, Rnd, 0.40id 0.50od 04.3l, Ss | 2 | |

▽ - Identifies an assembly

▲ - Identifies parts included in assembly

Fig. 11 - Recovery Tank Group

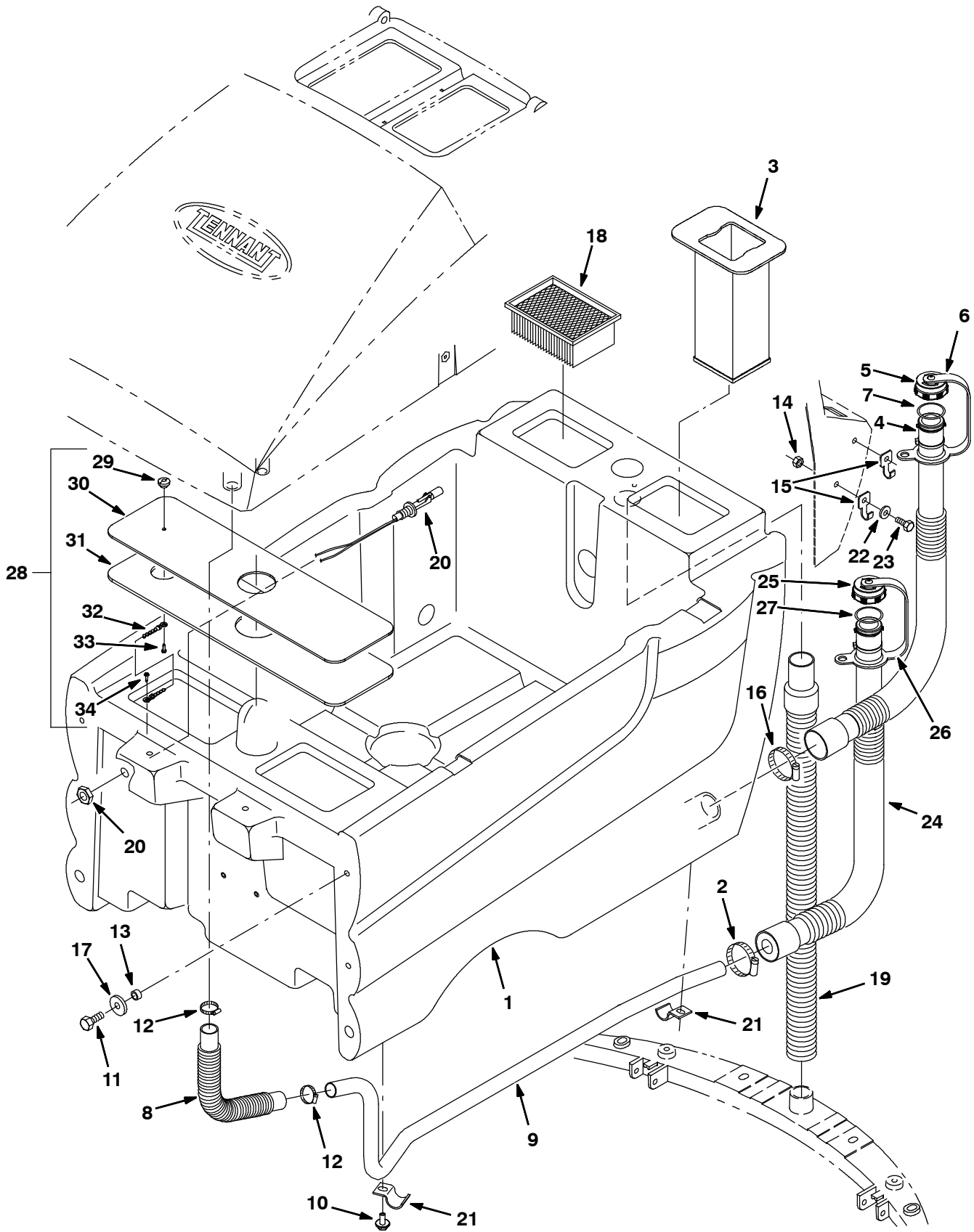


Fig. 11 - Recovery Tank Group

| Ref. | Part No. | Serial Number | Description | Qty. |
|------|----------|---------------|---|------|
| | 1 | 398440 | (10000000-) Tank, Recvy, Afmkt [5680/5700] | 1 |
| | 2 | 11531 | (10000000-) Clamp, Hose, Wormdrive, 1.06- 2.00d | 1 |
| | 3 | 1042996 | (10000000-) Screen, Debris, [5680/5700] (Optional) | 1 |
| ▽ | 4 | 1011168 | (10000000-) Hose, Assembly, Drain, 25.7 | 1 |
| ▲▽ | 5 | 1008639 | (10000000-) Cap, Drain Assembly | 1 |
| ▲▲ | 6 | 1019563 | (10000000-) Strap, Drain Cap | 1 |
| ▲▲ | 7 | 1008637 | (10000000-) O Ring, 1.48" Id, 1.76" Od | 1 |
| | 8 | 222194 | (10000000-) Hose, Drain, Flex | 1 |
| | 9 | 222151 | (10000000-) Tube, Drain | 1 |
| | 10 | 1020341 | (10000000-) Screw, Hex, M8 X 1.25 X 20, Ss, Sems | 2 |
| | 11 | 12273 | (10000000-) Screw, Hex, M 8 X 1.25 X 20, Ss, NI | 4 |
| | 12 | 11399 | (10000000-) Clamp- Wormdrive, 0.81- 1.50D | 2 |
| | 13 | 222516 | (10000000-) Sleeve, P/M, 0.496d 0.318b 0.31l 430ss | 4 |
| | 14 | 08713 | (10000000-) Nut- Hxlocnyln M 8X1.25 Reg Ss | 2 |
| | 15 | 222793 | (10000000-) Clip, Hose, Hanger | 2 |
| | 16 | 22297 | (10000000-) Clamp- Wormdrive, 1.56- 2.50d, .50w | 1 |
| | 17 | 30013 | (10000000-) Washer, Flat, .31 Fender | 4 |
| | 18 | 1037821 | (10000000-) Filter, Panl, Dust, 2.3 X 04.5 X 06.4 | 1 |
| | 19 | 374060 | (10000000-) Hose & Cuff Assy, Vacuum 1.51D 32L | 1 |
| | 20 | 222822 | (10000000-) Switch, Float | 1 |
| | 21 | 69234 | (10000000-) Clamp, Cable, 1.00D 0.62W Stl | 2 |
| | 22 | 01685 | (10000000-) Washer, Flat, 0.38b 0.88d .08, Ss | 2 |
| | 23 | 15675 | (10000000-) Scr Hexssm 8X1.25 | 2 |
| ▽ | 24 | 1011167 | (10000000-) Hose, Assembly, Drain, 26.7 | 1 |
| ▲▽ | 25 | 1008639 | (10000000-) Cap, Drain Assembly | 1 |
| ▲▲ | 26 | 1019563 | (10000000-) Strap, Drain Cap | 1 |
| ▲▲ | 27 | 1008637 | (10000000-) O Ring, 1.48" Id, 1.76" Od | 1 |
| ▽ | 28 | 9008164 | (10000000-) Cover Kit, Recvy Tank, Retro[5680/5700] | 1 |
| ▲ | 29 | 240239 | (10480874-) Knob, Rnd, 0.75d 0.50l, 10- 24 Fem | 1 |
| ▲ | 30 | 1062741 | (10480874-) Cover, Tank, Recvy [5680/5700] | 1 |
| ▲ | 31 | 1062846 | (10480874-) Gasket, Cover [5680/5700] | 1 |
| ▲ | 32 | 621443 | (10480874-) Chain, Ball, 10, 0157mml, Ss | 1 |
| ▲ | 33 | 605975 | (10480874-) Screw, Trs, Phl, 10- 24 X 0.50, Sems, Ss | 1 |
| ▲ | 34 | 222267 | (10480874-) Screw, Pan, Phl, 06- 20 X 0.50, Fmg/Ab | 1 |

▽ - Identifies an assembly

▲ - Identifies parts included in assembly

Fig. 12 - Solution Tank Group

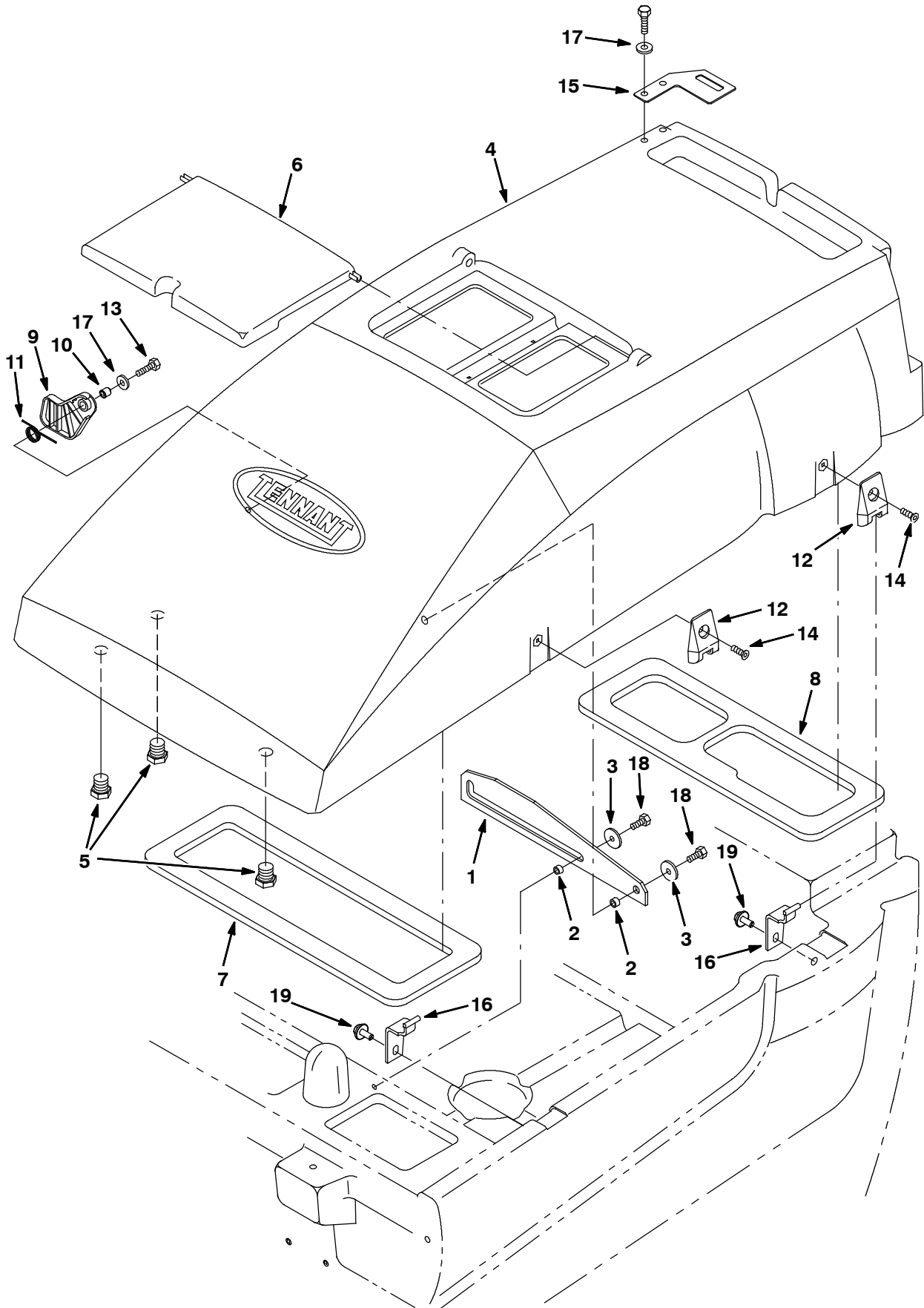


Fig. 12 - Solution Tank Group

| Ref. | Part No. | Serial Number | Description | Qty. |
|------|----------|---------------|--|------|
| 1 | 397705 | (10000000- |) Bracket, Prop Arm | 1 |
| 2 | 222516 | (10000000- |) Sleeve, .318B .496D .312 Ss | 2 |
| 3 | 30013 | (10000000- |) Washer- Flt .31 Fender Pltd | 2 |
| 4 | 398430 | (10000000- |) Tank, Solution | 1 |
| 5 | 75611 | (10000000- |) Ftg- Plug Npt 12Pm Rd Hd Plstc. | 3 |
| 6 | 222712 | (10000000- |) Cover, Solution Tank, w/Label | 1 |
| 7 | 222120 | (10000000- |) Gasket, Tank, Front | 1 |
| 8 | 222121 | (10000000- |) Gasket, Tank, Rear | 1 |
| 9 | 222406 | (10000000- |) Stop, Tank | 1 |
| 10 | 222460 | (10000000- |) Sleeve | 1 |
| 11 | 222462 | (10000000- |) Spring, Torsion | 1 |
| 12 | 1050554 | (10000000- |) Hinge, Leaf [T7, 5680/5700] | 2 |
| 13 | 12333 | (10000000- |) Scr- Hexssm 8X1.25 25 Nylnloc | 1 |
| 14 | 222463 | (10000000- |) Scr- Flt M 8X1.25 20 Blk Nyloc | 2 |
| 15 | 222780 | (10000000- |) Plate, Tank Lock, EE | 1 |
| 16 | 398485 | (10000000- |) Hinge Wldt, Leaf | 1 |
| 17 | 01685 | (10000000- |) Washer, Flat, 0.38b 0.88d .08, Ss | 3 |
| 18 | 09740 | (10000000- |) Scr- Hexssm 8X1.25 20 | 2 |
| 19 | 1020341 | (10000000- |) Screw, Hex, M8 X 1.25 X 20, Ss, Sems | 2 |

Fig. 13 - Vacuum Fan Group

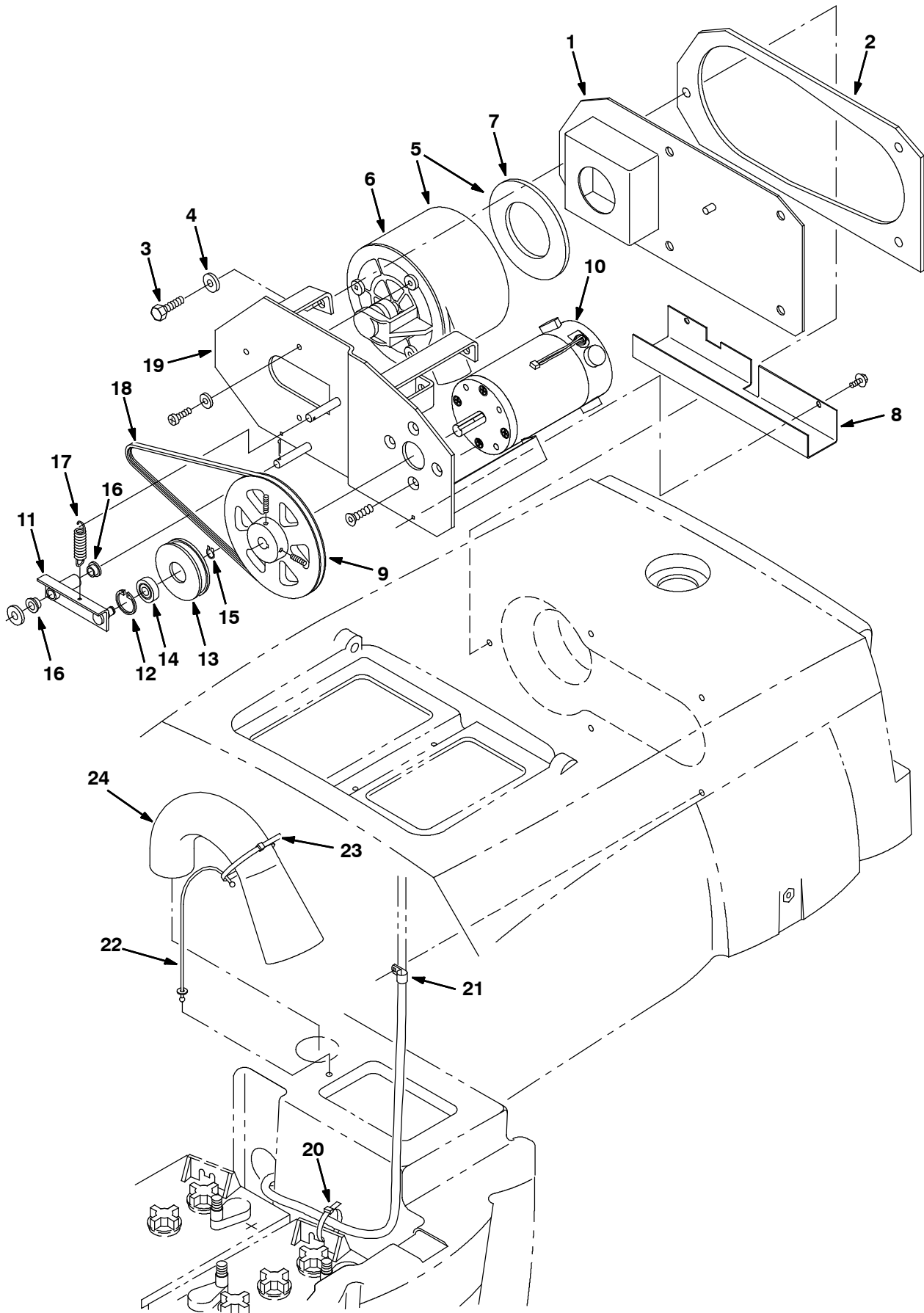


Fig. 13 - Vacuum Fan Group

| Ref. | Part No. | Serial Number | Description | Qty. |
|-------------|-----------------|----------------------|---|-------------|
| 1 | 222771 | (10000000- |) Plate Wldt, Mtg, Fan, Ee | 1 |
| 2 | 222129 | (10000000- |) Gasket, Plate, Fan Mounting | 1 |
| 3 | 12333 | (10000000- |) Scr- Hexssm 8X1.25 25 NylInloc | 5 |
| 4 | 01685 | (10000000- |) Washer Flt .31 Ss | 5 |
| ▽ | 5 | 370184 | (10000000-) Kit, Vacuum Fan, 5700EE | 1 |
| ▲ | 6 | 370182 | (10000000-) Fan, Vacuum, 3 Stage Ee | 1 |
| ▲ | 7 | 370183 | (10000000-) Seal, Vacuum Fan | 1 |
| 8 | 222698 | (10000000- |) Guard, Cover, Fan, Ee | 1 |
| 9 | 222674 | (10000000- |) Sheave, 3J 6.53 Pd | 1 |
| 10 | 1053284 | (10422747- |) Motor, Ele, 36vdc 2500rpm 0.75hp (See Breakdowns) | 1 |
| 10 | 374201 | (10000000- 10422746) |) Motor Assy, Ee Vac Fan (See Breakdowns) | 1 |
| ▽ | 222767 | (10000000- |) Idler Arm & Sheave Assy | 1 |
| ▲ | 11 | 222702 | (10000000-) Arm Wldt, Idler | 1 |
| ▲ | 12 | 20020 | (10000000-) Ring,Retain,In,1.18Id,Basic | 1 |
| ▲ | 13 | 45430 | (10000000-) Pulley, Idler Use 45448 | 1 |
| ▲ | 14 | 01845 | (10000000-) Bearing- Ball,0.39B 1.18D 0.35W | 1 |
| ▲ | 15 | 01543 | (10000000-) Ring,Retain,Ex,0.39Od,Basic | 1 |
| ▲ | 16 | 05582 | (10000000-) Bearing, Flg. 375 Bore | 2 |
| 17 | 29545 | (10000000- |) Spring, Tens.56Odx.05Wire 1.4 | 1 |
| 18 | 222686 | (10000000- |) Belt, Micro V- Belt 320J3 | 1 |
| 19 | 222700 | (10000000- |) Plate Wldt, Mtg, Fan, Ee | 1 |
| 20 | 49266 | (10000000- |) Tie, Cable 1.75D Max 7.50Lg | 2 |
| 21 | 40678 | (10000000- |) Clamp,Cable .44D .62Wide | 1 |
| 22 | 222667 | (10000000- |) Cable Assy, Hose Retainer | 1 |
| 23 | 49263 | (10000000- |) Tie, Cable 3.00D Max 11.41Lg | 1 |
| 24 | 222361 | (10000000- |) Hose, Inlet Recovery Tank | 1 |

▽ - Identifies an assembly

▲ - Identifies parts included in assembly

Fig. 14 - Solution Control Group

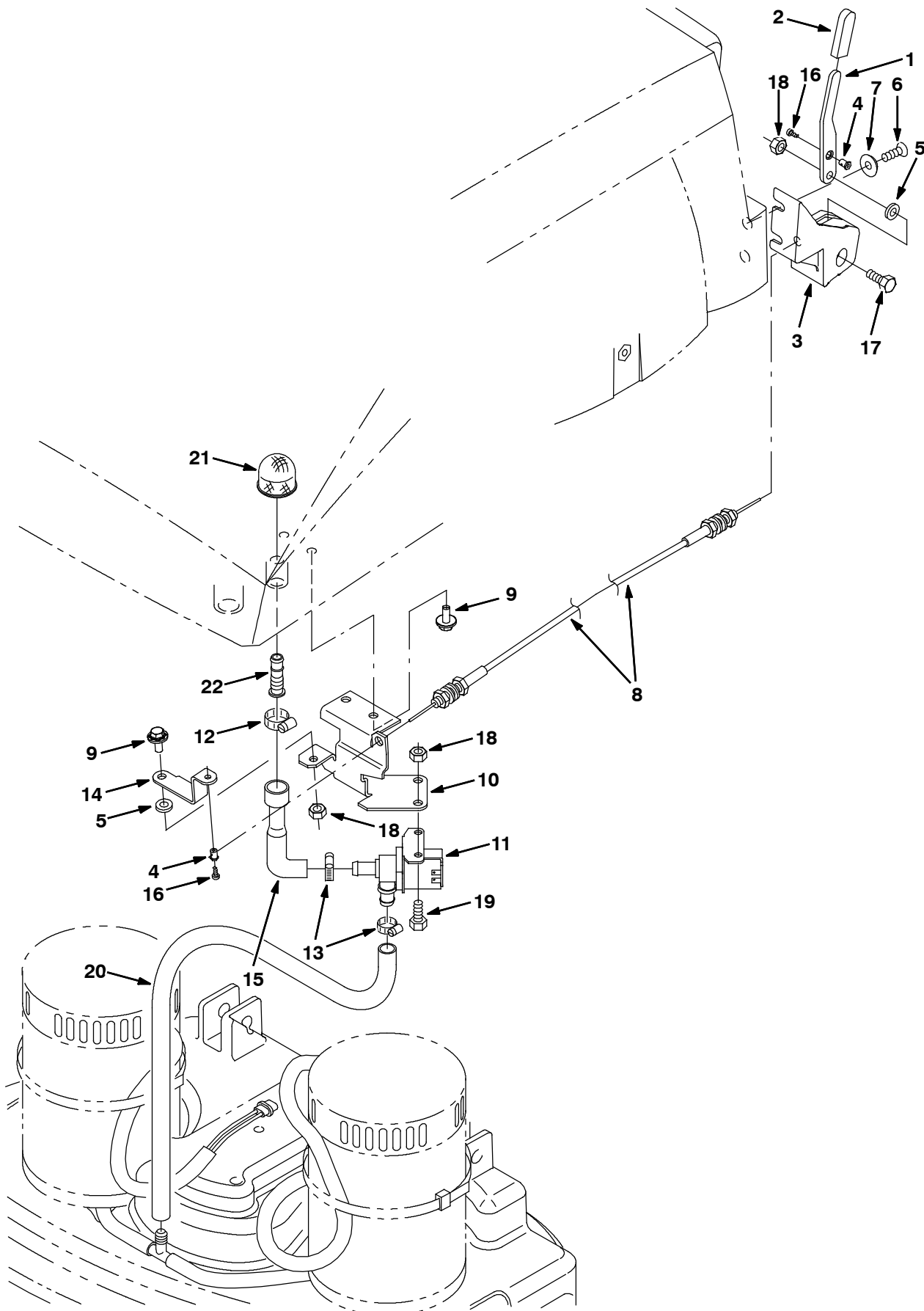


Fig. 14 - Solution Control Group

| Ref. | Part No. | Serial Number | Description | Qty. |
|------|----------|---------------|---|------|
| 1 | 222185 | (10000000- |) Lever, Control | 1 |
| 2 | 222190 | (10000000- |) Grip, Handle | 1 |
| 3 | 222186 | (10000000- |) Housing, Control Lever | 1 |
| 4 | 43242 | (10000000- |) Swivel | 2 |
| 5 | 43454 | (10000000- |) Washer, .344B .69D .06Nylon | 2 |
| 6 | 15675 | (10000000- |) Screw, Hex, M8 X 1.25 X 16, Ss | 2 |
| 7 | 01685 | (10000000- |) Washer, Flat, 0.38b 0.88d .08, Ss | 2 |
| 8 | 222188 | (10000000- |) Cable Assy, Water | 1 |
| 9 | 1020341 | (10000000- |) Screw, Hex, M8 X 1.25 X 20, Ss, Sems | 3 |
| 10 | 397787 | (10000000- |) Bracket, Mtg, Valve | 1 |
| 11 | 1062393 | (10000000- |) Valve, Water, Solenoid, 36vdc Bm10/Bm10 | 1 |
| 12 | 63810 | (10000000- |) Clamp, Hose, Wormdrive, 0.56- 1.06d, .56w | 1 |
| 13 | 54333 | (10000000- |) Clamp- Wormdrive, 0.31- 0.88D | 2 |
| 14 | 222097 | (10000000- |) Lever, Valve | 1 |
| 15 | 397777 | (10000000- |) Hose, Rbr, E90, .62ld 0.81ld | 1 |
| 16 | 32515 | (10000000- |) Screw, Pan, #08 - 32 X 0.38 | 2 |
| 17 | 09011 | (10000000- |) Scr Hexssm 8X1.25 30 | 1 |
| 18 | 08713 | (10000000- |) Nut- Hxlocnyln M 8X1.25 Reg Ss | 4 |
| 19 | 09740 | (10000000- |) Scr- Hexssm 8X1.25 20 | 1 |
| 20 | 1024237 | (10000000- |) Hose, Afmkt, Pvc, Wir, 0.50id, 03ft, Clr | 1 |
| 21 | 222742 | (10000000- |) Screen, Drain | 1 |
| 22 | 222728 | (10000000- |) Ftg Str Plastic | 1 |

Fig. 15 - Battery Group (S/N 10335670-)

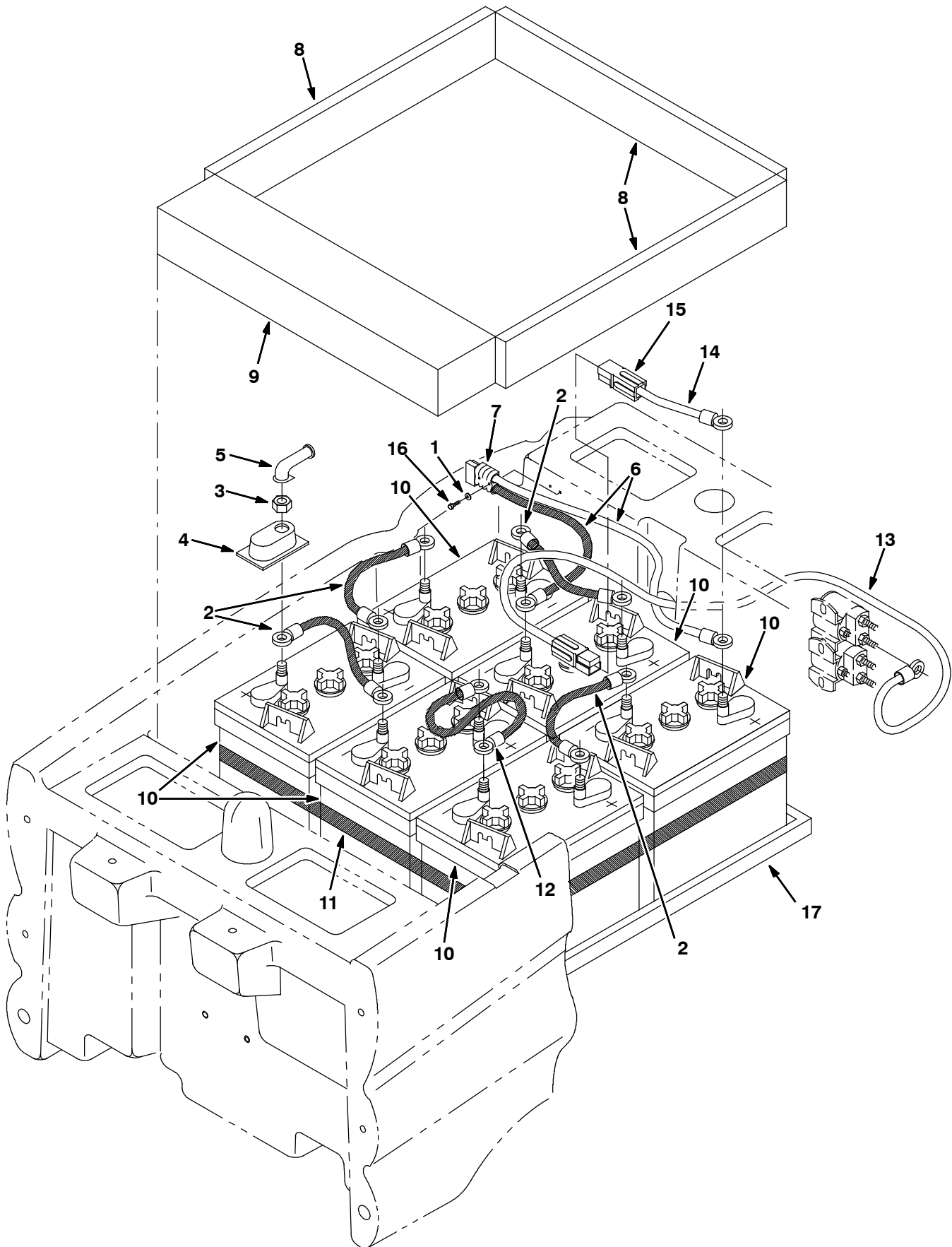


Fig. 15 - Battery Group (S/N 10335670-)

| Ref. | Part No. | Serial Number | Description | Qty. | |
|------|----------|---------------|--|---|---|
| 1 | 01757 | (10335670- |) Washer, Lock, Int, M3 Ss | 2 | |
| 2 | 63735 | (10335670- |) Cable Assy- Lead, 11.0, 6Ga | 4 | |
| 3 | 87435 | (10335670- |) Nut, Hex, Flexlock, .31- 18 | 12 | |
| 4 | 45962 | (10000000- |) Cap, Plstc, .04 1.38 x 2.30 0.5L (Standard - Tall Clear) | 12 | |
| 4 | 1041030 | (10000000- |) Cap, Battery (Optional - Short Black) | 12 | |
| 5 | 02076 | (10335670- |) Boot, 90Deg .50D .57X .84 | 12 | |
| ▽ | 6 | 222217 | (10335670- |) Harness, Cable, Battery | 1 |
| ▲ | 7 | 130155 | (10335670- |) Connector, Battery, 6Ga 50A, Gray[2 Cont] | 1 |
| ▽ | | 222778 | (10335670- |) Battery Kit 36V 235Ah Wet | 1 |
| ▲ | 8 | 222473 | (10335670- |) Spacer, Battery .62X1.5X21.0 | 3 |
| ▲ | 9 | 222474 | (10335670- |) Spacer, Battery 3.0X4.3X21.0 | 1 |
| ▲ | 10 | 222280 | (10335670- |) Battery, 6V, Res Cap: 129 Wet | 6 |
| | 11 | 222682 | (10335670- |) Strap, Poly, Webbing, 100" L | 1 |
| | 12 | 63735 | (10335670- |) Cable Assy- Lead, 11.0, 6Ga | 1 |
| | 13 | 397907 | (10335670- |) Wire Assy, Cable, 4ga, Red | 1 |
| ▽ | 14 | 397908 | (10335670- |) Wire Assy, Cable, 4ga, Red | 1 |
| ▲▽ | 15 | 1056046 | (10000000- |) Connector Assy, Anderson Pp120 W/ Cont (NLA - No Longer Available) | 1 |
| ▲▲ | | 1020446 | (10000000- |) Connector, Anderson, 1321 Series | 1 |
| ▲▲ | | 1020447 | (10000000- |) Terminal, Contact, Anderson, 1319g4, 4ga | 1 |
| | 16 | 06922 | (10335670- |) Screw, Pan, M3 X 0.5 X 20, 4.8 | 2 |
| | 17 | 1057853 | (10486126- |) Tray, Battery, [5680/5700] | 1 |

▽ - Identifies an assembly

▲ - Identifies parts included in assembly

Fig. 16 - Battery Group (S/N 10000000-10335669)

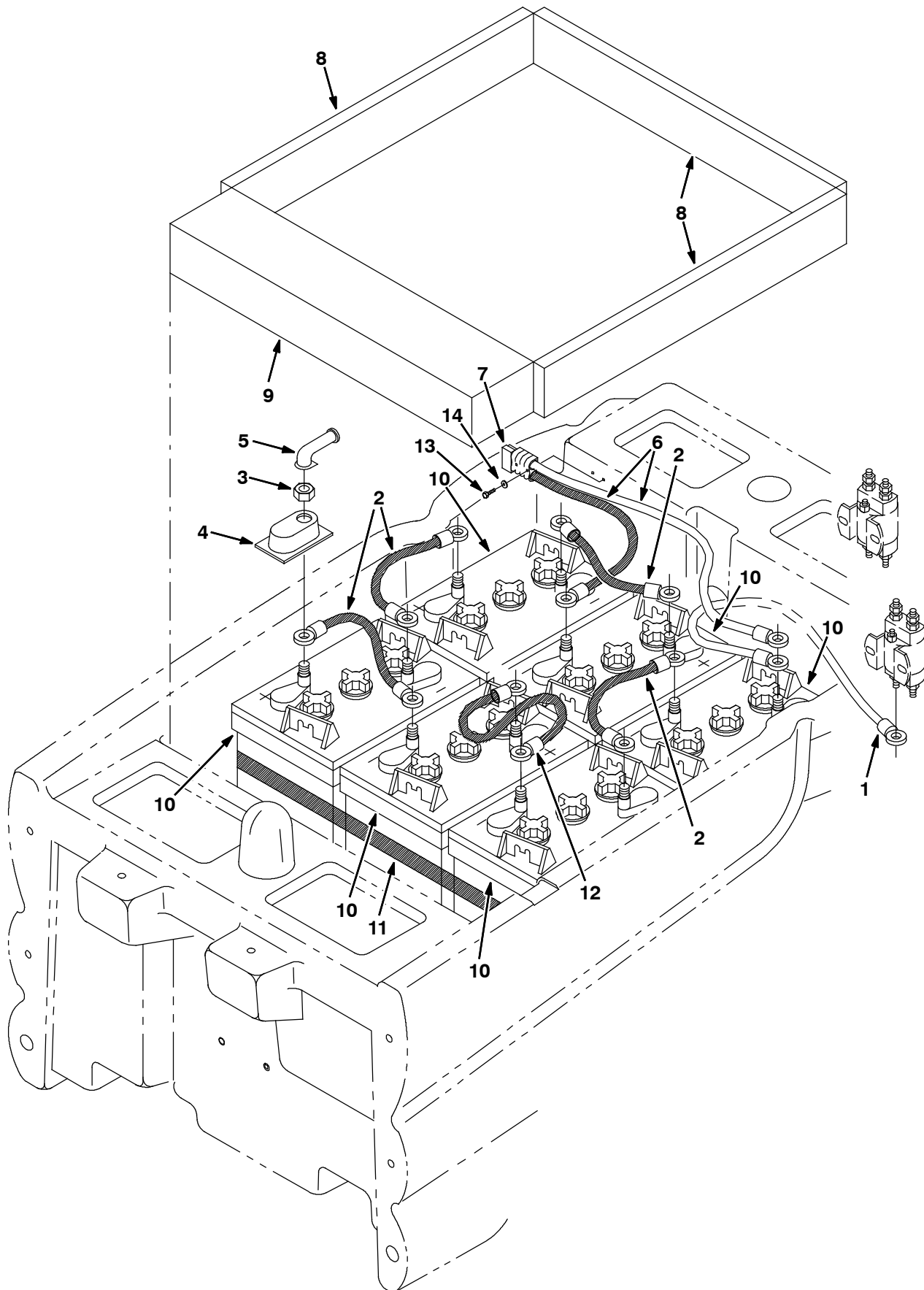


Fig. 16 - Battery Group (S/N 10000000-10335669)

| Ref. | Part No. | Serial Number | Description | Qty. | |
|------|----------|----------------------|-----------------------------|---|---|
| 1 | 222218 | (10000000-10335669) | Cable, Battery | 1 | |
| 2 | 63735 | (10000000-10335669) | Cable Assy- Lead, 11.0, 6Ga | 4 | |
| 3 | 87435 | (10000000-10335669) | Nut, Hex, Flexlock, .31- 18 | 12 | |
| 4 | 45962 | (10000000-10335669) | Cover, Terminal,Poly | 12 | |
| 5 | 02076 | (10000000-10335669) | Boot, 90Deg .50D .57X .84 | 12 | |
| ▽ | 6 | 222217 | (10000000-10335669) | Harness, Cable, Battery | 1 |
| ▲ | 7 | 130155 | (10000000-10335669) | Connector, Battery, 6Ga 50A, Gray[2 Cont] | 1 |
| ▽ | | 222778 | (10000000-10335669) | Battery Kit 36V 235Ah Wet | 1 |
| ▲ | 8 | 222473 | (10000000-10335669) | Spacer, Battery .62X1.5X21.0 | 3 |
| ▲ | 9 | 222474 | (10000000-10335669) | Spacer, Battery 3.0X4.3X21.0 | 1 |
| ▲ | 10 | 222280 | (10000000-10335669) | Battery, 6V, Res Cap: 129 Wet | 6 |
| | 11 | 222682 | (10000000-10335669) | Strap, Poly, Webbing, 100" L | 1 |
| | 12 | 63735 | (10000000-10335669) | Cable Assy- Lead, 11.0, 6Ga | 1 |
| | 13 | 06922 | (10000000-10335669) | Screw, Pan, M3 X 0.5 X 20, 4.8 | 2 |
| | 14 | 01757 | (10000000-10335669) | Washer, Lock, Int, M3 Ss | 2 |

▽ - Identifies an assembly

▲ - Identifies parts included in assembly

Fig. 17 - Steering Control Group

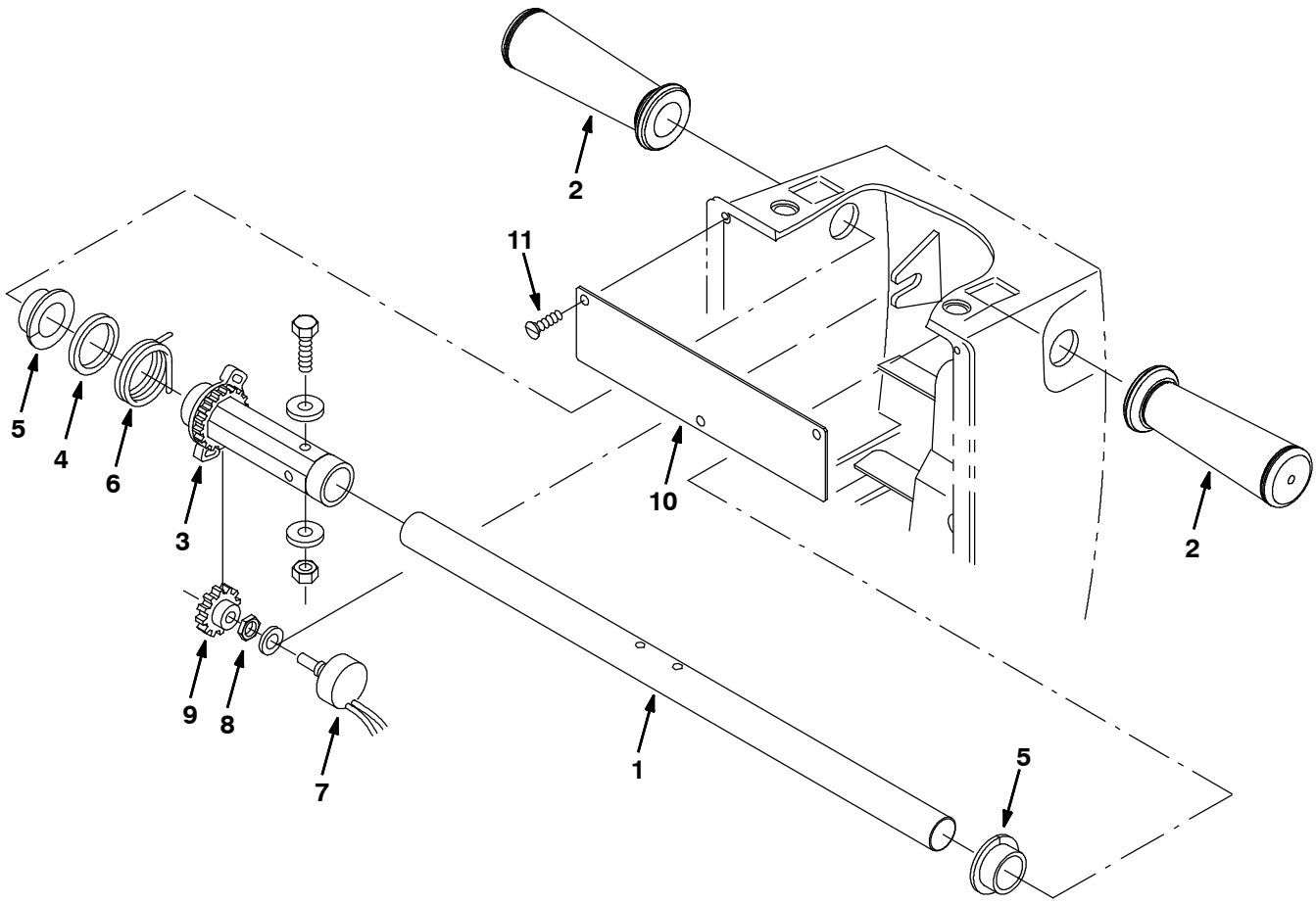


Fig. 17 - Steering Control Group

| Ref. | Part No. | Serial Number | Description | Qty. |
|------|----------|---------------|----------------------------------|------|
| 1 | 222740 | (10000000- |) Handle, Speed Control | 1 |
| 2 | 1066506 | (10000000- |) Grip, Handle, Rnd | 1 |
| 3 | 222079 | (10000000- |) Gear, Speed Control | 1 |
| 4 | 222501 | (10000000- |) Washer, Spacer, Speed Control | 1 |
| 5 | 49514 | (10000000- |) Bearing, Snap .875 Bore | 2 |
| 6 | 222081 | (10000000- |) Spring, Torsion Centering | 1 |
| 7 | 222287 | (10000000- |) Potentiometer Assy, Electronic | 1 |
| 8 | 222607 | (10000000- |) Nut- Hx Thin .38- 32 | 1 |
| 9 | 27974 | (10000000- |) Gear, 28 T. 24P | 1 |
| 10 | 222083 | (10000000- |) Plate, Shield | 1 |
| 11 | 222465 | (10000000- |) Scr- Flt M3x0.5 6 SS18- 8 | 2 |

STANDARD PARTS

Fig. 18 - Operator Console Group (S/N 10367557-)

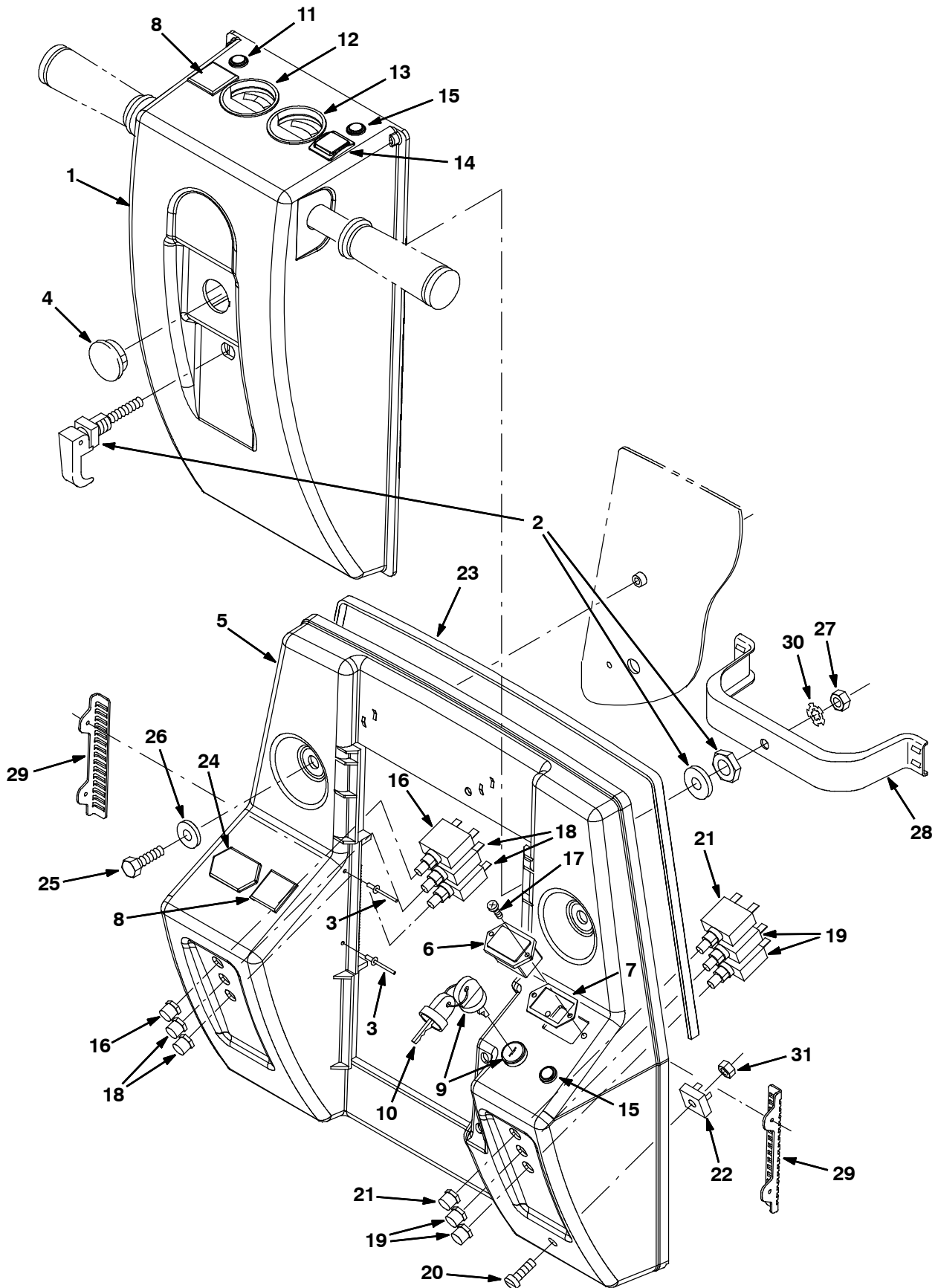


Fig. 18 - Operator Console Group (S/N 10367557-)

| Ref. | Part No. | Serial Number | Description | Qty. | |
|------|----------|---------------|--|--|---|
| 1 | 9004190 | (10367557- |) Shroud Kit, W/ Label, Std, Replmt [5700] | 1 | |
| 2 | 222225 | (10000000- |) Latch | 1 | |
| 3 | 34738 | (10000000- |) Rivet, Blind, .125D X 0.32 X .25D, Stl | 4 | |
| 4 | 76888 | (10000000- |) Button, Plug, 1.25H .00- .12 [Black Nyl] | 1 | |
| 5 | 368590 | (10000000- |) Kit, Ci, Rplmt, Rear Panel | 1 | |
| ▽ | 6 | 222114 | (10367557- |) Gauge, Hourmeter, Lcd, Rt [5700] | 1 |
| ▲ | 7 | 222683 | (10000000- |) Gasket, hourmeter | 1 |
| | 8 | 222534 | (10367557- |) Button, Plug, 1.1 X 1.1H [Black Nyl] | 2 |
| ▽ | 9 | 222282 | (10000000- |) Switch, Key, Spdt | 1 |
| ▲ | 10 | 222684 | (10000000- |) Key, Set Of Two | 1 |
| | 11 | 374122 | (10000000- |) Lamp Assy, Indicator, Red, 36Vdc | 1 |
| | 12 | 222216 | (10000000- |) Gauge, Voltmeter, 27- 40Vdc 2.2D | 1 |
| | 13 | 222215 | (10000000- |) Gauge, Brush Pressure 2.25 | 1 |
| | 14 | 1045174 | (10367557- |) Switch, Rocker Mom/On/Mom | 1 |
| | 15 | 374121 | (10367557- |) Lamp Assy, Indicator, Green, 36Vdc | 2 |
| | 16 | 383721 | (10000000- |) Circuitbreaker, 10.0A | 1 |
| | 17 | 222267 | (10000000- |) Screw, Pan, #06- 20 X 0.50, Fmg | 2 |
| | 18 | 383723 | (10000000- |) Circuitbreaker, 20.0A | 2 |
| | 19 | 383724 | (10000000- |) Circuitbreaker, 25.0A | 2 |
| | 21 | 383720 | (10000000- |) Circuitbreaker, 5.0A | 1 |
| | 22 | 10962 | (10000000- |) Diode, Bridge 12 Amp | 1 |
| | 23 | 222639 | (10000000- |) Seal, Rbr, .12 X .38 X 36.0 | 1 |
| | 24 | 609969 | (10000000- |) Plug, Hole, Hourmeter, Blk | 1 |
| | 25 | 39310 | (10000000- |) Scr Hexssm 8X1.25 25 | 2 |
| | 26 | 30013 | (10000000- |) Washer- Flt .31 Fender Pltd | 2 |
| | 27 | 39311 | (10000000- |) Nut, Hex, Std, M08 X 1.25 | 1 |
| | 28 | 222747 | (10000000- |) Bracket, Locking, Shroud | 1 |
| | 29 | 222879 | (10000000- |) Bracket, Steering Adjustment | 2 |
| | 30 | 41141 | (10000000- |) Washer, Lock, Int- Ext, .31 | 1 |
| | 31 | 06549 | (10000000- |) Nut, Hex, Lock, M05 X 0.8, NI | 1 |
| | 20 | 06934 | (10000000- |) Screw, Pan, M05 X 0.8 X 20, 4.8 | 1 |

▽ - Identifies an assembly

▲ - Identifies parts included in assembly

Fig. 19 - Operator Console Group (S/N 1000000- 10367556)

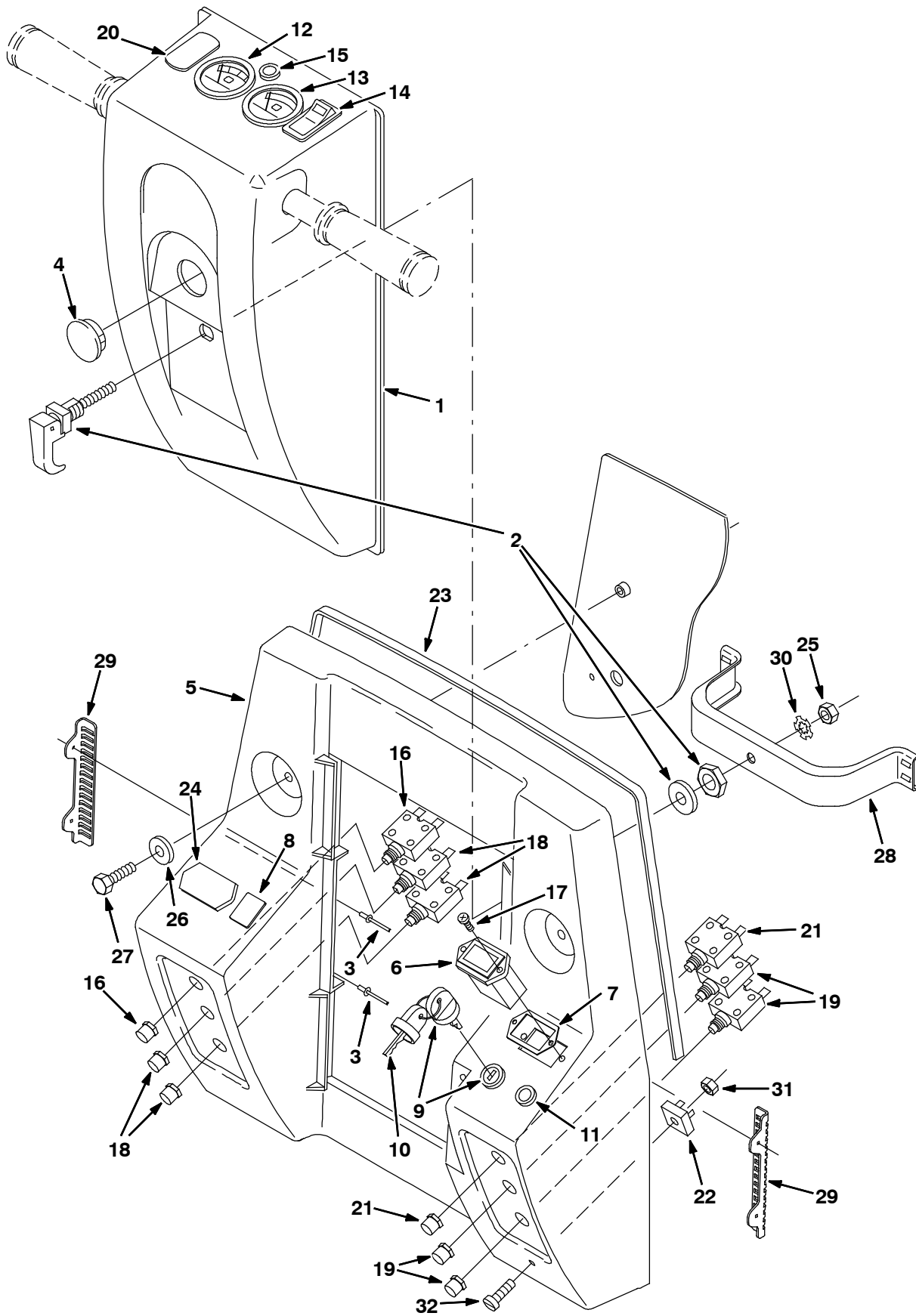


Fig. 19 - Operator Console Group (S/N 1000000- 10367556)

| Ref. | Part No. | Serial Number | Description | Qty. | |
|------|----------|----------------------|---|-------------------|---|
| 1 | 369761 | (1000000- 10367556) | Kit, Shroud And Label, Std | 1 | |
| 2 | 222225 | (1000000-) | Latch | 1 | |
| 3 | 34738 | (1000000-) | Rivet, Blind, .125D X 0.32 X .25D, Stl | 4 | |
| 4 | 76888 | (1000000-) | Button, Plug, 1.25H .00- .12 [Black Nyl] | 1 | |
| 5 | 368590 | (1000000-) | Kit, Ci, Rplmt, Rear Panel | 1 | |
| 6 | 377433 | (1000000- 10367556) | Gauge, Hourmeter, 12- 80vdc, Analog,Rt,.1 | 1 | |
| 7 | 222683 | (1000000-) | Gasket, hourmeter | 1 | |
| 8 | 222534 | (1000000-) | Button, Plug, 1.1 X 1.1H [Black Nyl] | 1 | |
| ▽ | 9 | 222282 | (1000000-) | Switch, Key, Spdt | 1 |
| ▲ | 10 | 222684 | (1000000-) | Key, Set Of Two | 1 |
| 11 | 374121 | (1000000-) | Lamp Assy, Indicator, Green, 36Vdc | 1 | |
| 12 | 222216 | (1000000-) | Gauge, Voltmeter, 27- 40Vdc 2.2D | 1 | |
| 13 | 222215 | (1000000-) | Gauge,Brush Pressure 2.25 | 1 | |
| 14 | 398506 | (1000000-) | Switch, Rocker, Dpst | 1 | |
| 15 | 374122 | (1000000-) | Lamp Assy, Indicator, Red, 36Vdc | 1 | |
| 16 | 383721 | (1000000-) | Circuitbreaker, 10.0A | 1 | |
| 17 | 222267 | (1000000-) | Screw, Pan, #06- 20 X 0.50, Fmg | 2 | |
| 18 | 383723 | (1000000-) | Circuitbreaker, 20.0A | 2 | |
| 19 | 383724 | (1000000-) | Circuitbreaker, 25.0A | 2 | |
| 20 | 398501 | (1000000- 10367556) | Switch, Rocker, Hole Plug | 1 | |
| 21 | 383720 | (1000000-) | Circuitbreaker, 5.0A | 1 | |
| 22 | 10962 | (1000000-) | Diode, Bridge 12 Amp | 1 | |
| 23 | 222639 | (1000000-) | Seal, Rbr, .12 X .38 X 36.0 | 1 | |
| 24 | 609969 | (1000000-) | Plug, Hole, Hourmeter, Blk | 1 | |
| 25 | 39311 | (1000000-) | Nut, Hex, Std, M08 X 1.25 | 1 | |
| 26 | 30013 | (1000000-) | Washer- Flt .31 Fender Pltd | 2 | |
| 27 | 39310 | (1000000-) | Scr Hexssm 8X1.25 25 | 2 | |
| 28 | 222747 | (1000000-) | Bracket, Locking, Shroud | 1 | |
| 29 | 222879 | (1000000-) | Bracket, Steering Adjustment | 2 | |
| 30 | 41141 | (1000000-) | Washer, Lock, Int- Ext, .31 | 1 | |
| 31 | 06549 | (1000000-) | Nut, Hex, Lock, M05 X 0.8, NI | 1 | |
| 32 | 06934 | (1000000-) | Screw, Pan, M05 X 0.8 X 20, 4.8 | 1 | |

▽ - Identifies an assembly

▲ - Identifies parts included in assembly

Fig. 20 - Electrical Panel Group (S/N 10367557-)

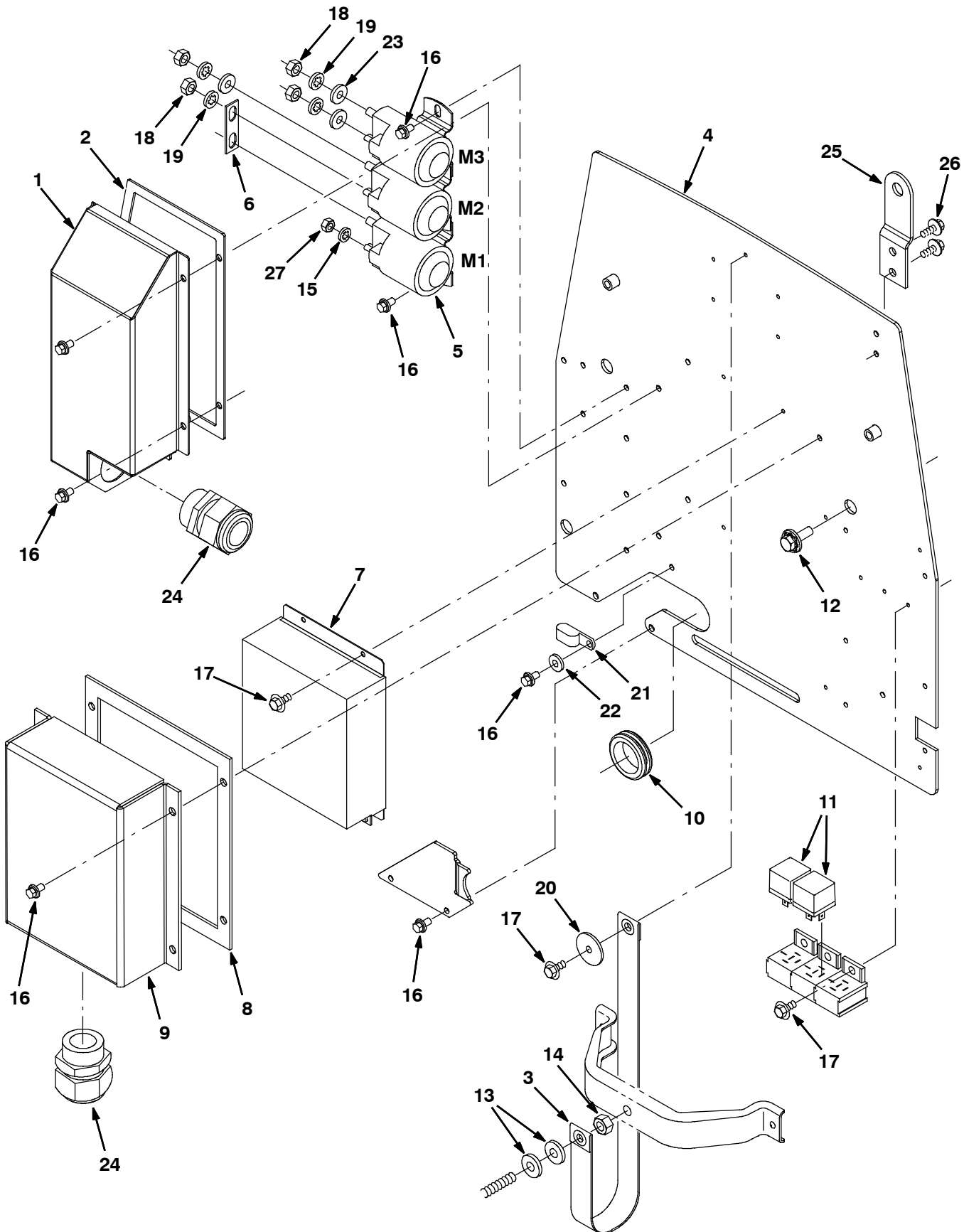


Fig. 20 - Electrical Panel Group (S/N 10367557-)

| Ref. | Part No. | Serial Number | Description | Qty. |
|------|-----------|---------------|---|------|
| 1 | 1040907 | (10367557- |) Housing, Enclosure, Contactor, [5700ee] | 1 |
| 2 | 1042020 | (10367557- |) Gasket, Cover [5700 EE] | 1 |
| 3 | 222450 | (10000000- |) Strap, Lanyard | 1 |
| 4 | 1034019 | (10335670- |) Plate Wldt, Ele, [5700 EE] | 1 |
| 5 | 45405 | (10335670- |) Contactor, 36Vdc | 2 |
| 6 | 769251 | (10335670- |) Busbar, .06 0.6w 2.1l 2/.34x.63slot | 1 |
| 7 | 222220 | (10000000- |) Controller, Propel | 1 |
| 8 | 222739 | (10000000- |) Gasket, Neo, .12, 07.24W, 08.31L, Adh | 1 |
| 9 | 222723 | (10000000- |) Cover, Circuitboard [EE] | 1 |
| 10 | 10632- 13 | (10000000- |) Grommet,Rbr,1.50ld,For .19Matl | 1 |
| 11 | 222111 | (10367557- |) Relay, 36vdc, 20a [Pokorny] | 2 |
| 12 | 1072628 | (10000000- |) Screw, Hex, M8 X 1.25 X 25, Ss, Sems | 4 |
| 13 | 01685 | (10000000- |) Washer, Flat, 0.38b 0.88d .08, Ss | 2 |
| 14 | 39311 | (10000000- |) Nut, Hex, Std, M08 X 1.25 | 1 |
| 15 | 32980 | (10335670- |) Washer, Lock, Int, #10 | 2 |
| 16 | 222158 | (10335670- |) Screw, Hex, M 6 X 1.0 X 10, Fmg | 15 |
| 17 | 16944 | (10335670- |) Screw, Hex, M 4 X 0.7 X 10, Fmg | 8 |
| 18 | 20170 | (10335670- |) Nut, Hex, Jam, .31- 24 | 6 |
| 19 | 32984 | (10335670- |) Washer, Lock, Int, .31 | 6 |
| 20 | 41178 | (10335670- |) Washer, Flat, 0.25 Fender | 1 |
| 21 | 1009318 | (10335670- |) Clamp, Cable, Stl, 0.6x1.2x0.75w, 1h | 1 |
| 22 | 32490 | (10335670- |) Washer, Flat, 0.25 Std | 1 |
| 23 | 39349 | (10335670- |) Washer, Flat, 0.31 Sae | 4 |
| 24 | 222726 | (10000000- |) Strainrelief, .72/.97 Cord, 1.47d | 2 |
| 25 | 1033887 | (10335670- |) Pin, Lock, Tank [5700EE] | 1 |
| 26 | 74455 | (10335670- |) Screw, Hex, M 6 X 1.0 X 12, Fmg | 2 |
| 27 | 01713 | (10335670- |) Nut, Hex, Std, #10- 32, 2 | 2 |

STANDARD PARTS

Fig. 21 - Electrical Panel Group (S/N 10335670-10367556)

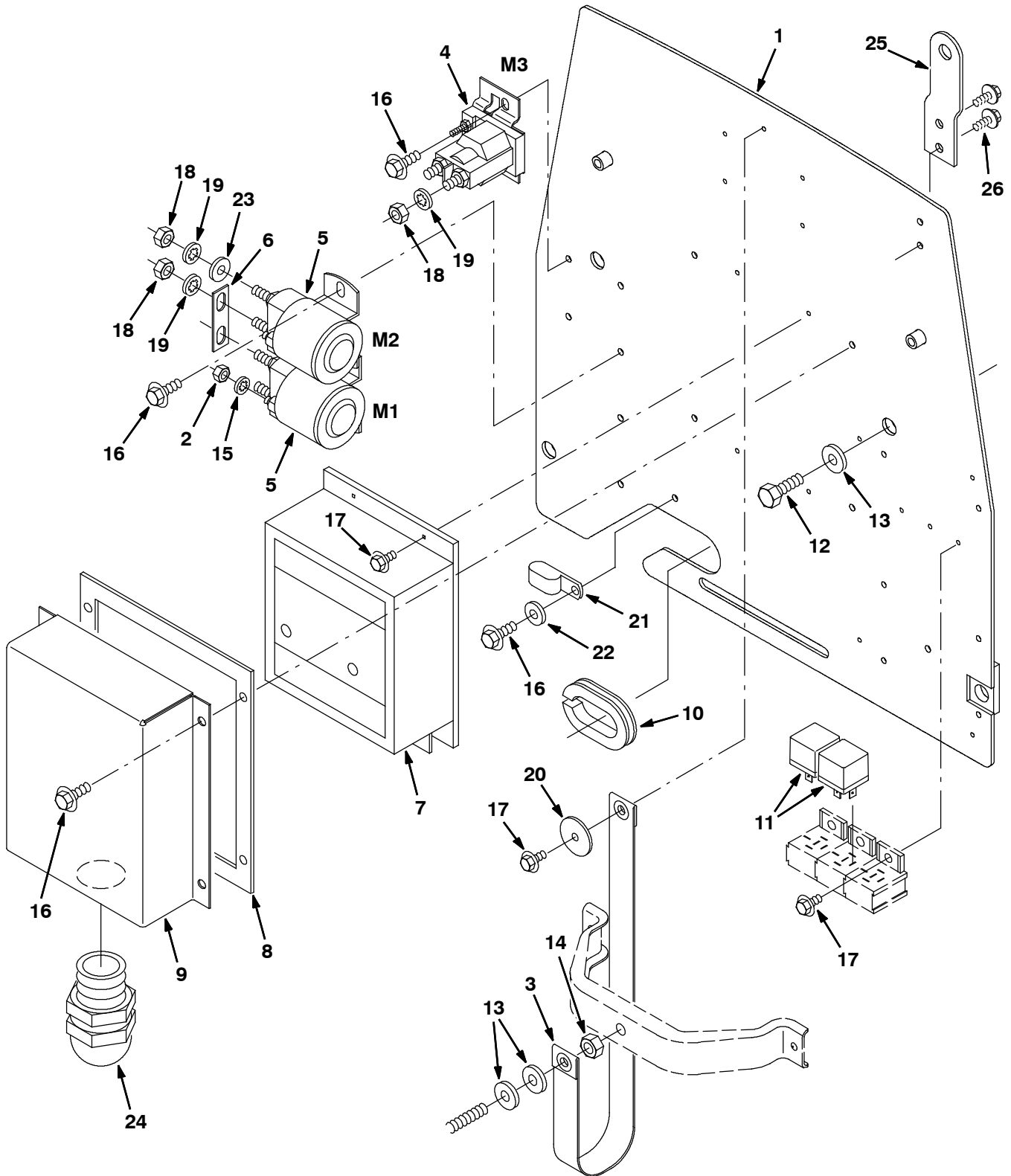


Fig. 21 - Electrical Panel Group (S/N 10335670- 10367556)

| Ref. | Part No. | Serial Number | Description | Qty. |
|------|-----------|---------------------|---|------|
| 1 | 1034019 | (10335670- |) Plate Wldt, Ele, [5700/XP/EE] | 1 |
| 2 | 01713 | (10335670- |) Nut, Hex, Std, #10- 32, 2 | 2 |
| 3 | 222450 | (10000000- |) Strap, Lanyard | 1 |
| 4 | 386810 | (10335670- 10367556 |) Contactor, 36Vdc | 1 |
| 5 | 45405 | (10000000- |) Contactor, 36Vdc | 2 |
| 6 | 769251 | (10335670- |) Busbar, .06 0.6w 2.1l 2/.34x.63slot | 1 |
| 7 | 222220 | (10000000- |) Controller, Propel | 1 |
| 8 | 222739 | (10000000- |) Gasket, Neo, .12, 07.24W, 08.31L, Adh | 1 |
| 9 | 222723 | (10000000- |) Cover, Circuitboard [EE] | 1 |
| 10 | 10632- 13 | (10000000- |) Grommet,Rbr,1.50ld,For .19Matl | 1 |
| 11 | 398526 | (10335670- 10367556 |) Relay, 36Vdc, 005A, Spdt | 2 |
| 12 | 12333 | (10000000- |) Scr- Hexssm 8X1.25 25 NylInloc | 4 |
| 13 | 01685 | (10000000- |) Washer, Flat, 0.38b 0.88d .08, Ss | 6 |
| 14 | 39311 | (10000000- |) Nut, Hex, Std, M08 X 1.25 | 1 |
| 15 | 32980 | (10335670- |) Washer, Lock, Int, #10 | 2 |
| 16 | 222158 | (10335670- |) Screw, Hex, M 6 X 1.0 X 10, Fmg | 10 |
| 17 | 16944 | (10335670- |) Screw, Hex, M 4 X 0.7 X 10, Fmg | 8 |
| 18 | 20170 | (10335670- |) Nut, Hex, Jam, .31- 24 | 6 |
| 19 | 32984 | (10335670- |) Washer, Lock, Int, .31 | 6 |
| 20 | 41178 | (10335670- |) Washer, Flat, 0.25 Fender | 1 |
| 21 | 1009318 | (10335670- |) Clamp, Cable, Stl, 0.6x1.2x0.75w, 1h | 1 |
| 22 | 32490 | (10335670- |) Washer, Flat, 0.25 Std | 1 |
| 23 | 39349 | (10335670- |) Washer, Flat, 0.31 Sae | 2 |
| 24 | 222726 | (10000000- |) Strainrelief, .72/.97 Cord, 1.47d | 1 |
| 25 | 1033887 | (10335670- |) Pin, Lock, Tank [5700EE] | 1 |
| 26 | 74455 | (10335670- |) Screw, Hex, M 6 X 1.0 X 12, Fmg | 2 |

Fig. 22 - Electrical Panel Group (S/N 1000000-10335669)

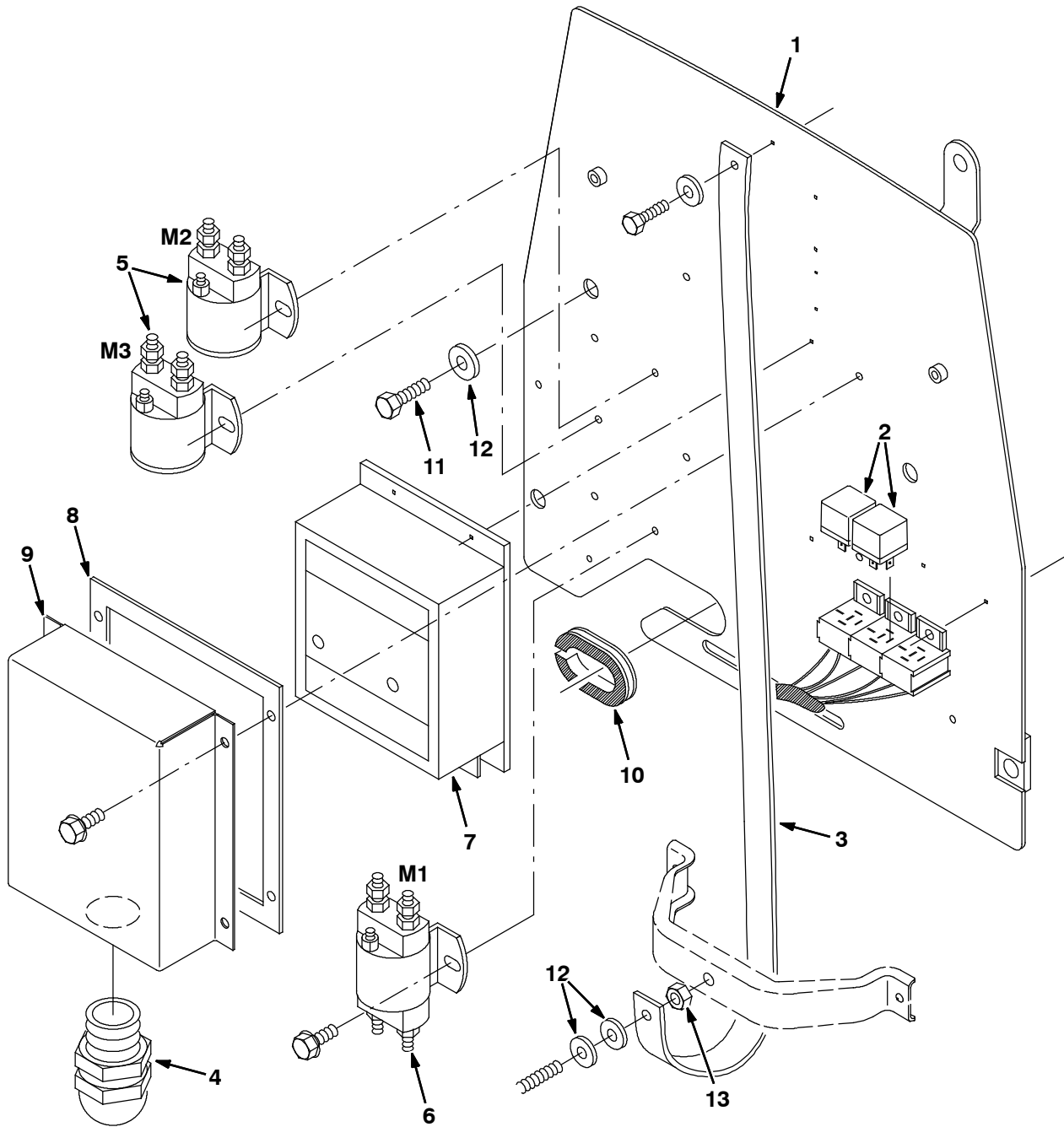


Fig. 22 - Electrical Panel Group (S/N 10000000- 10335669)

| Ref. | Part No. | Serial Number | Description | Qty. |
|------|-----------|-----------------------|-------------------------------------|------|
| 1 | 222725 | (10000000- 10335669) | Plate Wldt, Electronics | 1 |
| 2 | 222111 | (10000000- 10335669) | Relay, Control 36V | 2 |
| 3 | 222450 | (10000000- |) Strap, Lanyard | 1 |
| 4 | 222726 | (10000000- |) Ftg, Plstc Str Specl | 1 |
| 5 | 45405 | (10000000- |) Contactor, 36Vdc | 2 |
| 6 | 63291 | (10000000- 10335669) | Contactor, Power | 1 |
| 7 | 222220 | (10000000- |) Controller, Propel | 1 |
| 8 | 222739 | (10000000- |) Gasket, Cover, Ee | 1 |
| 9 | 222723 | (10000000- |) Cover, Control Board, Ee | 1 |
| 10 | 10632- 13 | (10000000- |) Grommet,Rbr,1.50ld,For .19Matl | 1 |
| 11 | 12333 | (10000000- |) Scr- Hexssm 8X1.25 25 Nylnloc | 4 |
| 12 | 01685 | (10000000- |) Washer, Flat, 0.38b 0.88d .08, Ss | 6 |
| 13 | 39311 | (10000000- |) Nut, Hex, Std, M08 X 1.25 | 1 |

Fig. 23 - Squeegee Lift Group

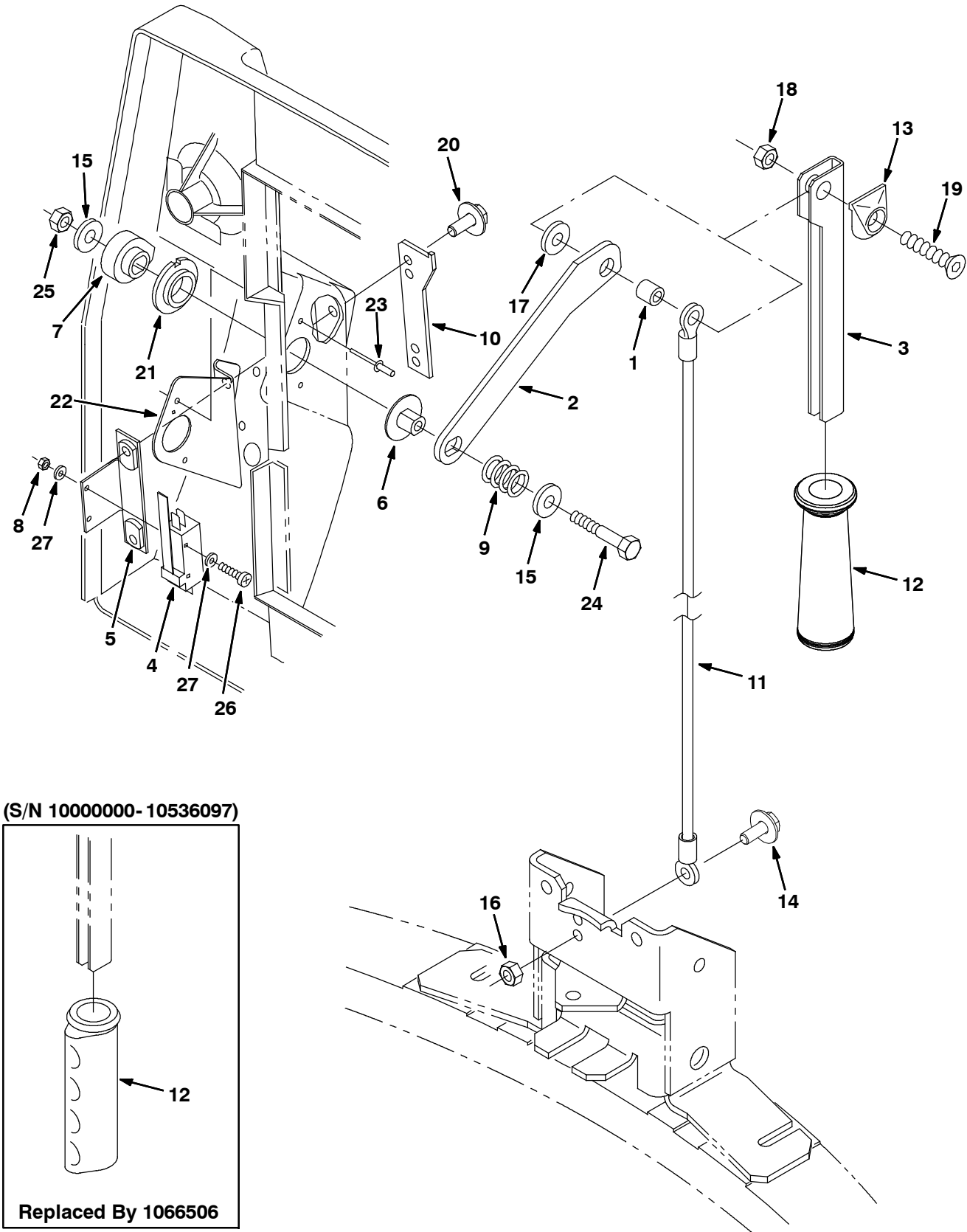


Fig. 23 - Squeegee Lift Group

| Ref. | Part No. | Serial Number | Description | Qty. |
|------|----------|---------------------|---|------|
| 1 | 222460 | (10000000- |) Sleeve | 1 |
| 2 | 222139 | (10000000- |) Lever, Squeegee Lift | 1 |
| 3 | 222448 | (10000000- |) Lever, Squeegee Lift, Upper | 1 |
| 4 | 1045175 | (10000000- |) Switch, Snap Actn, 250vac | 1 |
| 5 | 222402 | (10000000- |) Bracket, Fan Switch | 1 |
| 6 | 374745 | (10000000- |) Pivot, Squeegee Lift | 1 |
| 7 | 222400 | (10000000- |) Cam, Fan Switch | 1 |
| 8 | 01754 | (10000000- |) Nut, Hex, Std, M3 X 0.5, 8 | 2 |
| 9 | 57889 | (10000000- |) Sprng, Comp, 0.59Idx. 05Wire 0.6L | 1 |
| 10 | 222138 | (10000000- |) Bracket, Catch | 1 |
| 11 | 222227 | (10000000- |) Cable, Squeegee Lift | 1 |
| 12 | 1066506 | (10536098- |) Grip, Handle, Rnd | 1 |
| 12 | 222647 | (10000000- 10536097 |) Grip, Handle [Oblong] (Replaced By 1066506) | 1 |
| 13 | 222665 | (10000000- |) Bumper, Handle | 1 |
| 14 | 1034731 | (10000000- |) Screw, Hex, M6 X 1.00 X 16, Ss, Sems | 1 |
| 15 | 01684 | (10000000- |) Washer, Flat, 0.27b 0.69d .05, Ss | 2 |
| 16 | 08712 | (10000000- |) Nut Hxlocnyln M 6X1.0 Reg Ss | 1 |
| 17 | 01685 | (10000000- |) Washer, Flat, 0.38b 0.88d .08, Ss | 1 |
| 18 | 08713 | (10000000- |) Nut- Hxlocnyln M 8X1.25 Reg18- 8 | 1 |
| 19 | 79506 | (10000000- |) Scr- Flt M 8X1.25 30 Ss18- 8 | 1 |
| 20 | 1034731 | (10000000- |) Screw, Hex, M6 X 1.00 X 16, Sems, Ss | 2 |
| 21 | 222868 | (10000000- |) Bearing, Flange | 1 |
| 22 | 222867 | (10000000- |) Plate, Squeegee Pivot | 1 |
| 23 | 34738 | (10000000- |) Rivet, Pop- .125D X .32 X .25Dhd St | 2 |
| 24 | 06948 | (10000000- |) Screw, Hex, M06 X 1.0 X 45, 8.8 | 1 |
| 25 | 08708 | (10000000- |) Nut, Hex, Lock, M06 X 1.0, NI | 1 |
| 26 | 06923 | (10000000- |) Screw, Pan, M3 X 0.5 X 25, 4.8 | 2 |
| 27 | 01757 | (10000000- |) Washer, Lock, Int, M3 Ss | 2 |

Fig. 24 - Squeegee Linkage Group

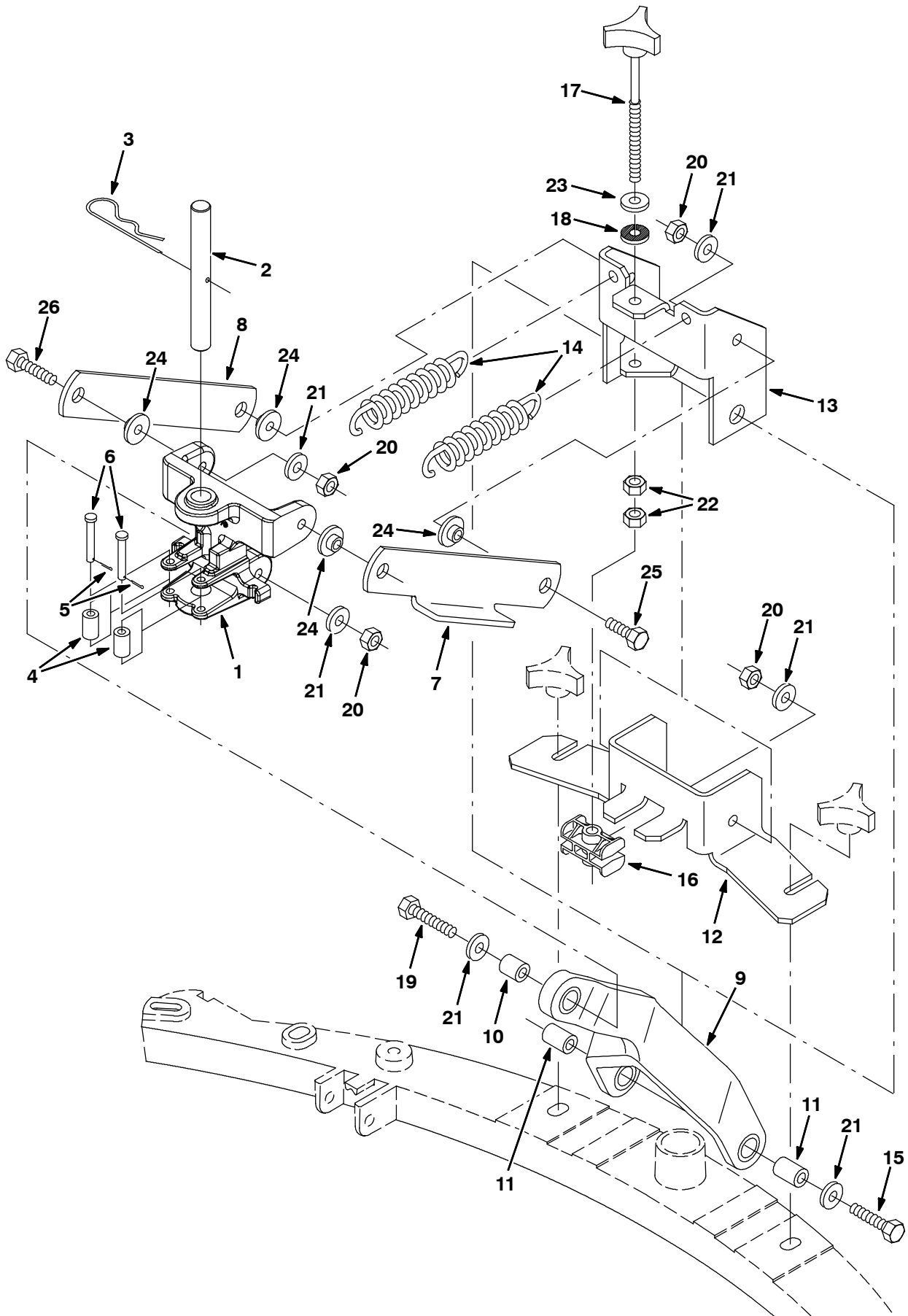


Fig. 24 - Squeegee Linkage Group

| Ref. | Part No. | Serial Number | Description | Qty. |
|------|----------|---------------|---|------|
| 1 | 1030870 | (10000000- |) Block, Pivot, Mach | 1 |
| 2 | 222239 | (10000000- |) Pin, Pivot Block | 1 |
| 3 | 02942 | (10000000- |) Pin, Hair Cotter .12Wire 2.37SI | 1 |
| 4 | 222468 | (10000000- |) Roller, Sqge Centering | 2 |
| 5 | 08178 | (10000000- |) Pin, Cotter .062X0.75 | 2 |
| 6 | 05283 | (10000000- |) Pin, Clevis 6 Dia X 40 Lg | 2 |
| 7 | 1018718 | (10000000- |) Link, Sqge, Upper, Lh | 1 |
| 8 | 397820 | (10000000- |) Link, Sqge, Upper | 1 |
| 9 | 222234 | (10000000- |) Link, Squeegee Lift, Lower | 1 |
| 10 | 222248 | (10000000- |) Sleeve, .344B .62D.72 Bronze | 1 |
| 11 | 222277 | (10000000- |) Sleeve, .344B .62D.93 Bronze | 2 |
| 12 | 222230 | (10000000- |) Bracket, Linkage, Lower | 1 |
| 13 | 222231 | (10000000- |) Bracket, Linkage, Upper | 1 |
| 14 | 222236 | (10000000- |) Spring, Tension | 2 |
| 15 | 09026 | (10000000- |) Scr Hexssm 8X1.25 40 | 2 |
| 16 | 222233 | (10000000- |) Block, Squeegee, Adjust | 1 |
| 17 | 222153 | (10000000- |) Knob, W/M8 1.25X125Lg Stud | 1 |
| 18 | 63416 | (10000000- |) Washer, .31OB .88D .12Rbr | 1 |
| 19 | 222505 | (10000000- |) Scr Hexssm 8X1.25 45 | 1 |
| 20 | 08713 | (10000000- |) Nut- Hxlocnyln M 8X1.25 Reg Ss | 7 |
| 21 | 01685 | (10000000- |) Washer, Flat, 0.38b 0.88d .08, Ss | 10 |
| 22 | 07786 | (10000000- |) Nut Hx Ss M 8X1.25 | 2 |
| 23 | 01686 | (10000000- |) Washer Flt .38 Ss | 1 |
| 24 | 80950 | (10000000- |) Bushing, Flng, 0.32b 0.50d 0.24l, Bnz | 4 |
| 25 | 09010 | (10000000- |) Screw, Hex, M8 X 1.25 X 25, Ss | 2 |
| 26 | 09023 | (10000000- |) Screw, Hex, M8 X 1.25 X 35, Ss, Fl | 2 |

Fig. 25 - Squeegee Group, Model 800, 800 mm (32 in)

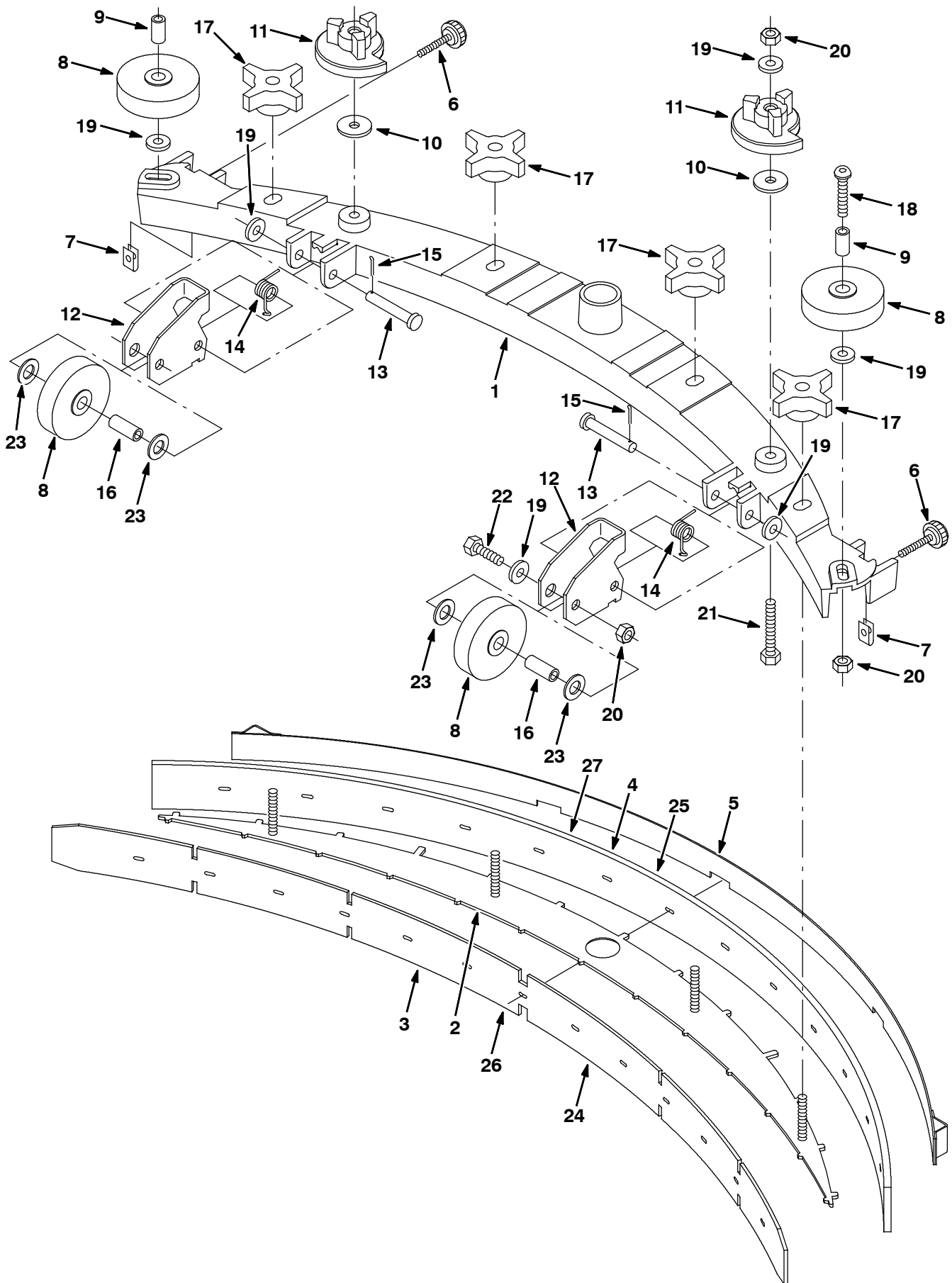


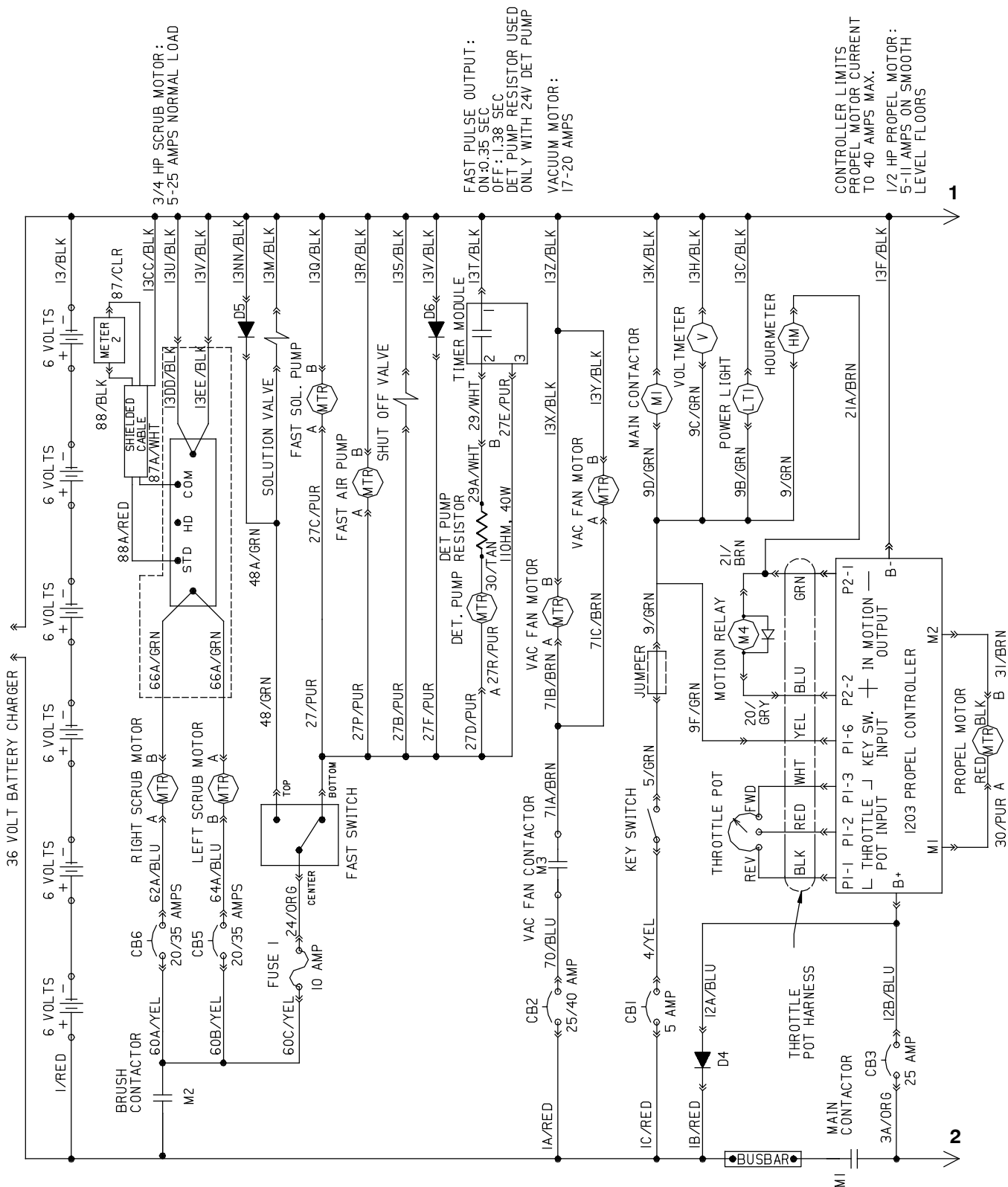
Fig. 25 - Squeegee Group, Model 800, 800 mm (32 in)

| Ref. | Part No. | Serial Number | Description | Qty. |
|------|-----------|---------------|--|------|
| ▽ | 397749 | (10000000- |) Kit, Ci, Sqge, Assy, [5680/5700] [800] | 1 |
| ▲ | 1 222134 | (10000000- |) Frame, Squeegee 32" | 1 |
| ▲ | 2 222240 | (10000000- |) Plate, Blade Retainer 32 | 1 |
| ▲ | 3 222241 | (10000000- |) Blade, Squeegee,Front, 32" | 1 |
| ▲ | 4 222242 | (10000000- |) Blade, Squeegee,Rear, 32" | 1 |
| ▲ | 5 222243 | (10000000- |) Band Wldt, Sqge 32 | 1 |
| ▲ | 6 222794 | (10000000- |) Knob, W1.25- 20X1.5Lg Stud | 2 |
| ▲ | 7 82138 | (10000000- |) Nut Speed,Retainer, .25- 20 Thd | 2 |
| ▲ | 8 222066 | (10000000- |) Wheel, 3.0 Dia | 4 |
| ▲ | 9 222496 | (10000000- |) Sleeve | 2 |
| ▲ | 10 222268 | (10000000- |) Washer, .375B 1.25D .12Neopre | 2 |
| ▲ | 11 222244 | (10000000- |) Cam, Adj, Sqge | 2 |
| ▲ | 12 222245 | (10000000- |) Bracket, Mtg, Wheel | 2 |
| ▲ | 13 222260 | (10000000- |) Pin, Clevis, 0.37 Dia 2.25Lg | 2 |
| ▲ | 14 222130 | (10000000- |) Spring, Torsion, Wheel | 2 |
| ▲ | 15 39005 | (10000000- |) Pin, Cotter .094X0.75 | 2 |
| ▲ | 16 222497 | (10000000- |) Sleeve | 2 |
| ▲ | 17 370100 | (10000000- |) Knob, 4 Prongs w/.31- 8 Insert | 4 |
| ▲ | 18 397826 | (10000000- |) Screw, Btn, M8 X 1.25 X 40, Ss18- 8 | 2 |
| ▲ | 19 01685 | (10000000- |) Washer, Flat, 0.38b 0.88d .08, Ss | 8 |
| ▲ | 20 08713 | (10000000- |) Nut- Hxlocnyln M 8X1.25 Reg Ss | 6 |
| ▲ | 21 09767 | (10000000- |) Scr Hexssm 8X1.25 70 | 2 |
| ▲ | 22 49694 | (10000000- |) Scr Hex Ssm 8X1.25 50 | 2 |
| ▲ | 23 32486 | (10000000- |) Washer, Flt, .50 Sae | 4 |
| ▽ | 222423 | (10000000- |) Squeegee Kit F/Tile Gumrbr 800 | 1 |
| ▲ | 24 222384 | (10000000- |) Blade, Squeegee, Tile, 32" | 1 |
| ▲ | 25 222386 | (10000000- |) Blade, Squeegee, Rear,Gum 32" | 1 |
| ▽ | 222429 | (10000000- |) Squeegee Kit Oil Rs Urethn 800 | 1 |
| ▲ | 26 222392 | (10000000- |) Blade, Sqge Front,32" Oil Rst | 1 |
| ▲ | 27 222388 | (10000000- |) Blade, Sqge, Rear 32" Oil Resi | 1 |

▽ - Identifies an assembly

▲ - Identifies parts included in assembly

Fig. 26 - Electrical Schematic (S/N 10335670-)



FAST PULSE OUTPUT:
ON: 0.35 SEC
OFF: 1.38 SEC
DET PUMP RESISTOR USED
ONLY WITH 24V DET PUMP

VACUUM MOTOR:
17-20 AMPS

CONTROLLER LIMITS
PROPEL MOTOR CURRENT
TO 40 AMPS MAX.
1/2 HP PROPEL MOTOR:
5-11 AMPS ON SMOOTH
LEVEL FLOORS

Fig. 26 - Electrical Schematic (S/N 10335670-)

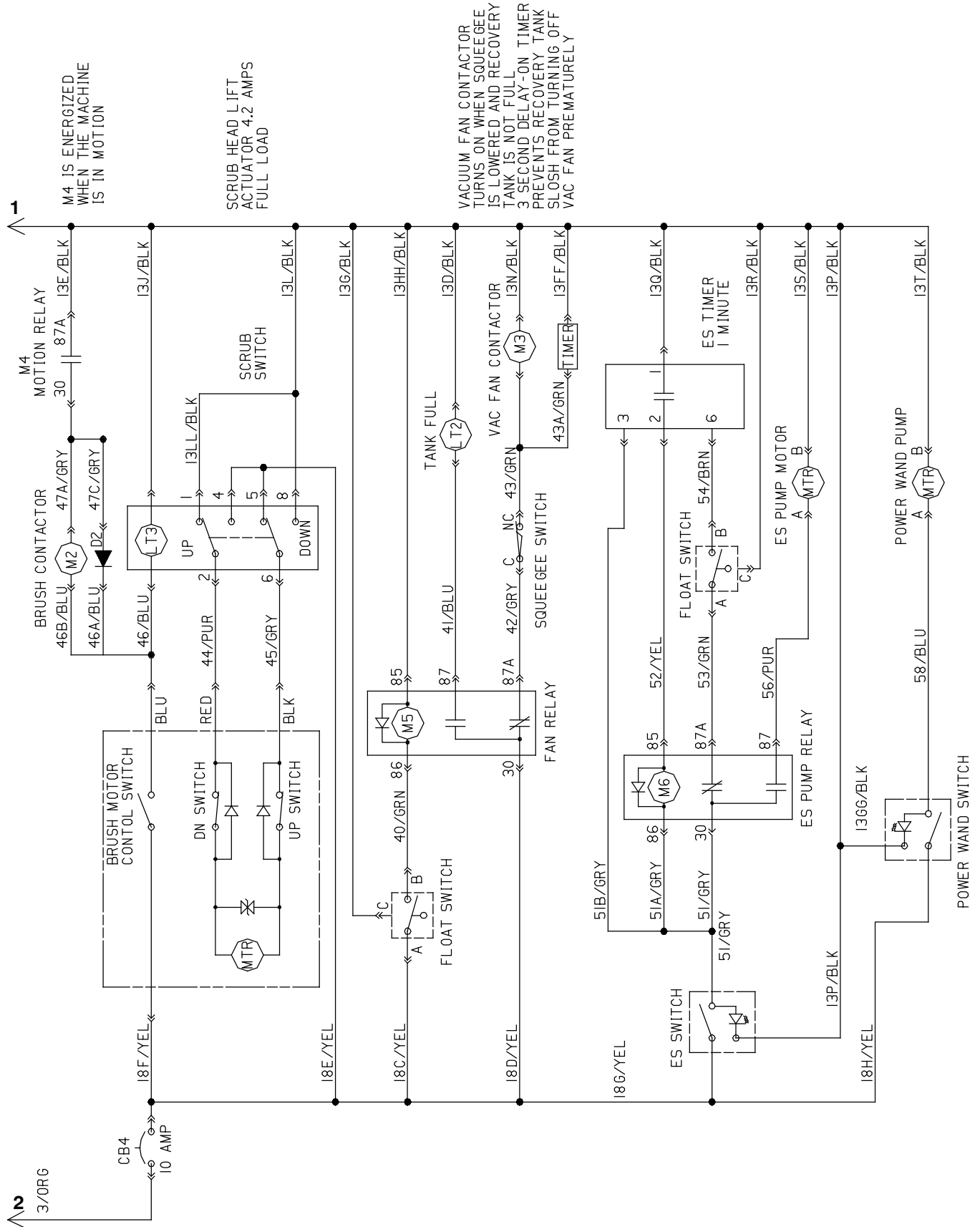


Fig. 27 - Electrical Schematic (S/N 1000000-10335669)

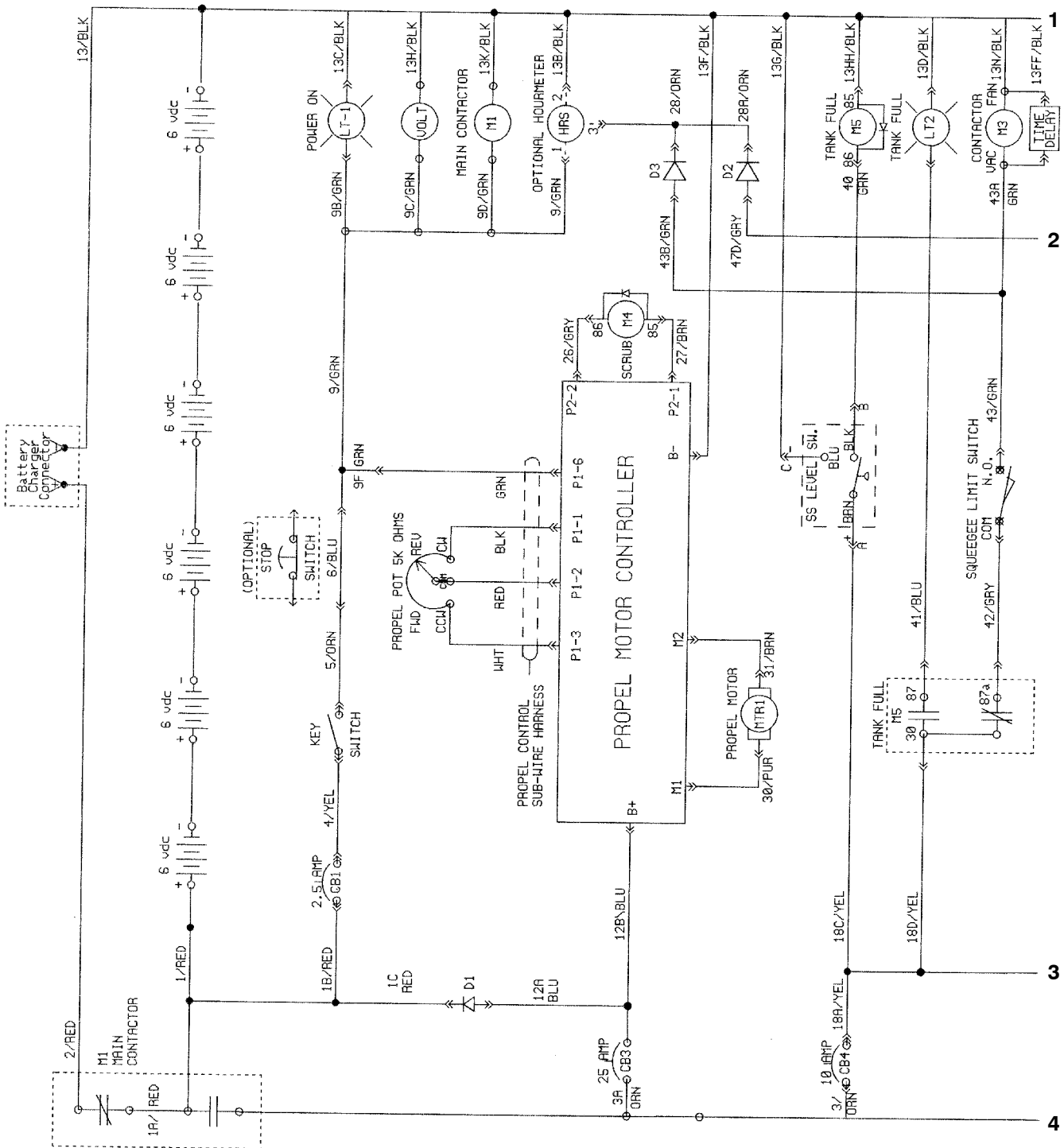


Fig. 27 - Electrical Schematic (S/N 1000000- 10335669)

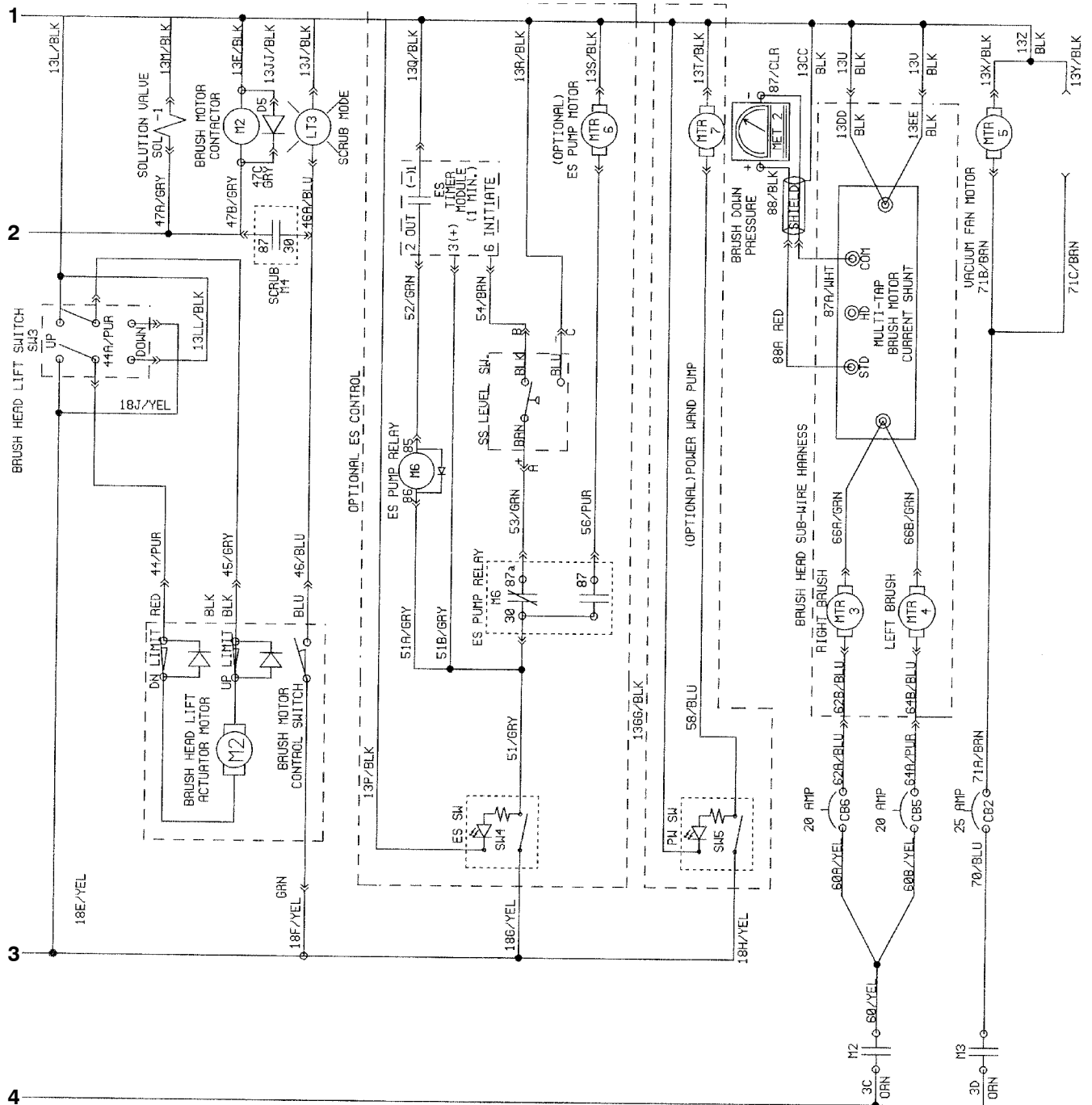


Fig. 28 - Electrical Wire Harness Group (S/N 10436743-)

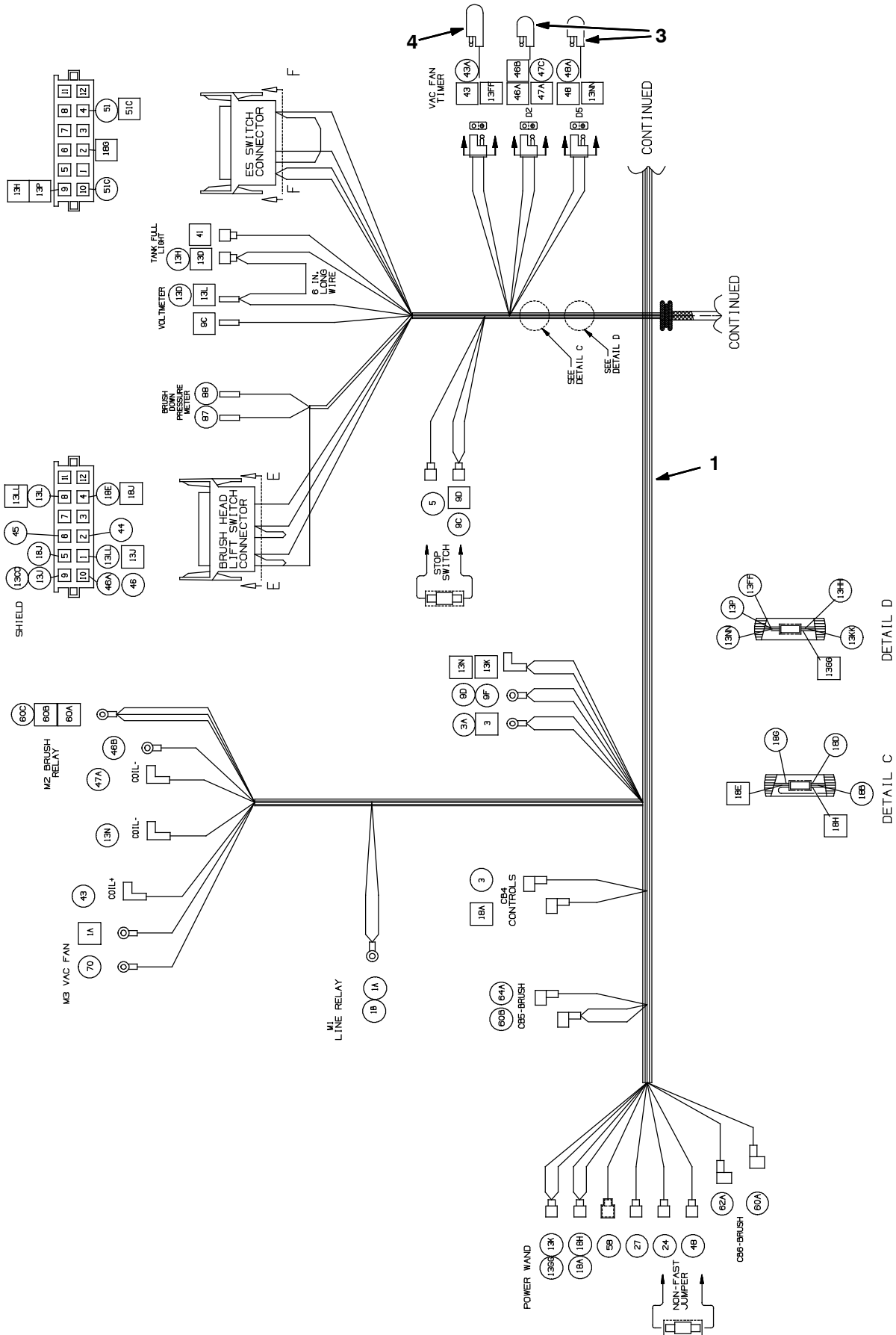
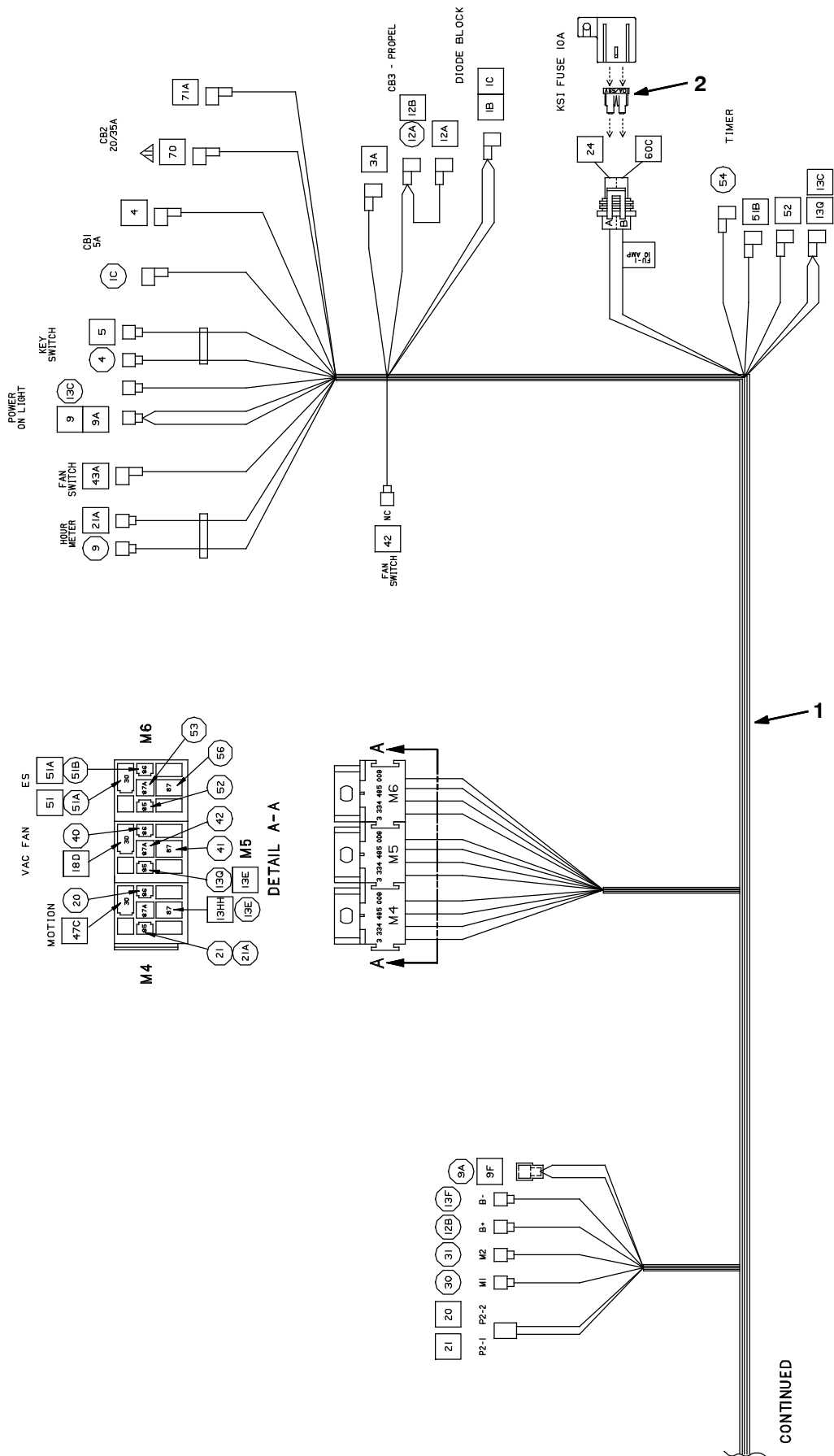


Fig. 28 - Electrical Wire Harness Group (S/N 10436743-)



STANDARD PARTS

Fig. 28 - Electrical Wire Harness Group (S/N 10436743-)

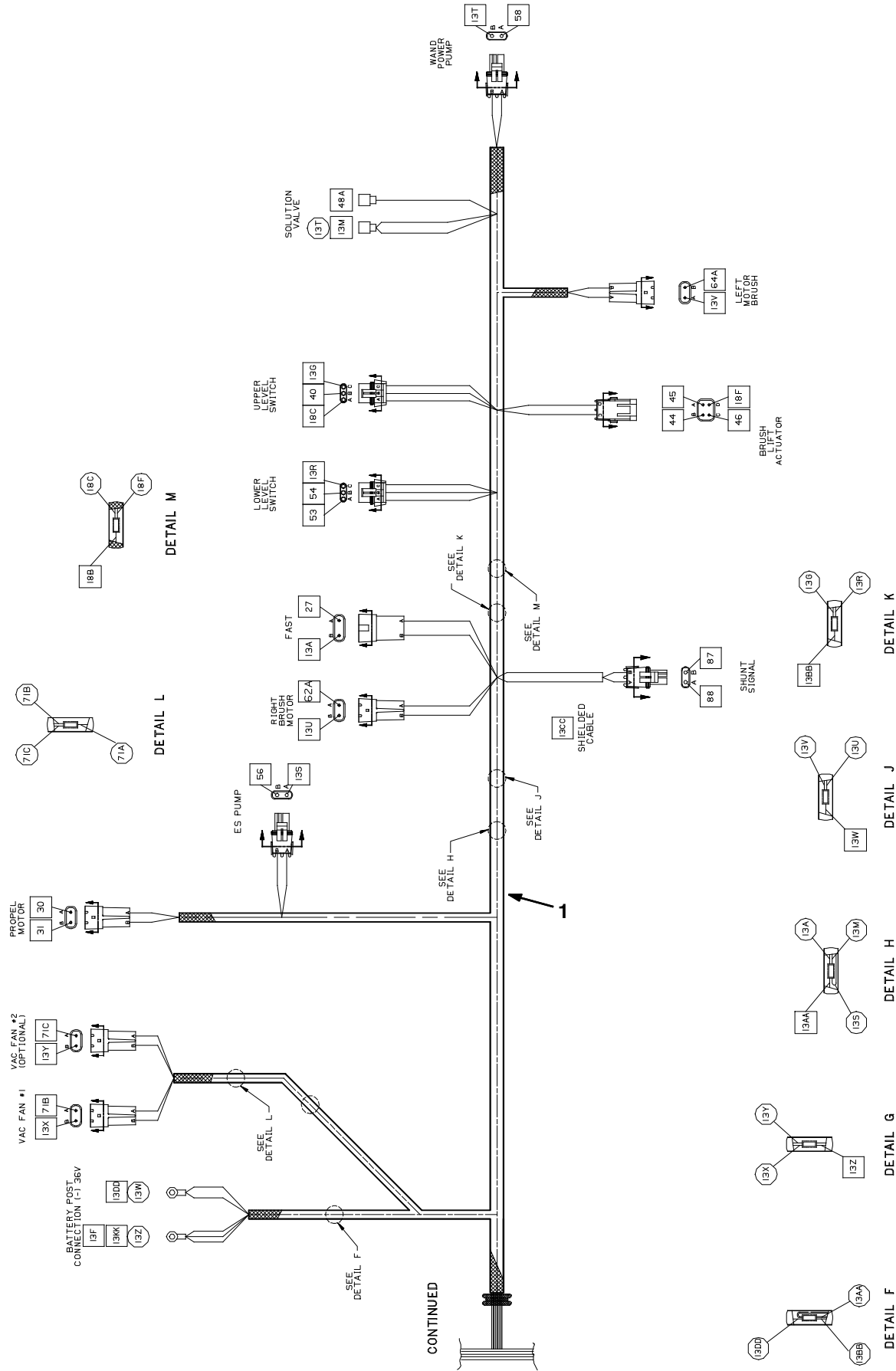


Fig. 28 - Electrical Wire Harness Group (S/N 10436743-)

| | Ref. | Part No. | Serial Number | Description | Qty. |
|---|-------------|-----------------|----------------------|---|-------------|
| ▽ | 1 | 1055166 | (10436743- |) Harness, Main [5700] | 1 |
| ▲ | 2 | 393149 | (10335670- |) Fuse, Blade, 10a, 58vdc | 1 |
| | 3 | 222290 | (10335670- |) Diode, Ele, Plug | 2 |
| | 4 | 222707 | (10335670- |) Capacitor, Electric, Plug | 1 |
| | | 222666 | (10335670- |) Clamp, Cable, Ribbon, 1.25w 0.25h Plstc | 1 |

▽ - Identifies an assembly

▲ - Identifies parts included in assembly

Fig. 29 - Electrical Wire Harness Group (S/N 10378922-10436742)

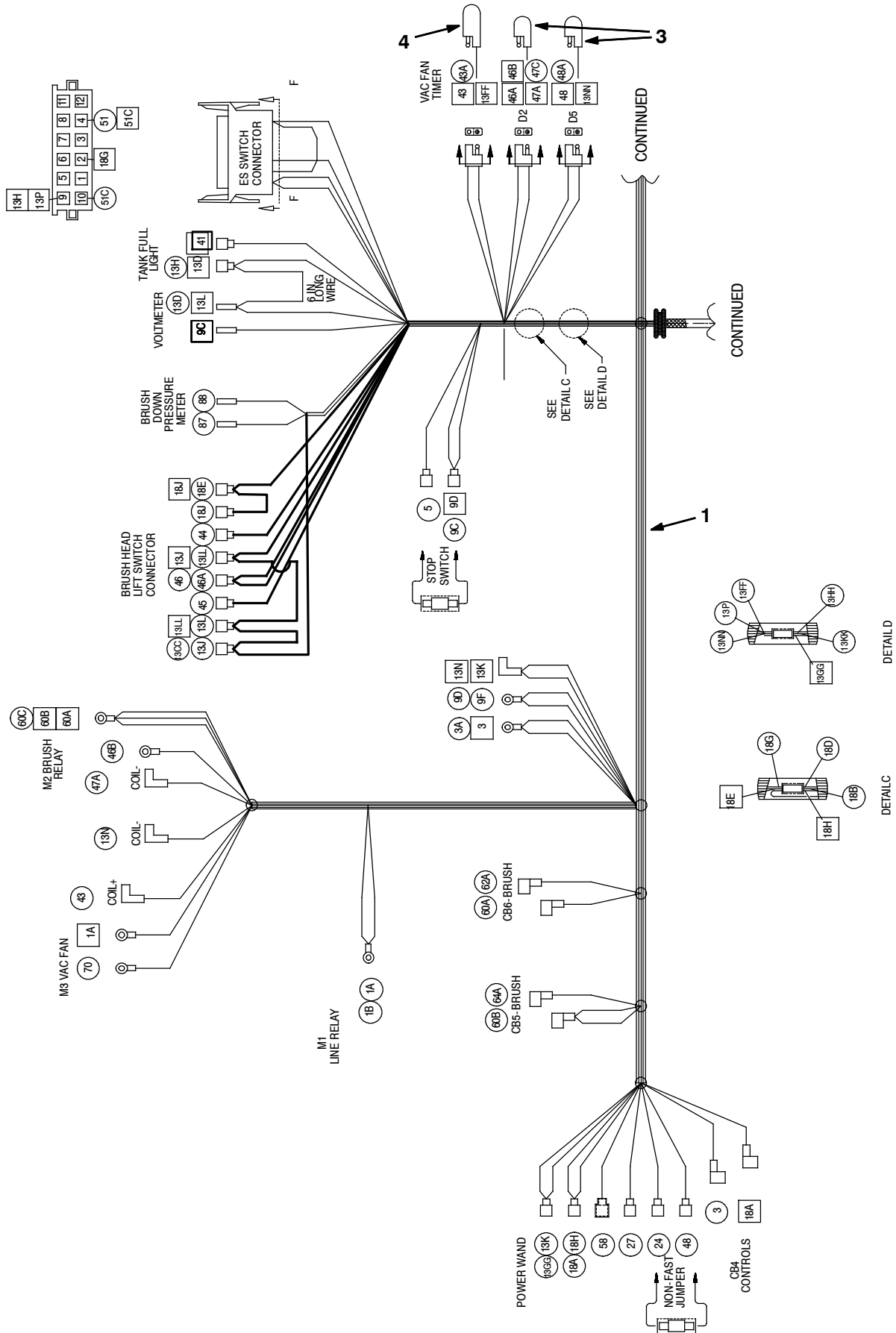


Fig. 29 - Electrical Wire Harness Group (S/N 10378922- 10436742)

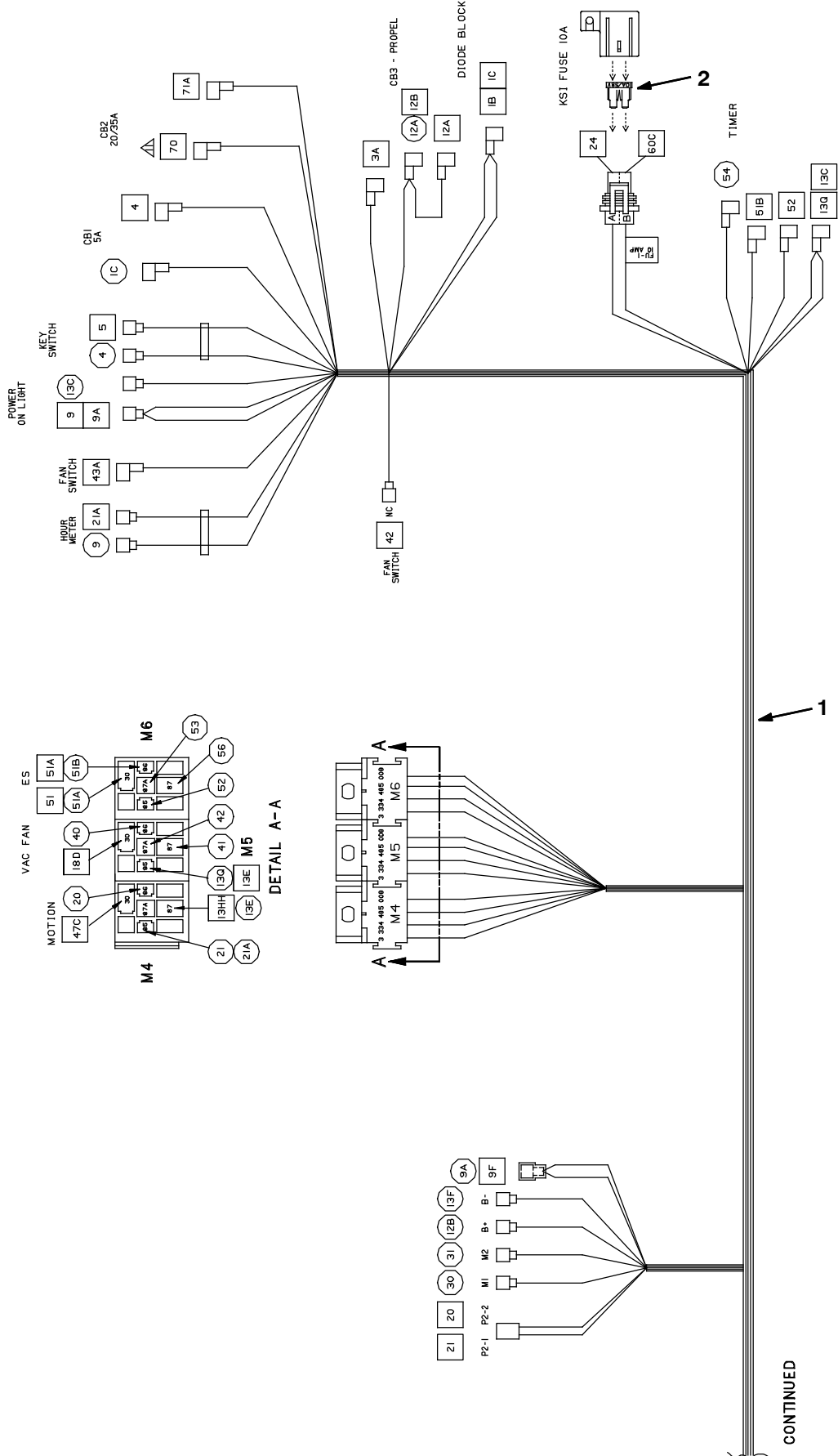


Fig. 29 - Electrical Wire Harness Group (S/N 10378922-10436742)

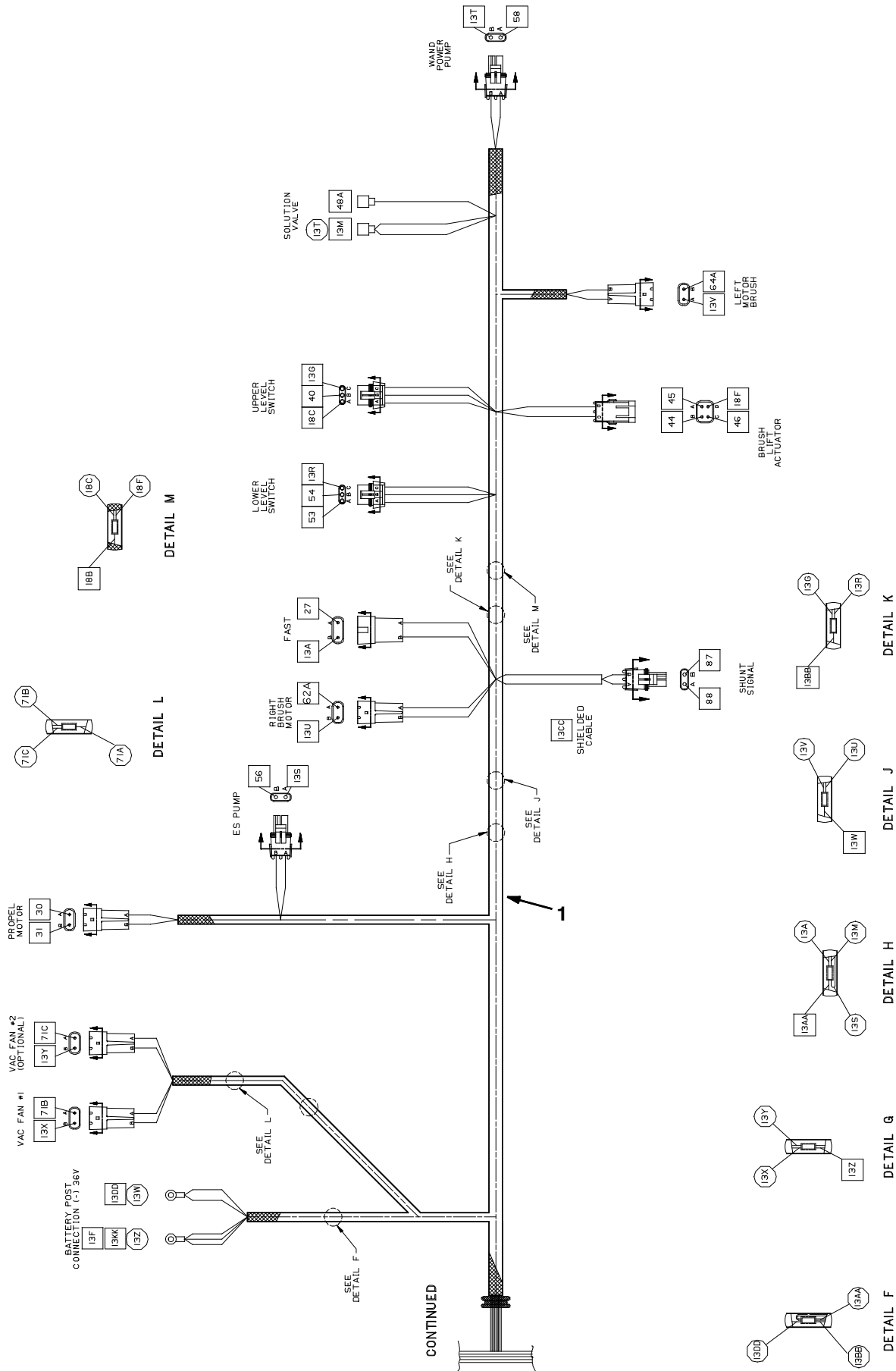


Fig. 29 - Electrical Wire Harness Group (S/N 10378922- 10436742)

| | Ref. | Part No. | Serial Number | Description | Qty. |
|---|-------------|-----------------|-----------------------|--|-------------|
| ▽ | 1 | 1045866 | (10378922- 10436742) | Harness, Main [5700ee] (Replaced By 1055166) | 1 |
| ▲ | 2 | 393149 | (10335670-) | Fuse, Blade, 10a, 58vdc | 1 |
| | 3 | 222290 | (10335670-) | Diode, Ele, Plug | 2 |
| | 4 | 222707 | (10335670-) | Capacitor, Electric, Plug | 1 |
| | | 222666 | (10335670-) | Clamp, Cable, Ribbon, 1.25w 0.25h Plstc | 1 |

▽ - Identifies an assembly

▲ - Identifies parts included in assembly

Fig. 30 - Electrical Wire Harness Group (S/N 10335670-10378921)

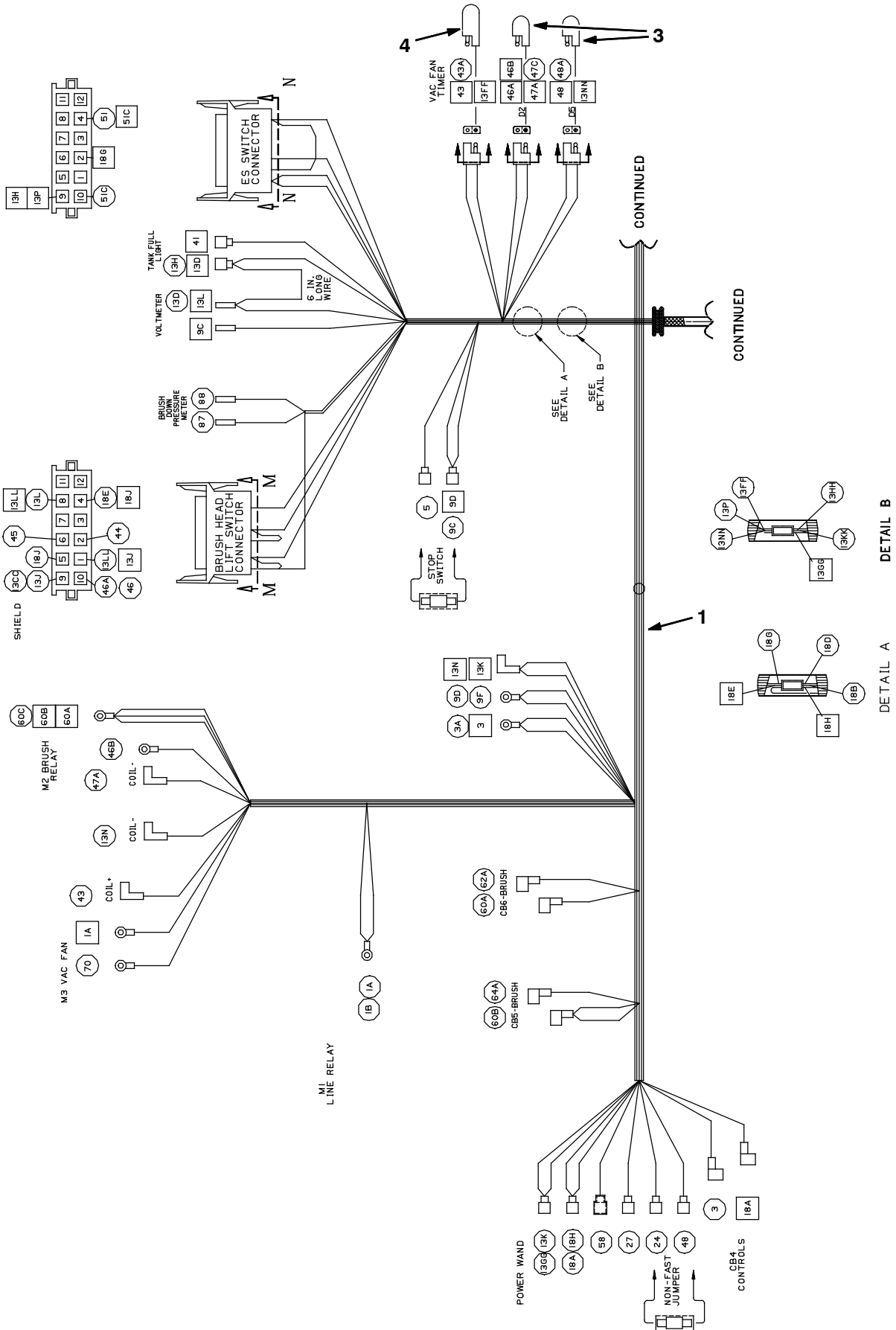


Fig. 30 - Electrical Wire Harness Group (S/N 10335670- 10378921)

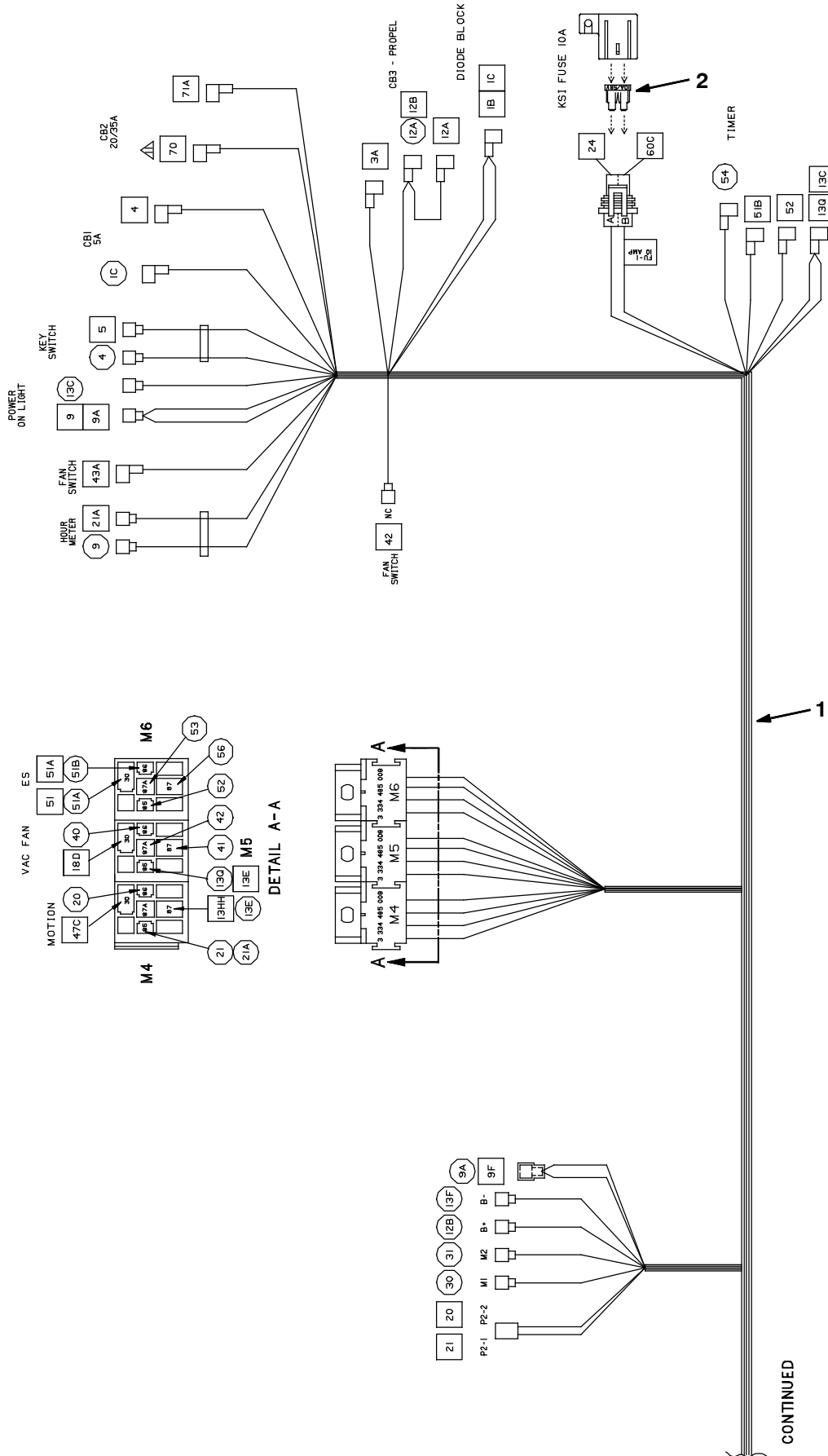
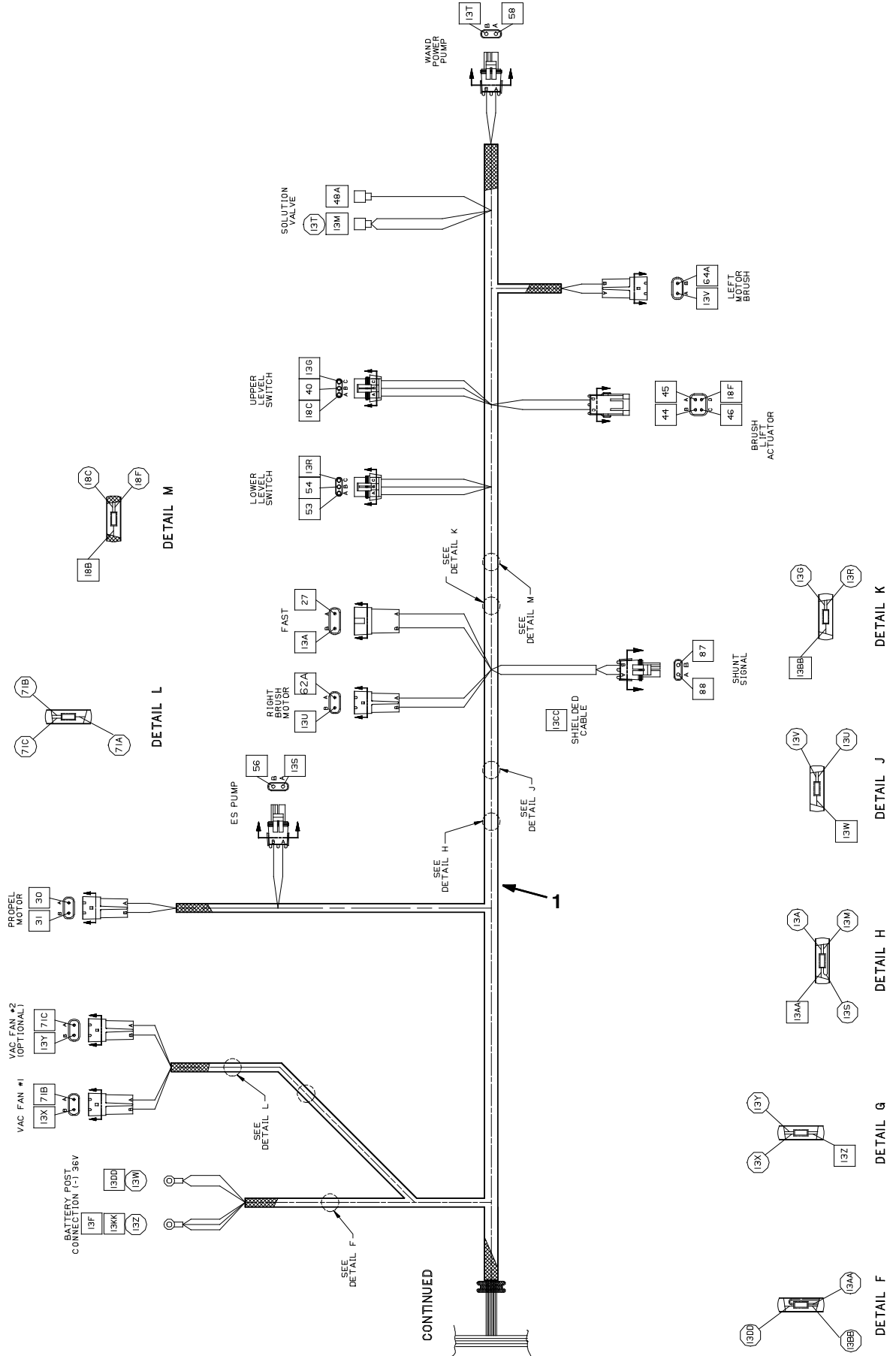


Fig. 30 - Electrical Wire Harness Group (S/N 10335670- 10378921)



STANDARD PARTS

Fig. 30 - Electrical Wire Harness Group (S/N 10335670- 10378921)

| | Ref. | Part No. | Serial Number | Description | Qty. |
|---|------|----------|-----------------------|---|------|
| ▽ | 1 | 397905 | (10335670- 10378921) | Harness, Main, [5700] | 1 |
| ▲ | 2 | 393149 | (10335670- |) Fuse, Blade, 10a, 58vdc | 1 |
| | 3 | 222290 | (10335670- |) Diode, Ele, Plug | 2 |
| | 4 | 222707 | (10335670- |) Capacitor, Electric, Plug | 1 |
| | | 222666 | (10335670- |) Clamp, Cable, Ribbon, 1.25w 0.25h Plstc | 1 |

▽ - Identifies an assembly

▲ - Identifies parts included in assembly

Fig. 31 - Electrical Wire Harness Group (S/N 1000000- 10335669)

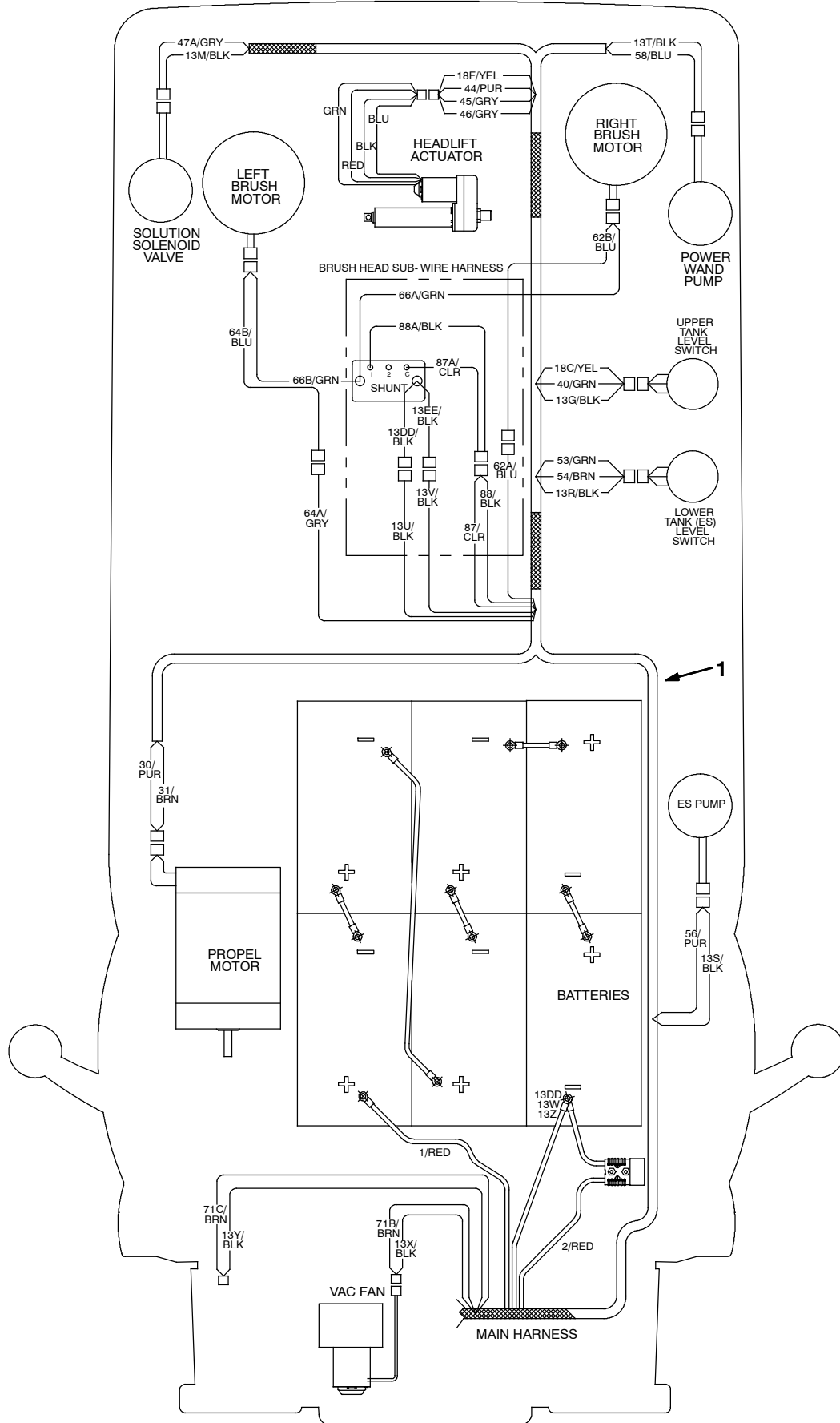


Fig. 31 - Electrical Wire Harness Group (S/N 1000000- 10335669)

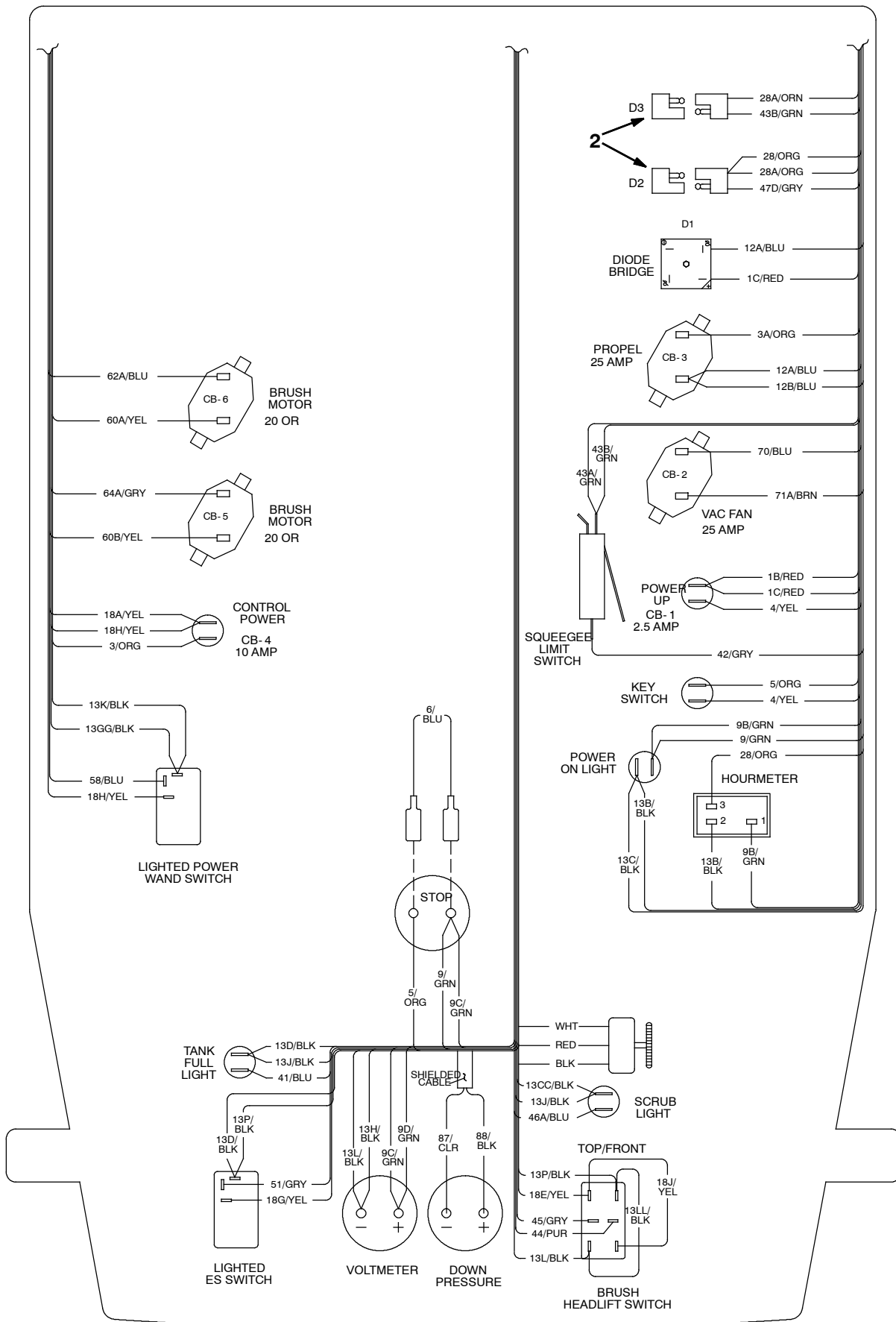
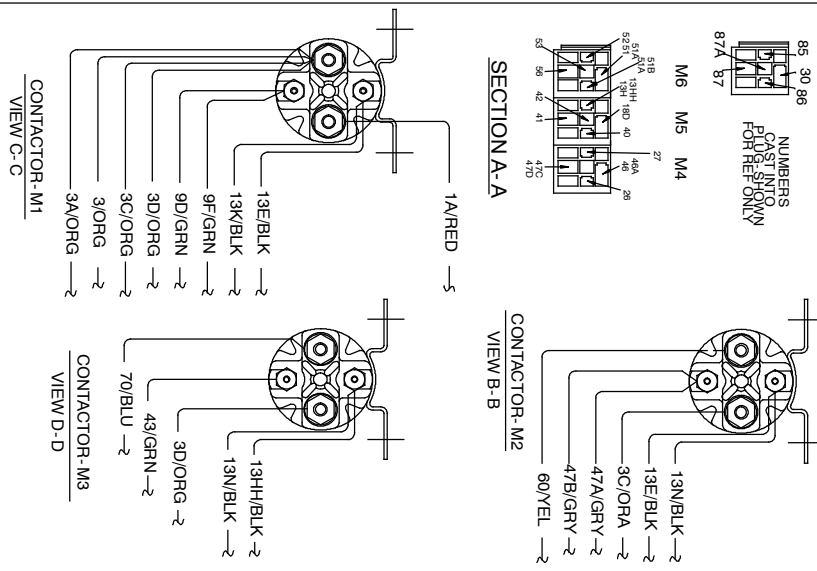
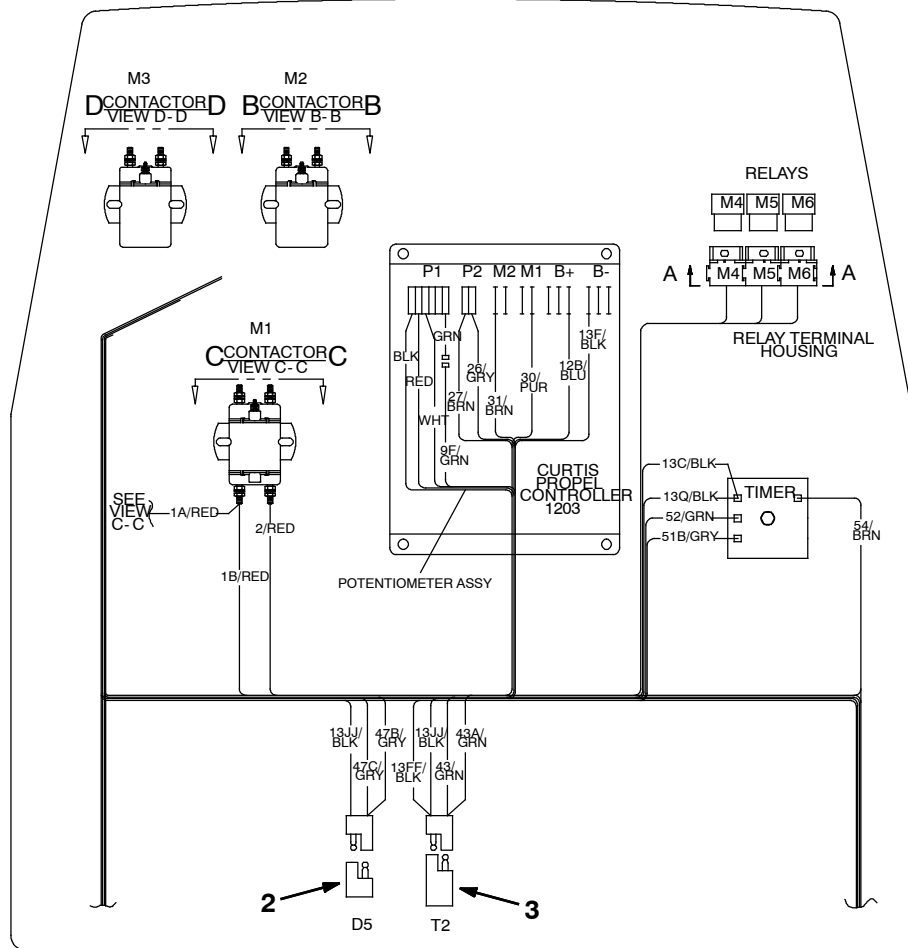
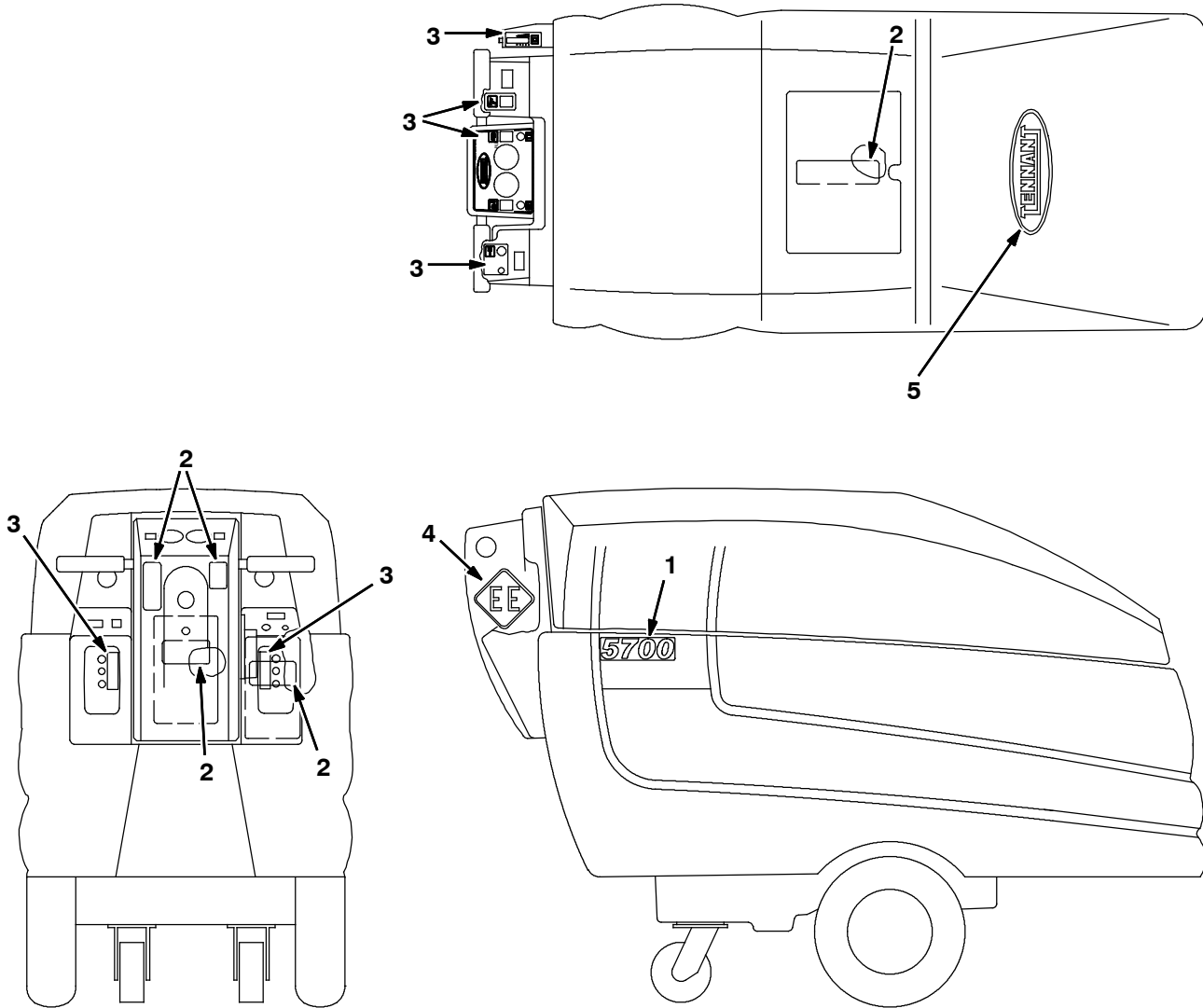


Fig. 31 - Electrical Wire Harness Group (S/N 1000000- 10335669)



| Ref. | Part No. | Serial Number | Description | Qty. |
|------|----------|----------------------|---------------------|------|
| 1 | 398504 | (1000000- 10335669) | Harness, Main, Std | 1 |
| 2 | 222290 | (1000000- 10335669) | Diode, Elec, Plug | 3 |
| 3 | 222707 | (1000000- 10335669) | Capacitor, Molded | 1 |
| | 222666 | (1000000- 10335669) | Clamp, Ribbon Cable | 1 |

Fig. 32 - Label Group



| Ref. | Part No. | Serial Number | Description | Qty. |
|------|----------|---------------|--------------------------------|------|
| 1 | 1064817 | (10000000-) | Label, Model [5700] | 2 |
| 2 | 222578 | (10000000-) | Label Set, Info & Hzd 5700 | 1 |
| 3 | 369763 | (10000000-) | Label Set, Operational 5700 | 1 |
| 4 | 08823 | (10000000-) | Label, Ee | 2 |
| 5 | 1047741 | (10000000-) | Label, Logo, 264Mml, [Tennant] | 1 |

SECTION 3

| Contents | Page |
|--|-------------|
| Fig. 1 - ES Kit | 3-2 |
| Fig. 2 - Vacuum Wand Kit | 3-4 |
| Fig. 3 - Power Wand Hose Assembly | 3-5 |
| Fig. 4 - Power Wand Assembly | 3-6 |
| Fig. 5 - Power Wand Pump and Fittings Group .. | 3-8 |
| Fig. 6 - Power Wand Mount Group | 3-9 |
| Fig. 7 - Parking Brake Group (S/N 10000000- 10731450) | 3-10 |
| Fig. 8 - Transaxle With Electric Brake Group (S/N 10731451-) | 3-11 |
| Fig. 9 - Wall Roller Kit | 3-12 |
| Fig. 10 - Power Kill Switch Kit | 3-14 |
| Fig. 11 - Transport Group | 3-15 |
| Fig. 12 - Neoprene Caster Group | 3-16 |
| Fig. 13 - Tire Assembly, Solid | 3-17 |
| Fig. 14 - Tire Assembly, Foam Filled | 3-18 |
| Fig. 15 - Tire Assembly, Air Filled, Gray | 3-19 |
| Fig. 16 - Battery Charger Group | 3-20 |
| Fig. 17 - Urethane Scrub Head Skirt Kit | 3-21 |
| Fig. 18 - Sensor Kit, Shielded | 3-22 |
| Fig. 19 - Speed Reduction Kit | 3-23 |
| Fig. 20 - Hydrolink® Battery Watering System Kit | 3-24 |

Fig. 1 - ES Kit

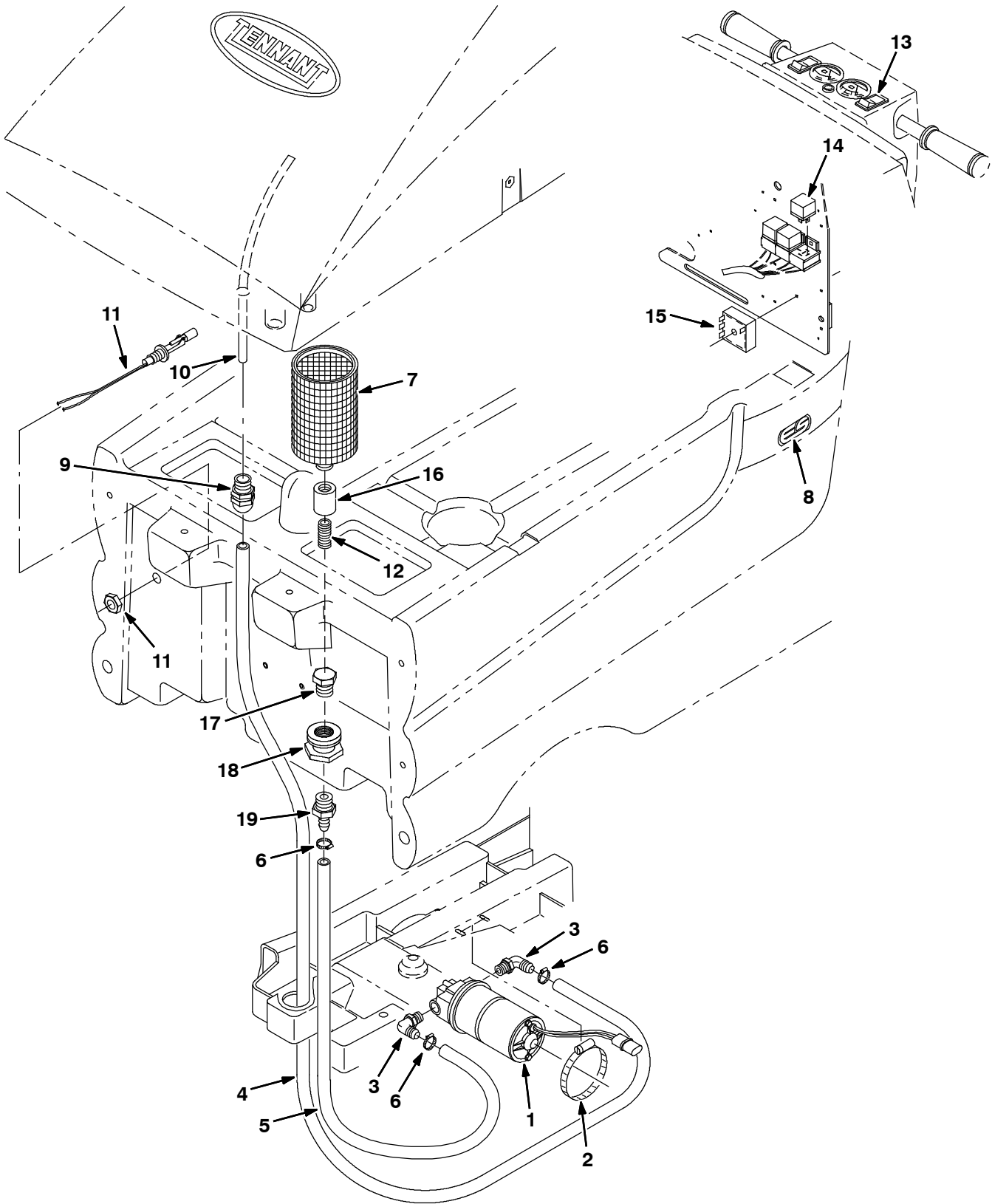


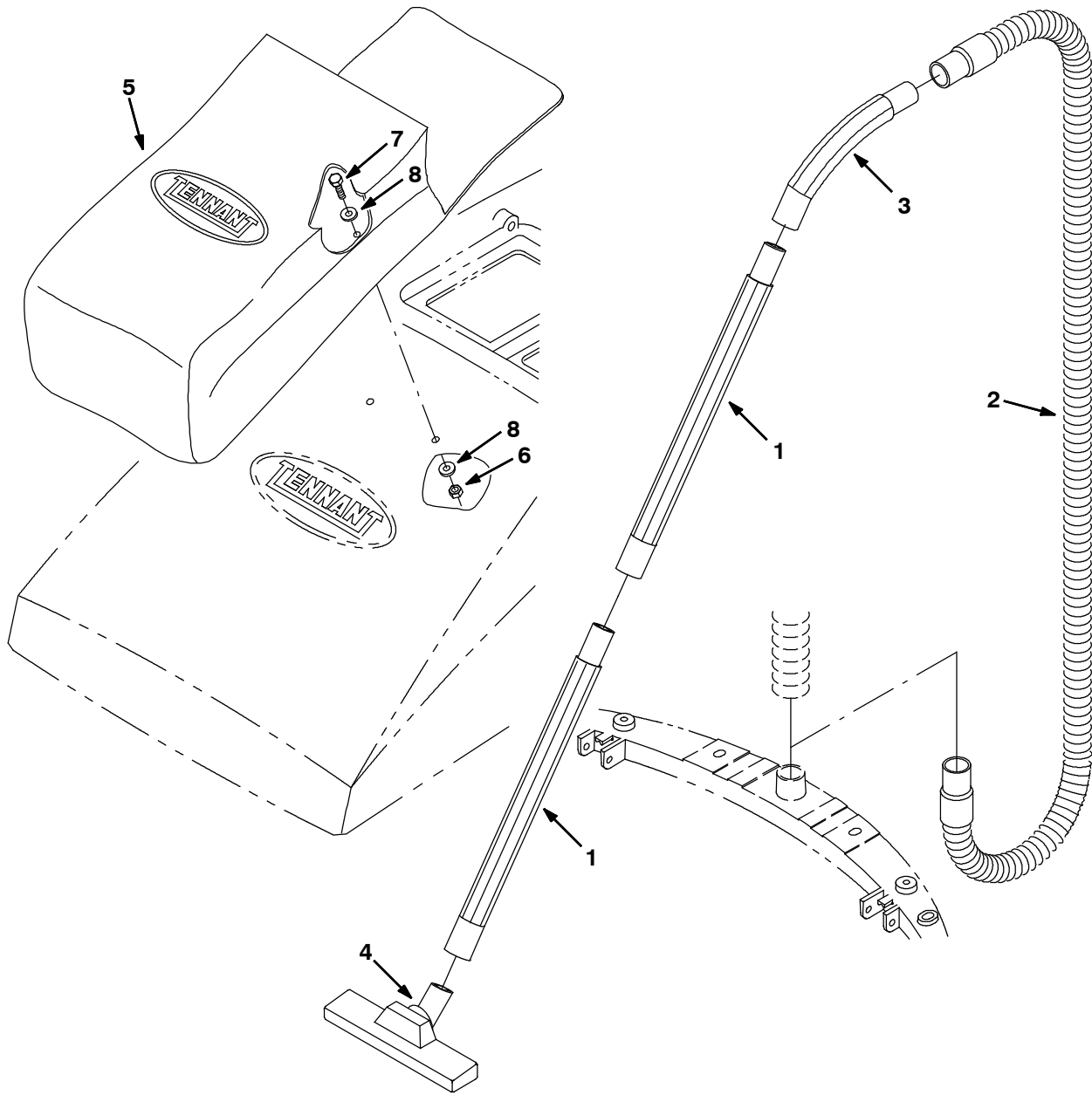
Fig. 1 - ES Kit

| | Ref. | Part No. | Serial Number | Description | Qty. |
|---|------|----------|---------------|---|------|
| ▽ | | 222351 | (10000000- |) Es Standard 5700 | 1 |
| ▲ | 1 | 222259 | (10000000- |) Pump Assy, Water 36Vdc (See Breakdowns) | 1 |
| ▲ | 2 | 17188 | (10000000- |) Clamp- Wormdrive, 1.62- 3.50D | 1 |
| ▲ | 3 | 64778 | (10000000- |) Ftg,Plstc,Elb,Barb.38Pt- .50Hse | 2 |
| ▲ | 4 | 222451 | (10000000- |) Hose, Vinyl Clr, .50Id X65.0L | 1 |
| ▲ | 5 | 72953 | (10000000- |) Hose, Pvc .50Idx.73Od 23.0Lg | 1 |
| ▲ | 6 | 54333 | (10000000- |) Clamp- Wormdrive, 0.31- 0.88D | 3 |
| ▲ | 7 | 65873 | (10000000- |) Screen, Solution 60 Mesh, Cyl | 1 |
| ▲ | 8 | 222604 | (10000000- |) Label, Es Logo, Off- White | 2 |
| ▲ | 9 | 222374 | (10000000- |) Ftg- Plastic Str Specl 12Pm | 1 |
| ▲ | 10 | 222439 | (10000000- |) Tube, Poly .38Id X .06W X 16L | 1 |
| ▲ | 11 | 222822 | (10000000- |) Switch, Float | 1 |
| ▲ | 12 | 69784 | (10000000- |) Ftg- Plstc Str 12Pm/12Pm | 1 |
| ▲ | 13 | 398500 | (10000000- |) Switch, Rocker, Dpst | 1 |
| ▲ | 14 | 398526 | (10000000- |) Relay, 36Vdc, 9A, Spdt | 1 |
| ▲ | 15 | 222710 | (10000000- |) Timer, E.S. | 1 |
| ▲ | 16 | 05134 | (10000000- |) Ftg, Pipe, Cplg Plastic 0.75 | 1 |
| ▲ | 17 | 75611 | (10000000- |) Fitting, Plstc, Plug, Pm12 | 1 |
| ▲ | 18 | 377349 | (10000000- |) Fitting, Plstc, Pf12/Pf12, Bh | 1 |
| ▲ | 19 | 79273- 1 | (10000000- |) Fitting, Plstc, Str, Bm08/Pm12 | 1 |

▽ - Identifies an assembly

▲ - Identifies parts included in assembly

Fig. 2 - Vacuum Wand Kit

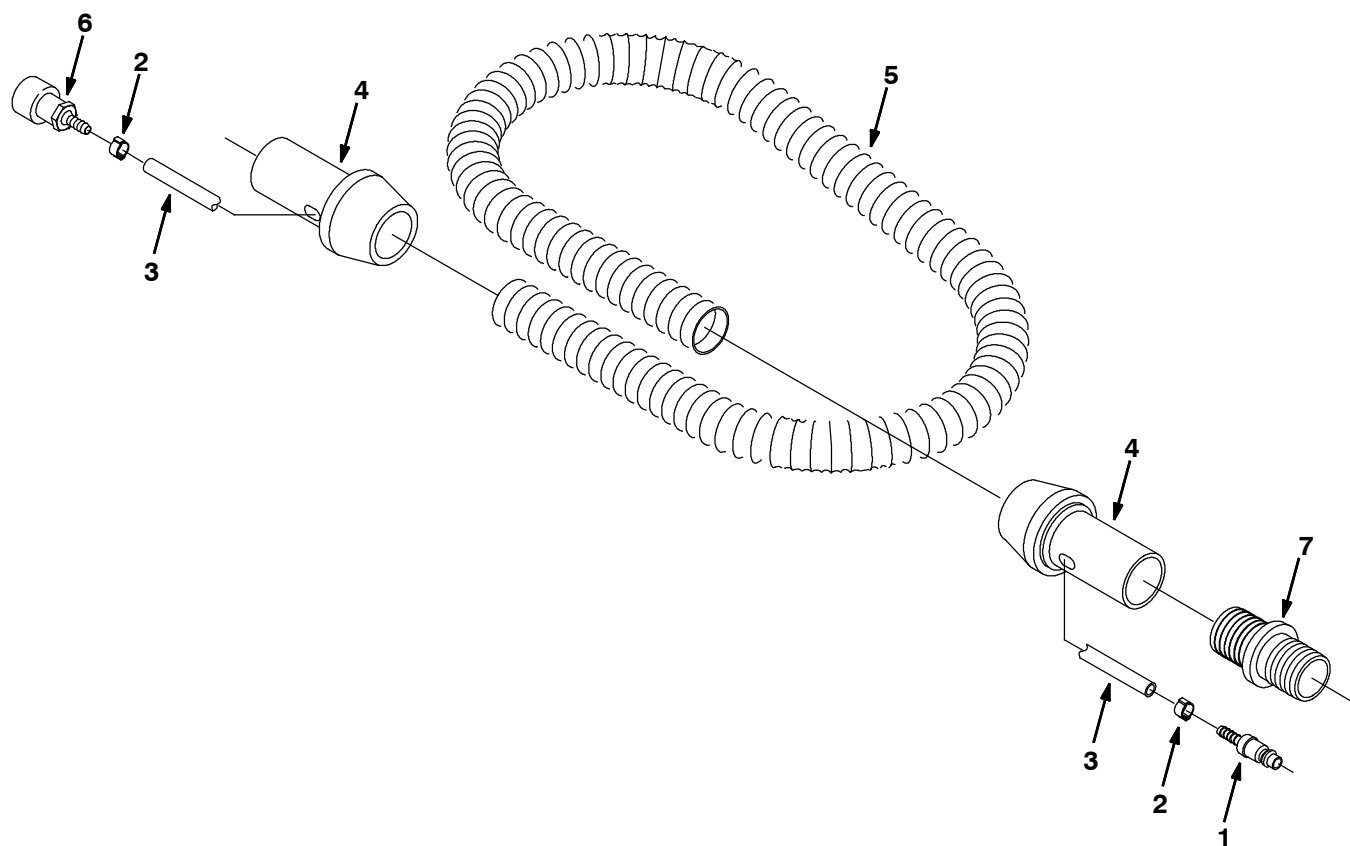


| Ref. | Part No. | Serial Number | Description | Qty. |
|------|----------|---------------|-------------------------------------|------|
| ▽ | 222349 | (10000000- |) Wand Vacuum 5700 | 1 |
| ▲ | 1 05579 | (10000000- |) Wand, Vacuum | 2 |
| ▲ | 2 05594 | (10000000- |) Hose Assy, Vacuum Wand | 1 |
| ▲ | 3 05584 | (10000000- |) Hose End, Curved | 1 |
| ▲ | 4 374077 | (10000000- |) Nozzle, Vacuum Wand | 1 |
| ▲ | 5 65580 | (10000000- |) Bag, Power Wand | 1 |
| ▲ | 6 08713 | (10000000- |) Nut- Hxlocnyln M 8X1.25 Reg Ss | 2 |
| ▲ | 7 09011 | (10000000- |) Scr Hexssm 8X1.25 30 | 2 |
| ▲ | 8 01685 | (10000000- |) Washer, Flat, 0.38b 0.88d .08, Ss | 4 |

▽ - Identifies an assembly

▲ - Identifies parts included in assembly

Fig. 3 - Power Wand Hose Assembly



NOTE: Power Wand Kit, Tennant Part Number 222352, includes Fig. 3, Fig. 4, Fig. 5, and Fig. 6.

| Ref. | Part No. | Serial Number | Description | Qty. |
|------|-------------|---------------|-----------------------------|------|
| ▽ | 65341 | (10000000- |) Hose Assembly | 1 |
| ▲ | 1 578318000 | (10000000- |) Fitting, Quick Disconnect | 1 |
| ▲ | 2 578160000 | (10000000- |) Clamp, Hose | 2 |
| ▲ | 3 578820000 | (10000000- |) Hose | 1 |
| ▲ | 4 578072000 | (10000000- |) Cuff, Swivel | 2 |
| ▲ | 5 578276000 | (10000000- |) Hose, Vacuum | 1 |
| ▲ | 6 578071000 | (10000000- |) Fitting, Quick Disconnect | 1 |
| | 7 12694 | (10000000- |) Fitting, Plastic | 1 |

▽ - Identifies an assembly

▲ - Identifies parts included in assembly

Fig. 4 - Power Wand Assembly

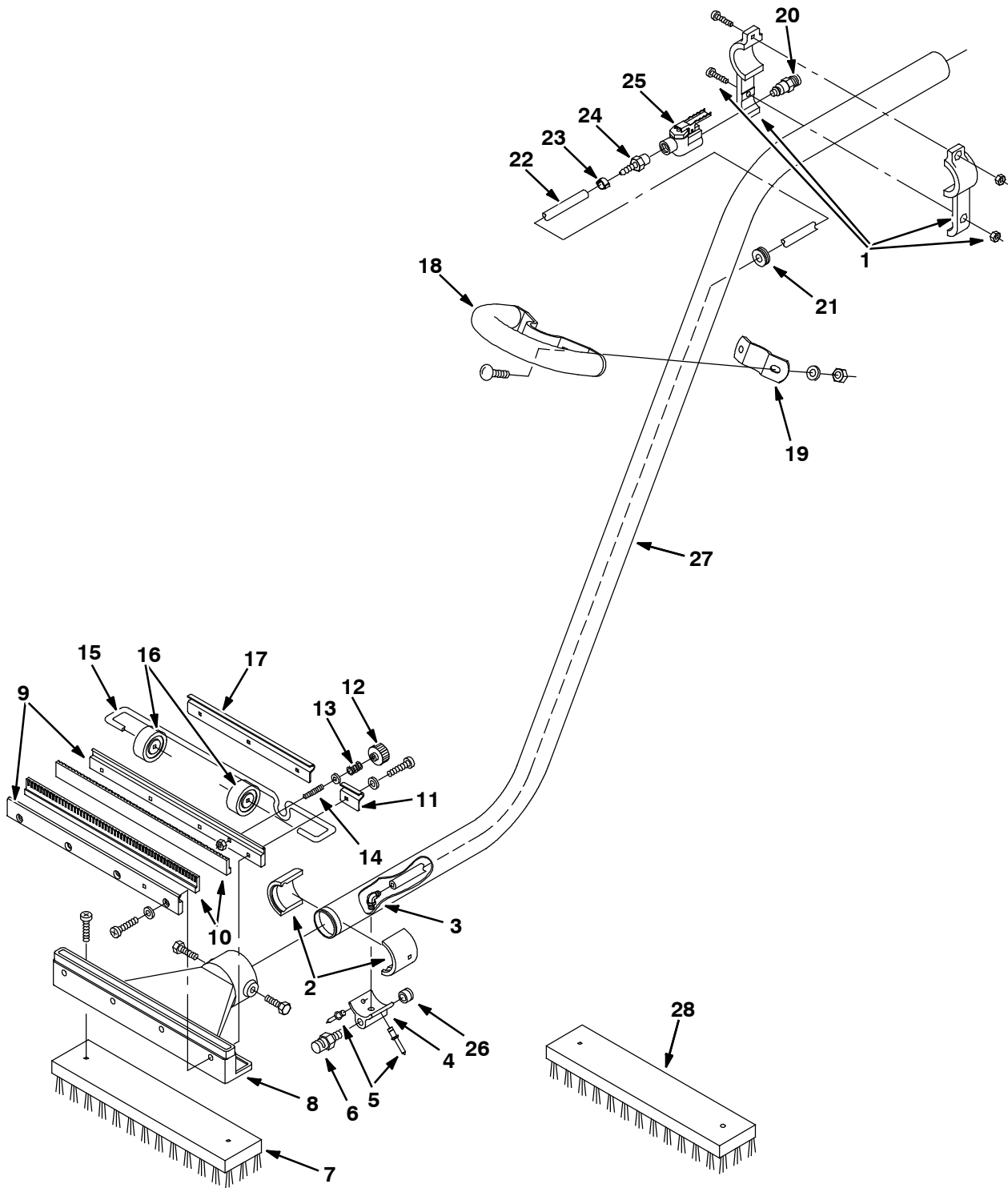


Fig. 4 - Power Wand Assembly

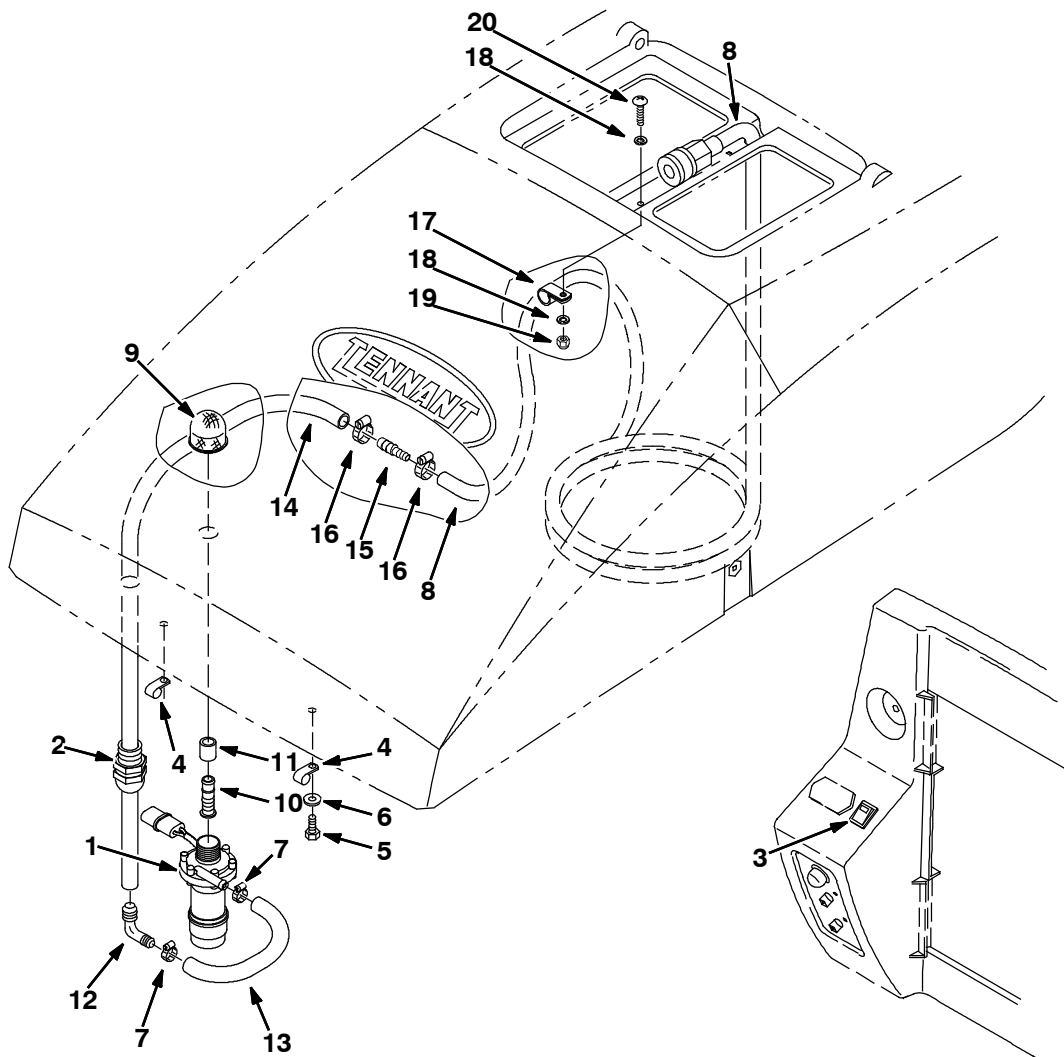
NOTE: Power Wand Kit, Tennant Part Number 222352, includes Fig. 3, Fig. 4, Fig. 5, and Fig. 6.

| | Ref. | Part No. | Serial Number | Description | Qty. |
|---|-------------|-----------------|----------------------|---------------------------------------|-------------|
| ▽ | | 65340 | (10000000- |) Wand Assembly | 1 |
| ▲ | 1 | 578077000 | (10000000- |) Bracket, Valve Mounting | 1 |
| ▲ | 2 | 578061000 | (10000000- |) Adapter, Head | 2 |
| ▲ | 3 | 1037595 | (10000000- |) Fitting, Plstc, E90, Bm04/Pm02, Nyl | 1 |
| ▲ | 4 | 579112 | (10000000- |) Adapter, Nozzle | 1 |
| ▲ | 5 | 602036000 | (10000000- |) Rivet, Pop | 2 |
| ▲ | 6 | 578066000 | (10000000- |) Nozzle, Spray | 1 |
| ▲ | 7 | 65610 | (10000000- |) Brush, Wand, Poly | 1 |
| ▲ | 8 | 578063000 | (10000000- |) Head, Wand | 1 |
| ▲ | 9 | 578078000 | (10000000- |) Strip, Retainer | 2 |
| ▲ | 10 | 578074000 | (10000000- |) Blade, Squeegee | 2 |
| ▲ | 11 | 578124000 | (10000000- |) Bracket, Axle | 1 |
| ▲ | 12 | 578439 | (10000000- |) Knob, Adjustable, Squeegee | 1 |
| ▲ | 13 | 578228000 | (10000000- |) Spring, Compression | 1 |
| ▲ | 14 | 578143000 | (10000000- |) Stud, Adjustable | 1 |
| ▲ | 15 | 578126000 | (10000000- |) Axle, Wand | 1 |
| ▲ | 16 | 578125000 | (10000000- |) Wheel, Guide | 2 |
| ▲ | 17 | 578123000 | (10000000- |) Bracket, Axle | 1 |
| ▲ | 18 | 578155000 | (10000000- |) Handle, Wand | 1 |
| ▲ | 19 | 578154000 | (10000000- |) Bracket, Handle Mounting | 1 |
| ▲ | 20 | 578091000 | (10000000- |) Fitting, Quick Disconnect | 1 |
| ▲ | 21 | 578164000 | (10000000- |) Grommet | 1 |
| ▲ | 22 | 578821000 | (10000000- |) Hose, Solution | 1 |
| ▲ | 23 | 578161000 | (10000000- |) Clamp, Hose | 2 |
| ▲ | 24 | 578094000 | (10000000- |) Fitting, Straight | 1 |
| ▲ | 25 | 578064000 | (10000000- |) Valve, Water | 1 |
| ▲ | 26 | 150208 | (10000000- |) Fitting, Plug | 1 |
| ▲ | 27 | 578060000 | (10000000- |) Wand, Off- Aisle | 1 |
| | 28 | 65582 | (10000000- |) Brush, Wand AB | 1 |

▽ - Identifies an assembly

▲ - Identifies parts included in assembly

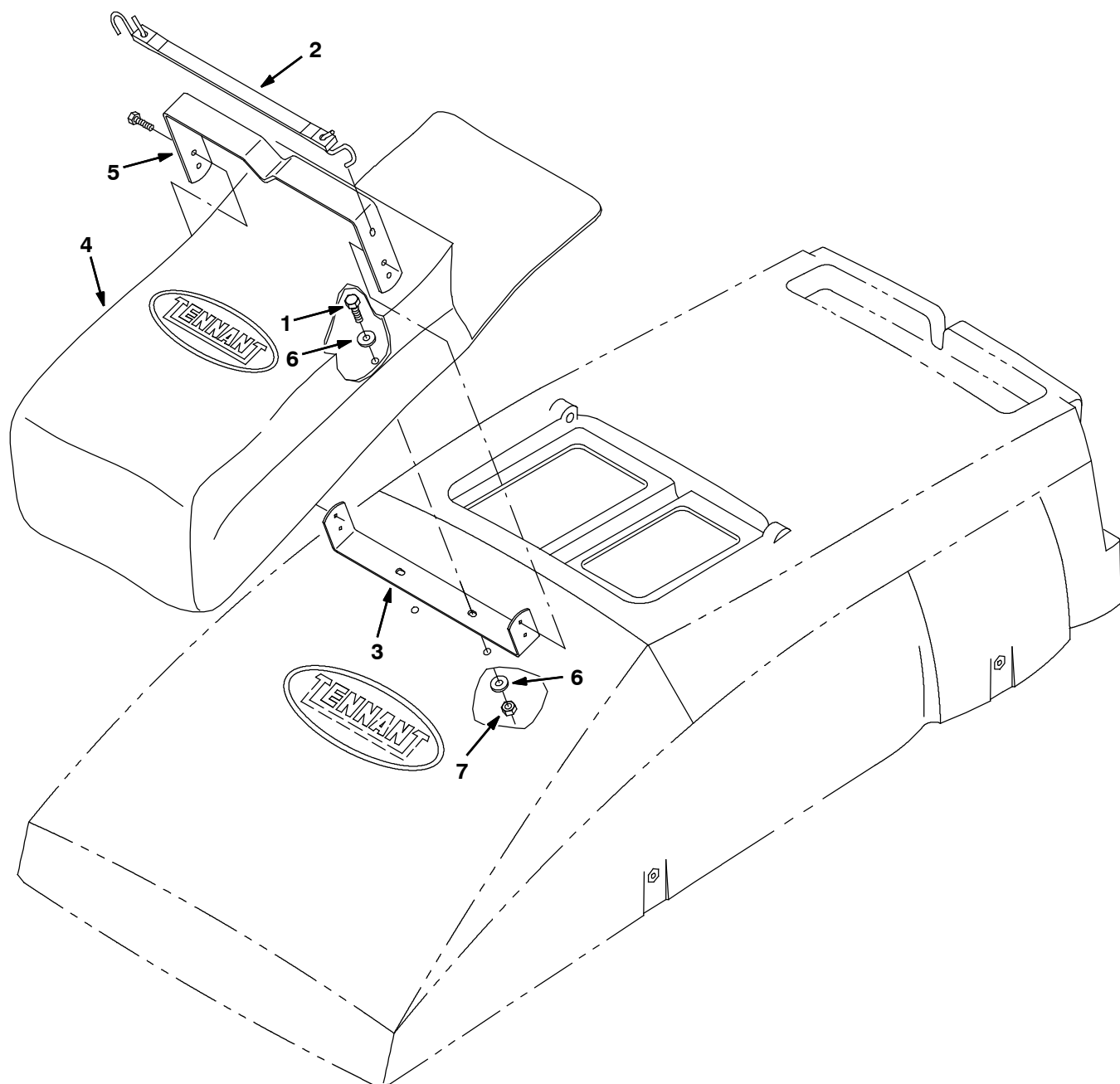
Fig. 5 - Power Wand Pump and Fittings Group



NOTE: Power Wand Kit, Tennant Part Number 222352, includes Fig. 3, Fig. 4, Fig. 5, and Fig. 6.

| Ref. | Part No. | Serial Number | Description | Qty. |
|------|-----------|---------------|---|------|
| 1 | 222258 | (10000000- |) Pump, Water 0.5 Gpm 12Psi 36V | 1 |
| 2 | 222374 | (10000000- |) Ftg- Plastic Str Specl 12Pm | 1 |
| 3 | 222117 | (10000000- |) Switch | 1 |
| 4 | 40678 | (10000000- |) Clamp,Cable .44D .62Wide | 2 |
| 5 | 49826 | (10000000- |) Scr- Hexssm 8X1.25 16 Nylon Loc | 2 |
| 6 | 01685 | (10000000- |) Washer, Flat, 0.38b 0.88d .08, Ss | 2 |
| 7 | 43844 | (10000000- |) Clamp- Wormdrive, 0.25 - 0.62D | 2 |
| 8 | 222810 | (10000000- |) Hose Assy, Water | 1 |
| 9 | 222742 | (10000000- |) Screen, Drain | 1 |
| 10 | 222728 | (10000000- |) Ftg, Str, Drain | 1 |
| 11 | 222750 | (10000000- |) Hose | 1 |
| 12 | 621217000 | (10000000- |) Fitting, Plstc, E90, Bm06/Bm08 | 1 |
| 13 | 1014971 | (10000000- |) Hose, Afmkt, Pvc, Brd, 0.38id, 01ft, Clr | 1 |
| 14 | 1015068 | (10000000- |) Hose, Afmkt, Pvc, Clr, 0.50id, 03ft | 1 |
| 15 | 612774 | (10000000- |) Fitting, Plstc, Str, Bm06/Bm08 | 1 |
| 16 | 54333 | (10000000- |) Clamp, Hose, Wormdrive, 0.31- 0.88d, .31w | 2 |
| 17 | 140916 | (10000000- |) Clamp, Cable, Nyl, 0.62d, Nat | 1 |
| 18 | 01683 | (10000000- |) Washer, Flat, 10, Ss | 2 |
| 19 | 09739 | (10000000- |) Nut, Hex, Lock, M5 X 0.80, NI, Ss | 1 |
| 20 | 24196 | (10000000- |) Screw, Pan, Phl, M5 X 0.8 X 20, Ss | 1 |

Fig. 6 - Power Wand Mount Group

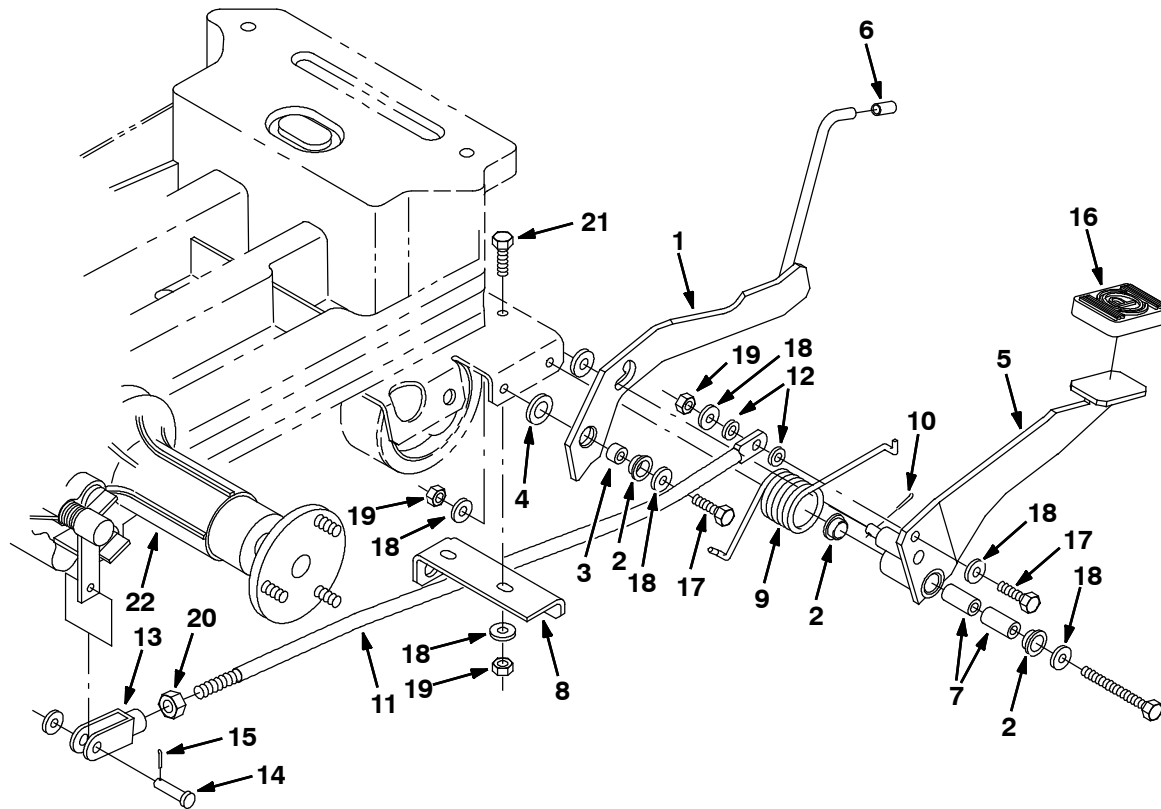


NOTE: Power Wand Kit, Tennant Part Number 222352, includes Fig. 3, Fig. 4, Fig. 5, and Fig. 6.

| Ref. | Part No. | Serial Number | Description | Qty. |
|------|----------|---------------|-------------------------------------|------|
| 1 | 09011 | (10000000- |) Scr Hexssm 8X1.25 30 | 2 |
| 2 | 57769 | (10000000- |) Strap, Rubber | 2 |
| 3 | 222367 | (10000000- |) Bracket, Mtg, Bag | 1 |
| 4 | 65580 | (10000000- |) Bag, Power Wand | 1 |
| 5 | 222366 | (10000000- |) Bracket, Sppt, Wand | 1 |
| 6 | 01685 | (10000000- |) Washer, Flat, 0.38b 0.88d .08, Ss | 4 |
| 7 | 08713 | (10000000- |) Nut- Hxlocnyln M 8X1.25 Reg Ss | 2 |

OPTIONS

Fig. 7 - Parking Brake Group (S/N 1000000- 10731450)

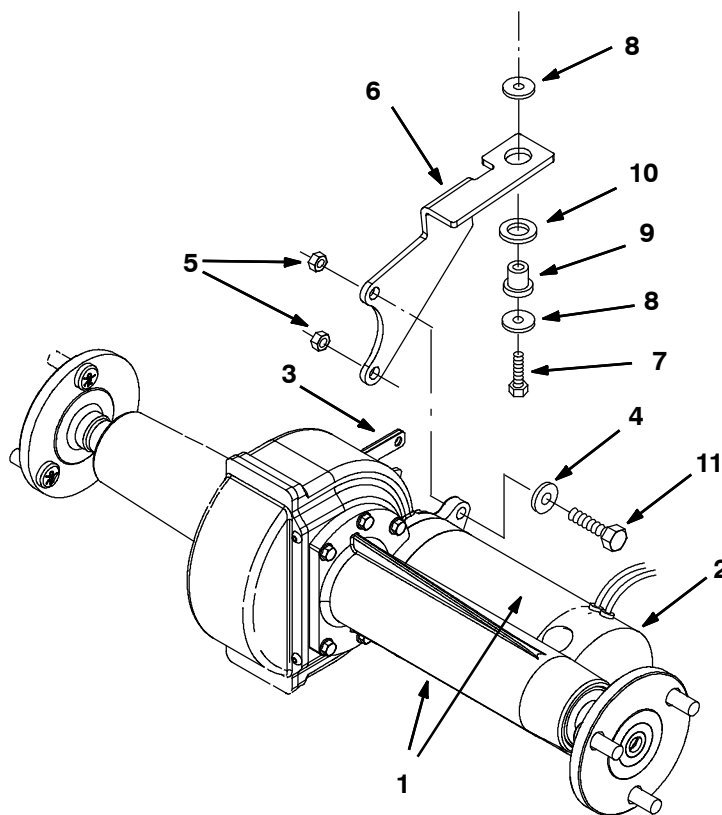


| Ref. | Part No. | Serial Number | Description | Qty. |
|------|----------|-----------------------|--|------|
| 1 | 222552 | (1000000- 10731450) | Plate Weldment, Stop | 1 |
| 2 | 04843 | (1000000- 10731450) | Bearing, Flange .625 Bore | 3 |
| 3 | 222556 | (1000000- 10731450) | Sleeve .62D .34B .38L | 1 |
| 4 | 28862 | (1000000- 10731450) | Washer- Thrust | 1 |
| 5 | 222547 | (1000000- 10731450) | Brake Weldment, Parking | 1 |
| 6 | 222555 | (1000000- 10731450) | Grip, Handle | 1 |
| 7 | 222028 | (1000000- 10731450) | Sleeve, .344B .62D1.3 Bronze | 2 |
| 8 | 222651 | (1000000- 10731450) | Bracket, Lift Retainer | 1 |
| 9 | 222560 | (1000000- 10731450) | Spring, Torsion | 1 |
| 10 | 08179 | (1000000- 10731450) | Pin, Cotter .094X1.00 | 1 |
| 11 | 222546 | (1000000- 10731450) | Rod, Brake .50 D | 1 |
| 12 | 43454 | (1000000- 10731450) | Washer, .344B .69D .06Nylon | 2 |
| 13 | 222558 | (1000000- 10731450) | Clevis, Adjustable M12 | 1 |
| 14 | 04743 | (1000000- 10731450) | Pin,Clevis,0.31 Dia.X 1.12 Lg | 1 |
| 15 | 39005 | (1000000- 10731450) | Pin- Cotter .094X0.75 | 1 |
| 16 | 222593 | (1000000- 10731450) | Pad, Pedal | 1 |
| 17 | 09011 | (1000000- 10731450) | Scr Hexssm 8X1.25 30 | 2 |
| 18 | 01685 | (1000000- 10731450) | Washer, Flat, 0.38b 0.88d .08, Ss | 8 |
| 19 | 08713 | (1000000- 10731450) | Nut- Hxlocnyln M 8X1.25 Reg Ss | 5 |
| 20 | 07788 | (1000000- 10731450) | Nut Hx Std Ss M12X1.75 | 1 |
| 21 | 09010 | (1000000- 10731450) | Scr Hexssm 8X1.25 25 | 2 |
| ▽ | 22 | 1038594 | (10368984- 10731450) Transaxle, Assy,w/Motor[W/Prkclck] (Rpld by 9011942) | 1 |
| ▲ | | 1040886 | (10368984- 10731450) Vr, Motor, Transaxle | 1 |
| ▲ | | 1040891 | (10368984- 10731450) Vr, Brush, Motor, Transaxle | 1 |
| 22 | 1033765 | (10321996- 10368983) | Transaxle Assy, W/Parking Brake (See Breakdowns) | 1 |
| 22 | 222037 | (1000000- 10321995) | Transaxle Assy, W/Parking Brake (See Breakdowns) | 1 |

▽ - Identifies an assembly

▲ - Identifies parts included in assembly

Fig. 8 - Transaxle With Electric Brake Group (S/N 10731451-)



| Ref. | Part No. | Serial Number | Description | Qty. |
|------|----------|---------------|--|------|
| ▽ | 1 | 1072423 | (10731451-) Transaxle Assy, W/ Motor [W/ Park Lock] | 1 |
| ▲▽ | 2 | 1072554 | (10731451-) Motor, Ele, 36Vdc 2000Rpm 0.50Hp (Breakdown Parts Not Available) | 1 |
| ▲▲ | | 1072555 | (10731451-) Brush, Motor, Transaxle [Pk of 4] | 1 |
| ▲ | 3 | 1074732 | (10731451-) Brake, Transaxle | 1 |
| | 4 | 01685 | (10731451-) Washer, Flt, .31 Ss | 2 |
| | 5 | 08713 | (10731451-) Nut, Hex, Lock, M08 X 1.25, NI, Ss | 2 |
| | 6 | 1072660 | (10731451-) Bracket, Mtg, Transaxle | 1 |
| | 7 | 59658 | (10731451-) Screw, Hex, M8 X 1.25 X 35, NI, Ss | 1 |
| | 8 | 1014563 | (10731451-) Washer, 0.38b 1.22d .06, Ss | 2 |
| | 9 | 54274 | (10731451-) Isolator, Vib, Bshg, 1.1d 0.6l .4b 0.78h | 1 |
| | 10 | 39350 | (10731451-) Washer, Flat, 0.75, Sae | 1 |
| | 11 | 09011 | (10731451-) Screw, Hex, M08 X 1.25 X 30, Ss | 2 |

▽ - Identifies an assembly

▲ - Identifies parts included in assembly

Fig. 9 - Wall Roller Kit

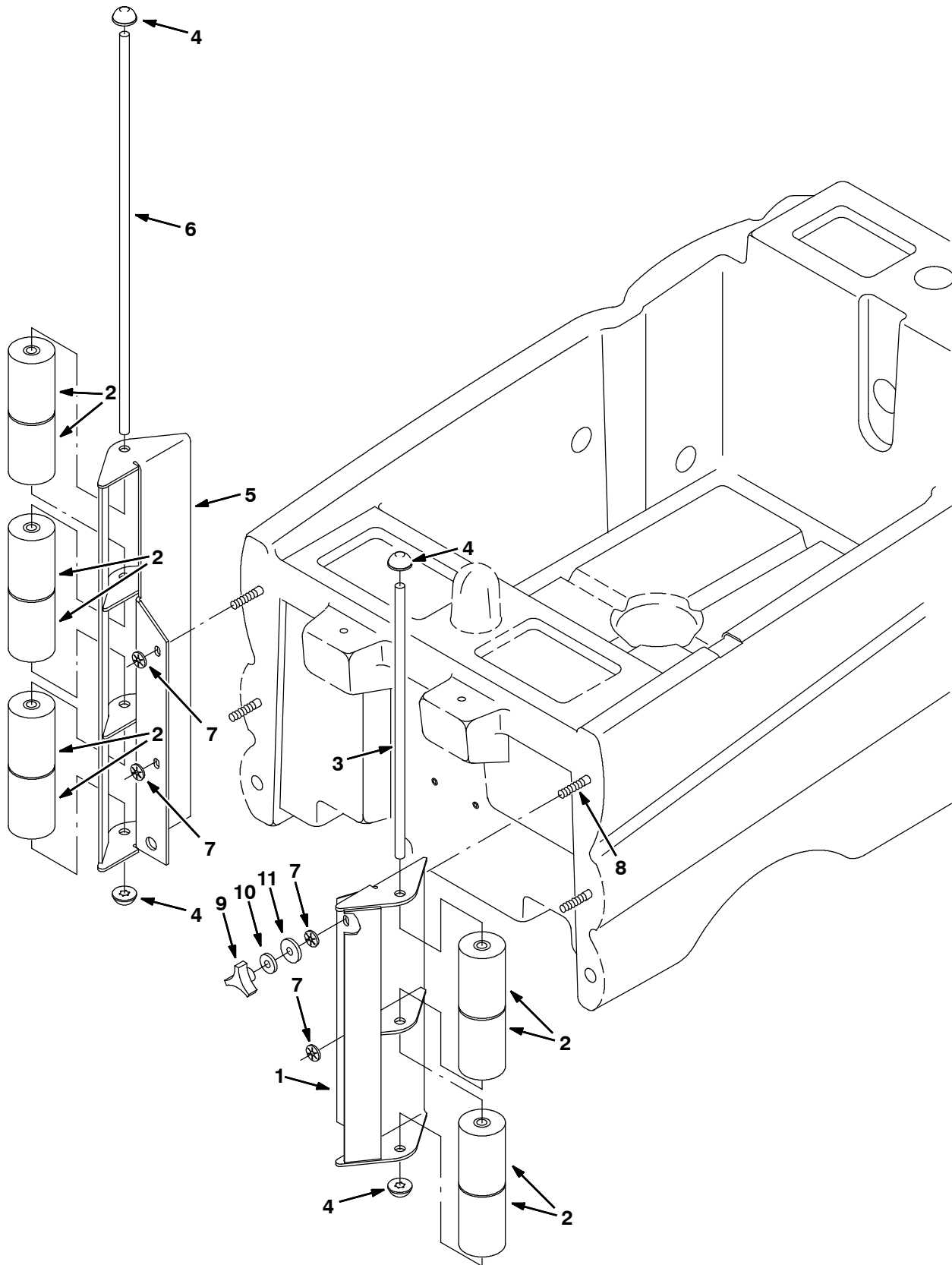


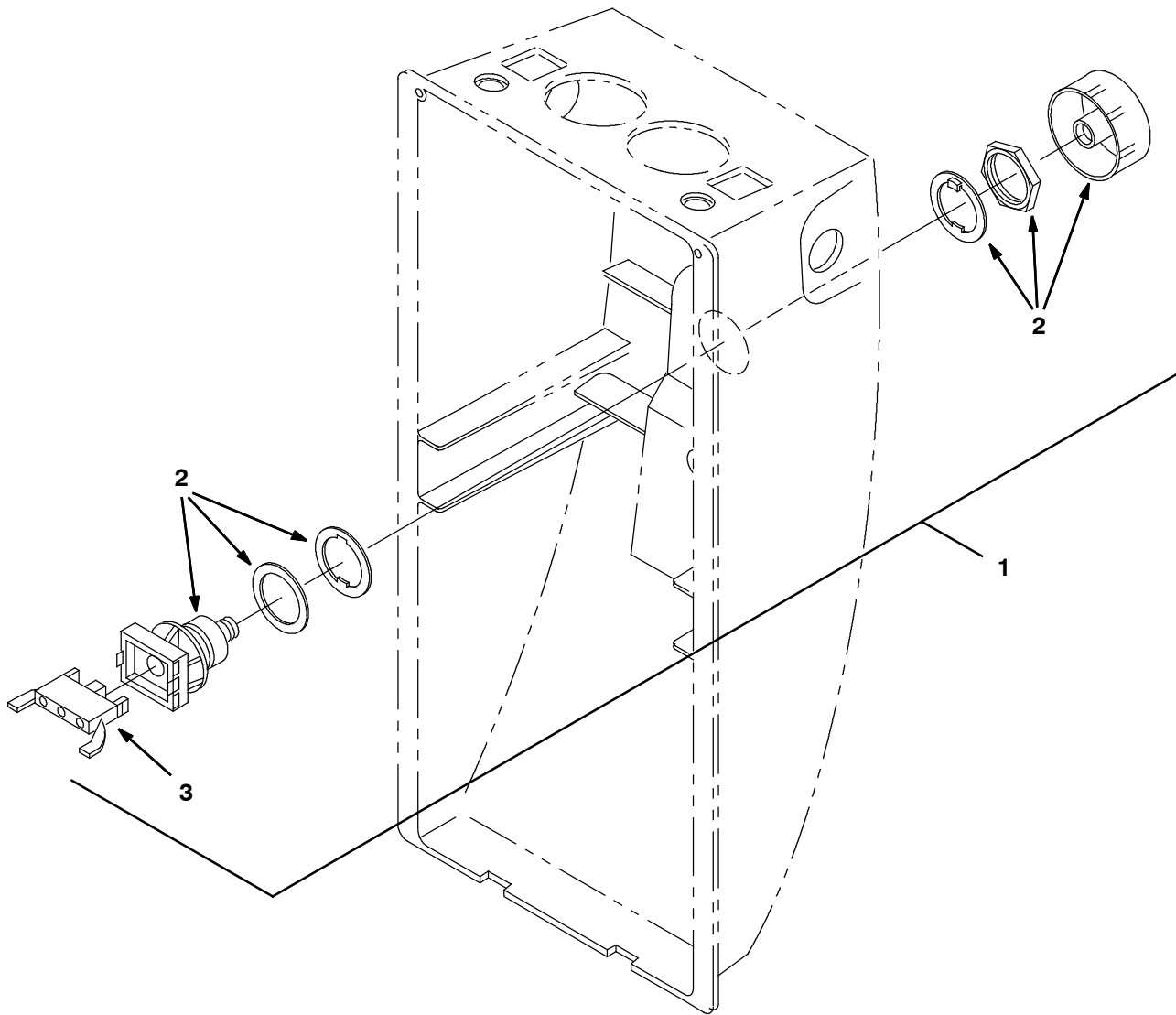
Fig. 9 - Wall Roller Kit

| | Ref. | Part No. | Serial Number | Description | Qty. |
|---|-------------|-----------------|----------------------|--|-------------|
| ▽ | | 222663 | (10000000- |) Wall Roller Kit 5700 | 1 |
| ▲ | 1 | 222478 | (10000000- |) Bracket Wldt, Wall Roller, Lh | 1 |
| ▲ | 2 | 222796 | (10000000- |) Roller | 10 |
| ▲ | 3 | 222475 | (10000000- |) Shaft, Roller | 1 |
| ▲ | 4 | 222479 | (10000000- |) Pushnut | 4 |
| ▲ | 5 | 222477 | (10000000- |) Bracket Wldt, Wall Roller, Rh | 1 |
| ▲ | 6 | 222476 | (10000000- |) Shaft, Roller | 1 |
| ▲ | 7 | 222768 | (10000000- |) Pushnut | 4 |
| ▲ | 8 | 30327 | (10000000- |) Rod, Thrd, 2 End M08X1.25 01.4 | 4 |
| ▲ | 9 | 222470 | (10000000- |) Knob, Star, 1.5d 3 Ear 0.8l M08x1.25 Pls | 4 |
| ▲ | 10 | 01685 | (10000000- |) Washer, Flat, 0.38b 0.88d .08, Ss | 4 |
| ▲ | 11 | 30013 | (10000000- |) Washer, Flat, 0.31 Fender | 4 |

▽ - Identifies an assembly

▲ - Identifies parts included in assembly

Fig. 10 - Power Kill Switch Kit

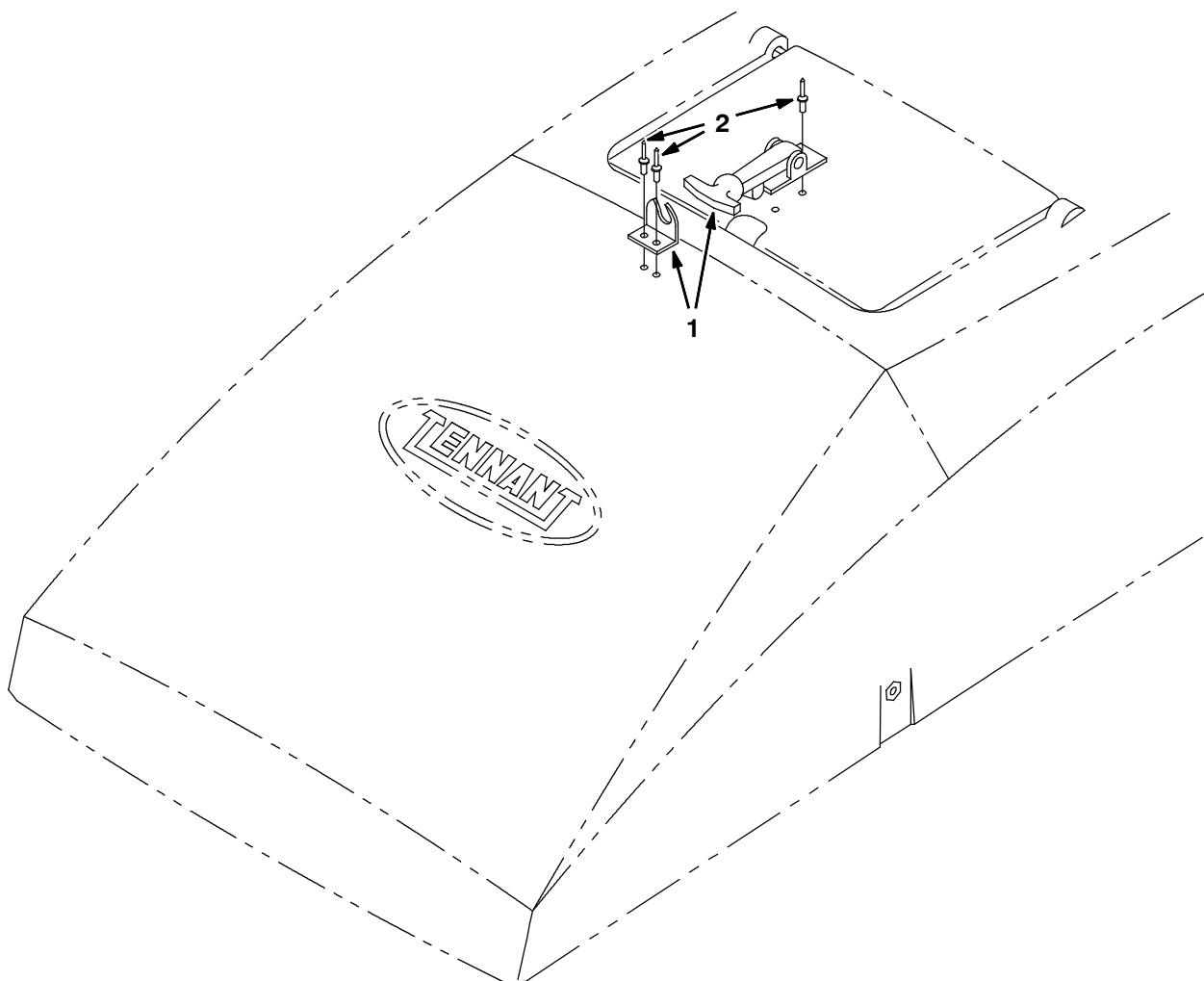


| | Ref. | Part No. | Serial Number | Description | Qty. |
|---|-------------|-----------------|----------------------|----------------------------------|-------------|
| ▽ | 1 | 222664 | (10000000- |) Button Kit Battery Cutout 5700 | 1 |
| ▲ | 2 | 78553 | (10000000- |) Switch, Pushbutton | 1 |
| ▲ | 3 | 65665 | (10000000- |) Contact, Switch | 1 |

▽ - Identifies an assembly

▲ - Identifies parts included in assembly

Fig. 11 - Transport Group

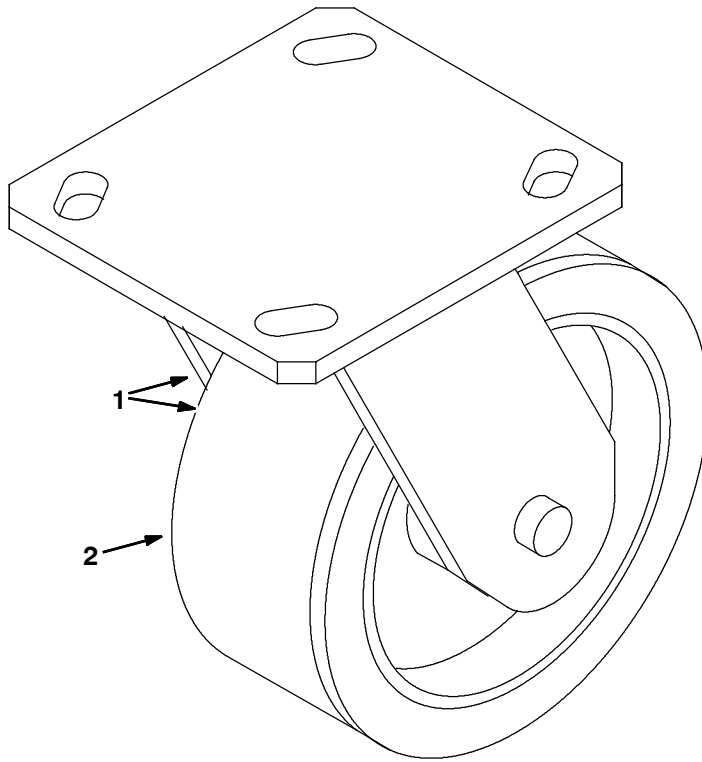


| | Ref. | Part No. | Serial Number | Description | Qty. |
|---|------|----------|---------------|----------------------------------|------|
| ▽ | | 398029 | (10000000- |) Demo Kit, Fi [5680] | 1 |
| ▲ | 1 | 11636 | (10000000- |) Latch, Draw, Flexible | 1 |
| ▲ | 2 | 01335 | (10000000- |) Rivet, Pop-.125Dx.44X.25Dhd Al | 4 |

▽ - Identifies an assembly

▲ - Identifies parts included in assembly

Fig. 12 - Neoprene Caster Group

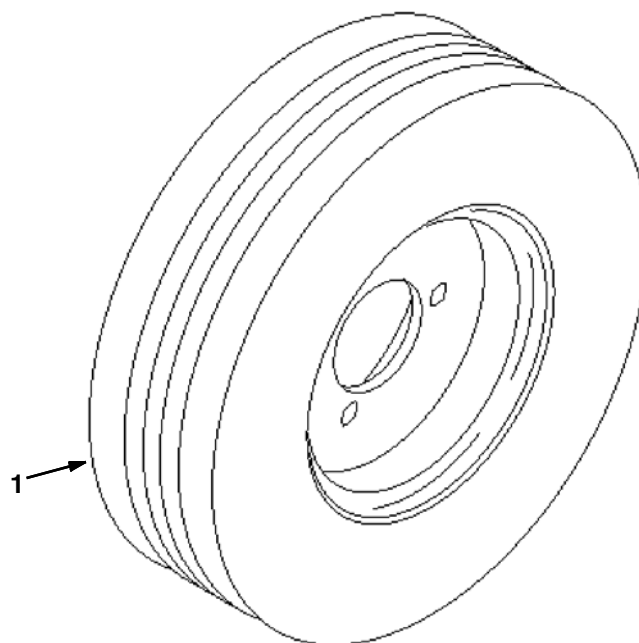


| | Ref. | Part No. | Serial Number | Description | Qty. |
|---|-------------|-----------------|----------------------|---|-------------|
| ▽ | 1 | 1049049 | (10000000- |) Caster, Swivel, 5.0d 2.0w, 4hole, Neo | 2 |
| ▲ | 2 | 1049020 | (10000000- |) Wheel, 05.0d 2.00w 0.50b | 1 |

▽ - Identifies an assembly

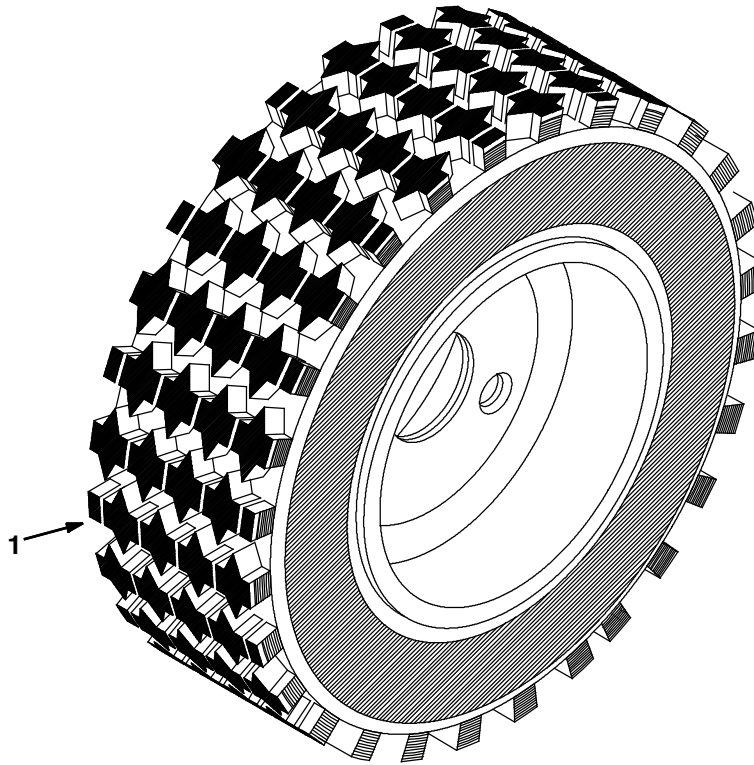
▲ - Identifies parts included in assembly

Fig. 13 - Tire Assembly, Solid



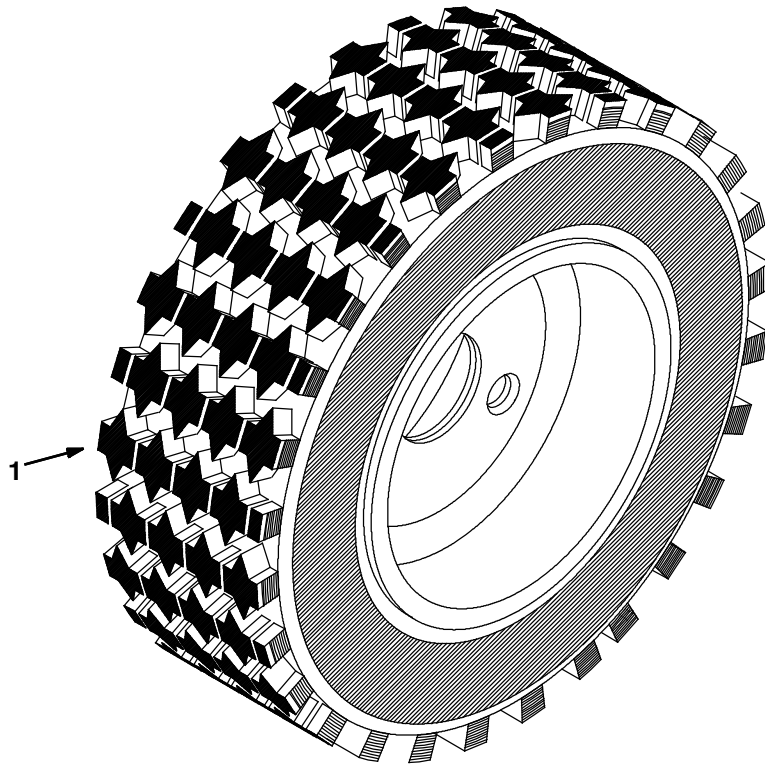
| Ref. | Part No. | Serial Number | Description | Qty. |
|------|----------|---------------|----------------------------------|------|
| 1 | 369345 | (10000000- |) Tire & Rim Assy 12.3 Dia Solid | 2 |

Fig. 14 - Tire Assembly, Foam Filled



| Ref. | Part No. | Serial Number | Description | Qty. |
|-------------|-----------------|-----------------------|--|-------------|
| 1 | 1052674 | (10000000-) | Tire Assy, Foam, 4.10/3.5-06 3bolt Blk | 2 |
| 1 | 1073298 | (10668618-) | Tire Assy, Foam, 4.10/3.5-06 3.5bc/3bolt (Grey) | 2 |
| 1 | 1052672 | (10000000- 10668617) | Tire Assy, Foam, 4.10/3.5-06 3bolt Grey (Replaced by 1073298 - Order Qty 2) | 2 |

Fig. 15 - Tire Assembly, Air Filled, Gray

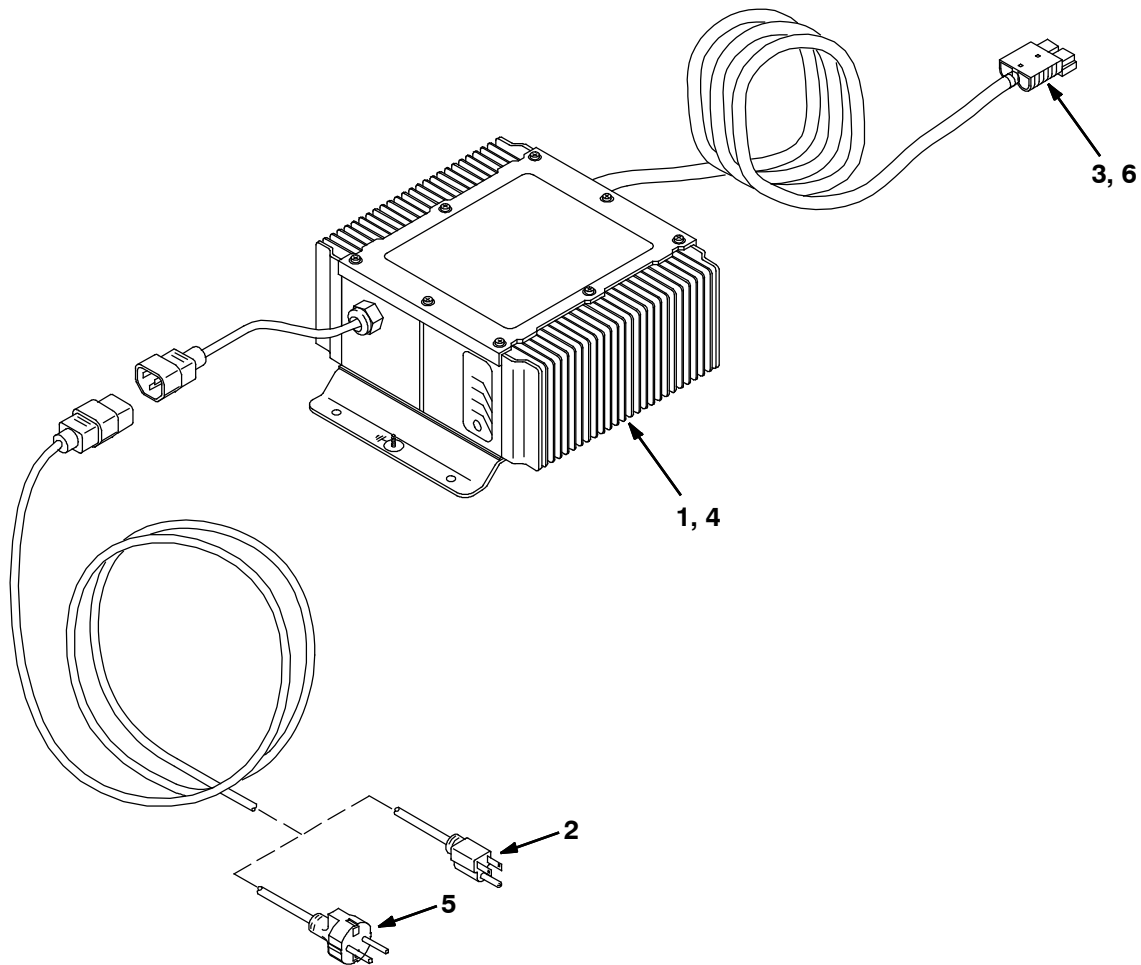


| | Ref. | Part No. | Serial Number | Description | Qty. |
|---|------|----------|---------------|--|------|
| ▽ | 1 | 1059448 | (10000000- |) Tire Assy, Pneu, Grey, 4.10/3.5-06 3.5bc (Not For Use With Cylindrical Head Models) | 2 |
| ▲ | | 61596 | (10000000- |) Tire, Non- Marking, 410/350x06, 4ply [Cs] | 1 |

▽ - Identifies an assembly

▲ - Identifies parts included in assembly

Fig. 16 - Battery Charger Group



| | Ref. | Part No. | Serial Number | Description | Qty. |
|---|------|----------|---------------|---|------|
| ▽ | 1 | 9001055 | (10000000- |) Charger Kit, Battery, Ci [Domestic] (Lead Acid) | 1 |
| ▲ | 2 | 1017079 | (10000000- |) Cord, Extn, 16ga /3, 10ft [Sjt] | 1 |
| ▲ | 3 | 130155 | (10000000- |) Connector, Battery, 6ga 50a, Gray[2cont] | 1 |
| ▽ | 1 | 9008266 | (10000000- |) Charger, 36vdc 21a 85- 265vac [Gel] | 1 |
| ▲ | 2 | 1017079 | (10000000- |) Cord, Extn, 16ga /3, 10ft [Sjt] | 1 |
| ▲ | 3 | 130155 | (10000000- |) Connector, Battery, 6ga 50a, Gray[2cont] | 1 |
| ▽ | 1 | 9008267 | (10000000- |) Charger, 36vdc 21a 85- 265vac [Agm] | 1 |
| ▲ | 2 | 1017079 | (10000000- |) Cord, Extn, 16ga /3, 10ft [Sjt] | 1 |
| ▲ | 3 | 130155 | (10000000- |) Connector, Battery, 6ga 50a, Gray[2cont] | 1 |
| ▽ | 1 | 9012531 | (10000000- |) Charger Kit, 36vdc 21a 85- 265vac [Discv] | 1 |
| ▲ | 2 | 1017079 | (10000000- |) Cord, Extn, 16ga /3, 10ft [Sjt] | 1 |
| ▲ | 3 | 130155 | (10000000- |) Connector, Battery, 6ga 50a, Gray[2cont] | 1 |

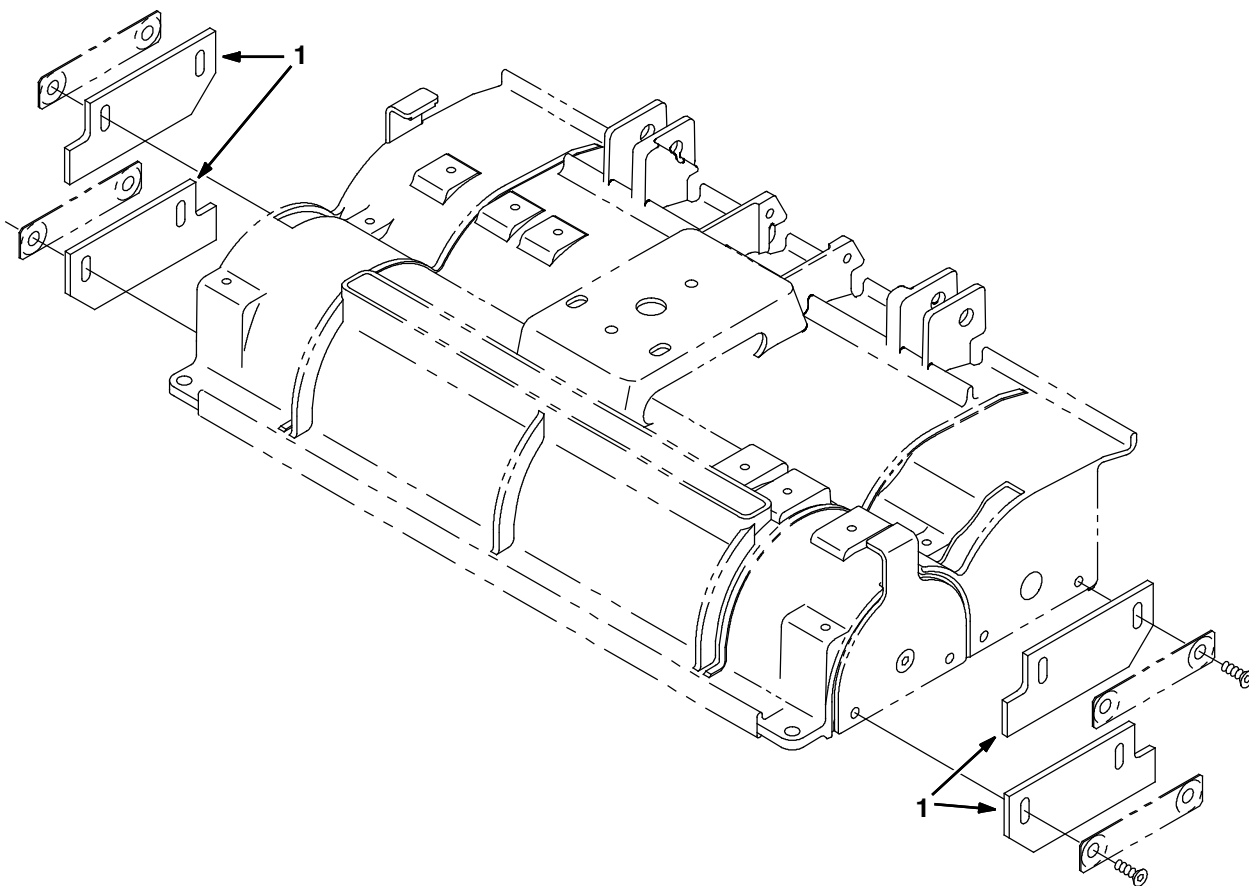
International Only

| | Ref. | Part No. | Serial Number | Description | Qty. |
|---|------|----------|---------------|--|------|
| ▽ | 4 | 9001054 | (10000000- |) Charger Kit, Ci [Export/Euro/Asia] | 1 |
| ▲ | 5 | 1019242 | (10000000- |) Cord, Ele, Chrgr [European] | 1 |
| ▲ | 6 | 130155 | (10000000- |) Connector, Battery, 6ga 50a, Gray[2cont] | 1 |

▽ - Identifies an assembly

▲ - Identifies parts included in assembly

Fig. 17 - Urethane Scrub Head Skirt Kit

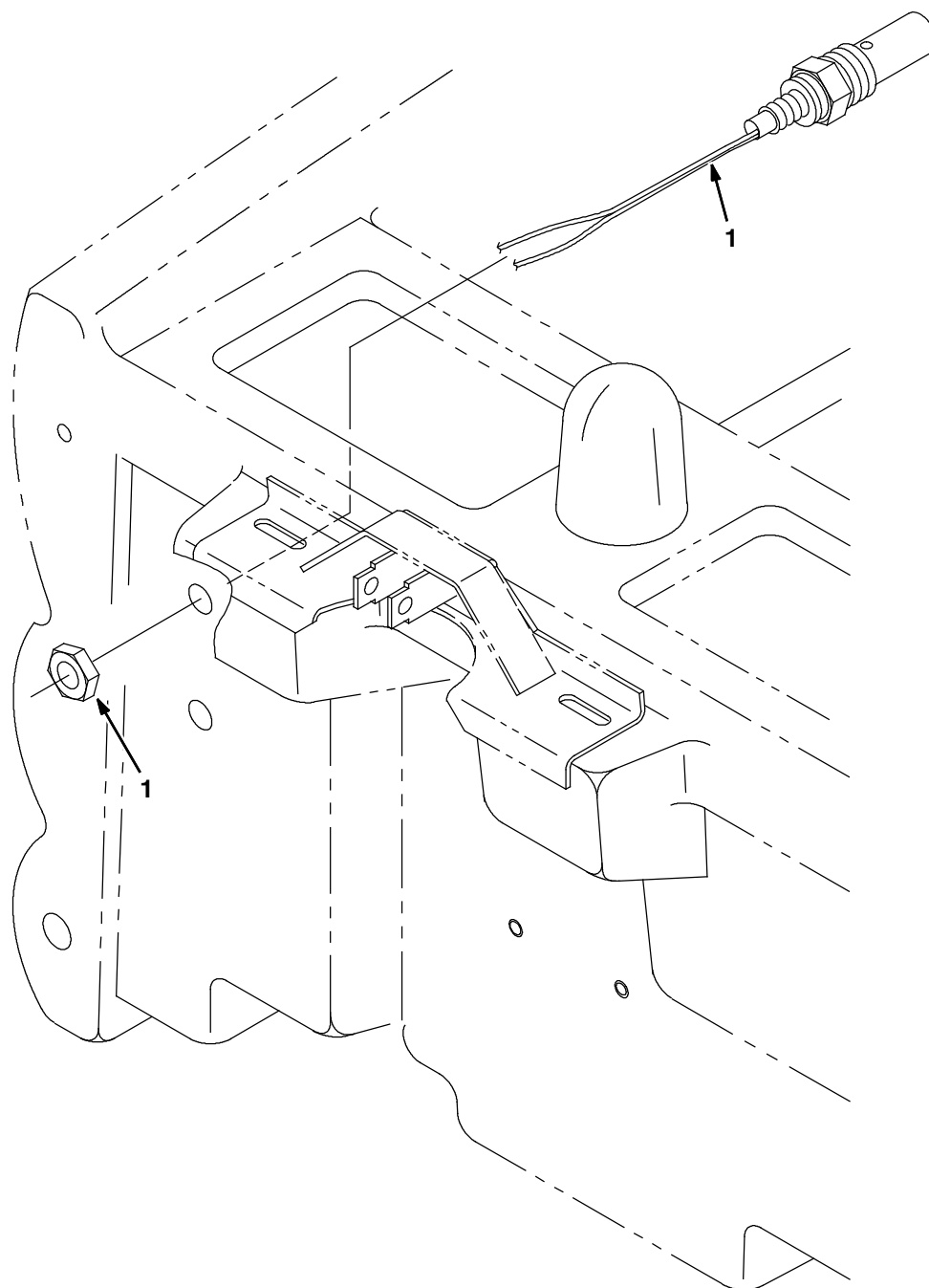


| | Ref. | Part No. | Serial Number | Description | Qty. |
|---|------|----------|---------------|--------------------------------------|------|
| ▽ | | 222819 | (10000000- |) Skirt Kit, Urethane, Scrubber Head | 1 |
| ▲ | 1 | 222808 | (10000000- |) Skirt, Scrub Head | 4 |

▽ - Identifies an assembly

▲ - Identifies parts included in assembly

Fig. 18 - Sensor Kit, Shielded

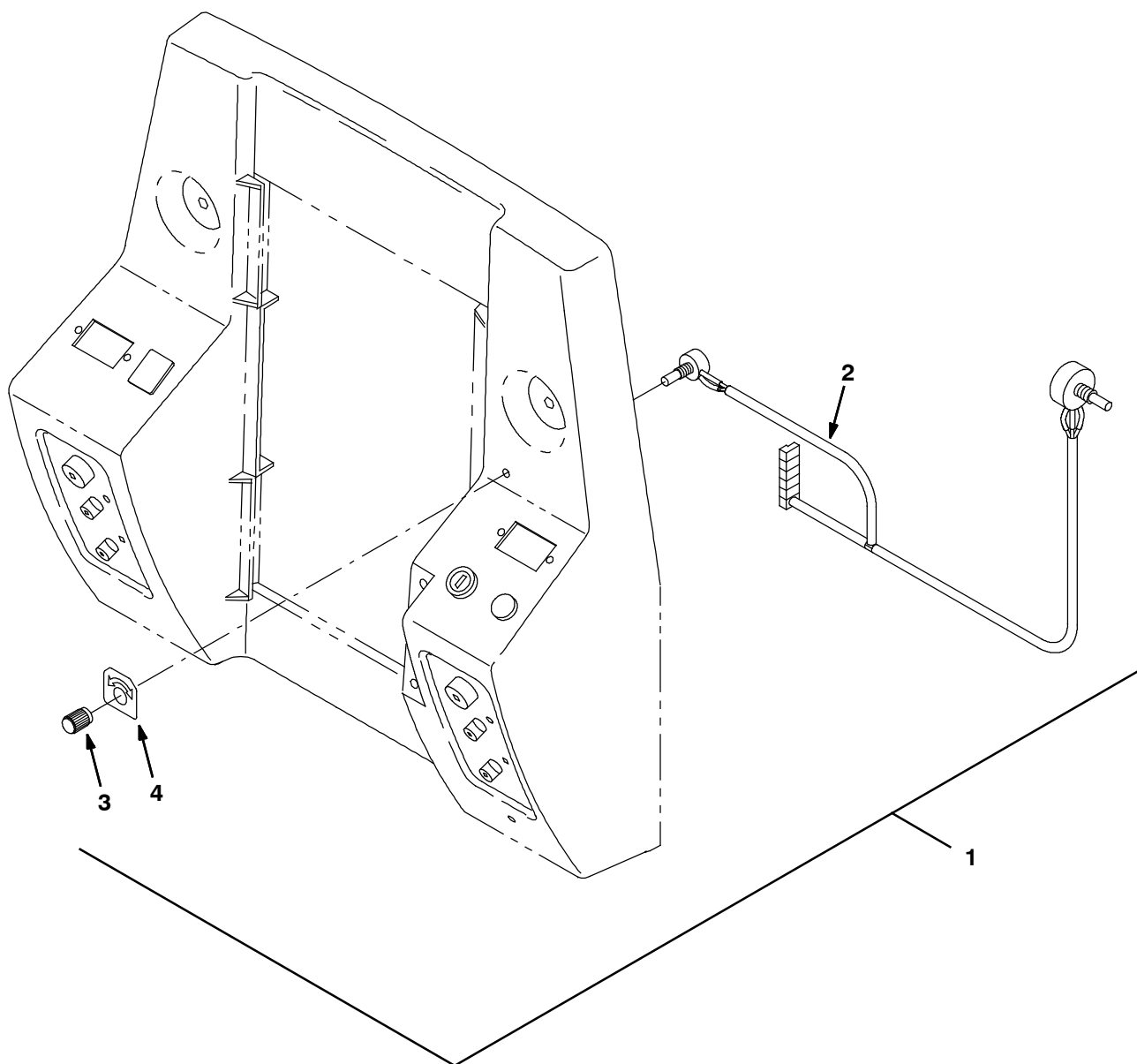


| | Ref. | Part No. | Serial Number | Description | Qty. |
|---|-------------|-----------------|----------------------|-------------------------|-------------|
| ▽ | | 374109 | (10000000- |) Kit, Sensor, Shielded | 1 |
| ▲ | 1 | 374078 | (10000000- |) Switch, Float | 1 |

▽ - Identifies an assembly

▲ - Identifies parts included in assembly

Fig. 19 - Speed Reduction Kit

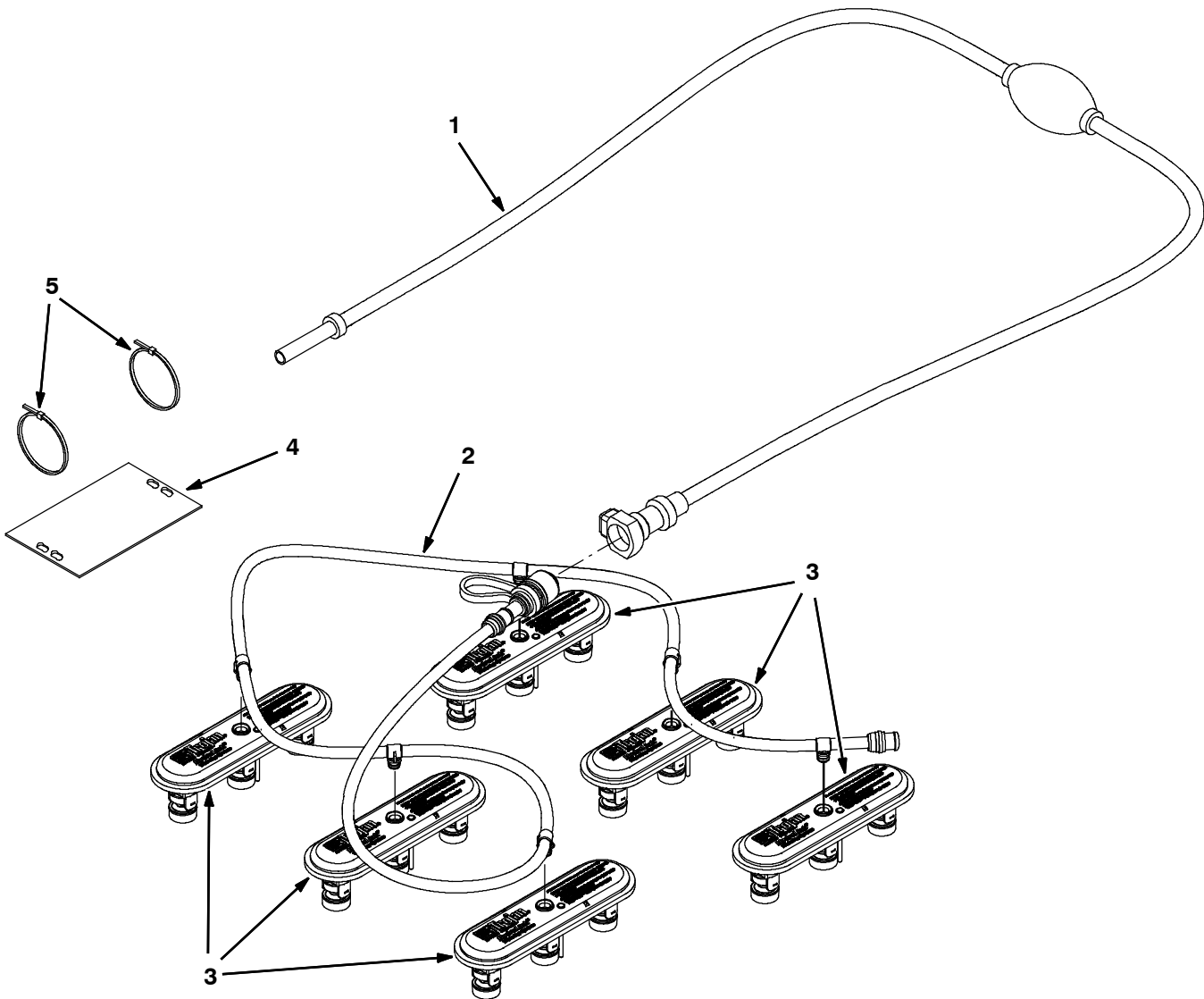


| | Ref. | Part No. | Serial Number | Description | Qty. |
|---|------|----------|---------------|-----------------------------------|------|
| ▽ | 1 | 222798 | (10000000- |) Speed Reduction Kit, 5700 | 1 |
| ▲ | 2 | 222833 | (10000000- |) Potentiometer Assy, Electronic | 1 |
| ▲ | 3 | 222760 | (10000000- |) Knob, Potentiometer 0.125 Shaft | 1 |
| ▲ | 4 | 222844 | (10000000- |) Label, Speed Adjustment | 1 |

▽ - Identifies an assembly

▲ - Identifies parts included in assembly

Fig. 20 - Hydrolink® Battery Watering System Kit



| | Ref. | Part No. | Serial Number | Description | Qty. |
|---|------|----------|---------------|--|------|
| ▽ | | 9010301 | (10606608- |) Battery Fill Kit, 36v, Ci [Hydrolink] | 1 |
| ▲ | 1 | 1058939 | (10606608- |) Pump Kit, Fill, Battery | 1 |
| ▲ | 2 | 1201997 | (10606608- |) Tube, Water, Battery, 36vdc [Trojan] | 1 |
| ▲ | 3 | 1204142 | (10606608- |) Cap, Fill, Battery [Trojan] | 6 |
| ▲ | 4 | 1071084 | (10606608- |) Label, Tag, Battery [Hydrolink Watering] | 1 |
| ▲ | 5 | 130773 | (10606608- |) Tie, Cable, Nyl, 11.0l, .14w, 3.0 Max. D | 2 |

▽ - Identifies an assembly

▲ - Identifies parts included in assembly

*THIS KIT IS INTENDED FOR USE WITH TROJAN® LEAD ACID BATTERIES ONLY.

HYDROLINK® IS A REGISTERED TRADEMARK OF TROJAN® BATTERY COMPANY.

SECTION 4

| Contents | Page |
|--|-------------|
| Fig. 1 - Transaxle Drive Breakdown (w/Parking Brake),1033765, 222037 .. | 4-2 |
| Fig. 2 - Transaxle Drive Breakdown (w/o Parking Brake) 1033764, 397707 | 4-4 |
| Fig. 3 - Transaxle Motor Breakdown, 1031761 .. | 4-6 |
| Fig. 4 - Transaxle Motor Breakdown, 374265 ... | 4-7 |
| Fig. 5 - Electric Motor Breakdown, 1038426 | 4-8 |
| Fig. 6 - Electric Motor Breakdown, 375175 | 4-9 |
| Fig. 7 - Electric Motor Breakdown, 222708 | 4-10 |
| Fig. 8 - Electric Motor Breakdown, 374201 | 4-11 |
| Fig. 9 - Electric Motor Breakdown, 1053284 ... | 4-12 |
| Fig. 10 - Water Pump Breakdown, 222259 | 4-13 |

Fig. 1 - Transaxle Drive Breakdown (w/Parking Brake) 1033765, 222037

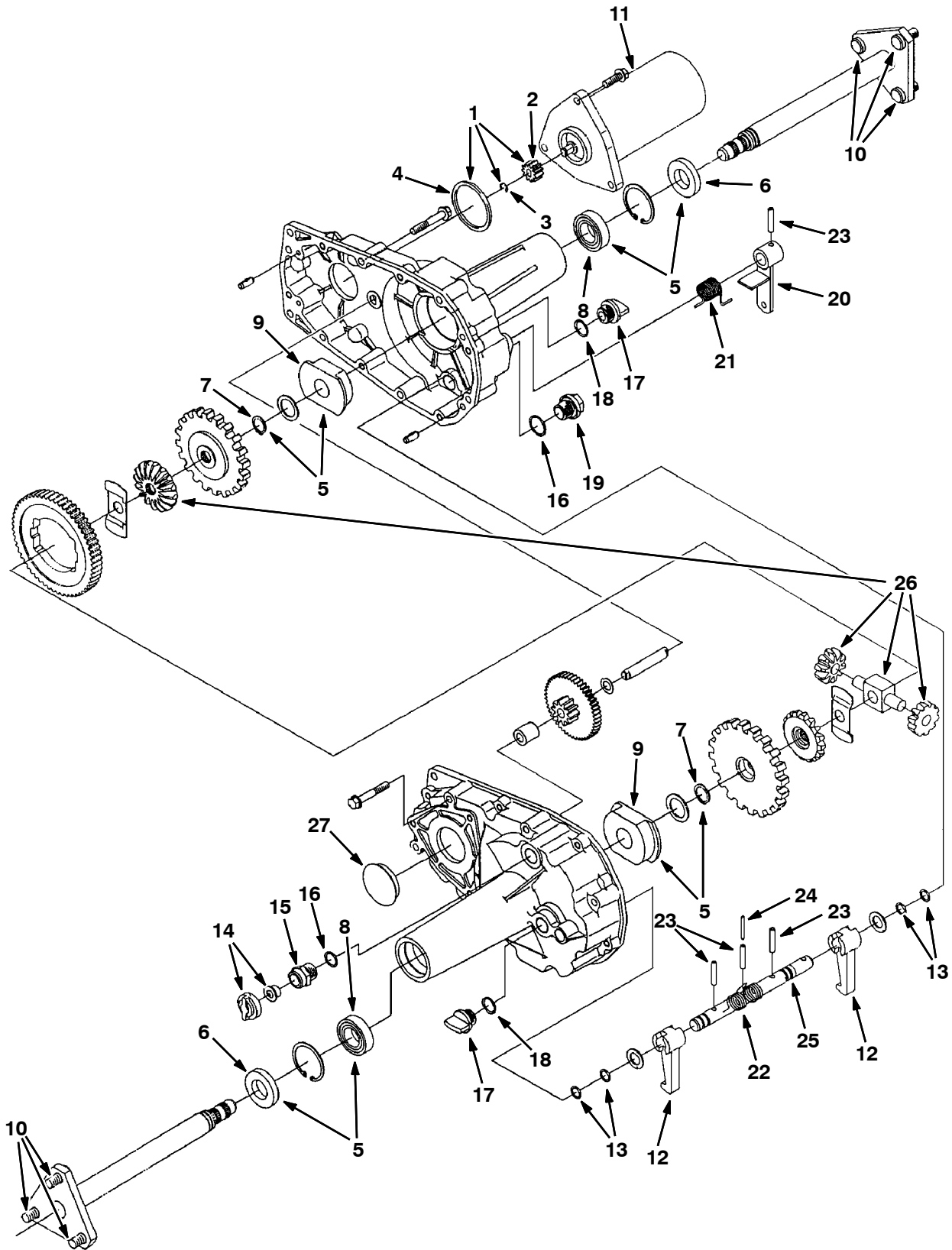


Fig. 1 - Transaxle Drive Breakdown (w/Parking Brake) 1033765, 222037

| | Ref. | Part No. | Serial Number | Description | Qty. |
|----|------|----------|-----------------------|---|------|
| ▽ | | 1033765 | (10321996- 10368983) | Transaxle Assy, W/Parking Brake | 1 |
| | | 222037 | (10000000- 10321995) | Transaxle Assy, W/Parking Brake | 1 |
| ▲▽ | 1 | 222640 | (10000000-) | Mtr Gear Kit | 1 |
| ▲▲ | 2 | 222599 | (10000000-) | Pinion Gear | 1 |
| ▲▲ | 3 | 222656 | (10000000-) | Clip | 1 |
| ▲▲ | 4 | 222657 | (10000000-) | O- Ring | 1 |
| ▲▽ | 5 | 222641 | (10000000-) | Brg&Seal Kit | 1 |
| ▲▲ | 6 | 222658 | (10000000-) | Seal | 2 |
| ▲▲ | 7 | 222659 | (10000000-) | Snap Ring | 2 |
| ▲▲ | 8 | 222660 | (10000000-) | Bearing | 2 |
| ▲▲ | 9 | 222661 | (10000000-) | Bushing | 2 |
| ▲ | 10 | 11117 | (10000000-) | Stud, Wheel .44- 20 X1.22 | 6 |
| ▲ | 11 | 1031761 | (10321996- 10368983) | Motor, Ele, 36Vdc 2000Rpm 0.50Hp (See Breakdowns) | 1 |
| | 11 | 374265 | (10000000- 10321995) | Motor, Ele, 36Vdc 2000Rpm 0.50Hp (See Breakdowns) | 1 |
| ▲ | 12 | 374051 | (10000000-) | Pawl, Park | 2 |
| ▲ | 13 | 374052 | (10000000-) | Packing, Pawl | 4 |
| ▲ | 14 | 374053 | (10000000-) | Vent, Valve | 1 |
| ▲ | 15 | 374054 | (10000000-) | Plug, Breather | 1 |
| ▲ | 16 | 374055 | (10000000-) | Packing, Breather | 2 |
| ▲ | 17 | 374056 | (10000000-) | Cap, Oil | 2 |
| ▲ | 18 | 374057 | (10000000-) | Packing, Cap | 2 |
| ▲ | 19 | 374058 | (10000000-) | Plug, Drain | 1 |
| ▲ | 20 | 374061 | (10000000-) | Arm, Park | 1 |
| ▲ | 21 | 374062 | (10000000-) | Spring, Return | 1 |
| ▲ | 22 | 374063 | (10000000-) | Spring, Park | 1 |
| ▲ | 23 | 374064 | (10000000-) | Pin, Roll 6- 32 | 4 |
| ▲ | 24 | 374065 | (10000000-) | Pin, Roll 3.5- 32 | 1 |
| ▲ | 25 | 374066 | (10000000-) | Shaft, Parking | 1 |
| ▲ | 26 | 388499 | (10000000-) | Kit, Gear, Differential | 1 |
| ▲ | 27 | 388485 | (10000000-) | Plug | 1 |

▽ - Identifies an assembly

▲ - Identifies parts included in assembly

Fig. 2 - Transaxle Drive Breakdown (w/o Parking Brake) 1033764, 397707

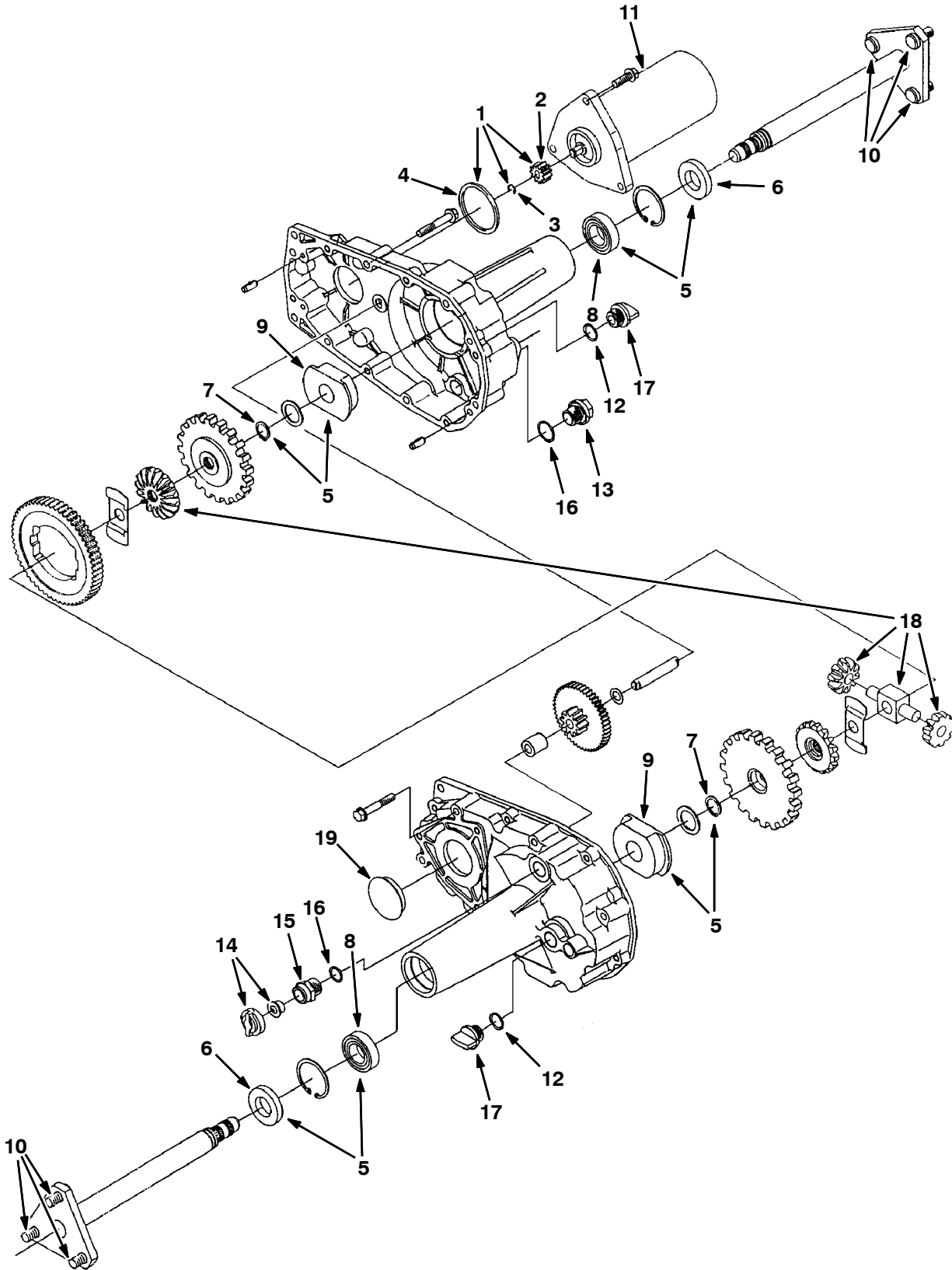


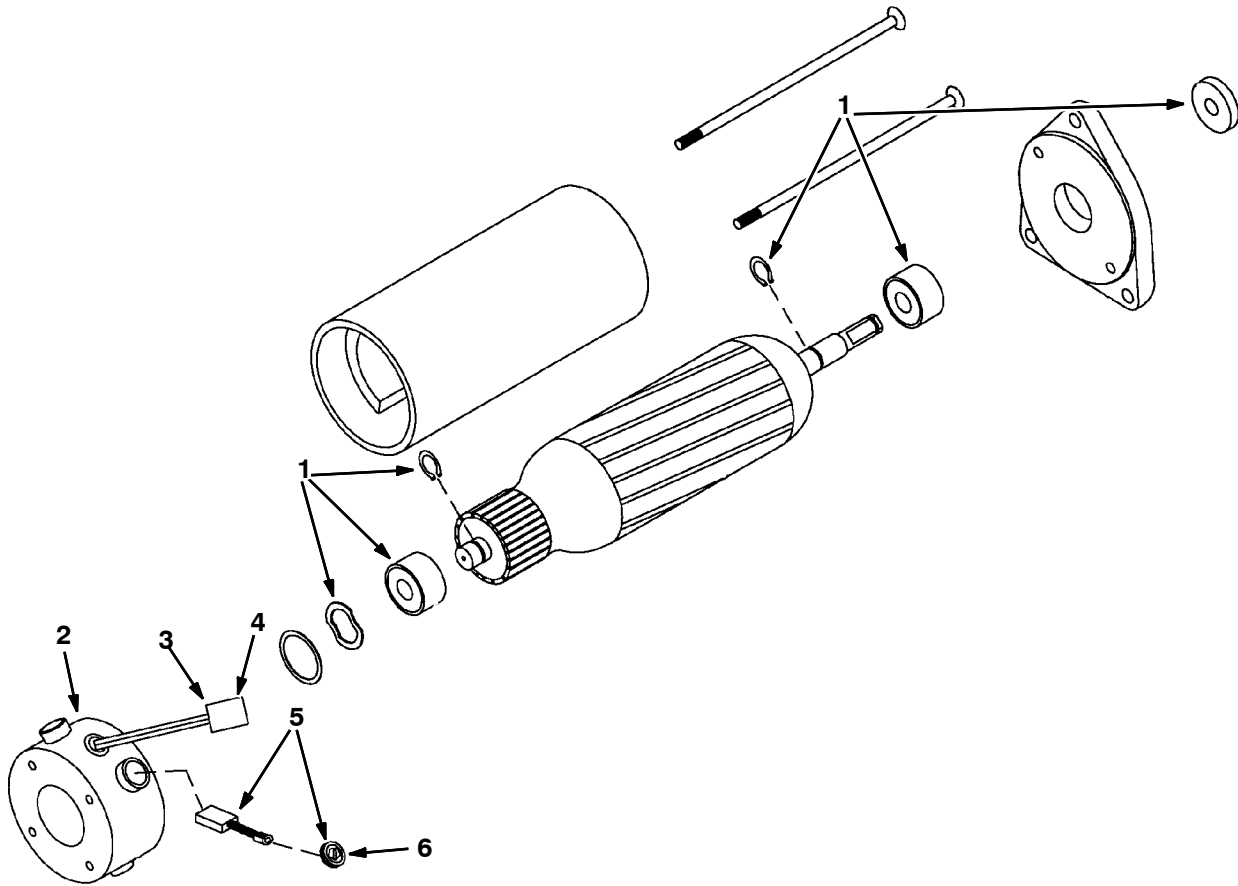
Fig. 2 - Transaxle Drive Breakdown (w/o Parking Brake) 1033764, 397707

| | Ref. | Part No. | Serial Number | Description | Qty. |
|----|------|----------|-----------------------|---|------|
| ▽ | | 1033764 | (10306809- 10364537) | Transaxle Assy, W/ Motor [W/O Park Lock] | 1 |
| | | 397707 | (10000000- 10306808) | Transaxle, Ele, w/.50Hp Motor | 1 |
| ▲▽ | 1 | 222640 | (10000000- 10364537) | Mtr Gear Kit | 1 |
| ▲▲ | 2 | 222599 | (10000000- 10364537) | Pinion Gear | 1 |
| ▲▲ | 3 | 222656 | (10000000- 10364537) | Clip | 1 |
| ▲▲ | 4 | 222657 | (10000000- 10364537) | O- Ring | 1 |
| ▲▽ | 5 | 222641 | (10000000- 10364537) | Brg&Seal Kit | 1 |
| ▲▲ | 6 | 222658 | (10000000- 10364537) | Seal | 2 |
| ▲▲ | 7 | 222659 | (10000000- 10364537) | Snap Ring | 2 |
| ▲▲ | 8 | 222660 | (10000000- 10364537) | Bearing | 2 |
| ▲▲ | 9 | 222661 | (10000000- 10364537) | Bushing | 2 |
| ▲ | 10 | 11117 | (10000000- 10364537) | Stud, Wheel .44- 20 X1.22 | 6 |
| ▲ | 11 | 1031761 | (10000000- 10364537) | Motor, Ele, 36Vdc 2000Rpm 0.50Hp (See Breakdowns) | 1 |
| ▲ | 12 | 374057 | (10000000- 10364537) | Packing, Cap | 2 |
| ▲ | 13 | 374058 | (10000000- 10364537) | Plug, Drain | 1 |
| ▲ | 14 | 374053 | (10000000- 10364537) | Vent, Valve | 1 |
| ▲ | 15 | 374054 | (10000000- 10364537) | Plug, Breather | 1 |
| ▲ | 16 | 374055 | (10000000- 10364537) | Packing, Breather | 2 |
| ▲ | 17 | 374056 | (10000000- 10364537) | Cap, Oil | 2 |
| ▲ | 18 | 388499 | (10000000- 10364537) | Kit, Gear, Differential | 1 |
| ▲ | 19 | 388485 | (10000000- 10364537) | Plug | 1 |

▽ - Identifies an assembly

▲ - Identifies parts included in assembly

Fig. 3 - Transaxle Motor Breakdown, 1031761

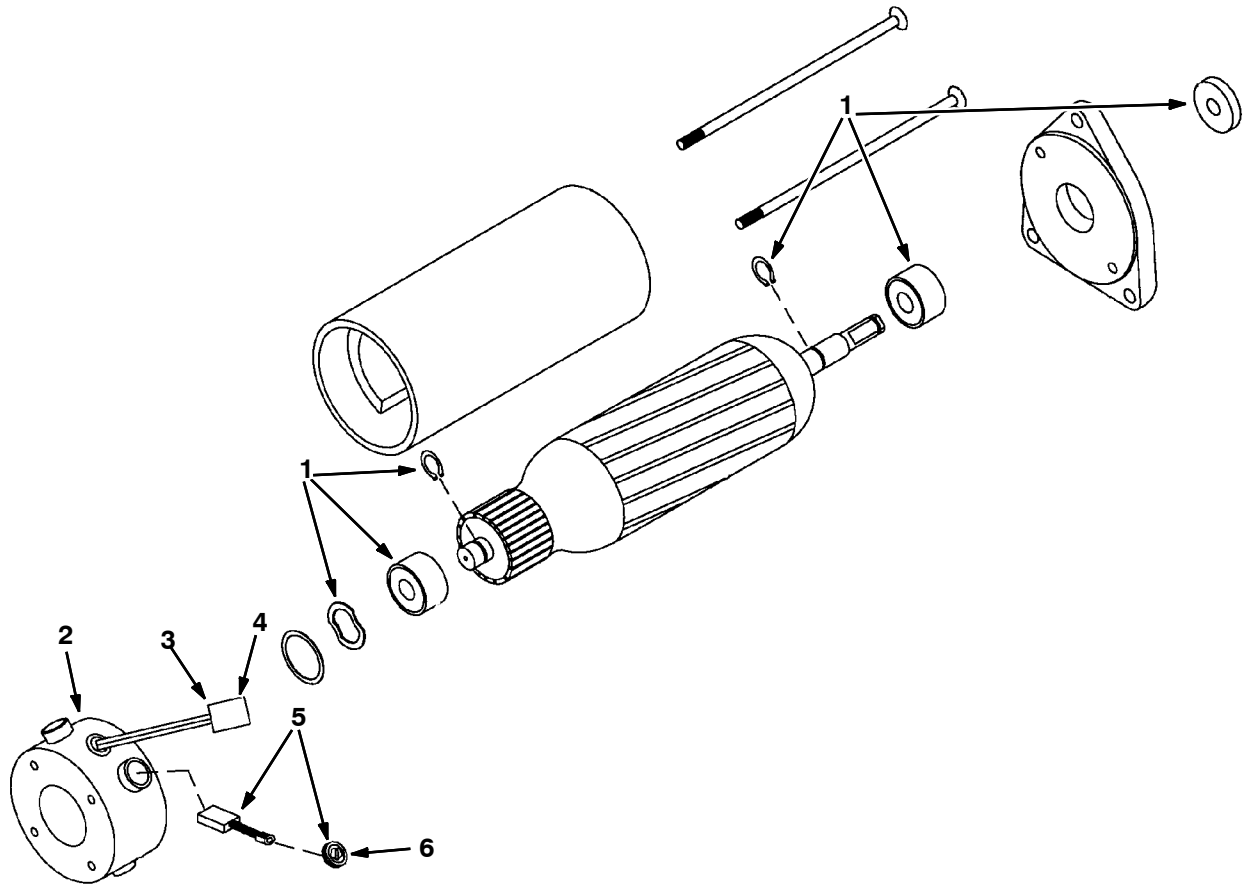


| Ref. | Part No. | Serial Number | Description | Qty. |
|------|----------|-----------------------|---|------|
| ▽ | 1031761 | (10306809- 10364537) | Motor, Ele, 36Vdc 2000Rpm 0.50Hp | 1 |
| ▲▽ | 1 | 1034372 | (10306809- 10364537) Bearing Kit, Motor, Ele (Kit3874) | 1 |
| ▲▽ | 2 | 374003 | (10306809- 10364537) Endbell, Brush End, Motor, Ele [Magnt | 1 |
| ▲▲ | 3 | 10925 | (10306809- 10364537) Connector, Fem, 2cav [Mp630 Sealed] | 1 |
| ▲▲ | 4 | 24537 | (10306809- 10364537) Terminal, Fem, 10/12ga [Mp630 P2s] | 2 |
| ▲▽ | 5 | 1034373 | (10306809- 10364537) Brush Kit, Motor, Ele (Kit3873) | 1 |
| ▲▲ | 6 | 1034375 | (10306809- 10364537) Brush Cap Assy, Motor, Ele (BCA3762) | 4 |

▽ - Identifies an assembly

▲ - Identifies parts included in assembly

Fig. 4 - Transaxle Motor Breakdown, 374265

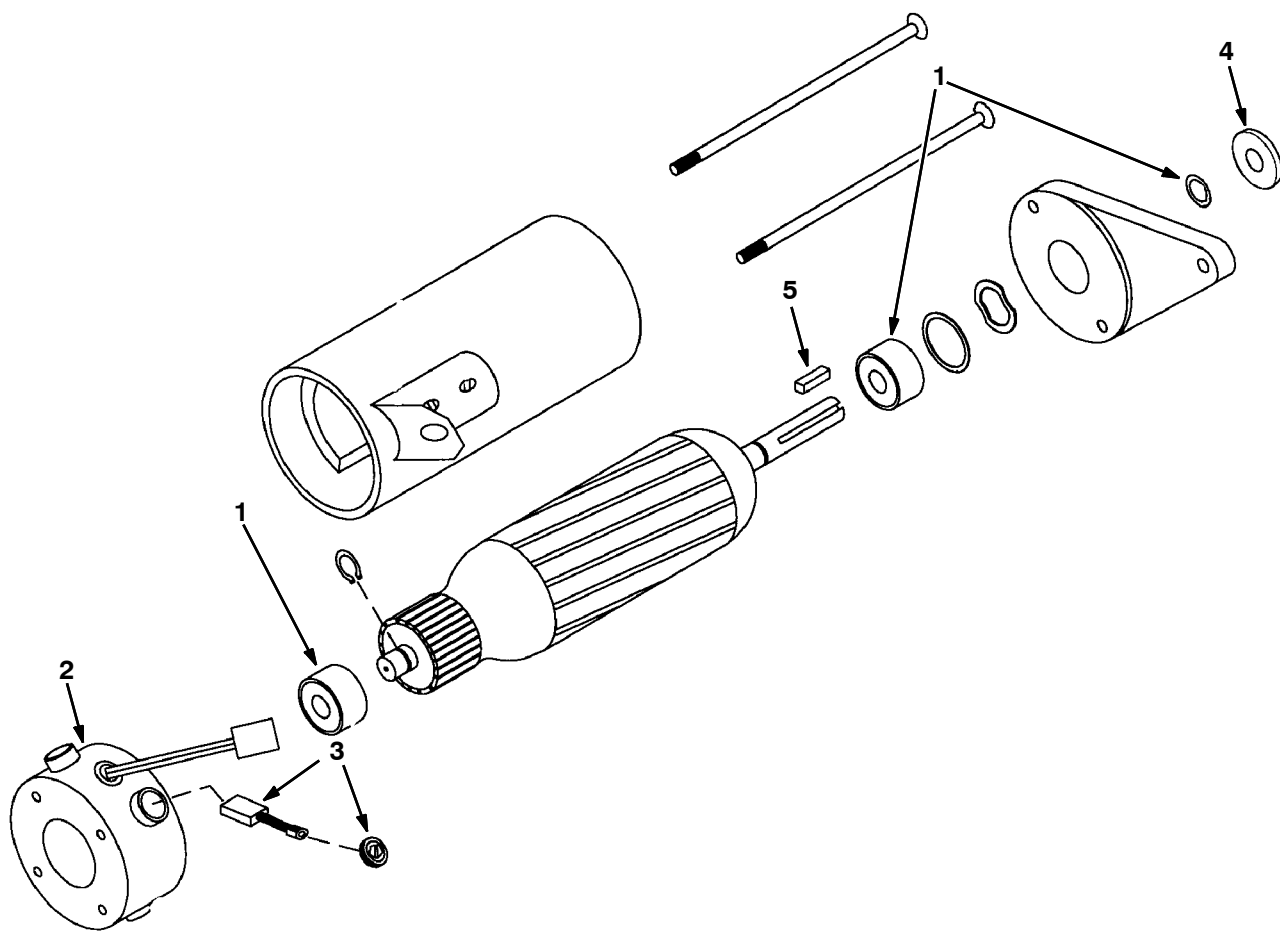


| Ref. | Part No. | Serial Number | Description | Qty. |
|------|----------|-----------------------|---|------|
| ▽ | 374265 | (10000000- 10306808) | Motor, Ele, 36Vdc 2000Rpm 0.50Hp | 1 |
| ▲▽ | 1 374271 | (10000000- 10306808) | Bearing Kit, Motor, Ele | 1 |
| ▲▽ | 2 374003 | (10000000- 10306808) | Endbell, Brush End, Motor, Ele [Magnt | 1 |
| ▲▲ | 3 10925 | (10000000- 10306808) | Connector, Fem, 2cav [Mp630 Sealed] | 1 |
| ▲▲ | 4 24537 | (10000000- 10306808) | Terminal, Fem, 10/12ga [Mp630 P2s] | 2 |
| ▲▽ | 5 222625 | (10000000- 10306808) | Kit, Brush, Motor, Ele (Kit842) | 1 |
| ▲▲ | 6 222629 | (10000000- 10306808) | Cap, Brush Holder, Motor, Ele[Magnetek] | 4 |

▽ - Identifies an assembly

▲ - Identifies parts included in assembly

Fig. 5 - Electric Motor Breakdown, 1038426

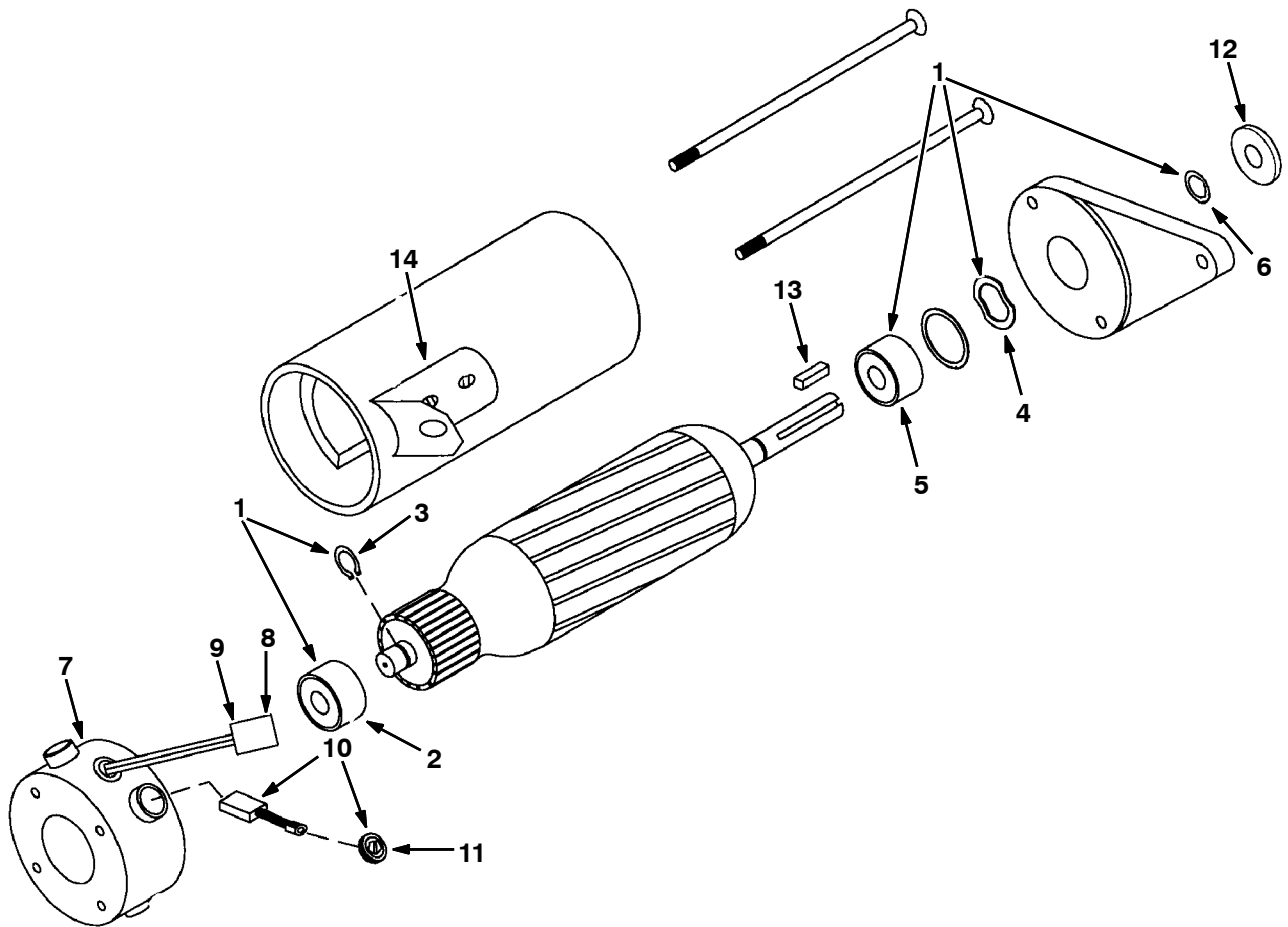


| Ref. | Part No. | Serial Number | Description | Qty. | |
|------|----------|---------------|------------------------------------|--------------------------------|---|
| ▽ | 1038426 | (10355043- |) Motor, Ele, 36Vdc 1700Rpm 0.75Hp | 1 | |
| ▲ | 1 | 1039816 | (10355043- |) Bearing Kit, Motor, Ele | 1 |
| ▲ | 2 | 1039818 | (10355043- |) Cap Assy, Brush, Ele Motor | 1 |
| ▲ | 3 | 1039817 | (10355043- |) Brush Kit, Motor, Ele | 1 |
| ▲ | 4 | 20536-2 | (10355043- |) Washer, 0.47b 1.19d .03, Nyl | 1 |
| ▲ | 5 | 00954 | (10355043- |) Key, Sq, 0.12 X 0.12, 01.00l | 1 |

▽ - Identifies an assembly

▲ - Identifies parts included in assembly

Fig. 6 - Electric Motor Breakdown, 375175

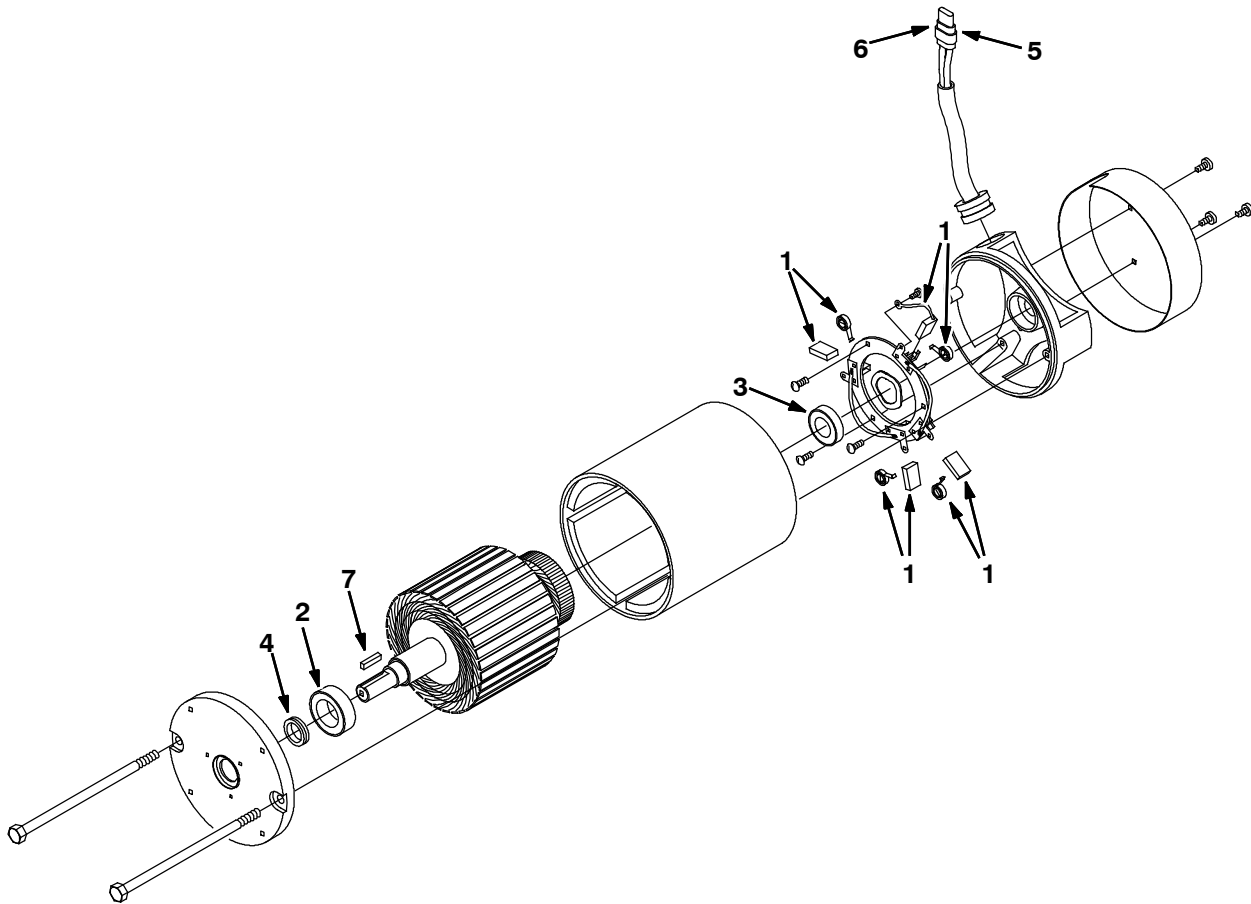


| Ref. | Part No. | Serial Number | Description | Qty. |
|------|-------------|-----------------------|---|------|
| ▽ | 375175 | (10000000- 10355042) | Motor Assy, Ele, 36Vdc, 0.75Hp, 1700Rpm | 1 |
| ▲▽ | 1 375176 | (10000000- 10355042) | Kit, Motor Bearing | 1 |
| ▲▲ | 2 222635 | (10000000- 10355042) | Bearing | 1 |
| ▲▲ | 3 222637 | (10000000- 10355042) | Ring, Snap | 1 |
| ▲▲ | 4 375177 | (10000000- 10355042) | Washer, Spring | 1 |
| ▲▲ | 5 375178 | (10000000- 10355042) | Bearing, Drive End | 1 |
| ▲▲ | 6 375179 | (10000000- 10355042) | Seal | 1 |
| ▲▽ | 7 374004 | (10000000- 10355042) | Endbell, Brush End, Motor- Ele | 1 |
| ▲▲ | 8 10925 | (10000000- 10355042) | Connector, 2- Conductor | 1 |
| ▲▲ | 9 24537 | (10000000- 10355042) | Terminal, Female | 2 |
| ▲▽ | 10 222625 | (10000000- 10355042) | Kit, Brush | 1 |
| ▲▲ | 11 222629 | (10000000- 10355042) | Cap, Brush Holder | 4 |
| ▲ | 12 20536- 2 | (10000000- 10355042) | Washer, 0.47b 1.19d .03, Nyl | 1 |
| ▲ | 13 00954 | (10000000- 10355042) | Key, Sq, 0.12 X 0.12, 01.00l | 1 |
| ▲ | 14 222877 | (10000000- 10355042) | Kit, Brace | 1 |

▽ - Identifies an assembly

▲ - Identifies parts included in assembly

Fig. 7 - Electric Motor Breakdown, 222708

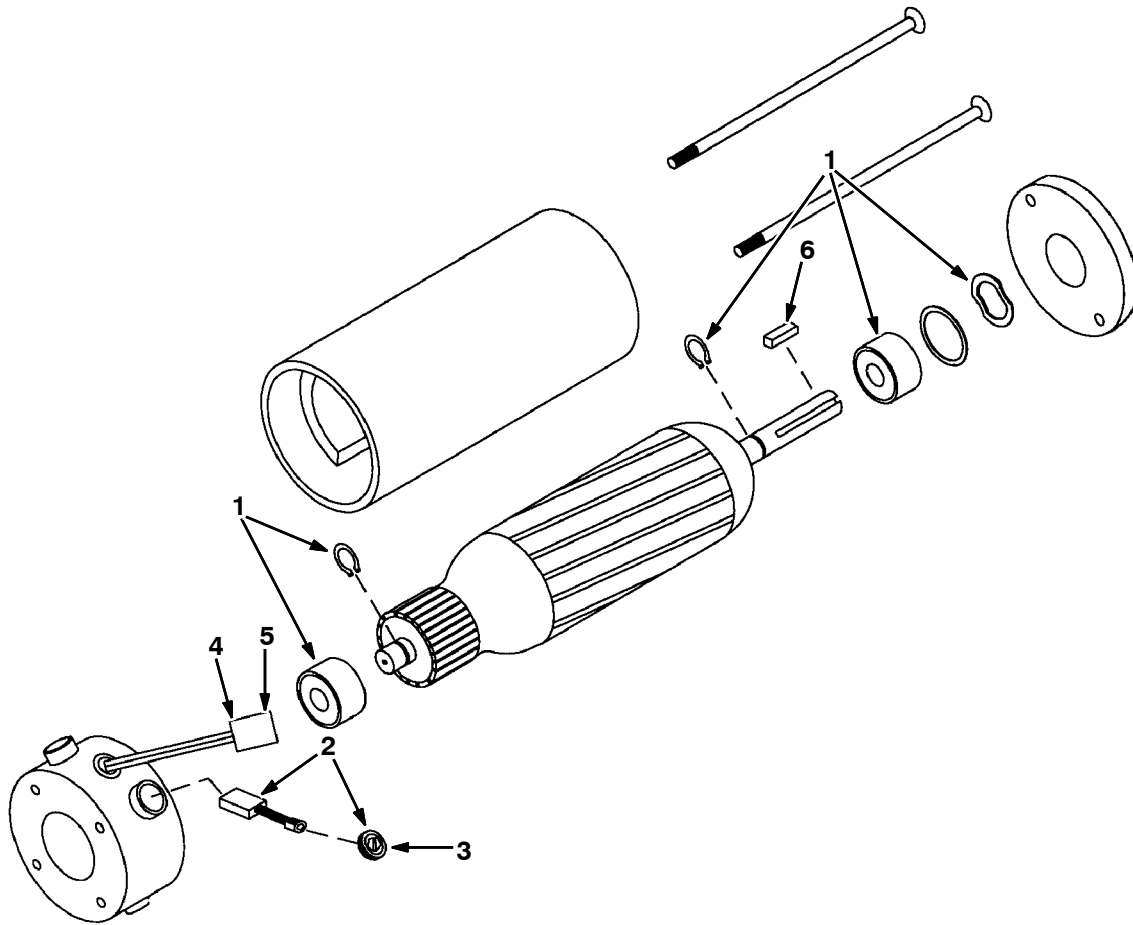


| | Ref. | Part No. | Serial Number | Description | Qty. |
|---|-------------|-----------------|----------------------|-------------------------------|-------------|
| ▽ | | 222708 | (1000000- 10578961) | Motor Assy, Elec, EE, 0.6Hp | 1 |
| ▲ | 1 | 222606 | (1000000- 10578961) | Brush Kit | 1 |
| ▲ | 2 | 222616 | (1000000- 10578961) | Bearing | 1 |
| ▲ | 3 | 222617 | (1000000- 10578961) | Bearing | 1 |
| ▲ | 4 | 222619 | (1000000- 10578961) | Oil Seal | 1 |
| ▲ | 5 | 10925 | (1000000- 10578961) | Connector, 2 Conductor | 1 |
| ▲ | 6 | 24537 | (1000000- 10578961) | Terminal, Female | 2 |
| ▲ | 7 | 00928 | (1000000- 10578961) | Key Square 0.25 0.25 01.00 Lg | 1 |

▽ - Identifies an assembly

▲ - Identifies parts included in assembly

Fig. 8 - Electric Motor Breakdown, 374201

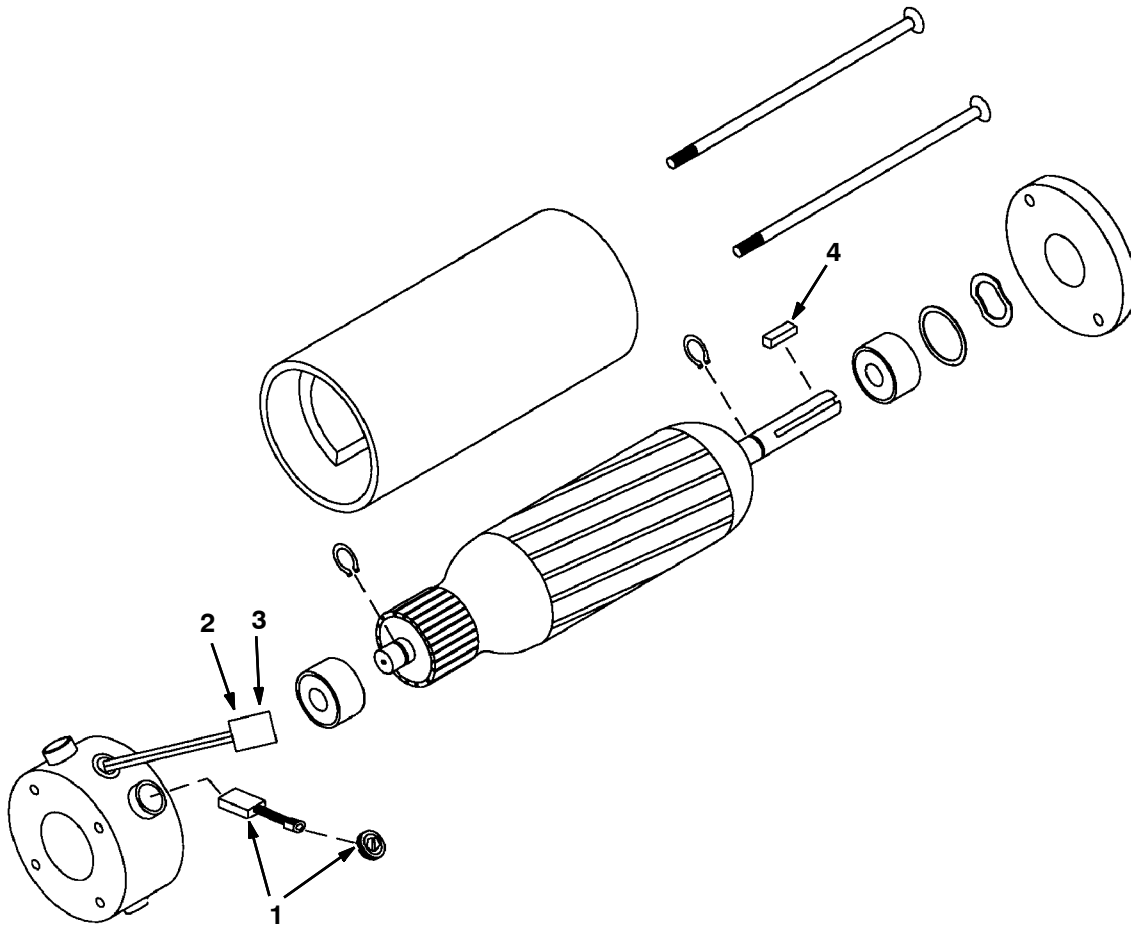


| Ref. | Part No. | Serial Number | Description | Qty. |
|------|----------|------------------------------|------------------------------|------|
| ▽ | 374201 | (10000000- 10422746) | Motor Assy,EE Vac Fan | 1 |
| ▲ | 1 | 375176 (10000000- 10422746) | Bearing Kit | 1 |
| ▲▽ | 2 | 222625 (10000000- 10422746) | Brush Kit | 1 |
| ▲▲ | 3 | 222629 (10000000- 10422746) | Brush Holder Cap | 4 |
| ▲ | 4 | 10925 (10000000-) | Connector, 2 Conductor | 1 |
| ▲ | 5 | 24537 (10000000-) | Terminal, Female | 2 |
| ▲ | 6 | 00912 (10000000-) | Key, Square 0.19 0.19 1.00Lg | 1 |

▽ - Identifies an assembly

▲ - Identifies parts included in assembly

Fig. 9 - Electric Motor Breakdown, 1053284

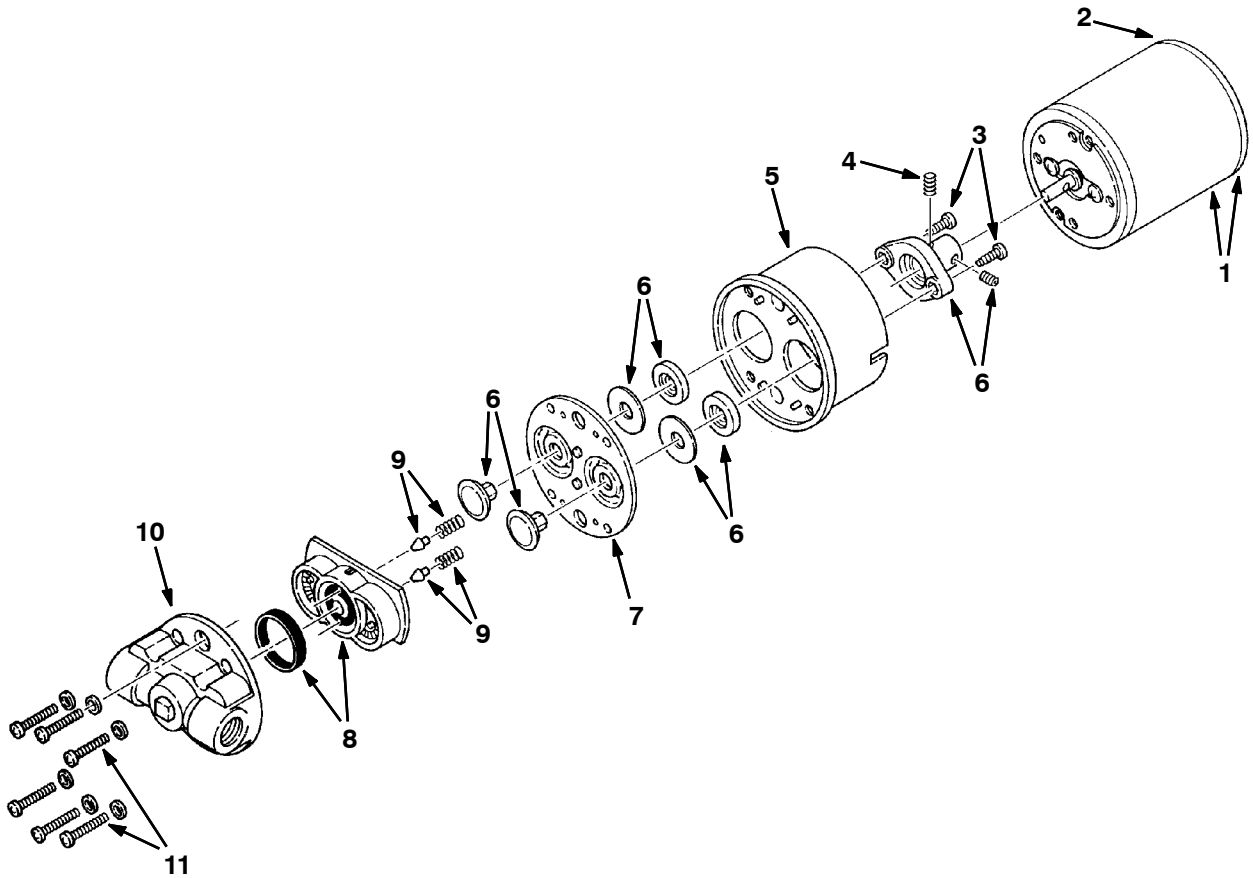


| Ref. | Part No. | Serial Number | Description | Qty. | |
|------|----------|---------------|------------------------------------|--------------------------------|---|
| ▽ | 1053284 | (10422747- |) Motor, Ele, 36vdc 2500rpm 0.75hp | 1 | |
| ▲ | 1 | 1039817 | (10422747- |) Vr, Brush Kit, Motor, Ele | 1 |
| ▲ | 2 | 10925 | (10000000- |) Connector, 2 Conductor | 1 |
| ▲ | 3 | 24537 | (10000000- |) Terminal, Female | 2 |
| ▲ | 4 | 00912 | (10000000- |) Key, Square 0.19 0.19 1.00Lg | 1 |

▽ - Identifies an assembly

▲ - Identifies parts included in assembly

Fig. 10 - Water Pump Breakdown, 222259



| Ref. | Part No. | Serial Number | Description | Qty. |
|------|----------|---------------|--------------------------|------|
| ▽ | 222259 | (10000000- |) Pump Assy, Water 36Vdc | 1 |
| ▲▽ | 1 65700 | (10000000- |) Motor 36V Dc | 1 |
| ▲▲ | 2 65701 | (10000000- |) Brush- Endbell | 1 |
| ▲▲ | 65702 | (10000000- |) Brush Kit | 1 |
| ▲▽ | 65710 | (10000000- |) Pump Head Assembly | 1 |
| ▲▲ | 3 65667 | (10000000- |) Cam/Bearing Scr | 2 |
| ▲▲ | 4 65668 | (10000000- |) Scr- Set Cam Brg | 1 |
| ▲▲ | 370924 | (10000000- |) Cam Brg/Diaph Kit | 1 |
| ▲▲ | 5 49901 | (10000000- |) Bearing Cover | 1 |
| ▲▲ | 6 65706 | (10000000- |) Piston- Inner&Out | 1 |
| ▲▲ | 7 65707 | (10000000- |) Diaphragm Kit | 1 |
| ▲▲ | 8 65708 | (10000000- |) Ck Valve - Buna | 1 |
| ▲▲ | 9 65709 | (10000000- |) Bypass Spgs&Popp | 1 |
| ▲▲ | 10 49886 | (10000000- |) Pump | 1 |
| ▲▲ | 11 65675 | (10000000- |) Pump Screws | 6 |

▽ - Identifies an assembly

▲ - Identifies parts included in assembly