

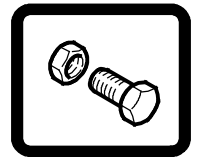


# 5700XP

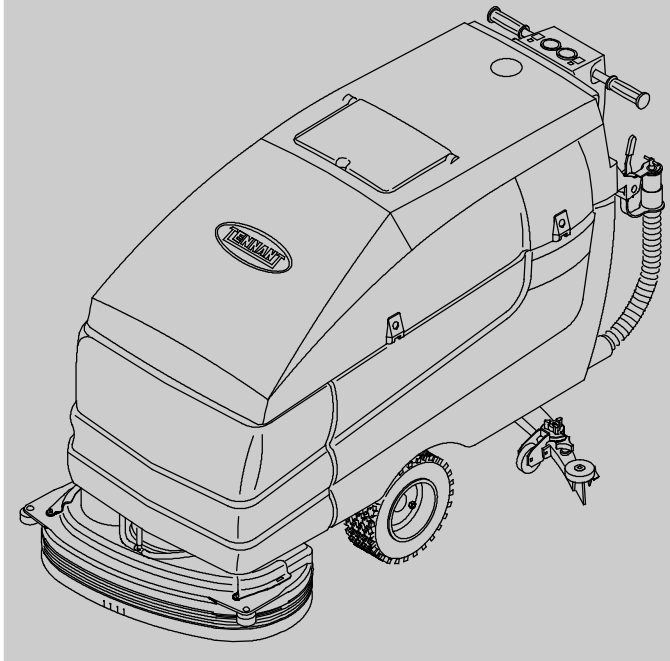
(Electric)

Walk-Behind Scrubber

## Parts Manual



(S/N 1000000- )



**FaST**  
Foam Scrubbing Technology  
The Safe Scrubbing Alternative®

**ec H<sub>2</sub>O**™  
NanoClean

**TennantTrue® Parts**  
**ES® Extended Scrub System**



For the latest Parts manuals and other language Operator manuals, visit:

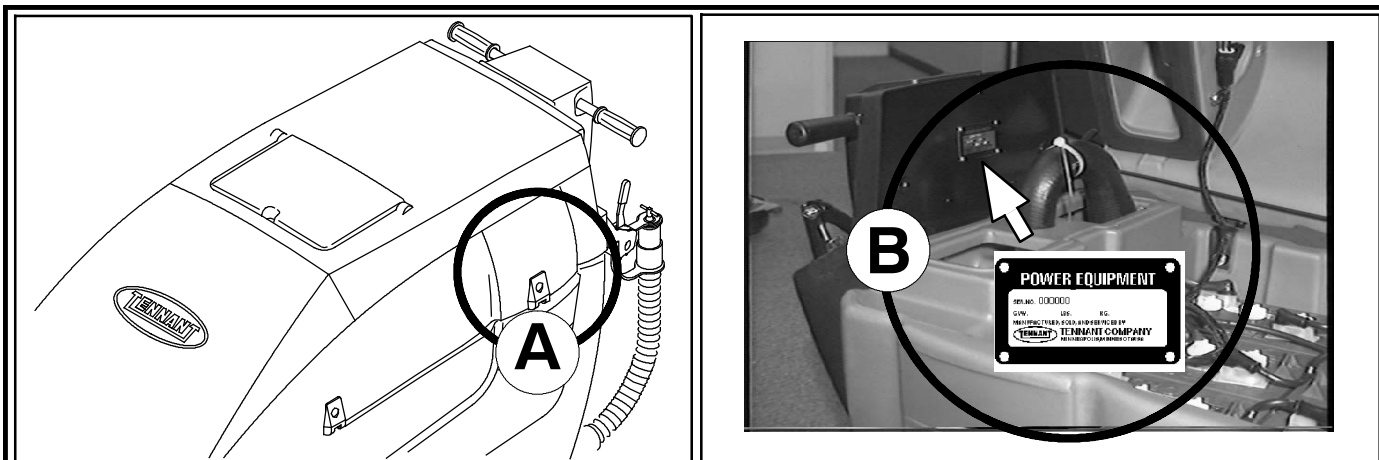
[www.tennantco.com/manuals](http://www.tennantco.com/manuals)

**North America / International**

[www.tennantco.com](http://www.tennantco.com)

331534  
Rev. 10 (10-2015)





Ref	Part No.	Serial Number	Description	Qty.
1	82681	(10000000- )	Bracket Wldt, Lpg Mount	1
2	63810	(10000000- )	Latch Assy, Lpg Tank Mtg, W/Nut	4
3	51839	(10000000- )	Nut Adjustable, Lpg Tank Mtg	2
4	49263	(10000000- )	Tie, Cable	3
5	82556	(10000000- 10001039 )	Bracket, Vaporizer	1
6	54930	(10000000- )	Vaporizer, LPG	1

**HOW TO ORDER PARTS - See diagram above**

Only use TENNANT Company supplied or equivalent parts. Parts and supplies may be ordered online, by phone, by fax or by mail.

Follow the steps below to ensure prompt delivery.

1. (A) Identify the machine model.
2. (B) Identify the machine serial number from the data plate.
3. (C) Ensure the proper serial number is used from the parts list.
4. Identify the part number and quantity. Do not order by page or reference numbers.
5. Provide your name, company name, customer ID number, billing and shipping address, phone number and purchase order number.
6. Provide detail shipping instructions.

- (D) ▽ - Identifies an assembly  
 ▲ - Identifies parts included in assembly

**Please fill out at time of installation for future reference.**

Model No. - \_\_\_\_\_

Serial No. - \_\_\_\_\_

Machine Options - \_\_\_\_\_

Sales Rep. - \_\_\_\_\_

Sales Rep. phone no. - \_\_\_\_\_

Customer ID Number - \_\_\_\_\_

Installation Date - \_\_\_\_\_

**Tennant Company**

PO Box 1452  
 Minneapolis, MN 55440  
 Phone: (800) 553- 8033 or (763) 513- 2850  
 www.tennantco.com

Specifications and parts are subject to change without notice.

Copyright © 2006-2015 TENNANT Company, Printed in U.S.A.

# GENERAL RECOMMENDED MAINTENANCE

5700, XP

## General Recommended Maintenance Items

Ref.	Part No.	Serial Number	Description	Qty.
	222381	(10000000-	) Blade, Sqge, Front, 38.97l Rbr [700mm]	1
	222382	(10000000-	) Blade, Sqge, Rear, 40.93l Linatex[700mm]	1
▽	222422	(10000000-	) Blade Kit, Sqge, Rbr [700]	1
▲	222385	(10000000-	) Blade, Sqge, Tile, 38.97l [Linard, 28"]	1
▲	222387	(10000000-	) Blade, Sqge, Rear, 40.93l Gum [28"]	1
▽	222428	(10000000-	) Sqge Kit, Oil Res Ure [700]	1
▲	222391	(10000000-	) Blade, Sqge, Front, 38.97l [700mm]	1
▲	222389	(10000000-	) Blade, Sqge, Rear, 40.93l Pyu [28"]	1
	222241	(10000000-	) Blade, Sqge, Front, 43.66l Rbr [800mm]	1
	222242	(10000000-	) Blade, Sqge, Rear, 45.65l Linatex [32"]	1
▽	222423	(10000000-	) Blade Kit, Sqge, Rbr [800]	1
▲	222384	(10000000-	) Blade, Sqge, Tile, 43.66l [Linard, 32"]	1
▲	222386	(10000000-	) Blade, Sqge, Rear, 45.65l Gum [32"]	1
▽	222429	(10000000-	) Blade Kit, Sqge, Pyu [800]	1
▲	222392	(10000000-	) Blade, Sqge, Front, 43.66l Pyu [32"]	1
▲	222388	(10000000-	) Blade, Sqge, Rear, 45.65l Pyu [32"]	1
	222413	(10000000-	) Blade, Sqge, Front, 47.41l Rbr [900mm]	1
	222415	(10000000-	) Blade, Sqge, Rear, 49.37l Linatex[900mm]	1
▽	222424	(10000000-	) Blade Kit, Sqge, Rbr [900]	1
▲	222414	(10000000-	) Blade, Sqge, Tile, 47.41l [Linard, 36"]	1
▲	222416	(10000000-	) Blade, Sqge, Rear, 49.37l Gum [36"]	1
▽	222433	(10000000-	) Sqge Kit, Ure [900mm]	1
▲	222434	(10000000-	) Blade, Sqge, Front, 47.41l Ure, 5sl[36"]	1
▲	222435	(10000000-	) Blade, Sqge, Rear, 49.37l Ure [36"]	1
	222066	(10000000-	) Wheel, 3.0 Dia	4
	82138	(10000000-	) Nut Speed, Retainer, .25- 20 Thd	2
	222178	(10000000-	) Roller, Bumper	2
	222403	(10000000-	) Wheel, 2.0 Dia	2
	222430	(10000000-	) Skirt Assy, Disk Head, 28"	1
	222431	(10000000-	) Skirt Assy, Disk Head, 32"	1
	222432	(10000000-	) Skirt, Assy, Disk Head, 36"	1
▽	222711	(10000000-	) Replm Kit, Brush Skirts	1
▲	222180	(10000000-	) Skirt, Scrub Head	4
	223568	(10000000-	) Skirt, Deflector	2
	1017015	(10000000-	) Detergent Pkg, 2 Liter, Sgl, 365	-
	1017022	(10000000-	) Detergent Pkg, 2 Liter, Sgl, 665	-
	9002021	(10000000-	) Detergent, 2 Liter [Fast 965]	-
▽	9008870	(10536782-	) Fast Kit, Injector [5680/5700, Fast lii]	1
▲▽	9008750	(10536782-	) Fast Kit, Ci [Inj Reblid, 5680/5700]	1
▲▲	9008848	(10536782-	) Fast Kit, Seal, Injector, Ci [Fast lii]	1
▲	9003009	(10536782-	) Fast Kit, Ci, Injector Filters[Fast li+]	1
▽	9004079	(10361713- 10536781 )	) Fast Kit, Injector [5680/5700, FaST II+]	1
▲	9004084	(10361713- 10536781 )	) FaST Kit, Ci, [Inj Reblid, 5680/5700]	1
▲	9003008	(10361713- 10536781 )	) FaST Kit, Ci, Injector Seals [FaST II+]	1
▲	9003009	(10361713-	) FaST Kit, Ci, Injector Filters [FaST II+]	1

▽ - Identifies an assembly

▲ - Identifies parts included in assembly

# GENERAL RECOMMENDED MAINTENANCE

5700, XP

## General Recommended Maintenance Items

Ref.	Part No.	Serial Number	Description	Qty.
▽	9007970	(10436743- 10741220 )	Module Kit, Replmt [Ec- H2o]	1
▲▽	9006324	(10436743- 10741220 )	Ec- H2o Kit, Module B, Plumbing	1
▲▲	1057637	(10436743- 10741220 )	Electrode, 5 Plate, High Flow	1
▲▲	1013236	(10403557- 10741220 )	Valve, Shutoff, Ele, 24vdc	1
▲▲	1062006	(10403557- 10741220 )	Electrode, Cylindrical	1
▲▲	1044393	(10403557- 10741220 )	Switch, Rocker, Spst, Mom,	1
▲▲	1049489	(10436743- 10741220 )	Harness, Main,Controlboard[Ec- H2o 5cell]	1
▲	1054776	(10403557- 10741220 )	Grommet, Blind	1
▲	9007969	(10403557- 10741220 )	Controller Kit, Replmt [Ec- H2o]	1
▽	9011810	(10741221- )	Module Kit, Replmt [Ec- H2o, B 02]	1
▲▽	9014126	(10741221- )	Ec- H2o Nc Kit [Module B, Plumbing]	1
▲▲	1044393	(10741221- )	Switch, Rocker, Spst, Mom	1
▲▲	1208164	(10741221- )	Electrode, 5 Plate, High Flow	1
▲▲	1073286	(10741221- )	Harness, Ele, Module B2 [Ec- H2o]	1
▲	9014127	(10741221- )	Controller Kit, Replmt [Ec- H2o Nc]	1
	9013646	(10741221- )	Cartridge, Ec- H2o Nanoclean Wcm, 270ml	1

▽ - Identifies an assembly

▲ - Identifies parts included in assembly

# SECTION 2

<b>Contents</b>	<b>Page</b>	<b>Contents</b>	<b>Page</b>
Fig. 1 - Brushes, Replacement, Cylindrical . . . . .	2-2	Fig. 20 - Scrub Head Frame Group, Model 800C, 800 mm (32 in) . . . . .	2-40
Fig. 2 - Brushes And Pad Drivers, Replacement, Model 700, 700 mm (28 in) . . . . .	2-4	Fig. 21 - Scrub Head Drive Group, Model 900C, 900 mm (36 in) . . . . .	2-42
Fig. 3 - Brushes And Pad Drivers, Replacement, Model 800, 800 mm (32 in) . . . . .	2-6	Fig. 22 - Scrub Head Frame Group, Model 900C, 900 mm (36 in) . . . . .	2-44
Fig. 4 - Brushes And Pad Drivers, Replacement, Model 900, 900 mm (36 in) . . . . .	2-8	Fig. 23 - Recovery Tank Group . . . . .	2-46
Fig. 5 - Main Frame and Drive Group (S/N 10000000- 10705714) . . . . .	2-10	Fig. 24 - Solution Tank Group . . . . .	2-48
Fig. 6 - Main Frame and Drive Group (S/N 10705715- ) . . . . .	2-12	Fig. 25 - Vacuum Fan Group . . . . .	2-50
Fig. 7 - Tire Assembly, Air Filled, Black . . . . .	2-14	Fig. 26 - Solution Control Group . . . . .	2-52
Fig. 8 - Scrub Head Lift Group . . . . .	2-16	Fig. 27 - Battery Group . . . . .	2-54
Fig. 9 - Scrub Head Kit, Model 700D, 700 mm (28 in) (S/N 10000000- 10570246) . . . . .	2-18	Fig. 27 - Battery Group . . . . .	2-55
Fig. 10 - Scrub Head Kit, Model 700D, 700 mm (28 in) (S/N 10570247- ) . . . . .	2-20	Fig. 28 - Steering Control Group . . . . .	2-56
Fig. 11 - Scrub Head Kit, Model 800D, 800 mm (32 in) (S/N 10000000- 10570246) . . . . .	2-22	Fig. 29 - Operator Console Group . . . . .	2-58
Fig. 12 - Scrub Head Kit, Model 800D, 800 mm (32 in) (S/N 10570247- ) . . . . .	2-24	Fig. 30 - Electrical Panel Group . . . . .	2-60
Fig. 13 - Scrub Head Kit, Model 900D, 900 mm (36 in) (S/N 10000000- 10547659) . . . . .	2-26	Fig. 31 - Squeegee Lift Group . . . . .	2-62
Fig. 14 - Scrub Head Kit, Model 900D, 900 mm (36 in) (S/N 10547660- ) . . . . .	2-28	Fig. 32 - Squeegee Auto Lift Group . . . . .	2-64
Fig. 15 - Scrub Head Kit, Model 800D Heavy Duty, 800 mm (32 in) (S/N 10000000- 10547657) . . . . .	2-30	Fig. 33 - Squeegee Linkage Group . . . . .	2-66
Fig. 16 - Scrub Head Kit, Model 800D Heavy Duty, 800 mm (32 in) (S/N 10547658- ) . . . . .	2-32	Fig. 34 - Squeegee Tight- Aisle Group, 550 mm (22 in) . . . . .	2-68
Fig. 17 - Scrub Head Drive Group, Model 700C, 700 mm (28 in) . . . . .	2-34	Fig. 35 - Squeegee Group, Model 700, 700 mm (28 in) . . . . .	2-70
Fig. 18 - Scrub Head Frame Group, Model 700C, 700 mm (28 in) . . . . .	2-36	Fig. 36 - Squeegee Group, Model 800, 800 mm (32 in) . . . . .	2-72
Fig. 19 - Scrub Head Drive Group, Model 800C, 800 mm (32 in) . . . . .	2-38	Fig. 37 - Squeegee Group, Model 900, 900 mm (36 in) . . . . .	2-74
		Fig. 38 - Electrical Schematic, Standard & Fast Model (S/N 10000000- 10741220) . . . . .	2-76
		Fig. 39 - Electrical Schematic, ec- H2O Model (S/N 10581870- 10741220) . . . . .	2-78
		Fig. 40 - Electrical Schematic, Standard, Fast, & ec- H2O Models (S/N 10741221- ) . . . . .	2-80
		Fig. 41 - Electrical Wire Harness Group . . . . .	2-82
		Fig. 42 - Label Group . . . . .	2-86

**Fig. 1 - Brushes, Replacement, Cylindrical**

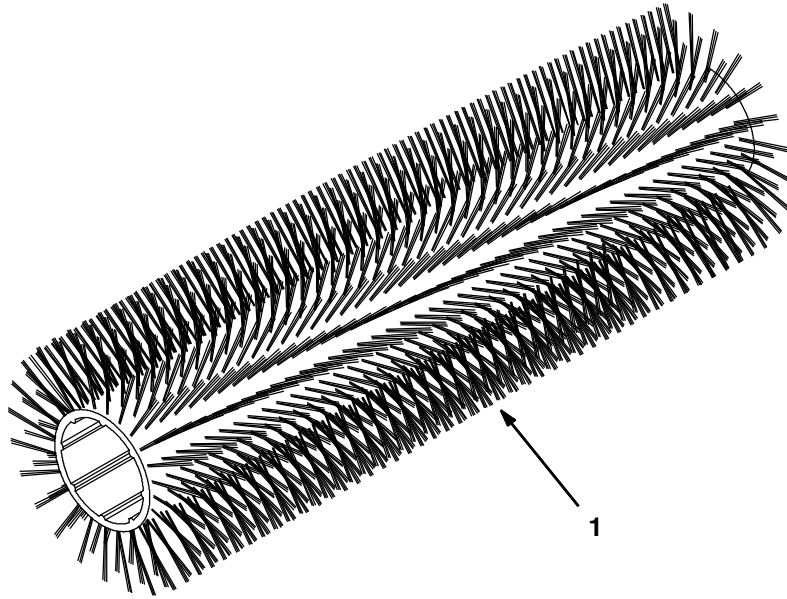
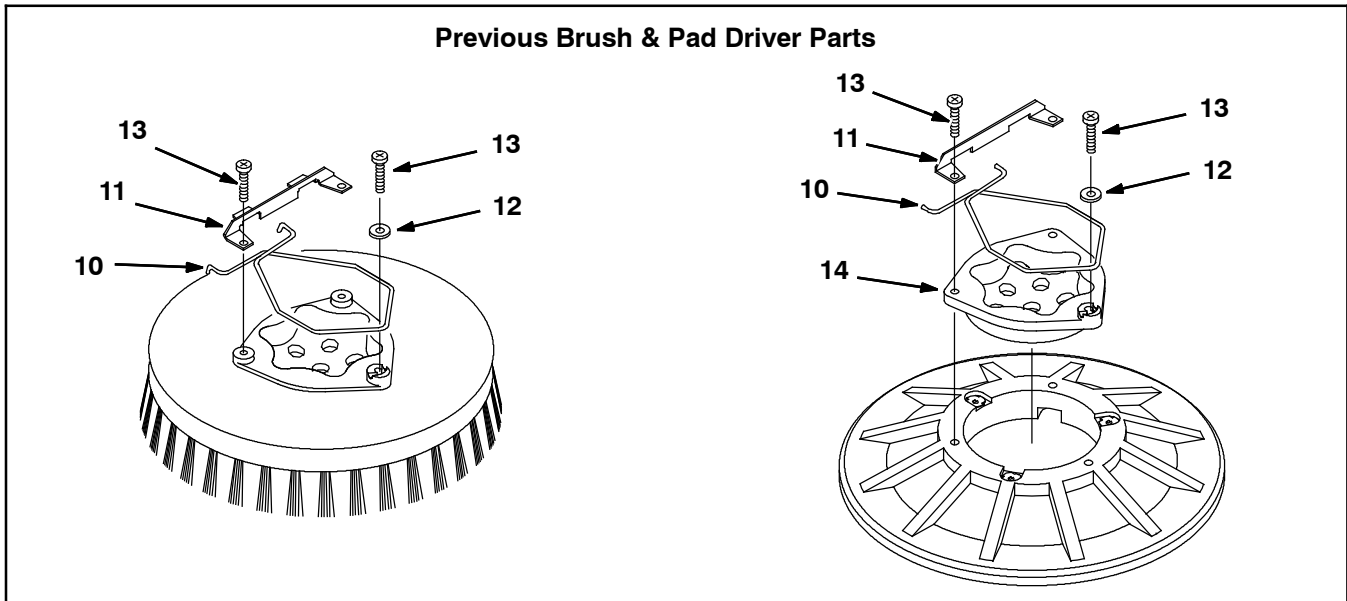
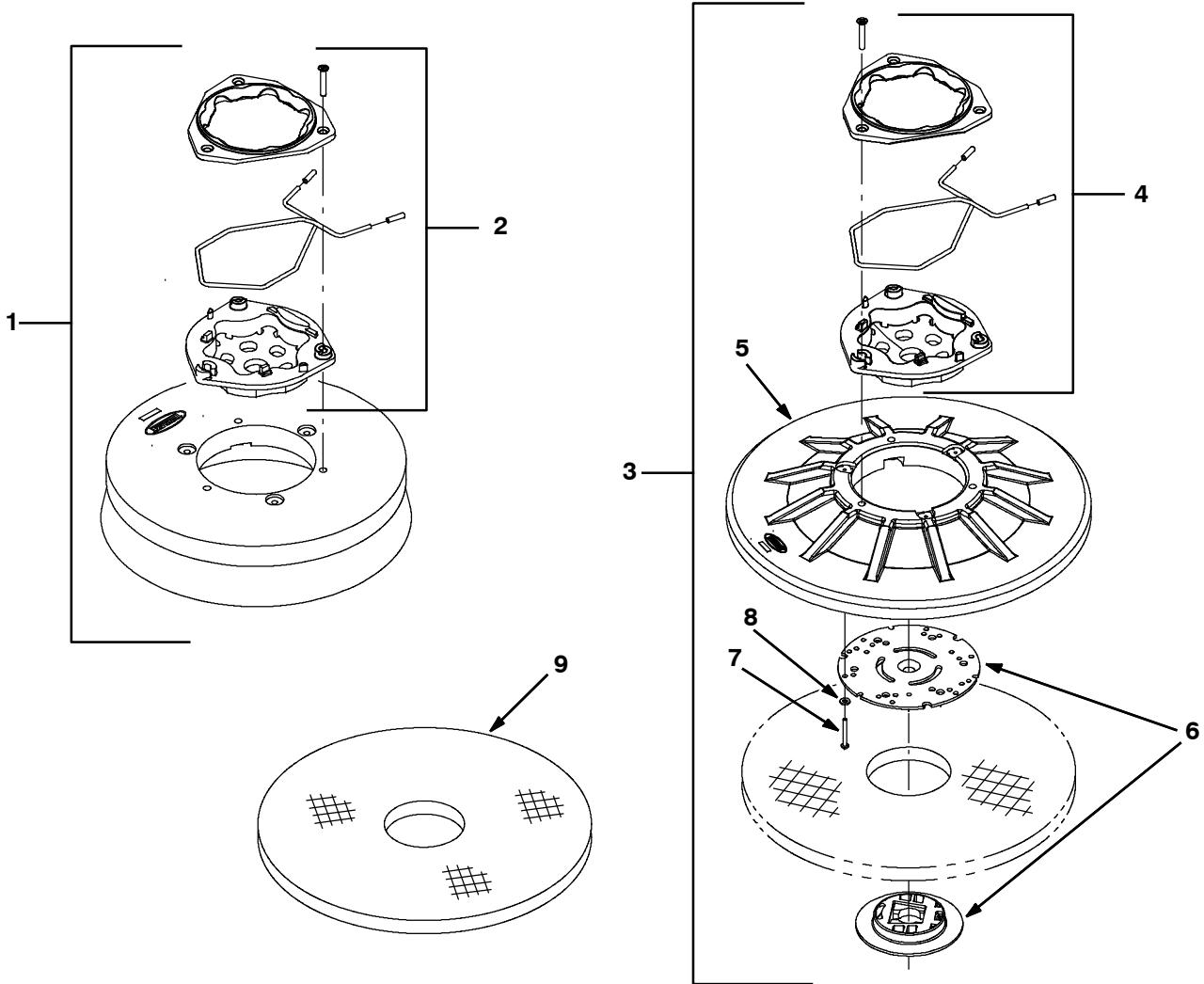


Fig. 1 - Brushes, Replacement, Cylindrical

Ref.	Part No.	Serial Number	Description	Qty.
1	222304	(10000000-	) Brush, Scb, 28l, 18sr, Pyp, Spl	2
1	374041	(10000000-	) Brush, Scb, 28l, 18sr, Hd Pyp, Spl	2
1	222305	(10000000-	) Brush, Scb, 28l, 18sr, Nyl, Spl	2
1	222306	(10000000-	) Brush, Scb, 28l, 18sr, Abr, Spl	2
1	222307	(10000000-	) Brush, Scb, 32l, 18sr, Pyp, Spl [Grout]	2
1	374042	(10000000-	) Brush, Scb, 32l, 18sr, Hd Pyp, Spl	2
1	222308	(10000000-	) Brush, Scb, 32l, 18sr, Nyl, Spl	2
1	222309	(10000000-	) Brush, Scb, 32l, 18sr, Abr, Spl	2
1	222310	(10000000-	) Brush, Scb, 36l, 18sr, Pyp, Spl	2
1	374043	(10000000-	) Brush, Scb, 36l, 18sr, Hd Pyp, Spl	2
1	222311	(10000000-	) Brush, Scb, 36l, 18sr, Nyl, Spl	2
1	222312	(10000000-	) Brush, Scb, 36l, 18sr, Abr, Spl	2

**Fig. 2 - Brushes And Pad Drivers, Replacement, Model 700, 700 mm (28 in)**





**Fig. 2 - Brushes And Pad Drivers, Replacement, Model 700, 700 mm (28 in)**

	<b>Ref.</b>	<b>Part No.</b>	<b>Serial Number</b>	<b>Description</b>	<b>Qty.</b>
▽	1	1220238	(10000000-	) Brush Assy, Disk, Scb, 14.0d, Nyl	2
▲	2	9014662	(10000000-	) Brush Kit, Hub Assy, Drive, Ci [Hdpe In]	1
▽	1	1220237	(10000000-	) Brush Assy, Disk, Scb, 14.0d, Pyp	2
▲	2	9014662	(10000000-	) Brush Kit, Hub Assy, Drive, Ci [Hdpe In]	1
▽	1	1220239	(10000000-	) Brush Assy, Disk, Scb, 14.0d, Sab	2
▲	2	9014662	(10000000-	) Brush Kit, Hub Assy, Drive, Ci [Hdpe In]	1
▽	3	1220198	(10000000-	) Driver Assy, Pad, 14.0d	2
▲	4	9014662	(10000000-	) Brush Kit, Hub Assy, Drive, Ci [Hdpe In]	1
▲	5	397974	(10000000-	) Disk, Driver, Pad, W/ Face, 14.0d	1
▲	6	370095	(10000000-	) Device, Centering, Clip On, TI [Gf Pp]	1
▲	7	09198	(10000000-	) Screw, Pan, Phl, M4 X 0.70 X 35, Ss	3
▲	8	41579	(10000000-	) Washer, Flat, 08, Ss	3
	9	222324	(10000000-	) Pad, Polish, 14.0d, White [1pick=1pad]	2
	9	222325	(10000000-	) Pad, Buff, 14.0d, Red	2
	9	222326	(10000000-	) Pad, Scb, 14.0d, Blu [1pick=1pad]	2
	9	222327	(10000000-	) Pad, Stripping, 14.0d, Brown[1pick=1pad]	2
	9	370091	(10000000-	) Pad, Stripping, 14.0d, Blk [Hi Prod]	2
	9	1051026	(10000000-	) Pad, Surf Prep, 14.0d [Mar, 1pick=1pad]	2

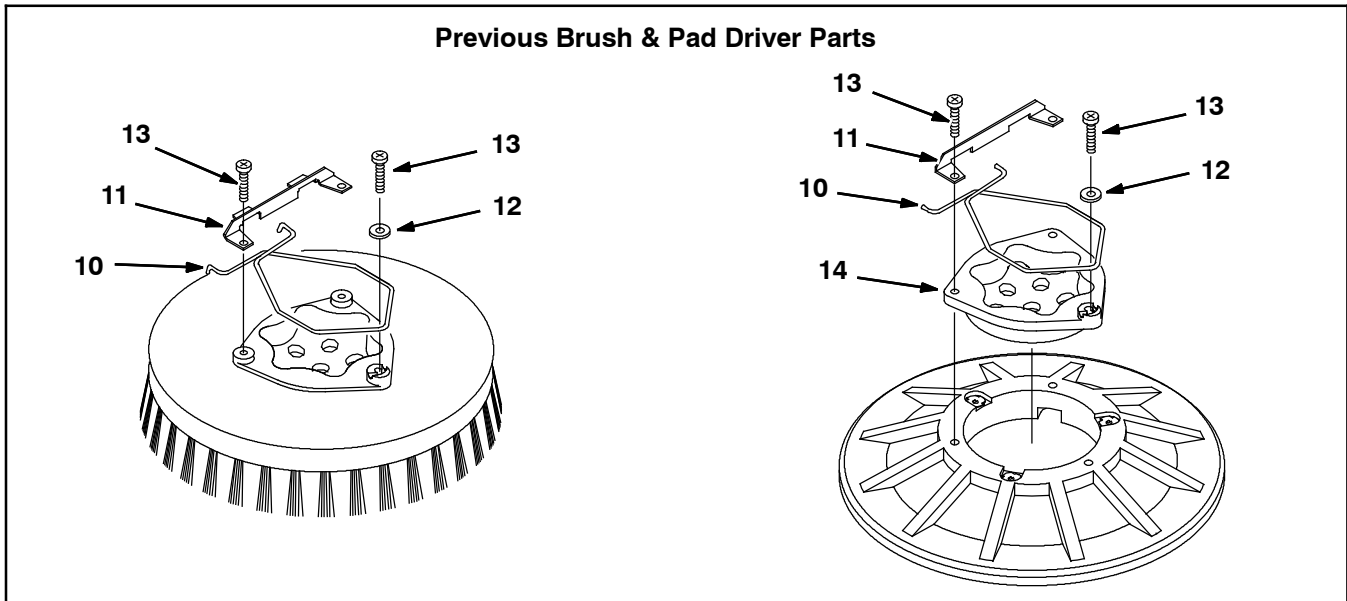
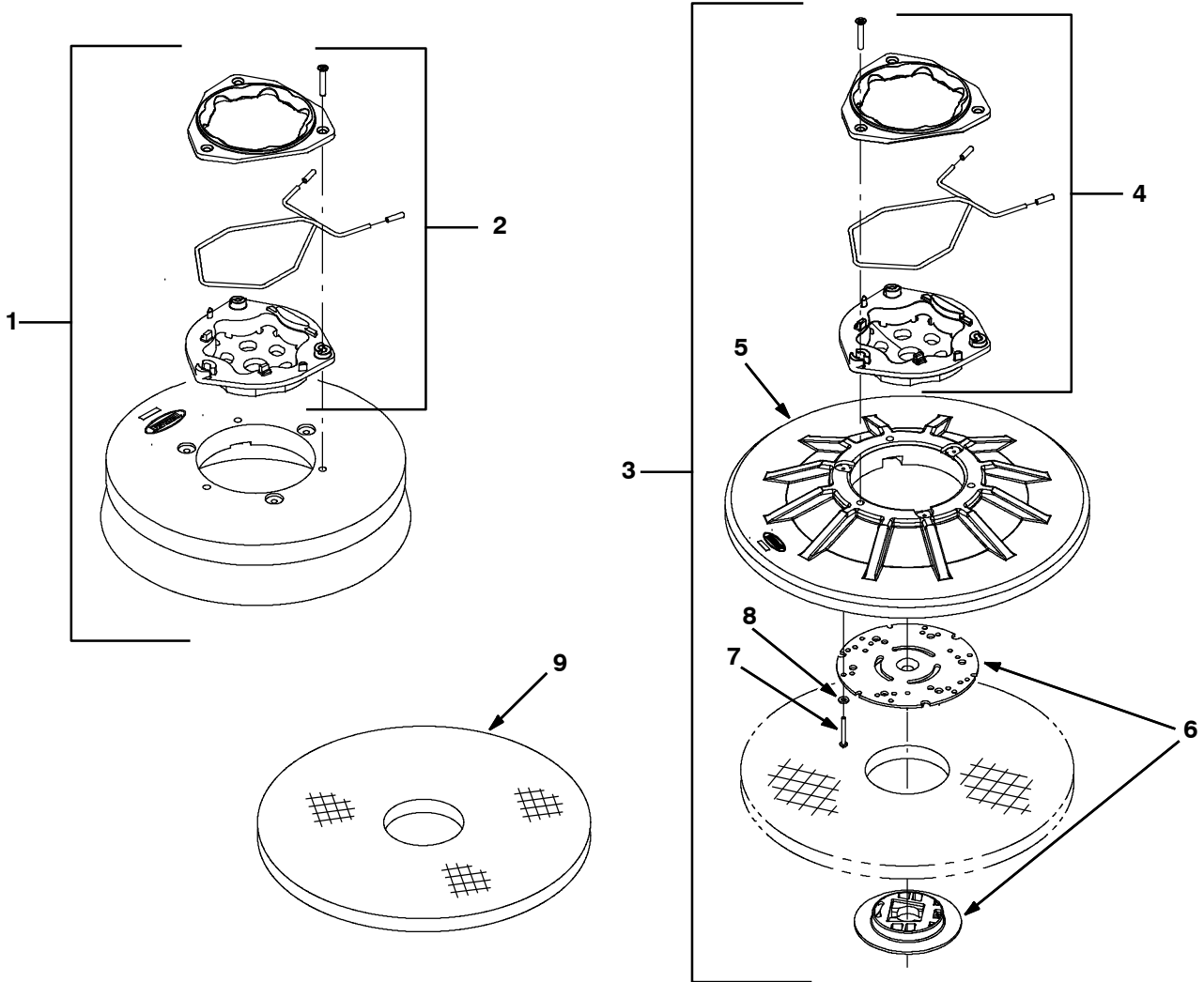
**Previous Brush And Pad Driver Parts**

	10	14838	(10000000-	) Spring, Brush Retaining	1
	11	24299	(10000000-	) Bracket, Spring Retainer	1
	12	01684	(10000000-	) Washer, Flat, 0.25 Ss	1
	13	32746	(10000000-	) Screw, Pan, M6 X 1.0 X 35, Ss	3
	14	15539	(10000000-	) Adaptor, Brush	1
		222321	(10000000-	) Brush- Disk Scr 14 D Assy- Nylon (Replaced By 1220238)	2
		222320	(10000000-	) Brush- Disk Scr 14 D Assy- Poly (Replaced By 1220237)	2
		222322	(10000000-	) Brush- Disk Scr 14 D- Assy- Ab (Replaced By 1220239)	2
		397914	(10000000-	) Driver Assy, Pad, 14d (Replaced By 1220198)	2

▽ - Identifies an assembly

▲ - Identifies parts included in assembly

**Fig. 3 - Brushes And Pad Drivers, Replacement, Model 800, 800 mm (32 in)**



**Fig. 3 - Brushes And Pad Drivers, Replacement, Model 800, 800 mm (32 in)**

	<b>Ref.</b>	<b>Part No.</b>	<b>Serial Number</b>	<b>Description</b>	<b>Qty.</b>
▽	1	1220235	(10000000-	) Brush Assy, Disk, Scb, 16.0d, Nyl	2
▲	2	9014662	(10000000-	) Brush Kit, Hub Assy, Drive, Ci [Hdpe In]	1
▽	1	1220241	(10000000-	) Brush Assy, Disk, Scb, 16.0d, Pyp	2
▲	2	9014662	(10000000-	) Brush Kit, Hub Assy, Drive, Ci [Hdpe In]	1
▽	1	1221543	(10000000-	) Brush Assy, Disk, Scb, 16.0d, Sab	2
▲	2	9014662	(10000000-	) Brush Kit, Hub Assy, Drive, Ci [Hdpe In]	1
▽	3	1220199	(10000000-	) Driver Assy, Pad, 16.0d	2
▲	4	9014662	(10000000-	) Brush Kit, Hub Assy, Drive, Ci [Hdpe In]	1
▲	5	397976	(10000000-	) Disk, Driver, Pad, W/ Face, 16.0d	1
▲	6	370095	(10000000-	) Device, Centering, Clip On, TI [Gf Pp]	1
▲	7	09198	(10000000-	) Screw, Pan, Phl, M4 X 0.70 X 35, Ss	3
▲	8	41579	(10000000-	) Washer, Flat, 08, Ss	3
	9	63248- 1	(10000000-	) Pad, Strip 16D Brown	2
	9	63248- 2	(10000000-	) Pad, Scrub 16D Blue	2
	9	63248- 3	(10000000-	) Pad, Buff 16D Red	2
	9	63248- 4	(10000000-	) Pad, Polish 16D White	2
	9	370092	(10000000-	) Pad, Strip- Hd 16D Black	2
	9	1051027	(10000000-	) Pad, Surf Prep, 16.0d [Mar, 1pick=1pad]	2

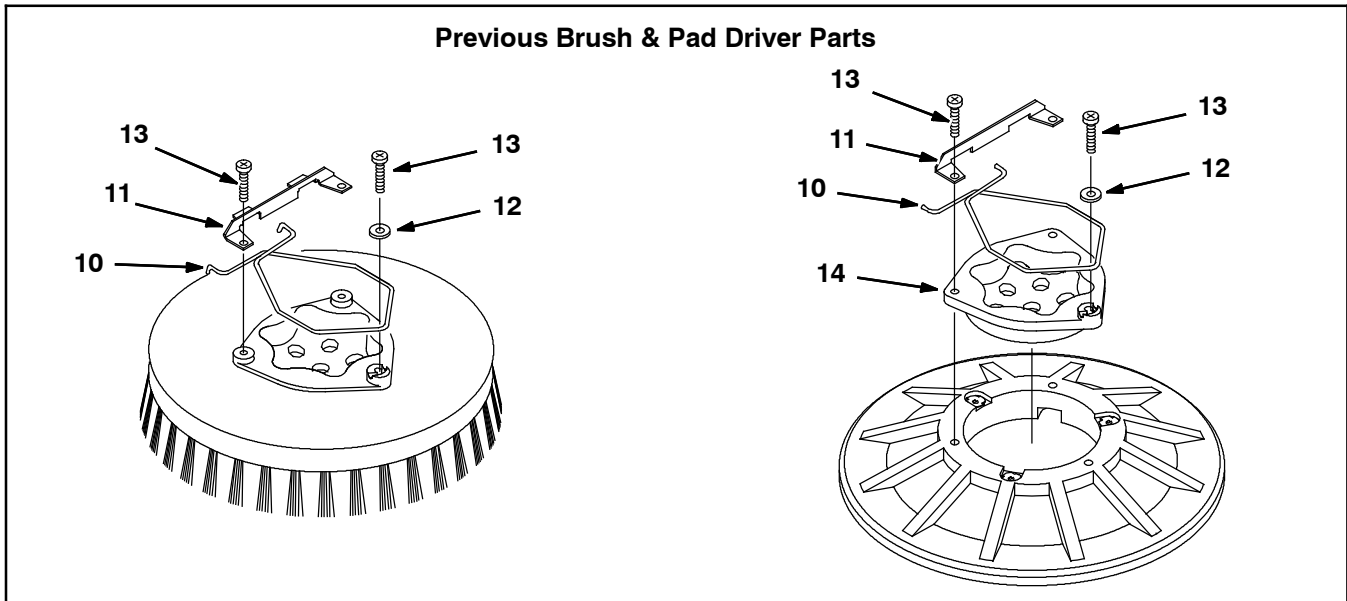
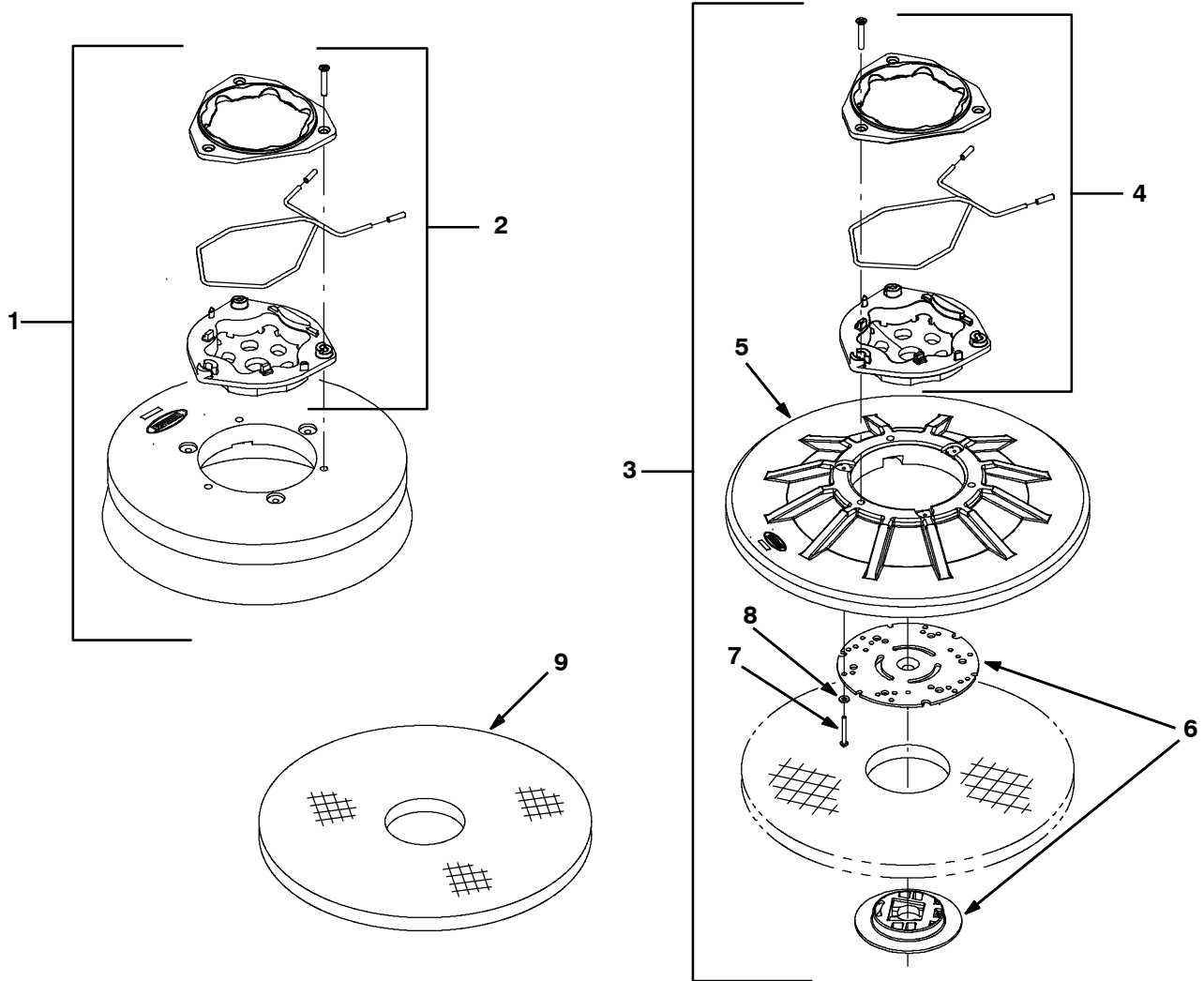
**Previous Brush And Pad Driver Parts**

	10	14838	(10000000-	) Spring, Brush Retaining	1
	11	24299	(10000000-	) Bracket, Spring Retainer	1
	12	01684	(10000000-	) Washer, Flat, 0.25 Ss	1
	13	32746	(10000000-	) Screw, Pan, M6 X 1.0 X 35, Ss	3
	14	15539	(10000000-	) Adaptor, Brush	1
		1042499	(10000000-	) Brush Assy, Disk, Scb, 16.0d, Nyl (Replaced By 1220235)	2
		30241	(10000000-	) Brush- Disk Scr 16 D Assy Poly (Replaced By 1220241)	2
		1042504	(10000000-	) Brush Assy, Disk, Scb, 16.0d, Sab (Replaced By 1221543)	2
		397916	(10000000-	) Driver Assy, Pad, 16d (Replaced By 1220199)	2

▽ - Identifies an assembly

▲ - Identifies parts included in assembly

**Fig. 4 - Brushes And Pad Drivers, Replacement, Model 900, 900 mm (36 in)**



**Fig. 4 - Brushes And Pad Drivers, Replacement, Model 900, 900 mm (36 in)**

	<b>Ref.</b>	<b>Part No.</b>	<b>Serial Number</b>	<b>Description</b>	<b>Qty.</b>
▽	1	1220191	(10000000-	) Brush Assy, Disk, Scb, 18.0d, Nyl	2
▲	2	9014666	(10000000-	) Brush Kit, Hub Assy, Drive, Ci [Uhmw]	1
▽	1	1220188	(10000000-	) Brush Assy, Disk, Scb, 18.0d, Pyp	2
▲	2	9014666	(10000000-	) Brush Kit, Hub Assy, Drive, Ci [Uhmw]	1
▽	1	1220190	(10000000-	) Brush Assy, Disk, Scb, 18.0d, Sab	2
▲	2	9014666	(10000000-	) Brush Kit, Hub Assy, Drive, Ci [Uhmw]	1
▽	3	1220200	(10000000-	) Driver Assy, Pad, 18.0d	2
▲	4	9014666	(10000000-	) Brush Kit, Hub Assy, Drive, Ci [Uhmw]	1
▲	5	397978	(10000000-	) Disk, Driver, Pad, W/ Face, 18.0d	1
▲	6	370095	(10000000-	) Device, Centering, Clip On, TI [Gf Pp]	1
▲	7	09198	(10000000-	) Screw, Pan, Phl, M4 X 0.70 X 35, Ss	3
▲	8	41579	(10000000-	) Washer, Flat, 08, Ss	3
	9	11777	(10000000-	) Pad, Stripping, 18.0d, Brown[1pick=1pad]	2
	9	370093	(10000000-	) Pad, Stripping, 18.0d, Blk [1pick=1pad]	2
	9	11778	(10000000-	) Pad, Scb, 18.0d, Blu [1pick=1pad]	2
	9	11780	(10000000-	) Pad, Buff, 18.0d, Red [1pick=1pad]	2
	9	11781	(10000000-	) Pad, Polish, 18.0d, White [1pick=1pad]	2
	9	1051029	(10000000-	) Pad, Surf Prep, 18.0d [Mar, 1pick=1pad]	2

**Previous Brush And Pad Driver Parts**

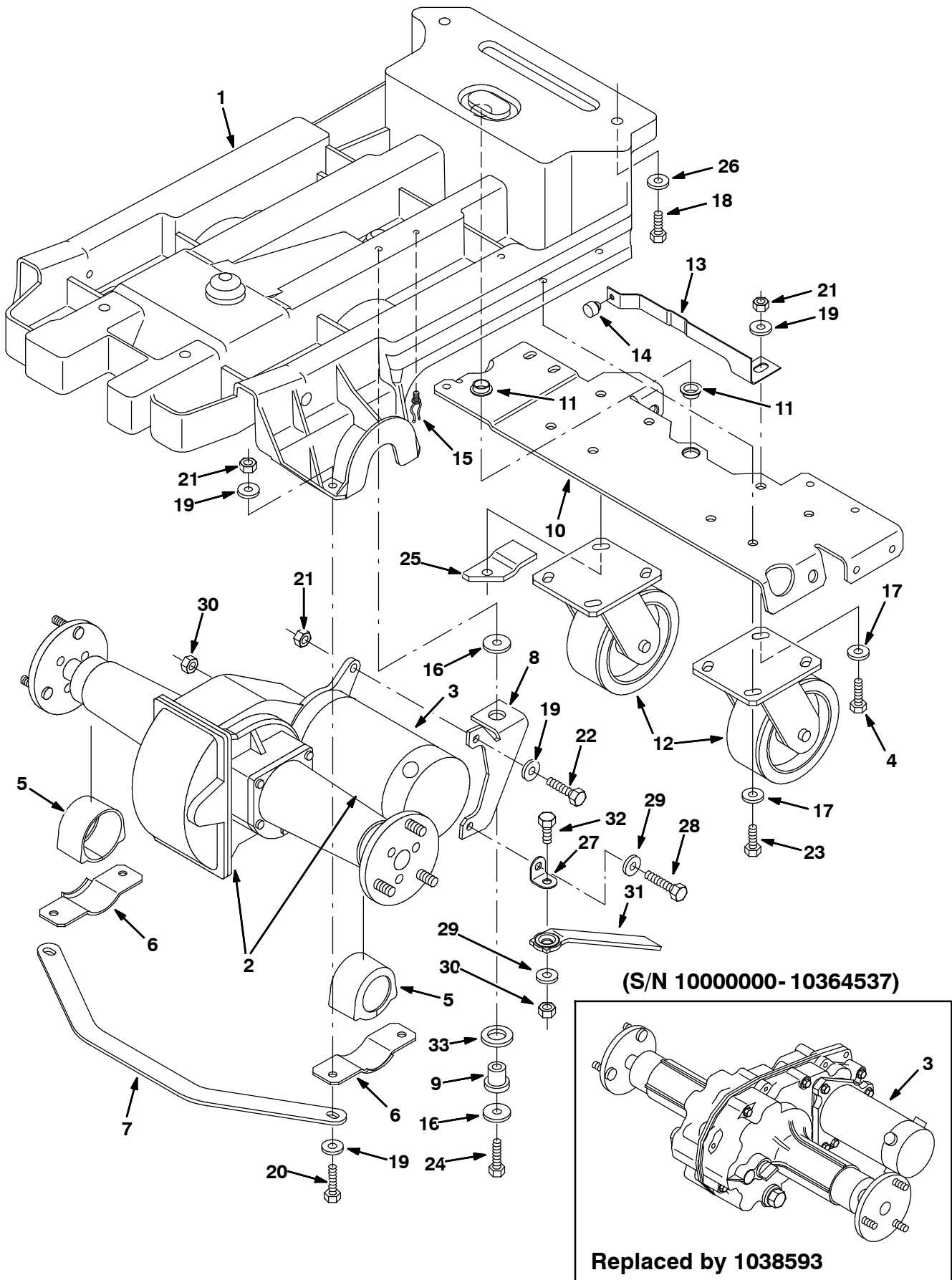
	10	14838	(10000000-	) Spring, Brush Retaining	1
	11	24299	(10000000-	) Bracket, Spring Retainer	1
	12	01684	(10000000-	) Washer, Flat, 0.25 Ss	1
	13	32746	(10000000-	) Screw, Pan, M6 X 1.0 X 35, Ss	3
	14	15539	(10000000-	) Adaptor, Brush	1
		11773	(10000000-	) Brush- Disk Scr 18 D Assy Nylon (Replaced By 1220191)	2
		11771	(10000000-	) Brush- Disk Scr- 18 D- Assy- Poly (Replaced By 1220188)	2
		11772	(10000000-	) Brush- Disk Scr- 18 D Assy Ab (Replaced By 1220190)	2
		397918	(10000000-	) Driver Assy, Pad, 18d (Replaced By 1220200)	2

▽ - Identifies an assembly

▲ - Identifies parts included in assembly

# STANDARD PARTS

Fig. 5 - Main Frame and Drive Group (S/N 1000000-10705714)



**Fig. 5 - Main Frame and Drive Group (S/N 10000000- 10705714)**

Ref.	Part No.	Serial Number	Description	Qty.
	1	398311	(10000000- ) Frame, Main	1
▽	2	1038593	(10000000- 10705714 ) Transaxle Assy, w/Motor [W/O Park Lock] (Replaced by 9011941 - Breakdown Parts Not Available)	1
▲▽	3	1040886	(10364538- 10705714 ) Motor, Ele, 36Vdc 2000Rpm 0.50Hp	1
▲▲		1040891	(10364538- 10705714 ) Brush, Motor, Transaxle [Pk of 4]	1
	3	1031761	(10000000- 10364537 ) Motor, Ele, 36Vdc 2000Rpm 0.50Hp (See Breakdown)	1
	4	09010	(10000000- ) Scr Hexssm 8X1.25 25	2
	5	222035	(10000000- ) Isolator, Transaxle	2
	6	222036	(10000000- ) Bracket, Mtg, Isolator	2
	7	222098	(10000000- ) Bracket, Support, Frame	1
	8	222039	(10000000- 10705714 ) Bracket, Mtg, Transaxle (Replaced by 1072660)	1
	9	54274	(10000000- ) Isolator- Vibration, 125Lb. Ratng	1
	10	222085	(10000000- ) Bracket, Caster Pad	1
	11	04843	(10000000- ) Bearing, Flange .625 Bore	2
	12	222467	(10000000- ) Caster, 5.0 Dia Wheel	2
	13	222469	(10000000- ) Spring, Centering	1
	14	51787	(10000000- ) Bumper, Rubber	1
	15	30406	(10000000- ) Clip, Keeper, St	1
	16	1014563	(10000000- ) Washer, Flat, 0.40b 1.12d .12, Ss	2
	17	41186	(10000000- ) Washer, Bellville .31 Pltd	8
	18	12273	(10000000- ) Scr- Hexssm 8X1.25 20 Nyloloc	4
	19	01685	(10000000- ) Washer, Flat, 0.38b 0.88d .08, Ss	8
	20	09011	(10000000- ) Screw, Hex, M8 X 1.25 X 30, Ss	4
	21	08713	(10000000- ) Nut- Hxlocnyln M 8X1.25 Reg Ss	8
	22	09011	(10000000- ) Screw, Hex, M8 X 1.25 X 30, Ss	2
	23	12333	(10000000- ) Scr- Hexssm 8X1.25 25 Nylonloc	6
	24	59658	(10000000- ) Scr Hexssm 8X1.25 35 Nylonloc	1
	25	222800	(10000000- ) Bracket, Support	1
	26	1017218	(10000000- ) Washer, Flat, 0.321b 1.00d .12, Ss	8
	27	1034142	(10000000- ) Bracket, Mtg, Strap [Static Ground]	1
	28	222505	(10000000- ) Screw, Hex, M8 X 1.25 X 45, Ss	1
	29	01685	(10000000- ) Washer, Flat, 0.38b 0.88d .08, Ss	3
	30	08713	(10000000- ) Nut, Hex, Lock, M8 X 1.25, NI, Ss	2
	31	1028852	(10000000- ) Strap, Static, 08.0l [Afmkt]	1
	32	09740	(10000000- ) Screw, Hex, M8 X 1.25 X 20, Ss	1
	33	39350	(10000000- ) Washer, Flat, 0.75, Sae	1

▽ - Identifies an assembly

▲ - Identifies parts included in assembly

Fig. 6 - Main Frame and Drive Group (S/N 10705715- )

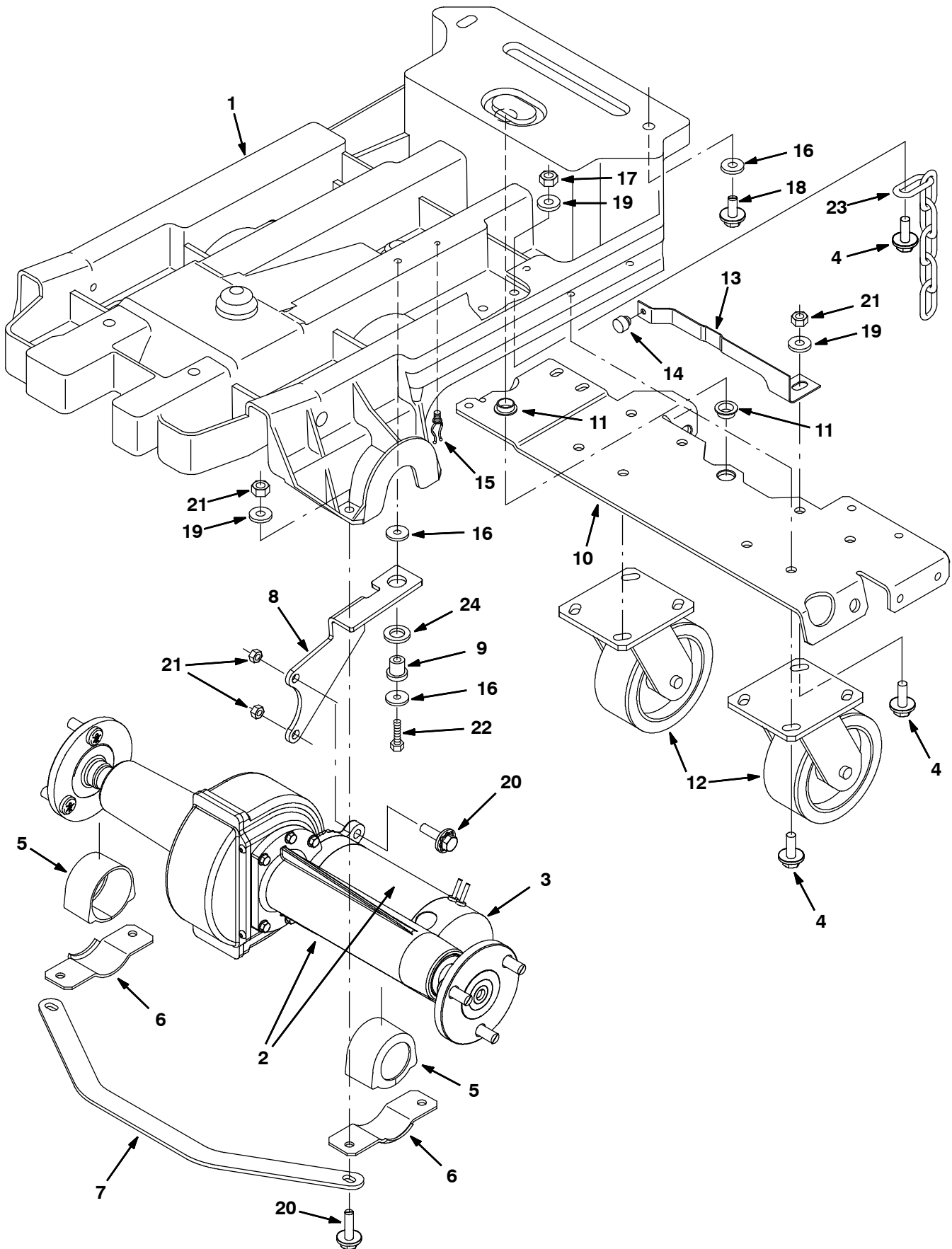




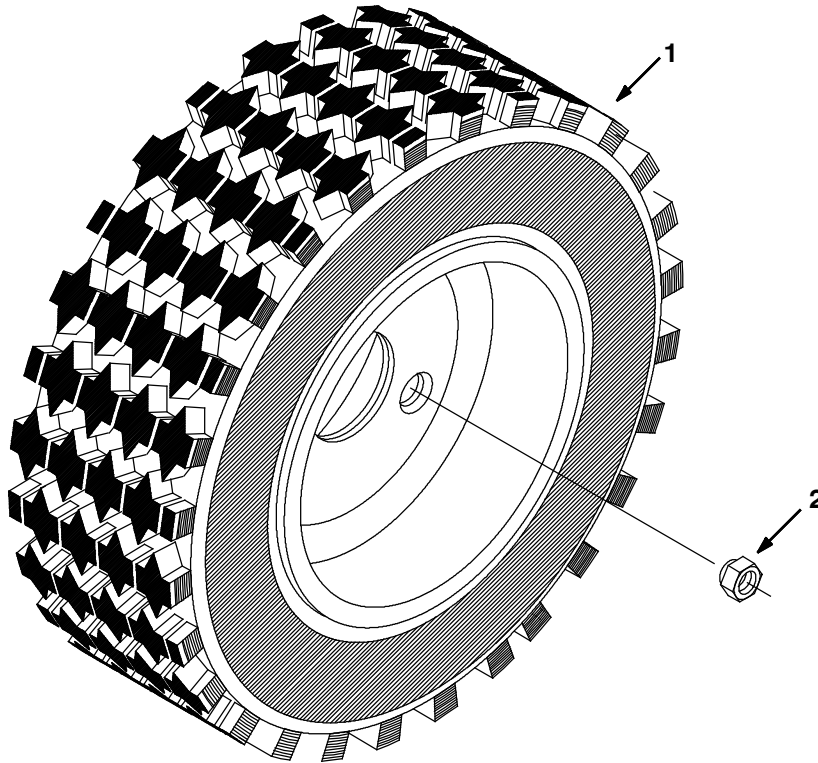
Fig. 6 - Main Frame and Drive Group (S/N 10705715- )

Ref.	Part No.	Serial Number	Description	Qty.
	1	398311	(10000000- ) Frame, Main	1
▽	2	1072422	(10705715- ) Transaxle Assy, W/ Motor [W/O Park Lock]	1
▲▽	3	1072554	(10705715- ) Vr, Motor Kit, Transaxle [5680/5700] (Breakdown Parts Not Available)	1
▲		1072555	(10705715- ) Vr, Brush Kit, Motor 1072554	1
	4	1072628	(10000000- ) Screw, Hex, M8 X 1.25 X 25, Ss, Sems	9
	5	222035	(10000000- ) Isolator, Transaxle	2
	6	222036	(10000000- ) Bracket, Mtg, Isolator	2
	7	222098	(10000000- ) Bracket, Support, Frame	1
	8	1072660	(10705715- ) Bracket, Mtg, Transaxle	1
	9	54274	(10000000- ) Isolator- Vibration, 125Lb. Ratng	1
	10	222085	(10000000- ) Bracket, Caster Pad	1
	11	04843	(10000000- ) Bearing, Flange .625 Bore	2
	12	222467	(10000000- ) Caster, 5.0 Dia Wheel	2
	13	222469	(10000000- ) Spring, Centering	1
	14	51787	(10000000- ) Bumper, Rubber	1
	15	30406	(10000000- ) Clip, Keeper, St	1
	16	1014563	(10000000- ) Washer, Flt, 0.40b 1.12d .12, Ss	4
	17	08713	(10000000- ) Nut- Hxlocnyln M 8X1.25 Reg Ss	1
	18	1020341	(10000000- ) Screw, Hex, M8 X 1.25 X 20, Ss, Sems	4
	19	01685	(10000000- ) Washer, Flat, 0.38b 0.88d .08, Ss	16
	20	1072816	(10000000- ) Screw, Hex, M8 X 1.25 X 30, Ss, Sems	6
	21	08713	(10000000- ) Nut- Hxlocnyln M 8X1.25 Reg Ss	8
	22	59658	(10000000- ) Scr Hexssm 8X1.25 35 Nylonloc	1
	23	43500	(10000000- ) Chain, Coil, Str, #210, 09.0L 07 Link	1
	24	39350	(10000000- ) Washer, Flat, 0.75, Sae	1

▽ - Identifies an assembly

▲ - Identifies parts included in assembly

**Fig. 7 - Tire Assembly, Air Filled, Black**



Ref.	Part No.	Serial Number	Description	Qty.
▽	1	1059450	(10000000- ) Tire Assy, Pneu, Blk, 4.10/3.5- 06 3.5bc	2
▲▽	374049	(10000000- )	Tire, Blk, 4.10/3.50- 6 [With Tube]	1
▲▲	04658	(10000000- )	Innertube, 4.10 X 350	1
	2	11109	(10000000- ) Nut, Wheel	6

▽ - Identifies an assembly

▲ - Identifies parts included in assembly



Fig. 8 - Scrub Head Lift Group

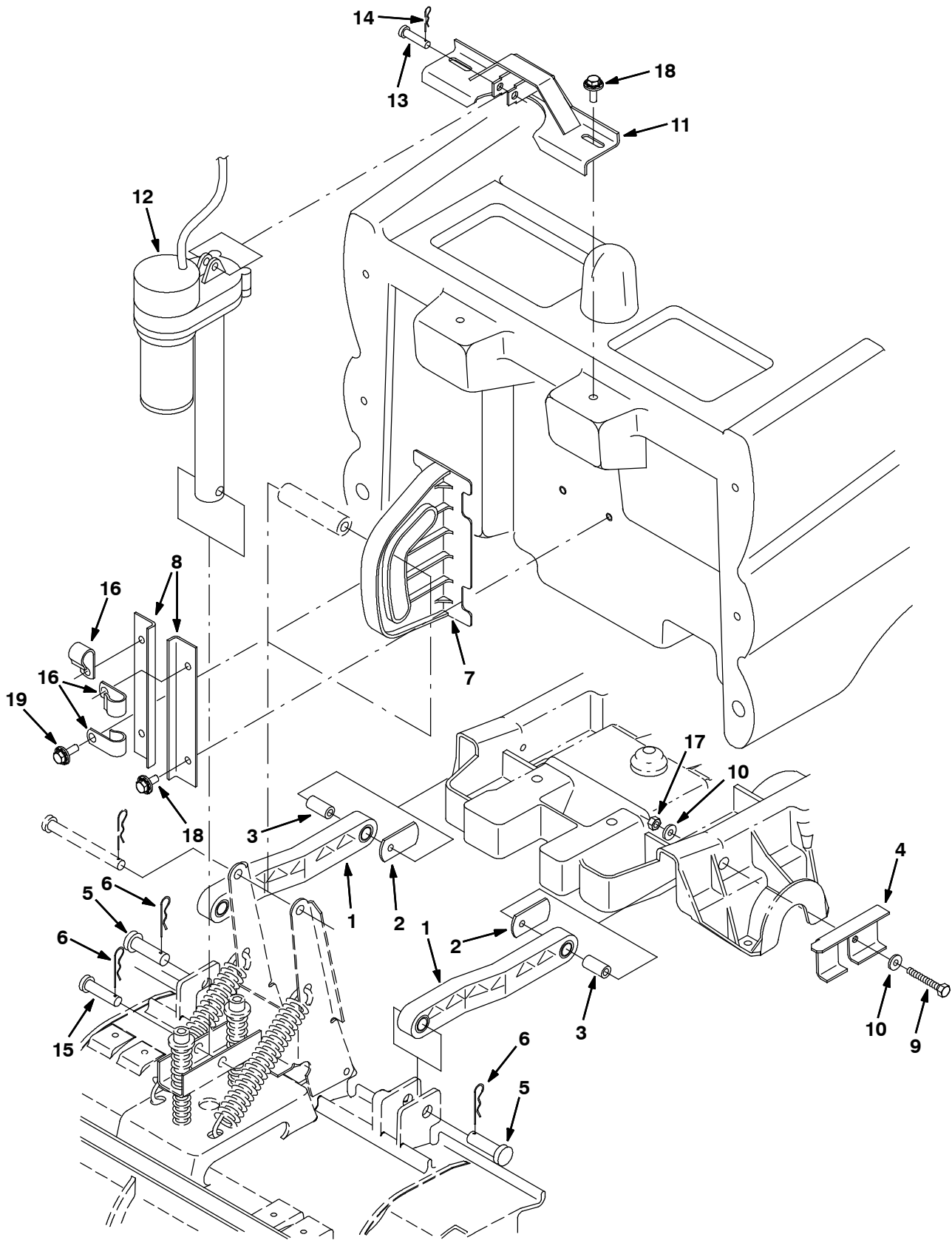
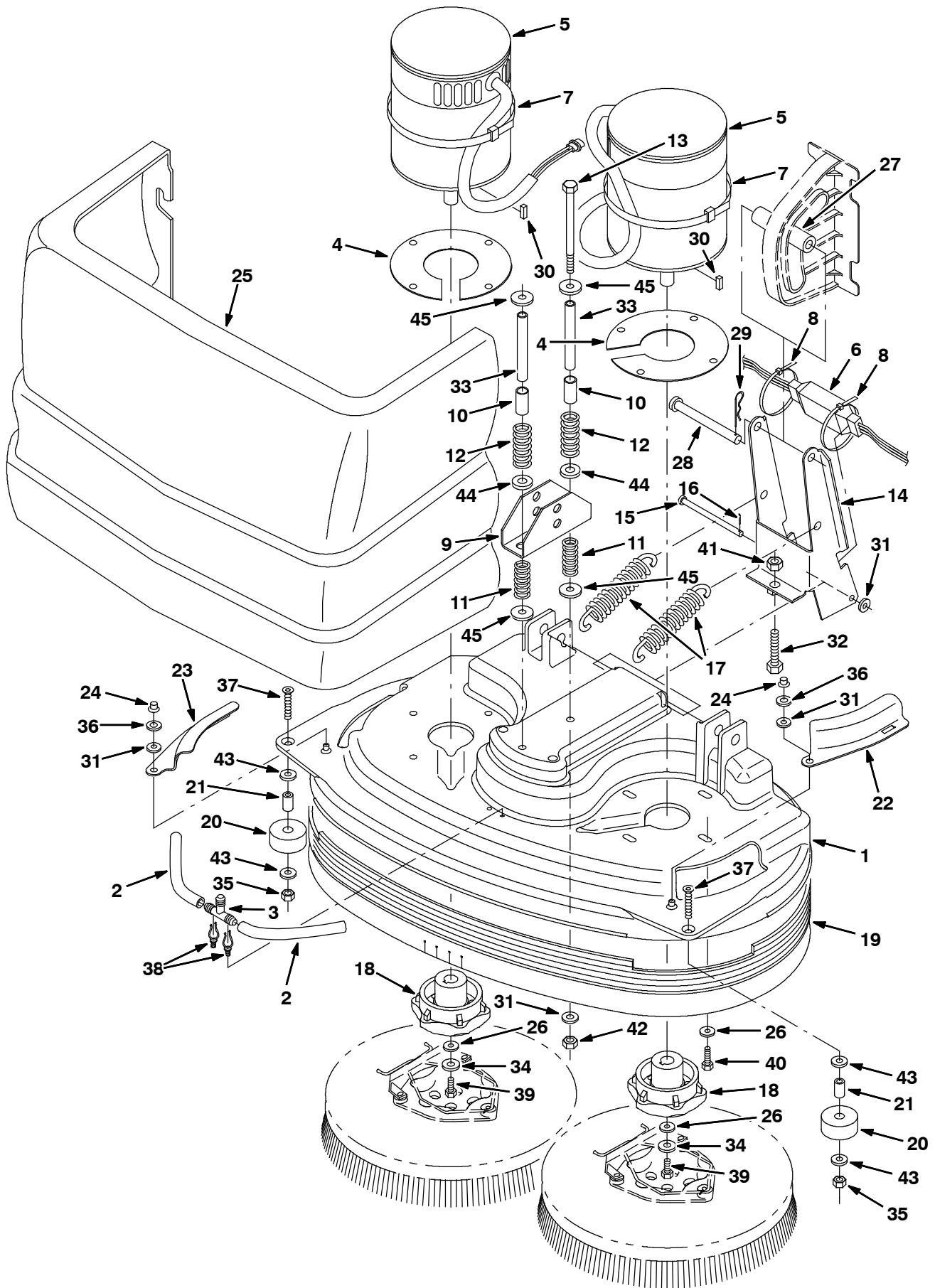


Fig. 8 - Scrub Head Lift Group

Ref.	Part No.	Serial Number	Description	Qty.
1	222027	(10000000-	) Arm, Lift, Head	2
2	222099	(10000000-	) Spacer, Lift Arm	2
3	222028	(10000000-	) Sleeve, .344B .62D1.3 Bronze	2
4	222488	(10000000-	) Bracket, Tank Support	1
5	222210	(10000000-	) Pin, Clevis, 0.62 Dia X 2.00Lg	2
6	02942	(10000000-	) Pin,Hair Cotter .12Wire 2.37SI	3
7	222034	(10000000-	) Bracket, Guide, Roller	1
8	222054	(10000000-	) Bracket, Roller Guide	2
9	222504	(10000000-	) Scr Hexssm 8X1.25 55	2
10	01685	(10000000-	) Washer, Flat, 0.38b 0.88d .08, Ss	4
11	222051	(10000000-	) Bracket, Mounting, Actuator	1
12	1054288	(10000000-	) Actuator, 36vdc, 06.0strk, 0600lb	1
13	29558	(10000000-	) Pin,Clevis,0.37 Dia.X 1.50 Lg	1
14	86866	(10000000-	) Pin, Hair Cotter .375D .072Wir	1
15	51534	(10000000-	) Pin,Clevis,0.50 Dia.X 2.00 Lg	1
16	30407	(10000000-	) Clip, Keeper, Open	3
17	08713	(10000000-	) Nut- Hxlocnyln M 8X1.25 Reg Ss	2
18	1072628	(10000000-	) Screw, Hex, M8 X 1.25 X 25, Ss, Sems	2
19	1020341	(10000000-	) Screw, Hex, M8 X 1.25 X 20, Ss, Sems	5

# STANDARD PARTS

Fig. 9 - Scrub Head Kit, Model 700D, 700 mm (28 in) (S/N 10000000-10570246)



**Fig. 9 - Scrub Head Kit, Model 700D, 700 mm (28 in) (S/N 10000000- 10570246)**

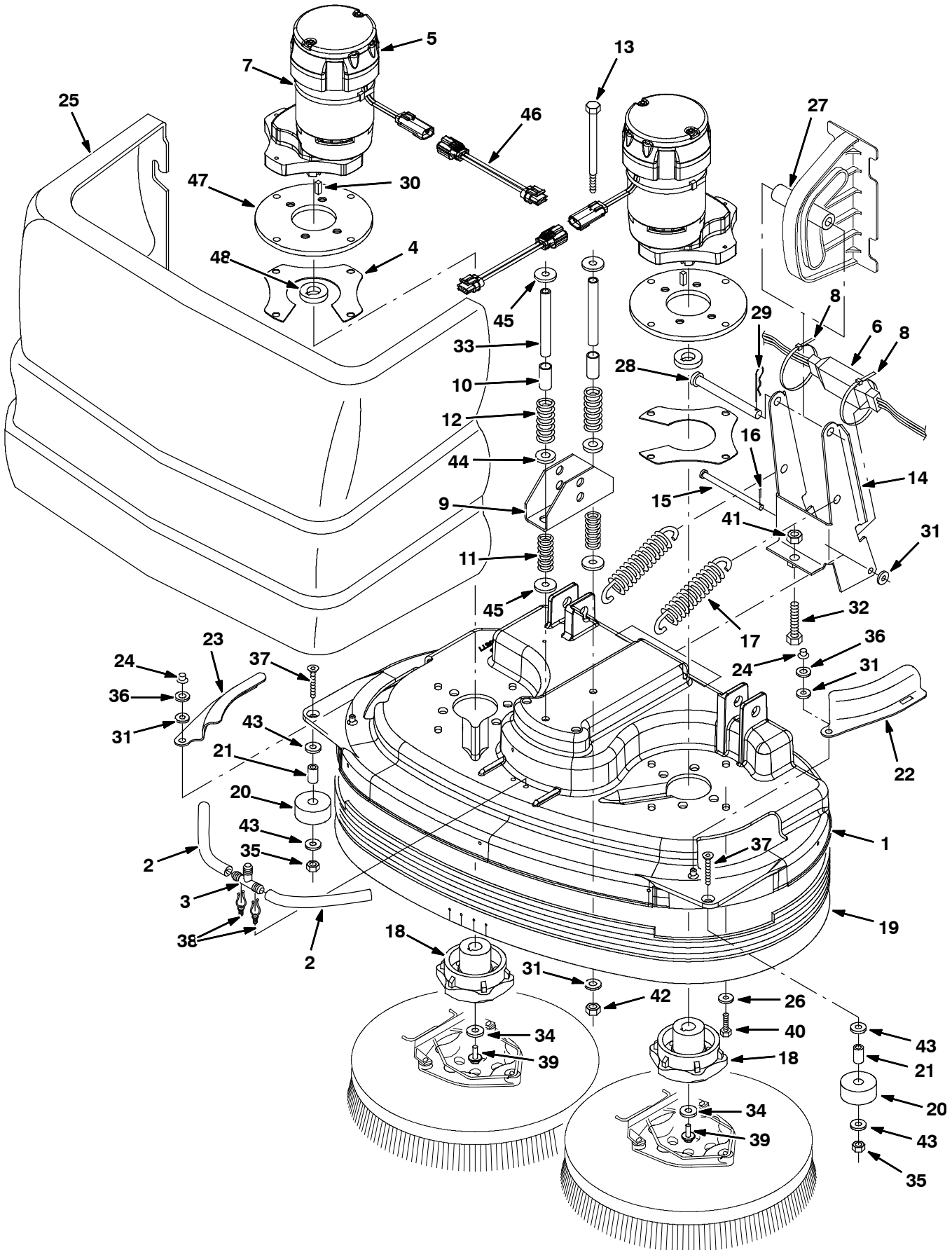
Ref.	Part No.	Serial Number	Description	Qty.
▽	222012	(10000000-	) Scrub Head Kit 700D 5700	1
▲	1 1030877	(10000000-	) Cover, Scrub Hd, 28" Disc, Machined	1
▲	2 222535	(10000000-	) Hose, Vinyl .38Id .56Od 8.0L	2
▲	3 222536	(10000000-	) Fitting- Plastic Tee 06Bm/06Bm/	1
▲	4 222440	(10000000- 10570246 )	Gasket, End Bell (Replaced By 1069606)	2
▲	5 377440	(10000000- 10570246 )	Motor, Ele, 36vdc 0.50hp 0320rpm 15.0a (See Breakdowns) (Replaced By 1068360)	2
▲	6 222836	(10000000-	) Harness, Wire, Disk Head, Elec	1
▲	7 44961	(10000000-	) Tie, Cable 4.00 Max 14.50Lg	4
▲	8 49263	(10000000-	) Tie Cable 3.00D Max 11.41Lg	2
▲	9 1012088	(10000000-	) Bracket, Mtg, Spring	1
▲	10 140148	(10000000-	) Sleeve, P/M, 0.50b 0.63d 1.4l, Stl Pl	2
▲	11 63185	(10000000-	) Spring,Comp,.84Odx.10Wire 2.0L	2
▲	12 45261	(10000000-	) Sprng,Comp,0.74Idx.11Wire 2.5L	2
▲	13 20178	(10000000-	) Screw, Hex, .38- 16 X 5.50, G5	2
▲	14 222838	(10000000-	) Bracket, Pivot	1
▲	15 222207	(10000000-	) Pin, Clevis, 0.31Dia X4.5Lg	1
▲	16 08346	(10000000-	) Pin, Cotter .125X0.75	1
▲	17 222363	(10000000-	) Spring, Tension	2
▲	18 377364	(10000000-	) Hub, Drive, Brush, Disk, 0.75b 6t	2
▲	19 222430	(10000000-	) Skirt Assy, Disk Head, 28"	1
▲	20 222403	(10000000-	) Wheel, 2.0 Dia	2
▲	21 222496	(10000000-	) Sleeve	2
▲	22 222404	(10000000-	) Door, Scrub Head, Lh	1
▲	23 222405	(10000000-	) Door, Scrub Head, Rh	1
▲	24 59849	(10000000-	) Nut, Retainer R/.312 Dia	2
▲	25 9005800	(10000000-	) Cover, Front, Teal, Afmkt, [5700 Disk]	1
▲	26 41186	(10000000-	) Washer- Belleville .31 Pltd	10
▲	27 222055	(10000000-	) Roller, Linkage, Head	1
▲	28 222197	(10000000-	) Pin, Clevis 0.50 Dia X 4.75Lg	1
▲	29 02942	(10000000-	) Pin,Hair Cotter .12Wire 2.37Sl	1
▲	30 00926	(10000000-	) Key, Square 0.25 0.25 0.75Lg	2
▲	31 01685	(10000000-	) Washer, Flat, 0.38b 0.88d .08, Ss	5
▲	32 05720	(10000000-	) Scr- Hexssm10X1.5 40 Full Thd	1
▲	33 1029426	(10000000-	) Tube, Rnd, 0.40id 0.50od 04.3l, Ss	2
▲	34 1017218	(10000000-	) Washer, Flat, 0.32b 1.00d .12, Ss	2
▲	35 08713	(10000000-	) Nut- Hxlocnyln M 8X1.25 Reg Ss	2
▲	36 32713	(10000000-	) Washer, .406B .81D .09Ureth	2
▲	37 33943	(10000000-	) Scr- Flt M8 X 1.25 40	2
▲	38 30406	(10000000-	) Clip, Keeper, St	2
▲	39 09010	(10000000-	) Screw, Hex, M8 X 1.25 X 25, Ss	2
▲	40 09007	(10000000-	) Scr Hexss M6 X 1.0 25	8
▲	41 39312	(10000000-	) Nut, Hex, Std, M10 X 1.5	1
▲	42 59156	(10000000-	) Nut, Hex, Lock, .38- 16, NI, Ss	2
▲	43 32490	(10000000-	) Washer, Flat, 0.25 Std	4
▲	44 32486	(10000000-	) Washer, Flt .50 SAE	2
▲	45 32662	(10000000-	) Washer, Flat, 0.38b 1.22d .06, Ss	4

▽ - Identifies an assembly

▲ - Identifies parts included in assembly

# STANDARD PARTS

Fig. 10 - Scrub Head Kit, Model 700D, 700 mm (28 in) (S/N 10570247- )





**Fig. 10 - Scrub Head Kit, Model 700D, 700 mm (28 in) (S/N 10570247- )**

Ref.	Part No.	Serial Number	Description	Qty.
▽	222012	(10000000-	) Scrub Head Kit 700D 5700	1
▲	1 1030877	(10000000-	) Cover, Scrub Hd, 28" Disc, Machined	1
▲	2 222535	(10000000-	) Hose, Vinyl .38Id .56Od 8.0L	2
▲	3 222536	(10000000-	) Fitting- Plastic Tee 06Bm/06Bm/	1
▲	4 1069606	(10570247-	) Gasket, End Bell	2
▲▽	5 1063226	(10570247-	) Motor, Ele, 36vdc 0320rpm 0.50hp 15.0a	2
▲▲	1066573	(10570247-	) Vr, Brush Kit, Motor	2
▲	6 222836	(10000000-	) Harness, Wire, Disk Head, Elec	1
▲	7 44961	(10000000-	) Tie, Cable 4.00 Max 14.50Lg	8
▲	8 49263	(10000000-	) Tie Cable 3.00D Max 11.41Lg	4
▲	9 1012088	(10000000-	) Bracket, Mtg, Spring	1
▲	10 140148	(10000000-	) Sleeve, P/M, 0.50b 0.63d 1.4l, Stl Pl	2
▲	11 63185	(10000000-	) Spring,Comp,.84Odx.10Wire 2.0L	2
▲	12 45261	(10000000-	) Sprng,Comp,0.74Idx.11Wire 2.5L	2
▲	13 20178	(10000000-	) Screw, Hex, .38- 16 X 5.50, G5	2
▲	14 222838	(10000000-	) Bracket, Pivot	1
▲	15 222207	(10000000-	) Pin, Clevis, 0.31Dia X4.5Lg	1
▲	16 08346	(10000000-	) Pin, Cotter .125X0.75	1
▲	17 222363	(10000000-	) Spring, Tension	2
▲	18 377364	(10000000-	) Hub, Drive, Brush, Disk, 0.75b 6t	2
▲	19 222430	(10000000-	) Skirt Assy, Disk Head, 28"	1
▲	20 222403	(10000000-	) Wheel, 2.0 Dia	2
▲	21 222496	(10000000-	) Sleeve	2
▲	22 222404	(10000000-	) Door, Scrub Head, Lh	1
▲	23 222405	(10000000-	) Door, Scrub Head, Rh	1
▲	24 59849	(10000000-	) Nut, Retainer R/.312 Dia	2
▲	25 9005800	(10000000-	) Cover, Front, Teal, Afmkt, [5700 Disk]	1
▲	26 41186	(10000000-	) Washer- Belleville .31 Pltd	8
▲	27 222055	(10000000-	) Roller, Linkage, Head	1
▲	28 222197	(10000000-	) Pin, Clevis 0.50 Dia X 4.75Lg	1
▲	29 02942	(10000000-	) Pin,Hair Cotter .12Wire 2.37Sl	1
▲	30 00926	(10000000-	) Key, Square 0.25 0.25 0.75Lg	2
▲	31 01685	(10000000-	) Washer, Flat, 0.38b 0.88d .08, Ss	5
▲	32 05720	(10000000-	) Scr- Hexssm10X1.5 40 Full Thd	1
▲	33 1029426	(10000000-	) Tube, Rnd, 0.40id 0.50od 04.3l, Ss	2
▲	34 1017218	(10000000-	) Washer, Flat, 0.32b 1.00d .12, Ss	2
▲	35 08713	(10000000-	) Nut- Hxlocnyln M 8X1.25 Reg Ss	2
▲	36 32713	(10000000-	) Washer, .406B .81D .09Ureth	2
▲	37 33943	(10000000-	) Scr- Flt M8 X 1.25 40	2
▲	38 30406	(10000000-	) Clip, Keeper, St	2
▲	39 1072628	(10000000-	) Screw, Hex, M8 X 1.25 X 25, Ss, Sems	2
▲	40 09007	(10000000-	) Scr Hexss M6 X 1.0 25	8
▲	41 39312	(10000000-	) Nut, Hex, Std, M10 X 1.5	1
▲	42 59156	(10000000-	) Nut, Hex, Lock, .38- 16, NI, Ss	2
▲	43 140027	(10000000-	) Washer, Flat, 0.35b 0.75d .04, Ss	4
▲	44 32486	(10000000-	) Washer, Flt .50 SAE	2
▲	45 32662	(10000000-	) Washer, Flat, 0.38b 1.22d .06, Ss	4
▲	46 1066734	(10570247-	) Harness, Adapter, Motor	2
▲	47 222053	(10570247-	) Plate, Adapter, Motor	2
▲	48 222067	(10570247-	) Ring, Spacer	2

▽ - Identifies an assembly

▲ - Identifies parts included in assembly

# STANDARD PARTS

Fig. 11 - Scrub Head Kit, Model 800D, 800 mm (32 in) (S/N 1000000- 10570246)

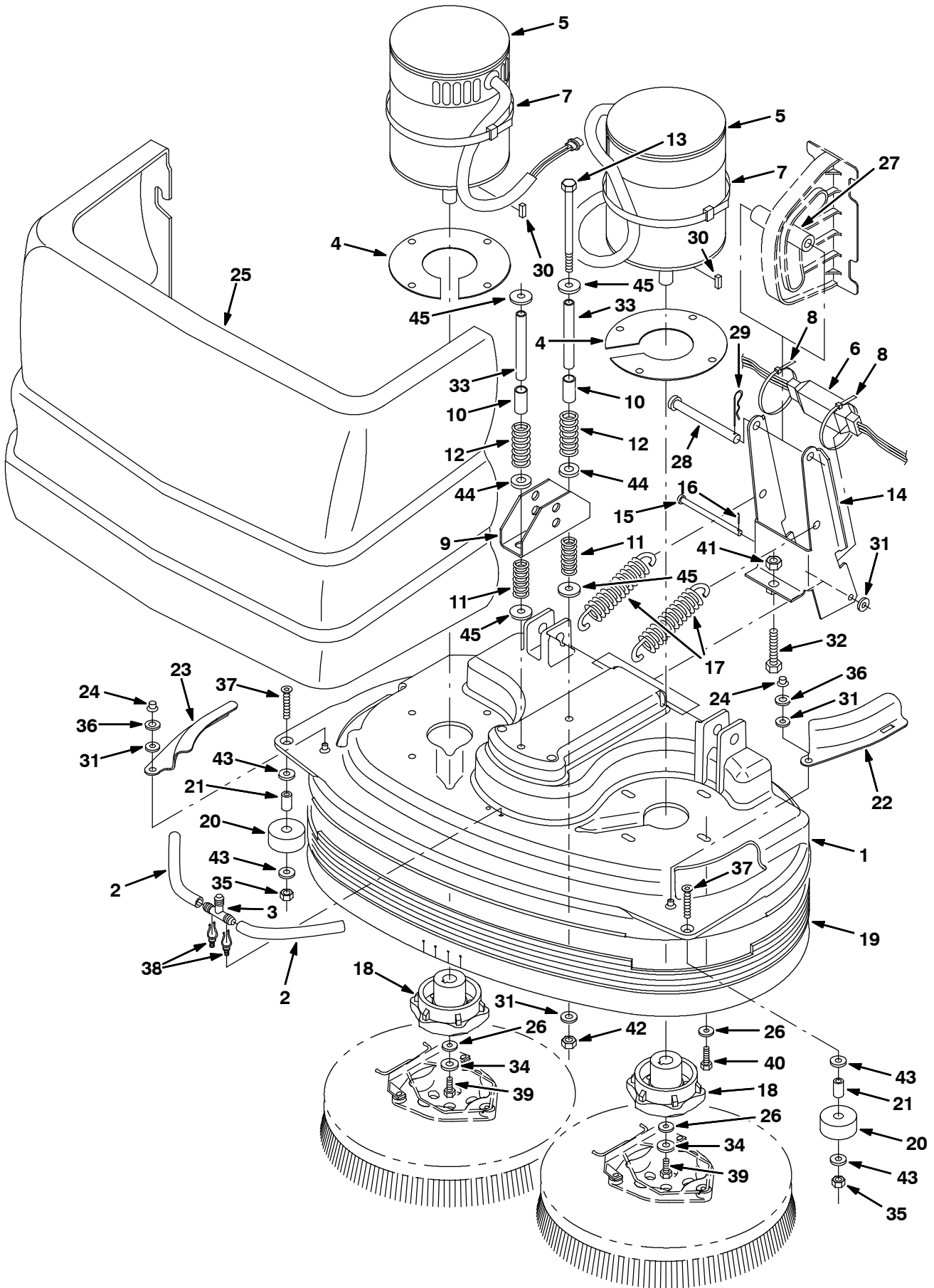


Fig. 11 - Scrub Head Kit, Model 800D, 800 mm (32 in) (S/N 10000000-10570246)

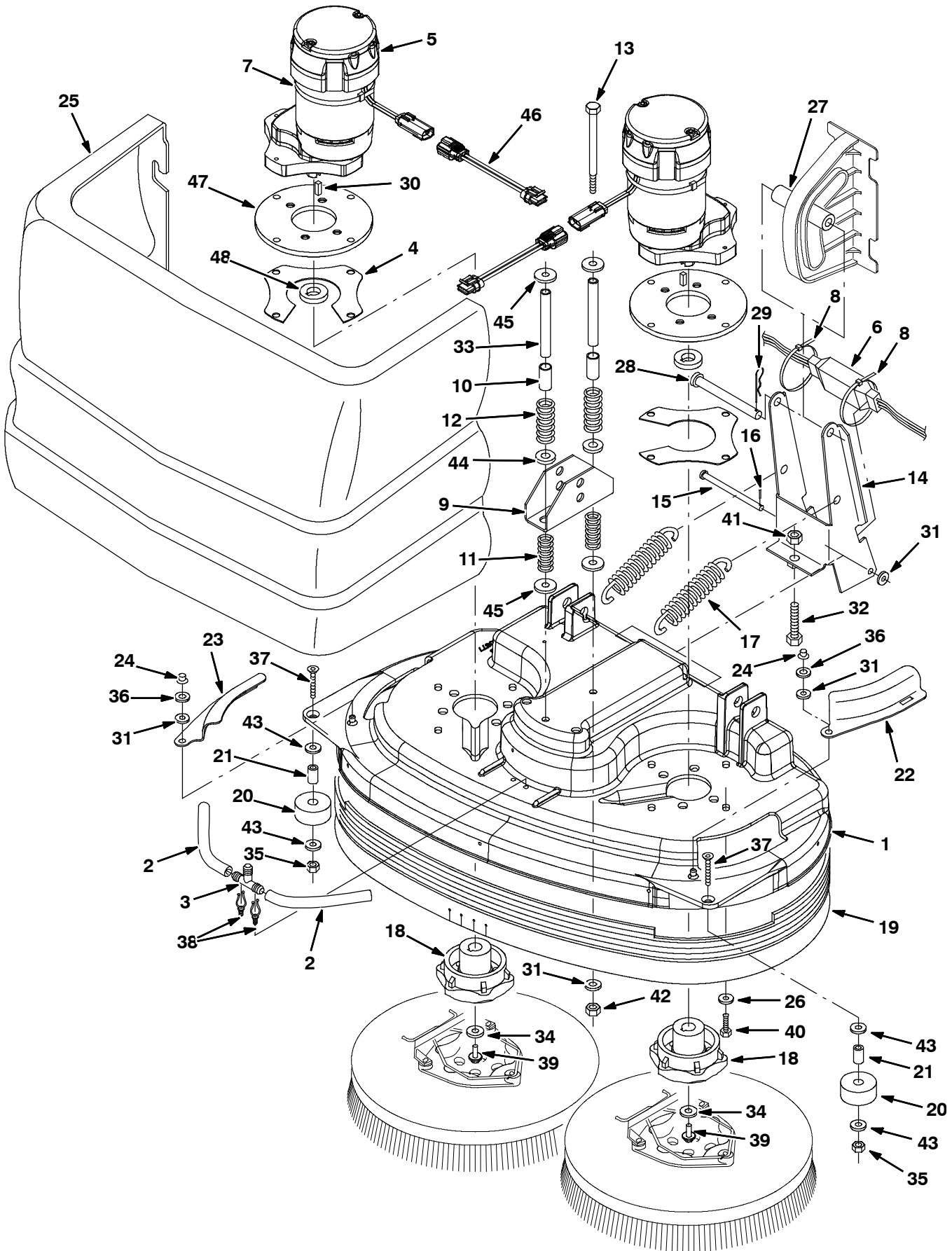
Ref.	Part No.	Serial Number	Description	Qty.	
▽	222013	(10000000-	) Scrub Head Kit 800D 5700	1	
▲	1	1030875	(10000000-	) Cover, Scrub Hd, 32" Disc, Machined	1
▲	2	222535	(10000000-	) Hose, Vinyl .38Id .56Od 8.0L	2
▲	3	222536	(10000000-	) Fitting- Plastic Tee 06Bm/06Bm/	1
▲	4	222440	(10000000- 10570246	) Gasket, End Bell (Replaced By 1069606)	2
▲	5	377440	(10000000- 10570246	) Motor, Ele, 36vdc 0.50hp 0320rpm 15.0a (See Breakdowns) (Replaced By 1068360)	2
▲	6	222836	(10000000-	) Harness, Wire, Disk Head, Elec	1
▲	7	44961	(10000000-	) Tie, Cable 4.00 Max 14.50Lg	4
▲	8	49263	(10000000-	) Tie Cable 3.00D Max 11.41Lg	2
▲	9	1012088	(10000000-	) Bracket, Mtg, Spring	1
▲	10	140148	(10000000-	) Sleeve, P/M, 0.50b 0.63d 1.4l, Stl PI	2
▲	11	63185	(10000000-	) Spring,Comp,.84Odx.10Wire 2.0L	2
▲	12	45261	(10000000-	) Sprng,Comp,0.74Idx.11Wire 2.5L	2
▲	13	20178	(10000000-	) Screw, Hex, .38- 16 X 5.50, G5	2
▲	14	222838	(10000000-	) Bracket, Pivot	1
▲	15	222207	(10000000-	) Pin, Clevis, 0.31Dia X4.5Lg	1
▲	16	08346	(10000000-	) Pin, Cotter .125X0.75	1
▲	17	222363	(10000000-	) Spring, Tension	2
▲	18	377364	(10000000-	) Hub, Drive, Brush, Disk, 0.75b 6t	2
▲	19	222431	(10000000-	) Skirt Assy, Disk Head, 32"	1
▲	20	222403	(10000000-	) Wheel, 2.0 Dia	2
▲	21	222496	(10000000-	) Sleeve	2
▲	22	222404	(10000000-	) Door, Scrub Head, Lh	1
▲	23	222405	(10000000-	) Door, Scrub Head, Rh	1
▲	24	59849	(10000000-	) Nut, Retainer R/.312 Dia	2
▲	25	9005800	(10000000-	) Cover, Front, Teal, Afmkt, [5700 Disk]	1
▲	26	41186	(10000000-	) Washer- Belleville .31 Pltd	10
▲	27	222055	(10000000-	) Roller, Linkage, Head	1
▲	28	222197	(10000000-	) Pin, Clevis 0.50 Dia X 4.75Lg	1
▲	29	02942	(10000000-	) Pin,Hair Cotter .12Wire 2.37SI	1
▲	30	00926	(10000000-	) Key, Square 0.25 0.25 0.75Lg	2
▲	31	01685	(10000000-	) Washer, Flat, 0.38b 0.88d .08, Ss	5
▲	32	05720	(10000000-	) Scr- Hexssm10X1.5 40 Full Thd	1
▲	33	1029426	(10000000-	) Tube, Rnd, 0.40id 0.50od 04.3l, Ss	2
▲	34	1017218	(10000000-	) Washer, Flat, 0.32b 1.00d .12, Ss	2
▲	35	08713	(10000000-	) Nut- Hxlocnyln M 8X1.25 Reg Ss	2
▲	36	32713	(10000000-	) Washer, .406B .81D .09Ureth	2
▲	37	33943	(10000000-	) Scr- Flt M8 X 1.25 40	2
▲	38	30406	(10000000-	) Clip, Keeper, St	2
▲	39	09010	(10000000-	) Screw, Hex, M8 X 1.25 X 25, Ss	2
▲	40	09007	(10000000-	) Scr Hexss M6 X 1.0 25	8
▲	41	39312	(10000000-	) Nut, Hex, Std, M10 X 1.5	1
▲	42	59156	(10000000-	) Nut, Hex, Lock, .38- 16, NI, Ss	2
▲	43	32490	(10000000-	) Washer, Flat, 0.25 Std	4
▲	44	32486	(10000000-	) Washer, Flt .50 SAE	2
▲	45	32662	(10000000-	) Washer, Flat, 0.38b 1.22d .06, Ss	4

▽ - Identifies an assembly

▲ - Identifies parts included in assembly

# STANDARD PARTS

Fig. 12 - Scrub Head Kit, Model 800D, 800 mm (32 in) (S/N 10570247- )



**Fig. 12 - Scrub Head Kit, Model 800D, 800 mm (32 in) (S/N 10570247- )**

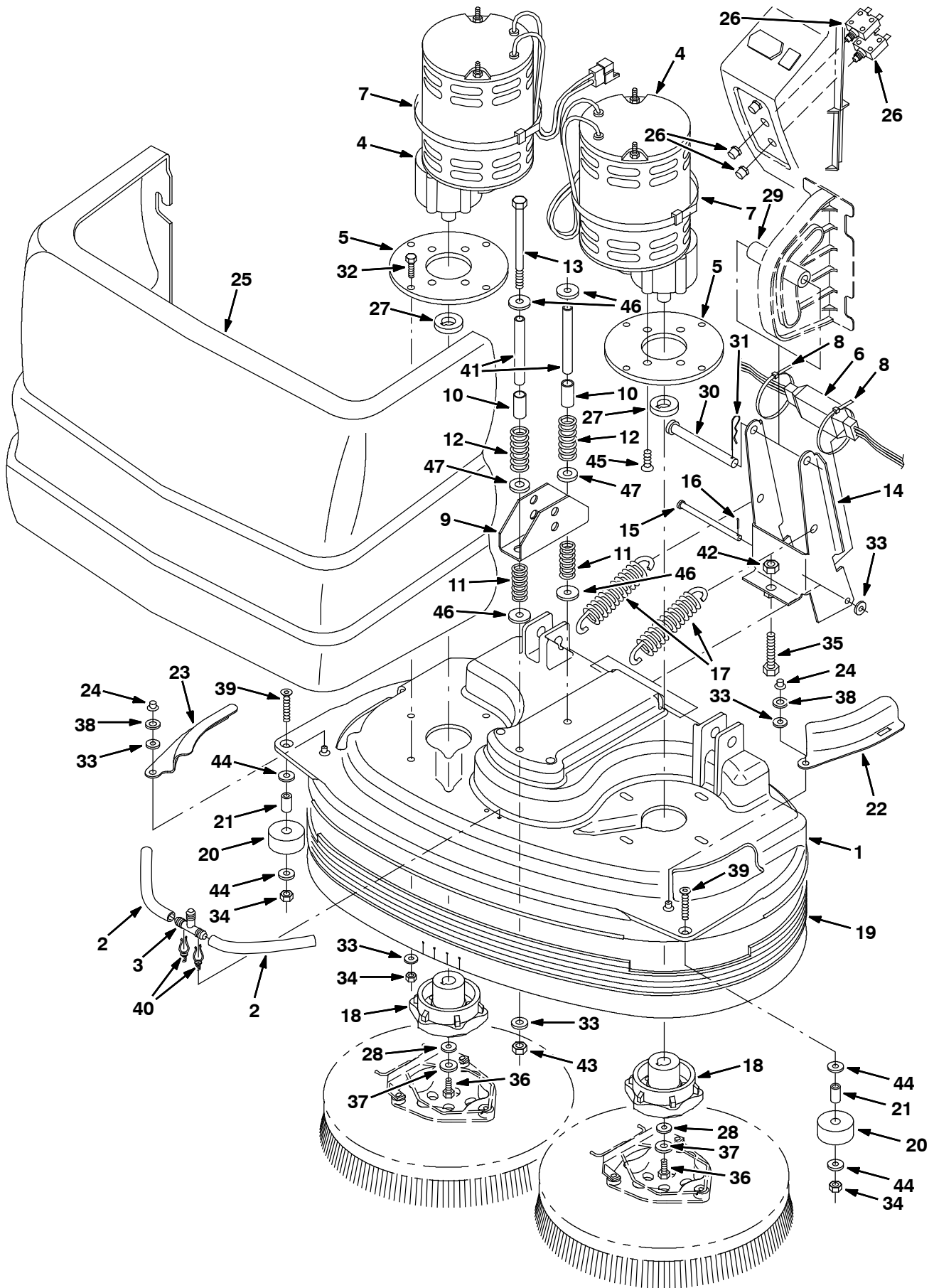
Ref.	Part No.	Serial Number	Description	Qty.
▽	222013	(10000000-	) Scrub Head Kit 800D 5700	1
▲	1 1030875	(10000000-	) Cover, Scrub Hd, 32" Disc, Machined	1
▲	2 222535	(10000000-	) Hose, Vinyl .38Id .56Od 8.0L	2
▲	3 222536	(10000000-	) Fitting- Plastic Tee 06Bm/06Bm/	1
▲	4 1069606	(10570247-	) Gasket, End Bell	2
▲▽	5 1063226	(10570247-	) Motor, Ele, 36vdc 0320rpm 0.50hp 15.0a	2
▲▲	1066573	(10570247-	) Vr, Brush Kit, Motor	2
▲	6 222836	(10000000-	) Harness, Wire, Disk Head, Elec	1
▲	7 44961	(10000000-	) Tie, Cable 4.00 Max 14.50Lg	8
▲	8 49263	(10000000-	) Tie Cable 3.00D Max 11.41Lg	4
▲	9 1012088	(10000000-	) Bracket, Mtg, Spring	1
▲	10 140148	(10000000-	) Sleeve, P/M, 0.50b 0.63d 1.4l, Stl Pl	2
▲	11 63185	(10000000-	) Spring,Comp,.84Odx.10Wire 2.0L	2
▲	12 45261	(10000000-	) Sprng,Comp,0.74Idx.11Wire 2.5L	2
▲	13 20178	(10000000-	) Screw, Hex, .38- 16 X 5.50, G5	2
▲	14 222838	(10000000-	) Bracket, Pivot	1
▲	15 222207	(10000000-	) Pin, Clevis, 0.31Dia X4.5Lg	1
▲	16 08346	(10000000-	) Pin, Cotter .125X0.75	1
▲	17 222363	(10000000-	) Spring, Tension	2
▲	18 377364	(10000000-	) Hub, Drive, Brush, Disk, 0.75b 6t	2
▲	19 222431	(10000000-	) Skirt Assy, Disk Head, 32"	1
▲	20 222403	(10000000-	) Wheel, 2.0 Dia	2
▲	21 222496	(10000000-	) Sleeve	2
▲	22 222404	(10000000-	) Door, Scrub Head, Lh	1
▲	23 222405	(10000000-	) Door, Scrub Head, Rh	1
▲	24 59849	(10000000-	) Nut, Retainer R/.312 Dia	2
▲	25 9005800	(10000000-	) Cover, Front, Teal, Afmkt, [5700 Disk]	1
▲	26 41186	(10000000-	) Washer- Belleville .31 Pltd	8
▲	27 222055	(10000000-	) Roller, Linkage, Head	1
▲	28 222197	(10000000-	) Pin, Clevis 0.50 Dia X 4.75Lg	1
▲	29 02942	(10000000-	) Pin,Hair Cotter .12Wire 2.37Sl	1
▲	30 00926	(10000000-	) Key, Square 0.25 0.25 0.75Lg	2
▲	31 01685	(10000000-	) Washer, Flat, 0.38b 0.88d .08, Ss	5
▲	32 05720	(10000000-	) Scr- Hexssm10X1.5 40 Full Thd	1
▲	33 1029426	(10000000-	) Tube, Rnd, 0.40id 0.50od 04.3l, Ss	2
▲	34 1017218	(10000000-	) Washer, Flat, 0.32b 1.00d .12, Ss	2
▲	35 08713	(10000000-	) Nut- Hxlocnyln M 8X1.25 Reg Ss	2
▲	36 32713	(10000000-	) Washer, .406B .81D .09Ureth	2
▲	37 33943	(10000000-	) Scr- Flt M8 X 1.25 40	2
▲	38 30406	(10000000-	) Clip, Keeper, St	2
▲	39 1072628	(10000000-	) Screw, Hex, M8 X 1.25 X 25, Ss, Sems	2
▲	40 09007	(10000000-	) Scr Hexss M6 X 1.0 25	8
▲	41 39312	(10000000-	) Nut, Hex, Std, M10 X 1.5	1
▲	42 59156	(10000000-	) Nut, Hex, Lock, .38- 16, NI, Ss	2
▲	43 140027	(10000000-	) Washer, Flat, 0.35b 0.75d .04, Ss	4
▲	44 32486	(10000000-	) Washer, Flt .50 SAE	2
▲	45 32662	(10000000-	) Washer, Flat, 0.38b 1.22d .06, Ss	4
▲	46 1066734	(10570247-	) Harness, Adapter, Motor	2
▲	47 222053	(10570247-	) Plate, Adapter, Motor	2
▲	48 222067	(10570247-	) Ring, Spacer	2

▽ - Identifies an assembly

▲ - Identifies parts included in assembly

# STANDARD PARTS

Fig. 13 - Scrub Head Kit, Model 900D, 900 mm (36 in) (S/N 1000000- 10547659)



**Fig. 13 - Scrub Head Kit, Model 900D, 900 mm (36 in) (S/N 10000000-10547659)**

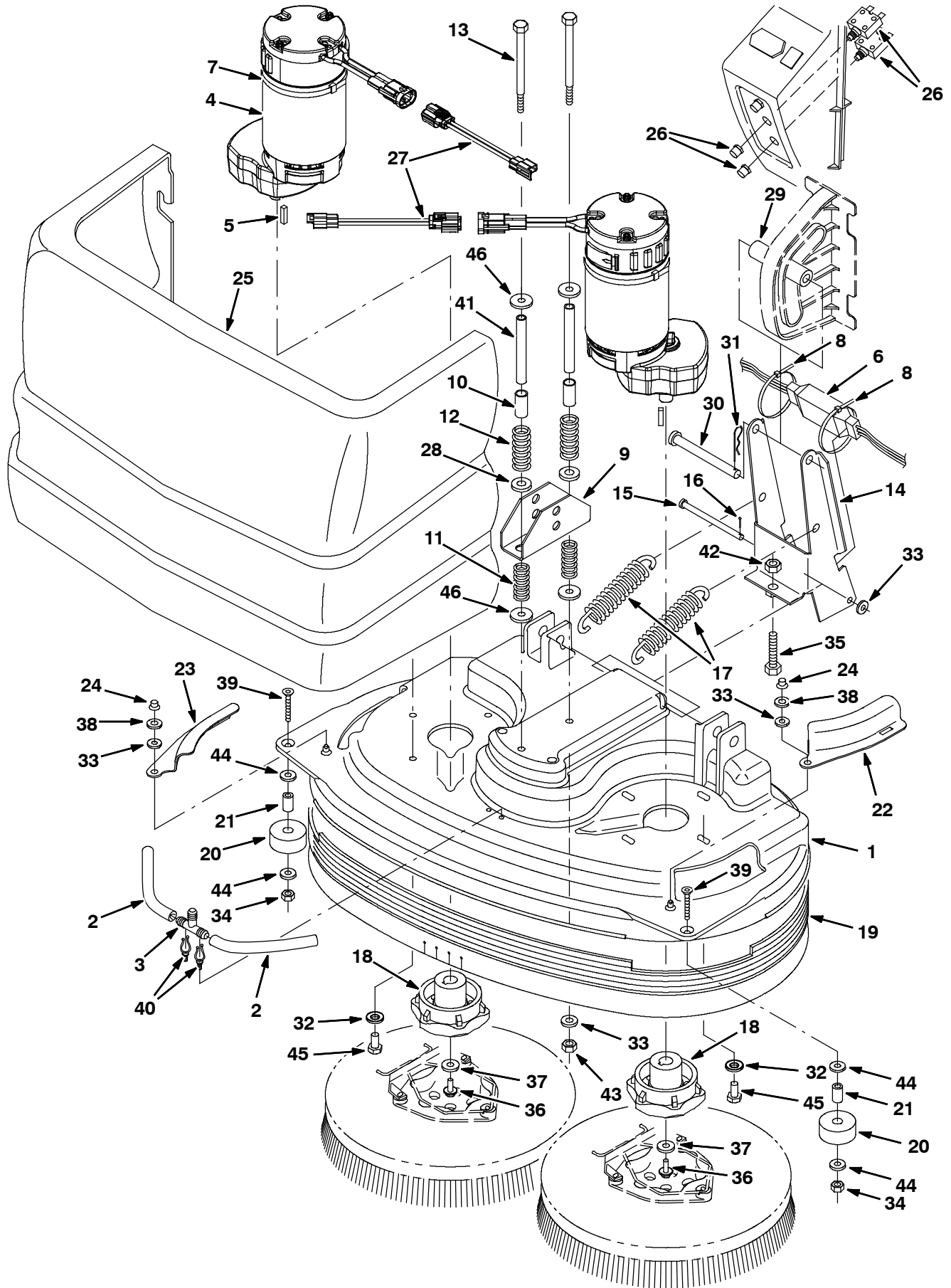
Ref.	Part No.	Serial Number	Description	Qty.	
▽	222014	(10000000-	) Scrub Head Kit 900D 5700	1	
▲	1	222223	(10000000-	) Cover, Scrub Head 36 Disk	1
▲	2	222535	(10000000-	) Hose, Vinyl .38Id .56Od 8.0L	2
▲	3	222536	(10000000-	) Fitting- Plastic Tee 06Bm/06Bm/	1
▲	4	222255	(10000000- 10547659 )	Motor, Gear, 1.0Hp 36V (See Breakdowns) (Replaced By 1068356)	2
▲	5	222053	(10000000- 10547659 )	Plate, Adaptor, Motor	2
▲	6	222837	(10000000-	) Harness, Wire, Disk Head, Elec	1
▲	7	44961	(10000000-	) Tie, Cable 4.00 Max 14.50Lg	6
▲	8	49263	(10000000-	) Tie Cable 3.00D Max 11.41Lg	2
▲	9	1012088	(10000000-	) Bracket, Mtg, Spring	1
▲	10	140148	(10000000-	) Sleeve, P/M, 0.50b 0.63d 1.4l, Stl Pl	2
▲	11	63185	(10000000-	) Spring,Comp,.84Odx.10Wire 2.0L	2
▲	12	45261	(10000000-	) Sprng,Comp,0.74Idx.11Wire 2.5L	2
▲	13	20178	(10000000-	) Screw, Hex, .38- 16 X 5.50, G5	2
▲	14	222838	(10000000-	) Bracket, Pivot	1
▲	15	222207	(10000000-	) Pin, Clevis, 0.31Dia X4.5Lg	1
▲	16	08346	(10000000-	) Pin, Cotter .125X0.75	1
▲	17	222363	(10000000-	) Spring, Tension	2
▲	18	377364	(10000000-	) Hub, Drive, Brush, Disk, 0.75b 6t	2
▲	19	222432	(10000000-	) Skirt, Assy, Disk Head 36	1
▲	20	222403	(10000000-	) Wheel, 2.0 Dia	2
▲	21	222496	(10000000-	) Sleeve	2
▲	22	222404	(10000000-	) Door, Scrub Head, Lh	1
▲	23	222405	(10000000-	) Door, Scrub Head, Rh	1
▲	24	59849	(10000000-	) Nut, Retainer R/.312 Dia	2
▲	25	9005800	(10000000-	) Cover, Front, Teal, Afmkt, [5700 Disk]	1
▲	26	383726	(10000000-	) Breaker, Circuit, 35Amp	2
▲	27	222067	(10000000- 10547659 )	Ring, Spacer	2
▲	28	41186	(10000000-	) Washer- Belleville .31 Pltd	2
▲	29	222055	(10000000-	) Roller, Linkage, Head	1
▲	30	222197	(10000000-	) Pin, Clevis 0.50 Dia X 4.75Lg	1
▲	31	02942	(10000000-	) Pin,Hair Cotter .12Wire 2.37Sl	1
▲	32	09011	(10000000- 10547659 )	Screw, Hex, M8 X 1.25 X 30, Ss	8
▲	33	01685	(10000000- 10547659 )	Washer, Flat, 0.38b 0.88d .08, Ss	13
▲	34	08713	(10000000- 10547659 )	Nut- Hxlocnyln M 8X1.25 Reg Ss	10
▲	35	05720	(10000000-	) Scr- Hexssm10X1.5 40 Full Thd	1
▲	36	02993	(10000000-	) Scr- Hex .31- 18X1.50 Ss	2
▲	37	01686	(10000000-	) Washer Flt .38 Ss	2
▲	38	32713	(10000000-	) Washer, .406B .81D .09Ureth	2
▲	39	33943	(10000000-	) Scr- Flt M8 X 1.25 40	2
▲	40	30406	(10000000-	) Clip, Keeper, St	2
▲	41	1029426	(10000000-	) Tube, Rnd, 0.40id 0.50od 04.3l, Ss	2
▲	42	39312	(10000000-	) Nut, Hex, Std, M10 X 1.5	1
▲	43	59156	(10000000-	) Nut, Hex, Lock, .38- 16, NI, Ss	2
▲	44	32490	(10000000-	) Washer, Flat, 0.25 Std	4
▲	45	48996	(10000000- 10547659 )	Screw, Flt, .38- 16 X 0.75, Al	8
▲	46	32662	(10000000-	) Washer, Flat, 0.38b 1.22d .06, Ss	4
▲	47	32486	(10000000-	) Washer, Flt .50 SAE	2

▽ - Identifies an assembly

▲ - Identifies parts included in assembly

# STANDARD PARTS

Fig. 14 - Scrub Head Kit, Model 900D, 900 mm (36 in) (S/N 10547660- )





**Fig. 14 - Scrub Head Kit, Model 900D, 900 mm (36 in) (S/N 10547660- )**

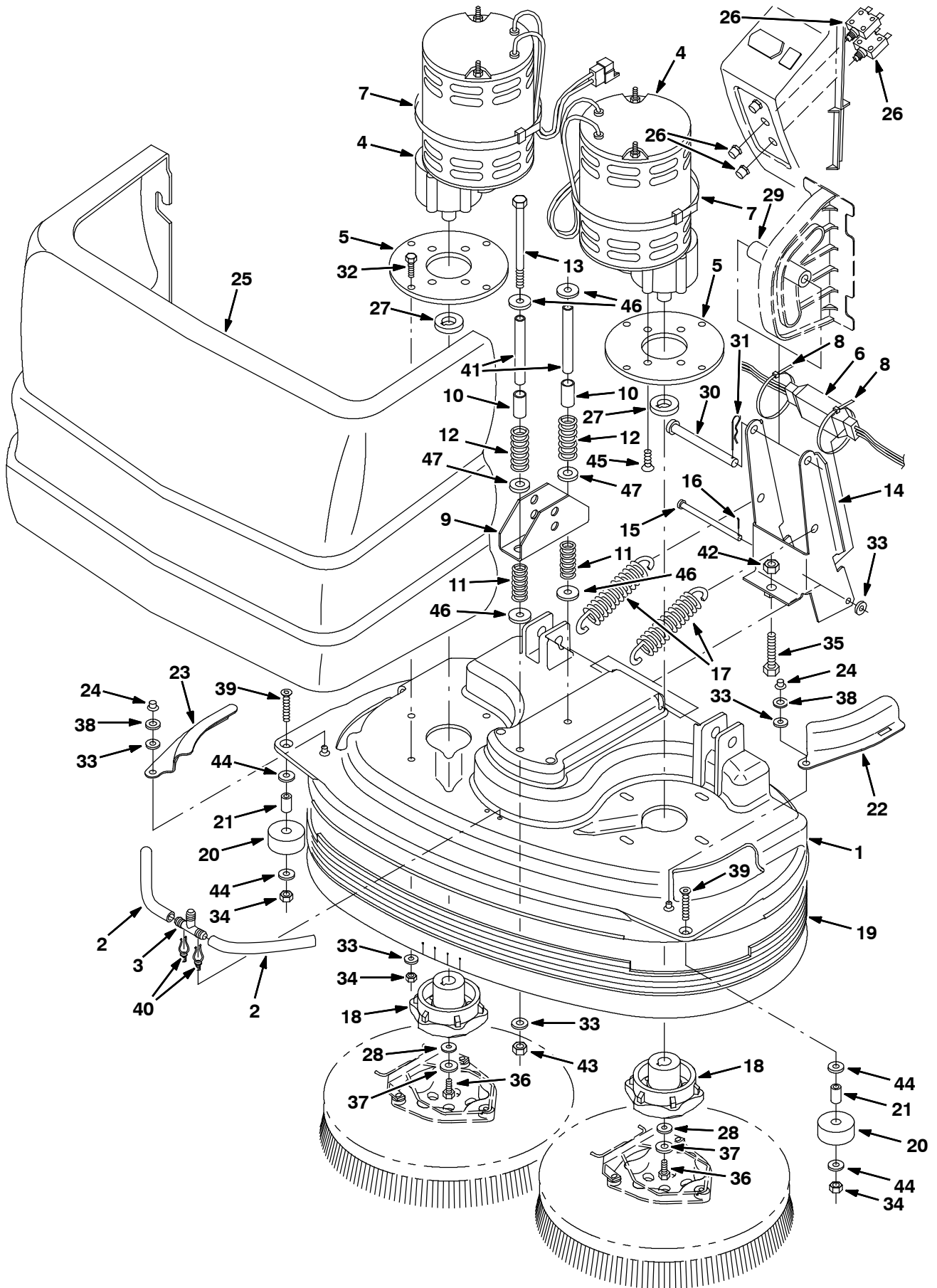
Ref.	Part No.	Serial Number	Description	Qty.
▽	222014	(10000000-	) Scrub Head Kit 900D 5700	1
▲	1 222223	(10000000-	) Cover, Scrub Head 36 Disk	1
▲	2 222535	(10000000-	) Hose, Vinyl .38Id .56Od 8.0L	2
▲	3 222536	(10000000-	) Fitting- Plastic Tee 06Bm/06Bm/	1
▲▽	4 1063463	(10547660-	) Motor, Ele, 36vdc 300rpm 1.0hp Gear	2
▲▲	1066573	(10547660-	) Vr, Brush Kit, Motor	2
▲	5 00928	(10547660-	) Key, Sq, 0.25 X 0.25, 1.00l	2
▲	6 222837	(10000000-	) Harness, Wire, Disk Head, Elec	1
▲	7 44961	(10000000-	) Tie, Cable 4.00 Max 14.50Lg	6
▲	8 49263	(10000000-	) Tie Cable 3.00D Max 11.41Lg	2
▲	9 1012088	(10000000-	) Bracket, Mtg, Spring	1
▲	10 140148	(10000000-	) Sleeve, P/M, 0.50b 0.63d 1.4l, Stl Pl	2
▲	11 63185	(10000000-	) Spring,Comp,.84Odx.10Wire 2.0L	2
▲	12 45261	(10000000-	) Sprng,Comp,0.74ldx.11Wire 2.5L	2
▲	13 20178	(10000000-	) Screw, Hex, .38- 16 X 5.50, G5	2
▲	14 222838	(10000000-	) Bracket, Pivot	1
▲	15 222207	(10000000-	) Pin, Clevis, 0.31Dia X4.5Lg	1
▲	16 08346	(10000000-	) Pin, Cotter .125X0.75	1
▲	17 222363	(10000000-	) Spring, Tension	2
▲	18 377364	(10000000-	) Hub, Drive, Brush, Disk, 0.75b 6t	2
▲	19 222432	(10000000-	) Skirt, Assy, Disk Head 36	1
▲	20 222403	(10000000-	) Wheel, 2.0 Dia	2
▲	21 222496	(10000000-	) Sleeve	2
▲	22 222404	(10000000-	) Door, Scrub Head, Lh	1
▲	23 222405	(10000000-	) Door, Scrub Head, Rh	1
▲	24 59849	(10000000-	) Nut, Retainer R/.312 Dia	2
▲	25 9005800	(10000000-	) Cover, Front, Teal, Afmkt, [5700 Disk]	1
▲	26 383726	(10000000-	) Breaker, Circuit, 35Amp	2
▲	27 1068342	(10547660-	) Harness, Adapter, Motor [5700]	2
▲	28 32486	(10000000-	) Washer, Flt .50 SAE	2
▲	29 222055	(10000000-	) Roller, Linkage, Head	1
▲	30 222197	(10000000-	) Pin, Clevis 0.50 Dia X 4.75Lg	1
▲	31 02942	(10000000-	) Pin,Hair Cotter .12Wire 2.37Sl	1
▲	32 41187	(10547660-	) Washer, Flat, Belleville, .38	8
▲	33 01685	(10547660-	) Washer, Flat, 0.38b 0.88d .08, Ss	5
▲	34 08713	(10547660-	) Nut- Hxlocnyln M 8X1.25 Reg Ss	2
▲	35 05720	(10000000-	) Scr- Hexssm10X1.5 40 Full Thd	1
▲	36 1072628	(10000000-	) Screw, Hex, M8 X 1.25 X 25, Ss, Sems	2
▲	37 1017218	(10000000-	) Washer, Flat, 0.32b 1.00d .12, Ss	2
▲	38 32713	(10000000-	) Washer, .406B .81D .09Ureth	2
▲	39 33943	(10000000-	) Scr- Flt M8 X 1.25 40	2
▲	40 30406	(10000000-	) Clip, Keeper, St	2
▲	41 1029426	(10000000-	) Tube, Rnd, 0.40id 0.50od 04.3l, Ss	2
▲	42 39312	(10000000-	) Nut, Hex, Std, M10 X 1.5	1
▲	43 59156	(10000000-	) Nut, Hex, Lock, .38- 16, NI, Ss	2
▲	44 140027	(10000000-	) Washer, Flat, 0.35b 0.75d .04, Ss	4
▲	45 09291	(10547660-	) Screw, Hex, M10 X 1.50 X 20, Ss	8
▲	46 32662	(10000000-	) Washer, Flat, 0.38b 1.22d .06, Ss	4

▽ - Identifies an assembly

▲ - Identifies parts included in assembly

# STANDARD PARTS

Fig. 15 - Scrub Head Kit, Model 800D Heavy Duty, 800 mm (32 in) (S/N 1000000- 10547657)



**Fig. 15 - Scrub Head Kit, Model 800D Heavy Duty, 800 mm (32 in) (S/N 10000000- 10547657)**

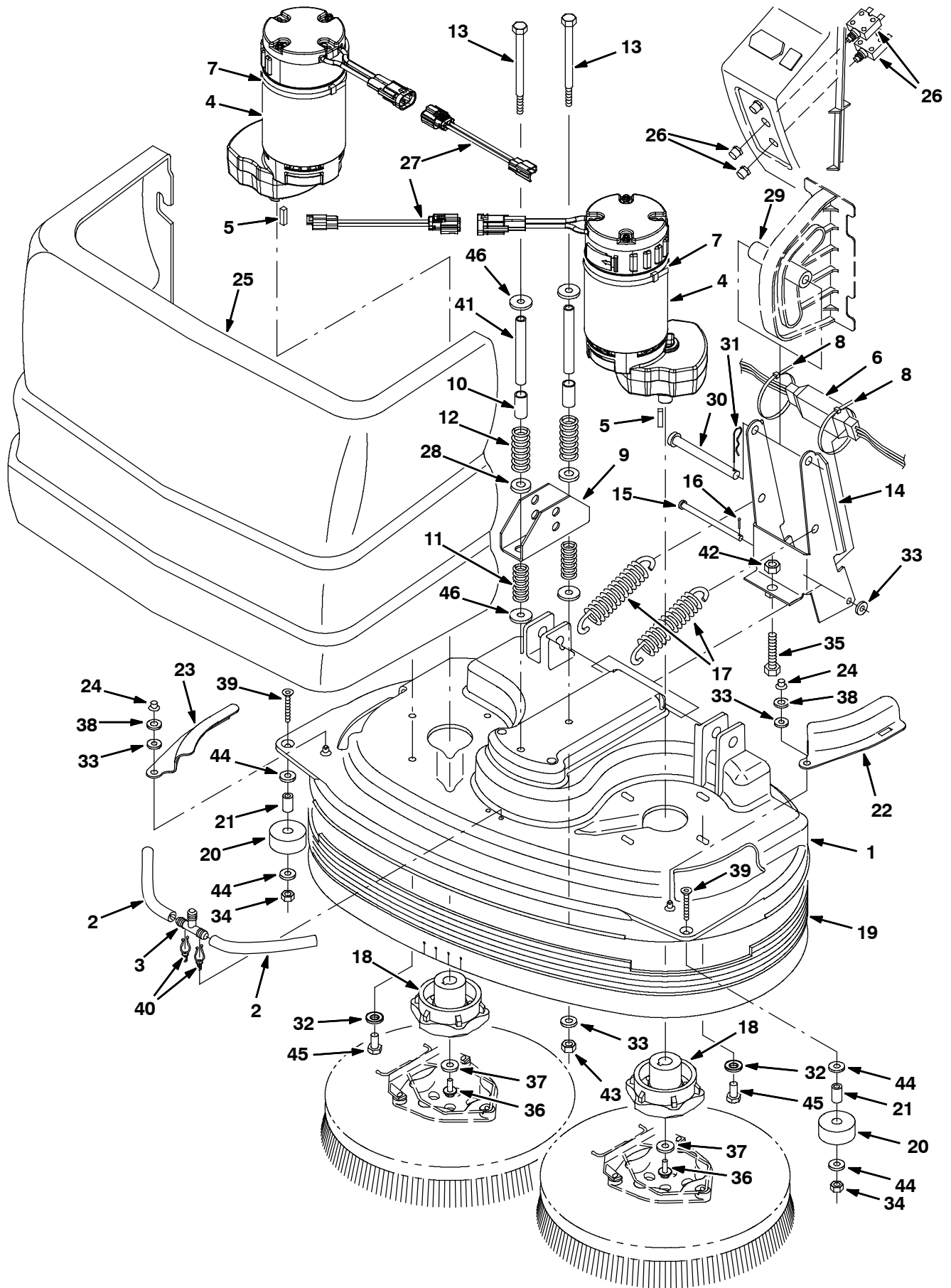
Ref.	Part No.	Serial Number	Description	Qty.
▽	222022	(10000000-	) Scrub Head Kit Hd 800D5700	1
▲	1	1030875	(10000000- ) Housing, Head, 80Cm, Disk [5680/5700]	1
▲	2	222535	(10000000- ) Hose, Vinyl .38Id .56Od 8.0L	2
▲	3	222536	(10000000- ) Fitting- Plastic Tee 06Bm/06Bm/	1
▲	4	222255	(10000000- 10547657 ) Motor, Gear, 1.0Hp 36V (See Breakdowns) (Replaced By 1068356)	2
▲	5	222053	(10000000- 10547657 ) Plate, Adaptor, Motor	2
▲	6	222837	(10000000- ) Harness, Wire, Disk Head, Elec	1
▲	7	44961	(10000000- ) Tie, Cable 4.00 Max 14.50Lg	6
▲	8	49263	(10000000- ) Tie Cable 3.00D Max 11.41Lg	2
▲	9	1012088	(10000000- ) Bracket, Mtg, Spring	1
▲	10	140148	(10000000- ) Sleeve, P/M, 0.50b 0.63d 1.4l, Stl PI	2
▲	11	63185	(10000000- ) Spring,Comp,.84Odx.10Wire 2.0L	2
▲	12	45261	(10000000- ) Sprng,Comp,0.74Idx.11Wire 2.5L	2
▲	13	20178	(10000000- ) Screw, Hex, .38- 16 X 5.50, G5	2
▲	14	222838	(10000000- ) Bracket, Pivot	1
▲	15	222207	(10000000- ) Pin, Clevis, 0.31Dia X4.5Lg	1
▲	16	08346	(10000000- ) Pin, Cotter .125X0.75	1
▲	17	222363	(10000000- ) Spring, Tension	2
▲	18	377364	(10000000- ) Hub, Drive, Brush, Disk, 0.75b 6t	2
▲	19	222431	(10000000- ) Skirt Assy, Disk Head, 32"	1
▲	20	222403	(10000000- ) Wheel, 2.0 Dia	2
▲	21	222496	(10000000- ) Sleeve	2
▲	22	222404	(10000000- ) Door, Scrub Head, Lh	1
▲	23	222405	(10000000- ) Door, Scrub Head, Rh	1
▲	24	59849	(10000000- ) Nut, Retainer R/.312 Dia	2
▲	25	9005800	(10000000- ) Cover, Front, Teal, Afmkt, [5700 Disk]	1
▲	26	383726	(10000000- ) Breaker, Circuit, 35Amp	2
▲	27	222067	(10000000- 10547657 ) Ring, Spacer	2
▲	28	41186	(10000000- ) Washer- Belleville .31 Pltd	2
▲	29	222055	(10000000- ) Roller, Linkage, Head	1
▲	30	222197	(10000000- ) Pin, Clevis 0.50 Dia X 4.75Lg	1
▲	31	02942	(10000000- ) Pin,Hair Cotter .12Wire 2.37Sl	1
▲	32	09011	(10000000- 10547657 ) Screw, Hex, M8 X 1.25 X 30, Ss	8
▲	33	01685	(10000000- 10547657 ) Washer, Flat, 0.38b 0.88d .08, Ss	13
▲	34	08713	(10000000- 10547657 ) Nut- Hxlocnyln M 8X1.25 Reg Ss	10
▲	35	05720	(10000000- ) Scr- Hexssm10X1.5 40 Full Thd	1
▲	36	02993	(10000000- ) Scr- Hex .31- 18X1.50 Ss	2
▲	37	01686	(10000000- ) Washer Flt .38 Ss	2
▲	38	32713	(10000000- ) Washer, .406B .81D .09Ureth	2
▲	39	33943	(10000000- ) Scr- Flt M8 X 1.25 40	2
▲	40	30406	(10000000- ) Clip, Keeper, St	2
▲	41	1029426	(10000000- ) Tube, Rnd, 0.40id 0.50od 04.3l, Ss	2
▲	42	39312	(10000000- ) Nut, Hex, Std, M10 X 1.5	1
▲	43	59156	(10000000- ) Nut, Hex, Lock, .38- 16, NI, Ss	2
▲	44	32490	(10000000- ) Washer, Flat, 0.25 Std	4
▲	45	48996	(10000000- 10547657 ) Screw, Flt, .38- 16 X 0.75, Al	8
▲	46	32662	(10000000- ) Washer, Flat, 0.38b 1.22d .06, Ss	4
▲	47	32486	(10000000- ) Washer, Flt .50 SAE	2

▽ - Identifies an assembly

▲ - Identifies parts included in assembly

# STANDARD PARTS

Fig. 16 - Scrub Head Kit, Model 800D Heavy Duty, 800 mm (32 in) (S/N 10547658- )



**Fig. 16 - Scrub Head Kit, Model 800D Heavy Duty, 800 mm (32 in) (S/N 10547658- )**

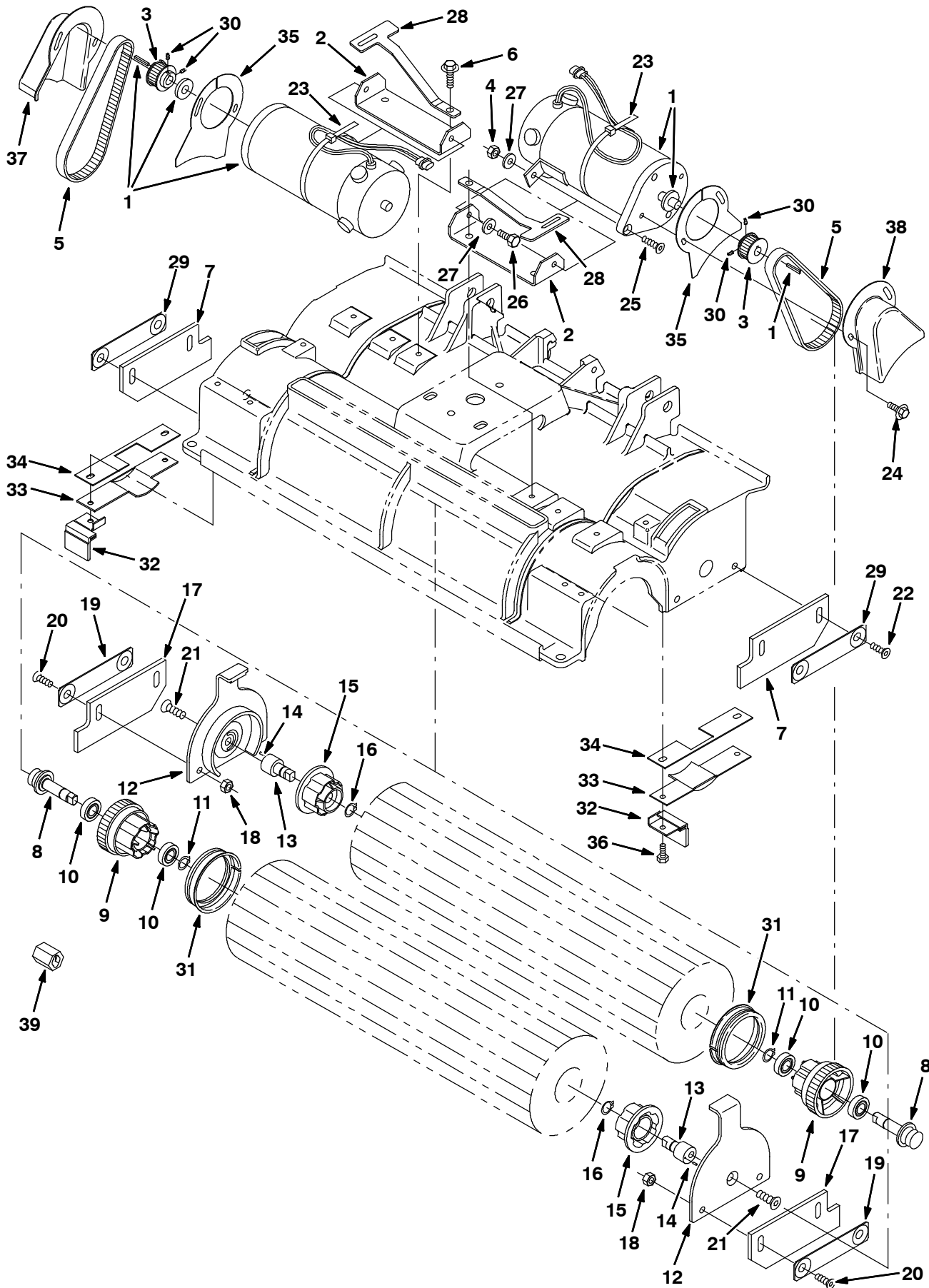
Ref.	Part No.	Serial Number	Description	Qty.
▽	222022	(10000000-	) Scrub Head Kit Hd 800D5700	1
▲	1 1030875	(10000000-	) Housing, Head, 80Cm, Disk [5680/5700]	1
▲	2 222535	(10000000-	) Hose, Vinyl .38Id .56Od 8.0L	2
▲	3 222536	(10000000-	) Fitting- Plastic Tee 06Bm/06Bm/	1
▲▽	4 1063463	(10547658-	) Motor, Ele, 36vdc 300rpm 1.0hp Gear	2
▲▲	1066573	(10547658-	) Vr, Brush Kit, Motor	2
▲	5 00928	(10547658-	) Key, Sq, 0.25 X 0.25, 1.00l	2
▲	6 222837	(10000000-	) Harness, Wire, Disk Head, Elec	1
▲	7 44961	(10000000-	) Tie, Cable 4.00 Max 14.50Lg	6
▲	8 49263	(10000000-	) Tie Cable 3.00D Max 11.41Lg	2
▲	9 1012088	(10000000-	) Bracket, Mtg, Spring	1
▲	10 140148	(10000000-	) Sleeve, P/M, 0.50b 0.63d 1.4l, Stl Pl	2
▲	11 63185	(10000000-	) Spring,Comp,.84Odx.10Wire 2.0L	2
▲	12 45261	(10000000-	) Sprng,Comp,0.74Idx.11Wire 2.5L	2
▲	13 20178	(10000000-	) Screw, Hex, .38- 16 X 5.50, G5	2
▲	14 222838	(10000000-	) Bracket, Pivot	1
▲	15 222207	(10000000-	) Pin, Clevis, 0.31Dia X4.5Lg	1
▲	16 08346	(10000000-	) Pin, Cotter .125X0.75	1
▲	17 222363	(10000000-	) Spring, Tension	2
▲	18 377364	(10000000-	) Hub, Drive, Brush, Disk, 0.75b 6t	2
▲	19 222431	(10000000-	) Skirt Assy, Disk Head, 32"	1
▲	20 222403	(10000000-	) Wheel, 2.0 Dia	2
▲	21 222496	(10000000-	) Sleeve	2
▲	22 222404	(10000000-	) Door, Scrub Head, Lh	1
▲	23 222405	(10000000-	) Door, Scrub Head, Rh	1
▲	24 59849	(10000000-	) Nut, Retainer R/.312 Dia	2
▲	25 9005800	(10000000-	) Cover, Front, Teal, Afmkt, [5700 Disk]	1
▲	26 383726	(10000000-	) Breaker, Circuit, 35Amp	2
▲	27 1068342	(10547658-	) Harness, Adapter, Motor [5700]	2
▲	29 222055	(10000000-	) Roller, Linkage, Head	1
▲	28 32486	(10000000-	) Washer, Flt .50 SAE	2
▲	30 222197	(10000000-	) Pin, Clevis 0.50 Dia X 4.75Lg	1
▲	31 02942	(10000000-	) Pin,Hair Cotter .12Wire 2.37Sl	1
▲	32 41187	(10547658-	) Washer, Flat, Belleville, .38	8
▲	33 01685	(10547658-	) Washer, Flat, 0.38b 0.88d .08, Ss	5
▲	34 08713	(10547658-	) Nut- Hxlocnyln M 8X1.25 Reg Ss	2
▲	35 05720	(10000000-	) Scr- Hexssm10X1.5 40 Full Thd	1
▲	36 1072628	(10000000-	) Screw, Hex, M8 X 1.25 X 25, Ss, Sems	2
▲	37 1017218	(10000000-	) Washer, Flat, 0.32b 1.00d .12, Ss	2
▲	38 32713	(10000000-	) Washer, .406B .81D .09Ureth	2
▲	39 33943	(10000000-	) Scr- Flt M8 X 1.25 40	2
▲	40 30406	(10000000-	) Clip, Keeper, St	2
▲	41 1029426	(10000000-	) Tube, Rnd, 0.40id 0.50od 04.3l, Ss	2
▲	42 39312	(10000000-	) Nut, Hex, Std, M10 X 1.5	1
▲	43 59156	(10000000-	) Nut, Hex, Lock, .38- 16, NI, Ss	2
▲	44 140027	(10000000-	) Washer, Flat, 0.35b 0.75d .04, Ss	4
▲	45 09291	(10547658-	) Screw, Hex, M10 X 1.50 X 20, Ss	8
▲	46 32662	(10000000-	) Washer, Flat, 0.38b 1.22d .06, Ss	4

▽ - Identifies an assembly

▲ - Identifies parts included in assembly

# STANDARD PARTS

Fig. 17 - Scrub Head Drive Group, Model 700C, 700 mm (28 in)



**Fig. 17 - Scrub Head Drive Group, Model 700C, 700 mm (28 in)**

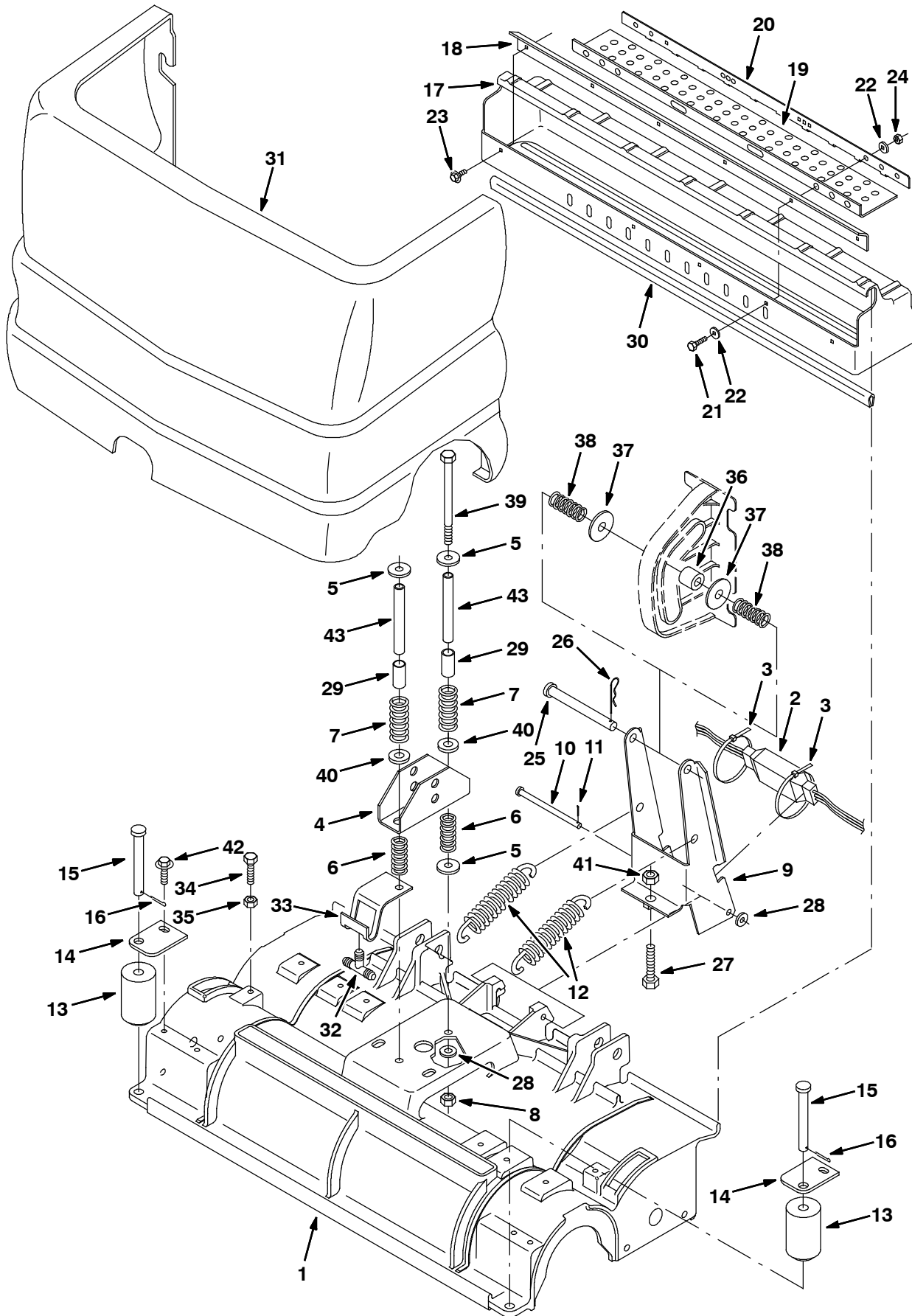
NOTE: Scrub Head Kit, Tennant Part Number 222015, includes Fig. 17, and Fig. 18.

Ref.	Part No.	Serial Number	Description	Qty.	
1	1038426	(10355043-	) Motor, Ele, 36Vdc 1700Rpm 0.75Hp (See Breakdowns)	2	
	375175	(10000000- 10355042	) Motor, Ele, 36Vdc 1700Rpm 0.75Hp (See Breakdowns)	2	
2	223564	(10000000-	) Bracket, Mounting, Motor	2	
3	375195	(10000000-	) Sprocket, Drive	2	
4	08713	(10000000-	) Nut- Hxlocnyln M 8X1.25 Reg Ss	4	
5	377505	(10000000-	) Belt, Replmt, Brush Drive, F/222201	2	
6	76099	(10000000-	) Scr- Hxfmg M8 X 1.25 25	4	
7	222180	(10000000-	) Skirt, Scrub Head	2	
▽	222751	(10000000-	) Plug Drive Assy	2	
▲	8	222176	(10000000-	) Shaft, Drive Plug	1
▲	9	1040931	(10000000-	) Plug, Drive, Brush	1
▲	10	41360	(10000000-	) Bearing- Ball,0.59B 1.26D 0.35W	2
▲	11	01516	(10000000-	) Ring,Retain,Ex,0.59Od,Basic	1
▽	374082	(10000000-	) Door Assy, Brush	2	
▲	12	1044145	(10000000-	) Door, Brush	1
▲▽	222752	(10000000-	) Plug Idler Assy	1	
▲▲	13	222177	(10000000-	) Shaft, Idler Plug	1
▲▲	14	222184	(10000000-	) Pin, Roll	1
▲▲	15	1057629	(10000000-	) Plug, Idler, Brush [Sgl Brg]	1
▲▲	16	01516	(10000000-	) Ring,Retain,Ex,0.59Od,Basic	1
▲	17	222180	(10000000-	) Skirt, Scrub Head	1
▲	18	08713	(10000000-	) Nut- Hxlocnylon M 8X1.25 Reg Ss	2
▲	19	222182	(10000000-	) Bar, Support	1
▲	20	74077	(10000000-	) Scr- Flt M8 X 1.25 25 Ss	2
▲	21	390996	(10000000-	) Scr- Flt M10 X 1.5 20, Ss NI	1
	22	07810	(10000000-	) Scr Flt M8 x 1.25 25	4
	23	44961	(10000000-	) Tie, Cable 4.00D Max 14.50 Lg	2
	24	1034731	(10000000-	) Screw, Hex, M6 X 1.00 X 16, Ss, Sems	4
	25	74077	(10000000-	) Screw, Flat,M 8X1.25 Ss	2
	26	09740	(10000000-	) Scr Hexssm 8X1.25	2
	27	01685	(10000000-	) Washer, Flat, 0.38b 0.88d .08, Ss	6
	28	222209	(10000000-	) Spring, Door	2
	29	222182	(10000000-	) Bar, Support	2
	30	222818	(10000000-	) Scr- Set 8- 32 X .25 Nylon Loc	4
	31	222820	(10000000-	) Seal, Ring	2
	32	223568	(10000000-	) Skirt, Deflector	2
	33	223566	(10000000-	) Bracket, Shield	2
	34	223569	(10000000-	) Gasket, Shield	2
	35	223563	(10000000-	) Shield, Belt	2
	36	15675	(10000000-	) Screw, Hex, M8 X 1.25 X 16, Ss	4
	37	223560	(10000000-	) Guard, Belt, Rh	1
	38	223561	(10000000-	) Guard, Belt, Lh	1
	39	1010506	(10000000-	) Tool, Removal, Shaft, F/ 222176	1

▽ - Identifies an assembly

▲ - Identifies parts included in assembly

**Fig. 18 - Scrub Head Frame Group, Model 700C, 700 mm (28 in)**





**Fig. 18 - Scrub Head Frame Group, Model 700C, 700 mm (28 in)**

NOTE: Scrub Head Kit, Tennant Part Number 222015, includes 11, and Fig. 18.

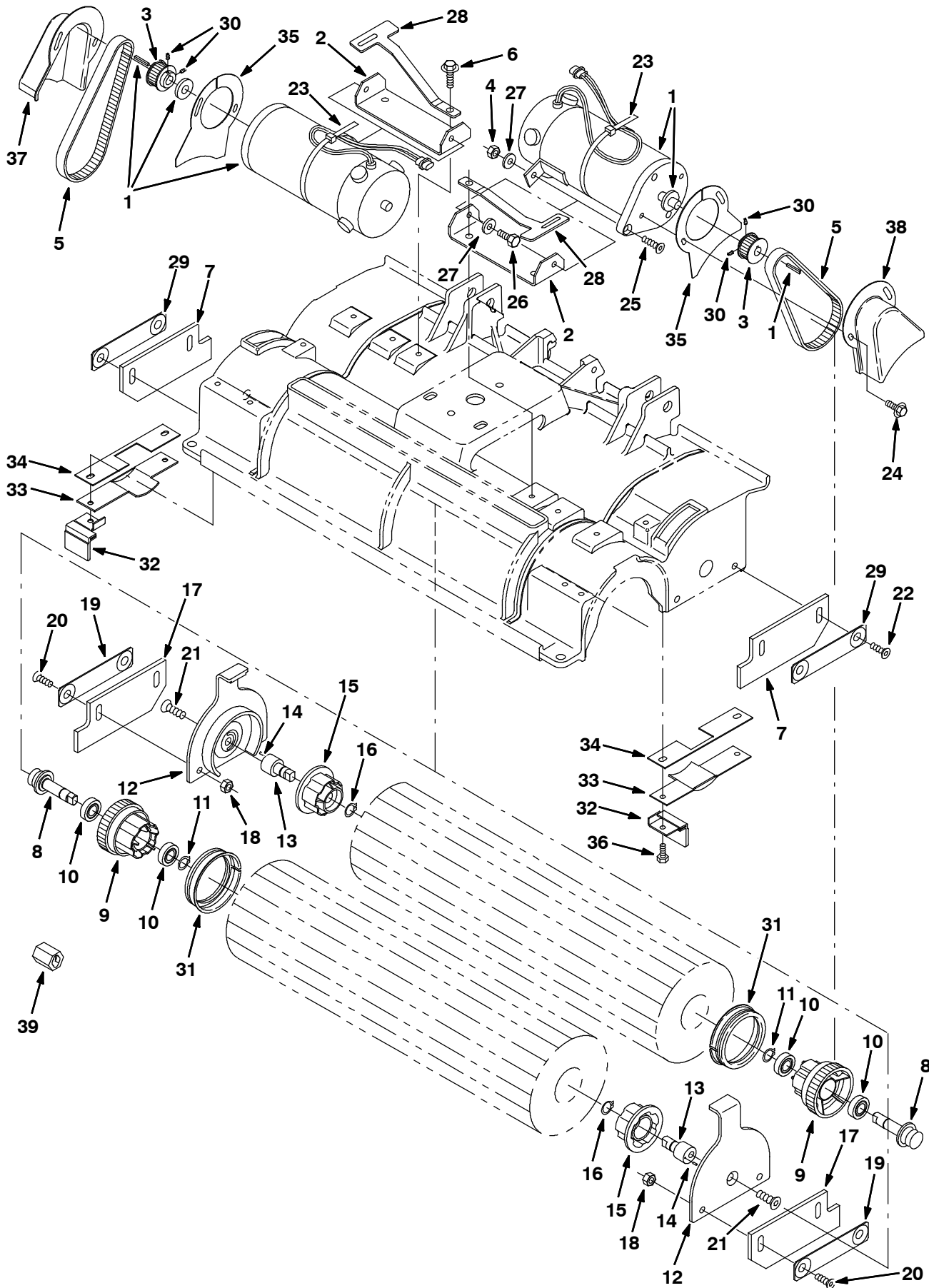
Ref.	Part No.	Serial Number	Description	Qty.	
1	1022254	(10000000-	) Housing, Cyl, Mach, 700mm	1	
2	222835	(10000000-	) Harness, Wire, Cyl Head, Elec	1	
3	49263	(10000000-	) Tie Cable 3.00D Max 11.41Lg	2	
4	1012088	(10000000-	) Bracket, Mtg, Spring	1	
5	32662	(10000000-	) Washer, Flat, 0.38b 1.22d .06, Ss	3	
6	63185	(10000000-	) Spring,Comp,.84Odx.10Wire 2.0L	2	
7	45261	(10000000-	) Sprng,Comp,0.74Idx.11Wire 2.5L	2	
8	59156	(10000000-	) Nut, Hex, Lock, .38- 16, NI, Ss	2	
9	222838	(10000000-	) Bracket, Pivot	1	
10	222207	(10000000-	) Pin, Clevis, 0.31Dia X4.5Lg	1	
11	08346	(10000000-	) Pin, Cotter .125X0.75	2	
12	222363	(10000000-	) Spring, Tension	2	
13	222178	(10000000-	) Roller, Bumper	2	
14	222179	(10000000-	) Bracket, Mounting, Roller	2	
15	222196	(10000000-	) Pin, Roller	2	
16	08346	(10000000-	) Pin, Cotter .125X0.75	2	
▽	222824	(10000000-	) Debris Tray Kit, 28 in	1	
▲	17	9005726	(10000000-	) Tray, Debris, 28.0L, Afmkt [5680/5700]	1
▲	18	222203	(10000000-	) Lip, Debris Tray, 28"	1
▲	19	222669	(10000000-	) Skirt, Debris Tray	1
▲	20	222670	(10000000-	) Strip, Debris Tray	1
▲	21	09007	(10000000-	) Scr- Hexssm6X1.0 25	4
▲	22	01684	(10000000-	) Washer Flt .25 Ss	6
▲	23	74455	(10000000-	) Scr- Hxfmg M6 X 1.0 20	2
▲	24	08708	(10000000-	) Nut, Hex, Lock, M6 X 1.0, NI	4
25	222197	(10000000-	) Pin, Clevis 0.50 Dia X 4.75Lg	1	
26	02942	(10000000-	) Pin,Hair Cotter .12Wire 2.37Sl	1	
27	05720	(10000000-	) Scr- Hexssm10X1.5 40 Full Thd	1	
28	01685	(10000000-	) Washer, Flat, 0.38b 0.88d .08, Ss	3	
29	140148	(10000000-	) Sleeve, P/M, 0.50b 0.63d 1.4l, Stl Pl	2	
30	374006	(10000000-	) Channel	1	
31	9005801	(10000000-	) Cover, Front, Teal, Afmkt, [5680/5700 Cyl]	1	
32	222536	(10000000-	) Fitting- Plastic Tee 06Bm/06Bm/	1	
33	222523	(10000000-	) Bracket, Hose Guide	1	
34	09023	(10000000-	) Screw, Hex, M08 X 1.25 X 35, Ss	2	
35	08713	(10000000-	) Nut, Hex, Lock, M08 X 1.25, NI, Ss	2	
36	374162	(10000000-	) Roller, Rwk	1	
37	51564	(10000000-	) Washer, 0.53b 1.75d .12, Stl, Pl	2	
38	397255	(10000000-	) Spring, Cmpr, 0.85od .08wir 2.0l	2	
39	20178	(10000000-	) Screw, Hex, .38- 16 X 5.50, G5	2	
40	32486	(10000000-	) Washer, Flt .50 SAE	2	
41	39312	(10000000-	) Nut, Hex, Std, M10 X 1.5	1	
42	76099	(10000000-	) Screw, Hex, M8 X 1.25 X 25, Fmg	2	
43	1029426	(10000000-	) Tube, Rnd, 0.40id 0.50od 04.3l, Ss	2	

▽ - Identifies an assembly

▲ - Identifies parts included in assembly

# STANDARD PARTS

Fig. 19 - Scrub Head Drive Group, Model 800C, 800 mm (32 in)



**Fig. 19 - Scrub Head Drive Group, Model 800C, 800 mm (32 in)**

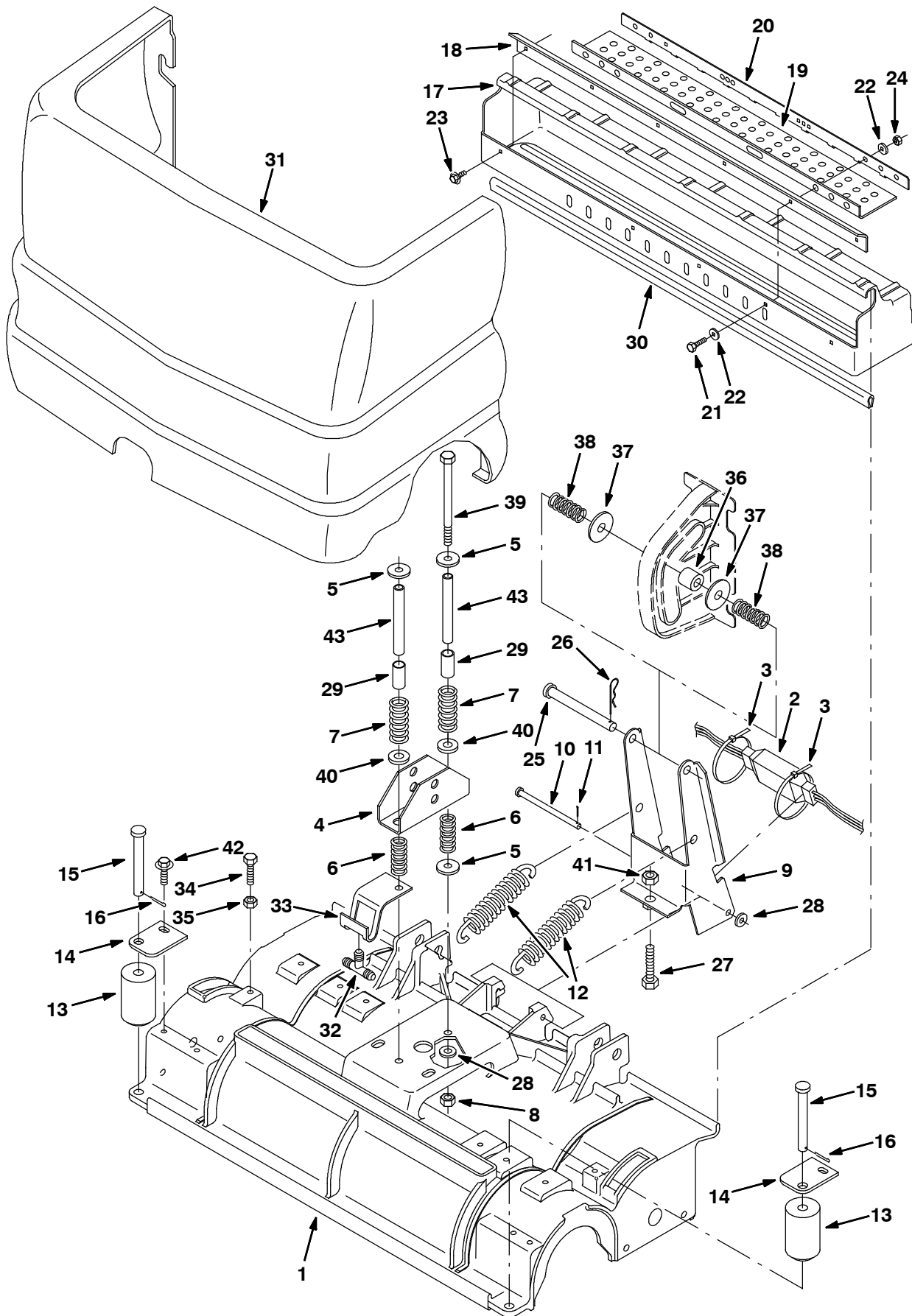
NOTE: Scrub Head Kit, Tennant Part Number 222016, includes Fig. 19, and Fig. 20.

Ref.	Part No.	Serial Number	Description	Qty.	
1	1038426	(10355043-	) Motor, Ele, 36Vdc 1700Rpm 0.75Hp (See Breakdowns)	2	
	375175	(10000000- 10355042	) Motor, Ele, 36Vdc 1700Rpm 0.75Hp (See Breakdowns)	2	
2	223564	(10000000-	) Bracket, Mounting, Motor	2	
3	375195	(10000000-	) Sprocket, Drive	2	
4	08713	(10000000-	) Nut- Hxlocnyln M 8X1.25 Reg Ss	4	
5	377505	(10000000-	) Belt, Replmt, Brush Drive, F/222201	2	
6	76099	(10000000-	) Scr- Hxfmg M8 X 1.25 25	4	
7	222180	(10000000-	) Skirt, Scrub Head	2	
▽	222751	(10000000-	) Plug Drive Assy	2	
▲	8	222176	(10000000-	) Shaft, Drive Plug	1
▲	9	1040931	(10000000-	) Plug, Brush, Drive	1
▲	10	41360	(10000000-	) Bearing- Ball,0.59B 1.26D 0.35W	2
▲	11	01516	(10000000-	) Ring,Retain,Ex,0.59Od,Basic	1
▽	374082	(10000000-	) Door Assy, Brush	2	
▲	12	1044145	(10000000-	) Door, Brush	1
▲▽	222752	(10000000-	) Plug Idler Assy	1	
▲▲	13	222177	(10000000-	) Shaft, Idler Plug	1
▲▲	14	222184	(10000000-	) Pin, Roll	1
▲▲	15	1057629	(10000000-	) Plug, Idler, Brush [Sgl Brg]	1
▲▲	16	01516	(10000000-	) Ring,Retain,Ex,0.59Od,Basic	1
▲	17	222180	(10000000-	) Skirt, Scrub Head	1
▲	18	08713	(10000000-	) Nut- Hxlocnylon M 8X1.25 Reg Ss	2
▲	19	222182	(10000000-	) Bar, Support	1
▲	20	74077	(10000000-	) Scr- Flt M8 X 1.25 25 Ss	2
▲	21	390996	(10000000-	) Scr- Flt M10 X 1.5 20, Ss NI	1
	22	07810	(10000000-	) Scr Flt M8 x 1.25 25	4
	23	44961	(10000000-	) Tie, Cable 4.00D Max 14.50 Lg	2
	24	1034731	(10000000-	) Screw, Hex, M6 X 1.00 X 16, Ss, Sems	4
	25	74077	(10000000-	) Screw, Flat,M 8X1.25 Ss	2
	26	09740	(10000000-	) Scr Hexssm 8X1.25	2
	27	01685	(10000000-	) Washer, Flat, 0.38b 0.88d .08, Ss	6
	28	222209	(10000000-	) Spring, Door	2
	29	222182	(10000000-	) Bar, Support	2
	30	222818	(10000000-	) Scr- Set 8- 32 X .25 Nylon Loc	4
	31	222820	(10000000-	) Seal, Ring	2
	32	223568	(10000000-	) Skirt, Deflector	2
	33	223566	(10000000-	) Bracket, Shield	2
	34	223569	(10000000-	) Gasket, Shield	2
	35	223563	(10000000-	) Shield, Belt	2
	36	15675	(10000000-	) Screw, Hex, M8 X 1.25 X 16, Ss	4
	37	223560	(10000000-	) Guard, Belt, Rh	1
	38	223561	(10000000-	) Guard, Belt, Lh	1
	39	1010506	(10000000-	) Tool, Removal, Shaft, F/ 222176	1

▽ - Identifies an assembly

▲ - Identifies parts included in assembly

**Fig. 20 - Scrub Head Frame Group, Model 800C, 800 mm (32 in)**



**Fig. 20 - Scrub Head Frame Group, Model 800C, 800 mm (32 in)**

NOTE: Scrub Head Kit, Tennant Part Number 222016, includes Fig. 19, and Fig. 20.

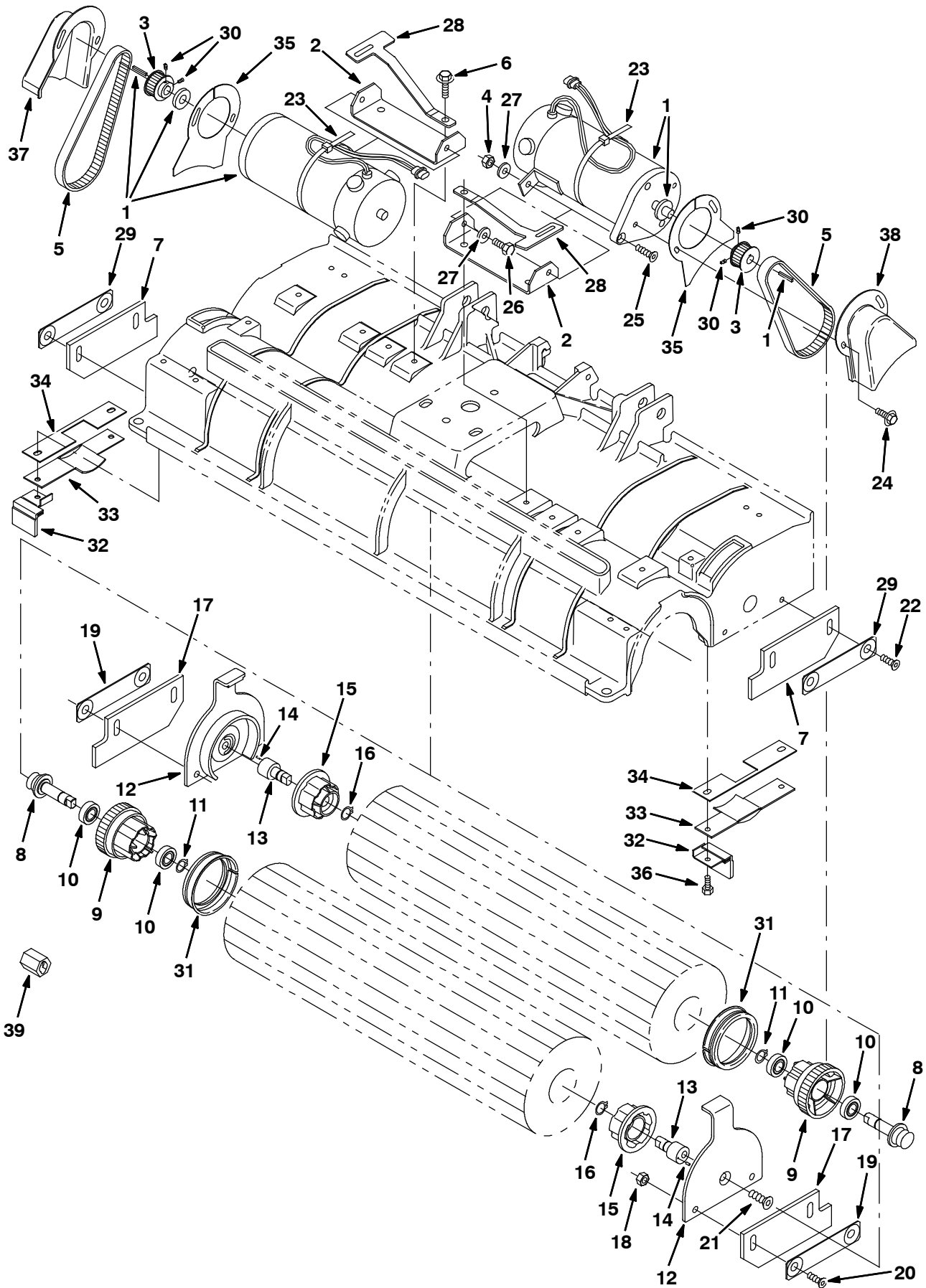
Ref.	Part No.	Serial Number	Description	Qty.	
1	1022253	(10000000-	) Housing, Cyl, Mach, 800mm	1	
2	222835	(10000000-	) Harness, Wire, Cyl Head, Elec	1	
3	49263	(10000000-	) Tie Cable 3.00D Max 11.41Lg	2	
4	1012088	(10000000-	) Bracket, Mtg, Spring	1	
5	32662	(10000000-	) Washer, Flat, 0.38b 1.22d .06, Ss	3	
6	63185	(10000000-	) Spring, Comp, .84Odx.10Wire 2.0L	2	
7	45261	(10000000-	) Sprng, Comp, 0.74Idx.11Wire 2.5L	2	
8	59156	(10000000-	) Nut, Hex, Lock, .38- 16, NI, Ss	2	
9	222838	(10000000-	) Bracket, Pivot	1	
10	222207	(10000000-	) Pin, Clevis, 0.31Dia X4.5Lg	1	
11	08346	(10000000-	) Pin, Cotter .125X0.75	2	
12	222363	(10000000-	) Spring, Tension	2	
13	222178	(10000000-	) Roller, Bumper	2	
14	222179	(10000000-	) Bracket, Mounting, Roller	2	
15	222196	(10000000-	) Pin, Roller	2	
16	08346	(10000000-	) Pin, Cotter .125X0.75	2	
▽	222825	(10000000-	) Debris Tray Kit, 32 in	1	
▲	17	9005727	(10000000-	) Tray, Debris, 32.0L, Afmkt, [5680/5700]	1
▲	18	222204	(10000000-	) Lip, Debris Tray 32"	1
▲	19	222669	(10000000-	) Skirt, Debris Tray	1
▲	20	222670	(10000000-	) Strip, Debris Tray	1
▲	21	09007	(10000000-	) Scr- Hexssm6X1.0 25	4
▲	22	01684	(10000000-	) Washer Flt .25 Ss	6
▲	23	74455	(10000000-	) Scr- Hxfmg M6 X 1.0 20	2
▲	24	08708	(10000000-	) Nut, Hex, Lock, M6 X 1.0, NI	4
25	222197	(10000000-	) Pin, Clevis 0.50 Dia X 4.75Lg	1	
26	02942	(10000000-	) Pin, Hair Cotter .12Wire 2.37Sl	1	
27	05720	(10000000-	) Scr- Hexssm10X1.5 40 Full Thd	1	
28	01685	(10000000-	) Washer, Flat, 0.38b 0.88d .08, Ss	3	
29	140148	(10000000-	) Sleeve, P/M, 0.50b 0.63d 1.4l, Stl Pl	2	
30	374007	(10000000-	) Channel	1	
31	9005801	(10000000-	) Cover, Front, Teal, Afmkt, [5680/5700 Cyl]	1	
32	222536	(10000000-	) Fitting- Plastic Tee 06Bm/06Bm/	1	
33	222523	(10000000-	) Bracket, Hose Guide	1	
34	09023	(10000000-	) Screw, Hex, M08 X 1.25 X 35, Ss	2	
35	08713	(10000000-	) Nut, Hex, Lock, M08 X 1.25, NI, Ss	2	
36	374162	(10000000-	) Roller, Rwk	1	
37	51564	(10000000-	) Washer, 0.53b 1.75d .12, Stl, Pl	2	
38	397255	(10000000-	) Spring, Cmpr, 0.85od .08wir 2.0l	2	
39	20178	(10000000-	) Screw, Hex, .38- 16 X 5.50, G5	2	
40	32486	(10000000-	) Washer, Flt .50 SAE	2	
41	39312	(10000000-	) Nut, Hex, Std, M10 X 1.5	1	
42	76099	(10000000-	) Screw, Hex, M8 X 1.25 X 25, Fmg	2	
43	1029426	(10000000-	) Tube, Rnd, 0.40id 0.50od 04.3l, Ss	2	

▽ - Identifies an assembly

▲ - Identifies parts included in assembly

# STANDARD PARTS

Fig. 21 - Scrub Head Drive Group, Model 900C, 900 mm (36 in)



**Fig. 21 - Scrub Head Drive Group, Model 900C, 900 mm (36 in)**

NOTE: Scrub Head Kit, Tennant Part Number 222017, includes Fig. 21, and Fig. 22.

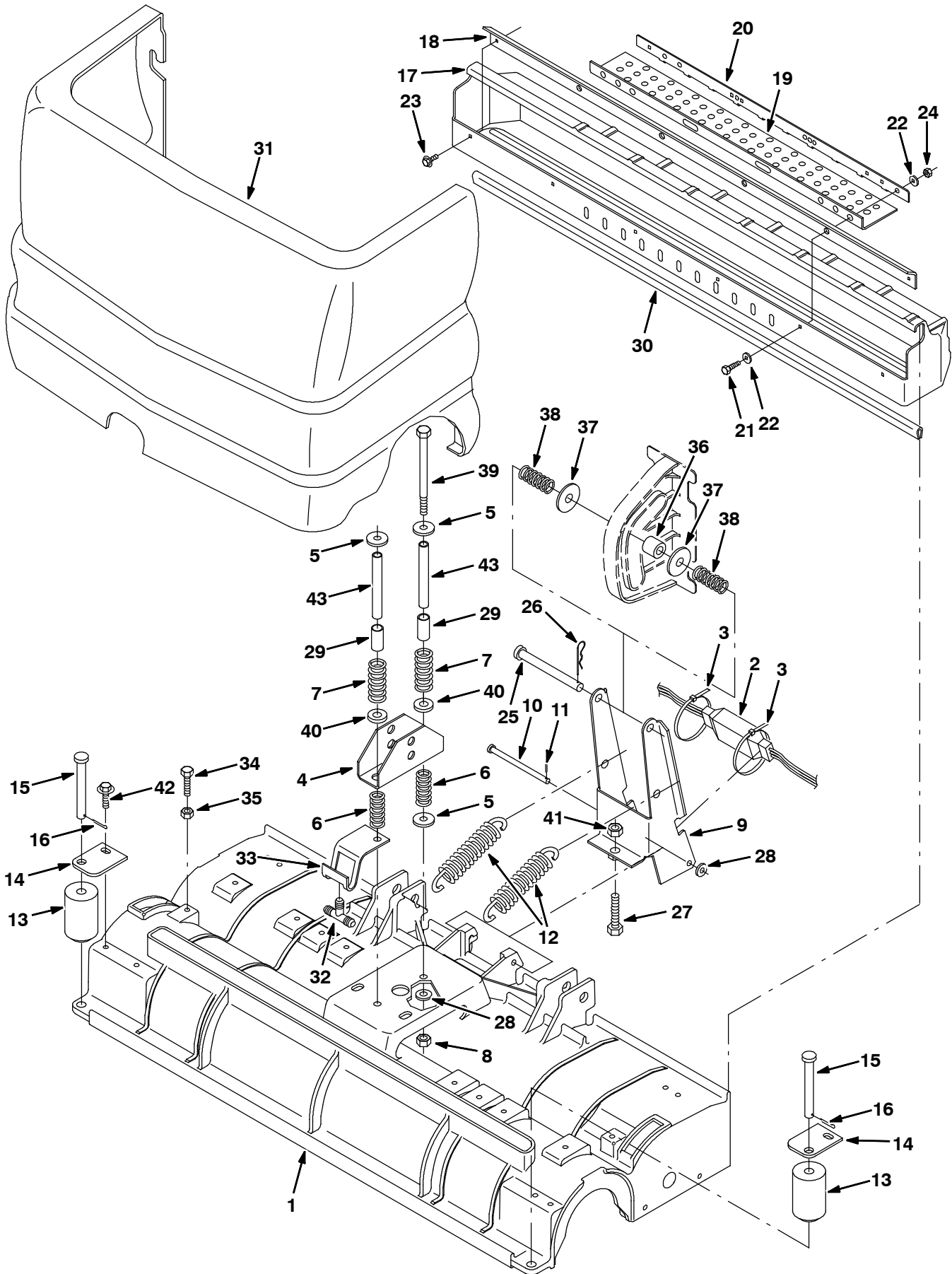
Ref.	Part No.	Serial Number	Description	Qty.	
1	1038426	(10355043-	) Motor, Ele, 36Vdc 1700Rpm 0.75Hp (See Breakdowns)	2	
	375175	(10000000- 10355042	) Motor, Ele, 36Vdc 1700Rpm 0.75Hp (See Breakdowns)	2	
2	223564	(10000000-	) Bracket, Mounting, Motor	2	
3	375195	(10000000-	) Sprocket, Drive	2	
4	08713	(10000000-	) Nut- Hxlocnyln M 8X1.25 Reg Ss	4	
5	377505	(10000000-	) Belt, Replmt, Brush Drive, F/222201	2	
6	76099	(10000000-	) Scr- Hxfmg M8 X 1.25 25	4	
7	222180	(10000000-	) Skirt, Scrub Head	2	
▽	222751	(10000000-	) Plug Drive Assy	2	
▲	8	222176	(10000000-	) Shaft, Drive Plug	1
▲	9	1040931	(10000000-	) Plug, Drive, Brush	1
▲	10	41360	(10000000-	) Bearing- Ball,0.59B 1.26D 0.35W	2
▲	11	01516	(10000000-	) Ring,Retain,Ex,0.59Od,Basic	1
▽	374082	(10000000-	) Door Assy, Brush	2	
▲	12	1044145	(10000000-	) Door, Brush	1
▲▽	222752	(10000000-	) Plug Idler Assy	1	
▲▲	13	222177	(10000000-	) Shaft, Idler Plug	1
▲▲	14	222184	(10000000-	) Pin, Roll	1
▲▲	15	1057629	(10000000-	) Plug, Idler, Brush [Sgl Brg]	1
▲▲	16	01516	(10000000-	) Ring,Retain,Ex,0.59Od,Basic	1
▲	17	222180	(10000000-	) Skirt, Scrub Head	1
▲	18	08713	(10000000-	) Nut- Hxlocnylon M 8X1.25 Reg Ss	2
▲	19	222182	(10000000-	) Bar, Support	1
▲	20	74077	(10000000-	) Scr- Flt M8 X 1.25 25 Ss	2
▲	21	390996	(10000000-	) Scr- Flt M10 X 1.5 20, Ss NI	1
	22	07810	(10000000-	) Scr Flt M8 x 1.25 25	4
	23	44961	(10000000-	) Tie, Cable 4.00D Max 14.50 Lg	2
	24	1034731	(10000000-	) Screw, Hex, M6 X 1.00 X 16, Ss, Sems	4
	25	74077	(10000000-	) Screw, Flat,M 8X1.25 Ss	2
	26	09740	(10000000-	) Scr Hexssm 8X1.25	2
	27	01685	(10000000-	) Washer, Flat, 0.38b 0.88d .08, Ss	6
	28	222209	(10000000-	) Spring, Door	2
	29	222182	(10000000-	) Bar, Support	2
	30	222818	(10000000-	) Scr- Set 8- 32 X .25 Nylon Loc	4
	31	222820	(10000000-	) Seal, Ring	2
	32	223568	(10000000-	) Skirt, Deflector	2
	33	223566	(10000000-	) Bracket, Shield	2
	34	223569	(10000000-	) Gasket, Shield	2
	35	223563	(10000000-	) Shield, Belt	2
	36	15675	(10000000-	) Screw, Hex, M8 X 1.25 X 16, Ss	4
	37	223560	(10000000-	) Guard, Belt, Rh	1
	38	223561	(10000000-	) Guard, Belt, Lh	1
	39	1010506	(10000000-	) Tool, Removal, Shaft, F/ 222176	1

▽ - Identifies an assembly

▲ - Identifies parts included in assembly

# STANDARD PARTS

Fig. 22 - Scrub Head Frame Group, Model 900C, 900 mm (36 in)





**Fig. 22 - Scrub Head Frame Group, Model 900C, 900 mm (36 in)**

NOTE: Scrub Head Kit, Tennant Part Number 222017, includes Fig. 21, and Fig. 22.

Ref.	Part No.	Serial Number	Description	Qty.	
1	1022252	(10000000-	) Housing, Cyl, Mach, 900mm	1	
2	222835	(10000000-	) Harness, Wire, Cyl Head, Elec	1	
3	49263	(10000000-	) Tie Cable 3.00D Max 11.41Lg	2	
4	1012088	(10000000-	) Bracket, Mtg, Spring	1	
5	32662	(10000000-	) Washer, Flat, 0.38b 1.22d .06, Ss	3	
6	63185	(10000000-	) Spring, Comp, .84Odx.10Wire 2.0L	2	
7	45261	(10000000-	) Sprng, Comp, 0.74Idx.11Wire 2.5L	2	
8	59156	(10000000-	) Nut, Hex, Lock, .38- 16, NI, Ss	2	
9	222838	(10000000-	) Bracket, Pivot	1	
10	222207	(10000000-	) Pin, Clevis, 0.31Dia X4.5Lg	1	
11	08346	(10000000-	) Pin, Cotter .125X0.75	2	
12	222363	(10000000-	) Spring, Tension	2	
13	222178	(10000000-	) Roller, Bumper	2	
14	222179	(10000000-	) Bracket, Mounting, Roller	2	
15	222196	(10000000-	) Pin, Roller	2	
16	08346	(10000000-	) Pin, Cotter .125X0.75	2	
▽	222826	(10000000-	) Debris Tray Kit, 36 in	1	
▲	17	9005728	(10000000-	) Tray, Debris, 36.0L, Afmkt [5680/5700]	1
▲	18	222205	(10000000-	) Lip, Debris Tray, 36	1
▲	19	222669	(10000000-	) Skirt, Debris Tray	1
▲	20	222670	(10000000-	) Strip, Debris Tray	1
▲	21	09007	(10000000-	) Scr- Hexssm6X1.0 25	4
▲	22	01684	(10000000-	) Washer Flt .25 Ss	6
▲	23	74455	(10000000-	) Scr- Hxfmg M6 X 1.0 20	2
▲	24	08708	(10000000-	) Nut, Hex, Lock, M6 X 1.0, NI	4
	25	222197	(10000000-	) Pin, Clevis 0.50 Dia X 4.75Lg	1
	26	02942	(10000000-	) Pin, Hair Cotter .12Wire 2.37Sl	1
	27	05720	(10000000-	) Scr- Hexssm10X1.5 40 Full Thd	1
	28	01685	(10000000-	) Washer, Flat, 0.38b 0.88d .08, Ss	3
	29	140148	(10000000-	) Sleeve, P/M, 0.50b 0.63d 1.4l, Stl Pl	2
	30	374008	(10000000-	) Channel	1
	31	9005801	(10000000-	) Cover, Front, Teal, Afmkt, [5680/5700 Cyl]	1
	32	222536	(10000000-	) Fitting- Plastic Tee 06Bm/06Bm/	1
	33	222523	(10000000-	) Bracket, Hose Guide	1
	34	09023	(10000000-	) Screw, Hex, M08 X 1.25 X 35, Ss	2
	35	08713	(10000000-	) Nut, Hex, Lock, M08 X 1.25, NI, Ss	2
	36	374162	(10000000-	) Roller, Rwk	1
	37	51564	(10000000-	) Washer, 0.53b 1.75d .12, Stl, Pl	2
	38	397255	(10000000-	) Spring, Cmpr, 0.85od .08wir 2.0l	2
	39	20178	(10000000-	) Screw, Hex, .38- 16 X 5.50, G5	2
	40	32486	(10000000-	) Washer, Flt .50 SAE	2
	41	39312	(10000000-	) Nut, Hex, Std, M10 X 1.5	1
	42	76099	(10000000-	) Screw, Hex, M8 X 1.25 X 25, Fmg	2
	43	1029426	(10000000-	) Tube, Rnd, 0.40id 0.50od 04.3l, Ss	2

▽ - Identifies an assembly

▲ - Identifies parts included in assembly

Fig. 23 - Recovery Tank Group

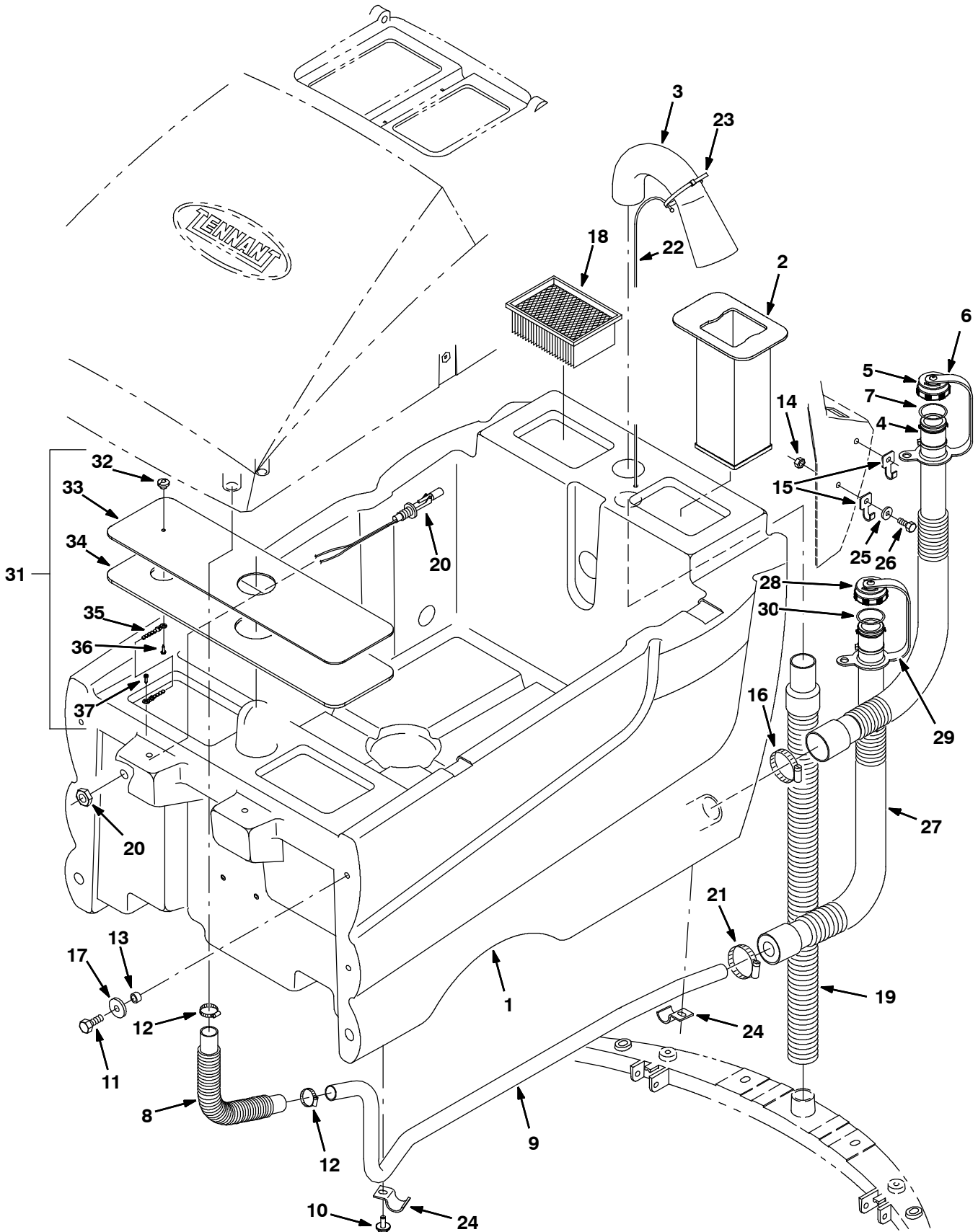


Fig. 23 - Recovery Tank Group

Ref.	Part No.	Serial Number	Description	Qty.
	1	398440	(10000000- ) Tank, Recovery	1
	2	1042996	(10000000- ) Screen, Debris, [5680/5700] (Optional)	1
	3	222361	(10000000- ) Hose, Inlet Recovery Tank	1
▽	4	1011168	(10000000- ) Hose, Assembly, Drain, 25.7	1
▲▽	5	1008639	(10000000- ) Cap, Drain Assembly	1
▲▲	6	1019563	(10000000- ) Strap, Drain Cap	1
▲▲	7	1008637	(10000000- ) O Ring, 1.48" Id, 1.76" Od	1
	8	222194	(10000000- ) Hose, Drain, Flex	1
	9	222151	(10000000- ) Tube, Drain	1
	10	1020341	(10000000- ) Screw, Hex, M8 X 1.25 X 20, Ss, Sems	2
	11	12273	(10000000- ) Screw, Hex, M 8 X 1.25 X 20, Ss, NI	4
	12	11399	(10000000- ) Clamp- Wormdrive, 0.81- 1.50D	2
	13	222516	(10000000- ) Sleeve, P/M, 0.496d 0.318b 0.31l 430ss	4
	14	08713	(10000000- ) Nut- Hxlocnyln M 8X1.25 Reg Ss	2
	15	222793	(10000000- ) Clip, Hose, Hanger	2
	16	22297	(10000000- ) Clamp- Wormdrive, 1.56- 2.50d, .50w	1
	17	30013	(10000000- ) Washer, Flat, .31 Fender	4
	18	1037821	(10000000- ) Filter, Panl, Dust, 2.3 X 04.5 X 06.4	1
	19	374060	(10000000- ) Hose & Cuff Assy, Vacuum 1.51D 32L	1
	20	222822	(10000000- ) Switch, Float	1
	21	11531	(10000000- ) Clamp, Hose, Wormdrive, 1.06- 2.00d	1
	22	222667	(10000000- ) Cable Assy, Hose Retainer	1
	23	49263	(10000000- ) Tie, Cable 3.00D Max 11.41Lg	1
	24	69234	(10000000- ) Clamp, Cable, 1.00D 0.62W Stl	2
	25	01685	(10000000- ) Washer, Flat, 0.38b 0.88d .08, Ss	2
	26	15675	(10000000- ) Scr Hexssm 8X1.25	2
▽	27	1011167	(10000000- ) Hose, Assembly, Drain, 26.7	1
▲▽	28	1008639	(10000000- ) Cap, Drain Assembly	1
▲▲	29	1019563	(10000000- ) Strap, Drain Cap	1
▲▲	30	1008637	(10000000- ) O Ring, 1.48" Id, 1.76" Od	1
▽	31	9008164	(10000000- ) Cover Kit, Recvy Tank, Retro[5680/5700]	1
▲	32	240239	(10480874- ) Knob, Rnd, 0.75d 0.50l, 10- 24 Fem	1
▲	33	1062741	(10480874- ) Cover, Tank, Recvy [5680/5700]	1
▲	34	1062846	(10480874- ) Gasket, Cover [5680/5700]	1
▲	35	621443	(10480874- ) Chain, Ball, 10, 0157mml, Ss	1
▲	36	605975	(10480874- ) Screw, Trs, Phl, 10- 24 X 0.50, Sems, Ss	1
▲	37	222267	(10480874- ) Screw, Pan, Phl, 06- 20 X 0.50, Fmg/Ab	1

▽ - Identifies an assembly

▲ - Identifies parts included in assembly

Fig. 24 - Solution Tank Group

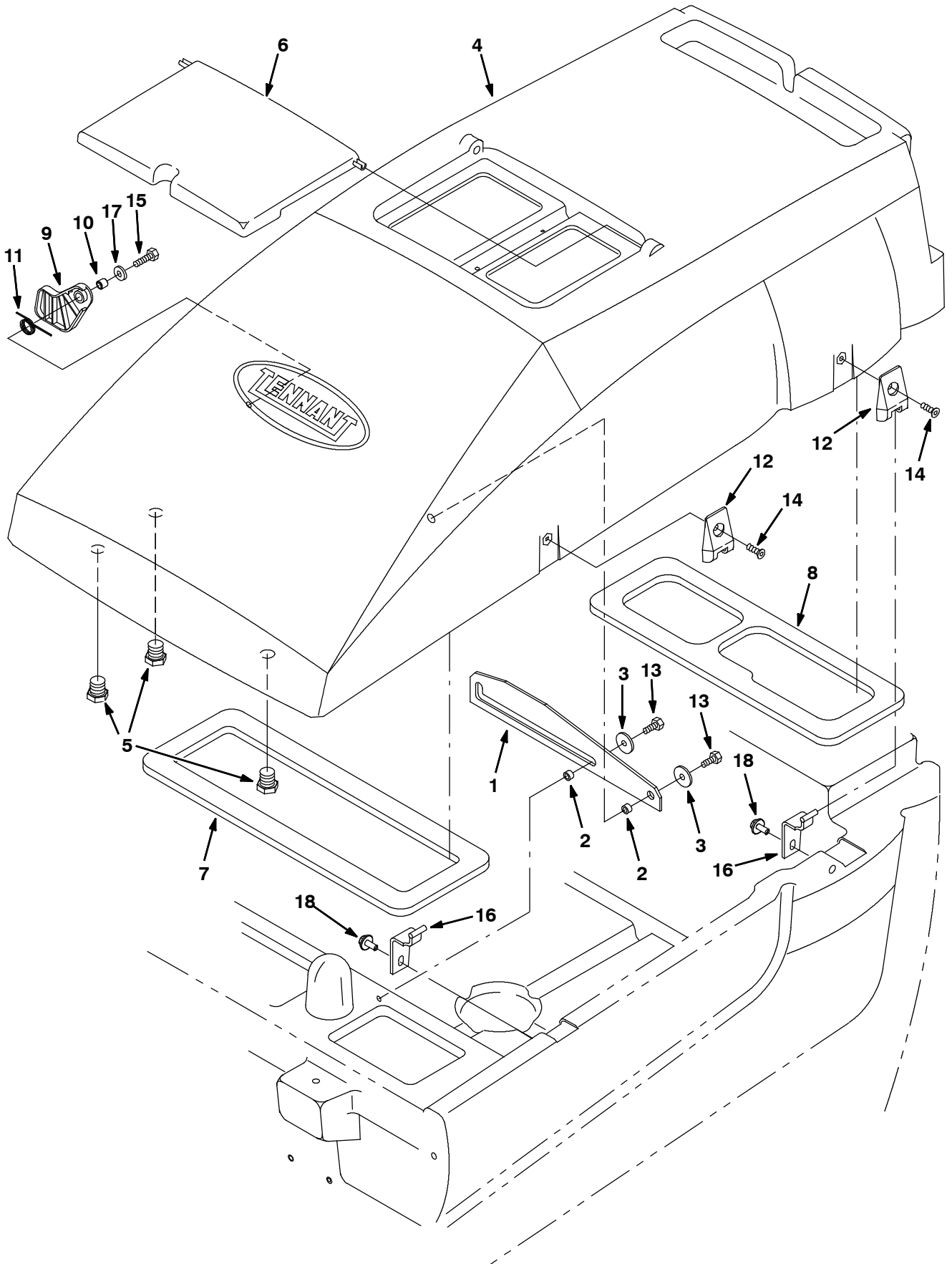
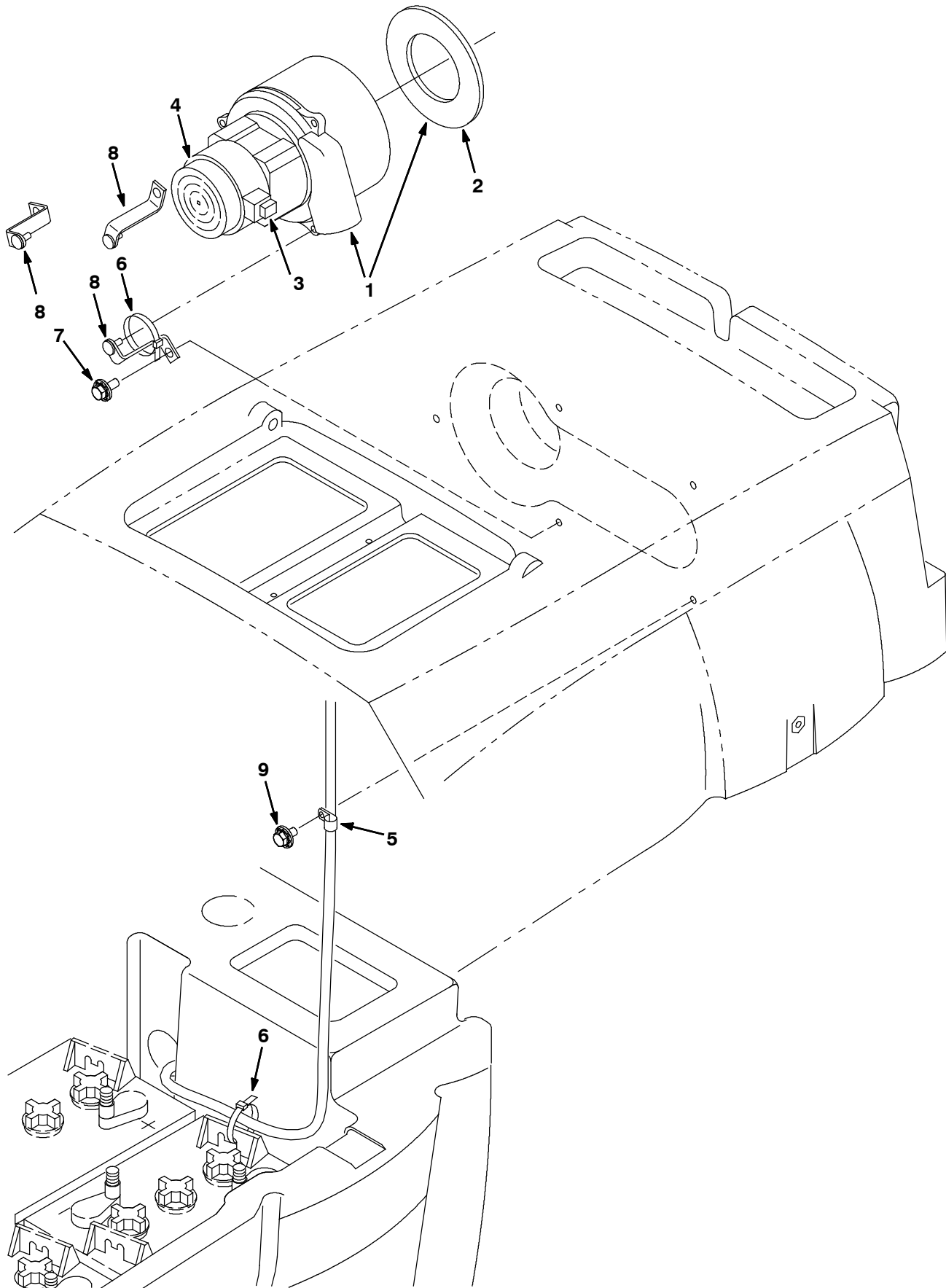


Fig. 24 - Solution Tank Group

Ref.	Part No.	Serial Number	Description	Qty.
1	397705	(10000000-	) Bracket, Prop Arm	1
2	222516	(10000000-	) Sleeve, .318B .496D .312 Ss	2
3	30013	(10000000-	) Washer- Flt .31 Fender Pltd	2
4	398430	(10000000-	) Tank, Solution	1
5	75611	(10000000-	) Ftg- Plug Npt 12Pm Rd Hd Plstc.	3
6	222712	(10000000-	) Cover, Solution Tank, w/Label	1
7	222120	(10000000-	) Gasket, Tank, Front	1
8	222121	(10000000-	) Gasket, Tank, Rear	1
9	222406	(10000000-	) Stop, Tank	1
10	222460	(10000000-	) Sleeve	1
11	222462	(10000000-	) Spring, Torsion	1
12	1050554	(10000000-	) Hinge, Leaf [T7, 5680/5700]	2
13	09740	(10000000-	) Scr- Hexssm 8X1.25 20	2
14	222463	(10000000-	) Scr- Flt M 8X1.25 20 Blk Nyloc	2
15	12333	(10000000-	) Scr- Hexssm 8X1.25 25 NylInloc	1
16	398485	(10000000-	) Hinge Wldt, Leaf	2
17	01685	(10000000-	) Washer, Flat, 0.38b 0.88d .08, Ss	1
18	1020341	(10000000-	) Screw, Hex, M8 X 1.25 X 20, Ss, Sems	2

Fig. 25 - Vacuum Fan Group



**Fig. 25 - Vacuum Fan Group**

	<b>Ref.</b>	<b>Part No.</b>	<b>Serial Number</b>	<b>Description</b>	<b>Qty.</b>
▽	1	9004054	(10355629-	) Motor Kit, Vacuum, Replmt	1
▲	2	223264	(10000000-	) Seal, Vac Fan	1
	3	1041772	(10355629-	) Brush Kit, Motor, Fan [1 Kit = 2 Brsh]	1
	4	1041766	(10355629-	) Cover, Cooling Fan	1
▽	1	398520	(10000000-10355628)	) Fan Assy, Vacuum, 5.7D, 036Vdc, 3 Stage	1
▲	2	223264	(10000000-	) Seal, Vac Fan	1
	3	398513	(10000000-10355628)	) Brush Kit, Motor, Fan [1 Kit = 2 Brsh]	1
	4	398511	(10000000-10355628)	) Housing	1
	3	222122	(10000000-	) Bracket, Mounting, Vac Fan	3
	4	15675	(10000000-	) Scr Hexssm 8X1.25 16	1
	5	40678	(10000000-	) Clamp- Cable, 0.44D 0.62W	1
	6	49266	(10000000-	) Tie, Cable 1.75D Max 7.50Lg	2
	7	1020341	(10000000-	) Screw, Hex, M8 X 1.25 X 20, Ss, Sems	3
	8	222122	(10000000-	) Bracket, Mounting, Vac Fan	3
	9	1072823	(10000000-	) Screw, Hex, M8 X 1.25 X 16, Ss, Sems	1

▽ - Identifies an assembly

▲ - Identifies parts included in assembly

Fig. 26 - Solution Control Group

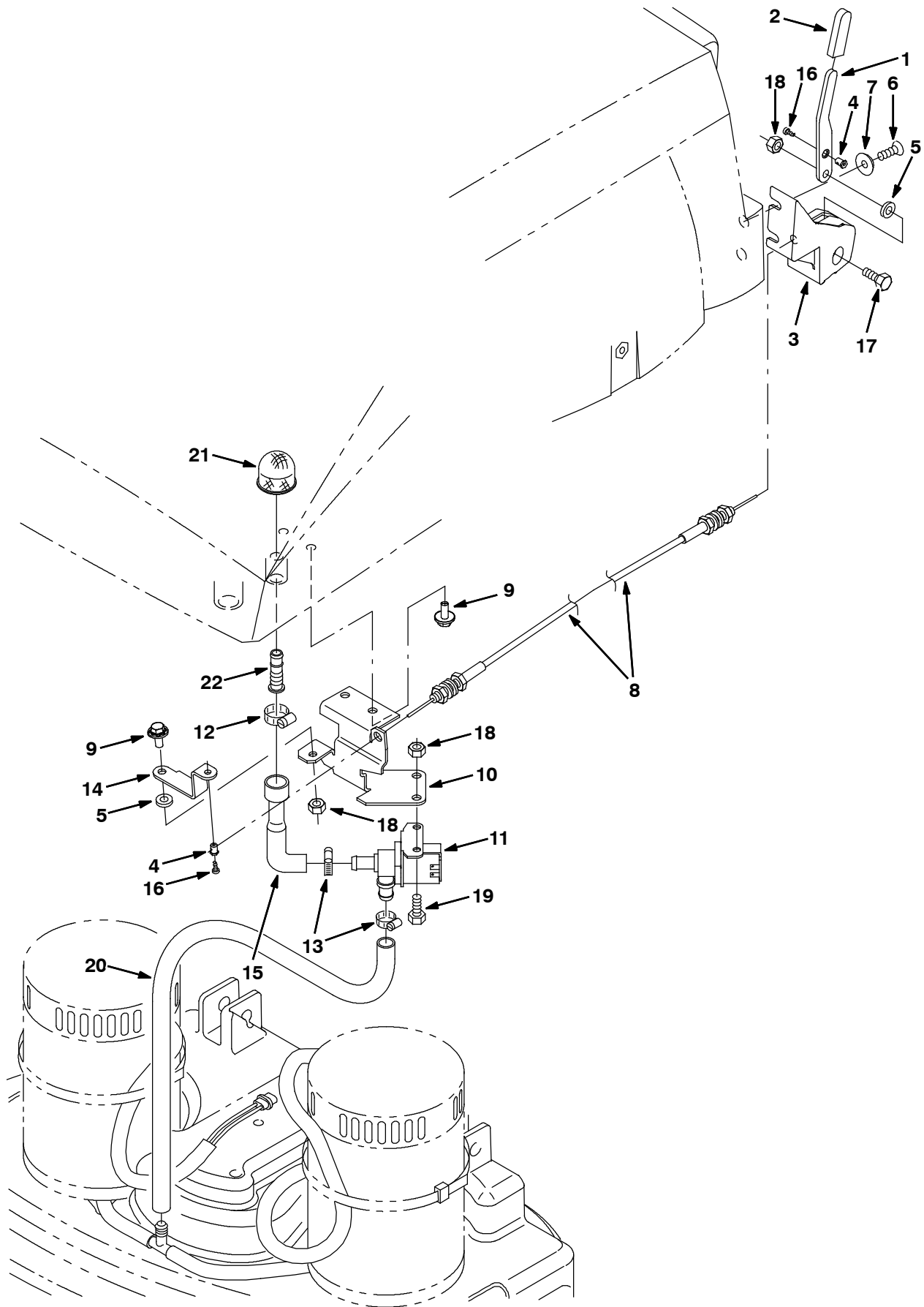




Fig. 26 - Solution Control Group

Ref.	Part No.	Serial Number	Description	Qty.
1	222185	(10000000-	) Lever, Control	1
2	222190	(10000000-	) Grip, Handle	1
3	222186	(10000000-	) Housing, Control Lever	1
4	43242	(10000000-	) Swivel	2
5	43454	(10000000-	) Washer, .344B .69D .06Nylon	2
6	15675	(10000000-	) Screw, Hex, M8 X 1.25 X 16, Ss	2
7	01685	(10000000-	) Washer, Flat, 0.38b 0.88d .08, Ss	2
8	222188	(10000000-	) Cable Assy, Water	1
9	1020341	(10000000-	) Screw, Hex, M8 X 1.25 X 20, Ss, Sems	3
10	397787	(10000000-	) Bracket, Mtg, Valve	1
11	1062393	(10000000-	) Valve, Water, Solenoid, 36vdc Bm10/Bm10	1
12	63810	(10000000-	) Clamp, Hose, Wormdrive, 0.56- 1.06d, .56w	1
13	54333	(10000000-	) Clamp- Wormdrive, 0.31- 0.88D	2
14	222097	(10000000-	) Lever, Valve	1
15	397777	(10000000-	) Hose, Rbr, E90, .62ld 0.81ld	1
16	32515	(10000000-	) Screw, Pan, #08 - 32 X 0.38	2
17	09011	(10000000-	) Screw, Hex, M8 X 1.25 X 30, Ss	1
18	08713	(10000000-	) Nut- Hxlocnyln M 8X1.25 Reg Ss	4
19	09740	(10000000-	) Scr- Hexssm 8X1.25 20	1
20	1024237	(10000000-	) Hose, Afmkt, Pvc, Wir, 0.50id, 03ft, Clr	1
21	222742	(10000000-	) Screen, Drain	1
22	222728	(10000000-	) Ftg Str Plastic	1

Fig. 27 - Battery Group

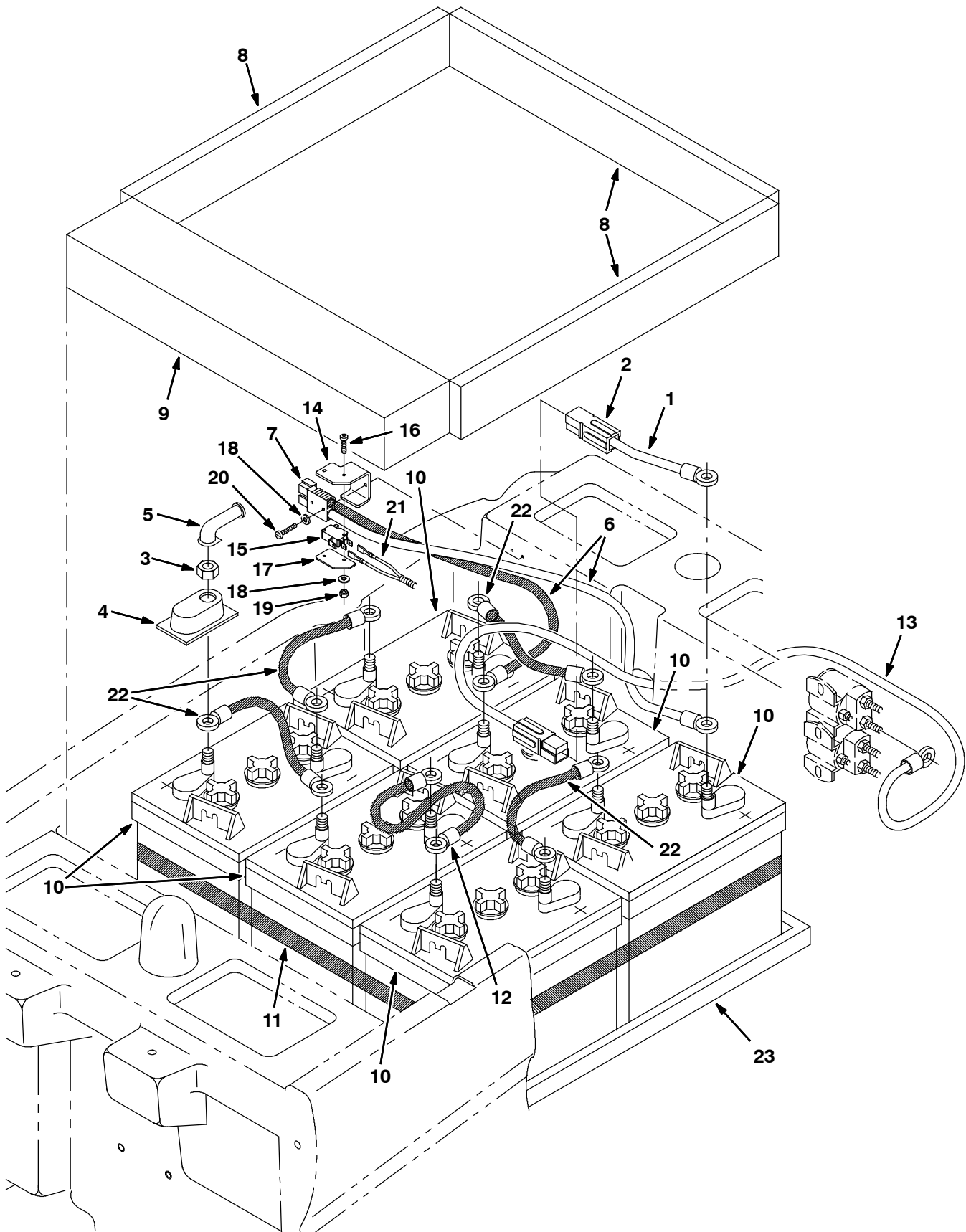


Fig. 27 - Battery Group

	Ref.	Part No.	Serial Number	Description	Qty.
▽	1	397908	(10000000-	) Wire Assy, Cable, 4ga, Red	1
▲▽	2	1056046	(10000000-	) Connector Assy, Anderson Pp120 W/ Cont (NLA - No Longer Available)	1
▲▲		1020446	(10000000-	) Connector, Anderson, 1321 Series	1
▲▲		1020447	(10000000-	) Terminal, Contact, Anderson, 1319g4, 4ga	1
	3	87435	(10000000-	) Nut, Hex, Flexlock, .31- 18	12
	4	45962	(10000000-	) Cap, Plstc, .04 1.38 x 2.30 0.5L (Standard - Tall Clear)	12
	4	1041030	(10000000-	) Cap, Battery (Optional - Short Black)	12
	5	02076	(10000000-	) Boot, 90Deg .50D .57X .84	12
▽	6	222217	(10000000-	) Harness, Cable, Battery	1
▲	7	130155	(10000000-	) Connector, Battery, 6Ga 50A, Gray[2 Cont]	1
▽		222778	(10000000-	) Battery Kit 36V 235Ah Wet	1
▲	8	222473	(10000000-	) Spacer, Battery .62X1.5X21.0	3
▲	9	222474	(10000000-	) Spacer, Battery 3.0X4.3X21.0	1
▲	10	222280	(10000000-	) Battery, 6V, Res Cap: 129 Wet	6
	11	222682	(10000000-	) Strap, Poly, Webbing, 100" L	1
	12	63735	(10000000-	) Cable Assy- Lead, 11.0, 6Ga	1
	13	397907	(10000000-	) Wire Assy, Cable, 4ga, Red	1
▽		9002011	(10000000-	) Charging Kit, Ci [Interlock, 5700xp]	1
▲	14	1028907	(10000000-	) Bracket, Connector [5700xp]	1
▲	15	611006	(10000000-	) Switch Kit, Rlr, Replmt	1
▲	16	06922	(10000000-	) Screw, Pan, M3 X 0.50 X 20, 4.8	2
▲	17	1030332	(10000000-	) Plate, Switch, Guard	1
▲	18	01757	(10000000-	) Washer, Lock, Int, M3, Ss	4
▲	19	01754	(10000000-	) Nut, Hex, Std, M3 X 0.50, 8	2
▲	20	06923	(10000000-	) Screw, Pan, M3 X 0.50 X 25, 4.8	2
▲	21	1029442	(10000000-	) Harness, Adapter [Interlock]	1
	22	63735	(10000000-	) Cable Assy- Lead, 11.0, 6Ga	4
	23	1057853	(10486126-	) Tray, Battery, [5680/5700]	1

▽ - Identifies an assembly

▲ - Identifies parts included in assembly

Fig. 28 - Steering Control Group

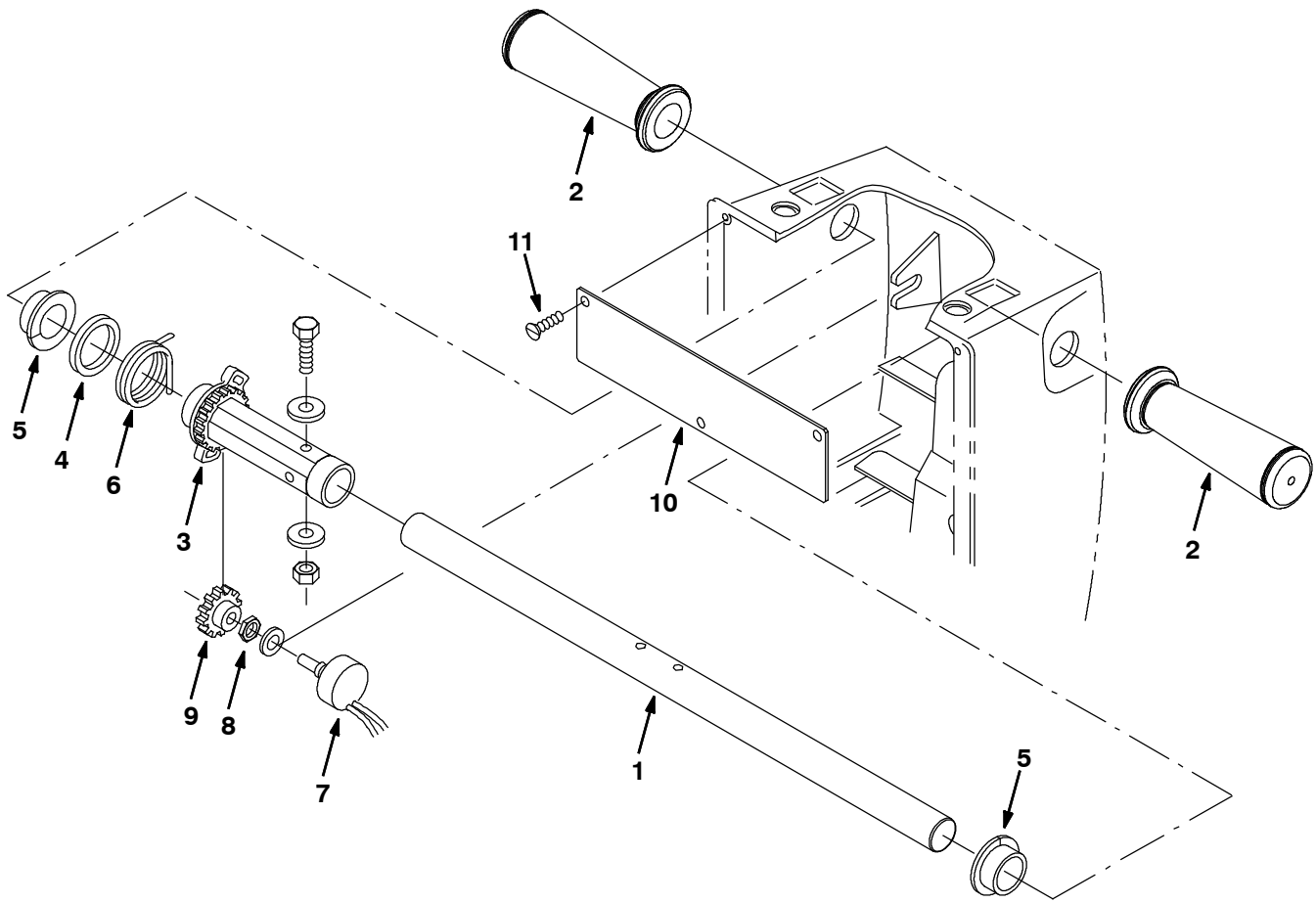


Fig. 28 - Steering Control Group

Ref.	Part No.	Serial Number	Description	Qty.
1	222740	(10000000-	) Handle, Speed Control	1
2	1066506	(10000000-	) Grip, Handle, Rnd	1
3	222079	(10000000-	) Gear, Speed Control	1
4	222501	(10000000-	) Washer, Spacer, Speed Control	1
5	49514	(10000000-	) Bearing, Snap .875 Bore	2
6	222081	(10000000-	) Spring, Torsion Centering	1
7	222211	(10000000-	) Potentiometer Assy, Electronic	1
8	222607	(10000000-	) Nut- Hx Thin .38- 32	1
9	27974	(10000000-	) Gear, 28 T. 24P	1
10	222083	(10000000-	) Plate, Shield	1
11	222465	(10000000-	) Scr- Flt M3x0.5 6 SS18- 8	2

Fig. 29 - Operator Console Group

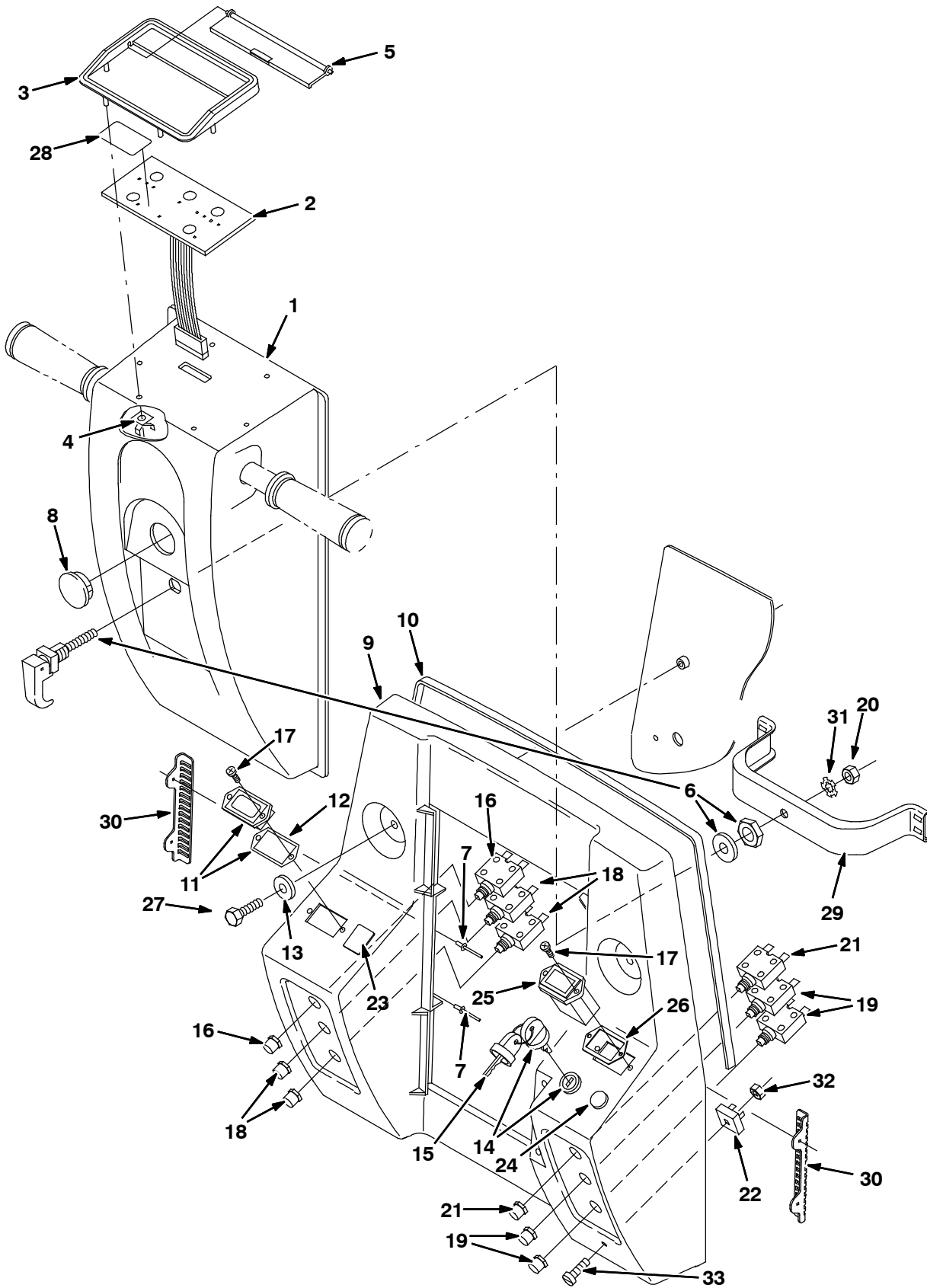


Fig. 29 - Operator Console Group

Ref.	Part No.	Serial Number	Description	Qty.	
1	222715	(10000000-	) Housing, Steering, Adj, Elec, w/Label	1	
2	398469	(10000000-	) Panel, Touch, Switch	1	
3	222102	(10000000-	) Bezel, Panel, Touch	1	
4	05280	(10000000-	) Clip, Stud, Receiver Speed	4	
5	222103	(10000000-	) Door, Panel, Touch	1	
6	222225	(10000000-	) Latch	1	
7	34738	(10000000-	) Rivet, Pop, .125D X .32 X .25Dhd	4	
8	76888	(10000000-	) Plugbtn 1.25H .12 Max Blacknyl	1	
9	368590	(10000000-	) Kit, Ci, Rplmt, Rear Panel	1	
10	222639	(10000000-	) Seal, Rbr, .12X .38 X 36.0	1	
▽	11	1038957	(10000000-	) Gauge, Discharge, Battery, 36Vdc, Led	1
▲	12	222683	(10000000-	) Gasket, Hourmeter	1
	13	30013	(10000000-	) Washer- Flt .31 Fender Pltd	2
▽	14	222282	(10000000-	) Switch Assy, Key Spst	1
▲	15	222684	(10000000-	) Key Set	1
	16	383721	(10000000-	) Circuitbreaker, 10A	1
	17	222267	(10000000-	) Screw, Pan, #06- 20 X 0.50, Fmg	4
	18	383723	(10000000-	) Circuitbreaker, 20A	2
	19	383724	(10000000-	) Circuitbreaker, 25A	2
	20	39311	(10000000-	) Nut, Hex, Std, M08 X 1.25	1
	21	383720	(10000000-	) Circuitbreaker, 5.0A	1
	22	10962	(10000000-	) Diode, Bridge 12 Amp	1
	23	222534	(10000000-	) Plug, Switch	1
	24	56992	(10000000-	) Plugbtn .50H .03- .12 Blacknyl	1
	25	222114	(10000000-	) Gauge, Hourmeter, Lcd, Rt [5700]	1
	26	222683	(10000000-	) Gasket, Hourmeter	1
	27	09010	(10000000-	) Scr Hexssm 8X1.25 25	2
	28	222685	(10000000-	) Label, Blank, Dark Gray	1
	29	222747	(10000000-	) Bracket, Locking, Shroud	1
	30	222879	(10000000-	) Bracket, Steering Adjustment	2
	31	41141	(10000000-	) Washer, Lock, Int. Ext, .31	1
	32	06549	(10000000-	) Nut, Hex, Lock, M05X0.8	1
	33	06934	(10000000-	) Screw, Pan, M05 X 0.8 X 20, 4.8	1

▽ - Identifies an assembly

▲ - Identifies parts included in assembly

Fig. 30 - Electrical Panel Group

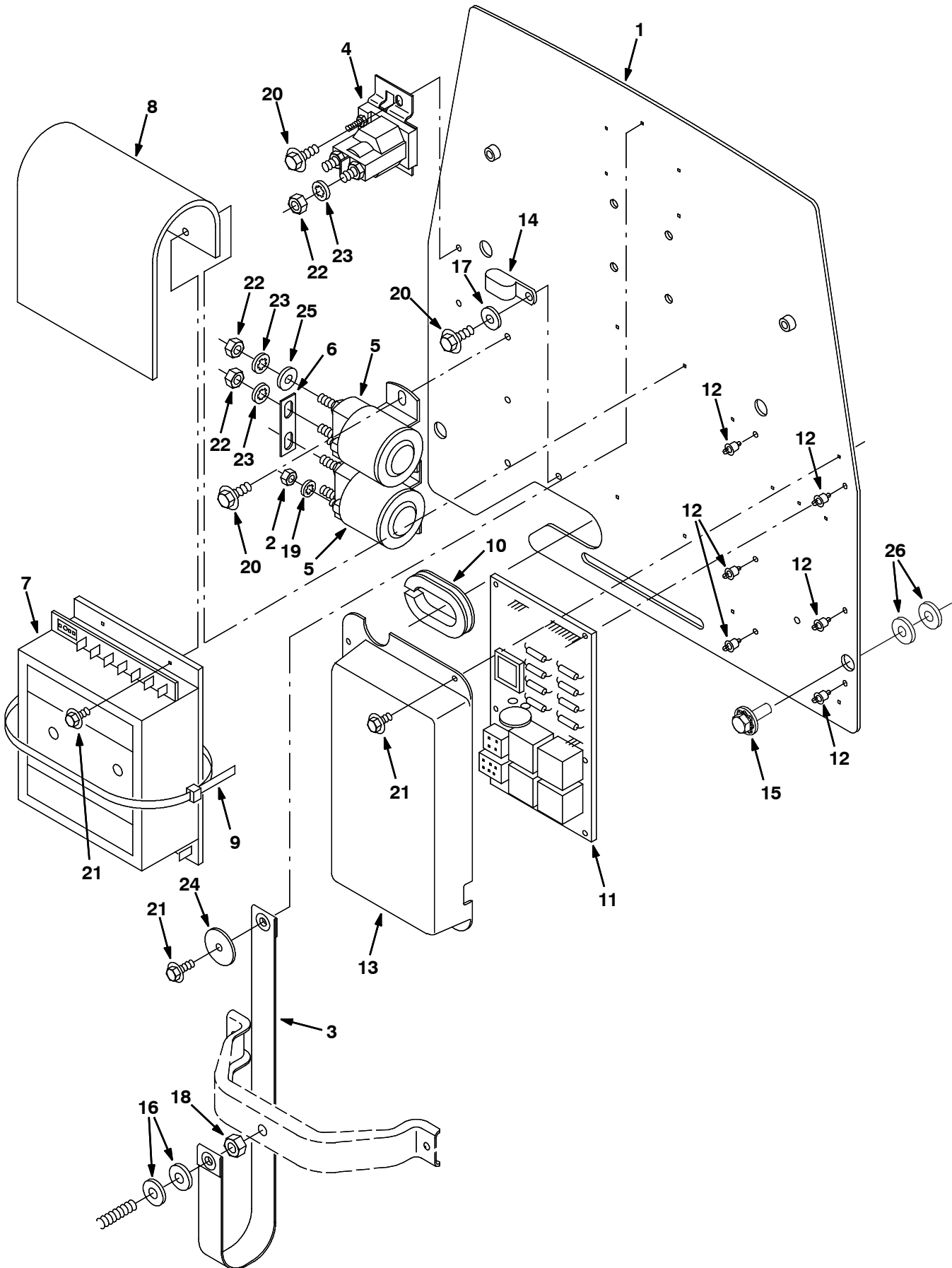




Fig. 30 - Electrical Panel Group

Ref.	Part No.	Serial Number	Description	Qty.
1	1007732	(10000000-	) Plate Wldt, Ele, [5700]	1
2	01713	(10000000-	) Nut, Hex, Std, #10- 32, 2	2
3	222450	(10000000-	) Strap, Lanyard	1
4	386810	(10000000-	) Contactor, 36Vdc	1
5	45405	(10000000-	) Contactor, 36Vdc	2
6	769251	(10000000-	) Busbar, .06 0.6w 2.1l 2/.34x.63slot	1
7	222220	(10000000-	) Controller, Propel	1
8	222580	(10000000-	) Guard, Splash, Curtis Board	1
9	44961	(10000000-	) Tie, Cable 4.00 Max 14.50Lg	2
10	10632- 13	(10000000-	) Grommet,Rbr,1.50ld,For .19Matl	1
11	370174	(10000000-	) Kit, Replmt, Controller, Mach, 5700Xp	1
12	222493	(10000000-	) Clip, Circuit Board	6
13	222472	(10000000-	) Cover, Electronic Board	1
14	1009318	(10000000-	) Clamp, Cable, Stl, 0.6x1.2x0.75w, 1h	1
15	1072628	(10000000-	) Screw, Hex, M8 X 1.25 X 25, Ss, Sems	4
16	01685	(10000000-	) Washer, Flat, 0.38b 0.88d .08, Ss	2
17	32490	(10000000-	) Washer, Flat, 0.25 Std	1
18	39311	(10000000-	) Nut, Hex, Std, M08 X 1.25	1
19	32980	(10000000-	) Washer, Lock, Int, #10	2
20	222158	(10000000-	) Screw, Hex, M 6 X 1.0 X 10, Fmg	6
21	16944	(10000000-	) Screw, Hex, M 4 X 0.7 X 10, Fmg	9
22	20170	(10000000-	) Nut, Hex, Jam, .31- 24	6
23	32984	(10000000-	) Washer, Lock, Int, .31	6
24	41178	(10000000-	) Washer, Flat, 0.25 Fender	1
25	39349	(10000000-	) Washer, Flat, 0.31 Sae	2
26	13248	(10455248-	) Washer, Flat, 0.40b 1.12d .12, Stl, PI	8

Fig. 31 - Squeegee Lift Group

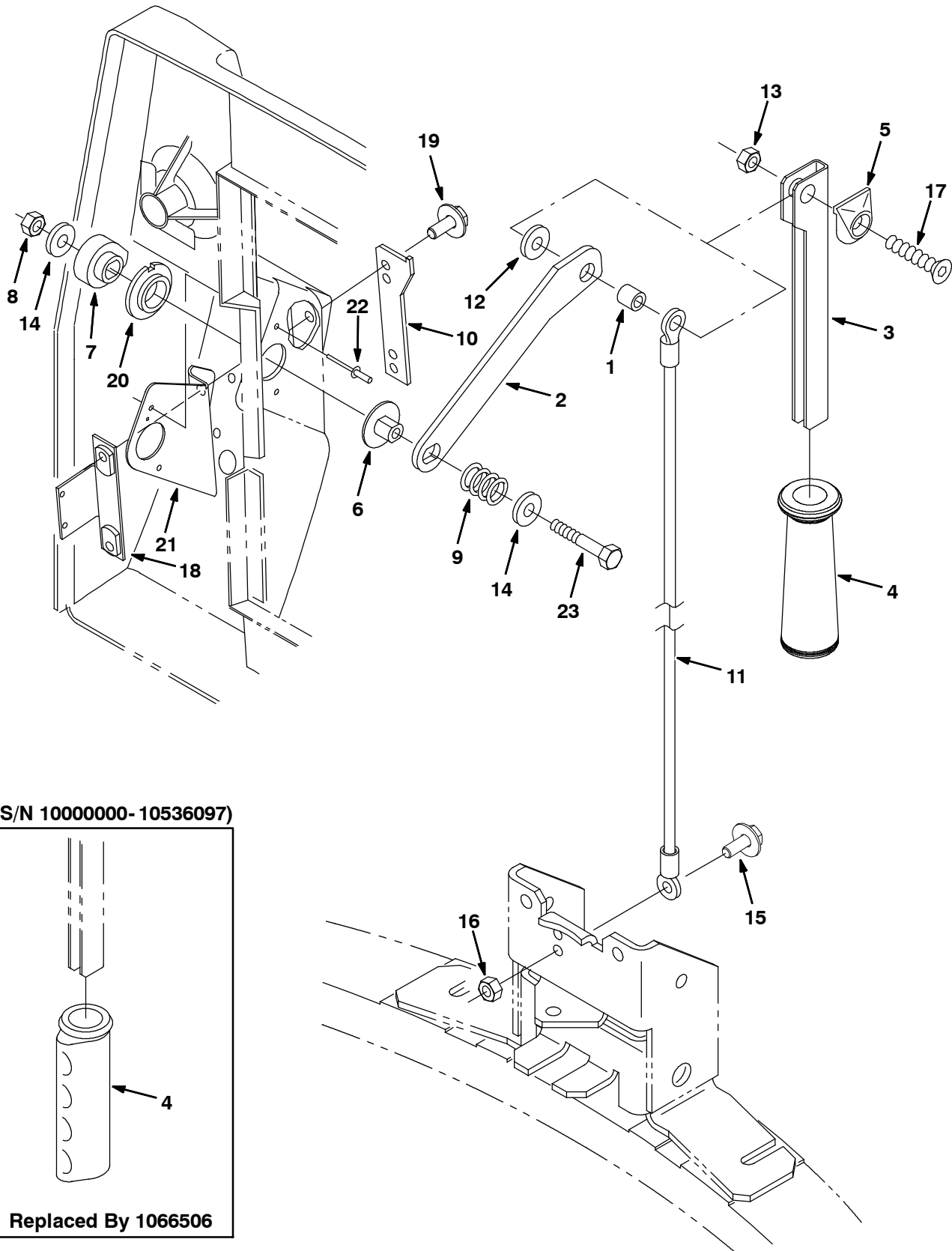


Fig. 31 - Squeegee Lift Group

Ref.	Part No.	Serial Number	Description	Qty.
1	222460	(10000000-	) Sleeve	1
2	222139	(10000000-	) Lever, Squeegee Lift	1
3	222448	(10000000-	) Lever, Squeegee Lift, Upper	1
4	1066506	(10536098-	) Grip, Handle, Rnd	1
4	222647	(10000000- 10536097	) Grip, Handle [Oblong] (Replaced By 1066506)	1
5	222665	(10000000-	) Bumper, Handle	1
6	374745	(10000000-	) Pivot, Squeegee Lift	1
7	222400	(10000000-	) Cam, Fan Switch	1
8	08708	(10000000-	) Nut, Hex, Lock, M6 X 1.0, NI	1
9	57889	(10000000-	) Sprng, Comp, 0.59Idx.05Wire 0.6L	1
10	222138	(10000000-	) Bracket, Catch	1
11	222227	(10000000-	) Cable, Squeegee Lift	1
12	01685	(10000000-	) Washer, Flat, 0.38b 0.88d .08, Ss	1
13	08713	(10000000-	) Nut- Hxlocnyln M 8X1.25 Reg Ss	1
14	01684	(10000000-	) Washer Flt .25 Ss	2
15	1034731	(10000000-	) Screw, Hex, M6 X 1.00 X 16, Sems, Ss	1
16	08712	(10000000-	) Nut Hxlocnyln M 6X1.0 Reg Ss	1
17	79506	(10000000-	) Scr- Flt M 8X1.25 30 Ss18- 8	1
18	222402	(10000000-	) Bracket, Fan Switch	1
19	1034731	(10000000-	) Screw, Hex, M6 X 1.00 X 16, Sems, Ss	2
20	222868	(10000000-	) Bearing, Flange	1
21	222867	(10000000-	) Plate, Squeegee Pivot	1
22	34738	(10000000-	) Rivet, Pop - .125D X .32 X .25Dhd St	2
23	06948	(10000000-	) Screw, Hex, M6 X 1.0 X 45, 8.8	1

Fig. 32 - Squeegee Auto Lift Group

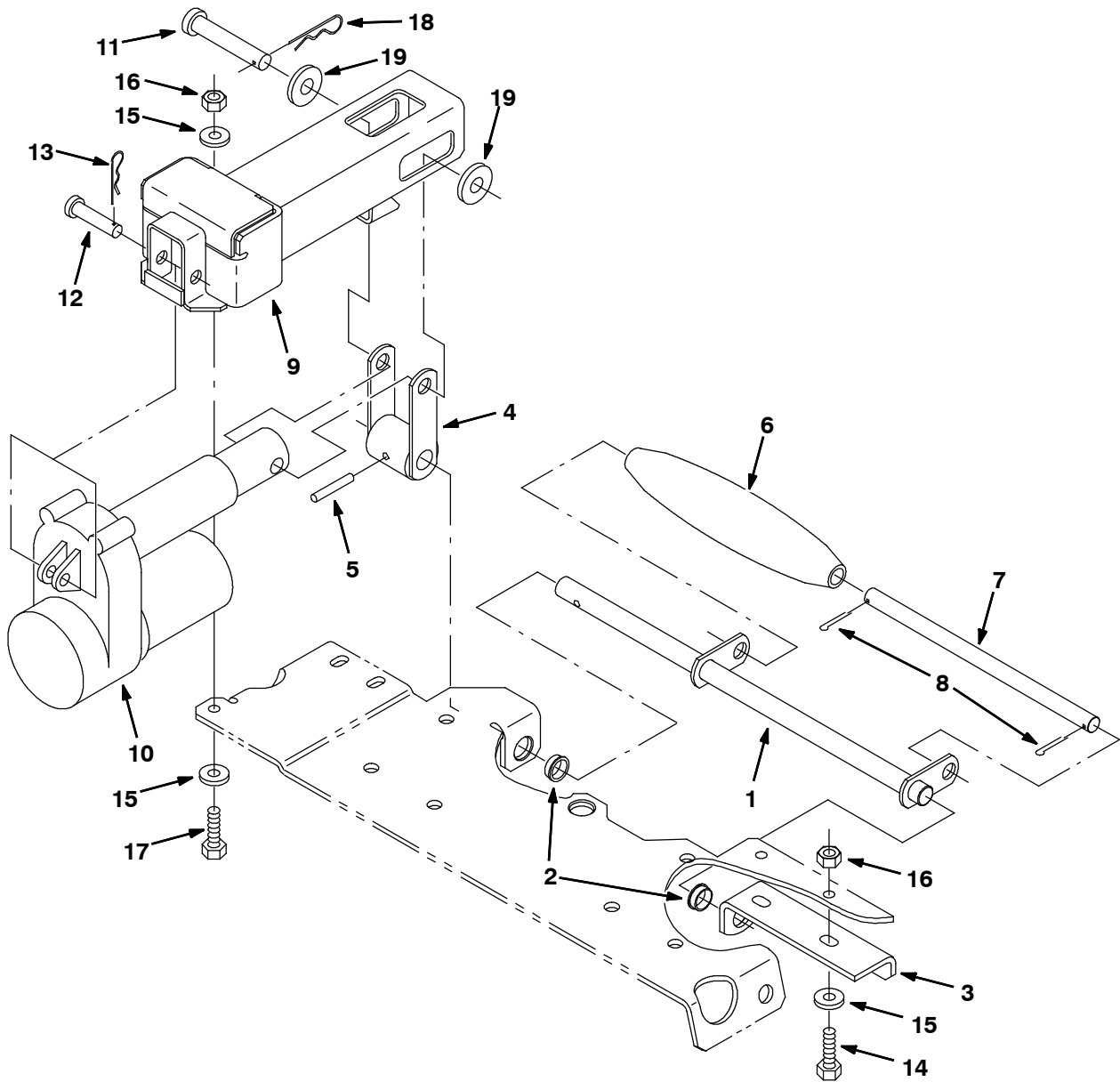


Fig. 32 - Squeegee Auto Lift Group

Ref.	Part No.	Serial Number	Description	Qty.
1	222251	(10000000-	) Rod Wldt, Linkage, Sqge	1
2	04843	(10000000-	) Bearing, Flange .625 Bore	2
3	222651	(10000000-	) Bracket, Lift Retainer	1
4	374222	(10000000-	) Lever Wldt	1
5	23999- 4	(10000000-	) Pin,Roll,.25Odx1.00L,.250/.256	1
6	222249	(10000000-	) Roller, Sqge, Auto	1
7	222250	(10000000-	) Pin, Roller	1
8	08179	(10000000-	) Pin, Cotter .094X1.00	2
9	374223	(10000000-	) Channel Wldt, Actuator	1
10	1054296	(10000000-	) Actuator, 36VDC, 01.8Strk, 0300Lb	1
11	23683	(10000000-	) Pin,Clevis,0.50 Dia.X 3.00 Lg	1
12	17461	(10000000-	) Pin,Clevis,0.37 Dia.X 1.75 Lg	1
13	86866	(10000000-	) Pin, Hair Cotter .375D .072Wir	1
14	09010	(10000000-	) Scr Hexssm 8X1.25 25	2
15	01685	(10000000-	) Washer, Flat, 0.38b 0.88d .08, Ss	6
16	08713	(10000000-	) Nut- Hxlocnyln M 8X1.25 Reg Ss	3
17	09740	(10000000-	) Scr Hexssm 8X1.25	3
18	02942	(10000000-	) Pin,Hair Cotter .12Wire 2.37SI	1
19	377394	(10000000-	) Washer, Flat, 0.56B 1.50D .10, Ss	2

Fig. 33 - Squeegee Linkage Group

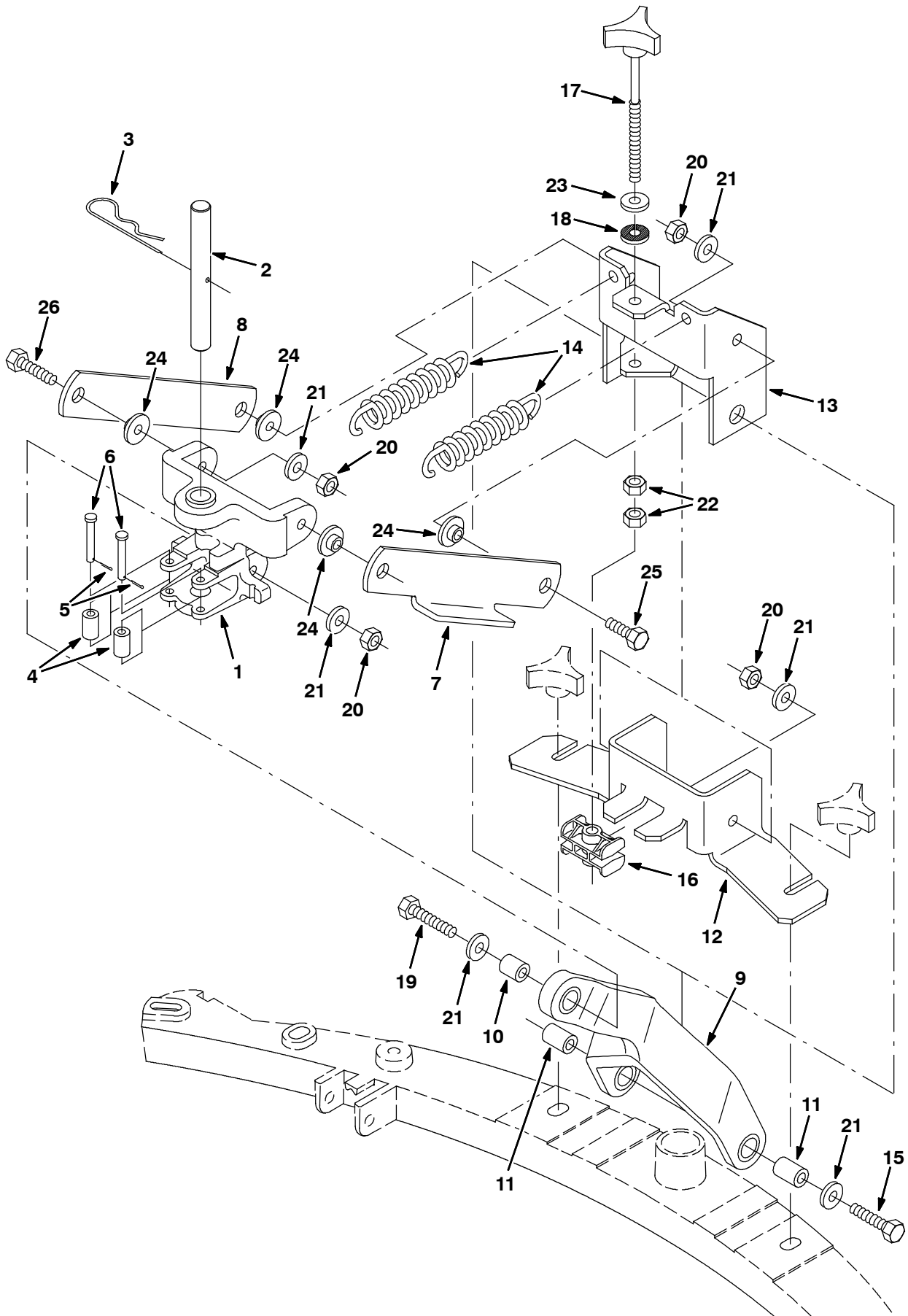


Fig. 33 - Squeegee Linkage Group

Ref.	Part No.	Serial Number	Description	Qty.
1	1030870	(10000000-	) Block, Pivot, Machined	1
2	222239	(10000000-	) Pin, Pivot Block	1
3	02942	(10000000-	) Pin, Hair Cotter .12Wire 2.37SI	1
4	222468	(10000000-	) Roller, Sqge Centering	2
5	08178	(10000000-	) Pin, Cotter .062X0.75	2
6	05283	(10000000-	) Pin, Clevis 6 Dia X 40 Lg	2
7	1018718	(10000000-	) Link, Sqge, Upper, Lh	1
8	397820	(10000000-	) Link, Sqge, Upper	1
9	222234	(10000000-	) Link, Squeegee Lift, Lower	1
10	222248	(10000000-	) Sleeve, .344B .62D.72 Bronze	1
11	222277	(10000000-	) Sleeve, .344B .62D.93 Bronze	2
12	222230	(10000000-	) Bracket, Linkage, Lower	1
13	222231	(10000000-	) Bracket, Linkage, Upper	1
14	222236	(10000000-	) Spring, Tension	2
15	09026	(10000000-	) Scr Hexssm 8X1.25 40	2
16	222233	(10000000-	) Block, Squeegee, Adjust	1
17	222153	(10000000-	) Knob, W/M8 1.25X125Lg Stud	1
18	63416	(10000000-	) Washer, .31OB .88D .12Rbr	1
19	222505	(10000000-	) Scr Hexssm 8X1.25 45	1
20	08713	(10000000-	) Nut- Hxlocnyln M 8X1.25 Reg Ss	7
21	01685	(10000000-	) Washer, Flat, 0.38b 0.88d .08, Ss	10
22	07786	(10000000-	) Nut Hx Ss M 8X1.25	2
23	01686	(10000000-	) Washer Flt .38 Ss	1
24	80950	(10000000-	) Bushing, Flng, 0.32b 0.50d 0.24l, Bnz	4
25	09010	(10000000-	) Screw, Hex, M8 X 1.25 X 25, Ss	2
26	09023	(10000000-	) Screw, Hex, M8 X 1.25 X 35, Ss, Fl	2

Fig. 34 - Squeegee Tight-Aisle Group, 550 mm (22 in)

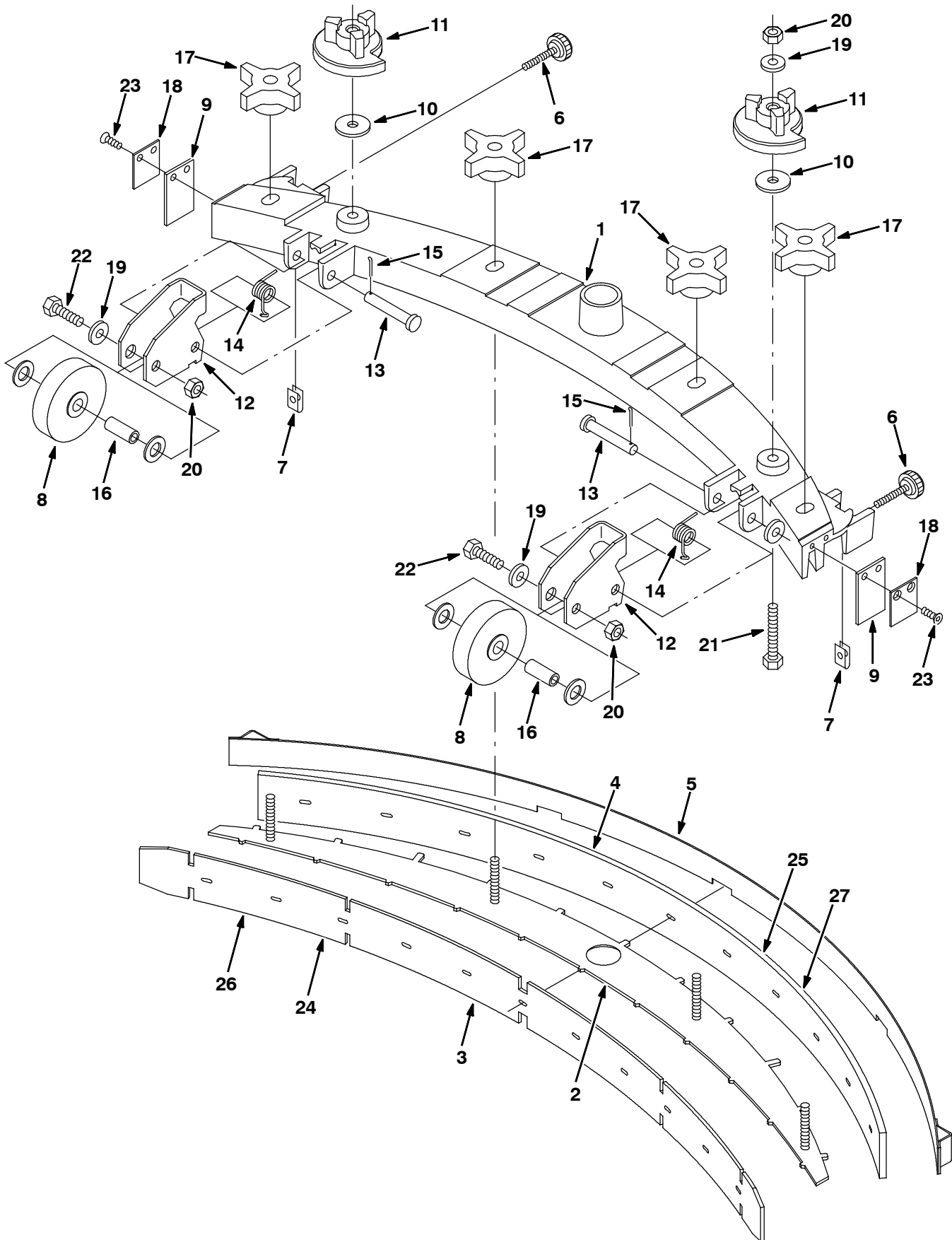




Fig. 34 - Squeegee Tight-Aisle Group, 550 mm (22 in)

Ref.	Part No.	Serial Number	Description	Qty.
▽	374032	(10000000-	) Squeegee Assembly, Tight- Aisle	1
▲	1 374033	(10000000-	) Frame, Sqge, Tight- Aisle	1
▲	2 374034	(10000000-	) Plate, Blade Retainer, Tight- Aisle	1
▲	3 374035	(10000000-	) Blade, Sqge, Front, 31.75l Rbr [22"]	1
▲	4 374036	(10000000-	) Blade, Sqge, Rear, 32.75l Linatex[700mm]	1
▲	5 374037	(10000000-	) Band Wldt, Sqge, Tight- Aisle	1
▲	6 222794	(10000000-	) Knob, W1.25- 20X1.5Lg Stud	2
▲	7 82138	(10000000-	) Nut Speed,Retainer, .25- 20 Thd	2
▲	8 222066	(10000000-	) Wheel, 3.0 Dia	4
▲	9 374039	(10000000-	) Blade, End, Sqge, Tight- Aisle	2
▲	10 222268	(10000000-	) Washer, .375B 1.25D .12Neopre	2
▲	11 222244	(10000000-	) Cam, Adj, Sqge	2
▲	12 222245	(10000000-	) Bracket, Mtg, Wheel	2
▲	13 222260	(10000000-	) Pin, Clevis, 0.37 Dia 2.25Lg	2
▲	14 222130	(10000000-	) Spring, Torsion, Wheel	2
▲	15 39005	(10000000-	) Pin, Cotter .094X0.75	2
▲	16 222497	(10000000-	) Sleeve	2
▲	17 370100	(10000000-	) Knob, 4 Prongs w/.31- 8 Insert	4
▲	18 374040	(10000000-	) Retainer, Blade, End, Sqge, Tight- Aisle	2
▲	19 01685	(10000000-	) Washer, Flat, 0.38b 0.88d .08, Ss	6
▲	20 08713	(10000000-	) Nut- Hxlocnyln M 8X1.25 Reg Ss	4
▲	21 09767	(10000000-	) Scr Hexssm 8X1.25 70	2
▲	22 49694	(10000000-	) Scr Hex Ssm 8X1.25 50	2
▲	23 09120	(10000000-	) Scr Flt M 5X0.8 16	4
▽	374089	(10000000-	) Squeegee Kit, Tile, Tight- Aisle	1
▲	24 374085	(10000000-	) Blade, Sqge, Front, Tile, Tight- Aisle	1
▲	25 374086	(10000000-	) Blade, Sqge, Rear, Tile, Tight- Aisle	1
▽	374090	(10000000-	) Blade Kit, Sqge, Oil- Rstn, Tight- Aisle	1
▲	26 374087	(10000000-	) Blade, Sqge, Front, Pyu, Tight- Aisle	1
▲	27 374088	(10000000-	) Blade, Sqge, Rear, Pyu, Tight- Aisle	1

▽ - Identifies an assembly

▲ - Identifies parts included in assembly

**Fig. 35 - Squeegee Group, Model 700, 700 mm (28 in)**

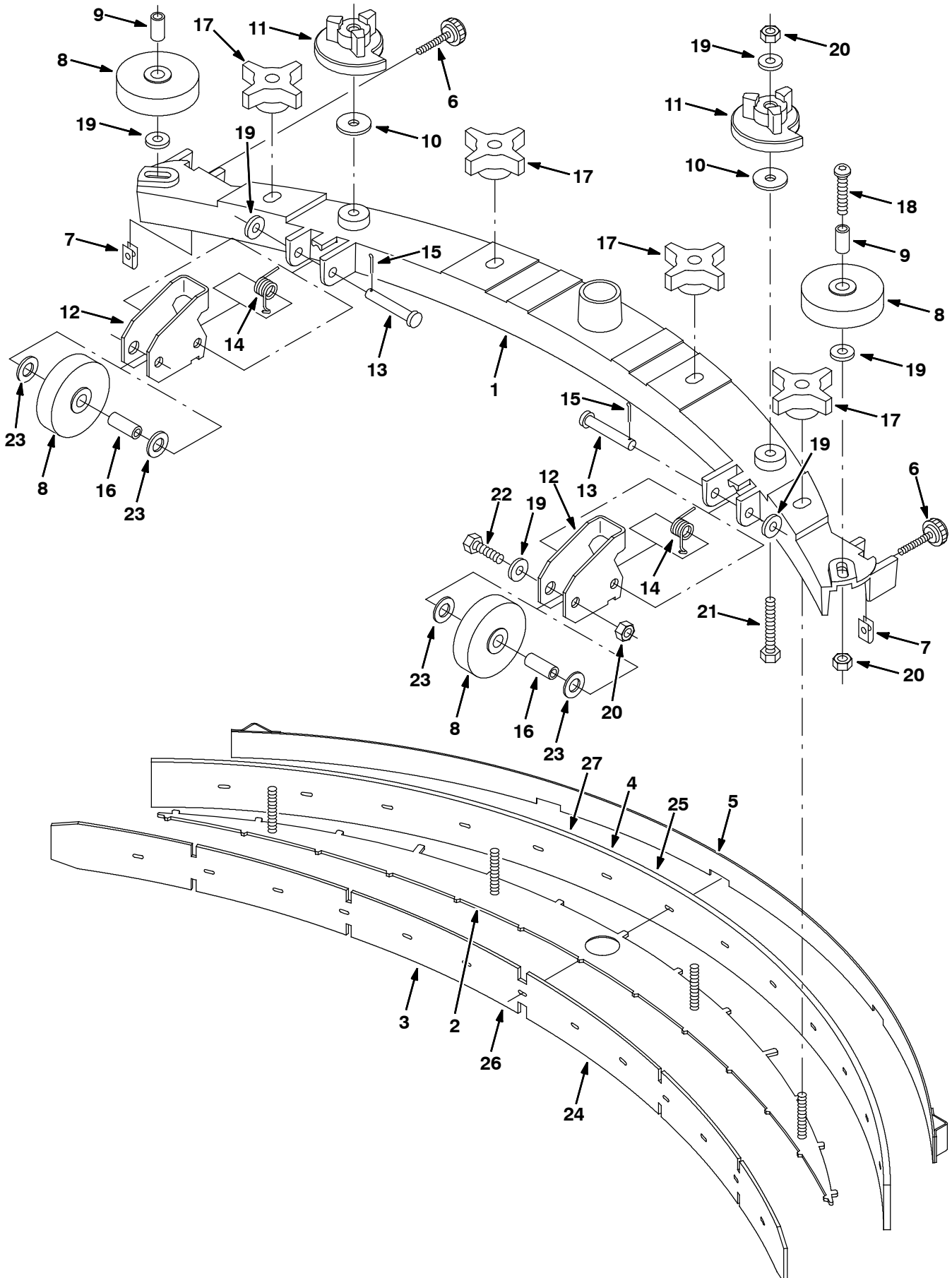


Fig. 35 - Squeegee Group, Model 700, 700 mm (28 in)

	Ref.	Part No.	Serial Number	Description	Qty.
▽		397751	(10000000-	) Kit, Ci, Sqge, Assy, [5680/5700] [700]	1
▲	1	222131	(10000000-	) Frame, Sqge 28"	1
▲	2	222368	(10000000-	) Plate, Blade Retainer 28"	1
▲	3	222381	(10000000-	) Blade, Sqge, Front, 38.97l Rbr [700mm]	1
▲	4	222382	(10000000-	) Blade, Sqge, Rear, 40.93l Linatex[700mm]	1
▲	5	222378	(10000000-	) Band Wldt, Sqge 28	1
▲	6	222794	(10000000-	) Knob, W1.25- 20X1.5Lg Stud	2
▲	7	82138	(10000000-	) Nut Speed,Retainer, .25- 20 Thd	2
▲	8	222066	(10000000-	) Wheel, 3.0 Dia	4
▲	9	222496	(10000000-	) Sleeve	2
▲	10	222268	(10000000-	) Washer, .375B 1.25D .12Neopre	2
▲	11	222244	(10000000-	) Cam, Adj, Sqge	2
▲	12	222245	(10000000-	) Bracket, Mtg, Wheel	2
▲	13	222260	(10000000-	) Pin, Clevis, 0.37 Dia 2.25Lg	2
▲	14	222130	(10000000-	) Spring, Torsion, Wheel	2
▲	15	39005	(10000000-	) Pin, Cotter .094X0.75	2
▲	16	222497	(10000000-	) Sleeve	2
▲	17	370100	(10000000-	) Knob, 4 Prongs w/.31- 8 Insert	4
▲	18	397826	(10000000-	) Screw, Btn, M8 X 1.25 X 40, Ss18- 8	2
▲	19	01685	(10000000-	) Washer, Flat, 0.38b 0.88d .08, Ss	8
▲	20	08713	(10000000-	) Nut- Hxlocnyln M 8X1.25 Reg Ss	6
▲	21	09767	(10000000-	) Scr Hexssm 8X1.25 70	2
▲	22	49694	(10000000-	) Scr Hex Ssm 8X1.25 50	2
▲	23	32486	(10000000-	) Washer, Flt, .50 Sae	4
▽		222422	(10000000-	) Blade Kit, Sqge, Rbr [700]	1
▲	24	222385	(10000000-	) Blade, Sqge, Tile, 38.97l [Linard, 28"]	1
▲	25	222387	(10000000-	) Blade, Sqge, Rear, 40.93l Gum [28"]	1
▽		222428	(10000000-	) Sqge Kit, Oil Res Ure [700]	1
▲	26	222391	(10000000-	) Blade, Sqge, Front, 38.97l [700mm]	1
▲	27	222389	(10000000-	) Blade, Sqge, Rear, 40.93l Pyu [28"]	1

▽ - Identifies an assembly

▲ - Identifies parts included in assembly

**Fig. 36 - Squeegee Group, Model 800, 800 mm (32 in)**

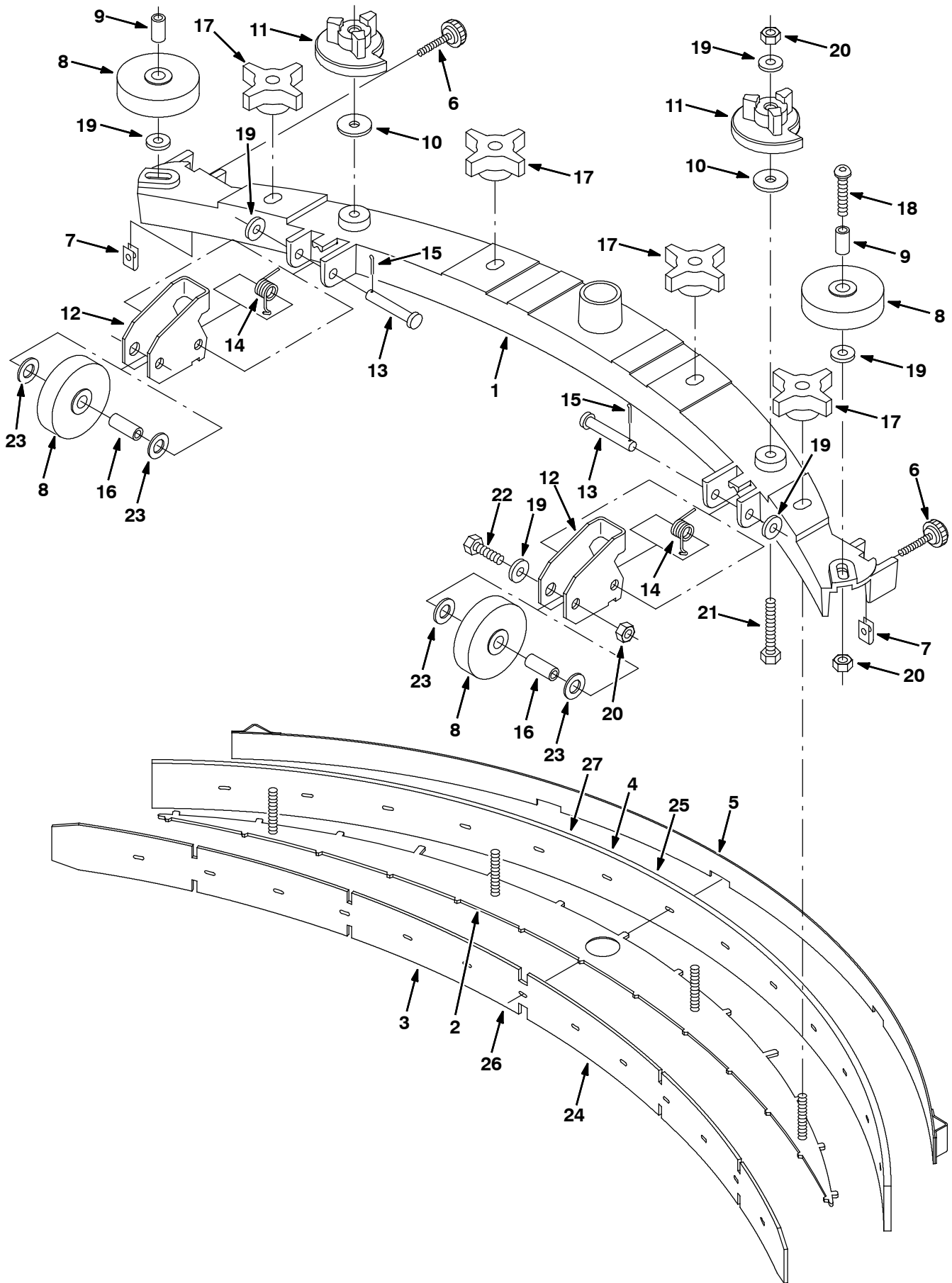


Fig. 36 - Squeegee Group, Model 800, 800 mm (32 in)

Ref.	Part No.	Serial Number	Description	Qty.
▽	397749	(10000000-	) Kit, Ci, Sqge, Assy, [5680/5700] [800]	1
▲	1 222134	(10000000-	) Frame, Squeegee 32"	1
▲	2 222240	(10000000-	) Plate, Blade Retainer 32	1
▲	3 222241	(10000000-	) Blade, Sqge, Front, 43.66l Rbr [800mm]	1
▲	4 222242	(10000000-	) Blade, Sqge, Rear, 45.65l Linatex [32"]	1
▲	5 222243	(10000000-	) Band Wldt, Sqge 32	1
▲	6 222794	(10000000-	) Knob, W1.25- 20X1.5Lg Stud	2
▲	7 82138	(10000000-	) Nut Speed,Retainer, .25- 20 Thd	2
▲	8 222066	(10000000-	) Wheel, 3.0 Dia	4
▲	9 222496	(10000000-	) Sleeve	2
▲	10 222268	(10000000-	) Washer, .375B 1.25D .12Neopre	2
▲	11 222244	(10000000-	) Cam, Adj, Sqge	2
▲	12 222245	(10000000-	) Bracket, Mtg, Wheel	2
▲	13 222260	(10000000-	) Pin, Clevis, 0.37 Dia 2.25Lg	2
▲	14 222130	(10000000-	) Spring, Torsion, Wheel	2
▲	15 39005	(10000000-	) Pin, Cotter .094X0.75	2
▲	16 222497	(10000000-	) Sleeve	2
▲	17 370100	(10000000-	) Knob, 4 Prongs w/.31- 8 Insert	4
▲	18 397826	(10000000-	) Screw, Btn, M8 X 1.25 X 40, Ss18- 8	2
▲	19 01685	(10000000-	) Washer, Flat, 0.38b 0.88d .08, Ss	8
▲	20 08713	(10000000-	) Nut- Hxlocnyln M 8X1.25 Reg Ss	6
▲	21 09767	(10000000-	) Scr Hexssm 8X1.25 70	2
▲	22 49694	(10000000-	) Scr Hex Ssm 8X1.25 50	2
▲	23 32486	(10000000-	) Washer, Flt, .50 Sae	4
▽	222423	(10000000-	) Blade Kit, Sqge, Rbr [800]	1
▲	24 222384	(10000000-	) Blade, Sqge, Tile, 43.66l [Linard, 32"]	1
▲	25 222386	(10000000-	) Blade, Sqge, Rear, 45.65l Gum [32"]	1
▽	222429	(10000000-	) Blade Kit, Sqge, Pyu [800]	1
▲	26 222392	(10000000-	) Blade, Sqge, Front, 43.66l Pyu [32"]	1
▲	27 222388	(10000000-	) Blade, Sqge, Rear, 45.65l Pyu [32"]	1

▽ - Identifies an assembly

▲ - Identifies parts included in assembly

# STANDARD PARTS

Fig. 37 - Squeegee Group, Model 900, 900 mm (36 in)

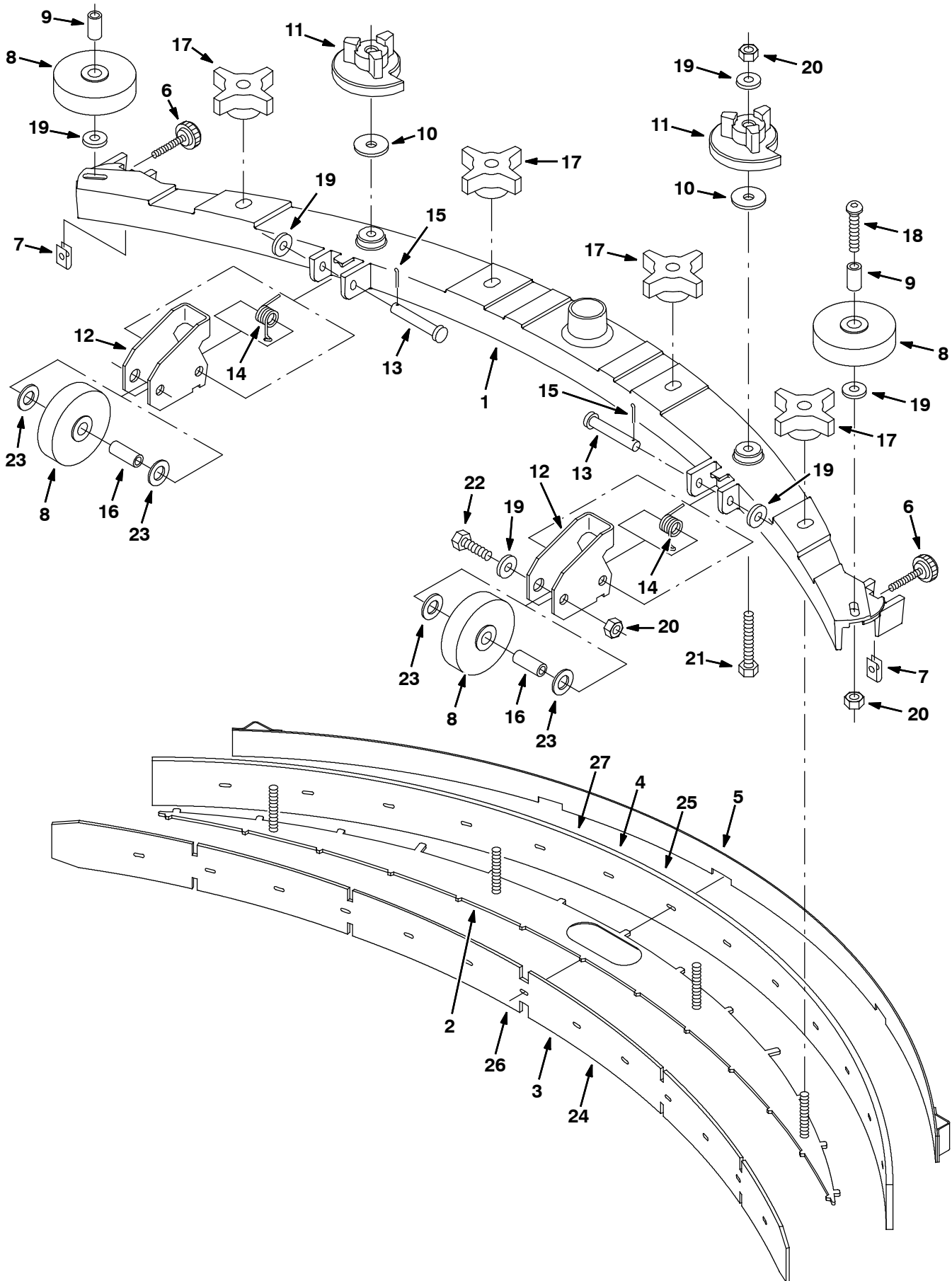


Fig. 37 - Squeegee Group, Model 900, 900 mm (36 in)

	Ref.	Part No.	Serial Number	Description	Qty.
▽		397750	(10000000-	) Kit, Ci, Sqge, Assy, [5680/5700] [900]	1
▲	1	1028029	(10000000-	) Frame, Sqge, 114cm [90cm/36]	1
▲	2	392211	(10000000-	) Plate, Blade Retainer 36"	1
▲	3	222413	(10000000-	) Blade, Sqge, Front, 47.41l Rbr [900mm]	1
▲	4	222415	(10000000-	) Blade, Sqge, Rear, 49.37l Linatex[900mm]	1
▲	5	222417	(10000000-	) Band Wldt, Sqge 36	1
▲	6	222794	(10000000-	) Knob, W1.25- 20X1.5Lg Stud	2
▲	7	82138	(10000000-	) Nut Speed,Retainer, .25- 20 Thd	2
▲	8	222066	(10000000-	) Wheel, 3.0 Dia	4
▲	9	222496	(10000000-	) Sleeve	2
▲	10	222268	(10000000-	) Washer, .375B 1.25D .12Neopre	2
▲	11	222244	(10000000-	) Cam, Adj, Sqge	2
▲	12	222245	(10000000-	) Bracket, Mtg, Wheel	2
▲	13	222260	(10000000-	) Pin, Clevis, 0.37 Dia 2.25Lg	2
▲	14	222130	(10000000-	) Spring, Torsion, Wheel	2
▲	15	39005	(10000000-	) Pin, Cotter .094X0.75	2
▲	16	222497	(10000000-	) Sleeve	2
▲	17	370100	(10000000-	) Knob, 4 Prongs w/.31- 8 Insert	4
▲	18	397826	(10000000-	) Screw, Btn, M8 X 1.25 X 40, Ss18- 8	2
▲	19	01685	(10000000-	) Washer, Flat, 0.38b 0.88d .08, Ss	8
▲	20	08713	(10000000-	) Nut- Hxlocnyln M 8X1.25 Reg Ss	6
▲	21	09767	(10000000-	) Scr Hexssm 8X1.25 70	2
▲	22	49694	(10000000-	) Scr Hex Ssm 8X1.25 50	2
▲	23	32486	(10000000-	) Washer, Flt, .50 Sae	4
▽		222424	(10000000-	) Blade Kit, Sqge, Rbr [900]	1
▲	24	222414	(10000000-	) Blade, Sqge, Tile, 47.41l [Linard, 36"]	1
▲	25	222416	(10000000-	) Blade, Sqge, Rear, 49.37l Gum [36"]	1
▽		222433	(10000000-	) Sqge Kit, Ure [900mm]	1
▲	26	222434	(10000000-	) Blade, Sqge, Front, 47.41l Ure, 5sl[36"]	1
▲	27	222435	(10000000-	) Blade, Sqge, Rear, 49.37l Ure [36"]	1

▽ - Identifies an assembly

▲ - Identifies parts included in assembly

**Fig. 38 - Electrical Schematic, Standard & Fast Model (S/N 1000000- 10741220)**

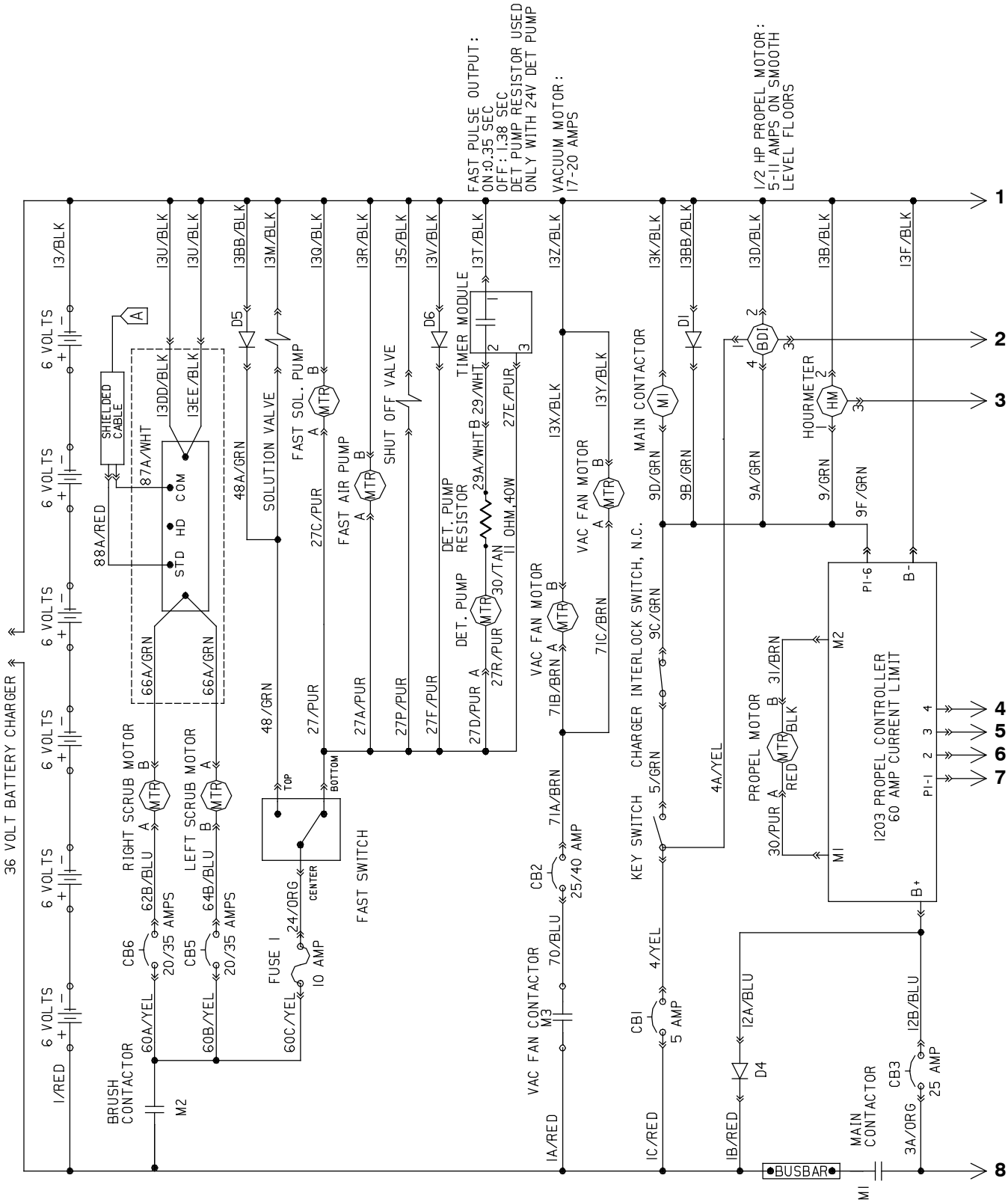
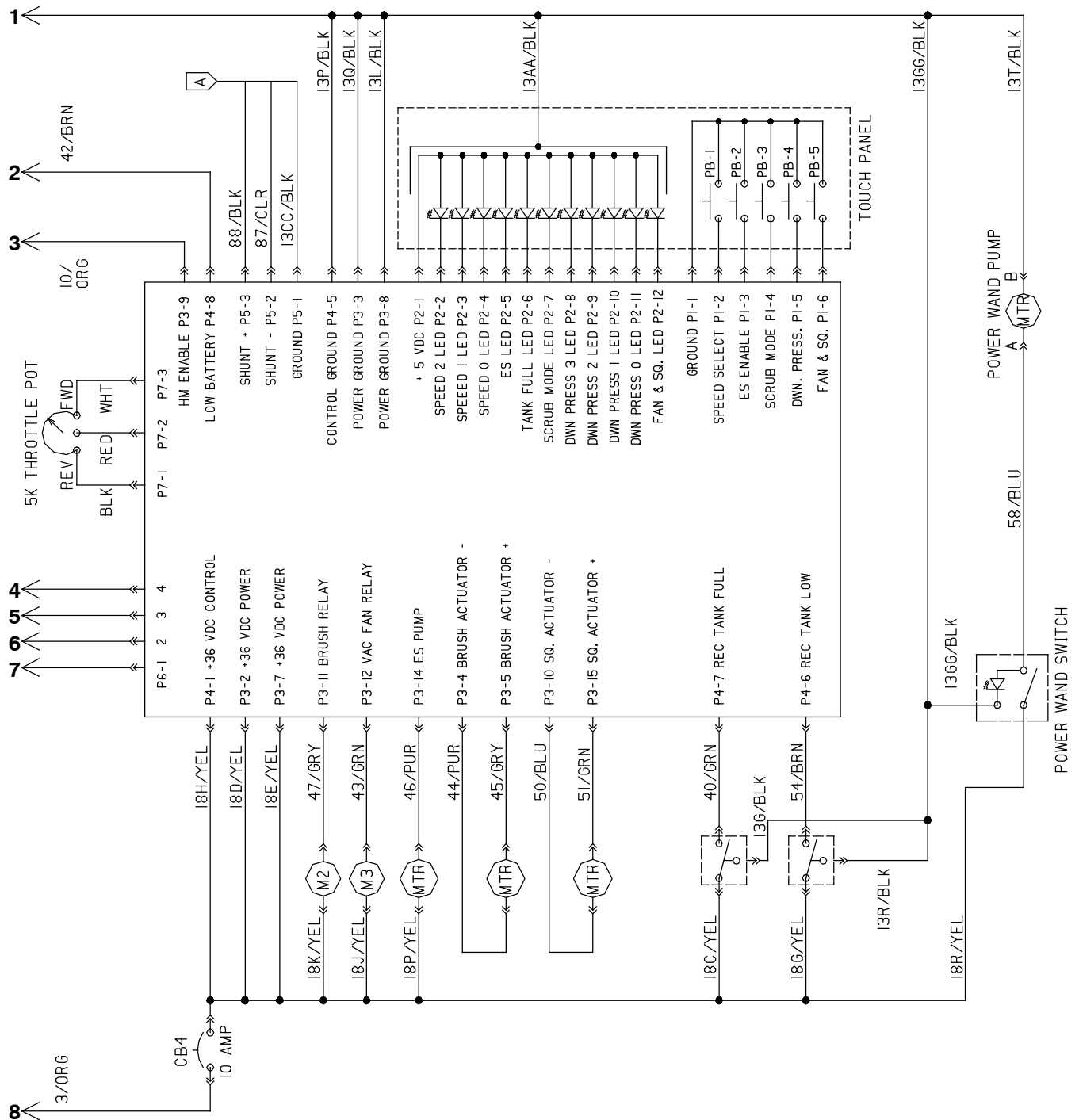


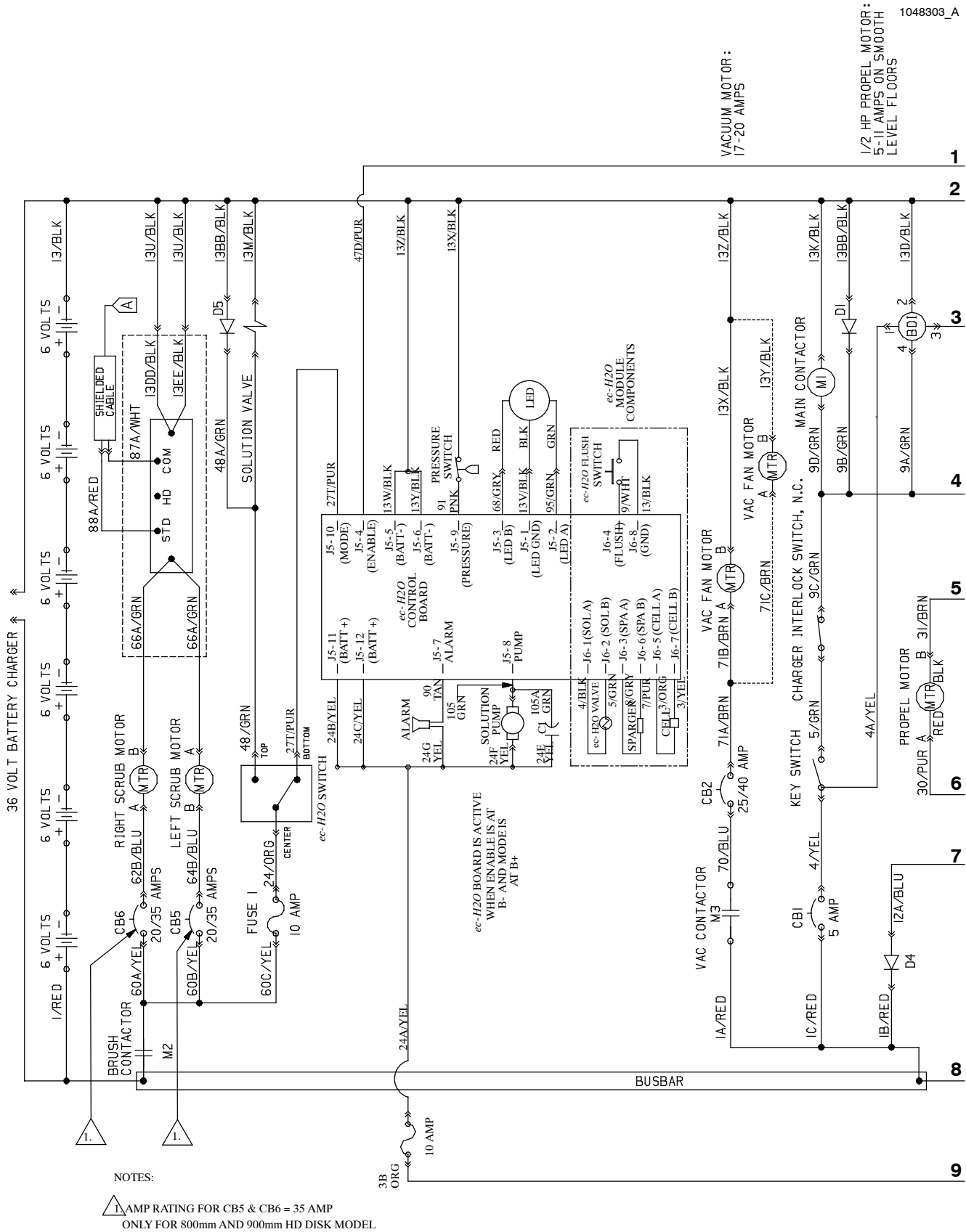


Fig. 38 - Electrical Schematic, Standard & Fast Model (S/N 1000000- 10741220)



354041, 397910 - XP, NA, CE

**Fig. 39 - Electrical Schematic, ec-H2O Model (S/N 10581870-10741220)**



1048303\_A

Fig. 39 - Electrical Schematic, ec-H2O Model (S/N 10581870-10741220)

1048303\_A

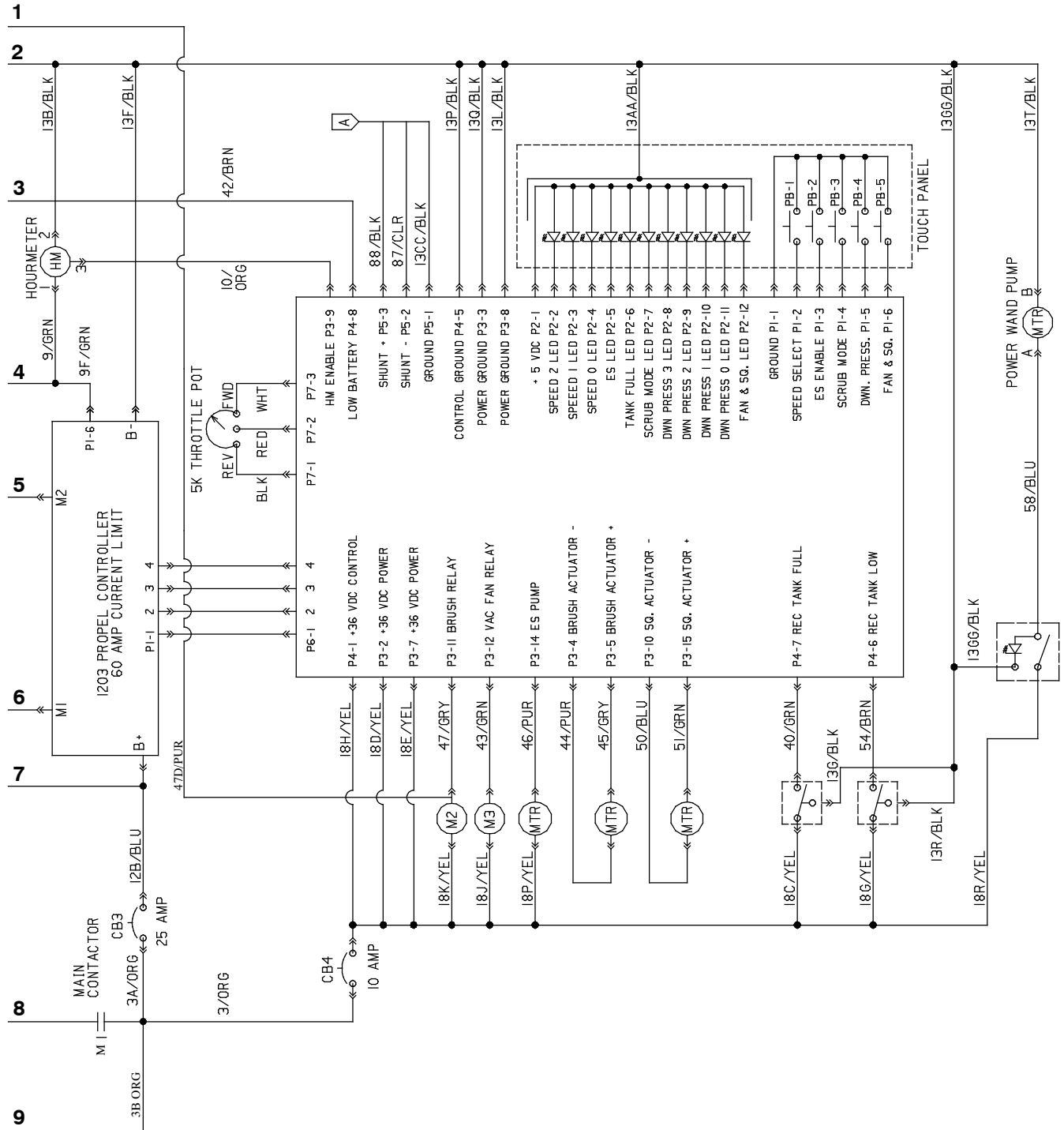


Fig. 40 - Electrical Schematic, Standard, Fast, & ec-H2O Models (S/N 10741221- )

1048303\_C

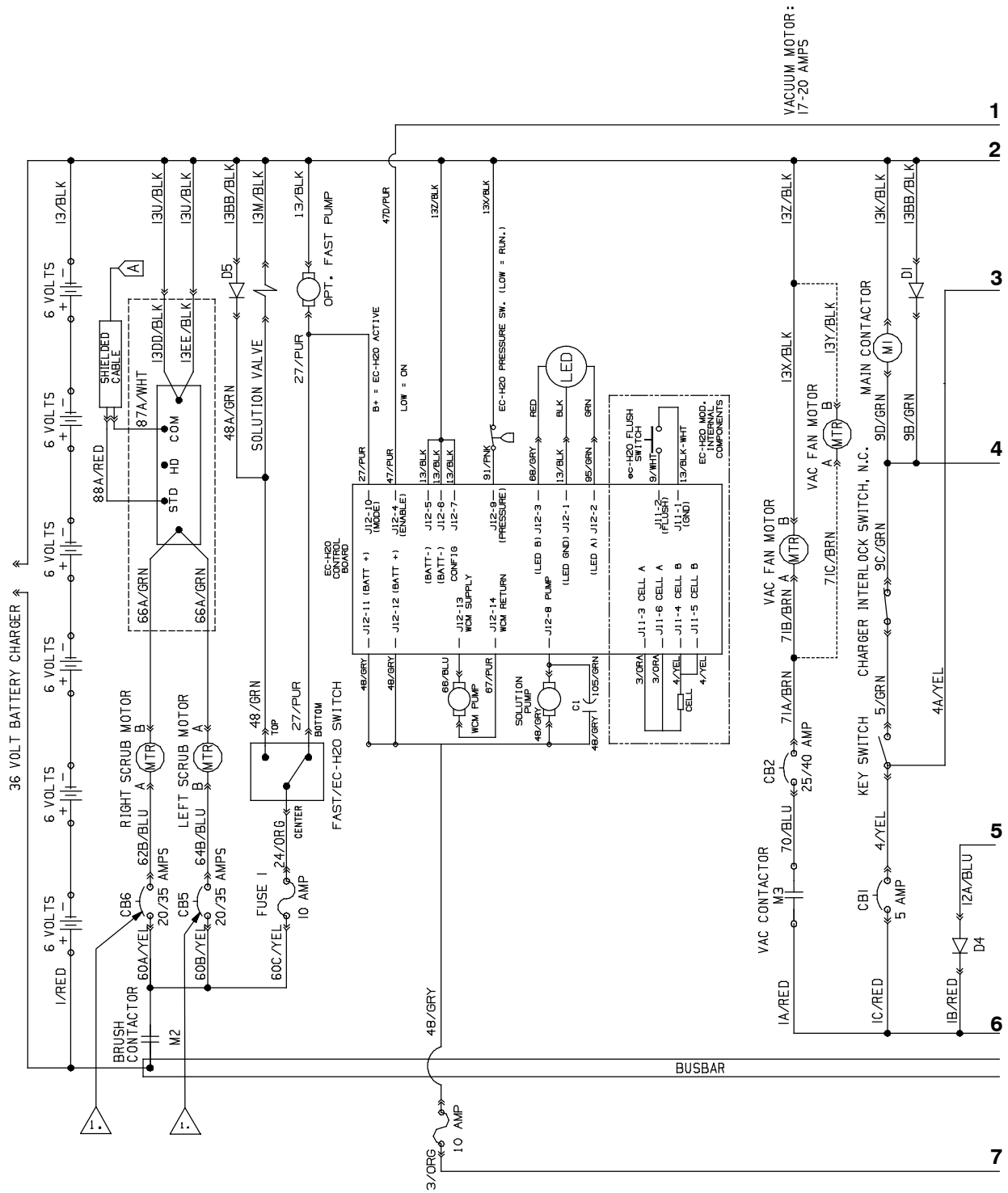


Fig. 40 - Electrical Schematic, Standard, Fast, & ec-H2O Models (S/N 10741221- )

1048303\_C

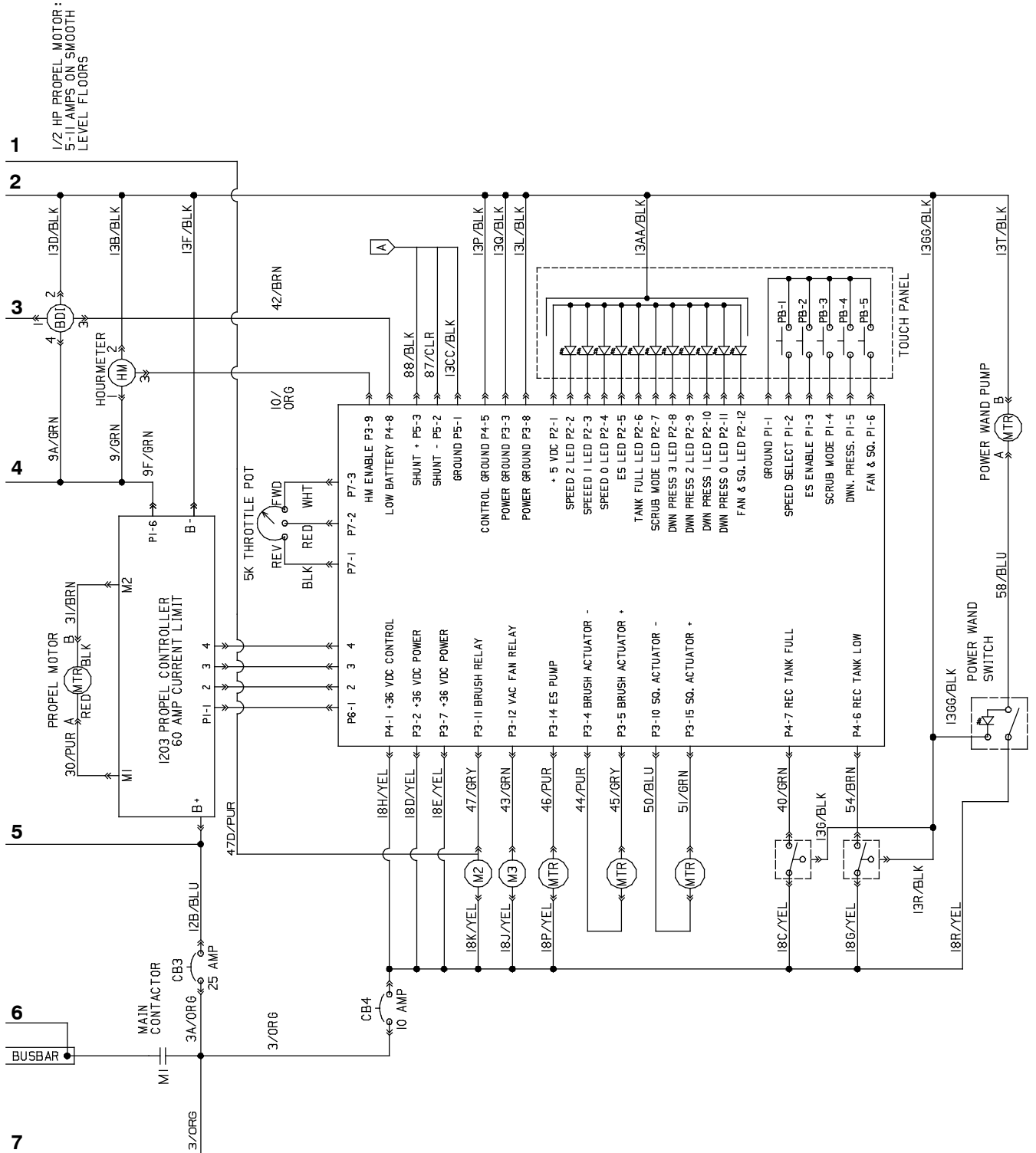


Fig. 41 - Electrical Wire Harness Group

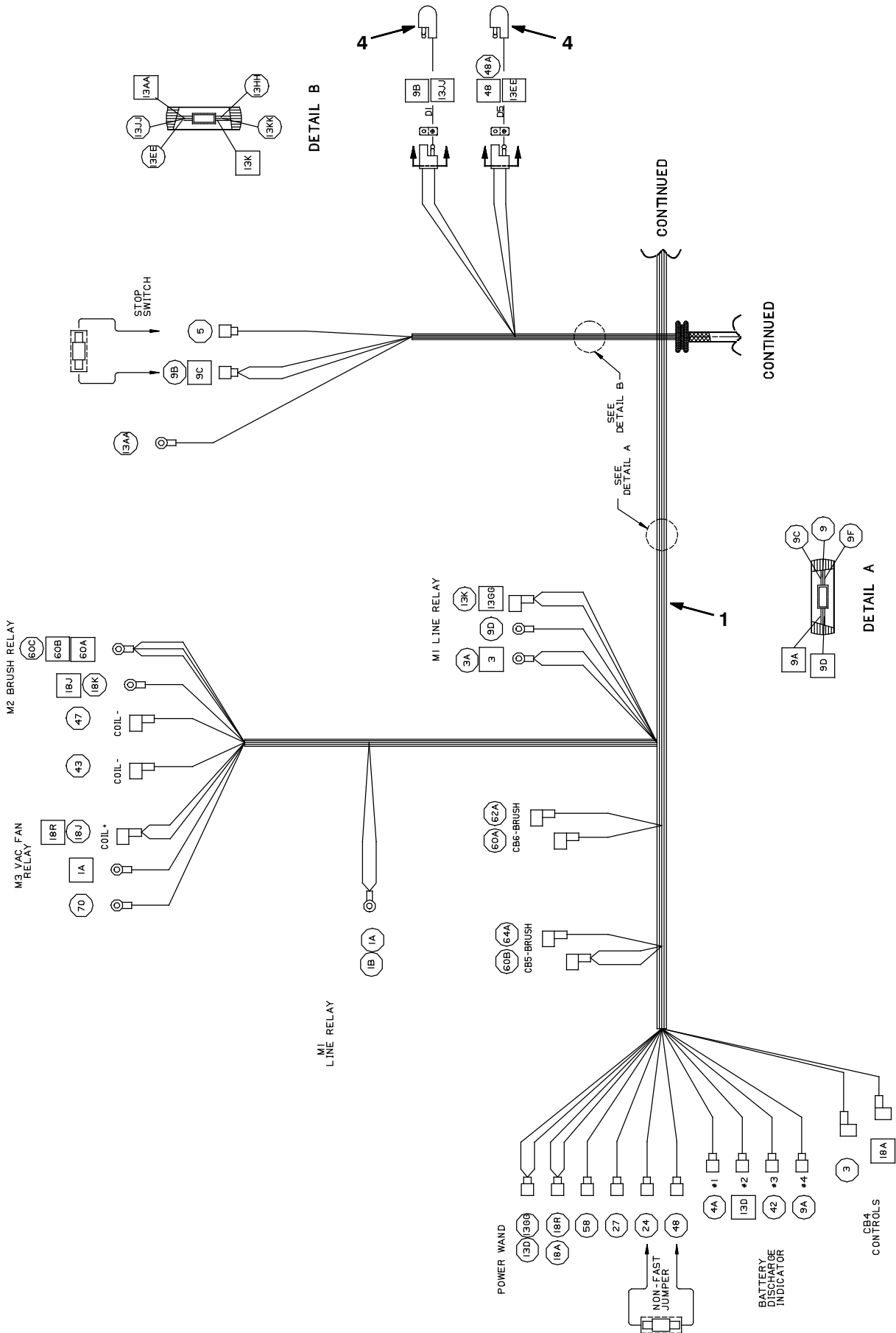
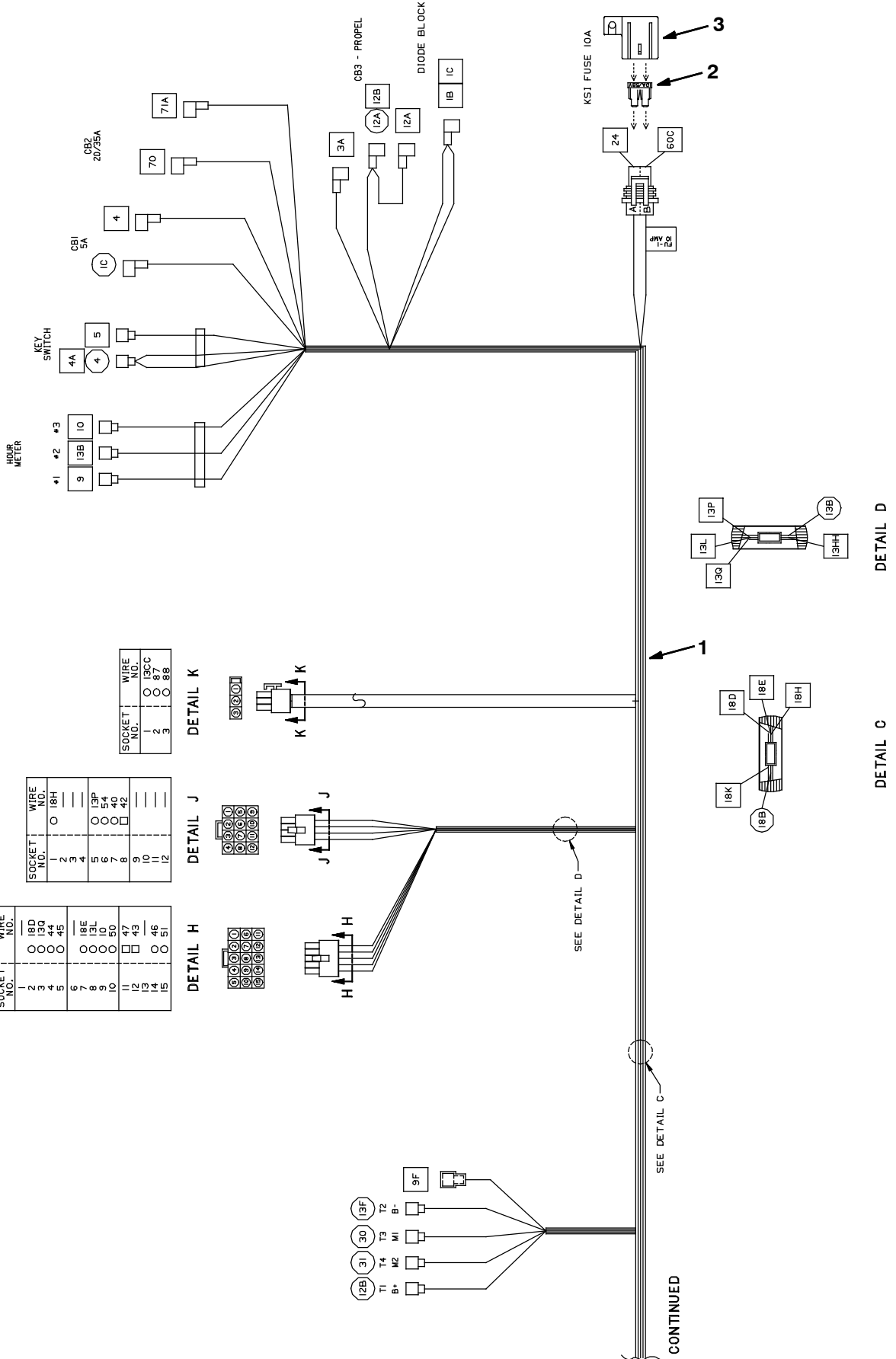


Fig. 41 - Electrical Wire Harness Group



SOCKET NO.	WIRE NO.
1	18D
2	13G
3	44
4	45
5	18E
6	13L
7	10
8	50
9	47
10	46
11	51
12	
13	
14	
15	

SOCKET NO.	WIRE NO.
1	18H
2	13P
3	54
4	40
5	42
6	
7	
8	
9	
10	
11	
12	

SOCKET NO.	WIRE NO.
2	13CC
3	87
	88

Fig. 41 - Electrical Wire Harness Group

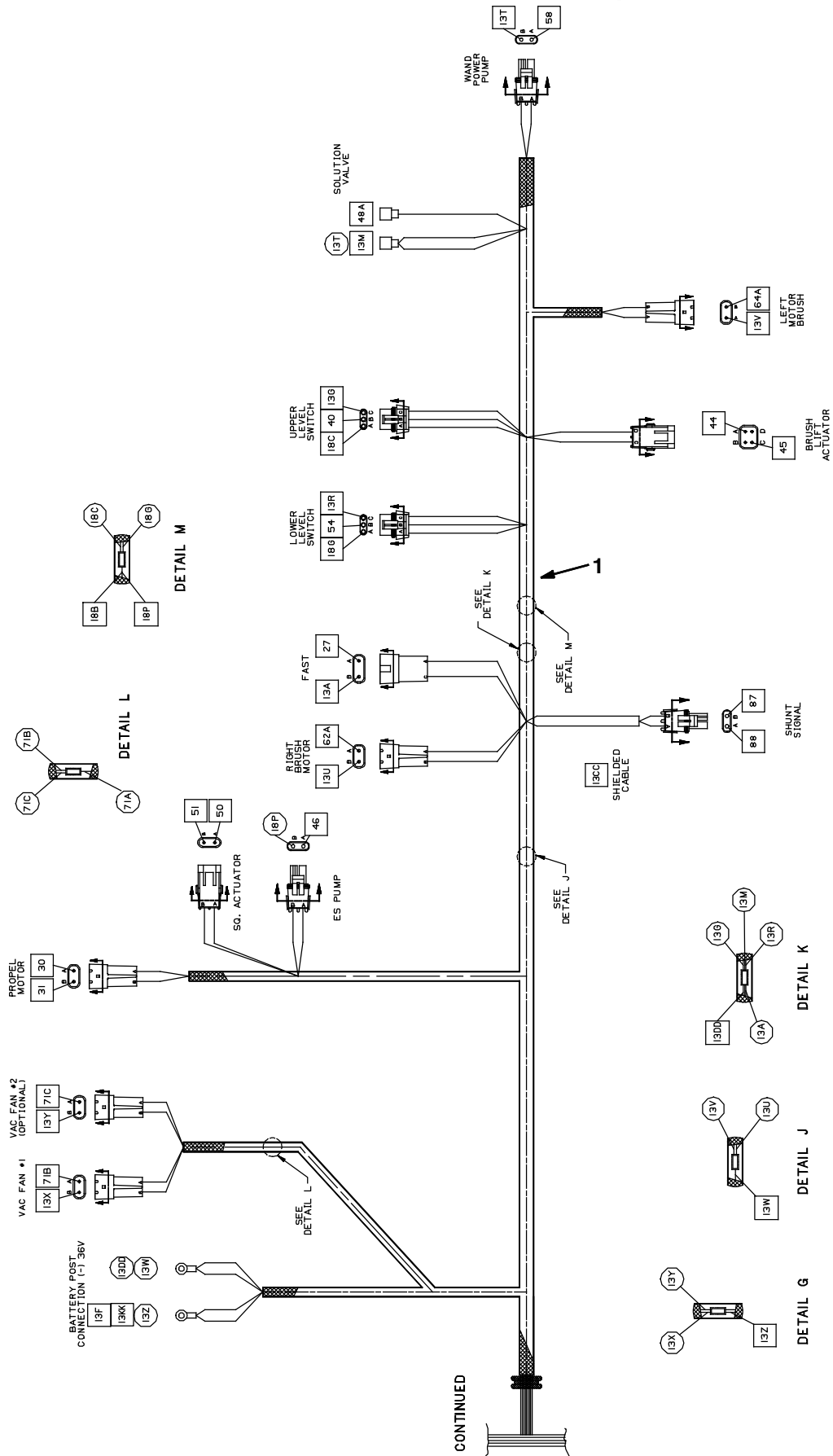
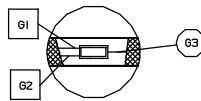
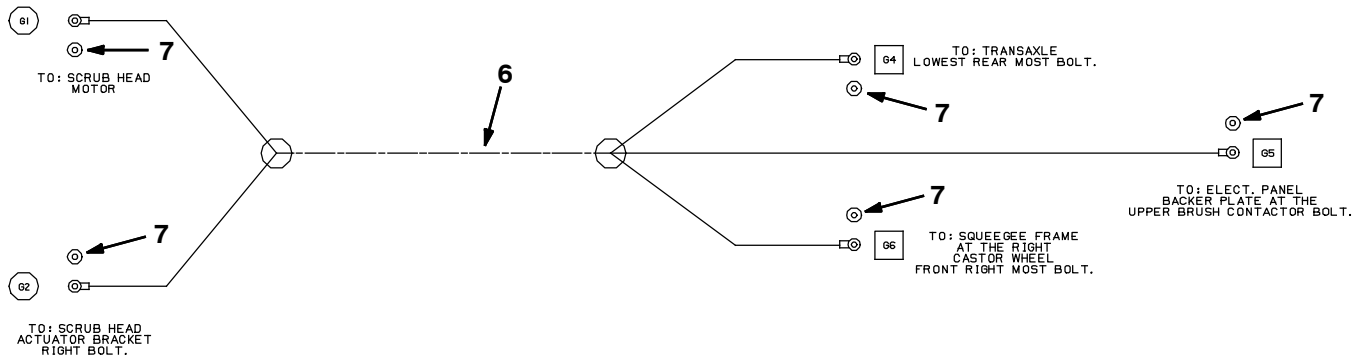
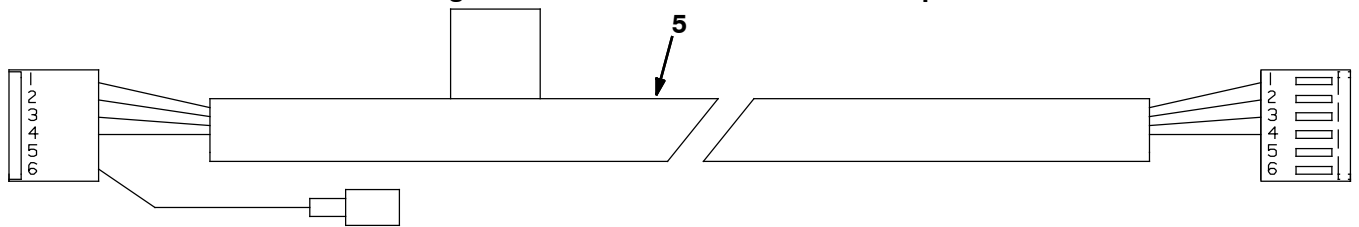
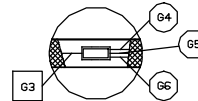




Fig. 41 - Electrical Wire Harness Group



DETAIL A



DETAIL B

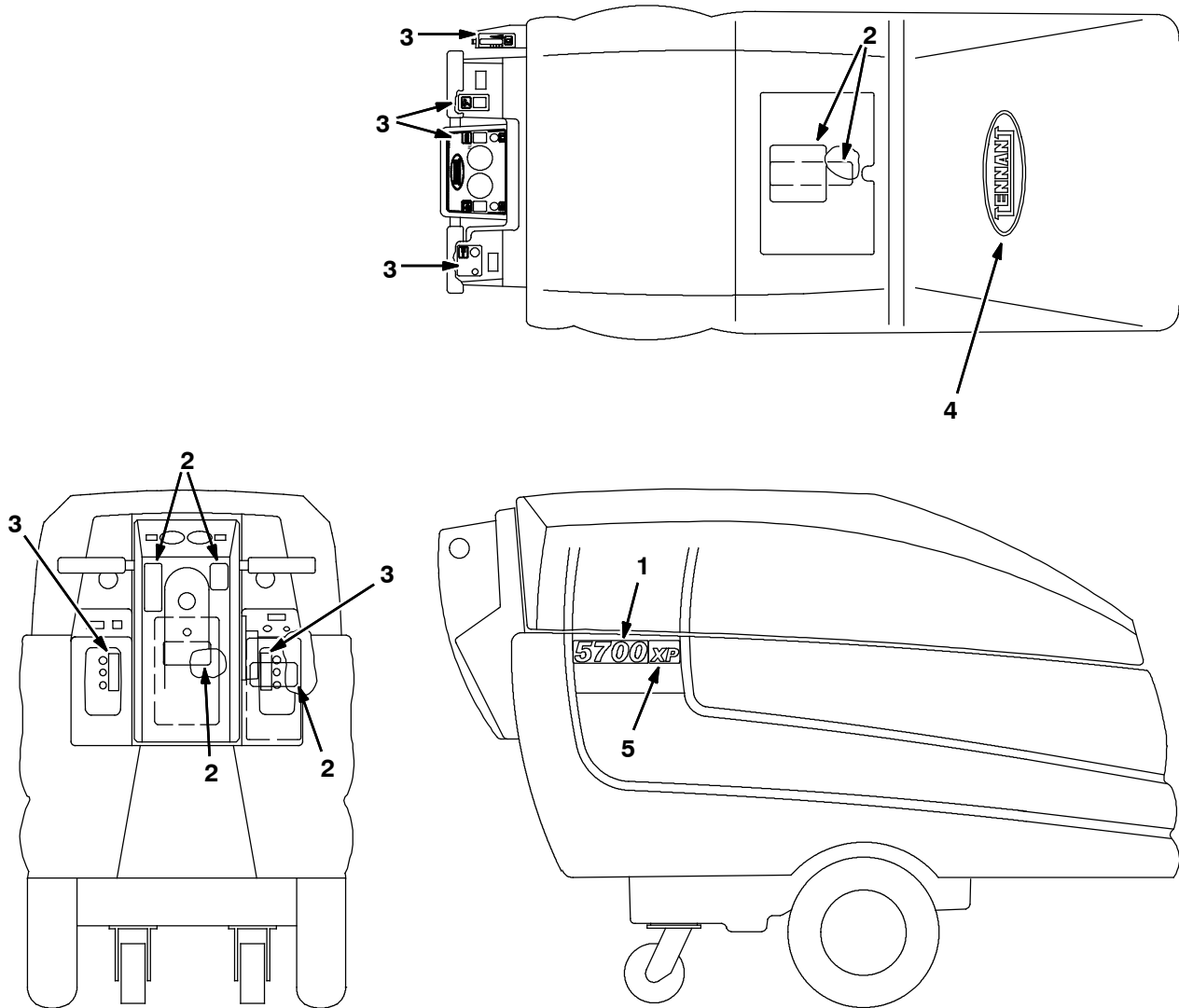
354400, 354043, 354060 - XP, NA, CE

Ref.	Part No.	Serial Number	Description	Qty.
▽	1	397911	(10000000- ) Harness, Main, [5700xp]	1
▲	2	393149	(10000000- ) Fuse, Blade, 10a, 58vdc	1
▲	3	377386	(10000000- ) Cover, Fuse	1
	4	222290	(10000000- ) Diode, Elec, Plug	2
		222666	(10000000- ) Clamp, Ribbon Cable	2
	5	222732	(10000000- ) Wire Assy, Non Power Steering	1
	6	1034036	(10000000- ) Harness [5700xp Static Ground]	1
	7	39349	(10000000- ) Washer, Flat, 0.31, Sae	5

▽ - Identifies an assembly

▲ - Identifies parts included in assembly

**Fig. 42 - Label Group**

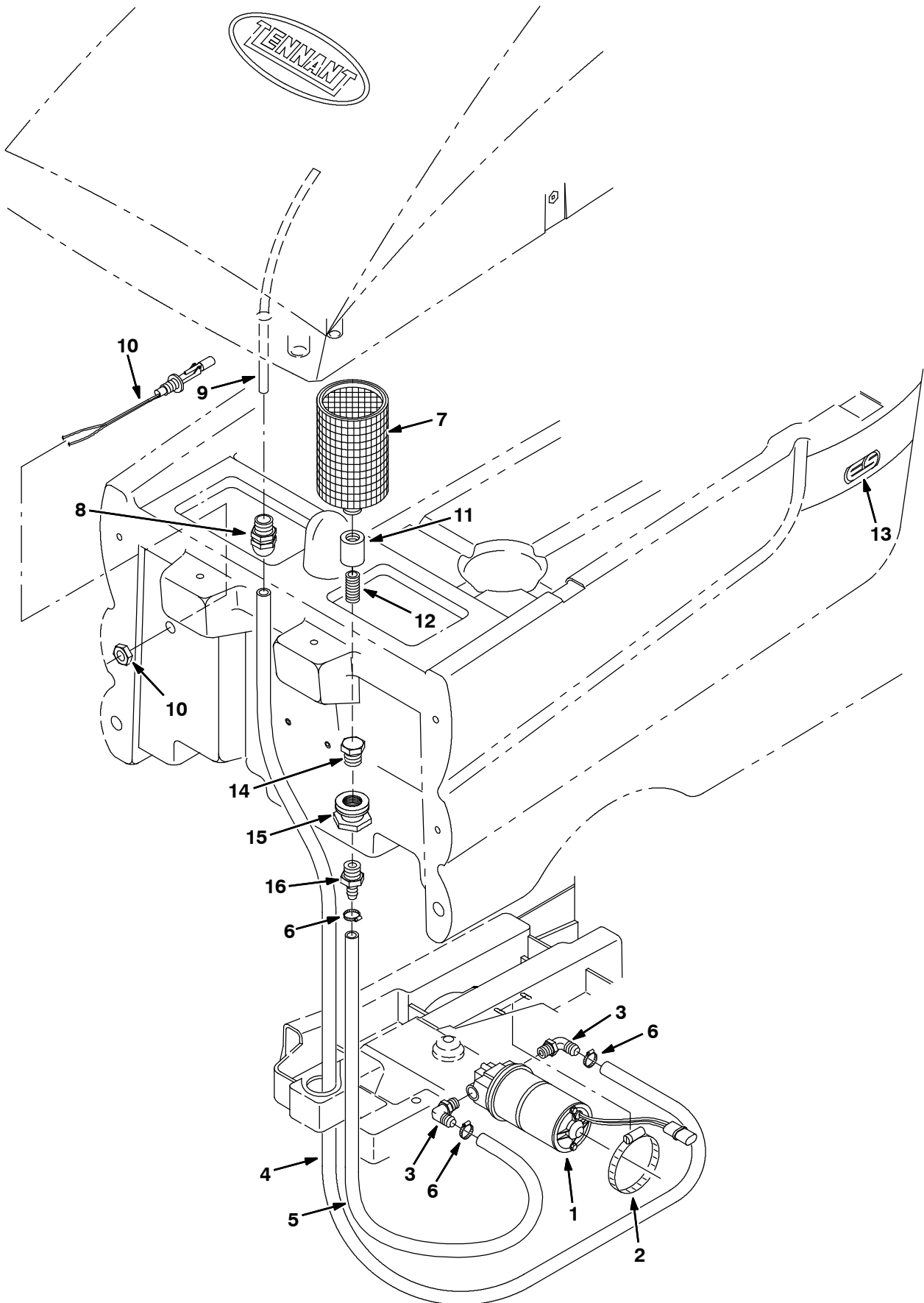


Ref.	Tennant Part No.	Machine Serial Number	Description	Qty.
1	1064817	(1000000- )	Label, Model [5700]	2
2	222578	(1000000- )	Label Set, Info/Hzrd [5680/5700]	1
2	222579	(000000- )	Label Set, Info/Hzrd, Tj [5680/5700]	1
3	369763	(017946- )	Label Set, Operational 5700	1
3	222533	(000000- 017945 )	Label Set, Operational 5700	1
4	1047741	(1000000- )	Label, Logo, 264Mml, [Tennant]	1
5	1064818	(1000000- )	Label, Model [Xp]	2
N/S	222766	(000000- )	Label Set, TJ, Brush, Replm.	1
N/S	374000	(000000- )	Label Caution, Battery, Jp (Mounted on Battery)	6

# SECTION 3

<b>Contents</b>	<b>Page</b>	<b>Contents</b>	<b>Page</b>
Fig. 1 - ES (Extended Scrub) Kit .....	3-2	Fig. 19 - ec- H2O NanoClean Solution Supply Group, Model 700C / 800C / 900C Scrub Head (S/N 10741221- ) .....	3-38
Fig. 2 - FaST Air Pump and Detergent Group (S/N 10000000 - 10361712) .....	3-4	Fig. 20 - ec- H2O Operator Console Group .....	3-40
Fig. 3 - FaST Detergent Group (S/N 10361713- ) .....	3-6	Fig. 21 - ec- H2O Label Group .....	3-41
Fig. 4 - FaST Solution Supply Group, Disk Scrub Head (S/N 10000000 - 10361712) .....	3-8	Fig. 22 - Vacuum Wand Kit .....	3-42
Fig. 5 - FaST Solution Supply Group, Disk Scrub Head (S/N 10361713- ) .....	3-10	Fig. 23 - Power Wand Hose Assembly .....	3-43
Fig. 6 - FaST Solution Supply Group, Model 700C / 800C Scrub Head (S/N 10000000 - 10361712) .....	3-12	Fig. 24 - Power Wand Assembly .....	3-44
Fig. 7 - FaST Solution Supply Group, Model 700C / 800C Scrub Head (S/N 10361713- ) .....	3-14	Fig. 25 - Power Wand Pump and Fittings Group .	3-46
Fig. 8 - FaST Foam Filter Group (S/N 10000000 - 10361712) .....	3-16	Fig. 26 - Power Wand Mount Group .....	3-47
Fig. 9 - FaST Solution Pump Group (S/N 10000000 - 10361712) .....	3-18	Fig. 27 - Manual Parking Brake Group (S/N 10000000- 10731450) .....	3-48
Fig. 10 - FaST Solution Pump Group (S/N 10361713- 10581880) .....	3-20	Fig. 28 - Transaxle With Electric Brake Group (S/N 10731451- ) .....	3-49
Fig. 11 - FaST Solution Pump Group (S/N 10581881- ) .....	3-22	Fig. 29 - Power Kill Switch Kit .....	3-50
Fig. 12 - FaST Operator Console Group .....	3-24	Fig. 30 - Transport Group .....	3-51
Fig. 13 - ec- H2O Solution Pump Group (S/N 10000000- 10581869) .....	3-26	Fig. 31 - Dual Vacuum Fan Kit .....	3-52
Fig. 13 - ec- H2O Solution Pump Group (S/N 10000000- 10581869) .....	3-27	Fig. 32 - Wall Roller Kit .....	3-54
Fig. 14 - ec- H2O Solution Pump Group (S/N 10581870- 107412205) .....	3-28	Fig. 33 - Neoprene Caster Group .....	3-56
Fig. 15 - ec- H2O NanoClean Solution Pump Group (S/N 10741221- ) .....	3-30	Fig. 34 - Tire Assembly, Solid .....	3-57
Fig. 16 - ec- H2O Solution Supply Group, Disk Scrub Head (S/N 10403557- 10741220) .....	3-32	Fig. 35 - Tire Assembly, Foam Filled .....	3-58
Fig. 17 - ec- H2O NanoClean Solution Supply Group, Disk Scrub Head (S/N 10741221- ) .....	3-34	Fig. 36 - Tire Assembly, Air Filled, Gray .....	3-59
Fig. 18 - ec- H2O Solution Supply Group, Model 700C / 800C / 900C Scrub Head (S/N 10403557- 10741220) .....	3-36	Fig. 37 - Battery Kit, Heavy Duty Wet, 335AH ...	3-60
		Fig. 38 - Battery Charger Group .....	3-61
		Fig. 39 - Urethane Scrub Head Skirt Kit .....	3-62
		Fig. 40 - Sensor Kit, Shielded .....	3-63
		Fig. 41 - Sound Reduction Kit .....	3-64
		Fig. 42 - HydrolinkR Battery Watering System Kit	3-65
		Fig. 43 - FaST Wire Harness Group .....	3-66
		Fig. 44 - ec- H2O Main Control Board Harness Group (S/N 10436743- 10741220) .....	3-67
		Fig. 45 - ec- H2O NanoClean Main Control Board Harness Group (S/N 10741221- ) .....	3-68
		Fig. 46 - ec- H2O Wire Harness Group (S/N 10403557- 10446383) .....	3-69
		Fig. 47 - ec- H2O Wire Harness Group (S/N 10446384- 10741220) .....	3-70
		Fig. 48 - ec- H2O Wire Harness Group (S/N 10741221- ) .....	3-71

Fig. 1 - ES (Extended Scrub) Kit



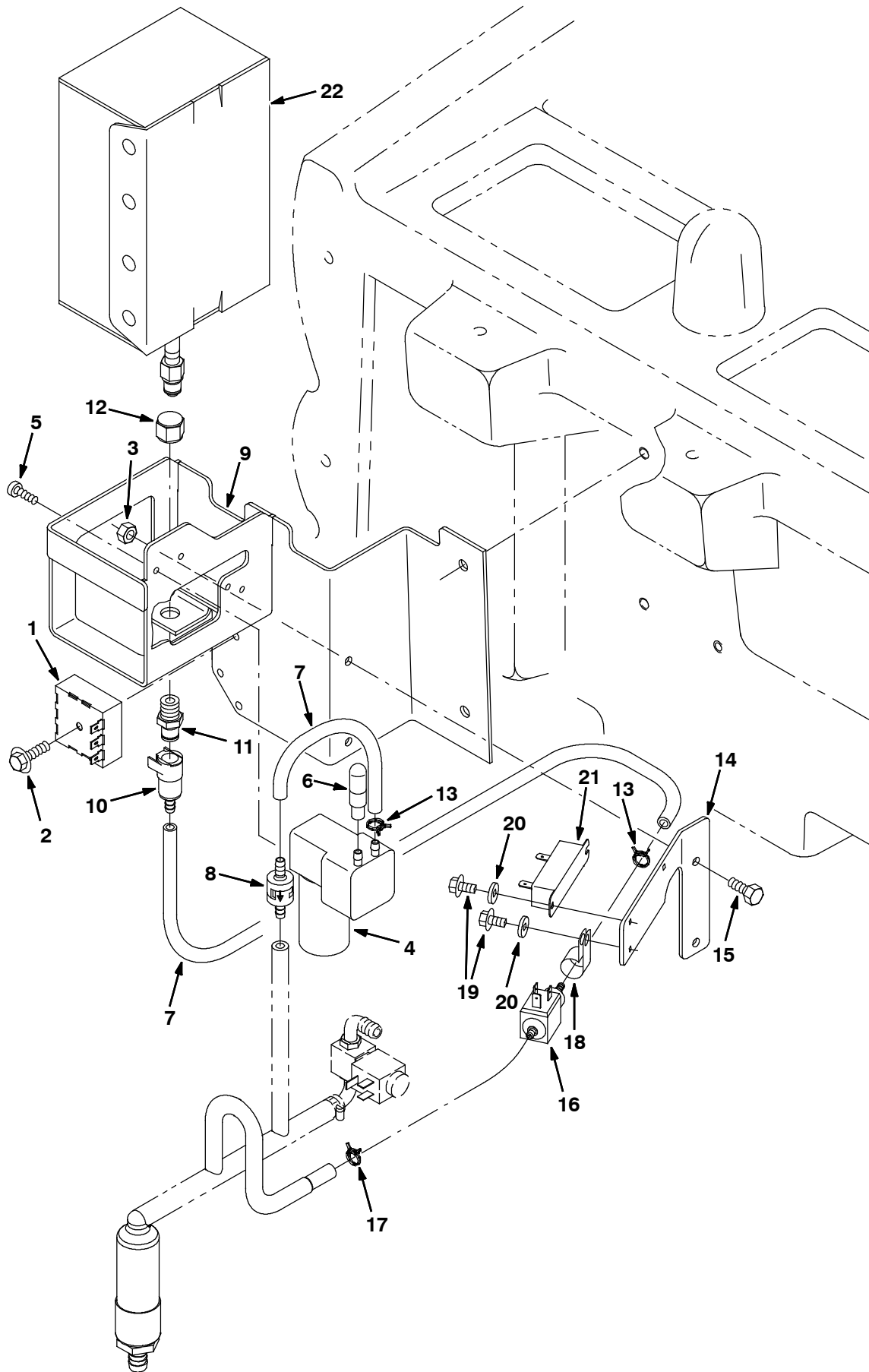
**Fig. 1 - ES (Extended Scrub) Kit**

	<b>Ref.</b>	<b>Part No.</b>	<b>Serial Number</b>	<b>Description</b>	<b>Qty.</b>
▽		222449	(10000000-	) Es Elect 5700	1
▲	1	222259	(10000000-	) Pump Assy, Water 36Vdc (See Breakdowns)	1
▲	2	17188	(10000000-	) Clamp- Wormdrive, 1.62- 3.50D	1
▲	3	64778	(10000000-	) Ftg,Plstc,Elb,Barb.38Pt- .50Hse	2
▲	4	222451	(10000000-	) Hose, Vinyl Clr, .50Id X65.0L	1
▲	5	72953	(10000000-	) Hose, Pvc .50Idx.73Od 23.0Lg	1
▲	6	54333	(10000000-	) Clamp- Wormdrive, 0.31- 0.88D	3
▲	7	65873	(10000000-	) Screen, Solution 60 Mesh, Cyl	1
▲	8	222374	(10000000-	) Ftg- Plastic Str Specl 12Pm	1
▲	9	222439	(10000000-	) Tube, Poly .38Id X .06W X 16L	1
▲	10	222822	(10000000-	) Switch, Float	1
▲	11	05134	(10000000-	) Ftg, Pipe, Cplg Plastic 0.75	1
▲	12	69784	(10000000-	) Ftg- Plstc Str 12Pm/12Pm	1
▲	13	222604	(10000000-	) Label, Es Logo, Off- White	2
▲	14	75611	(10000000-	) Fitting, Plstc, Plug, Pm12	1
▲	15	377349	(10000000-	) Fitting, Plstc, Pf12/Pf12, Bh	1
▲	16	79273- 1	(10000000-	) Fitting, Plstc, Str, Bm08/Pm12	1

▽ - Identifies an assembly

▲ - Identifies parts included in assembly

Fig. 2 - FaST Air Pump and Detergent Group (S/N 1000000 - 10361712)



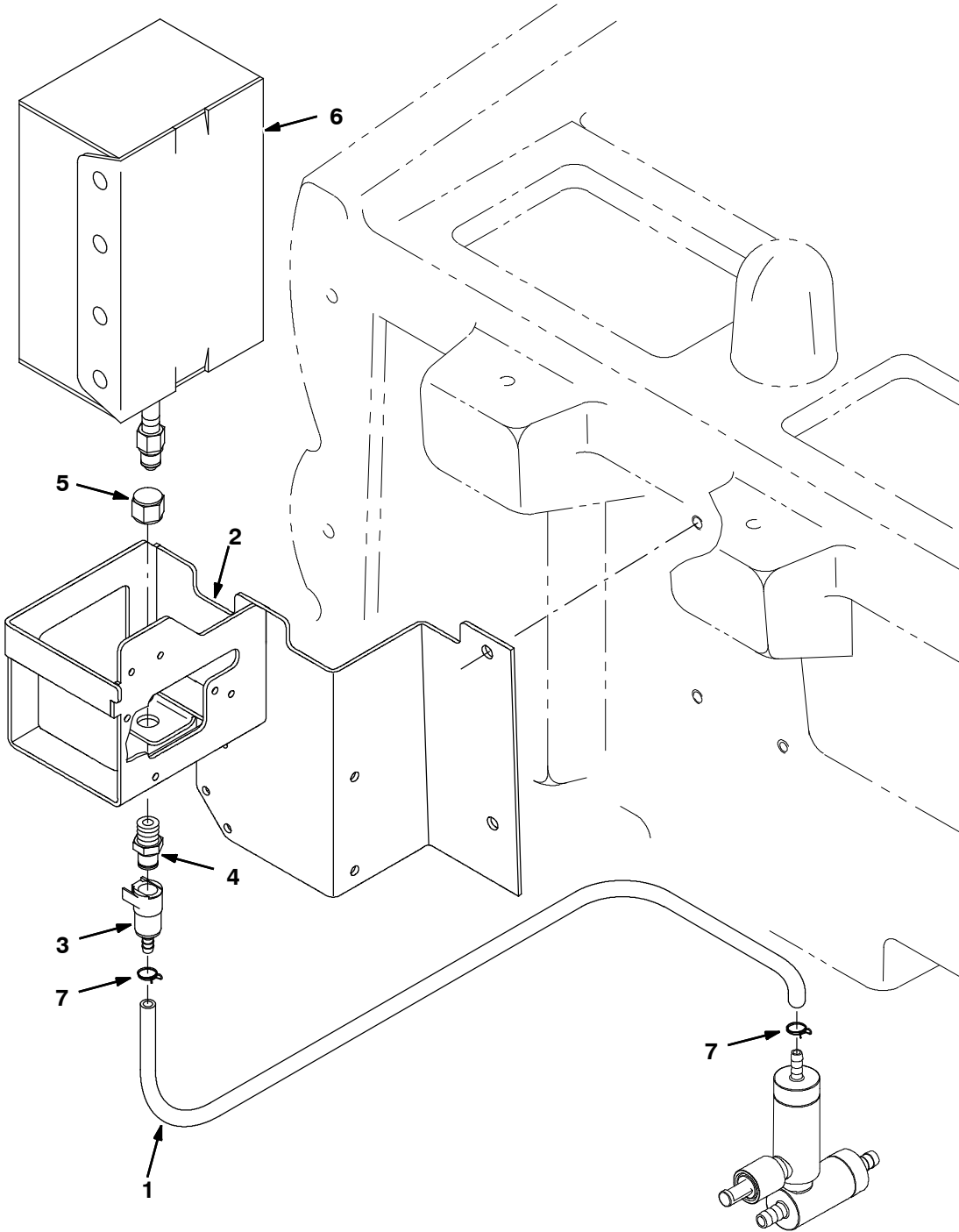
**Fig. 2 - FaST Air Pump and Detergent Group (S/N 10000000 - 10361712)**

Ref.	Part No.	Serial Number	Description	Qty.
	1	1028487	(10000000- 10361712 ) Timer, 36vdc, Detgt [.35on/1.38off]	1
	2	222159	(10000000- 10361712 ) Screw, Hex, M6 X 1.0 X 25, Fmg	1
	3	08708	(10000000- 10361712 ) Nut, Hex, Lock, M06 X 1.0, NI	2
▽	4	1008211	(10000000- 10361712 ) Pump, Air, Ele, 36vdc	1
▲		391449	(10000000- 10361712 ) Kit, Repair, Diaphragm, Air Compressor	1
	5	49162	(10000000- 10361712 ) Screw, Pan, #08- 10 X 0.50, F/Plstc	2
	6	1005255	(10000000- 10361712 ) Filter Assy, Air, Molded Ure	1
	7	1014985	(10000000- 10361712 ) Hose, Afrmkt, Pvc, Clr 0.25id 8ft	1
	8	1013902	(10000000- 10361712 ) Valve, Check, 2 Gpm 2 Psi Bm04/Bm04	1
	9	1008349	(10000000- ) Brkt Wldt, Box, Dtrgt	1
	10	1002898	(10000000- ) Coupling, Fem, W/ Valve, .25 Brb	1
	11	1002899	(10000000- ) Coupling, Mal, .25 Npt	1
	12	1005435	(10000000- ) Fitting, Plstc, Piep, Cap, Pf04	1
	13	613735	(10000000- 10361712 ) Clamp, Hose, Wire, .40 - .42	2
	14	1015042	(10000000- 10361712 ) Plate, Mtg, Detgt Pump	1
	15	08716	(10000000- 10361712 ) Screw, Hex, M06 X 1.0 X 20, Ss	2
	16	1005413	(10000000- 10361712 ) Pump, Detgt, [560s]	1
	17	1031375	(10000000- 10361712 ) Clamp, Hose, Wir, .29 - .31 [Dbl Wire]	1
	18	67767	(10000000- 10361712 ) Clamp, Cable, Stl, 0.69d X 0.62w, 1h	1
	19	16944	(10000000- 10361712 ) Screw, Hex, M4 X 0.7 X 10, Fmg	3
	20	19065	(10000000- 10361712 ) Washer, Flat, #08	3
	21	1020542	(10000000- 10361712 ) Resistor, 011.00ohm, 40watt	1
	22	1017015	(10000000- ) Detergent Pkg, 2 Liter, Sgl, 365	-
	22	1017022	(10000000- ) Detergent Pkg, 2 Liter, Sgl, 665	-
	22	9002021	(10000000- ) Detergent, 2 Liter [Fast 965]	-

▽ - Identifies an assembly

▲ - Identifies parts included in assembly

Fig. 3 - FaST Detergent Group (S/N 10361713- )

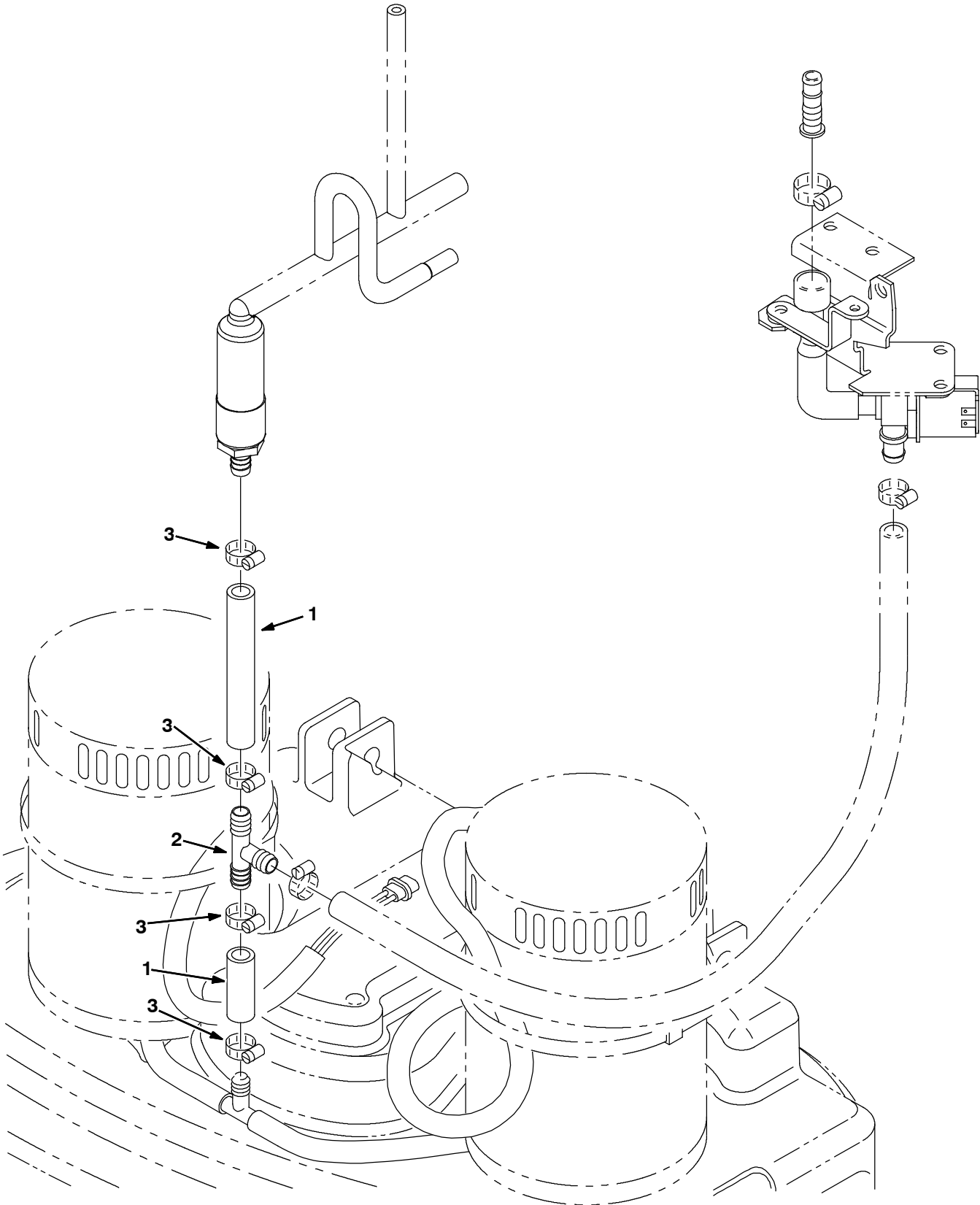




**Fig. 3 - FaST Detergent Group (S/N 10361713- )**

<b>Ref.</b>	<b>Part No.</b>	<b>Serial Number</b>	<b>Description</b>	<b>Qty.</b>
1	613947	(10361713-	) Hose, Pvc, Clr, 0.25id 0.38od 026.0l	1
2	1008349	(10000000-	) Brkt Wldt, Box, Dtrgt	1
3	1002898	(10000000-	) Coupling, Fem, W/ Valve, .25 Brb	1
4	1002899	(10000000-	) Coupling, Mal, .25 Npt	1
5	1005435	(10000000-	) Fitting, Plstc, Piep, Cap, Pf04	1
6	1017015	(10000000-	) Detergent Pkg, 2 Liter, Sgl, 365	-
6	1017022	(10000000-	) Detergent Pkg, 2 Liter, Sgl, 665	-
6	9002021	(10000000-	) Detergent, 2 Liter [Fast 965]	-
7	613735	(10000000-	) Clamp, Hose, Wir, .40 - .42, Yel	2

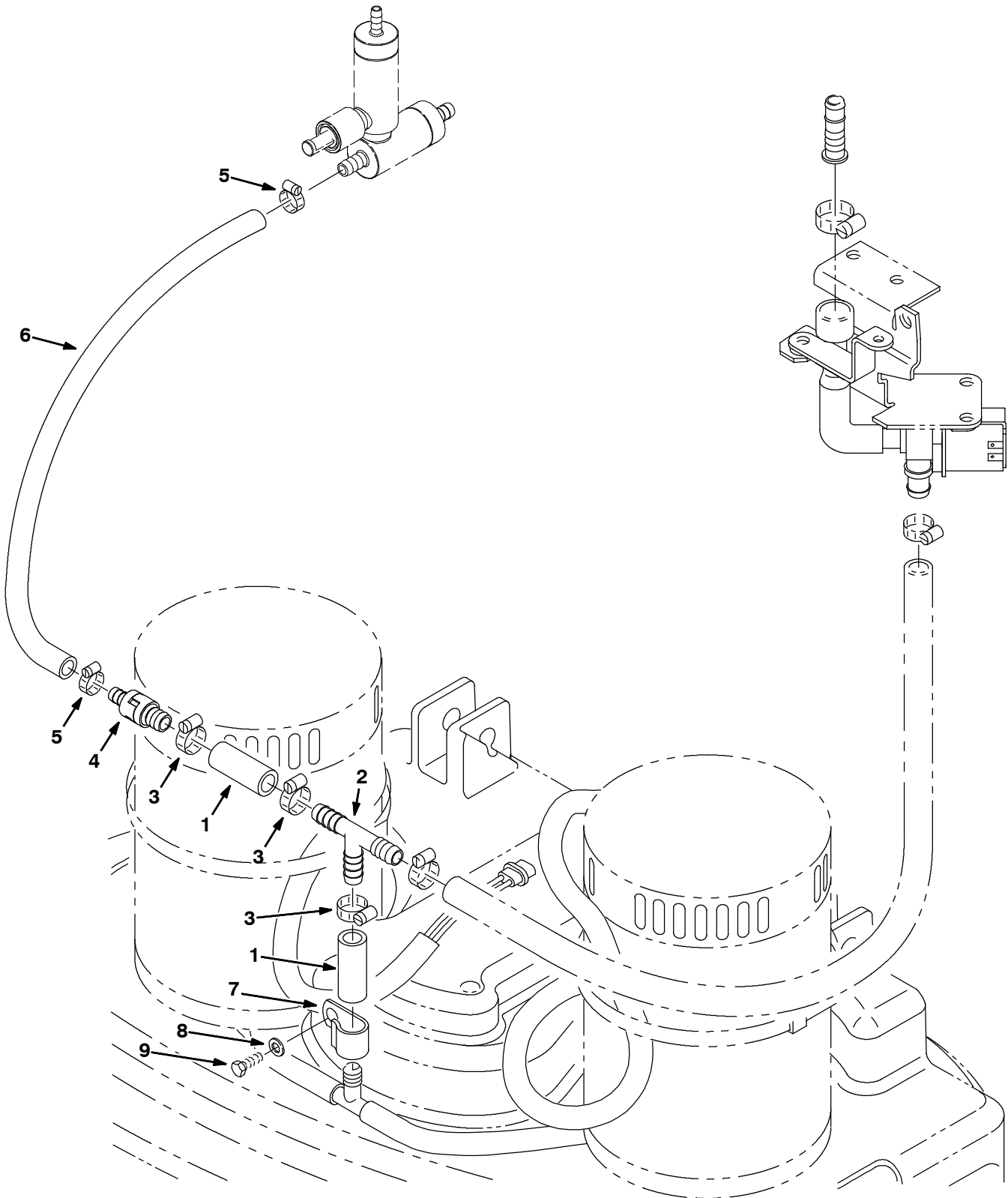
**Fig. 4 - FaST Solution Supply Group, Disk Scrub Head (S/N 1000000 - 10361712)**



**Fig. 4 - FaST Solution Supply Group, Disk Scrub Head (S/N 10000000 - 10361712)**

<b>Ref.</b>	<b>Part No.</b>	<b>Serial Number</b>	<b>Description</b>	<b>Qty.</b>
1	1006401	(10000000- 10361712 )	Hose, Afmkt, Replmt, Brd, 0.50ld 3Ft	1
2	63245- 1	(10000000- )	Fitting, Plstc, Tee, Bm08/Bm08/Bm08	1
3	54333	(10000000- )	Clamp, Hose, Wormdrive, 0.31- 0.88D	4

**Fig. 5 - FaST Solution Supply Group, Disk Scrub Head (S/N 10361713- )**

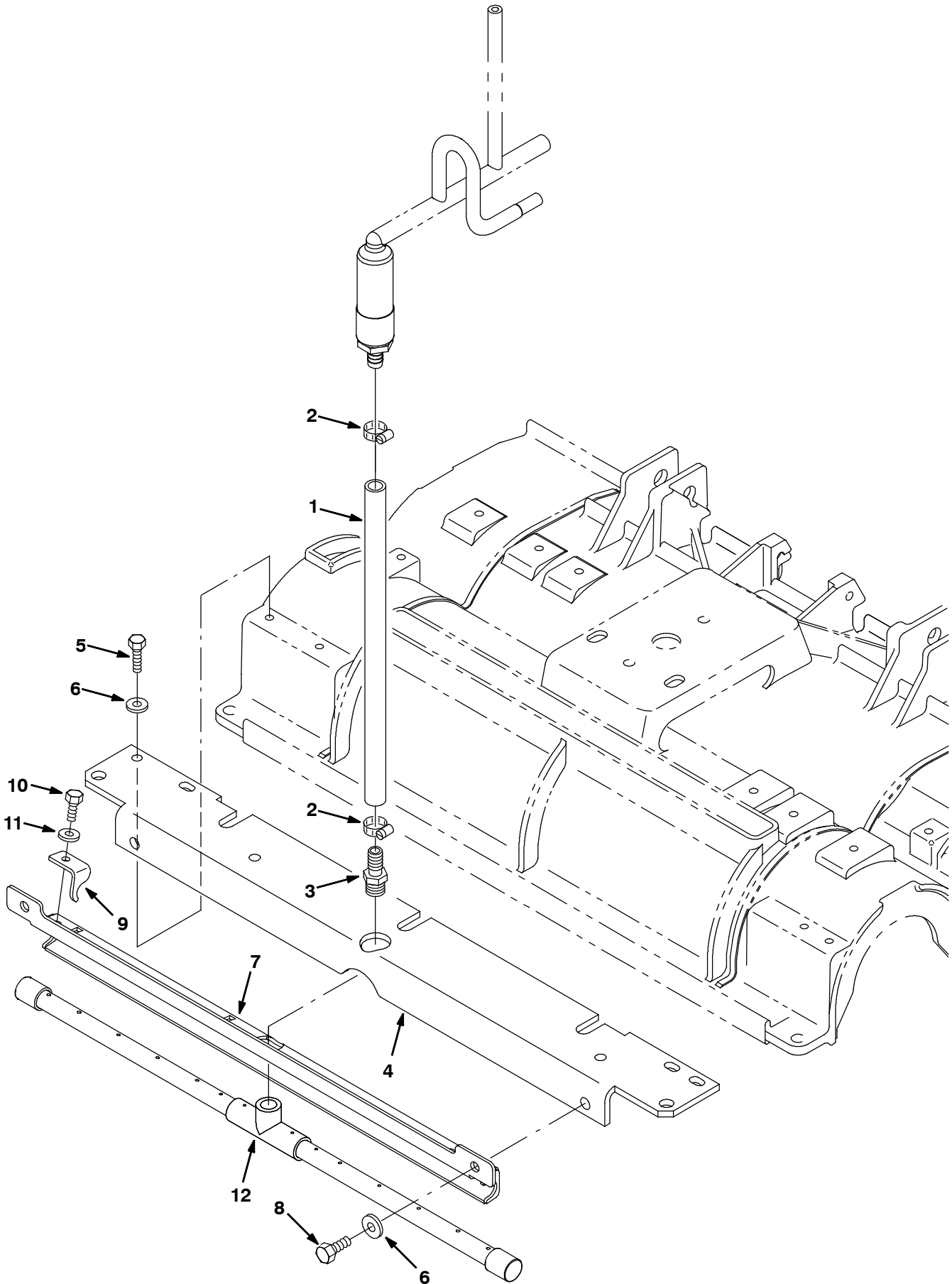


**Fig. 5 - FaST Solution Supply Group, Disk Scrub Head (S/N 10361713- )**

<b>Ref.</b>	<b>Part No.</b>	<b>Serial Number</b>	<b>Description</b>	<b>Qty.</b>
1	392256	(10361713-	) Hose, Pvc, Brd, 0.50id 0.73od 002.0l,Clr	2
2	63245- 1	(10000000-	) Fitting, Plstc, Tee, Bm08/Bm08/Bm08	1
3	54333	(10000000-	) Clamp, Hose, Wormdrive, 0.31- 0.88D	3
4	1035794	(10541114-	) Valve, Check, 0005psi Bm06/Bm08	1
4	1043317	(10361713- 1051113	) Valve, Check, 0015Psi Bm06/Bm08	1
5	43844	(10361713-	) Clamp, Hose, Wormdrive, 0.25- 0.62d, .31w	2
6	606317	(10361713-	) Hose, Pvc, Brd, 0.38id 0.60od 019.5l,Clr	1
7	30407	(10361690-	) Clip, Keeper, Open	1
8	32483	(10361690-	) Washer, Flat, 0.25, Sae	1
9	55845	(10361690-	) Screw, Hex, M5 X 0.80 X 16, Fmg	1

# OPTIONS

Fig. 6 - FaST Solution Supply Group, Model 700C / 800C Scrub Head (S/N 1000000 - 10361712)

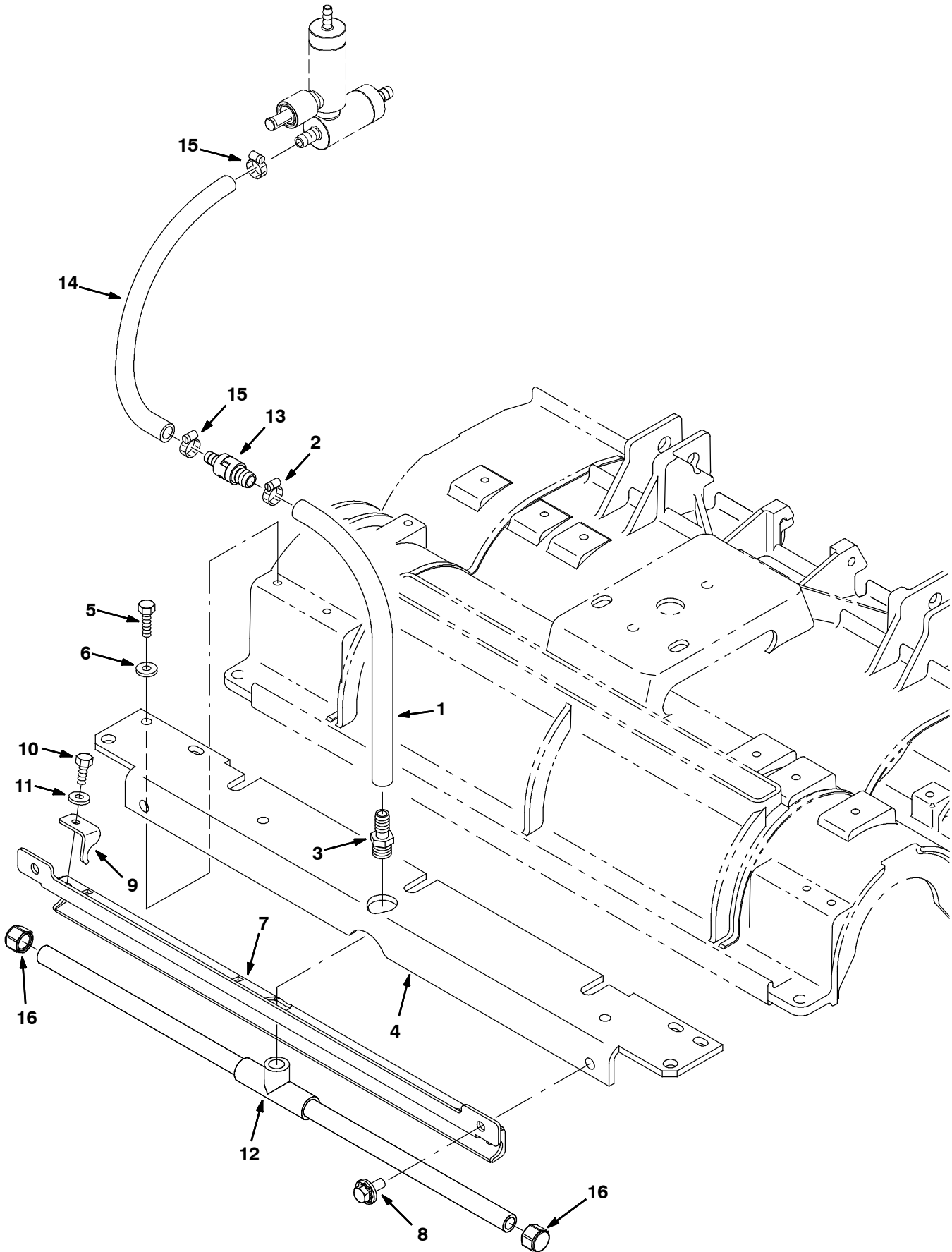


**Fig. 6 - FaST Solution Supply Group, Model 700C / 800C Scrub Head (S/N 10000000 - 10361712)**

<b>Ref.</b>	<b>Part No.</b>	<b>Serial Number</b>	<b>Description</b>	<b>Qty.</b>
1	1006401	(10000000- 10361712 )	Hose, Afmkt, Replmt, Brd, 0.50ld 3Ft	1
2	54333	(10000000- )	Clamp, Hose, Wormdrive, 0.31- 0.88d, .31w	2
3	64743	(10000000- )	Fitting, Plstc, Str, Bm08/Pm06	1
4	1019314	(10000000- )	Angle, Head, Cyl, 700mm	1
4	1019440	(10000000- )	Angle, Head, Cyl, 800mm	1
5	76099	(10000000- )	Screw, Hex, M8 X 1.25 X 25, Fmg	4
6	01685	(10000000- )	Washer, Flat, 0.38b 0.88d .08, Ss	6
7	1014993	(10000000- )	Bracket Wldt, Bar, Spray, 700mm	1
7	1014957	(10000000- )	Bracket Wldt, Bar, Spray, 800mm	1
8	12273	(10000000- )	Screw, Hex, M8 X 1.25 X 20, Ss, NI	2
9	1014673	(10000000- )	Bracket, Bar, Spray	3
10	11635	(10000000- )	Screw, Hex, M6 X 1.0 X 12, Ss, NI	3
11	01684	(10000000- )	Washer, Flat, 0.25 Ss	3
12	1014791	(10000000- )	Tube Assy, Bar, Spray 700mm	1
12	1013079	(10000000- )	Tube Assy, Spray, Cyl, 800mm	1

# OPTIONS

Fig. 7 - FaST Solution Supply Group, Model 700C / 800C Scrub Head (S/N 10361713- )

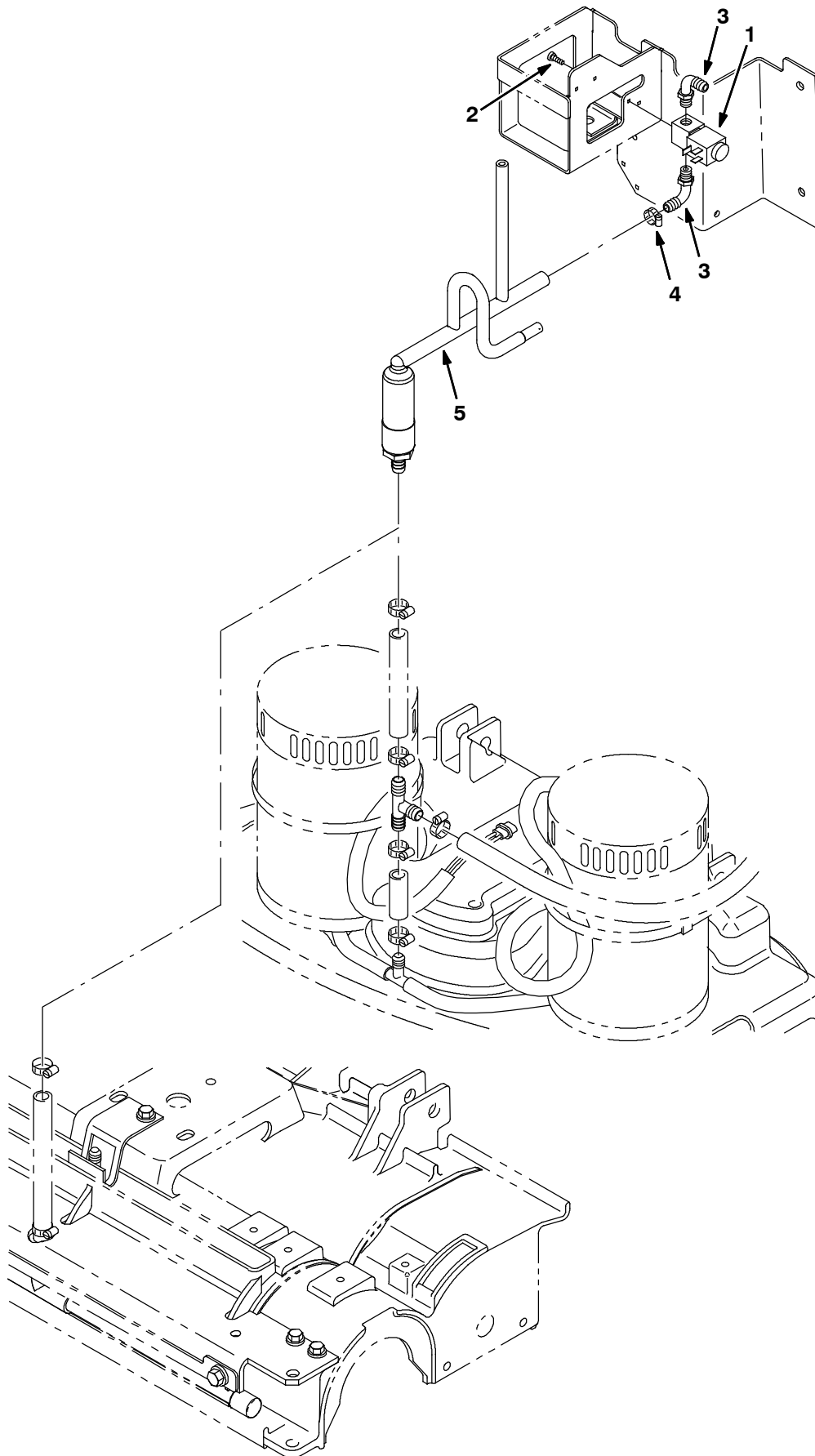




**Fig. 7 - FaST Solution Supply Group, Model 700C / 800C Scrub Head (S/N 10361713- )**

<b>Ref.</b>	<b>Part No.</b>	<b>Serial Number</b>	<b>Description</b>	<b>Qty.</b>
1	613718	(10361713-	) Hose, Pvc, Brd, 0.50id 0.73od 013.0l	1
2	54333	(10000000-	) Clamp, Hose, Wormdrive, 0.31- 0.88d, .31w	1
3	64743	(10000000-	) Fitting, Plstc, Str, Bm08/Pm06	1
4	1046020	(10000000-	) Angle, Head, Cylrcl, 700mm	1
4	1046023	(10000000-	) Angle, Head, Cylrcl, 800mm	1
5	76099	(10000000-	) Screw, Hex, M8 X 1.25 X 25, Fmg	4
6	01685	(10000000-	) Washer, Flat, 0.31 Ss	4
7	1014993	(10000000-	) Bracket Wldt, Bar, Spray, 700mm	1
7	1014957	(10000000-	) Bracket Wldt, Bar, Spray, 800mm	1
8	1020341	(10000000-	) Screw, Hex, M8 X 1.25 X 20, Ss, Sems	2
9	1014673	(10000000-	) Bracket, Bar, Spray	3
10	11635	(10000000-	) Screw, Hex, M6 X 1.0 X 12, Ss, NI	3
11	01684	(10000000-	) Washer, Flat, 0.25 Ss	3
12	1046049	(10000000-	) Tube Assy, Bar, Spray (700mm)	1
12	1025276	(10000000-	) Tube Assy, Bar, Spray [85cm] (800mm)	1
13	1035794	(10541114-	) Valve, Check, 0005psi Bm06/Bm08	1
13	1043317	(10361713- 10541113	) Valve, Check, 0015Psi Bm06/Bm08	1
14	606317	(10361713-	) Hose, Pvc, Brd, 0.38id 0.60od 019.5l,Clr	1
15	43844	(10361713-	) Clamp, Hose, Wormdrive, 0.25- 0.62d, .31w	2
16	1025580	(10000000-	) Fitting, Pipe, Cap, P06, Nyl	2

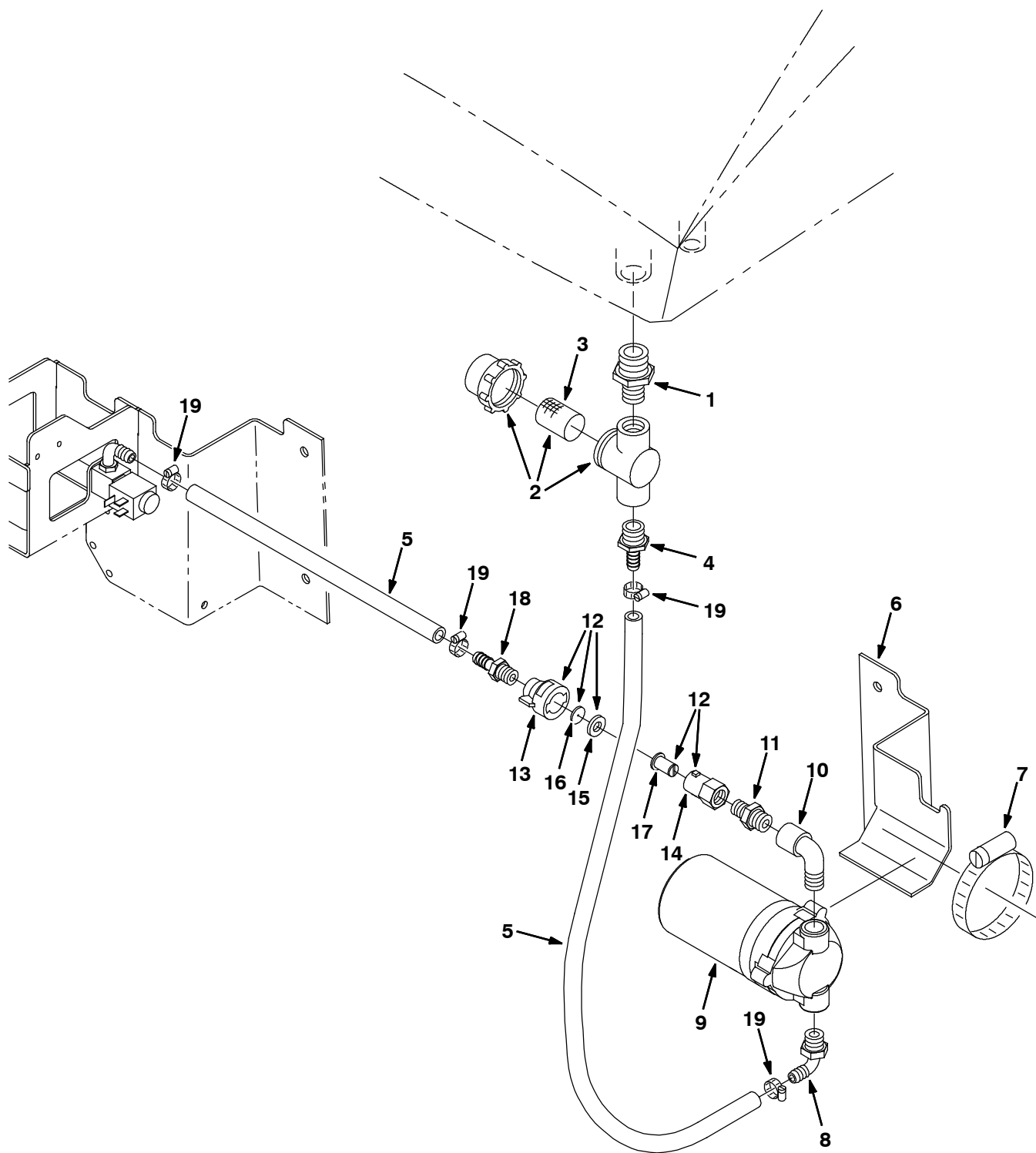
Fig. 8 - FaST Foam Filter Group (S/N 10000000 - 10361712)



**Fig. 8 - FaST Foam Filter Group (S/N 10000000 - 10361712)**

<b>Ref.</b>	<b>Part No.</b>	<b>Serial Number</b>	<b>Description</b>	<b>Qty.</b>
1	1028578	(10000000- 10361712 )	Valve, Water, Solenoid, 36vdc Pf02	1
2	49162	(10000000- 10361712 )	Screw, Pan, #08- 10 X 0.50, F/Plstc	2
3	1005564	(10000000- 10361712 )	Fitting, Plstc, E90, Bm06/Pm02, Nyl	2
4	43844	(10000000- 10361712 )	Clamp, Hose, Wormdrive, 0.25- 0.62D, .31W	1
5	1020364	(10000000- 10361712 )	Manifold, [FaST 5700]	1

Fig. 9 - FaST Solution Pump Group (S/N 1000000 - 10361712)



**Fig. 9 - FaST Solution Pump Group (S/N 10000000 - 10361712)**

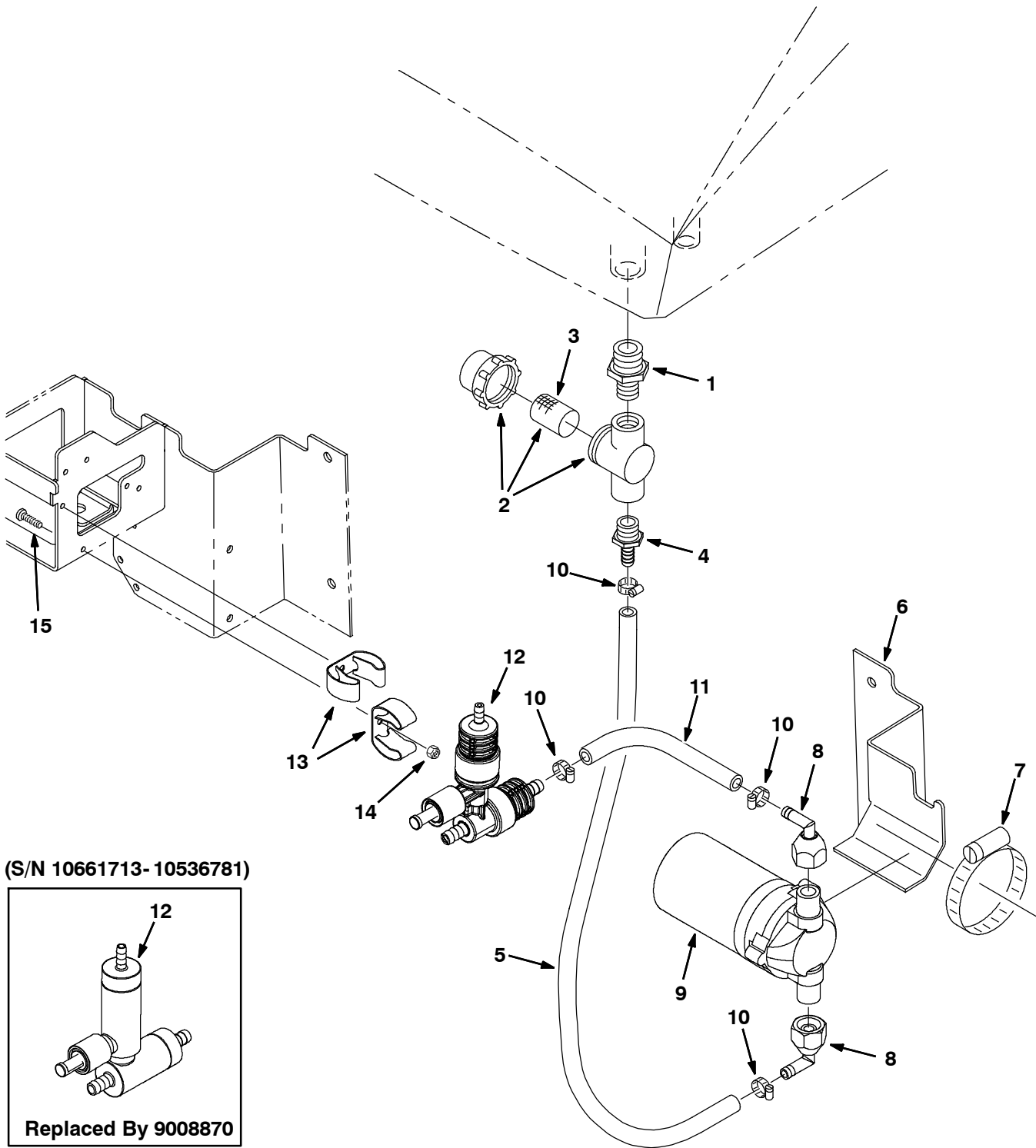
	<b>Ref.</b>	<b>Part No.</b>	<b>Serial Number</b>	<b>Description</b>	<b>Qty.</b>
	1	1005218	(10000000-	) Fitting, Plstc, Str, Pm08/Pm12	1
▽	2	1005388	(10000000-	) Filter, Inline, Pf08/Pf08, 80 Mesh	1
▲	3	1005304	(10000000-	) Screen, Filter, 80 Mesh	1
	4	79273	(10000000-	) Fitting, Plstc, Str, Bm06/Pm08	1
	5	1006400	(10000000- 10361712 )	Hose, Afmkt Replmt, Brd, 0.38id 3Ft	1
	6	1002603	(10000000-	) Brkt, Pump, Solution	1
	7	43555	(10000000-	) Clamp, Hose, Wormdrive, 1.62- 3.50d	1
	8	1005630	(10000000-	) Fitting, Plstc, E90, Bm06/Pm06, Nyl	1
▽	9	1005866	(10000000- 10361712 )	Pump, Solution, Ele, 36vdc	1
▲		391433	(10000000- 10361712 )	Head, Pump, Kit	1
	10	1005318	(10000000- 10361712 )	Fitting, Plstc, E90, Pf06/Pm06, Nyl	1
	11	1005219	(10000000- 10361712 )	Fitting, Plstc, Str, Pm04/Pm06	1
▽	12	1005522	(10000000- 10361712 )	Fitting, Plstc, Cap Assy, 0.040b, Pf04	1
▲	13	1005506	(10000000- 10361712 )	Fitting, Plstc, Cap, Spray, Pf04	1
▲	14	1005507	(10000000- 10361712 )	Fitting, Plstc, Body, Spray, Pf04	1
▲	15	1005508	(10000000- 10361712 )	Washer, 0.34b 0.75d 0.12, Epdm	1
▲	16	1005510	(10000000- 10361712 )	Plate, Orifice, 0.040id	1
▲	17	1006447	(10000000- 10361712 )	Screen, 50 Mesh, Ss	1
	18	49186	(10000000- 10361712 )	Fitting, Plstc, Str, Bm06/Pm04	1
	19	43844	(10000000-	) Clamp, Hose, Wormdrive, 0.25- 0.62d	4

▽ - Identifies an assembly

▲ - Identifies parts included in assembly

# OPTIONS

Fig. 10 - FaST Solution Pump Group (S/N 10361713- 10581880)



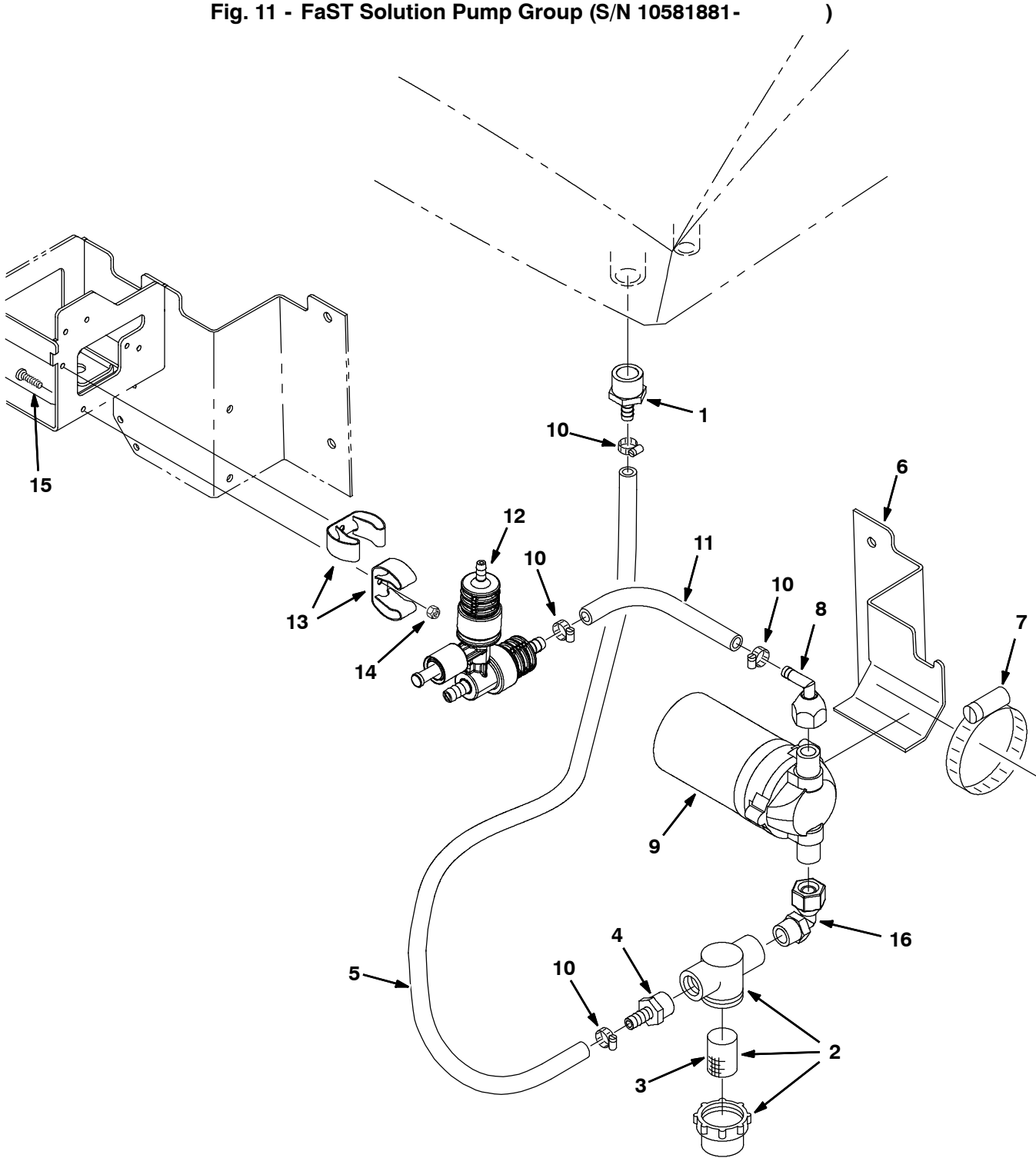
**Fig. 10 - FaST Solution Pump Group (S/N 10361713- 10581880)**

	<b>Ref.</b>	<b>Part No.</b>	<b>Serial Number</b>	<b>Description</b>	<b>Qty.</b>
	1	1005218	(10000000- 10581880 )	Fitting, Plstc, Str, Pm08/Pm12	1
▽	2	1005388	(10000000- )	Filter, Inline, Pf08/Pf08, 80 Mesh	1
▲	3	1005304	(10000000- )	Screen, Filter, 80 Mesh	1
	4	79273	(10000000- )	Fitting, Plstc, Str, Bm06/Pm08	1
	5	606325	(10361713- )	Hose, Pvc, Brd, 0.38id 0.60od 024.0l,Clr	1
	6	1002603	(10000000- )	Brkt, Pump, Solution	1
	7	43555	(10000000- )	Clamp, Hose, Wormdrive, 1.62- 3.50d	1
	8	611010	(10361713- 10581880 )	Fitting, Plstc, E90, Bm06/Pf08, Swivel	2
	9	1043318	(10361713- )	Pump, Soltn, Ele, 36Vdc, 60Psi [Deutsch]	1
	10	43844	(10000000- )	Clamp, Hose, Wormdrive, 0.25- 0.62d, .31w	4
	11	606317	(10361713- )	Hose, Pvc, Brd, 0.38id 0.60od 019.5l,Clr	1
	12	9008870	(10536782- )	Fast Kit, Injector [5680/5700, Fast Iii] (See Breakdowns)	1
	12	9004079	(10361713- 10536781 )	FaST Kit, Injector [5680/5700, FaST II+] (See Breakdowns)	1
	13	573073	(10361713- )	Clip, Grip, Hose, 1.00- 1.38, Zn	2
	14	33932	(10361713- )	Nut, Hex, Lock, M4 X 0.70, NI, Ss	2
	15	49697	(10361713- )	Screw, Pan, Phl, M4 X 0.70 X 10, Ss	2

▽ - Identifies an assembly

▲ - Identifies parts included in assembly

Fig. 11 - FaST Solution Pump Group (S/N 10581881- )





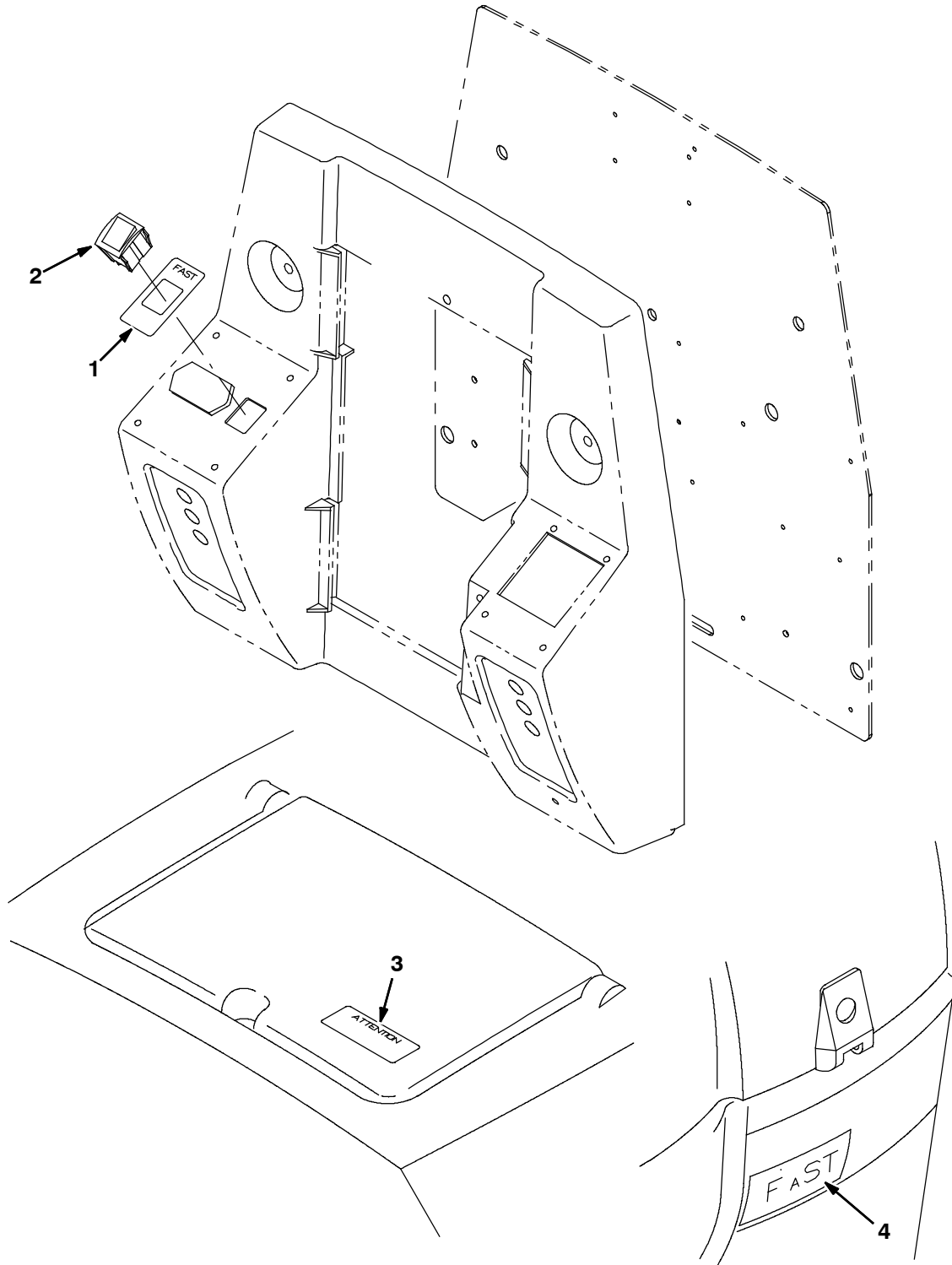
**Fig. 11 - FaST Solution Pump Group (S/N 10581881- )**

<b>Ref.</b>	<b>Part No.</b>	<b>Serial Number</b>	<b>Description</b>	<b>Qty.</b>
	1	73467	(10581881- ) Fitting, Plstc, Str, Bm06/Pm12, Nyl	1
▽	2	1005388	(10000000- ) Filter, Inline, Pf08/Pf08, 80 Mesh	1
▲	3	1005304	(10000000- ) Screen, Filter, 80 Mesh	1
	4	79273	(10000000- ) Fitting, Plstc, Str, Bm06/Pm08	1
	5	606325	(10361713- ) Hose, Pvc, Brd, 0.38id 0.60od 024.0l,Clr	1
	6	1002603	(10000000- ) Brkt, Pump, Solution	1
	7	43555	(10000000- ) Clamp, Hose, Wormdrive, 1.62- 3.50d	1
	8	611010	(10581881- ) Fitting, Plstc, E90, Bm06/Pf08, Swivel	1
	9	1043318	(10361713- ) Pump, Soltn, Ele, 36Vdc, 60Psi [Deutsch]	1
	10	43844	(10000000- ) Clamp, Hose, Wormdrive, 0.25- 0.62d, .31w	4
	11	606317	(10361713- ) Hose, Pvc, Brd, 0.38id 0.60od 019.5l,Clr	1
	12	9008870	(10536782- ) Fast Kit, Injector [5680/5700, Fast Iii] (See Breakdowns)	1
	13	573073	(10361713- ) Clip, Grip, Hose, 1.00- 1.38, Zn	2
	14	33932	(10361713- ) Nut, Hex, Lock, M4 X 0.70, NI, Ss	2
	15	49697	(10361713- ) Screw, Pan, Phl, M4 X 0.70 X 10, Ss	2
	16	1037264	(10581881- ) Fitting, Plstc, E90, Pm08/Pf08s, Swivel	1

▽ - Identifies an assembly

▲ - Identifies parts included in assembly

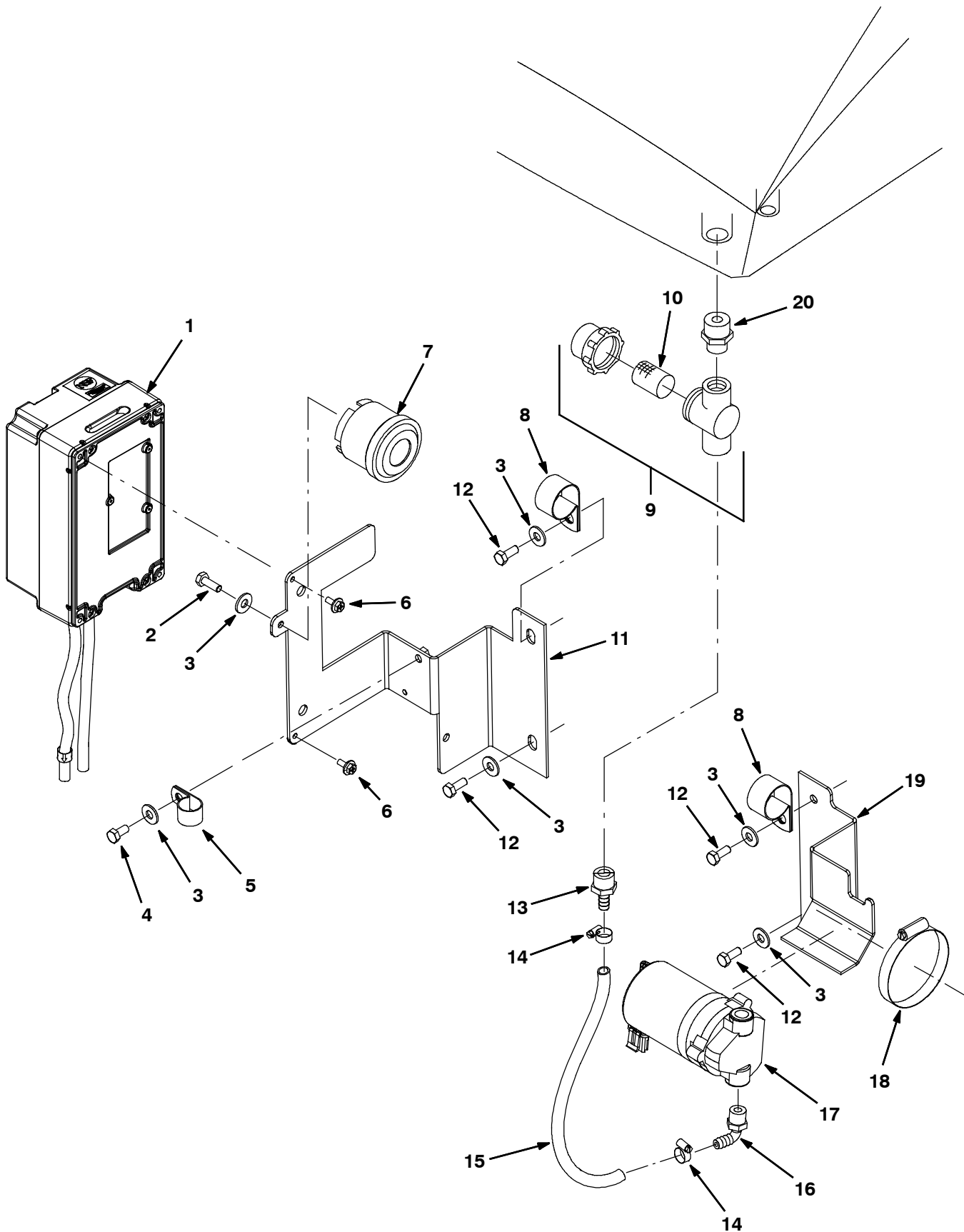
Fig. 12 - FaST Operator Console Group



**Fig. 12 - FaST Operator Console Group**

<b>Ref.</b>	<b>Part No.</b>	<b>Serial Number</b>	<b>Description</b>	<b>Qty.</b>
1	1005425	(10000000-	) Label Set, Fast	1
2	363607	(10000000-	) Switch, Rocker, 28vdc 16a Dpdt On/N/On	1
3	391451	(10000000-	) Label, Attention, Fast	1
4	1062497	(10000000-	) Label, Logo, TI/Wht 4.00L [FaST]	2

Fig. 13 - ec-H<sub>2</sub>O Solution Pump Group (S/N 1000000-10581869)



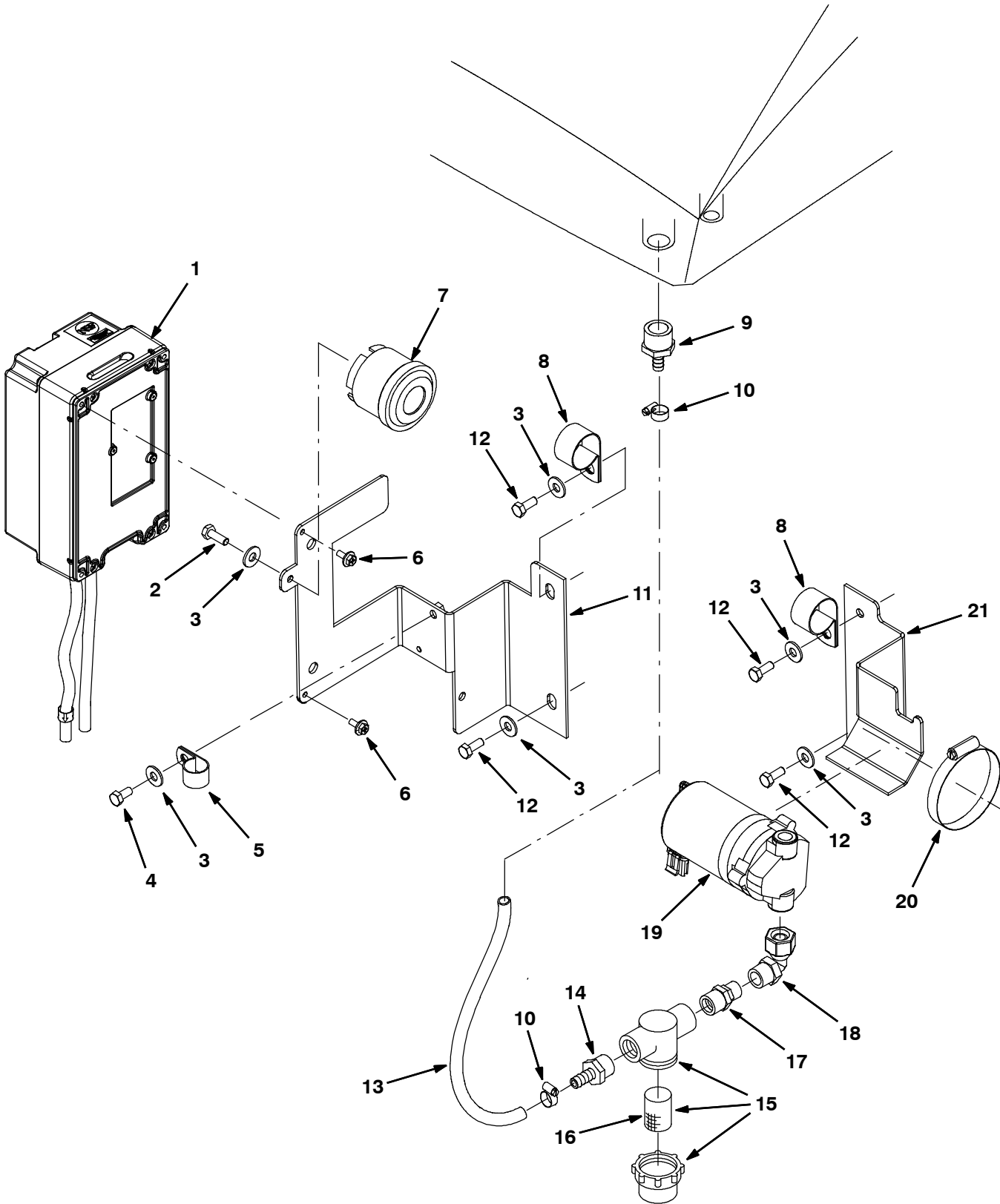
**Fig. 13 - ec-H2O Solution Pump Group (S/N 1000000- 10581869)**

<b>Ref.</b>	<b>Part No.</b>	<b>Serial Number</b>	<b>Description</b>	<b>Qty.</b>	
1	9007970	(10436743-	) Module Kit, Replmt [Ec- H2o] (See Breakdowns)	1	
1	9006161	(10403557- 10436742	) Module Kit, Replmt [Ec- H2o] (See Breakdowns)	1	
2	01697	(10403557-	) Screw, Hex, .25- 20 X 0.62, Ss	1	
3	01685	(10403557-	) Washer, Flat, 0.38b 0.88d .08, Ss	6	
4	15675	(10403557-	) Screw, Hex, M8 X 1.25 X 16, Ss	1	
5	69234	(10403557-	) Clamp, Cable, Stl, 1.00d X 0.75w, 1hole	1	
6	1034731	(10403557-	) Screw, Hex, M6 X 1.00 X 16, Sems, Ss	2	
7	1018505	(10446384-	) Horn, 12- 48vdc [88.5 Decibels]	1	
7	392937	(10403557- 10446383	) Horn, 12- 48vdc [94 Decibels]	1	
8	53466	(10403557-	) Clamp, Cable, Stl, 1.50d X 1.00w, 1hole	2	
▽	9	1005388	(10403557-	) Filter, In- Line, Pf08/Pf08 080mesh 02.6l	1
▲	10	1005304	(10403557-	) Screen, Fltr, 80 Mesh, Ss	1
	11	1044803	(10403557-	) Bracket, ec- H2O Module [5680/5700]	1
	12	12273	(10403557-	) Screw, Hex, M8 X 1.25 X 20, NI, Ss	4
	13	79273	(10403557-	) Fitting, Plstc, Str, Bm06/Pm08	1
	14	43844	(10403557-	) Clamp, Hose, Wormdrive, 0.25- 0.62d, .31w	2
	15	1006400	(10403557-	) Hose, Afmkt, Pvc, Brd, 0.38id, 03ft, Clr	1
	16	1005630	(10403557- 10581869	) Fitting, Plstc, E90, Bm06/Pm06, Nyl	1
	17	1042495	(10403557-	) Pump, Soltn, Ele, 24vdc, 35psi	1
	18	43555	(10403557-	) Clamp, Hose, Wormdrive, 2.50- 3.50d, .50w	1
	19	1002603	(10403557-	) Bracket, Pump, Soltn	1
	20	1005218	(10403557- 10581869	) Fitting, Plstc, Str, Pm08/Pm12, Nyl	1

▽ - Identifies an assembly

▲ - Identifies parts included in assembly

Fig. 14 - ec-H<sub>2</sub>O Solution Pump Group (S/N 10581870- 10741220)



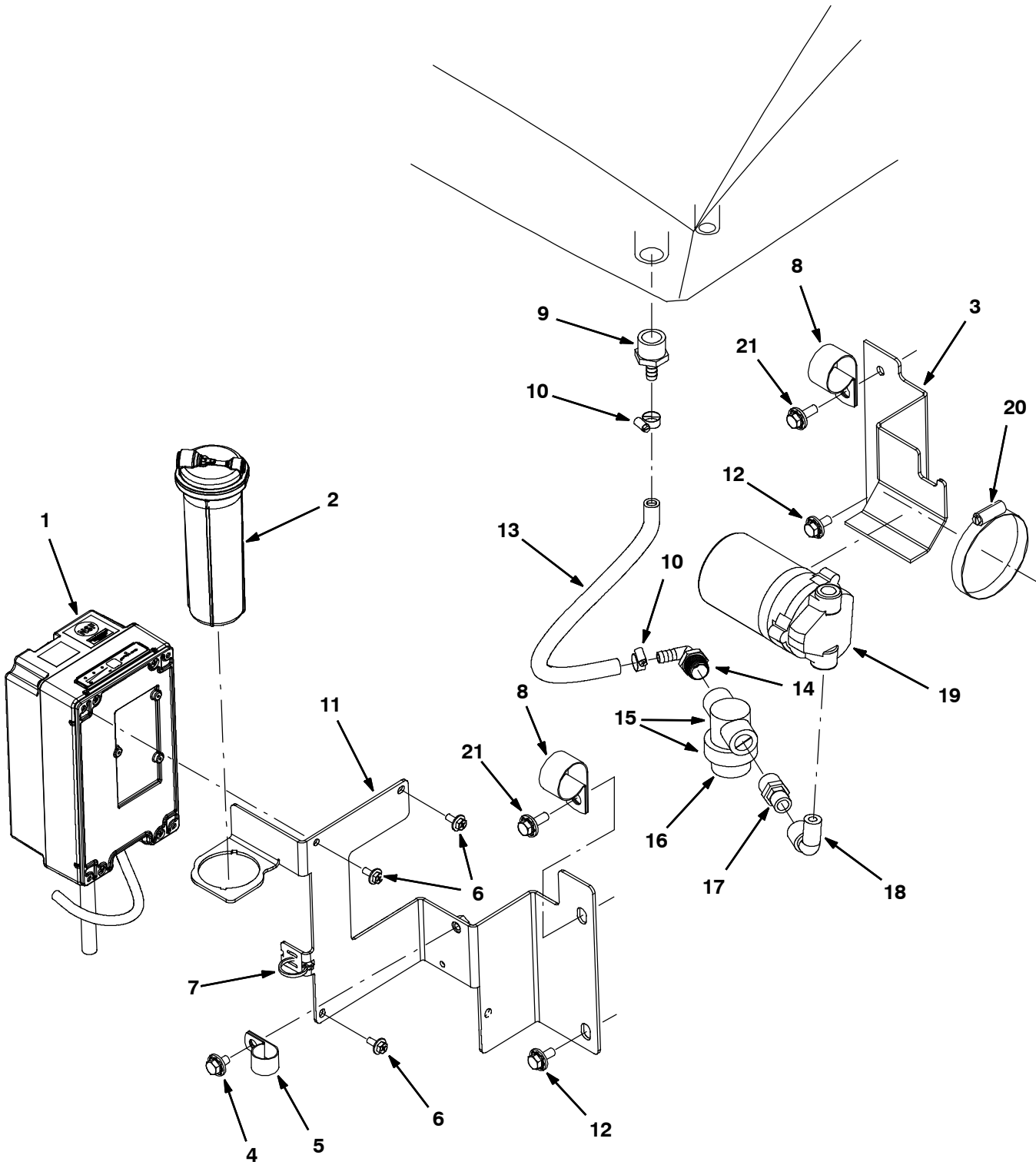
**Fig. 14- ec-H2O Solution Pump Group (S/N 10581870- 10741220)**

<b>Ref.</b>	<b>Part No.</b>	<b>Serial Number</b>	<b>Description</b>	<b>Qty.</b>	
1	9007970	(10436743- 10741220 )	Module Kit, Replmt [Ec- H2o] (See Breakdowns)	1	
2	01697	(10403557- 10741220 )	Screw, Hex, .25- 20 X 0.62, Ss	1	
3	01685	(10403557- 10741220 )	Washer, Flat, 0.38b 0.88d .08, Ss	6	
4	15675	(10403557- )	Screw, Hex, M8 X 1.25 X 16, Ss	1	
5	69234	(10403557- 10741220 )	Clamp, Cable, Stl, 1.00d X 0.75w, 1hole	1	
6	1034731	(10403557- 10741220 )	Screw, Hex, M6 X 1.00 X 16, Sems, Ss	2	
7	1018505	(10446384- 10741220 )	Horn, 12- 48vdc [88.5 Decibels]	1	
8	53466	(10403557- )	Clamp, Cable, Stl, 1.50d X 1.00w, 1hole	2	
9	73467	(10581870- )	Fitting, Plstc, Str, Bm06/Pm12, Nyl	1	
10	43844	(10403557- )	Clamp, Hose, Wormdrive, 0.25- 0.62d, .31w	2	
11	1044803	(10403557- 10741220 )	Bracket, ec- H2O Module [5680/5700]	1	
12	12273	(10403557- )	Screw, Hex, M8 X 1.25 X 20, NI, Ss	4	
13	1006400	(10403557- )	Hose, Afmkt, Pvc, Brd, 0.38id, 03ft, Clr	1	
14	79273	(10403557- 10741220 )	Fitting, Plstc, Str, Bm06/Pm08	1	
▽	15	1005388	(10403557- )	Filter, In- Line, Pf08/Pf08 080mesh 02.6l	1
▲	16	1005304	(10403557- )	Screen, Fltr, 80 Mesh, Ss	1
	17	611009	(10581870- )	Fitting, Plstc, Str, Pm06/Pm08, Reducer	1
	18	1005318	(10581870- )	Fitting, Plstc, E90, Pf06/Pm06, Nyl	1
	19	1042495	(10403557- )	Pump, Soltn, Ele, 24vdc, 35psi	1
	20	43555	(10403557- )	Clamp, Hose, Wormdrive, 2.50- 3.50d, .50w	1
	21	1002603	(10403557- )	Bracket, Pump, Soltn	1

▽ - Identifies an assembly

▲ - Identifies parts included in assembly

**Fig. 15 - ec-H2O NanoClean Solution Pump Group (S/N 10741221- )**





**Fig. 15- ec-H2O NanoClean Solution Pump Group (S/N 10741221- )**

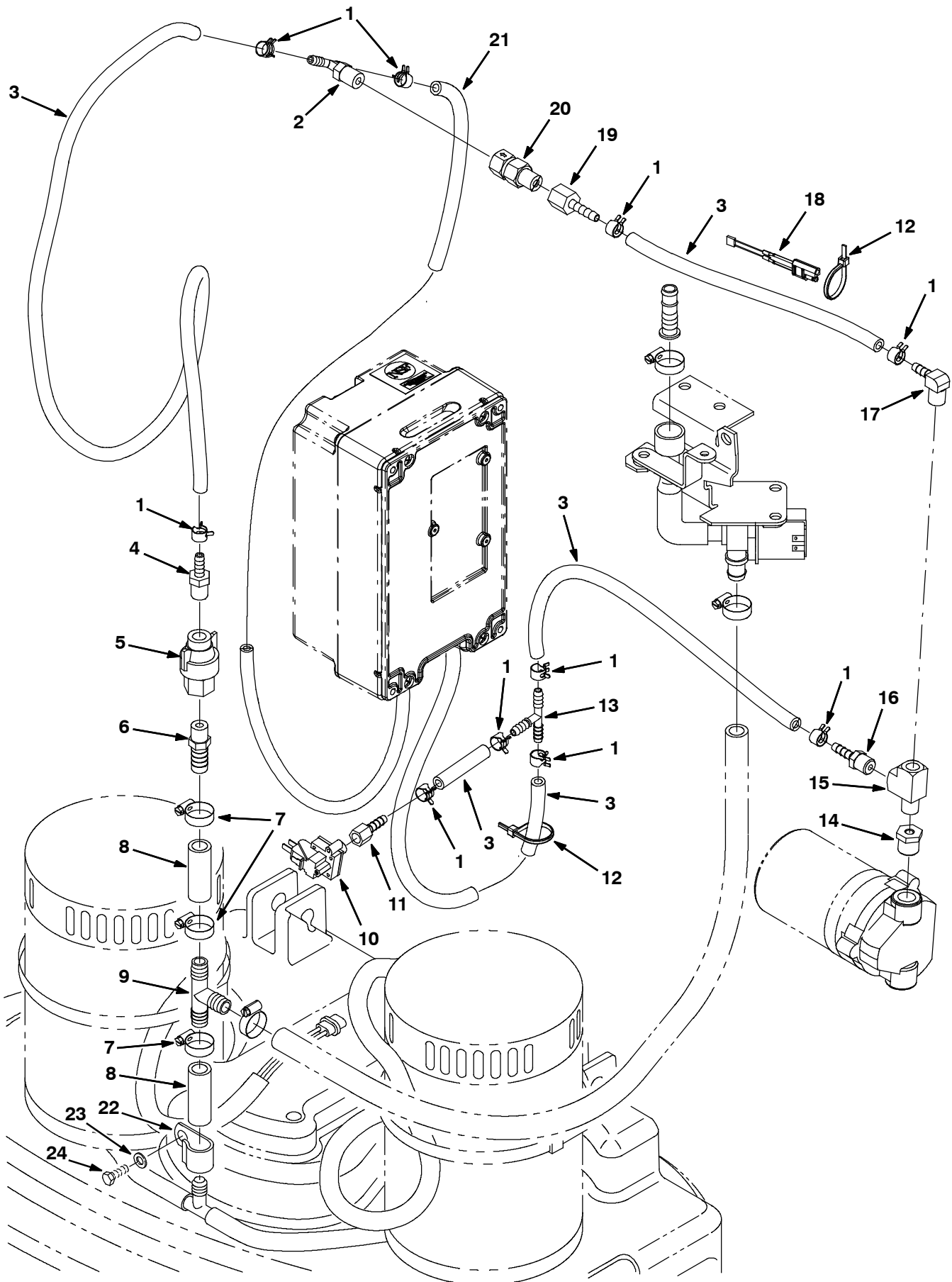
<b>Ref.</b>	<b>Part No.</b>	<b>Serial Number</b>	<b>Description</b>	<b>Qty.</b>
1	9011810	(10741221-	) Module Kit, Replmt [Ec- H2o, B 02] (See Breakdowns)	1
2	9013646	(10741221-	) Cartridge, Ec- H2o Nanoclean Wcm, 270ml	1
3	1002603	(10403557-	) Bracket, Pump, Soltn	1
4	1072823	(10403557-	) Screw, Hex, M8 X 1.25 X 16, Ss, Sems	1
5	69234	(10403557-	) Clamp, Cable, Stl, 1.00d X 0.75w, 1hole	1
6	1034731	(10741221-	) Screw, Hex, M6 X 1.00 X 16, Sems, Ss	3
7	130773	(10740687-	) Tie, Cable, Nyl, 11.0l, .14w, 3.0 Max. D	1
8	53466	(10403557-	) Clamp, Cable, Stl, 1.50d X 1.00w, 1hole	2
9	73467	(10581870-	) Fitting, Plstc, Str, Bm06/Pm12, Nyl	1
10	43844	(10403557-	) Clamp, Hose, Wormdrive, 0.25- 0.62d, .31w	2
11	1216007	(10741221-	) Bracket Assy, Mtg, Ec- H2O Module [5680]	1
12	1020341	(10403557-	) Screw, Hex, M8 X 1.25 X 20, Ss, Sems	2
13	1006400	(10403557-	) Hose, Afmkt, Pvc, Brd, 0.38id, 03ft, Clr	1
14	03394	(10741221-	) Fitting, Plstc, E90, Bm06/Pm08	1
∇	15	1005388	(10403557-) Filter, In- Line, Pf08/Pf08 080mesh 02.6l	1
▲	16	1005304	(10403557-) Screen, Fltr, 80 Mesh, Ss	1
	17	611009	(10581870-) Fitting, Plstc, Str, Pm06/Pm08, Reducer	1
	18	1005318	(10581870-) Fitting, Plstc, E90, Pf06/Pm06, Nyl	1
	19	1042495	(10403557-) Pump, Soltn, Ele, 24vdc, 35psi	1
	20	43555	(10403557-) Clamp, Hose, Wormdrive, 2.50- 3.50d, .50w	1
	21	1072628	(10403557-) Screw, Hex, M8 X 1.25 X 25, Ss, Sems	2

∇ - Identifies an assembly

▲ - Identifies parts included in assembly

# OPTIONS

Fig. 16 - *ec-H2O* Solution Supply Group, Disk Scrub Head (S/N 10403557- 10741220)

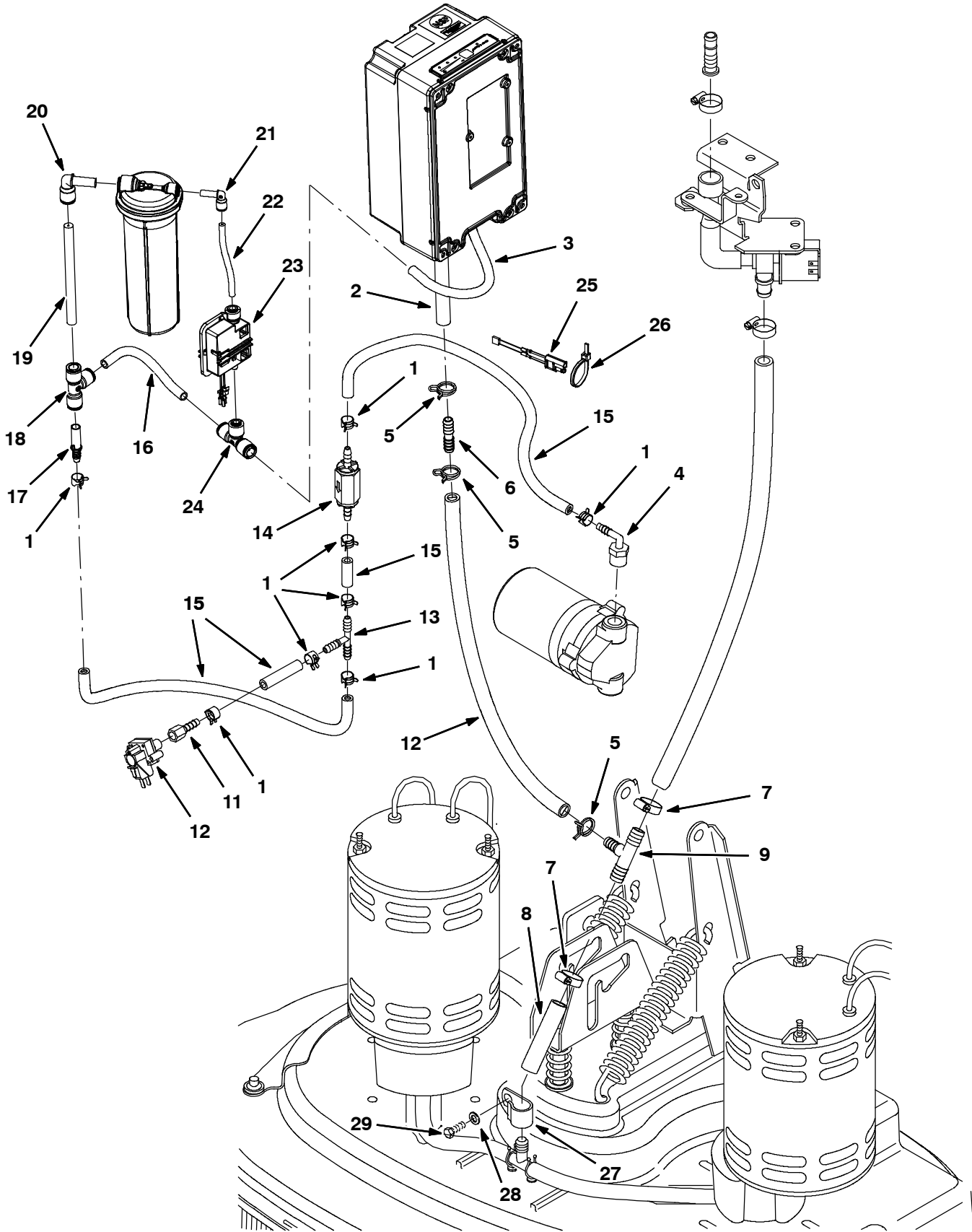


**Fig. 16 - ec-H2O Solution Supply Group, Disk Scrub Head (S/N 10403557- 10741220)**

<b>Ref.</b>	<b>Part No.</b>	<b>Serial Number</b>	<b>Description</b>	<b>Qty.</b>
1	603654	(10403557-	) Clamp, Hose, Ear, .44d [Ctb]	10
2	607306	(10403557- 10741220	) Fitting, Plstc, Tee, Bm04/Bm04/Pm04, Br	1
3	578820000	(10403557- 10741220	) Hose, Pvc, Brd, 0.25id 0.44od 157.2l,Clr	1
4	50901	(10403557- 10741220	) Fitting, Plstc, Str, Bm04/Pm04	1
5	1043866	(10403557- 10741220	) Fitting Assy, Qd, Pf04	1
6	1010775	(10403557- 10741220	) Fitting, Plstc, Str, Bm08/Pm04, Nyl	1
7	54333	(10000000-	) Clamp, Hose, Wormdrive, 0.31- 0.88d, .31w	2
8	1006401	(10000000- 10741220	) Hose, Afmkt, Pvc, Brd, 0.50id, 03ft, Clr	1
9	63245- 1	(10000000- 10741220	) Fitting, Plstc, Tee, Bm08/Bm08/Bm08	1
10	1044415	(10403557-	) Switch, Press, 18psi, Pm02	1
11	150520	(10403557-	) Fitting, Brs, Str, Bm04/Pf02	1
12	130773	(10403557-	) Tie, Cable, Nyl, 11.0l, .14w, 3.0 Max. D	2
13	150713	(10403557-	) Fitting, Plstc, Tee, Bm04/Bm04/Bm04	1
14	150006	(10403557- 10741220	) Fitting, Brs, Str, Pf04/Pm06, Bshg	1
15	150709	(10403557- 10741220	) Fitting, Brs, Tee, Pm04/Pf04/Pf04, Run	1
16	150515	(10403557- 10741220	) Fitting, Brs, Str, Bm04/Pm04 [Taped]	1
17	150418	(10403557- 10741220	) Fitting, Brs, E90, Bm04/Pm04	1
18	1040868	(10403557-	) Capacitor, Plug [.01 Uf, 200v]	1
19	150510	(10403557- 10741220	) Fitting, Brs, Str, Bm04/Pf04	1
20	1044790	(10403557- 10741220	) Valve, Check, 0025psi Pm04/Pf04	1
21	9004606	(10403557- 10741220	) Hose, Pvc, Brd, .25id .45od 46l, Clr	1
22	30407	(10403557-	) Clip, Keeper, Open	1
23	32483	(10403557-	) Washer, Flat, 0.25, Sae	1
24	55845	(10403557-	) Screw, Hex, M5 X 0.80 X 16, Fmg	1

# OPTIONS

Fig. 17 - *ec-H2O* NanoClean Solution Supply Group, Disk Scrub Head (S/N 10741221- )

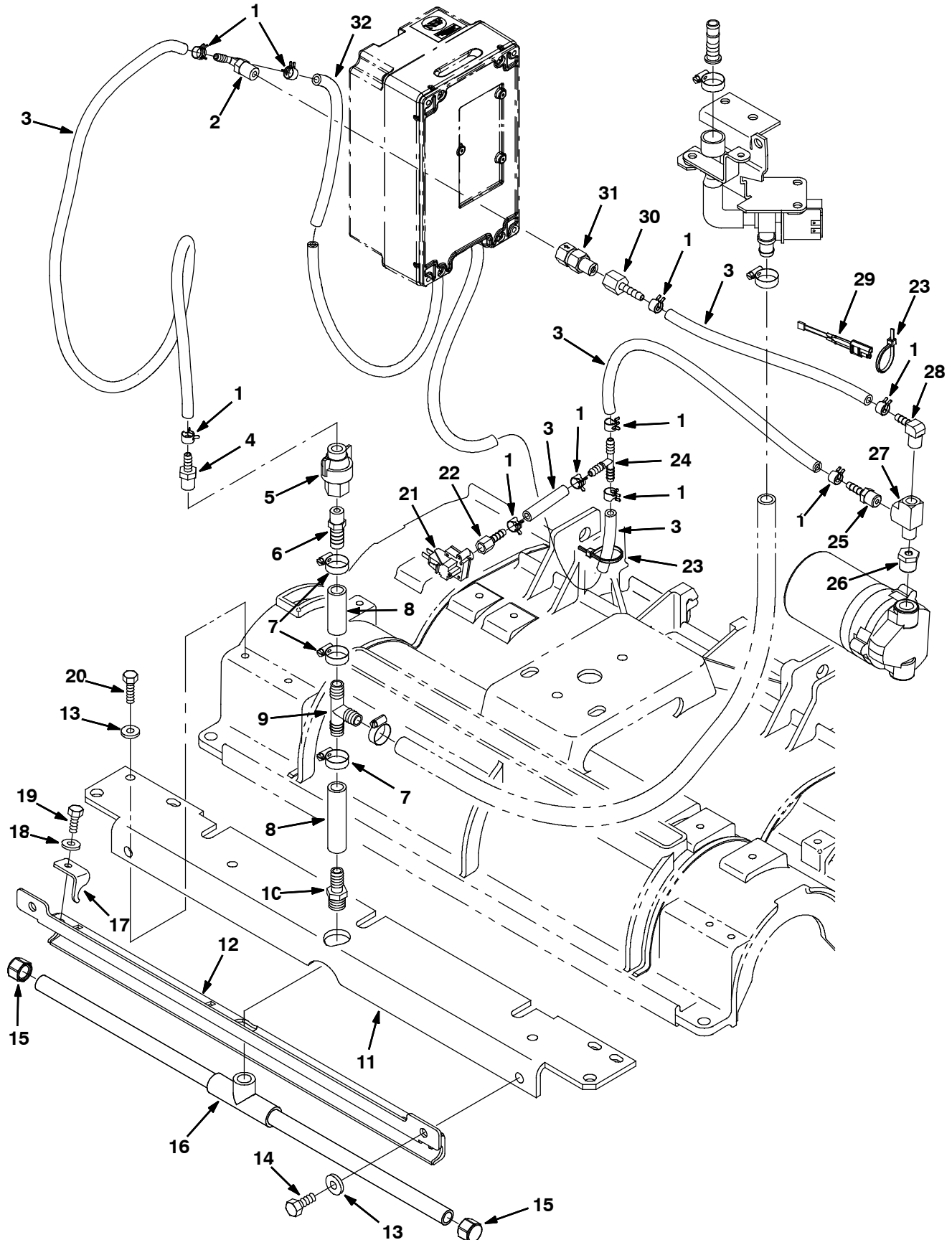


**Fig. 17 - ec-H2O NanoClean Solution Supply Group, Disk Scrub Head (S/N 10741221- )**

Ref.	Part No.	Serial Number	Description	Qty.
1	603654	(10741221-	) Clamp, Hose, Ear, .44d [Ctb]	8
2	1208526	(10741221-	) Hose, Molded, Bm08/Bm06	1
3	1006415	(10741221-	) Hose, Afmkt, Pvc, Clr, 0.25id, 03ft	1
4	150417	(10741221-	) Fitting, Plstc, E90, Bm04/Pm06	1
5	613735	(10741221-	) Clamp, Hose, Wir, .40 - .42, Yel	3
6	20950	(10741221-	) Fitting, Plstc, Str, Bm06/Bm06	1
7	54333	(10741221-	) Clamp, Hose, Wormdrive, 0.31- 0.88d, .31w	2
8	1015071	(10741221-	) Hose, Afmkt, Pvc, Clr, 0.50id, 01ft	1
9	630372	(10741221-	) Fitting, Plstc, Tee, Bm06/Bm08/Bm08, Br	1
10	1044415	(10403557-	) Switch, Press, 18psi, Pm02	1
11	150520	(10403557-	) Fitting, Brs, Str, Bm04/Pf02	1
12	1006400	(10741221-	) Hose, Afmkt, Pvc, Brd, 0.38id, 03ft, Clr	1
13	150713	(10403557-	) Fitting, Plstc, Tee, Bm04/Bm04/Bm04	1
14	1216879	(10741221-	) Valve, Check, 0005psi Bm04/Bm04	1
15	9014210	(10741221-	) Hose, Afmkt, Pvs, Brd .25id .44od, 05ft	1
16	1014987	(10741221-	) Hose, Afmkt, Pvc, Clr, 0.25id, 01ft	1
17	1212857	(10741221-	) Fitting, Plstc, Str, Qm06/Bm04	1
18	1212573	(10741221-	) Fitting, Plstc, Tee, Qf06/Qf06/Qf06	1
19	9014146	(10741221-	) Hose, Afmkt, Pvc, 0.06id .38od, 05ft	1
20	1215186	(10741221-	) Fitting, Plstc, E90, Qf06/Qm06	1
21	1214339	(10741221-	) Fitting, Plstc, E90, Qfo4/Qm04	1
22	9014147	(10741221-	) Hose, Afmkt, Pvc, 0.06id .25od, 05ft	1
23	1216973	(10741221-	) Pump Assy, Dispenser	1
24	1212855	(10741221-	) Fitting, Plstc, Tee, Qf04/Qf06/Qf06	1
25	1040868	(10403557-	) Capacitor, Plug [.01 Uf, 200v]	1
26	130773	(10403557-	) Tie, Cable, Nyl, 11.0l, .14w, 3.0 Max. D	1
27	30407	(10403557-	) Clip, Keeper, Open	1
28	32483	(10403557-	) Washer, Flat, 0.25, Sae	1
29	55845	(10403557-	) Screw, Hex, M5 X 0.80 X 16, Fmg	1

# OPTIONS

Fig. 18 - *ec-H2O* Solution Supply Group, Model 700C / 800C / 900C Scrub Head  
(S/N 10403557-10741220)

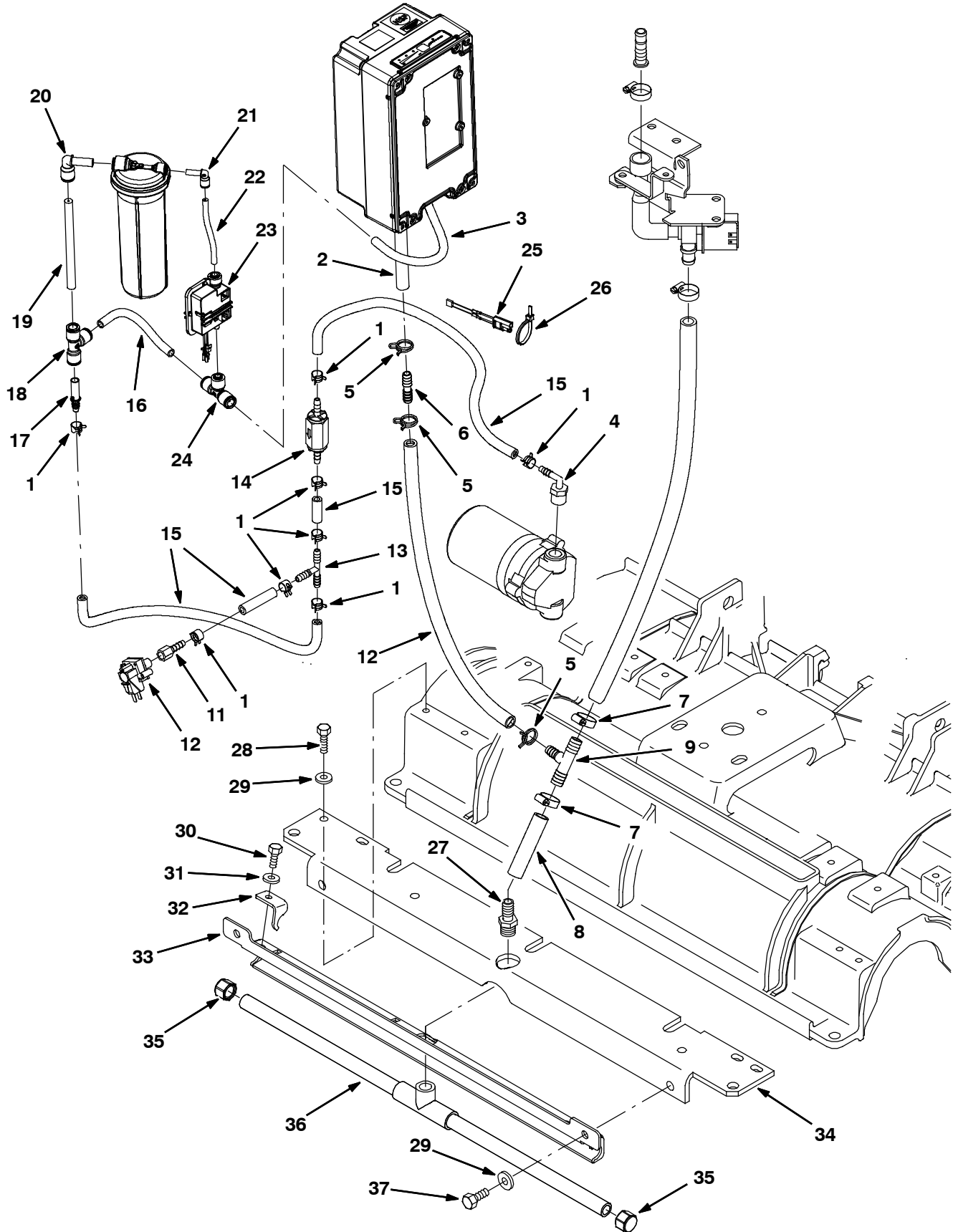


**Fig. 18 - ec-H2O Solution Supply Group, Model 700C / 800C / 900C Scrub Head  
(S/N 10403557-10741220)**

Ref.	Part No.	Serial Number	Description	Qty.
1	603654	(10403557-10741220)	Clamp, Hose, Ear, .44d [Ctb]	10
2	607306	(10403557-10741220)	Fitting, Plstc, Tee, Bm04/Bm04/Pm04, Br	1
3	578820000	(10403557-10741220)	Hose, Pvc, Brd, 0.25id 0.44od 157.2l,Clr	1
4	50901	(10403557-10741220)	Fitting, Plstc, Str, Bm04/Pm04	1
5	1043866	(10403557-10741220)	Fitting Assy, Qd, Pf04	1
6	1010775	(10403557-10741220)	Fitting, Plstc, Str, Bm08/Pm04, Nyl	1
7	54333	(10403557-)	Clamp, Hose, Wormdrive, 0.31-0.88d, .31w	3
8	1006401	(10403557-10741220)	Hose, Afmkt, Pvc, Brd, 0.50id, 03ft, Clr	1
9	63245-1	(10403557-10741220)	Fitting, Plstc, Tee, Bm08/Bm08/Bm08	1
10	64743	(10000000-)	Fitting, Plstc, Str, Bm08/Pm06	1
11	1046020	(10000000-)	Angle, Head, Cylrcl, 700mm	1
11	1046023	(10000000-)	Angle, Head, Cylrcl, 800mm	1
11	1047642	(10000000-)	Angle, Head, Cylrcl, 900mm	1
12	1014993	(10000000-)	Bracket Wldt, Bar, Spray, 700mm [7100]	1
12	1014957	(10000000-)	Bracket Wldt, Bar, Spray, 800mm & 900mm [7100]	1
13	01685	(10000000-)	Washer, Flat, 0.38b 0.88d .08, Ss	6
14	12273	(10000000-)	Screw, Hex, M8 X 1.25 X 20, NI, Ss	2
15	1025580	(10000000-)	Fitting, Pipe, Cap, P06, Nyl	2
16	1046049	(10000000-)	Tube Assy, Bar, Spray	1
16	1025276	(10000000-)	Tube Assy, Bar, Spray [85cm]	1
17	1014673	(10000000-)	Bracket, Bar, Spray	3
18	01684	(10000000-)	Washer, Flat, 0.27b 0.69d .05, Ss	3
19	11635	(10000000-)	Screw, Hex, M6 X 1.00 X 12, NI, Ss	3
20	76099	(10000000-)	Screw, Hex, M8 X 1.25 X 25, Fmg	4
21	1044415	(10403557-)	Switch, Press, 18psi, Pm02	1
22	150520	(10403557-)	Fitting, Brs, Str, Bm04/Pf02	1
23	130773	(10403557-)	Tie, Cable, Nyl, 11.0l, .14w, 3.0 Max. D	2
24	150713	(10403557-)	Fitting, Plstc, Tee, Bm04/Bm04/Bm04	1
25	150515	(10403557-10741220)	Fitting, Brs, Str, Bm04/Pm04 [Taped]	1
26	150006	(10403557-10741220)	Fitting, Brs, Str, Pf04/Pm06, Bshg	1
27	150709	(10403557-10741220)	Fitting, Brs, Tee, Pm04/Pf04/Pf04, Run	1
28	150418	(10403557-10741220)	Fitting, Brs, E90, Bm04/Pm04	1
29	1040868	(10403557-)	Capacitor, Plug [.01 Uf, 200v]	1
30	150510	(10403557-10741220)	Fitting, Brs, Str, Bm04/Pf04	1
31	1044790	(10403557-10741220)	Valve, Check, 0025psi Pm04/Pf04	1
32	9004606	(10403557-10741220)	Hose, Pvc, Brd, .25id .45od 46l, Clr	1

# OPTIONS

Fig. 19 - *ec-H2O* NanoClean Solution Supply Group, Model 700C / 800C / 900C Scrub Head (S/N 10741221- )

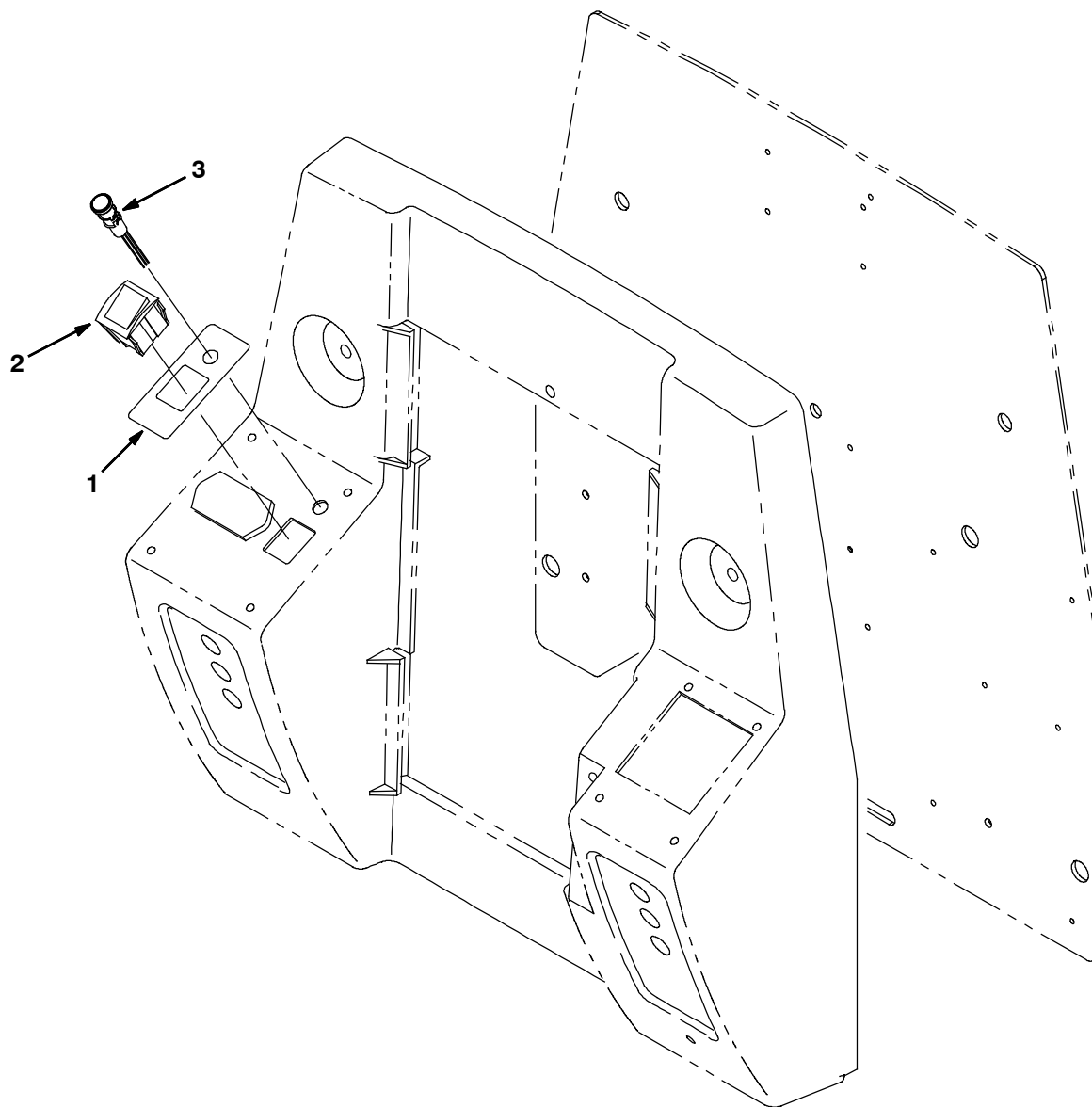




**Fig. 19 - ec-H2O NanoClean Solution Supply Group, Model 700C / 800C / 900C Scrub Head  
(S/N 10741221- )**

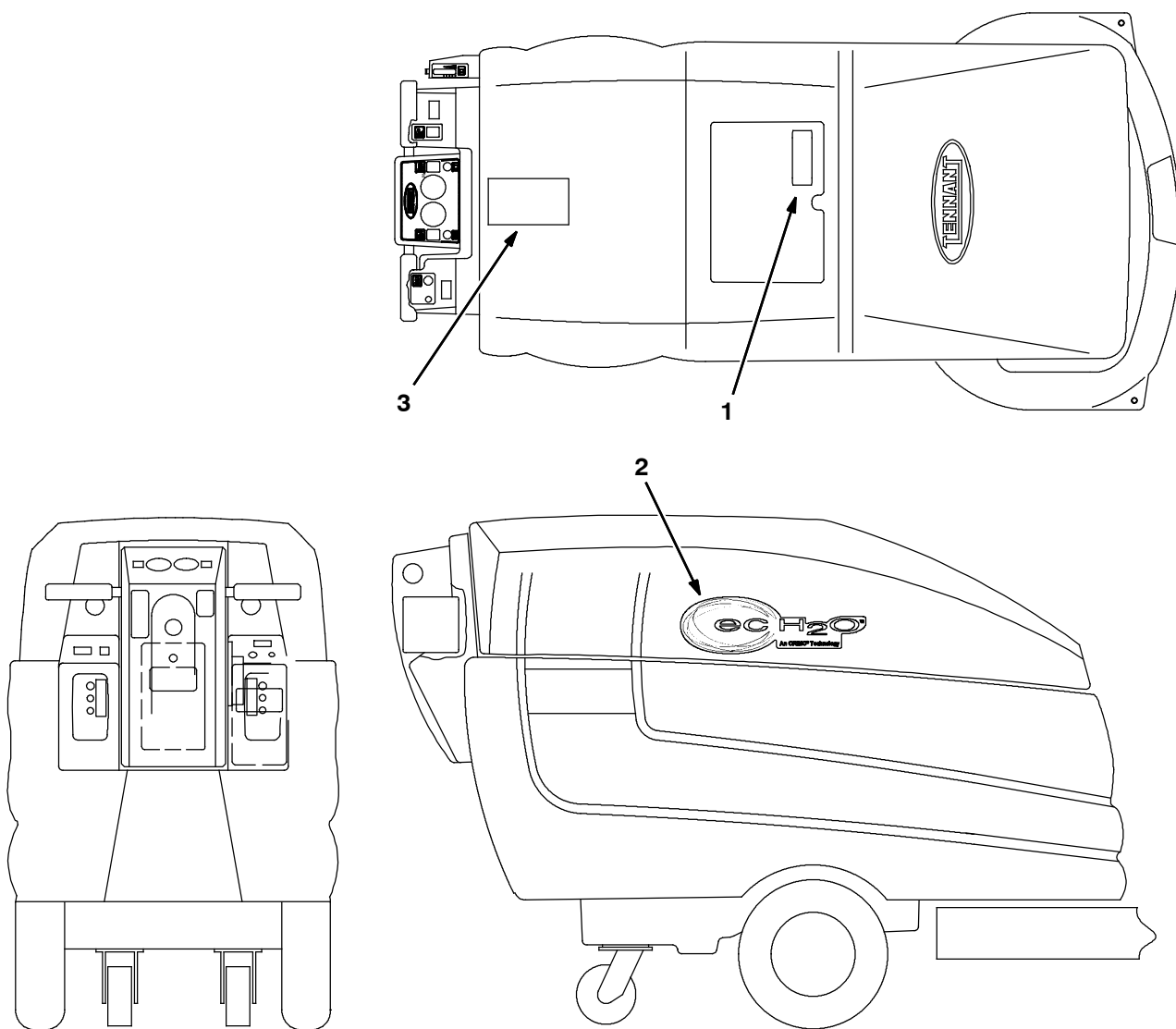
Ref.	Part No.	Serial Number	Description	Qty.
1	603654	(10741221-	) Clamp, Hose, Ear, .44d [Ctb]	8
2	1208526	(10741221-	) Hose, Molded, Bm08/Bm06	1
3	1006415	(10741221-	) Hose, Afmkt, Pvc, Clr, 0.25id, 03ft	1
4	150417	(10741221-	) Fitting, Plstc, E90, Bm04/Pm06	1
5	613735	(10741221-	) Clamp, Hose, Wir, .40 - .42, Yel	3
6	20950	(10741221-	) Fitting, Plstc, Str, Bm06/Bm06	1
7	54333	(10741221-	) Clamp, Hose, Wormdrive, 0.31-0.88d, .31w	2
8	1015071	(10741221-	) Hose, Afmkt, Pvc, Clr, 0.50id, 01ft	1
9	630372	(10741221-	) Fitting, Plstc, Tee, Bm06/Bm08/Bm08, Br	1
10	1044415	(10403557-	) Switch, Press, 18psi, Pm02	1
11	150520	(10403557-	) Fitting, Brs, Str, Bm04/Pf02	1
12	1006400	(10741221-	) Hose, Afmkt, Pvc, Brd, 0.38id, 03ft, Clr	1
13	150713	(10403557-	) Fitting, Plstc, Tee, Bm04/Bm04/Bm04	1
14	1216879	(10741221-	) Valve, Check, 0005psi Bm04/Bm04	1
15	9014210	(10741221-	) Hose, Afmkt, Pvs, Brd .25id .44od, 05ft	1
16	1014987	(10741221-	) Hose, Afmkt, Pvc, Clr, 0.25id, 01ft	1
17	1212857	(10741221-	) Fitting, Plstc, Str, Qm06/Bm04	1
18	1212573	(10741221-	) Fitting, Plstc, Tee, Qf06/Qf06/Qf06	1
19	9014146	(10741221-	) Hose, Afmkt, Pvc, 0.06id .38od, 05ft	1
20	1215186	(10741221-	) Fitting, Plstc, E90, Qf06/Qm06	1
21	1214339	(10741221-	) Fitting, Plstc, E90, Qfo4/Qm04	1
22	9014147	(10741221-	) Hose, Afmkt, Pvc, 0.06id .25od, 05ft	1
23	1216973	(10741221-	) Pump Assy, Dispenser	1
24	1212855	(10741221-	) Fitting, Plstc, Tee, Qf04/Qf06/Qf06	1
25	1040868	(10403557-	) Capacitor, Plug [.01 Uf, 200v]	1
26	130773	(10403557-	) Tie, Cable, Nyl, 11.0l, .14w, 3.0 Max. D	1
27	64743	(10000000-	) Fitting, Plstc, Str, Bm08/Pm06	1
28	76099	(10000000-	) Screw, Hex, M8 X 1.25 X 25, Fmg	4
29	01685	(10000000-	) Washer, Flat, 0.38b 0.88d .08, Ss	6
30	11635	(10000000-	) Screw, Hex, M6 X 1.00 X 12, Ni, Ss	3
31	01684	(10000000-	) Washer, Flat, 0.27b 0.69d .05, Ss	3
32	1014673	(10000000-	) Bracket, Bar, Spray	3
33	1014993	(10000000-	) Bracket Wldt, Bar, Spray, 700mm [7100]	1
33	1014957	(10000000-	) Bracket Wldt, Bar, Spray, 800mm & 900mm [7100]	1
34	1046020	(10000000-	) Angle, Head, Cylrcl, 700mm	1
34	1046023	(10000000-	) Angle, Head, Cylrcl, 800mm	1
34	1047642	(10000000-	) Angle, Head, Cylrcl, 900mm	1
35	1025580	(10000000-	) Fitting, Pipe, Cap, P06, Nyl	2
36	1046049	(10000000-	) Tube Assy, Bar, Spray (700mm)	1
36	1025276	(10000000-	) Tube Assy, Bar, Spray [85cm] (800mm & 900mm)	1
37	12273	(10000000-	) Screw, Hex, M8 X 1.25 X 20, Ni, Ss	2

**Fig. 20 - ec-H2O Operator Console Group**



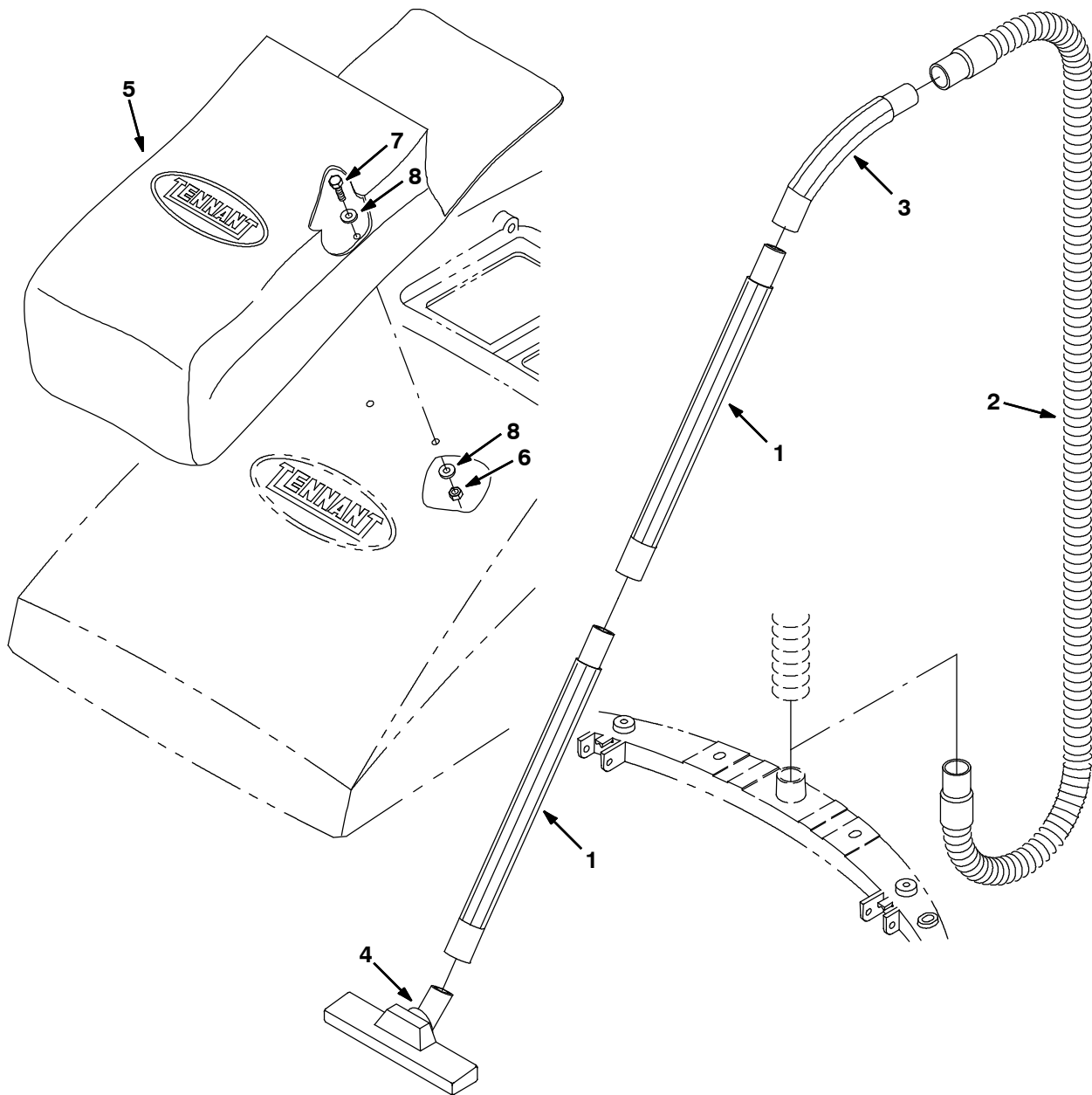
Ref.	Part No.	Serial Number	Description	Qty.
1	1050016	(10403557-	) Label, Switch, ec- H2O [5700]	1
2	363607	(10403557-	) Switch, Rocker, Dpdt, On / None / On	1
3	1041822	(10403557-	) Light, Led, .312d, 5 Volt [Tri- Color]	1

Fig. 21 - ec-H2O Label Group



Ref.	Part No.	Serial Number	Description	Qty.
1	1050003	(10000000- )	Label, User, Attention, ec- H2O	1
2	1062813	(10403557- 10741220 )	Label, Logo, 12.3l 4color [Ec- H2o]	2
2	1216520	(10741221- )	Label, Logo [Ech2o Nano]	2
3	1071570	(10611329- 10741220 )	Label, Instr, Ec- H2o, 4.0x6.50	1
3	1217056	(10741221- )	Label, Instr [Ec- H2O Nc]	1

**Fig. 22 - Vacuum Wand Kit**

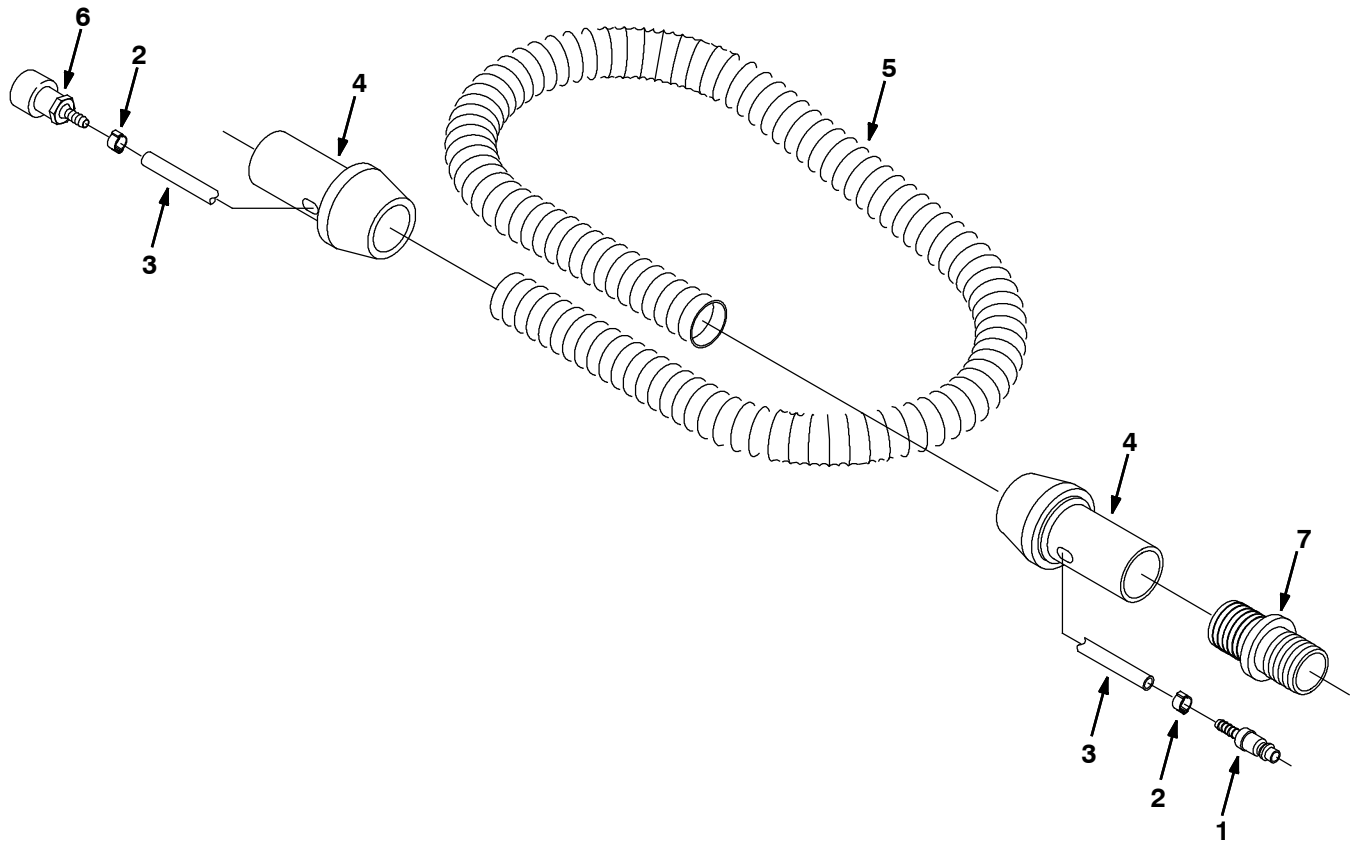


Ref.	Part No.	Serial Number	Description	Qty.
▽	222349	(10000000-	) Wand Vacuum 5700	1
▲	1 05579	(10000000-	) Wand, Vacuum	2
▲	2 05594	(10000000-	) Hose Assy, Vacuum Wand	1
▲	3 05584	(10000000-	) Hose End, Curved	1
▲	4 374077	(10000000-	) Nozzle, Vacuum Wand	1
▲	5 65580	(10000000-	) Bag, Power Wand	1
▲	6 08713	(10000000-	) Nut- Hxlocnyln M 8X1.25 Reg Ss	2
▲	7 09011	(10000000-	) Scr Hexssm 8X1.25 30	2
▲	8 01685	(10000000-	) Washer, Flat, 0.38b 0.88d .08, Ss	4

▽ - Identifies an assembly

▲ - Identifies parts included in assembly

Fig. 23 - Power Wand Hose Assembly



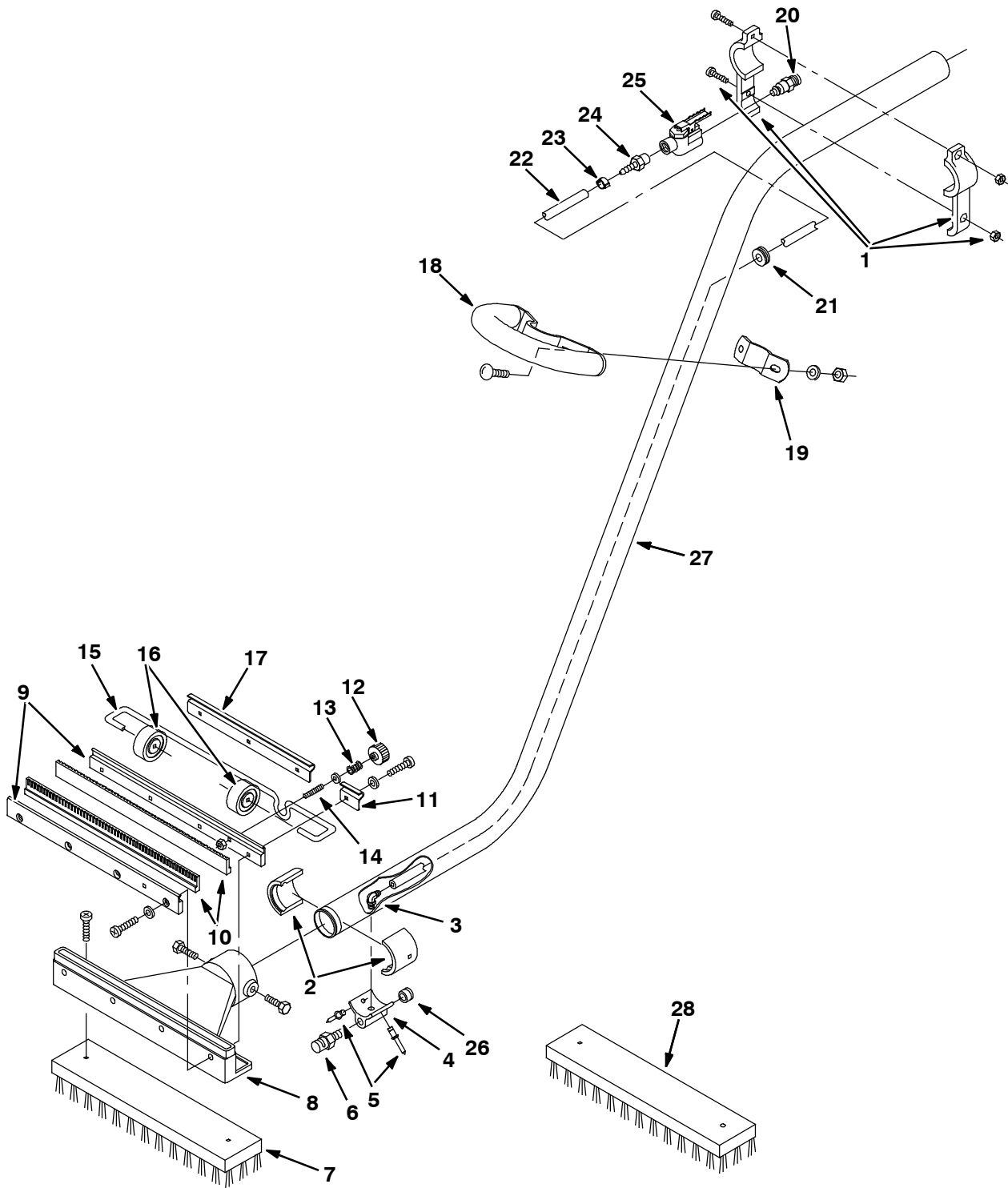
NOTE: Power Wand Kit, Tennant Part Number 222352, includes Fig. 23, Fig. 24, Fig. 25, and Fig. 26.

Ref.	Part No.	Serial Number	Description	Qty.
▽	65341	(10000000-	) Hose Assembly	1
▲	1 578318000	(10000000-	) Fitting, Quick Disconnect	1
▲	2 578160000	(10000000-	) Clamp, Hose	2
▲	3 578820000	(10000000-	) Hose	1
▲	4 578072000	(10000000-	) Cuff, Swivel	2
▲	5 578276000	(10000000-	) Hose, Vacuum	1
▲	6 578071000	(10000000-	) Fitting, Quick Disconnect	1
	7 12694	(10000000-	) Fitting, Plastic	1

▽ - Identifies an assembly

▲ - Identifies parts included in assembly

Fig. 24 - Power Wand Assembly



**Fig. 24 - Power Wand Assembly**

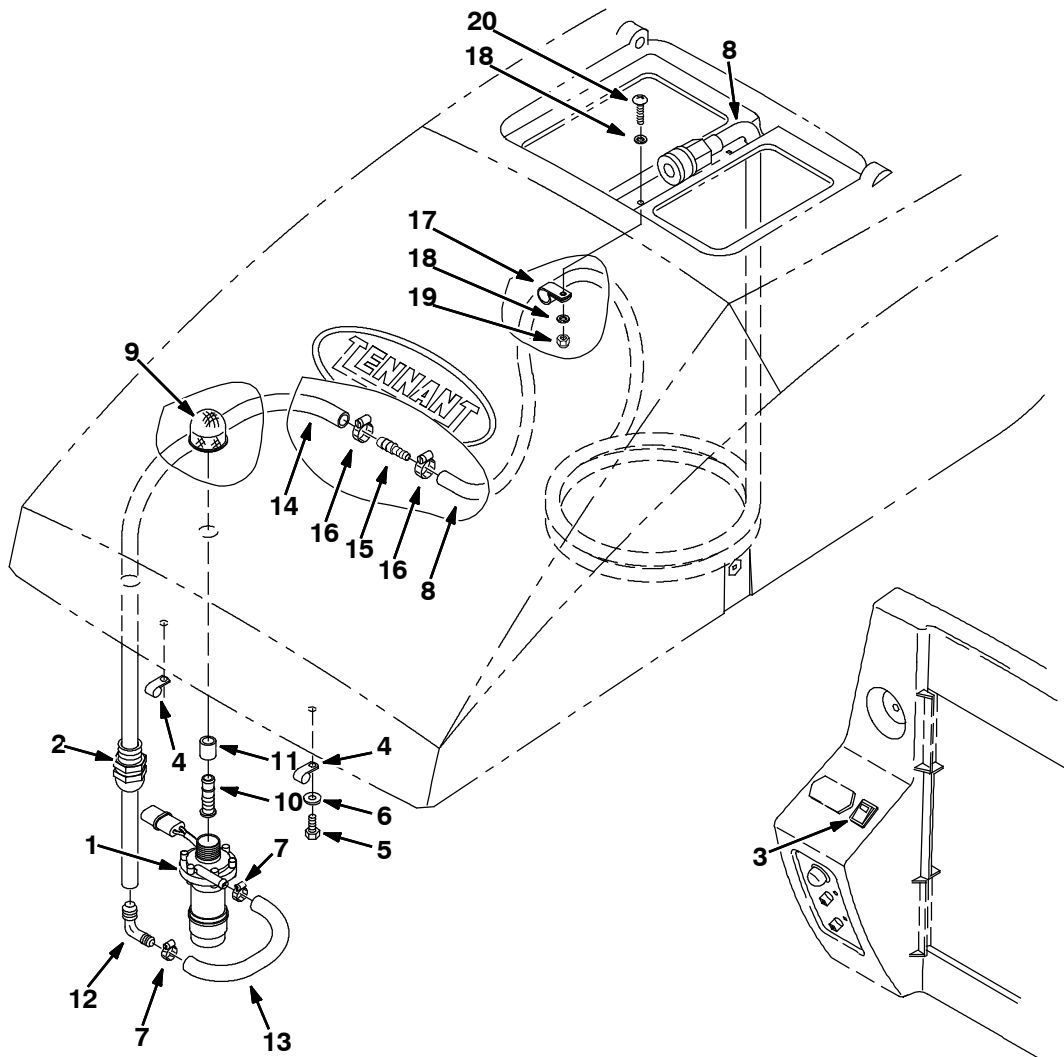
NOTE: Power Wand Kit, Tennant Part Number 222352, includes Fig. 23, Fig. 24, Fig. 25, and Fig. 26.

Ref.	Part No.	Serial Number	Description	Qty.
▽	65340	(10000000-	) Wand Assembly	1
▲	1 578077000	(10000000-	) Bracket, Valve Mounting	1
▲	2 578061000	(10000000-	) Adapter, Head	2
▲	3 1037595	(10000000-	) Fitting, Plstc, E90, Bm04/Pm02, Nyl	1
▲	4 579112	(10000000-	) Adapter, Nozzle	1
▲	5 602036000	(10000000-	) Rivet, Pop	2
▲	6 578066000	(10000000-	) Nozzle, Spray	1
▲	7 65610	(10000000-	) Brush, Wand, Poly	1
▲	8 578063000	(10000000-	) Head, Wand	1
▲	9 578078000	(10000000-	) Strip, Retainer	2
▲	10 578074000	(10000000-	) Blade, Squeegee	2
▲	11 578124000	(10000000-	) Bracket, Axle	1
▲	12 578439	(10000000-	) Knob, Adjustable, Squeegee	1
▲	13 578228000	(10000000-	) Spring, Compression	1
▲	14 578143000	(10000000-	) Stud, Adjustable	1
▲	15 578126000	(10000000-	) Axle, Wand	1
▲	16 578125000	(10000000-	) Wheel, Guide	2
▲	17 578123000	(10000000-	) Bracket, Axle	1
▲	18 578155000	(10000000-	) Handle, Wand	1
▲	19 578154000	(10000000-	) Bracket, Handle Mounting	1
▲	20 578091000	(10000000-	) Fitting, Quick Disconnect	1
▲	21 578164000	(10000000-	) Grommet	1
▲	22 578821000	(10000000-	) Hose, Solution	1
▲	23 578161000	(10000000-	) Clamp, Hose	2
▲	24 578094000	(10000000-	) Fitting, Straight	1
▲	25 578064000	(10000000-	) Valve, Water	1
▲	26 150208	(10000000-	) Fitting, Plug	1
▲	27 578060000	(10000000-	) Wand, Off- Aisle	1
▲	28 65582	(10000000-	) Brush, Wand AB	1

▽ - Identifies an assembly

▲ - Identifies parts included in assembly

**Fig. 25 - Power Wand Pump and Fittings Group**

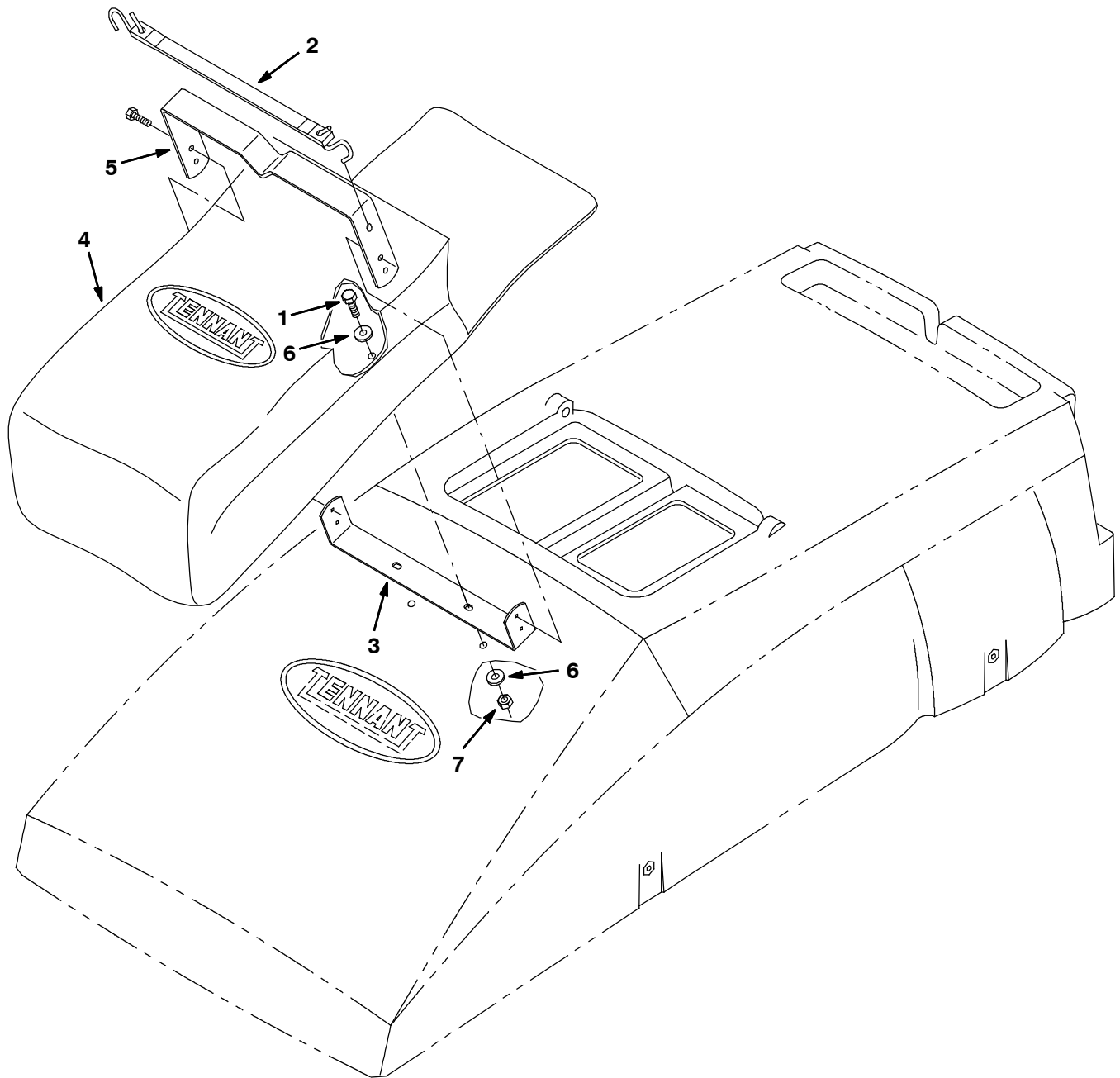


NOTE: Power Wand Kit, Tennant Part Number 222352, includes Fig. 23, Fig. 24, Fig. 25, and Fig. 26.

Ref.	Part No.	Serial Number	Description	Qty.
1	222258	(10000000-	) Pump, Water 0.5 Gpm 12Psi 36V	1
2	222374	(10000000-	) Ftg- Plastic Str Specl 12Pm	1
3	222117	(10000000-	) Switch	1
4	40678	(10000000-	) Clamp,Cable .44D .62Wide	2
5	49826	(10000000-	) Scr- Hexssm 8X1.25 16 Nylon Loc	2
6	01685	(10000000-	) Washer, Flat, 0.38b 0.88d .08, Ss	2
7	43844	(10000000-	) Clamp- Wormdrive, 0.25 - 0.62D	2
8	222810	(10000000-	) Hose Assy, Water	1
9	222742	(10000000-	) Screen, Drain	1
10	222728	(10000000-	) Ftg, Str, Drain	1
11	222750	(10000000-	) Hose	1
12	621217000	(10000000-	) Fitting, Plstc, E90, Bm06/Bm08	1
13	1014971	(10000000-	) Hose, Afmkt, Pvc, Brd, 0.38id, 01ft, Clr	1
14	1015068	(10000000-	) Hose, Afmkt, Pvc, Clr, 0.50id, 03ft	1
15	612774	(10000000-	) Fitting, Plstc, Str, Bm06/Bm08	1
16	54333	(10000000-	) Clamp, Hose, Wormdrive, 0.31- 0.88d, .31w	2
17	140916	(10000000-	) Clamp, Cable, Nyl, 0.62d, Nat	1
18	01683	(10000000-	) Washer, Flat, 10, Ss	2
19	09739	(10000000-	) Nut, Hex, Lock, M5 X 0.80, NI, Ss	1
20	24196	(10000000-	) Screw, Pan, Phl, M5 X 0.8 X 20, Ss	1



Fig. 26 - Power Wand Mount Group

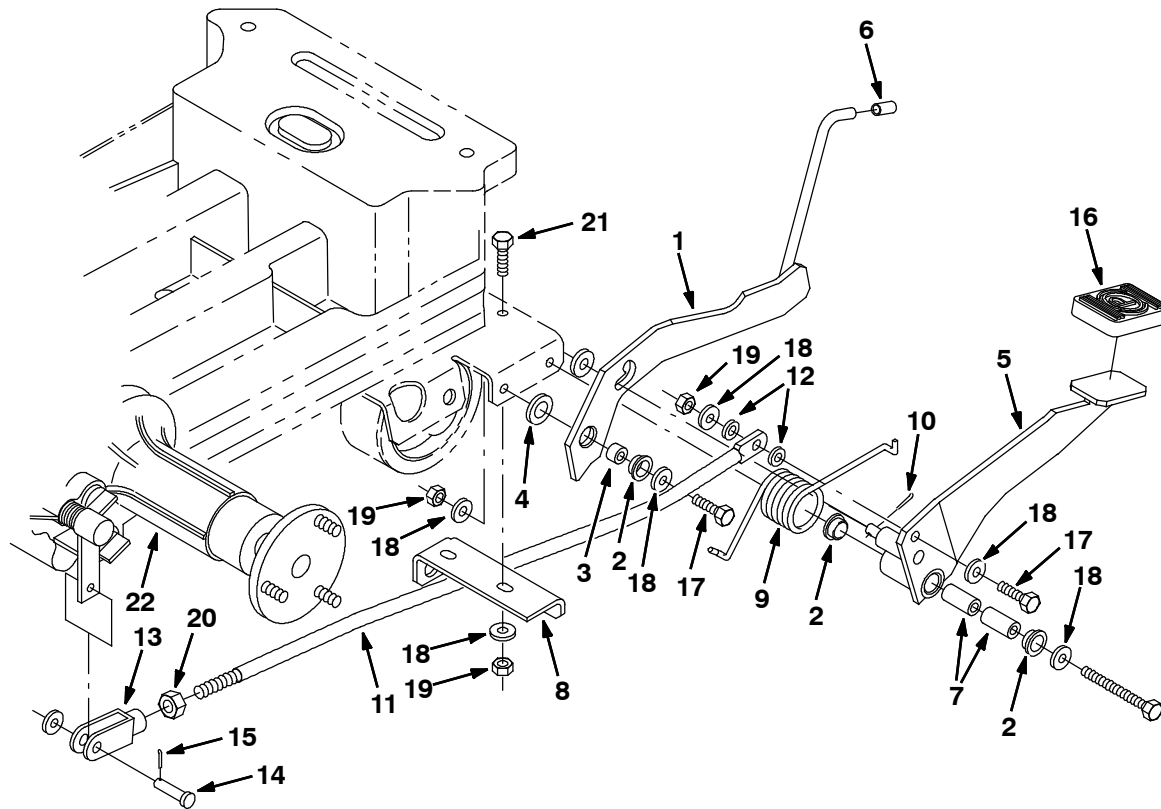


NOTE: Power Wand Kit, Tennant Part Number 222352, includes Fig. 23, Fig. 24, Fig. 25, and Fig. 26.

Ref.	Part No.	Serial Number	Description	Qty.
1	09011	(10000000-	) Scr Hexssm 8X1.25 30	2
2	57769	(10000000-	) Strap, Rubber	2
3	222367	(10000000-	) Bracket, Mtg, Bag	1
4	65580	(10000000-	) Bag, Power Wand	1
5	222366	(10000000-	) Bracket, Sppt, Wand	1
6	01685	(10000000-	) Washer, Flat, 0.38b 0.88d .08, Ss	4
7	08713	(10000000-	) Nut- Hxlocnyln M 8X1.25 Reg Ss	2

# OPTIONS

Fig. 27 - Manual Parking Brake Group (S/N 10000000-10731450)

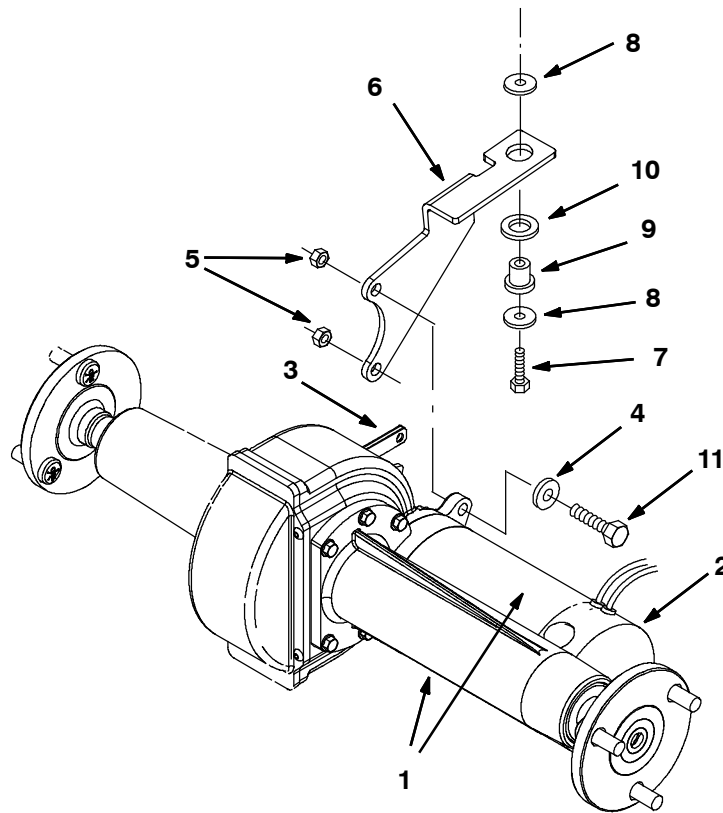


Ref.	Part No.	Serial Number	Description	Qty.
1	222552	(10000000- 10731450 )	Plate Weldment, Stop	1
2	04843	(10000000- 10731450 )	Bearing, Flange .625 Bore	3
3	222556	(10000000- 10731450 )	Sleeve .62D .34B .38L	1
4	28862	(10000000- 10731450 )	Washer- Thrust	1
5	222547	(10000000- 10731450 )	Brake Weldment, Parking	1
6	222555	(10000000- 10731450 )	Grip, Handle	1
7	222028	(10000000- 10731450 )	Sleeve, .344B .62D1.3 Bronze	2
8	222651	(10000000- 10731450 )	Bracket, Lift Retainer	1
9	222560	(10000000- 10731450 )	Spring, Torsion	1
10	08179	(10000000- 10731450 )	Pin, Cotter .094X1.00	1
11	222546	(10000000- 10731450 )	Rod, Brake .50 D	1
12	43454	(10000000- 10731450 )	Washer, .344B .69D .06Nylon	2
13	222558	(10000000- 10731450 )	Clevis, Adjustable M12	1
14	04743	(10000000- 10731450 )	Pin,Clevis,0.31 Dia.X 1.12 Lg	1
15	39005	(10000000- 10731450 )	Pin- Cotter .094X0.75	1
16	222593	(10000000- 10731450 )	Pad, Pedal	1
17	09011	(10000000- 10731450 )	Scr Hexssm 8X1.25 30	2
18	01685	(10000000- 10731450 )	Washer, Flat, 0.38b 0.88d .08, Ss	8
19	08713	(10000000- 10731450 )	Nut- Hxlocnyln M 8X1.25 Reg Ss	5
20	07788	(10000000- 10731450 )	Nut Hx Std Ss M12X1.75	1
21	09010	(10000000- 10731450 )	Scr Hexssm 8X1.25 25	2
▽	22	1038594	(10368984- 10731450 ) Transaxle, Assy,w/Motor[W/Prkclck] (Rpld by 9011942)	1
▲▽		1040886	(10368984- 10731450 ) Motor, Transaxle	1
▲		1040891	(10368984- 10731450 ) Brush, Motor, Transaxle [Pk of 4]	1
22	1033765	(10321996- 10368983 )	Transaxle Assy, W/Parking Brake (See Breakdowns)	1
22	222037	(10000000- 10321995 )	Transaxle Assy, W/Parking Brake (See Breakdowns)	1

▽ - Identifies an assembly

▲ - Identifies parts included in assembly

Fig. 28 - Transaxle With Electric Brake Group (S/N 10731451- )

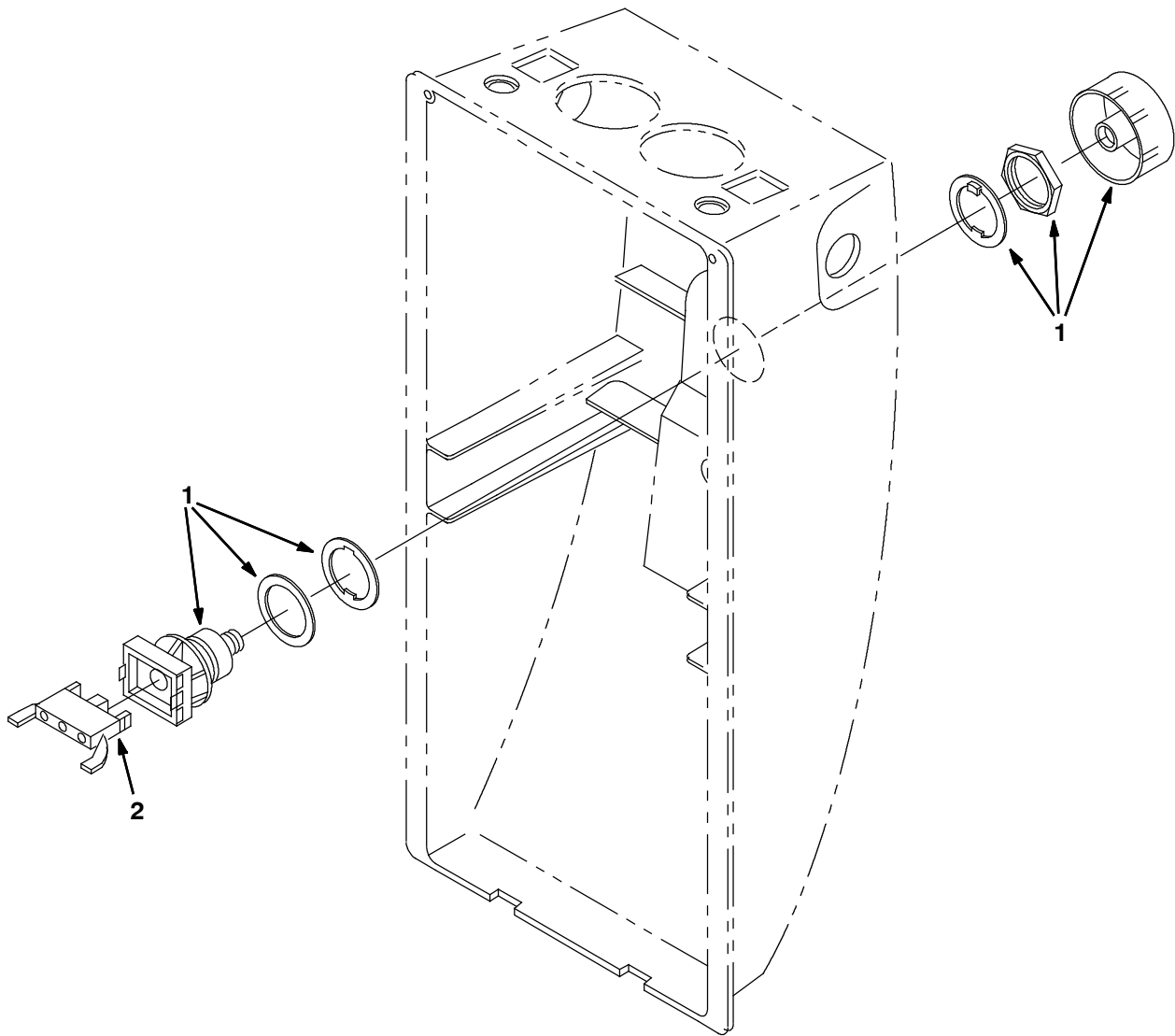


Ref.	Part No.	Serial Number	Description	Qty.
▽	1	1072423	(10731451- ) Transaxle Assy, W/ Motor [W/ Park Lock]	1
▲▽	2	1072554	(10731451- ) Motor, Ele, 36Vdc 2000Rpm 0.50Hp (Breakdown Parts Not Available)	1
▲▲	1072555	(10731451- )	Brush, Motor, Transaxle [Pk of 4]	1
▲	3	1074732	(10731451- ) Brake, Transaxle	1
	4	01685	(10731451- ) Washer, Flt, .31 Ss	2
	5	08713	(10731451- ) Nut, Hex, Lock, M08 X 1.25, NI, Ss	2
	6	1072660	(10731451- ) Bracket, Mtg, Transaxle	1
	7	59658	(10731451- ) Screw, Hex, M8 X 1.25 X 35, NI, Ss	1
	8	1014563	(10731451- ) Washer, 0.38b 1.22d .06, Ss	2
	9	54274	(10731451- ) Isolator, Vib, Bshg, 1.1d 0.6l .4b 0.78h	1
	10	39350	(10731451- ) Washer, Flat, 0.75, Sae	1
	11	09011	(10731451- ) Screw, Hex, M08 X 1.25 X 30, Ss	2

▽ - Identifies an assembly

▲ - Identifies parts included in assembly

**Fig. 29 - Power Kill Switch Kit**

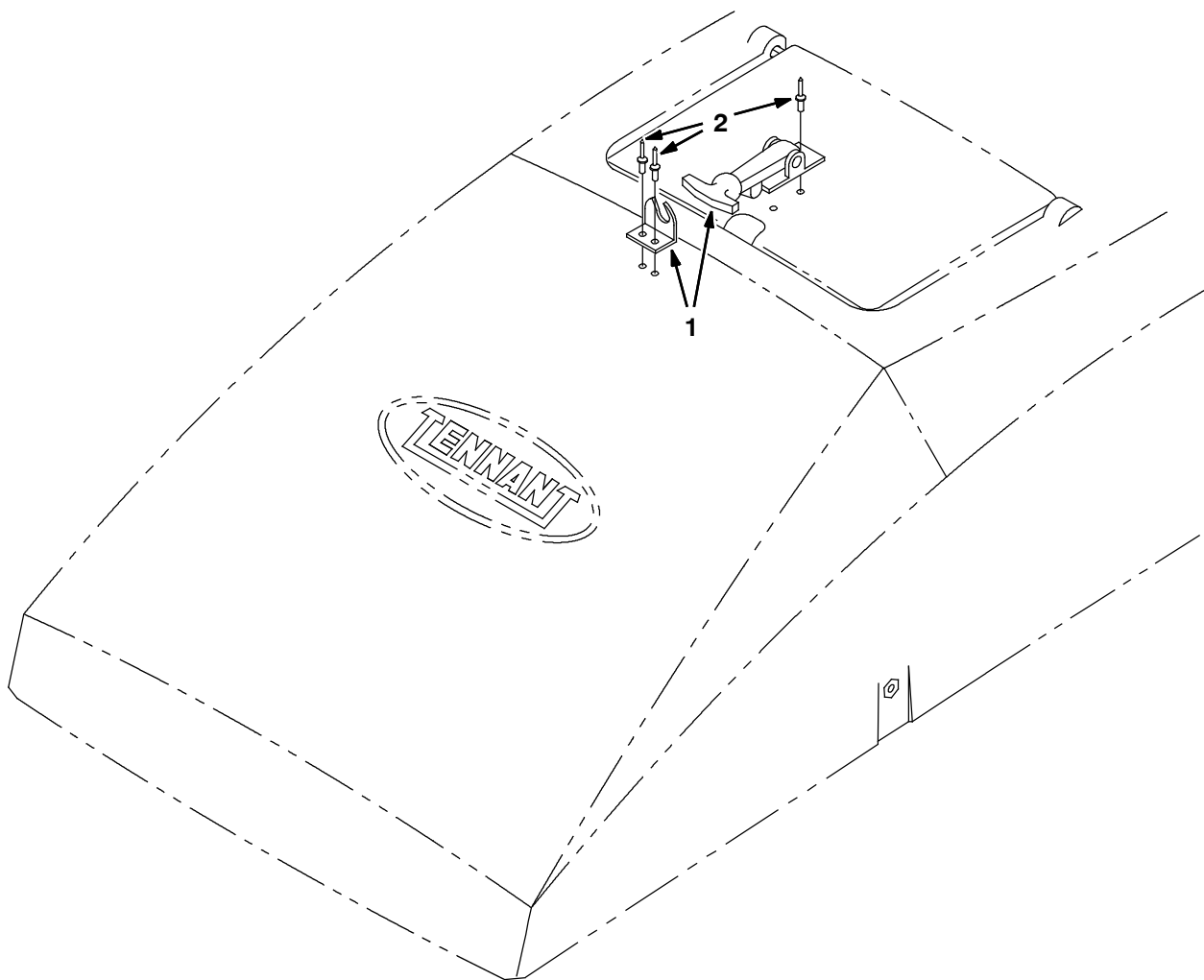


	<b>Ref.</b>	<b>Part No.</b>	<b>Serial Number</b>	<b>Description</b>	<b>Qty.</b>
▽		222664	(10000000-	) Button Kit Battery Cutout 5700	1
▲	1	78553	(10000000-	) Switch, Pushbutton	1
▲	2	65665	(10000000-	) Contact, Switch	1

▽ - Identifies an assembly

▲ - Identifies parts included in assembly

Fig. 30 - Transport Group

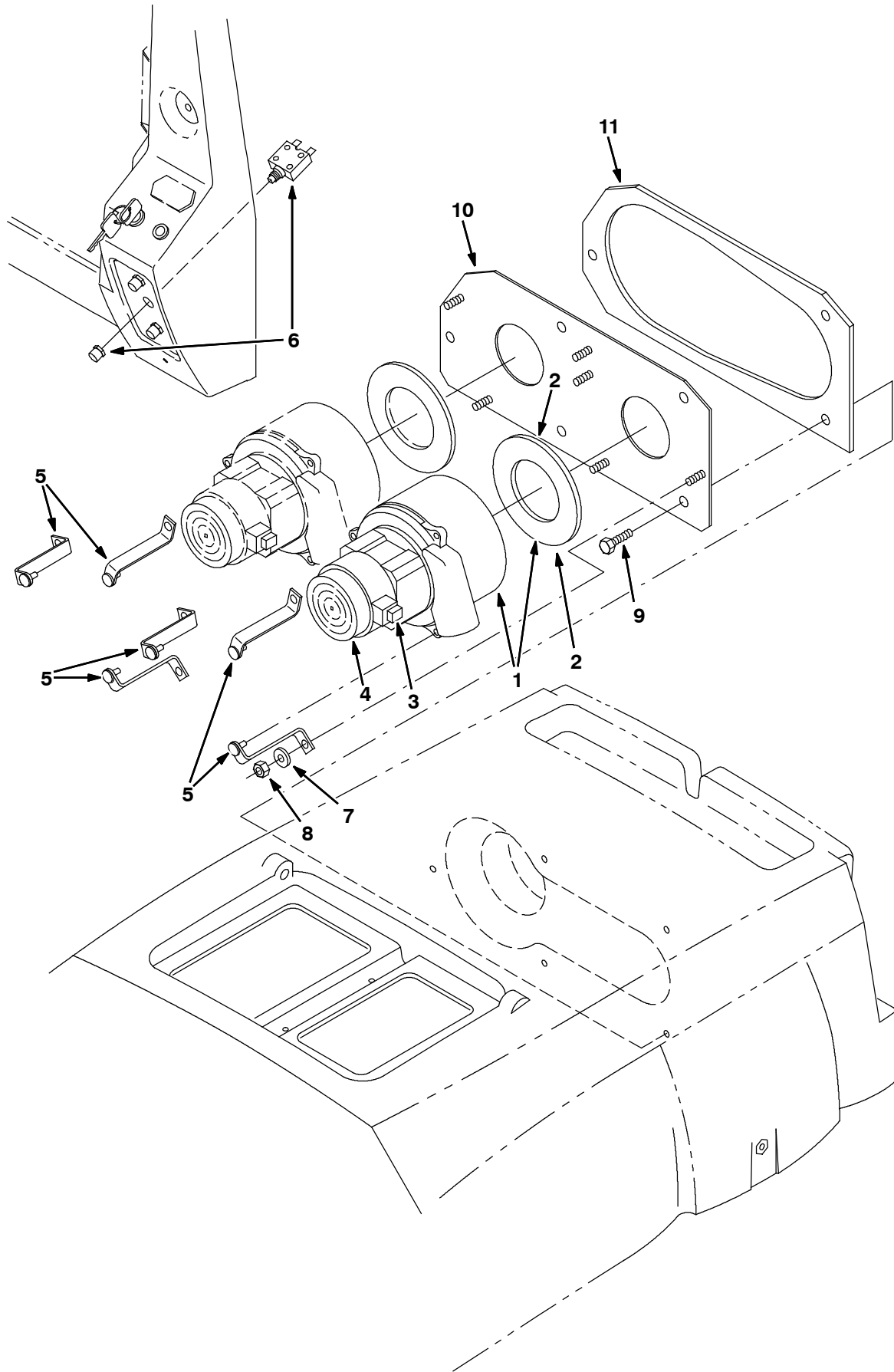


	Ref.	Part No.	Serial Number	Description	Qty.
▽		398029	(10000000-	) Demo Kit, Fi [5680]	1
▲	1	11636	(10000000-	) Latch, Draw, Flexible	1
▲	2	01335	(10000000-	) Rivet, Pop-.125Dx.44X.25Dhd Al	4

▽ - Identifies an assembly

▲ - Identifies parts included in assembly

Fig. 31 - Dual Vacuum Fan Kit



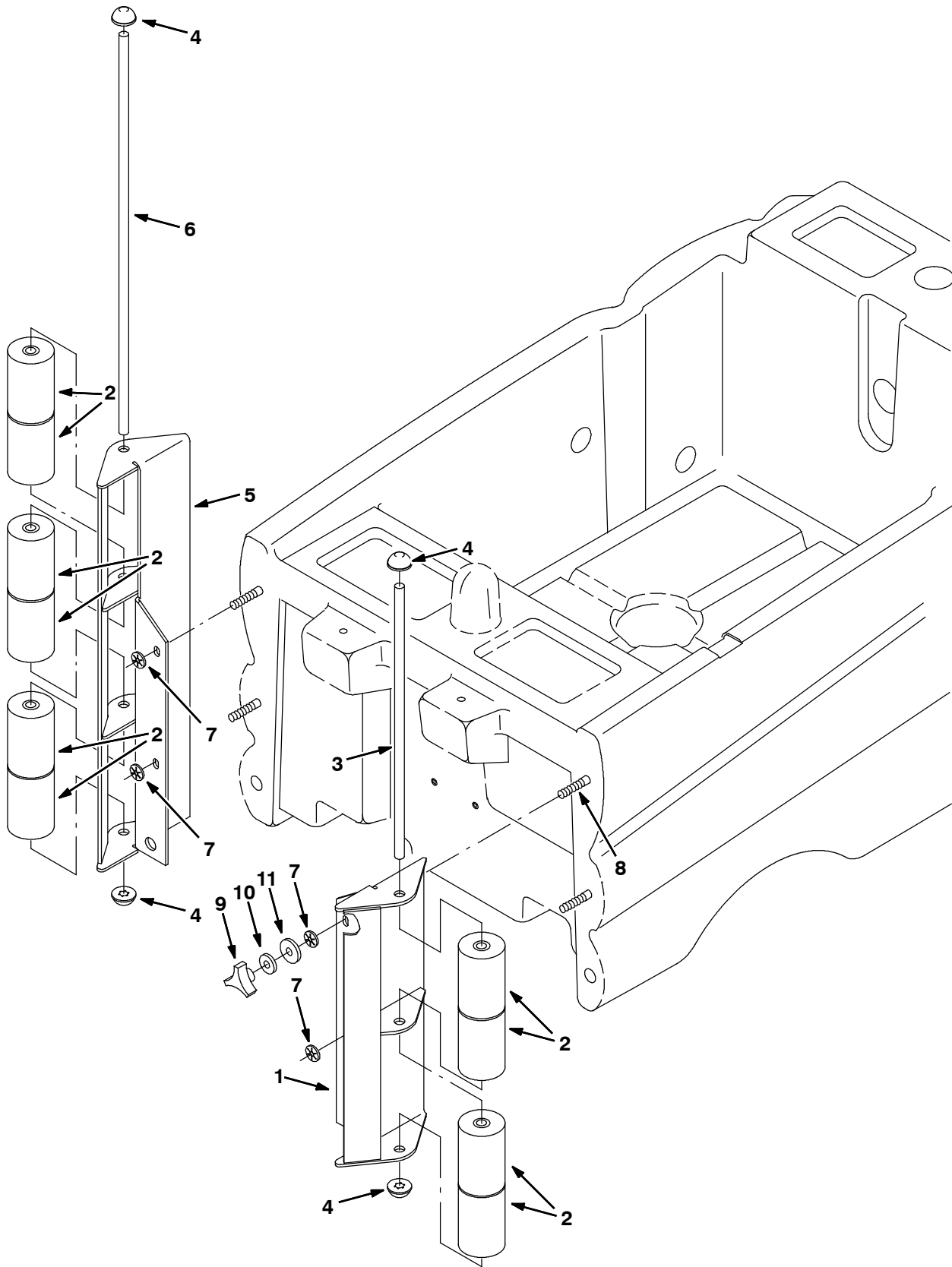
**Fig. 31 - Dual Vacuum Fan Kit**

	<b>Ref.</b>	<b>Part No.</b>	<b>Serial Number</b>	<b>Description</b>	<b>Qty.</b>
▽		222355	(10000000-	) Vacuum Fan Kit, Dual	1
▲▽	1	9004054	(10000000-	) Motor Kit, Vacuum, Replmt	1
▲▲	2	223264	(10000000-	) Seal, Vac Fan	1
▲▲	3	1041772	(10355629-	) Brush Kit, Motor, Fan [1 Kit = 2 Brsh]	1
▲▲	4	1041766	(10355629-	) Cover, Cooling Fan	1
▲	5	222124	(10000000-	) Bracket, Mounting, Vac Fan	6
▲	6	383728	(10000000-	) Circuitbreaker, 50.0a	1
▲	7	01685	(10000000-	) Washer, Flat, 0.38b 0.88d .08, Ss	6
▲	8	08713	(10000000-	) Nut- Hxlocnyln M 8X1.25 Reg Ss	6
▲	9	09010	(10000000-	) Scr Hexssm 8X1.25 25	3
▲	10	222127	(10000000-	) Plate, Fan Mtg, Dual	1
▲	11	222129	(10000000-	) Gasket, Plate, Fan Mtg	1

▽ - Identifies an assembly

▲ - Identifies parts included in assembly

Fig. 32 - Wall Roller Kit





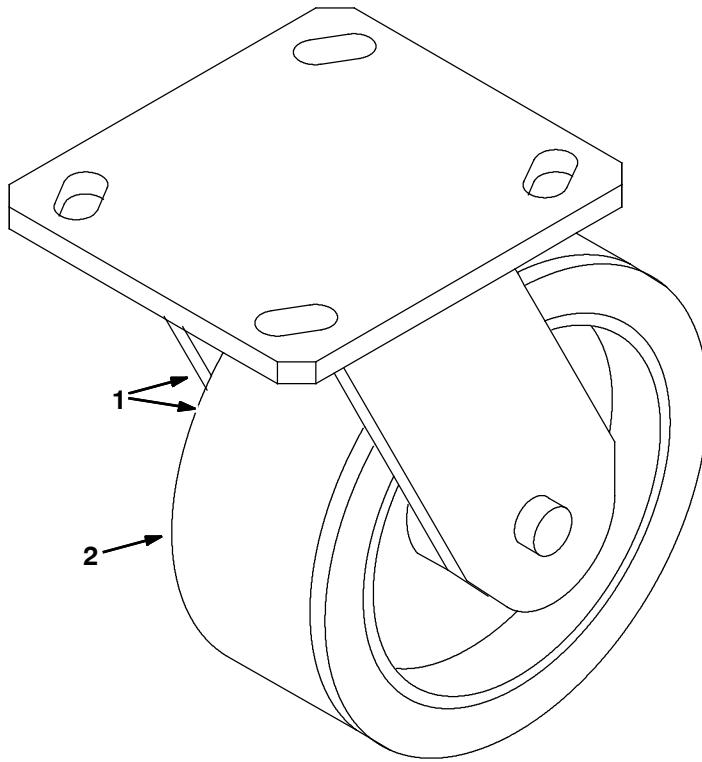
**Fig. 32 - Wall Roller Kit**

	<b>Ref.</b>	<b>Part No.</b>	<b>Serial Number</b>	<b>Description</b>	<b>Qty.</b>
▽		222663	(10000000-	) Wall Roller Kit 5700	1
▲	1	222478	(10000000-	) Bracket Wldt, Wall Roller, Lh	1
▲	2	222796	(10000000-	) Roller	10
▲	3	222475	(10000000-	) Shaft, Roller	1
▲	4	222479	(10000000-	) Pushnut	4
▲	5	222477	(10000000-	) Bracket Wldt, Wall Roller, Rh	1
▲	6	222476	(10000000-	) Shaft, Roller	1
▲	7	222768	(10000000-	) Pushnut	4
▲	8	30327	(10000000-	) Rod, Thrd, 2 End M08X1.25 01.4	4
▲	9	222470	(10000000-	) Knob, Star, 1.5d 3 Ear 0.8l M08x1.25 Pls	4
▲	10	01685	(10000000-	) Washer, Flat, 0.38b 0.88d .08, Ss	4
▲	11	30013	(10000000-	) Washer, Flat, 0.31 Fender	4

▽ - Identifies an assembly

▲ - Identifies parts included in assembly

**Fig. 33 - Neoprene Caster Group**

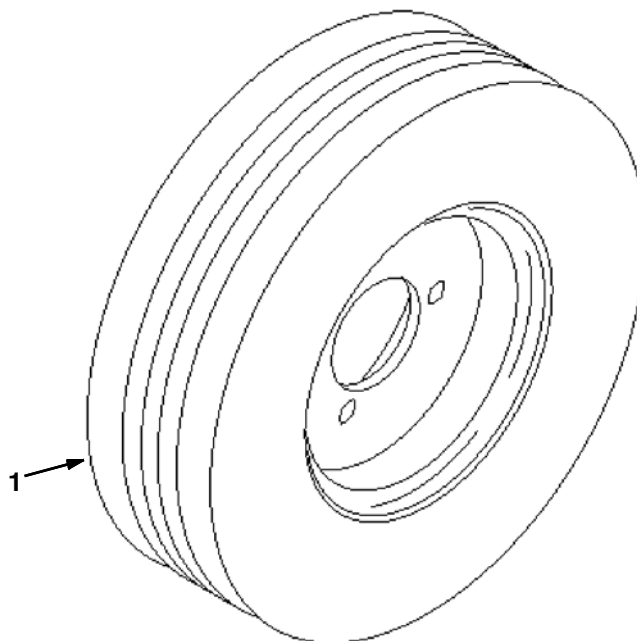


	<b>Ref.</b>	<b>Part No.</b>	<b>Serial Number</b>	<b>Description</b>	<b>Qty.</b>
▽	1	1049049	(10000000-	) Caster, Swivel, 5.0D 2.0W, 4Hole, Neo	2
▲	2	1049020	(10000000-	) Wheel, 05.0D 2.00W 0.50B	1

▽ - Identifies an assembly

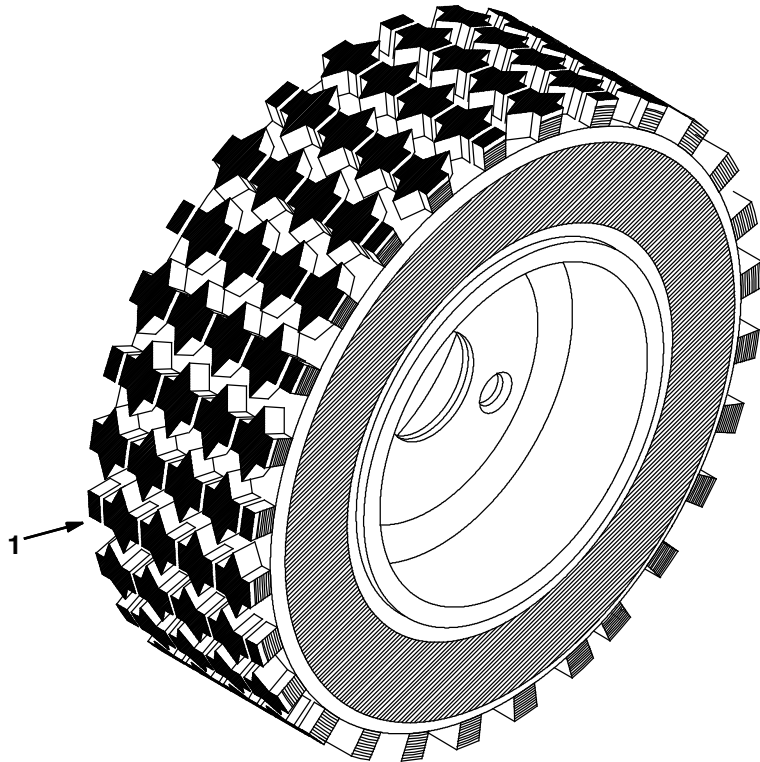
▲ - Identifies parts included in assembly

Fig. 34 - Tire Assembly, Solid



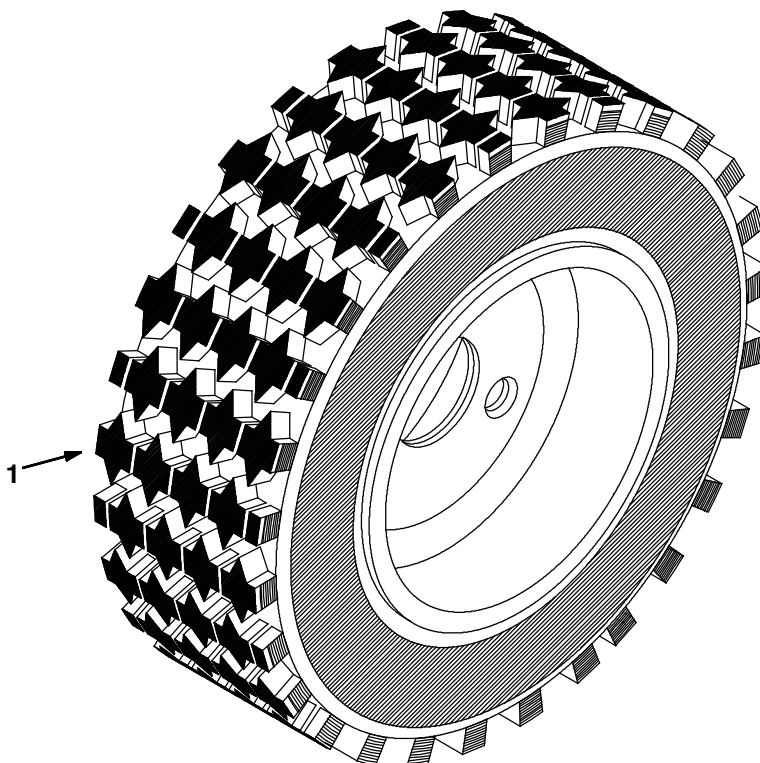
Ref.	Part No.	Serial Number	Description	Qty.
1	369345	(10000000-	) Tire & Rim Assy 12.3 Dia Solid	2

**Fig. 35 - Tire Assembly, Foam Filled**



<b>Ref.</b>	<b>Part No.</b>	<b>Serial Number</b>	<b>Description</b>	<b>Qty.</b>
1	1052674	(10000000- )	Tire Assy, Foam, 4.10/3.5- 06 3bolt Blk	2
1	1073298	(10668618- )	Tire Assy, Foam, 4.10/3.5- 06 3.5bc/3bolt	2
1	1052672	(10000000- 10668617 )	Tire Assy, Foam, 4.10/3.5- 06 3bolt Grey (Replaced by 1073298 - Order Qty 2)	2

Fig. 36 - Tire Assembly, Air Filled, Gray

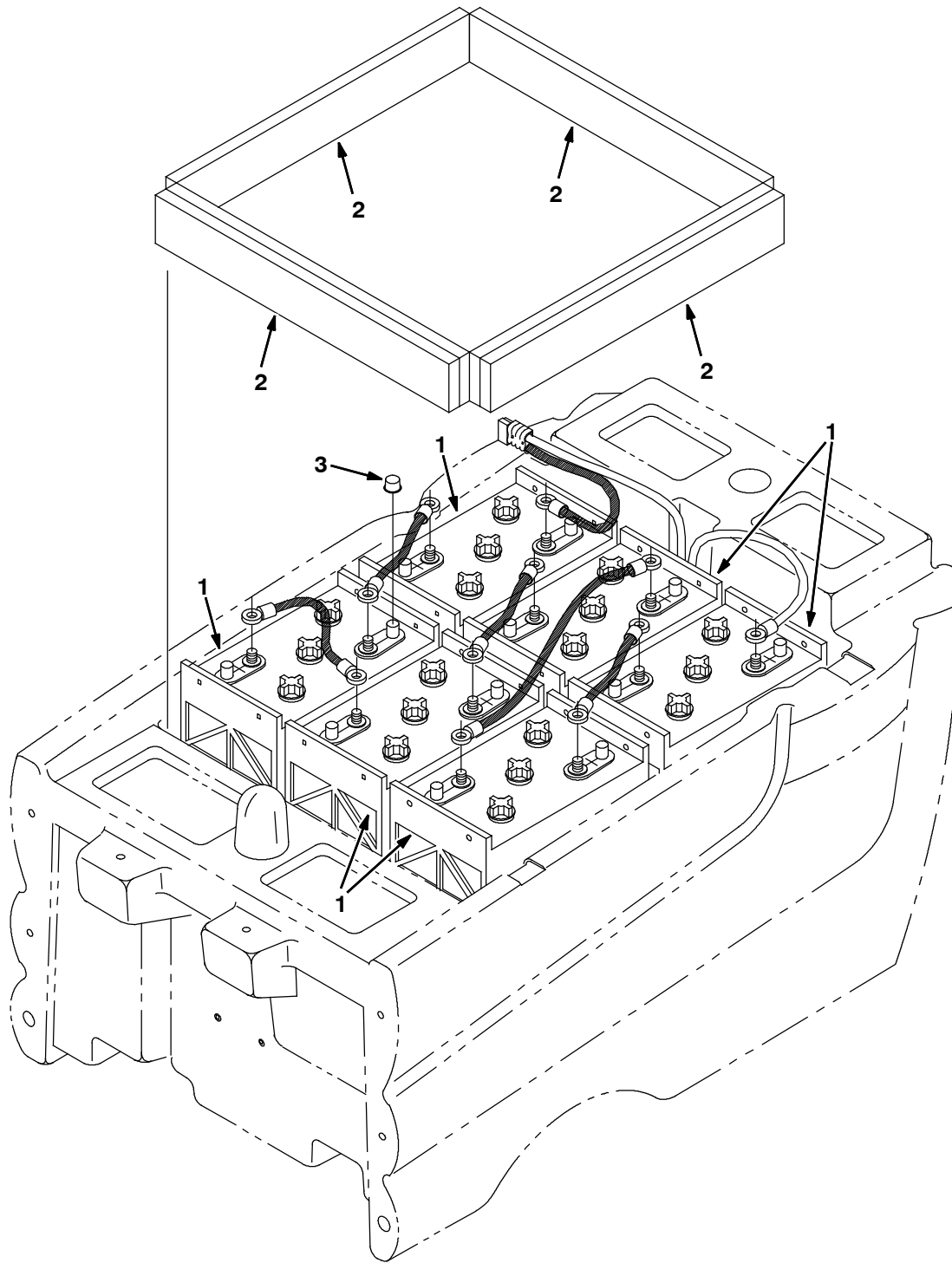


	Ref.	Part No.	Serial Number	Description	Qty.
▽	1	1059448	(10000000-	) Tire Assy, Pneu, Grey, 4.10/3.5-06 3.5bc (Not For Use With Cylindrical Head Models)	2
▲		61596	(10000000-	) Tire, Non- Marking, 410/350x06, 4ply [Cs]	1

▽ - Identifies an assembly

▲ - Identifies parts included in assembly

**Fig. 37 - Battery Kit, Heavy Duty Wet, 335AH**

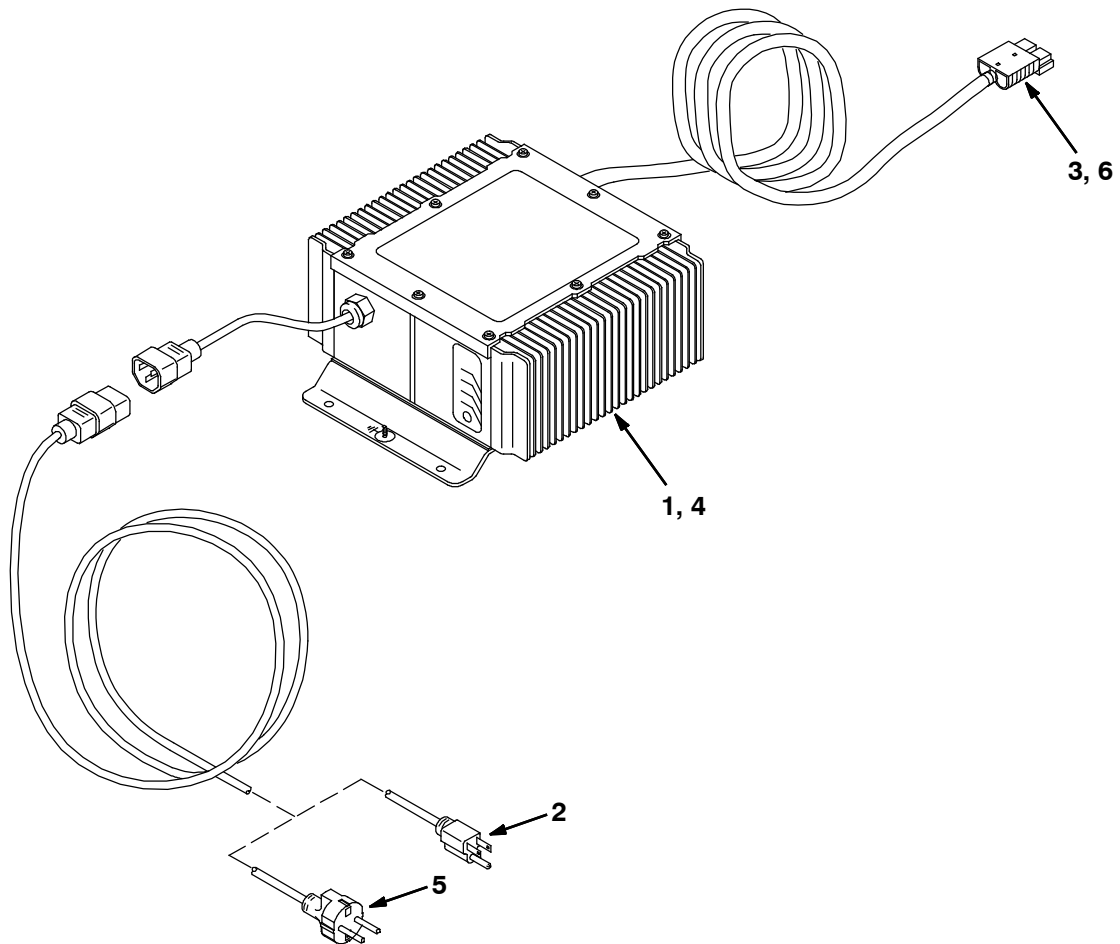


Ref.	Part No.	Serial Number	Description	Qty.
▽	222777	(10000000-	) Battery Kit 36V 335Ah Wet	1
▲	1 1070587	(10000000-	) Battery, Wet, 06vdc 0360ah, W/ Carton	6
▲	2 222473	(10000000-	) Spacer, Battery .62X1.5X21.0	6
▲	3 223641	(10000000-	) Cap, Battery	6

▽ - Identifies an assembly

▲ - Identifies parts included in assembly

Fig. 38 - Battery Charger Group



Ref.	Part No.	Serial Number	Description	Qty.
▽	1	9001055	(10000000- ) Charger Kit, Battery, Ci [Domestic] (Lead Acid)	1
▲	2	1017079	(10000000- ) Cord, Extn, 16ga /3, 10ft [Sjt]	1
▲	3	130155	(10000000- ) Connector, Battery, 6ga 50a, Gray[2cont]	1
▽	1	9008266	(10000000- ) Charger, 36vdc 21a 85- 265vac [Gel]	1
▲	2	1017079	(10000000- ) Cord, Extn, 16ga /3, 10ft [Sjt]	1
▲	3	130155	(10000000- ) Connector, Battery, 6ga 50a, Gray[2cont]	1
▽	1	9008267	(10000000- ) Charger, 36vdc 21a 85- 265vac [Agm]	1
▲	2	1017079	(10000000- ) Cord, Extn, 16ga /3, 10ft [Sjt]	1
▲	3	130155	(10000000- ) Connector, Battery, 6ga 50a, Gray[2cont]	1
▽	1	9012531	(10000000- ) Charger Kit, 36vdc 21a 85- 265vac [Discv]	1
▲	2	1017079	(10000000- ) Cord, Extn, 16ga /3, 10ft [Sjt]	1
▲	3	130155	(10000000- ) Connector, Battery, 6ga 50a, Gray[2cont]	1

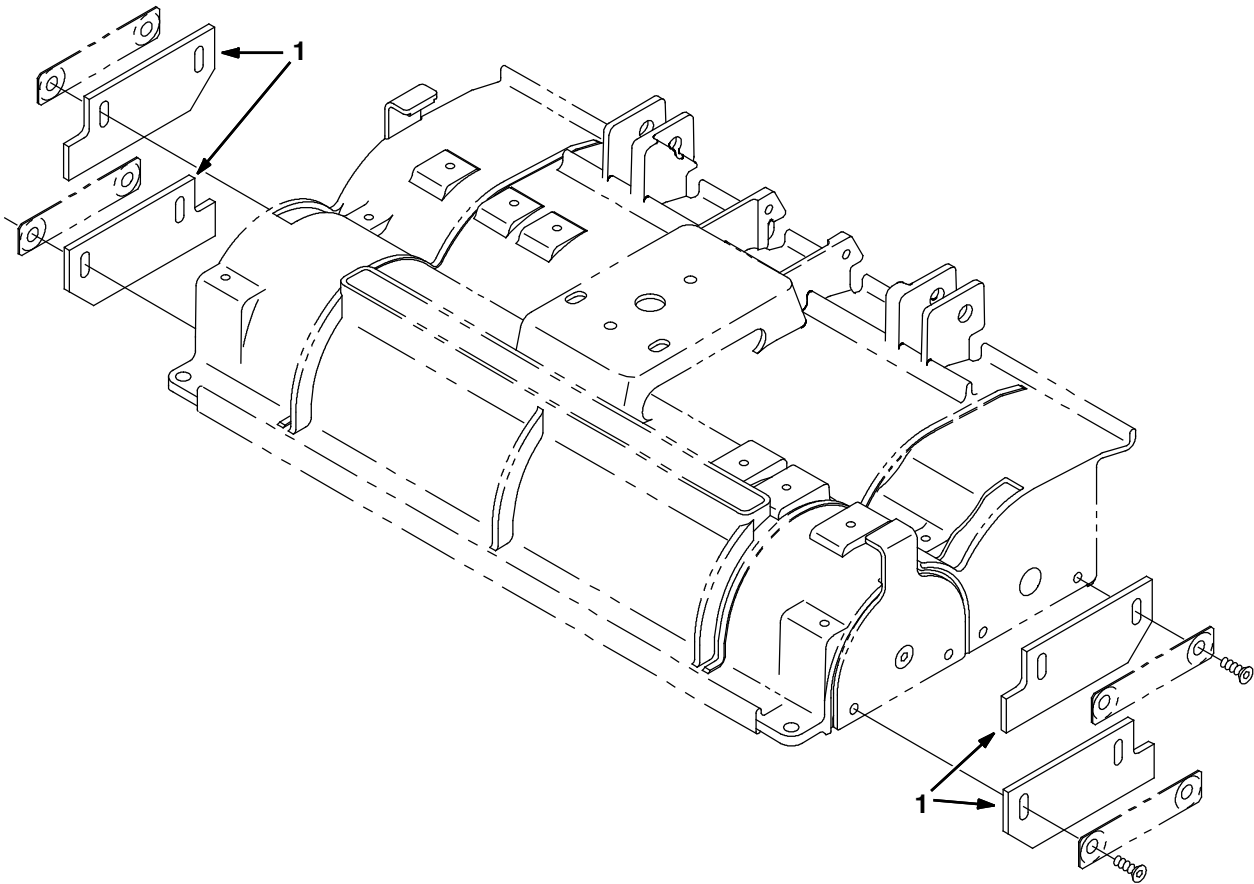
International Only

Ref.	Part No.	Serial Number	Description	Qty.
▽	4	9001054	(10000000- ) Charger Kit, Ci [Export/Euro/Asia]	1
▲	5	1019242	(10000000- ) Cord, Ele, Chrgr [European]	1
▲	6	130155	(10000000- ) Connector, Battery, 6ga 50a, Gray[2cont]	1

▽ - Identifies an assembly

▲ - Identifies parts included in assembly

**Fig. 39 - Urethane Scrub Head Skirt Kit**



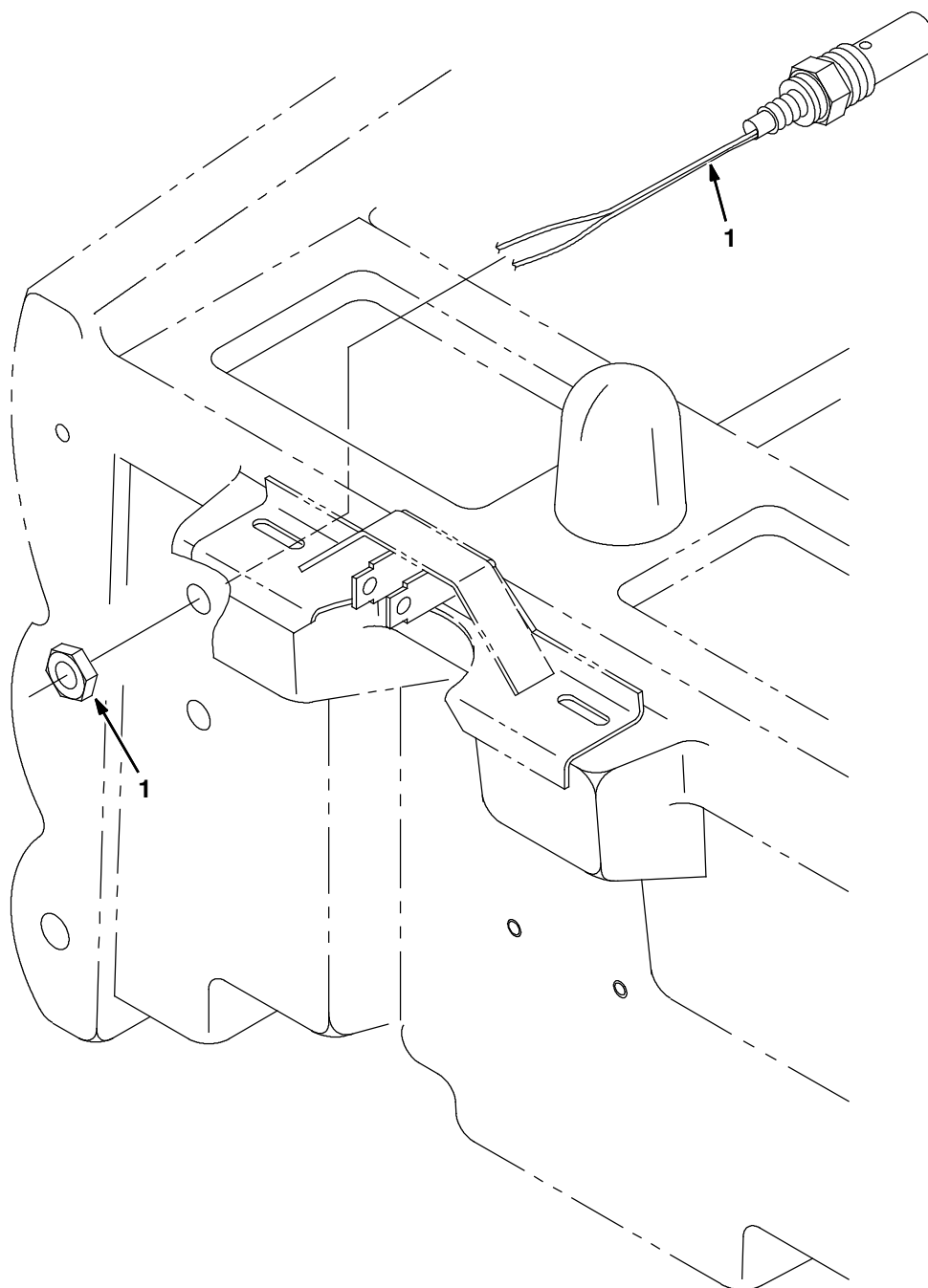
Ref.	Part No.	Serial Number	Description	Qty.
▽	222819	(10000000-	) Skirt Kit, Urethane, Scrubber Head	1
▲	1 222808	(10000000-	) Skirt, Scrub Head	4

▽ - Identifies an assembly

▲ - Identifies parts included in assembly



Fig. 40 - Sensor Kit, Shielded

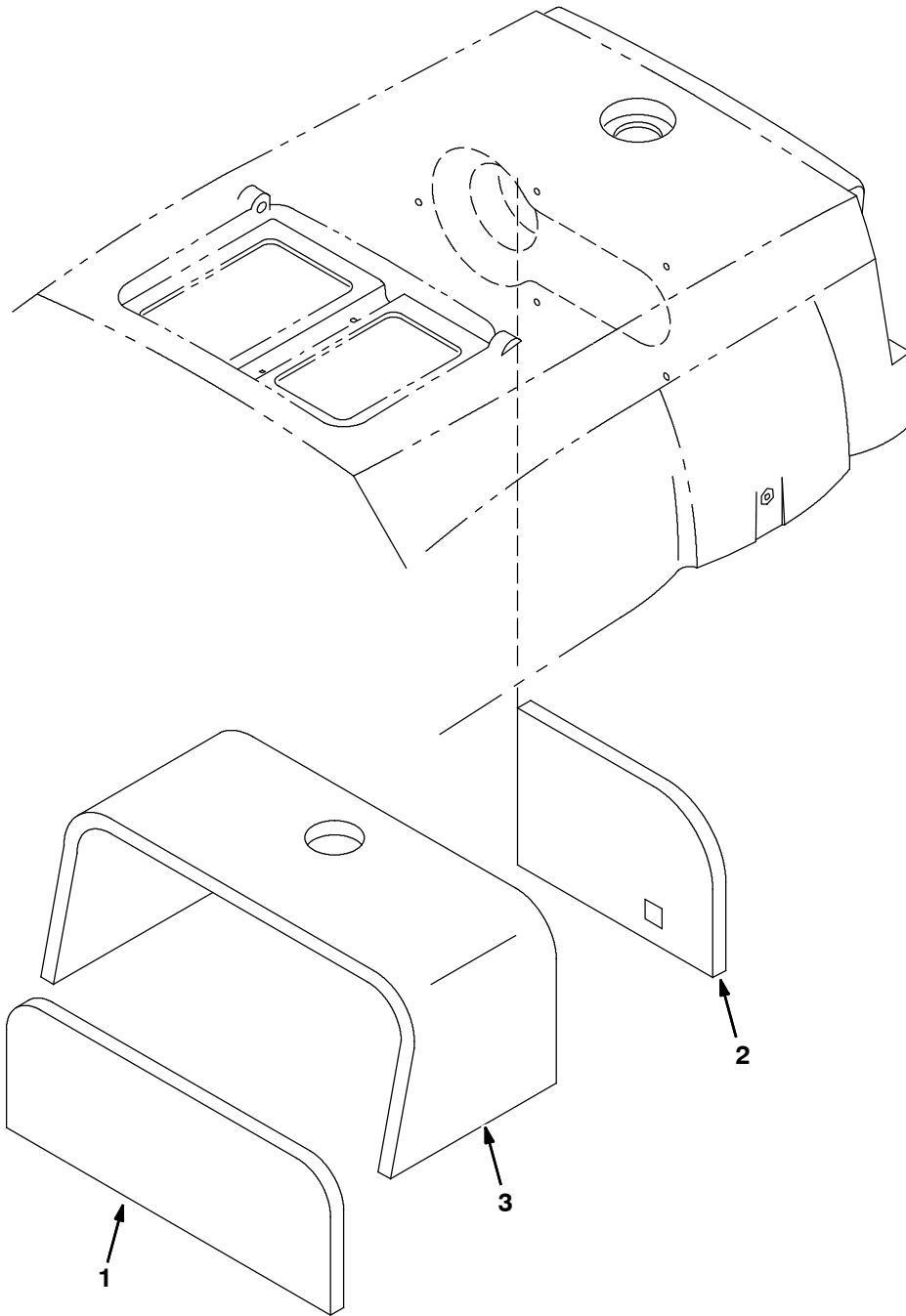


	Ref.	Part No.	Serial Number	Description	Qty.
▽		374109	(10000000-	) Kit, Sensor, Shielded	1
▲	1	374078	(10000000-	) Switch, Float	1

▽ - Identifies an assembly

▲ - Identifies parts included in assembly

**Fig. 41 - Sound Reduction Kit**

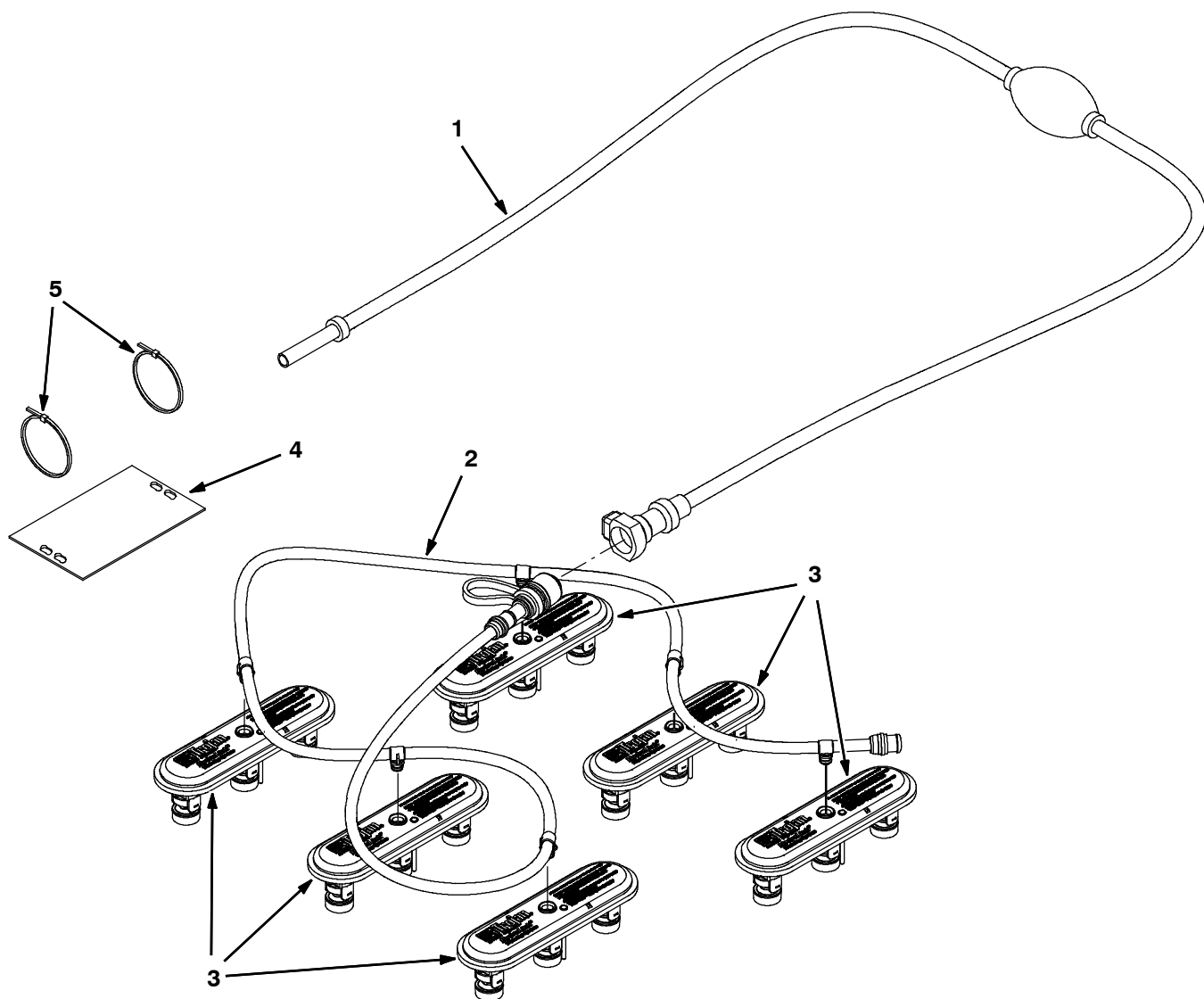


	<b>Ref.</b>	<b>Part No.</b>	<b>Serial Number</b>	<b>Description</b>	<b>Qty.</b>
▽		374076	(10000000-	) Kit, Sound Reduction	1
▲	1	374073	(10000000-	) Insulation, Sound	1
▲	2	374074	(10000000-	) Insulation, Sound	1
▲	3	374075	(10000000-	) Insulation, Sound	1

▽ - Identifies an assembly

▲ - Identifies parts included in assembly

Fig. 42 - Hydrolink® Battery Watering System Kit



Ref.	Part No.	Serial Number	Description	Qty.
▽	9010301	(10606608-	) Battery Fill Kit, 36v, Ci [Hydrolink]	1
▲	1 1058939	(10606608-	) Pump Kit, Fill, Battery	1
▲	2 1201997	(10606608-	) Tube, Water, Battery, 36vdc [Trojan]	1
▲	3 1204142	(10606608-	) Cap, Fill, Battery [Trojan]	6
▲	4 1071084	(10606608-	) Label, Tag, Battery [Hydrolink Watering]	1
▲	5 130773	(10606608-	) Tie, Cable, Nyl, 11.0l, .14w, 3.0 Max. D	2

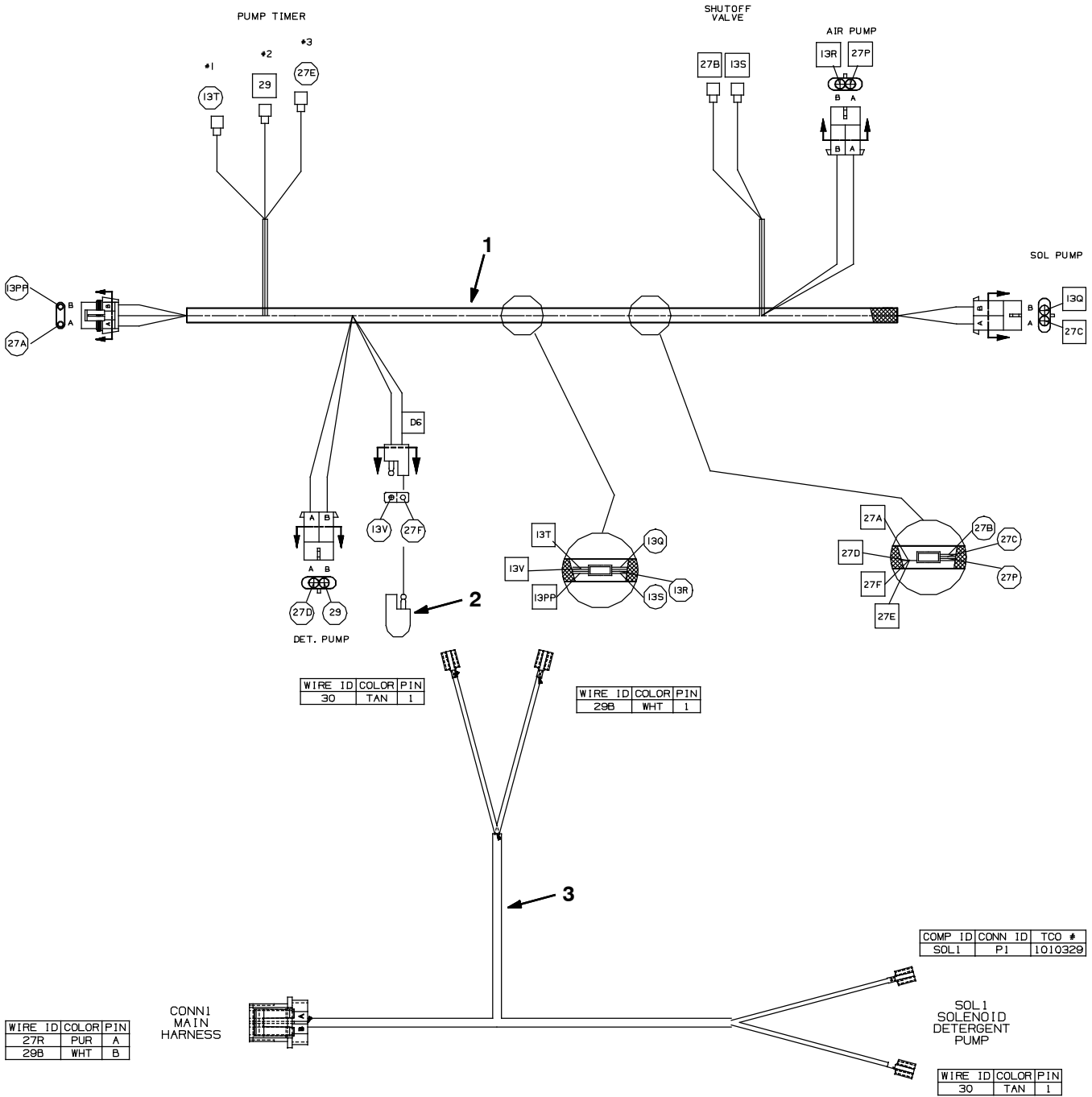
▽ - Identifies an assembly

▲ - Identifies parts included in assembly

\*THIS KIT IS INTENDED FOR USE WITH TROJAN® LEAD ACID BATTERIES ONLY.

HYDROLINK® IS A REGISTERED TRADEMARK OF TROJAN® BATTERY COMPANY.

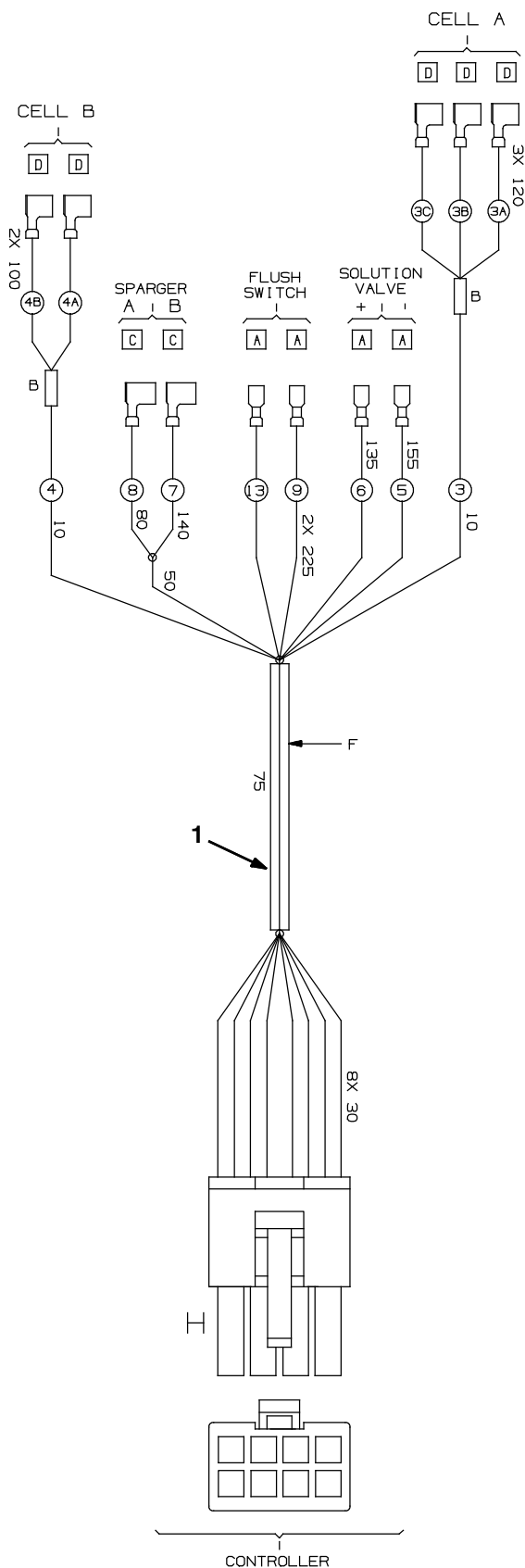
**Fig. 43 - FaST Wire Harness Group**



354048, 1020556 - 5700, XP, NA, CE

Ref.	Part No.	Serial Number	Description	Qty.
1	397906	(1000000-	) Harness, Ele, Fast [5700]	1
2	222290	(1000000-	) Diode, Ele, Plug	1
3	1020556	(1000000-	) Harness, Adaptor, [Fast Det 36V To 24V]	1

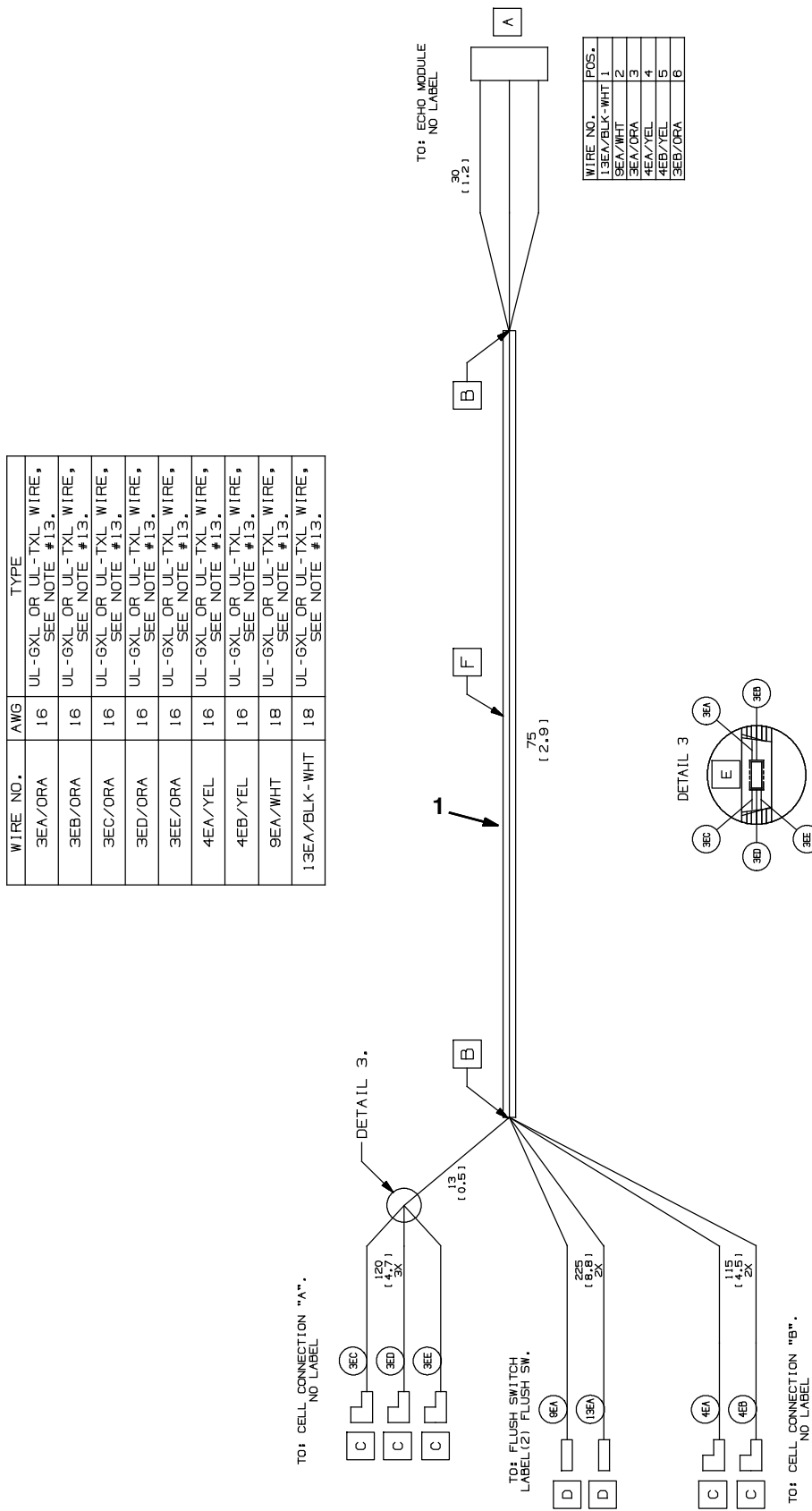
Fig. 44 - ec-H2O Main Control Board Harness Group (S/N 10436743- 10741220)



Ref.	Part No.	Serial Number	Description	Qty.
1	1049489	(10436743- 10741220 )	Harness, Main,Controlboard[Ec- H2o 5cell]	1

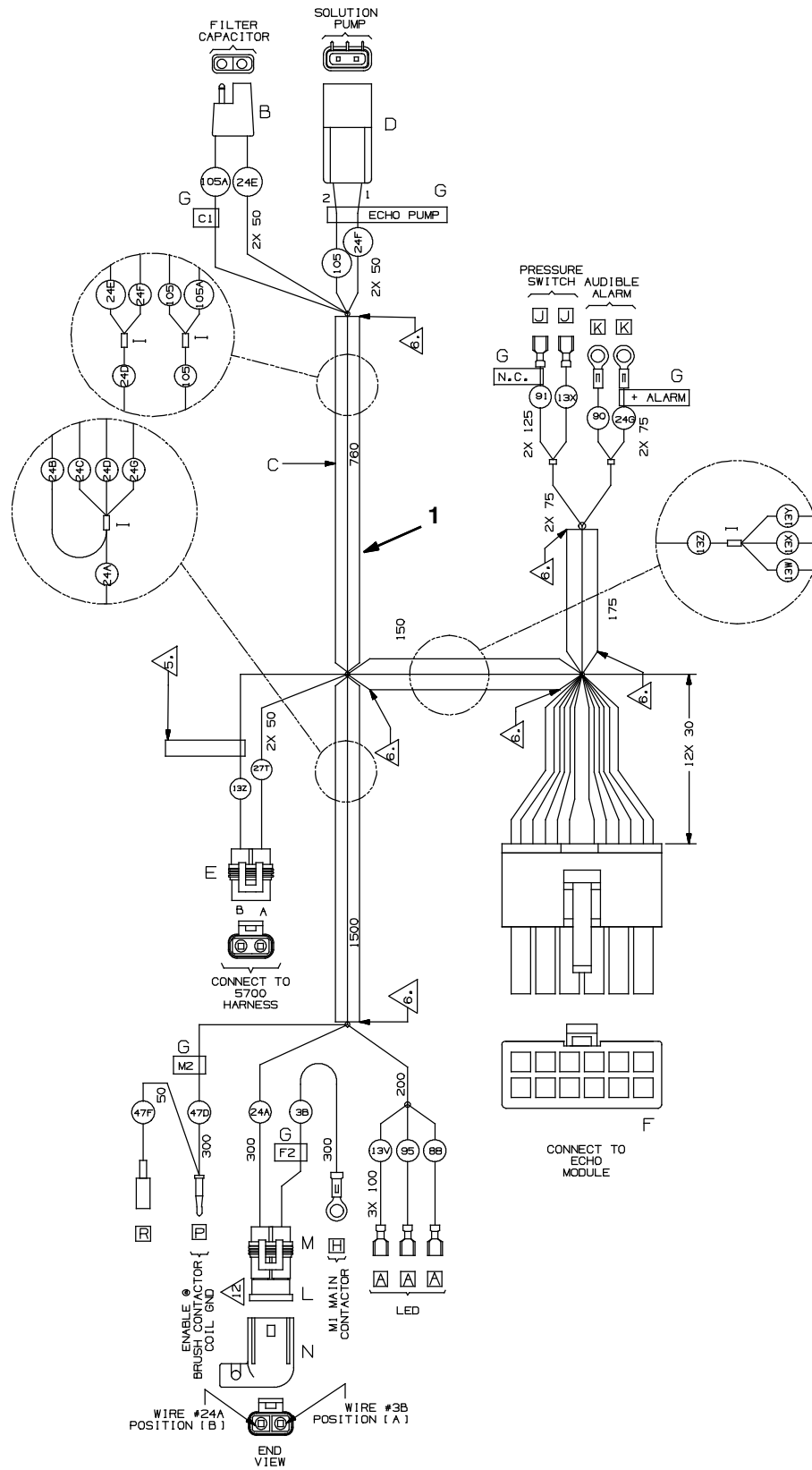
# OPTIONS

Fig. 45 - ec-H2O NanoClean Main Control Board Harness Group (S/N 10741221- )



Ref.	Part No.	Serial Number	Description	Qty.
1	1073286	(10741221- )	Harness, Ele, Module B2 [Ec- H2o]	1

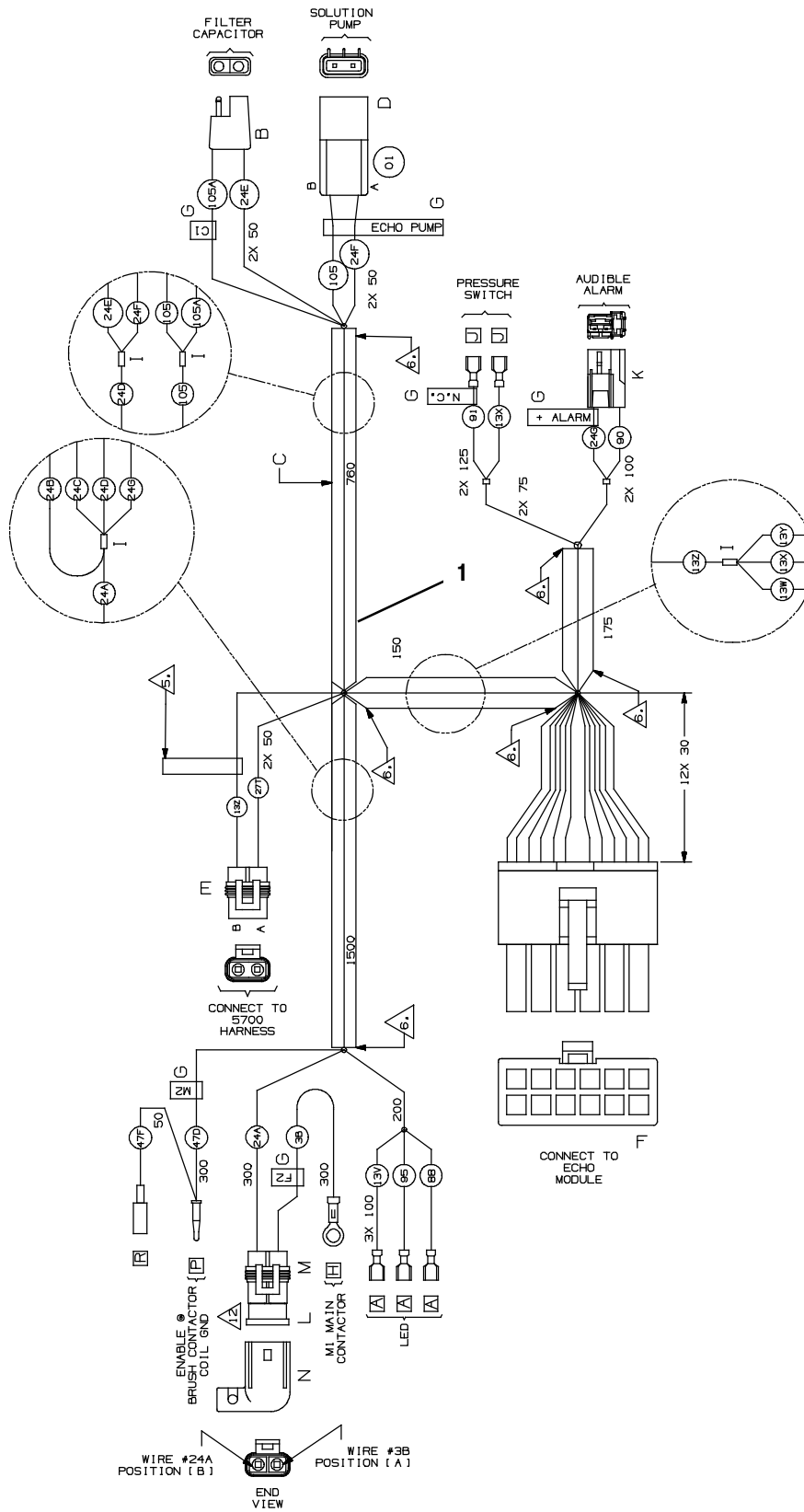
Fig. 46 - ec-H2O Wire Harness Group (S/N 10403557-10446383)



Ref.	Part No.	Serial Number	Description	Qty.
1	1044833	(10403557- 10446383 )	Harness Assy, Wire, ec- H2O [5700]	1

Fig. 47 - ec-H2O Wire Harness Group (S/N 10446384-10741220)

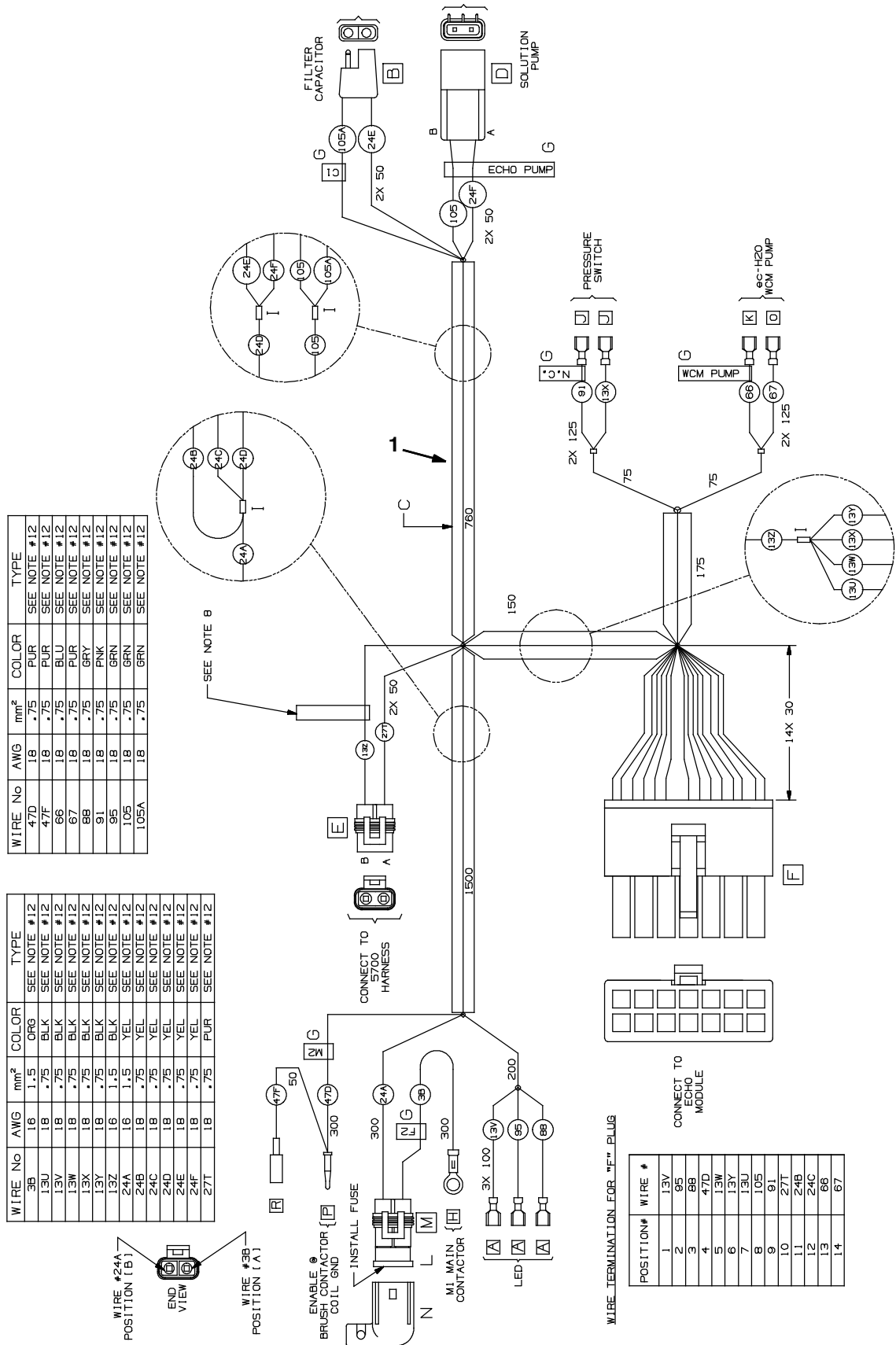
355131



Ref.	Part No.	Serial Number	Description	Qty.
1	1055478	(10446384- 10741220 )	Harness Assy, Wire [5700 Ec- H2o]	1



Fig. 48 - ec-H2O NanoClean Wire Harness Group (S/N 10741221- )



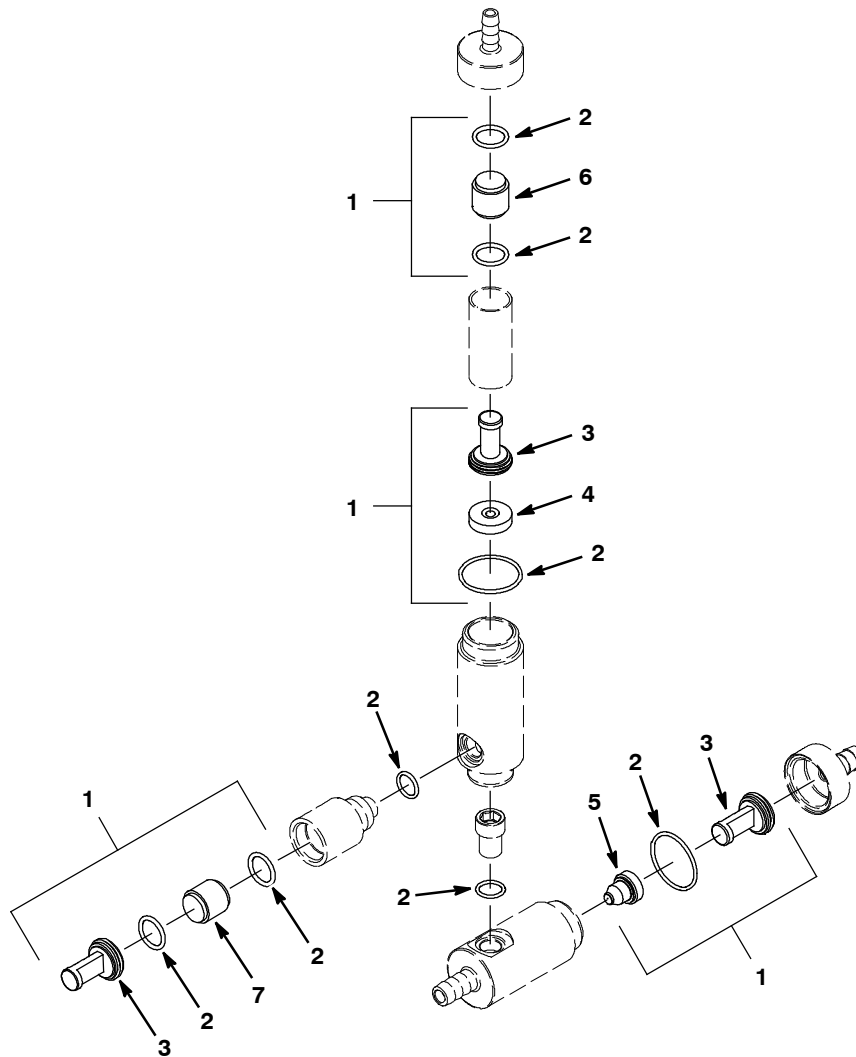
Ref.	Part No.	Serial Number	Description	Qty.
1	1074379	(10741221- )	Harness Assy, Wire [5700 Ec- H2o G2]	1



## SECTION 4

<b>Contents</b>	<b>Page</b>
Fig. 1 - FaST Injector Assembly Breakdown, ..... 9004079 .....	4-2
Fig. 2 - FaST Injector Assembly Breakdown, ..... 9008870 .....	4-3
Fig. 3 - ec-H2O Module Assembly Breakdown, ..... 9006161 (S/N 10403557- 10436742) ..	4-4
Fig. 4 - ec-H2O Module Assembly Breakdown, ..... 9007970 (S/N 10436743- 10741220) ..	4-6
Fig. 5 - ec-H2O Nano Clean Module Breakdown, ..... 9011810 (S/N 10741221- ) ...	4-8
Fig. 6 - Transaxle Drive Breakdown ..... (w/Parking Brake) 1033765, 222037 ..	4-10
Fig. 7 - Transaxle Drive Breakdown ..... (w/o Parking Brake) 1033764, 397707 .	4-12
Fig. 8 - Transaxle Motor Breakdown, 1031761 ..	4-14
Fig. 9 - Transaxle Motor Breakdown, 374265 ...	4-15
Fig. 10 - Electric Motor Breakdown, 377440 ....	4-16
Fig. 11 - Electric Motor Breakdown, 1038426 ...	4-17
Fig. 12 - Electric Motor Breakdown, 375175 ....	4-18
Fig. 13 - Electric Motor Breakdown, 222255 ....	4-19
Fig. 14 - Water Pump Breakdown, 222259 .....	4-20

**Fig. 1 - FaST Injector Assembly Breakdown, 9004079**

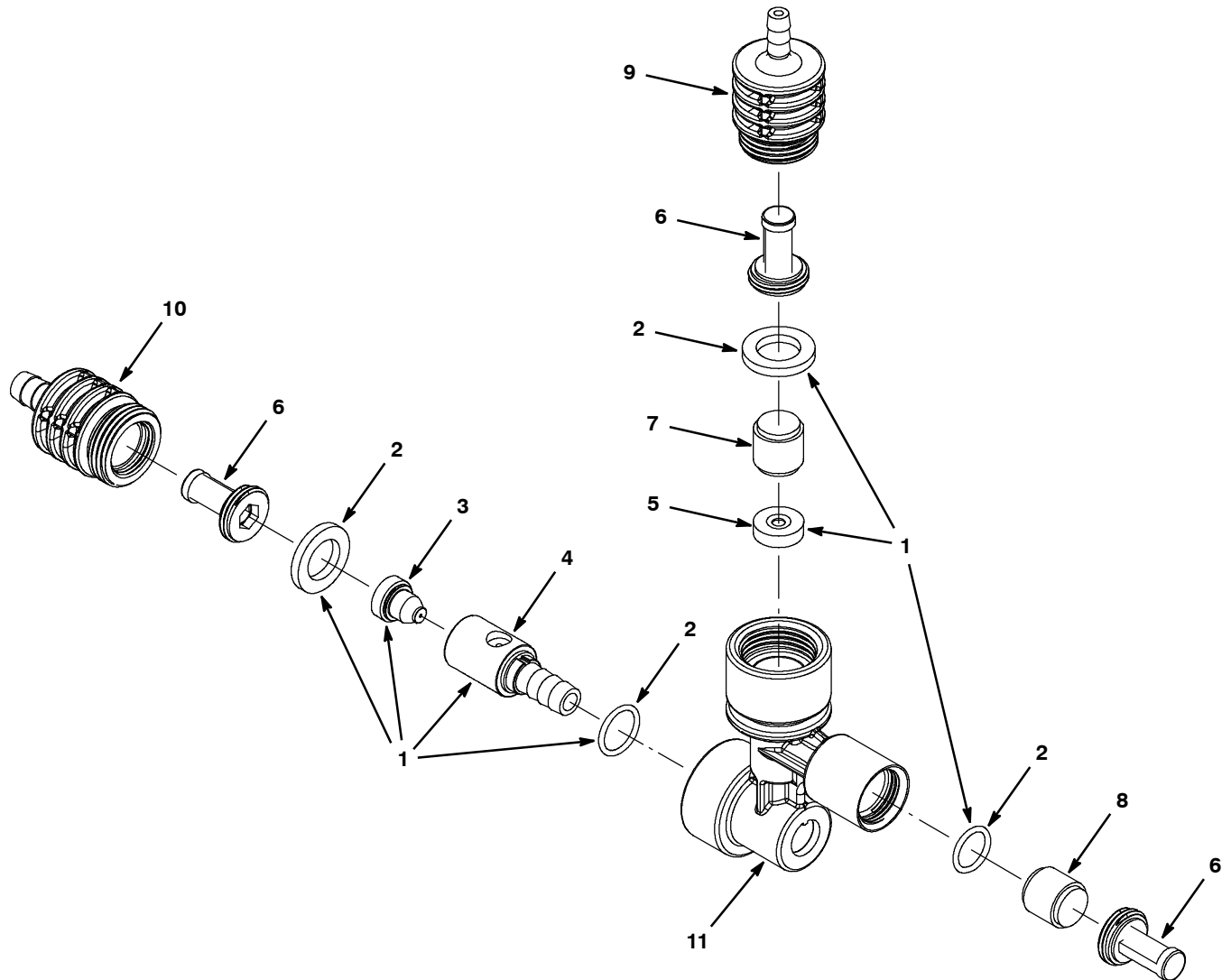


Ref.	Part No.	Serial Number	Description	Qty.
▽	9004079	(10361713- 10536781 )	Fast Kit, Injector [5680/5700, Fast li+]	1
▲	1	9004084	(10361713- 10536781 ) FaST Kit, Ci, [Inj Rebl, 5680/5700]	1
▲	2	9003008	(10361713- 10536781 ) FaST Kit, Ci, Injector Seals [FaST II+]	1
▲	3	9003009	(10361713- ) FaST Kit, Ci, Injector Filters [FaST II+]	1
▲	4	1043313	(10361713- 10536781 ) Plate Assy, Orifice, 0.0082id, Gray	1
▲	5	1039579	(10361713- ) Plug, Orifice, 0.033, Ss {[FaST II+]	1
▲	6	1030444	(10361713- ) Valve, Check, 0002psi, White, [FaST II+]	1
▲	7	1030441	(10361713- ) Valve, Check, 0005psi, Brown, [FaST II+]	1

▽ - Identifies an assembly

▲ - Identifies parts included in assembly

**Fig. 2 - FaST Injector Assembly Breakdown, 9008870**



Ref.	Part No.	Serial Number	Description	Qty.
▽	9008870	(10536782-	) Fast Kit, Injector [5680/5700, Fast Iii]	1
▲▽	1 9008750	(10536782-	) Fast Kit, Ci [Inj Rebl, 5680/5700]	1
▲▲	2 9008848	(10536782-	) Fast Kit, Seal, Injector, Ci [Fast Iii]	1
▲▲	3 1039579	(10536782-	) Plug, Orifice, 0.033, Ss [Fast Ii+]	1
▲▲	4 1059250	(10536782-	) Insert, Venturi, Medium, [Fast Iii]	1
▲▲	5 1059876	(10536782-	) Plate Assy, Orifice, 0.0082id, Gray	1
▲	6 9003009	(10536782-	) Fast Kit, Ci, Injector Filters[Fast Ii+]	1
▲	7 1030444	(10536782-	) Valve, Check, 0002psi [Fast Ii+]	1
▲	8 1030441	(10536782-	) Valve, Check, 0005psi [Fast Ii+]	1
▲	9 1058126	(10536782-	) Housing, Fltr, Upper [Fast Iii]	1
▲	10 1057811	(10536782-	) Housing, Fltr, Lower [Fast Iii]	1
▲	11 1053564	(10536782-	) Housing, Body, Injector [Fast Iii]	1

▽ - Identifies an assembly

▲ - Identifies parts included in assembly

# BREAKDOWNS

Fig. 3 - *ec-H2O* Module Assembly Breakdown, 9006161 (S/N 10403557-10436742)

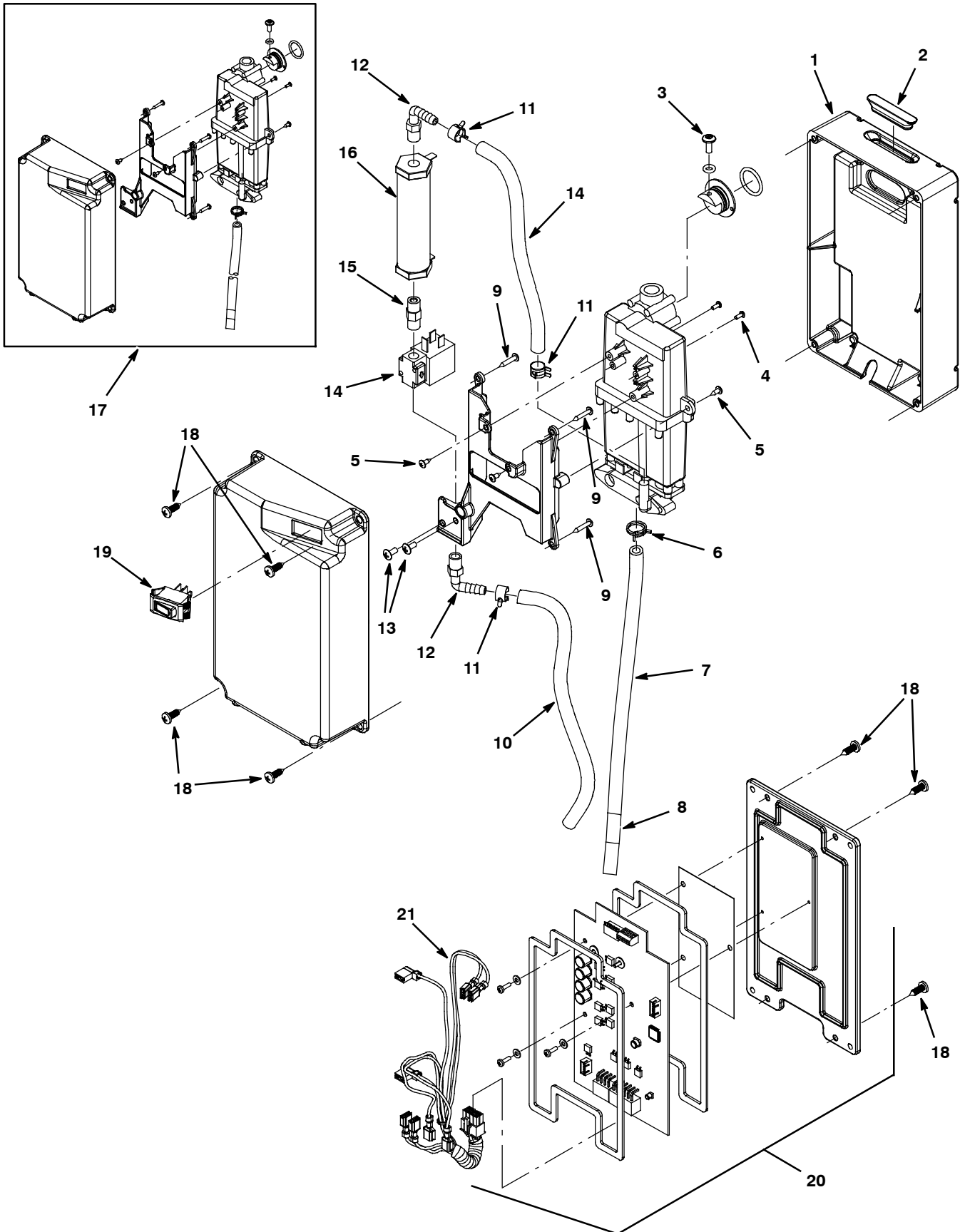


Fig. 3 - *ec-H2O* Module Assembly Breakdown, 9006161 (S/N 10403557-10436742)

Ref.	Part No.	Serial Number	Description	Qty.
▽	9006161	(10403557-10436742)	Module Kit, Replmt [Ec- H2o]	1
▲	1 1037032	(10403557- )	Housing, Bottom	1
▲	2 1054776	(10403557- )	Grommet, Blind	1
▲	3 609062	(10403557-10436742)	Screw, Trs, M5 X 0.80 X 12, Phl, Ss	1
▲	4 578860	(10403557-10436742)	Screw, Pan, Phl, 04- 40 X 0.31, Pl	2
▲	5 3701.6	(10403557-10436742)	Screw, Pan, Phl, 06- 32 X 0.38, Shtmtl,Ss	4
▲	6 613735	(10403557-10436742)	Clamp, Hose, Wir, .40 - .42, Yel	1
▲	7 9004606	(10403557-10436742)	Hose, Pvc, Clr, 0.25id 0.38od 064.0l	1
▲	8 1049637	(10403557- )	Label, Direction [Ec- H2o]	1
▲	9 140826	(10403557-10436742)	Screw, Pan, Phl, 06- 20 X 0.75, Fmg/Ab,Ss	4
▲	10 578820000	(10403557- )	Hose, Pvc, Brd, 0.25id 0.44od 157.2l,Clr	1
▲	11 603654	(10403557- )	Clamp, Hose, Ear, .44d [Ctb]	3
▲	12 1037595	(10403557- )	Fitting, Plstc, E90, Bm04/Pm02, Nyl	2
▲	13 140801	(10403557-10436742)	Screw, Trs, Phl, 08- 32 X 0.38, Ss	2
▲	14 1013236	(10403557- )	Valve, Shutoff, Ele, 24vdc	1
▲	15 1045030	(10403557- )	Fitting, Brs, Str, Pm02/Pm02	1
▲	16 1062006	(10403557- )	Electrode, Cylindrical	1
▲	17 N/A	(10403557-10436742)	Replaced By E- Cell Upgrade Kit P/N 9006324 (Parts not sold seperately)	1
▲	18 1018155	(10403557- )	Screw, Pan, Phl, M5 X 0.80 X 16, Tcut,Ss	8
▲	19 1044393	(10403557- )	Switch, Rocker, Spst, Mom	1
▲	20 9007969	(10403557- )	Controller Kit, Replmt [Ec- H2o]	1
▲	21 1044399	(10403557-10436742)	Harness, Main, Controller [Ec- H2o, P3]	1

▽ - Identifies an assembly

▲ - Identifies parts included in assembly

**Fig. 4 - ec-H2O Module Assembly Breakdown, 9007970 (S/N 10436743-10741220)**

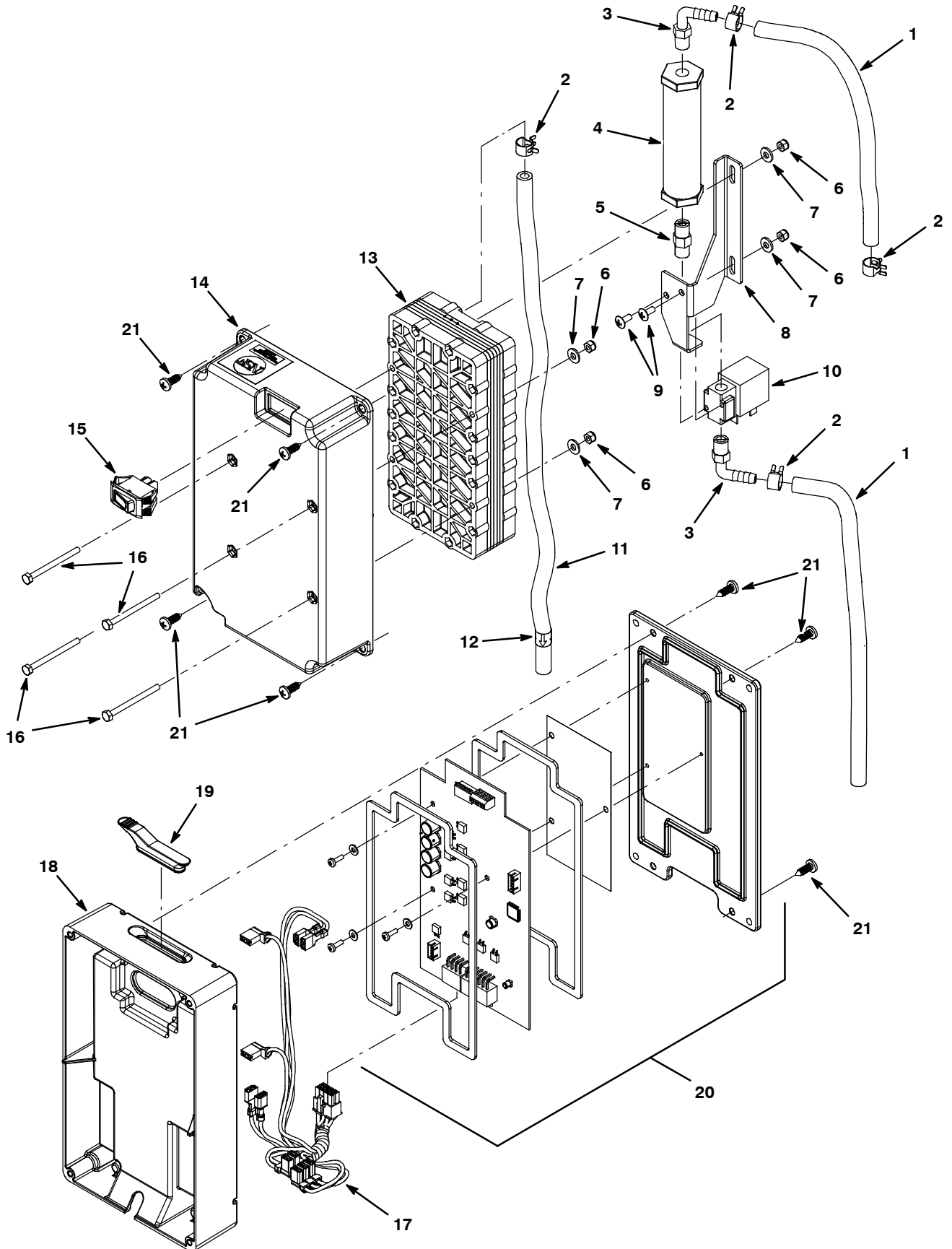




Fig. 4 - *ec-H2O* Module Assembly Breakdown, 9007970 (S/N 10436743-10741220)

Ref.	Part No.	Serial Number	Description	Qty.
▽	9007970	(10436743-10741220 )	Module Kit, Replmt [Ec- H2o]	1
▲▽	9006324	(10436743-10741220 )	Ec- H2o Kit, Module B, Plumbing	1
▲▲	1 578820000	(10403557-10741220 )	Hose, Pvc, Brd, 0.25id 0.44od 157.2l,Clr	1
▲▲	2 603654	(10403557-10741220 )	Clamp, Hose, Ear, .44d [Ctb]	4
▲▲	3 1037595	(10403557-10741220 )	Fitting, Plstc, E90, Bm04/Pm02, Nyl	2
▲▲	4 1062006	(10403557-10741220 )	Electrode, Cylindrical	1
▲▲	5 1045030	(10403557-10741220 )	Fitting, Brs, Str, Pm02/Pm02	1
▲▲	6 33932	(10436743-10741220 )	Nut, Hex, Lock, M4 X 0.70, Ni, Ss	4
▲▲	7 41579	(10436743-10741220 )	Washer, Flat, 08, Ss	4
▲▲	8 1048490	(10436743-10741220 )	Bracket, Valve	1
▲▲	9 140801	(10403557-10741220 )	Screw, Trs, Phl, 08- 32 X 0.38, Ss	2
▲▲	10 1013236	(10403557-10741220 )	Valve, Shutoff, Ele, 24vdc	1
▲▲	11 9006574	(10436743-10741220 )	Hose, Pvc, Brd, 0.25id 0.45od, 65l, Clr	1
▲▲	12 1049637	(10403557-10741220 )	Label, Direction [Ec- H2o]	1
▲▲	13 1057637	(10436743-10741220 )	Electrode, 5 Plate, High Flow	1
▲▲	14 1051519	(10436743-10741220 )	Housing, Upper, Module, High Flow	1
▲▲	15 1044393	(10403557-10741220 )	Switch, Rocker, Spst, Mom	1
▲▲	16 32509	(10436743-10741220 )	Screw, Hex, M4 X 0.70 X 50, Ss	4
▲▲	17 1049489	(10436743-10741220 )	Harness, Main,Controlboard[Ec- H2o 5cell]	1
▲	18 1037032	(10403557-10741220 )	Housing, Bottom	1
▲	19 1054776	(10403557-10741220 )	Grommet, Blind	1
▲	20 9007969	(10403557-10741220 )	Controller Kit, Replmt [Ec- H2o]	1
▲	21 1018155	(10403557-10741220 )	Screw, Pan, Phl, M5 X 0.80 X 16, Tcut,Ss	8

▽ - Identifies an assembly

▲ - Identifies parts included in assembly

**Fig. 5 - ec-H2O NanoClean Module Breakdown, 9011810 (S/N 10741221- )**

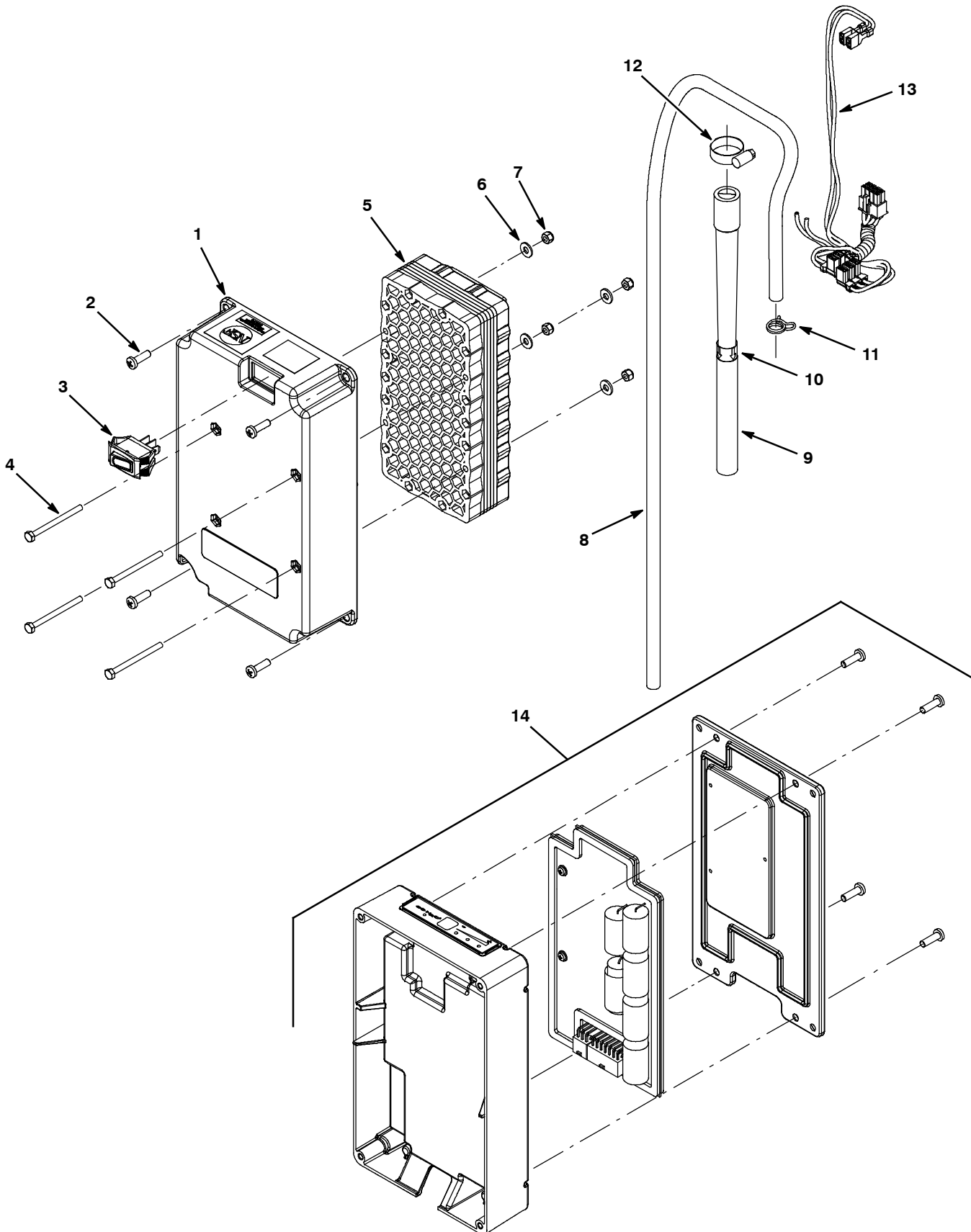


Fig. 5 - *ec-H2O* NanoClean Module Breakdown, 9011810 (S/N 10741221- )

Ref.	Part No.	Serial Number	Description	Qty.
▽	9011810	(10741221- )	Module Kit, Replmt [Ec- H2o, B 02]	1
▲▽	9014126	(10741221- )	Ec- H2o Nc Kit [Module B, Plumbing]	1
▲▲	1 1208823	(10741221- )	Housing, Module, Upper, Ec- H2o	1
▲▲	2 1015506	(10741221- )	Screw, Pan, Phl, M5 X 16, Tcut [Plastic]	4
▲▲	3 1044393	(10741221- )	Switch, Rocker, Spst, Mom	1
▲▲	4 32509	(10741221- )	Screw, Hex, M4 X 0.70 X 50, Ss	4
▲▲	5 1208164	(10741221- )	Electrode, 5 Plate, High Flow	1
▲▲	6 41579	(10741221- )	Washer, Flat, 08, Ss	4
▲▲	7 33932	(10741221- )	Nut, Hex, Lock, M4 X 0.70, Ni, Ss	4
▲▲	8 1006415	(10741221- )	Hose, Afrmkt, Pvc, Clr, 0.25id, 03ft	1
▲▲	9 1208526	(10741221- )	Hose, Molded, Bm08/Bm06	1
▲▲	10 1049637	(10741221- )	Label, Direction [Ec- H2o]	1
▲▲	11 613735	(10741221- )	Clamp, Hose, Wir, .40 - .42, Yel	1
▲▲	12 54333	(10741221- )	Clamp, Hose, Wormdrive, 0.31- 0.88d, .31w	1
▲▲	13 1073286	(10741221- )	Harness, Ele, Module B2 [Ec- H2o]	1
▲	14 9014127	(10741221- )	Controller Kit, Replmt [Ec- H2o Nc]	1

▽ - Identifies an assembly

▲ - Identifies parts included in assembly

**Fig. 6 - Transaxle Drive Breakdown (w/Parking Brake) 1033765, 222037**

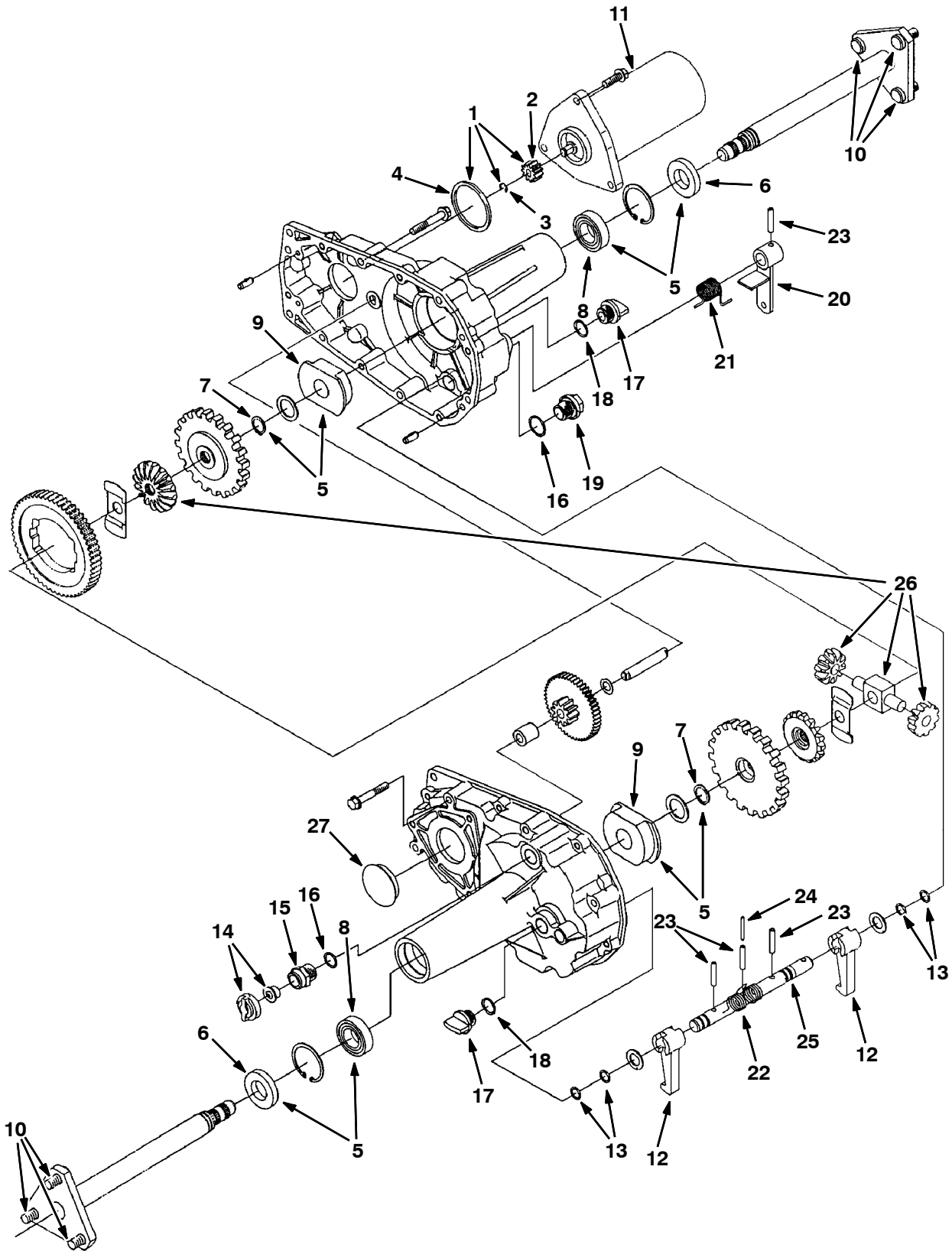


Fig. 6 - Transaxle Drive Breakdown (w/Parking Brake) 1033765, 222037

	Ref.	Part No.	Serial Number	Description	Qty.
▽		1033765	(10321996- 10368983 )	Transaxle Assy, W/Parking Brake	1
		222037	(10000000- 10321995 )	Transaxle Assy, W/Parking Brake	1
▲▽	1	222640	(10000000- )	Mtr Gear Kit	1
▲▲	2	222599	(10000000- )	Pinion Gear	1
▲▲	3	222656	(10000000- )	Clip	1
▲▲	4	222657	(10000000- )	O- Ring	1
▲▽	5	222641	(10000000- )	Brg&Seal Kit	1
▲▲	6	222658	(10000000- )	Seal	2
▲▲	7	222659	(10000000- )	Snap Ring	2
▲▲	8	222660	(10000000- )	Bearing	2
▲▲	9	222661	(10000000- )	Bushing	2
▲	10	11117	(10000000- )	Stud, Wheel .44- 20 X1.22	6
▲	11	1031761	(10321996- 10368983 )	Motor, Ele, 36Vdc 2000Rpm 0.50Hp (See Breakdowns)	1
	11	374265	(10000000- 10321995 )	Motor, Ele, 36Vdc 2000Rpm 0.50Hp (See Breakdowns)	1
▲	12	374051	(10000000- )	Pawl, Park	2
▲	13	374052	(10000000- )	Packing, Pawl	4
▲	14	374053	(10000000- )	Vent, Valve	1
▲	15	374054	(10000000- )	Plug, Breather	1
▲	16	374055	(10000000- )	Packing, Breather	2
▲	17	374056	(10000000- )	Cap, Oil	2
▲	18	374057	(10000000- )	Packing, Cap	2
▲	19	374058	(10000000- )	Plug, Drain	1
▲	20	374061	(10000000- )	Arm, Park	1
▲	21	374062	(10000000- )	Spring, Return	1
▲	22	374063	(10000000- )	Spring, Park	1
▲	23	374064	(10000000- )	Pin, Roll 6- 32	4
▲	24	374065	(10000000- )	Pin, Roll 3.5- 32	1
▲	25	374066	(10000000- )	Shaft, Parking	1
▲	26	388499	(10000000- )	Kit, Gear, Differential	1
▲	27	388485	(10000000- )	Plug	1

▽ - Identifies an assembly

▲ - Identifies parts included in assembly

**Fig. 7 - Transaxle Drive Breakdown (w/o Parking Brake) 1033764, 397707**

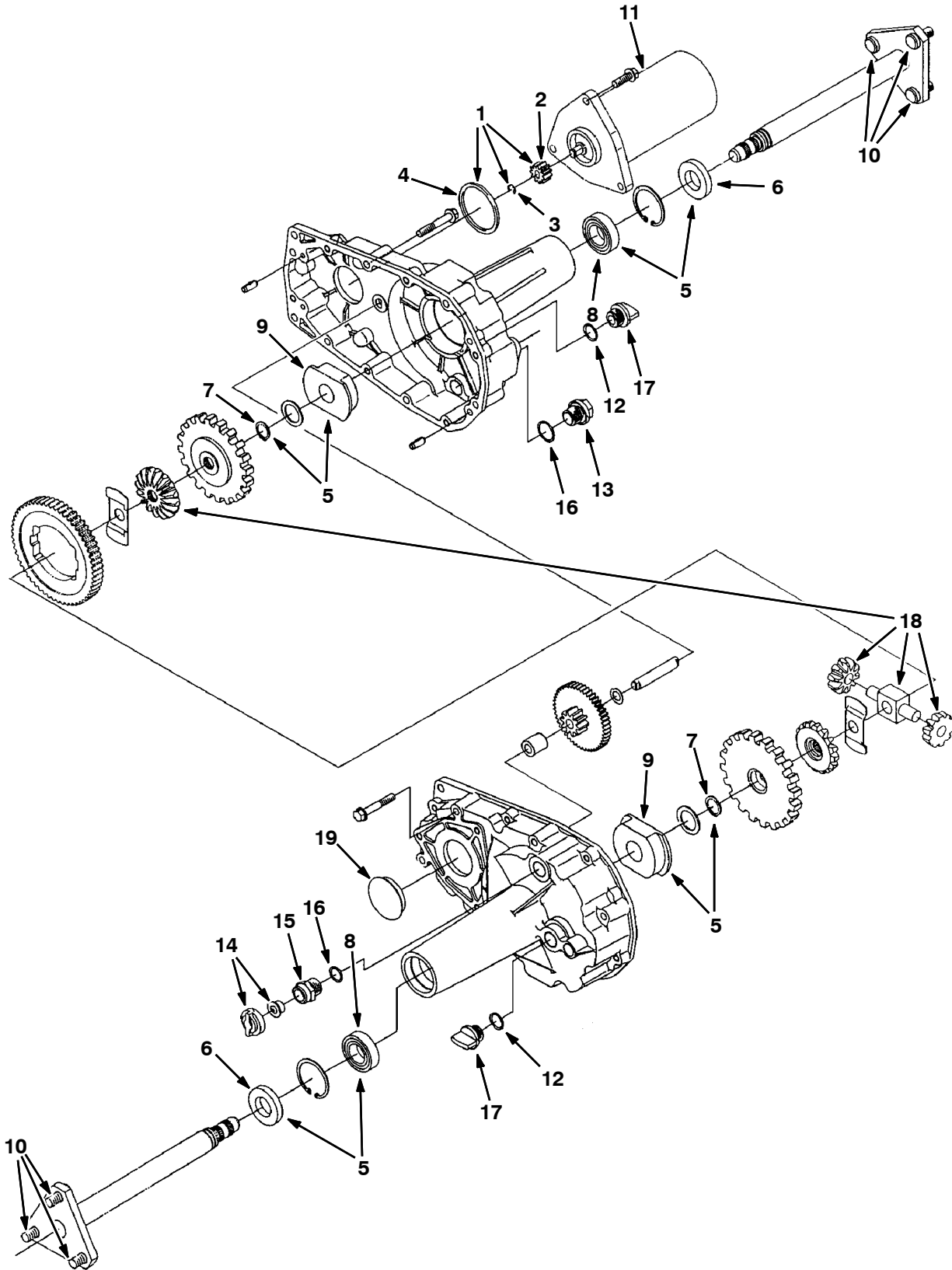


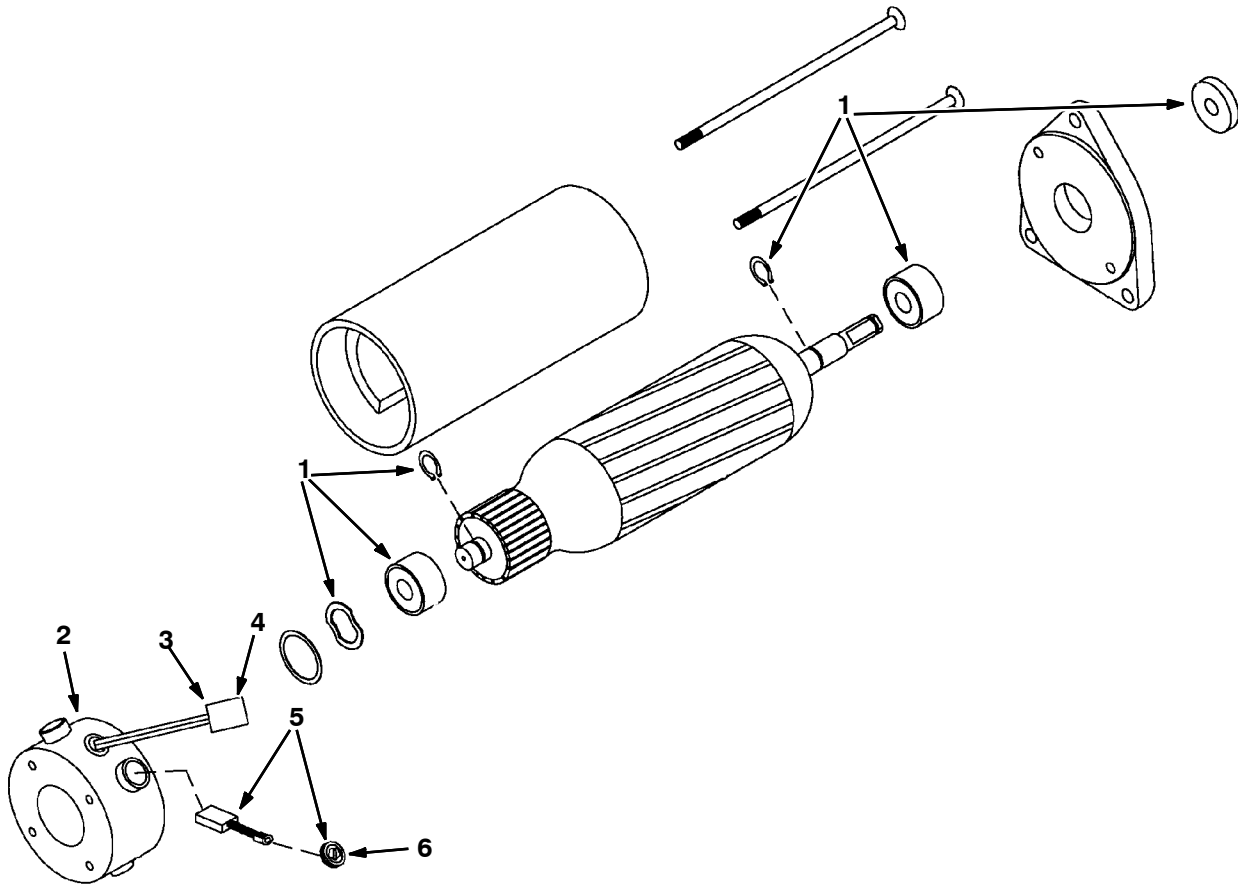
Fig. 7 - Transaxle Drive Breakdown (w/o Parking Brake) 1033764, 397707

	Ref.	Part No.	Serial Number	Description	Qty.
▽		1033764	(10306809- 10364537 )	Transaxle Assy, W/ Motor [W/O Park Lock]	1
		397707	(10000000- 10306808 )	Transaxle, Ele, w/.50Hp Motor	1
▲▽	1	222640	(10000000- 10364537 )	Mtr Gear Kit	1
▲▲	2	222599	(10000000- 10364537 )	Pinion Gear	1
▲▲	3	222656	(10000000- 10364537 )	Clip	1
▲▲	4	222657	(10000000- 10364537 )	O- Ring	1
▲▽	5	222641	(10000000- 10364537 )	Brg&Seal Kit	1
▲▲	6	222658	(10000000- 10364537 )	Seal	2
▲▲	7	222659	(10000000- 10364537 )	Snap Ring	2
▲▲	8	222660	(10000000- 10364537 )	Bearing	2
▲▲	9	222661	(10000000- 10364537 )	Bushing	2
▲	10	11117	(10000000- 10364537 )	Stud, Wheel .44- 20 X1.22	6
▲	11	1031761	(10000000- 10364537 )	Motor, Ele, 36Vdc 2000Rpm 0.50Hp (See Breakdowns)	1
▲	12	374057	(10000000- 10364537 )	Packing, Cap	2
▲	13	374058	(10000000- 10364537 )	Plug, Drain	1
▲	14	374053	(10000000- 10364537 )	Vent, Valve	1
▲	15	374054	(10000000- 10364537 )	Plug, Breather	1
▲	16	374055	(10000000- 10364537 )	Packing, Breather	2
▲	17	374056	(10000000- 10364537 )	Cap, Oil	2
▲	18	388499	(10000000- 10364537 )	Kit, Gear, Differential	1
▲	19	388485	(10000000- 10364537 )	Plug	1

▽ - Identifies an assembly

▲ - Identifies parts included in assembly

**Fig. 8 - Transaxle Motor Breakdown, 1031761**



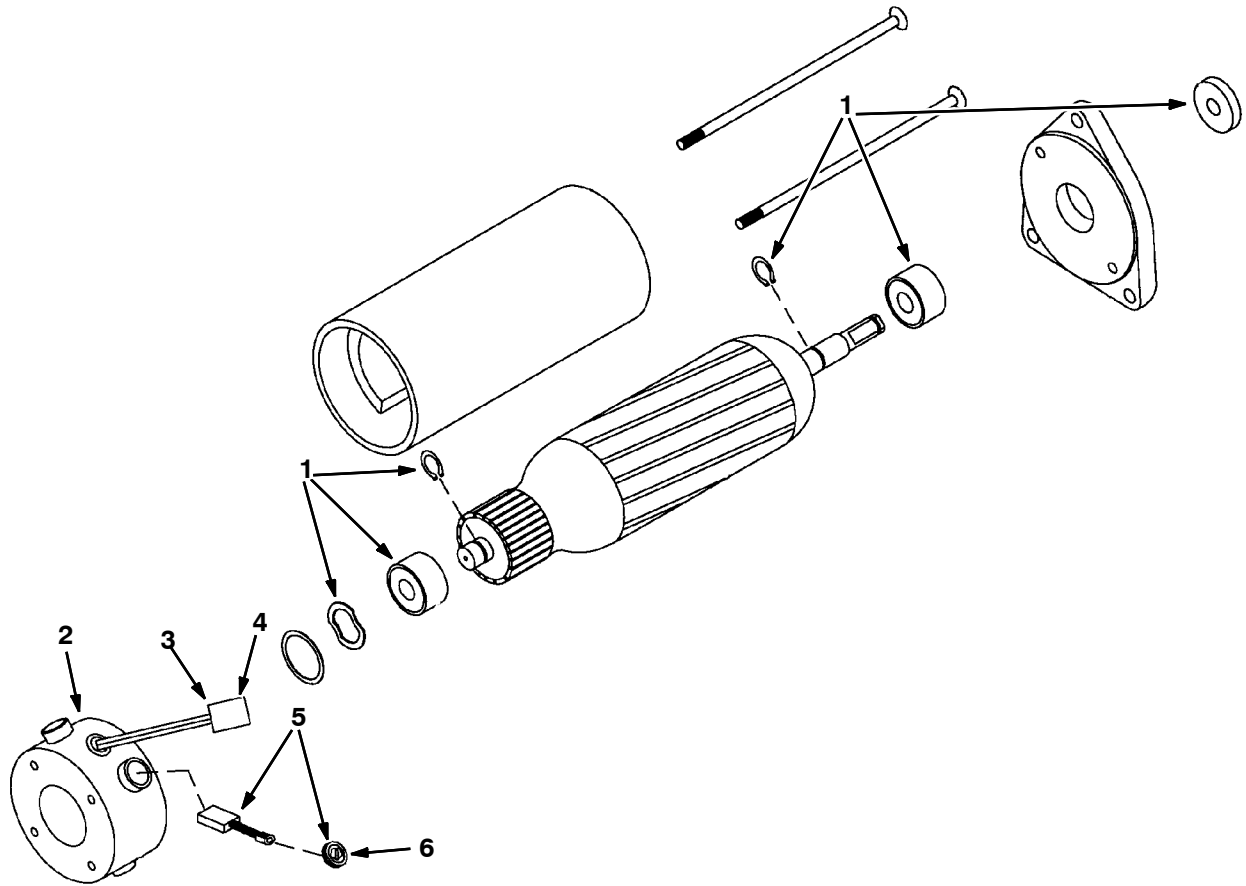
Ref.	Part No.	Serial Number	Description	Qty.
▽	1031761	(10306809- 10364537 )	Motor, Ele, 36Vdc 2000Rpm 0.50Hp	1
▲▽	1	1034372 (10306809- 10364537 )	Bearing Kit, Motor, Ele (Kit3874)	1
▲▽	2	374003 (10306809- 10364537 )	Endbell, Brush End, Motor, Ele [Magnt	1
▲▲	3	10925 (10306809- 10364537 )	Connector, Fem, 2cav [Mp630 Sealed]	1
▲▲	4	24537 (10306809- 10364537 )	Terminal, Fem, 10/12ga [Mp630 P2s]	2
▲▽	5	1034373 (10306809- 10364537 )	Brush Kit, Motor, Ele (Kit3873)	1
▲▲	6	1034375 (10306809- 10364537 )	Brush Cap Assy, Motor, Ele (BCA3762)	4

▽ - Identifies an assembly

▲ - Identifies parts included in assembly



**Fig. 9 - Transaxle Motor Breakdown, 374265**

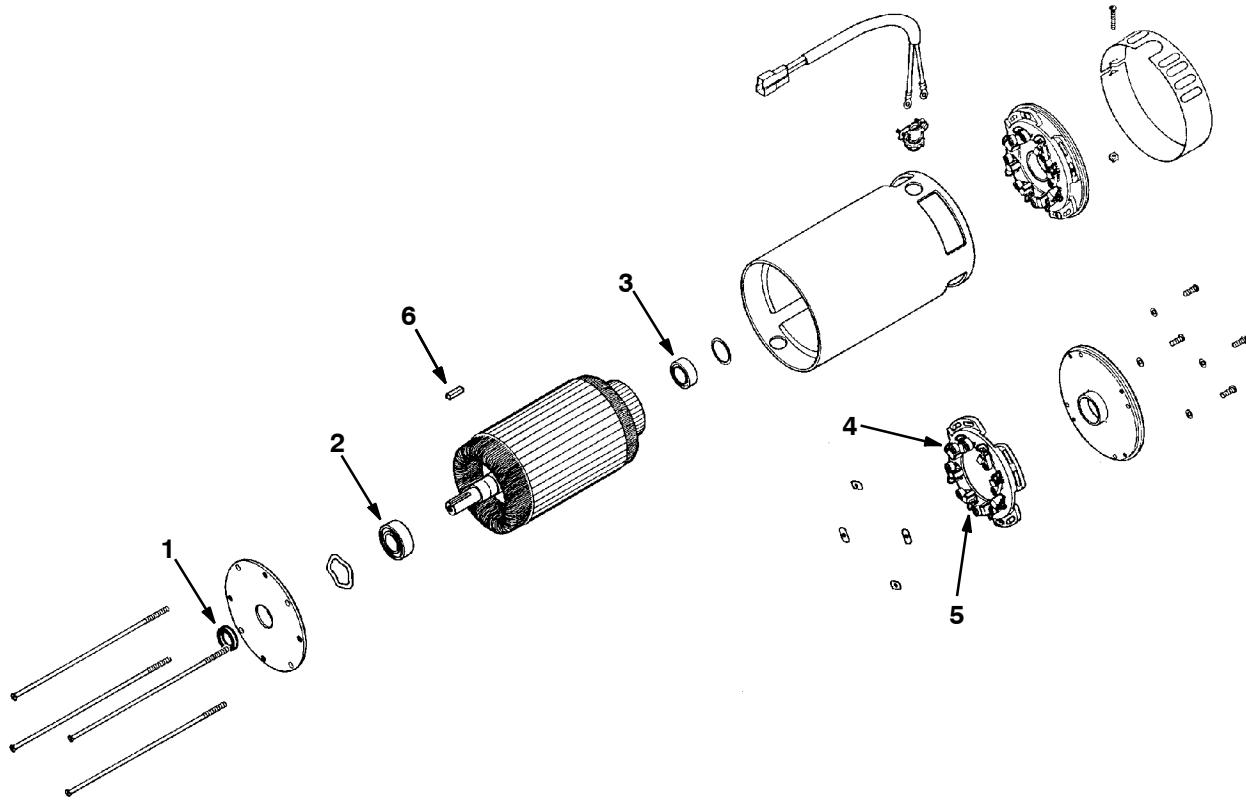


Ref.	Part No.	Serial Number	Description	Qty.
▽	374265	(10000000- 10306808 )	Motor, Ele, 36Vdc 2000Rpm 0.50Hp	1
▲▽	1 374271	(10000000- 10306808 )	Bearing Kit, Motor, Ele	1
▲▽	2 374003	(10000000- 10306808 )	Endbell, Brush End, Motor, Ele [Magnt	1
▲▲	3 10925	(10000000- 10306808 )	Connector, Fem, 2cav [Mp630 Sealed]	1
▲▲	4 24537	(10000000- 10306808 )	Terminal, Fem, 10/12ga [Mp630 P2s]	2
▲▽	5 222625	(10000000- 10306808 )	Kit, Brush, Motor, Ele (Kit842)	1
▲▲	6 222629	(10000000- 10306808 )	Cap, Brush Holder, Motor, Ele[Magnetek]	4

▽ - Identifies an assembly

▲ - Identifies parts included in assembly

**Fig. 10 - Electric Motor Breakdown, 377440**

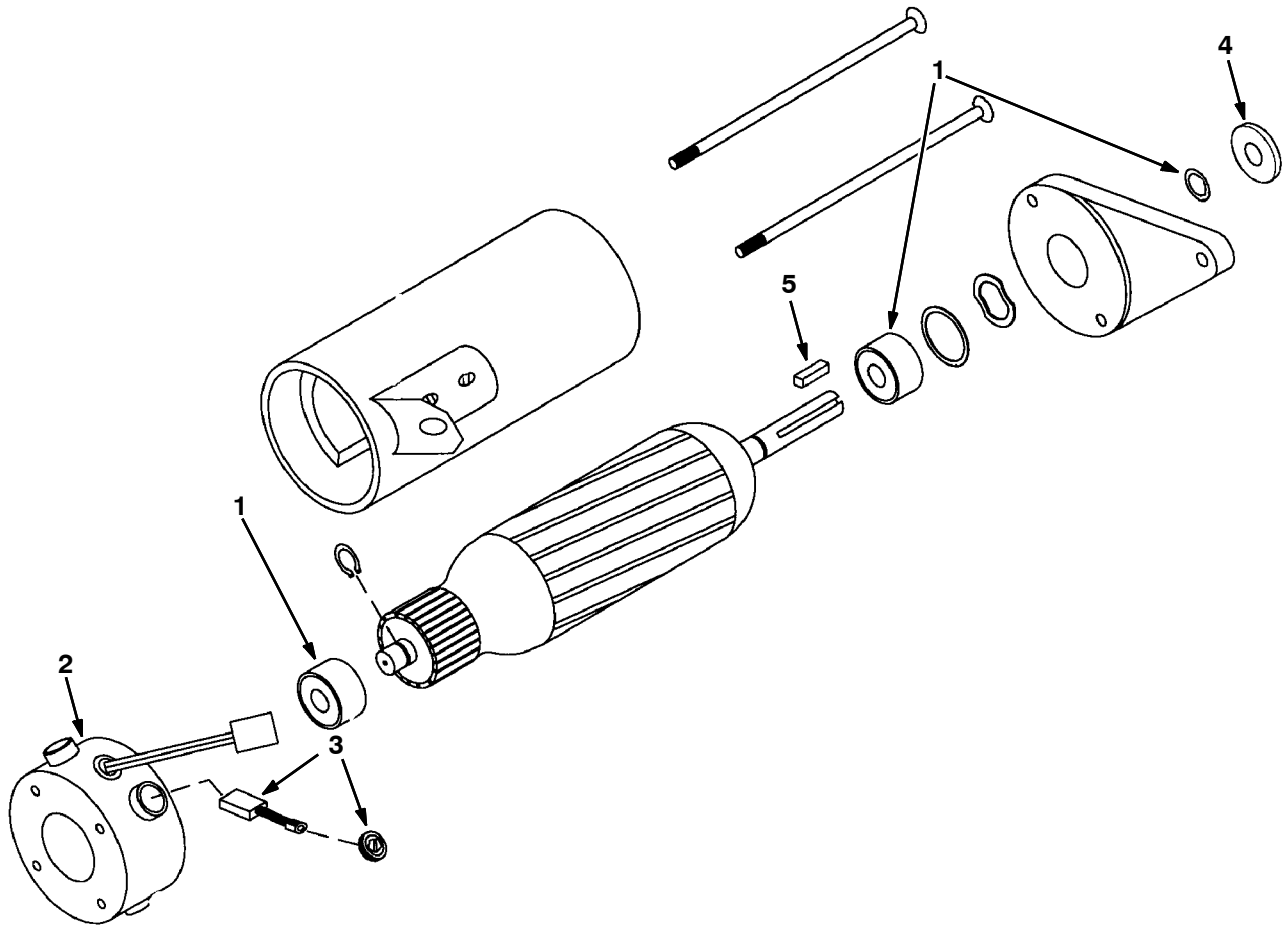


Ref.	Part No.	Serial Number	Description	Qty.
▽	377440	(10000000- 10570246 )	Motor, Ele, 36vdc 0.50hp 0320rpm 15.0a	1
▲	1 222619	(10000000- 10570246 )	Seal, Oil, Motor, Ele [lp]	1
▲	2 222616	(10000000- 10570246 )	Bearing, Motor, Ele, Front [lp]	1
▲	3 222617	(10000000- 10570246 )	Vr, Bearing, Motor, Ele, Rear [lp]	1
▲	4 387592	(10000000- 10570246 )	Brush, Spring	1
▲	5 611287000	(10000000- 10570246 )	Brush,Imp572009 (1 Pkg = 1 Pc)	4
▲	6 00926	(10000000- 10570246 )	Key, Sq, 0.25 X 0.25, 0.75l	2

▽ - Identifies an assembly

▲ - Identifies parts included in assembly

**Fig. 11 - Electric Motor Breakdown, 1038426**

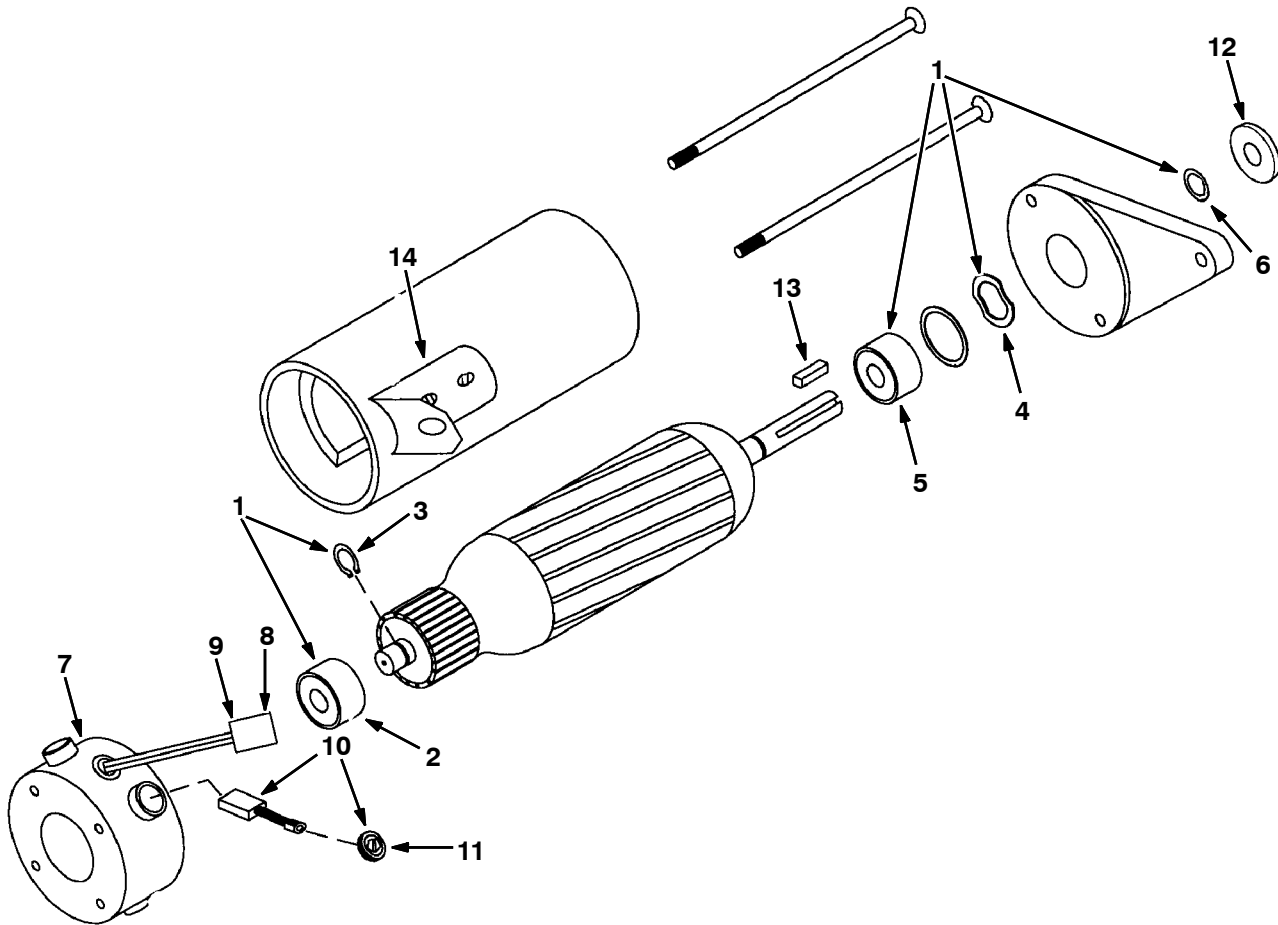


Ref.	Part No.	Serial Number	Description	Qty.	
▽	1038426	(10355043-	) Motor, Ele, 36Vdc 1700Rpm 0.75Hp	1	
▲	1	1039816	(10355043-	) Bearing Kit, Motor, Ele	1
▲	2	1039818	(10355043-	) Cap Assy, Brush, Ele Motor	1
▲	3	1039817	(10355043-	) Brush Kit, Motor, Ele	1
▲	4	20536- 2	(10355043-	) Washer, 0.47b 1.19d .03, Nyl	1
▲	5	00954	(10355043-	) Key, Sq, 0.12 X 0.12, 01.00l	1

▽ - Identifies an assembly

▲ - Identifies parts included in assembly

**Fig. 12 - Electric Motor Breakdown, 375175**

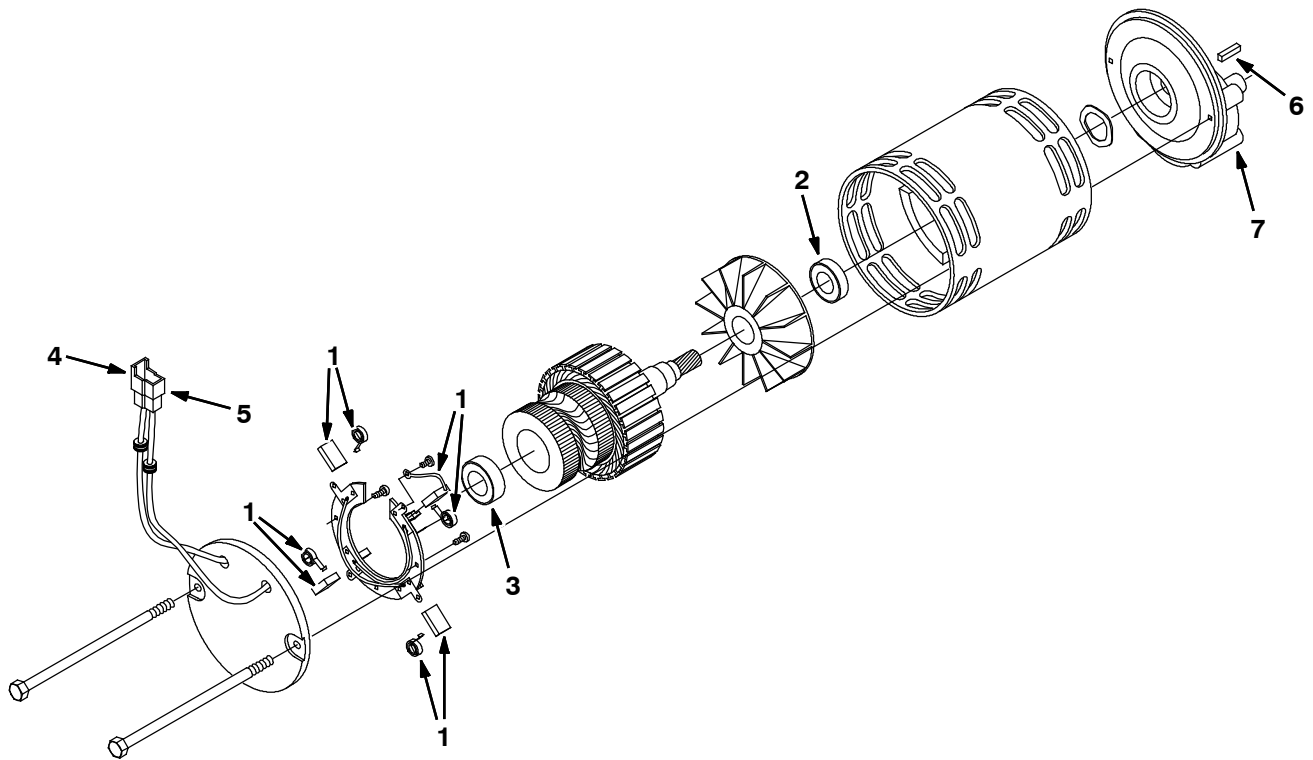


Ref.	Part No.	Serial Number	Description	Qty.
▽	375175	(10000000- 10355042 )	Motor Assy, Ele, 36Vdc, 0.75Hp, 1700Rpm	1
▲▽	1	375176	(10000000- 10355042 ) Kit, Motor Bearing	1
▲▲	2	222635	(10000000- 10355042 ) Bearing	1
▲▲	3	222637	(10000000- 10355042 ) Ring, Snap	1
▲▲	4	375177	(10000000- 10355042 ) Washer, Spring	1
▲▲	5	375178	(10000000- 10355042 ) Bearing, Drive End	1
▲▲	6	375179	(10000000- 10355042 ) Seal	1
▲▽	7	374004	(10000000- 10355042 ) Endbell, Brush End, Motor- Ele	1
▲▲	8	10925	(10000000- 10355042 ) Connector, 2- Conductor	1
▲▲	9	24537	(10000000- 10355042 ) Terminal, Female	2
▲▽	10	222625	(10000000- 10355042 ) Kit, Brush	1
▲▲	11	222629	(10000000- 10355042 ) Cap, Brush Holder	4
▲	12	20536- 2	(10000000- 10355042 ) Washer, 0.47b 1.19d .03, Nyl	1
▲	13	00954	(10000000- 10355042 ) Key, Sq, 0.12 X 0.12, 01.00l	1
▲	14	222877	(10000000- 10355042 ) Kit, Brace	1

▽ - Identifies an assembly

▲ - Identifies parts included in assembly

**Fig. 13 - Electric Motor Breakdown, 222255**

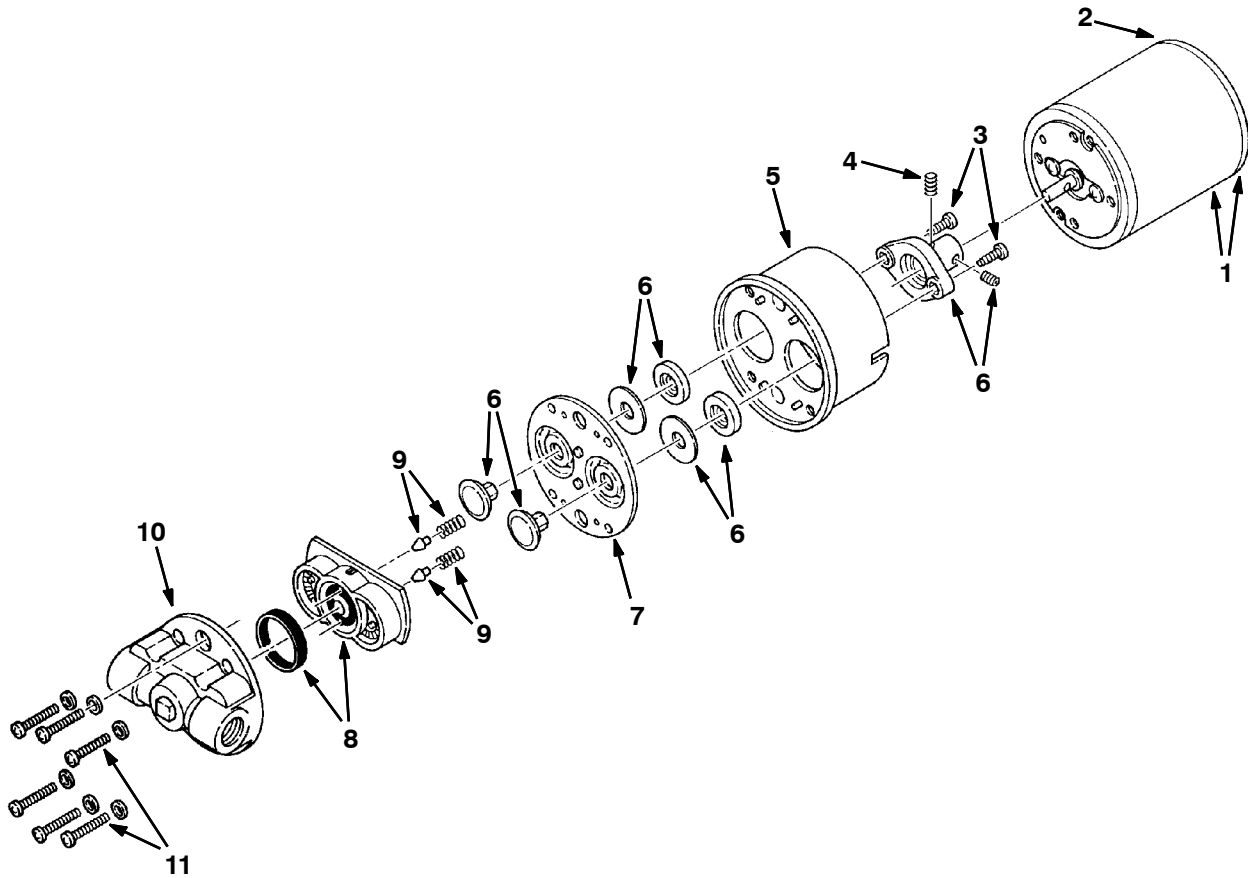


Ref.	Part No.	Serial Number	Description	Qty.	
▽	222255	(10000000- 10547657 )	Motor, Gear, 1.0Hp 36V	1	
▲	1	222606	(10000000- 10547657 )	Brush Kit	1
▲	2	222618	(10000000- 10547657 )	Bearing	1
▲	3	222617	(10000000- 10547657 )	Bearing	1
▲	4	222620	(10000000- 10547657 )	Connector Body	1
▲	5	222649	(10000000- 10547657 )	Terminal	2
▲	6	00928	(10000000- 10547657 )	Key Square 0.25 0.25 01.00 Lg	1
▲	7	374005	(10000000- 10547657 )	Gearbox, Motor	1

▽ - Identifies an assembly

▲ - Identifies parts included in assembly

**Fig. 14 - Water Pump Breakdown, 222259**



Ref.	Part No.	Serial Number	Description	Qty.
▽	222259	(10000000-	) Pump Assy, Water 36Vdc	1
▲▽	1 65700	(10000000-	) Motor 36V Dc	1
▲▲	2 65701	(10000000-	) Brush- Endbell	1
▲▲	65702	(10000000-	) Brush Kit	1
▲▽	65710	(10000000-	) Pump Head Assembly	1
▲▲	3 65667	(10000000-	) Cam/Bearing Scr	2
▲▲	4 65668	(10000000-	) Scr- Set Cam Brg	1
▲▲	370924	(10000000-	) Cam Brg/Diaph Kit	1
▲▲	5 49901	(10000000-	) Bearing Cover	1
▲▲	6 65706	(10000000-	) Piston- Inner&Out	1
▲▲	7 65707	(10000000-	) Diaphram Kit	1
▲▲	8 65708	(10000000-	) Ck Valve - Buna	1
▲▲	9 65709	(10000000-	) Bypass Spgs&Popp	1
▲▲	10 49886	(10000000-	) Pump	1
▲▲	11 65675	(10000000-	) Pump Screws	6

▽ - Identifies an assembly

▲ - Identifies parts included in assembly

