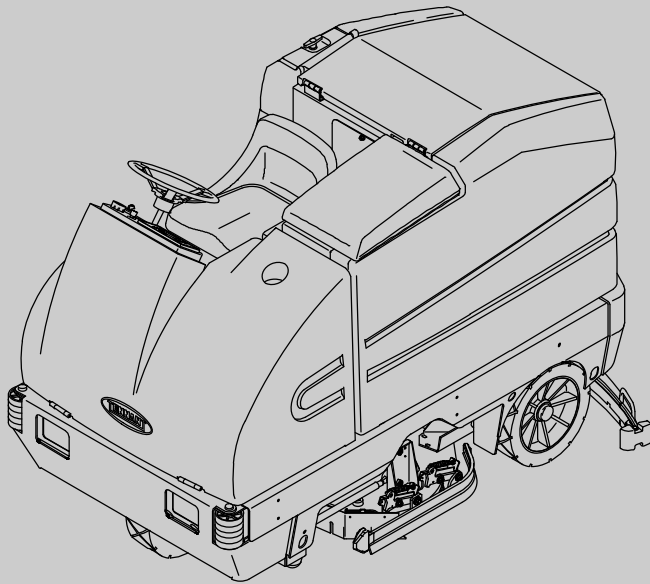
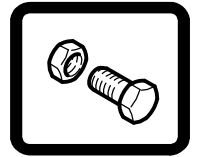




7300

(Battery)

Rider Scrubber Parts Manual



FaST
Foam Scrubbing Technology

The Safe Scrubbing Alternative[®]

ES[®] Extended Scrub System

TennantTrue[®] Parts

IRIS[®] a Tennant Technology

ec H₂O[®]
An ORBIO™ Technology

North America / International



For latest parts manual or other
Operator language manual, visit:

www.tennantco.com/manuals

330610
Rev. 19 (6-2014)



When ordering replacement parts, use the illustrated parts list section in this manual. Before ordering parts or supplies, be sure to have your machine model number and serial number available. Only use TENNANT Company supplied or equivalent parts. Parts and supplies may be ordered online, by phone, or mail from any authorized parts and service center, distributor or from any of the manufacturer's subsidiaries.

This machine will provide excellent service. However, the best results will be obtained at minimum costs if:

- The machine is operated with reasonable care.
- The machine is maintained regularly - per the machine maintenance instructions provided.
- The machine is maintained with manufacturer supplied or equivalent parts.

MACHINE DATA

Please fill out at time of installation for future reference.

Model No.- _____

Serial No.- _____

Machine Options - _____

Sales Rep. - _____

Sales Rep. phone no. - _____

Customer Number - _____

Installation Date - _____

Machine Data Plate



Tennant Company
PO Box 1452
Minneapolis, MN 55440
Phone: (800) 553-8033 or (763) 513-2850
www.tennantco.com

Thermo-Sentry, SmartRelease, SuperScrub, and MaxPro are US registered and unregistered trademarks of Tennant Company.

Specifications and parts are subject to change without notice.

Copyright © 2000 – 2002, 2004 – 2014 TENNANT Company, Printed in U.S.A.

HOW TO USE THIS MANUAL

This section on *HOW TO USE THIS MANUAL* will tell you how to:

- Find important machine information for ordering correct repair parts.
- Find TENNANT part numbers.
- Order TENNANT parts and supplies.

IMPORTANT INFORMATION

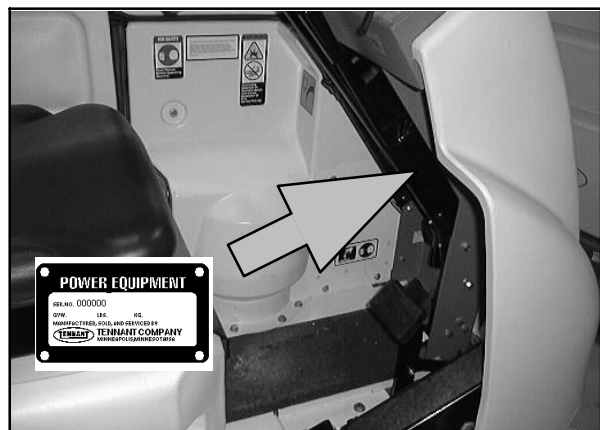
When placing an order for parts, the machine model and machine serial number are important. Refer to the *MACHINE DATA* box which is filled out during the installation of your machine. The *MACHINE DATA* box is located on the inside of the front cover of this manual.

MACHINE DATA - MASCHINEN-DATEN - DONNEES CONCERNANT LA MACHINE	
<i>Please fill out at time of installation for future reference. Bitte bei Inbetriebnahme der Maschine ausfüllen für zukünftige Referenz. Veuillez compléter au moment de la mise en service comme référence ultérieure.</i>	
Machine Model Number - 7300 Maschinen Modell - 7300 Numéro de modèle de la machine - 7300	
Machine Serial Number - Maschinen Serien Nummer - Numéro de série de la machine -	
Machine Options - Maschinen Zubehör - Options de la machine -	
TENNANT Representative phone no. - TENNANT Vertretung (Tel.Nr.) - No. de téléphone du représentant TENNANT -	
Customer ID Number - Kunden Nummer - Numéro d'identification du client -	
Date of Installation - Inbetriebnahme Datum - Date d'installation -	
Manual Number - 330616 Handbuch Bestell Nummer - 330616 Numéro du manuel - 330616	
Revision: 00 Print Number: 00 Révision: 00	
Published: 5-00 Ausgabe: 5-00 Date de publication: 5-00	

The model number of your machine is on the side of the machine.



The serial number of your machine is printed on the machine data plate located as shown.



HOW TO USE THIS MANUAL

FINDING A TENNANT PART NUMBER

This manual contains the following sections:

- HOW TO USE THIS MANUAL
- STANDARD PARTS
- OPTIONS
- BREAKDOWNS
- CROSS REFERENCE

The STANDARD PARTS section lists repair parts for standard machines. They are grouped in this general order:

- General wear parts.
- Machine frame and related parts.
- Machine propelling system.
- Scrubbing components.
- Electrical parts.

The OPTION section lists repair parts of options.

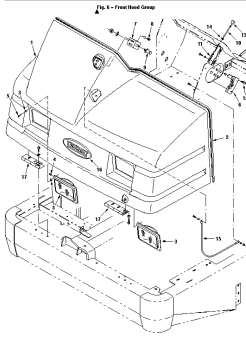
The BREAKDOWN section lists available repair parts of major components.

All sections in this manual consist of parts illustrations and corresponding parts lists.

The parts illustrations are numbered with **Ref** numbers which refer to corresponding parts lists.

The parts lists include a number of columns of information:

- **Ref** – column refers to the reference number on the parts illustration.
- ▽ – indicates the part is an assembly.
- ▲ – indicates the part is included in the assembly listed just before it.
- **TENNANT Part No.** – column lists the TENNANT part number for the part.
- **Serial Number** – column indicates the set of machines the part number is applicable to. Serial numbers change when the machine design has been modified. The most current design of the machine is shown in the main illustration, older designs are boxed in a corner of the illustration.
- **Description** – column is a brief description of the part.
- **Qty.** – column lists the quantity of that part used in that area of the machine.

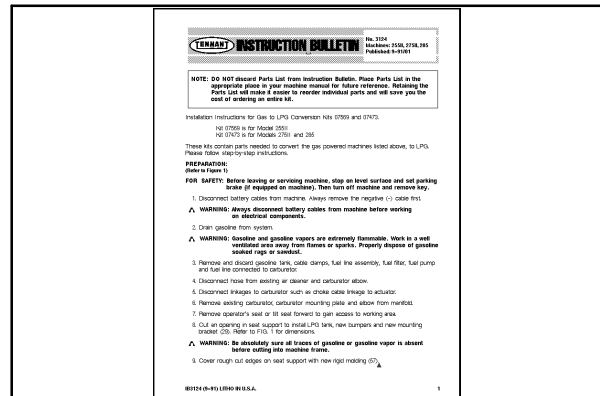


Ref. Part No.	Serial number/ Seriennummern/ Numéro de Serie	Description	Bezeichnung	Designation	Qty/ Zahl
1	71265 (000000-)	Hood front	Motorhaube, vord.	Capot moteur avant	1
1	71230 (000000-)	Hood front, top	Motorhaube, vord.	Capot moteur sup.	1
2	1408140 (000000-)	Clamp, middle	Clampenmittel	Clamp milieu	1
2	71664 (000000-)	Handle, LH	Griffe	Manivelle LH	2
4	21633 (000000-)	Motor, 1/2 HP, 115 V, 60 Hz	Motor	Motor 1/2 HP, 115 V, 60 Hz	0
5	24196 (000000-)	SP, 1/2 HP, 115 V, 60 Hz	SP	SP 1/2 HP, 115 V, 60 Hz	0
6	21623 (000000-)	Latch, top	Schloß	Loquet sup.	1
7	21622 (000000-)	Strap, top	Strap	Band sup.	1
8	02016 (000000-)	SP, 1/2 HP, 115 V, 60 Hz	SP	SP 1/2 HP, 115 V, 60 Hz	2
9	59112 (000000-)	Latch, bot.	Schloß	Loquet bot.	1
10	21522 (000000-)	SP, 1/2 HP, 115 V, 60 Hz	SP	SP 1/2 HP, 115 V, 60 Hz	1
11	01079 (000000-)	SP, 1/2 HP, 115 V, 60 Hz	SP	SP 1/2 HP, 115 V, 60 Hz	1
12	47744 (000000-)	Ball joint	Stoßgelenk	Articulation	1
13	21627 (000000-)	Hood, bot.	Motorhaube	Capot moteur	1
14	42460-3 (000000-)	Roller, side roll	Walze	Rouleau latéral	2
15	71243 (000000-)	Clamp, bot.	Clampen	Clamp bot.	1
16	06069 (000000-)	Latch, bot.	Schloß	Loquet bot.	1
17	71241 (000000-)	Hinge, bot.	Scharnier	Charnière, bot.	2

Ref.	Tennant Part No.	Serial number/ Seriennummern/ Numéro de Serie from/lab/du-to/bis/à	Description	Bezeichnung	Designation	Qty/ Zahl
▽	1	87365 (000000-)	Gearbox	Getriebe	Boîte de vitesses	1
▲	2	87840 (000000-)	O-ring	O-ring	Joint torique	2
▲	3	87841 (000000-)	Plug	Stopfen	Bouchon	2
▲	4	87839 (000000-)	Ftg-grea, 106.997	Schmier nippel, 106.997	Graisseur, 106.997	2
▲	5	87849 (000000-)	Driving gear	Getriebe	Mécanisme d'entraînement	1
▲	6	12540 (000000-)	Bolt, wheel	Radbolzen	Boulon roue	5
▲	7	61791 (000000-)	Bearing and housing	Lagergehäuse	Boîtier roulement	1
8	12545 (000000-)	Seal o-ring	O-ring-dichtung	Joint torique d'étanchéité	1	
9	60198 (000000-)	Motor, traction 36v	Motor traction 36v	Motor traction 36v	1	
10	02076 (000000-)	Cover, terminal	Batteriepolabdeckung	Cache pole batterie	4	

NOTE: If a service kit is installed on your machine, be sure to keep the **INSTRUCTION BULLETIN** which came with the kit. It contains repair parts numbers needed for ordering future parts.

NOTE: Fasteners used in this machine may be metric or non-metric. Take care when replacing hardware to replace with same thread size.



PLACING AN ORDER

Orders may be placed by phone, fax, or by mail. Phone orders may need written confirmation. Follow the steps below to insure prompt delivery:

1. Identify the model number of your machine.
2. Identify the serial number of your machine.
3. Find the part number of the part you need. Do not order by page number or reference number. If you are not able to find the part number, call your TENNANT representative for help or send the old part as a sample.
4. Determine the quantity of the part you need.
5. Provide the following company information:
 - Company name
 - Customer ID Number
 - Shipping address
 - Billing address
 - First and last name of person ordering parts
 - Telephone number
 - Purchase order number
6. Provide definitive shipping instructions.

HOW TO USE THIS MANUAL

Any claim for loss or damage to a shipment in transit should be filed promptly with the transportation company making the delivery. Shipments will be complete unless the packing list or order acknowledgement indicates items back ordered.

If parts received are suspected to be incorrect or defective, please contact the TENNANT representative from whom you ordered the part. They will give authorization for return and/or handle replacement shipments when required.

SECTION 2

Contents	Page
Fig. 1 – General Recommended Maintenance Items	2-2
Fig. 2 – Brushes, Replacement for MaxPro 1000	2-4
Fig. 3 – Brushes, Replacement for MaxPro 1200	2-6
Fig. 4 – Main Frame Group	2-8
Fig. 5 – Covers Group, Front	2-10
Fig. 6 – Covers Group, Rear	2-12
Fig. 7 – Electrical Instrument Panel Group	2-14
Fig. 8 – Steering Group	2-16
Fig. 9 – Seat Group	2-18
Fig. 10 – Directional Control Group	2-20
Fig. 11 – Wheel Group, Front Drive	2-22
Fig. 12 – Brake Pedal Group	2-24
Fig. 13 – Wheel And Brake Group, Rear ...	2-26
Fig. 14 – Solution Tank Group	2-28
Fig. 15 – FaST Solution Pump Group (000000–003746)	2-30
Fig. 16 – FaST Air Pump and Detergent Group (000000–003746)	2-32
Fig. 17 – FaST Foam Filter Group (000000–003746)	2-34
Fig. 18 – FaST Pumps and Detergent Group (003747–)	2-36
Fig. 19 – Solution Control Group	2-38
Fig. 20 – Recovery Tank Group	2-40
Fig. 21 – Recovery Tank Drain Assembly ..	2-42
Fig. 22 – Vacuum Fan Group	2-44
Fig. 23 – Scrub Head Lift Group	2-46
Fig. 24 – Max Pro 1000 (Disc–Brush) Scrub Head Frame Group	2-48
Fig. 25 – Max Pro 1000 (Disc–Brush) Scrub Head Linkage Group	2-50
Fig. 26 – Max Pro 1000 (Disc–Brush) Solution Valve Group	2-52
Fig. 27 – Max Pro 1000 (Disc–Brush) Solution Valve Group (FaST/ec–H2O)	2-54
Fig. 28 – Max Pro 1000 (Disc–Brush) Edge Scrub Group	2-56
Fig. 29 – Max Pro 1000 (Disc–Brush) Right Side Squeegee Group	2-58
Fig. 30 – Max Pro 1000 (Disc–Brush) Left Side Squeegee Group	2-60
Fig. 31 – Squeegee Linkage Group, Rear ...	2-62
Fig. 32 – Squeegee Lift Group, Rear	2-64

Contents	Page
Fig. 33 – Max Pro 1000 Rear Squeegee Group (000000–004999)	2-66
Fig. 34 – Max Pro 1000 Rear Squeegee Group (005000–)	2-68
Fig. 35 – Electrical Control Box Circuit Breaker Group	2-70
Fig. 36 – Electrical Control Box Contactor Group (000000– 001705)	2-72
Fig. 37 – Electrical Control Box Contactor Group (001706–)	2-74
Fig. 38 – Electrical Control Box Wires Group (000000– 001705)	2-76
Fig. 39 – Electrical Control Box Wires Group (001706–)	2-78
Fig. 40 – Electrical Circuit Board Group ...	2-80
Fig. 41 – Electrical Group, FaST (000000–003746)	2-82
Fig. 42 – Electrical Group, FaST (003747–)	2-83
Fig. 43 – Electrical Schematic (000000–003746)	2-84
Fig. 44 – Electrical Schematic (003747–)	2-88
Fig. 45 – Electrical Wire Harness Group, Main	2-93
Fig. 46 – Electrical Wire Harness Group, FaST (000000–003746)	2-103
Fig. 47 – Electrical Wire Harness Group, FaST (003747–)	2-104
Fig. 48 – Label Group	2-105

STANDARD PARTS

Fig. 1 – General Recommended Maintenance Items

Ref.	Part No.	Serial Number	Description	Qty.
	387660	(000000–)	Tire Assy, Solid, 16.2x6.0 5.7bc/5bolt	1
	387014	(000000–)	Tire Assy, 16 X 5 X 12.12	2
	66213	(000000–)	Kit, Brake	2
	66211	(000000–)	Brake Shoes	2
	1037822	(000000–)	Filter, Panl, Dust, 2.0 X 06.1 X 07.6	1
	387023	(000000–)	Hose, Vacuum	1
	386267	(000000–)	Hose, Vacuum, 91.0l	1
	20833	(000000–)	Wheel, 3.0d 1.38w 0.50b	2
	223044	(000000–)	Headlight, 36vdc, 15cp 0.7a [#0534242]	2
	386053	(000000–)	Belt, Drive (Cylindrical Brush)	1
	71101	(000000–)	Cable, .12d, 13.3l, .2clevis/.2clevis	1
▽	386020	(000000–)	Kit, Maint, 800hr, [7300–Mp1000–Disk]	1
▲	386284	(000000–)	Blade, Sqge, Rear	1
▲	386283	(000000–)	Blade, Sqge, Front	1
▲	386387	(000000–)	Skirt, Front, Scrub Head, 2–Brush, Ele	1
▲	386388	(000000–)	Skirt, Rear, Scrub Head, 2–Brush, Ele	1
▲	387294	(000000–)	Skirt, Side, Scrbr Head, Ele	1
▲	386260	(000000–)	Squeegee, Side	1
▲	20833	(000000–)	Wheel, 3.0d 1.38w 0.50b	1
▲	71101	(000000–)	Cable, .12d, 13.3l, .2clevis/.2clevis	1
▲	387023	(000000–)	Hose, Vacuum	1
▲	386267	(000000–)	Hose, Vacuum, 91.0l	1
▲	1037822	(000000–)	Filter, Panl, Dust, 2.0 X 06.1 X 07.6	1
▲	66213	(000000–)	Kit, Brake	1
▲	386223	(000000–)	Gasket, Tank, Recovery	1
▲	79320	(000000–)	Gasket, Cap, Drain	1
▲	223264	(000000–)	Seal, Rbr, Clsd, 0.25th, 5.8d 03.3h	1
▲	386323	(000000–)	Gasket, Mtg, Fan	1
▽	386021	(000000–)	Kit, Maint, 800hr, [7300–Mp1200–Disk]	1
▲	386834	(000000–)	Blade, Sqge, Rear 48.0l	1
▲	386833	(000000–)	Blade, Sqge, Front 48.0l	1
▲	386825	(000000–)	Skirt, Front, Scrub Head, 3–Brush, Ele	1
▲	386826	(000000–)	Skirt, Rear, Scrub Head, 3–Brush, Ele	1
▲	386260	(000000–)	Squeegee, Side	1
▲	20833	(000000–)	Wheel, 3.0d 1.38w 0.50b	1
▲	71101	(000000–)	Cable, .12d, 13.3l, .2clevis/.2clevis	1
▲	387023	(000000–)	Hose, Vacuum	1
▲	386267	(000000–)	Hose, Vacuum, 91.0l	1
▲	1037822	(000000–)	Filter, Panl, Dust, 2.0 X 06.1 X 07.6	1
▲	66213	(000000–)	Kit, Brake	1
▲	386223	(000000–)	Gasket, Tank, Recovery	1
▲	79320	(000000–)	Gasket, Cap, Drain	1
▲	223264	(000000–)	Seal, Rbr, Clsd, 0.25th, 5.8d 03.3h	1
▲	386323	(000000–)	Gasket, Mtg, Fan	1
▲	16411	(000000–)	Paint, Airdry, Off–White, 12oz	1
	16412	(000000–)	Paint, Airdry, Teal, 12oz, Solid	1
	377540	(000000–)	Paint, Airdry, Blk, 12oz	1
	377538	(000000–)	Paint, Airdry, Gray, 12oz [Enamel]	1
	377537	(000000–)	Paint, Airdry, Iron Gray,12oz[Pwdr Coat]	1
	1057707	(000000–)	Oil, Hyd [El, Iso 32, 01gal]	1
	1057708	(000000–)	Oil, Hyd [El, Iso 32, 05gal]	1

Fig. 1 – General Recommended Maintenance Items

Ref.	Part No.	Serial Number	Description	Qty.
▽	386022	(000000–) Kit, Maint, 800hr, [7300–Mp1000–Cyl]	1
▲	386284	(000000–) Blade, Sqge, Rear	1
▲	386283	(000000–) Blade, Sqge, Front	1
▲	20833	(000000–) Wheel, 3.0d 1.38w 0.50b	1
▲	71101	(000000–) Cable, .12d, 13.3l, .2clevis/.2clevis	1
▲	387023	(000000–) Hose, Vacuum	1
▲	386267	(000000–) Hose, Vacuum, 91.0l	1
▲	386053	(000000–) Belt, Drive	1
▲	1037822	(000000–) Filter, Panl, Dust, 2.0 X 06.1 X 07.6	1
▲	66213	(000000–) Kit, Brake	1
▲	386223	(000000–) Gasket, Tank, Recovery	1
▲	79320	(000000–) Gasket, Cap, Drain	1
▲	223264	(000000–) Seal, Rbr, Clsd, 0.25th, 5.8d 03.3h	1
▲	386323	(000000–) Gasket, Mtg, Fan	1
▽	386023	(000000–) Kit, Maint, 800hr, [7300–Mp1200–Cyl]	1
▲	386834	(000000–) Blade, Sqge, Rear 48.0l	1
▲	386833	(000000–) Blade, Sqge, Front 48.0l	1
▲	20833	(000000–) Wheel, 3.0d 1.38w 0.50b	1
▲	71101	(000000–) Cable, .12d, 13.3l, .2clevis/.2clevis	1
▲	387023	(000000–) Hose, Vacuum	1
▲	386267	(000000–) Hose, Vacuum, 91.0l	1
▲	386053	(000000–) Belt, Drive	1
▲	1037822	(000000–) Filter, Panl, Dust, 2.0 X 06.1 X 07.6	1
▲	66213	(000000–) Kit, Brake	1
▲	386223	(000000–) Gasket, Tank, Recovery	1
▲	79320	(000000–) Gasket, Cap, Drain	1
▲	223264	(000000–) Seal, Rbr, Clsd, 0.25th, 5.8d 03.3h	1
▲	386323	(000000–) Gasket, Mtg, Fan	1
▽	387506	(000000–) Kit, Maint, 800hr [7300–Mp1200–Disk–Vac]	1
▲	386284	(000000–) Blade, Sqge, Rear	1
▲	386283	(000000–) Blade, Sqge, Front	1
▲	386285	(000000–) Clamp Wldt, Front	1
▲	386286	(000000–) Clamp Wldt, Rear	1
▲	386260	(000000–) Squeegee, Side	1
▲	20833	(000000–) Wheel, 3.0d 1.38w 0.50b	1
▲	71101	(000000–) Cable, .12d, 13.3l, .2clevis/.2clevis	1
▲	387023	(000000–) Hose, Vacuum	1
▲	386514	(000000–) Hose, Vacuum, 58.5l	1
▲	1005026	(001703–) Kit, Modif, Ftg Location, [Discvac]	1
▲	11399	(000000–) Clamp, Hose, Wormdrive, 0.81–1.50d	1
▲	387545	(000000–) Blade Assy, Sqge, Side	1
▲	387546	(000000–) Blade, Squeegee	1
▲	386326	(000000–) Filter, Fan	1
▲	66213	(000000–) Kit, Brake	1
▲	386223	(000000–) Gasket, Tank, Recovery	1
▲	79320	(000000–) Gasket, Cap, Drain	2
▲	223264	(000000–) Seal, Rbr, Clsd, 0.25th, 5.8d 03.3h	1
▲	386323	(000000–) Gasket, Mtg, Fan	1
	387256	(000000–001702) Hose, Vacuum, 35.0l	1
	387517	(000000–001702) Hose Assy, W/2 Cuff, 1.0d 41.0l	1

Fig. 2 - Brushes, Replacement for MaxPro 1000

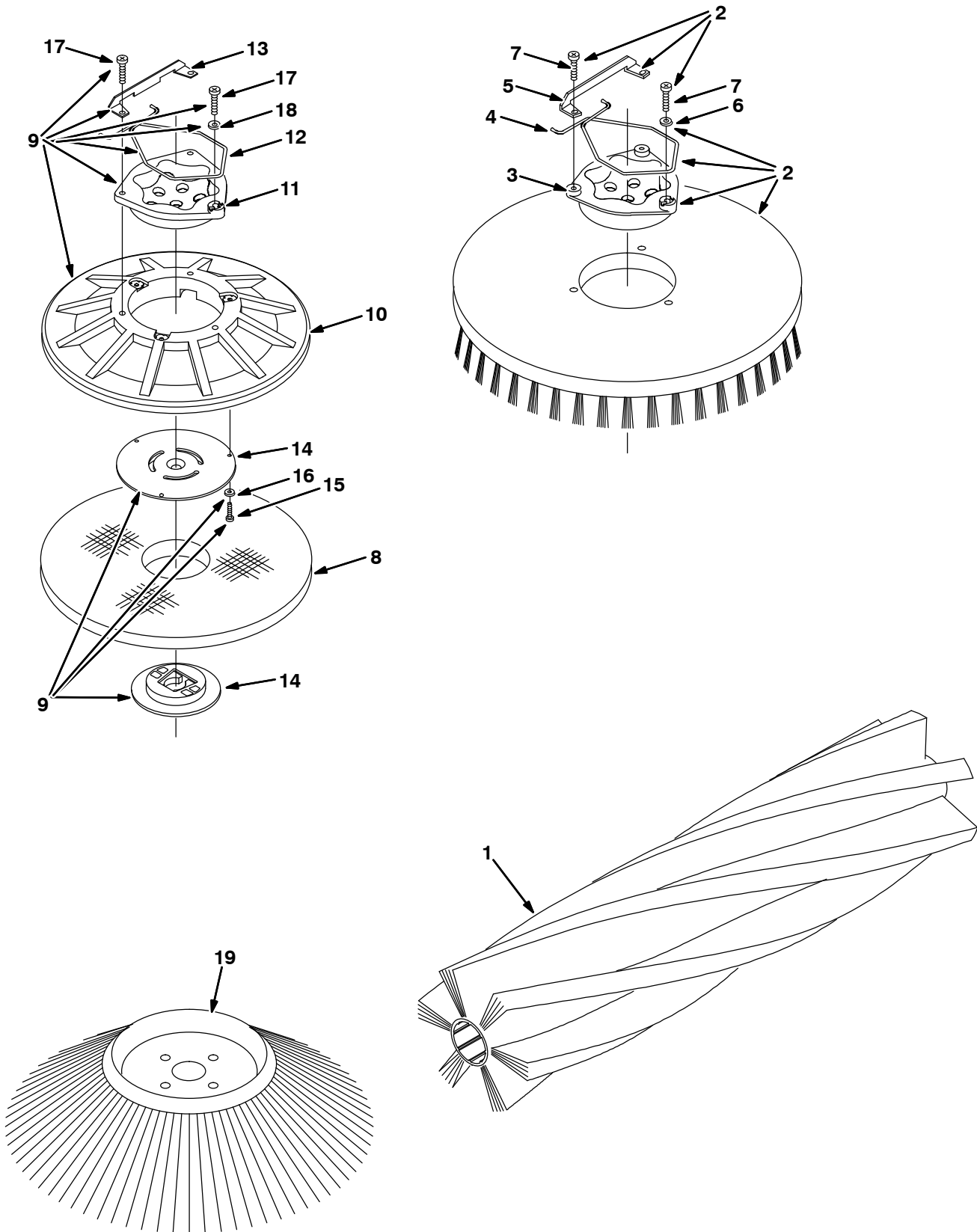


Fig. 2 – Brushes, Replacement for MaxPro 1000

Ref.	Part No.	Serial Number	Description	Qty.
	1	386230	(000000–) Brush, Scrub, 39l, 20sr, Pyp, Spl	2
	1	386240	(000000–) Brush, Scrub, 39l, 20sr, Super Abr, Spl	2
	1	386250	(000000–) Brush, Scrub, 39l, 20sr, Nyl, Spl	2
▽	2	14967	(000000–) Brush Assy, Disk, Scrub, 20.0 D, Nyl	2
▲	3	15539	(000000–) Adaptor, Brush	1
▲	4	14838	(000000–) Spring, Wir, 0.16d, Brush Retaining	1
▲	5	24299	(000000–) Bracket, Retainer, Spring	1
▲	6	01684	(000000–) Washer, Flt, .25 Ss	1
▲	7	32746	(000000–) Screw, Pan, M06 X 1.0 X 35, Ss	3
▽	2	14953	(000000–) Brush Assy, Disk, Scrub, 20.0 D, Pyp	2
▲	3	15539	(000000–) Adaptor, Brush	1
▲	4	14838	(000000–) Spring, Wir, 0.16d, Brush Retaining	1
▲	5	24299	(000000–) Bracket, Retainer, Spring	1
▲	6	01684	(000000–) Washer, Flt, .25 Ss	1
▲	7	32746	(000000–) Screw, Pan, M06 X 1.0 X 35, Ss	3
▽	2	378951	(000000–) Brush Assy, Disk, Scrub, 20.0 D, Super Abr	2
▲	3	15539	(000000–) Adaptor, Brush	1
▲	4	14838	(000000–) Spring, Wir, 0.16d, Brush Retaining	1
▲	5	24299	(000000–) Bracket, Retainer, Spring	1
▲	6	01684	(000000–) Washer, Flt, .25 Ss	1
▲	7	32746	(000000–) Screw, Pan, M06 X 1.0 X 35, Ss	3
	8	17260	(000000–) Pad, Polish, 20.0d, White	2
	8	17261	(000000–) Pad, Buff, 20.0d, Red	2
	8	17262	(000000–) Pad, Scrub, 20.0d, Blue	2
	8	17263	(000000–) Pad, Strip, 20.0d, Brown	2
	8	370094	(000000–) Pad, Stripping, 20.0D[Hi Prod,Black	2
	8	1051030	(000000–) Pad, Surf Prep, 20.0D [Mar, 1Pick=1Pad]	2
▽	9	397920	(000000–) Driver Assy, Pad, 20.0D	2
▲	10	370080	(000000–) Disk, Pad Drive, W/ Face, 20d	1
▲	11	15539	(000000–) Adaptor, Brush	1
▲	12	14838	(000000–) Spring, Wir, 0.16d, Brush Retaining	1
▲	13	24299	(000000–) Bracket, Retainer, Spring	1
▲	14	370090	(000000–) Device, Centering	1
▲	15	09198	(000000–) Screw, Pan, M04 X 0.7 X 35, Ss	3
▲	16	41579	(000000–) Washer, Flt, #08 Ss	3
▲	17	32746	(000000–) Screw, Pan, M06 X 1.0 X 35, Ss	3
▲	18	01684	(000000–) Washer, Flt, .25 Ss	1
	19	87419	(000000–) Brush, Disk, Sweep, 19.0D, Pyp (Option)	1

Fig. 3 - Brushes, Replacement for MaxPro 1200

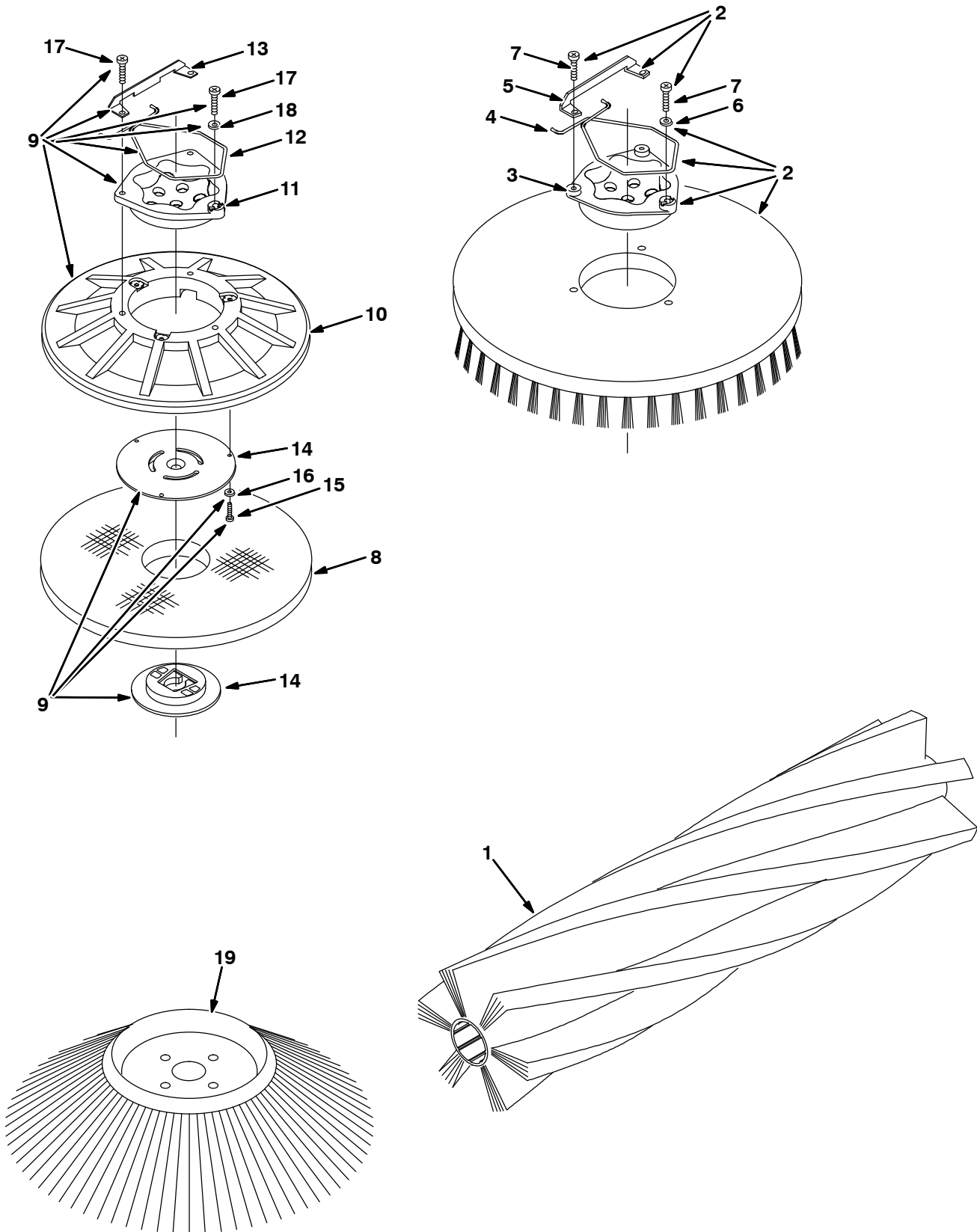


Fig. 3 – Brushes, Replacement for MaxPro 1200

Ref.	Part No.	Serial Number	Description	Qty.
	1	386231	(000000–) Brush, Scrub, 47l, 20sr, Pyp, Spl	2
	1	386241	(000000–) Brush, Scrub, 47l, 20sr, Super Abr, Spl	2
	1	386251	(000000–) Brush, Scrub, 47l, 20sr, Nyl, Spl	2
▽	2	1042504	(000000–) Brush Assy, Disk, Scrub, 16.0D, Super Abrasive	3
▲	3	1017368	(000000–) Hub, Drive, Brush, Disk, 3 Hole 5.8Bc	1
▲	4	14838	(000000–) Spring, Wir, 0.16d, Brush Retaining	1
▲	5	24299	(000000–) Bracket, Retainer, Spring	1
▲	6	01684	(000000–) Washer, Flt, .25 Ss	1
▲	7	32746	(000000–) Screw, Pan, M06 X 1.0 X 35, Ss	3
▽	2	1042499	(000000–) Brush Assy, Disk, Scrub, 16.0D, Nylon	3
▲	3	1017368	(000000–) Hub, Drive, Brush, Disk, 3 Hole 5.8Bc	1
▲	4	14838	(000000–) Spring, Wir, 0.16d, Brush Retaining	1
▲	5	24299	(000000–) Bracket, Retainer, Spring	1
▲	6	01684	(000000–) Washer, Flt, .25 Ss	1
▲	7	32746	(000000–) Screw, Pan, M06 X 1.0 X 35, Ss	3
▽	2	30241	(000000–) Brush Assy, Disk, Scrub, 16.0 D, Pyp	3
▲	3	1017368	(000000–) Hub, Drive, Brush, Disk, 3 Hole 5.8Bc	1
▲	4	14838	(000000–) Spring, Wir, 0.16d, Brush Retaining	1
▲	5	24299	(000000–) Bracket, Retainer, Spring	1
▲	6	01684	(000000–) Washer, Flt, .25 Ss	1
▲	7	32746	(000000–) Screw, Pan, M06 X 1.0 X 35, Ss	3
	8	63248-1	(000000–) Pad, Strip, 16.0d, Brown	3
	8	63248-2	(000000–) Pad, Scrub, 16.0d, Blue	3
	8	63248-3	(000000–) Pad, Buff, 16.0d, Red	3
	8	63248-4	(000000–) Pad, Polish, 16.0d, White	3
	8	370092	(000000–) Pad, Stripping, 16.0d[Hi Prod,Black	3
	8	1051027	(000000–) Pad, Surf Prep, 16.0d [Mar, 1pick=1pad]	3
▽	9	397916	(000000–) Driver Assy, Pad, 16D	3
▲	10	397976	(000000–) Disk, Pad Driver, W/Face, 16D	1
▲	11	15539	(000000–) Adaptor, Brush	1
▲	12	14838	(000000–) Spring, Wir, 0.16d, Brush Retaining	1
▲	13	24299	(000000–) Bracket, Retainer, Spring	1
▲	14	370095	(000000–) Device, Centering	1
▲	15	09198	(000000–) Screw, Pan, M04 X 0.7 X 35, Ss	3
▲	16	41579	(000000–) Washer, Flt, #08 Ss	3
▲	17	32746	(000000–) Screw, Pan, M06 X 1.0 X 35, Ss	3
▲	18	01684	(000000–) Washer, Flt, .25 Ss	1
	19	87419	(000000–) Brush, Disk, Sweep, 19.0D, Pyp (Option)	1

Fig. 4 - Main Frame Group

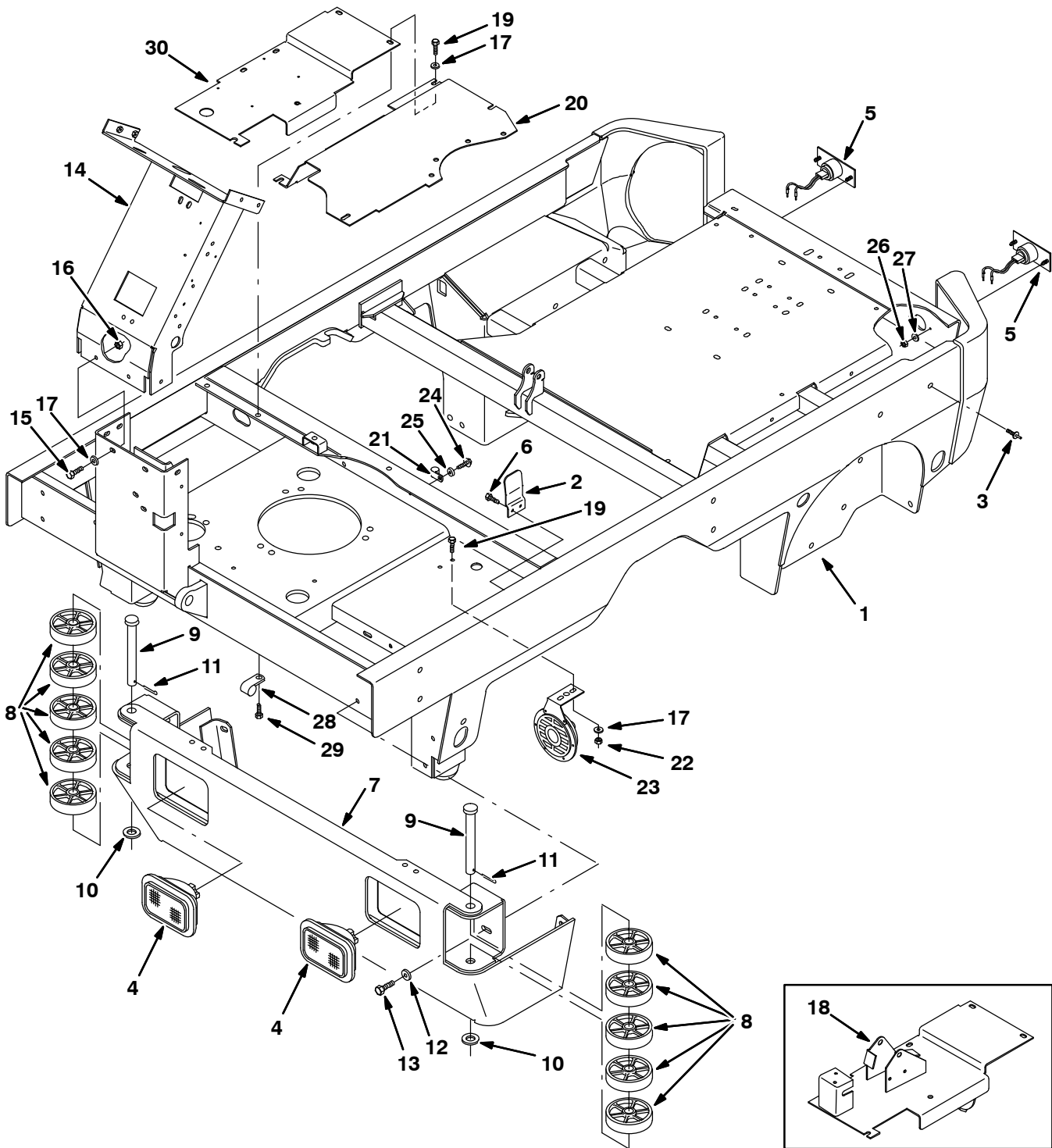


Fig. 4 - Main Frame Group

Ref.	Part No.	Serial Number	Description	Qty.	
1	386200	(000000-004999)	Frame	1	
1	1056383	(005000-	Frame Wldt, Main, Iron Gray [7300/8300]	1	
2	386923	(000000-004999)	Plate, Cover	1	
2	1056496	(005000-	Plate, Cover, Iron Gray	1	
3	365252	(000000-	Rivet, Plstc, .25 D X 0.75	24	
▽	4	223044	(000000-	Headlight, 36vdc, 15cp, 0.7a	2
▲		360518	(000000-	Lamp, 36vdc, 32cp, .72a	1
▽	5	87346	(000000-	Taillight, 12vdc, 3.6 X 1.9, Rework 87277	2
▲		87948	(000000-	Lamp	1
▲		87949	(000000-	Lampholder	1
	6	06943	(000000-	Screw, Hex, M06 X 1.0 X 20, 8.8	2
	7	386480	(000000-004999)	Bumper Wldt	1
	7	1056786	(005000-	Bumper Wldt, Iron Gray	1
	8	364085	(000000-	Wheel, 4.0d 0.98w 0.78b	10
	9	51414	(000000-	Pin, Clevis, 0.75 D X 6.50l	2
	10	39350	(000000-	Washer, Flt, .75 Sae	2
	11	08236	(000000-	Pin, Cotter, .156 X 1.25	2
	12	01685	(000000-	Washer, Flt, .31 Ss	8
	13	09740	(000000-	Screw, Hex, M08 X 1.25 X 20, Ss	8
	14	386450	(000000-004999)	Channel Wldt, Steering	1
	14	1056387	(005000-	Channel Wldt, Steering, Iron Gray	1
	15	16931	(000000-	Screw, Hex, M08 X 1.25 X 20, 8.8	5
	16	08709	(000000-	Nut, Hex, Lock, M08 X 1.25,NI	5
	17	32491	(000000-	Washer, Flt, .31 Std	12
	18	386157	(000000-001946)	Plate Wldt, Floor	1
	19	16735	(000000-	Screw, Hex, M08 X 1.25 X 16, 8.8	12
	20	386159	(000000-004999)	Plate, Floor, Upper	1
	20	1056465	(005000-	Plate, Floor, Upper, Iron Gray	1
	21	67767	(000000-	Clamp, Cable, Stl, 0.69d X 0.62w, 1h	1
	22	07791	(000000-	Nut, Hex, Flng, M08 X 1.25	2
	23	369702	(000000-	Horn, 36vdc, Dba	1
	24	12459	(000000-	Screw, Hex, M06 X 1.0 X 20, Fmg	1
	25	01684	(000000-	Washer, Flt, .25 Ss	1
	26	01713	(000000-	Nut, Hex, Lock, M05 X 0.8, Ni	4
	27	32980	(000000-	Washer, Lock, Int, #10	4
	28	67767	(000000-	Clamp, Cable, Stl, 0.69d X 0.62w, 1h	2
	29	361339	(000000-	Screw, Hex, M06 X 1.0 X 16, Fmg	2
	30	387654	(001947-004999)	Plate, Floor	1
	30	1056809	(005000-	Plate, Floor, Iron Gray	1

Fig. 5 - Covers Group, Front

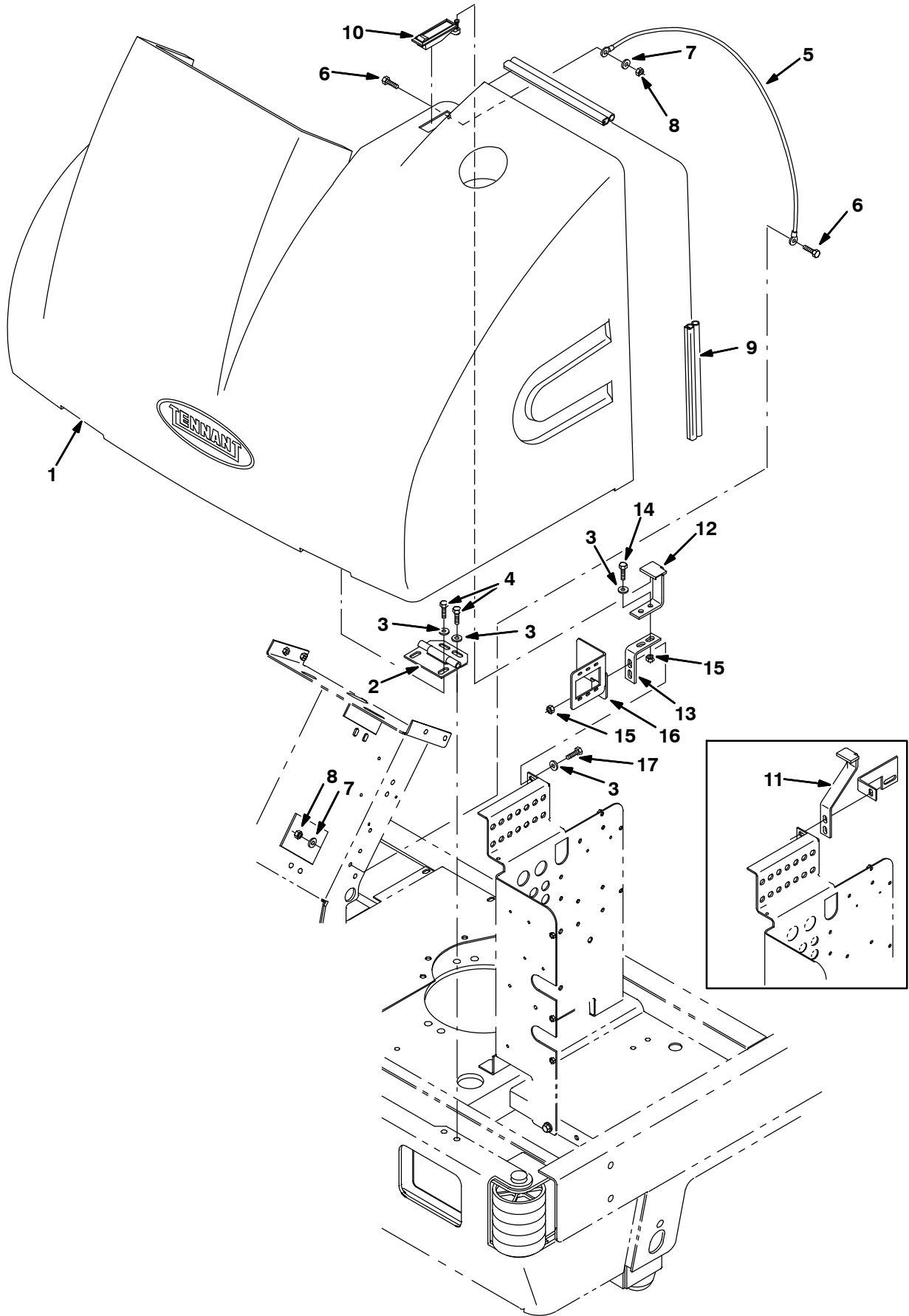


Fig. 5 - Covers Group, Front

Ref.	Part No.	Serial Number	Description	Qty.
1	386120	(000000-004999)	Cover, Front	1
1	1056432	(005000-)	Cover, Front, Teal	1
2	386124	(000000-)	Hinge, .38pin .11 3.5w 04.0l 4/0.38slot	2
3	32491	(000000-)	Washer, Flt, .31 Std	12
4	49826	(000000-)	Screw, Hex, M08 X 1.25 X 16, Ss, NI	8
5	387021	(000000-)	Cable Assy	1
6	06943	(000000-)	Screw, Hex, M06 X 1.0 X 20, 8.8	2
7	32483	(000000-)	Washer, Flt, .25 Sae	2
8	08708	(000000-)	Nut, Hex, Lock, M06 X 1.0, NI	2
9	387033	(000000-)	Seal, Bulb, [Sd-504], 48.70l	1
10	64533	(000000-)	Latch, Trigger	1
11	387460	(000000-001154)	Kit, Replmt, Bracket, F/386211	1
12	387450	(001155-004999)	Bracket, Latch, Cover	1
12	1056483	(005000-)	Bracket, Latch, Cover, Iron Gray	1
13	387451	(001155-004999)	Bracket, Latch, Cover	1
13	1056484	(005000-)	Bracket, Latch, Cover, Iron Gray	1
14	16931	(001155-)	Screw, Hex, M08 X 1.25 X 20, 8.8	2
15	08709	(001155-)	Nut, Hex, Lock, M08 X 1.25,NI	2
16	387634	(001706-004999)	Bracket, Mtg, Circuitbreaker, [Hi-Mag]	1
16	1056487	(005000-)	Bracket, Mtg, Circuitbreaker [Hi-Mag]	1
17	76570	(001706-)	Screw, Hex, M 8 X 1.25 X 30, 8.8	2

Fig. 6 - Covers Group, Rear

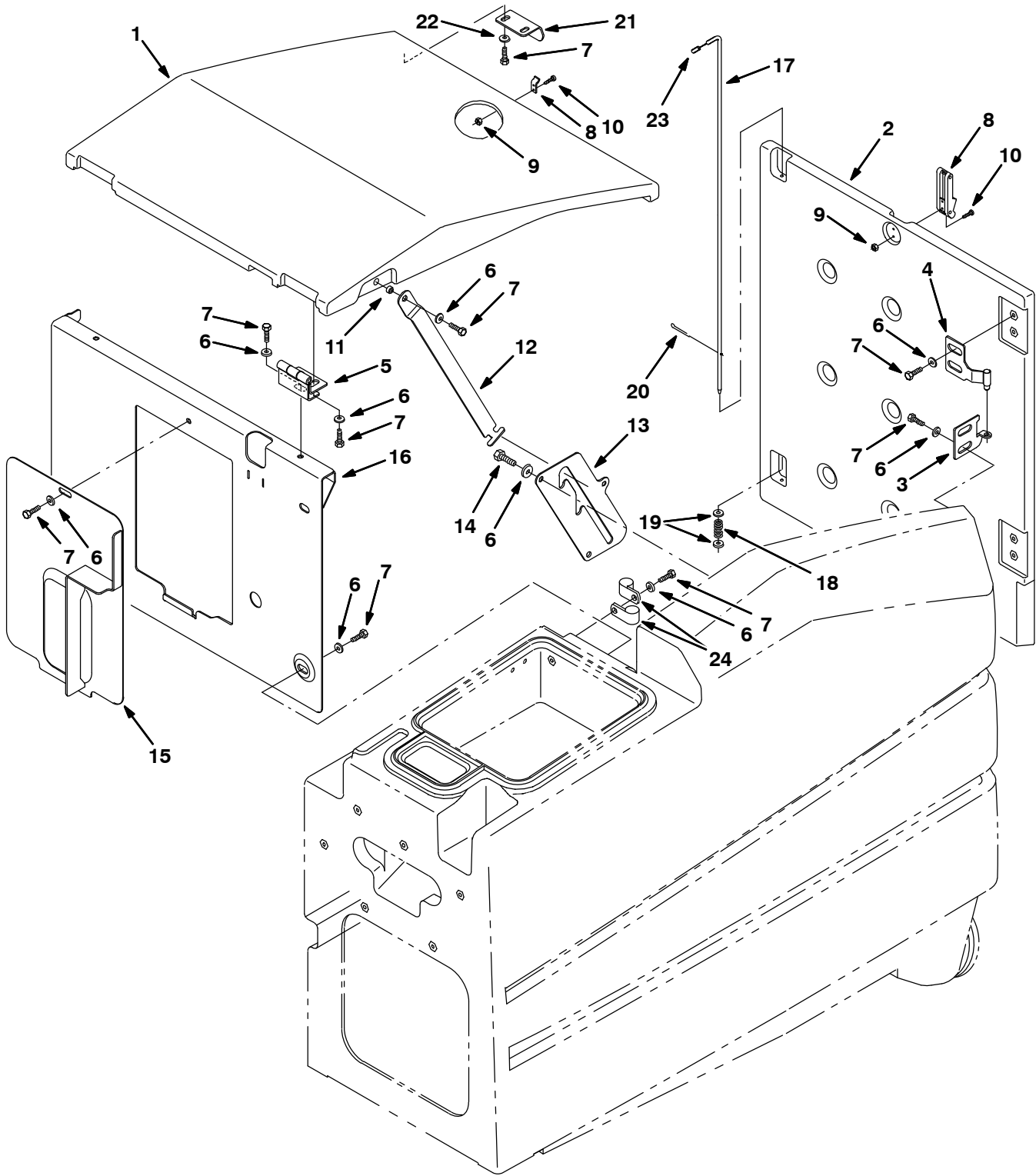


Fig. 6 - Covers Group, Rear

Ref.	Part No.	Serial Number	Description	Qty.
1	386201	(000000-004999)	Cover, Tank, Top	1
1	1056433	(005000-)	Cover, Tank, Top, Teal	1
2	386202	(000000-004999)	Cover, Rear	1
2	1056434	(005000-)	Cover, Rear, Teal	1
3	386993	(000000-004999)	Plate, Hinge	2
3	1056479	(005000-)	Plate, Hinge, Iron Gray	2
4	386995	(000000-004999)	Hinge Wldt, W/ Pin	2
4	1056388	(005000-)	Hinge Wldt, W/ Pin, Iron Gray	2
5	386437	(000000-004999)	Hinge Assy	2
5	1056475	(005000-)	Hinge Assy, Iron Gray	2
6	01685	(000000-)	Washer, Flt, .31 Ss	24
7	09740	(000000-)	Screw, Hex, M08 X 1.25 X 20, Ss	23
8	49800	(000000-)	Latch	1
9	02850	(000000-)	Nut, Hex, Lock, M04 X 0.7, NI	4
10	49697	(000000-)	Screw, Pan, M04 X 0.7 X 10, Ss	4
11	360801	(000000-)	Sleeve	1
12	386461	(000000-)	Rod	1
13	386413	(000000-004999)	Plate	1
13	1056472	(005000-)	Plate, Iron Gray	1
14	09010	(000000-)	Screw, Hex, M08 X 1.25 X 25, Ss	3
15	386433	(000000-004999)	Cover Wldt	1
15	1056386	(005000-)	Cover Wldt, Iron Gray	1
16	387348	(000000-)	Panel Wldt, Front W/ Label	1
17	386761	(000000-)	Rod, Rear Door	1
18	54743	(000000-)	Spring, Cmpr, 0.36od .04wir 2.5l	1
19	01684	(000000-)	Washer, Flt, .25 Ss	2
20	08178	(000000-)	Pin, Cotter, .062 X 0.75	1
21	386634	(000000-)	Bracket	1
22	01684	(000000-)	Washer, Flt, .25 Ss	2
23	386973	(000000-)	Cap, Vyl, .234id .750l .04	1
24	82829	(000000-)	Clamp, Cable, Stl, 0.63d X 0.75w, 1h	2

Fig. 7 - Electrical Instrument Panel Group

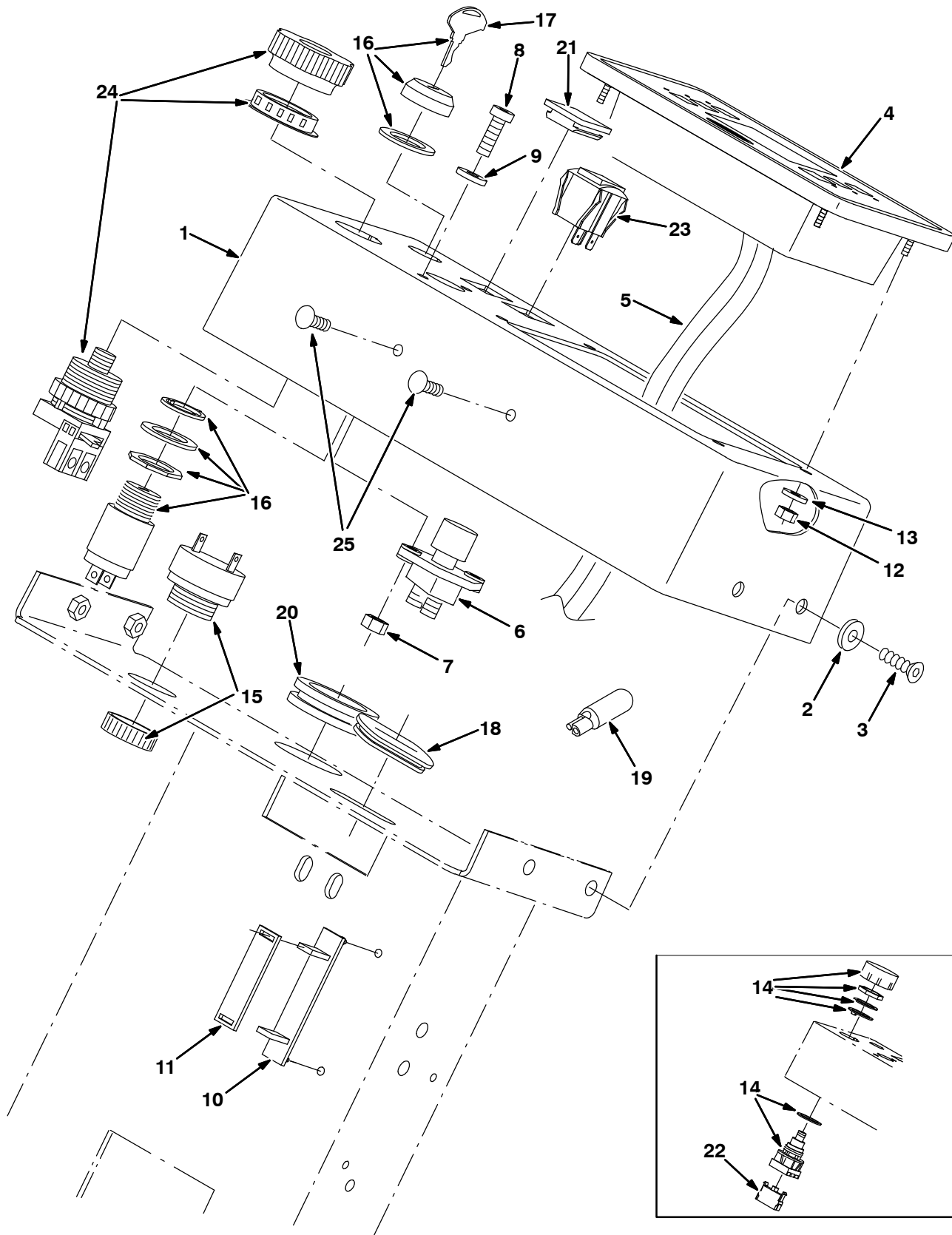


Fig. 7 - Electrical Instrument Panel Group

Ref.	Part No.	Serial Number	Description	Qty.
	1	386129	(000000-) Panel, Instmt	1
	2	386924	(000000-) Washer, Finish, M06, PI	4
	3	16879	(000000-) Screw, Flat, M06 X 1.0 X 20, 10.9	4
▽	4	9008408	(000000-005351) Panel Assy Kit, Touch [7300]	1
▲	5	386311	(000000-005351) Cable, Ribbon, 34 Conductor	1
▽	4	1065186	(005352-) Panel Assy, Touch [7300]	1
▲	5	386311	(005352-) Cable, Ribbon, 34 Conductor	1
	6	44078	(000000-) Switch	1
	7	08708	(000000-) Nut, Hex, Lock, M06 X 1.0, NI	2
	8	09007	(000000-) Screw, Hex, M06 X 1.0 X 25, Ss	2
	9	32483	(000000-) Washer, Flt, .25 Sae	2
	10	386808	(000000-) Clamp, Ribbon Cable	1
	11	386809	(000000-) Clamp, Ribbon Cable, Hold-Down	1
	12	06549	(000000-) Nut, Hex, Lock, M05 X 0.8, NI	4
	13	19066	(000000-) Washer, Flt, #10	4
	14	78553	(000000-005030) Switch	1
	15	386346	(000000-) Alarm, Warning, 10-48vdc	1
▽	16	361076	(000000-) Switch, Start	1
▲	17	361144	(000000-) Key, Ignition	1
	18	27928	(000000-) Grommet, Ribbon Cable, .63 X 1.81	1
	19	222290	(000000-) Diode, Ele, Plug	7
	20	10632-13	(000000-) Grommet, Rbr, 1.50id, F/ 1.8h, .31matl	1
	21	222534	(000000-) Button, Plug, 1.1 X 1.1h, Black, Plstc	2
	22	65665	(000000-005030) Contact, Switch	1
	23	360520	(000000-) Switch, Rocker	1
	24	1053842	(005031-) Switch, Safety, Shutoff	1
	25	77399	(005954-) Plug, Hole, Rnd, 0.24H 0.5L , Brb	2

Fig. 8 - Steering Group

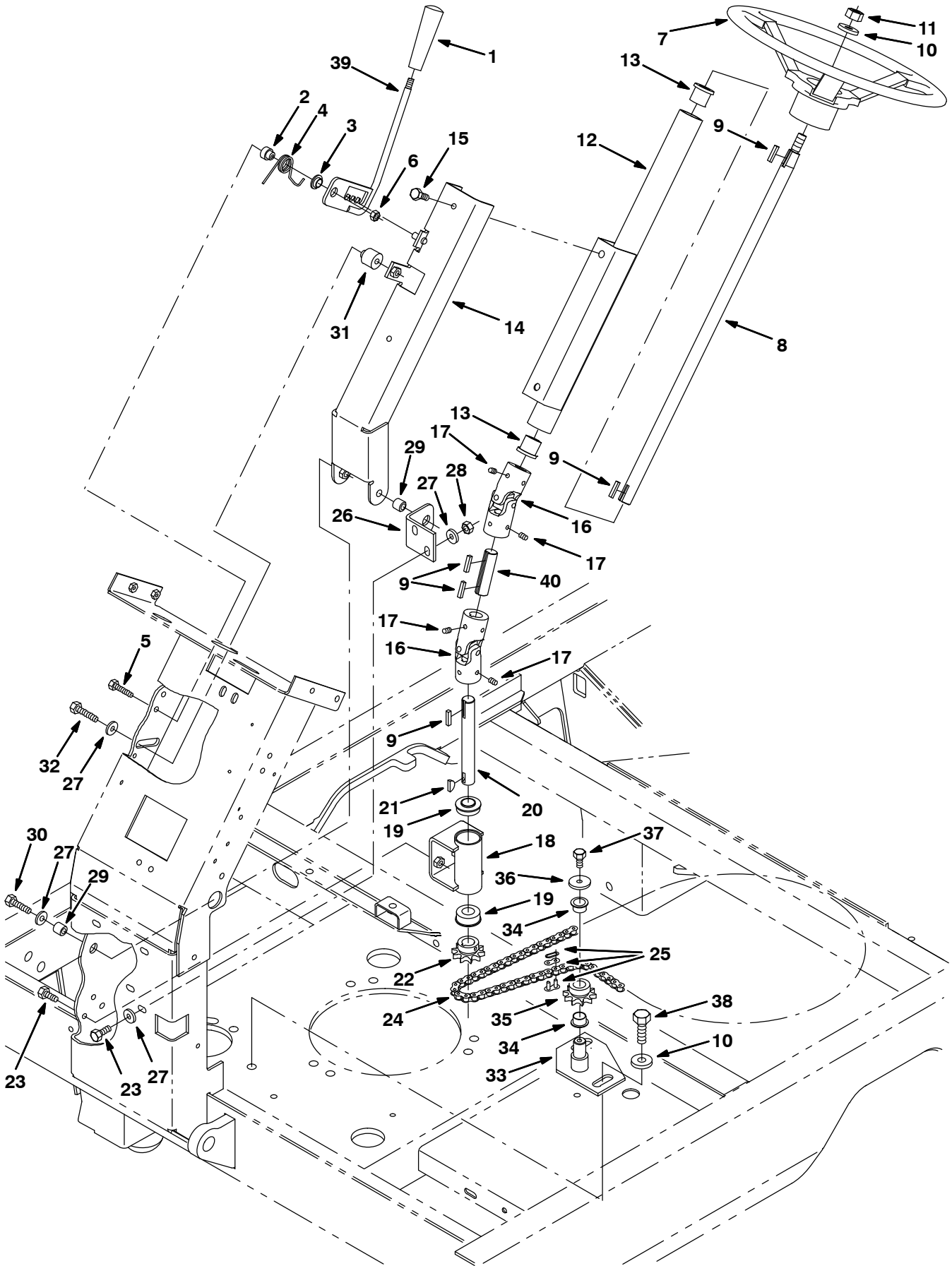


Fig. 8 - Steering Group

Ref.	Part No.	Serial Number	Description	Qty.	
1	59940	(000000-) Knob	1	
2	386149	(000000-) Pin	1	
3	386217	(000000-) Bearing, Flange	1	
4	386150	(000000-) Spring, Torsion	1	
5	06946	(000000-) Screw, Hex, M06 X 1.0 X 35, 8.8	1	
6	08708	(000000-) Nut, Hex, Lock, M06 X 1.0, NI	1	
7	1036490	(000000-) Wheel, Steering, 14.0d, Taper Bore	1	
8	223061	(000000-) Shaft, Steering, Upper, Mach, .75d 24.1l	1	
9	00912	(000000-) Key, Sq, 0.19 X 0.19, 01.00l	5	
10	32493	(000000-) Washer, Flt, .50 Std	2	
11	08711	(000000-) Nut, Hex, Lock, M12 X 1.75,NI	1	
12	1056917	(000000-) Column Wldt, Steering, Iron Gray	1	
13	16367	(000000-) Bushing, Flng, 0.75b 1.00d 1.00l, Nyl	2	
14	1056851	(000000-) Bracket Wldt, Steering, Tilt, Iron Gray	1	
15	16735	(000000-) Screw, Hex, M08 X 1.25 X 16, 8.8	2	
▽	16	1040295	(000000-) Joint, U, 0.75ld	2
▲	17	39338	(000000-) Screw, Set, .31-18 X 0.50, Soc	8
	18	1056914	(000000-) Housing Wldt, Brg, Iron Gray	1
	19	223073	(000000-) Bearing, Ball, 0.75b 1.38d 0.50w	2
	20	386975	(000000-) Shaft, Steering, Lower	1
	21	00500-10	(000000-) Key, Woodruff, 0.19 0.75, [Asa#0606]	1
	22	35996	(000000-) Sprocket, #40, 10tooth, 0.750b	1
	23	16931	(000000-) Screw, Hex, M08 X 1.25 X 20, 8.8	5
	24	386447	(000000-) Chain, Roller, #40 X 130 Pitches	1
	25	07112	(000000-) Link, Chain, Roller, #40	1
	26	1056852	(000000-) Bracket, Sppt, Tilt, Iron Gray	1
	27	32491	(000000-) Washer, Flt, .31 Std	6
	28	08709	(000000-) Nut, Hex, Lock, M08 X 1.25,NI	2
	29	386154	(000000-) Bushing, Sleeve, 0.38b 0.63d 0.57l, Stl	2
	30	76570	(000000-) Screw, Hex, M08 X 1.25 X 30, 8.8	2
	31	386152	(000000-) Sleeve, Support, Tilt	1
	32	74440	(000000-) Screw, Hex, M08-1.25 X 40, Ss	1
	33	386143	(000000-) Plate Wldt, Mtg, Idler	1
	34	16370	(000000-) Bushing, Flng, 0.71b 0.79d 0.47l	2
	35	14271	(000000-) Sprocket, #40, 10tooth, 0.787b	1
	36	30013	(000000-) Washer, Flat, .31 Fender	1
	37	50388	(000000-) Screw, Hex, M08 X 1.25 X 12, 8.8	1
	38	39285	(000000-) Screw, Hex, M10 X 1.5 X 40, 8.8	2
	39	386140	(000000-) Handle Wldt, Steering, Tilt	1
	40	386976	(000000-) Shaft, Steering	1

Fig. 9 - Seat Group

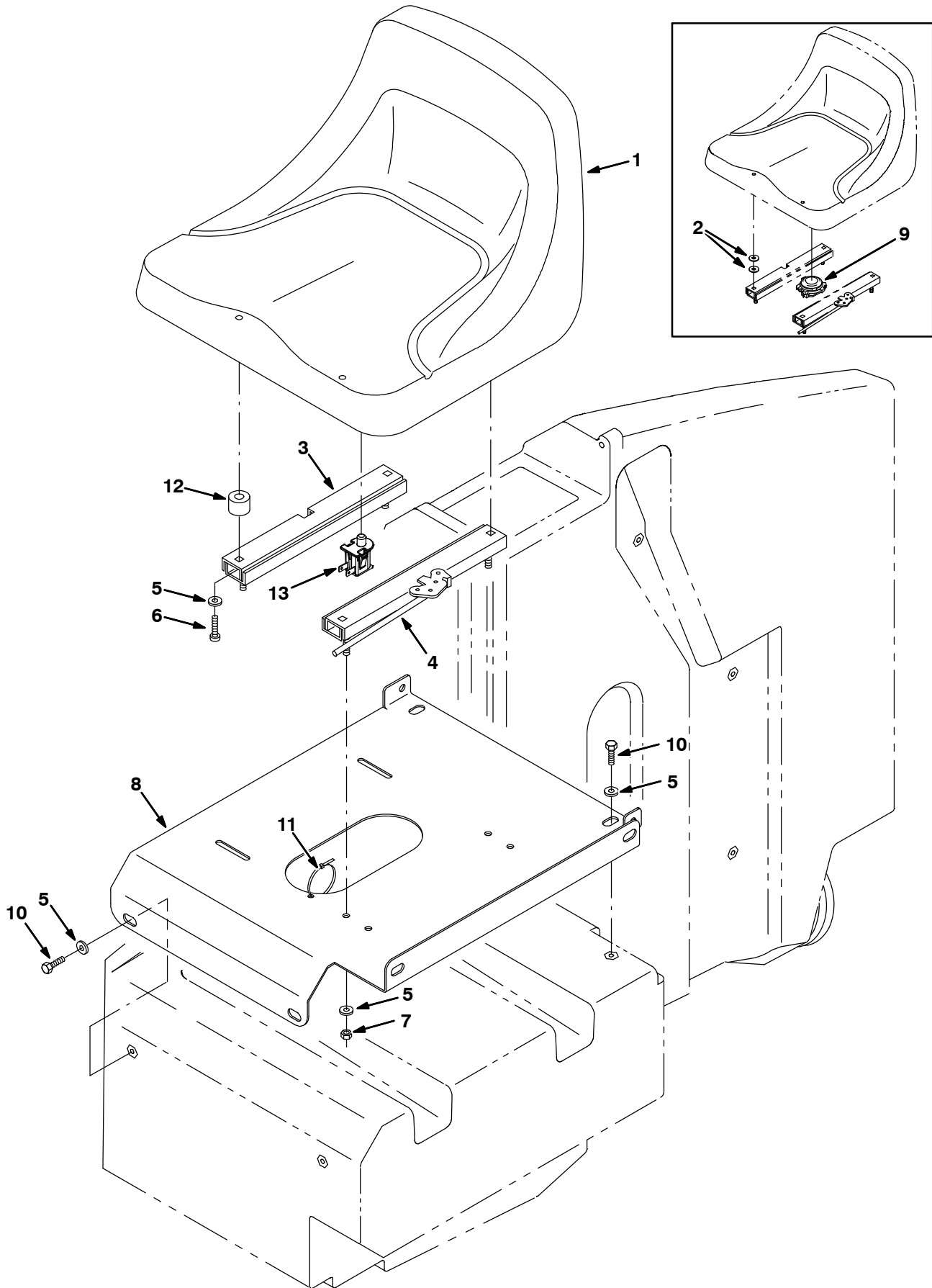


Fig. 9 – Seat Group

Ref.	Part No.	Serial Number	Description	Qty.
1	375411	(000000-003621)	Seat (Replaced by 9005082)	1
1	9010741	(003622-006131)	Seat Kit, Basic, Replmt	1
1	1201894	(006132-)	Seat, Std [Milsco]	1
2	13248	(000000-003621)	Washer	8
3	360369	(000000-)	Rail	1
4	360370	(000000-)	Rail	1
5	01685	(000000-)	Washer, Flt, .31 Ss	14
6	25537	(000000-003621)	Screw, Pan, .31-18 X 0.75, G1	4
6	49177	(003622-006131)	Screw, Pan, Phl, .31-18 X 1.00, G2	4
6	1073048	(006132-)	Screw, Pan, Phl, .31-18 X 1.50, G2	4
7	32983	(000000-)	Nut, Hex, Lock, .31-18, NI	4
8	1056855	(000000-)	Plate, Seat, Iron Gray	1
9	223078	(000000-003621)	Switch, Seat	1
10	15675	(000000-)	Screw, Hex, M08 X 1.25 X 16, Ss	6
11	49266	(000000-)	Tie, Cable, Nyl, 07.3l .19w 1.8 Max D	1
12	1049092	(003622-)	Spacer, Rnd, .38B .88D .63L	4
13	1048955	(003622-)	Switch, Seat, No [Delta 6440-04]	1

Fig. 10 - Directional Control Group

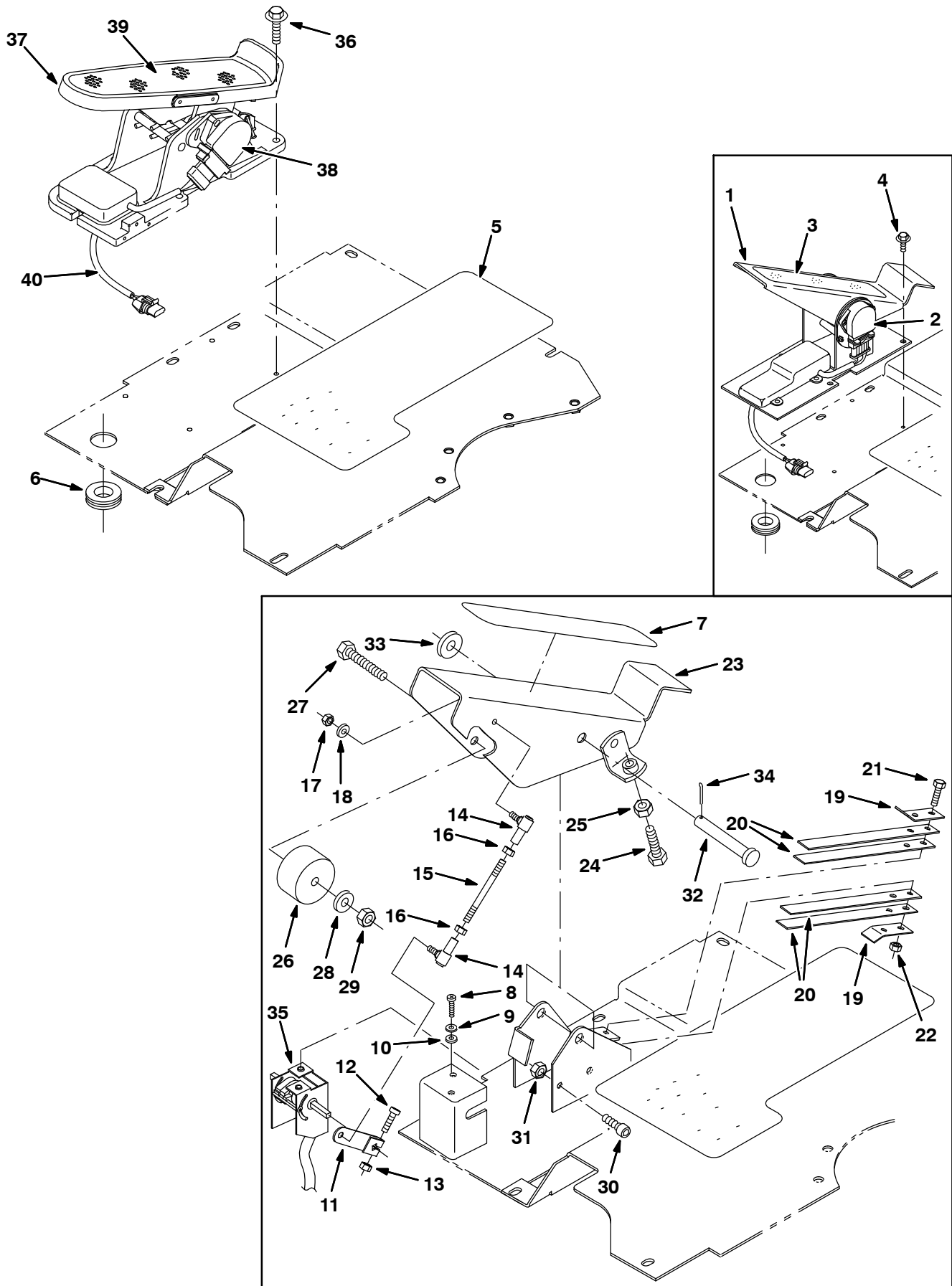


Fig. 10 - Directional Control Group

	Ref.	Part No.	Serial Number	Description	Qty.
▽	1	387700	(001947-003394)	Pedal Assy, Foot (Replaced by 1042524)	1
▲	2	385726	(001947-003394)	Sensor, Pedal Position	1
▲	3	82839	(001947-003394)	Tread, Non Skid, 2.2w 11.5l	1
	4	74455	(001947-003394)	Screw, Hex, M06-1.0 X 12, Fmg	4
	5	387392	(001947-	Tread, Non-Skid, 06.0w X 15.5l	1
	6	10632	(001947-	Grommet, Rbr, 0.89id, F/ 1.2h, .14matl	1
	7	82839	(000000-001946)	Tread, Non-Skid, 02.2 11.5	1
	8	06931	(000000-001946)	Screw, Pan, M05 X 0.8 X 6, 4.8	2
	9	01683	(000000-001946)	Washer, Flt, #10 Ss	2
	10	32980	(000000-001946)	Washer, Lock, Int, #10	2
	11	223239	(000000-001946)	Arm, Cntrl, Throttle, Electronic	1
	12	39717	(000000-001946)	Screw, Pan, .25-20 X 1.00, 2	1
	13	32981	(000000-001946)	Nut, Hex, Lock, .25-20, NI	1
	14	14601	(000000-001946)	Balljoint, .25-28 Fem/.25-28mal	2
	15	223090	(000000-001946)	Rod, Thrld, 2 End, .25-28 04.4l	1
	16	01714	(000000-001946)	Nut, Hex, Std, .25-28	2
	17	13513	(000000-001946)	Nut, Hex, Lock, .25-28, NI	2
	18	32490	(000000-001946)	Washer, Flt, .25 Std	2
	19	223601	(000000-001946)	Retainer, Spring	2
	20	223600	(000000-001946)	Strip, Stl, 0.05th X 00.75w, 07.80l	4
	21	06944	(000000-001946)	Screw, Hex, M06 X 1.0 X 25, 8.8	2
	22	08708	(000000-001946)	Nut, Hex, Lock, M06 X 1.0, NI	2
	23	223320	(000000-001946)	Pedal Wldt, Accelerator	1
	24	39284	(000000-001946)	Screw, Hex, M10 X 1.5 X 35, 8.8	1
	25	39312	(000000-001946)	Nut, Hex, Std, M10 X 1.5	1
	26	87725	(000000-001946)	Spacer	1
	27	06963	(000000-001946)	Screw, Hex, M10 X 1.5 X 60, 8.8	1
	28	32485	(000000-001946)	Washer, Flt, .38 Sae	1
	29	41430	(000000-001946)	Nut, Hex, Lock, M10 X 1.5, NI	1
	30	39308	(000000-001946)	Screw, Soc, M08 X 1.25 X 25, 12.9	1
	31	08709	(000000-001946)	Nut, Hex, Lock, M08 X 1.25, NI	1
	32	06474A	(000000-001946)	Pin, Clevis, 0.50 D X 3.50l	1
	33	32486	(000000-001946)	Washer, Flt, .50 Sae	1
	34	08182	(000000-001946)	Pin, Cotter, .125 X 1.00	1
	35	223094	(000000-001946)	Box, Accelerator	1
	36	222159	(003395-	Screw, Hex, M6 X 1.00 X 25, Fmg	4
▽	37	1034891	(003395-	Pedal Assy, Propel, 36vdc	1
▲	38	385726	(003395-	Sensor, Position, Pedal	1
▲	39	1042514	(003395-	Tread, Non-Skid	1
▲	40	1042513	(003395-	Circuitboard, Pedal	1

Fig. 11 - Wheel Group, Front Drive

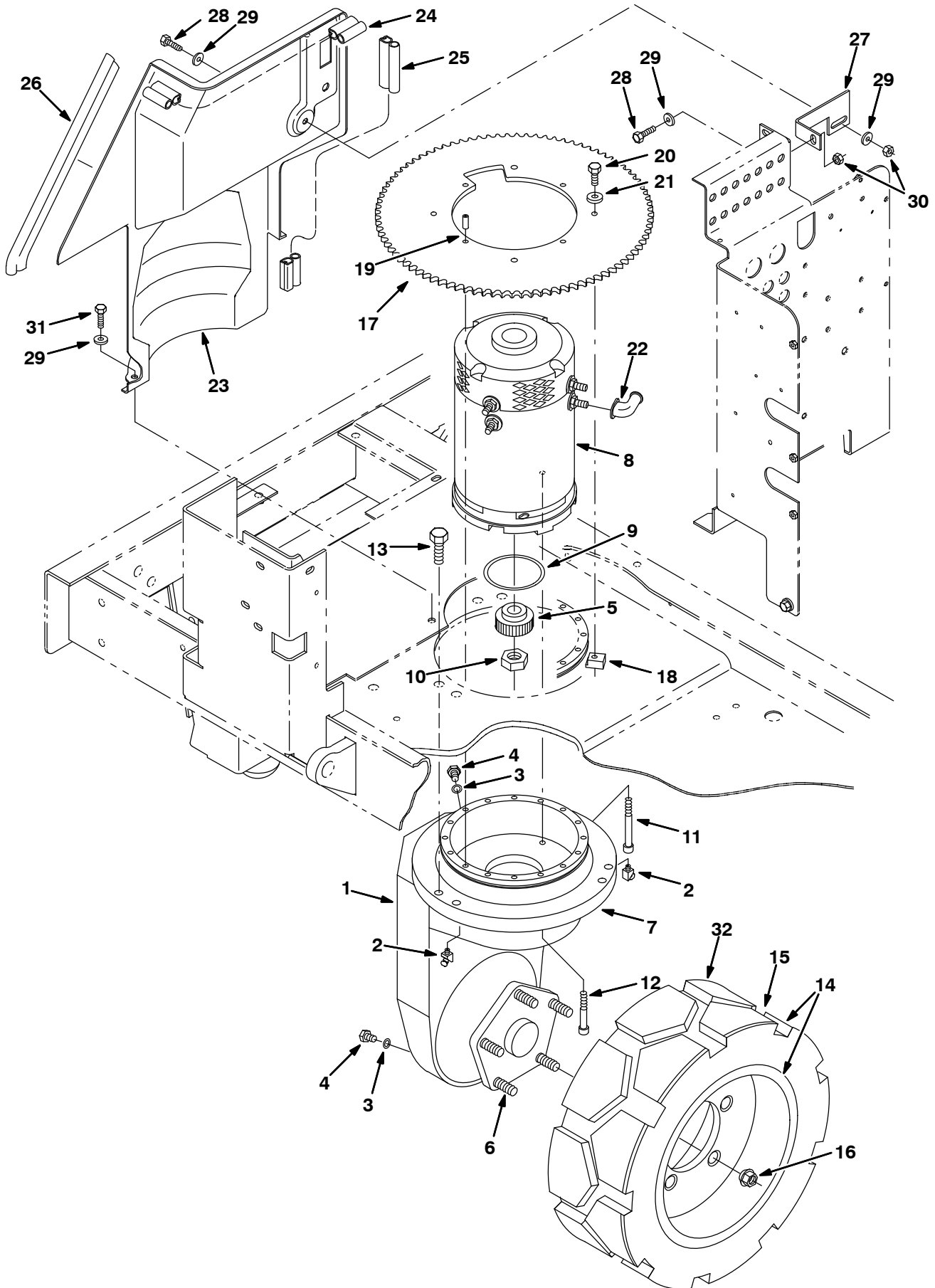


Fig. 11 – Group, Front Drive

	Ref.	Part No.	Serial Number	Description	Qty.
▽	1	87355	(000000–)	Gearbox, 90, Drive Wheel, Rear, [Hu]	1
▲	2	87839	(000000–)	Fitting, Grease	2
▲	3	87840	(000000–)	Seal, O–Ring	2
▲	4	87841	(000000–)	Plug	2
▲	5	87849	(000000–)	Gear, Drive	1
▲	6	12540	(000000–)	Bolt	5
▲	7	61791	(000000–)	Bearing	1
	8	60198	(000000–)	Motor, Ele, Vdc 3.0hp Traction,[201] (See Breakdown)	1
	9	360980	(000000–)	Seal, O–Ring, .139 X 2.98id	1
	10	43957	(000000–)	Nut, Hex, Std, .50–20	1
	11	09030	(000000–)	Screw, Soc, M08 X 1.25 X 80, 12.9	2
	12	09294	(000000–)	Screw, Soc, M08 X 1.25 X 60, 12.9	1
	13	41345	(000000–)	Screw, Hex, M12 X 1.75 X 25, 8.8	6
▽	14	387660	(000000–)	Tire Assy, Solid, 16.2X6.0 5.7Bc/5 Bolt	1
▲	15	387659	(000000–)	Tire, Solid, 16.2X6.0X11.2	1
	16	87750	(000000–)	Nut, Wheel, M14–1.5	5
	17	363385	(000000–)	Sprocket Wldt, #40, 96tooth, 7.00 B	1
	18	14150	(000000–)	Clip, Sprocket	4
	19	14296	(000000–)	Pin, Roll, .310 D X 0.75l, .312/.318	4
	20	16931	(000000–)	Screw, Hex, M08 X 1.25 X 20, 8.8	4
	21	41187	(000000–)	Washer, Belleville, .38	4
	22	02076	(000000–)	Boot, 90deg .50d .57d X .84	4
▽	23	387346	(000000–004999)	Panel, Motor, Cover W/ Label	1
▲	24	386458	(000000–004999)	Seal, Bulb, [Sd–504], 15.52l	1
▲	25	386459	(000000–004999)	Seal, Bulb, [Sd–504], 27.90l	1
▲	26	386558	(000000–004999)	Seal, Bulb, [Sd–168], 12.50l	1
▽	23	9006951	(005000–)	Panel, Motor, Cover, W/ Label, Teal	1
▲	24	386458	(005000–)	Seal, Bulb, [Sd–504], 15.52l	1
▲	25	386459	(005000–)	Seal, Bulb, [Sd–504], 27.90l	1
▲	26	386558	(005000–)	Seal, Bulb, [Sd–168], 12.50l	1
	27	387035	(000000–004999)	Bracket, Panel	1
	27	1056675	(005000–)	Bracket, Panel	1
	28	16931	(000000–)	Screw, Hex, M08 X 1.25 X 20, 8.8	2
	29	32491	(000000–)	Washer, Flt, .31 Std	8
	30	08709	(000000–)	Nut, Hex, Lock, M08 X 1.25,NI	2
	31	16735	(000000–)	Screw, Hex, M08 X 1.25 X 16, 8.8	4
	32	1059346	(000000–)	Tire, Drive, Scrbr, Non–Skid, 16.0X6.0 (Option)	1
	32	1061975	(000000–)	Tire, Drive, Scrbr, Pu, Grey,16.0X6.0 (Polyurethane Option)	1

Fig. 12 - Brake Pedal Group

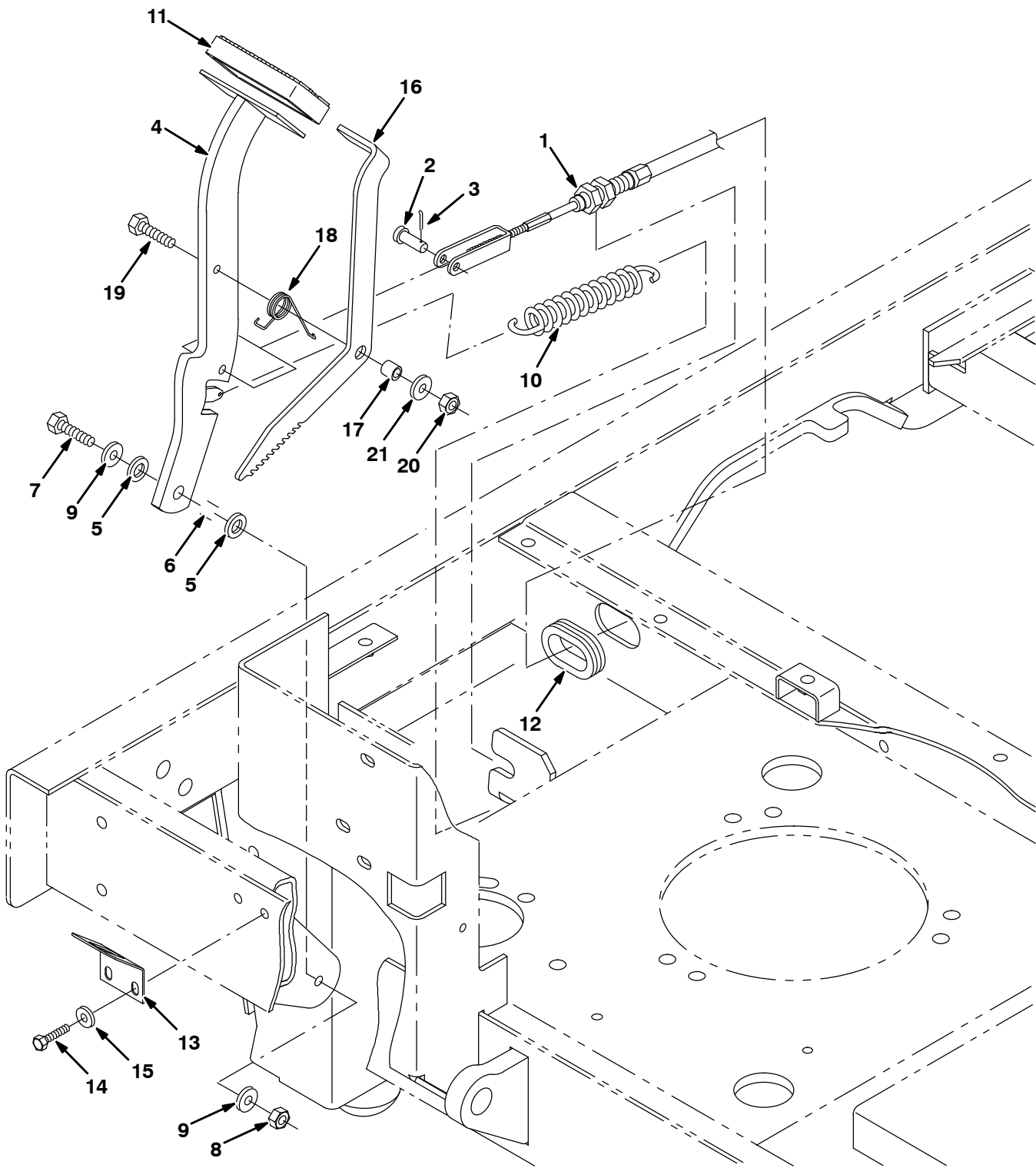


Fig. 12 - Brake Pedal Group

Ref.	Part No.	Serial Number	Description	Qty.
1	386229	(000000-) Cable, Pull	1
2	69582	(000000-) Pin, Clevis, 0.31 D X 1.00l	1
3	39005	(000000-) Pin, Cotter, .094 X 0.75	1
4	1056860	(000000-) Lever Wldt, Iron Gray	1
5	86860	(000000-) Bearing, Thrust	2
6	222460	(000000-) Sleeve	1
7	09026	(000000-) Screw, Hex, M08 X 1.25 X 40, Ss	1
8	08713	(000000-) Nut, Hex, Lock, M08 X 1.25,NI, Ss	1
9	01685	(000000-) Washer, Flt, .31 Ss	2
10	379217	(000000-) Spring, Extn, 1.00od X 0.11wir, 5.5l	1
11	51109	(000000-) Pad	1
12	10632-13	(000000-) Grommet, Rbr, 1.50id, F/ 1.8h, .31matl	1
13	386915	(000000-) Plate, Stop	1
14	06943	(000000-) Screw, Hex, M06 X 1.0 X 20, 8.8	2
15	32490	(000000-) Washer, Flt, .25 Std	2
16	1056937	(000000-) Pedal, Brake, Parking, Iron Gray	1
17	46563	(000000-) Bushing, Sleeve, 0.37b 0.50d 0.50l	1
18	59009	(000000-) Spring, Tors, 0.75id .06wir 02.8coil	1
19	06955	(000000-) Screw, Hex, M08 X 1.25 X 35, 8.8	1
20	08709	(000000-) Nut, Hex, Lock, M08 X 1.25,NI	1
21	39349	(000000-) Washer, Flt, .31 Sae	1

Fig. 13 – Wheel And Brake Group, Rear

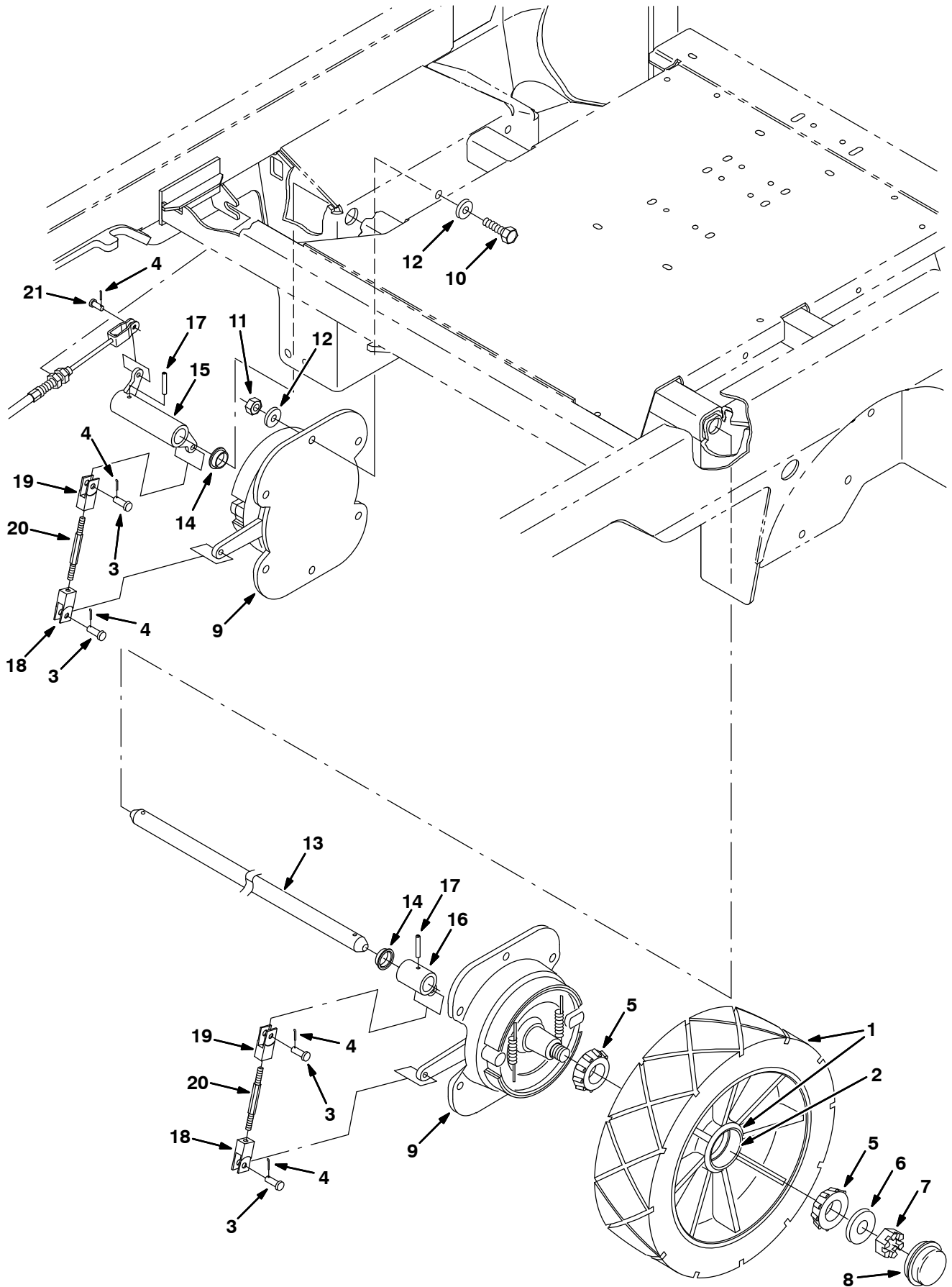


Fig. 13 - Wheel And Brake Group, Rear

	Ref.	Part No.	Serial Number	Description	Qty.
▽	1	1059348	(000000-) Tire, Idler, Scrbr, Blk, 16.0X5.0	2
▲	2	51338	(000000-) Bearing, Cup, 2.56d 0.55w	2
▽	1	1061976	(000000-) Tire, Idler, Scrbr, Pu, Grey, 16.0X5.0 (Polyurethane Option)	2
▲	2	51338	(000000-) Bearing, Cup, 2.56d 0.55w	2
▽	1	387015	(000000-) Tire Assy, Non-Skid, 16X5X12.12 (Option)	2
▲	2	51338	(000000-) Bearing, Cup, 2.56d 0.55w	2
	3	09088	(000000-) Pin, Clevis, 0.37 D X 1.00l	4
	4	39005	(000000-) Pin, Cotter, .094 X 0.75	5
	5	51339	(000000-) Bearing, Cone, 1.38b 0.71w	4
	6	32969	(000000-) Washer, Flat, 1.00 Sae Hard	2
	7	14242	(000000-) Nut, Hex, Sltd, 1.00-20	2
	8	54390	(000000-) Cap, Hub 2.567 Hole	2
▽	9	54577	(000000-) Brake Assy	2
▲		66211	(000000-) Brake Shoes	2
▲		66213	(000000-) Brake Repair Kit	1
▲		70161	(000000-) Chrome Pltd Cam Shaft	1
▲		70158	(000000-) Return Spring-Brakes	2
	10	06969	(000000-) Screw, Hex, M12 X 1.75 X 40, 8.8	12
	11	08711	(000000-) Nut, Hex, Lock, M12 X 1.75,NI	12
	12	32486	(000000-) Washer, Flt, .50 Sae	24
	13	386367	(000000-) Shaft	1
	14	83733	(000000-) Bushing, Flng, 1.00b 1.13d 0.38l	2
	15	1056859	(000000-) Arm Wldt, Brake, Rh, Iron Gray [7200]	1
	16	1056861	(000000-) Arm Wldt, Brake, Lh, Iron Gray [7200]	1
	17	26315	(000000-) Pin, Roll, .250 D X 1.50l, .250/.256	2
	18	1023676	(000000-) Clevis, Adj, 0.38pin, 0.31-24, PI	2
	19	1023677	(000000-) Clevis, Adj, 0.38pin, 0.31-24, Lh, PI	2
	20	386378	(000000-) Rod, Threaded	2
	21	10120	(000000-) Pin, Clevis, 0.31 D X 0.75l	1

Fig. 14 – Solution Tank Group

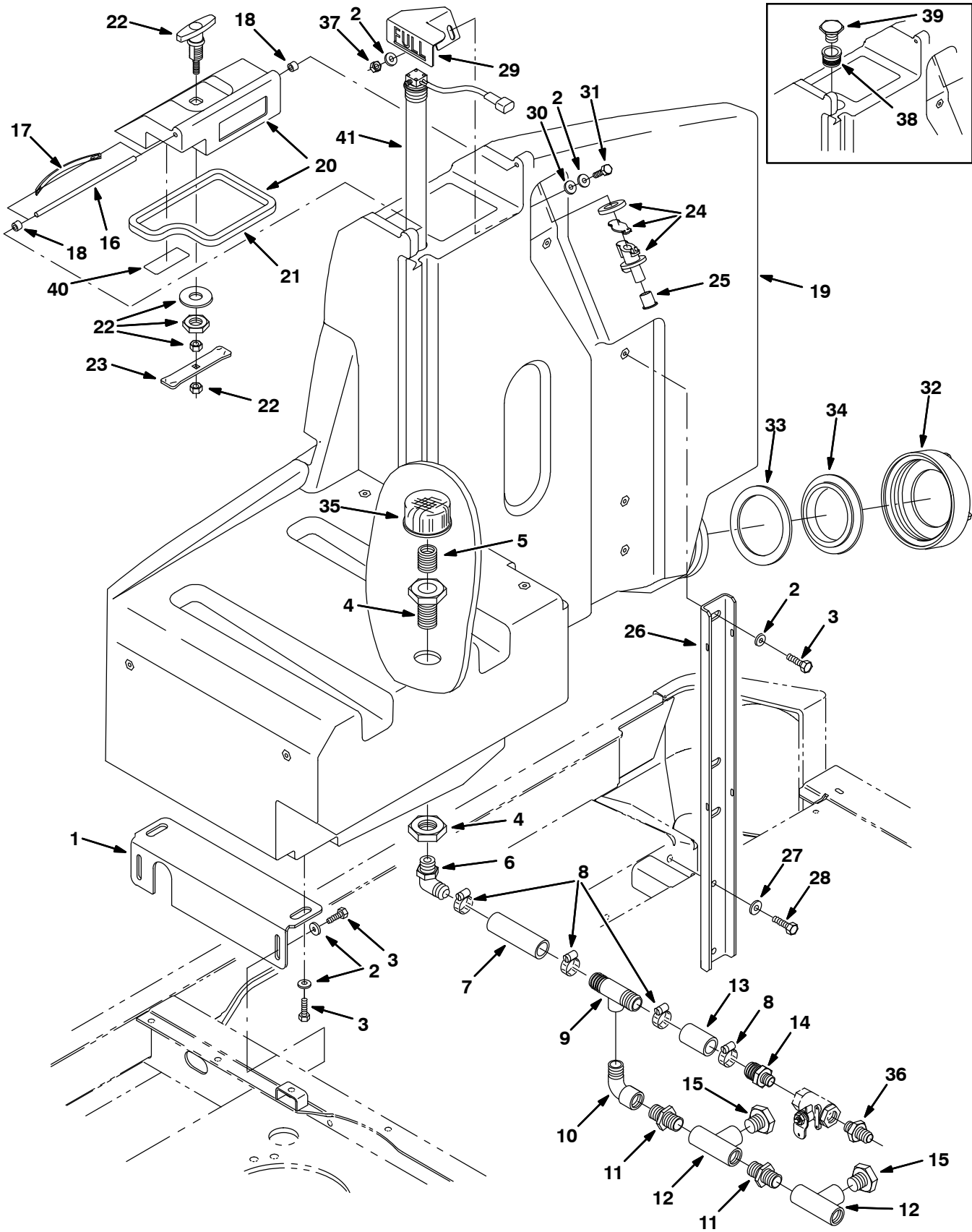


Fig. 14 - Solution Tank Group

Ref.	Part No.	Serial Number	Description	Qty.	
1	1056849	(000000-) Bracket, Mtg, Tank, Iron Gray	1	
2	01685	(000000-) Washer, Flt, .31 Ss	9	
3	12273	(000000-) Screw, Hex, M08 X 1.25 X 20, Ss, NI	7	
4	386224	(000000-) Fitting, Plstc, Bkhd, Pf16/Pf16	1	
5	223499	(000000-) Fitting, Plstc, Str, Pm16/Pm16 Close	1	
6	365093	(000000-) Fitting, Plstc, E90, 16bm/16pm	1	
7	386420	(000000-) Hose, Water, 1.0id 4.5l	1	
8	11399	(000000-) Clamp, Hose, Wormdrive, 0.81-1.50d	4	
9	365096	(000000-) Fitting, Plstc, Tee, Bm16/Pf12/Bm16	1	
10	69785	(000000-) Fitting, Plstc, E90, Pm12/Pf12	1	
11	24544	(000000-) Fitting, Plstc, Str, Pm12/Pm12	2	
12	42133A	(000000-) Fitting, Plstc, Tee, Pf12/Pf12/Pf12	2	
13	386421	(000000-) Hose, Water, 1.0id 2.25l	1	
14	57379	(000000-) Fitting, Plstc, Str, Pm12/Bm16	1	
15	75611	(000000-) Fitting, Plstc, Plug, Pm12	2	
16	386419	(000000-) Pin, Hinge, Cover	1	
17	386643	(000000-) Spring, Cover	1	
18	49740	(000000-) Cap, Plastic	2	
19	387683	(000000-004999)) Tank Kit, Soltn, W/ Label, Replmt [7300]	1	
19	9006972	(005000-) Tank Kit, Soltn, W/ Label, Teal, Replmt	1	
▽	20	387594	(000000-004999)) Cover Kit, Soltn, W/ Gasket	1
▲	21	386320	(000000-004999)) Gasket, Celr Ure, .50, 05.94w 08.88l,Adh	1
▽	20	9006967	(005000-) Cover Kit, Soltn, W/ Gasket, Teal	1
▲	21	386320	(005000-) Gasket, Celr Ure, .50, 05.94w 08.88l,Adh	1
	21	386162	(000000-) Cover, Tank, Solution	1
	22	386324	(000000-) Handle	1
	23	386222	(000000-) Bar	1
	24	78842	(000000-) Kit, Valve, Check	1
	25	78740	(000000-) Plug, Cap	1
	26	386160	(000000-004999)) Channel	1
	26	1056382	(005000-) Channel, .19, 2.5w 1.0 29.3l, H&S, Gray	1
	27	01686	(000000-) Washer, Flt, .38 Ss	2
	28	77347	(000000-) Screw, Hex, M10 X 1.5 X 35, Ss	2
	29	387061	(000000-) Bracket, Full	1
	30	63416	(000000-) Washer, 0.31b 0.88d .12, Rbr	1
	31	09011	(000000-) Screw, Hex, M08 X 1.25 X 30, Ss	1
	32	23456	(000000-) Cap, Tank, Drain, 6.17 Thread Pye	1
	33	1031699	(000000-) Gasket, .19, 4.05id 5.29od [Buna]	1
	34	86636	(000000-) Cover, Tank	1
	35	20810	(000000-) Filter, Soltn, 20mesh, Pf16 3.1d 02.3l	1
	36	79273-2	(000000-) Fitting, Plstc, Str, Bm12/Pm12	1
	37	08713	(000000-) Nut, Hex, Lock, M08 X 1.25,NI, Ss	1
	38	223528	(000000-001986)) Grommet, Level Sensing 1.6 D 9.6L	1
	39	49745	(000000-001986)) Fitting, Plstc, Plug, PM16	1
	40	391451	(001987-) Label, Attention Fast Users	1
	41	375431	(001987-) Kit, Replmt, Press Switch/34" Tube	1

Fig. 15 – FaST Solution Pump Group (000000-003746)

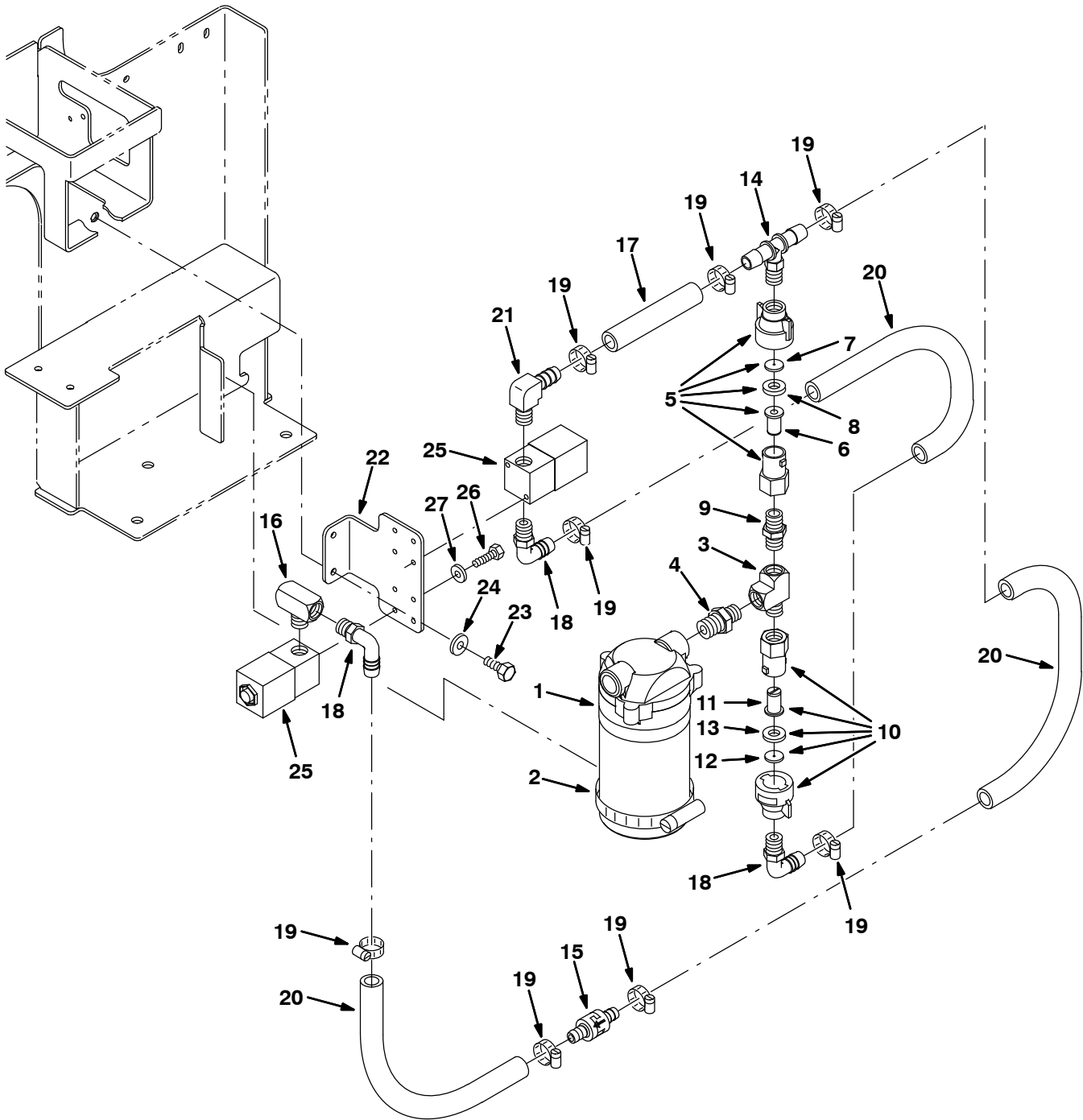


Fig. 15 – FaST Solution Pump Group (000000–003746)

Ref.	Part No.	Serial Number	Description	Qty.	
1	1005866	(000000–003746)	Pump, Soltn, Ele, 36vdc	1	
2	43555	(000000–003746)	Clamp, Hose, Wormdrive, 1.62–3.50d	1	
3	150709	(000000–003746)	Fitting, Brs, Tee, Pf04/Pf04/Pm04, Run	1	
4	1010835	(000000–003746)	Fitting, Brs, Str, Pm04/Pm06	1	
▽	5	1010655	(000000–003746)	Fitting Assy, Cap, 0.067b, Pf04	1
▲	6	1006447	(000000–003746)	Screen, 50 Mesh, Ss	1
▲	7	1010658	(000000–003746)	Plate, Orifice, 0.067id	1
▲	8	1005508	(000000–003746)	Washer, Flat, 0.34b 0.75d 0.12, Viton	1
	9	398468	(000000–003746)	Fitting, Brs, Str, Pm04/Pm04	1
▽	10	1010660	(000000–003746)	Fitting Assy, Cap, 0.086b, Pf04	1
▲	11	1006447	(000000–003746)	Screen, 50 Mesh, Ss	1
▲	12	1010661	(000000–003746)	Plate, Orifice, 0.086id	1
▲	13	1005508	(000000–003746)	Washer, Flat, 0.34b 0.75d 0.12, Viton	1
	14	1010791	(000000–003746)	Fitting, Plstc, Tee, Bm08/Pm04/Bm08 Nyl	1
	15	1010614	(000000–003746)	Valve, Check, 2 Gpm 3" 06bm/08bm	1
	16	53268	(000000–003746)	Fitting, Brs, Tee, Pf04/Pm04/Pf04	1
	17	1011403	(000000–003746)	Hose, Afmkt Replmt, Pvc, Brd 0.50id 1 Ft	1
	18	1010713	(000000–003746)	Fitting, Plstc, E90, Bm08/Pm04 Nyl	3
	19	54333	(000000–003746)	Clamp, Hose, Wormdrive, 0.31–0.88d	8
	20	1011521	(000000–003746)	Hose, Afmkt Replmt, Pvc, Brd 0.50id 2 Ft	3
	21	1010836	(000000–003746)	Fitting, Brs, E90, Pm04/Bm08	1
	22	1013857	(000000–003746)	Bracket, Mtg, Valve, Solenoid	1
	23	06942	(000000–003746)	Screw, Hex, M6 X 1.0 X 16, 8.8	2
	24	32490	(000000–003746)	Washer, Flat, 0.25 Std	2
	25	1028581	(000000–003746)	Valve, Water, 36vdc, 6.0mm, 04pf	2
	26	09252	(000000–003746)	Screw, Hex, M5 X 0.8 X 20, 8.8	4
	27	19066	(000000–003746)	Washer, Flat, #10	4

STANDARD PARTS

Fig. 16 – FaST Air Pump and Detergent Group (000000-003746)

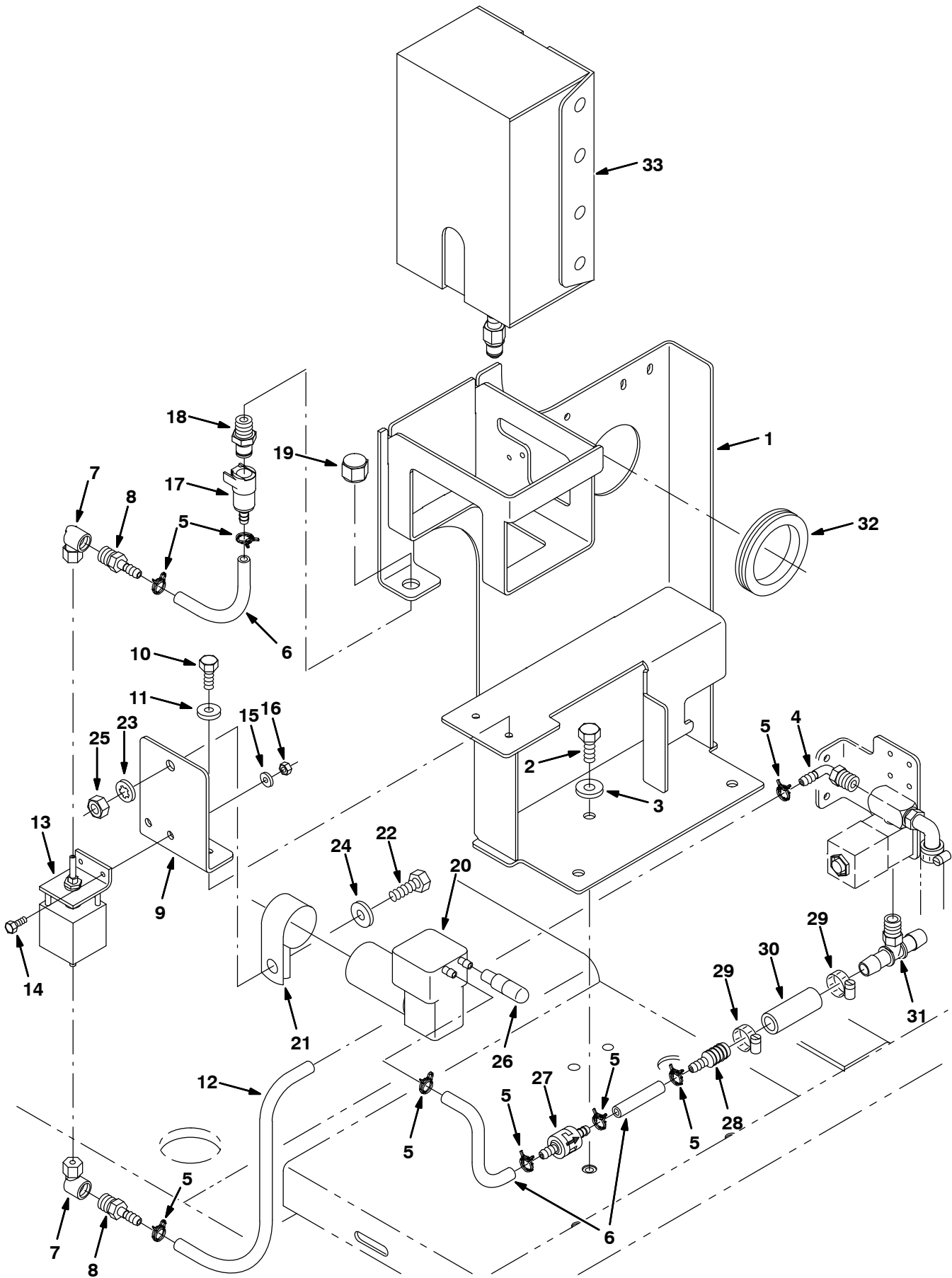


Fig. 16 - FaST Air Pump and Detergent Group (000000-003746)

Ref.	Part No.	Serial Number	Description	Qty.
1	1010797	(000000-002447)	Bracket Wldt [7300/8300-FaST]	1
1	1024009	(002448-003746)	Bracket Wldt [7300/8300 FaST]	1
2	16931	(000000-003746)	Screw, Hex, M8 X 1.25 X 20, 8.8	3
3	32491	(000000-003746)	Washer, Flat, 0.31 Std	3
4	1011170	(000000-003746)	Fitting, Plstc, E90, Bm04/Pm04 Nyl	1
5	613735	(000000-003746)	Clamp, Hose .40 - .42 2 Wire	8
6	1014987	(000000-003746)	Hose, Afmkt, Pvc, Clr 0.25id 1 Ft	2
7	1014082	(000000-003746)	Fitting, Brs, E90, Cf03/Pf02	2
8	150525	(000000-003746)	Fitting 1/8mx1/4h Barb Brs	2
9	1013866	(000000-003746)	Bracket, Mtg, Pump, Detgt [7300/8300]	1
10	06942	(000000-003746)	Screw, Hex, M6 X 1.0 X 16, 8.8	2
11	32490	(000000-003746)	Washer, Flat, 0.25 Std	2
12	1014986	(000000-003746)	Hose, Afmkt, Pvc, Clr 0.25id 2 Ft	1
13	1014056	(000000-003746)	Pump, Detgt, 560s	1
14	09206	(000000-003746)	Screw, Hex, M4 X 0.7 X 12, 8.8	2
15	19064	(000000-003746)	Washer, Flat, #06	2
16	02850	(000000-003746)	Nut, Hex, Lock, M 4 X 0.7, NI	2
17	1002898	(000000-003746)	Coupling, Fem, W/ Valve, .25 Brb	1
18	1002899	(000000-003746)	Coupling, Mal, .25 Npt	1
19	1005435	(000000-003746)	Fitting, Plstc, Cap, Pf04	1
20	1008211	(000000-003746)	Pump, Air, Ele, 36vdc	1
21	53466	(000000-003746)	Clamp, Cable, Stl, 1.50d X 1.00w, 1h	1
22	09010	(000000-003746)	Screw, Hex, M8 X 1.25 X 25, Ss	1
23	32984	(000000-003746)	Washer, Lock, Int, .31	1
24	32491	(000000-003746)	Washer, Flat, 0.31 Std	1
25	08709	(000000-003746)	Nut, Hex, Lock, M8 X 1.25, NI	1
26	1005255	(000000-003746)	Filter Assy, Air, Molded Ure	1
27	1010871	(000000-003746)	Valve, Check, 2 Gpm 0.5psi Bm04/Bm04	1
28	25620	(000000-003746)	Fitting, Plstc, Str, Bm04/Bm08	1
29	54333	(000000-003746)	Clamp, Hose, Wormdrive, 0.31-0.88d	2
30	1011403	(000000-003746)	Hose, Afmkt Replmt, Pvc, Brd 0.50id 1 Ft	1
31	1010791	(000000-003746)	Fitting, Plstc, Tee, Bm08/Pm04/Bm08 Nyl	1
32	10632-19	(000000-003746)	Grommet, Rbr, 2.13id, F/ 2.5h, .12 Matl	1
33	1017015	(000000-003746)	Detergent Pkg, 2 Liter, Sgl, 365	1
33	1017022	(000000-003746)	Detergent Pkg, 2 Liter, Sgl, 665	1
33	1021878	(000000-003746)	Detergent Pkg, 4 Liter, Sgl [Tco 665]	1

Fig. 17 – FaST Foam Filter Group (000000–003746)

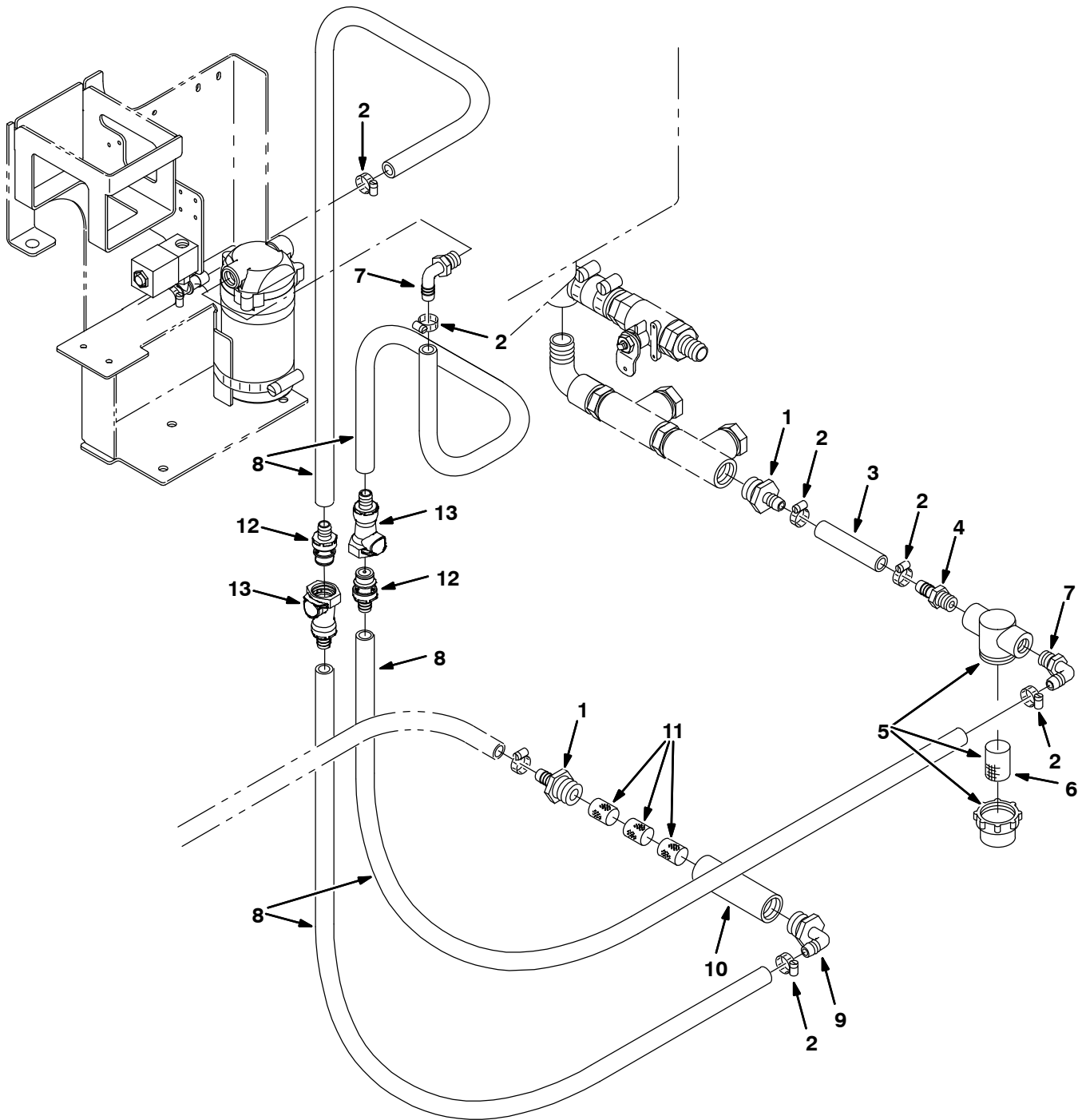


Fig. 17 - FaST Foam Filter Group (000000-003746)

Ref.	Part No.	Serial Number	Description	Qty.	
1	79273-1	(000000-003746)	Fitting, Plstc, Str, Bm08/Pm12	1	
2	54333	(000000-003746)	Clamp, Hose, Wormdrive, 0.31-0.88d	6	
3	1011403	(000000-003746)	Hose, Afmkt Replmt, Pvc, Brd 0.50id 1 Ft	1	
4	64743	(000000-003746)	Fitting, Plstc, Str, Bm08/Pm06	1	
▽	5	1005302	(000000-003746)	Filter, Inline, Pf06/Pf06, 80 Mesh	1
▲	6	1005304	(000000-003746)	Screen, Filter, 80 Mesh	1
7	64778	(000000-003746)	Fitting, Plstc, E90, Bm08/Pm06	2	
8	1011835	(000000-003746)	Hose, Afmkt Replmt, Pvc, Brd 0.50id 20ft	1	
9	1005552	(000000-003746)	Fitting, Plstc, E90, Bm08/Pm12, Nyl	1	
10	1005086	(000000-003746)	Tube, Pvc, Shc80, Clear, 4.0l	1	
11	1002789	(000000-003746)	Filter, Foam	3	
12	1017415	(000000-003746)	Coupling Insert, Qm, Bm08	1	
13	1017413	(000000-003746)	Coupling Body, Qf, Pm08	1	

Fig. 18 - FaST Pumps and Detergent Group (003747-)

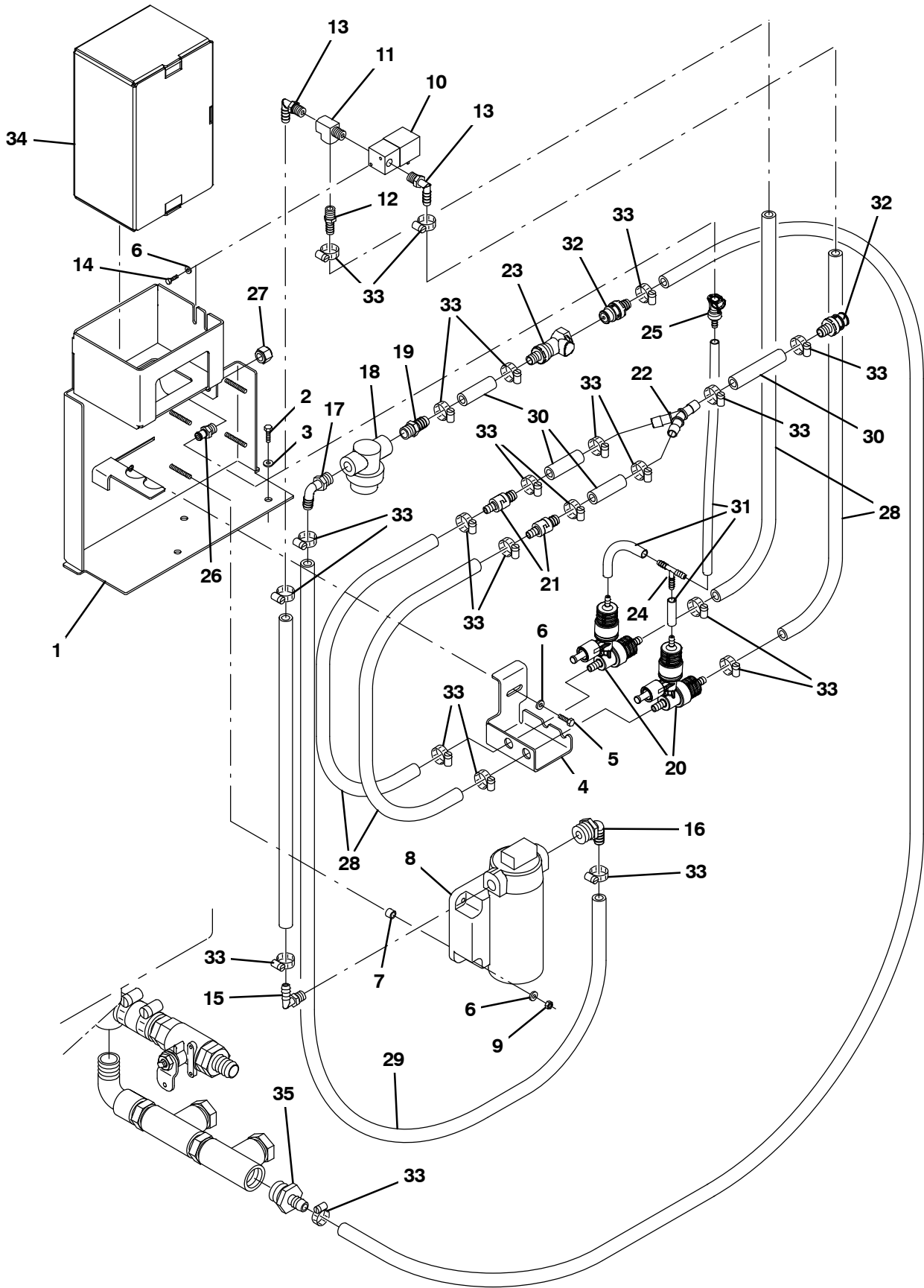


Fig. 18 – FaST Pumps and Detergent Group (003747–)

Ref.	Part No.	Serial Number	Description	Qty.
1	1050771	(003747–)	Bracket Wldt [7300/8300 Fast li+]	1
2	16735	(003747–)	Screw, Hex, M8 X 1.25 X 16, 8.8	3
3	32491	(003747–)	Washer, Flat, 0.31, Std	3
4	1050805	(003747–)	Bracket, Mtg [Fast li+]	1
5	06942	(003747–)	Screw, Hex, M6 X 1.00 X 16, 8.8	1
6	01683	(003747–)	Washer, Flat, 10, Ss	7
7	360801	(003747–)	Sleeve, 0.32b 0.50d 0.3l, 2cham, Ss	4
8	1045633	(003747–)	Pump, Soltn, 36vdc, 65psi [Fast li+]	1
9	06549	(003747–)	Nut, Hex, Lock, M5 X 0.80, NI	4
10	1028581	(003747–)	Valve, Water, Solenoid, 36vdc 6.0mm Pf04	1
11	150709	(003747–)	Fitting, Brs, Tee, Pm04/Pf04/Pf04, Run	1
12	150540	(003747–)	Fitting, Plstc, Str, Bm06/Pm04	1
13	57248	(003747–)	Fitting, Plstc, E90, Bm06/Pm04, Nyl	2
14	12312	(003747–)	Screw, Hex, M5 X 0.80 X 12, 8.8	2
15	1049259	(003747–)	Fitting, Nyl, Qdc, E90, Bm06/ Qm10	1
16	1049254	(003747–)	Fitting, Nyl, Qdc, E90, Bm08/ Qm10	1
17	64778	(003747–)	Fitting, Plstc, E90, Bm08/Pm06	1
18	1005302	(003747–)	Filter, In-Line, Pf06/Pf06 080mesh 02.6l	1
19	64743	(003747–)	Fitting, Plstc, Str, Bm08/Pm06	1
20	1070035	(003747–)	Injector Assy [Gen III] (See Breakdowns)	2
21	1035794	(003747–)	Valve, Check, 0005psi Bm06/Bm08	2
22	1010668	(003747–)	Fitting, Plstc, Y, Bm08/Bm08/Bm08, Nyl	1
23	1017413	(003747–)	Housing, Cplg, Qf / Pm08	2
24	150713	(003747–)	Fitting, Plstc, Tee, Bm04/Bm04/Bm04	1
25	1002898	(003747–)	Fitting, Plstc, Str, Bm04, Cplg, Fem	1
26	1002899	(003747–)	Fitting, Plstc, Str, Pm04, Cplg, Mal	1
27	1005435	(003747–)	Fitting, Plstc, Pipe, Cap, Pf04	1
28	1006400	(003747–)	Hose, Afmkt, Pvc, Brd, 0.38id, 03ft, Clr	2
29	1011521	(003747–)	Hose, Afmkt, Pvc, Brd, 0.50id, 02ft, Clr	1
30	1011403	(003747–)	Hose, Afmkt, Pvc, Brd, 0.50id, 01ft, Clr	1
31	1014986	(003747–)	Hose, Afmkt, Pvc, Clr, 0.25id, 02ft	1
32	1017415	(003747–)	Insert, Cplg, Qm, Bm08	2
33	54333	(003747–)	Clamp, Hose, Wormdrive, 0.31–0.88d, .31w	22
34	1021878	(003747–)	Fast 665 4 Ltr, Detergent	1
34	9002022	(003747–)	Fast 965 4 Ltr, Detergent	1
35	79273–1	(003747–)	Fitting, Plstc, Str, Bm08/Pm12	1

Fig. 19 - Solution Control Group

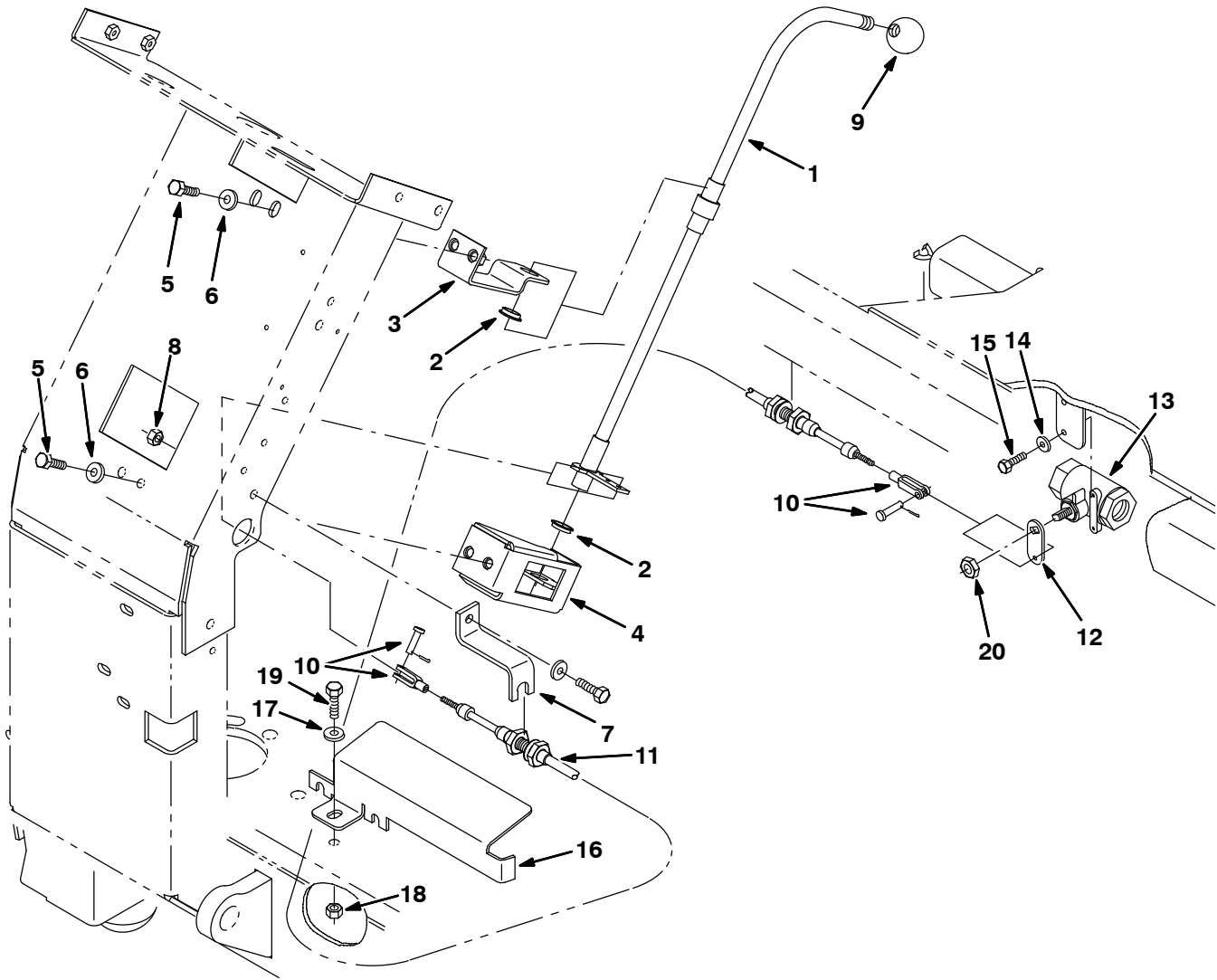


Fig. 19 – Solution Control Group

Ref.	Part No.	Serial Number	Description	Qty.
1	386116	(000000–) Rod Wldt	1
2	04843	(000000–) Bushing, Flng, 0.63b 0.72d 0.25l	2
3	1056929	(000000–) Bracket, Handle, Water, Iron Gray	1
4	1056928	(000000–) Bracket Wldt, Hose, Water, Iron Gray	1
5	16735	(000000–) Screw, Hex, M08 X 1.25 X 16, 8.8	5
6	32491	(000000–) Washer, Flt, .31 Std	4
7	1056850	(000000–) Bracket, Cntrl, Cable, Iron Gray	1
8	08709	(000000–) Nut, Hex, Lock, M08 X 1.25, NI	1
9	26156	(000000–) Knob, 0.50–20, 1.38d, Plstc	1
10	27880	(000000–) Clevis, Adj, 0.19pin, #10–32	2
11	386351	(000000–) Cable, Push Pull	1
12	1057068	(000000–) Lever, Valve, Water, Iron Gray	1
13	79350	(000000–) Valve, Water	1
14	01683	(000000–) Washer, Flt, #10 Ss	2
15	42011	(000000–) Screw, Hex, #10–24 X 0.50, Ss	2
16	387425	(000000–004999) Bracket, Guard	1
16	1056481	(005000–) Bracket, Guard, Iron Gray	1
17	01684	(000000–) Washer, Flt, .25 Ss	1
18	08712	(000000–) Nut, Hex, Lock, M06 X 1.0, NI, Ss	1
19	09007	(000000–) Screw, Hex, M06 X 1.0 X 25, Ss	1
20	363453	(000000–) Nut, Hex, Lock, .44–20, NI, Thin	1

Fig. 20 – Recovery Tank Group

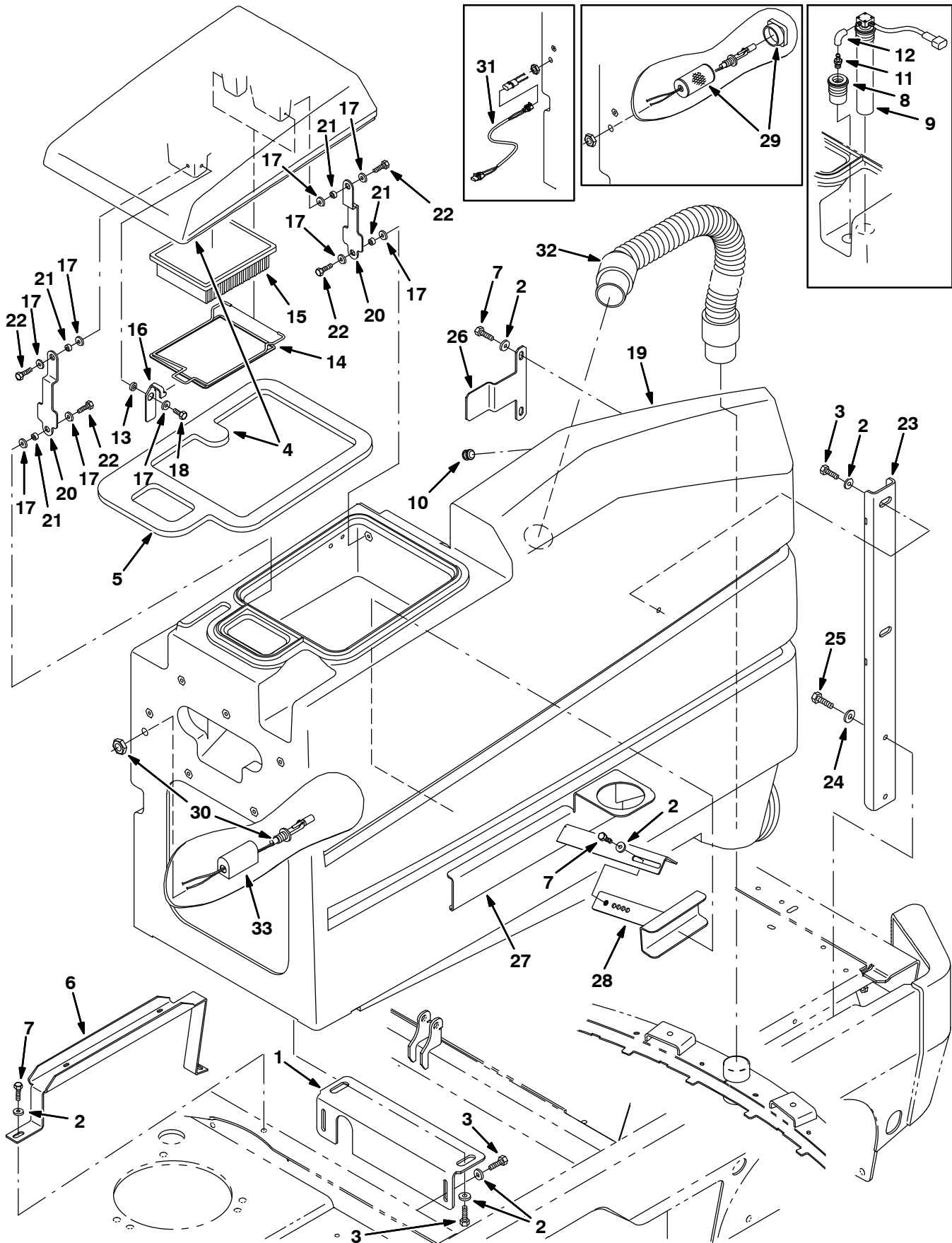


Fig. 20 - Recovery Tank Group

Ref.	Part No.	Serial Number	Description	Qty.
	1	1056849	(000000-) Bracket, Mtg, Tank, Iron Gray	1
	2	01685	(000000-) Washer, Flt, .31 Ss	14
	3	12273	(000000-) Screw, Hex, M08 X 1.25 X 20, Ss, NI	6
▽	4	387593	(000000-004999) Kit, Cover, Recvy, W/Gasket	1
▲	5	386223	(000000-004999) Gasket, Tank, Recovery	1
▽	4	9006966	(005000-) Cover Kit, Recvy, W/ Gasket, Teal	1
▲	5	386223	(005000-) Gasket, Ure, .50, 12.65w 18.89l, Adh	1
	6	1056857	(000000-) Bracket, Harness, Iron Gray	1
	7	09740	(000000-) Screw, Hex, M08 X 1.25 X 20, Ss	6
	8	385750	(000000-001541) Tube Assy, 2 Inch	1
	9	375429	(000000-001541) Switch Assy, Press, 4 Inch	1
	10	386424	(000000-) Plug, Cap	1
	11	386425	(000000-001541) Fitting, Plstc, [90 Bm03/Pm02]	1
	12	13292	(000000-001541) Hose, Vacuum, 0.16id X 05.0l	2
	13	386785	(000000-) Spacer, Latch, Filter	1
	14	387615	(000000-) Bracket, Retainer, Filter	1
	15	1037822	(000000-) Filter, Panl, Dust, 2.0 X 06.1 X 07.6	1
	16	386325	(000000-) Bracket, Retaining, Filter	1
	17	01685	(000000-) Washer, Flt, 0.38B 0.88D .08, Ss	9
	18	15675	(000000-) Screw, Hex, M08 X 1.25 X 16, Ss	1
	19	387685	(000000-004999) Tank Kit, Recvy, W/ Label, Replmt [7300]	1
	19	9006974	(005000-) Tank Kit, Recvy, W/ Label, Teal, Replmt	1
	20	386108	(000000-) Bar	2
	21	360801	(000000-) Sleeve	4
	22	12273	(000000-) Screw, Hex, M08 X 1.25 X 20, Ss, NI	4
	23	386160	(000000-) Channel	1
	24	01686	(000000-) Washer, Flt, .38 Ss	2
	25	77347	(000000-) Screw, Hex, M10 X 1.5 X 35, Ss	2
	26	1056868	(000000-) Bracket, Retaining, Iron Gray	1
	27	386444	(000000-) Bracket Wldt, Tank	1
	28	386445	(000000-) Bracket Wldt, Tank	1
	29	375302	(001542-002264) Strainer, Soltn, Switch Guard (Repl. By 387649)	1
	30	222822	(001542-002036) Sensor, Level, Liquid [Magnetic]	1
	30	385685	(002037-) Sensor, Level, Liquid, 14vdc 01a .62-11	1
	31	369766	(001542-002036) Harness, Sensor, Jumper	1
	32	386267	(000000-) Hose, Vacuum, 89.0l	1
	33	1019285	(002265-) Bracket, Protector, Float Switch	1

Fig. 21 – Recovery Tank Drain Assembly

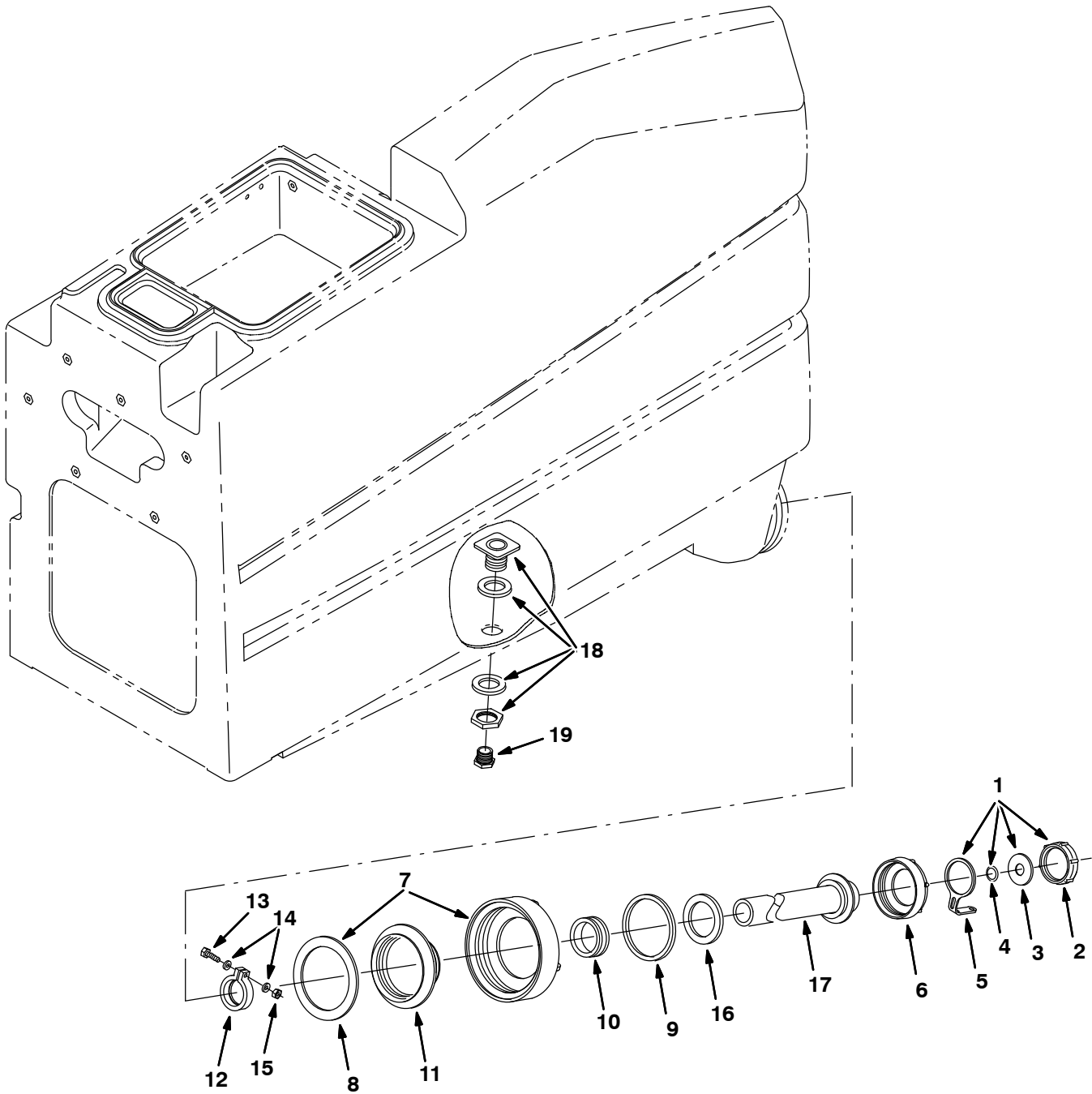


Fig. 21 - Recovery Tank Drain Assembly

	Ref.	Part No.	Serial Number	Description	Qty.
▽		387201	(000000-) Hose Assy, Drain	1
▲▽	1	32501	(000000-) Kit, Cap, Drain	1
▲▲	2	32613	(000000-) Cap, Tank, Drain, 2.25 Thread Pye	1
▲▲	3	32614	(000000-) Gasket, Cap	1
▲▲	4	32669	(000000-) Ring, Retaining, Ext, 0.75d, Ss	1
▲▲	5	32508	(000000-) Strap	1
▲	6	14880	(000000-) Cap, Tank, Drain, 3.85 Thread Pye	1
▲▽	7	24358	(000000-) Cap, Tank	1
▲▲	8	1031699	(000000-) Gasket, .19, 4.05id 5.29od [Buna]	1
▲	9	79320	(000000-) Gasket, Cap, Drain	1
▲	10	41421	(000000-) Seal	1
▲	11	14864	(000000-) Cover, Insert	1
▲	12	41454	(000000-) Clamp, Hose, Plstc, 1.60d X 0.62w	1
▲	13	12316	(000000-) Screw, Hex, M05 X 0.8 X 25, Ss	1
▲	14	01683	(000000-) Washer, Flt, #10 Ss	1
▲	15	09739	(000000-) Nut, Hex, Lock, M05 X 0.8, NI, Ss	1
▲	16	41451	(000000-) Gasket, Lid	1
▲	17	386423	(000000-) Hose Assy, Drain	1
	18	377349	(000000-) Fitting, Plstc, Bkhd, Pf12/Pf12	1
	19	75611	(000000-) Fitting, Plstc, Plug, Pm12	1

Fig. 22 – Vacuum Fan Group

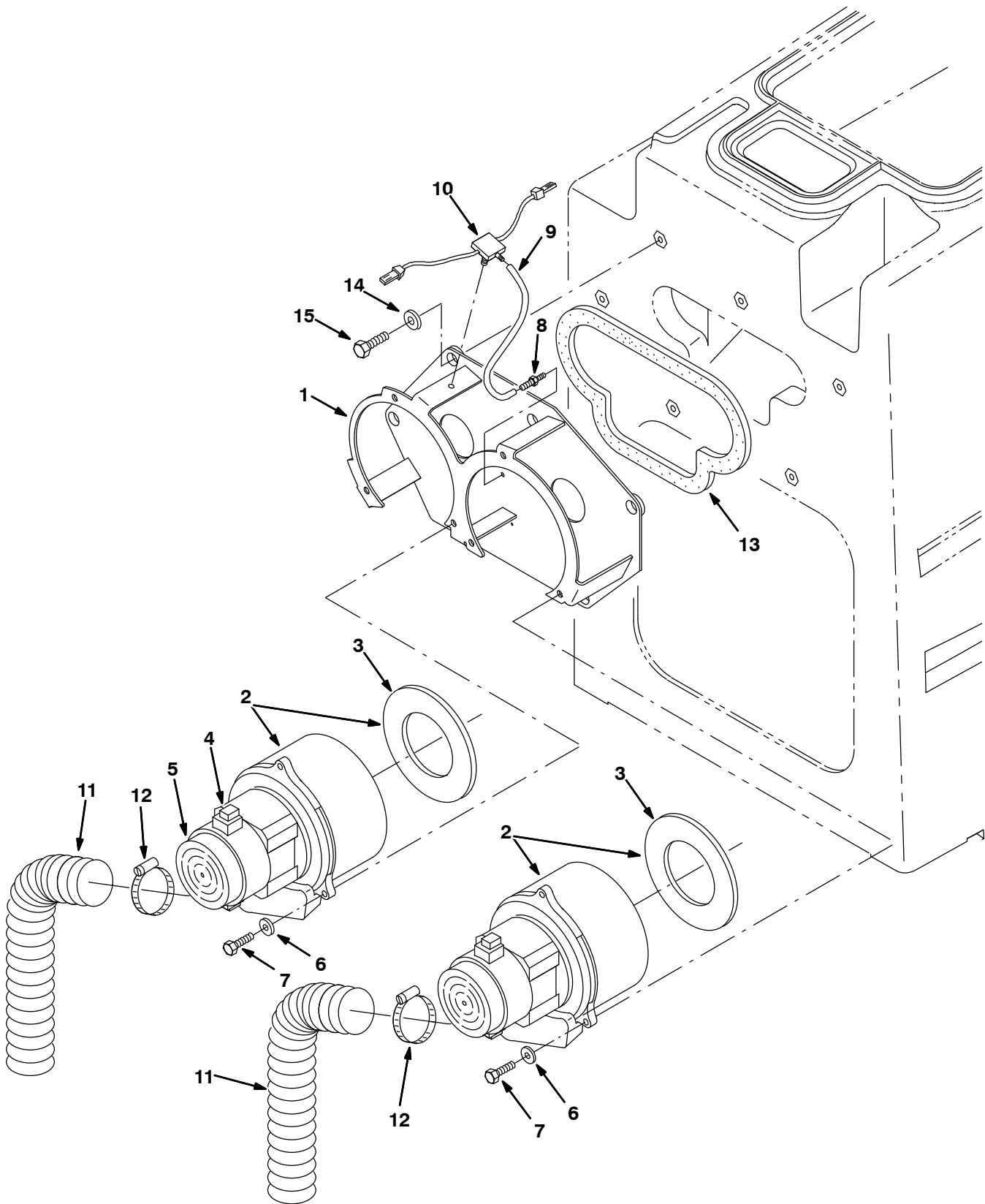


Fig. 22 – Vacuum Fan Group

Ref.	Part No.	Serial Number	Description	Qty.
	1	386321	(000000–003472) Bracket Wldt, Mtg, Fan	1
	1	1056941	(003473–) Bracket Wldt, Mtg, Fan, Iron Gray	1
▽	2	17363	(000000–001557) Fan Assy, Vacuum (See Breakdown) (Replaced by 398520)	2
▲	3	223264	(000000–001557) Seal, Rbr, Clsd, 0.25th, 5.8d 03.3h	1
▽	2	398520	(001558–003472) Fan Assy, Vacuum (See Breakdown)	2
▲	3	223264	(001558–003472) Seal, Rbr, Clsd, 0.25th, 5.8d 03.3h	1
▽	2	9004054	(003473–) Motor Kit, Vacuum, Replmt	1
▲	3	223264	(003473–) Seal, Rbr, Clsd, 0.25th, 5.8d 03.3h	1
▲	4	1041772	(003473–) Brush Kit, Motor	1
▲	5	1041766	(003473–) Cover, Cooling Fan	1
	6	32483	(000000–) Washer, Flat, 0.25, Sae	6
	7	06943	(000000–) Screw, Hex, M6 X 1.00 X 20, 8.8	6
	8	40607	(000000–) Fitting, Brs, Str, Pm02/Bm03	1
	9	13292	(000000–) Hose, Vacuum, 0.16id X 05.0l	1
	10	386349	(000000–) Switch, Vacuum, Dual Level	1
	11	387499	(000000–) Hose, Vacuum	2
	12	22297	(000000–) Clamp, Hose, Wormdrive, 1.56–2.50d	2
	13	386323	(000000–) Gasket, Mtg, Fan	1
	14	13248	(000000–) Washer, 0.40b 1.12d .12, Stl, Pl	6
	15	15675	(000000–) Screw, Hex, M08 X 1.25 X 16, Ss	6

Fig. 23 - Scrub Head Lift Group

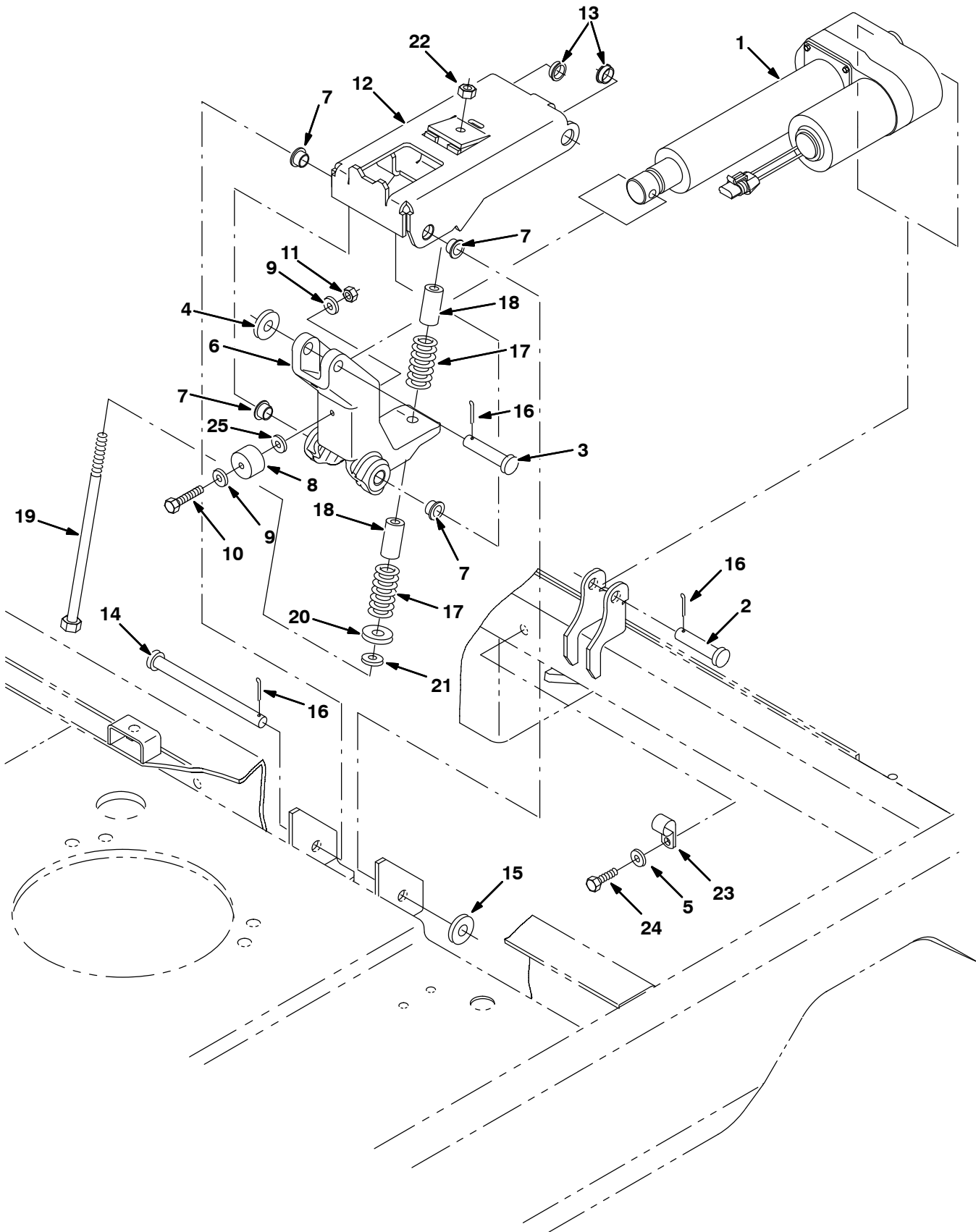


Fig. 23 – Scrub Head Lift Group

Ref.	Part No.	Serial Number	Description	Qty.
1	386985	(000000–) Actuator, 36vdc, 7.0stroke, 700lb	1
2	43290	(000000–) Pin, Clevis, 0.50 D X 1.75l	1
3	06279	(000000–) Pin, Clevis, 0.50 D X 2.50l	1
4	32493	(000000–) Washer, Flt, .50 Std	1
5	01684	(000000–) Washer, Flt, .25 Ss	1
6	1056919	(000000–) Bellcrank, Lift, Head, Iron Gray	1
7	15648	(000000–) Bushing, Flng, 0.50b 0.59d 0.38l	4
8	386988	(000000–) Bumper, Rbr, 1.19d .72l	1
9	01683	(000000–) Washer, Flt, #10 Ss	2
10	12316	(000000–) Screw, Hex, M05 X 0.8 X 25, Ss	1
11	09739	(000000–) Nut, Hex, Lock, M05 X 0.8, NI, Ss	1
12	1056842	(000000–) Arm Wldt, Lift, Scb Head, Gray [7300]	1
13	04843	(000000–) Bushing, Flng, 0.63b 0.72d 0.25l	2
14	51225	(000000–) Pin, Clevis, 0.50 D X 5.50l	1
15	41619	(000000–) Washer, Flt, .50 Ss	1
16	08182	(000000–) Pin, Cotter, .125 X 1.00	3
17	386049	(000000–) Spring, Cmpr, 1.5 Od .75id X 2.5l	2
18	386961	(000000–) Sleeve, .38b X .75d X 1.5l, Bronze	2
19	14455	(000000–) Screw, Hex, M08 X 1.25 X 160, 8.8	1
20	41619	(000000–) Washer, Flt, .50 Ss	1
21	01685	(000000–) Washer, Flt, .31 Ss	1
22	08713	(000000–) Nut, Hex, Lock, M08 X 1.25,NI, Ss	1
23	26395–1	(000000–) Clamp, Cable, Stl, 0.56d X 0.38w, 1h	1
24	12459	(000000–) Screw, Hex, M06 X 1.0 X 20, Fmg	1
25	13248	(000000–) Washer, Flat, 0.40b 1.12d .12, Stl, PI	1

STANDARD PARTS

Fig. 24 – Max Pro 1000 (Disc-Brush) Scrub Head Frame Group

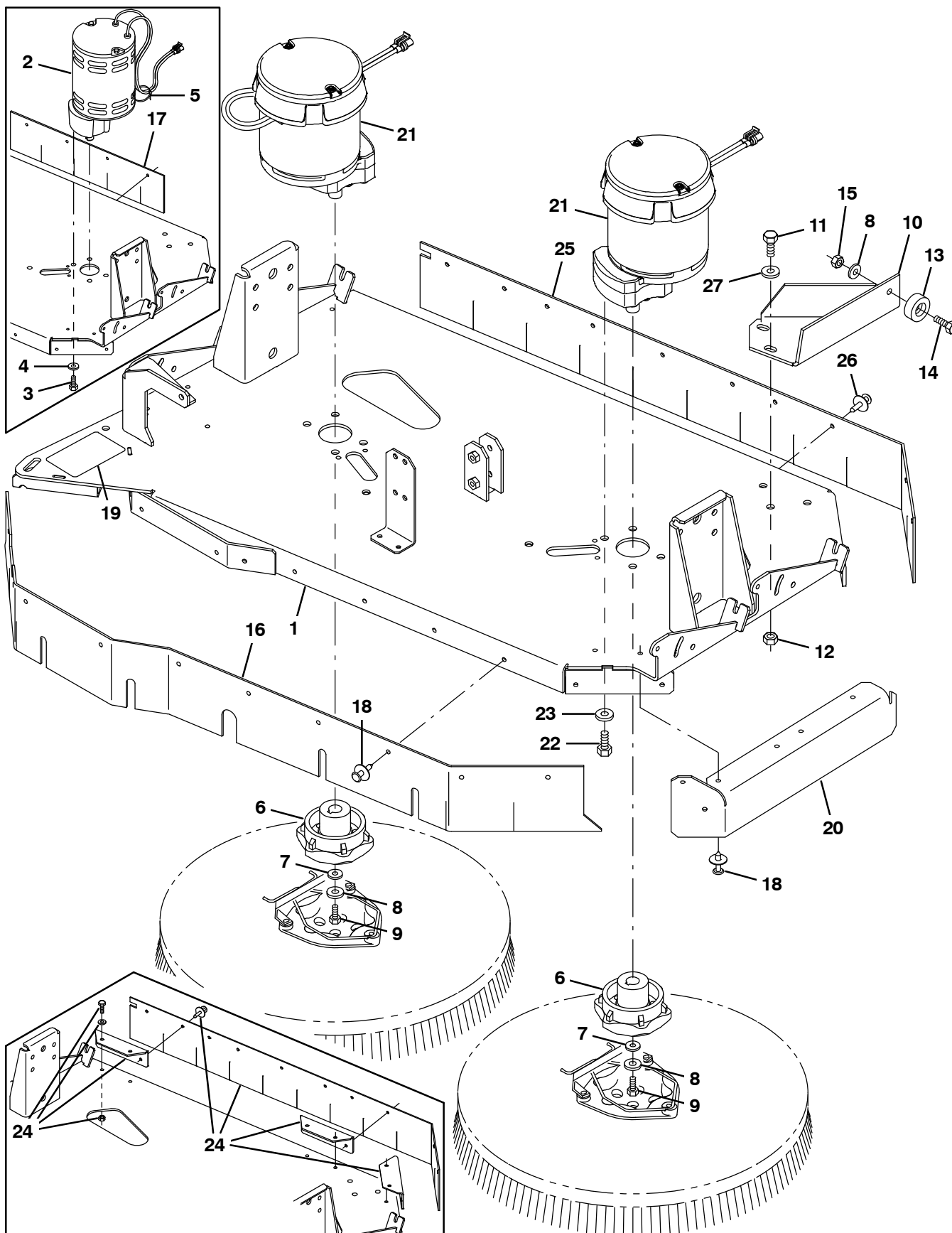


Fig. 24 – Max Pro 1000 (Disc-Brush) Scrub Head Frame Group

Ref.	Part No.	Serial Number	Description	Qty.	
1	1056862	(000000-006109)	Frame Wldt, Scb Head, 2 Brush, Ele, Gray	1	
1	1068417	(006110-)	Frame Wldt, Scb Head, 2 Brush, Ele, Gray	1	
2	386687	(000000-006027)	Motor, Ele, 36vdc 1.00hp 0300rpm, Gear (Standard) (See Breakdown) (Replaced by 9010162)	2	
2	386679	(000000-003244)	Motor, Gear, Ele, 1.5hp, 36vdc, 300rpm (Heavy Duty) (See Breakdown) (Replaced by 387585AM)	2	
2	387585	(003245-006050)	Motor, Ele, 36vdc 1.50hp 0300rpm, Gear (Heavy Duty) (See Breakdown) (Replaced by 9010161)	2	
3	34195	(000000-006027)	Screw, Hex, .38-16 X 1.00, NI	8	
4	01686	(000000-006027)	Washer, Flt, .38 Ss	8	
5	49263	(000000-006027)	Tie, Cable, Nyl, 11.4l .19w 3.0 Max D	2	
6	377364	(000000-)	Hub, Drive, Brush, Disk, 0.75B 6T	2	
7	41186	(000000-)	Washer, Belleville, .31	2	
8	01685	(000000-)	Washer, Flt, .31 Ss	3	
9	32124	(000000-)	Screw, Hex, .31-18 X 1.00, Ss, NI	2	
10	378976	(000000-004999)	Bracket, Stop, Frame	1	
10	1056841	(005000-)	Bracket, Stop, Frame, Iron Gray	1	
11	09028	(000000-)	Screw, Hex, M10 X 1.5 X 25, Ss	3	
12	08714	(000000-)	Nut, Hex, Lock, M10 X 1.5, NI, Ss	3	
13	15023	(000000-)	Bumper, Pye	1	
14	09010	(000000-)	Screw, Hex, M08 X 1.25 X 25, Ss	1	
15	08713	(000000-)	Nut, Hex, Lock, M08 X 1.25,NI, Ss	1	
16	386387	(000000-)	Skirt, Front, Scrub Head, 2-Brush, Ele	1	
17	386388	(000000-006109)	Skirt, Rear, Scrub Head, 2-Brush, Ele	1	
18	72968	(000000-)	Rivet, Plstc, .250 X 0.898	24	
19	365156	(000000-)	Label Set, Info/Hzrd, [Maxpro]	1	
20	387294	(000000-)	Skirt, Side, Scrub Head, 2-Brush, Ele	2	
▽	21	9010162	(006028-)	Motor Kit, Ele 36vdc 300rpm 1.0hp	2
▲		1066573	(006028-)	Brush Kit, Motor	1
▽	21	9010161	(006051-)	Motor Kit, Ele 36vdc 300rpm 1.5hp	2
▲		1066573	(006028-)	Brush Kit, Motor	1
	22	12333	(006028-)	Screw, Hex, M8 X 1.25 X 25, Ss, NI	8
	23	1017218	(006028-)	Washer, Flat, 0.32b 1.00d .12, Ss	8
	24	9009353	(000000-006109)	Skirt Kit, Modif, Rear [Maxpro1000]	1
	25	1062580	(006110-)	Skirt, Rbr, .12, 04.50w 40.73l, 10/ Hole	1
	26	72968	(006110-)	Rivet, Plstc, .250d X 0.90	6
	27	01686	(000000-)	Washer, Flt, .38 Ss	3

Fig. 25 – Max Pro 1000 (Disc-Brush) Scrub Head Linkage Group

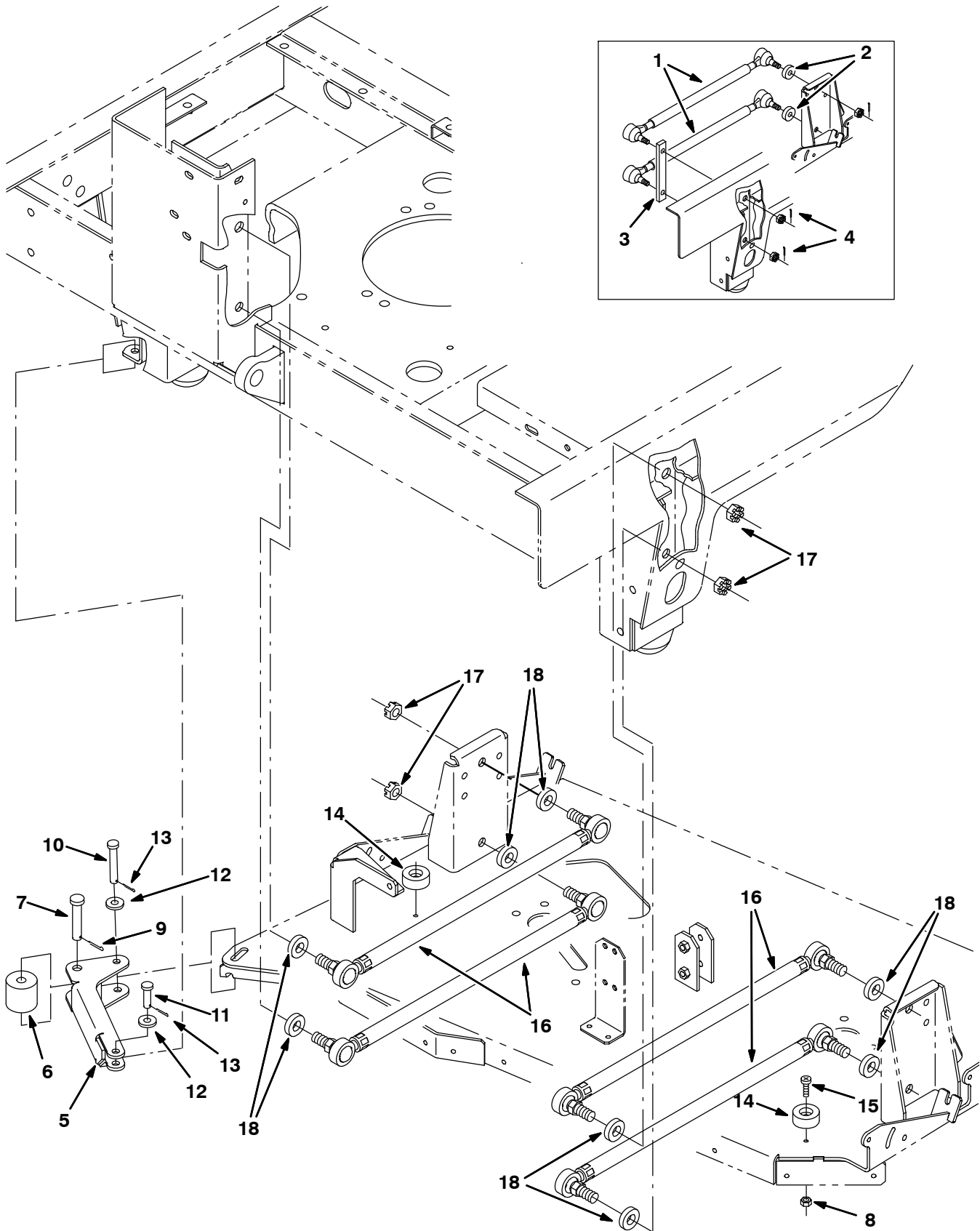


Fig. 25 – Max Pro 1000 (Disc-Brush) Scrub Head Linkage Group

Ref.	Part No.	Serial Number	Description	Qty.
1	14523	(000000-003695)	Link, Lift, Squeegee (Replaced by 9005752)	4
2	14524	(000000-003695)	Spacer, Washer	4
3	24254	(000000-003695)	Link, .38 1.0w 07.5l 2/1.5h	2
4	08346	(000000-003695)	Pin, Cotter, .125 X 0.75	8
5	1001099	(000000-004999)	Guard, Kick In, Scb Head	1
5	1056390	(005000-)	Guard, Kick In, Scb Head, Iron Gray	1
6	72946	(000000-)	Roller	1
7	06279	(000000-)	Pin, Clevis, 0.50 D X 2.50l	1
8	08712	(000000-)	Nut, Hex, Lock, M06 X 1.0, NI, Ss	2
9	08182	(000000-)	Pin, Cotter, .125 X 1.00	1
10	365180	(000000-)	Pin, Clevis, 0.38 D X 2.50l	1
11	29557	(000000-)	Pin, Clevis, 0.37 D X 1.31l	1
12	01686	(000000-)	Washer, Flt, .38 Ss	2
13	39005	(000000-)	Pin, Cotter, .094 X 0.75	2
14	364614	(000000-)	Bumper, Neo, 1.5d .63t .31h	2
15	08716	(000000-)	Screw, Hex, M06 X 1.0 X 20, Ss	2
16	1050195	(003696-)	Link Assy, Rod-End, .63-18	4
17	40814	(003696-)	Nut, Hex, Lock, .62-18, NI, Thin	8
18	1057066	(003696-)	Tube, 0.69ld 1.25Od 00.4L, Rod-End, Gray	8

Fig. 26 - Max Pro 1000 (Disc-Brush) Solution Valve Group

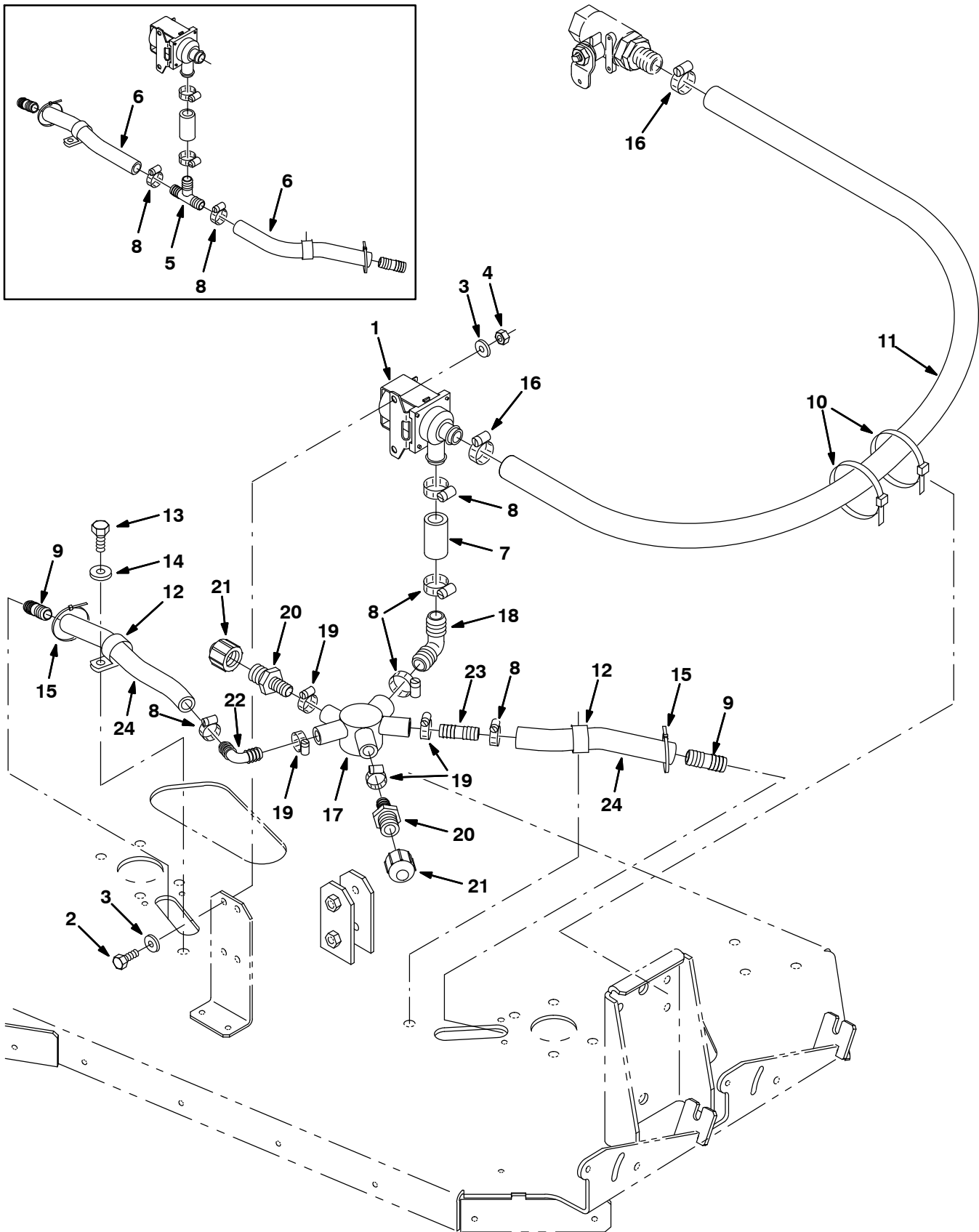


Fig. 26 - Max Pro 1000 (Disc-Brush) Solution Valve Group

Ref.	Part No.	Serial Number	Description	Qty.
1	84028	(000000-) Valve, Water	1
2	15678	(000000-) Screw, Hex, M06 X 1.0 X 16, Ss	2
3	32490	(000000-) Washer, Flt, .25 Std	4
4	08712	(000000-) Nut, Hex, Lock, M06 X 1.0, NI, Ss	2
5	16356	(000000-001986) Fitting, Plstc, Tee, Bm10/Bm10/Bm10	1
6	223699	(000000-001986) Hose, Pvc, Brd, 0.62id 0.91od 10.30l	1
7	16914	(000000-) Hose, Pvc, Brd, 0.75id 1.03od 02.00l	1
8	63810	(000000-) Clamp, Hose, Wormdrive, 0.56-1.06d, .56w	6
9	365164	(000000-) Fitting, Plstc, Str, Bm10/Bm10	2
10	44961	(000000-) Tie, Cable, Nyl, 14.5l .30w 4.0 Max D	2
11	73474	(000000-) Hose, Pvc, Brd, 0.75id 1.03od 44.50l	1
12	40678-1	(000000-) Clamp, Cable, Stl, 0.88d X 0.62w, 1h	2
13	12273	(000000-) Screw, Hex, M08 X 1.25 X 20, Ss, NI	2
14	01685	(000000-) Washer, Flt, .31 Ss	2
15	49266	(000000-) Tie, Cable, Nyl, 07.3l .19w 1.8 Max D	2
16	11399	(000000-) Clamp, Hose, Wormdrive, 0.81-1.50d	2
17	1012528	(001987-) Manifold, Soltn, Cntrl	1
18	40566	(001987-) Fitting, Plstc, E90, Bm12/Bm12	1
19	54333	(001987-) Clamp, Hose, Wormdrive, 0.31-0.88d, .31w	4
20	79273-4	(001987-) Fitting, Plstc, Str, Bm08/Pm08	2
21	1015558	(001987-) Fitting, Plstc, Cap, Pf08	2
22	63987-1	(001987-) Fitting, Plstc, E90, Bm08/Bm08	1
23	364631	(001987-) Fitting, Plstc, Str, Bm08/Bm08	1
24	1011521	(001987-) Hose, Afmkt, Pvc, Brd 0.50id 2ft	1

STANDARD PARTS

Fig. 27 - Max Pro 1000 (Disc-Brush) Solution Valve Group (FaST/ec-H2O)

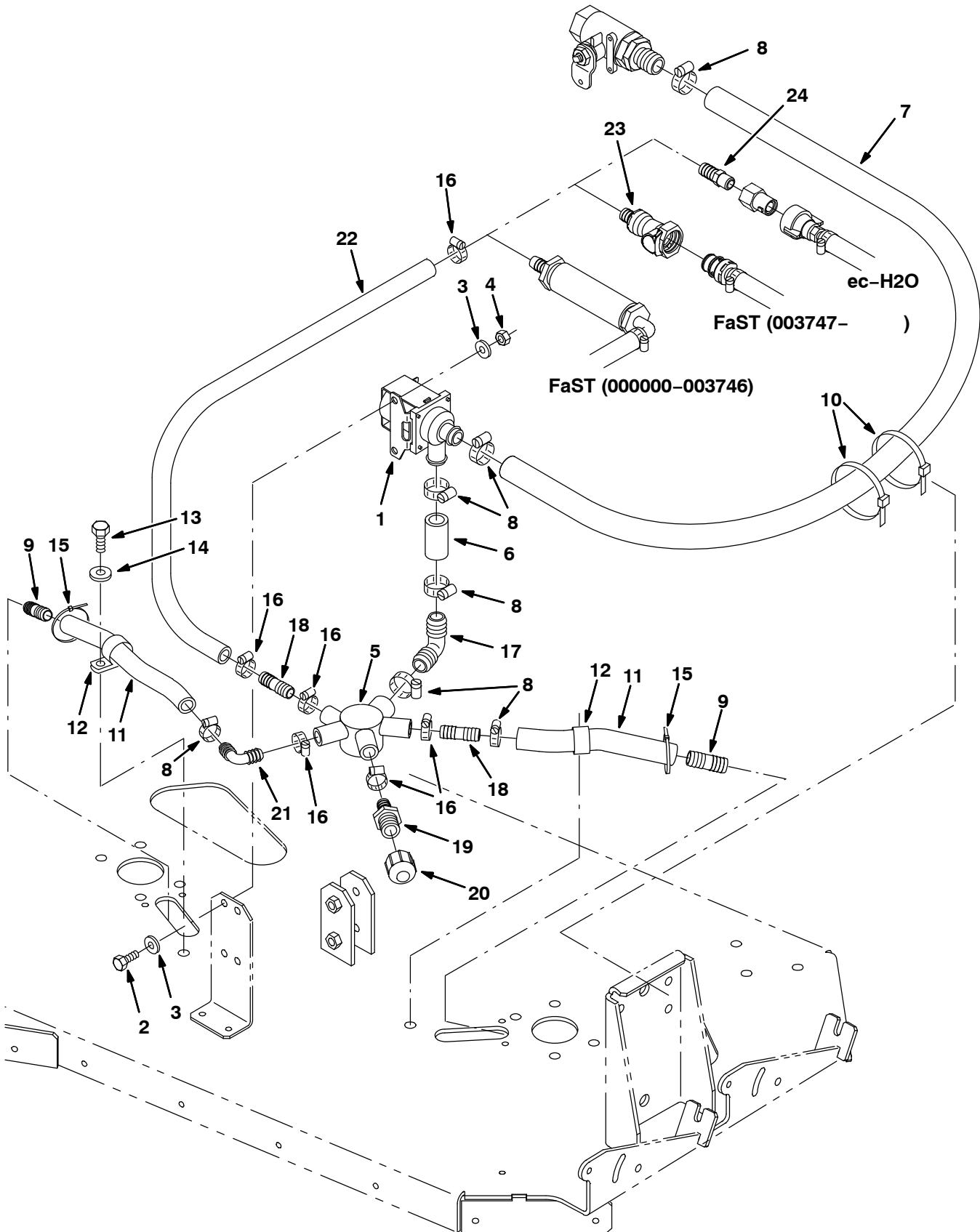


Fig. 27 – Max Pro 1000 (Disc-Brush) Solution Valve Group (FaST/ec-H2O)

Ref.	Part No.	Serial Number	Description	Qty.
1	84028	(000000-) Valve, Water	1
2	15678	(000000-) Screw, Hex, M06 X 1.0 X 16, Ss	2
3	32490	(000000-) Washer, Flt, .25 Std	4
4	08712	(000000-) Nut, Hex, Lock, M06 X 1.0, NI, Ss	2
5	1012528	(000000-) Manifold, Soltn, Cntrl	1
6	16914	(000000-) Hose, Pvc, Brd, 0.75id 1.03od 02.00l	1
7	1015045	(000000-) Hose, Afmkt, Pvc, Brd, 0.75id 8 Ft	1
8	63810	(000000-) Clamp, Hose, Wormdrive, 0.56-1.06d, .56w	10
9	365164	(000000-) Fitting, Plstc, Str, Bm10/Bm10	2
10	44961	(000000-) Tie, Cable, Nyl, 14.5l .30w 4.0 Max D	2
11	73474	(000000-) Hose, Pvc, Brd, 0.75id 1.03od 44.50l	2
12	40678-1	(000000-) Clamp, Cable, Stl, 0.88d X 0.62w, 1h	2
13	12273	(000000-) Screw, Hex, M08 X 1.25 X 20, Ss, NI	2
14	01685	(000000-) Washer, Flt, .31 Ss	2
15	49266	(000000-) Tie, Cable, Nyl, 07.3l .19w 1.8 Max D	2
16	54333	(000000-) Clamp, Hose, Wormdrive, 0.31-0.88d	6
17	40566	(000000-) Fitting, Plstc, E90, Bm12/Bm12	1
18	364631	(000000-) Fitting, Plstc, Str, Bm08/Bm08	2
19	79273-4	(000000-) Fitting, Plstc, Str, Bm08/Pm08	1
20	1015558	(000000-) Fitting, Plstc, Cap, Pf08	1
21	63987-1	(000000-) Fitting, Plstc, E90, Bm08/Bm08	1
22	1011403	(000000-) Hose, Afmkt, Pvc, Brd 0.50id 1ft	1
23	48610	(003747-) Fitting, Plstc, Str, Bm08/Pm04 (FaST)	1
24	1017413	(000000-) Housing, Cplg, Qf / Pm08 (ec-H2O)	1

Fig. 28 – Max Pro 1000 (Disc-Brush) Edge Scrub Group

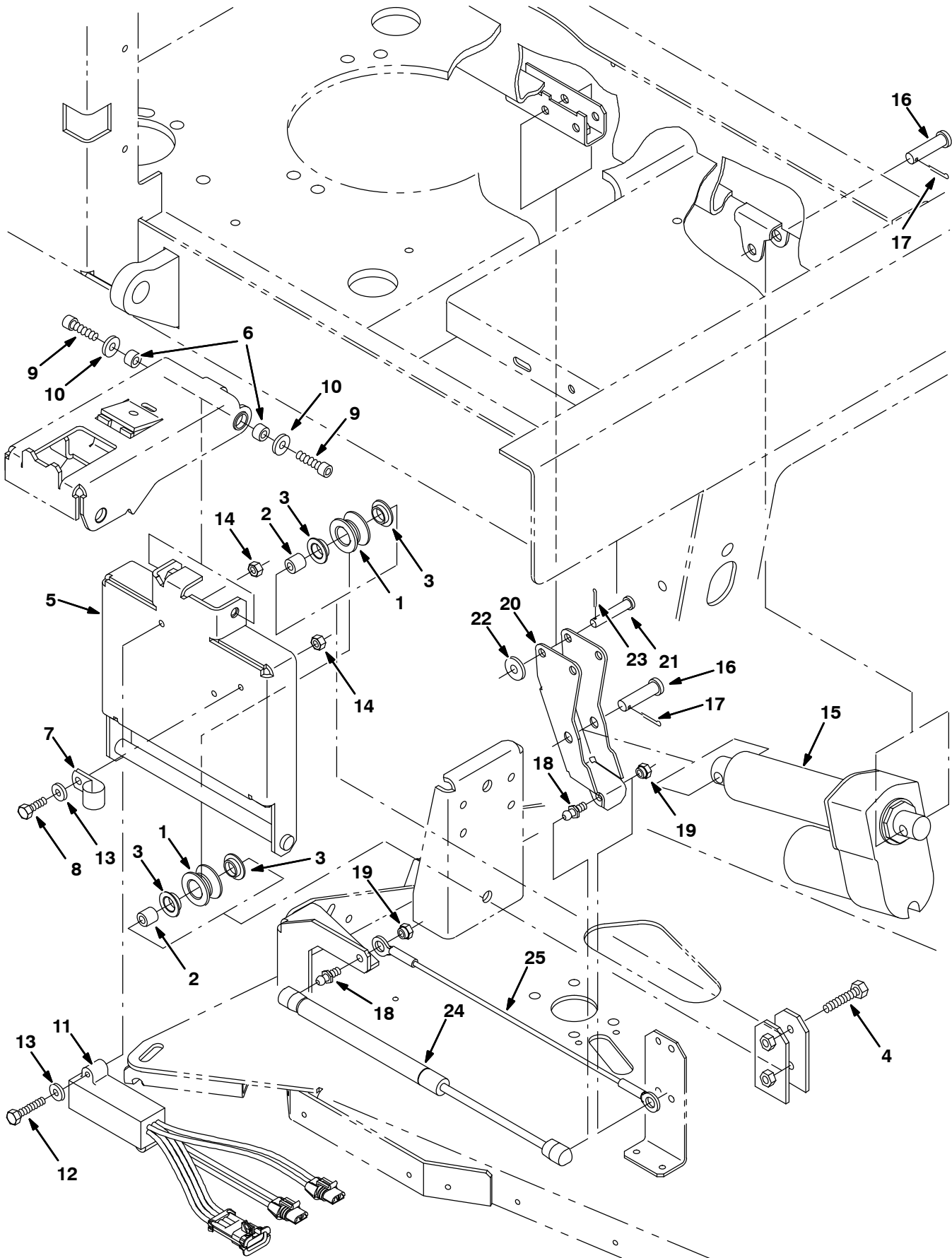


Fig. 28 – Max Pro 1000 (Disc-Brush) Edge Scrub Group

Ref.	Part No.	Serial Number	Description	Qty.
1	363120	(000000–)	Roller	2
2	222277	(000000–)	Sleeve	2
3	04843	(000000–)	Bushing, Flng, 0.63b 0.72d 0.25l	4
4	222505	(000000–)	Screw, Hex, M08 X 1.25 X 45, Ss	2
5	1056844	(000000–)	Rail Wldt, Lift, Disk Head, Iron Gray	1
6	222556	(000000–)	Sleeve	2
7	67767	(000000–)	Clamp, Cable, Stl, 0.69d X 0.62w, 1h	1
8	08716	(000000–)	Screw, Hex, M06 X 1.25 X 25, Ss, NI	1
9	39308	(000000–)	Screw, Soc, M08 X 1.25 X 25, 12.9	2
10	01685	(000000–)	Washer, Flt, .31 Ss	2
11	363236	(000000–)	Shunt, 2 Std Motor, Blk [SCB 515] (For Standard Motor)	1
11	363237	(000000–)	Shunt, 2 Hd Motor, Red [SCB 515] (For Heavy Duty Motor)	1
12	33930	(000000–)	Screw, Hex, M06 X 1.0 X 40, Ss	2
13	01684	(000000–)	Washer, Flt, .25 Ss	3
14	08712	(000000–)	Nut, Hex, Lock, M06 X 1.0, NI, Ss	3
15	363152	(000000–)	Actuator, 36vdc, 02.7stroke 500lb	1
16	51534	(000000–)	Pin, Clevis, 0.50D X 2.00L	2
17	08182	(000000–)	Pin, Cotter, .125 X 1.00	2
18	58494	(000000–)	Stud, Ball, .39d .31–16, Gasspring	2
19	14725	(000000–)	Nut, Retainer, .31–18	2
20	1056845	(000000–)	Arm Wldt, Pivot, Side, Gray [7300/8300]	1
21	29584	(000000–)	Pin, Clevis, 0.37 D X 2.00l	1
22	01686	(000000–)	Washer, Flt, .38 Ss	1
23	39005	(000000–)	Pin, Cotter, .094 X 0.75	1
24	364858	(000000–)	Gasspring, 56lb, 6.3strk	1
25	364404	(000000–)	Cable, .13d, 15.5l, .50eye /.50eye	1

Fig. 29 – Max Pro 1000 (Disc-Brush) Right Side Squeegee Group

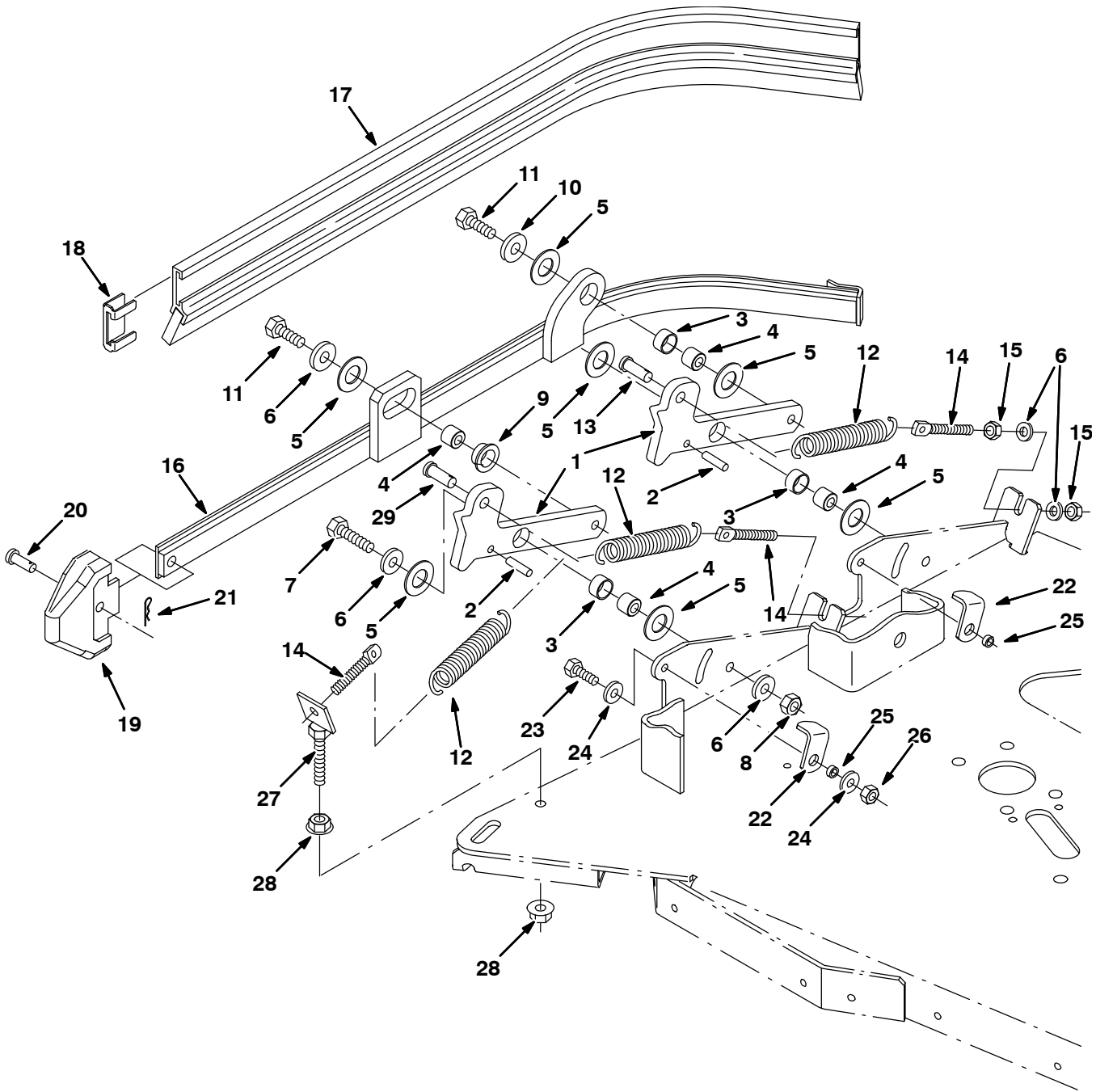


Fig. 29 – Max Pro 1000 (Disc-Brush) Right Side Squeegee Group

Ref.	Part No.	Serial Number	Description	Qty.
1	1056863	(000000–) Arm, Mtg, Side Sqge Frame, Ele, Gray	2
2	17404	(000000–) Pin, Roll, .250 D X 0.75l, .250/.256	2
3	71607	(000000–) Bushing, Sleeve, 0.63b 0.72d 0.38l	3
4	386356	(000000–) Sleeve, P/M, 0.625d 0.335b 0.52l Ss	4
5	64425	(000000–) Washer, Thrust, 0.61b 1.25d .06, Fgl	7
6	01685	(000000–) Washer, Flt, .31 Ss	7
7	09023	(000000–) Screw, Hex, M08 X 1.25 X 35, Ss	2
8	08713	(000000–) Nut, Hex, Lock, M08 X 1.25, NI, Ss	2
9	25735	(000000–) Bushing, Flng, 0.63b 0.75d 0.38l	2
10	01686	(000000–) Washer, Flt, .38 Ss	1
11	12333	(000000–) Screw, Hex, M08 X 1.25 X 25, Ss, NI	2
12	87816	(000000–) Spring, Extn, 0.75od X 0.09wir, 2.5l	3
13	76653	(000000–) Pin, Clevis, 0.37 D X 1.00l	1
14	386088	(000000–) Bolt, Eye, M8 X 1.25, 2.75l	3
15	07786	(000000–) Nut, Hex, Std, M08 X 1.25, Ss	6
16	386263	(000000–) Frame Wldt, Sqge, Side, Rh	1
17	386260	(000000–) Squeegee, Side	1
18	86759	(000000–) Retainer, Sqge	1
19	386986	(000000–) Guide, Point, Side Sqge	1
20	386987	(000000–) Pin, Clevis, 0.31d 0.88l	1
21	86866	(000000–) Pin, Hair Cotter, 0.38 D .072 Wir	1
22	386391	(000000–) Latch, Double Scrub, Side Sqge	2
23	08716	(000000–) Screw, Hex, M06 X 1.0 X 20, Ss	2
24	01684	(000000–) Washer, Flt, .25 Ss	4
25	80491	(000000–) Sleeve	2
26	08712	(000000–) Nut, Hex, Lock, M06 X 1.0, NI, Ss	2
27	1007632	(000000–) Bracket Wldt, Mtg, Spring	1
28	27980	(000000–) Nut, Hex, Flng, .38–16	2
29	29558	(000000–) Pin, Clevis, 0.37 D X 1.50l	1

STANDARD PARTS

Fig. 30 – Max Pro 1000 (Disc-Brush) Left Side Squeegee Group

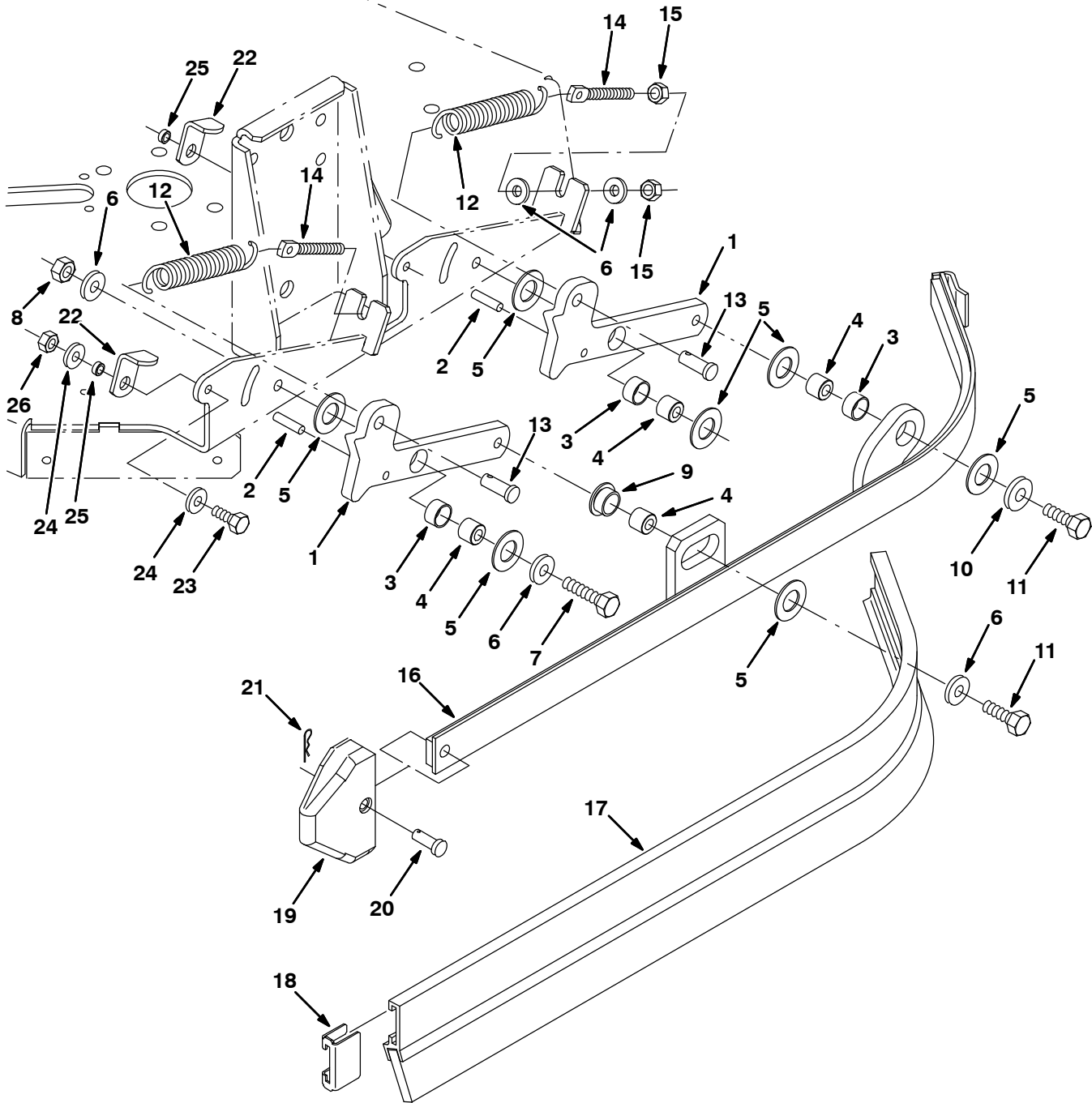


Fig. 30 – Max Pro 1000 (Disc-Brush) Left Side Squeegee Group

Ref.	Part No.	Serial Number	Description	Qty.
1	1056863	(000000–) Arm, Mtg, Side Sqge Frame, Ele, Gray	2
2	17404	(000000–) Pin, Roll, .250 D X 0.75l, .250/.256	2
3	71607	(000000–) Bushing, Sleeve, 0.63b 0.72d 0.38l	3
4	386356	(000000–) Sleeve, P/M, 0.625d 0.335b 0.52l Ss	4
5	64425	(000000–) Washer, Thrust, 0.61b 1.25d .06, Fgl	7
6	01685	(000000–) Washer, Flt, .31 Ss	7
7	09023	(000000–) Screw, Hex, M08 X 1.25 X 35, Ss	2
8	08713	(000000–) Nut, Hex, Lock, M08 X 1.25, NI, Ss	2
9	25735	(000000–) Bushing, Flng, 0.63b 0.75d 0.38l	1
10	01686	(000000–) Washer, Flt, .38 Ss	2
11	12333	(000000–) Screw, Hex, M08 X 1.25 X 25, Ss, NI	2
12	87816	(000000–) Spring, Extn, 0.75od X 0.09wir, 2.5l	2
13	76653	(000000–) Pin, Clevis, 0.37 D X 1.00l	2
14	386088	(000000–) Bolt, Eye, M8 X 1.25, 2.75l	2
15	07786	(000000–) Nut, Hex, Std, M08 X 1.25, Ss	4
16	386262	(000000–) Frame Wldt, Sqge, Side, Lh	1
17	386260	(000000–) Squeegee, Side	1
18	86759	(000000–) Retainer, Sqge	1
19	386986	(000000–) Guide, Point, Side Sqge	1
20	386987	(000000–) Pin, Clevis, 0.31d 0.88l	1
21	86866	(000000–) Pin, Hair Cotter, 0.38 D .072 Wir	1
22	386391	(000000–) Latch, Double Scrub, Side Sqge	2
23	08716	(000000–) Screw, Hex, M06 X 1.0 X 20, Ss	2
24	01684	(000000–) Washer, Flt, .25 Ss	4
25	80491	(000000–) Sleeve	2
26	08712	(000000–) Nut, Hex, Lock, M06 X 1.0, NI, Ss	2

Fig. 31 – Squegee Linkage Group, Rear

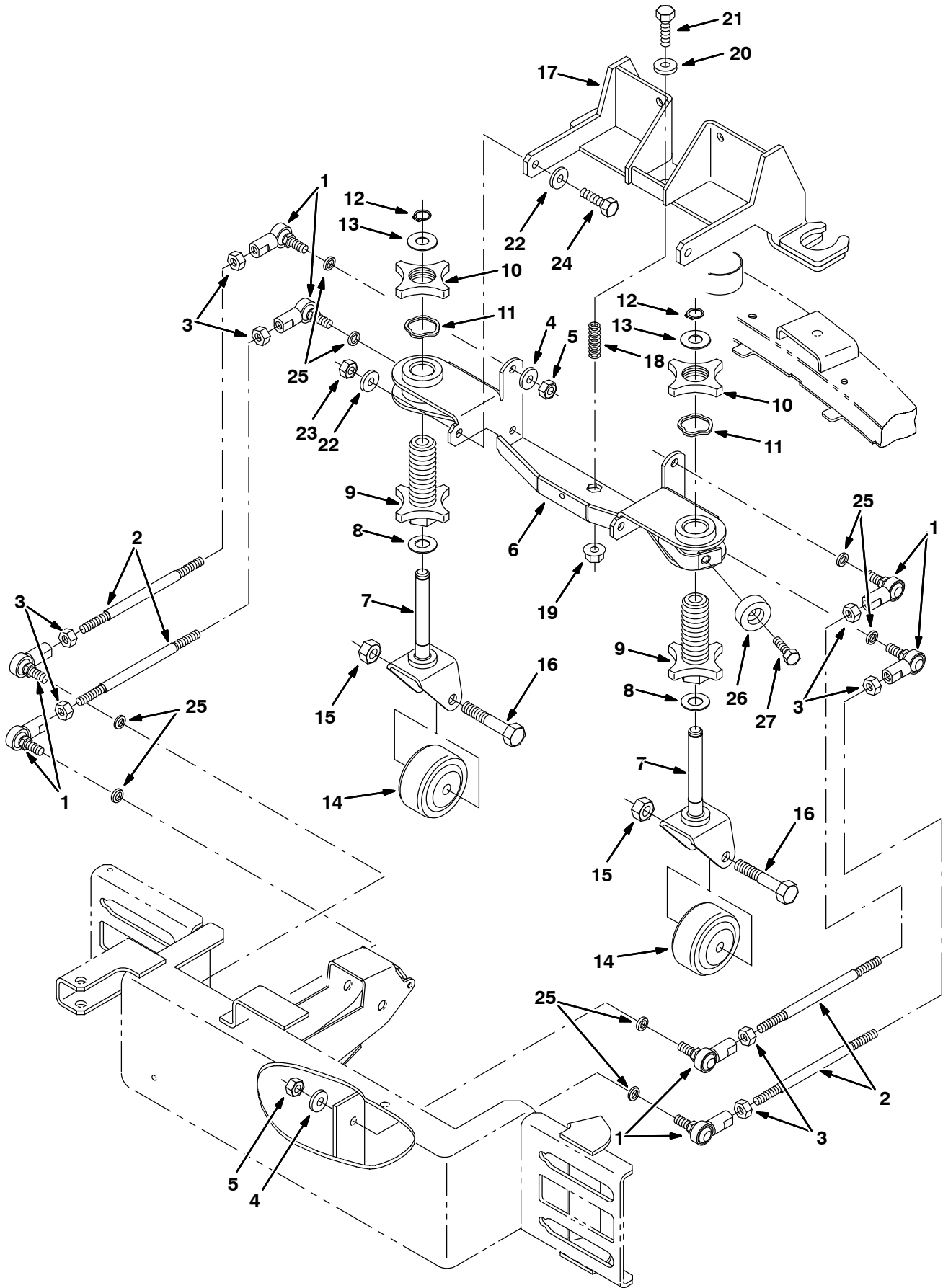


Fig. 31 – Squeegee Linkage Group, Rear

Ref.	Part No.	Serial Number	Description	Qty.	
1	05686	(000000–)	Rod-End, M10 X 1.5rh Fem M10 X 1.5stud	8	
2	14555	(000000–)	Rod, Thrd, 2 End M10x1.5 07.4	4	
3	32716	(000000–)	Nut, Hex, Jam, M10 X 1.5, Ss	8	
4	01686	(000000–)	Washer, Flt, .38 Ss	8	
5	08714	(000000–)	Nut, Hex, Lock, M10 X 1.5, NI, Ss	8	
6	386256	(000000–004999)	Channel Wldt	1	
6	1056468	(005000–)	Channel Wldt, Iron Gray	1	
▽	78979	(000000–)	Caster Kit, Sqge, Replmt	2	
▲	7	84593	(000000–)	Pivot Wldt, Sqge Caster	1
▲	8	07450	(000000–)	Bearing, Thrust, 0.66b 1.25d 0.06w	1
▲	9	77228	(000000–)	Knob, Adj	1
▲	10	77227	(000000–)	Knob	1
▲	11	79217	(000000–)	Washer	1
▲	12	01516	(000000–)	Ring, Retaining, Ext, 0.59d, Basic	1
▲	13	77272	(000000–)	Washer, 0.60b 1.31d .10, Ss	1
▲	14	20833	(000000–)	Wheel, 3.0d 1.38w 0.50b	1
▲	15	02931	(000000–)	Nut, Hex, Lock, .50–13, NI, Ss	1
▲	16	81952	(000000–)	Screw, Hex, .50–13 X 3.00, Ss	1
17	386252	(000000–004999)	Bracket Wldt, Pivot	1	
17	1056467	(005000–)	Channel Wldt, Iron Gray	1	
18	16816	(000000–)	Spring, Die, 1.00od 0.50id 2.00l	1	
19	07792	(000000–)	Nut, Hex, Flng, M10 X 1.5	1	
20	01686	(000000–)	Washer, Flt, .38 Ss	1	
21	04417	(000000–)	Screw, Hex, M10 X 1.5 X 60, Ss	1	
22	01686	(000000–)	Washer, Flt, .38 Ss	4	
23	08714	(000000–)	Nut, Hex, Lock, M10 X 1.5, NI, Ss	2	
24	12317	(000000–)	Screw, Hex, M10 X 1.5 X 30, Ss	2	
25	390880	(000000–)	Spacer, .41b .63d .13l, Ss 430pm	8	
26	364614	(000000–)	Bumper, Neo, 1.5d .63t .31h	1	
27	09010	(000000–)	Screw, Hex, M08 X 1.25 X 25, Ss	1	

Fig. 32 - Squeegee Lift Group, Rear

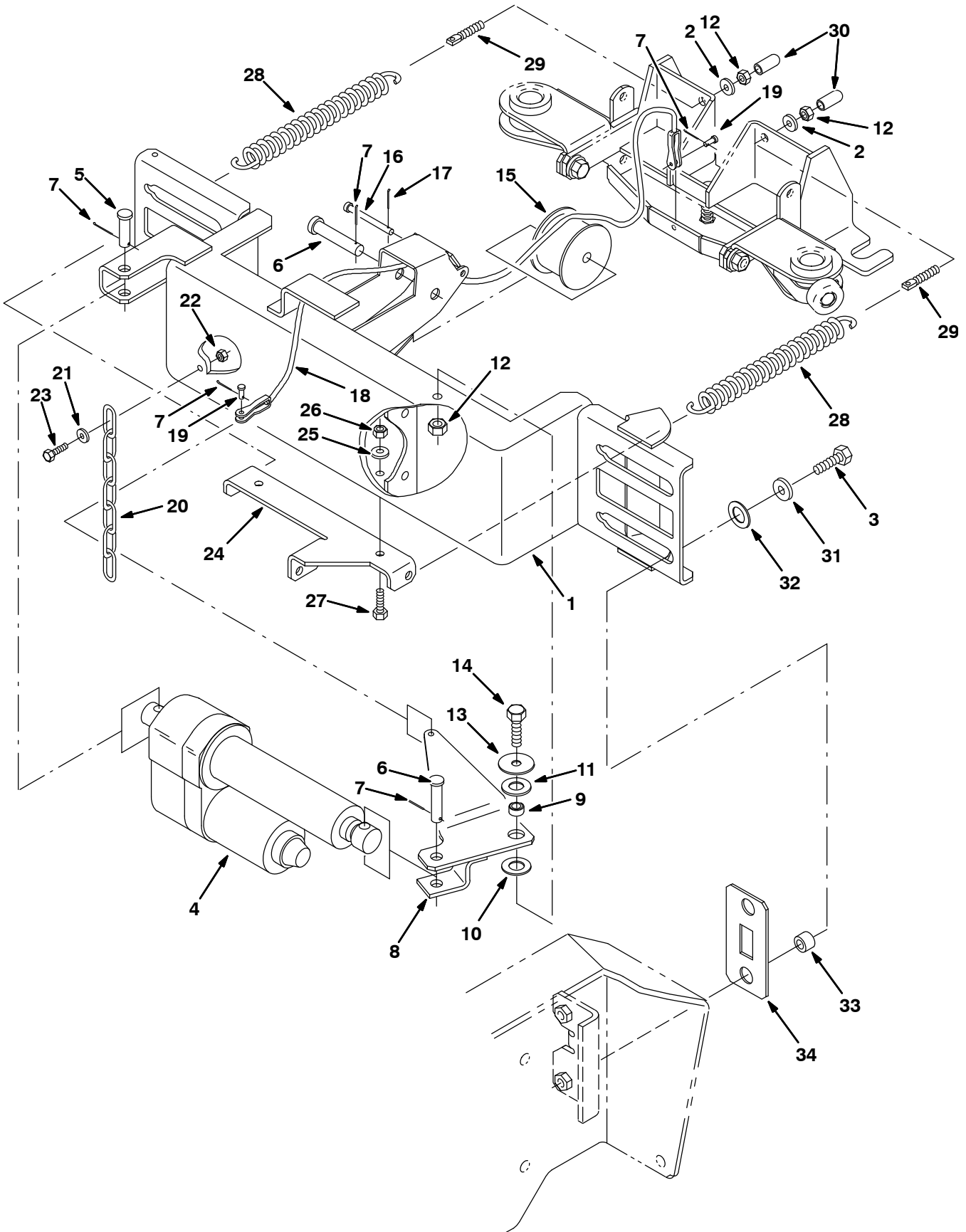


Fig. 32 – Squeegee Lift Group, Rear

Ref.	Part No.	Serial Number	Description	Qty.
1	387426	(000000-004999)	Support Wldt	1
1	1056389	(005000-)	Support Wldt, Iron Gray	1
2	01686	(000000-)	Washer, Flt, .38 Ss	2
3	12317	(000000-)	Screw, Hex, M10 X 1.5 X 30, Ss	4
4	363151	(000000-)	Actuator, 36vdc, 02.1stroke 500lb	1
5	51534	(000000-)	Pin, Clevis, 0.50 D X 2.00l	1
6	06279	(000000-)	Pin, Clevis, 0.50 D X 2.50l	2
7	39005	(000000-)	Pin, Cotter, .094 X 0.75	5
8	386279	(000000-)	Arm Wldt	1
9	71658	(000000-)	Sleeve	1
10	64425	(000000-)	Washer, Thrust, 0.61b 1.25d .06, Fgl	1
11	07450	(000000-)	Bearing, Thrust, 0.66b 1.25d 0.06w	1
12	08714	(000000-)	Nut, Hex, Lock, M10 X 1.5, NI, Ss	3
13	33948	(000000-)	Washer, Flat	1
14	04417	(000000-)	Screw, Hex, M10 X 1.5 X 60, Ss	1
15	223054	(000000-)	Drum, Cable, Lift	1
16	04733-10	(000000-)	Pin, Clevis, 0.25 D X 2.44l	1
17	08178	(000000-)	Pin, Cotter, .062 X 0.75	1
18	71101	(000000-)	Cable, .12d, 13.3l, .2clevis/.2clevis	1
19	77488	(000000-)	Pin, Clevis, 0.19 D X 0.63l	2
20	43500	(000000-)	Chain, Coil, Str, #210, 09.0l 07 Link	1
21	01684	(000000-)	Washer, Flt, .25 Ss	1
22	08712	(000000-)	Nut, Hex, Lock, M06 X 1.0, NI, Ss	1
23	08716	(000000-)	Screw, Hex, M06 X 1.0 X 20, Ss	1
24	387432	(000000-004999)	Channel, Spring	1
24	1056482	(005000-)	Bracket, Spring, Iron Gray	1
25	01685	(000000-)	Washer, Flt, .31 Ss	2
26	08713	(000000-)	Nut, Hex, Lock, M08 X 1.25,NI, Ss	2
27	09010	(000000-)	Screw, Hex, M08 X 1.25 X 25, Ss	2
28	71100	(000000-)	Spring, Extn, 1.69od X 0.20wir, 9.5l	2
29	386847	(000000-)	Bolt, Eye, M10x1.5 X 2.0 X .28 Eye	2
30	20806	(000000-)	Cap, Neoprene Black	2
31	32492	(000000-)	Washer, Flat, .38 Std	4
32	53782	(000000-)	Bearing, Thrust, 0.75b 1.25d 0.06w	4
33	387429	(000000-)	Sleeve, P/M, 0.745d 0.438b 0.50l 430ss	4
34	387430	(000000-)	Plate, Slide	2

STANDARD PARTS

Fig. 33 - Max Pro 1000 Rear Squeegee Group (000000-004999)

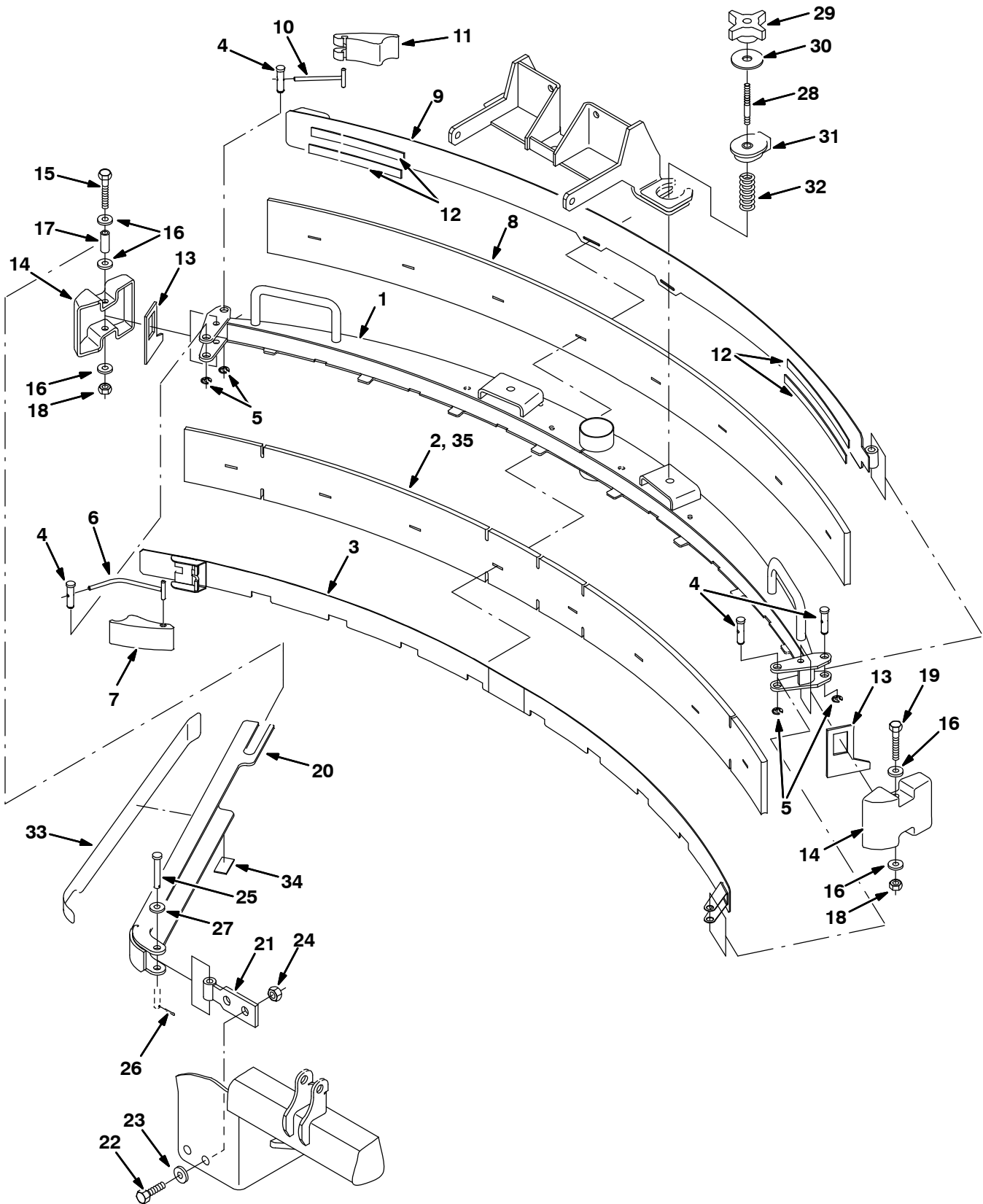


Fig. 33 – Max Pro 1000 Rear Squeegee Group (000000–004999)

Ref.	Part No.	Serial Number	Description	Qty.
▽	386860	(000000–004999)	Kit, Cl, Squeegee, Rear (Max Pro 1000)	1
▲	1 1056856	(000000–004999)	Frame Wldt, Sqge, Iron Gray	1
▲	2 386283	(000000–004999)	Blade, Sqge, Front	1
▲	3 386285	(000000–004999)	Clamp Wldt, Front	1
▲	4 21603	(000000–004999)	Pin	4
▲	5 24555	(000000–004999)	Ring, Retaining, Ext	4
▲	6 386298	(000000–004999)	Pin Wldt, Front	1
▲	7 21601	(000000–004999)	Cam	1
▲	8 386284	(000000–004999)	Blade, Sqge, Rear	1
▲	9 386286	(000000–004999)	Clamp Wldt, Rear	1
▲	10 21606	(000000–004999)	Bar Wldt, Retainer, Sqge, Rear	1
▲	11 21602	(000000–004999)	Cam, Rear	1
▲	12 03495	(000000–004999)	Strip, Nonslip	4
▲	13 83874	(000000–004999)	Gasket, Sqge	2
▲	14 386264	(000000–004999)	Bumper, Sqge	2
▲	15 386299	(000000–004999)	Screw, Hex, M08 X 1.25 X 100, Ss	1
▲	16 01685	(000000–004999)	Washer, Flt, .31 Ss	5
▲	17 222497	(000000–004999)	Sleeve	1
▲	18 08713	(000000–004999)	Nut, Hex, Lock, M08 X 1.25,NI, Ss	2
▲	19 09767	(000000–004999)	Screw, Hex, M08 X 1.25 X 70, Ss	1
▲	20 386266	(000000–004999)	Channel Wldt	1
▲	21 386234	(000000–004999)	Pivot Wldt, Guard	1
▲	22 12309	(000000–004999)	Screw, Hex, M12 X 1.75 X 30, Ss	2
▲	23 41619	(000000–004999)	Washer, Flt, .50 Ss	2
▲	24 09741	(000000–004999)	Nut, Hex, Lock, M12 X 1.75,NI, Ss	2
▲	25 1039190	(000000–004999)	Pin, Clevis, 0.25d X 2.00l	1
▲	26 08178	(000000–004999)	Pin, Cotter, .062 X 0.75	1
▲	27 01684	(000000–004999)	Washer, Flt, .25 Ss	2
▲	28 387237	(000000–004999)	Stud, .31–18 2.75l M8 X 1.25, Ss	2
▲	29 370100	(000000–004999)	Knob, 4–Prong W/.31–18, Insert	2
▲	30 04414	(000000–004999)	Washer, 0.53b 1.88d .12, Stl, Pl	2
▲	31 387433	(000000–004999)	Ring, Mtg, Sqge, .50l	2
▲	32 387500	(000000–004999)	Spring, Cmpr, .87od .042wir 2.0l	2
▲	33 387448	(000000–004999)	Bumper, Poly–E	1
▲	34 387438	(000000–004999)	Bumper, Poly–E	1
▲	35 387257	(000000–)	Blade, Sqge, Front, Mp1000, Tile	1

STANDARD PARTS

Fig. 34 - Max Pro 1000 Rear Squeegee Group (005000-)

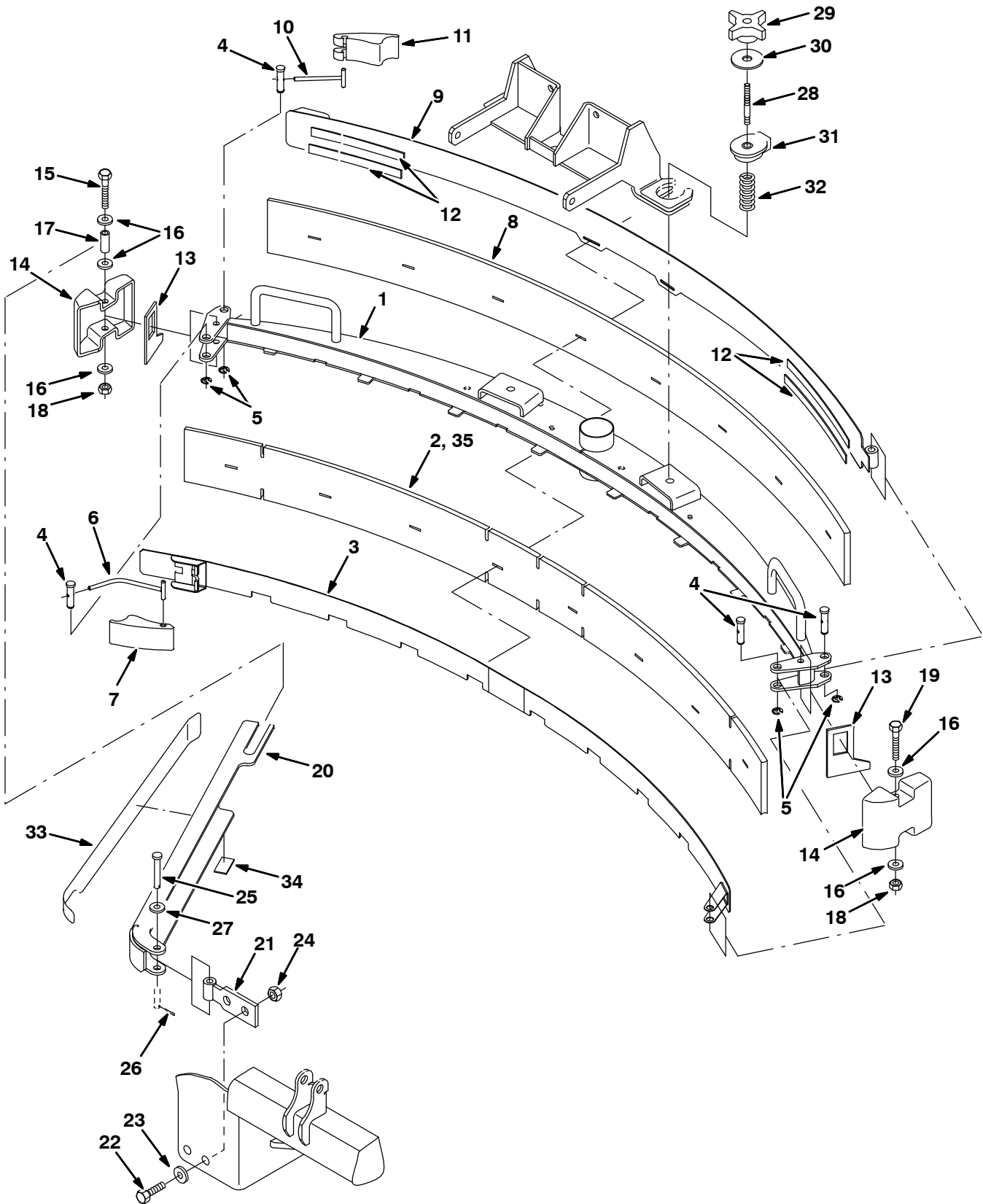


Fig. 34 – Max Pro 1000 Rear Squeegee Group (005000–)

Ref.	Part No.	Serial Number	Description	Qty.
▽	9006930	(005000–)	Squeegee Assy Kit, Rear, Ci [Mp1000]	1
▲	1 1056856	(005000–)	Frame Wldt, Sqge, Iron Gray	1
▲	2 386283	(005000–)	Blade, Sqge, Front	1
▲	3 386285	(005000–)	Clamp Wldt, Front	1
▲	4 21603	(005000–)	Pin	4
▲	5 24555	(005000–)	Ring, Retaining, Ext	4
▲	6 386298	(005000–)	Pin Wldt, Front	1
▲	7 21601	(005000–)	Cam	1
▲	8 386284	(005000–)	Blade, Sqge, Rear	1
▲	9 386286	(005000–)	Clamp Wldt, Rear	1
▲	10 21606	(005000–)	Bar Wldt, Retainer, Sqge, Rear	1
▲	11 21602	(005000–)	Cam, Rear	1
▲	12 03495	(005000–)	Strip, Nonslip	4
▲	13 83874	(005000–)	Gasket, Sqge	2
▲	14 386264	(005000–)	Bumper, Sqge	2
▲	15 386299	(005000–)	Screw, Hex, M08 X 1.25 X 100, Ss	1
▲	16 01685	(005000–)	Washer, Flt, .31 Ss	5
▲	17 222497	(005000–)	Sleeve	1
▲	18 08713	(005000–)	Nut, Hex, Lock, M08 X 1.25,NI, Ss	2
▲	19 09767	(005000–)	Screw, Hex, M08 X 1.25 X 70, Ss	1
▲	20 1056471	(005000–)	Channel Wldt, Guard, Rh, Iron Gray	1
▲	21 1056466	(005000–)	Plate Wldt, Pivot, Guard, Iron Gray	1
▲	22 12309	(005000–)	Screw, Hex, M12 X 1.75 X 30, Ss	2
▲	23 41619	(005000–)	Washer, Flt, .50 Ss	2
▲	24 09741	(005000–)	Nut, Hex, Lock, M12 X 1.75,NI, Ss	2
▲	25 1039190	(005000–)	Pin, Clevis, 0.25d X 2.00l	1
▲	26 08178	(005000–)	Pin, Cotter, .062 X 0.75	1
▲	27 01684	(005000–)	Washer, Flt, .25 Ss	2
▲	28 387237	(005000–)	Stud, .31–18 2.75l M8 X 1.25, Ss	2
▲	29 370100	(005000–)	Knob, 4–Prong W/.31–18, Insert	2
▲	30 04414	(005000–)	Washer, 0.53b 1.88d .12, Stl, PI	2
▲	31 387433	(005000–)	Ring, Mtg, Sqge, .50l	2
▲	32 387500	(005000–)	Spring, Cmpr, .87od .042wir 2.0l	2
▲	33 387448	(005000–)	Bumper, Poly–E	1
▲	34 387438	(005000–)	Bumper, Poly–E	1
	35 387257	(000000–)	Blade, Sqge, Front, Mp1000, Tile	1

Fig. 35 – Electrical Control Box Circuit Breaker Group

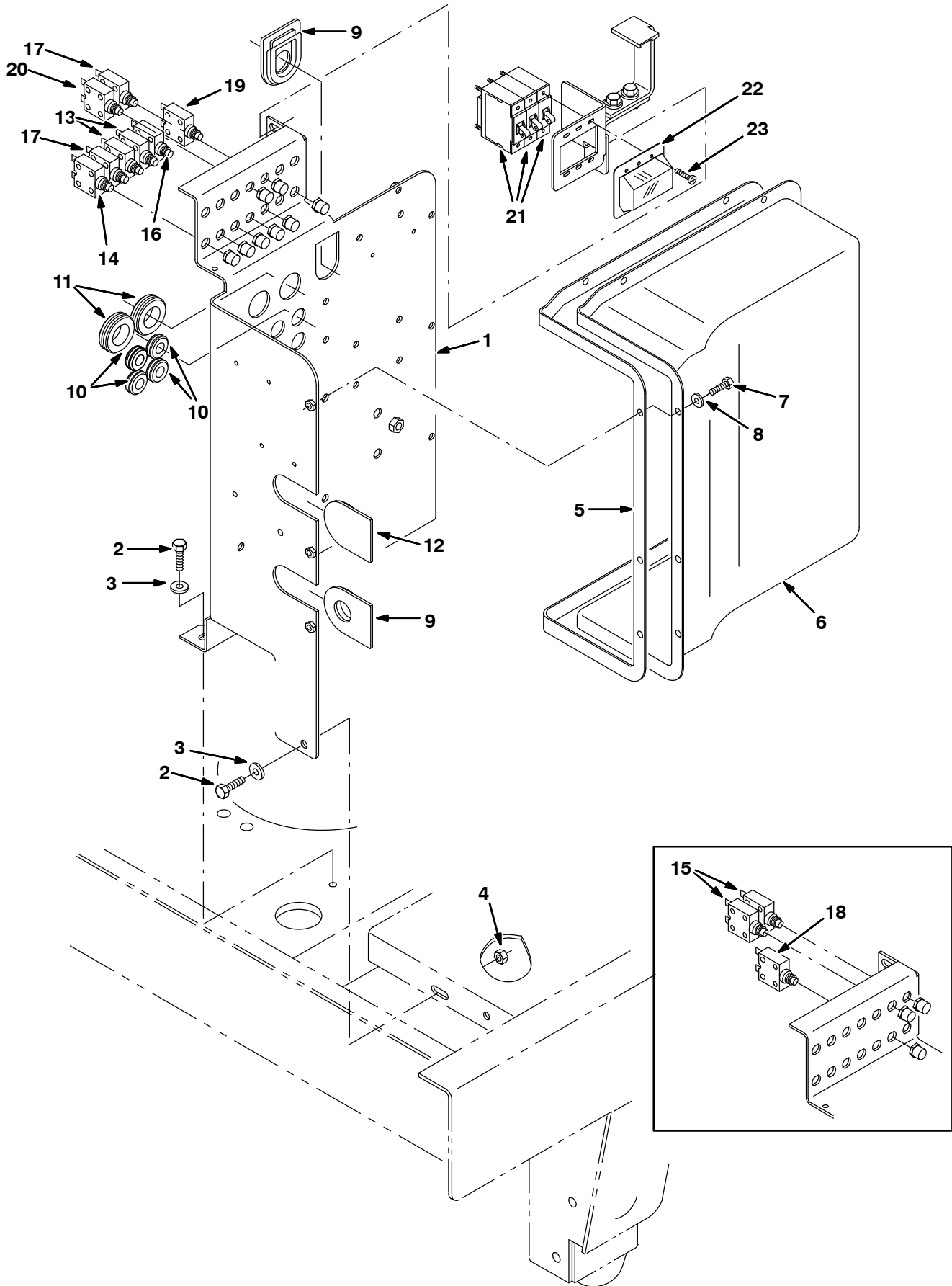


Fig. 35 – Electrical Control Box Circuit Breaker Group

Ref.	Part No.	Serial Number	Description	Qty.
1	387453	(000000–004999)	Plate, Controlbox	1
1	1056486	(005000–)	Plate, Controlbox, Iron Gray	1
2	16931	(000000–)	Screw, Hex, M08 X 1.25 X 20, 8.8	3
3	32491	(000000–)	Washer, Flt, .31 Std	3
4	08709	(000000–)	Nut, Hex, Lock, M08 X 1.25,NI	1
5	386127	(000000–)	Gasket, Cover, Controller	1
6	386128	(000000–)	Cover, Controlbox	1
7	09244	(000000–)	Screw, Hex, M05 X 0.8 X 16, 8.8	8
8	01683	(000000–)	Washer, Flt, #10 Ss	8
9	386563	(000000–)	Grommet, Rbr, 1.0b	2
10	10632–17	(000000–)	Grommet, Rbr, 0.50id, F/ 0.8h, .12matl	4
11	10632–14	(000000–)	Grommet, Rbr, 1.00id, F/ 1.4h, .12matl	2
12	386564	(000000–)	Plug, Rbr	1
13	383723	(000000–001705)	Circuitbreaker, 20.0a	2
13	383725	(001706–)	Circuitbreaker, 30.0a	2
14	383722	(000000–)	Circuitbreaker, 15.0a	1
15	383728	(000000–001705)	Circuitbreaker, 50.0a	2
16	383724	(000000–)	Circuitbreaker, 25.0a	1
17	1054855	(000000–)	Circuitbreaker, 2.5a	2
18	383728	(000000–001705)	Circuitbreaker, 50.0a (Center Brush Option)	1
19	383727	(000000–)	Circuitbreaker, 40.0a (Power Steering Option)	1
20	383722	(000000–)	Circuitbreaker, 15.0a (Power Wand / Side Sweep Option)	1
21	387636	(001706–)	Circuitbreaker, 40a, (Max Pro 1200 Disk)	3
21	387636	(001706–)	Circuitbreaker, 40a, (Max Pro 1000 Disk W/Std Motor)	2
21	387637	(001706–)	Circuitbreaker, 45a, (Max Pro 1000 Disk W/Hd Motor)	2
21	387637	(001706–)	Circuitbreaker, 45a, (Max Pro 1000 Cylindrical)	2
21	387637	(001706–)	Circuitbreaker, 45a, (Max Pro 1200 Cylindrical)	2
22	387640	(001706–)	Boot, Protector, Circuitbreaker	1
23	19320	(001706–)	Screw, Pan, #06–32X0.38, 1	6

Fig. 36 – Electrical Control Box Contactor Group (00000– 001705)

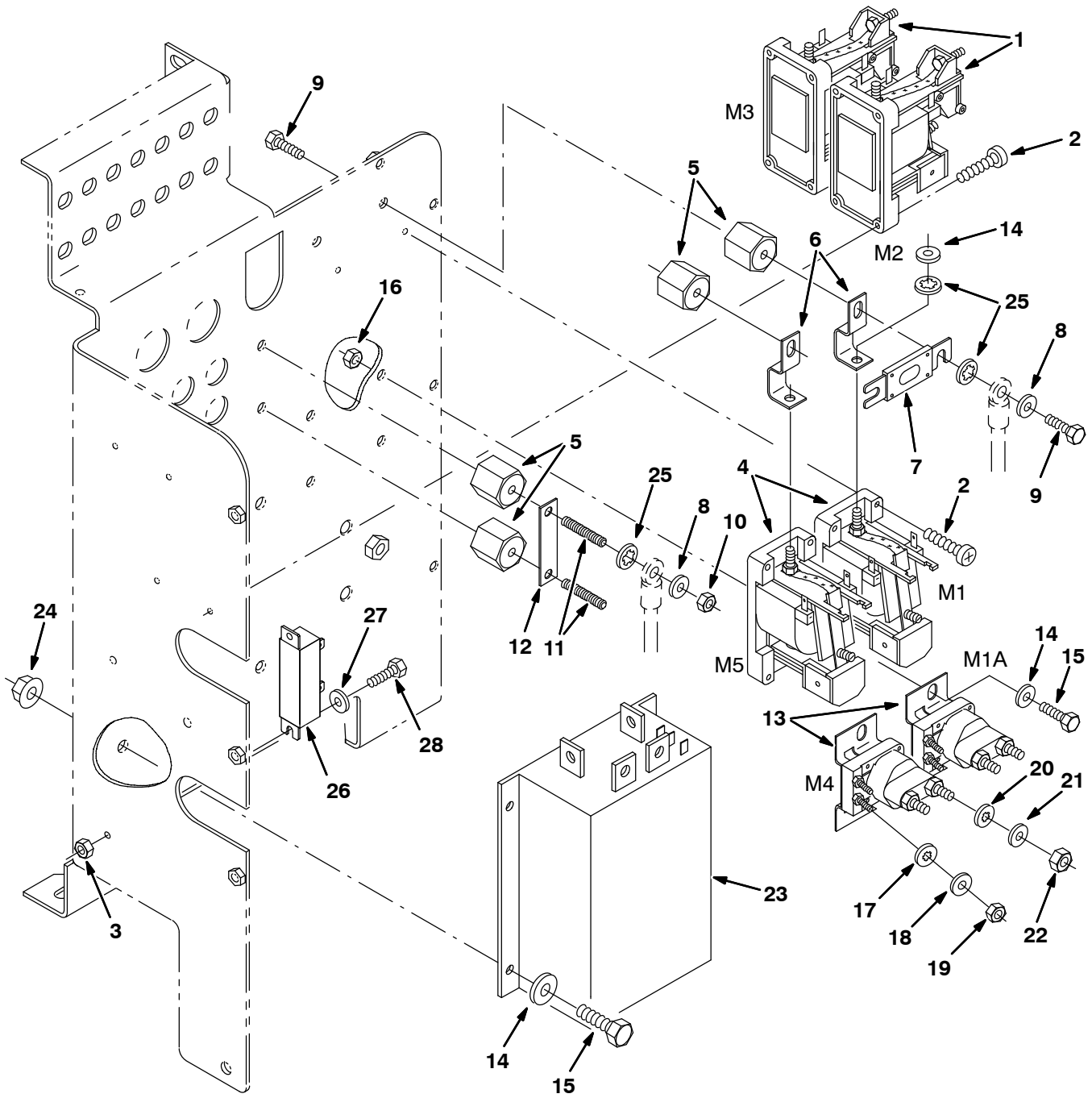


Fig. 36 - Electrical Control Box Contactor Group (000000- 001705)

Ref.	Part No.	Serial Number	Description	Qty.
1	87482	(000000-001705)	Contacto, 36vdc, Spdt	2
2	71026	(000000-001705)	Screw, Pan, M04 X 0.7 X 30, 4.8	8
3	06549	(000000-001705)	Nut, Hex, Lock, M05 X 0.8, NI	2
4	86375	(000000-001705)	Contacto, 36vdc, [Spno]	2
5	76062	(000000-001705)	Insulator, Panel	4
6	87507	(000000-001705)	Busbar, Fuse, .6 0.6w 0.8h 2.0l	2
7	386807	(000000-001705)	Fuse, 150amp	1
8	32490	(000000-001705)	Washer, Flt, .25 Std	4
9	19314	(000000-001705)	Screw, Hex, .25-20 X 0.38, 5	6
10	19312	(000000-001705)	Nut, Hex, Std, .25-20	2
11	41702	(000000-001705)	Rod, Thrd, Full, .25-20 01.5l	2
12	87483	(000000-001705)	Busbar, .06 0.6w 2.5l 2/.28h	1
13	386810	(000000-001705)	Contacto, 36vdc	2
14	32483	(000000-001705)	Washer, Flt, .25 Sae	9
15	06942	(000000-001705)	Screw, Hex, M06 X 1.0 X 16, 8.8	6
16	08708	(000000-001705)	Nut, Hex, Lock, M06 X 1.0, NI	4
17	32980	(000000-001705)	Washer, Lock, Int, #10	4
18	19066	(000000-001705)	Washer, Flt, #10	4
19	01713	(000000-001705)	Nut, Hex, Std, #10-32, 2	4
20	32984	(000000-001705)	Washer, Lock, Int, .31	4
21	39349	(000000-001705)	Washer, Flt, .31 Sae	4
22	01715	(000000-001705)	Nut, Hex, Std, .31-24	4
23	386302	(000000-001705)	Controller, Motor, 36vdc, 1204	1
24	07790	(000000-001705)	Nut, Hex, Flng, M06 X 1.0	4
25	32982	(000000-001705)	Washer, Lock, Int, .25	9
26	87349	(000000-001705)	Resistor, 040.00ohm, 40watt	1
27	01683	(000000-001705)	Washer, Flt, #10 Ss	2
28	12312	(000000-001705)	Screw, Hex, M05 X 0.8 X 12, 8.8	2

Fig. 37 – Electrical Control Box Contactor Group (001706–)

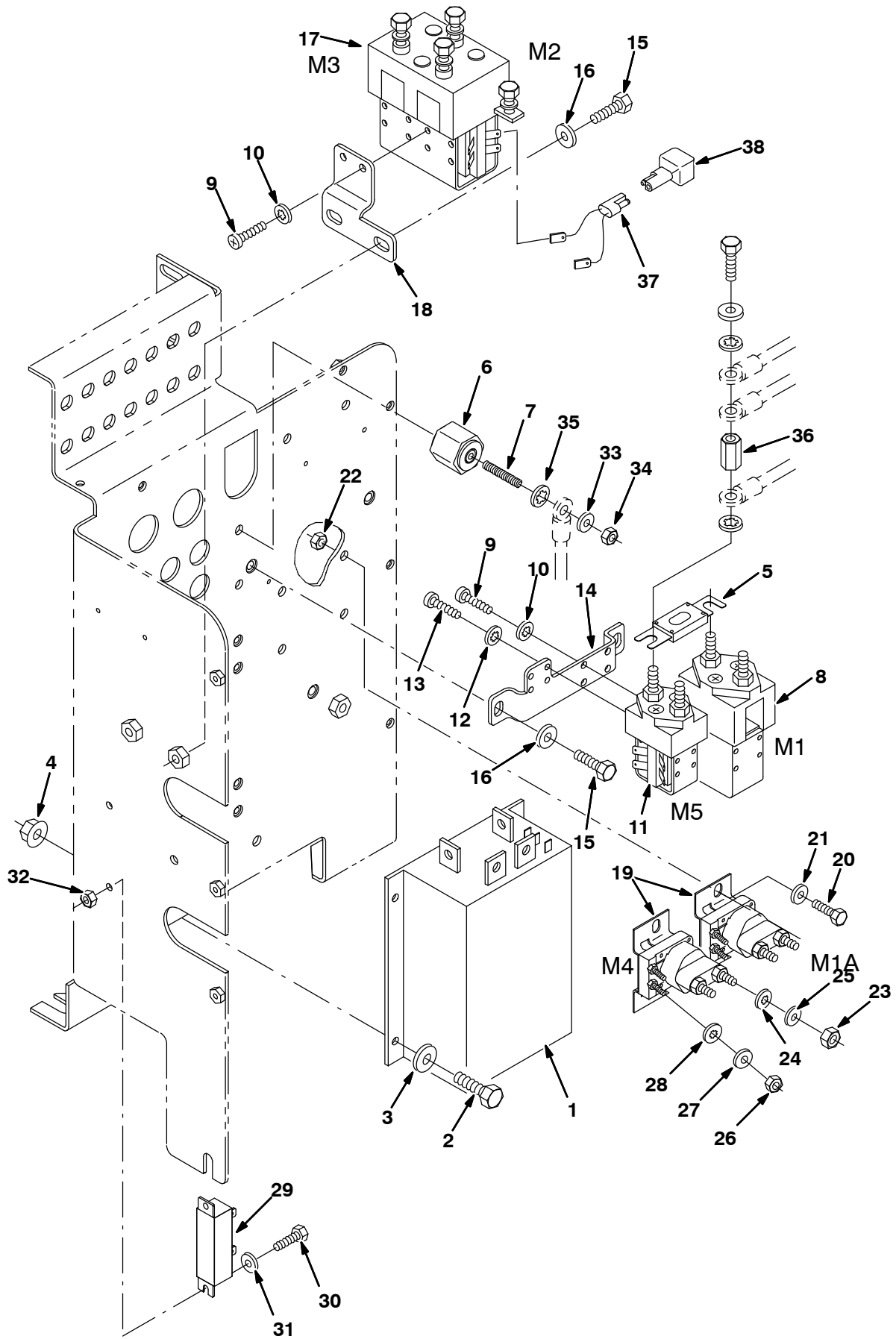


Fig. 37 - Eleactrical Control Box Contactor Group (001706-)

Ref.	Part No.	Serial Number	Description	Qty.
1	386302	(001706-) Controller, Motor, 36vdc, 1204	1
2	06942	(001706-) Screw, Hex, M 6 X 1.0 X 16, 8.8	4
3	32483	(001706-) Washer, Flat, 0.25 Sae	4
4	07790	(001706-) Nut, Hex, Flng, M06 X 1.0	4
5	386807	(001706-) Fuse, 150amp	1
6	76062	(001706-) Insulator, Panel & Switchboard	1
7	41702	(001706-) Rod, Thrd, Full, .25-20 01.5l	1
8	1007337	(001706-) Contactor, 36vdc, 200a, Spst	1
9	06931	(001706-) Screw, Pan, M 5 X 0.8 X 6, 4.8	6
10	07514	(001706-) Washer, Lock, Int, #10, Ss	6
11	387639	(001706-) Contactor, 36vdc, 100a, Spst	1
12	02938	(001706-) Washer, Lock, Int, #08, Ss	4
13	06925	(001706-) Screw, Pan, M 4 X 0.7 X 6, 4.8	4
14	1007344	(001706-004999) Bracket, Mtg, Controller, Sgl	1
14	1056488	(005000-) Bracket, Mtg, Controller, Sgl, Iron Gray	1
15	12274	(001706-) Screw, Hex, M 6 X 1.0 X 20, NI	4
16	32491	(001706-) Washer, Flat, 0.31 Std	4
17	1007349	(001706-) Contactor, 36vdc, 200a, Dpdt	1
18	1007353	(001706-004999) Bracket, Mtg, Relay	1
18	1056489	(005000-) Bracket, Mtg, Relay, Iron Gray	1
19	386810	(001706-) Relay, 36vdc, 100a, Sp N/O [White]	2
20	06942	(001706-) Screw, Hex, M 6 X 1.0 X 16, 8.8	4
21	32483	(001706-) Washer, Flat, 0.25 Sae	4
22	08708	(001706-) Nut, Hex, Lock, M 6 X 1.0, NI	4
23	01715	(001706-) Nut, Hex, Std, .31-24	4
24	32984	(001706-) Washer, Lock, Int, .31	4
25	39349	(001706-) Washer, Flat, 0.31 Sae	4
26	01713	(001706-) Nut, Hex, Std, #10-32, 2	4
27	19066	(001706-) Washer, Flt, #10	4
28	32980	(001706-) Washer, Lock, Int, #10	4
29	87349	(001706-) Resistor, 040.00 0hm, 40watt	1
30	12312	(001706-) Screw, Hex, M 5 X 0.8 X 12, 8.8	2
31	01683	(001706-) Washer, Flat, #10 Ss	2
32	06549	(001706-) Nut, Hex, Lock, M 5 X 0.8, NI	2
33	32490	(001706-) Washer, Flat, 0.25 Std	1
34	19312	(001706-) Nut, Hex, Std, .25-20	1
35	32982	(001706-) Washer, Lock, Int, .25	1
36	387648	(001706-) Nut, Hex, Cplg, M08X1.25	1
37	370156	(001706-) Harness, Switch, Key, Diode	2
38	222290	(001706-) Diode, Ele, Plug	2

Fig. 38 – Electrical Control Box Wires Group (000000- 001705)

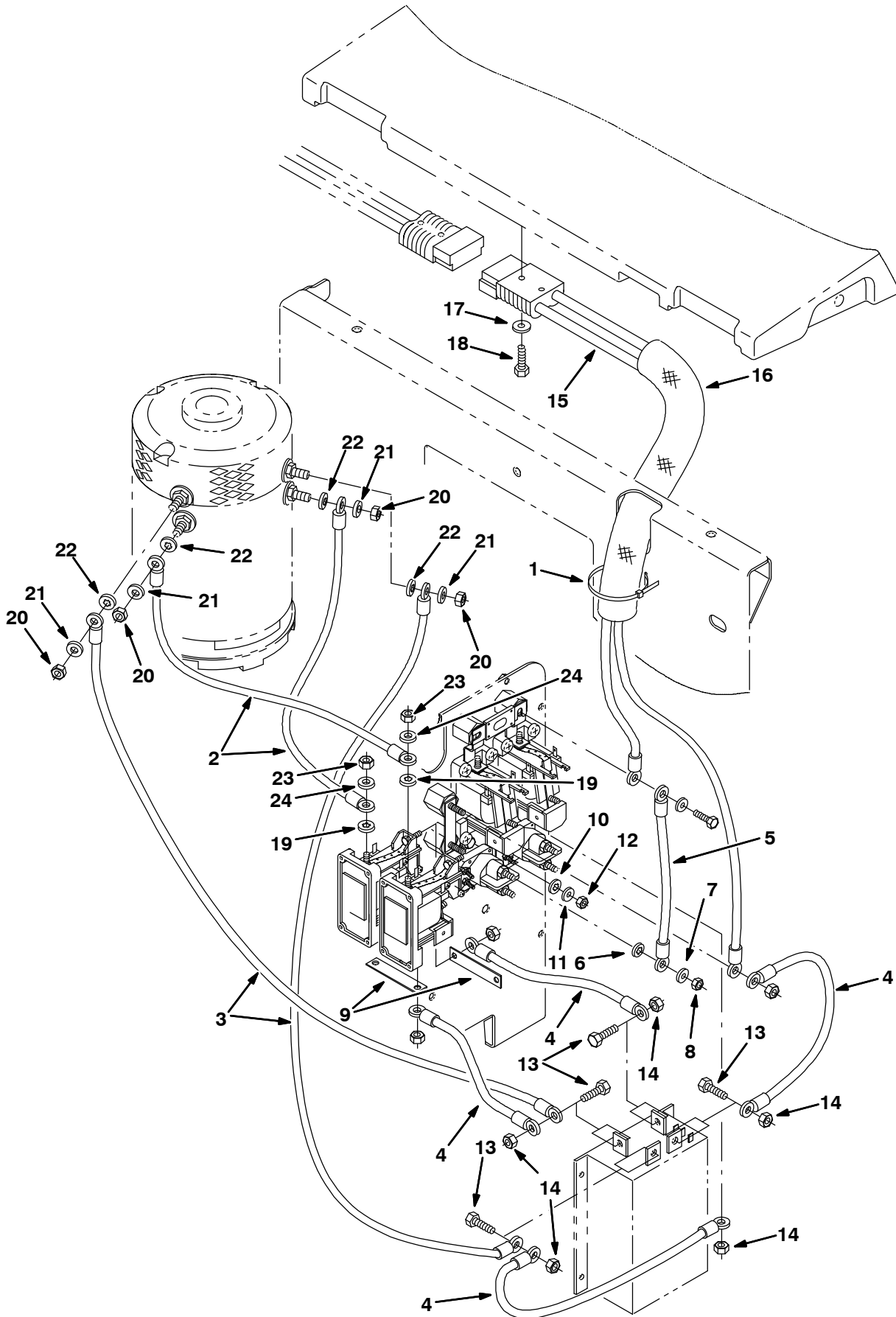


Fig. 38 – Electrical Control Box Wires Group (000000– 001705)

Ref.	Part No.	Serial Number	Description	Qty.
1	32815	(000000–001705)	Tie, Cable, Nyl, 28.5l .50w 8.0 Max D	4
2	71529	(000000–001705)	Wire, 04ga 32.0l Blk .31ring /.31ring	1
3	386804	(000000–001705)	Wire Assy, 02ga 27.0l Blk .34h /.34h	2
4	86393	(000000–001705)	Wire, 04ga 09.0l Blk .34ring /.28ring	4
5	15846	(000000–001705)	Wire, 06ga 11.0l Blk .34ring /.28ring	1
6	32984	(000000–001705)	Washer, Lock, Int, .31	4
7	39348	(000000–001705)	Washer, Flat, 1.50 Std Hard	4
8	01715	(000000–001705)	Nut, Hex, Std, .31–24	4
9	87483	(000000–001705)	Busbar, .06 0.6w 2.5l 2/.28h	2
10	07514	(000000–001705)	Washer, Lock, Int, #10, Ss	4
11	19066	(000000–001705)	Washer, Flt, #10	4
12	01713	(000000–001705)	Nut, Hex, Std, #10–32, 2	4
13	16931	(000000–001705)	Screw, Hex, M08 X 1.25 X 20, 8.8	4
14	08709	(000000–001705)	Nut, Hex, Lock, M08 X 1.25, NI	4
15	386610	(000000–001705)	Harness, Battery, Connecting	1
16	31647	(000000–001705)	Sleeve, Nyl, #15 14.0l	1
17	01684	(000000–001705)	Washer, Flt, .25 Ss	2
18	33930	(000000–001705)	Screw, Hex, M06 X 1.0 X 40, Ss	2
19	32982	(000000–001705)	Washer, Lock, Int, .25	2
20	39311	(000000–001705)	Nut, Hex, Std, M08 X 1.25	4
21	32490	(000000–001705)	Washer, Flt, .25 Std	4
22	32988	(000000–001705)	Washer, Lock, Int, .38	2
23	41359	(000000–001705)	Nut, Hex, Std, M06 X 1.0	2
24	32483	(000000–001705)	Washer, Flt, .25 Sae	4

Fig. 39 – Electrical Control Box Wires Group (001706-)

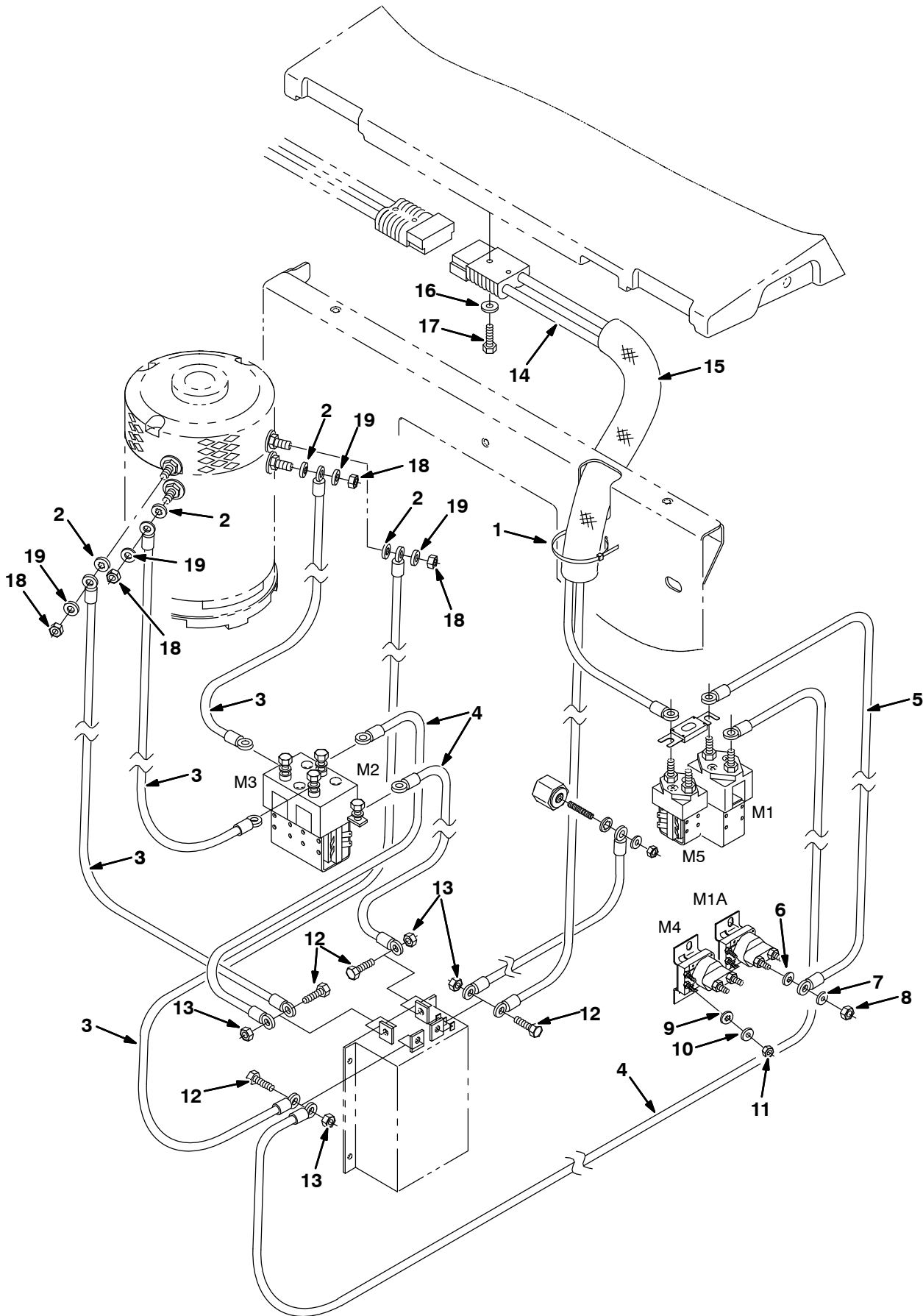


Fig. 39 – Electrical Control Box Wires Group (001706–)

Ref.	Part No.	Serial Number	Description	Qty.
1	32815	(001706–)	Tie, Cable, Nyl, 28.5l .50w 8.0 Max D	4
2	32988	(001706–)	Washer, Lock, Int, .38	2
3	386804	(001706–)	Wire Assy, 02ga 27.0l Blk .34h /.34h	4
4	387641	(001706–)	Wire Assy, 02ga, 10.0l, Blk	4
5	63740	(001706–)	Wire, 06Ga 09.0L Blk .34 Ring/.34 Ring	1
6	32984	(001706–)	Washer, Lock, Int, .31	4
7	39348	(001706–)	Washer, Flat, 1.50 Std Hard	4
8	01715	(001706–)	Nut, Hex, Std, .31–24	4
9	07514	(001706–)	Washer, Lock, Int, #10, Ss	4
10	19066	(001706–)	Washer, Flt, #10	4
11	01713	(001706–)	Nut, Hex, Std, #10–32, 2	4
12	16931	(001706–)	Screw, Hex, M 8 X 1.25 X 20, 8.8	4
13	08709	(001706–)	Nut, Hex, Lock, M 8 X 1.25 NI	4
14	386610	(001706–)	Harness, Battery, Connecting	1
15	31647	(001706–)	Sleeve, Nyl, #15 14.0l	1
16	01684	(001706–)	Washer, Flat, 0.25 Ss	2
17	33930	(001706–)	Screw, Hex, M 6 X 1.0 X 40, Ss	2
18	39311	(001706–)	Nut, Hex, Std, M08 X 1.25	4
19	32490	(001706–)	Washer, Flat, 0.25 Std	4

Fig. 40 – Electrical Circuit Board Group

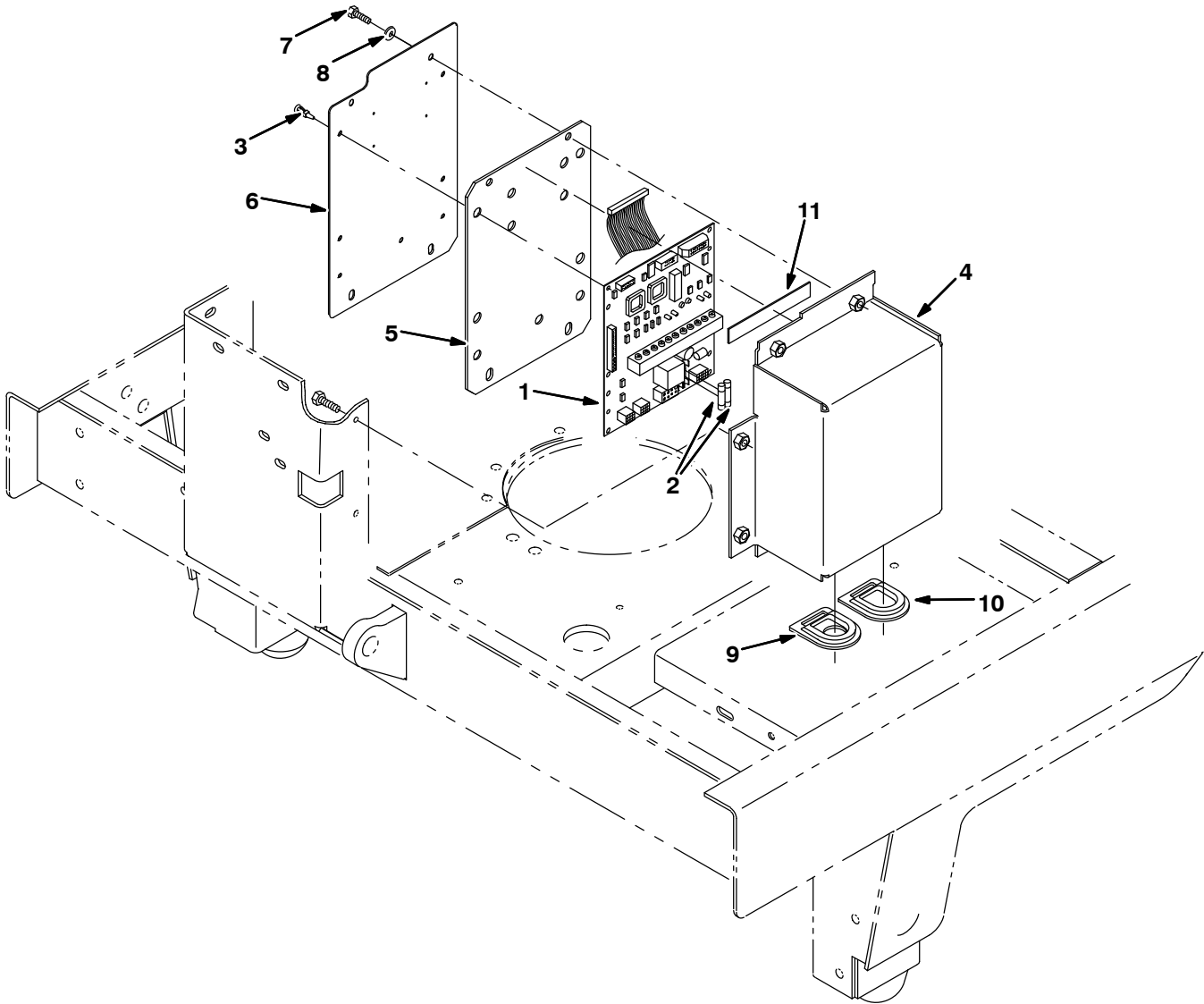
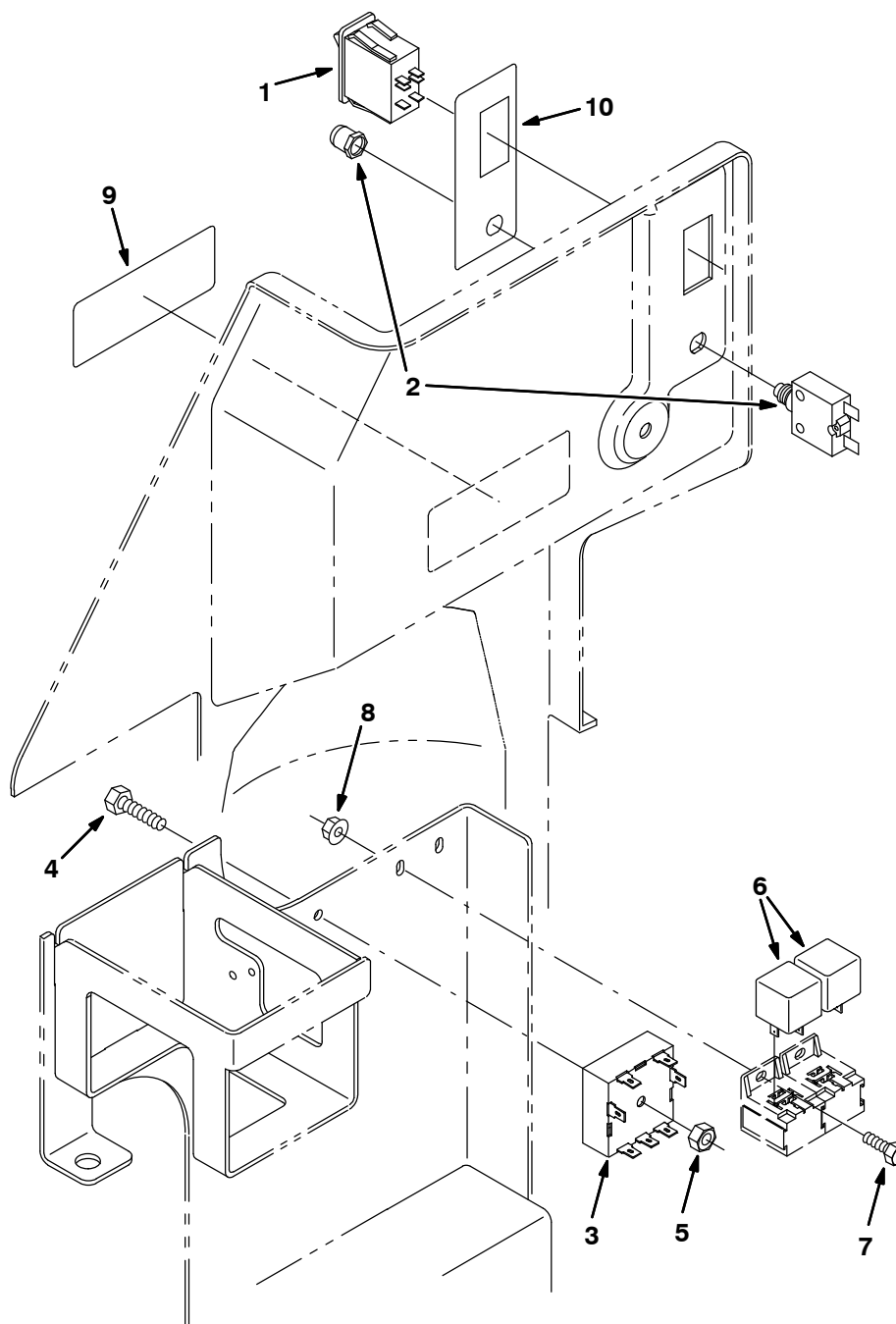


Fig. 40 - Electrical Circuit Board Group

	Ref.	Part No.	Serial Number	Description	Qty.
▽	1	9008411	(000000-005351)	Circuitboard Assy Kit [7300/8300]	1
▲	2	603103000	(000000-005351)	Fuse, .20A, 3Ag, Slo-Blo	2
▽	1	9009493	(005352-	Circuitboard Assy Kit [7300/8300]	1
▲	2	603103000	(005352-	Fuse, .20A, 3Ag, Slo-Blo	2
	3	15840	(000000-	Pin, Prong	7
	4	386922	(000000-004999)	Box, Circuitboard	1
	4	1056478	(005000-	Box, Circuitboard, Iron Gray	1
	5	386921	(000000-	Gasket	1
	6	386920	(000000-004999)	Cover	1
	6	1056477	(005000-	Cover, Iron Gray	1
	7	06942	(000000-	Screw, Hex, M06 X 1.0 X 16, 8.8	6
	8	32483	(000000-	Washer, Flt, .25 Sae	4
	9	386563	(000000-	Grommet, Rbr, 1.0b	1
	10	386564	(000000-	Plug, Rbr	1
	11	387529	(000000-	Tape, Foam	1

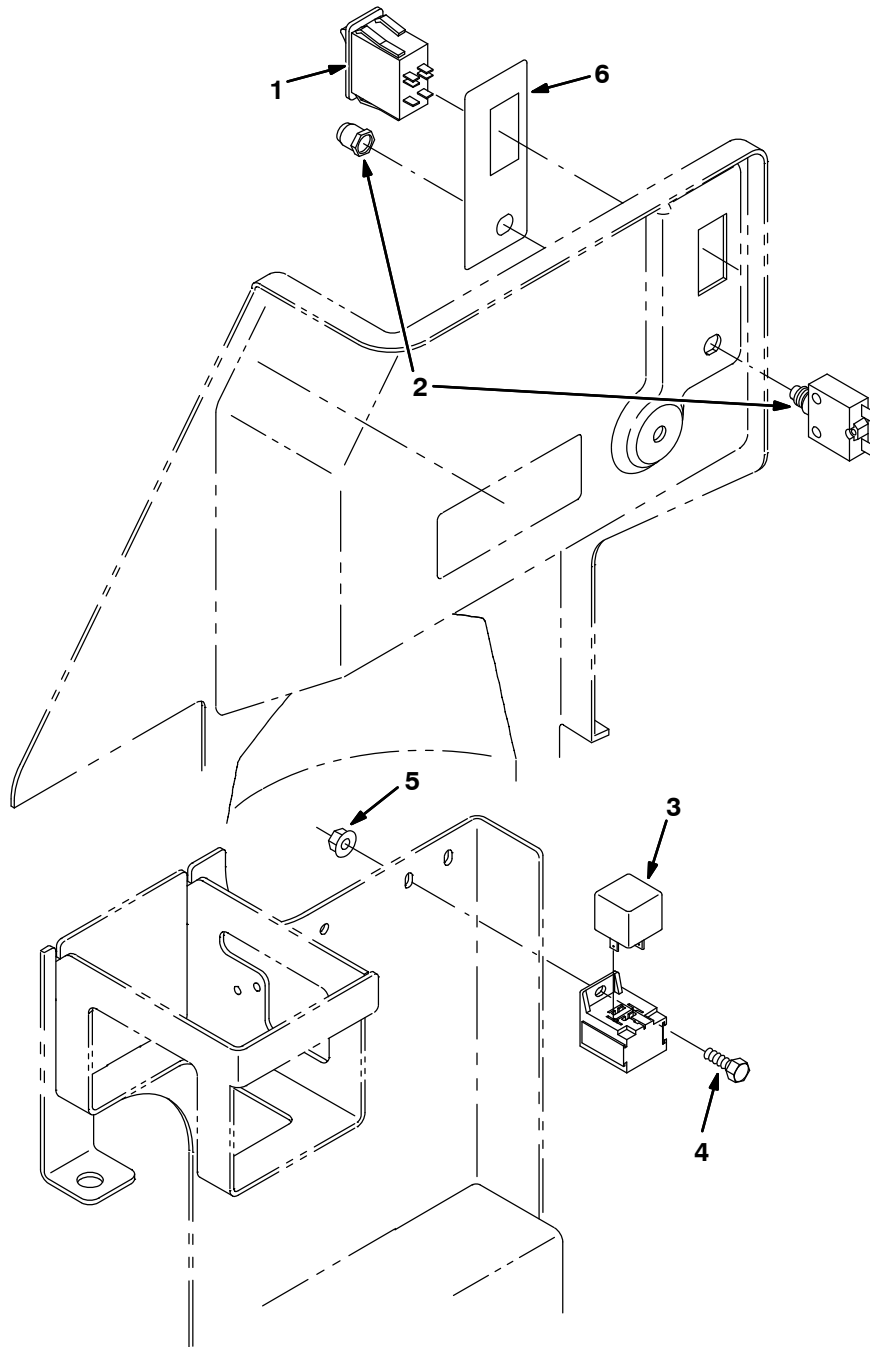
Fig. 41 – Electrical Group, FaST (000000-003746)



354204- 7300

Ref.	Part No.	Serial Number	Description	Qty.
1	377084	(000000-003746)	Switch, Rocker, 36vdc 05a Progressive	1
2	383721	(000000-003746)	Circuitbreaker, 10.0a	1
3	1028580	(000000-003746)	Timer, 9-41vdc, Recycling	1
4	06945	(000000-003746)	Screw, Hex, M6 X 1.0 X 30, 8.8	1
5	08708	(000000-003746)	Nut, Hex, Lock, M 6 X 1.0, NI	1
6	398526	(000000-003746)	Relay, 36vdc, 05a, Spdt N/O [Greenwich]	2
7	09244	(000000-003746)	Screw, Hex, M5 X 0.8 X 16, 8.8	2
8	07789	(000000-003746)	Nut, Hex, Flng, M5 X 0.8	2
9	1005416	(000000-003746)	Label, Fast	1
10	1011276	(000000-003746)	Label, Switch, Fast	1

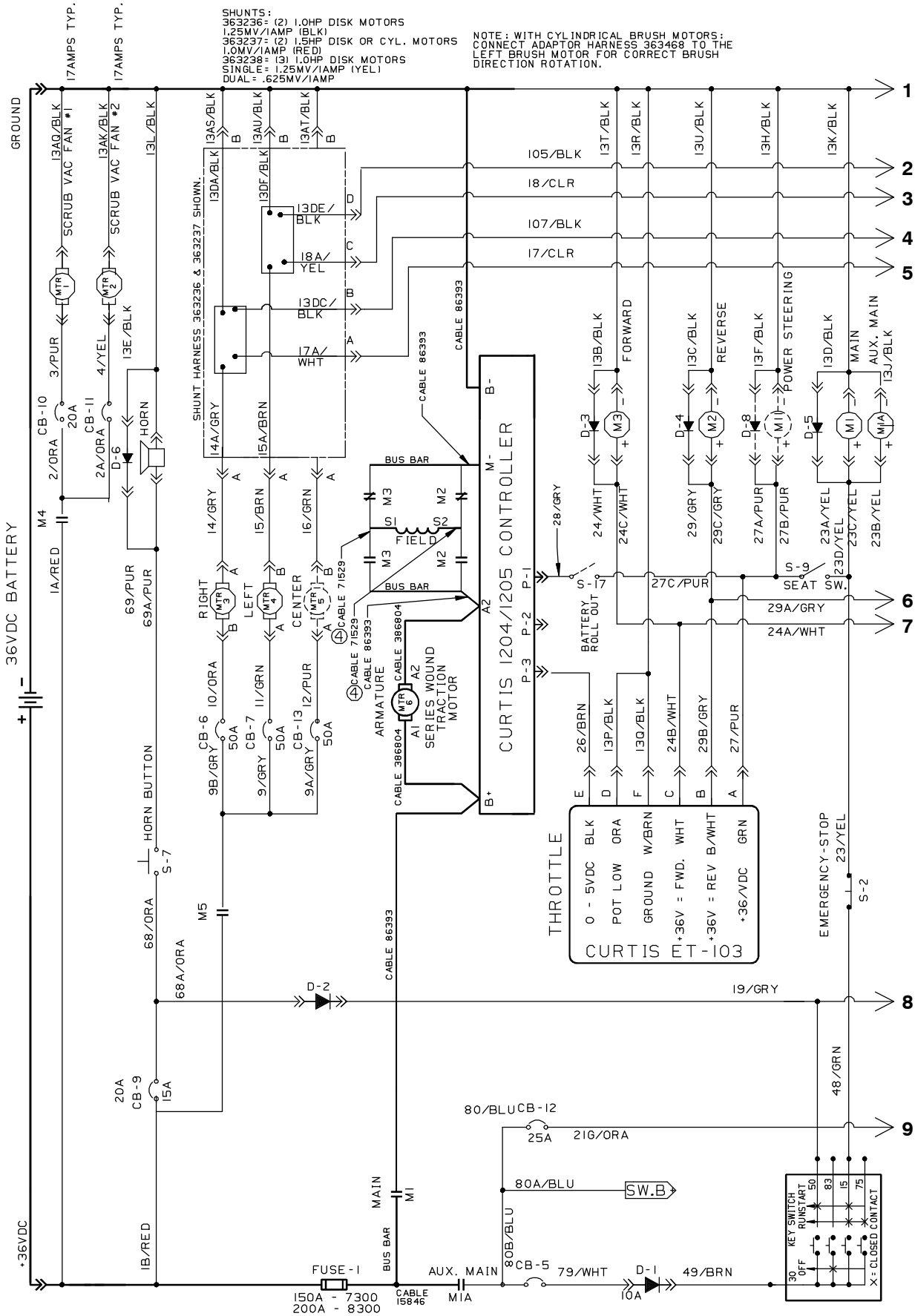
Fig. 42 – Electrical Group, FaST (003747-)



354204- 7300

Ref.	Part No.	Serial Number	Description	Qty.
1	377084	(003747-)	Switch, Rocker, Prgrsv	1
2	383720	(003747-)	Circuitbreaker, 05.0A, Resetable	1
3	398526	(003747-)	Relay, 36Vdc, 005A, Spdt No [Greenwich]	1
4	12312	(003747-)	Screw, Hex, M5 X 0.80 X 12, 8.8	1
5	19066	(003747-)	Washer, Flat, 10	1
6	1011276	(003747-)	Label, Switch [7300/8300 FaST]	1

Fig. 43 - Electrical Schematic (00000-003746)



SHUNTS:
 363236: (2) 1.0HP DISK MOTORS
 1.25MV/IAMP (BLK)
 363237: (2) 1.5HP DISK OR CYL. MOTORS
 1.0MV/IAMP (RED)
 363238: (3) 1.0HP DISK MOTORS
 0.5IN/6E: (1) 2.5MV/IAMP (YEL)
 DUAL: 6.25MV/IAMP

NOTE: WITH CYLINDRICAL BRUSH MOTORS;
 CONNECT ADAPTOR HARNESS 363468 TO THE
 LEFT BRUSH MOTOR FOR CORRECT BRUSH
 DIRECTION ROTATION.

THROTTLE

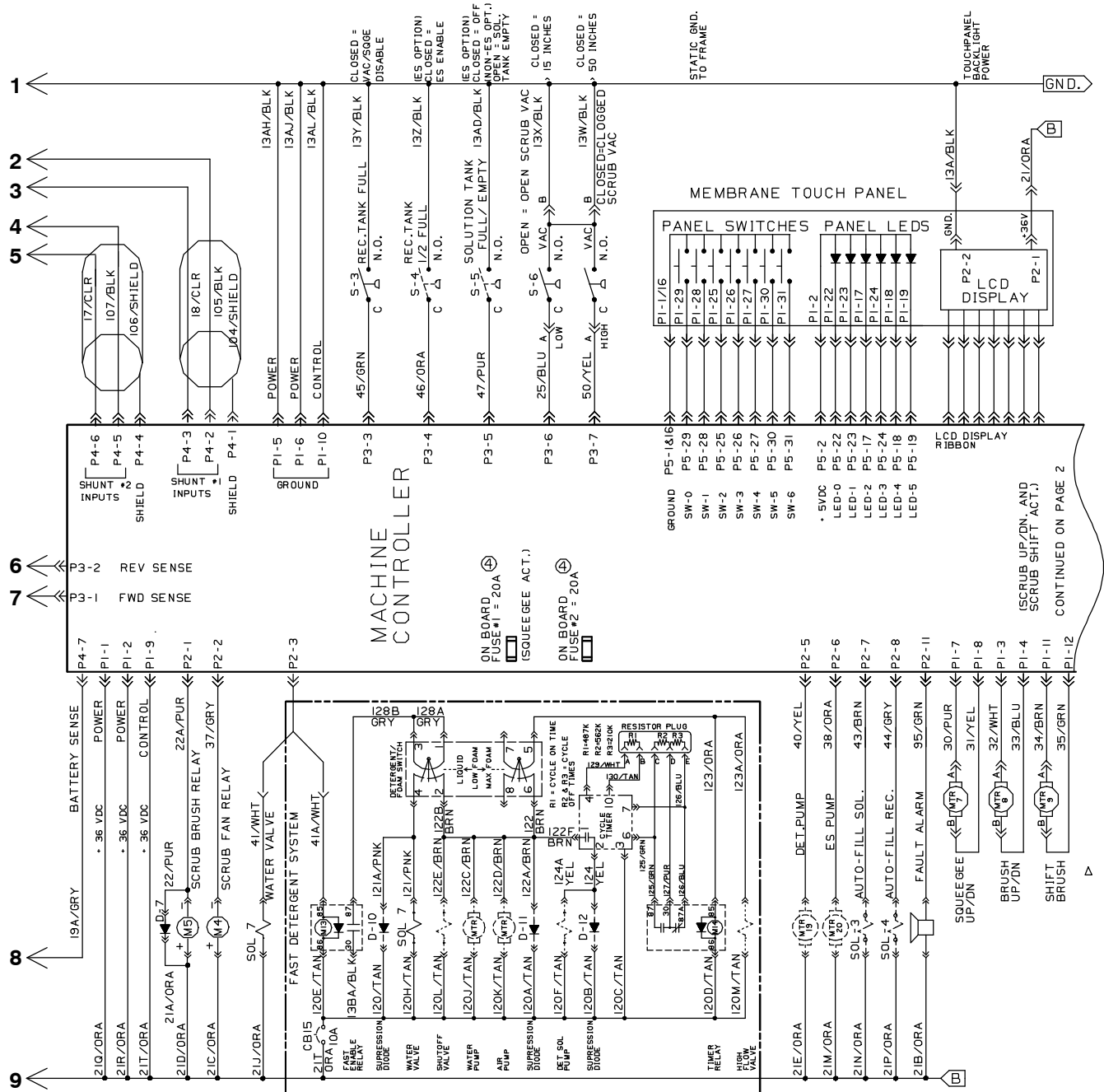
0 - 5VDC	BLK
POT LOW	ORA
GROUND	W/BRN
+36V = FWD.	WHT
+36V = REV	B/WHT
+36V/DC	GRN

CURTIS FT-103

150A - 7300
 200A - 8300
 CABLE 15846

353346, 386300

Fig. 43 - Electrical Schematic (00000-003746)



CB	CIRCUIT BREAKER	FU	FUSE
MTR	MOTOR	D	DIODE
P	CONNECTOR PIN	M	RELAY COIL
S	SWITCH	R	RESISTOR
ARM	ARMATURE	HM	HOURLMETER
N.O.	NORM. OPEN CONTACT	C	COMMON CONTACT
SV	HYD. SOLENOID VALVE	SOL.	ELE. MECH. VALVE

353346, 386300

Fig. 43 - Electrical Schematic (000000-003746)

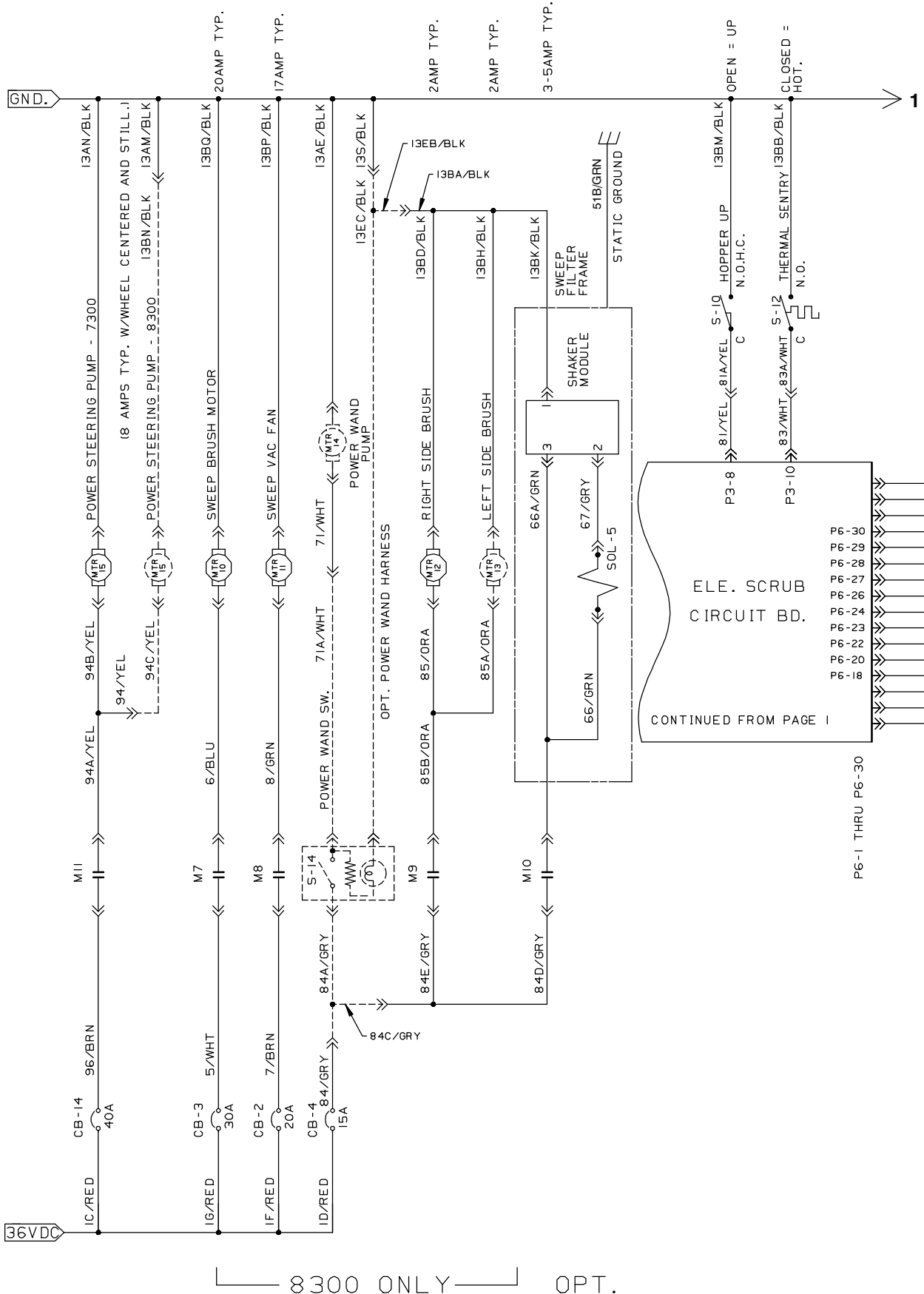
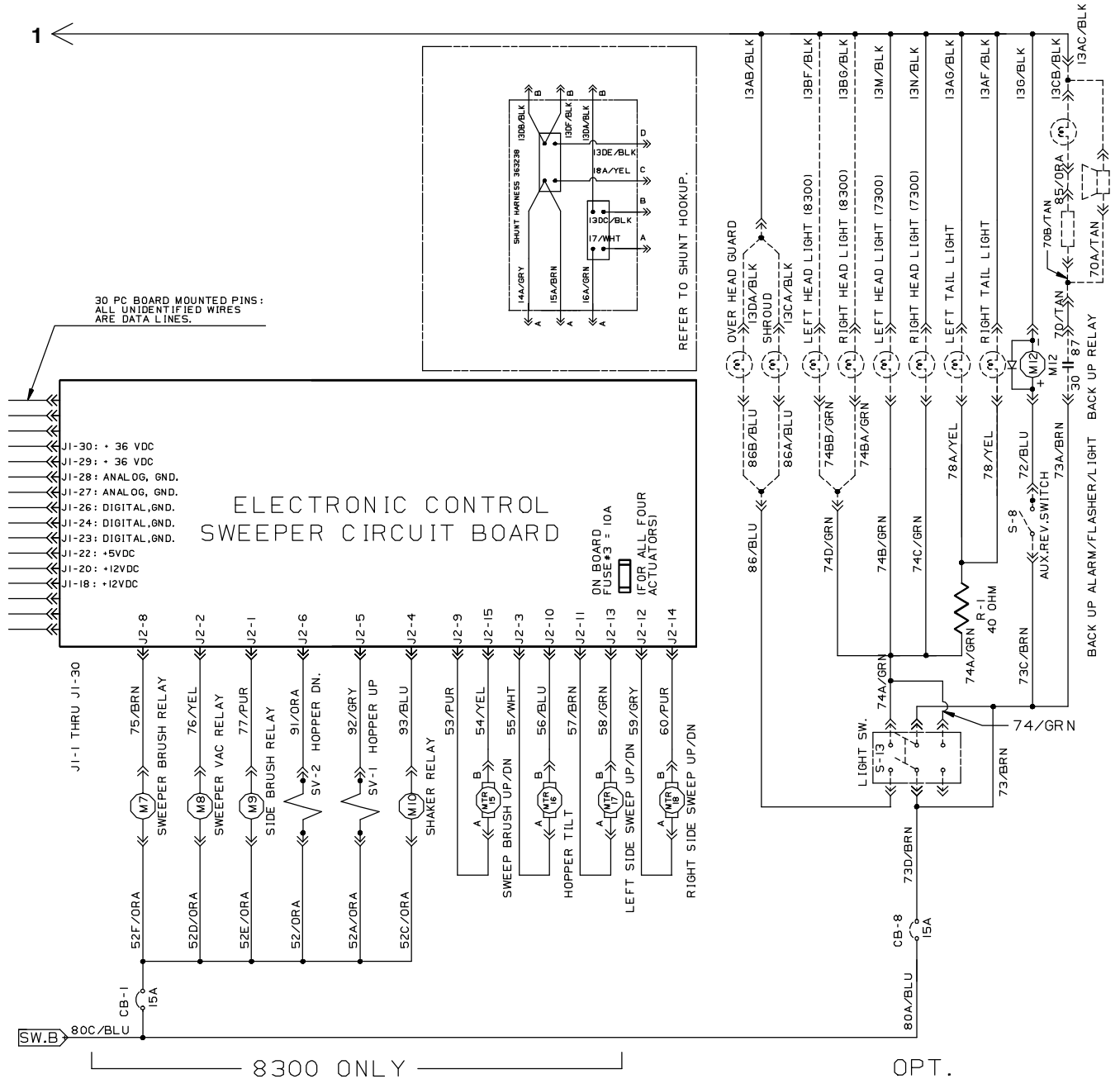


Fig. 43 - Electrical Schematic (00000-003746)



LEGEND

CB	CIRCUIT BREAKER	FU	FUSE
MTR	MOTOR	D	DIODE
P	CONNECTOR PIN	M	RELAY COIL
S	SWITCH	R	RESISTOR
ARM	ARMATURE	HM	HOURLMETER
N.O.	NORM.OPEN CONTACT	C	COMMON CONTACT

353346, 386300

Fig. 44 - Electrical Schematic (003747-)

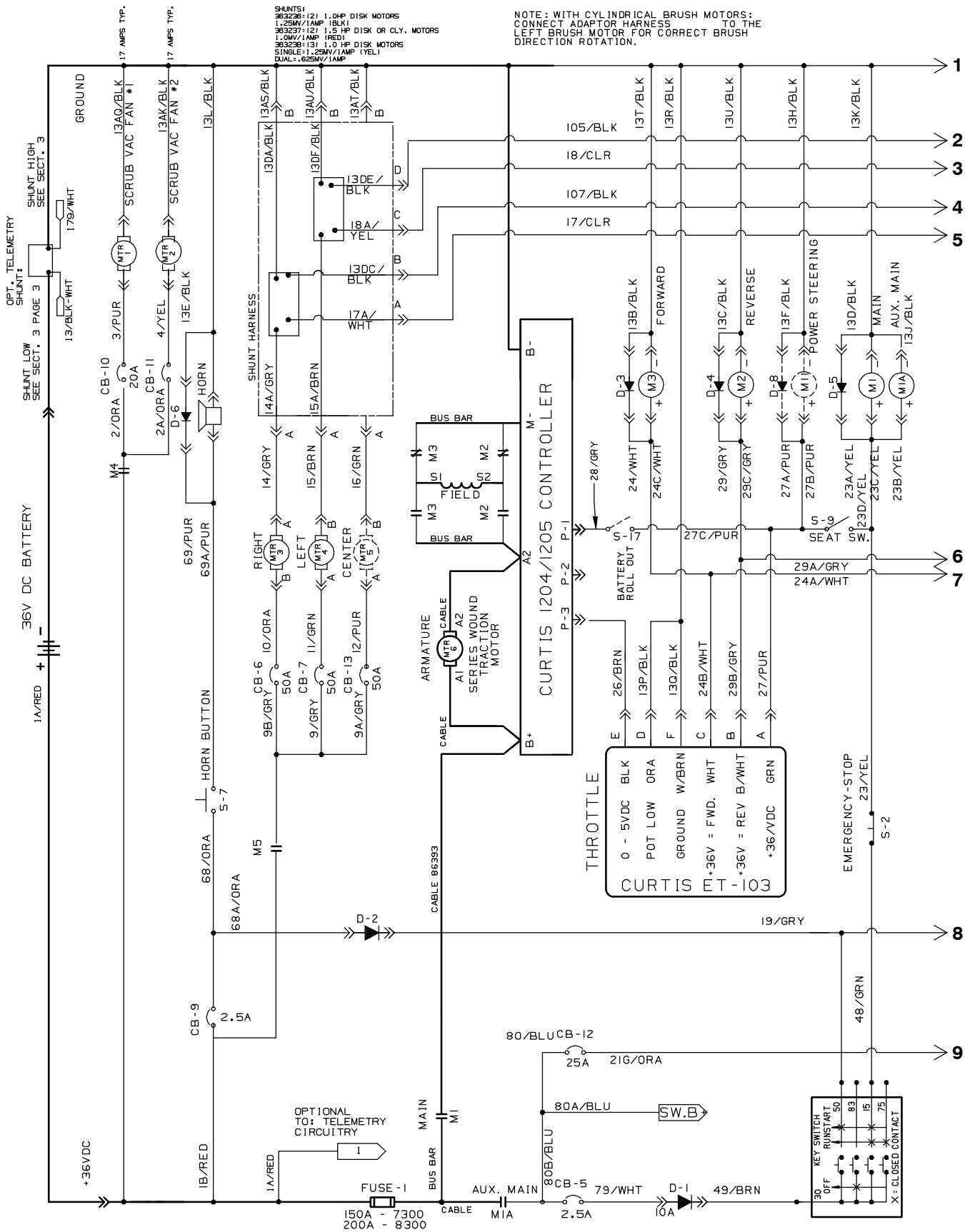
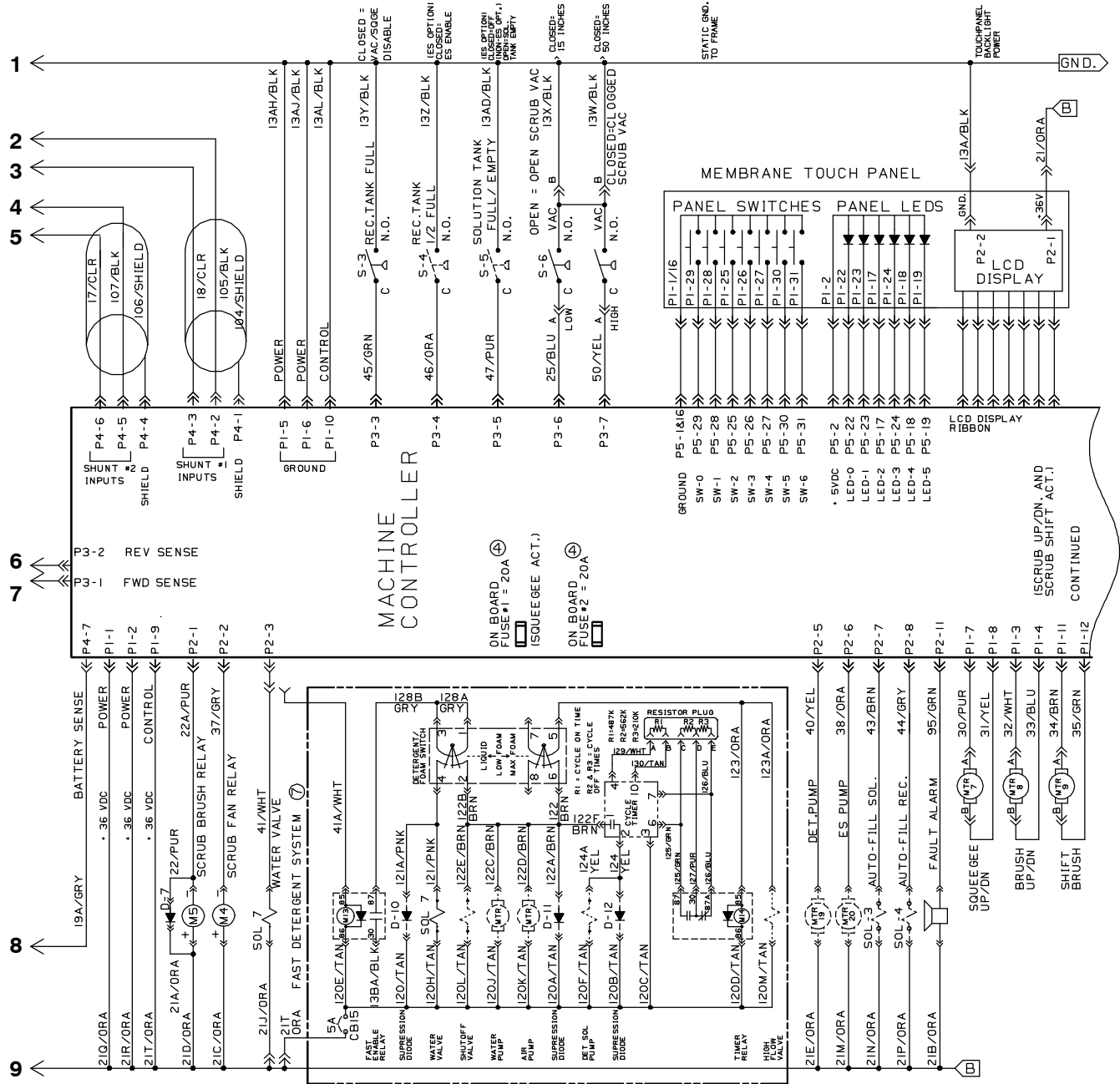


Fig. 44 - Electrical Schematic (003747-)



353346, 386300

Fig. 44 - Electrical Schematic (003747-)

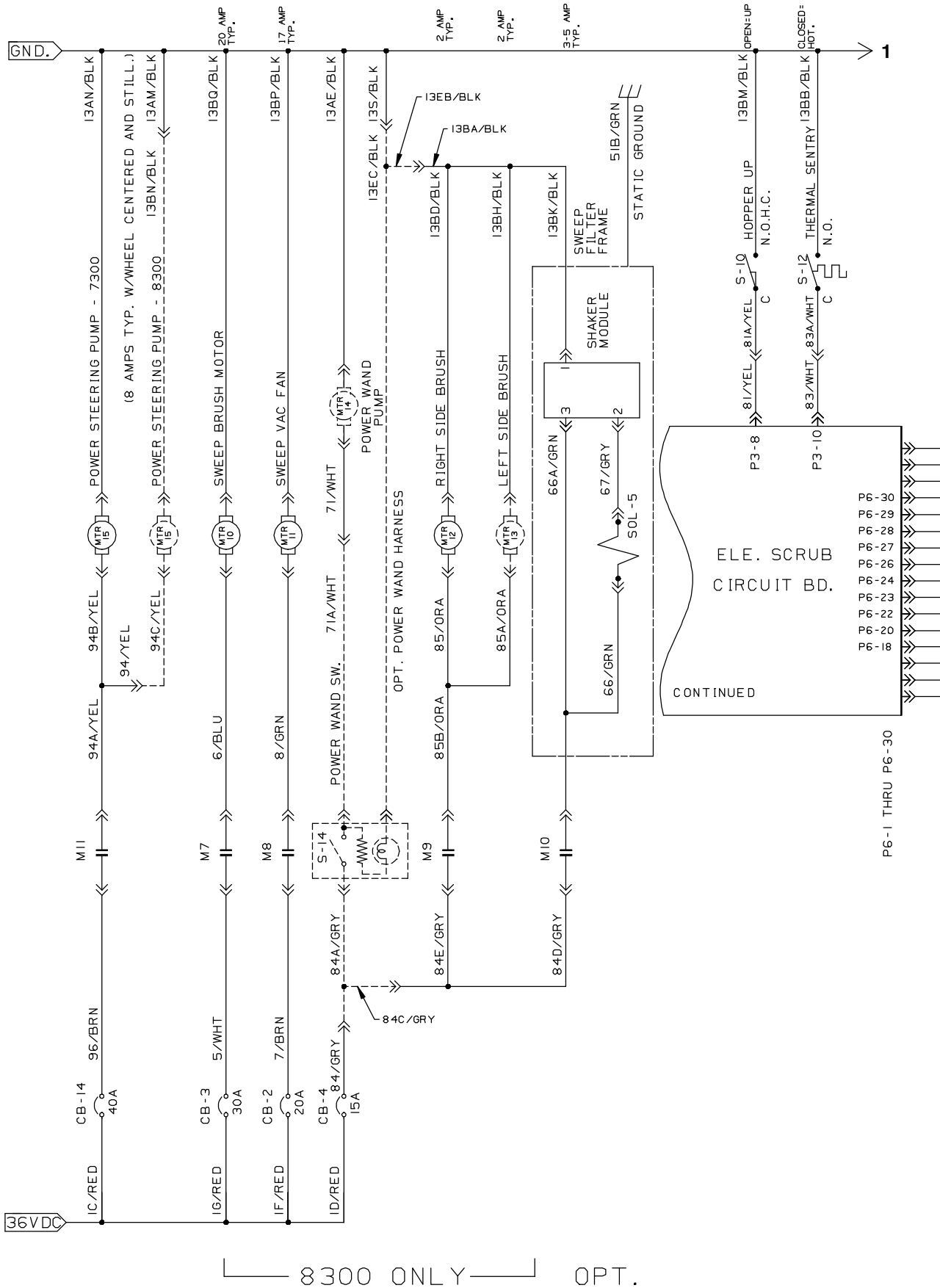
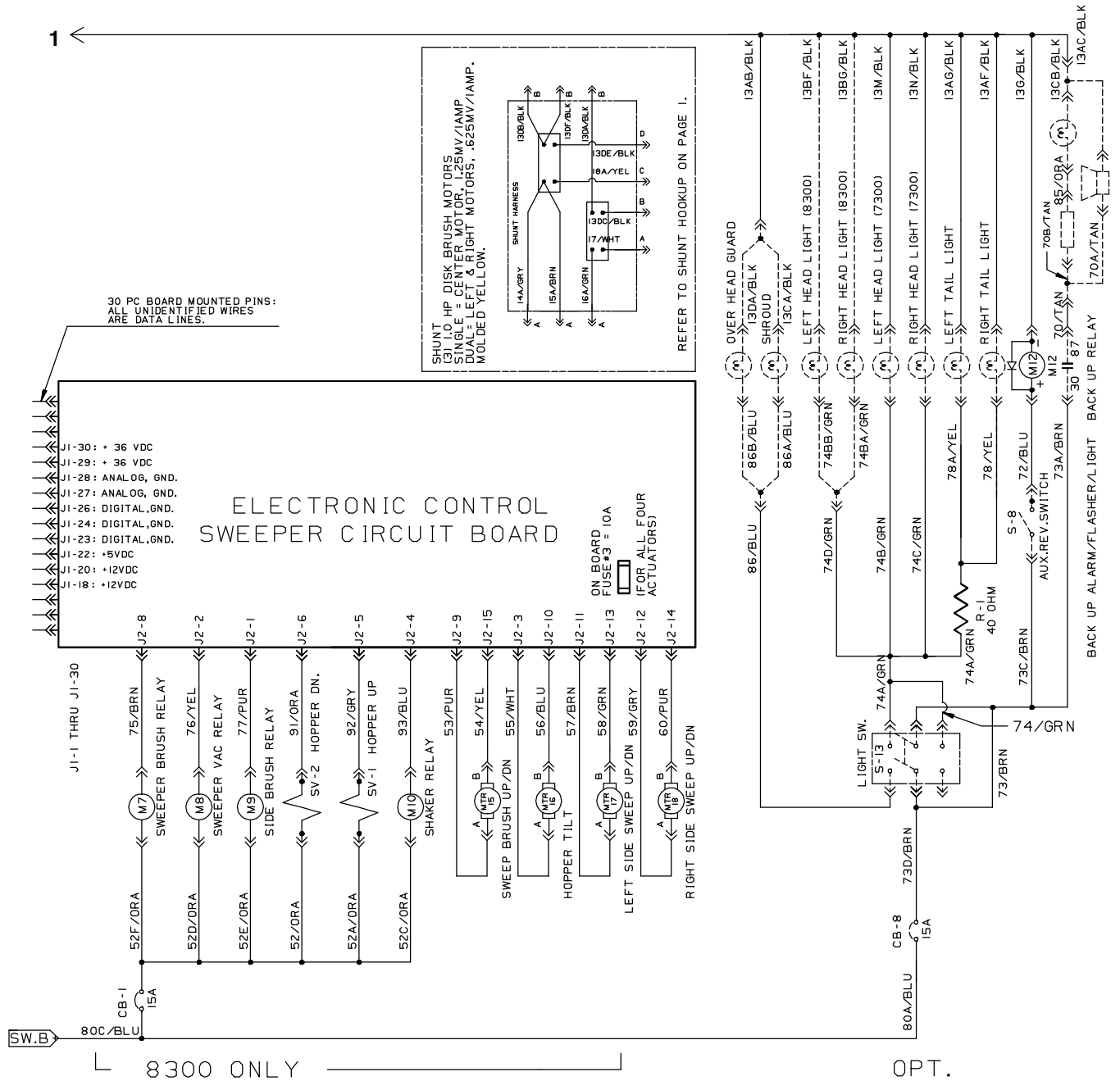


Fig. 44 - Electrical Schematic (003747-)



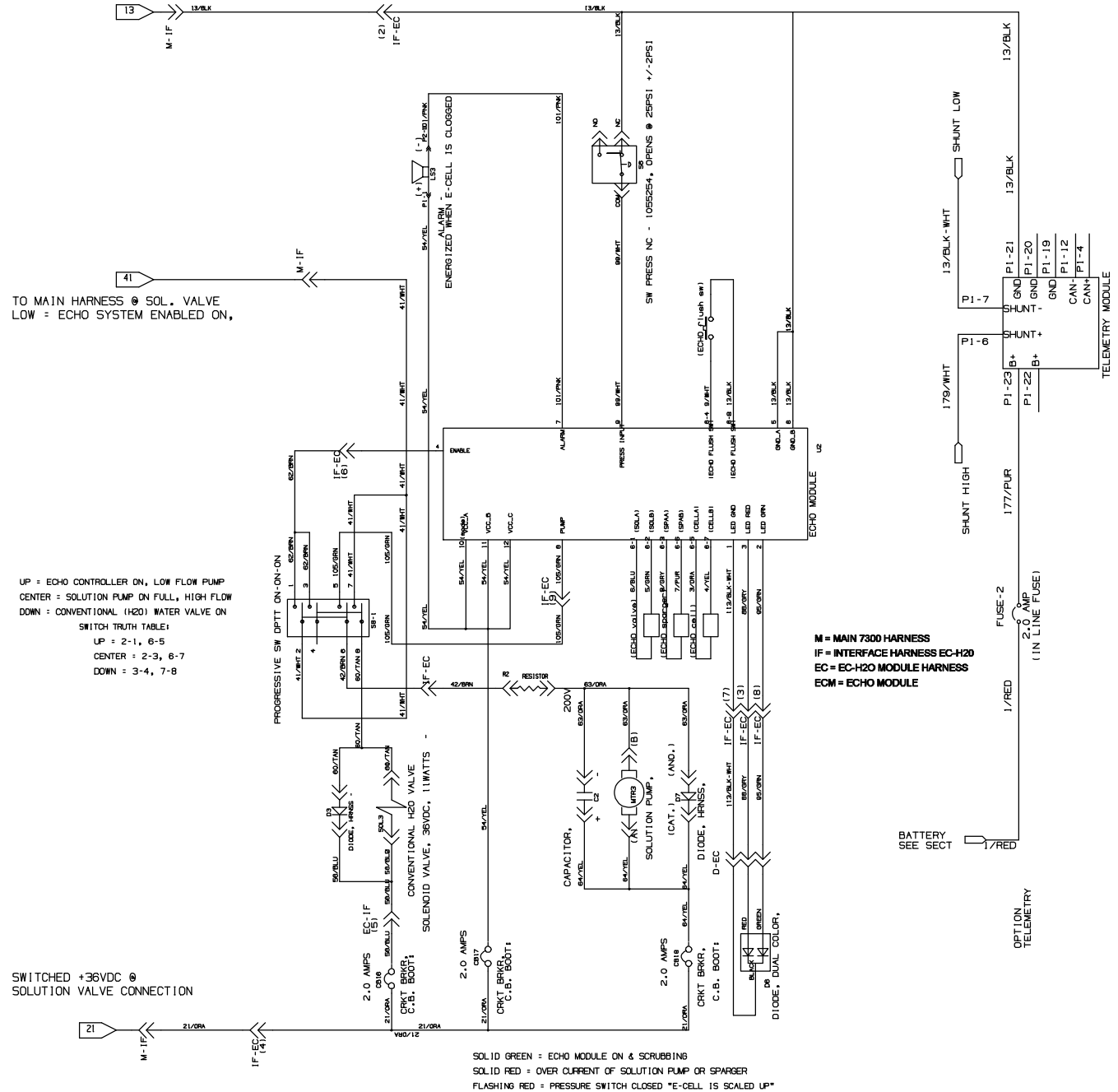
LEGEND

CB	CIRCUIT BREAKER	FU	FUSE
MTR	MOTOR	D	DIODE
P	CONNECTOR PIN	M	RELAY COIL
S	SWITCH	R	RESISTOR
ARM	ARMATURE	HM	HOURMETER
N.O.	NORM. OPEN CONTACT	C	COMMON CONTACT

353346, 386300

Fig. 44 – Electrical Schematic (003747–)

GROUND @ NEG. STANDOFF



353346, 386300

Fig. 45 - Electrical Wire Harness Group, Main

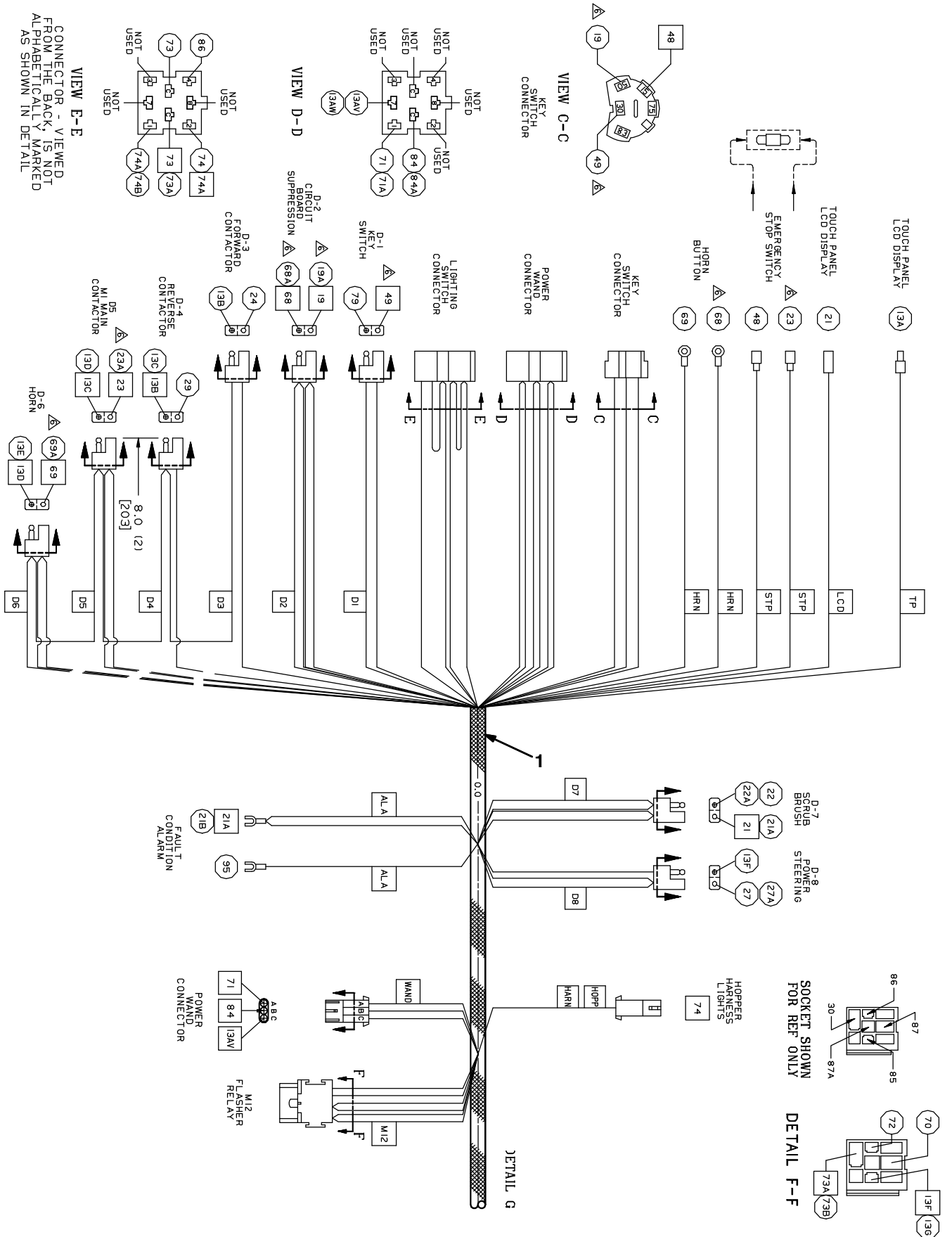


Fig. 45 - Electrical Wire Harness Group, Main

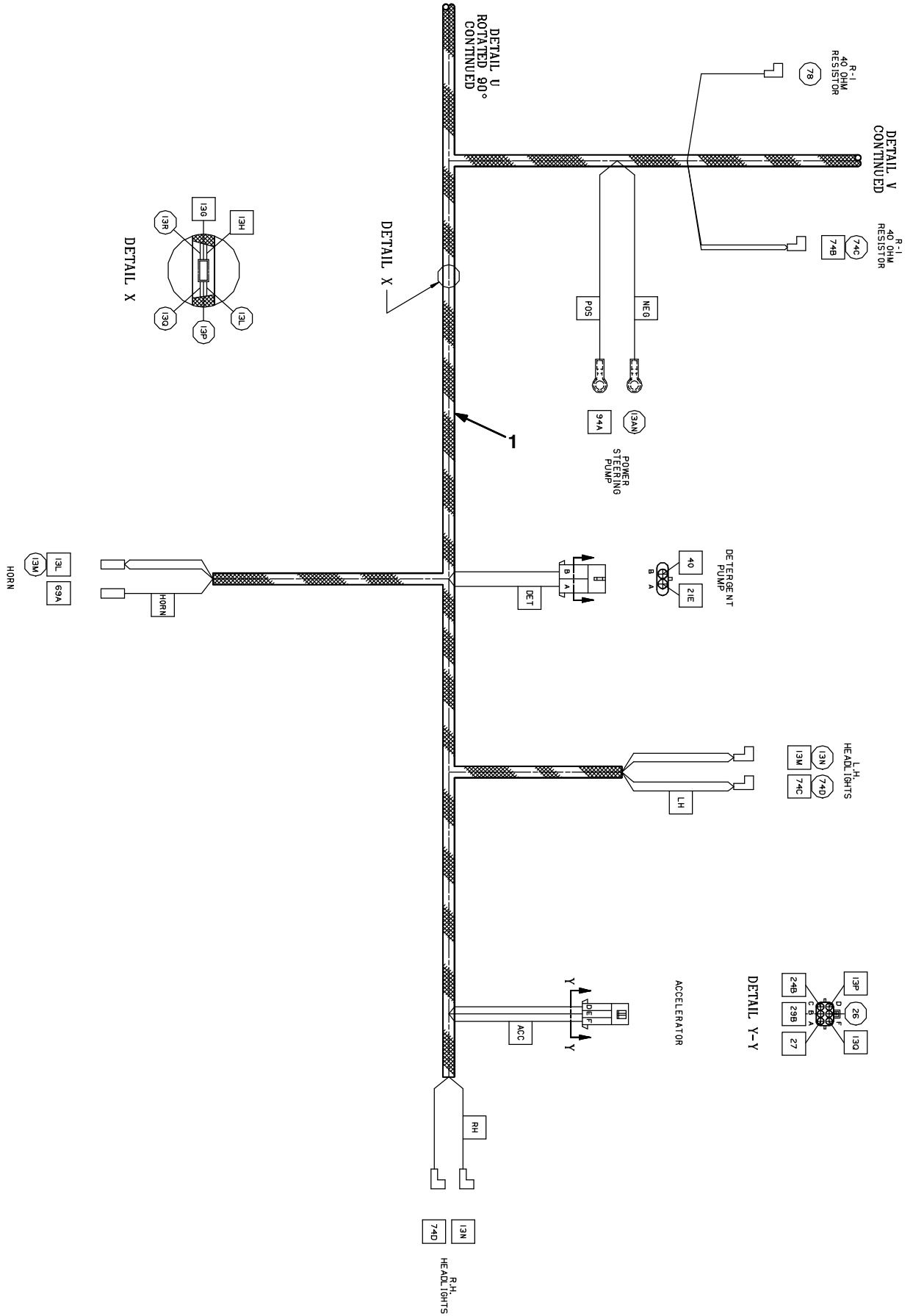


Fig. 45 - Electrical Wire Harness Group, Main

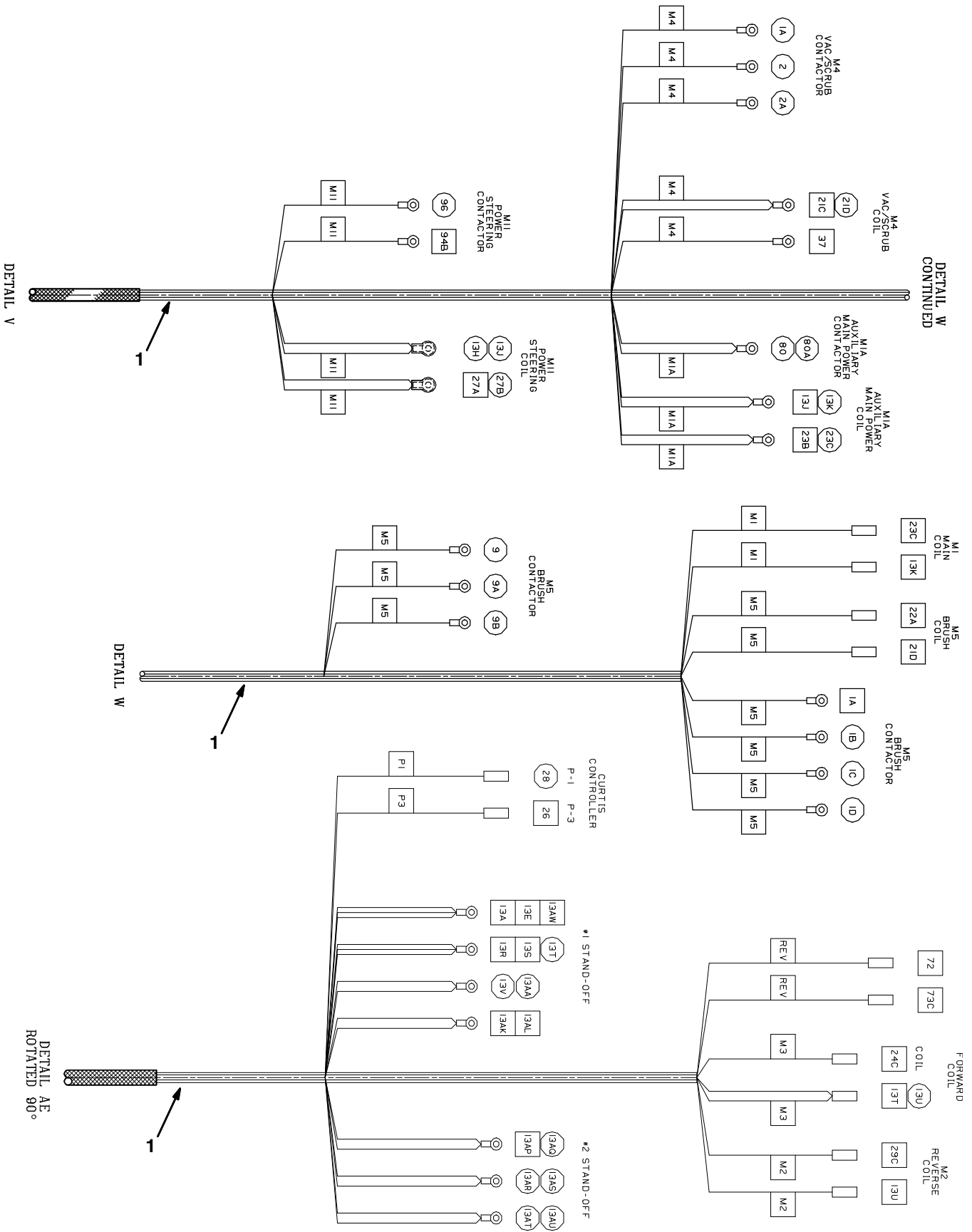


Fig. 45 - Electrical Wire Harness Group, Main

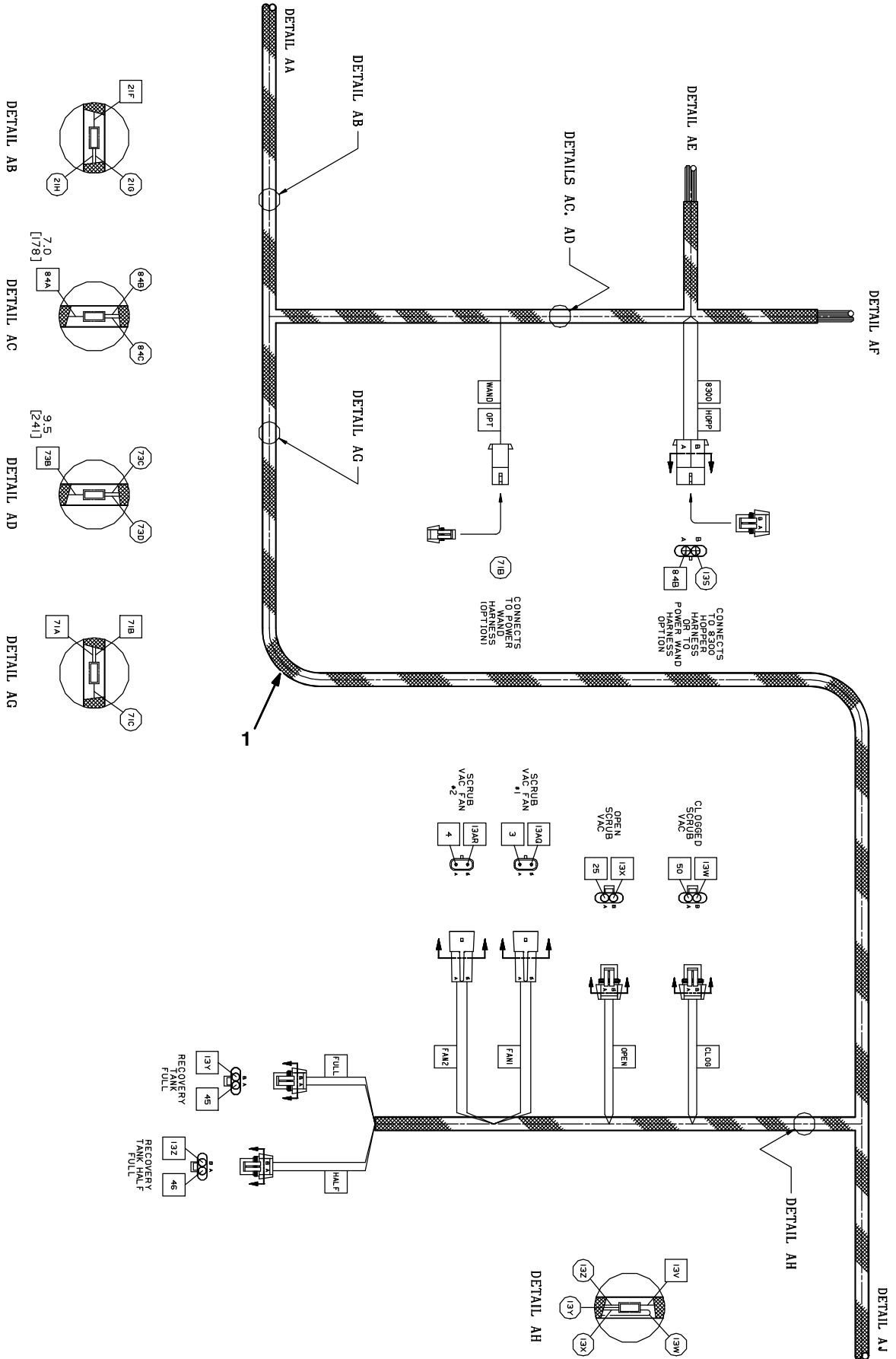


Fig. 45 – Electrical Wire Harness Group, Main

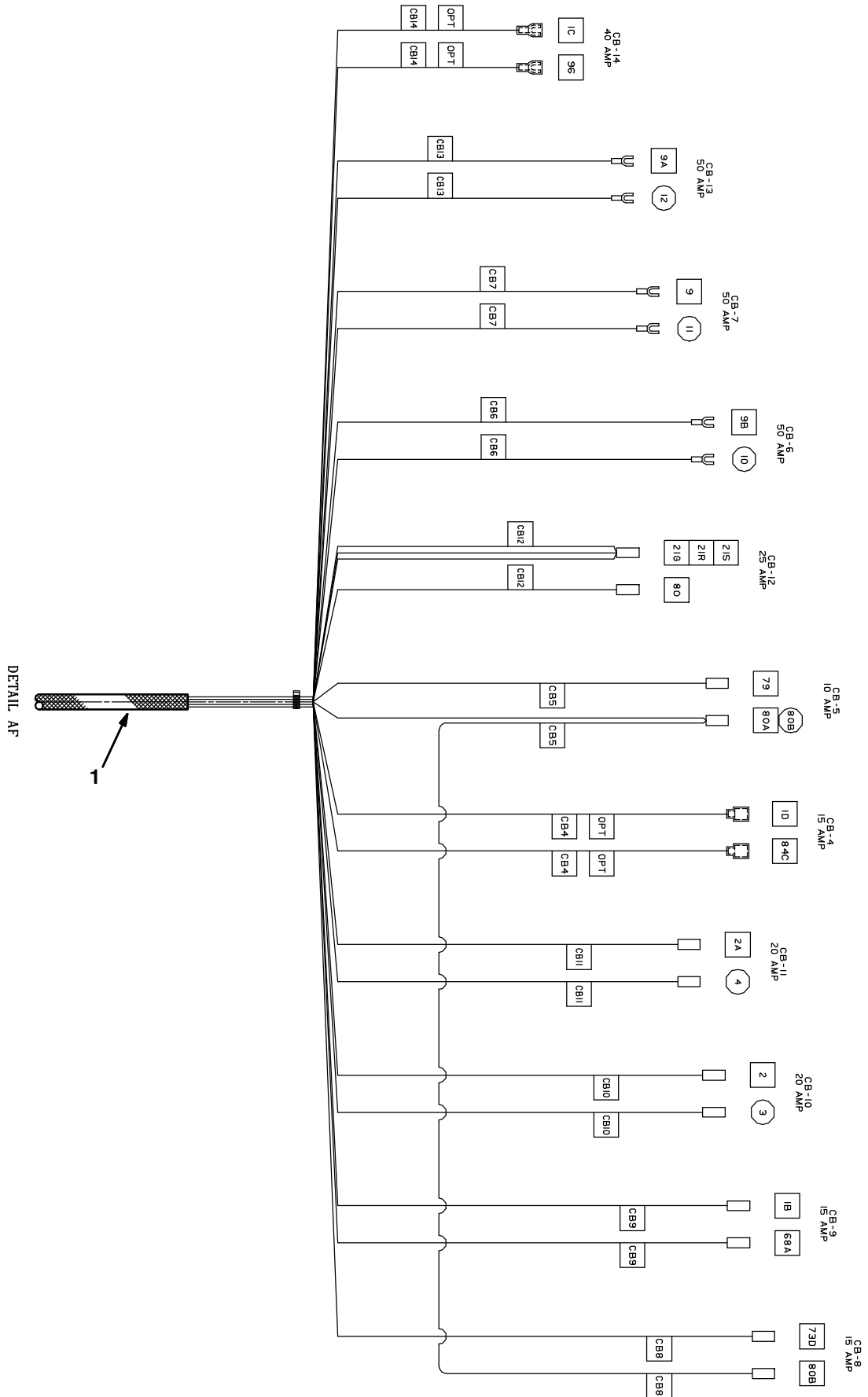


Fig. 45 - Electrical Wire Harness Group, Main

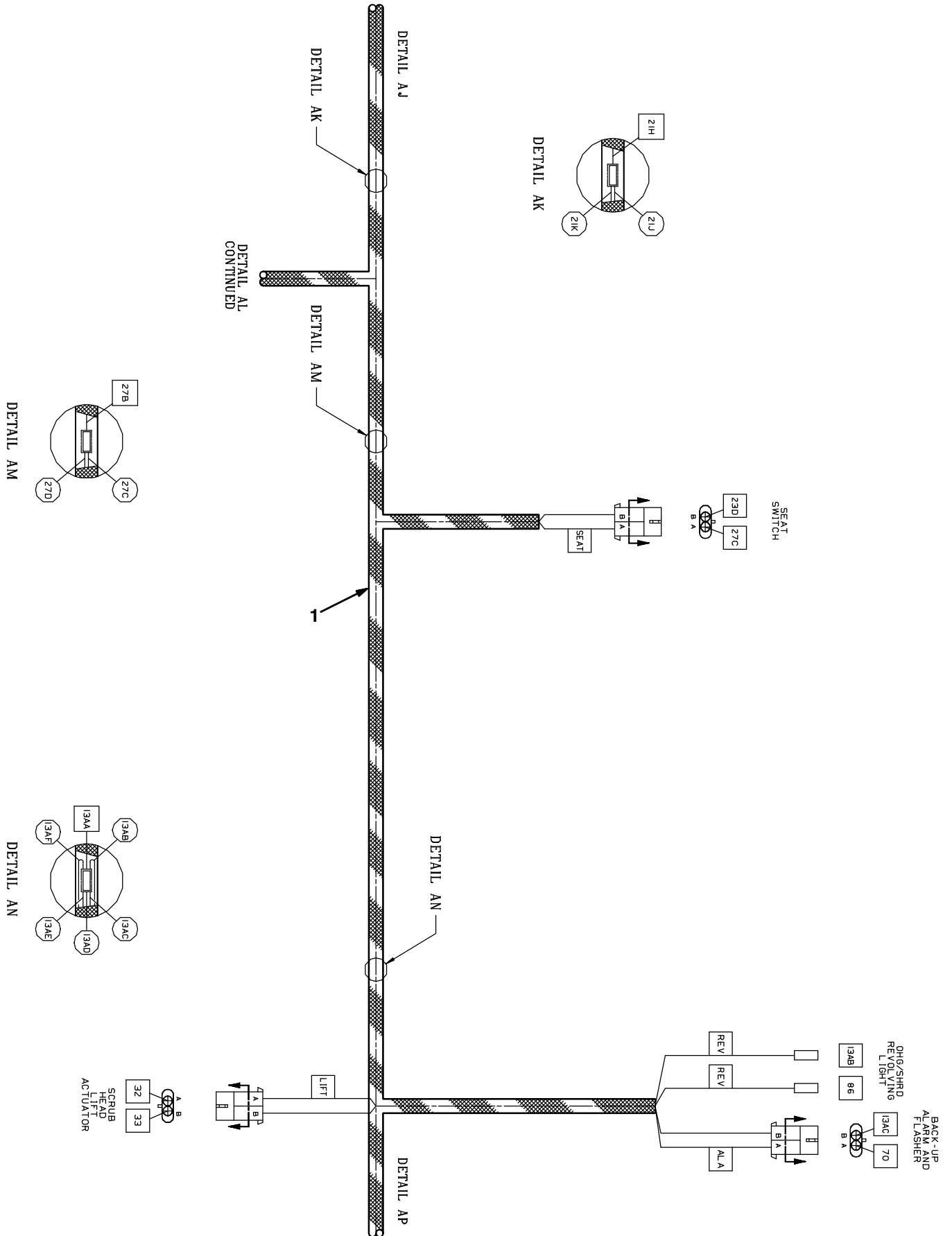


Fig. 45 - Electrical Wire Harness Group, Main

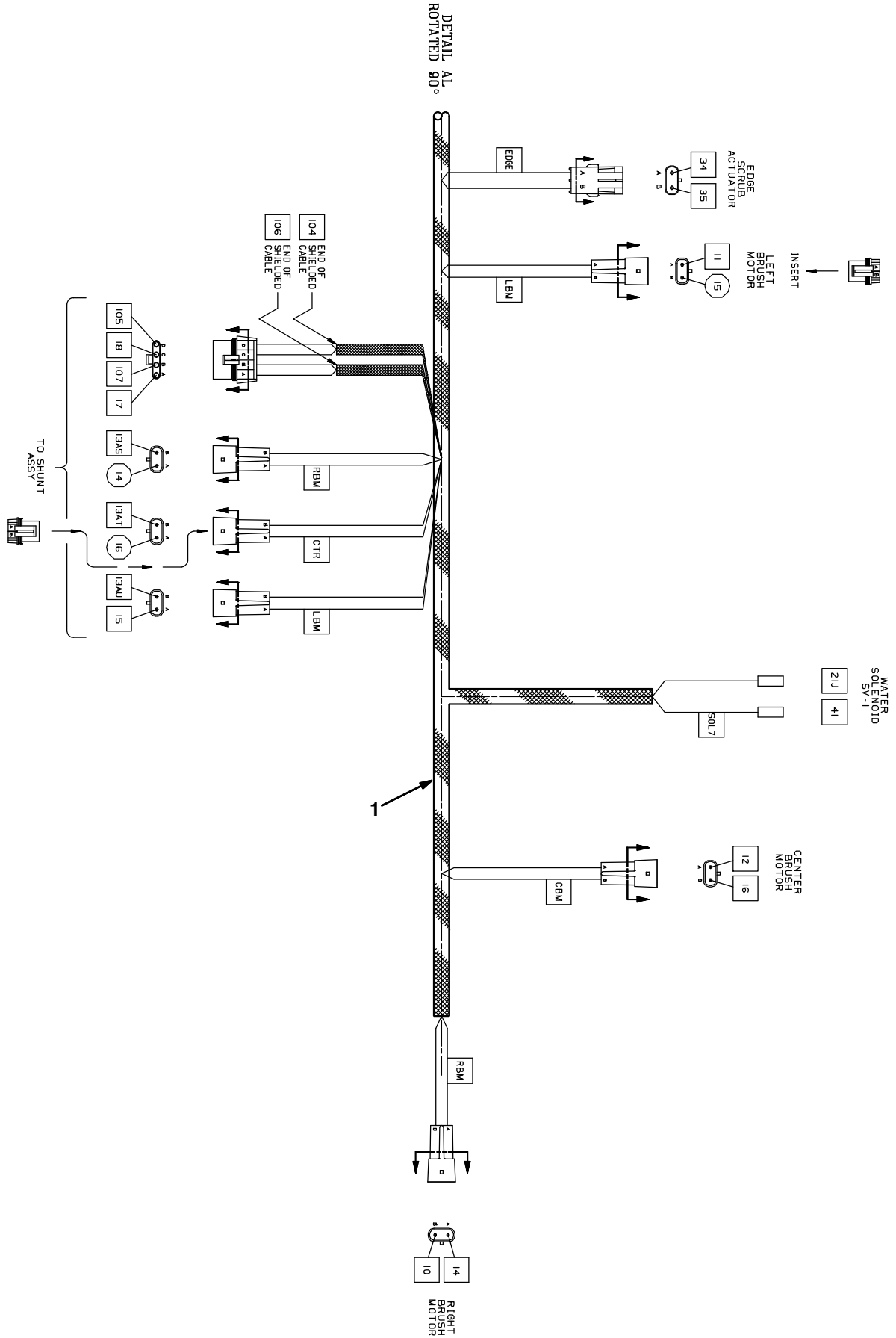


Fig. 45 - Electrical Wire Harness Group, Main

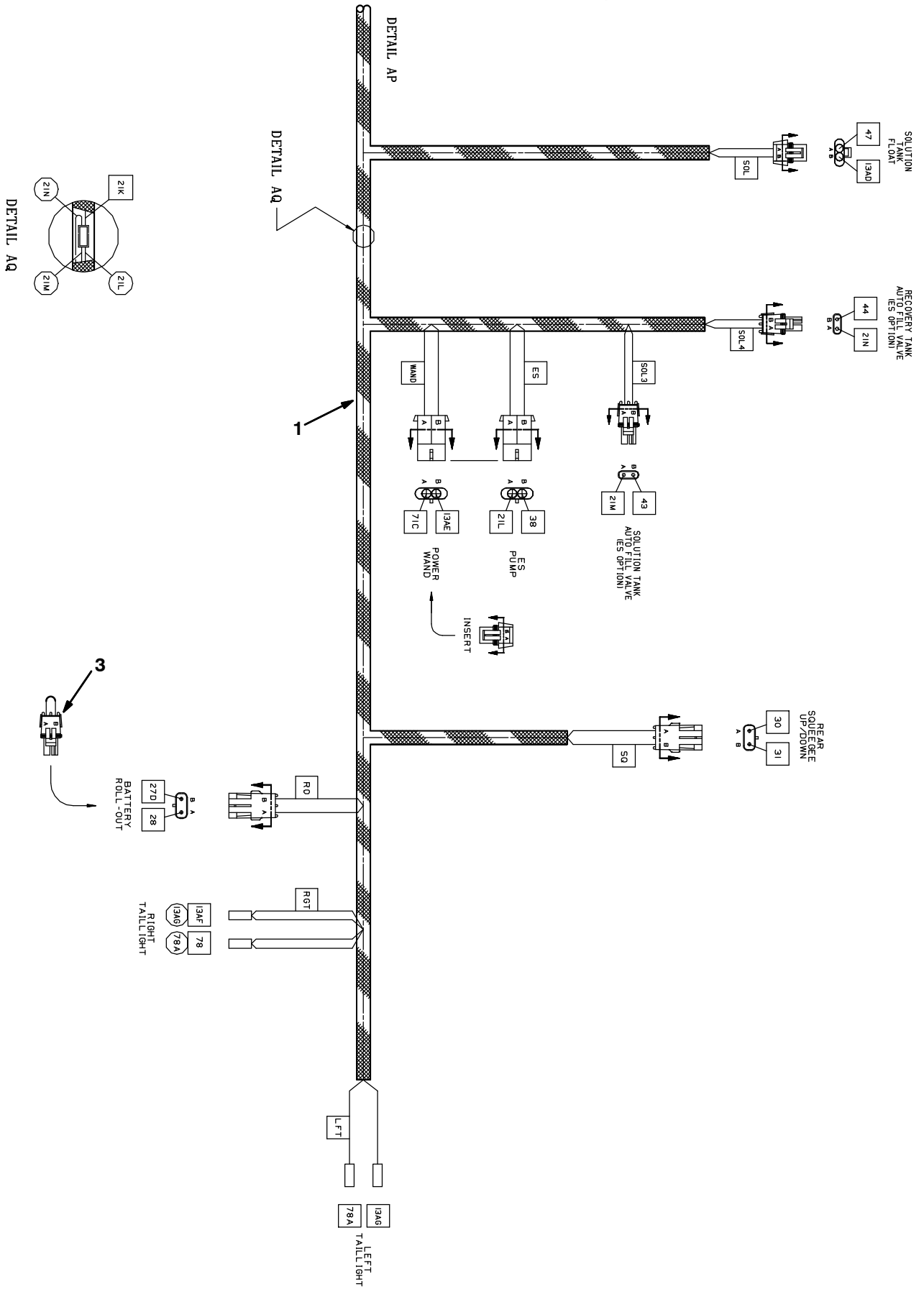
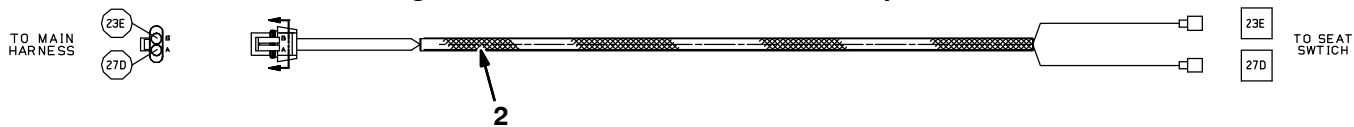
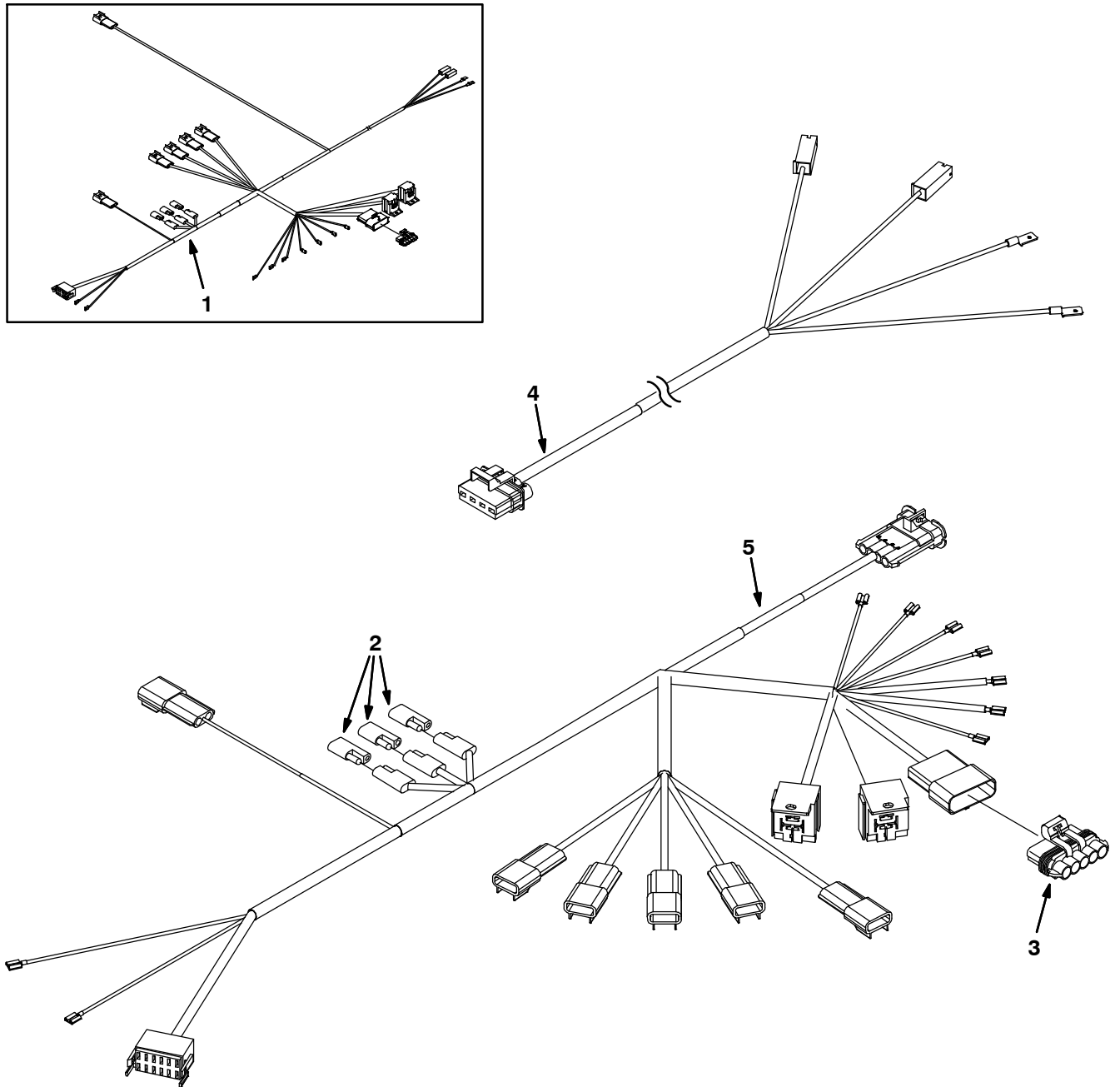


Fig. 45 - Electrical Wire Harness Group, Main



Ref.	Part No.	Serial Number	Description	Qty.
1	386600	(000000-001405)	Harness, Main, 7300, 8300	1
1	387424	(001406-) Harness, Main, 7300, 8300	1
2	387302	(000000-) Harness, Wire, Jumper, Seat Switch	1
3	60278	(000000-) Harness, Jumper, Arm	2

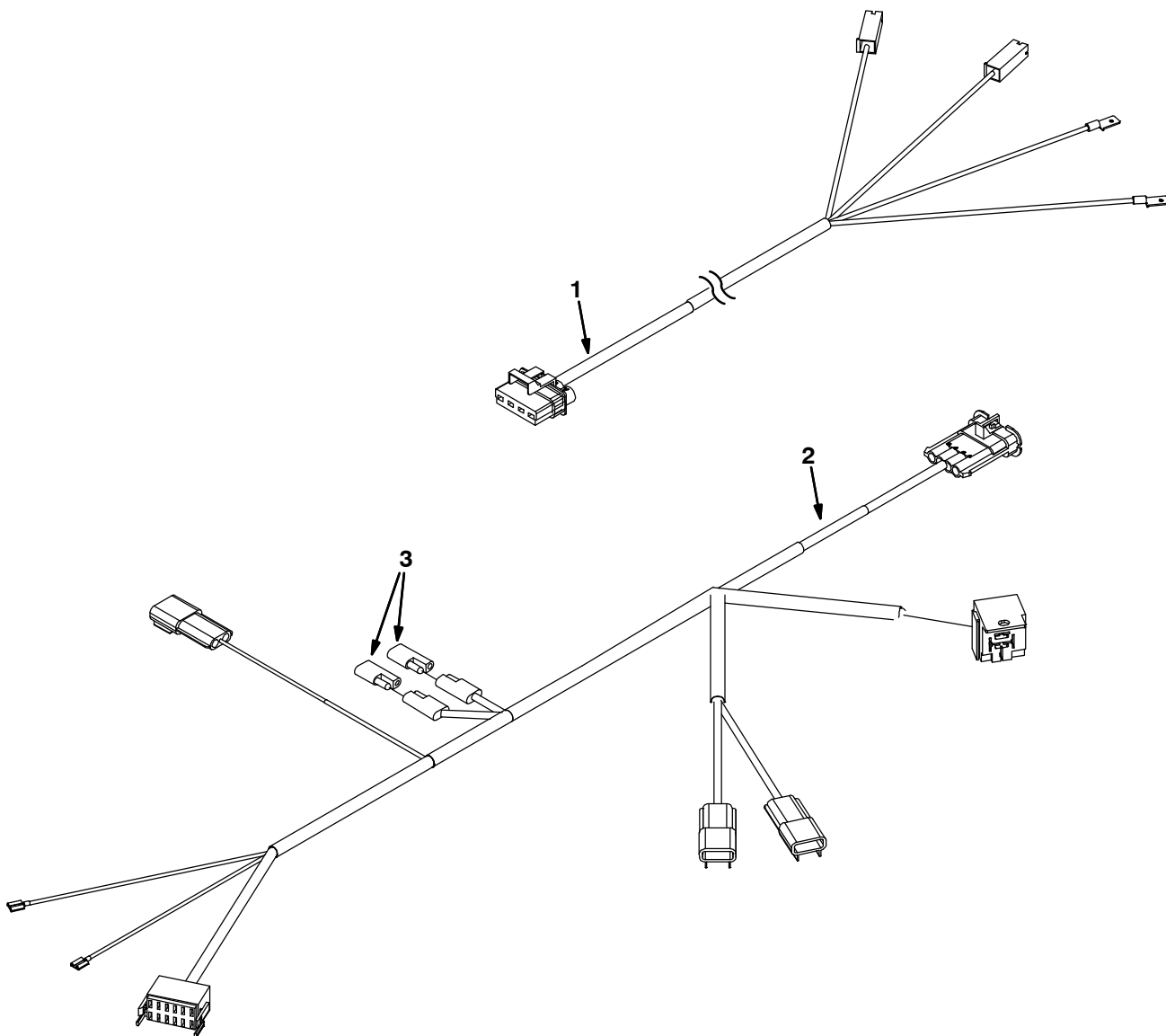
Fig. 46 – Electrical Wire Harness Group, FaST (000000–003746)



354203 – 7300

Ref.	Part No.	Serial Number	Description	Qty.
1	1010325	(000000–002252)	Harness, Fast, 7300/8300	1
2	222290	(000000–003746)	Diode, Ele, Plug	3
3	1015096	(000000–003746)	Plug, Resistor	1
4	1017288	(002253–003746)	Harness, Rear, [Fast 7300/8300]	1
5	1017289	(002253–003746)	Harness [Fast 7300/8300]	1

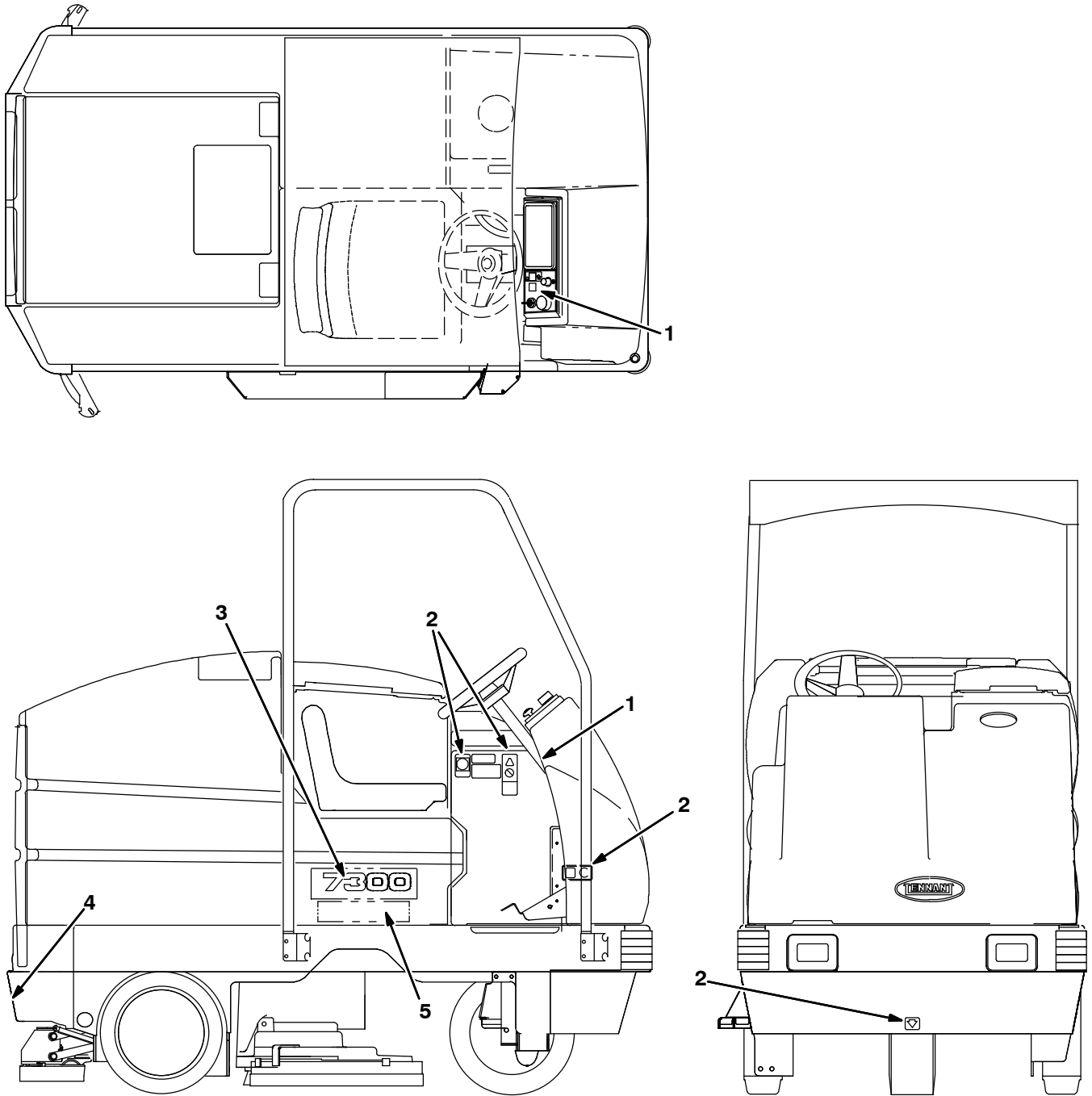
Fig. 47 – Electrical Wire Harness Group, FaST (003747–)



354203 – 7300

Ref.	Part No.	Serial Number	Description	Qty.
1	1017288	(003747–)	Harness, Rear [FaST 7300/8300]	1
2	1052588	(003747–)	Harness [FaST II+ 7300/8300]	1
3	222290	(003747–)	Diode, Ele, Plug	2

Fig. 48 – Label Group



353345 – 7300, NA

Ref.	Part No.	Serial Number	Description	Qty.
1	386130	(000000–)	Label Set, Operational, 7300/8300	1
2	387032	(000000–)	Label Set, Info & Hzd	1
3	1064659	(000000–)	Label, Tank, 9.08L 2Color [7300]	2
4	387525	(000000–)	Label, Sqge	1
5	1064439	(000000–)	Label, Logo, 14.9L 4Color [ec-H2O]	2
5	1065342	(000000–)	Label, Logo, 07.95L 2Color [FaST]	2
5	1065343	(000000–)	Label, Logo, 05.75L 2Color [ES]	2

SECTION 3

Contents	Page
Fig. 1 – Revolving Light Kit (000000–004999)	3-4
Fig. 2 – Revolving Light Kit (005000–)	3-6
Fig. 3 – Revolving Light Kit, Overhead Guard (000000–004999)	3-8
Fig. 4 – Revolving Light Kit, Overhead Guard (005000–)	3-10
Fig. 5 – Backup Alarm Kit (000000–004999)	3-12
Fig. 6 – Backup Alarm Kit (005000–)	3-14
Fig. 7 – Rear Bumper Kit (000000–004999)	3-16
Fig. 8 – Rear Bumper Kit (005000–)	3-17
Fig. 9 – Overhead Guard Kit (000000–004999)	3-18
Fig. 10 – Overhead Guard Kit (005000–)	3-20
Fig. 11 – Seat Belt Kit	3-22
Fig. 12 – Suspension Seat Kit	3-24
Fig. 13 – Power Steering Group	3-26
Fig. 14 – Power Steering Hydraulic Hose Group	3-28
Fig. 15 – Power Steering Hydraulic Schematic	3-29
Fig. 16 – Right Side Brush Motor And Pivot Group	3-30
Fig. 17 – Right Side Brush Lift Group	3-32
Fig. 18 – Right Side Brush Bumper And Electrical Group	3-34
Fig. 19 – Right Side Brush Wire Harness Group	3-36
Fig. 20 – Left Side Brush Motor And Pivot Group	3-38
Fig. 21 – Left Side Brush Lift Group	3-40
Fig. 22 – Left Side Brush Mount Group	3-42
Fig. 23 – Left Side Brush Wire Harness Group	3-44
Fig. 24 – Max Pro 1200 (Disc–Brush) Scrub Head Frame Group	3-46
Fig. 25 – Max Pro 1200 (Disc–Brush) Scrub Head Linkage Group	3-48
Fig. 26 – Max Pro 1200 (Disc–Brush) Solution Valve Group	3-50
Fig. 27 – Max Pro 1200 (Disc–Brush) Solution Valve Group (FaST/ec–H2O)	3-52
Fig. 28 – Max Pro 1200 (Disc–Brush) Edge Scrub Group	3-54
Fig. 29 – Max Pro 1200 (Disc–Brush) Right Side Squeegee Group	3-56
Fig. 30 – Max Pro 1200 (Disc–Brush) Right Side Vacuumized Squeegee Group	3-58
Fig. 31 – Max Pro 1200 (Disc–Brush) Left Side Squeegee Group	3-60

Contents	Page
Fig. 32 – Max Pro 1000 (Cylindrical Brush) Scrub Head Frame and Linkage Group	3-62
Fig. 33 – Max Pro 1000 (Cylindrical Brush) Scrub Head Drive Group	3-64
Fig. 34 – Max Pro 1000 (Cylindrical Brush) Solution Valve Group	3-66
Fig. 35 – Max Pro 1000 (Cylindrical Brush) Solution Valve Group (FaST/ec–H2O)	3-68
Fig. 36 – Max Pro 1000 (Cylindrical Brush) Edge Scrub Group	3-70
Fig. 37 – Max Pro 1000 (Cylindrical Brush) Right Side Squeegee Group	3-72
Fig. 38 – Max Pro 1000 (Cylindrical Brush) Left Side Squeegee Group	3-74
Fig. 39 – Max Pro 1000 (Cylindrical Brush) Debris Tray Group	3-76
Fig. 40 – Max Pro 1000 (Cylindrical Brush) Vacuumized Debris Tray Group	3-78
Fig. 41 – Max Pro 1200 (Cylindrical Brush) Scrub Head Frame and Linkage Group	3-80
Fig. 42 – Max Pro 1200 (Cylindrical Brush) Scrub Head Drive Group	3-82
Fig. 43 – Max Pro 1200 (Cylindrical Brush) Solution Valve Group	3-84
Fig. 44 – Max Pro 1200 (Cylindrical Brush) Solution Valve Group (FaST/ec–H2O)	3-86
Fig. 45 – Max Pro 1200 (Cylindrical Brush) Edge Scrub Group	3-88
Fig. 46 – Max Pro 1200 (Cylindrical Brush) Right Side Squeegee Group	3-90
Fig. 47 – Max Pro 1200 (Cylindrical Brush) Left Side Squeegee Group	3-92
Fig. 48 – Max Pro 1200 (Cylindrical Brush) Debris Tray Group	3-94
Fig. 49 – Max Pro 1200 (Cylindrical Brush) Vacuumized Debris Tray Group	3-96
Fig. 50 – ES Pump Group	3-98
Fig. 51 – ES Tank Goup	3-100
Fig. 52 – ES Drain Assembly	3-102
Fig. 53 – ec–H2O Solution Pump Group	3-104
Fig. 54 – ec–H2O Switch and Label Group	3-106
Fig. 55 – ec–H2O Wire Harnesses Group	3-108
Fig. 56 – ec–H2O Install Kits	3-109
Fig. 57 – Positive Solution Control Drain Kit, Recovery Tank (000000–004999)	3-110
Fig. 58 – Positive Solution Control Drain Kit, Recovery Tank (005000–)	3-112
Fig. 59 – Positive Solution Control Drain Kit, Solution Tank (000000–004999)	3-114
Fig. 60 – Positive Solution Control Drain Kit, Solution Tank (005000–)	3-116

OPTIONS

Contents	Page
Fig. 61 – Low Water Level Kit	3-118
Fig. 62 – Detergent Metering Kit	3-120
Fig. 63 – Power Wand Hose Assembly . . .	3-122
Fig. 64 – Power Wand Assembly	3-124
Fig. 65 – Power Wand Pump and Fittings Group	3-126
Fig. 66 – Power Wand Mount Group	3-128
Fig. 67 – Vacuum Wand Kit	3-130
Fig. 68 – Max Pro 1200 Rear Squeegee Group (000000–004999)	3-132
Fig. 69 – Max Pro 1200 Rear Squeegee Group (005000–)	3-134
Fig. 70 – Max Pro 1200 Rear Squeegee Group for Vacuumized Side Squeegee (000000–004999) . . .	3-136
Fig. 71 – Max Pro 1200 Rear Squeegee Group for Vacuumized Side Squeegee (005000–)	3-138
Fig. 72 – Max Pro 1000 Urethane Squeegee Kit	3-140
Fig. 73 – Max Pro 1200 Urethane Squeegee Kit	3-141
Fig. 74 – Telemetry Group (005974–)	3-142
Fig. 75 – Battery Rollout Kit	3-144
Fig. 76 – Battery Forklift Kit	3-146
Fig. 77 – Battery Kit, 380AH Wet	3-148
Fig. 78 – Battery Kit, 500AH Wet	3-150
Fig. 79 – Battery Kit, 600AH (000000–004999)	3-152
Fig. 80 – Battery Kit, 600AH (005000–)	3-154
Fig. 81 – Battery Kit, 750AH Wet	3-156
Fig. 82 – Battery Tray Group	3-158
Fig. 83 – Battery Charger Group, 75A, 36V, 60Hz (380Ah Batteries) . . .	3-159
Fig. 84 – Battery Charger Group, 120A, 36V, 60Hz (500Ah Batteries) . . .	3-160
Fig. 85 – Battery Charger Group, 93A, 36V, 60Hz (600Ah Batteries) . . .	3-161
Fig. 86 – Battery Charger Group, 150A, 36V, 60Hz (750Ah Batteries) . . .	3-162
Fig. 87 – Fire Extinguisher Kit	3-163
Fig. 88 – Documentation Group	3-164

Fig. 1 - Revolving Light Kit (000000-004999)

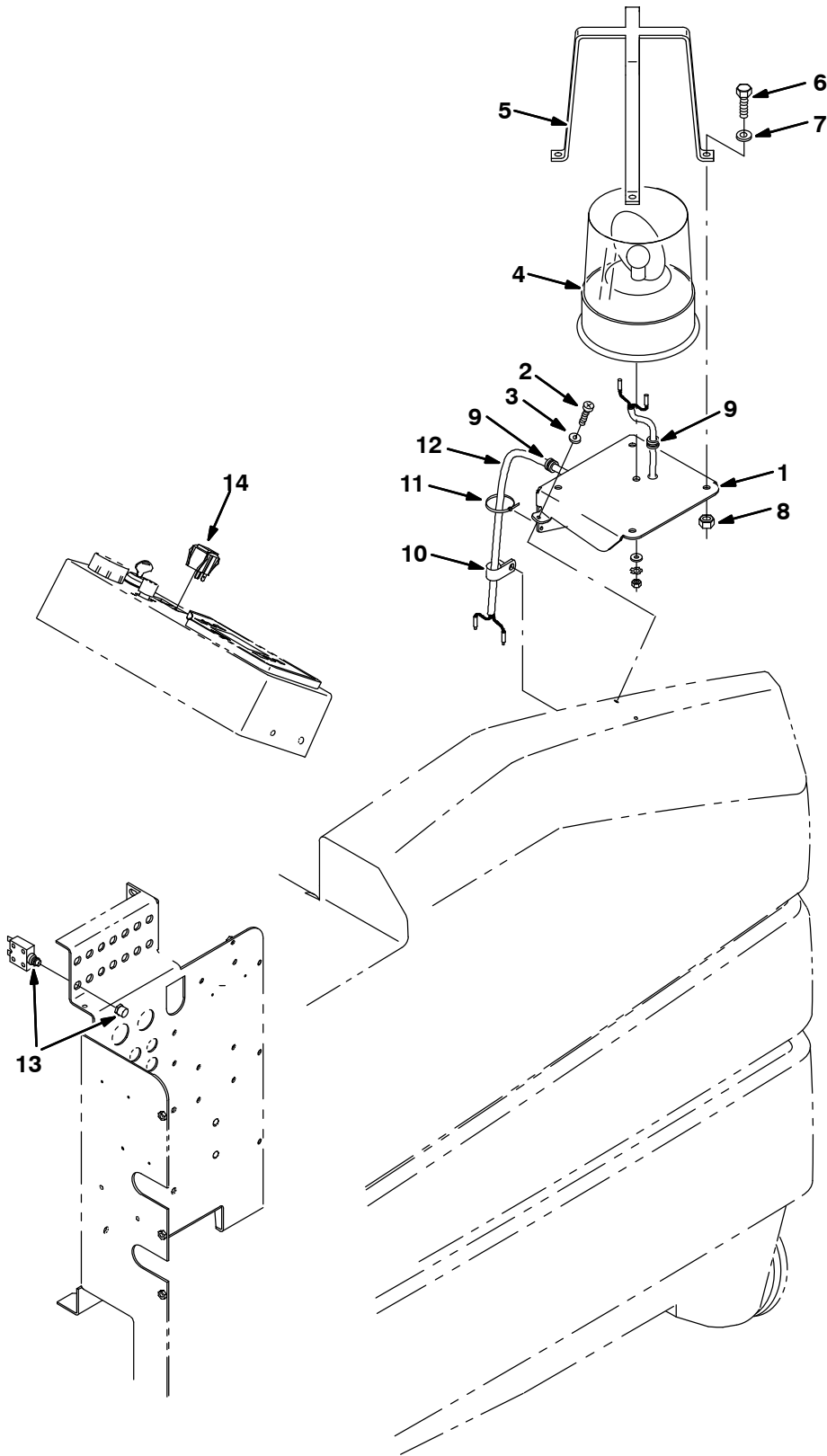


Fig. 1 – Revolving Light Kit (000000–004999)

	Ref.	Part No.	Serial Number	Description	Qty.
▽		387301	(000000–004999)	Kit, Cl, Light, Revl W/O OHG	1
▲	1	387157	(000000–004999)	Bracket, Mtg	1
▲	2	360943	(000000–004999)	Screw, Pan, #10–14 X 0.75, F/Plstc	5
▲	3	19066	(000000–004999)	Washer, Flt, #10	4
▲▽	4	87709	(000000–004999)	Light, Revl, 36vdc, Amb, Rework 44684	1
▲▲		44681–1	(000000–004999)	Lens, Amber, Light, Revl	1
▲▲		45283	(000000–004999)	Lamp, 40vdc, 0.9a, [50cp#1062]	1
▲	5	45272	(000000–004999)	Guard Wldt, Light, Revl/Flsh	1
▲	6	39277	(000000–004999)	Screw, Hex, M08 X 1.25 X 25, 8.8	4
▲	7	39349	(000000–004999)	Washer, Flt, .31 Sae	4
▲	8	07791	(000000–004999)	Nut, Hex, Flng, M08 X 1.25	4
▲	9	10632–12	(000000–004999)	Grommet, Rbr, 0.38id, F/ 0.5h, .12matl	2
▲	10	26395–2	(000000–004999)	Clamp, Cable, Stl, 0.38d X 0.38w, 1h	1
▲	11	49266	(000000–004999)	Tie, Cable, Nyl, 07.3l .19w 1.8 Max D	1
▲	12	386609	(000000–004999)	Harness, Light, Revl, Shrd	1
▲	13	383722	(000000–004999)	Circuitbreaker, 15.0 A	1
▲	14	360520	(000000–004999)	Switch, Rocker	1
		44681	(000000–004999)	Lens, Rev. Light, Red	1
		44681–2	(000000–004999)	Lens, Rev. Light, Blue	1

Fig. 2 – Revolving Light Kit (005000–)

	Ref.	Part No.	Serial Number	Description	Qty.
▽		9006949	(005000–)	Light Kit, Revl, W/O Ohg, Iron Gray, Ci	1
▲	1	1057069	(005000–)	Bracket, Mtg, Iron Gray	1
▲	2	360943	(005000–)	Screw, Pan, #10–14 X 0.75, F/Plstc	5
▲	3	19066	(005000–)	Washer, Flt, #10	4
▲▽	4	1017250	(005725–)	Light, Strobe, Amb, 12–48vdc	1
▲▲		9000879	(005725–)	Lens, Amb, F/ Revl / Flasher	1
▲▲		9000845	(005725–)	Lamp, Bulb, Strobe	1
▲	5	1039392	(005725–)	Guard, Light, Revl / Strobe	1
▲	6	12316	(005725–)	Screw, Hex, M5 X 0.80 X 25, Ss	2
▲	7	01683	(005725–)	Washer, Flat, 10, Ss	2
▲	8	09739	(005725–)	Nut, Hex, Lock, M5 X 0.80, NI, Ss	2
▲	9	10632–12	(005000–)	Grommet, Rbr, 0.38id, F/ 0.5h, .12matl	2
▲	10	26395–2	(005000–)	Clamp, Cable, Stl, 0.38d X 0.38w, 1h	1
▲	11	49266	(005000–)	Tie, Cable, Nyl, 07.3l .19w 1.8 Max D	1
▲	12	386609	(005000–)	Harness, Light, Revl, Shrd	1
▲	13	383722	(005000–)	Circuitbreaker, 15.0 A	1
▲	14	360520	(005000–)	Switch, Rocker	1
▲	15	09244	(005725–)	Screw, Hex, M5 X 0.80 X 16, 8.8	2
▲	16	19066	(005725–)	Washer, Flat, 0.25b 0.56d .05, PI, 10	2
▲	17	06549	(005725–)	Nut, Hex, Lock, M5 X 0.80, NI	2
		1027798	(005725–)	Lens, Red, F/ Revl / Flasher	1
		1027800	(005725–)	Lens, Blu, F/ Revl / Flasher	1
▽	18	87709	(005000–005724)	Light, Revl, 36vdc, Amb, Rework 44684	1
▲		44681–1	(005000–005724)	Lens, Amber, Light, Revl	1
▲		45283	(005000–005724)	Lamp, 40vdc, 0.9a, [50cp#1062]	1
	19	1056464	(005000–005724)	Guard Wldt, Light, Revl/Flsh, Iron Gray	1
	20	39277	(005000–005724)	Screw, Hex, M08 X 1.25 X 25, 8.8	4
	21	39349	(005000–005724)	Washer, Flt, .31 Sae	4
	20	07791	(005000–005724)	Nut, Hex, Flng, M08 X 1.25	4
		44681	(005000–005724)	Lens, Rev. Light, Red	1
		44681–2	(005000–005724)	Lens, Rev. Light, Blue	1

Fig. 3 - Revolving Light Kit, Overhead Guard (000000-004999)

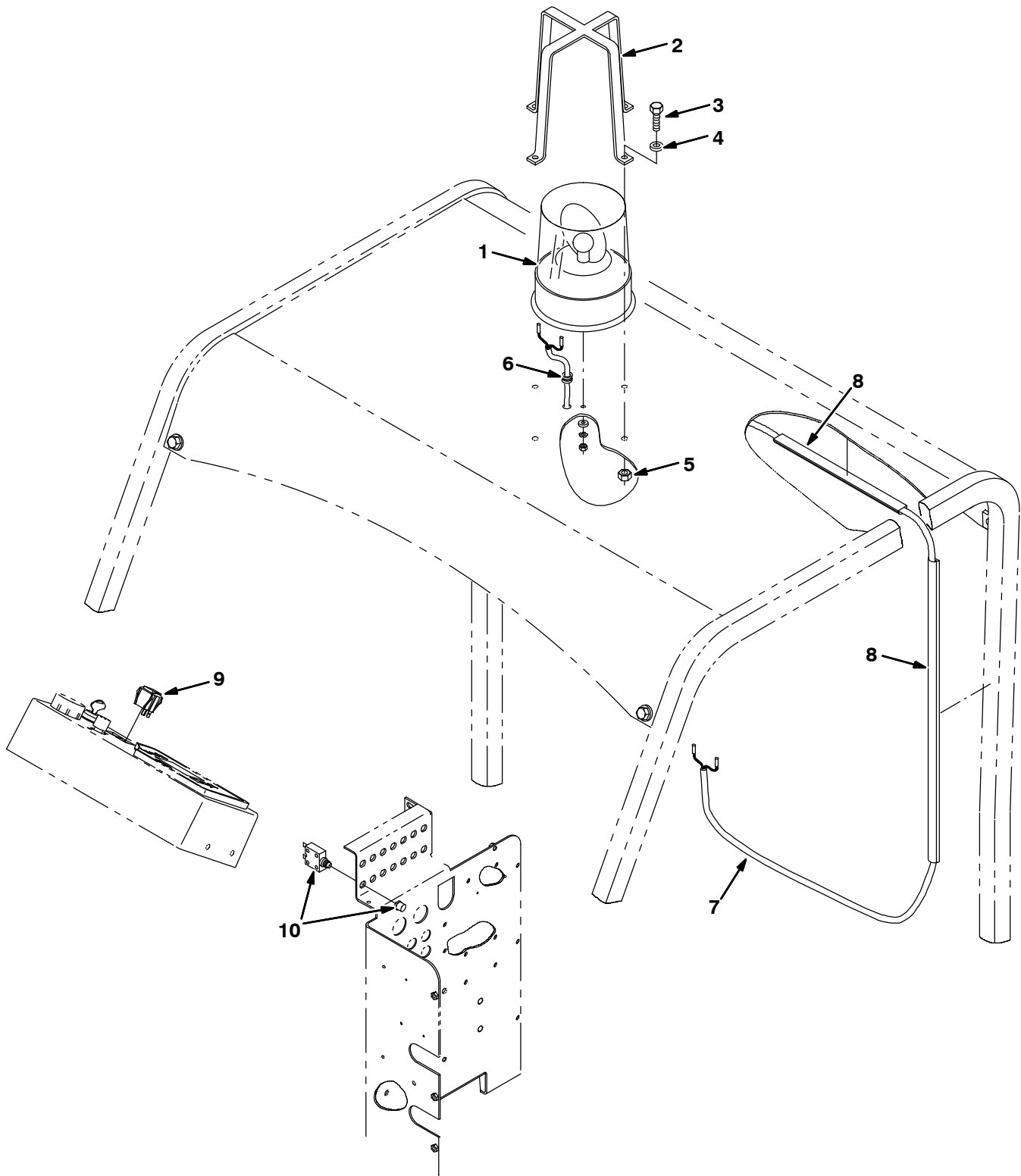


Fig. 3 – Revolving Light Kit, Overhead Guard (000000–004999)

	Ref.	Part No.	Serial Number	Description	Qty.
▽		387300	(000000–004999)	Light Kit, Revl, W/ Ohg, Ci [7300/8300]	1
▲▽	1	87709	(000000–004999)	Light, Revl, 36vdc, Amb, Rework 44684	1
▲▲		44681–1	(000000–004999)	Lens, Amber, Light, Revl	1
▲▲		45283	(000000–004999)	Lamp, 40vdc, 0.9a, [50cp#1062]	1
▲	2	45272	(000000–004999)	Guard Wldt, Light, Revl/Flsh	1
▲	3	39277	(000000–004999)	Screw, Hex, M08 X 1.25 X 25, 8.8	4
▲	4	39349	(000000–004999)	Washer, Flt, .31 Sae	4
▲	5	07791	(000000–004999)	Nut, Hex, Flng, M08 X 1.25	4
▲	6	10632–12	(000000–004999)	Grommet, Rbr, 0.38id, F/ 0.5h, .12matl	1
▲	7	386605	(000000–004999)	Harness, Warning Light, Alarm	1
▲	8	1064050	(000000–004999)	Duct, Afmkt, Vyl, 0.40 X 0.75 .25D, 04Ft	2
▲	9	360520	(000000–004999)	Switch, Rocker	1
▲	10	383722	(000000–004999)	Circuitbreaker, 15.0 A	1
		44681	(000000–004999)	Lens, Rev. Light, Red	1
		44681–2	(000000–004999)	Lens, Rev. Light, Blue	1

Fig. 4 – Revolving Light Kit, Overhead Guard (005000-)

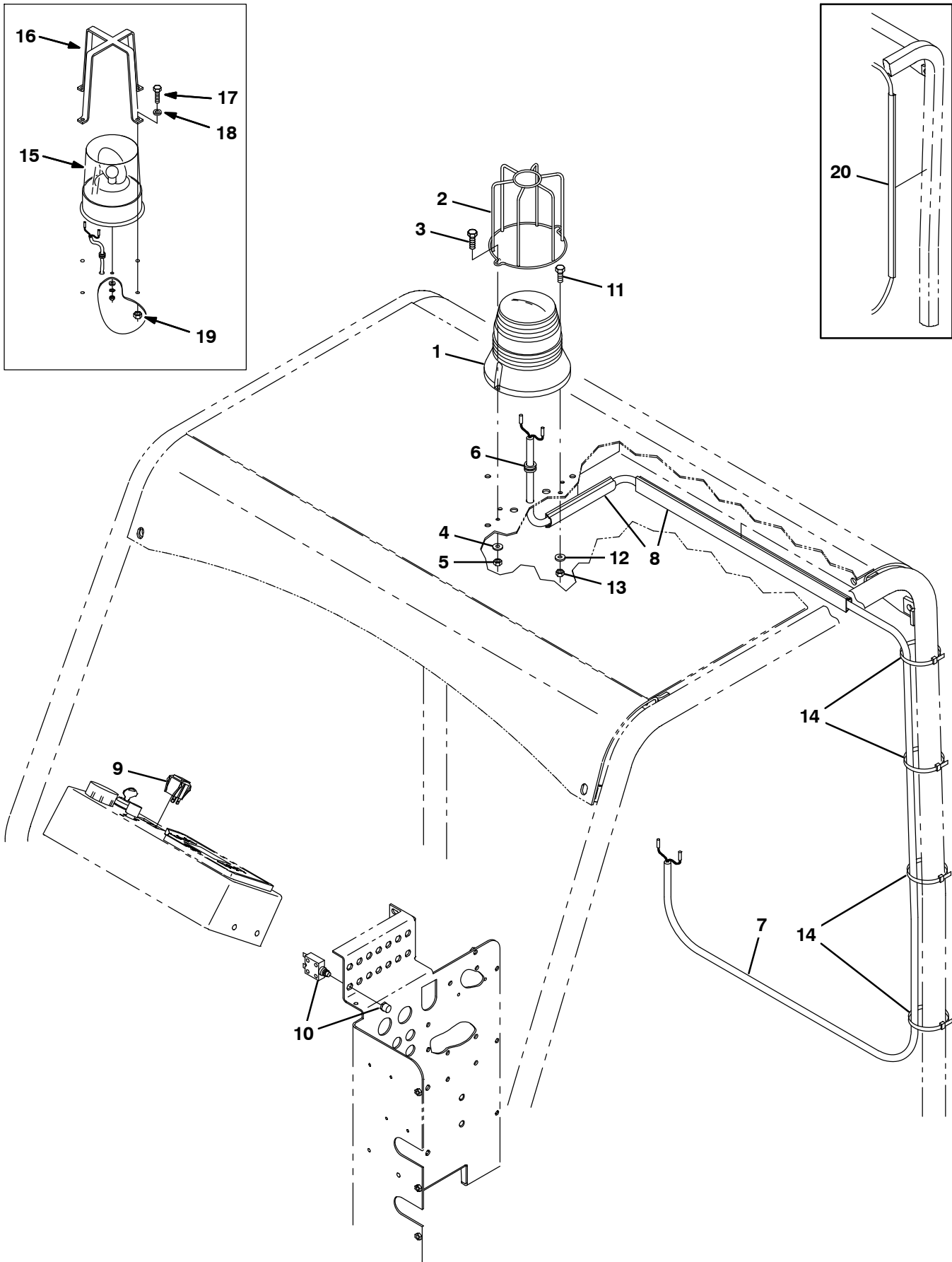


Fig. 4 – Revolving Light Kit, Overhead Guard (005000–)

Ref.	Part No.	Serial Number	Description	Qty.
▽	9006948	(005000–)	Kit, Cl, Light, Revl W/ Ohg	1
▲▽	1 1017250	(005725–)	Light, Strobe, Amb, 12–48vdc	1
▲▲	9000879	(005725–)	Lens, Amb, F/ Revl / Flasher	1
▲▲	9000845	(005725–)	Lamp, Bulb, Strobe	1
▲	2 1039392	(005725–)	Guard, Light, Revl / Strobe	1
▲	3 12316	(005725–)	Screw, Hex, M5 X 0.80 X 25, Ss	4
▲	4 01683	(005725–)	Washer, Flat, 10, Ss	4
▲	5 09739	(005725–)	Nut, Hex, Lock, M5 X 0.80, NI, Ss	4
▲	6 10632–12	(005000–)	Grommet, Rbr, 0.38id, F/ 0.5h, .12matl	1
▲	7 386605	(005000–)	Harness, Warning Light, Alarm	1
▲	8 1064050	(005000–)	Duct, Afrmkt, Vyl, 0.40 X 0.75 .25D, 04Ft	1
▲	9 360520	(005000–)	Switch, Rocker	1
▲	10 383722	(005000–)	Circuitbreaker, 15.0 A	1
▲	11 09244	(005725–)	Screw, Hex, M5 X 0.80 X 16, 8.8	2
▲	12 19066	(005725–)	Washer, Flat, 0.25b 0.56d .05, PI, 10	2
▲	13 06549	(005725–)	Nut, Hex, Lock, M5 X 0.80, NI	2
▲	14 44961	(006071–)	Tie, Cable, Nyl, 14.5l .30w 4.0 Max D	4
	1027798	(005725–)	Lens, Red, F/ Revl / Flasher	1
	1027800	(005725–)	Lens, Blu, F/ Revl / Flasher	1
▽	15 87709	(005000–005724)	Light, Revl, 36vdc, Amb, Rework 44684	1
▲	44681–1	(005000–005724)	Lens, Amber, Light, Revl	1
▲	45283	(005000–005724)	Lamp, 40vdc, 0.9a, [50cp#1062]	1
	16 1056464	(005000–005724)	Guard Wldt, Light, Revl/Flsh, Iron Gray	1
	17 39277	(005000–005724)	Screw, Hex, M08 X 1.25 X 25, 8.8	4
	18 39349	(005000–005724)	Washer, Flt, .31 Sae	4
	19 07791	(005000–005724)	Nut, Hex, Flng, M08 X 1.25	4
	44681	(005000–005724)	Lens, Rev. Light, Red	1
	44681–2	(005000–005724)	Lens, Rev. Light, Blue	1
	20 1064050	(005000–006070)	Duct, Afrmkt, Vyl, 0.40 X 0.75 .25D, 04Ft	1

Fig. 5 - Backup Alarm Kit (000000-004999)

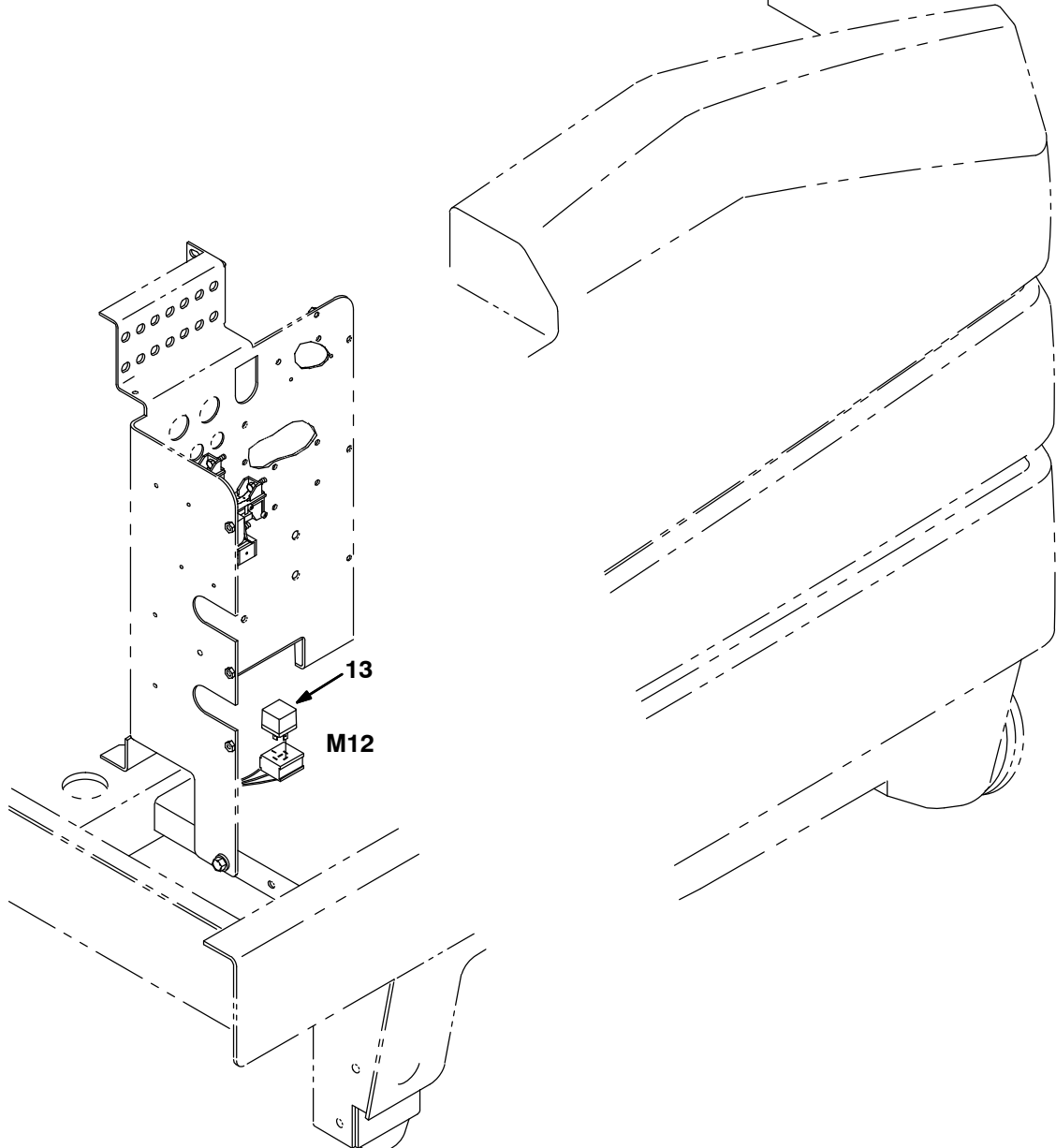
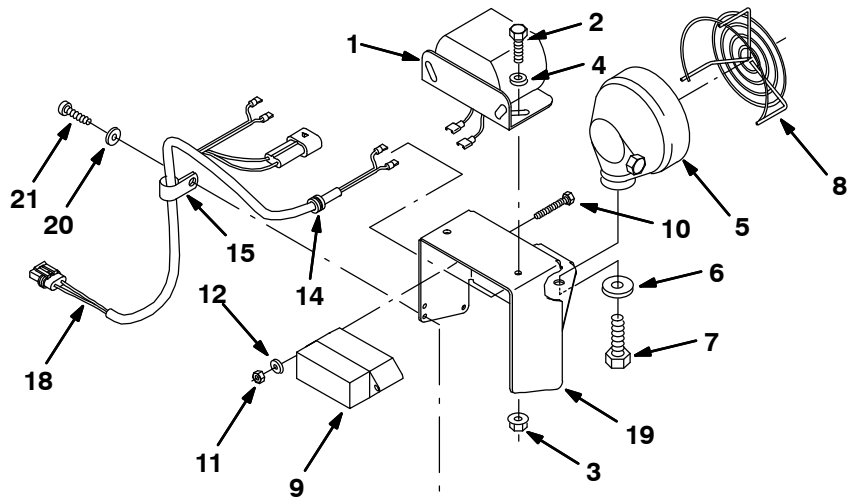
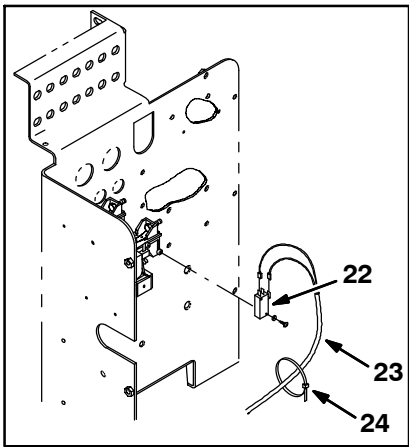


Fig. 5 - Backup Alarm Kit (000000-004999)

Ref.	Part No.	Serial Number	Description	Qty.
▽	387208	(000000-004999)	Kit, Cl, Alarm, Backup, 36Vdc	1
▲	1 9007131	(000000-004999)	Alarm Assy, Backup, 12/48Vdc	1
▲	2 06943	(000000-004999)	Screw, Hex, M06 X 1.0 X 20, 8.8	2
▲	3 07790	(000000-004999)	Nut, Hex, Flng, M06 X 1.0	2
▲	4 19066	(000000-004999)	Washer, Flt, #10	2
▲▽	5 72172	(000000-004999)	Light, Spot, 36vdc, 60w Rework 72173	1
▲▲	45391	(000000-004999)	Headlight, 36Vdc, 60 Watt 1.7A	1
▲	6 32486	(000000-004999)	Washer, Flt, .50 Sae	1
▲	7 39807	(000000-004999)	Screw, Hex, .50-13 X 0.75, 5	1
▲	8 72174	(000000-004999)	Guard, Light	1
▲	9 72164	(000000-004999)	Flasher, 12/48vdc 5a #6309/12-48vdc	1
▲	10 06949	(000000-004999)	Screw, Hex, M06 X 1.0 X 50, 8.8	2
▲	11 08708	(000000-004999)	Nut, Hex, Lock, M06 X 1.0, NI	2
▲	12 32483	(000000-004999)	Washer, Flt, .25 Sae	2
▲	13 398526	(000000-004999)	Relay, 36vdc, 5a, Spdt, [Greenwich]	1
▲	14 10632-12	(000000-004999)	Grommet, Rbr, 0.38id, F/ 0.5h, .12matl	1
▲	15 26395-2	(000000-004999)	Clamp, Cable, Stl, 0.38d X 0.38w, 1h	1
▲	16 32980	(000000-004999)	Washer, Lock, Int, #10	2
▲	17 38622	(000000-004999)	Spring	1
▲	18 386606	(000000-004999)	Harness, Backup Alarm, Shrd	1
▲	19 387158	(000000-004999)	Bracket, Mtg	1
▲	20 19066	(000000-004999)	Washer, Flt, #10	5
▲	21 360943	(000000-004999)	Screw, Pan, #10-14 X 0.75, F/Plstc	6
▲	22 28622	(000000-001705)	Kit, Switch, Micro	1
▲	23 387344	(000000-001705)	Harness, Wire, Jumper, Reverse Switch	1
▲	24 49266	(000000-001705)	Tie, Cable, Nyl, 07.3l .19w 1.8 Max D	4

Fig. 6 – Backup Alarm Kit (005000-)

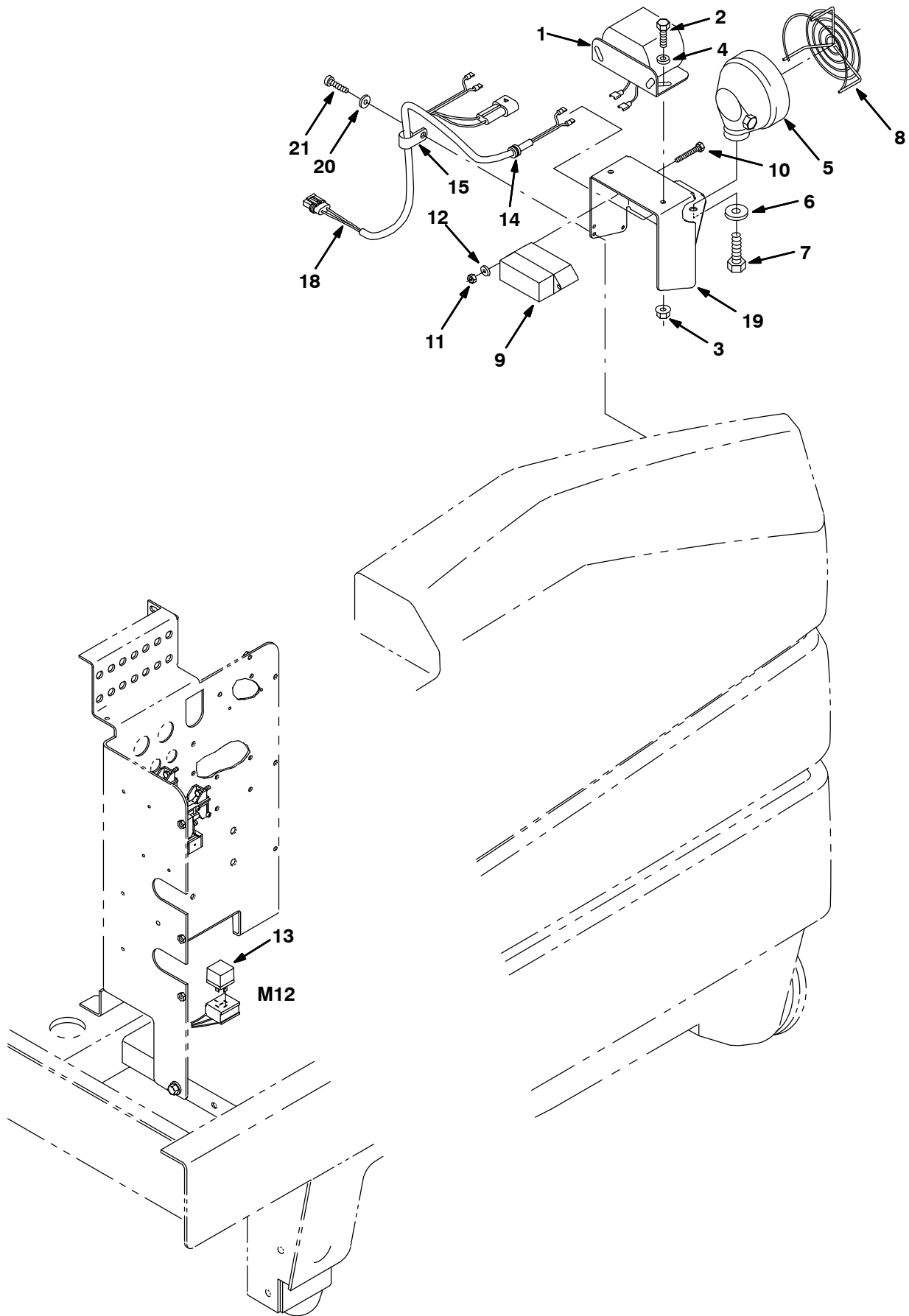
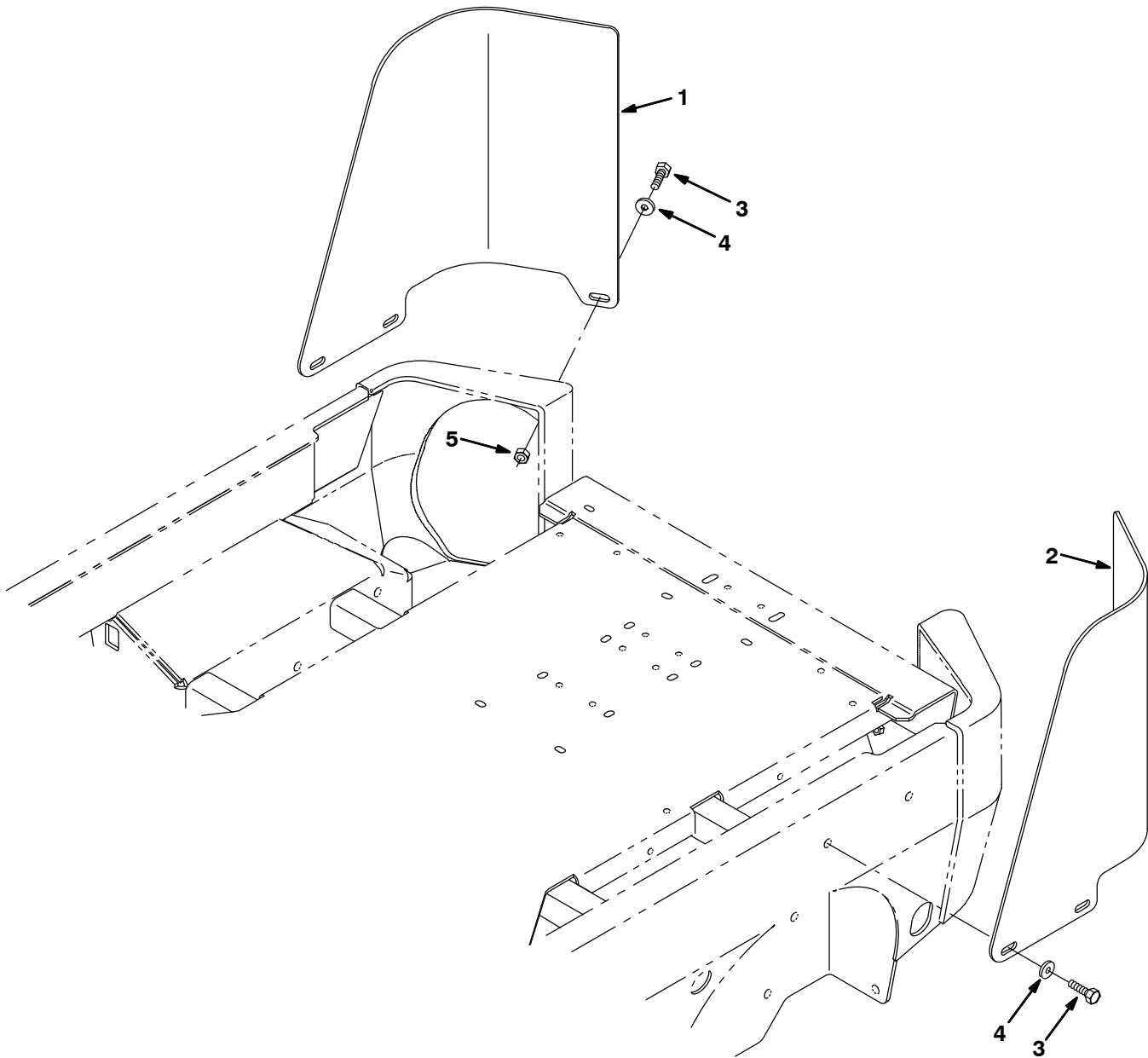


Fig. 6 – Backup Alarm Kit (005000–)

	Ref.	Part No.	Serial Number	Description	Qty.
▽		9006947	(005000–)	Alarm Kit, Backup / A/V, Iron Gray, Ci	1
▲	1	9007131	(005000–)	Alarm Assy, Backup, 12/48Vdc	1
▲	2	06943	(005000–)	Screw, Hex, M06 X 1.0 X 20, 8.8	2
▲	3	07790	(005000–)	Nut, Hex, Flng, M06 X 1.0	2
▲	4	19066	(005000–)	Washer, Flt, #10	2
▲▽	5	72172	(005000–)	Light, Spot, 36vdc, 60w Rework 72173	1
▲▲		45391	(005000–)	Headlight, 36Vdc, 60 Watt 1.7A	1
▲	6	32486	(005000–)	Washer, Flt, .50 Sae	1
▲	7	39807	(005000–)	Screw, Hex, .50–13 X 0.75, 5	1
▲	8	72174	(005000–)	Guard, Light	1
▲	9	72164	(005000–)	Flasher, 12/48vdc 5a #6309/12–48vdc	1
▲	10	06949	(005000–)	Screw, Hex, M06 X 1.0 X 50, 8.8	2
▲	11	08708	(005000–)	Nut, Hex, Lock, M06 X 1.0, NI	2
▲	12	32483	(005000–)	Washer, Flt, .25 Sae	2
▲	13	398526	(005000–)	Relay, 36vdc, 5a, Spdt, [Greenwich]	1
▲	14	10632–12	(005000–)	Grommet, Rbr, 0.38id, F/ 0.5h, .12matl	1
▲	15	26395–2	(005000–)	Clamp, Cable, Stl, 0.38d X 0.38w, 1h	1
▲	16	32980	(005000–)	Washer, Lock, Int, #10	2
▲	17	38622	(005000–)	Spring	1
▲	18	386606	(005000–)	Harness, Backup Alarm, Shrd	1
▲	19	1056480	(005000–)	Bracket, Mtg, Iron Gray	1
▲	20	19066	(005000–)	Washer, Flt, #10	5
▲	21	360943	(005000–)	Screw, Pan, #10–14 X 0.75, F/Plstc	6

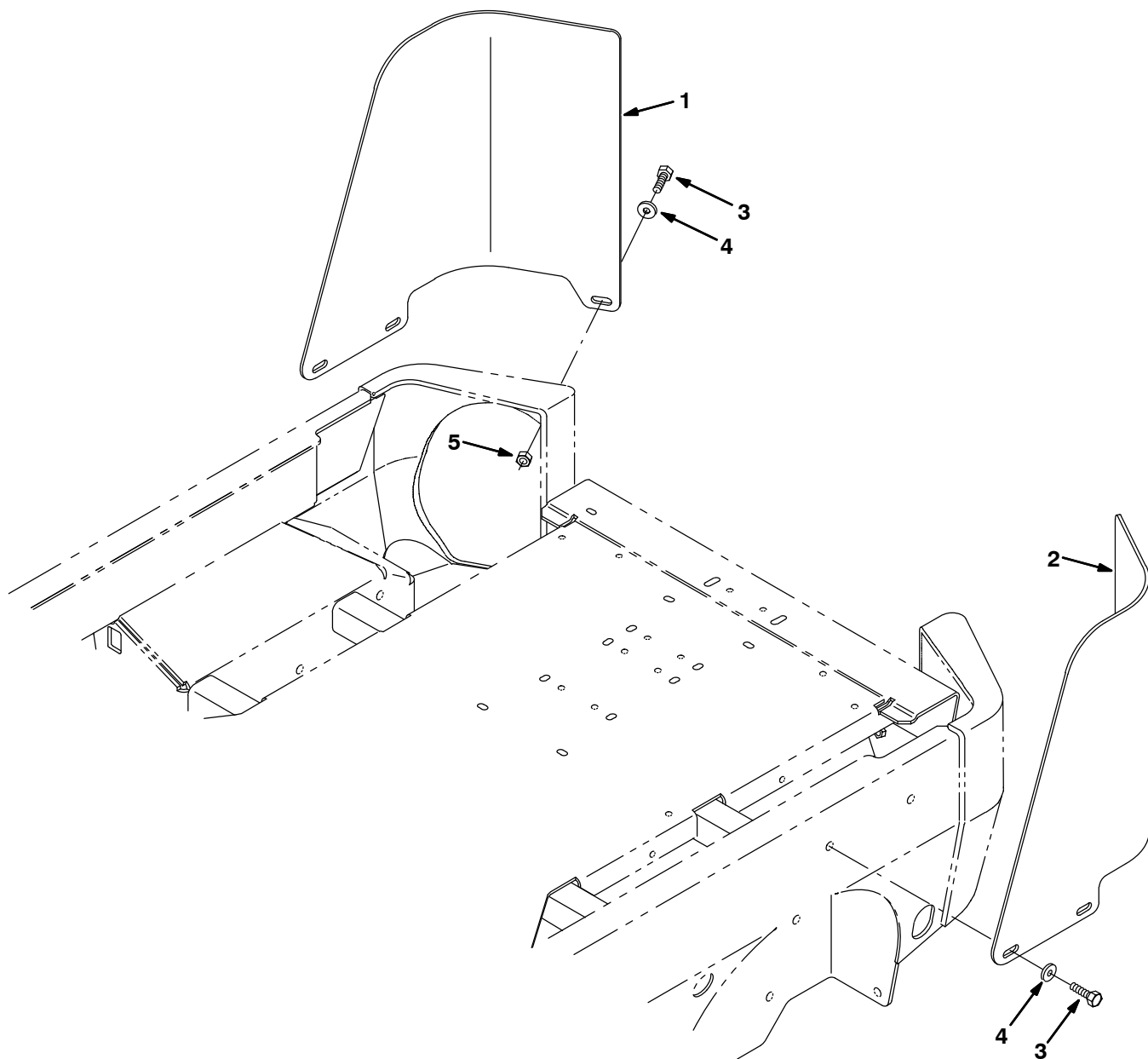
Fig. 7 – Rear Bumper Kit (000000–004999)



353353

Ref.	Part No.	Serial Number	Description	Qty.
▽	386417	(000000–004999)	Kit, Ci, Bumper, Rear	1
▲	1 386415	(000000–004999)	Bumper, Rear, Rh	1
▲	2 386416	(000000–004999)	Bumper, Rear, Lh	1
▲	3 09028	(000000–004999)	Screw, Hex, M10 X 1.5 X 25, Ss	6
▲	4 01686	(000000–004999)	Washer, Flt, .38 Ss	6
▲	5 08714	(000000–004999)	Nut, Hex, Lock, M10 X 1.5, NI, Ss	2

Fig. 8 - Rear Bumper Kit (005000-)



353353

Ref.	Part No.	Serial Number	Description	Qty.
▽	9006925	(005000-)	Kit, Ci, Bumper, Rear	1
▲	1 1056473	(005000-)	Bumper, Rear, Rh, Iron Gray	1
▲	2 1056474	(005000-)	Bumper, Rear, Lh, Iron Gray	1
▲	3 09028	(005000-)	Screw, Hex, M10 X 1.5 X 25, Ss	6
▲	4 01686	(005000-)	Washer, Flt, .38 Ss	6
▲	5 08714	(005000-)	Nut, Hex, Lock, M10 X 1.5, NI, Ss	2

Fig. 9 - Overhead Guard Kit (000000-004999)

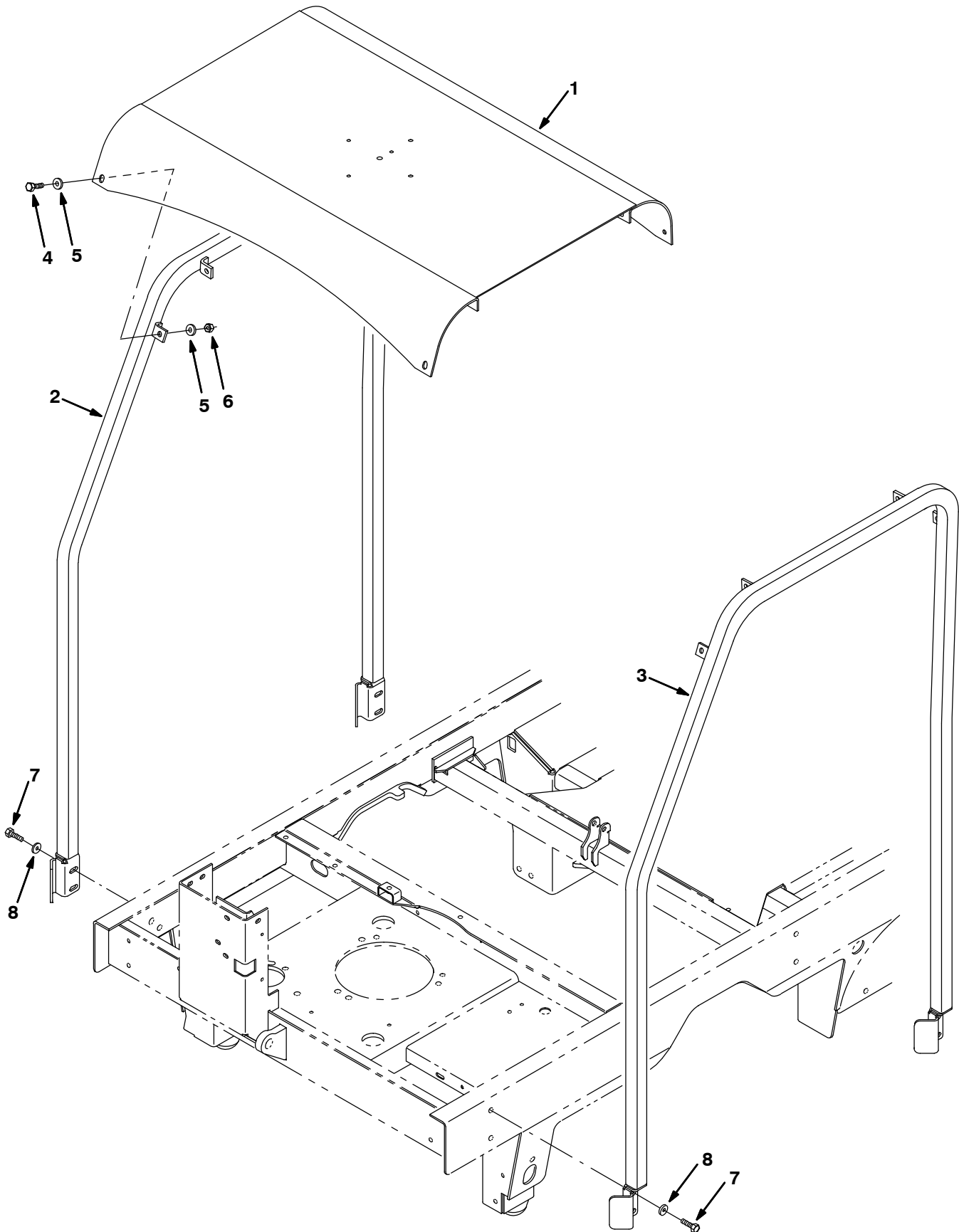


Fig. 9 - Overhead Guard Kit (000000-004999)

	Ref.	Part No.	Serial Number	Description	Qty.
▽		386875	(000000-004999)	Kit, Ci, Ohg, [7300/8300]	1
▲	1	386642	(000000-004999)	Guard Wldt, Oprtr, Top	1
▲	2	386983	(000000-004999)	Tube, Guard, Oprtr, Pnt, Rh	1
▲	3	386984	(000000-004999)	Tube, Guard, Oprtr, Pnt, Lh	1
▲	4	06961	(000000-004999)	Screw, Hex, M10 X 1.5 X 20, 8.8	8
▲	5	32492	(000000-004999)	Washer, Flt, .38 Std	16
▲	6	41430	(000000-004999)	Nut, Hex, Lock, M10 X 1.5, NI	8
▲	7	09028	(000000-004999)	Screw, Hex, M10 X 1.5 X 25, Ss	8
▲	8	01686	(000000-004999)	Washer, Flt, .38 Ss	8

Fig. 10 - Overhead Guard Kit (005000-)

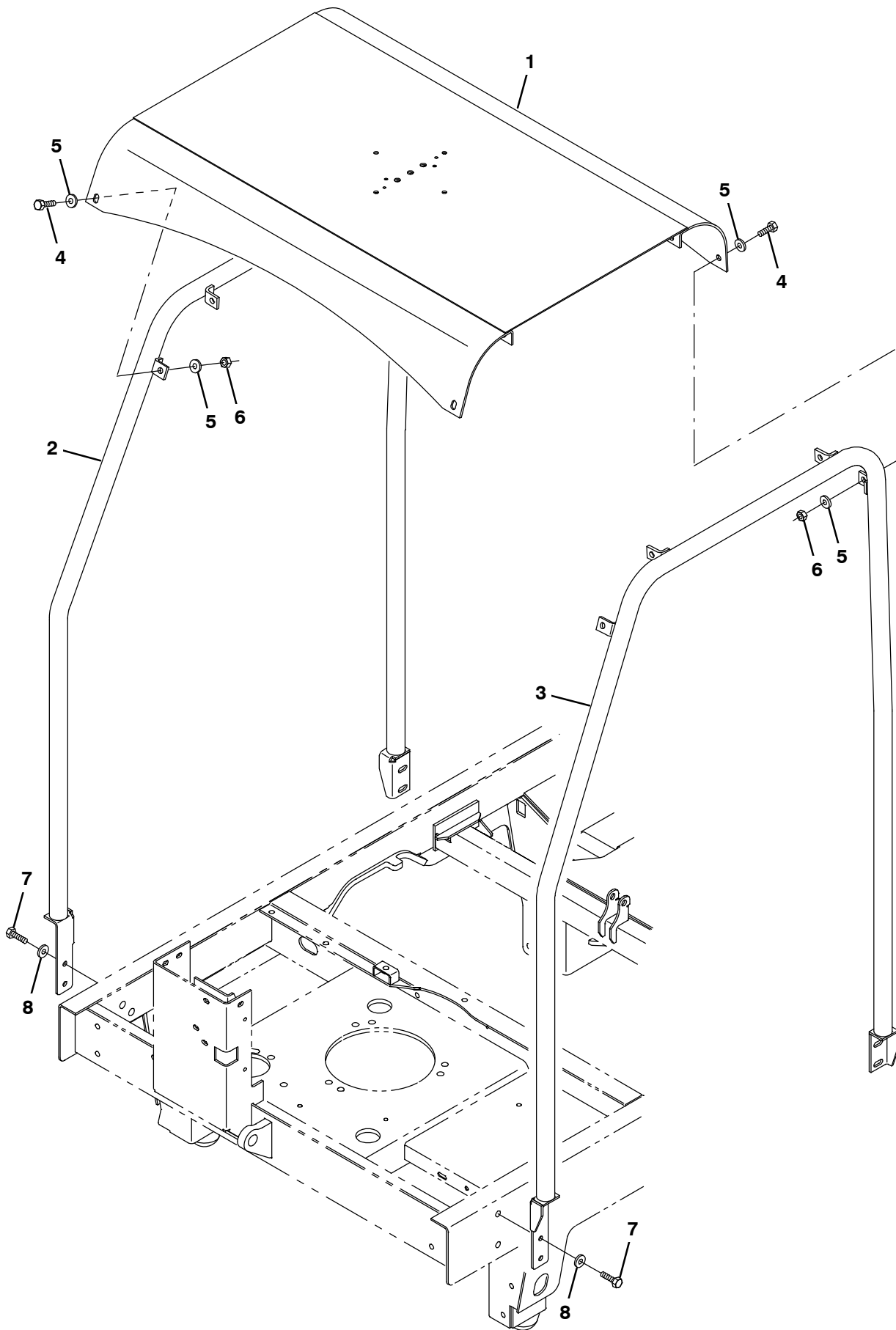


Fig. 10 – Overhead Guard Kit (005000–)

	Ref.	Part No.	Serial Number	Description	Qty.
▽		9006935	(005000–)	Ohg Kit, Iron Gray, Ci [7300/8300]	1
▲	1	1056476	(005000–)	Guard Wldt, Oprtr, Top, Iron Gray	1
▲	2	1070329	(005000–)	Tube Wldt, Guard, Oprtr,Rh	1
▲	3	1070336	(005000–)	Tube Wldt, Guard, Oprtr,Lh	1
▲	4	06961	(005000–)	Screw, Hex, M10 X 1.5 X 20, 8.8	8
▲	5	32492	(005000–)	Washer, Flt, .38 Std	16
▲	6	41430	(005000–)	Nut, Hex, Lock, M10 X 1.5, NI	8
▲	7	09028	(005000–)	Screw, Hex, M10 X 1.5 X 25, Ss	8
▲	8	01686	(005000–)	Washer, Flt, .38 Ss	8

Fig. 11 - Seat Belt Kit

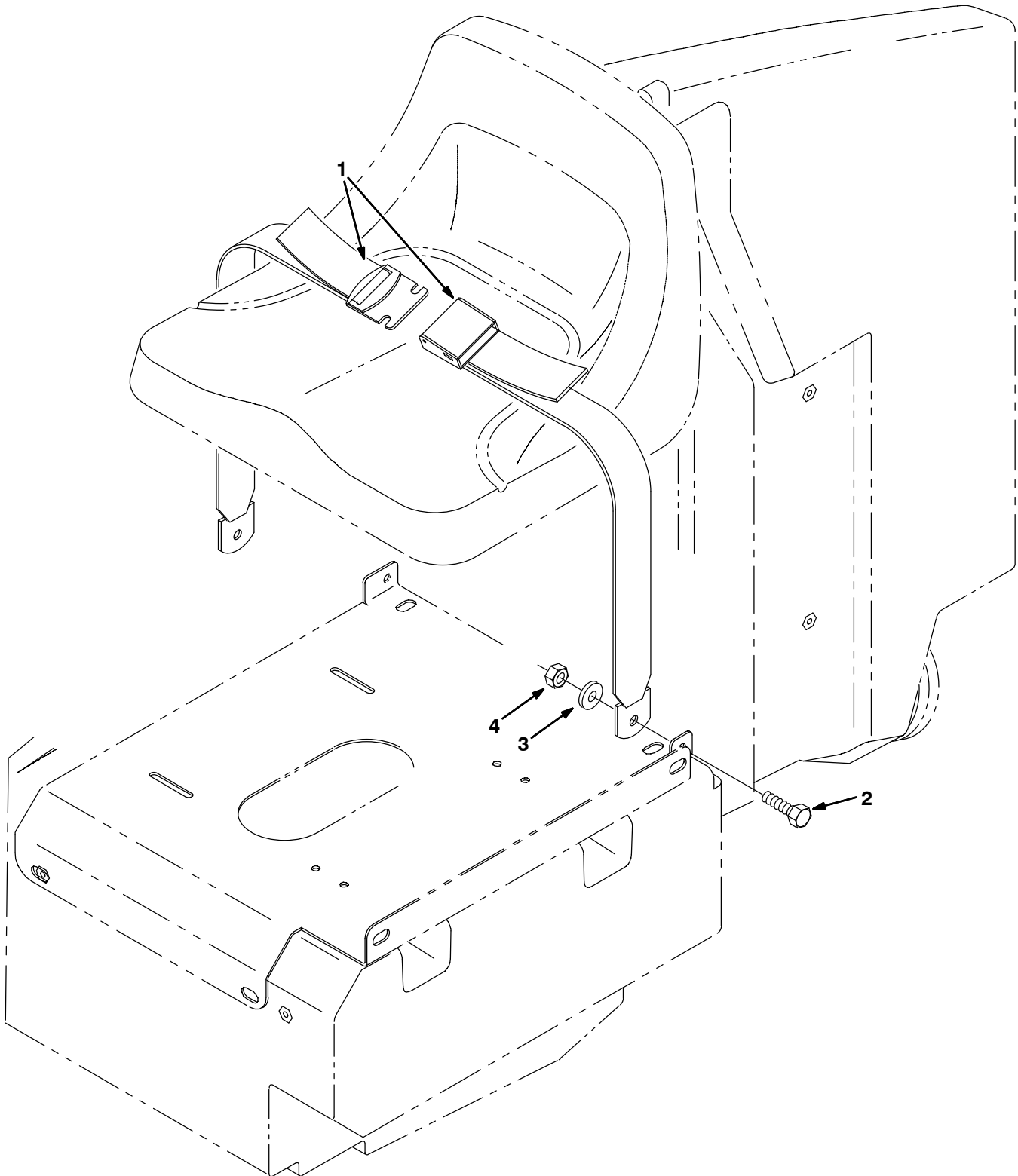


Fig. 11 - Seat Belt Kit

	Ref.	Part No.	Serial Number	Description	Qty.
▽		386958	(000000-) Kit, Ci, Seatbelt	1
▲	1	30533	(000000-) Seatbelt	1
▲	2	06961	(000000-) Screw, Hex, M10 X 1.5 X 20, 8.8	2
▲	3	32493	(000000-) Washer, Flt, .50 Std	2
▲	4	41430	(000000-) Nut, Hex, Lock, M10 X 1.5, NI	2

Fig. 12 – Suspension Seat Kit

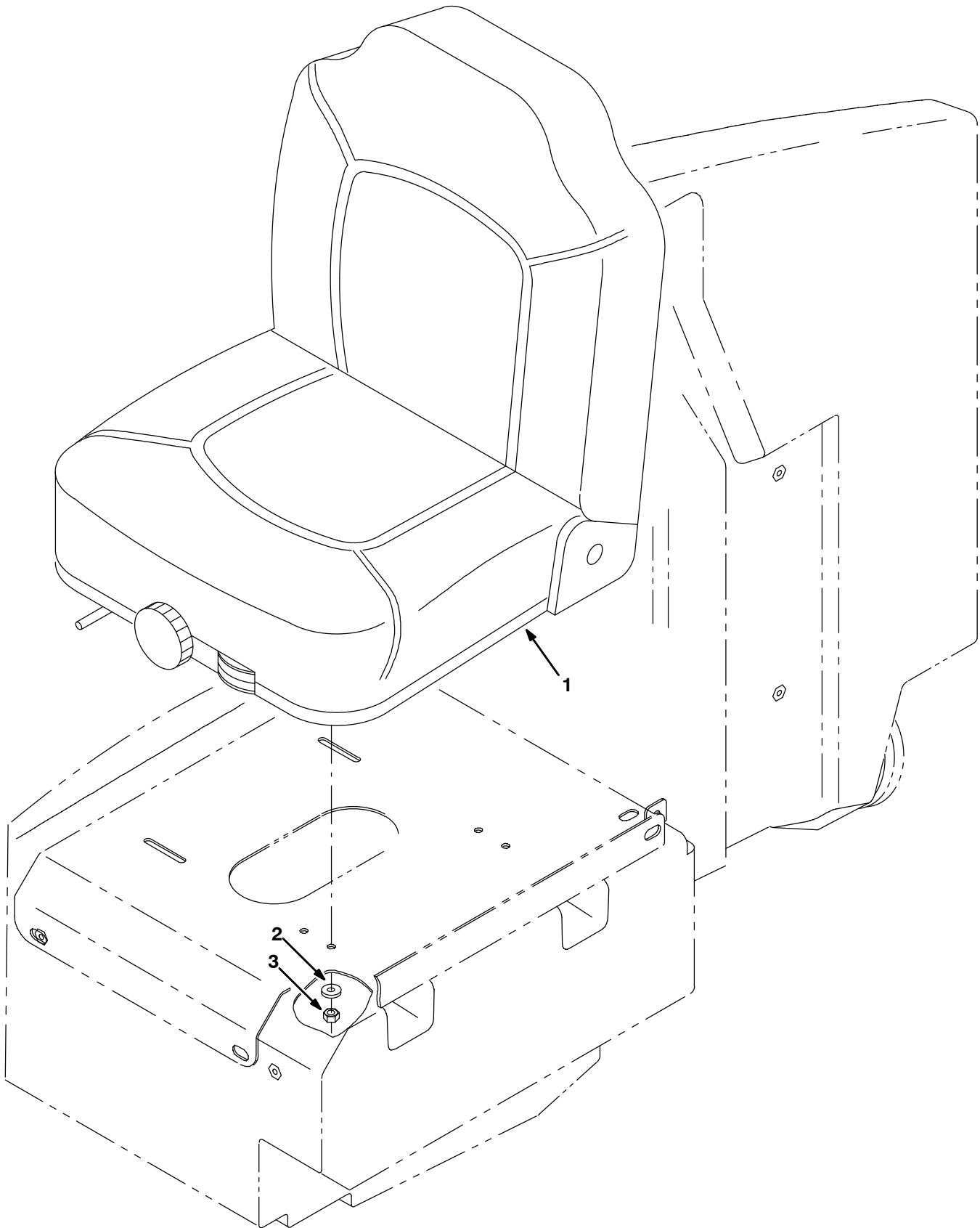


Fig. 12 – Suspension Seat Kit

	Ref.	Part No.	Serial Number	Description	Qty.
▽		386963	(000000–) Kit, Ci, Seat, Suspension	1
▲	1	223595	(000000–) Seat, Suspension	1
▲	2	32491	(000000–) Washer, Flt, .31 Std	4
▲	3	32983	(000000–) Nut, Hex, Lock, .31–18, NI	4

Fig. 13 – Power Steering Group

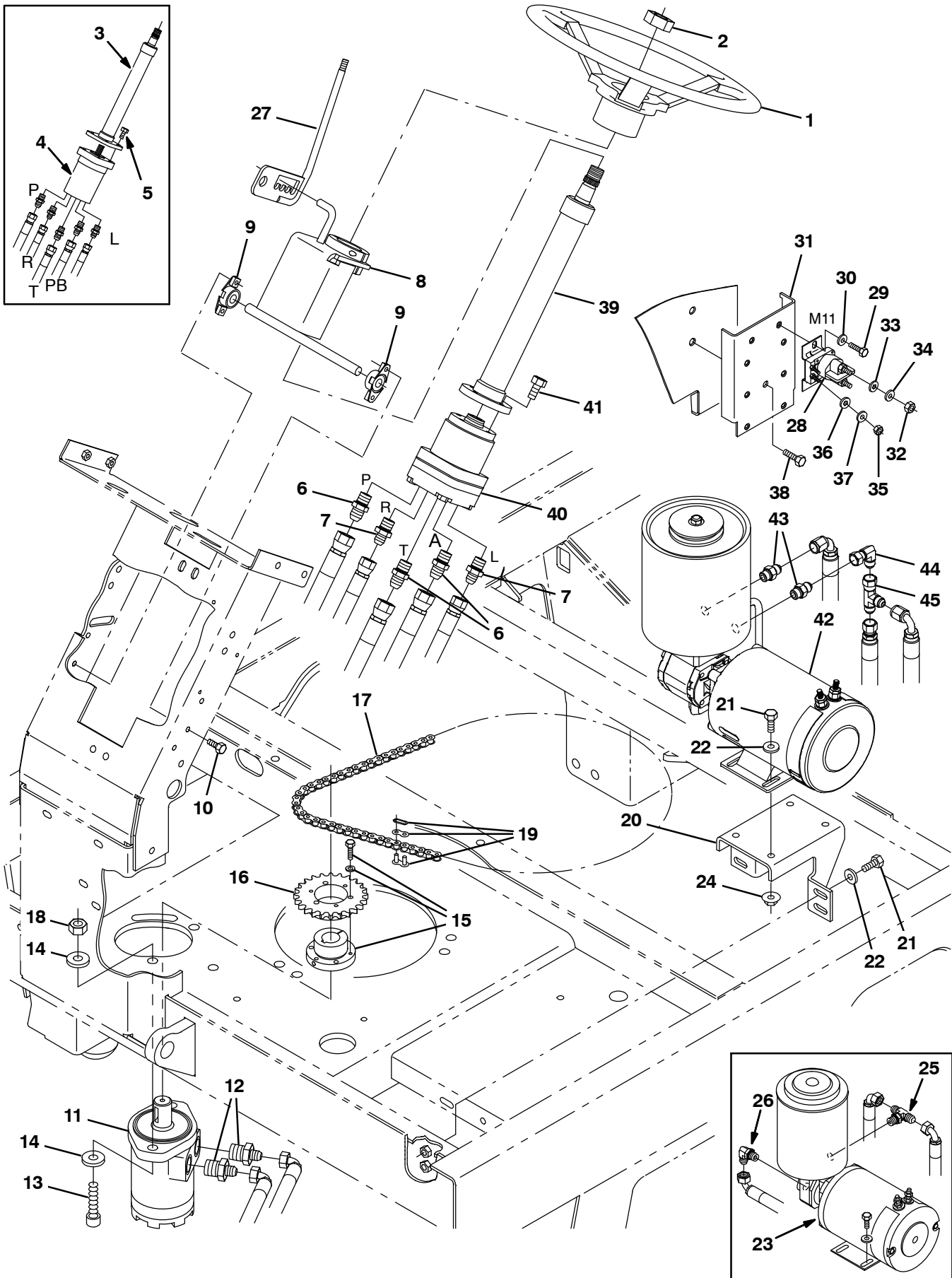
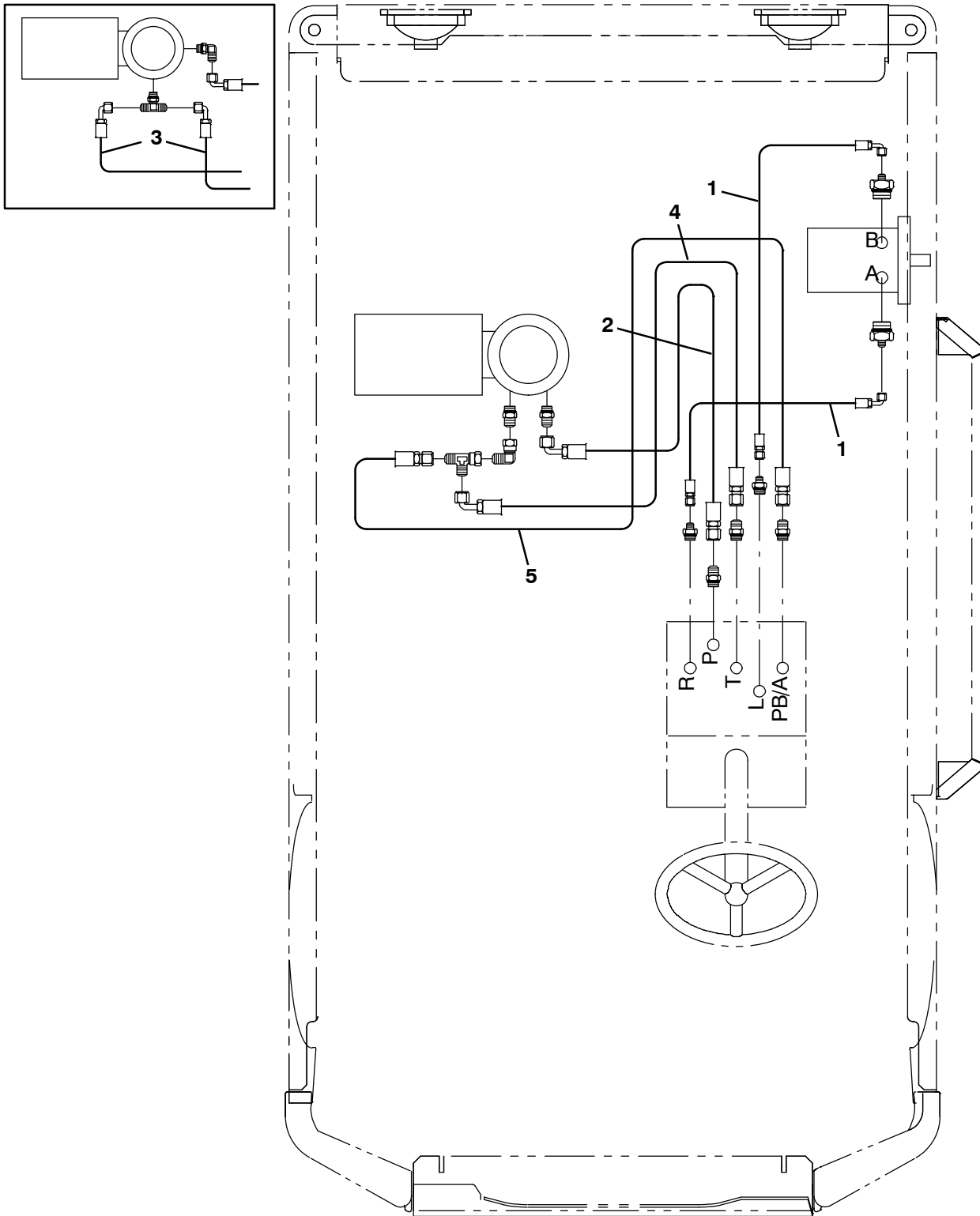


Fig. 13 – Power Steering Group

Ref.	Part No.	Serial Number	Description	Qty.
▽	1	1058996	(000000–) Wheel, Steering, 14.0D 0.81B 36Tooth	1
▲		768482	(000000–) Cover, Steering Wheel	1
	2	56185	(000000–) Nut, Hex, Jam, M20 X 1.5	1
▽	3	386702	(000000–001837) Column, Steering (Replaced by 387653)	1
▲		74142	(000000–001837) Cap, Tube	1
▽	4	386701	(000000–001837) Steer–Control, Hyd (Replaced by 387653)	1
▲		373424	(000000–001837) Kit, Seal, Scu	1
	5	06960	(000000–001837) Screw, Hex, M10 X 1.5 X 16, 8.8	3
	6	56690	(000000–) Fitting, Hyd, Str, Jm06/Om06	3
	7	55685	(000000–) Fitting, Hyd, Str, Jm04/Om06	2
	8	1056854	(000000–) Bracket Wldt, Steering, Tilt, Iron Gray	1
	9	70709	(000000–) Bushing Assy, Flng, 2 Hole, 0.50b	2
	10	06942	(000000–) Screw, Hex, M06 X 1.0 X 16, 8.8	4
	11	386703	(000000–) Motor, Hyd (See Breakdowns)	1
	12	57984	(000000–) Fitting, Hyd, Str, Jm04/Om10	2
	13	387393	(000000–) Screw, Soc, M12 X 1.75 X 45	2
	14	32486	(000000–) Washer, Flt, .50 Sae	4
	15	386215	(000000–) Bushing, Taper Lock	1
	16	386214	(000000–) Sprocket, #40 24–Tooth	1
	17	386216	(000000–) Chain, Roller, #40 X 109 Pitches	1
	18	08711	(000000–) Nut, Hex, Lock, M12 X 1.75,NI	2
	19	07112	(000000–) Link, Chain, Roller, #40	1
	20	1056853	(000000–) Plate, Mtg, Hyd, Iron Gray	1
	21	16931	(000000–) Screw, Hex, M08 X 1.25 X 20, 8.8	8
	22	32491	(000000–) Washer, Flt, .31 Std	8
	23	386704	(000000–006049) Powerunit, Hyd, 36vdc (See Breakdowns)	1
	24	07791	(000000–) Nut, Hex, Flng, M8 X 1.25	4
	25	67683	(000000–006049) Fitting, Hyd, Tee, Jm06/Om06/Jm06	1
	26	56820	(000000–006049) Fitting, Hyd, E90, Jm06/Om06	1
	27	386209	(000000–) Handle Wldt, Steering, Tilt	1
	28	386810	(000000–) Contactor, 36vdc	1
	29	06942	(000000–) Screw, Hex, M06 X 1.0 X 16, 8.8	2
	30	32483	(000000–) Washer, Flt, .25 Sae	2
	31	387452	(000000–004999) Plate, Mtg, Contactor	1
	31	1056485	(005000–) Plate, Mtg, Contactor, Iron Gray	1
	32	01715	(000000–) Nut, Hex, Std, .31–24	2
	33	32984	(000000–) Washer, Lock, Int, .31	2
	34	39349	(000000–) Washer, Flt, .31 Sae	2
	35	01713	(000000–) Nut, Hex, Std, #10–32, 2	2
	36	07514	(000000–) Washer, Lock, Int, #10, Ss	2
	37	19066	(000000–) Washer, Flt, #10	2
	38	41342	(000000–) Screw, Hex, M08 X 1.25 X 40, 8.8	1
▽	39	373496	(001838–005845) Column, Steering, #14.0L .81D 36Tooth	1
▲		74142	(001838–005845) Cap, Tube	1
▽	39	1070077	(005846–) Column, Steering, 15.5L .81D 36Tooth	1
▲		74142	(005846–) Cap, Tube	1
	40	373495	(001838–) Steer–Control, Hyd (See Breakdowns)	1
	41	11329	(001838–) Screw, Hex, M6X1.0X16, Ss, NI	4
	42	1071111	(006050–) Powerunit, Hyd, 36vdc	1
	43	56690	(006050–) Fitting, Hyd, Str, Jm06/Om06	2
	44	47504	(006050–) Fitting, Hyd, E90, Jf06/Jm06	1
	45	42215	(006050–) Fitting, Hyd, Tee, Jf06/Jm06/Jm06, Run	1

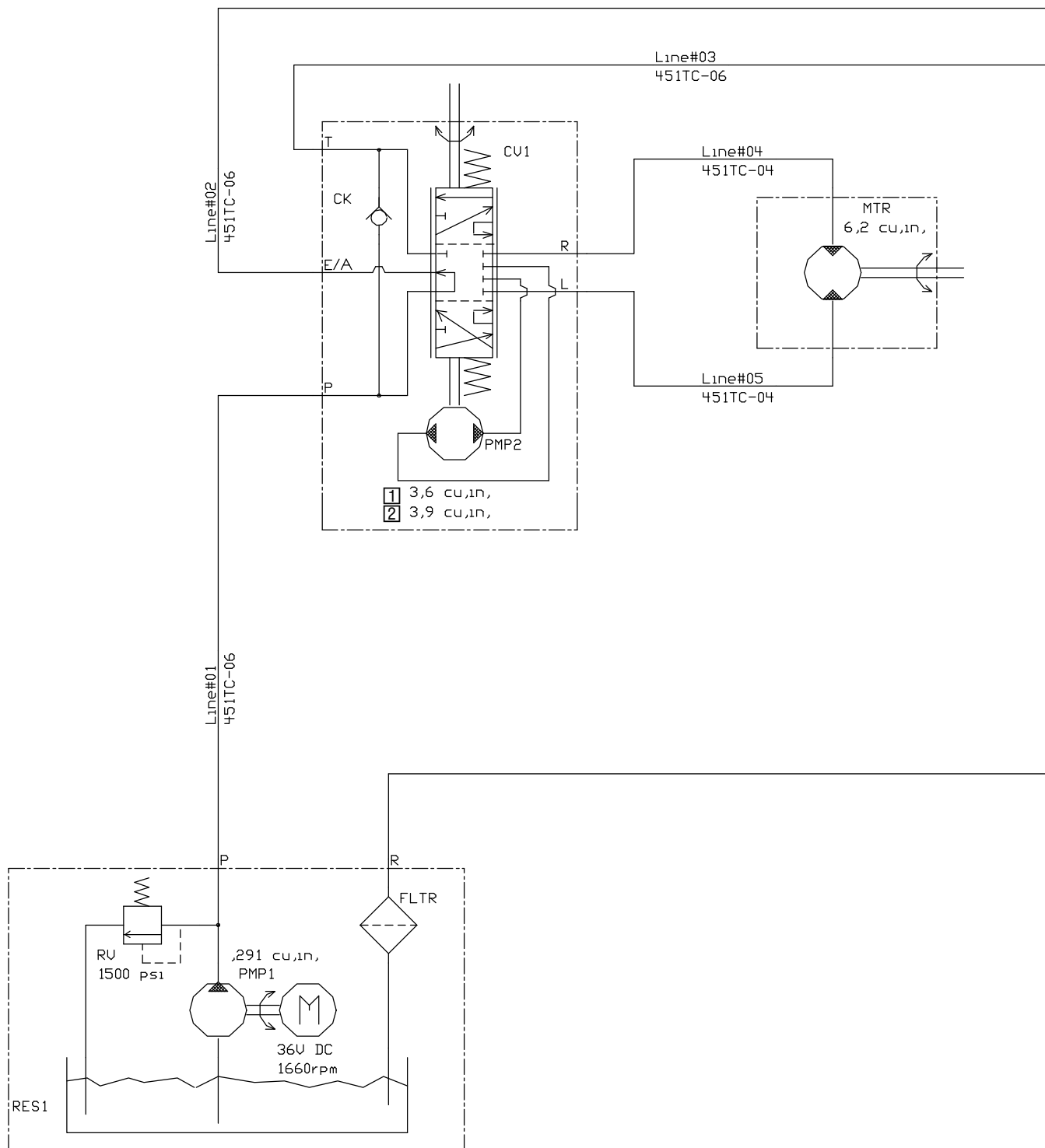
Fig. 14 - Power Steering Hydraulic Hose Group



353373 - 7300

Ref.	Part No.	Serial Number	Description	Qty.
1	381867	(000000-)	Hose, Hyd,Tc 04, Jf04str /Jf04e90 , 30.0	2
2	386711	(000000-)	Hose, Hyd, Tc 06, Jf Str/E90 , 48.0l	1
3	386711	(000000-006049)	Hose, Hyd, Tc 06, Jf Str/E90 , 48.0l	2
4	1041392	(006050-)	Hose, Hyd, Tc06, Jf06e90/Jf06str, 050.0	1
5	N/A	(006050-)	Hose, Hyd, Tc06, Jf06str/Jf06str, 050.0	1

Fig. 15 – Power Steering Hydraulic Schematic



353372 – 7300

- 1 Serial number (000000–001837)
- 2 Serial number (001838–)

Fig. 16 – Right Side Brush Motor And Pivot Group

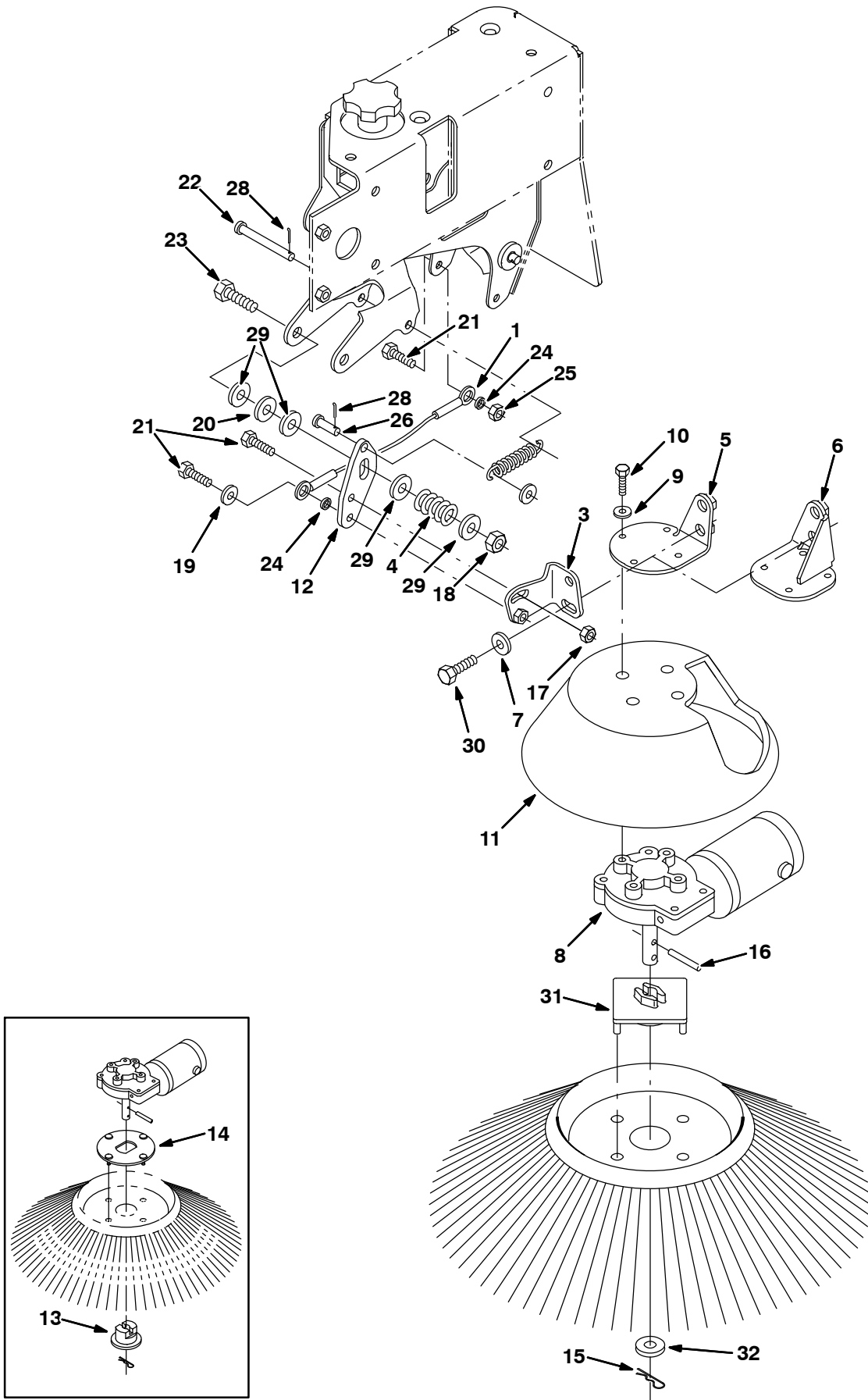


Fig. 16 – Right Side Brush Motor And Pivot Group

Ref.	Part No.	Serial Number	Description	Qty.	
1	87172	(000000–)	Cable, .13d, 10.0l, .51eye /.51eye	1	
2	09480	(000000–)	Spring, Extn, 1.10od X 0.15wir, 3.2l	1	
3	1056891	(000000–)	Bracket, Mtg, Motor, Iron Gray	2	
4	360357	(000000–)	Spring, Die, 1.00od 0.50id 1.25l	2	
5	1056911	(000000–)	Bracket, Mtg, Motor, Iron Gray	1	
6	387577	(000000–)	Bracket, Motor, Mtg	1	
7	32492	(000000–)	Washer, Flat, .38 Ss	2	
▽	8	1008274	(000000–)	Motor, Ele, 36Vdc 0.08Hp 0068Rpm 04.5A	1
▲		81919	(000000–)	Kit, Brush, Motor, Ele	1
▲		80127	(000000–)	Cap, Brush, Motor, Ele	2
▲		369795	(000000–)	Brushholder, Motor, Ele	2
▲		369796	(000000–)	Clip, Motor, Ele	2
	9	01684	(000000–)	Washer, Flt, .25 Ss	4
	10	08716	(000000–)	Screw, Hex, M06 X 1.0 X 20, Ss	4
	11	386666	(000000–)	Guard, Brush, Side	1
12	1056909	(000000–)	Plate, Iron Gray	1	
13	386664	(000000–002346)	Adapter, Brush	1	
14	386663	(000000–002346)	Plate, Adapter, Brush	1	
15	02942	(000000–)	Pin, Hair Cotter, 0.62 D .120 Wir	1	
16	11398	(000000–)	Pin, Roll, .250 D X 2.00l, .250/.256	1	
17	07791	(000000–)	Nut, Hex, Flng, M08 X 1.25	1	
18	08711	(000000–)	Nut, Hex, Lock, M12 X 1.75, NI	1	
19	32491	(000000–)	Washer, Flt, .31 Std	1	
20	86860	(000000–)	Bearing, Thrust	1	
21	39277	(000000–)	Screw, Hex, M08 X 1.25 X 25, 8.8	3	
22	57598	(000000–)	Pin, Clevis, 0.37 D X 3.25l	1	
23	06974	(000000–)	Screw, Hex, M12 X 1.75 X 80, 8.8	1	
24	360801	(000000–)	Sleeve	2	
25	08709	(000000–)	Nut, Hex, Lock, M08 X 1.25,NI	1	
26	04733–2	(000000–)	Pin, Clevis, 0.37 D X 0.62l	1	
27	01685	(000000–)	Washer, Flt, .31 Ss	1	
28	39005	(000000–)	Pin, Cotter, .094 X 0.75	2	
29	32486	(000000–)	Washer, Flt, .50 Sae	4	
30	39283	(000000–)	Screw, Hex, M10 X 1.5 X 25, 8.8	2	
31	1017441	(002347–)	Plate, Adapter, Brush	1	
32	1017802	(002347–)	Washer, .625 B, 2.50 Od, .211 T, Ss	1	

Fig. 17 - Right Side Brush Lift Group

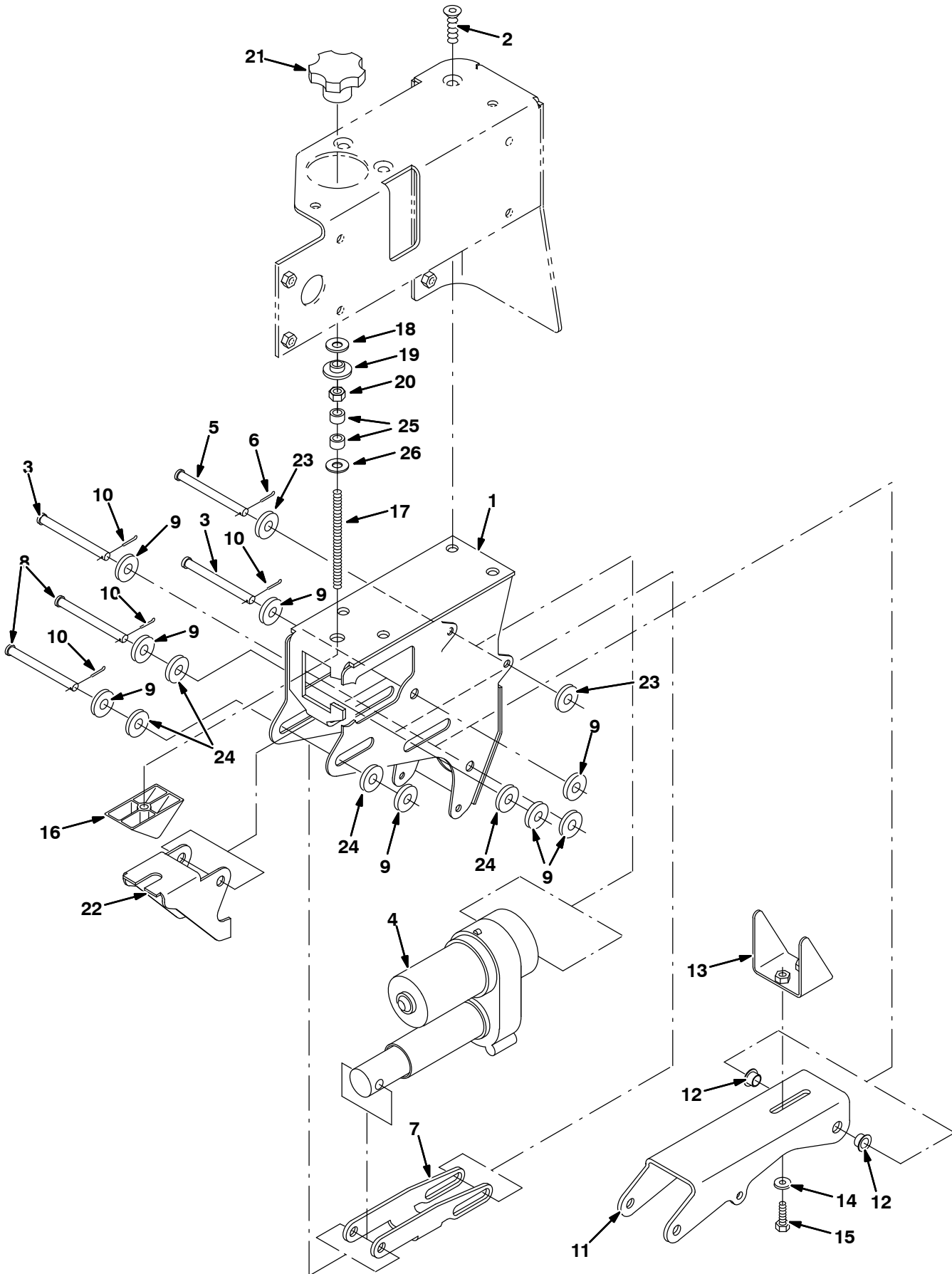


Fig. 17 – Right Side Brush Lift Group

Ref.	Part No.	Serial Number	Description	Qty.
1	1056887	(000000–) Housing Wldt, Brush, Side, Iron Gray	1
2	04373	(000000–) Screw, Flt, M10 X 1.5 X 20, 10.9	3
3	222196	(000000–) Pin, Clevis, 0.50 D X 4.00l	2
4	1054296	(000000–) Actuator, 36vdc, 01.8strk, 300lb	1
5	49914	(000000–) Pin, Clevis, 0.37 D X 4.00l	1
6	39005	(000000–) Pin, Cotter, .094 X 0.75	1
7	1056888	(000000–) Bracket, Iron Gray	1
8	51528	(000000–) Pin, Clevis, 0.50 D X 4.00l	2
9	32486	(000000–) Washer, Flt, .50 Std	8
10	08182	(000000–) Pin, Cotter, .125 X 1.00	4
11	1056889	(000000–) Channel, Iron Gray	1
12	15648	(000000–) Bushing, Flng, 0.50b 0.59d 0.38l	2
13	1056890	(000000–) Bracket, Iron Gray	1
14	32491	(000000–) Washer, Flt, .31 Std	2
15	16931	(000000–) Screw, Hex, M08 X 1.25 X 20, 8.8	2
16	386658	(000000–) Block, Adj	1
17	387151	(000000–) Shaft, Threaded	1
18	64489	(000000–) Washer, 0.81b 1.24d .03, Stl, Pl	1
19	363087	(000000–) Spacer, Flanged	1
20	25014	(000000–) Nut, Hex, Std, M10 X 1.25	1
21	41341	(000000–) Knob, Plastic	1
22	1056910	(000000–) Bracket, Pivot, Iron Gray	1
23	32485	(000000–) Washer, Flt, .38 Sae	2
24	07450	(000000–) Bearing, Thrust, 0.66b 1.25d 0.06w	4
25	390879	(000000–) Sleeve, P/M, 0.625d 0.406b 0.38l 430ss	2
26	32492	(000000–) Washer, Flat, 0.38 Std	1

Fig. 18 - Right Side Brush Bumper And Electrical Group

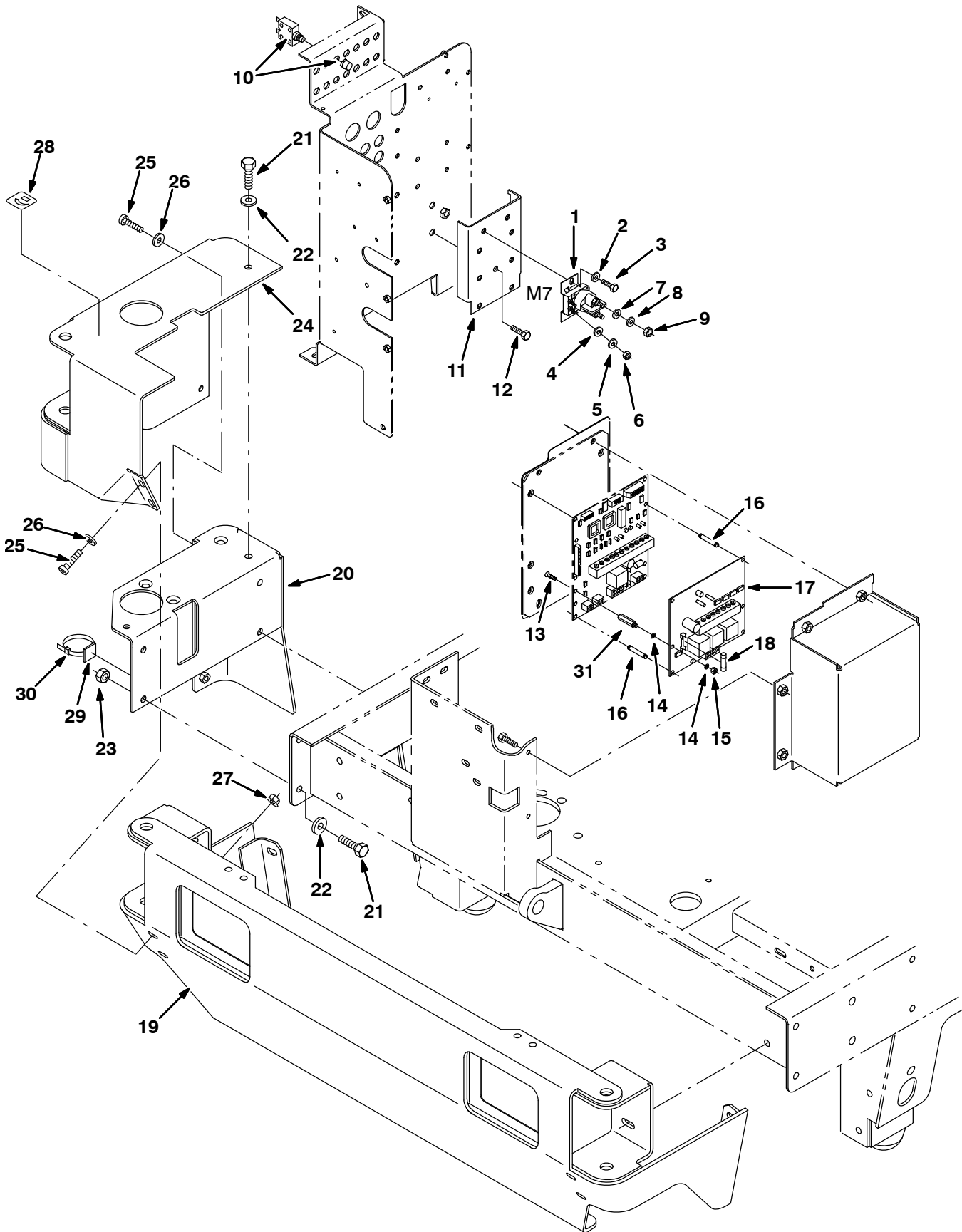


Fig. 18 – Right Side Brush Bumper And Electrical Group

Ref.	Part No.	Serial Number	Description	Qty.	
1	386810	(000000–) Relay, 36vdc, 100a, Sp N/O [White]	1	
2	32483	(000000–) Washer, Flat, .25 Sae	2	
3	06942	(000000–) Screw, Hex, M06 X 1.0 X 16, 8.8	2	
4	32980	(000000–) Washer, Lock, Int, #10	2	
5	19066	(000000–) Washer, Flt, #10	2	
6	01713	(000000–) Nut, Hex, Std, #10–32, 2	2	
7	32984	(000000–) Washer, Lock, Int, .31	2	
8	39349	(000000–) Washer, Flat, .31 Sae	2	
9	01715	(000000–) Nut, Hex, Std, .31–24	2	
10	383722	(000000–) Circuitbreaker, 15.0a	2	
11	387452	(000000–004999) Plate, Mtg, Contactor	1	
11	1056485	(005000–) Plate, Mtg, Contactor, Iron Gray	1	
12	41342	(000000–) Screw, Hex, M08 X 1.25 X 40, 8.8	1	
13	25538	(000000–) Screw, Flt, #06–32 X 0.38, Al	2	
14	41401	(000000–) Washer, Lock, Int, #06, Ss	4	
15	75939	(000000–) Nut, Hex, Lock, #06–32, NI	2	
16	386307	(000000–) Stand–Off, 1.25, Plstc	5	
▽	17	386308	(000000–) Circuitboard, Sweeper, [8300]	1
▲	18	45595	(000000–) Fuse, 010A 032Vdc 0.25D	1
19	387562	(000000–004999) Bumper Wldt	1	
19	1056688	(005000–) Bumper Wldt, Iron Gray	1	
20	387531	(000000–004999) Bracket, Hsng, Brush	1	
20	1056397	(005000–) Bracket, Hsng, Brush, Iron Gray	1	
21	09028	(000000–) Screw, Hex, M10 X 1.5 X 25, Ss	5	
22	01686	(000000–) Washer, Flat, .38 Ss	5	
23	41430	(000000–) Nut, Hex, Lock, M10 X 1.5, NI	2	
24	387536	(000000–004999) Housing Wldt, Brush	1	
24	1056399	(005000–) Housing Wldt, Brush, Iron Gray	1	
25	223470	(000000–) Screw, Btn, M08 X 1.25 X 25, Ss	4	
26	01685	(000000–) Washer, Flat, .31 Ss	4	
27	07791	(000000–) Nut, Hex, Flng, M08 X 1.25	2	
28	387405	(000000–) Label, Brush, Side, Adj	1	
29	55248	(000000–) Mount, Cable Tie	1	
30	49266	(000000–) Tie, Cable, Nyl, 07.3l .19w 1.8 Max D	2	
31	386806	(000000–) Stand–Off, 1.25, Metal	2	

Fig. 19 – Right Side Brush Wire Harness Group

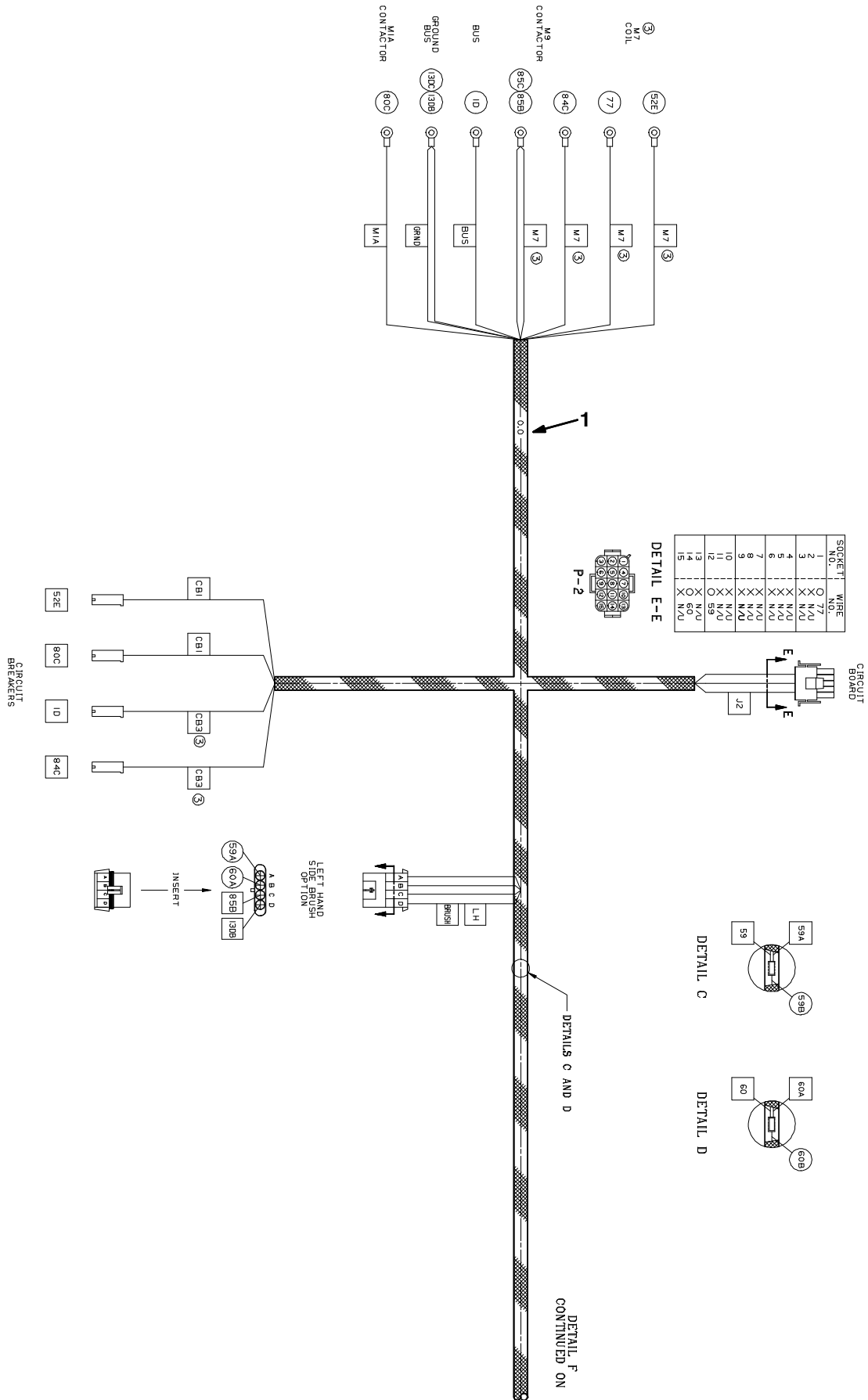
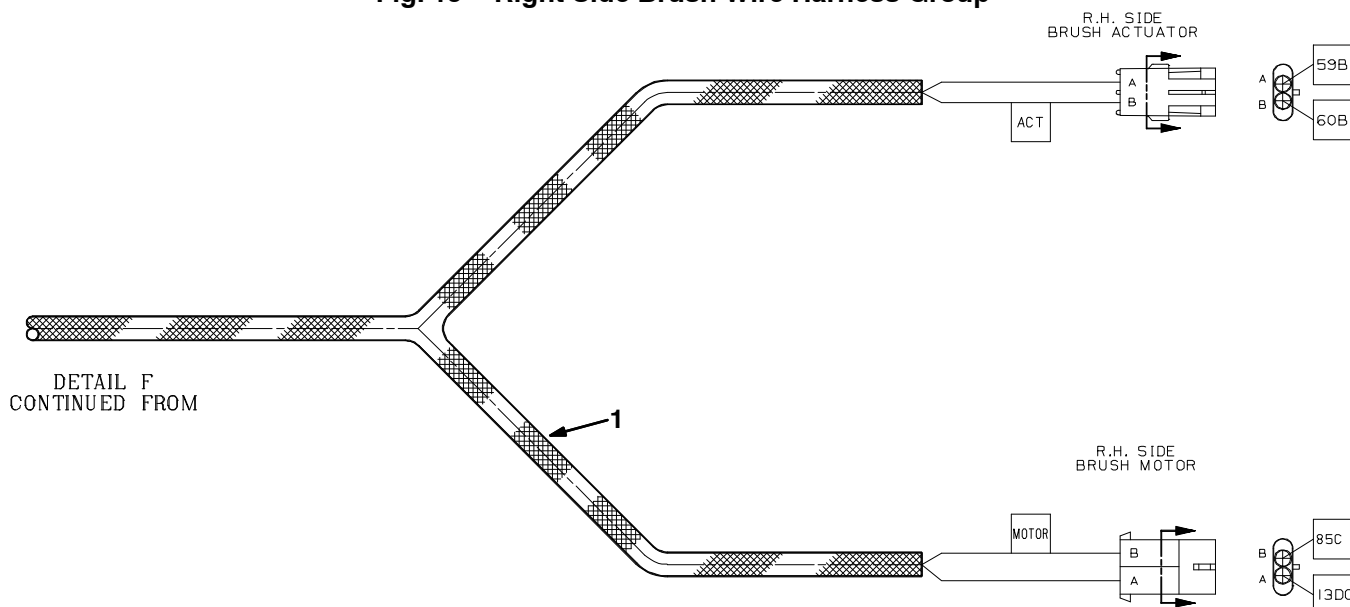


Fig. 19 – Right Side Brush Wire Harness Group



Ref.	Part No.	Serial Number	Description	Qty.
1	387628	(000000-) Harness, Brush, Side, Rh [7300]	1

Fig. 20 – Left Side Brush Motor And Pivot Group

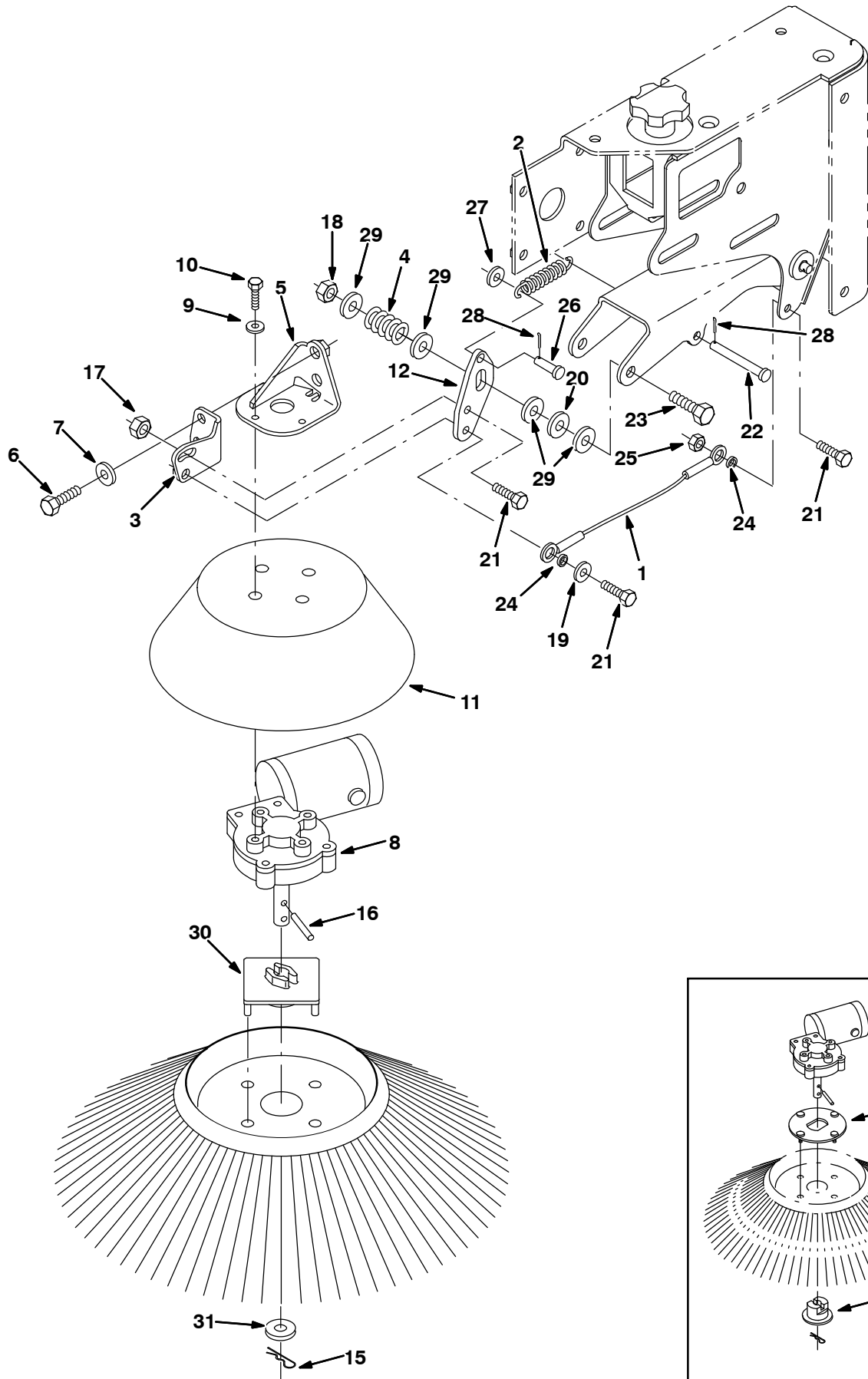


Fig. 20 – Left Side Brush Motor And Pivot Group

Ref.	Part No.	Serial Number	Description	Qty.	
1	87172	(000000–)	Cable, .13d, 10.0l, .51eye /.51eye	1	
2	09480	(000000–)	Spring, Extn, 1.10od X 0.15wir, 3.2l	1	
3	1056894	(000000–)	Bracket, Mtg, Motor, Iron Gray	2	
4	360357	(000000–)	Spring, Die, 1.00od 0.50id 1.25l	2	
5	1056892	(000000–)	Bracket, Mtg, Motor, Iron Gray	1	
6	39283	(000000–)	Screw, Hex, M10 X 1.5 X 25, 8.8	2	
7	32492	(000000–)	Washer, Flat, .38 Std	2	
▽	8	1008275	(000000–)	Motor, Ele, 36Vdc 0.08Hp 0068Rpm 04.5A	1
▲		81919	(000000–)	Kit, Brush, Motor, Ele	1
▲		80127	(000000–)	Cap, Brush, Motor, Ele	2
▲		369795	(000000–)	Brushholder, Motor, Ele	2
▲		369796	(000000–)	Clip, Motor, Ele	2
	9	01684	(000000–)	Washer, Flt, .25 Ss	4
	10	08716	(000000–)	Screw, Hex, M06 X 1.0 X 20, Ss	4
	11	386666	(000000–)	Guard, Brush, Side	1
12	1056909	(000000–)	Plate, Iron Gray	1	
13	386664	(000000–002346)	Adapter, Brush	1	
14	386663	(000000–002346)	Plate, Adapter, Brush	1	
15	02942	(000000–)	Pin, Hair Cotter, 0.62 D .120 Wir	1	
16	11398	(000000–)	Pin, Roll, .250 D X 2.00l, .250/.256	1	
17	07791	(000000–)	Nut, Hex, Flng, M08 X 1.25	1	
18	08711	(000000–)	Nut, Hex, Lock, M12 X 1.75,NI	1	
19	32491	(000000–)	Washer, Flt, .31 Std	1	
20	86860	(000000–)	Bearing, Thrust	1	
21	39277	(000000–)	Screw, Hex, M08 X 1.25 X 25, 8.8	3	
22	57598	(000000–)	Pin, Clevis, 0.37 D X 3.25l	1	
23	06974	(000000–)	Screw, Hex, M12 X 1.75 X 80, 8.8	1	
24	360801	(000000–)	Sleeve	2	
25	08709	(000000–)	Nut, Hex, Lock, M08 X 1.25,NI	1	
26	04733–2	(000000–)	Pin, Clevis, 0.37 D X 0.62l	1	
27	01685	(000000–)	Washer, Flt, .31 Ss	1	
28	39005	(000000–)	Pin, Cotter, .094 X 0.75	2	
29	32486	(000000–)	Washer, Flt, .50 Sae	4	
30	1017441	(002347–)	Plate, Adapter, Brush	1	
31	1017802	(002347–)	Washer, .625 B, 2.50 Od, .211 T, Ss	1	

Fig. 21 - Left Side Brush Lift Group

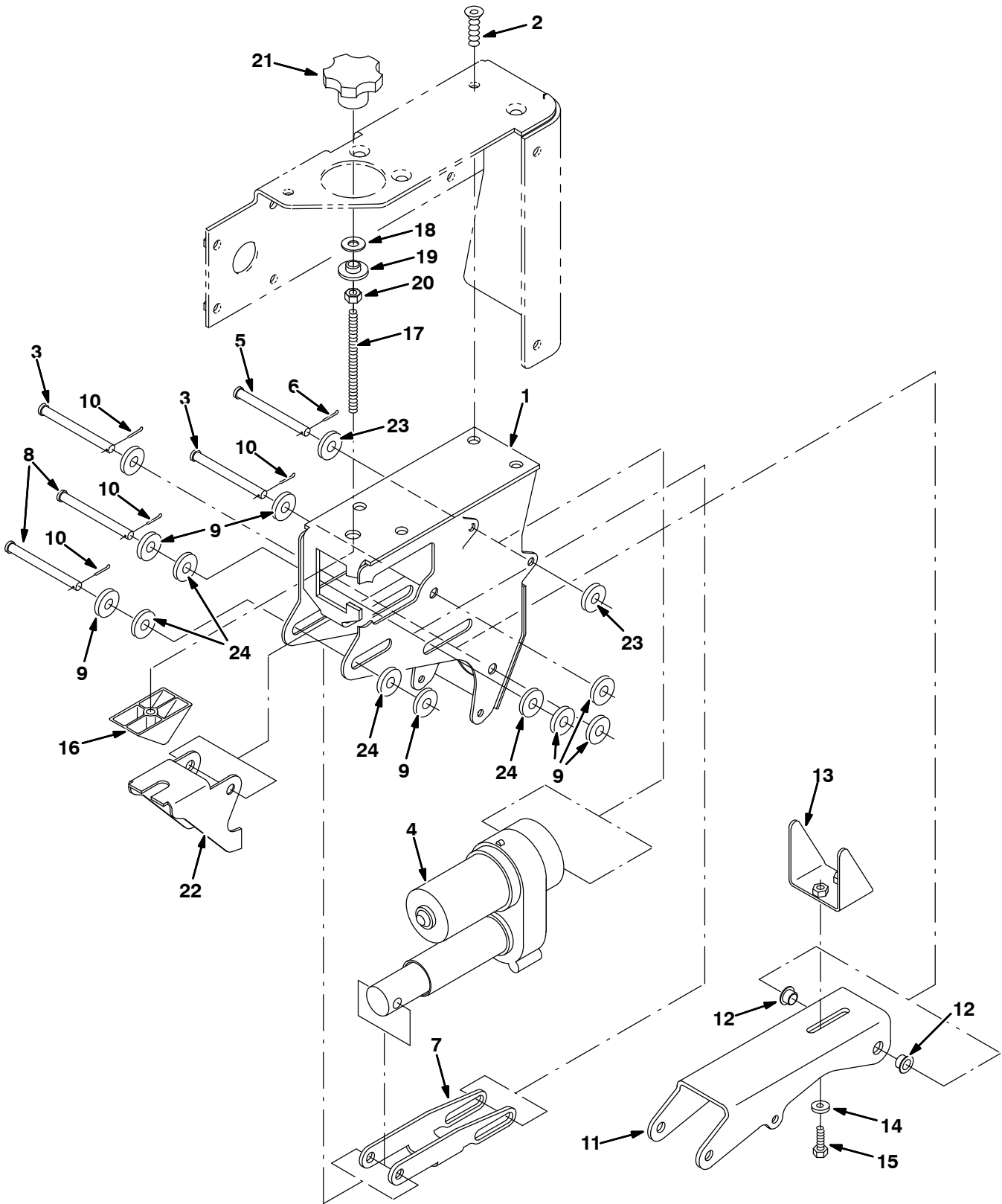


Fig. 21 – Left Side Brush Lift Group

Ref.	Part No.	Serial Number	Description	Qty.
1	1056887	(000000–) Housing Wldt, Brush, Side, Iron Gray	1
2	04373	(000000–) Screw, Flt, M10 X 1.5 X 20, 10.9	3
3	222196	(000000–) Pin, Clevis, 0.50 D X 4.00l	2
4	1054296	(000000–) Actuator, 36vdc, 01.8strk, 300lb	1
5	49914	(000000–) Pin, Clevis, 0.37 D X 4.00l	1
6	39005	(000000–) Pin, Cotter, .125 X 1.00	1
7	1056888	(000000–) Bracket, Iron Gray	1
8	51528	(000000–) Pin, Clevis, 0.50 D X 4.00l	2
9	32486	(000000–) Washer, Flt, .50 Std	8
10	08182	(000000–) Pin, Cotter, .125 X 1.00	4
11	1056889	(000000–) Channel, Iron Gray	1
12	15648	(000000–) Bushing, Flng, 0.50b 0.59d 0.38l	2
13	1056890	(000000–) Bracket, Iron Gray	1
14	32491	(000000–) Washer, Flt, .31 Std	2
15	16931	(000000–) Screw, Hex, M08 X 1.25 X 20, 8.8	2
16	386658	(000000–) Block, Adj	1
17	387151	(000000–) Shaft, Threaded	1
18	64489	(000000–) Washer, 0.81b 1.24d .03, Stl, Pl	1
19	363087	(000000–) Spacer, Flanged	1
20	25014	(000000–) Nut, Hex, Std, M10 X 1.25	1
21	41341	(000000–) Knob, Plastic	1
22	386909	(000000–) Bracket, Pivot	1
23	32485	(000000–) Washer, Flt, .38 Sae	2
24	07450	(000000–) Bearing, Thrust, 0.66b 1.25d 0.06w	4

Fig. 22 – Left Side Brush Mount Group

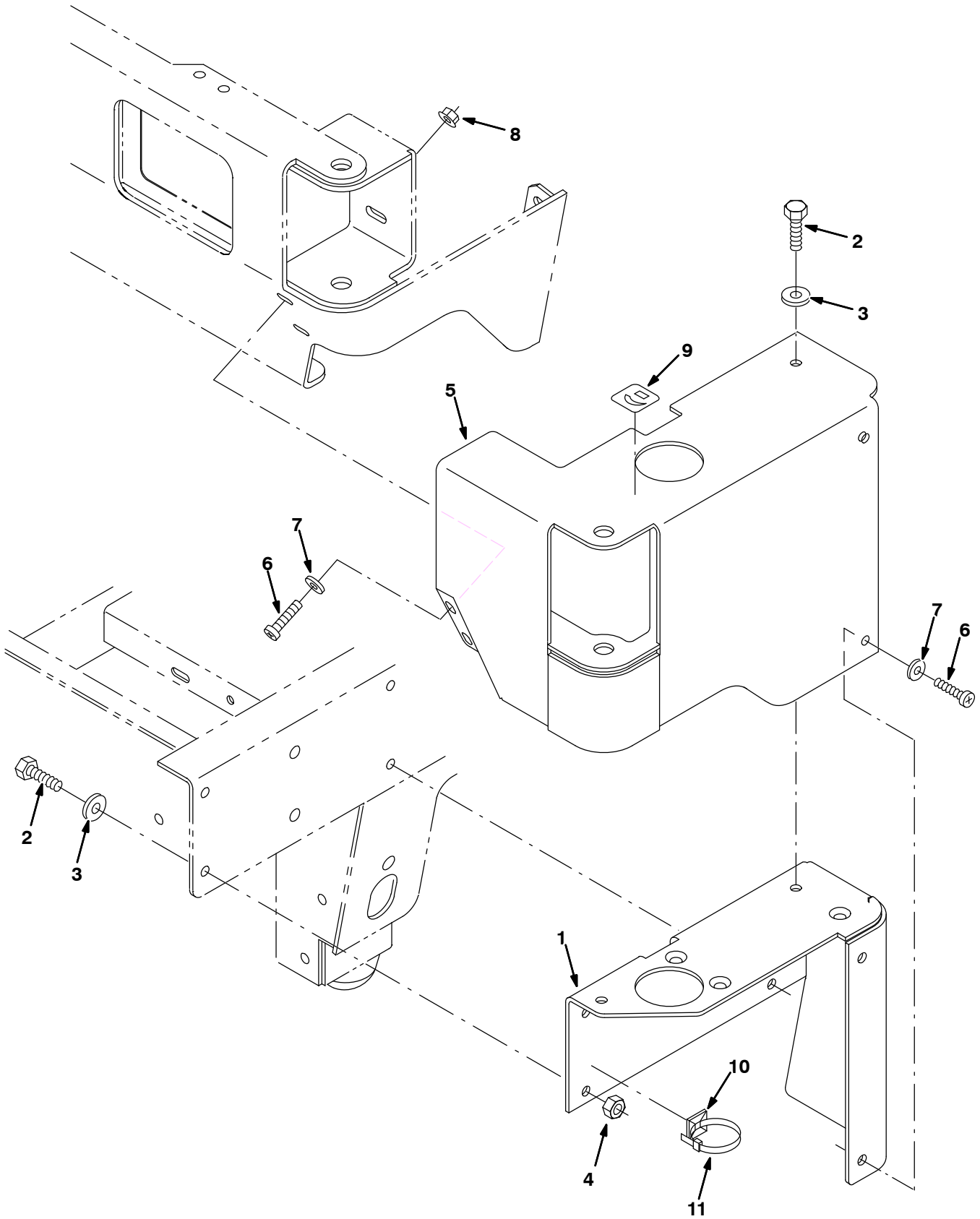


Fig. 22 – Left Side Brush Mount Group

Ref.	Part No.	Serial Number	Description	Qty.
1	387560	(000000–004999)	Bracket, Hsng, Brush	1
1	1056398	(005000–)	Bracket, Hsng, Brush, Iron Gray	1
2	09028	(000000–)	Screw, Hex, M10 X 1.5 X 25, Ss	5
3	01686	(000000–)	Washer, Flat, .38 Ss	5
4	41430	(000000–)	Nut, Hex, Lock, M10 X 1.5, NI	2
5	387530	(000000–004999)	Housing Wldt, Brush	1
5	1056396	(005000–)	Housing Wldt, Brush, Iron Gray	1
6	223470	(000000–)	Screw, Btn, M08 X 1.25 X 25, Ss	4
7	01685	(000000–)	Washer, Flat, .31 Ss	4
8	07791	(000000–)	Nut, Hex, Flng, M08 X 1.25	2
9	387405	(000000–)	Label, Brush, Side, Adj	1
10	55248	(000000–)	Mount, Cable Tie	1
11	49266	(000000–)	Tie, Cable, Nyl, 07.3l .19w 1.8 Max D	2

Fig. 23 – Left Side Brush Wire Harness Group

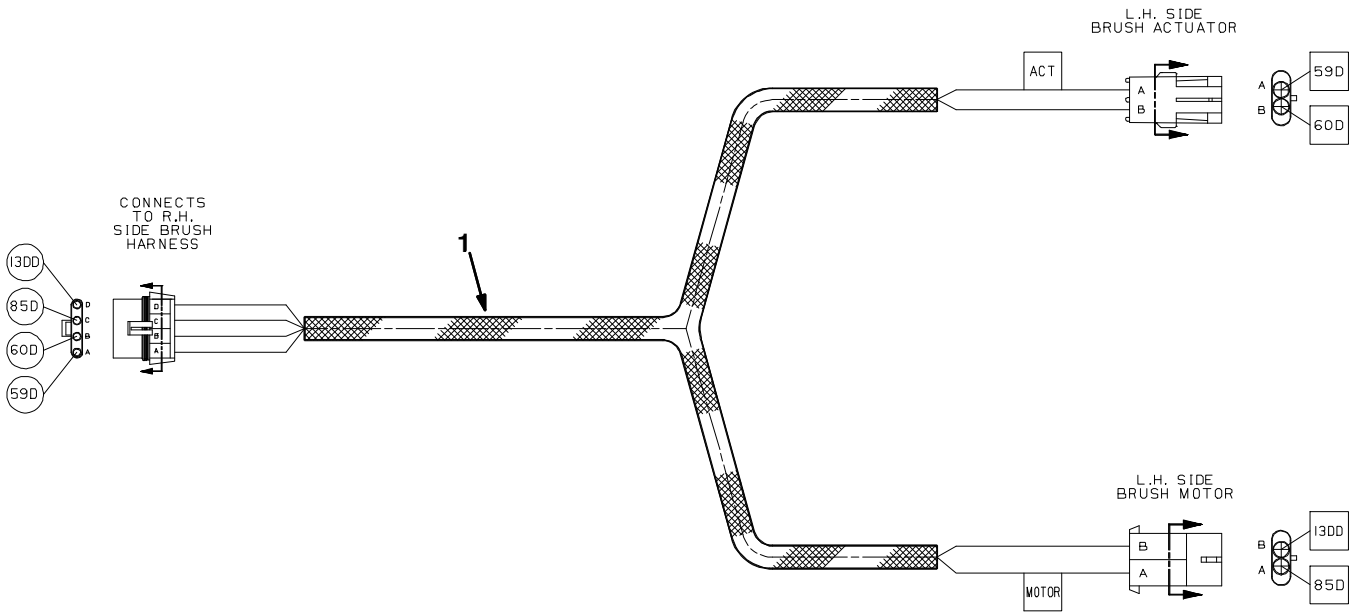


Fig. 23 – Left Side Brush Wire Harness Group

Ref.	Part No.	Serial Number	Description	Qty.
1	387629	(000000–)	Harness, Brush, Side, Lh [7300]	1

Fig. 24 – Max Pro 1200 (Disc-Brush) Scrub Head Frame Group

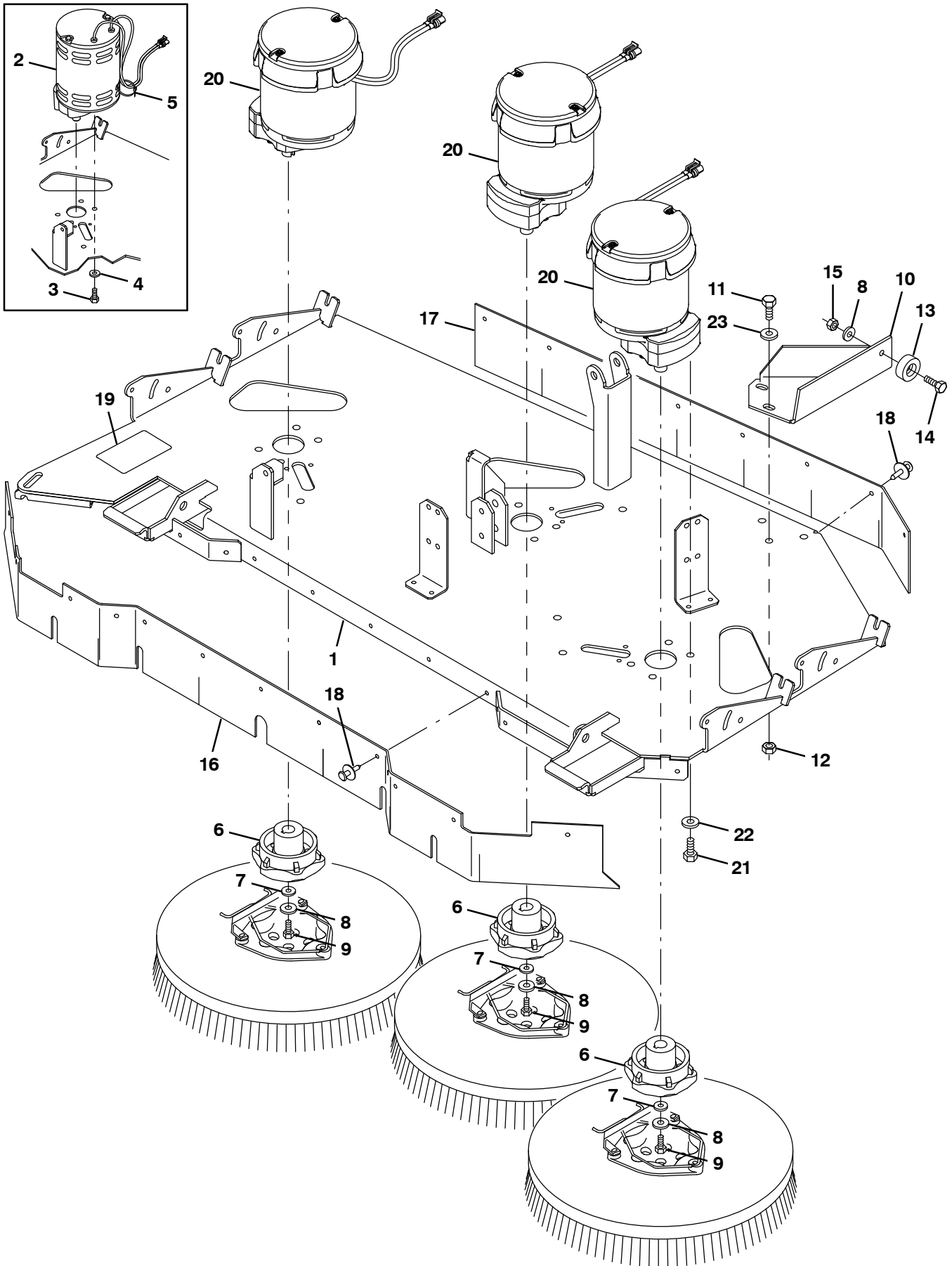


Fig. 24 – Max Pro 1200 (Disc-Brush) Scrub Head Frame Group

Ref.	Part No.	Serial Number	Description	Qty.	
1	1056902	(000000–)	Frame Wldt, Scb Head, 3 Brush, Ele, Gray	1	
2	386687	(000000–006027)	Motor, Gear, Ele, 1.0hp, 36vdc, 300rpm (See Breakdown) (Replaced by 9010162)	3	
3	34195	(000000–006027)	Screw, Hex, .38–16 X 1.00, NI	12	
4	01686	(000000–006027)	Washer, Flt, .38 Ss	12	
5	49263	(000000–006027)	Tie, Cable, Nyl, 11.4l .19w 3.0 Max D	3	
6	377364	(000000–)	Hub, Drive, Brush, Disk, 0.75B 6T	3	
7	41186	(000000–)	Washer, Belleville, .31	3	
8	01685	(000000–)	Washer, Flt, .31 Ss	4	
9	32124	(000000–)	Screw, Hex, .31–18 X 1.00, Ss, NI	3	
10	1056841	(000000–)	Bracket, Stop, Frame, Iron Gray	1	
11	09028	(000000–)	Screw, Hex, M10 X 1.5 X 25, Ss	3	
12	08714	(000000–)	Nut, Hex, Lock, M10 X 1.5, NI, Ss	3	
13	15023	(000000–)	Bumper, Pye	1	
14	09010	(000000–)	Screw, Hex, M08 X 1.25 X 25, Ss	1	
15	08713	(000000–)	Nut, Hex, Lock, M08 X 1.25,NI, Ss	1	
16	386825	(000000–)	Skirt, Front, Scrub Head, 3–Brush, Ele	1	
17	386826	(000000–)	Skirt, Rear, Scrub Head, 3–Brush, Ele	1	
18	72968	(000000–)	Rivet, Plstc, .250 X 0.898	21	
19	365156	(000000–)	Label Set, Info/Hzrd, [Maxpro]	1	
▽	20	9010162	(006028–)	Motor Kit, Ele 36vdc 300rpm 1.0hp	3
▲	1066573	(006028–)	Brush Kit, Moter	1	
21	12333	(006028–)	Screw, Hex, M8 X 1.25 X 25, Ss, NI	12	
22	1017218	(006028–)	Washer, Flat, 0.32b 1.00d .12, Ss	12	
23	01686	(000000–)	Washer, Flt, .38 Ss	3	

Fig. 25 - Max Pro 1200 (Disc-Brush) Scrub Head Linkage Group

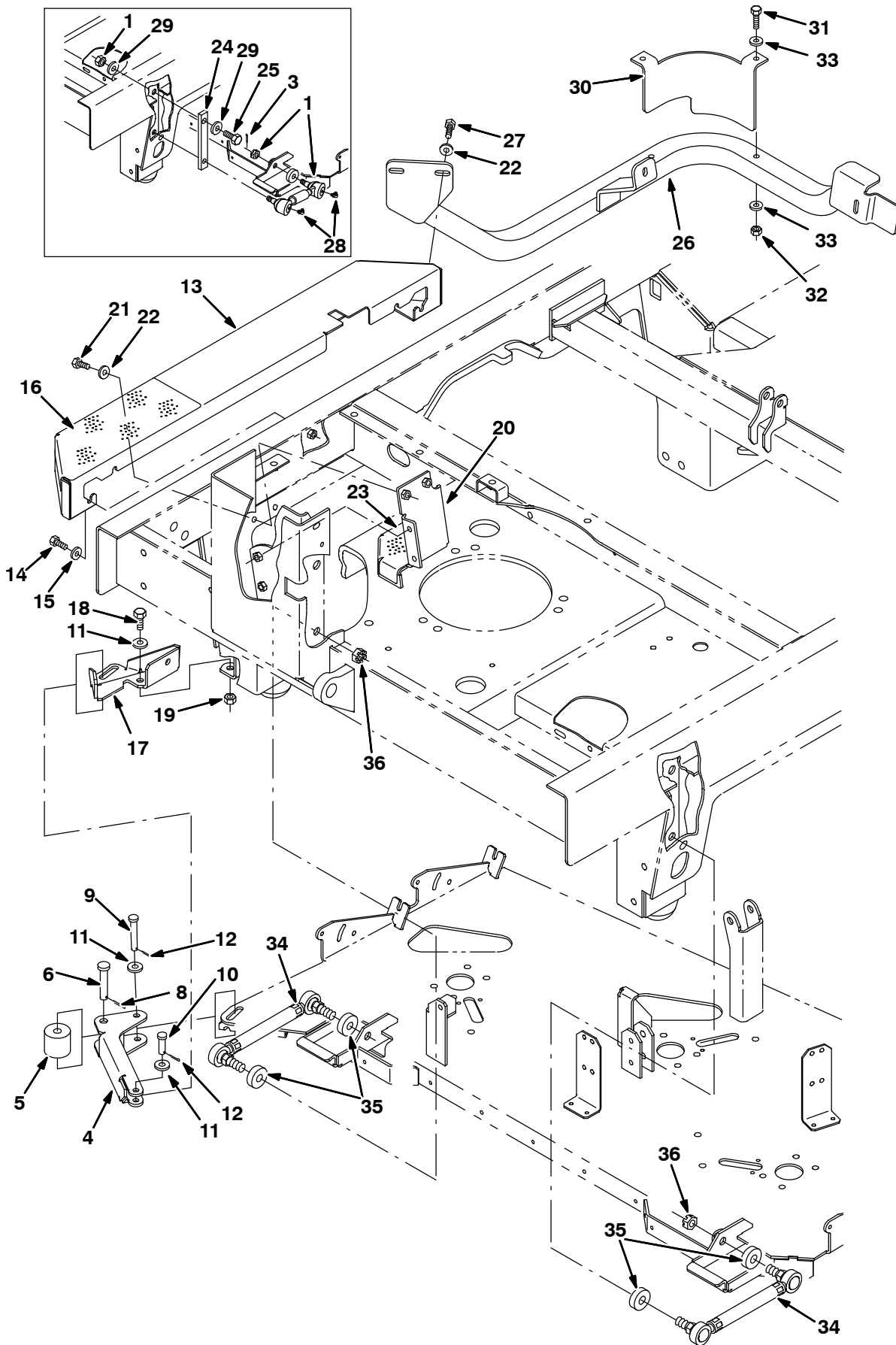


Fig. 25 – Max Pro 1200 (Disc-Brush) Scrub Head Linkage Group

Ref.	Part No.	Serial Number	Description	Qty.	
1	363113	(000000-003695)	Link Wldt, Head, Drag (Replaced by 9005751)	2	
2	14524	(000000-003695)	Spacer, Washer	2	
3	08346	(000000-003695)	Pin, Cotter, .125 X 0.75	4	
4	1001099	(000000-004999)	Guard, Kick In, Scb Head	1	
4	1056390	(005000-)	Guard, Kick In, Scb Head, Iron Gray	1	
5	72946	(000000-)	Roller	1	
6	06279	(000000-)	Pin, Clevis, 0.50 D X 2.50l	1	
7	08711	(000000-003695)	Nut, Hex, Std, M12 X 2.0	2	
8	08182	(000000-)	Pin, Cotter, .125 X 1.00	1	
9	365180	(000000-)	Pin, Clevis, 0.38 D X 2.50l	1	
10	29557	(000000-)	Pin, Clevis, 0.37 D X 1.31l	1	
11	01686	(000000-)	Washer, Flt, .38 Ss	4	
12	39005	(000000-)	Pin, Cotter, .094 X 0.75	2	
13	386827	(000000-004999)	Bumper, Side, Scb Head, Wide	1	
13	1056681	(005000-)	Bumper, Side, Scb Head, Wide, Iron Gray	1	
14	09740	(000000-)	Screw, Hex, M08 X 1.25 X 20, Ss	4	
15	32491	(000000-)	Washer, Flt, .31 Std	6	
16	387080	(000000-)	Tread, Floor, 12.5 X 5.75	1	
17	386876	(000000-004999)	Bracket, Adaptor, Mtg, Kick In, Frame	1	
17	1056505	(005000-)	Bracket, Adapter, Mtg, Kick In, Frame	1	
18	09028	(000000-)	Screw, Hex, M10 X 1.5 X 25, Ss	2	
19	08714	(000000-)	Nut, Hex, Lock, M10 X 1.5, NI, Ss	1	
20	387162	(000000-004999)	Bracket	1	
20	1056516	(005000-)	Bracket, Step, Iron Gray	1	
21	09740	(000000-)	Screw, Hex, M08 X 1.25 X 20, Ss	4	
22	01685	(000000-)	Washer, Flt, .31 Ss	8	
23	387230	(000000-)	Tread, Step	1	
24	24254	(000000-003695)	Spacer, Plate	2	
25	06969	(000000-003695)	Screw, Hex, M12 X 1.75 X 40, 8.8	2	
26	387245	(000000-004999)	Guard Wldt, Sqge (MP 20)	1	
26	1056517	(005000-)	Guard Wldt, Sqge, Rear, Gray	1	
27	09010	(000000-)	Screw, Hex, M08 X 1.25 X 25, Ss	4	
28	09718	(000000-003695)	Fitting, Grease, E90 Pm04 .75L	4	
29	32486	(000000-003695)	Washer, Flt, .50 Sae	4	
▽	374250	(000000-004999)	Guard Kit, Sqge, Rear, Ci [7300/8300]	1	
▲	30	1007486	(000000-004999)	Guard, Bumper	1
▲	31	39278	(000000-004999)	Screw, Hex, M8 X 1.25 X 50, 8.8	2
▲	32	08713	(000000-004999)	Nut, Hex, Lock, M8 X 1.25, NI, Ss	2
▲	33	32491	(000000-004999)	Washer, Flat, 0.31, Std	4
▽		9006924	(005000-)	Guard Kit, Sqge, Rear, Iron Gray, Ci	1
▲	30	1057073	(005000-)	Guard, Bumper	1
▲	31	39278	(005000-)	Screw, Hex, M8 X 1.25 X 50, 8.8	2
▲	32	08713	(005000-)	Nut, Hex, Lock, M8 X 1.25, NI, Ss	2
▲	33	32491	(005000-)	Washer, Flat, 0.31, Std	4
	34	1050193	(003696-)	Link Assy, Rod-End, .63-18	2
	35	1057066	(003696-)	Tube, 0.69id 1.25od 00.4l, Rod-End, Gray	4
	36	40814	(003696-)	Nut, Hex, Lock, .62-18, NI, Thin	4

Fig. 26 - Max Pro 1200 (Disc-Brush) Solution Valve Group

Ref.	Part No.	Serial Number	Description	Qty.
1	84028	(000000-) Valve, Water	1
2	15678	(000000-) Screw, Hex, M06 X 1.0 X 16, Ss	2
3	32490	(000000-) Washer, Flt, .25 Std	4
4	08712	(000000-) Nut, Hex, Lock, M06 X 1.0, NI, Ss	2
5	63244-2	(000000-001986) Fitting, Plstc, E90, Bm12/Pm08	1
6	72950	(000000-001986) Manifold, Plastic	1
7	20807	(000000-001986) Cap, Neoprene Black	1
8	54333	(000000-001986) Clamp, Hose, Wormdrive, 0.31-0.88d	1
9	16914	(000000-) Hose, Pvc, Brd, 0.75id 1.00od 02.00l	1
10	73474	(000000-) Hose, Pvc, Brd, 0.75id 1.00od 44.50l	1
11	63810	(000000-) Clamp, Hose, Wormdrive, 0.56-1.06d, .56w	4
12	364631	(000000-) Fitting, Plstc, Str, Bm08/Bm08	3
13	77334	(000000-) Fitting, Plstc, Rst, .50od/.31id	3
14	49142	(000000-) Hose, Pvc, Brd, 0.50id 0.80od 18.00l	1
15	223515	(000000-) Hose, Pvc, Brd, 0.50id 0.75od 14.00l	1
16	385682	(000000-) Hose, Pvc, Brd, 0.50id 0.73od 33.00l	1
17	67767	(000000-) Clamp, Cable, Stl, 0.69d X 0.62w, 1h	4
18	12273	(000000-) Screw, Hex, M08 X 1.25 X 20, Ss, NI	4
19	01685	(000000-) Washer, Flt, .31 Ss	4
20	49266	(000000-) Tie, Cable, Nyl, 07.3l .19w 1.8 Max D	3
21	44961	(000000-) Tie, Cable, Nyl, 14.5l .30w 4.0 Max D	2
22	79273-4	(001987-) Fitting, Plstc, Str, Bm08/Pm08	1
23	1015558	(001987-) Fitting, Plstc, Cap, Pf08	1
24	54333	(001987-) Clamp, Hose, Wormdrive, 0.31-0.88d	7
25	1012528	(001987-) Manifold, Soltn, Cntrl	1
26	364631	(001987-) Fitting, Plstc, Str, Bm08/Bm08	1
27	63987-1	(001987-) Fitting, Plstc, E90, Bm08/Bm08	2
28	86824	(001987-) Clamp, Hose, Wormdrive, 0.50-1.06d	1
29	40566	(001987-) Fitting, Plstc, E90, Bm12/Bm12	1

OPTIONS

Fig. 27 - Max Pro 1200 (Disc-Brush) Solution Valve Group (FaST/ec-H2O)

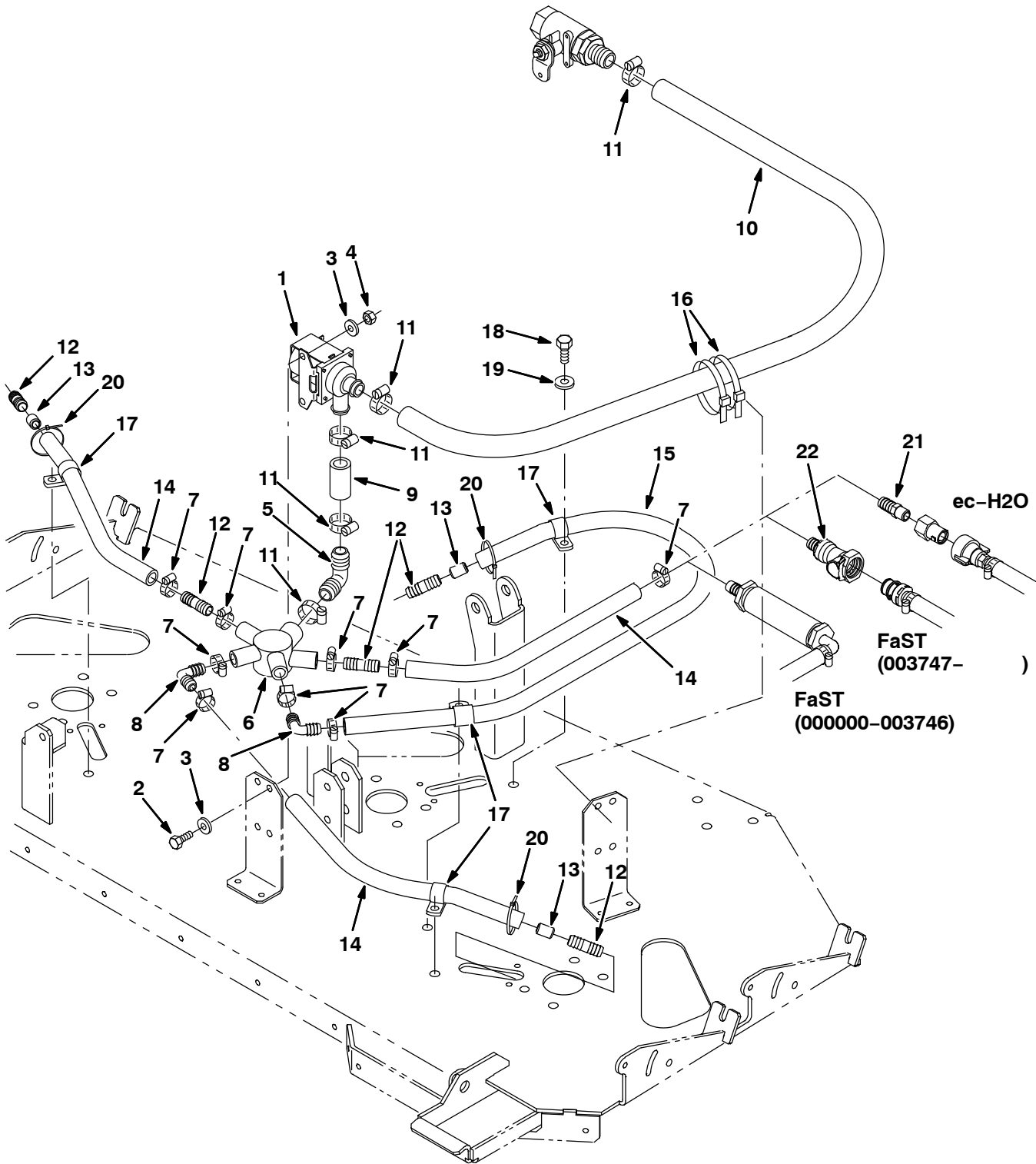


Fig. 27 - Max Pro 1200 (Disc-Brush) Solution Valve Group (FaST/ec-H2O)

Ref.	Part No.	Serial Number	Description	Qty.
1	84028	(000000-) Valve, Water	1
2	15678	(000000-) Screw, Hex, M06 X 1.0 X 16, Ss	2
3	32490	(000000-) Washer, Flt, .25 Std	4
4	08712	(000000-) Nut, Hex, Lock, M06 X 1.0, NI, Ss	2
5	40566	(000000-) Fitting, Plstc, E90, Bm12/Bm12	1
6	1012528	(000000-) Manifold, Soltn, Cntrl	1
7	54333	(000000-) Clamp, Hose, Wormdrive, 0.31-0.88d	9
8	63987-1	(000000-) Fitting, Plstc, E90, Bm08/Bm08	2
9	1015048	(000000-) Hose, Afmkt, Pvc, Brd 0.75id 1 Ft	1
10	1015045	(000000-) Hose, Afmkt, Pvc, Brd 0.75id 8 Ft	1
11	63810	(000000-) Clamp, Hose, Wormdrive, 0.56-1.06d, .56w	5
12	364631	(000000-) Fitting, Plstc, Str, Bm08/Bm08	5
13	77334	(000000-) Fitting, Plstc, Rst, .50od/.31id	3
14	1011521	(000000-) Hose, Afmkt Replmt, Pvc, Brd 0.50id 2 Ft	3
15	1006401	(000000-) Hose, Afmkt Replmt, Pvc, Brd 0.50id 3 Ft	1
16	44961	(000000-) Tie, Cable, Nyl, 14.5l .30w 4.0 Max D	2
17	67767	(000000-) Clamp, Cable, Stl, 0.69d X 0.62w, 1h	4
18	12273	(000000-) Screw, Hex, M08 X 1.25 X 20, Ss, NI	4
19	01685	(000000-) Washer, Flt, .31 Ss	4
20	49266	(000000-) Tie, Cable, Nyl, 07.3l .19w 1.8 Max D	3
21	48610	(000000-) Fitting, Plstc, Str, Bm08/Pm04 (ec-H2O)	1
22	1017413	(003747-) Housing, Cplg, Qf / Pm08 (FaST)	1

Fig. 28 – Max Pro 1200 (Disc-Brush) Edge Scrub Group

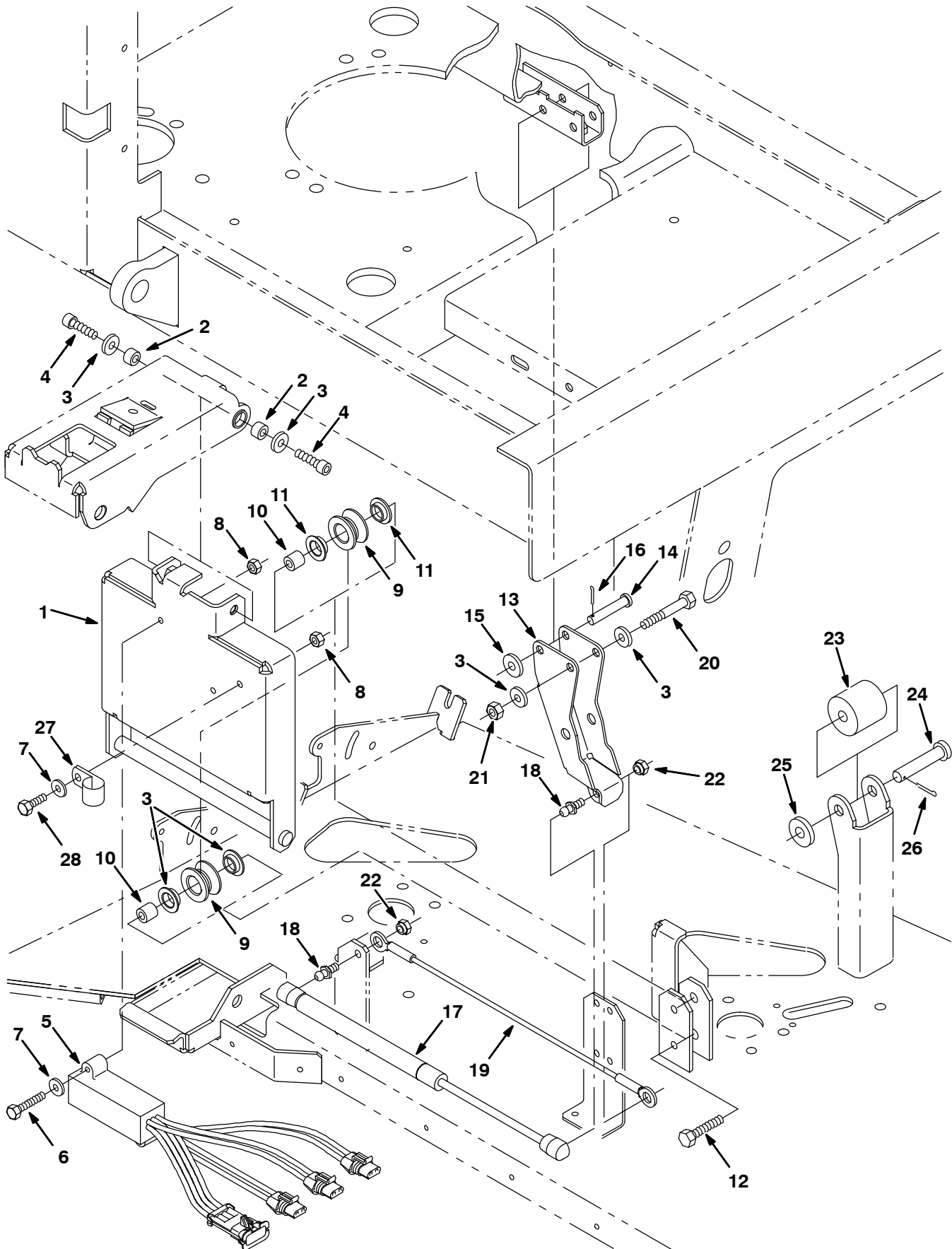


Fig. 28 – Max Pro 1200 (Disc-Brush) Edge Scrub Group

Ref.	Part No.	Serial Number	Description	Qty.
1	1056844	(000000–)	Rail Wldt, Lift, Disk Head, Iron Gray	1
2	222556	(000000–)	Sleeve	2
3	01685	(000000–)	Washer, Flt, .31 Ss	4
4	39308	(000000–)	Screw, Hex, M08 X 1.25 X 25, Ss, NI	2
5	363238	(000000–)	Shunt, 3 Std Mtrs, Scrub 515, Yellow	1
6	33930	(000000–)	Screw, Hex, M06 X 1.0 X 40, Ss	2
7	01684	(000000–)	Washer, Flt, .25 Ss	3
8	08712	(000000–)	Nut, Hex, Lock, M06 X 1.0, NI, Ss	3
9	363120	(000000–)	Roller	2
10	222277	(000000–)	Sleeve	2
11	04843	(000000–)	Bushing, Flng, 0.63b 0.72d 0.25l	4
12	222505	(000000–)	Screw, Hex, M08 X 1.25 X 45, Ss	2
13	1056845	(000000–)	Arm Wldt, Pivot, Side, Gray [7300/8300]	1
14	29584	(000000–)	Pin, Clevis, 0.37 D X 2.00l	1
15	01686	(000000–)	Washer, Flt, .38 Ss	1
16	39005	(000000–)	Pin, Cotter, .094 X 0.75	1
17	364858	(000000–)	Gasspring, 56lb, 6.3strk	1
18	58494	(000000–)	Stud, Ball, .39d .31–16, Gasspring	2
19	364404	(000000–)	Cable, .13d, 15.5l, .50eye /.50eye	1
20	77270	(000000–)	Screw, Hex, M08 X 1.25 X 60, Ss	1
21	08713	(000000–)	Nut, Hex, Lock, M08 X 1.25,NI, Ss	1
22	14725	(000000–)	Nut, Retainer, .31–18	2
23	72946	(000000–)	Roller	1
24	06279	(000000–)	Pin, Clevis, 0.50 D X 2.50l	1
25	32493	(000000–)	Washer, Flt, .50 Std	1
26	08182	(000000–)	Pin, Cotter, .125 X 1.00	1
27	67767	(000000–)	Clamp, Cable, Stl, 0.69d X 0.62w, 1h	1
28	08716	(000000–)	Screw, Hex, M06 X 1.0 X 20, Ss	1

Fig. 29 – Max Pro 1200 (Disc-Brush) Right Side Squeegee Group

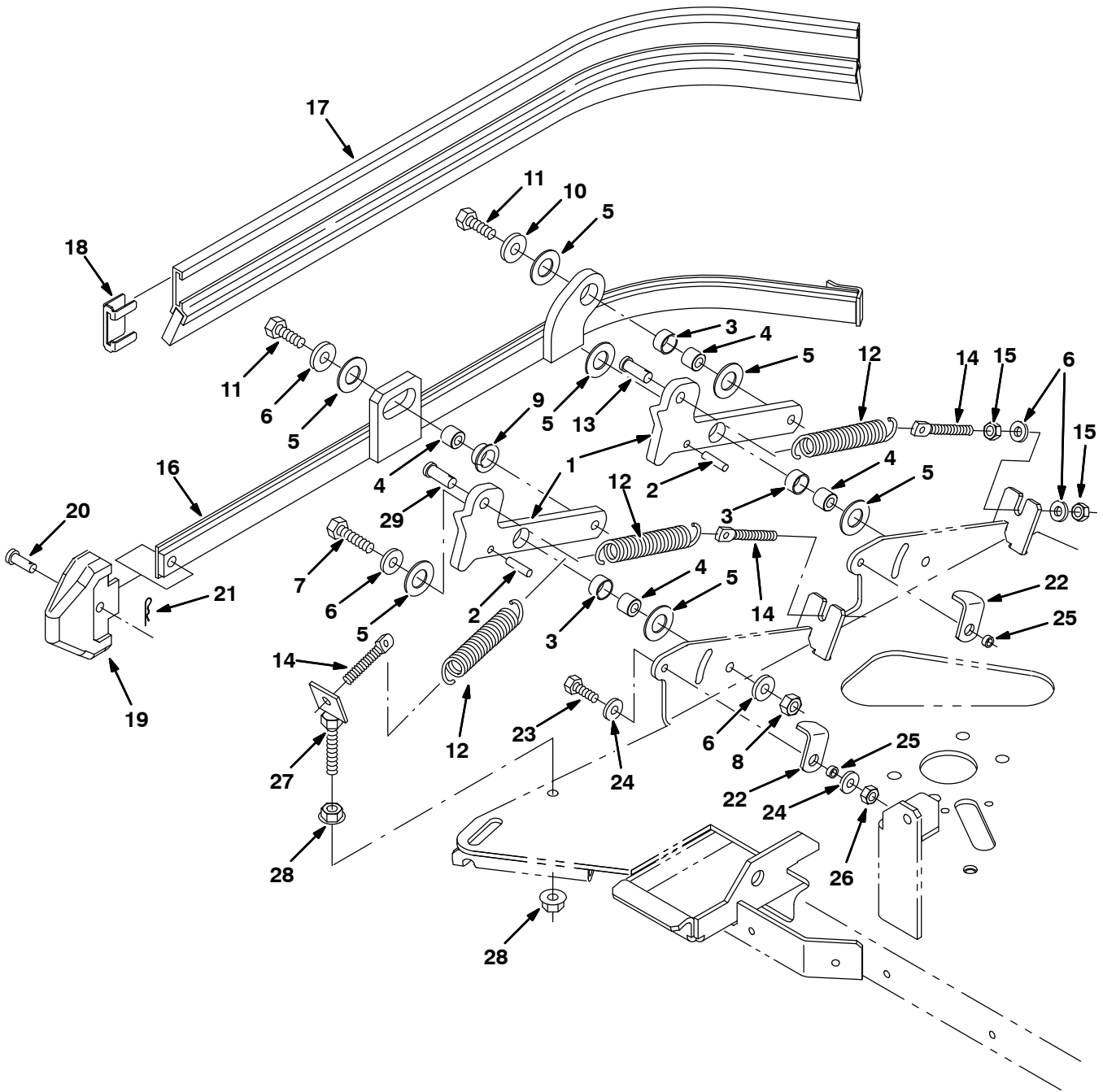


Fig. 29 – Max Pro 1200 (Disc-Brush) Right Side Squeegee Group

Ref.	Part No.	Serial Number	Description	Qty.
1	1056863	(000000-) Arm, Mtg, Side Sqge Frame, Ele	2
2	17404	(000000-) Pin, Roll, .250 D X 0.75l, .250/.256	2
3	71607	(000000-) Bushing, Sleeve, 0.63b 0.72d 0.38l	3
4	386356	(000000-) Sleeve, .335b X .62d X .52l, Sst	4
5	64425	(000000-) Washer, Thrust, 0.61b 1.25d .06, Fgl	7
6	01685	(000000-) Washer, Flt, .31 Ss	7
7	09023	(000000-) Screw, Hex, M08 X 1.25 X 35, Ss	2
8	08713	(000000-) Nut, Hex, Lock, M08 X 1.25,NI, Ss	2
9	25735	(000000-) Bushing, Flng, 0.63b 0.75d 0.38l	1
10	01686	(000000-) Washer, Flt, .38 Ss	2
11	12333	(000000-) Screw, Hex, M08 X 1.25 X 25, Ss, NI	2
12	87816	(000000-) Spring, Extn, 0.75od X 0.09wir, 2.5l	3
13	76653	(000000-) Pin, Clevis, 0.37 D X 1.00l	1
14	386088	(000000-) Bolt, Eye, M8 X 1.25, 2.75l	3
15	07786	(000000-) Nut, Hex, Std, M08 X 1.25, Ss	6
16	386263	(000000-) Frame Wldt, Sqge, Side, Rh	1
17	386260	(000000-) Squeegee, Side	1
18	86759	(000000-) Retainer, Sqge	1
19	386986	(000000-) Guide, Point, Side Sqge	1
20	386987	(000000-) Pin, Clevis, 0.31d 0.88l	1
21	86866	(000000-) Pin, Hair Cotter, 0.38 D .072 Wir	1
22	386391	(000000-) Latch, Double Scrub, Side Sqge	2
23	08716	(000000-) Screw, Hex, M06 X 1.0 X 20, Ss	2
24	01684	(000000-) Washer, Flt, .25 Ss	4
25	80491	(000000-) Sleeve	2
26	08712	(000000-) Nut, Hex, Lock, M06 X 1.0, NI, Ss	2
27	1007632	(000000-) Bracket Wldt, Mtg, Spring	1
28	27980	(000000-) Nut, Hex, Flng, .38-16	2
29	29558	(000000-) Pin, Clevis, 0.37d X 1.50l	1

Fig. 30 – Max Pro 1200 (Disc-Brush) Right Side Vacuumized Squeegee Group

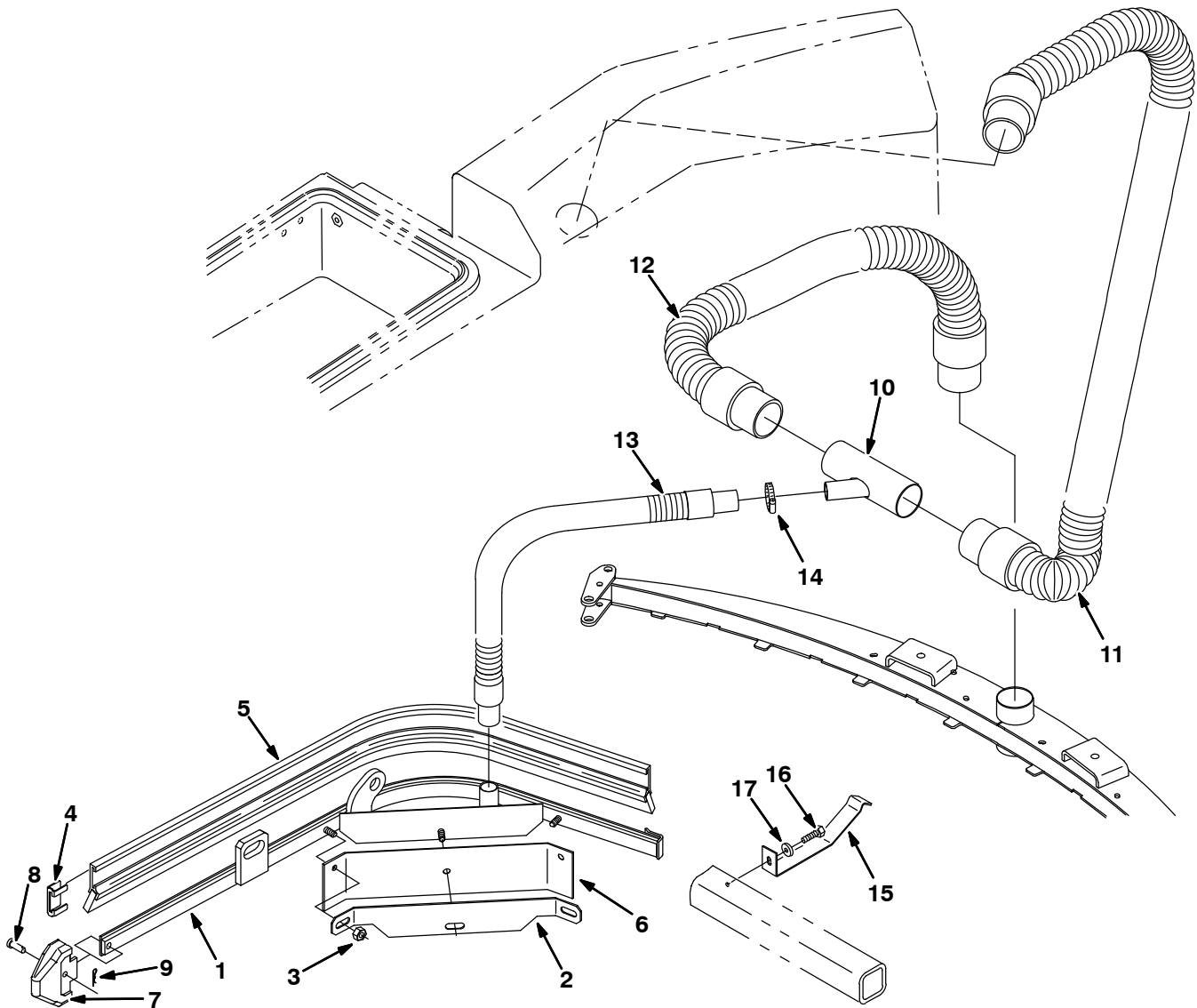


Fig. 30 – Max Pro 1200 (Disc-Brush) Right Side Vacuumized Squeegee Group

Ref.	Part No.	Serial Number	Description	Qty.
1	387509	(000000–)	Frame Assy, Sqge, Side, Vacuum, Rh	1
2	387516	(000000–)	Retainer, Blade, Front	1
3	08713	(000000–)	Nut, Hex, Lock, M08 X 1.25,NI, Ss	3
4	86759	(000000–)	Retainer, Sqge	1
5	387545	(000000–)	Blade Assy, Sqge, Side	1
6	387546	(000000–)	Blade, Squeegee	1
7	386986	(000000–)	Guide, Point, Side Sqge	1
8	386987	(000000–)	Pin, Clevis, 0.31 D X 0.88l	1
9	86866	(000000–)	Pin, Hair Cotter, 0.38 D .072 Wir	1
10	386518	(000000–)	Tube Wldt	1
11	386514	(000000–001702)	Hose, Vacuum, 58.5l	1
11	1005133	(001703–)	Hose Assy, W/2cuff, 2.0d 75l	1
12	387256	(000000–001702)	Hose, Vacuum, 35.0l	1
12	1005135	(001703–)	Hose Assy, W/2cuff, 2.0d 26l	1
13	387517	(000000–001702)	Hose Assy, W/2 Cuff, 1.0d 41.0l	1
13	398802	(001703–)	Hose Assy, W/2 Cuff, 1.0D 44L 1.0/1.0	1
14	11399	(000000–)	Clamp, Hose, Wormdrive, 0.81–1.50d	1
15	1002464	(001703–)	Bracket, Tube , Tee	1
16	361339	(001703–)	Screw, Hex, M 6 X 1.0 X 16, Fmg	1
17	32483	(001703–)	Washer, Flat, 0.25 Sae	1

Fig. 31 – Max Pro 1200 (Disc-Brush) Left Side Squeegee Group

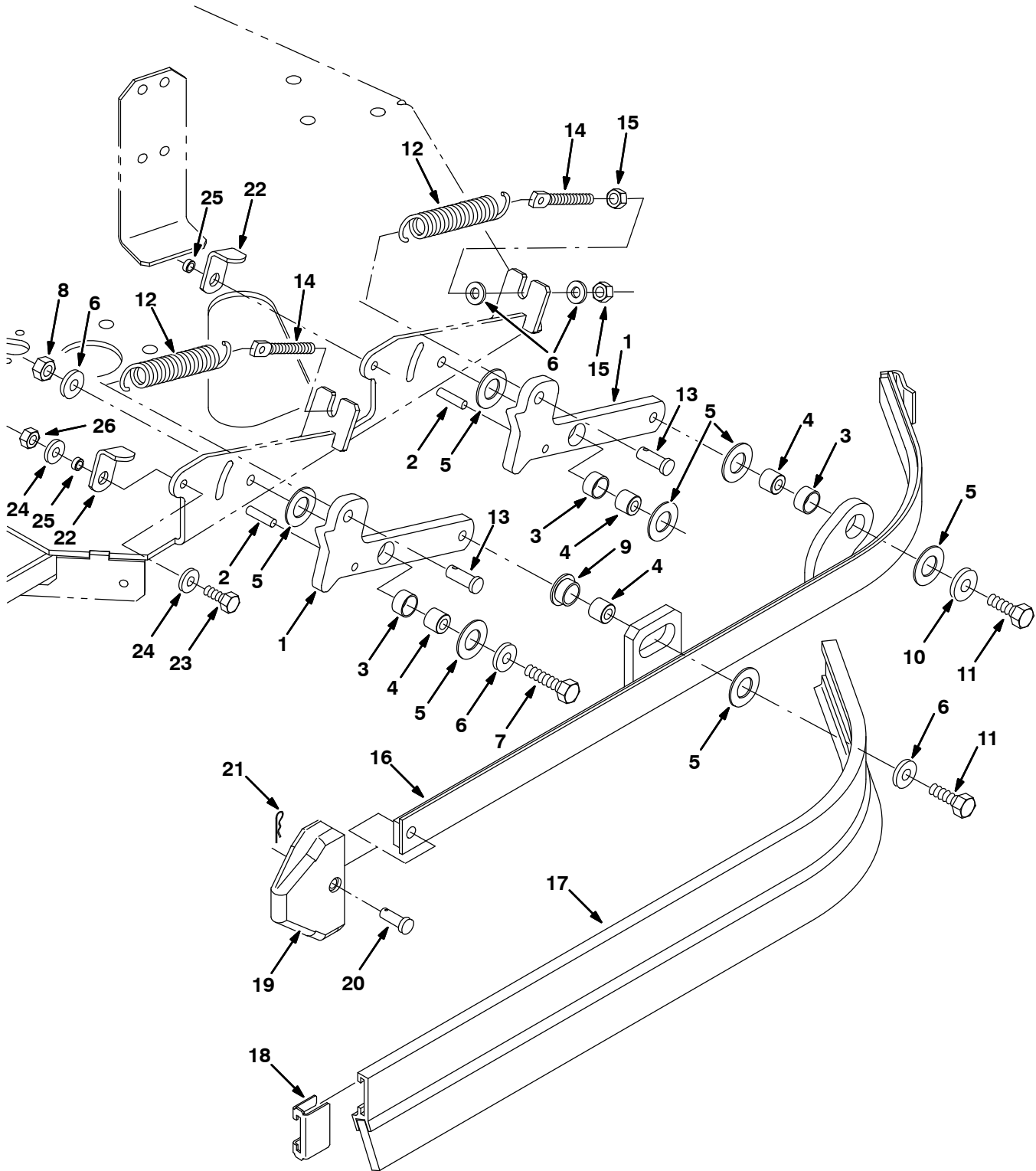


Fig. 31 – Max Pro 1200 (Disc-Brush) Left Side Squeegee Group

Ref.	Part No.	Serial Number	Description	Qty.
1	1056863	(000000–) Arm, Mtg, Side Sqge Frame, Ele, Gray	2
2	17404	(000000–) Pin, Roll, .250 D X 0.75l, .250/.256	2
3	71607	(000000–) Bushing, Sleeve, 0.63b 0.72d 0.38l	3
4	386356	(000000–) Sleeve, .335b X .62d X .52l, Sst	4
5	64425	(000000–) Washer, Thrust, 0.61b 1.25d .06, Fgl	7
6	01685	(000000–) Washer, Flt, .31 Ss	7
7	09023	(000000–) Screw, Hex, M08 X 1.25 X 35, Ss	2
8	08713	(000000–) Nut, Hex, Lock, M08 X 1.25,NI, Ss	2
9	25735	(000000–) Bushing, Flng, 0.63b 0.75d 0.38l	1
10	01686	(000000–) Washer, Flt, .38 Ss	2
11	12333	(000000–) Screw, Hex, M08 X 1.25 X 25, Ss, NI	2
12	87816	(000000–) Spring, Extn, 0.75od X 0.09wir, 2.5l	2
13	76653	(000000–) Pin, Clevis, 0.37 D X 1.00l	2
14	386088	(000000–) Bolt, Eye, M8 X 1.25, 2.75l	2
15	07786	(000000–) Nut, Hex, Std, M08 X 1.25, Ss	4
16	386262	(000000–) Frame Wldt, Sqge, Side, Lh	1
17	386260	(000000–) Squeegee, Side	1
18	86759	(000000–) Retainer, Sqge	1
19	386986	(000000–) Guide, Point, Side Sqge	1
20	386987	(000000–) Pin, Clevis, 0.31d 0.88l	1
21	86866	(000000–) Pin, Hair Cotter, 0.38 D .072 Wir	1
22	386391	(000000–) Latch, Double Scrub, Side Sqge	2
23	08716	(000000–) Screw, Hex, M06 X 1.0 X 20, Ss	2
24	01684	(000000–) Washer, Flt, .25 Ss	4
25	80491	(000000–) Sleeve	2
26	08712	(000000–) Nut, Hex, Lock, M06 X 1.0, NI, Ss	2

Fig. 32 – Max Pro 1000 (Cylindrical Brush) Scrub Head Frame and Linkage Group

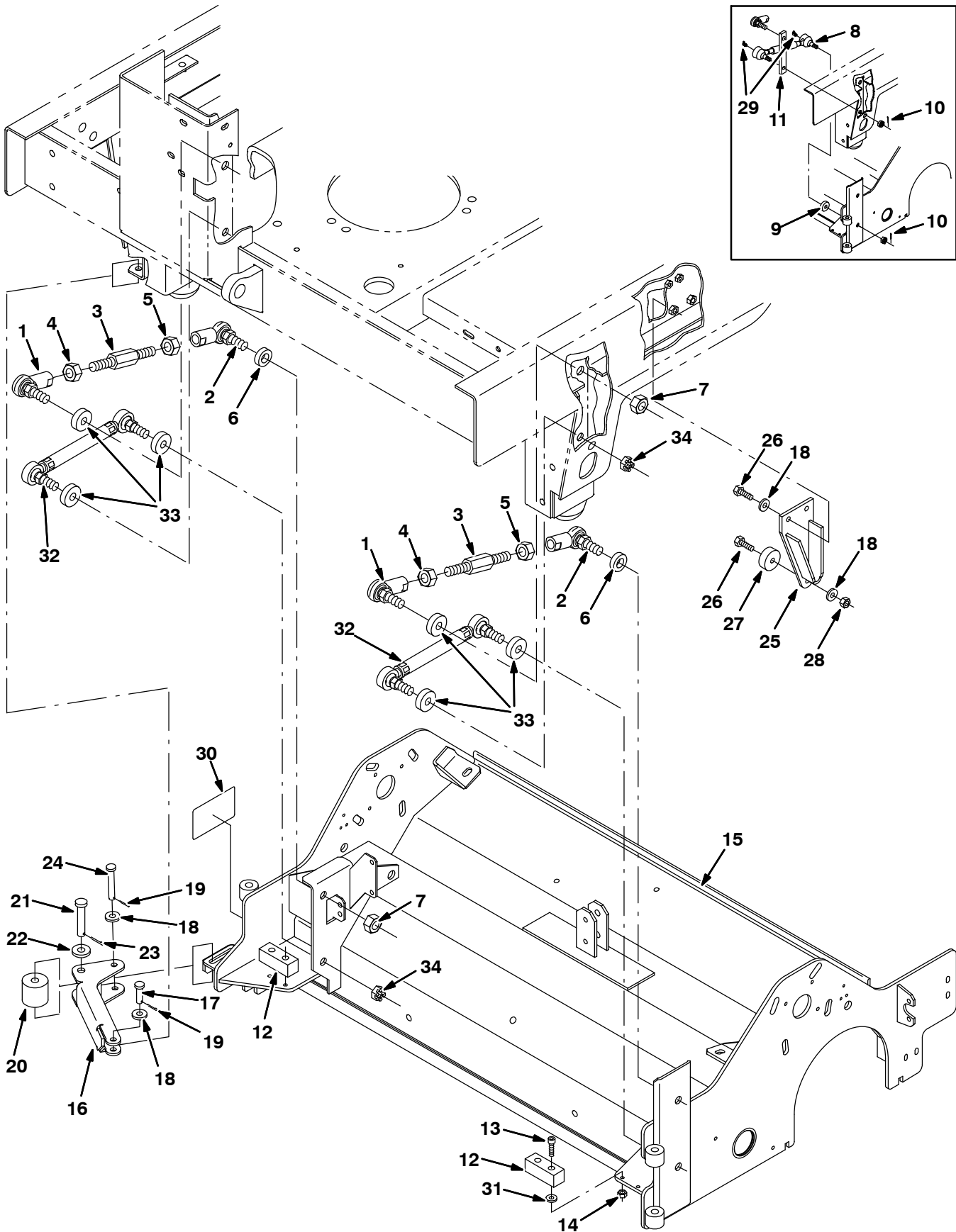


Fig. 32 – Max Pro 1000 (Cylindrical Brush) Scrub Head Frame and Linkage Group

Ref.	Part No.	Serial Number	Description	Qty.
1	77275	(000000–)	Rod-End, .62–18rh Fem 0.50–18stud	2
2	386070	(000000–)	Rod-End, .625–18, Lh	2
3	386071	(000000–)	Rod, Link	2
4	77276	(000000–)	Nut, Hex, Jam, .62–18, Ss	2
5	77277	(000000–)	Nut, Hex, Jam, .62–18, Ss, Lh	2
6	386081	(000000–)	Spacer, Rod-End	2
7	40814	(000000–)	Nut, Hex, Lock, .62–18, NI, Thin	4
8	363113	(000000–003695)	Link Wldt, Head, Drag (Replaced by 9005751)	2
9	14524	(000000–003695)	Spacer, Washer	2
10	08346	(000000–003695)	Pin, Cotter, .125 X 0.75	4
11	386844	(000000–003695)	Spacer, Plate	2
12	386865	(000000–)	Bumper	2
13	24198	(000000–)	Screw, Pan, M05 X 0.8 X 25, Ss	4
14	09739	(000000–)	Nut, Hex, Lock, M05 X 0.8, NI, Ss	4
15	1056848	(000000–)	Housing Wldt, Brush, Iron Gray	1
16	1001099	(000000–004999)	Guard, Kick In, Scb Head	1
16	1056390	(005000–)	Guard, Kick In, Scb Head, Iron Gray	1
17	29557	(000000–)	Pin, Clevis, 0.37 D X 1.31l	1
18	01686	(000000–)	Washer, Flt, .38 Ss	5
19	39005	(000000–)	Pin, Cotter, .094 X 0.75	2
20	72946	(000000–)	Roller	1
21	06279	(000000–)	Pin, Clevis, 0.50 D X 2.50l	1
22	32493	(000000–)	Washer, Flt, .50 Std	1
23	08182	(000000–)	Pin, Cotter, .125 X 1.00	1
24	365180	(000000–)	Pin, Clevis, 0.38 D X 2.50l	1
25	1056494	(000000–)	Plate Wldt, Stop, Iron Gray	1
26	09010	(000000–)	Screw, Hex, M08 X 1.25 X 25, Ss	3
27	15023	(000000–)	Bumper, Pye	1
28	08713	(000000–)	Nut, Hex, Lock, M08 X 1.25,NI, Ss	1
29	09718	(000000–003695)	Fitting, Grease, E90 Pm04 .75L	4
30	365156	(000000–)	Label Set, Info/Hzrd, [Max Pro]	1
31	13248	(000000–)	Washer, 0.40B 1.12D .12, Stl, PI	4
32	1050193	(003696–)	Link Assy, Rod-End, .63–18	2
33	1057066	(003696–)	Tube, 0.69id 1.25od 00.4l, Rod-End, Gray	6
34	40814	(003696–)	Nut, Hex, Lock, .62–18, NI, Thin	4

Fig. 33 – Max Pro 1000 (Cylindrical Brush) Scrub Head Drive Group

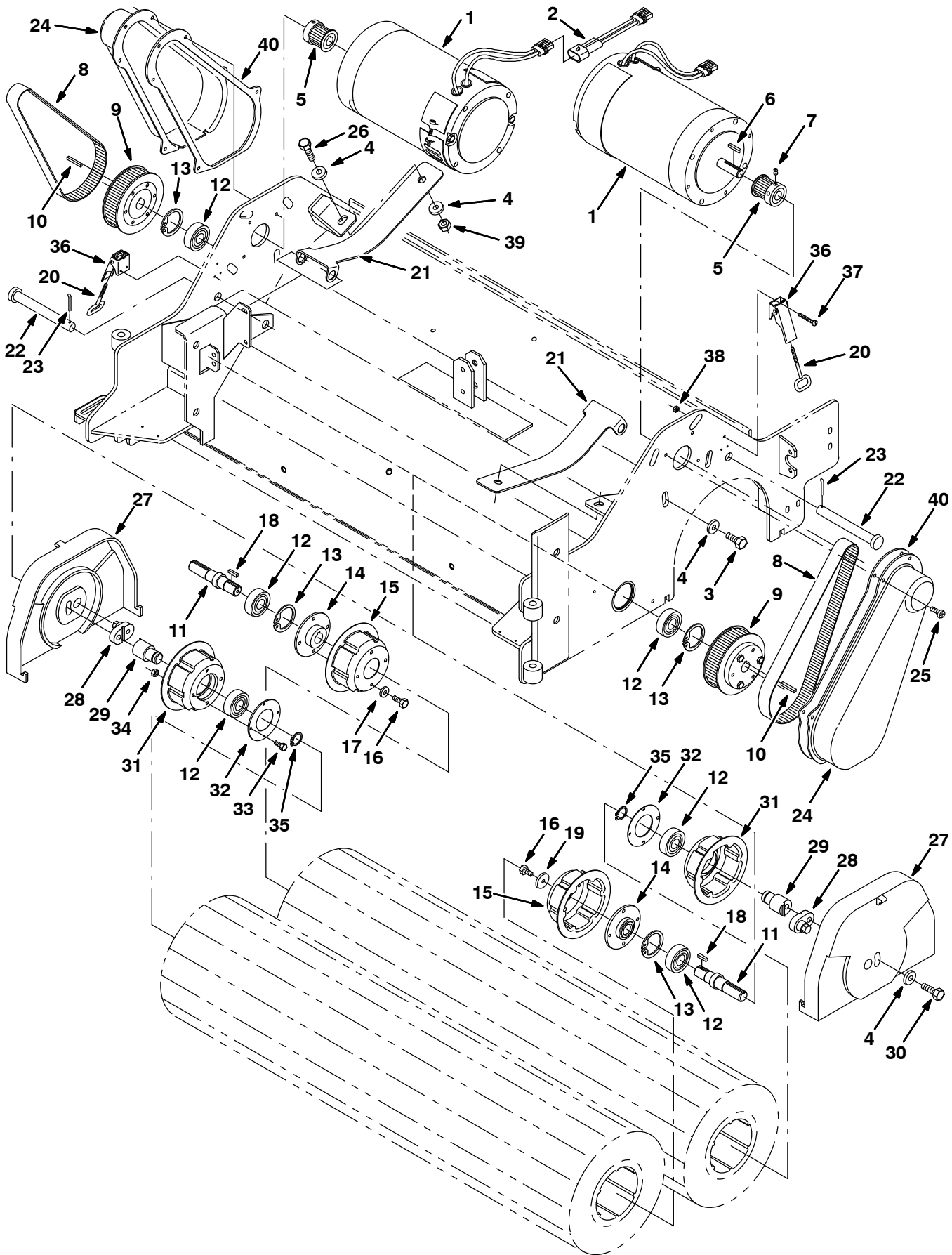


Fig. 33 – Max Pro 1000 (Cylindrical Brush) Scrub Head Drive Group

Ref.	Part No.	Serial Number	Description	Qty.	
1	386050	(000000-002093)	Motor, Ele, 36vdc 1500rpm 1.5hp (See Breakdown) (Repl By 377398)	2	
▽	1	377398	(002094-)	Motor, Ele, 36vdc 1.50hp 1500rpm 43.0a	2
▲	621478	(002094-)	Brush, Carbon	2	
2	363468	(000000-)	Wire Assy, Jumper Reverse, [515]	1	
3	09291	(000000-)	Screw, Hex, M10 X 1.5 X 20, Ss	8	
4	01686	(000000-)	Washer, Flt, .38 Ss	14	
5	83052	(000000-)	Sprocket, Timing, 23tooth, 0.625b	2	
6	00912	(000000-)	Key, Sq, 0.19 X 0.19, 01.00l	2	
7	39327	(000000-)	Screw, Set, Soc, .25-20 X 0.31, Al	4	
8	386053	(000000-)	Belt, Drive (Cylindrical Brush)	2	
9	375301	(000000-)	Sprocket, Timing, 4.261pd, 68 Grv, PI	2	
10	00918	(000000-)	Key, Sq, 0.19 X 0.19, 01.25l	2	
11	386058	(000000-)	Shaft, Drive, Brush	2	
12	46390	(000000-)	Bearing, Ball, 0.79b 1.85d 0.55w	6	
13	10464	(000000-)	Ring, Retaining, Int, 1.85d, Basic	4	
14	1056846	(000000-)	Hub Wldt, Drive, Brush, Iron Gray	2	
15	1056847	(000000-)	Plug, Drive, Brush, Spl, Iron Gray	2	
16	15678	(000000-)	Screw, Hex, M06 X 1.0 X 16, Ss	10	
17	01684	(000000-)	Washer, Flt, .25 Ss	8	
18	00911	(000000-)	Key, Sq, 0.19 X 0.19, 00.75l	2	
19	386063	(000000-)	Washer, 0.25b 1.12d .12, Ss	2	
20	386274	(000000-)	Hook Wldt, Latch	2	
21	1057089	(000000-)	Spring, Motor, Iron Gray	2	
22	386072	(000000-)	Pin, Clevis, .625 Dia X 5.25l	2	
23	02942	(000000-)	Pin, Hair Cotter, 0.62 D .120 Wir	2	
24	386066	(000000-)	Cover, Drive	2	
25	48732	(000000-)	Screw, Pan, M06 X 1.0 X 10, Ss	10	
26	12317	(000000-)	Screw, Hex, M10 X 1.5 X 30, Ss	2	
27	386080	(000000-)	Cover, Idler	2	
28	386841	(000000-)	Cam, Front	2	
29	386842	(000000-)	Cam, Rear	2	
30	12317	(000000-)	Screw, Hex, M10 X 1.5 X 30, Ss	2	
31	1057512	(000000-)	Plug, Drive, Brush, Spl, Iron Gray	2	
32	1056838	(000000-)	Retainer, Brg, Iron Gray	2	
33	09738	(000000-)	Screw, Hex, M05 X 0.8 X 12, Ss	8	
34	06549	(000000-)	Nut, Hex, Lock, M05 X 0.8, NI	8	
35	26428	(000000-)	Ring, Retaining, Ext, 0.75d, Hd	2	
36	386257	(000000-)	Latch	2	
37	09198	(000000-)	Screw, Pan, M04 X 0.7 X 35, Ss	6	
38	33932	(000000-)	Nut, Hex, Lock, M04 X 0.7, NI, Ss	6	
39	08714	(000000-)	Nut, Hex, Lock, M10 X 1.5, NI, SS	2	
40	1001062	(000000-)	Gasket, Cover	2	

Fig. 34 – Max Pro 1000 (Cylindrical Brush) Solution Valve Group

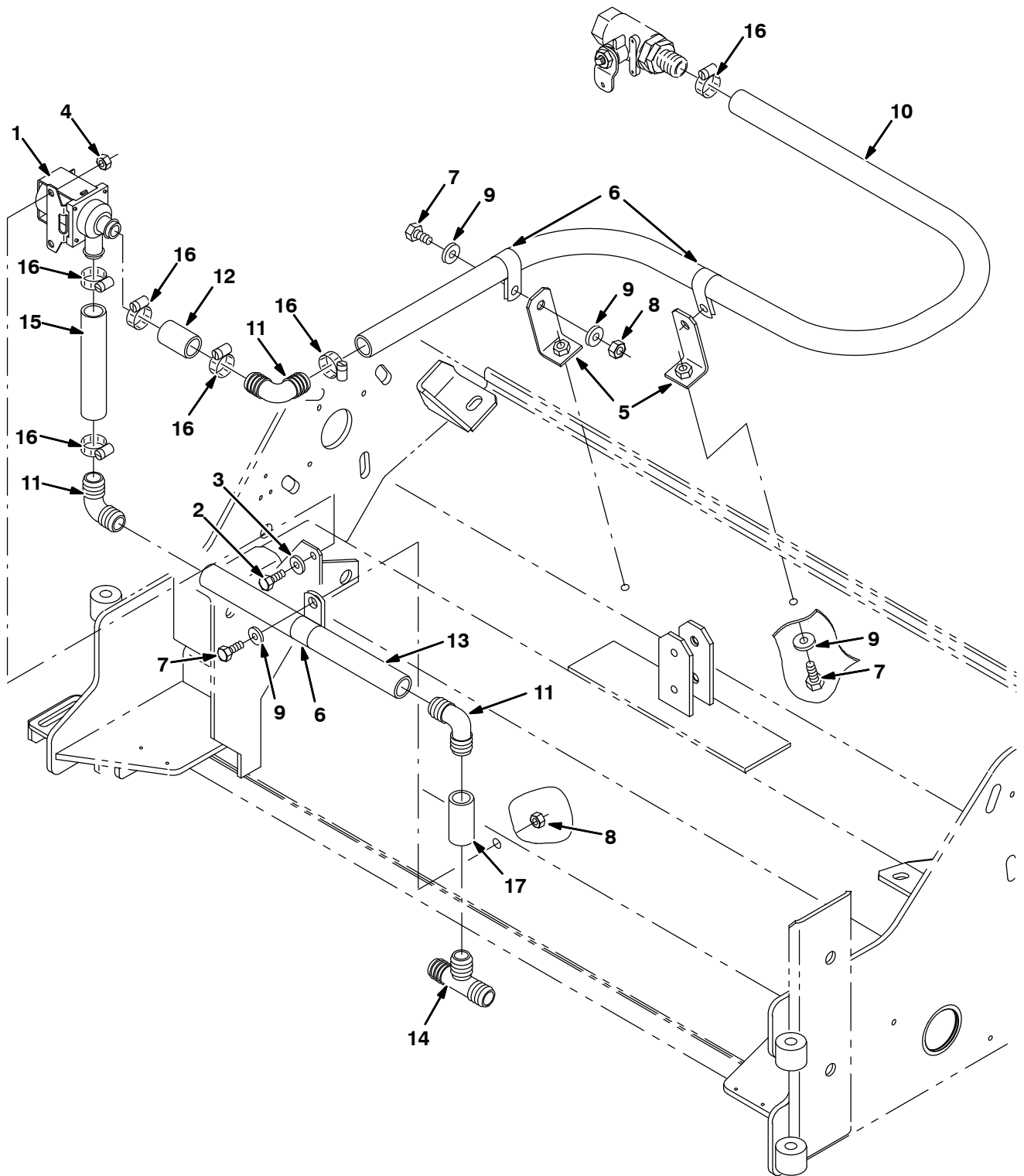


Fig. 34 – Max Pro 1000 (Cylindrical Brush) Solution Valve Group

Ref.	Part No.	Serial Number	Description	Qty.
1	84028	(000000–) Valve, Water	1
2	15678	(000000–) Screw, Hex, M06 X 1.0 X 16, Ss	2
3	01684	(000000–) Washer, Flt, .25 Ss	2
4	08712	(000000–) Nut, Hex, Lock, M06 X 1.0, NI, Ss	2
5	1056873	(000000–) Angle, Iron Gray	2
6	69234	(000000–) Clamp, Cable, Stl, 1.00d X 0.62w, 1h	3
7	15675	(000000–) Screw, Hex, M08 X 1.25 X 16, Ss	7
8	08709	(000000–) Nut, Hex, Lock, M08 X 1.25,NI	5
9	01685	(000000–) Washer, Flt, .31 Ss	9
10	73474	(000000–) Hose, Pvc, Brd, 0.75id 1.00od 44.50l	1
11	40566	(000000–) Fitting, Plstc, E90, Bm12/Bm12	3
12	364899	(000000–) Hose, Pvc, Brd, 0.75id 1.03od 01.50l	1
13	364896	(000000–) Hose, Pvc, Brd, 0.75id 1.03od 11.00l	1
14	41315	(000000–) Fitting, Plstc, Tee, Bm12/Bm12/Bm12	1
15	364895	(000000–) Hose, Pvc, Brd, 0.75ID 1.03OD 05.00L	1
16	11399	(000000–) Clamp, Hose, Wormdrive, 0.81–1.50d	6
17	16914	(000000–) Hose, Pvc, Brd, 0.75ID 1.00OD 02.00L	1

OPTIONS

Fig. 35 – Max Pro 1000 (Cylindrical Brush) Solution Valve Group (FaST/ec-H2O)

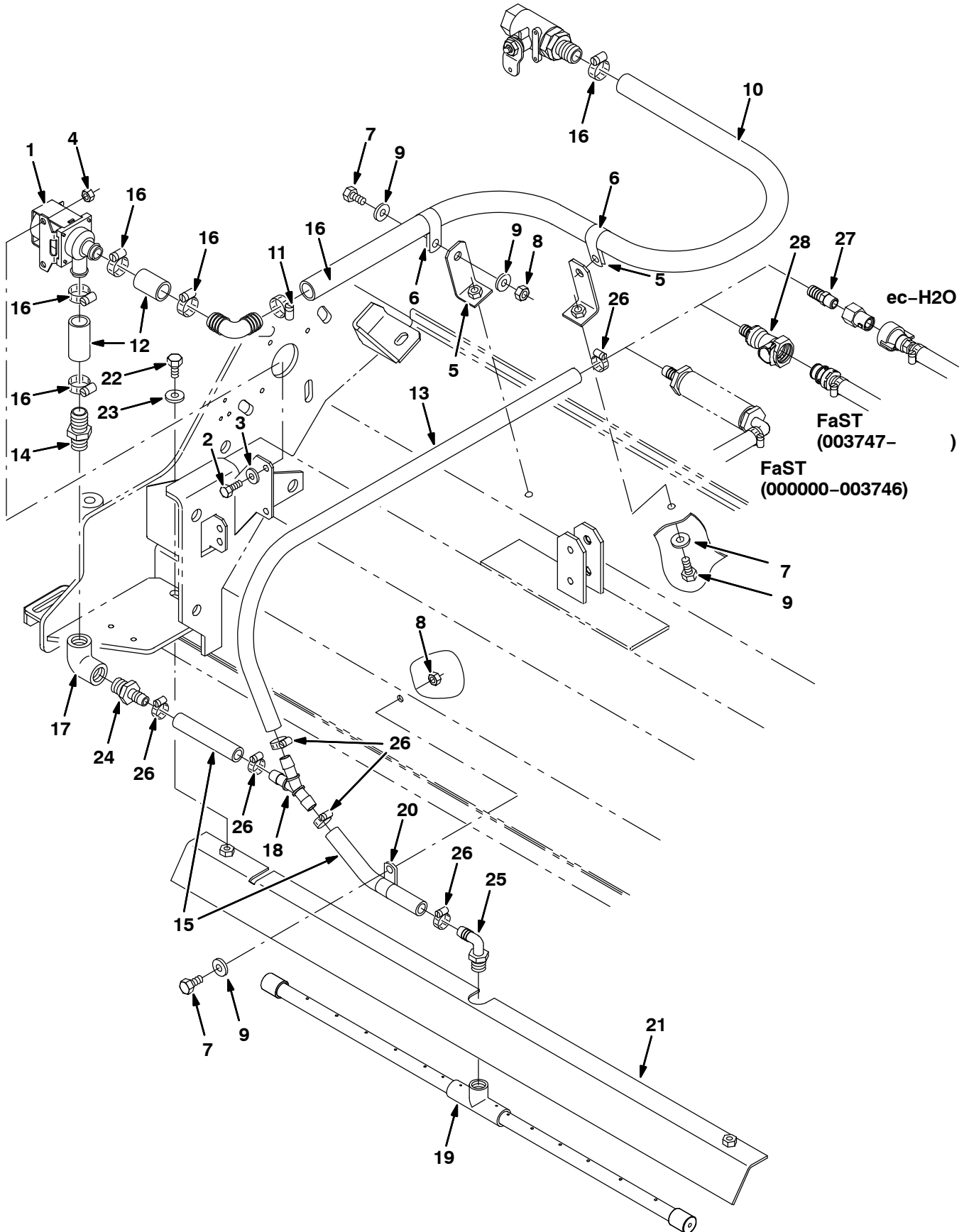


Fig. 35 – Max Pro 1000 (Cylindrical Brush) Solution Valve Group (FaST/ec-H2O)

Ref.	Part No.	Serial Number	Description	Qty.
1	84028	(000000–) Valve, Water	1
2	15678	(000000–) Screw, Hex, M06 X 1.0 X 16, Ss	2
3	01684	(000000–) Washer, Flt, .25 Ss	2
4	08712	(000000–) Nut, Hex, Lock, M06 X 1.0, NI, Ss	2
5	1056873	(000000–) Angle, Iron Gray	2
6	69234	(000000–) Clamp, Cable, Stl, 1.00d X 0.62w, 1h	2
7	15675	(000000–) Screw, Hex, M08 X 1.25 X 16, Ss	5
8	08709	(000000–) Nut, Hex, Lock, M08 X 1.25, NI	3
9	01685	(000000–) Washer, Flt, .31 Ss	7
10	1015045	(000000–) Hose, Afmkt, Pvc, Brd 0.75id 8 Ft	1
11	40566	(000000–) Fitting, Plstc, E90, Bm12/Bm12	3
12	1015048	(000000–) Hose, Afmkt, Pvc, Brd 0.75id 1 Ft	1
13	1011521	(000000–) Hose, Afmkt Replmt, Pvc, Brd 0.50id 2 Ft	1
14	78398	(000000–) Fitting, Plstc, Str, Bm12/Pm08, Nyl	1
15	1011403	(000000–) Hose, Afmkt Replmt, Pvc, Brd 0.50id 1 Ft	1
16	11399	(000000–) Clamp, Hose, Wormdrive, 0.81–1.50d	6
17	79572	(000000–) Fitting, Plstc, E90, Pf08/Pf08	1
18	1010668	(000000–) Fitting, Plstc, Y, Bm08/Bm08/Bm08 Nyl	1
19	1015097	(000000–) Tube Assy, Spray Bar 40" [7300/8300]	1
20	07471	(000000–) Clamp, Cable, Stl, 0.75d X 0.75w, 1h	1
21	1057531	(000000–) Bracket, Bar, Spray, 40.0 [7300/8300]	1
22	49826	(000000–) Screw, Hex, M8 X 1.25 X 16, Ss, NI	2
23	32492	(000000–) Washer, Flat, 0.38 Std	2
24	79273–4	(000000–) Fitting, Plstc, Str, Bm08/Pm08	1
25	64778	(000000–) Fitting, Plstc, E90, Bm08/Pm06	1
26	54333	(000000–) Clamp, Hose, Wormdrive, 0.31–0.88d	6
27	48610	(000000–) Fitting, Plstc, Str, Bm08/Pm04 (ec-H2O)	1
28	1017413	(003747–) Housing, Cplg, Qf / Pm08 (FaST)	1

Fig. 36 – Max Pro 1000 (Cylindrical Brush) Edge Scrub Group

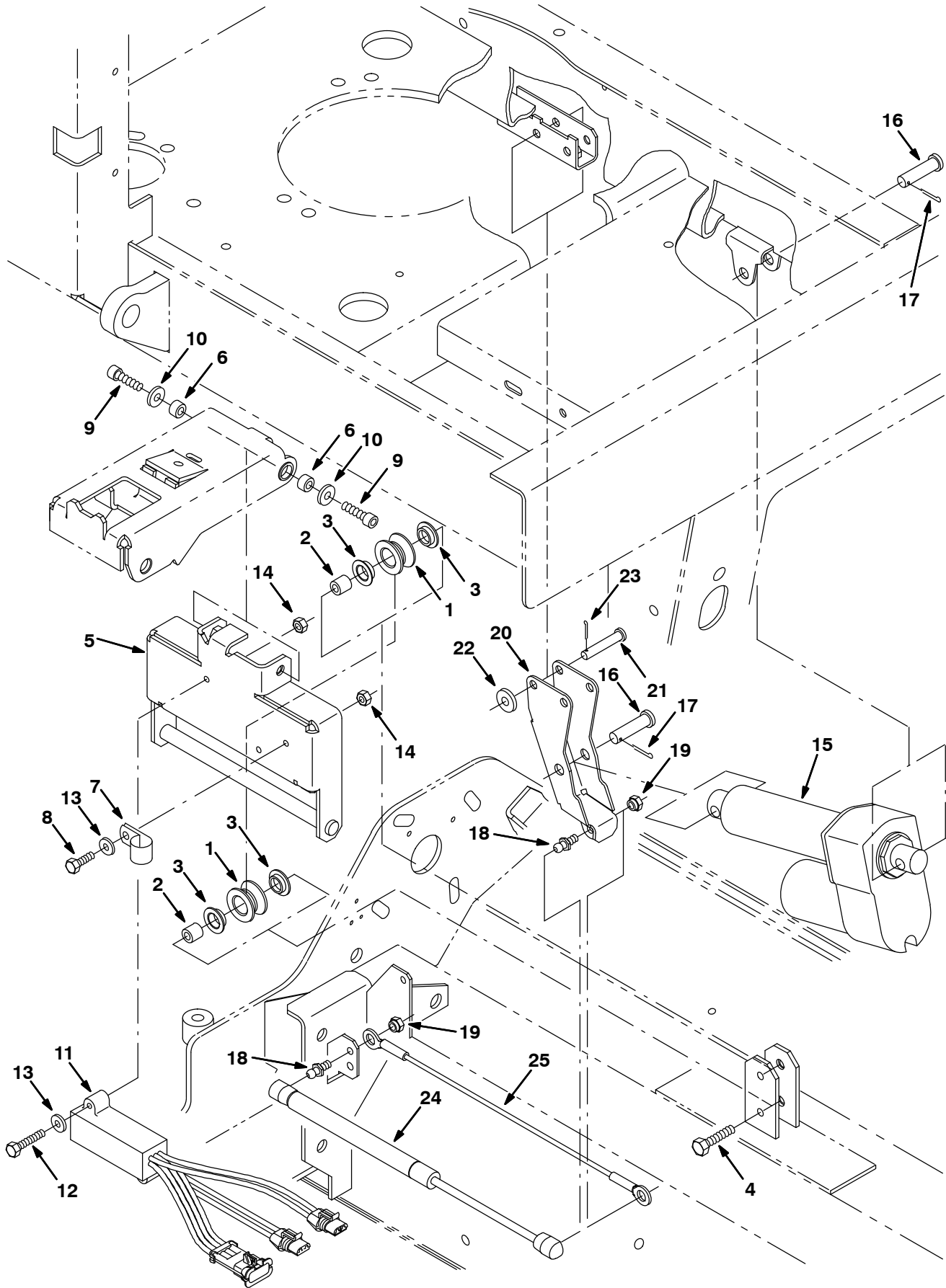


Fig. 36 – Max Pro 1000 (Cylindrical Brush) Edge Scrub Group

Ref.	Part No.	Serial Number	Description	Qty.
1	363120	(000000–)	Roller	2
2	222277	(000000–)	Sleeve	2
3	04843	(000000–)	Bushing, Flng, 0.63b 0.72d 0.25l	4
4	222505	(000000–)	Screw, Hex, M08 X 1.25 X 45, Ss	2
5	1056843	(000000–)	Rail Wldt, Lift, Cyl Head, Iron Gray	1
6	222556	(000000–)	Sleeve	2
7	67767	(000000–)	Clamp, Cable, Stl, 0.69d X 0.62w, 1h	1
8	08716	(000000–)	Screw, Hex, M06 X 1.0 X 20, Ss	1
9	39308	(000000–)	Screw, Hex	2
10	01685	(000000–)	Washer, Flt, .31 Ss	2
11	363237	(000000–)	Shunt, 2Hd Mtrs, Scrub 515, Red	1
12	33930	(000000–)	Screw, Hex, M06 X 1.0 X 40, Ss	2
13	01684	(000000–)	Washer, Flt, .25 Ss	3
14	08712	(000000–)	Nut, Hex, Lock, M06 X 1.0, NI, Ss	3
15	363152	(000000–)	Actuator, 36vdc, 02.7stroke 500lb	1
16	51534	(000000–)	Pin, Clevis, 0.50D X 2.00L	2
17	08182	(000000–)	Pin, Cotter, .125 X 1.00	2
18	58494	(000000–)	Stud, Ball, .39d .31–16, Gasspring	2
19	14725	(000000–)	Nut, Retainer, .31–18	2
20	1056845	(000000–)	Arm Wldt, Pivot, Side, Gray [7300/8300]	1
21	29584	(000000–)	Pin, Clevis, 0.37 D X 2.00l	1
22	01686	(000000–)	Washer, Flt, .38 Ss	1
23	39005	(000000–)	Pin, Cotter, .094 X 0.75	1
24	364858	(000000–)	Gasspring, 56lb, 6.3strk	1
25	364404	(000000–)	Cable, .13d, 15.5l, .50eye /.50eye	1

Fig. 37 - Max Pro 1000 (Cylindrical Brush) Right Side Squeegee Group

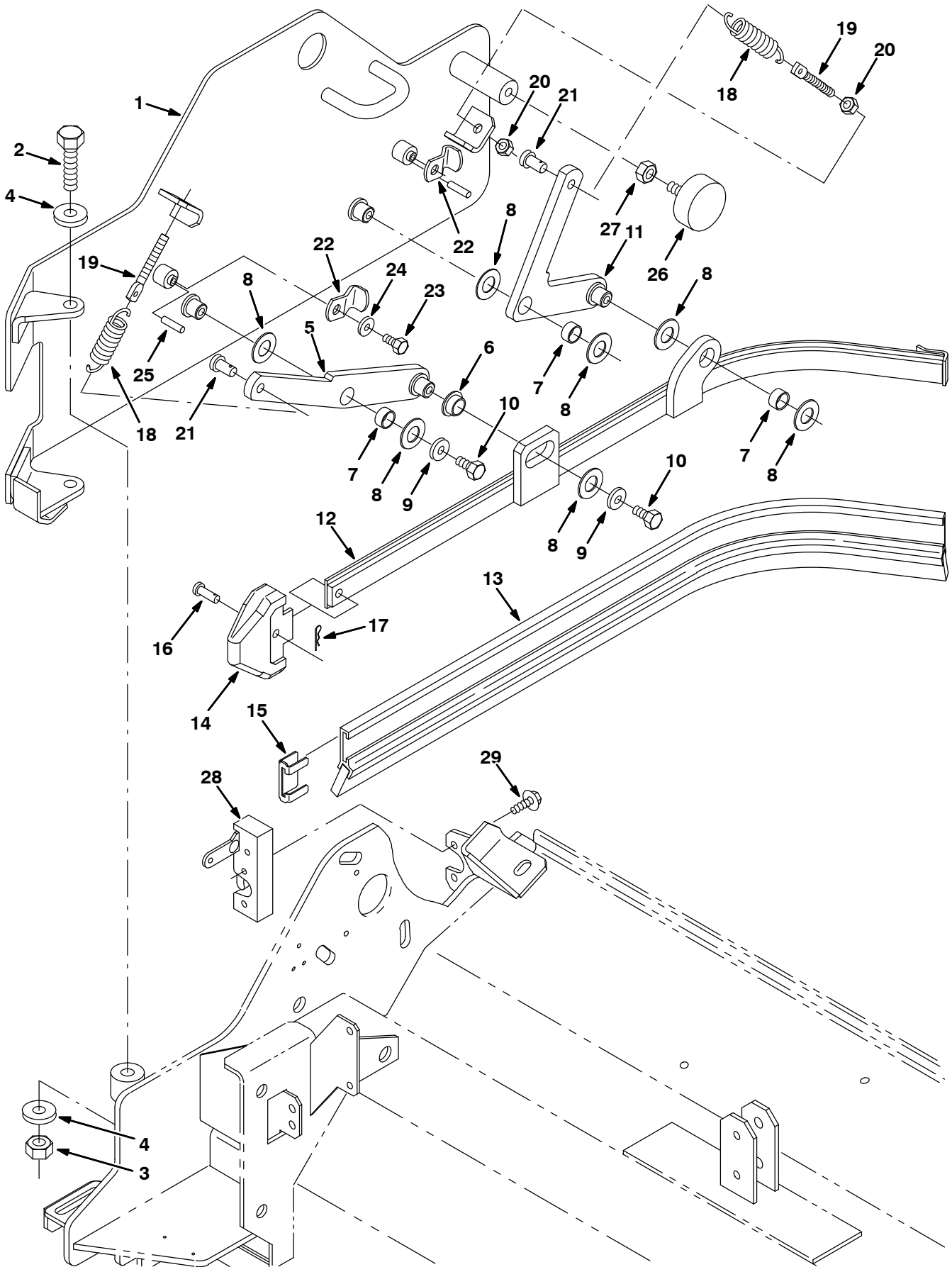


Fig. 37 – Max Pro 1000 (Cylindrical Brush) Right Side Squeegee Group

Ref.	Part No.	Serial Number	Description	Qty.
1	386495	(000000-004999)	Guard Wldt, Rh	1
1	1056874	(005000-)	Guard Wldt, Rh, Iron Gray	1
2	09774	(000000-)	Screw, Hex, M12 X 1.75 X 50, Ss	2
3	09741	(000000-)	Nut, Hex, Lock, M12 X 1.75,NI, Ss	2
4	33925	(000000-)	Washer, Flat, M12, 13x24x2.5ss	4
5	386269	(000000-004999)	Arm Wldt, Front, Rh	1
5	1056491	(005000-)	Arm Wldt, Front, Rh, Iron Gray	1
6	25735	(000000-)	Bushing, Flng, 0.63b 0.75d 0.38l	1
7	71607	(000000-)	Bushing, Sleeve, 0.63b 0.72d 0.38l	3
8	64425	(000000-)	Washer, Thrust, 0.61b 1.25d .06, Fgl	7
9	01686	(000000-)	Washer, Flt, .38 Ss	4
10	386868	(000000-)	Screw, Hex, M08x1.25 X12,Ss	4
11	386268	(000000-004999)	Arm Wldt, Rear, Rh	1
11	1056490	(005000-)	Arm Wldt, Rear, Rh, Iron Gray	1
12	386263	(000000-)	Frame Wldt, Sqge, Side, Rh	1
13	386260	(000000-)	Squeegee, Side	1
14	386986	(000000-)	Guide, Point, Side Sqge	1
15	86759	(000000-)	Retainer, Sqge	1
16	386987	(000000-)	Pin, Clevis, 0.31d 0.88l	1
17	08085	(000000-)	Pin, Hair Cotter, 0.31 D .058 Wir	1
18	87816	(000000-)	Spring, Extn, 0.75od X 0.09wir, 2.5l	2
19	386088	(000000-)	Bolt, Eye, M8 X 1.25, 2.75l	2
20	07786	(000000-)	Nut, Hex, Std, M08 X 1.25, Ss	4
21	41305	(000000-)	Pin, Clevis, 0.37 D X 0.75l	2
22	1056875	(000000-)	Arm, Latch, Iron Gray	2
23	09744	(000000-)	Screw, Hex, M06 X 1.0 X 12, Ss	2
24	01684	(000000-)	Washer, Flt, .25 Ss	2
25	17404	(000000-)	Pin, Roll, .250 D X 0.75l, .250/.256	2
26	70756	(000000-)	Bumper, Rbr, 2.0d 0.75t .38-16	1
27	01692	(000000-)	Nut, Hex, Std, .38-16, Ss	1
28	72439	(000000-)	Latch	1
29	16949	(000000-)	Screw, Hex, .25-20 X 0.75, Sems	4

Fig. 38 - Max Pro 1000 (Cylindrical Brush) Left Side Squeegee Group

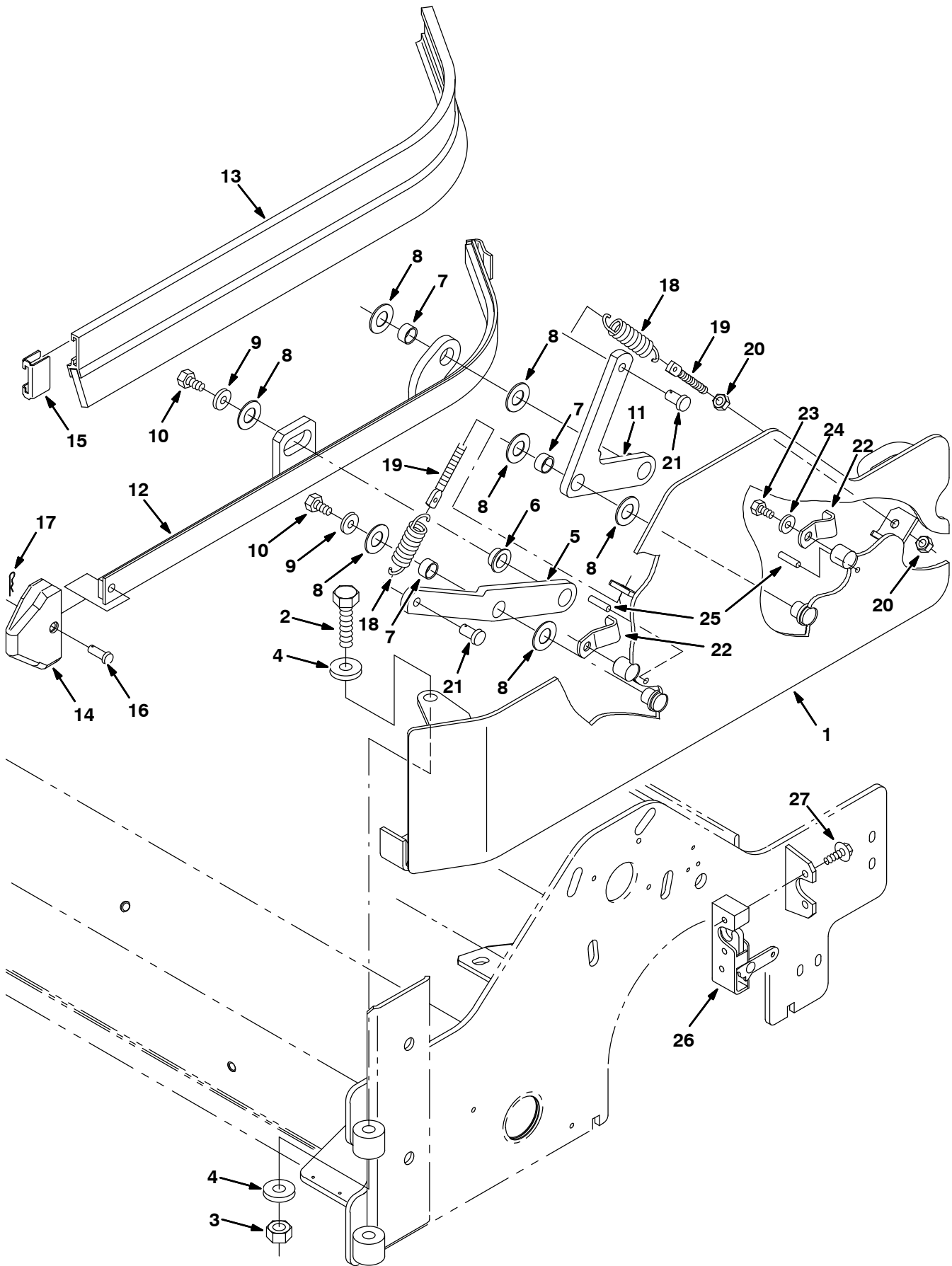


Fig. 38 – Max Pro 1000 (Cylindrical Brush) Left Side Squeegee Group

Ref.	Part No.	Serial Number	Description	Qty.
1	386496	(000000-004999)	Guard Wldt, Lh	1
1	1056495	(005000-)	Guard Wldt, Lh, Iron Gray	1
2	09774	(000000-)	Screw, Hex, M12 X 1.75 X 50, Ss	2
3	09741	(000000-)	Nut, Hex, Lock, M12 X 1.75,Nl, Ss	2
4	33925	(000000-)	Washer, Flat, M12, 13x24x2.5ss	4
5	386276	(000000-004999)	Arm Wldt, Front, Lh	1
5	1056493	(005000-)	Arm Wldt, Front, Lh, Iron Gray	1
6	25735	(000000-)	Bushing, Flng, 0.63b 0.75d 0.38l	1
7	71607	(000000-)	Bushing, Sleeve, 0.63b 0.72d 0.38l	3
8	64425	(000000-)	Washer, Thrust, 0.61b 1.25d .06, Fgl	7
9	01686	(000000-)	Washer, Flt, .38 Ss	4
10	386868	(000000-)	Screw, Hex, M08x1.25 X12,Ss	4
11	386275	(000000-004999)	Arm Wldt, Rear, Lh	1
11	1056492	(005000-)	Arm Wldt, Rear, Lh, Iron Gray	1
12	386262	(000000-)	Frame Wldt, Sqge, Side, Lh	1
13	386260	(000000-)	Squeegee, Side	1
14	386986	(000000-)	Guide, Point, Side Sqge	1
15	86759	(000000-)	Retainer, Sqge	1
16	386987	(000000-)	Pin, Clevis, 0.31d 0.88l	1
17	08085	(000000-)	Pin, Hair Cotter, 0.31 D .058 Wir	1
18	87816	(000000-)	Spring, Extn, 0.75od X 0.09wir, 2.5l	2
19	386088	(000000-)	Bolt, Eye, M8 X 1.25, 2.75l	2
20	07786	(000000-)	Nut, Hex, Std, M08 X 1.25, Ss	4
21	41305	(000000-)	Pin, Clevis, 0.37 D X 0.75l	2
22	1056875	(000000-)	Arm, Latch, Iron Gray	2
23	09744	(000000-)	Screw, Hex, M06 X 1.0 X 12, Ss	2
24	01684	(000000-)	Washer, Flt, .25 Ss	2
25	17404	(000000-)	Pin, Roll, .250 D X 0.75l, .250/.256	2
26	59661	(000000-)	Latch	1
27	16949	(000000-)	Screw, Hex, .25-20 X 0.75, Sems	4

Fig. 39 – Max Pro 1000 (Cylindrical Brush) Debris Tray Group

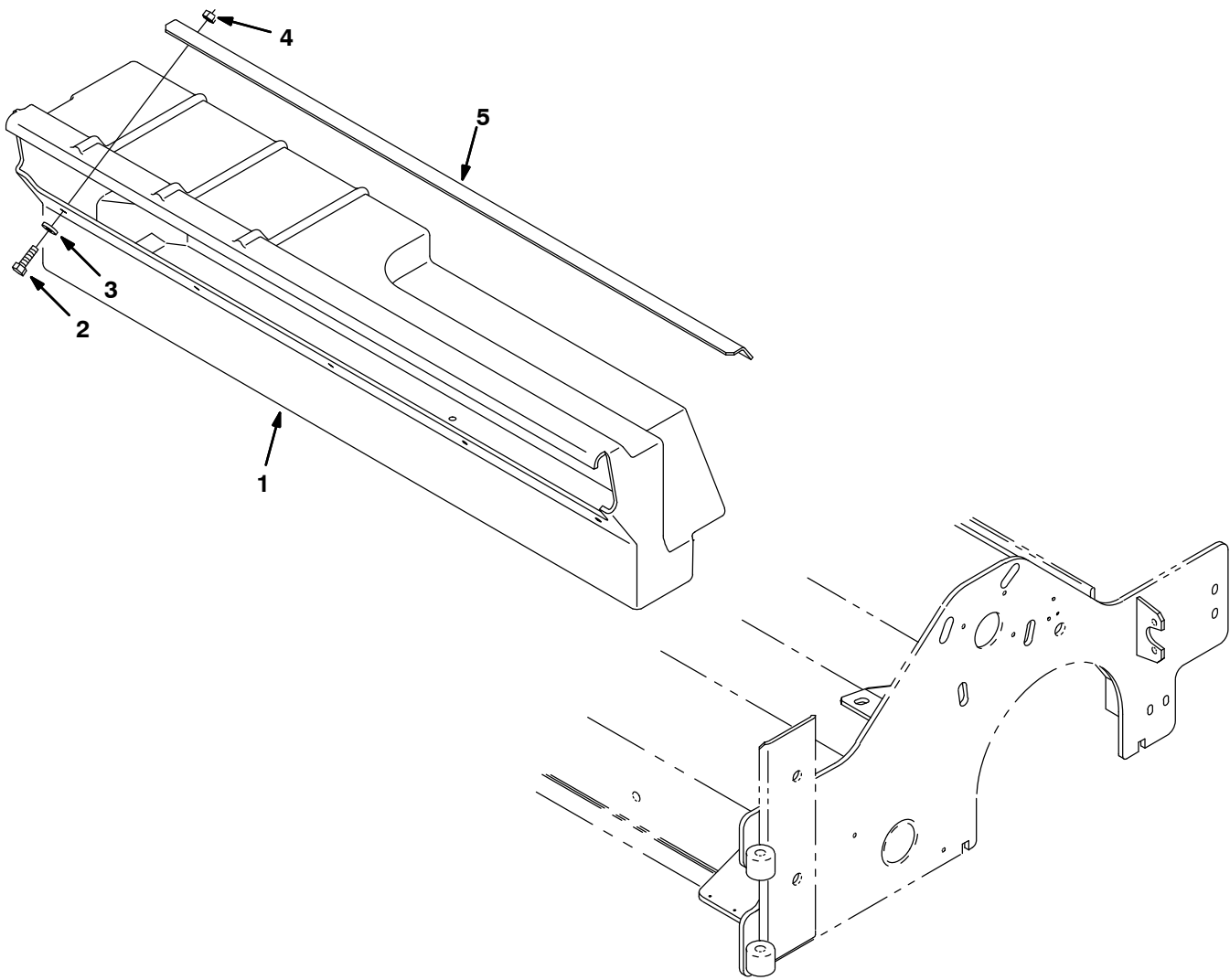


Fig. 39 – Max Pro 1000 (Cylindrical Brush) Debris Tray Group

Ref.	Part No.	Serial Number	Description	Qty.
1	387671	(000000–) Tray, Debris, 40L, W/Holes	1
2	08716	(000000–) Screw, Hex, M6X1.0X20, Ss	5
3	01684	(000000–) Washer, Flat, 0.25 Ss	5
4	08712	(000000–) Nut, Hex, Lock, M6X1.0, Ss, NI	5
5	1057526	(000000–) Angle, Iron Gray	1

Fig. 40 – Max Pro 1000 (Cylindrical Brush) Vacuumized Debris Tray Group

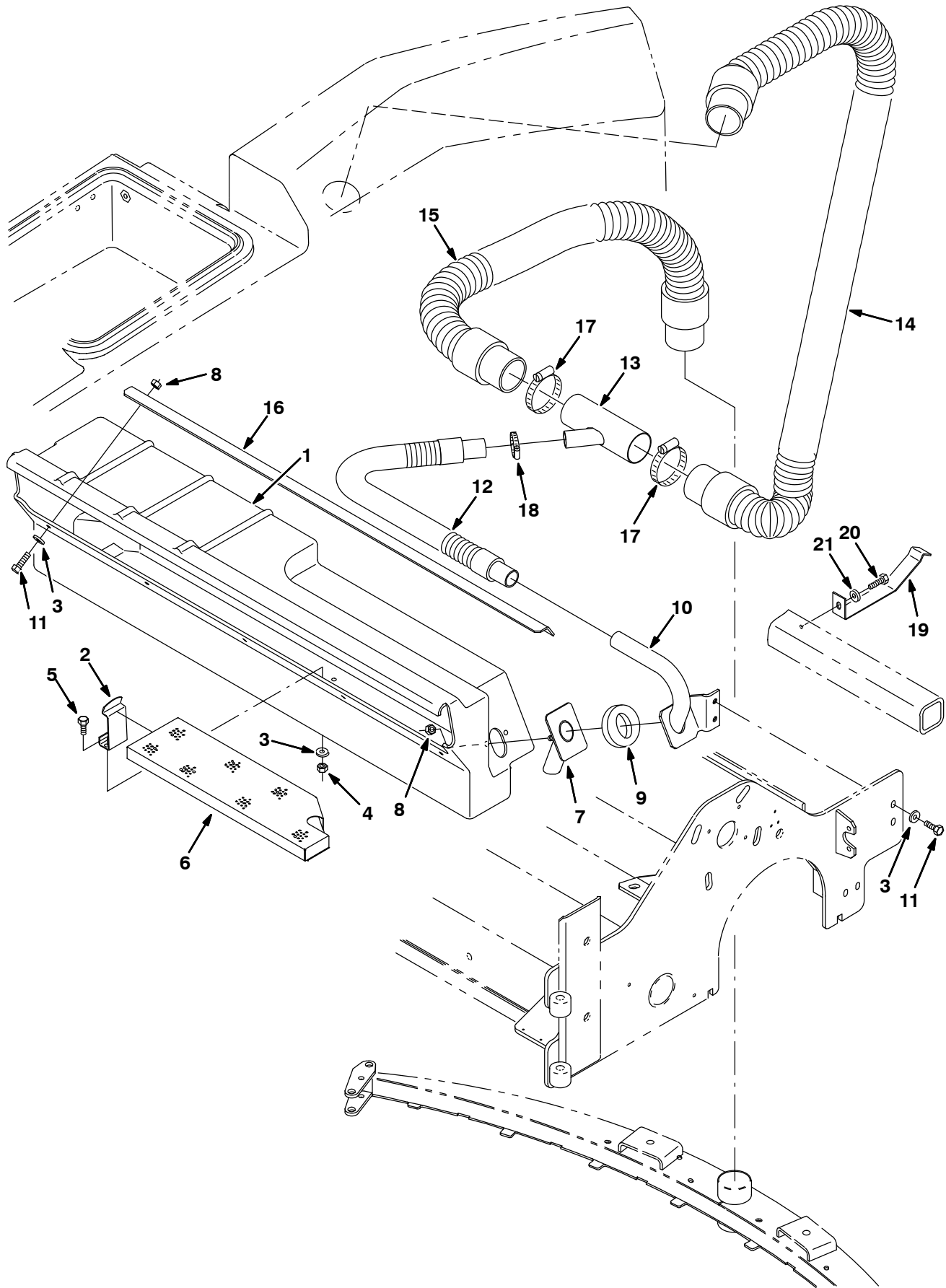


Fig. 40 – Max Pro 1000 (Cylindrical Brush) Vacuumized Debris Tray Group

Ref.	Part No.	Serial Number	Description	Qty.
1	386282	(000000–) Tray, Debris, 40.0l	1
2	87244	(000000–) Clip, Spring, Prop Arm	1
3	01684	(000000–) Washer, Flt, .25 Ss	14
4	08712	(000000–) Nut, Hex, Lock, M06 X 1.0, NI, Ss	2
5	09744	(000000–) Screw, Hex, M06 X 1.0 X 12, Ss	2
6	386500	(000000–) Screen Wldt	1
7	1057520	(000000–) Tube Wldt, Vacuum, Scrbr Head, Iron Gray	1
8	08712	(000000–) Nut, Hex, Lock, M06 X 1.0, NI, Ss	7
9	386504	(000000–) Gasket, Foam	1
10	1057521	(000000–) Tube Wldt, Upper, Iron Gray	1
11	08716	(000000–) Screw, Hex, M06 X 1.0 X 20, Ss	7
12	222788	(000000–001702) Hose Assy, W/2cuff, 1.0d, 23l	1
12	387517	(001703–) Hose Assy, W/2cuff, 1.0d, 41l	1
13	386518	(000000–) Tube Wldt	1
14	386514	(000000–001702) Hose, Vacuum, 58.5l	1
14	1005133	(001703–) Hose Assy, W/2cuff, 2.0d 75l	1
15	387256	(000000–001702) Hose, Vacuum, 35.0l	1
15	1005135	(001703–) Hose Assy, W/2cuff, 2.0d 26l	1
16	1057526	(000000–) Angle, Iron Gray	1
17	14432	(000000–) Clamp, Hose, Wormdrive, 1.81–2.75d	2
18	11399	(000000–) Clamp, Hose, Wormdrive, 0.81–1.50d	1
19	1002464	(001703–) Bracket, Tube , Tee	1
20	361339	(001703–) Screw, Hex, M 6 X 1.0 X 16, Fmg	1
21	32483	(001703–) Washer, Flat, 0.25 Sae	1

Fig. 41 – Max Pro 1200 (Cylindrical Brush) Scrub Head Frame and Linkage Group

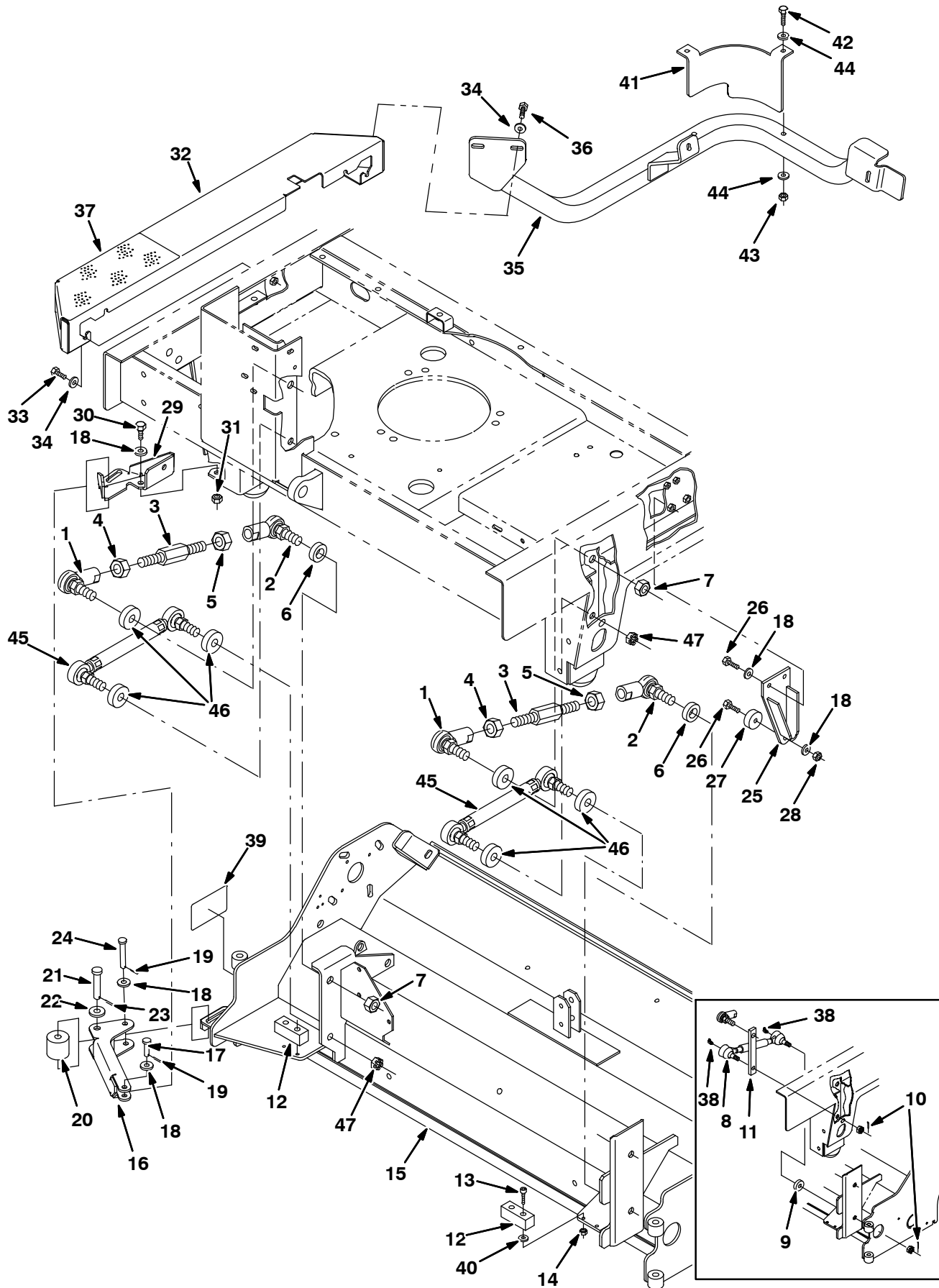


Fig. 41 – Max Pro 1200 (Cylindrical Brush) Scrub Head Frame and Linkage Group

Ref.	Part No.	Serial Number	Description	Qty.	
1	77275	(000000–)	Rod–End, .62–18rh Fem 0.50–18stud	2	
2	386070	(000000–)	Rod–End, .625–18, Lh	2	
3	386071	(000000–)	Rod, Link	2	
4	77276	(000000–)	Nut, Hex, Jam, .62–18, Ss	2	
5	77277	(000000–)	Nut, Hex, Jam, .62–18, Ss, Lh	2	
6	386081	(000000–)	Spacer, Rod–End	2	
7	40814	(000000–)	Nut, Hex, Lock, .62–18, NI, Thin	4	
8	363113	(000000–003695)	Link Wldt, Head, Drag (Replaced by 9005751)	2	
9	14524	(000000–003695)	Spacer, Washer	2	
10	08346	(000000–003695)	Pin, Cotter, .125 X 0.75	4	
11	386844	(000000–003695)	Spacer, Plate	2	
12	386865	(000000–)	Bumper	2	
13	24198	(000000–)	Screw, Pan, M05 X 0.8 X 25, Ss	4	
14	09739	(000000–)	Nut, Hex, Lock, M05 X 0.8, NI, Ss	4	
15	1056903	(000000–)	Housing Wldt, Brush, Iron Gray	1	
16	1001099	(000000–004999)	Guard, Kick In, Scb Head	1	
16	1056390	(005000–)	Guard, Kick In, Scb Head, Iron Gray	1	
17	29557	(000000–)	Pin, Clevis, 0.37 D X 1.31l	1	
18	01686	(000000–)	Washer, Flt, .38 Ss	7	
19	39005	(000000–)	Pin, Cotter, .094 X 0.75	2	
20	72946	(000000–)	Roller	1	
21	06279	(000000–)	Pin, Clevis, 0.50 D X 2.50l	1	
22	32493	(000000–)	Washer, Flt, .50 Std	1	
23	08182	(000000–)	Pin, Cotter, .125 X 1.00	1	
24	365180	(000000–)	Pin, Clevis, 0.38 D X 2.50l	1	
25	1056494	(000000–)	Plate Wldt, Stop, Iron Gray	2	
26	09010	(000000–)	Screw, Hex, M08 X 1.25 X 25, Ss	3	
27	15023	(000000–)	Bumper, Pye	1	
28	08713	(000000–)	Nut, Hex, Lock, M08 X 1.25,NI, Ss	1	
29	386876	(000000–004999)	Bracket, Adaptor, Mtg, Kick In, Frame	1	
29	1056505	(005000–)	Bracket, Adapter, Mtg, Kick In, Frame	1	
30	09028	(000000–)	Screw, Hex, M10 X 1.5 X 25, Ss	1	
31	08714	(000000–)	Nut, Hex, Lock, M10 X 1.5, NI, Ss	1	
32	386827	(000000–004999)	Bumper, Side, Scb Head, Wide	1	
32	1056681	(005000–)	Bumper, Side, Scb Head, Wide, Iron Gray	1	
33	09740	(000000–)	Screw, Hex, M08 X 1.25 X 20, Ss	4	
34	01685	(000000–)	Screw, Hex, M08 X 1.25 X 20, Ss	8	
35	387245	(000000–004999)	Guard Wldt, Sqge (MP 20)	1	
35	1056517	(005000–)	Guard Wldt, Sqge, Rear, Gray	1	
36	09010	(000000–)	Screw, Hex, M08 X 1.25 X 25, Ss	4	
37	387080	(000000–)	Tread, Floor, 12.5 X 5.75	1	
38	09718	(000000–003695)	Fitting, Grease, E90 Pm04 .75L	4	
39	365156	(000000–)	Label Set, Info/Hzrd, [Max Pro]	1	
40	13248	(000000–)	Washer, 0.40B 1.12D .12, Stl, PI	4	
▽	374250	(000000–004999)	Guard Kit, Sqge, Rear, Ci [7300/8300]	1	
▲	41	1007486	(000000–004999)	Guard, Bumper	1
▲	42	39278	(000000–004999)	Screw, Hex, M8 X 1.25 X 50, 8.8	2
▲	43	08713	(000000–004999)	Nut, Hex, Lock, M8 X 1.25, NI, Ss	2
▲	44	32491	(000000–004999)	Washer, Flat, 0.31, Std	4
▽	9006924	(005000–)	Guard Kit, Sqge, Rear, Iron Gray, Ci	1	
▲	41	1057073	(005000–)	Guard, Bumper	1
▲	42	39278	(005000–)	Screw, Hex, M8 X 1.25 X 50, 8.8	2
▲	43	08713	(005000–)	Nut, Hex, Lock, M8 X 1.25, NI, Ss	2
▲	44	32491	(005000–)	Washer, Flat, 0.31, Std	4
45	1050193	(000000–)	Link Assy, Rod–End, .63–18	2	
46	386081	(000000–)	Tube, 0.69ld 1.25Od 00.4L, Blk, Rod–End	6	
47	40814	(000000–)	Nut, Hex, Lock, .62–18, NI, Thin	4	

Fig. 42 – Max Pro 1200 (Cylindrical Brush) Scrub Head Drive Group

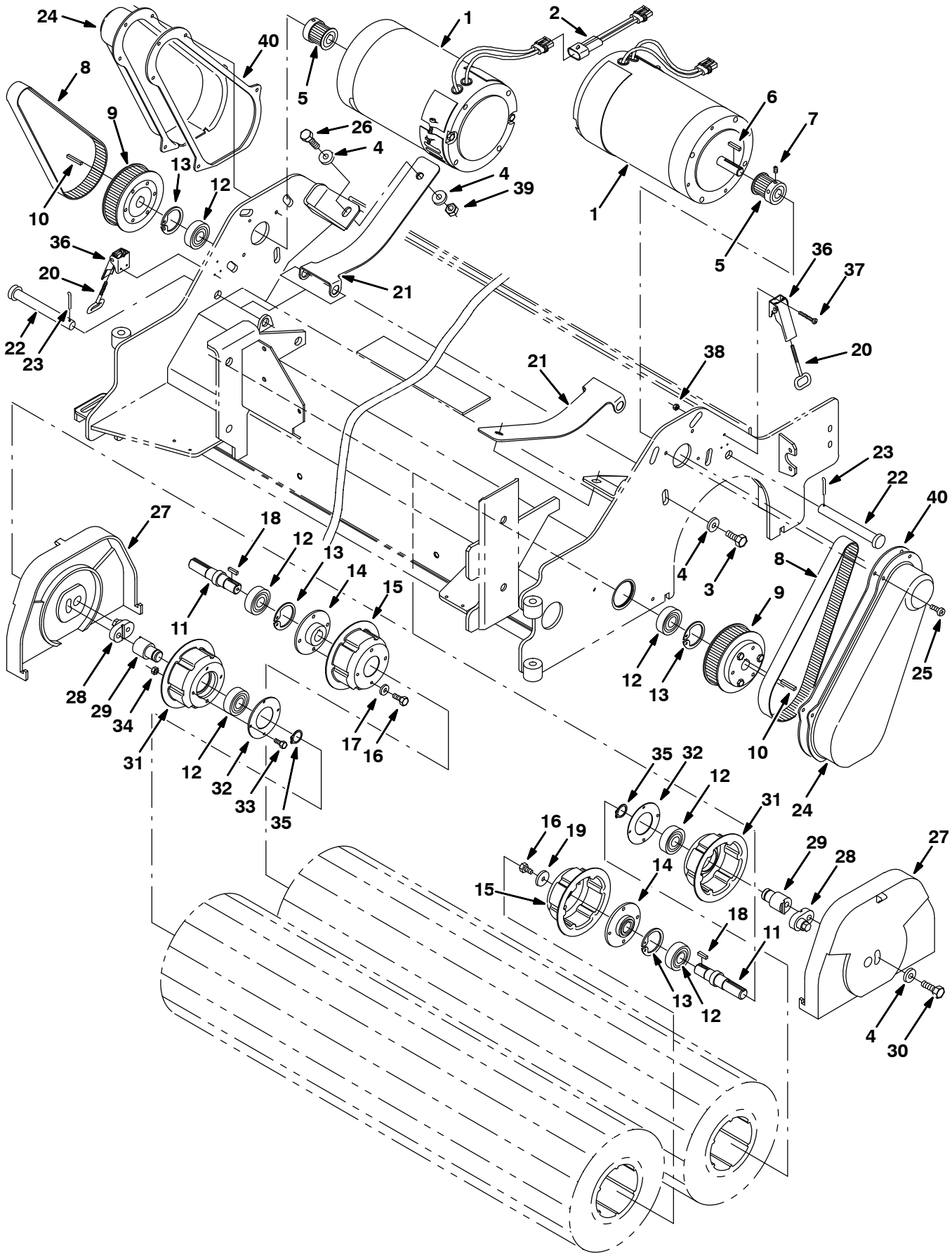


Fig. 42 – Max Pro 1200 (Cylindrical Brush) Scrub Head Drive Group

Ref.	Part No.	Serial Number	Description	Qty.	
1	386050	(000000-002093)	Motor, Ele, 36vdc 1500rpm 1.5hp (See Breakdown) (Repl By 377398AM)	2	
▽	1	377398	(002094-)	Motor, Ele, 36vdc 1.50hp 1500rpm 43.0a	2
▲	621478	(002094-)	Brush, Carbon	2	
2	363468	(000000-)	Wire Assy, Jumper Reverse, [515]	1	
3	09291	(000000-)	Screw, Hex, M10 X 1.5 X 20, Ss	8	
4	01686	(000000-)	Washer, Flt, .38 Ss	14	
5	83052	(000000-)	Sprocket, Timing, 23tooth, 0.625b	2	
6	00912	(000000-)	Key, Sq, 0.19 X 0.19, 01.00l	2	
7	39327	(000000-)	Screw, Set, Soc, .25-20 X 0.31, Al	4	
8	386053	(000000-)	Belt, Drive (Cylindrical Brush)	2	
9	375301	(000000-)	Sprocket, Timing, 4.261pd, 68 Grv, PI	2	
10	00918	(000000-)	Key, Sq, 0.19 X 0.19, 01.25l	2	
11	386058	(000000-)	Shaft, Drive, Brush	2	
12	46390	(000000-)	Bearing, Ball, 0.79b 1.85d 0.55w	6	
13	10464	(000000-)	Ring, Retaining, Int, 1.85d, Basic	4	
14	1056846	(000000-)	Hub Wldt, Drive, Brush, Iron Gray	2	
15	1056847	(000000-)	Plug, Drive, Brush, Spl, Iron Gray	2	
16	15678	(000000-)	Screw, Hex, M06 X 1.0 X 16, Ss	10	
17	01684	(000000-)	Washer, Flt, .25 Ss	8	
18	00911	(000000-)	Key, Sq, 0.19 X 0.19, 00.75l	2	
19	386063	(000000-)	Washer, 0.25b 1.12d .12, Ss	2	
20	386274	(000000-)	Hook Wldt, Latch	2	
21	1057089	(000000-)	Spring, Motor, Iron Gray	2	
22	386072	(000000-)	Pin, Clevis, .625 Dia X 5.25l	2	
23	02942	(000000-)	Pin, Hair Cotter, 0.62 D .120 Wir	2	
24	386066	(000000-)	Cover, Drive	2	
25	48732	(000000-)	Screw, Pan, M06 X 1.0 X 10, Ss	10	
26	12317	(000000-)	Screw, Hex, M10 X 1.5 X 30, Ss	2	
27	386080	(000000-)	Cover, Idler	2	
28	386841	(000000-)	Cam, Front	2	
29	386842	(000000-)	Cam, Rear	2	
30	12317	(000000-)	Screw, Hex, M10 X 1.5 X 30, Ss	2	
31	1057512	(000000-)	Plug, Drive, Brush, Spl, Iron Gray	2	
32	1056838	(000000-)	Retainer, Brg, Iron Gray	2	
33	09738	(000000-)	Screw, Hex, M05 X 0.8 X 12, Ss	8	
34	06549	(000000-)	Nut, Hex, Lock, M05 X 0.8, NI	8	
35	26428	(000000-)	Ring, Retaining, Ext, 0.75d, Hd	2	
36	386257	(000000-)	Latch	2	
37	09198	(000000-)	Screw, Pan, M04 X 0.7 X 35, Ss	6	
38	33932	(000000-)	Nut, Hex, Lock, M04 X 0.7, NI, Ss	6	
39	08714	(000000-)	Nut, Hex, Lock, M10 X 1.5, NI, SS	2	
40	1001062	(000000-)	Gasket, Cover	2	

Fig. 43 – Max Pro 1200 (Cylindrical Brush) Solution Valve Group

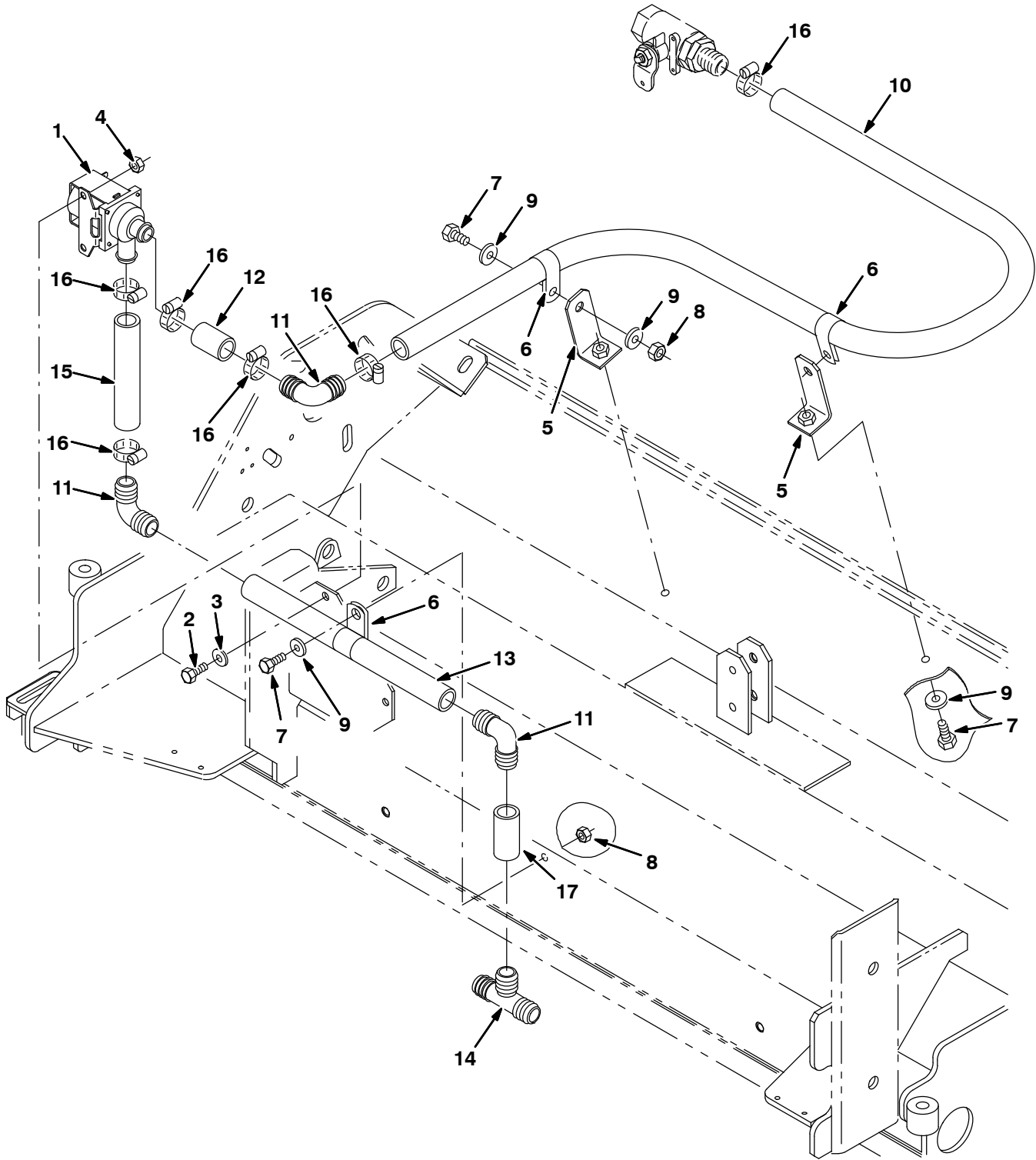


Fig. 43 – Max Pro 1200 (Cylindrical Brush) Solution Valve Group

Ref.	Part No.	Serial Number	Description	Qty.
1	84028	(000000–) Valve, Water	1
2	15678	(000000–) Screw, Hex, M06 X 1.0 X 16, Ss	2
3	01684	(000000–) Washer, Flt, .25 Ss	2
4	08712	(000000–) Nut, Hex, Lock, M06 X 1.0, NI, Ss	2
5	1056873	(000000–) Angle, Iron Gray	2
6	69234	(000000–) Clamp, Cable, Stl, 1.00d X 0.62w, 1h	3
7	15675	(000000–) Screw, Hex, M08 X 1.25 X 16, Ss	7
8	08709	(000000–) Nut, Hex, Lock, M08 X 1.25,NI	5
9	01685	(000000–) Washer, Flt, .31 Ss	9
10	73474	(000000–) Hose, Pvc, Brd, 0.75id 1.00od 44.50l	1
11	40566	(000000–) Fitting, Plstc, E90, Bm12/Bm12	3
12	364899	(000000–) Hose, Pvc, Brd, 0.75id 1.03od 01.50l	1
13	364896	(000000–) Hose, Pvc, Brd, 0.75id 1.03od 11.00l	1
14	41315	(000000–) Fitting, Plstc, Tee, Bm12/Bm12/Bm12	1
15	364895	(000000–) Hose, Pvc, Brd, 0.75id 1.03od 05.00l	1
16	11399	(000000–) Clamp, Hose, Wormdrive, 0.81–1.50d	6
17	16914	(000000–) Hose, Pvc, Brd, 0.75id 1.00od 2.00l	1

Fig. 44 – Max Pro 1200 (Cylindrical Brush) Solution Valve Group (FaST/ec-H2O)

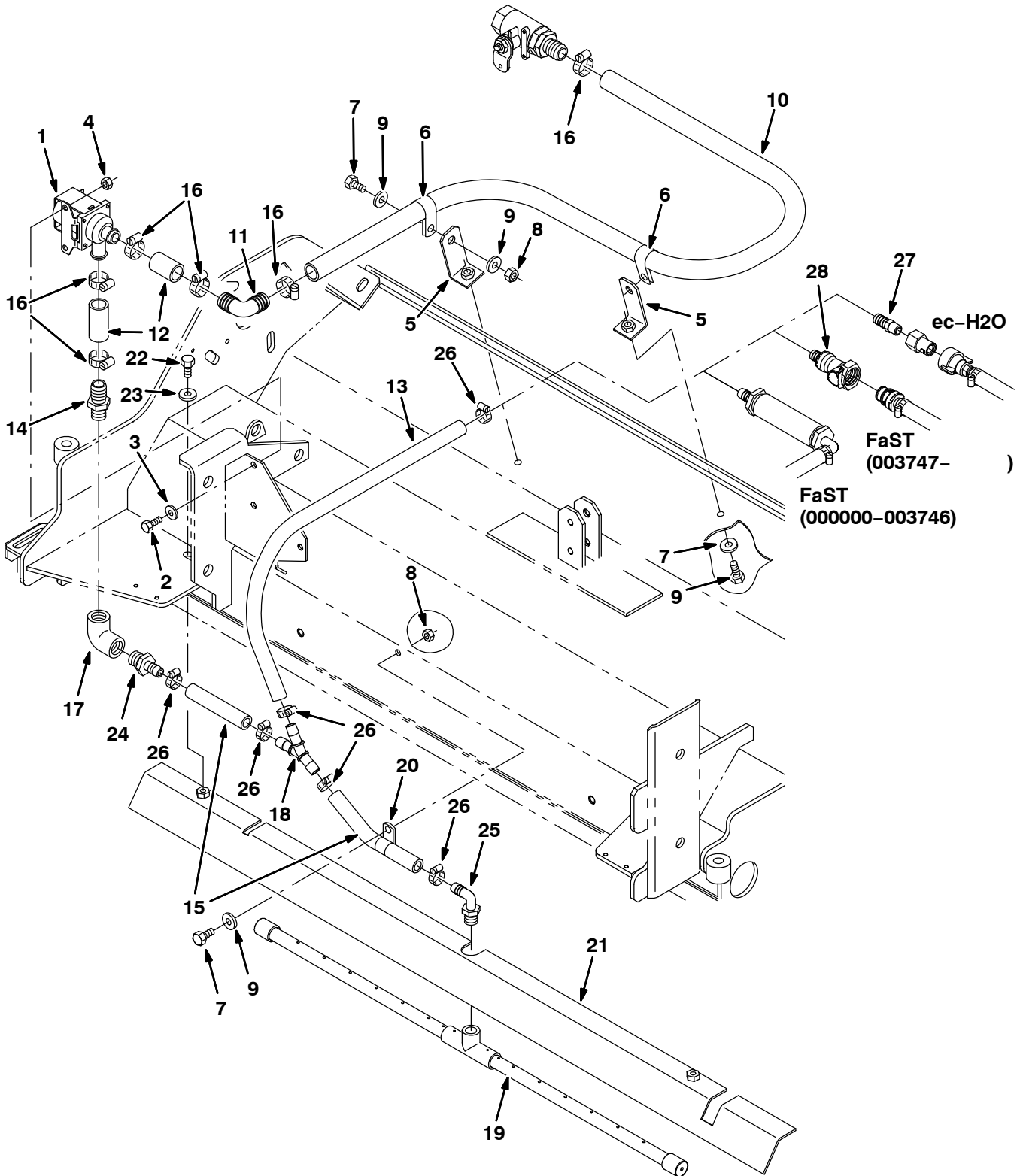


Fig. 44 – Max Pro 1200 (Cylindrical Brush) Solution Valve Group (FaST/ec-H2O)

Ref.	Part No.	Serial Number	Description	Qty.
1	84028	(000000–) Valve, Water	1
2	15678	(000000–) Screw, Hex, M06 X 1.0 X 16, Ss	2
3	01684	(000000–) Washer, Flt, .25 Ss	2
4	08712	(000000–) Nut, Hex, Lock, M06 X 1.0, NI, Ss	2
5	1056873	(000000–) Angle, Iron Gray	2
6	69234	(000000–) Clamp, Cable, Stl, 1.00d X 0.62w, 1h	2
7	15675	(000000–) Screw, Hex, M08 X 1.25 X 16, Ss	5
8	08709	(000000–) Nut, Hex, Lock, M08 X 1.25,NI	3
9	01685	(000000–) Washer, Flt, .31 Ss	7
10	1015045	(000000–) Hose, Afmkt, Pvc, Brd 0.75id 8 Ft	1
11	40566	(000000–) Fitting, Plstc, E90, Bm12/Bm12	3
12	1015048	(000000–) Hose, Afmkt, Pvc, Brd 0.75id 1 Ft	1
13	1011521	(000000–) Hose, Afmkt Replmt, Pvc, Brd 0.50id 2 Ft	1
14	78398	(000000–) Fitting, Plstc, Str, Bm12/Pm08, Nyl	1
15	1011403	(000000–) Hose, Afmkt Replmt, Pvc, Brd 0.50id 1 Ft	1
16	11399	(000000–) Clamp, Hose, Wormdrive, 0.81–1.50d	6
17	79572	(000000–) Fitting, Plstc, E90, Pf08/Pf08	1
18	1010668	(000000–) Fitting, Plstc, Y, Bm08/Bm08/Bm08 Nyl	1
19	1010832	(000000–) Bar Assy, Spray [7300/8300]	1
20	07471	(000000–) Clamp, Cable, Stl, 0.75d X 0.75w, 1h	1
21	1057530	(000000–) Bracket, Bar, Spray, 48.0 [7300/8300]	1
22	49826	(000000–) Screw, Hex, M8 X 1.25 X 16, Ss, NI	2
23	32492	(000000–) Washer, Flat, 0.38 Std	2
24	79273–4	(000000–) Fitting, Plstc, Str, Bm08/Pm08	1
25	64778	(000000–) Fitting, Plstc, E90, Bm08/Pm06	1
26	54333	(000000–) Clamp, Hose, Wormdrive, 0.31–0.88d	6
27	48610	(000000–) Fitting, Plstc, Str, Bm08/Pm04 (ec-H2O)	1
28	1017413	(003747–) Housing, Cplg, Qf / Pm08 (FaST)	1

Fig. 45 – Max Pro 1200 (Cylindrical Brush) Edge Scrub Group

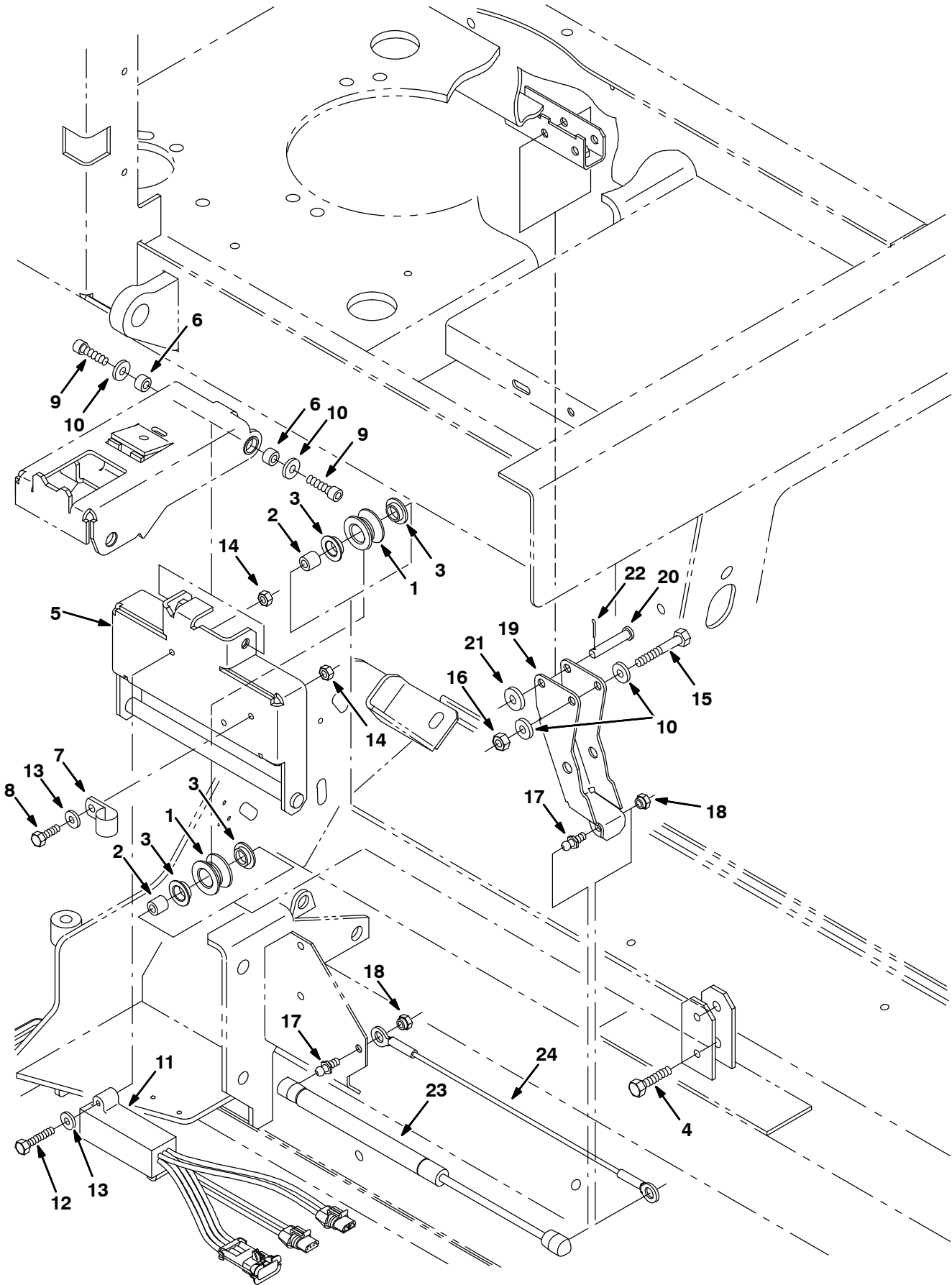


Fig. 45 – Max Pro 1200 (Cylindrical Brush) Edge Scrub Group

Ref.	Part No.	Serial Number	Description	Qty.
1	363120	(000000–)	Roller	2
2	222277	(000000–)	Sleeve	2
3	04843	(000000–)	Bushing, Flng, 0.63b 0.72d 0.25l	4
4	222505	(000000–)	Screw, Hex, M08 X 1.25 X 45, Ss	2
5	1056843	(000000–)	Rail Wldt, Lift, Cyl Head, Iron Gray	1
6	222556	(000000–)	Sleeve	2
7	67767	(000000–)	Clamp, Cable, Stl, 0.69d X 0.62w, 1h	1
8	08716	(000000–)	Screw, Hex, M06 X 1.0 X 20, Ss	1
9	39308	(000000–)	Screw, Soc, M08 X 1.25 X 25, 12.9	2
10	01685	(000000–)	Washer, Flt, .31 Ss	4
11	363237	(000000–)	Shunt, 2Hd Mtrs, Scrub 515, Red	1
12	33930	(000000–)	Screw, Hex, M06 X 1.0 X 40, Ss	2
13	01684	(000000–)	Washer, Flt, .25 Ss	3
14	08712	(000000–)	Nut, Hex, Lock, M06 X 1.0, NI, Ss	3
15	77270	(000000–)	Screw, Hex, M08 X 1.25 X 60, Ss	1
16	08713	(000000–)	Nut, Hex, Lock, M08 X 1.25,NI, Ss	1
17	58494	(000000–)	Stud, Ball, .39d .31–16, Gasspring	2
18	14725	(000000–)	Nut, Retainer, .31–18	2
19	1056845	(000000–)	Arm Wldt, Pivot, Side, Gray [7300/8300]	1
20	29584	(000000–)	Pin, Clevis, 0.37 D X 2.00l	1
21	01686	(000000–)	Washer, Flt, .38 Ss	1
22	39005	(000000–)	Pin, Cotter, .094 X 0.75	1
23	364858	(000000–)	Gasspring, 56lb, 6.3strk	1
24	364404	(000000–)	Cable, .13d, 15.5l, .50eye /.50eye	1

Fig. 46 – Max Pro 1200 (Cylindrical Brush) Right Side Squeegee Group

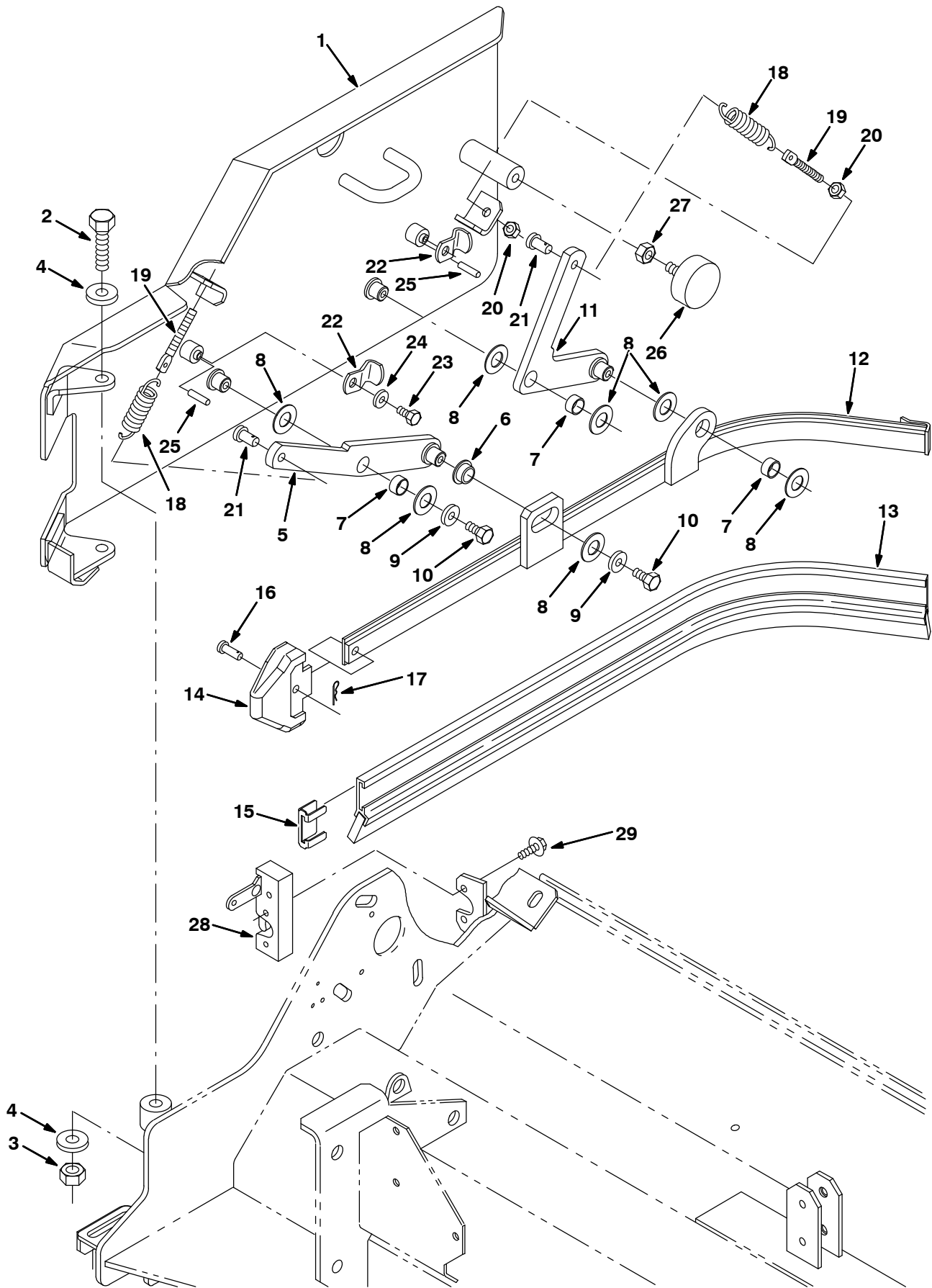


Fig. 46 – Max Pro 1200 (Cylindrical Brush) Right Side Squeegee Group

Ref.	Part No.	Serial Number	Description	Qty.
1	387271	(000000-004999)	Guard Wldt, Rh, [Mp1200]	1
1	1056800	(005000-)	Guard Wldt, Rh, Iron Gray	1
2	09774	(000000-)	Screw, Hex, M12 X 1.75 X 50, Ss	2
3	09741	(000000-)	Nut, Hex, Lock, M12 X 1.75,NI, Ss	2
4	33925	(000000-)	Washer, Flat, M12, 13x24x2.5ss	4
5	386269	(000000-004999)	Arm Wldt, Front, Rh	1
5	1056491	(005000-)	Arm Wldt, Front, Rh, Iron Gray	1
6	25735	(000000-)	Bushing, FIng, 0.63b 0.75d 0.38l	1
7	71607	(000000-)	Bushing, Sleeve, 0.63b 0.72d 0.38l	3
8	64425	(000000-)	Washer, Thrust, 0.61b 1.25d .06, Fgl	7
9	01686	(000000-)	Washer, Flt, .38 Ss	4
10	386868	(000000-)	Screw, Hex, M08x1.25 X12,Ss	4
11	386268	(000000-004999)	Arm Wldt, Rear, Rh	1
11	1056490	(005000-)	Arm Wldt, Rear, Rh, Iron Gray	1
12	386263	(000000-)	Frame Wldt, Sqge, Side, Rh	1
13	386260	(000000-)	Squeegee, Side	1
14	386986	(000000-)	Guide, Point, Side Sqge	1
15	86759	(000000-)	Retainer, Sqge	1
16	386987	(000000-)	Pin, Clevis, 0.31d 0.88l	1
17	08085	(000000-)	Pin, Hair Cotter, 0.31 D .058 Wir	1
18	87816	(000000-)	Spring, Extn, 0.75od X 0.09wir, 2.5l	2
19	386088	(000000-)	Bolt, Eye, M8 X 1.25, 2.75l	2
20	07786	(000000-)	Nut, Hex, Std, M08 X 1.25, Ss	4
21	41305	(000000-)	Pin, Clevis, 0.37 D X 0.75l	2
22	1056875	(000000-)	Arm, Latch, Iron Gray	2
23	09744	(000000-)	Screw, Hex, M06 X 1.0 X 12, Ss	2
24	01684	(000000-)	Washer, Flt, .25 Ss	2
25	17404	(000000-)	Pin, Roll, .250 D X 0.75l, .250/.256	2
26	70756	(000000-)	Bumper, Rbr, 2.0d 0.75t .38-16	1
27	01692	(000000-)	Nut, Hex, Std, .38-16, Ss	1
28	72439	(000000-)	Latch	1
29	16949	(000000-)	Screw, Hex, .25-20 X 0.75, Sems	4

Fig. 47 – Max Pro 1200 (Cylindrical Brush) Left Side Squeegee Group

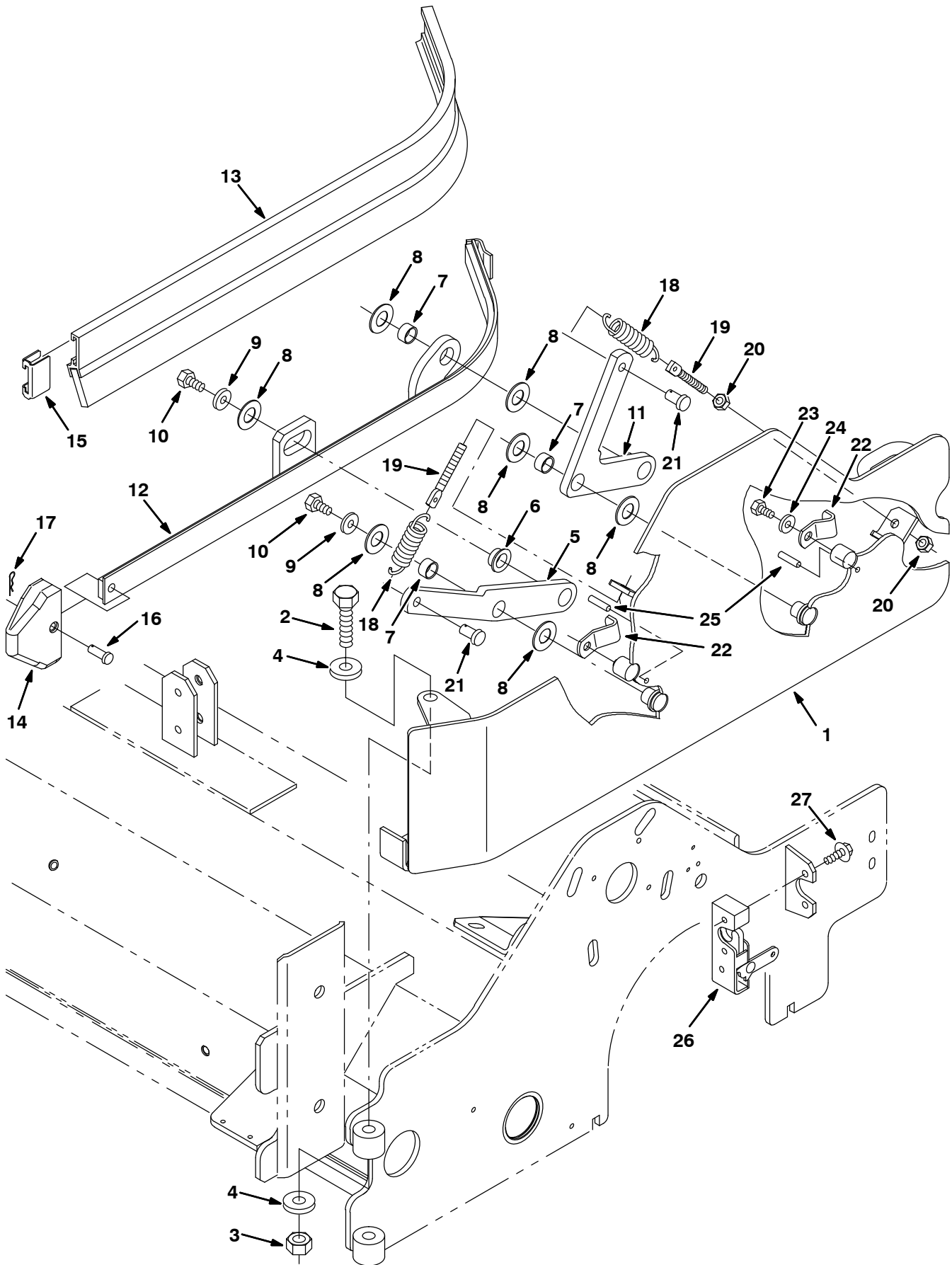


Fig. 47 – Max Pro 1200 (Cylindrical Brush) Left Side Squeegee Group

Ref.	Part No.	Serial Number	Description	Qty.
1	386496	(000000-004999)	Guard Wldt, Lh	1
1	1056495	(005000-)	Guard Wldt, Lh, Iron Gray	1
2	09774	(000000-)	Screw, Hex, M12 X 1.75 X 50, Ss	2
3	09741	(000000-)	Nut, Hex, Lock, M12 X 1.75,NI, Ss	2
4	33925	(000000-)	Washer, Flat, M12, 13x24x2.5ss	4
5	386276	(000000-004999)	Arm Wldt, Front, Lh	1
5	1056493	(005000-)	Arm Wldt, Front, Lh, Iron Gray	1
6	25735	(000000-)	Bushing, Flng, 0.63b 0.75d 0.38l	1
7	71607	(000000-)	Bushing, Sleeve, 0.63b 0.72d 0.38l	3
8	64425	(000000-)	Washer, Thrust, 0.61b 1.25d .06, Fgl	7
9	01686	(000000-)	Washer, Flt, .38 Ss	4
10	386868	(000000-)	Screw, Hex, M08x1.25 X12,Ss	4
11	386275	(000000-004999)	Arm Wldt, Rear, Lh	1
11	1056492	(005000-)	Arm Wldt, Rear, Lh, Iron Gray	1
12	386262	(000000-)	Frame Wldt, Sqge, Side, Lh	1
13	386260	(000000-)	Squeegee, Side	1
14	386986	(000000-)	Guide, Point, Side Sqge	1
15	86759	(000000-)	Retainer, Sqge	1
16	386987	(000000-)	Pin, Clevis, 0.31d 0.88l	1
17	08085	(000000-)	Pin, Hair Cotter, 0.31 D .058 Wir	1
18	87816	(000000-)	Spring, Extn, 0.75od X 0.09wir, 2.5l	2
19	386088	(000000-)	Bolt, Eye, M8 X 1.25, 2.75l	2
20	07786	(000000-)	Nut, Hex, Std, M08 X 1.25, Ss	4
21	41305	(000000-)	Pin, Clevis, 0.37 D X 0.75l	2
22	1056875	(000000-)	Arm, Latch, Iron Gray	2
23	09744	(000000-)	Screw, Hex, M06 X 1.0 X 12, Ss	2
24	01684	(000000-)	Washer, Flt, .25 Ss	2
25	17404	(000000-)	Pin, Roll, .250 D X 0.75l, .250/.256	2
26	59661	(000000-)	Latch	1
27	16949	(000000-)	Screw, Hex, .25-20 X 0.75, Sems	4

Fig. 48 – Max Pro 1200 (Cylindrical Brush) Debris Tray Group

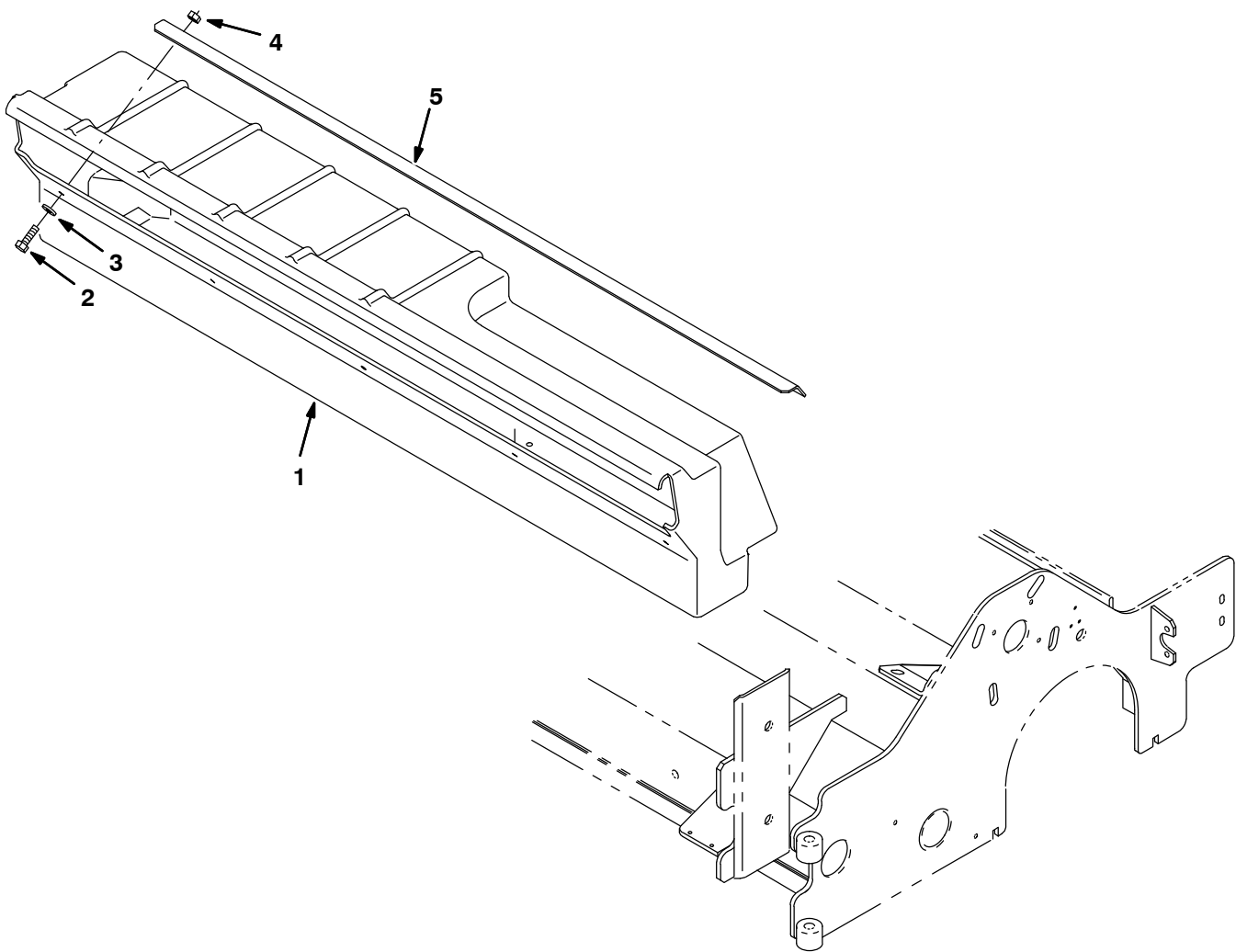


Fig. 48 – Max Pro 1200 (Cylindrical Brush) Debris Tray Group

Ref.	Part No.	Serial Number	Description	Qty.
1	387672	(000000–) Tray, Debris, 48L, W/Holes	1
2	08716	(000000–) Screw, Hex, M6X1.0X20, Ss	5
3	01684	(000000–) Washer, Flat, 0.25 Ss	5
4	08712	(000000–) Nut, Hex, Lock, M6X1.0, Ss, NI	5
5	1057527	(000000–) Angle, Iron Gray	1

Fig. 49 – Max Pro 1200 (Cylindrical Brush) Vacuumized Debris Tray Group

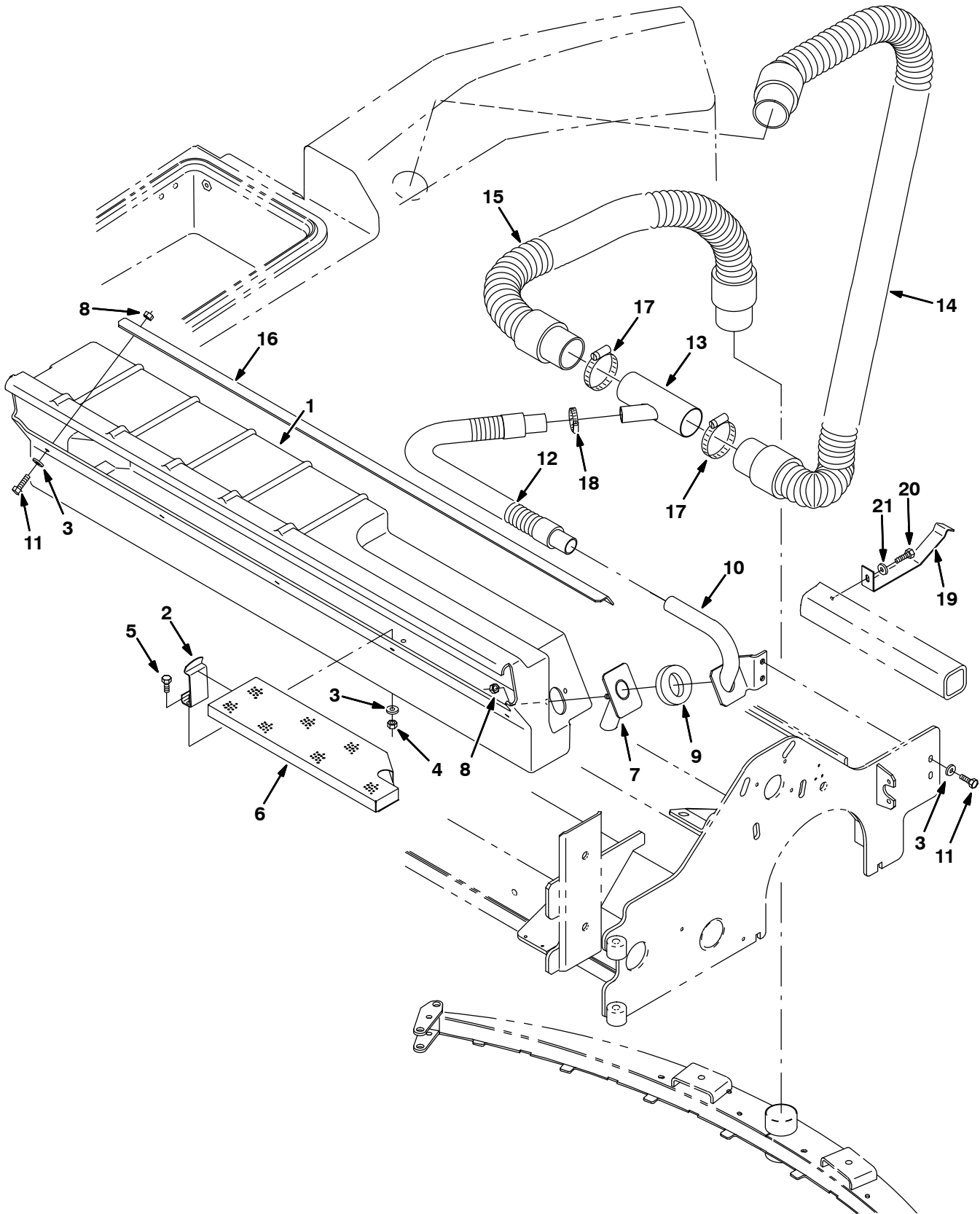


Fig. 49 – Max Pro 1200 (Cylindrical Brush) Vacuumized Debris Tray Group

Ref.	Part No.	Serial Number	Description	Qty.
1	386513	(000000–)	Tray, Debris, 48.0l	1
2	87244	(000000–)	Clip, Spring, Prop Arm	1
3	01684	(000000–)	Washer, Flt, .25 Ss	14
4	08712	(000000–)	Nut, Hex, Lock, M06 X 1.0, NI, Ss	2
5	09744	(000000–)	Screw, Hex, M06 X 1.0 X 12, Ss	2
6	386500	(000000–)	Screen Wldt	1
7	1057520	(000000–)	Tube Wldt, Vacuum, Scrbr Head, Iron Gray	1
8	08712	(000000–)	Nut, Hex, Lock, M06 X 1.0, NI, Ss	7
9	386504	(000000–)	Gasket, Foam	1
10	1057521	(000000–)	Tube Wldt, Upper, Iron Gray	1
11	08716	(000000–)	Screw, Hex, M06 X 1.0 X 20, Ss	7
12	222788	(000000–001702)	Hose Assy, W/2cuff, 1.0d, 23l	1
12	387517	(001703–)	Hose Assy, W/2cuff, 1.0d, 41l	1
13	386518	(000000–)	Tube Wldt	1
14	386514	(000000–001702)	Hose, Vacuum, 58.5l	1
14	1005133	(001703–)	Hose Assy, W/2cuff, 2.0d 75l	1
15	387256	(000000–001702)	Hose, Vacuum, 35.0l	1
15	1005135	(001703–)	Hose Assy, W/2cuff, 2.0d 26l	1
16	1057527	(000000–)	Angle, Iron Gray	1
17	14432	(000000–)	Clamp, Hose, Wormdrive, 1.81–2.75d	2
18	11399	(000000–)	Clamp, Hose, Wormdrive, 0.81–1.50d	1
19	1002464	(001703–)	Bracket, Tube , Tee	1
20	361339	(001703–)	Screw, Hex, M 6 X 1.0 X 16, Fmg	1
21	32483	(001703–)	Washer, Flat, 0.25 Sae	1

Fig. 50 - ES Pump Group

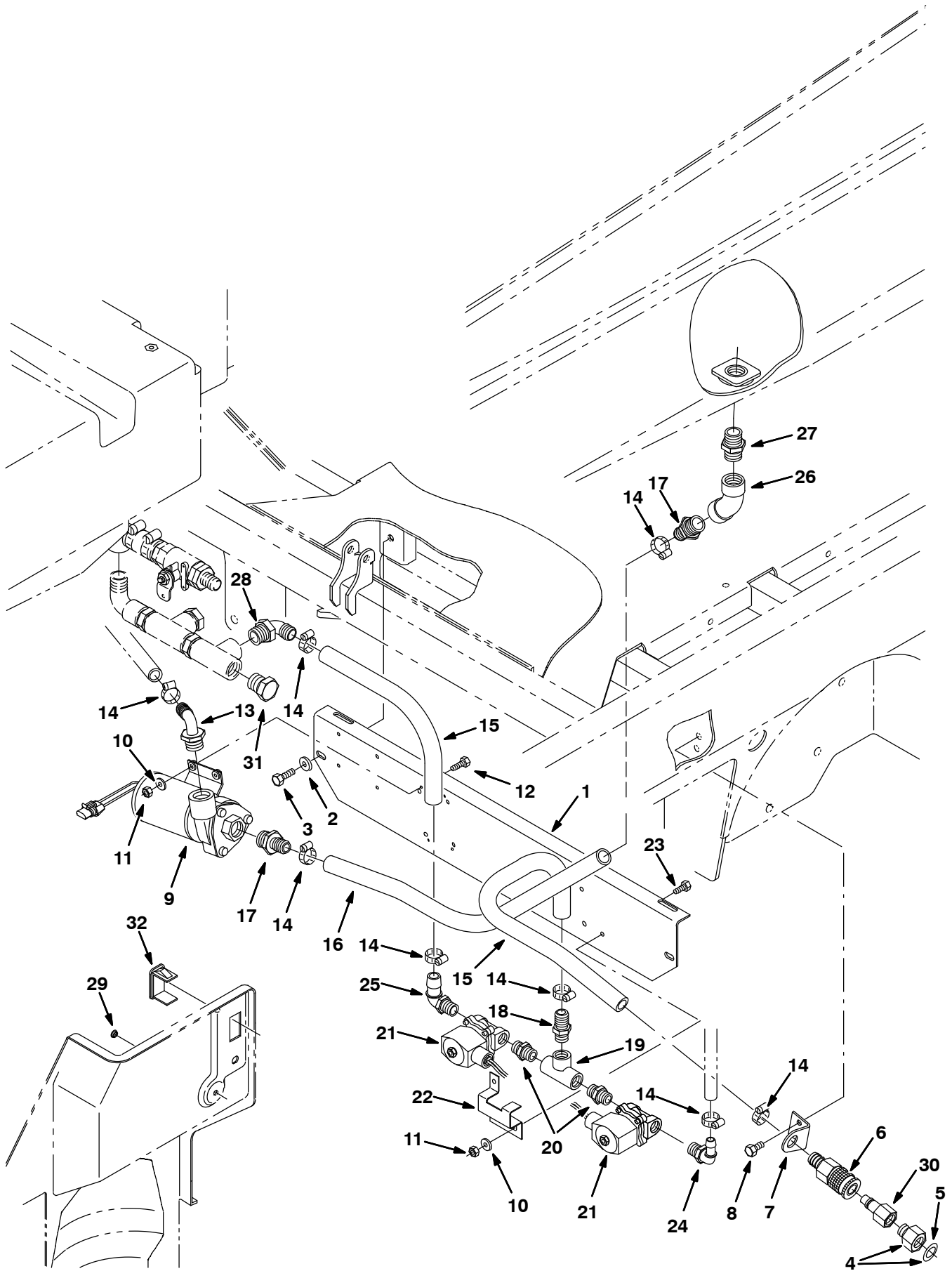


Fig. 50 – ES Pump Group

NOTE: ES Kit, TENNANT Part Number 386557, includes Fig. 50, Fig. 51, and Fig. 52.

Ref.	Part No.	Serial Number	Description	Qty.
	1	1056864	(000000–) Angle, Mtg, Es, Iron Gray	1
	2	01685	(000000–) Washer, Flt, .31 Ss	2
	3	09010	(000000–) Screw, Hex, M08 X 1.25 X 25, Ss	2
▽	4	375322	(000000–) Kit, Fitting, Garden Hose	1
▲	5	01316	(000000–) Washer, Rbr, .12 0.66b 1.00d	1
	6	24105	(000000–) Fitting, Brs, Qdc, Bm12/Qf08	1
	7	1056866	(000000–) Bracket, Mtg, Es, Iron Gray	1
	8	15675	(000000–) Screw, Hex, M08 X 1.25 X 16, Ss	2
	9	369865	(000000–) Pump, Solution, Impeller, 36vdc	1
	10	01684	(000000–) Washer, Flt, .25 Ss	7
	11	08712	(000000–) Nut, Hex, Lock, M06 X 1.0, NI, Ss	7
	12	09007	(000000–) Screw, Hex, M06 X 1.0 X 25, Ss	4
	13	73468	(000000–) Fitting, Plstc, E90, Bm10/Pm12	1
	14	63810	(000000–) Clamp, Hose, Wormdrive, 0.56–1.06d	8
	15	1015047	(000000–) Hose, Afmkt, Pvc, Brd, 0.75ld, 02Ft, Clr	1
	16	1006410	(000000–) Hose, Afmkt, Pvc, Brd, 0.75ld, 03Ft, Clr	2
	17	79273–2	(000000–) Fitting, Plstc, Str, Bm12/Pm12	2
	18	78398	(000000–) Fitting, Plstc, Str, Bm12/Pm08	1
	19	79497	(000000–) Fitting, Plstc, Tee, Pf08/Pf08/Pf08	1
	20	86508	(000000–) Fitting, Plstc, Str, Pm08/Pm08	2
	21	41410	(000000–) Valve, Solenoid, 36vdc	2
	22	1056839	(000000–) Bracket, Sppt, Auto Fill, Iron Gray	1
	23	15678	(000000–) Screw, Hex, M06 X 1.0 X 16, Ss	3
	24	63244–1	(000000–) Fitting, Plstc, E90, Bm08/Pm08	1
	25	63244–2	(000000–) Fitting, Plstc, E90, Bm12/Pm08	1
	26	10575	(000000–) Fitting, Plstc, E45, Pf12/Pf12	1
	27	24544	(000000–) Fitting, Plstc, Str, Pm12/Pm12	1
	28	14877	(000000–) Fitting, Plstc, E90, Bm12/Pm12	1
	29	33807	(000000–) Plug, Hole, Rnd, 0.44h .03–.12, Blk Nyl	1
	30	33295	(000000–) Fitting, Qm, Male	1
	31	75611	(000000–) Fitting, Plstc, Plug, Pm12	1
	32	398501	(000000–) Plug, Hole, Rt, Rocker Switch, .87 X 1.7	1

Fig. 51 - ES Tank Goup

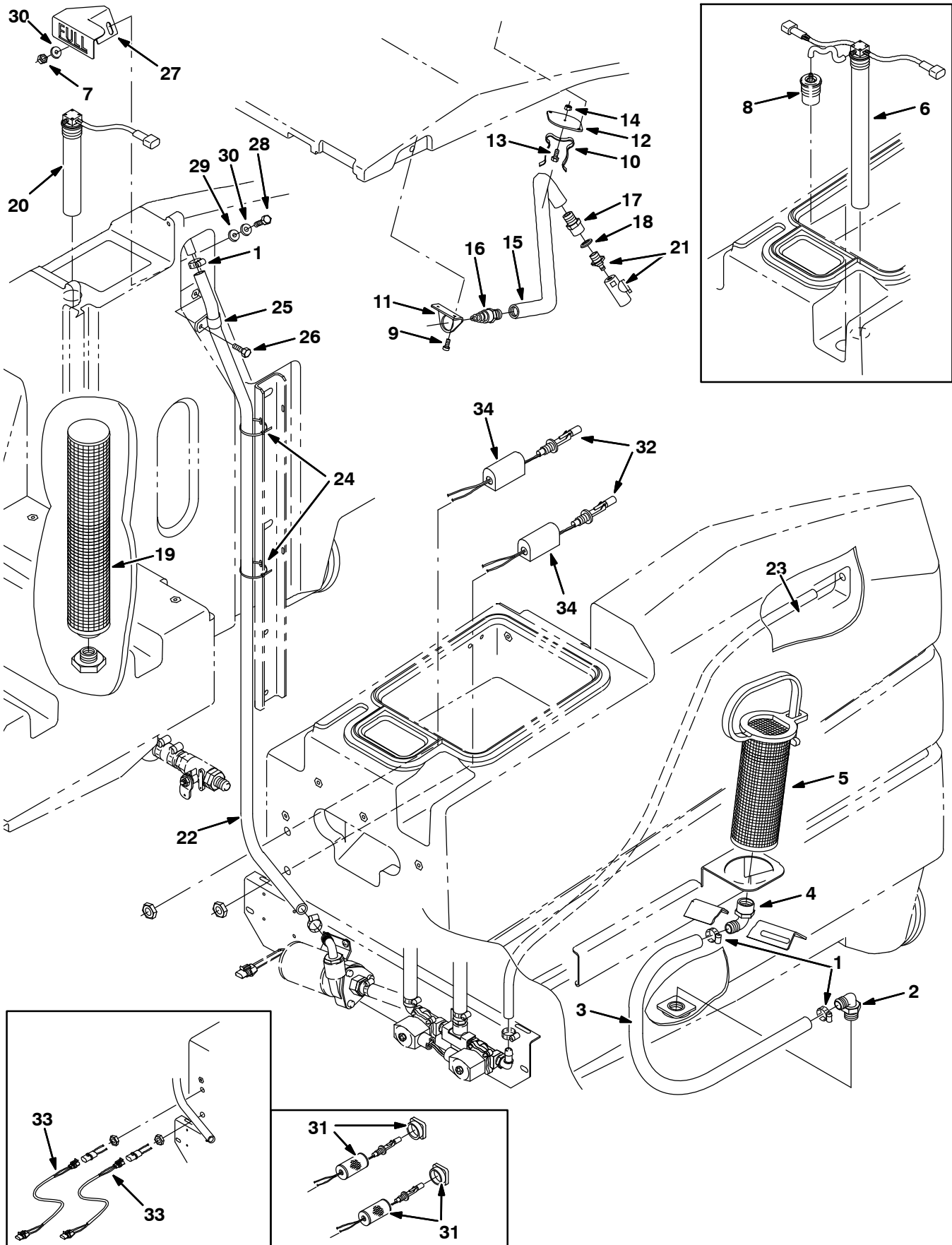


Fig. 51 – ES Tank Group

NOTE: ES Kit, TENNANT Part Number 386557, includes Fig. 50, Fig. 51, and Fig. 52.

Ref.	Part No.	Serial Number	Description	Qty.
1	63810	(000000–)	Clamp, Hose, Wormdrive, 0.56–1.06d, .56w	3
2	14877	(000000–)	Fitting, Plstc, E90, Bm12/Pm12	2
3	387266	(000000–)	Hose, Vyl, Brd, .75id 28.0l	1
4	24543	(000000–)	Fitting, Plstc, E90, Bm12/Pf12	1
5	386652	(000000–)	Strainer, Pump, Es	1
6	1072879	(000000–001541)	Switch, Press, Dual, 02Pf 14 Inch Tube	1
7	08713	(000000–)	Nut, Hex, Lock, M08 X 1.25,NI, Ss	1
8	13292	(000000–001541)	Hose, Vacuum, 0.16id X 05.0l	1
9	360943	(000000–)	Screw, Pan, #10–14 X 0.75, F/ Plstc	4
10	67004	(000000–)	Clip, Finger Grip	1
11	1056923	(000000–)	Angle, Wand, Clean–Out, Iron Gray	1
12	1056924	(000000–)	Plate, Wand, Clean–Out, Iron Gray	1
13	09206	(000000–)	Screw, Hex, M04 X 0.7 X 12, 8.8	1
14	02850	(000000–)	Nut, Hex, Lock, M04 X 0.7, NI	1
15	387109	(000000–)	Wand, Clean–Out	1
16	387159	(000000–)	Nozzle, Water	1
17	387160	(000000–)	Fitting, Plstc, Str, 08pmtxgarden	1
18	387161	(000000–)	Washer, Rbr, .68idx1.0od	1
19	387045	(000000–)	Strainer, Tank, Solution	1
20	1072875	(000000–)	Switch, Press, 3.0Inch 02Pf 08 Inch Tube	1
21	382991	(000000–)	Valve, Flow Control, Hose Adapter	1
22	387236	(000000–)	Hose, Vyl, Brd, .62id 55.0l	1
23	375308	(000000–)	Hose, Pvc, Clr, 0.50id 0.69od 50.00l	1
24	49266	(000000–)	Tie, Cable, Nyl, 07.3l .19w 1.8 Max D	2
25	69234	(000000–)	Clamp, Cable, Stl, 1.00d X 0.62w, 1h	1
26	49826	(000000–)	Screw, Hex, M08 X 1.25 X 16, Ss, NI	1
27	387061	(000000–)	Bracket, Full	1
28	09011	(000000–)	Screw, Hex, M08 X 1.25 X 30, Ss	1
29	63416	(000000–)	Washer, 0.31b 0.88d .12, Rbr	1
30	01685	(000000–)	Washer, Flt, .31 Ss	2
31	375302	(001542–002264)	Strainer, Soltn, Switch Guard (Repl By 1019285)	2
32	222822	(001542–002036)	Sensor, Level, Liquid [Magnetic]	2
32	385685	(002037–)	Sensor, Level, Liquid [Magnetic]	2
33	369766	(001542–002036)	Harness, Sensor, Jumper	2
34	1019285	(002265–)	Bracket, Protector, Float Switch	2

Fig. 52 - ES Drain Assembly

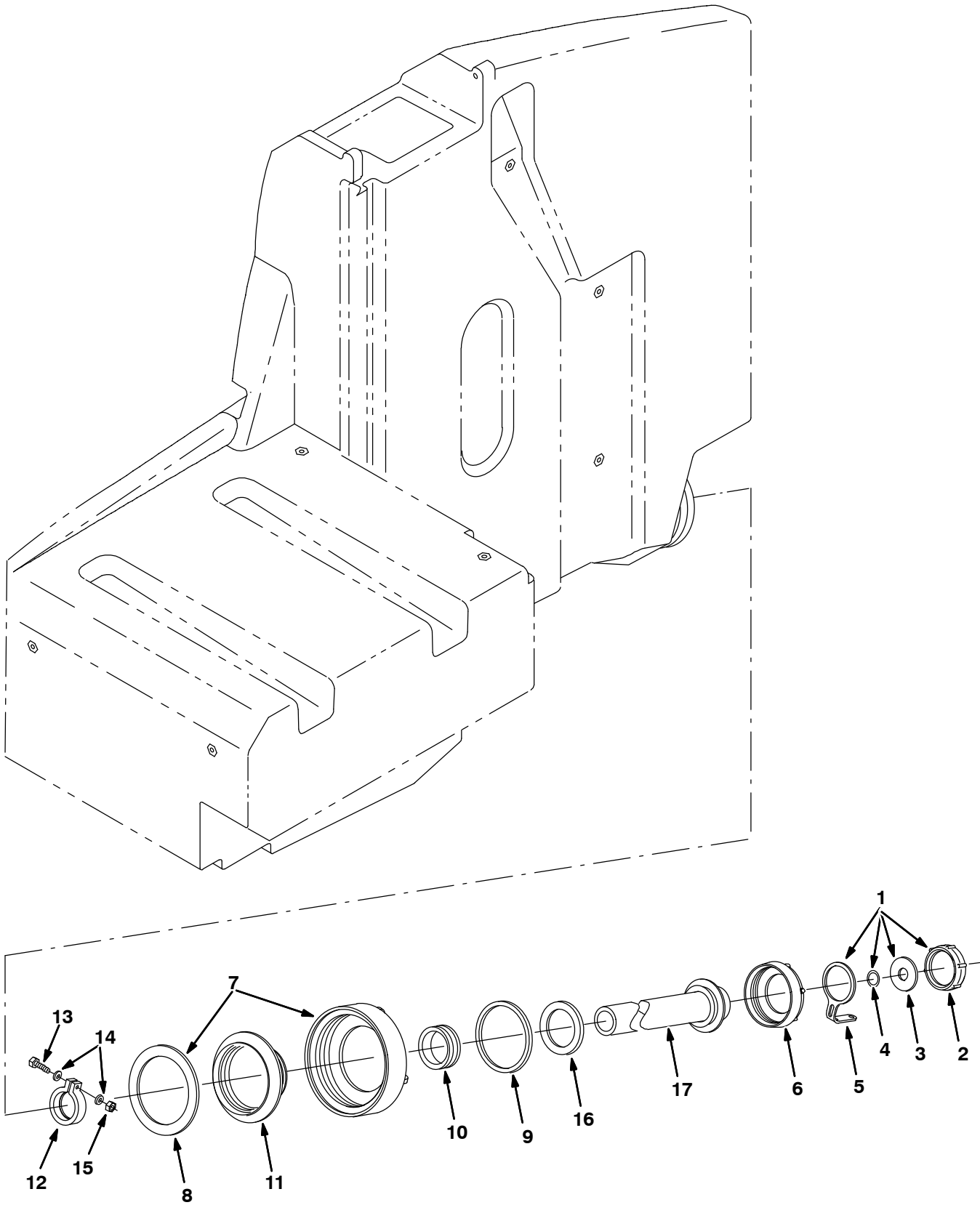


Fig. 52 - ES Drain Assembly

NOTE: ES Kit, TENNANT Part Number 386557, includes Fig. 50, Fig. 51, and Fig. 52.

	Ref.	Part No.	Serial Number	Description	Qty.
▽		387467	(000000-) Kit, Drain Hose, Solution Side	1
▲▽	1	32501	(000000-) Kit, Cap, Drain	1
▲▲	2	32613	(000000-) Cap, Tank, Drain, 2.25 Thread Pye	1
▲▲	3	32614	(000000-) Gasket, Cap	1
▲▲	4	32669	(000000-) Ring, Retaining, Ext, 0.75d, Ss	1
▲▲	5	32508	(000000-) Strap	1
▲	6	14880	(000000-) Cap, Tank, Drain, 3.85 Thread Pye	1
▲▽	7	24358	(000000-) Cap, Tank	1
▲▲	8	1031699	(000000-) Gasket, .19, 4.05id 5.29od [Buna]	1
▲	9	79320	(000000-) Gasket, Cap, Drain	1
▲	10	41421	(000000-) Seal	1
▲	11	14864	(000000-) Cover, Insert	1
▲	12	41454	(000000-) Clamp, Hose, Plstc, 1.60d X 0.62w	1
▲	13	12316	(000000-) Screw, Hex, M05 X 0.8 X 25, Ss	1
▲	14	01683	(000000-) Washer, Flt, #10 Ss	1
▲	15	09739	(000000-) Nut, Hex, Lock, M05 X 0.8, NI, Ss	1
▲	16	41451	(000000-) Gasket, Lid	1
▲	17	386423	(000000-) Hose Assy, Drain	1

Fig. 53 - ec-H2O Solution Pump Group

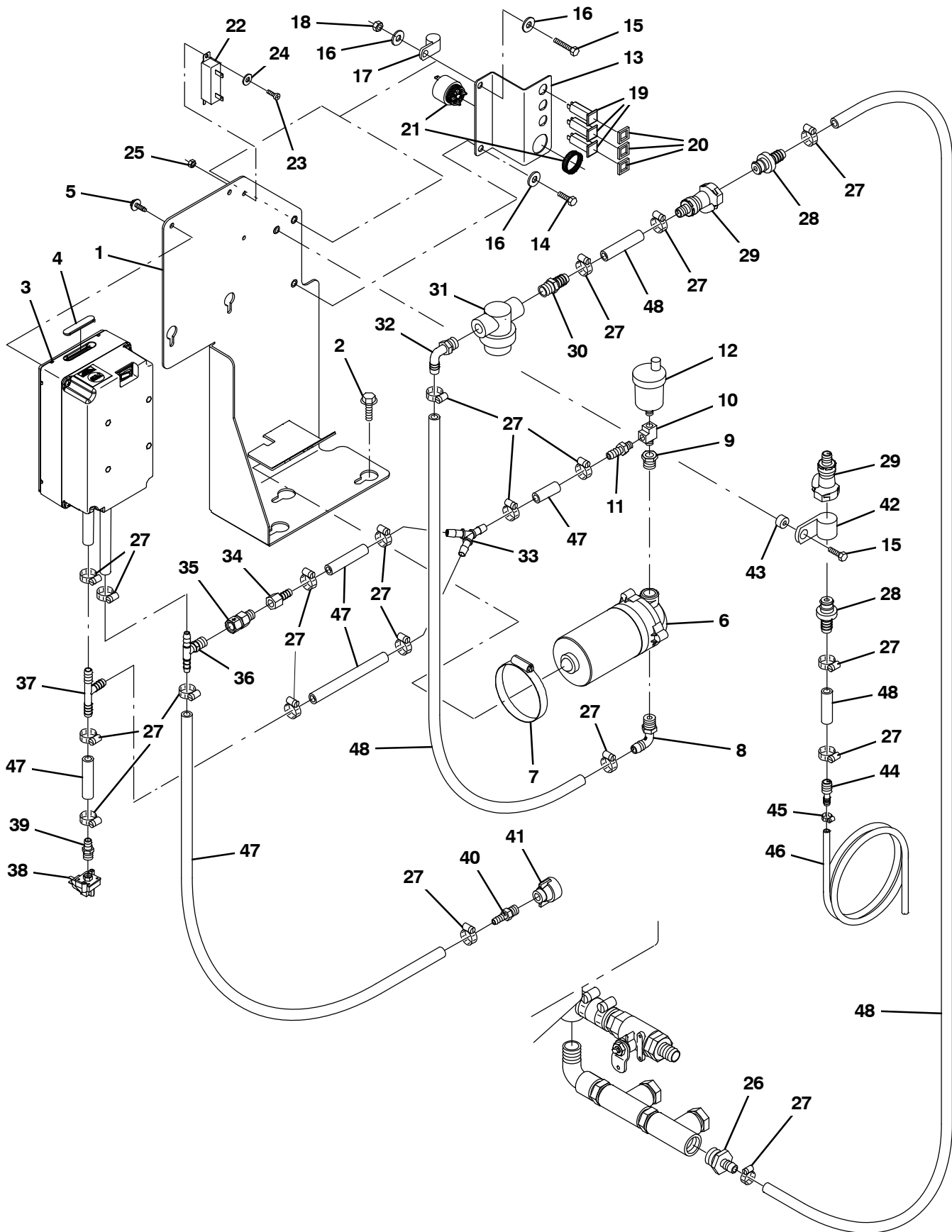


Fig. 53 – ec-H2O Solution Pump Group

Ref.	Part No.	Serial Number	Description	Qty.
1	1055336	(000000-) Bracket Wldt, Module	1
2	1037346	(000000-) Screw, Hex, M8 X 1.25 X 25, 9.8, Sems	3
3	9006270	(000000-) Module Kit, Replmt [ec-H2O] (See Breakdowns)	1
4	1054776	(000000-) Grommet, Blind	1
5	1040467	(000000-) Screw, Hex, M6 X 1.00 X 20, 9.8, Sems	4
6	1005866	(000000-) Pump, Soltn, Ele, 36vdc (See Breakdowns)	1
7	17188	(000000-) Clamp, Hose, Wormdrive, 2.50-3.50d, .50w	1
8	64778	(000000-) Fitting, Plstc, E90, Bm08/Pm06	1
9	24698	(000000-) Fitting, Brs, Str, Pf02/Pm06	1
10	26426	(000000-) Fitting, Brs, Tee, Pf02/Pf02/Pm02, Run	1
11	1005375	(000000-) Fitting, Plstc, Str, Bm06/Pm02, Nyl	1
12	1017386	(000000-) Valve, Vent, Air, Float Type	1
13	1052683	(000000-) Bracket, Component	1
14	16735	(000000-) Screw, Hex, M8 X 1.25 X 16, 8.8	1
15	76570	(000000-) Screw, Hex, M8 X 1.25 X 30, 8.8	2
16	32490	(000000-) Washer, Flat, 0.25, Std	3
17	82829	(000000-) Clamp, Cable, Stl, 0.63d X 0.75w, 1hole	1
18	08709	(000000-) Nut, Hex, Lock, M8 X 1.25, NI	1
19	1064183	(000000-) Circuitbreaker, 02.0A, Resetable	3
20	1064191	(000000-) Boot, Circuitbreaker	3
21	1052726	(000000-) Alarm, 9-48vdc, 95 Db(A) [Ec-H2O]	1
22	1056416	(000000-) Resistor, 011.00 Ohm, 0040Watt [5%]	1
23	12312	(000000-) Screw, Hex, M5 X 0.80 X 12, 8.8	2
24	01683	(000000-) Washer, Flat, 10, Ss	2
25	07789	(000000-) Nut, Hex, Flng, M5 X 0.80	2
26	79273-1	(000000-) Fitting, Plstc, Str, Bm08/Pm12	1
27	43844	(000000-) Clamp, Hose, Wormdrive, 0.25-0.62D, .31W	18
28	1017415	(000000-) Insert, Cplg, Qm, Bm08	2
29	1017413	(000000-) Housing, Cplg, Qf / Pm08	2
30	64743	(000000-) Fitting, Plstc, Str, Bm08/Pm06	1
31	1005302	(000000-) Filter, In-Line, Pf06/Pf06 080mesh 02.6l	1
32	64778	(000000-) Fitting, Plstc, E90, Bm08/Pm06	1
33	1017255	(000000-) Fitting, Plstc, Y, Bm06/Bm06/Bm06, Nyl	1
34	150511	(000000-) Fitting, Brs, Str, Bm06/Pf04	1
35	1055255	(000000-) Valve, Check, 0030psi Pm04/Pf04	1
36	1052832	(000000-) Fitting, Plstc, Tee, Bm05/Bm05/Pm04	1
37	87173	(000000-) Fitting, Plstc, Tee, Bm06/Bm06/Bm06	1
38	1055254	(000000-) Switch, Press, 25 Psi, Pm02	1
39	150016	(000000-) Fitting, Brs, Str, Bm06/Pf02, Spcl	1
40	1052017	(000000-) Fitting, Plstc, Str, Bm05/Pm04	1
41	1043866	(000000-) Fitting Assy, Qdc, Pf04	1
42	40678-1	(000000-) Clamp, Cable, Stl, 0.88d X 0.62w, 1hole	1
43	360352	(000000-) Tube, 0.34id 0.62od 00.2l, Stl	1
44	630164	(000000-) Fitting, Plstc, Str, Bm04/Bm08	1
45	43844	(000000-) Clamp, Hose, Wormdrive, 0.25-0.62d, .31w	1
46	1011411	(000000-) Hose, Afmkt, Pvc, Brd, 0.25id, 03ft	1
47	1052336	(000000-) Hose, Afmkt, Pvc, Brd, 0.31Id, 03Ft, Clr	1
48	1011412	(000000-) Hose, Afmkt, Pvc, Brd, 0.50id, 08ft, Clr	1

Fig. 54 – ec-H2O Switch and Label Group

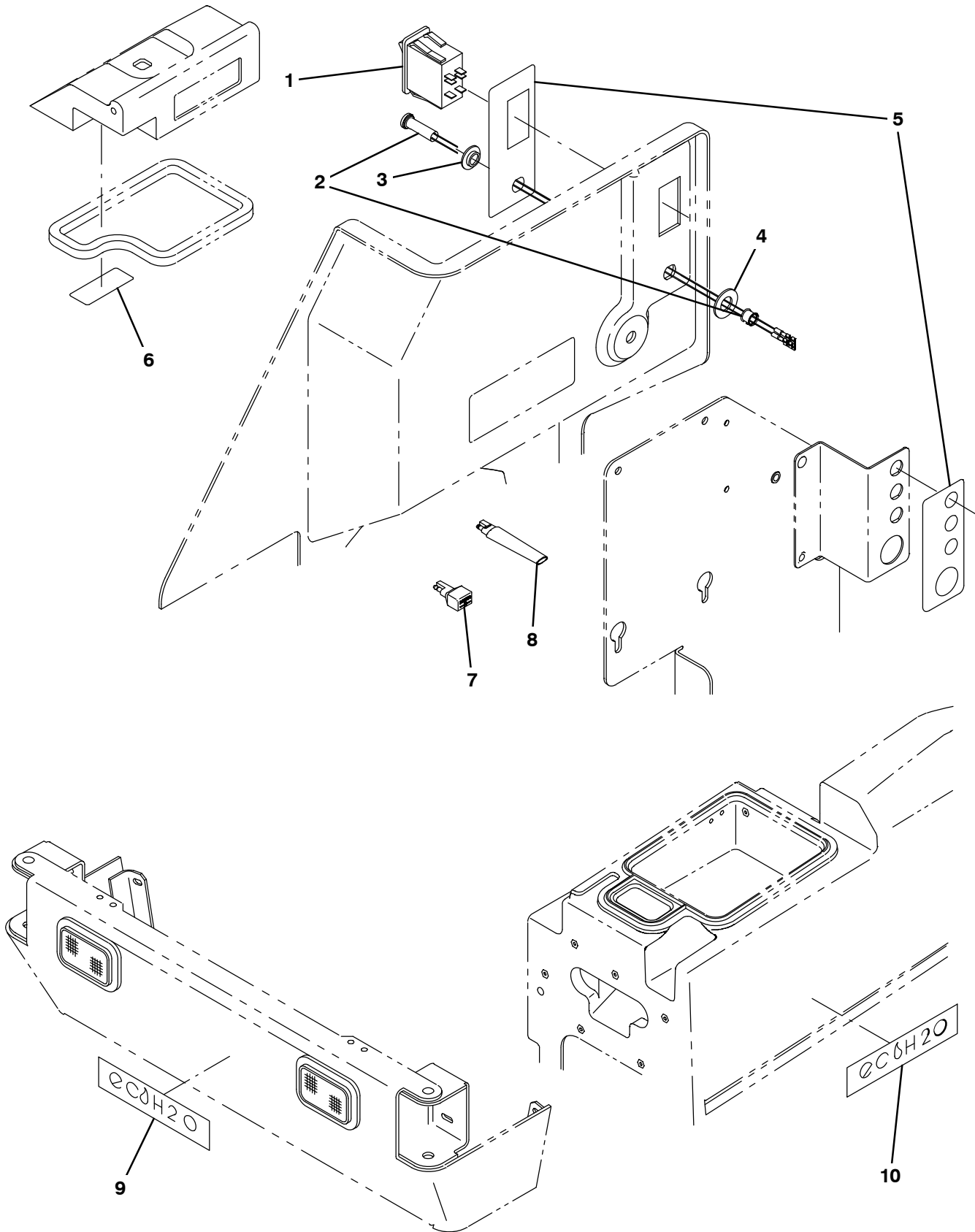
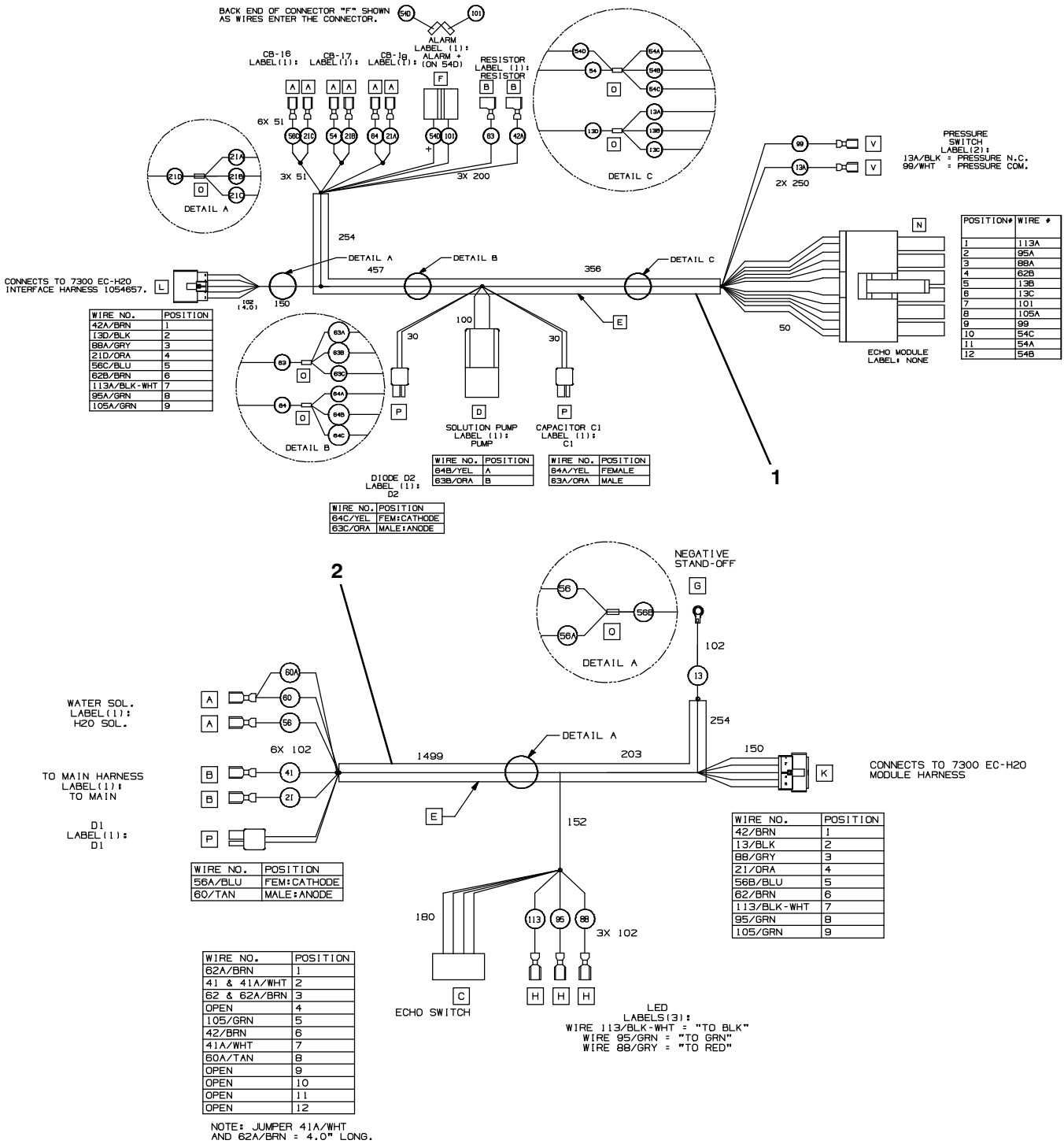


Fig. 54 – ec-H20 Switch and Label Group

Ref.	Part No.	Serial Number	Description	Qty.
1	377084	(000000–) Switch, Rocker, Prgrsv	1
2	1041822	(000000–) Light, Led, .312d, 2 Volt [Tri-Color]	1
3	1055883	(000000–) Bushing, Light, Led	1
4	43454	(000000–) Washer, Flat, 0.34b 0.69d .06, Nyl	1
5	1056331	(000000–) Label Set, Opertnl [7300 ec-H2O]	1
6	1050003	(000000–) Label [User, Attention, Ec-H2o]	1
7	222290	(000000–) Diode, Ele, Plug	1
8	1040868	(000000–) Capacitor, Plug [.01 Uf, 200v]	1
9	1052755	(000000–) Label, Front [Ec-H2o, T15]	1
10	1056944	(000000–) Label, Tank [ec-H20]	2

Fig. 55 – ec-H2O Wire Harnesses Group



354909

Ref.	Part No.	Serial Number	Description	Qty.
1	1050664	(000000–)) Harness, Wire [7300 Ec-H2o, Module]	1
2	1054657	(000000–)) Harness, Wire [7300, Ec-H2o Interface]	1

Fig. 56 – ec-H20 Install Kits

Ref.	Part No.	Serial Number	Description	Qty.
1	9006106	(000000–) Ec-H2o Kit, Cylrcl, 1000mm, Ci [73/8300]	1
2	9006107	(000000–) Ec-H2o Kit, Cylrcl, 1200mm, Ci[73/8300]	1
2	9006108	(000000–) Ec-H2o Kit, Disk, Ci [7300/8300]	1

Fig. 57 – Positive Solution Control Drain Kit, Recovery Tank (000000–004999)

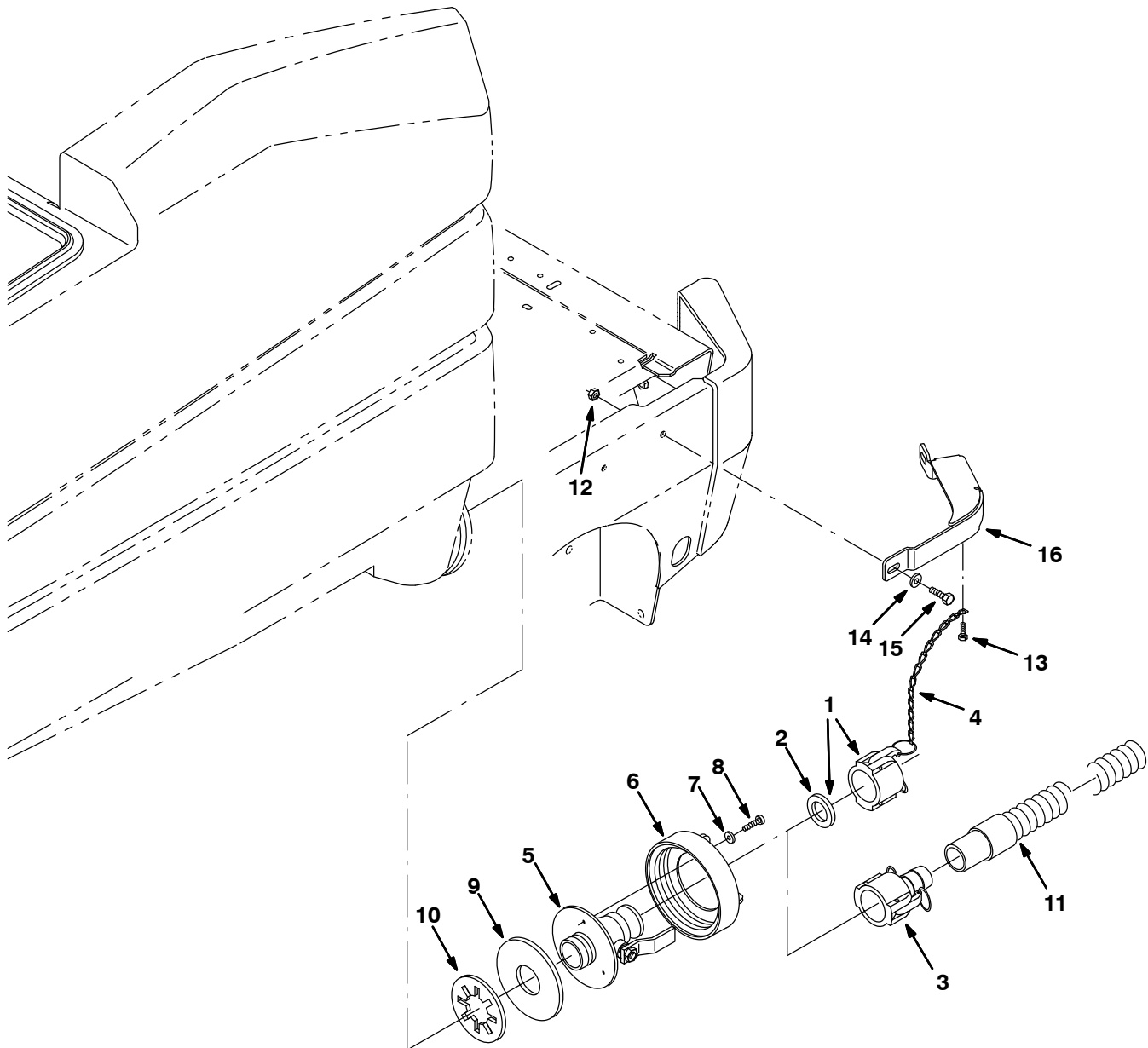


Fig. 57 – Positive Solution Control Drain Kit, Recovery Tank (000000–004999)

	Ref.	Part No.	Serial Number	Description	Qty.
▽		387127	(000000–004999)	Kit, Ci, Drain, Soltn, Pos, Cntrl, Recvy	1
▲▽		387221	(000000–004999)	Cap Assy	1
▲▲	1	48733	(000000–004999)	Cap, Dust	1
▲▲	2	371905	(000000–004999)	Gasket, Cap, Dust	1
▲	3	48734	(000000–004999)	Fitting, Coupler, Hose, Shank, Fem	1
▲	4	19903	(000000–004999)	Chain, Sash, #35, 07.2l 13 Link	1
▲	5	1049269	(000000–004999)	Valve, Ball, Drain, 1.50ID, Ss, Rwk	1
▲	6	23456	(000000–004999)	Cap, Tank, Drain, 6.17 Thread Pye	1
▲	7	01684	(000000–004999)	Washer, Flt, .25 Ss	3
▲	8	09744	(000000–004999)	Screw, Hex, M6 X 1.00 X 12, Ss	3
▲	9	1031700	(000000–004999)	Gasket, .19, 2.00ld 5.38OD [BUNA]	1
▲	10	20932	(000000–004999)	Washer, Polye	1
▲	11	75635	(000000–004999)	Hose Assy, W/1cuff, 1.5d 120l 1.5/	1
▲	12	07792	(000000–004999)	Nut, Hex, Flng, M10 X 1.5	2
▲	13	74455	(000000–004999)	Screw, Hex, M6 X 1.0 X 12, Fmg	1
▲	14	32492	(000000–004999)	Washer, Flt, .38 Std	2
▲	15	39284	(000000–004999)	Screw, Hex, M10 X 1.5 X 35, 8.8	2
▲	16	387213	(000000–004999)	Bumper, Posi Drain, Recvy Side	1

Fig. 58 – Positive Solution Control Drain Kit, Recovery Tank (005000–)

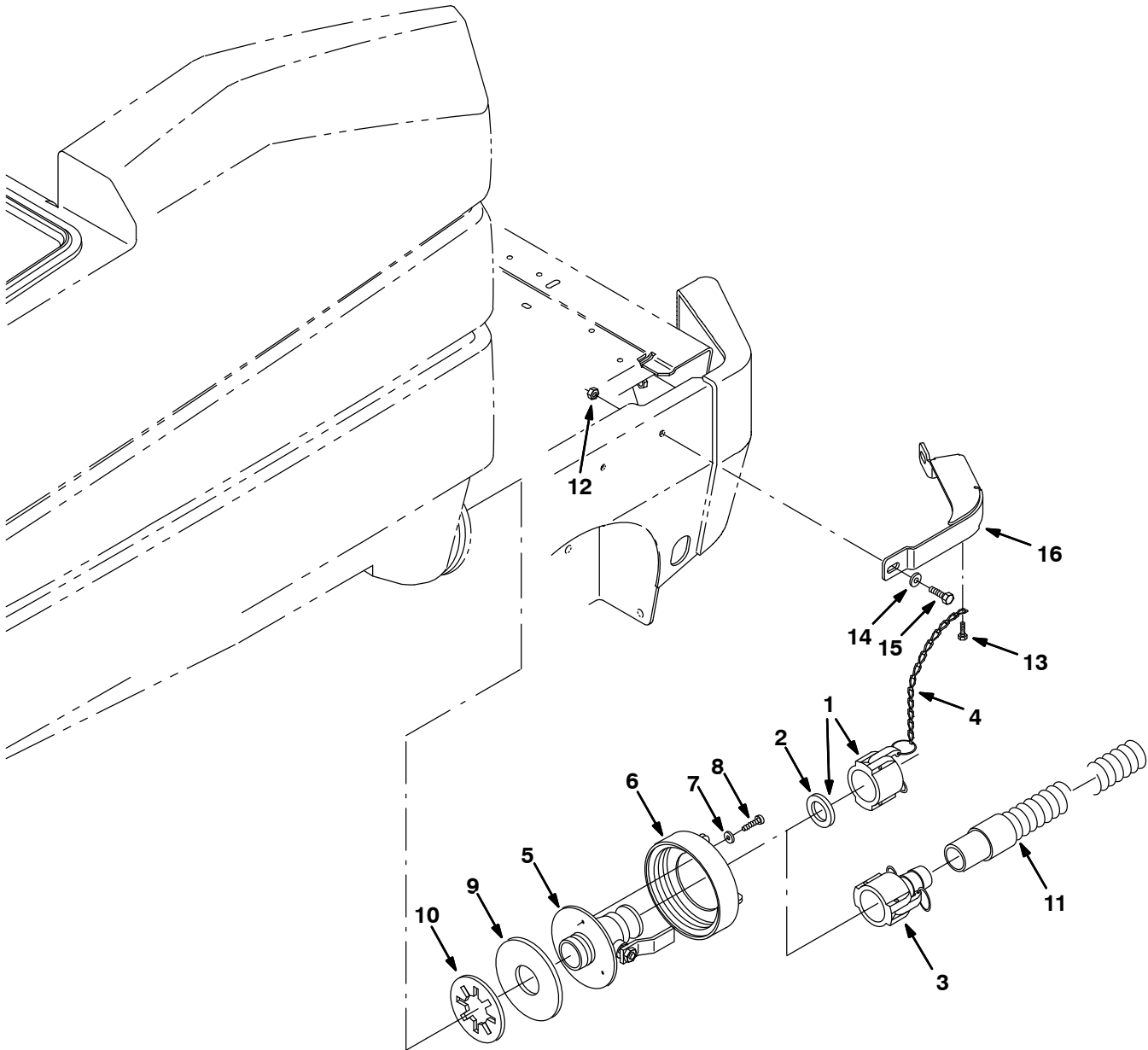


Fig. 58 – Positive Solution Control Drain Kit, Recovery Tank (005000–)

	Ref.	Part No.	Serial Number	Description	Qty.
▽		9006940	(005000–)	Drain Kit, Gray, Ci [Posi Cntrl/Recvy]	1
▲▽		387221	(005000–)	Cap Assy	1
▲▲	1	48733	(005000–)	Cap, Dust	1
▲▲	2	371905	(005000–)	Gasket, Cap, Dust	1
▲	3	48734	(005000–)	Fitting, Coupler, Hose, Shank, Fem	1
▲	4	19903	(005000–)	Chain, Sash, #35, 07.2l 13 Link	1
▲	5	1049269	(005000–)	Valve, Ball, Drain, 1.50ID, Ss, Rwk	1
▲	6	23456	(005000–)	Cap, Tank, Drain, 6.17 Thread Pye	1
▲	7	01684	(005000–)	Washer, Flt, .25 Ss	3
▲	8	09744	(005000–)	Screw, Hex, M6 X 1.00 X 12, Ss	3
▲	9	1031700	(005000–)	Gasket, .19, 2.00Id 5.38OD [BUNA]	1
▲	10	20932	(005000–)	Washer, Polye	1
▲	11	75635	(005000–)	Hose Assy, W/1cuff, 1.5d 120l 1.5/	1
▲	12	07792	(005000–)	Nut, Hex, Flng, M10 X 1.5	2
▲	13	74455	(005000–)	Screw, Hex, M6 X 1.0 X 12, Fmg	1
▲	14	32492	(005000–)	Washer, Flt, .38 Std	2
▲	15	39284	(005000–)	Screw, Hex, M10 X 1.5 X 35, 8.8	2
▲	16	1056799	(005000–)	Bumper, Side, Recvy, Gray [Posi Drain]	1

Fig. 59 – Positive Solution Control Drain Kit, Solution Tank (000000–004999)

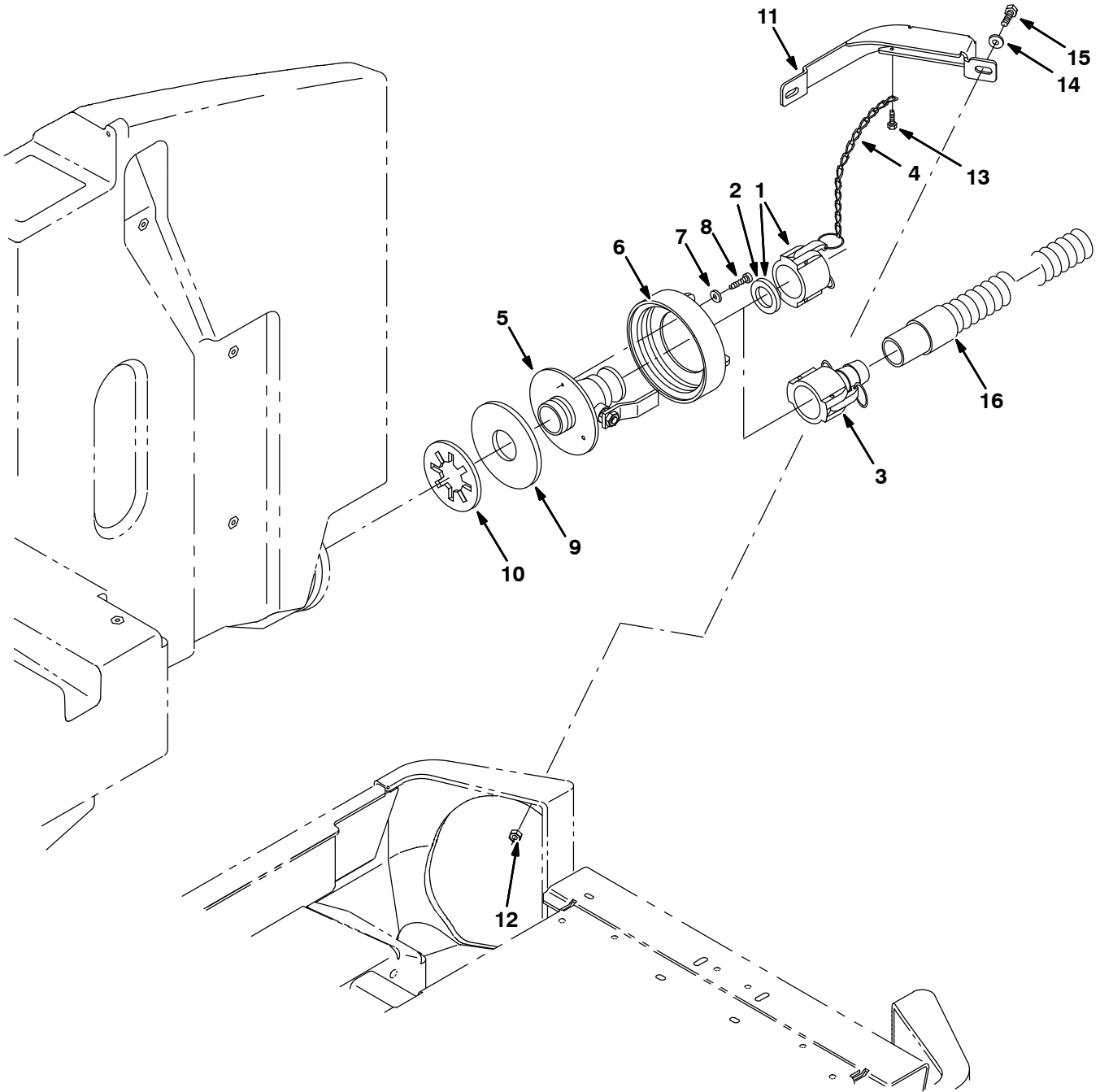


Fig. 59 – Positive Solution Control Drain Kit, Solution Tank (000000–004999)

	Ref.	Part No.	Serial Number	Description	Qty.
▽		387483	(000000–004999)	Kit, Ci, Drain, Soltn, Pos Cntrl, Soltn	1
▲▽	1	48733	(000000–004999)	Cap, Dust	1
▲▲	2	371905	(000000–004999)	Gasket, Cap, Dust	1
▲	3	48734	(000000–004999)	Fitting, Coupler, Hose, Shank, Fem	1
▲	4	19903	(000000–004999)	Chain, Sash, #35, 07.2l 13 Link	1
▲	5	1049269	(000000–004999)	Valve, Ball, Drain, 1.50ID, Ss, Rwk	1
▲	6	23456	(000000–004999)	Cap, Tank, Drain, 6.17 Thread Pye	1
▲	7	01684	(000000–004999)	Washer, Flt, .25 Ss	3
▲	8	09744	(000000–004999)	Screw, Hex, M6 X 1.00 X 12, Ss	3
▲	9	1031700	(000000–004999)	Gasket, .19, 2.00ld 5.38OD [BUNA]	1
▲	10	20932	(000000–004999)	Washer, Polye	1
▲	11	387126	(000000–004999)	Bumper, Posi Drain, Recvy Side	1
▲	12	07792	(000000–004999)	Nut, Hex, Flng, M10 X 1.5	2
▲	13	74455	(000000–004999)	Screw, Hex, M6 X 1.0 X 12, Fmg	1
▲	14	32492	(000000–004999)	Washer, Flt, .38 Std	2
▲	15	39284	(000000–004999)	Screw, Hex, M10 X 1.5 X 35, 8.8	2
▲	16	75635	(000000–004999)	Hose Assy, W/1cuff, 1.5d 120l 1.5/	1

Fig. 60 – Positive Solution Control Drain Kit, Solution Tank (005000-)

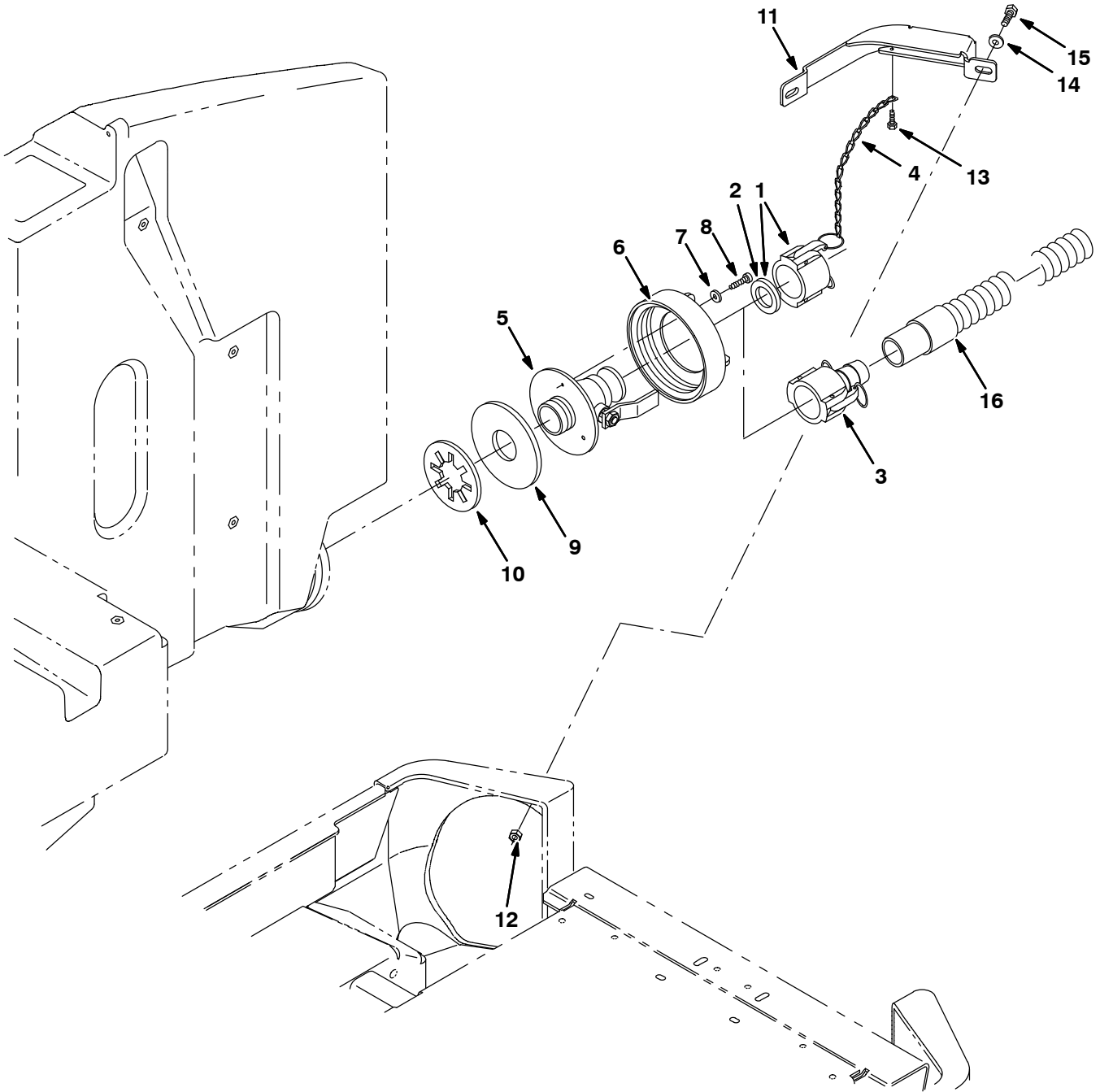


Fig. 60 – Positive Solution Control Drain Kit, Solution Tank (005000–)

Ref.	Part No.	Serial Number	Description	Qty.
▽	9006959	(005000–)	Drain Kit, Gray, Ci [Posi Cntrl/Soltn]	1
▲▽	1 48733	(005000–)	Cap, Dust	1
▲▲	2 371905	(005000–)	Gasket, Cap, Dust	1
▲	3 48734	(005000–)	Fitting, Coupler, Hose, Shank, Fem	1
▲	4 19903	(005000–)	Chain, Sash, #35, 07.2l 13 Link	1
▲	5 1049269	(005000–)	Valve, Ball, Drain, 1.50ID, Ss, Rwk	1
▲	6 23456	(005000–)	Cap, Tank, Drain, 6.17 Thread Pye	1
▲	7 01684	(005000–)	Washer, Flt, .25 Ss	3
▲	8 09744	(005000–)	Screw, Hex, M6 X 1.00 X 12, Ss	3
▲	9 1031700	(005000–)	Gasket, .19, 2.00ld 5.38OD [BUNA]	1
▲	10 20932	(005000–)	Washer, Polye	1
▲	11 1056796	(005000–)	Bumper, Side, Soltn, Gray [Posi Drain]	1
▲	12 07792	(005000–)	Nut, Hex, Flng, M10 X 1.5	2
▲	13 74455	(005000–)	Screw, Hex, M6 X 1.0 X 12, Fmg	1
▲	14 32492	(005000–)	Washer, Flt, .38 Std	2
▲	15 39284	(005000–)	Screw, Hex, M10 X 1.5 X 35, 8.8	2
▲	16 75635	(005000–)	Hose Assy, W/1cuff, 1.5d 120l 1.5/	1

Fig. 61 - Low Water Level Kit

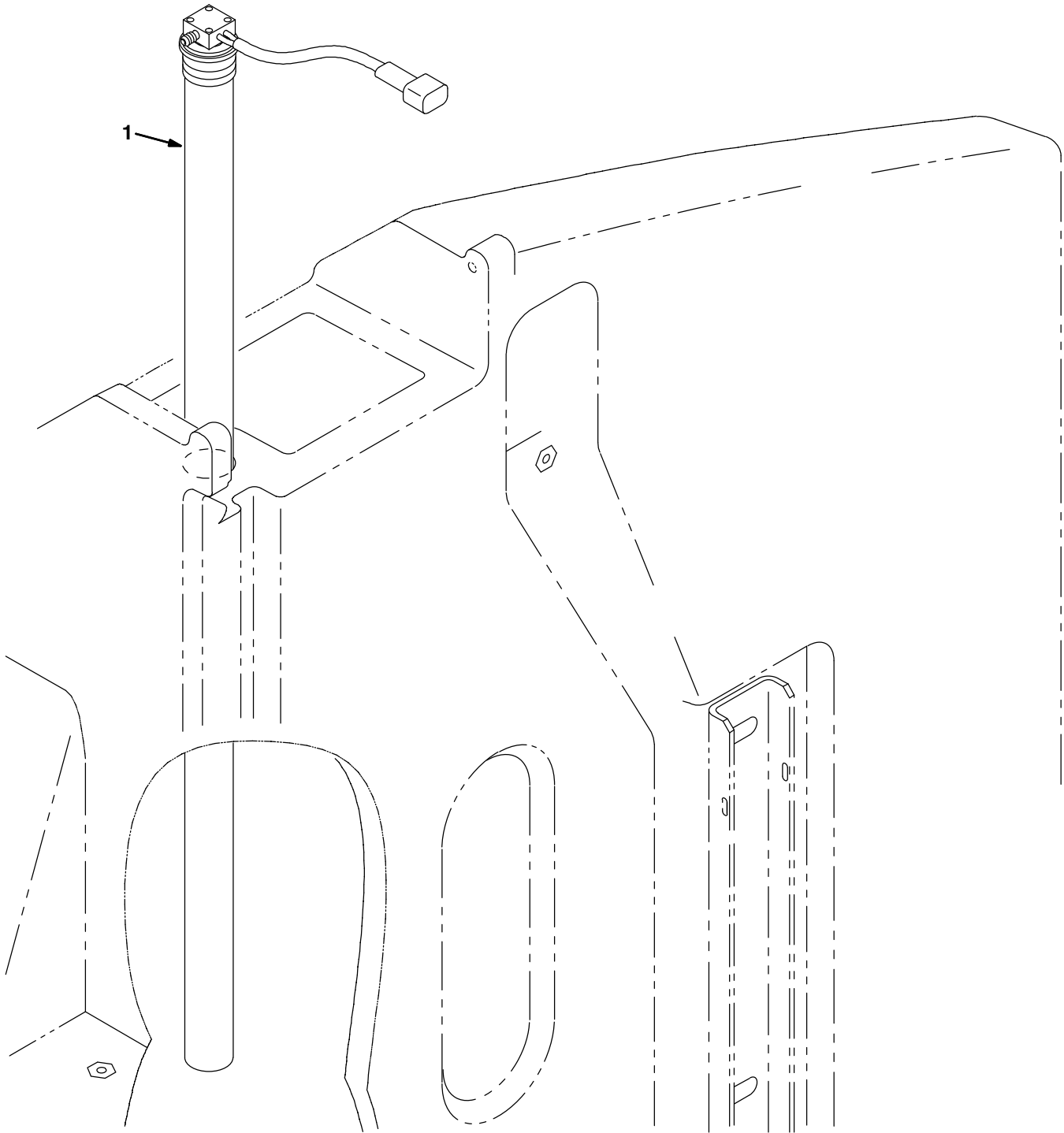


Fig. 61 – Low Water Level Kit

	Ref.	Part No.	Serial Number	Description	Qty.
▽		387003	(000000–) Kit, Ci, Indicator, Low Water Level	1
▲	1	375431	(000000–) Kit, Replmt, Press Switch/34" Tube	1

Fig. 62 - Detergent Metering Kit

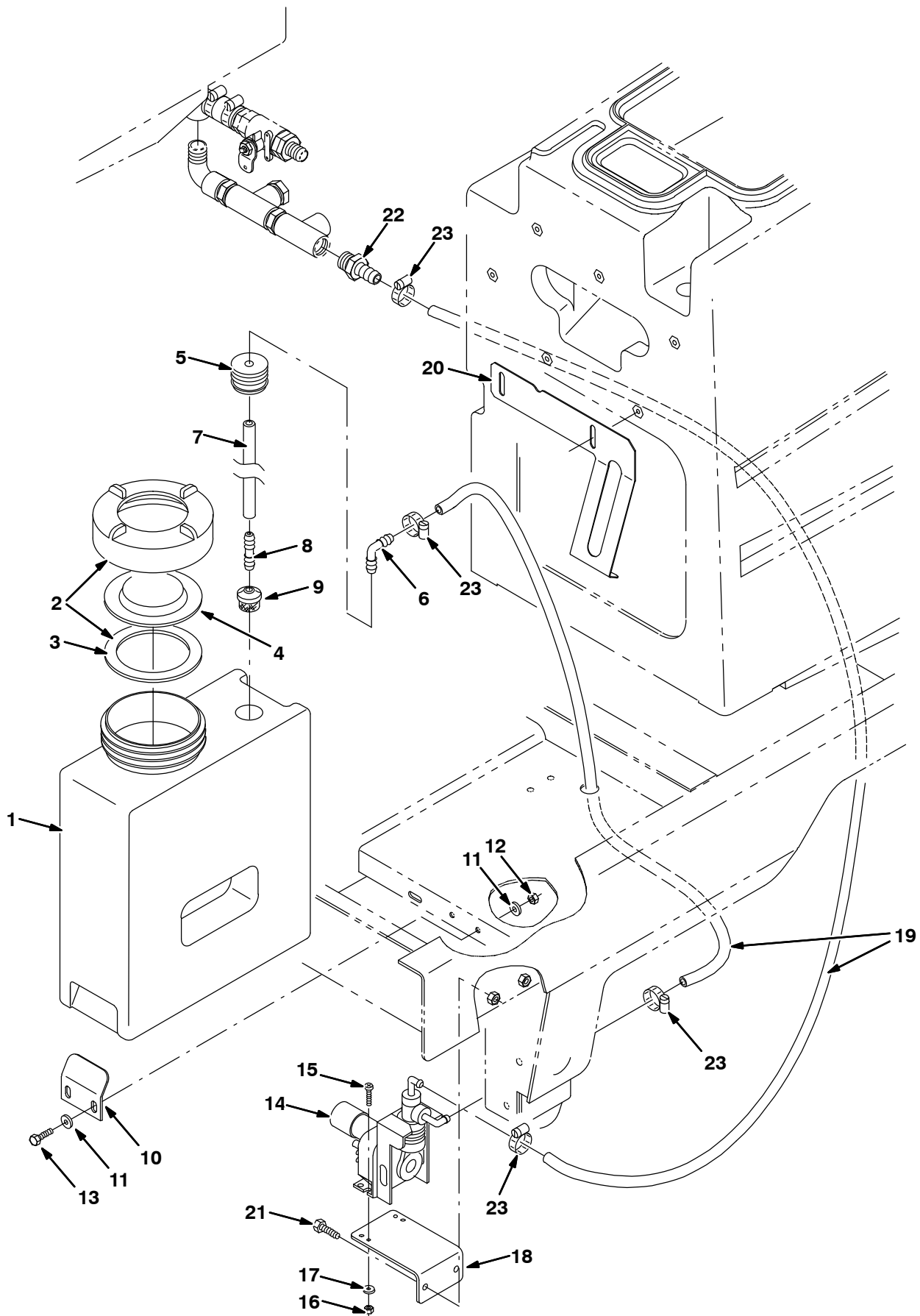


Fig. 62 – Detergent Metering Kit

	Ref.	Part No.	Serial Number	Description	Qty.
▽		386482	(000000–) Kit, Ci, Detgt Metering	1
▲	1	386163	(000000–) Tank, Detergent	1
▲▽	2	24358	(000000–) Cap, Tank	1
▲▲	3	1031699	(000000–) Gasket, .19, 4.05id 5.29od [Buna]	1
▲	4	86636	(000000–) Cover, Tank	1
▲	5	20944	(000000–) Grommet, Pye, 0.37id, F/ 1.5h, .13matl	2
▲	6	20951	(000000–) Fitting, Plstc, E90, 06bm/06bm	1
▲	7	382452	(000000–) Hose, Pvc, Brd, 0.38id 0.60od 15.00l	1
▲	8	20950	(000000–) Fitting, Plstc, Str, Bm06/Bm06	1
▲	9	20952	(000000–) Screen, Pump	1
▲	10	1056867	(000000–) Plate, Mtg, Tank, Detgt, Iron Gray	1
▲	11	01685	(000000–) Washer, Flt, .31 Ss	4
▲	12	08713	(000000–) Nut, Hex, Lock, M08 X 1.25,NI, Ss	2
▲	13	09023	(000000–) Screw, Hex, M08 X 1.25 X 35, Ss	2
▲	14	386364	(000000–) Pump, Detgt, 36vdc (See Breakdown)	1
▲	15	12323	(000000–) Screw, Pan, M04 X 0.7 X 20, Ss	4
▲	16	33932	(000000–) Nut, Hex, Lock, M04 X 0.7, NI, Ss	4
▲	17	41579	(000000–) Washer, Flt, #08 Ss	4
▲	18	1056872	(000000–) Angle, Mtg, Pump, Detgt, Iron Gray	1
▲	19	1014976	(000000–) Hose, Afmkt, Pvc, Brd, 0.38ld, 08Ft, Clr	2
▲	20	386432	(000000–) Bracket, Retaining, Tank, Detgt	1
▲	21	09023	(000000–) Screw, Hex, M08 X 1.25 X 35, Ss	2
▲	22	73467	(000000–) Fitting, Plstc, Str, Bm06/Pm12	1
▲	23	43844	(000000–) Clamp, Hose, Wormdrive, 0.25–0.62d	4

Fig. 63 – Power Wand Hose Assembly

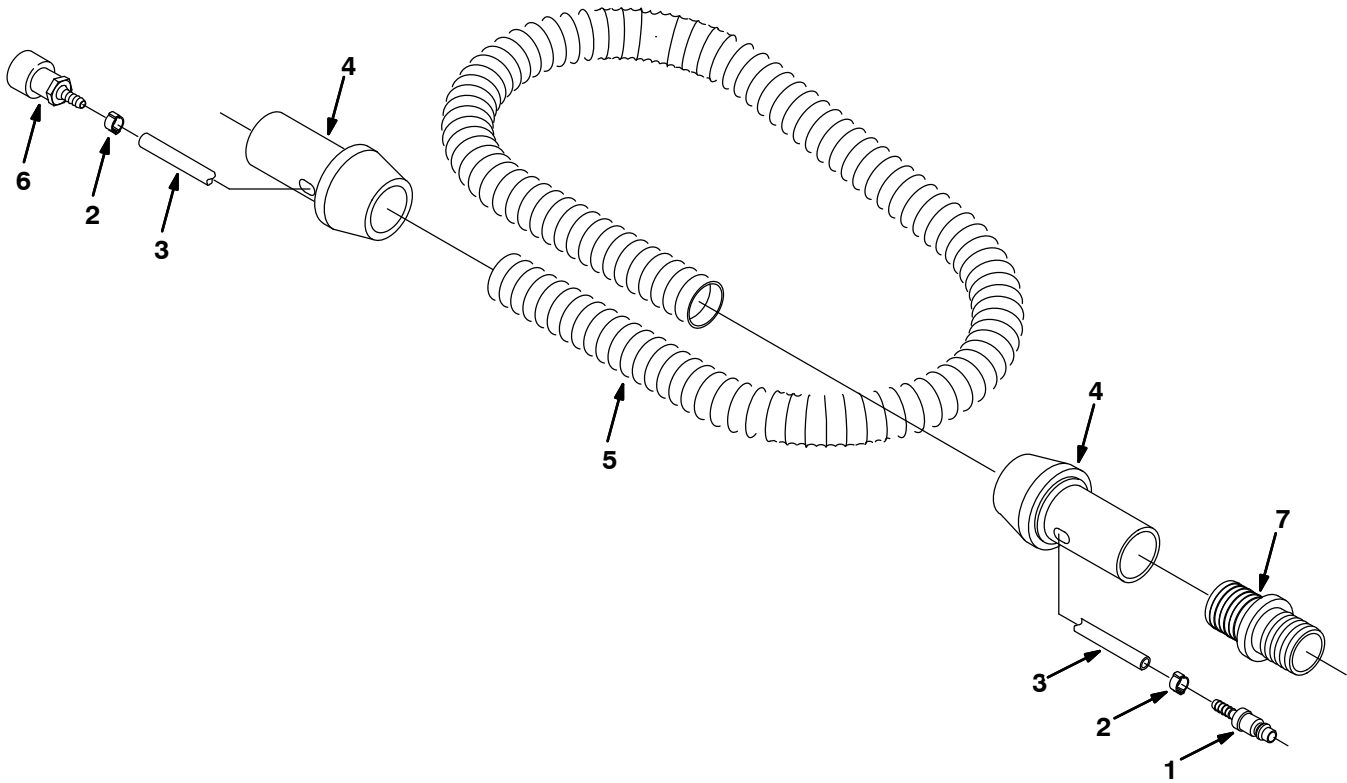


Fig. 63 – Power Wand Hose Assembly

NOTE: Power Wand Kit (000000–004999), Part Number 387147, includes; Fig. 63, Fig. 64, Fig. 65, and Fig. 66.

NOTE: Power Wand Kit (005000–), Part Number 9006944, includes; Fig. 63, Fig. 64, Fig. 65, and Fig. 66.

	Ref.	Part No.	Serial Number	Description	Qty.
▽		65341	(000000–)	Hose Assembly	1
▲	1	578318000	(000000–)	Fitting, Quick Disconnect	1
▲	2	578160000	(000000–)	Clamp, Hose	2
▲	3	578820000	(000000–)	Hose	1
▲	4	578072000	(000000–)	Cuff, Swivel	2
▲	5	578276000	(000000–)	Hose, Vacuum	1
▲	6	578071000	(000000–)	Fitting, Quick Disconnect	1
	7	48609	(000000–)	Fitting, Plstc, Str, Bm24/Bm32	1

Fig. 64 – Power Wand Assembly

NOTE: Power Wand Kit (000000–004999), Part Number 387147, includes; Fig. 63, Fig. 64, Fig. 65, and Fig. 66.
 NOTE: Power Wand Kit (005000–), Part Number 9006944, includes; Fig. 63, Fig. 64, Fig. 65, and Fig. 66.

Ref.	Part No.	Serial Number	Description	Qty.
▽	65340	(000000–)	Kit, Wand, Power [5400]	1
▲	1 578077000	(000000–)	Bracket, Mtg	1
▲	2 578061000	(000000–)	Adaptor	2
▲	3 578214000	(000000–)	Fitting, Elbow	1
▲	4 579112	(000000–)	Adaptor	1
▲	5 602036000	(000000–)	Rivet, Pop	2
▲	6 578066000	(000000–)	Nozzle, Spray	1
▲	7 65610	(000000–)	Brush, Block, Scrub, Poly	1
▲	8 578063000	(000000–)	Head, Wand	1
▲	9 578078000	(000000–)	Strip, Retainer	2
▲	10 578074000	(000000–)	Blade, Squeegee	2
▲	11 578124000	(000000–)	Bracket	1
▲	12 578439	(000000–)	Nut, Thumb, M6 X 30mm Dia	1
▲	13 578228000	(000000–)	Spring, Compression	1
▲	14 578143000	(000000–)	Stud, Adj	1
▲	15 578126000	(000000–)	Axle, Wand	1
▲	16 578125000	(000000–)	Wheel	2
▲	17 578123000	(000000–)	Bracket	1
▲	18 578155000	(000000–)	Handle, Wand	1
▲	19 578154000	(000000–)	Handle, Wand	1
▲	20 578091000	(000000–)	Plug, Qm, .25npt	1
▲	21 578164000	(000000–)	Grommet	1
▲	22 578821000	(000000–)	Hose, Wand	1
▲	23 578161000	(000000–)	Clamp, Hose	2
▲	24 578094000	(000000–)	Fitting, Hose, Barbed, .25npt Mal	1
▲	25 578064000	(000000–)	Valve, Water	1
▲	26 150208	(000000–)	Plug	1
▲	27 578060000	(000000–)	Wand	1
▲	28 65582	(000000–)	Brush, Block, Scrub, Ab	1

Fig. 65 – Power Wand Pump and Fittings Group

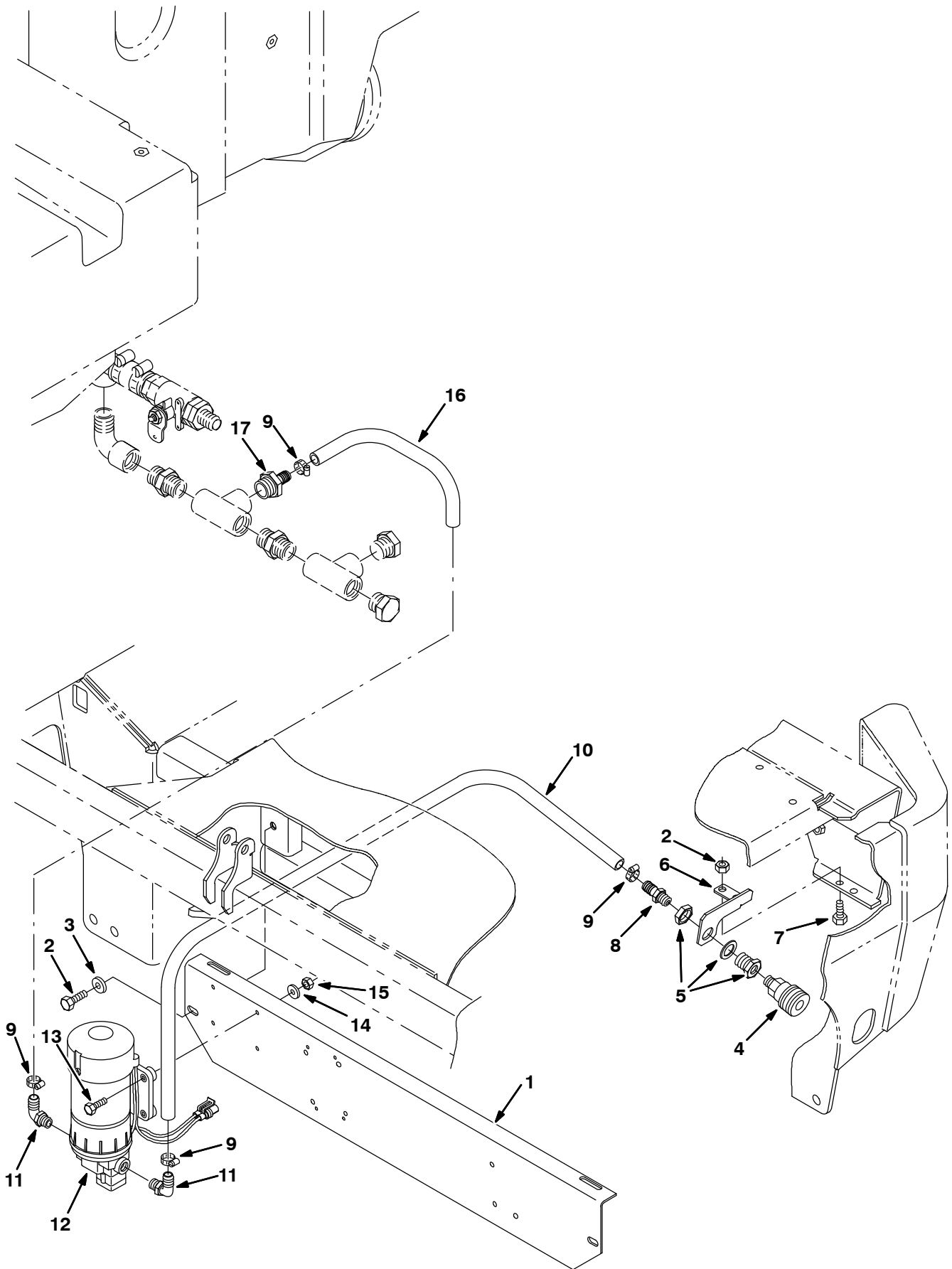


Fig. 65 – Power Wand Pump and Fittings Group

NOTE: Power Wand Kit (000000–004999), Part Number 387147, includes; Fig. 63, Fig. 64, Fig. 65, and Fig. 66.
 NOTE: Power Wand Kit (005000–), Part Number 9006944, includes; Fig. 63, Fig. 64, Fig. 65, and Fig. 66.

Ref.	Part No.	Serial Number	Description	Qty.
1	1056864	(000000–)	Angle, Mtg, Es, Iron Gray	1
2	09010	(000000–)	Screw, Hex, M08 X 1.25 X 25, Ss	4
3	01685	(000000–)	Washer, Flt, .31 Ss	2
4	65342	(000000–)	Fitting, Brs, Qdc, Pm04/Qf06	1
5	78122	(000000–)	Fitting, Brs, Str, Pf04/Pf04 Bkhd	1
6	1056865	(000000–)	Bracket, Wand, Power, Iron Gray	1
7	08713	(000000–)	Nut, Hex, Lock, M08 X 1.25,NI, Ss	2
8	48610	(000000–)	Fitting, Plstc, Str, Bm08/Pm04	1
9	54333	(000000–)	Clamp, Hose, Wormdrive, 0.31–0.88d	4
10	84057	(000000–)	Hose, Pvc, Wir, 0.50id 0.74od 47.00l	1
11	65581	(000000–)	Fitting, Plstc, E90, Bm08/Pm04	2
12	387321	(000000–)	Pump Assy, Power Wand (See Breakdown)	1
13	09007	(000000–)	Screw, Hex, M06 X 1.0 X 25, Ss	4
14	01684	(000000–)	Washer, Flt, .25 Ss	4
15	08712	(000000–)	Nut, Hex, Lock, M06 X 1.0, NI, Ss	4
16	63184	(000000–)	Hose, Pvc, Wir, 0.50id 0.75od 15.50l	1
17	79273–1	(000000–)	Fitting, Plstc, Str, Bm08/Pm12	1

Fig. 66 – Power Wand Mount Group

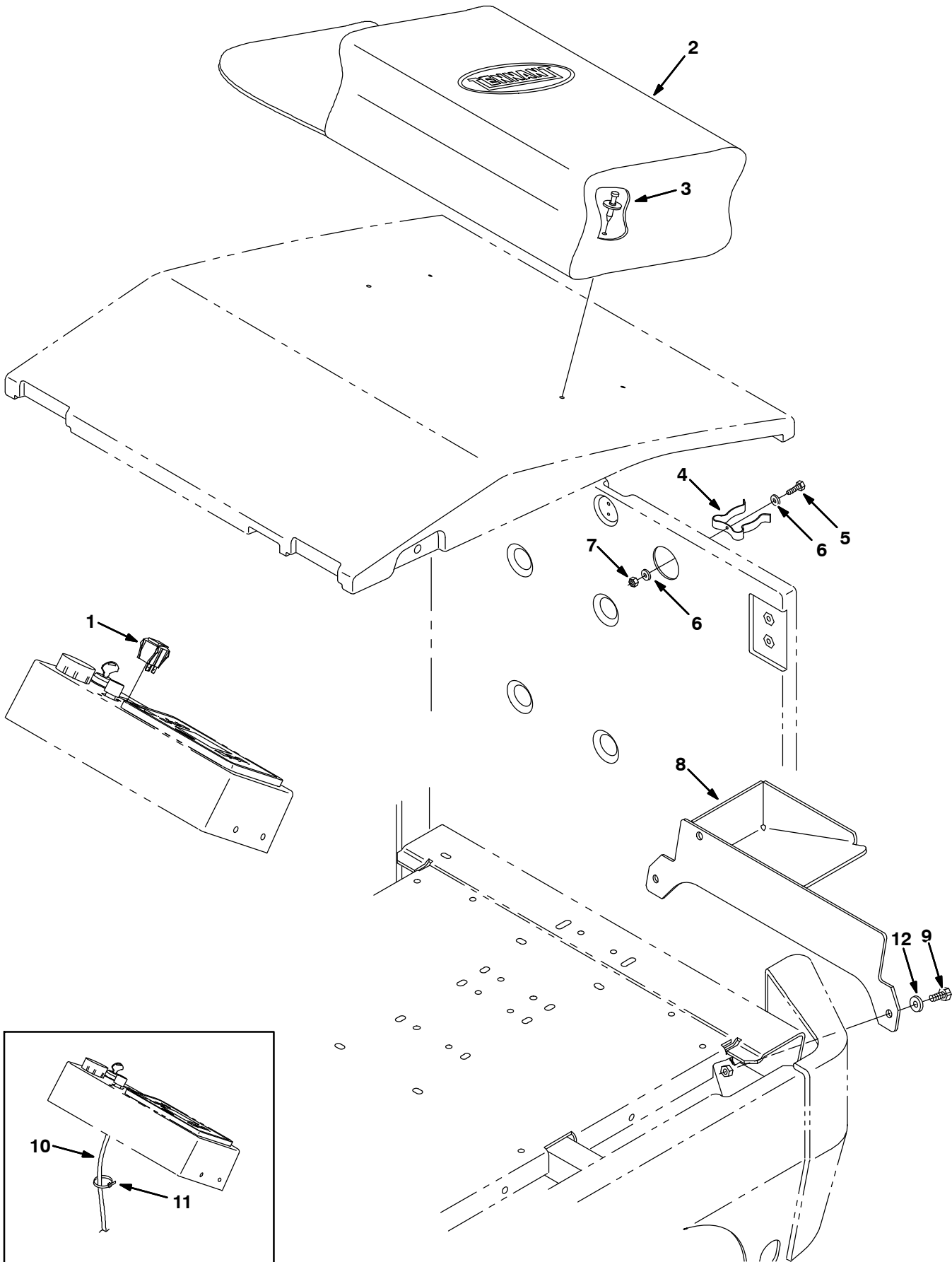


Fig. 66 – Power Wand Mount Group

NOTE: Power Wand Kit (000000–004999), Part Number 387147, includes; Fig. 63, Fig. 64, Fig. 65, and Fig. 66.

NOTE: Power Wand Kit (005000–), Part Number 9006944, includes; Fig. 63, Fig. 64, Fig. 65, and Fig. 66.

Ref.	Part No.	Serial Number	Description	Qty.
1	222117	(000000–)	Switch, Rocker	1
2	65580	(000000–)	Bag, Power	1
3	72968	(000000–)	Rivet, Plstc, .250 X 0.898	2
4	67004	(000000–)	Clip, Finger Grip	1
5	09228	(000000–)	Screw, Hex, M04 X 0.7 X 20, 8.8	1
6	19064	(000000–)	Washer, Flt, #06	2
7	02850	(000000–)	Nut, Hex, Lock, M04 X 0.7, NI	1
8	387050	(000000–004999)	Tray Wldt, Power Wand	1
8	1056793	(005000–)	Tray Wldt, Power Wand, Iron Gray	1
9	12273	(000000–)	Screw, Hex, M08 X 1.25 X 20, Ss, NI	3
10	386608	(000000– xxxxxx)	Harness, Power Wand, [7300/8300]	1
10	387422	(xxxxxx–001705)	Harness, Power Wand, [7300/8300]	1
11	49266	(000000–001705)	Tie, Cable, Nyl, 07.3l .19w 1.8 Max D	4
12	01685	(000000–)	Washer, Flt, .31	3

Fig. 67 - Vacuum Wand Kit

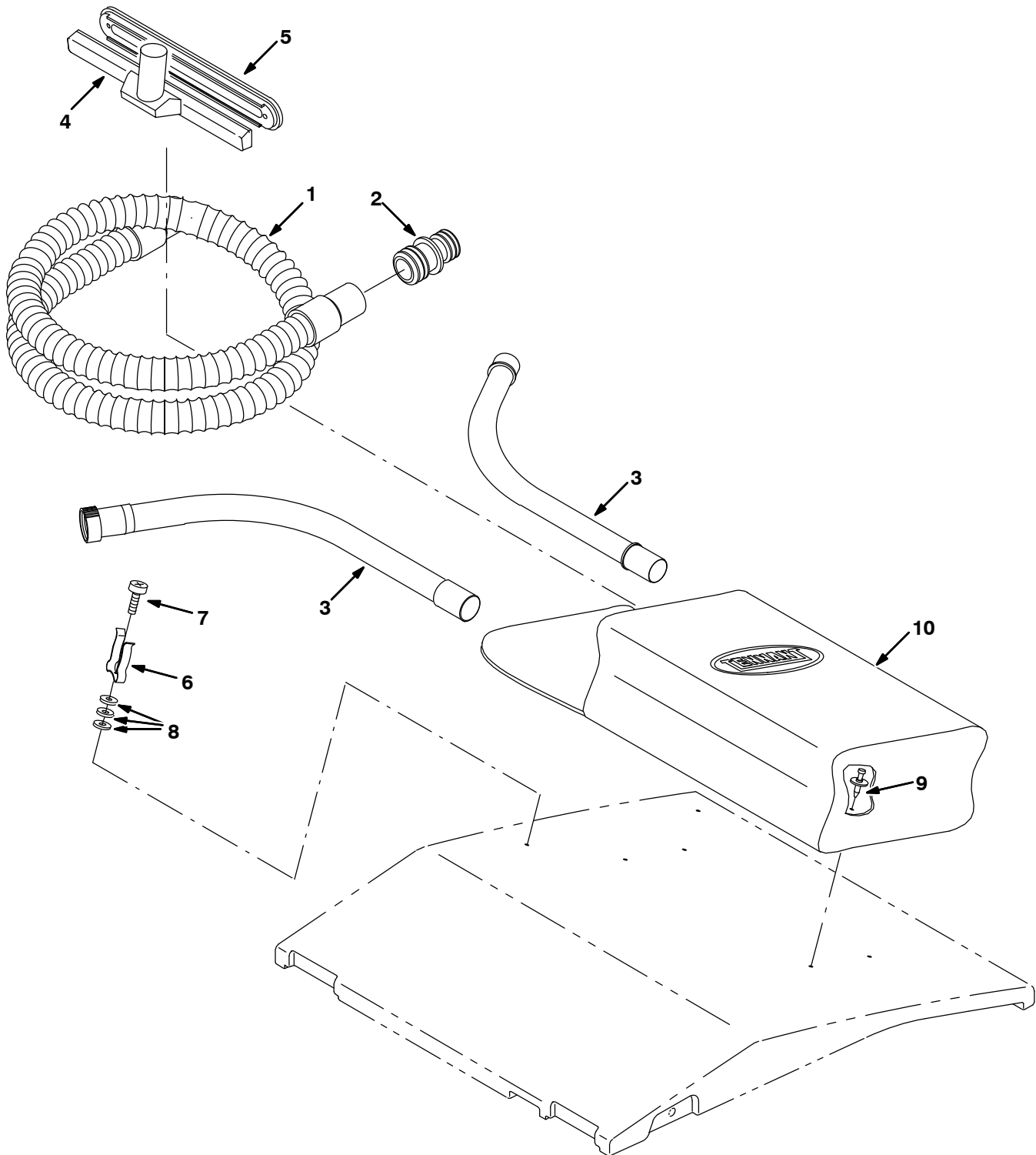


Fig. 67 – Vacuum Wand Kit

	Ref.	Part No.	Serial Number	Description	Qty.
▽		387262	(000000–) Kit, Ci, Vacuum Wand, [7300/8300]	1
▲	1	86767	(000000–) Hose Assy, Pvc, W/ Cuff, 1.5d, 90.0l	1
▲	2	48609	(000000–) Fitting, Plstc, Str, Bm24/Bm32	1
▲	3	63448	(000000–) Tube, Wand, Vacuum, Metal	1
▲	4	63451	(000000–) Nozzle, Wand, Plstc, 14.0lg	1
▲	5	63430	(000000–) Shoe, Plstc, Sqge, 14inch	1
▲	6	67004	(000000–) Clip, Finger Grip	2
▲	7	360943	(000000–) Screw, Pan, #10–14X0.75, F/Plstc	2
▲	8	19064	(000000–) Washer, Flt, #06	6
▲	9	72968	(000000–) Rivet, Plstc, .250 X 0.898	4
▲	10	65580	(000000–) Bag, Power	1

Fig. 68 – Max Pro 1200 Rear Squeegee Group (000000-004999)

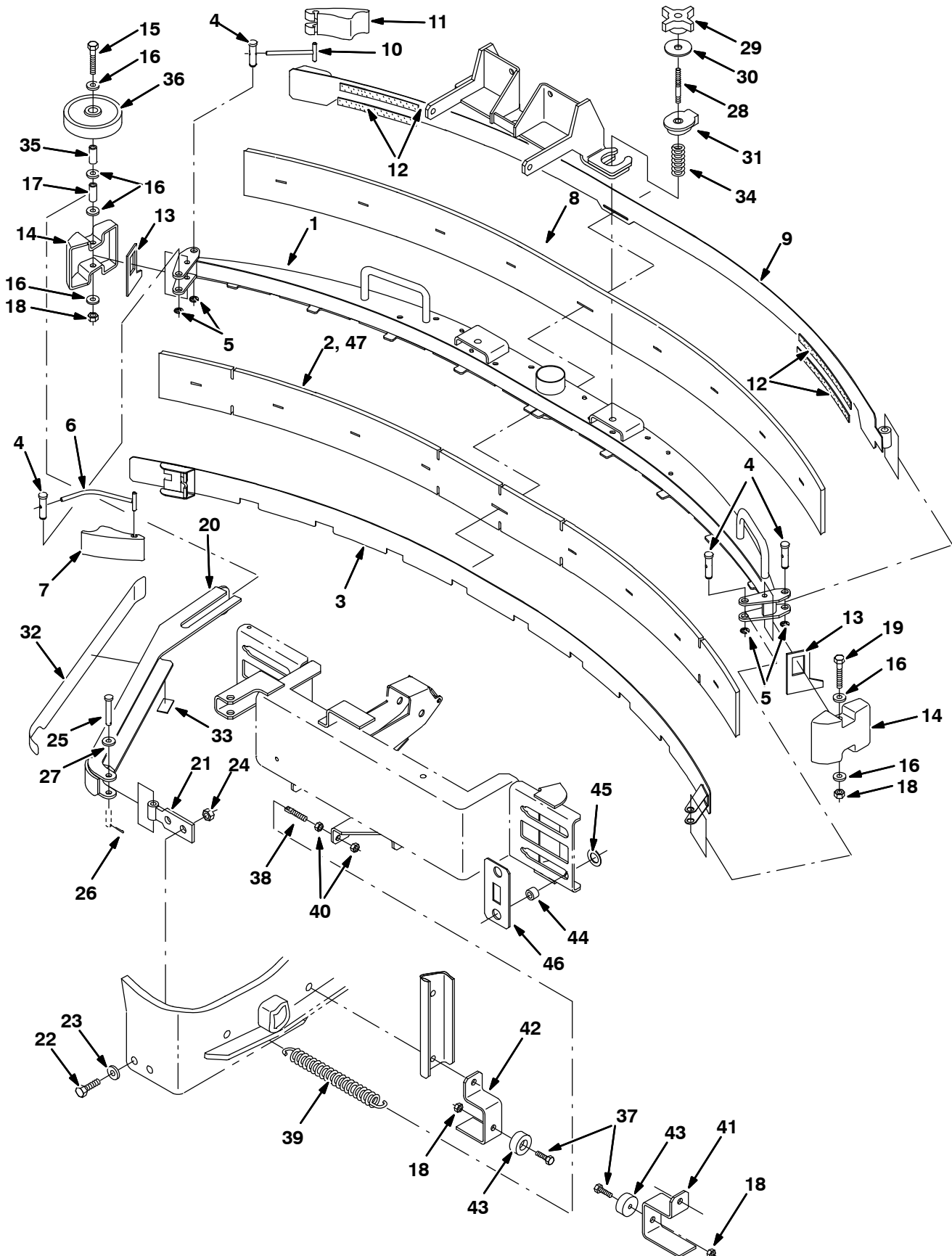


Fig. 68 – Max Pro 1200 Rear Squeegee Group (000000–004999)

Ref.	Part No.	Machine Serial Number	Description	Qty.
▽	386861	(000000–004999)	Kit, Cl, Squeegee, Rear [Max Pro 1200]	1
▲	1 1056877	(000000–004999)	Frame Wldt, Sqge 48.0l	1
▲	2 386833	(000000–004999)	Blade, Sqge, Front 48.0l	1
▲	3 386835	(000000–004999)	Clamp Wldt, Front 48.0l	1
▲	4 21603	(000000–004999)	Pin	4
▲	5 24555	(000000–004999)	Ring, Retaining, Ext	4
▲	6 386298	(000000–004999)	Pin Wldt, Front	1
▲	7 21601	(000000–004999)	Cam	1
▲	8 386834	(000000–004999)	Blade, Sqge, Rear 48.0l	1
▲	9 386836	(000000–004999)	Clamp Wldt, Rear 48.0l	1
▲	10 21606	(000000–004999)	Bar Wldt, Retainer, Sqge, Rear	1
▲	11 21602	(000000–004999)	Cam, Rear	1
▲	12 03495	(000000–004999)	Strip, Nonslip	4
▲	13 83874	(000000–004999)	Gasket, Sqge	2
▲	14 386264	(000000–004999)	Bumper, Sqge	2
▲	15 387431	(000000–004999)	Screw, Hex, M08 X 1.25 X 130 Ss	1
▲	16 01685	(000000–004999)	Washer, Flt, .31 Ss	5
▲	17 222497	(000000–004999)	Sleeve	1
▲	18 08713	(000000–004999)	Nut, Hex, Lock, M08 X 1.25,NI, Ss	4
▲	19 09767	(000000–004999)	Screw, Hex, M08 X 1.25 X 70, Ss	1
▲	20 387435	(000000–004999)	Channel Wldt	1
▲	21 386234	(000000–004999)	Pivot Wldt, Guard	1
▲	22 12309	(000000–004999)	Screw, Hex, M12 X 1.75 X 30, Ss	2
▲	23 41619	(000000–004999)	Washer, Flt, .50 Ss	2
▲	24 09741	(000000–004999)	Nut, Hex, Lock, M12 X 1.75,NI, Ss	2
▲	25 1039190	(000000–004999)	Pin, Clevis, 0.25d X 2.00l	1
▲	26 08178	(000000–004999)	Pin, Cotter, .062 X 0.75	1
▲	27 01684	(000000–004999)	Washer, Flat, 0.27b 0.69d .05, Ss	2
▲	28 387237	(000000–004999)	Stud, .31–18 2.75l M8 X 1.25, Ss	2
▲	29 370100	(000000–004999)	Knob, 4–Prong W/.31–18, Insert	2
▲	30 04414	(000000–004999)	Washer, 0.53b 1.88d .12, Stl, Pl	2
▲	31 387433	(000000–004999)	Ring, Mtg, Sqge, .50l	2
▲	32 387436	(000000–004999)	Bumper, Poly–E	1
▲	33 387438	(000000–004999)	Bumper, Poly–E	1
▲	34 387500	(000000–004999)	Spring, Cmpr, .87od .042wir 2.0l	2
▲	35 363301	(000000–004999)	Sleeve, 0.62d 0.34b 1.19l Bnz	1
▲	36 363162	(000000–004999)	Wheel, 4.0d 0.89w 0.64b	1
▲	37 09010	(000000–004999)	Screw, Hex, M08 X 1.25 X 25, Ss	2
▲	38 386847	(000000–004999)	Bolt, Eye, M10x1.5 X 2.0 X .28 Eye	1
▲	39 71100	(000000–004999)	Spring, Extn, 1.69od X 0.20wir, 9.5l	1
▲	40 32716	(000000–004999)	Nut, Hex, Jam, M10 X 1.5, Ss	2
▲	41 387446	(000000–004999)	Channel, Stop, Lh	1
▲	42 387447	(000000–004999)	Channel, Stop, Rh	1
▲	43 364614	(000000–004999)	Bumper, Neo, 1.5d .63t .31h	2
▲	44 387429	(000000–004999)	Sleeve, P/M, 0.44b 0.75d 0.5l [430ss]	4
▲	45 53782	(000000–004999)	Washer, Thrust, 0.75b 1.25d 0.06w	4
▲	46 387430	(000000–004999)	Plate, Slide	2
▲	47 387258	(000000–004999)	Blade, Sqge, Front, Mp1200, Tile	1

Fig. 69 – Max Pro 1200 Rear Squeegee Group (005000-)

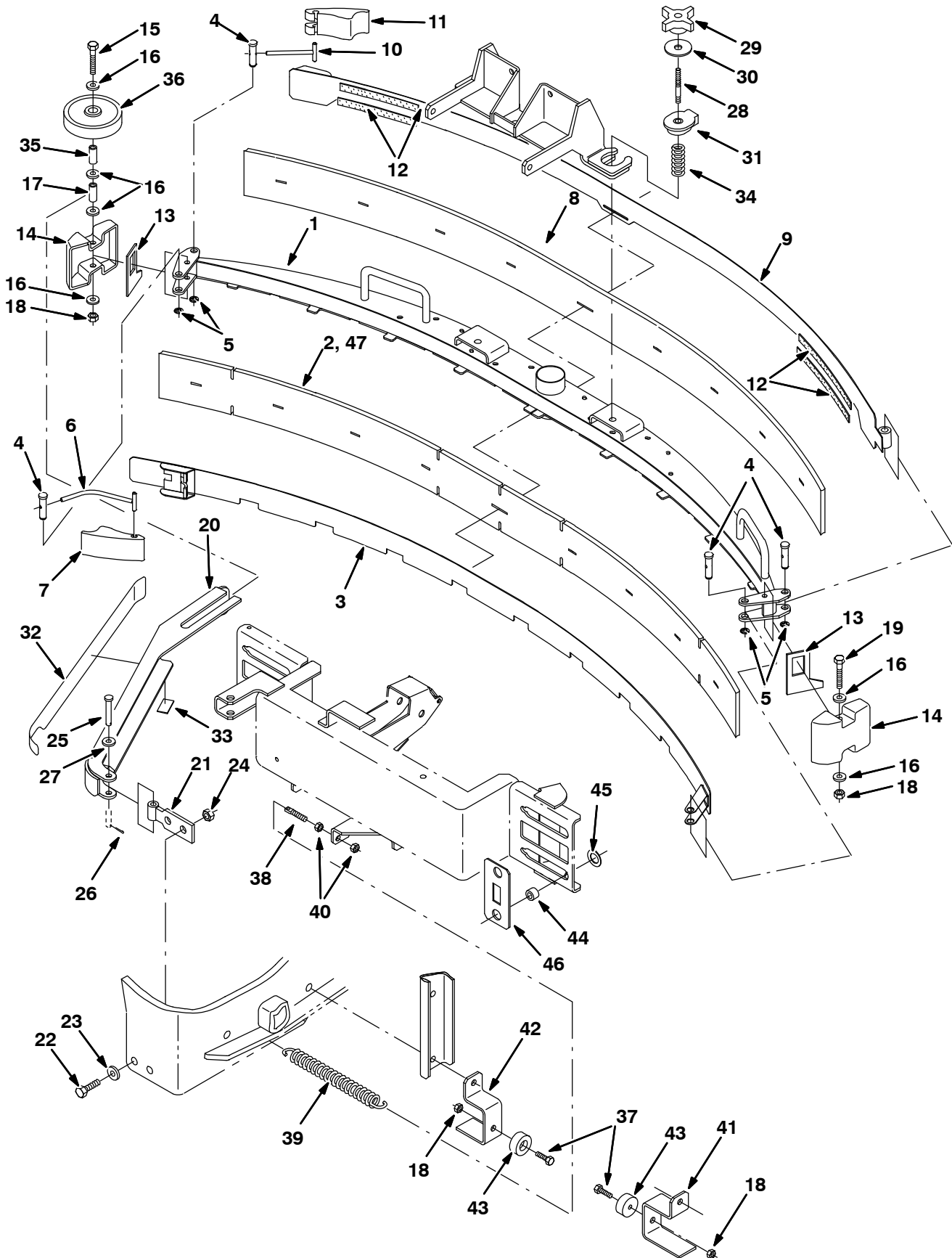


Fig. 69 – Max Pro 1200 Rear Squeegee Group (005000–)

Ref.	Part No.	Machine Serial Number	Description	Qty.
▽	9006931	(005000–)	Squeegee Assy Kit, Rear, Ci [Mp1200]	1
▲	1 1056877	(005000–)	Frame Wldt, Sqge 48.0l	1
▲	2 386833	(005000–)	Blade, Sqge, Front 48.0l	1
▲	3 386835	(005000–)	Clamp Wldt, Front 48.0l	1
▲	4 21603	(005000–)	Pin	4
▲	5 24555	(005000–)	Ring, Retaining, Ext	4
▲	6 386298	(005000–)	Pin Wldt, Front	1
▲	7 21601	(005000–)	Cam	1
▲	8 386834	(005000–)	Blade, Sqge, Rear 48.0l	1
▲	9 386836	(005000–)	Clamp Wldt, Rear 48.0l	1
▲	10 21606	(005000–)	Bar Wldt, Retainer, Sqge, Rear	1
▲	11 21602	(005000–)	Cam, Rear	1
▲	12 03495	(005000–)	Strip, Nonslip	4
▲	13 83874	(005000–)	Gasket, Sqge	2
▲	14 386264	(005000–)	Bumper, Sqge	2
▲	15 387431	(005000–)	Screw, Hex, M08 X 1.25 X 130 Ss	1
▲	16 01685	(005000–)	Washer, Flt, .31 Ss	5
▲	17 222497	(005000–)	Sleeve	1
▲	18 08713	(005000–)	Nut, Hex, Lock, M08 X 1.25,NI, Ss	4
▲	19 09767	(005000–)	Screw, Hex, M08 X 1.25 X 70, Ss	1
▲	20 1056805	(005000–)	Channel Wldt, Iron Gray	1
▲	21 1056466	(005000–)	Plate Wldt, Pivot, Guard, Iron Gray	1
▲	22 12309	(005000–)	Screw, Hex, M12 X 1.75 X 30, Ss	2
▲	23 41619	(005000–)	Washer, Flt, .50 Ss	2
▲	24 09741	(005000–)	Nut, Hex, Lock, M12 X 1.75,NI, Ss	2
▲	25 1039190	(005000–)	Pin, Clevis, 0.25d X 2.00l	1
▲	26 08178	(005000–)	Pin, Cotter, .062 X 0.75	1
▲	27 01684	(005000–)	Washer, Flat, 0.27b 0.69d .05, Ss	2
▲	28 387237	(005000–)	Stud, .31–18 2.75l M8 X 1.25, Ss	2
▲	29 370100	(005000–)	Knob, 4–Prong W/.31–18, Insert	2
▲	30 04414	(005000–)	Washer, 0.53b 1.88d .12, Stl, PI	2
▲	31 387433	(005000–)	Ring, Mtg, Sqge, .50l	2
▲	32 387436	(005000–)	Bumper, Poly–E	1
▲	33 387438	(005000–)	Bumper, Poly–E	1
▲	34 387500	(005000–)	Spring, Cmpr, .87od .042wir 2.0l	2
▲	35 363301	(005000–)	Sleeve, 0.62d 0.34b 1.19l Bnz	1
▲	36 363162	(005000–)	Wheel, 4.0d 0.89w 0.64b	1
▲	37 09010	(005000–)	Screw, Hex, M08 X 1.25 X 25, Ss	2
▲	38 386847	(005000–)	Bolt, Eye, M10x1.5 X 2.0 X .28 Eye	1
▲	39 71100	(005000–)	Spring, Extn, 1.69od X 0.20wir, 9.5l	1
▲	40 32716	(005000–)	Nut, Hex, Jam, M10 X 1.5, Ss	2
▲	41 1056806	(005000–)	Bracket, Stop, Bar, Lh, Iron Gray	1
▲	42 1056807	(005000–)	Bracket, Stop, Bar, Rh, Iron Gray	1
▲	43 364614	(005000–)	Bumper, Neo, 1.5d .63t .31h	2
▲	44 387429	(005000–)	Sleeve, P/M, 0.44b 0.75d 0.5l [430ss]	4
▲	45 53782	(005000–)	Washer, Thrust, 0.75b 1.25d 0.06w	4
▲	46 387430	(005000–)	Plate, Slide	2
▲	47 387258	(005000–)	Blade, Sqge, Front, Mp1200, Tile	1

OPTIONS

Fig. 70 – Max Pro 1200 Rear Squeegee Group for Vacuumized Side Squeegee (000000–004999)

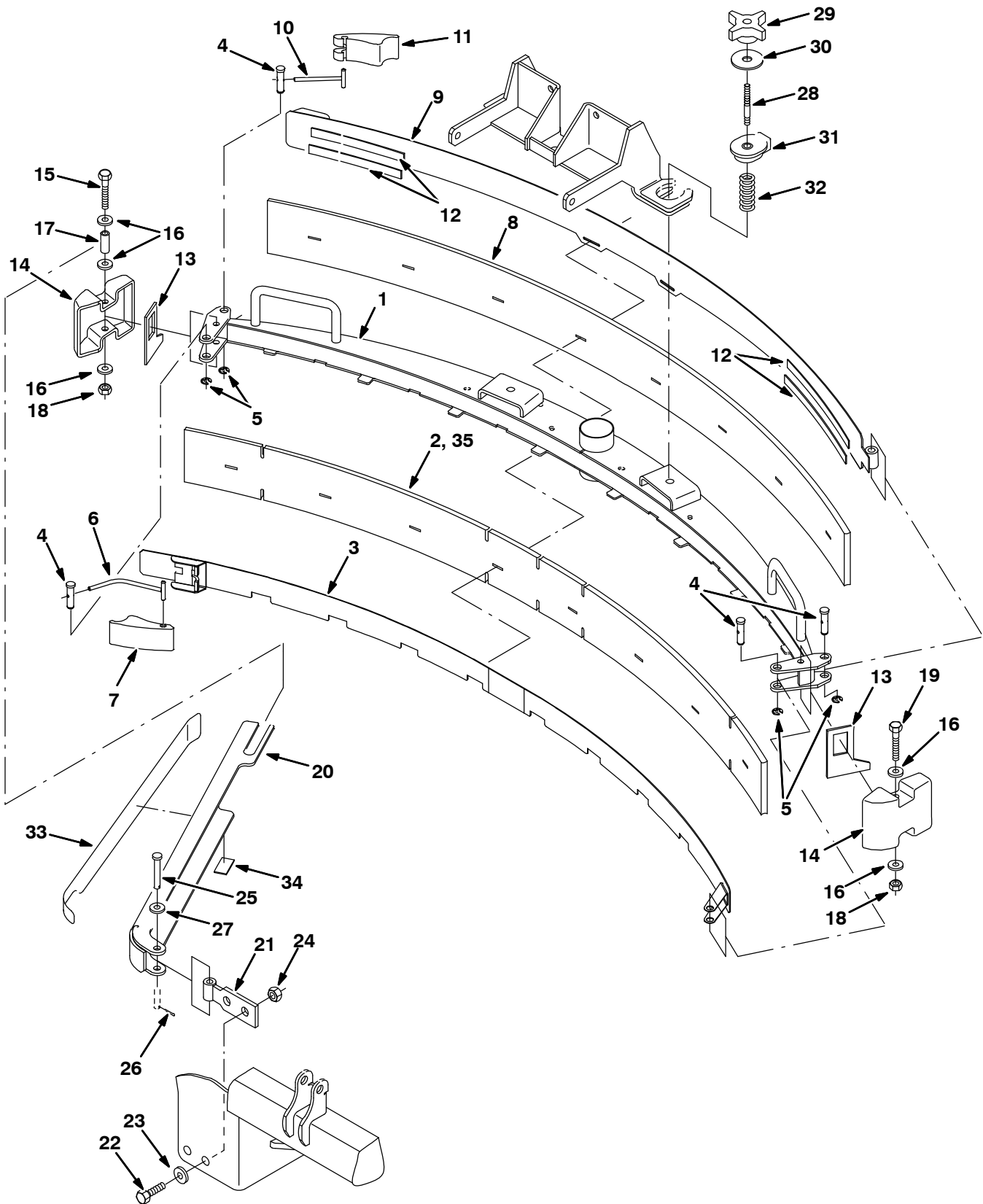


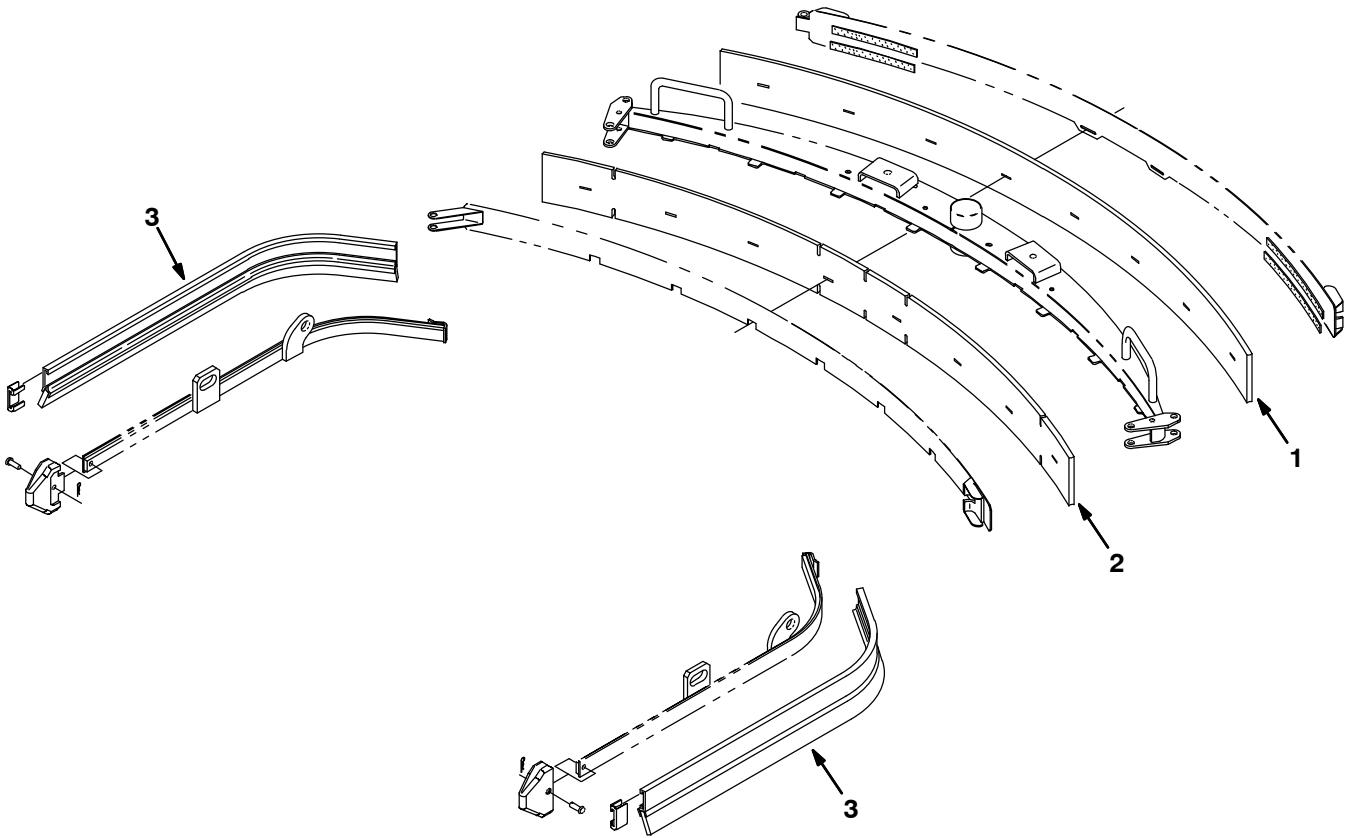
Fig. 70 – Max Pro 1200 Rear Squeegee Group for Vacuumized Side Squeegee (000000–004999)

Ref.	Part No.	Machine Serial Number	Description	Qty.
▽	386860	(000000–004999)	Kit, Cl, Squeegee, Rear (Max Pro™ 1000)	1
▲	1 1056856	(000000–004999)	Frame Wldt, Sqge, Iron Gray	1
▲	2 386283	(000000–004999)	Blade, Sqge, Front	1
▲	3 386285	(000000–004999)	Clamp Wldt, Front	1
▲	4 21603	(000000–004999)	Pin	4
▲	5 24555	(000000–004999)	Ring, Retaining, Ext	4
▲	6 386298	(000000–004999)	Pin Wldt, Front	1
▲	7 21601	(000000–004999)	Cam	1
▲	8 386284	(000000–004999)	Blade, Sqge, Rear	1
▲	9 386286	(000000–004999)	Clamp Wldt, Rear	1
▲	10 21606	(000000–004999)	Bar Wldt, Retainer, Sqge, Rear	1
▲	11 21602	(000000–004999)	Cam, Rear	1
▲	12 03495	(000000–004999)	Strip, Nonslip	4
▲	13 83874	(000000–004999)	Gasket, Sqge	2
▲	14 386264	(000000–004999)	Bumper, Sqge	2
▲	15 386299	(000000–004999)	Screw, Hex, M08 X 1.25 X 100, Ss	1
▲	16 01685	(000000–004999)	Washer, Flt, .31 Ss	5
▲	17 222497	(000000–004999)	Sleeve	1
▲	18 08713	(000000–004999)	Nut, Hex, Lock, M08 X 1.25,NI, Ss	2
▲	19 09767	(000000–004999)	Screw, Hex, M08 X 1.25 X 70, Ss	1
▲	20 386266	(000000–004999)	Channel Wldt	1
▲	21 386234	(000000–004999)	Pivot Wldt, Guard	1
▲	22 12309	(000000–004999)	Screw, Hex, M12 X 1.75 X 30, Ss	2
▲	23 41619	(000000–004999)	Washer, Flt, .50 Ss	2
▲	24 09741	(000000–004999)	Nut, Hex, Lock, M12 X 1.75,NI, Ss	2
▲	25 1039190	(000000–004999)	Pin, Clevis, 0.25d X 2.00l	1
▲	26 08178	(000000–004999)	Pin, Cotter, .062 X 0.75	1
▲	27 01684	(000000–004999)	Washer, Flt, .25 Ss	2
▲	28 387237	(000000–004999)	Stud, .31–18 2.75l M8 X 1.25, Ss	2
▲	29 370100	(000000–004999)	Knob, 4–Prong W/.31–18, Insert	2
▲	30 04414	(000000–004999)	Washer, 0.53b 1.88d .12, Stl, Pl	2
▲	31 387433	(000000–004999)	Ring, Mtg, Sqge, .50l	2
▲	32 387500	(000000–004999)	Spring, Cmpr, .87od .042wir 2.0l	2
▲	33 387448	(000000–004999)	Bumper, Poly–E	1
▲	34 387438	(000000–004999)	Bumper, Poly–E	1
▲	35 387257	(000000–)	Blade, Sqge, Front, Mp1000, Tile	1

Fig. 71 – Max Pro 1200 Rear Squeegee Group for Vacuumized Side Squeegee (005000–)

Ref.	Part No.	Machine Serial Number	Description	Qty.
▽	9006930	(005000–)	Squeegee Assy Kit, Rear, Ci [Mp1000]	1
▲	1 1056856	(005000–)	Frame Wldt, Sqge, Iron Gray	1
▲	2 386283	(005000–)	Blade, Sqge, Front	1
▲	3 386285	(005000–)	Clamp Wldt, Front	1
▲	4 21603	(005000–)	Pin	4
▲	5 24555	(005000–)	Ring, Retaining, Ext	4
▲	6 386298	(005000–)	Pin Wldt, Front	1
▲	7 21601	(005000–)	Cam	1
▲	8 386284	(005000–)	Blade, Sqge, Rear	1
▲	9 386286	(005000–)	Clamp Wldt, Rear	1
▲	10 21606	(005000–)	Bar Wldt, Retainer, Sqge, Rear	1
▲	11 21602	(005000–)	Cam, Rear	1
▲	12 03495	(005000–)	Strip, Nonslip	4
▲	13 83874	(005000–)	Gasket, Sqge	2
▲	14 386264	(005000–)	Bumper, Sqge	2
▲	15 386299	(005000–)	Screw, Hex, M08 X 1.25 X 100, Ss	1
▲	16 01685	(005000–)	Washer, Flt, .31 Ss	5
▲	17 222497	(005000–)	Sleeve	1
▲	18 08713	(005000–)	Nut, Hex, Lock, M08 X 1.25,NI, Ss	2
▲	19 09767	(005000–)	Screw, Hex, M08 X 1.25 X 70, Ss	1
▲	20 1056471	(005000–)	Channel Wldt, Guard, Rh, Iron Gray	1
▲	21 1056466	(005000–)	Plate Wldt, Pivot, Guard, Iron Gray	1
▲	22 12309	(005000–)	Screw, Hex, M12 X 1.75 X 30, Ss	2
▲	23 41619	(005000–)	Washer, Flt, .50 Ss	2
▲	24 09741	(005000–)	Nut, Hex, Lock, M12 X 1.75,NI, Ss	2
▲	25 1039190	(005000–)	Pin, Clevis, 0.25d X 2.00l	1
▲	26 08178	(005000–)	Pin, Cotter, .062 X 0.75	1
▲	27 01684	(005000–)	Washer, Flt, .25 Ss	2
▲	28 387237	(005000–)	Stud, .31–18 2.75l M8 X 1.25, Ss	2
▲	29 370100	(005000–)	Knob, 4–Prong W/.31–18, Insert	2
▲	30 04414	(005000–)	Washer, 0.53b 1.88d .12, Stl, PI	2
▲	31 387433	(005000–)	Ring, Mtg, Sqge, .50l	2
▲	32 387500	(005000–)	Spring, Cmpr, .87od .042wir 2.0l	2
▲	33 387448	(005000–)	Bumper, Poly–E	1
▲	34 387438	(005000–)	Bumper, Poly–E	1
▲	35 387257	(000000–)	Blade, Sqge, Front, Mp1000, Tile	1

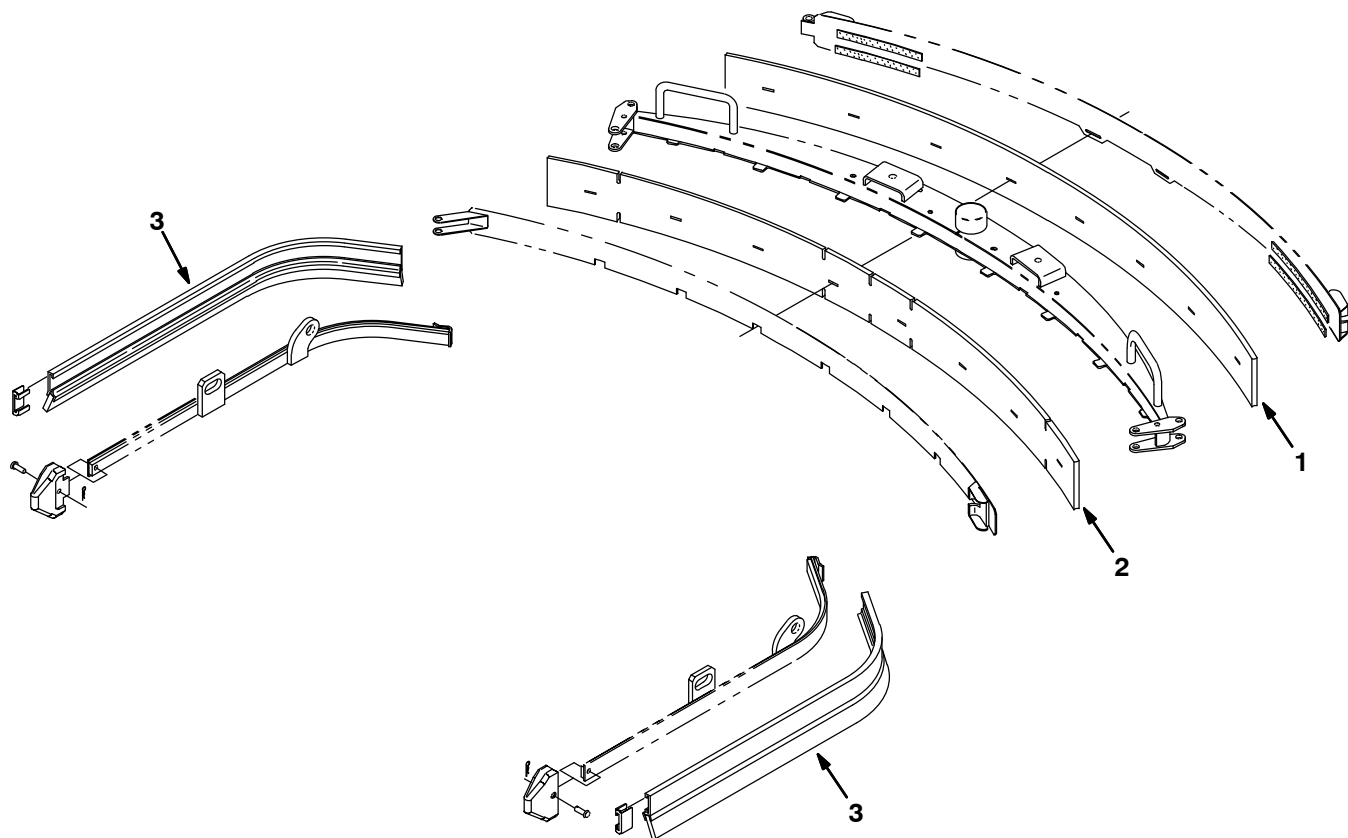
Fig. 72 – Max Pro 1000 Urethane Squeegee Kit



354351

Ref.	Part No.	Machine Serial Number	Description	Qty.
▽	9001397	(000000–) Blade Kit, Sqge, Ure, [Mp1000]	1
▲ 1	1022564	(000000–) Blade, Sqge, Rear	1
▲ 2	1022565	(000000–) Blade, Sqge, Front	1
▲ 3	1019344	(000000–) Squeegee, Side, Ure, [7300/830]	2

Fig. 73 – Max Pro 1200 Urethane Squeegee Kit



354351

Ref.	Part No.	Machine Serial Number	Description	Qty.
▽	9001398	(000000–) Blade Kit, Sqge, Ure, [Mp1200]	1
▲ 1	1022558	(000000–) Blade, Sqge, Rear	1
▲ 2	1022465	(000000–) Blade, Sqge, Front	1
▲ 3	1019344	(000000–) Squeegee, Side, Ure, [7300/830]	2

Fig. 74 - Telemetry Group (005974-)

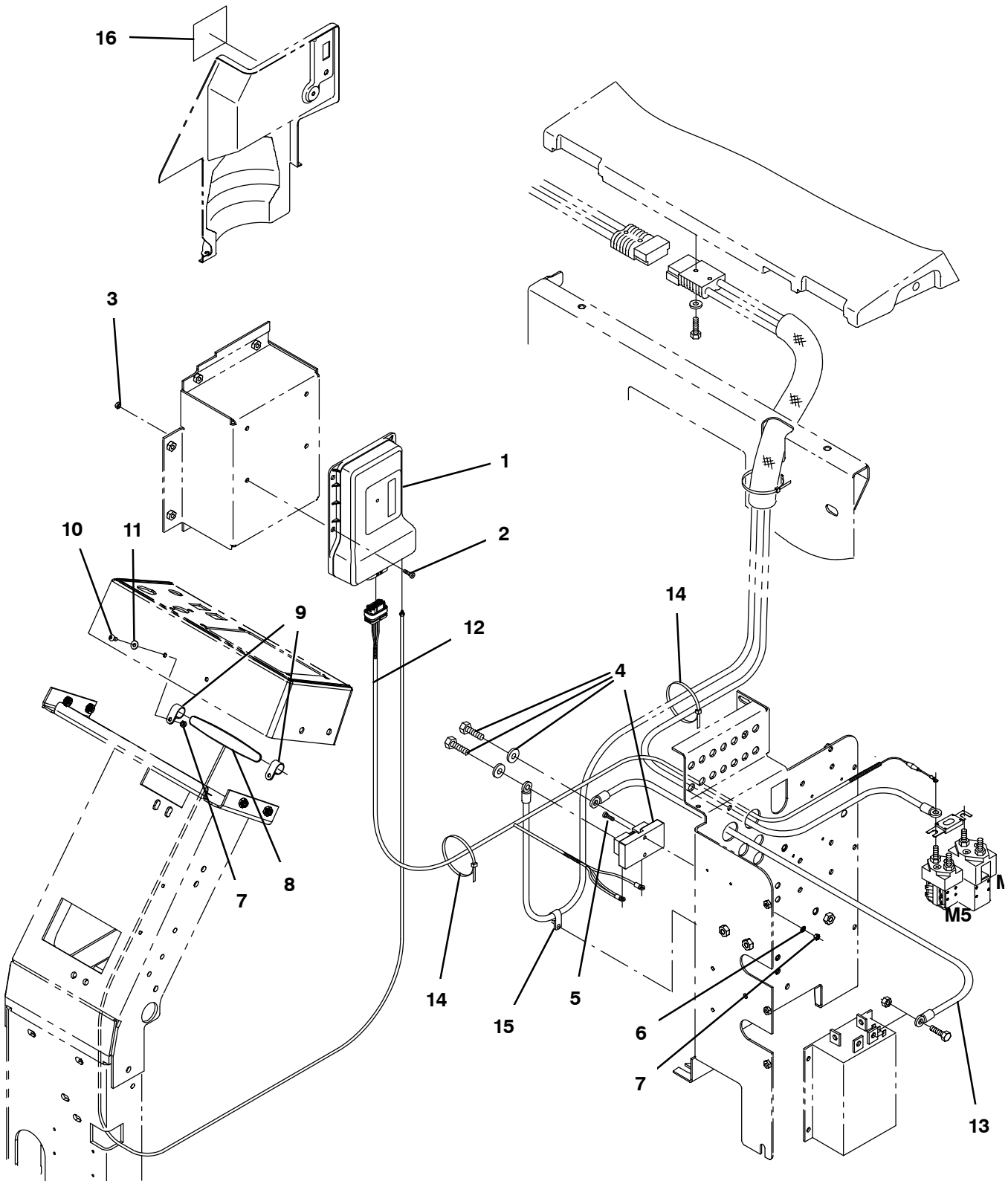


Fig. 74 – Telemetry Group (005974–)

Ref.	Part No.	Serial Number	Description	Qty.	
1	9010085	(005974–)	Control Box Assy Kit, Replmt, Telem [USA]	1	
1	9010086	(005974–)	Control Box Assy Kit, Replmt, Telem [CAN]	1	
2	09145	(005974–)	Screw, Pan, Phl, M6 X 1.00 X 16, 4.8	4	
3	08708	(005974–)	Nut, Hex, Lock, M6 X 1.00, NI	4	
4	1070757	(005974–)	Shunt, 050Mv 400A	1	
5	06934	(005974–)	Screw, Pan, Phl, M5 X 0.80 X 20, 4.8	2	
6	32988	(005974–)	Washer, Lock, Int, 0.38	2	
7	06549	(005974–)	Nut, Hex, Lock, M5 X 0.80, NI	4	
8	1070659	(005974–)	Antenna, Telem, 70 In [Gprs]	1	
9	140916	(005974–)	Clamp, Cable, Nyl, 0.62d, Nat	2	
10	1054875	(005974–)	Screw, Hex, M5 X 1.0 X 16, Blk	2	
11	1059252	(005974–)	Washer, Flat, 0.19b 0.50d .03, Stl, Blk	2	
▽	12	1070741	(005974–)	Harness, Ele [Telemetry, 7300/830006934]	1
▲		9009990	(005974–)	Fuse, 002A, 250Vdc, Cartridge	1
	13	1070752	(005974–)	Cable, 1/0Ga, Blk [7300/8300, Telemetry]	1
14	49266	(005974–)	Tie, Cable, Nyl, 07.3l .19w 1.8 Max D	6	
15	67767	(005974–)	Clamp, Cable, Stl, 0.69d X 0.62w, 1hole	1	
16	1069580	(005974–)	Label, Opertnl, Telem [Fcc/lc]	1	

Fig. 75 - Battery Rollout Kit

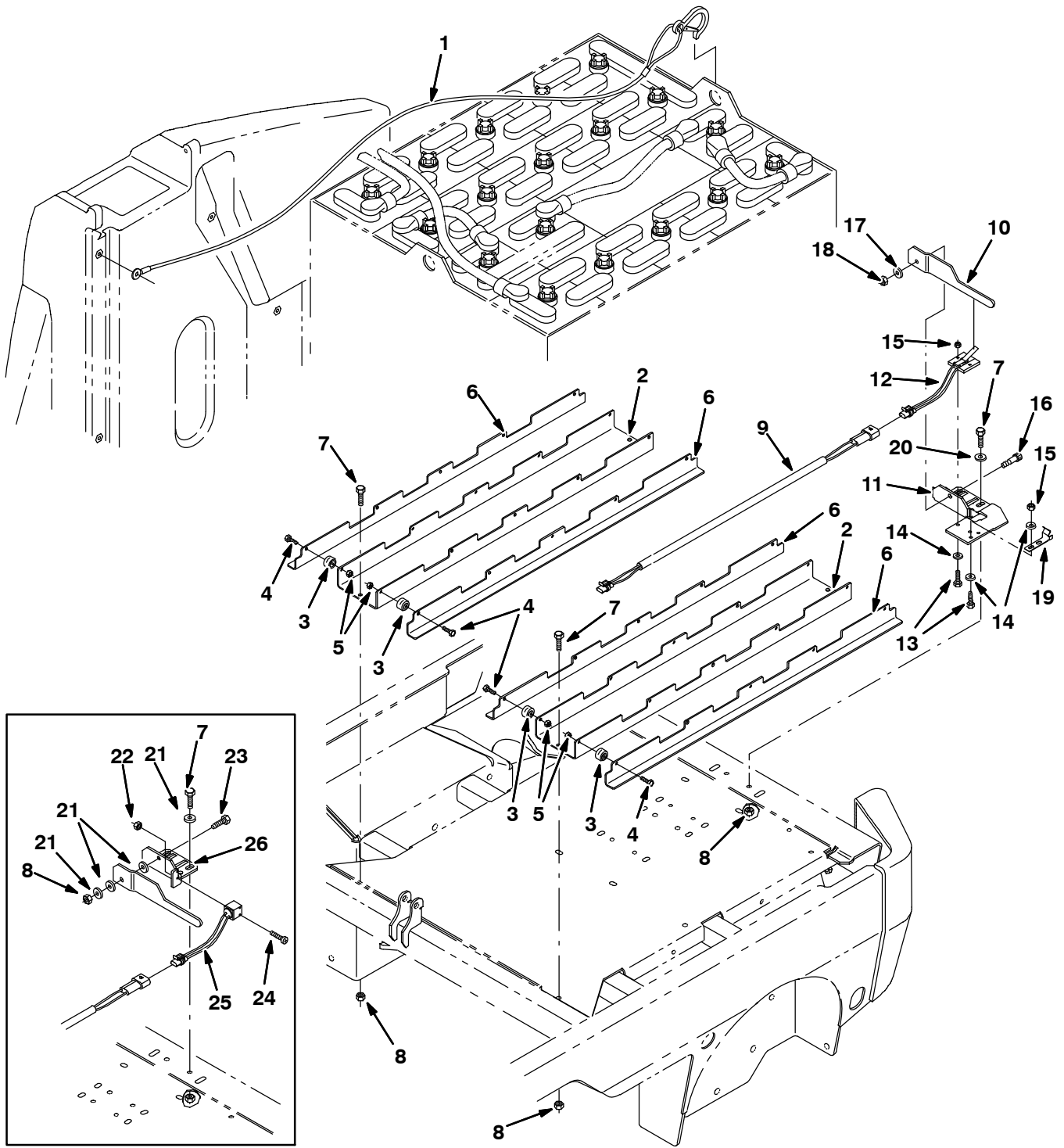


Fig. 75 – Battery Rollout Kit

Ref.	Part No.	Serial Number	Description	Qty.
▽	387043	(000000–) Kit, Ci, Battery, Rollout	1
▲	1 386968	(000000–) Cable, Safety, Battery	1
▲	2 1056916	(000000–) Channel, Battery, R/O, Iron Gray	2
▲	3 369415	(000000–) Bearing, Needle, 0.25b 0.88d 0.50w	20
▲	4 07805	(000000–) Screw, Hex, M06 X 1.0 X 35, Ss	20
▲	5 08712	(000000–) Nut, Hex, Lock, M06 X 1.0, NI, Ss	20
▲	6 1056915	(000000–) Angle, Battery, R/O, Iron Gray	4
▲	7 09740	(000000–) Screw, Hex, M08 X 1.25 X 20, Ss	6
▲	8 08713	(000000–) Nut, Hex, Lock, M08 X 1.25,NI, Ss	6
▲	9 386607	(000000–) Harness, Battery, Rollout [7300/8300]	1
▲	10 1057644	(000000–) Bar Wldt, Battery, R/O	1
▲	11 1056940	(001793–) Stop Wldt, Iron Gray	1
▲	12 377341	(001793–) Switch, Limit, No	1
▲	13 24199	(001793–) Screw, Hex, M5 X 0.8 X 16, Ss	4
▲	14 01683	(001793–) Washer, Flat, #10 Ss	4
▲	15 09739	(001793–) Nut, Hex, Lock, M 5 X 0,8, NI, Ss	4
▲	16 02129	(001793–) Bolt, Shld, .38DX0.38, .31–18	1
▲	17 39349	(001793–) Washer, Flat, 0.31 Sae	1
▲	18 01760	(001793–) Nut, Hex, Lock, .31–18, NI, Thin	1
▲	19 1007107	(001793–) Latch, Handle	1
▲	20 01685	(001793–) Washer, Flat, 0.31 Ss	2
	21 01685	(000000–001792) Washer, Flt, .31 Ss	5
	22 33932	(000000–001792) Nut, Hex, Lock, M 4 X 0.7, NI Ss	5
	23 09023	(000000–001792) Screw, Hex, M08 X 1.25 X 35, Ss	1
	24 09198	(000000–001792) Screw, Pan, M04 X 0.7 X 35, Ss	2
	25 387027	(000000–001792) Switch, No (Replaced by 398454)	1
	26 387441	(000000–001792) Stop Wldt (Replaced by 398454)	1

Fig. 76 – Battery Forklift Kit

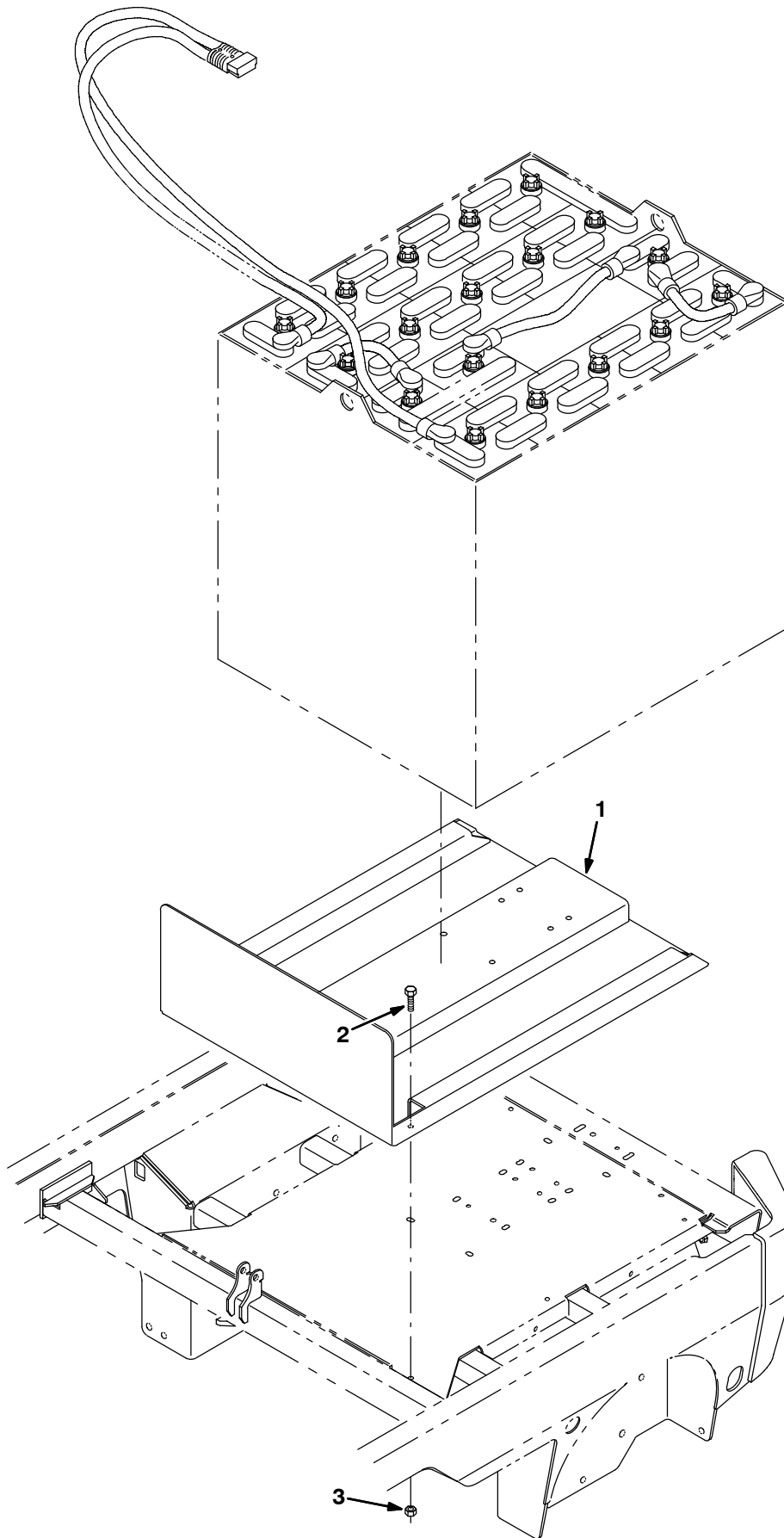


Fig. 76 – Battery Forklift Kit

	Ref.	Part No.	Serial Number	Description	Qty.
▽		387000	(000000–) Kit, Ci, Fork Lift, Battery	1
▲	1	1056883	(000000–) Cradle Wldt, Battery, Iron Gray	1
▲	2	09740	(000000–) Screw, Hex, M08 X 1.25 X 20, Ss	4
▲	3	08713	(000000–) Nut, Hex, Lock, M08 X 1.25,NI, Ss	4

Fig. 77 – Battery Kit, 380AH Wet

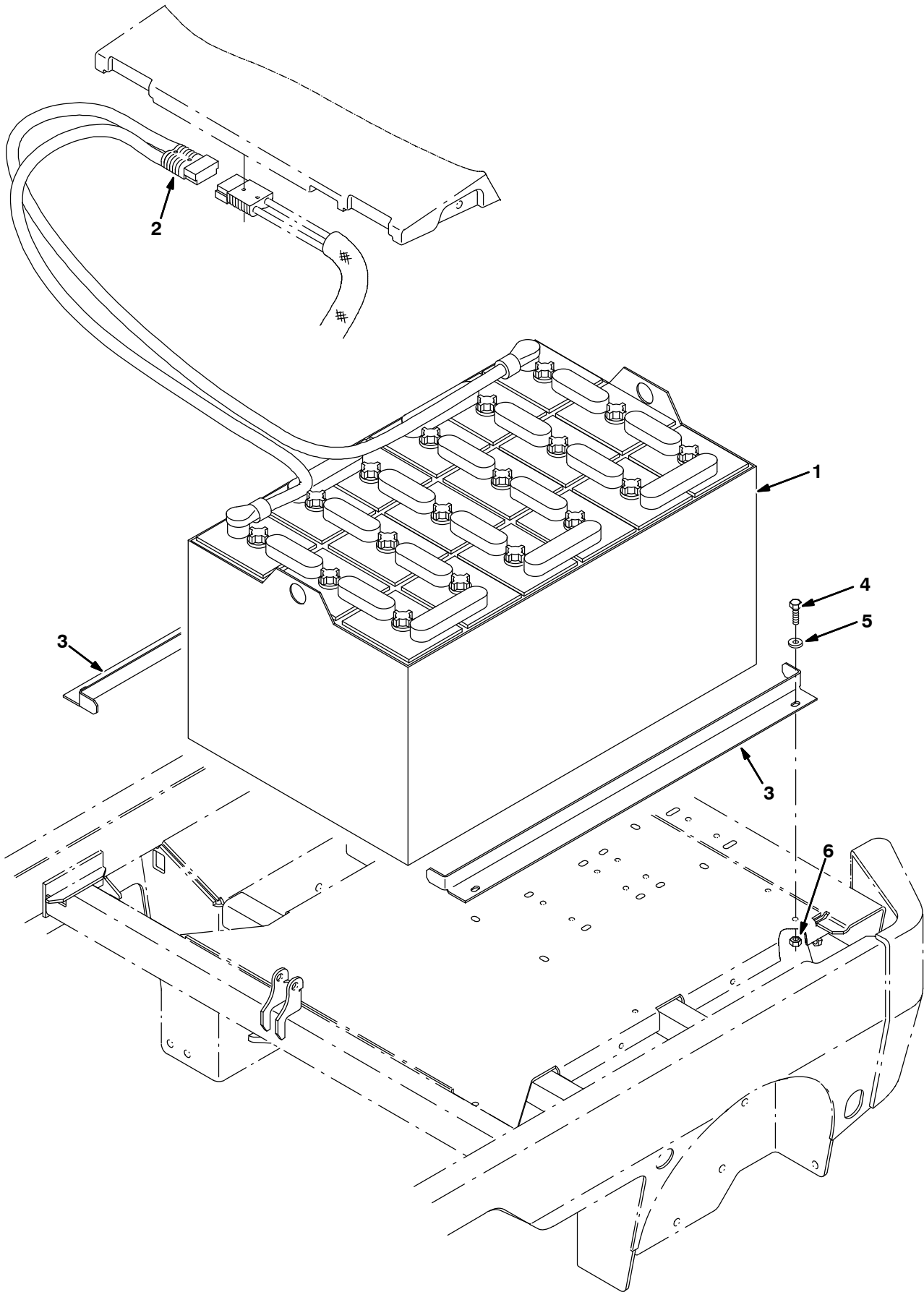


Fig. 77 - Battery Kit, 380AH Wet

	Ref.	Part No.	Serial Number	Description	Qty.
▽		387324	(000000-) Kit, Ci, Battery, 36vdc, 380ah, Wet	1
▲▽	1	387322	(000000-) Battery, 36Vdc, 380Ah, Wet	1
▲▲	2	01726	(000000-) Connector, Anderson, 350A, Gray	1
▲	3	1056927	(000000-) Spacer, Battery, Stl, Iron Gray	2
▲	4	09740	(000000-) Screw, Hex, M08-1.25 X 20, Ss	4
▲	5	01685	(000000-) Washer, Flat, .31 Ss	4
▲	6	08713	(000000-) Nut, Hex, Lock, M08-1.25, NI, Ss	4

Fig. 78 – Battery Kit, 500AH Wet

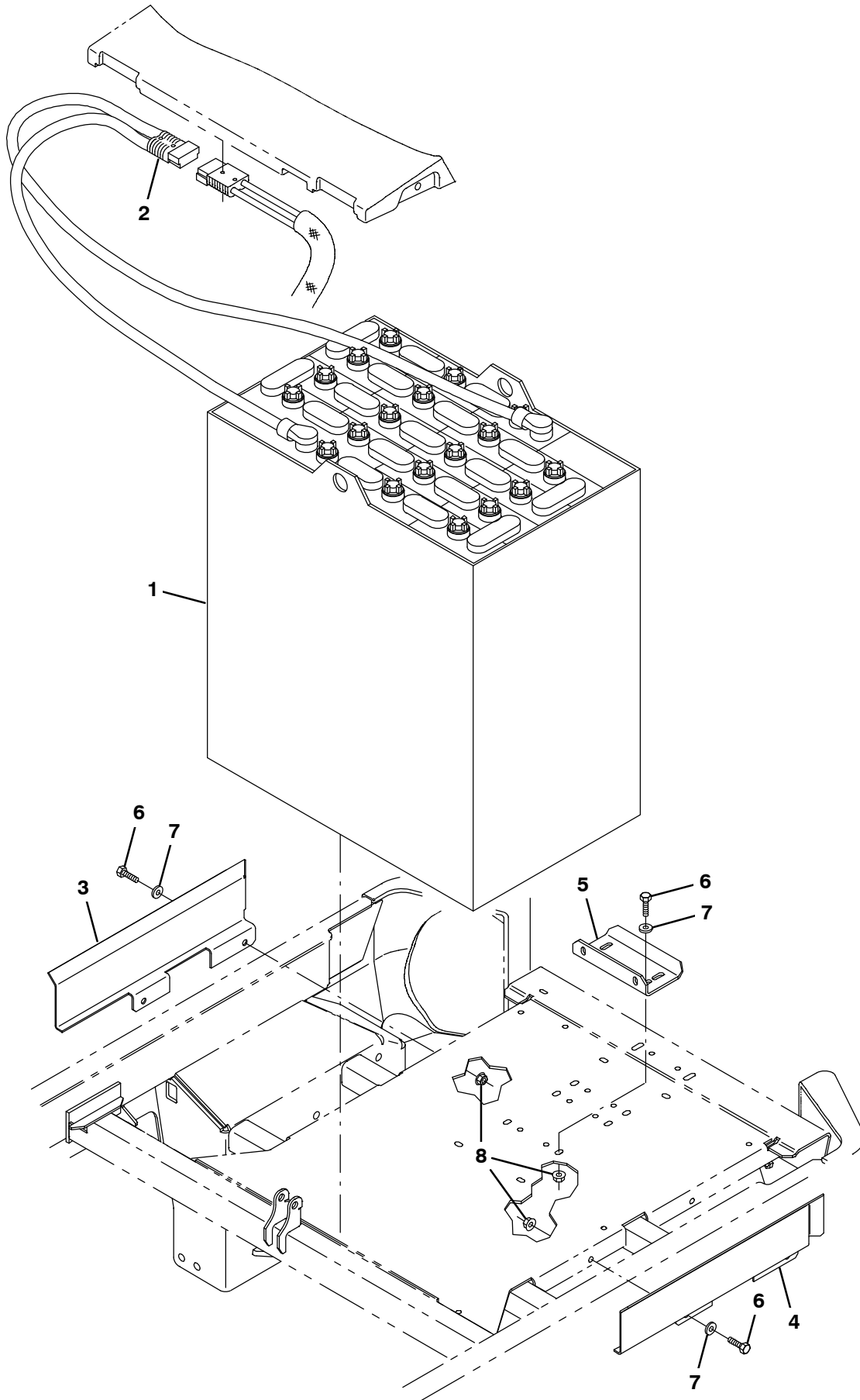


Fig. 78 - Battery Kit, 500AH Wet

	Ref.	Part No.	Serial Number	Description	Qty.
▽		386932	(000000-) Battery Kit, Wet, 36vdc 0500ah, Ci	1
▲▽	1	386335	(000000-) Battery, Wet, 36vdc 0500ah	1
▲▲	2	01726	(000000-) Connector, 350a, Gray [Anderson]	1
▲	3	1056895	(000000-) Spacer, Battery, Rh, Iron Gray	1
▲	4	1056896	(000000-) Spacer, Battery, Lh, Iron Gray	1
▲	5	1056878	(000000-) Spacer, Battery, Rear, Iron Gray	1
▲	6	09740	(000000-) Screw, Hex, M8 X 1.25 X 20, Ss	6
▲	7	01685	(000000-) Washer, Flat, 0.38b 0.88d .08, Ss	6
▲	8	07791	(000000-) Nut, Hex, Fing, M8 X 1.25	6

Fig. 79 - Battery Kit, 600AH (000000-004999)

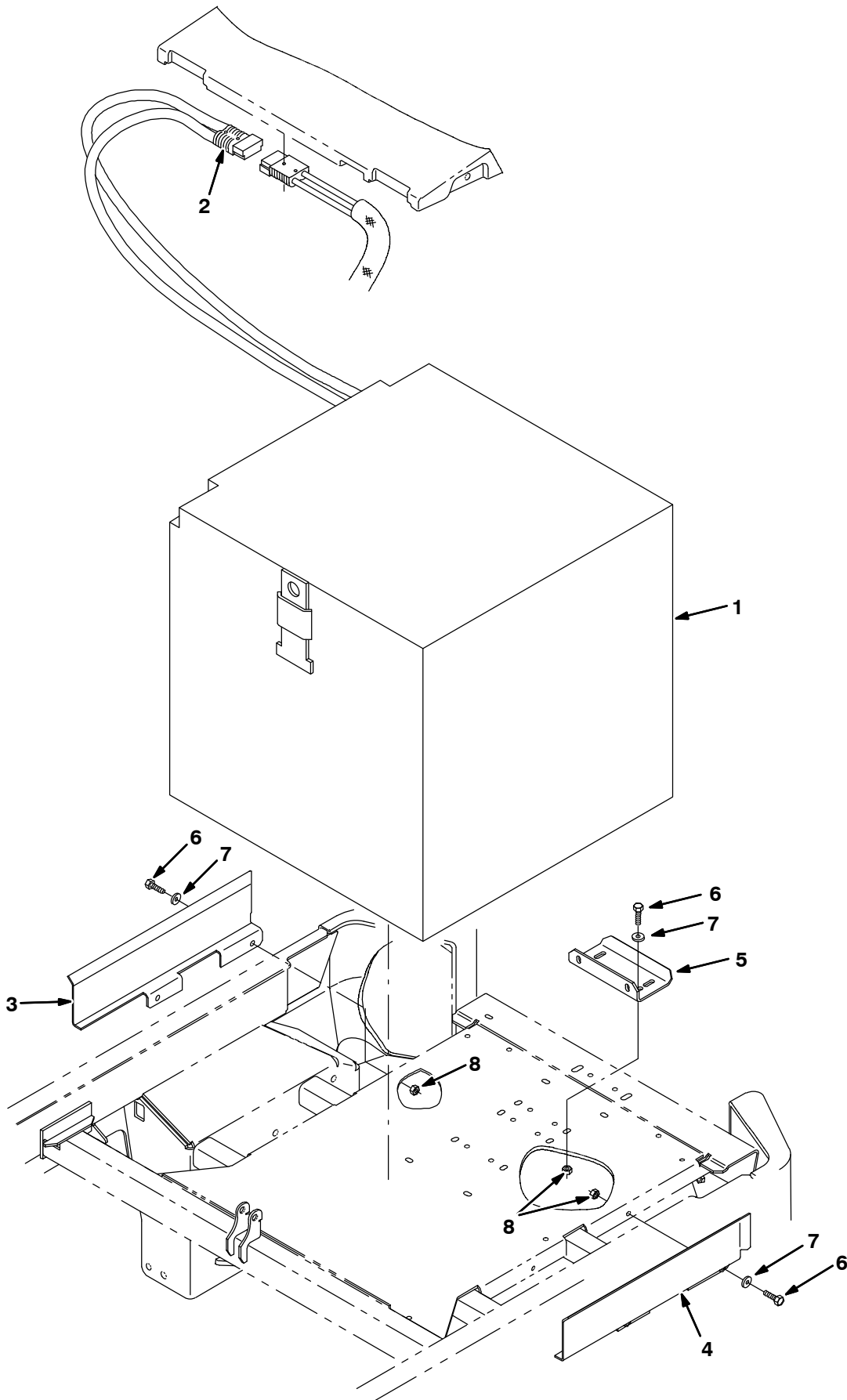


Fig. 79 - Battery Kit, 600AH (000000-004999)

	Ref.	Part No.	Serial Number	Description	Qty.
▽		386934	(000000-004999)	Kit, Ci, Battery, 36vdc, 600ah, Sealed	1
▲▽	1	386334	(000000-004999)	Battery, 36vdc, 600ah, Sealed	1
▲▲	2	01726	(000000-004999)	Connector, Anderson, 350A, Gray	1
▲	3	386573	(000000-004999)	Spacer, Battery, Rh	1
▲	4	386574	(000000-004999)	Spacer, Battery, Lh	1
▲	5	1056878	(000000-004999)	Spacer, Battery, Rear, Iron Gray	1
▲	6	09740	(000000-004999)	Screw, Hex, M08 X 1.25 X 20, Ss	6
▲	7	01685	(000000-004999)	Washer, Flt, .31 Ss	6
▲	8	08713	(000000-004999)	Nut, Hex, Lock, M08 X 1.25,NI, Ss	6

Fig. 80 – Battery Kit, 600AH (005000-)

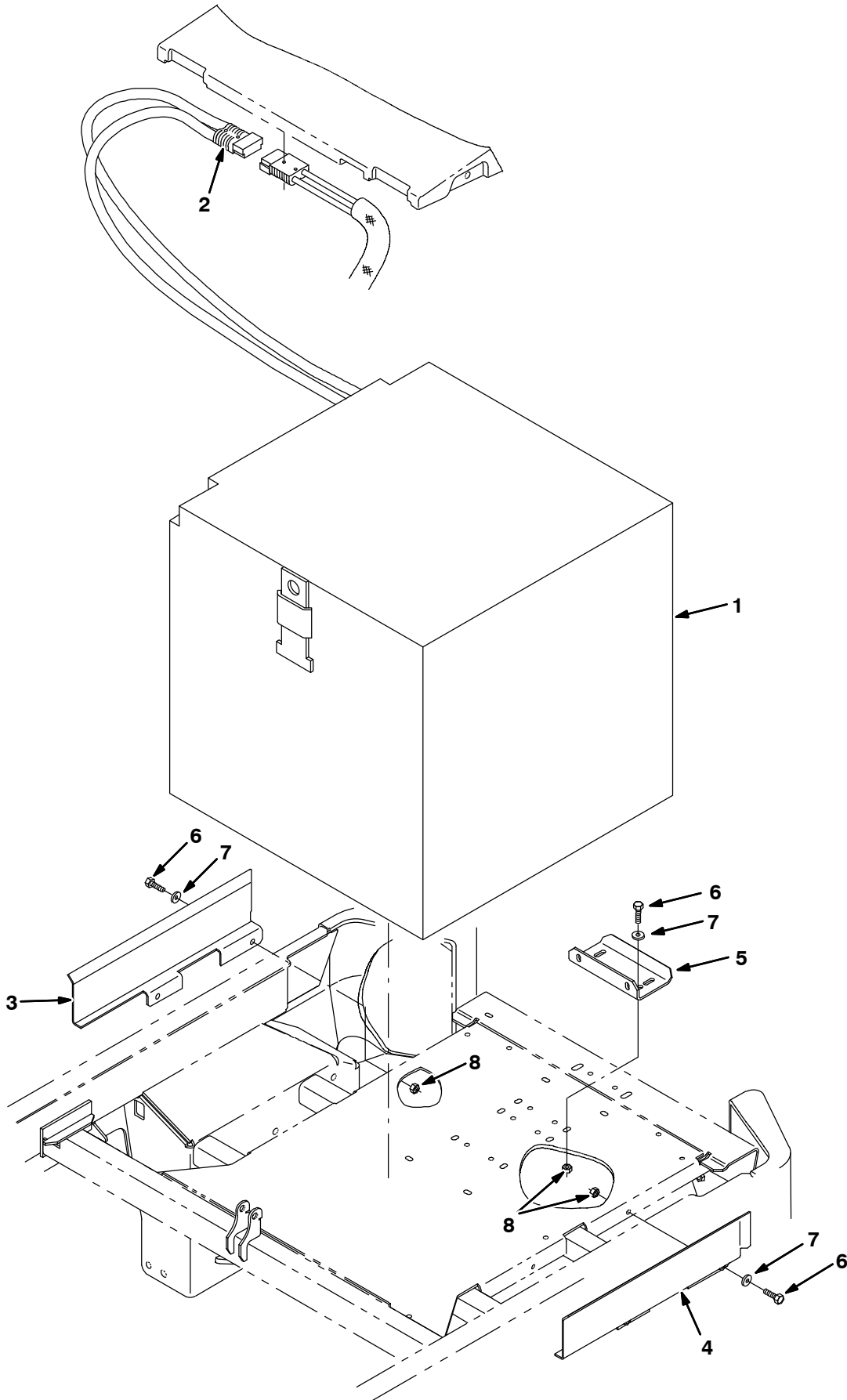


Fig. 80 - Battery Kit, 600AH (005000-)

	Ref.	Part No.	Serial Number	Description	Qty.
▽		9006938	(005000-) Battery Kit, 36vdc 0600ah, Sealed, Ci	1
▲▽	1	386334	(005000-) Battery, 36vdc, 600ah, Sealed	1
▲▲	2	01726	(005000-) Connector, Anderson, 350A, Gray	1
▲	3	1056787	(005000-) Spacer, Battery, Rh, Iron Gray	1
▲	4	1056788	(005000-) Spacer, Battery, Lh, Iron Gray	1
▲	5	1056878	(005000-) Spacer, Battery, Rear, Iron Gray	1
▲	6	09740	(005000-) Screw, Hex, M08 X 1.25 X 20, Ss	6
▲	7	01685	(005000-) Washer, Flt, .31 Ss	6
▲	8	07791	(000000-) Nut, Hex, Fing, M8 X 1.25	6

Fig. 81 – Battery Kit, 750AH Wet

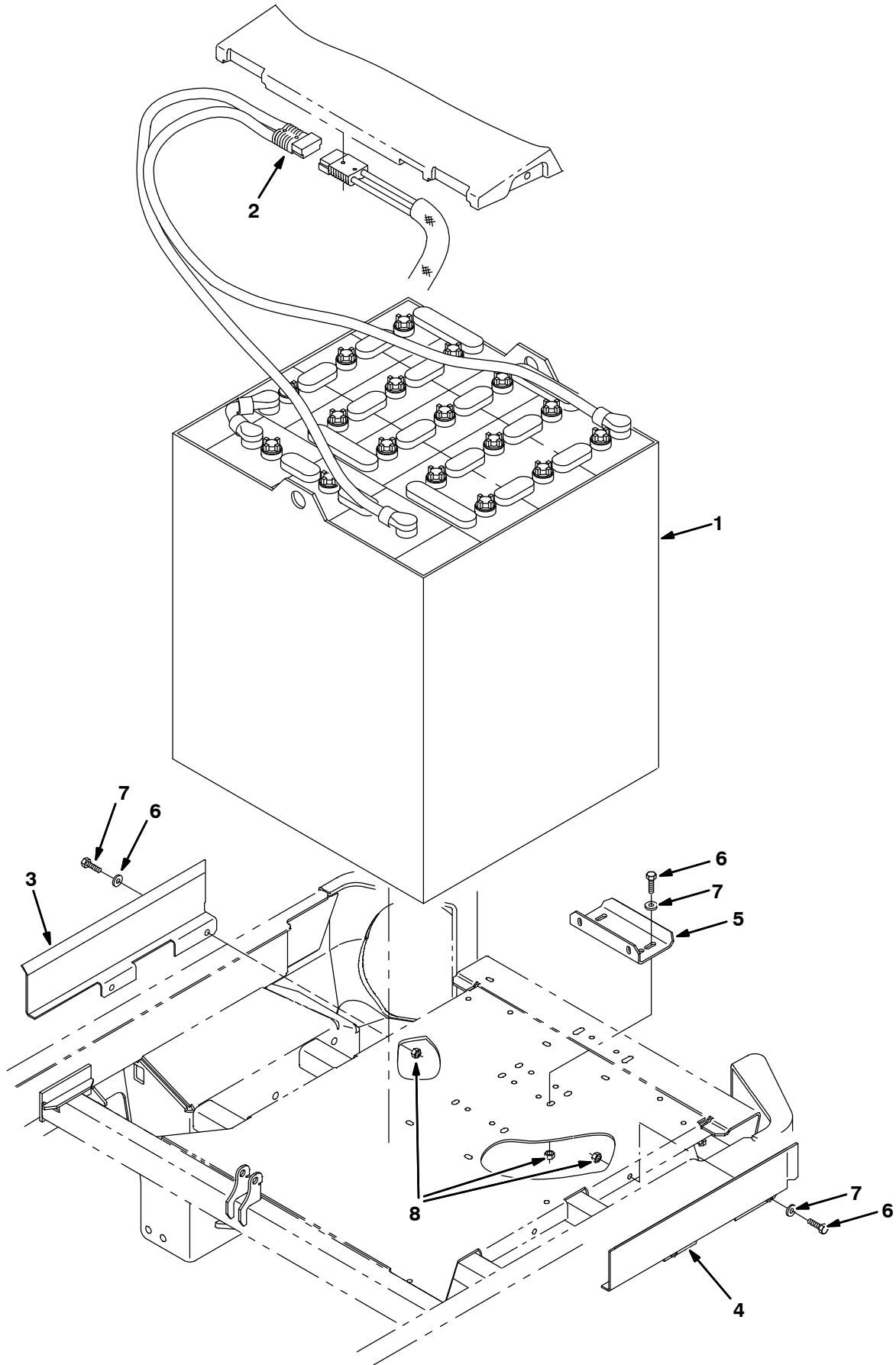
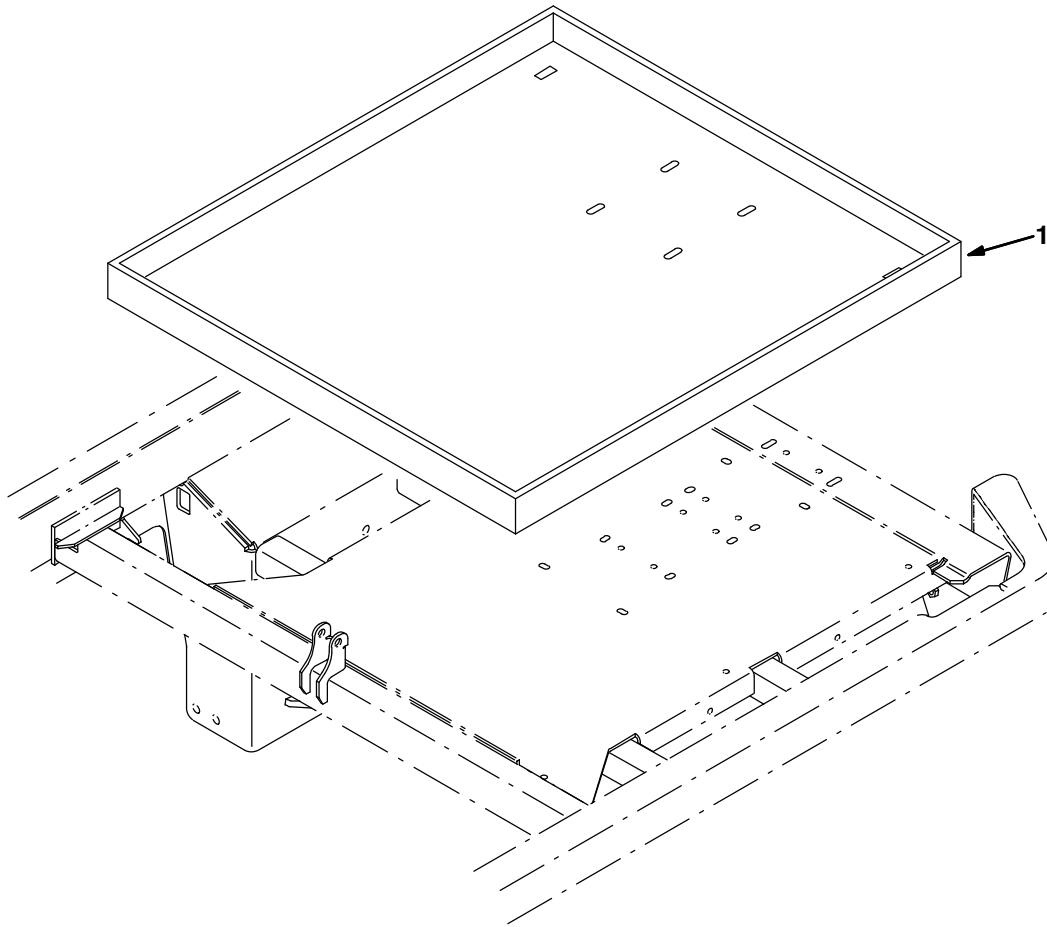


Fig. 81 - Battery Kit, 750AH Wet

	Ref.	Part No.	Serial Number	Description	Qty.
▽		386936	(000000-) Kit, Ci, Battery, 36vdc, 750ah, Wet	1
▲▽	1	1018515	(000000-) Battery, Wet, 36vdc 0750ah	1
▲▲	2	01726	(000000-) Connector, 350a, Gray [Anderson]	1
▲	3	1056895	(000000-) Spacer, Battery, Rh, Iron Gray	1
▲	4	1056896	(000000-) Spacer, Battery, Lh, Iron Gray	1
▲	5	1056878	(000000-) Spacer, Battery, Rear, Iron Gray	1
▲	6	09740	(000000-) Screw, Hex, M8 X 1.25 X 20, Ss	6
▲	7	01685	(000000-) Washer, Flat, 0.38b 0.88d .08, Ss	6
▲	8	07791	(000000-) Nut, Hex, Flng, M8 X 1.25	6

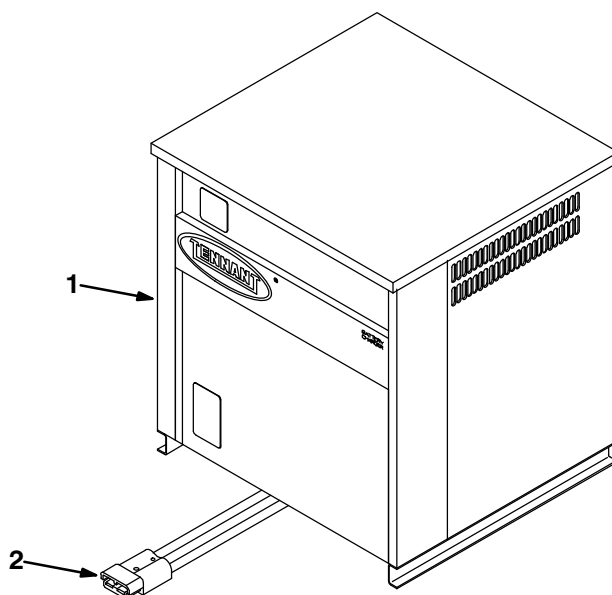
Fig. 82 – Battery Tray Group



356239 – NA

Ref.	Part No.	Serial Number	Description	Qty.
	387622	(000000–) Tray Wldt, Battery, 500Ah, 750Ah	1

Fig. 83 – Battery Charger Group, 75A, 36V, 60Hz (380Ah Batteries)



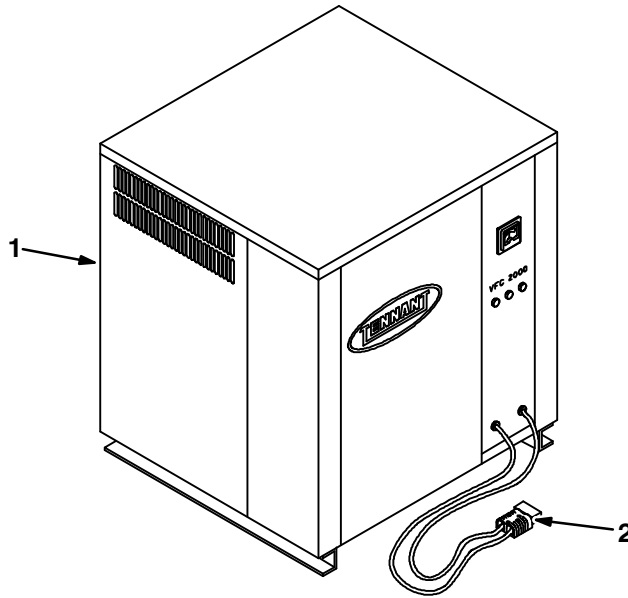
353364 – 7300, NA

	Ref.	Part No.	Serial Number	Description	Qty.
▽	1	398281	(000000–) Charger, 36V/75A 60Hz/1Ph	1
▲	2	01726	(000000–) Connector, Anderson, 350A, Gray	1
▽	1	398283	(000000–) Charger, 36V/75A 60Hz/3Ph	1
▲	2	01726	(000000–) Connector, Anderson, 350A, Gray	1

International Only

	Ref.	Part No.	Serial Number	Description	Qty.
▽	1	363262	(000000–) Charger, 36Vdc 75A Tri-Vac 1PH 50HZ	1
▲	2	01726	(000000–) Connector, Anderson, 350A, Gray	1
▽	1	363263	(000000–) Charger, 36Vdc 75A Tri-Vac 3PH 50HZ	1
▲	2	01726	(000000–) Connector, Anderson, 350A, Gray	1

Fig. 84 – Battery Charger Group, 120A, 36V, 60Hz (500Ah Batteries)



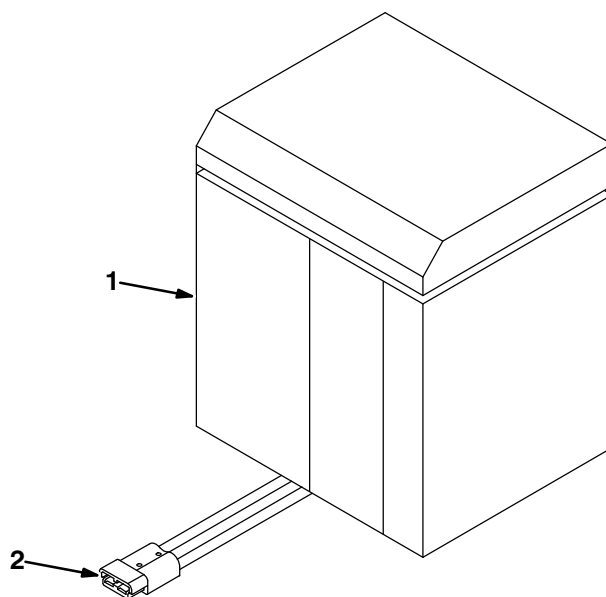
06051 – NA

	Ref.	Part No.	Serial Number	Description	Qty.
▽	1	398285	(000000–) Charger, 36V/120A 60H/1Ph 480V	1
▲	2	01726	(000000–) Connector, Andersn 350A,Gray	1
▽	1	398288	(000000–) Charger, 36V/120A 60H/3Ph 480V	1
▲	2	01726	(000000–) Connector, Andersn 350A,Gray	1

International Only

	Ref.	Part No.	Serial Number	Description	Qty.
▽	1	398316	(000000–) Charger, 36Vdc 120A Tri-Vac 1PH 50HZ	1
▲	2	01726	(000000–) Connector, Anderson, 350A, Gray	1
▽	1	398289	(000000–) Charger, 36Vdc 120A Tri-Vac 3PH 50HZ	1
▲	2	01726	(000000–) Connector, Anderson, 350A, Gray	1

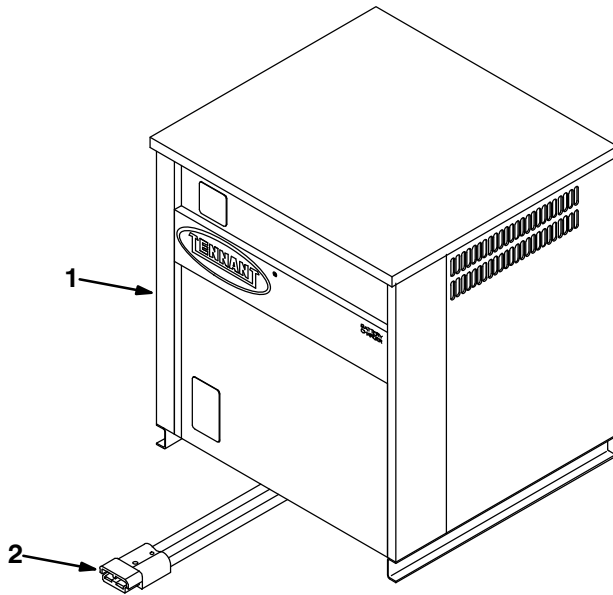
Fig. 85 – Battery Charger Group, 93A, 36V, 60Hz (600Ah Batteries)



353365 – NA

	Ref.	Part No.	Serial Number	Description	Qty.
▽	1	386338	(000000–) Charger, 36V/93A 60Hz, 1Ph, Sealed	1
▲	2	01726	(000000–) Connector, Anderson, 350A, Gray	1
▽	1	386344	(000000–) Charger, 36V/93A 60Hz, 3Ph, Sealed	1
▲	2	01726	(000000–) Connector, Anderson, 350A, Gray	1

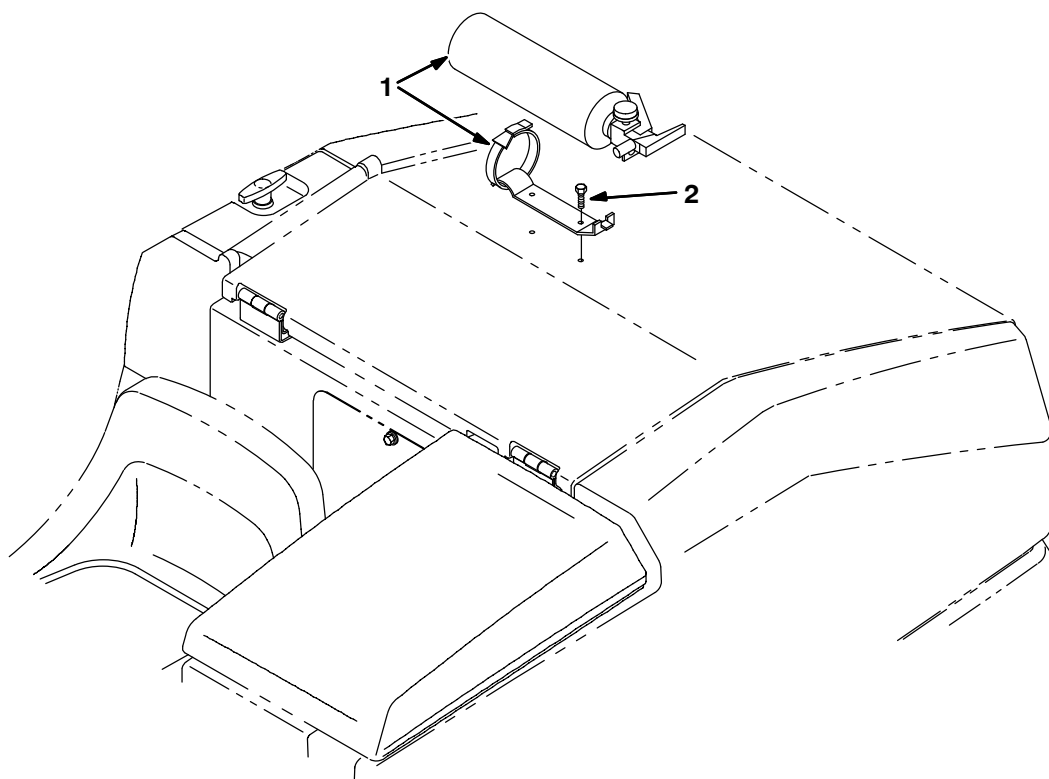
Fig. 86 – Battery Charger Group, 150A, 36V, 60Hz (750Ah Batteries)



353364 – NA

	Ref.	Part No.	Serial Number	Description	Qty.
▽	1	398292	(000000–)	Charger, 36V/150A 60Hz	1
▲	2	01726	(000000–)	Connector, Anderson, 350A, Gray	1

Fig. 87 – Fire Extinguisher Kit



353282 – NA

	Ref.	Part No.	Serial Number	Description	Qty.
▽		387457	(000000–) Kit, CI, Extinguisher, Fire, [7300/8300]	1
▲▽	1	25312	(000000–) Extinguisher, Fire	1
▲▲	2	360973	(000000–) Screw, Pan, #12–16 x 0.50, F/Plstc	2

Fig. 88 – Documentation Group

7300, NA

Ref.	Part No.	Serial Number	Description	Qty.
	330610	(000000–)	Manual Pkg, (7300 Ele Na)	1
	330611	(000000–)	Manual, Fiche, (7300 Ele)	1
	330615	(000000–)	Manual, Service, (7300 Ele Na)	1
	330612	(000000–)	Manual, Oprtr, (7300 Ele Es Na)	1
	330613	(000000–)	Manual, Oprtr, (7300 Ele Fr Na)	1
	387494	(000000–)	Video, Operator, Vhs, Ntsc [7300]	1
	1041884	(000000–)	Video, Oprtr, Training, Dvd [7300]	1
	9006257	(000000–)	Media, Cd-Rom, Training [ec-H2O TENNANT]	1



To view, print, order, download the latest Parts manual, other language Operator manuals, and Use and Care Guides (wall charts) visit:

www.tennantco.com/manual

SECTION 4

Contents	Page
Fig. 1 – Electric Motor Breakdown, 17363 .	4-2
Fig. 2 – Electric Motor Breakdown, 398520	4-4
Fig. 3 – Electric Motor Breakdown, 60198 .	4-6
Fig. 4 – Electric Motor Breakdown, 386050	4-7
Fig. 5 – Electric Motor Breakdown, 386679	4-8
Fig. 6 – Electric Motor Breakdown, 387585	4-9
Fig. 7 – Electric Motor Breakdown, 386687	4-10
Fig. 8 – Water Pump Breakdown, 387321	4-11
Fig. 9 – Metering Solution Pump Breakdown, 386364	4-12
Fig. 10 – Hydraulic Powerunit Breakdown, 368704	4-13
Fig. 11 – Hydraulic Motor Breakdown, 386703	4-14
Fig. 12 – Steering Control Valve Breakdown, 373495	4-15
Fig. 13 – ec-H2O Module Assembly Breakdown, 9006270	4-16
Fig. 14 – ec-H2O Solution Pump Breakdown, 1005866	4-18
Fig. 15 – FaST Injector Assebmly Breakdown, 1070035	4-19

Fig. 1 - Electric Motor Breakdown, 17363

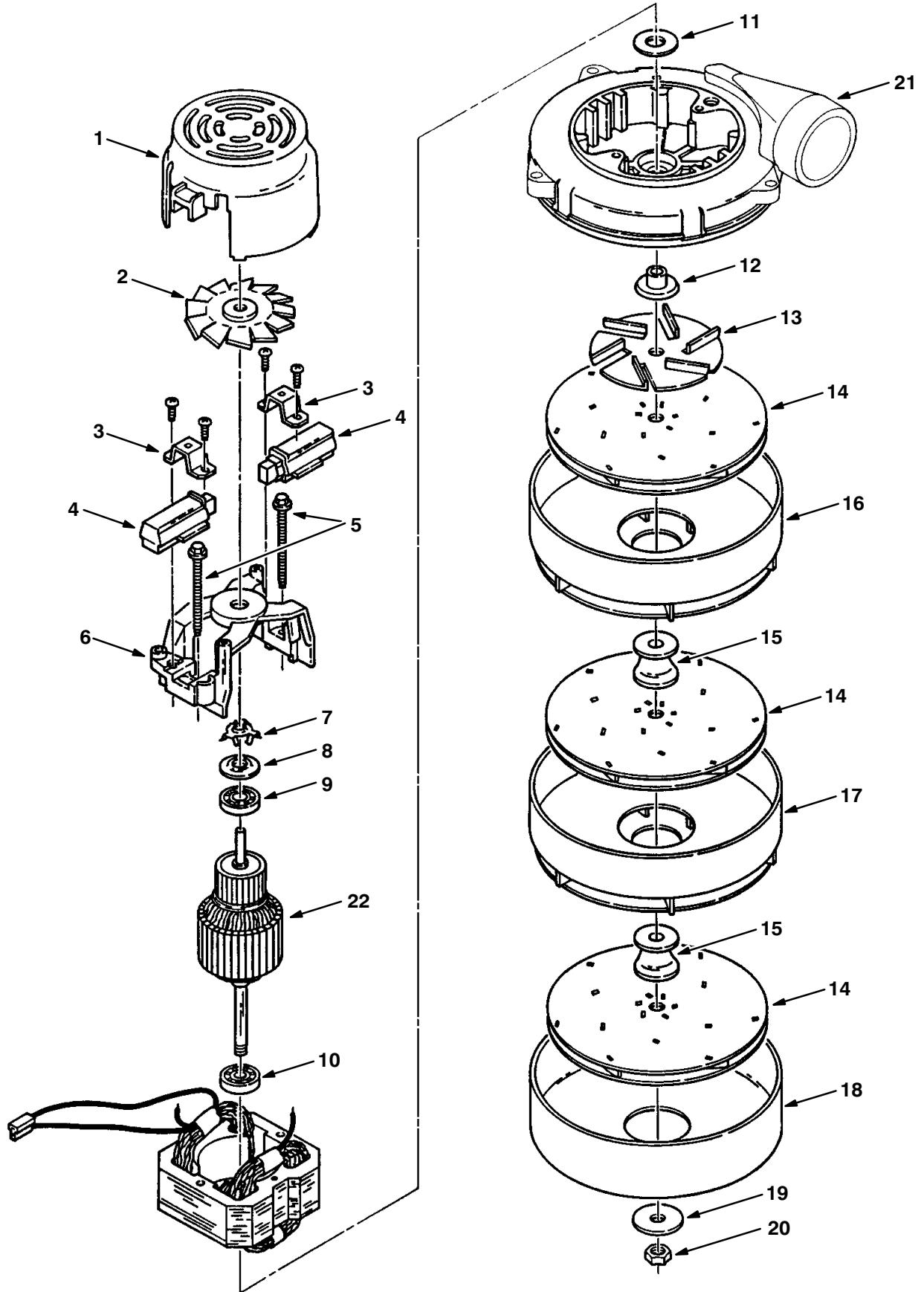


Fig. 1 – Electric Motor Breakdown, 17363

	Ref.	Part No.	Serial Number	Description	Qty.
▽		17363	(000000–) Fan vacuum, 36v	1
▲	1	37926	(000000–) Housing	1
▲	2	61298	(000000–) Fan	1
▲	3	01982	(000000–) Clamp	2
▲	4	11756	(000000–) Brush mechanism	2
▲	5	01969	(000000–) Screw	2
▲	6	01983	(000000–) Comm. bracket	1
▲	7	01856	(000000–) Spring, load	1
▲	8	37909	(000000–) Disc	1
▲	9	01842	(000000–) Bearing	1
▲	10	01837	(000000–) Bearing	1
▲	11	37912	(000000–) Washer, fl neo, 10.8x22x1.5	1
▲	12	18627	(000000–) Spacer	1
▲	13	01971	(000000–) Fan	1
▲	14	18628	(000000–) Fan, rotating	3
▲	15	18630	(000000–) Spacer	2
▲	16	61300	(000000–) Fan, stationary	1
▲	17	61297	(000000–) Fan, stationary	1
▲	18	61301	(000000–) Shell	1
▲	19	378983	(000000–) Washer	1
▲	20	37929	(000000–) Nut	1
▲	21	60386	(000000–) Bracket, Fan End	1
▲	22	21765	(000000–) Armature	1
▲		223264	(000000–) Seal, Fan	1
▲		10925	(000000–) Connector, 2 Conductor	1
▲		10926	(000000–) Terminal, Female	2

Fig. 2 - Electric Motor Breakdown, 398520

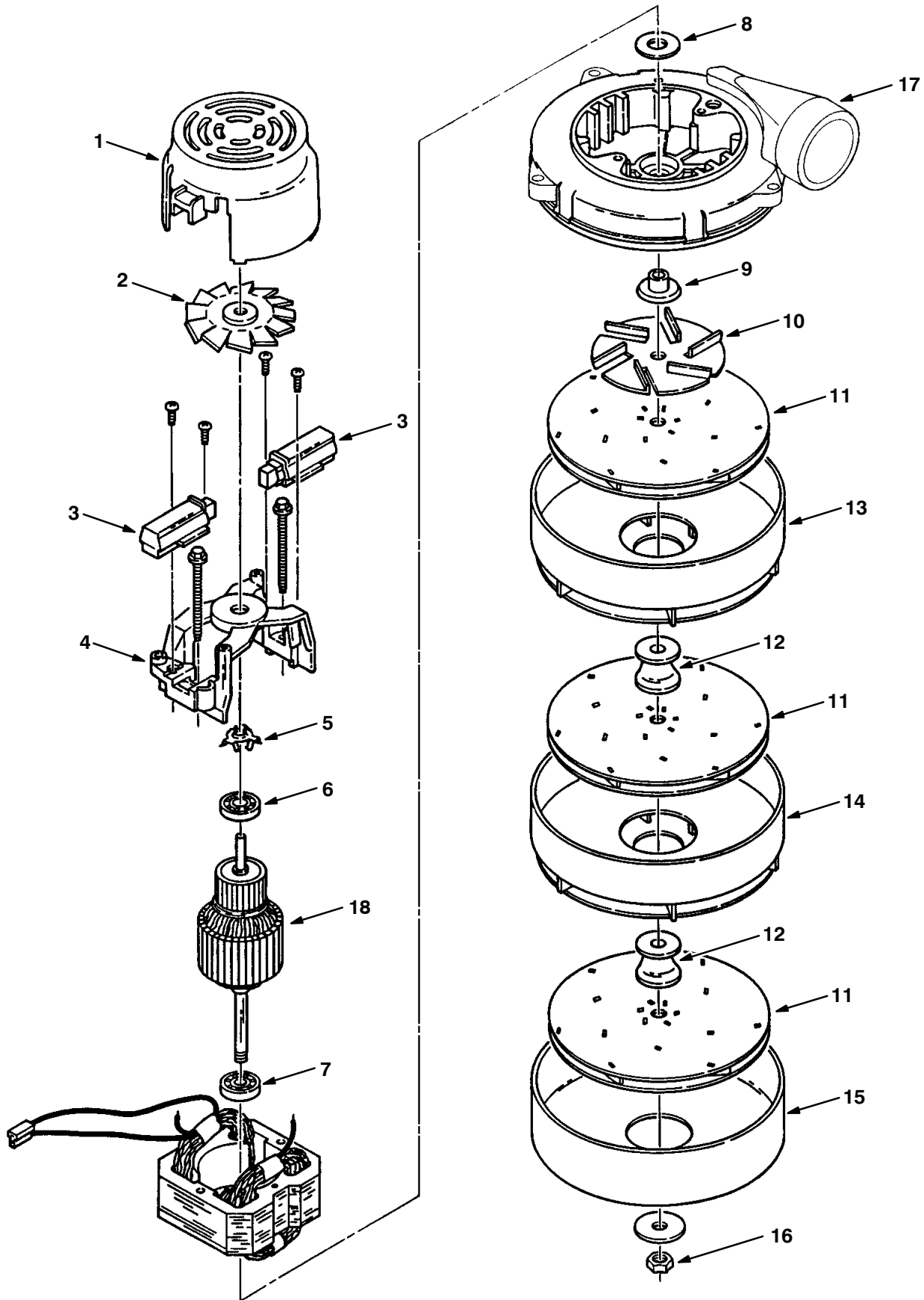
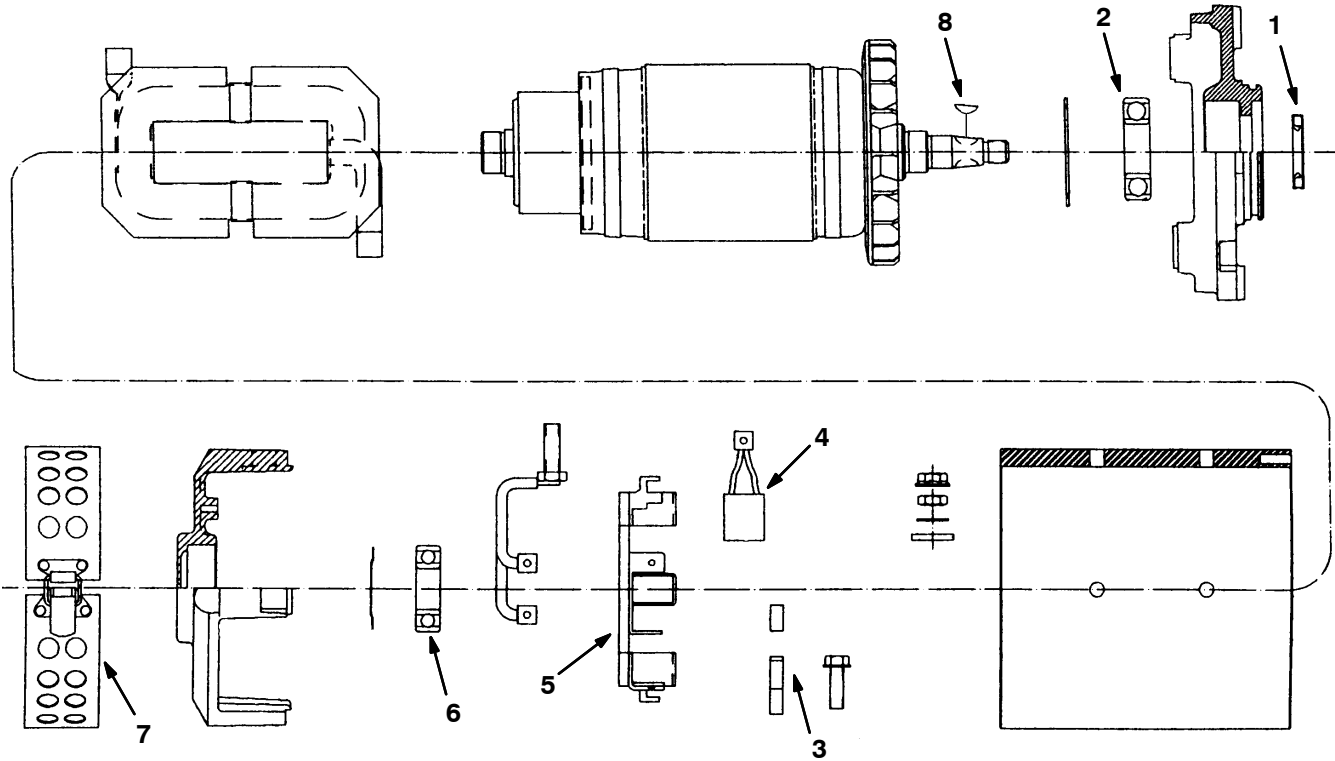


Fig. 2 – Electric Motor Breakdown, 398520

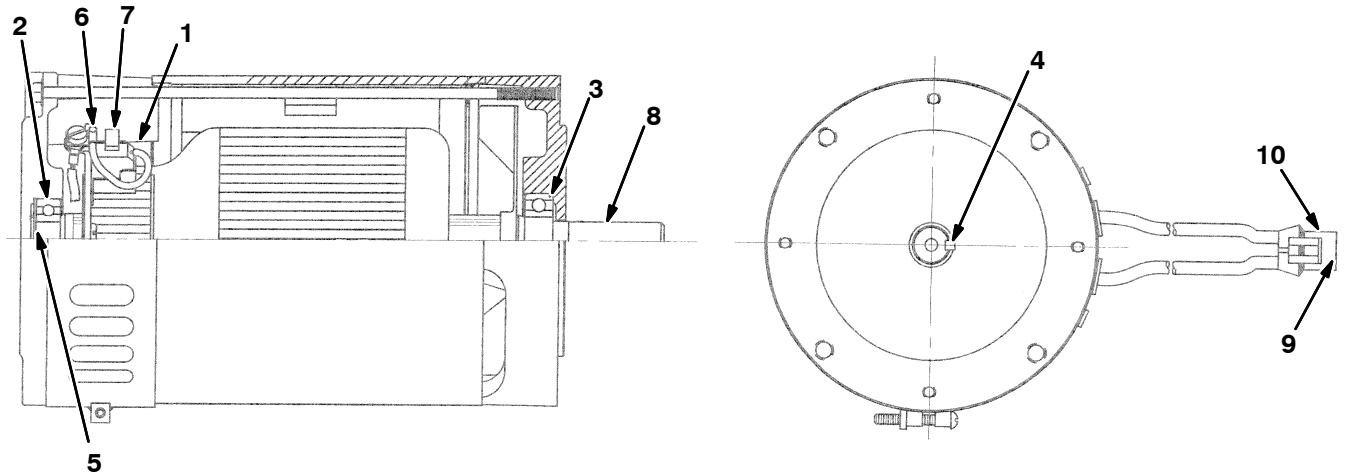
	Ref.	Part No.	Serial Number	Description	Qty.
▽		398520	(000000–) Fan, Vacuum	1
▲	1	398511	(000000–) Housing	1
▲	2	398512	(000000–) Fan	1
▲	3	398513	(000000–) Brush Mechanism	2
▲	4	398514	(000000–) Comm. Bracket	1
▲	5	01856	(000000–) Spring	1
▲	6	398515	(000000–) Bearing	1
▲	7	01837	(000000–) Bearing	1
▲	8	37912	(000000–) Washer, Neo.	1
▲	9	398516	(000000–) Spacer	1
▲	10	01971	(000000–) Fan	1
▲	11	18628	(000000–) Vacuum Fan	3
▲	12	398517	(000000–) Spacer	2
▲	13	61300	(000000–) Stationary Fan	1
▲	14	61297	(000000–) Stationary Fan	1
▲	15	398518	(000000–) Shell	1
▲	16	37929	(000000–) Nut	1
▲	17	60386	(000000–) Bracket, Fan End	1
▲	18	398519	(000000–) Armature	1
▲		223264	(000000–) Seal, Fan	1
▲		10925	(000000–) Connector, 2 Conductor	1
▲		10926	(000000–) Terminal, Female	2

Fig. 3 – Electric Motor Breakdown, 60198



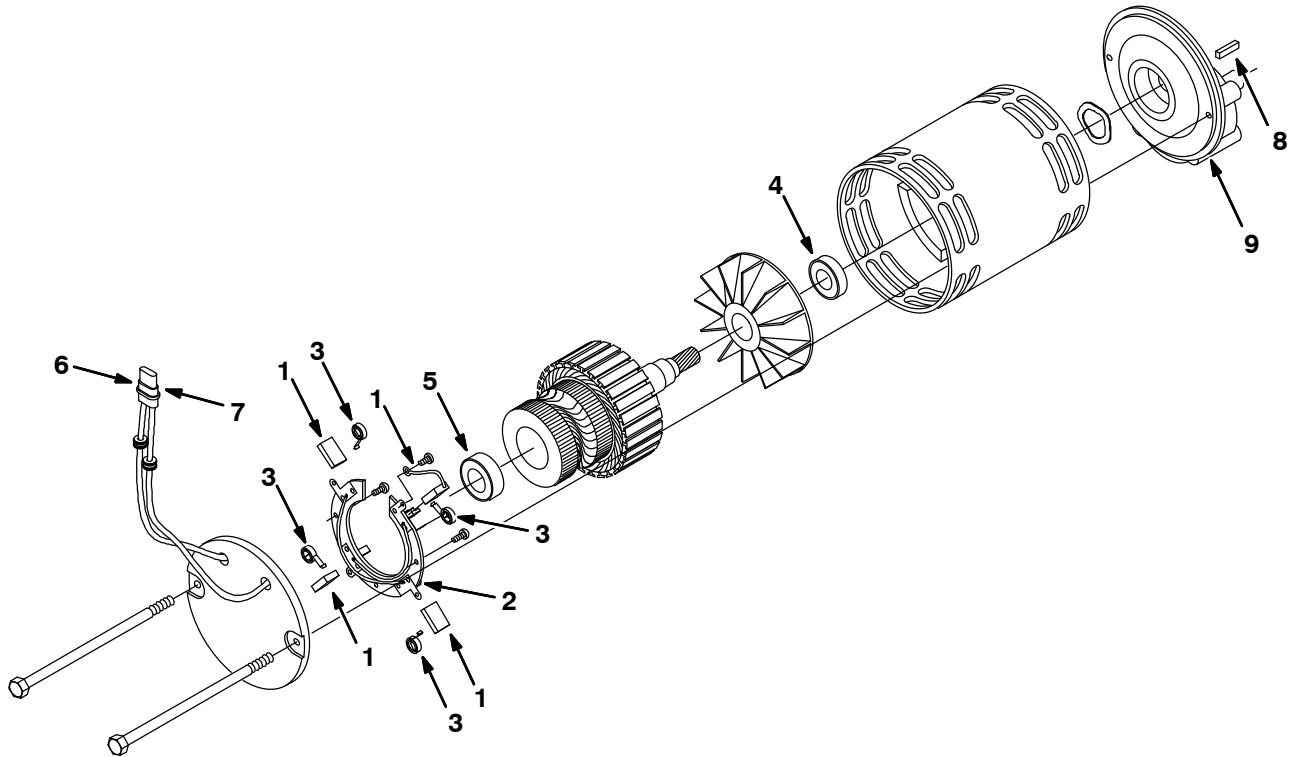
Ref.	Part No.	Serial Number	Description	Qty.
▽	60198	(000000–) Motor, traction 36v	
▲	1 48753	(000000–) Seal	1
▲	2 48754	(000000–) Bearing	1
▲	3 48755	(000000–) Spring, brush	4
▲▽	4 363491	(000000–) Brush kit, propelling motor	1
▲▲	48756	(000000–) Brush	4
▲	5 48757	(000000–) Brush, box & plate assy	1
▲	6 48758	(000000–) Bearing	1
▲	7 361973	(000000–) Band, Brush Cover	1
▲	8 00500–7	(000000–) Key, Woodruff, 0.16 0.62	1

Fig. 4 – Electric Motor Breakdown, 386050



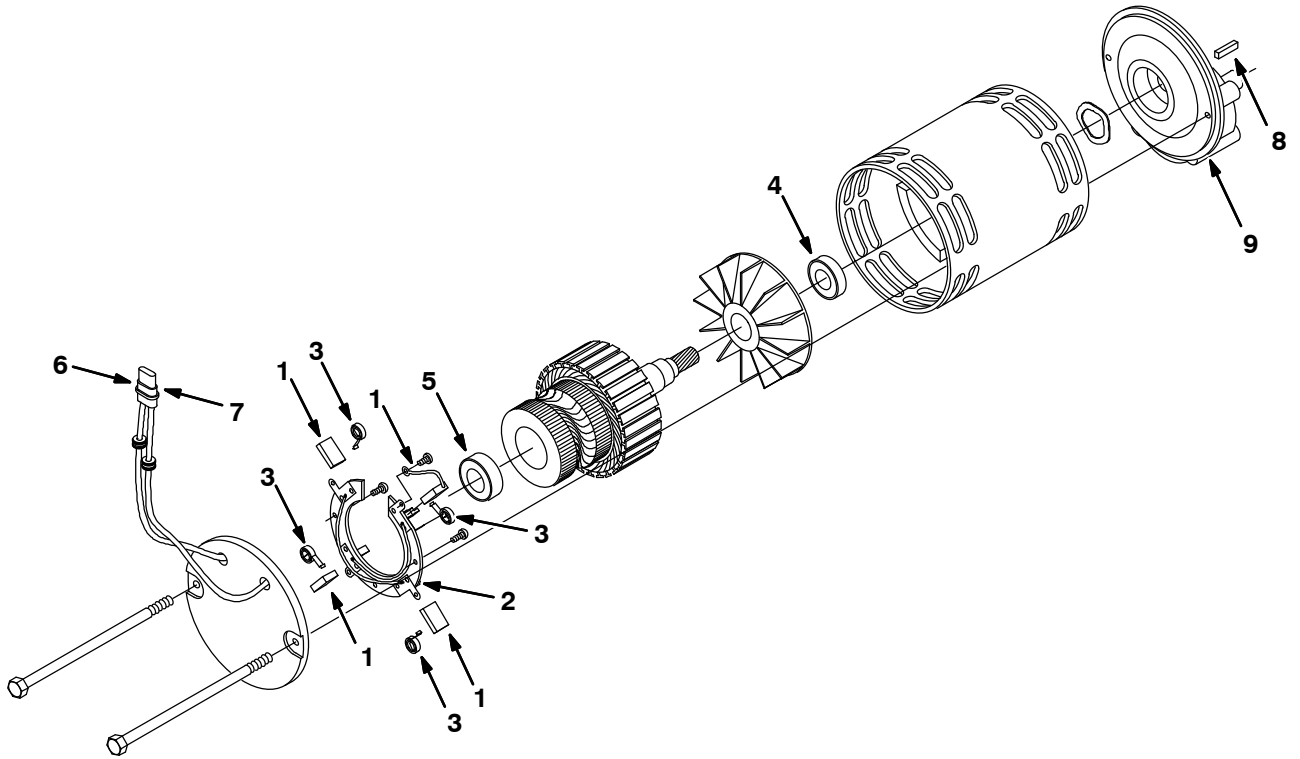
Ref.	Part No.	Serial Number	Description	Qty.
▽	386050	(000000-) Motor, Ele, 36 Vdc 1500 Rpm 1.5 Hp	
▲	1 41367	(000000-) Brush	4
▲	2 41368	(000000-) Bearing	1
▲	3 41371	(000000-) Bearing	1
▲	4 00918	(000000-) Key, Sq, 0.19 X 0.19, 01.25L	1
▲	5 387250	(000000-) Spring, Bearing	1
▲	6 21800	(000000-) Ring, Brush	1
▲	7 60189	(000000-) Spring	4
▲	8 387251	(000000-) Armature Assy, Complt	1
▲	9 24537	(000000-) Terminal, [Metripk630], Fem 10	2
▲	10 10925	(000000-) Connector, 2-Conductor	1

Fig. 5 – Electric Motor Breakdown, 386679



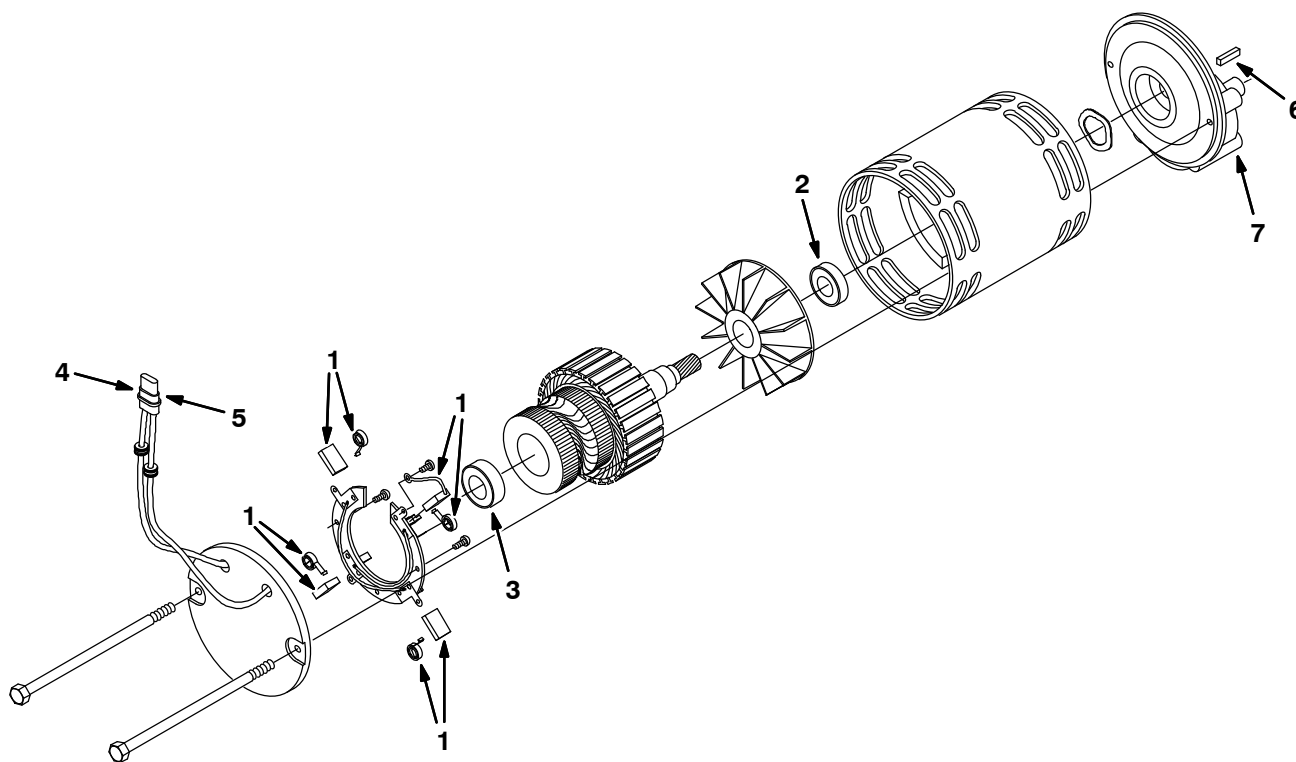
Ref.	Part No.	Serial Number	Description	Qty.
▽	386679	(000000–) Motor, Gear, Ele, 1.5Hp, 36Vdc, 300Rpm	
▲	1	387371	(000000–) Brush Kit	1
▲▽	2	387373	(000000–) Brush Holder Assy	1
▲▲	3	387374	(000000–) Spring, Brush	4
▲	4	41371	(000000–) Bearing	1
▲	5	41368	(000000–) Bearing	1
▲	6	10925	(000000–) Connector Body	1
▲	7	24537	(000000–) Terminal	2
▲	8	00928	(000000–) Key Square 0.25 X 0.25, 01.00L	1
▲	9	387372	(000000–) Gearbox, Motor	1

Fig. 6 – Electric Motor Breakdown, 387585



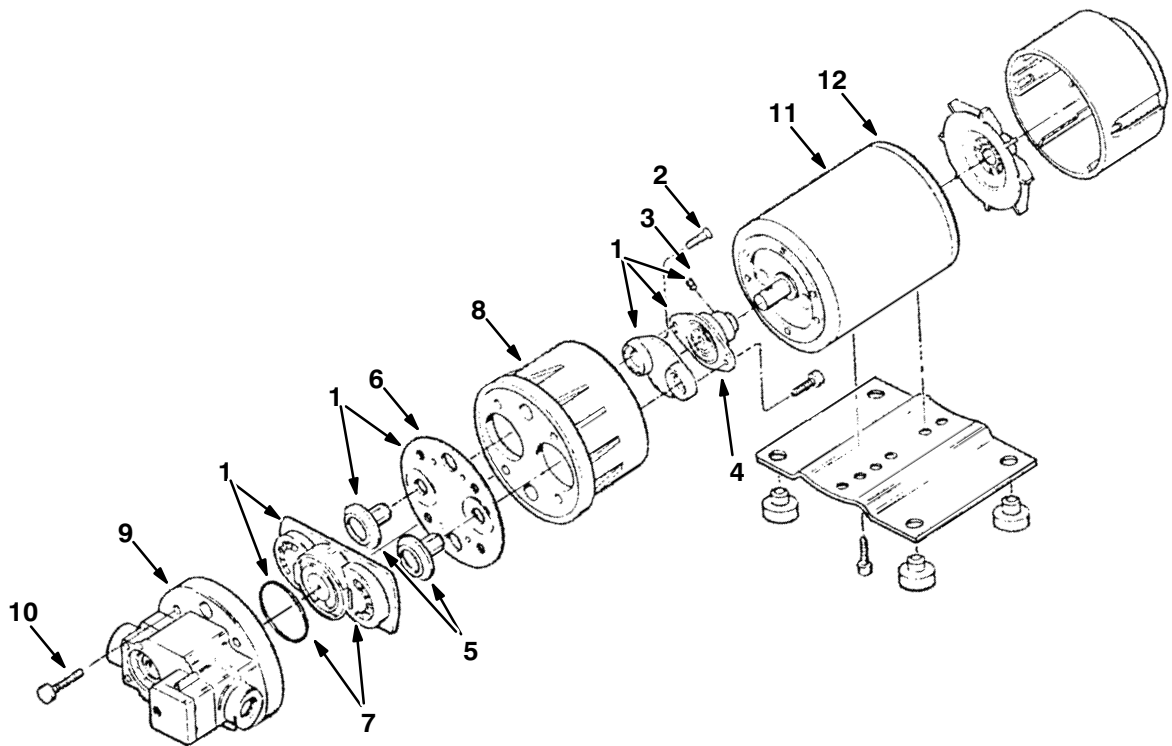
Ref.	Part No.	Serial Number	Description	Qty.
▽	387585	(000000-)	Motor, Gear, Ele, 1.5Hp, 36Vdc, 300Rpm	
▲	1 387589	(000000-)	Brush	4
▲	2 387590	(000000-)	Brush, Board, Assy	1
▲	3 387592	(000000-)	Spring, Brush	4
▲	4 387587	(000000-)	Bearing	1
▲	5 387588	(000000-)	Bearing	1
▲	6 10925	(000000-)	Connector Body	1
▲	7 24537	(000000-)	Terminal	2
▲	8 00928	(000000-)	Key Square 0.25 X 0.25, 01.00L	1
▲	9 374005	(000000-)	Gearbox, Motor	1

Fig. 7 – Electric Motor Breakdown, 386687



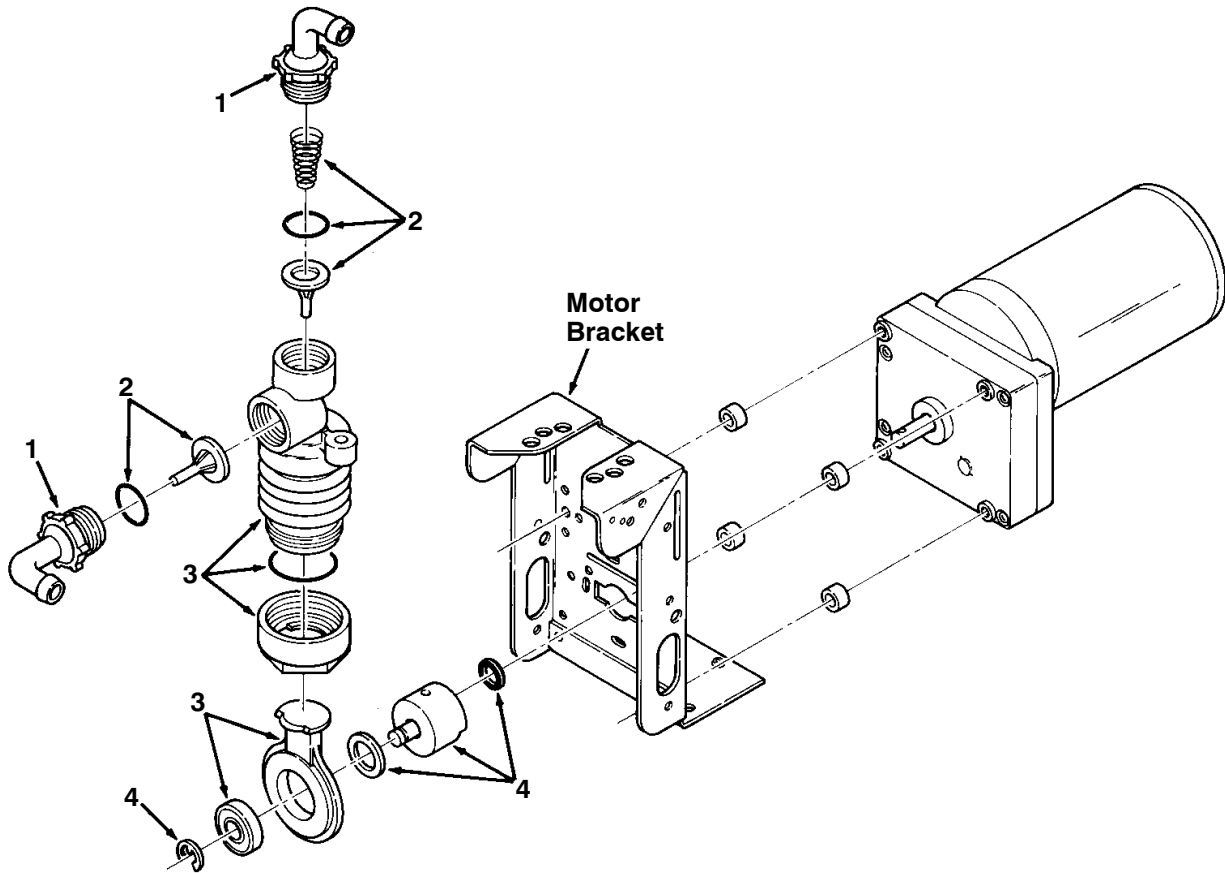
Ref.	Part No.	Serial Number	Description	Qty.
▽	386687	(000000–) Motor, Gear, 1.0Hp 36V	1
▲	1 222606	(000000–) Brush Kit	1
▲	2 222618	(000000–) Bearing	1
▲	3 222617	(000000–) Bearing	1
▲	4 10925	(000000–) Connector Body	1
▲	5 24537	(000000–) Terminal	2
▲	6 00928	(000000–) Key Square 0.25 0.25 01.00 Lg	1
▲	7 374005	(000000–) Gearbox, Motor	1

Fig. 8 – Water Pump Breakdown, 387321



Ref.	Part No.	Serial Number	Description	Qty.	
▽	387321	(000000-) Pump kit, power wand	1	
▲	1	65678	(000000-) Seal kit	1
▲	2	65667	(000000-) Screw	1
▲	3	65668	(000000-) Screw	1
▲	4	370923	(000000-) Cam/bearing\Diaphragm Kit	1
▲	5	65671	(000000-) Piston	1
▲	6	65672	(000000-) Diaphragm kit	1
▲	7	65673	(000000-) Check valve assy	1
▲	8	65670	(000000-) Bearing cover	1
▲	9	65674	(000000-) Switch assy	1
▲	10	65675	(000000-) Pump screw	1
▲	11	65676	(000000-) Motor	1
▲	12	65677	(000000-) Brush/rectifier Assy	1
▲		78950	(000000-) Connector assy	2
▲		78951	(000000-) Terminal female	2
▲		10917	(000000-) Seal connector	2

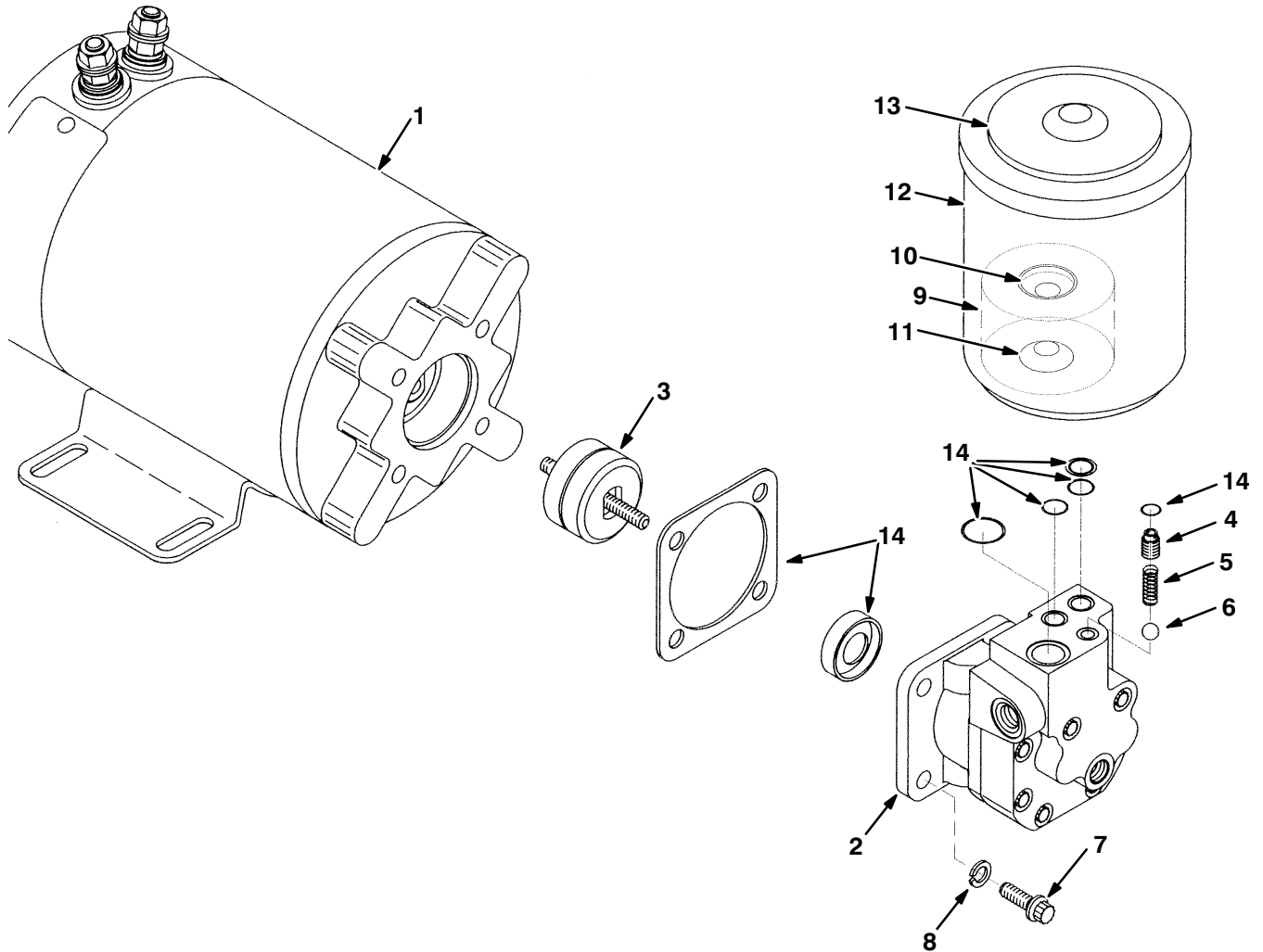
Fig. 9 – Metering Solution Pump Breakdown, 386364



00112 – ALL

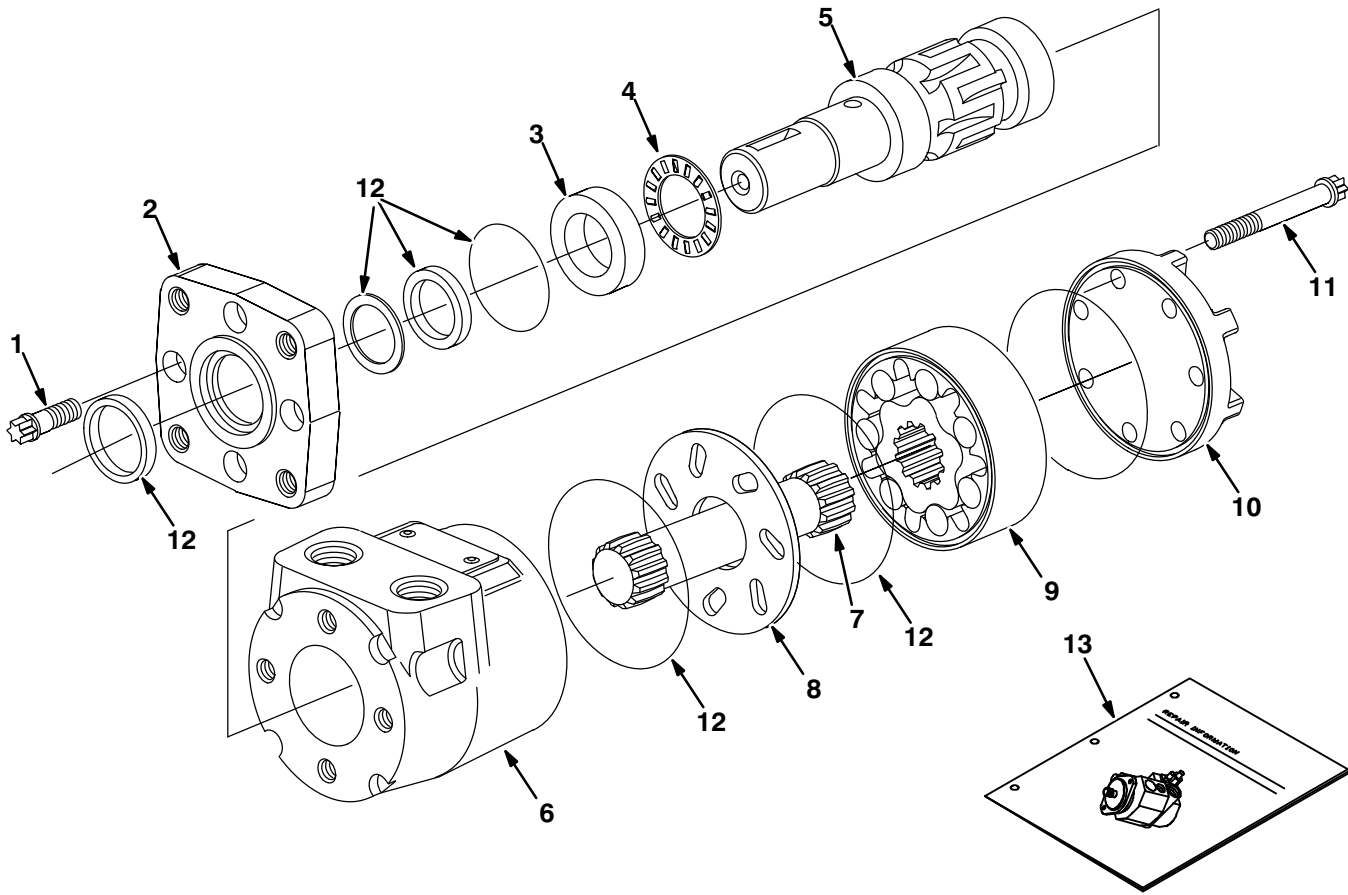
Ref.	Part No.	Serial Number	Description	Qty.
▽	386364	(000000–) Pump, Metering Solution	1
▲	1 63923	(000000–) Connector Kit, Tubing	1
▲	2 21659	(000000–) Valve Kit, Pump	1
▲	3 21661	(000000–) Replacement Kit, Bellows	1
▲	4 02430	(000000–) Crank Replacement Kit	1

Fig. 10 – Hydraulic Powerunit Breakdown, 368704



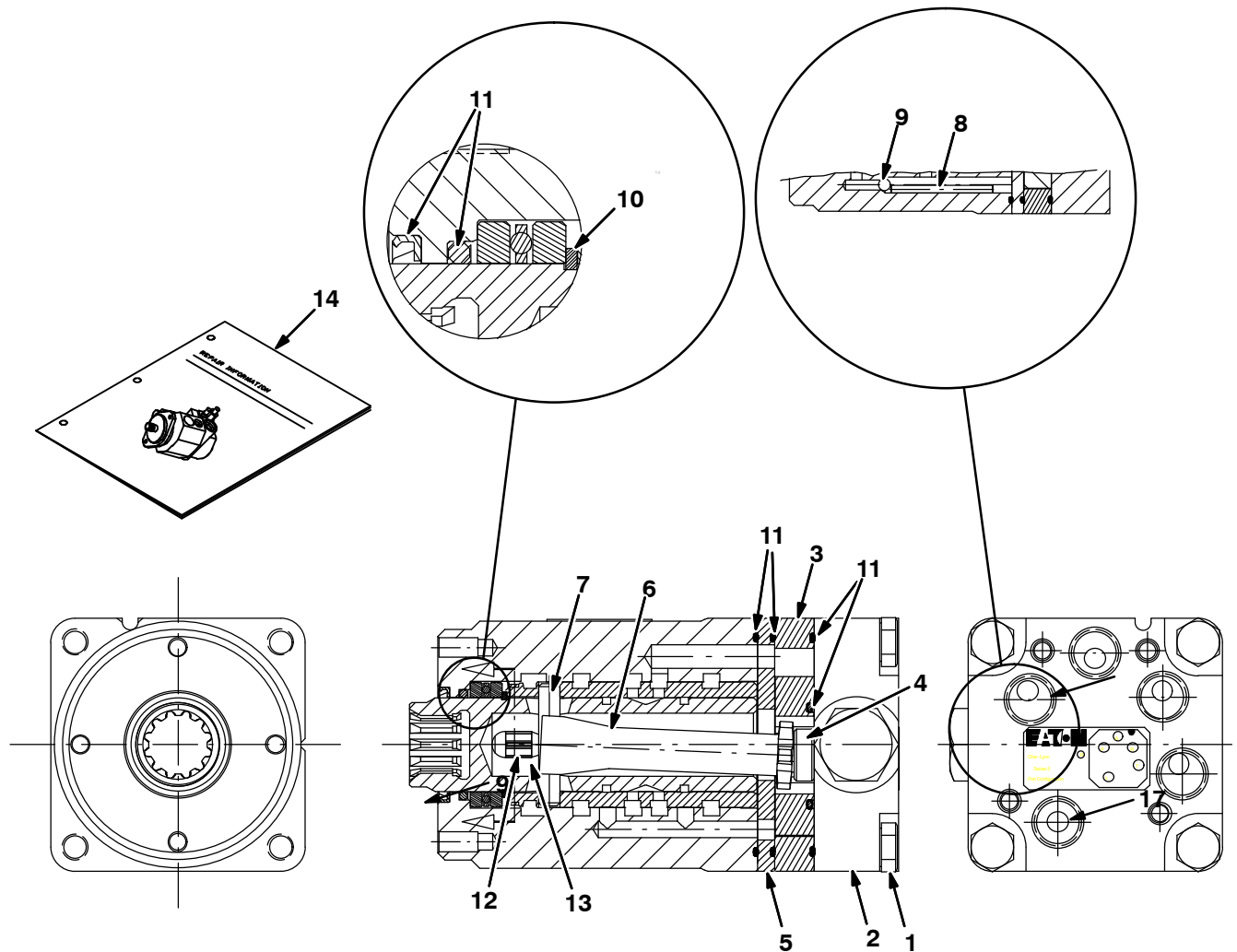
Ref.	Part No.	Serial Number	Description	Qty.
▽	386704	(000000–) Powerunit, Hyd, 36Vdc	1
▲	1 387597	(000000–) Motor, Elect	1
▲	2 387598	(000000–) Pump assy	1
▲	3 387599	(000000–) Coupling, Flexible	1
▲	4 387600	(000000–) Screw, Adjuster	1
▲	5 387607	(000000–) Spring	1
▲	6 387608	(000000–) Ball, Check	1
▲	7 387609	(000000–) Screw, Mtg	4
▲	8 387610	(000000–) Washer	4
▲	9 387602	(000000–) Element, Fltr	1
▲	10 387603	(000000–) Seal, Cup, Upper	1
▲	11 387604	(000000–) Seal, Cup, Lower	1
▲	12 387605	(000000–) Reservoir	1
▲	13 387606	(000000–) Cover, Reservoir	1
▲	14 387601	(000000–) Kit, Seal	1

Fig. 11 – Hydraulic Motor Breakdown, 386703



Ref.	Part No.	Serial Number	Description	Qty.
▽	386703	(000000–) Motor, Hyd	1
▲	1	37555	(000000–) Screw	4
▲	2	763504	(000000–) Flange	1
▲	3	16695	(000000–) Race Thrust	1
▲	4	45628	(000000–) Bearing, Thrust	1
▲	5	763508	(000000–) Shaft, Output	1
▲	6	22655	(000000–) Housing	1
▲	7	373344	(000000–) Drive, Main	1
▲	8	22658	(000000–) Spacer	1
▲	9	373343	(000000–) Geroler S/A	1
▲	10	373422	(000000–) Cap, End	1
▲	11	21958	(000000–) Cap Screw	7
▲	12	373423	(000000–) Kit, Seal, Motor	1
▲	13	22661	(000000–) Instruction, Repair	1

Fig. 12 – Steering Control Valve Breakdown, 373495



Ref.	Part No.	Serial Number	Description	Qty.
▽	373495	(000000–) Steer-Control, Hyd	4
▲	1 373567	(000000–) Screw, Cap	1
▲	2 373568	(000000–) Cap, End	1
▲	3 373569	(000000–) Geroter	1
▲	4 373570	(000000–) Spacer	1
▲	5 373571	(000000–) Plate, Wear	1
▲	6 74231	(000000–) Drive, Valve, Strg	1
▲	7 74232	(000000–) Pin, Valve, Strg	1
▲	8 373572	(000000–) Pin	1
▲	9 74114	(000000–) Ball, Check, Strg Valve	1
▲	10 74243	(000000–) Ring, Retainer, Valve, Strg	1
▲	11 74244	(000000–) Kit, Seal, Hyd, Valve, Strg	1
▲	12 74196	(000000–) Kit, Spring, Valve, Strg	1
▲	13 21935	(000000–) Bearing Kit	1
▲	14 74245	(000000–) Instruction, Repair, Valve, Strg	1

Fig. 13 - ec-H2O Module Assembly Breakdown, 9006270

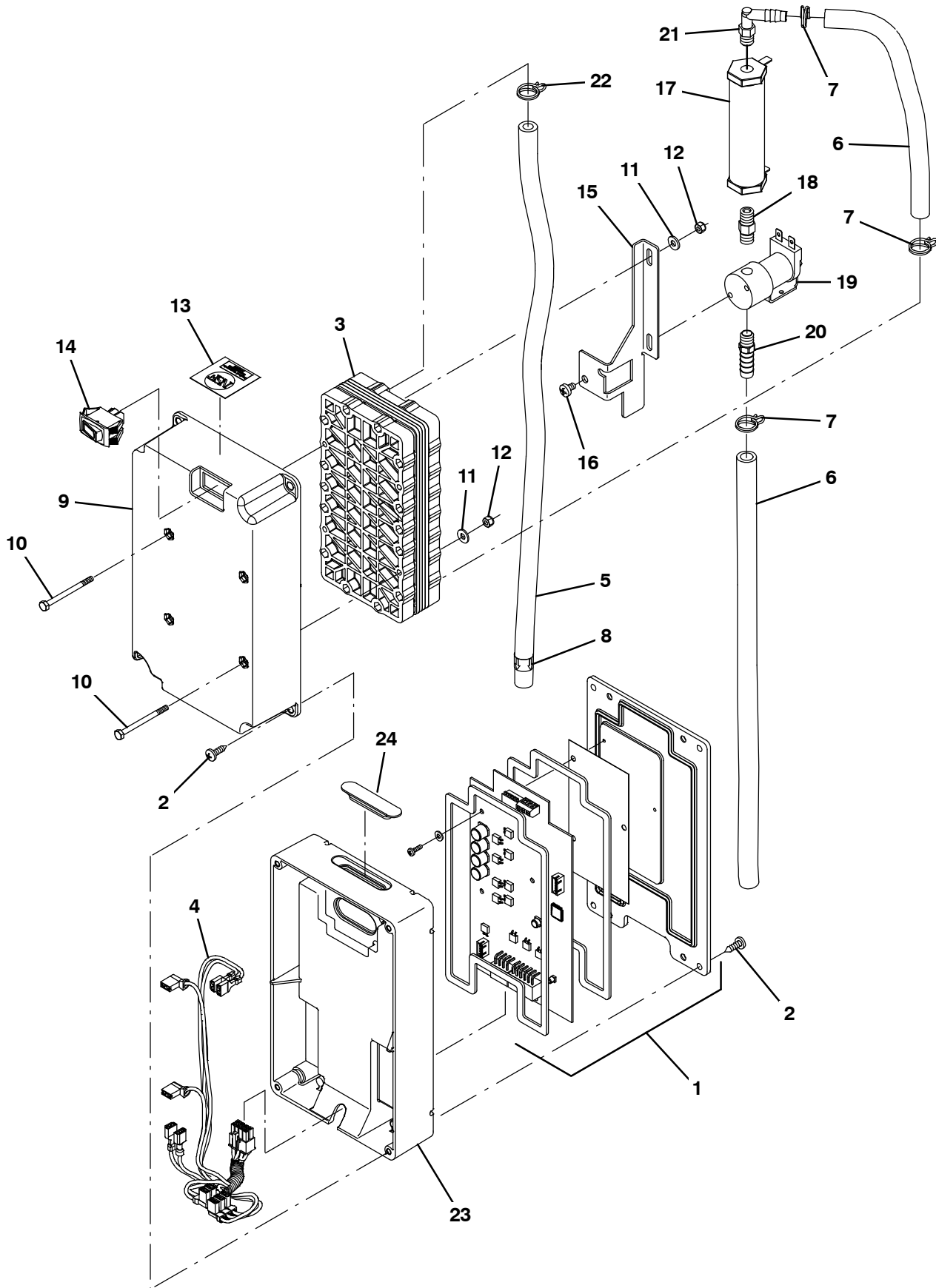
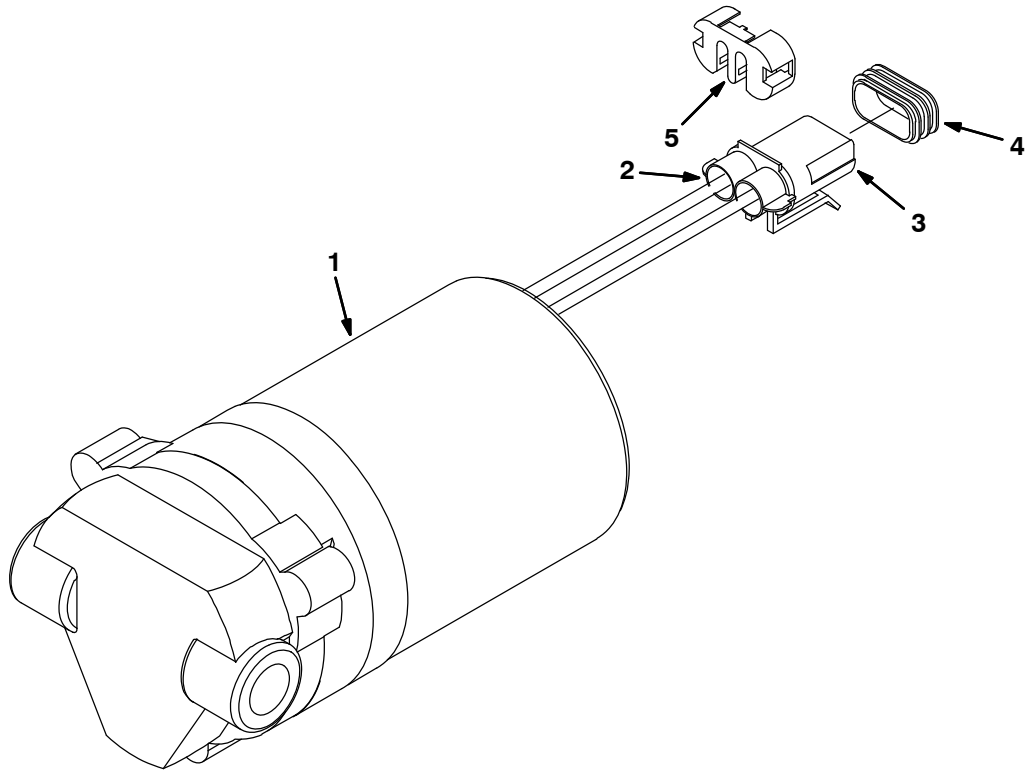


Fig. 13 – ec-H2O Module Assembly Breakdown, 9006270

Ref.	Part No.	Serial Number	Description	Qty.
▽	9006270	(000000–) Module Kit, Replmt [Ec-H2o]	1
▲	1 9007969	(000000–) Controller Kit, Replmt [ec-H2O]	1
▲	2 1018155	(000000–) Screw, Pan, Phl, M5 X 0.80 X 16, Tcut,Ss	8
▲▽	9006325	(000000–) Ec-H2o Kit, Module C, Plumbing	1
▲▲	3 1050767	(000000–) Electrode, 5 Plate, High Flow	1
▲▲	4 1049489	(000000–) Harness, Main,Controlboard[Ec-H2o 5cell]	1
▲▲	5 1014971	(000000–) Hose, Afmkt, Pvc, Brd, 0.38id, 01ft, Clr	1
▲▲	6 9006268	(000000–) Hose, Pvc, Brd, 0.31id 0.53od, 2ft, Clr	1
▲▲	7 1053464	(000000–) Clamp, Hose, Wir, .52 – .56, Yel	3
▲▲	8 1049637	(000000–) Label, Direction [Ec-H2o]	1
▲▲	9 1051519	(000000–) Housing, Upper, Module, High Flow	1
▲▲	10 32509	(000000–) Screw, Hex, M4 X 0.70 X 50, Ss	4
▲▲	11 41579	(000000–) Washer, Flat, 08, Ss	4
▲▲	12 33932	(000000–) Nut, Hex, Lock, M4 X 0.70, NI, Ss	4
▲▲	13 1046041	(000000–) Label, Module [Nsf, Ec-H2o]	1
▲▲	14 1044393	(000000–) Switch, Rocker, Spst, Mom	1
▲▲	15 1048741	(000000–) Bracket, Valve, Large	1
▲▲	16 578856	(000000–) Screw, Flt, Phl, 10–32 X 0.31	2
▲▲	17 1062006	(000000–) Electrode, Cylindrical	1
▲▲	18 1045030	(000000–) Fitting, Brs, Str, Pm02/Pm02	1
▲▲	19 1048643	(000000–) Valve, Solenoid, 0.25" Orifice, 24vdc	1
▲▲	20 1005375	(000000–) Fitting, Plstc, Str, Bm06/Pm02, Nyl	1
▲▲	21 1051268	(000000–) Fitting, Plstc, E90, Bm05/Pm02, Nyl	1
▲▲	22 607775	(000000–) Clamp, Hose, Wir, .63 – .66, Blk	1
▲	23 1037032	(000000–) Housing, Bottom	1
▲	24 1050431	(000000–) Grommet, Blind	1

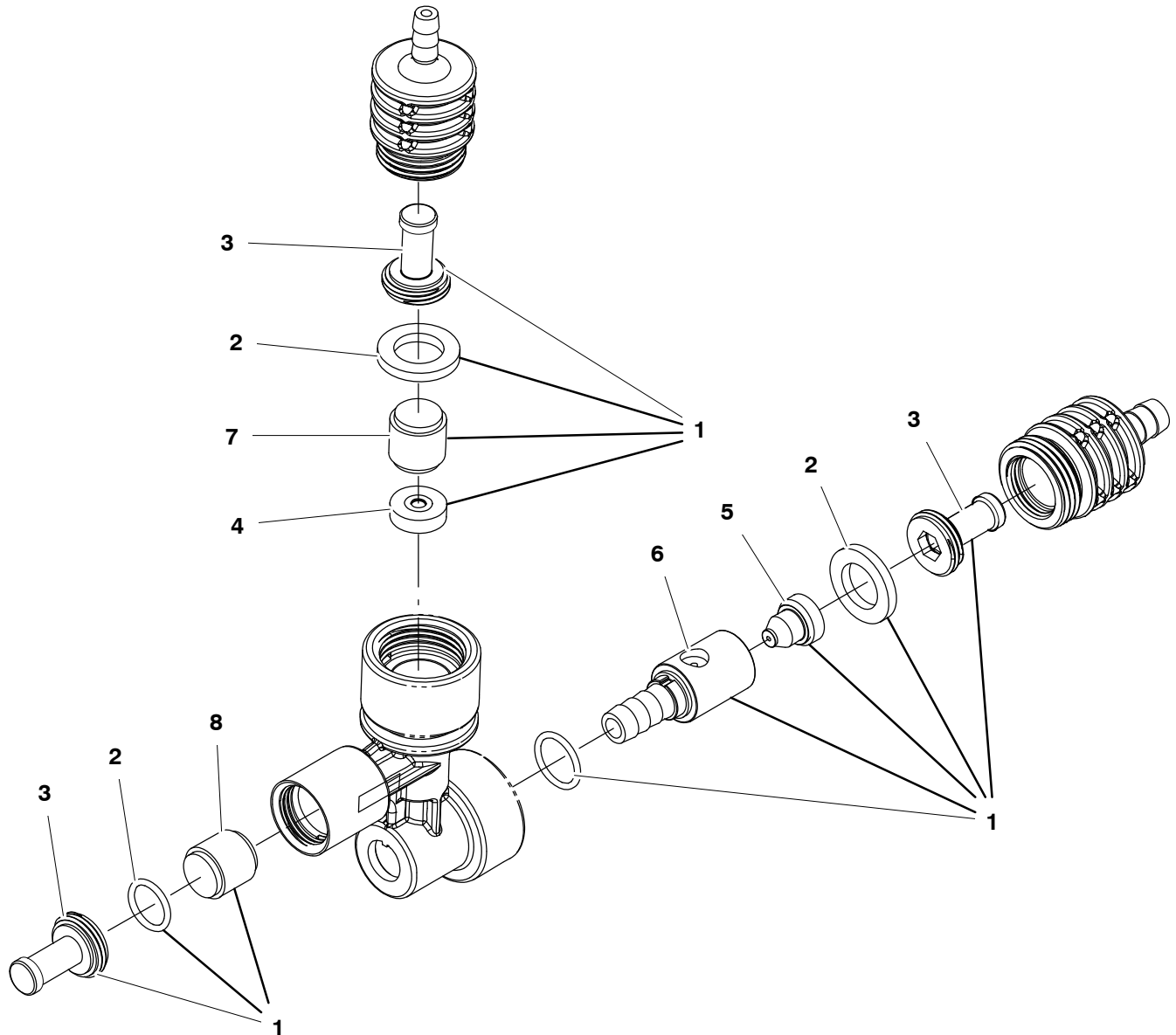
Fig. 14 – ec-H₂O Solution Pump Breakdown, 1005866



- ALL

	Ref.	Part No.	Serial Number	Description	Qty.
∇		1005866	(000000-) Pump, Soltn, Ele, 36vdc	1
▲	1	391433	(000000-) Head Kit, Pump, Water, Repair	1
▲	2	78950	(000000-) Connector, Fem, 2cav, Mp280 Sealed	1
▲	3	78951	(000000-) Terminal, Fem, Mp280, Sealed, 18-16ga	1
▲	4	10917	(000000-) Seal, Wire, 14/16ga [Wp / Mp280 Sealed]	1
▲	5	78952	(000000-) Lock, Secondary, 2cav, Mp280 Sealed	1

Fig. 15 – FaST Injector Assembly Breakdown, 1070035



356268

Ref.	Part No.	Serial Number	Description	Qty.
▽	1070035	(000000–) Injector Assy [Gen LI]	1
▲▽	1	9008890	(000000–) Parts Kit, Ci [Inj Rebl, 7300/8300 LI]	1
▲▲	2	9008848	(000000–) Fast Kit, Seal, Injector, Ci [Fast Iii]	1
▲▲	3	9003009	(000000–) Fast Kit, Ci, Injector Filters[Fast li+]	1
▲▲	4	1059877	(000000–) Plate Assy, Orifice, 0.010id, Purple	1
▲▲	5	1050336	(000000–) Plug, Orifice, 0.052, Ss [Fast li+]	1
▲▲	6	1059234	(000000–) Insert, Lrg [Venturi, Fast Iii]	1
▲▲	7	1030444	(000000–) Valve, Check, 0002psi [Fast li+]	1
▲▲	8	1030441	(000000–) Valve, Check, 0005psi [Fast li+]	1

SECTION 5

CONTENTS

PAGE

PART NUMBER TO PAGE NUMBER CROSS REFERENCE LIST 5-2
PART DESCRIPTION TO PAGE NUMBER CROSS REFERENCE LIST 5-12

CROSS REFERENCE

PART NUMBER TO PAGE NUMBER CROSS REFERENCE LIST

Part Number	Page Number	Part Number	Page Number	Part Number	Page Number
00500-10	2-17	01856	4-3, 4-5	07791	2-9, 3-5, 3-7, 3-9,
00500-7	4-6	01969	4-3		3-11, 3-27, 3-31, 3-35,
00911	3-65, 3-83	01971	4-3, 4-5		3-39, 3-43, 3-151,
00912	2-17, 3-65, 3-83	01982	4-3		3-155, 3-157
00918	3-65, 3-83, 4-7	01983	4-3	07792	2-63, 3-111, 3-113,
00928	4-8, 4-9, 4-10	02076	2-23		3-115, 3-117
01316	3-99	02129	3-145	07805	3-145
01516	2-63	02430	4-12	08085	3-73, 3-75, 3-91, 3-93
01683	2-21, 2-37, 2-39, 2-43, 2-47, 2-71, 2-73, 2-75, 3-7, 3-11, 3-103, 3-105, 3-145	02850	2-13, 2-33, 3-101, 3-129	08178	2-13, 2-65, 2-67, 2-69, 3-133, 3-135, 3-137, 3-139
01684	2-5, 2-7, 2-9, 2-13, 2-39, 2-47, 2-57, 2-59, 2-61, 2-65, 2-67, 2-69, 2-77, 2-79, 3-31, 3-39, 3-55, 3-57, 3-61, 3-65, 3-67, 3-69, 3-71, 3-73, 3-75, 3-77, 3-79, 3-83, 3-85, 3-87, 3-89, 3-91, 3-93, 3-95, 3-97, 3-99, 3-111, 3-113, 3-115, 3-117, 3-127, 3-133, 3-135, 3-137, 3-139	02931	2-63	08182	2-21, 2-47, 2-51, 2-57, 3-33, 3-41, 3-49, 3-55, 3-63, 3-71, 3-81
01685	2-9, 2-13, 2-19, 2-25, 2-29, 2-41, 2-47, 2-49, 2-53, 2-55, 2-57, 2-59, 2-61, 2-65, 2-67, 2-69, 3-31, 3-35, 3-39, 3-43, 3-47, 3-49, 3-51, 3-53, 3-55, 3-57, 3-61, 3-67, 3-69, 3-71, 3-81, 3-85, 3-87, 3-89, 3-99, 3-101, 3-121, 3-127, 3-129, 3-133, 3-135, 3-137, 3-139, 3-145, 3-149, 3-151, 3-153, 3-155, 3-157	02938	2-75	08236	2-9
01686	2-29, 2-41, 2-49, 2-51, 2-57, 2-59, 2-61, 2-63, 2-65, 3-16, 3-17, 3-19, 3-21, 3-35, 3-43, 3-47, 3-49, 3-55, 3-57, 3-61, 3-63, 3-65, 3-71, 3-73, 3-75, 3-81, 3-83, 3-89, 3-91, 3-93	02942	3-31, 3-39, 3-65, 3-83	08346	2-51, 3-49, 3-63, 3-81
01692	3-73, 3-91	03495	2-67, 2-69, 3-133, 3-135, 3-137, 3-139	08708	2-11, 2-15, 2-17, 2-21, 2-73, 2-75, 2-82, 3-13, 3-15, 3-143
01713	2-9, 2-73, 2-75, 2-77, 2-79, 3-27, 3-35	04373	3-33, 3-41	08709	2-9, 2-11, 2-17, 2-21, 2-23, 2-25, 2-33, 2-39, 2-71, 2-77, 2-79, 3-31, 3-39, 3-67, 3-69, 3-85, 3-87, 3-105
01714	2-21	04414	2-67, 2-69, 3-133, 3-135, 3-137, 3-139	08711	2-17, 2-27, 3-27, 3-31, 3-39, 3-49
01715	2-73, 2-75, 2-77, 2-79, 3-27, 3-35	04417	2-63, 2-65	08712	2-39, 2-51, 2-53, 2-55, 2-57, 2-59, 2-61, 2-65, 3-51, 3-53, 3-55, 3-57, 3-61, 3-67, 3-69, 3-71, 3-77, 3-79, 3-85, 3-87, 3-89, 3-95, 3-97, 3-99, 3-127, 3-145
01726	3-149, 3-151, 3-153, 3-155, 3-157, 3-159, 3-160, 3-161, 3-162	04733-10	2-65	08713	2-25, 2-29, 2-47, 2-49, 2-59, 2-61, 2-65, 2-67, 2-69, 3-47, 3-49, 3-55, 3-57, 3-59, 3-61, 3-63, 3-81, 3-89, 3-101, 3-121, 3-127, 3-133, 3-135, 3-137, 3-139, 3-145, 3-147, 3-149, 3-153
01760	3-145	04733-2	3-31, 3-39	08714	2-49, 2-63, 2-65, 3-16, 3-17, 3-47, 3-49, 3-65, 3-81, 3-83
01837	4-3, 4-5	04843	2-39, 2-47, 2-57, 3-55, 3-71, 3-89	08716	2-51, 2-57, 2-59, 2-61, 2-65, 3-31, 3-39, 3-55, 3-57, 3-61, 3-71, 3-77, 3-79, 3-89, 3-95, 3-97
01842	4-3	05686	2-63	09007	2-15, 2-39, 3-99, 3-127
		06279	2-47, 2-51, 2-65, 3-49, 3-55, 3-63, 3-81	09010	2-13, 2-33, 2-49, 2-63, 2-65, 3-47, 3-49, 3-63, 3-81, 3-99, 3-127, 3-133, 3-135
		06474A	2-21	09011	2-29, 3-101
		06549	2-15, 2-37, 2-73, 2-75, 3-7, 3-11, 3-65, 3-83, 3-143	09023	2-59, 2-61, 3-57, 3-61, 3-121, 3-145
		06925	2-75		
		06931	2-21, 2-75		
		06934	3-143		
		06942	2-31, 2-33, 2-37, 2-73, 2-75, 2-81, 3-27, 3-35		
		06943	2-9, 2-11, 2-25, 2-45, 3-13, 3-15		
		06944	2-21		
		06945	2-82		
		06946	2-17		
		06949	3-13, 3-15		
		06955	2-25		
		06960	3-27		
		06961	3-19, 3-21, 3-23		
		06963	2-21		
		06969	2-27, 3-49		
		06974	3-31, 3-39		
		07112	2-17, 3-27		
		07450	2-63, 2-65, 3-33, 3-41		
		07471	3-69, 3-87		
		07514	2-75, 2-77, 2-79, 3-27		
		07786	2-59, 2-61, 3-57, 3-61, 3-73, 3-75, 3-91, 3-93		
		07789	2-82, 3-105		
		07790	2-73, 2-75, 3-13, 3-15		

CROSS REFERENCE

Part Number	Page Number	Part Number	Page Number	Part Number	Page Number
09026	2-25	1007349	2-75	1018155	4-17
09028	2-49, 3-16, 3-17, 3-19, 3-21, 3-35, 3-43, 3-47, 3-49, 3-81	1007353	2-75	1018515	3-157
09030	2-23	1007486	3-49, 3-81	1019285	2-41, 3-101
09088	2-27	1007632	2-59, 3-57	1019344	3-140, 3-141
09145	3-143	1008211	2-33	1021878	2-33, 2-37
09198	2-5, 2-7, 3-65, 3-83, 3-145	1008274	3-31	1022465	3-141
09206	2-33, 3-101	1008275	3-39	1022558	3-141
09228	3-129	1010325	2-103	1022564	3-140
09244	2-71, 2-82, 3-7, 3-11	1010614	2-31	1022565	3-140
09252	2-31	1010655	2-31	1023676	2-27
09291	3-65, 3-83	1010658	2-31	1023677	2-27
09294	2-23	1010660	2-31	1024009	2-33
09480	3-31, 3-39	1010661	2-31	1027798	3-7, 3-11
09718	3-49, 3-63, 3-81	1010668	2-37, 3-69, 3-87	1027800	3-7, 3-11
09738	3-65, 3-83	1010713	2-31	1028580	2-82
09739	2-43, 2-47, 3-7, 3-11, 3-63, 3-81, 3-103, 3-145	1010791	2-31, 2-33	1028581	2-31, 2-37
09740	2-9, 2-13, 2-41, 3-49, 3-81, 3-145, 3-147, 3-149, 3-151, 3-153, 3-155, 3-157	1010797	2-33	1030441	4-19
09741	2-67, 2-69, 3-73, 3-75, 3-91, 3-93, 3-133, 3-135, 3-137, 3-139	1010832	3-87	1030444	4-19
09744	3-73, 3-75, 3-79, 3-91, 3-93, 3-97, 3-111, 3-113, 3-115, 3-117	1010835	2-31	1031699	2-29, 2-43, 3-103, 3-121
09767	2-67, 2-69, 3-133, 3-135, 3-137, 3-139	1010836	2-31	1031700	3-111, 3-113, 3-115, 3-117
09774	3-73, 3-75, 3-91, 3-93	1010871	2-33	1034891	2-21
1001062	3-65, 3-83	1011170	2-33	1035794	2-37
1001099	2-51, 3-49, 3-63, 3-81	1011276	2-82, 2-83	1036490	2-17
1002464	3-59, 3-79, 3-97	1011403	2-31, 2-33, 2-35, 2-37, 2-55, 3-69, 3-87	1037032	4-17
1002789	2-35	1011411	3-105	1037346	3-105
1002898	2-33, 2-37	1011412	3-105	1037822	2-2, 2-3, 2-41
1002899	2-33, 2-37	1011521	2-31, 2-37, 2-53, 3-53, 3-69, 3-87	1039190	2-67, 2-69, 3-133, 3-135, 3-137, 3-139
1005026	2-3	1011835	2-35	1039392	3-7, 3-11
1005086	2-35	10120	2-27	1040295	2-17
1005133	3-59, 3-79, 3-97	1012528	2-53, 2-55, 3-51, 3-53	1040467	3-105
1005135	3-59, 3-79, 3-97	1013857	2-31	1040868	3-107
1005255	2-33	1013866	2-33	1041392	3-28
1005302	2-35, 2-37, 3-105	1014056	2-33	1041766	2-45
1005304	2-35	1014082	2-33	1041772	2-45
1005375	3-105, 4-17	1014971	4-17	1041822	3-107
1005416	2-82	1014976	3-121	1041884	3-164
1005435	2-33, 2-37	1014986	2-33, 2-37	1042499	2-7
1005508	2-31	1014987	2-33	1042504	2-7
1005552	2-35	1015045	2-55, 3-53, 3-69, 3-87	1042513	2-21
1005866	2-31, 3-105, 4-18	1015047	3-99	1042514	2-21
1006400	2-37	1015048	3-53, 3-69, 3-87	1043866	3-105
1006401	3-53	1015096	2-103	1044393	4-17
1006410	3-99	1015097	3-69	1045030	4-17
1006447	2-31	1015558	2-53, 2-55, 3-51	1045633	2-37
1007107	3-145	1017015	2-33	1046041	4-17
1007337	2-75	1017022	2-33	10464	3-65, 3-83
1007344	2-75	1017218	2-49, 3-47	1048643	4-17
		1017250	3-7, 3-11	1048741	4-17
		1017255	3-105	1048955	2-19
		1017288	2-103, 2-104	1049092	2-19
		1017289	2-103	1049254	2-37
		1017368	2-7	1049259	2-37
		1017386	3-105	1049269	3-111, 3-113, 3-115, 3-117
		1017413	2-35, 2-37, 2-55, 3-53, 3-69, 3-87, 3-105	1049489	4-17
		1017415	2-35, 2-37, 3-105	1049637	4-17
		1017441	3-31, 3-39	1050003	3-107
		1017802	3-31, 3-39		

CROSS REFERENCE

Part Number	Page Number	Part Number	Page Number	Part Number	Page Number
1050193	3-49, 3-63, 3-81	1056480	3-15	1056865	3-127
1050195	2-51	1056481	2-39	1056866	3-99
1050336	4-19	1056482	2-65	1056867	3-121
1050431	4-17	1056483	2-11	1056868	2-41
1050664	3-108	1056484	2-11	1056872	3-121
1050767	4-17	1056485	3-27, 3-35	1056873	3-67, 3-69, 3-85, 3-87
1050771	2-37	1056486	2-71	1056874	3-73
1050805	2-37	1056487	2-11	1056875	3-73, 3-75, 3-91, 3-93
1051027	2-7	1056488	2-75	1056877	3-133, 3-135
1051030	2-5	1056489	2-75	1056878	3-151, 3-153, 3-155, 3-157
1051268	4-17	1056490	3-73, 3-91	1056883	3-147
1051519	4-17	1056491	3-73, 3-91	1056887	3-33, 3-41
1052017	3-105	1056492	3-75, 3-93	1056888	3-33, 3-41
1052336	3-105	1056493	3-75, 3-93	1056889	3-33, 3-41
1052588	2-104	1056494	3-63, 3-81	1056890	3-33, 3-41
1052683	3-105	1056495	3-75, 3-93	1056891	3-31
1052726	3-105	1056496	2-9	1056892	3-39
1052755	3-107	1056505	3-49, 3-81	1056894	3-39
1052832	3-105	1056516	3-49	1056895	3-151, 3-157
1053464	4-17	1056517	3-49, 3-81	1056896	3-151, 3-157
1053842	2-15	1056675	2-23	1056902	3-47
1054296	3-33, 3-41	1056681	3-49, 3-81	1056903	3-81
1054657	3-108	1056688	3-35	1056909	3-31, 3-39
1054776	3-105	1056786	2-9	1056910	3-33
1054855	2-71	1056787	3-155	1056911	3-31
1054875	3-143	1056788	3-155	1056914	2-17
1055254	3-105	1056793	3-129	1056915	3-145
1055255	3-105	1056796	3-117	1056916	3-145
1055336	3-105	1056799	3-113	1056917	2-17
1055883	3-107	1056800	3-91	1056919	2-47
1056331	3-107	1056805	3-135	1056923	3-101
1056382	2-29	1056806	3-135	1056924	3-101
1056383	2-9	1056807	3-135	1056927	3-149
1056386	2-13	1056809	2-9	1056928	2-39
1056387	2-9	1056838	3-65, 3-83	1056929	2-39
1056388	2-13	1056839	3-99	1056937	2-25
1056389	2-65	1056841	2-49, 3-47	1056940	3-145
1056390	2-51, 3-49, 3-63, 3-81	1056842	2-47	1056941	2-45
1056396	3-43	1056843	3-71, 3-89	1056944	3-107
1056397	3-35	1056844	2-57, 3-55	1057066	2-51, 3-49, 3-63
1056398	3-43	1056845	2-57, 3-55, 3-71, 3-89	1057068	2-39
1056399	3-35	1056846	3-65, 3-83	1057069	3-7
1056416	3-105	1056847	3-65, 3-83	1057073	3-49, 3-81
1056432	2-11	1056848	3-63	1057089	3-65, 3-83
1056433	2-13	1056849	2-29, 2-41	10575	3-99
1056434	2-13	1056850	2-39	1057512	3-65, 3-83
1056464	3-7, 3-11	1056851	2-17	1057520	3-79, 3-97
1056465	2-9	1056852	2-17	1057521	3-79, 3-97
1056466	2-69, 3-135, 3-139	1056853	3-27	1057526	3-77, 3-79
1056467	2-63	1056854	3-27	1057527	3-95, 3-97
1056468	2-63	1056855	2-19	1057530	3-87
1056471	2-69, 3-139	1056856	2-67, 2-69, 3-137, 3-139	1057531	3-69
1056472	2-13	1056857	2-41	1057644	3-145
1056473	3-17	1056859	2-27	1057707	2-2
1056474	3-17	1056860	2-25	1057708	2-2
1056475	2-13	1056861	2-27	1058996	3-27
1056476	3-21	1056862	2-49	1059234	4-19
1056477	2-81	1056863	2-59, 2-61, 3-57, 3-61	1059252	3-143
1056478	2-81	1056864	3-99, 3-127	1059346	2-23
1056479	2-13				

CROSS REFERENCE

Part Number	Page Number	Part Number	Page Number	Part Number	Page Number
1059348	2-27	12459	2-9, 2-47	17262	2-5
1059877	4-19	12540	2-23	17263	2-5
1061975	2-23	13248	2-19, 2-45, 2-47, 3-63, 3-81	17363	2-45, 4-3
1061976	2-27	13292	2-41, 2-45, 3-101	17404	2-59, 2-61, 3-57, 3-61, 3-73, 3-75, 3-91, 3-93
1062006	4-17	13513	2-21	18627	4-3
1062580	2-49	140916	3-143	18628	4-3, 4-5
10632	2-21	14150	2-23	18630	4-3
10632-12	3-5, 3-7, 3-9, 3-11, 3-13, 3-15	14242	2-27	19064	2-33, 3-129, 3-131
10632-13	2-15, 2-25	14271	2-17	19066	2-15, 2-31, 2-73, 2-75, 2-77, 2-79, 2-83, 3-5, 3-7, 3-11, 3-13, 3-15, 3-27, 3-35
10632-14	2-71	14296	2-23	19312	2-73, 2-75
10632-17	2-71	14432	3-79, 3-97	19314	2-73
10632-19	2-33	14455	2-47	19320	2-71
1064050	3-9, 3-11	14523	2-51	19903	3-111, 3-113, 3-115, 3-117
1064183	3-105	14524	2-51, 3-49, 3-63, 3-81	20806	2-65
1064191	3-105	14555	2-63	20807	3-51
1064439	2-105	14601	2-21	20810	2-29
1064659	2-105	14725	2-57, 3-55, 3-71, 3-89	20833	2-2, 2-3, 2-63
1065186	2-15	14838	2-5, 2-7	20932	3-111, 3-113, 3-115, 3-117
1065342	2-105	14864	2-43, 3-103	20944	3-121
1065343	2-105	14877	3-99, 3-101	20950	3-121
1066573	2-49, 3-47	14880	2-43, 3-103	20951	3-121
1068417	2-49	14953	2-5	20952	3-121
1069580	3-143	14967	2-5	21601	2-67, 2-69, 3-133, 3-135, 3-137, 3-139
1070035	2-37, 4-19	150016	3-105	21602	2-67, 2-69, 3-133, 3-135, 3-137, 3-139
1070077	3-27	150208	3-125	21603	2-67, 2-69, 3-133, 3-135, 3-137, 3-139
1070329	3-21	15023	2-49, 3-47, 3-63, 3-81	21606	2-67, 2-69, 3-133, 3-135, 3-137, 3-139
1070336	3-21	150511	3-105	21659	4-12
1070659	3-143	150525	2-33	21661	4-12
1070741	3-143	150540	2-37	21765	4-3
1070752	3-143	150709	2-31, 2-37	21800	4-7
1070757	3-143	150713	2-37	21935	4-15
1071111	3-27	15539	2-5, 2-7	21958	4-14
1072875	3-101	15648	2-47, 3-33, 3-41	222117	3-129
1072879	3-101	15675	2-19, 2-41, 2-45, 3-67, 3-69, 3-85, 3-87, 3-99	222159	2-21
1073048	2-19	15678	2-53, 2-55, 3-51, 3-53, 3-65, 3-67, 3-69, 3-83, 3-85, 3-87, 3-99	222196	3-33, 3-41
10917	4-11, 4-18	15840	2-81	222277	2-57, 3-55, 3-71, 3-89
10925	4-3, 4-5, 4-7, 4-8, 4-9, 4-10	15846	2-77	222290	2-15, 2-75, 2-103, 2-104, 3-107
10926	4-3, 4-5	16356	2-53	222460	2-25
11329	3-27	16367	2-17	222497	2-67, 2-69, 3-133, 3-135, 3-137, 3-139
11398	3-31, 3-39	16370	2-17	222505	2-57, 3-55, 3-71, 3-89
11399	2-3, 2-29, 2-53, 3-59, 3-67, 3-69, 3-79, 3-85, 3-87, 3-97	16411	2-2	222534	2-15
11756	4-3	16412	2-2	222556	2-57, 3-55, 3-71, 3-89
1201894	2-19	16695	4-14	222606	4-10
12273	2-29, 2-41, 2-53, 2-55, 3-51, 3-53, 3-129	16735	2-9, 2-17, 2-23, 2-37, 2-39, 3-105	222617	4-10
12274	2-75	16816	2-63	222618	4-10
12309	2-67, 2-69, 3-133, 3-135, 3-137, 3-139	16879	2-15	222788	3-79, 3-97
12312	2-37, 2-73, 2-75, 2-83, 3-105	16914	2-53, 2-55, 3-51, 3-67, 3-85	222822	2-41, 3-101
12316	2-43, 2-47, 3-7, 3-11, 3-103	16931	2-9, 2-11, 2-17, 2-23, 2-33, 2-71, 2-77, 2-79, 3-27, 3-33, 3-41	22297	2-45
12317	2-63, 2-65, 3-65, 3-83	16949	3-73, 3-75, 3-91, 3-93		
12323	3-121	17188	3-105		
12333	2-49, 2-59, 2-61, 3-47, 3-57, 3-61	17260	2-5		
		17261	2-5		

CROSS REFERENCE

Part Number	Page Number	Part Number	Page Number	Part Number	Page Number
223044	2-2, 2-9	32483	2-11, 2-15, 2-45, 2-73, 2-75, 2-77, 2-81, 3-13, 3-15, 3-27, 3-35, 3-59, 3-79, 3-97	360518	2-9
223054	2-65	32485	2-21, 3-33, 3-41	360520	2-15, 3-5, 3-7, 3-9, 3-11
223061	2-17	32486	2-21, 2-27, 3-13, 3-15, 3-27, 3-31, 3-33, 3-39, 3-41, 3-49	360801	2-13, 2-37, 2-41, 3-31, 3-39
223073	2-17	32490	2-21, 2-25, 2-31, 2-33, 2-53, 2-55, 2-73, 2-75, 2-77, 2-79, 3-51, 3-53, 3-105	360943	3-5, 3-7, 3-13, 3-15, 3-101, 3-131
223078	2-19	32491	2-9, 2-11, 2-17, 2-23, 2-33, 2-37, 2-39, 2-71, 2-75, 3-25, 3-27, 3-31, 3-33, 3-39, 3-41, 3-49, 3-81	360973	3-163
223090	2-21	32492	2-65, 3-19, 3-21, 3-31, 3-33, 3-39, 3-69, 3-87, 3-111, 3-113, 3-115, 3-117	360980	2-23
223094	2-21	32493	2-17, 2-47, 3-23, 3-55, 3-63, 3-81	361076	2-15
223239	2-21	32501	2-43, 3-103	361144	2-15
223264	2-2, 2-3, 2-45, 4-3, 4-5	32508	2-43, 3-103	361339	2-9, 3-59, 3-79, 3-97
223320	2-21	32509	4-17	361973	4-6
223470	3-35, 3-43	32613	2-43, 3-103	363087	3-33, 3-41
223499	2-29	32614	2-43, 3-103	363113	3-49, 3-63, 3-81
223515	3-51	32669	2-43, 3-103	363120	2-57, 3-55, 3-71, 3-89
223528	2-29	32716	2-63, 3-133, 3-135	363151	2-65
223595	3-25	32746	2-5, 2-7	363152	2-57, 3-71
223600	2-21	32815	2-77, 2-79	363162	3-133, 3-135
223601	2-21	32969	2-27	363236	2-57
223699	2-53	32980	2-9, 2-21, 2-73, 2-75, 3-13, 3-15, 3-35	363237	2-57, 3-71, 3-89
22655	4-14	32981	2-21	363238	3-55
22658	4-14	32982	2-73, 2-75, 2-77	363262	3-159
22661	4-14	32983	2-19, 3-25	363263	3-159
23456	2-29, 3-111, 3-113, 3-115, 3-117	32984	2-33, 2-73, 2-75, 2-77, 2-79, 3-27, 3-35	363301	3-133, 3-135
24105	3-99	32988	2-77, 2-79, 3-143	363385	2-23
24198	3-63, 3-81	330610	3-164	363453	2-39
24199	3-145	330611	3-164	363468	3-65, 3-83
24254	2-51, 3-49	330612	3-164	363491	4-6
24299	2-5, 2-7	330613	3-164	364085	2-9
24358	2-43, 3-103, 3-121	330615	3-164	364404	2-57, 3-55, 3-71, 3-89
24537	4-7, 4-8, 4-9, 4-10	33295	3-99	364614	2-51, 2-63, 3-133, 3-135
24543	3-101	33807	3-99	364631	2-53, 2-55, 3-51, 3-53
24544	2-29, 3-99	33925	3-73, 3-75, 3-91, 3-93	364858	2-57, 3-55, 3-71, 3-89
24555	2-67, 2-69, 3-133, 3-135, 3-137, 3-139	33930	2-57, 2-77, 2-79, 3-55, 3-71, 3-89	364895	3-67, 3-85
24698	3-105	33932	3-65, 3-83, 3-121, 3-145, 4-17	364896	3-67, 3-85
25014	3-33, 3-41	33948	2-65	364899	3-67, 3-85
25312	3-163	34195	2-49, 3-47	365093	2-29
25537	2-19	35996	2-17	365096	2-29
25538	3-35	360352	3-105	365156	2-49, 3-47, 3-63, 3-81
25620	2-33	360357	3-31, 3-39	365164	2-53, 2-55
25735	2-59, 2-61, 3-57, 3-61, 3-73, 3-75, 3-91, 3-93	360369	2-19	365180	2-51, 3-49, 3-63, 3-81
26156	2-39	360370	2-19	365252	2-9
26315	2-27			369415	3-145
26395-1	2-47			369702	2-9
26395-2	3-5, 3-7, 3-13, 3-15			369766	2-41, 3-101
26426	3-105			369795	3-31, 3-39
26428	3-65, 3-83			369796	3-31, 3-39
27880	2-39			369865	3-99
27928	2-15			370080	2-5
27980	2-59, 3-57			370090	2-5
28622	3-13			370092	2-7
29557	2-51, 3-49, 3-63, 3-81			370094	2-5
29558	2-59, 3-57			370095	2-7
29584	2-57, 3-55, 3-71, 3-89			370100	2-67, 2-69, 3-133, 3-135, 3-137, 3-139
30013	2-17			370156	2-75
30241	2-7			370923	4-11
30533	3-23				
31647	2-77, 2-79				
32124	2-49, 3-47				

CROSS REFERENCE

Part Number	Page Number	Part Number	Page Number	Part Number	Page Number
371905	3-111, 3-113, 3-115, 3-117	386023	2-3	386263	2-59, 3-57, 3-73, 3-91
373343	4-14	386049	2-47	386264	2-67, 2-69, 3-133, 3-135, 3-137, 3-139
373344	4-14	386050	3-65, 3-83, 4-7	386266	2-67, 3-137
373422	4-14	386053	2-2, 2-3, 3-65, 3-83	386267	2-2, 2-3, 2-41
373423	4-14	386058	3-65, 3-83	386268	3-73, 3-91
373424	3-27	386063	3-65, 3-83	386269	3-73, 3-91
373495	3-27, 4-15	386066	3-65, 3-83	386274	3-65, 3-83
373496	3-27	386070	3-63, 3-81	386275	3-75, 3-93
373567	4-15	386071	3-63, 3-81	386276	3-75, 3-93
373568	4-15	386072	3-65, 3-83	386279	2-65
373569	4-15	386080	3-65, 3-83	386282	3-79
373570	4-15	386081	3-63, 3-81	386283	2-2, 2-3, 2-67, 2-69, 3-137, 3-139
373571	4-15	386088	2-59, 2-61, 3-57, 3-61, 3-73, 3-75, 3-91, 3-93	386284	2-2, 2-3, 2-67, 2-69, 3-137, 3-139
373572	4-15	386108	2-41	386285	2-3, 2-67, 2-69, 3-137, 3-139
374005	4-9, 4-10	386116	2-39	386286	2-3, 2-67, 2-69, 3-137, 3-139
374250	3-49, 3-81	386120	2-11	386298	2-67, 2-69, 3-133, 3-135, 3-137, 3-139
375301	3-65, 3-83	386124	2-11	386299	2-67, 2-69, 3-137, 3-139
375302	2-41, 3-101	386127	2-71	386302	2-73, 2-75
375308	3-101	386128	2-71	386307	3-35
375322	3-99	386129	2-15	386308	3-35
375411	2-19	386130	2-105	386311	2-15
375429	2-41	386140	2-17	386320	2-29
375431	2-29, 3-119	386143	2-17	386321	2-45
37555	4-14	386149	2-17	386323	2-2, 2-3, 2-45
377084	2-82, 2-83, 3-107	386150	2-17	386324	2-29
377341	3-145	386152	2-17	386325	2-41
377349	2-43	386154	2-17	386326	2-3
377364	2-49, 3-47	386157	2-9	386334	3-153, 3-155
377398	3-65, 3-83	386159	2-9	386335	3-151
377537	2-2	386160	2-29, 2-41	386338	3-161
377538	2-2	386162	2-29	386344	3-161
377540	2-2	386163	3-121	386346	2-15
378951	2-5	386200	2-9	386349	2-45
378976	2-49	386201	2-13	386351	2-39
378983	4-3	386202	2-13	386356	2-59, 2-61, 3-57, 3-61
37909	4-3	386209	3-27	386364	3-121, 4-12
37912	4-3, 4-5	386214	3-27	386367	2-27
379217	2-25	386215	3-27	386378	2-27
37926	4-3	386216	3-27	386387	2-2, 2-49
37929	4-3, 4-5	386217	2-17	386388	2-2, 2-49
381867	3-28	38622	3-13, 3-15	386391	2-59, 2-61, 3-57, 3-61
382452	3-121	386222	2-29	386413	2-13
382991	3-101	386223	2-2, 2-3, 2-41	386415	3-16
383720	2-83	386224	2-29	386416	3-16
383721	2-82	386229	2-25	386417	3-16
383722	2-71, 3-5, 3-7, 3-9, 3-11, 3-35	386230	2-5	386419	2-29
383723	2-71	386231	2-7	386420	2-29
383724	2-71	386234	2-67, 3-133, 3-137	386421	2-29
383725	2-71	386240	2-5	386423	2-43, 3-103
383727	2-71	386241	2-7	386424	2-41
383728	2-71	386250	2-5	386425	2-41
385682	3-51	386251	2-7	386432	3-121
385685	2-41, 3-101	386252	2-63	386433	2-13
385726	2-21	386256	2-63		
385750	2-41	386257	3-65, 3-83		
386020	2-2	386260	2-2, 2-3, 2-59, 2-61, 3-57, 3-61, 3-73, 3-75, 3-91, 3-93		
386021	2-2				
386022	2-3	386262	2-61, 3-61, 3-75, 3-93		

CROSS REFERENCE

Part Number	Page Number	Part Number	Page Number	Part Number	Page Number
386437	2-13	386842	3-65, 3-83	387160	3-101
386444	2-41	386844	3-63, 3-81	387161	3-101
386445	2-41	386847	2-65, 3-133, 3-135	387162	3-49
386447	2-17	386860	2-67, 3-137	387201	2-43
386450	2-9	386861	3-133	387208	3-13
386458	2-23	386865	3-63, 3-81	387213	3-111
386459	2-23	386868	3-73, 3-75, 3-91, 3-93	387221	3-111, 3-113
386461	2-13	386875	3-19	387230	3-49
386480	2-9	386876	3-49, 3-81	387236	3-101
386482	3-121	386909	3-41	387237	2-67, 2-69, 3-133, 3-135, 3-137, 3-139
386495	3-73	386915	2-25	387245	3-49, 3-81
386496	3-75, 3-93	386920	2-81	387250	4-7
386500	3-79, 3-97	386921	2-81	387251	4-7
386504	3-79, 3-97	386922	2-81	387256	2-3, 3-59, 3-79, 3-97
386513	3-97	386923	2-9	387257	2-67, 2-69, 3-137, 3-139
386514	2-3, 3-59, 3-79, 3-97	386924	2-15	387258	3-133, 3-135
386518	3-59, 3-79, 3-97	386932	3-151	387262	3-131
386558	2-23	386934	3-153	387266	3-101
386563	2-71, 2-81	386936	3-157	387271	3-91
386564	2-71, 2-81	386958	3-23	387294	2-2, 2-49
386573	3-153	386961	2-47	387300	3-9
386574	3-153	386963	3-25	387301	3-5
386600	2-102	386968	3-145	387302	2-102
386605	3-9, 3-11	386973	2-13	387321	3-127, 4-11
386606	3-13, 3-15	386975	2-17	387322	3-149
386607	3-145	386976	2-17	387324	3-149
386608	3-129	386983	3-19	387344	3-13
386609	3-5, 3-7	386984	3-19	387346	2-23
386610	2-77, 2-79	386985	2-47	387348	2-13
386634	2-13	386986	2-59, 2-61, 3-57, 3-59, 3-61, 3-73, 3-75, 3-91, 3-93	387371	4-8
386642	3-19	386987	2-59, 2-61, 3-57, 3-59, 3-61, 3-73, 3-75, 3-91, 3-93	387372	4-8
386643	2-29			387373	4-8
386652	3-101			387374	4-8
386658	3-33, 3-41	386988	2-47	387392	2-21
386663	3-31, 3-39	386993	2-13	387393	3-27
386664	3-31, 3-39	386995	2-13	387405	3-35, 3-43
386666	3-31, 3-39	387000	3-147	387422	3-129
386679	2-49, 4-8	387003	3-119	387424	2-102
386687	2-49, 3-47, 4-10	387014	2-2	387425	2-39
386701	3-27	387015	2-27	387426	2-65
386702	3-27	387021	2-11	387429	2-65, 3-133, 3-135
386703	3-27, 4-14	387023	2-2, 2-3	387430	2-65, 3-133, 3-135
386704	3-27, 4-13	387027	3-145	387431	3-133, 3-135
386711	3-28	387032	2-105	387432	2-65
386761	2-13	387033	2-11	387433	2-67, 2-69, 3-133, 3-135, 3-137, 3-139
386785	2-41	387035	2-23	387435	3-133
386804	2-77, 2-79	387043	3-145	387436	3-133, 3-135
386806	3-35	387045	3-101	387438	2-67, 2-69, 3-133, 3-135, 3-137, 3-139
386807	2-73, 2-75	387050	3-129	387441	3-145
386808	2-15	387061	2-29, 3-101	387446	3-133
386809	2-15	387080	3-49, 3-81	387447	3-133
386810	2-73, 2-75, 3-27, 3-35	387109	3-101	387448	2-67, 2-69, 3-137, 3-139
386825	2-2, 3-47	387126	3-115	387450	2-11
386826	2-2, 3-47	387127	3-111	387451	2-11
386827	3-49, 3-81	387151	3-33, 3-41	387452	3-27, 3-35
386833	2-2, 2-3, 3-133, 3-135	387157	3-5		
386834	2-2, 2-3, 3-133, 3-135	387158	3-13		
386835	3-133, 3-135	387159	3-101		
386836	3-133, 3-135				
386841	3-65, 3-83				

CROSS REFERENCE

Part Number	Page Number	Part Number	Page Number	Part Number	Page Number
387453	2-71	387671	3-77	40678-1	2-53, 2-55, 3-105
387457	3-163	387672	3-95	40814	2-51, 3-49, 3-63, 3-81
387460	2-11	387683	2-29	41186	2-49, 3-47
387467	3-103	387685	2-41	41187	2-23
387483	3-115	387700	2-21	41305	3-73, 3-75, 3-91, 3-93
387494	3-164	39005	2-25, 2-27, 2-51, 2-57, 2-65, 3-31, 3-33, 3-39, 3-41, 3-49, 3-55, 3-63, 3-71, 3-81, 3-89	41315	3-67, 3-85
387499	2-45			41341	3-33, 3-41
387500	2-67, 2-69, 3-133, 3-135, 3-137, 3-139			41342	3-27, 3-35
387506	2-3	390879	3-33	41345	2-23
387509	3-59	390880	2-63	41359	2-77
387516	3-59	391433	4-18	41367	4-7
387517	2-3, 3-59, 3-79, 3-97	391451	2-29	41368	4-7, 4-8
387525	2-105	39277	3-5, 3-7, 3-9, 3-11, 3-31, 3-39	41371	4-7, 4-8
387529	2-81			41401	3-35
387530	3-43	39278	3-49, 3-81	41410	3-99
387531	3-35	39283	3-31, 3-39	41421	2-43, 3-103
387536	3-35	39284	2-21, 3-111, 3-113, 3-115, 3-117	41430	2-21, 3-19, 3-21, 3-23, 3-35, 3-43
387545	2-3, 3-59			41451	2-43, 3-103
387546	2-3, 3-59	39285	2-17	41454	2-43, 3-103
387560	3-43	39308	2-21, 2-57, 3-55, 3-71, 3-89	41579	2-5, 2-7, 3-121, 4-17
387562	3-35			41619	2-47, 2-67, 2-69, 3-133, 3-135, 3-137, 3-139
387577	3-31	39311	2-77, 2-79		
387585	2-49, 4-9	39312	2-21	41702	2-73, 2-75
387587	4-9	39327	3-65, 3-83	42011	2-39
387588	4-9	39338	2-17	42133A	2-29
387589	4-9	39348	2-77, 2-79	42215	3-27
387590	4-9	39349	2-25, 2-73, 2-75, 3-5, 3-7, 3-9, 3-11, 3-27, 3-35, 3-145	43290	2-47
387592	4-9			43454	3-107
387593	2-41	39350	2-9	43500	2-65
387594	2-29	39717	2-21	43555	2-31
387597	4-13	397916	2-7	43844	3-105, 3-121
387598	4-13	397920	2-5	43957	2-23
387599	4-13	397976	2-7	44078	2-15
387600	4-13	39807	3-13, 3-15	44681	3-5, 3-7, 3-9, 3-11
387601	4-13	398281	3-159	44681-1	3-5, 3-7, 3-9, 3-11
387602	4-13	398283	3-159	44681-2	3-5, 3-7, 3-9, 3-11
387603	4-13	398285	3-160	44961	2-53, 2-55, 3-11, 3-51, 3-53
387604	4-13	398288	3-160		
387605	4-13	398289	3-160	45272	3-5, 3-9
387606	4-13	398292	3-162	45283	3-5, 3-7, 3-9, 3-11
387607	4-13	398316	3-160	45391	3-13, 3-15
387608	4-13	398468	2-31	45595	3-35
387609	4-13	398501	3-99	45628	4-14
387610	4-13	398511	4-5	46390	3-65, 3-83
387615	2-41	398512	4-5	46563	2-25
387622	3-158	398513	4-5	47504	3-27
387628	3-37	398514	4-5	48609	3-123, 3-131
387629	3-45	398515	4-5	48610	2-55, 3-53, 3-69, 3-87, 3-127
387634	2-11	398516	4-5		
387636	2-71	398517	4-5	48732	3-65, 3-83
387637	2-71	398518	4-5	48733	3-111, 3-113, 3-115, 3-117
387639	2-75	398519	4-5		
387640	2-71	398520	2-45, 4-5	48734	3-111, 3-113, 3-115, 3-117
387641	2-79	398526	2-82, 2-83, 3-13, 3-15		
387648	2-75	398802	3-59	48753	4-6
387654	2-9	40566	2-53, 2-55, 3-51, 3-53, 3-67, 3-69, 3-85, 3-87	48754	4-6
387659	2-23			48755	4-6
387660	2-2, 2-23	40607	2-45	48756	4-6

CROSS REFERENCE

Part Number	Page Number	Part Number	Page Number	Part Number	Page Number
48757	4-6	578161000	3-125	65582	3-125
48758	4-6	578164000	3-125	65610	3-125
49142	3-51	578214000	3-125	65665	2-15
49177	2-19	578228000	3-125	65667	4-11
49263	2-49, 3-47	578276000	3-123	65668	4-11
49266	2-19, 2-53, 2-55, 3-5, 3-7, 3-13, 3-35, 3-43, 3-51, 3-53, 3-101, 3-129, 3-143	578318000	3-123	65670	4-11
49697	2-13	578439	3-125	65671	4-11
49740	2-29	578820000	3-123	65672	4-11
49745	2-29	578821000	3-125	65673	4-11
49800	2-13	578856	4-17	65674	4-11
49826	2-11, 3-69, 3-87, 3-101	579112	3-125	65675	4-11
49914	3-33, 3-41	57984	3-27	65676	4-11
50388	2-17	58494	2-57, 3-55, 3-71, 3-89	65677	4-11
51109	2-25	59009	2-25	65678	4-11
51225	2-47	59661	3-75, 3-93	66211	2-2, 2-27
51338	2-27	59940	2-17	66213	2-2, 2-3, 2-27
51339	2-27	60189	4-7	67004	3-101, 3-129, 3-131
51414	2-9	60198	2-23, 4-6	67683	3-27
51528	3-33, 3-41	602036000	3-125	67767	2-9, 2-57, 3-51, 3-53, 3-55, 3-71, 3-89, 3-143
51534	2-57, 2-65, 3-71	60278	2-102	69234	3-67, 3-69, 3-85, 3-87, 3-101
53268	2-31	603103000	2-81	69582	2-25
53466	2-33	60386	4-3, 4-5	69785	2-29
53782	2-65, 3-133, 3-135	607775	4-17	70158	2-27
54333	2-31, 2-33, 2-35, 2-37, 2-53, 2-55, 3-51, 3-53, 3-69, 3-87, 3-127	61297	4-3, 4-5	70161	2-27
54390	2-27	61298	4-3	70709	3-27
54577	2-27	61300	4-3, 4-5	70756	3-73, 3-91
54743	2-13	61301	4-3	71026	2-73
55248	3-35, 3-43	613735	2-33	71100	2-65, 3-133, 3-135
55685	3-27	61791	2-23	71101	2-2, 2-3, 2-65
56185	3-27	621478	3-65, 3-83	71529	2-77
56690	3-27	630164	3-105	71607	2-59, 2-61, 3-57, 3-61, 3-73, 3-75, 3-91, 3-93
56820	3-27	63184	3-127	71658	2-65
57248	2-37	63244-1	3-99	72164	3-13, 3-15
57379	2-29	63244-2	3-51, 3-99	72172	3-13, 3-15
57598	3-31, 3-39	63248-1	2-7	72174	3-13, 3-15
578060000	3-125	63248-2	2-7	72439	3-73, 3-91
578061000	3-125	63248-3	2-7	72946	2-51, 3-49, 3-55, 3-63, 3-81
578063000	3-125	63248-4	2-7	72950	3-51
578064000	3-125	63416	2-29, 3-101	72968	2-49, 3-47, 3-129, 3-131
578066000	3-125	63430	3-131	73467	3-121
578071000	3-123	63448	3-131	73468	3-99
578072000	3-123	63451	3-131	73474	2-53, 2-55, 3-51, 3-67, 3-85
578074000	3-125	63740	2-79	74114	4-15
578077000	3-125	63810	2-53, 2-55, 3-51, 3-53, 3-99, 3-101	74142	3-27
578078000	3-125	63923	4-12	74196	4-15
578078000	3-125	63987-1	2-53, 2-55, 3-51, 3-53	74231	4-15
578091000	3-125	64425	2-59, 2-61, 2-65, 3-57, 3-61, 3-73, 3-75, 3-91, 3-93	74232	4-15
578094000	3-125	64489	3-33, 3-41	74243	4-15
578123000	3-125	64533	2-11	74244	4-15
578124000	3-125	64743	2-35, 2-37, 3-105	74245	4-15
578125000	3-125	64778	2-35, 2-37, 3-69, 3-87, 3-105	74440	2-17
578126000	3-125	65340	3-125	74455	2-21, 3-111, 3-113, 3-115, 3-117
578143000	3-125	65341	3-123	75611	2-29, 2-43, 3-99
578154000	3-125	65342	3-127		
578155000	3-125	65580	3-129, 3-131		
578160000	3-123	65581	3-127		

CROSS REFERENCE

Part Number	Page Number	Part Number	Page Number	Part Number	Page Number
75635	3-111, 3-113, 3-115, 3-117	86767	3-131	9008848	4-19
75939	3-35	86824	3-51	9008890	4-19
76062	2-73, 2-75	86860	2-25, 3-31, 3-39	9009353	2-49
763504	4-14	86866	2-59, 2-61, 3-57, 3-59, 3-61	9009493	2-81
763508	4-14	87172	3-31, 3-39	9009990	3-143
76570	2-11, 2-17, 3-105	87173	3-105	9010085	3-143
76653	2-59, 2-61, 3-57, 3-61	87244	3-79, 3-97	9010086	3-143
768482	3-27	87346	2-9	9010161	2-49
77227	2-63	87349	2-73, 2-75	9010162	2-49, 3-47
77228	2-63	87355	2-23	9010741	2-19
77270	3-55, 3-89	87419	2-5, 2-7	N/A	3-28
77272	2-63	87482	2-73		
77275	3-63, 3-81	87483	2-73, 2-77		
77276	3-63, 3-81	87507	2-73		
77277	3-63, 3-81	87709	3-5, 3-7, 3-9, 3-11		
77334	3-51, 3-53	87725	2-21		
77347	2-29, 2-41	87750	2-23		
77399	2-15	87816	2-59, 2-61, 3-57, 3-61, 3-73, 3-75, 3-91, 3-93		
77488	2-65	87839	2-23		
78122	3-127	87840	2-23		
78398	3-69, 3-87, 3-99	87841	2-23		
78553	2-15	87849	2-23		
78740	2-29	87948	2-9		
78842	2-29	87949	2-9		
78950	4-11, 4-18	9000845	3-7, 3-11		
78951	4-11, 4-18	9000879	3-7, 3-11		
78952	4-18	9001397	3-140		
78979	2-63	9001398	3-141		
79217	2-63	9002022	2-37		
79273-1	2-35, 2-37, 3-105, 3-127	9003009	4-19		
79273-2	2-29, 3-99	9004054	2-45		
79273-4	2-53, 2-55, 3-51, 3-69, 3-87	9006106	3-109		
79320	2-2, 2-3, 2-43, 3-103	9006107	3-109		
79350	2-39	9006108	3-109		
79497	3-99	9006257	3-164		
79572	3-69, 3-87	9006268	4-17		
80127	3-31, 3-39	9006270	3-105, 4-17		
80491	2-59, 2-61, 3-57, 3-61	9006325	4-17		
81919	3-31, 3-39	9006924	3-49, 3-81		
81952	2-63	9006925	3-17		
82829	2-13, 3-105	9006930	2-69, 3-139		
82839	2-21	9006931	3-135		
83052	3-65, 3-83	9006935	3-21		
83733	2-27	9006938	3-155		
83874	2-67, 2-69, 3-133, 3-135, 3-137, 3-139	9006940	3-113		
84028	2-53, 2-55, 3-51, 3-53, 3-67, 3-69, 3-85, 3-87	9006947	3-15		
84057	3-127	9006948	3-11		
84593	2-63	9006949	3-7		
86375	2-73	9006951	2-23		
86393	2-77	9006959	3-117		
86508	3-99	9006966	2-41		
86636	2-29, 3-121	9006967	2-29		
86759	2-59, 2-61, 3-57, 3-59, 3-61, 3-73, 3-75, 3-91, 3-93	9006972	2-29		
		9006974	2-41		
		9007131	3-13, 3-15		
		9007969	4-17		
		9008408	2-15		
		9008411	2-81		

PART DESCRIPTION TO PAGE NUMBER CROSS REFERENCE LIST

A

Actuator, 36vdc, 01.8strk, 300lb, 3-33, 3-41
 Actuator, 36vdc, 02.1stroke 500lb, 2-65
 Actuator, 36vdc, 02.7stroke 500lb, 2-57, 3-71
 Actuator, 36vdc, 7.0stroke, 700lb, 2-47
 Adapter, Brush, 3-31, 3-39
 Adaptor, 3-125
 Adaptor, Brush, 2-5, 2-7
 Alarm Assy, Backup, 12/48Vdc, 3-13, 3-15
 Alarm Kit, Backup / A/V, Iron Gray, Ci, 3-15
 Alarm, 9-48vdc, 95 Db(A) [Ec-H20], 3-105
 Alarm, Warning, 10-48vdc, 2-15
 Angle, Battery, R/O, Iron Gray, 3-145
 Angle, Iron Gray, 3-67, 3-69, 3-77, 3-79, 3-85, 3-87, 3-95, 3-97
 Angle, Mtg, Es, Iron Gray, 3-99, 3-127
 Angle, Mtg, Pump, Detgt, Iron Gray, 3-121
 Angle, Wand, Clean-Out, Iron Gray, 3-101
 Antenna, Telem, 70 In [Gprs], 3-143
 Arm Wldt, 2-65
 Arm Wldt, Brake, Lh, Iron Gray [7200], 2-27
 Arm Wldt, Brake, Rh, Iron Gray [7200], 2-27
 Arm Wldt, Front, Lh, 3-75, 3-93
 Arm Wldt, Front, Lh, Iron Gray, 3-75, 3-93
 Arm Wldt, Front, Rh, 3-73, 3-91
 Arm Wldt, Front, Rh, Iron Gray, 3-73, 3-91
 Arm Wldt, Lift, Scb Head, Gray [7300], 2-47
 Arm Wldt, Pivot, Side, Gray [7300/8300], 2-57, 3-55, 3-71, 3-89
 Arm Wldt, Rear, Lh, 3-75, 3-93
 Arm Wldt, Rear, Lh, Iron Gray, 3-75, 3-93
 Arm Wldt, Rear, Rh, 3-73, 3-91
 Arm Wldt, Rear, Rh, Iron Gray, 3-73, 3-91
 Arm, Cntrl, Throttle, Electronic, 2-21
 Arm, Latch, Iron Gray, 3-73, 3-75, 3-91, 3-93
 Arm, Mtg, Side Sqge Frame, Ele, 3-57
 Arm, Mtg, Side Sqge Frame, Ele, Gray, 2-59, 2-61, 3-61
 Armature, 4-3, 4-5
 Armature Assy, Complt, 4-7
 Axle, Wand, 3-125

B

Bag, Power, 3-129, 3-131
 Ball, Check, 4-13
 Ball, Check, Strg Valve, 4-15
 Balljoint, .25-28 Fem/.25-28mal, 2-21
 Band, Brush Cover, 4-6
 Bar, 2-29, 2-41
 Bar Assy, Spray [7300/8300], 3-87
 Bar Wldt, Battery, R/O, 3-145
 Bar Wldt, Retainer, Sqge, Rear, 2-67, 2-69, 3-133, 3-135, 3-137, 3-139

Battery Kit, 36vdc 0600ah, Sealed, Ci, 3-155
 Battery Kit, Wet, 36vdc 0500ah, Ci, 3-151
 Battery, 36Vdc, 380Ah, Wet, 3-149
 Battery, 36vdc, 600ah, Sealed, 3-153, 3-155
 Battery, Wet, 36vdc 0500ah, 3-151
 Battery, Wet, 36vdc 0750ah, 3-157
 Bearing, 2-23, 4-3, 4-5, 4-6, 4-7, 4-8, 4-9, 4-10
 Bearing cover, 4-11
 Bearing Kit, 4-15
 Bearing, Ball, 0.75b 1.38d 0.50w, 2-17
 Bearing, Ball, 0.79b 1.85d 0.55w, 3-65, 3-83
 Bearing, Cone, 1.38b 0.71w, 2-27
 Bearing, Cup, 2.56d 0.55w, 2-27
 Bearing, Flange, 2-17
 Bearing, Needle, 0.25b 0.88d 0.50w, 3-145
 Bearing, Thrust, 2-25, 3-31, 3-39, 4-14
 Bearing, Thrust, 0.66b 1.25d 0.06w, 2-63, 2-65, 3-33, 3-41
 Bearing, Thrust, 0.75b 1.25d 0.06w, 2-65
 Bellcrank, Lift, Head, Iron Gray, 2-47
 Belt, Drive, 2-3
 Belt, Drive (Cylindrical Brush), 2-2, 3-65, 3-83
 Blade Assy, Sqge, Side, 2-3, 3-59
 Blade Kit, Sqge, Ure, [Mp1000], 3-140
 Blade Kit, Sqge, Ure, [Mp1200], 3-141
 Blade, Sqge, Front, 2-2, 2-3, 2-67, 2-69, 3-137, 3-139, 3-140, 3-141
 Blade, Sqge, Front 48.0l, 2-2, 2-3, 3-133, 3-135
 Blade, Sqge, Front, Mp1000, Tile, 2-67, 2-69, 3-137, 3-139
 Blade, Sqge, Front, Mp1200, Tile, 3-133, 3-135
 Blade, Sqge, Rear, 2-2, 2-3, 2-67, 2-69, 3-137, 3-139, 3-140, 3-141
 Blade, Sqge, Rear 48.0l, 2-2, 2-3, 3-133, 3-135
 Blade, Squeegee, 2-3, 3-59, 3-125
 Block, Adj, 3-33, 3-41
 Bolt, 2-23
 Bolt, Eye, M10x1.5 X 2.0 X .28 Eye, 2-65, 3-133, 3-135
 Bolt, Eye, M8 X 1.25, 2.75l, 2-59, 2-61, 3-57, 3-61, 3-73, 3-75, 3-91, 3-93
 Bolt, Shld, .38DX0.38, .31-18, 3-145
 Boot, 90deg .50d .57d X .84, 2-23
 Boot, Circuitbreaker, 3-105
 Boot, Protector, Circuitbreaker, 2-71
 Box, Accelerator, 2-21
 Box, Circuitboard, 2-81
 Box, Circuitboard, Iron Gray, 2-81
 Bracket, 2-13, 3-49, 3-125
 Bracket Wldt [7300/8300 FaST], 2-33
 Bracket Wldt [7300/8300-FaST], 2-33
 Bracket Wldt [7300/8300 Fast li+], 2-37
 Bracket Wldt, Hose, Water, Iron Gray, 2-39

Bracket Wldt, Module, 3-105
 Bracket Wldt, Mtg, Fan, 2-45
 Bracket Wldt, Mtg, Fan, Iron Gray, 2-45
 Bracket Wldt, Mtg, Spring, 2-59, 3-57
 Bracket Wldt, Pivot, 2-63
 Bracket Wldt, Steering, Tilt, Iron Gray, 2-17, 3-27
 Bracket Wldt, Tank, 2-41
 Bracket, Adapter, Mtg, Kick In, Frame, 3-49, 3-81
 Bracket, Adaptor, Mtg, Kick In, Frame, 3-49, 3-81
 Bracket, Bar, Spray, 40.0 [7300/8300], 3-69
 Bracket, Bar, Spray, 48.0 [7300/8300], 3-87
 Bracket, Cntrl, Cable, Iron Gray, 2-39
 Bracket, Component, 3-105
 Bracket, Fan End, 4-3, 4-5
 Bracket, Full, 2-29, 3-101
 Bracket, Guard, 2-39
 Bracket, Guard, Iron Gray, 2-39
 Bracket, Handle, Water, Iron Gray, 2-39
 Bracket, Harness, Iron Gray, 2-41
 Bracket, Hsng, Brush, 3-35, 3-43
 Bracket, Hsng, Brush, Iron Gray, 3-35, 3-43
 Bracket, Iron Gray, 3-33, 3-41
 Bracket, Latch, Cover, 2-11
 Bracket, Latch, Cover, Iron Gray, 2-11
 Bracket, Motor, Mtg, 3-31
 Bracket, Mtg, 3-5, 3-13, 3-125
 Bracket, Mtg [Fast li+], 2-37
 Bracket, Mtg, Circuitbreaker [Hi-Mag], 2-11
 Bracket, Mtg, Circuitbreaker, [Hi-Mag], 2-11
 Bracket, Mtg, Controller, Sgl, 2-75
 Bracket, Mtg, Controller, Sgl, Iron Gray, 2-75
 Bracket, Mtg, Es, Iron Gray, 3-99
 Bracket, Mtg, Iron Gray, 3-7, 3-15
 Bracket, Mtg, Motor, Iron Gray, 3-31, 3-39
 Bracket, Mtg, Pump, Detgt [7300/8300], 2-33
 Bracket, Mtg, Relay, 2-75
 Bracket, Mtg, Relay, Iron Gray, 2-75
 Bracket, Mtg, Tank, Iron Gray, 2-29, 2-41
 Bracket, Mtg, Valve, Solenoid, 2-31
 Bracket, Panel, 2-23
 Bracket, Pivot, 3-41
 Bracket, Pivot, Iron Gray, 3-33
 Bracket, Protector, Float Switch, 2-41, 3-101
 Bracket, Retainer, Filter, 2-41
 Bracket, Retainer, Spring, 2-5, 2-7
 Bracket, Retaining, Filter, 2-41
 Bracket, Retaining, Iron Gray, 2-41
 Bracket, Retaining, Tank, Detgt, 3-121
 Bracket, Sppt, Auto Fill, Iron Gray, 3-99
 Bracket, Sppt, Tilt, Iron Gray, 2-17
 Bracket, Spring, Iron Gray, 2-65
 Bracket, Step, Iron Gray, 3-49

Bracket, Stop, Bar, Lh, Iron Gray, 3-135
 Bracket, Stop, Bar, Rh, Iron Gray, 3-135
 Bracket, Stop, Frame, 2-49
 Bracket, Stop, Frame, Iron Gray, 2-49, 3-47
 Bracket, Tube, Tee, 3-59, 3-79, 3-97
 Bracket, Valve, Large, 4-17
 Bracket, Wand, Power, Iron Gray, 3-127
 Brake Assy, 2-27
 Brake Repair Kit, 2-27
 Brake Shoes, 2-2, 2-27
 Brush, 4-6, 4-7
 Brush, 4-9
 Brush Assy, Disk, Scrub, 16.0 D, Pyp, 2-7
 Brush Assy, Disk, Scrub, 16.0D, Nylon, 2-7
 Brush Assy, Disk, Scrub, 16.0D, Super Abrasive, 2-7
 Brush Assy, Disk, Scrub, 20.0 D, Nyl, 2-5
 Brush Assy, Disk, Scrub, 20.0 D, Pyp, 2-5
 Brush Assy, Disk, Scrub, 20.0 D, Super Abr, 2-5
 Brush Holder Assy, 4-8
 Brush Kit, 4-8, 4-10
 Brush Kit, Motor, 3-47
 Brush Kit, Motor, 2-45, 2-49
 Brush kit, propelling motor, 4-6
 Brush mechanism, 4-3, 4-5
 Brush, Block, Scrub, Ab, 3-125
 Brush, Block, Scrub, Poly, 3-125
 Brush, Board, Assy, 4-9
 Brush, box & plate assy, 4-6
 Brush, Carbon, 3-65, 3-83
 Brush, Disk, Sweep, 19.0D, Pyp (Option), 2-5, 2-7
 Brush, Scrub, 39l, 20sr, Nyl, Spl, 2-5
 Brush, Scrub, 39l, 20sr, Pyp, Spl, 2-5
 Brush, Scrub, 39l, 20sr, Super Abr, Spl, 2-5
 Brush, Scrub, 47l, 20sr, Nyl, Spl, 2-7
 Brush, Scrub, 47l, 20sr, Pyp, Spl, 2-7
 Brush, Scrub, 47l, 20sr, Super Abr, Spl, 2-7
 Brush/rectifier Assy, 4-11
 Brushholder, Motor, Ele, 3-31, 3-39
 Bumper, 3-63, 3-81
 Bumper Wldt, 2-9, 3-35
 Bumper Wldt, Iron Gray, 2-9, 3-35
 Bumper, Neo, 1.5d .63t .31h, 2-51, 2-63, 3-133, 3-135
 Bumper, Poly-E, 2-67, 2-69, 3-133, 3-135, 3-137, 3-139
 Bumper, Posi Drain, Recvy Side, 3-111, 3-115
 Bumper, Pye, 2-49, 3-47, 3-63, 3-81
 Bumper, Rbr, 1.19d .72l, 2-47
 Bumper, Rbr, 2.0d 0.75t .38-16, 3-73, 3-91
 Bumper, Rear, Lh, 3-16
 Bumper, Rear, Lh, Iron Gray, 3-17
 Bumper, Rear, Rh, 3-16
 Bumper, Rear, Rh, Iron Gray, 3-17
 Bumper, Side, Recvy, Gray [Posi Drain], 3-113
 Bumper, Side, Scb Head, Wide, 3-49, 3-81

Bumper, Side, Scb Head, Wide, Iron Gray, 3-49, 3-81
 Bumper, Side, Soltn, Gray [Posi Drain], 3-117
 Bumper, Sqge, 2-67, 2-69, 3-133, 3-135, 3-137, 3-139
 Busbar, .06 0.6w 2.5l 2/.28h, 2-73, 2-77
 Busbar, Fuse, .6 0.6w 0.8h 2.0l, 2-73
 Bushing Assy, Flng, 2 Hole, 0.50b, 3-27
 Bushing, Flng, 0.50b 0.59d 0.38l, 2-47, 3-33, 3-41
 Bushing, Flng, 0.63b 0.72d 0.25l, 2-39, 2-47, 2-57, 3-55, 3-71, 3-89
 Bushing, Flng, 0.63b 0.75d 0.38l, 2-59, 2-61, 3-57, 3-61, 3-73, 3-75, 3-91, 3-93
 Bushing, Flng, 0.71b 0.79d 0.47l, 2-17
 Bushing, Flng, 0.75b 1.00d 1.00l, Nyl, 2-17
 Bushing, Flng, 1.00b 1.13d 0.38l, 2-27
 Bushing, Light, Led, 3-107
 Bushing, Sleeve, 0.37b 0.50d 0.50l, 2-25
 Bushing, Sleeve, 0.38b 0.63d 0.57l, Stil, 2-17
 Bushing, Sleeve, 0.63b 0.72d 0.38l, 2-59, 2-61, 3-57, 3-61, 3-73, 3-75, 3-91, 3-93
 Bushing, Taper Lock, 3-27
 Button, Plug, 1.1 X 1.1h, Black, Plstc, 2-15

C

Cable Assy, 2-11
 Cable, .12d, 13.3l, .2clevis/.2clevis, 2-2, 2-3, 2-65
 Cable, .13d, 10.0l, .51eye /51eye, 3-31, 3-39
 Cable, .13d, 15.5l, .50eye /50eye, 2-57, 3-55, 3-71, 3-89
 Cable, 1/0Ga, Blk [7300/8300, Telemetry], 3-143
 Cable, Pull, 2-25
 Cable, Push Pull, 2-39
 Cable, Ribbon, 34 Conductor, 2-15
 Cable, Safety, Battery, 3-145
 Cam, 2-67, 2-69, 3-133, 3-135, 3-137, 3-139
 Cam, Front, 3-65, 3-83
 Cam, Rear, 2-67, 2-69, 3-65, 3-83, 3-133, 3-135, 3-137, 3-139
 Cam/bearing\Diaphragm Kit, 4-11
 Cap Assy, 3-111, 3-113
 Cap Screw, 4-14
 Cap, Brush, Motor, Ele, 3-31, 3-39
 Cap, Dust, 3-111, 3-113, 3-115, 3-117
 Cap, End, 4-14, 4-15
 Cap, Hub 2.567 Hole, 2-27
 Cap, Neoprene Black, 2-65, 3-51
 Cap, Plastic, 2-29
 Cap, Tank, 2-43, 3-103, 3-121
 Cap, Tank, Drain, 2.25 Thread Pye, 2-43, 3-103
 Cap, Tank, Drain, 3.85 Thread Pye, 2-43, 3-103

Cap, Tank, Drain, 6.17 Thread Pye, 2-29, 3-111, 3-113, 3-115, 3-117
 Cap, Tube, 3-27
 Cap, Vyl, .234id .750l .04, 2-13
 Capacitor, Plug [.01 Uf, 200v], 3-107
 Caster Kit, Sqge, Replmt, 2-63
 Chain, Coil, Str, #210, 09.0l 07 Link, 2-65
 Chain, Roller, #40 X 109 Pitches, 3-27
 Chain, Roller, #40 X 130 Pitches, 2-17
 Chain, Sash, #35, 07.2l 13 Link, 3-111, 3-113, 3-115, 3-117
 Channel, 2-29, 2-41
 Channel Wldt, 2-63, 2-67, 3-133, 3-137
 Channel Wldt, Guard, Rh, Iron Gray, 2-69, 3-139
 Channel Wldt, Iron Gray, 2-63, 3-135
 Channel Wldt, Steering, 2-9
 Channel Wldt, Steering, Iron Gray, 2-9
 Channel, .19, 2.5w 1.0 29.3l, H&S, Gray, 2-29
 Channel, Battery, R/O, Iron Gray, 3-145
 Channel, Iron Gray, 3-33, 3-41
 Channel, Spring, 2-65
 Channel, Stop, Lh, 3-133
 Channel, Stop, Rh, 3-133
 Charger, 36V/120A 60H/1Ph 480V, 3-160
 Charger, 36V/120A 60H/3Ph 480V, 3-160
 Charger, 36V/150A 60Hz, 3-162
 Charger, 36V/75A 60Hz/1Ph, 3-159
 Charger, 36V/75A 60Hz/3Ph, 3-159
 Charger, 36V/93A 60Hz, 1Ph, Sealed, 3-161
 Charger, 36V/93A 60Hz, 3Ph, Sealed, 3-161
 Charger, 36Vdc 120A Tri-Vac 1PH 50HZ, 3-160
 Charger, 36Vdc 120A Tri-Vac 3PH 50HZ, 3-160
 Charger, 36Vdc 75A Tri-Vac 1PH 50HZ, 3-159
 Charger, 36Vdc 75A Tri-Vac 3PH 50HZ, 3-159
 Check valve assy, 4-11
 Chrome Pltd Cam Shaft, 2-27
 Circuitboard Assy Kit [7300/8300], 2-81
 Circuitboard, Pedal, 2-21
 Circuitboard, Sweeper, [8300], 3-35
 Circuitbreaker, 10.0a, 2-82
 Circuitbreaker, 15.0a, 2-71, 3-35
 Circuitbreaker, 15.0a (Power Wand / Side Sweep Option), 2-71
 Circuitbreaker, 2.5a, 2-71
 Circuitbreaker, 20.0a, 2-71
 Circuitbreaker, 25.0a, 2-71
 Circuitbreaker, 30.0a, 2-71
 Circuitbreaker, 40.0a (Power Steering Option), 2-71
 Circuitbreaker, 50.0a (Center Brush Option), 2-71
 Circuitbreaker, 02.0A, Resetable, 3-105
 Circuitbreaker, 05.0A, Resetable, 2-83
 Circuitbreaker, 15.0 A, 3-5, 3-7, 3-9, 3-11

CROSS REFERENCE

- Circuitbreaker, 40a, (Max Pro 1000 Disk W/Std Motor), 2-71
Circuitbreaker, 40a, (Max Pro 1200 Disk), 2-71
Circuitbreaker, 45a, (Max Pro 1000 Cylindrical), 2-71
Circuitbreaker, 45a, (Max Pro 1000 Disk W/Hd Motor), 2-71
Circuitbreaker, 45a, (Max Pro 1200 Cylindrical), 2-71
Circuitbreaker, 50.0a, 2-71
Clamp, 4-3
Clamp Wldt, Front, 2-3, 2-67, 2-69, 3-137, 3-139
Clamp Wldt, Front 48.0l, 3-133, 3-135
Clamp Wldt, Rear, 2-3, 2-67, 2-69, 3-137, 3-139
Clamp Wldt, Rear 48.0l, 3-133, 3-135
Clamp, Cable, Nyl, 0.62d, Nat, 3-143
Clamp, Cable, Stl, 0.38d X 0.38w, 1h, 3-5, 3-7, 3-13, 3-15
Clamp, Cable, Stl, 0.56d X 0.38w, 1h, 2-47
Clamp, Cable, Stl, 0.63d X 0.75w, 1h, 2-13
Clamp, Cable, Stl, 0.63d X 0.75w, 1hole, 3-105
Clamp, Cable, Stl, 0.69d X 0.62w, 1h, 2-9, 2-57, 3-51, 3-53, 3-55, 3-71, 3-89
Clamp, Cable, Stl, 0.69d X 0.62w, 1hole, 3-143
Clamp, Cable, Stl, 0.75d X 0.75w, 1h, 3-69, 3-87
Clamp, Cable, Stl, 0.88d X 0.62w, 1h, 2-53, 2-55
Clamp, Cable, Stl, 0.88d X 0.62w, 1hole, 3-105
Clamp, Cable, Stl, 1.00d X 0.62w, 1h, 3-67, 3-69, 3-85, 3-87, 3-101
Clamp, Cable, Stl, 1.50d X 1.00w, 1h, 2-33
Clamp, Hose, 3-123, 3-125
Clamp, Hose .40 - .42 2 Wire, 2-33
Clamp, Hose, Plstc, 1.60d X 0.62w, 2-43, 3-103
Clamp, Hose, Wir, .52 - .56, Yel, 4-17
Clamp, Hose, Wir, .63 - .66, Blk, 4-17
Clamp, Hose, Wormdrive, 0.25-0.62d, 3-121
Clamp, Hose, Wormdrive, 0.25-0.62d, .31w, 3-105
Clamp, Hose, Wormdrive, 0.31-0.88d, 2-31, 2-33, 2-35, 2-55, 3-51, 3-53, 3-69, 3-87, 3-127
Clamp, Hose, Wormdrive, 0.31-0.88d, .31w, 2-37, 2-53
Clamp, Hose, Wormdrive, 0.50-1.06d, 3-51
Clamp, Hose, Wormdrive, 0.56-1.06d, 3-99
Clamp, Hose, Wormdrive, 0.56-1.06d, .56w, 2-53, 2-55, 3-51, 3-53, 3-101
Clamp, Hose, Wormdrive, 0.81-1.50d, 2-3, 2-29, 2-53, 3-59, 3-67, 3-69, 3-79, 3-85, 3-87, 3-97
Clamp, Hose, Wormdrive, 1.56-2.50d, 2-45
Clamp, Hose, Wormdrive, 1.62-3.50d, 2-31
Clamp, Hose, Wormdrive, 1.81-2.75d, 3-79, 3-97
Clamp, Hose, Wormdrive, 2.50-3.50d, .50w, 3-105
Clamp, Ribbon Cable, 2-15
Clamp, Ribbon Cable, Hold-Down, 2-15
Clevis, Adj, 0.19pin, #10-32, 2-39
Clevis, Adj, 0.38pin, 0.31-24, Lh, Pl, 2-27
Clevis, Adj, 0.38pin, 0.31-24, Pl, 2-27
Clip, Finger Grip, 3-101, 3-129, 3-131
Clip, Motor, Ele, 3-31, 3-39
Clip, Spring, Prop Arm, 3-79, 3-97
Clip, Sprocket, 2-23
Column Wldt, Steering, Iron Gray, 2-17
Column, Steering (Replaced by 387653), 3-27
Column, Steering, #14.0L .81D 36Tooth, 3-27
Column, Steering, 15.5L .81D 36Tooth, 3-27
Comm. bracket, 4-3, 4-5
Connector assy, 4-11
Connector Body, 4-8, 4-9, 4-10
Connector Kit, Tubing, 4-12
Connector, 2 Conductor, 4-3, 4-5
Connector, 2-Conductor, 4-7
Connector, 350a, Gray [Anderson], 3-151, 3-157
Connector, Andersn 350A, Gray, 3-160
Connector, Anderson, 350A, Gray, 3-149, 3-153, 3-155, 3-159, 3-160, 3-161, 3-162
Connector, Fem, 2cav, Mp280 Sealed, 4-18
Contact, Switch, 2-15
Contact, 36vdc, 2-73, 3-27
Contact, 36vdc, [Spno], 2-73
Contact, 36vdc, 100a, Spst, 2-75
Contact, 36vdc, 200a, Dpdt, 2-75
Contact, 36vdc, 200a, Spst, 2-75
Contact, 36vdc, Spdt, 2-73
Control Box Assy Kit, Replmt, Telem [CAN], 3-143
Control Box Assy Kit, Replmt, Telem [USA], 3-143
Controller Kit, Replmt [ec-H2O], 4-17
Controller, Motor, 36vdc, 1204, 2-73, 2-75
Coupling Body, Qf, Pm08, 2-35
Coupling Insert, Qm, Bm08, 2-35
Coupling, Fem, W/ Valve, .25 Brb, 2-33
Coupling, Flexible, 4-13
Coupling, Mal, .25 Npt, 2-33
Cover, 2-81
Cover Kit, Recvy, W/ Gasket, Teal, 2-41
Cover Kit, Soltn, W/ Gasket, 2-29
Cover Kit, Soltn, W/ Gasket, Teal, 2-29
Cover Wldt, 2-13
Cover Wldt, Iron Gray, 2-13
Cover, Controlbox, 2-71
Cover, Cooling Fan, 2-45
Cover, Drive, 3-65, 3-83
Cover, Front, 2-11
Cover, Front, Teal, 2-11
Cover, Idler, 3-65, 3-83
Cover, Insert, 2-43, 3-103
Cover, Iron Gray, 2-81
Cover, Rear, 2-13
Cover, Rear, Teal, 2-13
Cover, Reservoir, 4-13
Cover, Steering Wheel, 3-27
Cover, Tank, 2-29, 3-121
Cover, Tank, Solution, 2-29
Cover, Tank, Top, 2-13
Cover, Tank, Top, Teal, 2-13
Cradle Wldt, Battery, Iron Gray, 3-147
Crank Replacement Kit, 4-12
Cuff, Swivel, 3-123
- ### D
- Detergent Pkg, 2 Liter, Sgl, 365, 2-33
Detergent Pkg, 2 Liter, Sgl, 665, 2-33
Detergent Pkg, 4 Liter, Sgl [Tco 665], 2-33
Device, Centering, 2-5, 2-7
Diaphragm kit, 4-11
Diode, Ele, Plug, 2-15, 2-75, 2-103, 2-104, 3-107
Disc, 4-3
Disk, Pad Drive, W/ Face, 20d, 2-5
Disk, Pad Driver, W/Face, 16D, 2-7
Drain Kit, Gray, Ci [Posi Cntrl/Recvy], 3-113
Drain Kit, Gray, Ci [Posi Cntrl/Soltn], 3-117
Drive, Main, 4-14
Drive, Valve, Strg, 4-15
Driver Assy, Pad, 16D, 2-7
Driver Assy, Pad, 20.0D, 2-5
Drum, Cable, Lift, 2-65
Duct, Afmkt, Vyl, 0.40 X 0.75 .25D, 04Ft, 3-9, 3-11
- ### E
- Ec-H2o Kit, Module C, Plumbing, 4-17
Ec-H2o Kit, Cylrcl, 1000mm, Ci [73/8300], 3-109
Ec-H2o Kit, Cylrcl, 1200mm, Ci[73/8300], 3-109
Ec-H2o Kit, Disk, Ci [7300/8300], 3-109
Electrode, 5 Plate, High Flow, 4-17
Electrode, Cylindrical, 4-17
Element, Filtr, 4-13
Extinguisher, Fire, 3-163
- ### F
- Fan, 4-3, 4-5
Fan Assy, Vacuum (See Breakdown), 2-45
Fan Assy, Vacuum (See Breakdown) (Replaced by 398520), 2-45
Fan vacuum, 36v, 4-3

Fan, rotating, 4-3
 Fan, stationary, 4-3
 Fan, Vacuum, 4-5
 Fast 665 4 Ltr, Detergent, 2-37
 Fast 965 4 Ltr, Detergent, 2-37
 Fast Kit, Ci, Injector Filters[Fast li+], 4-19
 Fast Kit, Seal, Injector, Ci [Fast lii], 4-19
 Filter Assy, Air, Molded Ure, 2-33
 Filter, Fan, 2-3
 Filter, Foam, 2-35
 Filter, In-Line, Pf06/Pf06 080mesh 02.6l, 2-37, 3-105
 Filter, Inline, Pf06/Pf06, 80 Mesh, 2-35
 Filter, Panl, Dust, 2.0 X 06.1 X 07.6, 2-2, 2-3, 2-41
 Filter, Soltn, 20mesh, Pf16 3.1d 02.3l, 2-29
 Fitting 1/8mx1/4h Barb Brs, 2-33
 Fitting Assy, Cap, 0.067b, Pf04, 2-31
 Fitting Assy, Cap, 0.086b, Pf04, 2-31
 Fitting Assy, Qdc, Pf04, 3-105
 Fitting, Brs, E90, Cf03/Pf02, 2-33
 Fitting, Brs, E90, Pm04/Bm08, 2-31
 Fitting, Brs, Qdc, Bm12/Qf08, 3-99
 Fitting, Brs, Qdc, Pm04/Qf06, 3-127
 Fitting, Brs, Str, Pf04/Pf04 Bkhd, 3-127
 Fitting, Brs, Str, Bm06/Pf02, Spcl, 3-105
 Fitting, Brs, Str, Bm06/Pf04, 3-105
 Fitting, Brs, Str, Pf02/Pm06, 3-105
 Fitting, Brs, Str, Pm02/Bm03, 2-45
 Fitting, Brs, Str, Pm02/Pm02, 4-17
 Fitting, Brs, Str, Pm04/Pm04, 2-31
 Fitting, Brs, Str, Pm04/Pm06, 2-31
 Fitting, Brs, Tee, Pf04/Pm04/Pf04, 2-31
 Fitting, Brs, Tee, Pf02/Pf02/Pm02, Run, 3-105
 Fitting, Brs, Tee, Pf04/Pf04/Pm04, Run, 2-31
 Fitting, Brs, Tee, Pm04/Pf04/Pf04, Run, 2-37
 Fitting, Coupler, Hose, Shank, Fem, 3-111, 3-113, 3-115, 3-117
 Fitting, Elbow, 3-125
 Fitting, Grease, 2-23
 Fitting, Grease, E90 Pm04 .75L, 3-49, 3-63, 3-81
 Fitting, Hose, Barbed, .25npt Mal, 3-125
 Fitting, Hyd, E90, Jf06/Jm06, 3-27
 Fitting, Hyd, E90, Jm06/Om06, 3-27
 Fitting, Hyd, Str, Jm04/Om06, 3-27
 Fitting, Hyd, Str, Jm04/Om10, 3-27
 Fitting, Hyd, Str, Jm06/Om06, 3-27
 Fitting, Hyd, Tee, Jf06/Jm06/Jm06, Run, 3-27
 Fitting, Hyd, Tee, Jm06/Om06/Jm06, 3-27
 Fitting, Nyl, Qdc, E90, Bm06/ Qm10, 2-37
 Fitting, Nyl, Qdc, E90, Bm08/ Qm10, 2-37
 Fitting, Plstc, [90 Bm03/Pm02], 2-41
 Fitting, Plstc, Bkhd, Pf12/Pf12, 2-43
 Fitting, Plstc, Bkhd, Pf16/Pf16, 2-29
 Fitting, Plstc, Cap, Pf04, 2-33
 Fitting, Plstc, Cap, Pf08, 2-53, 2-55, 3-51
 Fitting, Plstc, E45, Pf12/Pf12, 3-99

Fitting, Plstc, E90, 06bm/06bm, 3-121
 Fitting, Plstc, E90, 16bm/16pm, 2-29
 Fitting, Plstc, E90, Bm04/Pm04 Nyl, 2-33
 Fitting, Plstc, E90, Bm05/Pm02, Nyl, 4-17
 Fitting, Plstc, E90, Bm06/Pm04, Nyl, 2-37
 Fitting, Plstc, E90, Bm08/Bm08, 2-53, 2-55, 3-51, 3-53
 Fitting, Plstc, E90, Bm08/Pm04, 3-127
 Fitting, Plstc, E90, Bm08/Pm04 Nyl, 2-31
 Fitting, Plstc, E90, Bm08/Pm06, 2-35, 2-37, 3-69, 3-87, 3-105
 Fitting, Plstc, E90, Bm08/Pm08, 3-99
 Fitting, Plstc, E90, Bm08/Pm12, Nyl, 2-35
 Fitting, Plstc, E90, Bm10/Pm12, 3-99
 Fitting, Plstc, E90, Bm12/Bm12, 2-53, 2-55, 3-51, 3-53, 3-67, 3-69, 3-85, 3-87
 Fitting, Plstc, E90, Bm12/Pf12, 3-101
 Fitting, Plstc, E90, Bm12/Pm08, 3-51, 3-99
 Fitting, Plstc, E90, Bm12/Pm12, 3-99, 3-101
 Fitting, Plstc, E90, Pf08/Pf08, 3-69, 3-87
 Fitting, Plstc, E90, Pm12/Pf12, 2-29
 Fitting, Plstc, Pipe, Cap, Pf04, 2-37
 Fitting, Plstc, Plug, Pm12, 2-29, 2-43, 3-99
 Fitting, Plstc, Plug, PM16, 2-29
 Fitting, Plstc, Rst, .50od/.31id, 3-51, 3-53
 Fitting, Plstc, Str, 08pmxgarden, 3-101
 Fitting, Plstc, Str, Bm04, Cplg, Fem, 2-37
 Fitting, Plstc, Str, Bm04/Bm08, 2-33, 3-105
 Fitting, Plstc, Str, Bm05/Pm04, 3-105
 Fitting, Plstc, Str, Bm06/Bm06, 3-121
 Fitting, Plstc, Str, Bm06/Pm02, Nyl, 3-105, 4-17
 Fitting, Plstc, Str, Bm06/Pm04, 2-37
 Fitting, Plstc, Str, Bm06/Pm12, 3-121
 Fitting, Plstc, Str, Bm08/Bm08, 2-53, 2-55, 3-51, 3-53
 Fitting, Plstc, Str, Bm08/Pm04, 3-127
 Fitting, Plstc, Str, Bm08/Pm04 (ec-H2O), 3-53, 3-69, 3-87
 Fitting, Plstc, Str, Bm08/Pm04 (FaST), 2-55
 Fitting, Plstc, Str, Bm08/Pm06, 2-35, 2-37, 3-105
 Fitting, Plstc, Str, Bm08/Pm08, 2-53, 2-55, 3-51, 3-69, 3-87
 Fitting, Plstc, Str, Bm08/Pm12, 2-35, 2-37, 3-105, 3-127
 Fitting, Plstc, Str, Bm10/Bm10, 2-53, 2-55
 Fitting, Plstc, Str, Bm12/Pm08, 3-99
 Fitting, Plstc, Str, Bm12/Pm08, Nyl, 3-69, 3-87
 Fitting, Plstc, Str, Bm12/Pm12, 2-29, 3-99
 Fitting, Plstc, Str, Bm24/Bm32, 3-123, 3-131
 Fitting, Plstc, Str, Pm04, Cplg, Mal, 2-37
 Fitting, Plstc, Str, Pm08/Pm08, 3-99
 Fitting, Plstc, Str, Pm12/Bm16, 2-29
 Fitting, Plstc, Str, Pm12/Pm12, 2-29, 3-99
 Fitting, Plstc, Str, Pm16/Pm16 Close, 2-29
 Fitting, Plstc, Tee, Bm04/Bm04/Bm04, 2-37

Fitting, Plstc, Tee, Bm05/Bm05/Pm04, 3-105
 Fitting, Plstc, Tee, Bm06/Bm06/Bm06, 3-105
 Fitting, Plstc, Tee, Bm08/Pm04/Bm08 Nyl, 2-31, 2-33
 Fitting, Plstc, Tee, Bm10/Bm10/Bm10, 2-53
 Fitting, Plstc, Tee, Bm12/Bm12/Bm12, 3-67, 3-85
 Fitting, Plstc, Tee, Bm16/Pf12/Bm16, 2-29
 Fitting, Plstc, Tee, Pf08/Pf08/Pf08, 3-99
 Fitting, Plstc, Tee, Pf12/Pf12/Pf12, 2-29
 Fitting, Plstc, Y, Bm06/Bm06/Bm06, Nyl, 3-105
 Fitting, Plstc, Y, Bm08/Bm08/Bm08 Nyl, 3-69, 3-87
 Fitting, Plstc, Y, Bm08/Bm08/Bm08, Nyl, 2-37
 Fitting, Qm, Male, 3-99
 Fitting, Quick Disconnect, 3-123
 Flange, 4-14
 Flasher, 12/48vdc 5a #6309/12-48vdc, 3-13, 3-15
 Frame, 2-9
 Frame Assy, Sqge, Side, Vacuum, Rh, 3-59
 Frame Wldt, Main, Iron Gray [7300/8300], 2-9
 Frame Wldt, Scb Head, 2 Brush, Ele, Gray, 2-49
 Frame Wldt, Scb Head, 3 Brush, Ele, Gray, 3-47
 Frame Wldt, Sqge 48.0l, 3-133, 3-135
 Frame Wldt, Sqge, Iron Gray, 2-67, 2-69, 3-137, 3-139
 Frame Wldt, Sqge, Side, Lh, 2-61, 3-61, 3-75, 3-93
 Frame Wldt, Sqge, Side, Rh, 2-59, 3-57, 3-73, 3-91
 Fuse, .20A, 3Ag, Slo-Blo, 2-81
 Fuse, 002A, 250Vdc, Cartridge, 3-143
 Fuse, 010A 032Vdc 0.25D, 3-35
 Fuse, 150amp, 2-73, 2-75

G

Gasket, 2-81
 Gasket, .19, 2.00ld 5.38OD [BUNA], 3-111, 3-113, 3-115, 3-117
 Gasket, .19, 4.05id 5.29od [Buna], 2-29, 2-43, 3-103, 3-121
 Gasket, Cap, 2-43, 3-103
 Gasket, Cap, Drain, 2-2, 2-3, 2-43, 3-103
 Gasket, Cap, Dust, 3-111, 3-113, 3-115, 3-117
 Gasket, Celr Ure, .50, 05.94w 08.88l, Adh, 2-29
 Gasket, Cover, 3-65, 3-83
 Gasket, Cover, Controller, 2-71
 Gasket, Foam, 3-79, 3-97
 Gasket, Lid, 2-43, 3-103
 Gasket, Mtg, Fan, 2-2, 2-3, 2-45

CROSS REFERENCE

- Gasket, Sqge, 2-67, 2-69, 3-133, 3-135, 3-137, 3-139
Gasket, Tank, Recovery, 2-2, 2-3, 2-41
Gasket, Ure, .50, 12.65w 18.89l, Adh, 2-41
Gasspring, 56lb, 6.3strk, 2-57, 3-55, 3-71, 3-89
Gear, Drive, 2-23
Gearbox, 90, Drive Wheel, Rear, [Hu], 2-23
Gearbox, Motor, 4-8, 4-9, 4-10
Geroler S/A, 4-14
Geroter, 4-15
Grommet, 3-125
Grommet, Blind, 3-105, 4-17
Grommet, Level Sensing 1.6 D 9.6L, 2-29
Grommet, Pye, 0.37id, F/ 1.5h, .13matl, 3-121
Grommet, Rbr, 0.38id, F/ 0.5h, .12matl, 3-5, 3-7, 3-9, 3-11, 3-13, 3-15
Grommet, Rbr, 0.50id, F/ 0.8h, .12matl, 2-71
Grommet, Rbr, 0.89id, F/ 1.2h, .14matl, 2-21
Grommet, Rbr, 1.00id, F/ 1.4h, .12matl, 2-71
Grommet, Rbr, 1.0b, 2-71, 2-81
Grommet, Rbr, 1.50id, F/ 1.8h, .31matl, 2-15, 2-25
Grommet, Rbr, 2.13id, F/ 2.5h, .12 Matl, 2-33
Grommet, Ribbon Cable, .63 X 1.81, 2-15
Guard Kit, Sqge, Rear, Ci [7300/8300], 3-49, 3-81
Guard Kit, Sqge, Rear, Iron Gray, Ci, 3-49, 3-81
Guard Wldt, Lh, 3-75, 3-93
Guard Wldt, Lh, Iron Gray, 3-75, 3-93
Guard Wldt, Light, Revl/Fish, 3-5, 3-9
Guard Wldt, Light, Revl/Fish, Iron Gray, 3-7, 3-11
Guard Wldt, Oprtr, Top, 3-19
Guard Wldt, Oprtr, Top, Iron Gray, 3-21
Guard Wldt, Rh, 3-73
Guard Wldt, Rh, [Mp1200], 3-91
Guard Wldt, Rh, Iron Gray, 3-73, 3-91
Guard Wldt, Sqge (MP 20), 3-49, 3-81
Guard Wldt, Sqge, Rear, Gray, 3-49, 3-81
Guard, Brush, Side, 3-31, 3-39
Guard, Bumper, 3-49, 3-81
Guard, Kick In, Scb Head, 2-51, 3-49, 3-63, 3-81
Guard, Kick In, Scb Head, Iron Gray, 2-51, 3-49, 3-63, 3-81
Guard, Light, 3-13, 3-15
Guard, Light, Revl / Strobe, 3-7, 3-11
Guide, Point, Side Sqge, 2-59, 2-61, 3-57, 3-59, 3-61, 3-73, 3-75, 3-91, 3-93
- H
- Handle, 2-29
Handle Wldt, Steering, Tilt, 2-17, 3-27
Handle, Wand, 3-125
- Harness [Fast 7300/8300], 2-103
Harness [FaST II+ 7300/8300], 2-104
Harness, Backup Alarm, Shrd, 3-13, 3-15
Harness, Battery, Connecting, 2-77, 2-79
Harness, Battery, Rollout [7300/8300], 3-145
Harness, Brush, Side, Lh [7300], 3-45
Harness, Brush, Side, Rh [7300], 3-37
Harness, Ele [Telemetry, 7300/830006934, 3-143
Harness, Fast, 7300/8300, 2-103
Harness, Jumper, Arm, 2-102
Harness, Light, Revl, Shrd, 3-5, 3-7
Harness, Main, 7300, 8300, 2-102
Harness, Main, Controlboard [Ec-H2o 5cell], 4-17
Harness, Power Wand, [7300/8300], 3-129
Harness, Rear [FaST 7300/8300], 2-104
Harness, Rear, [Fast 7300/8300], 2-103
Harness, Sensor, Jumper, 2-41, 3-101
Harness, Switch, Key, Diode, 2-75
Harness, Warning Light, Alarm, 3-9, 3-11
Harness, Wire [7300 Ec-H2o, Module], 3-108
Harness, Wire [7300, Ec-H2o Interface], 3-108
Harness, Wire, Jumper, Reverse Switch, 3-13
Harness, Wire, Jumper, Seat Switch, 2-102
Head Kit, Pump, Water, Repair, 4-18
Head, Wand, 3-125
Headlight, 36vdc, 15cp 0.7a [#0534242], 2-2
Headlight, 36vdc, 15cp, 0.7a, 2-9
Headlight, 36Vdc, 60 Watt 1.7A, 3-13, 3-15
Hinge Assy, 2-13
Hinge Assy, Iron Gray, 2-13
Hinge Wldt, W/ Pin, 2-13
Hinge Wldt, W/ Pin, Iron Gray, 2-13
Hinge, .38pin .11 3.5w 04.0l 4/0.38slot, 2-11
Hook Wldt, Latch, 3-65, 3-83
Horn, 36vdc, DbA, 2-9
Hose, 3-123
Hose Assembly, 3-123
Hose Assy, Drain, 2-43, 3-103
Hose Assy, Pvc, W/ Cuff, 1.5d, 90.0l, 3-131
Hose Assy, W/1cuff, 1.5d 120l 1.5/, 3-111, 3-113, 3-115, 3-117
Hose Assy, W/2 Cuff, 1.0d 41.0l, 2-3, 3-59
Hose Assy, W/2 Cuff, 1.0D 44L 1.0/1.0, 3-59
Hose Assy, W/2cuff, 1.0d, 23l, 3-79, 3-97
Hose Assy, W/2cuff, 1.0d, 41l, 3-79, 3-97
Hose Assy, W/2cuff, 2.0d 26l, 3-59, 3-79, 3-97
Hose Assy, W/2cuff, 2.0d 75l, 3-59, 3-79, 3-97
Hose, Afmkt Replmt, Pvc, Brd 0.50id 1 Ft, 2-31, 2-33, 2-35, 3-69, 3-87
Hose, Afmkt Replmt, Pvc, Brd 0.50id 2 Ft, 2-31, 3-53, 3-69, 3-87
- Hose, Afmkt Replmt, Pvc, Brd 0.50id 20ft, 2-35
Hose, Afmkt Replmt, Pvc, Brd 0.50id 3 Ft, 3-53
Hose, Afmkt, Pvc, Brd 0.50id 1ft, 2-55
Hose, Afmkt, Pvc, Brd 0.50id 2ft, 2-53
Hose, Afmkt, Pvc, Brd 0.75id 1 Ft, 3-53, 3-69, 3-87
Hose, Afmkt, Pvc, Brd 0.75id 8 Ft, 3-53, 3-69, 3-87
Hose, Afmkt, Pvc, Brd, 0.25id, 03ft, 3-105
Hose, Afmkt, Pvc, Brd, 0.31id, 03Ft, Clr, 3-105
Hose, Afmkt, Pvc, Brd, 0.38id, 01ft, Clr, 4-17
Hose, Afmkt, Pvc, Brd, 0.38id, 03ft, Clr, 2-37
Hose, Afmkt, Pvc, Brd, 0.38id, 08Ft, Clr, 3-121
Hose, Afmkt, Pvc, Brd, 0.50id, 01ft, Clr, 2-37
Hose, Afmkt, Pvc, Brd, 0.50id, 02ft, Clr, 2-37
Hose, Afmkt, Pvc, Brd, 0.50id, 08ft, Clr, 3-105
Hose, Afmkt, Pvc, Brd, 0.75id 8 Ft, 2-55
Hose, Afmkt, Pvc, Brd, 0.75id, 02Ft, Clr, 3-99
Hose, Afmkt, Pvc, Brd, 0.75id, 03Ft, Clr, 3-99
Hose, Afmkt, Pvc, Clr 0.25id 1 Ft, 2-33
Hose, Afmkt, Pvc, Clr 0.25id 2 Ft, 2-33
Hose, Afmkt, Pvc, Clr, 0.25id, 02ft, 2-37
Hose, Hyd, Tc 06, Jf Str/E90 , 48.0l, 3-28
Hose, Hyd, Tc06, Jf06e90/Jf06str, 050.0, 3-28
Hose, Hyd, Tc06, Jf06str/Jf06str, 050.0, 3-28
Hose, Hyd, Tc 04, Jf04str /Jf04e90 , 30.0, 3-28
Hose, Pvc, Brd, 0.31id 0.53od, 2ft, Clr, 4-17
Hose, Pvc, Brd, 0.38id 0.60od 15.00l, 3-121
Hose, Pvc, Brd, 0.50id 0.73od 33.00l, 3-51
Hose, Pvc, Brd, 0.50id 0.75od 14.00l, 3-51
Hose, Pvc, Brd, 0.50id 0.80od 18.00l, 3-51
Hose, Pvc, Brd, 0.62id 0.91od 10.30l, 2-53
Hose, Pvc, Brd, 0.75id 1.00od 02.00l, 3-51, 3-67
Hose, Pvc, Brd, 0.75id 1.00od 2.00l, 3-85
Hose, Pvc, Brd, 0.75id 1.00od 44.50l, 3-51, 3-67, 3-85
Hose, Pvc, Brd, 0.75id 1.03od 01.50l, 3-67, 3-85
Hose, Pvc, Brd, 0.75id 1.03od 02.00l, 2-53, 2-55
Hose, Pvc, Brd, 0.75ID 1.03OD 05.00L, 3-67, 3-85

Hose, Pvc, Brd, 0.75id 1.03od 11.00l, 3-67, 3-85
 Hose, Pvc, Brd, 0.75id 1.03od 44.50l, 2-53, 2-55
 Hose, Pvc, Clr, 0.50id 0.69od 50.00l, 3-101
 Hose, Pvc, Wir, 0.50id 0.74od 47.00l, 3-127
 Hose, Pvc, Wir, 0.50id 0.75od 15.50l, 3-127
 Hose, Vacuum, 2-2, 2-3, 2-45, 3-123
 Hose, Vacuum, 0.16id X 05.0l, 2-41, 2-45, 3-101
 Hose, Vacuum, 35.0l, 2-3, 3-59, 3-79, 3-97
 Hose, Vacuum, 58.5l, 2-3, 3-59, 3-79, 3-97
 Hose, Vacuum, 89.0l, 2-41
 Hose, Vacuum, 91.0l, 2-2, 2-3
 Hose, Vyl, Brd, .62id 55.0l, 3-101
 Hose, Vyl, Brd, .75id 28.0l, 3-101
 Hose, Wand, 3-125
 Hose, Water, 1.0id 2.25l, 2-29
 Hose, Water, 1.0id 4.5l, 2-29
 Housing, 4-3, 4-5, 4-14
 Housing Wldt, Brg, Iron Gray, 2-17
 Housing Wldt, Brush, 3-35, 3-43
 Housing Wldt, Brush, Iron Gray, 3-35, 3-43, 3-63, 3-81
 Housing Wldt, Brush, Side, Iron Gray, 3-33, 3-41
 Housing, Bottom, 4-17
 Housing, Cplg, Qf / Pm08, 2-37, 3-105
 Housing, Cplg, Qf / Pm08 (ec-H2O), 2-55
 Housing, Cplg, Qf / Pm08 (FaST), 3-53, 3-69, 3-87
 Housing, Upper, Module, High Flow, 4-17
 Hub Wldt, Drive, Brush, Iron Gray, 3-65, 3-83
 Hub, Drive, Brush, Disk, 0.75B 6T, 2-49, 3-47
 Hub, Drive, Brush, Disk, 3 Hole 5.8Bc, 2-7

I

Injector Assy [Gen Iii], 4-19
 Injector Assy [Gen Iii] (See Breakdowns), 2-37
 Insert, Cplg, Qm, Bm08, 2-37, 3-105
 Insert, Lrg [Venturi, Fast Iii], 4-19
 Instruction, Repair, 4-14
 Instruction, Repair, Valve, Strg, 4-15
 Insulator, Panel, 2-73
 Insulator, Panel & Switchboard, 2-75

J

Joint, U, 0.75ld, 2-17

K

Key Square 0.25 0.25 01.00 Lg, 4-10
 Key Square 0.25 X 0.25, 01.00L, 4-8, 4-9
 Key, Ignition, 2-15

Key, Sq, 0.19 X 0.19, 00.75l, 3-65, 3-83
 Key, Sq, 0.19 X 0.19, 01.00l, 2-17, 3-65, 3-83
 Key, Sq, 0.19 X 0.19, 01.25L, 3-65, 3-83, 4-7
 Key, Woodruff, 0.16 0.62, 4-6
 Key, Woodruff, 0.19 0.75, [Asa#0606], 2-17
 Kit, Brake, 2-2, 2-3
 Kit, Brush, Motor, Ele, 3-31, 3-39
 Kit, Cap, Drain, 2-43, 3-103
 Kit, Cl, Alarm, Backup, 36Vdc, 3-13
 Kit, Ci, Battery, 36vdc, 380ah, Wet, 3-149
 Kit, Ci, Battery, 36vdc, 600ah, Sealed, 3-153
 Kit, Ci, Battery, 36vdc, 750ah, Wet, 3-157
 Kit, Ci, Battery, Rollout, 3-145
 Kit, Ci, Bumper, Rear, 3-16, 3-17
 Kit, Ci, Detgt Metering, 3-121
 Kit, Ci, Drain, Soltn, Pos Cntrl, Soltn, 3-115
 Kit, Ci, Drain, Soltn, Pos, Cntrl, Recvy, 3-111
 Kit, Cl, Extinguisher, Fire, [7300/8300], 3-163
 Kit, Ci, Fork Lift, Battery, 3-147
 Kit, Ci, Indicator, Low Water Level, 3-119
 Kit, Cl, Light, Revl W/ Ohg, 3-11
 Kit, Cl, Light, Revl W/O OHG, 3-5
 Kit, Ci, Ohg, [7300/8300], 3-19
 Kit, Ci, Seat, Suspension, 3-25
 Kit, Ci, Seatbelt, 3-23
 Kit, Cl, Squeegee, Rear (Max Pro 1000), 2-67
 Kit, Cl, Squeegee, Rear (Max Prot 1000), 3-137
 Kit, Cl, Squeegee, Rear [Max Pro 1200], 3-133
 Kit, Ci, Vacuum Wand, [7300/8300], 3-131
 Kit, Cover, Recvy, W/Gasket, 2-41
 Kit, Drain Hose, Solution Side, 3-103
 Kit, Fitting, Garden Hose, 3-99
 Kit, Maint, 800hr
 [7300-Mp1200-Disk-Vac], 2-3
 Kit, Maint, 800hr, [7300-Mp1000-Cyl], 2-3
 Kit, Maint, 800hr, [7300-Mp1000-Disk], 2-2
 Kit, Maint, 800hr, [7300-Mp1200-Cyl], 2-3
 Kit, Maint, 800hr, [7300-Mp1200-Disk], 2-2
 Kit, Modif, Ftg Location, [Discvac], 2-3
 Kit, Replmt, Bracket, F/386211, 2-11
 Kit, Replmt, Press Switch/34" Tube, 2-29, 3-119
 Kit, Seal, 4-13
 Kit, Seal, Hyd, Valve, Strg, 4-15
 Kit, Seal, Motor, 4-14
 Kit, Seal, Scu, 3-27
 Kit, Spring, Valve, Strg, 4-15
 Kit, Switch, Micro, 3-13
 Kit, Valve, Check, 2-29
 Kit, Wand, Power [5400], 3-125
 Knob, 2-17, 2-63
 Knob, 0.50-20, 1.38d, Plstc, 2-39

Knob, 4-Prong W/.31-18, Insert, 3-133, 3-135, 3-137, 3-139
 Knob, 4-Prong W/.31-18, Insert, 2-67, 2-69
 Knob, Adj, 2-63
 Knob, Plastic, 3-33, 3-41

L

Label [User, Attention, Ec-H2o], 3-107
 Label Set, Info & Hzd, 2-105
 Label Set, Info/Hzrd, [Max Pro], 3-63, 3-81
 Label Set, Info/Hzrd, [Maxpro], 2-49, 3-47
 Label Set, Operational, 7300/8300, 2-105
 Label Set, Opertnl [7300 ec-H2O], 3-107
 Label, Attention Fast Users, 2-29
 Label, Brush, Side, Adj, 3-35, 3-43
 Label, Direction [Ec-H2o], 4-17
 Label, Fast, 2-82
 Label, Front [Ec-H2o, T15], 3-107
 Label, Logo, 05.75L 2Color [ES], 2-105
 Label, Logo, 07.95L 2Color [FaST], 2-105
 Label, Logo, 14.9L 4Color [ec-H2O], 2-105
 Label, Module [Nsf, Ec-H2o], 4-17
 Label, Opertnl, Telem [Fcc/lc], 3-143
 Label, Sqge, 2-105
 Label, Switch [7300/8300 FaST], 2-83
 Label, Switch, Fast, 2-82
 Label, Tank [ec-H2O], 3-107
 Label, Tank, 9.08L 2Color [7300], 2-105
 Lamp, 2-9
 Lamp, 40vdc, 0.9a, [50cp#1062], 3-5, 3-7, 3-9, 3-11
 Lamp, 36vdc, 32cp, .72a, 2-9
 Lamp, Bulb, Strobe, 3-7, 3-11
 Lampholder, 2-9
 Latch, 2-13, 3-65, 3-73, 3-75, 3-83, 3-91, 3-93
 Latch, Double Scrub, Side Sqge, 2-59, 2-61, 3-57, 3-61
 Latch, Handle, 3-145
 Latch, Trigger, 2-11
 Lens, Amb, F/ Revl / Flasher, 3-7, 3-11
 Lens, Amber, Light, Revl, 3-5, 3-7, 3-9, 3-11
 Lens, Blu, F/ Revl / Flasher, 3-7, 3-11
 Lens, Red, F/ Revl / Flasher, 3-7, 3-11
 Lens, Rev. Light, Blue, 3-5, 3-7, 3-9, 3-11
 Lens, Rev. Light, Red, 3-5, 3-7, 3-9, 3-11
 Lever Wldt, Iron Gray, 2-25
 Lever, Valve, Water, Iron Gray, 2-39
 Light Kit, Revl, W/ Ohg, Ci [7300/8300], 3-9
 Light Kit, Revl, W/O Ohg, Iron Gray, Ci, 3-7
 Light, Led, .312d, 2 Volt [Tri-Color], 3-107
 Light, Revl, 36vdc, Amb, Rework 44684, 3-5, 3-7, 3-9, 3-11
 Light, Spot, 36vdc, 60w Rework 72173, 3-13, 3-15
 Light, Strobe, Amb, 12-48vdc, 3-7, 3-11
 Link Assy, Rod-End, .63-18, 2-51, 3-49, 3-63, 3-81

CROSS REFERENCE

Link Wldt, Head, Drag (Replaced by 9005751), 3-49, 3-63, 3-81
Link, .38 1.0w 07.5l 2/1.5h, 2-51
Link, Chain, Roller, #40, 2-17, 3-27
Link, Lift, Squeegee (Replaced by 9005752), 2-51
Lock, Secondary, 2cav, Mp280 Sealed, 4-18

M

Manifold, Plastic, 3-51
Manifold, Soltn, Cntrl, 2-53, 2-55, 3-51, 3-53
Manual Pkg, (7300 Ele Na), 3-164
Manual, Fiche, (7300 Ele), 3-164
Manual, Oprtr, (7300 Ele Es Na), 3-164
Manual, Oprtr, (7300 Ele Fr Na), 3-164
Manual, Service, (7300 Ele Na), 3-164
Media, Cd-Rom, Training [ec-H2O TENNANT], 3-164
Module Kit, Replmt [Ec-H2o], 4-17
Module Kit, Replmt [ec-H2O] (See Breakdowns), 3-105
Motor, 4-11
Motor Kit, Ele 36vdc 300rpm 1.0hp, 2-49, 3-47
Motor Kit, Ele 36vdc 300rpm 1.5hp, 2-49
Motor Kit, Vacuum, Replmt, 2-45
Motor, Ele, 36 Vdc 1500 Rpm 1.5 Hp, 4-7
Motor, Ele, 36Vdc 0.08Hp 0068Rpm 04.5A, 3-31, 3-39
Motor, Ele, 36vdc 1.00hp 0300rpm, Gear (Standard) (See Breakdown) (Replaced by 9010162), 2-49
Motor, Ele, 36vdc 1.50hp 0300rpm, Gear (Heavy Duty) (See Breakdown) (Replaced by 9010161), 2-49
Motor, Ele, 36vdc 1.50hp 1500rpm 43.0a, 3-65, 3-83
Motor, Ele, 36vdc 1500rpm 1.5hp (See Breakdown) (Repl By 377398), 3-65
Motor, Ele, 36vdc 1500rpm 1.5hp (See Breakdown) (Repl By 377398AM), 3-83
Motor, Ele, Vdc 3.0hp Traction,[201] (See Breakdown), 2-23
Motor, Elect, 4-13
Motor, Gear, 1.0Hp 36V, 4-10
Motor, Gear, Ele, 1.0hp, 36vdc, 300rpm (See Breakdown) (Replaced by 9010162), 3-47
Motor, Gear, Ele, 1.5Hp, 36Vdc, 300Rpm, 4-8, 4-9
Motor, Gear, Ele, 1.5hp, 36vdc, 300rpm (Heavy Duty) (See Breakdown) (Replaced by 387585AM), 2-49
Motor, Hyd, 4-14
Motor, Hyd (See Breakdowns), 3-27

Motor, traction 36v, 4-6
Mount, Cable Tie, 3-35, 3-43

N

Nozzle, Spray, 3-125
Nozzle, Wand, Plstc, 14.0lg, 3-131
Nozzle, Water, 3-101
Nut, 4-3, 4-5
Nut, Hex, Cplg, M08X1.25, 2-75
Nut, Hex, Flng, .38-16, 2-59, 3-57
Nut, Hex, Flng, M06 X 1.0, 2-73, 2-75, 3-13, 3-15
Nut, Hex, Flng, M08 X 1.25, 2-9, 3-5, 3-7, 3-9, 3-11, 3-31, 3-35, 3-39, 3-43
Nut, Hex, Flng, M10 X 1.5, 2-63, 3-111, 3-113, 3-115, 3-117
Nut, Hex, Flng, M5 X 0.8, 2-82
Nut, Hex, Flng, M5 X 0.80, 3-105
Nut, Hex, Flng, M8 X 1.25, 3-27, 3-151, 3-155, 3-157
Nut, Hex, Jam, .62-18, Ss, 3-63, 3-81
Nut, Hex, Jam, .62-18, Ss, Lh, 3-63, 3-81
Nut, Hex, Jam, M10 X 1.5, Ss, 2-63, 3-133, 3-135
Nut, Hex, Jam, M20 X 1.5, 3-27
Nut, Hex, Lock, .25-20, NI, 2-21
Nut, Hex, Lock, .25-28, NI, 2-21
Nut, Hex, Lock, .31-18, NI, 2-19, 3-25
Nut, Hex, Lock, .31-18, NI, Thin, 3-145
Nut, Hex, Lock, .44-20, NI, Thin, 2-39
Nut, Hex, Lock, .50-13, NI, Ss, 2-63
Nut, Hex, Lock, .62-18, NI, Thin, 2-51, 3-49, 3-63, 3-81
Nut, Hex, Lock, #06-32, NI, 3-35
Nut, Hex, Lock, M 4 X 0.7, NI, 2-33
Nut, Hex, Lock, M 4 X 0.7, NI Ss, 3-145
Nut, Hex, Lock, M 5 X 0.8, NI, Ss, 3-145
Nut, Hex, Lock, M 5 X 0.8, NI, 2-75
Nut, Hex, Lock, M 6 X 1.0, NI, 2-75, 2-82
Nut, Hex, Lock, M 8 X 1.25 NI, 2-79
Nut, Hex, Lock, M04 X 0.7, NI, 2-13, 3-101, 3-129
Nut, Hex, Lock, M04 X 0.7, NI, Ss, 3-65, 3-83, 3-121
Nut, Hex, Lock, M05 X 0.8, Ni, 2-9
Nut, Hex, Lock, M05 X 0.8, NI, 2-15, 2-73, 3-65, 3-83
Nut, Hex, Lock, M05 X 0.8, NI, Ss, 2-43, 2-47, 3-63, 3-81, 3-103
Nut, Hex, Lock, M06 X 1.0, NI, 2-11, 2-15, 2-17, 2-21, 2-73, 3-13, 3-15
Nut, Hex, Lock, M06 X 1.0, NI, Ss, 2-39, 2-51, 2-53, 2-55, 2-57, 2-59, 2-61, 2-65, 3-51, 3-53, 3-55, 3-57, 3-61, 3-67, 3-69, 3-71, 3-79, 3-85, 3-87, 3-89, 3-97, 3-99, 3-127, 3-145
Nut, Hex, Lock, M08 X 1.25, NI, 2-9, 2-11, 2-17, 2-21, 2-23, 2-25, 2-39, 2-71, 2-77, 3-31, 3-39, 3-67, 3-69, 3-85, 3-87

Nut, Hex, Lock, M08 X 1.25, NI, Ss, 2-25, 2-29, 2-47, 2-49, 2-59, 2-61, 2-65, 2-67, 2-69, 3-47, 3-55, 3-57, 3-59, 3-61, 3-63, 3-81, 3-89, 3-101, 3-121, 3-127, 3-133, 3-135, 3-137, 3-139, 3-145, 3-147, 3-153
Nut, Hex, Lock, M08-1.25, NI, Ss, 3-149
Nut, Hex, Lock, M10 X 1.5, NI, 2-21, 3-19, 3-21, 3-23, 3-35, 3-43
Nut, Hex, Lock, M10 X 1.5, NI, Ss, 2-49, 2-63, 2-65, 3-16, 3-17, 3-47, 3-49, 3-65, 3-81, 3-83
Nut, Hex, Lock, M12 X 1.75, NI, 3-31
Nut, Hex, Lock, M12 X 1.75, NI, 2-17, 2-27, 3-27, 3-39
Nut, Hex, Lock, M12 X 1.75, NI, Ss, 2-67, 2-69, 3-73, 3-75, 3-91, 3-93, 3-133, 3-135, 3-137, 3-139
Nut, Hex, Lock, M4 X 0.70, NI, Ss, 4-17
Nut, Hex, Lock, M5 X 0.80, NI, 2-37, 3-7, 3-11, 3-143
Nut, Hex, Lock, M5 X 0.80, NI, Ss, 3-7, 3-11
Nut, Hex, Lock, M6 X 1.00, NI, 3-143
Nut, Hex, Lock, M6X1.0, Ss, NI, 3-77, 3-95
Nut, Hex, Lock, M8 X 1.25, NI, 2-33, 3-105
Nut, Hex, Lock, M8 X 1.25, NI, Ss, 3-49, 3-81
Nut, Hex, Sltld, 1.00-20, 2-27
Nut, Hex, Std, .25-20, 2-73, 2-75
Nut, Hex, Std, .25-28, 2-21
Nut, Hex, Std, .31-24, 2-73, 2-75, 2-77, 2-79, 3-27, 3-35
Nut, Hex, Std, .38-16, Ss, 3-73, 3-91
Nut, Hex, Std, .50-20, 2-23
Nut, Hex, Std, #10-32, 2, 2-73, 2-75, 2-77, 2-79, 3-27, 3-35
Nut, Hex, Std, M06 X 1.0, 2-77
Nut, Hex, Std, M08 X 1.25, 2-77, 2-79
Nut, Hex, Std, M08 X 1.25, Ss, 2-59, 2-61, 3-57, 3-61, 3-73, 3-75, 3-91, 3-93
Nut, Hex, Std, M10 X 1.25, 3-33, 3-41
Nut, Hex, Std, M10 X 1.5, 2-21
Nut, Hex, Std, M12 X 2.0, 3-49
Nut, Retainer, .31-18, 2-57, 3-55, 3-71, 3-89
Nut, Thumb, M6 X 30mm Dia, 3-125
Nut, Wheel, M14-1.5, 2-23

O

Ohg Kit, Iron Gray, Ci [7300/8300], 3-21
Oil, Hyd [EI, Iso 32, 01gal], 2-2
Oil, Hyd [EI, Iso 32, 05gal], 2-2

P

Pad, 2-25
Pad, Buff, 16.0d, Red, 2-7
Pad, Buff, 20.0d, Red, 2-5
Pad, Polish, 16.0d, White, 2-7
Pad, Polish, 20.0d, White, 2-5

Pad, Scrub, 16.0d, Blue, 2-7
 Pad, Scrub, 20.0d, Blue, 2-5
 Pad, Strip, 16.0d, Brown, 2-7
 Pad, Strip, 20.0d, Brown, 2-5
 Pad, Stripping, 16.0d[Hi Prod,Black, 2-7
 Pad, Stripping, 20.0D[Hi Prod,Black, 2-5
 Pad, Surf Prep, 16.0d [Mar, 1pick=1pad], 2-7
 Pad, Surf Prep, 20.0D [Mar, 1Pick=1Pad], 2-5
 Paint, Airdry, Blk, 12oz, 2-2
 Paint, Airdry, Gray, 12oz [Enamel], 2-2
 Paint, Airdry, Iron Gray,12oz[Pwdr Coat], 2-2
 Paint, Airdry, Off-White, 12oz, 2-2
 Paint, Airdry, Teal, 12oz, Solid, 2-2
 Panel Assy Kit, Touch [7300], 2-15
 Panel Assy, Touch [7300], 2-15
 Panel Wldt, Front W/ Label, 2-13
 Panel, Instrmt, 2-15
 Panel, Motor, Cover W/ Label, 2-23
 Panel, Motor, Cover, W/ Label, Teal, 2-23
 Parts Kit, Ci [Inj Reblid, 7300/8300 LII], 4-19
 Pedal Assy, Foot (Replaced by 1042524), 2-21
 Pedal Assy, Propel, 36vdc, 2-21
 Pedal Wldt, Accelerator, 2-21
 Pedal, Brake, Parking, Iron Gray, 2-25
 Pin, 2-17, 2-67, 2-69, 3-133, 3-135, 3-137, 3-139, 4-15
 Pin Wldt, Front, 2-67, 2-69, 3-133, 3-135, 3-137, 3-139
 Pin, Clevis, .625 Dia X 5.25I, 3-65, 3-83
 Pin, Clevis, 0.19 D X 0.63I, 2-65
 Pin, Clevis, 0.25 D X 2.44I, 2-65
 Pin, Clevis, 0.25d X 2.00I, 2-67, 2-69, 3-133, 3-135, 3-137, 3-139
 Pin, Clevis, 0.31 D X 0.75I, 2-27
 Pin, Clevis, 0.31 D X 0.88I, 3-59
 Pin, Clevis, 0.31 D X 1.00I, 2-25
 Pin, Clevis, 0.31d 0.88I, 2-59, 2-61, 3-57, 3-61, 3-73, 3-75, 3-91, 3-93
 Pin, Clevis, 0.37 D X 0.62I, 3-31, 3-39
 Pin, Clevis, 0.37 D X 0.75I, 3-73, 3-75, 3-91, 3-93
 Pin, Clevis, 0.37 D X 1.00I, 2-27, 2-59, 2-61, 3-57, 3-61
 Pin, Clevis, 0.37 D X 1.31I, 2-51, 3-49, 3-63, 3-81
 Pin, Clevis, 0.37 D X 1.50I, 2-59
 Pin, Clevis, 0.37 D X 2.00I, 2-57, 3-55, 3-71, 3-89
 Pin, Clevis, 0.37 D X 3.25I, 3-31, 3-39
 Pin, Clevis, 0.37 D X 4.00I, 3-33, 3-41
 Pin, Clevis, 0.37d X 1.50I, 3-57
 Pin, Clevis, 0.38 D X 2.50I, 2-51, 3-49, 3-63, 3-81
 Pin, Clevis, 0.50 D X 1.75I, 2-47
 Pin, Clevis, 0.50 D X 2.00I, 2-65
 Pin, Clevis, 0.50 D X 2.50I, 2-47, 2-51, 2-65, 3-49, 3-55, 3-63, 3-81
 Pin, Clevis, 0.50 D X 3.50I, 2-21

Pin, Clevis, 0.50 D X 4.00I, 3-33, 3-41
 Pin, Clevis, 0.50 D X 5.50I, 2-47
 Pin, Clevis, 0.50D X 2.00L, 2-57, 3-71
 Pin, Clevis, 0.75 D X 6.50I, 2-9
 Pin, Cotter, .062 X 0.75, 2-13, 2-65, 2-67, 2-69, 3-133, 3-135, 3-137, 3-139
 Pin, Cotter, .094 X 0.75, 2-25, 2-27, 2-51, 2-57, 2-65, 3-31, 3-33, 3-39, 3-49, 3-55, 3-63, 3-71, 3-81, 3-89
 Pin, Cotter, .125 X 0.75, 2-51, 3-49, 3-63, 3-81
 Pin, Cotter, .125 X 1.00, 2-21, 2-47, 2-51, 2-57, 3-33, 3-41, 3-49, 3-55, 3-63, 3-71, 3-81
 Pin, Cotter, .156 X 1.25, 2-9
 Pin, Hair Cotter, 0.31 D .058 Wir, 3-73, 3-75, 3-91, 3-93
 Pin, Hair Cotter, 0.38 D .072 Wir, 2-59, 2-61, 3-57, 3-59, 3-61
 Pin, Hair Cotter, 0.62 D .120 Wir, 3-31, 3-39, 3-65, 3-83
 Pin, Hinge, Cover, 2-29
 Pin, Prong, 2-81
 Pin, Roll, .250 D X 0.75I, .250/.256, 2-59, 2-61, 3-57, 3-61, 3-73, 3-75, 3-91, 3-93
 Pin, Roll, .250 D X 1.50I, .250/.256, 2-27
 Pin, Roll, .250 D X 2.00I, .250/.256, 3-31, 3-39
 Pin, Roll, .310 D X 0.75I, .312/.318, 2-23
 Pin, Valve, Strg, 4-15
 Piston, 4-11
 Pivot Wldt, Guard, 2-67, 3-133, 3-137
 Pivot Wldt, Sqge Caster, 2-63
 Plate, 2-13
 Plate Assy, Orifice, 0.010id, Purple, 4-19
 Plate Wldt, Floor, 2-9
 Plate Wldt, Mtg, Idler, 2-17
 Plate Wldt, Pivot, Guard, Iron Gray, 2-69, 3-135, 3-139
 Plate Wldt, Stop, Iron Gray, 3-63, 3-81
 Plate, Adapter, Brush, 3-31, 3-39
 Plate, Controlbox, 2-71
 Plate, Controlbox, Iron Gray, 2-71
 Plate, Cover, 2-9
 Plate, Cover, Iron Gray, 2-9
 Plate, Floor, 2-9
 Plate, Floor, Iron Gray, 2-9
 Plate, Floor, Upper, 2-9
 Plate, Floor, Upper, Iron Gray, 2-9
 Plate, Hinge, 2-13
 Plate, Hinge, Iron Gray, 2-13
 Plate, Iron Gray, 2-13, 3-31, 3-39
 Plate, Mtg, Contactor, 3-27, 3-35
 Plate, Mtg, Contactor, Iron Gray, 3-27, 3-35
 Plate, Mtg, Hyd, Iron Gray, 3-27
 Plate, Mtg, Tank, Detgt, Iron Gray, 3-121
 Plate, Orifice, 0.067id, 2-31
 Plate, Orifice, 0.086id, 2-31
 Plate, Seat, Iron Gray, 2-19
 Plate, Slide, 2-65, 3-133, 3-135
 Plate, Stop, 2-25
 Plate, Wand, Clean-Out, Iron Gray, 3-101

Plate, Wear, 4-15
 Plug, 2-23, 3-125
 Plug, Cap, 2-29, 2-41
 Plug, Drive, Brush, Spl, Iron Gray, 3-65, 3-83
 Plug, Hole, Rnd, 0.24H 0.5L , Brb, 2-15
 Plug, Hole, Rnd, 0.44h .03-.12, Blk Nyl, 3-99
 Plug, Hole, Rt, Rocker Switch, .87 X 1.7, 3-99
 Plug, Orifice, 0.052, Ss [Fast li+], 4-19
 Plug, Qm, .25npt, 3-125
 Plug, Rbr, 2-71, 2-81
 Plug, Resistor, 2-103
 Powerunit, Hyd, 36Vdc, 3-27, 4-13
 Powerunit, Hyd, 36vdc (See Breakdowns), 3-27
 Pump assy, 4-13
 Pump Assy, Power Wand (See Breakdown), 3-127
 Pump kit, power wand, 4-11
 Pump screw, 4-11
 Pump, Air, Ele, 36vdc, 2-33
 Pump, Detgt, 36vdc (See Breakdown), 3-121
 Pump, Detgt, 560s, 2-33
 Pump, Metering Solution, 4-12
 Pump, Soltn, 36vdc, 65psi [Fast li+], 2-37
 Pump, Soltn, Ele, 36vdc, 2-31, 4-18
 Pump, Soltn, Ele, 36vdc (See Breakdowns), 3-105
 Pump, Solution, Impeller, 36vdc, 3-99

R

Race Thrust, 4-14
 Rail, 2-19
 Rail Wldt, Lift, Cyl Head, Iron Gray, 3-71, 3-89
 Rail Wldt, Lift, Disk Head, Iron Gray, 2-57, 3-55
 Relay, 36vdc, 5a, Spdt, [Greenwich], 3-13, 3-15
 Relay, 36vdc, 05a, Spdt N/O [Greenwich], 2-82
 Relay, 36Vdc, 005A, Spdt No [Greenwich], 2-83
 Relay, 36vdc, 100a, Sp N/O [White], 2-75, 3-35
 Replacement Kit, Bellows, 4-12
 Reservoir, 4-13
 Resistor, 040.00 Ohm, 40watt, 2-75
 Resistor, 040.00ohm, 40watt, 2-73
 Resistor, 011.00 Ohm, 0040Watt [5%], 3-105
 Retainer, Blade, Front, 3-59
 Retainer, Brg, Iron Gray, 3-65, 3-83
 Retainer, Spring, 2-21
 Retainer, Sqge, 2-59, 2-61, 3-57, 3-59, 3-61, 3-73, 3-75, 3-91, 3-93
 Return Spring-Brakes, 2-27
 Ring, Brush, 4-7

CROSS REFERENCE

Ring, Mtg, Sqge, .50l, 2-67, 2-69, 3-133, 3-135, 3-137, 3-139
Ring, Retainer, Valve, Strg, 4-15
Ring, Retaining, Ext, 2-67, 2-69, 3-133, 3-135, 3-137, 3-139
Ring, Retaining, Ext, 0.59d, Basic, 2-63
Ring, Retaining, Ext, 0.75d, Hd, 3-65, 3-83
Ring, Retaining, Ext, 0.75d, Ss, 2-43, 3-103
Ring, Retaining, Int, 1.85d, Basic, 3-65, 3-83
Rivet, Plstc, .25 D X 0.75, 2-9
Rivet, Plstc, .250 X 0.898, 2-49, 3-47, 3-129, 3-131
Rivet, Plstc, .250d X 0.90, 2-49
Rivet, Pop, 3-125
Rod, 2-13
Rod Wldt, 2-39
Rod-End, .62-18rh Fem 0.50-18stud, 3-63, 3-81
Rod-End, .625-18, Lh, 3-63, 3-81
Rod-End, M10 X 1.5rh Fem M10 X 1.5stud, 2-63
Rod, Link, 3-63, 3-81
Rod, Rear Door, 2-13
Rod, Thrd, 2 End M10x1.5 07.4, 2-63
Rod, Thrd, 2 End, .25-28 04.4l, 2-21
Rod, Thrd, Full, .25-20 01.5l, 2-73, 2-75
Rod, Threaded, 2-27
Roller, 2-51, 2-57, 3-49, 3-55, 3-63, 3-71, 3-81, 3-89

S

Screen Wldt, 3-79, 3-97
Screen, 50 Mesh, Ss, 2-31
Screen, Filter, 80 Mesh, 2-35
Screen, Pump, 3-121
Screw, 4-3, 4-11, 4-14
Screw, Adjuster, 4-13
Screw, Btn, M08 X 1.25 X 25, Ss, 3-35, 3-43
Screw, Cap, 4-15
Screw, Flat, M06 X 1.0 X 20, 10.9, 2-15
Screw, Flt, #06-32 X 0.38, Al, 3-35
Screw, Flt, M10 X 1.5 X 20, 10.9, 3-33, 3-41
Screw, Flt, Phl, 10-32 X 0.31, 4-17
Screw, Hex, 3-71
Screw, Hex, .25-20 X 0.38, 5, 2-73
Screw, Hex, .25-20 X 0.75, Sems, 3-73, 3-75, 3-91, 3-93
Screw, Hex, .31-18 X 1.00, Ss, NI, 2-49, 3-47
Screw, Hex, .38-16 X 1.00, NI, 2-49, 3-47
Screw, Hex, .50-13 X 0.75, 5, 3-13, 3-15
Screw, Hex, .50-13 X 3.00, Ss, 2-63
Screw, Hex, #10-24 X 0.50, Ss, 2-39
Screw, Hex, M 5 X 0.8 X 12, 8.8, 2-75
Screw, Hex, M 6 X 1.0 X 16, 8.8, 2-75
Screw, Hex, M 6 X 1.0 X 16, Fmg, 3-59, 3-79, 3-97
Screw, Hex, M 6 X 1.0 X 20, NI, 2-75

Screw, Hex, M 6 X 1.0 X 40, Ss, 2-79
Screw, Hex, M 8 X 1.25 X 20, 8.8, 2-79
Screw, Hex, M 8 X 1.25 X 30, 8.8, 2-11
Screw, Hex, M04 X 0.7 X 12, 8.8, 3-101
Screw, Hex, M04 X 0.7 X 20, 8.8, 3-129
Screw, Hex, M05 X 0.8 X 12, 8.8, 2-73
Screw, Hex, M05 X 0.8 X 12, Ss, 3-65, 3-83
Screw, Hex, M05 X 0.8 X 16, 8.8, 2-71
Screw, Hex, M05 X 0.8 X 25, Ss, 2-43, 2-47, 3-103
Screw, Hex, M06 X 1.0 X 12, Ss, 3-73, 3-75, 3-79, 3-91, 3-93, 3-97
Screw, Hex, M06 X 1.0 X 16, 8.8, 2-73, 2-81, 3-27, 3-35
Screw, Hex, M06 X 1.0 X 16, Fmg, 2-9
Screw, Hex, M06 X 1.0 X 16, Ss, 2-53, 2-55, 3-51, 3-53, 3-65, 3-67, 3-69, 3-83, 3-85, 3-87, 3-99
Screw, Hex, M06 X 1.0 X 20, 8.8, 2-11, 2-25, 3-13, 3-15
Screw, Hex, M06 X 1.0 X 20, Fmg, 2-47
Screw, Hex, M06 X 1.0 X 20, Ss, 2-51, 2-59, 2-61, 2-65, 3-31, 3-39, 3-55, 3-57, 3-61, 3-79, 3-97
Screw, Hex, M06 X 1.0 X 25, 8.8, 2-21
Screw, Hex, M06 X 1.0 X 25, Ss, 2-15, 2-39, 3-99, 3-127
Screw, Hex, M06 X 1.0 X 35, 8.8, 2-17
Screw, Hex, M06 X 1.0 X 35, Ss, 3-145
Screw, Hex, M06 X 1.0 X 40, Ss, 2-57, 2-77, 3-55, 3-71, 3-89
Screw, Hex, M06 X 1.0 X 50, 8.8, 3-13, 3-15
Screw, Hex, M06 X 1.0 X 20, 8.8, 2-9
Screw, Hex, M06 X 1.0 X 20, Fmg, 2-9
Screw, Hex, M06 X 1.0 X 20, Ss, 3-71, 3-89
Screw, Hex, M06 X 1.25 X 25, Ss, NI, 2-57
Screw, Hex, M06-1.0 X 12, Fmg, 2-21
Screw, Hex, M08 X 1.25 X 12, 8.8, 2-17
Screw, Hex, M08 X 1.25 X 16, 8.8, 2-17, 2-23, 2-39
Screw, Hex, M08 X 1.25 X 16, Ss, 2-19, 2-41, 2-45, 3-67, 3-69, 3-85, 3-87, 3-99
Screw, Hex, M08 X 1.25 X 16, Ss, NI, 2-11, 3-101
Screw, Hex, M08 X 1.25 X 20, 8.8, 2-11, 2-17, 2-23, 2-71, 2-77, 3-27, 3-33, 3-41
Screw, Hex, M08 X 1.25 X 20, Ss, 2-13, 2-41, 3-49, 3-145, 3-147, 3-153, 3-155
Screw, Hex, M08 X 1.25 X 20, Ss, NI, 2-29, 2-41, 2-53, 2-55, 3-51, 3-53, 3-129
Screw, Hex, M08 X 1.25 X 25, 8.8, 3-5, 3-7, 3-9, 3-11, 3-31, 3-39
Screw, Hex, M08 X 1.25 X 25, Ss, 2-13, 2-49, 2-63, 2-65, 3-47, 3-63, 3-81, 3-99, 3-127, 3-133, 3-135

Screw, Hex, M08 X 1.25 X 25, Ss, NI, 2-59, 2-61, 3-55, 3-57, 3-61
Screw, Hex, M08 X 1.25 X 30, 8.8, 2-17
Screw, Hex, M08 X 1.25 X 30, Ss, 2-29, 3-101
Screw, Hex, M08 X 1.25 X 35, 8.8, 2-25
Screw, Hex, M08 X 1.25 X 35, Ss, 2-59, 2-61, 3-57, 3-61, 3-121, 3-145
Screw, Hex, M08 X 1.25 X 40, 8.8, 3-27, 3-35
Screw, Hex, M08 X 1.25 X 40, Ss, 2-25
Screw, Hex, M08 X 1.25 X 45, Ss, 2-57, 3-55, 3-71, 3-89
Screw, Hex, M08 X 1.25 X 60, Ss, 3-55, 3-89
Screw, Hex, M08 X 1.25 X 70, Ss, 2-67, 2-69, 3-133, 3-135, 3-137, 3-139
Screw, Hex, M08 X 1.25 X 100, Ss, 2-67, 2-69, 3-137, 3-139
Screw, Hex, M08 X 1.25 X 130 Ss, 3-133, 3-135
Screw, Hex, M08 X 1.25 X 16, 8.8, 2-9
Screw, Hex, M08 X 1.25 X 160, 8.8, 2-47
Screw, Hex, M08 X 1.25 X 20, 8.8, 2-9
Screw, Hex, M08 X 1.25 X 20, Ss, 2-9, 3-81
Screw, Hex, M08 X 1.25 X 25, Ss, 3-49, 3-81
Screw, Hex, M08-1.25 X 20, Ss, 3-149
Screw, Hex, M08-1.25 X 40, Ss, 2-17
Screw, Hex, M08x1.25 X12,Ss, 3-73, 3-75, 3-91, 3-93
Screw, Hex, M10 X 1.5 X 16, 8.8, 3-27
Screw, Hex, M10 X 1.5 X 20, 8.8, 3-19, 3-21, 3-23
Screw, Hex, M10 X 1.5 X 20, Ss, 3-65, 3-83
Screw, Hex, M10 X 1.5 X 25, 8.8, 3-31, 3-39
Screw, Hex, M10 X 1.5 X 25, Ss, 2-49, 3-16, 3-17, 3-19, 3-21, 3-35, 3-43, 3-47, 3-49, 3-81
Screw, Hex, M10 X 1.5 X 30, Ss, 2-65, 3-65, 3-83
Screw, Hex, M10 X 1.5 X 35, 8.8, 2-21, 3-111, 3-113, 3-115, 3-117
Screw, Hex, M10 X 1.5 X 35, Ss, 2-29, 2-41
Screw, Hex, M10 X 1.5 X 40, 8.8, 2-17
Screw, Hex, M10 X 1.5 X 60, 8.8, 2-21
Screw, Hex, M10 X 1.5 X 60, Ss, 2-63, 2-65
Screw, Hex, M10 X 1.5 X 30, Ss, 2-63
Screw, Hex, M12 X 1.75 X 40, 8.8, 3-49
Screw, Hex, M12 X 1.75 X 25, 8.8, 2-23
Screw, Hex, M12 X 1.75 X 30, Ss, 2-67, 2-69, 3-133, 3-135, 3-137, 3-139
Screw, Hex, M12 X 1.75 X 40, 8.8, 2-27
Screw, Hex, M12 X 1.75 X 50, Ss, 3-73, 3-75, 3-91, 3-93
Screw, Hex, M12 X 1.75 X 80, 8.8, 3-31, 3-39
Screw, Hex, M4 X 0.7 X 12, 8.8, 2-33

- Screw, Hex, M4 X 0.70 X 50, Ss, 4-17
 Screw, Hex, M5 X 0.8 X 16, Ss, 3-145
 Screw, Hex, M5 X 0.8 X 16, 8.8, 2-82
 Screw, Hex, M5 X 0.8 X 20, 8.8, 2-31
 Screw, Hex, M5 X 0.80 X 12, 8.8, 2-37, 2-83, 3-105
 Screw, Hex, M5 X 0.80 X 16, 8.8, 3-7, 3-11
 Screw, Hex, M5 X 0.80 X 25, Ss, 3-7, 3-11
 Screw, Hex, M5 X 1.0 X 16, Blk, 3-143
 Screw, Hex, M6 X 1.0 X 16, 8.8, 2-31, 2-33
 Screw, Hex, M6 X 1.0 X 30, 8.8, 2-82
 Screw, Hex, M6 X 1.0 X 12, Fmg, 3-111, 3-113, 3-115, 3-117
 Screw, Hex, M6 X 1.00 X 12, Ss, 3-111, 3-113, 3-115, 3-117
 Screw, Hex, M6 X 1.00 X 16, 8.8, 2-37
 Screw, Hex, M6 X 1.00 X 20, 8.8, 2-45
 Screw, Hex, M6 X 1.00 X 20, 9.8, Sems, 3-105
 Screw, Hex, M6 X 1.00 X 25, Fmg, 2-21
 Screw, Hex, M6X1.0X16, Ss, NI, 3-27
 Screw, Hex, M6X1.0X20, Ss, 3-77, 3-95
 Screw, Hex, M8 X 1.25 X 16, Ss, NI, 3-69, 3-87
 Screw, Hex, M8 X 1.25 X 20, 8.8, 2-33
 Screw, Hex, M8 X 1.25 X 25, Ss, 2-33
 Screw, Hex, M8 X 1.25 X 16, 8.8, 2-37, 3-105
 Screw, Hex, M8 X 1.25 X 20, Ss, 3-151, 3-157
 Screw, Hex, M8 X 1.25 X 25, 9.8, Sems, 3-105
 Screw, Hex, M8 X 1.25 X 25, Ss, NI, 2-49, 3-47
 Screw, Hex, M8 X 1.25 X 30, 8.8, 3-105
 Screw, Hex, M8 X 1.25 X 50, 8.8, 3-49, 3-81
 Screw, Mtg, 4-13
 Screw, Pan, .25-20 X 1.00, 2, 2-21
 Screw, Pan, .31-18 X 0.75, G1, 2-19
 Screw, Pan, #06-32X0.38, 1, 2-71
 Screw, Pan, #10-14 X 0.75, F/Plstc, 3-101
 Screw, Pan, #10-14 X 0.75, F/Plstc, 3-5, 3-7, 3-13, 3-15
 Screw, Pan, #10-14X0.75, F/Plstc, 3-131
 Screw, Pan, #12-16 x 0.50, F/Plstc, 3-163
 Screw, Pan, M 4 X 0.7 X 6, 4.8, 2-75
 Screw, Pan, M 5 X 0.8 X 6, 4.8, 2-75
 Screw, Pan, M04 X 0.7 X 10, Ss, 2-13
 Screw, Pan, M04 X 0.7 X 20, Ss, 3-121
 Screw, Pan, M04 X 0.7 X 30, 4.8, 2-73
 Screw, Pan, M04 X 0.7 X 35, Ss, 2-5, 3-65, 3-83, 3-145
 Screw, Pan, M04 X 0.7 X 35, Ss, 2-7
 Screw, Pan, M05 X 0.8 X 6, 4.8, 2-21
 Screw, Pan, M05 X 0.8 X 25, Ss, 3-63, 3-81
 Screw, Pan, M06 X 1.0 X 10, Ss, 3-65, 3-83
 Screw, Pan, M06 X 1.0 X 35, Ss, 2-5
 Screw, Pan, M06 X 1.0 X 35, Ss, 2-7
 Screw, Pan, Phl, .31-18 X 1.00, G2, 2-19
 Screw, Pan, Phl, .31-18 X 1.50, G2, 2-19
 Screw, Pan, Phl, M5 X 0.80 X 16, Tcut,Ss, 4-17
 Screw, Pan, Phl, M5 X 0.80 X 20, 4.8, 3-143
 Screw, Pan, Phl, M6 X 1.00 X 16, 4.8, 3-143
 Screw, Set, .31-18 X 0.50, Soc, 2-17
 Screw, Set, Soc, .25-20 X 0.31, Al, 3-65, 3-83
 Screw, Soc, M08 X 1.25 X 25, 12.9, 2-21, 2-57, 3-89
 Screw, Soc, M08 X 1.25 X 60, 12.9, 2-23
 Screw, Soc, M08 X 1.25 X 80, 12.9, 2-23
 Screw, Soc, M12 X 1.75 X 45, 3-27
 Seal, 2-43, 3-103, 4-6
 Seal connector, 4-11
 Seal kit, 4-11
 Seal, Bulb, [Sd-168], 12.50l, 2-23
 Seal, Bulb, [Sd-504], 15.52l, 2-23
 Seal, Bulb, [Sd-504], 27.90l, 2-23
 Seal, Bulb, [Sd-504], 48.70l, 2-11
 Seal, Cup, Lower, 4-13
 Seal, Cup, Upper, 4-13
 Seal, Fan, 4-3, 4-5
 Seal, O-Ring, 2-23
 Seal, O-Ring, .139 X 2.98id, 2-23
 Seal, Rbr, Clsd, 0.25th, 5.8d 03.3h, 2-2, 2-3, 2-45
 Seal, Wire, 14/16ga [Wp / Mp280 Sealed], 4-18
 Seat (Replaced by 9005082), 2-19
 Seat Kit, Basic, Replmt, 2-19
 Seat, Std [Milsco], 2-19
 Seat, Suspension, 3-25
 Seatbelt, 3-23
 Sensor, Level, Liquid [Magnetic], 2-41, 3-101
 Sensor, Level, Liquid, 14vdc 01a .62-11, 2-41
 Sensor, Pedal Position, 2-21
 Sensor, Position, Pedal, 2-21
 Shaft, 2-27
 Shaft, Drive, Brush, 3-65, 3-83
 Shaft, Output, 4-14
 Shaft, Steering, 2-17
 Shaft, Steering, Lower, 2-17
 Shaft, Steering, Upper, Mach, .75d 24.1l, 2-17
 Shaft, Threaded, 3-33, 3-41
 Shell, 4-3, 4-5
 Shoe, Plstc, Sqge, 14inch, 3-131
 Shunt, 050Mv 400A, 3-143
 Shunt, 2 Hd Motor, Red [SCB 515] (For Heavy Duty Motor), 2-57
 Shunt, 2 Std Motor, Blk [SCB 515] (For Standard Motor), 2-57
 Shunt, 2Hd Mtrs, Scrub 515, Red, 3-71, 3-89
 Shunt, 3 Std Mtrs, Scrub 515, Yellow, 3-55
 Skirt Kit, Modif, Rear [Maxpro1000], 2-49
 Skirt, Front, Scrub Head, 2-Brush, Ele, 2-2, 2-49
 Skirt, Front, Scrub Head, 3-Brush, Ele, 2-2, 3-47
 Skirt, Rbr, .12, 04.50w 40.73l, 10/ Hole, 2-49
 Skirt, Rear, Scrub Head, 2-Brush, Ele, 2-2, 2-49
 Skirt, Rear, Scrub Head, 3-Brush, Ele, 2-2, 3-47
 Skirt, Side, Scrbr Head, Ele, 2-2
 Skirt, Side, Scrub Head, 2-Brush, Ele, 2-49
 Sleeve, 2-13, 2-25, 2-41, 2-57, 2-59, 2-61, 2-65, 2-67, 2-69, 3-31, 3-39, 3-55, 3-57, 3-61, 3-71, 3-89, 3-133, 3-135, 3-137, 3-139
 Sleeve, .335b X .62d X .52l, Sst, 3-57, 3-61
 Sleeve, .38b X .75d X 1.5l, Bronze, 2-47
 Sleeve, 0.32b 0.50d 0.3l, 2cham, Ss, 2-37
 Sleeve, 0.62d 0.34b 1.19l Bnz, 3-133, 3-135
 Sleeve, Nyl, #15 14.0l, 2-77, 2-79
 Sleeve, P/M, 0.44b 0.75d 0.5l [430ss], 3-133, 3-135
 Sleeve, P/M, 0.625d 0.335b 0.52l Ss, 2-59, 2-61
 Sleeve, P/M, 0.625d 0.406b 0.38l 430ss, 3-33
 Sleeve, P/M, 0.745d 0.438b 0.50l 430ss, 2-65
 Sleeve, Support, Tilt, 2-17
 Spacer, 2-21, 4-3, 4-5, 4-14, 4-15
 Spacer, .41b .63d .13l, Ss 430pm, 2-63
 Spacer, Battery, Lh, 3-153
 Spacer, Battery, Lh, Iron Gray, 3-151, 3-155, 3-157
 Spacer, Battery, Rear, Iron Gray, 3-151, 3-153, 3-155, 3-157
 Spacer, Battery, Rh, 3-153
 Spacer, Battery, Rh, Iron Gray, 3-151, 3-155, 3-157
 Spacer, Battery, Stl, Iron Gray, 3-149
 Spacer, Flanged, 3-33, 3-41
 Spacer, Latch, Filter, 2-41
 Spacer, Plate, 3-49, 3-63, 3-81
 Spacer, Rnd, .38B .88D .63L, 2-19
 Spacer, Rod-End, 3-63, 3-81
 Spacer, Washer, 2-51, 3-49, 3-63, 3-81
 Spring, 3-13, 3-15, 4-5, 4-7, 4-13
 Spring, Bearing, 4-7
 Spring, Brush, 4-6, 4-8, 4-9
 Spring, Cmpr, 0.36od .04wir 2.5l, 2-13
 Spring, Cmpr, 1.5 Od .75id X 2.5l, 2-47
 Spring, Cmpr, .87od .042wir 2.0l, 2-67, 2-69, 3-133, 3-135, 3-137, 3-139
 Spring, Compression, 3-125
 Spring, Cover, 2-29
 Spring, Die, 1.00od 0.50id 1.25l, 3-31, 3-39
 Spring, Die, 1.00od 0.50id 2.00l, 2-63

CROSS REFERENCE

Spring, Extn, 0.75od X 0.09wir, 2.5l, 2-59, 2-61, 3-57, 3-61, 3-73, 3-75, 3-91, 3-93
Spring, Extn, 1.00od X 0.11wir, 5.5l, 2-25
Spring, Extn, 1.10od X 0.15wir, 3.2l, 3-31, 3-39
Spring, Extn, 1.69od X 0.20wir, 9.5l, 2-65, 3-133, 3-135
Spring, load, 4-3
Spring, Motor, Iron Gray, 3-65, 3-83
Spring, Tors, 0.75id .06wir 02.8coil, 2-25
Spring, Torsion, 2-17
Spring, Wir, 0.16d, Brush Retaining, 2-5, 2-7
Sprocket Wldt, #40, 96tooth, 7.00 B, 2-23
Sprocket, #40 24-Tooth, 3-27
Sprocket, #40, 10tooth, 0.750b, 2-17
Sprocket, #40, 10tooth, 0.787b, 2-17
Sprocket, Timing, 23tooth, 0.625b, 3-65, 3-83
Sprocket, Timing, 4.261pd, 68 Grv, Pl, 3-65, 3-83
Squeegee Assy Kit, Rear, Ci [Mp1000], 2-69, 3-139
Squeegee Assy Kit, Rear, Ci [Mp1200], 3-135
Squeegee, Side, 2-2, 2-3, 2-59, 2-61, 3-57, 3-61, 3-73, 3-75, 3-91, 3-93
Squeegee, Side, Ure, [7300/830], 3-140, 3-141
Stand-Off, 1.25, Metal, 3-35
Stand-Off, 1.25, Plstc, 3-35
Stationary Fan, 4-5
Steer-Control, Hyd, 4-15
Steer-Control, Hyd (Replaced by 387653), 3-27
Steer-Control, Hyd (See Breakdowns), 3-27
Stop Wldt (Replaced by 398454), 3-145
Stop Wldt, Iron Gray, 3-145
Strainer, Pump, Es, 3-101
Strainer, Soltn, Switch Guard (Repl By 1019285), 3-101
Strainer, Soltn, Switch Guard (Repl. By 387649), 2-41
Strainer, Tank, Solution, 3-101
Strap, 2-43, 3-103
Strip, Nonslip, 2-67, 2-69, 3-133, 3-135, 3-137, 3-139
Strip, Retainer, 3-125
Strip, Stl, 0.05th X 00.75w, 07.80l, 2-21
Stud, .31-18 2.75l M8 X 1.25, Ss, 2-67, 2-69, 3-133, 3-135, 3-137, 3-139
Stud, Adj, 3-125
Stud, Ball, .39d .31-16, Gasspring, 2-57, 3-55, 3-71, 3-89
Support Wldt, 2-65
Support Wldt, Iron Gray, 2-65
Switch, 2-15
Switch assy, 4-11
Switch Assy, Press, 4 Inch, 2-41
Switch, Limit, No, 3-145
Switch, No (Replaced by 398454), 3-145

Switch, Press, 25 Psi, Pm02, 3-105
Switch, Press, 3.0Inch 02Pf 08 Inch Tube, 3-101
Switch, Press, Dual, 02Pf 14 Inch Tube, 3-101
Switch, Rocker, 2-15, 3-5, 3-7, 3-9, 3-11, 3-129
Switch, Rocker, 36vdc 05a Progressive, 2-82
Switch, Rocker, Prgrsv, 2-83, 3-107
Switch, Rocker, Spst, Mom, 4-17
Switch, Safety, Shutoff, 2-15
Switch, Seat, 2-19
Switch, Seat, No [Delta 6440-04], 2-19
Switch, Start, 2-15
Switch, Vacuum, Dual Level, 2-45

T

Taillight, 12vdc, 3.6 X 1.9, Rework 87277, 2-9
Tank Kit, Recvy, W/ Label, Replmt [7300], 2-41
Tank Kit, Recvy, W/ Label, Teal, Replmt, 2-41
Tank Kit, Soltn, W/ Label, Replmt [7300], 2-29
Tank Kit, Soltn, W/ Label, Teal, Replmt, 2-29
Tank, Detergent, 3-121
Tape, Foam, 2-81
Terminal, 4-8, 4-9, 4-10
Terminal female, 4-11
Terminal, [Metripk630], Fem 10, 4-7
Terminal, Fem, Mp280, Sealed, 18-16ga, 4-18
Terminal, Female, 4-3, 4-5
Tie, Cable, Nyl, 07.3l .19w 1.8 Max D, 2-19, 2-53, 2-55, 3-5, 3-7, 3-13, 3-35, 3-43, 3-51, 3-53, 3-101, 3-129, 3-143
Tie, Cable, Nyl, 11.4l .19w 3.0 Max D, 2-49, 3-47
Tie, Cable, Nyl, 14.5l .30w 4.0 Max D, 2-53, 2-55, 3-11, 3-51, 3-53
Tie, Cable, Nyl, 28.5l .50w 8.0 Max D, 2-77, 2-79
Timer, 9-41vdc, Recycling, 2-82
Tire Assy, 16 X 5 X 12.12, 2-2
Tire Assy, Non-Skid, 16X5X12.12 (Option), 2-27
Tire Assy, Solid, 16.2X6.0 5.7Bc/5 Bolt, 2-23
Tire Assy, Solid, 16.2x6.0 5.7bc/5bolt, 2-2
Tire, Drive, Scrbr, Non-Skid, 16.0X6.0 (Option), 2-23
Tire, Drive, Scrbr, Pu, Grey, 16.0X6.0 (Polyurethane Option), 2-23
Tire, Idler, Scrbr, Blk, 16.0X5.0, 2-27
Tire, Idler, Scrbr, Pu, Grey, 16.0X5.0 (Polyurethane Option), 2-27
Tire, Solid, 16.2X6.0X11.2, 2-23
Tray Wldt, Battery, 500Ah, 750Ah, 3-158
Tray Wldt, Power Wand, 3-129

Tray Wldt, Power Wand, Iron Gray, 3-129
Tray, Debris, 40.0l, 3-79
Tray, Debris, 40L, W/Holes, 3-77
Tray, Debris, 48.0l, 3-97
Tray, Debris, 48L, W/Holes, 3-95
Tread, Floor, 12.5 X 5.75, 3-49, 3-81
Tread, Non Skid, 2.2w 11.5l, 2-21
Tread, Non-Skid, 2-21
Tread, Non-Skid, 02.2 11.5, 2-21
Tread, Non-Skid, 06.0w X 15.5l, 2-21
Tread, Step, 3-49
Tube Assy, 2 Inch, 2-41
Tube Assy, Spray Bar 40" [7300/8300], 3-69
Tube Wldt, 3-59, 3-79, 3-97
Tube Wldt, Guard, Oprtr, Lh, 3-21
Tube Wldt, Guard, Oprtr, Rh, 3-21
Tube Wldt, Upper, Iron Gray, 3-79, 3-97
Tube Wldt, Vacuum, Scrbr Head, Iron Gray, 3-79, 3-97
Tube, 0.34id 0.62od 00.2l, Stl, 3-105
Tube, 0.69id 1.25Od 00.4L, Blk, Rod-End, 3-81
Tube, 0.69id 1.25od 00.4l, Rod-End, Gray, 2-51, 3-49, 3-63
Tube, Guard, Oprtr, Pnt, Lh, 3-19
Tube, Guard, Oprtr, Pnt, Rh, 3-19
Tube, Pvc, Shc80, Clear, 4.0l, 2-35
Tube, Wand, Vacuum, Metal, 3-131

V

Vacuum Fan, 4-5
Valve Kit, Pump, 4-12
Valve, Ball, Drain, 1.50ID, Ss, Rwk, 3-111, 3-113, 3-115, 3-117
Valve, Check, 2 Gpm 0.5psi Bm04/Bm04, 2-33
Valve, Check, 2 Gpm 3" 06bm/08bm, 2-31
Valve, Check, 0002psi [Fast li+], 4-19
Valve, Check, 0005psi [Fast li+], 4-19
Valve, Check, 0005psi Bm06/Bm08, 2-37
Valve, Check, 0030psi Pm04/Pf04, 3-105
Valve, Flow Control, Hose Adapter, 3-101
Valve, Solenoid, 0.25" Orifice, 24vdc, 4-17
Valve, Solenoid, 36vdc, 3-99
Valve, Vent, Air, Float Type, 3-105
Valve, Water, 2-39, 2-53, 2-55, 3-51, 3-53, 3-67, 3-69, 3-85, 3-87, 3-125
Valve, Water, 36vdc, 6.0mm, 04pf, 2-31
Valve, Water, Solenoid, 36vdc 6.0mm Pf04, 2-37
Video, Operator, Vhs, Ntsc [7300], 3-164
Video, Oprtr, Training, Dvd [7300], 3-164

W

Wand, 3-125
Wand, Clean-Out, 3-101
Washer, 2-19, 2-63, 4-3, 4-13
Washer, 0.25b 1.12d .12, Ss, 3-65, 3-83

- Washer, .625 B, 2.50 Od, .211 T, Ss, 3-31, 3-39
 Washer, 0.31b 0.88d .12, Rbr, 2-29, 3-101
 Washer, 0.40B 1.12D .12, Stil, Pl, 2-45, 3-63, 3-81
 Washer, 0.53b 1.88d .12, Stil, Pl, 2-67, 2-69, 3-133, 3-135, 3-137, 3-139
 Washer, 0.60b 1.31d .10, Ss, 2-63
 Washer, 0.81b 1.24d .03, Stil, Pl, 3-33, 3-41
 Washer, Belleville, .31, 2-49, 3-47
 Washer, Belleville, .38, 2-23
 Washer, Finish, M06, Pl, 2-15
 Washer, fl neo, 10.8x22x1.5, 4-3
 Washer, Flat, 2-65
 Washer, Flat, .25 Sae, 3-35
 Washer, Flat, .31 Fender, 2-17
 Washer, Flat, .31 Sae, 3-35
 Washer, Flat, .31 Ss, 3-35, 3-43, 3-149
 Washer, Flat, .38 Ss, 3-31, 3-35, 3-43
 Washer, Flat, .38 Std, 2-65, 3-39
 Washer, Flat, #06, 2-33
 Washer, Flat, #10, 2-31
 Washer, Flat, #10 Ss, 2-75, 3-145
 Washer, Flat, 0.19b 0.50d .03, Stil, Blk, 3-143
 Washer, Flat, 0.25 Sae, 2-75, 3-59, 3-79, 3-97
 Washer, Flat, 0.25 Ss, 2-79, 3-77, 3-95
 Washer, Flat, 0.25 Std, 2-31, 2-33, 2-75, 2-79
 Washer, Flat, 0.25, Sae, 2-45
 Washer, Flat, 0.25, Std, 3-105
 Washer, Flat, 0.25b 0.56d .05, Pl, 10, 3-7, 3-11
 Washer, Flat, 0.27b 0.69d .05, Ss, 3-133, 3-135
 Washer, Flat, 0.31 Sae, 2-75, 3-145
 Washer, Flat, 0.31 Ss, 3-145
 Washer, Flat, 0.31 Std, 2-33, 2-75
 Washer, Flat, 0.31, Std, 2-37, 3-49, 3-81
 Washer, Flat, 0.32b 1.00d .12, Ss, 2-49, 3-47
 Washer, Flat, 0.34b 0.75d 0.12, Viton, 2-31
 Washer, Flat, 0.34b 0.69d .06, Nyl, 3-107
 Washer, Flat, 0.38 Std, 3-33, 3-69, 3-87
 Washer, Flat, 0.38b 0.88d .08, Ss, 3-151, 3-157
 Washer, Flat, 0.40b 1.12d .12, Stil, Pl, 2-47
 Washer, Flat, 08, Ss, 4-17
 Washer, Flat, 1.00 Sae Hard, 2-27
 Washer, Flat, 1.50 Std Hard, 2-77, 2-79
 Washer, Flat, 10, 2-83
 Washer, Flat, 10, Ss, 2-37, 3-7, 3-11, 3-105
 Washer, Flat, M12, 13x24x2.5ss, 3-73, 3-75, 3-91, 3-93
 Washer, Flt, .25 Sae, 2-11, 2-15, 2-73, 2-77, 2-81, 3-13, 3-15, 3-27
 Washer, Flt, .25 Ss, 2-5, 2-7, 2-9, 2-13, 2-39, 2-47, 2-57, 2-59, 2-61, 2-65, 2-67, 2-69, 2-77, 3-31, 3-39, 3-55, 3-57, 3-61, 3-65, 3-67, 3-69, 3-71, 3-73, 3-75, 3-79, 3-83, 3-85, 3-87, 3-89, 3-91, 3-93, 3-97, 3-99, 3-111, 3-113, 3-115, 3-117, 3-127, 3-137, 3-139
 Washer, Flt, .25 Std, 2-21, 2-25, 2-53, 2-55, 2-73, 2-77, 3-51, 3-53
 Washer, Flt, .31, 3-129
 Washer, Flt, .31 Sae, 2-25, 2-73, 3-5, 3-7, 3-9, 3-11, 3-27
 Washer, Flt, .31 Ss, 2-9, 2-13, 2-19, 2-25, 2-29, 2-41, 2-47, 2-49, 2-53, 2-55, 2-57, 2-59, 2-61, 2-65, 2-67, 2-69, 3-31, 3-39, 3-47, 3-49, 3-51, 3-53, 3-55, 3-57, 3-61, 3-67, 3-69, 3-71, 3-85, 3-87, 3-89, 3-99, 3-101, 3-121, 3-127, 3-133, 3-135, 3-137, 3-139, 3-145, 3-153, 3-155
 Washer, Flt, .31 Std, 2-9, 2-11, 2-17, 2-23, 2-39, 2-71, 3-25, 3-27, 3-31, 3-33, 3-39, 3-41, 3-49
 Washer, Flt, .38 Sae, 2-21, 3-33, 3-41
 Washer, Flt, .38 Ss, 2-29, 2-41, 2-49, 2-51, 2-57, 2-59, 2-61, 2-63, 2-65, 3-16, 3-17, 3-19, 3-21, 3-47, 3-49, 3-55, 3-57, 3-61, 3-63, 3-65, 3-71, 3-73, 3-75, 3-81, 3-83, 3-89, 3-91, 3-93
 Washer, Flt, .38 Std, 3-19, 3-21, 3-111, 3-113, 3-115, 3-117
 Washer, Flt, .50 Sae, 2-21, 2-27, 3-13, 3-15, 3-27, 3-31, 3-39, 3-49
 Washer, Flt, .50 Ss, 2-47, 2-67, 2-69, 3-133, 3-135, 3-137, 3-139
 Washer, Flt, .50 Std, 2-17, 2-47, 3-23, 3-33, 3-41, 3-55, 3-63, 3-81
 Washer, Flt, .75 Sae, 2-9
 Washer, Flt, #06, 3-129, 3-131
 Washer, Flt, #08 Ss, 2-5, 2-7, 3-121
 Washer, Flt, #10, 2-15, 2-73, 2-75, 2-77, 2-79, 3-5, 3-7, 3-13, 3-15, 3-27, 3-35
 Washer, Flt, #10 Ss, 2-21, 2-39, 2-43, 2-47, 2-71, 2-73, 3-103
 Washer, Flt, 0.38B 0.88D .08, Ss, 2-41
 Washer, Lock, Int, .25, 2-73, 2-75, 2-77
 Washer, Lock, Int, .31, 2-33, 2-73, 2-75, 2-77, 2-79, 3-27, 3-35
 Washer, Lock, Int, .38, 2-77, 2-79
 Washer, Lock, Int, #06, Ss, 3-35
 Washer, Lock, Int, #08, Ss, 2-75
 Washer, Lock, Int, #10, 2-9, 2-21, 2-73, 2-75, 3-13, 3-15, 3-35
 Washer, Lock, Int, #10, Ss, 2-75, 2-77, 2-79, 3-27
 Washer, Lock, Int, 0.38, 3-143
 Washer, Neo., 4-5
 Washer, Polye, 3-111, 3-113, 3-115, 3-117
 Washer, Rbr, .12 0.66b 1.00d, 3-99
 Washer, Rbr, .68idx1.00d, 3-101
 Washer, Thrust, 0.61b 1.25d .06, Fgl, 2-59, 2-61, 2-65, 3-57, 3-61, 3-73, 3-75, 3-91, 3-93
 Washer, Thrust, 0.75b 1.25d 0.06w, 3-133, 3-135
 Wheel, 3-125
 Wheel, 3.0d 1.38w 0.50b, 2-2, 2-3, 2-63
 Wheel, 4.0d 0.89w 0.64b, 3-133, 3-135
 Wheel, 4.0d 0.98w 0.78b, 2-9
 Wheel, Steering, 14.0D 0.81B 36Tooth, 3-27
 Wheel, Steering, 14.0d, Taper Bore, 2-17
 Wire Assy, 02ga 27.0l Blk .34h /.34h, 2-77, 2-79
 Wire Assy, 02ga, 10.0l, Blk, 2-79
 Wire Assy, Jumper Reverse, [515], 3-65, 3-83
 Wire, 04ga 09.0l Blk .34ring /.28ring, 2-77
 Wire, 04ga 32.0l Blk .31ring /.31ring, 2-77
 Wire, 06ga 11.0l Blk .34ring /.28ring, 2-77
 Wire, 06Ga 09.0L Blk .34 Ring/.34 Ring, 2-79

