



# V-BP-6B

Commercial 36v Battery  
Backpack Vacuum Cleaner

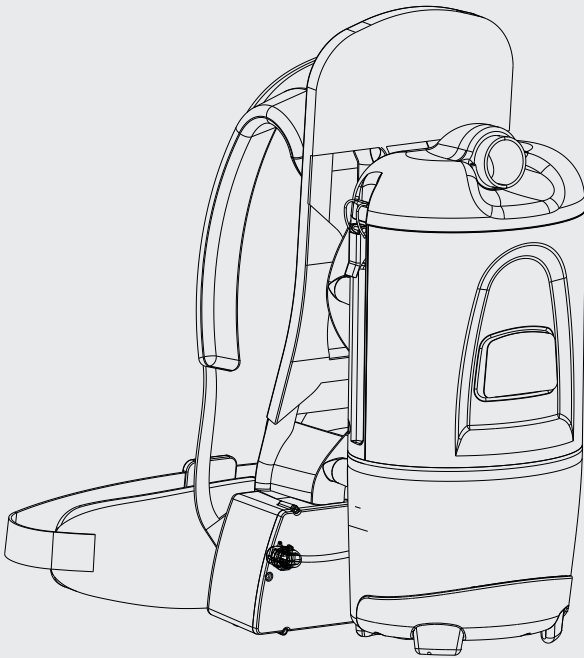
Aspiradora de Espalda  
de Uso Comercial de 36v

Aspirateur dorsal  
à batterie 36v à Usage Commercial

Operator and Parts Manual (EN)

Manual de Operación y Partes (ES)

Manuel d'utilisation et de Pièces (FR)



Model Part No.:

1236569 – V- BP- 6B

9017567 – V-BP- 6B (Includes Base Tool Kit)

9017570 – V- BP- 6B (Includes Std Tool Kit)

9017571 – V- BP- 6B (Includes Prem Tool Kit)



For the latest Parts manuals and other  
language Operator manuals, visit:  
[www.tennantco.com/manuals](http://www.tennantco.com/manuals)

[www.tennantco.com](http://www.tennantco.com)

9017497  
Rev. 00 (01-2018)

## INTRODUCTION

This manual is furnished with each new model. It provides necessary operation and maintenance instructions and replacement parts information.



**Read all instructions before using this machine.**

This machine will provide excellent service. However, the best results will be obtained at minimum costs if:

- The machine is operated with reasonable care.
- The machine is maintained regularly - per the maintenance instructions provided.
- The machine is maintained with manufacturer supplied or equivalent parts.

To view, print or download manuals online visit [www.tennantco.com/manuals](http://www.tennantco.com/manuals)

## UNPACKING MACHINE

Carefully check machine for signs of damage. Report damages at once to carrier. Check machine contents to ensure all parts and accessories are included. Contact distributor or Tennant for missing items.

## INTENDED USE

This vacuum cleaner is intended for commercial use, for example in hotels, schools, hospitals, shops, offices and rental businesses. The machine is suitable for picking up dry, non- flammable dust and debris in an indoor environment. It is not suitable for picking up liquids or hazardous materials. Do not use this machine other than described in this manual.

## MACHINE DATA

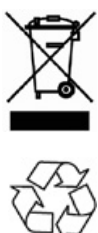
Please fill out at time of installation for future reference.

Model No. - \_\_\_\_\_

Serial No. - \_\_\_\_\_

Installation Date - \_\_\_\_\_

**IMPORTANT:** To ensure full warranty protection, fill out the attached MACHINE INSTALLATION / WARRANTY REPORT REPLY CARD and return to Tennant within 30 days of purchase.



**PROTECT THE ENVIRONMENT**  
Please dispose of packaging materials and used machine components such as batteries in a environmentally safe way according to your local waste disposal regulations.  
Always remember to recycle.

## TABLE OF CONTENTS

**IMPORTANT SAFETY INSTRUCTIONS .....3**  
**SAFETY LABELS .....5**  
**MACHINE COMPONENTS .....6**  
**REPLACEMENT BAGS AND FILTERS .....6**  
**MACHINE SETUP .....7**  
    VACUUM BAGS .....7  
    FILTERS .....7  
    CHARGING BATTERY PACK .....8  
    INSTALLING BATTERY PACK INTO VACUUM .....9  
    BATTERY PACK REMOVAL .....9  
    ACCESSORY TOOLS.....10  
    MACHINE BACKPACK HARNESS .....10  
**MACHINE OPERATION .....11**  
**THERMAL PROTECTOR .....11**  
**MACHINE MAINTENANCE .....11**  
**STORING MACHINE .....12**  
**TROUBLE SHOOTING .....13**  
**MACHINE SPECIFICATIONS.....13**  
**PARTS LIST.....38**  
**ELECTRICAL DIAGRAM .....39**  
**TOOL KITS .....40**  
**RECOMMENDED SPARE PARTS.....41**

### Tennant Company

PO Box 1452  
Minneapolis, MN 55440  
Phone: (800) 553- 8033  
[www.tennantco.com](http://www.tennantco.com)

Specifications and parts are subject to change without notice.

Original Instructions. Copyright ©2018 Tennant Company.  
All rights reserved.

## IMPORTANT SAFETY INSTRUCTIONS

When using an electrical appliance, basic precautions should always be followed, including the following:



### READ ALL INSTRUCTIONS BEFORE USING THIS MACHINE



#### **WARNING- To reduce the risk of fire, explosion, electric shock, or injury:**

1. Do not use outdoors or on wet surfaces. This machine is for indoor and dry use only.
2. Do not allow to be used as a toy. Close attention is necessary when used by or near children.
3. Use only as described in this manual. Use only manufacturer's recommended attachment.
4. Keep hair, loose clothing, fingers, and all parts of body away from openings and moving parts.
5. Always keep hands feet and loose fitting clothing away from moving parts to prevent possible injuries.
6. Do not use machine in areas where flammable and/or explosive vapors or dusts are present.
7. Use extra care when cleaning on stairs.
8. Do not pick up anything that is burning or smoking such as cigarettes, matches, or hot ashes.
9. Do not use without vacuum bag and/or filters in place.
10. Disconnect battery before servicing or cleaning the machine.
11. This machine is not intended for use by persons with reduced physical, sensory or mental capabilities, or lack of experience and knowledge.
12. Do not put any object into openings. Do not use with any opening blocked; keep free of dust, lint, hair, and anything that may reduce air flow.
13. Do not use to pick up hazardous dust or toxic materials.
14. All repairs must be must be performed by a qualified service person. Use only manufacturer supplied or equivalent replacement parts.
15. Do not expose machine to rain or moisture. Store indoors only.

**WARNING:** This machine contains chemicals known to the state of California to cause cancer, birth defects, or other reproductive harm.

### SAVE THESE INSTRUCTIONS

## CHARGER AND BATTERY IMPORTANT SAFETY INSTRUCTIONS

When using an electrical appliance, basic precautions should always be followed, including the following:



**READ ALL INSTRUCTIONS BEFORE USING THIS MACHINE**




**WARNING- To reduce the risk of fire, explosion, electric shock, or injury:**

1. Use only Tennant charger 1237438 and Tennant battery pack 1237440
2. Make sure voltage and frequency at the wall receptacle correspond with that indicated on nameplate before plugging in machine.
3. DO NOT expose battery packs to temperatures above 122°F (50°C). Never leave battery packs in automobiles on hot days, where temperatures can be much higher than the outside temperature.
4. DO NOT use or store vacuum or batteries in wet or moist conditions, or with flammable or combustible materials.
5. DO NOT charge batteries or store battery for extended periods, 1 month or more, in temperatures above 90°F (32°C) or below 40°F (5°C).
6. When charging, make sure that the charger has at least 6 inches of clearance on all sides. Adequate airflow is required to cool the charger when in use.
7. Connect charging cord to a properly grounded outlet only. See Grounding Instructions.
8. DO NOT use a damaged cord or plug for charging.
9. DO NOT pull on charger's cord to unplug. Grasp and pull the plug, not the cord.
10. DO NOT handle the charger's cord plug with wet hands when inserting into electrical outlet.
11. Keep sparks and flames away from batteries.
12. DO NOT smoke near batteries or charger.
13. DO NOT charge the unit outdoors.
14. DO NOT attempt to repair, service, or modify the battery system or charger. Contact Tennant Customer Service with any issues.
15. DO NOT short-circuit the battery or charger terminals with conductive items such as paper clips. This can deliver high current, resulting in heat and fire.
16. DO NOT crush, drop, incinerate or damage the battery pack.
17. DO NOT use a battery pack that has been damaged in any way.
18. DO NOT incinerate the battery even if it is severely damaged or nonworking. The battery can explode in a fire.
19. DO NOT use extension cord with charger.
20. Remove battery before servicing or cleaning machine.
21. Dispose of battery in an environmentally safe way according to your local regulations.
22. Contact your local regulatory authorities for proper transporting and disposal instructions.


## GROUNDING INSTRUCTIONS

This battery charger must be grounded. If it should malfunction or breakdown, grounding provides a path of least resistance for electric current to reduce the risk of electric shock. This battery charger is equipped with a cord having an equipment- grounding conductor and grounding plug. The plug must be inserted into an appropriate outlet that is properly installed and grounded in accordance with all local codes and ordinances.

 **WARNING** - Improper connection of the equipment-grounding conductor can result in a risk of electric shock. Check with a qualified electrician or service person if you are in doubt as to whether the outlet is properly grounded. Do not modify the plug provided with the battery charger. If it will not fit the outlet, have a proper outlet installed by a qualified electrician.

This battery charger is for use on a nominal 120 volt circuit and has a grounding attachment plug that looks like the plug illustrated below. Make sure that the battery charger is connected to an outlet having the same configuration as the plug. No adaptor should be used with this appliance.



 **WARNING** - The replacement or repair of damaged wiring should only be performed by a qualified electrician or service engineer from the original distributor or authorized service agent.

## SAFETY LABEL

The safety label appears on the machine in the location indicated. Replace label if it is missing or becomes damaged or illegible.

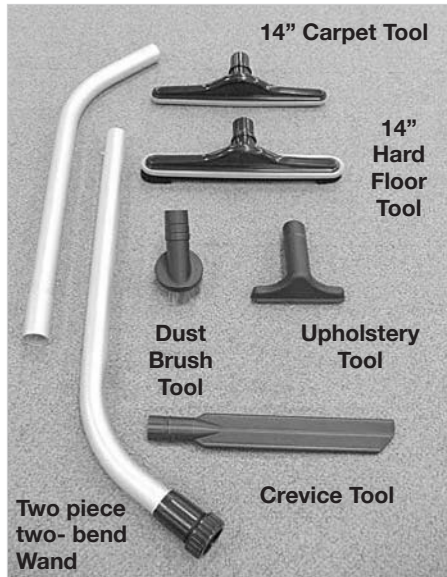
 <b>WARNING</b>	
  	
<b>TO REDUCE THE RISK OF FIRE, EXPLOSION, ELECTRICAL SHOCK OR INJURY:</b> <ul style="list-style-type: none"> <li>• Read manual before operating machine.</li> <li>• Do not use outdoors or on wet surfaces.</li> <li>• Do not use near flammable liquids, vapors or combustible dusts.</li> <li>• Do not pick up flammable or toxic materials and burning debris.</li> <li>• Keep sparks and open flame away from batteries.</li> <li>• Do not charge batteries with damaged cord.</li> <li>• Remove battery before servicing machine.</li> </ul>	
 <b>AVERTISSEMENT</b>	
<b>POUR RÉDUIRE LES RISQUES D'INCENDIE, L'EXPLOSION, DE CHOC ELECTRIQUE OU DE LESSURE:</b> <ul style="list-style-type: none"> <li>• Lisez le manuel avant d'utiliser la machine.</li> <li>• N'utilisez pas en extérieur ou sur des surfaces humides.</li> <li>• N'utilisez pas près de liquides, vapeurs ou poussières inflammables.</li> <li>• Ne ramassez pas de matériaux inflammables ou toxiques et de déchets enflammés.</li> <li>• Évitez les étincelles et les flammes nues près des batteries.</li> <li>• Ne chargez pas les batteries avec un cordon endommagé.</li> <li>• Retirer la batterie avant de l'entretenir la machine.</li> </ul>	
 <b>ADVERTENCIA</b>	
<b>PARA REDUCIR EL RIESGO DE INCENDIO, EXPLOSION, CHOQUE ELECTRICO, O LESIONS:</b> <ul style="list-style-type: none"> <li>• Lea el manual antes de utilizar la máquina.</li> <li>• No use al aire libre ni en superficies húmedas.</li> <li>• No use cerca de líquidos inflamables, vapores ó materiales combustibles.</li> <li>• No recoja materiales inflamables ó tóxicos ni desechos candentes.</li> <li>• Mantenga las chispas y las llamas abiertas lejos de las baterías.</li> <li>• No cargue las baterías si el cable está dañado.</li> <li>• Retirar la batería antes de reparar la máquina.</li> </ul>	
9017578	



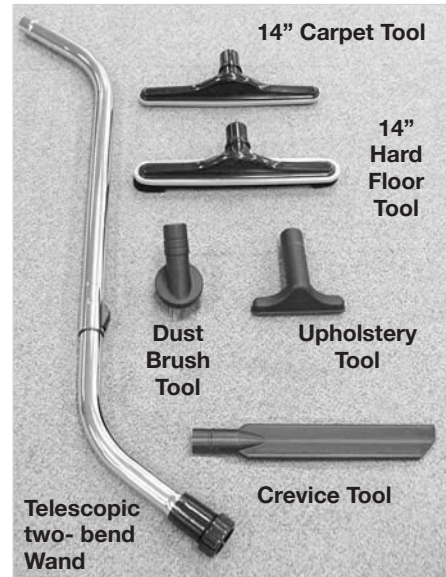
## MACHINE COMPONENTS



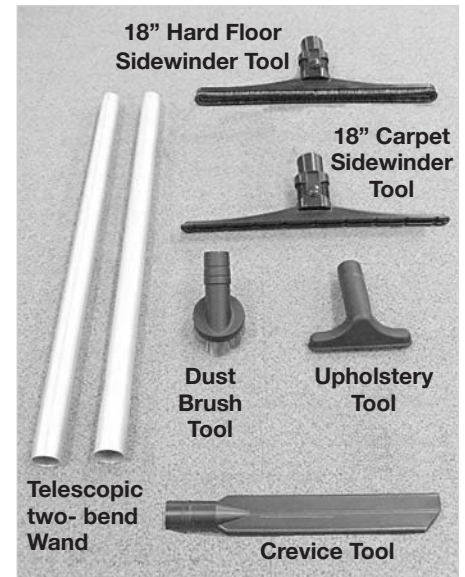
### Base Tool Kit



### Standard Tool Kit



### Premium Tool Kit



## REPLACEMENT BAGS AND FILTERS

- 9007866 - Vacuum Bags (Case of 16 packages/192)
- 9007784 - Vacuum Bags (12 bags per package)
- 9007785 - Cloth Filter Bag

- 9007800 - Exhaust Filters (6 per package)
- 9007812 - HEPA Filter

## MACHINE SETUP

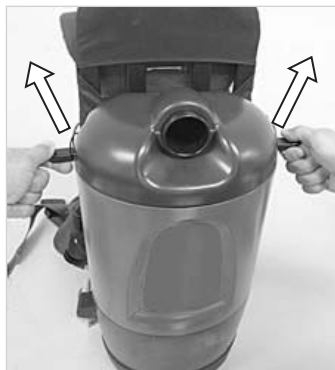
### VACUUM BAGS

Each new machine is equipped with two paper bags and a cloth filter bag.

For optimum filtration and dust containment, always use paper bag with cloth filter bag.

#### To Install Vacuum Bag:

1. Remove vacuum hose from lid, release the two lid latches and remove lid.



2. To install paper bag, simply insert the paper bag inside the cloth filter bag, aligning cardboard collar with cloth bag seal.



3. Replace lid and lock latches. Insert vacuum hose into lid.



### FILTERS

The machine is equipped with a pre-installed HEPA filter and exhaust filter. The HEPA filter (High Efficiency Particulate Air) captures fine dust particles at a total filtration of 99.97% @ 0.3 microns. The exhaust filter captures the carbon brush dust created from the motor. Before operating machine, make sure filters are installed.

For optimum machine performance, it is important to replace the filters every six months.

#### To Replace HEPA Filter:

1. Turn off power switch and unplug machine from wall outlet.
2. Remove bag compartment lid from machine.
3. Remove cloth bag to access HEPA filter.
4. Pull off the grid plate located over HEPA filter and depress the two retainer clips to remove filter.
5. Insert new HEPA filter and replace grid plate, cloth bag, paper bag and lid.



#### To Replace Exhaust Filter:

1. Turn off power switch and unplug machine from wall outlet.
2. Pull off the filter holder from bottom of machine to access exhaust filter.
3. Install new filter and snap filter holder back into position.



## CHARGING BATTERY PACK

The Lithium-Ion battery does not have a memory and does not have to be fully depleted before it can be charged again. Charging at any time during the run cycle will not affect the battery performance or life.

1. Plug the charger's power cord into the battery pack.  
NOTE: If charging battery pack in machine, power to machine is shut off.



2. Plug the charger's power cord into a properly grounded wall outlet.



**⚠ WARNING:** To reduce the risk of fire, explosion, electric shock, or injury. When charging, make sure that the charger has at least 6 inches of clearance on all sides. Adequate airflow is required to cool the charger when in use.

3. The indicator light should turn Red and blink while charging and turn Green when fully charged. The battery pack may require approximately 2.5 hours to fully charge. Charger will automatically shut off after the charge cycle is complete.



4. Verify the charge level of the battery pack by pressing the power level indicator button on the front of the battery pack. Four lights (one red and three green) indicate a fully charged battery. Unplug charger cord from battery pack and then unplug power cord from wall outlet after charging.

NOTE: Battery pack may get warm while charging. This is normal.



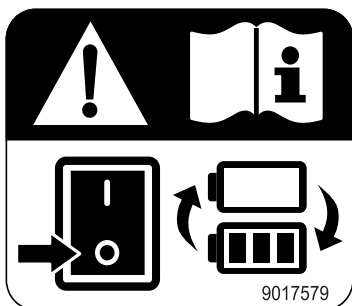
**⚠ WARNING:** To reduce the risk of fire, explosion, electric shock, or injury. Use only Tennant Charger 1237438 and Tennant battery pack 1237440. Do not use a battery pack that has been damaged in any way.



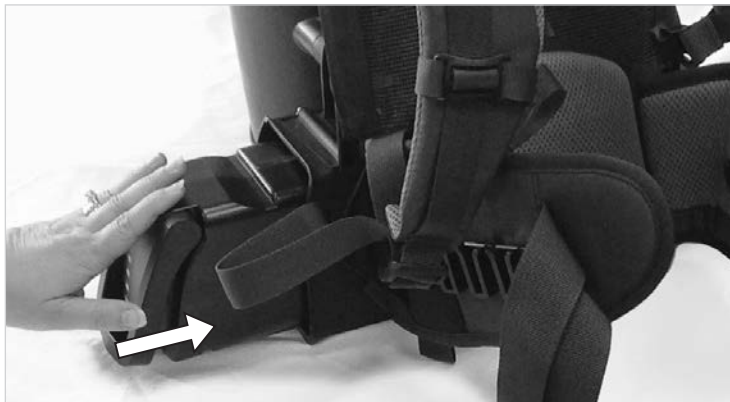
## INSTALLING BATTERY PACK INTO VACUUM

### ATTENTION

To avoid damage to the battery contacts, always turn power switch to the off position whenever installing or removing battery pack from machine.



1. Ensure power switch is turned off.
2. Completely slide the battery pack into the battery housing until it clicks into place. The connector is spring-loaded, battery pack must be fully engaged to insure proper installation.



The power level indicator will display the approximate remaining runtime on the battery pack. When the battery power level indicator button is pressed, one to four indicators will light up, indicating the approximate battery charge remaining as follows:

- All 4 lights on: Full Charge
- 3 lights on: 70% Charge
- 2 lights on: 45% Charge
- 1 light on: 25% Charge
- 1 light on and blinking: Low battery, replace/recharge battery pack



## BATTERY PACK REMOVAL

### ATTENTION

To avoid damage to the battery contacts, always turn power switch to the off position whenever installing or removing battery pack from machine.

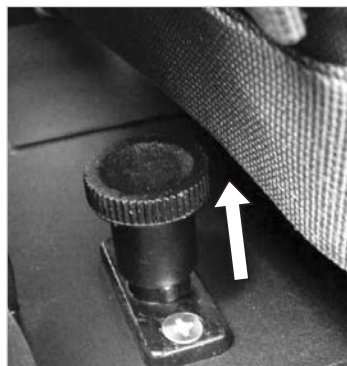
1. Ensure power switch is turned off.



2. Lift the battery handle to the horizontal position as shown.



3. Pull the battery release knob upward then pull the battery handle outward to remove battery pack.  
NOTE: It may be necessary to apply slight inward pressure to battery pack to assist in knob release.



4. Store battery pack indoors in a cool, dry area.

## ACCESSORY TOOLS

Each machine comes equipped with a variety of accessory tools to meet your cleaning needs.

### To Attach Accessory Tools:

1. For floor cleaning, attach wand to vacuum hose and attach desired floor tool. If equipped, turn collar on wand to lock tool in place.



2. For wands equipped with the telescopic feature, push the release button to extend the length of the wand.



3. For off-floor cleaning, attach the desired accessory tool directly to vacuum hose.



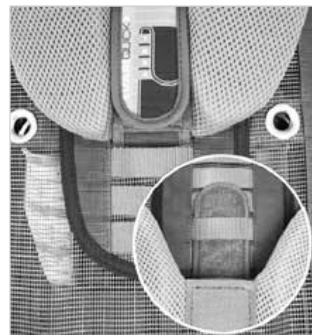
## MACHINE BACKPACK HARNESS

### To Properly Mount Machine on Back:

1. Fully loosen all harness straps.
2. Place the machine on your back so the weight of the machine is resting on your hips. Fasten the hip belt and pull belt straps forward to tighten (A).
3. Pull the two shoulder straps downward to pull the machine towards your back (B).
4. Connect the front shoulder straps together (C).
5. For final adjustment, pull the two stabilizer shoulder straps as needed to balance the weight of machine (D).



6. If the weight of the machine is not resting on your hips, adjust the shoulder harness height adjuster to your back length. It's important to ensure machine weight is resting on your hips to prevent shoulder fatigue.



## MACHINE OPERATION

1. Press the on/off switch to the on position.



2. Keep back straight while cleaning to prevent back fatigue.



3. Operate the two-bend wand with a forward and backward motion. For models equipped with the straight wand and Sidewinder tool, hold the wand parallel to your body and pivot your waist while walking (a side to side mopping motion). This motion keeps the upper body and arms from tiring.



## THERMAL PROTECTOR

The backpack vacuum has been fitted with an auto-reset thermal overload switch to protect the motor against damage should the airflow be blocked for extended periods. This may occur if the vacuum bag is overfull, the cloth filter bag is clogged, or if the vacuum hose, filter, or exhaust is blocked. The vacuum motor will stop before it can get too hot. If this happens, turn off the machine, empty and thoroughly clean the vacuum bag and filters, or free any blockage and ensure that adequate airflow is restored. After the motor cools, you will be able to restart the machine – this may take up to 20 minutes.

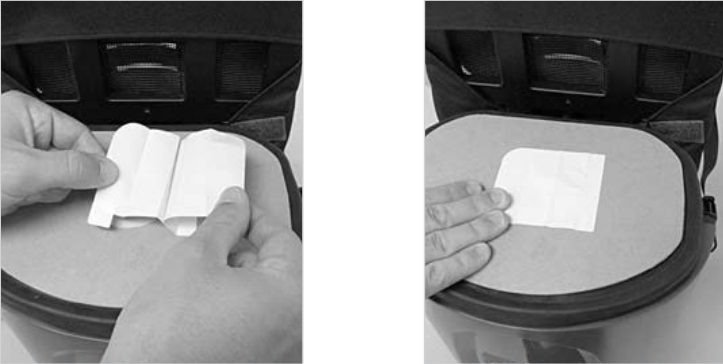
## MACHINE MAINTENANCE

To keep machine in good working condition, simply perform the following maintenance procedures.

1. Check vacuum bag for level of fullness. Replace when two thirds full.



- When replacing a full bag, cover the bag opening with the self-adhesive flap to contain the dust for disposal.



- Remove the cloth filter bag and clean regularly. Turn bag inside out and tap off any dust buildup. Do not wash cloth bag. Replace bag if worn or damaged. For optimum filtration and dust containment, always use a paper bag with cloth bag.



- Replace HEPA filter every six months. HEPA filter cannot be washed for repeated use.



- Replace exhaust filter every six months.



- Inspect vacuum hose for clogged debris.
- Keep machine and accessories clean and in good working condition.

## STORING MACHINE

Store machine in a cool dry area. Do not expose to rain, store indoors.

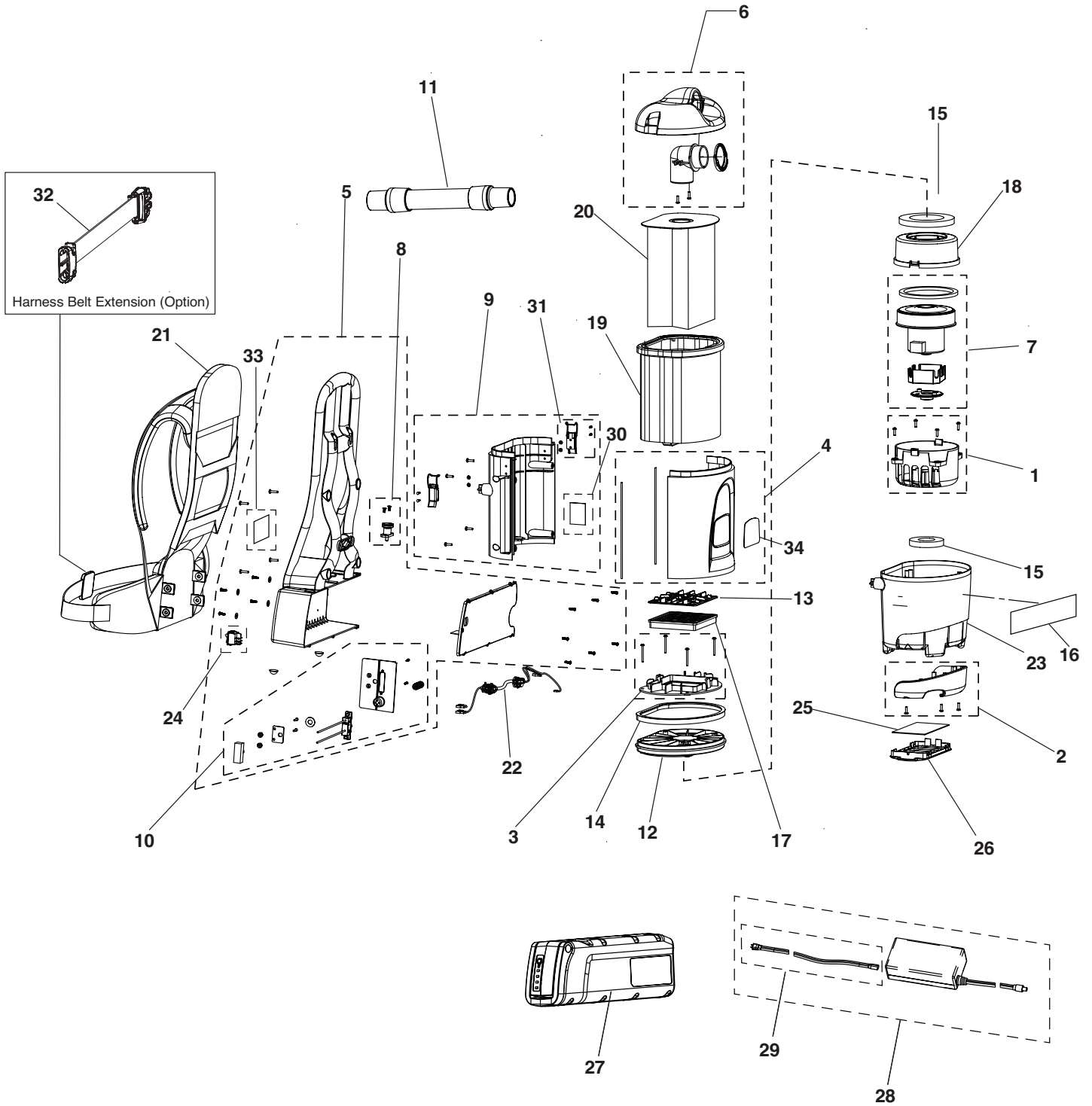
## TROUBLE SHOOTING

Problem	Cause	Solution
Machine will not operate	Thermal protector tripped	Remove obstruction, allow motor to cool
	Faulty on/off switch	Contact Service
	Faulty motor	Contact Service
	Discharged battery	Charge battery
	Defective battery	Replace battery
Poor vacuum suction	Full vacuum bag	Replace bag
	Vacuum hose or pickup tool clog	Remove clog
	Damaged vacuum hose	Replace vacuum hose
	Clogged filters	Replace filters

## MACHINE SPECIFICATIONS

MODEL	V-BP-6B
Width x Height x Depth	9.5in x 21in x 7in 24cm x 53cm x 18cm
Width x Height x Depth w/Harness	13in x 25in x 13in 33cm x 64cm x 33cm
Weight w/Harness	19 lb / 9 kg
Bag Capacity	6 qt / 5.7 l
Voltage/Frequency	36 V
Vacuum Motor Rating	12A / 408W
HEPA Filtration	99.97% @ 0.3 micron
Air Flow	70 cfm / 1.98 m <sup>3</sup> /min
Water Lift	65 in / 1650 mm
Sound Pressure Level L <sub>pA</sub>	63 dBA
Protection Grade	IP20

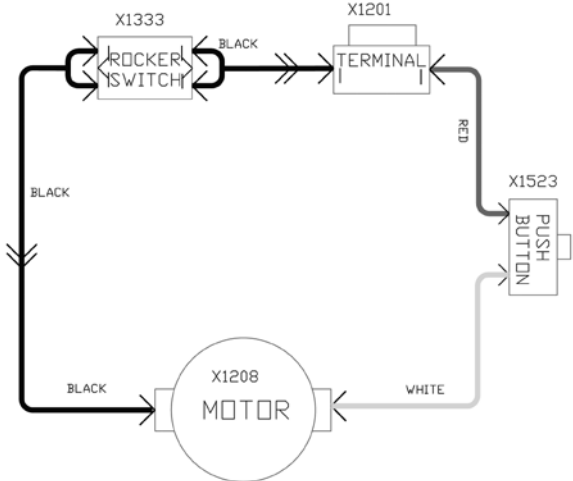
# PARTS LIST



PARTS LIST

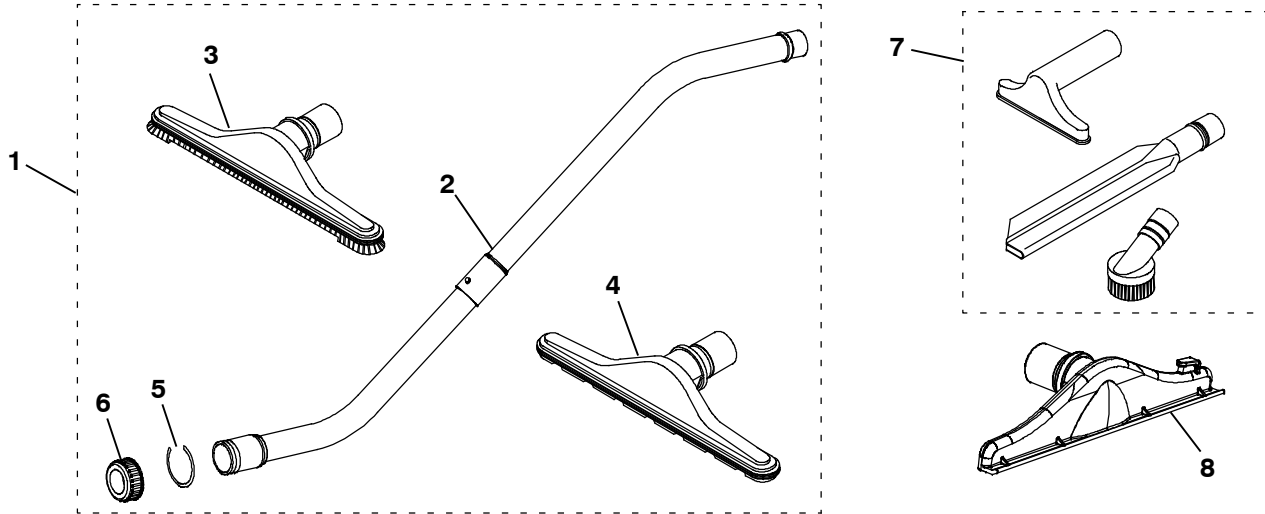
Ref.	Part No.	Description	Qty.
1	9007805	SHROUD, MOTOR, BOTTOM (Includes 4- #8x0.625 screws)	1
2	9007799	BUMPER (Includes 3- #8x0.625 screws)	1
3	9007811	PLATE, FILTER	1
4	9013513	COVER, FRONT, W/LABEL, TEAL [V- BP- 6]	1
5	9017495	BACKREST, FRAME, HARNESS (Includes 1-Washer 3/8 USS Flat 18-8 SS, 4-Screw, Phillips Pan Head #10 .750 Type B, 7- 8-18 Hi-Lo Screw, 2- Screw, #4 x .5" High Low (ZP) Phil Flat Head, x .5", 4- 8-18 High Low, 4- #10 USS Flat Washer Black, 2-Screw, 6-32 x 5/8 L Phil Flat Head BLK, 2-Screw, 6-32 x 5/8 L Phil Flat Head BLK)	1
6	9007783	COVER, HOUSING	1
7	9017494	FAN ASSY, VACUUM	1
8	9017493	PLUNGER KIT, VACUUM (Includes 2 - Screw, 8-18 High Low 3/8" Phil Flat Head ZP)	1
9	9007789	COVER, REAR, 6 QT	1
10	9017492	TERMINAL KIT, WALL (Includes 1-Washer 3/8 USS Flat 18-8 SS, 2- Screw, #4 x .5" High Low (ZP) Phil Flat Head, 2- 6-32 Nylon Lock Nut, 2- Screw, 6-32 x 5/8 L FHD BLK)	1
11	9007791	HOSE, VACUUM	1
12	9007809	COVER, MOTOR	1
13	9007813	FRAME, FILTER, CAP	1
14	9007810	SEAL, COVER	1
15	9007806	GASKET, MOTOR, KIT	1
16	9008185	LABEL, TRUE-HEPA	1
17	9007812	FILTER, HEPA	1
18	9007808	SHROUD, MOTOR, TOP	1
19	9007785	BAG, CLOTH, 6 QT	1
20	9007784	BAG, VACUUM, 6 QT (Pack of 12)	1
20	9007866	BAG, VACUUM, 6 QT (Case of 16 Packs=192)	1
21	9013510	HARNESS, BACKPACK [DEUTER]	1
22	9017490	HARNESS, VACUUM	1
23	9017489	COVER KIT, MOTOR, W/LABEL	1
24	9017488	SWITCH, ROCKER, DPST	1
25	9007800	FILTER, EXHAUST (Pack of 6)	1
26	9007801	FRAME, FILTER, BOTTOM	1
27	1237440	BATTERY, 36 VDC, 10.4 AH	1
28	1237438	CHARGER, BATTERY, 36 VDC, 5.3A, 100-240 VAC 50-60Hz	1
29	9017545	CORD, CHARGER, VACUUM	1
30	9017578	WARNING LABEL	1
31	9007788	LATCH, BACK PACK, (INCLUDES 2 RIVETS)	1
32	9015086	EXTENSION, BELT, HARNESS [DEUTER] (OPTIONAL)	1
33	9017579	LABEL, ATTN BATTERY INSTALLATION [DCVAC]	1
34	1215382	LABEL, LOGO [TENNANT]	1

ELECTRICAL DIAGRAM



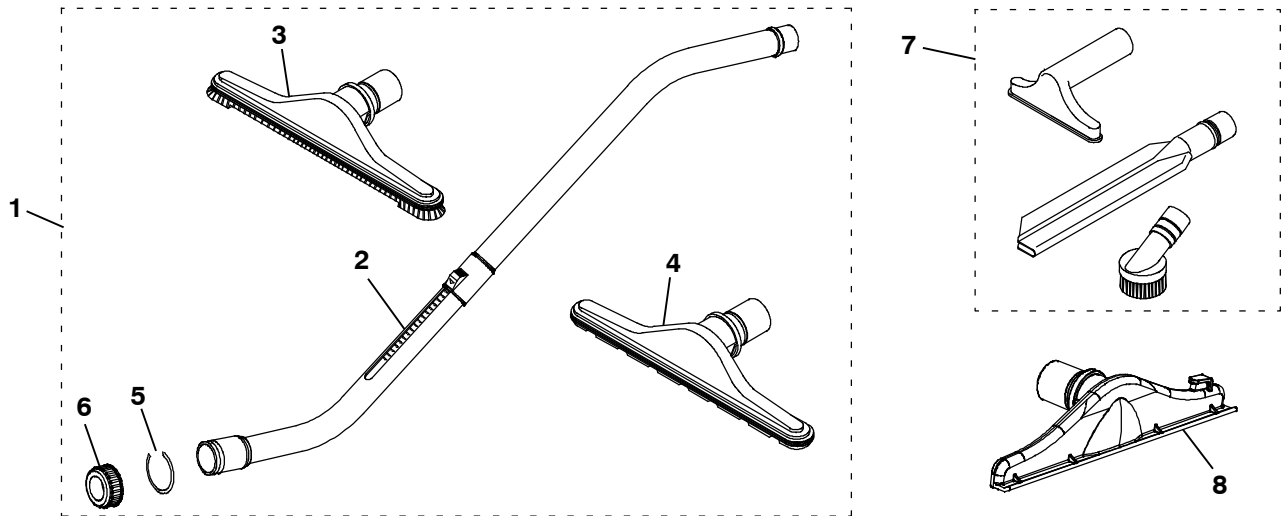
# PARTS LIST

## BASE TOOL KIT



Ref.	Part No.	Description	Qty.
1	1215375	TOOL, KIT, W/ TWO- PIECE WAND, 1.5D [BASE]	1
2	9013464	WAND, 2- BEND, TWO PIECE, 1.5D [BASE] (Includes Ring and Coupling)	1
3	9013468	TOOL, PICKUP, HARD FLOOR, 1.5D, 14W	1
4	9013469	TOOL, PICKUP, CARPET, 1.5D, 14W	1
5	605257	RING, LOCK	1
6	600828	NUT, COUPLING, WAND	1
7	1215380	TOOL, PICKUP, KIT, 3 PCS, 1.5D (Includes upholstery tool, dusting brush and crevice tool)	1
8	9013731	TOOL, PICKUP, CARPET, 1.5D, HIGH VELOCITY [OPTION]	1

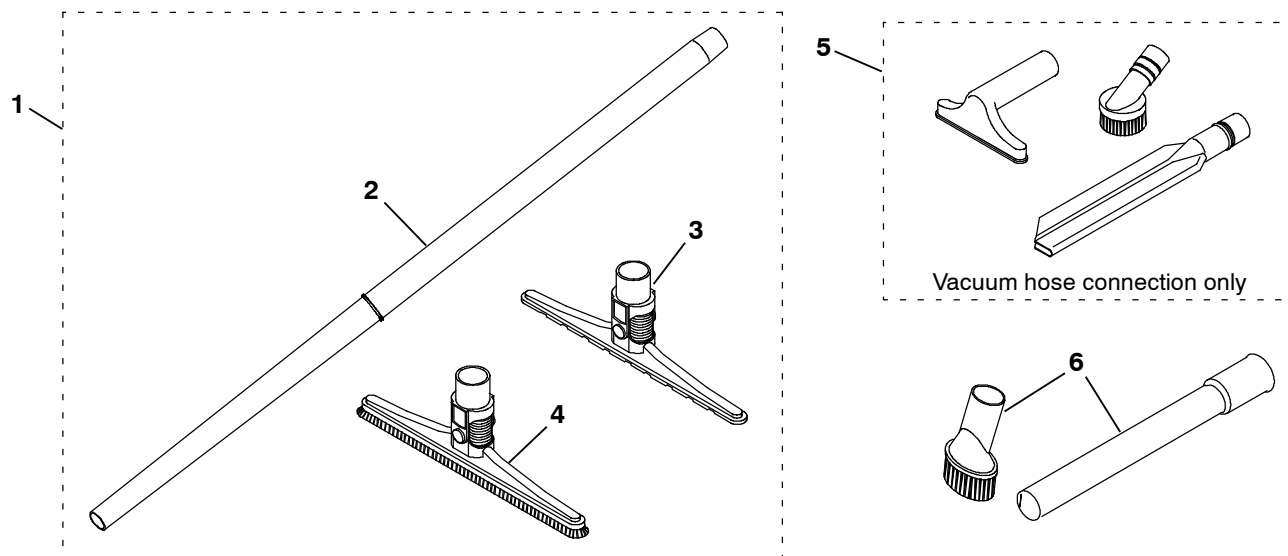
## STANDARD TOOL KIT



Ref.	Part No.	Description	Qty.
1	1215378	TOOL, KIT, W/ TELESCOPIC WAND, 1.5D [STANDARD]	1
2	9013465	WAND, 2- BEND, TELESCOPIC, 1.5D [STANDARD] (Includes Ring and Coupling)	1
3	9013468	TOOL, PICKUP, HARD FLOOR, 1.5D, 14W	1
4	9013469	TOOL, PICKUP, CARPET, 1.5D, 14W	1
5	605257	RING, LOCK	1
6	600828	NUT, COUPLING, WAND	1
7	1215380	TOOL, PICKUP, KIT, 3 PCS, 1.5D (Includes upholstery tool, dusting brush and crevice tool)	1
8	9013731	TOOL, PICKUP, CARPET, 1.5D, HIGH VELOCITY [OPTION]	1



## PREMIUM TOOL KIT



Ref.	Part No.	Description	Qty.
1	1215379	TOOL, KIT, W/ SIDEWINDER WAND [PREMIUM]	1
2	9013466	WAND, TWO PIECE, STRAIGHT, SIDEWINDER TOOL [PREMIUM]	1
3	9013471	TOOL, PICKUP, CARPET, SIDEWINDER, 18W (Compatible w/ straight wand only)	1
4	9013470	TOOL, PICKUP, HARD FLOOR, SIDEWINDER, 18W (Compatible w/ straight wand only)	1
5	1215380	TOOL, PICKUP, KIT, 3 PCS, 1.5D (Includes upholstery tool, dusting brush and crevice tool)	1
6	1215932	TOOL, BRUSH, AIR DUCT W/ ADPTR [OPTION] (Compatible w/ straight wand only)	1

## RECOMMENDED SPARE PARTS LIST

Part No.	Description
9007784	BAG, VACUUM, 6 QT (Pack of 12)
9007866	BAG, VACUUM, 6 QT (Case of 16 Packs=192)
9007785	BAG, CLOTH, 6 QT
9007812	FILTER, HEPA
9007800	FILTER, EXHAUST (Pack of 6)
9017488	SWITCH, ROCKER, DPST
9017494	FAN, ASSY, VACUUM
9007791	HOSE, VACUUM
9013468	TOOL, PICKUP, HARD FLOOR, 1.5D, 14W
9013469	TOOL, PICKUP, CARPET, 1.5D, 14W
1215380	TOOL, PICKUP, KIT, 3 PCS, 1.5D (Includes upholstery tool, dusting brush and crevice tool)
9013470	TOOL, PICKUP, HARD FLOOR, SIDEWINDER, 18W (Compatible w/ straight wand only)
9013471	TOOL, PICKUP, CARPET, SIDEWINDER, 18W (Compatible w/ straight wand only)
1237440	BATTERY, 36 VDC, 10.4 AH
1237438	CHARGER, BATTERY, 36 VDC, 5.3A, 100-240 VAC 50-60Hz