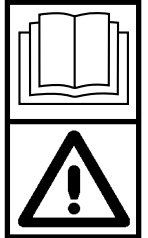
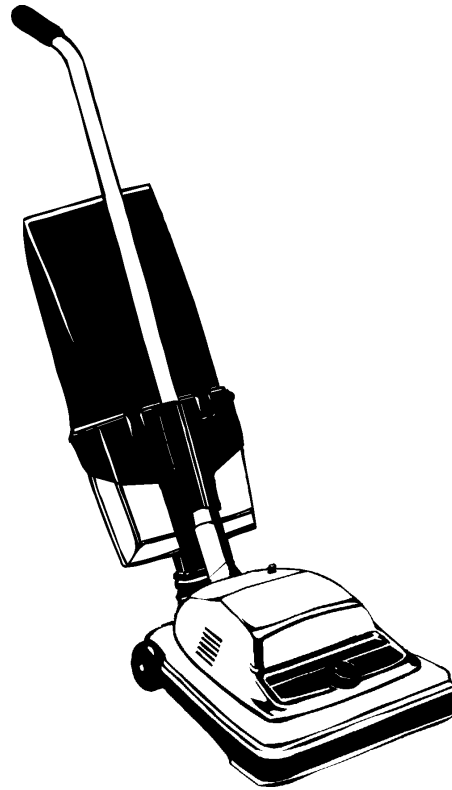


# AdVac™ 12DC



## **OPERATOR MANUAL AND PARTS LIST**

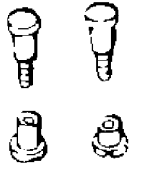
**AdVac™ MODEL 56648197**



**Advance**  
*by Nilfisk-Advance*

1/02 Form Number 56041521

**A**



2-Part  
Handle Bolts



Cord Hook

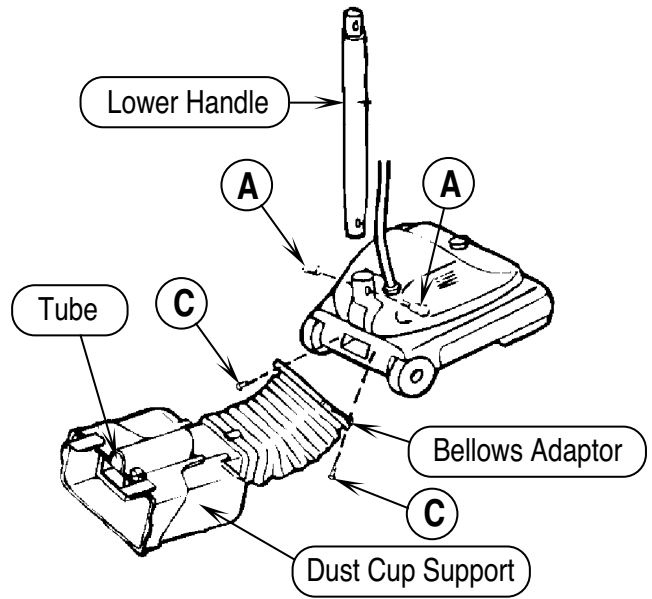


Bag Screws  
And Nuts

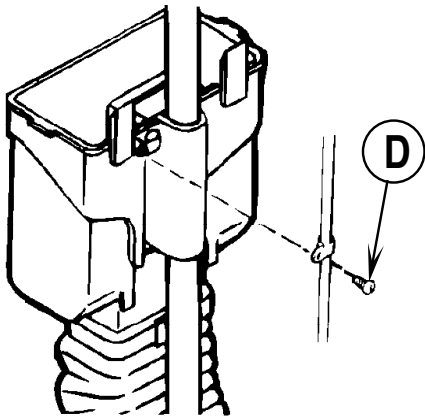


Cord Clamp  
And Screw

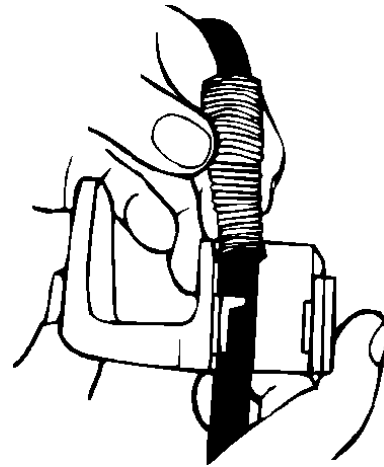
**B**



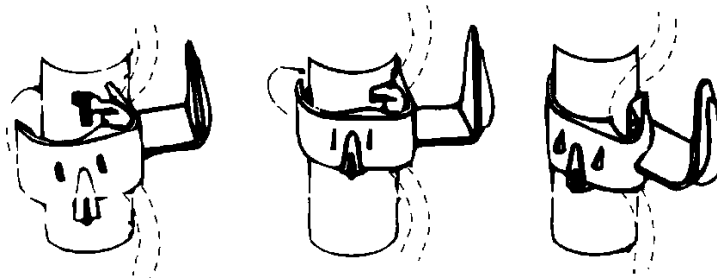
**C**



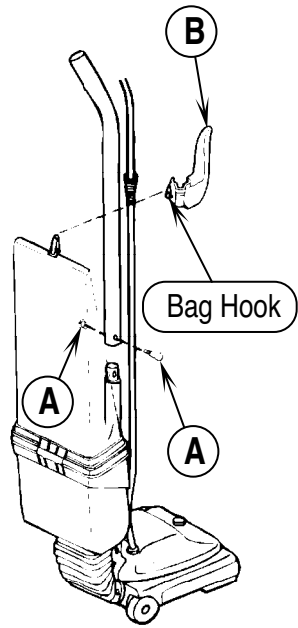
**D**



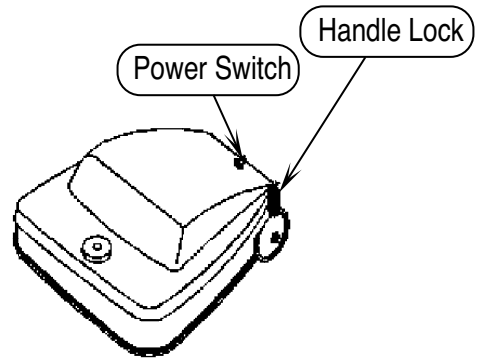
**E**



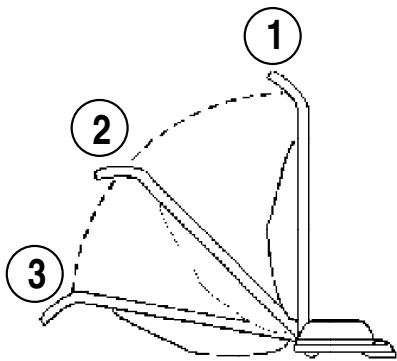
**F**



**G**



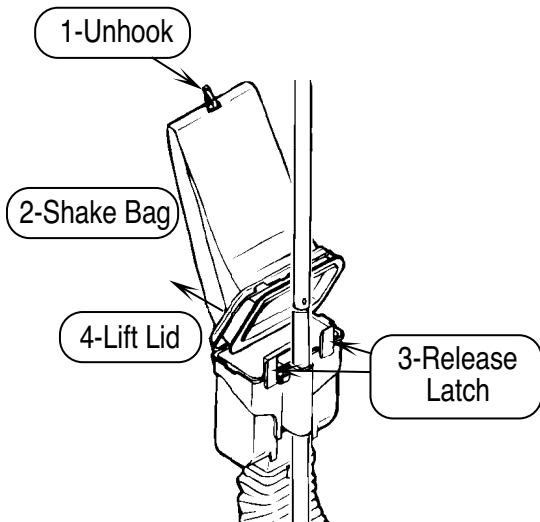
**H**



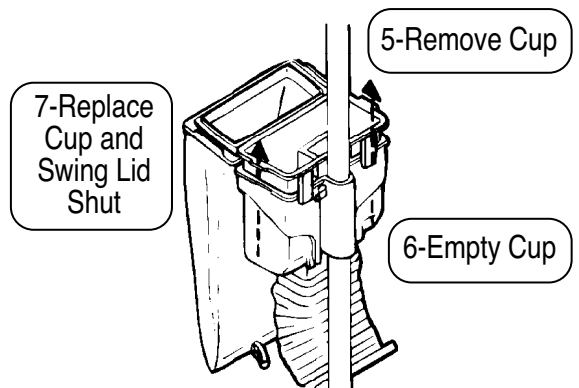
**I**



**J**



**K**



# IMPORTANT SAFETY INSTRUCTIONS

When using an electrical appliance, basic precautions should always be followed, including the following:

Read all instructions before using.

This machine is for commercial use, for example in hotels, schools, hospitals, factories, shops and offices other than normal residential housekeeping purposes.

**THIS APPLIANCE IS INTENDED FOR DRY USE ONLY!**

**DO NOT USE FOR WET FLOOR OR CARPET!**

## **WARNING !**

To reduce the risk of fire, electric shock, or injury:

Failure to follow these safety instructions could result in damage to the machine, damage to property, or bodily injury.

- \* Use machine only as described in this manual. Do not use in ways it was not intended. Use only manufacturer's recommended attachments.
- \* Do not leave the machine unattended when it is plugged in. Turn off all switches and unplug the electrical cord when not in use and before servicing.
- \* Do not allow to be used by untrained personnel. Close attention is necessary when used near children.
- \* If the machine is not working as it should, has been dropped, damaged, or left outdoors, return it to a service center before using.
- \* Avoid electrical shock, do not handle the plug or machine with wet hands. To unplug the cord, grasp the plug. Do not pull on the cord.
- \* Do not use extension cords or outlets with inadequate current carrying capacity. Do not use with a damaged cord or plug. Connect the machine only to a properly grounded outlet (refer to GROUNDING INSTRUCTIONS). Avoid damaging cord (closing doors on cord, pulling around sharp edges or corners, hot surfaces, or running machine over cord).
- \* This machine creates suction and contains a revolving brush roll. Keep hair, loose clothing, fingers, and all other parts of the body away from openings and moving parts. Do not insert any object into any of the openings in the machine.
- \* Do not pick up anything that is burning or smoking, such as cigarettes, matches, or hot ashes.
- \* Do not use the machine to pick up flammable or combustible liquids such as gasoline. Do not use in areas where flammable and/or explosive vapor or dust is present to avoid the possibility of fire or explosion. Some cleaning fluids can produce such vapors.
- \* This machine is not suitable for picking up health endangering dust.
- \* Use extra care when cleaning on stairs.
- \* Unplug electrical appliances before vacuuming them.
- \* Do not use outdoors or on wet surfaces.
- \* Do not use without dust bag in place.
- \* Store the machine in a cool, dry area.

**SAVE THESE INSTRUCTIONS**

# INSTRUCTIONS DE SÉCURITÉ IMPORTANTES

Toujours suivre certaines précautions élémentaires lors de l'utilisation d'un appareil électrique.  
Lire toutes les instructions avant d'utiliser la machine.

Cette machine est adaptée à l'usage commercial, par exemple dans les hôtels, les écoles, les hôpitaux, les usines, les magasins et les bureaux.

**CET APPAREIL NE DOIT ÊTRE UTILISÉ QU'À SEC!  
NE PAS UTILISER SUR UNE SURFACE HUMIDE!**

## **AVERTISSEMENT !**

Pour réduire les risques d'incendie, de décharge électrique ou de blessures:

L'observation des instructions de sécurité risque de causer des dégâts à l'appareil et aux objets placés à proximité et d'occasionner des blessures.

- \* N'utilisez l'appareil que selon les indications données dans le présent manuel. Ne l'utilisez pas à des fins pour lesquelles il n'a pas été conçu. Utilisez-le avec les seuls accessoires recommandés par le fabricant.
- \* Ne laissez pas l'appareil branché sans surveillance. Fermez tous les interrupteurs et débranchez le cordon d'alimentation lorsque vous ne vous en servez pas ou avant les interventions d'entretien-réparation.
- \* Ne laissez pas le personnel non formé se servir de l'appareil. Soyez particulièrement vigilant lorsque vous vous en servez en présence d'enfants.
- \* Si l'appareil ne fonctionne pas normalement, si vous l'avez laissé tomber ou s'il a été endommagé ou laissé à l'extérieur, envoyez-le à un centre de réparations avant de vous en servir.
- \* Pour éviter les risques d'électrocution, ne touchez pas à la prise électrique ou à l'appareil avec les mains mouillées. Débranchez le cordon en tirant sur la prise, par sur le cordon.
- \* N'utilisez pas de cordons de rallonge ou de prises de capacité insuffisante. N'utilisez pas de cordons ou de prises endommagés. Branchez l'appareil uniquement à une prise correctement mise à la terre (voir les INSTRUCTIONS DE MISE À LA TERRE). Évitez d'endommager le cordon en refermant les portes, en le tirant sur des coins de meubles, en l'exposant à des objets chauffés ou en faisant passer l'appareil dessus.
- \* Cet appareil produit une succion et possède une brosse tournante. N'approchez pas les vêtements lâches, les cheveux, les doigts ou toute autre partie du corps des orifices ou des pièces en mouvement. N'introduisez pas d'objets dans les orifices de l'appareil.
- \* N'aspirez pas d'objets en train de brûler ou de fumer, tels que les cigarettes, allumettes ou cendres chaudes.
- \* N'utilisez pas l'appareil pour aspirer des liquides inflammables ou combustibles tels que l'essence. Ne vous servez pas de l'appareil dans des endroits où il peut se trouver des vapeurs ou de la poussière explosives ou inflammables, pour éviter les risques d'incendie ou d'explosion. Certains liquides de nettoyage peuvent émettre de telles vapeurs.
- \* Cette machine n'est pas destinée au ramassage de poussière dangereuse pour la santé.
- \* Soyez particulièrement prudent lorsque vous passez l'aspirateur sur des escaliers.
- \* Débranchez les appareils électriques avant de les nettoyer.
- \* N'utilisez pas l'appareil à l'extérieur ni sur sol mouillé.
- \* Ne vous servez pas de l'appareil si le sac à poussière n'est pas en place.
- \* Rangez l'appareil à l'intérieur, dans un endroit frais et sec.

**CONSERVEZ CES INSTRUCTIONS**

## 120VAC GROUNDING INSTRUCTIONS

This appliance must be grounded. If it should electrically malfunction, grounding provides a path of least resistance for electric current to reduce the risk of electric shock. This appliance is equipped with a cord having an equipment-grounding conductor and grounding plug. The plug must be plugged into an appropriate outlet that is properly installed and grounded in accordance with all local codes and ordinances.

### **⚠ DANGER!**

Improper connection of the equipment-grounding conductor can result in a risk of electric shock. Check with a qualified electrician or service person if you are in doubt as to whether the outlet is properly grounded. Do not modify the plug provided with the appliance. If it will not fit the outlet, have a proper outlet installed by a qualified electrician.

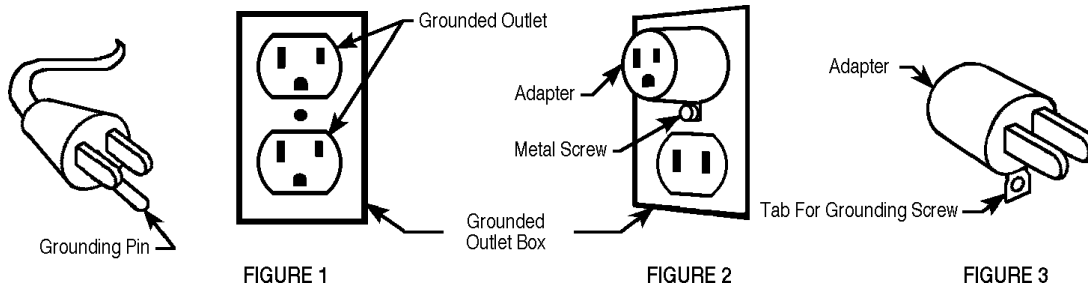
This appliance is for use on a nominal 120-volt circuit, and has a grounding plug that looks like the plug illustrated in Figure 1 below. A temporary adapter illustrated in Figures 2 and 3 may be used to connect this plug to a 2-pole receptacle as shown in Figure 2 if a properly grounded outlet is not available. The temporary adapter should be used only until a properly grounded outlet (Figure 1) can be installed by a qualified electrician. The green-colored rigid ear, tab, or the like extending from the adapter must be connected to a permanent ground such as a properly grounded outlet box cover. Whenever the adapter is used, it must be held in place by a metal screw. Grounding adapters are not approved for use in Canada.

Replace the plug if the grounding pin is damaged or broken.

The Green (or Green/Yellow) wire in the cord is the grounding wire. When replacing a plug, this wire must be attached to the grounding pin only.

Extension cords connected to this machine should be 12 gauge, three-wire cords with three-prong plugs and outlets. DO NOT use extension cords more than 50 feet (15 m) long.

### PLEASE NOTE: FOR NORTH AMERICA ONLY



## INSTRUCTIONS VISANT LA MISE À LA TERRE (120VAC)

Cet appareil doit être mis à la terre. En cas de défaillance ou de panne éventuelles, la mise à la terre fournit au courant un chemin de moindre résistance qui réduit le risque de choc électrique. Cet appareil est pourvu d'un cordon muni d'un conducteur de terre et d'une fiche avec broche de terre. La fiche doit être branchée dans une prise appropriée correctement installée et mise à la terre conformément aux règlements et ordonnances municipaux.

### ⚠ AVERTISSEMENT !

Un conducteur de terre mal raccordé peut entraîner un risque de choc électrique. Consulter un électricien ou un technicien d'entretien qualifié si vous n'êtes pas certain que la prise est correctement mise à la terre. Ne pas modifier la fiche fournie avec l'appareil - si elle ne peut être insérée dans la prise, faire installer une prise adéquate par un électricien qualifié.

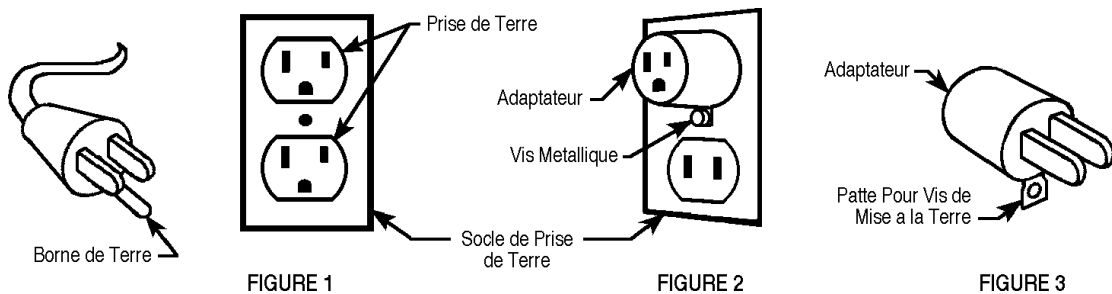
Cet appareil est destiné à un circuit de 120 V et est muni d'une fiche de terre semblable à celle illustrée par le croquis 1. Un adaptateur temporaire semblable à celui illustré par le croquis 2 et C peut être utilisé pour brancher cette fiche à une prise bipolaire comme l'illustre le croquis 2 si une prise avec mise à la terre n'est pas disponible. L'adaptateur temporaire devrait être utilisé seulement jusqu'à ce qu'une prise avec mise à la terre soit installée par un électricien qualifié. L'oreille rigide ou le crochet ou autre dispositif semblable, de couleur verte, prolongeant l'adaptateur doit être raccordé à un élément correctement mis à la terre comme le couvercle d'une boîte de sortie mise à la terre. L'adaptateur doit être fixé par une vis métallique. **Note:** Au Canada, l'utilisation d'un adaptateur temporaire n'est pas autorisée par le Code canadien de l'électricité.

Remplacez la prise si la prise de terre est abîmée ou cassée.

Le fil Vert (ou Vert/Jaune) dans la gaine est le fil de terre. Lors du remplacement d'une prise, ce fil doit être raccordé à la prise de terre uniquement.

Les ralonges connectées à cette machine doivent avoir 12 mesures, trois ganses de fil ayant trois fiches masculines féminines tree-prong plugs and outlets. N'UTILISEZ PAS de ralonge de plus de 15 m (50 pieds) de long.

**VEUILLEZ NOTER: CES INSTRUCTIONS CONCERNENT UNIQUEMENT L'AMÉRIQUE DU NORD**



## INTRODUCTION

This manual will help you get the most from your **Advance AdVac™**. Read it thoroughly before operating the machine.

This product is intended for commercial use only.

## PARTS AND SERVICE

Repairs, when required, should be performed by your Authorized Nilfisk-Advance Service Center, who employs factory trained service personnel, and maintains an inventory of Nilfisk-Advance original replacement parts and accessories.

Call the NILFISK-ADVANCE DEALER named below for repair parts or service. Please specify the Model and Serial Number when discussing your machine.

(Dealer, affix service sticker here.)

## NAME PLATE

The Model Number and Serial Number of your machine are shown on the Nameplate on the bottom of the machine. This information is needed when ordering repair parts for the machine. Use the space below to note the Model Number and Serial Number of your machine for future reference.

MODEL NUMBER \_\_\_\_\_

SERIAL NUMBER \_\_\_\_\_

## UNCRATE THE MACHINE

When the machine is delivered, carefully inspect the shipping carton and the machine for damage. If damage is evident, save the shipping carton so that it can be inspected. Contact the Nilfisk-Advance Customer Service Department immediately to file a freight damage claim.

## MACHINE ASSEMBLY

### CAUTION!

Fully assemble the cleaner before using.

### A - ASSEMBLY PACKET

The assembly packet contains two 2-part handle bolts, one (1) cord hook, two (2) bag screws, two (2) bag nuts, and one (1) cord clamp with a screw. An extra belt is included with some models.

### B - SECURE BELLOWS

Check to be sure the end of the bellows is secure in the chrome bellows adapter. Align the screw holes in the bellows adapter with the back of the base, start the screws (C) by hand and tighten.

### B - ATTACH LOWER HANDLE

Raise the dust cup support. Push the lower handle (largest end down) through the tube of the dust cup support and into the handle socket at the back of the cleaner. Align the holes, insert a 2-part bolt (A), and tighten.

## F - ASSEMBLE UPPER HANDLE

Hold the upper handle so it curves away from the cleaner, then push it down over the lower handle. Secure with the other 2-part handle bolt (A).

## C - SECURE CORD CLAMP

Secure the electrical cord to the dust cup support with the cord clamp and screw (D). Place the cord clamp over the electrical cord. Screw the clamp to the tab below the left latch; start the screw by hand, then tighten.

## D, E, F - ATTACH THE CORD HOOK

Pull the spring on the electrical cord upward toward the top of the handle. Insert the lower half of the spring into the cord hook (B). Snap the hook into the upper handle, directions below.

Pull up on the cord to tighten but leave enough slack near the base so the cord is not strained when the handle is lowered.

## STORE ELECTRICAL CORD

Loop the cord around the cord hook and secure the plug to prevent unwinding.

## F - HOOK BAG TOP

Slip the ring at the top of the cloth bag over the bag support hook on the back of the cord hook.

## G - POWER SWITCH

The power switch is located at the rear of machine, to the left of the handle base. Simply step on it to turn the machine on or off.

## H - HANDLE ADJUSTMENT

The handle lock is located at the left rear side of the machine. Simply step on it to release and move the handle to one of the three positions.

## I - HEIGHT ADJUSTMENT

This machine has a 6-position adjustment knob. To select the proper setting, move the knob to the highest setting. Turn down one setting at a time until the machine's sound changes to a smooth buzzing or vibrating tone. This is the sound of the beater bars grooming the pile.

**NOTE:** Raise the front of the machine to ease changing the settings.



## J, K - DUST CUP AND BAG

The cloth bag and the dust cup play a very important role in the efficiency of the vacuum cleaner. The cloth bag allows air to move through the cleaner while it traps dirt inside the cloth bag and the dust cup. When dirt particles cling to the cloth bag they can restrict airflow. If air cannot pass through the cloth bag, no cleaning can take place regardless of how powerful the unit. Some fine particles can restrict airflow very quickly and will decrease performance even before the dust cup appears to be full. For that reason, when vacuuming powder, flour dust, or similar fine substances, it may be necessary to turn off the cleaner and empty the dust cup more often.

**NOTE:** Turn off the switch and unplug the electrical cord before emptying the dust cup. Never operate the vacuum cleaner without the dust cup latched in place.

- 1 Unhook the clip from the top of the cloth bag.
- 2 Shake the cloth bag to release dust clinging inside.
- 3 Release each latch, one on either side of the handle (lift up on the bottom and pull the top forward).
- 4 Lift the lid, swing it up and outward.
- 5 Reach in, grasp the dust cup and pull it out of the support.
- 6 Empty contents in a suitable container. (If desired, the cup can be washed in warm water using a mild soap solution. Be sure the cup is completely dry before replacing.)
- 7 Place the cup into the support, swing the lid shut, and fasten each latch.
- 8 Hook clip to top of bag (refer to item 1).

## CLEAN UP AND STORAGE

Store the machine in a cool dry place. Wind the extension cord in a circle and hang on the cord hooks provided on the machine. Be sure not to wind the cord tighter than necessary.

Avoid prolonged exposure of machine to freezing temperatures during storage or transporting.

## MAINTENANCE

### **WARNING:**

BEFORE ANY SERVICING TO AVOID POSSIBLE INJURY OR ELECTRIC SHOCK, DISCONNECT THE POWER CORD FROM THE ELECTRICAL OUTLET.

## BRUSH ROLL BELT REPLACEMENT

### **CAUTION!**

Belt and pulley become hot during normal use. The belt should be checked regularly. Replace belt if it is stretching, cracking or slipping.

Remove the bottom chrome plate by turning the two cam locks on each side. Remove the worn belt from the drive motor pulley. Remove the brush roll from the base, and slide off worn belt. Slip new belt around brush roll and reinstall into machine. Install belt around drive pulley with low side in groove. Be sure belt is installed correctly or brush roll will turn backwards. Replace chrome cover.

**NOTE:** Be sure brush roll with offset belt drive is oriented correctly, with the shorter length to the left. Arrows on brush roll end-caps indicates the top of cap and shows installation direction. Cut away any hair or thread wound around the brush roll or the belt pulley because the buildup could cause the belt to rotate unevenly.

## BRUSH STRIP REPLACEMENT

To replace, remove the bottom chrome plate by turning the two cam locks on each side and remove brush roll from machine. Remove nuts and end caps. Slide out worn brush strips and replace. Reassemble brush roll and reinstall in machine.

**NOTE:** Brush strips are different lengths. Arrows on brush roll end caps indicates the top of cap and shows installation direction. headlight replacement

Pry off the headlight lens. Press bulb into socket, turn and remove. Install new bulb and replace lens. **NOTE:** Use 25 watt bulb only.

## CARBON MOTOR BRUSHES

Have Nilfisk-Advance check the carbon motor brushes once a year or after 500 operating hours.

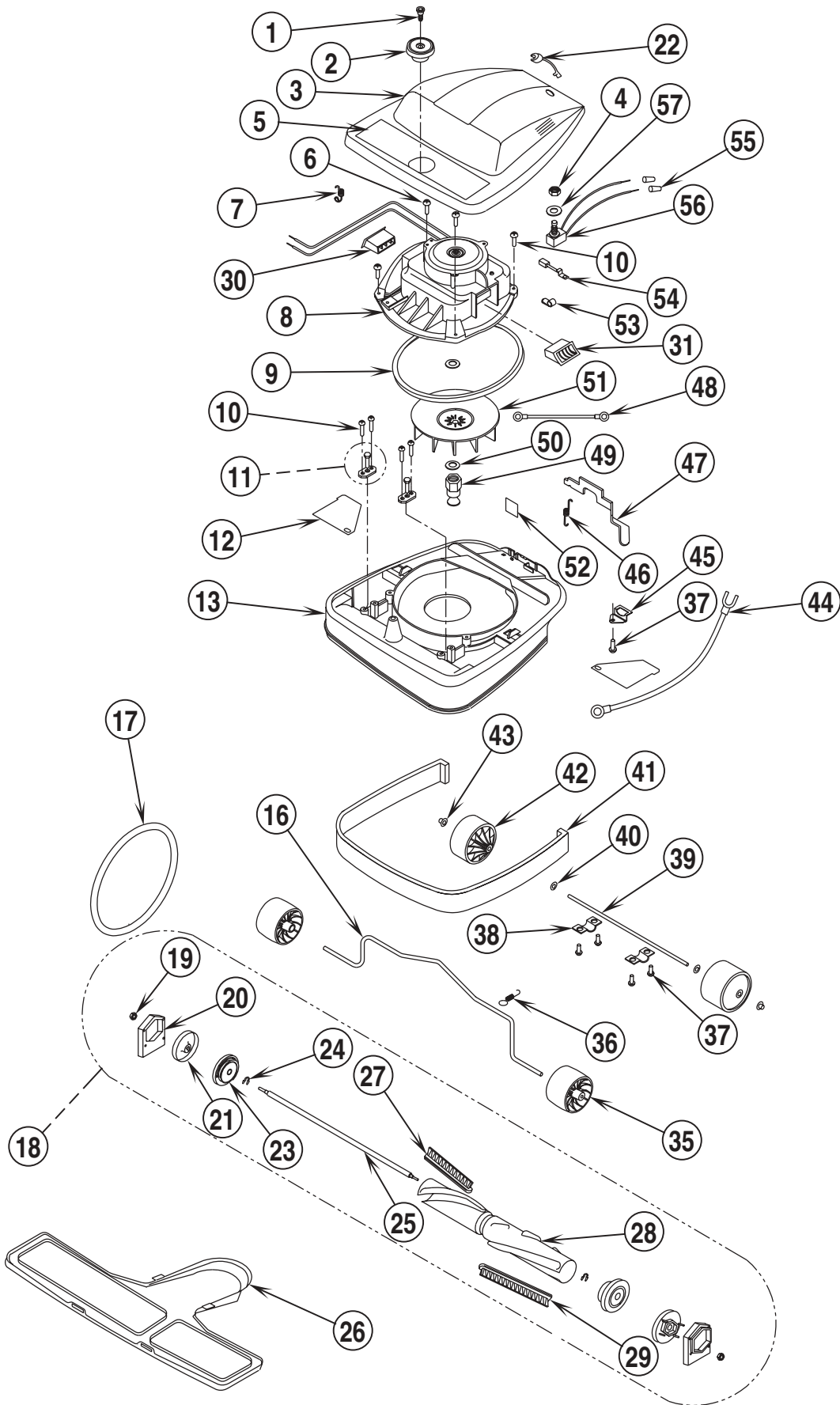
### **IMPORTANT !**

Motor damage from failure to service the carbon brushes is not covered under warranty.

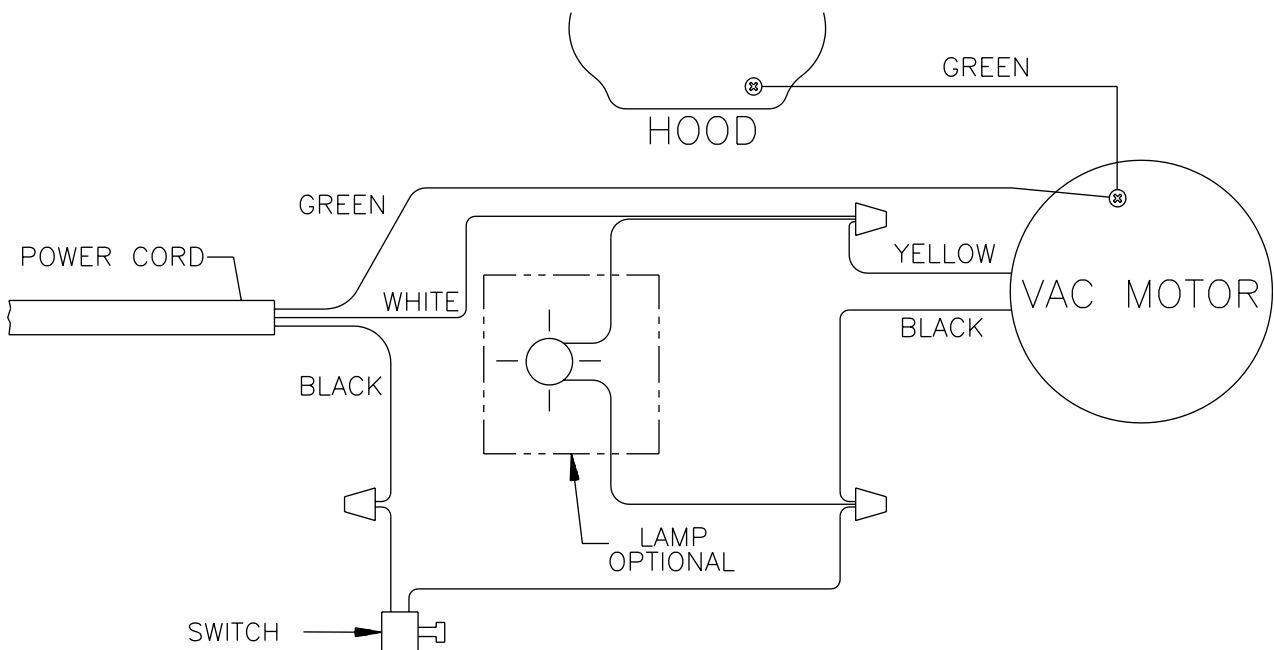
## FAN SCROLL

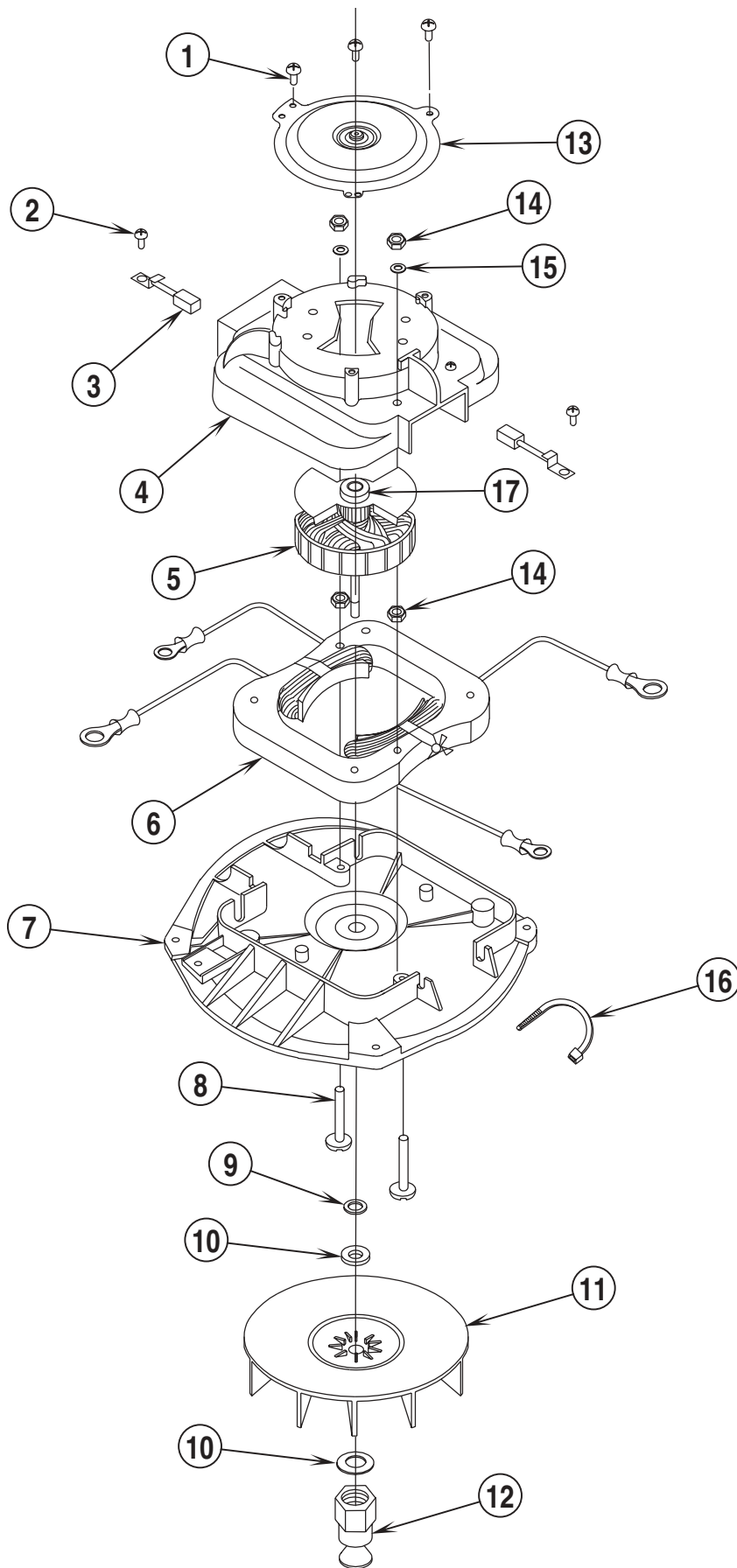
If your machine has a clear fan scroll attached to the underside of the base, this may be removed and cleaned. Remove the chrome plate and brush roll belt from pulley. Remove the two screws on either side of the clear scroll, press the cam locks outward and lift the scroll from the base. Dirt should clear easily, though some scraping may be needed.

Be sure the gasket is in place. Reinstall by placing the rear-end between the rear wheels and seat firmly. Reinstall belt and chrome plate.



Item	Ref. No.	Qty	Description	Item	Ref. No.	Qty	Description
1	56009385	1	Scr Shldr Plasform 12-10 x .172	35	56630592	2	Wheel—2.25dia,.322bore,1.62hb
2	56630517	1	Asm,Knob	36	56630620	1	Spring,Ext .275d 1.50l .024wd
3	56648081	1	Hood,Mtr—Light Gray	37	56009191	5	Scr Tpg F Pan Hd 10-10x.500l
4	56630917	1	Nut-Switch Upright	38	56630921	2	Clamp,Axle
5	56016571	1	Decal, AdVac	39	56630671	1	Axle,Rear—Sc886-A
6	56003322	1	Scr Tpg F Pan Hd 10-10x.625l	40	56009384	2	Wshr Flt .328id.562od.033t Stl
7	56630765	2	Spring,Ext .304d .930l .055wd	41	56630508	1	Guard,Furn—Clear Blue,31.00l
8	56630358	1	Mtr,Vac—Uprt,7 Amp,115v	42	56630500	2	Wheel—2.62dia,.316bore,.797hb
9	56630562	2	Gasket-Motor Seal	43	56630767	2	Nut,Push-On—
10	56003504	7	Scr Tpg F Pan Hd 10-10x.812 L	44	56630790	1	Asm,Wire—18ga,Grn,7.5l,Rings
11	56630791	2	Asm,Clamp & Screw	45	56630668	1	Retainer Brkt—Bag Clip
12	56630606	2	Cover-Wheel	46	56630732	1	Spring,Ext .257d 1.25l .035wd
13	56648060	1	Asm,Base—Uprt,120dc,12",Gray	47	56630395	1	Pedal,Foot—Uprt,White
16	56630597	1	Axle-Front (C2035g)	48	56630914	1	Asm,Wire—18ga,Grn,9.0l,Rings
17	56630563	1	Belt-Disturbulator Drive	49	56630665	1	Pulley—Motor Drive,Service
18	56630489	1	Asm,Disturbulator—Uprt,12,Vg2	50	56630799	2	Wshr Flt .312id.625od.094t Fbr
19	56630819	2	Nut,Hex Lock— 10-32,Nyloc	51	56630273	1	Fan—Upright,Lexan
20	56630488	2	Cap,Cover—Various Uprights	52	56630965	1	Label—Warning Moving Parts
21	56630486	2	Cap,Disturbulator—1.515dia.	53	56630837	1	Clamp,Loop—.250 Closed Id,Nyl
22	56630768	1	Bshg,Strn Rlf—Heyco Sr-6n3-4	54	56630561	2	Brush,Mtr
23	56630661	2	Asm,Retainer—Bearing	55	56638120	3	Nut,Wire—Ideal 72b,Blu
24	56630866	2	Ring,Rtng—Ext,.312 Shaft,5304	56	56630621	1	Switch,Push—Spst,10a,125v
25	56630479	1	Shaft-Disturbulator	57	56009383	1	Wshr, Int Shprf .509 x .625 x .020
26	56630478	1	Asm,Plate—Bottom	**	56052964	1	Magnet, Permanent
27	56630467	1	Asm,Strip—Bristle,4.5" Long	**	56630325	1	Kit, Upright Attachment
28	56630307	1	Tube,Disturbulator				
29	56630469	1	Asm,Strip—Bristle,6" Long				** = Not Included (optional)
30	56630950	1	Asm,Air Duct—Right				
31	56630949	1	Asm,Air Duct—Left				





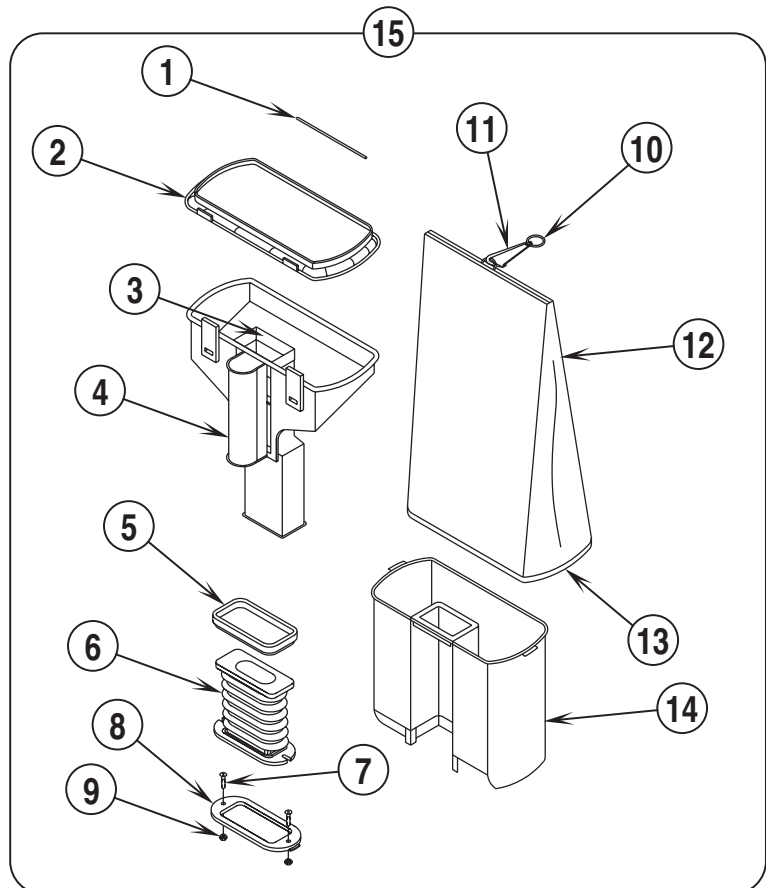
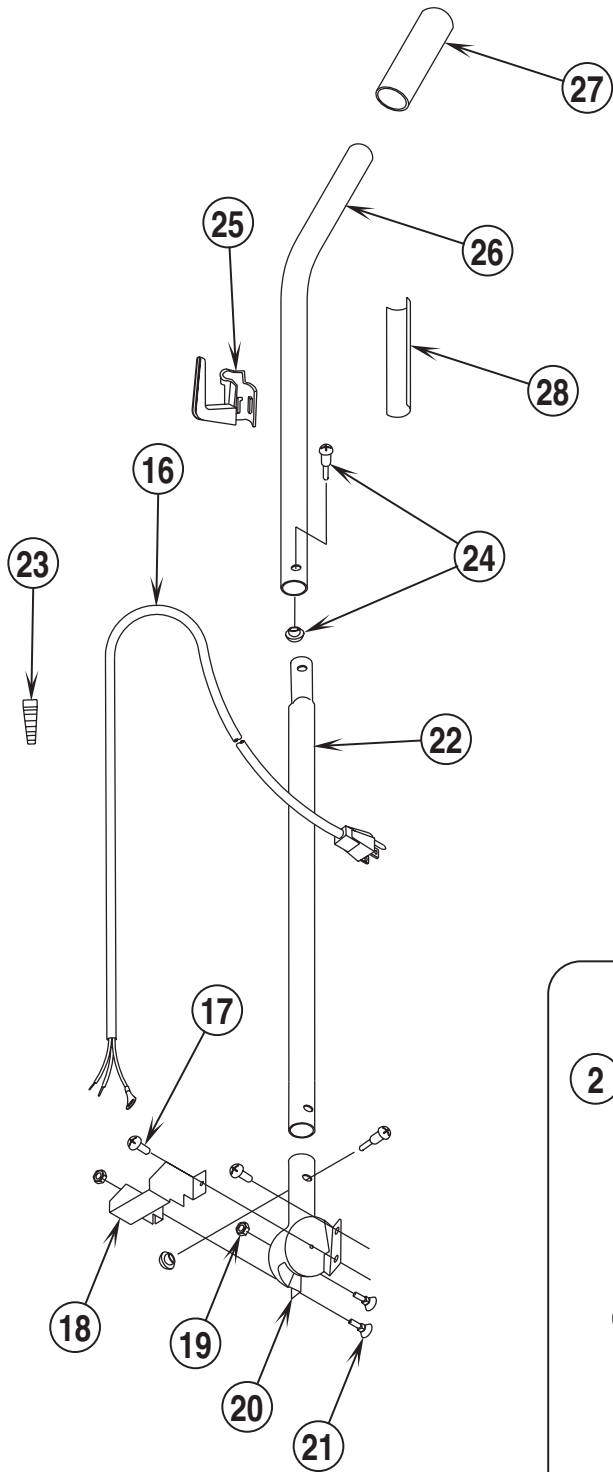
Item	Ref. No.	Qty	Description
1	56630787	3	Scr Tpg C Pan Hd 8-Btx.500l
2	56002811	2	Scr Mach Pan Hd 6-32x.250l
3	56630561	2	Brush,Mtr
4	56630525	1	Cover,Mtr
5	56630901	1	Kit,Armature—Replacement
6	56630895	1	Stator,Mtr
7	56630567	1	Asm,Base—Motor
8	56630793	2	Orlo Thd. Screw
9	56630870	1	Wshr Flt .318id.500od.046t Stl
10	56630799	2	Wshr Flt .312id.625od.094t Fbr
11	56630273	1	Fan—Upright,Lexan
12	56630665	1	Pulley—Motor Drive,Service
13	56630375	1	Asm,Retainer
14	56009148	4	Nut,Hex— 8-32,Zn Plt
15	56009010	2	Wshr Lk .172id.330od.020t Int
16	56630749	1	Tie-Cable—3.62" Long
17	56630723	1	Brg,Ball—.275id, .866od,.315w

# HANDLE ASSEMBLY

02-1

14

## AdVac™ 12DC



Item	Ref. No.	Qty	Description
1	56630916	1	Pin—Cover
2	56630352	1	Flange—Bag
3	56630706	1	Gasket—Dirt Cup
4	56630903	1	Asm,Dirt Cup Support—W/Latches
5	56630502	1	Clamp—Bellows/Dirt Cup,Top
6	56630351	1	Bellows-Dirt Cup
7	56002192	2	Scr Mach Pan Hd 10-24x.750l
8	56630705	1	Clamp—Bellows,Dirt Cup,Bottom
9	56002768	2	Nut,Hex Lock— 10-24,Nyloc
10	56630959	1	Ring—Steel/Dirt Cup
11	56630958	1	Hook—Snap/Dirt Cup
12	56648085	1	Asm,Bag—Dirt Cup,Blk,Comm
13	56630969	1	Gasket,Foam—Dirt Cup,Formed
14	56630249	1	Cup—Dirt,Clear Plstc
15	56648084	1	Asm,Dirt Cup W/Bag Asm—Blk/Cm
16	56025715	1	Cord,Power—18-3,Sjt,Gray,50'
17	56003322	2	Scr Tpg F Pan Hd 10-10x.625l
18	56630623	1	Shield-Handle Socket
19	56002768	2	Nut,Hex Lock— 10-24,Nyloc
20	56630696	1	Asm,Handle Socket
21	56003543	2	Bolt,Carriage—10-24 X .625l
22	56630268	1	Handle Tube—Upright
23	56630634	1	Spring,Comp .625d 2.12l .042wd
24	56630919	2	Asm,Screw—Handle
25	56630353	1	Hook,Cord—Uprt,Black
26	56630523	1	Tube,Handle—Upper
27	56630575	1	Grip,Handle—Black
28	56630714	1	Label,Warn—Uprt,Eng/French



**Nilfisk  
Advance**

*setting standards*

Nilfisk-Advance, Inc.

14600 21st Avenue North  
Plymouth, MN, 55447-3408

[www.nilfisk-advance.com](http://www.nilfisk-advance.com)

Phone: 800-989-2235

Fax: 800-989-6566

©2001 Nilfisk-Advance, Inc.,  
Plymouth, MN 55447-3408

Printed in the U.S.A.