**DESCRIPTION****PLAN**

| | |
|-----------------------------|----|
| Motor and motor parts | 2 |
| Electrical parts | 4 |
| Container parts | 6 |
| Straps | 8 |
| Filters | 10 |
| Nozzles 1.5 Inch, 38 mm | 12 |
| Wands, hose 1.5 Inch, 38 mm | 14 |
| Wiring diagram | 15 |

WHEN ORDERING PARTS

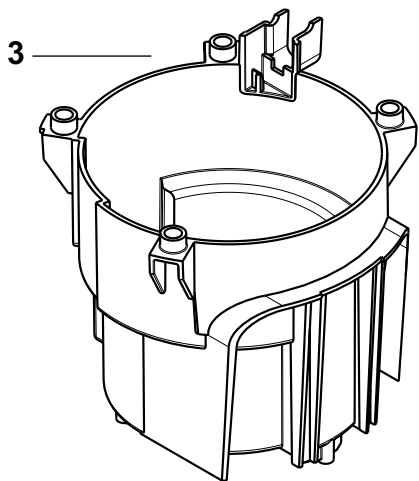
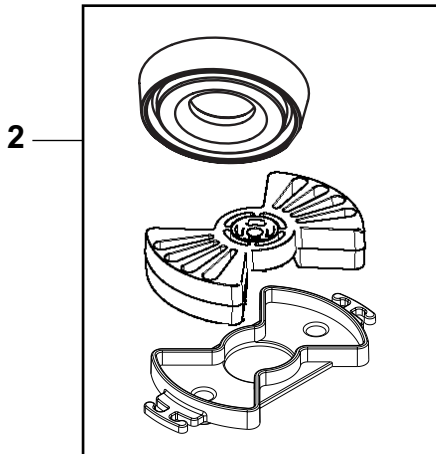
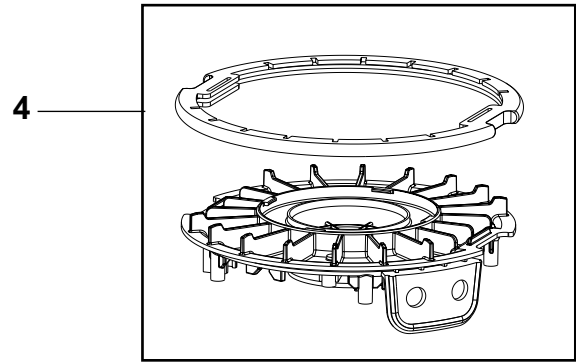
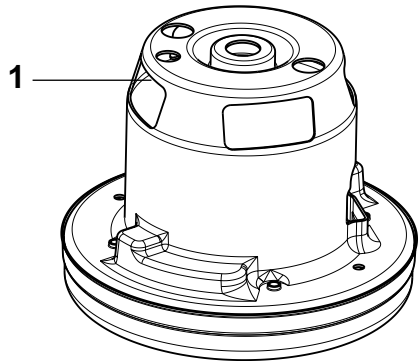
- * Use the digit numbers from the "Part No." columns in this spare parts list.
- * Specify the model and serial number of the machine.
- * Use the space below to record the model and serial number for future reference.

Model _____ Serial no. _____

USA
 Nilfisk-Advance Inc.
 14600 21st Avenue North
 Plymouth, MN 55447-3408
 Tel.: (763) 745 3500
 Fax : (763) 745 3718

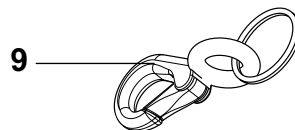
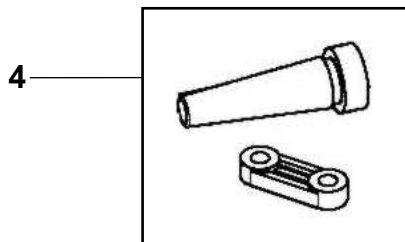
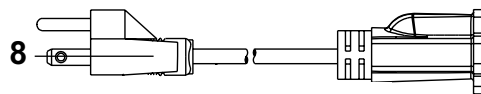
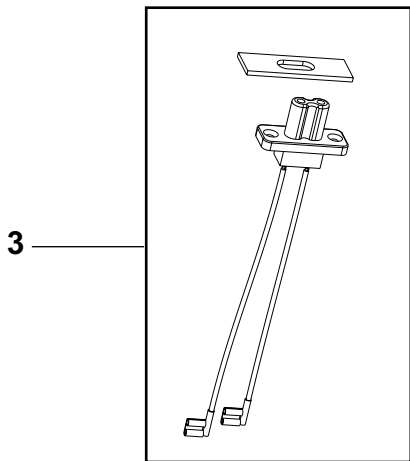
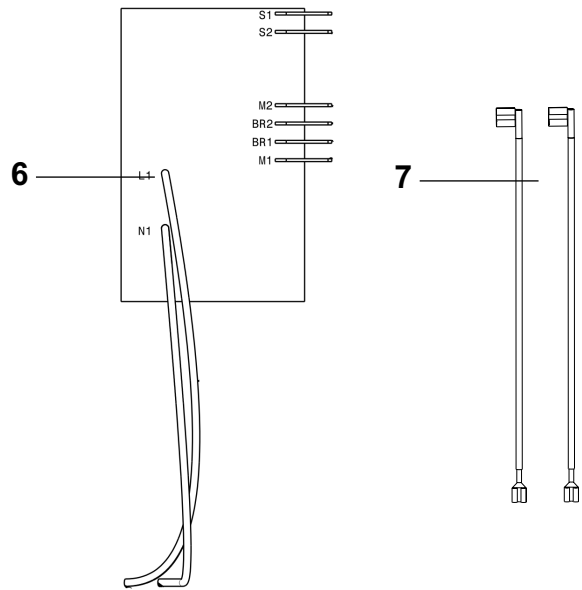
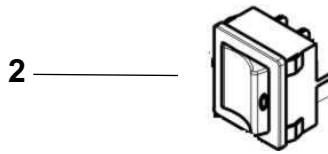
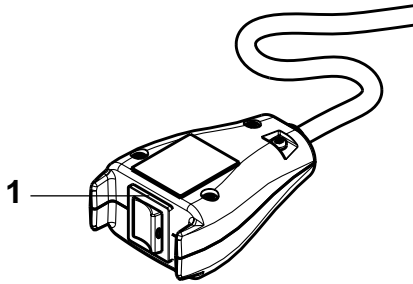
Canada
 Nilfisk-Advance Canada Company
 396 Watline Avenue
 Mississauga
 Ontario, L4Z 1X2
 Tel.: 905-712-3260
 Fax: 905-712-3255

www.mn.nilfisk-advance.com



| | | | | |
|-------|------------------------------|---------------------|--|----------|
| 08-02 | Advance Adgility 6XP, 10XP | 823 0101 000 | | |
| | MOTOR AND MOTOR PARTS | | | 3 |

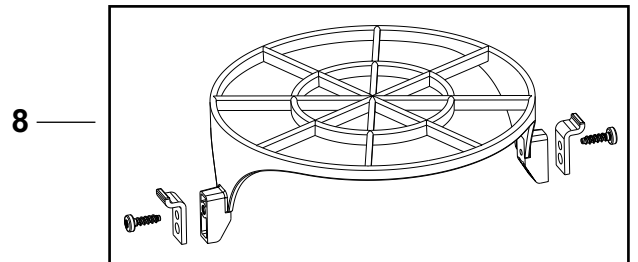
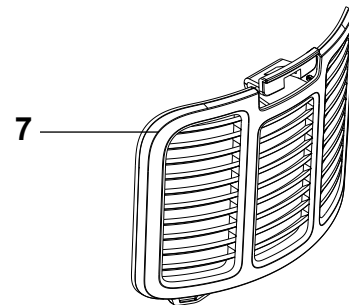
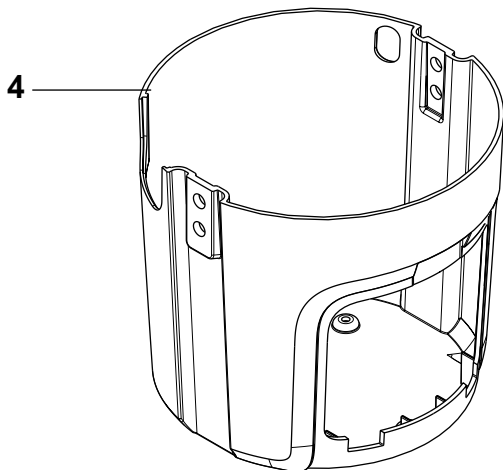
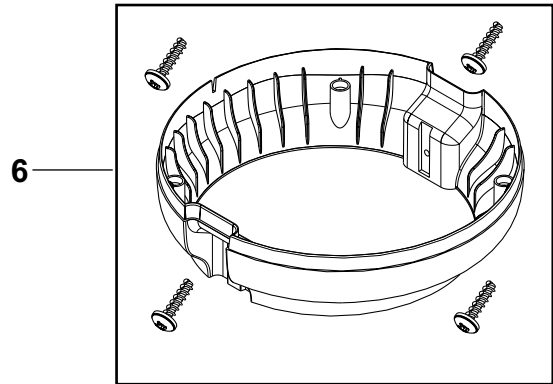
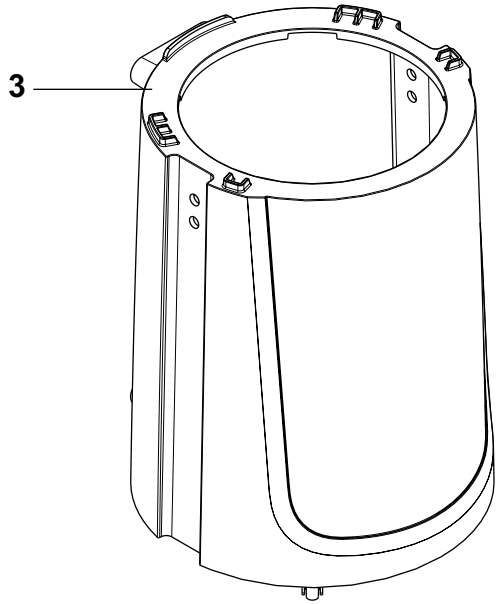
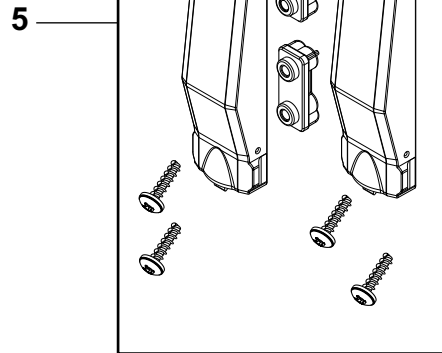
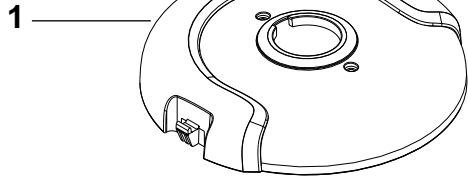
| Item | Part No. | Qty. | Description | Note |
|------|--------------|------|---------------------------|------|
| 1 | 147 1109 500 | 1 | Fan unit 100 -120V, 1300W | |
| 2 | 147 1111 500 | 1 | Motor suspension kit | |
| 3 | 147 1088 510 | 1 | Motor cover, UL-approved | |
| 4 | 147 1086 510 | 1 | Chassis, UL-approved | |



| | | | | |
|--------------|-----------------------------------|---------------------|--|----------|
| 08-02 | Advance Adgility 6XP, 10XP | 823 0101 000 | | |
| | ELECTRICAL PARTS | | | 5 |

| Item | Part No. | Qty. | Description | Note |
|-------------|-----------------|-------------|--------------------------------------|---|
| 1 | 147 1105 500 | 1 | Switch cpl. | |
| 2 | 140 5496 510 | 1 | Switch | |
| 3 | 140 8497 530 | 1 | Connector | |
| 4 | 140 7035 510 | 1 | Sleeve kit | Anti strain clip incl. |
| 5 | 140 3859 500 | 1 | Cord set US/TW plug, machine end. | 1.3 ft (400 mm) |
| 6 | 147 1231 510 | 1 | Curcuit board 100-120V | |
| 7 | 140 7042 520 | 1 | Internal wire kit | 2 Wires incl. |
| 8 | 147 1243 500 | 1 | Cord extension | 50 ft (15.5 m) Colour: Yellow. 16 AWG |
| 9 | 147 1346 500 | 1 | Anti strain snap hook | |

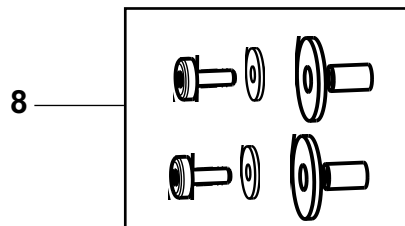
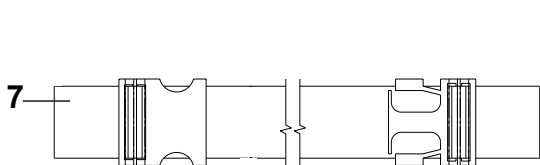
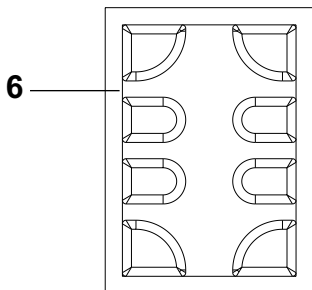
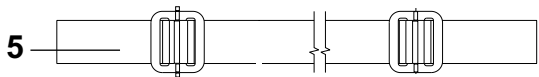
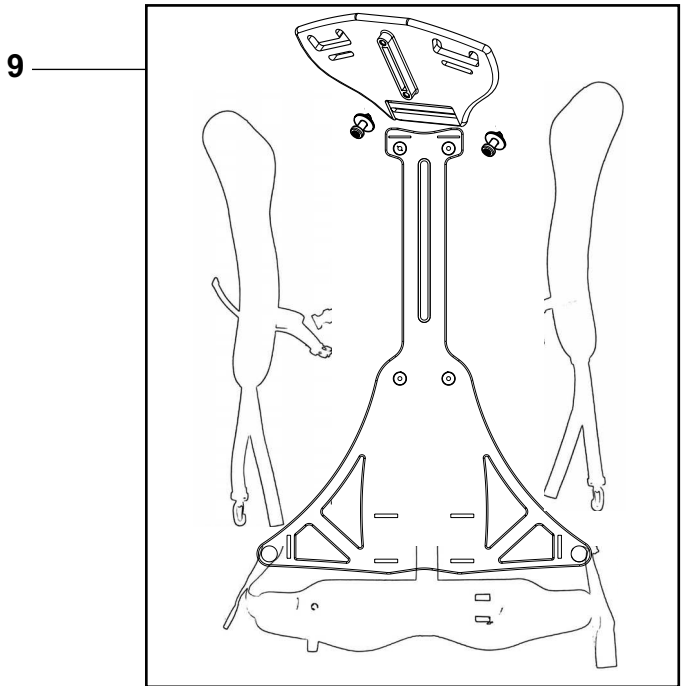
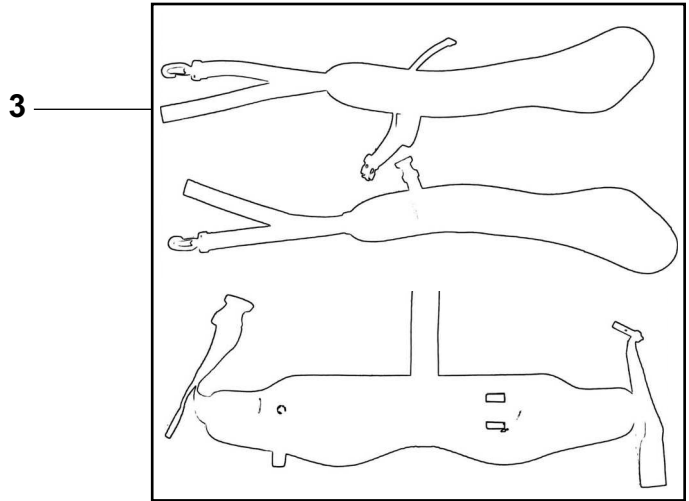
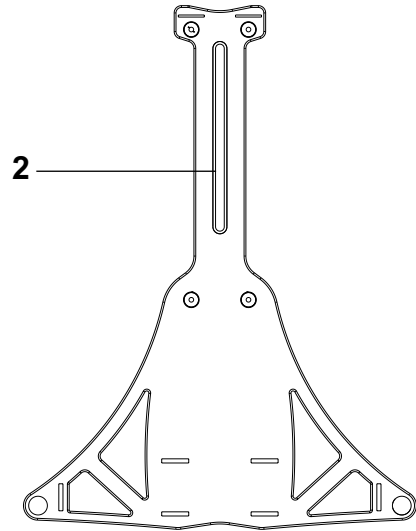
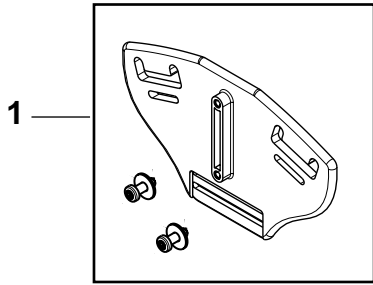
CONTAINER PARTS



| | | | | |
|------------------------|----------------------------|---------------------|--|----------|
| 08-02 | Advance Adgility 6XP, 10XP | 823 0101 000 | | |
| CONTAINER PARTS | | | | 7 |

| Item | Part No. | Qty. | Description | Note |
|------|--------------|------|---------------------------|---|
| 1 | 147 1077 500 | 1 | Outer lid, for 6XP | Grey |
| 1 | 147 1080 500 | 1 | Outer lid, for 10XP | Grey |
| 3 | 147 1076 500 | 1 | Container, for 6XP | Grey |
| 3 | 147 1079 500 | 1 | Container, for 10XP | Grey |
| 4 | 147 1075 520 | 1 | Cover outer | |
| 4 | 147 1075 530 | 1 | Cover outer, power outlet | Gasket incl. |
| 5 | 147 1101 500 | 1 | Latch kit | 2 latches, screws and screw towers. |
| 6 | 147 1078 500 | 1 | Adapter, for 10XP | Screws incl. |
| 7 | 147 1082 500 | 1 | Grid exhaust | |
| 8 | 147 1115 500 | 1 | Basket sack filter | Hooks and screws incl. |

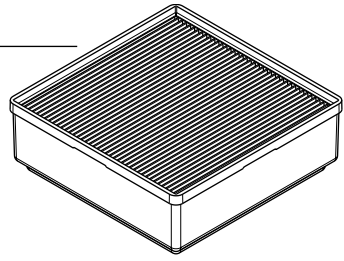
STRAPS PARTS



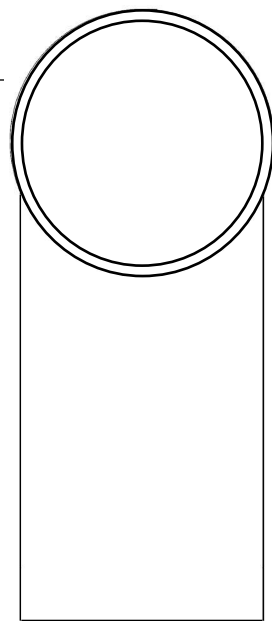
| | | | | |
|--------------|-----------------------------------|---------------------|--|----------|
| 08-02 | Advance Adgility 6XP, 10XP | 823 0101 000 | | |
| | STRAPS PARTS | | | 9 |

| Item | Part No. | Qty. | Description | Note |
|-------------|-----------------|-------------|----------------------|--------------------------|
| 1 | 147 1092 500 | 1 | Adjusting plate | |
| 2 | 147 1091 500 | 1 | Harness support | |
| 3 | 147 1246 500 | 1 | Harness premium | Screws and washers incl. |
| 5 | 147 1247 500 | 1 | Lifting strap | |
| 6 | 147 1248 500 | 1 | Padding, back plate | |
| 7 | 147 1249 500 | 1 | Extension belt | L=400 mm |
| 8 | 147 1246 600 | 1 | Screw kit | For harness premium |
| 9 | 147 1246 510 | 1 | Harness premium cpl. | |

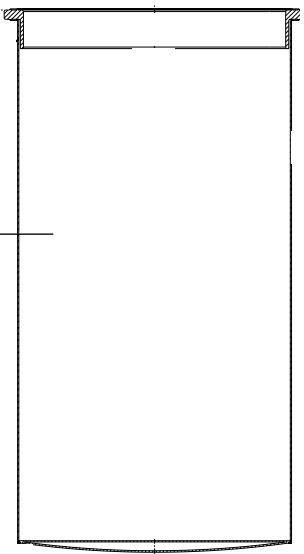
1



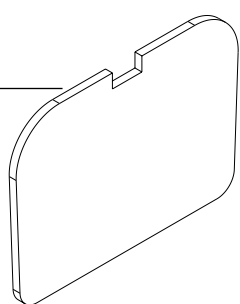
4



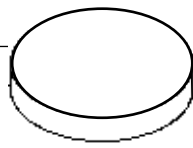
2



3



5



| | | | | |
|-------|----------------------------|---------------------|--|-----------|
| 08-02 | Advance Adgility 6XP, 10XP | 823 0101 000 | | |
| | FILTERS | | | 11 |

| Item | Part No. | Qty. | Description | Note |
|------|--------------|------|---|--------|
| 1 | 147 1104 500 | 1 | HEPA-filter cpl. | |
| 2 | 147 1100 500 | 1 | Sack filter, for 6XP | |
| 2 | 147 1099 500 | 1 | Sack filter, for 10XP | |
| 3 | 147 1089 500 | 1 | Exhaust filter | 3 pcs. |
| 4 | 147 1098 500 | 1 | Dustbag, for 6XP (1.3 Gallon, 5L) | 5 pcs. |
| 4 | 147 1097 500 | 1 | Dustbag, for 10XP (2.6 Gallon, 10 L) | 5 pcs. |
| 5 | 147 1095 500 | 1 | Prefilter | 3 psc. |

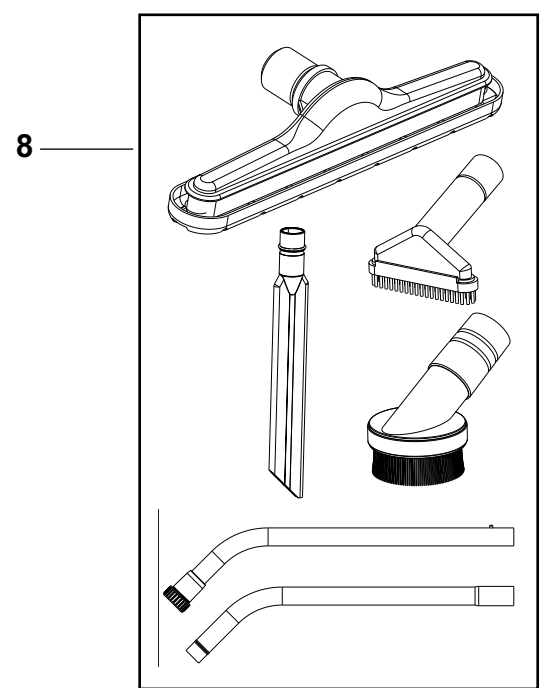
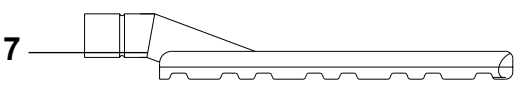
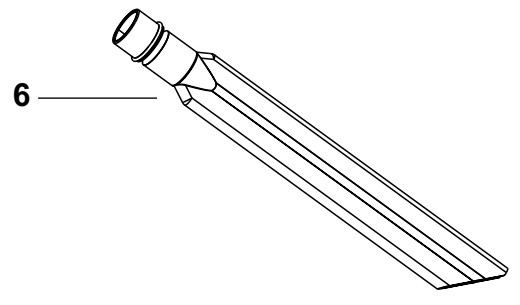
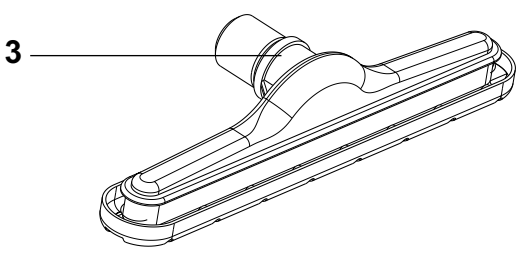
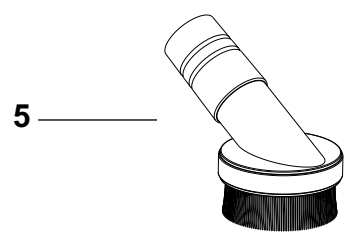
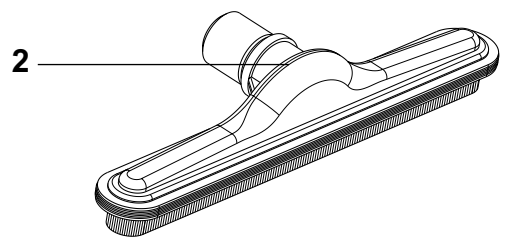
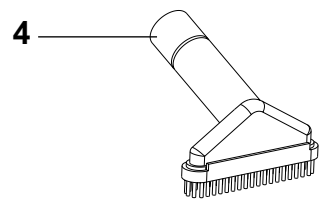
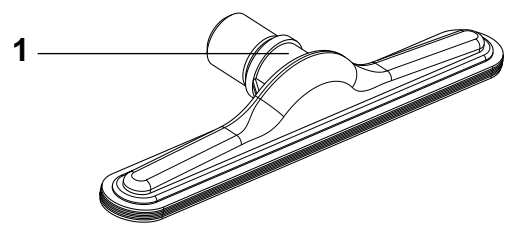
823 0101 000

Advance Adgility 6XP, 10XP

08-02

12

NOZZLES Ø 1.5 Inch, 38 mm



| | | | | |
|--------------|-----------------------------------|---------------------|--|-----------|
| 08-02 | Advance Adgility 6XP, 10XP | 823 0101 000 | | |
| | NOZZLES Ø 1.5 Inch, 38 mm | | | 13 |

| Item | Part No. | Qty. | Description | Note |
|-------------|-----------------|-------------|--------------------------------------|---------------------------------------|
| 1 | 147 1383 520 | 1 | Scallop carpet floor tool | |
| 2 | 147 1383 510 | 1 | Hard floor brush tool | |
| 3 | 147 1383 500 | 1 | Quick-Glide multi surface floor tool | |
| 4 | 147 1384 500 | 1 | Upholstery tool | |
| 5 | 147 1385 500 | 1 | Dust tool | |
| 6 | 147 1386 500 | 1 | Crevice tool | |
| 7 | 140 7547 500 | 1 | Paddle nozzle | |
| 8 | 147 1388 500 | 5 | Standard accessory kit | Kit with Item # 3,4,5,6 and a S-wand. |

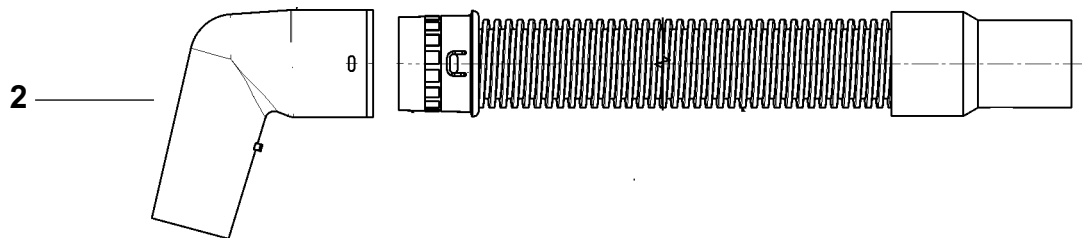
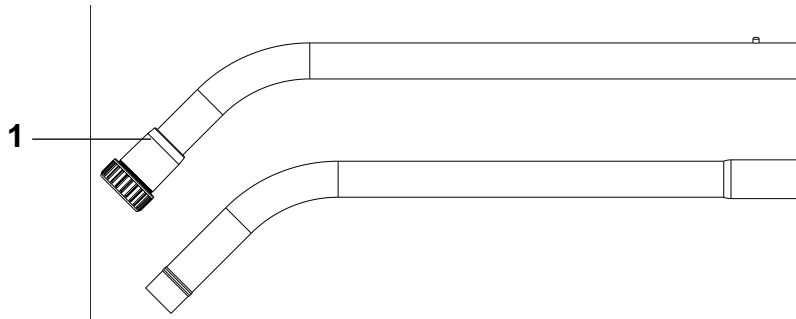
823 0101 000

Advance Adgility 6XP, 10XP

08-02

14

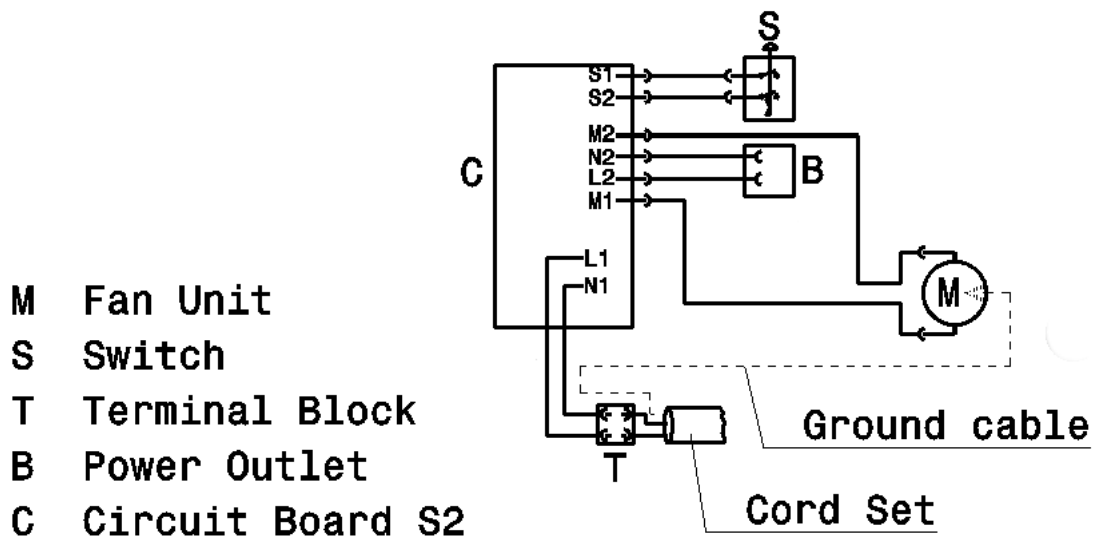
WANDS AND HOSE Ø 1.5 Inch, 38 mm



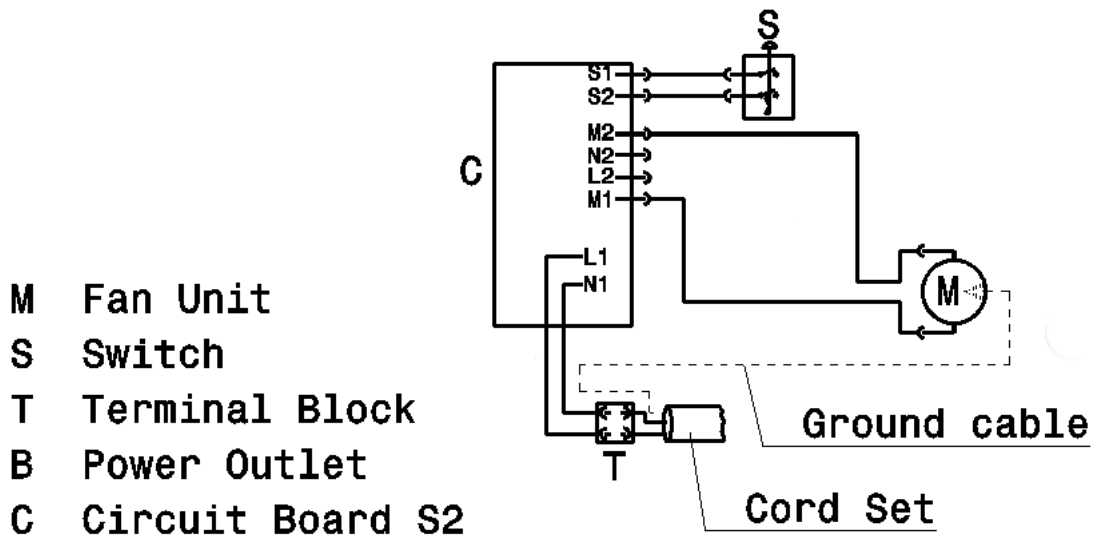
| | | | | |
|-------|----------------------------------|---------------------|--|----|
| 08-02 | Advance Adgility 6XP, 10XP | 823 0101 000 | | |
| | WANDS AND HOSE Ø 1.5 Inch, 38 mm | | | 15 |

| Item | Part No. | Qty. | Description | Note | EAN code |
|------|--------------|------|----------------------------|-----------|----------|
| 1 | 147 1387 500 | 1 | S-wands | Aluminium | |
| 2 | 147 1237 500 | 1 | Hose cpl. 49 in. (1250 mm) | | |

Wiring diagram - Grounded



Model 10 XP, with power outlet



Model 6 XP, no power outlet