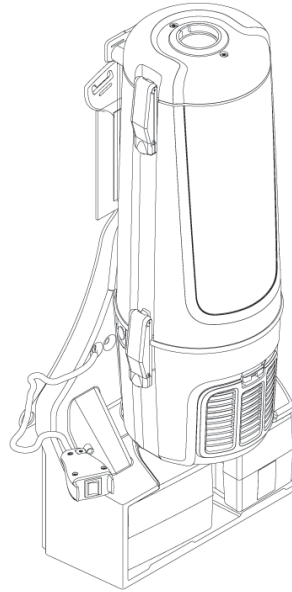




08-09	Adgility XPB	823 0101 050	
	TABLE OF CONTENTS SERVICE KIT / SPARE PARTS		1



DESCRIPTION	PLAN
Overview	2
Container parts	4
Motor parts	6
Nozzles Ø 32mm	8
Tube and hose Ø32mm	10

WHEN ORDERING PARTS

- * Use the digit numbers from the "Part No." columns in this spare parts list.
- * Specify the model and serial number of the machine.
- * Use the space below to record the model and serial number for future reference.

Model _____ Serial no. _____

USA
 Nilfisk-Advance Inc.
 14600 21st Avenue North
 Plymouth, MN 55447-3408
 Tel.: (763) 745 3500
 Fax : (763) 745 3718

Canada
 Nilfisk-Advance Canada
 240 Superior Boulevard Mississauga, ON L5T 2L2
 Tel.: 905-564-1149
 Fax: 905-564-1030

www.nilfisk-advance.com



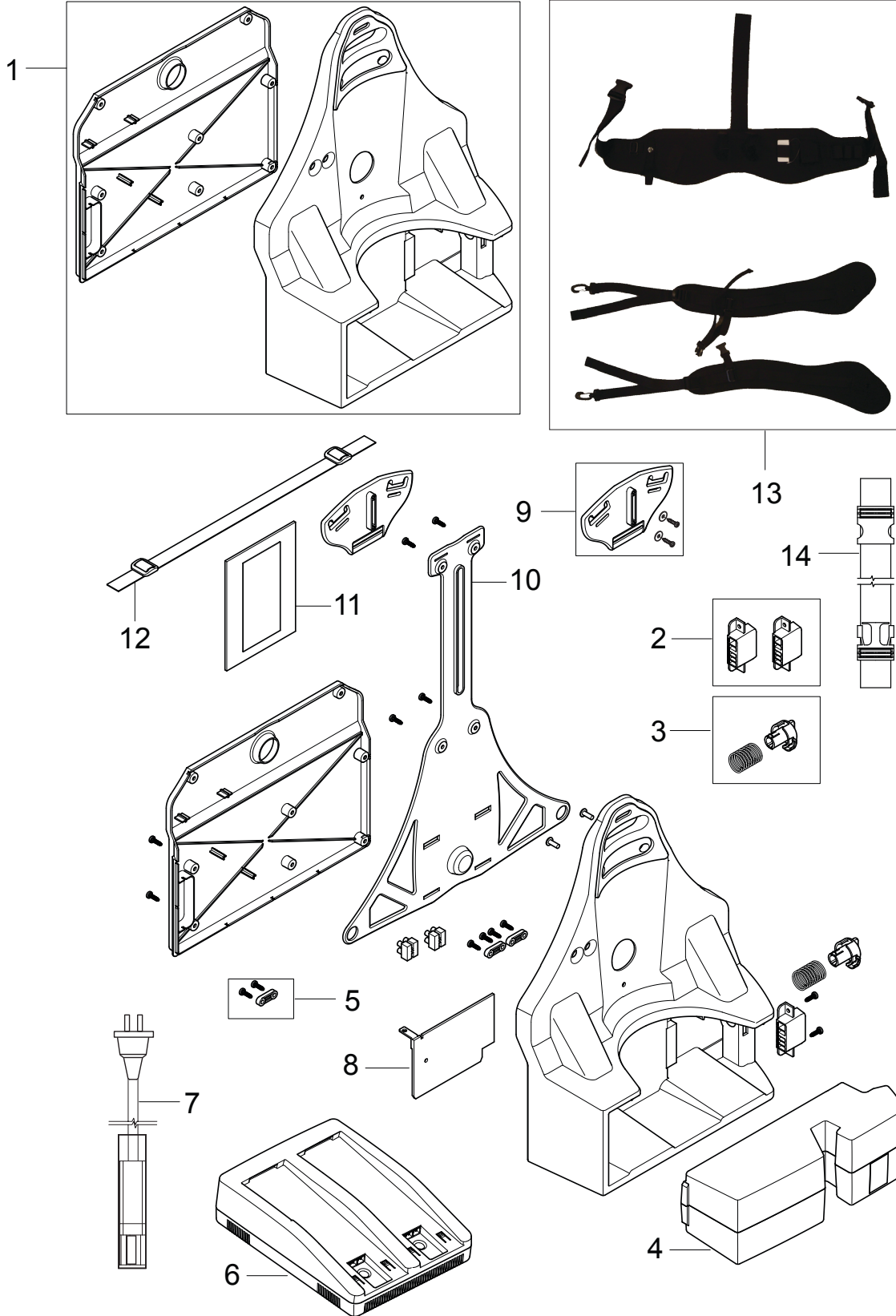
823 0101 050

Adgility XPB

08-09

2

Overview





08-09	Adgility XPB	823 0101 050		
	Overview			3

Item	Part No.	Qty.	Description	Note
1	147 1442 500	1	HOLDER BATTERY KIT	
2	147 1209 500	1	CONTACT HOUSING 5-PIN	
3	147 1444 500	1	LOCK BATTERY KIT	
4	147 1197 000	1	BATTERY FOR GD 911	
5	140 6560 500	1	ANTI STRAIN CLIP	
6	147 1202 000	1	CHARGER FOR GD 911	
7	147 1208 530	1	CORD CHARGER US KIT	
8	147 1199 500	1	CONTROL BOARD KIT	
9	147 1092 500	1	ADJUSTING PLATE	
10	147 1091 500	1	HARNESS SUPPORT	
11	147 1248 500	1	PADDING BACK PLATE	
12	147 1247 500	1	LIFTING STRAP	
13	147 1246 500	1	HARNESS PREMIUM	
14	147 1249 500	1	EXTENTION BELT	





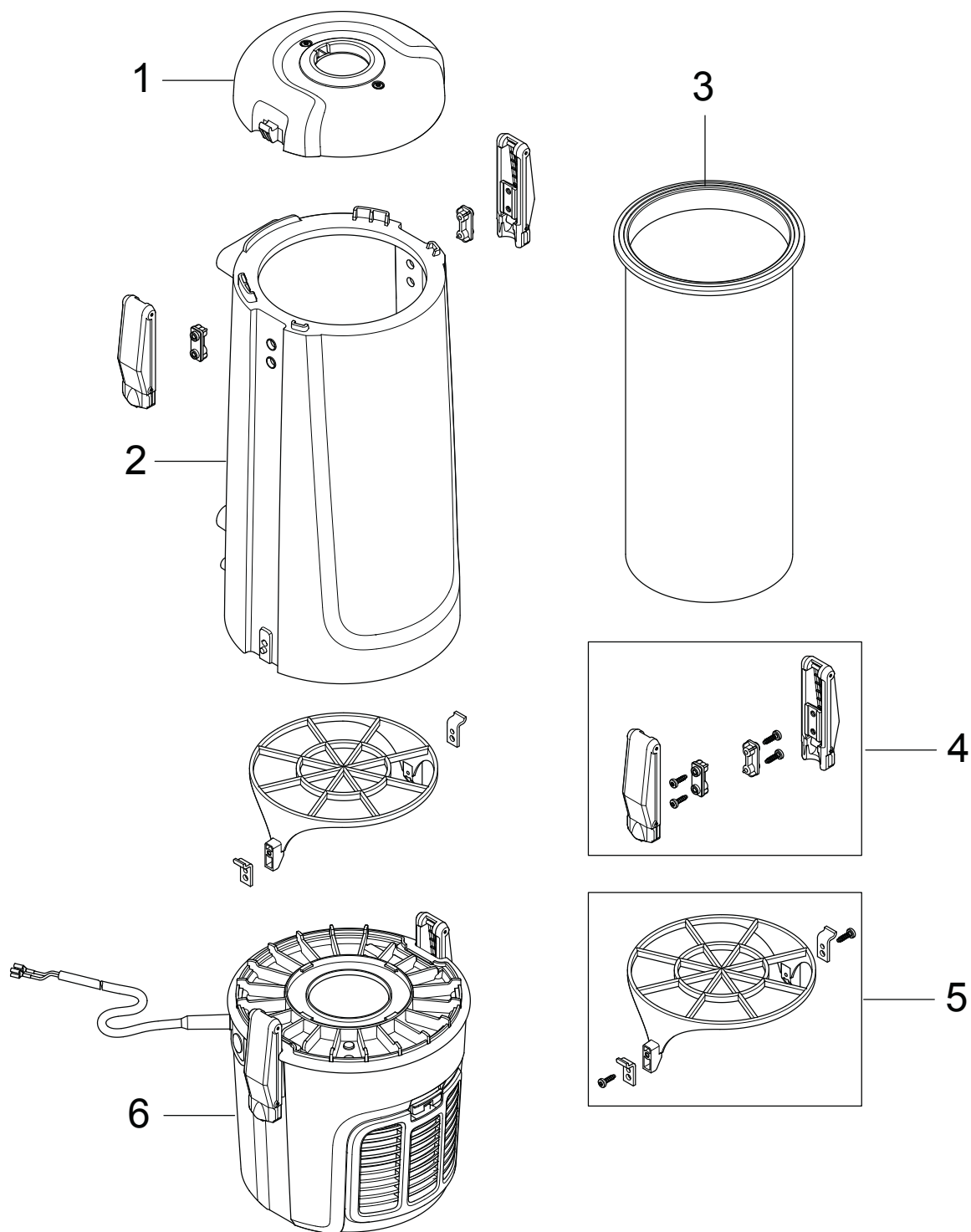
823 0101 050

Adgility XPB

08-09

4

Container parts





08-09	Adgility XPB	823 0101 050		
	Container parts			5

Item	Part No.	Qty.	Description	Note
1	147 1077 500	1	OUTER LID 5L LIGHT GREY	
2	147 1076 500	1	CONTAINER 5L LIGHT GREY	
3	147 1100 500	1	SACK FILTER 5L	
4	147 1101 500	1	LATCH KIT	
5	147 1115 500	1	BASKET SACK FILTER	
6	-	1	MOTOR PARTS	See exploded view p. 6





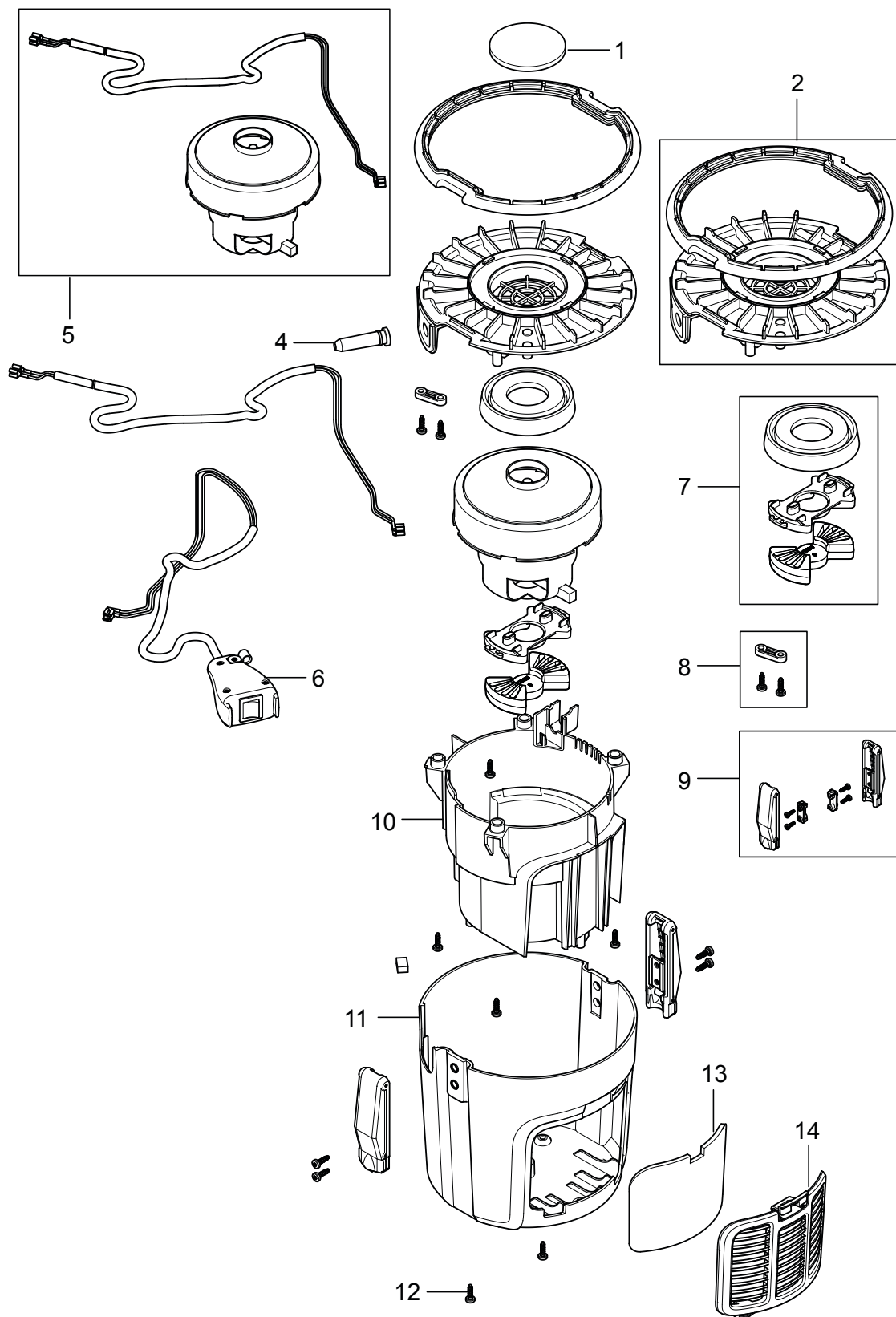
823 0101 050

Adgility XPB

08-09

6

Motor parts





08-09	Adgility XPB	823 0101 050		
	Motor parts			7

Item	Part No.	Qty.	Description	Note
1	147 1095 500	1	PREFILTER	
2	147 1086 500	1	CHASSIS DARK GREY	
4	093 1027 010	1	CABLE PROTECTION USA	
5	147 1196 510	1	FAN UNIT 24V GD5 BATTERY	
6	147 1105 510	1	SWITCH CPL.GD5 BATTERY	
7	147 0560 500	1	MOTOR SUSPENSION KIT	
8	140 6560 500	1	ANTI STRAIN CLIP	
9	147 1101 500	1	LATCH KIT	
10	147 1088 500	1	MOTOR COVER	
11	147 1075 520	1	COVER OUTER DARK GREY	
12	140 9214 040	1	SCREW PTK TORX 40X14 MM	
13	147 1089 500	1	EXHAUST FILTER	
14	147 1082 500	1	GRID EXHAUST DARK GREY	





823 0101 050		Adgility XPB	08-09
8		Nozzles Ø 32mm	



1



2



3





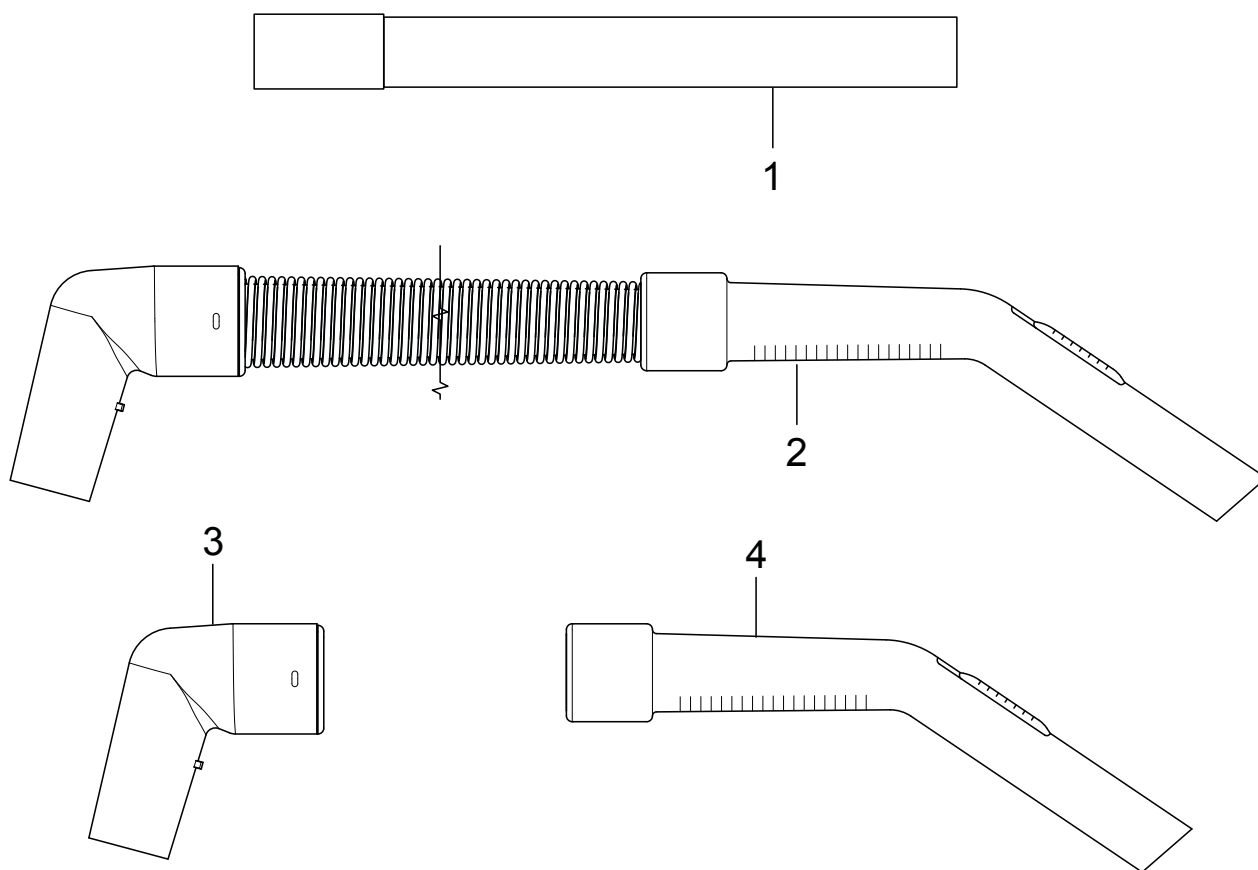
08-09	Adgility XPB	823 0101 050		
	Nozzles Ø 32mm			9

Item	Part No.	Qty.	Description	Note
1	140 8492 520	1	COMBI NOZZLE KIT	
2	140 8244 500	1	BRUSH NOZZLE KIT	
3	81140900	1	CREVICE NOZZLE KIT	





823 0101 050		Adgility XPB	08-09
10		Tube and hose Ø32mm	09-01





08-09	Adgility XPB	823 0101 050		
09-01	Tube and hose Ø32mm			11

Item	Part No.	Qty.	Description	Note
1	140 8246 040	1	EXTENSION TUBE STEEL D32	
2	147 1449 500	1	CONDUCTIVE HOSE CONICAL	
3	147 1085 500	1	HOSE COUPLING CPL.	
4	21640505	1	BENT PLASTIC TUBE BLACK	



