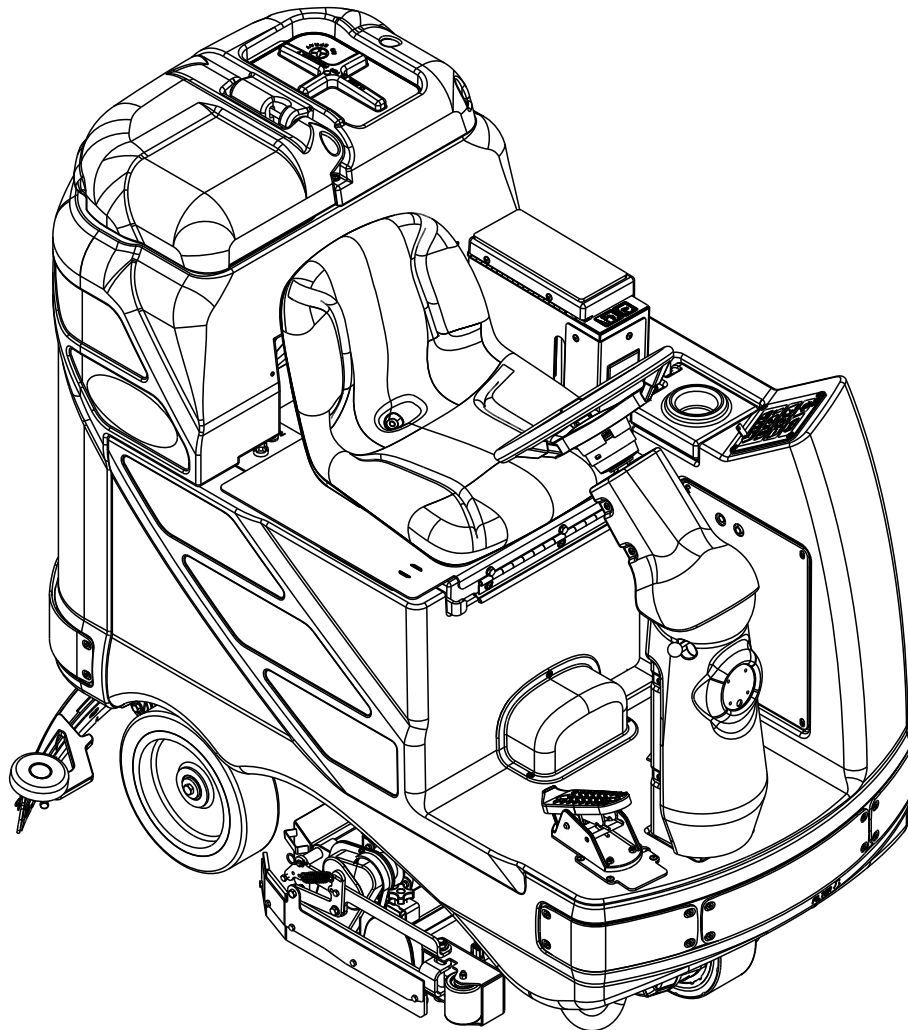


Adgressor™, Adgressor™ Ecoflex

Parts List

9/2009 revised 7/2018 REV I
Form no. 56042516



Standard Models:

56390904 (3220D), 56390906 (3220C), 56390908 (3520D), 56390912 (3820D), 56390910 (3520C), 56390914 (3820C)

EcoFlex Models:

56381003 (X3220D), 56381005 (X3520D), 56381007 (X3820D), 56381004 (X3220C),
56381006 (X3520C), 56381008 (X3820C)

Obsolete Models:

56390903 (2820C-AXP), 56390901 (2820D-AXP), 56390907 (3220C-AXP),
56390905 (3220D-AXP), 56390911 (3520C-AXP), 56390909 (3520D-AXP),
56390915 (3820C-AXP), 56390913 (3820D-AXP), 56381000 (X2820D),
56381002 (X2820C), 56390900 (2820D), 56390902 (2820C)

DESCRIPTION	PAGE
Chassis System	2-3
Decal System.....	4-5
Detergent Injection System.....	6-7
Drive & Brake Pedal Assemblies	8-9
Electrical Panel Assembly.....	10-11
Front Wheel Assembly.....	12-13
Recovery System.....	14-15
Scrub System-Cylindrical 28-32 Inch Models	16-17
Scrub System-Cylindrical 35-38 Inch Models	18-19
Scrub System-Disk 28-32 Inch Models.....	20-21
Scrub System-Disk 35-38 Inch Models.....	22-23
Skirt Assemblies-Cylindrical.....	24-25
Skirt Assemblies-Disk (28", 32" Models).....	26-27
Skirt Assemblies-Disk (35", 38" Models).....	28-29
Solution System (Standard).....	30-31
Solution System (EcoFlex)	32-33
Squeegee Assy.....	34-35
Squeegee System	36-37
Steering Column Assembly.....	38-39
Battery Watering System	40-41
Wiring Diagram	42-43
Optional Kits & Accessories.....	44-45
Brush Selector Guide-Disk	46
Brush Selector Guide-Cylindrical.....	47
Squeegee Blade Selector Guide	48

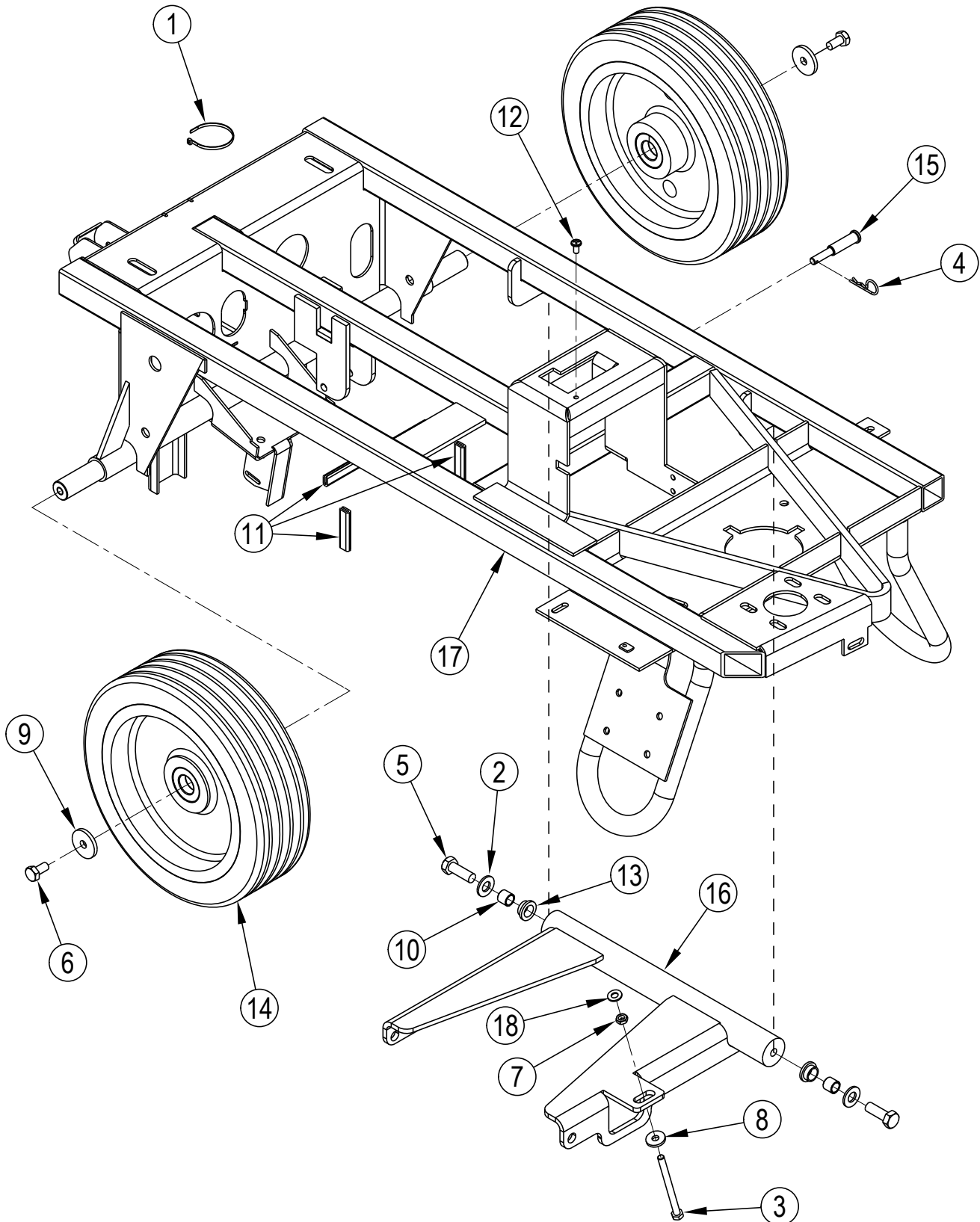
WHEN ORDERING PARTS

*Use the numbers from the "Ref. No." columns in this parts list.

*Specify the model number and serial number of the machine.

*Use the space below to record the model number and serial number for future reference.

Model No. _____ Serial No. _____



2009-9

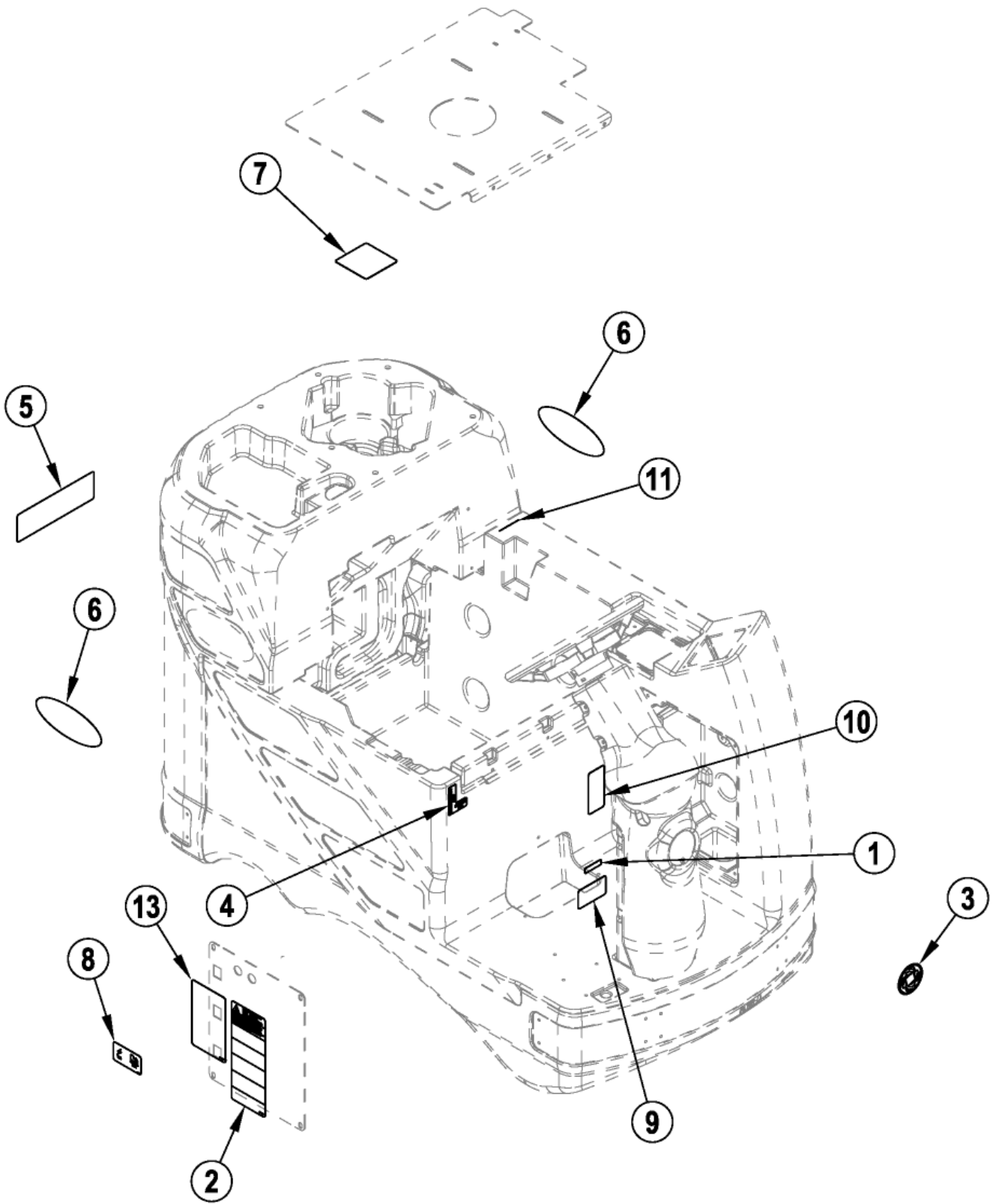
CHASSIS SYSTEM

2016-8

Adgressor™**3**

Item	Ref. No.	Qty	Description
1	56478246	1	Tie, Cable
2	56001879	2	Wsh, Flt SAE 1/2
3	56002461	1	Scr, Hex Thd To Hd 5/16-18 x 4.00
4	56002959	1	Pin, Cotter Hair
5	56003412	2	Scr, Hex Nyl Loc M12-1.75 x 35mm
6	56003442	2	Scr, Hex Nyl Loc M10-1.50 x 20mm
7	56009086	1	Nut, Hex Jam 5/16-18
8	56009122	2	Wsh, Flt .344 x .938 x .125
9	56367117	2	Wsh, Flt .406 x 1.50 x .1875
10	56367206	2	Bushing
11	56412122	4	Trim Edge
12	56009062	1	Scr, Pan Phil Thd Form 1/4-20 x .50
13	56420160	2	Bearing, Flange
14	56382693	2	Wheel (each assembly includes two bearings) TSB-FC-2015-033
	56111531	4	Bearing Ball
15	56314152	1	Pin, Actuator
16	56314495	1	Linkage, Arm Weld't.
17	56390803	1	Weldment Chassis
18	56009052	1	Wsh-Int Shprf 5/16
[]	56478246	5	Cable Tie
[]	56477613	9	Cable Tie

[] = Not Shown



2009-9

DECAL SYSTEM

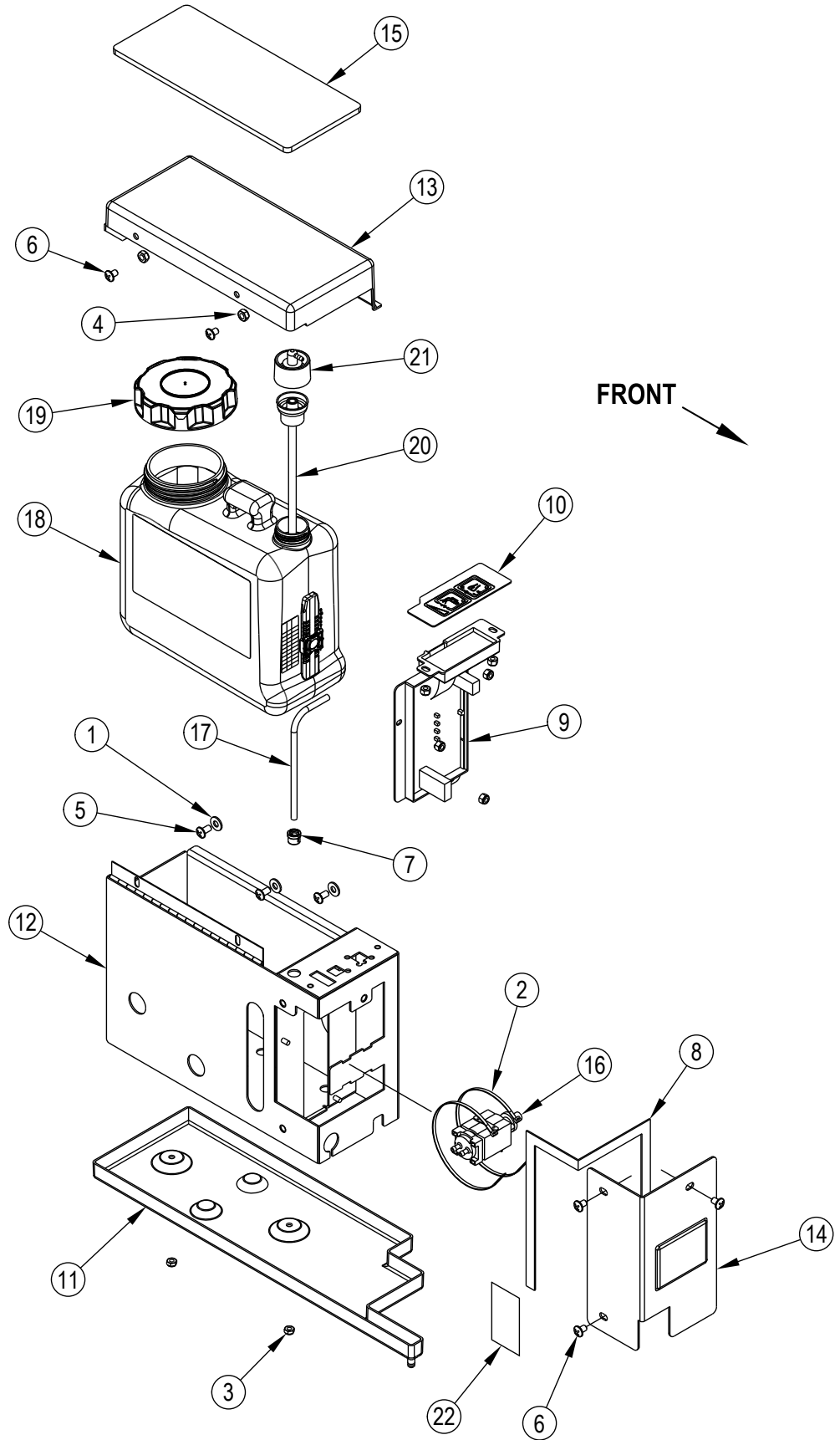
2010-1

Adgressor™**5**

Item	Ref. No.	Qty	Description
1	56014450	1	Decal, Patent Number
2	56014601	1	Decal, Caution
3	56015276	1	Decal, Logo
4	56015179	1	Decal, Emergency
5	56015229	1	Decal, Advance
6	56015230	2	Decal, Adgressor
	56016638	2	Decal, Adgressor AXP NOTE 1
	56381110	2	Decal-Adgressor EcoFlex NOTE 2
7	56015242	1	Decal, Battery Wiring
8	56016328	1	Decal, Circuit Breaker
9	56016401	1	Decal, Parking Brake
10	56015445	1	Decal, Solution Flow (not used on AXP or EcoFlex models)
11	56015281	1	Decal, Logo 2 Inch
13	56016407	1	Decal, Smart Solutions

NOTE 1: Only used on AXP models.

NOTE 2: Only used on EcoFlex models. AXP models are no longer in production and have been replaced by EcoFlex models.



2009-9

DETERGENT INJECTION SYSTEM

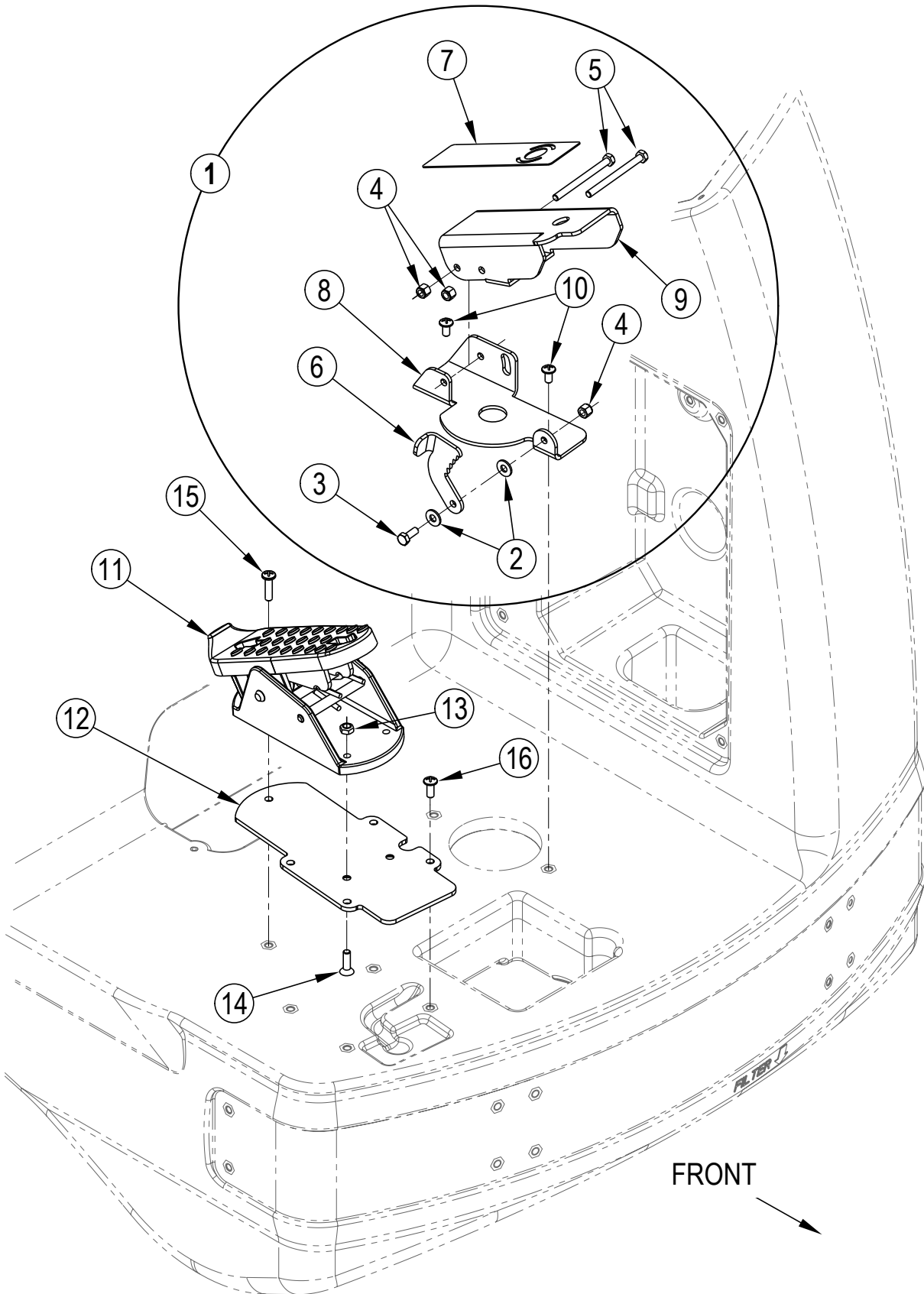
2017-8

Adgressor™**7**

Item	Ref. No.	Qty	Description
	56316537	1	Detergent Injection Assembly (items 1-21) NOTE 1
	56381100	1	Detergent Injection Assembly (items 1-22) NOTE 2
1	56009025	3	Wsh, Flt .266 x .750 x .036
2	56478523	2	Tie, Cable
3	56002832	8	Nut, Hex Nyl Loc-Thin 10-24
4	56002840	2	Nut, Hex Nyl Loc-Thin 1/4-20
5	56002145	3	Scr. Pan Phil 1/4-20 x .50
6	56003580	5	Scr. Pan Phil SS 1/4-20 x .38
7	56003699	1	Bushing, 1/4 ID Snub
8	56200754	1	Gasket, Strip
9	56316110	1	Control Assembly NOTE 1
	56381078	1	Control Assembly NOTE 2
10	56314937	1	Control Decal NOTE 1
	56381056	1	Graphic Overlay NOTE 2
11	56314939	1	Tray, Detergent
12	56314944	1	Weldt-Detergent Box NOTE 1
12	56316665	1	Weldt-Chemical Box NOTE 2
13	56314945	1	Cover, Detergent
14	56316664	1	Cover-Pump
15	56382997	1	Pad, Detergent
16	56314984	1	Pump, Detergent
17	56314991	1	Hose, Chem Resistant 14"
18	56315502	1	Chemical Bottle Assy NOTE 1
	56315511	1	Indicator Assy NOTE 1
**	56315503	A/R	Chem Bottle Assy (18-20) NOTE 1
	56601544	1	Chemical Bottle Assy NOTE 2
	56601545	1	Chem Bottle Assy (18-20) NOTE 2
19	910001512	1	Cap, Plastic F Chemical Tank
20	56315527	1	Insert, Dry Break
21	56315523	1	Cap, Dry Break, 1/8 Barb, 90°
22	56381113	1	Decal-Chemical Ratio NOTE 2

NOTE 1: Only used on AXP models.

NOTE 2: Only used on EcoFlex models. AXP models are no longer in production and have been replaced by EcoFlex models.



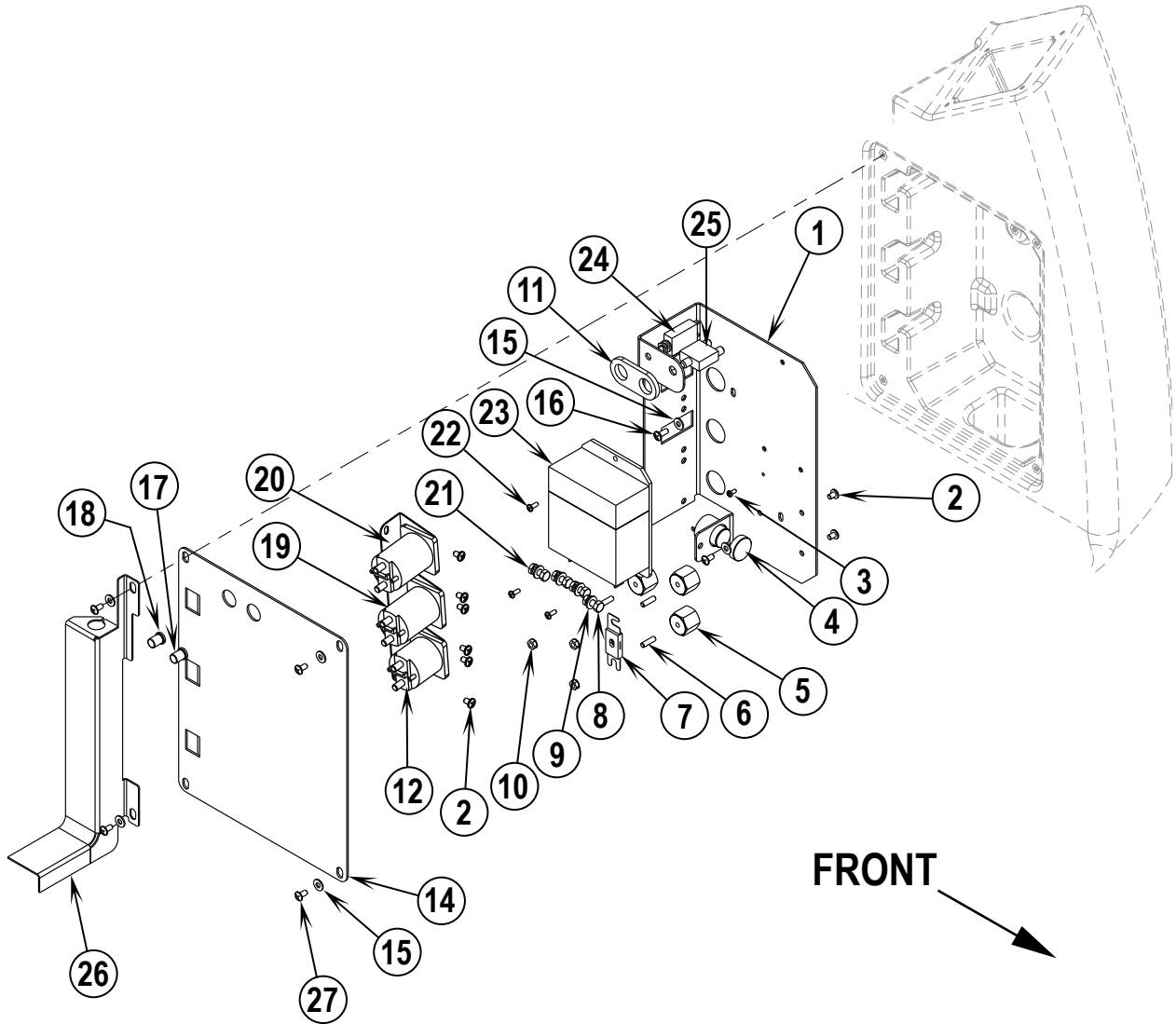
2009-9

DRIVE & BRAKE PEDAL ASSEMBLIES

2018-1

Adgressor™**9**

Item	Ref. No.	Qty	Description
1	56314676	1	Brake Pedal Assy (2-9)
2	56002098	4	Wsh, Flt SAE 1/4
3	56003174	1	Scr, Hex Thd to Hd M6-1.0 x 16mm
4	56003403	5	Nut, Hex Nyl Loc M6-1.00
5	56003428	3	Scr, Hex M6-1.00 x 75mm
6	56316657	1	Lock-Brake
7	56314138	1	Mat, Pedal
8	56316658	1	Bracket-Brake
9	56316659	1	Pedal Weldment
10	56003119	2	Scr, Pan Phil SS 1/4-20 x .50
11	56385084	1	Foot Pedal Assy TSB-FC-2017-053
12	56316660	1	Pedal Mounting Plate
13	56002708	2	Nut, Hex Nyl Loc 1/4-20
14	56003086	2	Scr, Flt Phil Ss 1/4-20 x .88
15	56002292	1	Scr, Pan Phil 1/4-20 x 1.00
16	56002989	4	Scr-Pan Phil SS 1/4-20 x .62



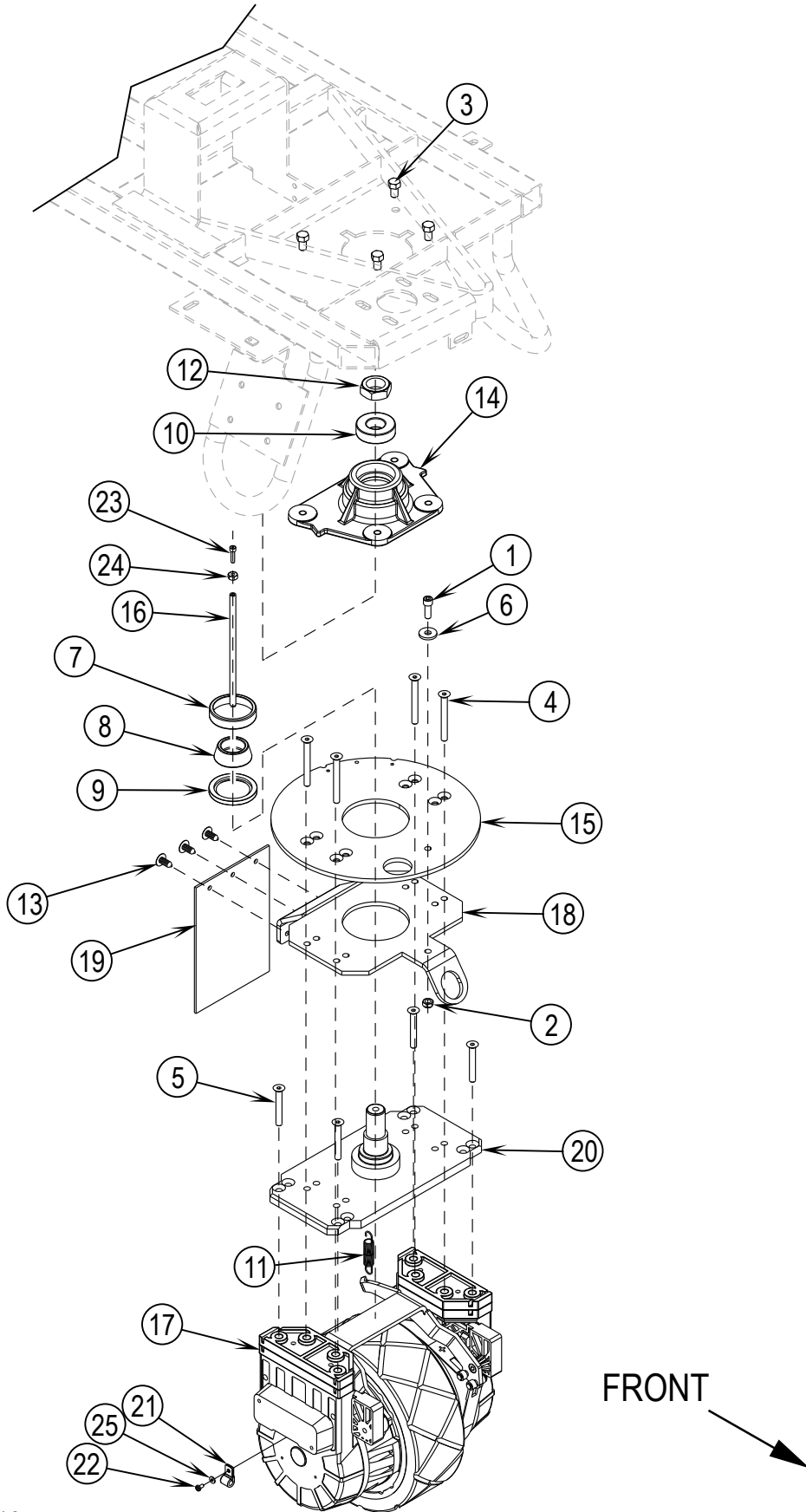
2009-9

ELECTRICAL PANEL ASSEMBLY

2017-8

Adgressor™**11**

Item	Ref. No.	Qty	Description
1	56314668	1	Electrical Panel
2	56002462	9	Scr. Pan Phil 1/4-20 x .38
3	56002523	1	Scr. Pan Phil Thd Form 8-32 x .38
4	56412177	1	Horn / Backup Alarm (H1)
5	56469858	3	Standoff, Insulated
6	56009020	3	Stud
7	56412089	1	Fuse, 150 Amp
8	56001862	4	Scr. Hex Hd 5/16-18 x .50
9	56009052	4	Wsh, Int SHPRF 5/16
10	56002561	3	Nut, Hex W/SHPRF 1/4-20
11	56407193	1	Gasket
12	56395455	1	Contactor (Vac Motor / K2)
14	56109534	1	Cover, Electrical
15	56002098	6	Wsh, Flt SAE 1/4
16	56002066	2	Scr, Pan Phil 1/4-20 x .62
17	56459369	1	Boot, Reset Button
18	56459367	1	Boot, Reset Button
19	56395453	1	Contactor (Brush Drive / K1)
20	56395453	1	Contactor (Wheel Drive / K3)
21	56009086	4	Nut, Hex Jam 5/16-18
22	56001993	3	Scr, Pan Phil 10-24 x .50
23	56390856	1	Controller, Speed
24	56387316	1	Circuit Breaker, 10 Amp (Control Circuit / F3)
25	56454429	1	Circuit Breaker, 70 Amp (Wheel Drive / F2)
26	56316661	1	Weldt-Harness Guide (Detergent Injection models only)
27	56002989	4	Scr-Pan Phil SS 1/4-20 x .62

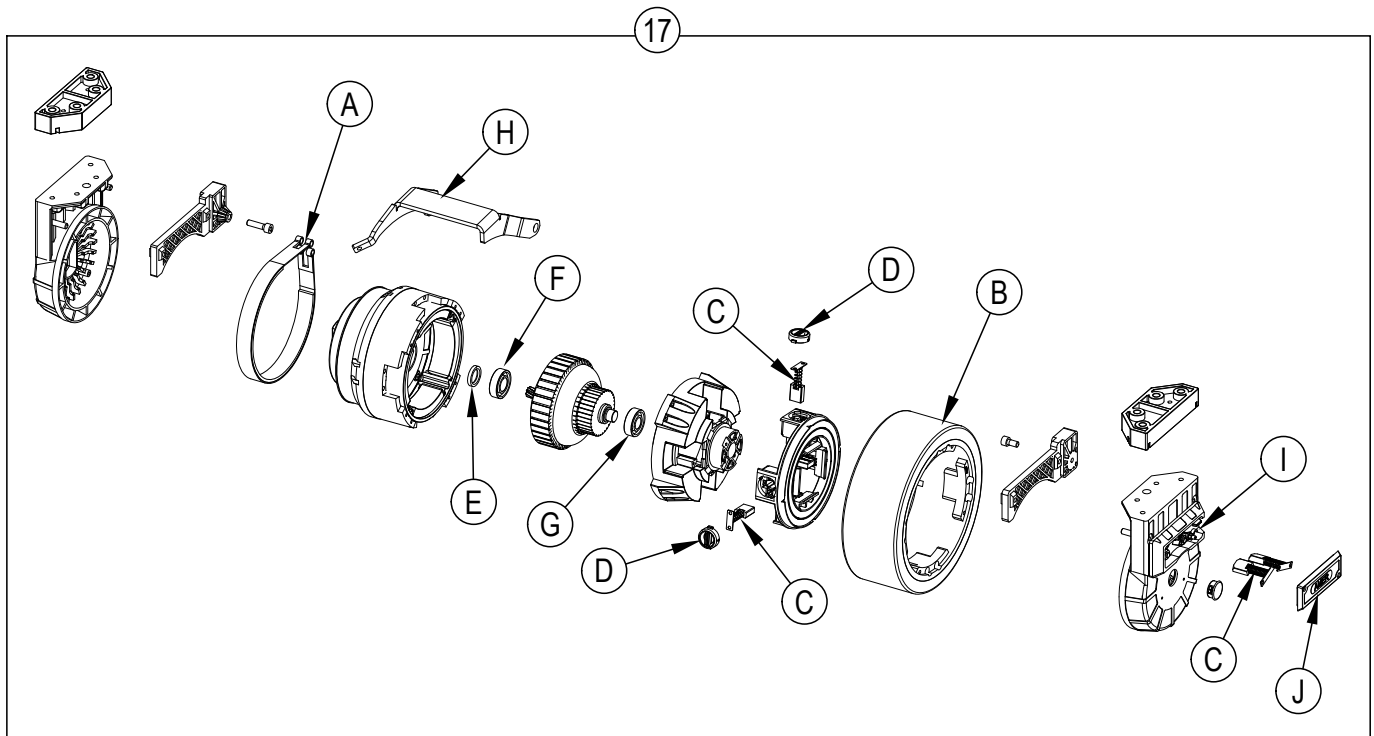


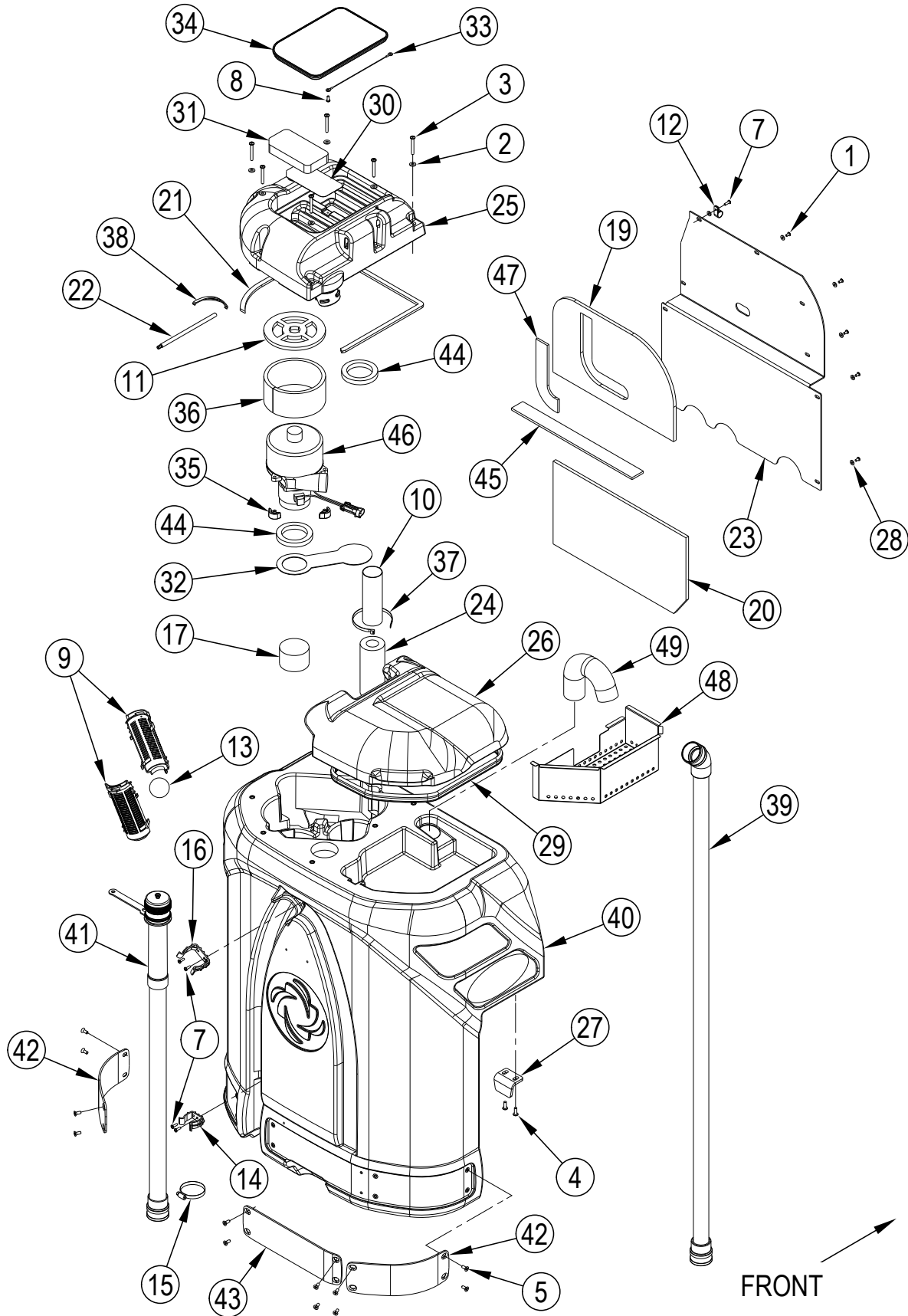
Item	Ref. No.	Qty	Description
1	56002158	1	Scr. Soc Hd 5/16-18 x .88
2	56002826	1	Nut, Hex Nyl Loc-Thin 5/16-18
3	56003040	4	Scr. Hex Hd Loc 3/8-16 x .62
4	56003273	4	Scr. Soc Hd M8-1.25 x 70mm
5	56003274	4	Scr. Soc Hd M8-1.25 x 55mm
6	56009122	1	Wsh, Flt .344 x .938 x .125
7	56158143	1	Bearing Cup
8	56158151	1	Bearing Cone
9	56171081	1	Seal, Shaft
10	56378380	1	Bearing, Ball
11	56481699	1	Spring
12	56003220	1	Nut, Hex Nyl Loc-Thin 1-14 UNF
13	56003263	3	Rivet, Nylon Tree Push-In
14	56314032	1	Block, Bearing
15	56314116	1	Plate, Steering
16	56314157	1	Rod, Brake
17	56390817	1	Motor / Drive Wheel Assy (M3)
[]	56381533	1	Front Wheel Service Kit NOTE 1
[]	56380506	1	Motor/Drive Wheel Kit
[]	56316637	1	Drive Wheel Harness Kit
18	56314278	1	Plate, Splash Guard
19	56314283	1	Splash Guard
20	56314085	1	Spindle Weldment
21	56305317	1	Clamp, P
22	56003653	1	Scr. Pan Phil M4 x 8
23	56003611	1	Scr-Pan Phil SS 10-24 x .88
24	56009293	1	Nut, Hex Machine SS 10-24
25	56002006	1	Wsh, Flt SAE #6

Item	Ref. No.	Qty	Description
A	56314289	1	Brake Band
B	56390814	1	Drive Wheel-Blue Urethane
C	56412325	1	Carbon Brush Kit
D	56412320	1	Brush Cover Kit
E	56412321	1	Sealing Ring
F	56412322	1	Bearing, ball Gearbox Side
G	56412323	1	Bearing, Ball Brush Side
H	56383091	1	Brake Bar
I	56109589	1	Connector Box
J	56109590	1	Cover-Connector Box

[] = Not Shown

NOTE 1: Kit includes 1 Connection Box, 2 Curved Brushes, 1 Brush Holder and Hardware.





2009-9

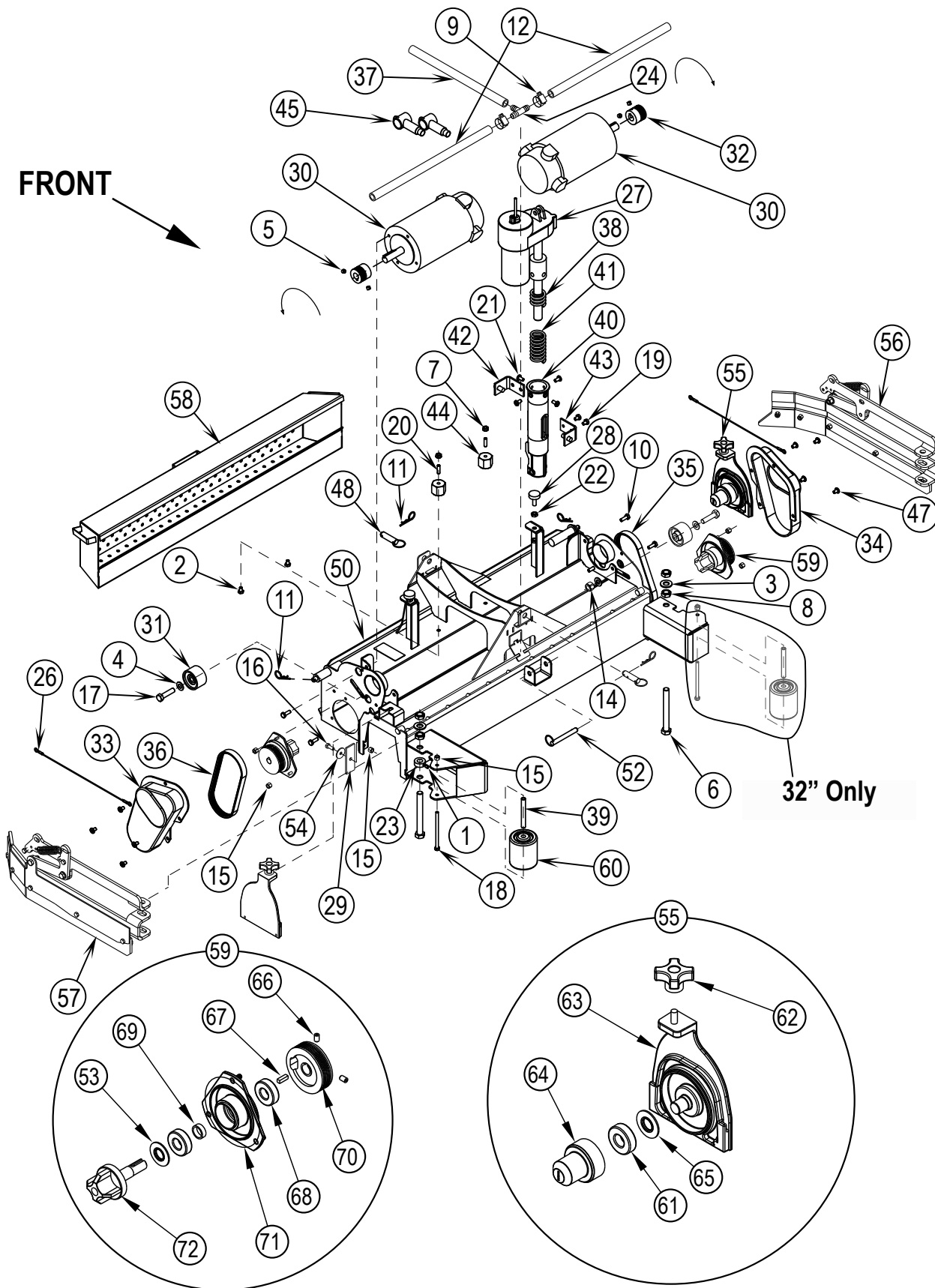
RECOVERY SYSTEM

2017-8

Adgressor™**15**

Item	Ref. No.	Qty	Description
1	56002043	8	Scr. Pan Phil 10-24 x .38
2	56002859	6	Wsh. Flt SAE SS 1/4
3	56003313	6	Scr. Pan Phil SS 1/4-20 x 2.00
4	56002507	4	Scr. Pan Phil 1/4-20 x .75
5	56002760	12	Scr. Flt Phil 1/4-20 x .62
7	56002896	5	Scr. Pan Phil SS 10-24 x .62
8	56009191	2	Scr. Pan Phil Plastite 10-14 x .50
9	56324497	2	Cage, Float
10	56385599	1	Hose 2 X 8 E00191
11	56314704	1	Gasket
12	56385564	1	Clamp, P
13	56391690	1	Ball, Float
14	56407361	1	Clamp, Plastic
15	56440213	3	Clamp, Hose SAE #32
16	56212236	1	Clamp, Plastic
17	56314098	2	Foam Cylinder
19	56314100	1	Muffler, Top Panel
20	56314101	1	Muffler, Bottom Panel
21	56413846	1	Gasket, Strip
22	56314115	1	Pin, Cover Pivot
23	56382619	1	Cover Exhaust
24	56391807	1	Foam, Acoustical
25	56316542	1	Cover-Vac Motor
26	56316544	1	Lid-Recovery Tank
27	56314220	2	Tank Mount Bracket
28	56001954	9	Wsh. Flt SAE #10
29	56314371	1	Gasket
30	56314372	1	Screen, Filter
31	56314373	1	Filter
32	56314376	1	Plate, Separator
33	56314400	1	Wire Rope, 9 Inch
34	56109539	1	Lid, Vac Filter
35	56314484	3	Mount, Vibration
36	56314488	1	Muffler, Vac
37	56477613	1	Tie, Cable
38	56314509	1	Spring
39	56384740	1	Hose-Vac-PU
40	56390832	1	Tank, Recovery
41	56384759	1	Hose-Molded-Ribbed-PU
[]	56601411	1	Drain Hose Cap Kit
[]	56601410	1	Drain Hose Extension
42	56316641	2	Bumper-Rear
43	56316642	1	Bumper-Rear Middle
44	56314760	2	Gasket, Vacuum Duct
45	56314706	1	Foam, Sound
46	56397228	1	Motor, Vac 36VDC (M5)
[]	56212223	1	Carbon Brush Set
[]	56314251	1	Harness, Vac
47	56314705	1	Foam, Sound
48	56109695	1	Strainer Basket
49	56390848	1	Formed Hose

[] = Not Shown



Item	Ref. No.	Qty	Description
1	56001841	2	Scr. Soc Set Loc 1/4-20 x .25
2	56001861	2	Scr. Hex Hd 1/4-20 x .38
3	56002918	2	Wsh-Fit SAE SS 1/2
4	56002910	4	Wsh-Fit SAE SS 3/8
5	56002086	4	Scr. Soc Set Loc 5/16-18 x .25
6	56003937	2	Scr-Hex SS 1/2-13 x 4.50
7	56002561	2	Nut, Hex W/ Shprf 1/4-20
8	56002854	4	Nut, Hex Nyl Loc-Thin SS 1/2-13
9	56112771	2	Clamp, Hose
10	56003221	6	Scr-Hex Loc SS 1/4-20 x .75
11	56002959	4	Pin, Cotter Hair
12	56316553	2	Manifold, PVC 28
	56316552	2	Manifold, PVC 32
14	56003438	2	Nut, Hex Nyl Loc SS M10-1.50
15	56003426	10	Nut, Hex Nyl Loc SS M6 x 1.0
16	56003431	2	Scr. Hex Hd SS M6-1.0 x 16mm
17	56003938	2	Scr-Hex SS M10-1.5 x 40mm
18	56003939	1	Scr-Hex SS M6-1 x 95mm (qty of 2 on 32")
19	56009019	2	Scr. Hex Thd Form 1/4-20 x .38
20	56009020	2	Stud
21	56009062	4	Scr. Pan Phil Thd Form 1/4-20 x .50
22	56009086	4	Nut, Hex Jam 5/16-18
23	56152811	2	Collar
24	56262549	1	Tee, Barb
26	56330391	2	Wire Rope, 12 Inch
27	56393303	1	Lift Actuator, Brush (M1)
[]	56388520	1	Plastic Nut
28	56401783	2	Leveler
29	56407391	2	Blade
30	56407431	2	Motor, 36VDC, .75HP (M7 & M8)
[]	56407489	1	Armature
[]	56410183	1	Bearing
31	56407432	2	Idler, Belt
32	56407433	2	Sheave, Poly-V
33	56407434	1	Guard, Right Belt
34	56407435	1	Guard, Left Belt
35	56407465	1	Belt, Poly V 180J6
36	56407466	1	Belt, Poly V 190J6
37	56409462	1	Hose, Spiral
38	56412071	1	Compression Spring
39	56412176	1	Bushing (qty of 2 on 32")
40	56412262	1	Housing, Spring
41	56420018	1	Compression Spring
42	56420019	1	Nut Retainer
43	56420020	1	Nut Retainer
44	56469858	2	Standoff, Insulated
45	56493357	2	Insulator, Terminal
47	56003603	8	Scr. Pan Phil Thd Form 1/4-20 x .38
48	56003671	2	Pin, Ring .50 x 1.25
50	56316570	1	Housing Weld't, 28"
50	56316670	1	Housing Weldt-32
51	56314254	1	Harness, Brush Motor (Not Shown)
52	56314294	1	Pin, Hitch Cotterless
53	56407558	1	Washer, Bearing
54	56009060	2	Wsh Flt SS .260X1.000X.074
55	56115344	2	Idler End Assy (61-65)
56	56314648	1	Left Skirt Assy NOTE 2
57	56314649	1	Right Skirt Assy NOTE 2
58	56601049	1	Hopper Weld't, 28"
58	56316671	1	Hopper Weldt-32
59	56407559	2	Drive End Assy (53, 66-72)

Item	Ref. No.	Qty	Description
60	56412459	1	Wheel (qty of 2 on 32")
61	56106070	1	Bearing, Ball
62	56407303	1	Knob
63	56315447	1	Idler Bearing Plate
64	56115273	1	Hub NOTE 4
*	56384137	1	Idler W/O-Ring Kit NOTE 3
65	56407558	1	Washer, Bearing
66	56002119	2	Scr. Soc Set Loc 1/4-20 x .50
67	56003237	1	Key, Sq. .19 x .62
68	56106070	2	Bearing, Ball
69	56407389	1	Spacer
70	56407442	1	Sheave, Poly-V
71	56381765	1	Bearing Plate
72	56109527	1	Spindle

[] = Not Shown

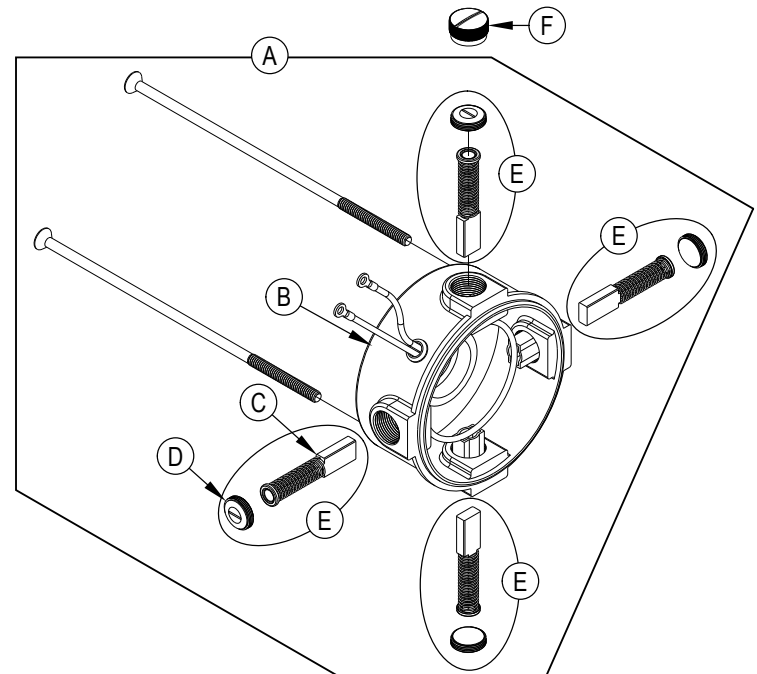
NOTE: See "BRUSH SELECTOR GUIDE" at back of manual for available scrub brushes.

NOTE 2: See "SKIRT ASSEMBLIES-CYLINDRICAL".

NOTE 3: Idler kit 56384137 can be used to replace Hub 56407551 if you are having noise problems.

NOTE 4: 56407551 is replaced by 56115273.

56407431 SERVICE PARTS



Item	Ref. No.	Qty	Description
A	56383546	1	End Cap-Brush-Brush Cap Kit NOTE 1
B	56383565	1	End Cap Assy-Ext Thd Brsh Cap NOTE 2
C	56407493	4	Brush Assy Sold Individually NOTE 3
D	56383529	4	Cap-Brush Ext Thd NOTE 2
E	56383547	1	Brush-Brush Cap Kit NOTE 2
F	56383528	4	Cap-Brush Int Thd NOTE 4

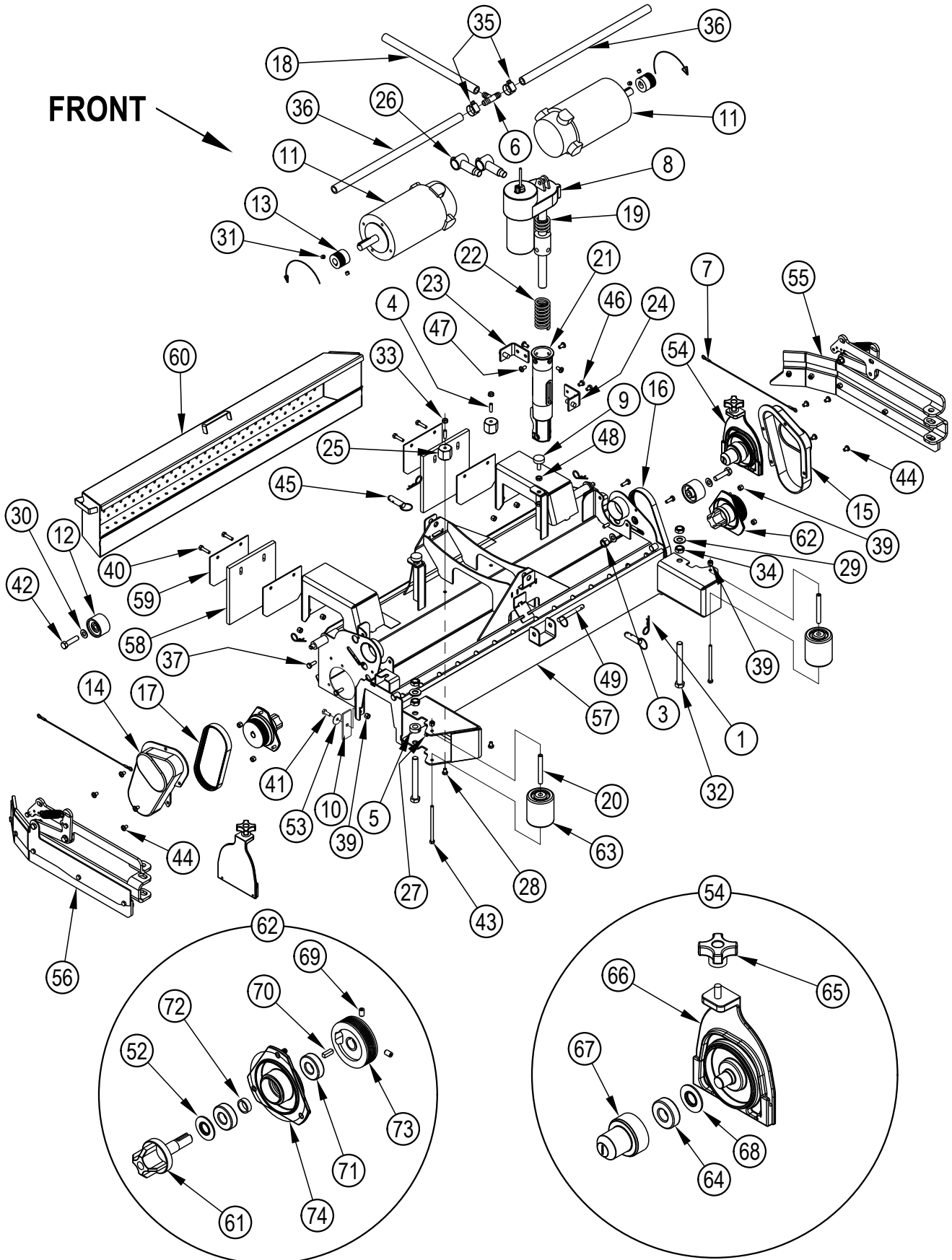
NOTE 1: Used on all generations of 56407431 (Includes B-D).

NOTE 2: Used on Scott model 4BC-3145.

NOTE 3: Used on all generations of 56407431.

NOTE 4: Used on Scott models 4BCX881 & 4BC2890 if 56383546 has not been installed.

FRONT



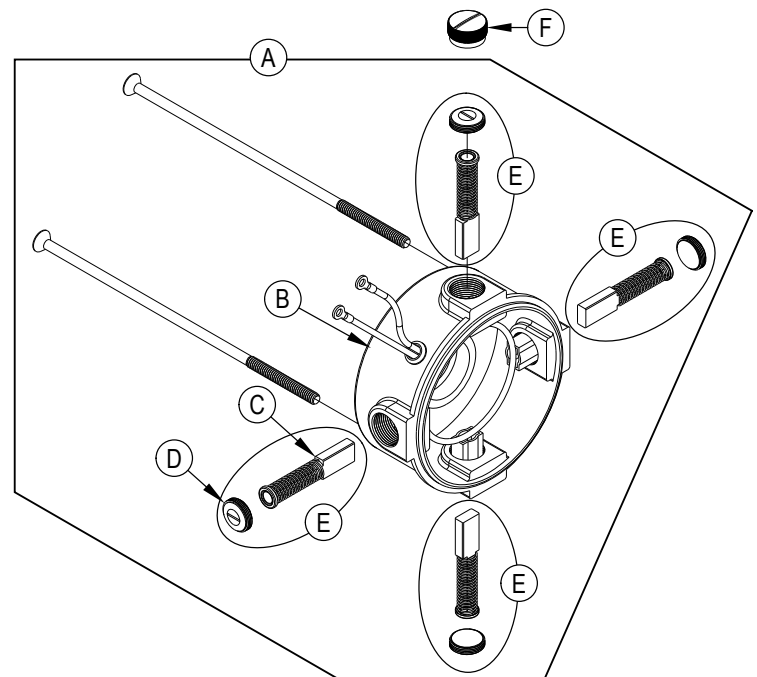
Item	Ref. No.	Qty	Description
1	56002959	4	Pin, Cotter Hair
3	56003438	2	Nut, Hex Nyl Loc SS M10-1.5
4	56009020	2	Stud
5	56152811	2	Collar
6	56262549	1	Tee, Barb
7	56330391	2	Wire Rope, 12 Inch
8	56393303	1	Actuator, Motor (M1)
[]	56388520	1	Plastic Nut
9	56401783	2	Leveler
10	56407391	2	Blade
11	56407431	2	Motor, 36VDC, .75 HP (M7 & M8)
[]	56407489	1	Armature
[]	56410183	1	Bearing
12	56407432	2	Idler, Belt
13	56407433	2	Sheave, Poly-V
14	56407434	1	Guard, Right Belt
15	56407435	1	Guard, Left Belt
16	56407465	1	Belt, Poly V 180J6
17	56407466	1	Belt, Poly V 190J6
18	56409462	1	Hose, Spiral
19	56412071	1	Compression Spring
20	56412176	2	Bushing
21	56412262	1	Housing, Spring
22	56420018	1	Compression Spring
23	56420019	1	Nut Retainer
24	56420020	1	Nut Retainer
25	56469858	2	Standoff, Insulated
26	56493357	2	Insulator, Terminal
27	56001841	2	Scr. Soc Set Loc 1/4-20 x .25
28	56001861	2	Scr. Hex Hd 1/4-20 x .38
29	56002918	2	Wsh-Fit SAE SS 1/2
30	56002910	4	Wsh-Fit SAE SS 3/8
31	56002086	4	Scr. Soc Set Loc 5/16-18 x .25
32	56003937	2	Scr-Hex SS 1/2-13 x 4.50
33	56002561	2	Nut, Hex W/ Shprf 1/4-20
34	56002854	4	Nut, Hex Nyl Loc-Thin SS 1/2-13
35	56112771	2	Clamp, Hose SAE #10
36	56316551	2	Manifold, PVC 35
	56316550	2	Manifold, PVC 38
37	56003221	6	Scr-Hex Loc SS 1/4-20 x .75
39	56003426	14	Nut, Hex Nyl Loc SS M6 x 1.0
40	56003430	4	Scr. Hex Hd SS 6-1.0 x 25mm
41	56003431	2	Scr. Hex Hd SS M6-1.0 x 16mm
42	56003938	2	Scr-Hex SS M10-1.5 x 40mm
43	56003939	2	Scr-Hex SS M6-1 x 95mm
44	56003603	8	Scr. Pan Phil Thd Form 1/4-20 x .38
45	56003671	2	Pin, Ring .50 x 1.25
46	56009019	2	Scr. Hex Thd Form 1/4-20 x .38
47	56009062	4	Scr. Pan Phil Thd Form 1/4-20 x .50
48	56009086	4	Nut, Hex Jam 5/16-18
50	56314254	1	Harness, Brush Motor (Not Shown)
51	56314294	1	Pin, Hitch Cotterless
52	56407558	1	Washer, Bearing
53	56009060	2	Wsh Fit SS .260X1.000X.074
54	56115344	2	Idler End Assy (64-68)
55	56314648	1	Left Skirt Assy NOTE 3
56	56314649	1	Right Skirt Assy NOTE 3
57	56316672	1	Housing Weldt-35
57	56316675	1	Housing Weldt-38
58	56314860	1	Kit, Deck Blade Cyl Red Gum Rubber
			(Standard) NOTE 2
	56390791	1	Kit Cyl Blade Gum NOTE 2
59	56316673	4	Strap
60	56316674	1	Hopper Weldt-35
60	56316676	1	Hopper Weldt-38
61	56109527	1	Spindle
62	56407559	2	Drive End Assy (52, 61, 69-74)

Item	Ref. No.	Qty	Description
63	56412459	2	Wheel
64	56106070	1	Bearing, Ball
65	56407303	1	Knob
66	56315447	1	Idler Bearing Plate
67	56115273	1	Hub NOTE 5
*	56384137	1	Idler W/O-Ring Kit NOTE 4
68	56407558	1	Washer, Bearing
69	56002119	2	Scr. Soc Set Loc 1/4-20 x .50
70	56003237	1	Key, Sq. .19 x .62
71	56106070	2	Bearing, Ball
72	56407389	1	Spacer
73	56407442	1	Sheave, Poly-V
74	56381765	1	Bearing Plate

[] = Not Shown

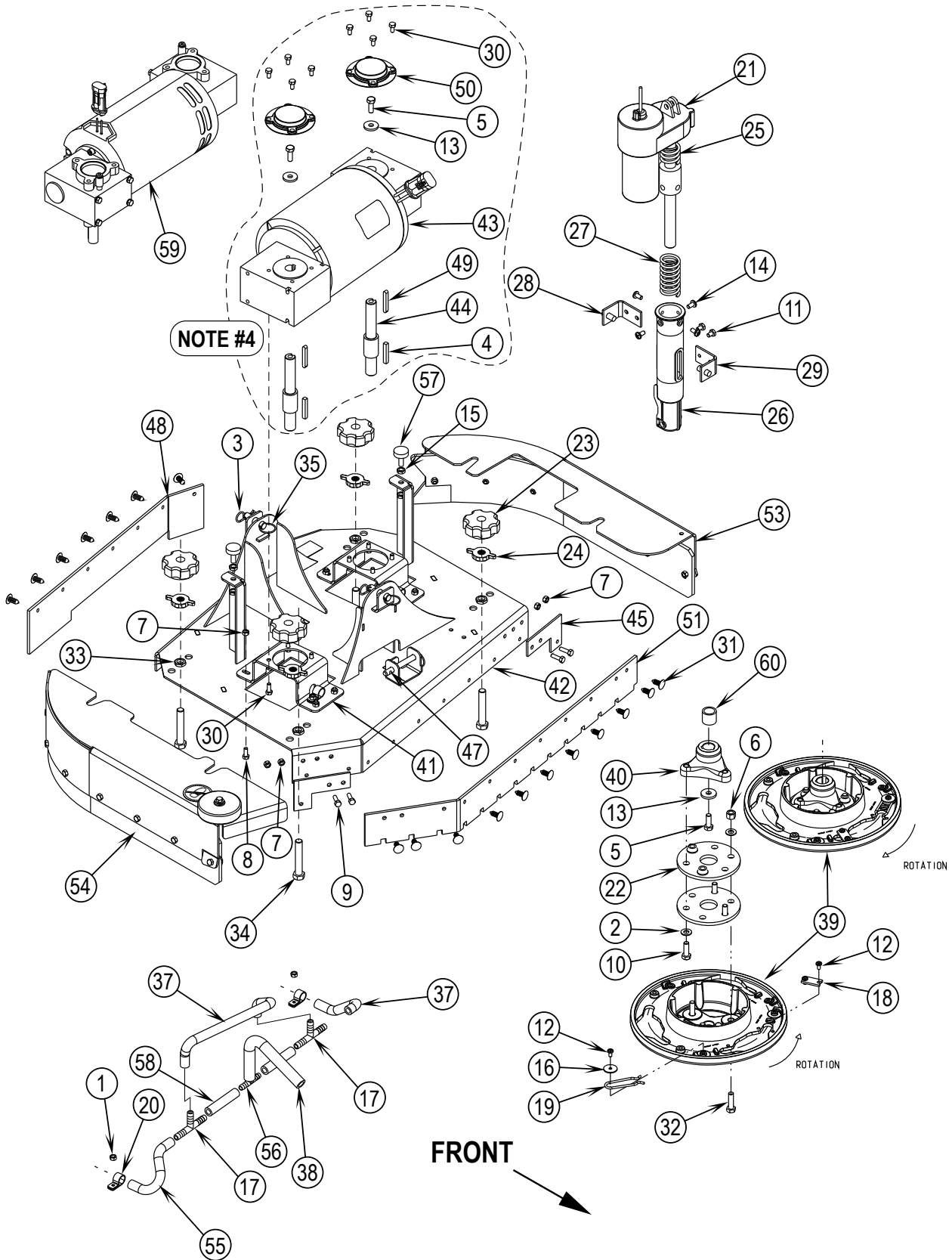
NOTE 1: See "BRUSH SELECTOR GUIDE" at back of manual for available scrub brushes.**NOTE 2:** Deck Blade Kits include two (item 58) Blades and two blades for use in Skirt Assemblies (items 55 & 56).**NOTE 3:** See "SKIRT ASSEMBLIES-CYLINDRICAL".**NOTE 4:** Idler kit 56384137 can be used to replace Hub 56407551 if you are having noise problems.**NOTE 5:** 56407551 is replaced by 56115273.

56407431 SERVICE PARTS



Item	Ref. No.	Qty	Description
A	56383546	1	End Cap-Brush-Brush Cap Kit NOTE 1
B	56383565	1	End Cap Assy-Ext Thd Brsh Cap NOTE 2
C	56407493	4	Brush Assy Sold Individually NOTE 3
D	56383529	4	Cap-Brush Ext Thd NOTE 2
E	56383547	1	Brush-Brush Cap Kit NOTE 2
F	56383528	4	Cap-Brush Int Thd NOTE 4

NOTE 1: Used on all generations of 56407431 (Includes B-D).**NOTE 2:** Used on Scott model 4BC-3145.**NOTE 3:** Used on all generations of 56407431.**NOTE 4:** Used on Scott models 4BCX881 & 4BC2890 if 56383546 has not been installed.



Item	Ref. No.	Qty	Description	Item	Ref. No.	Qty	Description
1	56002768	2	Nut, Hex Nyl Loc 10-24	43	56314141	1	Motor Gearbox Assy (28")
2	56002938	12	Wsh, Flt SAE SS 5/16		56314335	1	Motor Gearbox Assy (32") NOTE 4
3	56002959	4	Pin, Cotter Hair				
4	56003246	2	Key, Sq .25 x 1.62 NOTE 4	[]	56314359	2	Key, 6mm Square
**	56315722	1	Kit, Gum Rubber NOTE 3	[]	56314499	2	Cover, Gearbox
**	56315721	1	Kit, Red Gum Rubber NOTE 3	[]	56314560	2	Gearbox
5	56003335	2	Scr Hex Loc SS 5/16-18 x .88 NOTE 3	[]	56314580	1	Bearing (Fan End)
6	56003405	6	Nut, Hex Nyl Loc SS M8 x 1.25	[]	56412323	1	Bearing (Brush End)
7	56003426	12	Nut, Hex Nyl Loc SS M6 x 1.0	[]	56314582	1	Brush Ring
8	56003431	8	Scr, Hex Hd SS M6-1.0 x 16mm	[]	56314583	4	Carbon Brush
9	56003443	4	Scr, Hex Hd SS M6-1.00 x 20mm (28")	[]	56314584	1	Safety Hook
10	56003477	6	Scr, Hex Loc SS M8-1 x 25mm	44	56314218	2	Shaft, Hub Mount NOTE 4
11	56009019	2	Scr, Hex Thd Form 1/4-20 x .38	45	56316679	2	Skirt Brkt-Forward (28")
12	56009030	6	Scr, Pan Phil Thd Form 10-24 x .38	46	56315705	2	Spacer NOTE 3
13	56009057	2	Wsh, Flt Harden .344 x 1.000x.120/.135 NOTE 3	47	56314294	1	Pin, Hitch Cotterless
14	56009062	4	Scr, Pan Phil Thd Form 1/4-20 x .50	48	-		See Disk Deck Blade Kits below
15	56009086	4	Nut, Hex Jam 5/16-18	49	56314359	2	Key, 6mm Sq NOTE 4
16	56009096	2	Wsh, Flt .193 x .875 x .060	50	56314499	2	Cover, Gearbox NOTE 4
17	56249280	2	Tee, Barb	51	-		See Disk Deck Blade Kits below
18	56366455	2	Plate, Stop	52#			DELETED
19	56366463	2	Spring Retainer	53	56314897	1	Skirt Assy Left 28" NOTE 6
20	56385564	2	Clamp, P		56314898	1	Skirt Assy Left 32" NOTE 6
21	56393303	1	Actuator, Motor (M1)	54	56314896	1	Skirt Assy Right NOTE 6
[]	56388520	1	Plastic Nut	55	56392277	1	Tube, Solution
22	56383238	4	Brush Drive Disc	56	56397300	1	Tee, Barb
23	56380149	4	Knob TSBUS2010-1060	57	56401783	2	Leg Leveler 5/16-18
24	56601578	4	Knob	58	56412187	2	Hose, Spiral, .375
25	56412071	1	Compression Spring	59	56315704	1	Gearbox Assy (32"/ M7) NOTE 3
26	56412262	1	Housing, Spring	[]	56315711	2	Gearbox
27	56420018	1	Compression Spring				
28	56420019	1	Nut Retainer				
29	56420020	1	Nut Retainer				
30	56003211	16	Scr, Hex Hd SS M6-1.0 x 12mm NOTE 4				
	56002885	6	Scr, Hex SS 3/8-16 x .75 NOTE 3				
31	56003263	18	Rivet, Nylon Tree Push-In (.25)				
32	56003639	6	Scr, Hex Hd SS M8-1.25 x 30mm				
33	56003657	4	Nut Hex Jam SS M12-1.75				
34	56003658	4	Scr Hex Thd To Hd SS M12-1.75 x 70mm				
35	56003671	2	Pin, Ring .50 x 1.25				
37#	56249682	2	Tube, Solution				
38	56262180	1	Tube Spiral .375				
39	56314030	2	Brush Holder				
40	56314108	2	Hub, Drive				
41	56316678	2	Bracket-Motor NOTE 4				
41	56316680	2	Bracket-Motor NOTE 3				
42	56316677	1	Weldt-Disk Deck 28				
42	56316681	1	Weldt-Disk Deck 32				

28" Disk Deck Blade Kit

**	56314913	1	Kit, Gum Rubber 28 Disk NOTE 2
	56314917	1	Kit, Red Gum Rubber 28 Disk (Standard) NOTE 2
**	56390967	1	Blade Kit-Disk PU NOTE 2

32" Disk Deck Blade Kit

**	56314914	1	Kit, Gum Rubber 32 Disk NOTE 2
	56314918	1	Kit, Red Gum Rubber 32 Disk (Standard) NOTE 2

[] = Not Shown

** = Optional

= Revised or new since last update

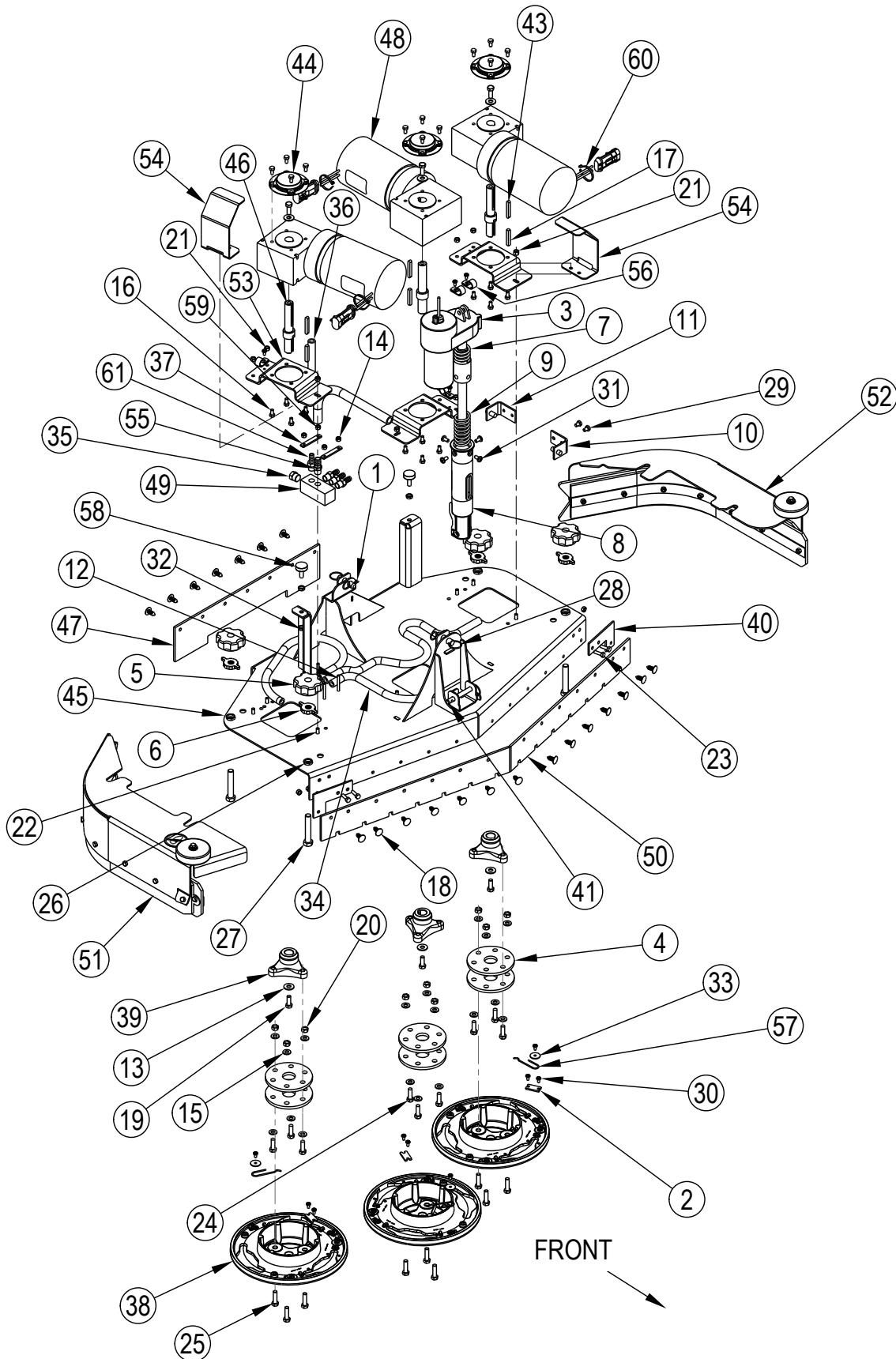
NOTE 1: See "BRUSH SELECTOR GUIDE" at back of manual for available scrub brushes.

NOTE 2: These Disk Deck Blade Kits include the mounting fasteners (Rivet, Nylon Tree Push-In 56003263 item 31), the two blades (items 51 & 59) and two blades for use in Skirt Assemblies (items 53 & 54).

NOTE 3: Only used on 32" models.

NOTE 4: Used on all 28" models.

NOTE 6: See "SKIRT ASSEMBLIES-DISK 28-32 INCH MODELS".



Item	Ref. No.	Qty	Description
1	56002959	2	Pin, Cotter Hair
2	56366455	3	Plate, Stop
3	56393303	1	Actuator, Motor (M1)
*	56388520	1	Plastic Nut
4	56383238	6	Brush Drive Disc
5	56380149	4	Knob TSBUS2010-1060
6	56601578	4	Knob
7	56412071	1	Compression Spring
8	56412262	1	Housing, Spring
9	56420018	1	Compression Spring
10	56420019	1	Nut Retainer
11	56420020	1	Nut Retainer
12	56002020	4	Scr. Pan Phil 10-24 x 1.75
13	56002220	6	Wsh, Flt Std 5/16
14	56002768	4	Nut, Hex Nyl Loc 10-24
15	56002938	18	Wsh, Flt SAE SS 5/16
16	56003211	24	Scr, Hex Hd SS M6-1.0 x 12mm
17	56003246	3	Key, Sq .25 x 1.62
18	56003263	21	Rivet, Nylon Tree Push-In (.25)
19	56003335	6	Scr Hex Loc SS 5/16-18 x .88
20	56003405	9	Nut, Hex Nyl Loc SS M8 x 1.25
21	56003426	13	Nut, Hex Nyl Loc SS M6 x 1.0
22	56003431	9	Scr, Hex Hd SS M6-1.0 x 16mm
23	56003896	4	Scr-Pan Phil SS M6-1 x 20mm (38")
24	56003477	9	Scr, Hex Loc SS M8-1 x 25mm
25	56003639	9	Scr, Hex Hd SS M8-1.25 x 30mm
26	56003657	4	Nut Hex Jam SS M12-1.75
27	56003658	4	Scr Hex Thd To Hd SS M12-1.75 x 70mm
28	56003671	2	Pin, Ring .50 x 1.25
29	56009019	2	Scr, Hex Thd Form 1/4-20 x .38
30	56009030	13	Scr, Pan Phil Thd Form 10-24 x .38
31	56009062	4	Scr, Pan Phil Thd Form 1/4-20 x .50
32	56009086	4	Nut, Hex Jam 5/16-18
33	56009096	3	Wsh, Flt .193 x .875 x .060
34	56391771	3	Hose, Spiral .375
35	56261421	1	Plug, Hex Pipe

Item	Ref. No.	Qty	Description
36	56302015	1	Hose, Spiral .375
37	56304601	2	Plate
38	56314030	3	Brush Holder
39	56314108	3	Hub, Drive
40	56316679	2	Skirt Brkt-Forward (38")
41	56314294	1	Pin, Hitch Cotterless
42	56900034	4	Barb, Adapter 3/8 X 1/4NPT
43	56314359	3	Key, 6mm Sq
44	56314499	3	Cover, Gearbox
45	56316682	1	Weldt-Disk Deck 35-38
46	56314687	3	Shaft, Hub Mount
47	-	-	See Disk Deck Blade Kits below
48	56314789	3	Motor Gearbox Assembly (M7, M8, M10)
[]	56314785	A/R	Gearbox, Replacement
[]	56314784	A/R	Motor, Replacement
[]	56314786	A/R	Kit, Carbon Brush (1 kit per motor)
49	56314790	1	Manifold, Solution
50	-	-	See Disk Deck Blade Kits below
51	56314820	1	Skirt Assembly Right NOTE 4
52	56314821	1	Skirt Assembly Left NOTE 4
53	56316683	3	Bracket-Motor
54	56316684	2	Bracket-Motor Guard
55	56373456	1	Barb, Adapter 1/2 x 1/4NPT
56	56385564	4	Clamp, P
57	56397081	3	Spring Retainer
58	56401783	2	Leg Leveler 5/16-18
59	56409462	1	Hose, Spiral .500
60	56478246	3	Tie, Cable
35" Disk Deck Blade Kit			
	56314846	1	Kit, Red Gum Rubber 35 Disk (Standard) NOTE 2
**	56390927	1	Blade Kit-Disk PU NOTE 2
38" Disk Deck Blade Kits			
	56314848	1	Kit, Red Gum Rubber 38 Disk (Standard) NOTE 2
**	56390796	1	Blade Kit-DiskGum NOTE 2

[] = Not Shown

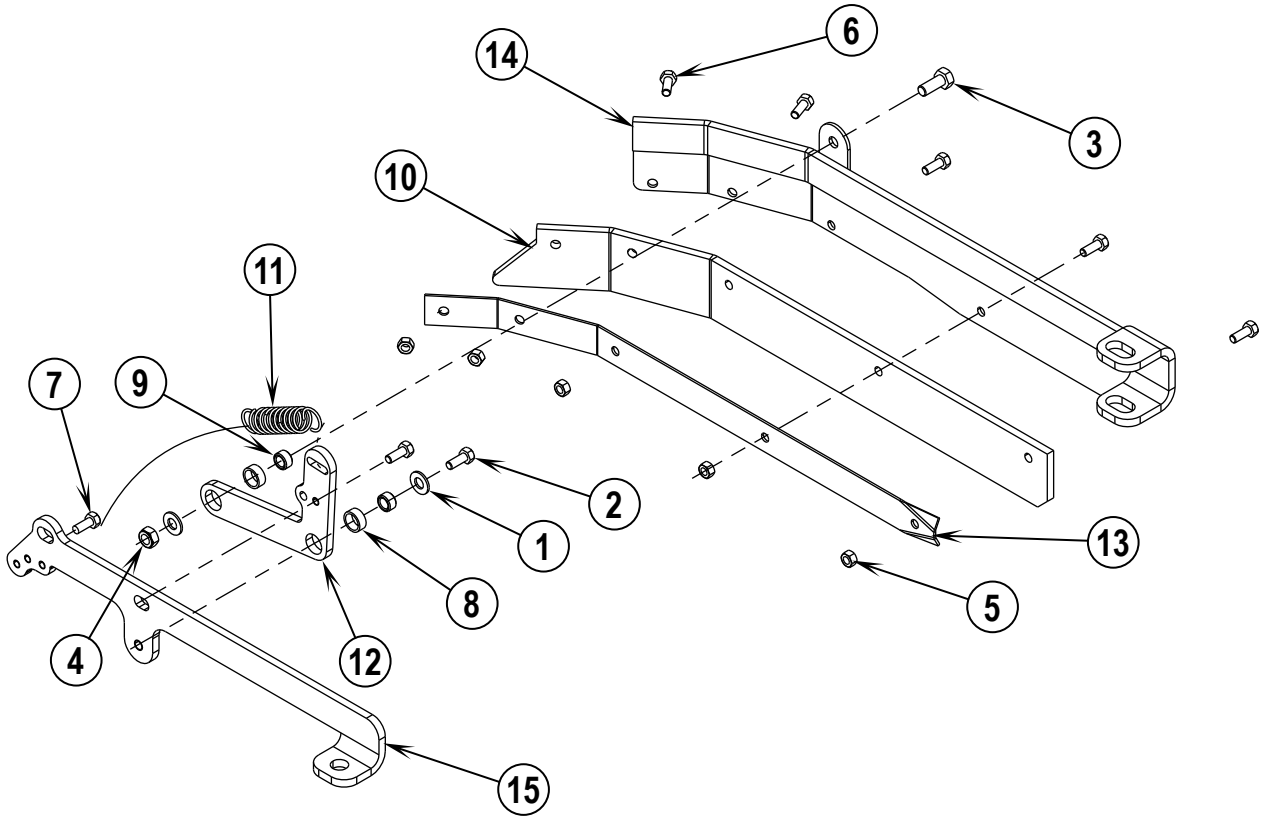
** = Optional

NOTE 1: See "BRUSH SELECTOR GUIDE" at back of manual for available scrub brushes.

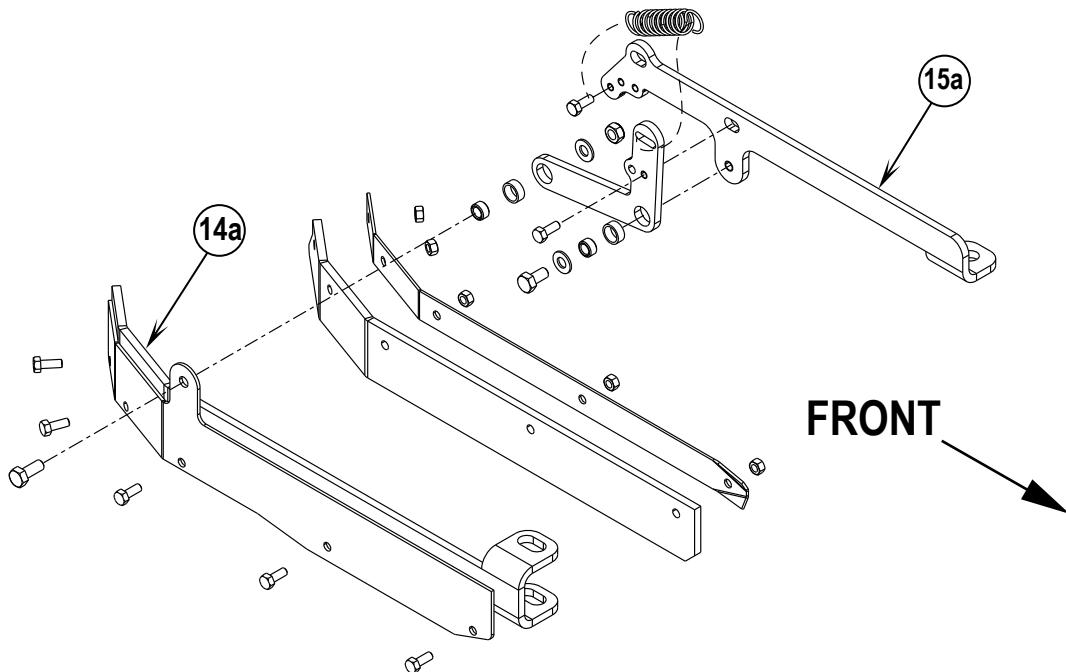
NOTE 2: These Disk Deck Blade Kits include the mounting fasteners (Rivet, Nylon Tree Push-In 56003263 item 18), the two blades (items 47 & 50) and two blades for use in Skirt Assemblies (items 51 & 52).

NOTE 4: See "SKIRT ASSEMBLIES-DISK 35-38 INCH MODELS".

56314648-LEFT SKIRT ASSEMBLY



56314649-RIGHT SKIRT ASSEMBLY



2009-9

SKIRT ASSEMBLIES-CYLINDRICAL

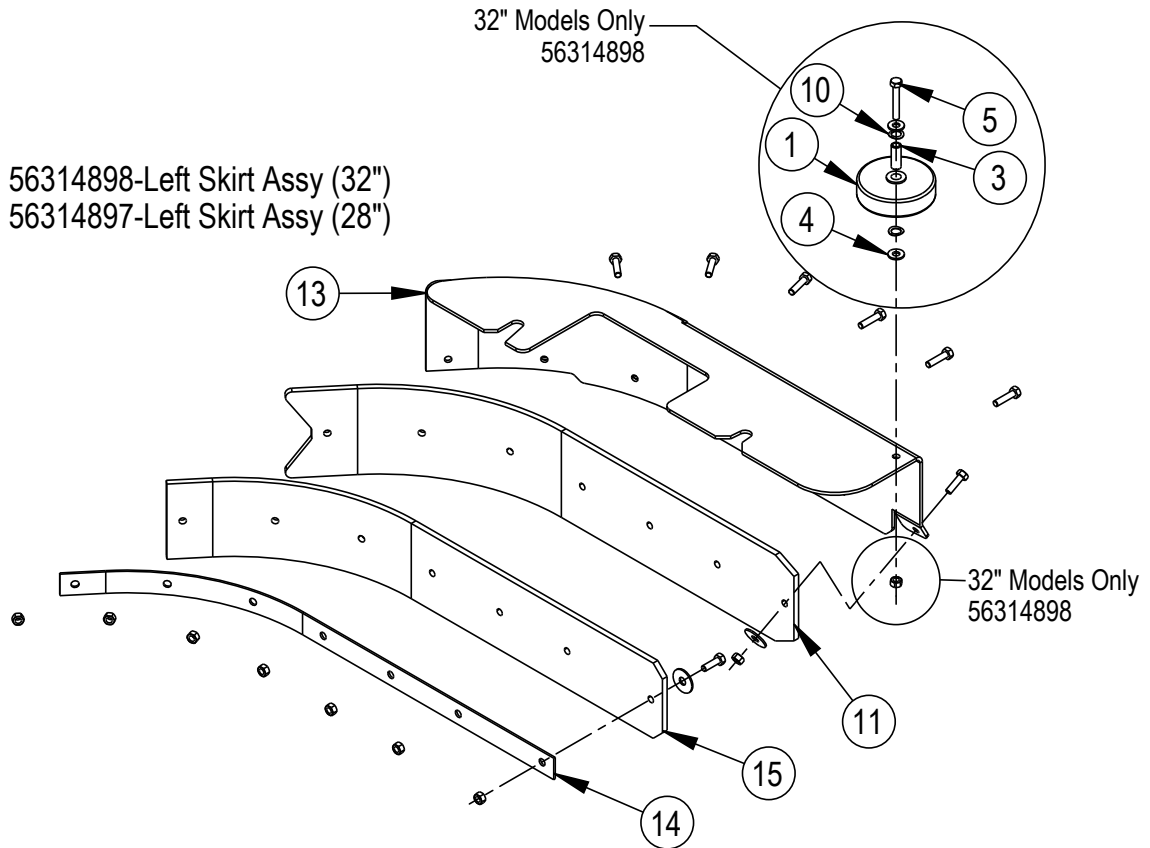
2014-2

Adgressor™**25**

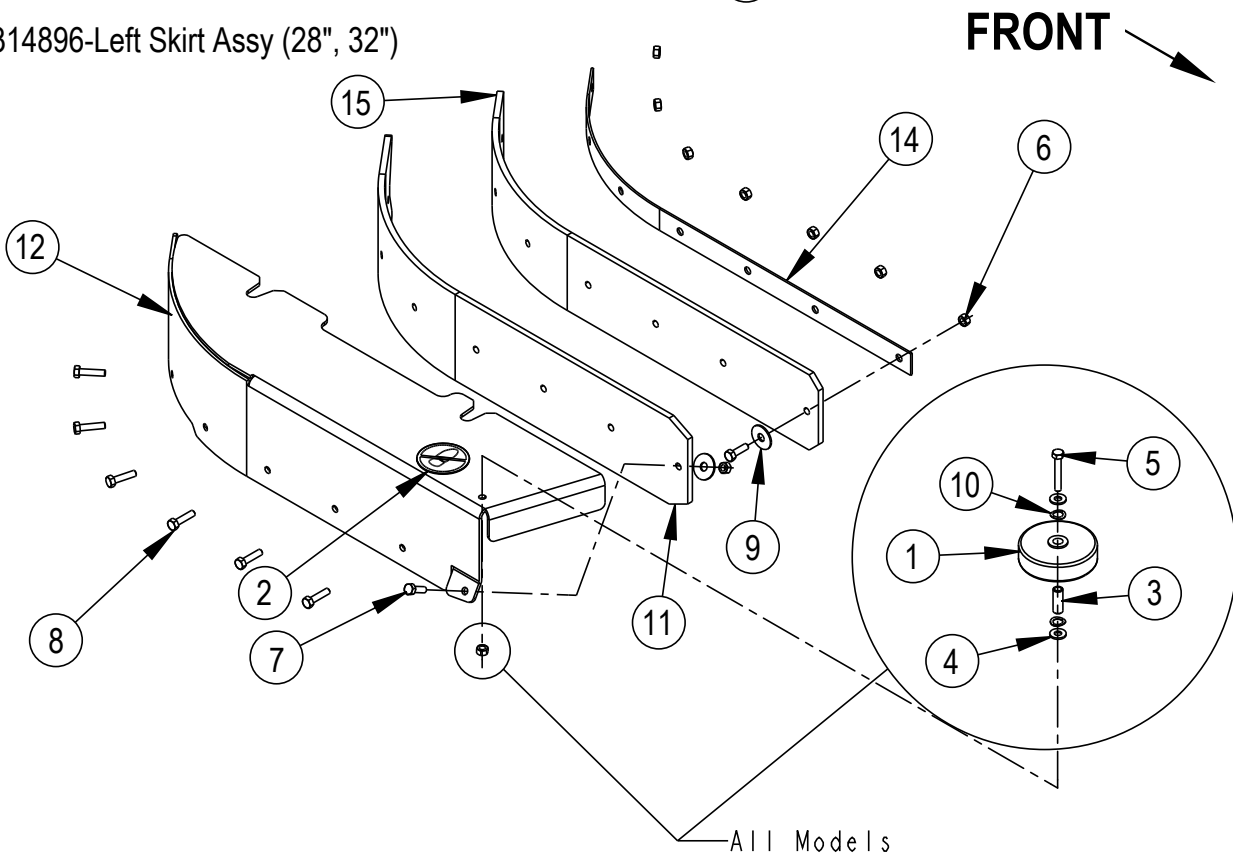
Item	Ref. No.	Qty	Description
	56314648	1	Left Skirt Assembly
	56314649	1	Right Skirt Assembly
1	56002938	2	Wsh-Fit SAE SS 5/16
2	56003908	1	Scr-Hex SS M8-1.25 X 16MM
3	56003933	1	Scr-Hex FT SS M8-1.25 x 20mm
4	56003405	1	Nut, Hex Nyl Loc SS M8-1.25
5	56003426	5	Nut, Hex Nyl Loc SS M6-1.00
6	56003431	6	Scr, Hex Hd SS M6-1.00 x 16mm
7	56003934	1	Scr-Hex Loc SS M6-1 x 16mm
8	56185263	2	Bearing, Sleeve
9	56320595	2	Bushing, .32 x .50 x .28
10	56410335	1	Skirt, Red Gum Rubber (Standard)
**	56407447	1	Skirt, Gum Rubber
	56314860	1	Kit, Deck Blade Cyl Red Gum Rubber (Standard) NOTE 2
**	56390791	1	Kit Cyl Blade Gum NOTE 2
11	56470672	1	Spring, Extension
12	56316643	1	Arm-Mount
13	56316644	1	Retainer-Skirt
14	56316645	1	Skirt Bracket Weldt-Left
14a	56316646	1	Skirt Bracket Weldt-Right
15	56316647	1	Bracket-Left Mnt
15a	56316648	1	Bracket-Right Mnt

** = Optional

NOTE: All quantities are for one skirt assembly only, there are two skirt assemblies on the machine.**NOTE 2:** For use on 35" and 38" decks. Deck Blade Kits include two (item 10) Blades and two Deck Blades (item 58) in "Scrub System-Cylindrical (35", 38)".



56314896-Left Skirt Assy (28", 32")



Item	Ref. No.	Qty	Description
	56314898	1	Skirt Assembly Left (32")
	56314897	1	Skirt Assembly Left (28")
	56314896	1	Skirt Assembly Right (28" / 32")
1	56324499	1	Wheel 3.00 NOTE 1
2	56016163	1	Decal, No Step (Right Skirt Assembly only)
3	56471220	1	Bushing NOTE 1
4	56002859	2	Wsh-Flt SAE SS 1/4 NOTE 1
5	56003935	1	Scr-Hex SS M6-1 x 40mm NOTE 1
6	56003426	9	Nut, Hex Nyl Loc SS M6 x 1.0 (qty of 8 on 56314897)
7	56003454	2	Scr Hex Thd To Hd SS M6-1.0 x 20mm
8	56003693	6	Scr Hex Thd To Hd SS M6-1.0 x 25mm
9	56003696	2	Wsh, Flt SS .33 x 1.00 x .060
10	56009045	2	Wsh, Bowed .375 x .578 x .060 NOTE 1
11	-		See Disk Deck Blade Kits below
12	56316649	1	Frame-Skirt RH
13	56316650	1	Frame-Skirt LH
14	56316651	1	Retainer-Blade
15	-		See Disk Deck Blade Kits below
28" Disk Deck Blade Kits			
**	56314913	1	Kit, Gum Rubber 28 Disk NOTE 3
	56314917	1	Kit, Red Gum Rubber 28 Disk (Standard) NOTE 3
**	56390967	1	Blade Kit-Disk PU NOTE 3
**	56315722	1	Kit, Gum Rubber NOTE 4
**	56315721	1	Kit, Red Gum Rubber NOTE 4
32" Disk Deck Blade Kits			
**	56314914	1	Kit, Gum Rubber 32 Disk NOTE 3
	56314918	1	Kit, Red Gum Rubber 32 Disk (Standard) NOTE 3
**	56315722	1	Kit, Gum Rubber NOTE 4
**	56315721	1	Kit, Red Gum Rubber NOTE 4

** = Optional

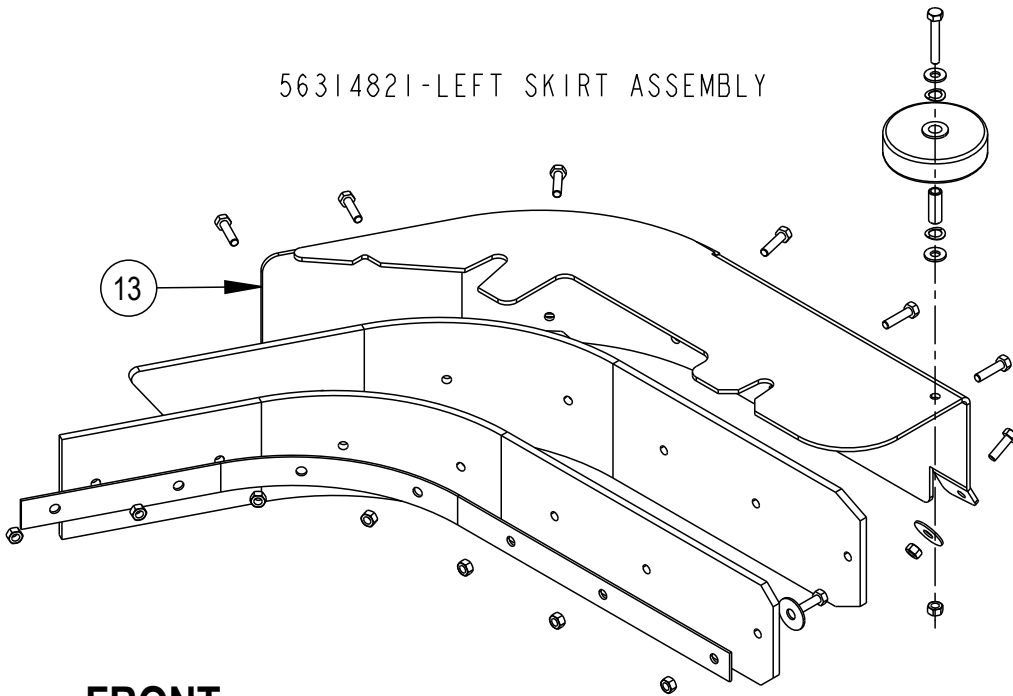
NOTE 1: These items are on the Right Skirt Assembly **PN 56314896** on all models, but only on the 32" Left Skirt Assembly **PN56314898**.

NOTE 2: All quantities are for one skirt assembly only, there are two skirt assemblies on the machine.

NOTE 3: These Disk Deck Blade Kits include the mounting fasteners (Rivet, Nylon Tree Push-In 56003263), four skirt blades (items 11 & 15) and the two deck blades (front and rear).

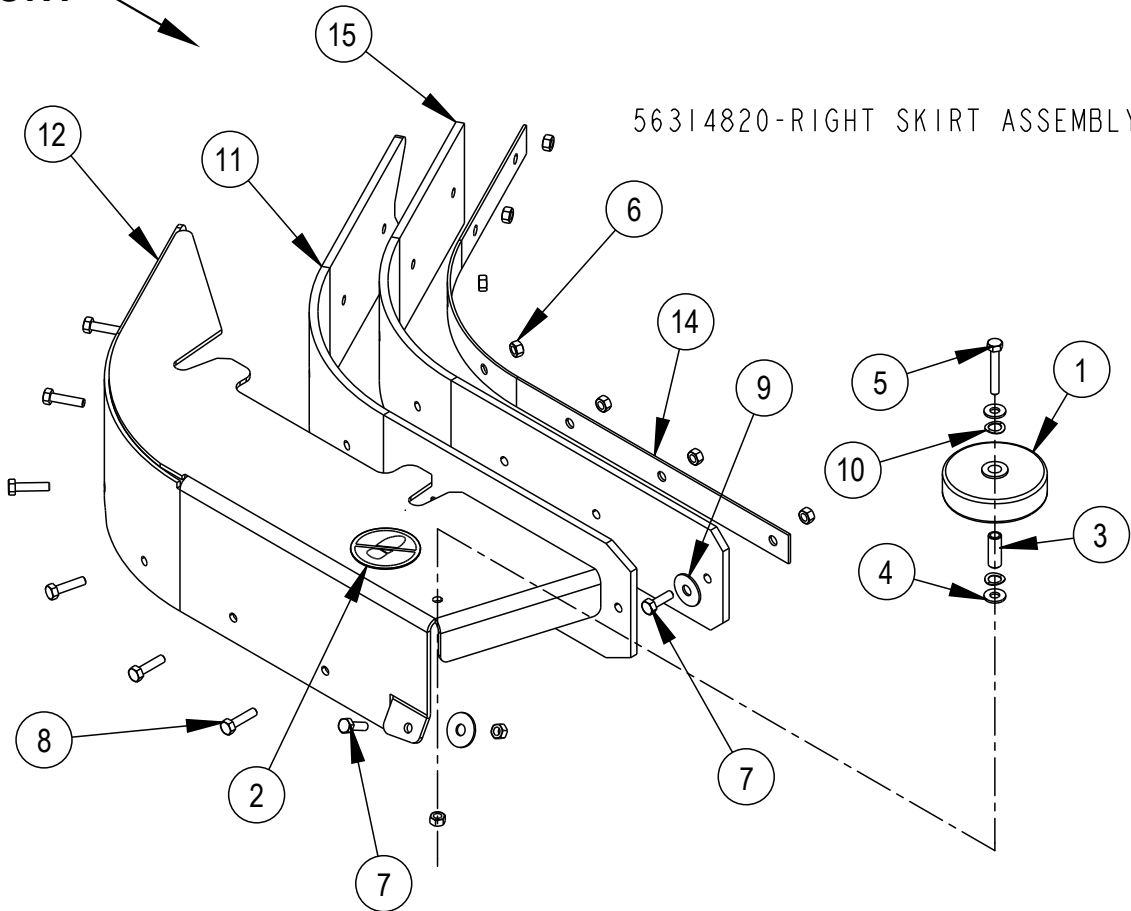
NOTE 4: These Disk Deck Blade Kits include just the blades for use in the two Skirt Assemblies.

56314821-LEFT SKIRT ASSEMBLY



FRONT

56314820-RIGHT SKIRT ASSEMBLY



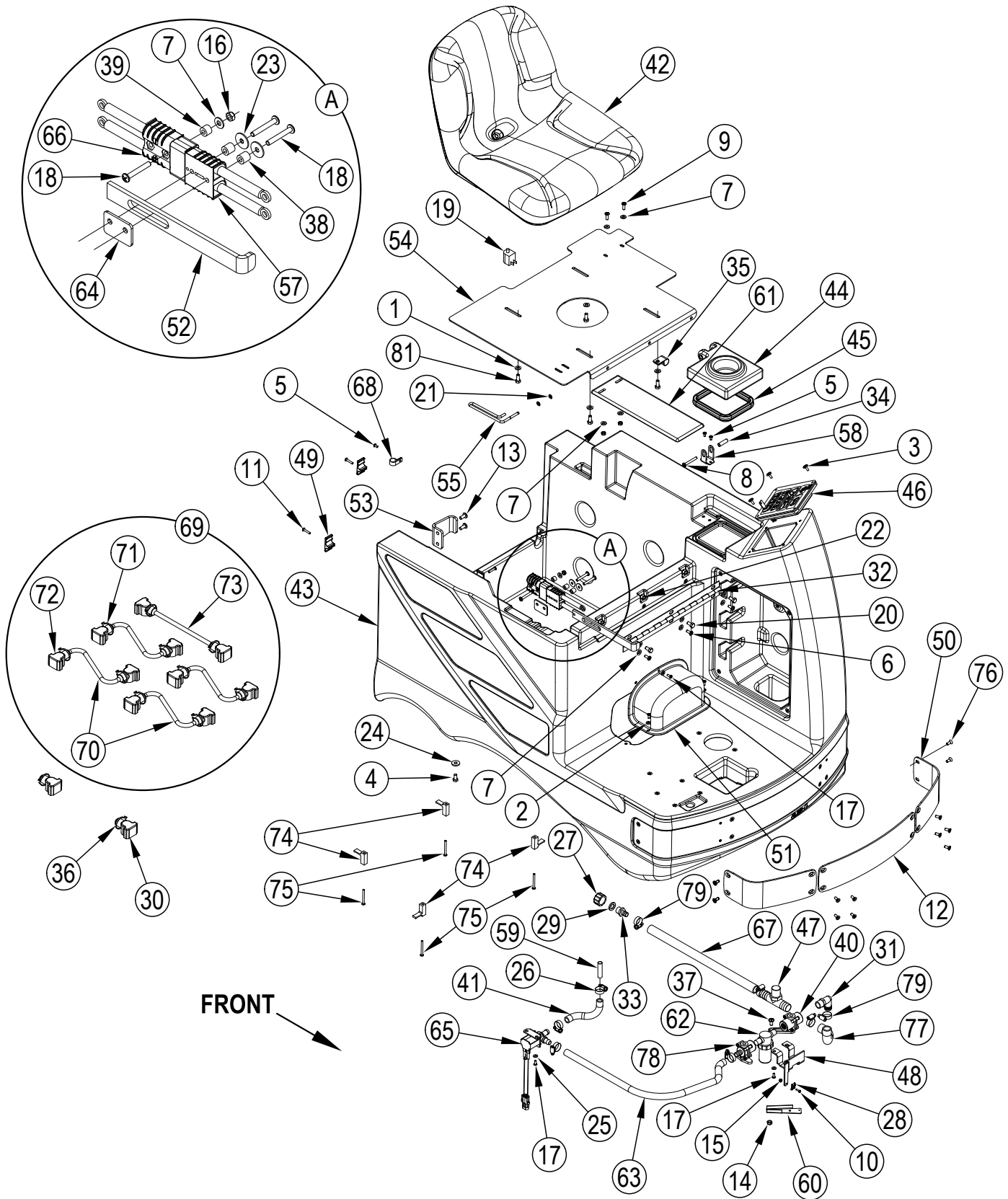
Item	Ref. No.	Qty	Description
	56314821	1	Skirt Assembly Left
	56314820	1	Skirt Assembly Right
1	56324499	1	Wheel 3.00
2	56016163	1	Decal, No Step (Right Skirt Assembly only)
3	56471220	1	Bushing
4	56002859	2	Wsh-Flt SAE SS 1/4
5	56003935	1	Scr-Hex SS M6-1 x 40mm
6	56003426	9	Nut, Hex Nyl Loc SS M6 x 1.0
7	56003454	2	Scr Hex Thd To Hd SS M6-1.0 x 20mm
8	56003695	6	Scr-Hex Thd To Hd SS M6-1 x 25mm
9	56003696	2	Wsh, Flt SS .33 x 1.00 x .060
10	56009045	2	Wsh, Bowed .375 x .578 x .060
11	-		See Disk Deck Blade Kits below
12	56316652	1	Frame-Skirt RH
13	56316653	1	Frame-Skirt LH
14	56316654	1	Retainer-Blade
15	-		See Disk Deck Blade Kits below
35" Disk Deck Blade Kit			
	56314846	1	Kit, Red Gum Rubber 35 Disk (Standard) NOTE 1
**	56390927	1	Blade Kit-Disk PU NOTE 1
**	56315720	1	Kit, Red Gum Rubber NOTE 3
38" Disk Deck Blade Kits			
	56314848	1	Kit, Red Gum Rubber 38 Disk (Standard) NOTE 1
**	56390796	1	Blade Kit-DiskGum NOTE 1
**	56315720	1	Kit, Red Gum Rubber NOTE 3
**	56390788	1	Blade Kit-Disk Gum NOTE 3

** = Optional

NOTE 1: These Disk Deck Blade Kits include the mounting fasteners (Rivet, Nylon Tree Push-In 56003263), four skirt blades (items 11 & 15) and the two deck blades (front & rear).

NOTE 2: All quantities are for one skirt assembly only, there are two skirt assemblies on the machine.

NOTE 3: These Disk Deck Blade Kits include just the blades for use in the two Skirt Assemblies.



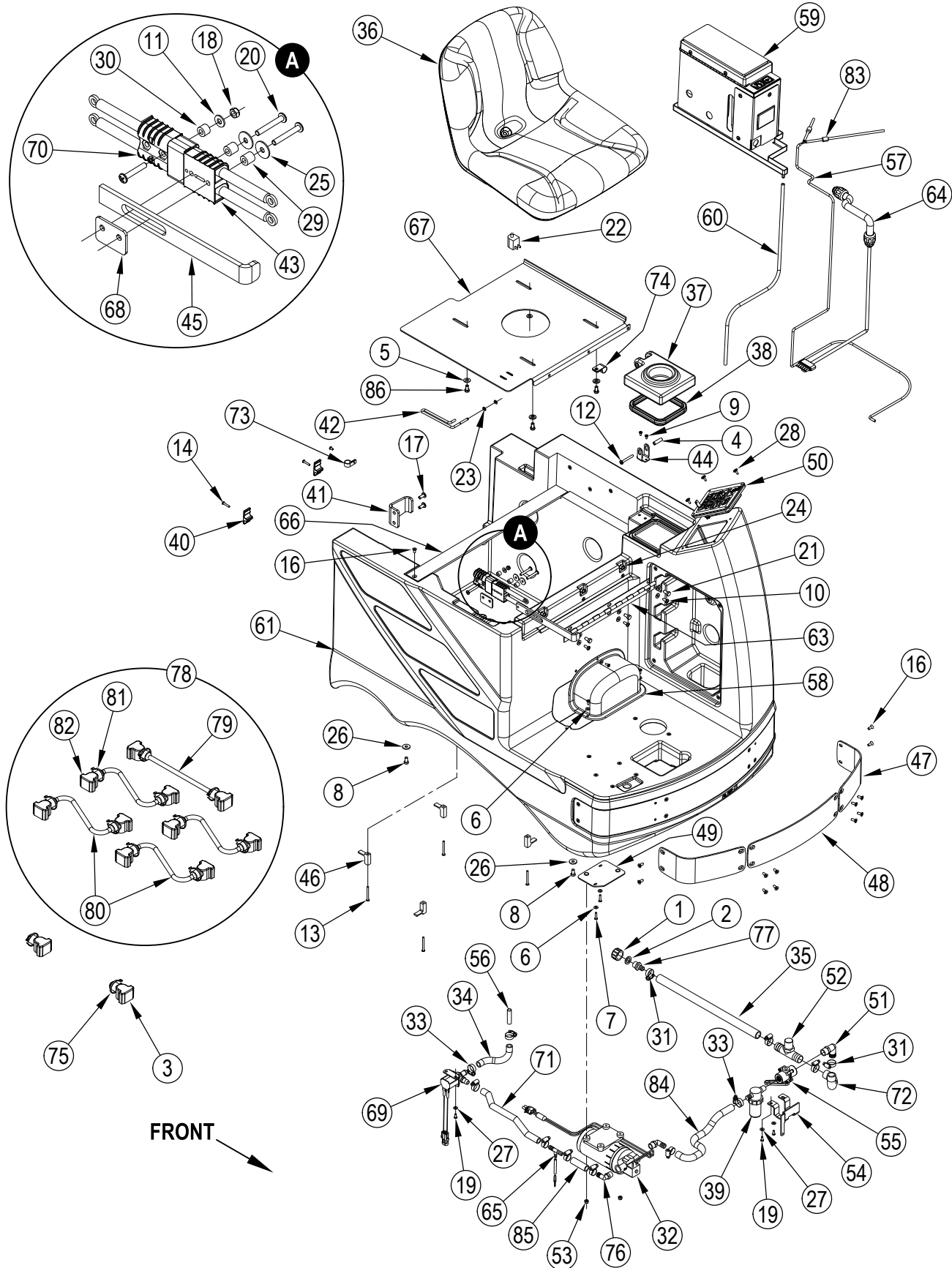
Item	Ref. No.	Qty	Description
1	56001939	4	Wsh, Flt SAE 5/16
2	56001954	3	Wsh, Flt SAE #10
3	56009206	4	Scr. Truss Phil-Blk 10-24 x .50
4	56002035	4	Scr. Hex Hd 5/16-18 x .62
5	56002043	3	Scr. Pan Phil 10-24 x .38
6	56002066	3	Scr. Pan Phil 1/4-20 x .62
7	56002098	11	Wsh, Flt SAE 1/4
8	56002108	1	Scr. Pan Phil 1/4-20 x 2.00
9	56002507	2	Scr. Pan Phil 1/4-20 x .75
10	56002589	1	Scr. Hex Hd 6-32 x .50
11	56002674	5	Scr. Pan Phil 10-24 x 1.00
12	56316655	1	Bumper-Front Middle
13	56002793	2	Scr. Pan Phil 5/16-18 x .75
14	56002826	1	Nut, Hex Nyl Loc-Thin 5/16-18
15	56002830	1	Nut, Hex Nyl Loc 6-32
16	56002840	3	Nut, Hex Nyl Loc-Thin 1/4-20
17	56002900	7	Scr. Pan Phil SS 10-24 x .50
18	56002997	3	Scr. Pan Phil 1/4-20 x 1.75
19	7-82-00050	1	Switch (S2)
20	56003178	3	Scr. Hex M8-1.25 x 16mm
21	56003268	2	Ring, Ret Ext Type E Reinf. .25 Dia.
22	56003389	3	Nut, Hex Nyl Loc M8-1.25
23	56009002	2	Wsh, Flt .266 x .906 x .060
24	56009122	4	Wsh, Flt .344 x .938 x .125
25	56009205	4	Wsh, Flt SS #10
26	56219932	4	Clamp, Hose SAE #6
27	56255076	1	Cap, Pipe GHT Nylon
28	56344265	1	Clamp, Cable
29	56368776	1	Washer, Rubber
30	56372673	2	Boot, Battery Post
31	56314757	1	Barb, 90 Elbow, 3/4 x 1/2NPT
32	56314973	1	Hinge
33	56900273	1	Barb
34	56468553	1	Bushing, .27 x .37 x 1.30
35	56469380	1	Clamp, P
36	56478246	2	Tie, Cable
37	56003003	1	Scr. Pan Phil 5/16-18 x .62
38	56046309	2	Spacer, Phenolic
39	56050872	1	Spacer, Phenolic
40	56314899	1	Valve, Solution
41	56262180	1	Hose, Spiral, .50ID x 7.00
42#	56117269	1	Seat NOTE 3
43	56390853	1	Solution Tank
44	56314066	1	Cover, Solution Tank, Assy
45	56314069	1	Gasket

Item	Ref. No.	Qty	Description
46	56390780	1	Kit Control Board NOTE 2
[]	56314713	1	Membrane Switch Assy TSBUS2006-932
[]	56396188	1	Switch, Key
[]	56396189	1	Key, Spare
47	56314758	1	Tee
48	56314881	1	Bracket, Water Valve
49	56314155	5	Clamp, Cable
50	56316656	2	Bumper-Front
51	56314975	1	Cover, Actuator Closed
52	56314292	1	Bar, Disconnect
53	56316526	1	Tank Mount Bracket
54	56314988	1	Weld't, Seat Mount
55	56314223	1	Prop Rod
56	56390854	1	Harness, Main (Not Shown)
57	56314253	1	Charge Connector Assy
58	56314264	1	Hinge Bracket
59	56314904	1	Tube
60	56314882	1	Bracket, Valve
61	56314532	1	Panel, Battery Box
62	56314756	1	Strainer
63	56386182	1	Hose, Spiral, .50ID x 26.00
64	56397189	1	Spacer
65	56397215	1	Solenoid Valve Assy, 36V (L1)
66	56397508	1	Charge Connector Assy
67	56263218	1	Hose, .75 Clear PVC
68	56442003	1	Clamp, P
69	56314339	1	Kit, Battery Connector (includes items 70-73) NOTE 1
70	56456460	4	Cable, Battery
71	56478246	10	Tie, Cable
72	56372673	10	Boot, Battery Post
73	56441600	1	Cable, Battery
*	56314119	1	Battery Spacer
74	56314608	4	Clamp, Cable
75	56002171	4	Scr. Pan Phil 10-24 x 2.00
76	56002760	12	Scr. Flt Phil 1/4-20 x .62
77	56410162	1	Hose, Spiral, .75 x 7.00
78	56314755	1	Valve, Solution
79	56112771	4	Clamp, Hose SAE #10
81	56002221	4	Scr Hex 5/16-18 X 1.00

[] = Not Shown

= Revised or new since last update

NOTE 1: Battery Connector Kit (56314339) is included with machine.**NOTE 2:** 56314665 is OBSOLETE and replaced by 56390780. 56390780 is used on all models.**NOTE 3:** Seat 8-69-00022 has been replaced by Seat 56117269 in production. Please order Seat Kit 56383240 when replacing Seat 8-69-00022.



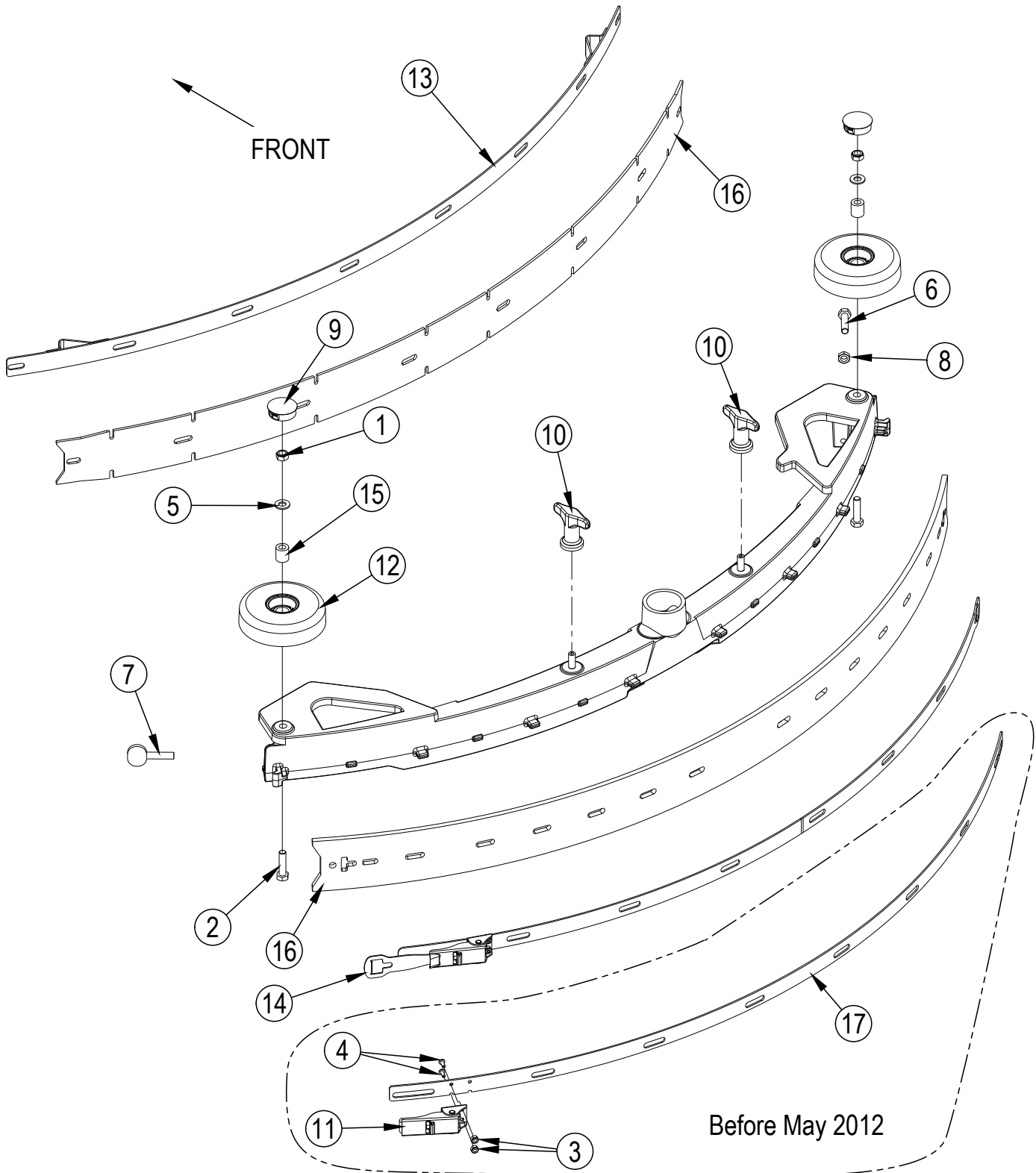
Item	Ref. No.	Qty	Description
1	56255076	1	Cap. Pipe GHT Nylon
2	56368776	1	Washer. Rubber
3	56372673	2	Boot. Battery Post
4	56468553	1	Bushing. .27 x .37 x 1.3
5	56001939	4	Wsh. Flt SAE 5/16
6	56001954	5	Wsh. Flt SAE #10
7	56002733	2	Scr. Pan Phil 10-24 x .88
8	56002035	4	Scr. Hex 5/16-18 x .62
9	56002043	3	Scr. Pan Phil 10-24 x .38
10	56002066	3	Scr. Pan Phil 1/4-20 x .62
11	56002098	7	Wsh. Flt SAE 1/4
12	56002108	1	Scr. Pan Phil 1/4-20 x 2.00
13	56002171	4	Scr. Pan Phil 10-24 x 2.00
14	56002674	5	Scr. Pan Phil 10-24 x 1.00
16	56002760	13	Scr. Flt Phil 1/4-20 x .62
17	56002793	2	Scr. Pan Phil 5/16-18 x .75
18	56002840	1	Nut. Hex Nyl Loc-Thin 1/4-20
19	56002900	7	Scr. Pan Phil SS 10-24 x .50
20	56002997	3	Scr. Pan Phil 1/4-20 x 1.75
21	56003178	3	Scr. Hex M8-1.25 x 16mm
22	7-82-00050	1	Switch (S2)
23	56003268	2	Ring. Ret Ext Type E Reinf. 0.25 Dia
24	56003389	3	Nut. Hex Nyl Loc M8-1.25
25	56009002	2	Wsh. Flt .266 x .906 x .060
26	56009122	4	Wsh. Flt .344 x .938 x .125
27	56009205	4	Wsh. Flt SS .219 x .500 x .047/.062
28	56009206	4	Scr. Truss Phil-Blk 10-24 x .50
29	56046309	2	Spacer. Phenolic
30	56050872	1	Spacer. Phenolic
31	56112771	4	Clamp. Hose SAE #10
32	56212014	1	Pump. 36VDC
[]	56109587	1	Pump Head Assy
[]	56109588	1	Check Valve Assy
33	56219932	8	Clamp. Hose SAE #6
34	56262180	1	Hose. Spiral .50 ID x 7.00
35	56263218	1	Hose. .75 Clear PVC
36#	56117269	1	Seat NOTE 3
37	56314066	1	Cover. Solution Tank. Assy
38	56314069	1	Gasket
39	56314147	1	Strainer
40	56314155	5	Clamp. Cable
41	56316526	1	Tank Mount Bracket
42	56314223	1	Prop Rod
43	56314253	1	Charge Connector Assy
44	56314264	1	Hinge Bracket
45	56314292	1	Bar. Disconnect

Item	Ref. No.	Qty	Description
46	56314608	4	Clamp. Cable
47	56316656	2	Bumper-Front
48	56316655	1	Bumper-Front Middle
49	56314644	1	Weldment. Adapter Plate
50	56390780	1	Kit Control Board NOTE 3
[]	56314713	1	Membrane Switch Assy TSBUS2006-932
[]	56396188	1	Switch. Key
[]	56396189	1	Key. Spare
51	56314757	1	Barb. 90 Elbow 3/4 x 1/2NPT
52	56314758	1	Tee. Barb
53	56002768	2	Nut. Hex Nyl Loc 10-24
[]	56314787	1	Harness. Cable
54	56314881	1	Bracket. Valve
55	56314899	1	Valve. Solution
56	56314904	1	Tube
57	56314863	1	Hose. Chem Resistant
58	56314960	1	Cover. Actuator
59	56316537	1	Assy-Detergent Inject. NOTE 1
	56381100	1	Assy-Detergent Inject. NOTE 2
			(See Detergent Injection System)
60	56314965	1	Hose. PVC 1/4 x 3/8
61	56390853	1	Solution Tank
62	56390854	1	Harness. Main (Not Shown)
63	56314973	1	Hinge
64	56314980	1	Harness. Detergent System
65	56314983	1	Tee Assembly
66	56314985	1	Bracket. Seat
67	56314986	1	Weld't. Seat Mount
68	56397189	1	Spacer
69	56397215	1	Solenoid Valve Assy. 36V
70	56397508	1	Charge Connector Assy
71	56266108	1	Hose. Spiral .50 ID x 12
72	56410162	1	Hose. Spiral .75 ID x 7.00
73	56442003	1	Clamp. P
74	56469380	1	Clamp. P
75	56478246	2	Tie. Cable
76	56109566	2	Barb 90 Elbow 1/2 X 3/8 NPT
77	56900273	1	Barb
78	56314339	1	Kit. Battery Connector (items 79-82)
79	56441600	1	Cable. Battery
80	56456460	4	Cable. Battery
81	56478246	10	Tie. Cable
82	56372673	10	Boot. Battery Post
[]	56314119	1	Spacer. Battery
83	56316209	1	Check Valve Assy
84	56264318	1	Hose. Spiral .50
85	56111385	1	Hose. Spiral .50
86	56002221	4	Scr Hex 5/16-18 X 1.00

[] = Not Shown

= Revised or new since last update

NOTE 1: Only used on AXP models.**NOTE 2:** Only used on EcoFlex models. AXP models are no longer in production and have been replaced by EcoFlex models.**NOTE 3:** Seat 8-69-00022 has been replaced by Seat 56117269 in production. Please order Seat Kit 56383240 when replacing Seat 8-69-00022.



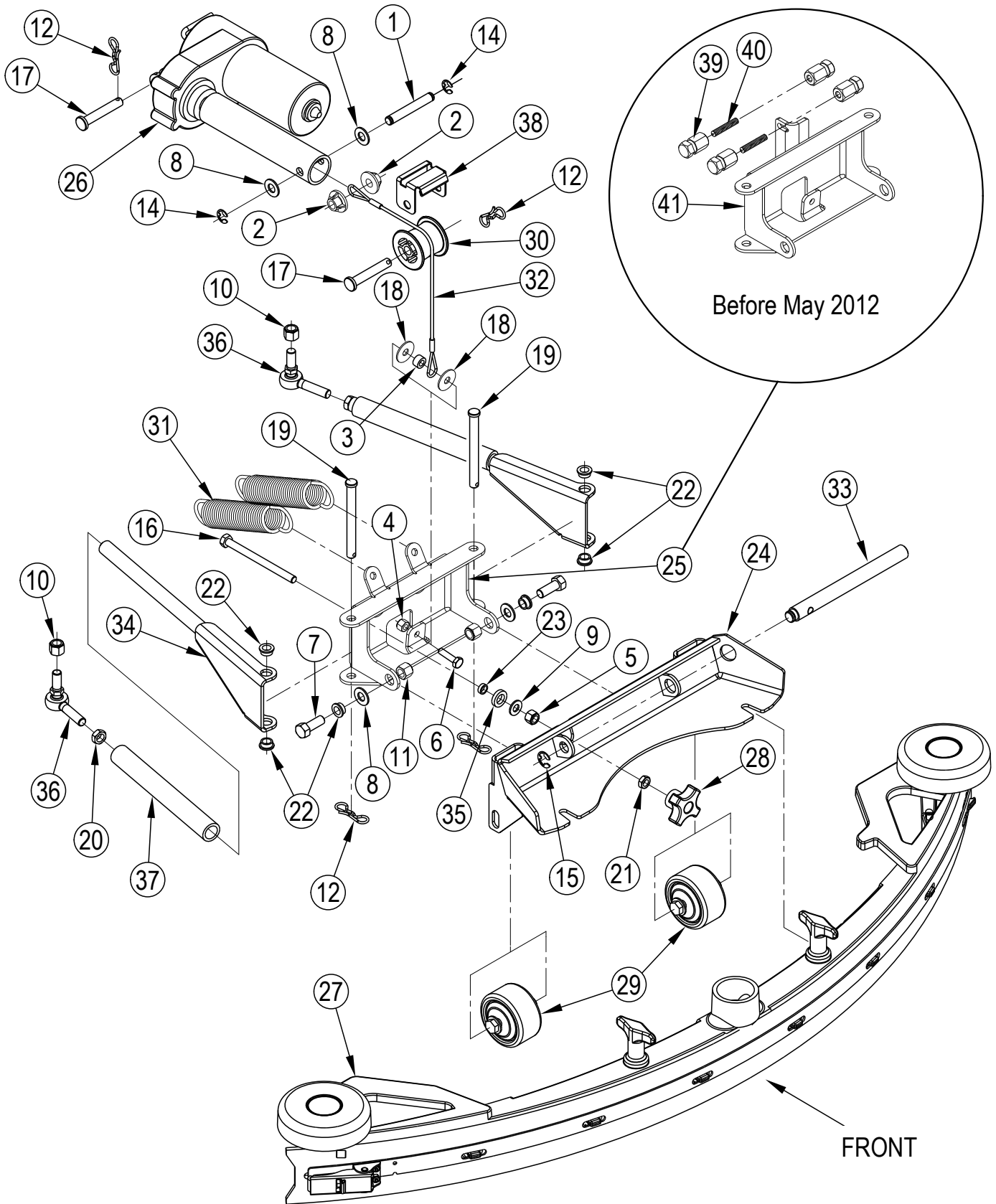
Item	Ref. No.	Qty	Description
	56390865	1	Squeegee Assy (28" Models) NOTE 2
	56390866	1	Squeegee Assy (32", 35" Models) NOTE 2
	56390830	1	Squeegee Assy (38" Models) NOTE 2
1	56002851	2	Nut, Hex Nyl Loc-Thin Ss 5/16-18
2	56003302	2	Scr- Hex Ss 5/16-18 X 1.25
3	56002907	2	Nut, Hex Nyl Loc Ss 6-32 (before May 2012)
4	56002909	2	Scr, Pan Phil Ss 6-32 X .38 (before May 2012)
5	56002938	2	Wsh, Flt Sae Ss 5/16
6	56003302	1	Scr, Hex Thd To Hd Ss 5/16-18 X 1.25
7	56003792	1	Scr, Thumb Ss 5/16-18 X 1.25
8	56009141	1	Nut, Hex Jam Ss 5/16-18
9	56111444	2	Button Plug-1.25
10	56370711	2	Nut, Thumb
11	56471194	1	Latch Assembly (before May 2012)
12	56601450	2	Wheel, 4.00 Od
13	56601489	1	Front Strap Weldment (28" Models)
	56601495	1	Front Strap Weldment (32", 35" Models)
	56390824	1	Front Strap Weldment (38" Models)
14	56382697	1	Clamp-Band 28 In Assy (28" Models after May 2012)
	56382698	1	Clamp-Band 34 In Assy (32", 35" Models after April 2012)
	56382699	1	Clamp-Band 38 In Assy (38" Models after June 2012)
15	56601499	2	Bushing, Nylon
16	56382735	1	Blade Kit-Squeegee-Red Gum 28 (28" Models after October 2011) NOTE 1 / NOTE 3
	56601746	1	Blade Kit, Squeegee Red Gum (28" Models before November 2011) NOTE 1
	56382739	1	Blade Kit-Squeegee-Red Gum 34 (32", 35" Models) NOTE 1
	56382742	1	Blade Kit-Squeegee-Red Gum 38 (38" Models) NOTE 1
17	56382676	1	Strap, Rear (28" Models before June 2012)
	56601496	1	Strap, Rear (32", 35" Models before May 2012)
	56390826	1	Strap, Rear (38" Models before July 2012)
28" Model Squeegee Blade Kits			
**	56382734	1	Blade Kit-Squeegee-Gum 28 After October 2011 / NOTE 1 / NOTE 3
**	56601744	1	Blade Kit, Squeegee Gum Before November 2011 / NOTE 1
	56382735	1	Blade Kit-Squeegee-Red Gum 28 (Standard after October 2011) NOTE 1 / NOTE 3
	56601746	1	Blade Kit, Squeegee Red Gum (Standard before November 2011) NOTE 1
**	56382737	1	Blade Kit-Squeegee-PU 28 After October 2011 / NOTE 1 / NOTE 3
**	56601745	1	Blade Kit, Squeegee PU Before November 2011 / NOTE 1
32", 35" Model Squeegee Blade Kits			
**	56382738	1	Blade Kit-Squeegee-Gum 34 NOTE 1
	56382739	1	Blade Kit-Squeegee-Red Gum 34 (Standard) NOTE 1
**	56382740	1	Blade Kit-Squeegee-PU 34 NOTE 1
38" Model Squeegee Blade Kits			
**	56382741	1	Blade Kit-Squeegee-Gum 38 NOTE 1
	56382742	1	Blade Kit-Squeegee-Red Gum 38 (Standard) NOTE 1
**	56382743	1	Blade Kit-Squeegee-PU 38 NOTE 1

** = Optional, Not Included

NOTE 1: Squeegee Blade Kits include both front & rear squeegee blades.

NOTE 2: These squeegee assemblies include red gum rubber blades. The squeegee tool casting is not available for sale separately. If you need to replace the casting please order a complete squeegee assembly.

NOTE 3: These squeegee blades are designed to provide increased performance and reduced streaking. When installing these blades on a machine built before November 2011 you must also order a new rear strap part number 56382676.



2009-9

SQUEEGEE SYSTEM

2018-7

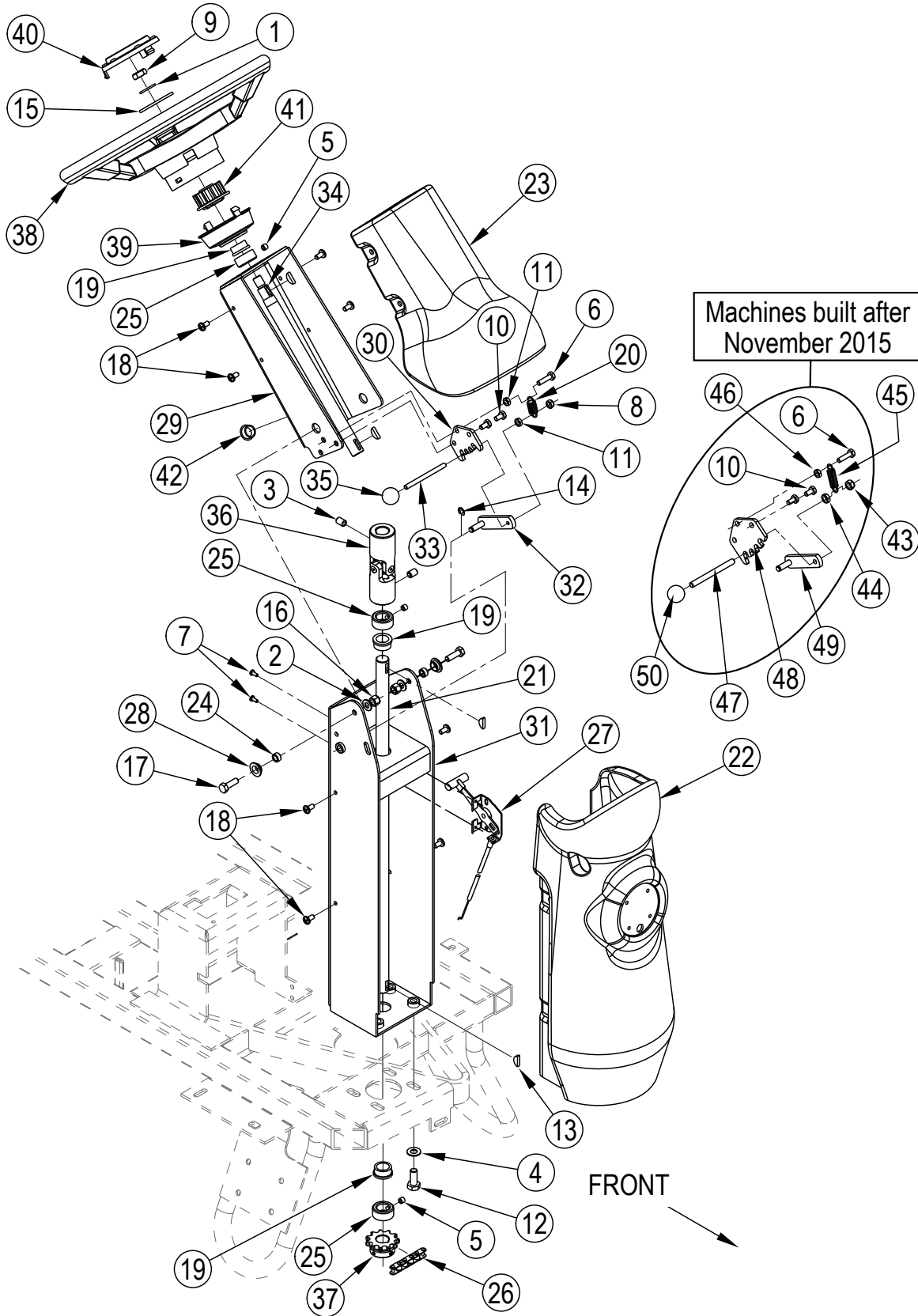
Adgressor™

37

Item	Ref. No.	Qty	Description
1	56412088	1	Pin
2	56412248	2	Spacer, Squeegee Cable
3	56453691	1	Spacer
4	56002491	1	Nut, Hex Nyl Loc Ss 1/4-20
5	56002856	1	Nut, Hex Nyl Loc Ss 5/16-18
6	56002883	1	Scr- Hex Ss 1/4-20 X 1.00
7	56002886	2	Scr- Hex Ss 3/8-16 X 1.00
8	56002910	4	Wsh, Flt Sae Ss 3/8
9	56002938	1	Wsh, Flt Sae Ss 5/16
10	56002951	2	Nut, Hex Nyl Loc 3/8-24
11	56003219	2	Nut, Hex Nyl Loc Ss 3/8-16
12#	56004040	4	Pin-Bow Tie-5/16-3/8 X 1.88 X .091
14	56003262	2	Ring, Ret Ext Type E 0.38 Dia
15	56003264	1	Ring, Ret Ext Type E 0.50 Dia
16	56003486	1	Scr, Hex Thd To Hd Ss 5/16-18 X 4.00
17	56003656	2	Pin, Clevis .375 X 2.25
18	56003696	2	Wsh- Flt Ss .33 X 1.00 X.060
19	56003713	2	Pin, Clevis .38 X 3.75
20	56009103	2	Nut, Hex Jam 3/8-24
21	56009141	1	Nut, Hex Jam Ss 5/16-18
22	56324505	6	Bearing, Flange
23	56381818	1	Bushing .32x.44x.15
24	56316668	1	Brkt-Squeegee Mount Weldt
25	56316667	1	Brkt-Squeegee Pivot Weldt NOTE 3
26	56390857	1	Actuator Motor 36v (M2)
27	56390865	1	Squeegee Assembly (28" Models) NOTE 1
	56390866	1	Squeegee Assembly (32", 35" Models) NOTE 1
	56390830	1	Squeegee Assembly (38" Models) NOTE 1
28	56407303	1	Knob
29	56412124	2	Wheel
30	56412208	1	Roller
31	56412216	2	Spring, Extension
32	56390818	1	Cable Assembly
33	56601442	1	Shaft
34	56601460	2	Bar Weldment
35	56601463	1	Washer, Polyurethane
36	56601469	2	Rod End
37	56601512	2	Hose
38	56316669	1	Bracket-Cable
39	56382624	4	Nut-Spring NOTE 2
40	56382637	2	Rod-Threaded .25 X 1.25 NOTE 2
41	56390851	1	Bracket-Squeegee Pivot Weldt NOTE 4

= Revised or new since last update

NOTE 1: These squeegee assemblies include Red Gum Rubber blades.**NOTE 2:** These parts were implemented in production as of November 2011 to increase squeegee down pressure. Order Squeegee Spring Kit 56382634 to upgrade your machine to include this improvement. Only used before May 2012.**NOTE 3:** After April 2012.**NOTE 4:** Before May 2012.

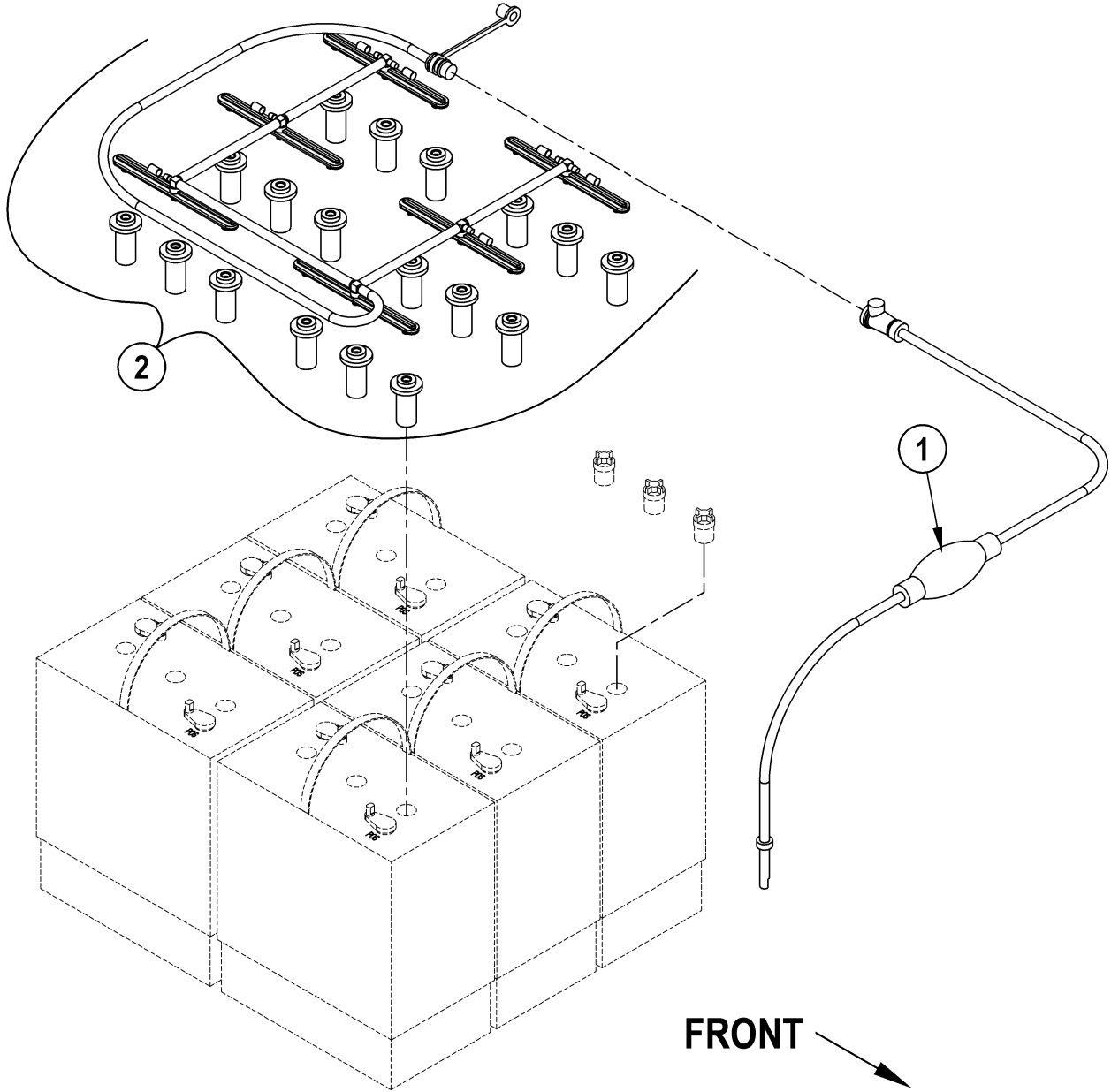


Item	Ref. No.	Qty	Description
1	56001879	3	Wsh-Flt Sae 1/2
2	56001939	2	Wsh, Flt Sae 5/16
3	56001958	2	Scr, Soc Set Loc 3/8-16 X .50
4	56002063	4	Wsh, Flt Sae 3/8
5	56002086	3	Scr, Soc Set Loc 5/16-18 X .25
6	56002093	1	Scr, Hex 1/4-20 X 1.00
7	56002523	2	Scr, Pan Phil Thd Form 8-32 X .38 NOTE 1
8	56002840	1	Nut, Hex Nyl Loc-Thin 1/4-20 NOTE 2
9	56002843	1	Nut, Hex Nyl Loc-Thin 1/2-13
10	56003039	2	Scr,Hex Hd Loc 1/4-20x.50
11	56003145	2	Nut, Hex Jam Ss 1/4-20
12	56003186	4	Scr, Hex Thd To Hd M10-1.5 X 25mm
13	56003228	4	Key, Wdf .75 X .19
14	56003261	1	Ring, Ret Ext Type E 0.31 Dia
15	56003342	1	Washer Flt .88x2.25x.13
16	56003389	2	Nut, Hex Nyl Loc M8-1.25
17	56003436	2	Scr, Hex Ss M8-1.25 X 25mm
18	56009062	9	Scr, Pan Phil Thd Form 1/4-20 X .50
19	56250414	3	Bearing, Flange
20	56305072	1	Spring, Extension .075 NOTE 2
21	56314195	1	Shaft, Lower Steering
22	56314295	1	Shroud, Lower Column
23	56314296	1	Shroud, Upper Column
24	56320595	2	Bushing .32x.50x.28
25	56367095	3	Collar, Shaft
26	56412198	1	Chain, Roller
27	56412281	1	Solution Control Cable NOTE 1
28	56413211	2	Bearing, Flange .625 X .500 X .250
29	56413657	1	Column, Upper
30	56413658	1	Ratchet, Steering Column NOTE 2
31	56414084	1	Lower Column Weldment NOTE 3
32	56413661	1	Steering Pawl Weldment NOTE 2
33	56413664	1	Rod NOTE 2
34	56420059	1	Shaft, Upper Steering
35	56440817	1	Knob NOTE 2
36	56454081	1	Universal Joint
37	56471148	1	Sprocket
38	56497306	1	Steering Wheel
39	56497308	1	Cup
40	56497543	1	Cap
41	56497560	1	Wheel Adapter
42	56900041	1	Plug, Cap
43	56002866	1	Nut Hex Nyl Loc-Thin 5/16-24
44	56001884	1	Nut Hex Jam 5/16-24
45	56112054	1	Spring Ext .43 x 1.75
46	56003145	1	Nut, Hex Jam SS 1/4-20
47	56414078	1	Rod-Tilt Wheel
48	56414075	1	Ratchet-Steering Column
49	56414081	1	Steering Pawl Weldment
50	56414088	1	Knob-Tilt Wheel

NOTE 1: Not used on AXP or EcoFlex models.

NOTE 2: Only used on machines built before November 2015.

NOTE 3: For machines built before November of 2015 the Lower Column Weldment part number was 56413659 which is no longer available, to replace order Steering Upgrade Kit 56384447.



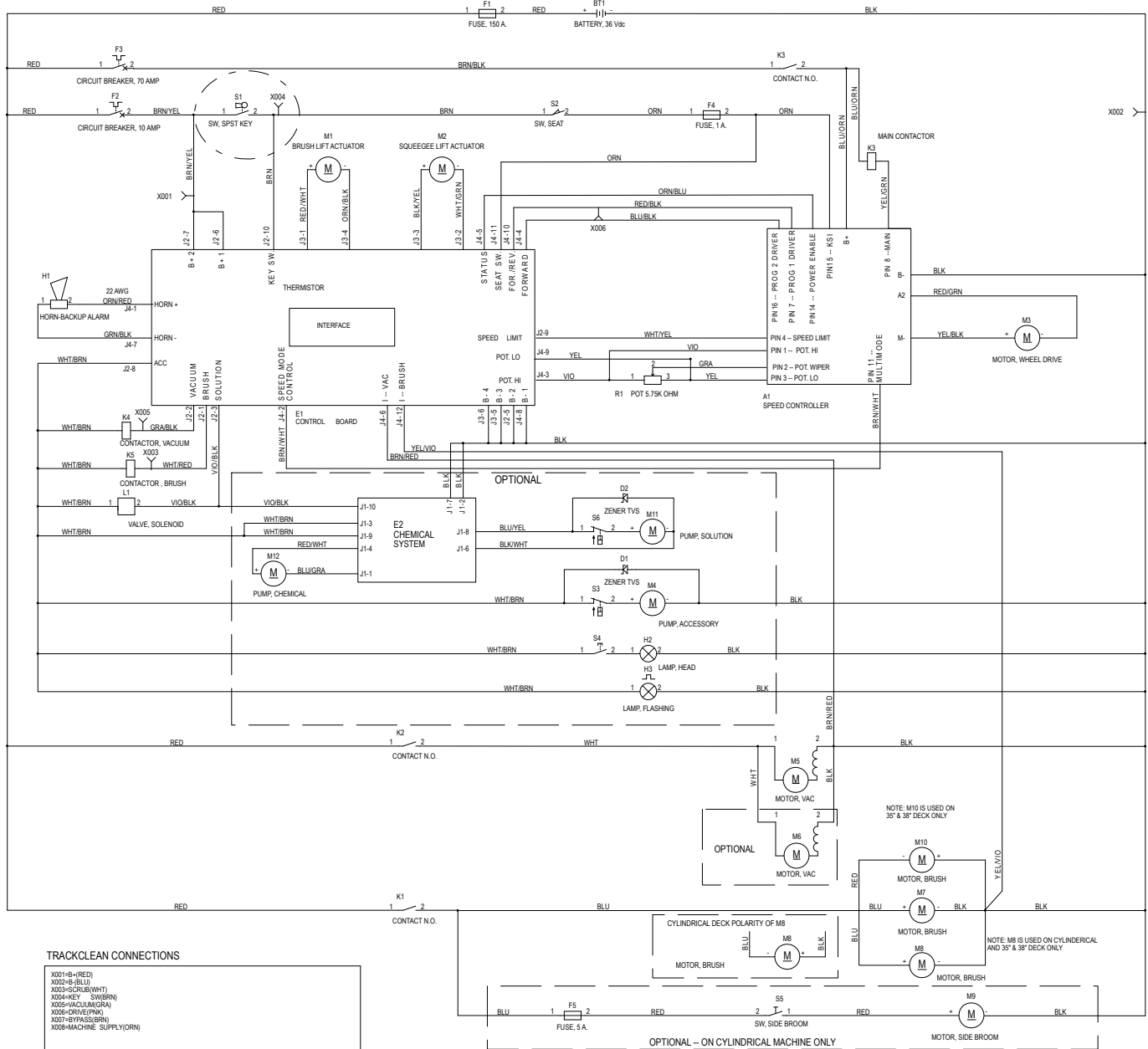
2009-9

BATTERY WATERING SYSTEM

Adgressor™

41

<u>Item</u>	<u>Ref. No.</u>	<u>Qty</u>	<u>Description</u>
	56314974	1	Battery Watering System (items 1-2) (Standard on Detergent Injection Models)
	56314981	1	Battery Watering Kit (includes 56314974)
1	56314978	1	Pump
2	56314979	1	Manifold Assembly

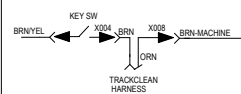


TRACKCLEAN CONNECTIONS

- X001-B-(RED)
- X002-B-(BLU)
- X003-SCR-(WHT)
- X004-KEY - SW-(BRN)
- X005-VACUUM-(GRA)
- X006-DRIVE-(PNC)
- X007-BYPASS-(BRN)
- X008-MACHINE SUPPLY-(ORN)

TRACKCLEAN BYPASS: DISCONNECT ORANGE WIRE FROM TRACKCLEAN RELAY AND CONNECT TO BROWN WIRE (X007).

KEY SWITCH DETAIL



Item	Ref. No.	Qty	Description
A1	56390856	1	Controller
BT1	N/A		Battery
E1	56390780	1	Kit Control Board NOTE 3
[]	56314713	1	Membrane Switch Assy TSBUS2006-932
[]	56396188	1	Switch, Key
[]	56396189	1	Key, Spare
E2	56316110	1	Control Assembly (Detergent Injection only) NOTE 1
	56381078	1	Control Assembly (Detergent Injection only) NOTE 2
F1	56412089	1	Fuse, 150 Amp
F2	56387316	1	Circuit Breaker, 10 Amp (Control Circuit)
F3	56454429	1	Circuit Breaker, 70 Amp (Wheel Drive)
F4	N/A	1	Fuse, 1 Amp
F5		1	Fuse, 5 Amp (Side Broom / optional)
H1	56412177	1	Horn / Backup Alarm
H2	56409239	1	Headlight (optional)
H3	56416433	1	Strobe Light (optional)
K1	56395453	1	Contactora, Brush Motor
K2	56395455	1	Contactora, Vac Motor
K3	56395453	1	Contactora, Wheel Drive
L1	56397215	1	Solenoid Valve
M1	56393303	1	Lift Actuator, Brush
[]	56388520	1	Plastic Nut
M2	56390857	1	Actuator Motor 36v
M3	56390817	1	Motor / Drive Wheel Assy
M4	56212014	1	Motor, Pump (optional)
[]	56109587	1	Pump Head Assy
[]	56109588	1	Check Valve Assy
M5	56397228	1	Motor, Vac 36VDC
[]	56212223	1	Carbon Brush Set
M6	56397228	1	Motor, Vac 36VDC (optional)
[]	56212223	1	Carbon Brush Set

Item	Ref. No.	Qty	Description
M7	56314141	1	Motor Gearbox Assy (28" Disk)
	56314335	1	Motor Gearbox Assy (32" Disk)
[]	56314359	2	Key, 6mm Square
[]	56314499	2	Cover, Gearbox
[]	56314560	2	Gearbox
[]	56314580	1	Bearing (Fan End)
[]	56412323	1	Bearing (Brush End)
[]	56314582	1	Brush Ring
[]	56314583	4	Carbon Brush
[]	56314584	1	Safety Hook
M7	56407431	1	Motor, 36VDC, .75HP (All Cylindrical)
[]	56407489	1	Armature (for 56407431)
[]	56410183	1	Bearing (for 56407431)
M7	56314789	1	Motor Gearbox Assembly (35", 38" Disk)
[]	56314785	1	Gearbox, Replacement
[]	56314784	1	Motor, Replacement
[]	56314786	1	Kit, Carbon Brush
M8	56407431	1	Motor, 36VDC, .75HP (All Cylindrical)
[]	56407489	1	Armature (for 56407431)
[]	56410183	1	Bearing (for 56407431)
M8	56314789	1	Motor Gearbox Assembly (35", 38" Disk)
[]	56314785	1	Gearbox, Replacement
[]	56314784	1	Motor, Replacement
[]	56314786	1	Kit, Carbon Brush
M9	56469530	1	Motor, Side Broom (optional)
M10	56314789	1	Motor Gearbox Assembly (35", 38" Disk)
[]	56314785	1	Gearbox, Replacement
[]	56314784	1	Motor, Replacement
[]	56314786	1	Kit, Carbon Brush
M11	56212014	1	Pump, Solution (Detergent Injection only)
M12	56314984	1	Pump, Detergent (Detergent Injection only)
R1	NA	1	Potentiometer, 5.75K NOTE 4
S1	56396188	1	Switch, Key
[]	56396189	1	Key, Spare
S2	7-82-00050	1	Switch, Seat
S3	N/A	1	Switch, Pump (part of M4)
S4	N/A	1	Switch, Headlight (part of H2)
S5	56372088	1	Switch, Side Broom (optional)
S6	N/A	1	Switch, Pump (part of M11)

[] = Not Shown

** = Optional

NOTE 1: Only used on AXP models.**NOTE 2:** Only used on EcoFlex models. AXP models are no longer in production and have been replaced by EcoFlex models.**NOTE 3:** 56314665 is OBSOLETE and replaced by 56390780. 56390780 is used on all models.**NOTE 4:** Potentiometer is part of 56385084.

OPTIONAL KITS & ACCESSORIES

2009-9

44

Adgressor™

2018-7

Item Ref. No. Qty Description

Kits

**	56314753	1	Kit, Onboard Charger TSBUS2004-872 / TSBUS2009-1027
**	7-03-04249	1	Kit-Seat Armrests (for 8-69-00022)
**#	56383188	1	Arm Rest Kit R/H + L/H (for 56117269 only)
**	56314302	1	Kit, Warning Beacon
**	56314306	1	Kit, Right Side Broom
**	56314308	1	Kit, Scrub-N-Vac Tool W/Pump
**	56412223	1	Kit, Vacuum Wand Caddy
**	56314312	1	Kit, Seatbelt
**	56314313	1	Kit, Headlight
**	56397453	1	Kit, Battery Fill Indicator
**	56314981	1	Kit, Battery Watering
**	56314338	1	Kit, Dual Vac Motor
**	56384447	1	Kit, Steering Upgrade
**	56384137	1	Idler W/O-Ring Kit
**	56314698	1	Kit, Onboard Charger, GEL TSBUS2008-984 / TSBUS2009-1027
**	56316251	1	Kit, Onboard Charger, AGM TSBUS2008-984 TSBUS2008-984 / TSBUS2009-1027
28" Model Squeegee Blade Kits			
**	56382734	1	Blade Kit-Squeegee-Gum 28 After October 2011 / NOTE 1 / NOTE 5
**	56601744	1	Blade Kit, Squeegee Gum Before November 2011 / NOTE 1
	56382735	1	Blade Kit-Squeegee-Red Gum 28 (Standard after October 2011) NOTE 1 / NOTE 5
	56601746	1	Blade Kit, Squeegee Red Gum (Standard before November 2011) NOTE 1
**	56382737	1	Blade Kit-Squeegee-PU 28 After October 2011 / NOTE 1 / NOTE 5
**	56601745	1	Blade Kit, Squeegee PU Before November 2011 / NOTE 1
32", 35" Model Squeegee Blade Kits			
**	56382738	1	Blade Kit-Squeegee-Gum 34 NOTE 1
	56382739	1	Blade Kit-Squeegee-Red Gum 34 (Standard) NOTE 1
**	56382740	1	Blade Kit-Squeegee-PU 34 NOTE 1
38" Model Squeegee Blade Kits			
**	56382741	1	Blade Kit-Squeegee-Gum 38 NOTE 1
	56382742	1	Blade Kit-Squeegee-Red Gum 38 (Standard) NOTE 1
**	56382743	1	Blade Kit-Squeegee-PU 38 NOTE 1
28" Disk Deck Blade Kits			
**	56314913	1	Kit, Gum Rubber 28 Disk NOTE 2
	56314917	1	Kit, Red Gum Rubber 28 Disk (Standard) NOTE 2
**	56390967	1	Blade Kit-Disk PU NOTE 2
**	56315722	1	Kit, Gum Rubber NOTE 3
**	56315721	1	Kit, Red Gum Rubber NOTE 3
32" Disk Deck Blade Kits			
**	56314914	1	Kit, Gum Rubber 32 Disk NOTE 2
	56314918	1	Kit, Red Gum Rubber 32 Disk (Standard) NOTE 2
**	56315722	1	Kit, Gum Rubber NOTE 3
**	56315721	1	Kit, Red Gum Rubber NOTE 3
35", 38" Cylindrical Deck Blade Kits			
	56314860	1	Kit, Deck Blade Cyl Red Gum Rubber (Standard) NOTE 4
**	56390791	1	Kit Cyl Blade Gum NOTE 4
35" Disk Deck Blade Kit			
	56314846	1	Kit, Red Gum Rubber 35 Disk (Standard) NOTE 2
**	56390927	1	Blade Kit-Disk PU NOTE 2
**	56315720	1	Kit, Red Gum Rubber NOTE 3
38" Disk Deck Blade Kits			
	56314848	1	Kit, Red Gum Rubber 38 Disk (Standard) NOTE 2
**	56390796	1	Blade Kit-Disk Gum NOTE 2
**	56315720	1	Kit, Red Gum Rubber NOTE 3
**	56390788	1	Blade Kit-Disk Gum NOTE 3
Accessories			
**	56383571	1	Programmer-User
**	56383572	1	Programmer Cable-Molex
**	56044425	1	Literature Pack (all models prior to introduction of EcoFlex)
**	56044594	1	Literature Pack (all models after introduction of EcoFlex)

NOTE 1: Squeegee Blade Kits include both front & rear squeegee blades.
NOTE 2: These Disk Deck Blade Kits include required mounting fasteners (Rivet, Nylon Tree Push-In 56003263) the 2 blades (front and rear) for the deck and all skirt assembly blades.
NOTE 3: These Disk Deck Blade Kits include just the blades for use in the two Skirt Assemblies.
NOTE 4: For use on 35" and 38" decks. These kits include all blades required for both the deck and skirts.
NOTE 5: These squeegee blades are designed to provide increased performance and reduced streaking. When installing these blades on a machine built before November 2011 you must also order a new rear strap part number 56382676.

** = Optional
 # = Revised or new since last update

Item	Ref. No.	Qty	Description
28" Disk Scrub Brushes			
**	56505800	2	Short Trim Pad Holder
**	56505195	2	Pad Retainer for 56505750
**	56505805	2	ProLite
**	56505804	2	Prolene
**	56505806	2	Union Mix
**	56505803	2	AgLite Grit 500
**	56505807	2	MidGrit 240
**	56505808	2	MidLite Grit 180
**	56505802	2	Dyna Grit 80
**	56505801	2	Magna Grit 46
32" Disk Scrub Brushes			
**	56505830	2	Short Trim Pad Holder
**	56505195	2	Pad Retainer for 56505750
**	56505835	2	ProLite
**	56505834	2	Prolene
**	56505836	2	Union Mix
**	56505833	2	AgLite Grit 500
**	56505837	2	MidGrit 240
**	56505838	2	MidLite Grit 180
**	56505832	2	Dyna Grit 80
**	56505831	2	Magna Grit 46
35" Disk Scrub Brushes			
**	56505750	2	Short Trim Pad Holder
**	56505195	2	Pad Retainer for 56505750
**	56505755	2	ProLite
**	56505754	2	Prolene
**	56505756	2	Union Mix
**	56505753	2	AgLite Grit 500
**	56505757	2	MidGrit 240
**	56505758	2	MidLite Grit 180
**	56505752	2	Dyna Grit 80
**	56505751	2	Magna Grit 46
38" Disk Scrub Brushes			
**	56505760	2	Short Trim Pad Holder
**	56505195	2	Pad Retainer for 56505750
**	56505765	2	ProLite
**	56505764	2	Prolene
**	56505766	2	Union Mix
**	56505763	2	AgLite Grit 500
**	56505767	2	MidGrit 240
**	56505768	2	MidLite Grit 180
**	56505762	2	Dyna Grit 80
**	56505761	2	Magna Grit 46

Item	Ref. No.	Qty	Description
28" Cylindrical Scrub Brushes			
**	56412191	2	Soft Nylon
**	56412192	2	Hard Nylon
**	56412046	2	Prolene
**	56412193	2	MidLite Grit 180
**	56412194	2	Dyna Grit 80
**	56412195	2	Magna Grit 46
32" Cylindrical Scrub Brushes			
**	56407473	2	Soft Nylon
**	56407474	2	Hard Nylon
**	56407475	2	Prolene
**	56407476	2	MidLite Grit 180
**	56407477	2	Dyna Grit 80
**	56407478	2	Magna Grit 46
35" Cylindrical Scrub Brushes			
**	56314778	2	Soft Nylon
**	56314779	2	Hard Nylon
**	56314780	2	Prolene
**	56314781	2	MidLite Grit 180
**	56314782	2	Dyna Grit 80
**	56314783	2	Magna Grit 46
38" Cylindrical Scrub Brushes			
**	56410294	2	Soft Nylon
**	56410295	2	Hard Nylon
**	56410293	2	Prolene
**	56410296	2	MidLite Grit 180
**	56410297	2	Dyna Grit 80
**	56410298	2	Magna Grit 46

** = Optional, Not Included

NOTE 1: Squeegee Blade Kits include both front & rear squeegee blades.

NOTE 2: These Disk Deck Blade Kits include required mounting fasteners (Rivet, Nylon Tree Push-In 56003263) the 2 blades (front and rear) for the deck and all skirt assembly blades.

NOTE 3: These Disk Deck Blade Kits include just the blades for use in the two Skirt Assemblies.

NOTE 4: For use on 35" and 38" decks. These kits include all blades required for both the deck and skirts.

NOTE 5: These squeegee blades are designed to provide increased performance and reduced streaking. When installing these blades on a machine built before November 2011 you must also order a new rear strap part number 56382676.

We provide brushes and pad holders that will give you the best possible performance between machine and floor. Following are descriptions of the materials and their applications.

- ProLite:** Bristles are made from light-duty polypropylene for general scrubbing when you do not want to scratch or remove finish from the floor. Recommended for use in place of red pads.
- Prolene:** Polypropylene material for medium-duty scrubbing on concrete, terrazzo and vinyl floor tile. Recommended for use in place of green or blue pads.
- Union Mix:** Medium grade natural fibers for polishing finished floors with standard-speed equipment. Recommended for use in place of white pads.
- AgLite Grit 500:** For light scrubbing when used wet; buffing or polishing when used dry on urethane coated, sealed concrete or other resilient hard surface floors. Recommended for use in place of red or white pads.
- MidGrit 240:** For general purpose scrubbing when you need a lighter action for sealed or unsealed concrete, stone, terrazzo, quarry tile and other resilient hard floor surfaces. Recommended for use in place of green or blue pads.
- MidLite Grit 180:** For general purpose scrubbing of sealed or unsealed concrete, stone, terrazzo, quarry tile and other resilient hard floor surfaces. Recommended for use in place of green or blue pads.
- Dyna Grit 80:** For aggressive, heavy-duty scrubbing or stripping of floors. Recommended for use in place of brown pads.
- Magna Grit 46:** For extreme heavy-duty scrubbing or stripping of floors. This brush has extra large diameter silicon carbide grit impregnated synthetic bristles. Recommended for use in place of black pads.
- Short Trim Pad Holder:** Made with a structural foam block and center ring for correct pad centering. It has a "shower feed" design for getting solution to the floor.

28" BRUSHES

56505800 - Short Trim Pad Holder
 56505195 - Pad Retainer for 56505800
 56505805 - Prolite
 56505804 - Prolene
 56505806 - Union Mix
 56505803 - AgLite Grit 500
 56505807 - MidGrit 240
 56505808 - MidLite Grit 180
 56505802 - Dyna Grit 80
 56505801 - Magna Grit 46

32" BRUSHES

56505830 - Short Trim Pad Holder
 56505195 - Pad Retainer for 56505830
 56505835 - Prolite
 56505834 - Prolene
 56505836 - Union Mix
 56505833 - AgLite Grit 500
 56505837 - MidGrit 240
 56505838 - MidLite Grit 180
 56505832 - Dyna Grit 80
 56505831 - Magna Grit 46

35" BRUSHES

56505750 - Short Trim Pad Holder
 56505195 - Pad Retainer for 56505750
 56505755 - Prolite
 56505754 - Prolene
 56505756 - Union Mix
 56505753 - AgLite Grit 500
 56505757 - MidGrit 240
 56505758 - MidLite Grit 180
 56505752 - Dyna Grit 80
 56505751 - Magna Grit 46

38" BRUSHES

56505760 - Short Trim Pad Holder
 56505195 - Pad Retainer for 56505760
 56505765 - Prolite
 56505764 - Prolene
 56505766 - Union Mix
 56505763 - AgLite Grit 500
 56505767 - MidGrit 240
 56505768 - MidLite Grit 180
 56505762 - Dyna Grit 80
 56505761 - Magna Grit 46

DISC BRUSH APPLICATION GUIDE (SUGGESTION ONLY)

	46	80	180	240	500	Prolene	Prolite	Union
Application	Grit	Grit	Grit	Grit	Grit			Mix
Stripping:								
Concrete	X	X						
Terrazzo	X	X						
Ceramic/Quarry tile		X						
Vinyl tile		X						
General Scrubbing:								
Concrete	X	X	X	X		X		
Terrazzo			X	X	X	X		
Ceramic/Quarry tile			X	X	X	X		
Marble					X		X	
Vinyl tile			X		X	X		
Raised-rubber tile					X		X	
Polishing:								
Raised Disc Tile								X
Marble								X
Vinyl tile								X

We provide brushes and pad holders that will give you the best possible performance between machine and floor. Following are descriptions of the materials and their applications.

- Soft Nylon:** Least aggressive brush available. Used on soft-finish floors where a more aggressive brush would leave scratch marks, or in applications requiring very light cleaning.
- Stiff Nylon:** Cleaning action similar to polypropylene. More durable and wear-resistant than polypropylene.
- Prolene:** Low cost, yet effective in cleaning many common floor surfaces.
- MidLite Grit 180:** Least aggressive grit brush. Used for daily cleaning of hard-finished floors.
- Dyna Grit 80:** Medium aggressive grit brush. Good all-around brush for medium to heavy buildup removal. Can also be used for general stripping operations.
- Magna Grit 46:** Most aggressive grit brush. Used primarily to clean heavy buildup on concrete floors in factories, or for heavy stripping of finish.

28" BRUSHES

56412191 - Soft Nylon
 56412192 - Hard Nylon
 56412046 - Prolene
 56412193 - MidLite Grit 180
 56412194 - Dyna Grit 80
 56412195 - Magna Grit 46

32" BRUSHES

56407473 - Soft Nylon
 56407474 - Hard Nylon
 56407475 - Prolene
 56407476 - MidLite Grit 180
 56407477 - Dyna Grit 80
 56407478 - Magna Grit 46

35" BRUSHES

56314778 - Soft Nylon
 56314779 - Hard Nylon
 56314780 - Prolene
 56314781 - MidLite Grit 180
 56314782 - Dyna Grit 80
 56314783 - Magna Grit 46

38" BRUSHES

56410294 - Soft Nylon
 56410295 - Hard Nylon
 56410293 - Prolene
 56410296 - MidLite Grit 180
 56410297 - Dyna Grit 80
 56410298 - Magna Grit 46

CYLINDRICAL BRUSH APPLICATION GUIDE (SUGGESTION ONLY)

Application	46 Grit	80 Grit	180 Grit	Polypro- pylene	Stiff Nylon	Soft Nylon
Stripping:						
Concrete	X	X				
Terrazzo	X	X				
Ceramic/Quarry tile		X				
Vinyl tile		X				
General Scrubbing:						
Concrete	X	X	X	X	X	
Terrazzo			X	X	X	X
Ceramic/Quarry tile			X	X	X	X
Marble			X		X	X
Vinyl tile			X	X	X	X
Raised-rubber tile			X			X

Gum Rubber: Provides superior wiping action on tile, terrazzo, and polished floors.

Red Gum Rubber: Provides longest life on finished or unfinished concrete floors.

Polyurethane: Oil resistance provides superior life in applications with oily floors.

SQUEEGEE BLADE APPLICATION GUIDE(SUGGESTION ONLY)

Performance Traits	Gum Rubber (Natural Rubber)	Red Gum Rubber (Natural Rubber)	Polyurethane/Pentathane
Tear Strength		X	X
Abrasion Resistance		X	X
Applications			
Oil Resistant Applications			X
Appearance	Tan	Red	Translucent

9435 Winnetka Ave North
Minneapolis, MN 55445
www.advance-us.com
Phone: 800-989-2235
Fax: 800-989-6566
©2018 Nilfisk, Inc.

