

ADMIRAL



CARPET EXTRACTOR



Operating Instructions

MODEL: ADM8

QUEST® ... for Continuous Improvement.
Windsor's Quality Management System is Certified ISO 9001.



Read these instructions before operating the machine

HH

TABLE OF CONTENTS

MODEL	_____
DATE OF PURCHASE	_____
SERIAL NUMBER	_____
SALES REPRESENTATIVE #	_____
DEALER NAME	_____

<i>Data Log/Table of Contents..... 1</i>	<i>Maintenance 15-17</i>
<i>Safety Instructions..... 2</i>	<i>Technical Specifications..... 18</i>
<i>Grounding Instructions 3</i>	<i>Service Schedule..... 19</i>
<i>Controls..... 4-6</i>	<i>Parts Lists..... 21-34</i>
<i>Operations..... 7-12</i>	<i>Spare Parts/Notes..... 35</i>
<i>Troubleshooting..... 13</i>	<i>Warranty 36</i>
<i>Wiring Diagram..... 14</i>	

INSPECTION

Carefully unpack and inspect your machine for shipping damage. Each unit is operated and thoroughly inspected before shipping, and any damage is the responsibility of the carrier, who should be notified immediately.

IMPORTANT SAFETY INSTRUCTIONS

When using an electrical appliance, basic precaution must always be followed, including the following:

READ ALL INSTRUCTIONS BEFORE USING THIS MACHINE.

This machine is for commercial use.



To reduce the risk of fire, electric shock, or injury:

Connect to a **properly grounded outlet**. See Grounding Instructions.

Do not leave the machine unattended. Unplug machine from outlet when not in use and before maintenance or service.

Use only indoors. Do not use outdoors or expose to rain.

Do not allow machine to be used as a toy. **Close attention** is necessary when used by or near children.

Use only as described in this manual. Use only manufacturer's recommended components and attachments.

Do not use damaged electrical cord or plug. Follow all instructions in this manual concerning grounding the machine. If the machine is **not working properly**, has been dropped, damaged, left outdoors, or dropped into water, return it to an authorized service center.

Do not pull or carry machine by electrical cord, use as a handle, close a door on cord, or pull cord around sharp edges or corners.

Do not run machine over cord. **Keep** cord away from heated surfaces.

Do not unplug machine by pulling on cord. To unplug, grasp the electrical plug, not the electrical cord.

Do not handle the electrical plug or machine with wet hands.

Do not operate the machine with any openings blocked. Keep openings free of debris that may reduce airflow.

This machine is intended for cleaning carpet only.

Do not vacuum anything that is burning or smoking, such as cigarettes, matches, or hot ashes.

This machine is not suitable for picking up health endangering dust.

Turn off all controls before unplugging.

Machine can cause a fire when operating near flammable vapors or materials. Do not operate this machine near flammable fluids, dust or vapors.

This machine is suitable for commercial use, for example in hotels, schools, hospitals, factories, shops and offices for more than normal housekeeping purposes.

Maintenance and repairs must be done by qualified personnel.

If foam or liquid comes out of machine, switch off immediately.

SAVE THESE INSTRUCTIONS

GROUNDING INSTRUCTIONS

THIS PRODUCT IS FOR COMMERCIAL USE ONLY.

ELECTRICAL:

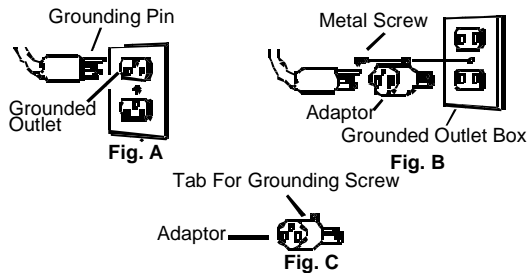
In the USA this machine operates on a standard 15 amp 115V, 60 hz, A.C. power circuit . The amp, hertz, and voltage are listed on the data label found on each machine. Using voltages above or below those indicated on the data label will cause serious damage to the motors.

GROUNDING INSTRUCTIONS:

This appliance must be grounded. If it should malfunction or break down, grounding provides a path of least resistance for electric current to reduce the risk of electric shock. This appliance is equipped with a cord having an equipment-grounding conductor and grounding plug. The plug must be inserted into an appropriate outlet that is properly installed and grounded in accordance with all local codes and ordinances.

This appliance is for use on a nominal 115-volt circuit, and has a grounded plug that looks like the plug in "Fig. A". A temporary adaptor that looks like the adaptor in "Fig . C" may be used to connect this plug to a 2-pole receptacle as shown in "Fig. B", if a properly grounded outlet is not available. The temporary adaptor should be used only until a properly grounded outlet (Fig. A) can be installed by a qualified electrician. The green colored rigid ear, lug, or the like extending from the adaptor must be connected to a permanent ground such as a properly grounded outlet box cover. Whenever the adaptor is used, it must be held in place by a metal screw.

PROPER GROUNDING

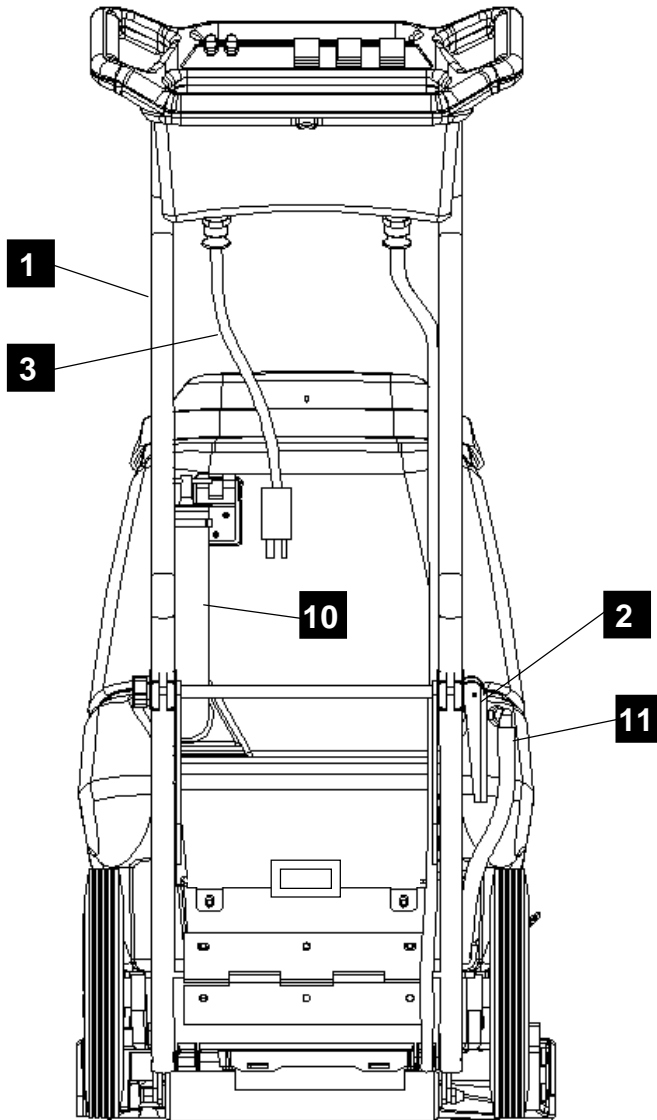
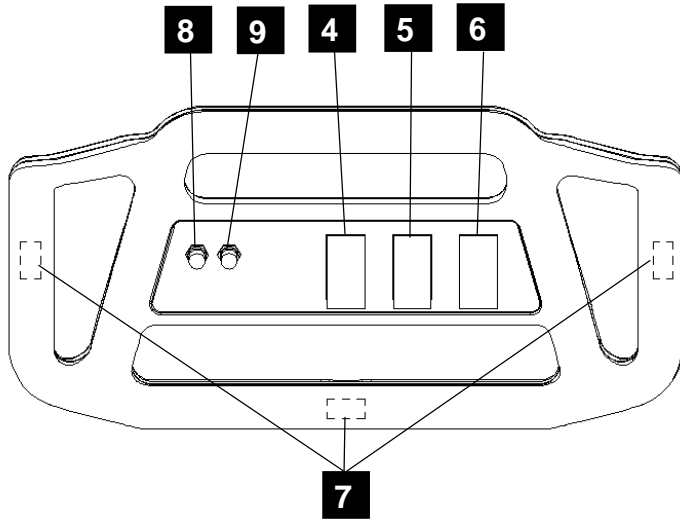


NOTE: In Canada, the use of a temporary adaptor is not permitted by the Canadian Electrical Code



Improper connection of the equipment-grounding conductor can result in a risk of electric shock. Check with a qualified electrician or service person if you are in doubt as to whether the outlet is properly grounded. Do not modify the plug provided with the appliance - if it will not fit the outlet, have a proper outlet installed by a qualified electrician.

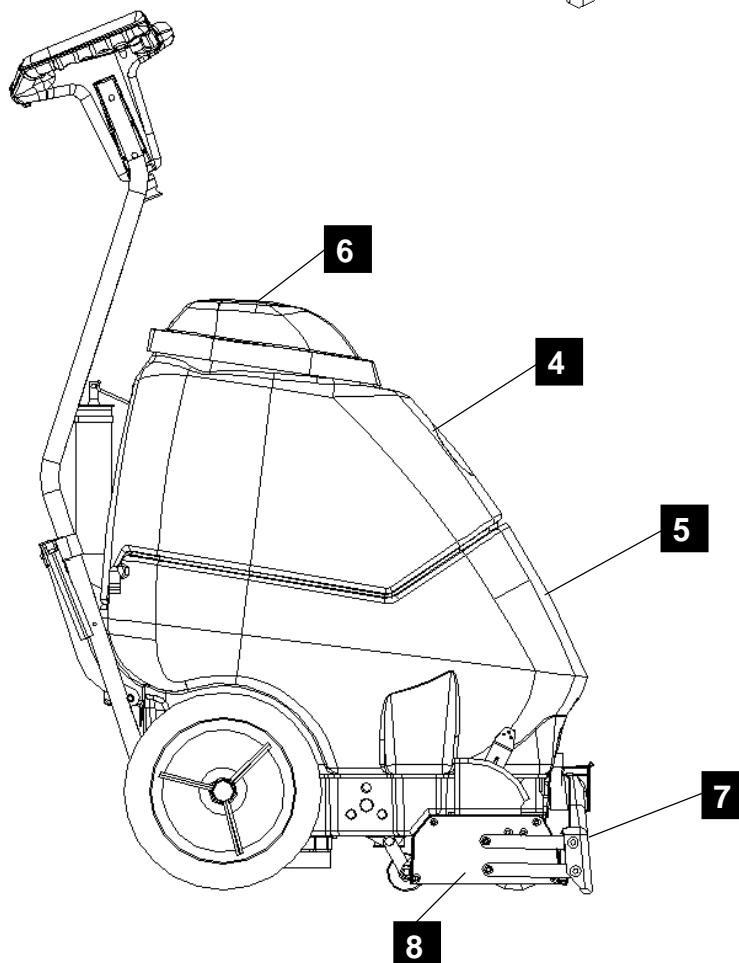
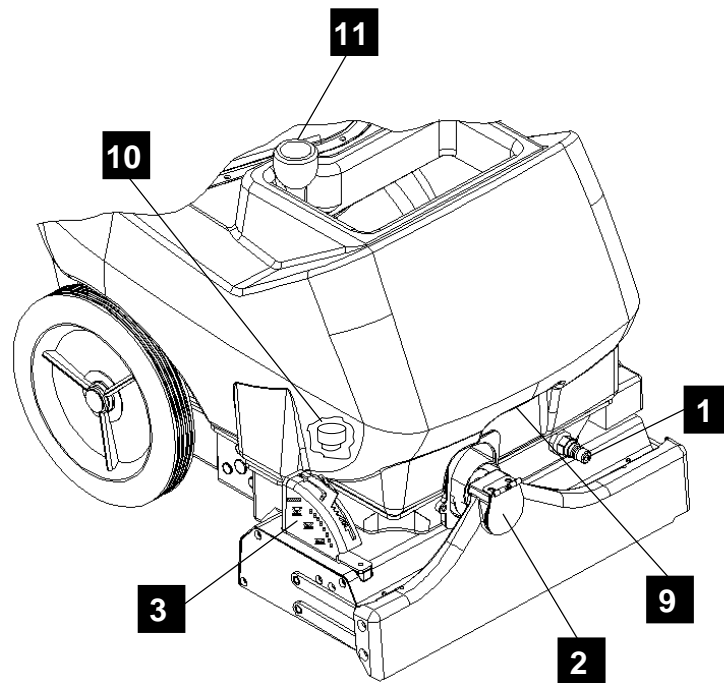
CONTROLS/COMPONENT LOCATIONS



- 1. Main Handle.** Used to pull and maneuver machine.
- 2. Handle Adjustment.** Used to adjust height of handle.
- 3. Electrical Cord.**
- 4. Solution Switch.** Turns on pump. Continuous position (bottom) activates electro-valve to dispense solution to floor through jets. Intermittent position (up) requires operator to depress 1 of 3 trigger switches to dispense solution. Center position is off.
- 5. Brush Motor Switch.** Turns on brush motor.
- 6. Vacuum Motor Switch.** Turns on vacuum motor.
- 7. Trigger Switches.** Activates electro-valve to dispense solution to floor through jets when solution switch is in the intermittent position.
- 8. Brush Motor Circuit Breaker.** 6 amp. Breaker protecting brush motor.
- 9. Vacuum Motor Circuit Breaker.** 15 amp. Breaker protecting vacuum motor.
- 10. Recovery Dump Hose.** Facilitates draining dirty cleaning solution.
- 11. Solution Dump Hose.** Facilitates draining excess cleaning solution from solution tank.

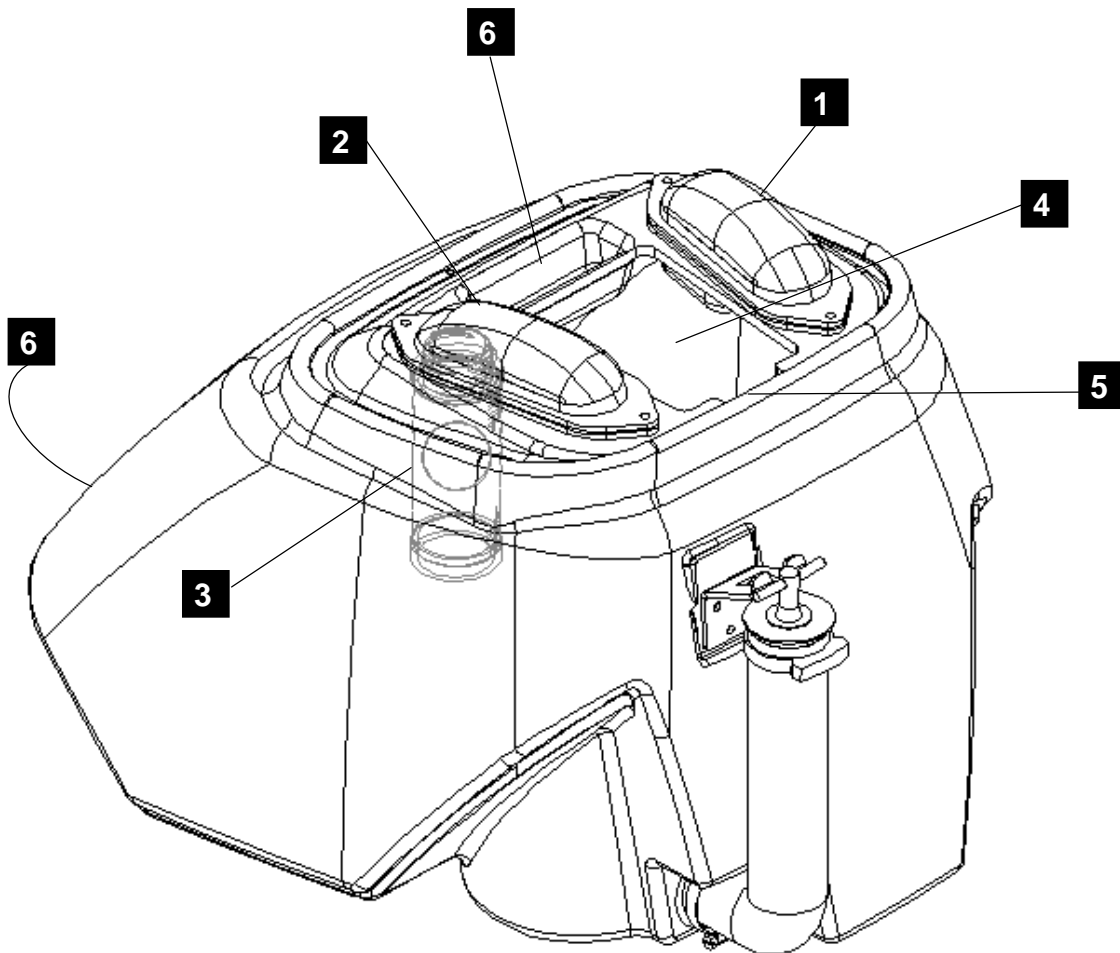
CONTROLS/COMPONENT LOCATIONS

1. **Solution Accessory Tool Hookup.** Used for various auxiliary cleaning tools.
2. **Vacuum Hose Door.** Used to connect various auxiliary 1 ½ inch cleaning tool vacuum hoses.
3. **Brush Height Adjustment.** Used to regulate brush height from storage position to various carpet heights.
4. **Recovery Tank.** Used to collect dirty cleaning solution.
5. **Solution Tank.** Used to hold cleaning solution.
6. **Recovery Tank Dome.**
7. **Vacuum Shoe.**
8. **Brush Housing.**
9. **Front Lifting Handle.**
10. **Cleaning Solution Filter.**
11. **Solution Tank Fill Hose.**

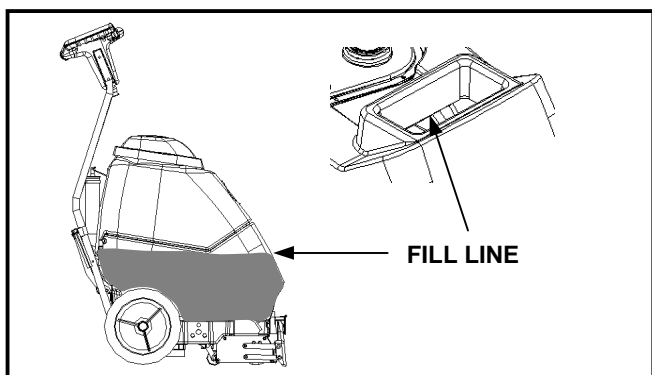
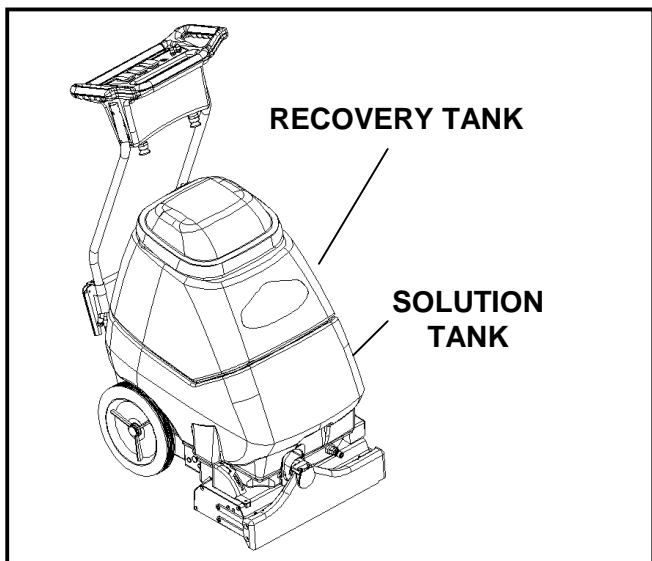


CONTROLS/COMPONENT LOCATIONS

- 1. Solution Intake Cover.**
- 2. Vacuum Intake Cover.**
- 3. Float Shut-Off.**
- 4. Clean-Out Opening.**
- 5. Pour Spout.**
- 6. Lift Handle.**



FILLING OPERATIONS



FILLING THE ADMIRAL

NOTE: Use clean bucket of water to fill solution tank

Do not put defoamer, solvents, spotter or prespray chemicals in the solution tank.

Do not allow water to spill into vacuum motor inlet. Dry spillage from top of solution tank before replacing recovery tank.

CHEMICALS

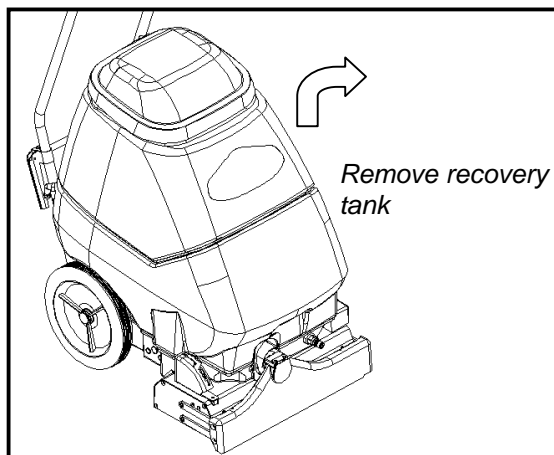
Suitable Chemicals

Alkalis
Detergents
Hydroxides
Soaps
Vinegar

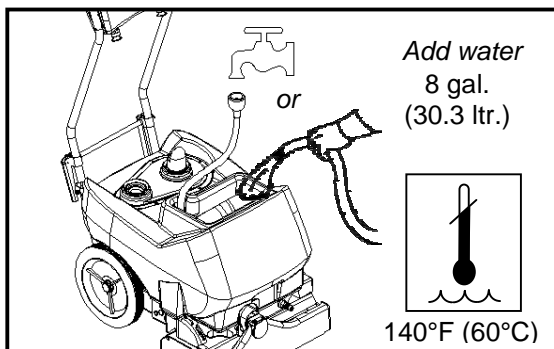
Non-Compatible Chemicals

Aldehydes
Aromatic Hydrocarbons
SP Butyls
Carbon Tetrachloride
Clorox*
Chlorinated Bleaches
Chlorinated Hydrocarbons
Lysol*
Methyl Ethel Ketone (MEK)
Perchorethylene (perc)
Phenolics
Trichlorethylene
D-Limonene

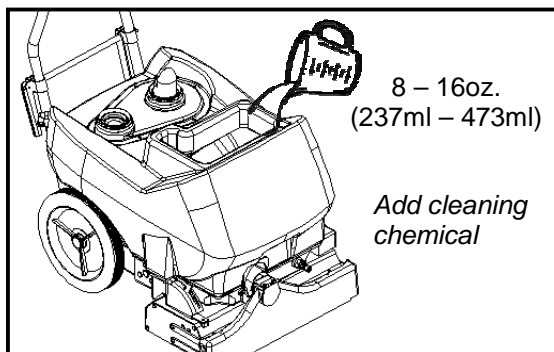
STEP 1



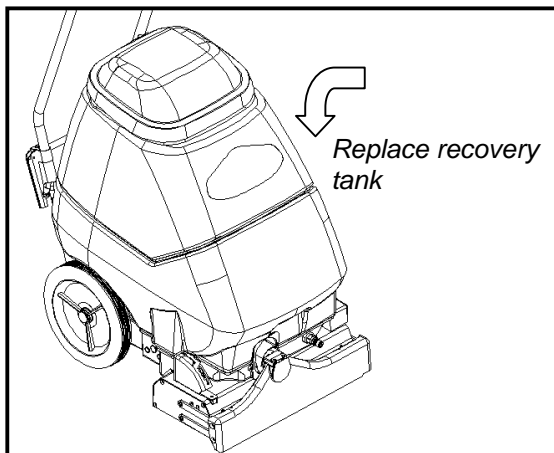
STEP 2



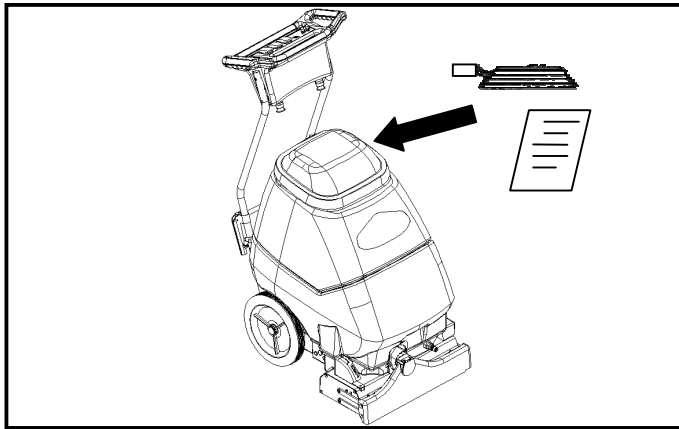
STEP 3



STEP 4

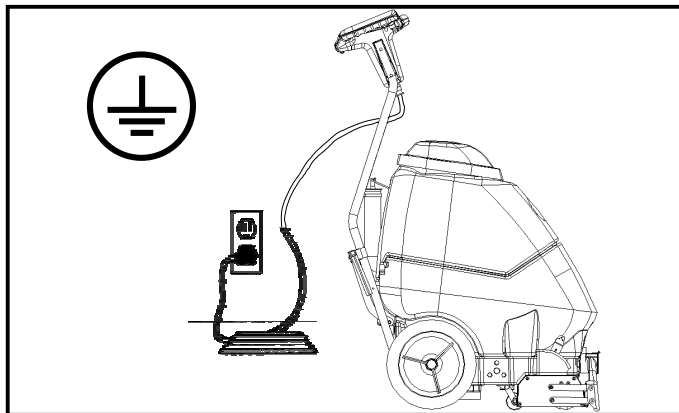


OPERATIONS



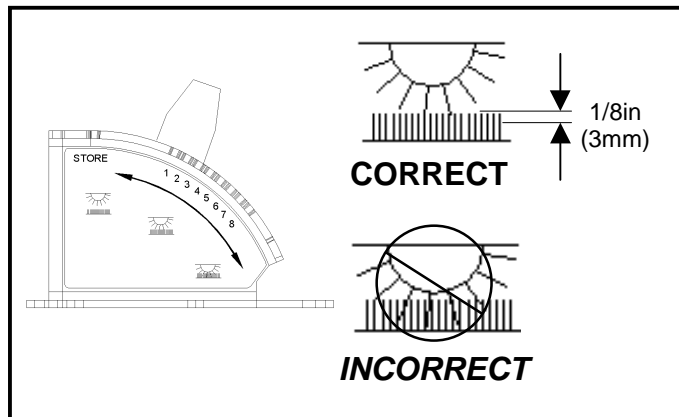
STEP
1

Remove electrical cord and literature from recovery tank. Fill solution tank (see filling instructions page 7).



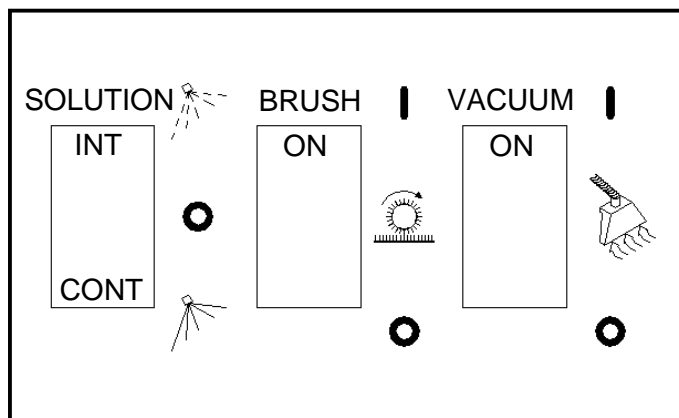
STEP
2

Plug cord into grounded outlet. *Note: Be sure dome is seated on recovery tank, and float shut-off is installed correctly.*



STEP
3

Adjust brush to proper setting. *Note: For good operation the brush must skim the carpet. If circuit breaker trips raise brush to prevent damage to motor or carpet.*



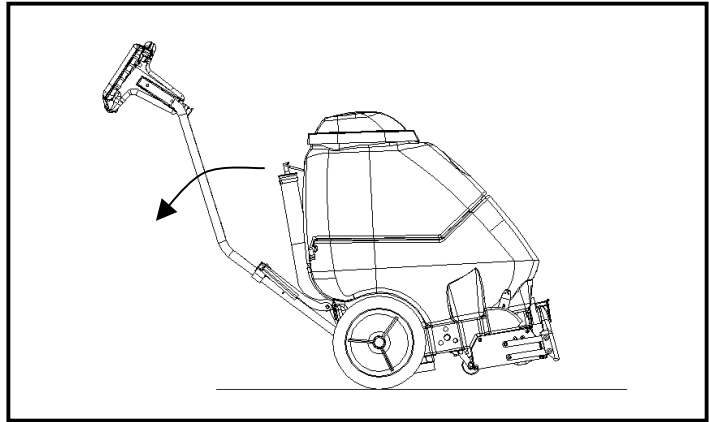
STEP
4

Turn on brush and vacuum motor switches ("ON"="I"). Turn on solution switch for continuous spray or set switch to intermittent to allow use of trigger switches.

OPERATIONS

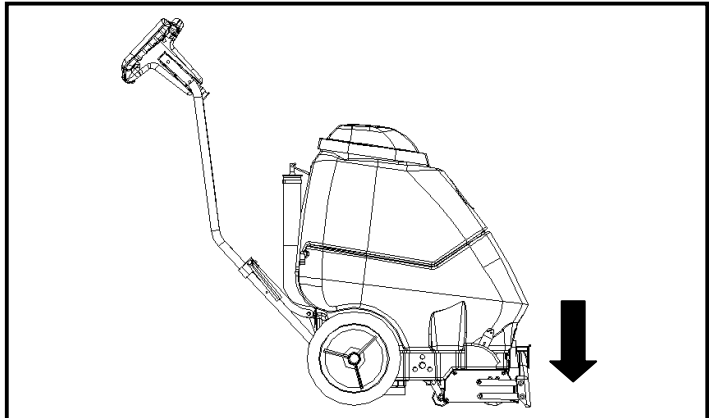
Adjust handle to comfortable operating position. Tip machine back by main handle to move to starting point.

STEP
5



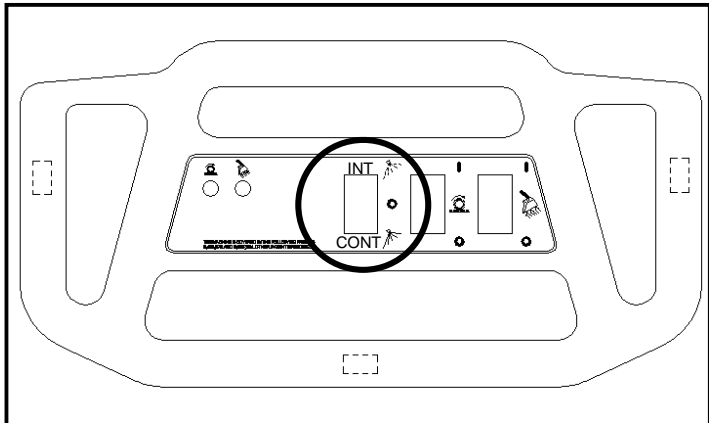
Lower machine to floor.

STEP
6

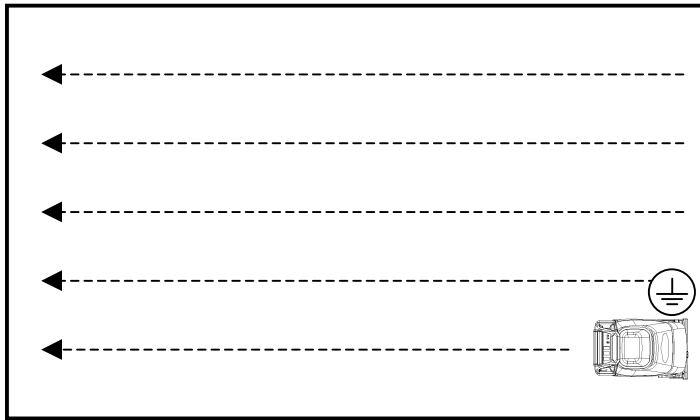


Select continuous setting to start solution spray or select intermittent setting to enable use of trigger switches to start solution spray. The intermittent setting requires the operator to hold any one of the three trigger switches in the “on” position with the fingers, and is typically used in small areas where short cleaning passes are made. The continuous setting allows the operator to set the switch in the “on” position with one touch, and is typically used in large areas where long cleaning passes are made.

STEP
7

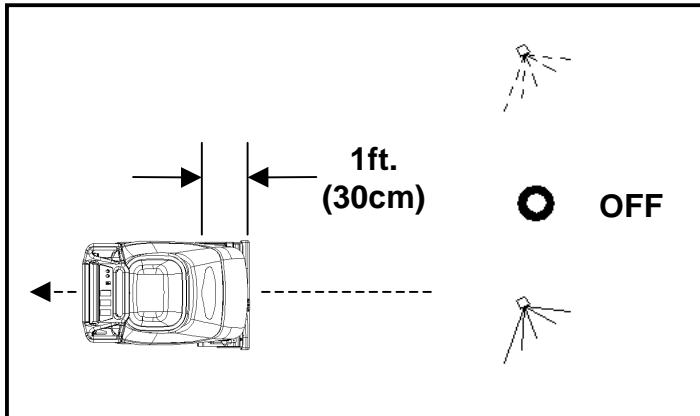


CLEANING PROCEDURE



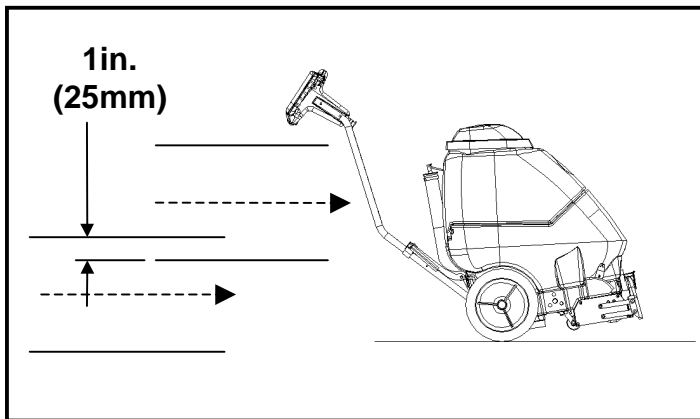
STEP
1

Start at wall closest to power outlet. Pull straight back without pushing down on handle.



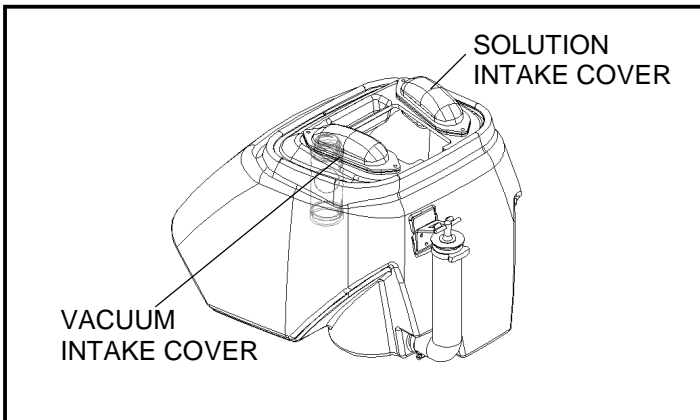
STEP
2

Release intermittent trigger switches or turn off continuous setting on solution switch approximately 1 foot before ending cleaning pass.



STEP
3

Push down on handle to raise vacuum shoe and brush before moving to the next cleaning pass. Overlap brush contact area approximately 1 inch.



STEP
4

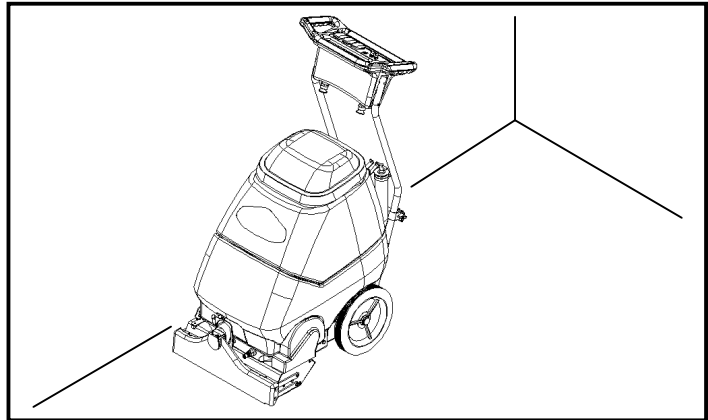
During operation, observe the following: The Admiral is equipped with clear internal covers to facilitate operator viewing of dirty solution and vacuum air flow.

During operation, observe the vacuum intake cover. Large amounts of water or foam entering the vacuum system can damage the vacuum motor. If you notice either condition, **shut down the machine immediately**. Empty recovery tank and/or add defoamer to recovery tank.

CLEANING PROCEDURE

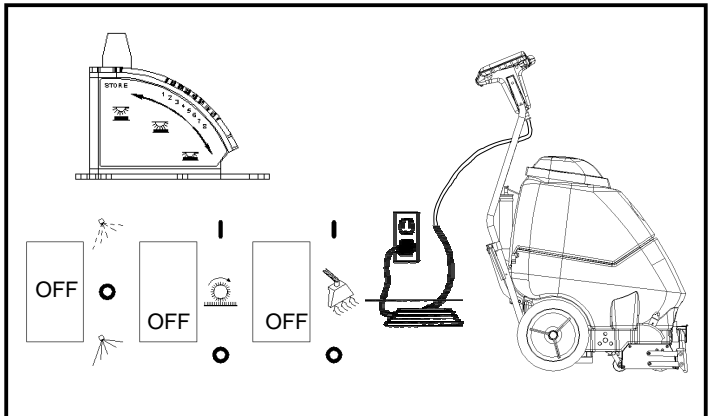
Use right side of machine for cleaning against walls.

STEP
5



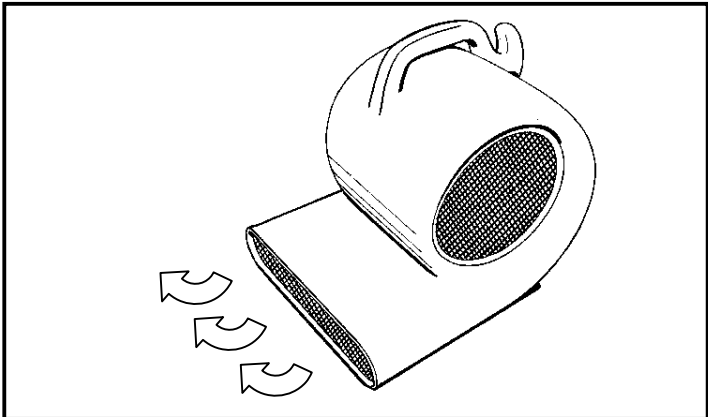
After cleaning, turn off all controls, return brush to storage position and carefully unplug machine.

STEP
6



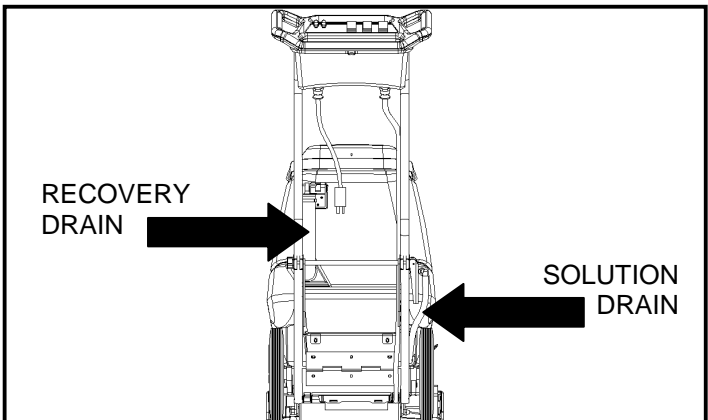
To speed drying, use a Windblower™ fan.

STEP
7

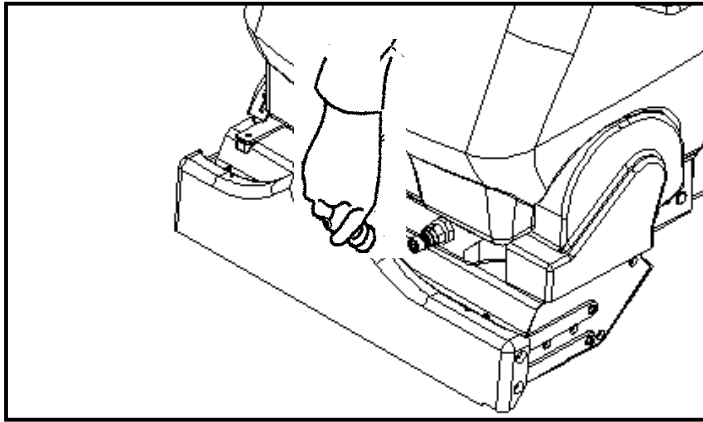


Empty recovery tank by releasing dump hose. Use a hose with cold water to clean out the recovery tank. Also drain solution tank after each use.

STEP
8



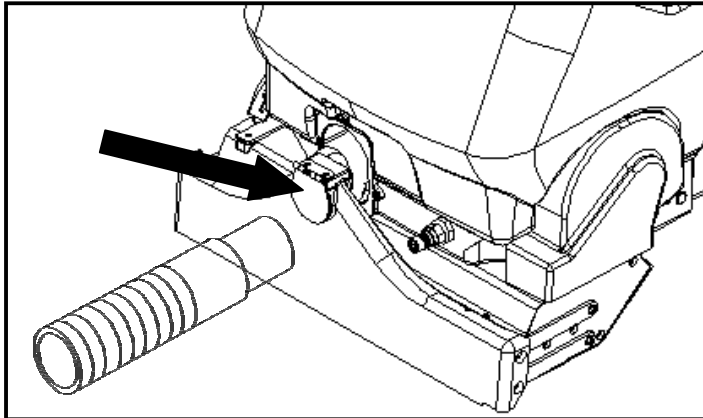
ACCESSORY TOOL USAGE



STEP
1

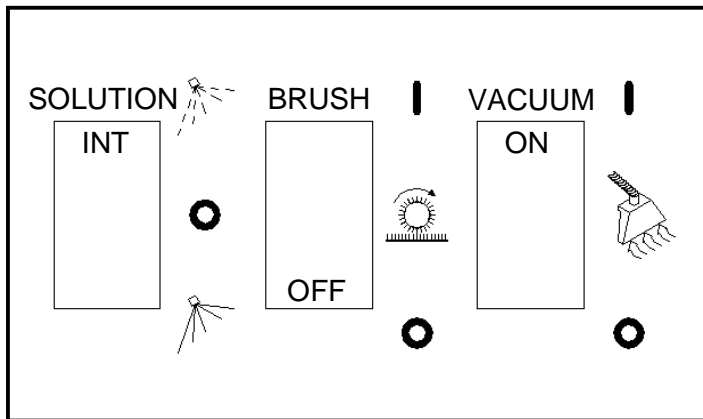
Use only one of the following acceptable accessory tools.
CST DDH DH DHT UPH-3
SW SW-PRO SFW 39504

Pull back collar and insert over machine mounted fitting, then release collar to lock into place.



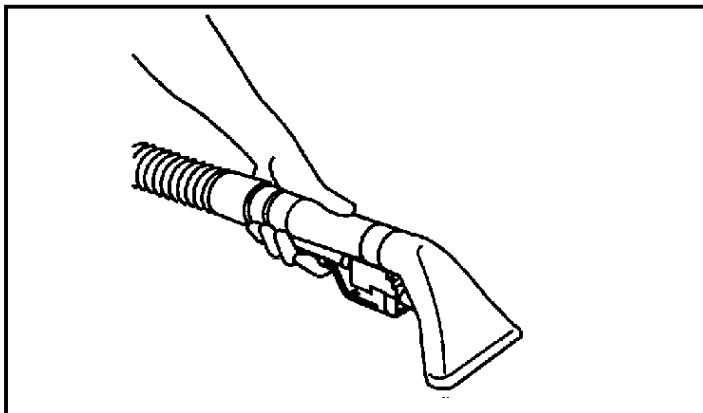
STEP
2

Lift door on front of vacuum shoe and insert 1 ½ inch hose cuff into hole.



STEP
3

Turn on vacuum motor switch and set solution switch to intermittent position. *Note: Be sure brush is in off position and brush is in storage position.*



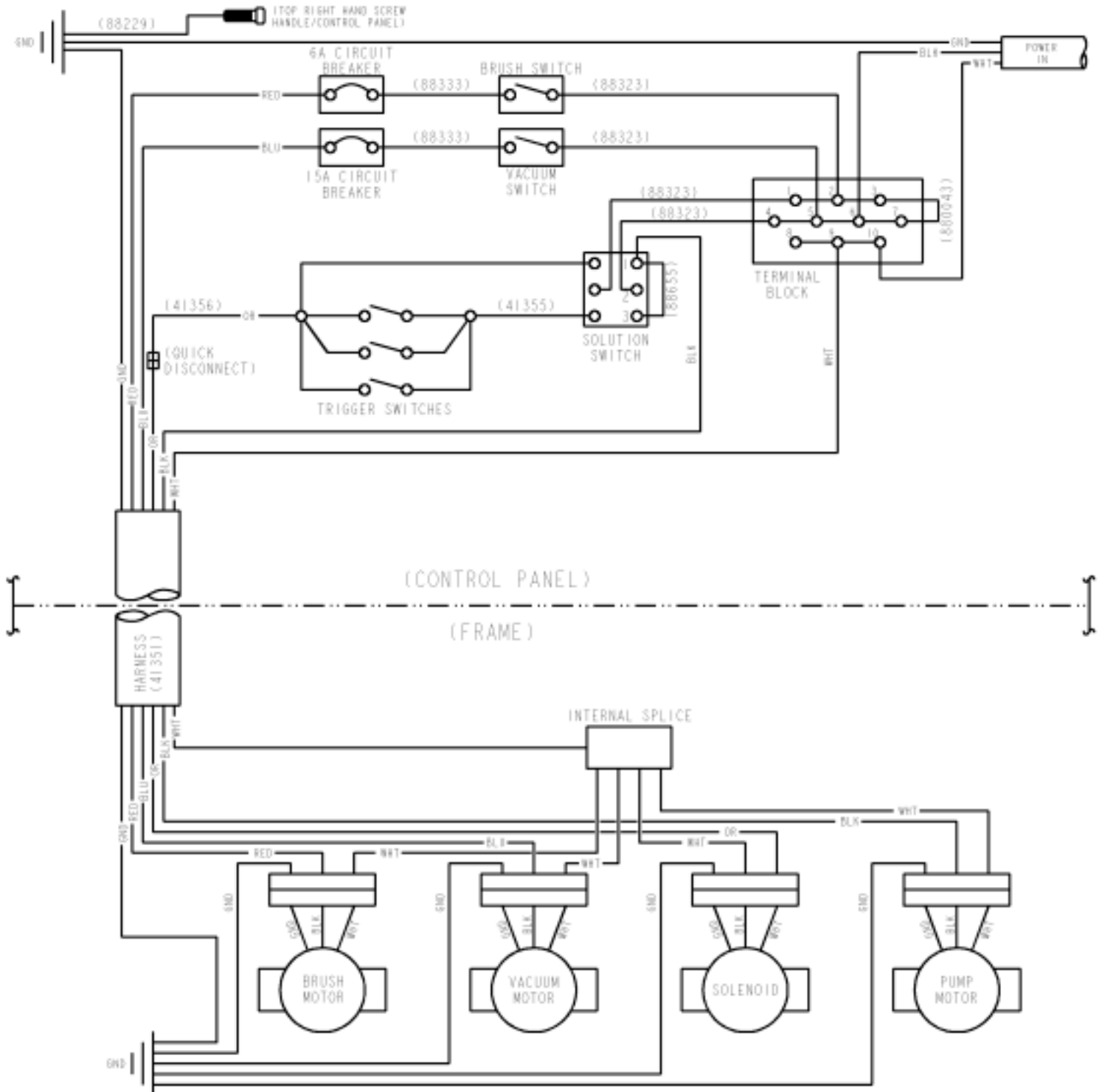
STEP
4

Squeeze handle on accessory tool to begin cleaning.

TROUBLESHOOTING CHART

PROBLEM	CAUSE	SOLUTION
No Power, Nothing Runs	<ol style="list-style-type: none"> 1. Is the cord plugged in. 2. Circuit breaker tripped in building. 3. Faulty switch. 4. Faulty power cord or pigtail. 	<ol style="list-style-type: none"> 1. Plug in cord. 2. Reset breaker 3. Call for service. 4. Call for service.
Vacuum Motor Will Not Run	<ol style="list-style-type: none"> 1. Vacuum circuit breaker tripped. 2. Faulty main vacuum switch. 3. Loose wiring. 4. Faulty vac motor. 5. Carbon brushes worn 	<ol style="list-style-type: none"> 1. Reset breaker 2. Call for service. 3. Call for service. 4. Call for service. 5. See "Brush Replacement" in maintenance section.
Vacuum Motor Runs But Suction Is Poor	<ol style="list-style-type: none"> 1. Debris lodged in vac shoe. 2. Dome gasket defective or missing. 3. Vacuum hose cracked or hose cuff loose. 4. Recovery tank full / float ball stuck in the up position. 	<ol style="list-style-type: none"> 1. Remove debris from vac shoe. 2. Replace as necessary. 3. Replace or repair as necessary. 4. Turn off vac motor. Drain and rinse recovery tank.
Poor Or No Water Flow (Carpet Is Streaky)	<ol style="list-style-type: none"> 1. Main pump switch off. 2. Jets clogged or missing. 3. Solution filter clogged. 4. Faulty solenoid. 	<ol style="list-style-type: none"> 1. Turn on. 2. Clean using a vinegar /water solution or replace. 3. Drain solution tank and clean solution filter. 4. Call for service.
Brush Does Not Spin	<ol style="list-style-type: none"> 1. Brush switch off. 2. Brush circuit breaker tripped 3. Brush belt broken. 4. Faulty brush motor. 	<ol style="list-style-type: none"> 1. Turn on brush switch. 2. Reset circuit breaker. 3. Replace as necessary. 4. Call for service.

WIRING DIAGRAM



MAINTENANCE

PERIODIC MAINTENANCE

Twice a month, flush a white vinegar solution (One quart vinegar to two gallons of water) or anti-browning solution (mixed as directed) through the extractor. This will prevent build-up of alkaline residue in the system. If spray jets become clogged, remove the spray tips, wash them thoroughly, and blow-dry.

NOTE: Always store machine with brush in "Store" position.

NOTE: Do not use pins, wire, etc. to clean nozzles as this could destroy spray pattern.

Periodically inspect all hoses, electrical cables and connections on your machine. Frayed or cracked hoses should be repaired or replaced to eliminate vacuum or solution pressure loss. If the cable insulation is broken or frayed, repair or replace it immediately. Don't take chances with electrical fire or shock.

DAILY / REGULAR MAINTENANCE

Before making any adjustments or repairs to the machine, disconnect the power cord from electrical source.

1. Empty unused cleaning solution from the solution tank.
2. Inspect and clean filter screen in solution tank.
3. Flush pumping system with 4 or 7 liters of clean, hot water.
4. After each use, rinse tank with fresh water. Periodically inspect the recovery tank and decontaminate if necessary, using a Hospital Grade Virucide or a 1-10 bleach to water solution. Waste water should be disposed of properly.
5. Check for and remove any lint or debris around vac shoe.
6. Check spray jets for full spray pattern.
7. Remove lint and dirt build-up from brush and housing.
NOTE: Brush removal.
 - A. To remove brush, grab and pull brush out from end opposite drive belt (operator's right). Remove other end from brush driver.
 - B. To install brush, line up slots in brush core with pin in driver on drive belt side (operator's left) and push brush onto driver. Then snap bearing end (opposite end) of brush into retaining clip.
8. Check cooling air screen (located on frame behind left wheel) for lint or debris.
9. Check float and shut-off screen and clean as necessary.



WARNING:

**ONLY QUALIFIED
MAINTENANCE
PERSONNEL ARE**

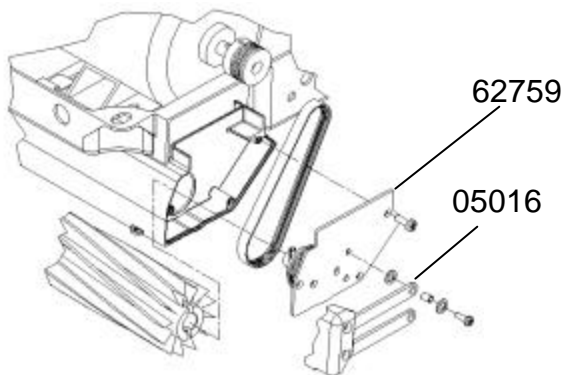
TO PERFORM THE FOLLOWING REPAIRS.

VACUUM MOTOR REPLACEMENT

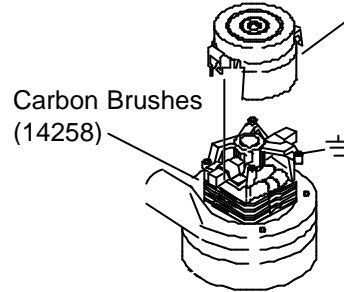
1. Turn off all switches and unplug machine.
2. Remove recovery tank.
3. Remove the (2) screws that fasten the solution tank to the frame, and tilt tank back to expose the inside of the frame.
4. Locate the vacuum motor wires and disconnect at the connector. Close the solution tank.
5. Remove the (6) screws holding the vacuum motor cover (p/n 27809) to the solution tank.
6. Remove the vacuum motor.
7. Reverse process to install vacuum motor.

BELT REPLACEMENT

1. Turn off all switches and unplug machine.
2. Remove recovery tank and brush.
3. Remove the (2) screws that fasten the solution tank to the frame, and tilt tank back to expose the inside of the frame.
4. Loosen the (4) screws that hold the brush motor in place and slide motor forward to release tension in belt.
5. Remove the (2) screws that fasten the vacuum shoe links (p/n 05016) to the brush housing.
6. Remove the (3) screws that fasten the side plate (p/n 62759) to the brush housing to remove belt. *NOTE: All components associated with driving the brush will come out with the side plate.*
7. Reverse process to install belt.



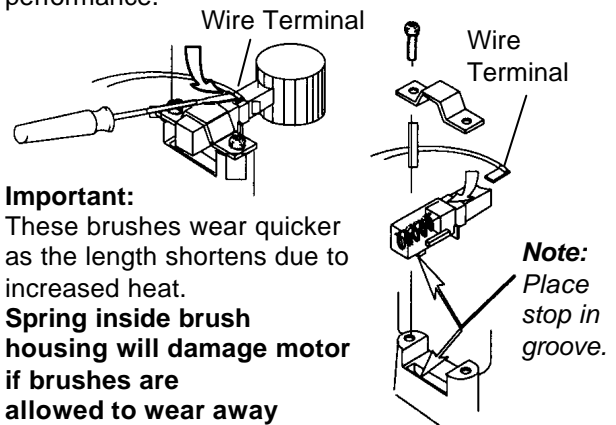
Vac Motor Carbon Brushes Replacement



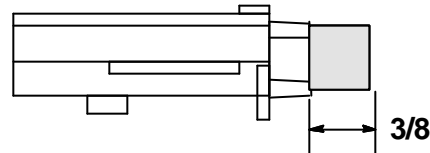
WARNING: The green ground wire must be attached for safe operation. See wiring diagram.

Note: When replacing carbon vac motor brushes loosen wire terminal **BEFORE** removing screws on bracket.

If armature commutator is not concentric, extremely pitted, or grooved the motor will need to be replaced or sent to a qualified service center to restore vac performance.



Important: These brushes wear quicker as the length shortens due to increased heat. **Spring inside brush housing will damage motor if brushes are allowed to wear away completely.**



Periodically check the length of the carbon brushes. Replace both carbon brushes when either is less than 3/8" long.

MAINTENANCE

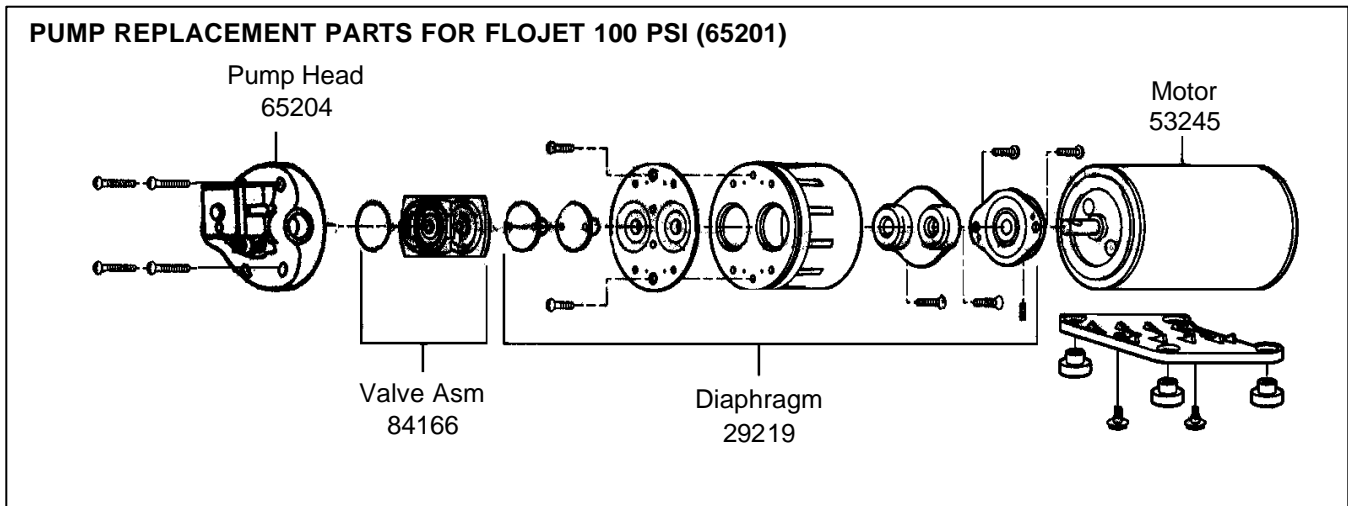


WARNING:

ONLY QUALIFIED MAINTENANCE PERSONNEL ARE TO PERFORM THE FOLLOWING REPAIRS.

SOLUTION PUMP REPLACEMENT

1. Turn off all switches and unplug the machine.
2. Remove recovery tank.
3. Remove the (2) screws that fasten the solution tank to the frame, and tilt tank back to expose the inside of the frame.
4. Remove solution hoses from fittings in pump.
5. Remove the (2) screws that fasten the pump to the frame.
6. Reverse process to install pump.



TECHNICAL SPECIFICATIONS

POWER TYPE

ELECTRICAL: 115 V, 15 A, 60 HZ

ELECTRIC VACUUM MOTOR: (1) –3 stage, 1 hp, 99 cfm (2.80 cubic meters/min.) Waterlift – 117" (297cm)

BRUSH: (1) 15" (38.1 cm.)

SOLUTION PUMP: 100 PSI, diaphragm style, internal bypass

SOLUTION CAPACITY: 8 gallons (30.3 ltr)

RECOVERY CAPACITY: 8 gallons (30.3 ltr)

BRUSH SPEED: 1000 rpm

GENERAL DIMENSIONS/WEIGHT

Vacuum shoe: 17" (43.18 cm) cast aluminum with spring loaded down pressure

WHEELS: (2) 10" dia. (25 cm) wheels by 2"

WEIGHT: 92 lbs. (42 kg)

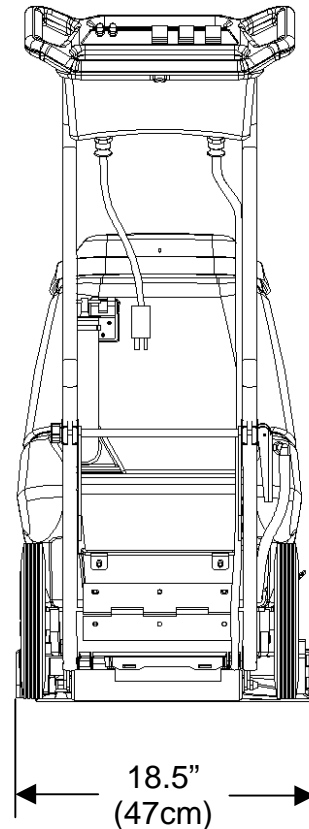
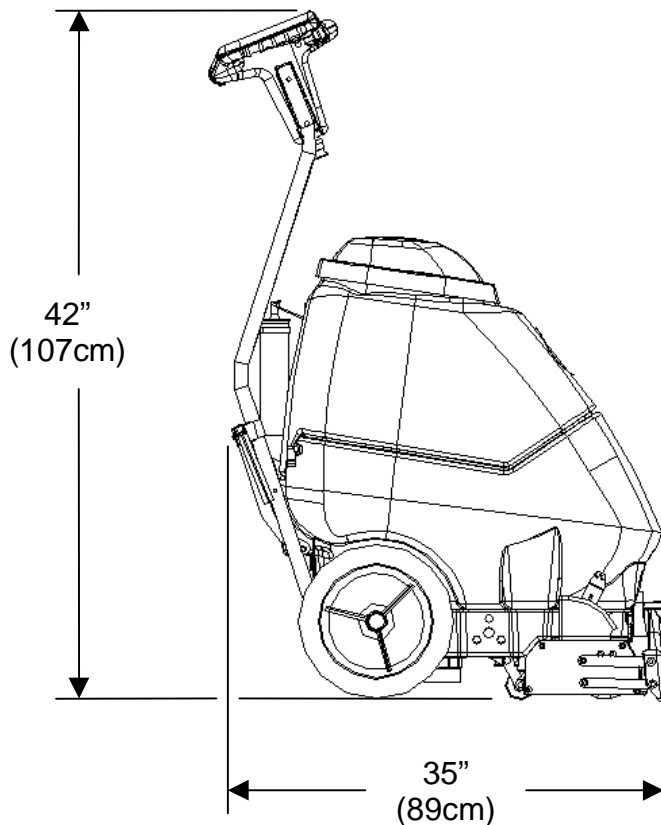
LENGTH: 35" (89 cm)

HEIGHT: 42" (107 cm)

WIDTH: 18.5" (47 cm)

SOLUTION SPRAY: 2 quick change jets.

POWER CABLE: 50' (12.7 m) (14 gauge)



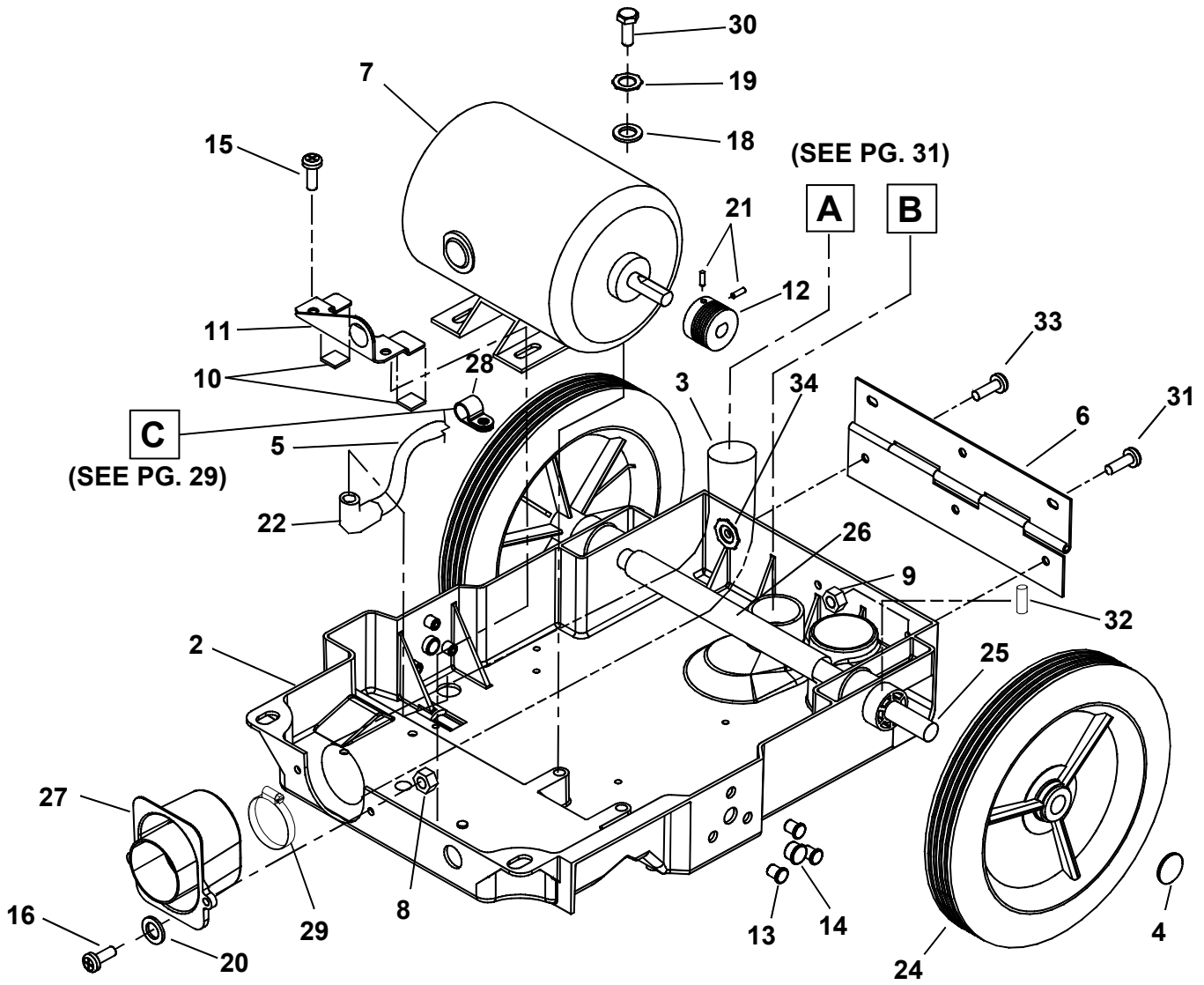
MAINTENANCE

SERVICE SCHEDULE

MAINTENANCE	DAILY	WEEKLY	QUARTERLY
Check machine for cord damage	*		
Check recovery dome and gasket for damage and cleanliness	*		
Check brush – should be clean with no lint or strings attached	*		
Inspect vac shoe for blockage; remove fibers with coat hanger, etc.	*		
Check hoses for wear, blockages, or damage	*		
Check handles, switches, and knobs for damage	*		
Check vac motor intake filter and clean	*		
Run one gallon of water through system	*		
Clean out recovery tank and check float valve to make sure it moves freely	*		
Clean out solution tank and remove and clean vacuum intake screen	*		
Clean outside of all tanks and check for damage	*		
Run vac motor for at least one minute to allow motor to dry	*		
Store with dome off tank to allow the tank to dry	*		
Check all bearings for noise		*	
Check all gaskets for wear and leakage		*	
Check vacuum intake screen for damage; replace if necessary		*	
Check pump pressure; observe spray pattern and check with gauge if necessary		*	
Check and clean solution screen		*	
Check belts for wear and replace as necessary		*	
Check brush for wear; ensure bristles are not damaged		*	
Check cables for fraying		*	
Check the spray bar (manifold) for damage; replace if broken or bent		*	
Check condition of vac shoe and frame for damage		*	
Check overall performance of machine		*	
Check vac motor carbon brushes			*

THIS PAGE LEFT BLANK INTENTIONALLY

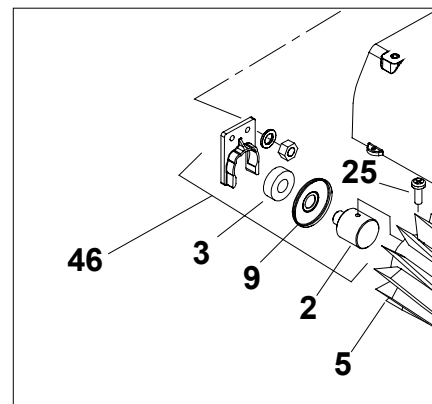
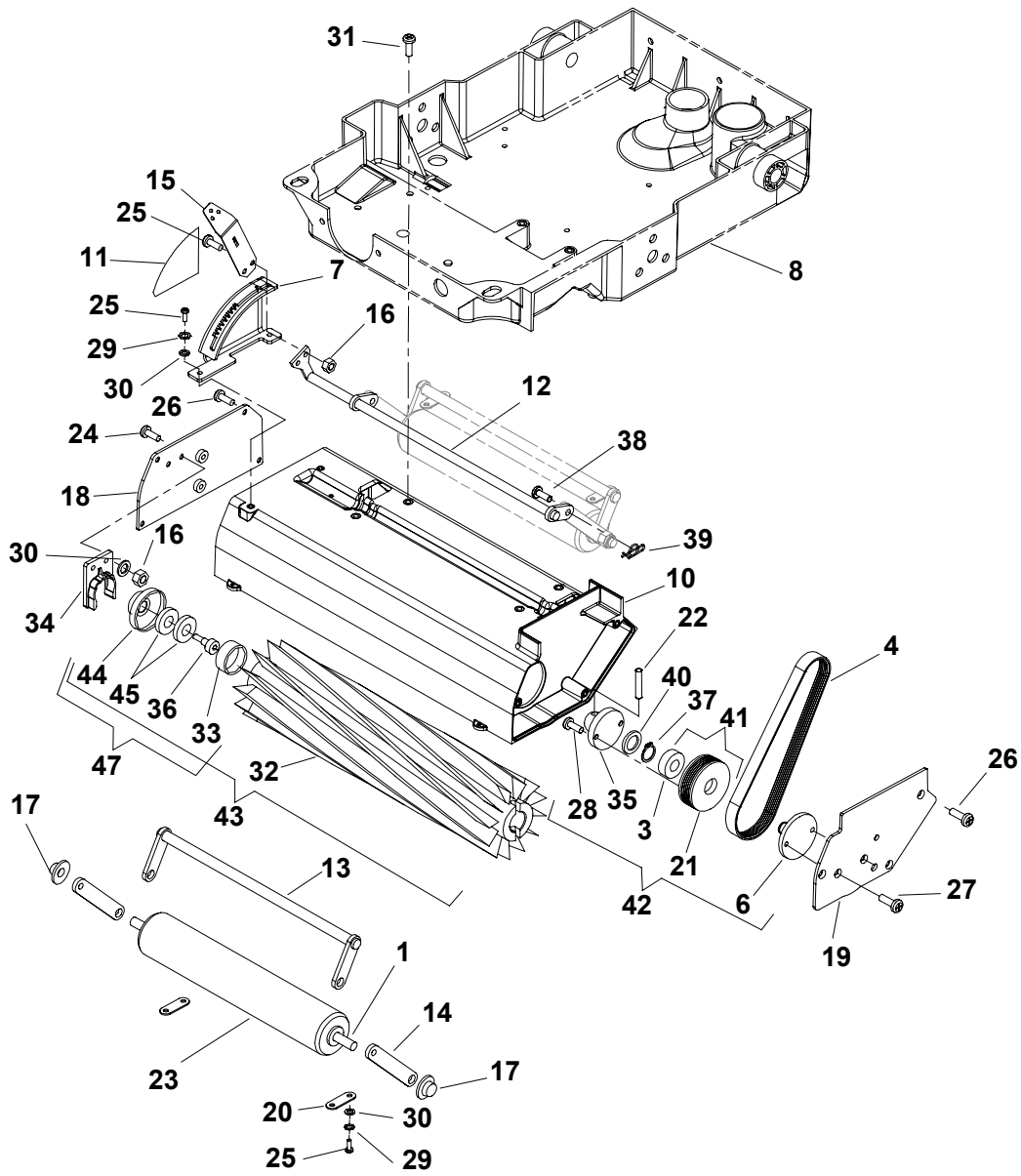
FRAME ASSEMBLY



FRAME ASSEMBLY

REF	PART NO.	QTY	DESCRIPTION	SERIAL NO. FROM	NOTES:
1	OPEN	-	-		
2	34341	1	FRAME, CLP FAMILY		
3	39528	1	HOSE ASM, 1.5 BLK VAC X 15.5		
4	41236	2	HUBCAP, 5/8" SHAFT		
5	41351	1	HARNESS, MAIN, CLP/ADM		
6	41354	1	HINGE, TANK TO FRAME		
7	53640	1	MOTOR ASM, BRUSH CLP FAMILY		
8	57030	2	NUT, 10-32 HEX NYLOCK		
9	57245	3	NUT, 1/4-20 HEX NYLOCK SS		
10	99809	2	FOAM TAPE, 1/8 THK X 3/4 1SDA		
11	62761	1	PLATE, BRUSH MTR CLAMP	1000046197	
12	64099	1	PULLEY, 1.4 OD, 6GR, MICRO-V		
13	66282	6	PLUG, HOLE, .375" BLK		
14	66288	2	PLUG, 9/16 OD BLK NYLON		
15	70085	2	SCR, 1/4-20 X 1/2 PPHMS SS		
16	70066	2	SCR, 10-32 X 3/4 PPHMS		
17	OPEN	-	-		
18	87013	2	WASHER, 1/4 ID X 5/8 OD SS		
19	87025	2	WASHER, 1/4 LOCK EXT STAR SS		
20	87018	2	WASHER, #10 X 9/16 OD		
21	70074	2	SET SCR, 10-32 X 1/4 KCP		
22	73197	1	STRAIN RELIEF, 90 DEGREE		
23	OPEN	-	-		
24	89114	2	WHEEL, 1-5/16 X 9.625 DIA		
25	03107	1	AXLE, 5/8 X 17.06L		
26	99667	10"	HEAT SHRINK, 3/4 ID UL/CSA		
27	73943	1	SEAL, FRAME/TANK		
28	20035	1	CLAMP, 7/16 DIA NYLON UL		
29	20041	1	CLAMP, 2.0" WORM GEAR		
30	70271	2	SCR, 1/4-20 X 1/2 HHCS PLTD		
31	70057	2	SCR, 1/4-20 X 1 PPHMS SS		
32	66052	1	PIN, ROLL 1/8" X 1.0"L		
33	70697	1	SCR, 1/4-20 X 1.25 PPHMS SS		
34	57105	3	NUT, 1/4-20 HEX W/ STAR WASHER		

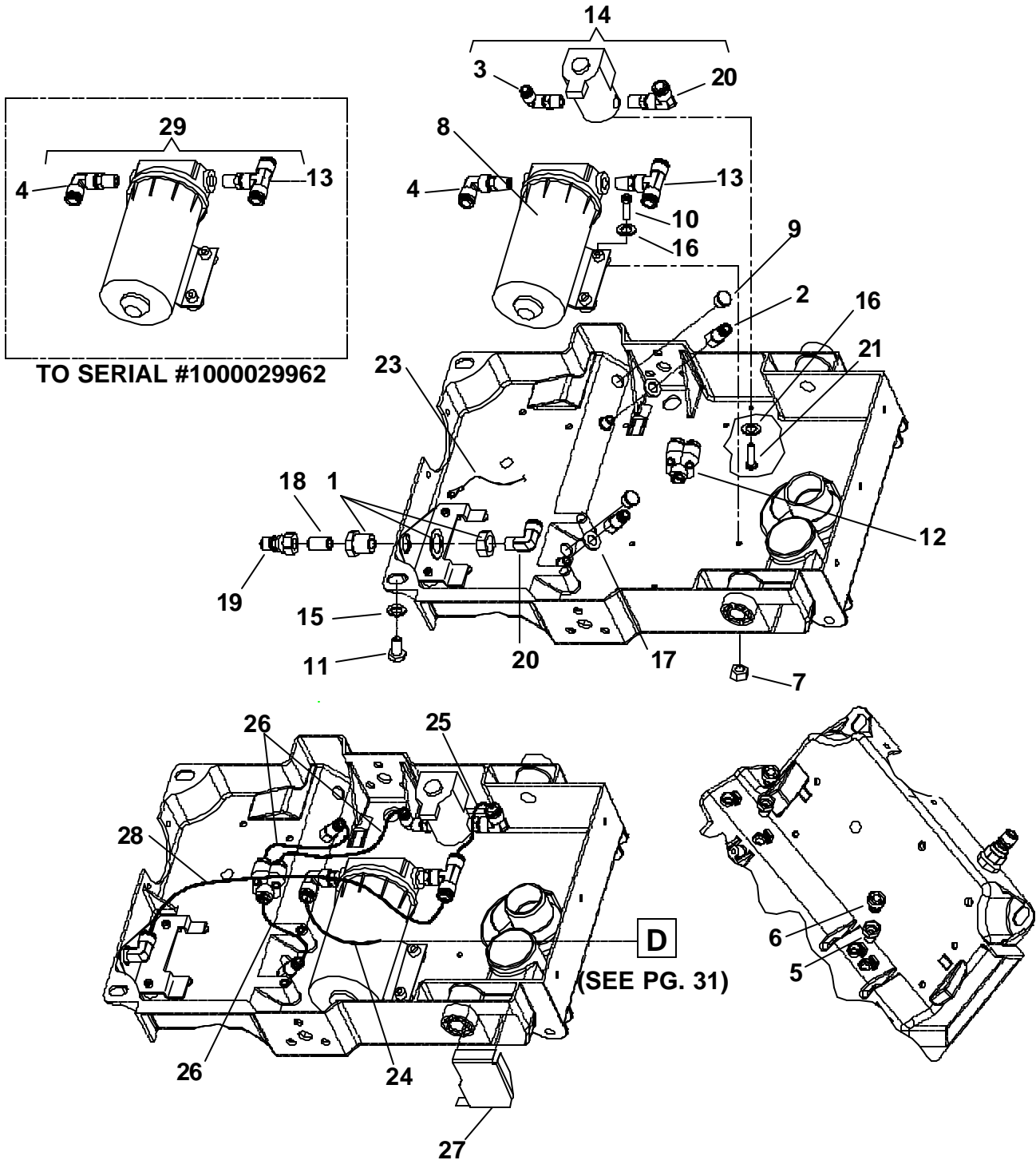
BRUSH ASSEMBLY



BRUSH ASSEMBLY

REF	PART NO.	QTY	DESCRIPTION	SERIAL NO. FROM	NOTES:
1	03110	1	AXLE, ROLLER		
2	04084	1	ADAPTER, BRUSH BRG.		
3	09019	2	BEARING, 1.125ODX.500IDX.375		
4	11045	1	BELT, 180J6 MICRO-V		
5	12031	1	BRUSH, 15L X 3.38OD		
6	140343	1	BRKT, BRUSH PULLEY		
7	140351	1	BRKT, BRUSH HEIGHT		
8	34341	REF	FRAME, CLP FAMILY		
9	36192	2	GUARD, THREAD		
10	41345	1	HOUSING, BRUSH 15"		
11	50998	1	LABEL, BRUSH HEIGHT		
12	51311	1	LINKAGE, ASM, BRUSH HEIGHT		
13	51312	1	LINKAGE ASM, ROLLER SUPPORT		
14	51314	2	LINK, ROLLER, FRONT		
15	51317	1	LEVER, HEIGHT ADJUSTMENT		
16	57030	4	NUT, 10-32 HEX NYLOCK		
17	57271	2	NUT, 3/8 DIA CAP, TYPE PUSH PLT		
18	62758	1	PLATE, BRUSH HOUSING RH		
19	62759	1	PLATE, BRUSH HOUSING LH		
20	62762	2	PLATE, AXLE RETAINER		
21	64098	1	PULLEY, 2.2 OD, 6GR, MICRO-V		
22	66192	1	PIN, ROLL 1/4 X 1.25L		
23	67411	1	ROLLER, 1.9 DIA X 10.5 LG		
24	70043	2	SCR, 10-32 X 5/8 PFHMS		
25	70088	8	SCR, 10-32 X 1/2 PPHMS SS DL		
26	70177	7	SCR, 10-32 X 1/2 FHMS SS		
27	70232	2	SCR, 10-32 X 3/8 FHMS SS		
28	70497	2	SCR, #10-24 X 1/2 SHCS		
29	87016	4	WASHER, #10 LOCK EXT STAR SS		
30	87018	6	WASHER, #10 X 9/16 OD		
31	70675	4	SCR, 1/4-20 X.5/8 THMS PLTD NP		
32	12524	1	BRUSH, 15 L X 3.38 OD G2	1000060649	
33	67467	1	RING, TOLERANCE 7/8 ID X 1/2 W	1000060649	
34	27805	1	CLIP, BEARING		
35	29157	1	DRIVER, BRUSH		
36	70737	1	SHLDR BOLT, 3/8 OD X 3/8 L SS NP	1000060649	
37	67094	1	RING, 1/2 EXT. SNAP		
38	66310	2	PIN, CLEVIS 1/4 X 1/2 PLTD		
39	80604	2	COTTER, 1/4" RING		
40	73966	1	SPACER, .81ID X 1.06OD, ALUM		
41	64102	1	PULLEY ASM, BRUSH		
42	29208	1	DRIVER ASM, BRUSH		
43	12514	1	BRUSH ASM, 15 IN		
44	05158	1	ADAPTER, BRUSH BRG. DIE CAST	1000060649	
45	09137	2	BEARING R6 3/8 ID	1000060649	
46	47383	1	BRUSH BEARING ASM		
47	47416	REF	KIT, BRNG/ADPTR EXTRCTR		

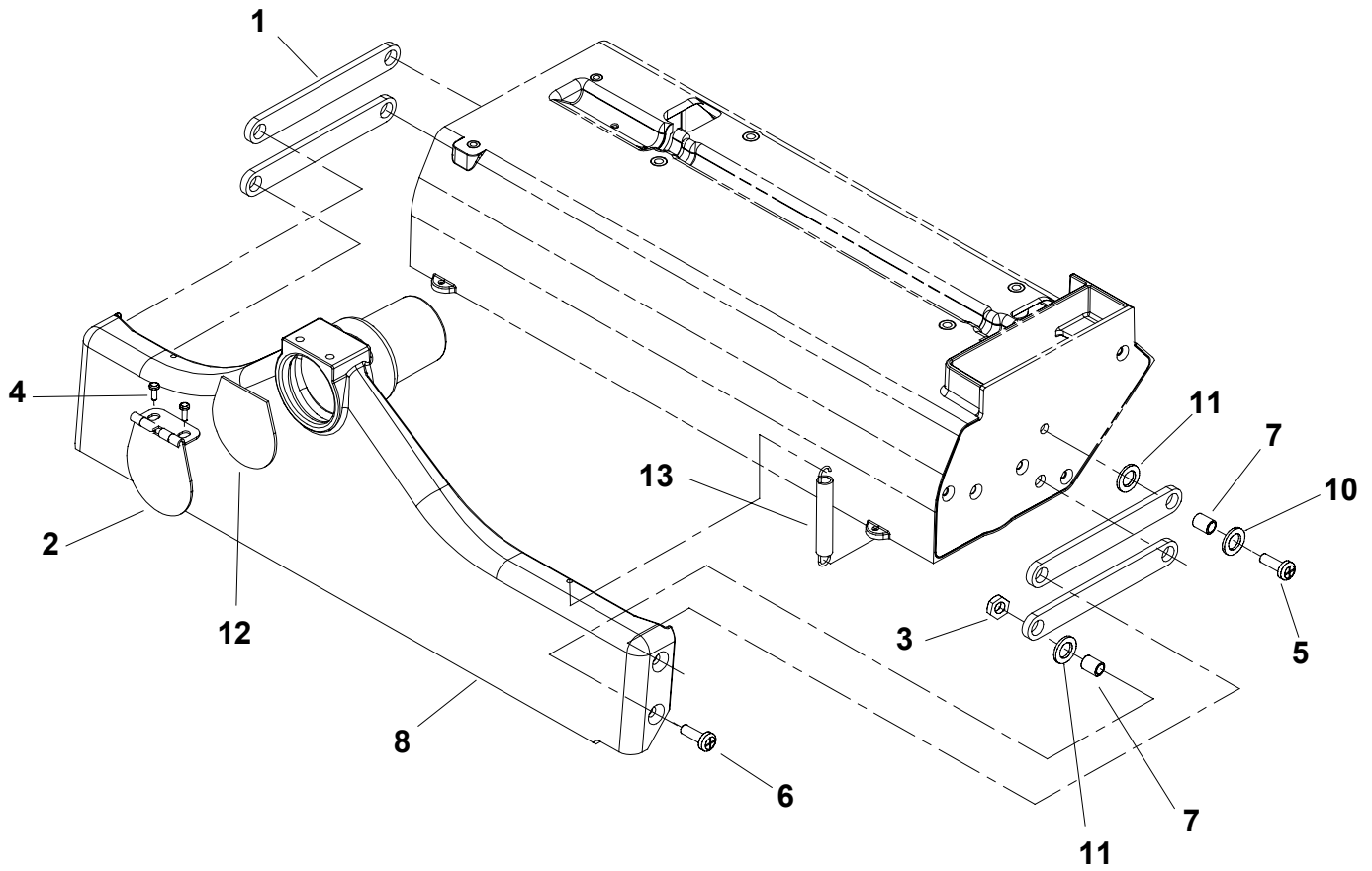
PUMP ASSEMBLY



PUMP ASSEMBLY

REF	PART NO.	QTY	DESCRIPTION	SERIAL NO. FROM	NOTES:
1	22072	1	COUPLING, 1/4 ANCHOR W/1" HEX		
2	22090	2	CONNECTOR, 1/8FPT X 1/4 TUBEQC		
3	31072	1	ELBOW, SWIVEL, 1/4MPTX1/4TUBE		
4	31074	1	ELBOW, SWIVEL,3/8MPTX3/8TUBEQC		
5	44067	2	JET BODY, MINI PROMAX BODY		
6	44073	2	JET, MINI PROMAX 9503		
7	57030	2	NUT, 10-32 HEX NYLOCK		
8	65201	1	PUMP ASM, 115V 100 PSI W/CONN	1000029963	
9	66288	2	PLUG, 9/16 OD BLK NYLON		
10	70386	2	SCR, 10-32 X 1.0 PPHMS		
11	70011	2	SCR, 1/4-20 X 5/8 HHCS SS		
12	34355	1	FITTING,1/4 TUBE,"Y", QC		
13	78419	1	TEE, 3/8 MPT X 3/8 TUBE, QC		
14	84160	1	VALVE ASM,SOLENOID CLP FAMILY		
15	87191	2	WASHER, 1/4"IDX1.0OD. FLAT SS		
16	87018	4	WASHER, #10 X 9/16 OD		
17	87192	2	WASHER, 7/16 X 3/4 X .19RUBBER		
18	56014	1	NIPPLE, 1/4 CLOSE		
19	56012	1	NIPPLE, 1/4 FPT QD		
20	31076	2	ELBOW, 1/4 MPT X 3/8 TUBE, QC		
21	70162	2	SCR, 10-32 X 3/8 PPHMS SS		
22	-	-	OPEN		
23	880278	1	WIRE, 22" GRN/18 76011 X 76011	100046197	
24	39529	1	HOSE, 3/8 URETHANE X 29"		
25	39530	1	HOSE, 3/8 NYLON X 6"		
26	39531	3	HOSE, 1/4 URETHANE X 6"		
27	73963	1	SCREEN, INTAKE		
28	39551	1	HOSE, 3/8 NYLON X 29"		
29	65183	REF	PUMP ASM, 115V 100 PSI SHURFLO		X-REF TO 47306

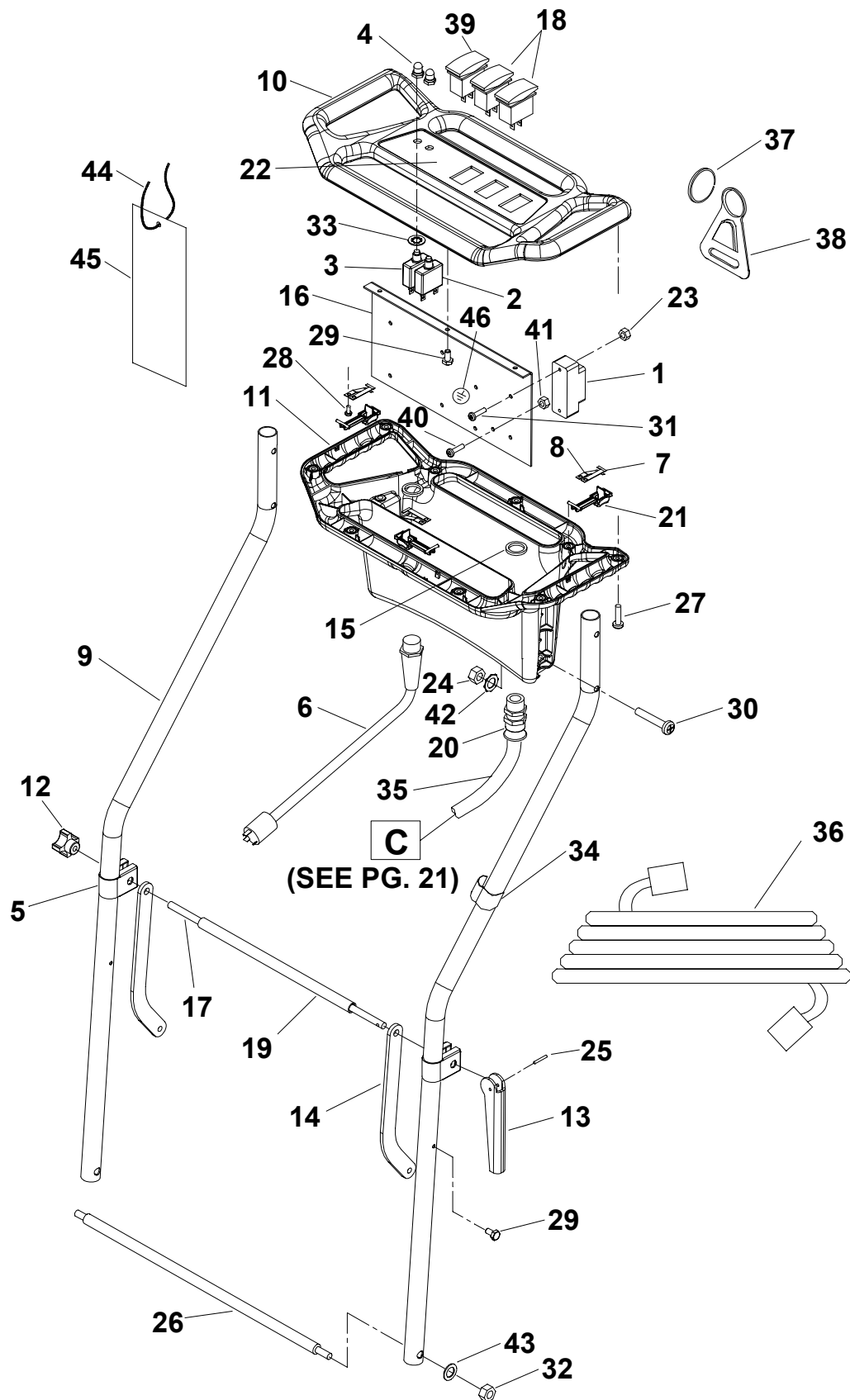
VACUUM SHOE ASSEMBLY



VACUUM SHOE ASSEMBLY

REF	PART NO.	QTY	DESCRIPTION	SERIAL NO. FROM	NOTES:
1	05016	4	ARM, VAC SHOE PARALLEL		
2	27674	1	COVER, ACCESSORY PORT		
3	57245	4	NUT, 1/4-20 HEX NYLOCK SS		
4	70351	2	SCR, 10-32 X 3/8 HHTR W/STAR		
5	70360	4	SCR, 1/4-20 X.75 PPHMS PHIL		
6	70390	4	SCR, 1/4-20 X 1 FHCS PLTD		
7	73958	8	SPACER, 3/8ODX.058WX.2814,CRS		
8	85039	1	VAC SHOE, 15"		
9	OPEN	-	-		
10	87013	4	WASHER, 1/4 ID X 5/8 OD SS		
11	87074	8	WASHER, WAVE 3/8ID X3/4D X.125		
12	35171	1	GASKET, ACCESSORY PORT		
13	73955	2	SPRING, EXT .38D X2.75L X.055W		

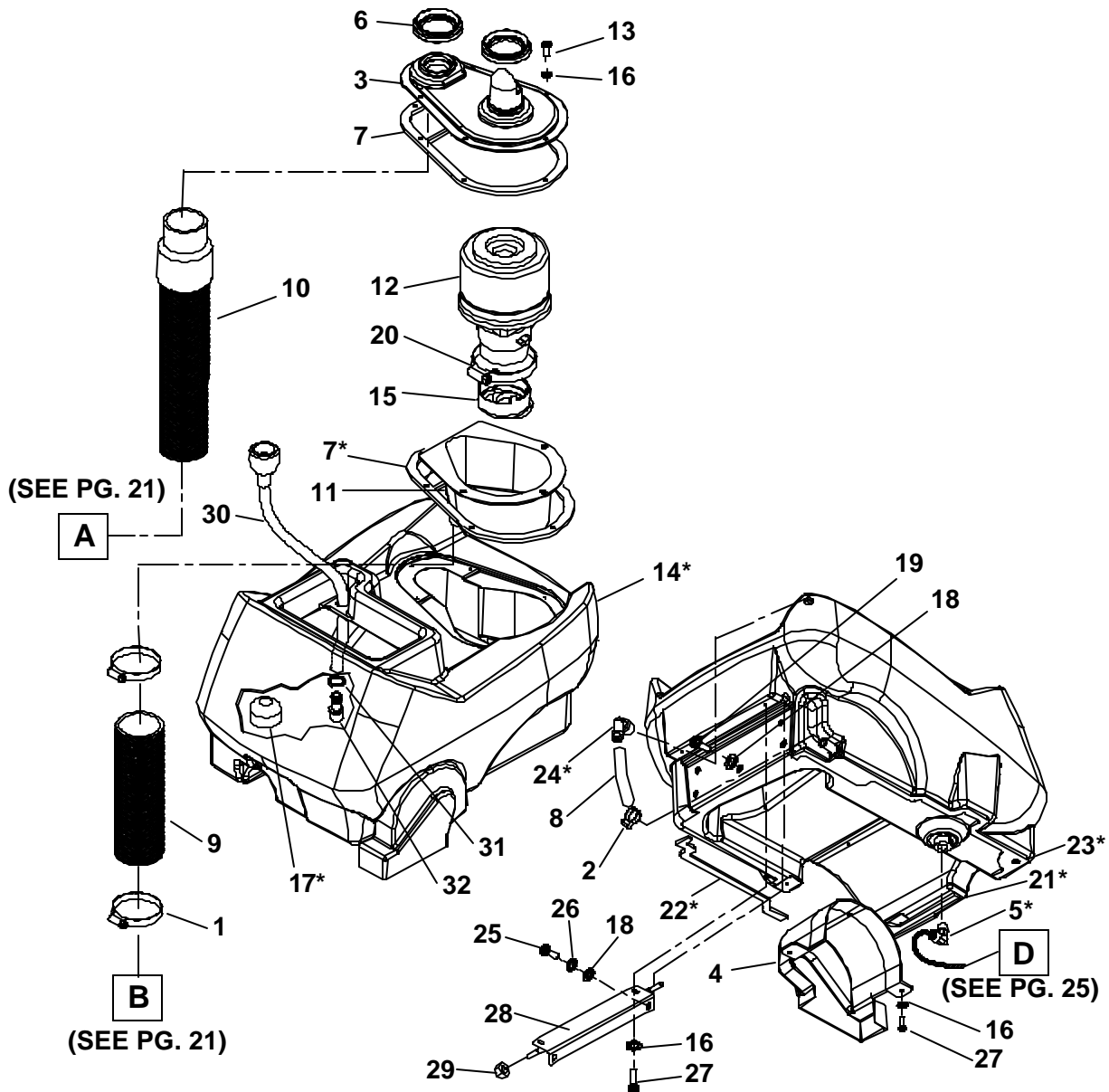
CONTROL PANEL ASSEMBLY



CONTROL PANEL ASSEMBLY

REF	PART NO.	QTY	DESCRIPTION	SERIAL NO. FROM	NOTES:
1	14020	1	TERMINAL BLOCK, 115V (3-4-3)		
2	14700	1	BREAKER, 15A 250VAC 50VDC		
3	14832	1	BREAKER, 6A VDE CIRCUIT		
4	14942	2	BOOT, 3/8 CIRCUIT BREAKER		
5	20084	2	CLAMP, HANDLE LOCK		
6	23679	1	CORD ASM, 14/3 X 22" YLW		
7	27823	3	CONTACT, ELECTRICAL, FLAT		
8	27824	3	CONTACT, ELECTRICAL, BENT		
9	38283	2	HANDLE, ADM8		
10	38286	1	HANDLE, CONTROL PANEL FRONT		
11	38287	1	HANDLE, CONTROL PANEL REAR		
12	48012	1	KNOB, 5/16-18 4 PRONG		
13	51039	1	LEVER, HANDLE CLAMP		
14	51313	2	LINK, HANDLE ADJ.		
15	57040	2	NUT, 1/2 NPT CONDUIT		
16	62766	1	PLATE, CONTROL PANEL, CLP/ADM		
17	67073	1	ROD, HANDLE LOCK		
18	72130	2	SWITCH, SPST 2-POSITION ROCKER		
19	73180	1	SPACER, .50 ODX.058WX9.84L CRS		
20	73505	1	STRAIN RELIEF, 1/2 NPT TRUMPET		
21	78418	3	TRIGGER, SWITCH		
22	50996	1	LABEL, CONTROL PANEL, CLP/ADM		
23	57116	2	NUT, 6-32 W/STAR WASHER PLTD		
24	57245	4	NUT, 1/4-20 HEX NYLOCK SS		
25	66068	1	PIN, ROLL 1/8" X 5/8"L		
26	03109	1	AXLE, HANDLE ADM8		
27	70406	9	SCR, #10 X 3/4 PPHST TYPE B		
28	70127	6	SCR, 6-32 X 1/4 PPHMS SS		
29	70351	5	SCR, 10-32 X 3/8 HHTR W/STAR		
30	70105	4	SCR, 1/4-20 X 1.75 PPHMS SS		
31	70235	2	SCR, 6-32 X 1.0 PH BLK NYLON		
32	57113	2	NUT, 5/16-18 HEX NYLOCK		
33	87100	2	WASHER, 3/8 ID INT.LOCK THIN		
34	27371	2	CLIP, POWER CORD		
35	41351	REF	HARNESS, MAIN CLP/ADM		
36	23086	1	CORD SET, 14/3 SJTW-A X 50' YLW		
37	67147	1	RING, 2" DIA SPLIT		
38	73169	1	STRAIN RELIEF, CORD HOOK		
39	72162	1	SWITCH, DPDT3-POSITION ROCKER		
40	70386	1	SCR, 10-32 X 1" PPHMS		
41	57104	3	NUT, 10-32 W/STAR WASHER PLTD		
42	87025	1	WASHER, 1/4 LOCK EXT STAR SS		
43	87029	2	WASHER, 5/16 FLAT SS		
44	27417	1	CORD, 99807 1/8 X 12"		
45	500017	1	CARD, INSTRUCTION ADM8		
46	50279	1	LABEL, GROUND SYMBOL		

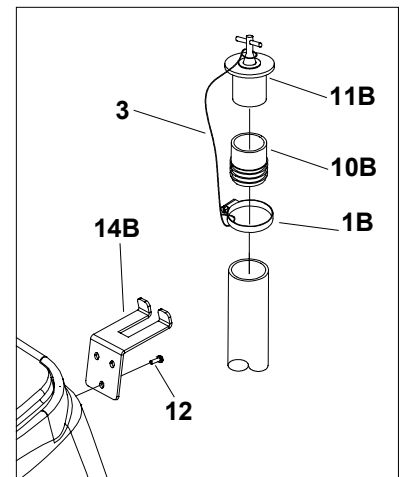
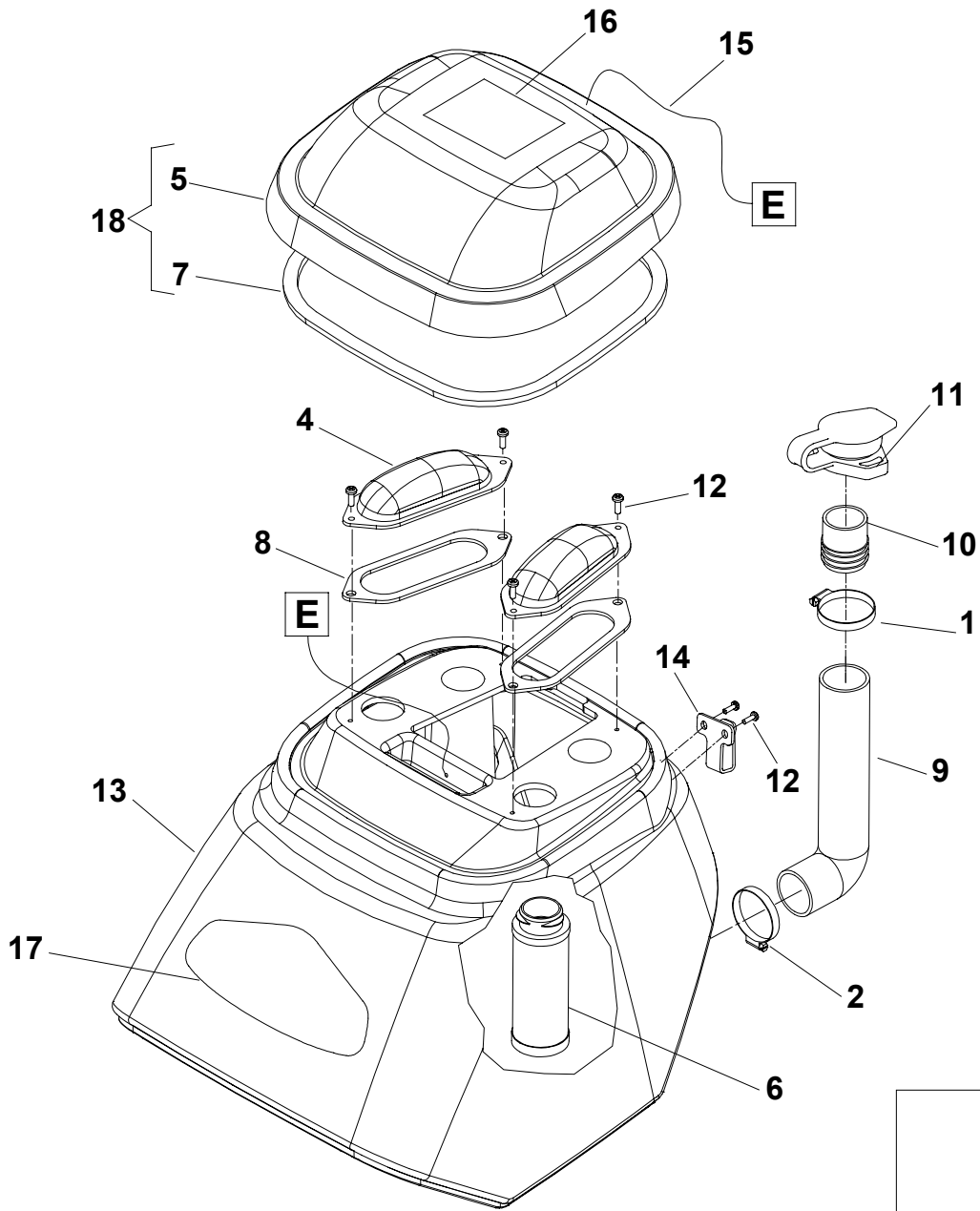
SOLUTION TANK ASSEMBLY



SOLUTION TANK ASSEMBLY

REF	PART NO.	QTY	DESCRIPTION	SERIAL NO. FROM	NOTES:
1	20041	2	CLAMP, 2.0" WORM GEAR		
2	20042	1	CLAMP, 3/8 HOSE (D-SLOT)		
3	27809	1	COVER, VAC MOTOR		
4	27810	1	COVER, BELT		
5	31081	1	ELBOW, 3/8 MPT X 3/8 TUBE, PLASTIC		
6	35175	2	GASKET, TANK TO VAC COVER		
7	35231	2	GASKET, VAC COVER (CLP FAMILY)		
8	39526	1	HOSE, 1/2 CLEAR X 12		
9	39527	1	HOSE, 1.5 BLK VAC X 3.0		
10	39528	REF	HOSE ASM, 1.5 BLK VAC X 15.5		
11	41348	1	HOUSING, VAC MOTOR		
12	53789	1	VAC MOTOR ASM, CLP FAMILY		
13	70525	6	SCR, #10 X 1.0 PPHST TYPE B		
14	75259	1	TANK, ADM SOLUTION		
15	85037	1	VENT, COOLING AIR SMALL		
16	87018	11	WASHER, #10 X 9/16 OD		
17	73864	1	STRAINER, 3/8 IN. NPT 60 MESH		
18	87013	5	WASHER, 1/4 ID X 5/8 OD SS		
19	70085	3	SCR, 1/4-20 X 1/2 PPHMS SS DL		
20	20092	1	CLAMP, 3.5" WORM GEAR		
21	35236	1	GASKET, TANK, L-F		
22	35237	1	GASKET, TANK, L-R		
23	35238	1	GASKET, TANK, RH		
24	40027	1	HOSEBARB, 3/8MPTX1/2 90D DL		
25	70360	2	SCR, 1/4-20 X.75 PPHMS PHIL		
26	87025	2	WASHER, 1/4 LOCK EXT STAR SS		
27	70114	5	SCR, #10 X 3/4 PPHST TYPE B		
28	89183	1	WELDMENT, HANDLE PIVOT ADM8		
29	57245	2	NUT, 1/4-20 HEX NYLOCK SS		
30	02130	1	HOSE ASSY- FILL HOSE		
31	20042	1	CLAMP, 3/8 HOSE (D-SLOT)		
32	40023	1	HOSEBARB, 1/2MPT X 3/8 DL		
33	75277	1	TANK ASM, SOLUTION ADM8		* ITEMS INCLUDED
34	14258	-	BRUSH SET, 5.7 2ST HP 116472		* NOT SHOWN

RECOVERY TANK ASSEMBLY



RECOVERY TANK ASSEMBLY

REF	PART NO.	QTY	DESCRIPTION	SERIAL NO. FROM	NOTES:
1A	20064	1	CLAMP, 2.0" WORM GEAR X .312	1000083447	
1B	20002	1	CLAMP, 2.0" NYLON RATCHET		
2	20041	1	CLAMP, 2.0" WORM GEAR		
3	27670	1	CORD, DRAIN PLUG		
4	27816	2	COVER, REC. TANK		
5	28060	1	DOME, CLP FAMILY		
6	34351	1	FLOAT SHUT-OFF		
7	35230	1	GASKET, DOME		
8	35232	2	GASKET, PORT COVER		
9	39353	1	HOSE, 1.5 X 12.0 DRAIN		
10A	41391	1	HOSE, INSERT	1000083447	
10B	40019	1	HOSEBARB, 1.5 DOUBLE MCHD		
11A	41390	1	HOSE, CAP	1000083447	
11B	66227	1	PLUG DRAIN HOSE		
12	70114	6	SCR, #10 X 3/4 PPHST TYPE B		
13	75260	1	TANK, ADM RECOVERY		
14A	140408	1	BRKT, HOSE HOOK	1000083447	
14B	140133	1	BRKT, RECOVERY HOSE MTG		
15	27417	1	CORD, 99807 1/8 X 12"		
16	500009	1	LABEL, WARNING		
17	50994	1	LABEL, ADMIRAL MAIN		
18	28061	1	DOME ASM, CLP FAM		

SUGGESTED SPARE PARTS

SUGGESTED SPARE PARTS		
DESCRIPTION	PART NUMBER	PAGE
BRUSH, 15L X 3.38OD	12031	23
BELT, 180J6 MICRO-V	11045	23
BEARING, 1.125ODX.500IDX.375	09019	23
JET BODY, MINI PROMAX BODY	44067	25
JET, MINI PROMAX 8003	44072	25
PUMP ASM, CLP/ADM	65183	25
VALVE ASM, SOLENOID CLP FAMILY	84160	25
GASKET, ACCESSORY PORT	35171	27
BREAKER, 15A 250VAC 50VDC	14700	29
BREAKER, 6A VDE CIRCUIT	14832	29
SWITCH, SPST 2-POSITION ROCKER	72130	29
SWITCH, DPDT3-POSITION ROCKER	72162	29
VAC MOTOR ASM, CLP FAMILY	53789	31
STRAINER, 3/8 IN. NPT 60 MESH	73864	31
DOME ASM, CLP FAMILY	28061	33
FLOAT SHUT-OFF	34351	33
PLUG, DRAIN HOSE	66227	33

NOTES:



WINDSOR INDUSTRIES

New Machine Warranty

Limited Warranty

Windsor Industries, Inc. warrants new machines against defects in material and workmanship under normal use and service to the original purchaser. Any statutory implied warranties, including any warranty of merchantability or fitness for a particular purpose, are expressly limited to the duration of this written warranty. Windsor will not be liable for any other damages, including but not limited to indirect or special consequential damages arising out of or in connection with the furnishing, performance, use or inability to use the machine. This remedy shall be the exclusive remedy of the buyer. The warranty period is subject to the conditions stated below.

6 / 3 / 1 Warranty: 6 Years Polyethylene (PE) Housings, 3 Years Parts, and 1 Year Service Labor

Subject to conditions outlined below, Windsor Industries warrants rotationally molded PE housings and parts on all of its machines to be free from defects in material and workmanship, under normal use and service for six (6) years to the original owner.

Under this warranty we guarantee the performance of non-polyethylene parts and components to be free from defects and for up to three (3) years to the original end user. Parts replaced or repaired under this warranty are guaranteed for the remainder of the original warranty period. (See table below)

Service labor charges are covered for up to one (1) year from the date of purchase through authorized Windsor service provider. No travel coverage is extended for cord-electric models. See table below for each general product model warranty coverage.

Product	PE Housing & Parts	Non- PE Parts	Service Labor	Travel
Rider Scrubbers	6 years	3 years	1 years	6 Months
Rider Sweepers	6 years	1 year	1 years	6 Months
Walk Behind Scrubbers	6 years	3 years	1 years	6 Months
Walk Behind Sweepers	6 years	1 year	1 years	6 Months
Extractors	6 years	3 years	1 years	-
Polishers / Elec. Burnishers / GH	6 years	3 years	1 years	-
Wide Areas Vacuums	6 years	3 years	1 years	-
VacPak Vacuums	6 years	1 year	1 year	-
Air Movers / Dri-matic / TITAN™	1 year	1 year	1 year	-
Propane Burnishers / Strippers	-	2 year	1 year	-
Tracer/Flex Sweepers/Scrubbers	6 years	2 year	6 months	90 days

VERSAMATIC®	Brush motor, Vacuum motor, Belts – 3 years	All other parts – 1 year
SENSOR®	Vacuum motor, Belts – 2 years	All other parts – 1 year

Product exceptions and Exclusions:

- Extractor brush motors, pump motors, **ALL** PC boards and electronics, **ALL** Vacuum motors (other than VERSAMATIC® and SENSOR®), **ALL** pumps, and FLEXSOL™ diaphragms carry a one (1) year parts and service labor warranty.
- The Onan® engines have three (3) year manufacturer’s warranty. The Honda® and Kawasaki® engines have two (2) year manufacturer’s warranty. **NOTE:** The engine warranty is administered through the engine manufacturer and must be repaired at an authorized service center.

Normal wear items and accessories including, but not limited to, belts, brushes, capacitors, carbon brushes, casters, clutches, cords, filters, finishes, gaskets, hoses, light bulbs, rectifiers, switches, squeegees, bearings, pulleys, relays, actuating cables, wheels, tires, propane tanks, and batteries will be warranted for manufacturing defects for 90-days from the purchase date.

The warranty commences on the purchase date by the original end user from an authorized Windsor agent, subject to proof of purchase. The Machine Registration Card must be completed and returned immediately at the time of purchase. If proof of purchase cannot be identified, the warranty start date is 90 days after the date of sale to an authorized Windsor distributor. Parts replaced or repaired under warranty are guaranteed for the remainder of the original warranty period.



WINDSOR INDUSTRIES New Machine Warranty

90 Day Warranty Extension Available

Upon receipt of the Machine Registration Card, Windsor will extend by 90 days, from the date of purchase, all items included under the one-year provision. This applies only to one-year items and does not include 90-day wear items.

This Warranty Shall Not Apply To:

1. Any product that has been subject to abuse, misuse, neglect or unauthorized alteration (including the use of incompatible or corrosive chemicals or overloading of capacity).
2. Products that have experienced shipping or freight damage.
3. Repairs necessary to correct any failure due to improper pre-delivery service and inspection by the selling dealer.
4. Excessive time for cleaning units in preparation for repair.
5. Any repairs resulting from poor initial service work or improper diagnosis.
6. Tune-up parts such as plugs, plug wires and condensers.
7. Any design alterations performed by an organization not authorized or specified by Windsor.
8. Battery and charger warranties are handled directly with the manufacturer (Trojan® batteries and Lester® chargers).
9. High-pressure washing.
10. Electrical components exposed to moisture.

If difficulty develops during the warranty period, contact the authorized Windsor agent from whom the product was purchased. Windsor Industries, Inc. may elect to require the return of components to validate a claim. Any defective part to be returned must be shipped freight prepaid to an authorized Windsor Distributor/Service Center or to the Windsor factory.

Use Of Parts Not Approved By Windsor Industries, Inc. Will Void All Warranties

This warranty is valid only for all products sold after July 1, 1995. A product sold before that date shall be covered by the limited warranty in effect at the date of sale to the original purchaser.