

Retriever™



PARTS LIST

Advance MODEL 134B(OBSOLETE)

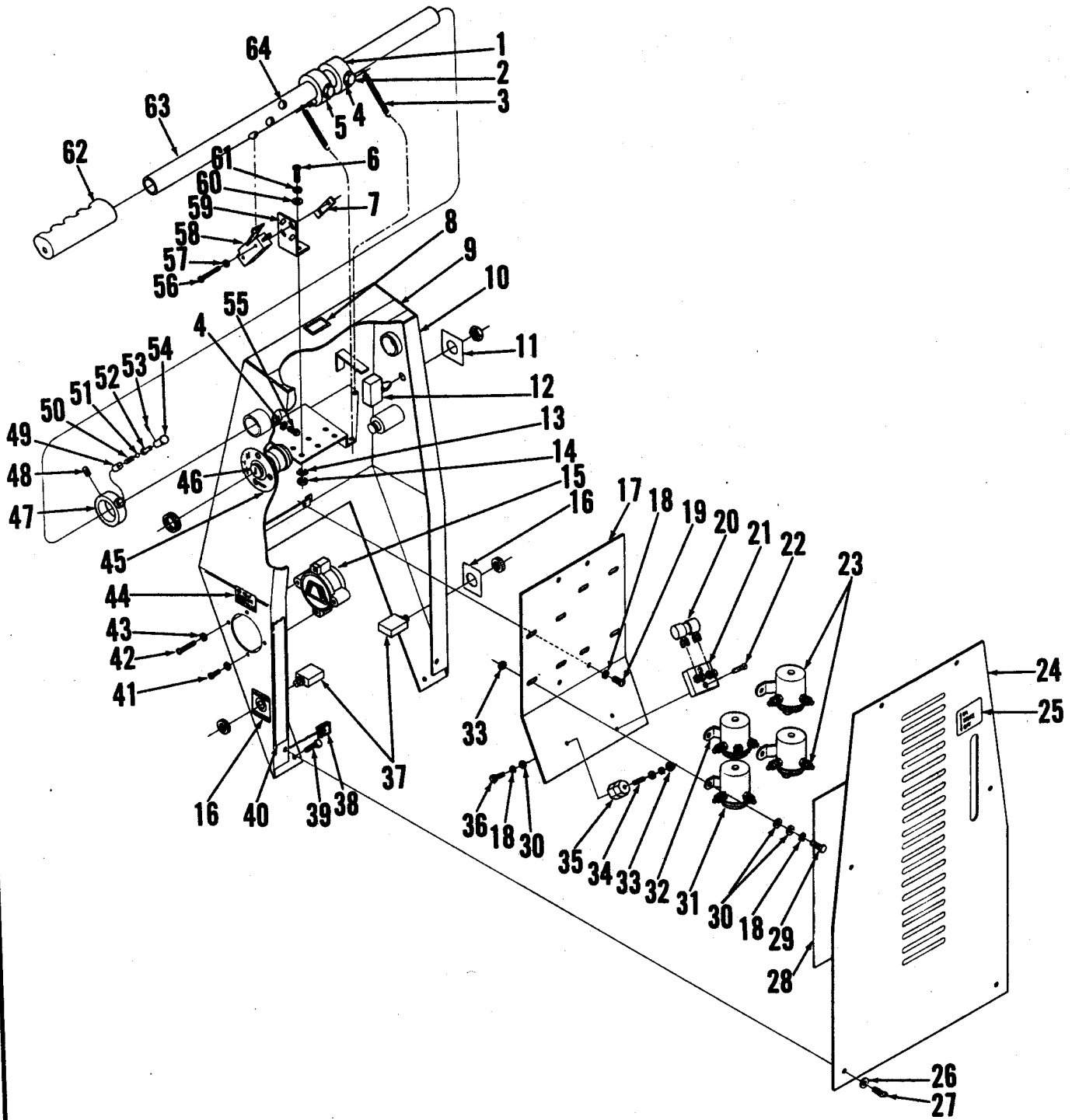
This parts list is for machines after serial number 019339



**Nilfisk
Advance**

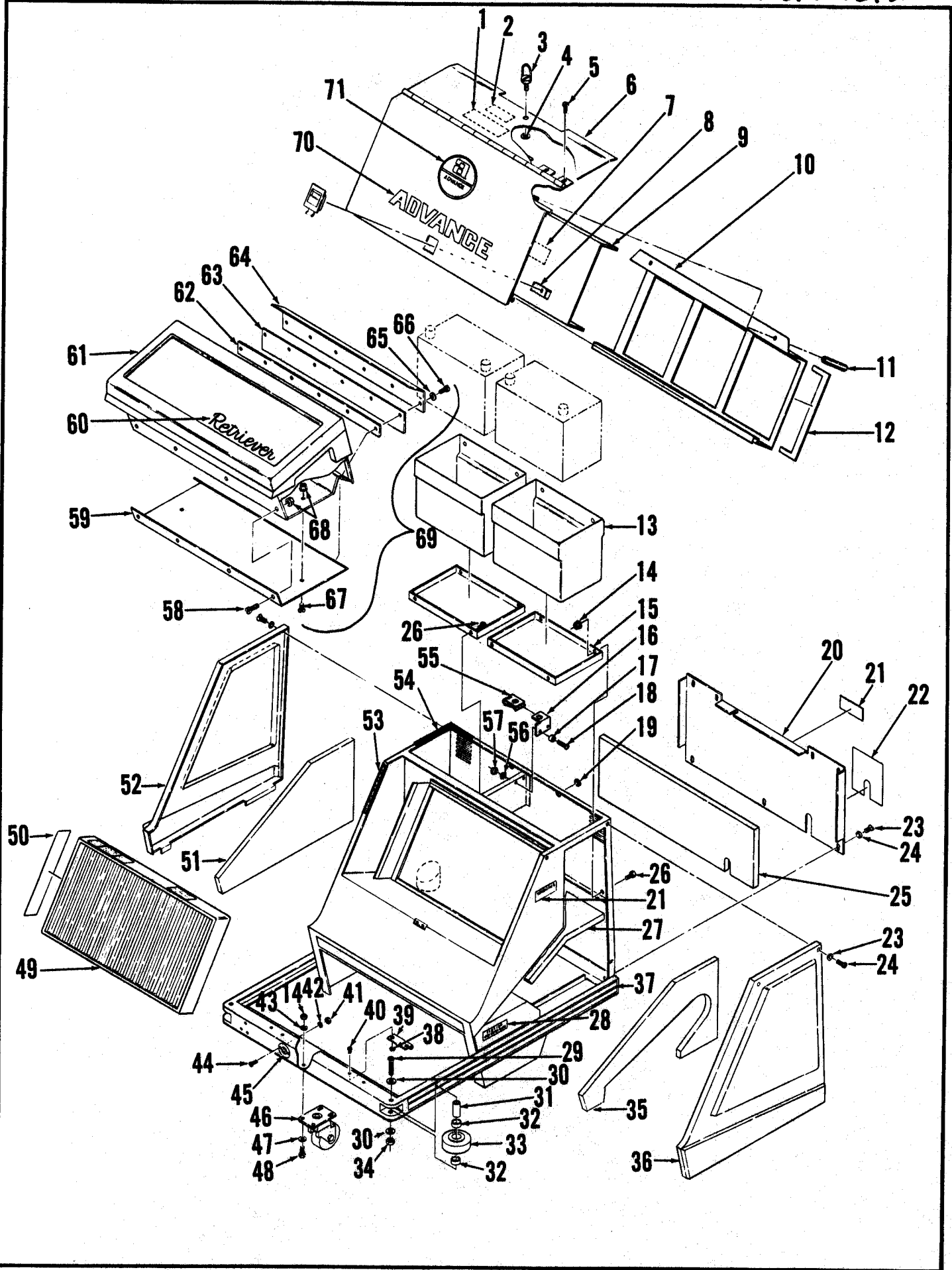
setting standards

5/85 revised 2/01 FORM NO. 56042135



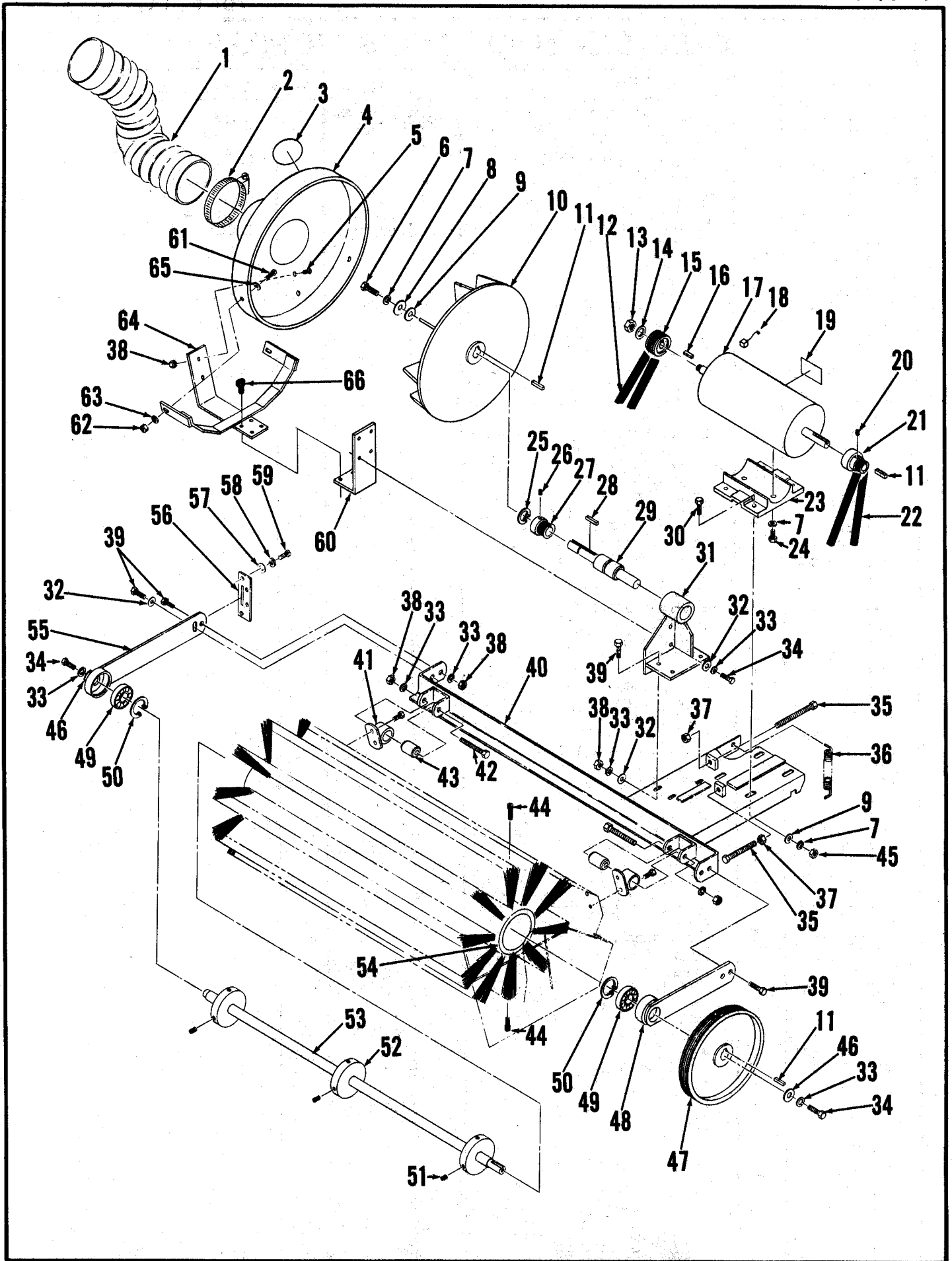
HANDLE ASSEMBLY

Item	Part No.	Qty	Description	Item	Part No.	Qty	Description
1	467582	1	Ring Assembly, Reverse	45	023330	1	Decal, Main Switch
2	467586	2	Screw	46	441538	1	Key Switch
3	328790	2	Spring		441539	1	Replacement Key for Switch
4		3	Shakeproof Washer	47	467072	1	Collar
5	467584	1	Ring Assembly, Forward	48		2	Screw, 5/16-18 x 1/4
6		6	Screw, #8-32 x 3/8	49	467615	1	Bushing
7	376015	3	Nut Plate	50	578222	1	Spring
8	467410	1	Indicator Light	51	745866	1	Ball
9	023308	1	Decal, Control Panel	52	467086	1	Pin
10	467395	1	Handle	53	210472	1	Spring Pin
11	023316	1	Decal, On-Off-On	54	201405	1	Knob
12	754092	1	Switch	55	234079	1	Screw
13		6	Shakeproof Washer	56		6	Screw, #6-32 x 7/8
14		6	Nut, #8-32	57		6	Lock Washer
15	386119	1	Charger Receptacle	58	385615	3	Switch
16	015020	2	Decal, Reset	59	467380	3	Plate
17	467088	1	Solenoid Plate	60		6	Washer
18		14	Lock Washer, 1/2	61		6	Shakeproof Washer
19		4	Screw, 1/4-20 x 3/8	62	514085	2	Handle Grip
20	448739	1	Fuse Clamp	63	467580	1	Handle Tube
21	448741	1	Fuse Clamp Block	64		3	Screw, 1/4-20 x 1/4
22		2	Screw, 10-32 x 3/4 with Whiz Nut				
23	470750	2	Solenoid				
24	467228	1	Rear Handle Panel				
25	024984	1	Decal, Brake				
26	449340	6	Finishing Washer				
27		6	Screw, #10-24 x 3/8				
28	023328	1	Decal, Wiring Diagram				
29		8	Screw, 1/4-20 x 5/8				
30		16	Washer				
31	371394	1	Solenoid				
32	468358	1	Solenoid Switch				
33		9	Nut, 1/4-20				
34	150274	1	Stud				
35	469858	1	Insulated Stand-Off				
36		1	Bolt, 1/4-20 x 3/8				
37	180275	2	Circuit Breaker TSB 368				
38	328855	4	Spring Nut				
39		4	Screw, 1/4-20 x 1/2 with				
		4	Lock Washer, Flat Washer, and Nut				
40	320099	A/R	Gasket				
41		2	Screw, #8-32 x 5/8				
42		2	Screw, #8-32 x 1-1/2				
43		4	Shakeproof Washer				
44	054192	1	Decal, Charger				



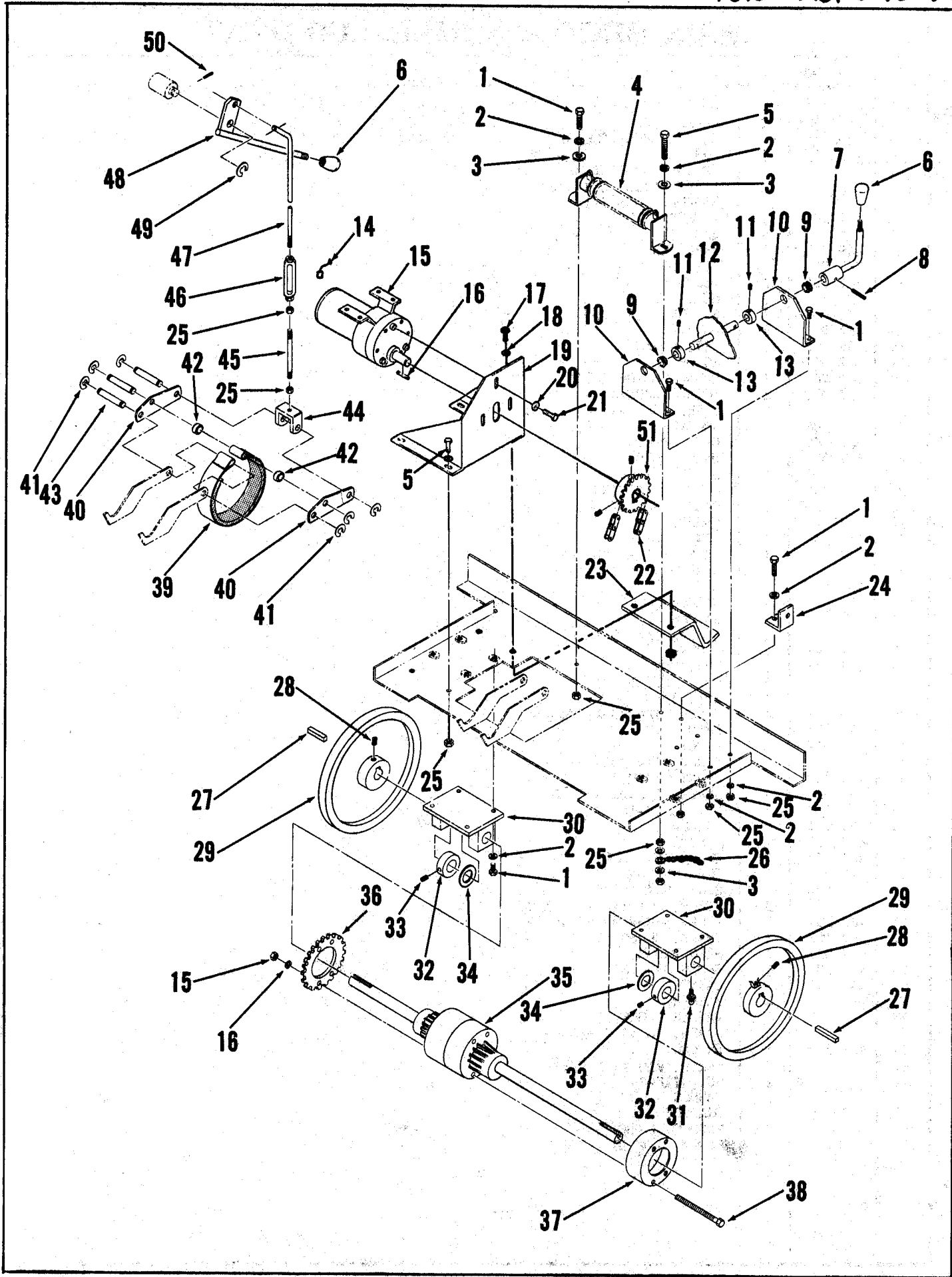
CHASSIS, HOUSING, & HOPPER

ITEM	PART NO.	QTY.	DESCRIPTION	ITEM	PART NO.	QTY.	DESCRIPTION
1	023 312	1	DECAL, WARNING	64	467 199	1	ANGLE
2	013 116	1	DECAL, CAUTION	65		6	LOCK WASHER, #8
3	448 104	1	FASTENER, SCREW	66		6	SCREW, 8-32 x 3/4
4	448 108	1	WASHER, RETAINER	67		2	SCREW, 10-24 x 1/2
5		6	SCREW, 10-24 x 1/2	68		6	NUT, 10-24
6	467 048	1	DOOR	69	467 322	1	HOPPER ASSY.
7	023 332	1	DECAL, SPACER	70	016 519	1	DECAL, ADVANCE
8	761 160	1	PADDLE LATCH	71	023 308	1	DECAL, LOGO
9	467 133	1	SPACER				
10	467 064	1	BRACKET				
11	467 136	2	NUT				
12	467 138	1	GASKET				
13	467 084	2	BATTERY CASE				
14		12	NUT, 1/4-20				
15	467 156	2	BATTERY HOUSING				
16	467 596	1	BRACKET				
17	200 689	2	BUSHING				
18		2	SCREW, 8-32 x 5/8				
19	157 376	4	GROMMET				
20	467 210	1	REAR PANEL				
21	023 318	3	DECAL, WARNING				
22	023 302	1	DECAL, BRUSH HEIGHT				
23		11	SCREW, 10-24 x 3/8				
24		11	FINISHING WASHER				
25	467 193	1	BACK FOAM				
26		8	SCREW, 1/4-20 x 1/2				
27	467 189	1	FOAM, TOP-LEFT				
	467 191	1	FOAM, TOP-RIGHT (not shown)				
28	030 080	1	DECAL, HANDS CLEAR				
29		2	SCREW, 1/4-20 x 2 5/8				
30	150 142	4	WASHER				
31	322 157	2	BEARING DELETE				
32	109 037	4	BUSHING				
33	465026	2	BUMPER WHEEL				
34	150 975	2	NUT				
35	467 195	1	FOAM				
36	467 222	1	LEFT SHROUD				
37	023 300	2	DECAL STRIPE				
38		4	NUT, 10-24				
39	467 258	2	PLATE				
40		4	SCREW, 10-24 x 1/2				
41		2	NUT, 6-32				
42		2	LOCK WASHER, #6				
43		2	LOCK WASHER				
44		2	SCREW, 6-32 x 3/8				
45	754 090	1	RECEPTACLE				
46	206 725	1	SWIVEL CASTER				
47		4	WASHER				
48		4	SCREW, 1/4-20 x 3/4				
49	467 147	1	PRIMARY FILTER				
50	023 320	1	DECAL, FILTER				
51	467 197	1	FOAM				
52	467 220	1	RIGHT SHROUD				
53	385 448	1	GASKET				
54	200 754	1	GASKET				
55	468 960	1	RECEPTACLE, SCREW				
56		2	SHPRF. WASHER				
57		2	NUT, 8-32				
58		4	SCREW, 10-24 x 1/2				
59	467 202	1	WEAR PLATE				
60	025 327	1	DECAL, RETRIEVER				
61	467 010	1	HOPPER				
62	467 198	1	PLATE				
63	467 208	1	SKIRT				



MAIN BROOM & IMPELLER DRIVE

ITEM	PART NO.	QTY.	DESCRIPTION
1	467 181	1	HOSE, FLEX
2	352 829	2	CLAMP, HOSE
3	030 080	1	DECAL, HANDS CLEAR
4	467 287	1	SHROUD
5		2	SCREW, 1/4-20 X 3/4
6		1	SCREW, 5/16-18 X 3/4
7		7	WASHER, LOCK 5/16
8	152 781	1	WASHER
9		5	WASHER
10	469 347	1	IMPELLER
11	367 958	3	KEY, SQUARE
12	467 264	1	BELT, POLY-V
13		3	NUT, 3/8-16
14		1	WASHER, FLAT 3/8
15	467 372	1	SHEAVE
16	109 258	1	KEY, SQUARE
17	467 055	1	MOTOR
18	386 263	1	BRUSH, MOTOR (SET)
19	023 318	1	DECAL, WARNING
20		2	SCREW, SET #10-24 X 1/4
21	467 184	1	SHEAVE
22	467 269	1	BELT, POLY-V
23	467 355	1	BASE, MOTOR
24		2	SCREW 5/16-18 X 1/2
25	748 905	1	RING, RETAINING
26		2	SCREW, SET 5/16-18 X 1/4
27	467 548	1	SHEAVE
28	158 135	1	KEY, SQUARE
29	467 550	1	SHAFT & BEARING
30		4	SCREW, 5/16-18 X 7/8
31	467 442	1	BRACKET
32		7	WASHER
33		12	WASHER, LOCK
34		4	SCREW, 1/4-20 X 1/2
35	467 542	2	SCREW
36	467 404	1	SPRING
37		3	NUT, 3/8-16
38		3	NUT, 1/4-20
39		6	SCREW, 1/4-20 X 3/4
40	467 178	1	FRAME
41	467 312	2	PIVOT
42		2	SCREW, 1/4-20 X 2
43	467 310	2	MOUNT, RUBBER
44		6	SCREW, 1/4-20 X 1.00
45		4	NUT, 5/16-18
46	151 114	2	WASHER
47	467 204	1	SHEAVE
48	467 194	1	BRUSH ARM, LEFT
49	372 773	2	BEARING, BALL
50	366 544	2	RING, RETAINING
51		3	SCREW, SET 1/4-20 X 1/2
52	467 504	3	DISC, BRUSH MOUNTING
53	467 182	1	SHAFT, BRUSH
54	467 057	1	MAIN BROOM
55	467 192	1	BRUSH ARM, RT.
56	467 350	1	GASKET
57		4	WASHER
58		4	WASHER, LOCK #8
59		4	SCREW, #8-32 X 3/8
60	467 297	1	BRACKET
61		2	SCREW, #10-24 X 9/16
62		2	NUT, #10-24
63		2	WASHER
64	467 300	1	BRACKET
65		2	WASHER, LOCK
66		2	SCREW, 1/4-20 X 3/4

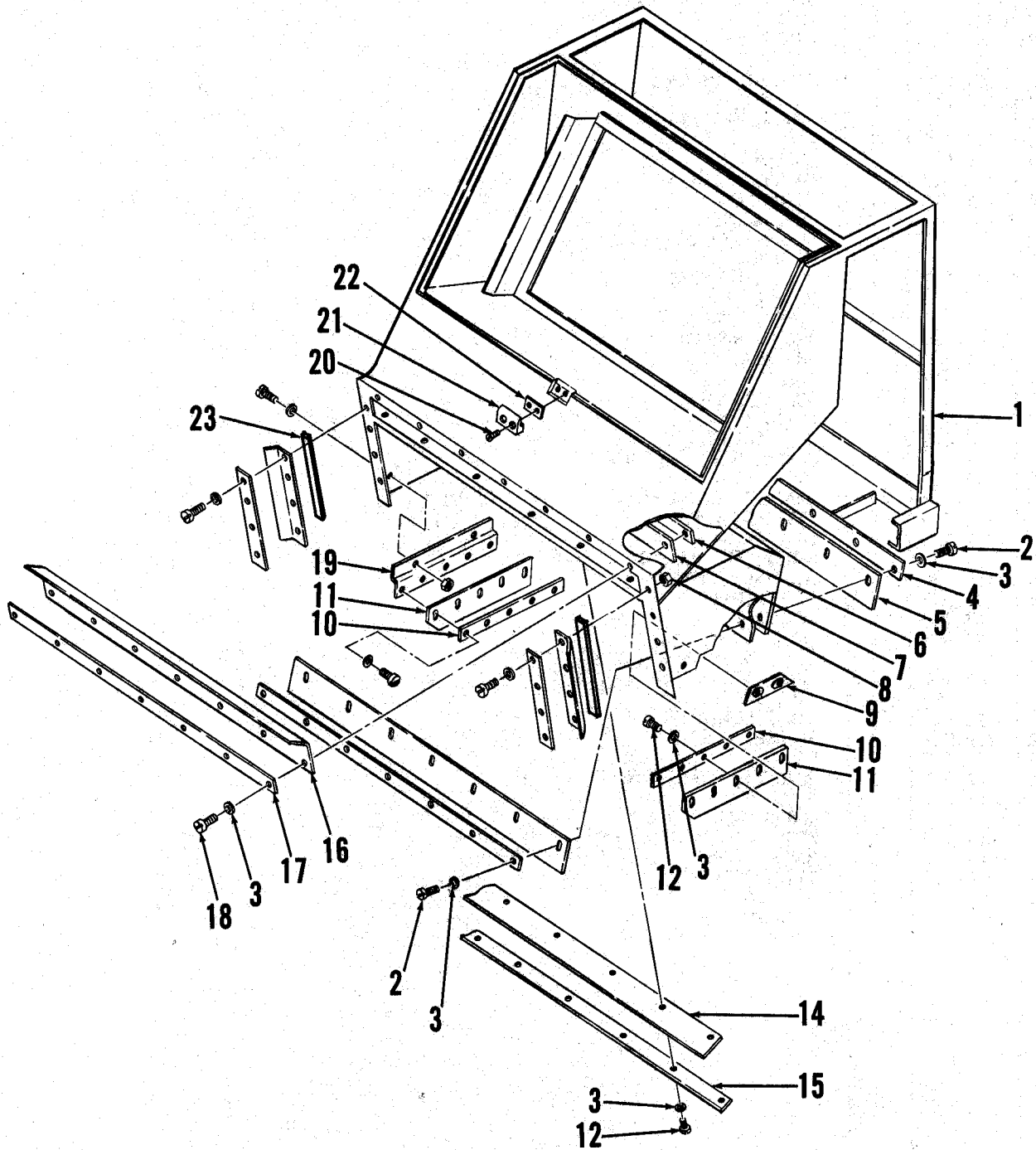


WHEEL DRIVE ASSEMBLY

Item	Part No.	Qty	Description	Item	Part No.	Qty	Description
1		15	Screw 1/4-20 x 1/2	27	370010	2	Key, Square
2		15	Washer Lock 1/4	28		4	Screw Set 5/16-18 x 1/2
3		4	Washer	29	467382	2	Wheel Assembly
4	467470	1	Resistor	30	467218	2	Bracket, Mounting
5		3	Screw 1/4-20 x 7/8	31	101753	4	Fitting, Lube
6	364527	2	Knob	32	367095	2	Collar, Shaft
7	467360	1	Handle	33		2	Screw Set 5/16-18 x 1/4
8	204196	1	Pin, Spring	34	367184	1	Bearing, Thrust
9	329098	2	Bushing, Nylon	35	467230	1	Differential
10	467238	2	Bracket, Cam	36	467368	1	Sprocket
11		2	Screw Set #10-24 x 1/4	37	469026	1	Brake Drum
12	467250	1	Cam	38		4	Bolt 5/16-18 x 4 1/4
13	331076	1	Collar	39	402745	1	Brake Strap Assembly
14	388517	1	Brush, Motor Set	40	402990	2	Arm, Brake
15	467119	1	Motor, Drive Note #1	41	321427	6	Retaining Ring
*	470434	1	Carbon Brush Kit (for 467119)	42	328022	2	Spacer, Bushing
16	467121	1	Key, Woodruff	43	402995	3	Pin
17		2	Screw 1/4-20 x 1/2	44	402971	1	Bracket, Brake Handle
18		4	Washer	45	481630	1	Stud
19	467117	1	Plate, Mounting	46	206814	1	Turnbuckle
20		3	Washer	47	467163	1	Rod, Brake Handle
21		3	Screw 1/4-20 x 5/8	48	467155	1	Handle, Brake
22	467414	1	Chain, Roller #35 Chain	49	468834	1	Ring, Retaining
23	467506	1	Bracket, Stop	50		1	Pin, Cotter
24	467418	1	Angle	51	467371	1	Sprocket
25		15	Nut 1/4-20				
26	467544	1	Chain				

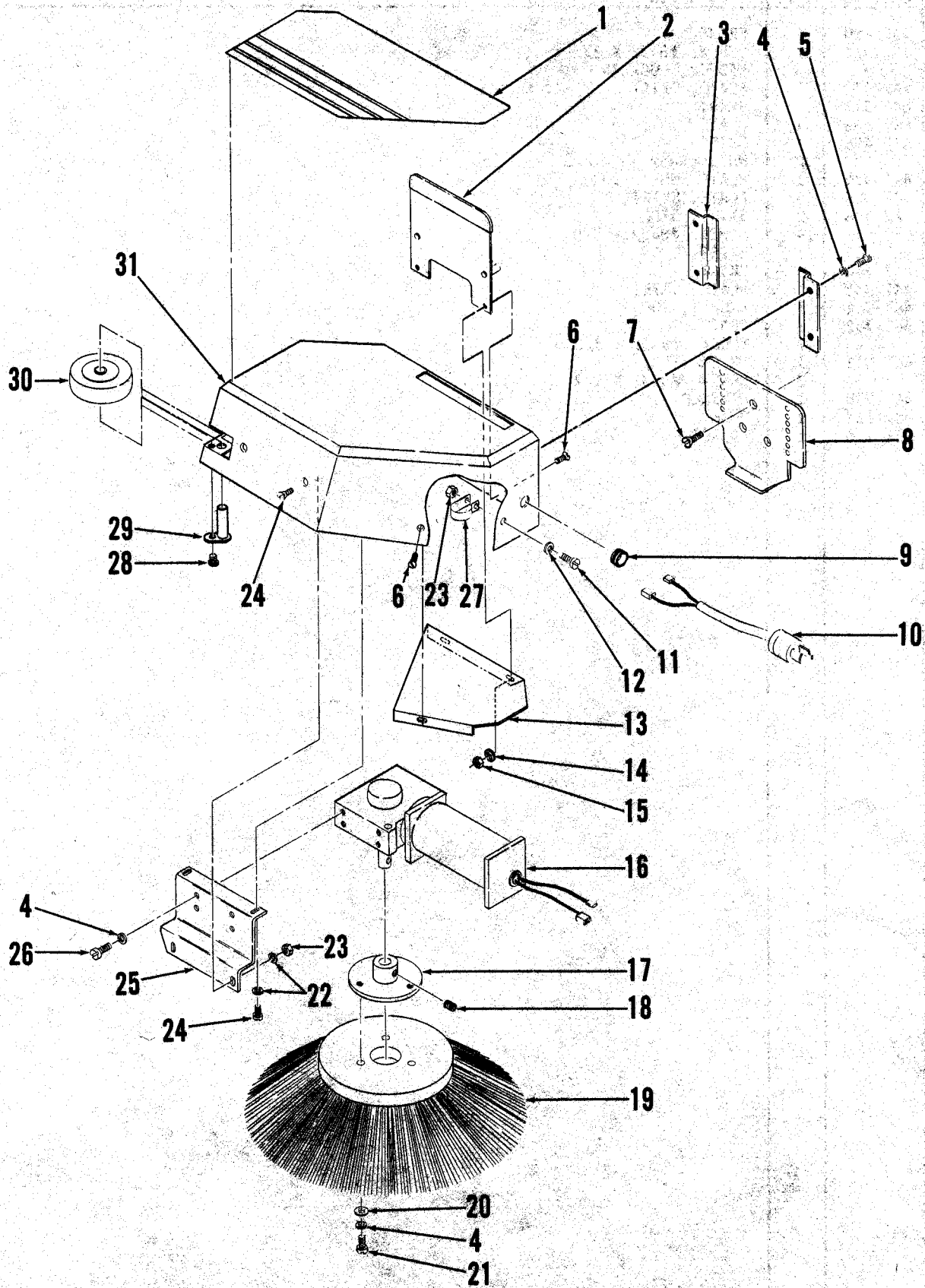
* = Not Shown

Note #1: Drive Motor PN 467119 is obsolete, order Motor Replacement kit PN 467113.



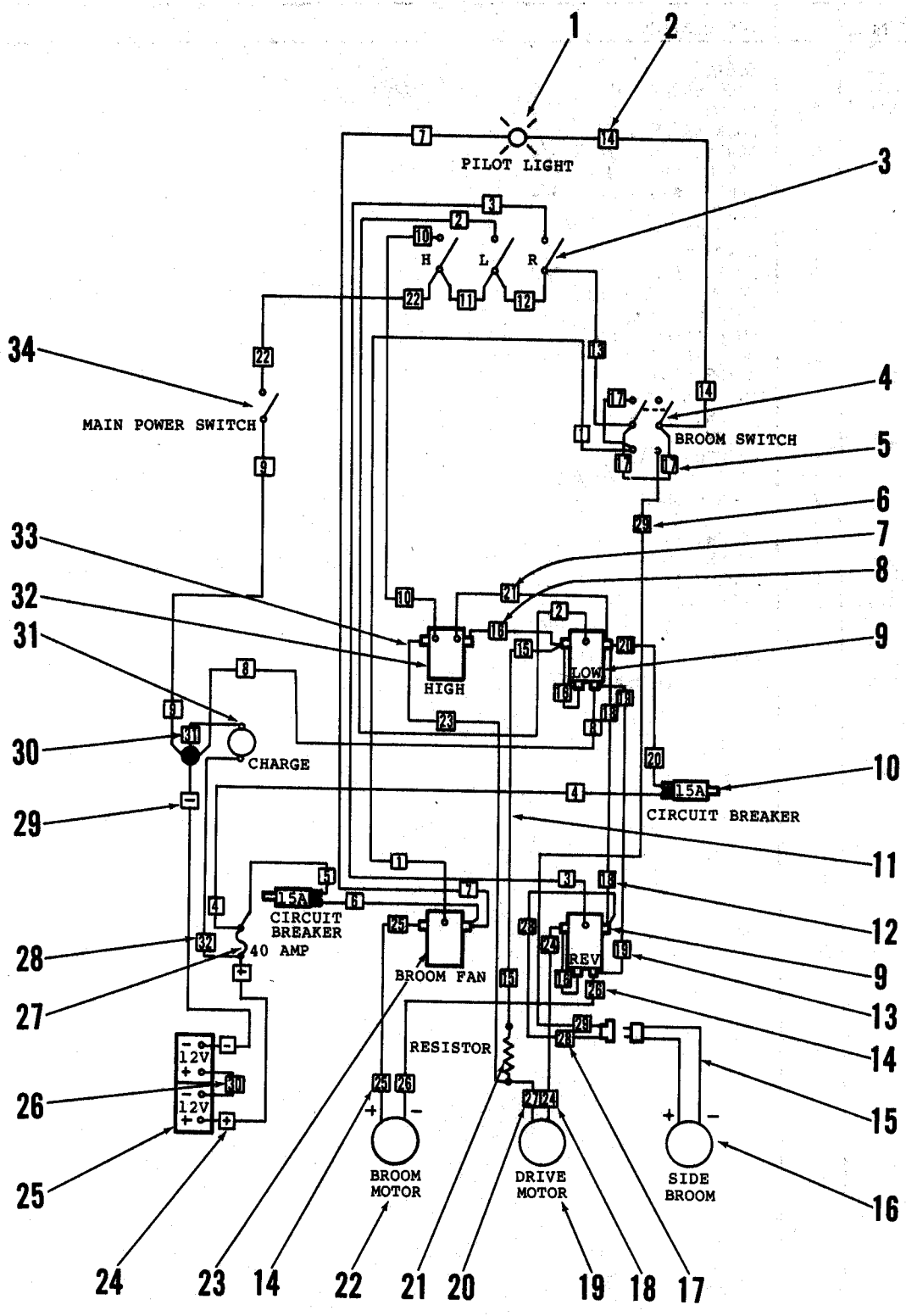
DUST SKIRT PLACEMENT

ITEM	PART NO.	QTY.	DESCRIPTION
1	467 600	1	FRAME
2		22	SCREW, #8-32 X 1/2
3		48	WASHER, LOCK #8
4	467 334	2	PLATE, SKIRT
5	467 317	1	SKIRT
6	467 536	1	PLATE
7	467 496	1	SKIRT
8		8	NUT, #8-32
9	467 324	1	PLATE, NUT
10	467 326	2	PLATE, SKIRT
11	467 306	2	SKIRT, SIDE
12		19	SCREW, #8-32 X 3/8
13	467 319	1	SKIRT
14	467 340	1	SKIRT
15	467 334	1	PLATE, SKIRT
16	467 344	1	GASKET, TOP
17	467 342	1	PLATE
18		7	SCREW, #8-32 X 5/8
19	467 212	1	BRACKET
20		2	SCREW, #8-32 X 1/2
21	467 038	1	STRIKER
22	467 167	1	SHIM
23	331 126	2	GASKET



SIDE BROOM ASSEMBLY

ITEM	PART NO.	QTY.	DESCRIPTION
1	023 324	1	DECAL
2	465 542	1	SIDE BROOM LATCH
3	467 514	2	GUIDE
4		11	LOCK WASHER, 1/4
5		4	SCREW, 1/4 - 20 X 3/8
6		3	SCREW, #8 - 32 X 1/2
7		5	SCREW, #10 - 24 X 3/4
8	467 528	1	PLATE
9	321 540	1	GROMMET
10	467 532	1	CORD ASSY.
11		1	SCREW, #10 - 24 X 5/8
12		1	WASHER, SHPRF #10
13	465 544	1	SHIELD PLATE
14		3	LOCK WASHER, #8
15		3	NUT, #8 -32
16	469 530	1	MOTOR ASSY.
17	467 522	1	BRUSH HOLDER
18		1	SCREW, 1/4 - 20 X 1/4
19	475 179	1	BROOM
20		3	WASHER, FLAT 1/4
21		3	SCREW, 1/4 - 20 X 5/8
22		7	LOCK WASHER, #10
23		8	NUT, #10 - 24
24		4	SCREW, #10 - 24 X .625
25	465 546	1	MOTOR MOUNT
26		4	SCREW, 1/4 - 20 X .38
27	478 246	1	CORD TIE
28		1	SCREW, #8 - 32 X .38
29	465 534	1	PIN
30	363 855	1	WHEEL
31	465 548	1	SIDE BROOM HOUSING



WIRING DIAGRAM

ITEM	PART NO.	QTY.	DESCRIPTION
1	467 410	1	INDICATOR LIGHT
2	467 107	1	HARNESS ASSY.
3	385 615	3	SWITCH
4	754 092	1	BROOM SWITCH
5	467 448	2	WIRE ASSY. #17
6	467 139	1	WIRE ASSY. #29
7	467 122	1	WIRE ASSY. #21
8	467 446	3	WIRE ASSY. #16
9	470 750	2	SOLENOID
10	180 275	2	CIRCUIT BREAKER
11	467 465	1	WIRE ASSY. #15
12	467 450	1	WIRE ASSY. #18
13	467 454	1	WIRE ASSY. #19
14	467 468	1	CORD ASSY. #25, 26
15	467 532	1	CORD ASSY.
16	469 530	1	SIDE BROOM MOTOR
17	467 139	1	WIRE ASSY. #28
18	467 556	1	WIRE ASSY. #24
19	467 119	1	DRIVE MOTOR
20	467 463	1	WIRE ASSY. #27
21	467 470	1	RESISTOR
22	467 494	1	BROOM MOTOR
23	371 394	1	SOLENOID
24	467 462	1	BATTERY CABLE, POS.
25	206 962	2	BATTERY (optional)
26	467 458	1	WIRE ASSY. #30
27	448 739	1	FUSE
28	467 110	1	WIRE ASSY. #32
29	467 460	1	BATTERY CABLE, NEG.
30	467 112	1	WIRE ASSY. #31
31	386 119	1	CHARGER, RECEPTACLE
32	468 358	1	SOLENOID
33	467 466	1	WIRE ASSY. #23
34	441 538	1	MAIN POWER SWITCH