

# Retriever™

---



## **PARTS LIST**

### **Advance MODEL 134B(OBSOLETE)**

**This parts list is for machines after serial number 816014**



**Nilfisk  
Advance**

*setting standards*

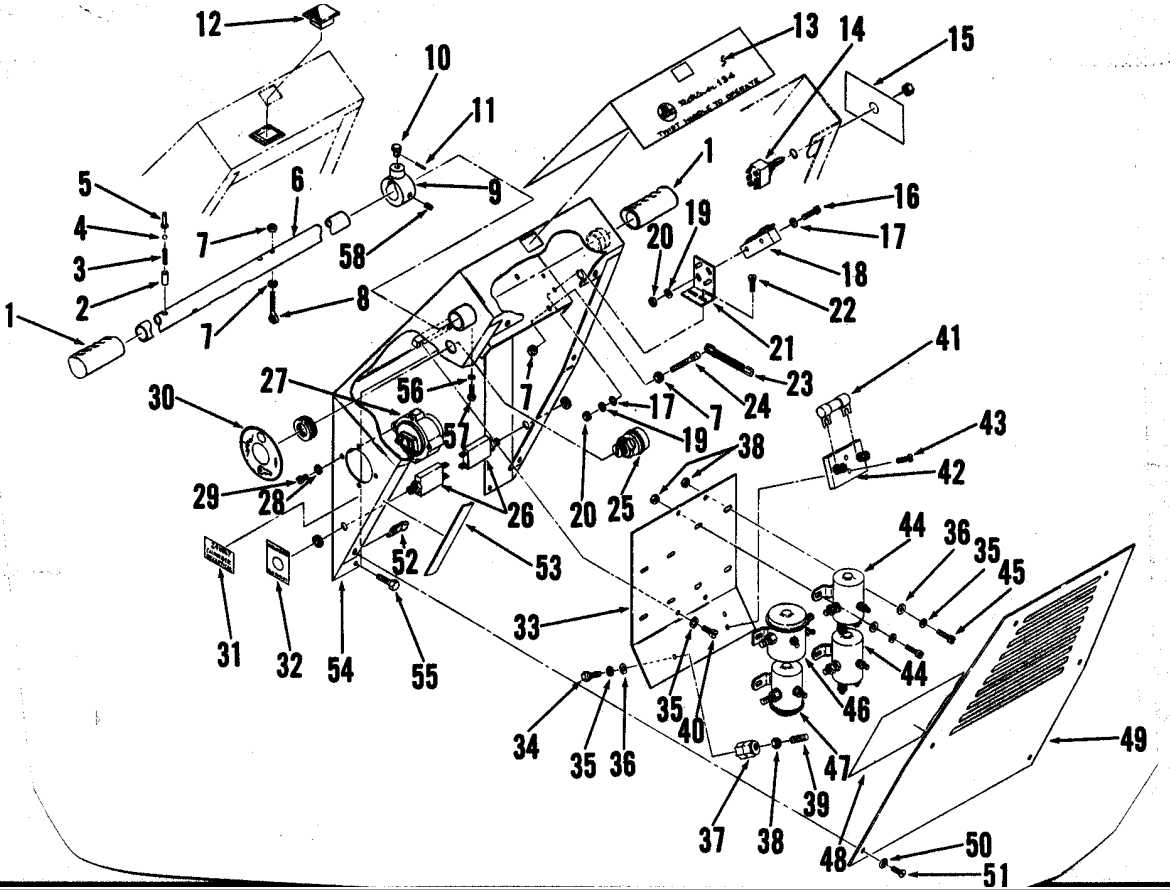
6/81 revised 2/01 FORM NO. 56042056

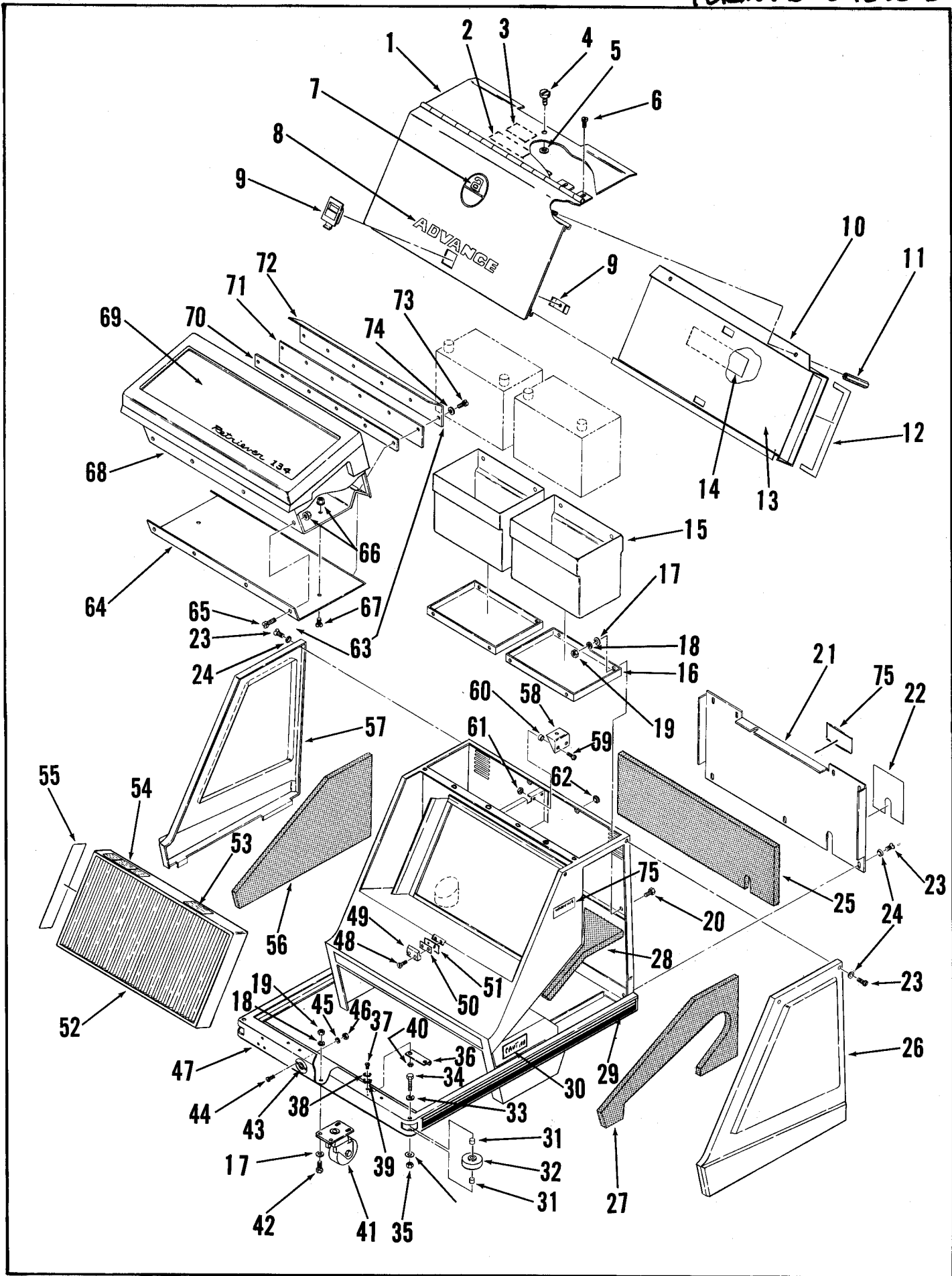
# Index for Form Number 042056

<b>Description</b>	<b>Location</b>	<b>page</b>
Control Handle	E4	1
Filter, Hopper & Chassis	E5	2
Main Broom & Impellor	E7	4
Side Broom	E12	9
Skirts	E11	8
Wheel Drive	E9	6
Wiring Diagram	E13	10

# CONTROL HANDLE ASSEMBLY

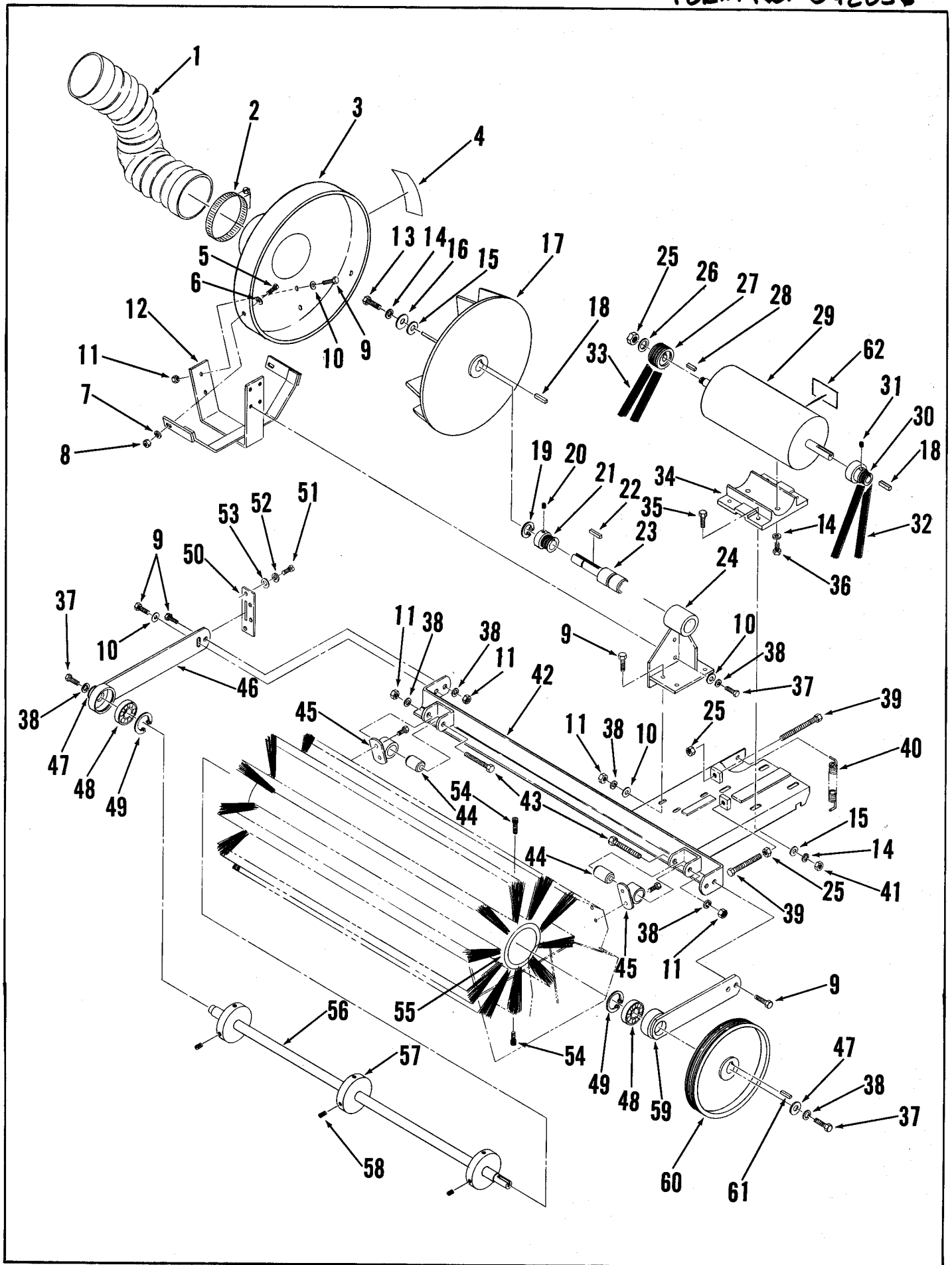
Item	Part No.	Qty	Description	Item	Part No.	Qty	Description
	467101	1	Handle Assembly			2	Screw, HP5 #8-32 x 5/8
1	514085	2	Grip, Handle	30	023330	1	Decal, Main Switch
2	172201	1	Bushing	31	054192	1	Decal, Charger
3	578222	1	Spring	32	015020	2	Decal, Reset
4	745866	i	Ball	33	467088	1	Plate, Solenoid
5	467086	1	Pin	34		1	Screw, Hex Head 1/4-20 x 3/8
6	467103	1	Tube, Handle	35		14	Washer, Lock 1/4
7		8	Nut, Whiz #10-24	36		18	Washer, Flat 1/4
8	467109	2	Stud	37	469858	1	Insulated Stand-Off
9	467072	1	Collar, Safety-Lock	38		9	Nut, Hex 1/4-20
	201405	i	Knob, Safety-Lock	39	150274	1	Stud, 1/4-20
11	201472	1	Pin, Spring	40		4	Screw, Pan Head 1/4-20 x 3/8
12	467410	1	Light, Indicator	41	448739	1	Fuse Clamp 40 Amp
13	023306	1	Decal, Control Panel	42	448741	1	Block, Fuse Clamp
14	754092	1	Switch, Main & Side Brooms	43		2	Screw, Flat Head #10-32 x 3/4
		1	Washer, Shakeproof 7/16			2	Nut, Whiz #10
15	023316	1	Decal, On-Off-On	44	470750	2	Solenoid, 24 Volt
16		6	Screw, Pan Head #6-32 x 7/8	45		8	Screw, Hex Head 1/4-20 x 5/8
17		12	Washer, Flat #6	46	468358	1	Solenoid, Switch 24V
18	171225	3	Switch, Snap SPST N.C.	47	371394	1	Solenoid, 24V
19		12	Washer, Lock #6	48	023328	1	Decal, Wiring
20		12	Nut, Hex #6-32	49	467228	1	Panel, Rear Handle
21	467380	3	Bracket, Switch Mounting	50	449340	6	Washer, Finishing #10
22		6	Screw, Pan Head #6-32 x 3/8	51		6	Screw, Oval Head #10-24 x 3/8
23	290580	2	Spring, Extension	52	328855	4	Nut, Spring #10-24
24	467412	2	Stud #10-24	53	320099	A/R	Gasket 1/8 x 3/8
25	441538	1	Switch, Key SPST	54	467078	1	Frame, Handle
	441538	1	Replacement Key dor Switch	55		4	Screw, Hex Head 1/4-20 x 1/2
26	454538	2	Circuit Breaker 15 Amp			4	Flat & Lock Washers, & Nut
27	386119	1	Receptacle, Charger	56		1	Washer, Shakeproof 5/16
28		4	Washer, Internal Tooth Lock #8	57	234079	1	Screw, Hex Head
29		2	Screw, HP5 #8-32 x 1-1/2	58		2	Screw, Socket Set 5/16-18 x 1/4





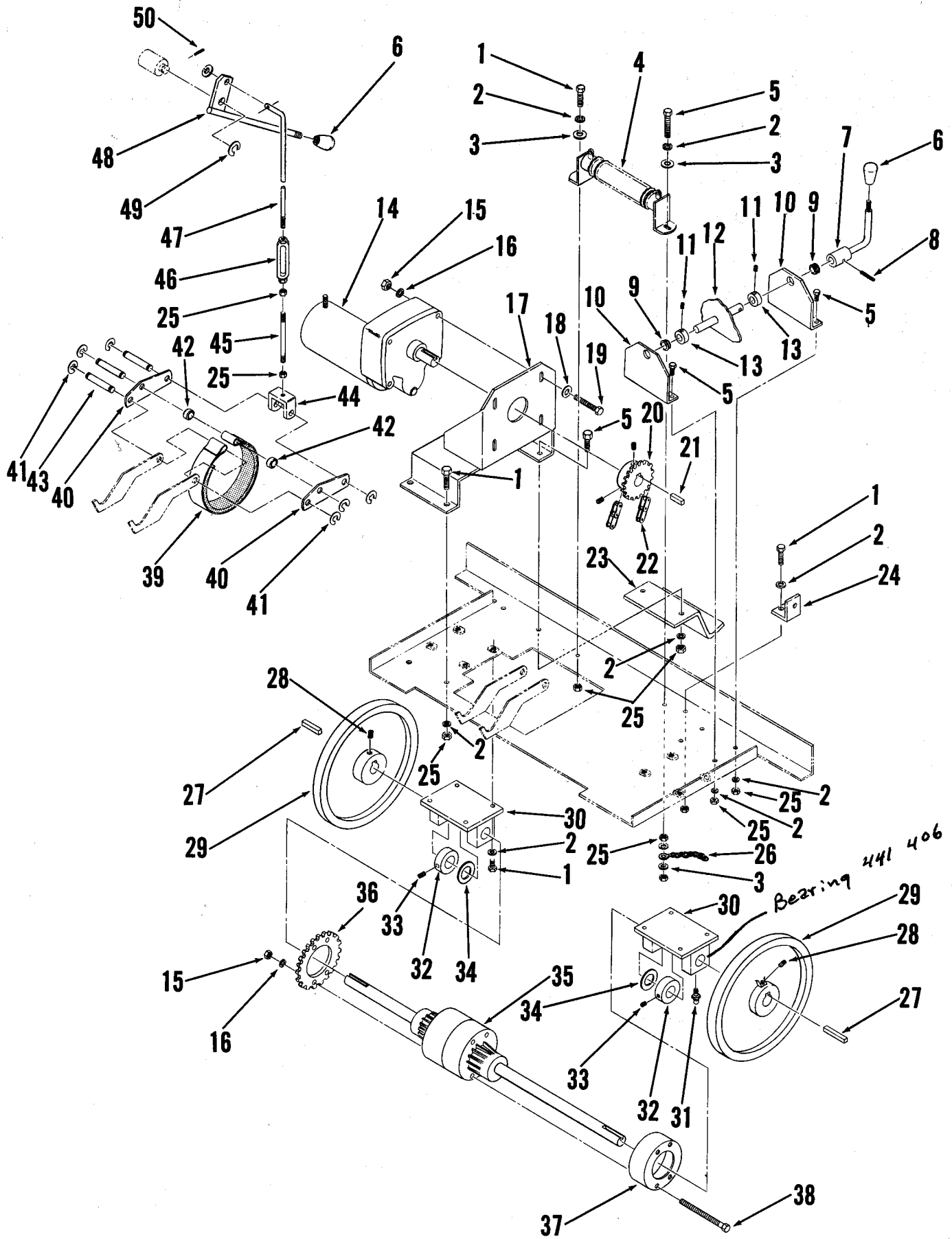
## CHASSIS, HOUSING, AND RELATED PARTS

ITEM	PART NO	QTY	DESCRIPTION
1	467 048	1	DOOR, BATTERY & FILTER
2	023 312	1	DECAL, WARNING
3	016 116	1	DECAL, CAUTION
4	448 104	1	FASTENER, SCREW
5	448 108	1	WASHER, RETAINER
6		6	SCREW, PAN HD. # 10-24 x 1/2
7	023 308	1	DECAL, LOGO
8	016 519	1	DECAL, ADVANCE
9	761 160	1	LATCH, PADDLE
10	467 064	1	BRACKET
11	467 136	2	NUT
12	467 138	6	GASKET 3/16 x 3/8
13	467 133	1	SPACER
14	023 332	1	DECAL, SPACER
15	467 084	2	CASE, BATTERY
16	467 156	2	TRAY, BATTERY
17			WASHER, FLAT 1/4
18			WASHER, LOCK 1/4
19			NUT, HEX 1/4-20
20			SCREW, HEX HD. 1/4-20 x 1/2
21	467 210	1	PANEL, REAR
22	023 302	1	DECAL, BRUSH HEIGHT
23		17	SCREW, OVAL HD. # 10-24 x 3/8
24	449 340	17	WASHER, FINISHING # 10
25	467 193	1	FOAM, ACCOUSTICAL - BACK
26	467 222	1	SHROUD, LEFT
27	467 195	1	FOAM, ACCOUSTICAL
28	467 189	1	FOAM, ACCOUSTICAL, TOP LT.
	467 191	1	FOAM, ACCOUSTICAL, TOP RT.
29	023 300	2	DECAL, STRIPE
30	030 080	1	DECAL, HANDS CLEAR
31	109 037	4	BUSHING
32	322 156	2	WHEEL
33	150 142	4	WASHER
34		2	SCREW, HEX HD. 1/4-20 x 2 5/8
35	150 975	2	NUT, LOCK 1/4-20 UNC
36	467 258	2	PLATE
37		4	SCREW, FT. HD. # 10-24 x 1/2
38		4	WASHER, LOCK # 10
39		4	WASHER, FLAT # 10
40		4	NUT, HEX # 10-24
41	206 725	1	CASTER
42		4	SCREW, HEX HD. 1/4-20 x 3/4
43	754 090	1	RECEPTICAL 125V, 15A
44		2	SCREW, FLT. HD. # 6-32 x 3/8
45		2	WASHER, LOCK # 6
46		2	NUT, HEX # 6-32
47	467 090	1	CHASSIS WELDMENT
48		2	SCREW, FLT. HD. # 8-32 1/2
49	467 038	1	STRIKER
50	467 167	1	SHIM
51	467 153	1	SHIM
52	467 147	1	FILTER, PRIMARY <i>For Hospitals, use P/N 467 183</i>
53	023 326	1	DECAL, FILTER
54	023 334	1	DECAL, FILTER
55	023 320	1	DECAL, FILTER
56	467 197	1	FOAM, ACCOUSTICAL
57	467 220	1	SHROUD, RIGHT
58	448 109	1	PLATE, MOUNTING
59		2	SCREW, PAN HD. # 8-32 x 5/8
60	200 689	2	BUSHING
61		2	NUT, HEX FLANGE WHIZ # 8-32
62		4	GROMMET
63	467 171	1	HOPPER ASSEMBLY C/O
64	467 202	1	PLATE, WEAR
65		4	SCREW, PAN HD. # 10-24 x 1/2
66		6	NUT, FLANGE WHIZ # 10-24
67		2	SCREW, FLAT HD. # 10-24 x 1/2
68	467 010	1	HOPPER
69	023 304	1	DECAL, "RETRIEVER 134"
70	467 198	1	PLATE
71	467 200	1	SKIRT
72	467 196	1	ANGLE
73		1	SCREW, PAN HD. # 8-32 x 3/4
74		1	WASHER, LOCK # 8
75	023 318	3	DECAL, WARNING



# MAIN BROOM & BRUSH DRIVE ASSEMBLY

ITEM	PART NO	QTY	DESCRIPTION
1	467 181	1	HOSE, FLEX 3.00 x 17.50
2	352 829	2	CLAMP, HOSE
3	467 286	1	SHROUD
4	030 080	1	DECAL, "HANDS CLEAR"
5		2	SCREW, PAN HD. # 10-24 x 9/16
6		4	WASHER, FLAT # 10
7		2	WASHER, LOCK # 10
8		2	NUT, HEX # 10-24
9		9	SCREW, HEX HD. 1/4-20 x 3/4
10		9	WASHER, FLAT 1/4
11		11	NUT, HEX 1/4-20
12	467 476	1	BRACKET WELDMENT
13		1	SCREW, HEX HD. 5/16-18 x 3/4
14		7	WASHER, LOCK 5/16
15		5	WASHER, FLAT 5/16
16	152 781	1	WASHER
17	478 668	1	IMPELLER
18	367 958	2	KEY, SQUARE
19	748 905	1	RING, RETAINING
20		2	SCREW, SOCKET SET 5/16-18 x 1/4
21	467 548	1	SHEAVE, POLY-V
22	158 135	1	KEY, SQUARE
23	467 550	1	SHAFT & BEARING
24	467 442	1	BRACKET WELDMENT
25		3	NUT, HEX 3/8-16
26		1	WASHER, FLAT 3/8
27	467 372	1	SHEAVE, POLY-V
28	109 258	1	KEY, SQUARE
29	467 055	1	MOTOR, 24 VOLT
30	467 184	1	SHEAVE, POLY-V 6J12
31		2	SCREW, SOC. SET # 10-24 x 1/4
32	467 266	1	BELT, POLY-V
33	467 264	1	BELT, POLY-V
34	467 355	1	BASE, MOTOR
35		4	SCREW, HEX HD. 5/16-18 x 7/8
36		2	SCREW, HEX HD. 5/16-18 x 1/2
37		6	SCREW, HEX HD. 1/4-20 x 1/2
38		15	WASHER, LOCK 1/4
39	467 542	2	SCREW, HEX HD. 3/8-16 x 4 1/2
40	467 404	1	SPRING, EXTENSION
41		4	NUT, HEX 5/16-18
42	467 178	1	FRAME WELDMENT
43		2	SCREW, HEX HD. 1/4-20 x 2"
44	467 284	2	MOUNT, RUBBER
45	467 174	2	PIVOT WELDMENT
46	467 192	1	BRUSH ARM WELDMENT, R.H.
47	151 114	1	WASHER
48	372 773	2	BEARING, BALL
49	366 544	2	RING, RETAINING
50	467 350	1	GASKET
51		4	SCREW, PAN HD. # 8-32 x 3/8
52		4	WASHER, LOCK # 8
53		4	WASHER, FLAT # 8
54		6	SCREW, SOC. HD. CAP 1/4-20 x 1" & L.W.
55	467 057	1	BROOM, MAIN
56	467 182	1	SHAFT, BRUSH
57	467 504	3	DISC, BRUSH MOUNTING
58		3	SCREW, SOC. SET 1/4-20 x 1/2
59	467 194	1	BRUSH ARM WELDMENT L.H.
60	467 204	1	SHEAVE POLY-V 6J70
61	109 258	1	KEY, SQUARE
62	023 318	1	DECAL, WARNING



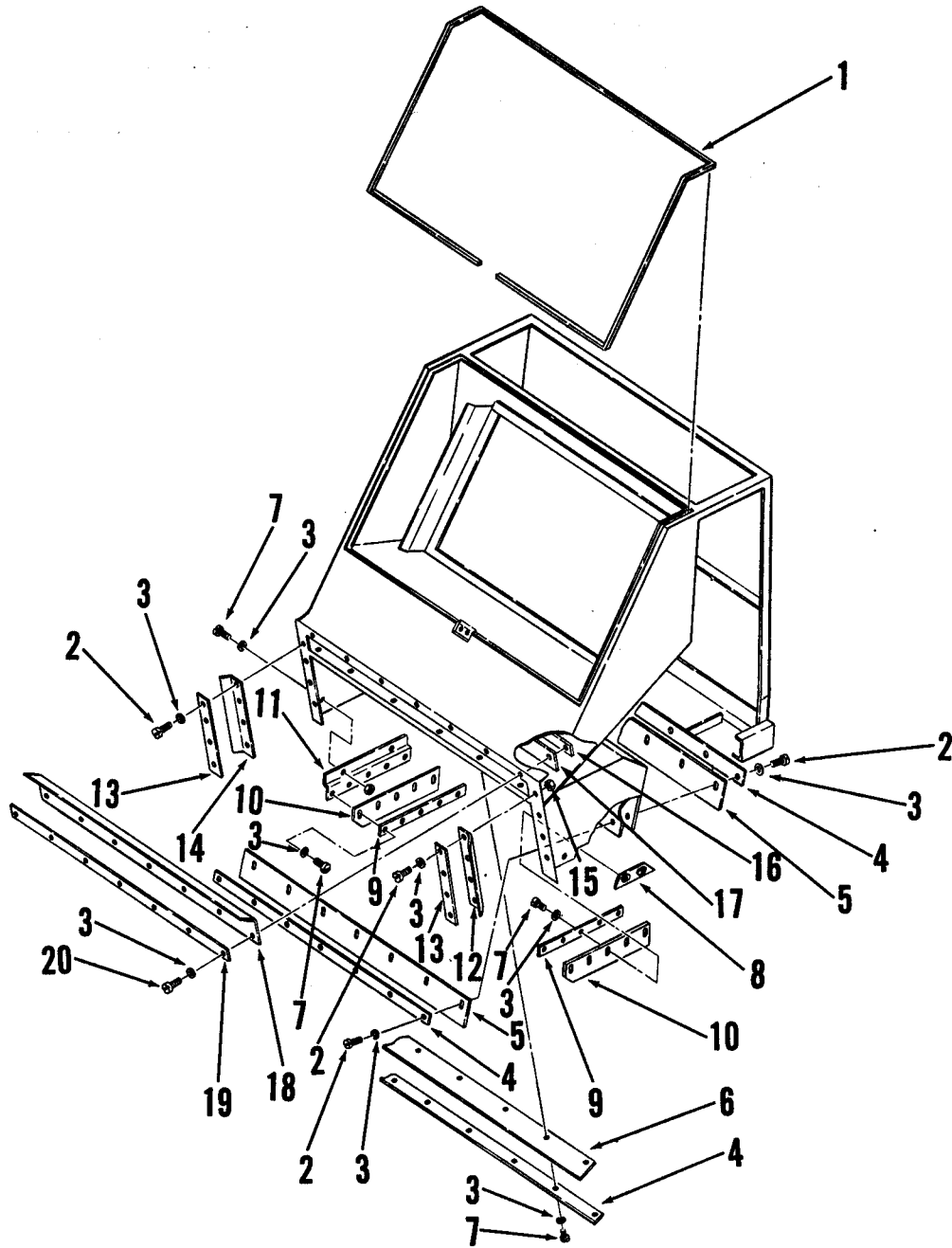
Bearing 441 406



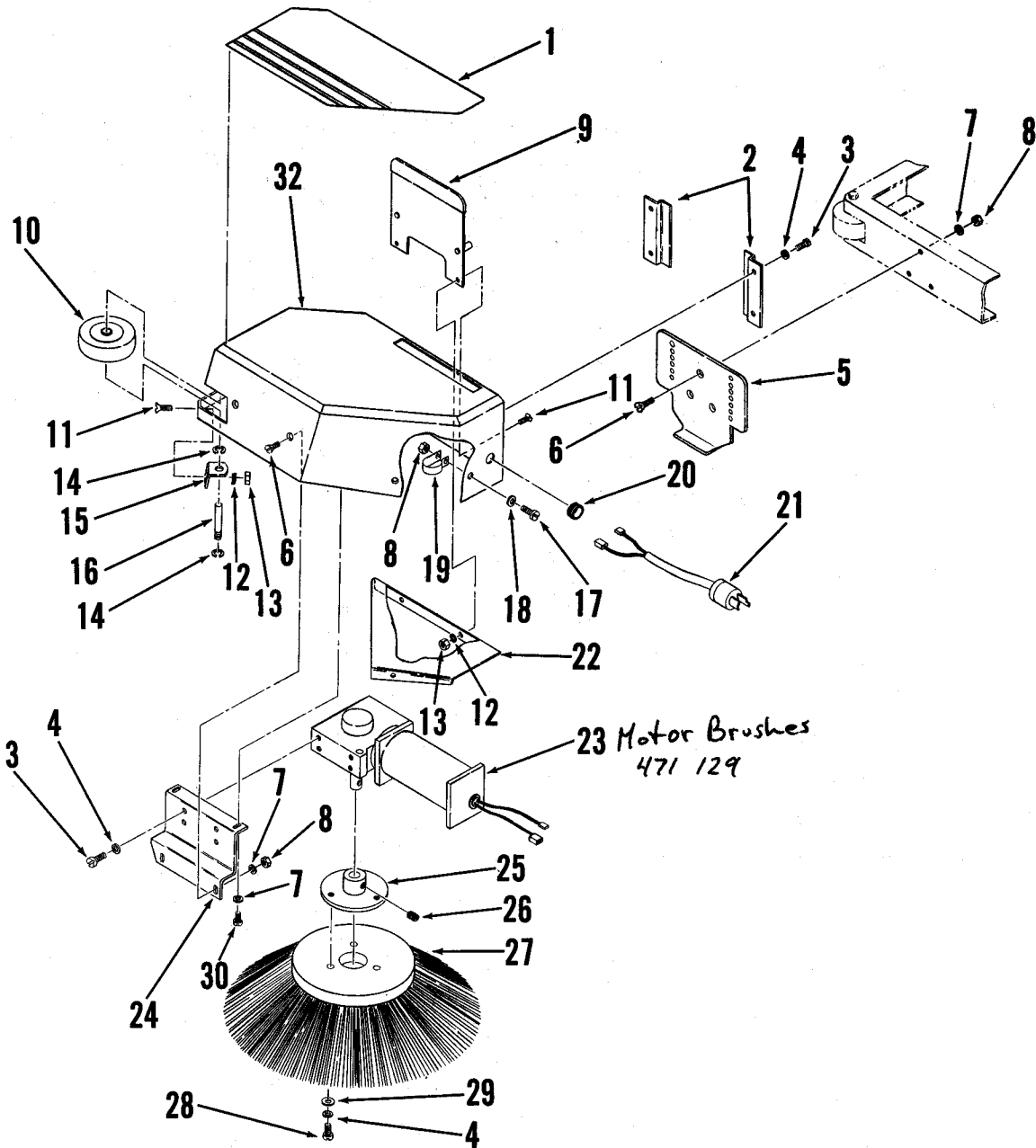
## WHEEL DRIVE ASSEMBLY

Item	Part No.	Qty	Description	Item	Part No.	Qty	Description
1		15	Screw, Hex Hd. 1/4-20 x 1/2	24	467418	1	Angle
2		15	Washer, Lock 1/4	25		15	Nut, Hex 1/4-20
3		4	Washer, Flat 1/4	26	467544	1	Chain
4	467470	1	Resistor	27	370010	2	Key, Square
5		7	Screw, 1/4-20 x 7/8	28		4	Screw, Soc. Set 5/16-18 x 1/2
6	364527	2	Knob	29	467382	2	Wheel Assembly
7	467360	1	Handle Weldment	30	467218	2	Bracket, Mounting
8	204196	1	Pin, Spring	31	101753	4	Fitting, Lube
9	329098	2	Bushing, Nylon	32	367095	2	Collar, Shaft
10	467238	2	Bracket, Cam	33		2	Screw, Soc. Set 5/16-13 x 1/4
11		2	Screw, Soc. Set # 10-24 x 1/4	34	367184	1	Bearing, Thrust
12	467250	1	Cam	35	467230	1	Differential
13	331076	1	Collar	36	467368	1	Sprocket 35A36
14	467050	1	Motor, Drive <b>Note #1</b>	37	469026	1	Brake Drum
*	467052	1	Brush Cap Assy (for 467050)	38		4	Bolt 5/16-18 x 4-1/4
15		4	Nut, Hex 5/16-18	39	402745	1	Brake Strap Assembly
16		8	Washer, Lock 5/16	40	402990	2	Arm, Brake
17	467102	1	Plate, Mounting	41	321427	0	Ring, Retaining
18		4	Washer, Flat 5/16	42	328022	2	Spacer, Bushing
19		4	Screw, Hex Hd. 5/16-18 x 2-1/2	43	402995	3	Pin
20	467370	1	Sprocket (for Drive Motor #467050)	44	402971	1	Bracket, Brake Handle
*	467371	1	Sprocket (for Drive Motor #467149)	45	481630	1	Stud
21	441279	1	Key, Square	46	206814	1	Turnbuckle
22	467414	1	Chain, Roller #35 x 60	47	467163	1	Rod, Brake Handle
23	467506	1	Bracket, Stop	48	467155	1	Handle, Brake
				49	468834	1	Ring, Retaining
				50		1	Pin, Cotter 1/16 x 3/4

**Note #1:** Drive Motor PN 467050 is obsolete, order Motor Replacement Kit PN 467113.

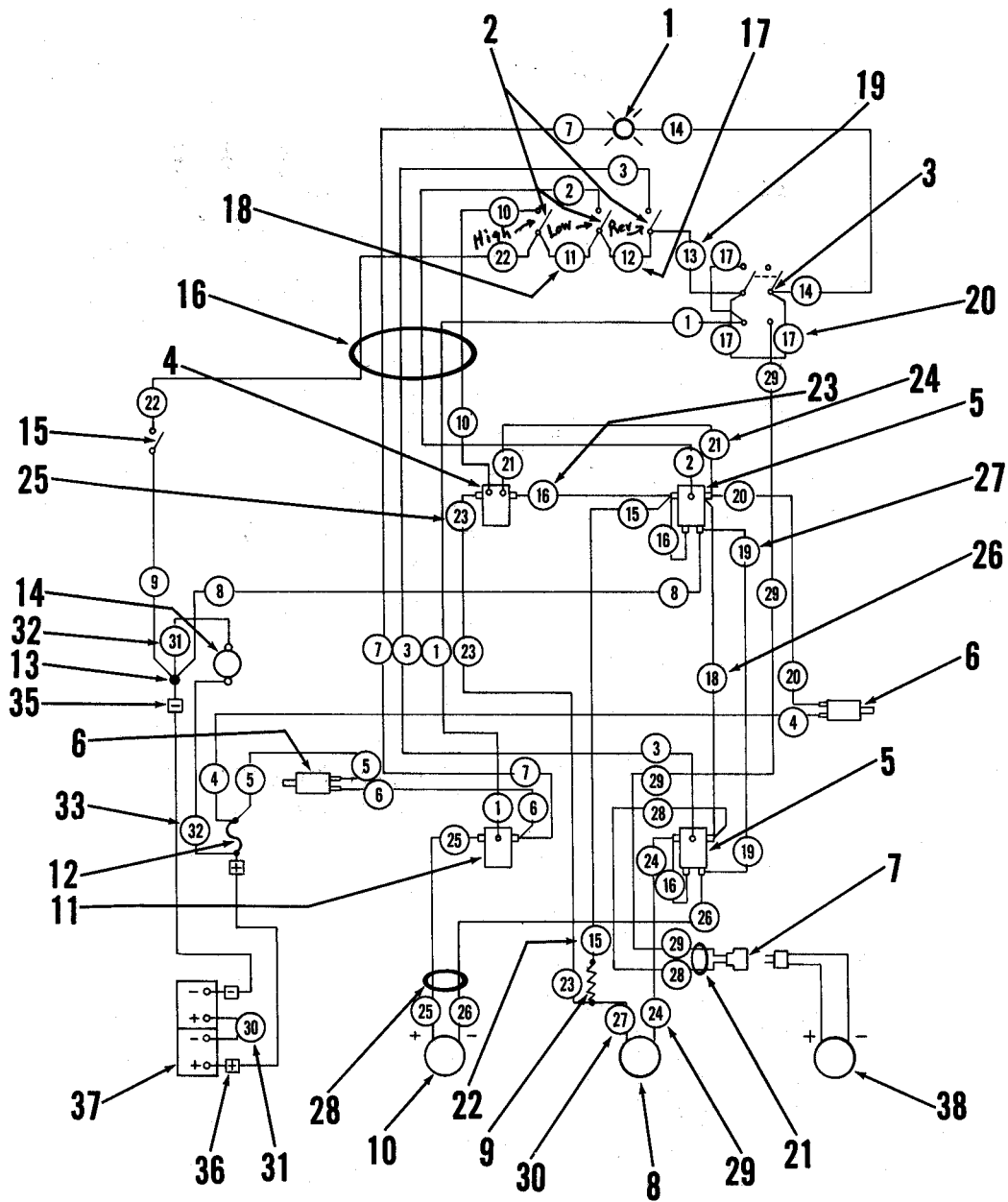


ITEM	PART NO	QTY	DESCRIPTION
1	385 448		GASKET RS 3/8 x 3/8 x 84.5 in.
2		22	SCREW, PAN HD. # 8-32 x 1/2
3		48	WASHER, LOCK # 8
4	467 334	2	PLATE, SKIRT
5	467 336	2	SKIRT
6	467 340	1	SKIRT
7		19	SCREW, PAN HD. # 8-32 x 3/8
8	467 324	1	PLATE, NUT
9	467 326	2	PLATE, SKIRT
10	467 330	2	SKIRT, SIDE
11	467 212	1	BRACKET
12	467 332	1	GASKET, LEFT
13	467 329	2	PLATE
14	467 333	1	GASKET, RIGHT
15		8	NUT, HEX # 8-32
16	467 536	1	PLATE
17	467 496	1	SKIRT
18	467 344	1	GASKET, TOP
19	467 342	1	PLATE
20		7	SCREW, PAN HD. # 8-32 x 5/8 W/HEX NUT



ITEM	PART NO	QTY	DESCRIPTION	ITEM	PART NO	QTY	DESCRIPTION
	467 346	1	SIDE BROOM ASSEMBLY c/o	23	469 530	1	MOTOR ASSEMBLY 24V
1	023 324	1	DECAL	24	467 526	1	MOUNT, SIDE BROOM
2	467 514	2	GUIDE	25	467 522	1	BRUSH HOLDER
3		8	SCREW, PAN HD. # 1/4-20 x 3/8	26		1	SCREW, SET 1/4-20 x 1/4
4		11	WASHER, LOCK 1/4	27	475 179	1	BROOM, SIDE
5	467 528	1	PLATE	28		3	SCREW, PAN HD. 1/4-20 x 5/8
6		5	SCREW, FLAT HD. # 10-24 x 3/4	29		3	WASHER, FLAT 1/4
7		7	WASHER, LOCK # 10	30		2	SCREW, PAN HD. # 10-24 x 3/8
8		6	NUT, HEX # 10-24	31	467 540	1	SPACER (NOT SHOWN - FOR PACKING)
9	467 530	1	LATCH, SIDE BROOM	32	467 534	1	HOUSING, SIDE BROOM
10	322 156	1	WHEEL 2.50 x .812				
11		3	SCREW, FLAT HD. # 8-32 x 1/2				
12		3	WASHER, LOCK # 8				
13		3	NUT, HEX # 8-32				
14	321 125	2	RING, RETAINING EXT. 1/4				
15	467 512	1	BRACKET				
16	467 510	1	PIN				
17		1	SCREW, PAN HD. # 10-24 x 5/8				
18		1	WASHER, INT. TOOTH				
19	478 246	1	TIE, CORD				
20	321 540	1	GROMMET				
21	467 532	1	CORD ASSEMBLY 14/2 x 7.50				
22	467 552	1	PLATE, SHIELD				

SIDE BROOM ASSEMBLY



ITEM	PART NO	QTY	DESCRIPTION	ITEM	PART NO	QTY	DESCRIPTION
1	467 410	1	INDICATOR LIGHT	25	467 466	1	WIRE ASSEMBLY # 14 x 28" (23)
2	171 225	3	SWITCH, SPST N.C.	26	467 450	1	WIRE ASSEMBLY # 14 x 4" (18)
3	754 092	1	SWITCH, MAIN & SIDE BROOM	27	467 454	1	WIRE ASSEMBLY # 10 x 5" (19)
4	468 358	1	SOLENOID, SWITCH 24V	28	467 468	1	CORD ASSEMBLY # 14 1/2 x 27" (25-26)
5	470 750	2	SOLENOID, 24V	29	467 464	1	WIRE ASSEMBLY # 14 x 32" (24)
6	454 538	2	CIRCUIT BREAKER 15AMP	30	467 463	1	WIRE ASSEMBLY # 14 x 27 1/2" (27)
7	754 090	1	RECEPTICAL 125V 15 AMP	31	467 458	1	WIRE ASSEMBLY # 10 x 8" (30)
8	467 050	1	MOTOR, DRIVE	32	467 112	1	WIRE ASSEMBLY # 10 x 9" (31)
9	467 470	1	RESISTOR .9 OHMS	33	467 110	1	WIRE ASSEMBLY # 10 x 12" (32)
10	467 494	1	MOTOR, BROOM	34	478 246	1	CABLE TIE - NOT SHOWN
11	371 394	1	SOLENOID, 24V	35	467 460	1	CABLE, BATTERY - NEGATIVE
12	448 739	1	FUSE CLAMP, 40 AMP	36	467 462	1	CABLE, BATTERY - POSITIVE
13	469 058	1	INSULATED STAND OFF	37	206 962	2	BATTERY, 12 VOLT 93 AMP (OPTIONAL)
14	386 119	1	RECEPTICAL, CHARGER	38	467 346	1	SIDE BROOM (OPTIONAL)
15	441 538	1	SWITCH, KEY SPST				
16	467 107	1	WIRE HARNESS				
17	467 115	1	WIRE ASSEMBLY # 14 x 6" (12)				
18	467 118	1	WIRE ASSEMBLY # 14 x 6" (11)				
19	467 120	1	WIRE ASSEMBLY # 14 x 5" (13)				
20	467 448	2	WIRE ASSEMBLY # 14 x 2" (17)				
21	467 139	1	CORD ASSEMBLY # 14 x 88" (28-29)				
22	467 465	1	WIRE ASSEMBLY # 14 x 27 1/2" (15)				
23	467 446	3	WIRE ASSEMBLY # 14 x 3" (16)				
24	467 122	1	WIRE ASSEMBLY # 14 x 11" (21)				