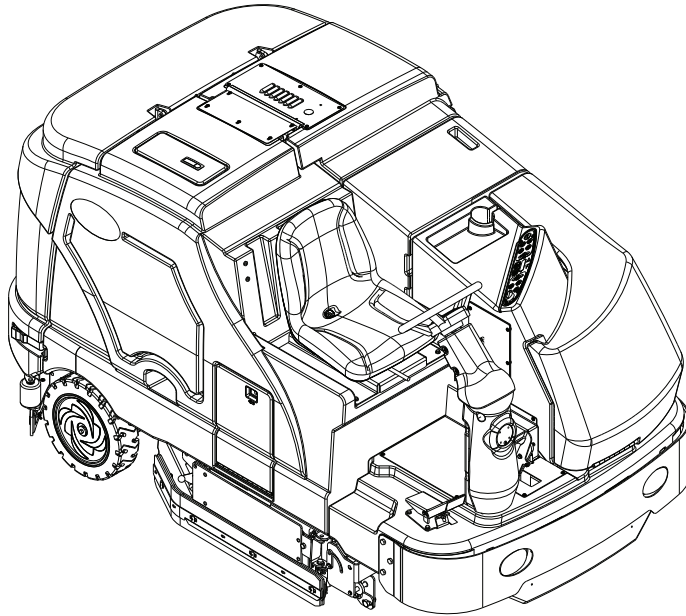


# SC8000

---



---

## PARTS LIST

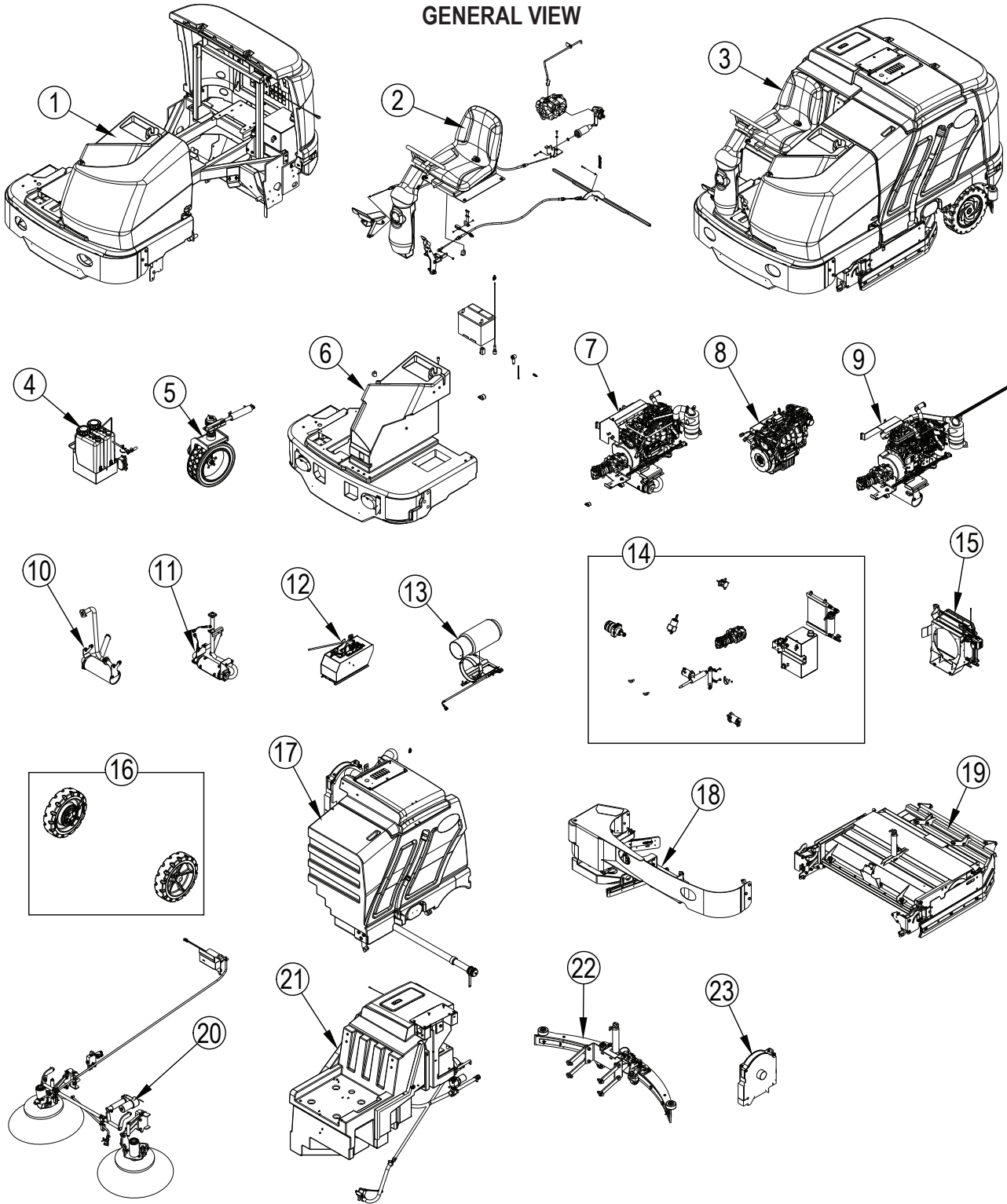
### Models:

56108110 (48 LPG), 56108111 (48 LPG Ecoflex), 56108112 (48 D), 56108113 (48 D Ecoflex)  
56108114 (60 LPG), 56108115 (60 LPG Ecoflex), 56108116 (60 D), 56108117 (60 D Ecoflex)  
56108118 (62 LPG), 56108119 (62 LPG Ecoflex), 56108120 (62 D), 56108121 (62 D Ecoflex)  
56108122 (48 LPG Ecoflex), 56108123 (62 LPG Ecoflex)



# Advance

GENERAL VIEW



Item	Ref. No.	Qty	Description
1		1	Chassis System
2		1	Control System
3		1	Decal System
4		1	Detergent Injection System
5		1	Drive Wheel System
6		1	Electrical System
7		1	Engine Assy - LPG
8		1	Engine Base Assy - LPG
9		1	Engine Assy - Diesel
10		1	Exhaust Muffler Assy - Diesel
11		1	Exhaust Catalyst Assy - LPG

Item	Ref. No.	Qty	Description
12		1	Fuel Tank Assy - Diesel
13		1	Fuel Tank Assy - LPG
14		1	Hydraulic System
15		1	Radiator Assy
16		1	Rear Wheel System
17		1	Recovery System
18		1	Right Scrub System
19		1	Scrub System
20		1	Side Broom System - Dual
21		1	Solution System
22		1	Squeegee System
23		1	Vac Fan Assy

**TABLE OF CONTENTS**

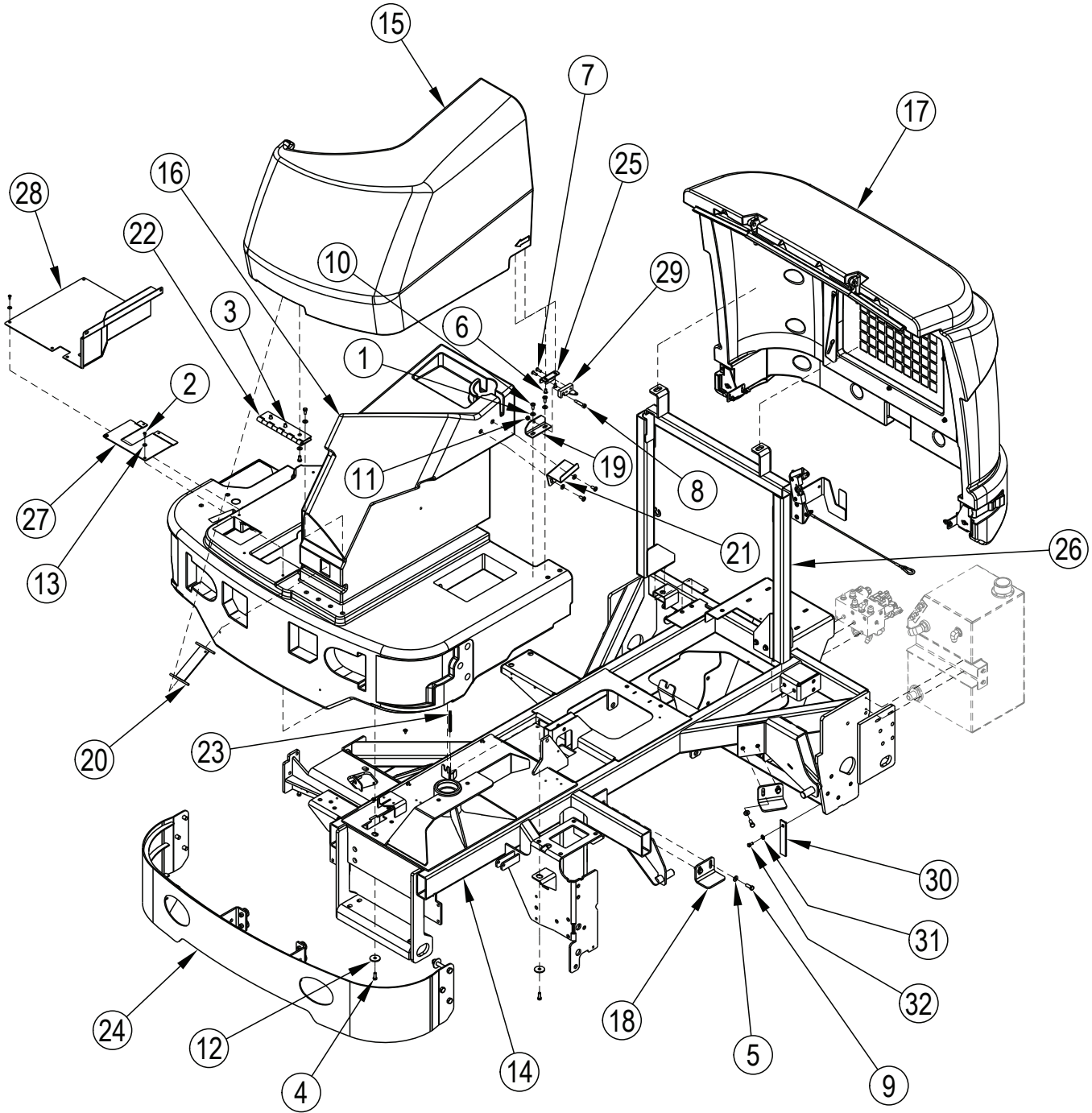
<b>DESCRIPTION</b>	<b>Page</b>
Chassis System - 1 .....	4-5
Chassis System - 2 .....	6-7
Control System .....	8-9
Control System - Brake & Foot Pedal Assemblies .....	10-11
Control System - Steering Assy .....	12-13
Decal System .....	14-15
Detergent Injection System .....	16-17
Drive Wheel System .....	18-19
Electrical System .....	20-21
Electrical System - Control Board Assy .....	22-23
Engine Assy - LPG .....	24-25
Engine Base Assy - LPG .....	26-27
Engine System - Diesel .....	28-29
Engine Assy - Diesel .....	30-31
Engine Base Assy - Diesel .....	32-33
Exhaust Muffler Assy - Diesel .....	34
Exhaust Catalyst Assy - LPG .....	35
Fuel Tank Assy - Diesel .....	36-37
Fuel Tank Assy - LPG .....	38-39
Hydraulic Schematic .....	40
Hydraulic System .....	42-43
Hydraulic Cylinder Assemblies .....	44-45
Hydraulic Oil Cooler-Reservoir .....	46-47
Hydraulic Valve Block Assy .....	48-49
Hydraulic Motor Assemblies .....	50-51
Hydraulic Pump Assemblies .....	52-53
Radiator Assy .....	54-55
Rear Wheel System .....	56-57
Recovery System - 1 .....	58-59
Recovery System - 2 .....	60-61
Right Scrub System - 1 .....	62-63
Right Scrub System - 2 .....	64-65
Right Scrub System - 3 .....	66-67
Right Scrub System Hydraulics .....	68-69
Scrub System - 1 .....	70-71
Scrub System - 2 .....	72-73
Scrub System - Side Skirt Assemblies .....	74-75
Side Broom System - Dual .....	76-77
Side Broom Hydraulic Assy - Dual .....	78-79
Side Broom Sub Assy - Left .....	80-81
Side Broom Sub Assy - Right .....	82-83
Side Broom Sub Assy - Pump .....	84-85
Solution System - 1 .....	86-87
Solution System - 2 .....	88-89
Squeegee System .....	90-91
Squeegee Assy .....	92-93
Squeegee Mount Assy .....	94-95
Vac Fan Assy .....	96-97
Ladder Diagram - LPG .....	98-99
Ladder Diagram - Diesel .....	100-101
Brush Selector Guide - Cylindrical (Main Scrub Deck) .....	102
Brush Selector Guide - Disk (Right Scrub) .....	103
Optional Kits & Accessories .....	104-105

**WHEN ORDERING PARTS**

- \* Use the numbers from the "Ref. No." columns in this parts list.
- \* Specify the model and serial number of the machine.
- \* Use the space below to record the model and serial number for future reference.

Model \_\_\_\_\_ Serial No. \_\_\_\_\_

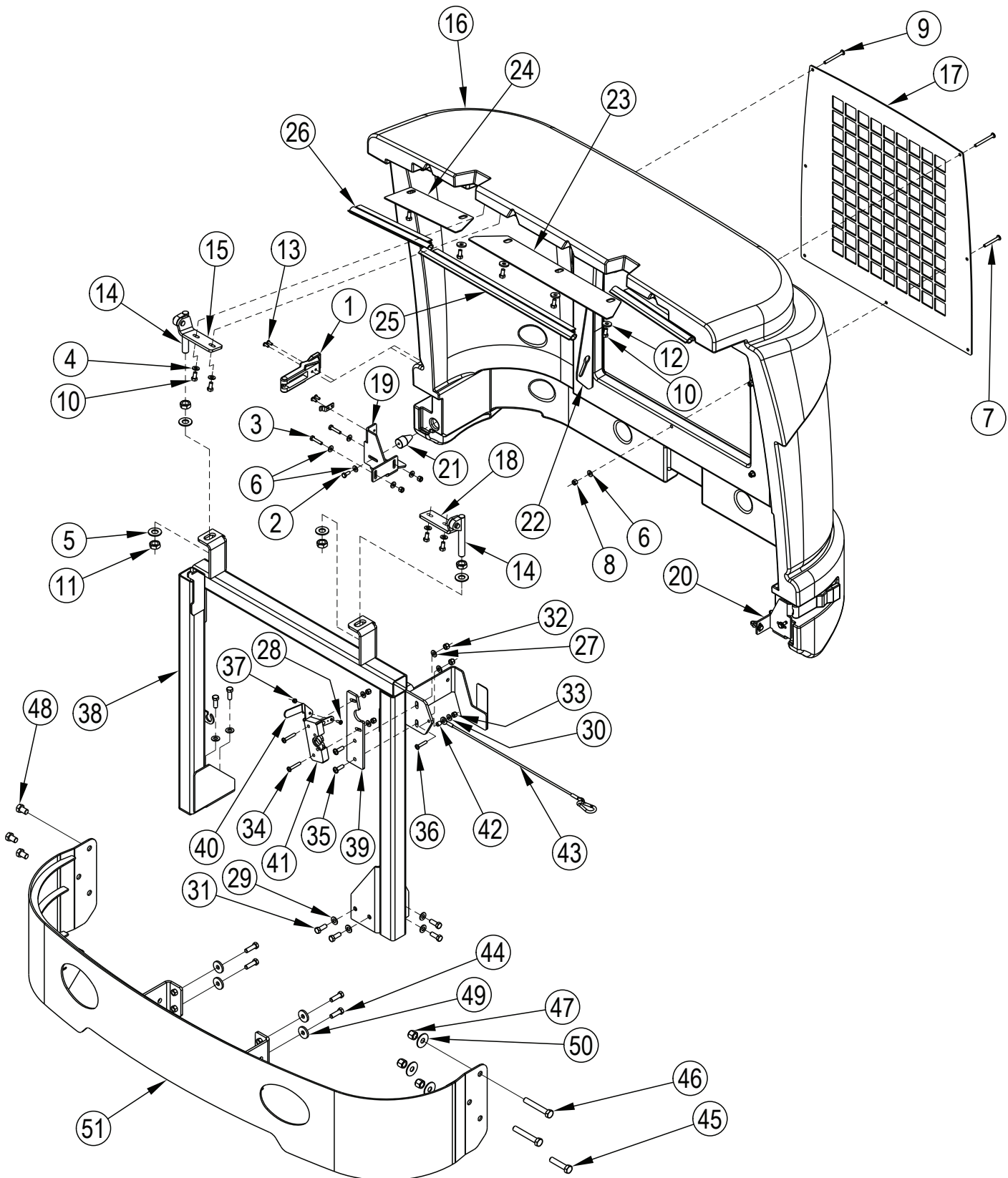
CHASSIS SYSTEM - 1



## CHASSIS SYSTEM - 1

Item	Ref. No.	Qty	Description
1	56001939	11	Wsh, Flt SAE 5/16
2	56001993	8	Scr, Pan Phil 10-24 x .50
3	56002035	7	Scr, Hex 5/16-18 x .62
4	56002037	3	Scr, Hex 5/16-18 x .88
5	56002063	4	Wsh, Flt SAE 3/8
6	56002145	2	Scr, Pan Phil 1/4-20 x .50
7	56002507	2	Scr, Pan Phil 1/4-20 x .75
8	56002624	1	Scr, Soc Shd .38 x 1.25 x 5/16-18
9	56002663	4	Scr, Hex 3/8-16 x 1.00
10	56002793	4	Scr, Pan Phil 5/16-18 x .75
11	56002826	1	Nut, Hex Nyl Loc-Thin 5/16-18
12	56009242	3	Wsh, Flt .406 x 1.500 x .125
13	56009267	8	Wsh, Flt .202 x .562 x .040
14		1	Chassis Weldment
15	56110416	1	Hood, Front
	56111654	1	Hood Assy Propane Euro (models 56108122, 56108123)
16	56110421	1	Floor Tank, Front
17	56110442	1	Cover Assembly, Rear (see Chassis System - 2)
18	56511149	2	Bracket Tank Stop
19	56110640	1	Plate, Pin Support
20	56110644	1	Hood Strap Weldment
21	56110724	1	Support, Propane Cover
22	56110726	1	Hinge, Cover
23	56110734	1	Trim-Seal
24	56110900	1	Heavy Bumper Assy (see Chassis System - 2)
25	56110909	1	Plate, Latch Mount
26	56111128	1	Cover Support Assy (see Chassis System - 2)
27	56111944	1	Floor Plate Weldt
28	56111945	1	Floor Weldt
29	56413802	1	Latch, Rh
30	56109633	1	Strap, Static, 6"
31	56002098	1	Wsh, Flt SAE 1/4
32	56009250	1	Scr, Hex Thd Form 1/4-20 x .62

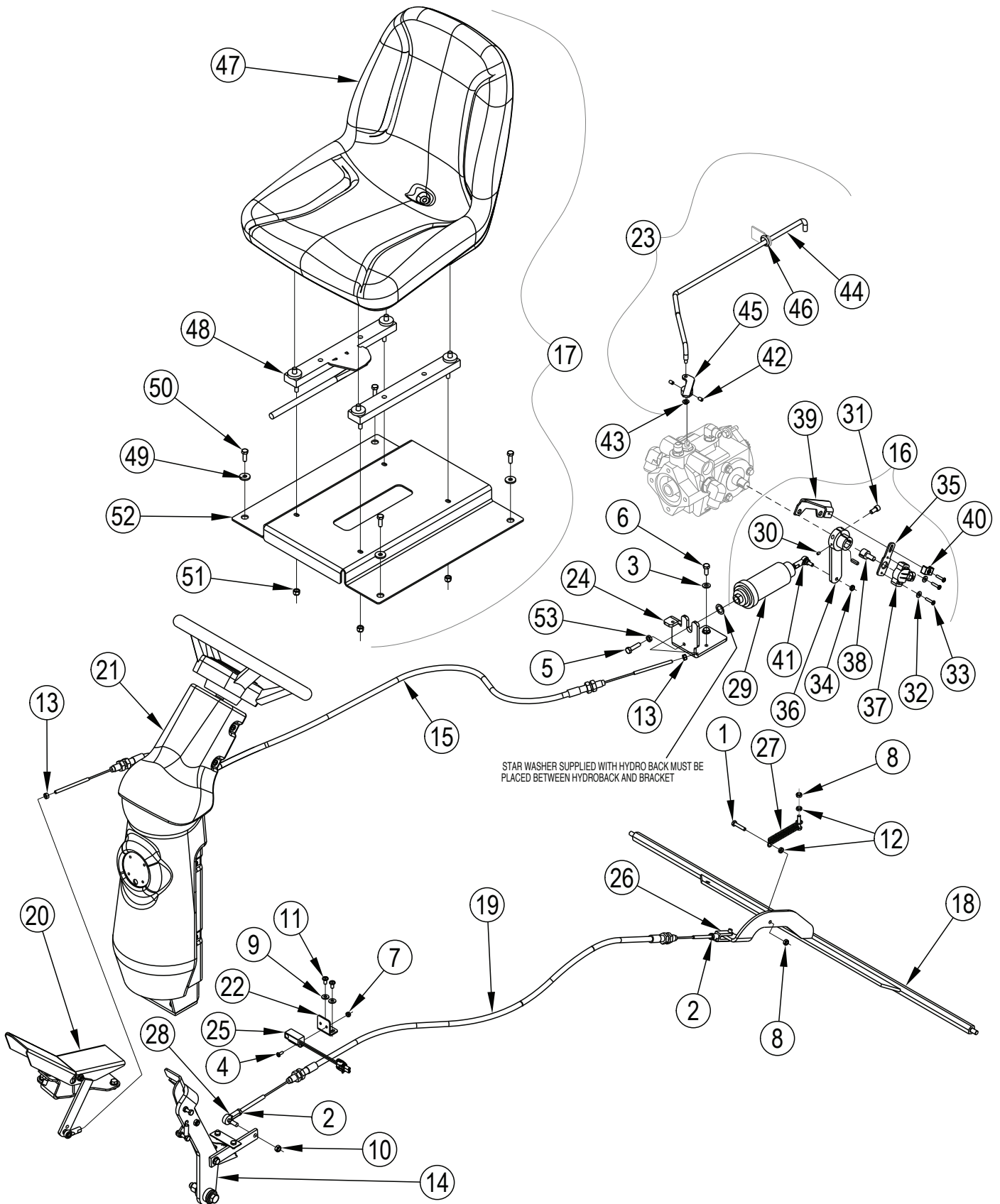
CHASSIS SYSTEM - 2



**CHASSIS SYSTEM - 2**

Item	Ref. No.	Qty	Description	Item	Ref. No.	Qty	Description
	56110442	1	Cover Assembly, Rear (items 1-26)	56110900	1	Heavy Bumper Assembly (items 44-51)	
1	56462746	2	Latch	44	56001858	4	Scr, Hex 3/8-16 X 1.25
2	56001836	2	Scr, Hex 1/4-20 X .62	45	56001920	1	Scr, Hex 1/2-13 X 2.25
3	56001878	4	Scr, Hex 1/4-20 X 1.25	46	56002116	2	Scr, Hex 1/2-13 X 3.25
4	56001939	4	Wsh, Flt SAE 5/16	47	56002770	3	Nut, Hex Nyl Loc 1/2-13
5	56002022	4	Wsh, Flt SAE 5/8	48	56003032	3	Scr, Hex Hd Loc 1/2-13x.75
6	56002098	17	Wsh, Flt SAE 1/4	49	56009195	4	Wsh, Flt .406 X 1.25 X .164
7	56002108	5	Scr, Pan Phil 1/4-20 X 2.00	50	56009216	3	Wsh, Flt .531x1.5x.075
8	56002708	11	Nut, Hex Nyl Loc 1/4-20	51	56111941	1	Heavy Bumper Weldment
9	56002788	2	Scr, Pan Phil 1/4-20 X 2.25				
10	56002929	11	Scr, Hex Hd Loc 5/16-18x.62				
11	56009099	4	Nut, Hex Jam 5/8-18				# = Revised or new since last update
12	56009122	7	Wsh, Flt .344 X .938 X .125				
13	56009153	8	Scr, Pan Phil Loc 10-24 X .50				
14	56110357	2	Hinge Weldment				
15	56110363	1	Hinge Weldt.-Rt				
16	56110435	1	Cover, Rear				
17	56111942	1	Grille, Rear				
18	56110495	1	Hinge Weldt-Lt				
19	56110764	1	Support, Rear Cover, Right				
20	56110765	1	Support, Rear Cover, Left				
21	56110766	2	Pin, Tapered				
22	56111943	1	Bracket				
23	56110979	1	Plate, Seal Mounting, Center				
24	56110980	2	Plate, Seal Mount, Side				
25	56110987	1	Gasket, Cover, Center				
26	56110988	2	Gasket, Cover, Side				
	56111128	1	Cover Support Assembly (items 27-43)				
27	56001939	2	Wsh, Flt Sae 5/16				
28	56001993	1	Scr, Pan Phil 10-24 X .50				
29	56002063	6	Wsh, Flt Sae 3/8				
30	56002098	3	Wsh, Flt Sae 1/4				
31	56002663	6	Scr, Hex 3/8-16 X 1.00				
32	56002701	2	Nut, Hex Nyl Loc 5/16-18				
33	56002708	3	Nut, Hex Nyl Loc 1/4-20				
34	56002786	2	Scr, Pan Phil 1/4-20 X 1.50				
35	56002794	2	Scr, Pan Phil 5/16-18 X 1.00				
36	56002825	1	Scr, Pan Phil 1/4-20 X 1.25				
37	56002832	1	Nut, Hex Nyl Loc-Thin 10-24				
38	56110065	1	Cover Support Weldt				
39	56110631	1	Plate, Latch Mount				
40	56110638	1	Handle, Latch				
41	56304827	1	Latch, Rh				
42	56321532	1	Bushing .25 x .37 x .40				
43#	56382992	1	Cable Assy-Quick Link-19.5 IN				

CONTROL SYSTEM



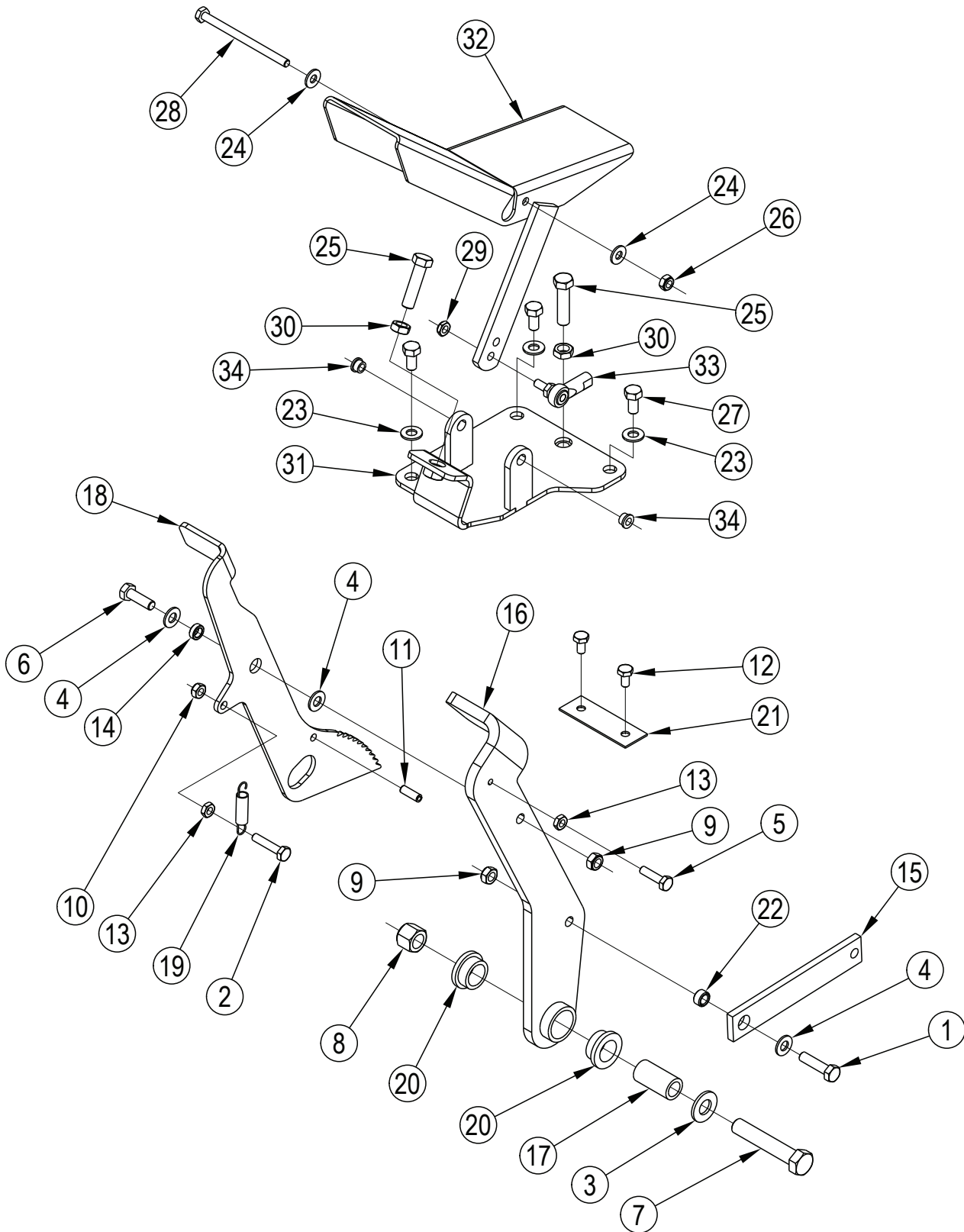


## CONTROL SYSTEM

Item	Ref. No.	Qty	Description
1	56001878	2	Scr, Hex 1/4-20 X 1.25
2	56001884	2	Nut, Hex Jam 5/16-24
3	56001939	2	Wsh, Flt SAE 5/16
4	56001993	1	Scr, Pan Phil 10-24 X .50
5	56002187	1	Scr, Hex Thd To Hd 5/16-18 X 1.25
6	56002667	2	Scr, Hex 5/16-18 X .75
7	56002832	1	Nut, Hex Nyl Loc-Thin 10-24
8	56002840	2	Nut, Hex Nyl Loc-Thin 1/4-20
9	56002859	2	Wsh, Flt SAE SS 1/4
10	56002866	1	Nut, Hex Nyl Loc-Thin 5/16-24
11	56009062	2	Scr, Pan Phil Thd Form 1/4-20 X .50
12	56009087	2	Nut, Hex Jam 1/4-20
13	56009142	2	Nut, Hex Machine 1/4-28
14	56110080	1	Brake Pedal Assy (see Control System - Brake & Foot Pedal Assemblies)
15	56110146	1	Cable, Push/Pull Control
16	56110152	1	Pintle Assembly (items 29-41)
17	56110273	1	Seat Assembly (items 47-52)
18	56110381	1	Brake Bar Weldment
19	56110384	1	Cable Assy
20	56110446	1	Foot Pedal Assy (see Control System - Brake & Foot Pedal Assemblies)
21	NA	1	Steering Assy (see Control System - Steering Assy)
22	56110709	1	Bracket, Switch
23	56110990	1	Tow Lever Assy (items 42-46)
24	56111347	1	Plate, Adjuster
25	56305053	1	Sensor, Proximity
26	56416089	1	Clevis Assy
27	56448112	1	Spring Ext
28	56477756	1	Rod End
			<b>Pintle Assy</b>
29	56455799	1	Hydroback
30	56002015	1	Scr, Soc Set Loc 10-24 X .25
31	56003118	1	Scr, Soc Hd 5/16-18 X 0.62
32	56002053	2	Wsh, Flt Std #10
33	56002996	3	Scr, Pan Phil 10-32 X .88
34	56003626	1	Nut, Hex Nyl Loc-Thin 1/4-28
35	56111896	1	Plate-Sensor
36	56304355	1	Lever Weldment
37	56305129	1	Rotary Sensor
38	56305184	1	Adapter, Shaft
39	56305186	1	Bracket
40	56111895	1	Guide-Encoder
41	56463720	1	Rod End
			<b>Tow Lever Assy</b>
42	56002930	2	Scr, Soc Set Loc 1/4-20 X .38
43	56009132	1	Nut, Push Cap 1/4
44	56110989	1	Rod, Tow Lever
45	56110992	1	Collar Weldt
46	56157376	1	Grommet
			<b>Seat Assy</b>
47	7-69-00008	1	Seat
48	7-72-05005	1	Slide, Seat
49	56009122	4	Wsh, Flt .344 x .938 x .125
50#	56002956	4	Scr Hex Loc 5/16-18 X .75
51	56002701	4	Nut, Hex Nyl Loc 5/16-18
52	56111949	1	Plate, Seat Mount
53	56009086	1	Nut, Hex Jam 5/16-18

# = Revised or new since last update

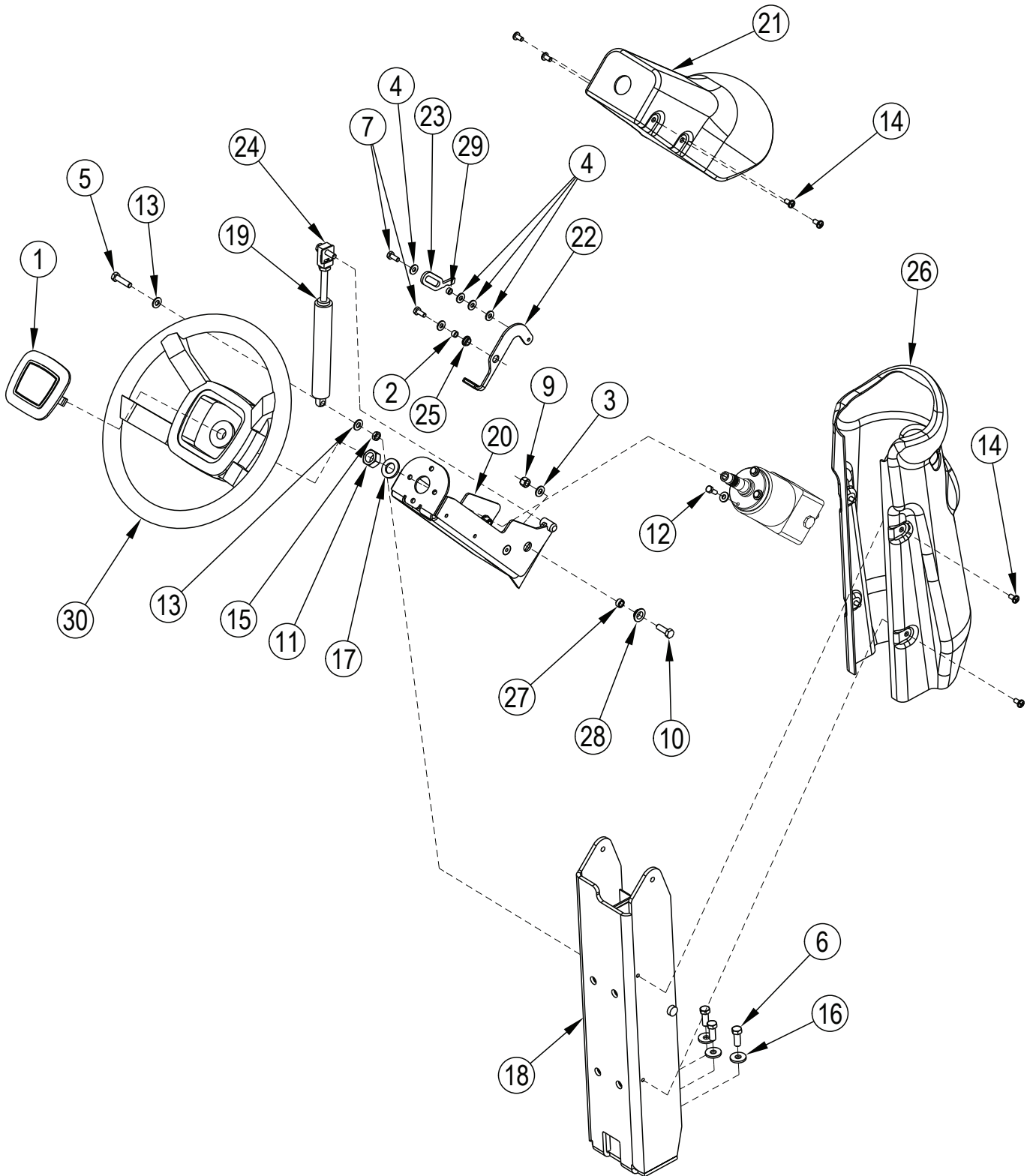
CONTROL SYSTEM - BRAKE & FOOT PEDAL ASSEMBLIES



## CONTROL SYSTEM - BRAKE &amp; FOOT PEDAL ASSEMBLIES

Item	Ref. No.	Qty	Description
	56110080	1	Brake Pedal Assy (items 1-22)
1	56001834	1	Scr, Hex 5/16-18 X 1.25
2	56001878	1	Scr, Hex 1/4-20 X 1.25
3	56001879	1	Wsh, Flt SAE 1/2
4	56001939	3	Wsh, Flt SAE 5/16
5	56002093	1	Scr, Hex 1/4-20 X 1.00
6	56002221	1	Scr, Hex 5/16-18 X 1.00
7	56002680	1	Scr, Hex 1/2-13 X 2.75
8	56002770	1	Nut, Hex Nyl Loc 1/2-13
9	56002826	2	Nut, Hex Nyl Loc-Thin 5/16-18
10	56002840	1	Nut, Hex Nyl Loc-Thin 1/4-20
11	56003138	1	Pin, Spr .25 X .75
12	56009033	2	Scr, Hex Thd Form 1/4-20 X .50
13	56009087	2	Nut, Hex Jam 1/4-20
14	56110432	1	Bushing .323 X .500 X .180
15	56110641	1	Linkage, Brake
16	56111946	1	Brake Pedal Weldt
17	56111100	1	Bushing, .520 X .750 X 1.470
18	56111537	1	Pedal, Parking Brake
19	56245008	1	Spring, Extension
20	56303024	2	Bearing, Fl 1.000x.750x.500
21	56304543	1	Catch, Brake Lock
22	56320595	1	Bushing .32x.50x.28
	56110446	1	Foot Pedal Assy (items 23-34)
23	56001939	3	Wsh, Flt SAE 5/16
24	56002098	2	Wsh, Flt SAE 1/4
25	56002747	2	Scr, Hex Thd To Hd 3/8-16 X 1.50
26	56002840	1	Nut, Hex Nyl Loc-Thin 1/4-20
27	56002929	3	Scr, Hex Hd Loc 5/16-18x.62
28	56002986	1	Scr, Hex 1/4-20 X 3.75
29	56003626	1	Nut, Hex Nyl Loc-Thin 1/4-28
30	56009085	2	Nut, Hex Jam 3/8-16
31	56111947	1	Pivot Weldt
32	56111948	1	Pedal Weldt
33	56463720	1	Rod End
34	56756318	2	Bearing, Flange

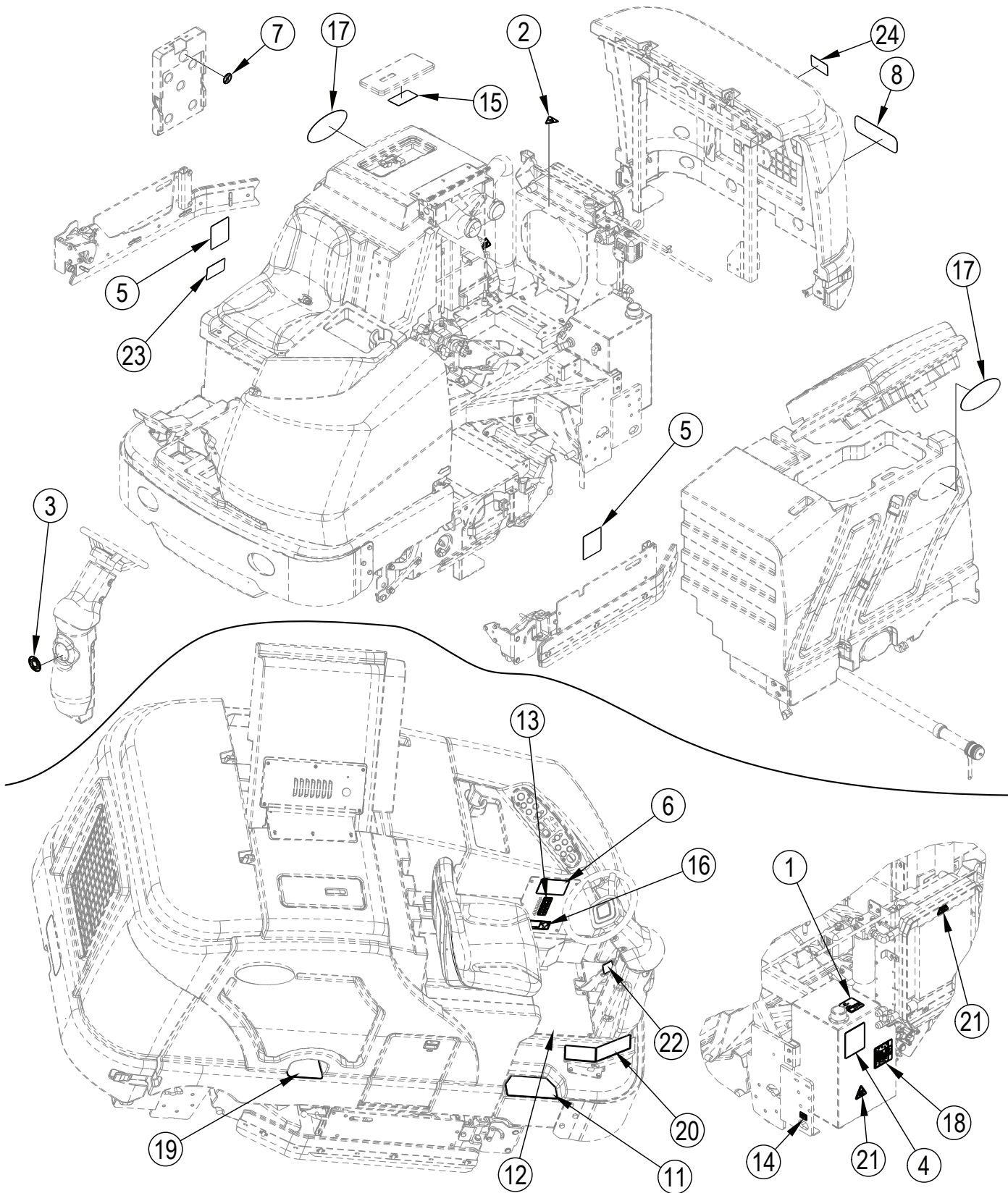
CONTROL SYSTEM - STEERING ASSY



## CONTROL SYSTEM - STEERING ASSY

Item	Ref. No.	Qty	Description
1	7-16-07428	1	Cover, Steering Wheel
2	56368997	1	Bushing
3	56001939	2	Wsh, Flt SAE 5/16
4	56002098	9	Wsh, Flt SAE 1/4
5	56002187	1	Scr, Hex Thd To Hd 5/16-18 x 1.25
6	56002663	3	Scr, Hex 3/8-16 x 1.00
7	56002922	2	Scr, Hex Hd Loc 1/4-20 x .62
9	56003389	2	Nut, Hex Nyl Loc M8-1.25
10	56003436	2	Scr, Hex SS M8-1.25 x 25mm
11	56003440	1	Nut, Hex M16-1.5
12	56003441	4	Scr, Hex Loc M6-1 x 16mm
13	56009052	2	Wsh, Int Shprf 5/16
14	56009062	8	Scr, Pan Phil Thd Form 1/4-20 x .50
15	56009086	1	Nut, Hex Jam 5/16-18
16	56009107	3	Wsh, Flt SS .378 x 1.000 x .120
17	56009218	1	Wsh, Flt .688 x 1.250 x .125
18	56110456	1	Lower Column Weldment
19	56111354	1	Gas Spring, Locking
20	56111520	1	Upper Column Weldt
21	56111524	1	Shroud, Upper Column
22	56111597	1	Lever
23	56111762	1	Lever
24	56111763	1	Rod End Weldment
25	56304518	1	Bearing, Fl .500 x .375 x .188
26	56314295	1	Shroud, Lower Column
27	56320595	2	Bushing .32 x .50 x .28
28	56413211	2	Bearing, Flange .625 x .500 x .250
29	56413888	1	Bushing .265 x .375 x .180
30	56418460	1	Steering Wheel

DECAL SYSTEM

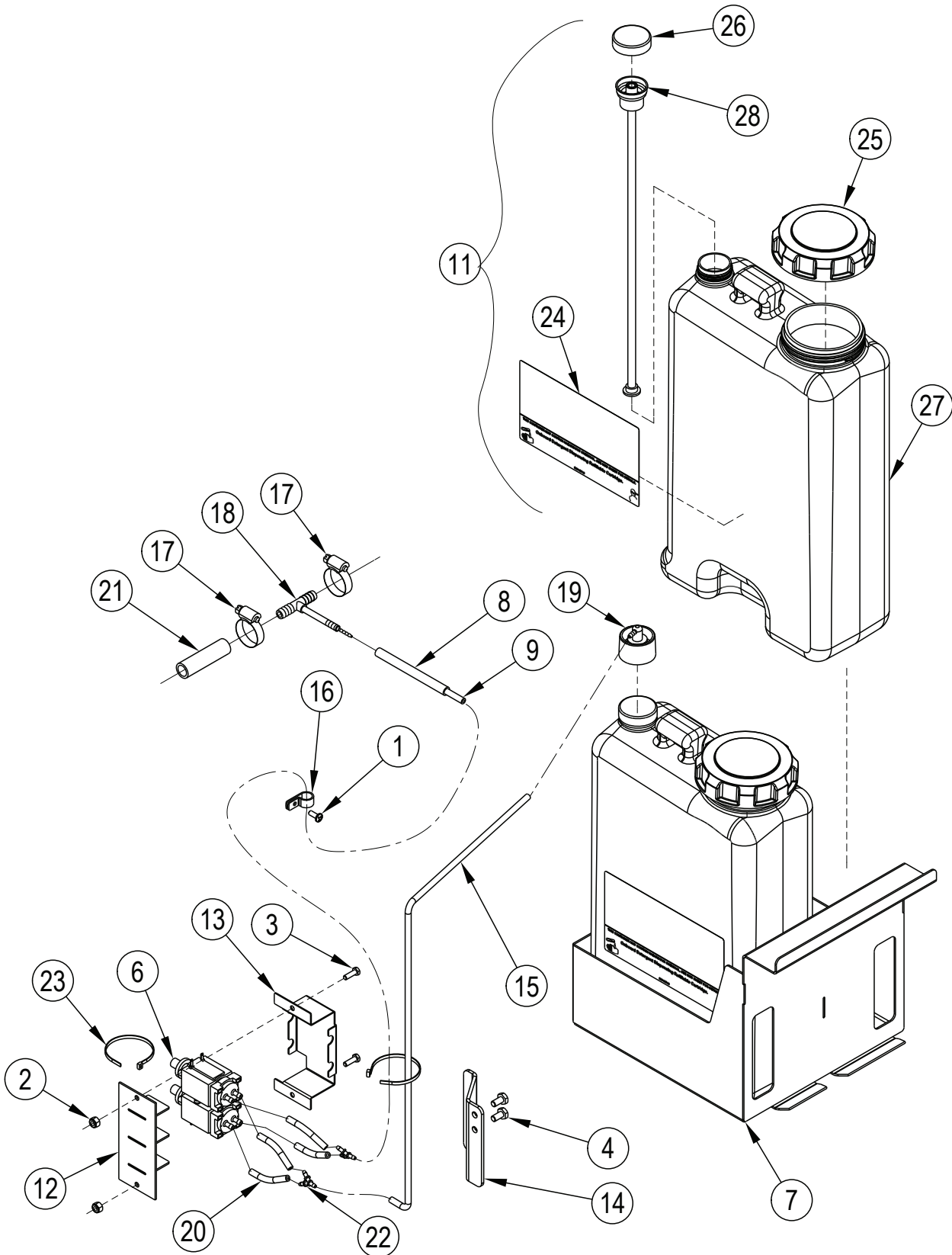


## DECAL SYSTEM

Item	Ref. No.	Qty	Description
1	56016259	1	Decal, Oil Fill
2	56016364	1	Decal, Warning Fan
3	56015276	1	Decal, Logo
4	56015424	1	Warning, Hydraulic
5	56015425	2	Decal, Warning Broom
6	56015427	1	Decal, Warning Tip Over
7	56016163	1	Decal, No Step
8	56016730	1	Decal, Advance
11	56111251	1	Mat, Step
12	56111252	1	Mat, Floor
13	56111807	1	Decal, Circuit Breaker
14	56111392	2	Decal, Tie Down
15	56111393	1	Decal, Tank Fluid
16	56111394	1	Decal, Exhaust
17	56108170	2	Decal-SC8000
	56108171	2	Decal-SC8000 EcoFlex ( <b>EcoFlex models only</b> )
18	56111460	1	Decal, Hyd. Valve
19	56111482	1	Mat, Step
20	56305606	1	Mat, Pedal
21	56016363	2	Decal, Warning Hot
22	56111785	1	Mat, Pedal
23	56015413	1	Decal, LPG ( <b>LPG models only</b> )
24#	56107775	1	Decal-Kubota

# = Revised or new since last update

## DETERGENT INJECTION SYSTEM

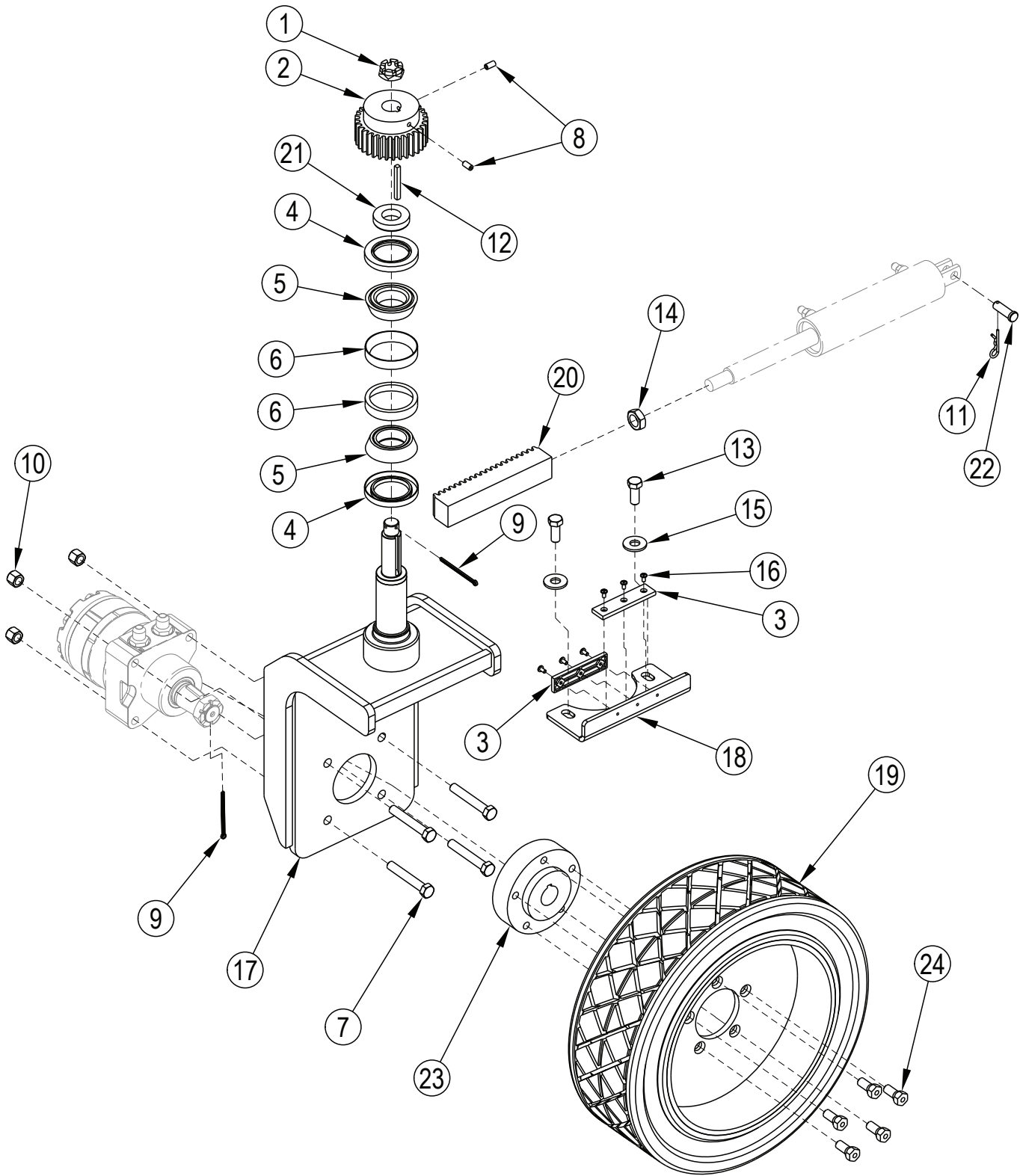




## DETERGENT INJECTION SYSTEM

Item	Ref. No.	Qty	Description
1	56001993	1	Scr, Pan Phil 10-24 X .50
2	56002836	2	Nut, Hex Nyl Loc SS 10-24
3	56002835	2	Scr, Hex Ss 10-24 X .75
4	56009033	2	Scr, Hex Thd Form 1/4-20 X .50
6	56110742	2	Pump, Detergent, 12V
7	56110775	1	Box Weldment, Chemical Bottle
8	56111504	1	Conduit Hose Jacket
9	56111511	1	Hose- 1/8 ID X 32 Lg
11	56111855	2	Chem Bottle Assy (items 24-28)
12	56111866	1	Pump Bracket Weldt
13	56111867	1	Plate Pump Cover
14	56111868	1	Plate Deflector
15	56111870	1	Hose- 27.00 In. Chem. Resistant
16	56172017	1	Clamp, P
17	2-95-04388	2	Clamp-Hose-Feedwater Ideal6203
18	56314983	1	Tee Assembly
19	56315523	1	Cap, Dry Break, 1/8 Barb, 90°
20	56316211	4	Hose, Chem Resistant, 2.00
21	56392347	1	Hose, PVC Clear 2.5 Inch
22	56413691	2	Fitting, Y, Barb, .125
23	56478246	2	Tie, Cable
24	56315513	1	Decal, Blank
25	56315517	1	Cap, Raw
26	56315690	1	Cap, 38mm Buttress
27	56413092	1	Chemical Tank
28	56413784	1	Insert, Dry Break

DRIVE WHEEL SYSTEM

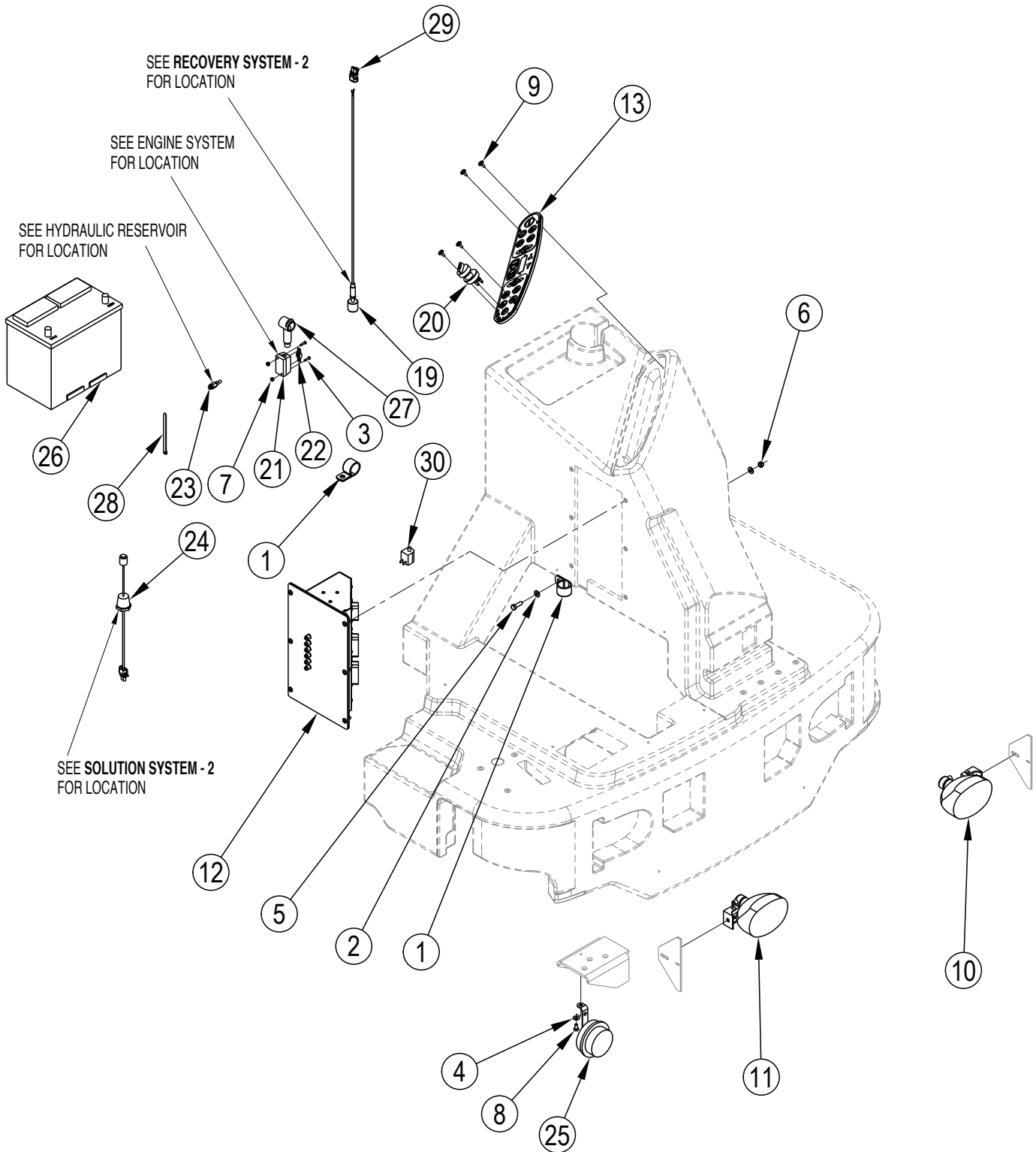


## DRIVE WHEEL SYSTEM

Item	Ref. No.	Qty	Description
1	56110817	1	Nut, Castle 7/8-14
2	56418477	1	Gear, Spur
3	56418575	2	Plate, Wear
4	56477783	2	Seal, Shaft
5	56744471	2	Bearing, Cone
6	56744474	2	Bearing, Cup
7	56002116	4	Scr, Hex 1/2-13 x 3.25
8	56002186	2	Scr, Soc Set Loc 5/16-18 x .62
9	56002574	2	Pin, Cotter 5/32 x 3.00
10	56002770	4	Nut, Hex Nyl Loc 1/2-13
11	56003222	1	Pin, Cotter Hair
12	56003248	1	Key, Sq .25 x 2.31
13	56003785	2	Scr, Hex 1/2-20 x 1.25
14	56009083	1	Nut, Hex Jam 3/4-16
15	56009115	2	Wsh, Flt Harden .594 x 1.375 x .134
16	56009139	6	Scr, Pan Phil Loc 10-24 x .38
17	56110153	1	Drive Wheel Weldt
18	56111386	1	Plate, Adjuster
19	56111514	1	Wheel, P7 Mold-On 18 x 6
*	56111811	1	Wheel Urethane 18 x 6
20	56305041	1	Rack
21	56419189	1	Spacer, Gear
22	56486733	1	Pin
23	56507462	1	Hub, Drive Wheel
24	8-80-05035	5	Stud - Wheel

\* = Optional, Not Included

ELECTRICAL SYSTEM



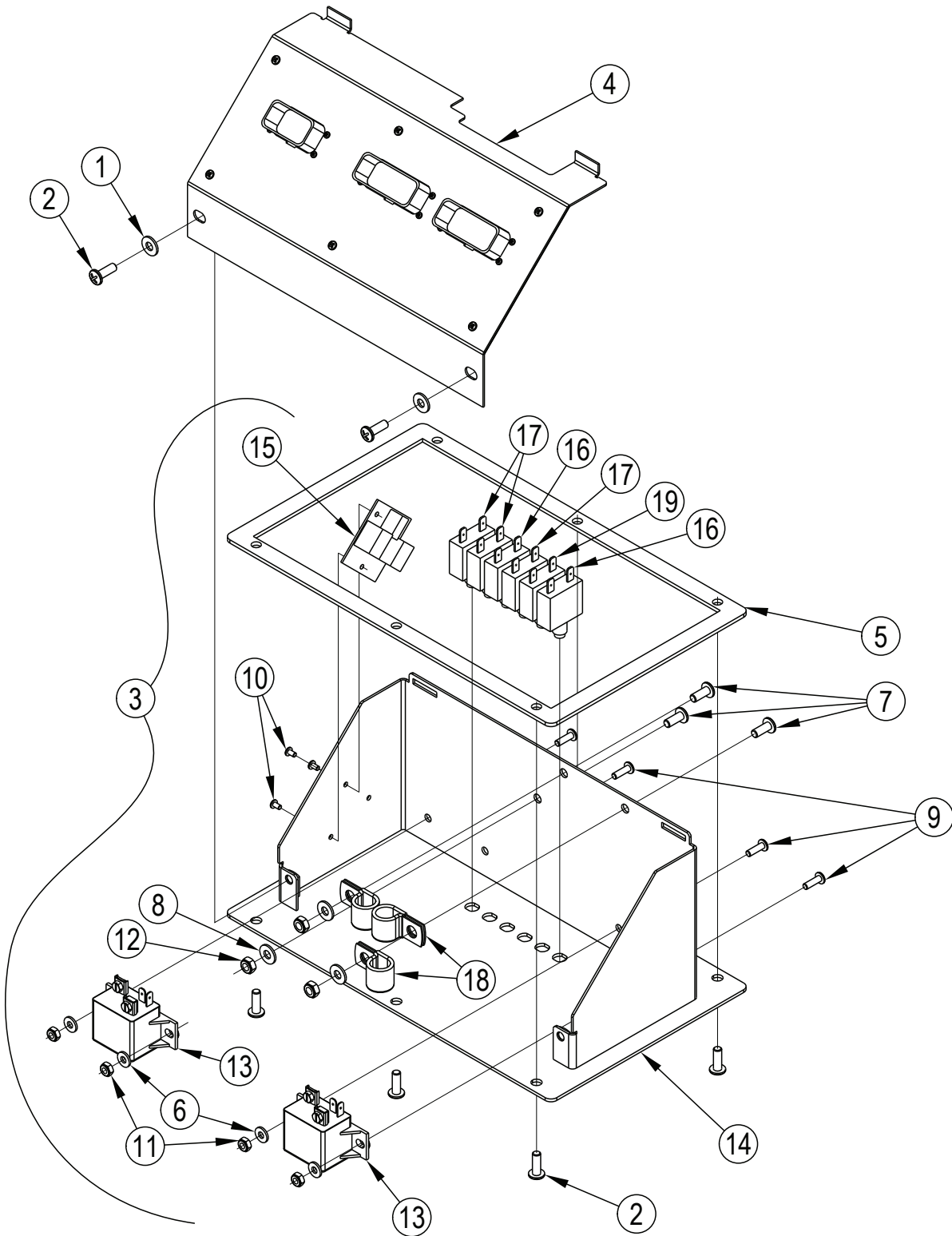
## ELECTRICAL SYSTEM

Item	Ref. No.	Qty	Description
1	56409463	2	Clamp, 1.25 Hose Support
2	56001939	2	Wsh, Flt SAE 5/16
3	56002005	2	Scr, Pan Phil 6-32 x .62
4	56002098	1	Wsh, Flt SAE 1/4
5	56002221	1	Scr, Hex 5/16-18 x 1.00
6	56002826	1	Nut, Hex Nyl Loc-Thin 5/16-18
7	56002830	2	Nut, Hex Nyl Loc 6-32
8	56009033	1	Scr, Hex Thd Form 1/4-20 x .50
9	56009206	4	Scr, Truss Phil-Blk 10-24 x .50
10	56110436	1	Head Light Assy, LH
*	56507224	A/R	Bulb, Headlight Replacement
11	56110437	1	Head Light Assy, RH
*	56507224	A/R	Bulb, Headlight Replacement
12	56381122	1	Control Board Box Assy
	56381109	1	Diesel Control Board Box Assy ( <b>Diesel only</b> )
13	56381129	1	Dashboard Panel Assy
[ ]	56111806	1	Harness, Main
[ ]	56110544	1	Harness, Battery Cable
[ ]	56110551	1	Cable Asm, Blk 6-2
[ ]	56110552	1	Cable Asm, Red 6-2
[ ]	56110553	1	Cable Asm, Red 6-3
[ ]	56110549	1	Harness, Glow Plug ( <b>Diesel only</b> )
19	56110561	1	Switch, Liquid Level
20	56111109	1	Key Switch Assembly
*	56303526	1	Key, Replacement Set (for 56111109)
21	56111114	1	Fuseholder, Midi
22	56111123	1	Fuse, 100A
23	56305873	1	Sender, Temperature
24	56413669	1	Switch, Liquid Level
25	56442054	1	Horn, 12V
26	56491902	1	Battery 12V
27	56493357	1	Insulator, Terminal
28	2-00-04345	30	Ty-Rap (Thomas & Betts Ty-28M) ( <b>Qty of 33 on Diesel models only</b> )
29	56462361	1	Conn, 2 Way Female
30	7-82-00050	1	Switch-Seat

[ ] = Not Shown

\* = Optional, Not Included

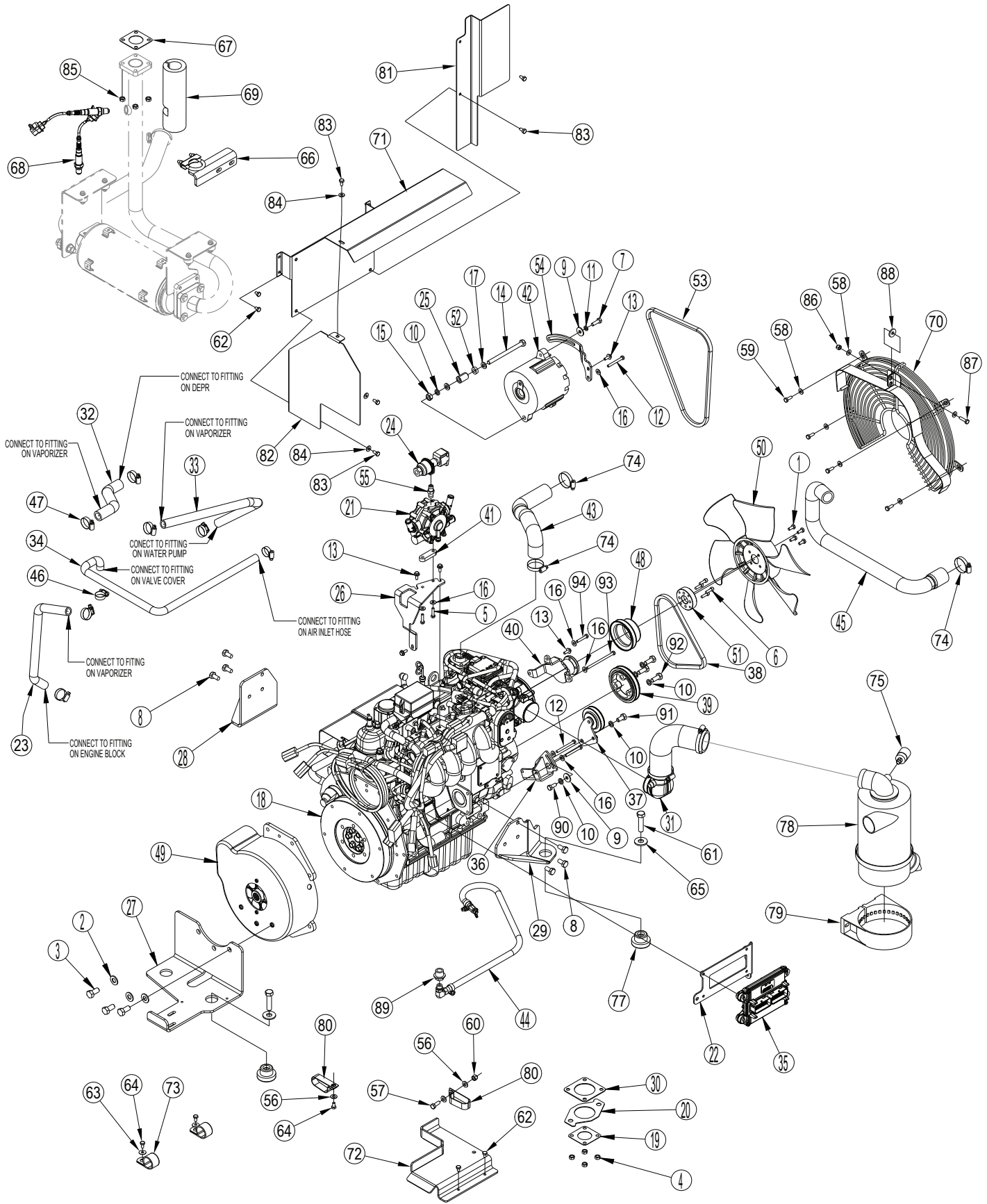
ELECTRICAL SYSTEM - CONTROL BOARD ASSY



## ELECTRICAL SYSTEM - CONTROL BOARD ASSY

Item	Ref. No.	Qty	Description
	56381122	1	Control Board Box Assy (LPG only) (items 1-5)
	56381109	1	Diesel Control Board Box Assy (Diesel only) (items 1-5)
1	56002098	2	Wsh, Flt SAE 1/4
2	56002507	8	Scr, Pan Phil 1/4-20 x .75
3	56110517	1	Control Board Relay Assy (LPG only) (items 6-19)
	56111162	1	Diesel Control Board Relay Assy (Diesel only) (items 6-19)
4	56381126	1	Control Assembly-Main
5	56110523	1	Gasket, Control Box
6	56001954	2	Wsh, Flt SAE #10 (qty of 4 on Diesel models)
7	56002066	3	Scr, Pan Phil 1/4-20 x .62
8	56002098	3	Wsh, Flt SAE 1/4
9	56002124	2	Scr, Pan Phil 10-24 x .62 (qty of 4 on Diesel models)
10	56001904	3	Scr Pan Phil 6-32 X .38
11	56002832	2	Nut, Hex Nyl Loc-Thin 10-24 (qty of 4 on Diesel models)
12	56002840	3	Nut, Hex Nyl Loc-Thin 1/4-20
13	56110423	1	Relay, SPST 12V 75A (qty of 2 on Diesel models)
14	56111955	1	Control Board Weldt
15	56110530	1	Board, Relay
16	56413407	2	Circuit Breaker, 15 Amp
17	56413822	3	Circuit Breaker, 20 Amp
18	56419120	3	Clamp, Hose Support
19	56507644	1	Circuit Breaker, 10 Amp

### ENGINE ASSY - LPG





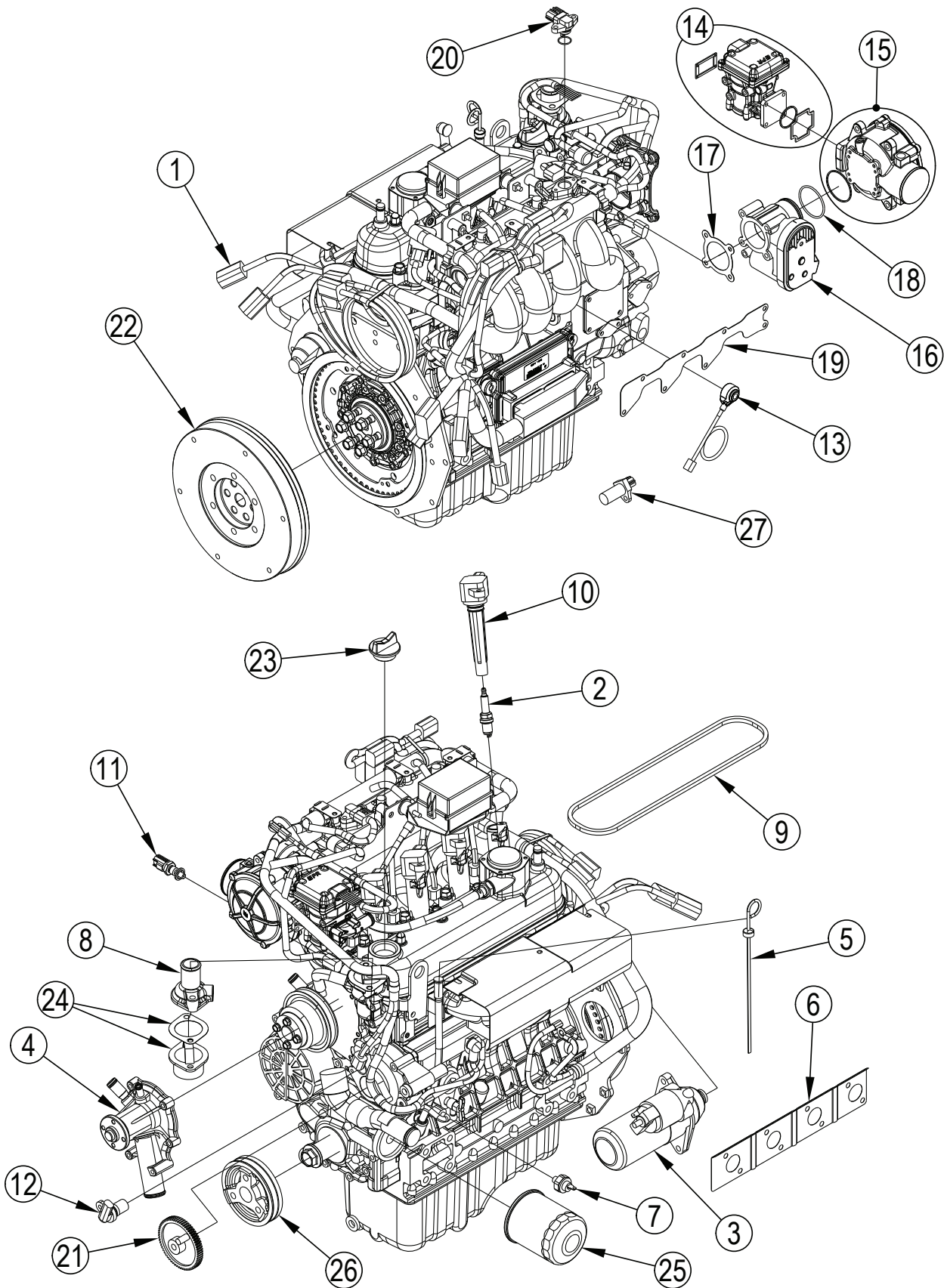
ENGINE ASSY - LPG

Item	Ref. No.	Qty	Description	Item	Ref. No.	Qty	Description
1	56001836	4	Scr-Hex 1/4-20 X .62	61	56002983	4	Scr-Hex 1/2-13 X 2.00
2	56001879	3	Wsh-Flt Sae 1/2	62	56009019	6	Scr, Hex Thd Form 1/4-20 X .38
3	56003083	3	Scr-Hex Hd Loc 1/2-13x1.00	63	56009025	2	Wsh, Flt .266 X .750 X .036
4	56003352	4	Nut-Hex M8-1.25	64	56009033	3	Scr, Hex Thd Form 1/4-20 X .50
5	56003358	2	Scr-Hex M6-1 X 25mm	65	56009115	4	Wsh, Flt Harden .594x1.375x.134
6	56003368	4	Scr,Soc Hd M6-1.0 X 20.0	66	56107568	1	Clamp Bracket Weldment
7	56003436	1	Scr-Hex SS M8-1.25 X 25mm	67	56107590	1	Gasket Manifold
8	56003442	6	Scr, Hex Loc M10-1.5 X 20mm	68	56107613	2	Sensor Oxygen
9#	56003646	2	WSH, FLT SS 8mm	69	56108184	1	Blanket Exhaust
10#	56003684	6	Wsh, Nord-Lock M10	70	56108187	1	Fan Guard
11	56003685	1	Wsh, Nord-Lock M8	71	56108206	1	Shield-Heat
12#	56003764	2	Scr-Hex M6-1 X 55mm	72	56111476	1	Plate, Guard
13#	56003943	5	Scr-Hex Flange Ss M6-1 X 16mm	73	56409463	2	Clamp, 1.25 Hose Support
14	56003944	1	Scr-Hex M10-1.25 X 130mm	74	56413839	4	Clamp- Hose Sae #20
15	56003945	1	Nut-Hex M10-1.25	75	56478461	1	Indicator,Service
16#	56009064	7	Wsh, Int Shprf 1/4	77	56478685	4	Mount, Rubber
17	56009214	2	Wsh-Flt .406x.750x.090	78	56482478	1	Cleaner, Air
18	56107540	1	Engine Base-Kubota 4-Cyl Lpg	*	56482028	A/R	Air Filter Cartridge Safety
19	56107590	1	Gasket Manifold	*	56482029	A/R	Air Filter Cartridge Primary
20	56107592	1	Gasket-Cat Outlet	79	56482621	1	Band Assy
21	56107646	1	Vaporizer	80	2-00-05253	2	Clamp, 3/4" Wire, Double
22	56107648	1	Ecu-Mount Plate	81	56108208	1	Shield-Heat RR
23	56107650	1	Hose-Coolant-Vaporizer Supply	82	56108207	1	Shield-Heat FR
24	56107652	1	Fuel-Solenoid	83	56002801	5	Scr- Hex SS 1/4-20 X .50
25	56107747	1	Spacer	84	56002859	3	Wsh-Flt SAE SS 1/4
26	56108163	1	Bracket-Vaporizer	85	56003352	4	Nut Hex M8
27	56108167	1	Mount Rear Engine	86	56002708	1	Nut Hex Nyl Loc 1/4-20
28	56108168	1	Mount Engine Right	87	56002093	1	Scr Hex 1/4-20 X 1.00
29	56108169	1	Mount Engine Left	88	56009122	1	Wsh Flt .344x.938x.125
30	56108174	1	Gasket-Cat Inlet	89#	56108218	1	Fitting-Oil Pan
31	56108175	1	Hose-Intake Assy	90#	56003179	1	Scr Hex Thd/Hd M8-1.25X20MM
32	56108188	1	Lpg Hose-Vaporizer	91#	56003185	1	Scr Hex Thd/Hd M10-1.25X20MM
33	56108189	1	Hose-Coolant-Vaporizer Return	92#	56003019	3	Scr Hex M10-1.25 X 25 MM
34	56108191	1	Hose Breather	93#	56003492	1	Scr Hex M6-1.0 X 100MM
35	56108192	1	Ecu	94#	56003420	1	Scr Hex M6-1.0 X 35MM
36	56108197	1	Bracket Offset				
37	56108198	1	Pulley Idler				
38#	56419087	1	Fan Belt				
39	56108200	1	Pulley Crank				
40	56108201	1	Bracket Fan Offset				
41	56108202	1	Spacer-Vaporizer				
42	56110738	1	Alternator, 105 Amp				
43	56111301	1	Hose, Radiator				
44	56111312	1	Oil Drain Assy				
45	56111623	1	Hose-Lower Radiator				
46	56112771	2	Clamp- Hose Sae #10				
47	56244969	6	Clamp- Hose Sae #12				
48	56307249	1	Pulley, Fan (89mm)				
49	56380142	1	Pump Housing Assy				
50	56418718	1	Fan-Cooling				
51	56418928	1	Fan Spacer				
52	56507795	1	Spacer, Coil Bracket				
53	56508393	1	Belt, Vee				
54	56508429	1	Bracket, Alternator Diesel				
55	2-00-05674	1	Fitting, 1/4 Npt Hex Nipple, Brass				
56	56001939	3	Wsh, Flt Sae 5/16				
57	56002037	1	Scr-Hex 5/16-18 X .88				
58	56002098	6	Wsh, Flt Sae 1/4				
59	56002155	4	Scr-Hex 1/4-20 X .75				
60	56002701	1	Nut, Hex Nyl Loc 5/16-18				

\* = Optional, Not Included

# = Revised or new since last update

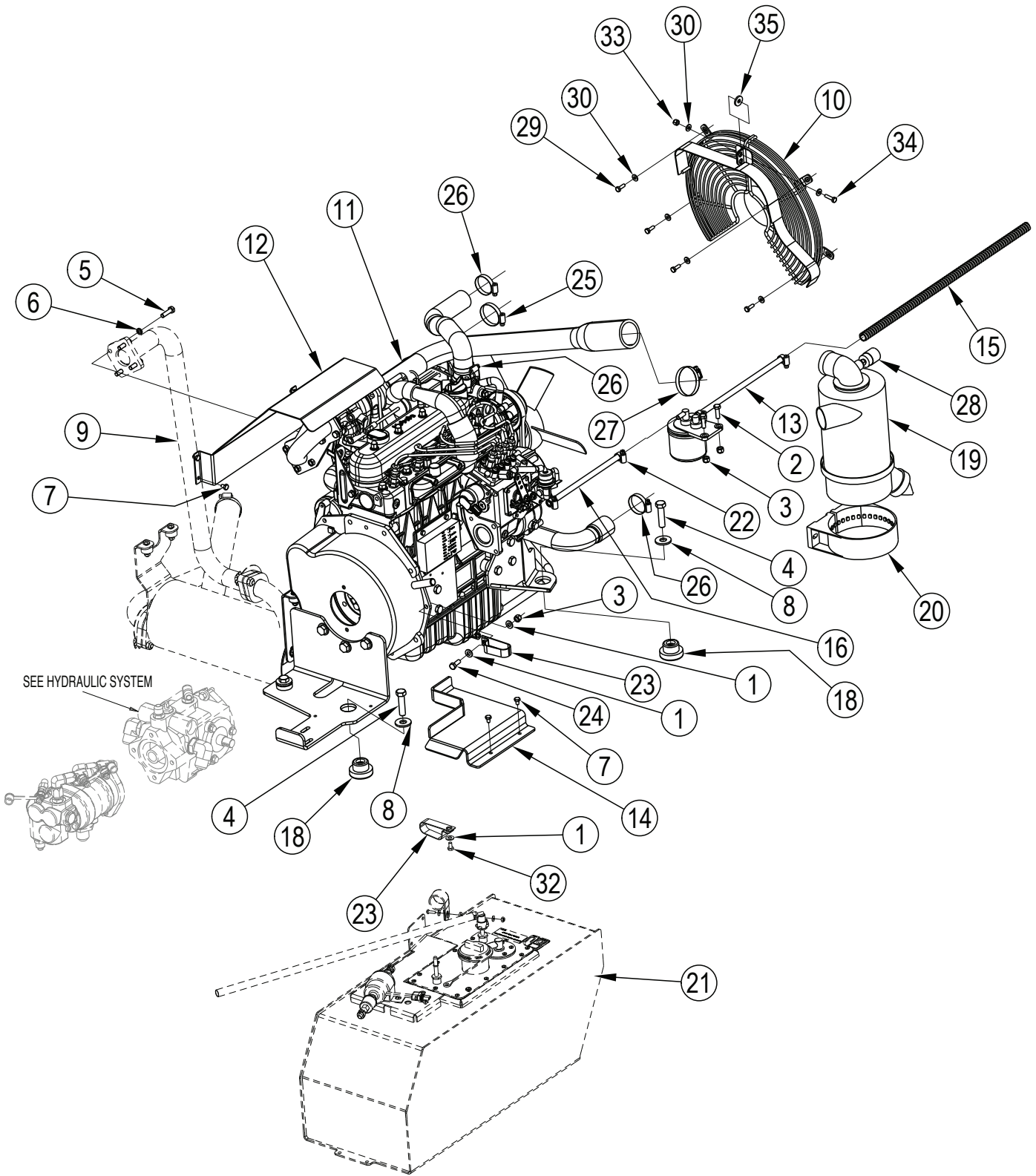
ENGINE BASE ASSY - LPG



## ENGINE BASE ASSY - LPG

Item	Ref. No.	Qty	Description
1	56107705	1	Harness-Kubota 4 Cyl Lpg
2	56107706	4	Spark Plug
3	56107707	1	Starter
4	56107708	1	Water Pump Assy-Lpg
5	56107710	1	Dipstick
6	56107711	1	Gasket-Exhaust Manifold
7	56107712	1	Oil Pressure Switch
8	56107716	1	Cover-Thermostat
9	56107717	1	Gasket-Valve Cover
10	56107718	4	Ignition Coil
11	56107721	1	Water Temp Sensor W/Seal
12	56107736	1	Cam Sensor
13	56107737	1	Knock Sensor
14	56107738	1	Depr Assy
15	56107739	1	Mixer Assy
16	56107740	1	Throttle Body
17	56107741	1	Gasket Throttle Body
18	56107742	1	O-Ring
19	56107743	1	Gasket Intake Manifold
20	56107744	1	Tmap Sensor
21	56107745	1	Cam Gear
22	56107746	1	Flywheel
23	56383025	1	Cap-Oil Fill
24	56508454	1	Thermostat Kit
25	56508487	1	Oil Filter Cartridge
26	56510973	1	Pulley-Crankshaft
27	2-00-06354	1	Crank/Rpm Sensor

ENGINE SYSTEM - DIESEL



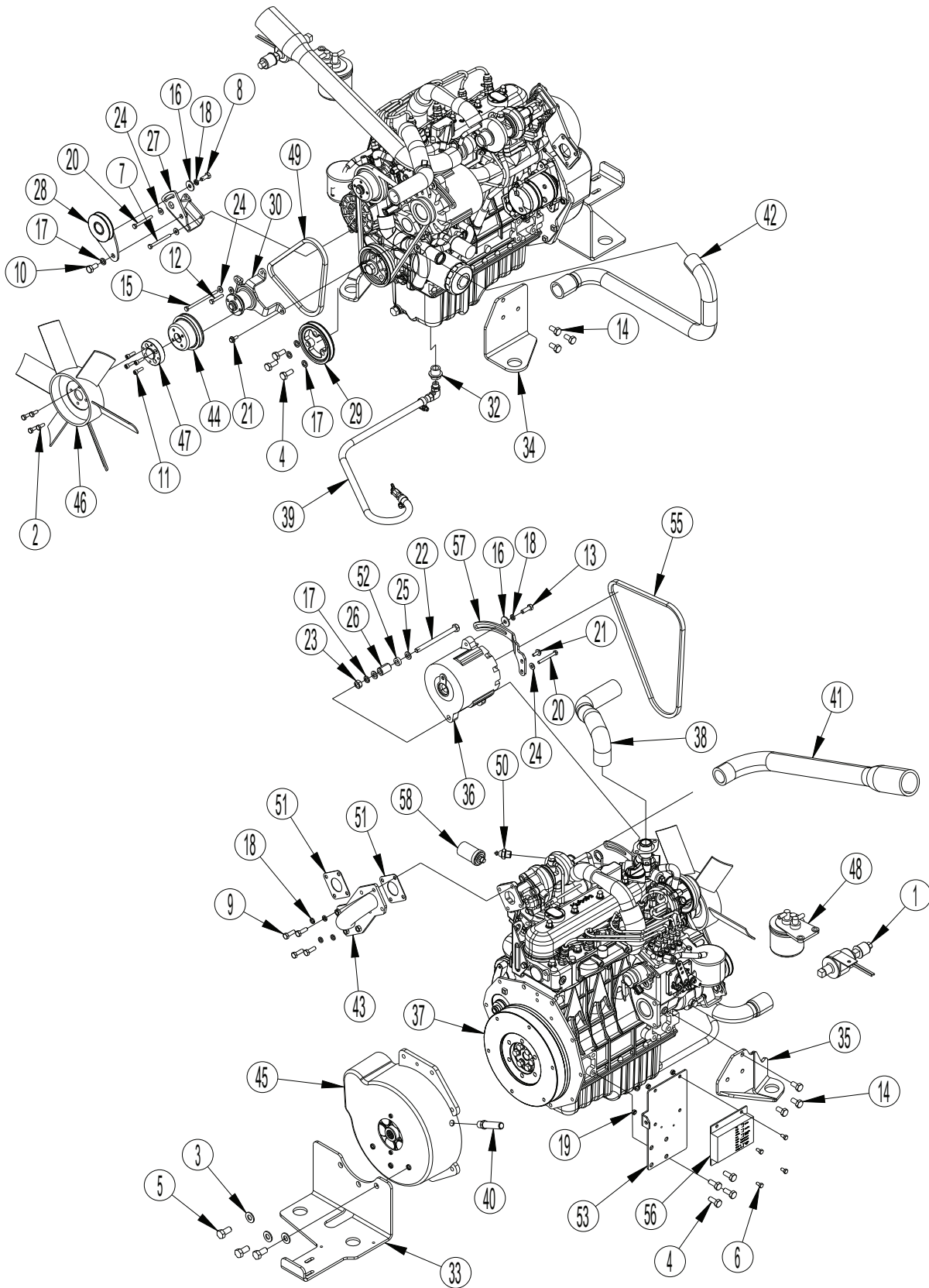
**ENGINE SYSTEM - DIESEL**

Item	Ref. No.	Qty	Description	ENGINE REPLACEMENT PARTS		
1	56001939	3	Wsh, Flt SAE 5/16			
2	56002221	2	Scr, Hex 5/16-18 X 1.00			
3	56002701	3	Nut, Hex Nyl Loc 5/16-18	[ ]	56463590	1 Glow Plug Timer
4	56002983	4	Scr, Hex 1/2-13 X 2.00	[ ]	56110738	1 Alternator 105A
5	56003416	4	Scr, Hex M8-1.25 X 30mm	[ ]	56419086	1 Fuel Filter Cartridge
6	56003685	4	Wsh, Nord-Lock M8	[ ]	56482659	1 Oil Filter Cartridge
7	56009019	6	Scr, Hex Thd Form 1/4-20 X .38	[ ]	56508393	1 Alternator Belt
8	56009115	4	Wsh, Flt Harden .594 x 1.375 x .134	[ ]	56418718	1 Fan
9		1	Muffler Assy-Diesel (see Exhaust Muffler Assy - Diesel)	[ ]	56419087	1 Fan Belt
10	56108187	1	Fan Guard	[ ]	56419088	1 Thermostat
11	56111255	1	Diesel Engine Assy	[ ]	56508489	1 Thermostat Gasket
12	56111314	1	Heat Shield	[ ]	56419089	1 Starter Motor
13	56111335	1	Hose, Fuel	[ ]	56508444	1 Oil Pressure Switch
14	56111476	1	Plate, Guard	[ ]	56419091	1 Temp Switch
15	56383225	1	Conduit Black .75	[ ]	56508490	1 Throttle/Shut Down Assembly
16	56111507	1	Hose, Fuel	[ ]	56508400	1 Governor Controller
18	56478685	4	Mount, Rubber	[ ]	56111319	1 Speed Sensor
19	56482478	1	Cleaner, Air	[ ]	56111301	1 Upper Radiator Hose
*	56482028	A/R	Air Filter Cartridge Safety	[ ]	56111312	1 Drain Hose Assy
*	56482029	A/R	Air Filter Cartridge Primary	[ ]	56508355	1 Fuel Pump, Electronic
20	56482621	1	Band Assy	[ ]	56419307	1 Strainer, Fuel
21	56508333	1	Tank, Diesel Assy (see Fuel Tank Assy - Diesel)	[ ]	56111320	1 Drive Plate
22	56756364	4	Clamp, Hose SAE #4	[ ]	56111622	1 Air Intake Hose
23	2-00-05253	2	Clamp, 3/4" Wire, Double	[ ]	56111623	1 Lower Radiator Hose
24	56002037	1	Scr, Hex 5/16-18 x .88	[ ]	56419107	1 Exhaust Gasket
25	56329145	1	Clamp, Hose SAE #24	[ ]	56501005	1 Anti-Freeze, 50/50 (2.0 Gal)
26	56413839	4	Clamp, Hose SAE #20	[ ]	56501068	1 Oil, 10W30 CF (5.5 Qt.)
27	56440213	1	Clamp, Hose SAE #32	[ ]	56380140	1 Hub Engine
28	7-24-04087	1	Filter Service Indicator 20 WC	[ ]	56380142	1 Pump Housing Assy
29	56002155	4	Scr Hex 1/4-20 X .75	[ ]	56111320	1 Drive Plate
30	56002098	6	Wsh Flt SAE 1/4	[ ]	56380146	1 Kit Hardware Engine Hub
32	56009033	1	Scr Hex Thd Form 1/4-20X.50	[ ]		
33	56002708	1	Nut Hex Nyl Loc 1/4-20	[ ]		
34	56002093	1	Scr Hex 1/4-20 X 1.00	[ ]		
35	56009122	1	Wsh Flt .344x.938x.125	[ ]		

[ ] = Not Shown

\* = Optional, Not Included

ENGINE ASSY - DIESEL



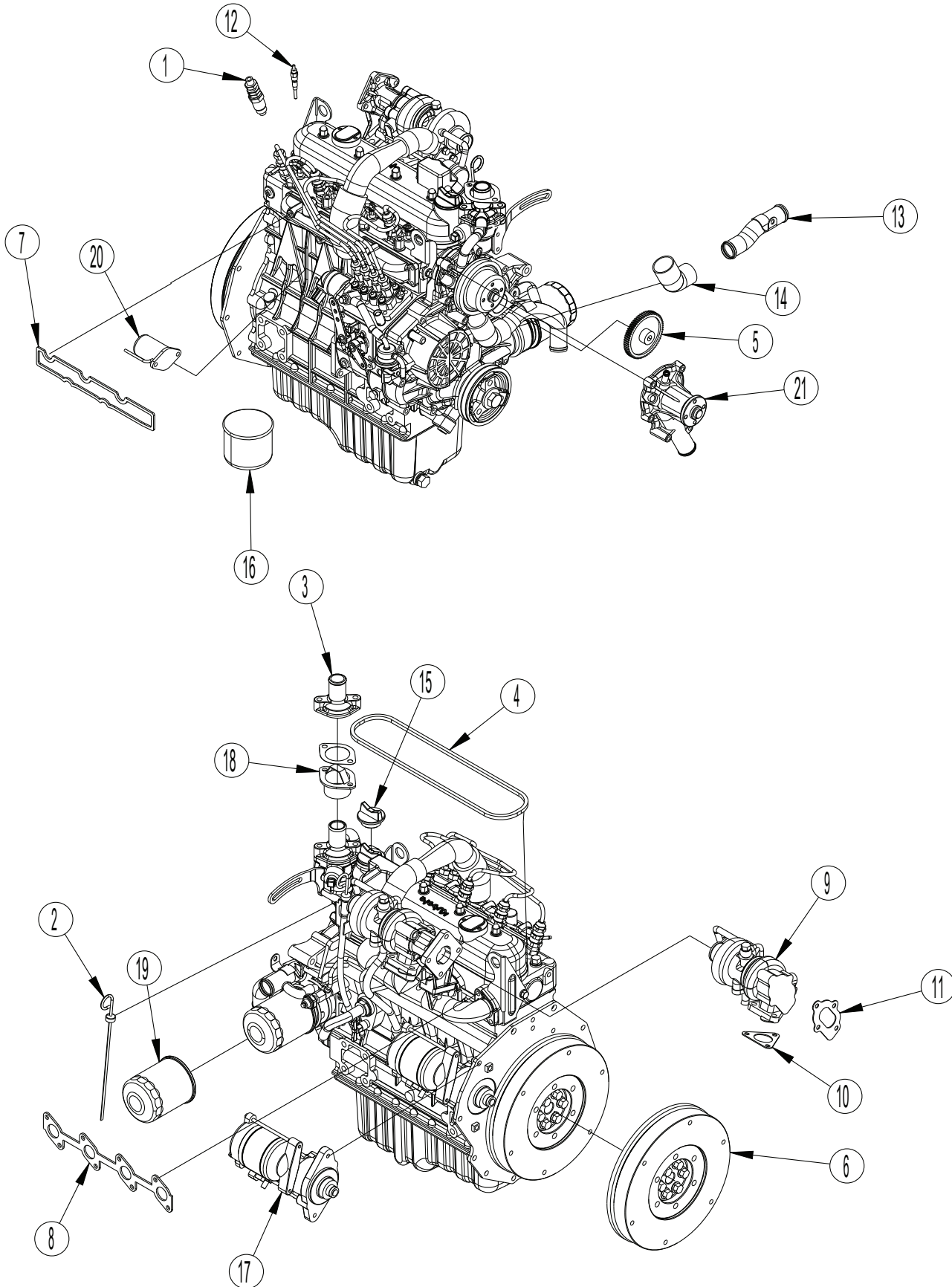
## ENGINE ASSY - DIESEL

Item #	Ref. No.	Qty	Description
	56111255	1	Diesel Engine Assy
1#	56508355	1	Fuel Pump Electronic
2#	56001836	4	Scr-Hex 1/4-20 X .62
3#	56001879	3	Wsh-Flt Sae 1/2
4#	56003019	7	Scr-Hex M10-1.25 X 25mm
5#	56003083	3	Scr-Hex Hd Loc 1/2-13x1.00
6#	56003155	4	Scr-Hex M6-1 X 12mm
7#	56003170	1	Scr-Hex M6-1 X 65mm
8#	56003179	1	Scr, Hex Thd To Hd M8-1.25 X 20mm
9#	56003180	4	Scr, Hex Thd To Hd M8-1.25 X 25mm
10#	56003185	1	Scr, Hex Thd To Hd M10-1.25 X 20mm
11#	56003368	4	Scr,Soc Hd M6-1.0 X 20.0
12#	56003420	1	Scr-Hex M6-1 X 35mm
13#	56003436	1	Scr-Hex SS M8-1.25 X 25mm
14#	56003442	6	Scr, Hex Loc M10-1.5 X 20mm
15#	56003492	1	Scr-Hex M6-1 X 100mm
16#	56003646	2	Wsh, Flt SS 8mm
17#	56003684	5	Wsh, Nord-Lock M10
18#	56003685	6	Wsh, Nord-Lock M8
19#	56003744	4	Nut, Self-Clinching M6-1
20#	56003764	2	Scr-Hex M6-1 X 55mm
21#	56003943	2	Scr-Hex Flange Ss M6-1 X 16mm
22#	56003944	1	Scr-Hex M10-1.25 X 130mm
23#	56003945	1	Nut-Hex M10-1.25
24#	56009064	5	Wsh, Int Shprf 1/4
25#	56009214	2	Wsh-Flt .406x.750x.090
26#	56107747	1	Spacer
27#	56108197	1	Bracket Offset
28#	56108198	1	Pulley Idler
29#	56108200	1	Pulley Crank
30#	56108201	1	Bracket Fan Offset
32#	56108218	1	Fitting-Oil Pan
33#	56110307	1	Mount, Rear Engine
34#	56110308	1	Mount, Engine Right
35#	56110309	1	Mount, Engine Left
36#	56110738	1	Alternator, 105 Amp
37#	56111200	1	Engine, Diesel
38#	56111301	1	Hose, Radiator
39#	56111312	1	Oil Drain Assy
40#	56111319	1	Speed Sensor
41#	56111622	1	Hose, Air Cleaner
42#	56111623	1	Hose-Lower Radiator
43#	56305955	1	Exhaust Adaptor Weldt
44#	56307249	1	Pulley, Fan (89mm)
45#	56380142	1	Pump Housing Assy
46#	56418718	1	Fan
47#	56418928	1	Fan Spacer
48#	56419054	1	Fuel Filter Kit
49#	56419087	1	Fan Belt
50#	56419091	1	Switch, Temp
51#	56419107	2	Exhaust Gasket
52#	56507795	1	Spacer, Coil Bracket
53#	56507991	1	Bracket, Fuel Pump
55#	56508393	1	Belt, Vee
56#	56508400	1	Governor Controller
57#	56508429	1	Bracket, Alternator Diesel
58#	56508444	1	Switch,Pressure
[31]#	56108214	1	Operator Manual
[54]#	56508004	1	Harness, Kubota Diesel

[ ] = Not Shown

# = Revised or new since last update

ENGINE BASE ASSY - DIESEL

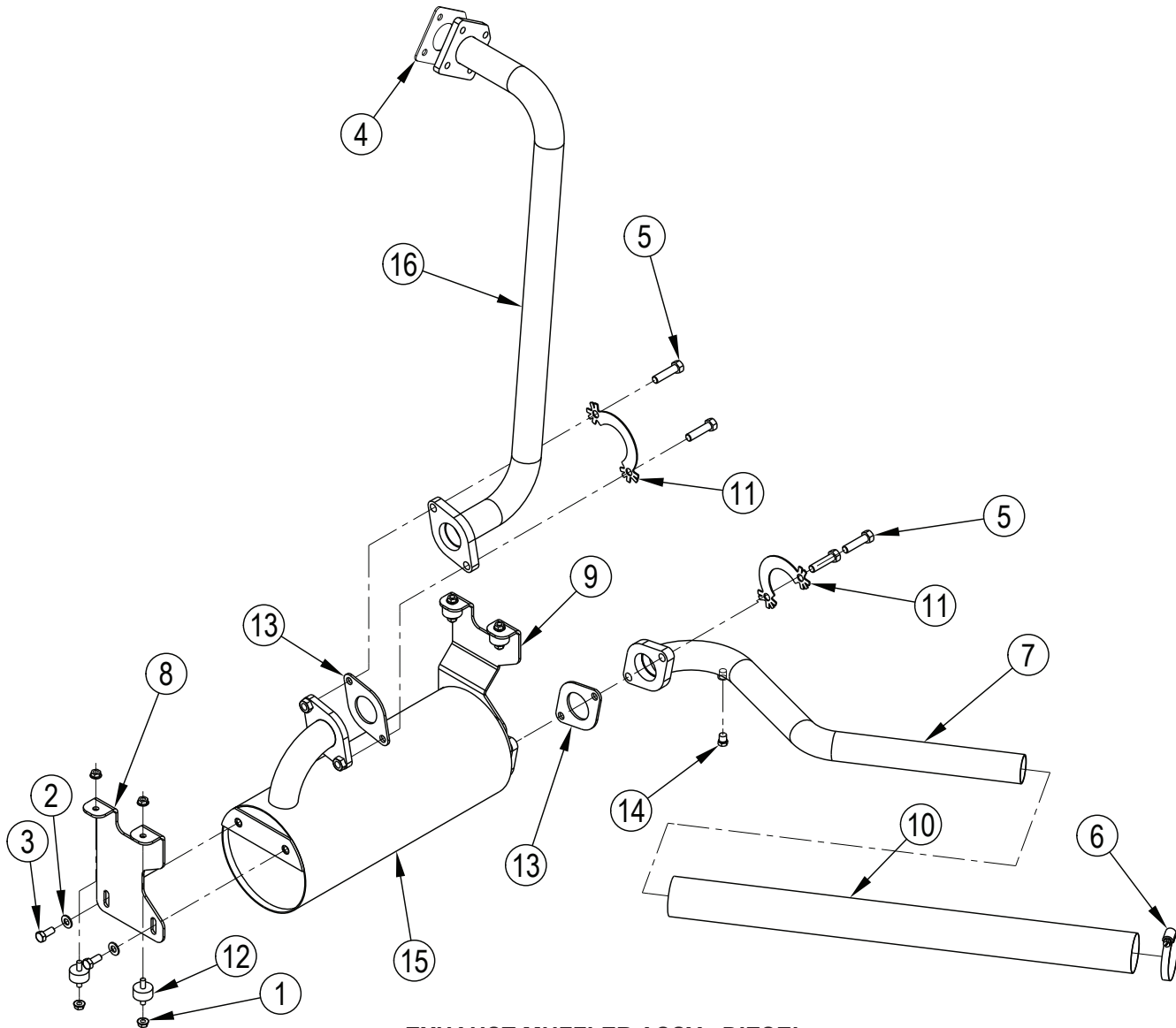




## ENGINE BASE ASSY - DIESEL

Item	Ref. No.	Qty	Description
1#	33019750	4	Injector
2#	56107710	1	Dipstick
3#	56107716	1	Cover-Thermostat
4#	56107717	1	Gasket-Valve Cover
5#	56107758	1	Cam Gear
6#	56107759	1	Flywheel
7#	56107760	1	Gasket Intake
8#	56107761	1	Gasket Exhaust
9#	56108215	1	Turbo Charger Assy
10#	56108216	1	Gasket-Turbo Exhaust In
11#	56108217	1	Gasket-Turbo Exhaust Out
12#	56108223	4	Glow Plug-Diesel Turbo
13#	56381961	1	Tube Coolant
14#	56381962	1	Hose Lower Radiator
15#	56383025	1	Cap-Oil Fill
16#	56419086	1	Fuel Filter Cartridge
17#	56419089	1	Starter Motor
18#	56508454	1	Thermostat Kit
19#	56508487	1	Oil Filter Cartridge
20#	56508490	1	Throttle/Shut Down Actuator
21#	56510970	1	Water Pump-D1305

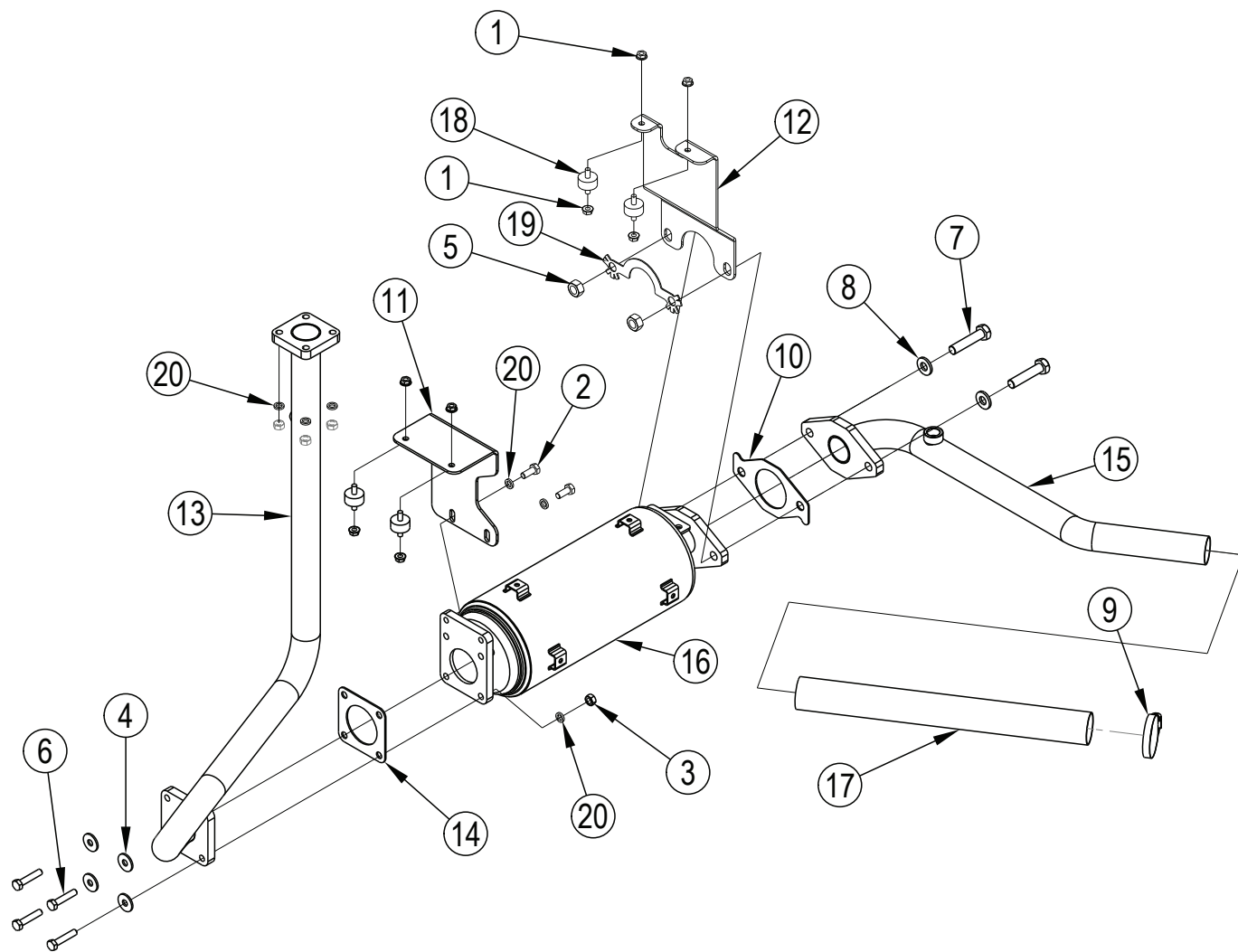
# = Revised or new since last update



## EXHAUST MUFFLER ASSY - DIESEL

Item	Ref. No.	Qty	Description
		1	Muffler Assembly-Diesel (Diesel models only) (items 1-3, 5-16)
1	56001827	8	Nut, Hex Flange Loc 1/4-20
2	56001939	4	Wsh, Fit SAE 5/16
3	56002667	4	Scr, Hex 5/16-18 x .75
4	56419107	1	Exhaust Gasket <b>NOTE 1</b>
5	56003787	4	Scr, Hex 3/8-24 x 1.50
6	56049999	1	Clamp, Hose SAE #28
7	56110399	1	LP/Petrol Tailpipe Weldt
8	56110459	1	Bracket, Muffler
9	56110797	1	Bracket, Muffler
10	56110868	1	Sleeve, Insulation
11	56111634	2	Lock, Screw
12	56305216	4	Stud Mount, Silicone
13	56305549	2	Gasket, Exhaust
14	2-00-03778	1	Plug, 1/8 NPT
15	56110624	1	Muffler
16	56110314	1	Exhaust Tube Weldment

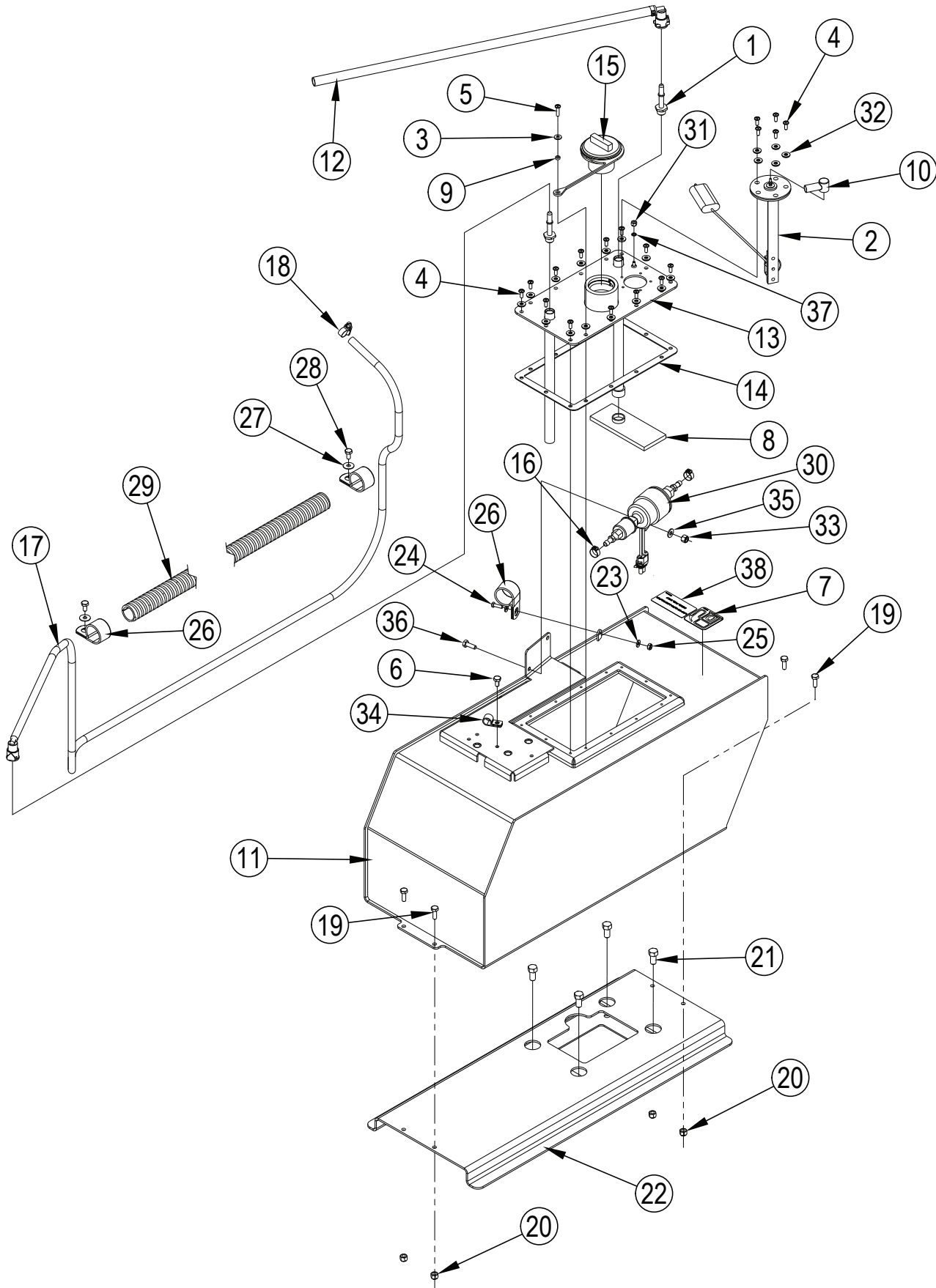
**NOTE 1:** Shipped with the engine.



**EXHAUST CATALYST ASSY - LPG**

Item	Ref. No.	Qty	Description
		1	Catalyst Assy-LP (items 1-20)
1	56001827	8	Nut, Hex Flange Loc 1/4-20
2	56003179	2	Scr, Hex Thd To Hd M8-1.25 X 20mm
3	56003352	4	Nut-Hex M8-1.25
4	56003362	4	Wsh, Flt 8mm
5	56003410	2	Nut-Hex M12-1.75
6	56003437	4	Scr-Hex SS M8-1.25 X 40mm
7	56003708	2	Scr-Hex M12-1.75 X 55mm
8	56003889	2	Wsh-Flt 12mm
9	56049999	1	Clamp- Hose SAE #28
10	56107592	1	Gasket-Cat Outlet
11	56108160	1	Bracket-Muffler LT
12	56108161	1	Bracket-Muffler RT
13	56108164	1	Exhaust Tube Weldment
14	56108174	1	Gasket-Cat Inlet
15	56108178	1	Tailpipe Weldment
16	56108181	1	Catalyst-Muffler
17	56108182	1	Sleeve-Insulation
18	56305216	4	Stud Mount, Silicone
19	56107616	1	Lock Screw
20	56003685	10	Wsh-Nord-Lock M8

FUEL TANK ASSY - DIESEL

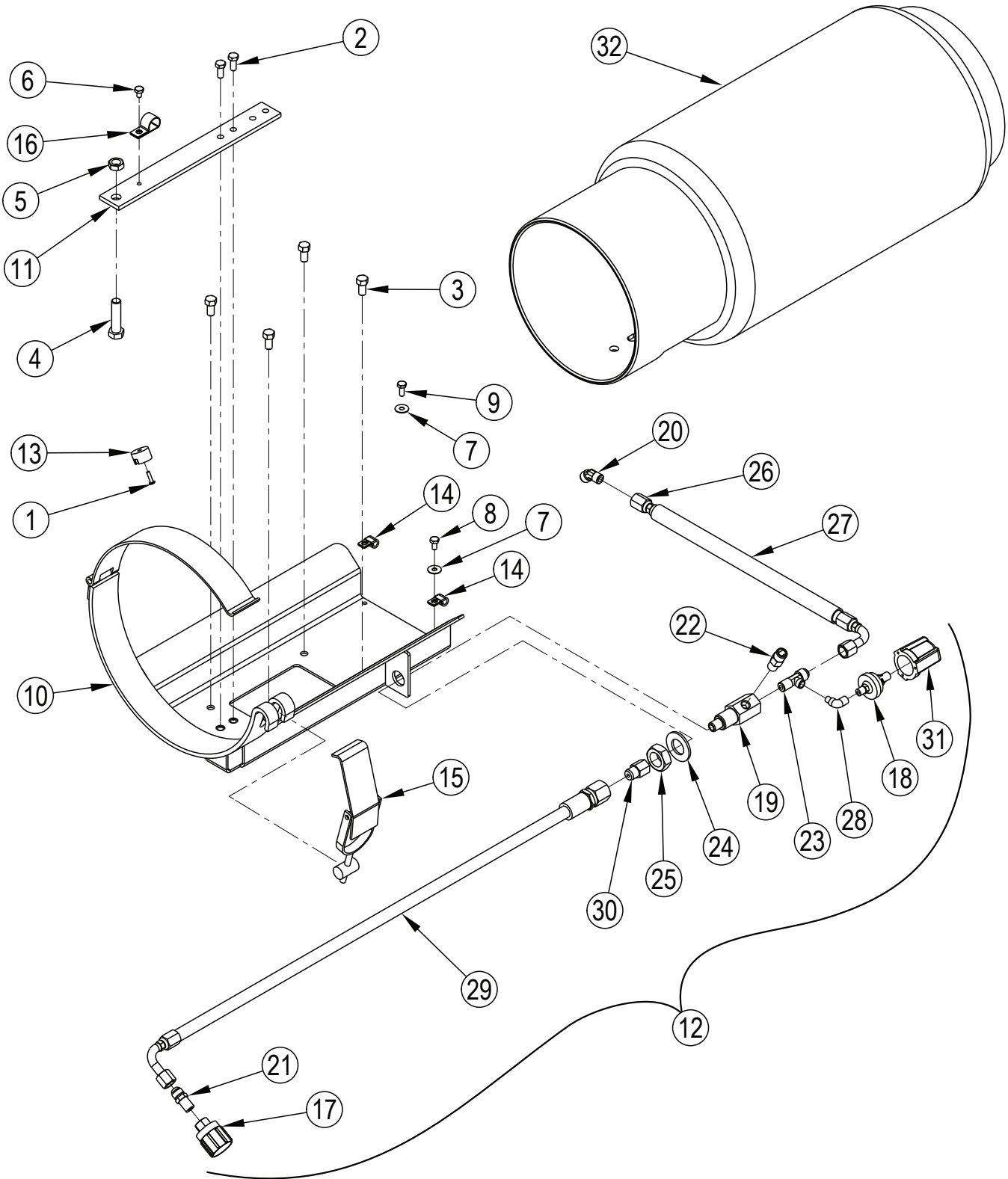


## FUEL TANK ASSY - DIESEL

Item	Ref. No.	Qty	Description
	56508333	1	Tank, Diesel Assembly (items 1-16, 31-38)
1	7-11-04083	2	-6 SAE X 5/16 Quick Connect Fitting
2	56478358	1	Sender, Fuel Level
3	56001954	1	Wsh, Flt SAE #10
4	56001993	18	Scr, Pan Phil 10-24 x .50
5	56002192	1	Scr, Pan Phil 10-24 x .75
6	56009033	1	Scr Hex Thd Form 1/4-20X.50
7	56025454	1	Decal, Diesel Fuel
8	56419307	1	Strainer, Fuel
9	56454275	1	Bushing, .20 x .31 x .12
10	56492305	1	Boot, Rubber
11	56507946	1	Fuel Tank Weldment
12	56507957	1	Hose Assembly
13	56508348	1	Cover Plate Weldment
14	56508349	1	Gasket, Cover
15	56508354	1	Fuel Cap
16	56508515	2	Clamp
17	56111325	1	Fuel Hose Assy
18	56756364	1	Clamp, Hose SAE #4
19	56002155	4	Scr, Hex 1/4-20 x .75
20	56002708	4	Nut, Hex Nyl Loc 1/4-20
21	56003079	4	Scr, Hex Hd Loc 3/8-16 x .75
22	56110475	1	Tank Mount Weldment
23	56001954	2	Wsh, Flt SAE #10
24	56002829	1	Scr, Hex 10-24 x .62
25	56002832	1	Nut, Hex Nyl Loc-Thin 10-24
26	56409463	3	Clamp, 1.25 Hose Support
27	56009025	2	Wsh, Flt .266 x .750 x .036
28	56009033	2	Scr, Hex Thd Form 1/4-20 x .50
29	56111506	1	Conduit, Hose 1.00
30	56508355	1	Fuel Pump, Electronic <b>NOTE 1</b>
31	56002808	1	Nut Hex Nyl Loc 8-32
32	56209261	19	Washer Sealing
33	56002708	1	Nut Hex Nyl Loc 1/4-20
34	56486112	1	Clamp P
35	56002098	1	Wsh Flt SAE ¼
36	2-00-00221	1	SCW-HHC .25-20 X .75 GR 8 ZN
37	2-00-00506	1	Lk Wash Int Tooth 8 Dia Screw
38	56109404	1	Decal-Low Sulfur Diesel

**NOTE 1:** Shipped with the engine.

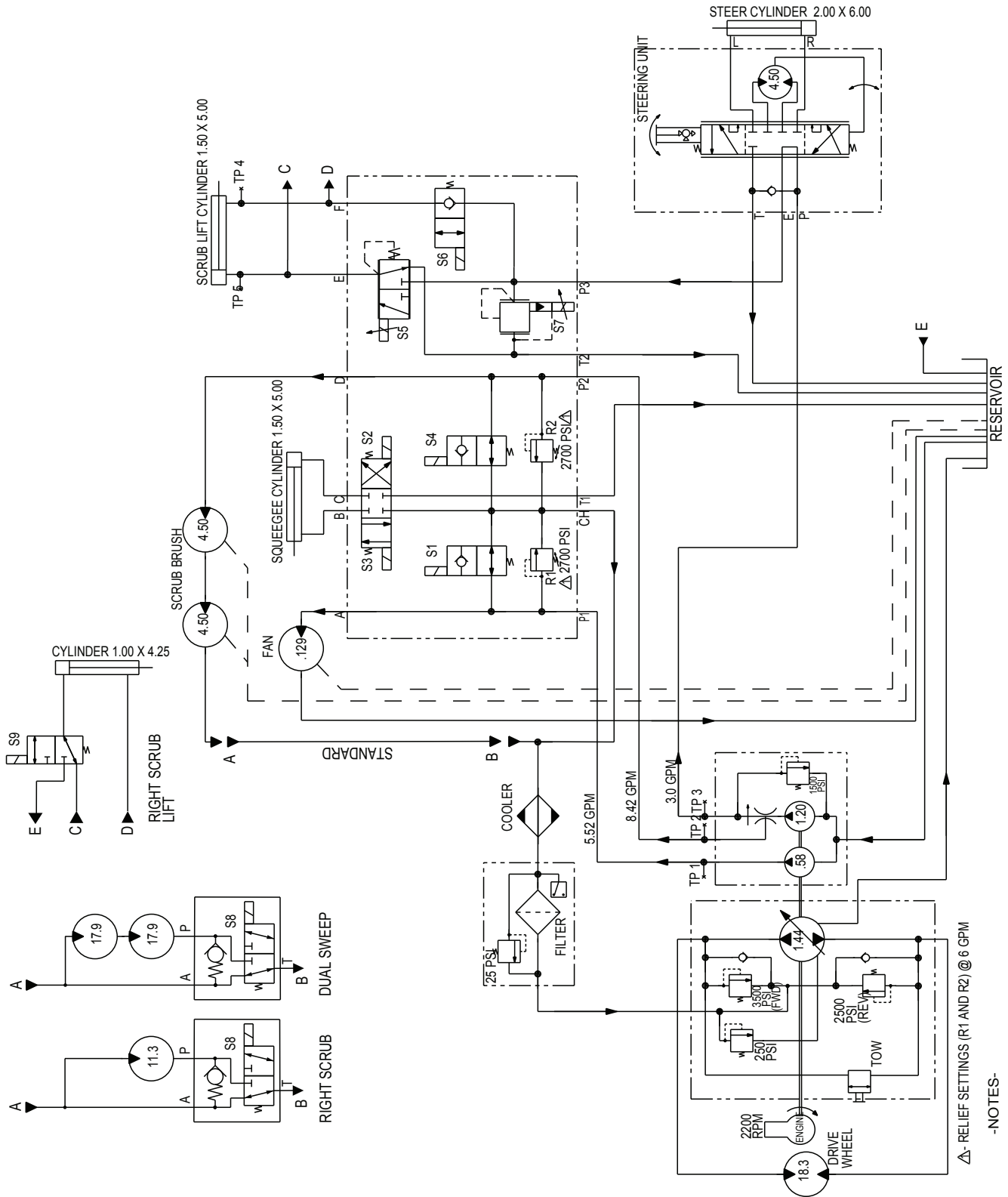
FUEL TANK ASSY - LPG



## FUEL TANK ASSY - LPG

Item	Ref. No.	Qty	Description
	56110468	1	LP Tank Bracket Assembly (items 1-16)
1	56002146	1	Scr, Pan Phil 8-32 x .62
2	56002956	2	Scr, Hex Hd Loc 5/16-18 x .75
3	56003079	4	Scr, Hex Hd Loc 3/8-16 x .75
4	2-00-04967	1	Scr, HHM 1/2-13 x 2.50 GR5 ZN
5	56009016	1	Nut, Hex Jam 1/2-13
6	56009019	1	Scr, Hex Thd Form 1/4-20 x .38
7	56009025	2	Wsh, Flt .266 x .750 x .036
8	56009033	1	Scr, Hex Thd Form 1/4-20 x .50
9	56009250	1	Scr, Hex Thd Form 1/4-20 x .62
10	56110469	1	LP Tank Bracket Weldt
11	56110472	1	Bar
12	56110659	1	LP Filter Assembly (items 17-31)
13	56110985	1	Magnet
14	56323260	2	Clamp, Hose Support
15	56481997	1	Toggle
16	2-00-04564	1	Cable Clamp
17	56369675	1	Coupler, Female
18	56418381	1	Switch, N.C. Pressure
19	56418934	1	Fitting, Bulkhead
20	56456598	1	Elbow, 45 Male 45 Flared
21	56456600	1	Adapter, Male
22	56456624	1	Vent 1/4 NPT
23	56900921	1	Tee
24	56002228	1	Wsh, Flt SAE 7/8
25	56002615	1	Nut, Hex Jam 7/8-14
26	56110660	1	LP Hose Assy
27	56110661	1	Conduit
28	56111309	1	Elbow, 90 Street
29	56111678	1	LP Hose Assy
30	56305505	1	Adapter, SAE 45 Deg.
31	56419241	1	Dust Boot
32	56456590	1	L.P. Tank, 33 Lbs.

HYDRAULIC SCHEMATIC



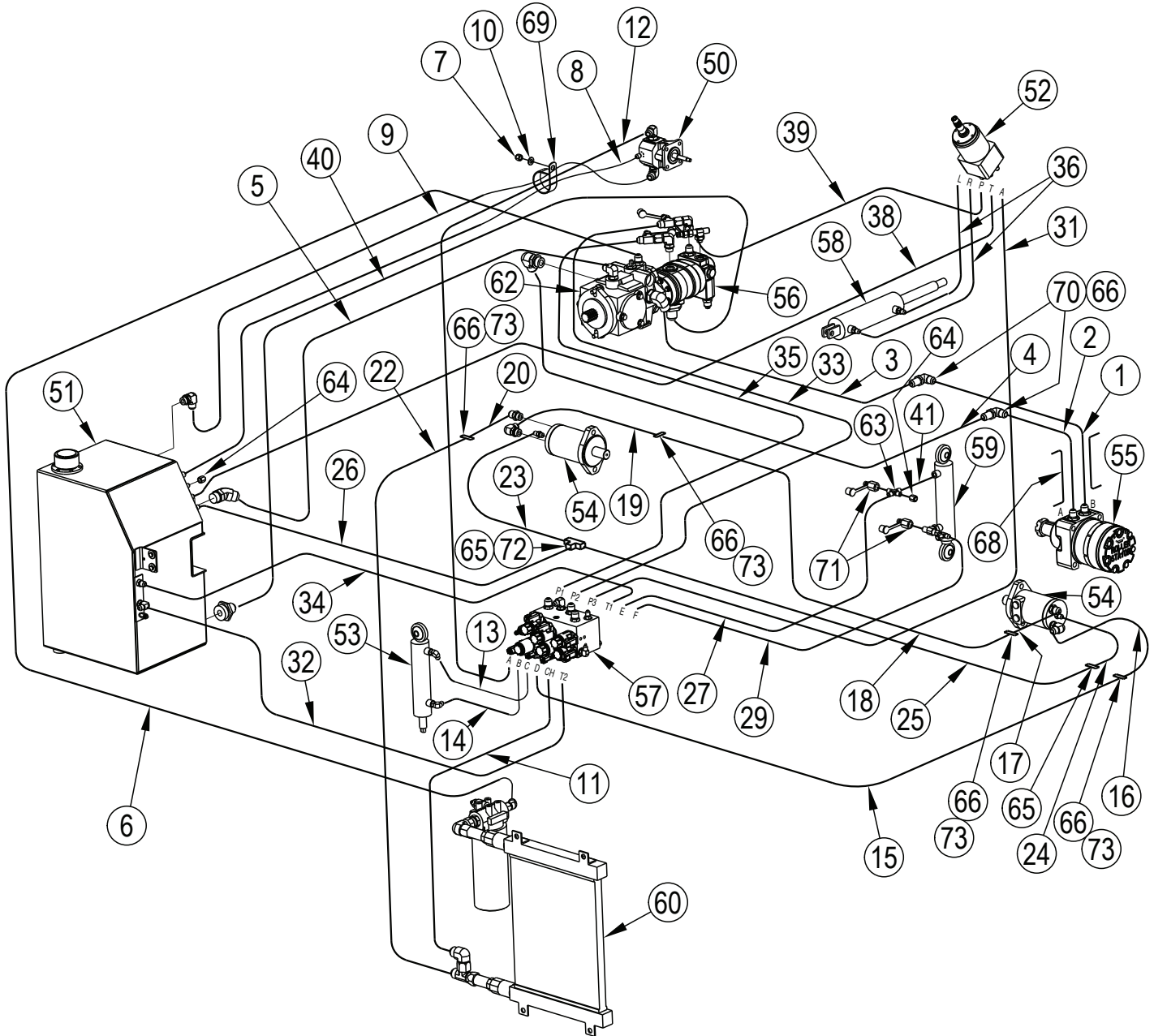
Δ- RELIEF SETTINGS (R1 AND R2) @ 6 GPM

-NOTES-



**THIS PAGE IS INTENTIONALLY BLANK**

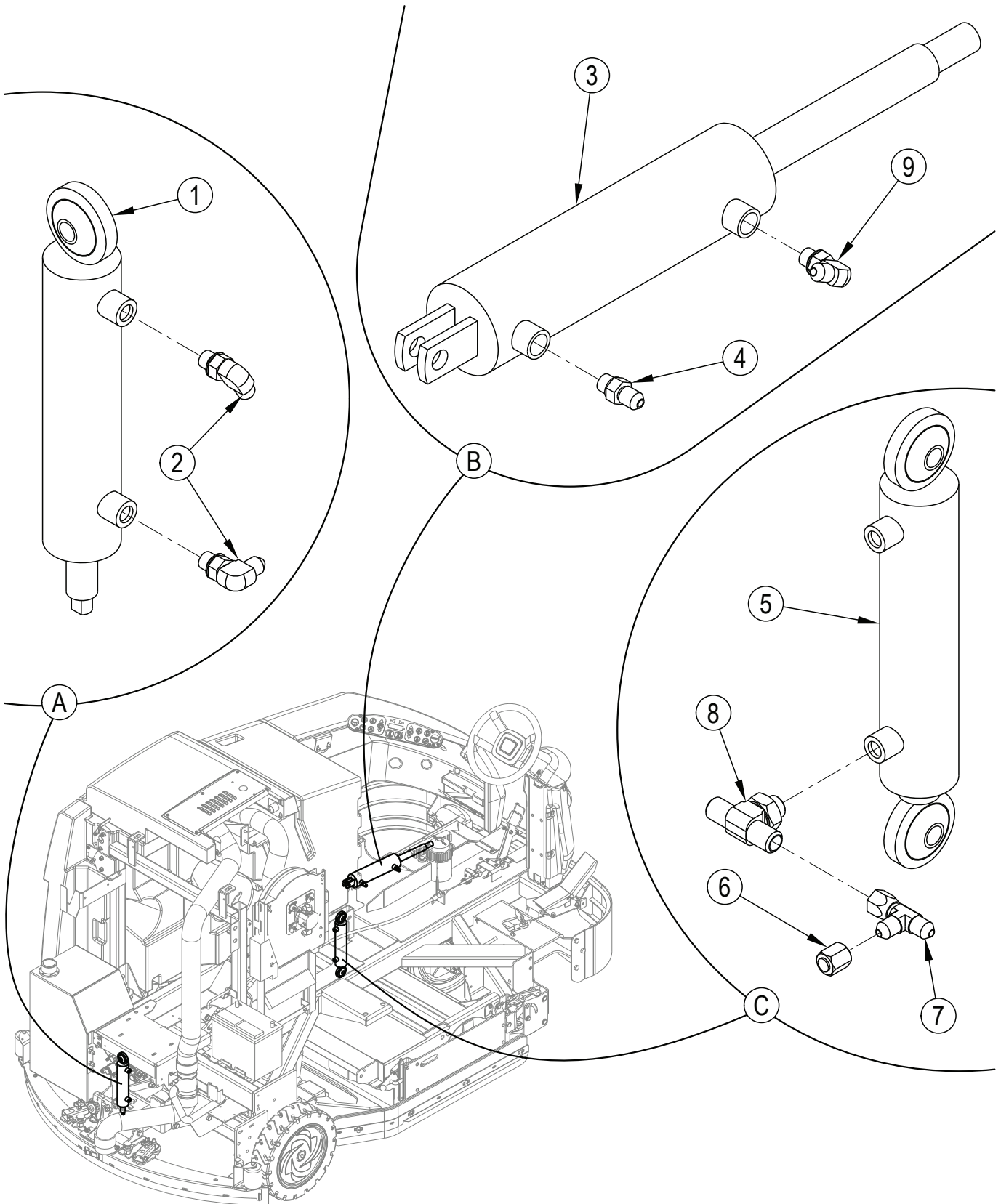
HYDRAULIC SYSTEM



## HYDRAULIC SYSTEM

Item	Ref. No.	Qty	Description	Item	Ref. No.	Qty	Description
1	56110670	1	Hose Assy	50	NA	1	Fan Motor Assembly
2	56110705	1	Hose Assy				<b>(see Hydraulic Motor Assemblies)</b>
3	56110671	1	Hose Assy	51	NA	1	Reservoir Assy
4	56110672	1	Hose Assy				<b>(see Hydraulic Oil Cooler - Reservoir)</b>
5	56110673	1	Hose Assy	52	NA	1	Steering Pump Assy
6	56108204	1	Hose Assy				<b>(see Hydraulic Motor Assemblies)</b>
7	56002769	1	Nut, Hex Nyl Loc 3/8-16	53	NA	1	Squeegee Cylinder Assy
8	56110676	1	Hose Assy				<b>(see Hydraulic Cylinder Assemblies)</b>
9	56110677	1	Hose Assy	54	NA	2	Hydraulic Motor Assy
10	56002063	1	Wsh Flt SAE 3/8				<b>(see Hydraulic Motor Assemblies)</b>
11	56110679	1	Hose Assy	55	NA	1	Drive Motor Assy
12	56110680	1	Hose Assy				<b>(see Hydraulic Motor Assemblies)</b>
13	56110681	1	Hose Assy	56	NA	1	Pump Assembly, Low Speed
14	56110682	1	Hose Assy				<b>(see Hydraulic Pump Assemblies)</b>
15	56110683	1	Hose Assy	57	NA	1	Valve Block Assy
16	56110684	1	Hose Assy				<b>(see Hydraulic Valve Block Assy)</b>
17	56110685	1	Hose Assy	58	NA	1	Cylinder Assembly, Steer
18	56110686	1	Hose Assy				<b>(see Hydraulic Cylinder Assemblies)</b>
19	56110687	1	Hose Assy	59	NA	1	Scrub Lift Cyl. Assy
20	56110688	1	Hose Assy				<b>(see Hydraulic Cylinder Assemblies)</b>
22	56110690	1	Hose Assy	60	NA	1	Oil Cooler Assy
23	56110691	1	Hose Assy				<b>(see Hydraulic Oil Cooler - Reservoir)</b>
24	56110692	1	Hose Assy	61			Intentionally Omitted
25	56110693	1	Hose Assy	62	NA	1	Pump Assembly <b>(see Hydraulic Pump Assemblies)</b>
26	56110694	1	Hose Assy	63	56111164	1	Union Cross
27	56110695	1	Hose Assy	64	56111165	2	End Cap, Flare Tube
29	56110697	1	Hose Assy	65	56418744	2	Locknut, Bulkhead
31	56110699	1	Hose Assy	66	56418745	8	Locknut, Bulkhead
32	56110700	1	Hose Assy	68	56463427	1	Sleeve, Nylon
33	56110701	1	Hose Assy	69	56315257	1	Clamp, P
34	56110702	1	Hose Assy	70	56900404	2	Elbow, 90 Bulkhead Union
35	56110703	1	Hose Assy	71	56900906	2	Nipple, Test
36	56110704	2	Hose Assy	72	56900927	1	Tee, Bulkhead Run
38	56110706	1	Hose Assy	73	56002139	4	Wsh, Int Shprf 3/4
39	56110707	1	Hose Assy				
40	56110708	1	Hose Assy				
41	56110739	1	Hose Assy				

### HYDRAULIC CYLINDER ASSEMBLIES

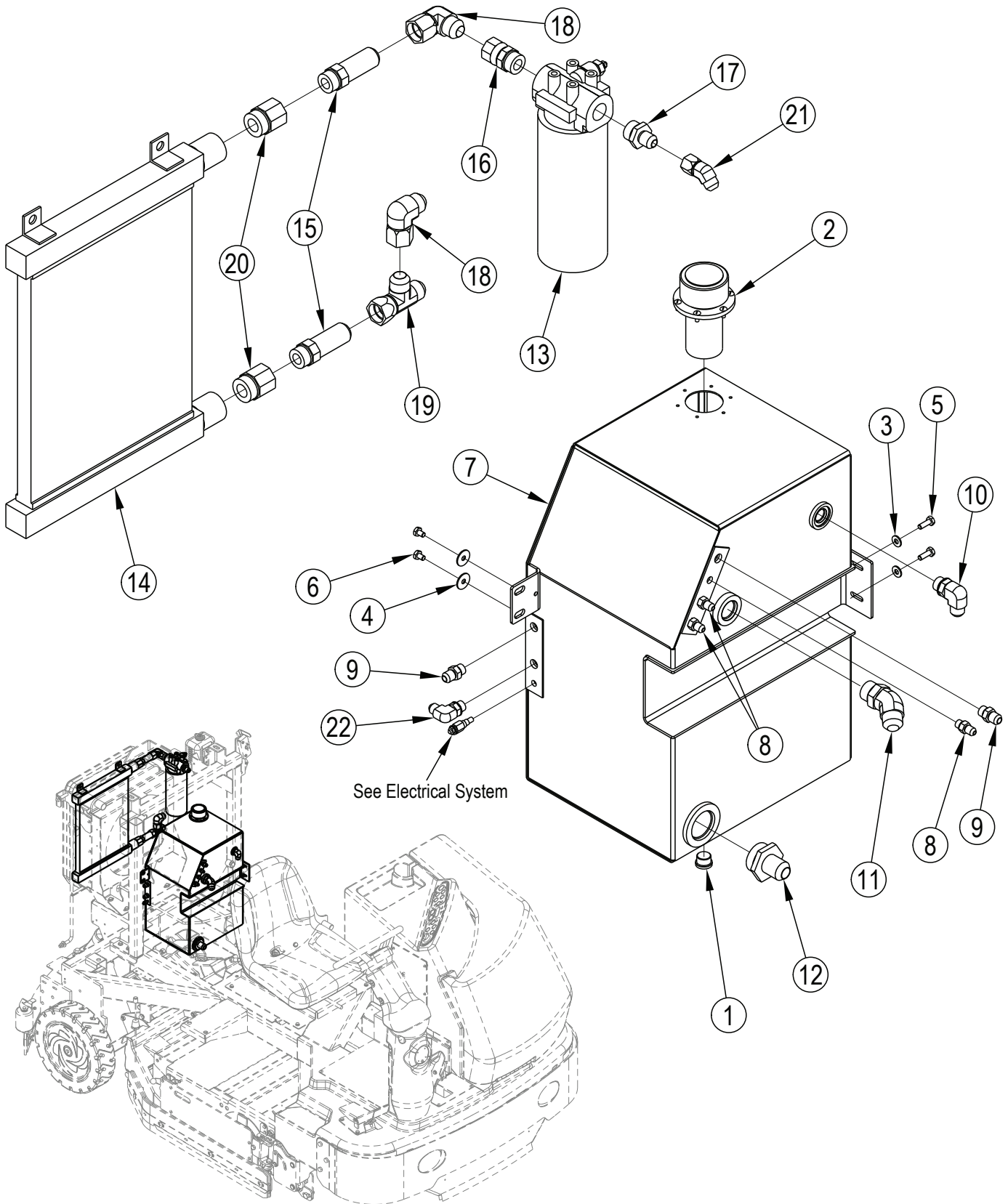


## HYDRAULIC CYLINDER ASSEMBLIES

Item	Ref. No.	Qty	Description
<b>A</b>	NA	1	Squeegee Cylinder Assy ( <b>items 1-2</b> )
1	56110262	1	Cylinder, Hydraulic 1.5 x 5
*	56305702	1	Seal Kit for 56110262
2	56900101	2	Elbow, 90 O-Ring
<b>B</b>	NA	1	Cylinder Assembly, Steer ( <b>items 3-4, 9</b> )
3	56304933	1	Cylinder, Hydraulic 2 x 6
*	56488723	1	Seal Kit for 56304933
4	56900001	1	Connector, O-Ring
9	56900101	1	Elbow, 90 O-Ring
<b>C</b>	NA	1	Scrub Lift Cyl. Assy ( <b>items 5-8</b> )
5	56110370	1	Cylinder, Hydraulic 1.50 x 5.00
*	56110723	1	Seal Kit for 56110370
6	56111165	1	End Cap, Flare Tube
7	56900341	1	Tee, Run W/Nut
8	56900356	1	Tee, Branch O-Ring

\* = Optional, Not Included

HYDRAULIC OIL COOLER - RESERVOIR

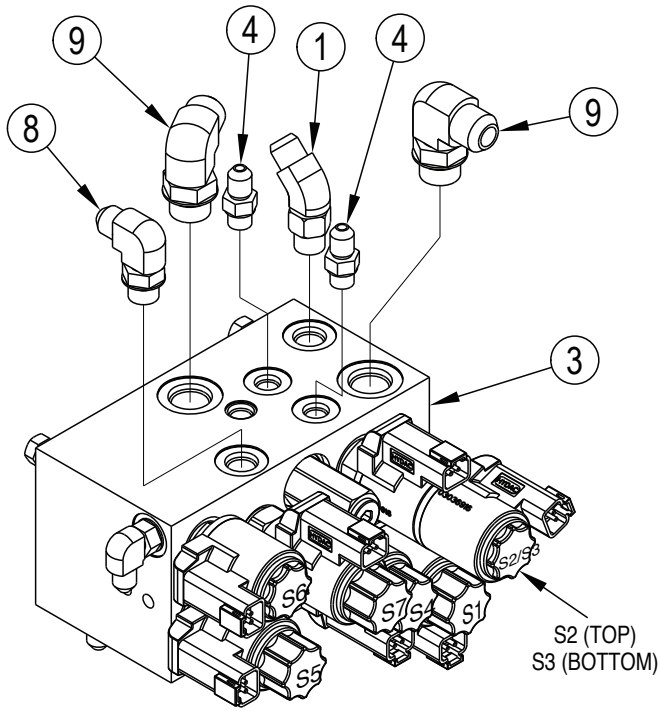


## HYDRAULIC OIL COOLER - RESERVOIR

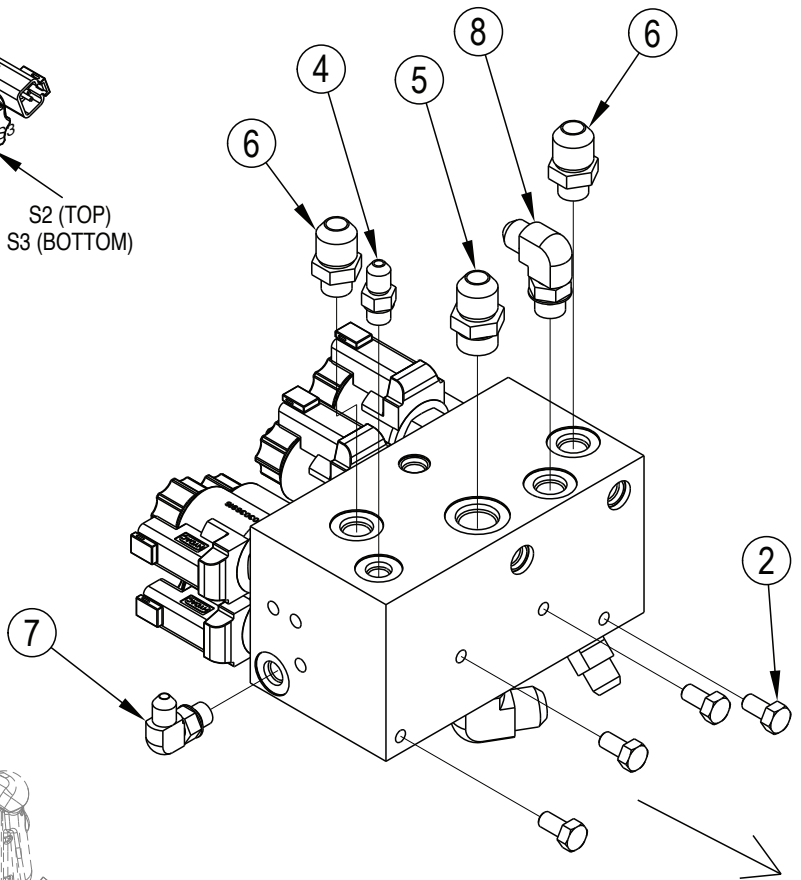
Item	Ref. No.	Qty	Description
	NA	1	Reservoir Assembly ( <b>items 1-12, 22</b> )
1	56463403	1	Plug, Hex Soc O-Ring
2	56479656	1	Cap, Filler
3	56002098	2	Wsh, Flt SAE 1/4
4	56009002	2	Wsh, Flt .266 X .906 X .060
5	56009018	2	Scr, Hex Thd Form 1/4-20 X .75
6	56009019	2	Scr, Hex Thd Form 1/4-20 X .38
7	56110170	1	Reservoir Weldment
8	56900001	3	Connector, O-Ring
9	56900003	2	Connector, O-Ring
10	56900104	1	Elbow, 90 O-Ring
11	56900156	1	Elbow, 45 O-Ring W/Nut
12	56900451	1	Connector, O-Ring
22	56900103	1	Elbow, 90 O-Ring
	56110665	1	Oil Cooler Assembly ( <b>items 13-21</b> )
13	56456449	1	Filter, Oil
*	56496209	A/R	Replacement Filter
14	56463678	1	Cooler, Oil
15	56110978	2	Fitting, Long Straight
16	56110981	1	Fitting, Swivel Str
17	56900016	1	Connector, O-Ring
18	56900306	2	Elbow, 90 W/Nut
19	56900346	1	Tee, Run W/Nut
20	56900608	2	Reducer, O-Ring
21	56900324	1	Elbow, 45 W/Nut

\* = Optional, Not Included

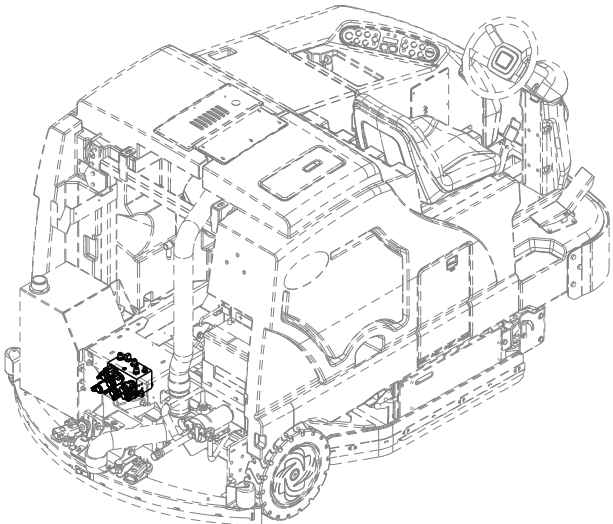
### HYDRAULIC VALVE BLOCK ASSY



BOTTOM VIEW



FRONT OF MACHINE



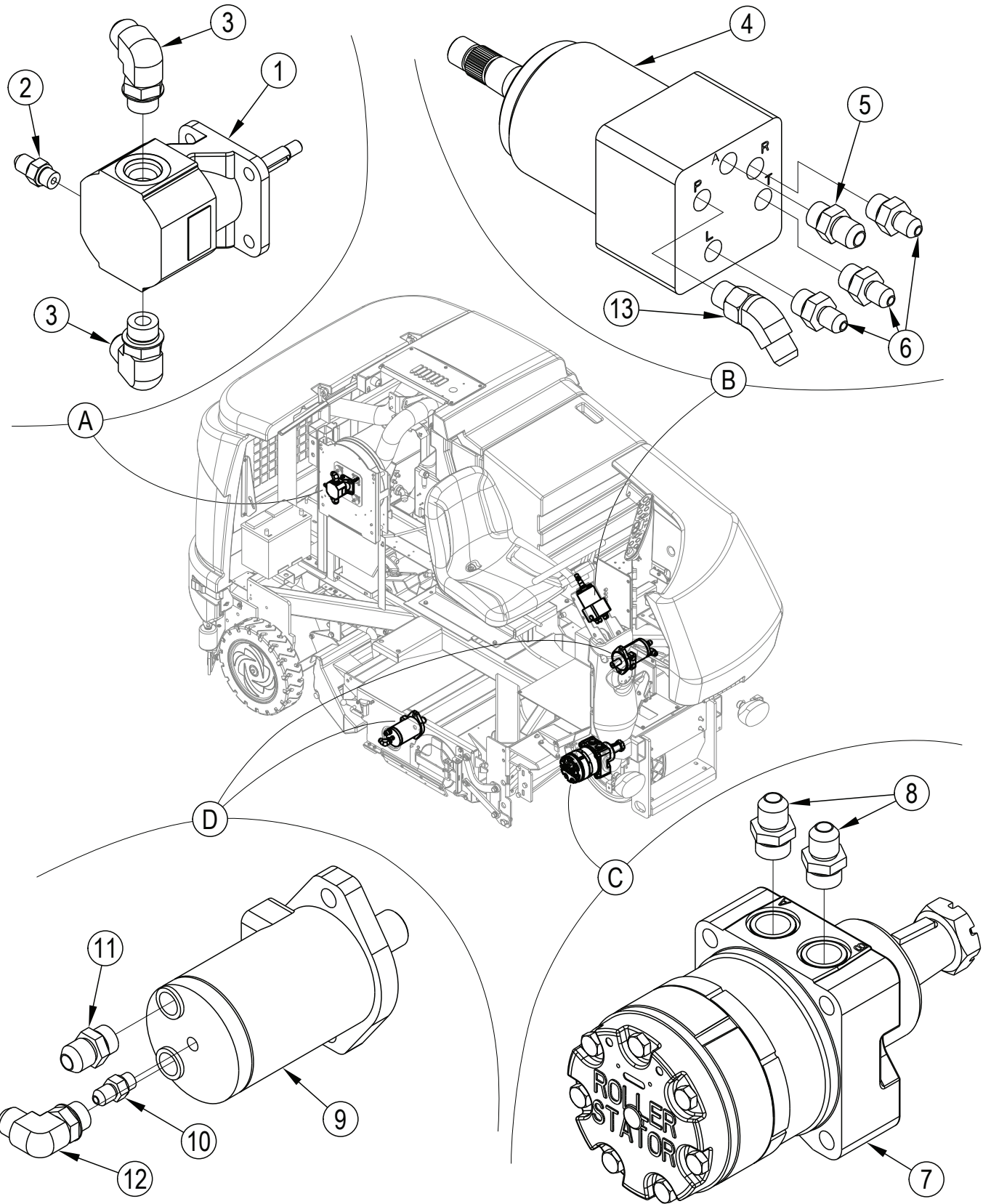


## HYDRAULIC VALVE BLOCK ASSY

Item	Ref. No.	Qty	Description
1	56900153	1	Elbow, 45 O-Ring W/Nut
2	56002929	4	Scr, Hex Hd Loc 5/16-18 x .62
3	56110271	1	Valve Block, Hydraulic
*	56110717	A/R	Valve Cartridge S2/S3
*	56110718	A/R	Valve Cartridge S6
*	56110719	A/R	Valve Cartridge S1, S4
*	56110720	A/R	Proportioning Cartridge S7
*	56110721	A/R	Proportioning Relieving Cartridge S5
*	56419397	A/R	Relief Cartridge 2
*	56111194	A/R	Relief Cartridge 7
*	56110712	A/R	Coil S1, S2, S3, S4, S6
*	56110716	A/R	Coil S5, S7
*	56305348	A/R	Seal Kit S2/S3
*	56305354	A/R	Seal Kit S6, S7, Relief 2
*	56111198	A/R	Seal Kit S1, S4
*	56305349	A/R	Seal Kit S5
*	56305822	A/R	Seal Kit Relief 7
4	56900001	3	Connector, O-Ring
5	56900004	1	Connector, O-Ring
6	56900020	2	Connector, O-Ring
7	56900101	1	Elbow, 90 O-Ring
8	56900103	2	Elbow, 90 O-Ring
9	56900104	2	Elbow, 90 O-Ring

\* = Optional, Not Included

HYDRAULIC MOTOR ASSEMBLIES

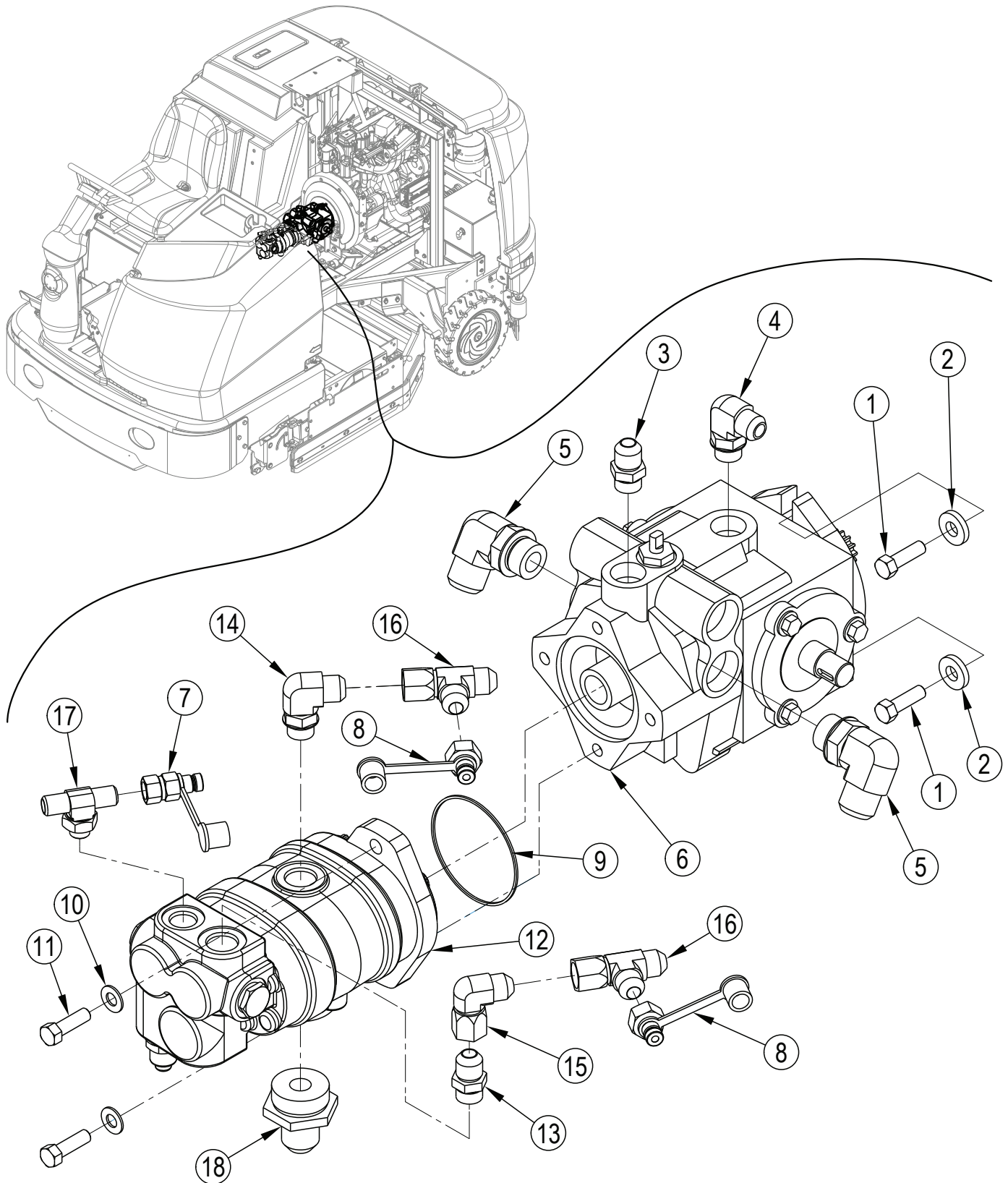


## HYDRAULIC MOTOR ASSEMBLIES

Item	Ref. No.	Qty	Description
A	NA	1	Fan Motor Assembly <b>(items 1-3)</b>
1	56110061	1	Motor, Hydraulic .129 Cir
*	56418823	1	Seal Kit for 56110061
2	56900001	1	Connector, O-Ring
3	56900104	2	Elbow, 90 O-Ring
B	NA	1	Steering Pump Assembly <b>(items 4-6, 13)</b>
4	56111518	1	Steering Pump
*	56419521	1	Seal Kit for 56111518
5	56900003	1	Connector, O-Ring
6	56900011	3	Connector, O-Ring
13	56900153	1	Elbow, 45 O-Ring W/Nut
C	NA	1	Drive Motor Assembly <b>(items 7-8)</b>
7	56110351	1	Motor, Traction Drive
*	56507618	1	Seal Kit for 56110351
8	56900015	2	Connector, O-Ring
D	56110339	1	Hydraulic Motor Assembly <b>(items 9-12)</b>
9	56497525	1	Motor, Main Broom
*	56479577	1	Seal Kit for 56497525
*	56307149	1	Viton Seal Kit for 56497525
10	56900001	1	Connector, O-Ring
11	56900004	1	Connector, O-Ring
12	56900104	1	Elbow, 90 O-Ring

\* = Optional, Not Included

### HYDRAULIC PUMP ASSEMBLIES

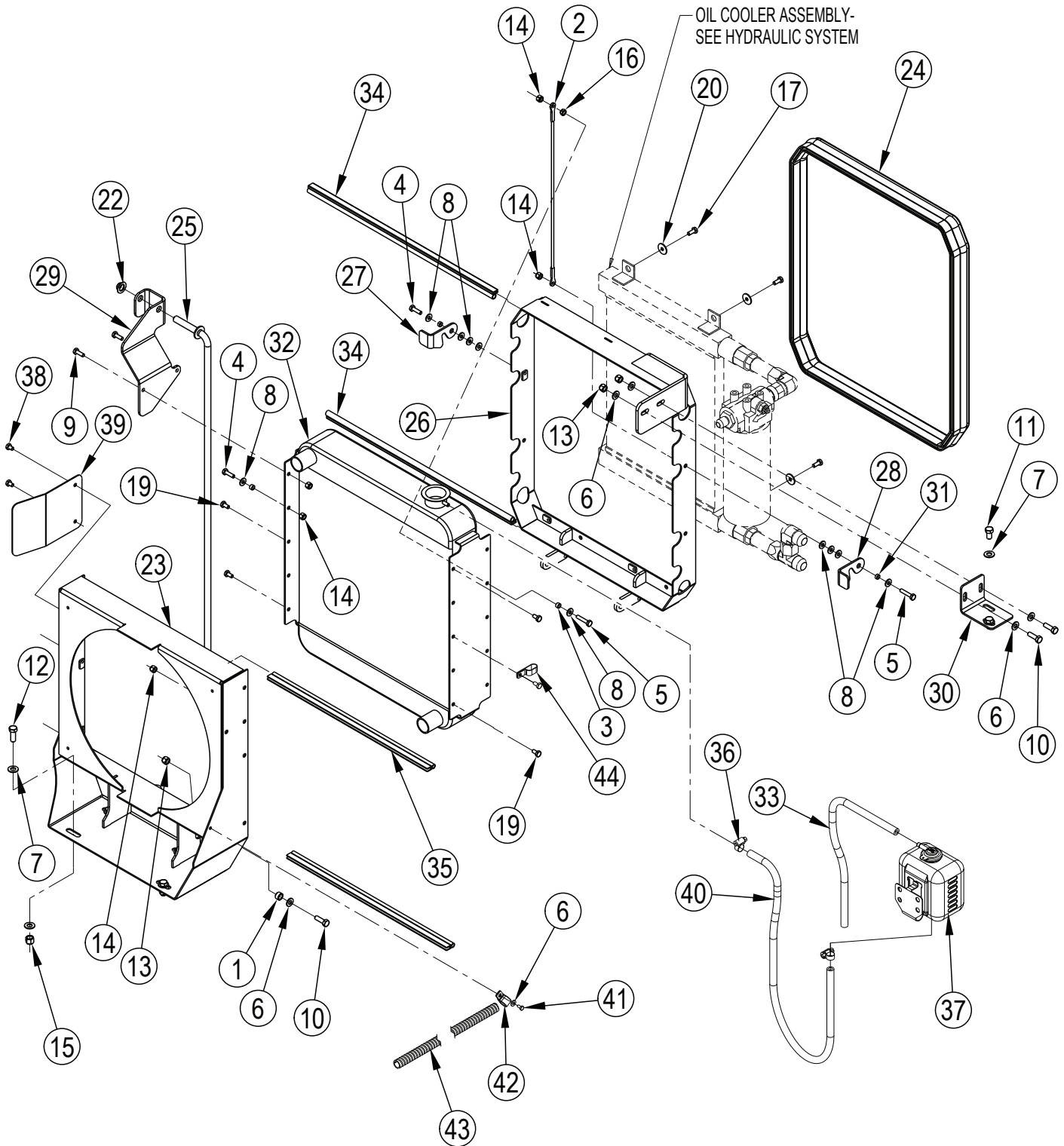


## HYDRAULIC PUMP ASSEMBLIES

Item	Ref. No.	Qty	Description
	NA	1	Pump Assembly (items 1-6)
1	56003029	2	Scr, Hex Hd Loc 3/8-16 x 1.25
2	56009106	2	Wsh, Flt .453 x 1.000 x .179
3	56900004	1	Connector, O-Ring
4	56900104	1	Elbow, 90 O-Ring
5	56900106	2	Elbow, 90 O-Ring
6	56304112	1	Pump, Piston
*	56305360	A/R	Seal Kit for 56304112
*	56111605	A/R	Relief Valve for 56304112
	NA	1	Pump Assembly Low Speed (items 7-18)
7	56418865	1	Coupling, #6 Test Port
8	56418866	2	Coupling, #8 Test Port
9	56488002	1	O-Ring
10	56002063	2	Wsh, Flt SAE 3/8
11	56003029	2	Scr, Hex Hd Loc 3/8-16 x 1.25
12	56110371	1	Pump, Dual Low Speed
*	56418987	A/R	Seal Kit for 56110371
*	56111496	A/R	Relief Cartridge for 56110371
13	56900004	1	Connector, O-Ring
14	56900104	1	Elbow, 90 O-Ring
15	56900304	1	Elbow, 90 W/Nut
16	56900344	2	Tee, Run W/Nut
17	56900353	1	Tee, Branch O-Ring
18	56900451	1	Connector, O-Ring

\* = Optional, Not Included

### RADIATOR ASSY

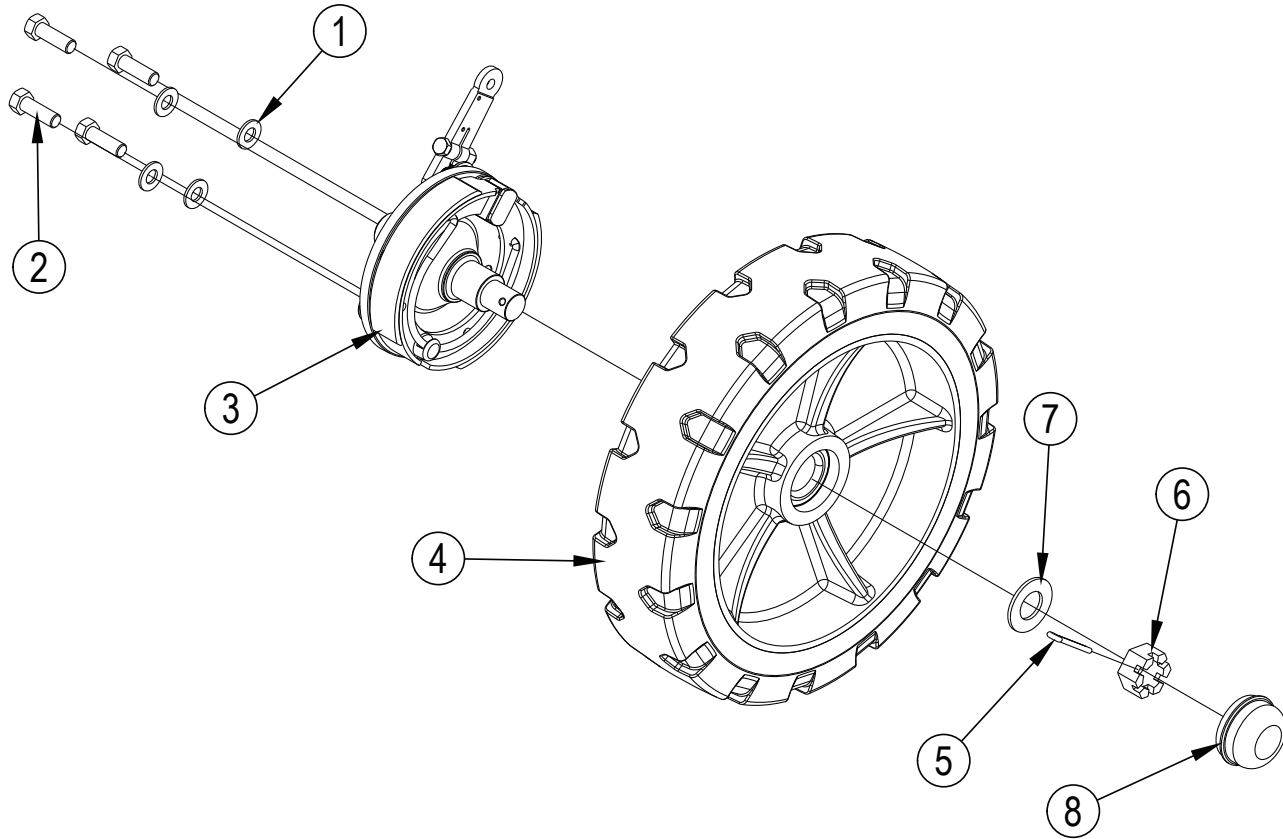


## RADIATOR ASSY

Item	Ref. No.	Qty	Description
1	56232181	2	Bushing
2	56108194	1	Cable
3	56368997	2	Bushing
4	56001821	2	Scr, Hex 1/4-20 x .88
5	56001878	2	Scr, Hex 1/4-20 x 1.25
6	56001939	6	Wsh, Flt SAE 5/16
7	56002063	10	Wsh, Flt SAE 3/8
8	56002098	10	Wsh, Flt SAE 1/4
9	56002155	2	Scr, Hex 1/4-20 x .75
10	56002221	4	Scr, Hex 5/16-18 x 1.00
11	56002234	2	Scr, Hex 3/8-16 x .62
12	56002663	4	Scr, Hex 3/8-16 x 1.00
13	56002701	4	Nut, Hex Nyl Loc 5/16-18
14	56002708	5	Nut, Hex Nyl Loc 1/4-20
15	56002769	4	Nut, Hex Nyl Loc 3/8-16
16	56002840	1	Nut, Hex Nyl Loc-Thin 1/4-20
17	56002922	4	Scr, Hex Hd Loc 1/4-20 x .62
19	56003039	5	Scr, Hex Hd Loc 1/4-20 x .50
20	56009002	4	Wsh, Flt .266 x .906 x .060
22	56009097	1	Nut, Push Cap 1/2
23	56110242	1	Fan Shroud Weldment
24	56110656	1	Gasket, Radiator
25	56110966	1	Prop Rod Weldt
26	56111233	1	Oil Cooler Mnt Weldt
27	56111237	1	Latch, Oil Cooler-Rt
28	56111238	1	Latch, Oil Cooler-Lt
29	56111245	1	Bracket, Hood Prop
30	56111530	1	Bracket, Oil Filter
31	56163872	2	Bushing
32	56305316	1	Radiator
*	56456431	1	Cap, Radiator
33	56305443	1	Hose (20")
34	56305502	2	Trim-Seal, Raw
35	56418955	2	Gasket
36	56756364	2	Clamp, Hose SAE #4
37	7-07-02002	1	Over-Flow Bottle, 1.0 L
38	56009019	2	Scr, Hex Thd Form 1/4-20 x .38
39	56111735	1	Plate, Shield
40	56108205	1	Hose (22")
41	56009033	1	Scr Hex Thd Form 1/4-20X.50
42	56496276	1	Clamp Hose Support
43	56108211	1	Conduit Black .75
44	2-00-04603	1	Clampdouble 1/2 OD

\* = Optional, Not Included

REAR WHEEL SYSTEM



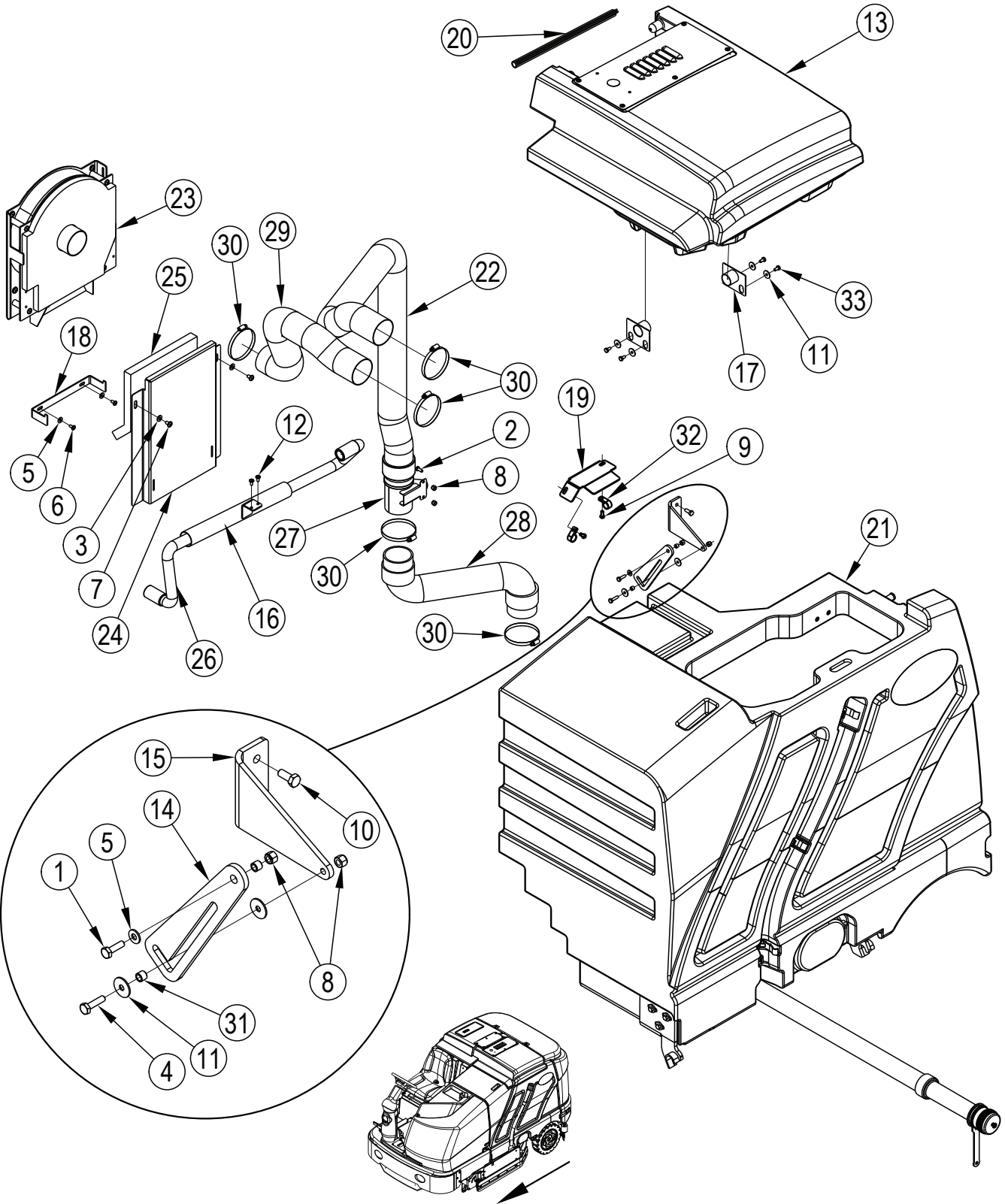


## REAR WHEEL SYSTEM

Item	Ref. No.	Qty	Description
1	56001879	8	Wsh-Flt Sae 1/2
2	56003778	8	Scr, Hex Loc 1/2-20 X 1.50 Grade 8
3	56109728	2	Assembly-Spindle-Brake
[ ]	56510762	2	Brake Shoe Kit
4#	56383402	2	Wheel-Mold-On 16.2X4 <b>TSB-FC-2013-124</b>
[ ]	56509532	1	Bearing-Wheel ( <b>for 56383402</b> )
[ ]	56509533	1	Ring-Snap ( <b>for 56383402</b> )
5	2-00-02436	2	Pin, Cotter
6	2-00-05026	2	1" X 14 Slotted Nut
7	2-00-05239	2	Washer, Spacer
8	8-11-00030	2	Grease Cap

# = Revised or new since last update

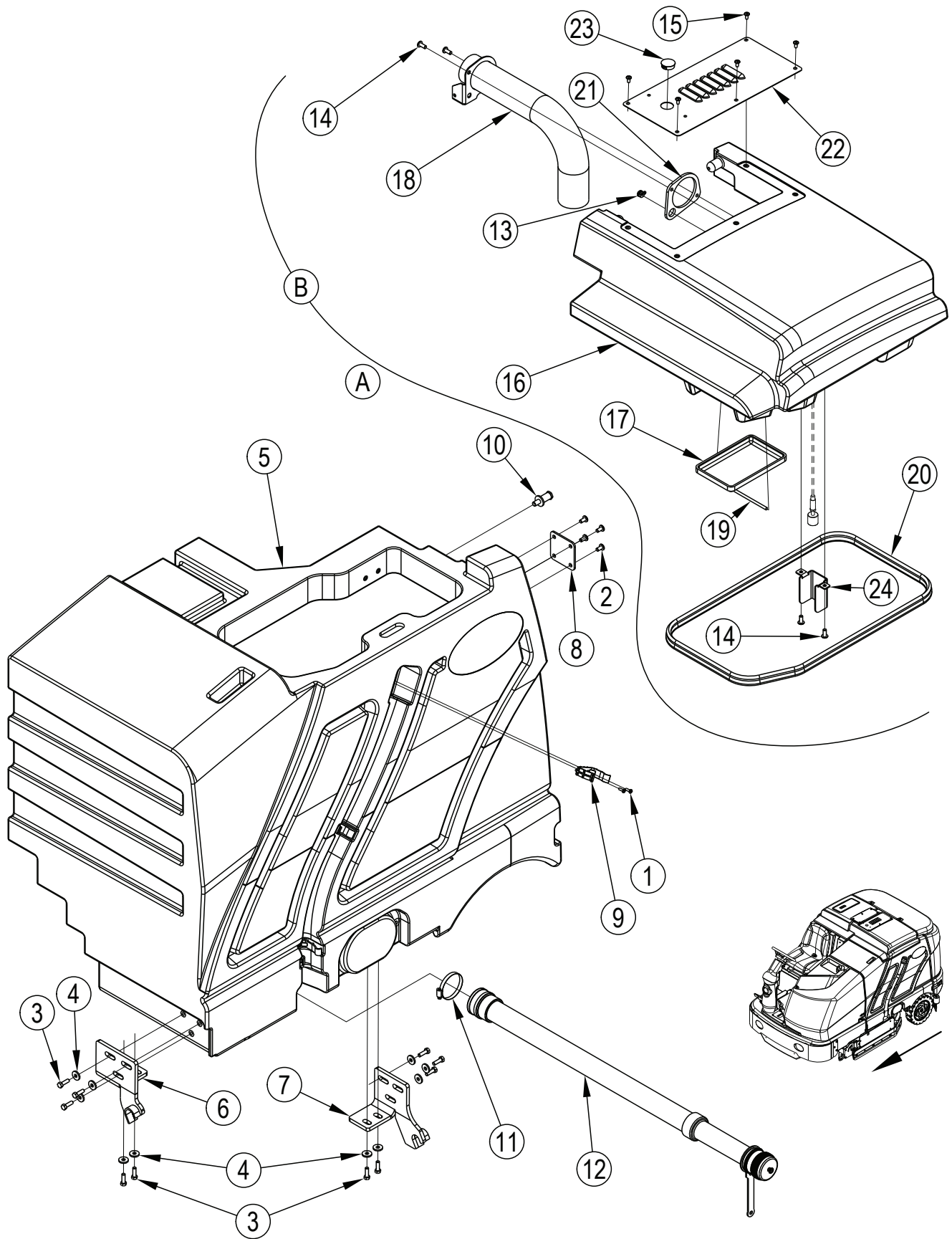
RECOVERY SYSTEM - 1



## RECOVERY SYSTEM - 1

Item	Ref. No.	Qty	Description
1	56001821	1	Scr, Hex 1/4-20 x .88
2	56001836	2	Scr, Hex 1/4-20 x .62
3	56001939	2	Wsh, Flt SAE 5/16
4	56002093	1	Scr, Hex 1/4-20 x 1.00
5	56002098	3	Wsh, Flt SAE 1/4
6	56002145	2	Scr, Pan Phil 1/4-20 x .50
7	56002281	2	Scr, Pan Phil 5/16-18 x .50
8	56002708	4	Nut, Hex Nyl Loc 1/4-20
9	56002922	2	Scr, Hex Hd Loc 1/4-20 x .62
10	56002956	2	Scr, Hex Hd Loc 5/16-18 x .75
11	56009002	6	Wsh, Flt .266 x .906 x .060
12	56009062	2	Scr, Pan Phil Thd Form 1/4-20 x .50
13	NA	1	Cover Assembly, Recovery Tank ( <b>see Recovery System - 2</b> )
14	56110571	1	Prop, Rec. Tank Cover
15	56111954	1	Bracket, Prop
16	56110667	1	Tube Weldment
17	56111952	2	Hinge Support Weldment
18	56110867	1	Bracket, Panel Mounting
19	56111953	1	Plate, Tube Support
20	56110912	1	Gasket
21	56111078	1	Recovery Tank Assembly( <b>see Recovery System - 2</b> )
22	56111089	1	Hose Assy, Cuffed 3.00
23	56111549	1	Vac Fan Assy( <b>see Vac Fan Assy</b> )
24	56111559	1	Panel Weldt
25	56111568	1	Foam, Sound
26	56111772	1	Hose Assy, Cuffed 1.00
27	56111774	1	Tube Weldment
28	56305377	1	Hose Assembly, Squeegee
29	56331332	1	Hose, Vac, 3.00 x 31.25 x 975003
30	56352829	5	Clamp, Hose SAE #52
31	56368989	2	Bushing
32	56486112	2	Clamp, P
33	56003039	4	Scr, Hex Hd Loc 1/4-20 x .50

RECOVERY SYSTEM - 2

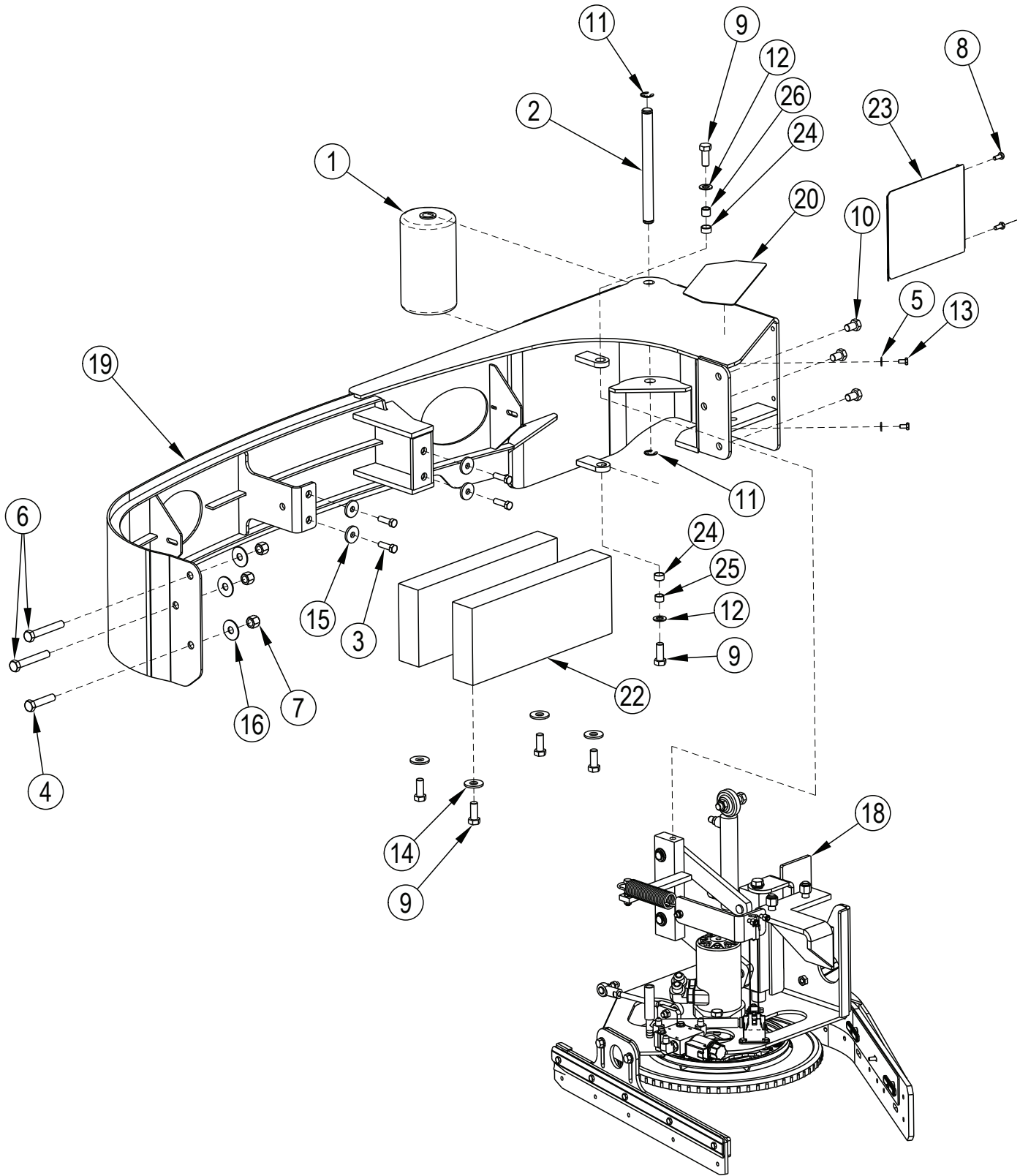


## RECOVERY SYSTEM - 2

Item	Ref. No.	Qty	Description
A	56111078	1	Recovery Tank Assembly <b>(items 1-12)</b>
1	56002896	6	Scr, Pan Phil SS 10-24 x .62
2	56003003	4	Scr, Pan Phil 5/16-18 x .62
3	56003073	10	Scr, Hex Hd Loc 5/16-18 x 1.00
4	56009122	10	Wsh, Flt .344 x .938 x .125
5	56110390	1	Tank, Recovery
6	56111903	1	Front Pivot Weldment
7	56111904	1	Rear Pivot Weldment
8	56111905	1	Tether Mount Weldment
9	56212236	3	Clamp, Plastic
10	56304864	1	Pin, Slam Lock
11	56456797	1	Clamp, Hose SAE #36
12	56383259	1	Drain Hose Ribbed
*	56601410	1	Drain Hose Extension (121" (307cm))
B	NA	1	Cover Assembly, Recovery Tank <b>(items 13-24)</b>
13	56201596	1	Strain Relief
14	56003014	4	Scr, Pan Phil Ss 5/16-18 x .75
15	56009069	5	Scr, Pan Phil Loc 1/4-20 x .50
16	56110455	1	Cover, Recovery Tank
17	56110560	1	Screen, Recovery Tank
18	56110562	1	Tube Weldment
19	56110579	1	Pin, Filter
20	56110580	1	Gasket
21	56110581	1	Gasket
22	56110637	1	Cover
23	56111444	1	Button Plug-1.25
24	56111737	1	Switch Shield

\* = Optional, Not Included

RIGHT SCRUB SYSTEM - 1

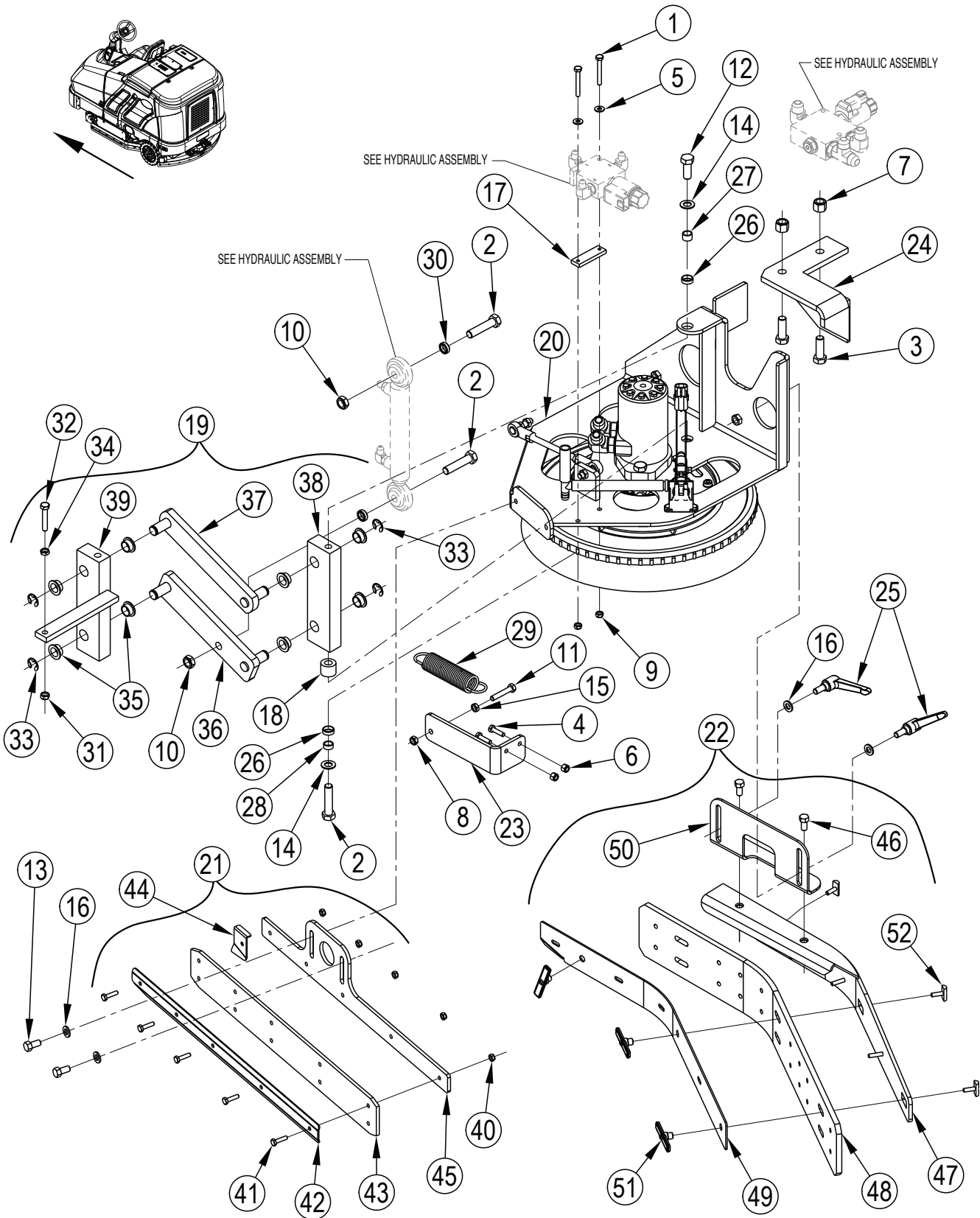


## RIGHT SCRUB SYSTEM - 1

Item	Ref. No.	Qty	Description
1	56409335	1	Bumper
2	56409336	1	Pin
3	56001858	4	Scr, Hex 3/8-16 X 1.25
4	56001920	1	Scr, Hex 1/2-13 X 2.25
5	56002098	2	Wsh, Flt SAE 1/4
6	56002116	2	Scr, Hex 1/2-13 X 3.25
7	56002770	3	Nut, Hex Nyl Loc 1/2-13
8	56002922	2	Scr, Hex Hd Loc 1/4-20 x .62
9	56003022	6	Scr, Hex Hd Loc 1/2-13x1.25
10	56003032	3	Scr, Hex Hd Loc 1/2-13x.75
11	56003266	2	Ring, Ret Ext Type E 0.75 Dia
12	56009017	2	Wsh, Flt Harden .516 x .938 x .75
13	56009033	2	Scr, Hex Thd Form 1/4-20 x .50
14	56009115	4	Wsh, Flt Harden .594 x 1.375 x .134
15	56009195	4	Wsh, Flt .406 x 1.25 x .164
16	56009216	3	Wsh, Flt .531 x 1.5 x .075
[ ]	56110547	1	Harness, Side Scrub
18	NA	1	Right Scrub Assy ( <b>See Right Scrub System - 2</b> )
19	56111950	1	Bumper Weldment
20	56111251	1	Mat, Step
[ ]	NA	1	Right Scrub Hyd Assy ( <b>see Right Scrub System Hydraulics</b> )
22	56111487	2	Weight
23	56111951	1	Cover, Right Scrub
24	56305553	2	Bearing, .719 x .625 x .375
25	56360627	1	Bushing
26	56367206	1	Bushing

[ ] = Not Shown

RIGHT SCRUB SYSTEM - 2





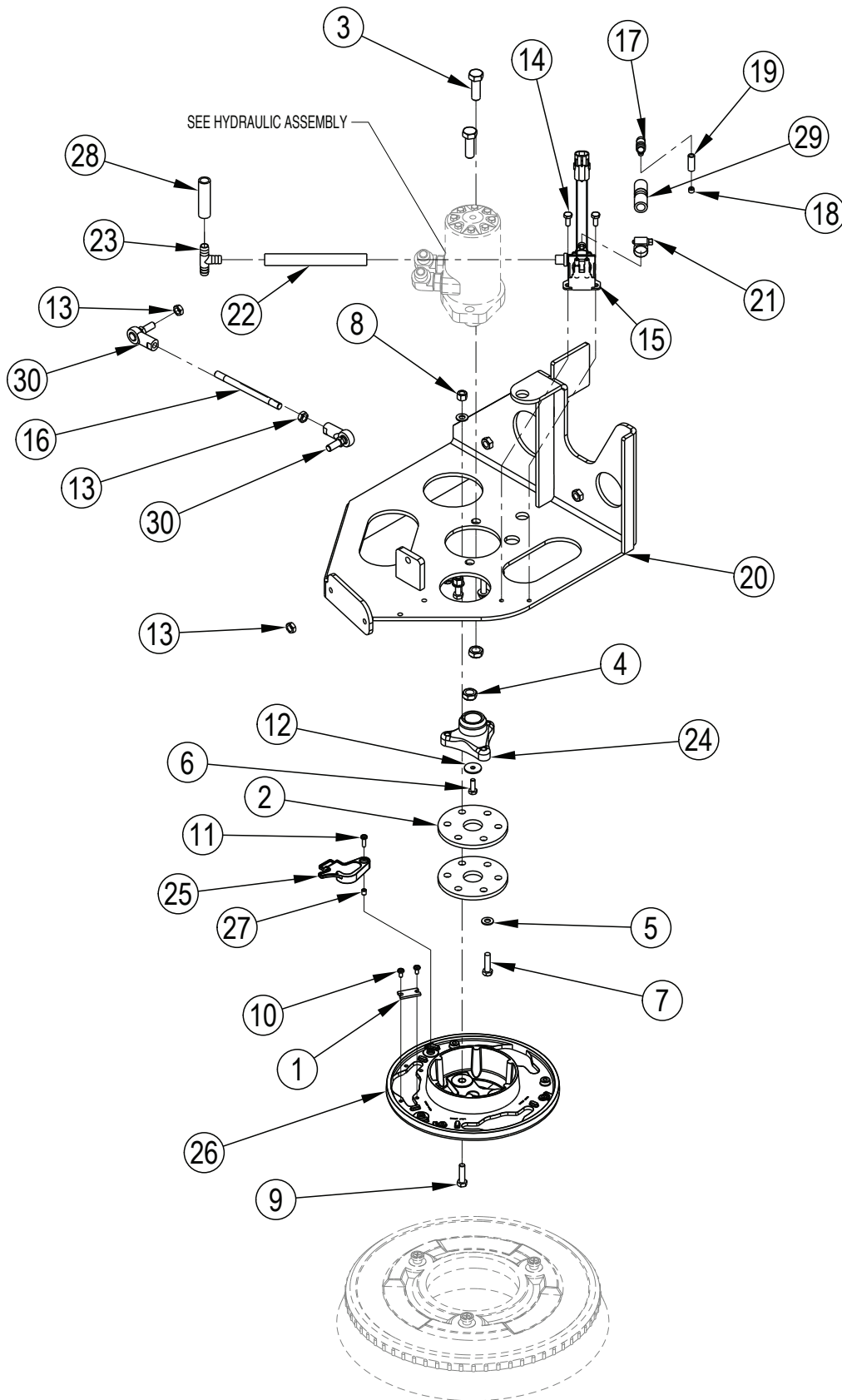
## RIGHT SCRUB SYSTEM - 2

Item	Ref. No.	Qty	Description	Item	Ref. No.	Qty	Description
	NA	1	Right Scrub Assembly	31	56002826	1	Nut, Hex Nyl Loc-Thin 5/16-18
1	56003480	2	Scr-Hex SS 1/4-20 X 2.00	32	56003005	1	Scr, Hex 5/16-18 x 1.75
2	56001920	3	Scr, Hex 1/2-13 X 2.25	33	56003265	4	Ring, Ret Ext Type E 0.62 Dia
3	56001968	2	Scr, Hex 1/2-13 X 1.50	34	56009086	1	Nut, Hex Jam 5/16-18
4	56002883	2	Scr Hex SS 1/4-20 X 1.00	35	56110338	8	Bearing, Flange .625
5	56002914	2	Wsh Flt STD SS 1/4	36	56111147	1	Arm Weldt-Lower
6	56002491	2	Nut Hex Nyl Loc SS 1/4-20	37	56111148	1	Arm Weldt-Upper
7	56002770	2	Nut, Hex Nyl Loc 1/2-13	38	56111825	1	Pivot, Side Brush
8	56002851	1	Nut Hex Nyl Loc-Thin SS 5/16-18	39	56111841	1	Pivot Weldment
9	56002850	2	Nut Hex Nyl Loc-Thin SS 1/4-20	40	56002850	5	Nut, Hex Nyl Loc-Thin SS 1/4-20
10	56002843	2	Nut, Hex Nyl Loc-Thin 1/2-13	41	56002883	5	Scr, Hex SS 1/4-20 X 1.00
11	56003333	1	Scr Hex SS 5/16-18X1.75	42	56111491	1	Strap, Skirt
12	56003022	1	Scr, Hex Hd Loc 1/2-13 x 1.25	43	56111635	1	Blade Kit, Rt Scrub- Red Gum <b>NOTE 1</b>
13	56003079	2	Scr, Hex Hd Loc 3/8-16 x .75	*	56111636	1	Blade Kit, Rt Scrub- Gum (pure gum rubber) <b>NOTE 1</b>
14	56009017	2	Wsh, Flt Harden .516 x .938 x .75	*	56111637	1	Blade Kit, Rt Scrub- PU (polyurethane) <b>NOTE 1</b>
15	56009141	1	Nut Hex Jam SS 5/16-18	44	56111547	1	Tab
16	56009214	4	Wsh, Flt .406 x .750 x .090	45	56111909	1	Bracket, Skirt
17	56110651	1	Nut Plate	46	56003079	2	Scr, Hex Hd Loc 3/8-16 x .75
18	56111160	1	Spacer	47	56111908	1	Skirt Mount Weldt
19	56111202	1	Brush Arm Assy (items 31-39)	48	56111635	1	Blade Kit, Rt Scrub- Red Gum <b>NOTE 1</b>
20	56111253	1	Brush Assembly (See Right Scrub System - 3)	*	56111636	1	Blade Kit, Rt Scrub- Gum (pure gum rubber) <b>NOTE 1</b>
21	56111525	1	Skirt Assembly (items 40-45)	*	56111637	1	Blade Kit, Rt Scrub- PU (polyurethane) <b>NOTE 1</b>
22	56111819	1	Rt Scrub Skirt Assy (items 46-52)	49	56111824	1	Strap, Skirt
23	56111910	1	Bracket, Spring	50	56111907	1	Bracket, Skirt
24	56111911	1	Stop Weldment	51	56413717	3	Thumb Nut
25	56111869	2	Handle, Locking	52	56413850	3	Skirt Retainer Assy
26	56304893	2	Bearing, Sleeve .625 x .750 x .250				
27	56360627	1	Bushing				
28	56365030	1	Bushing .50 x .62 x .27				
29	56412216	1	Spring, Extension				
30	56481456	2	Bushing				

\* = Optional, Not Included

**NOTE 1:** Blade kits include 2 blades, one of each of the blades needed for the right scrub assembly.

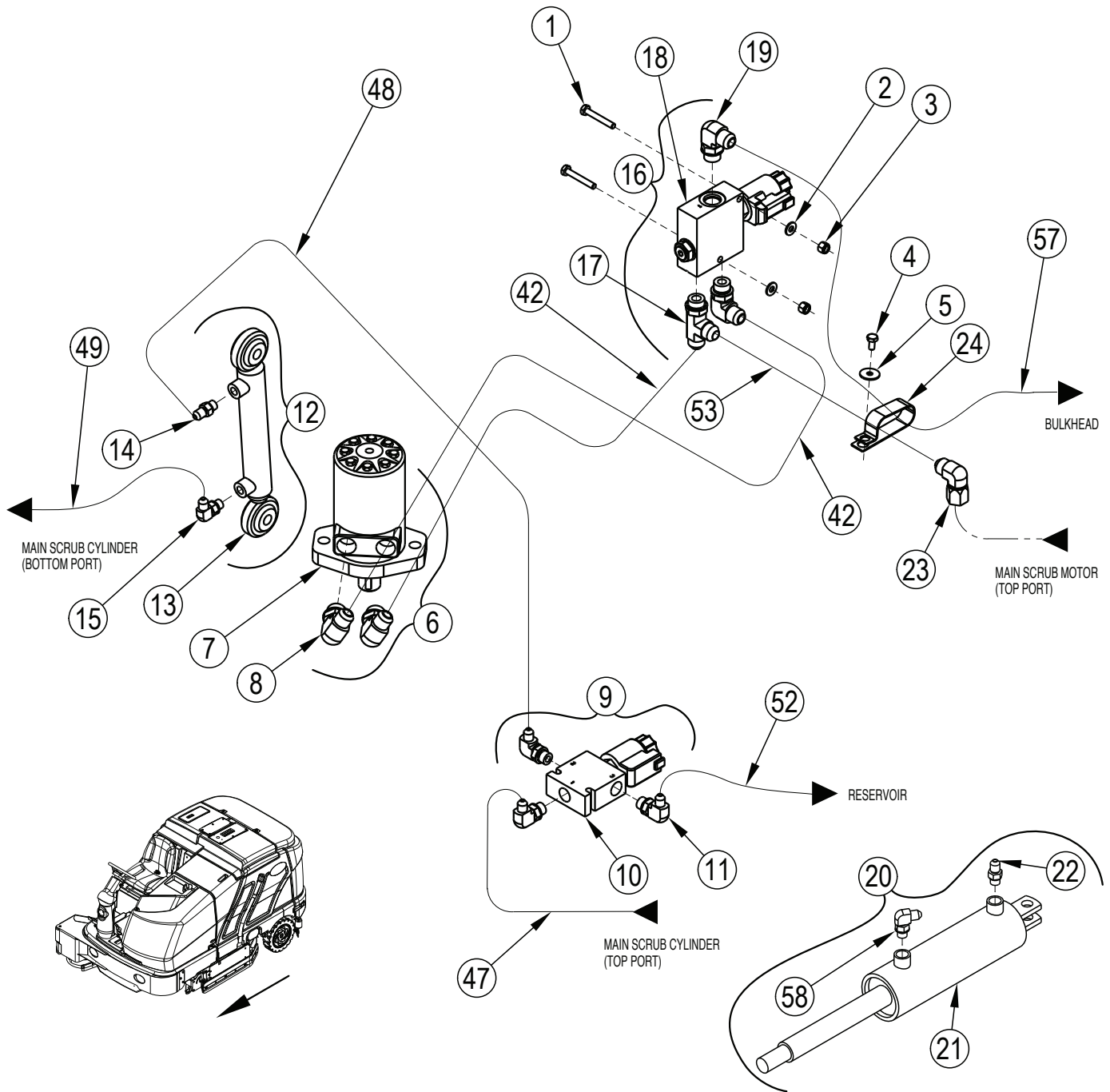
RIGHT SCRUB SYSTEM - 3



## RIGHT SCRUB SYSTEM - 3

Item	Ref. No.	Qty	Description
	56111253	1	Brush Assembly (items 1-30)
1	56366455	1	Plate, Stop
2	56383238	2	Brush Drive Disk
3	56001968	2	Scr, Hex 1/2-13 X 1.50
4	56002843	2	Nut, Hex Nyl Loc-Thin 1/2-13
5	56002938	6	Wsh, Flt SAE SS 5/16
6	56003221	1	Scr, Hex Loc SS 1/4-20 X .75
7	56003278	3	Scr, Hex Loc SS M8-1 X 30mm
8	56003405	3	Nut, Hex Nyl Loc SS M8-1.25
9	56003639	3	Scr, Hex SS M8-1.25 X 30mm
10	56009030	2	Scr, Pan Phil Thd Form 10-24 X .38
11	56009042	1	Scr, Pan Phil Thd Form 10-24 X .62
12	56009060	1	Wsh, Flt SS .260 X 1.000 X .074
13	56009103	3	Nut, Hex Jam 3/8-24
14	56009250	2	Scr, Hex Thd Form 1/4-20 X .62
15	56110464	1	Solenoid Valve Assy
16	56111814	1	Rod
17	56111842	1	Elbow, Barbed .500 X .312
18	56111843	1	Orifice Plug
19	56111844	1	Hose, PVC .250 X .375 X 1.00
20	56111906	1	Motor Bracket Weldt
21	56219932	1	Clamp, Hose SAE #6
22	56244967	1	Hose, PVC Clear 65.00
23	56262549	1	Tee, Barb
24	56304077	1	Hub, Drive
25	56305515	1	Brush Lock, Left
26	56314030	1	Brush Holder
27	56369004	1	Bushing
28	56392347	1	Hose, PVC Clear 2.5 Inch
29	56397209	1	Hose, PVC Clear
30	56397385	2	Rod End

RIGHT SCRUB SYSTEM HYDRAULICS

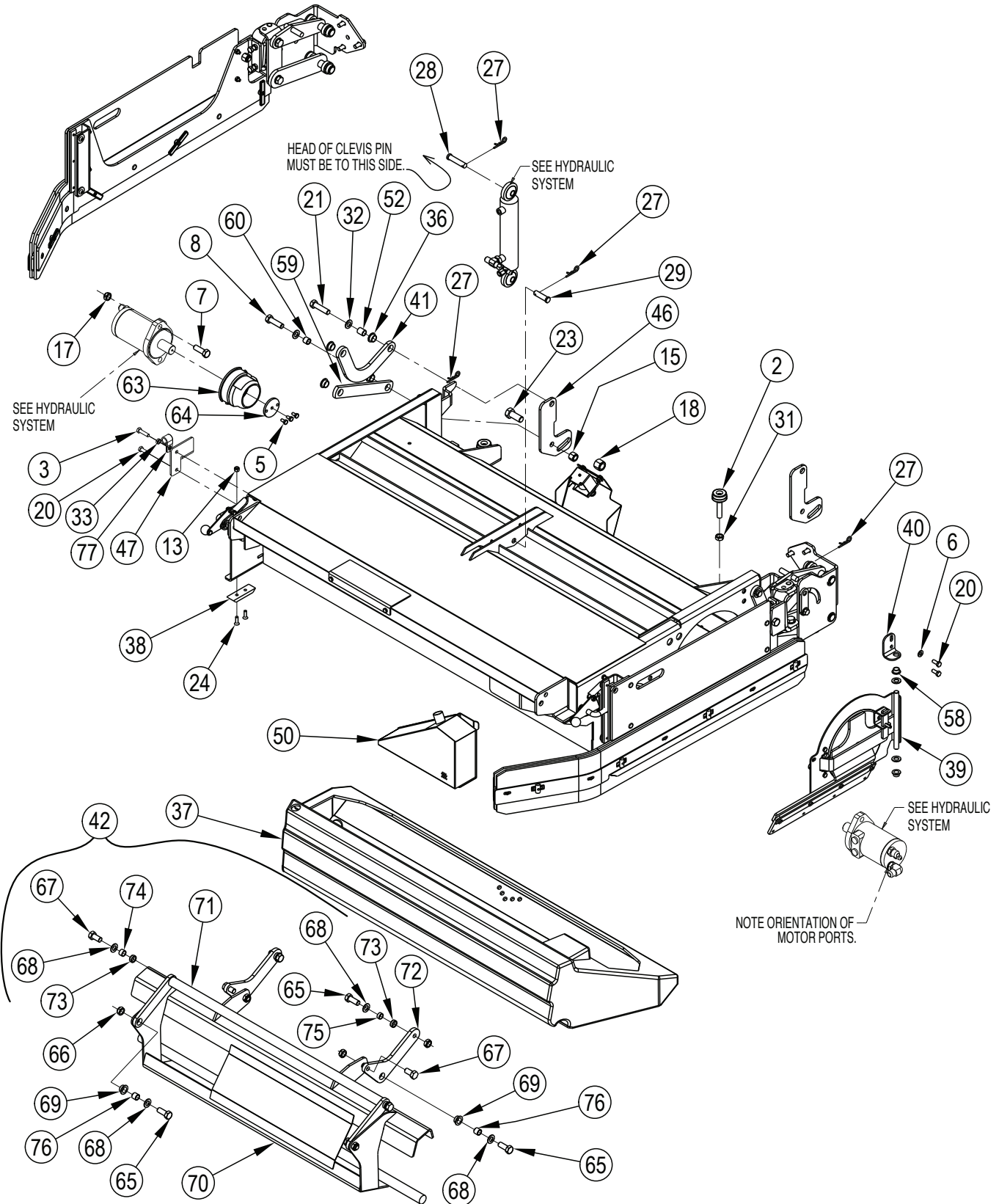


## RIGHT SCRUB SYSTEM HYDRAULICS

Item	Ref. No.	Qty	Description
	NA	1	Right Scrub Hd Assy (items 1-24, 42, 47-49, 52, 53, 57, 58)
1	56001967	2	Scr, Hex 1/4-20 x 1.75
2	56002098	2	Wsh, Flt SAE 1/4
3	56002708	2	Nut, Hex Nyl Loc 1/4-20
4	56003039	1	Scr, Hex Hd Loc 1/4-20 x .50
5	56009002	1	Wsh, Flt .266 X .906 x .060
6	NA	1	Hydraulic Motor Assy (items 7-8)
7	56111526	1	Motor, Hydraulic 11.3 CIR
*	56479577	A/R	Seal Kit
*	56307149	A/R	Viton Seal Kit
8	56900114	2	Elbow, 90 O-Ring
9	NA	1	Solenoid Valve Assy (items 10-11)
10	56110404	1	Valve, Solenoid
*	56305351	A/R	Replacement Cartridge
*	56110712	A/R	Replacement Coil
*	56305349	A/R	Seal Kit
11	56900110	3	Elbow, 90 O-Ring
12	NA	1	Opt Scrub Cyl Assy (items 13-15)
13	56111885	1	Cylinder, Hydraulic
*	56111886	A/R	Seal Kit
14	56900001	1	Connector, O-Ring
15	56900101	1	Elbow, 90 O-Ring
16	NA	1	Valve Assembly, Solenoid (17-19)
17	56900204	1	Tee, Run O-Ring
18	56110711	1	Solenoid Valve, Motor
*	56507686	A/R	Cartridge
*	56110715	A/R	Replacement Coil
*	56305370	A/R	Replacement Check Valve
*	56305354	A/R	Seal Kit
*	56111201	A/R	Seal Kit
19	56900104	2	Elbow, 90 O-Ring
20	56111587	1	Cylinder Assembly, Steer (items 21-22, 58)
21	56111593	1	Cylinder, Hydraulic 2 x 5
*	56488723	A/R	Replacement Seal Kit
22	56900001	1	Connector, O-Ring
58	56900101	1	Elbow, 90 O-Ring
23	56900304	1	Elbow, 90 W/Nut
24	2-00-05253	1	Clamp, 3/4" Wire, Double
42	56110777	2	Hose Assy
47	56110782	1	Hose Assy
48	56110783	1	Hose Assy
49	56110784	1	Hose Assy
52	56110787	1	Hose Assy
53	56110792	1	Hose Assy
57	56110796	1	Hose Assy

\* = Optional, Not Included

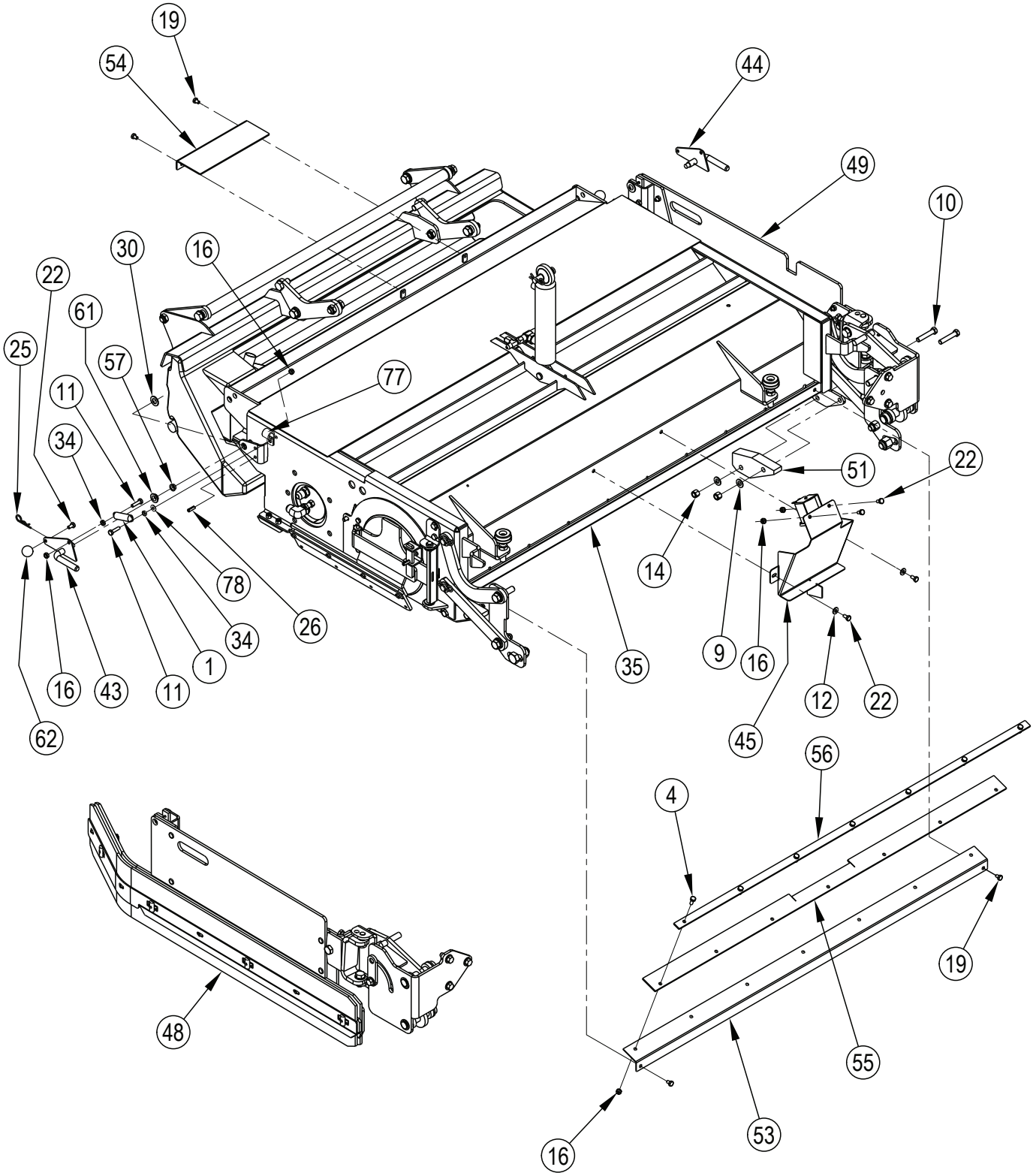
SCRUB SYSTEM - 1



## SCRUB SYSTEM - 1

Item	Ref. No.	Qty	Description	Item	Ref. No.	Qty	Description
1	56365068	2	Spring	40	56110757	1	Hinge, Top
2	56449221	2	Bumper, 1.43 Dia	41	56111926	2	Arm, Brush HSG
3	56002884	1	Scr Hex SS 5/16-18 x 1.25	42	56110952	1	Tray Hanger Assy (items 65-76)
4	56003047	7	Scr Hex SS 1/4-20 X .62	43	56110971	1	Latch Weldt-Rt
5	56002801	6	Scr Hex SS 1/4-20 x .50	44	56111108	1	Latch Weldt-Lt
6	56002938	1	Wsh Flt SAE SS 5/16	45	56111927	1	Diverter Weldt
7	56003495	4	Scr Hex S.S. 1/2-13 X 1.5	46	56111928	2	Bracket, Brush HSG
8	56002888	2	Scr Hex HD SS 1/2-13X1.75	47	56111666	1	Hinge, Left
9	56002910	4	Wsh Flt SAE SS 3/8	48	56111738	1	Right Skirt Assy (see Scrub System - Side Skirt Assemblies)
10	56002800	4	Scr Hex SS 3/8-16 X 2.00				
11	56002883	3	Scr Hex SS 1/4-20 X 1.00	49	56111740	1	Left Skirt Assy (see Scrub System - Side Skirt Assemblies)
12	56002859	2	Wsh Flt SAE SS 1/4				
13	56002491	4	Nut, Hex Nyl Loc SS 1/4-20	50	56111751	1	Screen Weldment
14	56003219	4	Nut Hex Nyl Loc SS 3/8-16	51	56111759	2	Skid
15	56002846	2	Nut Hex Nyl Loc SS 1/2-13	52	56111784	2	Bushing .515 x .625 x .725
16	56002850	12	Nut Hex Nyl Loc-Thin SS 1/4-20	53	56111929	1	Shield, Trough
17	56002854	4	Nut Hex Nyl Loc-Thin SS 1/2-13	54	56111930	1	Plate
18	56003924	2	Nut-Hex Nyl Loc SS 5/8-18	55	56111790	1	Blade, Mud Shield
19	56002933	4	Scr, Hex Hd Loc 1/4-20 x .38	56	56111932	1	Strap
20	56003925	3	Scr-Hex Loc SS 5/16-18 X .75	57	56303285	2	Bearing, Fl .500 x .375 x .250
21	56003926	2	Scr-Hex SS 1/2-13 X 2.00	58	56304519	4	Bearing, Fl .625 x .500 x .375
22	56002935	6	Scr-Hex Loc SS 1/4-20 x .50	59	56111931	2	Arm Parallel 7.5in
23	56003045	2	Scr, Hex Hd SS UNF 5/8-18 x 1.50	60	56367206	2	Bushing
24	56003086	4	Scr, Flt Phil SS 1/4-20 x .88	61	56413211	2	Bearing, Flange .625 x .500 x .250
25	56003120	2	Pin, Cotter Hair .0915 x .375	62	56440817	2	Knob
26	56003138	2	Pin, Spr .25 x .75	63	8-33-09046-1	2	Hub-Broom Driver
27	56003222	6	Pin, Cotter Hair	64	8-58-05160	2	Broom Driver Locking Plate
28	56003620	1	Clevis Pin	65	56002904	6	Scr Hex SS 1/2-13 X 1.25
29	56003728	1	Pin, Clevis .50 x 1.75	66	56002854	6	Nut Hex Nyl Loc-Thin SS 1/2-13
30	56009003	2	Wsh, Flt .516 x .938 x .075	67	56002887	4	Scr Hex SS 1/2-13 x 1.00
31	56003927	2	Nut-Hex Jam SS 1/2-13	68	56009017	8	Wsh, Flt Harden .516 x .938 x .75
32	56009017	8	Wsh, Flt Harden .516 x .938 x .75	69	56110338	4	Bearing, Flange .625
33	56009141	1	Nut Hex Jam SS 5/16-18	70	56111917	1	Tray Hanger Weldt
34	56003145	3	Nut Hex Jam SS 1/4-20	71	56111918	1	Tray Hanger Weldt
35	56111933	1	Brush Housing Weldt	72	56111919	2	Lever
36	56110338	8	Bearing, Flange .625	73	56304893	4	Bearing, Sleeve .625 X .750 X .250
37	56110349	1	Hopper	74	56360627	2	Bushing
38	56110514	2	Skid	75	56365030	2	Bushing .50 x .62 x .27
39	56110752	2	Idler Assembly	76	56367206	4	Bushing
				77	56419120	2	Clamp-Hose Support

SCRUB SYSTEM - 2

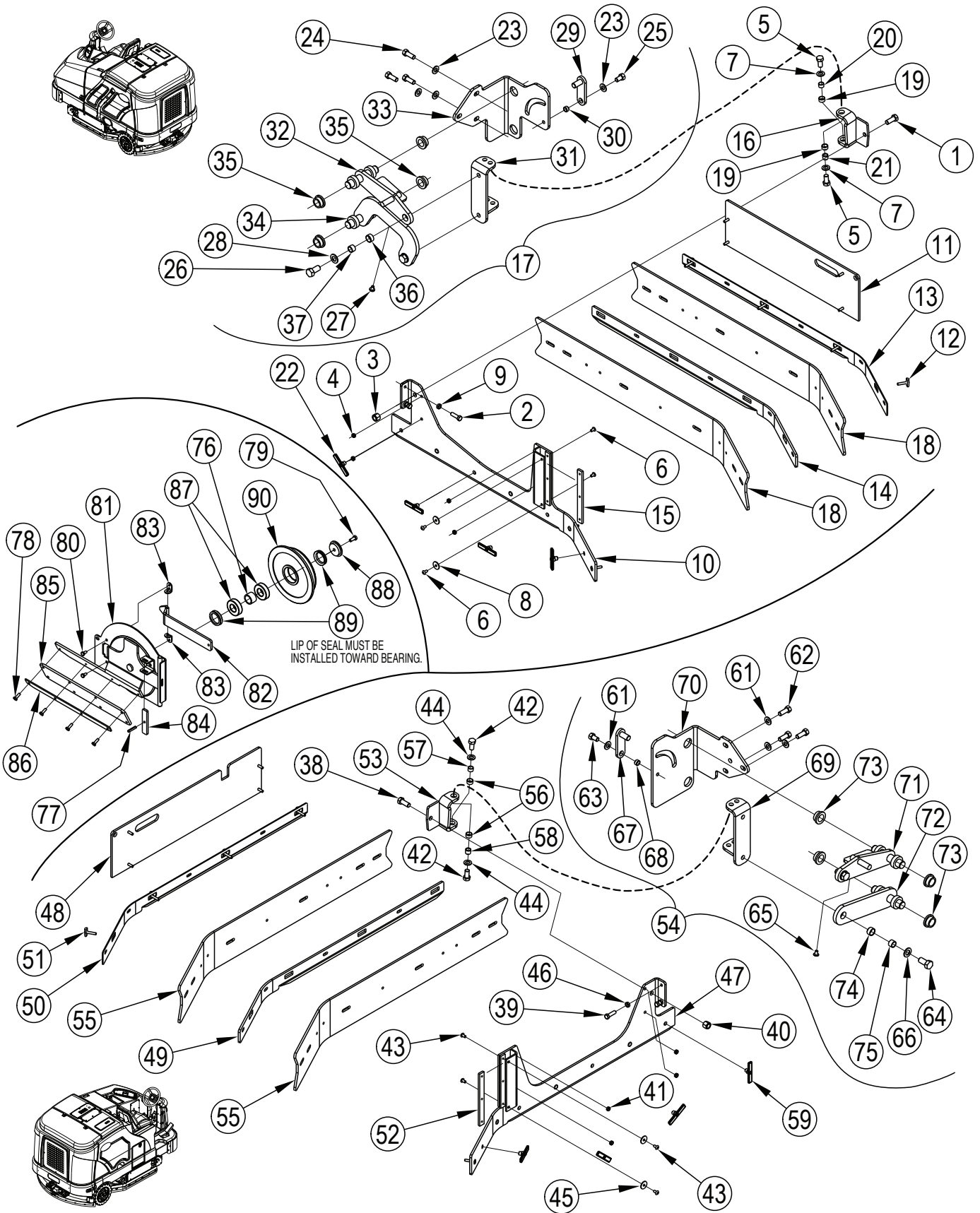




## SCRUB SYSTEM - 2

Item	Ref. No.	Qty	Description	Item	Ref. No.	Qty	Description
1	56365068	2	Spring	35	56111933	1	Brush Housing Weldt
2	56449221	2	Bumper, 1.43 Dia	36	56110338	8	Bearing, Flange .625
3	56002884	1	Scr Hex SS 5/16-18 x 1.25	37	56110349	1	Hopper
4	56003047	7	Scr Hex SS 1/4-20 X .62	38	56110514	2	Skid
5	56002801	6	Scr Hex SS 1/4-20 x .50	39	56110752	2	Idler Assembly
6	56002938	1	Wsh Flt SAE SS 5/16	40	56110757	1	Hinge, Top
7	56003495	4	Scr Hex S.S. 1/2-13 X 1.5	41	56111926	2	Arm, Brush HSG
8	56002888	2	Scr Hex HD SS 1/2-13X1.75	42	56110952	1	Tray Hanger Assy
9	56002910	4	Wsh Flt SAE SS 3/8	43	56110971	1	Latch Weldt-Rt
10	56002800	4	Scr Hex SS 3/8-16 X 2.00	44	56111108	1	Latch Weldt-Lt
11	56002883	3	Scr Hex SS 1/4-20 X 1.00	45	56111927	1	Diverter Weldt
12	56002859	2	Wsh Flt SAE SS 1/4	46	56111928	2	Bracket, Brush HSG
13	56002491	4	Nut, Hex Nyl Loc SS 1/4-20	47	56111666	1	Hinge, Left
14	56003219	4	Nut Hex Nyl Loc SS 3/8-16	48	56111738	1	Right Skirt Assy
15	56002846	2	Nut Hex Nyl Loc SS 1/2-13				<b>(see Scrub System - Side Skirt Assemblies)</b>
16	56002850	12	Nut Hex Nyl Loc-Thin SS 1/4-20	49	56111740	1	Left Skirt Assy
17	56002854	4	Nut Hex Nyl Loc-Thin SS 1/2-13				<b>(see Scrub System - Side Skirt Assemblies)</b>
18	56003924	2	Nut-Hex Nyl Loc SS 5/8-18	50	56111751	1	Screen Weldment
19	56002933	4	Scr, Hex Hd Loc 1/4-20 x .38	51	56111759	2	Skid
20	56003925	3	Scr-Hex Loc SS 5/16-18 X .75	52	56111784	2	Bushing .515 x .625 x .725
21	56003926	2	Scr-Hex SS 1/2-13 X 2.00	53	56111929	1	Shield, Trough
22	56002935	6	Scr-Hex Loc SS 1/4-20 x .50	54	56111930	1	Plate
23	56003045	2	Scr, Hex Hd SS UNF 5/8-18 x 1.50	55	56111790	1	Blade, Mud Shield
24	56003086	4	Scr, Flt Phil SS 1/4-20 x .88	56	56111932	1	Strap
25	56003120	2	Pin, Cotter Hair .0915 x .375	57	56303285	2	Bearing, Fl .500 x .375 x .250
26	56003138	2	Pin, Spr .25 x .75	58	56304519	4	Bearing, Fl .625 x .500 x .375
27	56003222	6	Pin, Cotter Hair	59	56111931	2	Arm Parallel 7.5in
28	56003620	1	Clevis Pin	60	56367206	2	Bushing
29	56003728	1	Pin, Clevis .50 x 1.75	61	56413211	2	Bearing, Flange .625 x .500 x .250
30	56009003	2	Wsh, Flt .516 x .938 x .075	62	56440817	2	Knob
31	56003927	2	Nut-Hex Jam SS 1/2-13	63	8-33-09046-1	2	Hub-Broom Driver
32	56009017	8	Wsh, Flt Harden .516 x .938 x .75	64	8-58-05160	2	Broom Driver Locking Plate
33	56009141	1	Nut Hex Jam SS 5/16-18				
34	56003145	3	Nut Hex Jam SS 1/4-20	77	56419120	2	Clamp-Hose Support
				78	2-00-03702	1	Washer, .625 X .281 X .063

SCRUB SYSTEM - SIDE SKIRT ASSEMBLIES



**SCRUB SYSTEM - SIDE SKIRT ASSEMBLIES**

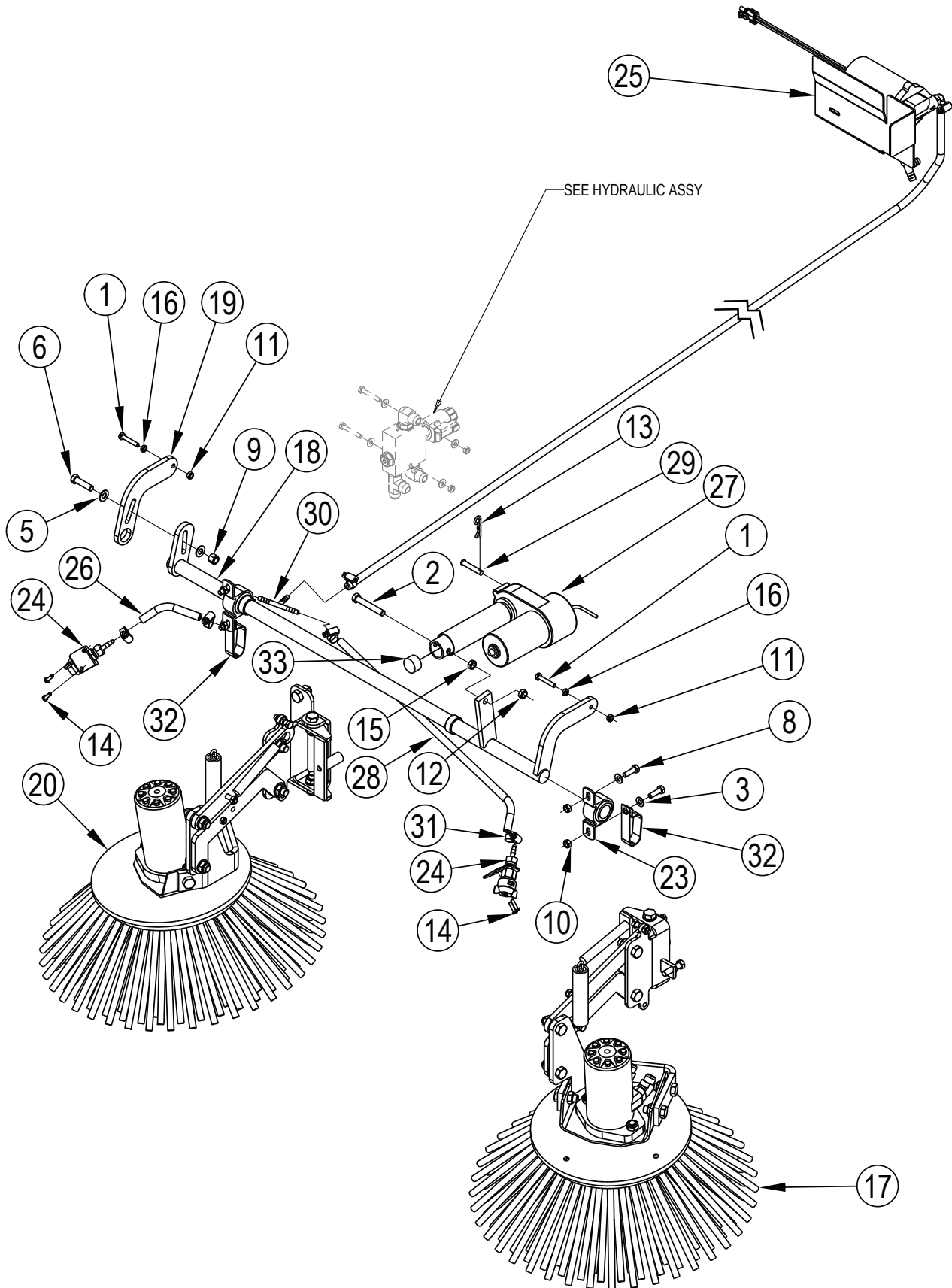
Item	Ref. No.	Qty	Description	Item	Ref. No.	Qty	Description
	56111738	1	Right Skirt Assy (items 1-22)	46	56003015	2	Nut Hex Jam SS 3/8-16
1	56002904	1	Scr Hex SS 1/2-13 X 1.25	47	56111923	1	Left Skirt Weldt
2#	56002881	2	Scr Hex SS 3/8-16 X 1.25	48	56111924	1	Cover, Left Skirt
3	56002846	1	Nut Hex Nyl Loc SS 1/2-13	49	56111925	1	Strap, Skirt-Lt
4	56002840	4	Nut, Hex Nyl Loc-Thin 1/4-20	50	56111431	1	Strap, Skirt-Lt
5	56003835	2	Scr-Hex Loc SS 1/2-13 X 1.0	51	56111433	4	Skirt Retainer Assy
6	56003790	4	Scr Panphil SS Type A 1/4-10 X .50	52	56111599	2	Slide
7	56009017	2	Wsh, Flt Harden .516 x .938 X.75	53	56111648	1	Left Hinge Weldt
8	56009060	2	Wsh, Flt SS .260 X 1.000 X .074	54	56111741	1	Skirt Arm Assy-Lt (items 61-75)
9	56003015	2	Nut Hex Jam SS 3/8-16	55	56111206	1	Blade Kit, Main Scrub- Red Gum <b>NOTE 1</b>
10	56111920	1	Right Skirt Weldt	*	56111207	1	Blade Kit, Main Scrub- Gum Rubber <b>NOTE 1</b>
11	56111921	1	Cover, Right Skirt	*	56111210	1	Blade Kit, Main Scrub- Polyurethane <b>NOTE 1</b>
12	56111433	4	Skirt Retainer Assy	56	56305553	2	Bearing, .719 X .625 X .375
13	56111453	1	Strap, Skirt-Rt	57	56360627	1	Bushing
14	56111922	1	Strap, Skirt-Rt	58	56367206	1	Bushing
15	56111599	2	Slide	59	56413717	4	Thumb Nut
16	56111647	1	Right Hinge Weldt	61	56002910	4	Wsh Flt SAE SS 3/8
17	56111739	1	Skirt Arm Assy-Rt (items 23-37)	62	56003914	3	Scr-Hex Loc SS 3/8-16 X 1.00
18	56111206	1	Blade Kit, Main Scrub- Red Gum <b>NOTE 1</b>	63	56003952	1	Scr-Hex Loc Ss 3/8-16 X .62
*	56111207	1	Blade Kit, Main Scrub- Gum Rubber <b>NOTE 1</b>	64	56003835	2	Scr-Hex Loc SS 1/2-13 X 1.0
*	56111210	1	Blade Kit, Main Scrub- Polyurethane <b>NOTE 1</b>	65	56003603	1	Scr, Pan Phil Thd Form 1/4-20 x .38
19	56305553	2	Bearing, .719 X .625 X .375	66	56009017	2	Wsh, Flt Harden .516 x .938 x .75
20	56360627	1	Bushing	67	56110942	1	Prop Weldt
21	56367206	1	Bushing	68	56110945	1	Bushing, .385 x .500 x .270
22	56413717	4	Thumb Nut	69	56111644	1	Hinge Weldt
23	56002910	4	Wsh Flt SAE SS 3/8	70	56111912	1	Bracket Skirt-Lt
24	56003914	3	Scr-Hex Loc SS 3/8-16 X 1.00	71	56111745	1	Upper Lt Arm Weldt
25	56003952	1	Scr-Hex Loc Ss 3/8-16 X .62	72	56111747	1	Lower Arm Weldt
26	56003835	2	Scr-Hex Loc SS 1/2-13 X 1.0	73	56303024	4	Bearing, Fl 1.000 x .750 x .500
27	56003603	1	Scr, Pan Phil Thd Form 1/4-20 x .38	74	56305553	2	Bearing, .719 x .625 x .375
28	56009017	2	Wsh, Flt Harden .516 x .938 x.75	75	56360627	2	Bushing
29	56110942	1	Prop Weldt		56110752	1	Idler Assembly (items 76-90)
30	56110945	1	Bushing, .385 x .500 x .270	76	56479434	1	Bushing
31	56111644	1	Hinge Weldt	77	56002056	1	Pin, Spr .25 X 1.25
32	56111744	1	Upper Rt Arm Weldt	78	56002807	4	Scr Hex SS 1/4-20 X .75
33	56111913	1	Bracket, Skirt Rt	79	56002956	1	Scr, Hex Hd Loc 5/16-18 x .75
34	56111828	1	Lower Arm Weldt	80	56009033	2	Scr, Hex Thd Form 1/4-20 X .50
35	56303024	4	Bearing, Fl 1.000 x .750 x .500	81	56111916	1	Brush Idler Weldt
36	56305553	2	Bearing, .719 x .625 x .375	82	56110799	1	Lever Weldment
37	56360627	2	Bushing	83	56110803	2	Hinge
	56111740	1	Left Skirt Assy (items 38-59)	84	56110804	1	Latch
38	56002904	1	Scr Hex SS 1/2-13 X 1.25	85	56111206	1	Blade Kit, Main Scrub- Red Gum <b>NOTE 1</b>
39#	56002881	2	Scr Hex SS 3/8-16 X 1.25	*	56111207	1	Blade Kit, Main Scrub- Gum Rubber <b>NOTE 1</b>
40	56002846	1	Nut Hex Nyl Loc SS 1/2-13	86	56111914	1	Strap, Inner Blade
41	56002840	4	Nut, Hex Nyl Loc-Thin 1/4-20	87	56111531	2	Bearing, Ball
42	56003835	2	Scr-Hex Loc SS 1/2-13 X 1.0	88	56111792	1	Washer, Step
43	56003790	4	Scr Pan Phil SS Type A 1/4-10 X .50	89	56111793	2	Seal Bearing
44	56009017	2	Wsh, Flt Harden .516 X .938 X.75	90	56111915	1	Hub-Idler
45	56009060	2	Wsh, Flt SS .260 X 1.000 X .074				

\* = Optional, Not Included

# = Revised or new since last update

**NOTE 1** = Side Skirt Blade Kits include 4 side skirt blades (2 for each side skirt) plus 2 splash shield blades (1 for each end of the scrub deck).

### SIDE BROOM SYSTEM - DUAL

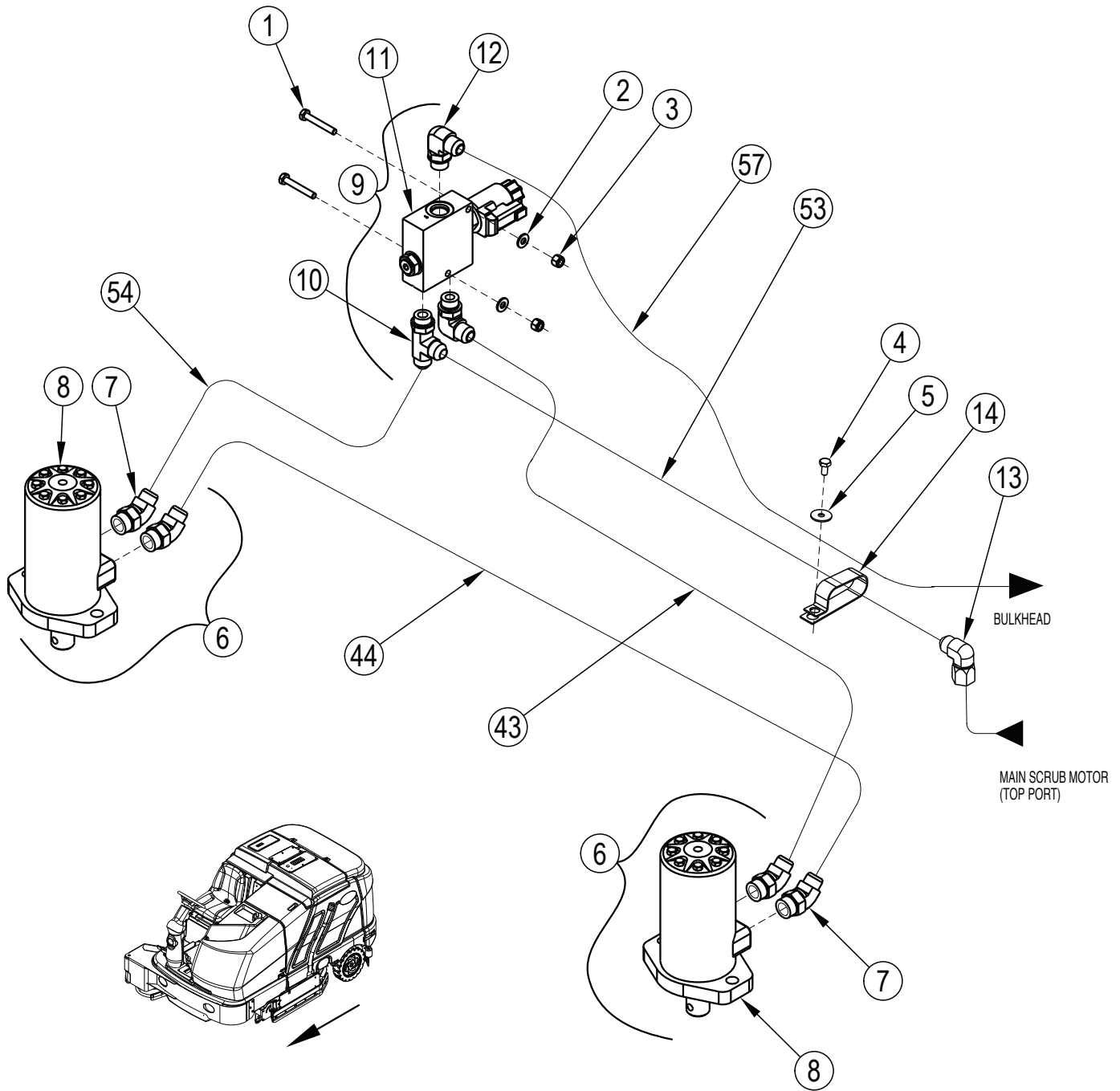


## SIDE BROOM SYSTEM - DUAL

Item	Ref. No.	Qty	Description
1	56001833	2	Scr, Hex 1/4-20 x 1.50
2	56001873	1	Scr, Hex 3/8-16 x 2.50
3	56001939	4	Wsh, Flt SAE 5/16
5	56002063	2	Wsh, Flt SAE 3/8
6	56002095	1	Scr, Hex 3/8-16 x 1.50
8	56002221	4	Scr, Hex 5/16-18 x 1.00
9	56002769	1	Nut, Hex Nyl Loc 3/8-16
10	56002826	4	Nut, Hex Nyl Loc-Thin 5/16-18
12	56002841	1	Nut, Hex Nyl Loc-Thin 3/8-16
13	56003222	1	Pin, Cotter Hair
14	56009005	4	Scr, Pan Phil SS Type AB 10-16 x .75
15	56009085	1	Nut, Hex Jam 3/8-16
16	56009087	2	Nut, Hex Jam 1/4-20
17	56110278	1	Side Broom Assy-Left (see Side Broom Sub Assy - Left)
18	56111958	1	Side Broom Lift Weldt
19	56111959	1	Lever
20	56110288	1	Side Broom Assy-Right (see Side Broom Sub Assy - Right)
[ ]	56110547	1	Harness, Side Scrub
[ ]	NA	1	Dual Side Broom Hyd Assy (see Side Broom Hydraulic Assy - Dual)
23	56111199	2	Bearing, Pillow Block
24	56111261	2	Nozzle Assy (See Side Broom Sub Assy - Pump)
25	NA	1	Pump Assembly (See Side Broom Sub Assy - Pump)
26	56264260	1	Hose, Polyester Braid, .25 ID X 5.00 LG
27	56305008	1	Actuator, Motor
28	56317122	1	Hose, Polyester Braid .25 Id X 25.0 LG
29	56321404	1	Pin, Clevis .312 X 1.84
30	56508441	1	Tee, 1/4 Id Hose, Barb
31	56756364	4	Clamp, Hose SAE #4
32	2-00-05253	2	Clamp
33	56305798	1	Foam Seal

[ ] = Not Shown

SIDE BROOM HYDRAULIC ASSY - DUAL

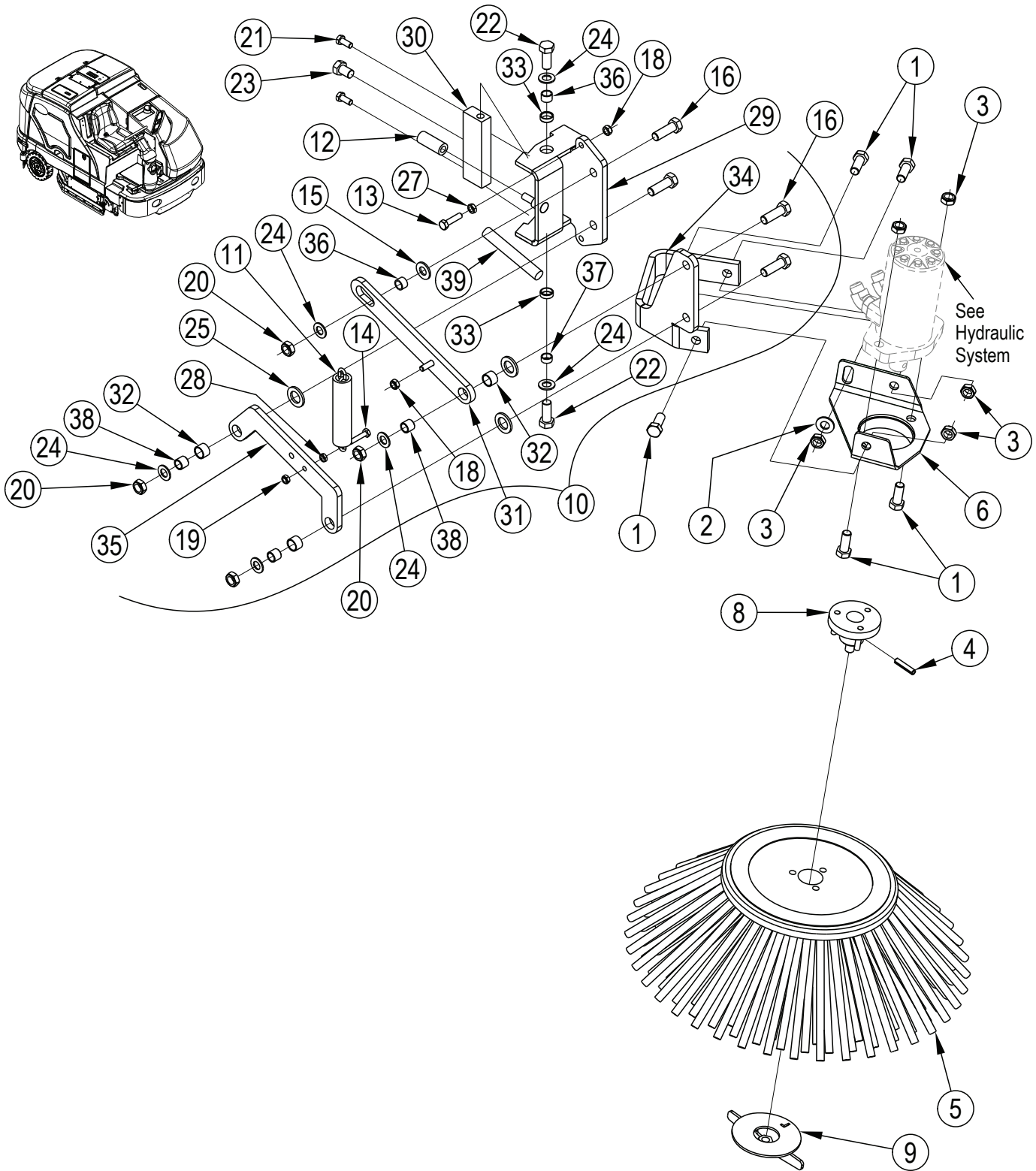


## SIDE BROOM HYDRAULIC ASSY - DUAL

Item	Ref. No.	Qty	Description
	NA	1	Dual Side Broom Hyd Assy (items 1-14, 43, 44, 53, 54 & 57)
1	56001967	2	Scr, Hex 1/4-20 x 1.75
2	56002098	2	Wsh, Flt SAE 1/4
3	56002840	2	Nut, Hex Nyl Loc-Thin 1/4-20
4	56003039	1	Scr, Hex Hd Loc 1/4-20 x .50
5	56009002	1	Wsh, Flt .266 x .906 x .060
6	NA	2	Hydraulic Motor Assy (items 7-8)
7	56900164	4	Elbow, 45 STR. -Thd.
8	56110411	2	Motor, Hydraulic 17.9 CIR
*	56479577	A/R	Seal Kit
*	56307149	A/R	Viton Seal Kit
9	NA	1	Valve Assembly, Solenoid (10-12)
10	56900204	1	Tee, Run O-Ring
11	56110711	1	Solenoid Valve, Motor
*	56507686	A/R	Cartridge
*	56110715	A/R	Replacement Coil
*	56305370	A/R	Replacement Check Valve
*	56305354	A/R	Seal Kit
*	56111201	A/R	Seal Kit
12	56900104	2	Elbow, 90 O-Ring
13	56900304	1	Elbow, 90 W/Nut
14	2-00-05253	1	Clamp, 3/4" Wire, Double
43	56110778	1	Hose Assy
44	56110779	1	Hose Assy
53	56110792	1	Hose Assy
54	56110793	1	Hose Assy
57	56110796	1	Hose Assy

\* = Optional, Not Included

SIDE BROOM SUB ASSY - LEFT

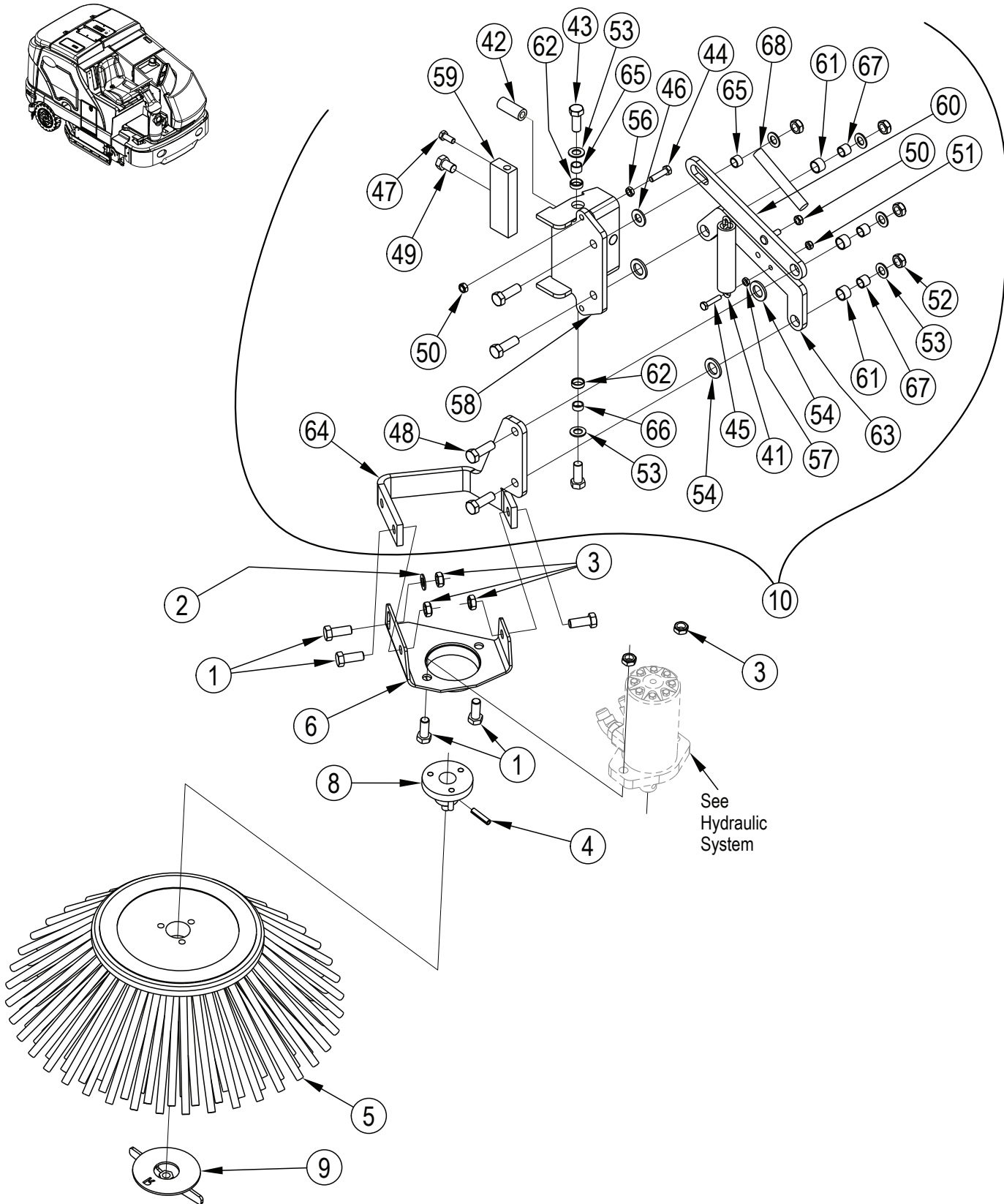




## SIDE BROOM SUB ASSY - LEFT

Item	Ref. No.	Qty	Description
	56110278	1	Side Broom Assembly-Left (items 1-10)
1	56001831	5	Scr, Hex 1/2-13 X 1.25
2	56001879	1	Wsh, Flt SAE 1/2
3	56002843	5	Nut, Hex Nyl Loc-Thin 1/2-13
4	56003494	1	Pin, Spr .31 X 1.38
5	56477812	1	Broom, Side
6	56111966	1	Left SB Bracket Weldt
8	56305723	1	Left Hub Assy
9	56305725	1	Left Thumb Nut Weldt
10	56110279	1	Arm Assembly-Left (items 11-39)
11	56407335	1	Chain Assembly
12	56761327	1	Spring, Comp
13	56001834	1	Scr, Hex 5/16-18 X 1.25
14	56001878	1	Scr, Hex 1/4-20 X 1.25
15	56001879	1	Wsh, Flt SAE 1/2
16	56001968	4	Scr, Hex 1/2-13 X 1.50
18	56002826	2	Nut, Hex Nyl Loc-Thin 5/16-18
19	56002840	1	Nut, Hex Nyl Loc-Thin 1/4-20
20	56002843	4	Nut, Hex Nyl Loc-Thin 1/2-13
21	56002956	2	Scr, Hex Hd Loc 5/16-18 x .75
22	56003022	2	Scr, Hex Hd Loc 1/2-13 x 1.25
23	56003032	1	Scr, Hex Hd Loc 1/2-13 x .75
24	56009017	6	Wsh, Flt Harden .516 x .938 x .75
25	56009022	3	Wsh, Flt .754 x 1.250 x .120
27	56009086	1	Nut, Hex Jam 5/16-18
28	56009087	1	Nut, Hex Jam 1/4-20
29	56111962	1	Hinge Weldment
30	56110290	1	Pivot Block
31	56111961	1	Arm, Side Broom-Upper
32	56304586	3	Bearing .750 x .625 x .500
33	56304893	2	Bearing, Sleeve .625 x .750 x .250
34	56111963	1	Bracket, Left Side Broom
35	56111964	1	Arm, Side Broom, Lower
36	56360627	2	Bushing
37	56365030	1	Bushing .50 x .62 x .27
38	56367206	3	Bushing
39	56448112	1	Spring Ext.

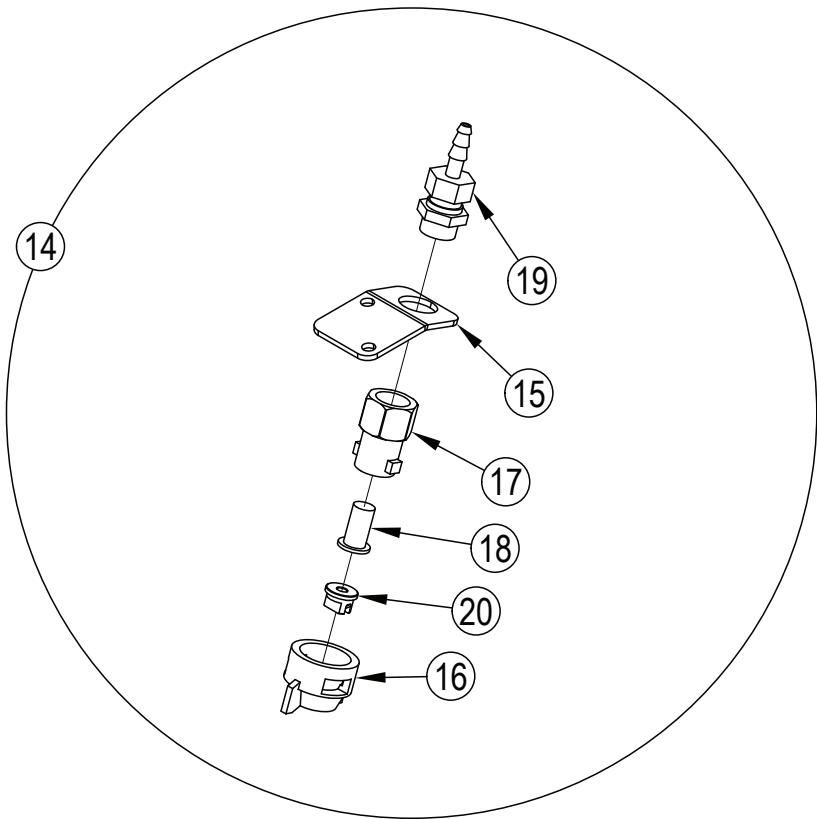
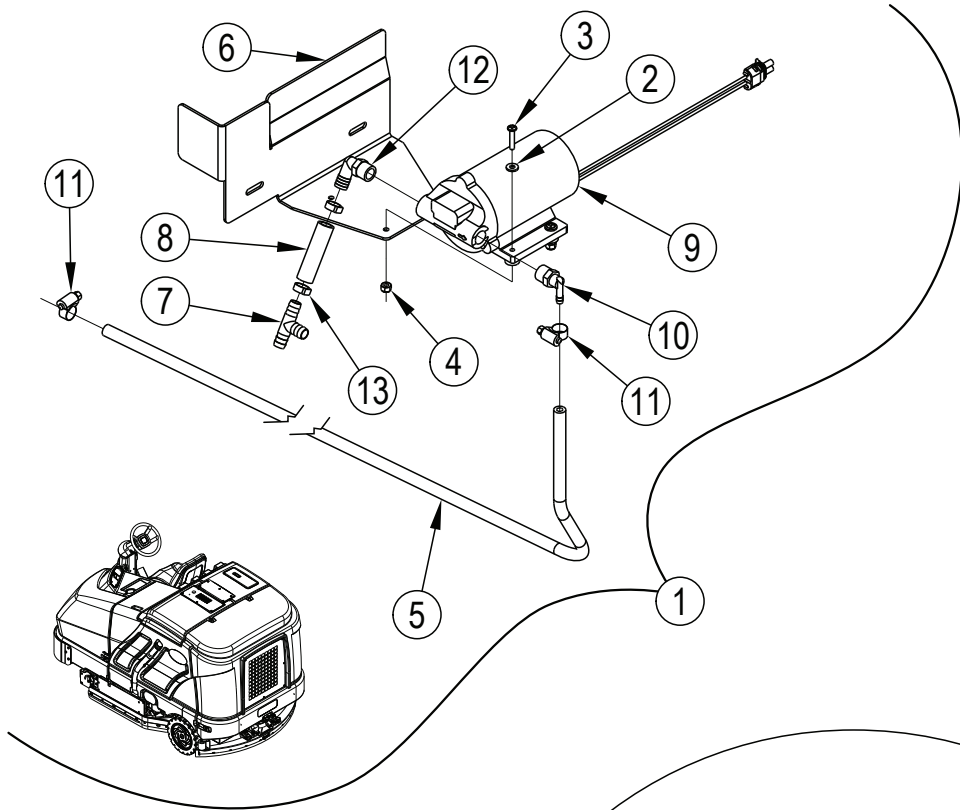
SIDE BROOM SUB ASSY - RIGHT



## SIDE BROOM SUB ASSY - RIGHT

Item	Ref. No.	Qty	Description
	56110288	1	Side Broom Assembly-Right (items 1-10)
1	56001831	5	Scr, Hex 1/2-13 X 1.25
2	56001879	1	Wsh, Flt SAE 1/2
3	56002843	5	Nut, Hex Nyl Loc-Thin 1/2-13
4	56003494	1	Pin, Spr .31 X 1.38
5	56477812	1	Broom, Side
6	56111960	1	Motor Bracket Weldt
8	56418543	1	Right Side Broom Hub Assy
9	56305731	1	Right Thumb Nut Weldt
10	56110289	1	Arm Assembly-Right (items 41-68)
41	56407335	1	Chain Assembly
42	56761327	1	Spring, Comp
43	56003022	2	Scr, Hex Hd Loc 1/2-13 x 1.25
44	56001834	1	Scr, Hex 5/16-18 x 1.25
45	56001878	1	Scr, Hex 1/4-20 x 1.25
46	56001879	1	Wsh, Flt SAE 1/2
47	56002956	1	Scr, Hex Hd Loc 5/16-18 x .75
48	56001968	4	Scr, Hex 1/2-13 x 1.50
49	56003032	1	Scr, Hex Hd Loc 1/2-13 x .75
50	56002826	2	Nut, Hex Nyl Loc-Thin 5/16-18
51	56002840	1	Nut, Hex Nyl Loc-Thin 1/4-20
52	56002843	4	Nut, Hex Nyl Loc-Thin 1/2-13
53	56009017	6	Wsh, Flt Harden .516 x .938 x .75
54	56009022	3	Wsh, Flt .754 x 1.250 x .120
56	56009086	1	Nut, Hex Jam 5/16-18
57	56009087	1	Nut, Hex Jam 1/4-20
58	56111962	1	Hinge Weldment
59	56110290	1	Pivot Block
60	56111961	1	Arm, Side Broom-Upper
61	56304586	3	Bearing .750 x .625 x .500
62	56304893	2	Bearing, Sleeve .625 x .750 x .250
63	56111964	1	Arm, Side Broom, Lower
64	56111965	1	Bracket, Side Broom
65	56360627	2	Bushing
66	56365030	1	Bushing .50 x .62 x .27
67	56367206	3	Bushing
68	56448112	1	Spring Ext.

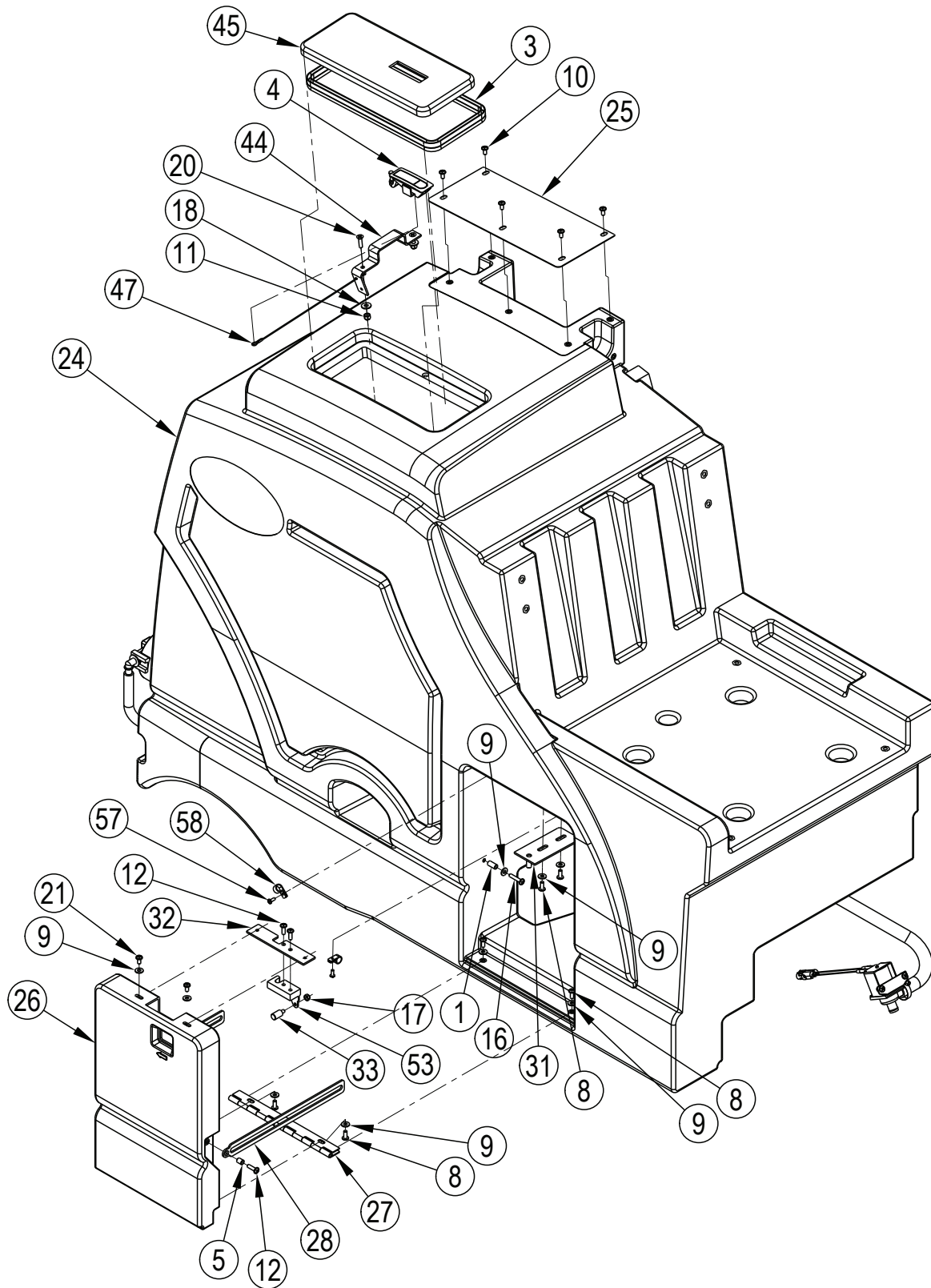
SIDE BROOM SUB ASSY - PUMP



## SIDE BROOM SUB ASSY - PUMP

Item	Ref. No.	Qty	Description
1	NA	1	Pump Assembly (items 2-13)
2	56001954	4	Wsh, Flt SAE #10
3	56002674	4	Scr, Pan Phil 10-24 X 1.00
4	56002768	4	Nut, Hex Nyl Loc 10-24
5	56111477	1	Hose, Polyester Braid .25 ID X 10
6	56111957	1	Bracket, Pump Mnt
7	56262549	1	Tee, Barb
8	56392347	1	Hose, PVC Clear 2.5 Inch
9	56507851	1	Pump, 24VDC
10	56508442	1	Elbow, Barb 1/4 X 3/8 NPT
11	56756364	2	Clamp, Hose SAE #4
12	56900069	1	Barb, 90 Elbow 1/2 X 3/8 NPT
13	2-95-04388	2	Clamp, Hose
14	56111261	1	Nozzle Assy (items 15-20)
15	56111956	1	Spray Nozzle Bracket
16	56507908	1	Cap, Nozzle
17	56507909	1	Adapter, Nozzle
18	56507916	1	Strainer, Check Valve
19	56508449	1	Adaptor Nozzle
20	56508450	1	Nozzle, Spray (.033)

## SOLUTION SYSTEM - 1

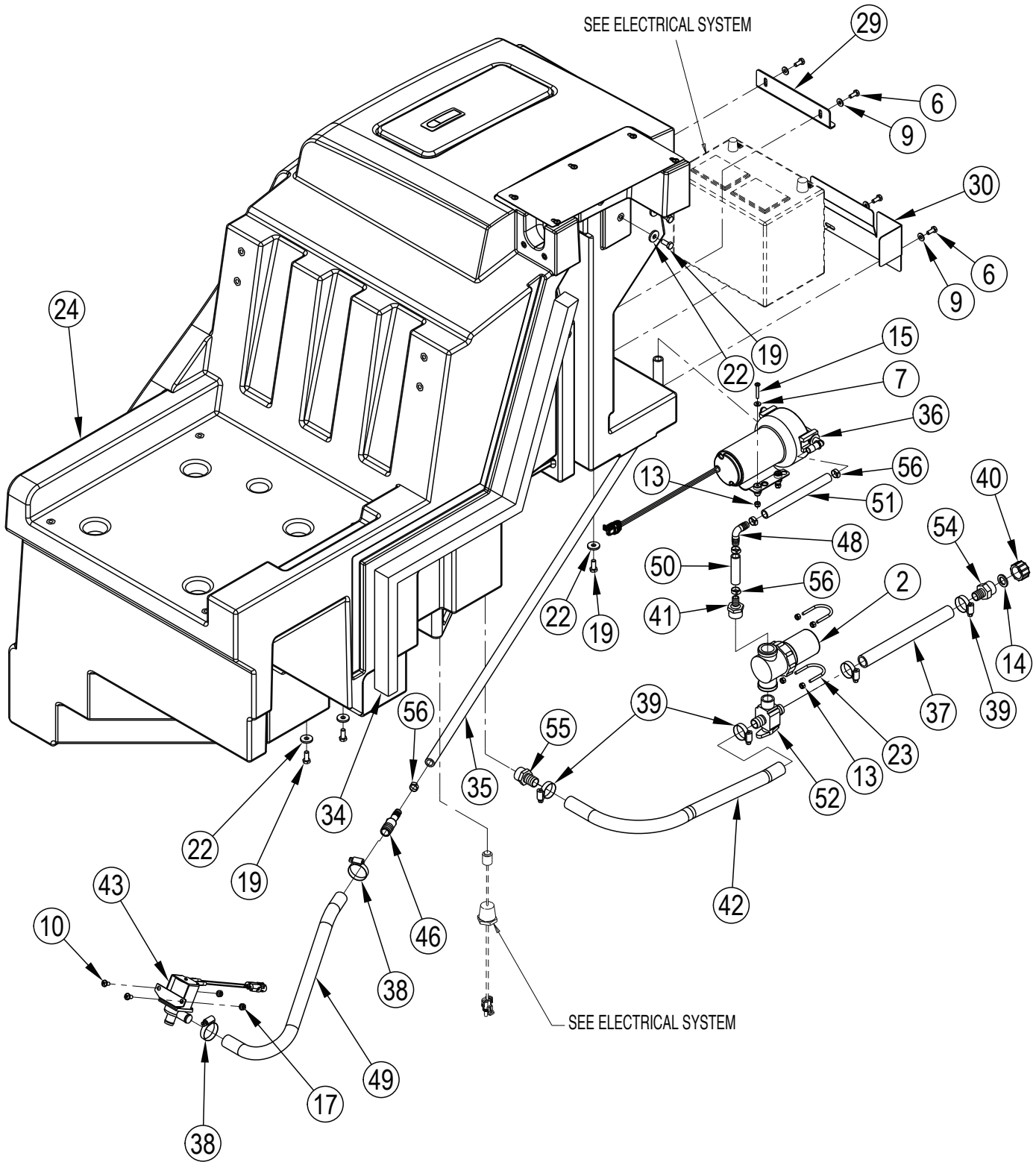


## SOLUTION SYSTEM - 1

Item	Ref. No.	Qty	Description	Item	Ref. No.	Qty	Description
1	56330741	2	Bushing .250 x .375 x .75	31	56110917	1	Latch Pin Weldment
2	56407162	1	Filter	32	56110918	1	Plate, Latch Mount
3	56407282	1	Gasket	33	56110919	1	Latch Pin
4	56418471	1	Door Latch	34	56111066	1	Seal, Solution Tank
5	56330027	2	Bushing	35	56111122	1	Hose, Spiral, .50 X 69.0
6	56001836	4	Scr, Hex 1/4-20 X .62	36#	56111387	1	Pump Assy, 12vdc - 60 PSI <b>TSB-FC-2013-135</b>
7	56001954	4	Wsh, Flt SAE #10	37	56111458	1	Hose, .75 X 9.50
8	56002066	6	Scr, Pan Phil 1/4-20 X .62	38#	56112771	2	Clamp Hose SAE 10 E00047
9	56002098	14	Wsh, Flt SAE 1/4	39	56244969	4	Clamp, Hose SAE #12
10	56002145	7	Scr, Pan Phil 1/4-20 X .50	40	56255076	1	Cap, Pipe GHT Nylon
11	56002491	2	Nut, Hex Nyl Loc SS 1/4-20	41	56262190	1	Barb
12	56002507	4	Scr, Pan Phil 1/4-20 X .75	42	56264262	1	Hose, Spiral .75 E00605
13	56002768	8	Nut, Hex Nyl Loc 10-24	43	56305103	1	Solenoid Valve Assy
14	56368776	2	Washer, Rubber	44	56305206	1	Plate, Latch
15	56002824	4	Scr, Pan Phil 10-24 X 1.25	45	56305209	1	Cover, Solution Tank
16	56002825	2	Scr, Pan Phil 1/4-20 X 1.25	46	56315625	1	Barb, Coupler 1/2 X 3/4
17	56002840	3	Nut, Hex Nyl Loc-Thin 1/4-20	47	56330391	1	Wire Rope, 12 Inch
18	56002914	2	Wsh, Flt Std SS 1/4	48	56386183	1	Barbed Elbow 90
19	56002956	5	Scr, Hex Hd Loc 5/16-18 x .75	49	56392833	1	Hose, Spiral .75 X 12.00
20	56003074	2	Scr, Flt Phil SS 1/4-20 X 1.00	50	56392347	1	Hose, PVC Clear 2.5 Inch
21	56009062	2	Scr, Pan Phil Thd Form 1/4-20 X .50	51	56397207	1	Hose, PVC Clear 7.00
22	56009122	5	Wsh, Flt .344 X .938 X .125	52	56413581	1	Valve, T Shutoff
23	56110318	2	U-Bolt 10-24 X R.69	53	56413802	1	Latch, RH
24	56110380	1	Tank, Solution	54	56900273	1	Barb, Adapter 3/4 X 3/4GHT
25	56110636	1	Cover	55	56456801	1	Barb, Adapter 3/4 X 3/4NPT
26	56110740	1	Cover, Chemical Injection	56	2-95-04388	6	Clamp, Hose
27	56110741	1	Hinge	57	56001993	2	Scr-Pan Phil 10-24 x .50
28	56110744	2	Support, Door	58	56172017	2	Clamp-P
29	56110893	1	Bracket, Battery Upper				
30	56110894	1	Bracket, Battery Lower				

# = Revised or new since last update

SOLUTION SYSTEM - 2



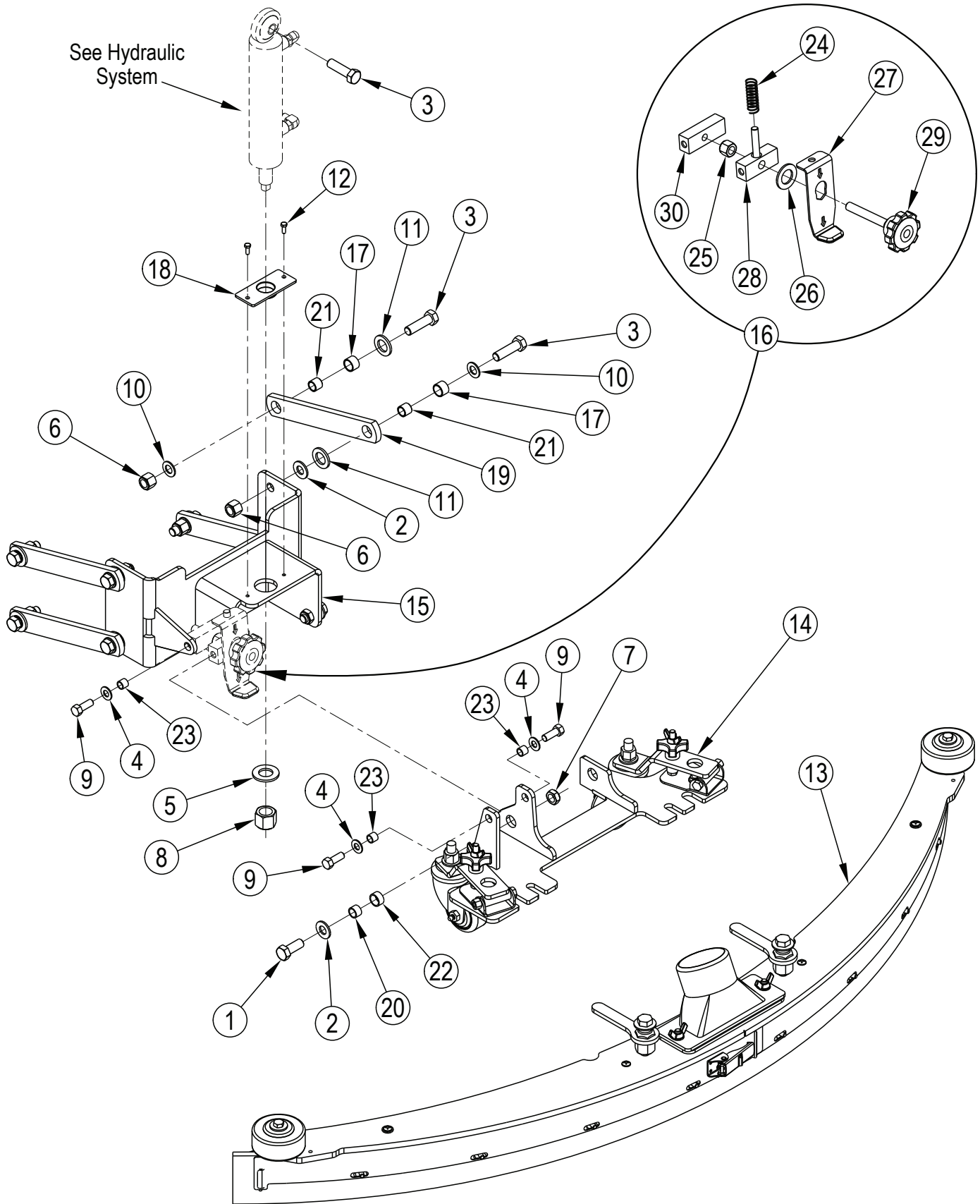


## SOLUTION SYSTEM - 2

Item	Ref. No.	Qty	Description	Item	Ref. No.	Qty	Description
1	56330741	2	Bushing .250 x .375 x .75				
2	56407162	1	Filter	31	56110917	1	Latch Pin Weldment
3	56407282	1	Gasket	32	56110918	1	Plate, Latch Mount
4	56418471	1	Door Latch	33	56110919	1	Latch Pin
5	56330027	2	Bushing	34	56111066	1	Seal, Solution Tank
6	56001836	4	Scr, Hex 1/4-20 X .62	35	56111122	1	Hose, Spiral, .50 X 69.0
7	56001954	4	Wsh, Flt SAE #10	36#	56111387	1	Pump Assy, 12vdc - 60 PSI <b>TSB-FC-2013-135</b>
8	56002066	6	Scr, Pan Phil 1/4-20 X .62	37	56111458	1	Hose, .75 X 9.50
9	56002098	14	Wsh, Flt SAE 1/4	38#	56112771	2	Clamp Hose SAE 10 E00047
10	56002145	7	Scr, Pan Phil 1/4-20 X .50	39	56244969	4	Clamp, Hose SAE #12
11	56002491	2	Nut, Hex Nyl Loc SS 1/4-20	40	56255076	1	Cap, Pipe GHT Nylon
12	56002507	4	Scr, Pan Phil 1/4-20 X .75	41	56262190	1	Barb
13	56002768	8	Nut, Hex Nyl Loc 10-24	42	56264262	1	Hose, Spiral .75 E00605
14	56368776	2	Washer, Rubber	43	56305103	1	Solenoid Valve Assy
15	56002824	4	Scr, Pan Phil 10-24 X 1.25	44	56305206	1	Plate, Latch
16	56002825	2	Scr, Pan Phil 1/4-20 X 1.25	45	56305209	1	Cover, Solution Tank
17	56002840	3	Nut, Hex Nyl Loc-Thin 1/4-20	46	56315625	1	Barb, Coupler 1/2 X 3/4
18	56002914	2	Wsh, Flt Std SS 1/4	47	56330391	1	Wire Rope, 12 Inch
19	56002956	5	Scr, Hex Hd Loc 5/16-18 x .75	48	56386183	1	Barbed Elbow 90
20	56003074	2	Scr, Flt Phil SS 1/4-20 X 1.00	49	56392833	1	Hose, Spiral .75 X 12.00
21	56009062	2	Scr, Pan Phil Thd Form 1/4-20 X .50	50	56392347	1	Hose, PVC Clear 2.5 Inch
22	56009122	5	Wsh, Flt .344 X .938 X .125	51	56397207	1	Hose, PVC Clear 7.00
23	56110318	2	U-Bolt 10-24 X R.69	52	56413581	1	Valve, T Shutoff
24	56110380	1	Tank, Solution	53	56413802	1	Latch, RH
25	56110636	1	Cover	54	56900273	1	Barb, Adapter 3/4 X 3/4GHT
26	56110740	1	Cover, Chemical Injection	55	56456801	1	Barb, Adapter 3/4 X 3/4NPT
27	56110741	1	Hinge	56	2-95-04388	6	Clamp, Hose
28	56110744	2	Support, Door	57	56001993	2	Scr-Pan Phil 10-24 x .50
29	56110893	1	Bracket, Battery Upper	58	56172017	2	Clamp-P
30	56110894	1	Bracket, Battery Lower				

# = Revised or new since last update

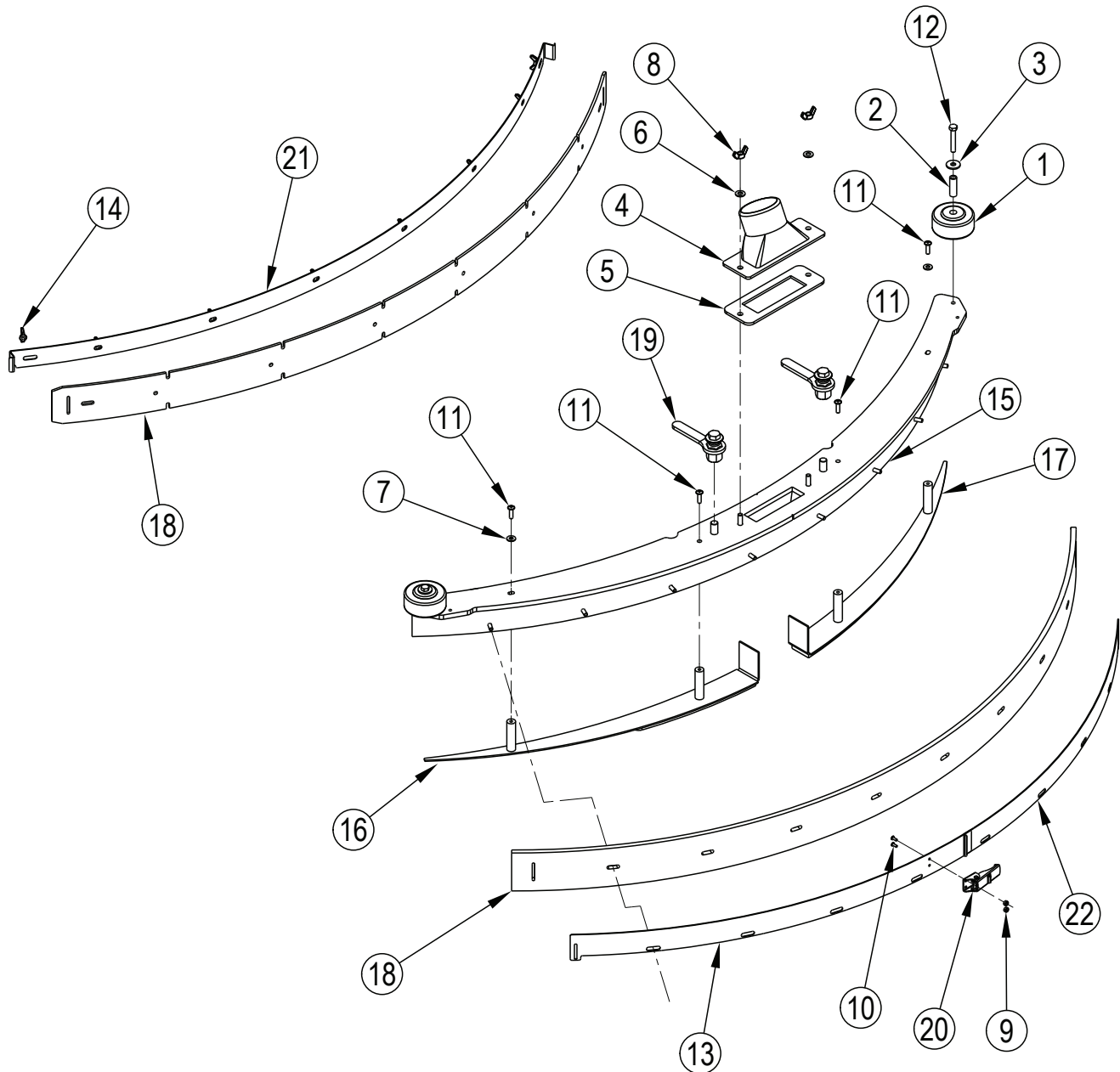
SQUEEGEE SYSTEM



## SQUEEGEE SYSTEM

Item	Ref. No.	Qty	Description
1	56002904	2	Scr Hex SS 1/2-13 X 1.25
2	56002918	6	Wsh Flt SAE SS 1/2
3	56002888	9	Scr Hex Hd SS 1/2-13X1.75
4	56002910	4	Wsh Flt SAE SS 3/8
5	56003852	1	Wsh-Flt SAE SS 3/4
6	56002846	8	Nut Hex Nyl Loc SS 1/2-13
7	56002854	2	Nut Hex Nyl Loc-Thin SS 1/2-13
8	56002862	1	Nut, Hex Nyl Loc 3/4-10
9	56003914	4	Scr-Hex Loc SS 3/8-16 X 1.00
10	56009017	8	Wsh, Flt Harden .516 x .938 x .75
11	56009022	8	Wsh, Flt .754 x 1.250 x .120
12	56009039	2	Scr, Hex Thd Form 10-24 x .50
13	56110873	1	Squeegee Assembly ( <b>see Squeegee Assy</b> )
14	56110886	1	Squeegee Mount Assy ( <b>see Squeegee Mount Assy</b> )
15	56111940	1	Squeegee Lift Weldt
16	56111731	1	Adjuster Assy ( <b>items 24-30</b> )
17	56304586	8	Bearing .750 x .625 x .500
18	56304590	1	Plate, Guide
19	56111931	4	Arm Parallel 7.5in
20	56360627	2	Bushing
21	56367206	8	Bushing
22	56370878	2	Bearing, Sleeve
23	56388326	4	Bushing
24	56379170	1	Spring, Compression
25	56003312	1	Nut, Hex Nyl Loc M12-1.75
26	56003791	1	Wsh, Flt SS .875 x 1.500 x .105
27	56111723	1	Lock, Adjuster
28	56111724	1	Pivot Weldment
29	56111729	1	Knob Assembly
30	56111732	1	Bar, Squeegee Adj

## SQUEEGEE ASSY



## SQUEEGEE ASSY

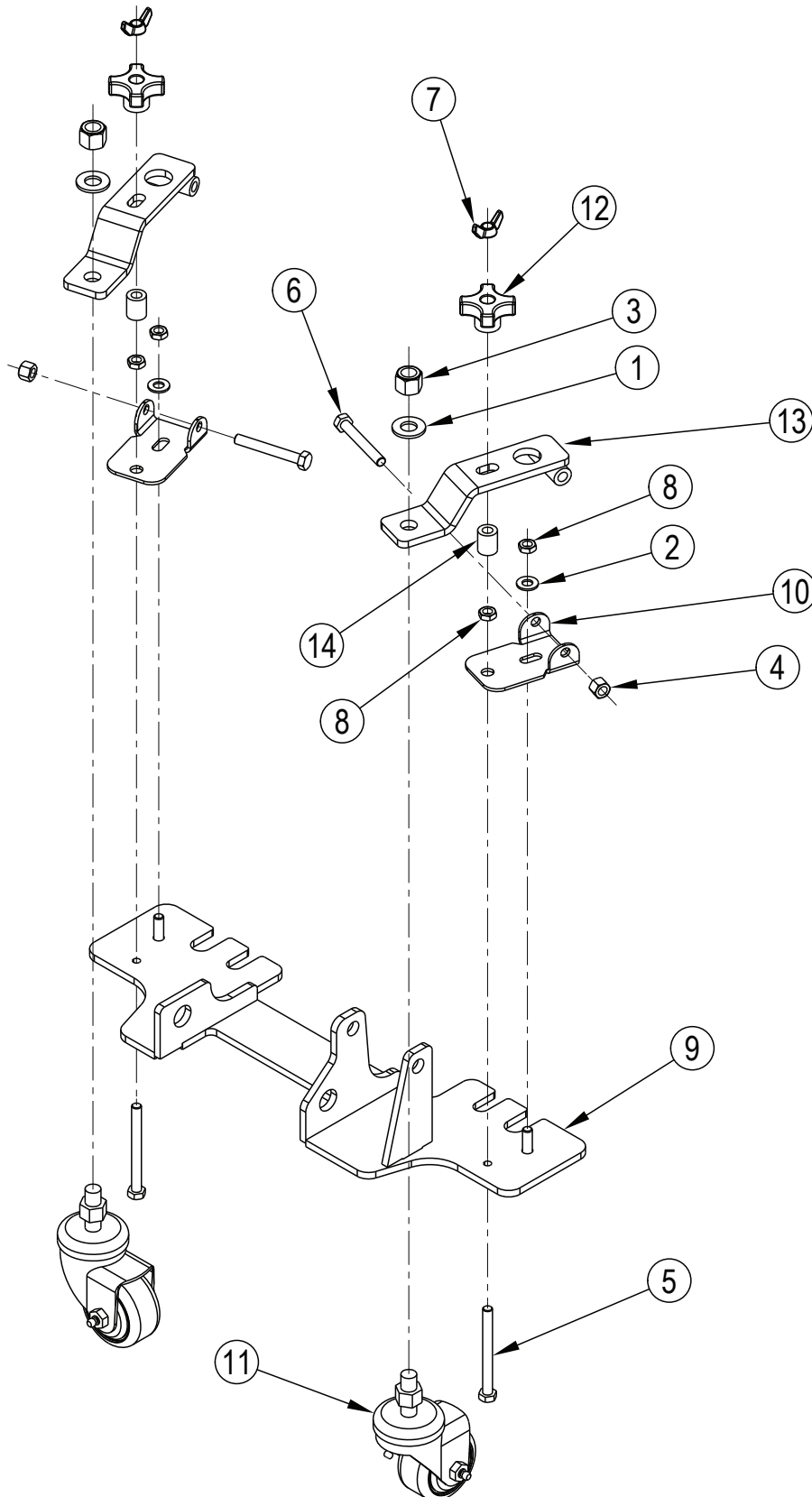
Item	Ref. No.	Qty	Description
	56110873	1	Squeegee Assy ( <b>items 1-22</b> )
1	56386127	2	Wheel 3.00 X 1.25
2	56454249	2	Bushing
3	56003646	2	Wsh, Flt SS 8mm
4	56459102	1	Adapter, Squeegee
5	56459281	1	Gasket, Inlet
6	56002938	2	Wsh Flt SAE SS 5/16
7	56002859	2	Wsh Flt SAE SS 1/4
8	56002370	2	Nut, Wing 5/16-18
9	56002907	2	Nut, Hex Nyl Loc SS 6-32
10	56002909	2	Scr, Pan Phil SS 6-32 X .38
11	56003087	4	Scr, Pan Phil SS 1/4-20 X .88
12	56003802	2	Scr- Hex Ss M8-1.25 X 50mm
13	56109621	1	Strap, Rear H <b>NOTE 1</b>
14	56009111	8	Nut, Wing SS 1/4-20
15		1	Squeegee Weldment <b>NOTE 2</b>
16	56111938	1	Left Plate Weldt
17	56111939	1	Right Plate Weldt
18	56111650	1	Kit, Red Gum Rubber Squeegee Blade H ( <b>standard</b> )
*	56413642	1	Blade Sqgee Red Gum RR H ( <b>included with 56111650</b> )
*	56111652	1	Kit, Gum Rubber Squeegee Blade H
*	56413710	1	Blade Squeegee Gum RR H ( <b>included with 56111652</b> )
*	56111203	1	Kit, Polyurethane Squeegee Blade
*	56111205	1	Blade Rear SQ PU H 63 ( <b>included with 56111203</b> )
19	56305616	2	Crank Assy
20	56471194	1	Latch Assembly
21	56109620	1	Strap, Front H <b>NOTE 1</b>
22	56109677	1	Strap, Rear H <b>NOTE 1</b>

\* = Optional, Not Included

**NOTE 1:** Items 13, 21 & 22 can be ordered as Strap Kit H 56109622.

**NOTE 2:** The squeegee weldment is not available for sale separately. If you need to replace your squeegee weldment please order the complete Squeegee Assy 56110873.

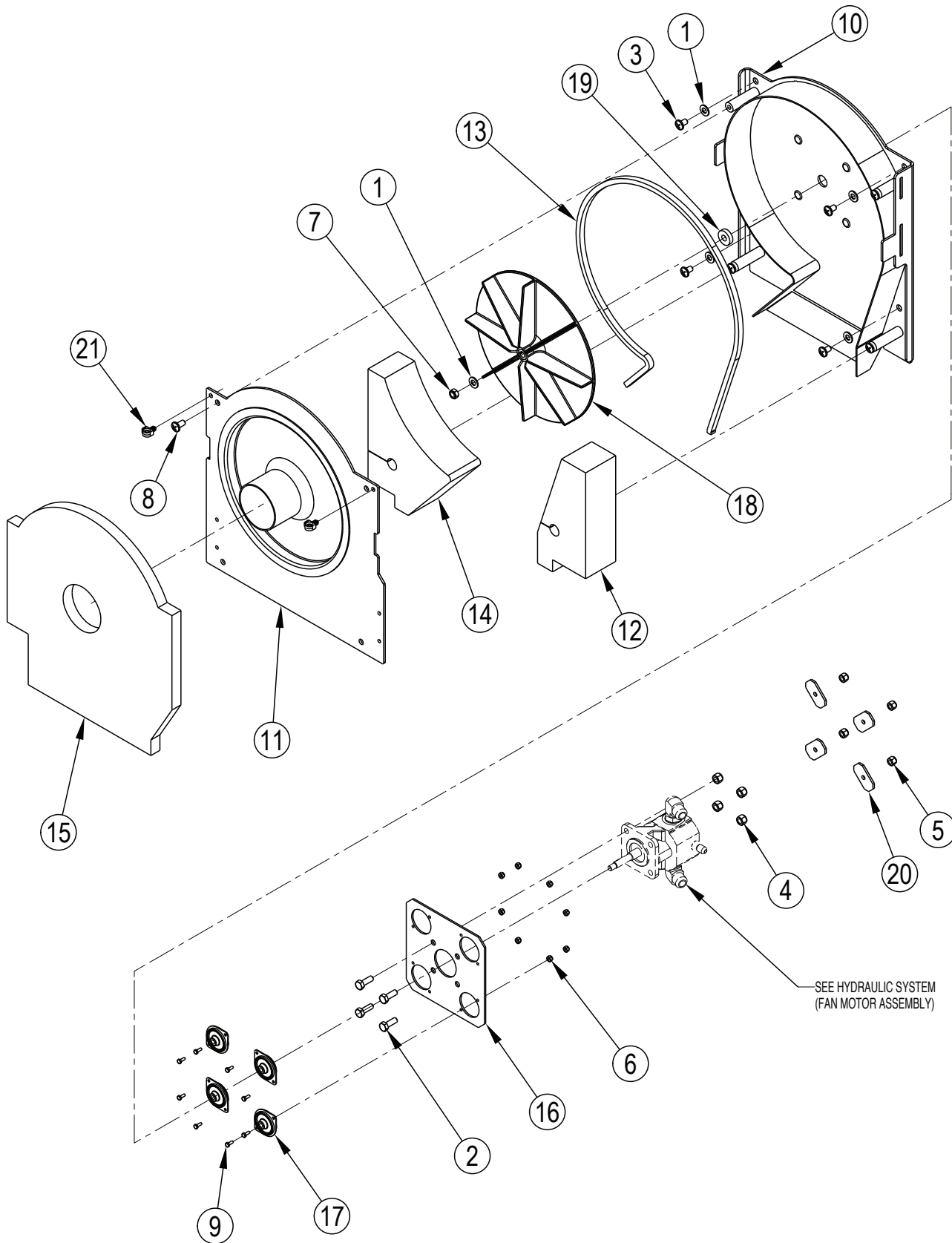
SQUEEGEE MOUNT ASSY



## SQUEEGEE MOUNT ASSY

Item	Ref. No.	Qty	Description
	56110886	1	Squeegee Mount Assy (items 1-14)
1	56001879	2	Wsh, Flt SAE 1/2
2	56002938	2	Wsh Flt SAE SS 5/16
3	56002770	2	Nut, Hex Nyl Loc 1/2-13
4	56003405	2	Nut, Hex Nyl Loc SS M8-1.25
5	56003463	2	Scr, Hex Thd To Hd SS 5/16-18 x 3.25
6	56003464	2	Scr, Hex SS M8-1.25 x 60mm
7	56003465	2	Nut, Wing SS 5/16-18
8	56009141	4	Nut Hex Jam SS 5/16-18
9	56111934	1	Squeegee Mount Weldt
10	56111936	2	Bracket
11	56407344	2	Caster Wheel
12	56407510	2	Knob, 5/16-18 Nyloc
13	56111935	2	Castor Bracket Weldment
14	56111803	2	Bushing

VAC FAN ASSY

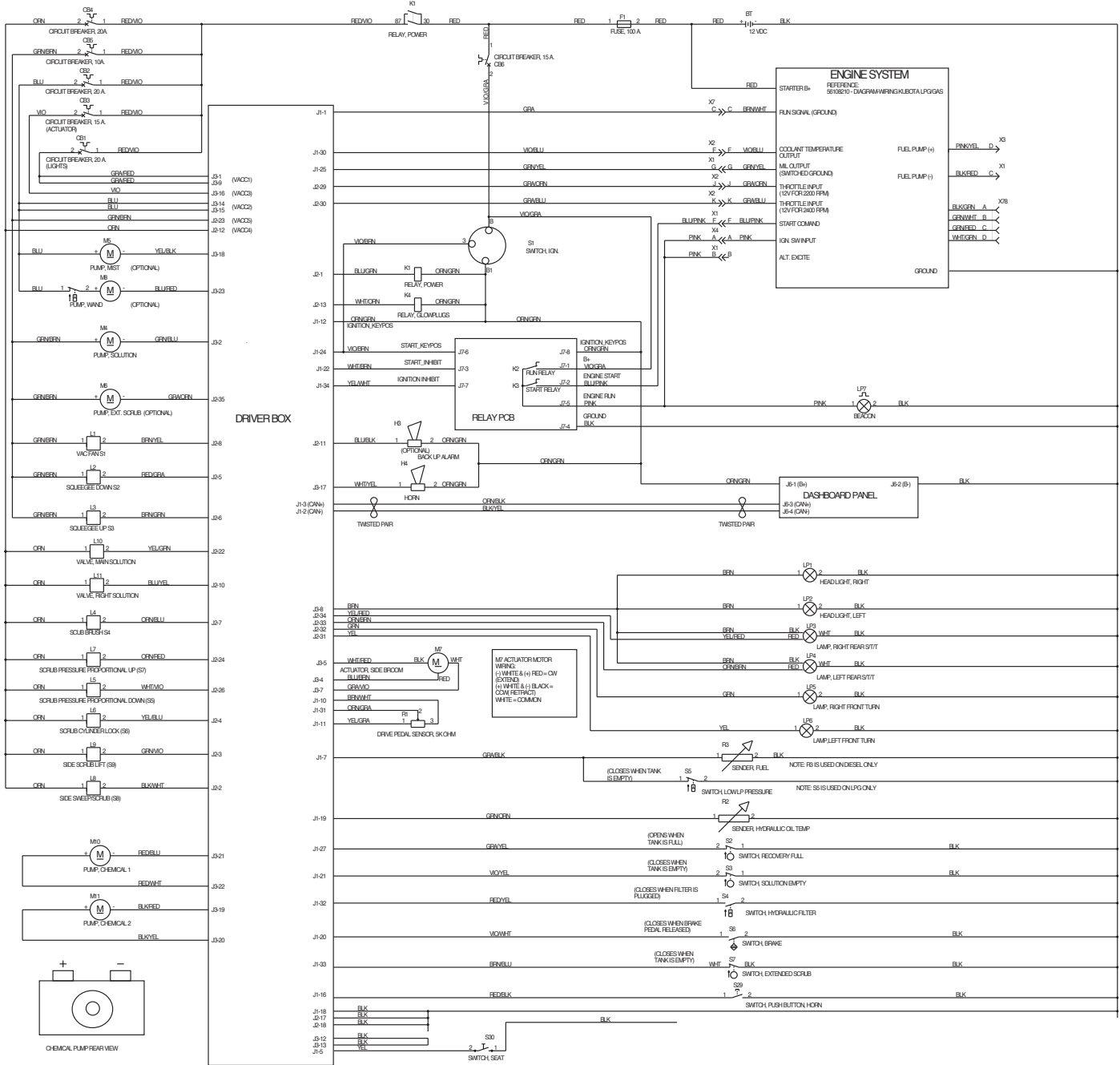




## VAC FAN ASSY

Item	Ref. No.	Qty	Description
	56111549	1	Vacuum Fan Assy (items 1-21)
1	56001939	5	Wsh, Flt Sae 5/16
2	56002037	4	Scr, Hex 5/16-18 X .88
3	56002281	4	Scr, Pan Phil 5/16-18 X .50
4	56002701	4	Nut, Hex Nyl Loc 5/16-18
5	56002708	4	Nut, Hex Nyl Loc 1/4-20
6	56002830	8	Nut, Hex Nyl Loc 6-32
7	56002866	1	Nut, Hex Nyl Loc-Thin 5/16-24
8	56003003	4	Scr, Pan Phil 5/16-18 X .62
9	56003068	8	Scr, Hex 6-32 X .38
10	56111544	1	Scroll Weldt
11	56111545	1	Vac Fan Cover Weldt
12	56111563	1	Foam, Sound Reduction
13	56111565	1	Seal
14	56111566	1	Foam, Sound Reduction
15	56111576	1	Foam, Sound
16	56304647	1	Plate, Motor Mount
17	56304652	4	Isolator, Vibration
18	56305018	1	Impeller
19	56305022	1	Spacer, .375 X 1.00 X .25
20	56305714	4	Washer, Snubbing
21	56315382	2	Clip, Conduit

# LADDER DIAGRAM - LPG

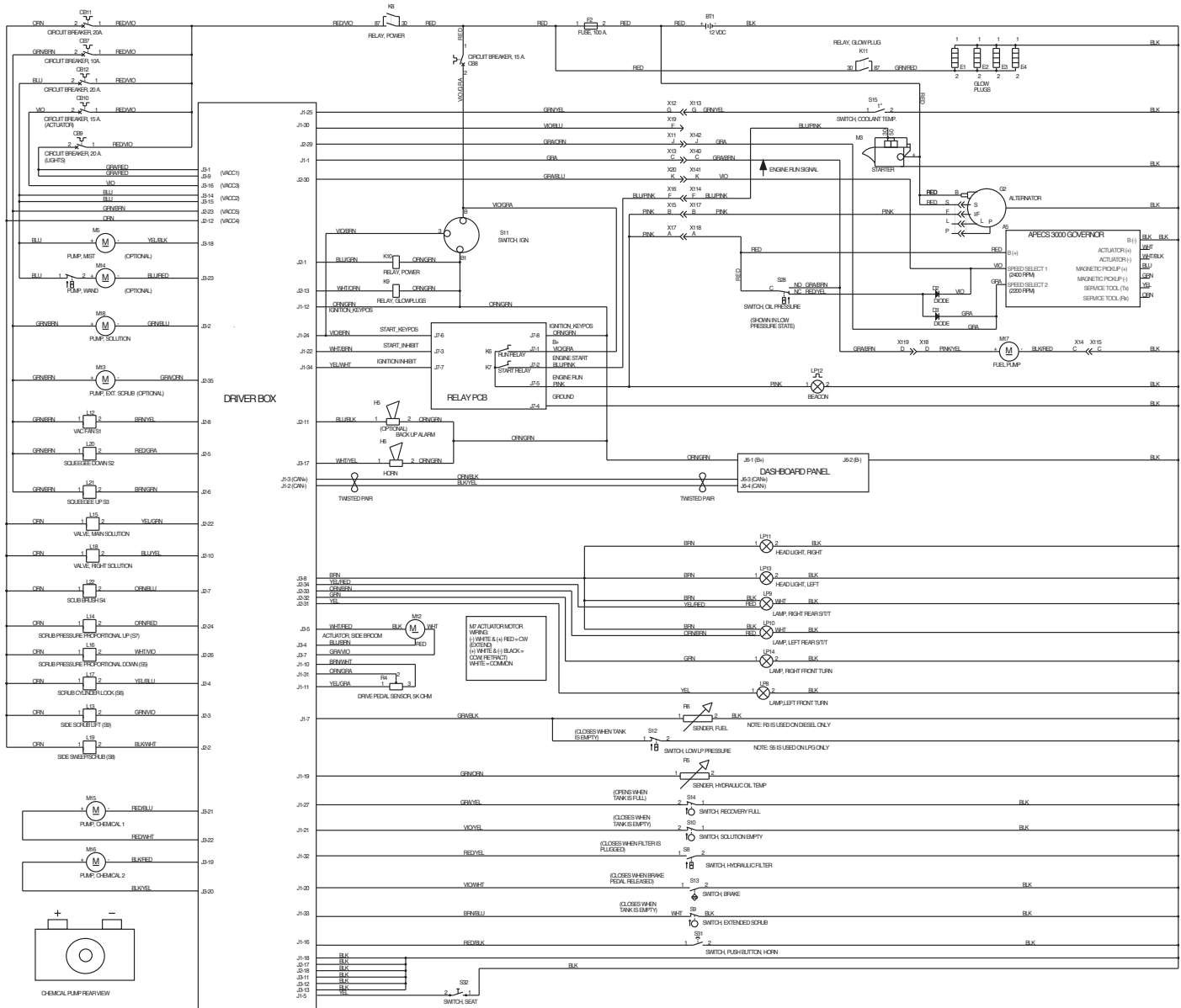


LADDER DIAGRAM - LPG

Item	Ref. No.	Qty	Description	Item	Ref. No.	Qty	Description
	NA	1	Engine System	M4#	56111387	1	Pump, Solution <b>TSB-FC-2013-135</b>
	NA	1	Driver Box	M5	56507851	1	Pump, Mist (optional)
	56381129	1	Dashboard Panel	M6#	56111387	1	Pump, Ext. Scrub (optional) <b>TSB-FC-2013-135</b>
	56110530	1	Relay PCB	M7	56305008	1	Actuator, Side Broom
BT	56491902	1	Battery 12V	M8	56111671	1	Pump, Wand (optional)
CB1	56413822	1	Circuit Breaker, 20 Amp (lights)	M10	56110742	1	Pump, Chemical 1
CB2	56413822	1	Circuit Breaker, 20 Amp	M11	56110742	1	Pump, Chemical 2
CB3	56413407	1	Circuit Breaker, 15 Amp (actuator)	R1	56305129	1	Drive Pedal Sensor, 5K Ohm
CB4	56413822	1	Circuit Breaker, 20 Amp	R2	56305873	1	Sender, Hydraulic Oil Temp
CB5	56507644	1	Circuit Breaker, 10 Amp	R3	56478358	1	Sender, Fuel (Diesel models only)
CB6	56413407	1	Circuit Breaker, 15 Amp	S1	56111109	1	Switch, Ignition
F1	56111123	1	Fuse, 100 Amp	*	56303526	1	Replacement Key
H3	56409232	1	Back-Up Alarm (optional)	S2	56110561	1	Switch, Recovery Full
H4	56442054	1	Horn	S3	56413669	1	Switch, Solution Empty
K1	56110423	1	Relay, Power	S4	NA	1	Switch, Hydraulic Filter
K2	NA	1	Relay, Run	S5	56418381	1	Switch, Low LP Pressure (LPG only)
K3	NA	1	Relay, Start	S6	56305053	1	Switch, Brake
L1	NA	1	Vacuum Fan Valve, S1	S7	56111270	1	Switch, Extended Scrub
L2	NA	1	Squeegee Down Valve, S2	S29	8-82-00024	1	Switch, Push Button, Horn
L3	NA	1	Squeegee Up Valve, S3	S30	7-82-00050	1	Switch, Seat
L4	NA	1	Scrub Brush Valve, S4				
L5	NA	1	Scrub Pressure Proportional Down Valve, S5				
L6	NA	1	Scrub Cylinder Lock Valve, S6				
L7	NA	1	Scrub Pressure Proportional Up Valve, S7				
L8	NA	1	Side Sweep/Scrub Valve, S8				
L9	NA	1	Side Scrub Lift Valve, S9				
L10	56305103	1	Main Solution Valve				
L11	56110464	1	Right Solution Valve				
LP1	56110437	1	Headlight, Right				
*	56507224	A/R	Bulb, Headlight Replacement				
LP2	56110436	1	Headlight, Left				
*	56507224	A/R	Bulb, Headlight Replacement				
LP3	56507112	1	Lamp, Right Rear S/T/T				
LP4	56507112	1	Lamp, Left Rear S/T/T				
LP5	56507112	1	Lamp, Right Front Turn				
LP6	56507112	1	Lamp, Left Front Turn				
LP7	56307166	1	Beacon				
*	56109521	A/R	Bulb, Replacement (for 56307166 manufactured by Speaker or ECCO)				
*	56109723	A/R	Bulb, Replacement (for 56307166 manufactured by Superior Signals Inc.)				

\* = Not Shown  
 # = Revised or new since last update

# LADDER DIAGRAM - DIESEL



## LADDER DIAGRAM - DIESEL

Item	Ref. No.	Qty	Description	Item	Ref. No.	Qty	Description
	NA	1	Driver Box	M3	56419089	1	Starter
	56381129	1	Dashboard Panel	M4#	56111387	1	Pump, Solution <b>TSB-FC-2013-135</b>
	56508400	1	APECS 3000 Governor	M5	56507851	1	Pump, Mist (optional)
	56110530	1	Relay PCB	M6#	56111387	1	Pump, Ext. Scrub (optional) <b>TSB-FC-2013-135</b>
BT	56491902	1	Battery 12V	M7	56305008	1	Actuator, Side Broom
CB1	56413822	1	Circuit Breaker, 20 Amp (lights)	M8	56111671	1	Pump, Wand (optional)
CB2	56413822	1	Circuit Breaker, 20 Amp	M10	56110742	1	Pump, Chemical 1
CB3	56413407	1	Circuit Breaker, 15 Amp (actuator)	M11	56110742	1	Pump, Chemical 2
CB4	56413822	1	Circuit Breaker, 20 Amp	M14	56508355	1	Fuel Pump
CB5	56507644	1	Circuit Breaker, 10 Amp	R1	56305129	1	Drive Pedal Sensor, 5K Ohm
CB6	56413407	1	Circuit Breaker, 15 Amp	R2	56305873	1	Sender, Hydraulic Oil Temp
D2	NA	1	Diode	R3	56478358	1	Sender, Fuel
D3	NA	1	Diode	S1	56111109	1	Switch, Ignition
E1	NA	1	Glow Plug	*	56303526	1	Replacement Key
E2	NA	1	Glow Plug	S2	56110561	1	Switch, Recovery Full
E3	NA	1	Glow Plug	S3	56413669	1	Switch, Solution Empty
E4	NA	1	Glow Plug	S4	NA	1	Switch, Hydraulic Filter
F1	56111123	1	Fuse, 100 Amp	S6	56305053	1	Switch, Brake
G2	56110738	1	Alternator	S7	56111270	1	Switch, Extended Scrub
H3	56409232	1	Back-Up Alarm (optional)	S9	56419091	1	Switch, Coolant Temp.
H4	56442054	1	Horn	S28	56305098	1	Switch, Oil Pressure
K1	56110423	1	Relay, Power	S29	8-82-00024	1	Switch, Push Button, Horn
K2	NA	1	Relay, Run	S31	7-82-00050	1	Switch, Seat
K3	NA	1	Relay, Start				
K4	56110423	1	Relay, Glow Plugs				
L1	NA	1	Vacuum Fan Valve, S1				
L2	NA	1	Squeegee Down Valve, S2				
L3	NA	1	Squeegee Up Valve, S3				
L4	NA	1	Scrub Brush Valve, S4				
L5	NA	1	Scrub Pressure Proportional Down Valve, S5				
L6	NA	1	Scrub Cylinder Lock Valve, S6				
L7	NA	1	Scrub Pressure Proportional Up Valve, S7				
L8	NA	1	Side Sweep/Scrub Valve, S8				
L9	NA	1	Side Scrub Lift Valve, S9				
L10	56305103	1	Main Solution Valve				
L11	56110464	1	Right Solution Valve				
LP1	56110437	1	Headlight, Right				
*	56507224	A/R	Bulb, Headlight Replacement				
LP2	56110436	1	Headlight, Left				
*	56507224	A/R	Bulb, Headlight Replacement				
LP3	56507112	1	Lamp, Right Rear S/T/T				
LP4	56507112	1	Lamp, Left Rear S/T/T				
LP5	56507112	1	Lamp, Right Front Turn				
LP6	56507112	1	Lamp, Left Front Turn				
LP7	56307166	1	Beacon				
*	56109521	A/R	Bulb, Replacement (for 56307166 manufactured by Speaker or ECCO)				
*	56109723	A/R	Bulb, Replacement (for 56307166 manufactured by Superior Signals Inc.)				

\* = Not Shown

# = Revised or new since last update

## BRUSH SELECTOR GUIDE-CYLINDRICAL (MAIN SCRUB DECK)

We provide brushes and pad holders that will give you the best possible performance between machine and floor. Following are descriptions of the materials and their applications.

- 80 Grit Brush:** Medium aggressive grit brush. Good all-around brush for medium to heavy buildup removal. Can also be used for general stripping operations.
- 180 Grit Brush:** Least aggressive grit brush. Used for daily cleaning of hard-finished floors.
- Polypropylene Brush:** Standard equipment brush. Low cost, yet effective in cleaning many common floor surfaces.

### 48" BRUSH LENGTH

56110011 - Polypropylene

56110012 - 80 Grit

56110013 - 180 Grit

## CYLINDRICAL BRUSH APPLICATION GUIDE (SUGGESTION ONLY)

Application	80 Grit	180 Grit	Polypropylene
<b>Stripping:</b>			
Concrete	X		
Terrazzo	X		
Ceramic/Quarry tile	X		
Vinyl tile	X		
<b>General Scrubbing:</b>			
Concrete	X	X	X
Terrazzo		X	X
Ceramic/Quarry tile		X	X
Marble		X	
Vinyl tile		X	X
Raised-rubber tile		X	

## SIDE BROOMS LEFT & RIGHT FRONT

- Side Broom:** **PN56477812 Polypropylene (STD)**  
The side broom function is to sweep the dirt and debris away from the curb, wall, pallet, etc. into the path of the scrub deck.
- PN56505629 Soft (Optional)**



Diameter .....20" (50.8 cm)

## BRUSH SELECTOR GUIDE-DISK (RIGHT SCRUB)

We provide brushes and pad holders that will give you the best possible performance between machine and floor. Following are descriptions of the materials and their applications.

**Prolene:** Polypropylene material for medium-duty scrubbing on concrete, terrazzo and vinyl floor tile. Recommended for use in place of green or blue pads.

**Dyna Grit:** For aggressive, heavy-duty scrubbing or stripping of floors. Recommended for use in place of brown pads.

**MidLite Grit:** For general purpose scrubbing of sealed or unsealed concrete, stone, terrazzo, quarry tile and other resilient hard floor surfaces. Recommended for use in place of green or blue pads.

### Ø15" BRUSH BLOCK

56505832 - Dyna Grit (80)

56505834 - Prolene

56505838 - MidLite Grit (180)

## DISC BRUSH APPLICATION GUIDE (SUGGESTION ONLY)

Application	80 Grit	180 Grit	Prolene
<b>Stripping:</b>			
Concrete	X		
Terrazzo	X		
Ceramic/Quarry tile	X		
Vinyl tile	X		
<b>General Scrubbing:</b>			
Concrete	X	X	X
Terrazzo		X	X
Ceramic/Quarry tile		X	X
Vinyl tile		X	X

### OPTIONAL KITS & ACCESSORIES

Item	Ref. No.	Qty	Description
<b>Kits NOTE 1</b>			
*	56305896	1	Solution Fill Shutoff Kit
*	56110907	1	Warning Beacon Kit
*	56111535	1	Deluxe Seat Kit
*	56110300	1	Overhead Guard Kit
*	56111259	1	Extended Scrub Kit
*	56111298	1	Underhood Light Kit
*	56110730	1	Vac Wand Kit
*	7-03-04250	1	RH Armrest Kit
*	7-03-04249	1	Dual Armrest Kit
*#	56383455	1	Seat Belt Kit- Standard Seat
*	56111280	1	Recovery Tank Clean Out Kit
*	56111346	1	Wash Hose Kit
*	56111317	1	Brake / Signal Light Kit
*	56111107	1	Rear Bumper Kit
*	56110901	1	Fire Extinguisher Kit
*	56305519	1	Back-Up Alarm Kit
*	56111265	1	Overhead Guard Beacon Kit
*	56111267	1	Overhead Guard Canopy Kit
*	56111607	1	Kit-Debris Tray
*	56111733	1	Kit, Horn Switch
*	56601410	1	Drain Hose Extension
*	56111848	1	Roller Bumper Kit
*	56111873	1	Foot Guard Kit

\* = Optional, Not Included

# = Revised or new since last update

**NOTE 1:** Replacement parts for the kits listed above can be found on each kit's associated instruction sheet.



**OPTIONAL KITS & ACCESSORIES**

Ref. No.	Qty	Description
<b>Squeegee Blade Kits</b>		
* 56111650	1	Kit, Red Gum Rubber Squeegee Blade H (Std) <b>NOTE 1</b>
* 56413642	1	Blade Sqgee Red Gum RR H (included with 56111650)
* 56111652	1	Kit, Gum Rubber Squeegee Blade H <b>NOTE 1</b>
* 56413710	1	Blade Squeegee Gum RR H (included with 56111652)
* 56111203	1	Kit, Polyurethane Squeegee Blade <b>NOTE 1</b>
* 56111205	1	Blade Rear SQ PU H 63 (included with 56111203)
<b>Main Scrub Deck Options</b>		
* 56110013	1	Brush, Cyl 48" Midlite 180 (Std)
* 56110012	1	Brush, Cyl 48" Dyna Grit 80
* 56110011	1	Brush, Cyl 48" Polypropylene
* 56111206	1	Blade Kit, Main Scrub-Red Gum (Std) <b>NOTE 2</b>
* 56111207	1	Blade Kit, Main Scrub-Gum Rubber <b>NOTE 2</b>
* 56111210	1	Blade Kit, Main Scrub-Polyurethane <b>NOTE 2</b>
<b>Right Scrub Head Options</b>		
* 56111635	1	Blade Kit, Opt Scrub-Red Gum (Std) <b>NOTE 3</b>
* 56111636	1	Blade Kit, Opt Scrub-Gum Rubber <b>NOTE 3</b>
* 56111637	1	Blade Kit, Opt Scrub-Polyurethane <b>NOTE 3</b>
* 56505832	1	Brush, Dynagrit (80)
* 56505834	1	Brush, Prolene (Polypropylene)
* 56505838	1	Brush, Midlite (180)
<b>Dual Sweep Head Options</b>		
* 56477812	2	Side Broom (Std)
* 56505629	2	Side Broom (Soft)
<b>Accessories</b>		
* 56044640	1	Literature Pack

\* = Optional, Not Included

**NOTE 1:** All squeegee blade kits include both front and rear squeegee blades.

**NOTE 2:** All Deck Blade Kits include 4 side skirt blades (2 for each side skirt) plus 2 splash shield blades (1 for each end of the scrub deck).

**NOTE 3:** Right Scrub Blade Kits include 2 blades, one inside and one outside blade.







Nilfisk-Advance Equipamentos de Limpeza Ltda.  
Av. Dep. Emílio Carlos, 2.499 - Bairro do Limão - 02721-200  
São Paulo - SP - Brasil  
[www.nilfisk-advance.ind.br](http://www.nilfisk-advance.ind.br)  
[www.plataforma.ind.br](http://www.plataforma.ind.br)  
Tel.: (11) 3959-0300  
Fax: (11) 3959-0306  
©2013 Nilfisk-Advance, Inc.



14600 21st Avenue North  
Plymouth, MN 55447-3408  
[www.advance-us.com](http://www.advance-us.com)  
Phone: 800-989-2235  
Fax: 800-989-6566  
©2013 Nilfisk-Advance, Inc.

---

**A Nilfisk-Advance Brand**