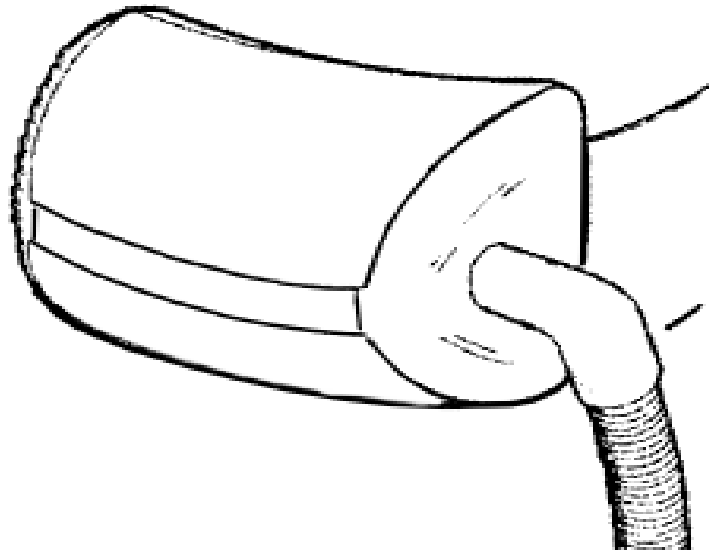


# Adgility

---



---

## PARTS LIST



**Advance**

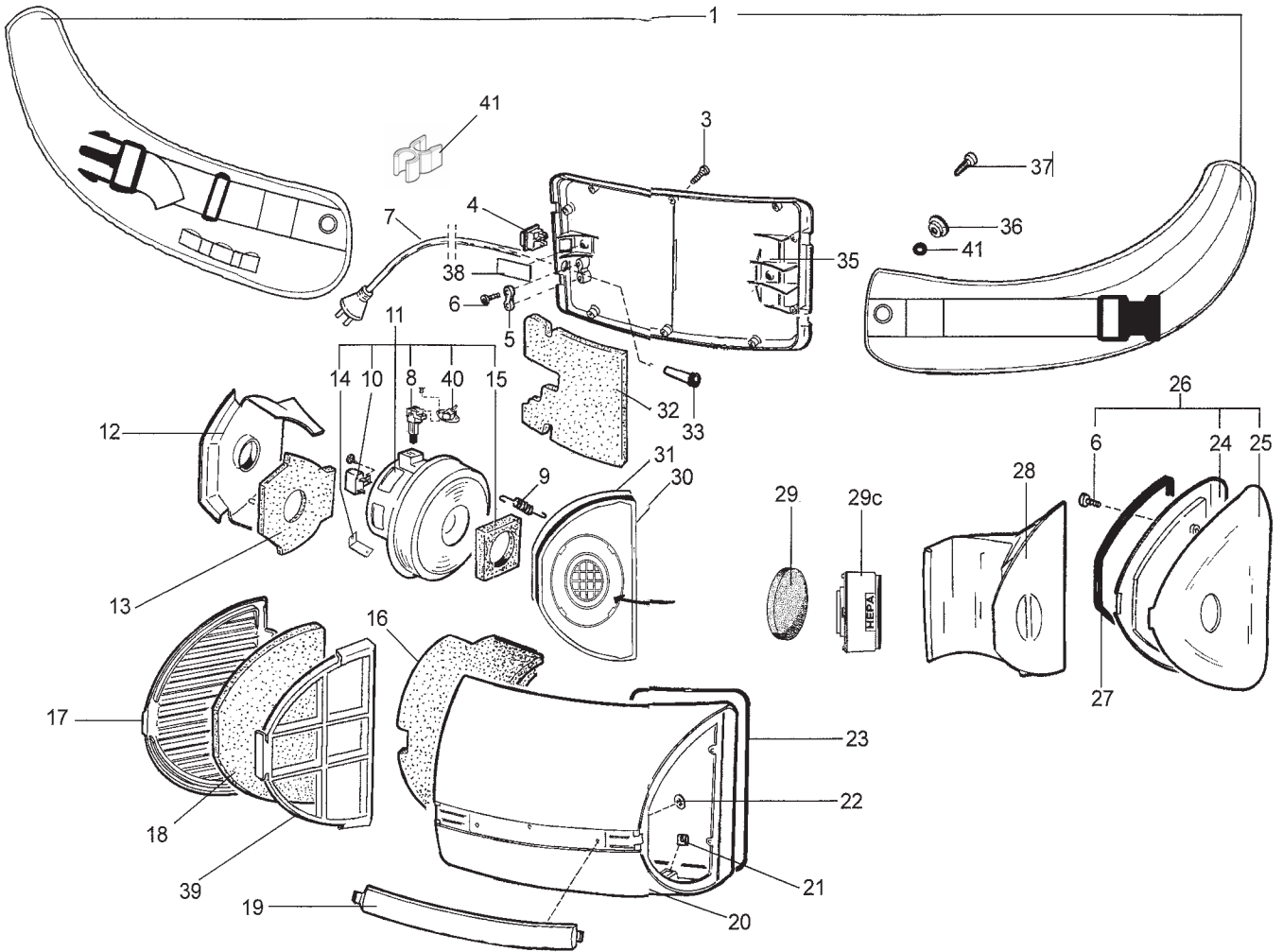
Revised 7/11 FORM NO. 822 2739 010

**SPARE PARTS LIST ADGILITY**

**2**

**LINE DRAWING**

**06-06**



**SPARE PARTS LIST ADGILITY**

**11-07**

**SPARE PARTS NUMBER**

**3**

| ItemNo | Qty.* | Part No      | Description                       | Note                |
|--------|-------|--------------|-----------------------------------|---------------------|
| 1      | 1     | 140 7343 000 | Belt cpl.w.locking                |                     |
| 3      | 10    | 140 9214 150 | Screw P Torx 30x40 FZB            |                     |
| 4      | 1     | 140 5496 510 | Switch                            |                     |
| 5      | 1 >>  | 140 6560 500 | Anti strain clip                  | UL-approved         |
| 6      | 4     | 140 9214 040 | Screw                             |                     |
| 7      | 1     | 140 3859 050 | Cord set, grounded colour:yellow  | Length 49 ft (15 m) |
| 8      | 2     | 140 8092 500 | Carbon brushes                    | Kit with 2 brushes  |
| 9      | 4     | 140 6792 000 | Spring                            |                     |
| 10     | 1     | 140 8166 010 | Suppressor - Capicator            |                     |
| 11     | 1     | 147 1120 540 | Fan unit, Ametek 8.5A 1000W       | Kit w. wires.       |
| 12     | 1     | 140 6633 010 | Silencer                          | UL-approved         |
| 13     | 1     | 140 6558 000 | Insulation, silencer              |                     |
| 14     | >>    |              |                                   |                     |
| 15     | 1     | 140 6791 000 | Gasket                            |                     |
| 16     | 1     | 140 6556 000 | Insulation, cover                 |                     |
| 17     | 1     | 140 6448 030 | Exhaust gable, grey               |                     |
| 18     | 1     | 140 6597 500 | Exhaust filter 3 pcs              |                     |
| 19     | 1     | 140 6426 030 | Cover strip, grey                 |                     |
| 20     | 1     | 140 6443 050 | Cover, grey                       | UL-approved         |
| 21     | 6     | 140 6796 000 | C-clip                            |                     |
| 22     | 3     | 140 6797 000 | Spring nut                        |                     |
| 23     | 1     | 140 6798 000 | Gasket                            |                     |
| 24     | 1     | 140 6446 030 | Inner suction gable, grey         |                     |
| 25     | 1     | 140 6447 030 | Outer suction gable, grey         |                     |
| 26     | 1     | 140 6699 030 | Suction gable compl. grey         |                     |
| 27     | 1     | 140 7302 000 | Gasket                            |                     |
| 28     | 1     | 140 6554 010 | Dust bag 5-pack                   | 5 pcs.              |
| 28     | 1     | 140 6554 020 | Dust bag 10-pack                  | 10 pcs.             |
| 28     | 1     | 140 6554 040 | Dust bag high filtration, 5-pack  | 5 pcs.              |
| 28     | 1     | 140 6554 050 | Dust bag high filtration, 10-pack | 10 pcs.             |
| 29     | 1     | 140 6794 010 | Pre filter,                       |                     |
| 29c    | 1     | 140 7160 010 | Hepa-filter, cpl.                 |                     |
| 29d    | 1     | 140 5666 000 | Gasket                            |                     |
| 30     | 1     | 140 7148 010 | Partition wall                    | UL-approved         |
| 31     | 1     | 140 6799 000 | Gasket                            |                     |
| 32     | 1     | 140 6557 000 | Insulation, back                  |                     |
| 33     | 1     | 093 1027 010 | Sleeve                            |                     |
| 35     | 1     | 140 6906 030 | Back part cpl. grey               |                     |
| 35     | 1     | 140 6906 040 | Back part cpl. grey               | UL-approved         |
| 36     | 2     | 140 7696 000 | Washer                            |                     |
| 37     | 2     | 140 6559 010 | Screw for belt 140 7343 000       |                     |
| 38     | 1     | 140 5358 000 | Insulation                        |                     |
| 39     | 1     | 140 6824 000 | Filter holder                     |                     |
| 40     | 1 >>  | 140 3894 500 | Thermo protector                  |                     |
| 41     | 1     | 147 0808 510 | Cord retainer clip                |                     |

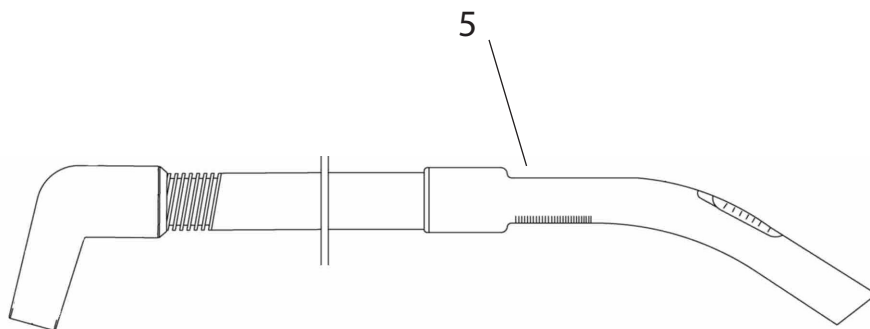
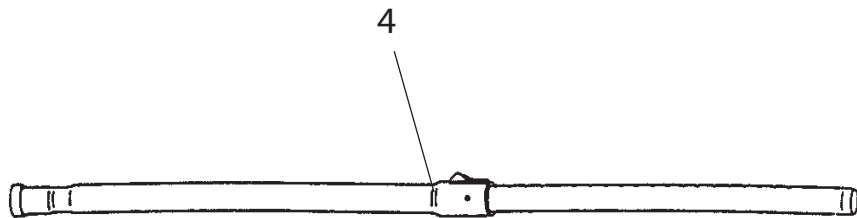
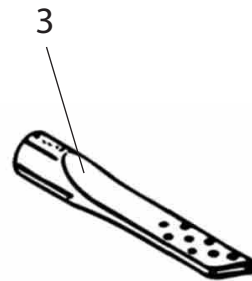
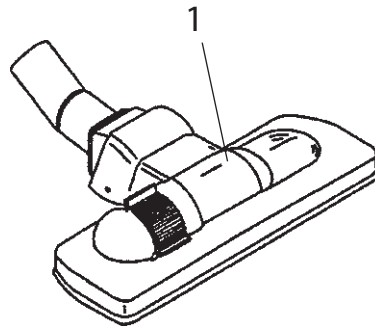
>> Means: New or changed ref. number or/and changed/new specifications.

**SPARE PARTS LIST ADGILITY**

**4**

**NOZZLES & HOSE, LINE DRAWING**

**05-10**

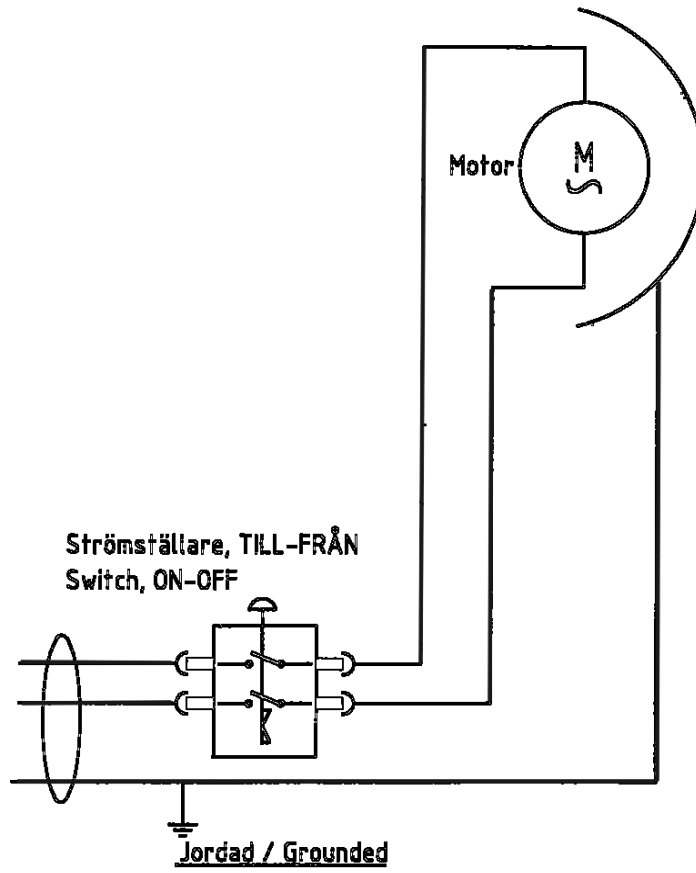


**SPARE PARTS LIST ADGILITY****11-07****NOZZLES & HOSE, PART NUMBERS****5**

| <b>Item.</b> | <b>Qty.</b> | <b>Part No</b> | <b>Description</b>              | <b>Note</b>                                      |
|--------------|-------------|----------------|---------------------------------|--|
| 1            | 1 >>        | 140 8492 510   | Combi nozzle                    | Ø 0.10 ft (32 mm) Grey                           |
| 2            | 1           | 11276901       | Brush nozzle                    | Ø 0.10 ft (32 mm) Grey                           |
| 3            | 1           | 81530400       | Crevice nozzle                  | Ø 0.10 ft (32 mm) Grey                           |
| 4            | 1           | 81906500       | Telescopic tube, steel.         | Ø 0.10 ft (32 mm)<br>max length 3.7 ft (1130 mm) |
| 5            | 1 >>        | 140 8070 000   | Hose cpl. w. aluminium bent end |  |

&gt;&gt; Means: New or changed ref. number or/and changed/new specifications.

Termoskydd ingår i motorn.  
Thermal protection incl. in motor.



**SPARE PARTS LIST ADGILITY**



|              |  |  |  |          |
|--------------|--|--|--|----------|
| <b>05-10</b> |  |  |  | <b>7</b> |
|--------------|--|--|--|----------|

**WHEN ORDERING PARTS ALWAYS STATE:**

- \* The 10 or 8 digit part numbers
- \* Quantity
- \* Specify the model and serial numbers of the machine.

**For Electrical details also:**

- \* Voltage
- \* Wattage



**USA**

Nilfisk-Advance Inc.  
14600 21st Avenue North  
Plymouth, MN 55447-3408  
Tel.: (763) 745 3500  
Fax : (763) 745 3718

**CANADA**

Nilfisk-Advance Canada Company  
240 Superior Boulevard  
Mississauga, ON L5T 2L2  
Tel.: 905-564-1149  
Fax: 905-564-1030

[www.mn.nilfisk-advance.com](http://www.mn.nilfisk-advance.com)

© 2011 Nilfisk-Advance