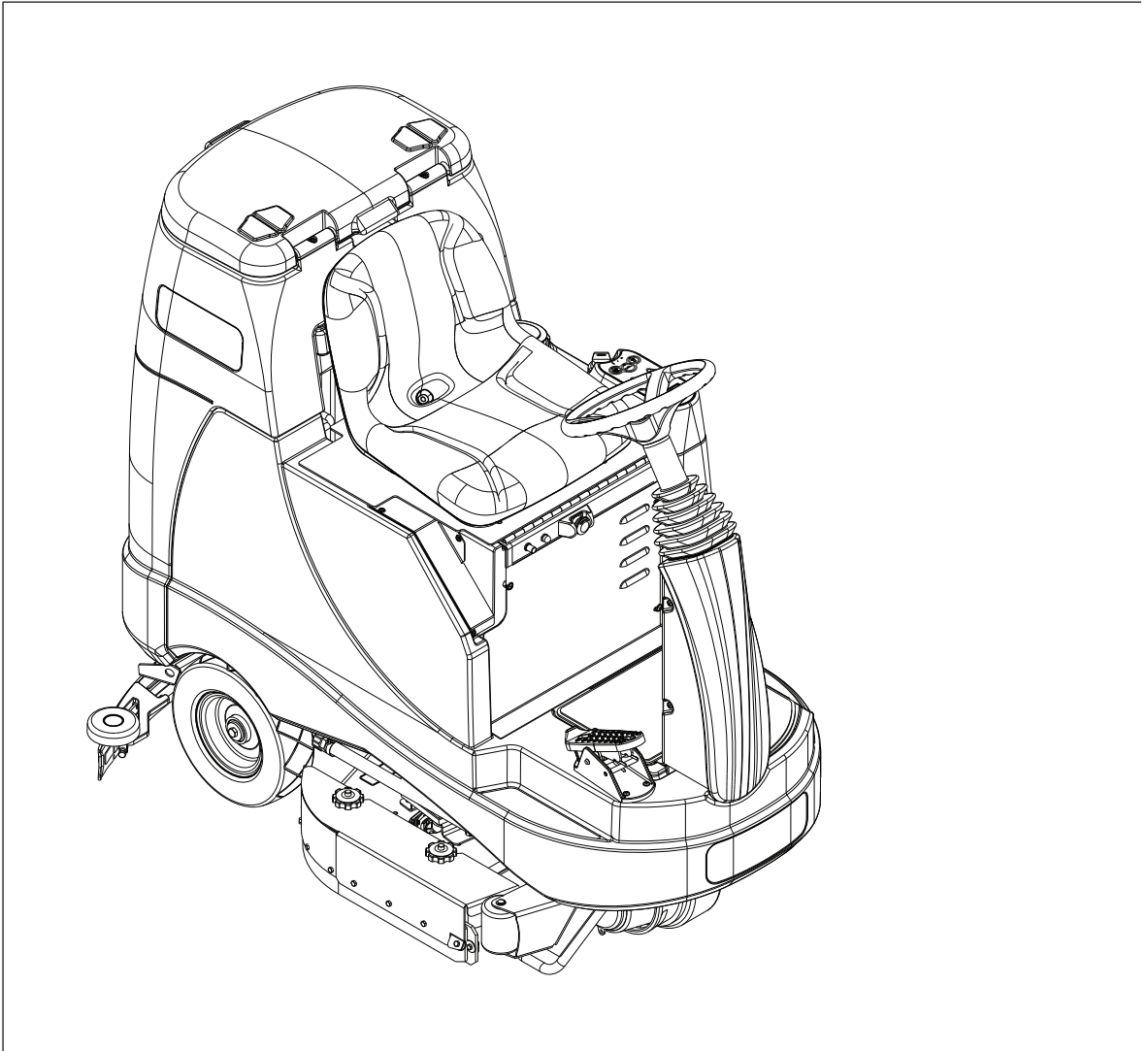


Advenger™

2800ST, 3400ST



PARTS LIST

ACTIVE MODELS:

56601000(2805D), 56601003(2800D ST), 56601004(3400D ST) 56601005(X2805D),
56601006(X3405D), 56601007(X2805C)

56601011(X2805D-C), 56601012(X3405D-C), 56601013(X2805C-C)

56601891(X2805R-C), 56601892(X2805R)

OBSOLETE MODELS:

56601001(3405D), 56601002(2805C), 56601008(2805D-C)

56601009(3405D-C), 56601010(2805C-C), 56601019(2800D-C ST)

56601020(3400D-C ST), 56601022(3400D-C ST)



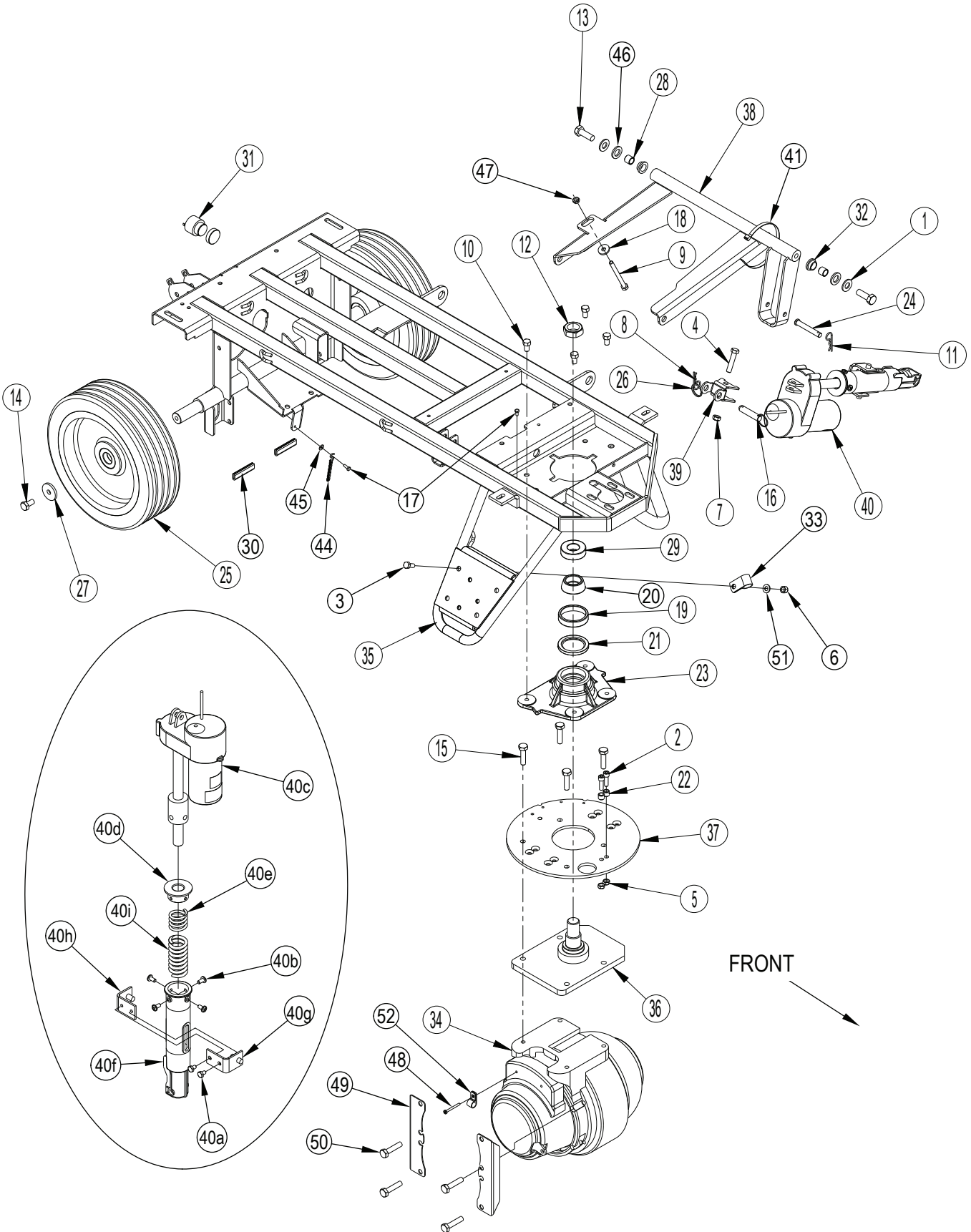
Advance

DESCRIPTION	PAGE
Chassis System-STD, EcoFlex and REV	2-3
Chassis System-ST	4-5
Control System	6-7
Decal System.....	8-9
Electrical System	10-11
Onboard-Charger-Assy.....	12-13
Recovery System.....	14-15
Scrub System-Cylindrical.....	16-17
Scrub System-Cylindrical Skirt Assemblies	18-19
Scrub System-Disk 28 Inch	20-21
Scrub System-Disk 34 Inch	22-23
Scrub System-Disk- Skirt Assemblies.....	24-25
Scrub System-REV.....	26-27
Scrub System-REV Skirt Assemblies	28-29
Solution System-EcoFlex and REV	30-31
Solution System-STD	32-33
Solution System-ST	34-35
Squeegee System-STD, EcoFlex and REV.....	36-37
Squeegee System-ST.....	38-39
Squeegee Assy-28 Inch.....	40
Squeegee Assy-34 Inch.....	41
Ladder Diagram-STD and EcoFlex.....	42-43
Ladder Diagram-ST	44-45
Ladder Diagram-REV	46-47
Optional Kits and Accessories	48
Brush Selector Guide-Disk	49
Brush Selector Guide-Cylindrical	50
Squeegee Blade Selector Guide	51

WHEN ORDERING PARTS

- * Use the part numbers from the "Ref. No." columns in this parts list.
- * Specify the model and serial number of the machine.
- * Use the space below to record the model and serial number for future reference.

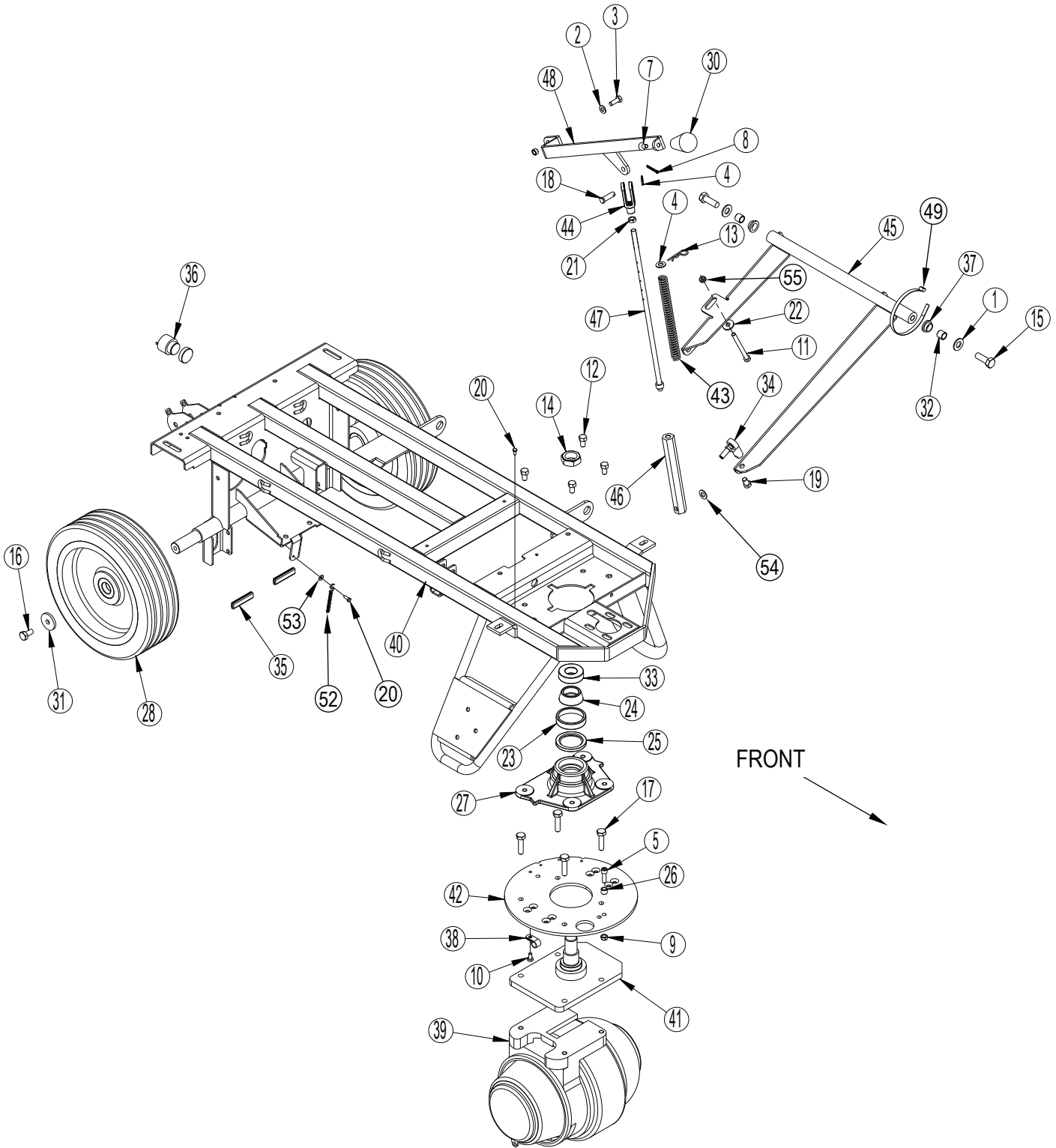
Model _____ Serial No. _____



Item	Ref. No.	Qty	Description	Item	Ref. No.	Qty	Description
1	56001879	2	Wsh, Flt SAE 1/2	34	56601050	1	Motor / Drive Wheel (M1)
2	56002129	1	Scr, Soc Hd 5/16-18 X 1.00 NOTE 1	[]	56601472	1	Tire With Hub
3	56003012	1	Scr-Hex SS 5/16-18 x .75	[]	56601473	1	Motor
4	56002684	1	Scr, Hex 3/8-16 X 1.75	[]	56601509	1	Carbon Brush Kit
5	56002826	1	Nut, Hex Nyl Loc-Thin 5/16-18 NOTE 1	[]	56601471	1	Tire
6	56002856	1	Nut-Hex Nyl Loc SS 5/16-18	[]	56601507	1	Electromagnetic Brake
7	56002841	1	Nut, Hex Nyl Loc-Thin 3/8-16	[]	56422174	1	Tire Puller Kit
8	56002959	1	Pin, Cotter Hair	[]	56504482	1	Drive Motor Cover
9	56003008	1	Scr, Hex Thd To Hd 5/16-18 X 3.50	[]	56504481	1	Drive Motor Cover
10	56003040	4	Scr, Hex Hd Loc 3/8-16x.62	[]	56380310	1	Brake Lever Kit
11	56003120	1	Pin, Cotter Hair .0915 X .375	35	56114199	1	Chassis Weldment
12	56003220	1	Nut, Hex Nyl Loc-Thin 1-14		56601763	1	Chassis Weldment (REV)
13	56003412	2	Scr, Hex Loc M12-1.75 X 35mm	36	56601077	1	Spindle Weldt
14	56003442	2	Scr, Hex Loc M10-1.5 X 20mm	37	56314116	1	Plate, Steering
15	56003491	4	Scr, Hex M10-1.5 X 40mm	38	56601239	1	Deck Linkage Weldt
16	56003679	1	Pin, Ring .50 X 1.63		56601774	1	Deck Linkage Weldt (REV)
17	56009012	2	Scr, Hex Thd Form 10-24 X .38	39	56601328	1	Yoke, Actuator
18	56009122	1	Wsh, Flt .344 X .938 X .125	40	56601432	1	Lift Actuator Assy (M4)
19	56158143	1	Bearing Cup		56601810	1	Lift Actuator Assy (M4 / REV)
20	56158151	1	Bearing Cone	40a	56009019	2	Scr, Hex Thd Form 1/4-20 X .38
21	56171081	1	Seal, Shaft	40b	56009062	4	Scr, Pan Phil Thd Form 1/4-20 X .50
22	56244941	1	Bushing NOTE 1	40c	56393303	1	Actuator
23	56314032	1	Block, Bearing		56601811	1	Actuator (REV)
24	56003803	1	Pin-Clevis SS .375 x 2.50	40d	56396268	1	Spring Housing Guide
25	56382693	2	Wheel	40e	56412071	1	Compression Spring
26	56317071	1	Ring	40f	56412262	1	Housing, Spring
27	56367117	2	Wsh, Flt .406 X 1.5 X .1875	40g	56420019	1	Nut Retainer
28	56367206	2	Bushing	40h	56420020	1	Nut Retainer
29	56378380	1	Bearing Ball	40i	56601470	1	Compression Spring
30	56412122	2	Trim Edge	41	56477613	1	Tie-Cable
31	56412177	1	Horn/Backup Alarm (H2)	42			Intentionally Omitted
32	56420160	2	Bearing, Flange	43			Intentionally Omitted
33	56469380	1	Clamp-P	44	56601716	1	Ground Chain
				45	56009011	1	Wsh, Int Shprf 10
				46	56154717	2	Washer, Rubber (REV only)
				47	56009086	1	Nut Hex Jam 5/16-18 NOTE 1
				48	L08603733	1	Scr-Pan Phil M4x40 SS
				49	56344100	2	Bracket-Wheel
				50	56003445	4	Scr Hex Nyl Loc M10-1.50X45MM
				51	56002938	1	Wsh Flt SAE SS 5/16
				52	56486112	1	Clamp, P

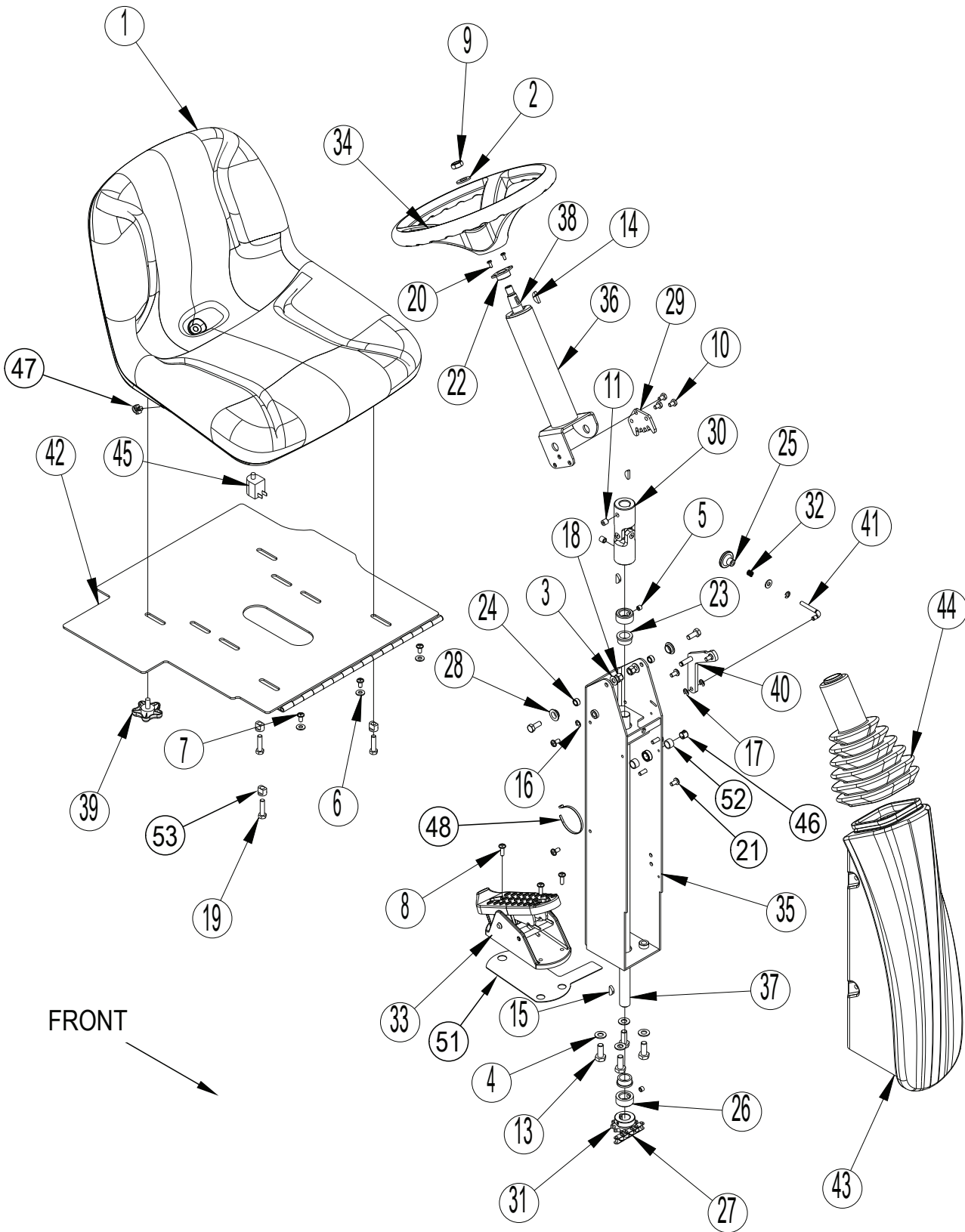
[] = Not Shown

NOTE 1: Quantity of 2 on REV models.



Item	Ref. No.	Qty	Description	Item	Ref. No.	Qty	Description
1	56001879	2	Wsh, Flt SAE 1/2	31	56367117	2	Wsh, Flt .406 X 1.5 X .1875
2	56001939	1	Wsh, Flt SAE 5/16	32	56367206	2	Bushing
3	56002037	1	Scr, Hex 5/16-18 X .88	33	56378380	1	Bearing Ball
4	56002063	2	Wsh, Flt SAE 3/8	34	56397385	1	Rod End
5	56002129	1	Scr, Soc Hd 5/16-18 X 1.00	35	56412122	2	Trim Edge
6			Intentionally Omitted	36	56412177	1	Horn/Backup Alarm (H2)
7	56002476	1	Scr, Flt Phil 5/16-18 X .62	37	56420160	2	Bearing, Flange
8	56002529	1	Pin, Cotter 1/8 X 1	38	56486112	1	Clamp,P
9	56002826	1	Nut, Hex Nyl Loc-Thin 5/16-18	39	56601050	1	Motor / Drive Wheel (M1)
10	56009033	1	Scr, Hex Thd Form 1/4-20 x .50	[]	56601472	1	Tire With Hub
11	56003008	1	Scr, Hex Thd To Hd 5/16-18 X 3.50	[]	56601473	1	Motor
12	56003040	4	Scr, Hex Hd Loc 3/8-16x.62	[]	56601509	1	Carbon Brush Kit
13	56003120	1	Pin, Cotter Hair .0915 X .375	[]	56601471	1	Tire
14	56003220	1	Nut, Hex Nyl Loc-Thin 1-14	[]	56601507	1	Electromagnetic Brake
15	56003412	2	Scr, Hex Loc M12-1.75 X 35mm	[]	56422174	1	Tire Puller Kit
16	56003442	2	Scr, Hex Loc M10-1.5 X 20mm	[]	56504482	1	Drive Motor Cover
17	56003491	4	Scr, Hex M10-1.5 X 40mm	[]	56504481	1	Drive Motor Cover
18	56003589	1	Pin, Clevis .375 X 1.25	[]	56380310	1	Brake Lever Kit
19	56003674	1	Scr, Hex Loc SS 3/8-24 X .62	40	56114199	1	Chassis, Weldment
20	56009012	2	Scr, Hex Thd Form 10-24 X .38	41	56601077	1	Spindle Weldt
21	56009103	1	Nut, Hex Jam 3/8-24	42	56314116	1	Plate, Steering
22	56009122	1	Wsh, Flt .344 X .938 X .125	43	56601293	1	Spring, Comp
23	56158143	1	Bearing Cup	44	56601342	1	Yoke, .375-24
24	56158151	1	Bearing Cone	45	56601354	1	Linkage, Weldt
25	56171081	1	Seal, Shaft	46	56601356	1	Connecting Rod
26	56244941	1	Bushing	47	56601358	1	Connecting Rod Weldt
27	56314032	1	Block, Bearing	48	56601381	1	Lift Lever Weldt
28	56382693	2	Wheel	49	56477613	1	Tie-Cable
29	56320595	1	Bushing .32 x .50 x .28	50			Intentionally Omitted
30	56364527	1	Knob	51			Intentionally Omitted
				52	56601716	1	Ground Chain
				53	56009011	1	Wsh, Int Shprf 10
				54	56009112	1	Wsh, Int Shprf 3/8
				55	56009086	1	Nut Hex Jam 5/16-18

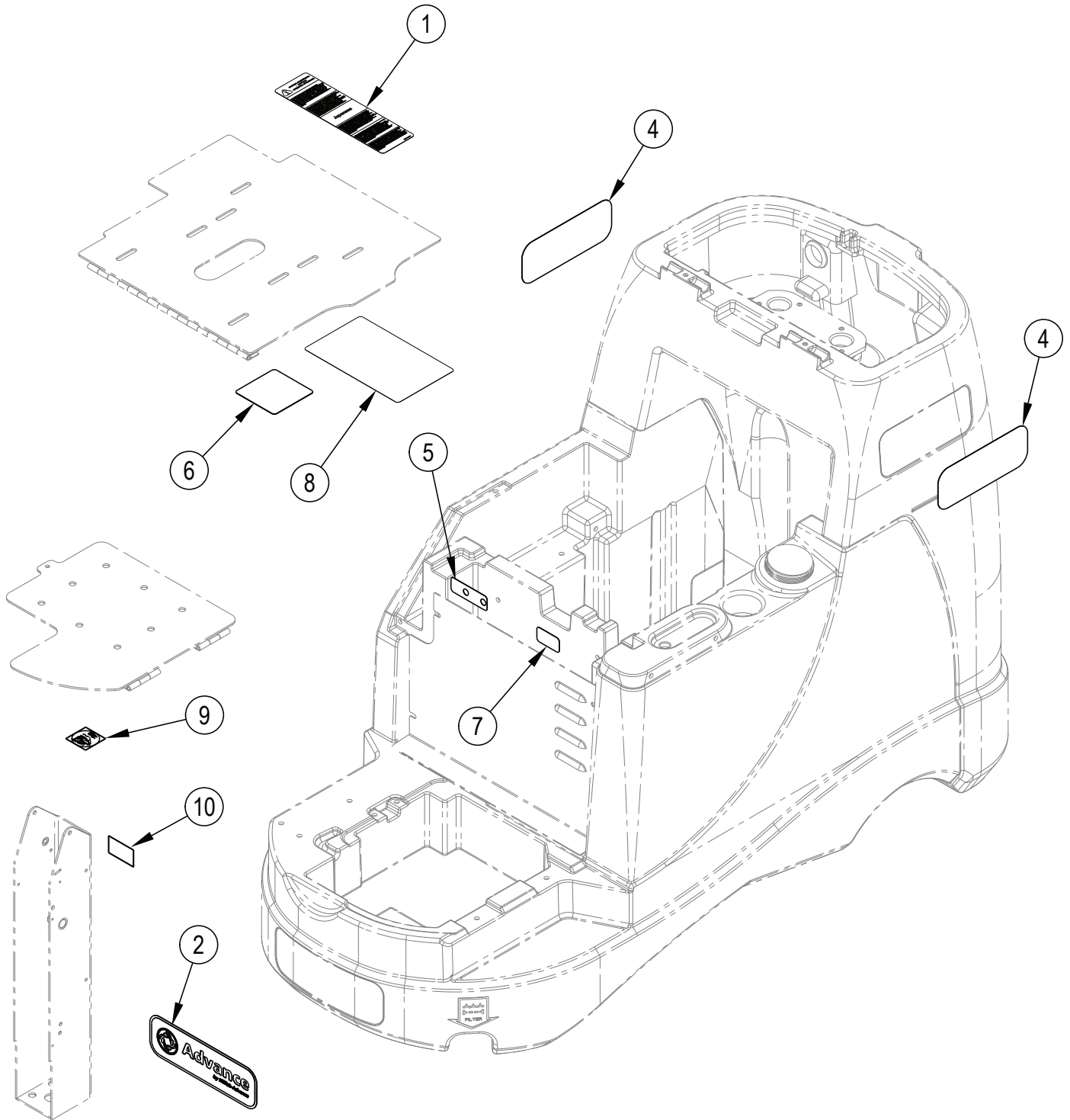
[] = Not Shown



Kit	Item	Ref. No.	Qty	Description
	1#	56383187	1	Seat NOTE 1
	2	56001879	1	Wsh, Flt SAE 1/2
	3	56001939	2	Wsh, Flt SAE 5/16
	4	56002063	4	Wsh, Flt SAE 3/8
	5	56002086	2	Scr, Soc Set Loc 5/16-18 X .25
K1	6#	56002098	4	Wsh, Flt SAE 1/4
K1	7#	56002145	3	Scr, Pan Phil 1/4-20 X .50
	8	56002507	3	Scr, Pan Phil 1/4-20 X .75
	9	56002843	1	Nut, Hex Nyl Loc-Thin 1/2-13
	10	56002933	3	Scr, Hex Hd Loc 1/4-20x.38
	11	56003081	2	Scr, Soc Set Loc 3/8-16 X .38
	12	56003179	2	Scr, Hex Thd To Hd M8-1.25 X 20mm
	13	56003186	4	Scr, Hex Thd To Hd M10-1.5 X 25mm
	14	56003227	1	Key, Wdf .62 X .19
	15	56003228	3	Key, Wdf .75 X .19
	16	56003261	1	Ring, Ret Ext Type E 0.31 Dia
	17	56003268	3	Ring, Ret Ext Type E Reinf. 0.25 Dia
	18	56003389	2	Nut, Hex Nyl Loc M8-1.25
K1	19#	56001834	3	Scr-Hex 5/16-18 x 1.25
	20	56009051	2	Scr, Pan Phil Thd Form 8-32 X .38
	21	56009062	4	Scr, Pan Phil Thd Form 1/4-20 X .50
	22	56100393	1	Bushing
	23	56250414	2	Bearing, Flange
	24	56320595	2	Bushing .32 x .50 x .28
	25	56362778	1	Knob
	26	56367095	2	Collar, Shaft
	27	56412198	1	Chain, Roller
	28	56413211	2	Bearing, Flange .625 X .500 X .250
	29	56413658	1	Ratchet, Steering Column
	30	56454081	1	Universal Joint
	31	56471148	1	Sprocket
	32	56578222	1	Spring, Compression
	33	56601052	1	Foot Pedal Assy
	34	56601060	1	Steering Wheel
	35	56601163	1	Lower Column Weldment
	36	56601169	1	Upper Column Weldment
	37	56601223	1	Shaft, Lower Steering
	38	56601224	1	Shaft, Upper Steering
	39	56601271	1	Knob, 5/16 Stud
	40	56601284	1	Steering Pawl Weldment
	41	56601292	1	Pull Lever
	42	56601362	1	Seat Panel Weldment
	43	56601484	1	Shroud, Lower Column
	44	56601500	1	Boot, Steering
	45	7-82-00050	1	Switch (S2)
	46	56601683	1	Plug-Cap (STD / EcoFlex / REV)
	47#	56315382	1	Clip-Conduit
	48	56478246	1	Tie, Cable (ST)
	49#			Deleted
	50#			Deleted
	51	56601601	1	Foot Pedal Plate
	52	56366633	2	Bearing-Sleeve (ST)
K1	53#	56383230	3	Flanged Bushing Seat
	K1	56114304	1	Hardware Kit-Seat

= Revised or new since last update

NOTE 1: Seat 8-69-00022 (steel seat pan) has been replaced by Seat 56383187 (plastic seat pan) in production. Please order Seat Kit 56383240 when replacing Seat 8-69-00022 or seat 56601149.



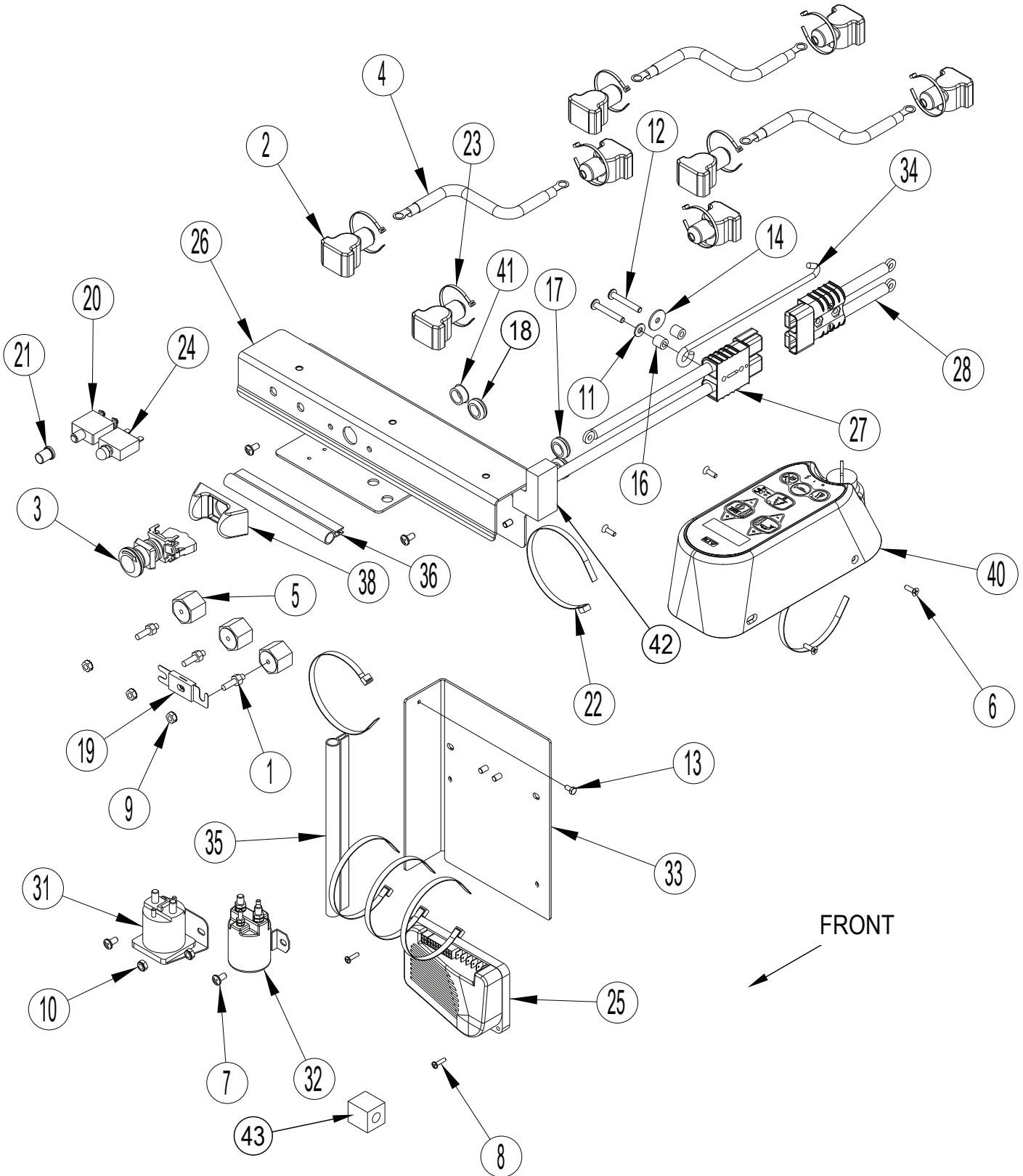
08-11

DECAL SYSTEM

13-1

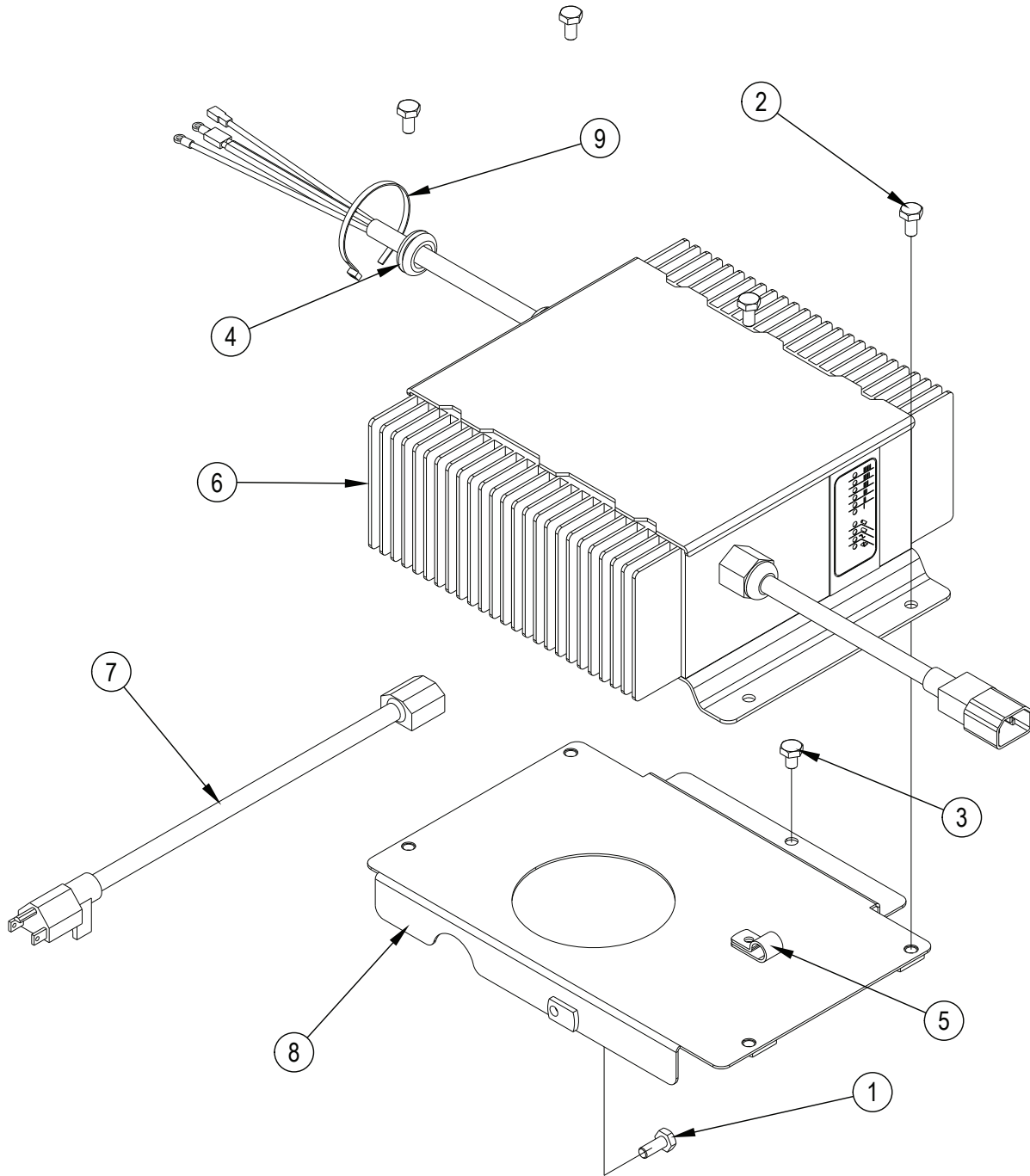
Advenger™**9**

Item	Ref. No.	Qty	Description
1	56014601	1	Decal, Caution
2	56016730	1	Decal, Advance
4	56601298	2	Decal, 2800 ST (ST)
	56601299	2	Decal, 3400 ST (ST)
	56601300	2	Decal-Advenger (STD)
	56601301	2	Decal-Advenger EcoFlex (EcoFlex / REV)
5	56601414	1	Decal, Circuit Breaker
6	56601416	1	Decal, Battery Wiring
7	56601418	1	Decal (ST)
8	56601579	1	Decal-Error Codes (STD / EcoFlex / REV)
9	56380254	1	Decal, Open When Charging
10	71362A	1	Label, NFSI



Item	Ref. No.	Qty	Description
1	83302A	3	Stud, 1/4-20
2	56372673	8	Boot, Battery Post
3	56407130	1	Disconnect, Emergency (S4)
4	56409485	3	Cable, Battery
5	56469858	3	Electrical Mount
6	56002099	4	Scr, Flt Phil 10-24 X .62
7	56009069	4	Scr-Pan Phil Loc 1/4-20 X .50
8	56002146	2	Scr, Pan Phil 8-32 X .62
9	56002561	3	Nut, Hex W/ Shprf 1/4-20
10	56002840	2	Nut, Hex Nyl Loc-Thin 1/4-20
11	56002859	1	Wsh, Flt SAE SS 1/4
12	56002997	2	Scr, Pan Phil 1/4-20 X 1.75
13	56009012	1	Scr, Hex Thd Form 10-24 X .38
14	56009060	2	Wsh, Flt SS .260 X 1.000 X .074
15			Intentionally Omitted
16	56046309	2	Spacer, Phenolic
17	56157376	2	Grommet
18	56321540	1	Grommet (STD / EcoFlex / REV)
	56157376	1	Grommet (ST)
19	56412089	1	Fuse, 150 Amp (F1)
20	56454429	1	Circuit Breaker, 70 Amp (CB1)
21	56459369	1	Boot, Reset Button
22	56477613	9	Tie, Cable
23	56478246	9	Tie, Cable
24	56507644	1	Circuit Breaker, 10 Amp (CB2)
25	56601061	1	Speed Control (A2)
	56601812	1	Speed Control (A2 / REV)
26	56601105	1	Panel (STD / EcoFlex / REV)
	56601420	1	Panel (ST)
27	56601171	1	Connector Assy
28	56601172	1	Connector Assy
[29]	56601174	1	Harness Main (STD / EcoFlex)
[]	56601323	1	Harness ST Main (ST)
[]	56601805	1	Harness-Main (REV)
[30]	56601175	1	Traction Drive Harness
[30]	56344205	1	Harness-Traction (REV)
31	56601183	1	Contactactor 24v, 100 Amp (K1)
32	56412179	1	Contactactor 24v (K2)
33	56601185	1	Panel
34	56601215	1	Prop Rod, Seat
35	56601251	1	Gasket
36	56601252	1	Gasket
[37]	56601431	1	Cable, Jumper
38	56601434	1	Emergency Button Guard
40	56601565	1	Interface Panel Assy (STD / EcoFlex) (A1)
[]	56601096	1	Kit, Interface Panel (STD / EcoFlex) (Membrane Switch, Interface Panel)
[]	56303553	1	Key Switch (S1)
[]	56303526	A/R	Replacement Key Set
40	56601566	1	Interface Panel Assy (ST) (A1)
[]	56601097	1	Kit, Interface Panel (ST) (Membrane Switch, Interface Panel)
[]	56303553	1	Key Switch (S1)
[]	56303526	A/R	Replacement Key Set
40	56601800	1	Interface Panel Assy (REV) (A1)
[]	56601799	1	Kit-Interface Panel REV (REV) (Membrane Switch, Interface Panel)
[]	56303553	1	Key Switch (S1)
[]	56303526	A/R	Replacement Key Set
41	56900144	1	Plug, Cap
42	56601600	1	Foam Insert
43	40849A	1	Suppressor Emi Split (only used on 56601022)

[] = Not Shown



08-11

ONBOARD-CHARGER-ASSY

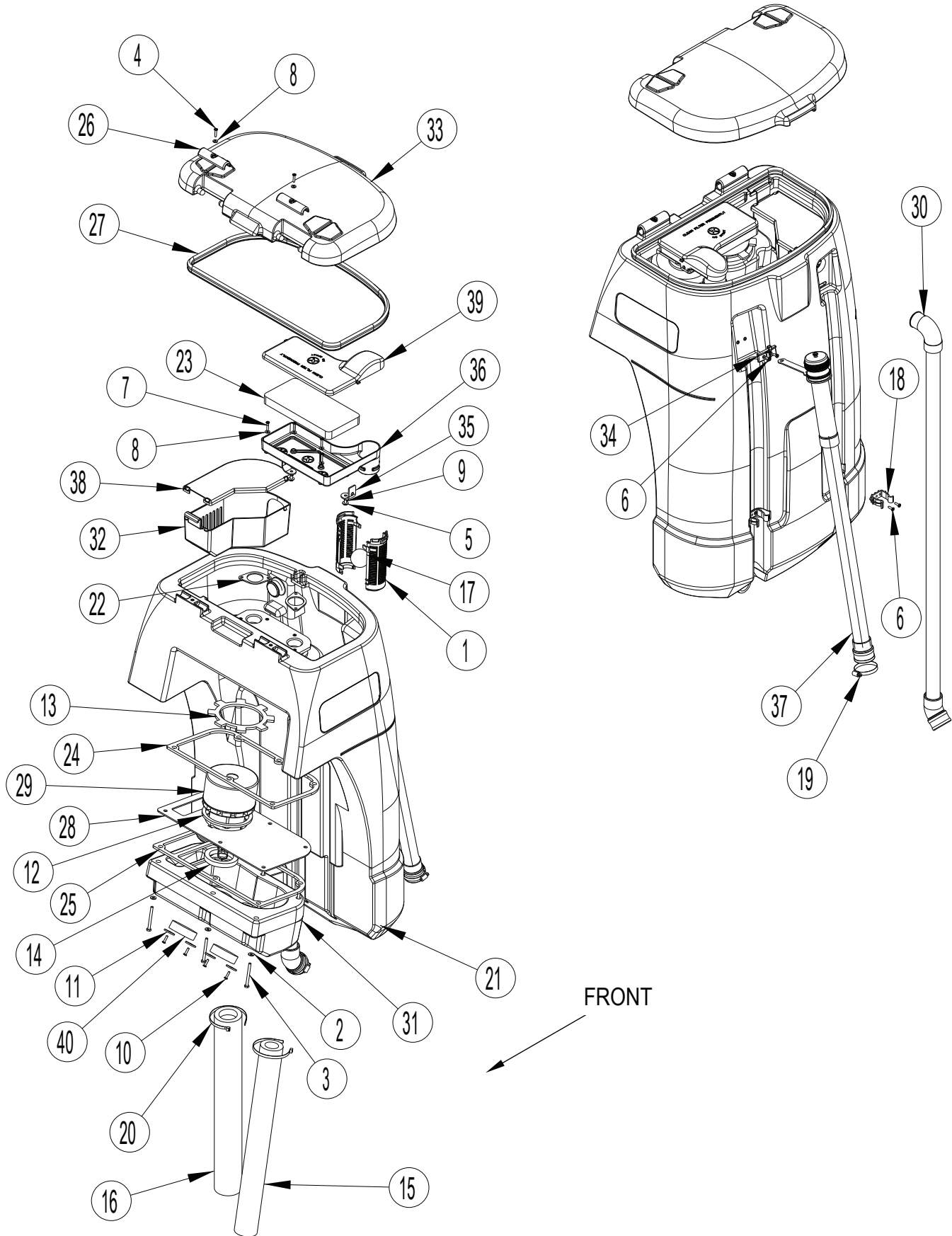
13-7

Advenger™**13**

Item	Ref. No.	Qty	Description
		1	Onboard Charger Assembly NOTE 1
1	56001836	1	Scr, Hex 1/4-20 X .62
2	56001854	4	Scr, Hex 1/4-20 X .50
3	56009019	1	Scr, Hex Thd Form 1/4-20 X .38
4	56157376	1	Grommet
5	56172017	1	Clamp, P
6	56315773	1	Charger, On-Board 24V TSBUS2008-984
7#	56383385	1	Cord Charger Yellow - US
8	56601417	1	Charger Mount Bracket
9	56478246	1	Cable Tie

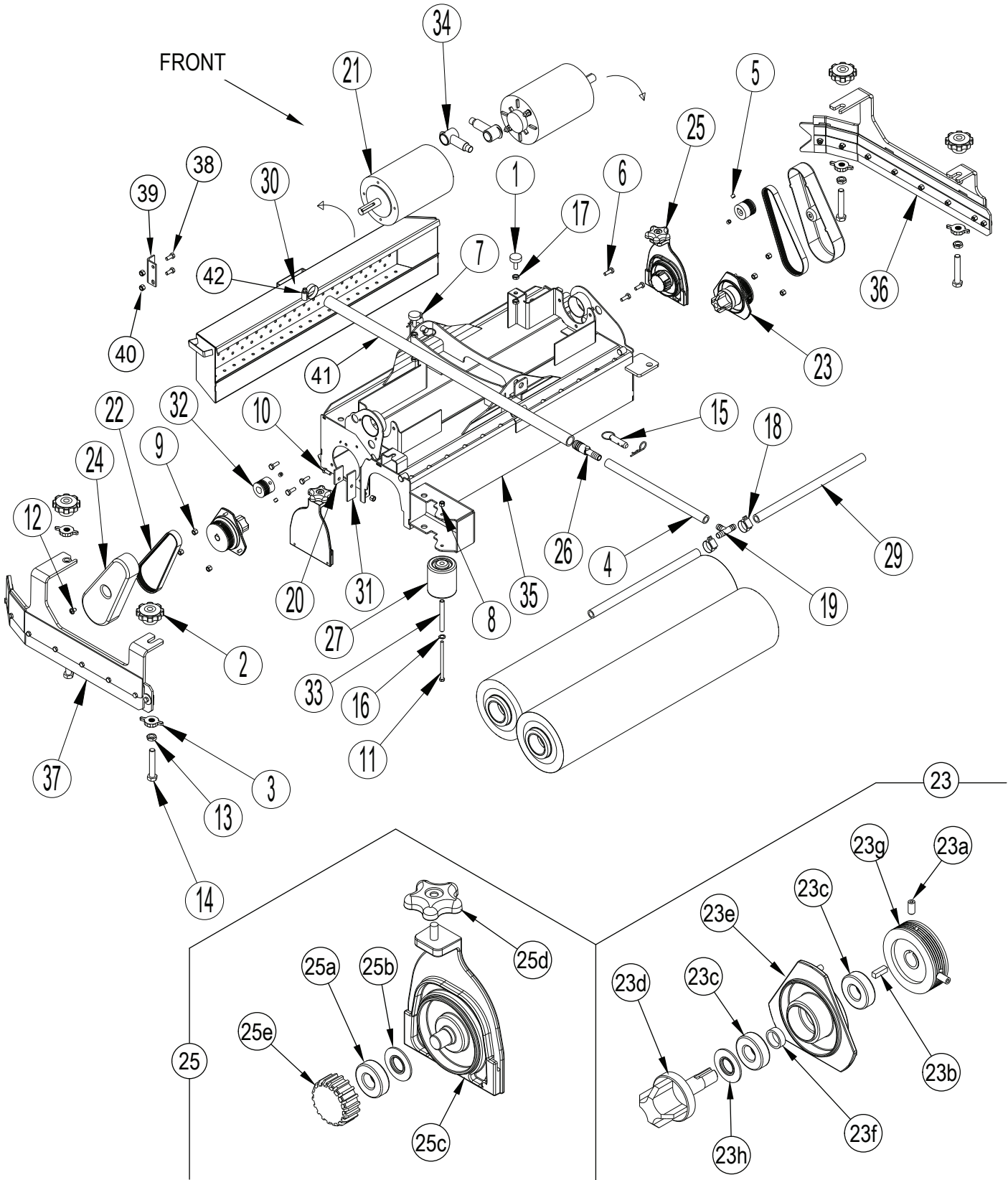
= Revised or new since last update

NOTE 1: Standard on the following models: 56601008, 56601009, 56601010, 56601011, 56601012, 56601013, 56601019, 56601020, 56601022



Item	Ref. No.	Qty	Description
1	56324497	2	Cage, Float
2	56002098	6	Wsh, Flt SAE 1/4
3	56003867	6	Scr-Hex Hd Loc 1/4-20 X 3.00
4	56003951	2	Scr-Pan Phil Loc SS 10-24 X .88
5	56002859	2	Wsh, Flt SAE SS 1/4
6	56002896	6	Scr, Pan Phil SS 10-24 X .62
7	56002898	4	Scr, Pan Phil SS 10-24 X 1.00
8	56002916	6	Wsh, Flt SAE SS #10
9	56003799	2	Scr, Pan Phil SS Plastite 1/4-10 X .50
10	56009005	4	Scr, Pan Phil SS Type Ab 10-16 X .75 (STD / EcoFlex / REV)
11	56003817	4	Wsh-Flt SS .281 x 1.25 x .05 (STD / EcoFlex / REV)
12	56212143	1	Gasket, Vacuum Duct
13	56264103	1	Gasket, Vacuum Motor
14	56314760	1	Gasket, Vacuum Duct
15	56315375	1	Foam, Acoustical
16	56315847	1	Foam Tube Assembly (STD / EcoFlex / REV)
17	56391690	1	Ball, Float
18	56407361	2	Clamp, Plastic
19	56440213	1	Clamp, Hose SAE #32
20	56477613	2	Tie, Cable
21	56601120	1	Tank, Recovery
22	56601121	2	Gasket, Vac Filter
23	56601125	1	Filter
24	56601126	1	Gasket, Exhaust
25	56601127	1	Gasket, Vac
26	56601128	2	Hinge Clamp
27	56114185	1	Gasket-Recovery Tank
28	56601131	1	Vac Plate, Standard
29	56601132	1	Motor, Vac 24vdc (M5)
	56601488	1	Vac Motor W/Supression (M5 / only used on 56601022)
[]	56397098	1	Carbon Brush (set of 2)
30	56601136	1	Recovery Hose
31	56601137	1	Cover, Vac Motor
32	56601138	1	Strainer Basket (STD / EcoFlex / REV)
33	56601139	1	Recovery Lid
34	56601204	1	Hook, Drain Hose
35	56601250	2	Strap, Filter Cover
36	56601253	1	Filter Box
37	56381918	1	Drain Hose
38	56601421	1	Cover, Debris (STD / EcoFlex / REV)
39	56601451	1	Cover, Fltr Box W/Gskt
40	9096672000	2	Filter (STD / EcoFlex / REV)

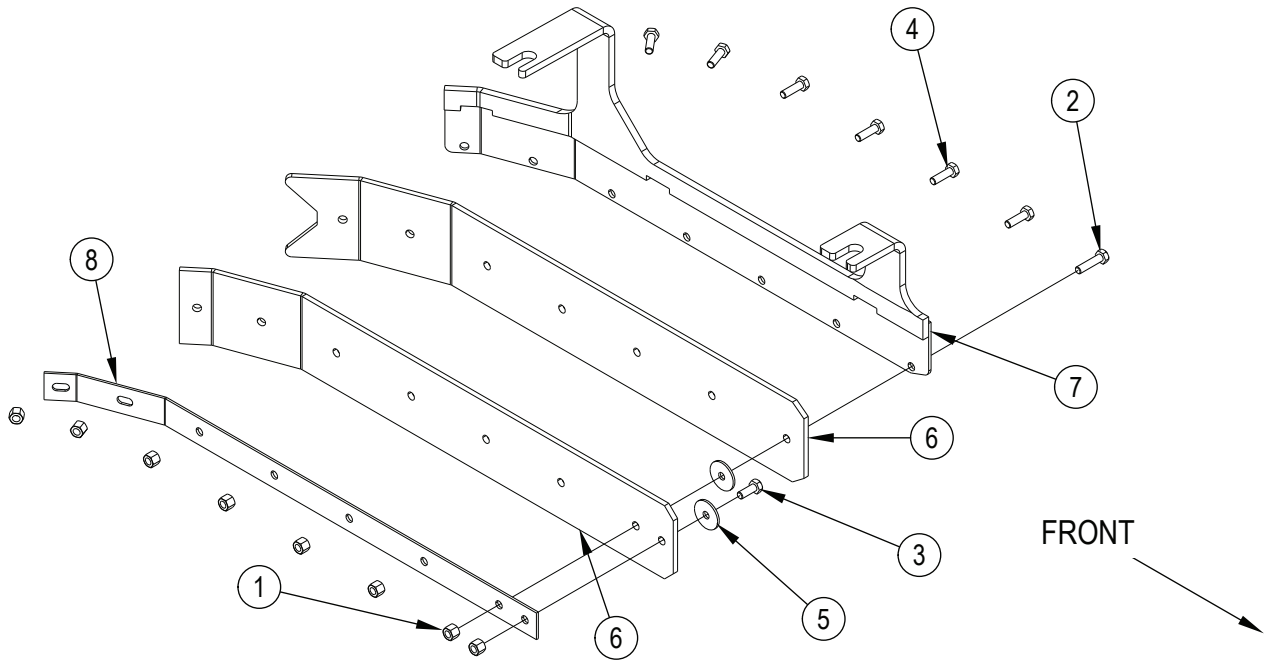
[] = Not Shown



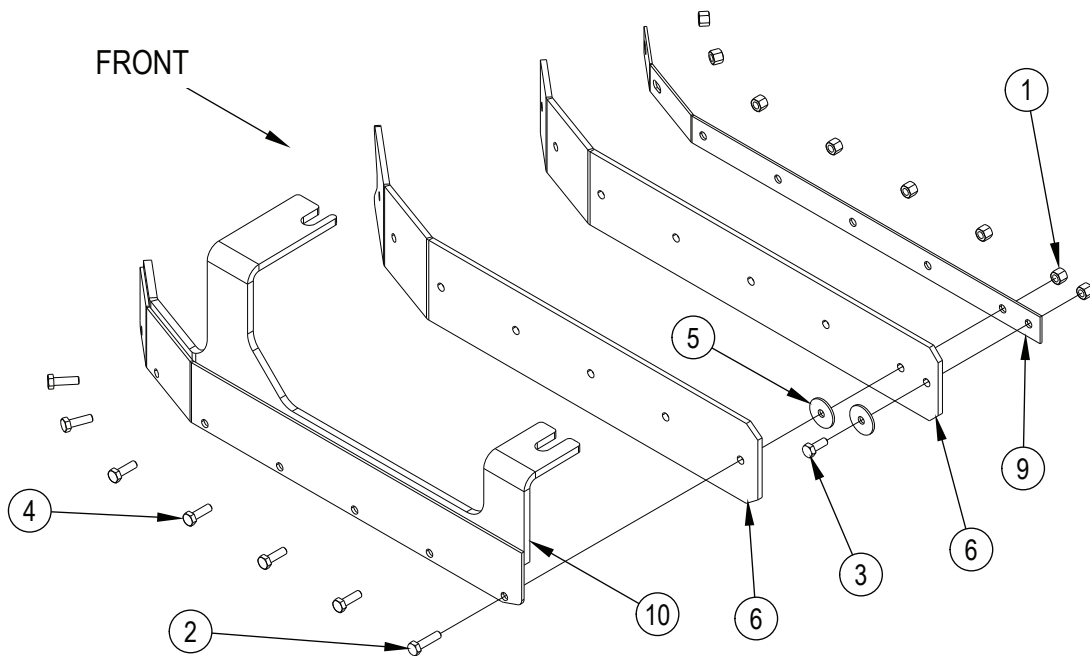
Item	Ref. No.	Qty	Description
1	56401783	2	Leveler
2	56380149	4	Knob TSBUS2010-1060
3	56601578	4	Knob
4	56409462	1	Hose, Spiral
5	56002086	4	Scr, Soc Set Loc 5/16-18 X .25
6	56002948	6	Scr, Hex Hd Loc 1/4-20 x .75
7	56002959	2	Pin, Cotter Hair
8	56003403	1	Nut, Hex Nyl Loc M6-1
9	56003426	8	Nut, Hex Nyl Loc SS M6-1
10	56003431	2	Scr, Hex SS M6-1 X 16mm
11	56003492	1	Scr, Hex M6-1 X 95mm
12	56003603	2	Scr, Pan Phil Thd Form 1/4-20 X .38
13	56003657	4	Nut, Hex Jam SS M12-1.75
14	56003658	4	Scr, Hex Thd To Hd SS M12-1.75 X 70mm
15	56003671	2	Pin, Ring .50 X 1.25
16	56009045	2	Wsh, Bowed .375 x .578 x .060
17	56009086	4	Nut, Hex Jam 5/16-18
18	56112771	2	Clamp, Hose SAE #10
19	56262549	1	Tee, Barb
20	56314436	2	Strap
21	56315061	2	Motor, 24 VDC, .5 HP, 1800 RPM (M7 / M8) TSBUS2010-1058
[]	56412287	1	Motor Brush / Spring Kit
[]	56412258	4	Brush Assy
[]	56412259	4	Brush Spring
22	56315321	2	Belt, Auto Tension
23	56407559	2	Drive End Assy
23a	56002119	2	Scr, Soc Set Loc 1/4-20 x .50
23b	56003237	1	Key, Sq .19 x .62
23c	56106070	2	Bearing, Ball
23d	56109527	1	Spindle
23e	56381765	1	Bearing, Plate
23f	56407389	1	Spacer
23g	56407442	1	Sheave, Poly-V
23g	56407558	1	Washer, Bearing
24	56315445	2	Cover, Belt
25	56314445	2	Idler End Assy
25a	56106070	1	Bearing, Ball
25b	56407558	1	Washer, Bearing
25c	56315447	1	Idler Bearing Plate
25d	56407303	1	Knob
25e	56407551	1	Hub
26	56315625	1	Barb, Coupler 1/2 X 3/4
27	56316089	1	Wheel
28	56316210	2	Harness, Brush Motor (Not Shown)
29	56316553	2	Manifold, PVC 28 Adv
30	56601688	1	Hopper Weld't
31	56407391	2	Blade
32	56407433	2	Sheave, Poly-V
33	56412176	1	Bushing
34	56493357	2	Insulator, Terminal
35	56601107	1	Housing Weld't
36	56601468	1	Left Skirt Assy
37	56601476	1	Right Skirt Assy
38	56002667	2	Scr-Hex 5/16-18 x .75
39	56601675	1	Bracket
40	56002701	2	Nut-Hex Nyl Loc 5/16-18
41	56379139	1	Tube PVC
42	56244969	1	Clamp Hose SAE 12

[] = Not Shown

56601468 - Left Skirt Assy



56601476 - Right Skirt Assy

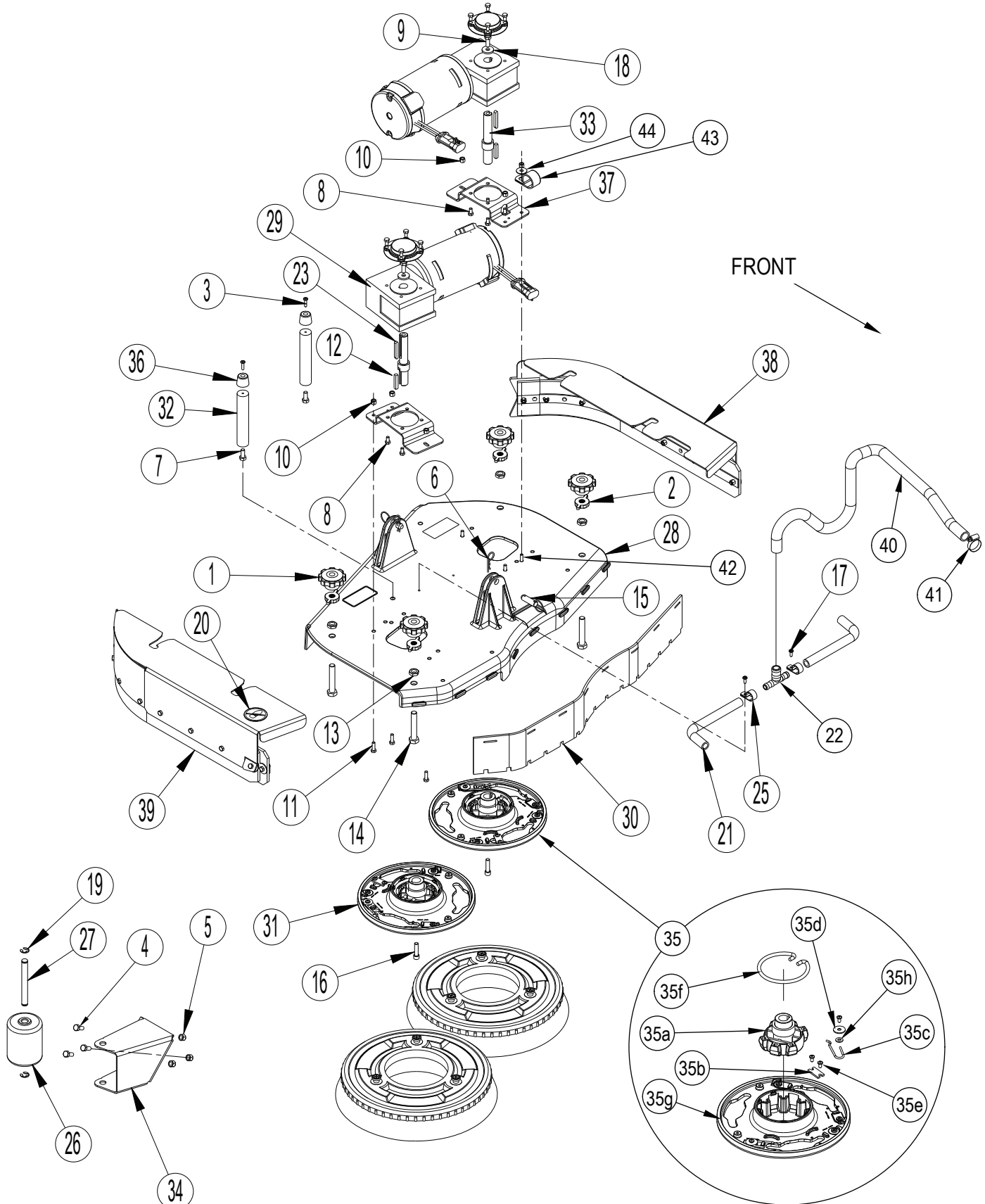


Item	Ref. No.	Qty	Description
	56601468	1	Left Skirt Assy (1-8)
	56601476	1	Right Skirt Assy (1-6, 9, 10)
1	56003426	8	Nut, Hex Nyl Loc SS M6-1
2	56003430	1	Scr, Hex SS M6-1 X 25mm
3	56003431	1	Scr, Hex SS M6-1 X 16mm
4	56003454	6	Scr, Hex Thd To Hd SS M6-1 X 20mm
5	56009060	2	Wsh, Flt SS .260 X 1.000 X .074
6	56316194	1	Blade Kit-Gum NOTE 2
*	56601538	1	Blade Kit-PU Cyl NOTE 2
*	56601681	1	Blade Kit-Red Gum NOTE 2
7	56601464	1	Skirt Bracket Weld't (Left)
8	56601467	1	Retainer, Skirt (Left)
9	56601690	1	Retainer, Skirt (Right)
10	56601477	1	Skirt Bracket Weld't (Right)

* = Optional, Not Included

NOTE 1: Quantities shown for items 1-7 are for one skirt assembly. There are two skirt assemblies on the machine.

NOTE 2: All deck blade kits include all blades necessary.

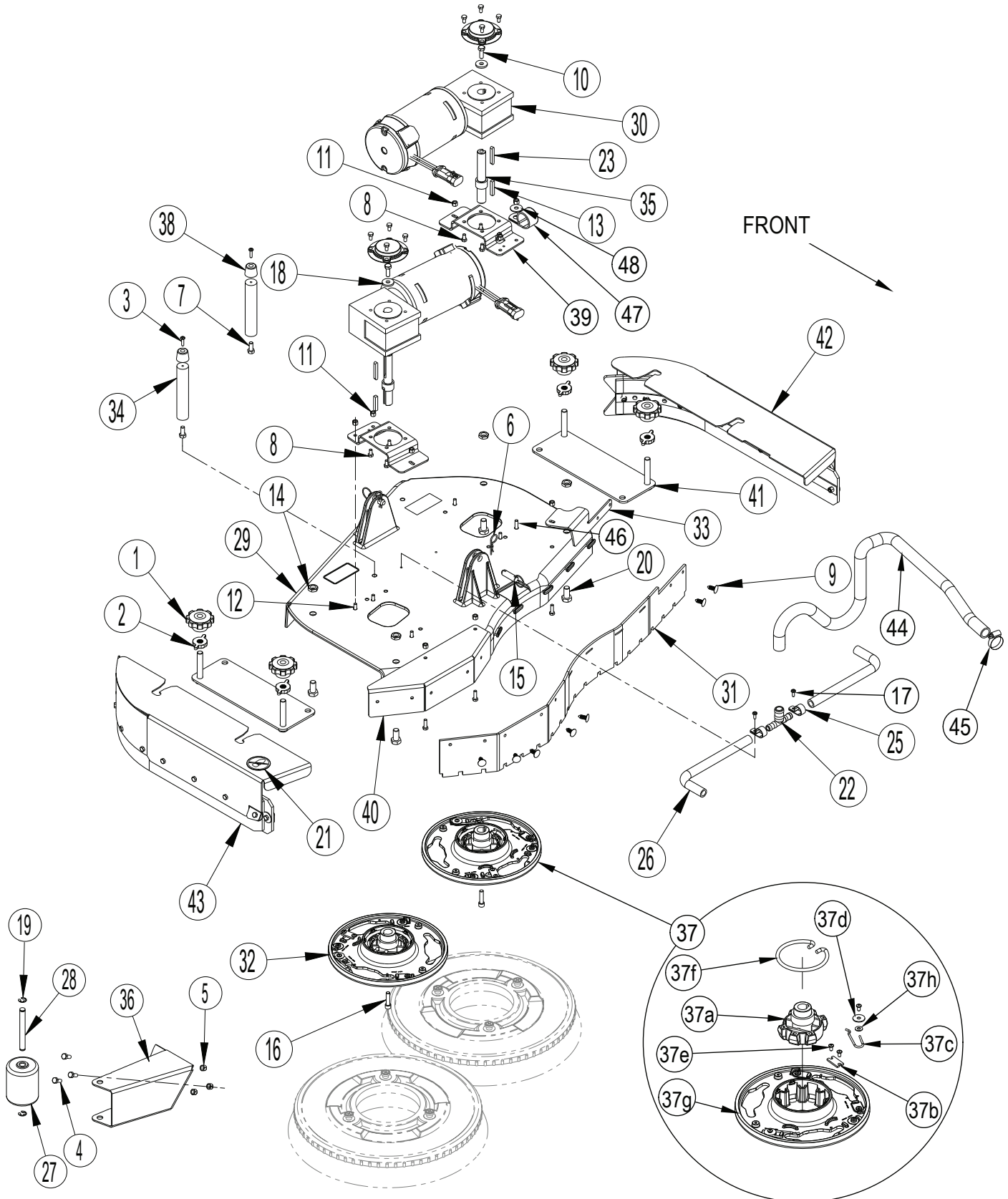


Item	Ref. No.	Qty	Description	Item	Ref. No.	Qty	Description
1	56380149	4	Knob TSBUS2010-1060	29	56601134	2	Motor Gearbox Assy (M7 / M8)
2	56601578	4	Knob	[]	56601533	1	Gearbox
3	56002192	2	Scr, Pan Phil 10-24 X .75	[]	56314580	1	Bearing (fan end)
4	56002667	3	Scr, Hex 5/16-18 X .75	[]	56601537	1	Bearing (brush end)
5	56002701	3	Nut, Hex Nyl Loc 5/16-18	[]	56601534	2	Carbon Brush
6	56002959	2	Pin, Cotter Hair	[]	56601535	1	Key-6mm Square
7	56003012	2	Scr, Hex SS 5/16-18 X .75	[]	56601508	1	Brush Motor Cover
8	56003211	8	Scr, Hex SS M6-1 X 12mm	[]	56601536	1	Motor Fan
9	56003335	2	Scr, Hex Loc SS 5/16-18 X .88	30	56601248	1	Blade-Front Gum NOTE 2
10	56003426	6	Nut, Hex Nyl Loc SS M6-1	*	56601521	1	Blade-Front PU NOTE 2
11	56003454	5	Scr, Hex Thd To Hd SS M6-1 X 20mm	31	56601733	1	Brush Plate Assy NOTE 1
12	56003526	2	Key, Square .25 X 1.44	32	56601289	2	Rod, Up Stop
13	56003657	4	Nut, Hex Jam SS M12-1.75	33	56601319	2	Shaft, Hub Mount
14	56003658	4	Scr, Hex Thd To Hd SS M12-1.75 X 70mm	34	56601364	1	Roller Brkt 28
15	56003786	2	Pin, Ring .500 X 1.18	35	56601734	1	Brush Plate Assy
16	56003798	2	Scr, Soc Hd 5/16-18 X 1.25 Zinc Plated	35a	56112521	1	Gimbal Assy
17	56009029	2	Scr, Pan Phil Thd Form 10-24 X .50	35b	56366455	1	Plate, Stop
18	56009057	2	Wsh, Flt Harden .344x1.000x.120/.135	35c	56109653	2	Spring Retainer
19	56003264	2	Ring-Ret Ext Type E .50 Dia	35d	56009002	2	Wsh, Flt .266 X .906 X .060
20	56016163	1	Decal, No Step	35e	56009247	3	Scr, Pan Phil Plastite 10-14 X .38
21	56266108	2	Hose, Spiral .500	35f	56601056	1	Spring, Brush Holder
22	56305760	1	Tee, Barb 3/4 X 1/2 X 1/2	35g	56601118	1	Brush Plate
23	56314359	2	Key, 6mm Sq	35h	56002053	1	Wsh, Flt STD #10
25	56328064	2	Clamp,P	36	56601388	2	Up Stop Mount
26	56407006	1	Wheel, Roller	37	56601389	2	Bracket, Motor
27	56601580	1	Pin	38	56601541	1	Skirt Assembly Lt 28
28	56601113	1	Scrub Deck, Cast	39	56601543	1	Skirt, Assy Rt
				40	56601755	1	Hose
				41	56244969	1	Clamp-Hose SAE 12
				42	56003695	1	Scr, Hex Thd To Hd Ss M6-1 X 25mm
				43	56409463	1	Clamp-1.25 Hose Support
				44	56003696	1	Wsh-Flt SS .33 X 1.00 X.060
				[]	56477613	1	Tie-Cable

* = Optional, Not Included

[] = Not Shown

NOTE 1: Item 31 (56601733) consists of the exact same components as item 35 (56601734).**NOTE 2:** All disk deck blade kits include all side skirt blades.



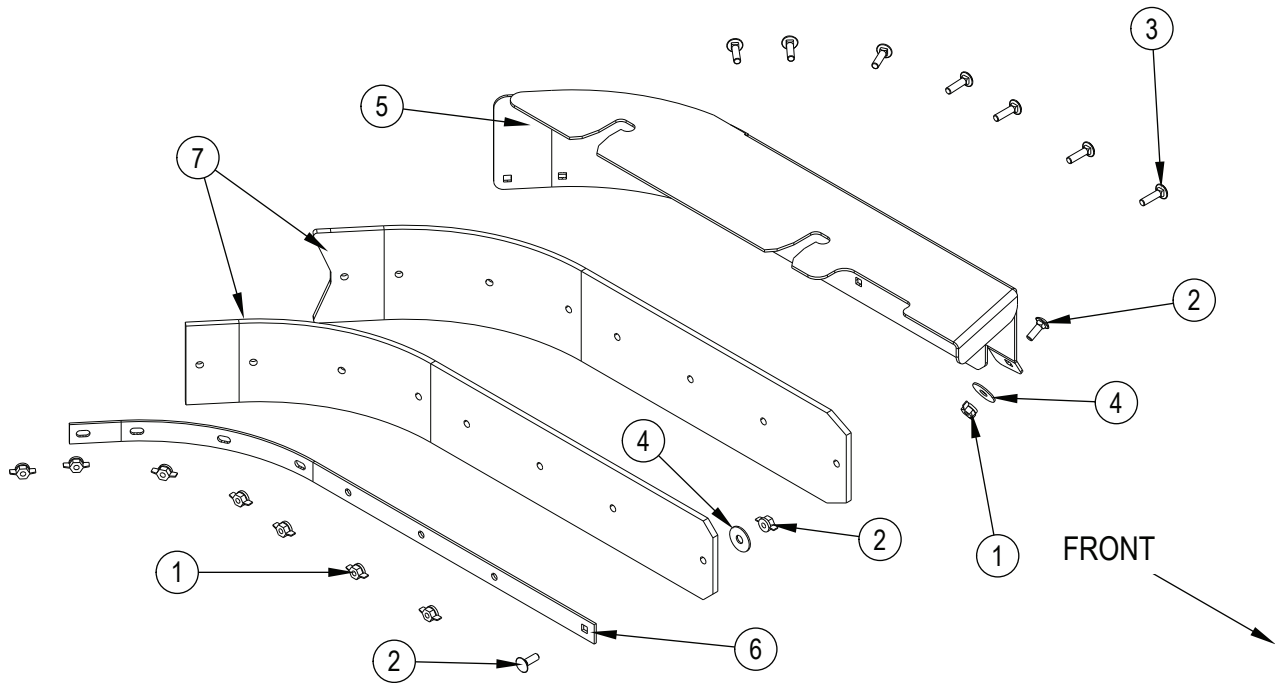
Item	Ref. No.	Qty	Description	Item	Ref. No.	Qty	Description
1	56380149	4	Knob TSBUS2010-1060	30	56601134	2	Motor Gearbox Assy (M7 / M8)
2	56601578	4	Knob	[]	56601533	1	Gearbox
3	56002192	2	Scr, Pan Phil 10-24 X .75	[]	56314580	1	Bearing (fan end)
4	56002667	3	Scr, Hex 5/16-18 X .75	[]	56601537	1	Bearing (brush end)
5	56002701	3	Nut, Hex Nyl Loc 5/16-18	[]	56601534	2	Carbon Brush
6	56002959	2	Pin, Cotter Hair	[]	56601535	1	Key-6mm Square
7	56003012	2	Scr, Hex SS 5/16-18 X .75	[]	56601508	1	Brush Motor Cover
8	56003211	8	Scr, Hex SS M6-1 X 12mm	[]	56601536	1	Motor Fan
9	56003263	7	Rivet, Nylon Tree Push-In (.25)	31	56601275	1	Blade-Front Gum NOTE 2
10	56003335	2	Scr, Hex Loc SS 5/16-18 X .88	*	56601522	1	Blade-Front PU NOTE 2
11	56003426	9	Nut, Hex Nyl Loc SS M6-1	32	56601733	1	Brush Plate Assy NOTE 1
12	56003454	8	Scr, Hex Thd To Hd SS M6-1 X 20mm	33	56601278	1	Skirt Bracket, Front 34
13	56003526	2	Key, Square .25 X 1.44	34	56601289	2	Rod, Up Stop
14	56003657	4	Nut, Hex Jam SS M12-1.75	35	56601319	2	Shaft, Hub Mount
15	56003786	2	Pin, Ring .500 X 1.18	36	56601365	1	Roller Brkt 34
16	56003798	2	Scr, Soc Hd 5/16-18 X 1.25 Zinc Plated	37	56601734	1	Brush Plate Assy
17	56009029	2	Scr, Pan Phil Thd Form 10-24 X .50	37a	56112521	1	Gimbal Assy
18	56009057	2	Wsh, Flt Harden .344x1.000x.120/.135	37b	56366455	1	Plate, Stop
19	56003264	2	Ring-Ret Ext Type E .50 Dia	37c	56109653	2	Spring Retainer
20	56009119	4	Scr, Hex Thd To Hd M12-1.75 X 25mm	37d	56009002	1	Wsh, Flt .266 X .906 X .060
21	56016163	1	Decal, No Step	37e	56009247	4	Scr, Pan Phil Plastite 10-14 X .38
22	56305760	1	Tee, Barb 3/4 X 1/2 X 1/2	37f	56601056	1	Spring, Brush Holder
23	56314359	2	Key, 6mm Sq	37g	56601118	1	Brush Plate
25	56328064	2	Clamp, P	37h	56002053	1	Wsh, Flt STD #10
26	56387302	2	Hose, Spiral .500	38	56601388	2	Up Stop Mount
27	56407006	1	Wheel, Roller	39	56601389	2	Bracket, Motor
28	56601580	1	Pin	40	56601452	1	Brush Cover
29	56601113	1	Scrub Deck, Cast	41	56601502	2	Side Skirt Weldment
				42	56601542	1	Skirt Assembly Lt 34
				43	56601543	1	Skirt, Assy Rt
				44	56601755	1	Hose
				45	56244969	1	Clamp-Hose SAE 12
				46	56003695	1	Scr, Hex Thd To Hd SS M6-1 X 25mm
				47	56409463	1	Clamp-1.25 Hose Support
				48	56003696	1	Wsh-Flt SS .33 X 1.00 X.060
				[]	56477613	1	Tie-Cable
				[]	56601687	1	Ferrite Bead (only used on 56601022) NOTE 3
				[]	56601686	2	Ferrite Bead (only used on 56601022) NOTE 4

* = Optional, Not Included

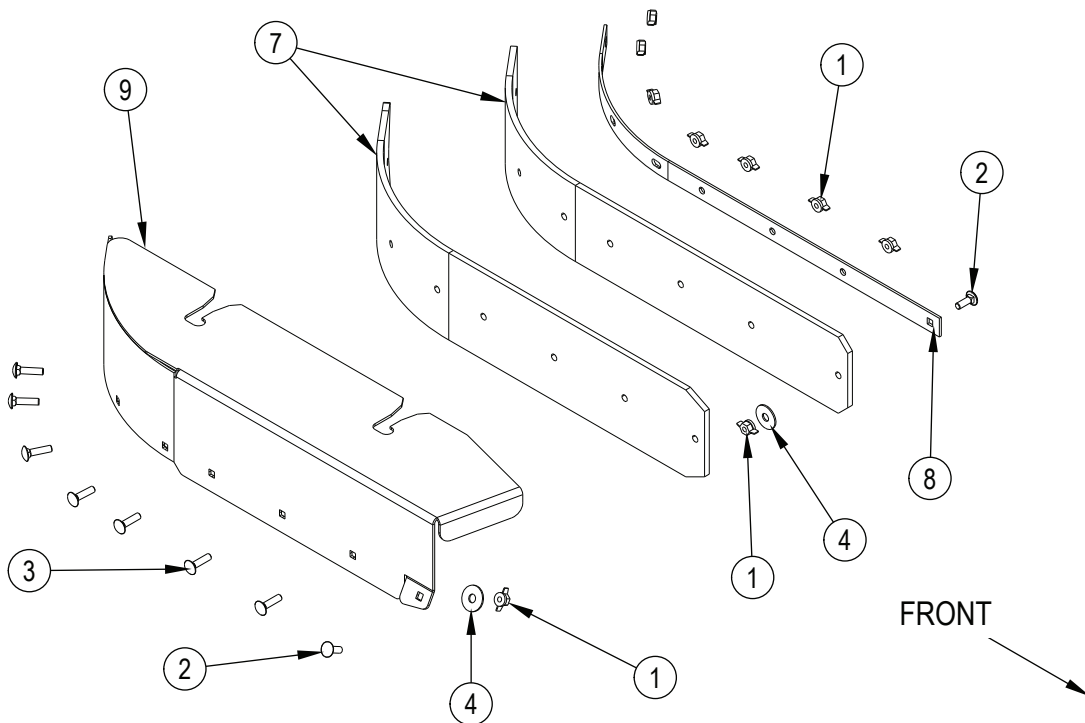
[] = Not Shown

NOTE 1: Item 32 (56601733) consists of the exact same components as item 37 (56601734).**NOTE 2:** All disk deck blade kits include all side skirt blades.**NOTE 3:** Installed on main harness.**NOTE 4:** Installed on each brush drive motor.

56601541 (28") / 56601542 (34") - Left Skirt Assy



56601543 - Right Skirt Assy



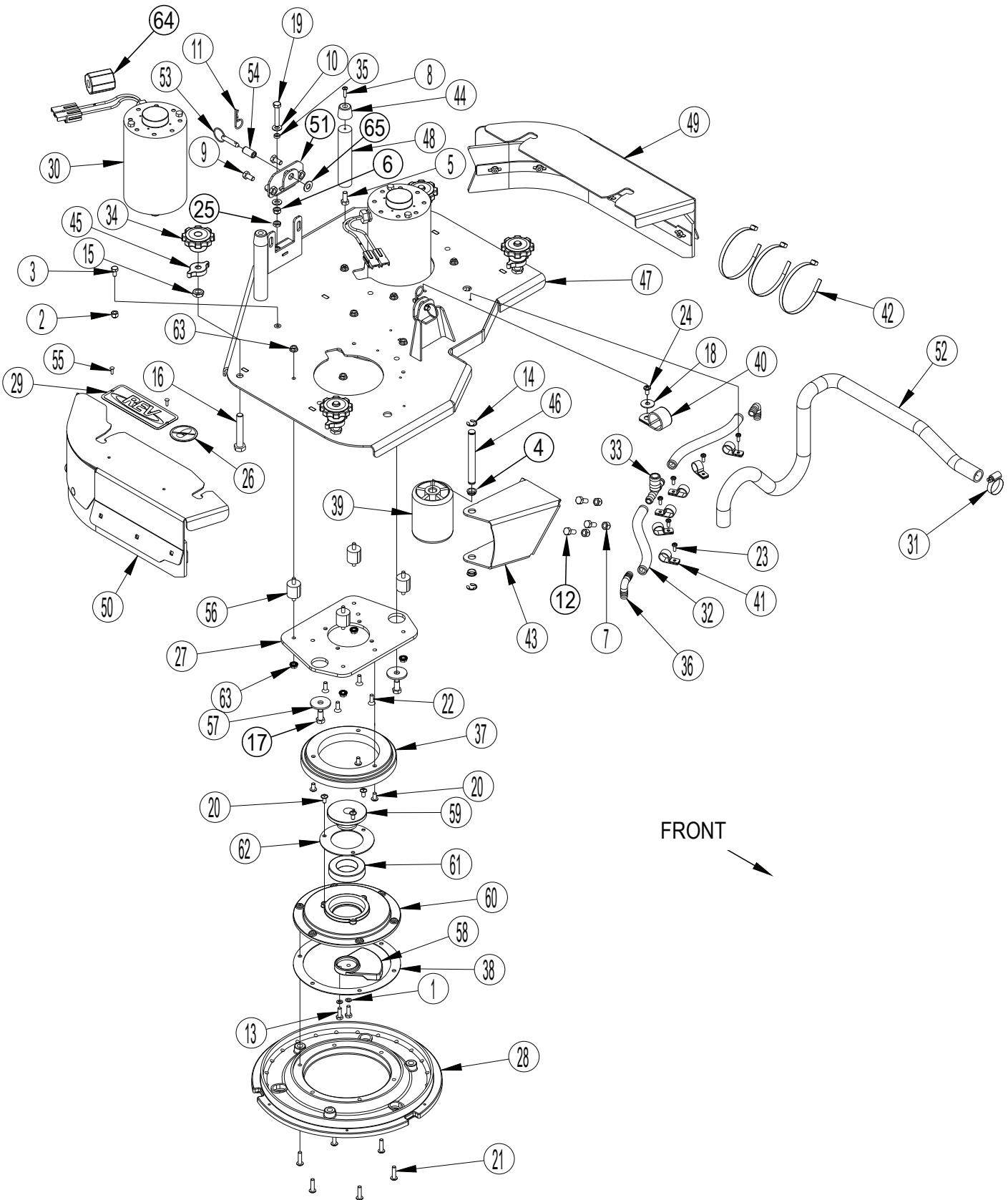
Item	Ref. No.	Qty	Description
	56601541	1	Left Skirt Assy (28" / 1-8)
	56601542	1	Left Skirt Assy (34" / 1-8)
	56601543	1	Right Skirt Assy (All Models / 1-4, 7, 8, 9)
1	56003824	9	Nut-Wing Plastic Loc 1/4-20
2	56003715	2	Scr-Carriage SS 1/4-20 x .75
3	56003828	7	Scr-Carriage SS 1/4-20 x 1.00
4	56009060	2	Wsh Flt SS .260X1.000X.074
5	56601279	1	Frame, Skirt Lh 28 (28" / Left)
[]	56601327	1	Frame, Skirt Lh 34 (34" / Left)
6	56601315	1	Retainer, Skirt (28" / Left)
[]	56601337	1	Retainer, Skirt (34" / Left)
7	56383088	1	Blade Kit-Gum NOTE 2
*	56383087	1	Blade Kit-PU NOTE 2
*	56382887	1	Blade Kit-28 Skirts-Red Gum NOTE 2
8	56601315	1	Retainer, Skirt (All Models / Right)
9	56601157	1	Frame, Skirt Rh (All Models / Right)

* = Optional, Not Included

[] = Not Shown

NOTE 1: Quantities shown for items 1-4 and 7-8 are for one skirt assembly. There are two skirt assemblies on the machine.

NOTE 2: All disk deck blade kits include all side skirt blades.

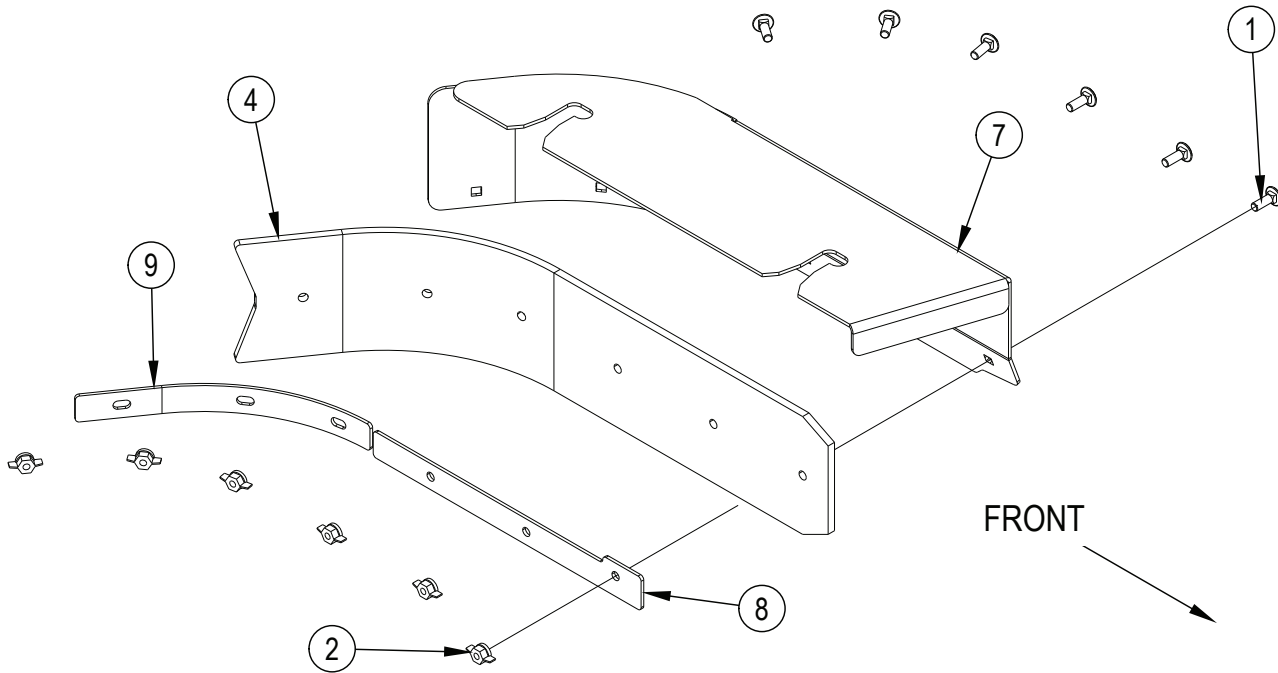


Item	Ref. No.	Qty	Description	Item	Ref. No.	Qty	Description
K2		4	Helical Spring Lock Washer Washer Lock 1/4	K1	33	56305760	1 Tee, Barb 3/4 X 1/2 X 1/2
K2		1	Nut-Hex Nyl Loc SS 1/4-20		34	56380149	4 Knob - M12-1.75 Thru
K2		1	Scr- Hex SS 1/4-20 X .50	K2	35		1 Bushing .32x.44x.15
	56302164	2	Bearing-Flange	K1	36	56386183	2 Barbed Elbow 90
K2		2	Scr-Hex Loc SS 5/16-18 x .75		37	56390011	2 Shield Splash
K2		1	Nut, Hex Nyl Loc-Thin SS 5/16-18		38	56390038	2 Gasket Driver
	56002856	3	Nut-Hex Nyl Loc SS 5/16-18		39	56407006	1 Wheel, Roller
K2		2	Scr-Pan Phil SS 10-24 X .75	K1	40	56409463	1 Clamp, 1.25 Hose Support
K2		2	Scr-Hex Loc SS 5/16-18 X .62	K1	41	56442003	6 Clamp-P
K2		2	Wsh-Fit SAE SS 5/16		42	56477613	3 Tie, Cable
	56002959	2	Pin, Cotter Hair		43	56601032	1 Roller Brkt 28
	56003012	3	Scr- Hex SS 5/16-18 X .75		44	56601388	2 Up Stop Mount
K2		4	Scr-Hex Loc SS 1/4-20 X .75		45	56601578	4 Knob
	56003264	2	Ring, Ret Ext Type E 0.50 Dia		46	56601580	1 Pin
	56003657	4	Nut, Hex Jam SS M12-1.75		47	56601776	1 Scrub Deck Weldt-Rev
	56003658	4	Scr-Hex Thd To Hd SS M12-1.75 X 70mm		48	56601817	2 Rod-Up Stop
	56003338	4	Scr-Hex Loc SS 3/8-16 X .75		49	56601782	1 Skirt Assy Lh Rev
K1	56003696	1	Wsh-Fit SS .33 X 1.00 X.060		50	56601784	1 Skirt Assy Rh Rev
K2		1	Scr- Hex Thd To Hd SS 5/16-18 X 1.75		51	56601789	1 Bracket Weldt
K2		12	Scr-Pan Phil Loc SS 1/4-20 X .50	K1	52	56601793	1 Hose-.75x36.00
K2		12	Scr-Pan Phil Loc SS 1/4-20 X 1.00		53	56601796	2 Pin Ring .31 X 1.18
K2		8	Scr-Flt Phil Loc SS 1/4-20x.75		54	56601797	2 Bushing
K1	56009029	6	Scr, Pan Phil Thd Form 10-24 X .50	K2	55		2 Rivet, 0.156 Dia X 1/2
K1	56009062	1	Scr, Pan Phil Thd Form 1/4-20 X .50		56	56380193	8 Isolator-40 Duro 1/4-20
K2		1	Nut, Hex Jam 5/16-18		57	56009242	4 Wsh-Fit .406 x 1.50 x .125
	56016163	1	Decal, No Step		58	56390002	2 Weight Counter
	56601815	2	Motor Plate		59	56390021	2 Eccentric
	56112744	2	Kit-Pad Driver		60	56390027	2 Driver Motor
[]	56112751	2	Kit-Pad Driver Hook 14		61	50736A	2 Bearing
	56112723	1	Decal-Rev Embossed		62	61775A	2 Retainer, Bearing
	56112749	2	Motor 24vdc	K2	63		16 Nut, Serrated Flange
[]	56412287	2	Motor Brush/Spring Kit		64	56601686	2 Ferrite Bead
[]	40645A	2	Connector Housing Pp75 Black		65	56003946	2 Wsh-Fit Nylon .34 x .74 x .062
[]	40657A	2	Connector Contact		*	56112733	2 Pad Maroon Spp14
	56244969	1	Clamp- Hose SAE #12		*	56112734	2 Pad Micro Fiber-14 In
K1	56262663	2	Hose PVC		*	56112746	2 Velcro 2 Sided 14
				K1	56601794	1	Kit-Solution Hose
				K2	56601795	1	Kit-Deck Hardware REV3

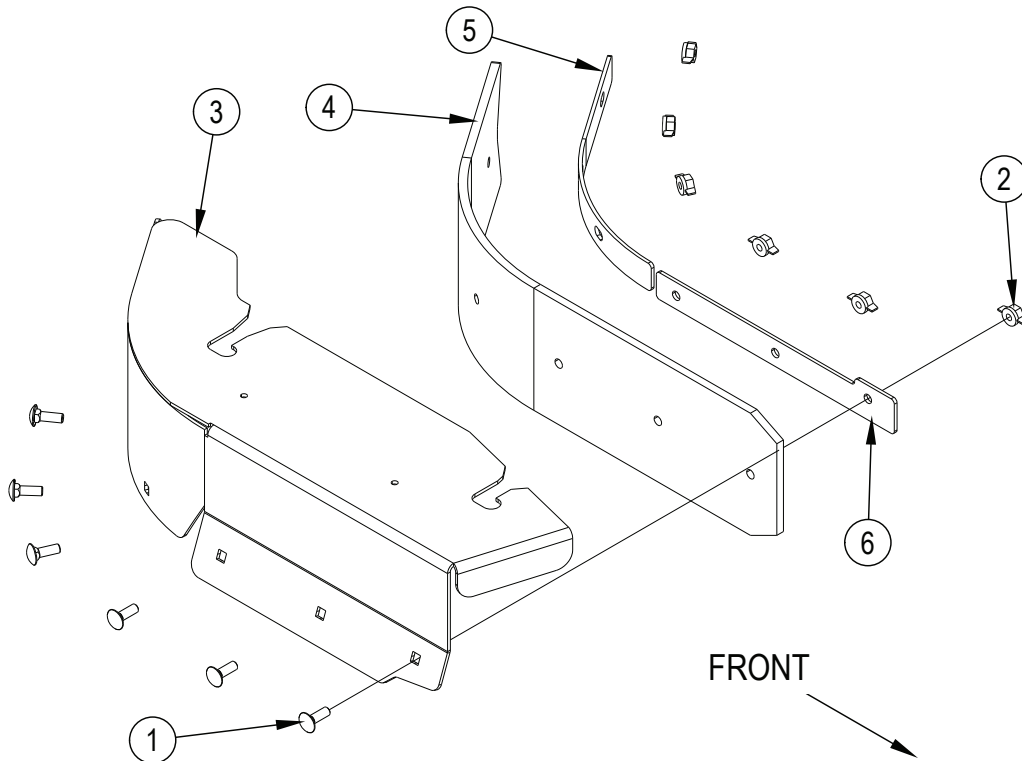
[] = Not Shown

* = Optional, Not Included

56601782 - Left Skirt Assy



56601784 - Right Skirt Assy



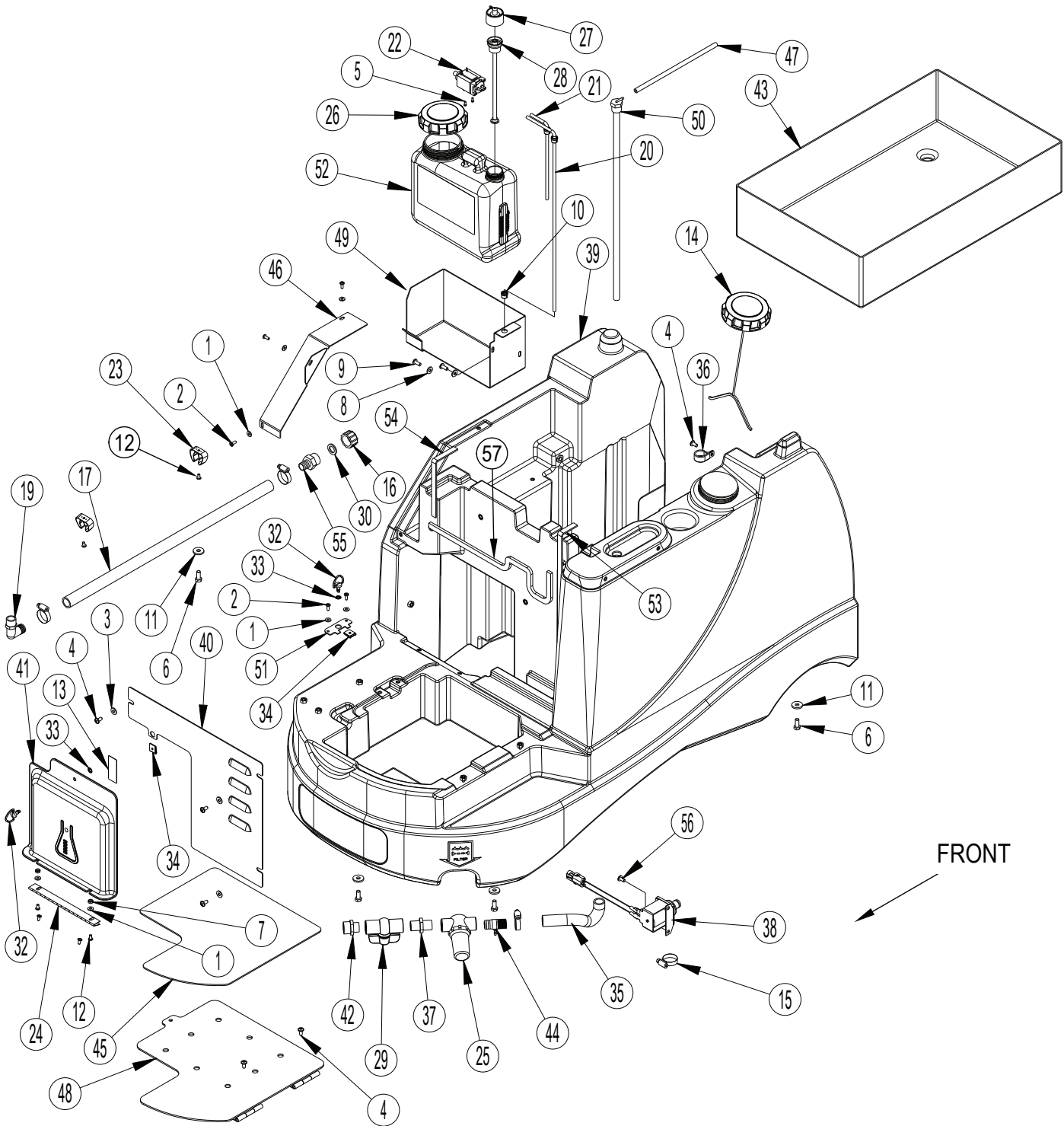
08-11

SCRUB SYSTEM-REV SKIRT ASSEMBLIES

13-4

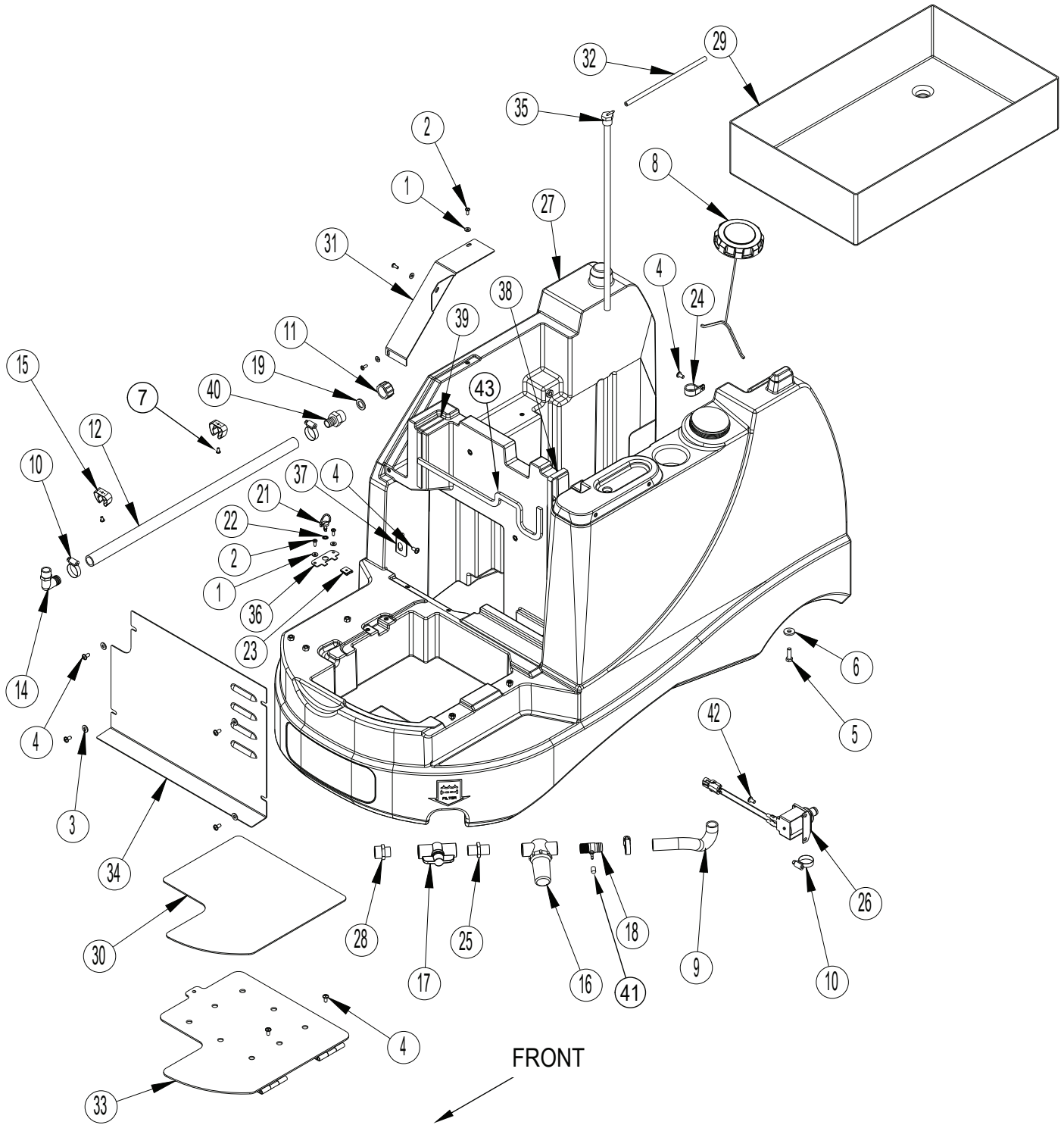
Advenger™**29**

Item	Ref. No.	Qty	Description
	56601782	1	Skirt Assy LH REV (1, 2, 4, 7-9)
	56601784	1	Skirt Assy RH REV (1-6)
1	56003715	12	Scr-Carriage SS 1/4-20 X .75
2	56003824	12	Nut- Wing Plastic Loc 1/4-20
3	56601785	1	Frame Skirt RH REV (56601784)
4	56601816	1	Kit-Blade Gum
5	56601792	1	Retainer Skirt (56601784)
6	56601809	1	Retainer Skirt (56601784)
7	56601783	1	Frame Skirt LH REV (56601782)
8	56601808	1	Retainer Skirt (56601782)
9	56601791	1	Retainer Skirt (56601782)



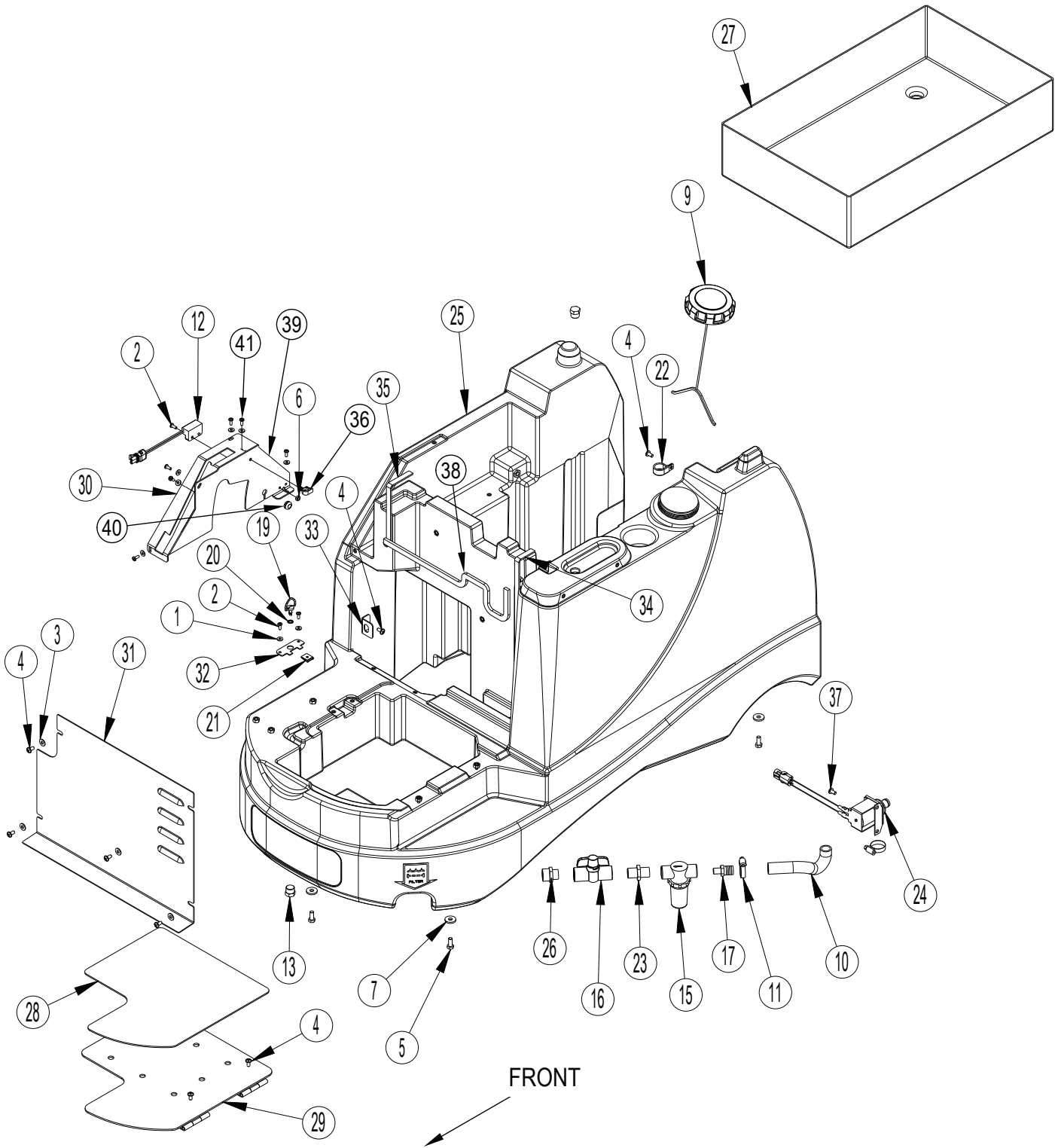
Item	Ref. No.	Qty	Description
1	56001954	7	Wsh, Flt SAE #10
2	56001993	5	Scr, Pan Phil 10-24 X .50
3	56002098	3	Wsh, Flt SAE 1/4
4	56002145	8	Scr, Pan Phil 1/4-20 X .50
5	56002539	2	Scr, Pan Phil Thd Form 6-32 X .31
6	56002667	4	Scr, Hex 5/16-18 X .75
7	56002832	2	Nut, Hex Nyl Loc-Thin 10-24
8	56002859	2	Wsh, Flt SAE SS 1/4
9	56002989	2	Scr, Pan Phil SS 1/4-20 X .62
10	56003699	3	Bushing, 1/4 Id Snub
11	56009122	4	Wsh, Flt .344 X .938 X .125
12	56009139	6	Scr, Pan Phil Loc 10-24 X .38
13	56016331	1	Decal, Chemical Ratio
14	56601599	1	Cap, Raw W/ Tether
15	56244969	4	Clamp, Hose SAE #12
16	56255076	1	Cap, Pipe Ght Nylon
17	56261265	1	Hose, .75 Clear Pvc, 25.00
19	56314757	1	Barb, 90 Elbow 3/4 X 1/2npt
20	56314942	1	Hose, Chem Resistant
21	56314991	1	Hose, Chem Resistant 14"
22	56315241	1	Pump, Chemical (M2)
23	56601598	2	Hose Clip
24	56315285	1	Hinge
25	56315296	1	Solution Filter
*	56601594	A/R	Solution Filter Kit
26	56315517	1	Cap, Raw
27	56315523	1	Cap, Dry Break, 1/8 Barb, 90°
28	56315527	1	Insert, Dry Break
29	56381475	1	Ball Valve
30	56368776	1	Washer, Rubber
32	56380132	2	Latch, 1/4 Turn
33	56380137	2	Retainer
34	56380141	2	Nut, Clamp
35	30445A	1	Hose-Solution
36	56410097	3	Clamp, P
37	56412182	1	Nipple, Hex 3/4-14
38	56601064	1	Solenoid Valve Assy (L1)
39	56601076	1	Solution Tank
40	56601106	1	Panel
41	56601202	1	Chemical Bottle Cover
42	56601212	1	Nipple, Reducer 3/4"Npt X 1/2"Npt
43	56601213	1	Battery Box
44	56601236	1	Tee, Special, 3/4 X 3/16 X 1/2npt
45	56601246	1	Mat
46	56601268	1	Plate
47	56112553	1	Hose
48	56601339	1	Charger Cover Weldment
49	56601398	1	Bracket
50	56344172	1	Tube-Pressure Sensing W/Elbow
51	56601511	1	Plate
52	56601544	1	Chemical Bottle Assy
*	56601545	A/R	Chemical Bottle Assy (26, 28 & 52)
53	56601569	1	Gasket
54	56601570	1	Gasket
55	56900273	1	Barb, Adapter 3/4 X 3/4ght
56	56003039	1	Scr, Hex Hd Loc 1/4-20 x .50
57	56601685	1	Gasket

* = Optional, Not Included



Item	Ref. No.	Qty	Description
1	56001954	5	Wsh, Fit SAE #10
2	56001993	5	Scr, Pan Phil 10-24 X .50
3	56002098	4	Wsh, Fit SAE 1/4
4	56002145	10	Scr, Pan Phil 1/4-20 X .50
5	56002667	4	Scr, Hex 5/16-18 X .75
6	56009122	4	Wsh, Fit .344 X .938 X .125
7	56009139	2	Scr, Pan Phil Loc 10-24 x .38
8	56601599	1	Cap, Raw W/ Tether
9	30445A	1	Hose, Solution
10	56244969	4	Clamp, Hose SAE #12
11	56255076	1	Cap, Pipe Ght Nylon
12	56261265	1	Hose, .75 Clear Pvc, 25.00
14	56314757	1	Barb, 90 Elbow 3/4 X 1/2npt
15	56601598	2	Hose Clip
16	56315296	1	Solution Filter
*	56601594	A/R	Solution Filter Kit
17	56381475	1	Ball Valve
18	56601236	1	Barb, Adaptor 3/4 X 1/2 Npt
19	56368776	1	Washer, Rubber
21	56380132	1	Latch, 1/4 Turn
22	56380137	1	Retainer
23	56380141	1	Nut, Clamp
24	56410097	3	Clamp, P
25	56412182	1	Nipple, Hex 3/4-14
26	56601064	1	Solenoid Valve Assy (L1)
27	56601076	1	Solution Tank
28	56601212	1	Nipple, Reducer 3/4"Npt X 1/2"Npt
29	56601213	1	Battery Box
30	56601246	1	Mat
31	56601268	1	Plate
32	56112553	1	Hose
33	56601339	1	Charger Cover Weldment
34	56601387	1	Electrical Cover Panel
35	56344172	1	Tube Pressure Sensing W/Elbow
36	56601511	1	Plate
37	56601670	1	Bracket, L
38	56601569	1	Gasket
39	56601570	1	Gasket
40	56900273	1	Barb, Adapter 3/4 X 3/4ght
41	56051209	1	Rubber Tip-Black
42	56003039	1	Scr, Hex Hd Loc 1/4-20 x .50
43	56601685	1	Gasket

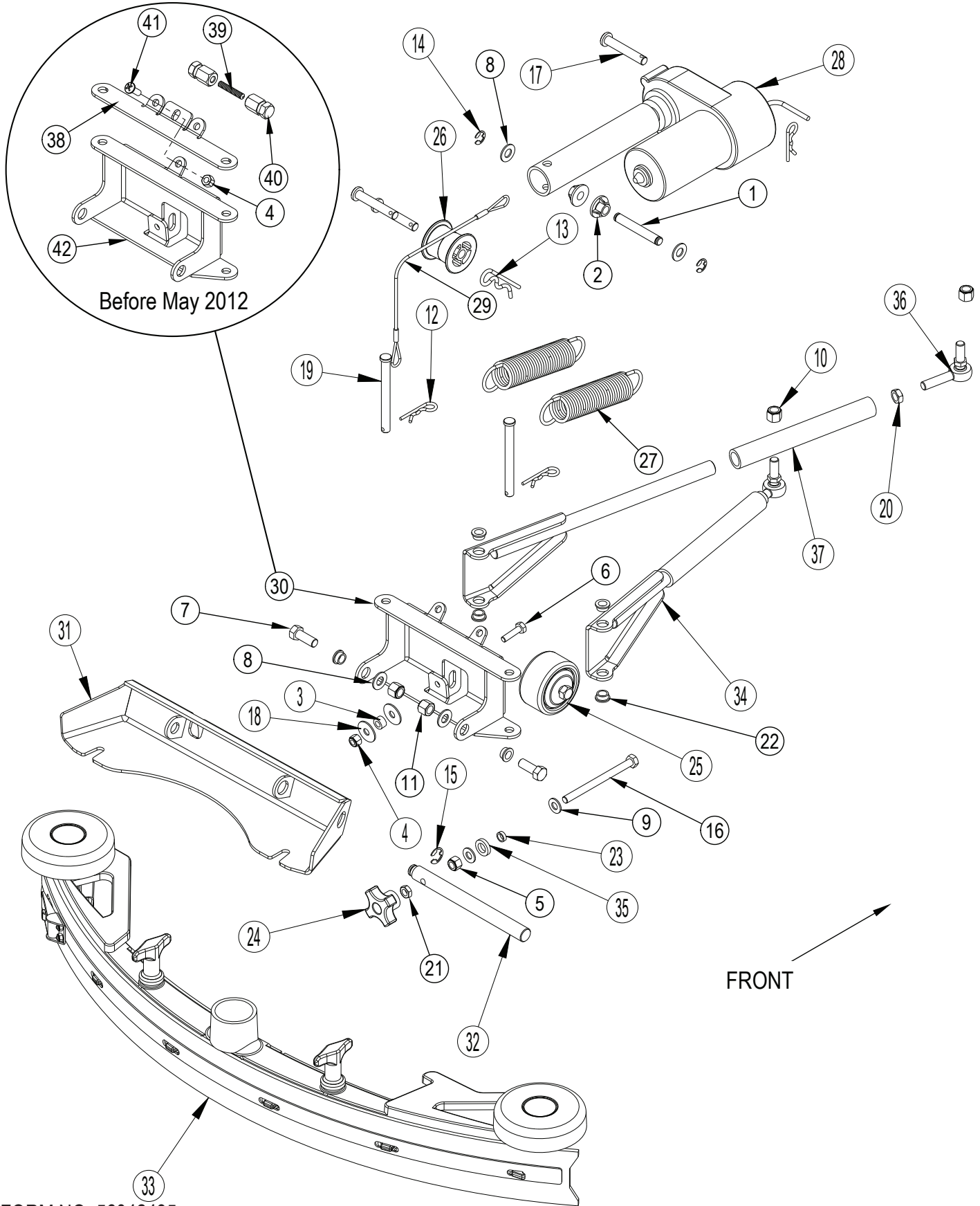
* = Optional, Not Included



Item	Ref. No.	Qty	Description
1	56001954	8	Wsh, Flt SAE #10
2	56001993	7	Scr, Pan Phil 10-24 X .50
3	56002098	4	Wsh, Flt SAE 1/4
4	56002145	10	Scr, Pan Phil 1/4-20 X .50
5	56002667	4	Scr, Hex 5/16-18 X .75
6	56002832	1	Nut, Hex Nyl Loc-Thin 10-24
7	56009122	4	Wsh, Flt .344 X .938 X .125
9	56601599	1	Cap, Raw W/ Tether
10	30445A	1	Hose, Solution
11	56244969	2	Clamp, Hose SAE #12
12	56305053	1	Sensor, Proximity
13	56305547	2	Plug, 1/2 Hex Pipe
15	56315296	1	Solution Filter
*	56601594	A/R	Solution Filter Kit
16	56381475	1	Ball Valve
17	56315634	1	Barb, Adaptor 3/4 X 1/2 Npt
19	56380132	1	Latch, 1/4 Turn
20	56380137	1	Retainer
21	56380141	1	Nut, Clamp
22	56410097	3	Clamp, P
23	56412182	1	Nipple, Hex 3/4-14
24	56601064	1	Solenoid Valve Assy (L1)
25	56601076	1	Solution Tank
26	56601212	1	Nipple, Reducer 3/4"Npt X 1/2"Npt
27	56601213	1	Battery Box
28	56601246	1	Mat
29	56601339	1	Charger Cover Weldment
30	56601713	1	Handle Cover-Top Panel NOTE 1
31	56601387	1	Electrical Cover Panel
32	56601511	1	Plate
33	56601670	1	Bracket, L
34	56601569	1	Gasket
35	56601570	1	Gasket
36	56507793	1	Clip-Conduit
37	56003039	1	Scr-Hex Hd Loc 1/4-20 x .50
38	56601685	1	Gasket
39	56601714	1	Handle Cover Weldt. NOTE 1
40	56321540	1	Grommet
41	56009029	2	Scr-Pan Phil Thd Form 10-24 x .50

* = Optional, Not Included

NOTE 1: Handle Cover 56601344 is no longer used in production. If you order 56601344 you will receive Handle Panel Kit 56601730 which contains items (1, 30, 39, 40 & 41).

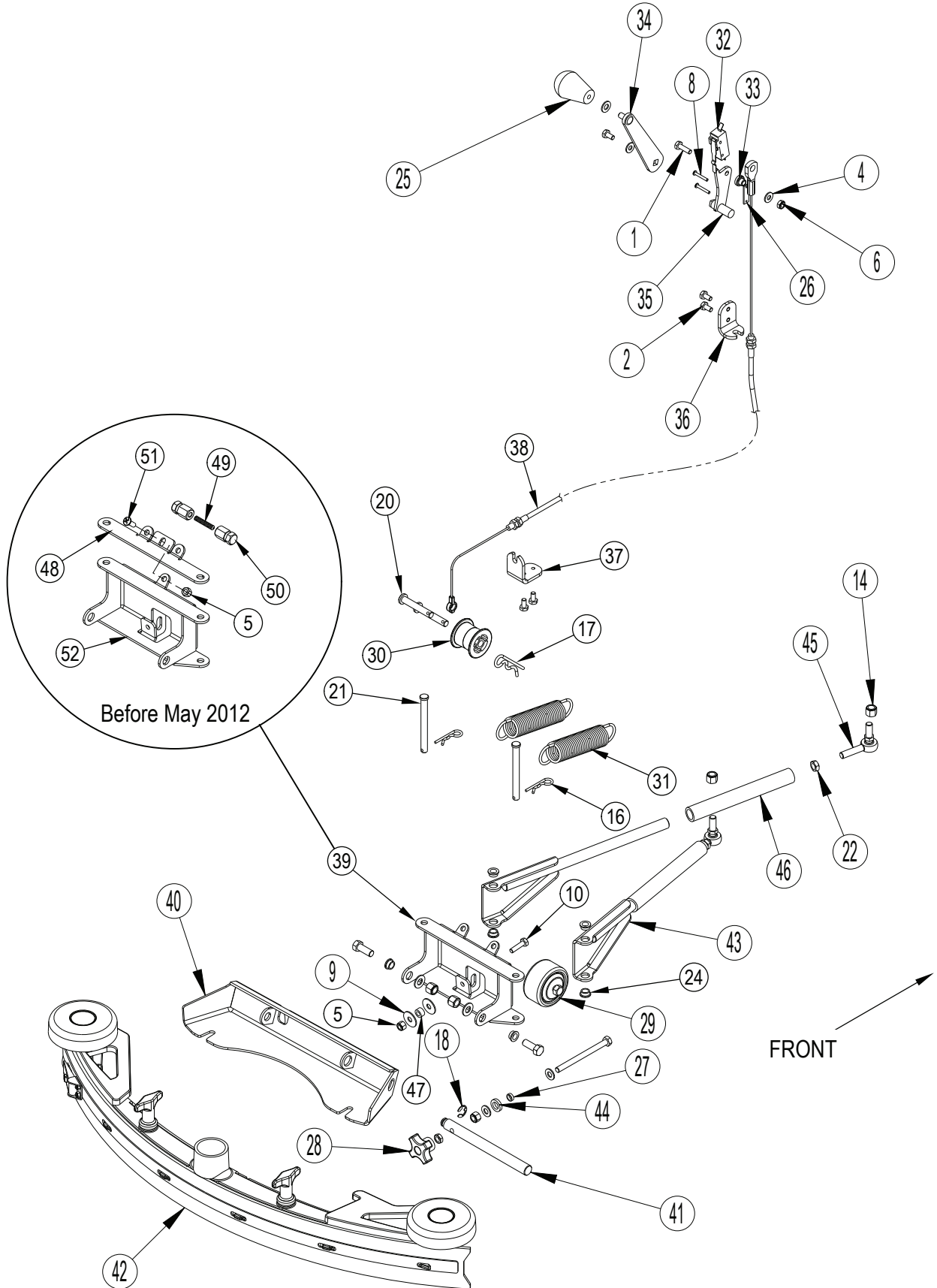


Kit	Item	Ref. No.	Qty	Description
	1	56412088	1	Pin
	2	56412248	2	Spacer, Squeegee Cable
	3	56453691	1	Spacer
	4	56002491	2	Nut, Hex Nyl Loc SS 1/4-20 NOTE 1
	5	56002856	1	Nut, Hex Nyl Loc SS 5/16-18
	6	56002883	1	Scr, Hex SS 1/4-20 X 1.00
	7	56002886	2	Scr, Hex SS 3/8-16 X 1.00
	8	56002910	4	Wsh, Flt SAE SS 3/8
	9	56002938	2	Wsh, Flt SAE SS 5/16
	10	56002951	2	Nut, Hex Nyl Loc 3/8-24
	11	56003219	2	Nut, Hex Nyl Loc SS 3/8-16
	12	56003222	3	Pin, Cotter Hair
	13	56003223	1	Pin, Cot Hair .148 X Dia .62/1.00
	14	56003262	2	Ring, Ret Ext Type E 0.38 Dia
	15	56003264	1	Ring, Ret Ext Type E 0.50 Dia
	16	56003486	1	Scr, Hex Thd To Hd SS 5/16-18 X 4.00
	17	56003656	3	Pin, Clevis .375 X 2.25
	18	56003696	2	Wsh, Flt SS .33 X 1.00 X.060
	19	56003713	2	Pin, Clevis .38 X 3.75
	20	56009103	2	Nut, Hex Jam 3/8-24
	21	56009141	1	Nut, Hex Jam SS 5/16-18
	22	56324505	6	Bearing, Flange
	23	56381818	1	Bushing .32x.44x.15
	24	56407303	1	Knob
	25	56412124	1	Wheel
	26	56412208	1	Roller
	27	56412216	2	Spring, Extension NOTE 1
	28	56601147	1	Actuator, Motor 24v (M3)
	29	56601257	1	Cable Assembly
	30	56382666	1	Weldment-Squeegee Pivot NOTE 2
	31	56601438	1	Squeegee Mount Bracket Weld't
	32	56601442	1	Shaft
	33	56601449	1	Squeegee Assy (28") (Includes Gum Rubber Blades)
		56601454	1	Squeegee Assy (34") (Includes Gum Rubber Blades)
	34	56601460	2	Bar Weldment
	35	56601463	1	Washer, Polyurethane
	36	56601469	2	Rod End
	37	56601512	2	Hose
	38	56382623	1	Bracket-Spring Advenger NOTE 1
	39	56382637	1	Rod-Threaded .25 X 1.25 NOTE 1
	40	56382624	2	Nut-Spring NOTE 1
	41	56002957	1	Scr Pan Phil SS 1/4-20 X .75 NOTE 1
	42	56601436	1	Squeegee Pivot Bracket Weld't NOTE 3

NOTE 1: These parts were implemented in production as of November 2011 to increase squeegee down pressure. Order Squeegee Spring Kit 56382635 to upgrade your machine to include this improvement. Only used before May 2012.

NOTE 2: After April 2012.

NOTE 3: Before May 2012.

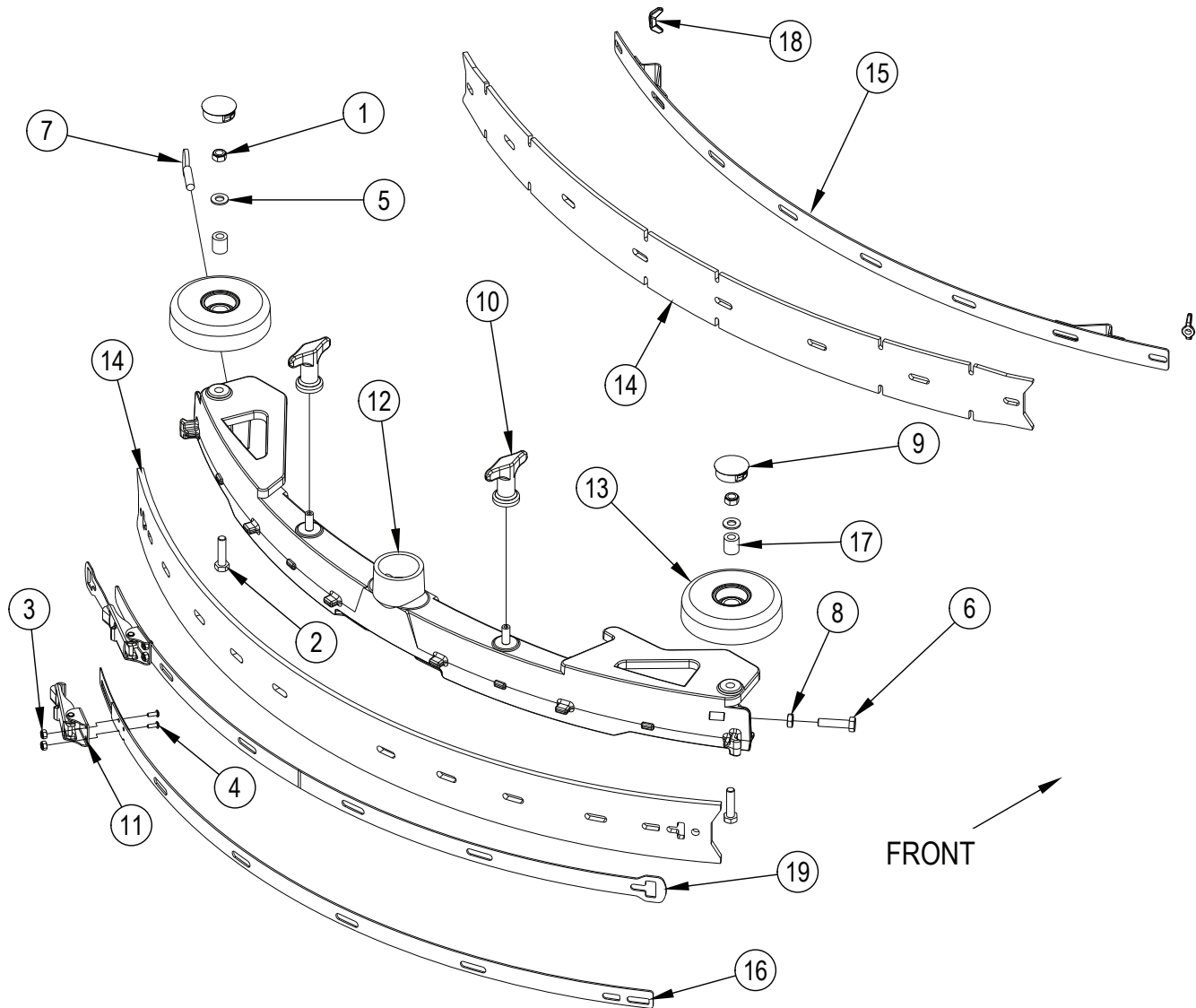


Kit	Item	Ref. No.	Qty	Description
	1	56001821	1	Scr, Hex 1/4-20 X .88
	2	56001854	5	Scr, Hex 1/4-20 X .50
	3	56001939	1	Wsh, Flt SAE 5/16
	4	56002098	2	Wsh, Flt SAE 1/4
	5	56002491	2	Nut, Hex Nyl Loc SS 1/4-20 NOTE 1
	6	56002840	1	Nut, Hex Nyl Loc-Thin 1/4-20
	7	56002856	1	Nut, Hex Nyl Loc SS 5/16-18
	8	56002858	2	Scr, Pan Phil 6-32 X 1.00
	9	56002859	2	Wsh, Flt SAE SS 1/4
	10	56002883	1	Scr, Hex SS 1/4-20 X 1.00
	11	56002886	2	Scr, Hex SS 3/8-16 X 1.00
	12	56002910	2	Wsh, Flt SAE SS 3/8
	13	56002938	2	Wsh, Flt SAE SS 5/16
	14	56002951	2	Nut, Hex Nyl Loc 3/8-24
	15	56003219	2	Nut, Hex Nyl Loc SS 3/8-16
	16	56003222	2	Pin, Cotter Hair
	17	56003223	1	Pin, Cot Hair .148 X Dia .62/1.00
	18	56003264	1	Ring, Ret Ext Type E 0.50 Dia
	19	56003486	1	Scr, Hex Thd To Hd SS 5/16-18 X 4.00
	20	56003656	2	Pin, Clevis .375 X 2.25
	21	56003713	2	Pin, Clevis .38 X 3.75
	22	56009103	2	Nut, Hex Jam 3/8-24
	23	56009141	1	Nut, Hex Jam SS 5/16-18
	24	56324505	6	Bearing, Flange
	25	56364527	1	Knob
	26	56376015	1	Nut Plate
	27	56381818	1	Bushing .32x.44x.15
	28	56407303	1	Knob
	29	56412124	1	Wheel
	30	56412208	1	Roller
	31	56412216	2	Spring, Extension NOTE 1
	32	56601160	1	Switch, Snap, Spst No
	33	56601190	1	Bushing, Cable
	34	56601218	1	Linkage Arm
	35	56601221	1	Linkage, Weldment
	36	56601233	1	Bracket, Cable
	37	56601234	1	Bracket, Cable
	38	56601235	1	Cable
	39	56382666	1	Weldment-Squeegee Pivot NOTE 2
	40	56601438	1	Squeegee Mount Bracket Weld't
	41	56601442	1	Shaft
	42	56601449	1	Squeegee Assembly (28") (Includes Gum Rubber Blades)
		56601454	1	Squeegee Assembly (34") (Includes Gum Rubber Blades)
	43	56601460	2	Bar Weldment
	44	56601463	1	Washer, Polyurethane
	45	56601469	2	Rod End
	46	56601512	2	Hose
	47	56453849	1	Bushing
	48	56382623	1	Bracket-Spring Advenger NOTE 1
	49	56382637	1	Rod-Threaded .25 X 1.25 NOTE 1
	50	56382624	2	Nut-Spring NOTE 1
	51	56002957	1	Scr Pan Phil SS 1/4-20 X .75 NOTE 1
	52	56601436	1	Squeegee Pivot Bracket Weld't NOTE 3

NOTE 1: These parts were implemented in production as of November 2011 to increase squeegee down pressure. Order Squeegee Spring Kit 56382635 to upgrade your machine to include this improvement. Only used before May 2012.

NOTE 2: After April 2012.

NOTE 3: Before May 2012.



Kit Item	Ref. No.	Qty	Description	Kit Item	Ref. No.	Qty	Description
	56601449	1	Squeegee Assembly (Includes Gum Rubber Blades)	13	56601450	2	Wheel, 4.00 Od
1	56002851	2	Nut, Hex Nyl Loc-Thin SS 5/16-18	14	56382734	1	Blade Kit-Squeegee-Gum 28 After October 2011 NOTE 1 / NOTE 5
2	56003302	2	Scr Hex Thd/Hd SS 5/16-18X1.25		56601744	1	Blade Kit-Squeegee-Gum 28 Before November 2011 NOTE 1
3	56002907	2	Nut, Hex Nyl Loc SS 6-32 Before June 2012	*	56382737	1	Blade Kit-Squeegee-PU 28 After October 2011 / NOTE 1 / NOTE 5
4	56002909	2	Scr, Pan Phil SS 6-32 X .38 Before June 2012	*	56601745	1	Blade Kit, Squeegee PU Before November 2011 / NOTE 1
5	56002938	2	Wsh, Flt SAE SS 5/16	*	56382735	1	Blade Kit-Squeegee-Red Gum 28 After October 2011 NOTE 1 / NOTE 5
6	56003302	1	Scr, Hex Thd To Hd SS 5/16-18 X 1.25	*	56601746	1	Blade Kit, Squeegee Red Gum Before November 2011 NOTE 1
7	56003792	1	Scr, Thumb SS 5/16-18 X 1.25	15	56601489	1	Front Strap Weldment
8	56009141	1	Nut, Hex Jam SS 5/16-18	16	56601591	1	Strap, Rear NOTE 3
9	56111444	2	Button Plug-1.25		56382676	1	Strap, Rear NOTE 4
10	56370711	2	Nut, Thumb	17	56601499	2	Bushing, Nylon
11	56471194	1	Latch Before June 2012	18	56009111	2	Nut-Wing SS 1/4-20 NOTE 3
12	NA	1	Squeegee Casting NOTE 2	19	56382697	1	Clamp-Band 28 In Assy After May 2012

* = Optional, Not Included

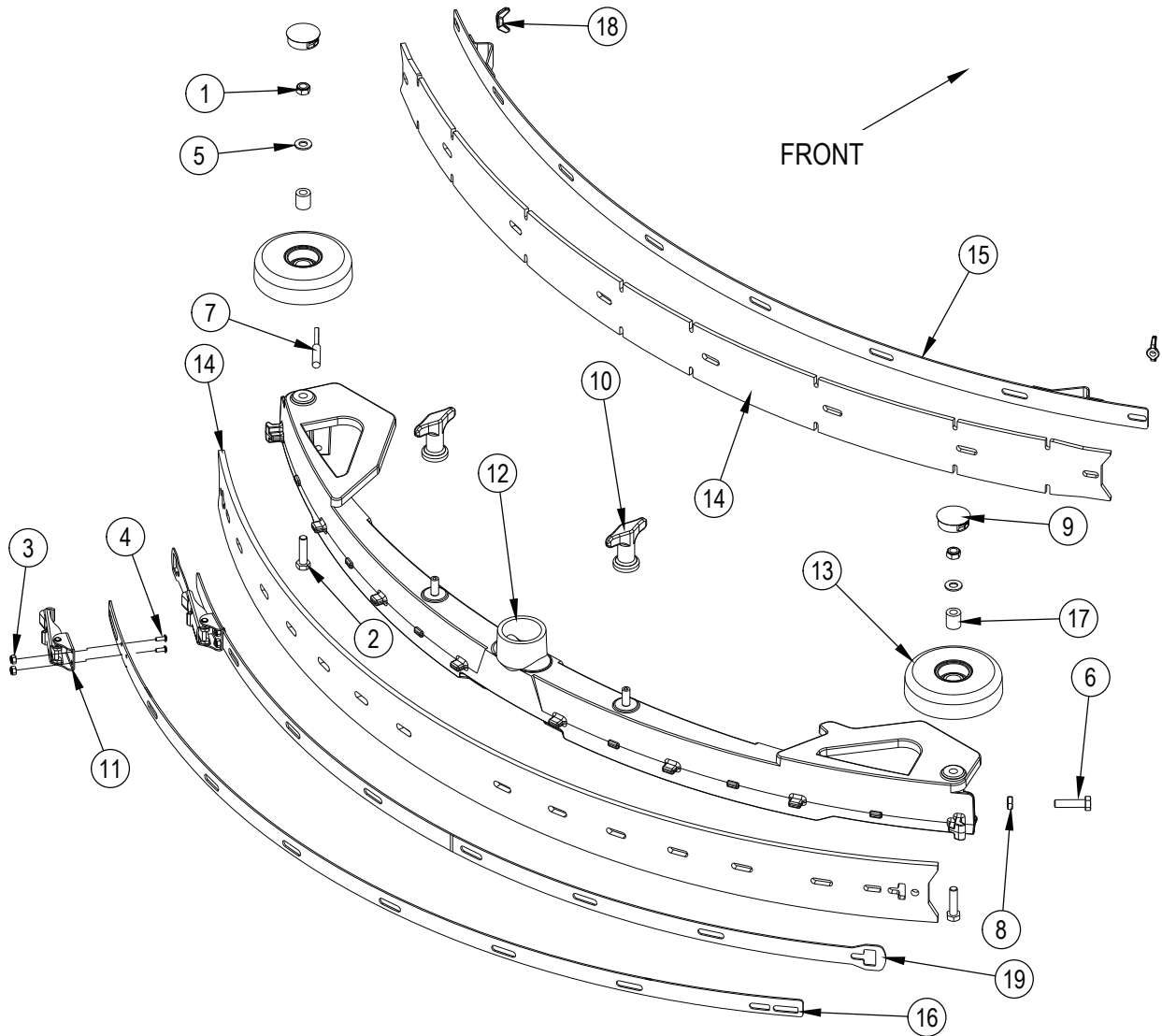
NOTE 1: All squeegee blade kits include both front and rear squeegee blades.

NOTE 2: The squeegee casting is not available for sale separately. If you need to replace your squeegee casting please order a new Squeegee Assembly part number 56601449.

NOTE 3: TSBUS2009-1041 - Only used before SN 3000023100.

NOTE 4: TSBUS2009-1041 - Only used after SN 3000023099 and before June 2012.

NOTE 5: These squeegee blades are designed to provide increased performance and reduced streaking. When installing these blades on a machine built before November 2011 you must also order a new rear strap part number 56382676.



Kit Item	Ref. No.	Qty	Description	Kit Item	Ref. No.	Qty	Description
	56601454	1	Squeegie Assembly (Includes Gum Rubber Blades)	11	56471194	1	Latch Before May 2012
1	56002851	2	Nut, Hex Nyl Loc-Thin SS 5/16-18	12	NA	1	Squeegie Casting NOTE 2
2	56003302	2	Scr Hex Thd/Hd SS 5/16-18X1.25	13	56601450	2	Wheel, 4.00 Od
3	56002907	2	Nut, Hex Nyl Loc SS 6-32 Before May 2012	14	56382738	1	Blade Kit-Squeegie-Gum 34 NOTE 1
4	56002909	2	Scr, Pan Phil SS 6-32 X .38 Before May 2012	*	56382740	1	Blade Kit-Squeegie-PU 34 NOTE 1
5	56002938	2	Wsh, Flt SAE SS 5/16	*	56382739	1	Blade Kit-Squeegie-Red Gum 34 NOTE 1
6	56003302	1	Scr, Hex Thd To Hd SS 5/16-18 X 1.25	15	56601495	1	Front Strap Weldment (34")
7	56003792	1	Scr, Thumb SS 5/16-18 X 1.25	16	56601496	1	Strap, Rear NOTE 4
8	56009141	1	Nut, Hex Jam SS 5/16-18		56601593	1	Strap, Rear NOTE 3
9	56111444	2	Button Plug-1.25	17	56601499	2	Bushing, Nylon
10	56370711	2	Nut, Thumb	18	56009111	2	Nut-Wing SS 1/4-20 NOTE 3
				19	56382698	1	Clamp-Band 34 In Assy After April 2012

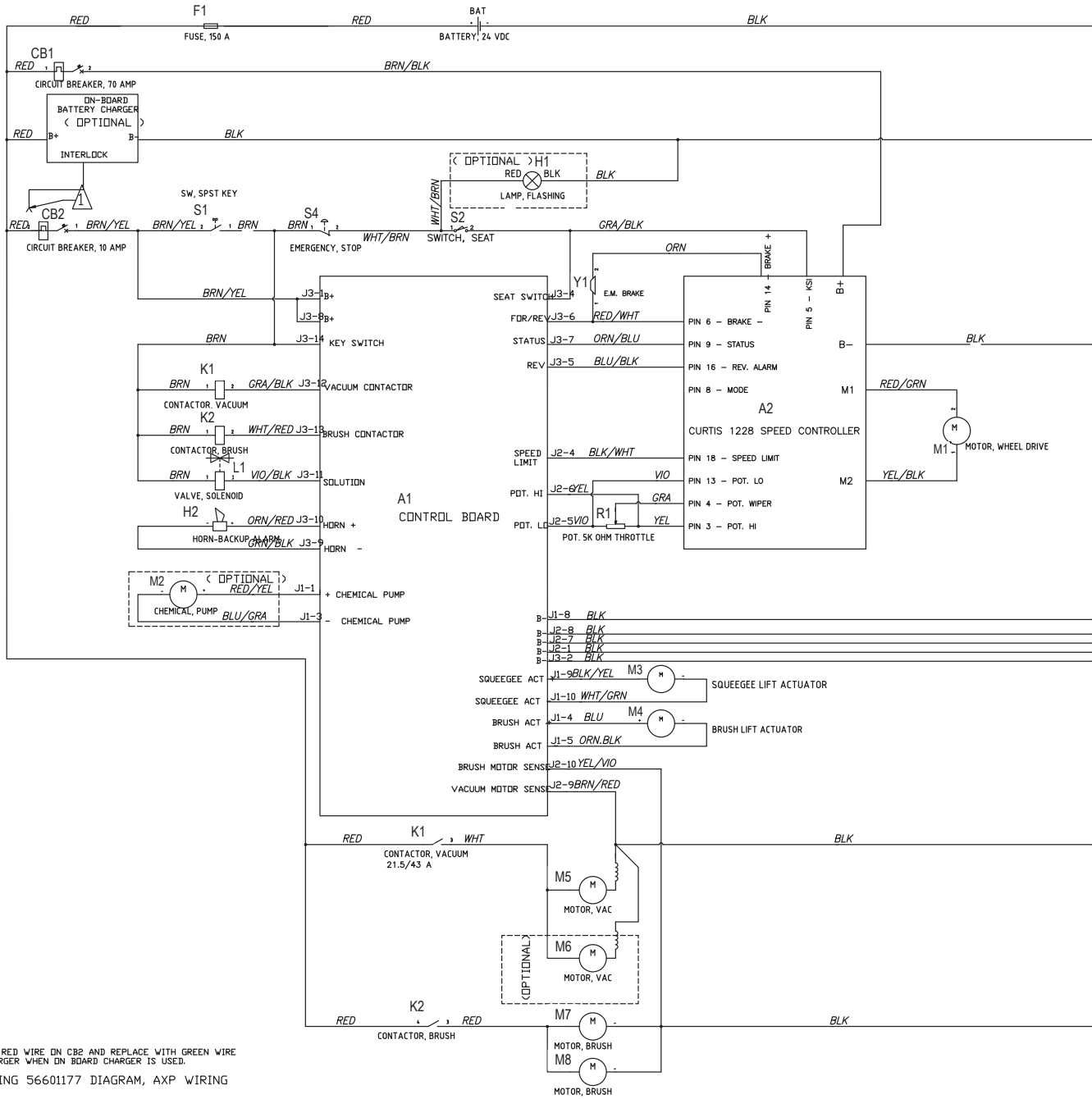
* = Optional, Not Included

NOTE 1: All squeegee blade kits include both front and rear squeegee blades.

NOTE 2: The squeegee casting is not available for sale separately. If you need to replace your squeegee casting please order a new Squeegee Assembly part number 56601454.

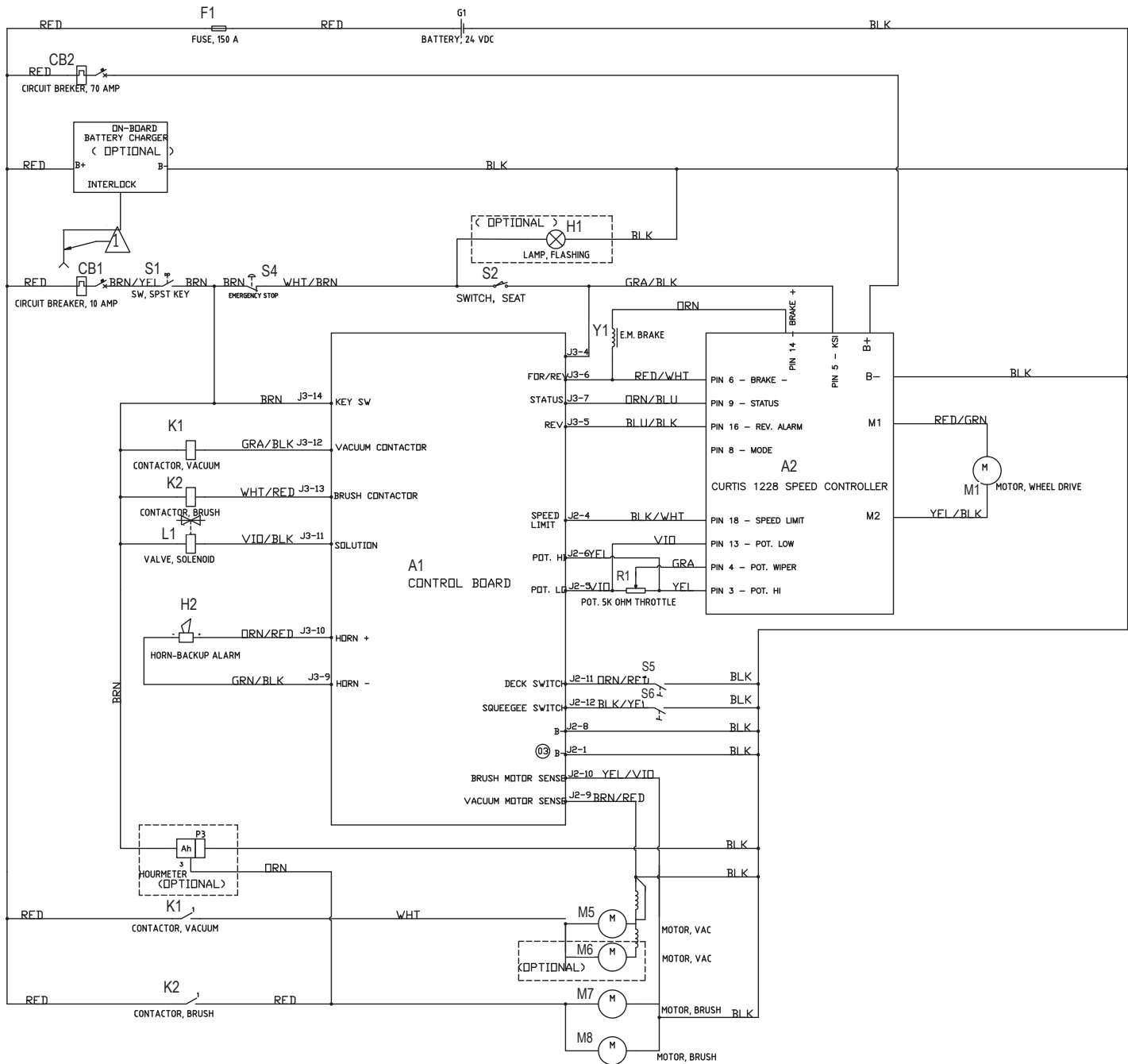
NOTE 3: TSBUS2009-1041 - Only used before SN 300006847.

NOTE 4: TSBUS2009-1041 - Only used after SN 300006846 and before May 2012.



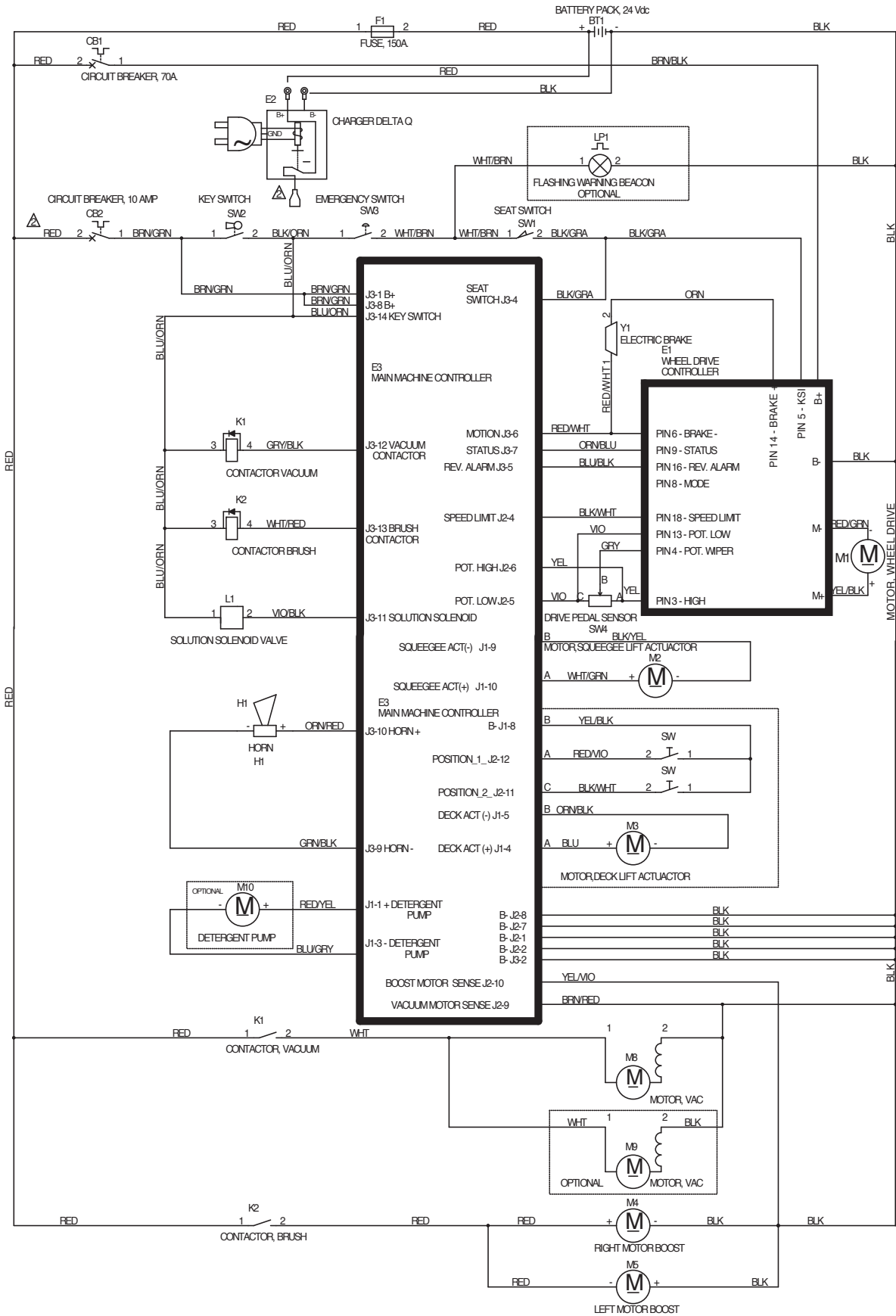
NOTES:
 ⚠ DISCONNECT RED WIRE ON CB2 AND REPLACE WITH GREEN WIRE FROM CHARGER WHEN ON BOARD CHARGER IS USED.
 REF DRAWING 56601177 DIAGRAM, AXP WIRING

Item	Ref. No.	Qty	Description
A1	56601565	1	Interface Panel Assy
A2	56601061	1	Controller, Speed
BAT	N/A		Battery
F1	56412089	1	Fuse, 150 Amp
CB1	56454429	1	Circuit Breaker, 70 Amp
CB2	56507644	1	Circuit Breaker, 10 Amp
H1	56307166	1	Beacon, Warning (optional)
H2	56412177	1	Horn/Backup Alarm
K1	56601183	1	Contactactor 24v, 100 Amp
K2	56412179	1	Contactactor 24v
L1	56601064	1	Solenoid Valve Assy
M1	56601050	1	Motor / Drive Wheel
M2	56315241	1	Pump, Chemical
M3	56601147	1	Actuator, Motor 24v
M4	56601432	1	Lift Actuator Assembly
M5	56601132	1	Motor, Vac 24vdc
M6	56601132	1	Motor, Vac 24vdc (optional)
M7	56315061	1	Motor, 24 Vdc, .5 Hp, 1800 Rpm (cyl) TSBUS2010-1058
	56601134	2	Motor Gearbox Assy (disk)
M8	56315061	1	Motor, 24 Vdc, .5 Hp, 1800 Rpm (cyl) TSBUS2010-1058
	56601134	2	Motor Gearbox Assy (disk)
R1	N/A	1	Part of 56601052
S1	56303553	1	Key Switch
*	56303526	A/R	Replacement Key Set
S2	7-82-00050	1	Switch, Seat
S4	56407130	1	Disconnect, Emergency
Y1	56601507	1	Brake, Electromagnetic
	56315773	1	Charger, On-Board 24v TSBUS2008-984



NOTES:
 ⚠ DISCONNECT RED WIRE ON CB2 AND REPLACE WITH GREEN WIRE FROM CHARGER WHEN ON BOARD CHARGER IS USED
 REF. DRAWING 56601179 DIAGRAM, ST WIRING

Item	Ref. No.	Qty	Description
A1	56601566	1	Interface Panel Assy
A2	56601061	1	Speed Control
BAT	N/A		Battery
F1	56412089	1	Fuse, 150 Amp
CB1	56454429	1	Circuit Breaker, 70 Amp
CB2	56507644	1	Circuit Breaker, 10 Amp
H1	56307166	1	Beacon, Warning (optional)
H2	56412177	1	Horn/Backup Alarm
K1	56601183	1	Contactactor 24v, 100 Amp
K2	56412179	1	Contactactor 24v
L1	56601064	1	Solenoid Valve Assy
M1	56601050	1	Motor / Drive Wheel
M5	56601132	1	Motor, Vac 24vdc
M6	56601132	1	Motor, Vac 24vdc (optional)
M7	56601134	2	Motor Gearbox Assy
M8	56601134	2	Motor Gearbox Assy
R1	N/A	1	Part of 56601052
S1	56303553	1	Key Switch
*	56303526	A/R	Replacement Key Set
S2	7-82-00050	1	Switch, Seat
S4	56407130	1	Disconnect, Emergency
S5	56305053	1	Sensor-Proximity (Deck)
S6	56601160	1	Switch, Squeegee
Y1	56601507	1	Brake, Electromagnetic
	56315773	1	Charger, On-Board 24v TSBUS2008-984



Item	Ref. No.	Qty	Description
BT1	N/A		Battery
E1	56601812	1	Controller, Speed
E2	56315773	1	Charger, On-Board 24v TSBUS2008-984
E3	56601800	1	Interface Panel Assy
F1	56412089	1	Fuse, 150 Amp
CB1	56454429	1	Circuit Breaker, 70 Amp
CB2	56507644	1	Circuit Breaker, 10 Amp
H1	56412177	1	Horn/Backup Alarm
K1	56601183	1	Contactora 24v, 100 Amp
K2	56412179	1	Contactora 24v
L1	56601064	1	Solenoid Valve Assy
LP1	56307166	1	Beacon, Warning (optional)
M1	56601050	1	Motor / Drive Wheel
M2	56601432	1	Lift Actuator Assembly
M3	56601811	1	Actuator
M4	56112749	1	Motor 24VDC
M5	56112749	1	Motor 24VDC
M8	56601132	1	Motor, Vac 24vdc
M9	56601132	1	Motor, Vac 24vdc (optional)
M10	56315241	1	Pump, Chemical
SW1	7-82-00050	1	Switch, Seat
SW2	56303553	1	Key Switch
*	56303526	A/R	Replacement Key Set
SW3	56407130	1	Disconnect, Emergency
SW4	N/A	1	Part of 56601052
Y1	56601507	1	Brake, Electromagnetic

OPTIONAL KITS & ACCESSORIES

08-11

48

Advenger™

13-7

Item	Ref. No.	Qty	Description	Item	Ref. No.	Qty	Description
			Kits				28" Disk Scrub Brushes (See Brush Selector Guide)
*	56397453	1	Kit-Battery Fill Indicator	*	56505800	2	Short Trim Pad Holder
*	7-03-04249#	1	Kit-Seat Armrests NOTE 5	*	56505195	2	Pad Retainer for 56505750
*	56383188#	1	Arm Rest Kit R/H + L/H NOTE 6	*	56505805	2	ProLite
*	56601085	1	Kit-Warning Beacon	*	56505804	2	Prolene
*	56601087	1	Kit-Vacuum Wand With Caddy	*	56505806	2	Union Mix
*	56422162	1	Kit-Seat Belt	*	56505803	2	AgLite Grit 500
*	56601098	1	Kit-Dual Vac Motor	*	56505807	2	MidGrit 240
*	56601527	1	Battery Watering Kit	*	56505808	2	MidLite Grit 180
*	56302198	1	Kit-Hour Meter	*	56505802	2	Dyna Grit 80
*	56315732	1	Quiq Programmer Kit	*	56505801	2	Magna Grit 46
*	56601088	1	Kit-Vacuum Sound Reduction				34" Disk Scrub Brushes (See Brush Selector Guide)
*#	56383240	1	Seat Kit	*	56505780	2	Short Trim Pad Holder
*	56601546	A/R	Kit-28" Disk Deck	*	56505195	2	Pad Retainer for 56505750
*	56601547	A/R	Kit-34" Disk Deck	*	56505785	2	ProLite
*	56601548	A/R	Kit-28" Cylindrical Deck	*	56505784	2	Prolene
*	56601084	A/R	Kit-Battery Rollout	*	56505786	2	Union Mix
			28" Squeegee Blade Kits	*	56505783	2	AgLite Grit 500
	56382734	1	Blade Kit-Squeegee-Gum 28	*	56505787	2	MidGrit 240
			After October 2011 NOTE 1 / NOTE 4	*	56505788	2	MidLite Grit 180
	56601744	1	Blade Kit-Squeegee-Gum 28	*	56505782	2	Dyna Grit 80
			Before November 2011 NOTE 1	*	56505781	2	Magna Grit 46
*	56382737	1	Blade Kit-Squeegee-PU 28				28" Cylindrical Scrub Brushes (See Brush Selector Guide)
			After October 2011 / NOTE 1 / NOTE 4	*	56412191	2	Soft Nylon
*	56601745	1	Blade Kit, Squeegee PU	*	56412192	2	Hard Nylon
			Before November 2011 / NOTE 1	*	56412046	2	Prolene
*	56382735	1	Blade Kit-Squeegee-Red Gum 28	*	56412193	2	MidLite Grit 180
			After October 2011 NOTE 1 / NOTE 4	*	56412194	2	Dyna Grit 80
*	56601746	1	Blade Kit, Squeegee Red Gum	*	56412195	2	Magna Grit 46
			Before November 2011 NOTE 1				REV Pads
			34" Squeegee Blade Kits	*	56112733	2	Pad Maroon Spp14
	56382738	1	Blade Kit-Squeegee-Gum 34 NOTE 1	*	56112734	2	Pad Micro Fiber-14 In
*	56382740	1	Blade Kit-Squeegee-PU 34 NOTE 1	*	56112746	2	Velcro 2 Sided 14
*	56382739	1	Blade Kit-Squeegee-Red Gum 34 NOTE 1				
			Disk Deck Blade Kits				
	56383088	1	Blade Kit--Gum NOTE 2				
*	56383087	1	Blade Kit--PU NOTE 2				
*	56382887	1	Blade Kit-28 Skirts-Red Gum NOTE 2				
			Cylindrical Deck Blade Kits				
	56316194	1	Blade Kit-Gum NOTE 3				
*	56601538	1	Blade Kit-PU NOTE 3				
*	56601681	1	Blade Kit-Red Gum NOTE 3				
			REV Deck Blade Kits				
	56601816	1	Blade Kit--Gum NOTE 2				
			Accessories				
*	56409441	A/R	Programmer, 1311 User				
*	56409823	A/R	Programmer Cable				
*	56044418	1	Literature Pack				

= Revised or new since last update

* = Optional, Not Included

NOTE 1: All squeegee blade kits include both front and rear squeegee blades.

NOTE 2: All disk and REV deck blade kits include all side skirt blades.

NOTE 3: All cylindrical deck blade kits include all blades necessary.

NOTE 4: These squeegee blades are designed to provide increased performance and reduced streaking. When installing these blades on a machine built before November 2011 you must also order a new rear strap part number 56382676.

NOTE 5: Only for 8-69-00022 (seat with steel seat pan).

NOTE 6: Only for 56383187 (seat with plastic seat pan).

We provide brushes and pad holders that will give you the best possible performance between machine and floor. Following are descriptions of the materials and their applications.

- ProLite:** Bristles are made from light-duty polypropylene for general scrubbing when you do not want to scratch or remove finish from the floor. Recommended for use in place of red pads.
- Prolene:** Polypropylene material for medium-duty scrubbing on concrete, terrazzo and vinyl floor tile. Recommended for use in place of green or blue pads.
- Union Mix:** Medium grade natural fibers for polishing finished floors with standard-speed equipment. Recommended for use in place of white pads.
- AgLite Grit 500:** For light scrubbing when used wet; buffing or polishing when used dry on urethane coated, sealed concrete or other resilient hard surface floors. Recommended for use in place of red or white pads.
- MidGrit 240:** For general purpose scrubbing when you need a lighter action for sealed or unsealed concrete, stone, terrazzo, quarry tile and other resilient hard floor surfaces. Recommended for use in place of green or blue pads.
- MidLite Grit 180:** For general purpose scrubbing of sealed or unsealed concrete, stone, terrazzo, quarry tile and other resilient hard floor surfaces. Recommended for use in place of green or blue pads.
- Dyna Grit 80:** For aggressive, heavy-duty scrubbing or stripping of floors. Recommended for use in place of brown pads.
- Magna Grit 46:** For extreme heavy-duty scrubbing or stripping of floors. This brush has extra large diameter silicon carbide grit impregnated synthetic bristles. Recommended for use in place of black pads.
- Short Trim Pad Holder:** Made with a structural foam block and center ring for correct pad centering. It has a "shower feed" design for getting solution to the floor.

28" BRUSHES

56505800 - Short Trim Pad Holder
 56505195 - Pad Retainer for 56505800
 56505805 - ProLite
 56505804 - Prolene
 56505806 - Union Mix
 56505803 - AgLite Grit 500
 56505807 - MidGrit 240
 56505808 - MidLite Grit 180
 56505802 - Dyna Grit 80
 56505801 - Magna Grit 46

34" BRUSHES

56505780 - Short Trim Pad Holder
 56505195 - Pad Retainer for 56505780
 56505785 - ProLite
 56505784 - Prolene
 56505786 - Union Mix
 56505783 - AgLite Grit 500
 56505787 - MidGrit 240
 56505788 - MidLite Grit 180
 56505782 - Dyna Grit 80
 56505781 - Magna Grit 46

DISC BRUSH APPLICATION GUIDE (SUGGESTION ONLY)

Application	46 Grit	80 Grit	180 Grit	240 Grit	500 Grit	Prolene	ProLite	Union Mix
Stripping:								
Concrete	X	X						
Terrazzo	X	X						
Ceramic/Quarry tile		X						
Vinyl tile		X						
General Scrubbing:								
Concrete	X	X	X	X		X		
Terrazzo			X	X	X	X		
Ceramic/Quarry tile			X	X	X	X		
Marble					X		X	
Vinyl tile			X		X	X		
Raised-rubber tile					X		X	
Polishing:								
Raised Disc Tile								X
Marble								X
Vinyl tile								X

We provide brushes and pad holders that will give you the best possible performance between machine and floor. Following are descriptions of the materials and their applications.

Soft Nylon:	Least aggressive brush available. Used on soft-finish floors where a more aggressive brush would leave scratch marks, or in applications requiring very light cleaning.
Stiff Nylon:	Cleaning action similar to polypropylene. More durable and wear-resistant than polypropylene.
Prolene:	Low cost, yet effective in cleaning many common floor surfaces.
MidLite Grit 180:	Least aggressive grit brush. Used for daily cleaning of hard-finished floors.
Dyna Grit 80:	Medium aggressive grit brush. Good all-around brush for medium to heavy buildup removal. Can also be used for general stripping operations.
Magna Grit 46:	Most aggressive grit brush. Used primarily to clean heavy buildup on concrete floors in factories, or for heavy stripping of finish.

28" BRUSHES

56412191 - Soft Nylon
 56412192 - Hard Nylon
 56412046 - Prolene
 56412193 - MidLite Grit 180
 56412194 - Dyna Grit 80
 56412195 - Magna Grit 46

CYLINDRICAL BRUSH APPLICATION GUIDE (SUGGESTION ONLY)

Application	46 Grit	80 Grit	180 Grit	Polypro- pylene	Stiff Nylon	Soft Nylon
Stripping:						
Concrete	X	X				
Terrazzo	X	X				
Ceramic/Quarry tile		X				
Vinyl tile		X				
General Scrubbing:						
Concrete	X	X	X	X	X	
Terrazzo			X	X	X	X
Ceramic/Quarry tile			X	X	X	X
Marble			X		X	X
Vinyl tile			X	X	X	X
Raised-rubber tile			X			X

Gum Rubber: Provides superior wiping action on tile, terrazzo, and polished floors.

Red Gum Rubber: Provides longest life on finished or unfinished concrete floors.

Polyurethane: Oil resistance provides superior life in applications with oily floors.

SQUEEGEE BLADE APPLICATION GUIDE(SUGGESTION ONLY)

Performance Traits	Gum Rubber (Natural Rubber)	Red Gum Rubber (Natural Rubber)	Polyurethane/ Pentathane
Resilience	X		X
Tear Strength	X		X
Abrasion Resistance	X	X	X
Wear Resistance		X	X
Low Temp Flexibility	X	X	
High Temp Flexibility	X		X
Ozone Resistance			
Chemical Resistance			X
Applications			
Oil Resistant Applications			X
General Purpose	X	X	X
Hot Water Applications		X	X
Chemical Applications			X
Color	Tan	Red	Translucent



Nilfisk-Advance Equipamentos de Limpeza Ltda.
Av. Dep. Emílio Carlos, 2.499 - Bairro do Limão - 02721-200
São Paulo - SP - Brasil
www.nilfisk-advance.ind.br
www.plataforma.ind.br
Tel.: (11) 3959-0300
Fax: (11) 3959-0306
©2013 Nilfisk-Advance, Inc.



14600 21st Avenue North
Plymouth, MN 55447-3408
www.advance-us.com
Phone: 800-989-2235
Fax: 800-989-6566
©2013 Nilfisk-Advance, Inc.

A Nilfisk-Advance Brand