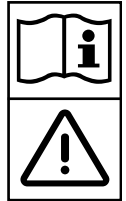
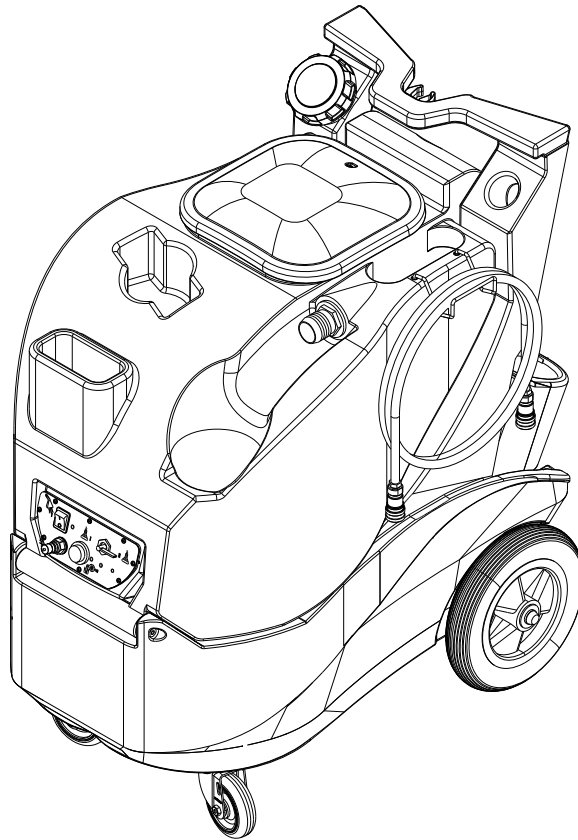


# ALL CLEANER, ALL CLEANER XP



**Instructions For Use - Original Instructions**  
**Instrucciones de uso**  
**Mode d' emploi**  
**MODELS: 56380772, 56381594**



A-English  
B-Español  
C-Français

## IMPORTANT SAFETY INSTRUCTIONS

This machine is only suitable for commercial use, for example in hotels, schools, hospitals, factories, shops and offices other than normal residential housekeeping purposes.

When using any electrical appliance, basic precautions should always be followed, including the following:

**NOTE:** Read all instructions before using this machine.

### **WARNING!**

To reduce the risk of fire, electric shock, or injury:

- This machine is not intended for use by persons (including children) with reduced physical, sensory or mental capabilities, or lack of experience and knowledge.
- Always use the power cord that comes with the machine and includes a GFCI (Ground Fault Circuit Interrupter). Never use the machine without connecting to power through a GFCI.
- Do not leave the machine when it is plugged in. Unplug the unit from the outlet when not in use and before servicing.
- To avoid electric shock, do not expose to rain or snow. Store and use indoors.
- Do not allow to be used as a toy. Close attention is necessary when used near children.
- Use only as described in this manual. Use only the manufacturer's recommended attachments.
- Do not use with a damaged cord or plug. If the appliance is not working as it should, has been dropped, damaged, left outdoors, or dropped into water, return it to a service center.
- Do not pull by the cord, use the cord as a handle, damage the cord, or allow the cord or the machine near heated surfaces.
- Do not unplug by pulling on the cord. To unplug, grasp the cord end.
- Do not handle the plug, the cord, or the machine with wet hands.
- Do not put any objects into openings. Do not use with any opening blocked; keep free of dust, lint, hair, and anything that may reduce air flow.
- Keep loose clothing, hair, fingers, and all parts of your body away from the openings and moving parts.
- Do not pick-up anything that is burning or smoking, or any health endangering dusts.
- Turn off all controls before unplugging.
- Always use chemicals with a pH between 4 and 12, and never introduce the chemicals in the tank. Always use the chemical siphoning system.
- Use extra care when cleaning on stairs.
- Do not use to pick up flammable or combustible liquids, and do not use in any areas where these may be present.
- If foam or liquid comes out with the vacuum exhaust, switch the power off immediately. Verify that there are not foreign objects from preventing the float ball from moving freely. Contact Advance if the problem persists.
- Liquid ejected at the spray nozzle could be dangerous as a result of its temperature, pressure, or chemical content.

## SAVE THESE INSTRUCTIONS

### **WARNING!**

The Products sold with this Manual contain or may contain chemicals that are known to certain governments (such as the State of California, as identified in its Proposition 65 Regulatory Warning Law) to cause cancer, birth defects or other reproductive harm. In certain locations (including the State of California) purchasers of these Products that place them in service at an employment job site or a publicly accessible space are required by regulation to make certain notices, warnings or disclosures regarding the chemicals that are or may be contained in the Products at or about such work sites. It is the purchaser's responsibility to know the content of, and to comply with, any laws and regulations relating to the use of these Products in such environments. The Manufacturer disclaims any responsibility to advise purchasers of any specific requirements that may be applicable to the use of the Products in such environments.

## INTRODUCTION

This manual will help you to get the most from your Advance All Cleaner. Read it thoroughly before operating the machine.

This product is intended for commercial use only.

## PARTS AND SERVICE

Repairs, when required, should be performed by Advance service personnel using original replacement parts and accessories. Call Advance for repair parts or service.

Please specify the Model and Serial number when calling about your machine.

## MODIFICATIONS

Modifications and additions to the cleaning machine which affect capacity and safe operation shall not be performed by the customer or user without prior written approval from Nilfisk-Advance Inc. Unapproved modifications will void the machine warranty and make the customer liable for any resulting accidents.

## NAME PLATE

The model and serial number of your machine are shown on the Name Plate on the machine.

This information is needed when ordering parts for the machine.

Use the space below to note the model and serial numbers of your machine.

MODEL NUMBER/NAME: \_\_\_\_\_

SERIAL NUMBER: \_\_\_\_\_

## UNPACKING

When the machine arrives, carefully inspect the shipping carton and the machine for damage. If damage is evident, save the shipping carton so that it can be inspected by the carrier. Contact the Advance customer service department immediately to file a freight damage claim.

## DO NOT OPERATE THE MACHINE UNTIL YOU HAVE READ THIS SECTION

### IMPROPER USE WILL VOID THE WARRANTY

- Always use a defoamer when foaming occurs to prevent vacuum motor damage.
- To keep fittings, pumps, and lines from damage during freezing conditions, use RV anti-freeze in the pump or keep the machine inside heated areas.
- Do not let the pump run dry.
- All chemicals should be added through the feed system and NOT in the tank.
- All extension cords must have a rating of at least 12/3 (12 gauge cord). Extension cords should be no longer than 50 feet. Replace the plug immediately if the ground prong becomes damaged or is broken off.
- DO NOT use water heated to greater than 120 °F (54 °C).

## 120VAC GROUNDING INSTRUCTIONS

This appliance must be grounded. If it should electrically malfunction, grounding provides a path of least resistance for electric current to reduce the risk of electric shock. This appliance is equipped with a cord having an equipment-grounding conductor and grounding plug. The plug must be plugged into an appropriate outlet that is properly installed and grounded in accordance with all local codes and ordinances.

## DANGER!

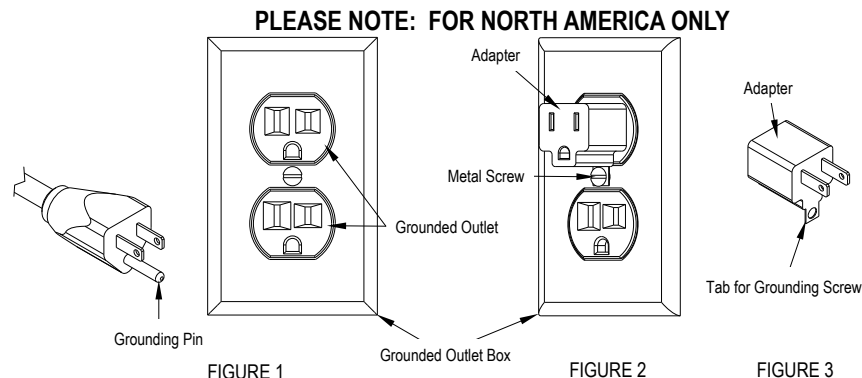
Improper connection of the equipment-grounding conductor can result in a risk of electric shock. Check with a qualified electrician or service person if you are in doubt as to whether the outlet is properly grounded. Do not modify the plug provided with the appliance. If it will not fit the outlet, have a proper outlet installed by a qualified electrician.

This appliance is for use on a nominal 120-volt circuit, and has a grounding plug that looks like the plug illustrated in Figure 1 below. A temporary adapter illustrated in Figures 2 and 3 may be used to connect this plug to a 2-pole receptacle as shown in Figure 2 if a properly grounded outlet is not available. The temporary adapter should be used only until a properly grounded outlet (Figure 1) can be installed by a qualified electrician. The green-colored rigid ear, tab, or the like extending from the adapter must be connected to a permanent ground such as a properly grounded outlet box cover. Whenever the adapter is used, it must be held in place by a metal screw. Grounding adapters are not approved for use in Canada.

Replace the plug if the grounding pin is damaged or broken.

The Green (or Green/Yellow) wire in the cord is the grounding wire. When replacing a plug, this wire must be attached to the grounding pin only.

Extension cords connected to this machine should be 12 gauge, three-wire cords with three-prong plugs and outlets. DO NOT use extension cords more than 50 feet (15 m) long.



## KNOW YOUR MACHINE DESCRIPTIONS

**Operator Handle (1):** Operator holds onto this handle to move the machine from one location to another.

**Solution Tank Lid (2):** This lid screws off so the tank can be filled. The solution fill hose is tethered to the lid, and hangs inside the arm of the Operator Handle.

**Recovery Tank Lid (3):** This lid covers the opening in the Recovery Tank. This is where the operator can access the tank to clean it and the ball float cage. The tank can be flushed out by running clean warm water into this opening and laying the open drain hose into a bucket or drain.

**Recovery Hose (4):** Waste water is picked-up through this hose.

**Spray Hose (5):** This hose delivers water from the machine to the cleaning tool.

**Drain Hose (6):** This hose is used to empty the recovery tank. NOTE: hold the end of the hose above the water level in the tank to avoid sudden, uncontrolled flow of waste water when you remove the cap, then lower the hose slowly to control the rate of discharge.

**Tools & Accessories (7):** Various accessories can be stored on the machine.

**Castors and Wheels (8):** Castors pivot for ease of steering, and large back wheels make it easy to roll the machine from location to location.

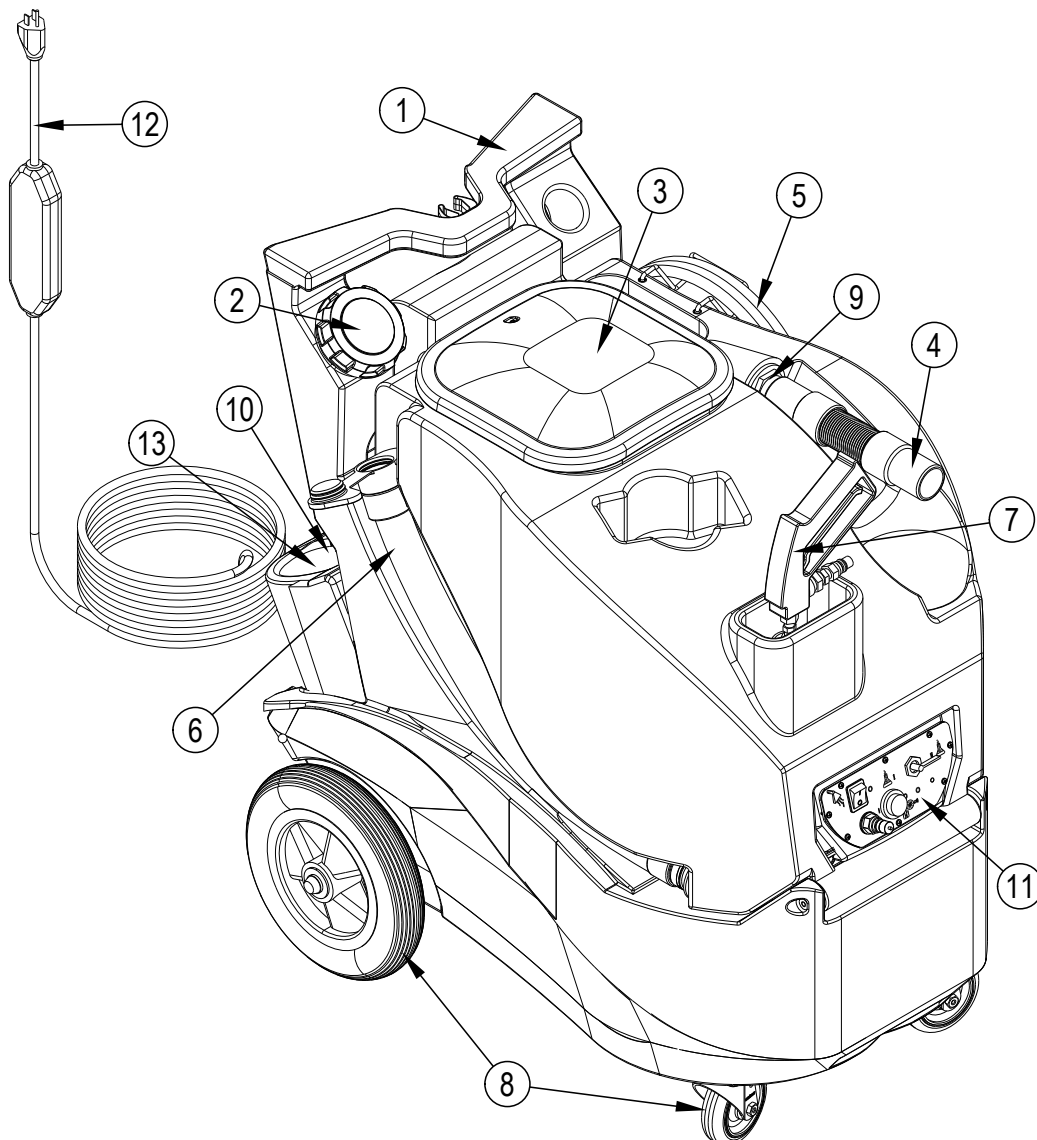
**Recovery Hose Inlet (9):** Point of attachment for the Recovery Hose (4).

**Chemical Feed Lines (10):** These clear tubes connect the cleaning chemical containers to the machine where the chemical can be siphoned into the outlet water from the pump. Metering tips -- used to change the ratio of water to chemical -- are installed here.

**Switch Plate (11):** The machine's on/off switches for the vacuum and for the pump are located here and this is where the valve to change chemical feeds is located.

**Power Cord (12):** The 25 ft. power cord connects to a power cord pigtail on the rear of the machine.

**Chemical Container Holders (13):** Two molded-in bottle holders for chemical jugs.



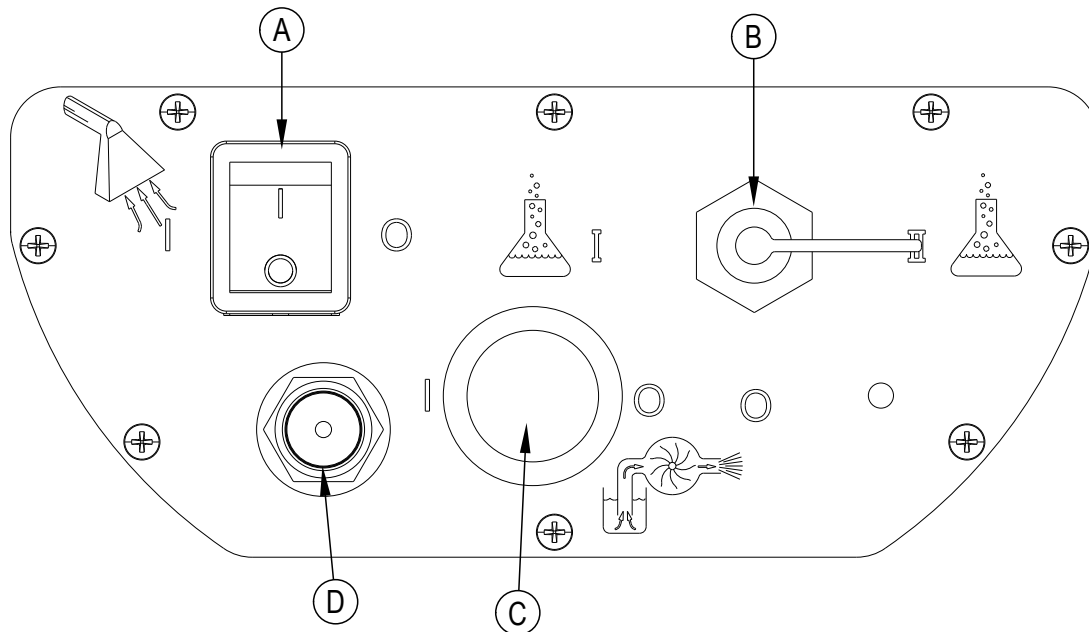
### KNOW YOUR SWITCH PLATE

**Vacuum Switch (A):** turns on the vacuum motor.

**Chemical Valve (B):** switches between the two chemical containers. When the selector is pointed straight down, the valve is off and neither chemical is selected. When the selector is pointed directly towards one or the other symbols, that chemical is selected.

**Solution Pump Switch (C):** turns on the solution pump.

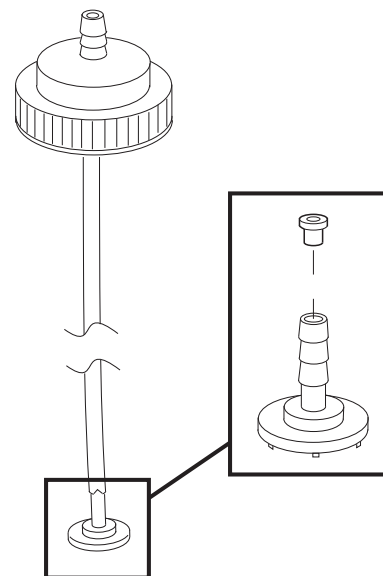
**Quick Connect (D):** this is where solution comes out of the machine and the attachment point for the solution hose.



### METERING TIPS

The chemical metering tips allow you to select the ratio of chemical to water, as the water flows out of the machine. Insert the correct metering tip for the desired mixture into the chemical siphon tube.

METERING TIPS			
COLOR	HOLE SIZE	MIX RATIO	FLOW RATE
Orange	0.007	1 oz : 128 oz	1.0 oz/gal
Pink	0.012	1 oz : 64 oz	2.5 oz/gal
Dark Green	0.014	1 oz : 50 oz	3.0 oz/gal
Yellow	0.016	1 oz : 32 oz	5.0 oz/gal
Light Blue	0.020	1 oz : 20 oz	6.0 oz/gal
Burgundy	0.022	1 oz : 15 oz	9.0 oz/gal
Black	0.048	1 oz : 5 oz	20 oz/gal



## OPERATION

- 1) Insert the appropriate metering tips into the chemical feed lines (see illustration, page 5).
- 2) Fill the holding tank **(2)** with warm water (not exceeding 120 °F). **Do not** add any chemical to the tank.
- 3) Prepare the area for cleaning by emptying waste receptacles, clearing debris, removing paper products, blowing out vents, and sweeping floors.
- 4) Connect the 25 ft power cord **(12)** to the pig-tail on the rear of the machine. Test the GFCI on the power cord before each use. Plug the GFCI protected power cord into an outlet.
- 5) **PRIME THE PUMP:** Attach the priming hose to the outlet quick disconnect **(D)** and place the open end of the hose into the recovery tank. Turn on the pump **(C)** and let it run until the pump is completely primed (no visible air in the water stream). Turn the pump off.  
**NOTE:** Prime the machine before you place the chemical feed tubes into chemical containers.
- 6) Disconnect the priming hose and attach the solution hose **(5)** to the quick disconnect **(D)**.
- 7) Attach the spray gun **(E)** to the other end of the solution hose **(5)**.
- 8) Place chemicals in the molded-in chemical bottle containers **(13)** on the rear of the machine. Insert one of the feed lines into one of the chemical containers. Secure the line by screwing on the cap. The chemical will feed from which ever container the selector valve on the switch plate is turned towards and when the gun is used in the low pressure setting. Use chemicals with a pH of between 4 and 12. Never add chemicals to the clean water tank.
- 9) Set the spray gun **(E)** to low pressure by sliding the pressure selector forward (low pressure = forward; high pressure = back).
- 10) Turn on the pump switch **(C)** (push button) and spray through the gun for a few seconds to fill the line with solution.
- 11) Apply the chemical to the walls and fixtures from the bottom up. Spray the floor last as you work your way out of the room.
- 12) Allow the chemical to work for the proper amount of dwell time, according to the chemical manufacturer's directions. Agitate heavily soiled areas with a scrub brush.
- 13) Turn off the chemical injector valve **(B)** by turning the selector to the down position.
- 14) Set the spray gun **(E)** to high pressure and rinse the area from the top down.
- 15) Connect the vacuum hose **(4)**, attach the squeegee **(F)**, and turn on the vacuum **(A)** (rocker switch).
- 16) Squeegee off the mirrors, pick up the liquid off the floor with the floor tool. If you have the optional blow dry hose, use it to dry the fixtures.
- 17) Drain the recovered water into a utility sink or toilet. **NOTE:** Keep the top of the drain hose higher than the water level in the tank to avoid uncontrolled discharge of water when you open the cap on the hose.



### CAUTION

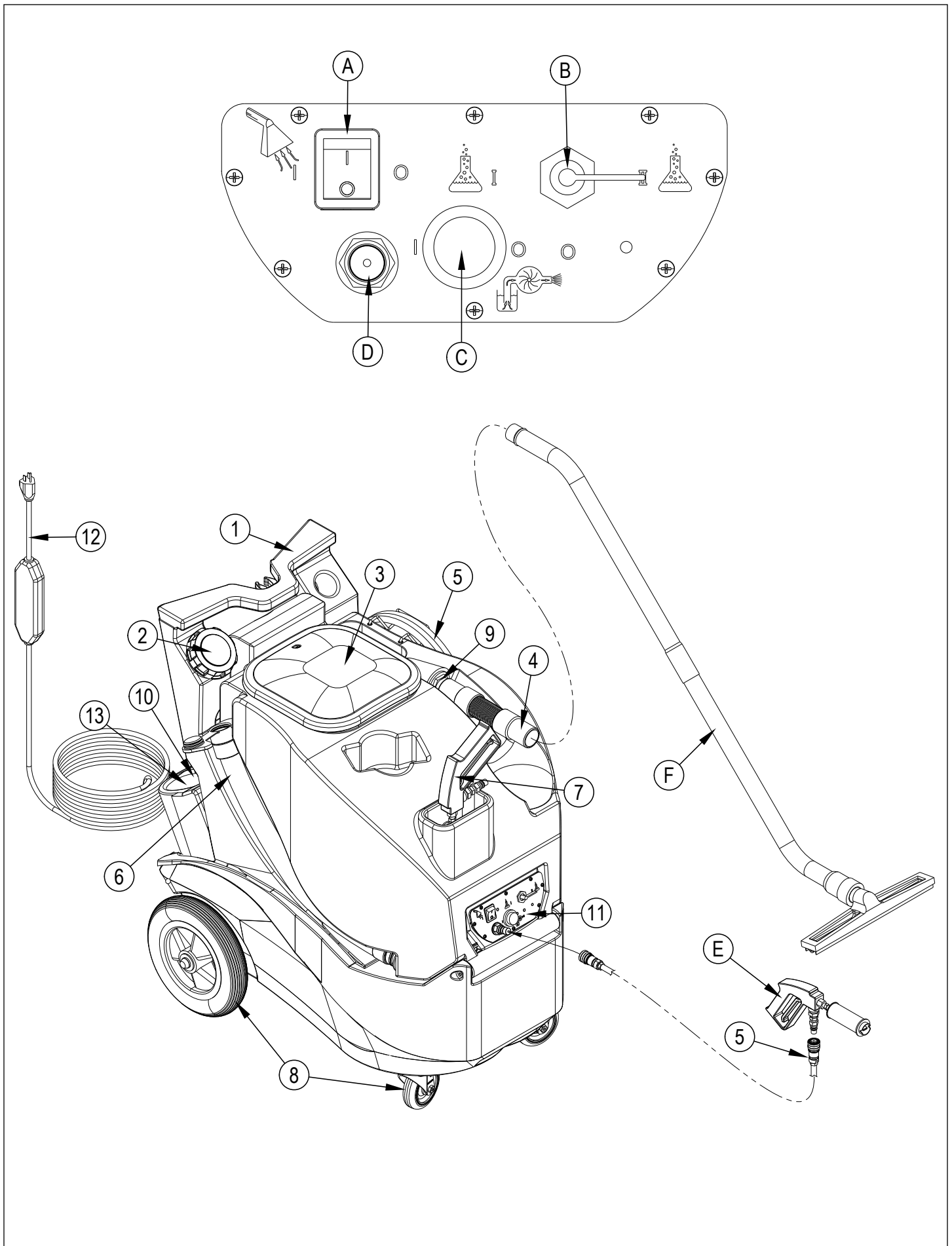
To avoid vacuum motor damage, always use a defoamer any time foam is present.

Before you turn on the vacuum always make sure the filter screen on the ball float is clean and that the ball can travel freely.



### RE-PRIMING THE PUMP

If the pump loses prime between jobs, follow the instructions to PRIME THE PUMP, above. If that doesn't get water flowing, put the priming hose into the vacuum inlet hose barb and cover the rest of the space around the priming hose with your hand. Turn on the vacuum (with the pump also running) and let the suction of the vacuum assist in getting water into the pump.



**MAINTENANCE**

- 1) Use only approved chemicals at the recommended mix ratios. All chemicals should be added through the feed system and NOT added directly to the water in the solution tank to prevent possible damage to the pump, seals, or other components.
- 2) For optimum performance, flush the Chemical Feed lines after every job by replacing the chemical containers with containers of clear water and spraying through the gun until the fluid stream is clear. See the Maintenance Schedule, below.
- 3) The pump seals and/or valves in the high pressure pumps may need to be replaced after about 1000 hours of use, if the pump begins to loose performance or to leak. The pressure regulator valve may need to be when a drop in the spraying pressure at the tool is apparent.
- 4) If the 4", clear lid is removed from the top of the base (solution tank), you will need to apply a silicone sealant to the threads when you reinstall the lid to seal for vacuum leaks.

**MAINTENANCE SCHEDULE**

ITEM	DAILY	WEEKLY	QUARTELY	YEARLY
Flush chemical lines	X			
Check/clean vac inlet filter	X			
Clean solution filter		X		
Check vacuum motor airways		X		
Check pump for leaks			X	
Check vacuum motor brushes*				X

\* Have Advance check the carbon brushes once a year or after about 500 hours of operation.

**TECHNICAL SPECIFICATIONS (as installed and tested on the unit)**

MODEL	56380772	56381594
VACUUM MOTOR:	2 stage, 8 amp	2 stage, 8 amp
WATER LIFT:	97"	97"
AIR FLOW:	100 CFM	100 CFM
TANK CONSTRUCTION:	Rotationally molded polyethylene	Rotationally molded polyethylene
SOLUTION TANK CAPACITY:	20 gallon	20 gallon
RECOVERY TANK CAPACITY:	12 gallon	12 gallon
APPLICATION FLOW:	200 psi	400 psi
VAC & SOLUTION HOSE LENGTH:	15 feet	15 feet
POWER CORD:	25 feet	25 feet
HEIGHT:	38.5 inches	38.5 inches
WIDTH:	21.25 inches	21.25 inches
LENGTH:	34 inches	34 inches
WEIGHT	85 LBS	85 LBS





## INSTRUCCIONES IMPORTANTES DE SEGURIDAD

Esta máquina es apta únicamente para su uso comercial, por ejemplo, en hoteles, colegios, hospitales, fábricas, tiendas y oficinas, y no para la limpieza diaria del hogar.

Cuando utilice un aparato eléctrico, se deben respetar las precauciones básicas, incluidas las siguientes:

**NOTA:** lea todas y cada una de las instrucciones antes de utilizar la máquina.

### ¡ADVERTENCIA!

Para reducir el riesgo de incendios, descargas eléctricas o lesiones:

- Esta máquina no debe ser utilizada por personas (incluidos niños) con capacidades físicas, sensoriales o mentales reducidas, o con falta de experiencia y conocimientos.
- Use siempre el cable de alimentación que viene con la máquina e incluye un GFCI (interruptor de circuito de fuga a tierra). Nunca use la máquina sin conectar la alimentación a través de un GFCI.
- No abandone el aparato mientras esté enchufado. Cuando no lo esté utilizando o antes de realizar el servicio, desenchúfelo.
- Para evitar descargas eléctricas, no la deje expuesta a la lluvia ni a la nieve. Guárdelo y úselo en lugares cubiertos.
- No permita que se utilice como juguete. Es necesario prestar mucha atención si se la usa cerca de niños.
- Utilice sólo de la manera descrita en este manual. Utilice únicamente los accesorios recomendados por el fabricante.
- No lo utilice si observa daños en el cable o el enchufe. Si el aparato no funciona correctamente, se ha caído, ha sufrido daños, se ha dejado a la intemperie o ha caído al agua, acuda a un centro de servicio.
- No tire del cable, no utilice el cable a modo de asa, no dañe el cable ni deje el cable o la máquina cerca de superficies calientes.
- No desenchufe tirando del cable. Para desenchufar, agarre el extremo del cable.
- No manipule el enchufe, el cable ni la máquina con las manos húmedas.
- No coloque ningún objeto en las aberturas. No utilice la máquina si las aberturas están obstruidas; manténgalas libres de polvo, hilos, pelo o cualquier otra sustancia que pueda reducir el caudal de aire.
- Mantenga el cabello, las ropas sueltas, los dedos y todas las partes del cuerpo lejos de las aberturas y de las partes en movimiento.
- No recoja ningún material en combustión o que eche humo, ni cualquier tipo de polvo que represente una amenaza para la salud.
- Apague todos los controles antes de desenchufar.
- Siempre use productos químicos con un pH de entre 4 y 12, y nunca coloque esos productos en el depósito. Siempre use el sistema de sifón de productos químicos.
- Tenga un cuidado especial cuando limpie en escaleras.
- No utilice el aparato para recoger líquidos inflamables o combustibles, ni en lugares en los que pueda haber dichos líquidos.
- Si sale espuma o líquido con el escape de aspiración, apague el aparato inmediatamente. Compruebe que no haya objetos extraños que no permitan el libre movimiento del flotador. Póngase en contacto con Advance si el problema persiste.
- El líquido eyectado por la boquilla de pulverización podría ser peligroso debido a su temperatura, presión o contenido químico.

## GUARDE ESTAS INSTRUCCIONES

### ¡ADVERTENCIA!

Los Productos a la venta con este Manual contienen, o pueden contener, productos químicos reconocidos por algunos gobiernos (como el Estado de California, según lo indica en su Proposición 65, Ley de Advertencia Regulatoria) como causantes de cáncer, defectos de nacimiento u otros daños reproductivos. En algunas jurisdicciones (incluido el Estado de California), los compradores de estos Productos que los coloquen en servicio en un emplazamiento laboral o en un espacio de acceso público tienen la obligación regulatoria de realizar determinados avisos, advertencias o divulgaciones respecto de los productos químicos contenidos o posiblemente contenidos en los Productos utilizados en tal lugar. Es la responsabilidad del comprador conocer y cumplir con todas las leyes y reglamentaciones relacionadas con el uso de estos Productos en tales entornos. El Fabricante niega toda responsabilidad de informar a los compradores sobre requisitos específicos que pueden regir el uso de los Productos en tales entornos.

## INTRODUCCIÓN

Este manual lo ayudará a obtener el máximo rendimiento de su limpiador multiusos Advance. Léalo con atención antes de utilizar la máquina.  
Este producto está destinado exclusivamente al uso comercial.

## COMPONENTES Y SERVICIO

Las reparaciones, en caso necesario, deben ser realizadas por el personal de servicio de Advance con repuestos y accesorios originales. Llame a Advance para lo referente a piezas de repuesto y servicio.

Por favor, especifique el modelo y el número de serie cuando llame con respecto a su máquina.

## MODIFICACIONES

Las modificaciones y los agregados a la máquina de limpieza que afecten su capacidad y su funcionamiento seguro no serán realizados por el cliente o el usuario sin la autorización previa y por escrito de Nilfisk-Advance Inc. Las modificaciones que no cuenten con la aprobación correspondiente anularán la garantía de la máquina y harán que el cliente sea responsable de cualquier accidente resultante.

## PLACA DE IDENTIFICACIÓN

El modelo y el número de serie de la máquina se indican en la placa de identificación instalada en ella.

Esta información es necesaria a la hora de solicitar repuestos para la máquina.

## DESEMBALAJE

Cuando reciba la máquina, examine con atención el cartón de embalaje y la máquina, con el fin de comprobar si existe algún daño. Si observa algún daño, guarde la caja de embalaje para que la pueda inspeccionar el transportista. Póngase en contacto inmediatamente con el departamento de servicio al cliente de Advance para presentar una reclamación por daños en transporte.

## NO UTILICE LA MÁQUINA HASTA HABER LEÍDO ESTA SECCIÓN

### EL USO INCORRECTO ANULARÁ LA GARANTÍA

- Utilice siempre un desespumante cuando se produzca espuma para evitar daños en el motor de aspiración.
- Para evitar daños en los accesorios, las bombas y las tuberías en temperaturas bajo cero, use anticongelante RV en la bomba o mantenga la máquina en lugares calefaccionados.
- No deje que la bomba funcione en seco.
- Todos los productos químicos se deben agregar a través del sistema de alimentación, y NO en el depósito.
- Todos los alargadores deben tener un valor nominal de por lo menos 12/3 (cable de calibre 12). Los alargadores no deben superar los 15,24 m de largo. Sustituya el enchufe inmediatamente si la clavija de tierra está dañada o se rompió.
- NO utilice agua calentada a más de 120 °F (54 °C).

## INSTRUCCIONES DE CONEXIÓN A TIERRA 120VCA

Este artefacto debe conectarse a tierra. En caso de que se produzca algún fallo eléctrico, la conexión a tierra ofrece una vía de resistencia menor para la corriente eléctrica, reduciendo el riesgo de descarga eléctrica. Este aparato está equipado con un cable con conductor de conexión a tierra del equipo y enchufe de conexión a tierra. El enchufe debe conectarse a una toma de corriente debidamente instalada y conectada a tierra de acuerdo con todas las normas y ordenanzas locales.

## ⚠ ¡PELIGRO!

La conexión incorrecta del conductor de conexión a tierra del equipo puede suponer un riesgo de descarga eléctrica. Consulte a un electricista cualificado o al personal de servicio en caso de duda acerca de la correcta conexión a tierra de la toma de corriente. No modifique el enchufe suministrado junto con el aparato. En caso de que este enchufe no sirva para la toma de corriente, pida a un electricista cualificado que instale una toma de corriente adecuada.

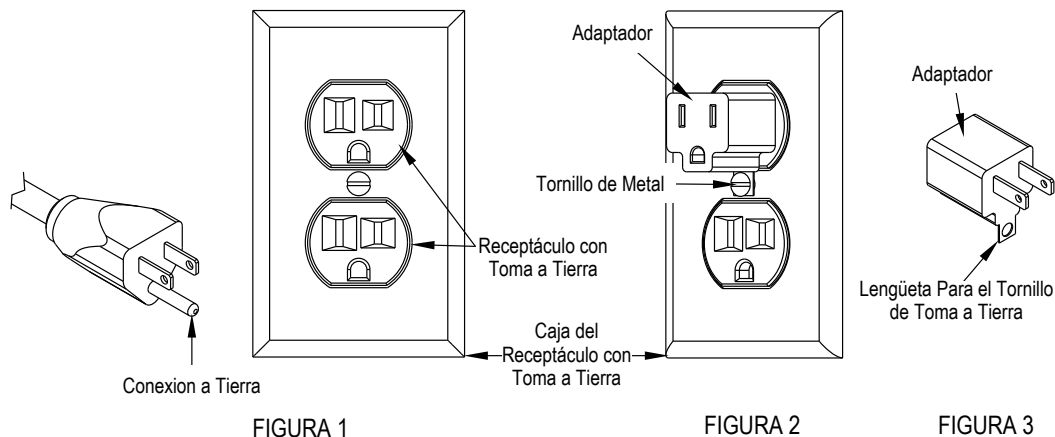
Este aparato se usa con un circuito de 120 voltios nominales, y tiene un enchufe con toma a tierra tal como se muestra en la Figura 1, a continuación. Se puede usar un adaptador provisorio tal como se ve en las Figuras 2 y 3 en caso de disponerse de un receptáculo sin toma a tierra como en la Figura 2. Dicho adaptador provisorio se usará solamente hasta que un electricista cualificado instale un receptáculo con la toma a tierra correspondiente (Figura 1). La lengüeta de conexión de color verde que sale del adaptador deberá ser conectada a una toma a tierra permanente como, por ejemplo, la caja del receptáculo con toma a tierra. Siempre que se use el adaptador, hay que sostenerlo en su lugar con un tornillo de metal. El uso de adaptadores de conexión a tierra no está aprobado en Canadá.

Sustituya el enchufe si la patilla de tierra está dañada o rota.

El hilo Verde (o Verde/Amarillo) del cordón es el hilo de tierra. Cuando sustituya el enchufe, este hilo sólo debe ir conectado a la patilla de tierra.

Los cables alargadores conectados a esta máquina deben ser del calibre 12, trifilares, con tres patillas y tomas de pared adecuadas. NO utilice cables alargadores de más de 15 m.

### ATENCIÓN: PARA AMÉRICA DEL NORTE SOLAMENTE



## CONOZCA SU MÁQUINA - DESCRIPCIONES

**Mango del operario (1):** el operario sujeta este mango para mover la máquina de un lugar a otro.

**Tapa del depósito de solución (2):** esta tapa se desenrosca para poder llenar el depósito. El tubo de llenado de solución está amarrado a la tapa y cuelga dentro del brazo del mango del operario.

**Tapa del depósito de recuperación (3):** esta tapa cubre la abertura del depósito de recuperación. Aquí el operario puede acceder al depósito para limpiarlo y limpiar la caja del flotador. El depósito se puede limpiar haciendo circular agua tibia limpia por esta abertura y colocando el tubo de vaciado abierto en un cubo o desagüe.

**Tubo de recuperación (4):** el agua residual se recoge con este tubo.

**Tubo de pulverización (5):** este tubo entrega agua de la máquina a la herramienta de limpieza.

**Tubo de vaciado (6):** este tubo se utiliza para vaciar el depósito de recuperación. **NOTA:** sostenga el extremo de la tubería por encima del nivel de agua en el depósito para evitar el flujo súbito e incontrolado de agua residual cuando quite la tapa, y luego baje la tubería lentamente para controlar la velocidad de descarga.

**Herramientas y accesorios (7):** se pueden guardar distintos accesorios sobre la máquina.

**Ruedas y ruedas pivotantes (8):** las ruedas pivotantes giran para facilitar la dirección, y las ruedas negras grandes permiten rodar la máquina de un lugar a otro.

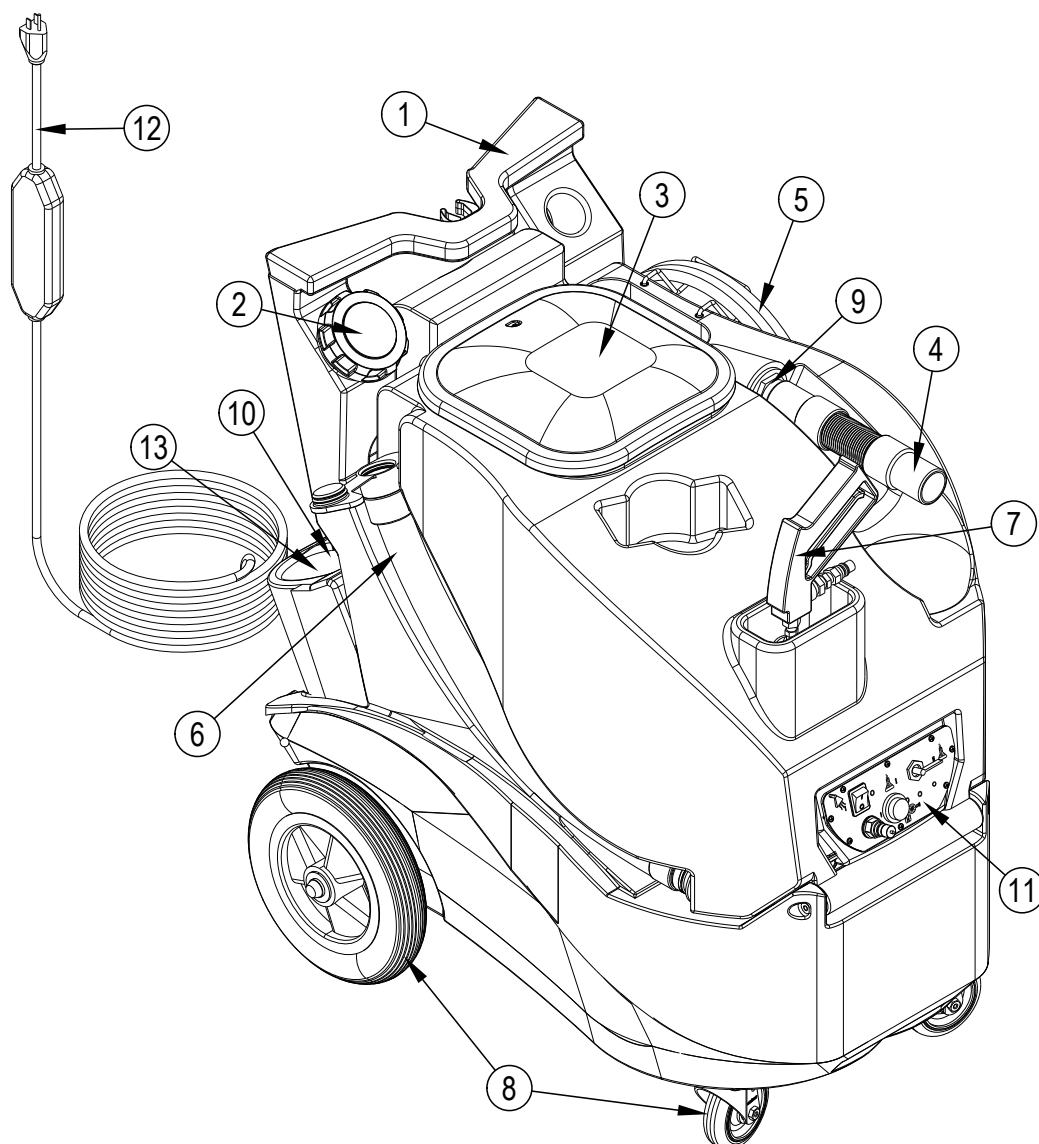
**Entrada del tubo de recuperación (9):** punto de acople del tubo de recuperación (4).

**Líneas de alimentación de productos químicos (10):** estos tubos transparentes conectan los recipientes de productos químicos de limpieza a la máquina para que el producto pueda agregarse al agua de salida de la bomba mediante el sistema de sifón. Aquí se instalan las puntas de medición, que se utilizan para cambiar la proporción de agua y producto químico.

**Placa de interruptores (11):** los interruptores de encendido/apagado de la aspiración y de la bomba se encuentran aquí, y aquí es donde está la válvula para cambiar las alimentaciones de producto químico.

**Cable de alimentación (12):** el cable de alimentación de casi 8 m se conecta a un acoplamiento que se encuentra en la parte posterior de la máquina.

**Soportes para recipientes de producto químico (13):** dos portabotellas moldeados para recipientes de producto químico.



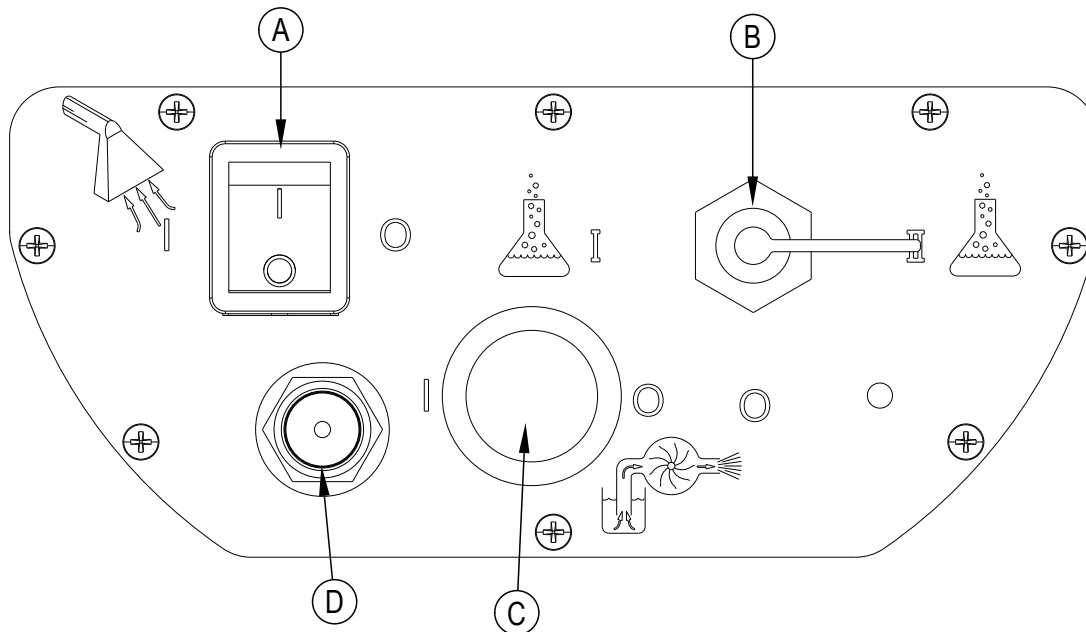
## CONOZCA SU PLACA DE INTERRUPTORES

**Interruptor de aspiración (A):** enciende el motor de aspiración.

**Válvula de producto químico (B):** cambia entre los dos recipientes de producto químico. Cuando el selector apunta hacia abajo, la válvula está apagada y ninguno de los dos productos está seleccionado. Cuando el selector apunta directamente hacia uno de los símbolos, ese producto está seleccionado.

**Interruptor de la bomba de la solución (C):** enciende la bomba de la solución.

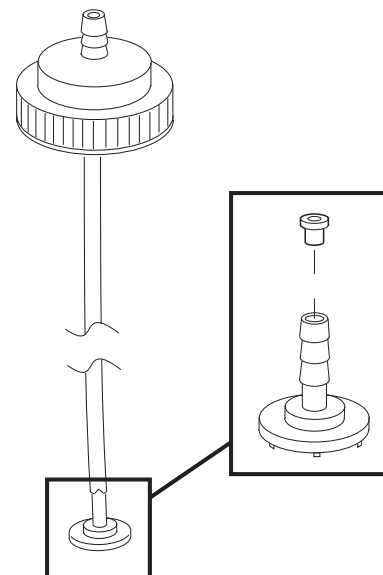
**Conexión rápida (D):** aquí es donde la solución sale de la máquina y es el punto de acople del tubo de la solución.



## PUNTAS DE MEDICIÓN

Las puntas de medición de producto químico permiten seleccionar la proporción de producto químico y de agua, a medida que sale agua de la máquina. Inserte la punta de medición correcta para la mezcla deseada en el tubo de sifón de productos químicos.

CONSEJOS DE MEDICIÓN			
COLOR	TAMAÑO DEL AGUJERO	RELACIÓN DE MEZCLA	TASA DE FLUJO
Orange	0.007	1 oz : 128 oz	1.0 oz/gal
Rosa	0.012	1 oz : 64 oz	2.5 oz/gal
Verde oscuro	0.014	1 oz : 50 oz	3.0 oz/gal
Amarillo	0.016	1 oz : 32 oz	5.0 oz/gal
Azul claro	0.020	1 oz : 20 oz	6.0 oz/gal
Borgoña	0.022	1 oz : 15 oz	9.0 oz/gal
Negro	0.048	1 oz : 5 oz	20 oz/gal



## FUNCIONAMIENTO

- 1) Inserte las puntas de medición apropiadas en las líneas de alimentación de producto químico (ver la ilustración, página 5).
- 2) Llene el depósito de retención (2) con agua caliente (no más de 120 °F). **No** agregue ningún producto químico al depósito.
- 3) Prepare el área para la limpieza vaciando los receptáculos de residuos, eliminando los desperdicios, retirando los productos de papel, soplando las ventilaciones y barriendo el suelo.
- 4) Conecte el cable de alimentación de 8 m (12) al acoplamiento que se encuentra en la parte posterior de la máquina. Pruebe el GFCI del cable de alimentación antes de cada uso. Enchufe el cable de alimentación protegido con GFCI a una toma.
- 5) **CEBE LA BOMBA:** Acople el tubo de cebado a la desconexión rápida de la salida (D) y coloque el extremo abierto del tubo en el depósito de recuperación. Encienda la bomba (C) y déjela funcionar hasta que esté completamente cebada (sin aire visible en el chorro de agua). Apague la bomba.  
**NOTA:** ceba la máquina antes de colocar los tubos de alimentación de productos químicos en los recipientes de productos químicos.
- 6) Desconecte el tubo de cebado y acople el tubo de la solución (5) a la desconexión rápida (D).
- 7) Acople la pistola pulverizadora (E) al otro extremo del tubo de la solución (5).
- 8) Coloque los productos químicos en las botellas moldeadas (13) en la parte posterior de la máquina. Inserte una de las líneas de alimentación en uno de los recipientes de productos químicos. Asegure la línea enroscando la tapa. El producto químico se alimentará desde el recipiente seleccionado con la válvula de la placa de interruptores, y cuando la pistola se use en el ajuste de presión baja. Use productos químicos con un pH de entre 4 y 12. Nunca agregue productos químicos en el depósito de agua limpia.
- 9) Ajuste la pistola pulverizadora (E) a baja presión deslizando el selector de presión hacia adelante (baja presión = adelante; alta presión = atrás).
- 10) Encienda el interruptor de la bomba (C) (botón pulsador) y pulverice con la pistola durante unos segundos para llenar la línea con solución.
- 11) Aplique el producto químico a las paredes y los accesorios desde abajo hacia arriba. Pulverice el piso por último, a medida que salga de la habitación.
- 12) Deje que el producto actúe durante el tiempo necesario, según las instrucciones del fabricante del producto. Friegue las partes muy sucias con un cepillo.
- 13) Apague la válvula inyectora de producto químico (B) girando el selector hacia abajo.
- 14) Ajuste la pistola pulverizadora (E) a alta presión y enjuague la zona desde arriba hacia abajo.
- 15) Conecte el tubo de aspiración (4), acople la rasqueta (F) y encienda la aspiración (A) (interruptor basculante).
- 16) Limpie los espejos con la rasqueta y recoja el líquido del piso con la herramienta de piso. Si tiene el tubo de secado optativo, úselo para secar los accesorios.
- 17) Drene el agua recuperada a un sumidero o retrete. **NOTA:** mantenga la parte superior del tubo de vaciado por encima del nivel de agua en el depósito para evitar la descarga incontrolada de agua cuando abra la tapa del tubo.

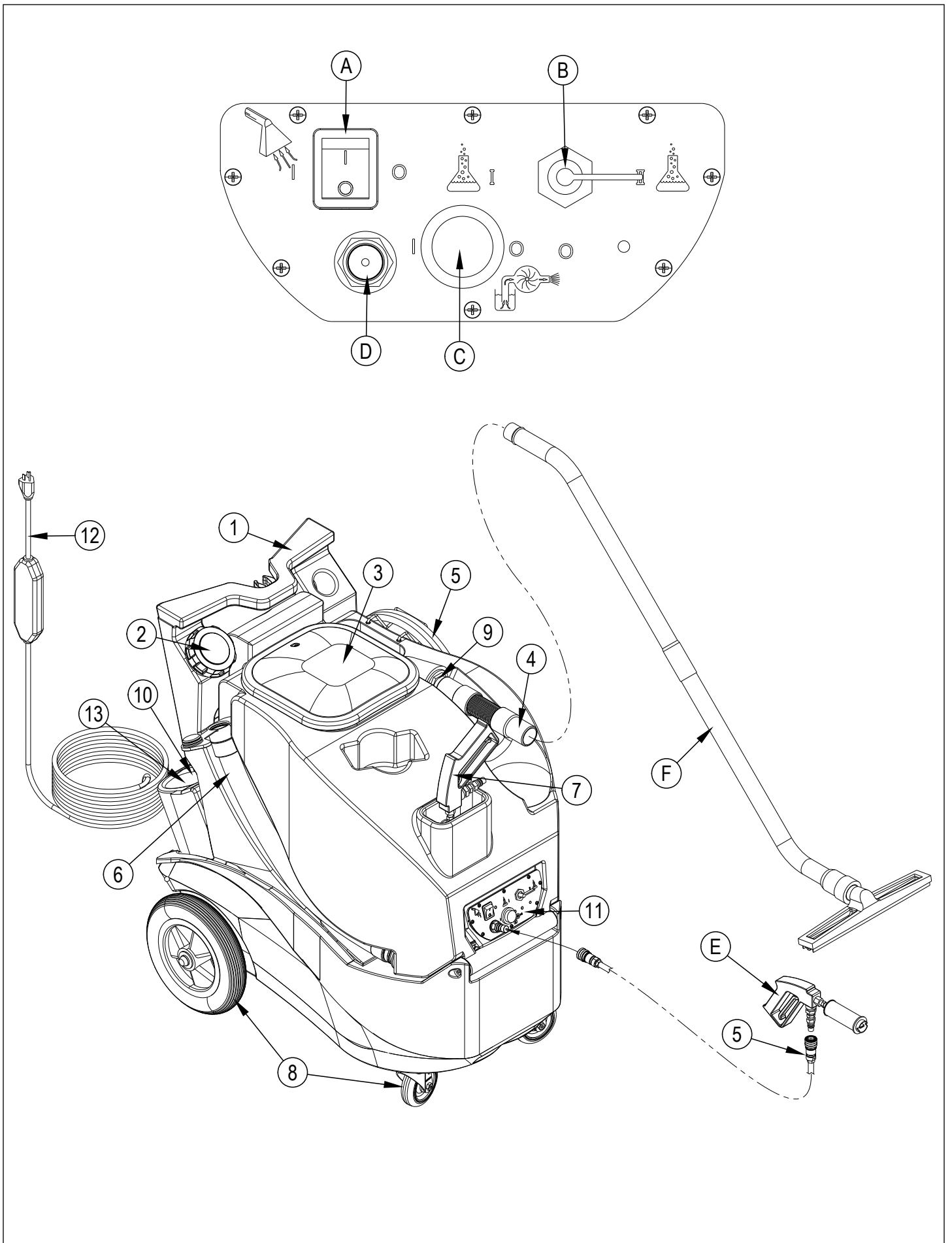
### PRECAUCIÓN

Para evitar daños en los motores de aspiración, utilice un desespumante siempre que haya espuma.

Antes de encender la aspiración, siempre asegúrese de que la malla del filtro del flotador esté limpia y de que el flotador se mueva libremente.

### RECEBADO DE LA BOMBA

Si la bomba pierde el cebo entre trabajos, siga las instrucciones de más arriba para cebar la bomba. Si el agua no empieza a fluir, coloque el tubo de cebado en la lengüeta del tubo de entrada de aspiración y cubra el resto del espacio alrededor del tubo de cebado con la mano. Encienda la aspiración (con la bomba también funcionando) y deje que la succión de la aspiración ayude a llevar agua a la bomba.



## MANTENIMIENTO

- 1) Use únicamente productos químicos aprobados en las proporciones recomendadas. Todos los productos químicos se deben agregar a través del sistema de alimentación, y NO se deben agregar directamente al agua del depósito de la solución, para evitar posibles daños a la bomba, los sellos u otros componentes.
- 2) Para lograr un rendimiento óptimo, lave las líneas de alimentación de productos químicos después de cada trabajo reemplazando los recipientes de productos químicos con recipientes de agua limpia y pulverizando con la pistola hasta que el chorro se vea transparente. Consulte el programa de mantenimiento más abajo.
- 3) Puede ser necesario reemplazar los sellos y/o válvulas de las bombas de alta presión después de aproximadamente 1000 horas de uso, o si la bomba empieza a perder eficiencia o presenta fugas. Puede ser necesario reemplazar la válvula reguladora de la presión cuando sea evidente una caída en la presión de pulverización en la herramienta.
- 4) Si se retira la tapa transparente de 4" de la parte superior de la base (depósito de la solución), se deberá aplicar un sellador de silicona a las roscas al volver a colocar la tapa, para evitar fugas.

## PROGRAMA DE MANTENIMIENTO

TAREA	A DIARIO	CADA SEMANA	CADA TRES MESES	CADA AÑO
Lavar las líneas de productos químicos	X			
Comprobar/limpiar el filtro de entrada de aspiración	X			
Limpiar el filtro de la solución		X		
Comprobar las vías aéreas del motor de aspiración		X		
Comprobar pérdidas en la bomba			X	
Comprobar los cepillos del motor de aspiración*				X

\*Haga que Advance revise los cepillos de carbono una vez al año o después de aproximadamente 500 horas de funcionamiento.

## ESPECIFICACIONES TÉCNICAS (según la instalación de la unidad y las pruebas a las que se ha sometido)

MODELO	56380772	56381594
MOTOR DE ASPIRACIÓN:	2 etapas, 8 amp	2 etapas, 8 amp
DEPRESIÓN:	97"	97"
CAUDAL DE AIRE:	100 CFM	100 CFM
CONSTRUCCIÓN DEL DEPÓSITO:	Polietileno moldeado rotacionalmente	Polietileno moldeado rotacionalmente
CAPACIDAD DEL DEPÓSITO DE LA SOLUCIÓN:	20 galones	20 galones
CAPACIDAD DEL DEPÓSITO DE RECUPERACIÓN:	12 galones	12 galones
CAUDAL DE APLICACIÓN:	200 psi	400 psi
LONGITUD DEL TUBO DE ASPIRACIÓN Y SOLUCIÓN:	15 pies	15 pies
CABLE DE ALIMENTACIÓN:	25 pies	25 pies
ALTURA:	38,5 pulgadas	38,5 pulgadas
ANCHURA:	21,25 pulgadas	21,25 pulgadas
LONGITUD:	34 pulgadas	34 pulgadas
PESO:	85 libras	85 libras





## IMPORTANTES CONSIGNES DE SÉCURITÉ

Cette machine convient uniquement à un usage commercial, par exemple dans les hôtels, écoles, hôpitaux, usines, boutiques et bureau à d'autres fins qu'un entretien ménager résidentiel normal.

Lors de l'utilisation de tout appareil électrique, il faut toujours prendre des précautions élémentaires, y compris les suivantes :

**REMARQUE** : Lire toutes les consignes avant d'utiliser cette machine.

### AVERTISSEMENT!

Pour réduire le risque d'incendie, de décharge électrique ou de blessures :

- L'utilisation de cette machine n'est pas destinée aux personnes (notamment les enfants) qui souffrent de capacités physiques, sensorielles ou mentales diminuées, ou d'un manque d'expérience et de connaissances.
- Toujours utiliser le cordon livré avec la machine qui inclut un disjoncteur différentiel. Ne jamais utiliser la machine sans l'avoir branchée sur le secteur par un disjoncteur différentiel.
- Ne pas laisser la machine branchée. Débrancher l'appareil de la prise lorsqu'il ne sert pas et avant l'entretien courant.
- Pour éviter une décharge électrique, ne pas exposer à la pluie ou à la neige. Ranger et utiliser à l'intérieur.
- Ne pas s'en servir comme jouet. Il faut porter une attention particulière lors de son utilisation près d'enfants.
- Utiliser uniquement comme il est décrit dans ce manuel. Utiliser uniquement les accessoires recommandés par le fabricant.
- Ne pas utiliser avec un cordon ou une fiche endommagés. Si la machine ne fonctionne pas comme elle le devrait, a été échappée, endommagée, laissée dehors ou échappée dans l'eau, la retourner à un centre de service.
- Ne pas tirer sur le cordon, utiliser le cordon comme une poignée, endommager le cordon ou laisser la machine ou le cordon près de surfaces chauffées
- Ne pas le débrancher en tirant sur le cordon. Pour le débrancher, saisir l'extrémité du cordon.
- Ne pas manipuler la fiche, le cordon ou la machine avec des mains mouillées.
- Ne mettre aucun objet dans les ouvertures. Ne pas utiliser si une ouverture est bloquée; préserver de la poussière, des peluches, des cheveux et de quoi que ce soit qui réduirait le débit d'air.
- Tenir les vêtements lâches, les cheveux, les doigts et toute autre partie du corps loin des ouvertures et des pièces mobiles.
- Ne pas ramasser quoi que ce soit qui brûle ou qui fume ni de poussières dangereuses pour la santé.
- Fermer toutes les commandes avant de le débrancher.
- Toujours utiliser des produits chimiques avec un pH entre 4 et 12 et ne jamais les verser dans le réservoir. Toujours utiliser le système de siphonnement des produits chimiques.
- Faire particulièrement attention lors du nettoyage des escaliers.
- Ne pas l'utiliser pour ramasser des liquides inflammables ou combustibles ni l'utiliser dans des aires où ils pourraient être présents
- Si de la mousse ou du liquide sort à l'échappement de l'aspirateur, couper immédiatement le courant. Vérifiez qu'il n'y a pas d'objets étrangers empêchant le flotteur de se déplacer librement. Contactez Advance si le problème persiste.
- Le liquide projeté par la buse de pulvérisation pourrait être dangereux à cause de sa température, de sa pression ou de son contenu chimique

## CONSERVER CES INSTRUCTIONS

### AVERTISSEMENT!

Les appareils vendus avec ce manuel contiennent ou peuvent contenir des produits chimiques reconnus par certains gouvernements (comme l'État de Californie, dans sa proposition 65) comme pouvant causer le cancer, des malformations congénitales ou d'autres anomalies de la reproduction. Dans certains endroits (y compris l'État de Californie), les acheteurs de ces appareils qui les mettent en service sur un chantier ou un espace accessible au public sont requis par la réglementation d'émettre certains avis, avertissements ou divulgations concernant les produits chimiques qui sont ou peuvent être contenus dans les appareils sur ces sites. L'acheteur est responsable de connaître toutes les lois et tous les règlements relatifs à l'utilisation de ces appareils dans de tels environnements et de s'y conformer. Le fabricant décline toute responsabilité d'aviser les acheteurs des exigences particulières qui pourraient être requises pour l'utilisation des appareils dans de tels environnements.

## INTRODUCTION

Ce manuel vous aidera à tirer le maximum de votre appareil nettoie-tout Advance. Lisez-le soigneusement avant d'effectuer l'entretien de l'appareil. Ce produit est uniquement destiné à un usage commercial.

## PIÈCES ET SERVICE

Le personnel de service d'Advance doit effectuer les réparations nécessaires à l'aide de pièces de rechange et d'accessoires d'origine. Communiquez avec Advance pour des pièces de rechange ou du service.

Spécifier le modèle et le numéro de série quand vous appelez pour votre machine.

## ALTÉRATIONS

Les altérations et ajouts d'éléments à la machine de lavage, qui affectent ses capacités et son fonctionnement sécurisé, ne doivent pas être réalisés sans le consentement préalable et écrit de Nilfisk-Advance Inc. Toute altération non approuvée annulera la garantie de la machine. En outre, le client sera entièrement responsable des accidents associés.

## PLAQUE SIGNALÉTIQUE

Les numéros de modèle et de série de votre appareil sont indiqués sur la plaque signalétique de l'appareil.

Ces renseignements sont nécessaires au moment de passer une commande de pièces pour l'appareil.

## DÉBALLAGE

Lors de la livraison de la machine, vérifier soigneusement que la boîte d'expédition et la machine ne sont pas endommagées. S'il y a des dommages évidents, conserver la boîte d'expédition pour son inspection par le transporteur. Communiquer immédiatement avec le service à la clientèle d'Advance afin de déposer une réclamation pour dommages de transport.

## NE PAS UTILISER LA MACHINE AVANT D'AVOIR LU CETTE SECTION.

## UN MAUVAIS USAGE ANNULERA LA GARANTIE

- Toujours utiliser un agent antimousse quand il y a formation de mousse pour empêcher d'endommager le moteur d'aspiration.
- Pour éviter d'endommager les raccords, pompes, et conduites dans des conditions de gel, utiliser de l'antigel pour VR dans la pompe ou garder la machine à l'intérieur de zones chauffées.
- Ne pas laisser la pompe fonctionner à sec.
- Tous les produits chimiques doivent être ajoutés par l'intermédiaire du système d'alimentation et PAS dans le réservoir.
- Tous les cordons prolongateurs doivent avoir un calibre d'au moins 12/3 (cordon n° 12). La longueur des cordons prolongateurs ne doit pas excéder 15 m (50 pi). Remplacer immédiatement la fiche si la broche de mise à la terre est endommagée ou brisée.
- NE PAS utiliser d'eau chauffée à plus de 54 °C (120 °F).

## CONSIGNES DE MISE À LA TERRE 120 V CA

Il faut mettre cette machine à la terre. En cas de défectuosité électrique, la mise à la terre offre un chemin de moindre résistance au courant pour réduire le risque de décharge électrique. Cet appareil est équipé d'un cordon avec un conducteur de mise à la terre de l'équipement et une fiche mise à la terre. Il faut brancher cette fiche dans une prise appropriée correctement installée et mise à la terre selon tous les codes et les règlements locaux.

## DANGER!

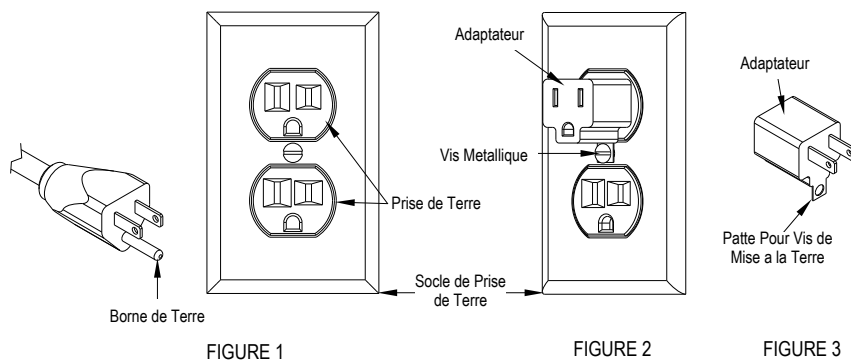
Une mauvaise connexion de la prise de terre de l'équipement peut causer un risque de décharge électrique. Vérifier avec un électricien qualifié ou un technicien si vous avez des doutes relativement à la mise à la terre de la prise. Ne pas modifier la fiche fournie avec l'appareil. Si vous ne pouvez pas la brancher dans la prise, faire installer une prise adéquate par un électricien qualifié.

Il faut utiliser cet appareil sur un circuit 120 volts nominal; il dispose d'une prise mise à la terre semblable à celle illustrée dans la Figure 1 ci-dessous. Vous pouvez utiliser un adaptateur temporaire illustré aux Figures 2 et 3 pour connecter cette fiche à une prise à pôles comme le montre la Figure 2 si une prise correctement mise à la terre n'est pas disponible. Il faut utiliser l'adaptateur temporaire uniquement jusqu'au moment où une prise correctement mise à la terre (Figure 1) est installée par un électricien qualifié. Il faut connecter la patte rigide de couleur verte, la languette, ou autre sortant de l'adaptateur à une prise de terre permanente comme un couvercle de prise correctement mis à la terre. Chaque fois que l'adaptateur est utilisé, une vis métallique doit le tenir en place. Les adaptateurs de mise à la terre ne sont pas autorisés au Canada.

Remplacer la fiche si la broche de mise à la terre est endommagée ou brisée.

Le fil de mise à la terre du cordon est le fil vert (ou vert/jaune). Lors du remplacement de la fiche, ce fil ne doit être connecté qu'à la broche de mise à la terre. Les cordons prolongateurs connectés à cette machine doivent avoir un calibre 12, trois fils avec des fiches à trois broches et des prises. NE PAS utiliser de cordons prolongateurs de plus de 15 m (50 pi) de longueur.

### VEUILLEZ NOTER : UNIQUEMENT EN AMÉRIQUE DU NORD



## CONNAÎTRE LES DESCRIPTIONS DE SA MACHINE

**Poignée de l'opérateur (1) :** L'opérateur la tient pour déplacer la machine d'un endroit à un autre.

**Couvercle du réservoir à solution (2) :** Ce couvercle se dévisse afin de remplir le réservoir. Le tuyau de remplissage de la solution est attaché au couvercle et se bloque à l'intérieur du bras de la poignée de l'opérateur.

**Couvercle du réservoir de récupération (3) :** Le couvercle ferme l'ouverture du réservoir de récupération. C'est par là que l'opérateur peut nettoyer le réservoir et la cage du flotteur. Le réservoir peut être rincé en faisant couler de l'eau claire et tiède par cette ouverture et en déposant le tuyau de vidange dans un seau ou un drain.

**Tuyau de récupération (4) :** Les eaux usées sont récupérées par ce tube.

**Flexible de pulvérisation (5) :** Ce tuyau fournit de l'eau de la machine à l'outil de nettoyage.

**Tuyau de vidange (6) :** Ce tuyau est utilisé pour vider le réservoir de récupération. **REMARQUE :** tenir l'extrémité du tuyau au-dessus du niveau de l'eau dans le réservoir pour éviter un écoulement brusque et incontrôlé des eaux usées lorsque vous enlevez le bouchon, puis abaissez lentement le tuyau pour contrôler le débit.

**Outils et accessoires (7) :** Divers accessoires peuvent être stockés sur la machine.

**Roulettes et Roues (8) :** Les roulettes pivotent pour faciliter la conduite et les grandes roues arrière permettent de déplacer facilement la machine.

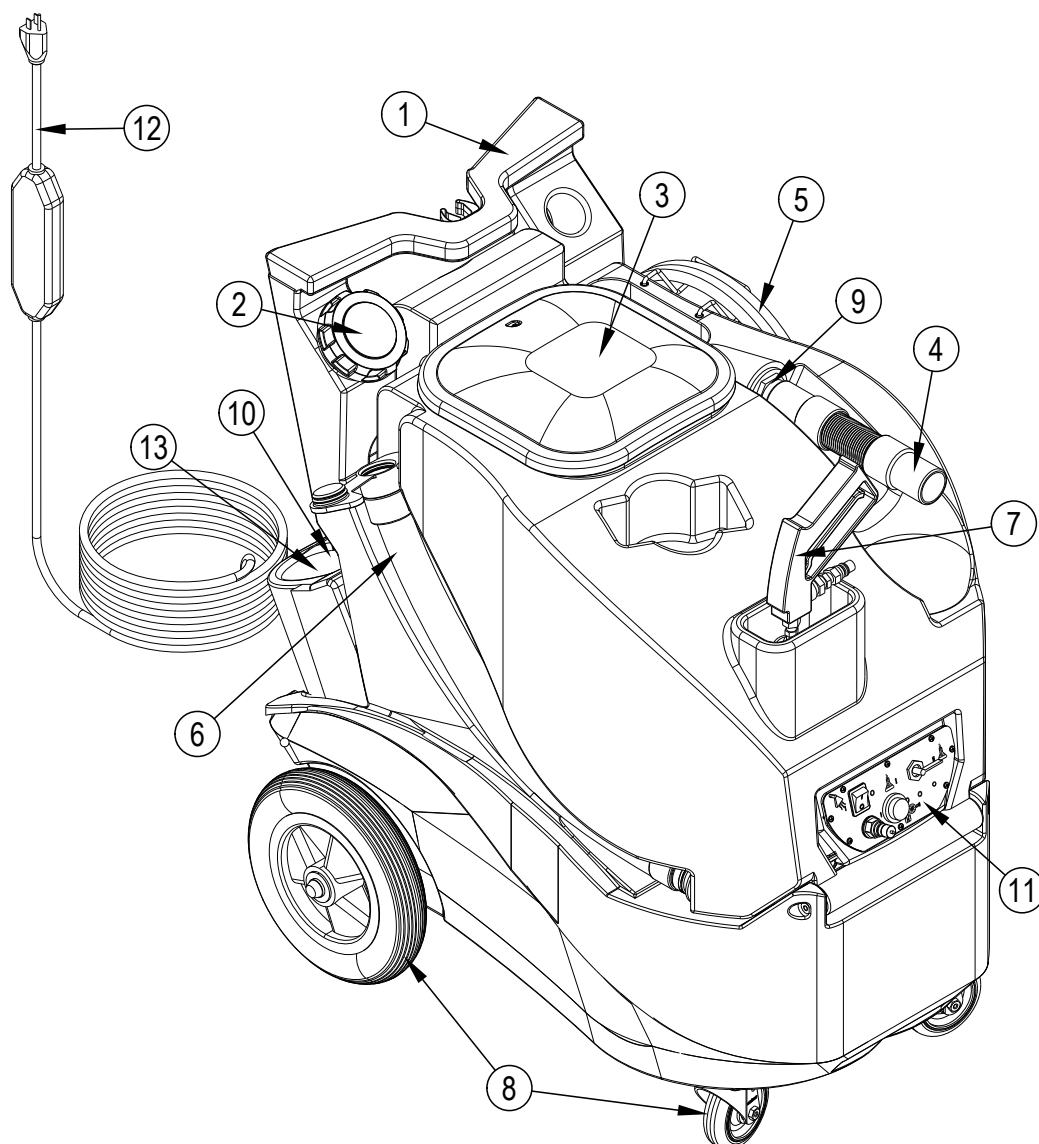
**Entrée du tuyau de récupération (9) :** Point de fixation pour le tuyau de récupération (4).

**Conduites d'alimentation en produits chimiques (10) :** Ces flexibles clairs relient les contenants de produits chimiques de nettoyage à la machine où le produit chimique peut être siphonné dans la sortie d'eau de la pompe. Les embouts de dosage qui servent à changer le taux du mélange eau/produits chimiques sont ici.

**Plaque de commutateurs (11) :** Les interrupteurs marche/arrêt de l'aspirateur et de la pompe se trouvent ici ainsi que la vanne pour changer les doses de produits chimiques.

**Cordon d'alimentation (12) :** Le cordon d'alimentation de 25 pi se connecte à un cordon d'alimentation en queue de cochon à l'arrière de la machine

**Portes-contenants de produits chimiques (13) :** Deux porte-bouteilles moulés pour les bidons de produits chimiques



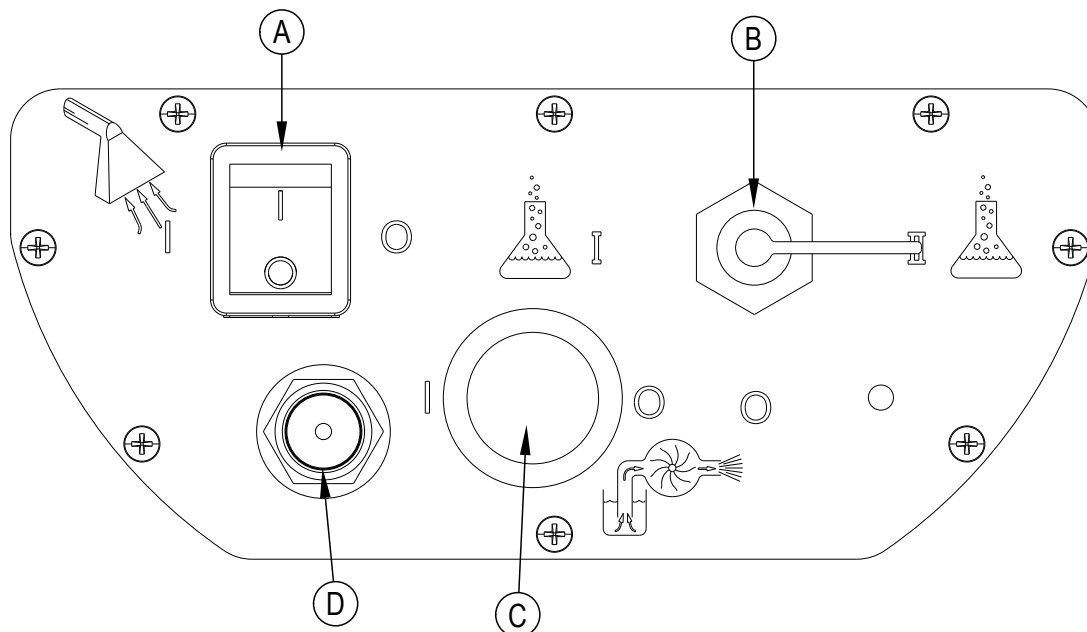
## VOTRE PLAQUE DE COMMUTATEURS

**Interrupteur de l'aspirateur (A) :** met le moteur de l'aspirateur en marche

**Vanne des produits chimiques (B) :** alterne entre les deux contenants de produits chimiques. Quand le sélecteur est pointé vers le bas, la vanne est fermée et aucun produit chimique n'est sélectionné. Quand le sélecteur est pointé vers l'un des deux symboles, ce produit chimique est sélectionné.

**Interrupteur de la pompe à solution (C) :** met la pompe à solution en marche

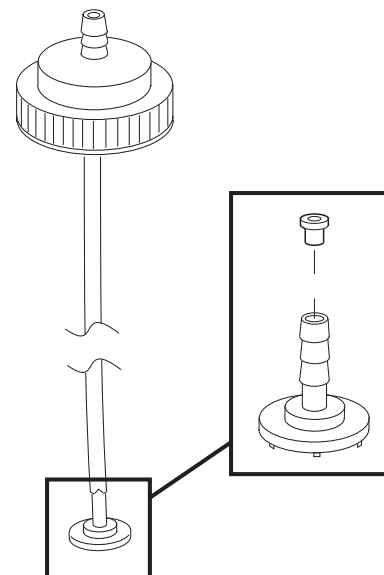
**Raccord rapide (D) :** c'est là que la solution sort de la machine et le point de raccordement du flexible à solution.



## EMBOUS DE DOSAGE

Les embouts de dosage de produits chimiques vous permettent de sélectionner la quantité du produit chimique dans l'eau à mesure que l'eau s'écoule de la machine. Insérer le bon embout de dosage pour le mélange souhaité dans le tube à siphonner les produits chimiques.

EMBOUS DOSEURS			
COULEUR	TAILLE DE L'ORIFICE	PROPORTION DE MÉLANGE	DÉBIT
Orange	0,007	1 oz : 128 oz	1,0 oz/gal
Rose	0,012	1 oz : 64 oz	2,5 oz/gal
Vert écorce	0,014	1 oz : 50 oz	3,0 oz/gal
Jaune	0,016	1 oz : 32 oz	5,0 oz/gal
Bleu pâle	0,020	1 oz : 20 oz	6,0 oz/gal
Bourgogne	0,022	1 oz : 15 oz	9,0 oz/gal
Noir	0,048	1 oz : 5 oz	20 oz/gal



## UTILISATION

- 1) Insérer les embouts de dosage appropriés dans les conduites d'alimentation de produits chimiques (voir l'illustration, page 5).
- 2) Remplir le réservoir à solution **(2)** avec de l'eau tiède. (ne dépassant pas 54 °C [120 °F]). **Ne pas** ajouter de produit chimique dans le réservoir.
- 3) Préparer la zone pour le nettoyage en vidant les poubelles, éliminant les débris, en enlevant les produits en papier, en nettoyant les événements par soufflage, et en balayant les planchers.
- 4) Connecter le cordon d'alimentation de 25 pi **(12)** à la queue de cochon à l'arrière de la machine. Tester le disjoncteur différentiel du cordon d'alimentation avant chaque utilisation. Brancher le cordon protégé par le disjoncteur dans une prise
- 5) **AMORCER LA POMPE** : Raccorder le tuyau d'amorçage au raccord rapide de la sortie et introduire l'extrémité libre du flexible dans le réservoir de récupération. Mettre la pompe **(C)** en marche et la laisser fonctionner jusqu'à ce qu'elle soit complètement amorcée (plus d'air visible dans le courant d'eau). Arrêter la pompe.  
**REMARQUE** : Amorcer de la machine avant de placer les tubes d'alimentation en produits chimiques dans les contenants de produits chimiques.
- 6) Débrancher le tuyau d'amorçage et raccorder le flexible de solution **(5)** au raccord rapide **(D)**.
- 7) Raccorder le pistolet de pulvérisation **(E)** à l'autre extrémité du flexible de solution.
- 8) Placer les produits chimiques dans les contenants de produits chimiques **(13)** à l'arrière de la machine. Insérer une des conduites d'alimentation dans un des contenants de produits chimiques. Fixer la conduite en la vissant sur le bouchon. Le contenant en produit chimique sélectionné par la vanne alimentera le pistolet réglé à basse pression. Utiliser un produit chimique avec un pH entre 4 et 12. Ne jamais ajouter de produits chimiques dans le réservoir d'eau claire.
- 9) Régler le pistolet **(E)** à basse pression en faisant glisser le sélecteur de pression vers l'avant (basse pression = avant; haute pression = arrière).
- 10) Mettre la pompe en marche à l'aide de l'interrupteur **(C)** (bouton poussoir) et pulvériser par le pistolet pendant quelques secondes pour remplir la conduite avec une solution.
- 11) Appliquer le produit chimique à des murs et les accessoires du bas vers le haut. Vaporisez le plancher en dernier pendant que vous sortez de la pièce.
- 12) Laisser le produit chimique à travailler pendant le temps d'imprégnation nécessaire selon les instructions du fabricant. Frotter les zones très sales avec une brosse à récurer.
- 13) Fermez la vanne d'injection **(B)** de produits chimiques en tournant le sélecteur en position basse.
- 14) Régler le pistolet **(E)** en haute pression et rincer la zone à partir du haut vers le bas.
- 15) Raccorder le tuyau d'aspiration **(4)**, fixer le racloir **(F)**, et mettre l'aspirateur en marche **(A)** (interrupteur à bascule).
- 16) Racler les miroirs, ramasser le liquide sur le plancher avec l'outil approprié. Si vous avez le tuyau de séchoir en option, l'utiliser pour sécher les appareils.
- 17) Vider l'eau récupérée dans un évier ou les toilettes. **REMARQUE** : Tenir le bout du tuyau de vidange plus élevé que le niveau d'eau dans le réservoir pour éviter une vidange incontrôlée lorsque vous ouvrez le bouchon sur le tuyau



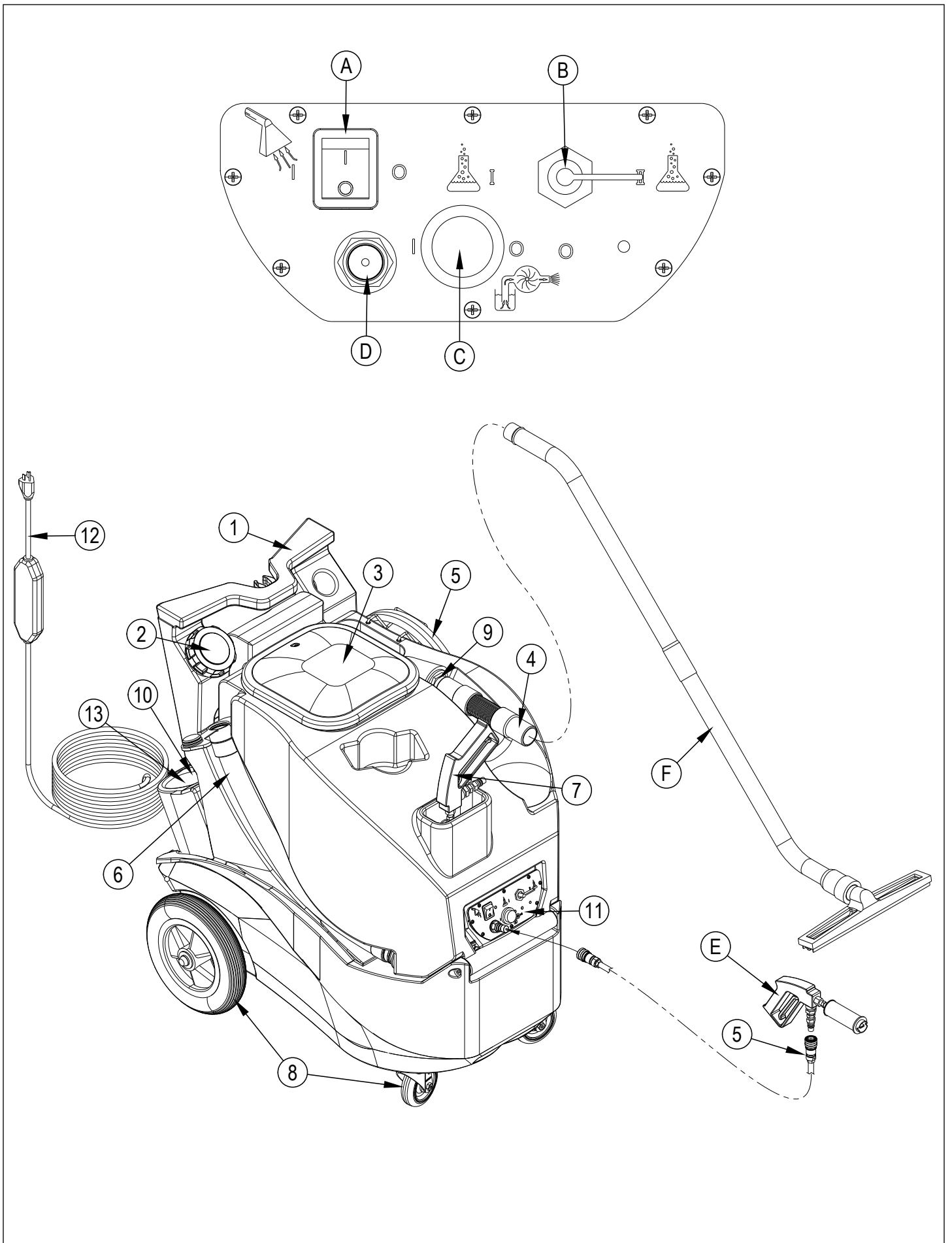
### MISE EN GARDE

Pour éviter d'endommager le moteur d'aspiration, toujours utiliser un agent antimousse chaque fois qu'il y a de la mousse. Avant de mettre l'aspirateur en marche, vérifier que le filtre du flotteur est propre et que celui-ci peut se déplacer librement



### RÉAMORCER LA POMPE

Si la pompe perd son amorçage entre les tâches, suivez les instructions pour AMORCER LA POMPE, ci-dessus. Si l'eau ne coule toujours pas, mettre le tuyau d'amorçage dans le raccord cannelé d'entrée de l'aspirateur et couvrir le reste de l'espace autour du tuyau d'amorçage avec votre main. Mettre l'aspirateur en marche (avec la pompe également en marche) et le laisser aspirer l'eau dans la pompe.



**ENTRETIEN**

- 1) Utilisez uniquement les taux de mélange des produits chimiques approuvés. Tous les produits chimiques doivent être ajoutés par l'intermédiaire du système d'alimentation et NON PAS directement à l'eau dans le réservoir de solution pour éviter tout dommage possible à la pompe, les joints, ou d'autres composants
- 2) Pour des performances optimales, rincer les conduites d'alimentation de produits chimiques après chaque tâche en remplaçant les contenants de produits chimiques par des contenants d'eau claire et en pulvérisant à l'aide du pistolet jusqu'à ce que le liquide soit clair. Voir le calendrier d'entretien, ci-dessous.
- 3) Il peut être nécessaire de remplacer les joints ou les vannes dans les pompes à haute pression après une utilisation d'environ 1000 heures si la pompe commence à perdre sa performance ou à fuir. Il peut être nécessaire de remplacer la soupape de régulation de pression lorsque l'outil présente une chute de pression de pulvérisation.

Si le couvercle transparent de 4 po est retiré de la partie supérieure de la base (réservoir de solution), il faudra appliquer un mastic silicone sur les filets lors de la réinstallation du couvercle pour sceller les fuites d'aspiration.

**CALENDRIER D'ENTRETIEN**

ARTICLE	QUOTIDIENNEMENT	HEBDOMADAIREMENT	TRIMESTRIELLEMENT	ANNUELLEMENT
Rincer les conduites de produits chimiques	X			
Inspecter/ nettoyer le filtre d'entrée d'aspiration	X			
Nettoyer le filtre de la solution		X		
Vérifier les voies d'air du moteur d'aspiration		X		
Inspecter la pompe pour déceler les fuites			X	
Vérifier les brosses du moteur d'aspiration*				X

Faire vérifier les brosses de carbone par Advance une fois par an ou après environ 500 heures de fonctionnement.

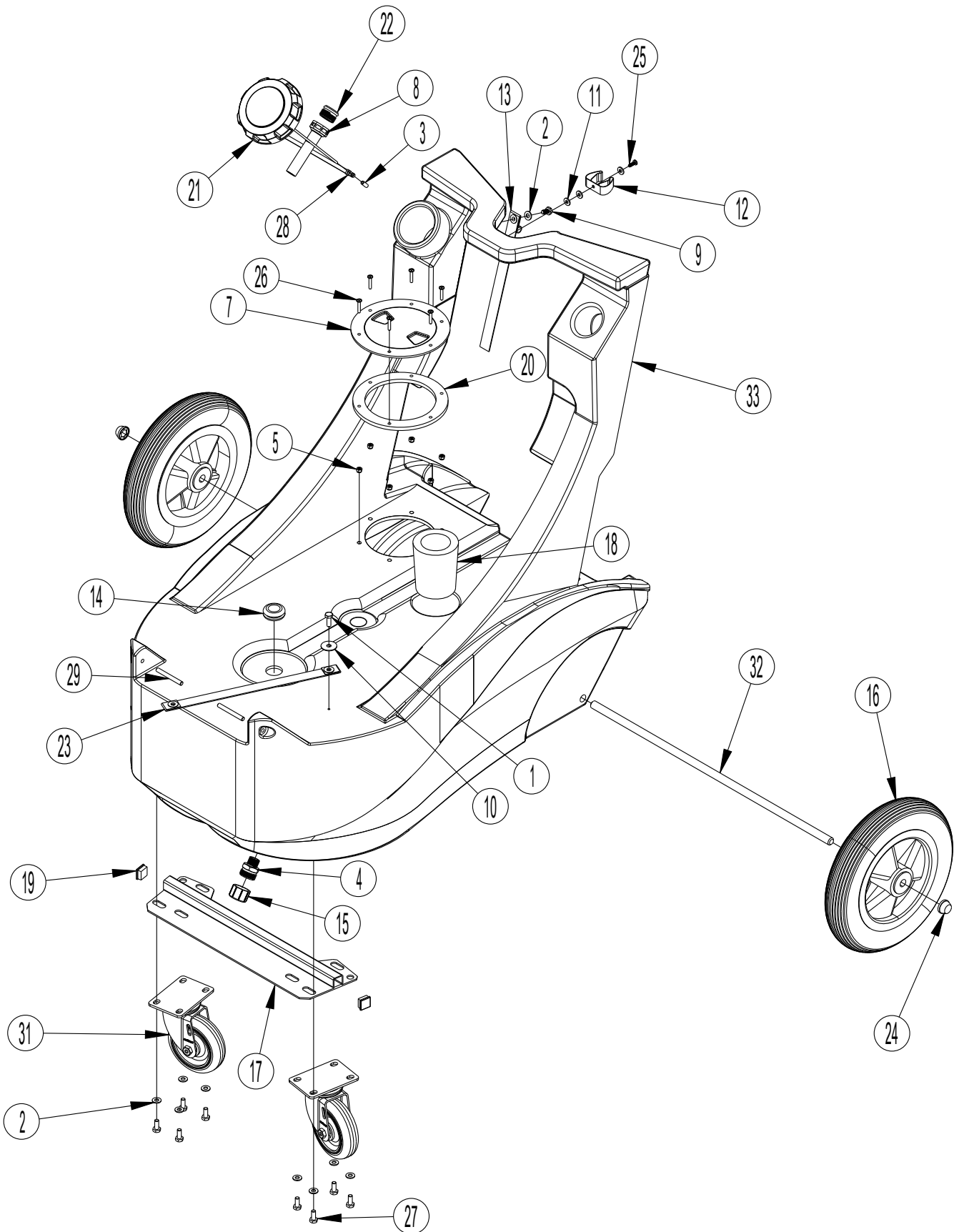
**SPÉCIFICATIONS TECHNIQUES (TELLES QU'INSTALLÉES ET TESTÉES SUR L'APPAREIL)**

MODÈLE	56380772	56381594
MOTEUR D'ASPIRATION :	2 étages, 8 A	2 étages, 8 A
COLONNE D'EAU :	97 po	97 po
DÉBIT D'AIR :	100 CFM	100 CFM
FABRICATION DU RÉSERVOIR :	Polyéthylène rotomoulé	Polyéthylène rotomoulé
VOLUME DU RÉSERVOIR DE SOLUTION :	20 gallons	20 gallons
VOLUME DU RÉSERVOIR DE RÉCUPÉRATION :	12 gallons	12 gallons
DÉBIT D'APPLICATION :	200 psi	400 psi
LONGUEUR DU TYAU D'ASPIRATION ET DE SOLUTION :	15 pieds	15 pieds
CORDON D'ALIMENTATION	25 pieds	25 pieds
HAUTEUR :	38,5 pouces	38,5 pouces
LARGEUR :	21,25 pouces	21,25 pouces
LONGUEUR :	34 pouces	34 pouces
POIDS	85 lb	85 lb





### BASE ASSY



## BASE ASSY

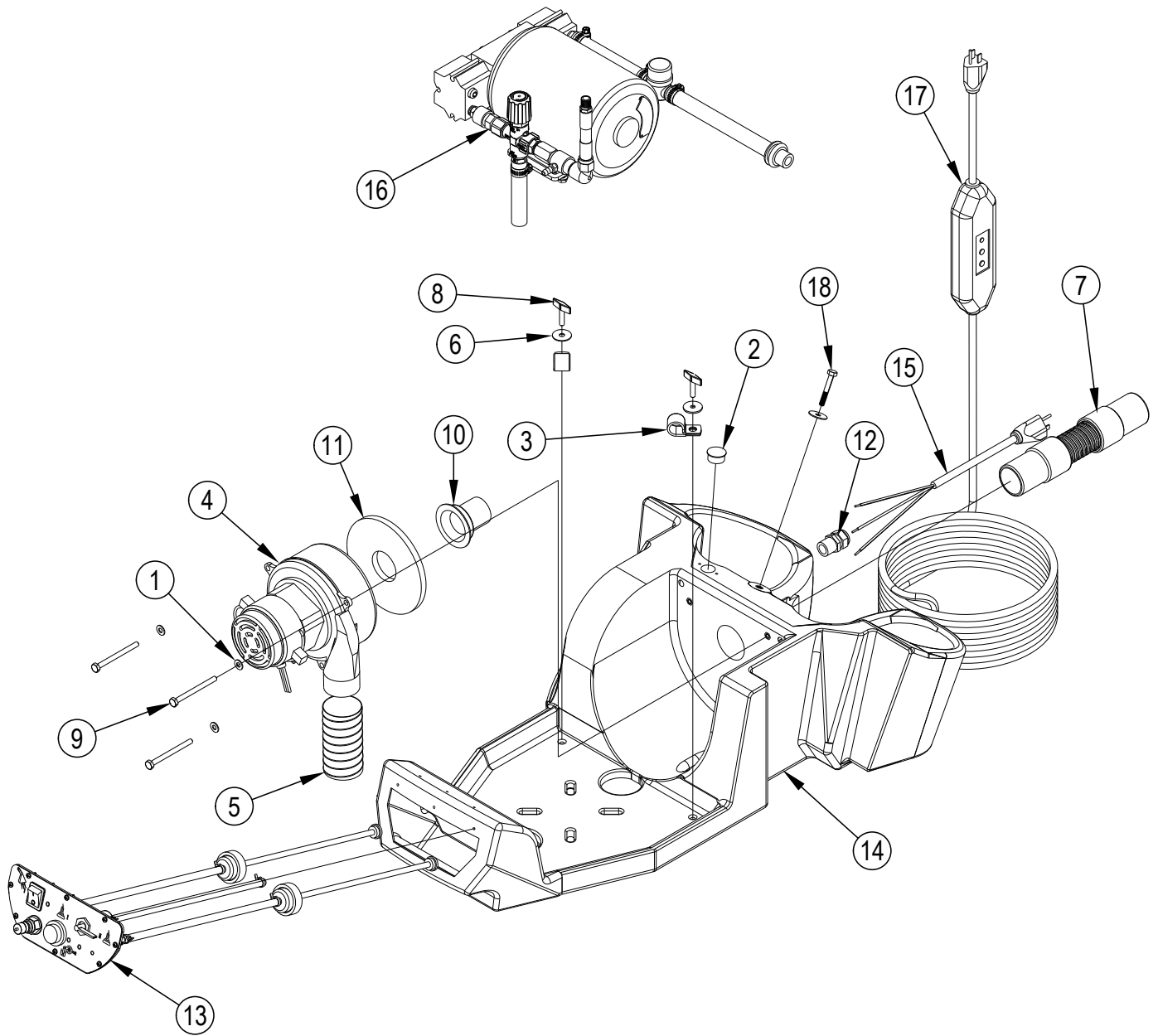
Item	Ref. No.	Qty	Description
1	5	1	Bolt Hex 1/4-20 X 3/4 Full
2	14	9	Washer Flat 3/16 Zinc Plat
3	170	1	Elect Butt Conn 10-12 Ga Non-I
4	239	1	Fitting-Adapter-Brass-3-4x3-8
5	325	6	Nut-Nylon Lock-Ss-8-32
7	983	1	Lid And Ring 4 Lid Clear
8	1065	1	5' Hose Fill Apc
9	1097	1	Bolt-Hex-1/4-20 X 1/2-Ss
10	1345	1	Washer-Fender-1/4 Id-1 Od-Ss
11	1460	3	Washer Internal Tooth 10
12	1602	1	Clip Handle Black Vinyl Coated
13	1603	1	Strap/Buckle Cord Wrap W/Spur
14	1609	1	Grommet 3/4 Id X 3/16 Panel
15	1648	1	Cap Garden Hose 3/4 Fght N
16	2084	2	Wheel 10 Grey Plastic Insert
17	56380594	1	Caster-Plate-Orca
18	56380696	1	Foam Reticulated 20 Ppi 1/2 X
19	56380755	2	Plug Square Tube Smooth 3/4
20	56380942	1	Gasket For Apc Closed Cell B
21	56601599	1	Cap - Raw With Tether
22	1065A	1	Adapter Faucet Inside/Outsid
23	1645A	1	Strap-Black-Poly Web-0.75
24	27AUSP	2	Axel Cap Black Pal Nut
25	325C	1	Bolt-Php-Ss-8-32x1/2
26	382C	6	Screw 8-32 X 7/8 Panhead Phi
27	5A	8	Screw 1/4-20 X 5/8 Hesx
28	79B	1	Tie Wire 8 W/Mounting Hole
29	801F	2	Hinge Pin 1/4 X 2.25 S/S
31	905USP	2	Caster Swivel 4 Gray Non Ma
32	910-2150	1	Axel Rod Zinc Plated 1/2
33	56380795	1	Holding Tank/Base Drilled And
[ ]	56380844	1	Labels Kit All Cleaner

[ ] = Not Shown

\* = Optional, Not Included



### EQUIPMENT PALLET-XP



### EQUIPMENT PALLET-XP

Item	Ref. No.	Qty	Description
1	14	3	Washer Flat 3/16 Zinc Plat
2	183	1	Plug For A .875 Hole Used On
3	231	2	Hose Clamp 3/4 I.D. For Hhp
4	408	1	Vac Motor, 120v
5#	56113132	1	Vac Hose Rubber 4.0 X 2.0 ID
6	1345	3	Washer 1/4 I.D. 1 O.D. F
7	1136	1	Hose Vacuum Clear 1-1/2 X
8	1548	2	Screw Thumb 1/4-20 X 1 Type
9	1574	3	Bolt 1/4-20
10	1630	1	Sleeve Vacuum Outlet For Hos

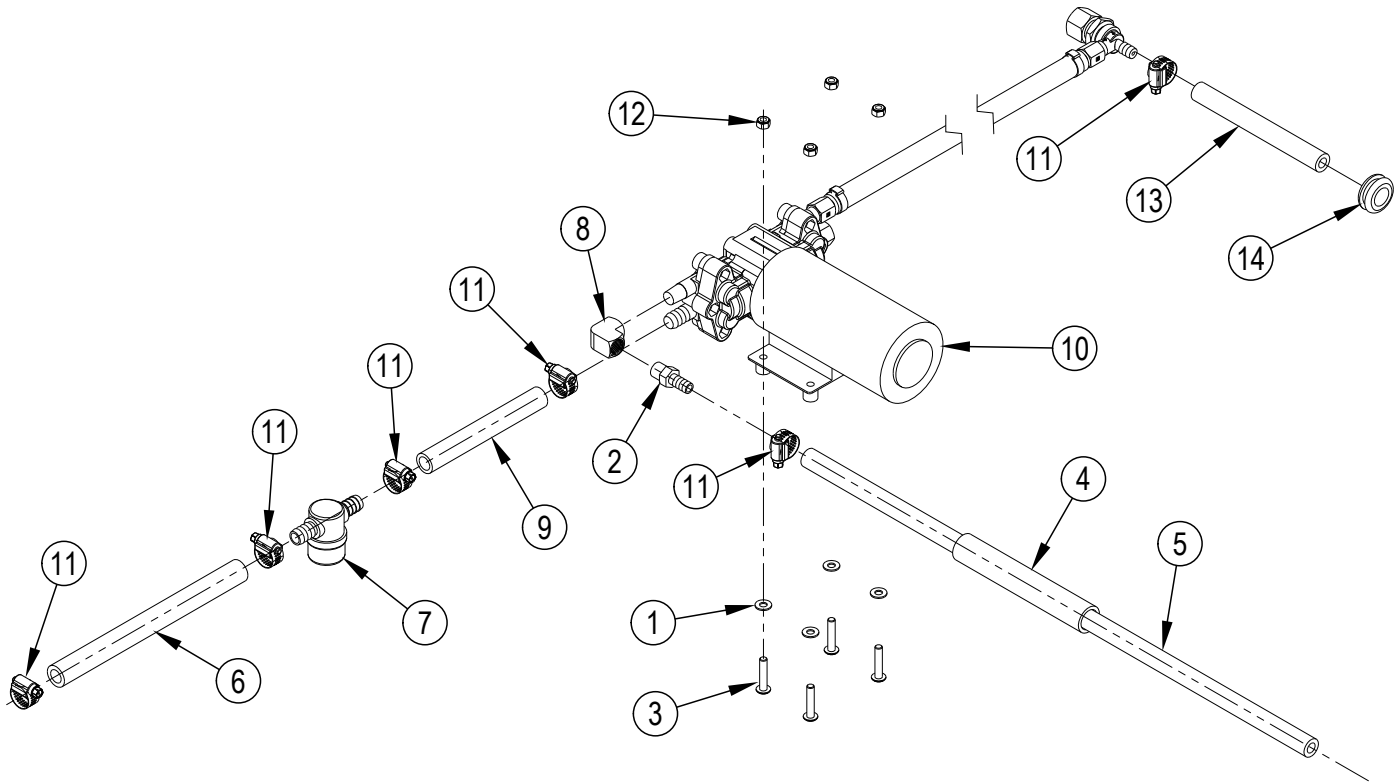
Item	Ref. No.	Qty	Description
11	2013	1	Gasket 1 Side Adhesive 5-1/2 O
12	230USP	1	Retainer Power Cord Water T
13		1	Switch Assembly Apc-12 Clarke. <b>NOTE 1</b>
14	56380839	1	Pallet Drilled And Prepped. N
15	2155	1	Power Cord Pigtail 12/3 SJTW
16		1	Pump Assembly For Apc 120v. W/ <b>NOTE 2</b>
17	56380774	1	Power Cord/GFCI Assembly For M
18	138A	1	Bolt Hex 1/4-20 X 1-3/4

# = Revised or new since last update

**NOTE 1:** See SWITCH PLATE ASSY-XP.

**NOTE 2:** See PUMP ASSY-XP.

## PUMP ASSY-STD

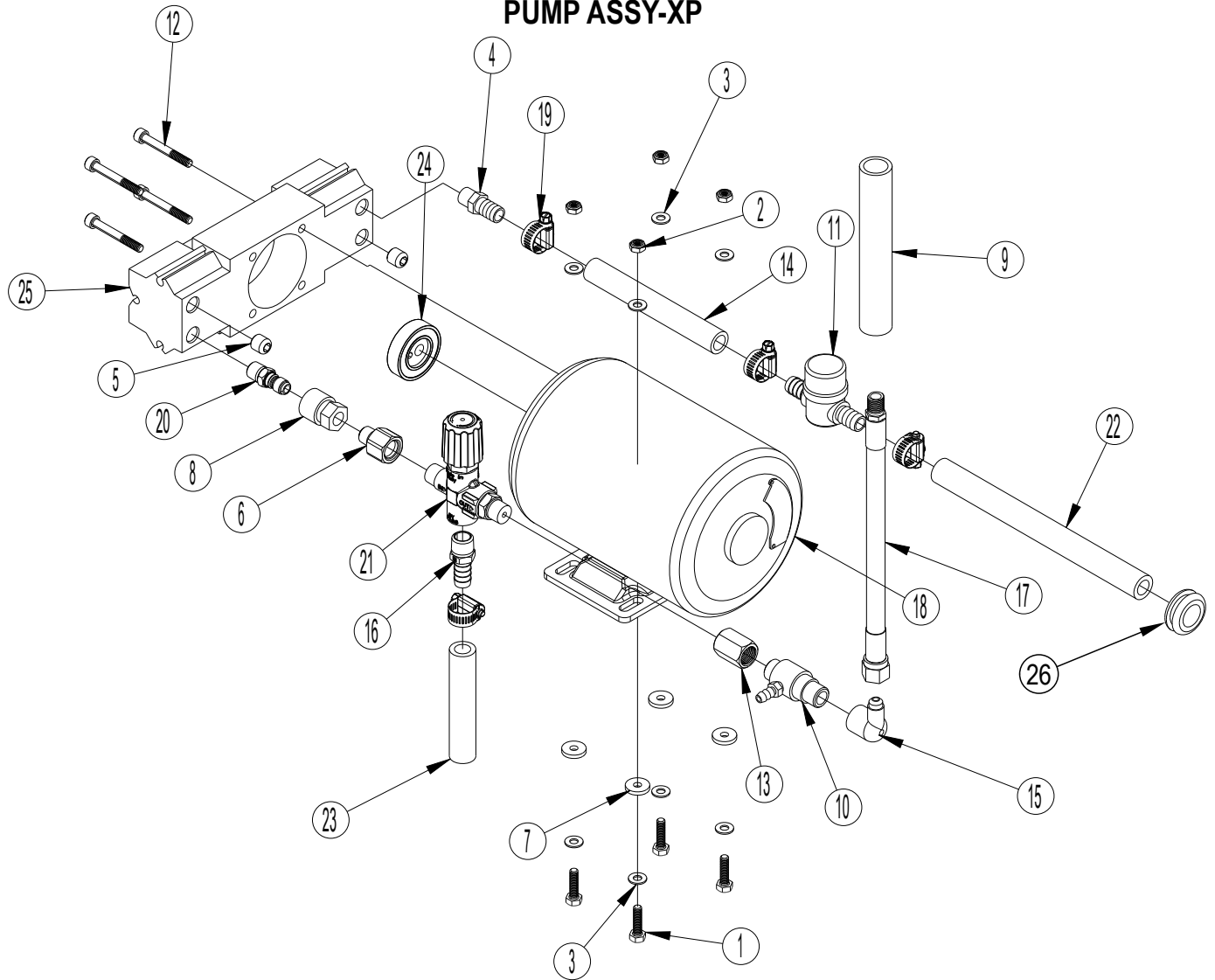


## PUMP ASSY-STD

Item	Ref. No.	Qty	Description
1	14	4	Washer Flat 3/16 Zinc Plat
2	164	1	Hose Barb With Male 1/4 Pipe X 3/8 Hose Brass
3	204	4	Screw 12-24 X 1-1/4 Phill
4	460	4"	Tube-Blk-3-4 Id X 1 X 100ft
5	925	20"	Hose 3/8 Id 0.688 Od Red
6	946	8.75"	Hose 1/2 Id 2 Braid 200 Psi
7	1050	1	Filter Water In-Line
8	1280	1	Elbow 90 Deg 1/4 Fpt X 1/4 F
9	1550	11"	Hose 1/2 Id Wire Reinforced
10	56380789	1	Kit Pump And Motor 200 Psi Com
*	56380791	1	Motor Pump Drive 960d. All C (for 56380789)
*	960E	1	Valve Pressure Regulator 2 (for 56380789)
11	166USP	6	Hose Clamp-Ss-3/8-7/8
12	204A	4	Nut S/S Nylock 12-24
13	925	4"	Hose 3/8 Id 0.688 Od Red
14	1609A	1	Grommet 11/16 Id X 1/4 Pane

\* = Optional, Not Included

**PUMP ASSY-XP**

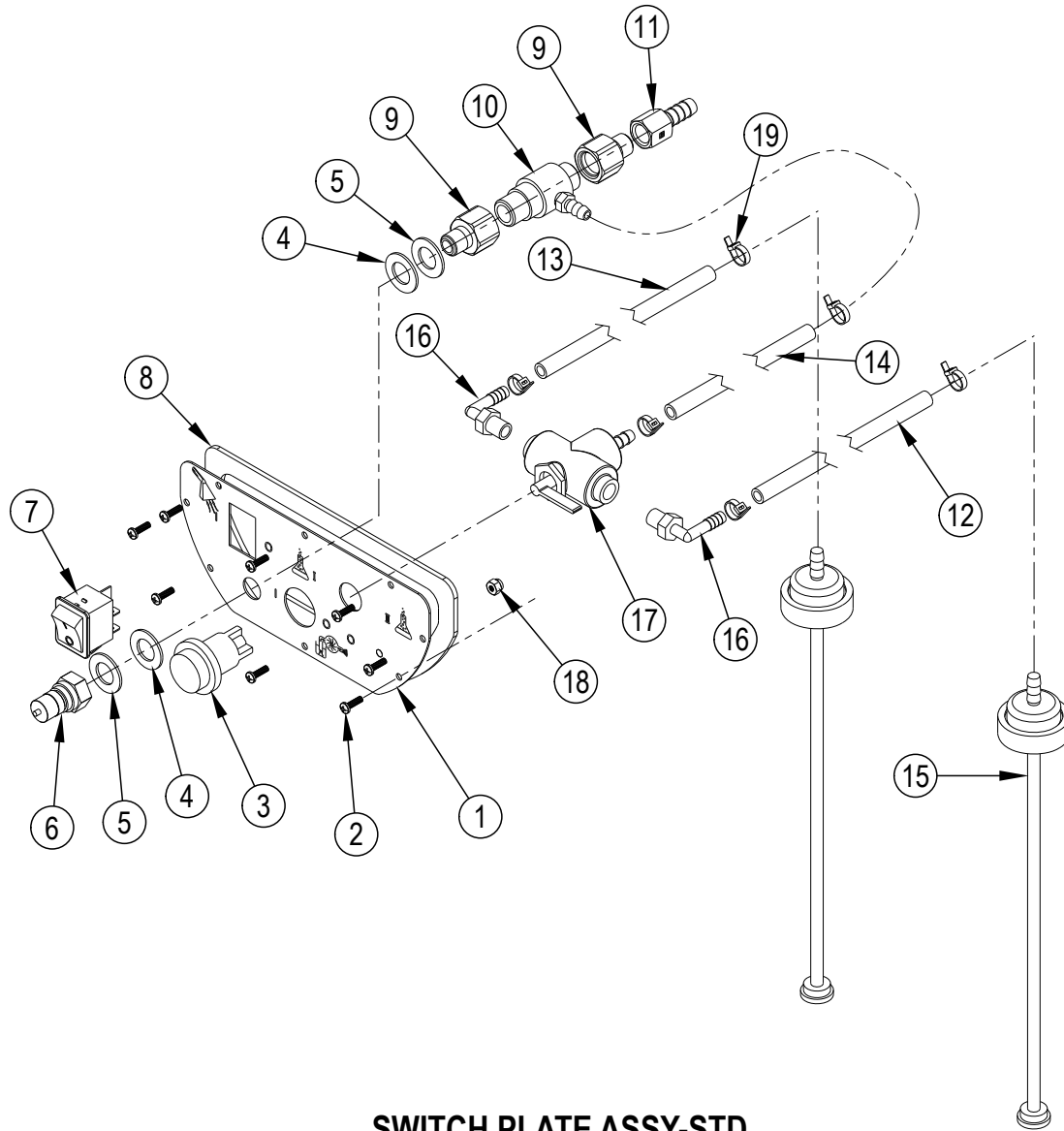


**PUMP ASSY-XP**

Item	Ref. No.	Qty	Description
1	4	4	Bolt-Hex-Flthrd-Ss-Zp-1-4-20x1
2	8	4	Nut-Nylock-Zp-1-4-20
3	14	8	Washer Flat 3/16 Zinc Plat
4	165	1	Hose Barb 1/4 Pipe X 1/2 Hose Brass
5	211	2	Plug Brass Pipe 1/4 Pipe H
6	217	1	Reducer 3/8 Pipe Female To 1
7	218	4	Washer-Flat-1/4x3/4x1/8-60 Dur0
8	220	1	Qd-Brass-1/4 Fpt-Socket Straight
9	460	6"	Tube-Blk-3-4 Id X 1 X 100ft
10	1049	1	Injector Chemical Brass 4500
11	1050	1	Filter Water In-Line
12	1147	4	Screw-Shcs-Ss-1/4-20x2x1
13	1517	1	Coupling-3-8 X 3-8-Brass

Item	Ref. No.	Qty	Description
14	1550	6"	Hose 1/2 Id Wire Reinforced
15	1658	1	Flare Fitting Fm 90 Deg -6 X
16	1659	1	Hose Barb 1/2 Hose To 3/8 M
17	1660	1	Hose-21 In-1-4-Mpt-45-Fem-Flare-6
18	2060	1	Motor A/C 1/3 Hp For 300 Psi P
19	166USP	4	Hose Clamp-Ss-3/8-7/8
20	221USP	1	Qd-Plug-Brass-1/4 Mpt-St
21	945D	1	Unloader Valve For 500 Psi Pum
22	946	8.75"	Hose 1/2 Id 2 Braid 200 Psi
23	946	4"	Hose 1/2 Id 2 Braid 200 Psi
24	950A	1	Bearing & Cam Assembly .110
25	950F	1	Pump Piston Style 300-500 Ps
26	1609	1	Grommet 3/4 Id X 3/16 Panel

## SWITCH PLATE ASSY-STD

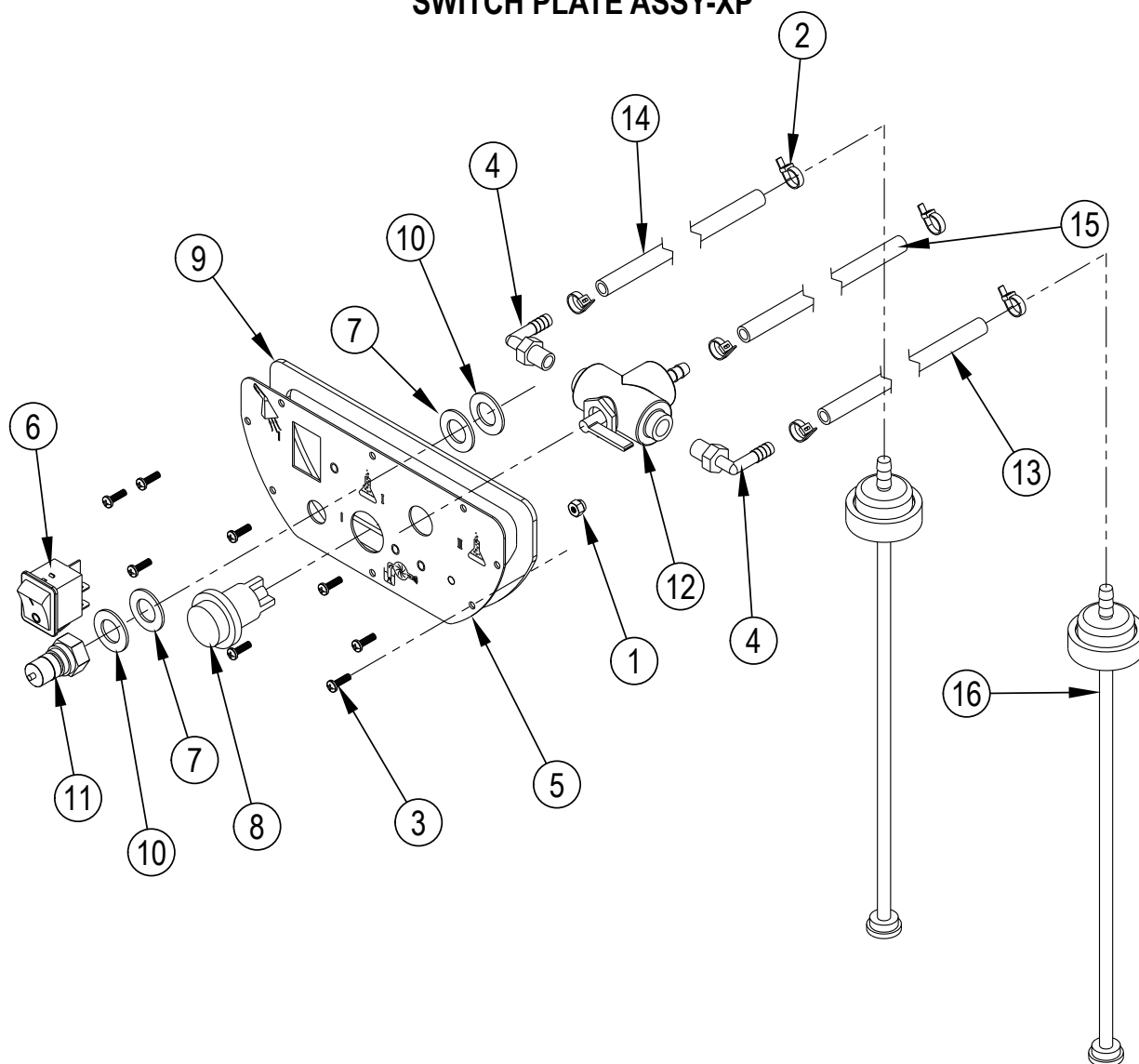


## SWITCH PLATE ASSY-STD

Item	Ref. No.	Qty	Description
1	1628	1	Switchplate
2	267	8	Screw-Php-Ss-6x1/2-Sms
3	1623R	1	Switch On-Off Illuminated Cle
4	115USP	2	Washer 1 Od X 9/16 Id X
5	31USP	2	Washer Brass Half Hard 1 X
6	45USP	1	Quick Disconnect Plug Male
7	2123	1	Switch Rocker Dpst W/Light 120
8	1628G	1	Gasket-Poron-Switchplate
9	217	2	Reducer 3/8 Pipe Female To 1
10	1049	1	Injector Chemical Brass 4500
11	318AB	1	Hose Barb Solution Tank Standa
12	TA-37A	59.5"	Tubing Clear 1/4 Idx 3/8 Od
13	TA-37A	59.5"	Tubing Clear 1/4 Idx 3/8 Od
14	TA-37A	8"	Tubing Clear 1/4 Idx 3/8 Od
15	1079	2	Chemical Feed Cap & Tube W/Ff
16	1000	2	Hose Barb 90 Deg Nylon 1/8 Mpt
17	988B	1	Valve 3-Way For Spotter & Apc
18	16	1	Nut Nylon Lock 6/32 Z.P.
19	35	6	Tie 4 Black Weather Resis



### SWITCH PLATE ASSY-XP



### SWITCH PLATE ASSY-XP

Item	Ref. No.	Qty	Description
1	16	1	Nut Nylon Lock 6/32 Z.P.
2	35	6	Tie 4 Black Weather Resis
3	267	8	Screw-Php-Ss-6x1/2-Sms
4	1000	2	Hose Barb 90 Deg Nylon 1/8 Mpt
5	1628	1	Switchplate
6	1644	1	Switch Rocker Dpst On/Off 20
7	115USP	2	Washer 1 Od X 9/16 Id X
8	1623R	1	Switch On-Off Illuminated Cle
9	1628G	1	Gasket-Poron-Switchplate
10	31USP	2	Washer Brass Half Hard 1 X
11	45USP	1	Quick Disconnect Plug Male
12	988B	1	Valve 3-Way For Spotter & Apc
13	TA-37A	60"	Tubing Clear 1/4 Idx 3/8 Od
14	TA-37A	60"	Tubing Clear 1/4 Idx 3/8 Od
15	TA-37A	21"	Tubing Clear 1/4 Idx 3/8 Od
16	1079	2	Chemical Feed Cap & Tube W/Ff

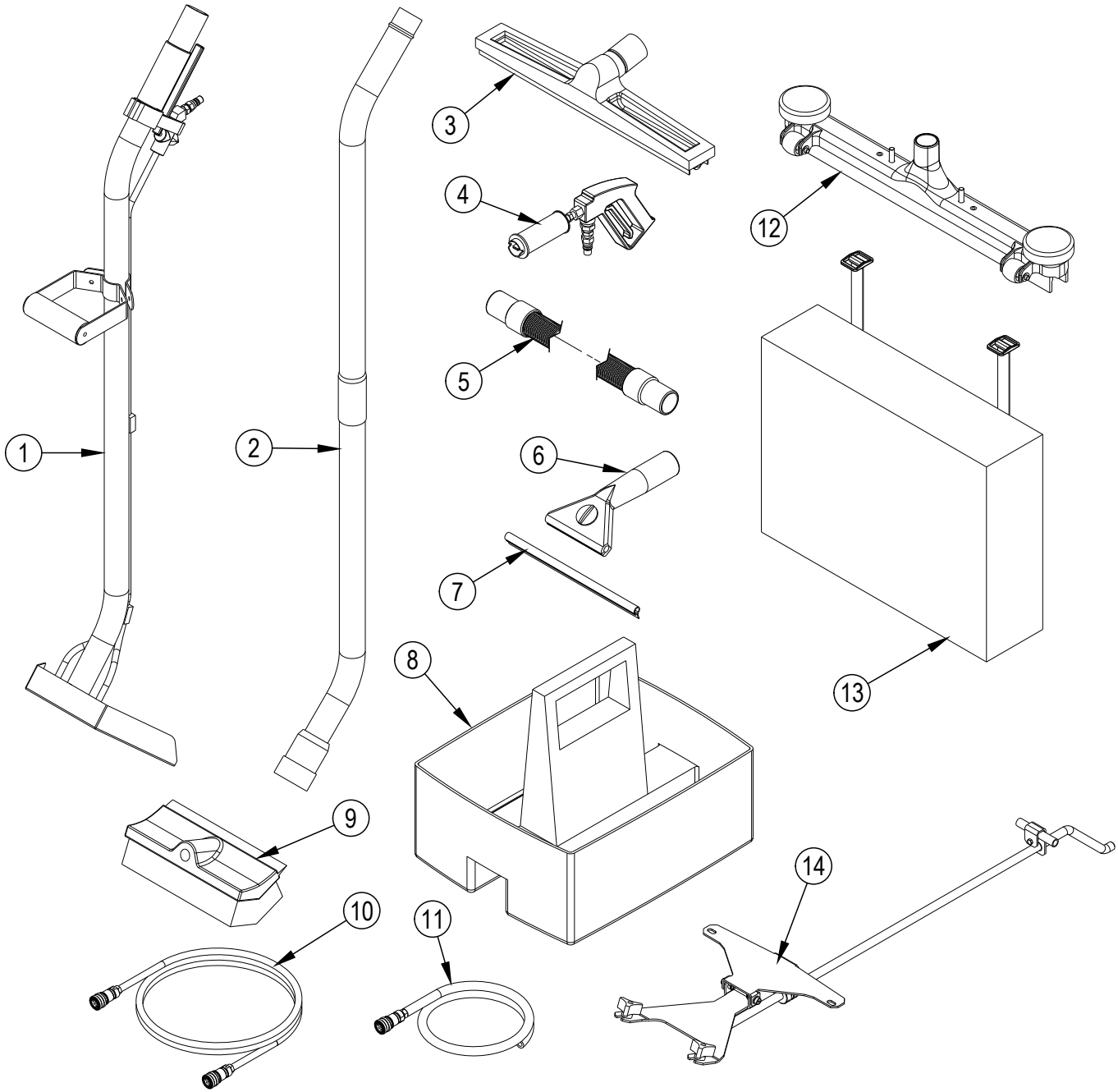


## TANK ASSY

Item	Ref. No.	Qty	Description
1	5	1	Bolt Hex 1/4-20 X 3/4 Full
2	16	1	Nut Nylon Lock 6/32 Z.P.
3	17	1	Nut-Nylon Lock-Ss-10-32
4	907	2	Hose Barb Fitting Black Abs
5	1109	1	Screw 10-32 X 3/4 Ms Flath
6	1140	1	Elbow 90 Degree Abs 1-1/2 S
7	1152	1	Scr-Pan Phil 6-32 X .50
8	1154	1	Adapter Abs 1-1/2 Trap SI
9	1345	1	Washer-Fender-1/4 Id-1 Od-Ss
10	1518	1	Hose Clamp 3/4 X 1 3/4 Ss
11	1528	1	Adapter Female 1 1/2
12	1647	1	Hanger-Wire-3/16-Ss
13	56262143	1	Hose Assembly
14	56393772	1	Plug Drain 1 1/2
15	56397045	1	Lid
*	56382778	1	Lid Assembly <b>NOTE 2</b>
16	56397151	1	Gasket
17	56407361	1	Clamp, Plastic
19	187B	1	Washer-Flat-Buna'n-1-3/4idx0.125
20	316AB	2	Cap Black .165 I.D. X 27/16 I
21	324AB	2	Cap .281 I.D. X 1/2 Long In B
22	325C	2	Bolt-Php-Ss-8-32x1/2
23	805USP	1	Chain-Cover
24	922USP	1	Elbow 90 Pvc 1-1/2 Slip X F
25	929B	1	Filter S/S Ball Float
26	56380785	1	Recovery Tank Complete <b>NOTE 1</b>

**NOTE 1:** Includes items (4, 6, 8, 10, 11, 13, 14, 17, 24, 25)

**NOTE 2:** Includes items (2, 7, 15, 16, 23)



**ACCESSORIES**

Item	Ref. No.	Qty	Description
<b>TOOLS</b>			
1	61395A	1	Wand Dbl Bend 1/4QC 300 PSI
2	56108027	1	Wand 2 Piece Alum. Snap Fit
3	56108028	1	Floor Squeegee Tool 14
4	56108072	1	Spray Gun Complete
5	1059B	1	Hose Vacuum Black 1.6 X 15
6	56380853	1	Handle 12 For Hand Squeegee
7	56380854	1	Squeegee 12 Inch For Use With
8	56380938	1	Maids Toteblue
9	56380855	1	Brush Dual Surface With Sque
10	56380838	1	Pressure Line 25 Ft Complete
	56380804	1	Pressure Line 15 Ft Complete
11	SUBSYP1	1	Syphon Hose For HHP-12
[ ]	56380802	1	Metering Tips Kit Two Each Of
[ ]	56380852	1	Handle 54 Black Metal For

Item	Ref. No.	Qty	Description
<b>OPTIONAL ACCESSORIES</b>			
12	56209088	1	Squeegee Assembly 24
12	56209089	1	30 Squeegee Assy.
13	56315316	1	Tote Bag
14	56380871	1	Frame Assembly For Front Moun
[ ]	56380856	1	Frame Microfiber Mop Used Wit
[ ]	56380857	1	Mop Microfiber 6 Per Kit
[ ]	56380877	1	Blower Hose And Nozzel Assembl
[ ]	56380913	1	Chemical Injector And Metering

[ ] = Not Shown









Nilfisk-Advance Equipamentos de Limpeza Ltda.  
Av. Dep. Emílio Carlos, 2.499 - Bairro do Limão - 02721-200  
São Paulo - SP - Brasil  
[www.nilfisk-advance.ind.br](http://www.nilfisk-advance.ind.br)  
[www.plataforma.ind.br](http://www.plataforma.ind.br)  
Tel.: (11) 3959-0300  
Fax: (11) 3959-0306  
©2012 Nilfisk-Advance, Inc.



14600 21st Avenue North  
Plymouth, MN 55447-3408  
[www.advance-us.com](http://www.advance-us.com)  
Phone: 800-989-2235  
Fax: 800-989-6566  
©2012 Nilfisk-Advance, Inc.

---

**A Nilfisk-Advance Brand**