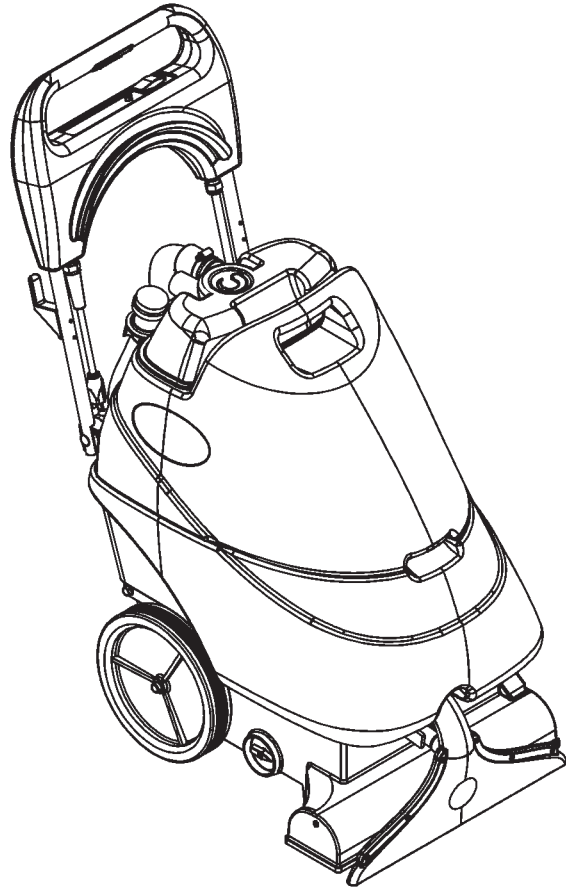


AquaClean™ 16ST, 16XP, 18FLX, 18ST



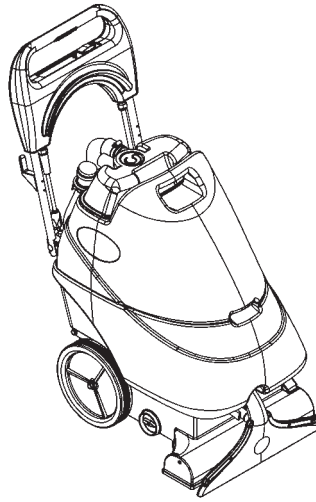
PARTS LIST

**MODELS: 56265003(16ST), 56265000(16XP),
56265001(18FLX), 56265008(18ST)**



Advance

11/04 revised 6/13 FORM NO. 56042452



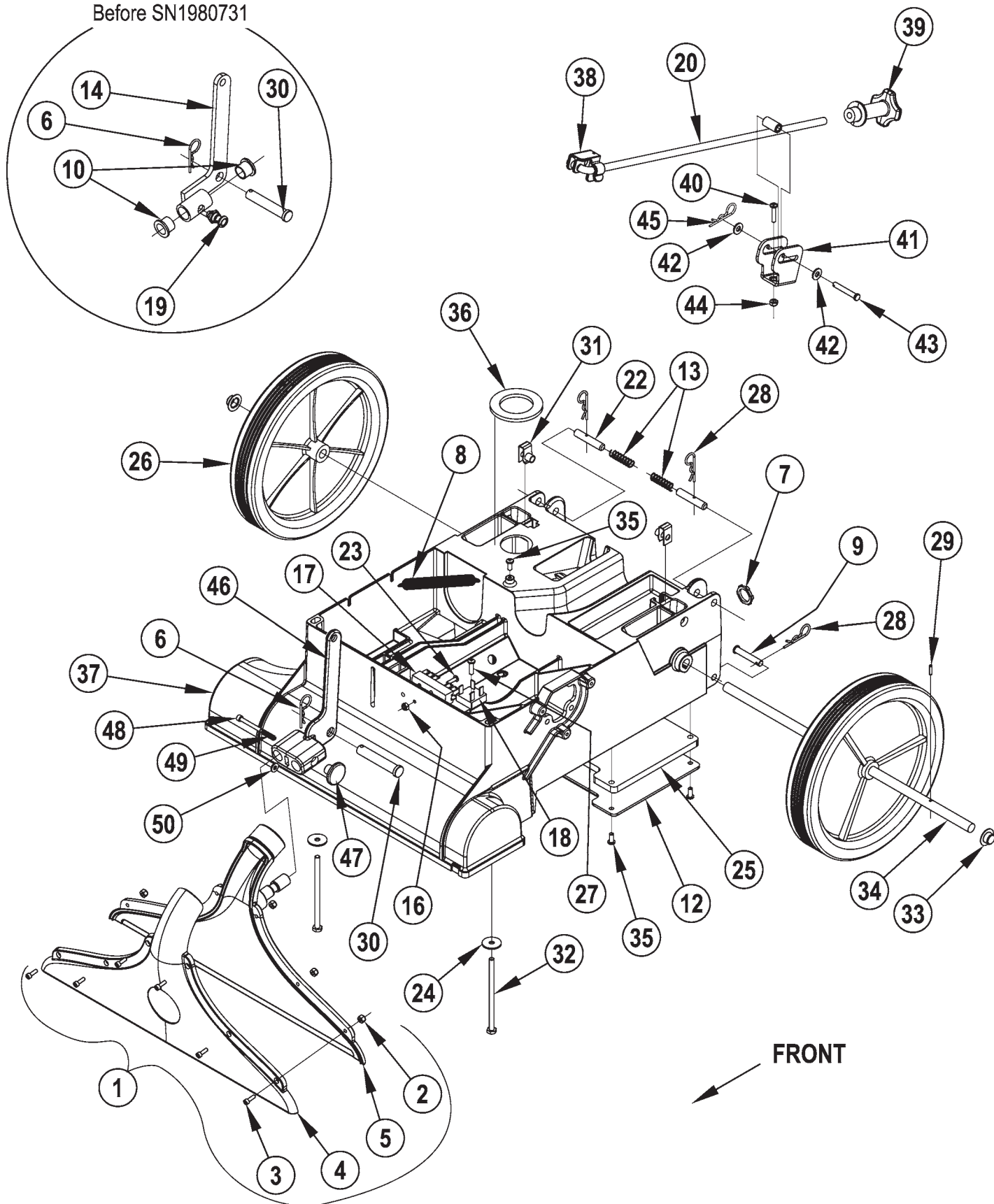
DESCRIPTION	PAGE
Base System	2-3
Brush System	4-5
Decal System	6-7
Handle System 16	8-9
Handle System 18	10-11
Recovery System	12-13
Solution Pump System	14-15
Solution Tank Assembly	16-17
Wiring Diagram	18-19
Accessories	20

WHEN ORDERING PARTS

- * Use the part numbers from the "Ref. No." columns in this parts list.
- * Specify the model and serial number of the machine.
- * Use the space below to record the model and serial number for future reference.

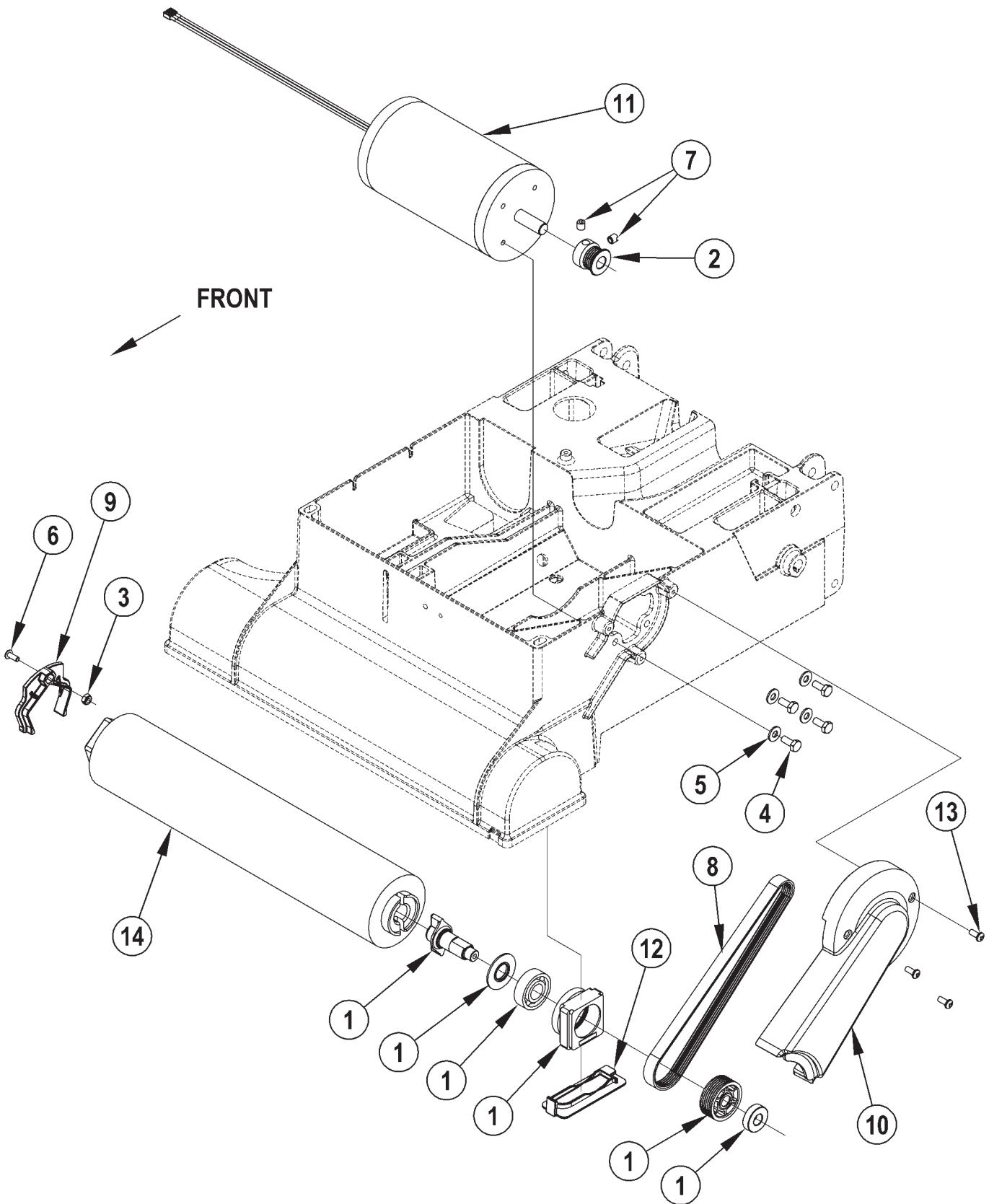
Model _____ Serial No. _____

Before SN1980731



Item	Ref. No.	Qty	Description
1	56265067	1	Shoe Assembly, 16 (16ST, 16XP) (items 2-5)
	56265080	1	Shoe Assembly, 18 (18FLX / 18ST) (items 2-5)
2	56002865	6	Nut, Hex Nyl Loc-Thin 8-32
3	56002101	6	Scr, Soc Hd 8-32 x 0.50
4	56265068	1	Shoe Front, 16
	56265081	1	Shoe Front, 18
5	56265069	1	Shoe Back, 16, Assy
	56265082	1	Shoe Rear, 18, Assy
6	56002959	1	Pin, Cotter Hair
7	56009095	1	Nut, Conduit Lock 1/2-14
8	56398606	1	Spring, Ext .50 x 6.25
9	56321404	2	Clevis Pin .3125 x 1.84 (16ST, 16XP)
10	56171095	2	Bearing, Flange before SN1980731
12	56265172	1	Panel, Exhaust (16XP, 18FLX, 18ST)
	56265148	1	Panel, Exhaust (16ST)
13	56228142	2	Spring, Compression
14	56265116	1	Linkage Weldment, 16 (16ST, 16XP) before SN1980731 / NOTE 1
	56265144	1	Linkage Weldment, 18 (18FLX, 18ST) before SN1980731 / NOTE 1
16	56002865	1	Nut, Hex Nyl Loc-Thin 8-32
17	56260071	1	Terminal Block
18	56265103	1	Rectifier, 35 Amp
19	56365548	1	Lock Pin Assy before SN1980731
20	56265100	1	Rod, Brush Adjustment (16ST, 16XP)
	56265111	1	Adjustment Rod Weldment (18FLX, 18ST)
22	56265073	2	Pin, Pivot
23	56002146	1	Scr, Pan Phil 8-32 x .62
24	56009060	2	Wsh, Flt SS .260 x 1.000 x .074
25	56265071	1	Gasket, Exhaust
26	56249505	2	Wheel
27	56003091	1	Scr, Pan Phil Plastite 10-14 x .75
28	56003120	4	Pin, Cotter Hair .0915 x .375 (qty of 2 on 18" models)
29	56003133	1	Pin, Spr .12 x .56
30	56003207	1	Clevis Pin .50 x 2.75
31	56003690	2	Nut, U Multi-Thread M8 x 1.25 (16" models only)
32	56003691	2	Scr Hex Loc SS 1/4-20 x 4.50
33	56009097	2	Nut, Push Cap 1/2
34	56265057	1	Axle
35	56009191	5	Scr, Pan Phil Plastite 10-14 x .50
36	56200573	1	Gasket, Ring 1.75 x 2.75 x .19
37	56265020	1	Base, Extractor, 16 (16ST, 16XP)
	56265120	1	Base, Extractor, 18 (18 FLX, 18ST)
38	56265031	1	Clip, Rod
39	56109548	1	Knob, Brush Adjustment
40	56002674	1	Scr, Pan Phil 10-24 x 1.00 (18 FLX, 18ST only)
41	56265119	1	Latch, Adjustment (18 FLX, 18ST only)
42	56002098	2	Wsh, Flt SAE 1/4 (18 FLX, 18ST only)
43	56003193	1	Clevis Pin .25 x 1.625 (18 FLX, 18ST only)
44	56002832	1	Nut, Hex Nyl Loc-Thin 10-24 (18 FLX, 18ST only)
45	2-00-05249	1	Hair Pin-Cotter (18 FLX, 18ST only)
46	56265237	1	Lever, Brush Adjustment after SN1980730
47	56265239	1	Knob after SN1980730
48	56003761	1	Scr, Soc HD SS 10-32 x 1.50 after SN1980730
49	56201448	1	Spring, Compression after SN1980730
50	56002916	1	Wsh, Flt SAE SS #10 after SN1980730

NOTE 1: Part numberS 56265116 & 56265144 ARE obsolete and replaced by 56265243 which consists of Items (46-50).



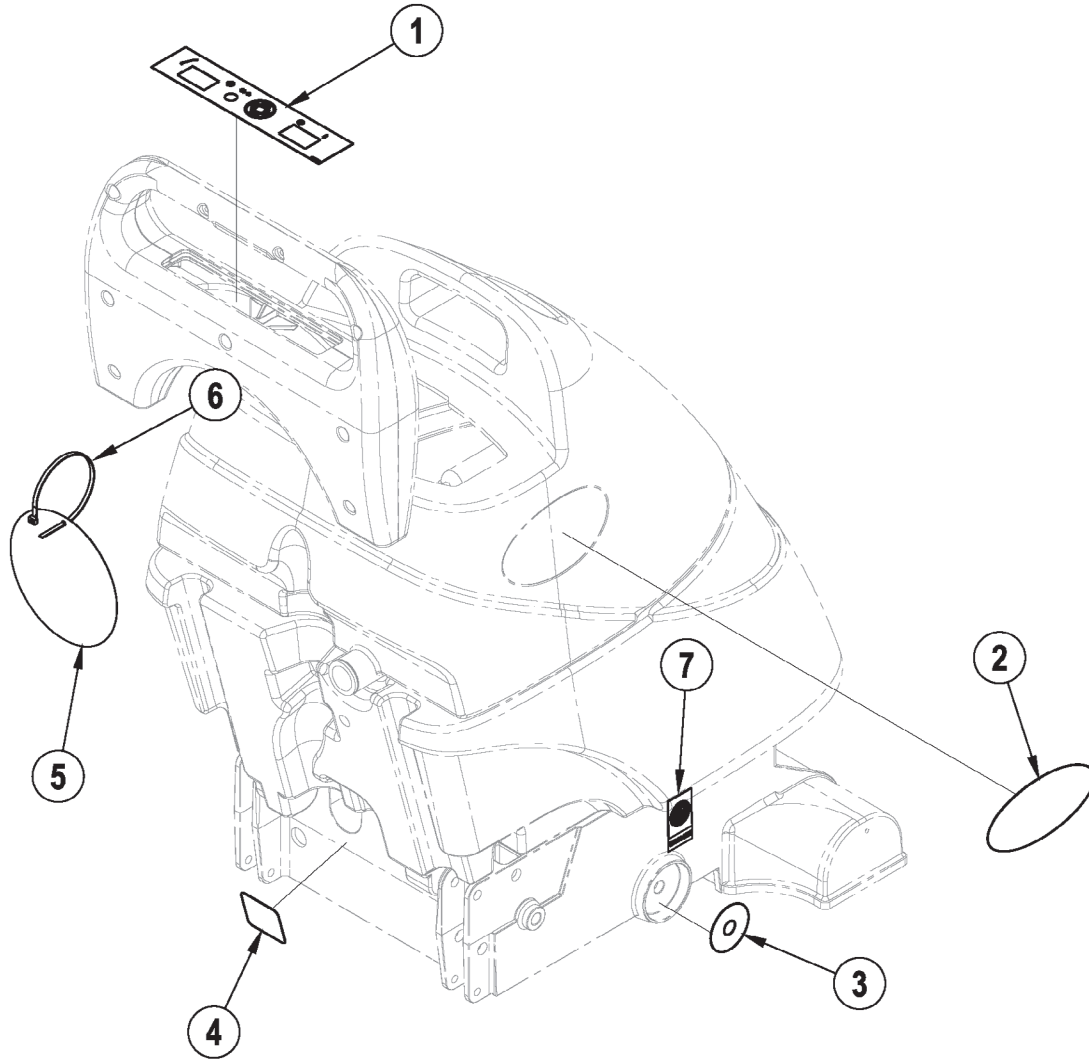
04-11

BRUSH SYSTEM

08-11

AquaClean™**5**

Item	Ref. No.	Qty	Description
1	56265204	1	Bearing/Spindle Kit
	NA	1	Spindle, Drive
	NA	1	Washer, Bearing
	NA	1	Bearing, Block
	NA	1	Sheave Poly-V 6J17
	NA	1	Bearing, Ball
	NA	1	Bearing, Ball
2	56262558	1	Sheave, Poly-V
3	56002849	1	Nut, Hex Nyl Loc-Thin SS 10-24
4	56001854	4	Scr, Hex Hd 1/4-20 x .50
5	56002098	4	Wsh, Flt SAE 1/4
6	56002900	1	Scr, Pan Phil SS 10-24 x .50
7	56009131	2	Scr, Soc Set Loc 5/16-18 x .31
8	56265024	1	Belt, Poly V
9	56265043	1	Clip, Brush Retainer
10	56265047	1	Belt Guard
11	56265075	1	Motor, 115 VDC, 1/3 HP (16ST, 16XP, 18FLX, 18ST)
12	56265091	1	Cover, Pulley
13	56009191	3	Scr, Pan Phil Plastite 10-14 x .50
14	56265044	1	Brush Assembly 16
	56265046	1	Brush, 16
	56265099	1	Brush Assembly 18
	56265065	1	Brush, 18



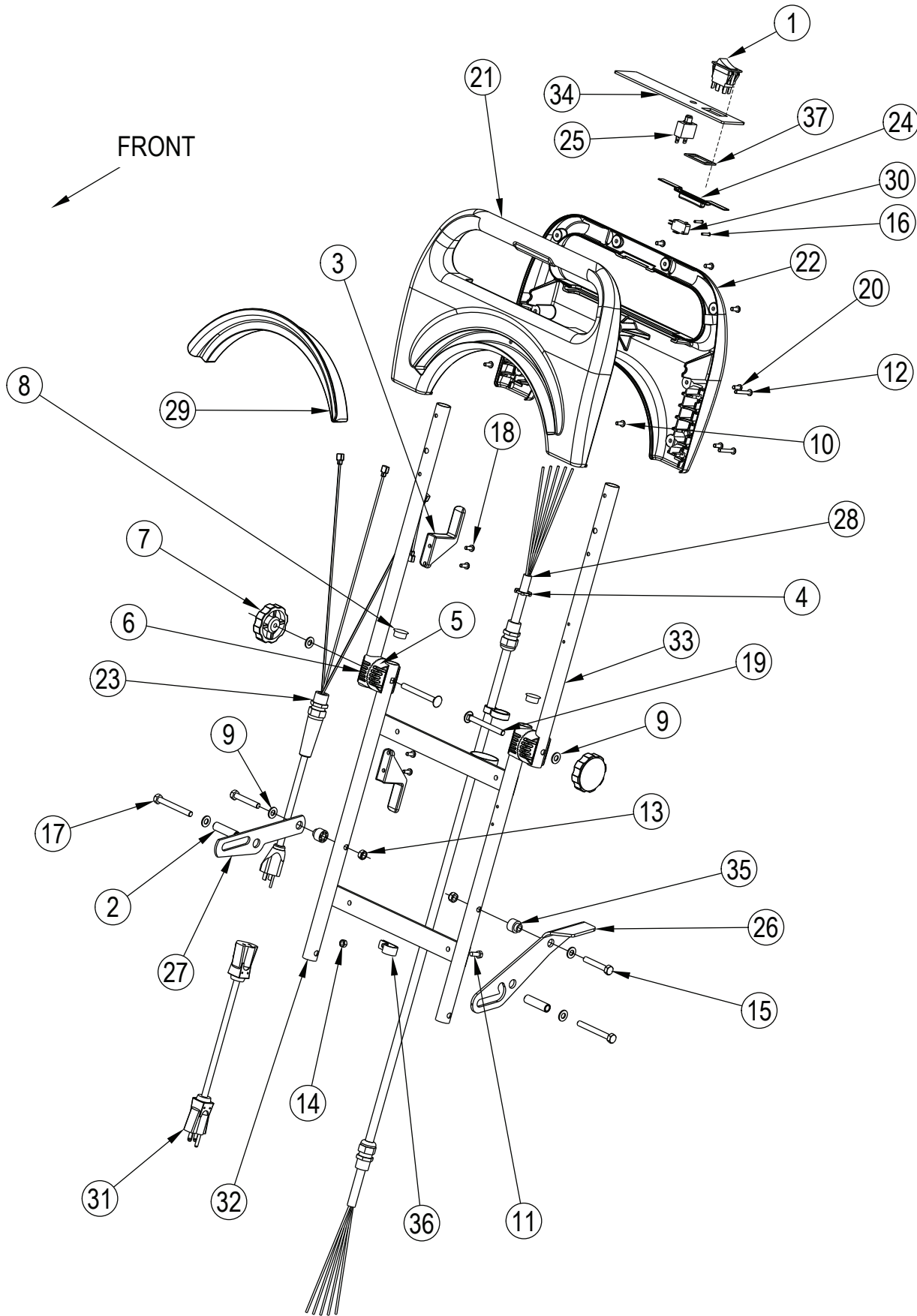
04-11

DECAL SYSTEM

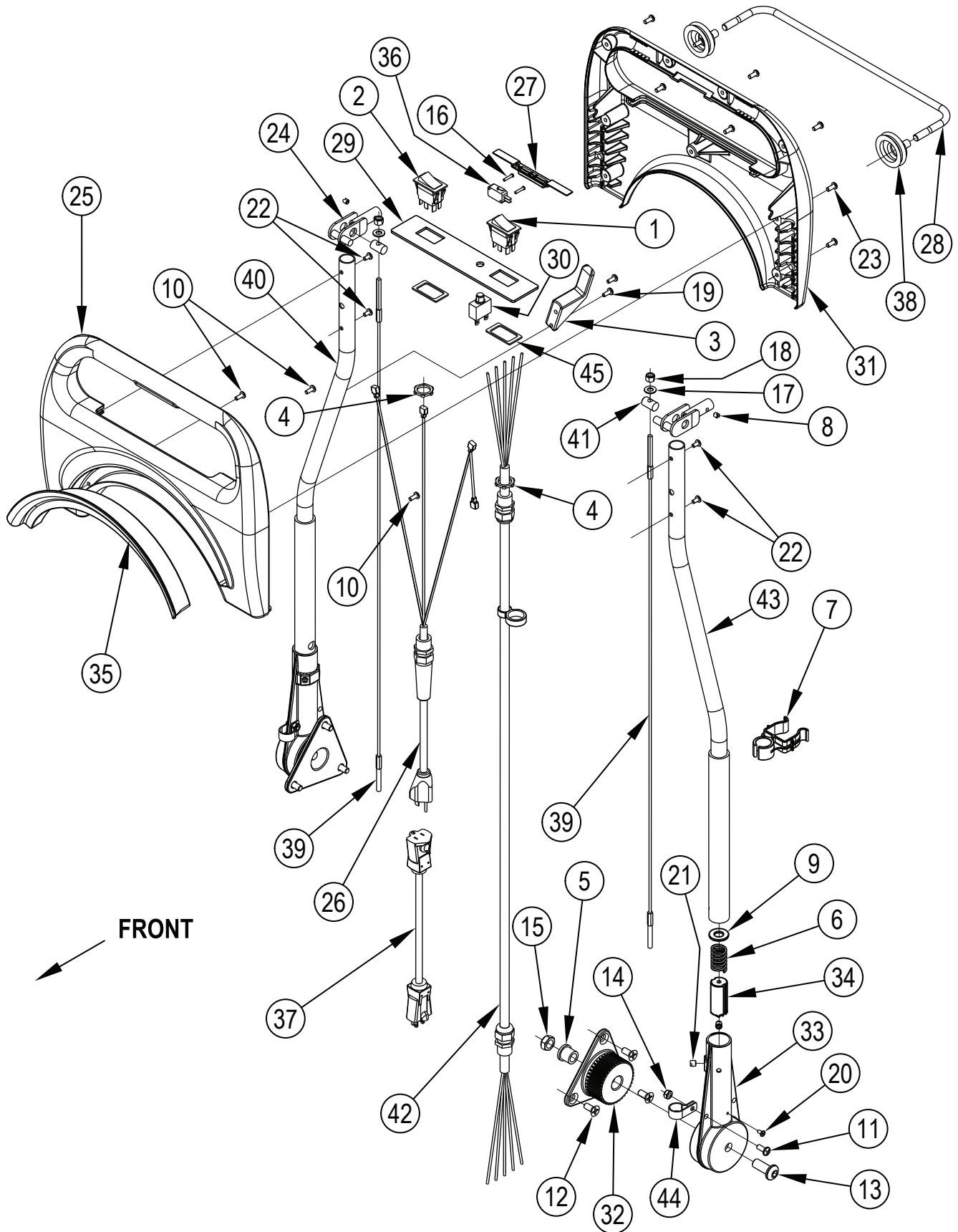
09-12

AquaClean™**7**

Item	Ref. No.	Qty	Description
1	56016716	1	Decal, Panel (16ST, 16XP)
	56016717	1	Decal, Panel (18FLX, 18ST)
2	56016721	2	Decal, AquaClean XP (16XP)
	56016725	2	Decal, AquaClean ST (16ST, 18ST)
	56016722	2	Decal, AquaClean FLX (18FLX)
3	56109693	1	Decal-Nozzle Selector (16XP, 18FLX)
4	56016718	1	Decal, Brush Pressure
5	56040958	1	Tag, CRI
6	56478523	1	Tie, Cable
7	56317151	1	Decal, CRI Bronze



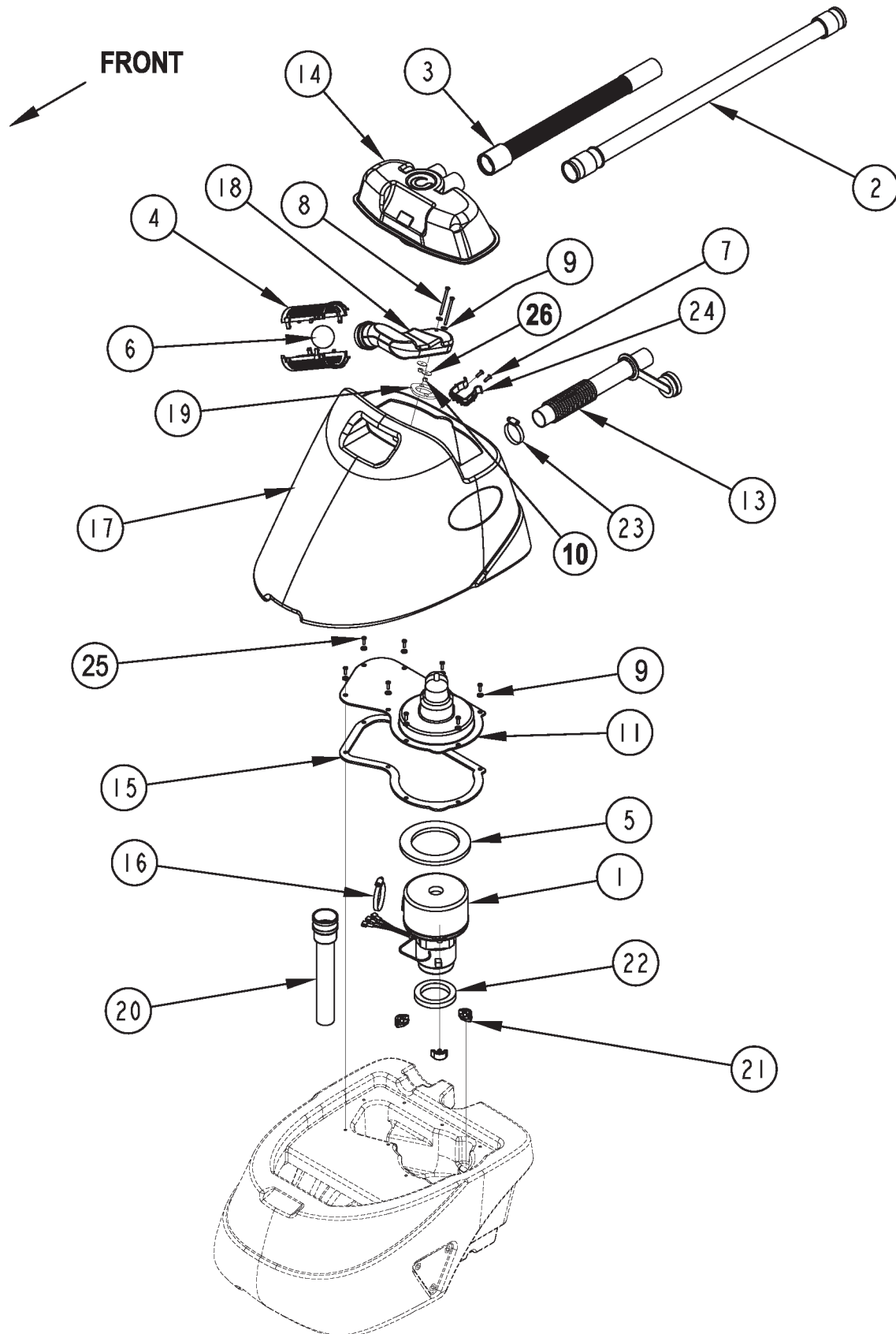
Item	Ref. No.	Qty	Description
1	56381823	1	Switch, Rocker (16ST, 16XP)
2	56265167	2	Bushing .34 x .50 x 1.50
3	56262518	2	Hook, Cord
4	56009095	2	Nut, Conduit Lock 1/2-14
5	56264118	2	Ratchet
6	56264123	2	Ratchet
7	1047	2	Knob
8	56900041	2	Plug, Cap
9	56001939	6	Wsh, Flt SAE 5/16
10	56001993	3	Scr, Pan Phil 10-24 x .50
11	56003441	1	Scr, Hex Nyl Loc M6-1 x 16mm
12	56002824	4	Scr, Pan Phil 10-24 x 1.25
13	56003389	2	Nut, Hex Nyl Loc M8-1.25
14	56003350	1	Nut, Hex M6 x 1.0
15	56003210	2	Scr, Hex M8-1.25 x 50mm
16	56003092	2	Scr, Pan Phil Plastite 4-20 x .62
17	56003700	2	Scr, Hex M8-1.25 x 70mm
18	56009029	4	Scr, Pan Phil Thd Form 10-24 x .50
19	56009136	2	Scr, Carriage 5/16-18 x 3.00
20	56009191	9	Scr, Pan Phil Plastite 10-14 x .50
21	56265028	1	Cover, Handle, Front
22	56265029	1	Cover, Handle, Rear
23	56265035	1	Cord, Pigtail (16XP)
	56265162	1	Cord, Power 14/3, SJT (16ST)
24	56265053	1	Button, Spray
25	56265056	1	Circuit Breaker W/Boot (16ST, 16XP)
26	56265058	1	Latch, Handle
27	56265059	1	Strap, Handle
28	56265085	1	Main Cable Assy
29	56265090	1	Hook, Handle Cover
30	56265098	1	Switch, SPDT Snapaction
31	56265112	1	Cord Set, 14/3 x 50' YEL (16XP)
32	56265123	1	Lower Handle Weldment
33	56265143	2	Tube, Handle
34	56265159	1	Panel, Control (16ST, 16XP)
35	56265199	2	Bushing, Flange
36	56486112	1	Clamp, P
37	56382685	1	Locking Spacer Switch Aluminum



Item	Ref. No.	Qty	Description
1	56381823	1	Switch, Rocker (vacuum)
2	56381824	1	Switch, Rocker (solution)
3	56262518	1	Hook, Cord
4	56009095	2	Nut, Conduit Lock 1/2-14
5	56111503	2	Bearing, Flange
6	56056519	2	Compression Spring
7	56265169	1	Clip, Tool (18FLX)
8	56001841	2	Scr, Soc Set Loc 1/4-20 x .25
9	56009003	2	Wsh, Flt .516 x .938 x .075
10	56001993	3	Scr, Pan Phil 10-24 x .50
11	56002066	2	Scr, Pan Phil 1/4-20 x .62 (qty of 1 on 18ST)
12	56002395	6	Scr, Flt Phil 5/16-18 x .75
13	56009341	2	Scr, Button Soc 1/2-13 x 1.50
14	56002840	2	Nut, Hex Nyl Loc-Thin 1/4-20 (qty of 1 on 18ST)
15	56002843	2	Nut, Hex Nyl Loc-Thin 1/2-13
16	56003092	2	Scr, Pan Phil Plastite 4-20 x .62
17	56002098	2	Wsh, Flt SAE 1/4
18	56003284	2	Nut, Hex Nyl Loc 1/4-28
19	56009029	2	Scr, Pan Phil Thd Form 10-24 x .50
20	56009066	2	Scr, Pan Phil 8-32 x .31
21	56009131	4	Scr, Soc Set Loc 5/16-18 x .31
22	56009139	4	Scr, Pan Phil Loc 10-24 x .38
23	56009191	9	Scr, Pan Phil Plastite 10-14 x .50
24	56265241	2	Handle Adjustment Pivot NOTE 1
25	56265028	1	Cover, Handle, Front
26	56265035	1	Cord, Pigtail
27	56265053	1	Button, Spray
28	56265054	1	Bail, Handle Release
29	56265055	1	Panel, Control
30	56265056	1	Circuit Breaker W/Boot (5 amps)
31	56265062	1	Cover, Flip Handle, Back
32	56109556	2	Gear, Handle
33	56265083	2	Handle Socket
34	56109557	2	Lock, Handle
35	56265090	1	Hook, Handle Cover
36	56265098	1	Switch, SPDT Snapaction
37	56265112	1	Cord Set, 14/3x50' Yel
38	56265128	2	Bellows, Handle
39	56265147	2	Wire Rope Assy
40	56265157	1	Tube, Handle
41	56265242	2	Pin NOTE 2
42	56265192	1	Main Cable Assy
43	56265197	1	Tube, Handle
44	56486112	1	Clamp, P
45	56382685	2	Locking Spacer Switch Aluminum

NOTE 1: Pivot Weldment 56265023 is obsolete and has been replaced by Handle Adjustment Pivot 56265241 in production. Order Kit 56265191 when replacing 56265023.

NOTE 2: Pin 56265164 is obsolete and has been replaced by Pin 56265242 in production. Order Kit 56265191 when replacing 56265164



04-11

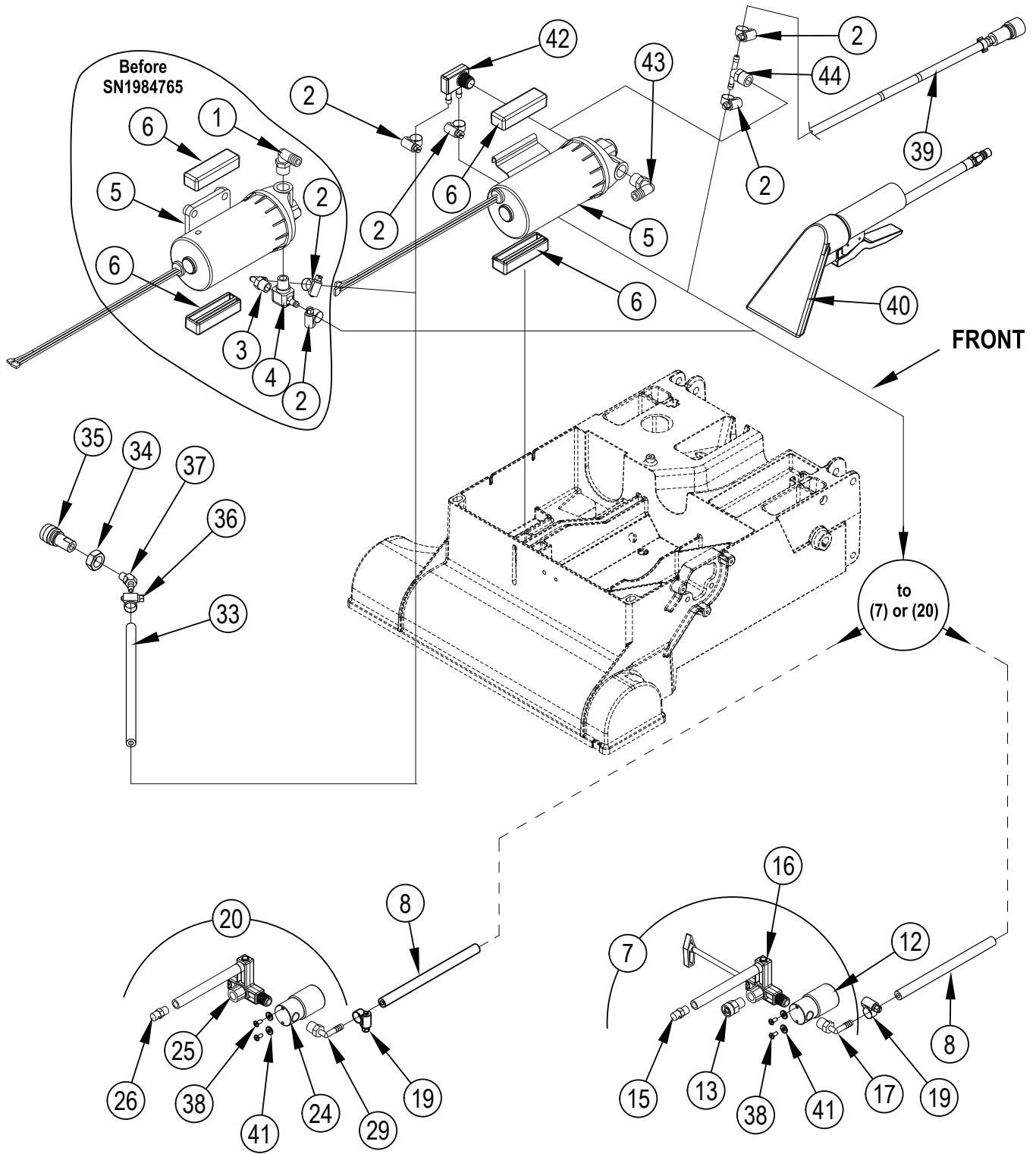
RECOVERY SYSTEM

10-12

AquaClean™**13**

Item	Ref. No.	Qty	Description
1	56265096	1	Vac Motor, 120V (16ST, 16XP, 18FLX, 18ST)
	56264453	1	Carbon Brushes for 56265096 (one pair)
2	56265145	1	Vac Hose 1.50 x 33.00 x 975018 (16XP, 18FLX)
	56265142	1	Vac Hose 1.50 x 48.00 x 975018 (16ST)
	56265211	1	Vac Hose 1.50 x 54.00 x 975018 (18ST)
3	56265158	1	Vac Hose 1.50 Stretch (16XP, 18FLX)
4	56324497	2	Cage, Float
5	56385437	1	Gasket
6	56391690	1	Ball, Float
7	56002124	2	Scr, Pan Phil 10-24 x .62 NOTE 1
8	56003809	2	Scr-Hex SS 10-24 x 2.00
9	56009205	10	Wsh, Flt SS #10
10	56002836	2	Nut-Hex Nyl Loc SS 10-24
11	56265030	1	Cover, Vac Motor
13	56265034	1	Hose, Drain 1.5 Inch NOTE 1
14	56109528	1	Recovery Lid Assy
15	56265072	1	Gasket, Vac Cover
16	56440213	1	Clamp, Hose SAE #32
17	56265127	1	Tank, Recovery, 18 (18FLX, 18ST)
	56265022	1	Tank, Recovery, 16 (16ST, 16XP)
	56265247	1	Tank Replacement Kit NOTE 1
18	56265134	1	Duct, Float
19	56265163	1	Gasket
20	56265202	1	Vac Hose Assy
21	56314484	3	Mount, Vibration
22	56314760	1	Gasket, Vacuum Duct
23	56329145	1	Clamp, Hose SAE #24 NOTE 1
24	56331154	1	Clamp, Plastic NOTE 1
25	56002900	8	Scr, Pan Phil SS 10-24 x .50
26	56009096	2	Wsh-Fit .193 x .875 x .060

NOTE 1: 1st generation 16ST Recovery Tank part number 56265210 is obsolete and replaced by 56265247 which includes items (7,13,23,24).



Kit	Item	Ref. No.	Qty	Description
	1	56900069	1	Barb, 90 Elbow 1/2 X 3/8NPT before SN1984765 / TSBUS2007-961 / TSBUS2007-961-1
	2	56756364	2	Clamp, Hose SAE #4
	5	56265051	1	Pump 115V (16ST, 16XP, 18FLX, 18ST) before SN1984765
		56265224	1	Pump 115V (16ST, 16XP, 18FLX, 18ST) after SN1984764
	6	56265033	2	Mount, Pump
K1	7	56109512	1	Nozzle/Valve Assy (16) (16XP) (items 12, 13, 15-17) NOTE 4
K2		56109510	1	Nozzle/Valve Assy (18) (18FLX) (items 12, 13, 15-17) NOTE 5
	8	56260841	1	Hose, Polyester Braid, 7.00 before SN1984765
		56264346	1	Hose, Polyester Braid, 10.50 after SN1984764
	12	56265037	1	Valve, Solenoid 115V (16XP, 18FLX) TSBUS2007-966
	13	56265038	1	Quick Veejet W/ Body
	15	56265052	1	Nozzle, Spray
	16	56109691	1	Valve Assy-16 (16XP)
		56109692	1	Valve Assy-18 (18FLX)
	17	56470138	1	Barb, 90 Elbow 1/4 x 1/4NPT
	19	56756364	1	Clamp, Hose SAE #4
	20	56109513	1	Nozzle/Valve Assy (16) (16ST, 18ST) (items 24-26, 29) NOTE 6
	24	56265037	1	Valve, Solenoid 115V TSBUS2007-966
	25	NA		
	26	56265052	1	Nozzle, Spray
	29	56470138	1	Barb, 90 Elbow 1/4 x 1/4NPT
	33	56220043	1	Solution Feed Hose before SN1984765
		56264346	1	Solution Feed Hose after SN1984764
	34	56009078	1	Nut, Hex Jam SS 5/8-18
	35	56265208	1	Socket, 1/8 FPT
	36	56756364	1	Clamp, Hose SAE #4
	37	56109732	1	Barb, Adapter Male 45 Degree
	38	56003018	2	Scr, Pan Phil SS 8-32 x .38
	39	56265168	1	Hose Assembly (16XP, 18FLX)
	40	56220109	1	Hand Tool Assembly (16XP, 18FLX)
	41	56002875	2	Wsh, Flt SAE SS #8
	42	56109503	1	Double Barb Assy NOTE 3
	43	56109566	1	Barb, 90 Elbow 1/2 x 3/8 NPT NOTE 2
	44	56507993	1	Tee, Barb 1/4 x 3/8 NPT NOTE 1 / TSBUS2008-1002
K1	56382848	1		Kit-Nozzle and Valve Asm 16 (includes Nozzle Selector Decal 56109693)
K2	56382847	1		Kit-Nozzle and Valve Asm 18 (includes Nozzle Selector Decal 56109693)

NOTE 1: Only used on Aquaclean 18FLX model 56265001. Tee 56507993 replaced items (56264382, 56470138 & 56369632) on the Aquaclean 18FLX model 56265001 after October 2007.

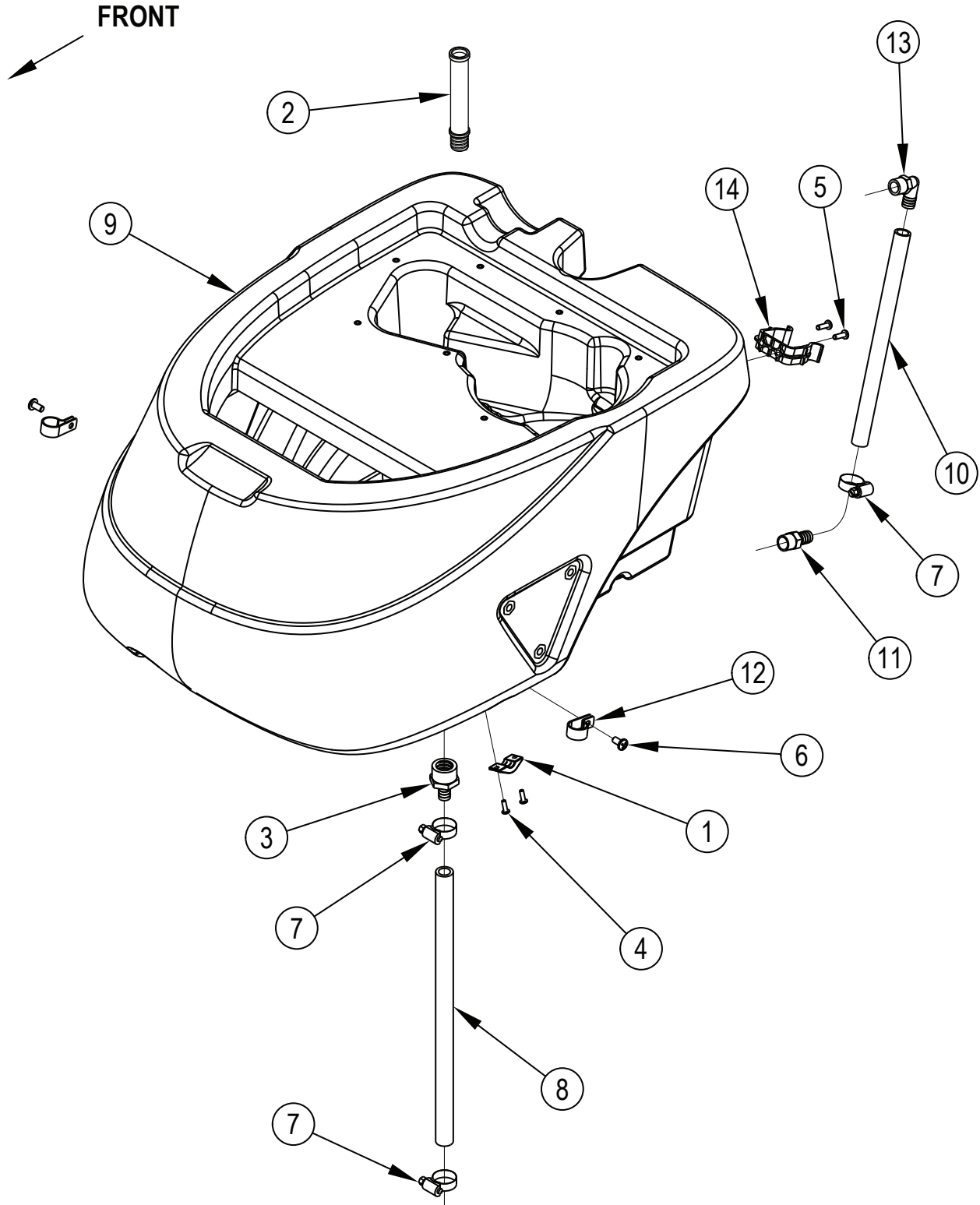
NOTE 2: First generation - **56409507** used before December 2007.
Second generation - **56900069** used from December 2007 through August 2008.
Third generation - **56109566** used after August 2008.

NOTE 3: Used on all models EXCEPT the Aquaclean 18FLX model 56265001.

NOTE 4: As of serial number 1000030934 Nozzle / Valve Assy 16 56265039 is obsolete and replaced by Nozzle-Valve Assy-16 56109512. If you need to replace any of the subcomponents from 56265039 please order 56382848 Kit-Nozzle and Valve Asm.

NOTE 5: As of serial number 1000030948 Nozzle / Valve Assy 18 56265139 is obsolete and replaced by Nozzle-Valve Assy-18 56109510. If you need to replace any of the subcomponents from 56265139 please order 56382847 Kit-Nozzle and Valve Asm.

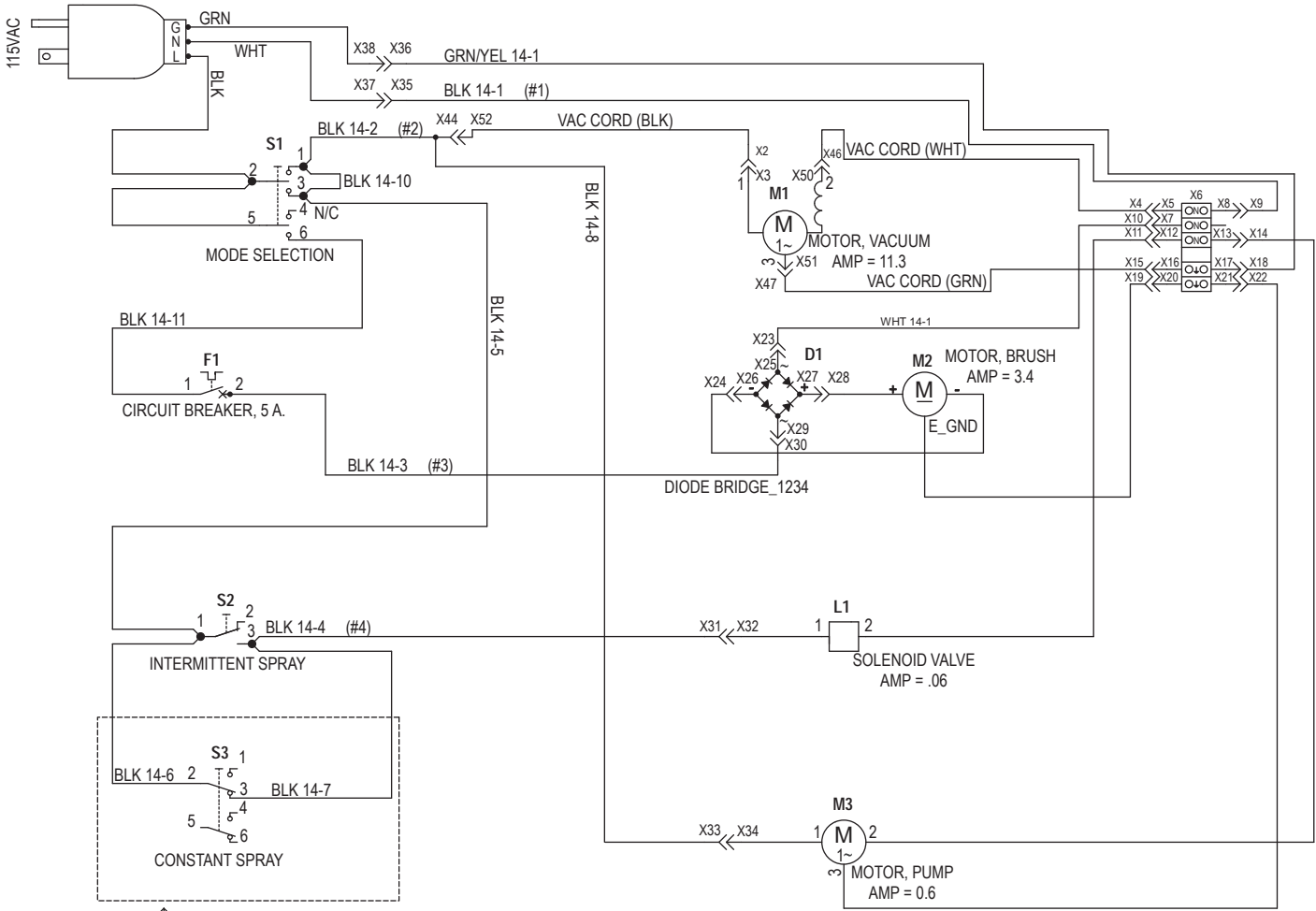
NOTE 6: As of serial number 1000031068 Nozzle / Valve Assy 16 56265160 is obsolete and replaced by Nozzle-Valve Assy-16 56109513. If you need to replace any of the subcomponents from 56265160 please order the entire new assembly 56109513.



Item	Ref. No.	Qty	Description
1	56264119	1	Clamp, Power Cord (18FLX, 18ST)
2	56264137	1	Screen
3	56262190	1	Barb TSBUS2007-961 / TSBUS2007-961-1
4	56002003	2	Scr, Pan Phil 8-32 x .50 (18FLX, 18ST)
5	56002124	2	Scr, Pan Phil 10-24 x .62
6	56002145	2	Scr, Pan Phil 1/4-20 x .50 (18FLX / qty of 1 on 18ST)
7	56219932	3	Clamp, Hose SAE #6
8	56387302	1	Hose, Spiral .50 before SN1984765
	56407267	1	Hose, Spiral .50 after SN1984764 NOTE1
9	56265126	1	Tank, Solution, 18 (18FLX, 18ST)
	56265021	1	Tank, Solution, 16 (16ST, 16XP)
10#	56387302	1	Tube PVC .500X11.00 E00604
11	56109565	1	Barb, Adapter 1/2 x 3/8NPT
12	56486112	2	Clamp, P (18FLX / qty of 1 on 18ST)
13	56109566	1	Barb, 90 Elbow 1/2 x 3/8NPT
14	56331154	1	Clamp, Plastic

= Revised or new since last update

NOTE 1: Hose 56266108 has been replaced by Hose 56407267.



OPTIONAL
(USED ON 18" MACHINE)

Item	Ref. No.	Qty	Description
D1	56265103	1	Rectifier, 35 Amp
F1	56265056	1	Circuit Breaker, 5 Amp
L1	56265037	1	Valve, Solenoid 115V TSBUS2007-966
M1	56265096	1	Motor Vacuum, 120V
	56264453	1	Carbon Brushes for 56265096 (one pair)
M2	56265075	1	Motor, Brush 115 VDC, 1/3 HP
M3	56265051	1	Pump 115V (16ST, 16XP, 18FLX, 18ST) before SN1984765
	56265224	1	Pump 115V (16ST, 16XP, 18FLX, 18ST) after SN1984764
S1	56381823	1	Switch, Mode Selection
S2	56265098	1	Switch, Solution Spray
S3	56381824	1	Switch, Constant Spray (18FLX only)
*	56265187	1	Wire Assembly (16ST, 16XP, 18FLX, 18ST)
*	56265102	1	Wire Assembly (16ST, 16XP, 18FLX, 18ST)
*	56265087	1	Wire Assembly (16ST, 16XP, 18FLX, 18ST)
*	56265108	2	Wire Assembly (18FLX, 18ST)

* = Not Shown

ACCESSORIES

04-11

20**AquaClean™**

13-6

OPTIONAL BRUSHES

Brush Assembly Description	16"	18"
Nylon Brush Assembly	56265044	56265099
Blue Brush Assembly	56265175	56265177
240 Grit Brush Assembly	56265176	56265178

ACCESSORY TOOLS**Ref. No.****Description**

56314402	Wand Assembly w/Soft and Hard Floor Tools
56265173	Wand Assembly w/Soft Floor Tool
56262209	Stand Up Wand
56220109	Hand Tool
56380377	Spray Tip (for 56220109)
56220070	Upholstery Hand Tool
56265174	15' Hose w/Waterline
56265112	Locking Extension Cord
56265368	8' Hose w/Waterline
56265150	Hard Floor Tool
56265309	Plug Adaptor Kit
56265305	Drag Wand
#	DELETED
56250314	14" Scrub/Vac Tool

= Revised or new since last update



Nilfisk-Advance Equipamentos de Limpeza Ltda.
Av. Dep. Emílio Carlos, 2.499 - Bairro do Limão - 02721-200
São Paulo - SP - Brasil
www.nilfisk-advance.ind.br
www.plataforma.ind.br
Tel.: (11) 3959-0300
Fax: (11) 3959-0306
©2013 Nilfisk-Advance, Inc.



14600 21st Avenue North
Plymouth, MN 55447-3408
www.advance-us.com
Phone: 800-989-2235
Fax: 800-989-6566
©2013 Nilfisk-Advance, Inc.

A Nilfisk-Advance Brand