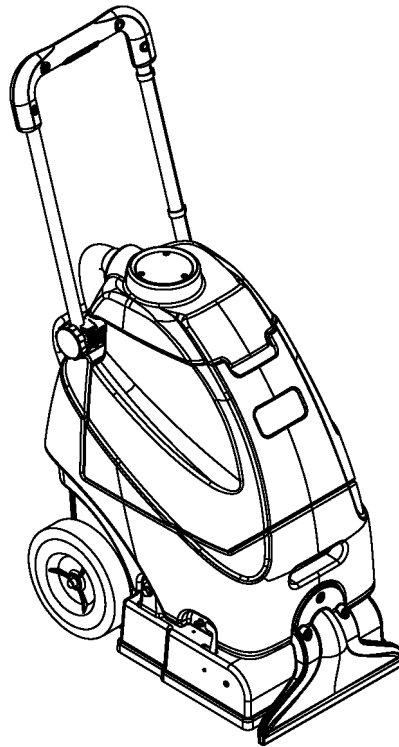


AquaClean™ 12ST



PARTS LIST

Advance MODEL 56265300

OPTIONS & ACCESSORIES

AVAILABLE BRUSH

56265340 Brush Assembly 12"

ACCESSORY TOOLS

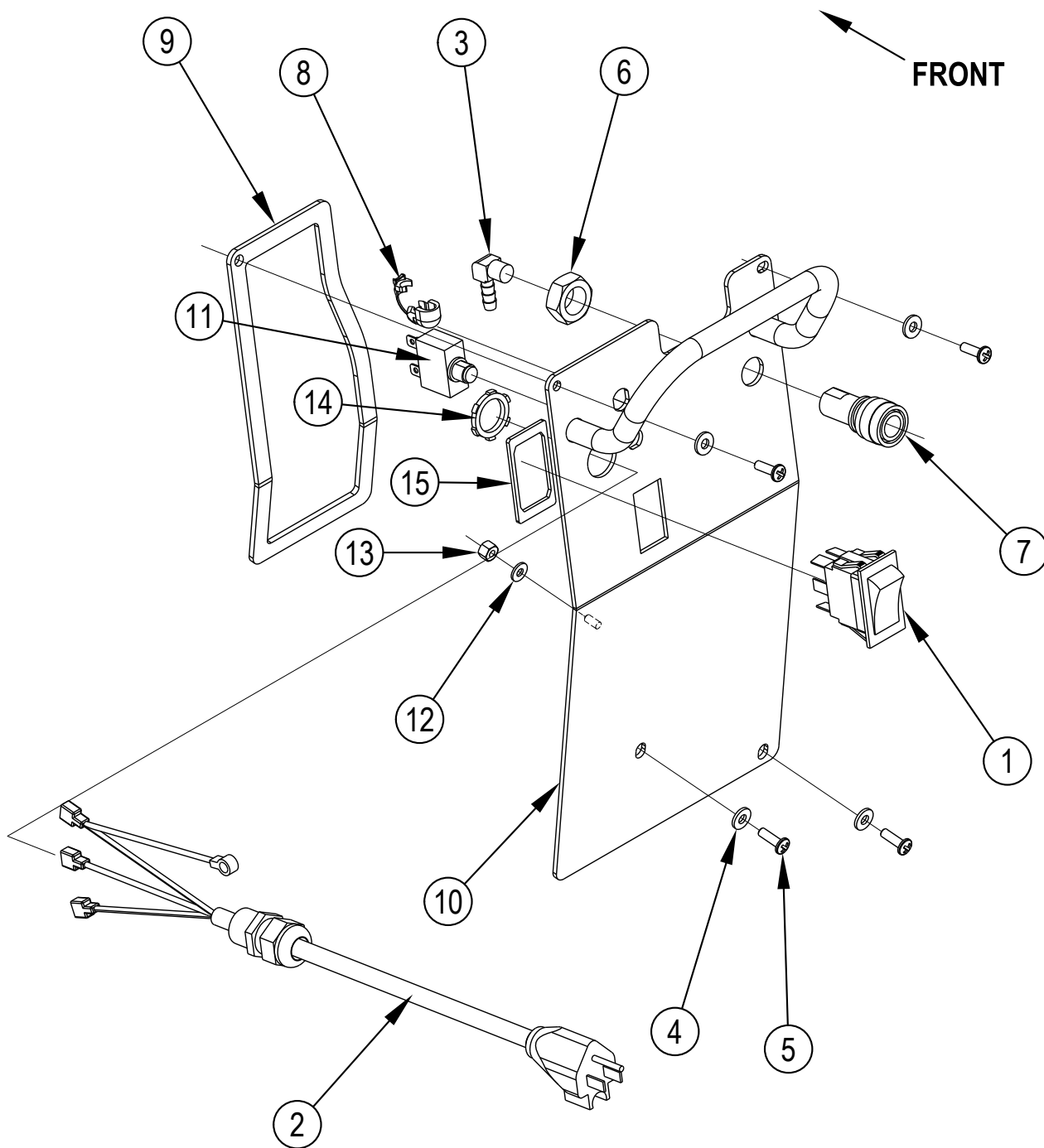
56314402 Wand Assembly w/Soft and Hard Floor Tools
56265173 Wand Assembly w/Soft Floor Tool
56262209 Stand Up Wand
56220109 Hand Tool
56220070 Upholstery Hand Tool
56265368 Hose Assembly (**8' Hose w/Waterline**)
56265174 Hose Assembly (**15' Hose w/Waterline**)

DESCRIPTION	PAGE
Back Panel Assembly	2-3
Base System	4-5
Brush System	6-7
Decal System	8-9
Handle System	10-11
Recovery System	12-13
Solution System	14-15
Wiring Diagram	16-17

WHEN ORDERING PARTS

- * Use the part numbers from the "Ref. No." columns in this parts list.
- * Specify the model and serial number of the machine.
- * Use the space below to record the model and serial number for future reference.

Model _____ Serial No. _____



05-6

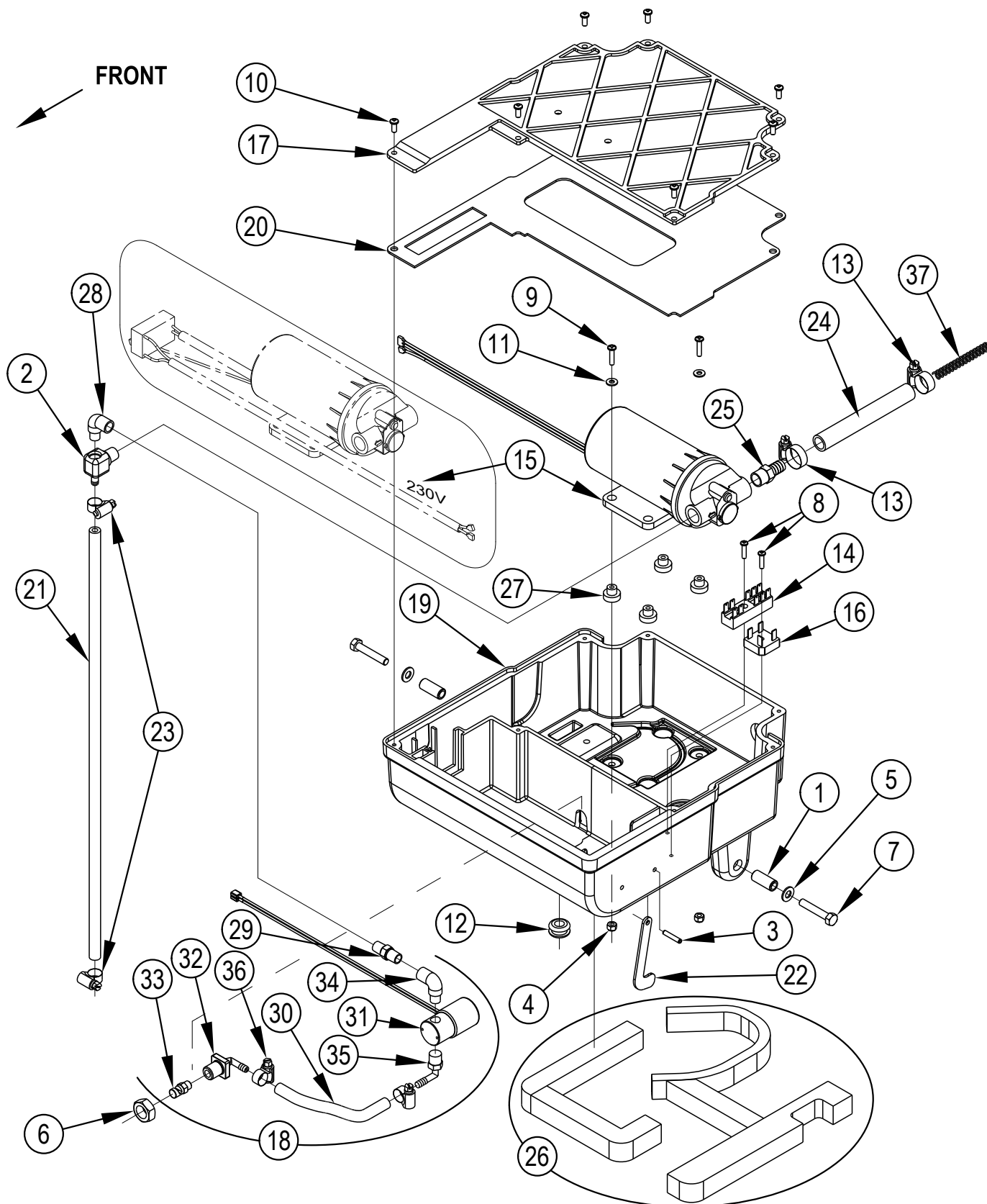
BACK PANEL ASSEMBLY

12-1

AquaClean™ 12ST**3**

Item	Ref. No.	Qty	Description
1	56381824	1	Switch, Rocker
2	56316322	1	Cord, Power 16/3, SJT NOTE 1
3	56755726	1	Barb, Hose Male
4	56009205	4	Wsh, Flt SS .219 x .500 x .047/.062
5	56002896	4	Scr, Pan Phil SS 10-24 x .62
6	56009078	1	Nut, Hex Jam SS 5/8-18
7	56265208	1	Socket, 1/8 FPT
8	56265392	1	Strain Relief, .25-.29
9	56265325	1	Gasket, Back Panel
10	56265411	1	Weldment, Back Panel NOTE 1
11	56265379	1	Circuit Breaker W/Boot
12	56009010	1	Wsh, Int Shprt #8
13	56009148	1	Nut, Hex Machine 8-32
14	56009095	1	Nut, Conduit Lock 1/2-14
15	56382685	1	Locking Spacer Switch Aluminum

NOTE 1: 56265356 is obsolete and replaced by 56316322. 56265391 is obsolete and replaced by 56265411



05-6

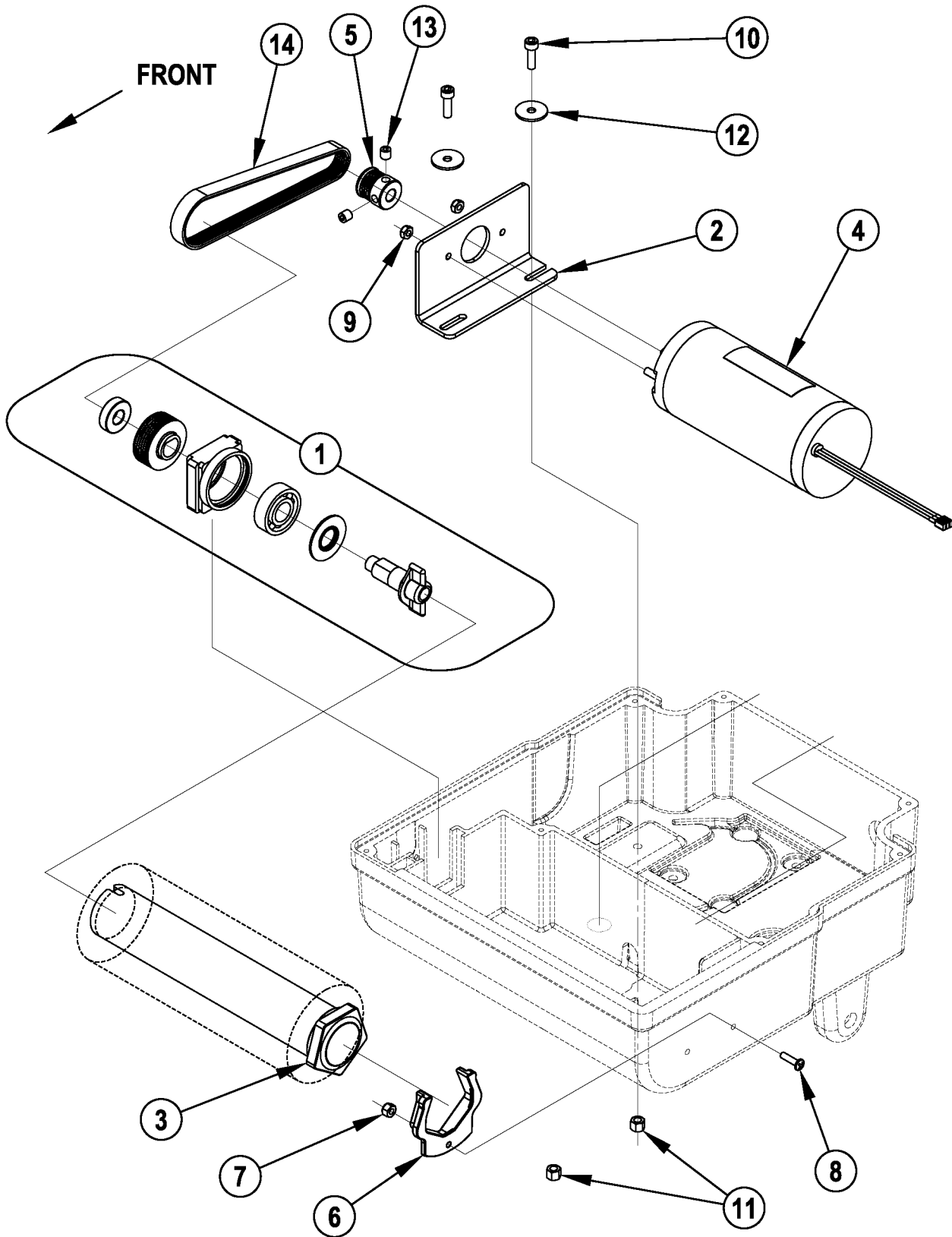
BASE SYSTEM

09-7

AquaClean™ 12ST

5

Item	Ref. No.	Qty	Description
1	56265393	2	Bushing .31 x .50 x 1.18
2	56264382	1	Adaptor, Barbed
3	56002082	1	Pin, Spr .19 x 1.00
4	56002836	2	Nut, Hex Nyl Loc SS 10-24
5	56002938	2	Wsh, Flt SAE SS 5/16
6	56003272	1	Nut, Hex Jam SS 5/8-11
7	56003333	2	Scr, Hex SS 5/16-18 x 1.75
8	56003545	2	Scr, Pan Phil Plastite 8-10 x .75
9	56003611	2	Scr, Pan Phil SS 10-24 x .88
10	56003711	7	Scr, Pan Phil SS Plastite 10-14 x .62
11	56009205	2	Wsh, Flt SS .219 x .500 x .047/.062
12	56050955	1	Grommet
13	56219932	2	Clamp, Hose SAE #6
14	56260071	1	Terminal Block
15	56265051	1	Pump 115V
16	56265103	1	Rectifier, 35 Amp
17	56265342	1	Base Panel
18	56265343	1	Valve, Nozzle Assembly (items 29-36)
19	56265358	1	Base, 12
20	56265367	1	Gasket, Base Panel
21	56265373	1	Hose, 1/4 x 21.00L
22	56265377	1	Hook, Base
23	56756364	2	Clamp, Hose SAE #4
24	56265245	1	Hose
25	56109565	1	Barb, Adapter 1/2 x 3/8NPT TSBUS2007-961-1
26	56265323	1	Muffler Set
27	56265399	4	Grommet
28	56369632	1	Elbow, 90 Street
29	56265219	1	Nipple, 1/4NPT x .88/1.12
30	56249342	1	Hose, Solution
31	56265037	1	Valve, Solenoid 115V TSBUS2007-966
32	56265388	1	Elbow, Panel Mount
33	56265390	1	Nozzle
34	56369632	1	Elbow, 90 Street
35	56470138	1	Barb, 90 Elbow 1/4 x 1/4NPT
36	56756364	2	Clamp, Hose SAE #4
37	56265246	1	Spring, Comp .42 x 3.00 SS



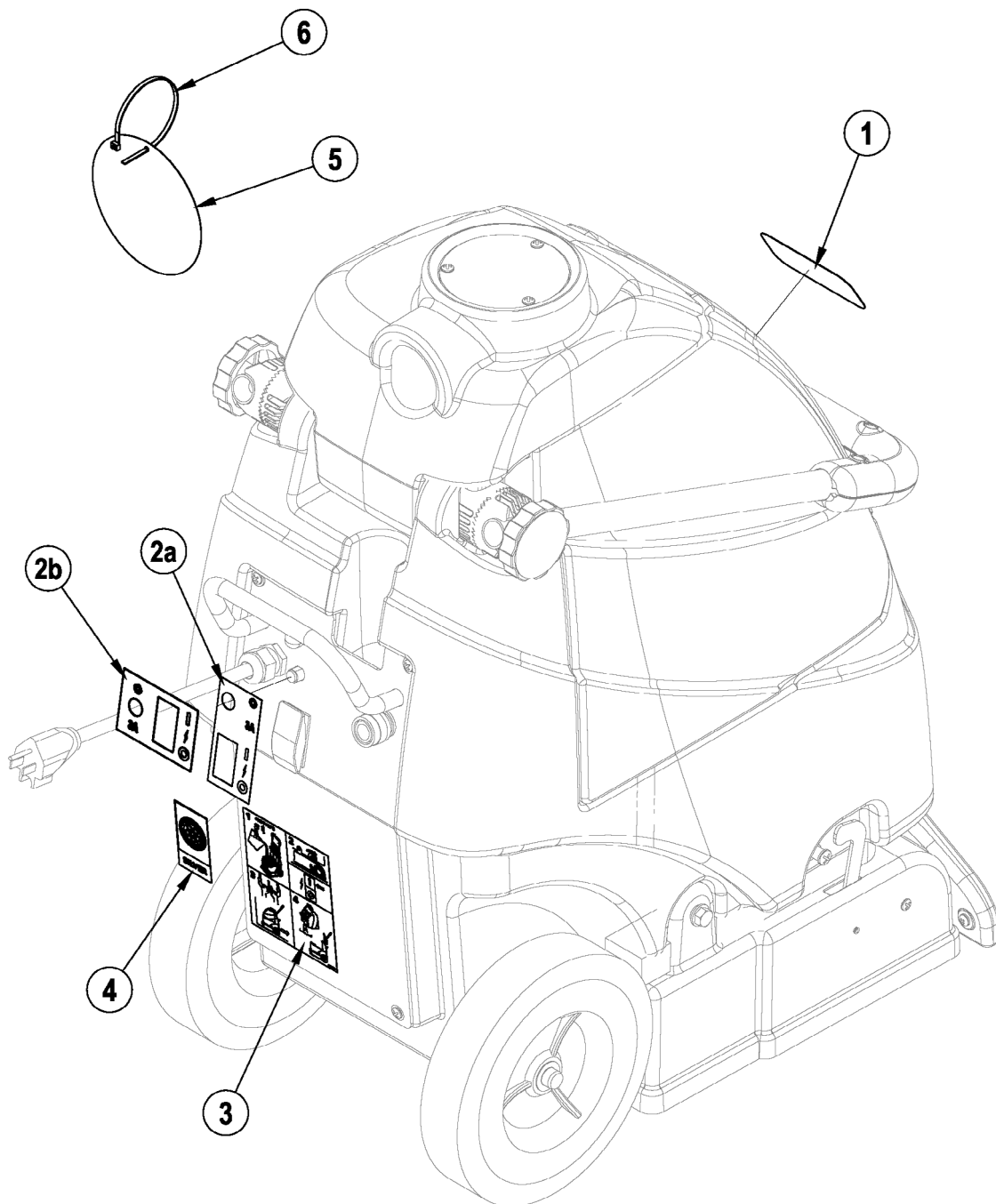
05-6

BRUSH SYSTEM

08-10

AquaClean™ 12ST**7**

Item	Ref. No.	Qty	Description
1	56265204	1	Bearing/Spindle Kit
	NA	1	Spindle, Drive
	NA	1	Washer, Bearing
	NA	1	Bearing, Block
	NA	1	Sheave Poly-V 6J17
	NA	1	Bearing, Ball
	NA	1	Bearing, Ball
2	56265344	1	Bracket, Motor Tension
3	56265340	1	Brush Assembly 12
4	56265077	1	Motor, 115V, 1/4 HP
5	56265370	1	Sheave, Poly-V
6	56265043	1	Clip, Brush Retainer
7	56002836	1	Nut, Hex Nyl Loc SS 10-24
8	56002894	1	Scr, Pan Phil SS 10-24 x .75
9	56003053	2	Nut, Hex Nyl Loc-Thin 10-32
10	56003424	2	Scr, Soc SS M6-1 x 20mm
11	56003426	2	Nut, Hex Nyl Loc SS M6-1
12	56009060	2	Wsh, Flt SS .260 x 1.000 x .074
13	56009131	2	Scr, Soc Set Loc 5/16-18 x .31
14	56249040	1	Belt, Poly V



05-6

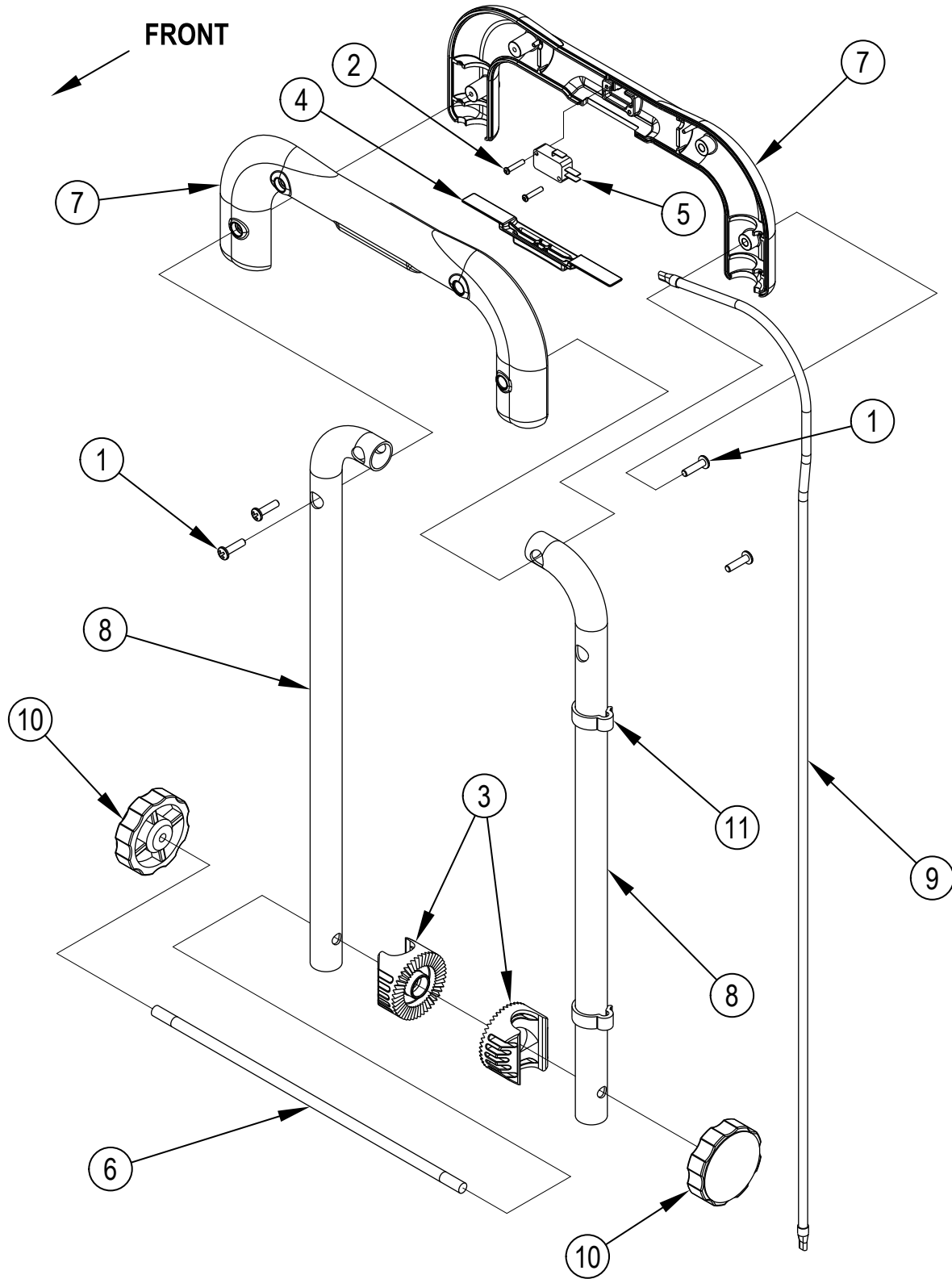
DECAL SYSTEM

08-10

AquaClean™ 12ST**9**

Item	Ref. No.	Qty	Description
1	56016768	1	Decal, AquaClean 12 ST
2a	56265310	1	Decal, Main NOTE 1
2b	56016771	1	Decal, Switch / Breaker NOTE 2
3	56016772	1	Decal, Operation Instructions
4	56317152	1	Decal, CRI Silver
5	56040958	1	Tag, CRI
6	56478523	1	Tie, Cable

NOTE 1: Only used after SN2005987**NOTE 2:** Only used before SN2005988



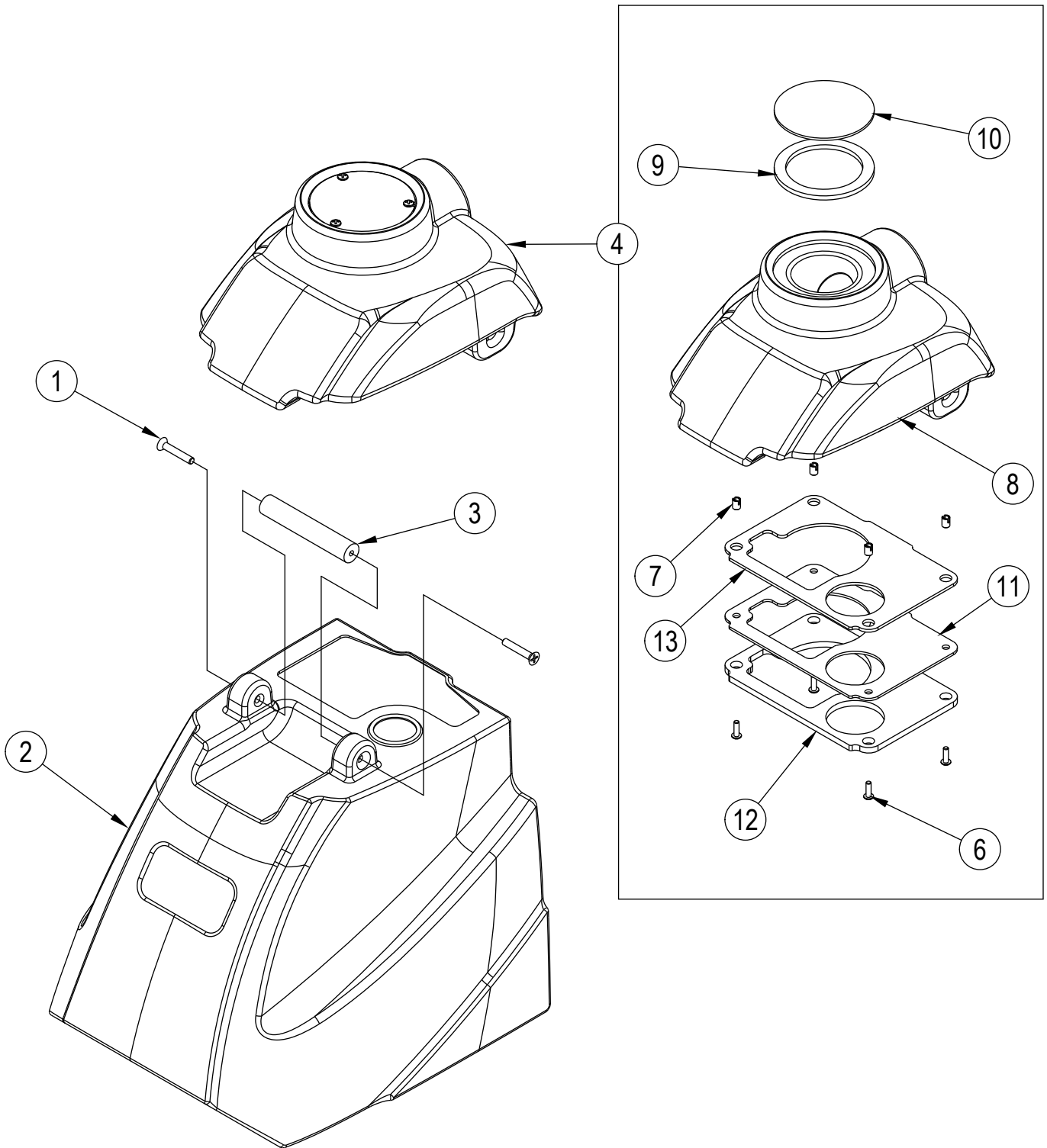
05-6

HANDLE SYSTEM 12

10-12

AquaClean™ 12ST**11**

Item	Ref. No.	Qty	Description
1	56002192	4	Scr, Pan Phil 10-24 x .75
2	56003092	2	Scr, Pan Phil Plastite 4-20 x .62
3	56264123	2	Ratchet
4	56265053	1	Button, Spray
5	56265098	1	Switch, SPDT Snapaction
6	56265357	1	Rod, Handle
7	56265374	2	Cover, Handle
8	56265375	2	Tube, Handle
9	56265385	1	Wire Assy, 20AWG/2cond
10	1047	2	Knob
11	56344346	2	Clamp, Handle



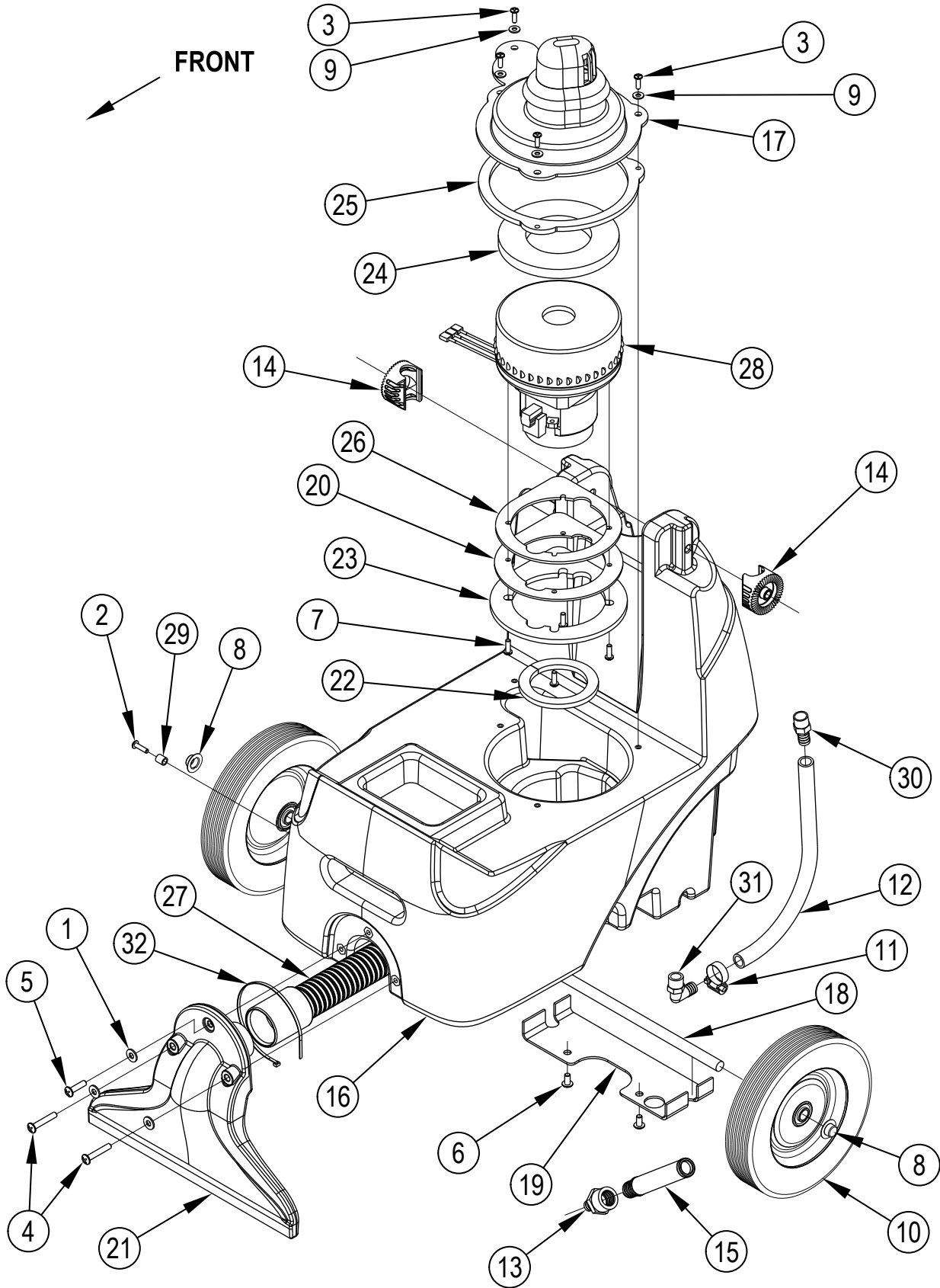
05-6

RECOVERY SYSTEM

12-6

AquaClean™ 12ST**13**

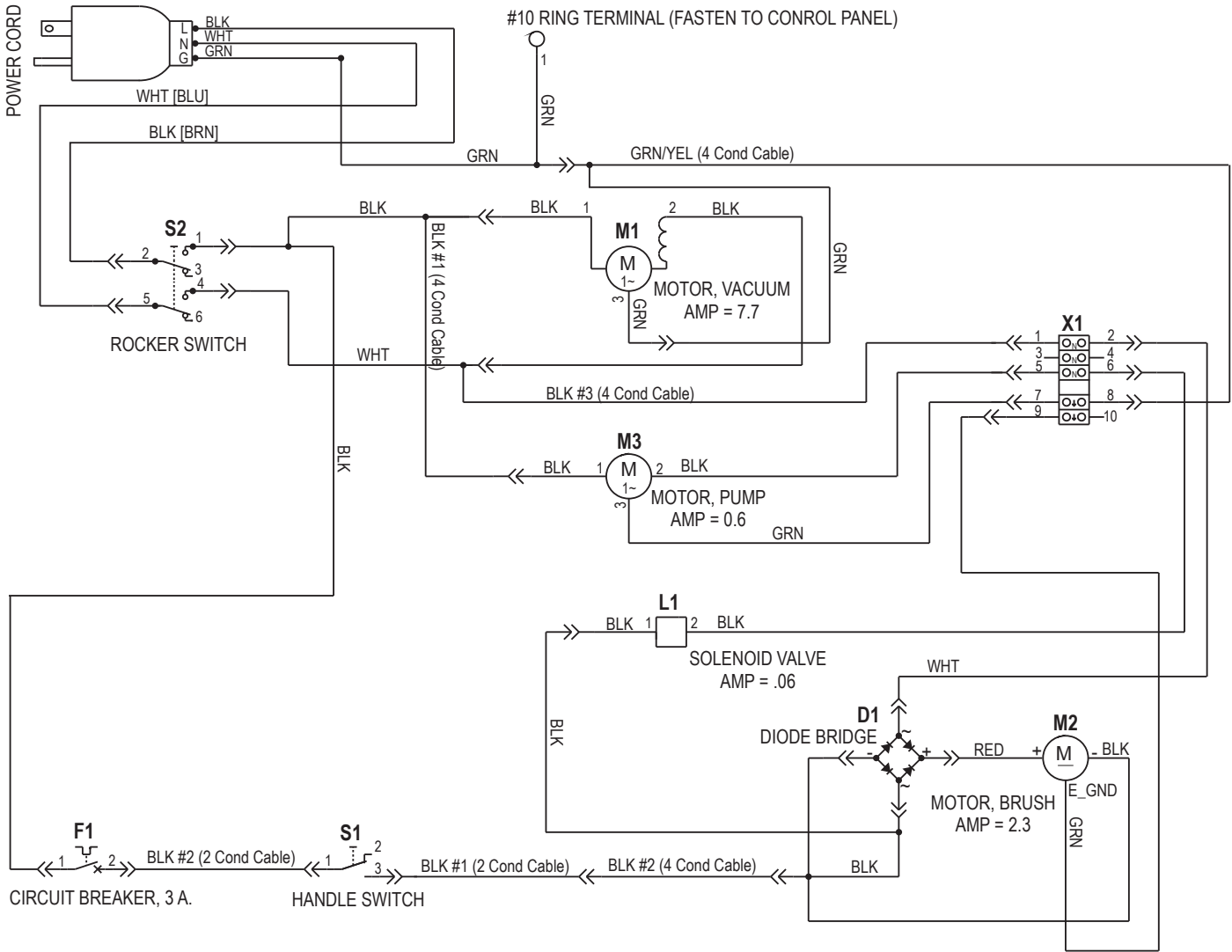
Item	Ref. No.	Qty	Description
1	56001972	2	Scr, Flt Phil 1/4-20 x 1.50
2	56265322	1	Tank, Recovery 12
3	56265346	1	Handle, Lid
4	56265389	1	Lid Assembly (includes items 6-13)
6	56002896	4	Scr, Pan Phil SS 10-24 X .62
7	56249946	4	Insert, Brass 10-24
8	56265347	1	Lid, Recovery
9	56265348	1	Gasket, Lid Inlet
10	56265349	1	Inlet, Tank Lid
11	56265350	1	Plate, Lid
12	56265351	1	Gasket, Lid
13	56265371	1	Gasket, Lid Plate



Item	Ref. No.	Qty	Description
1	56002859	3	Wsh, Flt SAE SS 1/4
2	56002507	1	Scr, Pan Phil 1/4-20 x .75
3	56002896	4	Scr, Pan Phil SS 10-24 x .62
4	56002905	2	Scr, Pan Phil SS 1/4-20 x 1.50
5	56003067	1	Scr, Pan Phil SS 1/4-20 x 1.00
6	56003119	2	Scr, Pan Phil SS 1/4-20 x .50
7	56003322	4	Scr, Pan Phil Plastite 10-14 X .62
8	56009097	2	Nut, Push Cap 1/2
9	56009205	4	Wsh, Flt SS .219 x .500 x .047/.062
10#	56330051	2	Wheel
11	56219932	1	Clamp, Hose SAE #6
12	56244986	1	Hose
13	56262190	1	Barb
14	56264118	2	Ratchet
15	56264137	1	Screen
16	56265320	1	Tank, Solution 12
17	56265326	1	Cover, Vac Assembly
18	56265327	1	Axle
19	56265328	1	Retainer, Axle
20	56265329	1	Plate, Motor
21	56265330	1	Shoe, 12
22	56265334	1	Gasket
23	56265335	1	Gasket
24	56265336	1	Gasket
25	56265337	1	Gasket, Vac Cover
26	56265364	1	Gasket
27	56265372	1	Vac Hose 1.50 Stretch
28	56265380	1	Vacuum Motor 115V
*	56203518	1	Carbon Brushes (set of 2) for use on 56265380
29	56321532	1	Bushing .25 x .37 x .40
30	56109565	1	Barb, Adapter 1/2 x 3/8NPT TSBUS2007-961-1
31	56109566	1	Barb, 90 Elbow 1/2 x 3/8NPT TSBUS2007-961-1
32	56478523	1	Tie, Cable

* = Not Shown

= Revised or new since last update



Item	Ref. No.	Qty	Description
D1	56265103	1	Rectifier, 35 Amp
F1	56265379	1	Circuit Breaker, W/Boot (3 Amp)
L1	56265037	1	Valve, Solenoid 115V TSBUS2007-966
M1	56265380	1	Motor Vacuum, 115V
*	56203518	1	Carbon Brushes (set of 2) for use on 56265380
M2	56265077	1	Motor, Brush 115 VDC, 1/4 HP
M3	56265051	1	Motor, Pump 115V
S1	56265098	1	Switch, Handle (Solution/Brush)
S2	56381824	1	Switch, Rocker (Power)
*	56265383	1	Wire Assy, Rectifier Blk
*	56265384	1	Wire Assy, Rectifier Wht
*	56265385	1	Wire Assy, 20 AWG/2 Cond
*	56265386	1	Wire Assy, 16 AWG/4 Cond
	56265356	1	Power Cord

* = Not Shown



Nilfisk-Advance Equipamentos de Limpeza Ltda.
Av. Dep. Emílio Carlos, 2.499 - Bairro do Limão - 02721-200
São Paulo - SP - Brasil
www.nilfisk-advance.ind.br
www.plataforma.ind.br
Tel.: (11) 3959-0300
Fax: (11) 3959-0306
©2012 Nilfisk-Advance, Inc.



14600 21st Avenue North
Plymouth, MN 55447-3408
www.advance-us.com
Phone: 800-989-2235
Fax: 800-989-6566
©2012 Nilfisk-Advance, Inc.

A Nilfisk-Advance Brand