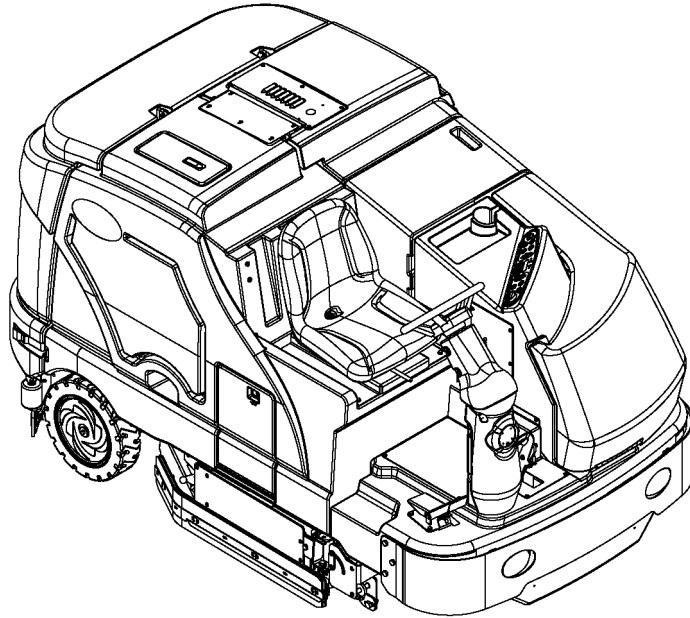


# Condor XL

---



---

## PARTS LIST

### Active Models:

56110000(LPG/48"), 56110001(Petrol/48"), 56110002(Diesel/48"), 56110003(LPG/60"),  
56110004(Petrol/60"), 56110005(Diesel/60"), 56110006(LPG/62"), 56110007(Petrol/62"),  
56110008(Diesel/62"), 56110009(LPG/67"), 56110010(Petrol/67"), 56110015(Diesel/67")  
56381131, 56383094 (LPG X48), 56381133 (Petrol X48), 56381134 (Diesel X48)  
56381135 (LPG X60), 56381137 (Petrol X60), 56381138 (Diesel X60)  
56381139, 56383095 (LPG X62), 56381140 (Petrol X62), 56381141 (Diesel X62)  
56381142 (LPG X67), 56381143 (Petrol X67), 56381145 (Diesel X67)

### Obsolete Models:

56111035(LPG-AXP/48"), 56111036(Petrol-AXP/48"), 56111037(Diesel-AXP/48")  
56111038(LPG-AXP/60"), 56111039(Petrol-AXP/60"), 56111040(Diesel-AXP/60")  
56111041(LPG-AXP/62"), 56111042(Petrol-AXP/62"), 56111043(Diesel-AXP/62")  
56111044(LPG-AXP/67"), 56111045(Petrol-AXP/67"), 56111046(Diesel-AXP/67")

---



# Advance

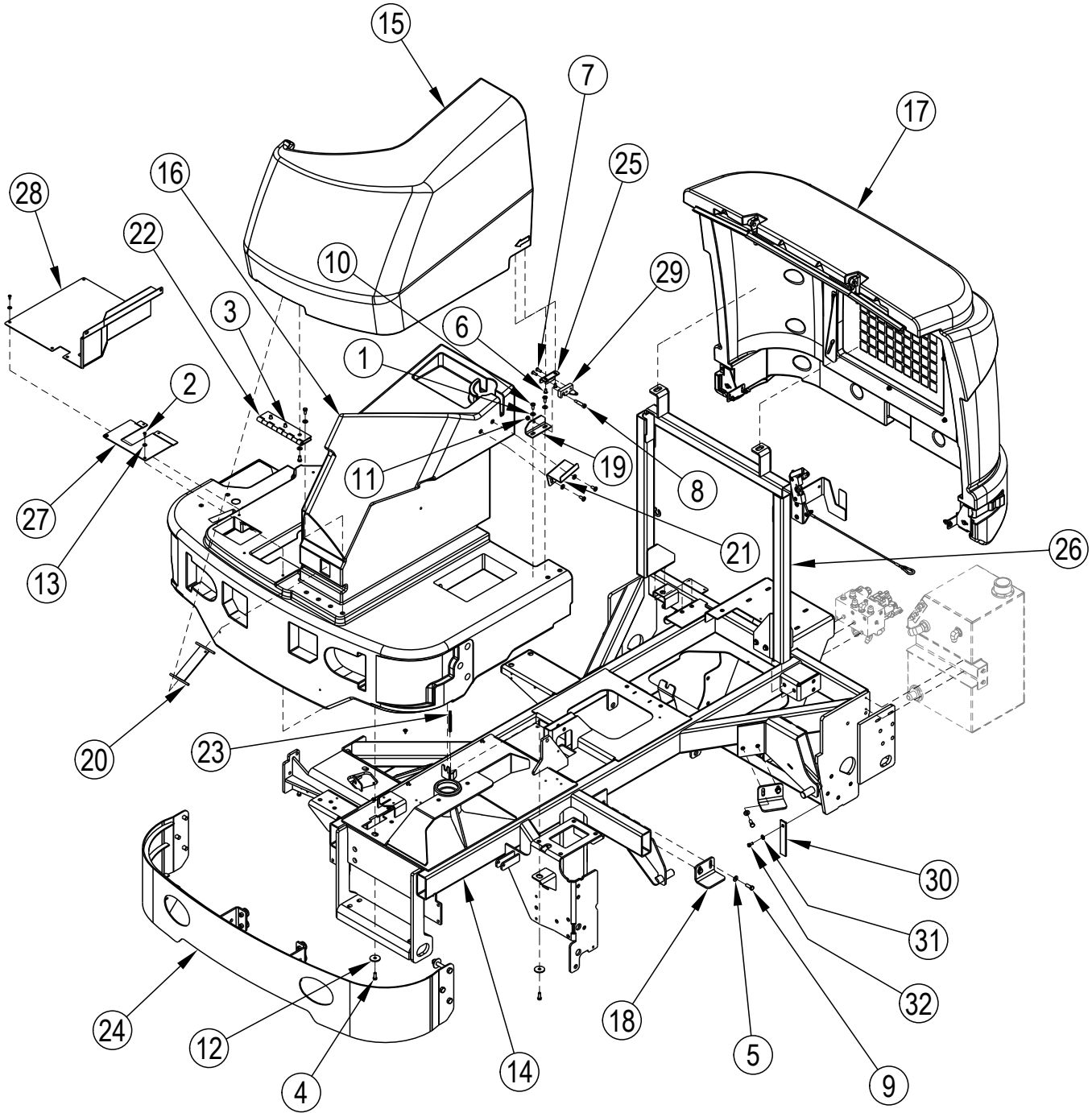
DESCRIPTION	Page
Chassis System - 1 .....	4-5
Chassis System - 2 .....	6-7
Control System .....	8-9
Control System - Brake & Foot Pedal Assemblies .....	10-11
Control System - Steering Assy .....	12-13
Decal System .....	14-15
Detergent Injection System .....	16-17
Drive Wheel System .....	18-19
Electrical System .....	20-21
Electrical System - Control Board Assy .....	22-23
Engine Assy GM 1.6L - IMPCO .....	24-25
Engine Assy GM 1.6L - PSI .....	26-27
Engine Assy Diesel .....	28-29
Exhaust CATCON-Muffler Assy .....	30-31
Fuel Tank Assy - Diesel .....	32-33
Fuel Tank Assy - LPG .....	34-35
Fuel Tank Assy - Petrol .....	36-37
Hydraulic Schematic .....	38
Hydraulic System .....	40-41
Hydraulic Cylinder Assemblies .....	42-43
Hydraulic Oil Cooler-Reservoir .....	44-45
Hydraulic Valve Block Assy .....	46-47
Hydraulic Motor Assemblies .....	48-49
Hydraulic Pump Assemblies .....	50-51
Radiator Assy .....	52-53
Rear Wheel System .....	54-55
Recovery System - 1 .....	56-57
Recovery System - 2 .....	58-59
Right Scrub System - 1 .....	60-61
Right Scrub System - 2 .....	62-63
Right Scrub System - 3 .....	64-65
Right Scrub System Hydraulics .....	66-67
Scrub System - 1 .....	68-69
Scrub System - 2 .....	70-71
Scrub System - Side Skirt Assemblies .....	72-73
Side Broom System - Dual .....	74-75
Side Broom Hydraulic Assy - Dual .....	76-77
Side Broom System - Left .....	78-79
Side Broom Hydraulic Assy - Left .....	80-81
Side Broom Sub Assy - Left .....	82-83
Side Broom Sub Assy - Right .....	84-85
Side Broom Sub Assy - Pump .....	86-87

DESCRIPTION	Page
Solution System - 1 .....	88-89
Solution System - 2 .....	90-91
Squeegee System .....	92-93
Squeegee Assy .....	94-95
Squeegee Mount Assy .....	96-97
Vac Fan Assy .....	98-99
Ladder Diagram With GM Engine .....	100-101
Ladder Diagram With Diesel Engine .....	102-103
Brush Selector Guide – Cylindrical (Main Scrub Deck) .....	104
Brush Selector Guide – Disk (Right Scrub) .....	105
Optional Kits & Accessories .....	106-107
GM 1.6L Replacement Parts - PSI .....	108

**WHEN ORDERING PARTS**

- \* Use the numbers from the "Ref. No." columns in this parts list.
- \* Specify the model and serial number of the machine.
- \* Use the space below to record the model and serial number for future reference.

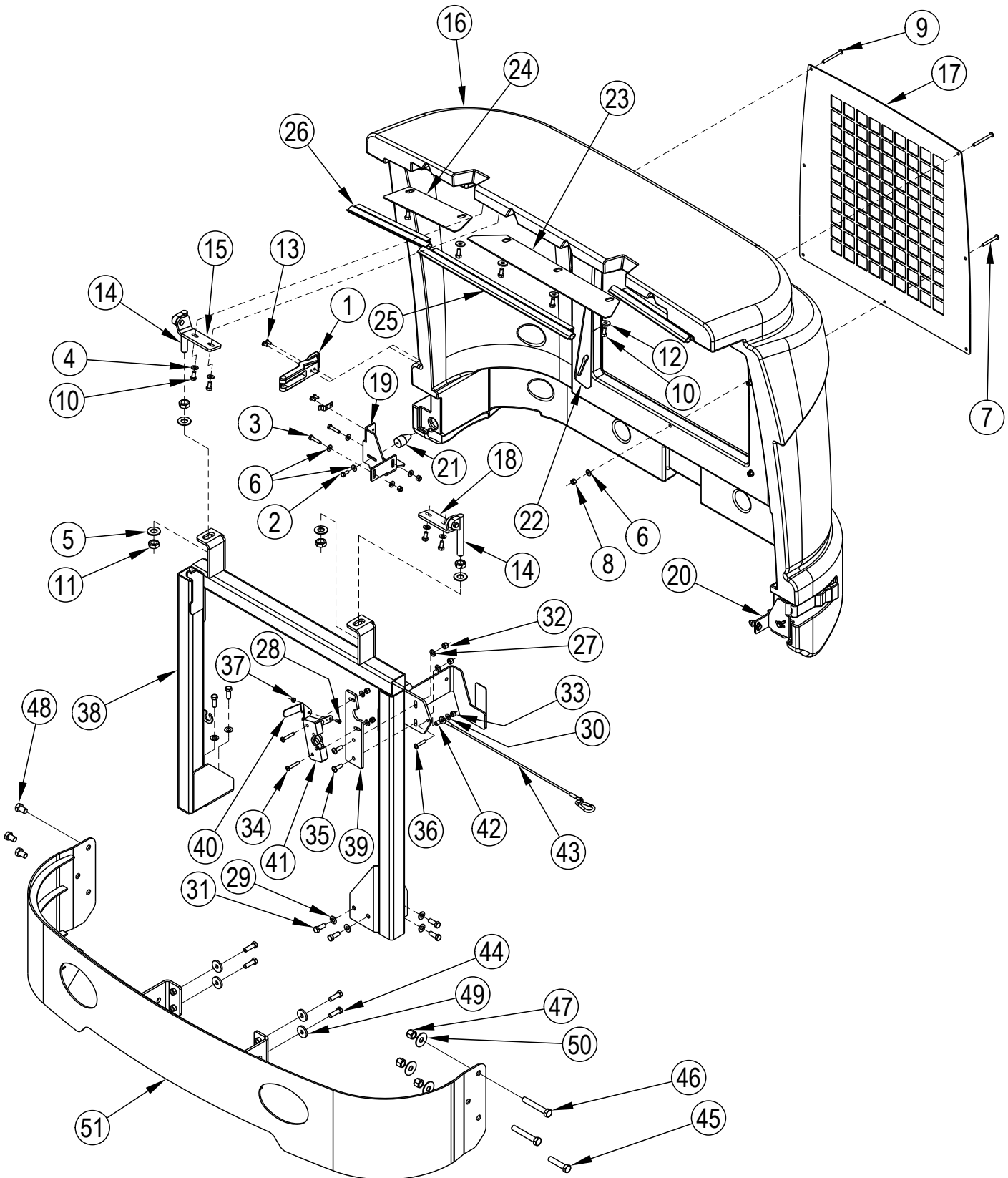
Model \_\_\_\_\_ Serial No. \_\_\_\_\_





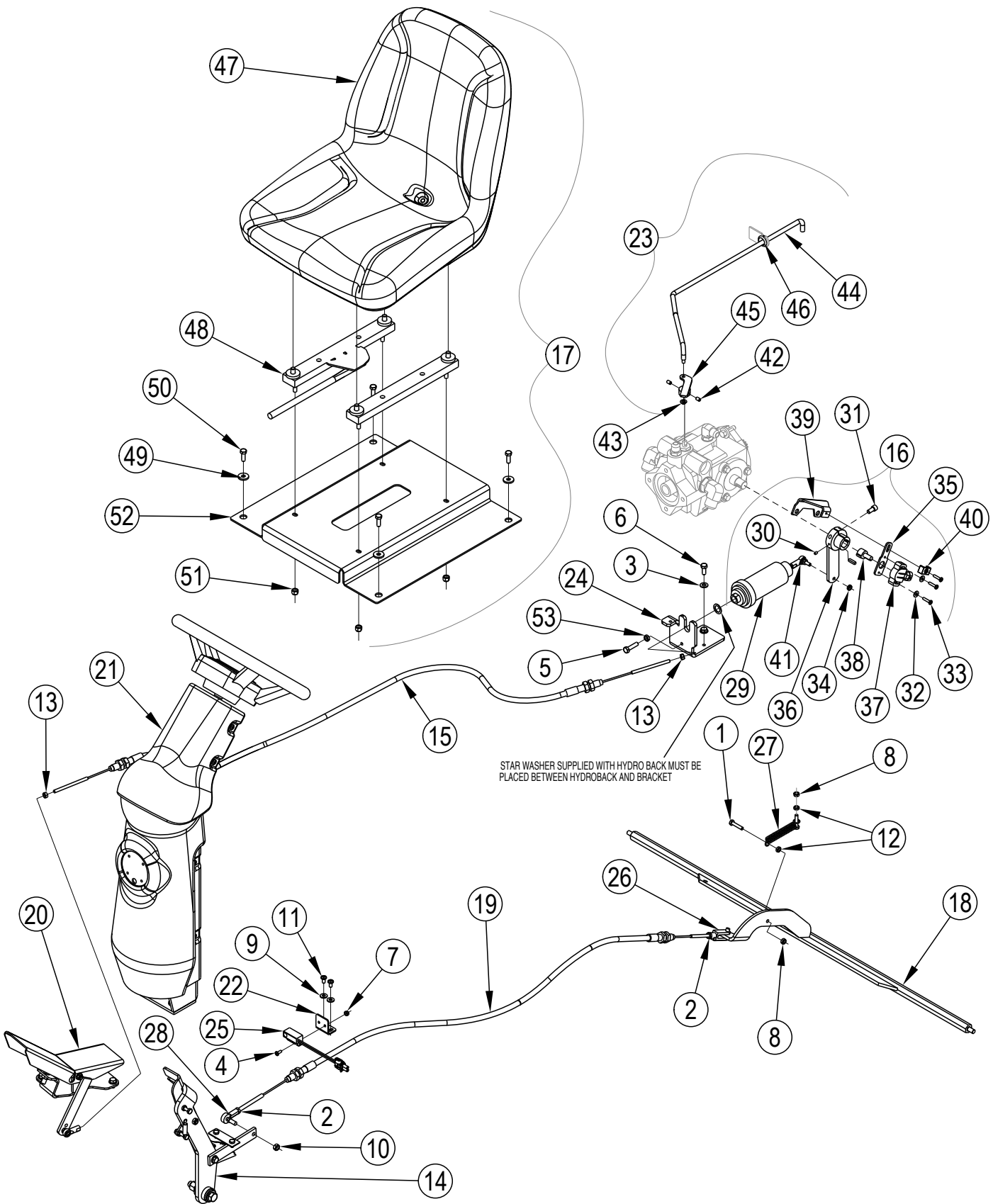
09-3	<b>CHASSIS SYSTEM - 1</b>		
12-8	<b>Condor XL</b>		<b>5</b>

Item	Ref. No.	Qty	Description
1	56001939	11	Wsh, Flt SAE 5/16
2	56001993	8	Scr, Pan Phil 10-24 x .50
3	56002035	7	Scr, Hex 5/16-18 x .62
4	56002037	3	Scr, Hex 5/16-18 x .88
5	56002063	4	Wsh, Flt SAE 3/8
6	56002145	2	Scr, Pan Phil 1/4-20 x .50
7	56002507	2	Scr, Pan Phil 1/4-20 x .75
8	56002624	1	Scr, Soc Shd .38 x 1.25 x 5/16-18
9	56002663	4	Scr, Hex 3/8-16 x 1.00
10	56002793	4	Scr, Pan Phil 5/16-18 x .75
11	56002826	1	Nut, Hex Nyl Loc-Thin 5/16-18
12	56009242	3	Wsh, Flt .406 x 1.500 x .125
13	56009267	8	Wsh, Flt .202 x .562 x .040
14		1	Chassis Weldment
15	56110416	1	Hood, Front
	56111654	1	Hood Assy Propane Euro ( <b>models 56383094, 56383095</b> )
16	56110421	1	Floor Tank, Front
17	56110442	1	Cover Assembly, Rear ( <b>see Chassis System - 2</b> )
18	56110587	2	Bracket, Tank Stop
19	56110640	1	Plate, Pin Support
20	56110644	1	Hood Strap Weldment
21	56110724	1	Support, Propane Cover
22	56110726	1	Hinge, Cover
23	56110734	1	Trim-Seal
24	56110900	1	Heavy Bumper Assy ( <b>see Chassis System - 2</b> )
25	56110909	1	Plate, Latch Mount
26	56111128	1	Cover Support Assy ( <b>see Chassis System - 2</b> )
27	56111132	1	Floor Plate Weldt
28	56111638	1	Floor Weldt
29	56413802	1	Latch, Rh
30	56109633	1	Strap, Static, 6"
31	56002098	1	Wsh, Flt SAE 1/4
32	56009250	1	Scr, Hex Thd Form 1/4-20 x .62



09-3	<b>CHASSIS SYSTEM - 2</b>			
09-8	<b>Condor XL</b>			<b>7</b>

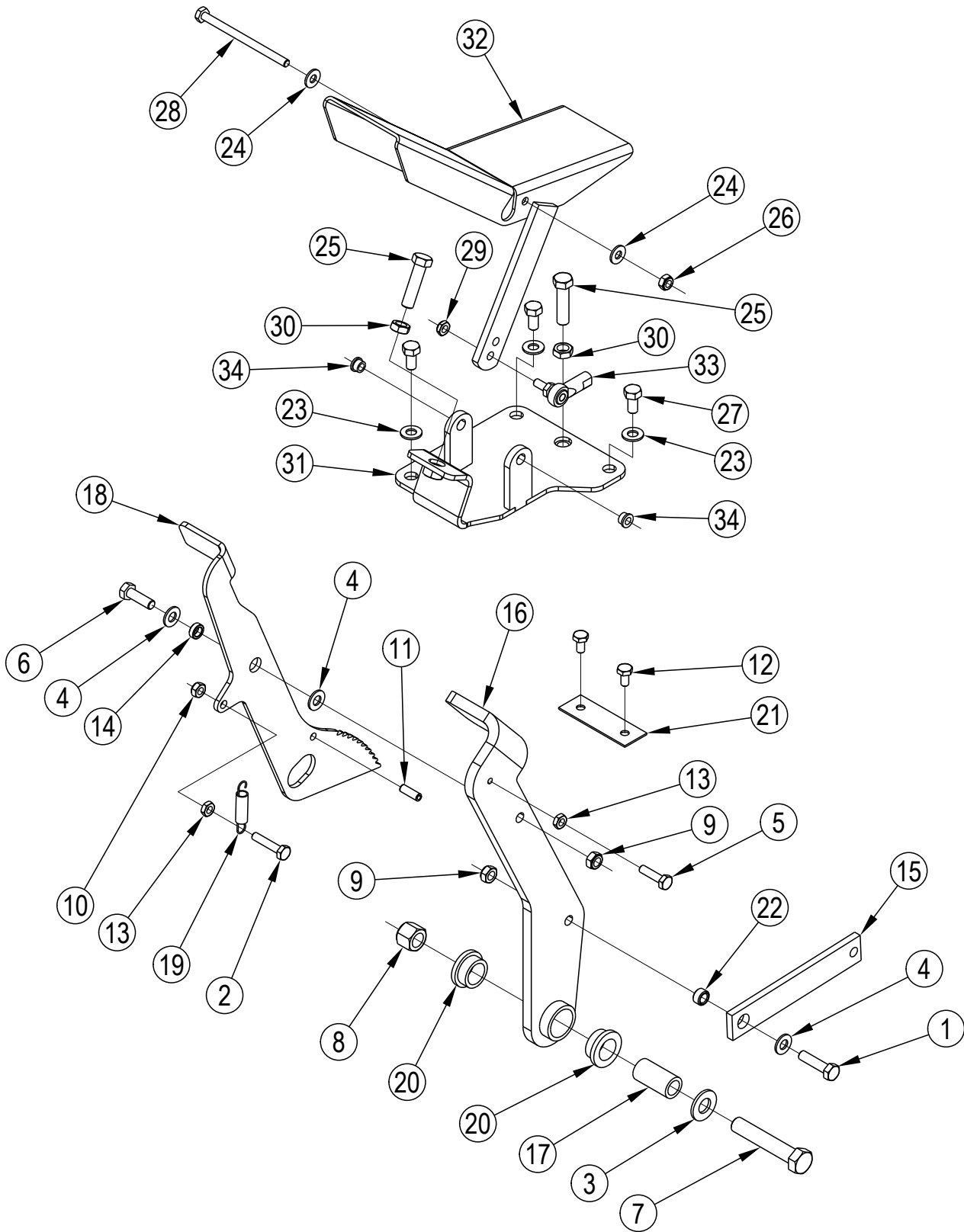
Item	Ref. No.	Qty	Description	Item	Ref. No.	Qty	Description
	56110442	1	Cover Assembly, Rear <b>(items 1-26)</b>		56110900	1	Heavy Bumper Assembly <b>(items 44-51)</b>
1	56462746	2	Latch	44	56001858	4	Scr, Hex 3/8-16 X 1.25
2	56001836	2	Scr, Hex 1/4-20 X .62	45	56001920	1	Scr, Hex 1/2-13 X 2.25
3	56001878	4	Scr, Hex 1/4-20 X 1.25	46	56002116	2	Scr, Hex 1/2-13 X 3.25
4	56001939	4	Wsh, Flt SAE 5/16	47	56002770	3	Nut, Hex Nyl Loc 1/2-13
5	56002022	4	Wsh, Flt SAE 5/8	48	56003032	3	Scr, Hex Hd Loc 1/2-13x.75
6	56002098	17	Wsh, Flt SAE 1/4	49	56009195	4	Wsh, Flt .406 X 1.25 X .164
7	56002108	5	Scr, Pan Phil 1/4-20 X 2.00	50	56009216	3	Wsh, Flt .531x1.5x.075
8	56002708	11	Nut, Hex Nyl Loc 1/4-20	51	56110485	1	Heavy Bumper Weldment
9	56002788	2	Scr, Pan Phil 1/4-20 X 2.25				
10	56002929	11	Scr, Hex Hd Loc 5/16-18x.62				
11	56009099	4	Nut, Hex Jam 5/8-18				
12	56009122	7	Wsh, Flt .344 X .938 X .125				
13	56009153	8	Scr, Pan Phil Loc 10-24 X .50				
14	56110357	2	Hinge Weldment				
15	56110363	1	Hinge Weldt.-Rt				
16	56110435	1	Cover, Rear				
17	56110443	1	Grille, Rear				
18	56110495	1	Hinge Weldt-Lt				
19	56110764	1	Support, Rear Cover, Right				
20	56110765	1	Support, Rear Cover, Left				
21	56110766	2	Pin, Tapered				
22	56110968	1	Bracket				
23	56110979	1	Plate, Seal Mounting, Center				
24	56110980	2	Plate, Seal Mount, Side				
25	56110987	1	Gasket, Cover, Center				
26	56110988	2	Gasket, Cover, Side				
	56111128	1	Cover Support Assembly <b>(items 27-43)</b>				
27	56001939	2	Wsh, Flt Sae 5/16				
28	56001993	1	Scr, Pan Phil 10-24 X .50				
29	56002063	6	Wsh, Flt Sae 3/8				
30	56002098	3	Wsh, Flt Sae 1/4				
31	56002663	6	Scr, Hex 3/8-16 X 1.00				
32	56002701	2	Nut, Hex Nyl Loc 5/16-18				
33	56002708	3	Nut, Hex Nyl Loc 1/4-20				
34	56002786	2	Scr, Pan Phil 1/4-20 X 1.50				
35	56002794	2	Scr, Pan Phil 5/16-18 X 1.00				
36	56002825	1	Scr, Pan Phil 1/4-20 X 1.25				
37	56002832	1	Nut, Hex Nyl Loc-Thin 10-24				
38	56110065	1	Cover Support Weldt				
39	56110631	1	Plate, Latch Mount				
40	56110638	1	Handle, Latch				
41	56304827	1	Latch, Rh				
42	56321532	1	Bushing .25 x .37 x .40				
43	56413723	1	Cable Assembly				



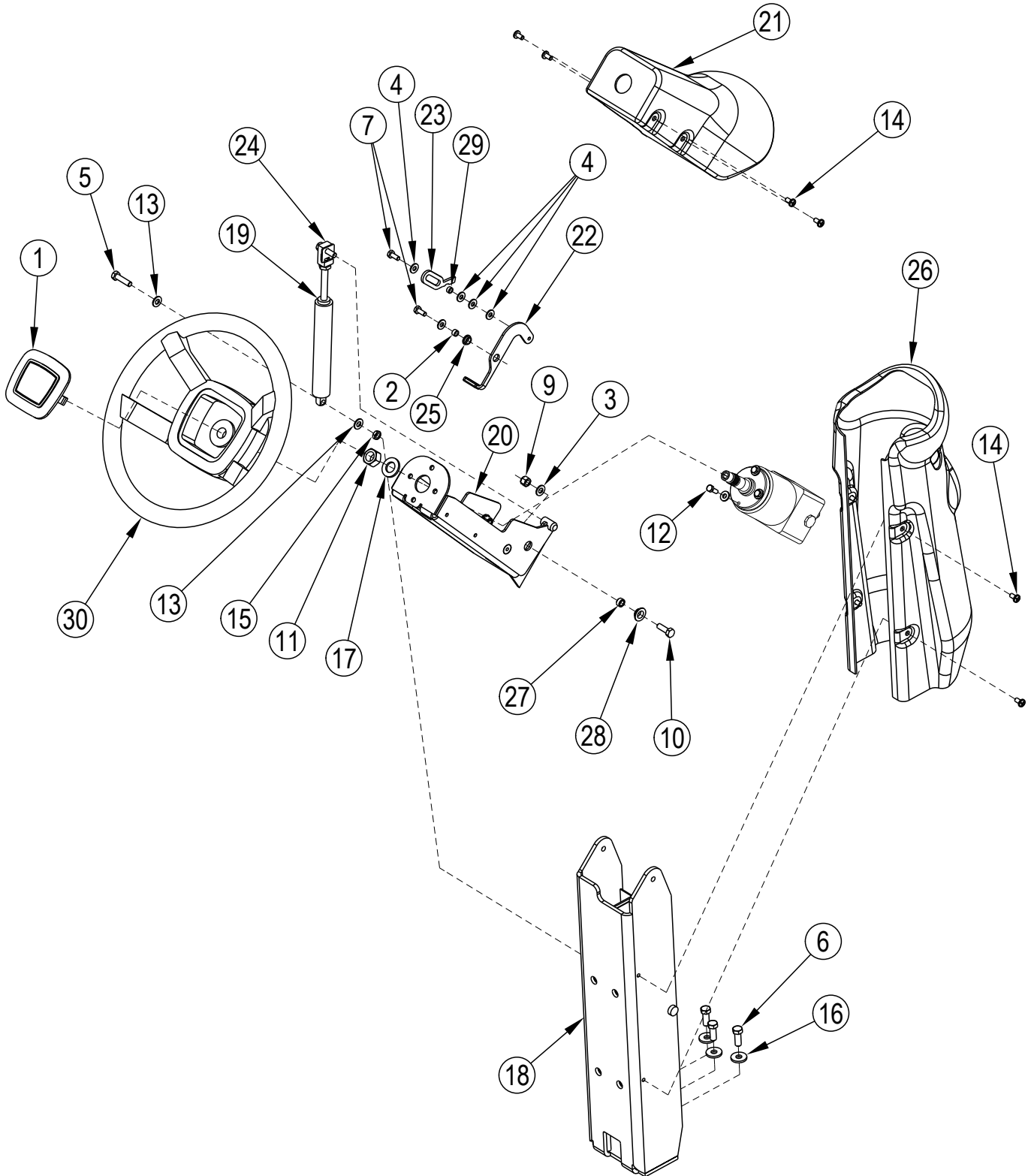
09-3	<b>CONTROL SYSTEM</b>			
09-8	<b>Condor XL</b>			<b>9</b>

Item	Ref. No.	Qty	Description
1	56001878	2	Scr, Hex 1/4-20 X 1.25
2	56001884	2	Nut, Hex Jam 5/16-24
3	56001939	2	Wsh, Flt SAE 5/16
4	56001993	1	Scr, Pan Phil 10-24 X .50
5	56002187	1	Scr, Hex Thd To Hd 5/16-18 X 1.25
6	56002667	2	Scr, Hex 5/16-18 X .75
7	56002832	1	Nut, Hex Nyl Loc-Thin 10-24
8	56002840	2	Nut, Hex Nyl Loc-Thin 1/4-20
9	56002859	2	Wsh, Flt SAE SS 1/4
10	56002866	1	Nut, Hex Nyl Loc-Thin 5/16-24
11	56009062	2	Scr, Pan Phil Thd Form 1/4-20 X .50
12	56009087	2	Nut, Hex Jam 1/4-20
13	56009142	2	Nut, Hex Machine 1/4-28
14	56110080	1	Brake Pedal Assy (see Control System - Brake & Foot Pedal Assemblies)
15	56110146	1	Cable, Push/Pull Control
16	56110152	1	Pintle Assembly (items 29-41)
17	56110273	1	Seat Assembly (items 47-52)
18	56110381	1	Brake Bar Weldment
19	56110384	1	Cable Assy
20	56110446	1	Foot Pedal Assy (see Control System - Brake & Foot Pedal Assemblies)
21	NA	1	Steering Assy (see Control System - Steering Assy)
22	56110709	1	Bracket, Switch
23	56110990	1	Tow Lever Assy (items 42-46)
24	56111347	1	Plate, Adjuster
25	56305053	1	Sensor, Proximity
26	56416089	1	Clevis Assy
27	56448112	1	Spring Ext
28	56477756	1	Rod End
			<b>Pintle Assy</b>
29	56455799	1	Hydroback
30	56002015	1	Scr, Soc Set Loc 10-24 X .25
31	56003118	1	Scr, Soc Hd 5/16-18 X 0.62
32	56002053	2	Wsh, Flt Std #10
33	56002996	3	Scr, Pan Phil 10-32 X .88
34	56003626	1	Nut, Hex Nyl Loc-Thin 1/4-28
35	56111896	1	Plate-Sensor <b>NOTE 1</b>
36	56304355	1	Lever Weldment
37	56305129	1	Rotary Sensor
38	56305184	1	Adapter, Shaft
39	56305186	1	Bracket
40	56111895	1	Guide-Encoder <b>NOTE 1</b>
41	56463720	1	Rod End
			<b>Tow Lever Assy</b>
42	56002930	2	Scr, Soc Set Loc 1/4-20 X .38
43	56009132	1	Nut, Push Cap 1/4
44	56110989	1	Rod, Tow Lever
45	56110992	1	Collar Weldt
46	56157376	1	Grommet
			<b>Seat Assy</b>
47	7-69-00008	1	Seat
48	7-72-05005	1	Slide, Seat
49	56009122	4	Wsh, Flt .344 x .938 x .125
50	56002037	4	Scr, Hex 5/16-18 X .88
51	56002701	4	Nut, Hex Nyl Loc 5/16-18
52	56111536	1	Plate, Seat Mount
53	56009086	1	Nut, Hex Jam 5/16-18

**NOTE 1:** Used on machines built after serial number 1000022553, for replacement on earlier machines order Encoder Guide Kit 56111897.

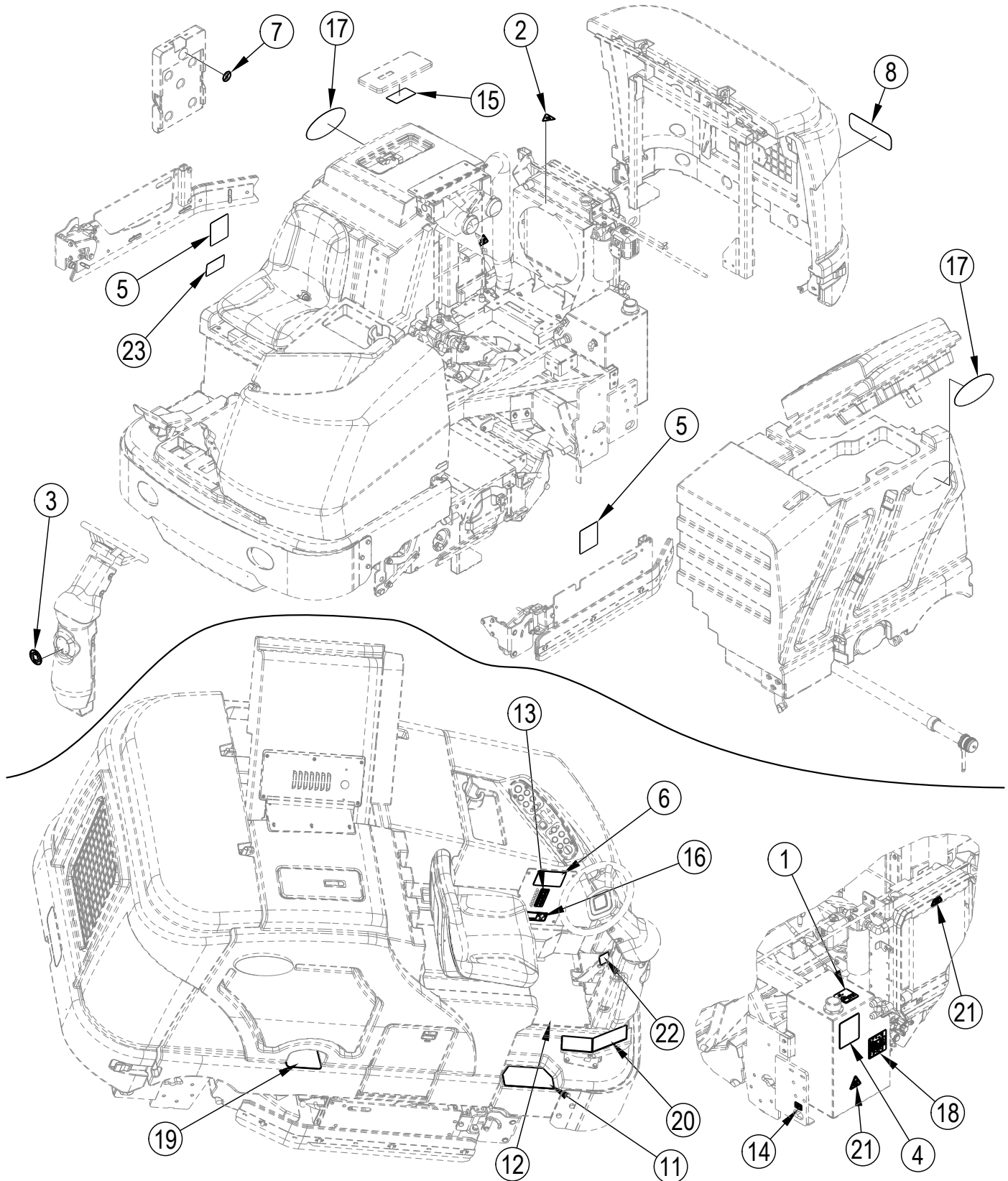


Item	Ref. No.	Qty	Description
	56110080	1	Brake Pedal Assy <b>(items 1-22)</b>
1	56001834	1	Scr, Hex 5/16-18 X 1.25
2	56001878	1	Scr, Hex 1/4-20 X 1.25
3	56001879	1	Wsh, Flt SAE 1/2
4	56001939	3	Wsh, Flt SAE 5/16
5	56002093	1	Scr, Hex 1/4-20 X 1.00
6	56002221	1	Scr, Hex 5/16-18 X 1.00
7	56002680	1	Scr, Hex 1/2-13 X 2.75
8	56002770	1	Nut, Hex Nyl Loc 1/2-13
9	56002826	2	Nut, Hex Nyl Loc-Thin 5/16-18
10	56002840	1	Nut, Hex Nyl Loc-Thin 1/4-20
11	56003138	1	Pin, Spr .25 X .75
12	56009033	2	Scr, Hex Thd Form 1/4-20 X .50
13	56009087	2	Nut, Hex Jam 1/4-20
14	56110432	1	Bushing .323 X .500 X .180
15	56110641	1	Linkage, Brake
16	56111097	1	Brake Pedal Weldt
17	56111100	1	Bushing, .520 X .750 X 1.470
18	56111537	1	Pedal, Parking Brake
19	56245008	1	Spring, Extension
20	56303024	2	Bearing, Fl 1.000x.750x.500
21	56304543	1	Catch, Brake Lock
22	56320595	1	Bushing .32x.50x.28
	56110446	1	Foot Pedal Assy <b>(items 23-34)</b>
23	56001939	3	Wsh, Flt SAE 5/16
24	56002098	2	Wsh, Flt SAE 1/4
25	56002747	2	Scr, Hex Thd To Hd 3/8-16 X 1.50
26	56002840	1	Nut, Hex Nyl Loc-Thin 1/4-20
27	56002929	3	Scr, Hex Hd Loc 5/16-18x.62
28	56002986	1	Scr, Hex 1/4-20 X 3.75
29	56003626	1	Nut, Hex Nyl Loc-Thin 1/4-28
30	56009085	2	Nut, Hex Jam 3/8-16
31	56110904	1	Pivot Weldt
32	56110905	1	Pedal Weldt
33	56463720	1	Rod End
34	56756318	2	Bearing, Flange



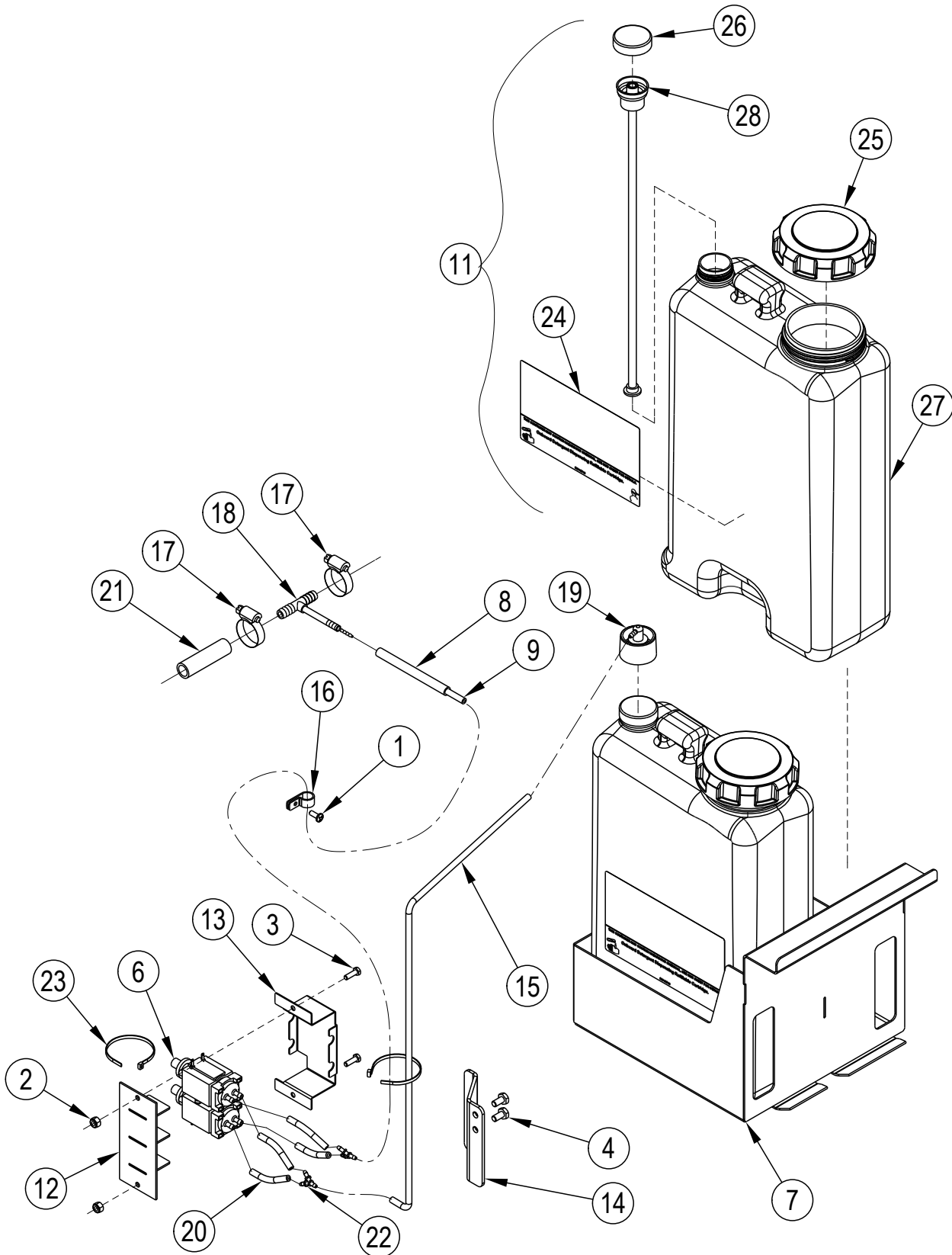


Item	Ref. No.	Qty	Description
1	7-16-07428	1	Cover, Steering Wheel
2	56368997	1	Bushing
3	56001939	2	Wsh, Flt SAE 5/16
4	56002098	9	Wsh, Flt SAE 1/4
5	56002187	1	Scr, Hex Thd To Hd 5/16-18 x 1.25
6	56002663	3	Scr, Hex 3/8-16 x 1.00
7	56002922	2	Scr, Hex Hd Loc 1/4-20 x .62
9	56003389	2	Nut, Hex Nyl Loc M8-1.25
10	56003436	2	Scr, Hex SS M8-1.25 x 25mm
11	56003440	1	Nut, Hex M16-1.5
12	56003441	4	Scr, Hex Loc M6-1 x 16mm
13	56009052	2	Wsh, Int Shprf 5/16
14	56009062	8	Scr, Pan Phil Thd Form 1/4-20 x .50
15	56009086	1	Nut, Hex Jam 5/16-18
16	56009107	3	Wsh, Flt SS .378 x 1.000 x .120
17	56009218	1	Wsh, Flt .688 x 1.250 x .125
18	56110456	1	Lower Column Weldment
19	56111354	1	Gas Spring, Locking
20	56111520	1	Upper Column Weldt
21	56111524	1	Shroud, Upper Column
22	56111597	1	Lever
23	56111762	1	Lever
24	56111763	1	Rod End Weldment
25	56304518	1	Bearing, Fl .500 x .375 x .188
26	56314295	1	Shroud, Lower Column
27	56320595	2	Bushing .32 x .50 x .28
28	56413211	2	Bearing, Flange .625 x .500 x .250
29	56413888	1	Bushing .265 x .375 x .180
30	56418460	1	Steering Wheel



09-3	<b>DECAL SYSTEM</b>		
09-8	<b>Condor XL</b>		<b>15</b>

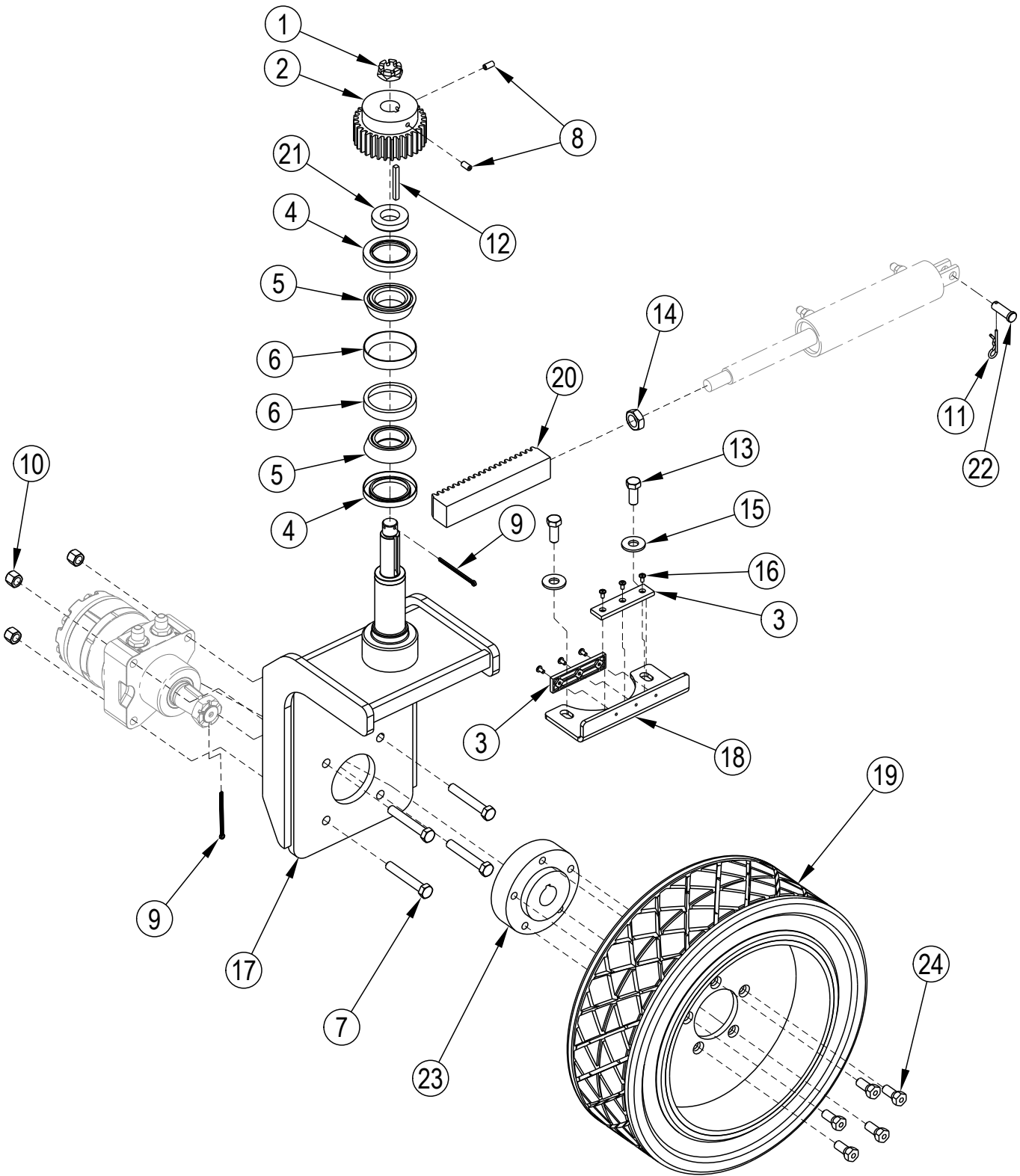
Item	Ref. No.	Qty	Description
1	56016259	1	Decal, Oil Fill
2	56016364	1	Decal, Warning Fan
3	56015276	1	Decal, Logo
4	56015424	1	Warning, Hydraulic
5	56015425	2	Decal, Warning Broom
6	56015427	1	Decal, Warning Tip Over
7	56016163	1	Decal, No Step
8	56016730	1	Decal, Advance
11	56111251	1	Mat, Step
12	56111252	1	Mat, Floor
13	56111807	1	Decal, Circuit Breaker
14	56111392	2	Decal, Tie Down
15	56111393	1	Decal, Tank Fluid
16	56111394	1	Decal, Exhaust
17	56111434	2	Decal, Condor XL
	56381119	2	Decal Condor XL EcoFlex ( <b>EcoFlex models only</b> )
18	56111460	1	Decal, Hyd. Valve
19	56111482	1	Mat, Step
20	56305606	1	Mat, Pedal
21	56016363	2	Decal, Warning Hot
22	56111785	1	Mat, Pedal
23	56015413	1	Decal, LPG ( <b>LPG models only</b> )



09-3	<b>DETERGENT INJECTION SYSTEM</b>		
12-8	<b>Condor XL</b>		<b>17</b>

Item	Ref. No.	Qty	Description
1	56001993	1	Scr, Pan Phil 10-24 X .50
2	56002836	2	Nut, Hex Nyl Loc SS 10-24
3	56002835	2	Scr, Hex Ss 10-24 X .75
4	56009033	2	Scr, Hex Thd Form 1/4-20 X .50
6	56110742	2	Pump, Detergent, 12V
7	56110775	1	Box Weldment, Chemical Bottle
8	56111504	1	Conduit Hose Jacket
9	56111511	1	Hose- 1/8 ID X 32 Lg
11	56111855	2	Chem Bottle Assy <b>(items 24-28)</b>
12	56111866	1	Pump Bracket Weldt
13	56111867	1	Plate Pump Cover
14	56111868	1	Plate Deflector
15	56111870	1	Hose- 27.00 In. Chem. Resistant
16	56172017	1	Clamp, P
17	2-95-04388	2	Clamp-Hose-Feedwater Ideal6203
18	56314983	1	Tee Assembly
19	56315523	1	Cap, Dry Break, 1/8 Barb, 90°
20	56316211	4	Hose, Chem Resistant, 2.00
21	56392347	1	Hose, PVC Clear 2.5 Inch
22	56413691	2	Fitting, Y, Barb, .125
23	56478246	2	Tie, Cable
24	56315513	1	Decal, Blank
25	56315517	1	Cap, Raw
26	56315690	1	Cap, 38mm Buttress
27	56413092	1	Chemical Tank
28	56413784	1	Insert, Dry Break

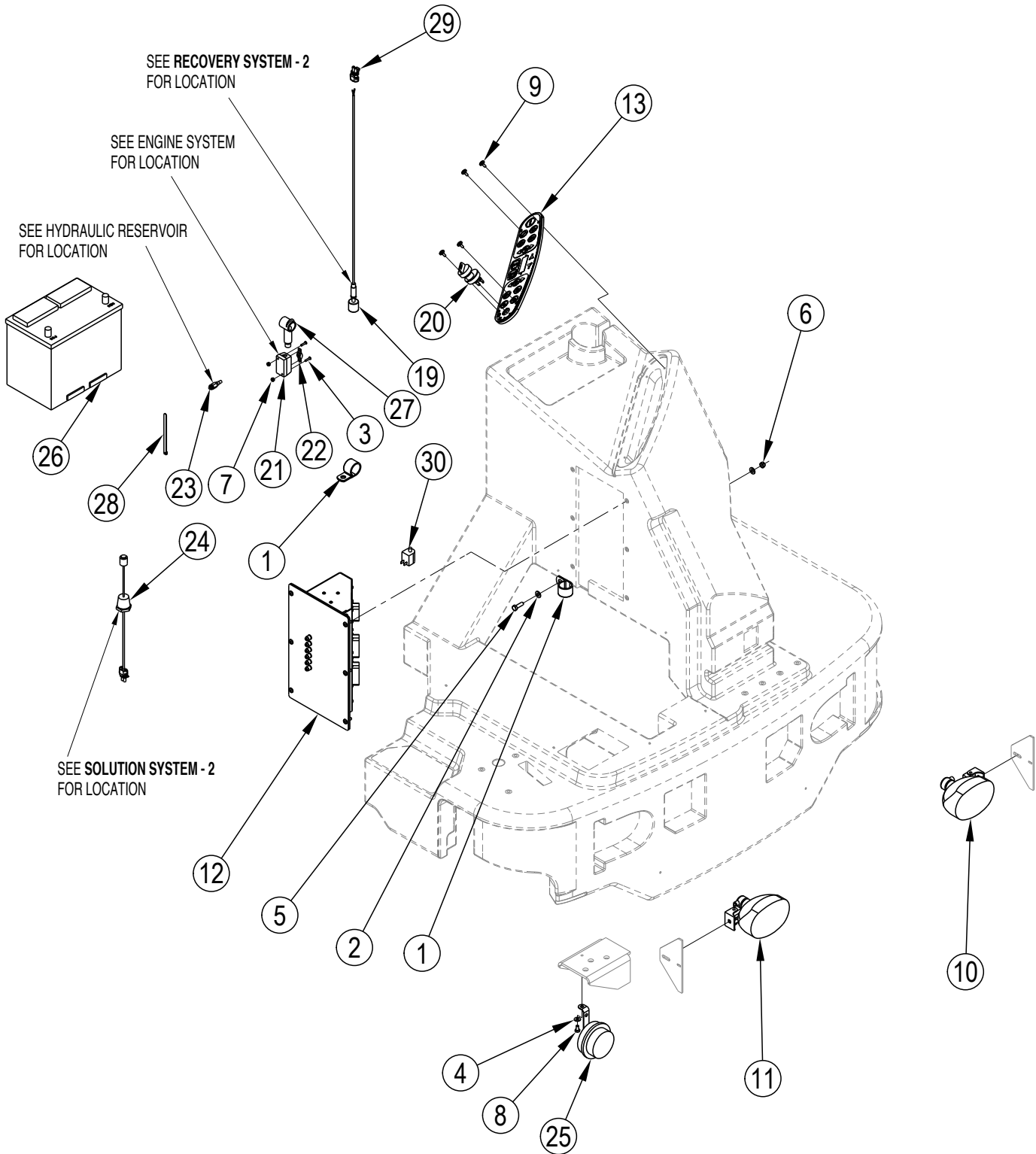
**NOTE:** AXP models are no longer in production and have been replaced by EcoFlex models.



09-3	<b>DRIVE WHEEL SYSTEM</b>		
09-8	<b>Condor XL</b>		<b>19</b>

Item	Ref. No.	Qty	Description
1	56110817	1	Nut, Castle 7/8-14
2	56418477	1	Gear, Spur
3	56418575	2	Plate, Wear
4	56477783	2	Seal, Shaft
5	56744471	2	Bearing, Cone
6	56744474	2	Bearing, Cup
7	56002116	4	Scr, Hex 1/2-13 x 3.25
8	56002186	2	Scr, Soc Set Loc 5/16-18 x .62
9	56002574	2	Pin, Cotter 5/32 x 3.00
10	56002770	4	Nut, Hex Nyl Loc 1/2-13
11	56003222	1	Pin, Cotter Hair
12	56003248	1	Key, Sq .25 x 2.31
13	56003785	2	Scr, Hex 1/2-20 x 1.25
14	56009083	1	Nut, Hex Jam 3/4-16
15	56009115	2	Wsh, Flt Harden .594 x 1.375 x .134
16	56009139	6	Scr, Pan Phil Loc 10-24 x .38
17	56110153	1	Drive Wheel Weldt
18	56111386	1	Plate, Adjuster
19	56111514	1	Wheel, P7 Mold-On 18 x 6
*	56111811	1	Wheel Urethane 18 x 6
20	56305041	1	Rack
21	56419189	1	Spacer, Gear
22	56486733	1	Pin
23	56507462	1	Hub, Drive Wheel
24	8-80-05035	5	Stud - Wheel

\* = Optional, Not Included





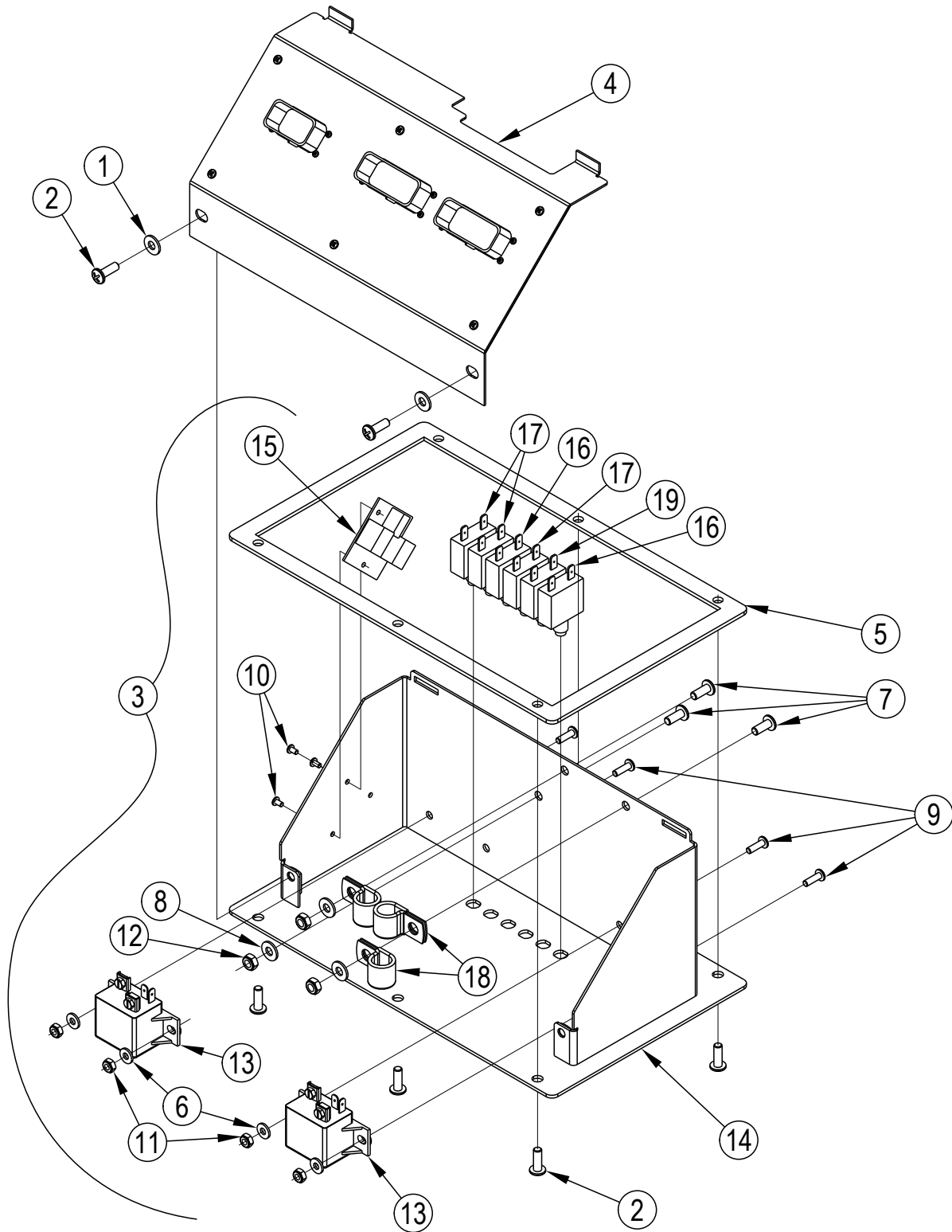
Item	Ref. No.	Qty	Description
1	56409463	2	Clamp, 1.25 Hose Support
2	56001939	2	Wsh, Flt SAE 5/16
3	56002005	2	Scr, Pan Phil 6-32 x .62
4	56002098	1	Wsh, Flt SAE 1/4
5	56002221	1	Scr, Hex 5/16-18 x 1.00
6	56002826	1	Nut, Hex Nyl Loc-Thin 5/16-18
7	56002830	2	Nut, Hex Nyl Loc 6-32
8	56009033	1	Scr, Hex Thd Form 1/4-20 x .50
9	56009206	4	Scr, Truss Phil-Blk 10-24 x .50
10	56110436	1	Head Light Assy, LH
*	56507224	A/R	Bulb, Headlight Replacement
11	56110437	1	Head Light Assy, RH
*	56507224	A/R	Bulb, Headlight Replacement
12	56110524	1	Control Board Box Assy <b>NOTE 1</b>
	56381122	1	Control Board Box Assy <b>NOTE 2</b>
	56111163	1	Diesel Control Board Box Assy <b>(Diesel only) NOTE 1</b>
	56381109	1	Diesel Control Board Box Assy <b>(Diesel only) NOTE 2</b>
13	56110539	1	Dashboard Panel Assy <b>TSBUS2009-1050, TSBUS2009-1051, NOTE 1</b>
	56381129	1	Dashboard Panel Assy <b>NOTE 2</b>
[ ]	56111806	1	Harness, Main
[ ]	56110544	1	Harness, Battery Cable
[ ]	56110551	1	Cable Asm, Blk 6-2
[ ]	56110552	1	Cable Asm, Red 6-2
[ ]	56110553	1	Cable Asm, Red 6-3
[ ]	56110549	1	Harness, Glow Plug <b>(Diesel only)</b>
19	56110561	1	Switch, Liquid Level
20	56111109	1	Key Switch Assembly
*	56303526	1	Key, Replacement Set (for 56111109)
21	56111114	1	Fuseholder, Midi
22	56111123	1	Fuse, 100A
23	56305873	1	Sender, Temperature
24	56413669	1	Switch, Liquid Level
25	56442054	1	Horn, 12V
26	56491902	1	Battery 12V
27	56493357	1	Insulator, Terminal
28	2-00-04345	30	Ty-Rap (Thomas & Betts Ty-28M) <b>(Qty of 33 on Diesel models only)</b>
29	56462361	1	Conn, 2 Way Female
30	7-82-00050	1	Switch-Seat <b>NOTE 2</b>

[ ] = Not Shown

\* = Optional, Not Included

**NOTE 1:** AXP Models. Used on machines built before SN1000042751.

**NOTE 2:** EcoFlex Models. Used on machines built after SN1000042750.



09-3

**ELECTRICAL SYSTEM - CONTROL BOARD ASSY**

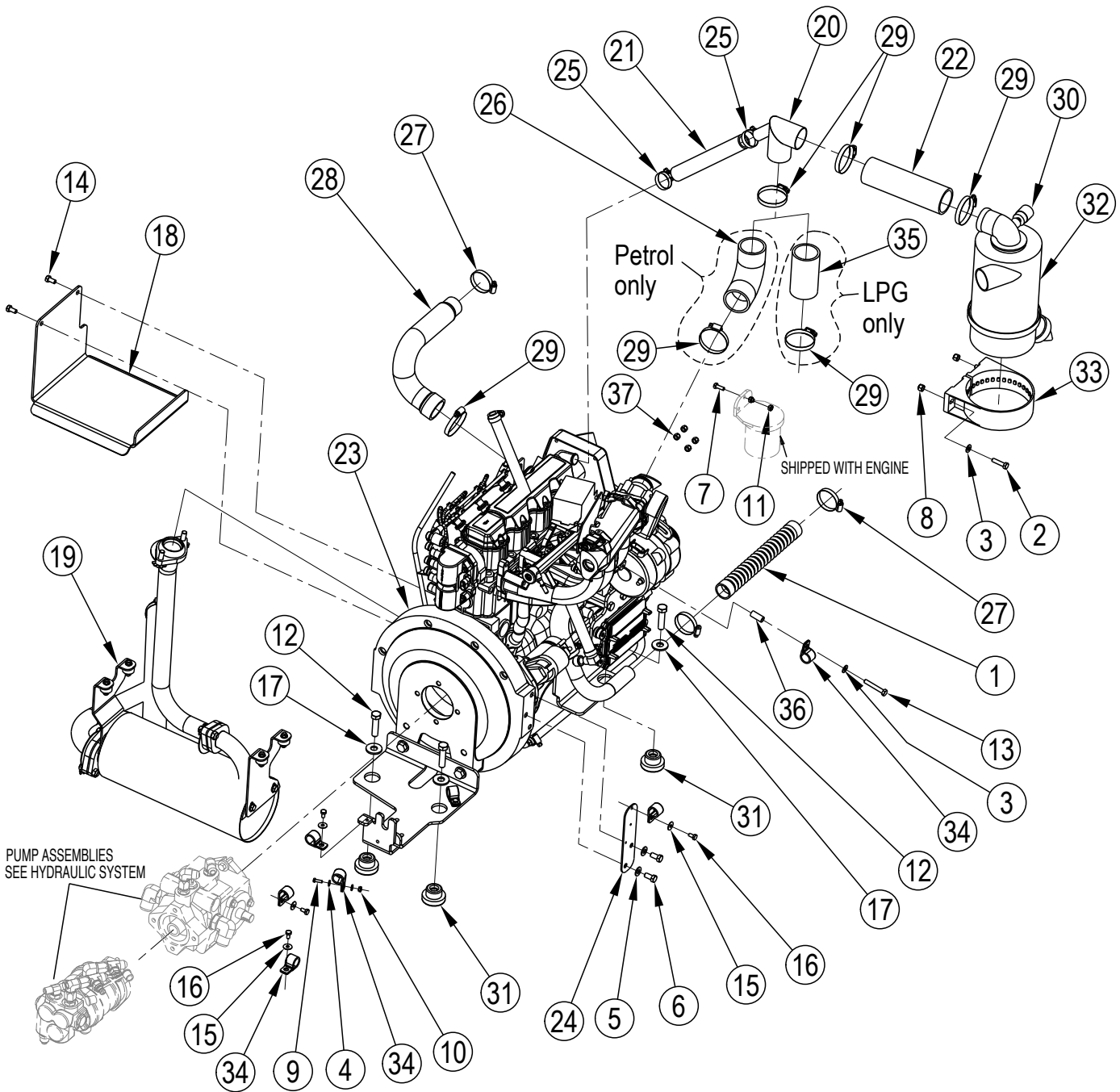
11-11

**Condor XL****23**

Item	Ref. No.	Qty	Description
	56110524	1	Control Board Box Assy ( <b>Gasoline/LPG only</b> ) (items 1-5) / <b>NOTE 1</b>
	56381122	1	Control Board Box Assy ( <b>Gasoline/LPG only</b> ) (items 1-5) <b>NOTE 2</b>
	56111163	1	Diesel Control Board Box Assy ( <b>Diesel only</b> ) (items 1-5) <b>NOTE 1</b>
	56381109	1	Diesel Control Board Box Assy ( <b>Diesel only</b> ) (items 1-5) <b>NOTE 2</b>
1	56002098	2	Wsh, Flt SAE 1/4
2	56002507	8	Scr, Pan Phil 1/4-20 x .75
3	56110517	1	Control Board Relay Assy ( <b>Gasoline/LPG only</b> ) (items 6-19)
	56111162	1	Diesel Control Board Relay Assy ( <b>Diesel only</b> ) (items 6-19)
4	56111780	1	Control Assembly-Main <b>NOTE 1</b>
	56381126	1	Control Assembly-Main <b>NOTE 2</b>
5	56110523	1	Gasket, Control Box
6	56001954	2	Wsh, Flt SAE #10 ( <b>qty of 4 on Diesel models</b> )
7	56002066	3	Scr, Pan Phil 1/4-20 x .62
8	56002098	3	Wsh, Flt SAE 1/4
9	56002124	2	Scr, Pan Phil 10-24 x .62 ( <b>qty of 4 on Diesel models</b> )
10	56002811	3	Scr, Pan Phil 6-32 x .25
11	56002832	2	Nut, Hex Nyl Loc-Thin 10-24 ( <b>qty of 4 on Diesel models</b> )
12	56002840	3	Nut, Hex Nyl Loc-Thin 1/4-20
13	56110423	1	Relay, SPST 12V 75A ( <b>qty of 2 on Diesel models</b> )
14	56110518	1	Control Board Weldt
15	56110530	1	Board, Relay
16	56413407	2	Circuit Breaker, 15 Amp
17	56413822	3	Circuit Breaker, 20 Amp
18	56419120	3	Clamp, Hose Support
19	56507644	1	Circuit Breaker, 10 Amp

**NOTE 1:** Used on machines built before SN1000042751.

**NOTE 2:** Used on machines built after SN1000042750.

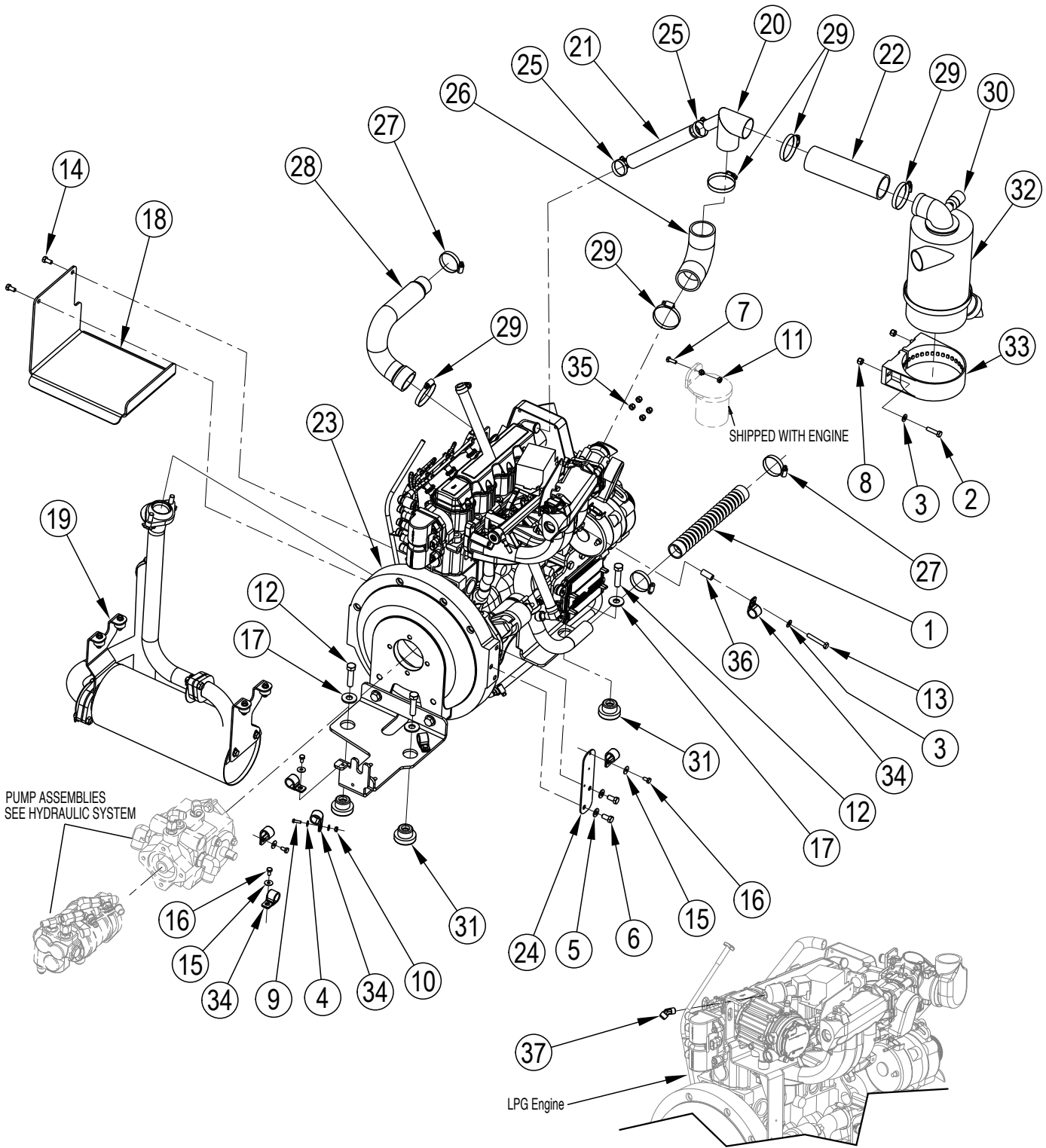


Item	Ref. No.	Qty	Description	ENGINE REPLACEMENT PARTS		
	56110260	1	Propane Engine Assy			<b>ENGINE 1.6L GM</b>
	56110500	1	GM 1.6L Petrol Engine Assy	[ ]	56305411	1 Thermostat Kit
				[ ]	56109005	1 O2 Sensor (Pre-Catcon)
1	56482333	1	Hose, Coolant	[ ]	7-11-04081	1 O2 Sensor (Post-Catcon)
2	56001834	2	Scr, Hex 5/16-18 X 1.25	[ ]	56109033	1 Throttle Body, Bosch 40mm
3	56001939	3	Wsh, Flt SAE 5/16	[ ]	56109034	1 Gasket, Throttle Body
4	56001954	2	Wsh, Flt SAE #10 <b>NOTE 1</b>	[ ]	56305405	1 Map Sensor
5	56002063	2	Wsh, Flt SAE 3/8 <b>NOTE 1</b>	[ ]	56305596	1 Plug Wire Kit
6	56002127	2	Scr, Hex 3/8-16 X .75 <b>NOTE 1</b>	[ ]	56305979	4 Spark Plug
7	56002155	2	Scr, Hex 1/4-20 X .75	[ ]	56304794	1 Ignition Coil
8	56002701	2	Nut, Hex Nyl Loc 5/16-18	[ ]	56110743	1 Alternator 95A
9	56002829	1	Scr, Hex 10-24 X .62 <b>NOTE 1</b>	[ ]	56305275	1 Starter Motor
10	56002832	1	Nut, Hex Nyl Loc-Thin 10-24 <b>NOTE 1</b>	[ ]	56305404	1 Crank Pos Sensor
11	56002840	2	Nut, Hex Nyl Loc-Thin 1/4-20	[ ]	56305403	1 Coolant Sensor
12	56002983	4	Scr, Hex 1/2-13 X 2.00	[ ]	56305986	1 Water Pump
13	56003210	1	Scr, Hex M8-1.25 x 50mm	[ ]	56305272	1 Oil Filter Cartridge
14	56003178	2	Scr, Hex M8-1.25 X 16mm	[ ]	56110827	1 Oil Drain Assy (Remote)
15	56009025	4	Wsh, Flt .266 X .750 X .036 ( <b>Qty 5 on LPG</b> )	[ ]	56305271	1 Exh Gasket Donut
16	56009033	4	Scr, Hex Thd Form 1/4-20 X .50 ( <b>Qty 5 on LPG</b> )	[ ]	56305988	1 Timing Belt (Cam)
17	56009115	4	Wsh, Flt Harden .594 x 1.375 x .134	[ ]	56305098	1 Oil Pressure Switch
18	56110226	1	Shield	[ ]	56305987	1 PCV Valve
19	NA	1	Catcon Assembly ( <b>see Exhaust Catcon - Muffler Assy</b> )	[ ]	56482333	1 Lower Radiator Hose, Straight
20	56110605	1	Tube Weldt	[ ]	56418227	1 Lower Radiator Hose, Elbow
21	56110609	1	Hose, Breather	[ ]	56110454	1 Cat Con
22	56110915	1	Hose, Air Cleaner	[ ]	56110252	1 Head Pipe
23	56110920	1	Engine, GM 1.6L Petrol <b>NOTE 1</b>	[ ]	56110399	1 Tail Pipe
	56110360	1	Engine, GM 1.6L LP Assembly <b>NOTE 2</b>	[ ]	56305549	2 Exhaust Gasket Flange
24	56111472	1	Plate, Fuse Mount <b>NOTE 1</b>	[ ]	56305401	1 Drive Plate
25	56131601	2	Clamp, Hose SAE #16	[ ]	56418718	1 Engine Fan
26	56305241	1	Formed Hose <b>NOTE 1</b>	[ ]	56504506	1 Engine-Block Long
27	56329145	3	Clamp, Hose SAE #24	[ ]	56305274	4 Petrol Injector <b>NOTE 1</b>
28	56419570	1	Radiator Hose	[ ]	56305062	1 Petrol Fuel Pump <b>NOTE 1</b>
29	56440213	5	Clamp, Hose SAE #32	[ ]	56306100	1 Fuel Rail <b>NOTE 1</b>
30	56478461	1	Indicator, Service	[ ]	56305412	1 Petrol Fuel Filter <b>NOTE 1</b>
31	56478685	4	Mount, Rubber	[ ]	56419307	1 Strainer, Fuel <b>NOTE 1</b>
32	56482478	1	Cleaner, Air	[ ]	56508398	1 ECU Petrol <b>NOTE 1</b>
*	56482028	A/R	Air Filter Cartridge Safety	[ ]	56508845	1 Wire Harness <b>NOTE 1</b>
*	56482029	A/R	Air Filter Cartridge Primary	[ ]	56507951	1 Fuel Manifold <b>NOTE 1</b>
33	56482621	1	Band Assy	[ ]	56306101	1 Mixer <b>NOTE 2</b>
34	56496276	6	Clamp, Hose Support	[ ]	56109043	1 EPR <b>NOTE 2</b>
35	56110768	1	Hose, Air Cleaner <b>NOTE 2</b>	[ ]	56109044	1 Temp. Sender, EPR <b>NOTE 2</b>
36	56507111	1	Bushing, 0.5 Dia x 1.12	[ ]	56109046	1 EPR Isolator <b>NOTE 2</b>
37	56003284	4	Nut, Hex Nyl Loc 1/4-28	[ ]	56507815	1 ECU LP <b>NOTE 2</b>
				[ ]	56508955	1 Kit-Valve-Fuel Lockoff <b>NOTE 2, NOTE 3</b>
				[ ]	56305410	1 LP Filter Cartridge <b>NOTE 2, NOTE 3</b>
				[ ]	56508939	1 Cartridge-LPG Filter <b>NOTE 2, NOTE 4</b>
				[ ]	56508844	1 Wire Harness <b>NOTE 2</b>

\* = Optional, Not Included

[ ] = Not Shown

**NOTE 1:** Gasoline / Petrol models only**NOTE 2:** LPG models only**NOTE 3:** Used on machines up to Serial No. 100036997.**NOTE 4:** Used on machines Serial No. 100036997 and above.



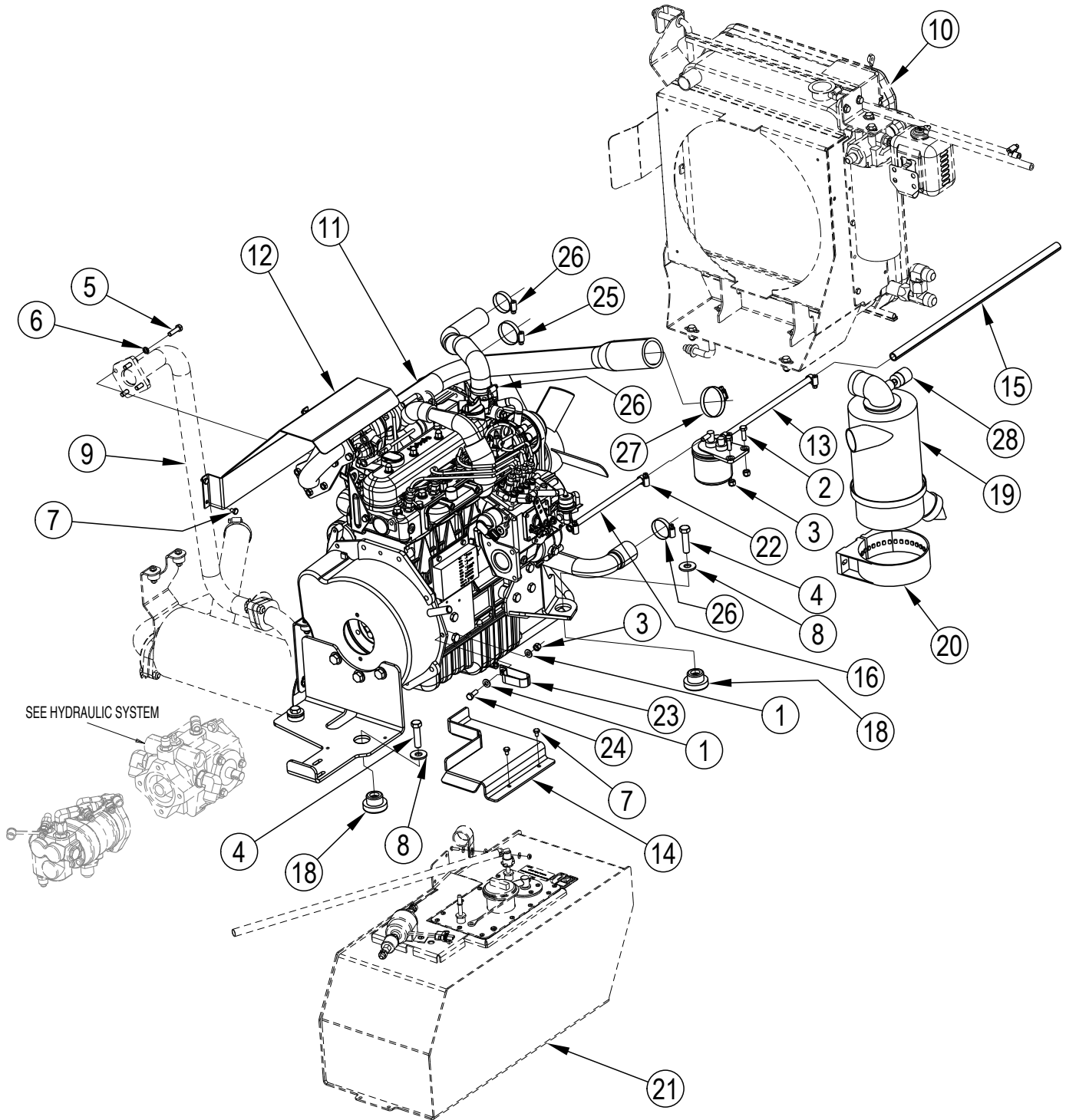
Item	Ref. No.	Qty	Description	ENGINE REPLACEMENT PARTS		
	56110260	1	Propane Engine Assy			<b>ENGINE 1.6L GM</b>
	56110500	1	GM 1.6L Petrol Engine Assy	[ ]	56305411	1 Thermostat Kit
				[ ]	7-11-04081	1 O2 Sensor (Pre Catcon)
1	56482333	1	Hose, Coolant	[ ]	7-11-04081	1 O2 Sensor (Post-Catcon)
2	56001834	2	Scr, Hex 5/16-18 X 1.25	[ ]	56109033	1 Throttle Body, Bosch 40mm
3	56001939	3	Wsh, Flt SAE 5/16	[ ]	56109034	1 Gasket, Throttle Body
4	56001954	2	Wsh, Flt SAE #10 <b>NOTE 1</b>	[ ]	56305405	1 Map Sensor
5	56002063	2	Wsh, Flt SAE 3/8 <b>NOTE 1</b>	[ ]	56305596	1 Plug Wire Kit
6	56002127	2	Scr, Hex 3/8-16 X .75 <b>NOTE 1</b>	[ ]	56305979	4 Spark Plug
7	56002155	2	Scr, Hex 1/4-20 X .75	[ ]	56304794	1 Ignition Coil
8	56002701	2	Nut, Hex Nyl Loc 5/16-18	[ ]	56110743	1 Alternator 95A
9	56002829	1	Scr, Hex 10-24 X .62 <b>NOTE 1</b>	[ ]	56419615	1 Alternator Fan Belt
10	56002832	1	Nut, Hex Nyl Loc-Thin 10-24 <b>NOTE 1</b>	[ ]	56305275	1 Starter Motor
11	56002840	2	Nut, Hex Nyl Loc-Thin 1/4-20	[ ]	56305404	1 Crank Pos Sensor
12	56002983	4	Scr, Hex 1/2-13 X 2.00	[ ]	56305403	1 Coolant Sensor
13	56003210	1	Scr, Hex M8-1.25 x 50mm	[ ]	56305986	1 Water Pump
14	56003178	2	Scr, Hex M8-1.25 X 16mm	[ ]	56305272	1 Oil Filter Cartridge
15	56009025	4	Wsh, Flt .266 X .750 X .036 (Qty 5 on LPG)	[ ]	56110827	1 Oil Drain Assy (Remote)
16	56009033	4	Scr, Hex Thd Form 1/4-20 X .50 (Qty 5 on LPG)	[ ]	56305271	1 Exh Gasket Donut
17	56009115	4	Wsh, Flt Harden .594 x 1.375 x .134	[ ]	56305988	1 Timing Belt (Cam)
18	56110226	1	Shield	[ ]	56305098	1 Oil Pressure Switch
19	NA	1	Catcon Assembly (see Exhaust Catcon - Muffler Assy)	[ ]	56305987	1 PCV Valve
				[ ]	56460213	1 Lower Radiator Tube
20	56110605	1	Tube Weldt <b>NOTE 1</b>	[ ]	56418227	1 Lower Radiator Hose, Elbow
	56111882	1	Tube Weldt <b>NOTE 2</b>	[ ]	56110628	1 Brass Elbow (Radiator Tube)
21	56110609	1	Hose, Breather <b>NOTE 1</b>	[ ]	56111876	1 Cat Con
	56111891	1	Hose- Breather <b>NOTE 2</b>	[ ]	56110252	1 Head Pipe
22	56110915	1	Hose, Air Cleaner <b>NOTE 1</b>	[ ]	56305549	2 Exhaust Gasket Flange
	56110768	1	Hose, Air Cleaner <b>NOTE 2</b>	[ ]	56305401	1 Drive Plate
23	56111874	1	Engine, GM 1.6L Petrol <b>NOTE 1 (PSI)</b>	[ ]	56418718	1 Engine Fan
	56111875	1	Engine, GM 1.6L LP Assembly <b>NOTE 2 (PSI)</b>	[ ]	56110736	1 Fan Pulley
24	56111472	1	Plate, Fuse Mount <b>NOTE 1</b>	[ ]	56504506	1 Engine-Block Long
25	56131601	2	Clamp, Hose SAE #16	[ ]	56109495	1 Seal-Crankshaft
26	56305241	1	Formed Hose <b>NOTE 1</b>	[ ]	56504543	1 Bracket-Crank-Sensor
	56111892	1	Elbow-90 Deg Reducer <b>NOTE 2</b>	[ ]	56111680	1 Oil Dipstick Assembly
27	56329145	3	Clamp, Hose SAE #24	[ ]	56380237	1 Sender-1.6L Oil Pressure
28	56419570	1	Radiator Hose	[ ]	56305274	4 Petrol Injector <b>NOTE 1</b>
29	56440213	5	Clamp, Hose SAE #32	[ ]	56305062	1 Petrol Fuel Pump <b>NOTE 1</b>
30	56478461	1	Indicator, Service	[ ]	56306100	1 Fuel Rail <b>NOTE 1</b>
31	56478685	4	Mount, Rubber	[ ]	56305412	1 Petrol Fuel Filter <b>NOTE 1</b>
32	56482478	1	Cleaner, Air	[ ]	56111880	1 ECU Petrol <b>NOTE 1</b>
*	56482028	A/R	Air Filter Cartridge Safety	[ ]	56111881	1 Wire Harness <b>NOTE 1</b>
*	56482029	A/R	Air Filter Cartridge Primary	[ ]	56507951	1 Fuel Manifold <b>NOTE 1</b>
33	56482621	1	Band Assy	[ ]	56111879	1 Mixer PSI model 100 <b>NOTE 2</b>
34	56496276	6	Clamp, Hose Support	[ ]	56109043	1 EPR <b>NOTE 2</b>
35	56003284	4	Nut, Hex Nyl Loc 1/4-28	[ ]	56109044	1 Temp. Sender, EPR <b>NOTE 2</b>
36	56507111	1	Bushing, 0.5 Dia x 1.12	[ ]	56109045	1 EPR Fitting Kit <b>NOTE 2</b>
37	56456598	1	Elbow, 45 Male 45 Flared	[ ]	56109046	1 EPR Isolator <b>NOTE 2</b>
				[ ]	56111883	1 ECU LP <b>NOTE 2</b>
				[ ]	56508955	1 Kit-Valve-Fuel Lockoff <b>NOTE 2</b>
				[ ]	56508939	1 Cartridge-LPG Filter <b>NOTE 2</b>
				[ ]	56111884	1 Wire Harness, Engine <b>NOTE 2</b>
				[ ]	56111892	1 Elbow - 90 Deg. Reducing <b>NOTE 2</b>
				[ ]	56111894	1 Adapter - 1.6L Mixer <b>NOTE 2</b>

\* = Optional, Not Included

[ ] = Not Shown

**NOTE 1:** Gasoline / Petrol models only**NOTE 2:** LPG models only**NOTE 3:** See page 108 for additional engine replacement parts.

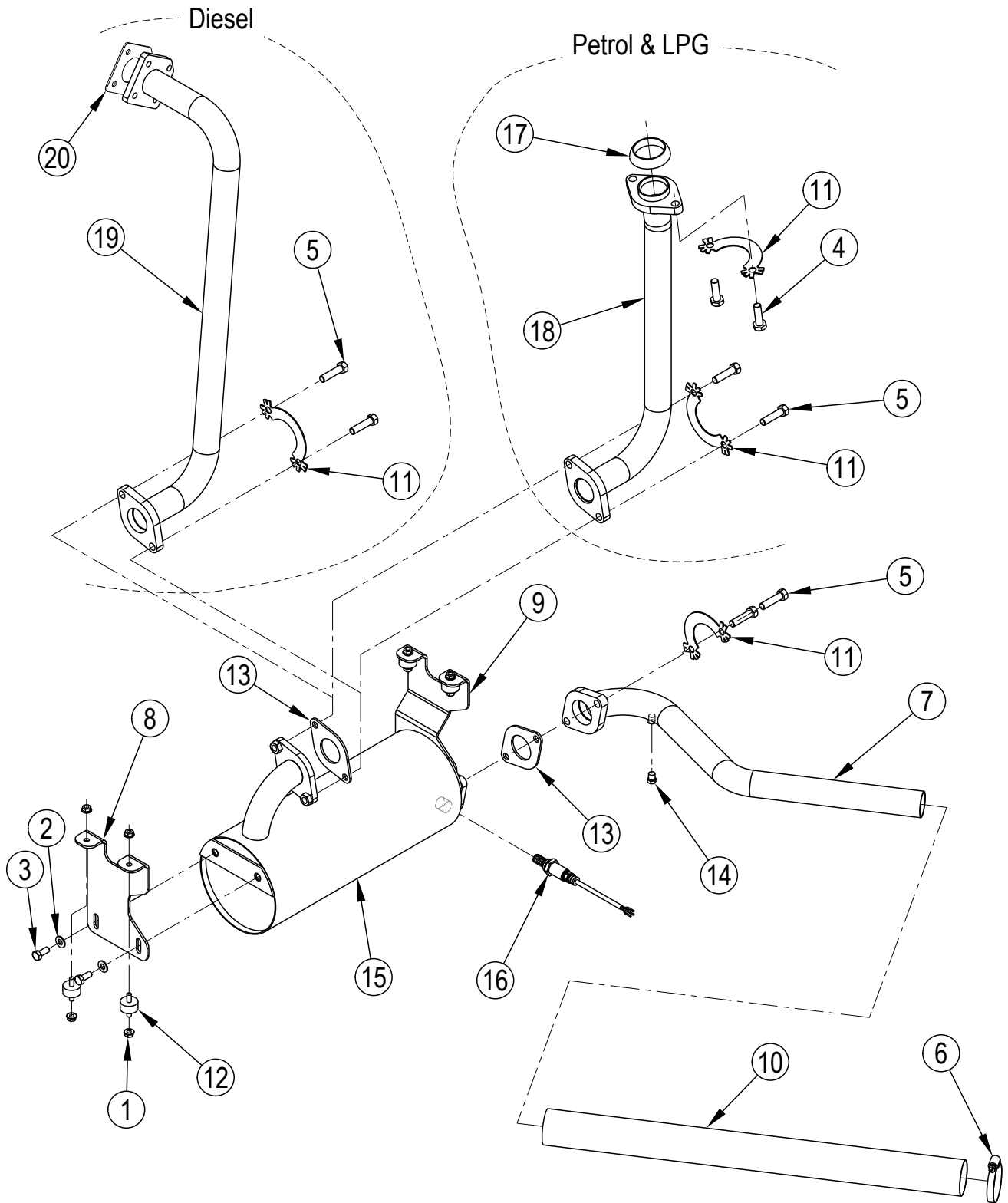






Item	Ref. No.	Qty	Description	ENGINE REPLACEMENT PARTS
				<b>ENGINE DIESEL</b>
1	56001939	2	Wsh, Flt SAE 5/16	[ ] 56111255 1 Engine, Diesel (Ref)
2	56002221	2	Scr, Hex 5/16-18 X 1.00	[ ] 56110738 1 Alternator 105A
3	56002701	3	Nut, Hex Nyl Loc 5/16-18	[ ] 56419086 1 Fuel Filter Cartridge
4	56002983	4	Scr, Hex 1/2-13 X 2.00	[ ] 56482659 1 Oil Filter Cartridge
5	56003416	4	Scr, Hex M8-1.25 X 30mm	[ ] 56508393 1 Alternator Belt
				[ ] 56418718 1 Fan
6	56003685	4	Wsh, Nord-Lock M8	[ ] 56419087 1 Fan Belt
7	56009019	6	Scr, Hex Thd Form 1/4-20 X .38	[ ] 56419088 1 Thermostat
8	56009115	4	Wsh, Flt Harden .594 x 1.375 x .134	[ ] 56508489 1 Thermostat Gasket
9	56110798	1	Muffler Assy-Diesel	[ ] 56419089 1 Starter Motor
			<b>(see Exhaust Catcon - Muffler Assy)</b>	[ ] 56508444 1 Oil Pressure Switch
10	56111221	1	Radiator Assembly	[ ] 56419091 1 Temp Switch
			<b>(see Radiator Assy)</b>	[ ] 56508490 1 Throttle/Shut Down Assembly
				[ ] 56508400 1 Governor Controller
11	56111255	1	Diesel Engine Assy	[ ] 56111319 1 Speed Sensor
12	56111314	1	Heat Shield	[ ] 56111301 1 Upper Radiator Hose
13	56111335	1	Hose, Fuel	[ ] 56111312 1 Drain Hose Assy
14	56111476	1	Plate, Guard	[ ] 56508355 1 Fuel Pump, Electronic
15	56111505	1	Conduit, Hose .50	[ ] 56419307 1 Strainer, Fuel
				[ ] 56111320 1 Drive Plate
16	56111507	1	Hose, Fuel	[ ] 56111622 1 Air Intake Hose
17			Intentionally Omitted	[ ] 56111623 1 Lower Radiator Hose
18	56478685	4	Mount, Rubber	[ ] 56419107 1 Exhaust Gasket
19	56482478	1	Cleaner, Air	[ ] 56501005 1 Anti-Freeze, 50/50 (2.0 Gal)
*	56482028	A/R	Air Filter Cartridge Safety	[ ] 56501068 1 Oil, 10W30 CF (5.5 Qt.)
*	56482029	A/R	Air Filter Cartridge Primary	[ ] 56380140 1 Hub Engine
				[ ] 56380142 1 Pump Housing Assy
20	56482621	1	Band Assy	[ ] 56111320 1 Drive Plate
21	56508333	1	Tank, Diesel Assy <b>(see Fuel Tank Assy - Diesel)</b>	[ ] 56380146 1 Kit Hardware Engine Hub
22	56756364	4	Clamp, Hose SAE #4	
23	2-00-05253	1	Clamp, 3/4" Wire, Double	
24	56002037	1	Scr, Hex 5/16-18 x .88	[ ] = Not Shown
25	56329145	1	Clamp, Hose SAE #24	
26	56413839	4	Clamp, Hose SAE #20	
27	56440213	1	Clamp, Hose SAE #32	
28	56478461	1	Indicator, Service	

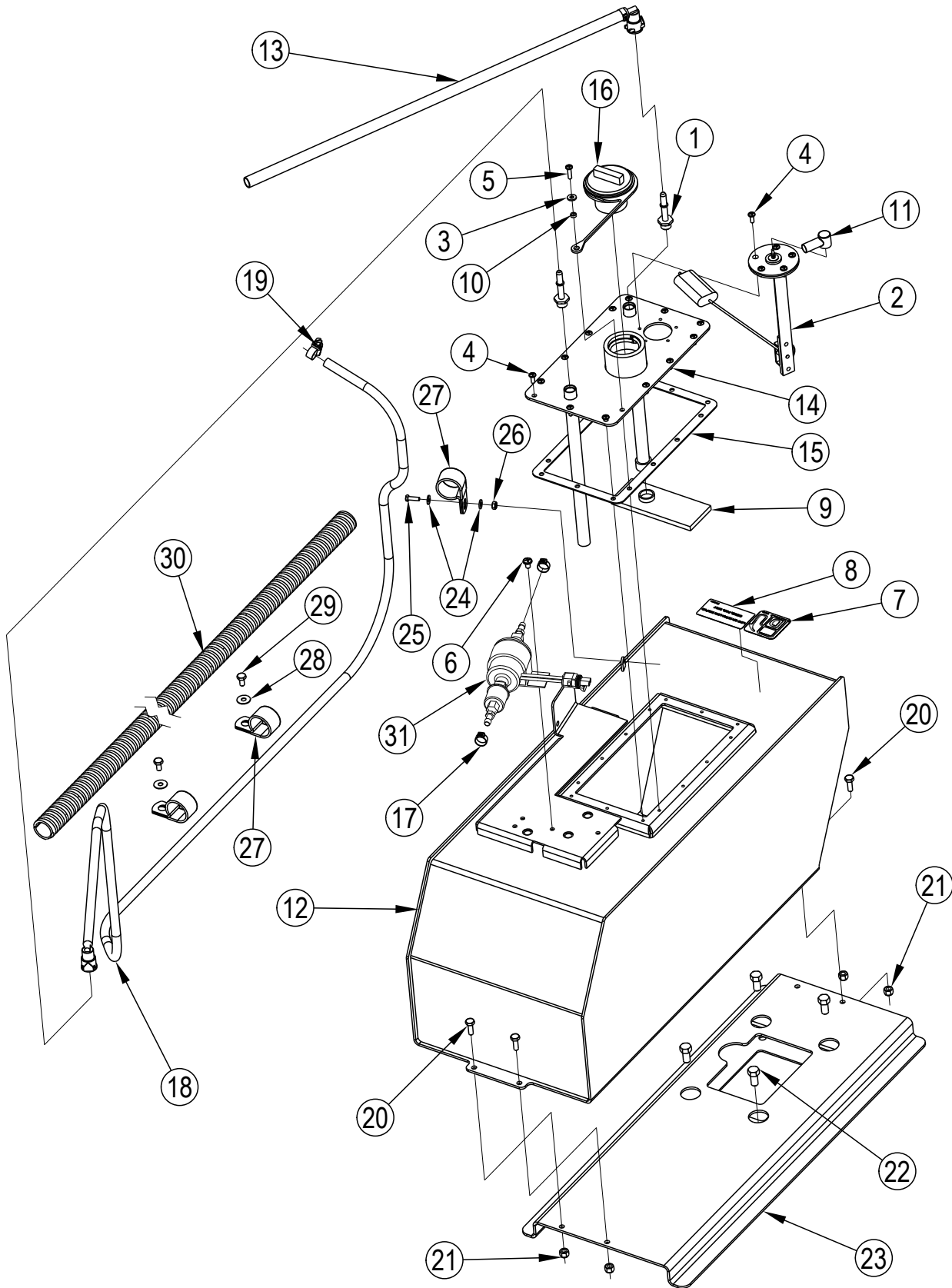
\* = Optional, Not Included



09-3	<b>EXHAUST CATCON - MUFFLER ASSY</b>			
10-9	<b>Condor XL</b>			<b>31</b>

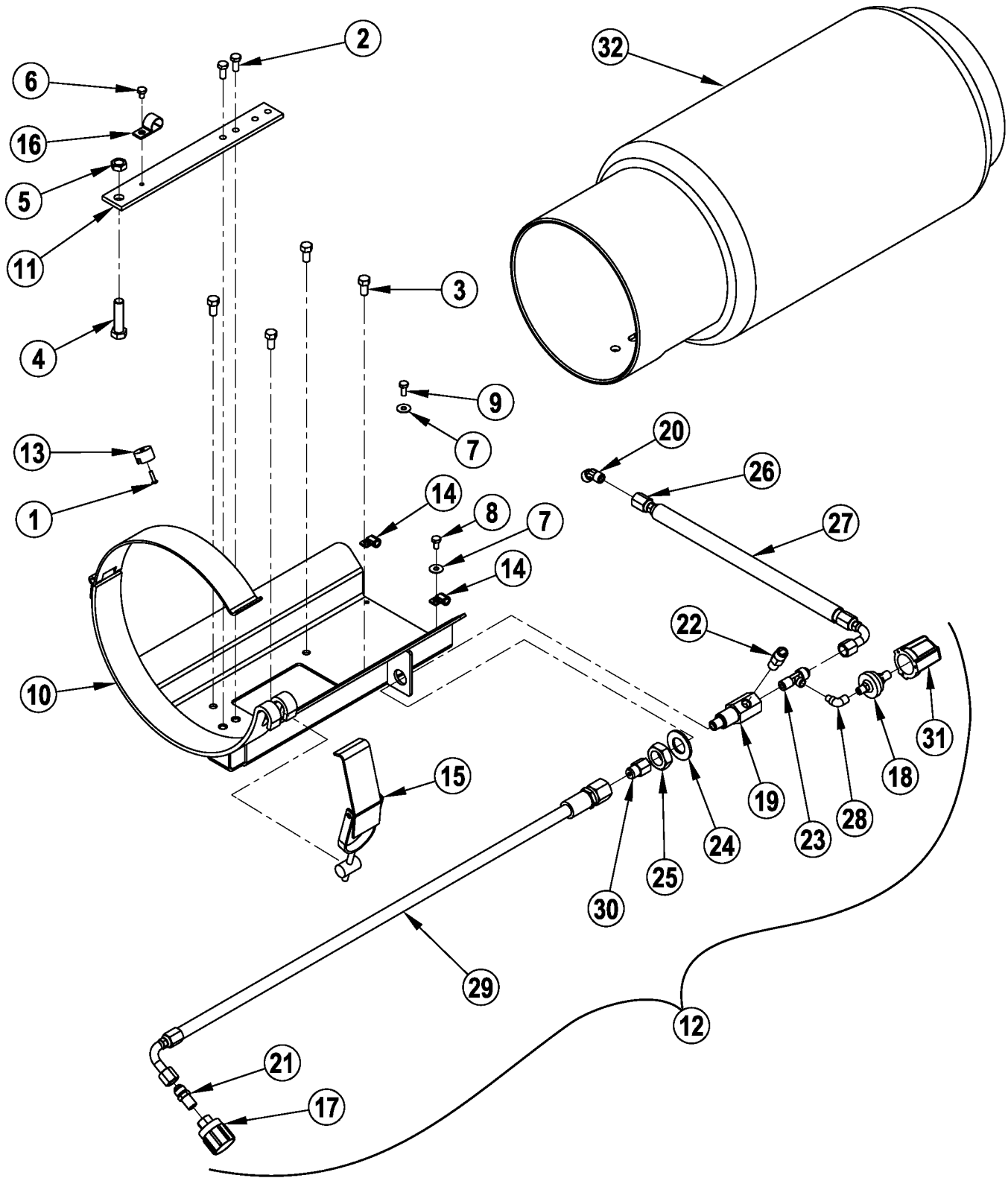
Item	Ref. No.	Qty	Description
		1	Catcon Assembly (Petrol & LPG models only-IMPCO engines only) <b>(items 1-12, 14)</b>
		1	Catcon Assembly (Petrol & LPG models only-PSI engines only) <b>(items 1-12, 14)</b>
		1	Muffler Assembly-Diesel (Diesel models only) <b>(items 1-3, 5-15, 19)</b>
1	56001827	8	Nut, Hex Flange Loc 1/4-20
2	56001939	4	Wsh, Flt SAE 5/16
3	56002667	4	Scr, Hex 5/16-18 x .75
4	56003694	2	Scr, Hex M10-1.5 x 35mm Class10.9 <b>(Petrol &amp; LPG only)</b>
5	56003787	4	Scr, Hex 3/8-24 x 1.50
6	56049999	1	Clamp, Hose SAE #28
7	56110399	1	LP/Petrol Tailpipe Weldt
8	56110459	1	Bracket, Muffler
9	56110797	1	Bracket, Muffler
10	56110868	1	Sleeve, Insulation
11	56111634	3	Lock, Screw <b>(qty of 2 on Diesel models)</b>
12	56305216	4	Stud Mount, Silicone
13	56305549	2	Gasket, Exhaust <b>NOTE 1</b>
14	2-00-03778	1	Plug, 1/8 NPT
15	56110454	1	Catalytic Converter (Petrol & LPG) (IMPCO engines only) <b>NOTE 1</b>
	56111876	1	Catalytic Converter (Petrol & LPG) (PSI engines only) <b>NOTE 1</b>
	56110624	1	Muffler (Diesel only)
16	7-11-04081	1	O2 Sensor (Post-Catcon) (IMPCO engines only) <b>NOTE 1</b>
	7-11-04081	1	O2 Sensor (Post-Catcon) (PSI engines only) <b>NOTE 1</b>
17	56305271	1	Exhaust Gasket Donut <b>NOTE 1</b>
18	56110252	1	Head Pipe <b>NOTE 1</b>
19	56110314	1	Exhaust Tube Weldment <b>(Diesel only)</b>
20	56419107	1	Exhaust Gasket <b>NOTE 1</b>

**NOTE 1:** Shipped with the engine.

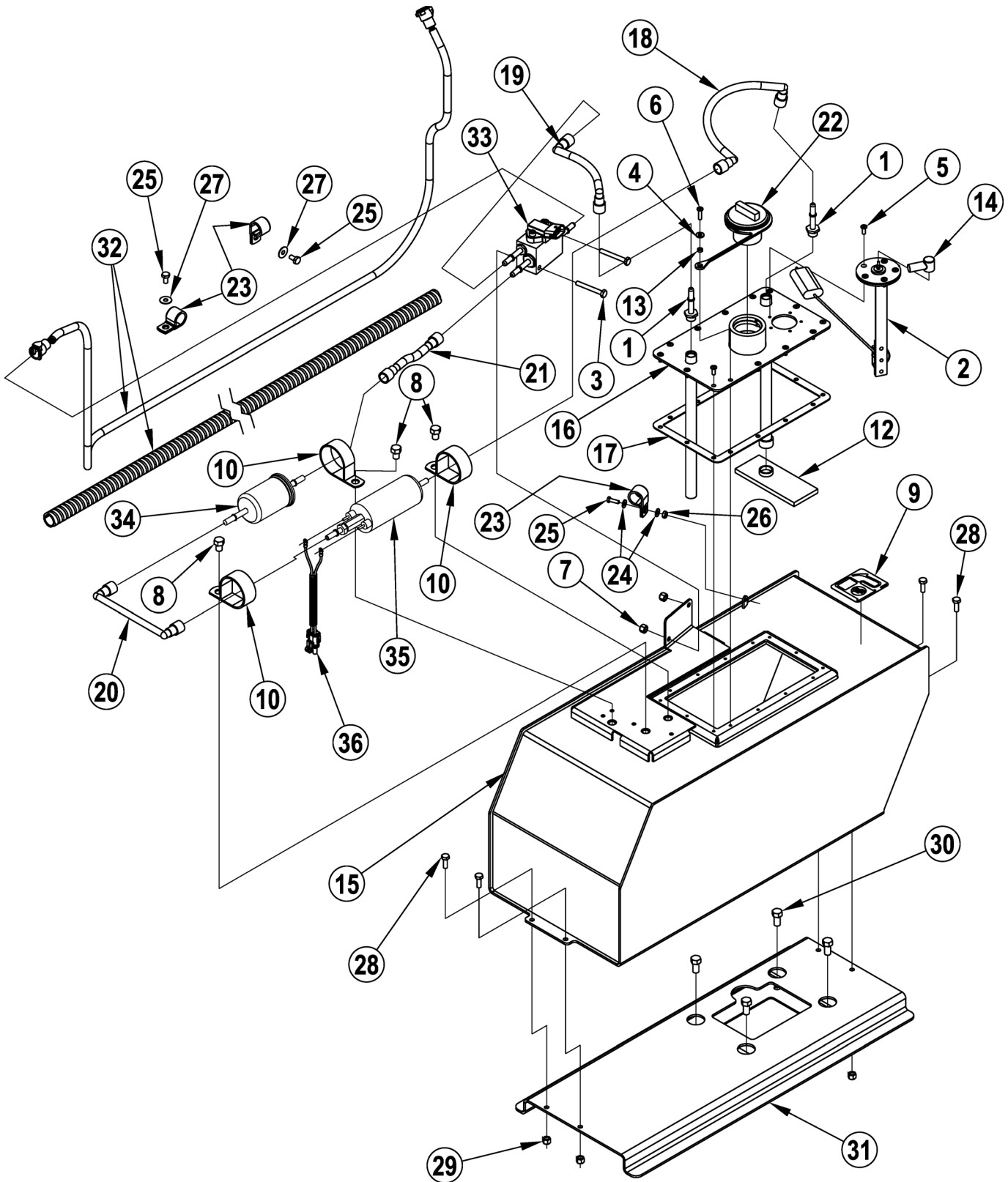


Item	Ref. No.	Qty	Description
	56508333	1	Tank, Diesel Assembly ( <b>items 1-17</b> )
1	7-11-04083	2	-6 SAE X 5/16 Quick Connect Fitting
2	56478358	1	Sender, Fuel Level
3	56001954	1	Wsh, Flt SAE #10
4	56001993	18	Scr, Pan Phil 10-24 x .50
5	56002192	1	Scr, Pan Phil 10-24 x .75
6	56003603	1	Scr, Pan Phil Thd Form 1/4-20 x .38
7	56025454	1	Decal, Diesel Fuel
8	56109404	1	Decal, Low Sulfur Diesel
9	56419307	1	Strainer, Fuel
10	56454275	1	Bushing, .20 x .31 x .12
11	56492305	1	Boot, Rubber
12	56507946	1	Fuel Tank Weldment
13	56507957	1	Hose Assembly
14	56508348	1	Cover Plate Weldment
15	56508349	1	Gasket, Cover
16	56508354	1	Fuel Cap
17	56508515	2	Clamp
18	56111325	1	Fuel Hose Assy
19	56756364	1	Clamp, Hose SAE #4
20	56002155	4	Scr, Hex 1/4-20 x .75
21	56002708	4	Nut, Hex Nyl Loc 1/4-20
22	56003079	4	Scr, Hex Hd Loc 3/8-16 x .75
23	56110475	1	Tank Mount Weldment
24	56001954	2	Wsh, Flt SAE #10
25	56002829	1	Scr, Hex 10-24 x .62
26	56002832	1	Nut, Hex Nyl Loc-Thin 10-24
27	56409463	3	Clamp, 1.25 Hose Support
28	56009025	2	Wsh, Flt .266 x .750 x .036
29	56009033	2	Scr, Hex Thd Form 1/4-20 x .50
30	56111506	1	Conduit, Hose 1.00
31	56508355	1	Fuel Pump, Electronic <b>NOTE 1</b>

**NOTE 1:** Shipped with the engine.



Item	Ref. No.	Qty	Description
	56110468	1	LP Tank Bracket Assembly <b>(items 1-16)</b>
1	56002146	1	Scr, Pan Phil 8-32 x .62
2	56002956	2	Scr, Hex Hd Loc 5/16-18 x .75
3	56003079	4	Scr, Hex Hd Loc 3/8-16 x .75
4	2-00-04967	1	Scr, HHM 1/2-13 x 2.50 GR5 ZN
5	56009016	1	Nut, Hex Jam 1/2-13
6	56009019	1	Scr, Hex Thd Form 1/4-20 x .38
7	56009025	2	Wsh, Flt .266 x .750 x .036
8	56009033	1	Scr, Hex Thd Form 1/4-20 x .50
9	56009250	1	Scr, Hex Thd Form 1/4-20 x .62
10	56110469	1	LP Tank Bracket Weldt
11	56110472	1	Bar
12	56110659	1	LP Filter Assembly <b>(items 17-31)</b>
13	56110985	1	Magnet
14	56323260	2	Clamp, Hose Support
15	56481997	1	Toggle
16	2-00-04564	1	Cable Clamp
17	56369675	1	Coupler, Female
18	56418381	1	Switch, N.C. Pressure
19	56418934	1	Fitting, Bulkhead
20	56456598	1	Elbow, 45 Male 45 Flared
21	56456600	1	Adapter, Male
22	56456624	1	Vent 1/4 NPT
23	56900921	1	Tee
24	56002228	1	Wsh, Flt SAE 7/8
25	56002615	1	Nut, Hex Jam 7/8-14
26	56110660	1	LP Hose Assy
27	56110661	1	Conduit
28	56111309	1	Elbow, 90 Street
29	56111678	1	LP Hose Assy
30	56305505	1	Adapter, SAE 45 Deg.
31	56419241	1	Dust Boot
32	56456590	1	L.P. Tank, 33 Lbs.

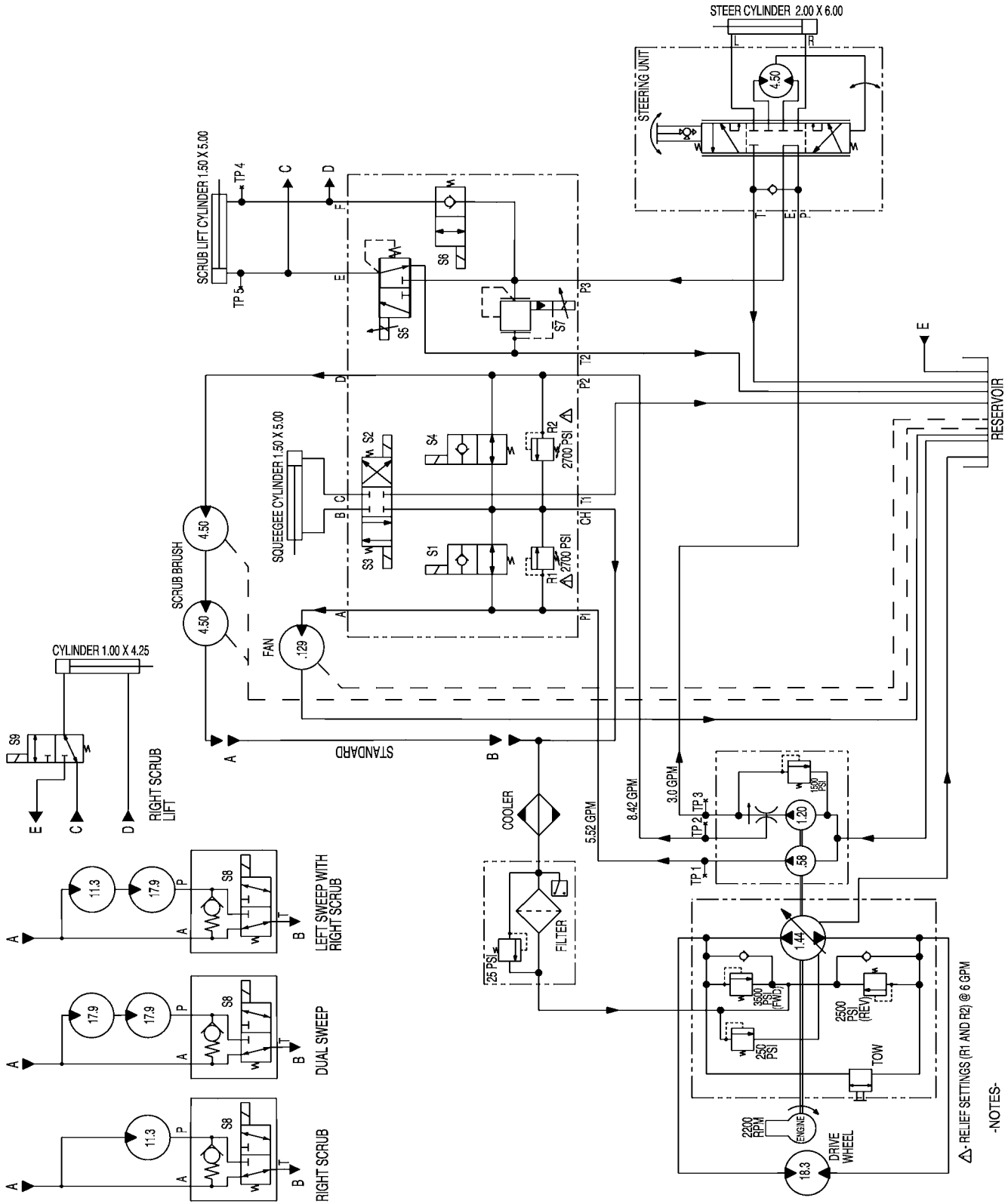




09-3	<b>FUEL TANK ASSY - PETROL</b>			
09-8	<b>Condor XL</b>			<b>37</b>

Item	Ref. No.	Qty	Description
	56507960	1	Tank, Petrol Assembly ( <b>items 1-22</b> )
1	7-11-04083	2	-6 SAE X 5/16 Quick Connect Fitting
2	56478358	1	Sender, Fuel Level
3	56001874	2	Scr, Hex 1/4-20 x 2.00
4	56001954	1	Wsh, Flt SAE #10
5	56001993	18	Scr, Pan Phil 10-24 x .50
6	56002192	1	Scr, Pan Phil 10-24 x .75
7	56002708	2	Nut, Hex Nyl Loc 1/4-20
8	56003023	3	Scr, Hex Hd Loc 3/8-16 x .50
9	56016226	1	Decal, Unleaded Fuel
10	56305492	3	Clamp, P
12	56419307	1	Strainer, Fuel
13	56454275	1	Bushing, .20 x .31 x .12
14	56492305	1	Boot, Rubber
15	56507946	1	Fuel Tank Weldment
16	56508348	1	Cover Plate Weldment
17	56508349	1	Gasket, Cover
18	56508350	1	Fuel Hose Assy
19	56508351	1	Fuel Hose Assy
20	56508352	1	Fuel Hose Assy
21	56508353	1	Fuel Hose Assy
22	56508354	1	Fuel Cap
23	56496276	3	Clamp, Hose Support
24	56001954	2	Wsh, Flt SAE #10
25	56002829	3	Scr, Hex 10-24 x .62
26	56002832	1	Nut, Hex Nyl Loc-Thin 10-24
27	56009025	2	Wsh, Flt .266 x .750 x .036
28	56002155	4	Scr, Hex 1/4-20 x .75
29	56002708	4	Nut, Hex Nyl Loc 1/4-20
30	56003079	4	Scr, Hex Hd Loc 3/8-16 x .75
31	56110475	1	Tank Mount Weldment
32	56111077	1	Fuel Hose Assembly
33	56507951	1	Manifold, Fuel <b>NOTE 1</b>
34	56305412	1	Fuel Filter <b>NOTE 1</b>
35	56305062	1	Fuel Pump <b>NOTE 1</b>
36	56305790	1	Wire Asm, Pigtail

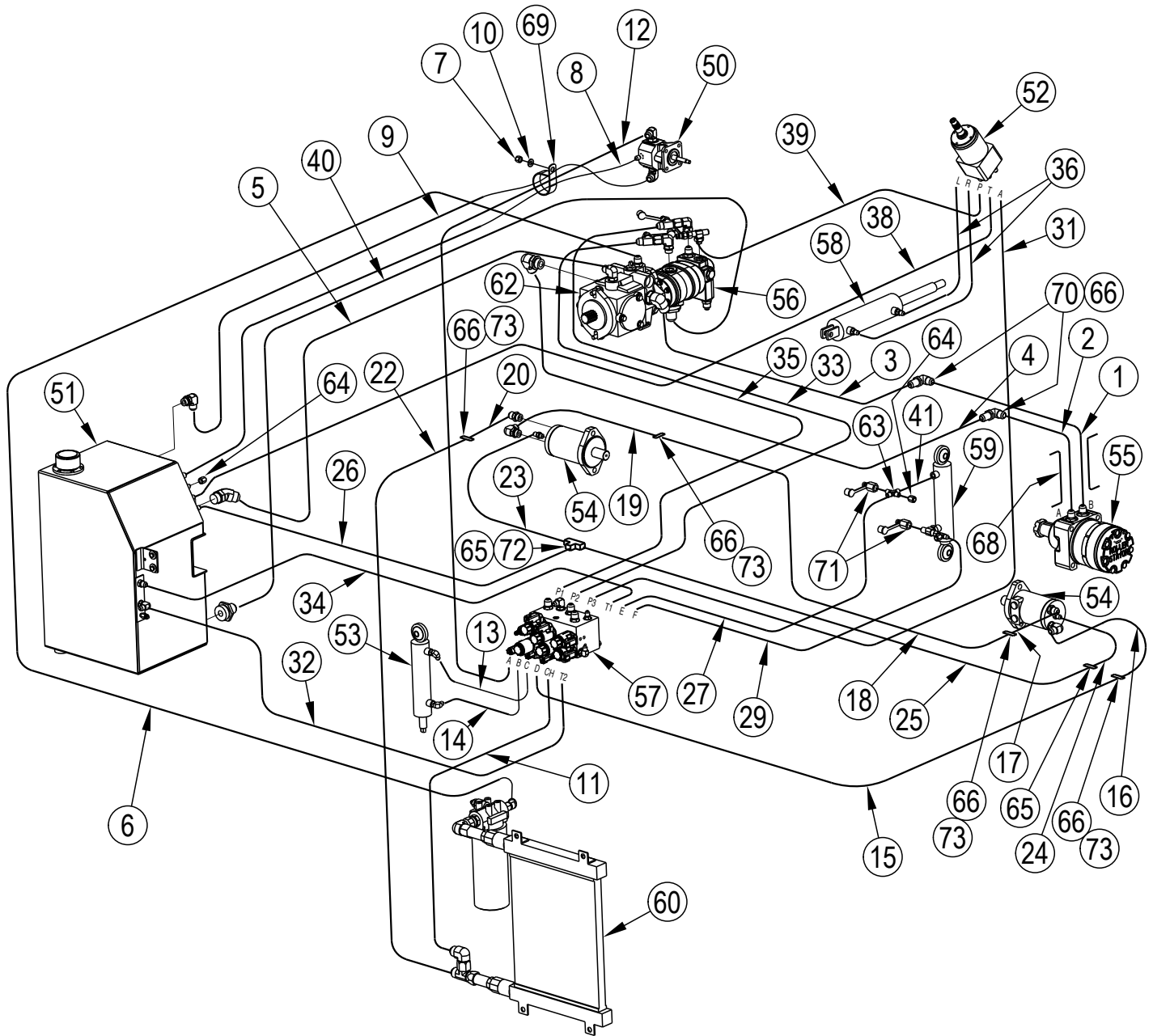
**NOTE 1:** Shipped with the engine.



△ - RELIEF SETTINGS (R1 AND R2) @ 6 GPM

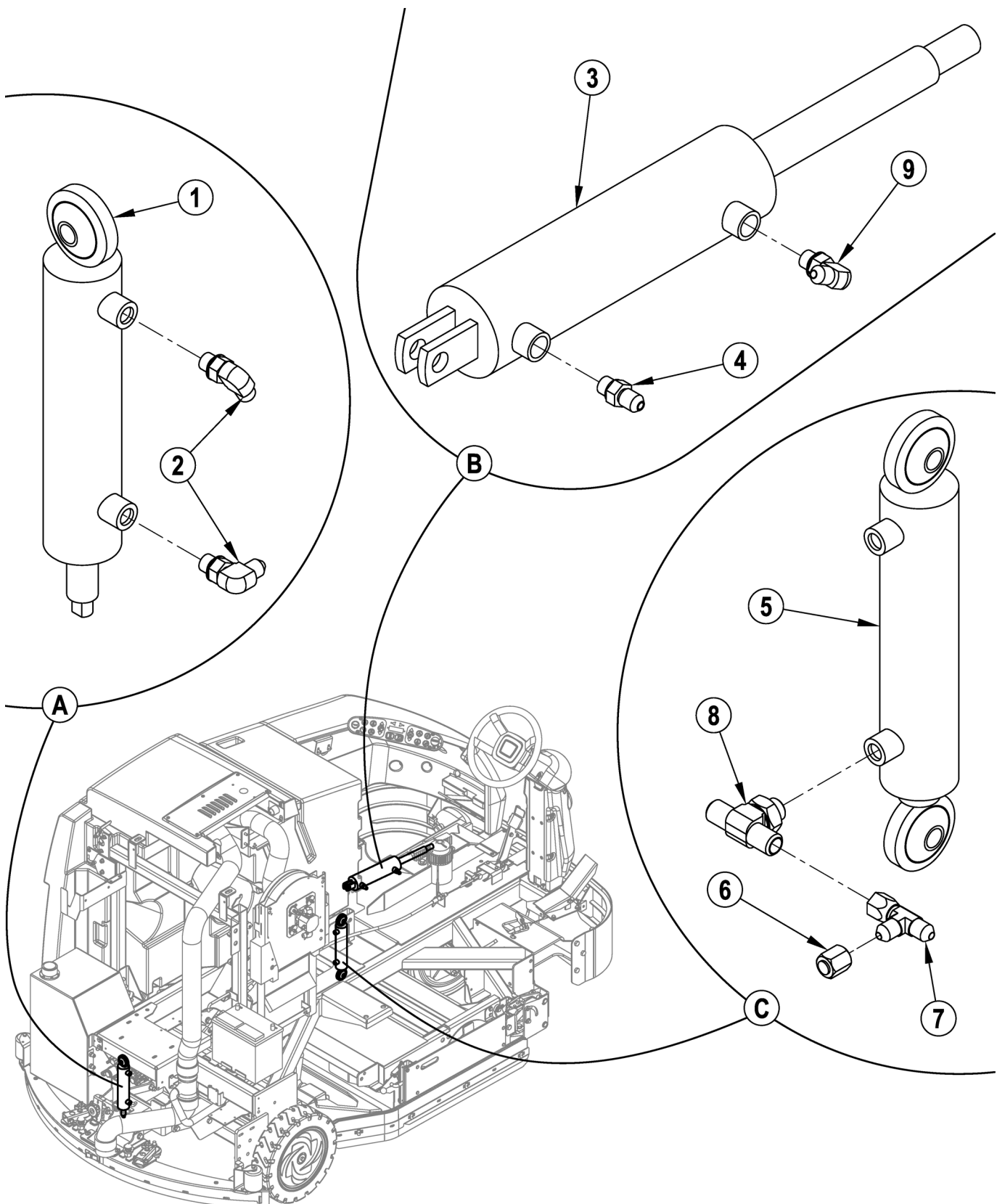
-NOTES-

**THIS PAGE IS INTENTIONALLY BLANK**



Item	Ref. No.	Qty	Description	Item	Ref. No.	Qty	Description
1	56110670	1	Hose Assy	50	NA	1	Fan Motor Assembly (see Hydraulic Motor Assemblies)
2	56110705	1	Hose Assy	51	NA	1	Reservoir Assy (see Hydraulic Oil Cooler - Reservoir)
3	56110671	1	Hose Assy	52	NA	1	Steering Pump Assy (see Hydraulic Motor Assemblies)
4	56110672	1	Hose Assy	53	NA	1	Squeegee Cylinder Assy (see Hydraulic Cylinder Assemblies)
5	56110673	1	Hose Assy	54	NA	2	Hydraulic Motor Assy (see Hydraulic Motor Assemblies)
6	56110674	1	Hose Assy	55	NA	1	Drive Motor Assy (see Hydraulic Motor Assemblies)
7	56002769	1	Nut, Hex Nyl Loc 3/8-16	56	NA	1	Pump Assembly, Low Speed (see Hydraulic Pump Assemblies)
8	56110676	1	Hose Assy	57	NA	1	Valve Block Assy (see Hydraulic Valve Block Assy)
9	56110677	1	Hose Assy	58	NA	1	Cylinder Assembly, Steer (see Hydraulic Cylinder Assemblies)
10	56002063	1	Wsh Flt SAE 3/8	59	NA	1	Scrub Lift Cyl. Assy (see Hydraulic Cylinder Assemblies)
11	56110679	1	Hose Assy	60	NA	1	Oil Cooler Assy (see Hydraulic Oil Cooler - Reservoir)
12	56110680	1	Hose Assy	61			Intentionally Omitted
13	56110681	1	Hose Assy	62	NA	1	Pump Assembly (see Hydraulic Pump Assemblies)
14	56110682	1	Hose Assy	63	56111164	1	Union Cross
15	56110683	1	Hose Assy	64	56111165	2	End Cap, Flare Tube
16	56110684	1	Hose Assy	65	56418744	2	Locknut, Bulkhead
17	56110685	1	Hose Assy	66#	56418745	8	Locknut, Bulkhead
18	56110686	1	Hose Assy	68	56463427	1	Sleeve, Nylon
19	56110687	1	Hose Assy	69	56315257	1	Clamp, P
20	56110688	1	Hose Assy	70	56900404	2	Elbow, 90 Bulkhead Union
22	56110690	1	Hose Assy	71	56900906	2	Nipple, Test
23	56110691	1	Hose Assy	72	56900927	1	Tee, Bulkhead Run
24	56110692	1	Hose Assy	73	56002139	4	Wsh, Int Shprf 3/4
25	56110693	1	Hose Assy				
26	56110694	1	Hose Assy				
27	56110695	1	Hose Assy				
29	56110697	1	Hose Assy				
31	56110699	1	Hose Assy				
32	56110700	1	Hose Assy				
33	56110701	1	Hose Assy				
34	56110702	1	Hose Assy				
35	56110703	1	Hose Assy				
36	56110704	2	Hose Assy				
38	56110706	1	Hose Assy				
39	56110707	1	Hose Assy				
40	56110708	1	Hose Assy				
41	56110739	1	Hose Assy				

# = Revised or new since last update



09-3

## HYDRAULIC CYLINDER ASSEMBLIES

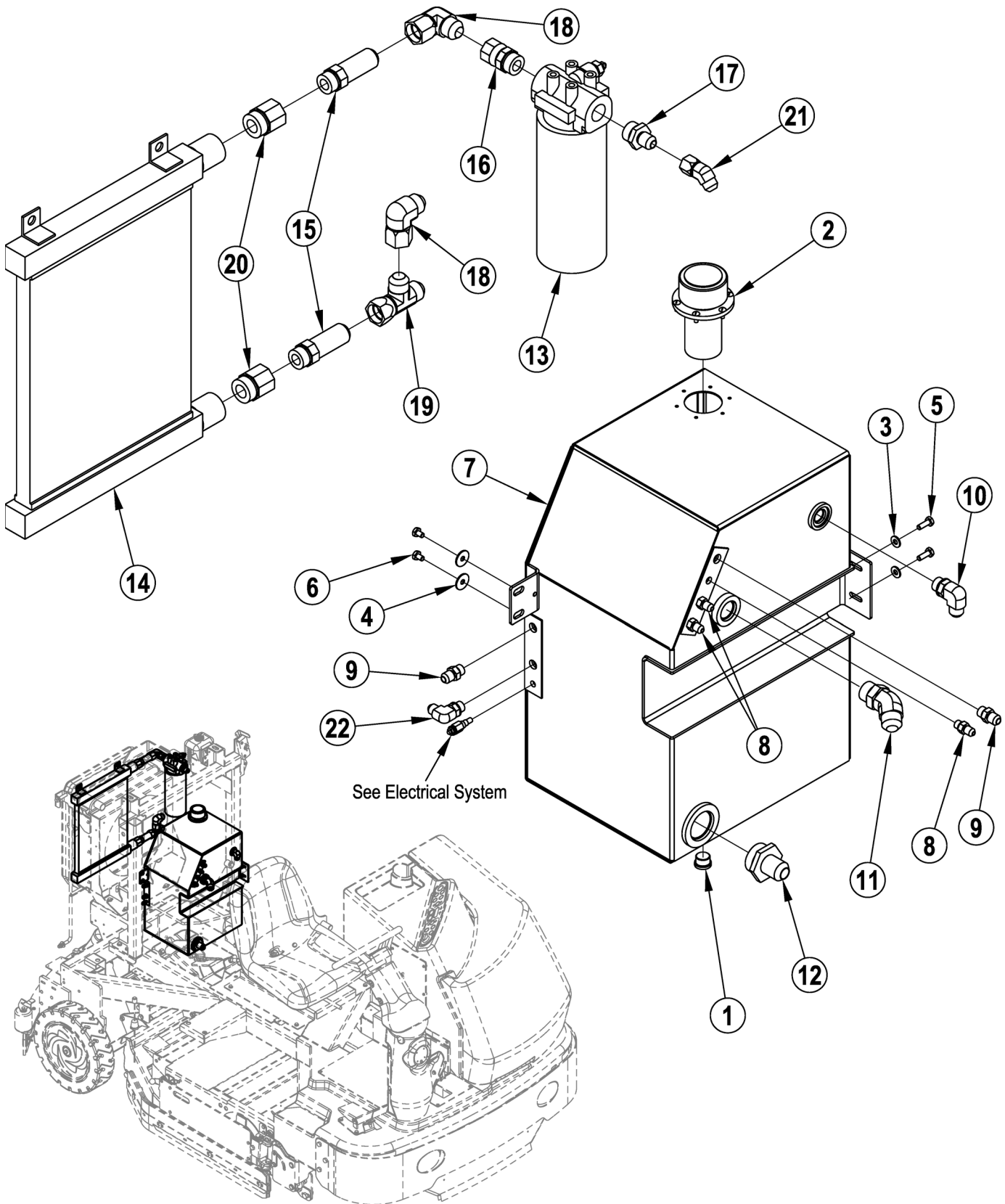
09-8

## Condor XL

43

Item	Ref. No.	Qty	Description
<b>A</b>	NA	1	Squeegee Cylinder Assy ( <b>items 1-2</b> )
1	56110262	1	Cylinder, Hydraulic 1.5 x 5
*	56305702	1	Seal Kit for 56110262
2	56900101	2	Elbow, 90 O-Ring
<b>B</b>	NA	1	Cylinder Assembly, Steer ( <b>items 3-4, 9</b> )
3	56304933	1	Cylinder, Hydraulic 2 x 6
*	56488723	1	Seal Kit for 56304933
4	56900001	1	Connector, O-Ring
9	56900101	1	Elbow, 90 O-Ring
<b>C</b>	NA	1	Scrub Lift Cyl. Assy ( <b>items 5-8</b> )
5	56110370	1	Cylinder, Hydraulic 1.50 x 5.00
*	56110723	1	Seal Kit for 56110370
6	56111165	1	End Cap, Flare Tube
7	56900341	1	Tee, Run W/Nut
8	56900356	1	Tee, Branch O-Ring

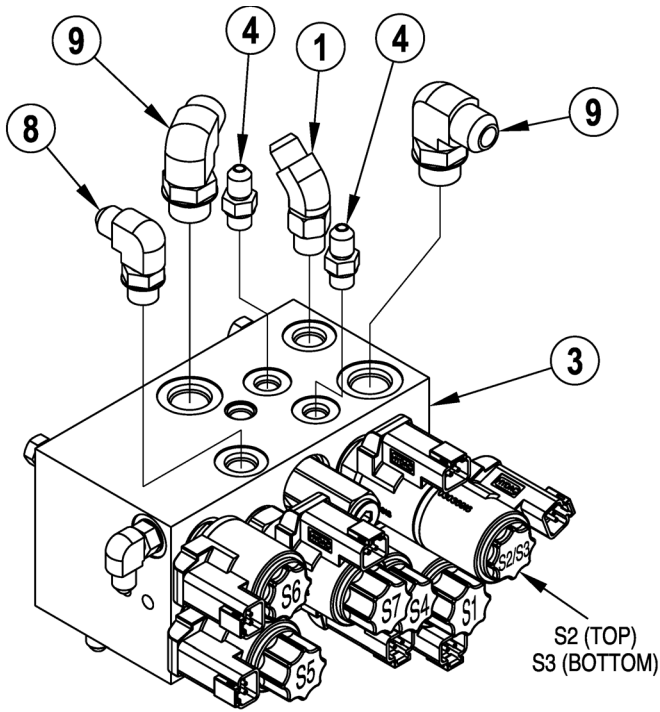
\* = Optional, Not Included



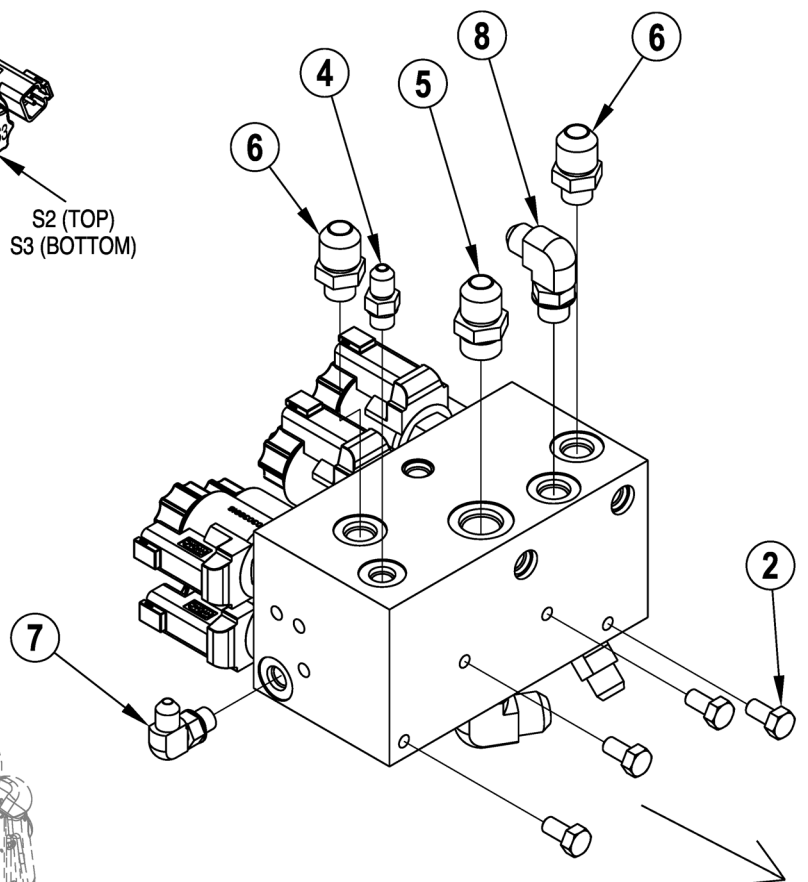


Item	Ref. No.	Qty	Description
	NA	1	Reservoir Assembly <b>(items 1-12, 22)</b>
1	56463403	1	Plug, Hex Soc O-Ring
2	56479656	1	Cap, Filler
3	56002098	2	Wsh, Flt SAE 1/4
4	56009002	2	Wsh, Flt .266 X .906 X .060
5	56009018	2	Scr, Hex Thd Form 1/4-20 X .75
6	56009019	2	Scr, Hex Thd Form 1/4-20 X .38
7	56110170	1	Reservoir Weldment
8	56900001	3	Connector, O-Ring
9	56900003	2	Connector, O-Ring
10	56900104	1	Elbow, 90 O-Ring
11	56900156	1	Elbow, 45 O-Ring W/Nut
12	56900451	1	Connector, O-Ring
22	56900103	1	Elbow, 90 O-Ring
	56110665	1	Oil Cooler Assembly <b>(items 13-21)</b>
13	56456449	1	Filter, Oil
*	56496209	A/R	Replacement Filter
14	56463678	1	Cooler, Oil
15	56110978	2	Fitting, Long Straight
16	56110981	1	Fitting, Swivel Str
17	56900016	1	Connector, O-Ring
18	56900306	2	Elbow, 90 W/Nut
19	56900346	1	Tee, Run W/Nut
20	56900608	2	Reducer, O-Ring
21	56900324	1	Elbow, 45 W/Nut

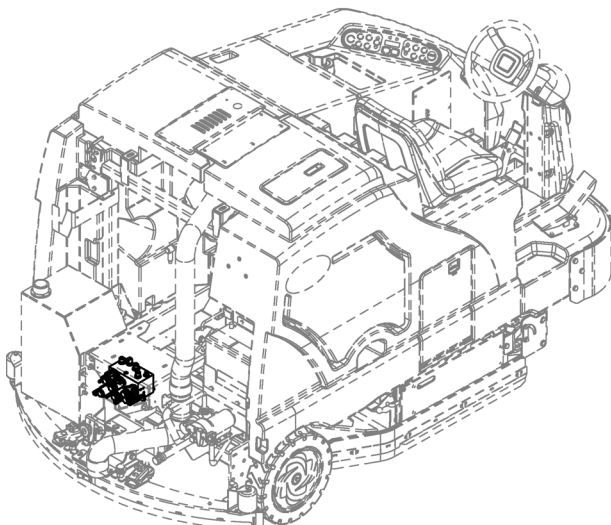
\* = Optional, Not Included



BOTTOM VIEW

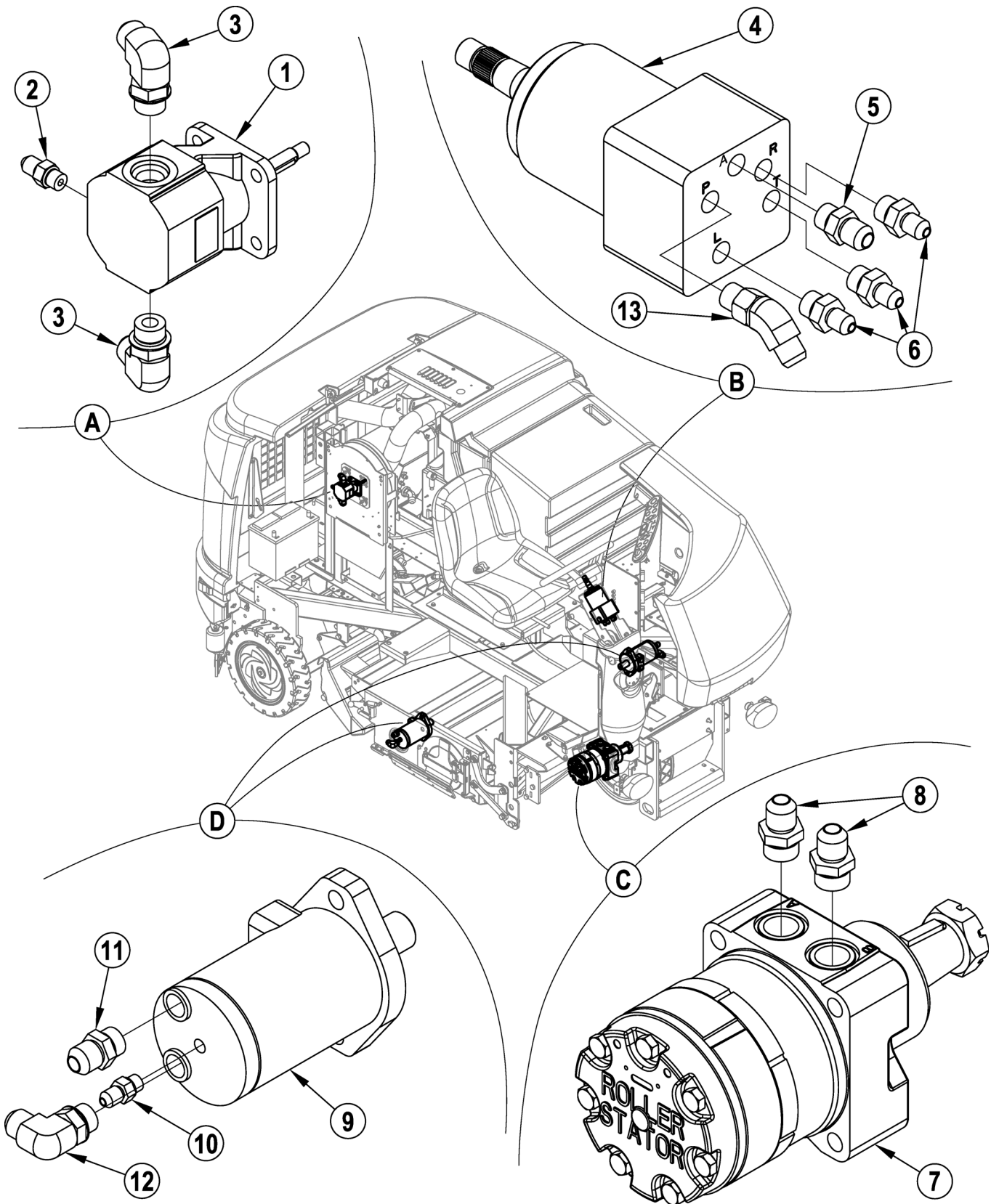


FRONT OF MACHINE



Item	Ref. No.	Qty	Description
1	56900153	1	Elbow, 45 O-Ring W/Nut
2	56002929	4	Scr, Hex Hd Loc 5/16-18 x .62
3	56110271	1	Valve Block, Hydraulic
*	56110717	A/R	Valve Cartridge S2/S3
*	56110718	A/R	Valve Cartridge S6
*	56110719	A/R	Valve Cartridge S1, S4
*	56110720	A/R	Proportioning Cartridge S7
*	56110721	A/R	Proportioning Relieving Cartridge S5
*	56419397	A/R	Relief Cartridge 2
*	56111194	A/R	Relief Cartridge 7
*	56110712	A/R	Coil S1, S2, S3, S4, S6
*	56110716	A/R	Coil S5, S7
*	56305348	A/R	Seal Kit S2/S3
*	56305354	A/R	Seal Kit S6, S7, Relief 2
*	56111198	A/R	Seal Kit S1, S4
*	56305349	A/R	Seal Kit S5
*	56305822	A/R	Seal Kit Relief 7
4	56900001	3	Connector, O-Ring
5	56900004	1	Connector, O-Ring
6	56900020	2	Connector, O-Ring
7	56900101	1	Elbow, 90 O-Ring
8	56900103	2	Elbow, 90 O-Ring
9	56900104	2	Elbow, 90 O-Ring

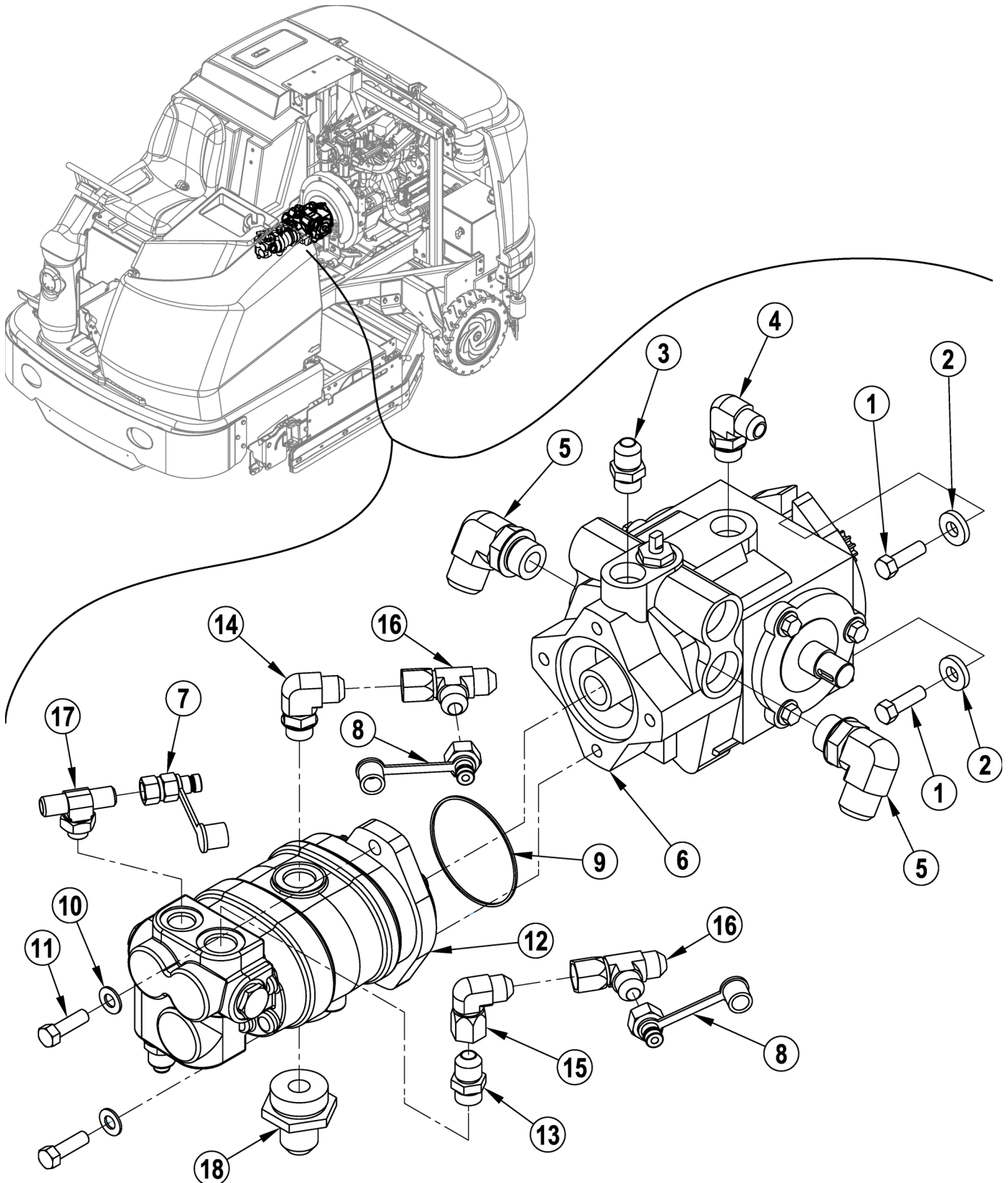
\* = Optional, Not Included



09-3	<b>HYDRAULIC MOTOR ASSEMBLIES</b>		
09-8	<b>Condor XL</b>		<b>49</b>

Item	Ref. No.	Qty	Description
A	NA	1	Fan Motor Assembly <b>(items 1-3)</b>
1	56110061	1	Motor, Hydraulic .129 Cir
*	56418823	1	Seal Kit for 56110061
2	56900001	1	Connector, O-Ring
3	56900104	2	Elbow, 90 O-Ring
B	NA	1	Steering Pump Assembly <b>(items 4-6, 13)</b>
4	56111518	1	Steering Pump
*	56419521	1	Seal Kit for 56111518
5	56900003	1	Connector, O-Ring
6	56900011	3	Connector, O-Ring
13	56900153	1	Elbow, 45 O-Ring W/Nut
C	NA	1	Drive Motor Assembly <b>(items 7-8)</b>
7	56110351	1	Motor, Traction Drive
*	56507618	1	Seal Kit for 56110351
8	56900015	2	Connector, O-Ring
D	56110339	1	Hydraulic Motor Assembly <b>(items 9-12)</b>
9	56497525	1	Motor, Main Broom
*	56479577	1	Seal Kit for 56497525
*	56307149	1	Viton Seal Kit for 56497525
10	56900001	1	Connector, O-Ring
11	56900004	1	Connector, O-Ring
12	56900104	1	Elbow, 90 O-Ring

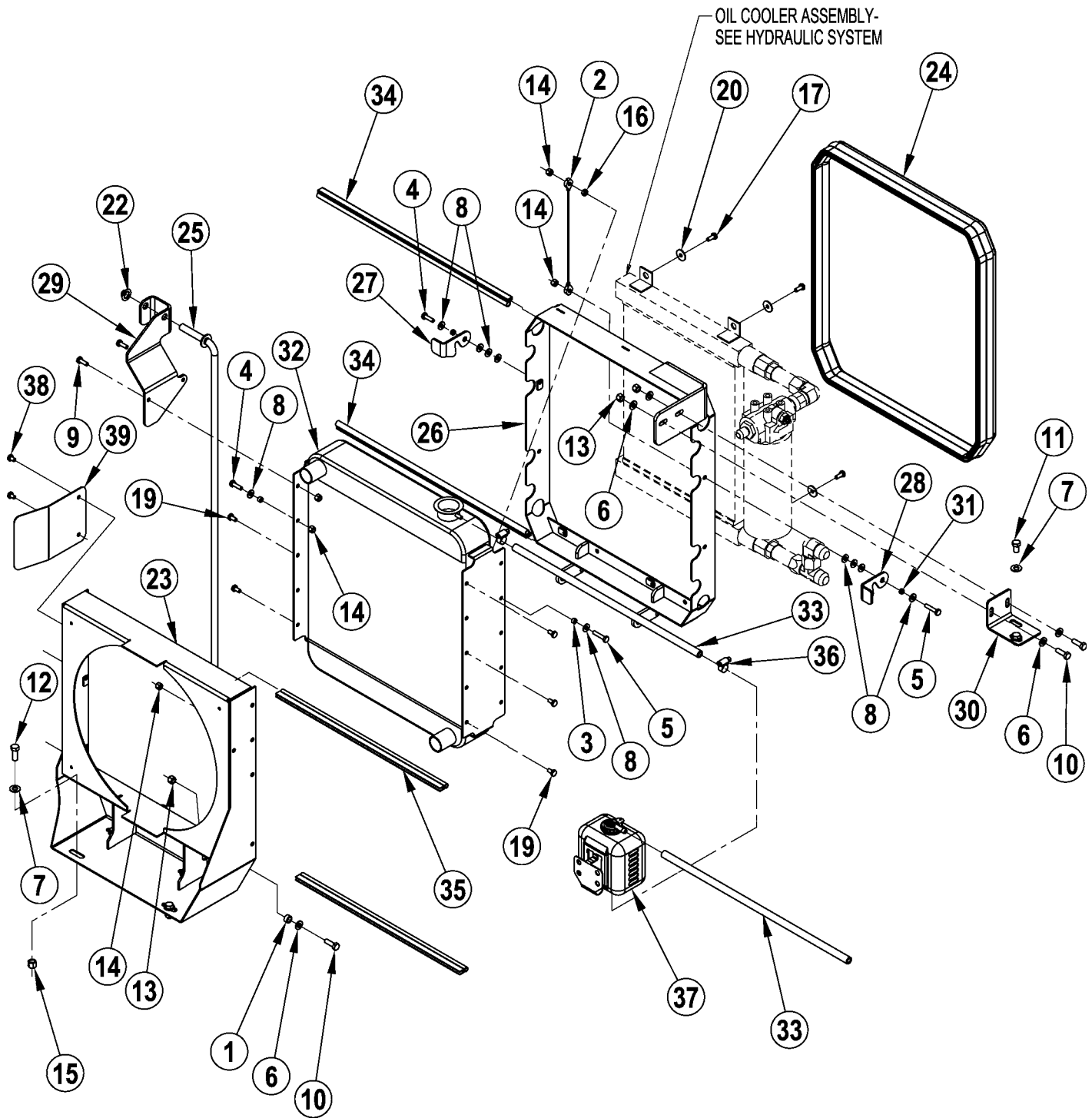
\* = Optional, Not Included



Item	Ref. No.	Qty	Description
	NA	1	Pump Assembly <b>(items 1-6)</b>
1	56003029	2	Scr, Hex Hd Loc 3/8-16 x 1.25
2	56009106	2	Wsh, Flt .453 x 1.000 x .179
3	56900004	1	Connector, O-Ring
4	56900104	1	Elbow, 90 O-Ring
5	56900106	2	Elbow, 90 O-Ring
6	56304112	1	Pump, Piston
*	56305360	A/R	Seal Kit for 56304112
*	56111605	A/R	Relief Valve for 56304112
	NA	1	Pump Assembly Low Speed <b>(items 7-18)</b>
7	56418865	1	Coupling, #6 Test Port
8	56418866	2	Coupling, #8 Test Port
9	56488002	1	O-Ring
10	56002063	2	Wsh, Flt SAE 3/8
11	56003029	2	Scr, Hex Hd Loc 3/8-16 x 1.25
12	56110371	1	Pump, Dual Low Speed
*	56418987	A/R	Seal Kit for 56110371
*	56111496	A/R	Relief Cartridge for 56110371
13	56900004	1	Connector, O-Ring
14	56900104	1	Elbow, 90 O-Ring
15	56900304	1	Elbow, 90 W/Nut
16	56900344	2	Tee, Run W/Nut
17	56900353	1	Tee, Branch O-Ring
18	56900451	1	Connector, O-Ring

\* = Optional, Not Included







09-3

**RADIATOR ASSY**

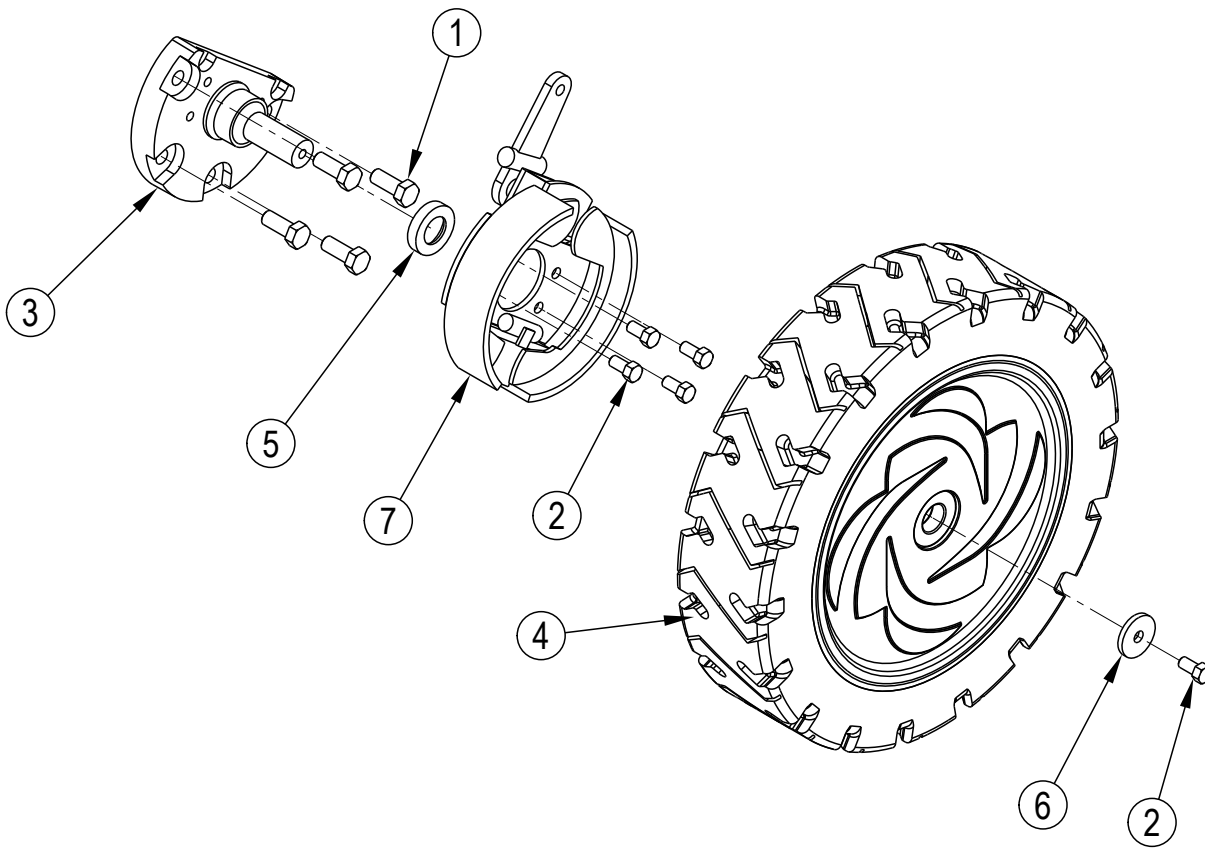
09-8

**Condor XL**

53

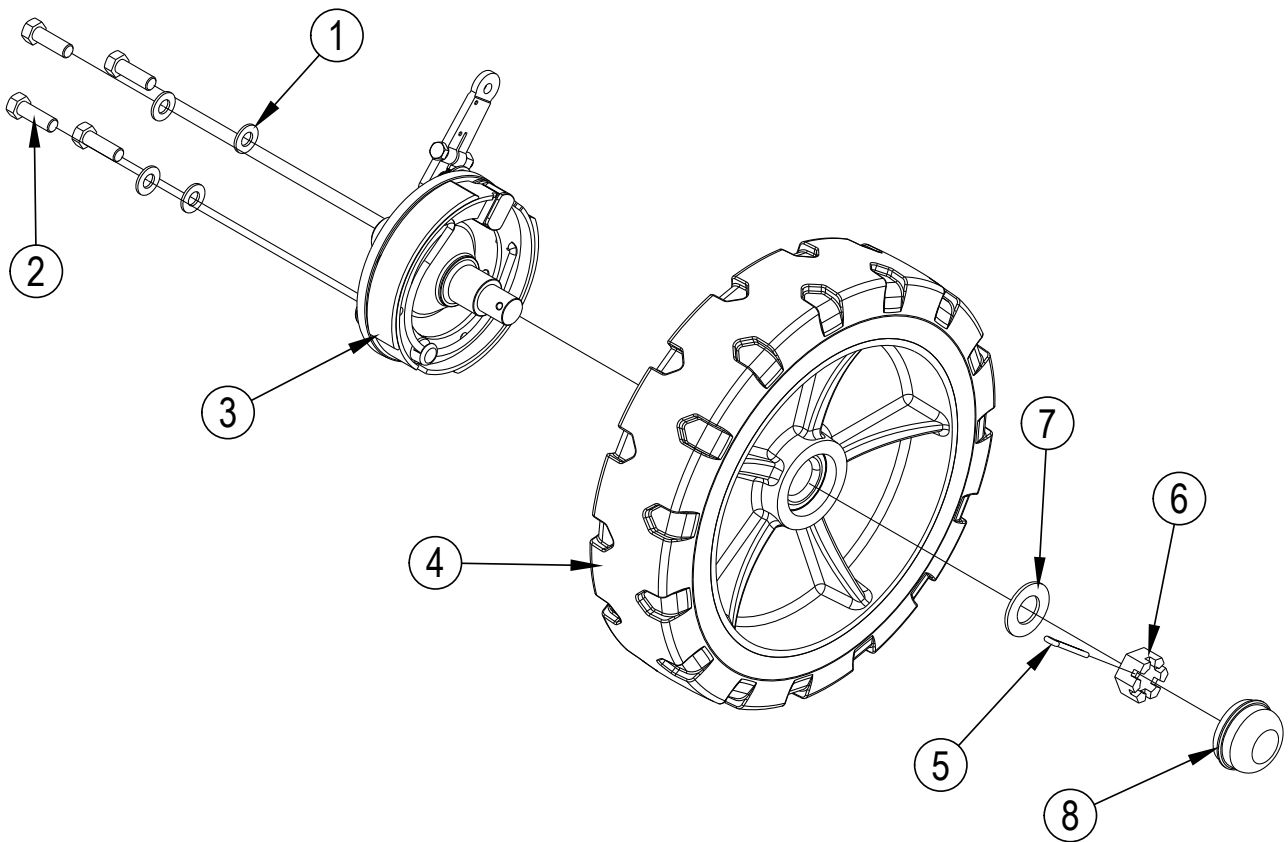
Item	Ref. No.	Qty	Description
1	56232181	2	Bushing
2	56325240	1	Wire Rope, 10 Inch
3	56368997	2	Bushing
4	56001821	2	Scr, Hex 1/4-20 x .88
5	56001878	2	Scr, Hex 1/4-20 x 1.25
6	56001939	6	Wsh, Flt SAE 5/16
7	56002063	10	Wsh, Flt SAE 3/8
8	56002098	10	Wsh, Flt SAE 1/4
9	56002155	2	Scr, Hex 1/4-20 x .75
10	56002221	4	Scr, Hex 5/16-18 x 1.00
11	56002234	2	Scr, Hex 3/8-16 x .62
12	56002663	4	Scr, Hex 3/8-16 x 1.00
13	56002701	4	Nut, Hex Nyl Loc 5/16-18
14	56002708	5	Nut, Hex Nyl Loc 1/4-20
15	56002769	4	Nut, Hex Nyl Loc 3/8-16
16	56002840	1	Nut, Hex Nyl Loc-Thin 1/4-20
17	56002922	4	Scr, Hex Hd Loc 1/4-20 x .62
18			Intentionally Omitted
19	56003039	5	Scr, Hex Hd Loc 1/4-20 x .50
20	56009002	4	Wsh, Flt .266 x .906 x .060
22	56009097	1	Nut, Push Cap 1/2
23	56110242	1	Fan Shroud Weldment
24	56110656	1	Gasket, Radiator
25	56110966	1	Prop Rod Weldt
26	56111233	1	Oil Cooler Mnt Weldt
27	56111237	1	Latch, Oil Cooler-Rt
28	56111238	1	Latch, Oil Cooler-Lt
29	56111245	1	Bracket, Hood Prop
30	56111530	1	Bracket, Oil Filter
31	56163872	2	Bushing
32	56305316	1	Radiator
*	56456431	1	Cap, Radiator
33	56305443	2	Hose
34	56305502	2	Trim-Seal, Raw
35	56418955	2	Gasket
36	56756364	2	Clamp, Hose SAE #4
37	7-07-02002	1	Over-Flow Bottle, 1.0 L
38	56009019	2	Scr, Hex Thd Form 1/4-20 x .38
39	56111735	1	Plate, Shield

\* = Optional, Not Included

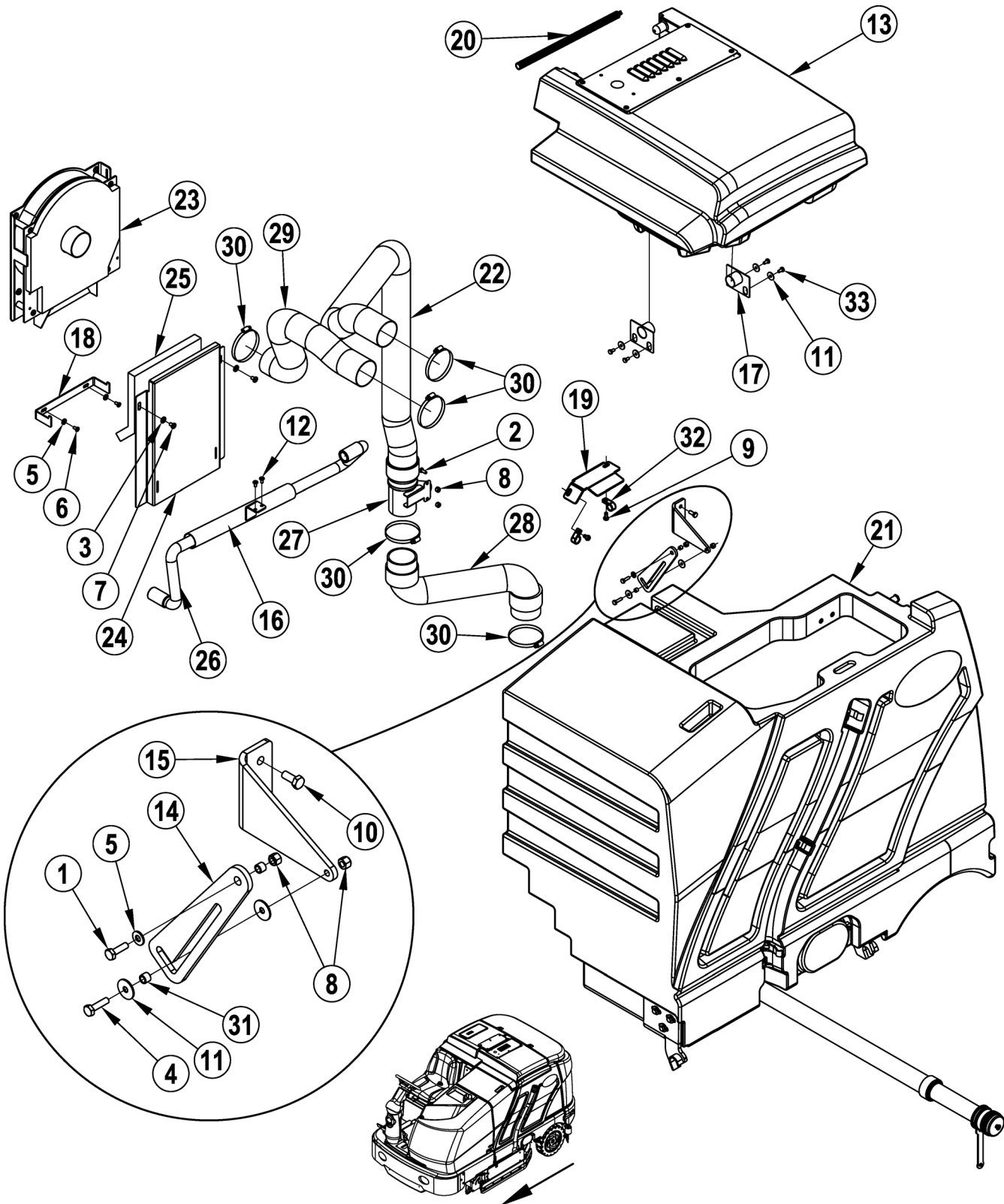


Item	Ref. No.	Qty	Description
1	56003022	8	Scr, Hex Hd Loc 1/2-13 x 1.25
2	56003079	10	Scr, Hex Hd Loc 3/8-16 x .75
3	56110433	2	Spindle, Finished
4	56382656	2	Wheel Assy
*	56304024	A/R	Tire, Press On
*	56382835	A/R	Hub Kit
*	56111531	A/R	Bearing, Ball
5	56305742	2	Spindle Spacer
6	56367117	2	Wsh, Flt .406 x 1.5 x .1875
7	56410012	2	Brake Assembly
*	56305600	A/R	Brake Shoe
*	56419457	A/R	Replacement Lever

\* = Optional, Not Included

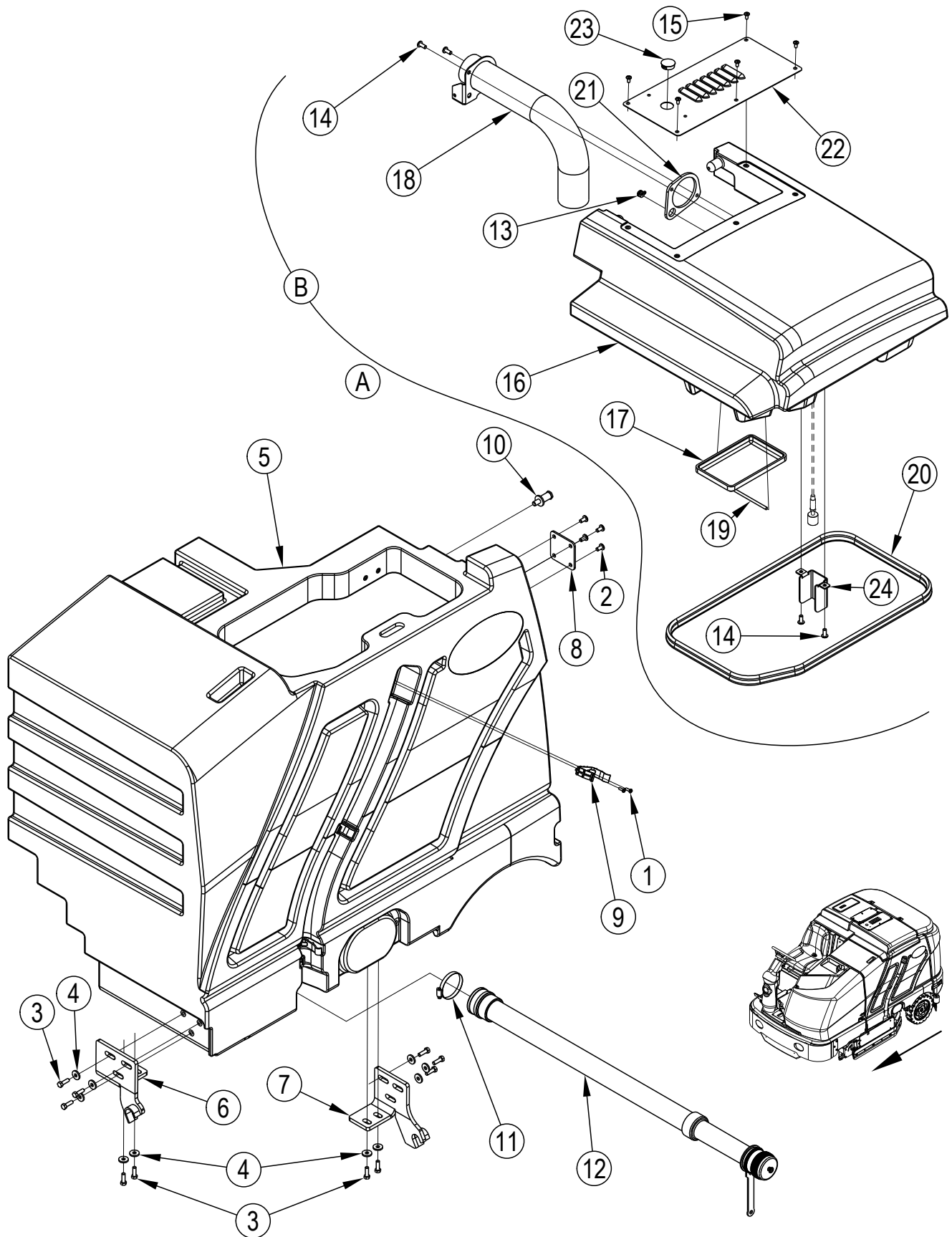


Item	Ref. No.	Qty	Description
1	56001879	8	Wsh-Flt Sae 1/2
2	56003778	8	Scr, Hex Loc 1/2-20 X 1.50 Grade 8
3	56109728	2	Assembly-Spindle-Brake
[ ]	56510762	2	Brake Shoe Kit
4	56509346	2	Wheel-Mold-On 16.2 X 4
[ ]	56509532	1	Bearing-Wheel (for 56509346)
[ ]	56509533	1	Ring-Snap (for 56509346)
5	2-00-02436	2	Pin, Cotter
6	2-00-05026	2	1" X 14 Slotted Nut
7	2-00-05239	2	Washer, Spacer
8	8-11-00030	2	Grease Cap



09-3	<b>RECOVERY SYSTEM - 1</b>		
09-8	<b>Condor XL</b>		<b>57</b>

Item	Ref. No.	Qty	Description
1	56001821	1	Scr, Hex 1/4-20 x .88
2	56001836	2	Scr, Hex 1/4-20 x .62
3	56001939	2	Wsh, Flt SAE 5/16
4	56002093	1	Scr, Hex 1/4-20 x 1.00
5	56002098	3	Wsh, Flt SAE 1/4
6	56002145	2	Scr, Pan Phil 1/4-20 x .50
7	56002281	2	Scr, Pan Phil 5/16-18 x .50
8	56002708	4	Nut, Hex Nyl Loc 1/4-20
9	56002922	2	Scr, Hex Hd Loc 1/4-20 x .62
10	56002956	2	Scr, Hex Hd Loc 5/16-18 x .75
11	56009002	6	Wsh, Flt .266 x .906 x .060
12	56009062	2	Scr, Pan Phil Thd Form 1/4-20 x .50
13	NA	1	Cover Assembly, Recovery Tank <b>(see Recovery System - 2)</b>
14	56110571	1	Prop, Rec. Tank Cover
15	56110572	1	Bracket, Prop
16	56110667	1	Tube Weldment
17	56110790	2	Hinge Support Weldment
18	56110867	1	Bracket, Panel Mounting
19	56110896	1	Plate, Tube Support
20	56110912	1	Gasket
21	56111078	1	Recovery Tank Assembly <b>(see Recovery System - 2)</b>
22	56111089	1	Hose Assy, Cuffed 3.00
23	56111549	1	Vac Fan Assy <b>(see Vac Fan Assy)</b>
24	56111559	1	Panel Weldt
25	56111568	1	Foam, Sound
26	56111772	1	Hose Assy, Cuffed 1.00
27	56111774	1	Tube Weldment
28	56305377	1	Hose Assembly, Squeegee
29	56331332	1	Hose, Vac, 3.00 x 31.25 x 975003
30	56352829	5	Clamp, Hose SAE #52
31	56368989	2	Bushing
32	56486112	2	Clamp, P
33	56003039	4	Scr, Hex Hd Loc 1/4-20 x .50



09-3

**RECOVERY SYSTEM - 2**

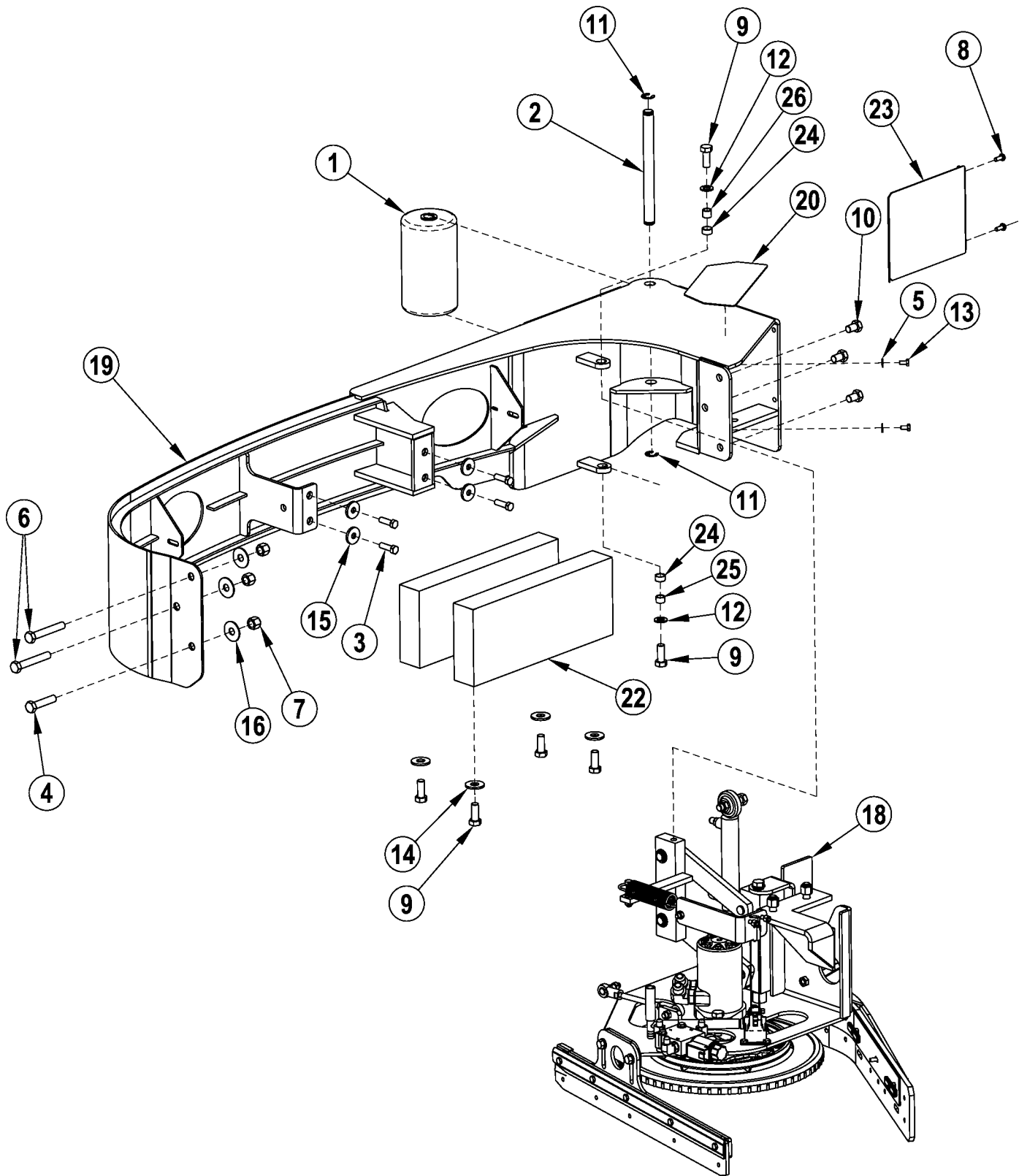
11-11

**Condor XL**

59

Item	Ref. No.	Qty	Description
A	56111078	1	Recovery Tank Assembly <b>(items 1-12)</b>
1	56002896	6	Scr, Pan Phil SS 10-24 x .62
2	56003003	4	Scr, Pan Phil 5/16-18 x .62
3	56003073	10	Scr, Hex Hd Loc 5/16-18 x 1.00
4	56009122	10	Wsh, Flt .344 x .938 x .125
5	56110390	1	Tank, Recovery
6	56110568	1	Front Pivot Weldment
7	56110570	1	Rear Pivot Weldment
8	56110635	1	Tether Mount Weldment
9	56212236	3	Clamp, Plastic
10	56304864	1	Pin, Slam Lock
11	56456797	1	Clamp, Hose SAE #36
12	56381930	1	Drain Hose
*	56601410	1	Drain Hose Extension (121" (307cm))
B	NA	1	Cover Assembly, Recovery Tank <b>(items 13-24)</b>
13	56201596	1	Strain Relief
14	56003014	4	Scr, Pan Phil Ss 5/16-18 x .75
15	56009069	5	Scr, Pan Phil Loc 1/4-20 x .50
16	56110455	1	Cover, Recovery Tank
17	56110560	1	Screen, Recovery Tank
18	56110562	1	Tube Weldment
19	56110579	1	Pin, Filter
20	56110580	1	Gasket
21	56110581	1	Gasket
22	56110637	1	Cover
23	56111444	1	Button Plug-1.25
24	56111737	1	Switch Shield

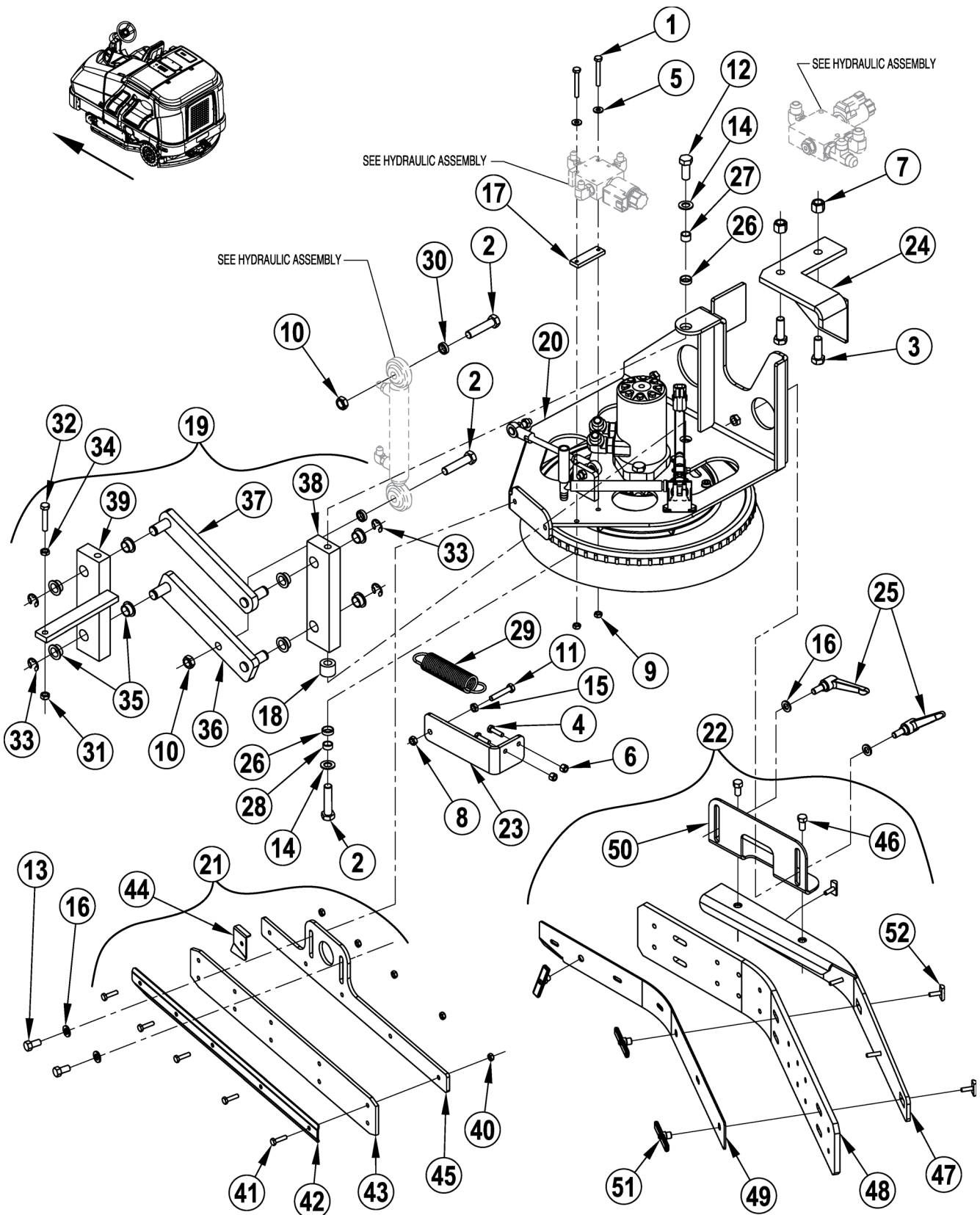
\* = Optional, Not Included





Item	Ref. No.	Qty	Description
1	56409335	1	Bumper
2	56409336	1	Pin
3	56001858	4	Scr, Hex 3/8-16 X 1.25
4	56001920	1	Scr, Hex 1/2-13 X 2.25
5	56002098	2	Wsh, Flt SAE 1/4
6	56002116	2	Scr, Hex 1/2-13 X 3.25
7	56002770	3	Nut, Hex Nyl Loc 1/2-13
8	56002922	2	Scr, Hex Hd Loc 1/4-20 x .62
9	56003022	6	Scr, Hex Hd Loc 1/2-13x1.25
10	56003032	3	Scr, Hex Hd Loc 1/2-13x.75
11	56003266	2	Ring, Ret Ext Type E 0.75 Dia
12	56009017	2	Wsh, Flt Harden .516 x .938 x .75
13	56009033	2	Scr, Hex Thd Form 1/4-20 x .50
14	56009115	4	Wsh, Flt Harden .594 x 1.375 x .134
15	56009195	4	Wsh, Flt .406 x 1.25 x .164
16	56009216	3	Wsh, Flt .531 x 1.5 x .075
[ ]	56110547	1	Harness, Side Scrub
18	NA	1	Right Scrub Assy ( <b>See Right Scrub System - 2</b> )
19	56111141	1	Bumper Weldment
20	56111251	1	Mat, Step
[ ]	NA	1	Right Scrub Hyd Assy ( <b>see Right Scrub System Hydraulics</b> )
22	56111487	2	Weight
23	56111659	1	Cover, Right Scrub
24	56305553	2	Bearing, .719 x .625 x .375
25	56360627	1	Bushing
26	56367206	1	Bushing

[ ] = Not Shown



Item	Ref. No.	Qty	Description	Item	Ref. No.	Qty	Description
	NA	1	Right Scrub Assembly	31	56002826	1	Nut, Hex Nyl Loc-Thin 5/16-18
1	56001874	2	Scr, Hex 1/4-20 X 2.00	32	56003005	1	Scr, Hex 5/16-18 x 1.75
2	56001920	3	Scr, Hex 1/2-13 X 2.25	33	56003265	4	Ring, Ret Ext Type E 0.62 Dia
3	56001968	2	Scr, Hex 1/2-13 X 1.50	34	56009086	1	Nut, Hex Jam 5/16-18
4	56002093	2	Scr, Hex 1/4-20 X 1.00	35	56110338	8	Bearing, Flange .625
5	56002098	2	Wsh, Flt SAE 1/4	36	56111147	1	Arm Weldt-Lower
6	56002708	2	Nut, Hex Nyl Loc 1/4-20	37	56111148	1	Arm Weldt-Upper
7	56002770	2	Nut, Hex Nyl Loc 1/2-13	38	56111825	1	Pivot, Side Brush
8	56002826	1	Nut, Hex Nyl Loc-Thin 5/16-18	39	56111841	1	Pivot Weldment
9	56002840	2	Nut, Hex Nyl Loc-Thin 1/4-20				
10	56002843	2	Nut, Hex Nyl Loc-Thin 1/2-13	40	56002850	5	Nut, Hex Nyl Loc-Thin SS 1/4-20
11	56003005	1	Scr, Hex 5/16-18 X 1.75	41	56002883	5	Scr, Hex SS 1/4-20 X 1.00
12	56003022	1	Scr, Hex Hd Loc 1/2-13 x 1.25	42	56111491	1	Strap, Skirt
13	56003079	2	Scr, Hex Hd Loc 3/8-16 x .75	43	56111635	1	Blade Kit, Rt Scrub- Red Gum <b>NOTE 1</b>
14	56009017	2	Wsh, Flt Harden .516 x .938 x .75	*	56111636	1	Blade Kit, Rt Scrub- Gum (pure gum rubber) <b>NOTE 1</b>
15	56009086	1	Nut, Hex Jam 5/16-18	*	56111637	1	Blade Kit, Rt Scrub- PU (polyurethane) <b>NOTE 1</b>
16	56009214	4	Wsh, Flt .406 x .750 x .090				
17	56110651	1	Nut Plate				
18	56111160	1	Spacer				
19	56111202	1	Brush Arm Assy (items 31-39)	44	56111547	1	Tab
20	56111253	1	Brush Assembly (See Right Scrub System - 3)	45	56111859	1	Bracket, Skirt
21	56111525	1	Skirt Assembly (items 40-45)				
22	56111819	1	Rt Scrub Skirt Assy (items 46-52)	46	56003079	2	Scr, Hex Hd Loc 3/8-16 x .75
23	56111850	1	Bracket, Spring	47	56111818	1	Skirt Mount Weldt
24	56111862	1	Stop Weldment	48	56111635	1	Blade Kit, Rt Scrub- Red Gum <b>NOTE 1</b>
25	56111869	2	Handle, Locking	*	56111636	1	Blade Kit, Rt Scrub- Gum (pure gum rubber) <b>NOTE 1</b>
26	56304893	2	Bearing, Sleeve .625 x .750 x .250	*	56111637	1	Blade Kit, Rt Scrub- PU (polyurethane) <b>NOTE 1</b>
27	56360627	1	Bushing				
28	56365030	1	Bushing .50 x .62 x .27				
29	56412216	1	Spring, Extension	49	56111824	1	Strap, Skirt
30	56481456	2	Bushing	50	56111860	1	Bracket, Skirt
				51	56413717	3	Thumb Nut
				52	56413850	3	Skirt Retainer Assy

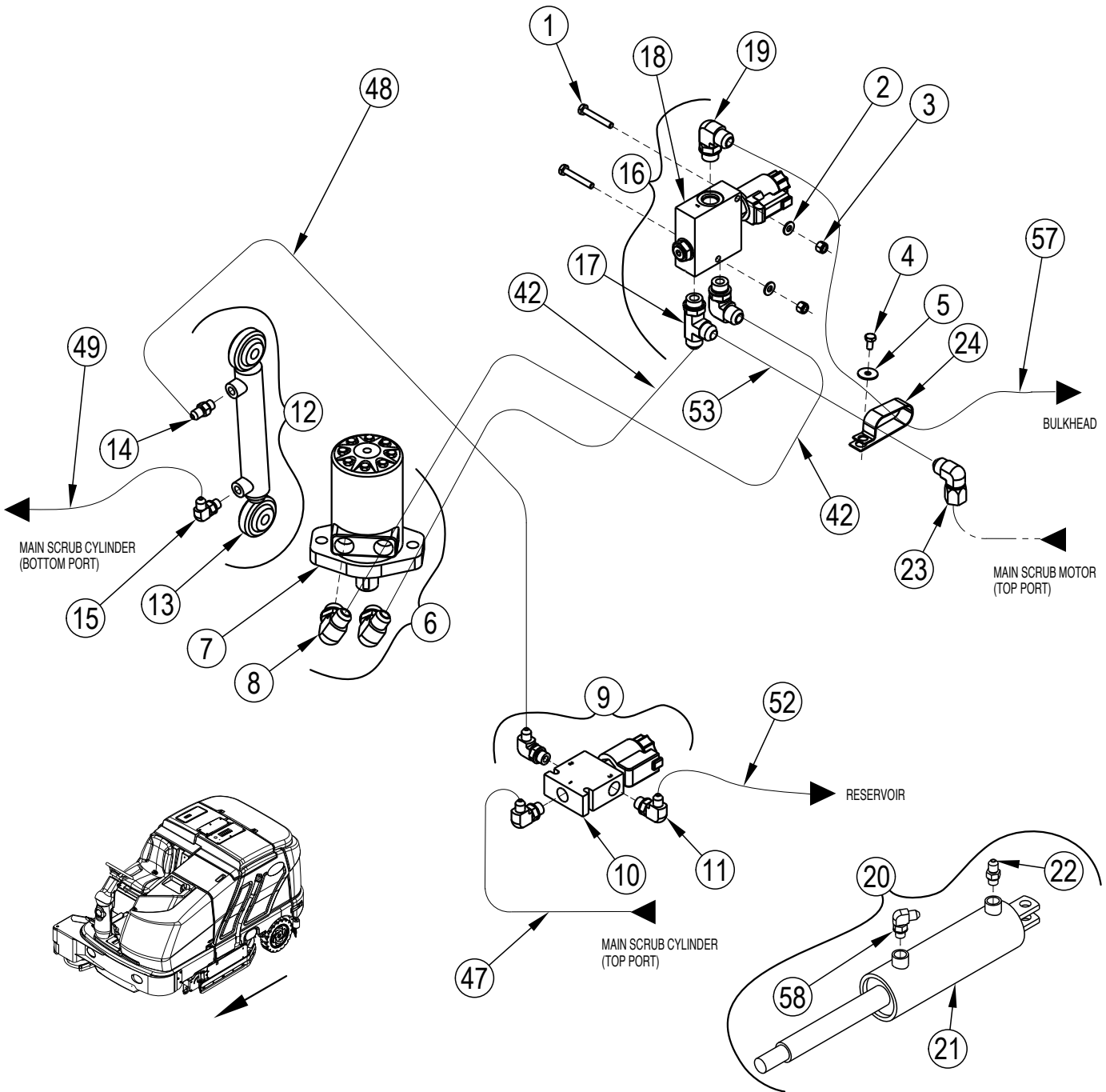
\* = Optional, Not Included

**NOTE 1:** Blade kits include 2 blades, one of each of the blades needed for the right scrub assembly.



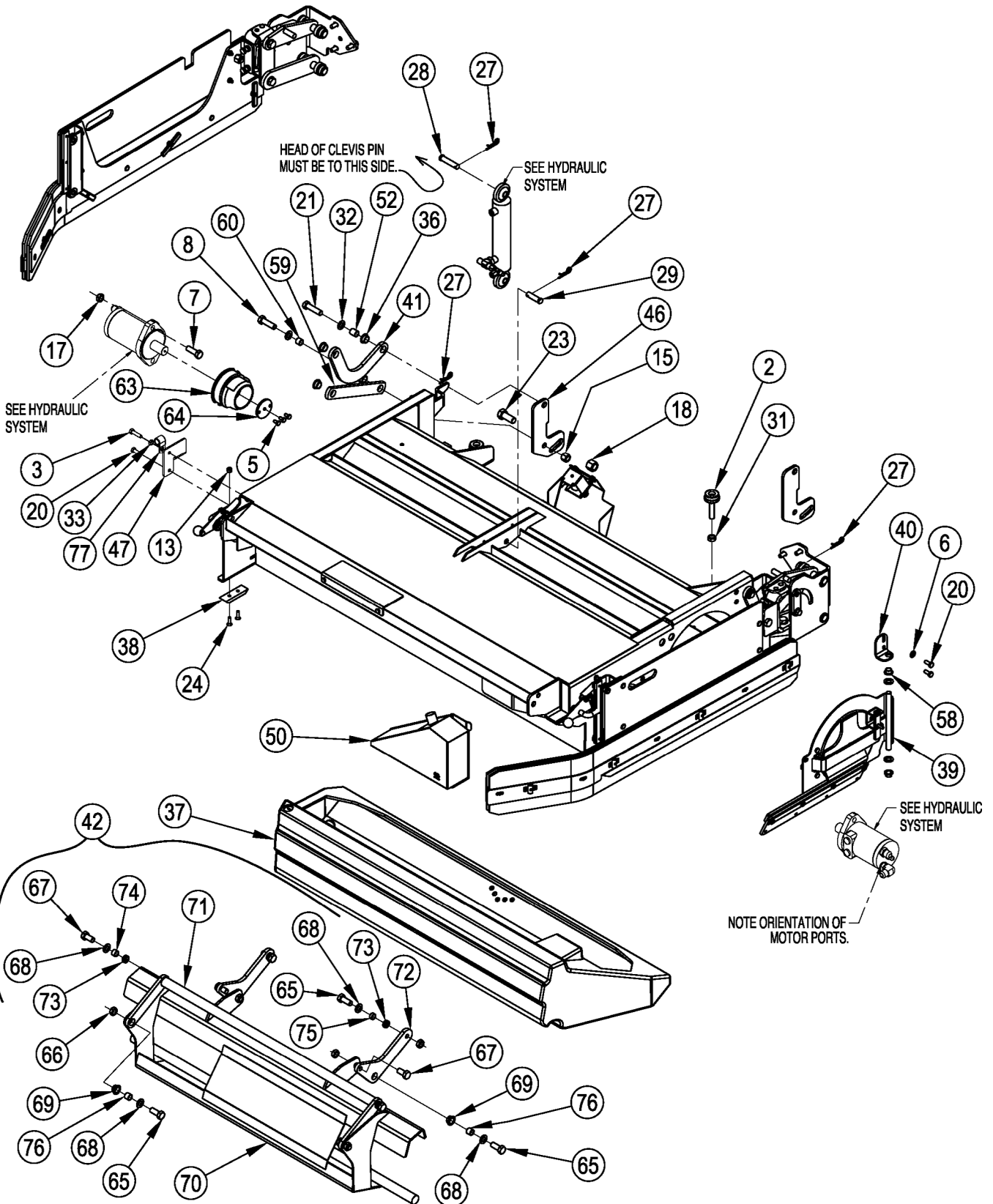
09-3	<b>RIGHT SCRUB SYSTEM - 3</b>		
09-8	<b>Condor XL</b>		<b>65</b>

Item	Ref. No.	Qty	Description
	56111253	1	Brush Assembly <b>(items 1-30)</b>
1	56366455	1	Plate, Stop
2	56407053	2	Thermoid Disk
3	56001968	2	Scr, Hex 1/2-13 X 1.50
4	56002843	2	Nut, Hex Nyl Loc-Thin 1/2-13
5	56002938	6	Wsh, Flt SAE SS 5/16
6	56003221	1	Scr, Hex Loc SS 1/4-20 X .75
7	56003278	3	Scr, Hex Loc SS M8-1 X 30mm
8	56003405	3	Nut, Hex Nyl Loc SS M8-1.25
9	56003639	3	Scr, Hex SS M8-1.25 X 30mm
10	56009030	2	Scr, Pan Phil Thd Form 10-24 X .38
11	56009042	1	Scr, Pan Phil Thd Form 10-24 X .62
12	56009060	1	Wsh, Flt SS .260 X 1.000 X .074
13	56009103	3	Nut, Hex Jam 3/8-24
14	56009250	2	Scr, Hex Thd Form 1/4-20 X .62
15	56110464	1	Solenoid Valve Assy
16	56111814	1	Rod
17	56111842	1	Elbow, Barbed .500 X .312
18	56111843	1	Orifice Plug
19	56111844	1	Hose, PVC .250 X .375 X 1.00
20	56111853	1	Motor Bracket Weldt
21	56219932	1	Clamp, Hose SAE #6
22	56244967	1	Hose, PVC Clear 65.00
23	56262549	1	Tee, Barb
24	56304077	1	Hub, Drive
25	56305515	1	Brush Lock, Left
26	56314030	1	Brush Holder
27	56369004	1	Bushing
28	56392347	1	Hose, PVC Clear 2.5 Inch
29	56397209	1	Hose, PVC Clear
30	56397385	2	Rod End



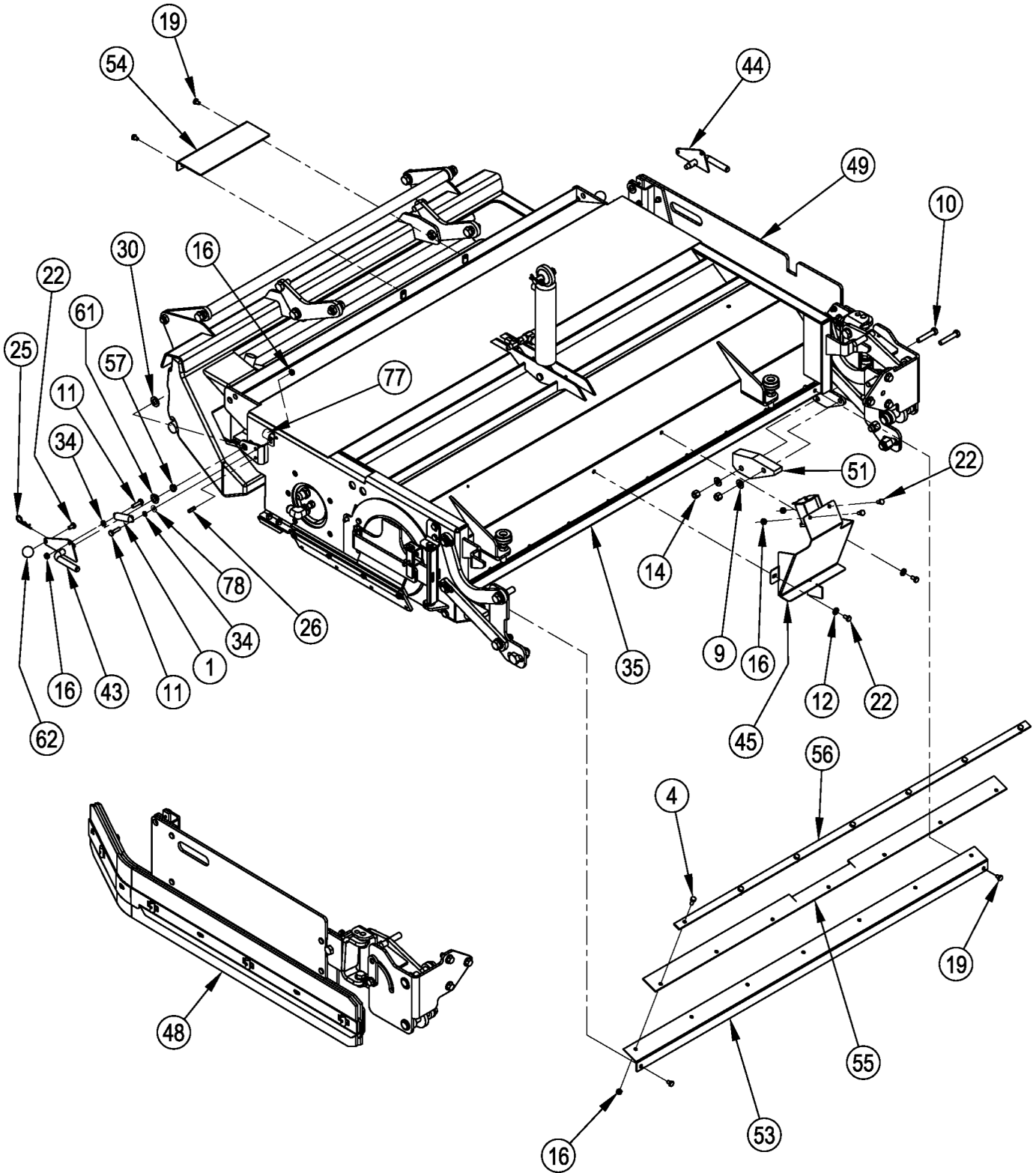
Item	Ref. No.	Qty	Description
	NA	1	Right Scrub Hd Assy (items 1-24, 42, 47-49, 52, 53, 57, 58)
1	56001967	2	Scr, Hex 1/4-20 x 1.75
2	56002098	2	Wsh, Flt SAE 1/4
3	56002708	2	Nut, Hex Nyl Loc 1/4-20
4	56003039	1	Scr, Hex Hd Loc 1/4-20 x .50
5	56009002	1	Wsh, Flt .266 X .906 x .060
6	NA	1	Hydraulic Motor Assy (items 7-8)
7	56111526	1	Motor, Hydraulic 11.3 CIR
*	56479577	A/R	Seal Kit
*	56307149	A/R	Viton Seal Kit
8	56900114	2	Elbow, 90 O-Ring
9	NA	1	Solenoid Valve Assy (items 10-11)
10	56110404	1	Valve, Solenoid
*	56305351	A/R	Replacement Cartridge
*	56110712	A/R	Replacement Coil
*	56305349	A/R	Seal Kit
11	56900110	3	Elbow, 90 O-Ring
12	NA	1	Opt Scrub Cyl Assy (items 13-15)
13	56111885	1	Cylinder, Hydraulic
*	56111886	A/R	Seal Kit
14	56900001	1	Connector, O-Ring
15	56900101	1	Elbow, 90 O-Ring
16	NA	1	Valve Assembly, Solenoid (17-19)
17	56900204	1	Tee, Run O-Ring
18	56110711	1	Solenoid Valve, Motor
*	56507686	A/R	Cartridge
*	56110715	A/R	Replacement Coil
*	56305370	A/R	Replacement Check Valve
*	56305354	A/R	Seal Kit
*	56111201	A/R	Seal Kit
19	56900104	2	Elbow, 90 O-Ring
20	56111587	1	Cylinder Assembly, Steer (items 21-22, 58)
21	56111593	1	Cylinder, Hydraulic 2 x 5
*	56488723	A/R	Replacement Seal Kit
22	56900001	1	Connector, O-Ring
58	56900101	1	Elbow, 90 O-Ring
23	56900304	1	Elbow, 90 W/Nut
24	2-00-05253	1	Clamp, 3/4" Wire, Double
42	56110777	2	Hose Assy
47	56110782	1	Hose Assy
48	56110783	1	Hose Assy
49	56110784	1	Hose Assy
52	56110787	1	Hose Assy
53	56110792	1	Hose Assy
57	56110796	1	Hose Assy

\* = Optional, Not Included

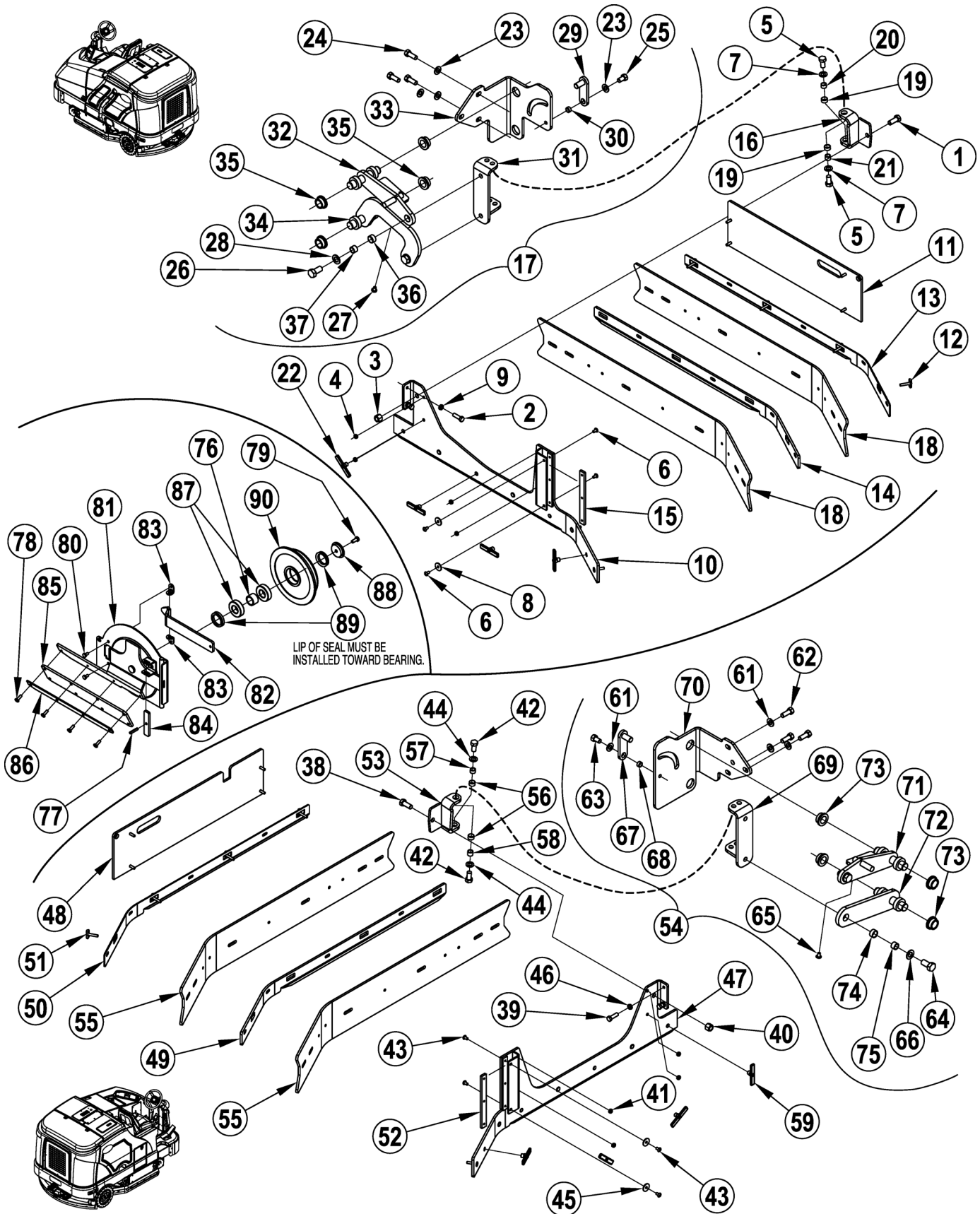




Item	Ref. No.	Qty	Description	Item	Ref. No.	Qty	Description
1	56365068	2	Spring	40	56110757	1	Hinge, Top
2	56449221	2	Bumper, 1.43 Dia	41	56110941	2	Arm, Brush HSG
3	56001834	1	Scr, Hex 5/16-18 x 1.25	42	56110952	1	Tray Hanger Assy (items 65-76)
4	56001836	7	Scr, Hex 1/4-20 x .62	43	56110971	1	Latch Weldt-Rt
5	56001854	6	Scr, Hex 1/4-20 x .50	44	56111108	1	Latch Weldt-Lt
6	56001939	1	Wsh, Flt Sae 5/16	45	56111380	1	Diverter Weldt
7	56001968	4	Scr, Hex 1/2-13 x 1.50	46	56111481	2	Bracket, Brush HSG
8	56001995	2	Scr, Hex 1/2-13 x 1.75	47	56111666	1	Hinge, Left
9	56002063	4	Wsh, Flt SAE 3/8	48	56111738	1	Right Skirt Assy (see Scrub System - Side Skirt Assemblies)
10	56002091	4	Scr, Hex 3/8-16 x 2.00				
11	56002093	3	Scr, Hex 1/4-20 x 1.00	49	56111740	1	Left Skirt Assy (see Scrub System - Side Skirt Assemblies)
12	56002098	2	Wsh, Flt SAE 1/4				
13	56002491	4	Nut, Hex Nyl Loc SS 1/4-20	50	56111751	1	Screen Weldment
14	56002769	4	Nut, Hex Nyl Loc 3/8-16	51	56111759	2	Skid
15	56002770	2	Nut, Hex Nyl Loc 1/2-13	52	56111784	2	Bushing .515 x .625 x .725
16	56002840	12	Nut, Hex Nyl Loc-Thin 1/4-20	53	56111787	1	Shield, Trough
17	56002843	4	Nut, Hex Nyl Loc-Thin 1/2-13	54	56111789	1	Plate
18	56002861	2	Nut, Hex Nyl Loc 5/8-18	55	56111790	1	Blade, Mud Shield
19	56002933	4	Scr, Hex Hd Loc 1/4-20 x .38	56	56111791	1	Strap
20	56002956	3	Scr, Hex Hd Loc 5/16-18 x .75	57	56303285	2	Bearing, Fl .500 x .375 x .250
21	56002983	2	Scr, Hex 1/2-13 x 2.00	58	56304519	4	Bearing, Fl .625 x .500 x .375
22	56003039	6	Scr, Hex Hd Loc 1/4-20 x .50	59	56305467	2	Arm Parallel 7.5in
23	56003045	2	Scr, Hex Hd SS UNF 5/8-18 x 1.50	60	56367206	2	Bushing
24	56003086	4	Scr, Flt Phil SS 1/4-20 x .88	61	56413211	2	Bearing, Flange .625 x .500 x .250
25	56003120	2	Pin, Cotter Hair .0915 x .375	62	56440817	2	Knob
26	56003138	2	Pin, Spr .25 x .75	63	8-33-09046-1	2	Hub-Broom Driver
27	56003222	6	Pin, Cotter Hair	64	8-58-05160	2	Broom Driver Locking Plate
28	56003620	1	Clevis Pin				
29	56003728	1	Pin, Clevis .50 x 1.75	65	56001831	6	Scr, Hex 1/2-13 X 1.25
30	56009003	2	Wsh, Flt .516 x .938 x .075	66	56002843	6	Nut, Hex Nyl Loc-Thin 1/2-13
31	56009016	2	Nut, Hex Jam 1/2-13	67	56003083	4	Scr, Hex Hd Loc 1/2-13 x 1.00
32	56009017	8	Wsh, Flt Harden .516 x .938 x .75	68	56009017	8	Wsh, Flt Harden .516 x .938 x .75
33	56009086	1	Nut, Hex Jam 5/16-18	69	56110338	4	Bearing, Flange .625
34	56009087	3	Nut, Hex Jam 1/4-20	70	56110953	1	Tray Hanger Weldt
35	56110111	1	Brush Housing Weldt	71	56110959	1	Tray Hanger Weldt
36	56110338	8	Bearing, Flange .625	72	56110976	2	Lever
37	56110349	1	Hopper	73	56304893	4	Bearing, Sleeve .625 X .750 X .250
38	56110514	2	Skid	74	56360627	2	Bushing
39	56110752	2	Idler Assembly	75	56365030	2	Bushing .50 x .62 x .27
				76	56367206	4	Bushing
				77	56419120	2	Clamp-Hose Support



Item	Ref. No.	Qty	Description	Item	Ref. No.	Qty	Description
1	56365068	2	Spring	34	56009087	3	Nut, Hex Jam 1/4-20
2	56449221	2	Bumper, 1.43 Dia	35	56110111	1	Brush Housing Weldt
3	56001834	1	Scr, Hex 5/16-18 x 1.25	36	56110338	8	Bearing, Flange .625
4	56001836	7	Scr, Hex 1/4-20 x .62	37	56110349	1	Hopper
5	56001854	6	Scr, Hex 1/4-20 x .50	38	56110514	2	Skid
6	56001939	1	Wsh, Flt Sae 5/16	39	56110752	2	Idler Assembly
7	56001968	4	Scr, Hex 1/2-13 x 1.50	40	56110757	1	Hinge, Top
8	56001995	2	Scr, Hex 1/2-13 x 1.75	41	56110941	2	Arm, Brush HSG
9	56002063	4	Wsh, Flt SAE 3/8	42	56110952	1	Tray Hanger Assy
10	56002091	4	Scr, Hex 3/8-16 x 2.00	43	56110971	1	Latch Weldt-Rt
11	56002093	3	Scr, Hex 1/4-20 x 1.00	44	56111108	1	Latch Weldt-Lt
12	56002098	2	Wsh, Flt SAE 1/4	45	56111380	1	Diverter Weldt
13	56002491	4	Nut, Hex Nyl Loc SS 1/4-20	46	56111481	2	Bracket, Brush HSG
14	56002769	4	Nut, Hex Nyl Loc 3/8-16	47	56111666	1	Hinge, Left
15	56002770	2	Nut, Hex Nyl Loc 1/2-13	48	56111738	1	Right Skirt Assy
16	56002840	12	Nut, Hex Nyl Loc-Thin 1/4-20				<b>(see Scrub System - Side Skirt Assemblies)</b>
17	56002843	4	Nut, Hex Nyl Loc-Thin 1/2-13	49	56111740	1	Left Skirt Assy
18	56002861	2	Nut, Hex Nyl Loc 5/8-18				<b>(see Scrub System - Side Skirt Assemblies)</b>
19	56002933	4	Scr, Hex Hd Loc 1/4-20 x .38	50	56111751	1	Screen Weldment
20	56002956	3	Scr, Hex Hd Loc 5/16-18 x .75	51	56111759	2	Skid
21	56002983	2	Scr, Hex 1/2-13 x 2.00	52	56111784	2	Bushing .515 x .625 x .725
22	56003039	6	Scr, Hex Hd Loc 1/4-20 x .50	53	56111787	1	Shield, Trough
23	56003045	2	Scr, Hex Hd SS UNF 5/8-18 x 1.50	54	56111789	1	Plate
24	56003086	4	Scr, Flt Phil SS 1/4-20 x .88	55	56111790	1	Blade, Mud Shield
25	56003120	2	Pin, Cotter Hair .0915 x .375	56	56111791	1	Strap
26	56003138	2	Pin, Spr .25 x .75	57	56303285	2	Bearing, Fl .500 x .375 x .250
27	56003222	6	Pin, Cotter Hair	58	56304519	4	Bearing, Fl .625 x .500 x .375
28	56003620	1	Clevis Pin	59	56305467	2	Arm Parallel 7.5in
29	56003728	1	Pin, Clevis .50 x 1.75	60	56367206	2	Bushing
30	56009003	2	Wsh, Flt .516 x .938 x .075	61	56413211	2	Bearing, Flange .625 x .500 x .250
31	56009016	2	Nut, Hex Jam 1/2-13	62	56440817	2	Knob
32	56009017	8	Wsh, Flt Harden .516 x .938 x .75	63	8-33-09046-1	2	Hub-Broom Driver
33	56009086	1	Nut, Hex Jam 5/16-18	64	8-58-05160	2	Broom Driver Locking Plate
				77	56419120	2	Clamp-Hose Support
				78	2-00-03702	1	Washer, .625 X .281 X .063

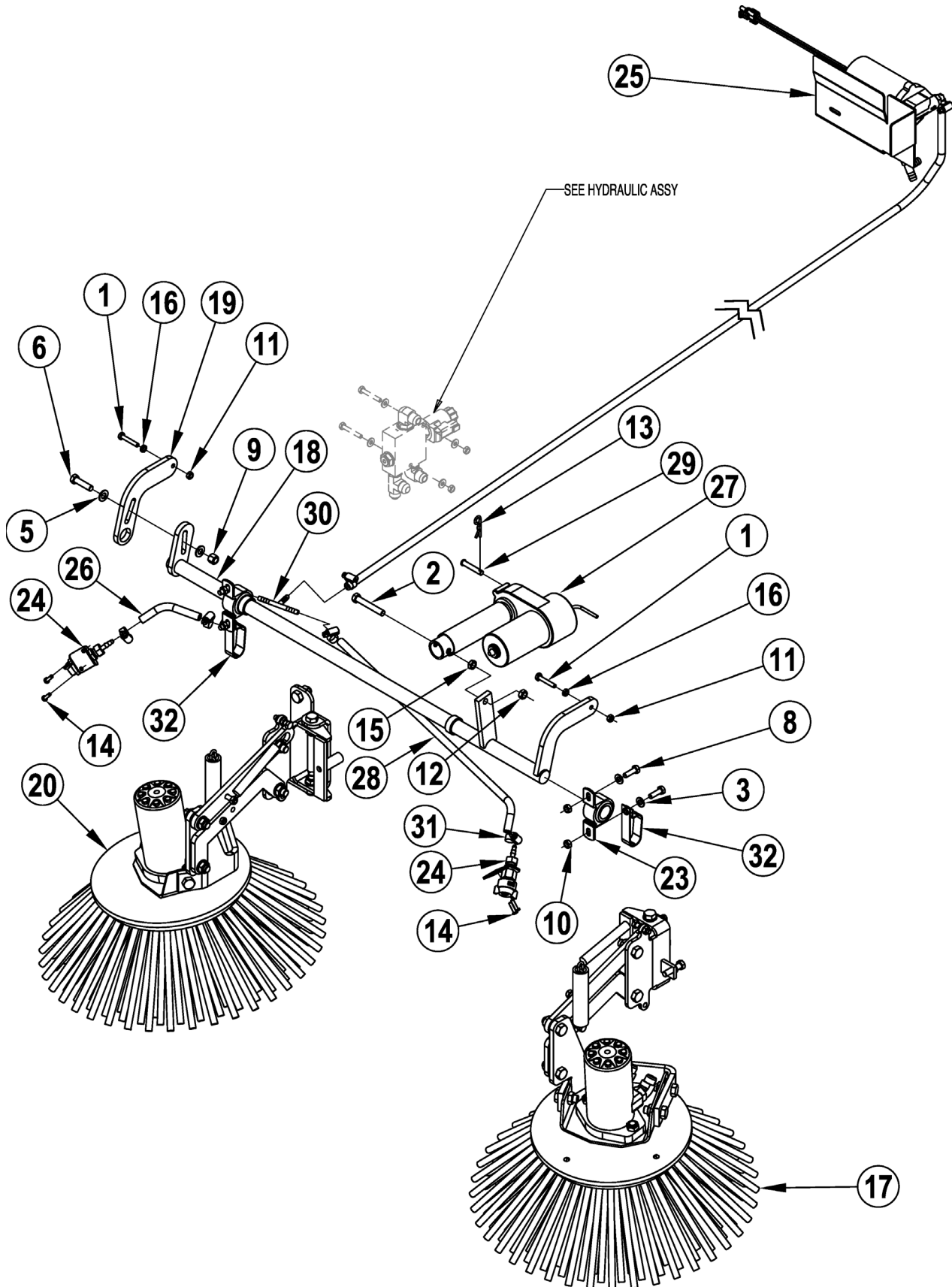


Item	Ref. No.	Qty	Description	Item	Ref. No.	Qty	Description
	56111738	1	Right Skirt Assy (items 1-22)	46	56009085	2	Nut, Hex Jam 3/8-16
1	56001831	1	Scr, Hex 1/2-13 X 1.25	47	56111370	1	Left Skirt Weldt
2	56001858	2	Scr, Hex 3/8-16 X 1.25	48	56111422	1	Cover, Left Skirt
3	56002770	1	Nut, Hex Nyl Loc 1/2-13	49	56111429	1	Strap, Skirt-Lt
4	56002840	4	Nut, Hex Nyl Loc-Thin 1/4-20	50	56111431	1	Strap, Skirt-Lt
5	56003083	2	Scr, Hex Hd Loc 1/2-13x1.00	51	56111433	4	Skirt Retainer Assy
6	56003790	4	Scr Panphil SS Type A 1/4-10 X .50	52	56111599	2	Slide
7	56009017	2	Wsh, Flt Harden .516 x .938 X.75	53	56111648	1	Left Hinge Weldt
8	56009060	2	Wsh, Flt SS .260 X 1.000 X .074	54	56111741	1	Skirt Arm Assy-Lt (items 61-75)
9	56009085	2	Nut, Hex Jam 3/8-16	55	56111206	1	Blade Kit, Main Scrub- Red Gum <b>NOTE 1</b>
10	56111372	1	Right Skirt Weldt	*	56111207	1	Blade Kit, Main Scrub- Gum Rubber <b>NOTE 1</b>
11	56111423	1	Cover, Right Skirt	*	56111210	1	Blade Kit, Main Scrub- Polyurethane <b>NOTE 1</b>
12	56111433	4	Skirt Retainer Assy	56	56305553	2	Bearing, .719 X .625 X .375
13	56111453	1	Strap, Skirt-Rt	57	56360627	1	Bushing
14	56111455	1	Strap, Skirt-Rt	58	56367206	1	Bushing
15	56111599	2	Slide	59	56413717	4	Thumb Nut
16	56111647	1	Right Hinge Weldt	61	56002063	4	Wsh, Flt SAE 3/8
17	56111739	1	Skirt Arm Assy-Rt (items 23-37)	62	56002947	3	Scr, Hex Hd Loc 3/8-16 x 1.00
18	56111206	1	Blade Kit, Main Scrub- Red Gum <b>NOTE 1</b>	63	56003040	1	Scr, Hex Hd Loc 3/8-16 x .62
*	56111207	1	Blade Kit, Main Scrub- Gum Rubber <b>NOTE 1</b>	64	56003083	2	Scr, Hex Hd Loc 1/2-13 x 1.00
*	56111210	1	Blade Kit, Main Scrub- Polyurethane <b>NOTE 1</b>	65	56003603	1	Scr, Pan Phil Thd Form 1/4-20 x .38
19	56305553	2	Bearing, .719 X .625 X .375	66	56009017	2	Wsh, Flt Harden .516 x .938 x .75
20	56360627	1	Bushing	67	56110942	1	Prop Weldt
21	56367206	1	Bushing	68	56110945	1	Bushing, .385 x .500 x .270
22	56413717	4	Thumb Nut	69	56111644	1	Hinge Weldt
23	56002063	4	Wsh, Flt SAE 3/8	70	56111743	1	Bracket Skirt-Lt
24	56002947	3	Scr, Hex Hd Loc 3/8-16 x 1.00	71	56111745	1	Upper Lt Arm Weldt
25	56003040	1	Scr, Hex Hd Loc 3/8-16 x .62	72	56111747	1	Lower Arm Weldt
26	56003083	2	Scr, Hex Hd Loc 1/2-13 x 1.00	73	56303024	4	Bearing, Fl 1.000 x .750 x .500
27	56003603	1	Scr, Pan Phil Thd Form 1/4-20 x .38	74	56305553	2	Bearing, .719 x .625 x .375
28	56009017	2	Wsh, Flt Harden .516 x .938 x.75	75	56360627	2	Bushing
29	56110942	1	Prop Weldt		56110752	1	Idler Assembly (items 76-90)
30	56110945	1	Bushing, .385 x .500 x .270	76	56479434	1	Bushing
31	56111644	1	Hinge Weldt	77	56002056	1	Pin, Spr. .25 X 1.25
32	56111744	1	Upper Rt Arm Weldt	78	56002155	4	Scr, Hex 1/4-20 X .75
33	56111827	1	Bracket, Skirt Rt	79	56002956	1	Scr, Hex Hd Loc 5/16-18 x .75
34	56111828	1	Lower Arm Weldt	80	56009033	2	Scr, Hex Thd Form 1/4-20 X .50
35	56303024	4	Bearing, Fl 1.000 x .750 x .500	81	56110753	1	Brush Idler Weldt
36	56305553	2	Bearing, .719 x .625 x .375	82	56110799	1	Lever Weldment
37	56360627	2	Bushing	83	56110803	2	Hinge
	56111740	1	Left Skirt Assy (items 38-59)	84	56110804	1	Latch
38	56001831	1	Scr, Hex 1/2-13 X 1.25	85	56111206	1	Blade Kit, Main Scrub- Red Gum <b>NOTE 1</b>
39	56001858	2	Scr, Hex 3/8-16 X 1.25	*	56111207	1	Blade Kit, Main Scrub- Gum Rubber <b>NOTE 1</b>
40	56002770	1	Nut, Hex Nyl Loc 1/2-13	86	56111377	1	Strap, Inner Blade
41	56002840	4	Nut, Hex Nyl Loc-Thin 1/4-20	87	56111531	2	Bearing, Ball
42	56003083	2	Scr, Hex Hd Loc 1/2-13x1.00	88	56111792	1	Washer, Step
43	56003790	4	Scr Pan Phil SS Type A 1/4-10 X .50	89	56111793	2	Seal Bearing
44	56009017	2	Wsh, Flt Harden .516 X .938 X.75	90	56493845	1	Hub-Idler
45	56009060	2	Wsh, Flt SS .260 X 1.000 X .074				

\* = Optional, Not Included

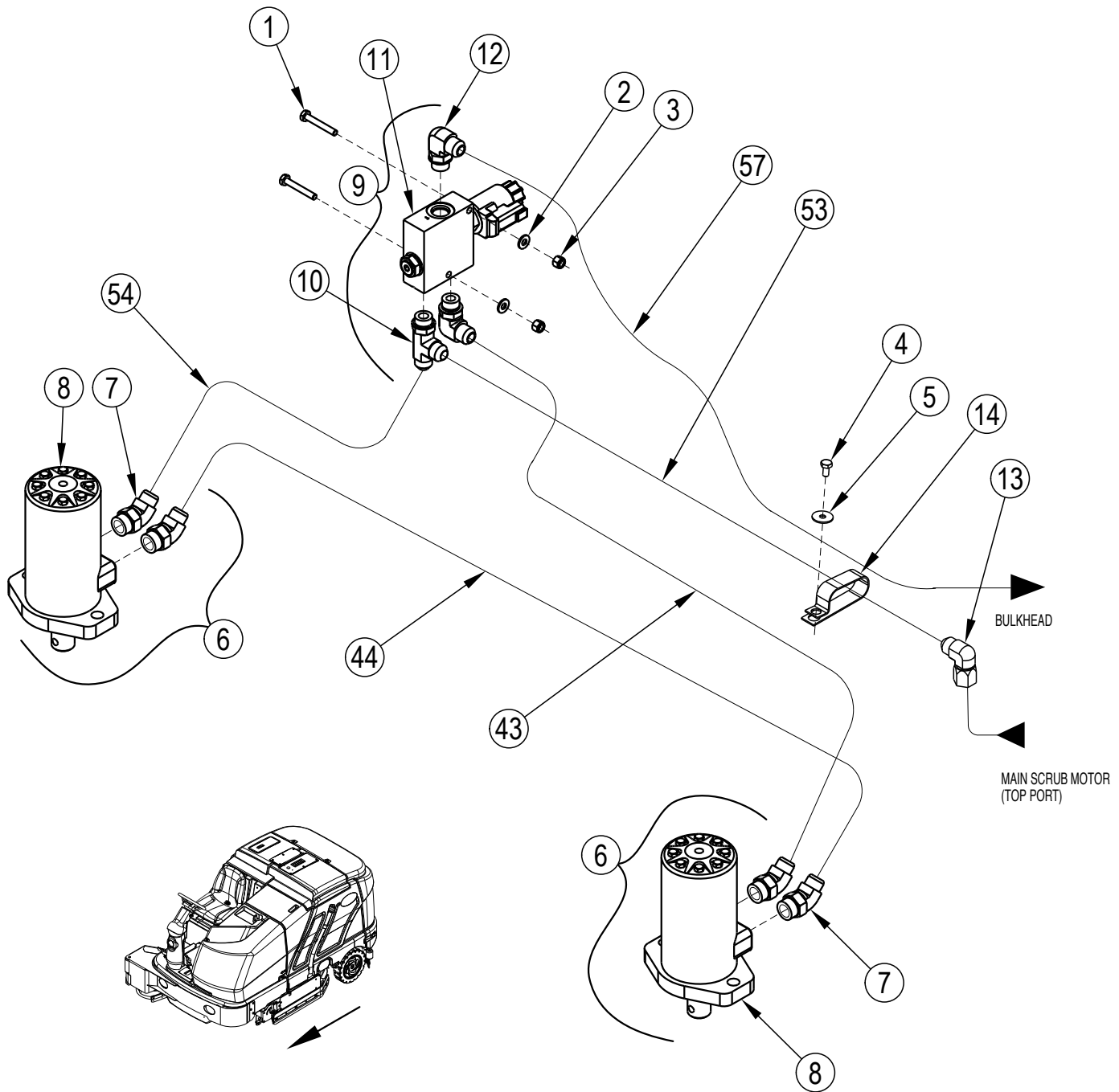
**NOTE 1** = Side Skirt Blade Kits include 4 side skirt blades (2 for each side skirt) plus 2 splash shield blades (1 for each end of the scrub deck).





Item	Ref. No.	Qty	Description
1	56001833	2	Scr, Hex 1/4-20 x 1.50
2	56001873	1	Scr, Hex 3/8-16 x 2.50
3	56001939	4	Wsh, Flt SAE 5/16
4			Intentionally Omitted
5	56002063	2	Wsh, Flt SAE 3/8
6	56002095	1	Scr, Hex 3/8-16 x 1.50
7			Intentionally Omitted
8	56002221	4	Scr, Hex 5/16-18 x 1.00
9	56002769	1	Nut, Hex Nyl Loc 3/8-16
10	56002826	4	Nut, Hex Nyl Loc-Thin 5/16-18
11			Intentionally Omitted
12	56002841	1	Nut, Hex Nyl Loc-Thin 3/8-16
13	56003222	1	Pin, Cotter Hair
14	56009005	4	Scr, Pan Phil SS Type AB 10-16 x .75
15	56009085	1	Nut, Hex Jam 3/8-16
16	56009087	2	Nut, Hex Jam 1/4-20
17	56110278	1	Side Broom Assy-Left ( <b>see Side Broom Sub Assy - Left</b> )
18	56110282	1	Side Broom Lift Weldt
19	56110287	1	Lever
20	56110288	1	Side Broom Assy-Right ( <b>see Side Broom Sub Assy - Right</b> )
[ ]	56110547	1	Harness, Side Scrub
[ ]	NA	1	Dual Side Broom Hyd Assy ( <b>see Side Broom Hydraulic Assy - Dual</b> )
23	56111199	2	Bearing, Pillow Block
24	56111261	2	Nozzle Assy ( <b>See Side Broom Sub Assy - Pump</b> )
25	NA	1	Pump Assembly ( <b>See Side Broom Sub Assy - Pump</b> )
26	56264260	1	Hose, Polyester Braid, .25 ID X 5.00 LG
27	56305008	1	Actuator, Motor
28	56317122	1	Hose, Polyester Braid .25 Id X 25.0 LG
29	56321404	1	Pin, Clevis .312 X 1.84
30	56508441	1	Tee, 1/4 Id Hose, Barb
31	56756364	4	Clamp, Hose SAE #4
32	2-00-05253	2	Clamp

[ ] = Not Shown





09-3

## SIDE BROOM HYDRAULIC ASSY - DUAL

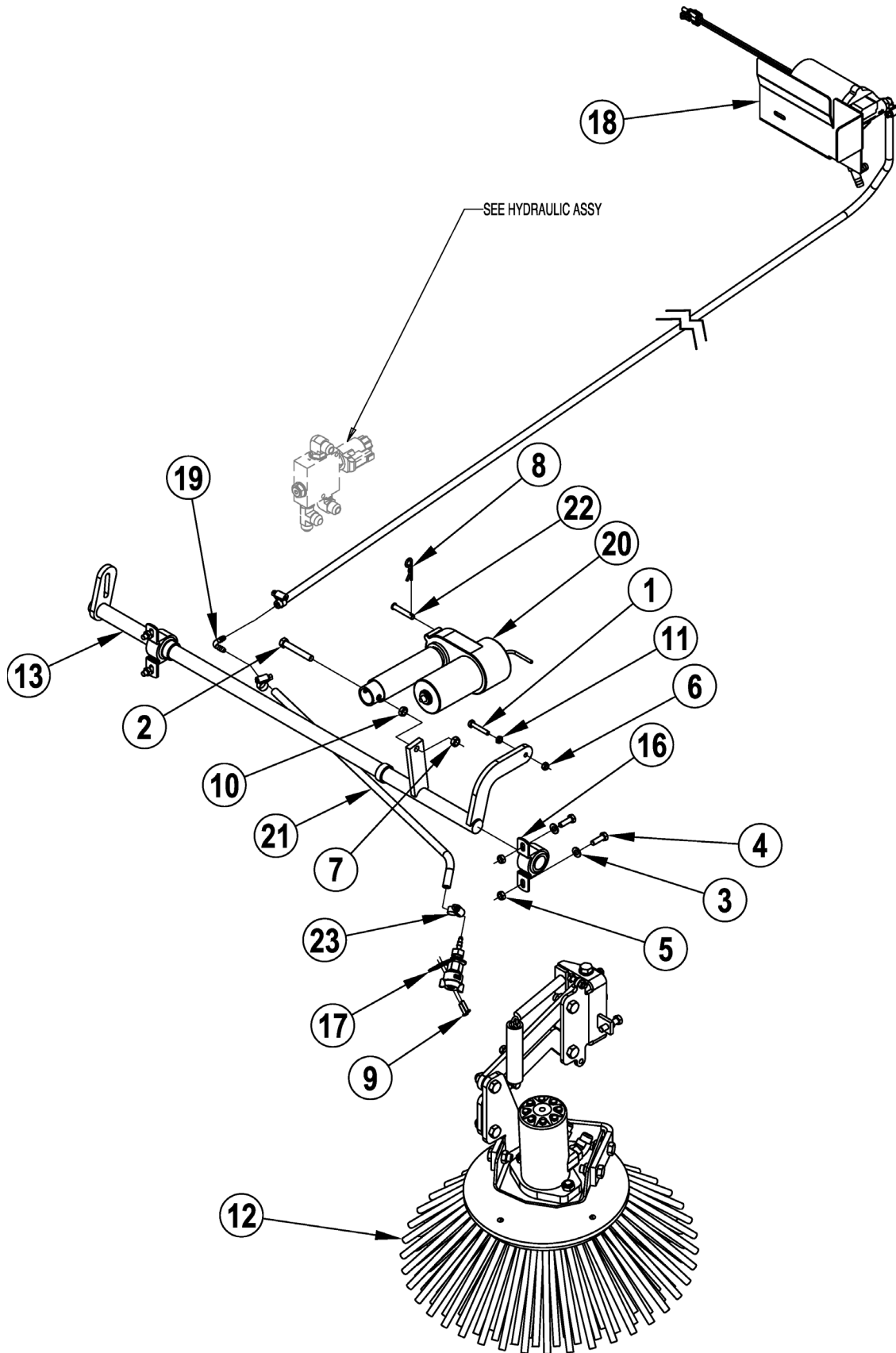
12-3

Condor XL

77

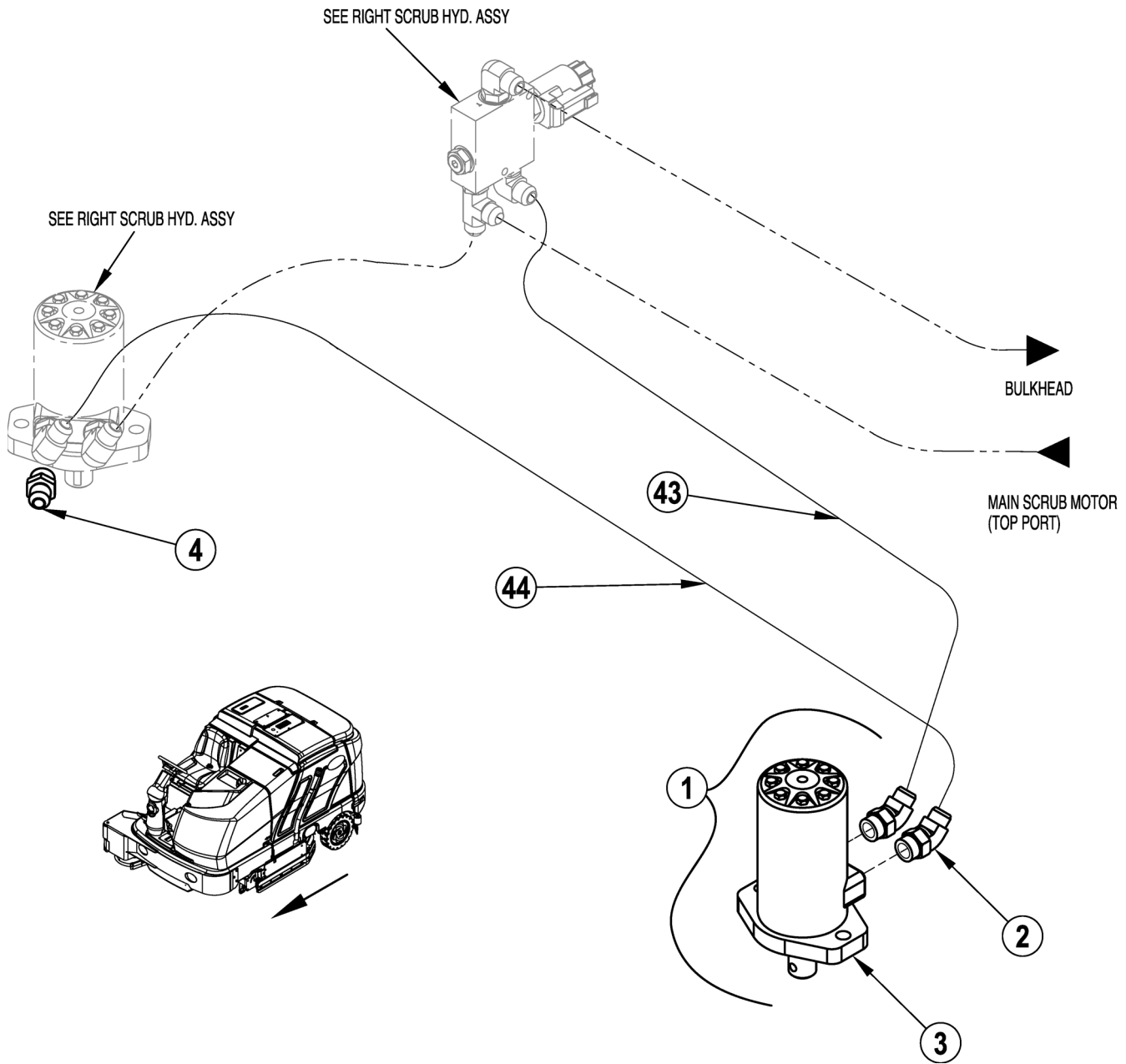
Item	Ref. No.	Qty	Description
	NA	1	Dual Side Broom Hyd Assy (items 1-14, 43, 44, 53, 54 & 57)
1	56001967	2	Scr, Hex 1/4-20 x 1.75
2	56002098	2	Wsh, Flt SAE 1/4
3	56002840	2	Nut, Hex Nyl Loc-Thin 1/4-20
4	56003039	1	Scr, Hex Hd Loc 1/4-20 x .50
5	56009002	1	Wsh, Flt .266 x .906 x .060
6	NA	2	Hydraulic Motor Assy (items 7-8)
7	56900164	4	Elbow, 45 STR. -Thd.
8	56110411	2	Motor, Hydraulic 17.9 CIR
*	56479577	A/R	Seal Kit
*	56307149	A/R	Viton Seal Kit
9	NA	1	Valve Assembly, Solenoid (10-12)
10	56900204	1	Tee, Run O-Ring
11	56110711	1	Solenoid Valve, Motor
*	56507686	A/R	Cartridge
*	56110715	A/R	Replacement Coil
*	56305370	A/R	Replacement Check Valve
*	56305354	A/R	Seal Kit
*	56111201	A/R	Seal Kit
12	56900104	2	Elbow, 90 O-Ring
13	56900304	1	Elbow, 90 W/Nut
14	2-00-05253	1	Clamp, 3/4" Wire, Double
43	56110778	1	Hose Assy
44	56110779	1	Hose Assy
53	56110792	1	Hose Assy
54	56110793	1	Hose Assy
57	56110796	1	Hose Assy

\* = Optional, Not Included



Item	Ref. No.	Qty	Description
1	56001833	1	Scr, Hex 1/4-20 x 1.50
2	56001873	1	Scr, Hex 3/8-16 x 2.50
3	56001939	4	Wsh, Flt SAE 5/16
4	56002221	4	Scr, Hex 5/16-18 x 1.00
5	56002826	4	Nut, Hex Nyl Loc-Thin 5/16-18
6	56002840	1	Nut, Hex Nyl Loc-Thin 1/4-20
7	56002841	1	Nut, Hex Nyl Loc-Thin 3/8-16
8	56003222	1	Pin, Cotter Hair
9	56009005	2	Scr, Pan Phil SS Type AB 10-16 x .75
10	56009085	1	Nut, Hex Jam 3/8-16
11	56009087	1	Nut, Hex Jam 1/4-20
12	56110278	1	Side Broom Assy-Left <b>(see Side Broom Sub Assy - Left)</b>
13	56110282	1	Side Broom Lift Weldt
[ ]	56110547	1	Harness, Side Scrub
[ ]	NA	1	Left Side Broom Hyd Assy <b>(see Side Broom Hydraulic Assy - Left)</b>
16	56111199	2	Bearing, Pillow Block
17	56111261	1	Nozzle Assy <b>(See Side Broom Sub Assy - Pump)</b>
18	NA	1	Pump Assembly <b>(see Side Broom Sub Assy - Pump)</b>
19	56111268	1	Barbed Elbow 90
20	56305008	1	Actuator, Motor
21	56317122	1	Hose, Polyester Braid .25 ID x 25.0 LG
22	56321404	1	Pin, Clevis .312 x 1.84
23	56756364	2	Clamp, Hose SAE #4

[ ] = Not Shown



09-3

## SIDE BROOM HYDRAULIC ASSY - LEFT

Condor XL

81

Item	Ref. No.	Qty	Description
	NA	1	Left Side Broom Hyd Assy ( <b>items 1-4, 43, 44</b> )
1	NA	1	Hydraulic Motor Assy ( <b>items 2-3</b> )
2	56900164	2	Elbow, 45 STR. -Thd.
3	56110411	1	Motor, Hydraulic 17.9 CIR
*	56479577	A/R	Seal Kit
*	56307149	A/R	Viton Seal Kit
4	56900015	1	Connector, O-Ring
43	56110778	1	Hose Assy
44	56110779	1	Hose Assy

\* = Optional, Not Included



09-3

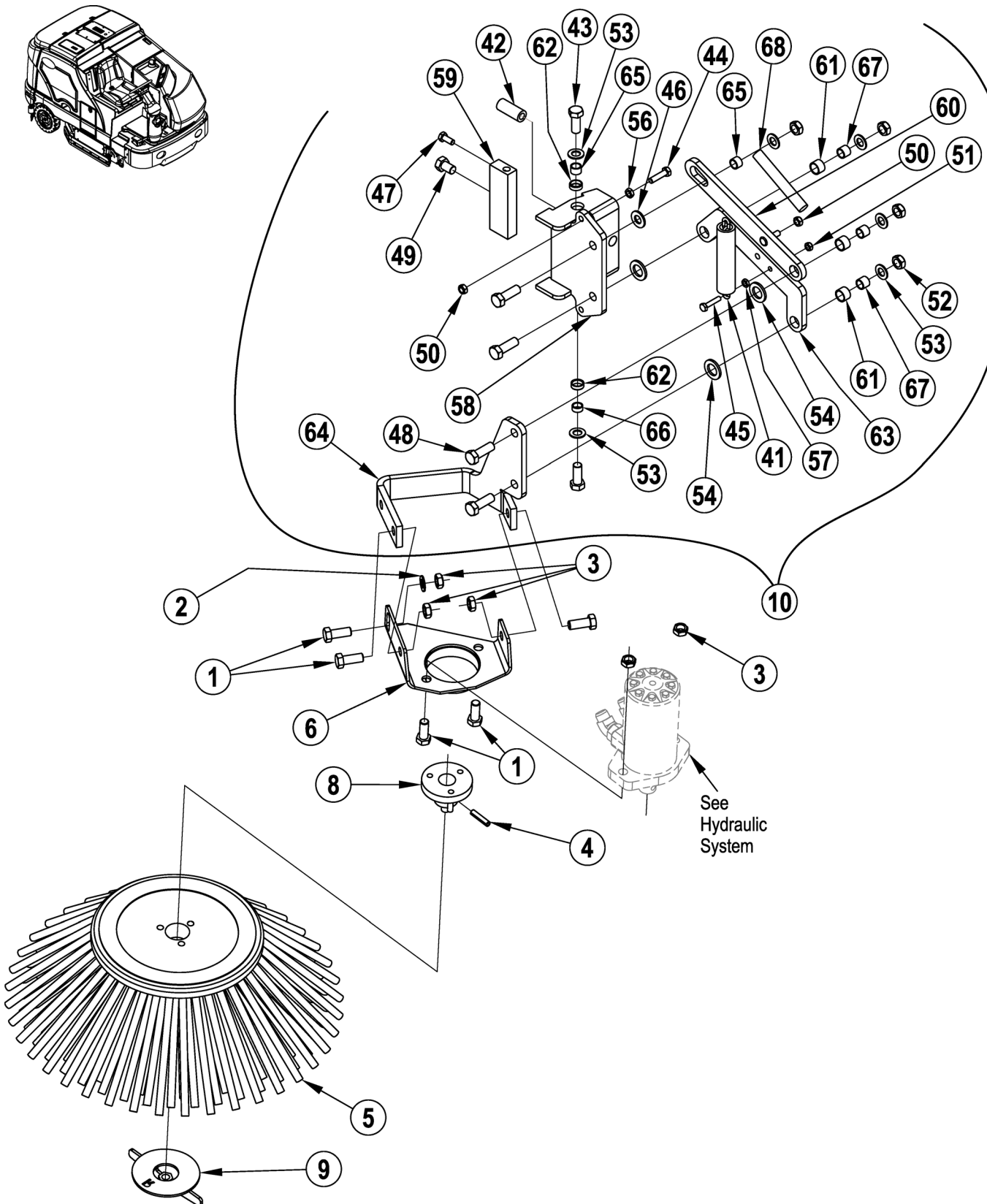
## SIDE BROOM SUB ASSY - LEFT

10-9

## Condor XL

83

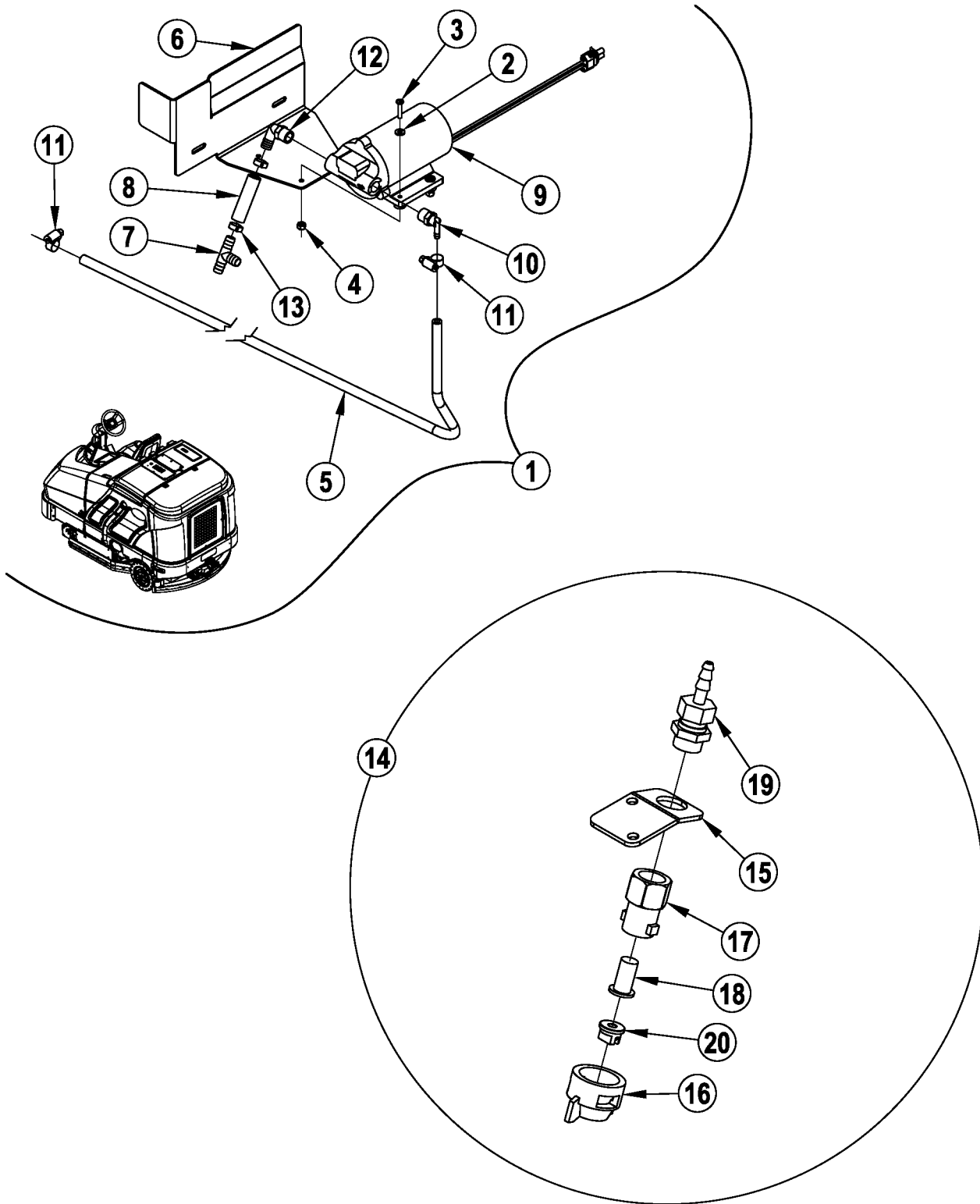
Item	Ref. No.	Qty	Description
	56110278	1	Side Broom Assembly-Left <b>(items 1-10)</b>
1	56001831	5	Scr, Hex 1/2-13 X 1.25
2	56001879	1	Wsh, Flt SAE 1/2
3	56002843	5	Nut, Hex Nyl Loc-Thin 1/2-13
4	56003494	1	Pin, Spr .31 X 1.38
5	56477812	1	Broom, Side
6	56304397	1	Left SB Bracket Weldt
8	56305723	1	Left Hub Assy
9	56305725	1	Left Thumb Nut Weldt
10	56110279	1	Arm Assembly-Left <b>(items 11-39)</b>
11	56407335	1	Chain Assembly
12	56761327	1	Spring, Comp
13	56001834	1	Scr, Hex 5/16-18 X 1.25
14	56001878	1	Scr, Hex 1/4-20 X 1.25
15	56001879	1	Wsh, Flt SAE 1/2
16	56001968	4	Scr, Hex 1/2-13 X 1.50
18	56002826	2	Nut, Hex Nyl Loc-Thin 5/16-18
19	56002840	1	Nut, Hex Nyl Loc-Thin 1/4-20
20	56002843	4	Nut, Hex Nyl Loc-Thin 1/2-13
21	56002956	2	Scr, Hex Hd Loc 5/16-18 x .75
22	56003022	2	Scr, Hex Hd Loc 1/2-13 x 1.25
23	56003032	1	Scr, Hex Hd Loc 1/2-13 x .75
24	56009017	6	Wsh, Flt Harden .516 x .938 x .75
25	56009022	3	Wsh, Flt .754 x 1.250 x .120
27	56009086	1	Nut, Hex Jam 5/16-18
28	56009087	1	Nut, Hex Jam 1/4-20
29	56111798	1	Hinge Weldment
30	56110290	1	Pivot Block
31	56111527	1	Arm, Side Broom-Upper
32	56304586	3	Bearing .750 x .625 x .500
33	56304893	2	Bearing, Sleeve .625 x .750 x .250
34	56305461	1	Bracket, Left Side Broom
35	56305462	1	Arm, Side Broom, Lower
36	56360627	2	Bushing
37	56365030	1	Bushing .50 x .62 x .27
38	56367206	3	Bushing
39	56448112	1	Spring Ext.



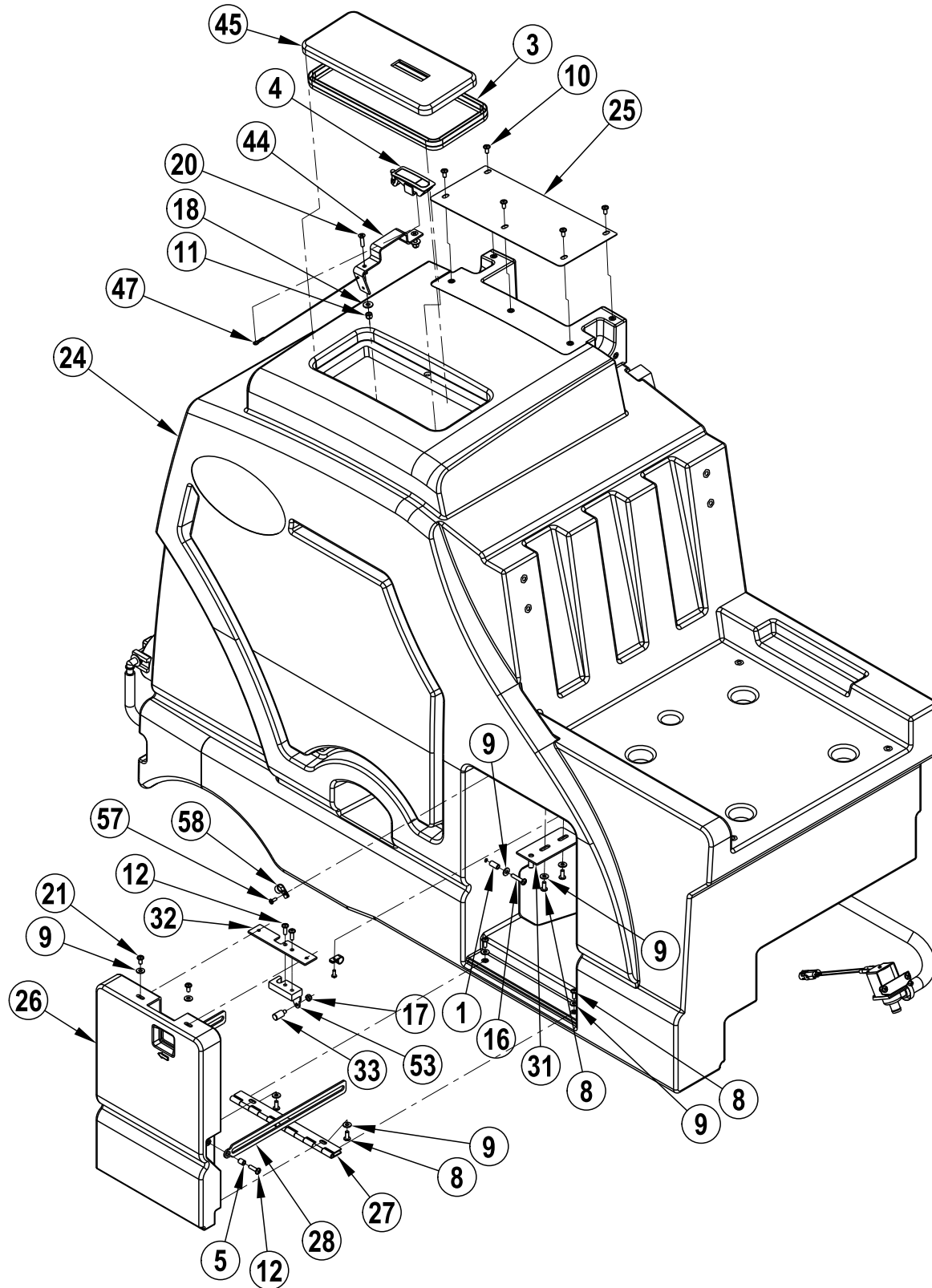


09-3	<b>SIDE BROOM SUB ASSY - RIGHT</b>			
10-9	<b>Condor XL</b>			<b>85</b>

Item	Ref. No.	Qty	Description
	56110288	1	Side Broom Assembly-Right <b>(items 1-10)</b>
1	56001831	5	Scr, Hex 1/2-13 X 1.25
2	56001879	1	Wsh, Flt SAE 1/2
3	56002843	5	Nut, Hex Nyl Loc-Thin 1/2-13
4	56003494	1	Pin, Spr .31 X 1.38
5	56477812	1	Broom, Side
6	56304039	1	Motor Bracket Weldt
8	56418543	1	Right Side Broom Hub Assy
9	56305731	1	Right Thumb Nut Weldt
10	56110289	1	Arm Assembly-Right <b>(items 41-68)</b>
41	56407335	1	Chain Assembly
42	56761327	1	Spring, Comp
43	56003022	2	Scr, Hex Hd Loc 1/2-13 x 1.25
44	56001834	1	Scr, Hex 5/16-18 x 1.25
45	56001878	1	Scr, Hex 1/4-20 x 1.25
46	56001879	1	Wsh, Flt SAE 1/2
47	56002956	1	Scr, Hex Hd Loc 5/16-18 x .75
48	56001968	4	Scr, Hex 1/2-13 x 1.50
49	56003032	1	Scr, Hex Hd Loc 1/2-13 x .75
50	56002826	2	Nut, Hex Nyl Loc-Thin 5/16-18
51	56002840	1	Nut, Hex Nyl Loc-Thin 1/4-20
52	56002843	4	Nut, Hex Nyl Loc-Thin 1/2-13
53	56009017	6	Wsh, Flt Harden .516 x .938 x .75
54	56009022	3	Wsh, Flt .754 x 1.250 x .120
56	56009086	1	Nut, Hex Jam 5/16-18
57	56009087	1	Nut, Hex Jam 1/4-20
58	56111798	1	Hinge Weldment
59	56110290	1	Pivot Block
60	56111527	1	Arm, Side Broom-Upper
61	56304586	3	Bearing .750 x .625 x .500
62	56304893	2	Bearing, Sleeve .625 x .750 x .250
63	56305462	1	Arm, Side Broom, Lower
64	56305463	1	Bracket, Side Broom
65	56360627	2	Bushing
66	56365030	1	Bushing .50 x .62 x .27
67	56367206	3	Bushing
68	56448112	1	Spring Ext.



Item	Ref. No.	Qty	Description
1	NA	1	Pump Assembly <b>(items 2-13)</b>
2	56001954	4	Wsh, Flt SAE #10
3	56002674	4	Scr, Pan Phil 10-24 X 1.00
4	56002768	4	Nut, Hex Nyl Loc 10-24
5	56111477	1	Hose, Polyester Braid .25 ID X 10
6	56111664	1	Bracket, Pump Mnt
7	56262549	1	Tee, Barb
8	56392347	1	Hose, PVC Clear 2.5 Inch
9	56507851	1	Pump, 24VDC
10	56508442	1	Elbow, Barb 1/4 X 3/8 NPT
11	56756364	2	Clamp, Hose SAE #4
12	56900069	1	Barb, 90 Elbow 1/2 X 3/8 NPT
13	2-95-04388	2	Clamp, Hose
14	56111261	1	Nozzle Assy <b>(items 15-20)</b>
15	56111256	1	Spray Nozzle Bracket
16	56507908	1	Cap, Nozzle
17	56507909	1	Adapter, Nozzle
18	56507916	1	Strainer, Check Valve
19	56508449	1	Adaptor Nozzle
20	56508450	1	Nozzle, Spray (.033)



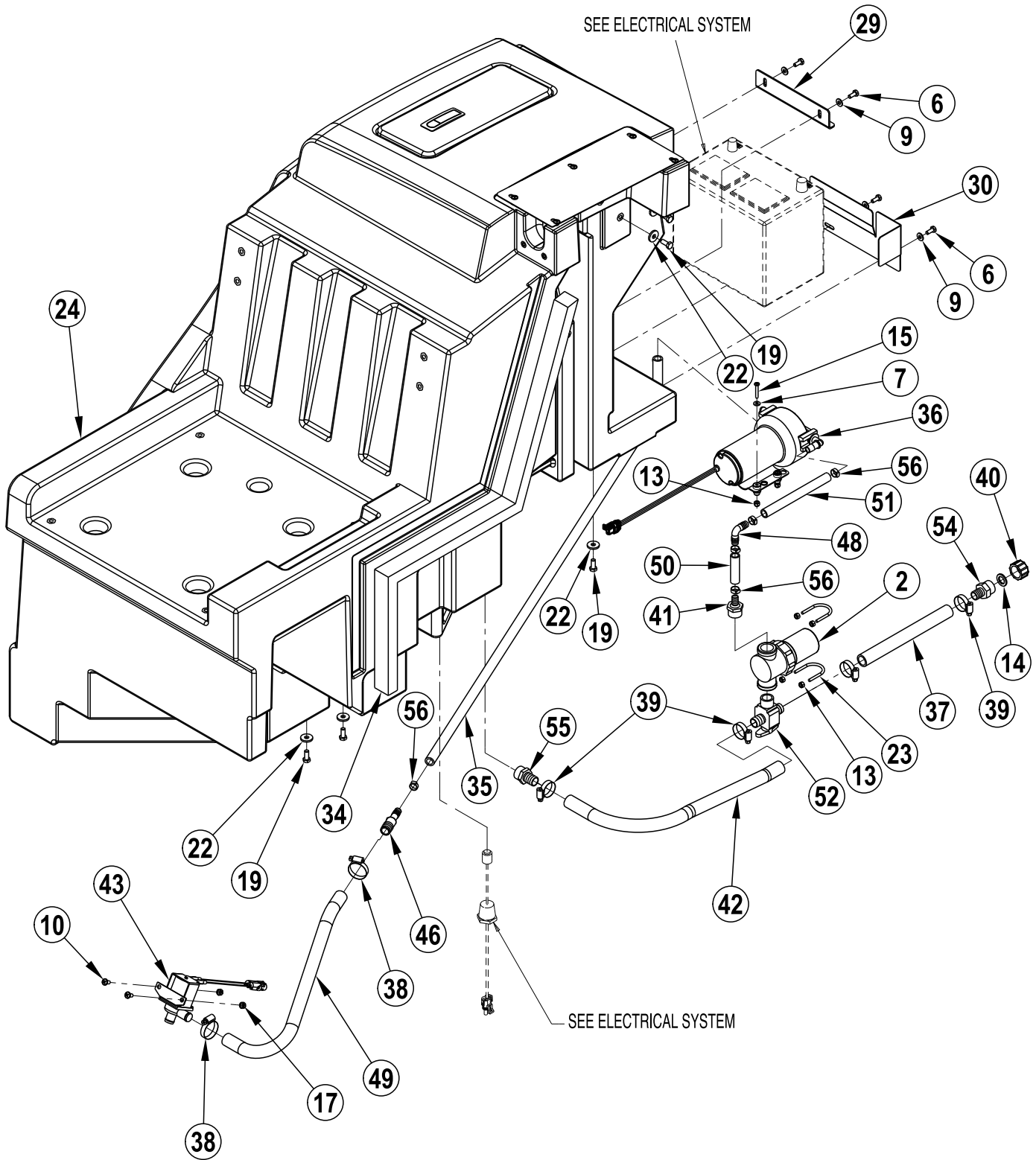
09-3

**SOLUTION SYSTEM - 1**

10-12

**Condor XL****89**

Item	Ref. No.	Qty	Description	Item	Ref. No.	Qty	Description
1	56330741	2	Bushing .250 x .375 x .75	31	56110917	1	Latch Pin Weldment
2	56407162	1	Filter	32	56110918	1	Plate, Latch Mount
3	56407282	1	Gasket	33	56110919	1	Latch Pin
4	56418471	1	Door Latch	34	56111066	1	Seal, Solution Tank
5	56330027	2	Bushing	35	56111122	1	Hose, Spiral, .50 X 69.0
6	56001836	4	Scr, Hex 1/4-20 X .62	36	56111387	1	Pump Assy, 12vdc - 60 PSI
7	56001954	4	Wsh, Flt SAE #10	37	56111458	1	Hose, .75 X 9.50
8	56002066	6	Scr, Pan Phil 1/4-20 X .62	38	56131601	2	Clamp, Hose SAE #16
9	56002098	14	Wsh, Flt SAE 1/4	39	56244969	4	Clamp, Hose SAE #12
10	56002145	7	Scr, Pan Phil 1/4-20 X .50	40	56255076	1	Cap, Pipe GHT Nylon
11	56002491	2	Nut, Hex Nyl Loc SS 1/4-20	41	56262190	1	Barb
12	56002507	4	Scr, Pan Phil 1/4-20 X .75	42	56264262	1	Hose, Spiral .75 E00605
13	56002768	8	Nut, Hex Nyl Loc 10-24	43	56305103	1	Solenoid Valve Assy
14	56368776	2	Washer, Rubber	44	56305206	1	Plate, Latch
15	56002824	4	Scr, Pan Phil 10-24 X 1.25	45	56305209	1	Cover, Solution Tank
16	56002825	2	Scr, Pan Phil 1/4-20 X 1.25	46	56315625	1	Barb, Coupler 1/2 X 3/4
17	56002840	3	Nut, Hex Nyl Loc-Thin 1/4-20	47	56330391	1	Wire Rope, 12 Inch
18	56002914	2	Wsh, Flt Std SS 1/4	48	56386183	1	Barbed Elbow 90
19	56002956	5	Scr, Hex Hd Loc 5/16-18 x .75	49	56392833	1	Hose, Spiral .75 X 12.00
20	56003074	2	Scr, Flt Phil SS 1/4-20 X 1.00	50	56392347	1	Hose, PVC Clear 2.5 Inch
21	56009062	2	Scr, Pan Phil Thd Form 1/4-20 X .50	51	56397207	1	Hose, PVC Clear 7.00
22	56009122	5	Wsh, Flt .344 X .938 X .125	52	56413581	1	Valve, T Shutoff
23	56110318	2	U-Bolt 10-24 X R.69	53	56413802	1	Latch, RH
24	56110380	1	Tank, Solution	54	56900273	1	Barb, Adapter 3/4 X 3/4GHT
25	56110636	1	Cover	55	56456801	1	Barb, Adapter 3/4 X 3/4NPT
26	56110740	1	Cover, Chemical Injection	56	2-95-04388	6	Clamp, Hose
27	56110741	1	Hinge	57	56001993	2	Scr-Pan Phil 10-24 x .50
28	56110744	2	Support, Door	58	56172017	2	Clamp-P
29	56110893	1	Bracket, Battery Upper				
30	56110894	1	Bracket, Battery Lower				



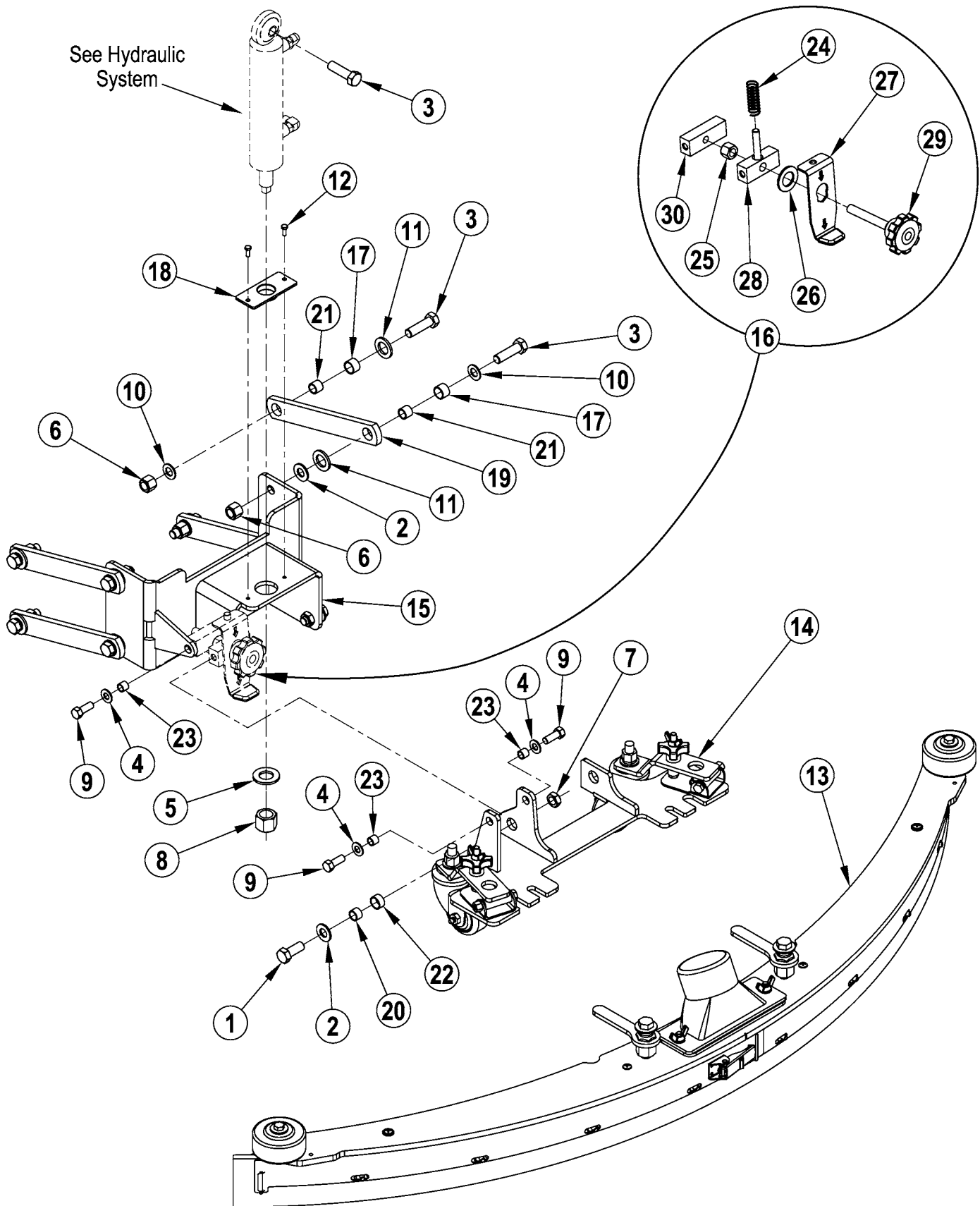
09-3

**SOLUTION SYSTEM - 2**

10-12

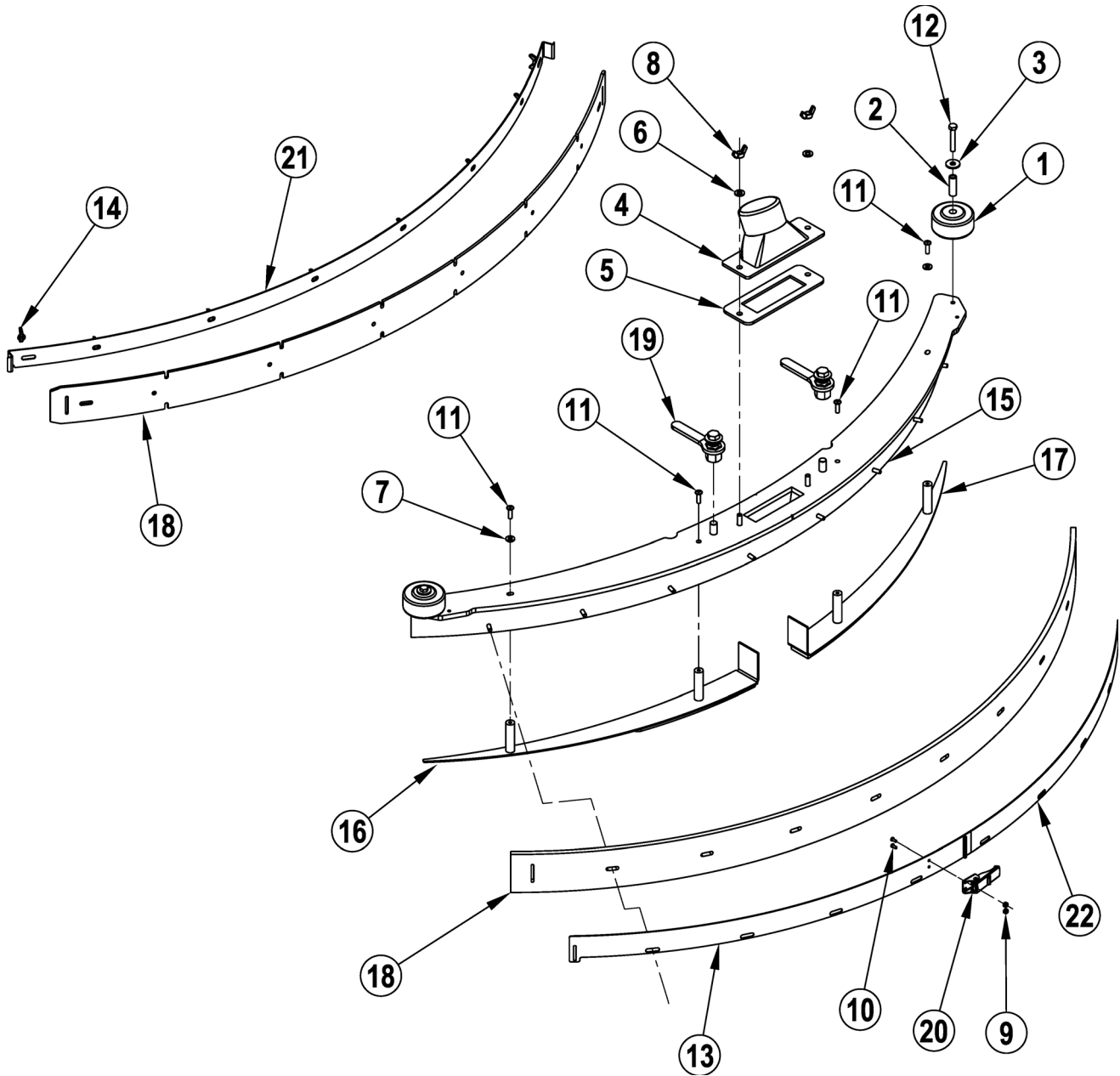
**Condor XL****91**

Item	Ref. No.	Qty	Description	Item	Ref. No.	Qty	Description
1	56330741	2	Bushing .250 x .375 x .75	31	56110917	1	Latch Pin Weldment
2	56407162	1	Filter	32	56110918	1	Plate, Latch Mount
3	56407282	1	Gasket	33	56110919	1	Latch Pin
4	56418471	1	Door Latch	34	56111066	1	Seal, Solution Tank
5	56330027	2	Bushing	35	56111122	1	Hose, Spiral, .50 X 69.0
6	56001836	4	Scr, Hex 1/4-20 X .62	36	56111387	1	Pump Assy, 12vdc - 60 PSI
7	56001954	4	Wsh, Flt SAE #10	37	56111458	1	Hose, .75 X 9.50
8	56002066	6	Scr, Pan Phil 1/4-20 X .62	38	56131601	2	Clamp, Hose SAE #16
9	56002098	14	Wsh, Flt SAE 1/4	39	56244969	4	Clamp, Hose SAE #12
10	56002145	7	Scr, Pan Phil 1/4-20 X .50	40	56255076	1	Cap, Pipe GHT Nylon
11	56002491	2	Nut, Hex Nyl Loc SS 1/4-20	41	56262190	1	Barb
12	56002507	4	Scr, Pan Phil 1/4-20 X .75	42	56264262	1	Hose, Spiral .75 E00605
13	56002768	8	Nut, Hex Nyl Loc 10-24	43	56305103	1	Solenoid Valve Assy
14	56368776	2	Washer, Rubber	44	56305206	1	Plate, Latch
15	56002824	4	Scr, Pan Phil 10-24 X 1.25	45	56305209	1	Cover, Solution Tank
16	56002825	2	Scr, Pan Phil 1/4-20 X 1.25	46	56315625	1	Barb, Coupler 1/2 X 3/4
17	56002840	3	Nut, Hex Nyl Loc-Thin 1/4-20	47	56330391	1	Wire Rope, 12 Inch
18	56002914	2	Wsh, Flt Std SS 1/4	48	56386183	1	Barbed Elbow 90
19	56002956	5	Scr, Hex Hd Loc 5/16-18 x .75	49	56392833	1	Hose, Spiral .75 X 12.00
20	56003074	2	Scr, Flt Phil SS 1/4-20 X 1.00	50	56392347	1	Hose, PVC Clear 2.5 Inch
21	56009062	2	Scr, Pan Phil Thd Form 1/4-20 X .50	51	56397207	1	Hose, PVC Clear 7.00
22	56009122	5	Wsh, Flt .344 X .938 X .125	52	56413581	1	Valve, T Shutoff
23	56110318	2	U-Bolt 10-24 X R.69	53	56413802	1	Latch, RH
24	56110380	1	Tank, Solution	54	56900273	1	Barb, Adapter 3/4 X 3/4GHT
25	56110636	1	Cover	55	56456801	1	Barb, Adapter 3/4 X 3/4NPT
26	56110740	1	Cover, Chemical Injection	56	2-95-04388	6	Clamp, Hose
27	56110741	1	Hinge	57	56001993	2	Scr-Pan Phil 10-24 x .50
28	56110744	2	Support, Door	58	56172017	2	Clamp-P
29	56110893	1	Bracket, Battery Upper				
30	56110894	1	Bracket, Battery Lower				





Item	Ref. No.	Qty	Description
1	56001831	2	Scr, Hex 1/2-13 x 1.25
2	56001879	6	Wsh, Flt SAE 1/2
3	56001995	9	Scr, Hex 1/2-13 x 1.75
4	56002063	4	Wsh, Flt SAE 3/8
5	56002141	1	Wsh, Flt SAE 3/4
6	56002770	8	Nut, Hex Nyl Loc 1/2-13
7	56002843	2	Nut, Hex Nyl Loc-Thin 1/2-13
8	56002862	1	Nut, Hex Nyl Loc 3/4-10
9	56002947	4	Scr, Hex Hd Loc 3/8-16 x 1.00
10	56009017	8	Wsh, Flt Harden .516 x .938 x .75
11	56009022	8	Wsh, Flt .754 x 1.250 x .120
12	56009039	2	Scr, Hex Thd Form 10-24 x .50
13	56110873	1	Squeegee Assembly ( <b>see Squeegee Assy</b> )
14	56110886	1	Squeegee Mount Assy ( <b>see Squeegee Mount Assy</b> )
15	56111613	1	Squeegee Lift Weldt
16	56111731	1	Adjuster Assy ( <b>items 24-30</b> )
17	56304586	8	Bearing .750 x .625 x .500
18	56304590	1	Plate, Guide
19	56305467	4	Arm Parallel 7.5in
20	56360627	2	Bushing
21	56367206	8	Bushing
22	56370878	2	Bearing, Sleeve
23	56388326	4	Bushing
24	56379170	1	Spring, Compression
25	56003312	1	Nut, Hex Nyl Loc M12-1.75
26	56003791	1	Wsh, Flt SS .875 x 1.500 x .105
27	56111723	1	Lock, Adjuster
28	56111724	1	Pivot Weldment
29	56111729	1	Knob Assembly
30	56111732	1	Bar, Squeegee Adj



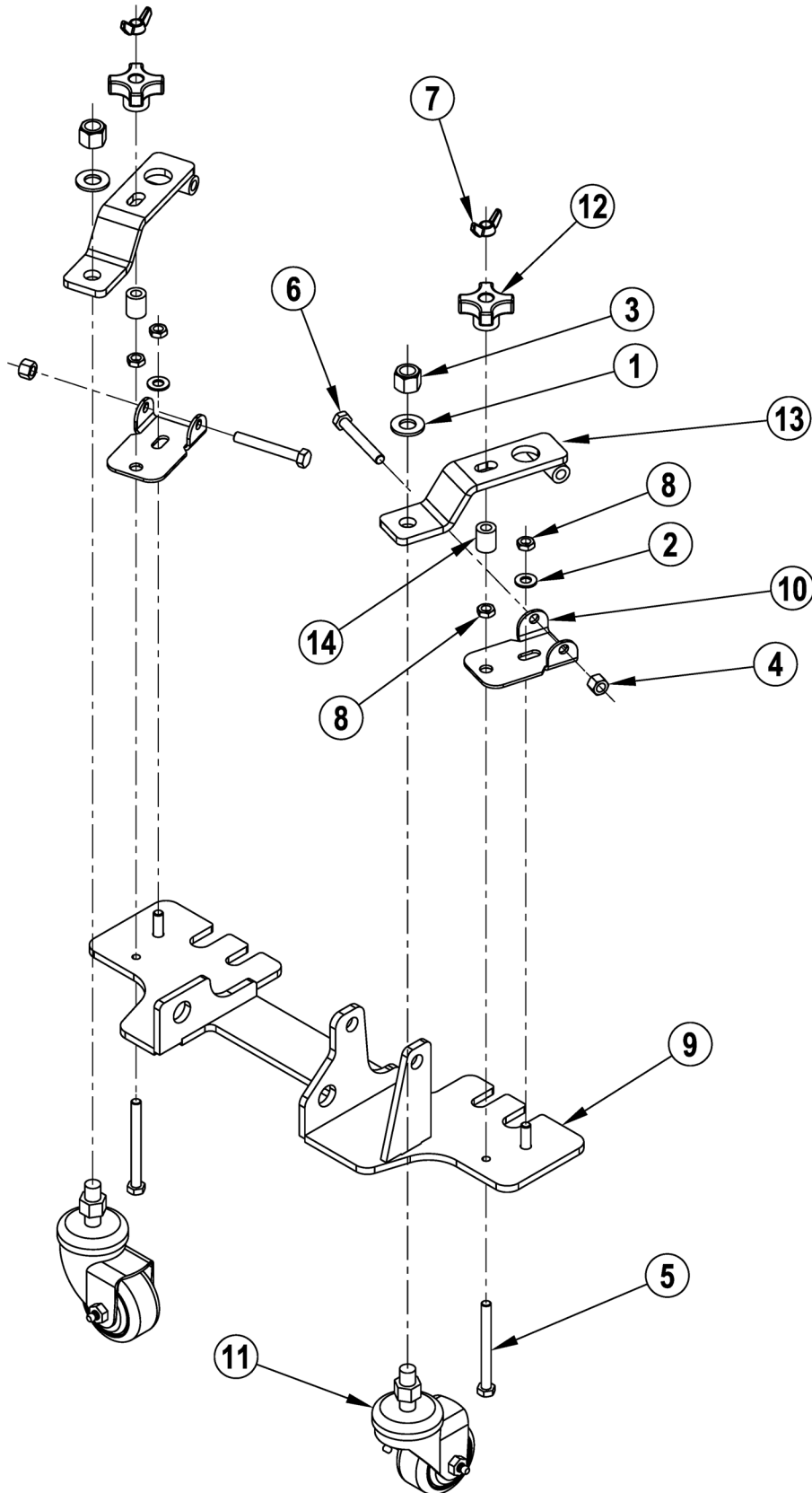
09-3	<b>SQUEEGEE ASSY</b>			
11-6	<b>Condor XL</b>			<b>95</b>

Item	Ref. No.	Qty	Description
	56110873	1	Squeegee Assy <b>(items 1-22)</b>
1	56386127	2	Wheel 3.00 X 1.25
2	56454249	2	Bushing
3	56003646	2	Wsh, Flt SS 8mm
4	56459102	1	Adapter, Squeegee
5	56459281	1	Gasket, Inlet
6	56001939	2	Wsh, Flt SAE 5/16
7	56002098	2	Wsh, Flt SAE 1/4
8	56002370	2	Nut, Wing 5/16-18
9	56002907	2	Nut, Hex Nyl Loc SS 6-32
10	56002909	2	Scr, Pan Phil SS 6-32 X .38
11	56003087	4	Scr, Pan Phil SS 1/4-20 X .88
12	56003802	2	Scr- Hex Ss M8-1.25 X 50mm
13	56109621	1	Strap, Rear H <b>NOTE 1</b>
14	56009111	8	Nut, Wing SS 1/4-20
15		1	Squeegee Weldment <b>NOTE 2</b>
16	56110878	1	Left Plate Weldt
17	56110881	1	Right Plate Weldt
18	56111650	1	Kit, Red Gum Rubber Squeegee Blade H (standard)
*	56111652	1	Kit, Gum rubber Squeegee Blade H
*	56111203	1	Kit, Polyurethane Squeegee Blade
19	56305616	2	Crank Assy
20	56471194	1	Latch Assembly
21	56109620	1	Strap, Front H <b>NOTE 1</b>
22	56109677	1	Strap, Rear H <b>NOTE 1</b>

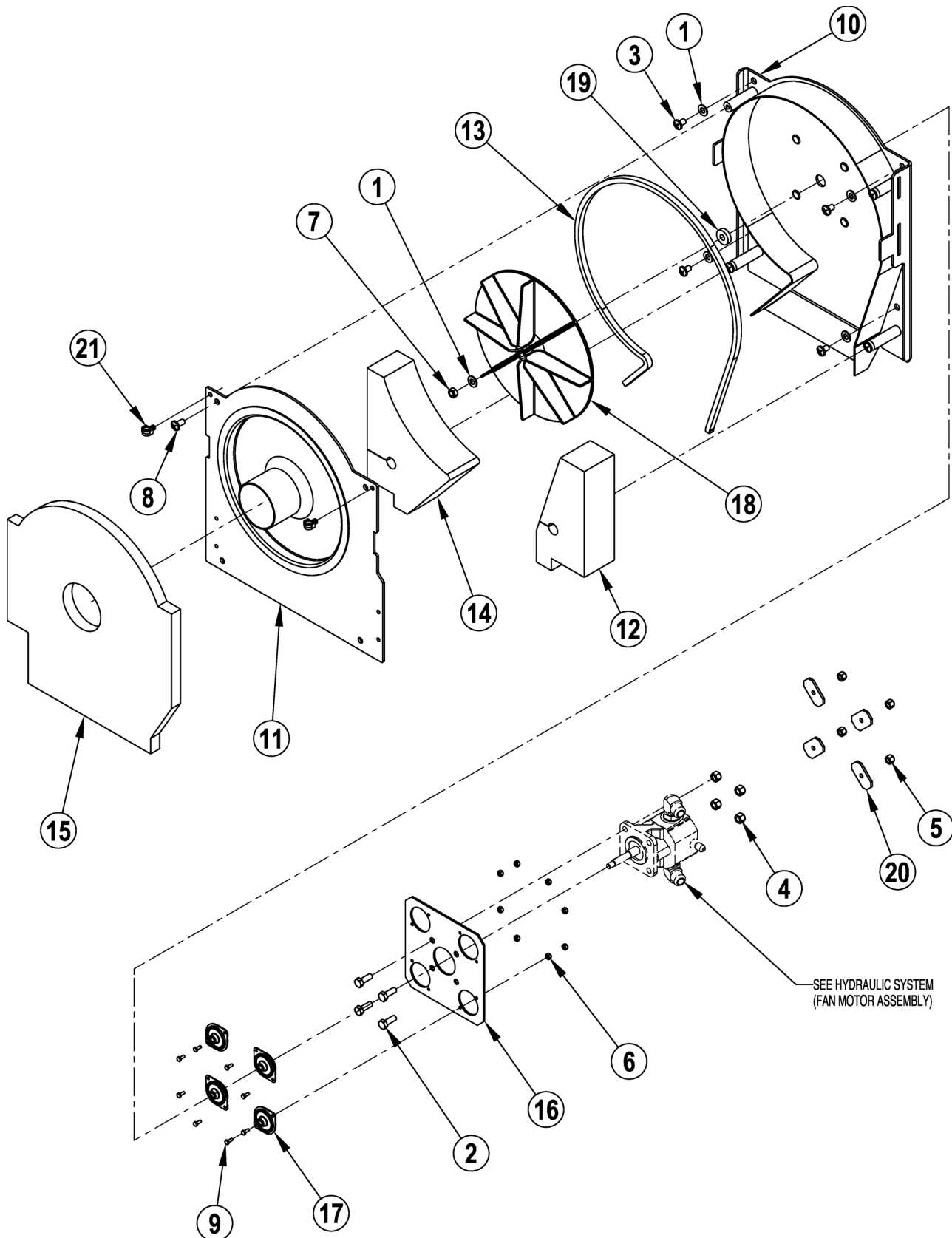
\* = Optional, Not Included

**NOTE 1:** Items 13, 21 & 22 can be ordered as Strap Kit H 56109622.

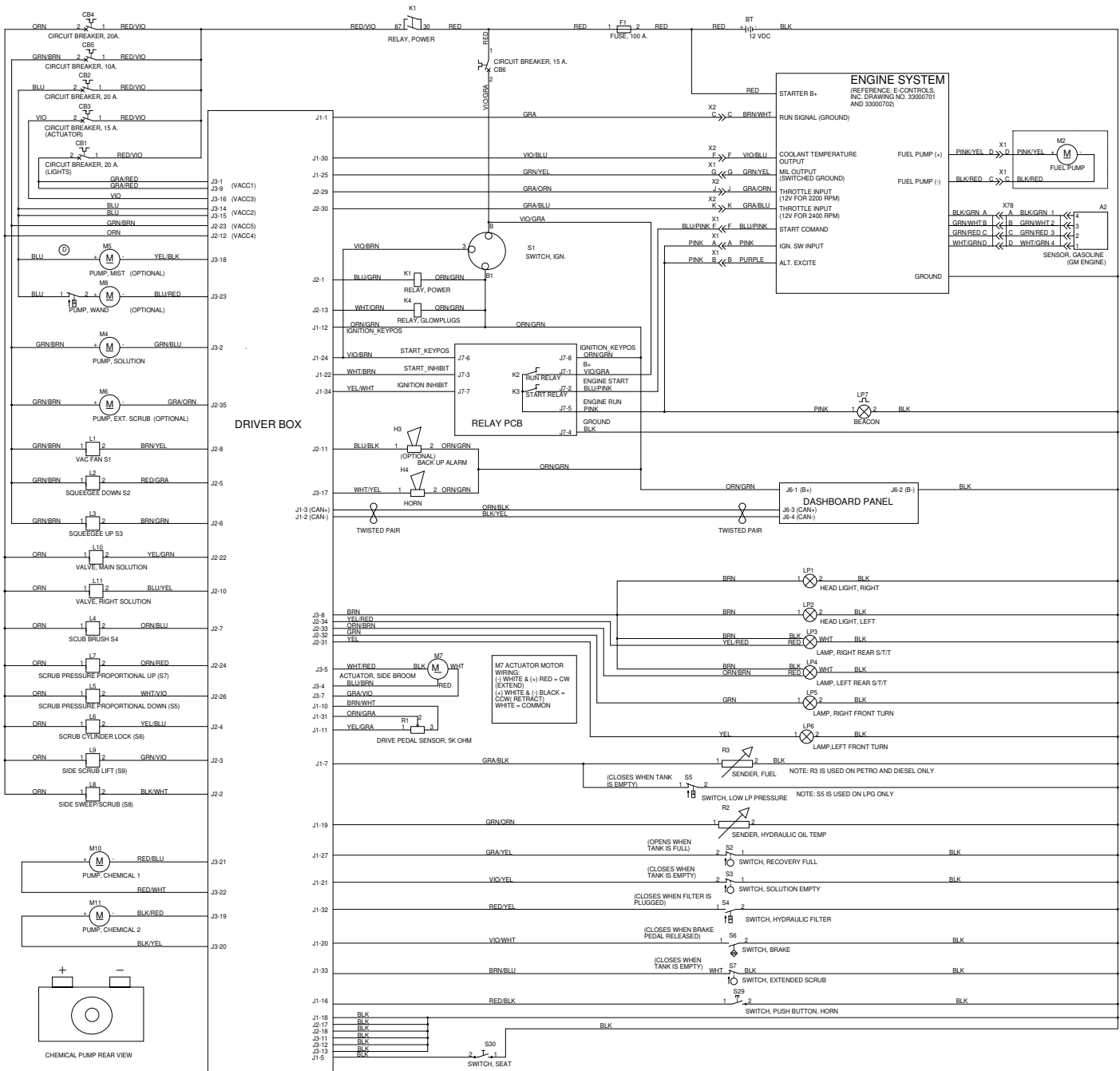
**NOTE 2:** The squeegee weldment is not available for sale separately. If you need to replace your squeegee weldment please order the complete Squeegee Assy 56110873.



Item	Ref. No.	Qty	Description
	56110886	1	Squeegee Mount Assy ( <b>items 1-14</b> )
1	56001879	2	Wsh, Flt SAE 1/2
2	56001939	2	Wsh, Flt SAE 5/16
3	56002770	2	Nut, Hex Nyl Loc 1/2-13
4	56003405	2	Nut, Hex Nyl Loc SS M8-1.25
5	56003463	2	Scr, Hex Thd To Hd SS 5/16-18 x 3.25
6	56003464	2	Scr, Hex SS M8-1.25 x 60mm
7	56003465	2	Nut, Wing SS 5/16-18
8	56009086	4	Nut, Hex Jam 5/16-18
9	56111616	1	Squeegee Mount Weldt
10	56407302	2	Bracket
11	56407344	2	Caster Wheel
12	56407510	2	Knob, 5/16-18 Nyloc
13	56111802	2	Castor Bracket Weldment
14	56111803	2	Bushing



Item	Ref. No.	Qty	Description
	56111549	1	Vacuum Fan Assy (items 1-21)
1	56001939	5	Wsh, Flt Sae 5/16
2	56002037	4	Scr, Hex 5/16-18 X .88
3	56002281	4	Scr, Pan Phil 5/16-18 X .50
4	56002701	4	Nut, Hex Nyl Loc 5/16-18
5	56002708	4	Nut, Hex Nyl Loc 1/4-20
6	56002830	8	Nut, Hex Nyl Loc 6-32
7	56002866	1	Nut, Hex Nyl Loc-Thin 5/16-24
8	56003003	4	Scr, Pan Phil 5/16-18 X .62
9	56003068	8	Scr, Hex 6-32 X .38
10	56111544	1	Scroll Weldt
11	56111545	1	Vac Fan Cover Weldt
12	56111563	1	Foam, Sound Reduction
13	56111565	1	Seal
14	56111566	1	Foam, Sound Reduction
15	56111576	1	Foam, Sound
16	56304647	1	Plate, Motor Mount
17	56304652	4	Isolator, Vibration
18	56305018	1	Impeller
19	56305022	1	Spacer, .375 X 1.00 X .25
20	56305714	4	Washer, Snubbing
21	56315382	2	Clip, Conduit

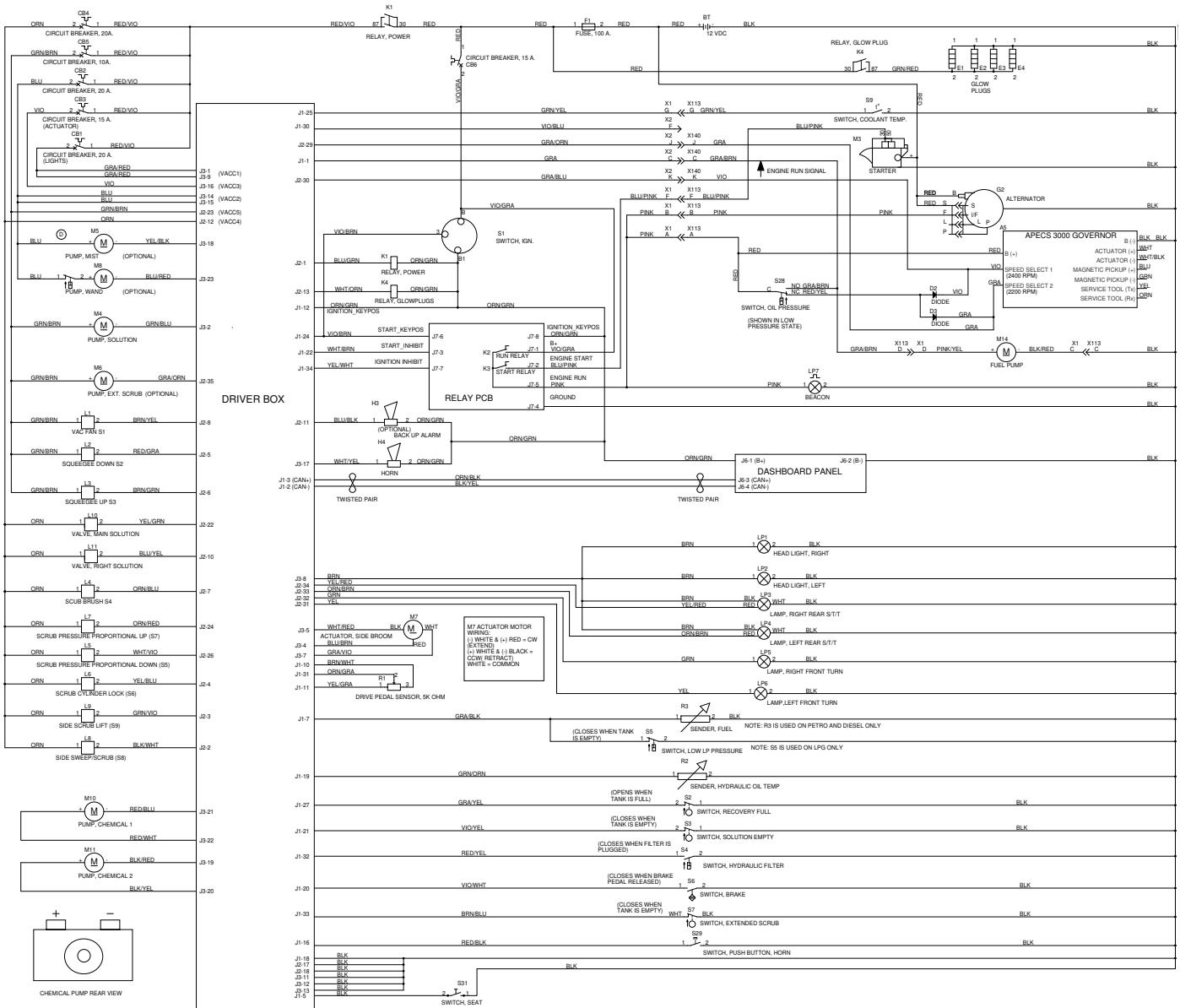




Item	Ref. No.	Qty	Description	Item	Ref. No.	Qty	Description
	NA	1	Engine System	M2	56305062	1	Fuel Pump (Gasoline/Petrol)
	NA	1	Driver Box	M4	56111387	1	Pump, Solution
	56110539	1	Dashboard Panel <b>NOTE 1</b>	M5	56507851	1	Pump, Mist (optional)
	56381129	1	Dashboard Panel <b>NOTE 2</b>	M6	56111387	1	Pump, Ext. Scrub (optional)
	56110530	1	Relay PCB	M7	56305008	1	Actuator, Side Broom
A2	56507951	1	Gasoline Sensor, Assy	M8	56111671	1	Pump, Wand (optional)
BT	56491902	1	Battery 12V	M10	56110742	1	Pump, Chemical 1
CB1	56413822	1	Circuit Breaker, 20 Amp (lights)	M11	56110742	1	Pump, Chemical 2
CB2	56413822	1	Circuit Breaker, 20 Amp	R1	56305129	1	Drive Pedal Sensor, 5K Ohm
CB3	56413407	1	Circuit Breaker, 15 Amp (actuator)	R2	56305873	1	Sender, Hydraulic Oil Temp
CB4	56413822	1	Circuit Breaker, 20 Amp	R3	56478358	1	Sender, Fuel (Petrol and Diesel models only)
CB5	56507644	1	Circuit Breaker, 10 Amp	S1	56111109	1	Switch, Ignition
CB6	56413407	1	Circuit Breaker, 15 Amp	*	56303526	1	Replacement Key
F1	56111123	1	Fuse, 100 Amp	S2	56110561	1	Switch, Recovery Full
H3	56409232	1	Back-Up Alarm (optional)	S3	56413669	1	Switch, Solution Empty
H4	56442054	1	Horn	S4	NA	1	Switch, Hydraulic Filter
K1	56110423	1	Relay, Power	S5	56418381	1	Switch, Low LP Pressure (LPG only)
K2	NA	1	Relay, Run	S6	56305053	1	Switch, Brake
K3	NA	1	Relay, Start	S7	56111270	1	Switch, Extended Scrub
K4	56110423	1	Relay, Glow Plugs	S29	8-82-00024	1	Switch, Push Button, Horn
L1	NA	1	Vacuum Fan Valve, S1	S30	7-82-00050	1	Switch, Seat <b>NOTE 2</b>
L2	NA	1	Squeegee Down Valve, S2	* = Not Shown			
L3	NA	1	Squeegee Up Valve, S3				
L4	NA	1	Scrub Brush Valve, S4				
L5	NA	1	Scrub Pressure Proportional Down Valve, S5				
L6	NA	1	Scrub Cylinder Lock Valve, S6				
L7	NA	1	Scrub Pressure Proportional Up Valve, S7				
L8	NA	1	Side Sweep/Scrub Valve, S8				
L9	NA	1	Side Scrub Lift Valve, S9				
L10	56305103	1	Main Solution Valve				
L11	56110464	1	Right Solution Valve				
LP1	56110437	1	Headlight, Right				
*	56507224	A/R	Bulb, Headlight Replacement				
LP2	56110436	1	Headlight, Left				
*	56507224	A/R	Bulb, Headlight Replacement				
LP3	56507112	1	Lamp, Right Rear S/T/T				
LP4	56507112	1	Lamp, Left Rear S/T/T				
LP5	56507112	1	Lamp, Right Front Turn				
LP6	56507112	1	Lamp, Left Front Turn				
LP7	56307166	1	Beacon				
*	56109521	A/R	Bulb, Replacement (for 56307166 manufactured by Speaker or ECCO)				
*	56109723	A/R	Bulb, Replacement (for 56307166 manufactured by Superior Signals Inc.)				

**NOTE 1:** AXP Models. Used on machines built before SN1000042751. See **TSBUS2009-1050 & TSBUS2009-1051**

**NOTE 2:** EcoFlex Models. Used on machines built after SN1000042750.



Item	Ref. No.	Qty	Description	Item	Ref. No.	Qty	Description
	NA	1	Driver Box	M3	56419089	1	Starter
	56110539	1	Dashboard Panel <b>NOTE 1</b>	M4	56111387	1	Pump, Solution
	56381129	1	Dashboard Panel <b>NOTE 2</b>	M5	56507851	1	Pump, Mist (optional)
	56508400	1	APECS 3000 Governor	M6	56111387	1	Pump, Ext. Scrub (optional)
	56110530	1	Relay PCB	M7	56305008	1	Actuator, Side Broom
BT	56491902	1	Battery 12V	M8	56111671	1	Pump, Wand (optional)
CB1	56413822	1	Circuit Breaker, 20 Amp (lights)	M10	56110742	1	Pump, Chemical 1
CB2	56413822	1	Circuit Breaker, 20 Amp	M11	56110742	1	Pump, Chemical 2
CB3	56413407	1	Circuit Breaker, 15 Amp (actuator)	M14	56508355	1	Fuel Pump
CB4	56413822	1	Circuit Breaker, 20 Amp	R1	56305129	1	Drive Pedal Sensor, 5K Ohm
CB5	56507644	1	Circuit Breaker, 10 Amp	R2	56305873	1	Sender, Hydraulic Oil Temp
CB6	56413407	1	Circuit Breaker, 15 Amp	R3	56478358	1	Sender, Fuel
D2	NA	1	Diode	S1	56111109	1	Switch, Ignition
D3	NA	1	Diode	*	56303526	1	Replacement Key
E1	NA	1	Glow Plug	S2	56110561	1	Switch, Recovery Full
E2	NA	1	Glow Plug	S3	56413669	1	Switch, Solution Empty
E3	NA	1	Glow Plug	S4	NA	1	Switch, Hydraulic Filter
E4	NA	1	Glow Plug	S6	56305053	1	Switch, Brake
F1	56111123	1	Fuse, 100 Amp	S7	56111270	1	Switch, Extended Scrub
G2	56110738	1	Alternator	S9	56419091	1	Switch, Coolant Temp.
H3	56409232	1	Back-Up Alarm (optional)	S28	56305098	1	Switch, Oil Pressure
H4	56442054	1	Horn	S29	8-82-00024	1	Switch, Push Button, Horn
K1	56110423	1	Relay, Power	S31	7-82-00050	1	Switch, Seat <b>NOTE 2</b>
K2	NA	1	Relay, Run	* = Not Shown			
K3	NA	1	Relay, Start				
K4	56110423	1	Relay, Glow Plugs				
L1	NA	1	Vacuum Fan Valve, S1				
L2	NA	1	Squeegee Down Valve, S2				
L3	NA	1	Squeegee Up Valve, S3				
L4	NA	1	Scrub Brush Valve, S4				
L5	NA	1	Scrub Pressure Proportional Down Valve, S5				
L6	NA	1	Scrub Cylinder Lock Valve, S6				
L7	NA	1	Scrub Pressure Proportional Up Valve, S7				
L8	NA	1	Side Sweep/Scrub Valve, S8				
L9	NA	1	Side Scrub Lift Valve, S9				
L10	56305103	1	Main Solution Valve				
L11	56110464	1	Right Solution Valve				
LP1	56110437	1	Headlight, Right				
*	56507224	A/R	Bulb, Headlight Replacement				
LP2	56110436	1	Headlight, Left				
*	56507224	A/R	Bulb, Headlight Replacement				
LP3	56507112	1	Lamp, Right Rear S/T/T				
LP4	56507112	1	Lamp, Left Rear S/T/T				
LP5	56507112	1	Lamp, Right Front Turn				
LP6	56507112	1	Lamp, Left Front Turn				
LP7	56307166	1	Beacon				
*	56109521	A/R	Bulb, Replacement (for 56307166 manufactured by Speaker or ECCO)				
*	56109723	A/R	Bulb, Replacement (for 56307166 manufactured by Superior Signals Inc.)				

**NOTE 1:** AXP Models. Used on machines built before SN1000042751. See **TSBUS2009-1050 & TSBUS2009-1051**

**NOTE 2:** EcoFlex Models. Used on machines built after SN1000042750.

We provide brushes and pad holders that will give you the best possible performance between machine and floor. Following are descriptions of the materials and their applications.

**80 Grit Brush:** Medium aggressive grit brush. Good all-around brush for medium to heavy buildup removal. Can also be used for general stripping operations.

**180 Grit Brush:** Least aggressive grit brush. Used for daily cleaning of hard-finished floors.

**Polypropylene Brush:** Standard equipment brush. Low cost, yet effective in cleaning many common floor surfaces.

#### 48" BRUSH LENGTH

56110011 - Polypropylene

56110012 - 80 Grit

56110013 - 180 Grit

### CYLINDRICAL BRUSH APPLICATION GUIDE (SUGGESTION ONLY)

Application	80 Grit	180 Grit	Polypropylene
<b>Stripping:</b>			
Concrete	X		
Terrazzo	X		
Ceramic/Quarry tile	X		
Vinyl tile	X		
<b>General Scrubbing:</b>			
Concrete	X	X	X
Terrazzo		X	X
Ceramic/Quarry tile		X	X
Marble		X	
Vinyl tile		X	X
Raised-rubber tile		X	

### SIDE BROOMS LEFT & RIGHT FRONT

**Side Broom:** PN56477812 Polypropylene (STD)

The side broom function is to sweep the dirt and debris away from the curb, wall, pallet, etc. into the path of the scrub deck.

PN56505629 Soft (Optional)



Diameter .....20" (50.8 cm)

We provide brushes and pad holders that will give you the best possible performance between machine and floor. Following are descriptions of the materials and their applications.

**Prolene:** Polypropylene material for medium-duty scrubbing on concrete, terrazzo and vinyl floor tile. Recommended for use in place of green or blue pads.

**Dyna Grit:** For aggressive, heavy-duty scrubbing or stripping of floors. Recommended for use in place of brown pads.

**MidLite Grit:** For general purpose scrubbing of sealed or unsealed concrete, stone, terrazzo, quarry tile and other resilient hard floor surfaces. Recommended for use in place of green or blue pads.

#### Ø15" BRUSH BLOCK

56505832 - Dyna Grit (80)

56505834 - Prolene

56505838 - MidLite Grit (180)

### DISC BRUSH APPLICATION GUIDE (SUGGESTION ONLY)

Application	80 Grit	180 Grit	Prolene
<b>Stripping:</b>			
Concrete	X		
Terrazzo	X		
Ceramic/Quarry tile	X		
Vinyl tile	X		
<b>General Scrubbing:</b>			
Concrete	X	X	X
Terrazzo		X	X
Ceramic/Quarry tile		X	X
Vinyl tile		X	X

**OPTIONAL KITS & ACCESSORIES**

09-3

**106**

**Condor XL**

10-12

**Ref. No. Qty Description**

**Kits**

*	56305896	1	Solution Fill Shutoff Kit
*	56110907	1	Warning Beacon Kit
*	56111535	1	Deluxe Seat Kit
*	56110300	1	Overhead Guard Kit
*	56111259	1	Extended Scrub Kit
*	56381093	1	Chemical Injection (Factory installed only)
*	56111298	1	Underhood Light Kit
*	56110730	1	Vac Wand Kit
*	7-03-04250	1	RH Armrest Kit
*	7-03-04249	1	Dual Armrest Kit
*	56110733	1	Seat Belt Kit for Standard Seat
*	56111280	1	Recovery Tank Clean Out Kit
*	56111346	1	Wash Hose Kit
*	56111317	1	Brake / Signal Light Kit
*	56111107	1	Rear Bumper Kit
*	56110901	1	Fire Extinguisher Kit
*	56305519	1	Back-Up Alarm Kit
*	56111265	1	Overhead Guard Beacon Kit
*	56111267	1	Overhead Guard Canopy Kit
*	56111607	1	Kit-Debris Tray
*	56111733	1	Kit, Horn Switch
*	56601410	1	Drain Hose Extension
*	56111848	1	Roller Bumper Kit

Replacement parts for the kits listed above can be found on each kit's associated instruction sheet.

\* = Optional, Not Included

Ref. No.	Qty	Description
----------	-----	-------------

**Squeegee Blade Kits**

- |            |   |  |
|------------|---|--|
| * 56111650 | 1 | Kit, Red Gum Rubber Squeegee Blade H (Std) <b>NOTE 1</b> |
| * 56111652 | 1 | Kit, Gum Rubber Squeegee Blade H <b>NOTE 1</b>           |
| * 56111203 | 1 | Kit, Polyurethane Squeegee Blade <b>NOTE 1</b>           |

**Main Scrub Deck Options**

- |            |   |   |
|------------|---|---|
| * 56110013 | 1 | Brush, Cyl 48" Midlite 180 (Std)                  |
| * 56110012 | 1 | Brush, Cyl 48" Dyna Grit 80                       |
| * 56110011 | 1 | Brush, Cyl 48" Polypropylene                      |
| * 56111206 | 1 | Blade Kit, Main Scrub-Red Gum (Std) <b>NOTE 2</b> |
| * 56111207 | 1 | Blade Kit, Main Scrub-Gum Rubber <b>NOTE 2</b>    |
| * 56111210 | 1 | Blade Kit, Main Scrub-Polyurethane <b>NOTE 2</b>  |

**Right Scrub Head Options**

- |            |   |  |
|------------|---|--|
| * 56111635 | 1 | Blade Kit, Opt Scrub-Red Gum (Std) <b>NOTE 3</b> |
| * 56111636 | 1 | Blade Kit, Opt Scrub-Gum Rubber <b>NOTE 3</b>    |
| * 56111637 | 1 | Blade Kit, Opt Scrub-Polyurethane <b>NOTE 3</b>  |
| * 56505832 | 1 | Brush, Dynagrit (80)                             |
| * 56505834 | 1 | Brush, Prolene (Polypropylene)                   |
| * 56505838 | 1 | Brush, Midlite (180)                             |

**Dual Sweep Head Options**

- |            |   |                   |
|------------|---|-------------------|
| * 56477812 | 2 | Side Broom (Std)  |
| * 56505629 | 2 | Side Broom (Soft) |

**Left Sweep Head Options**

- |            |   |                   |
|------------|---|-------------------|
| * 56477812 | 1 | Side Broom (Std)  |
| * 56505629 | 1 | Side Broom (Soft) |

**GM Engine Service Tools**

- |              |   |  |
|--------------|---|--|
| * 56109084   | 1 | Kit, Engine Service (includes diagnostics cable, adapter, & LP test kit) |
| * 56504450   | 1 | Kit, LP Test (no cables)   |
| * 7-90-08016 | 1 | Cable, Diagnostics   |
| * 56109083   | 1 | Adapter, Engine Diagnostics  |

**Accessories**

- |            |   |                               |
|------------|---|-------------------------------|
| * 56044406 | 1 | Literature Pack <b>NOTE 4</b> |
| * 56044598 | 1 | Literature Pack <b>NOTE 5</b> |

\* = Optional, Not Included

**NOTE 1:** All squeegee blade kits include both front and rear squeegee blades.

**NOTE 2:** All Deck Blade Kits include 4 side skirt blades (2 for each side skirt) plus 2 splash shield blades (1 for each end of the scrub deck).

**NOTE 3:** Right Scrub Blade Kits include 2 blades, one inside and one outside blade.

**NOTE 4:** AXP Models. Used on machines built before SN1000042751.

**NOTE 5:** EcoFlex Models. Used on machines built after SN1000042750.

	Ref. No.	Qty	Description
*	56381760	1	Coupling Kit
*	56381858	1	Pump Housing Kit
*	56381856	1	Alternator Hardware Kit
*	56381864	1	Oil Pressure Sender Kit
*	56381863	1	Tmap Sensor Kit
*	56381874	1	Throttle Body Adapter Kit
*	56381875	1	Mixer Adapter Kit
*	56381876	1	Lp Air Intake Kit
*	56381877	1	Mixer Hardware Kit
*	56381878	1	Epr Hardware Kit
*	56381879	1	Epr Water Out Hose Kit
*	56381880	1	Epr Water In Hose Kit
*	56381881	1	Epr Vapor Hose Kit
*	56381882	1	Epr Vacuum Hose Kit
*	56381883	1	Pvc Hose Kit
*	56381884	1	Cr/Shf Position Sensor Kit
*	56381885	1	Oil Pressure Rlf Valve Kit
*	56381886	1	Dipstick Kit
*	56381833	1	Bracket-Upper Alternator
*	56381866	1	Hose-12 In
*	56381868	1	Fitting-Throttle Body
*	56381870	1	Spacer-Throttle Body
*	56381872	1	Gasket-Throttle Body

\* = Optional, Not Included











Nilfisk-Advance Equipamentos de Limpeza Ltda.  
Av. Dep. Emílio Carlos, 2.499 - Bairro do Limão - 02721-200  
São Paulo - SP - Brasil  
[www.nilfisk-advance.ind.br](http://www.nilfisk-advance.ind.br)  
[www.plataforma.ind.br](http://www.plataforma.ind.br)  
Tel.: (11) 3959-0300  
Fax: (11) 3959-0306  
©2012 Nilfisk-Advance, Inc.



14600 21st Avenue North  
Plymouth, MN 55447-3408  
[www.advance-us.com](http://www.advance-us.com)  
Phone: 800-989-2235  
Fax: 800-989-6566  
©2012 Nilfisk-Advance, Inc.

---

**A Nilfisk-Advance Brand**