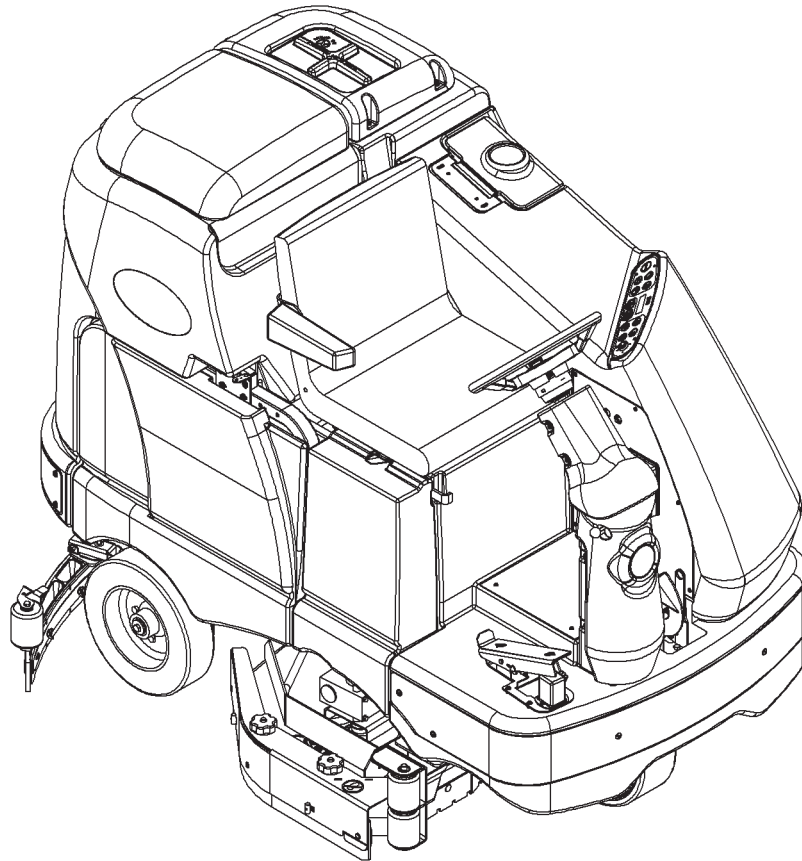


Condor™, Condor EcoFlex™



PARTS LIST

Standard Models:

56413000(4030D), 56413001(4030C / w/sweep system), 56413891(4030C / w/o sweep system)
56413002(4530D), 56413003(4530C / w/sweep system), 56413892(4530C / w/o sweep system)
56413004(4830D), 56413005(4830C / w/sweep system), 56413893(4830C / w/o sweep system)

Obsolete AXP Models:

56413008(4030D-AXP), 56413009(4030C-AXP / w/sweep system), 56413894(4030C-AXP / w/o sweep system)
56413013(4530D-AXP), 56413014(4530C-AXP / w/sweep system), 56413895(4530C-AXP / w/o sweep system)
56413779(4830D-AXP), 56413780(4830C-AXP / w/sweep system), 56413896(4830C-AXP / w/o sweep system)

EcoFlex Models:

56381032(X4030D), 56381033(X4030C / w/sweep system), 56381043(X4030C / w/o sweep system)
56381034(X4530D), 56381035(X4530C / w/sweep system), 56381044(X4530C / w/o sweep system)
56381036(X4830D), 56381037(X4830C / w/sweep system), 56381045(X4830C / w/o sweep system)



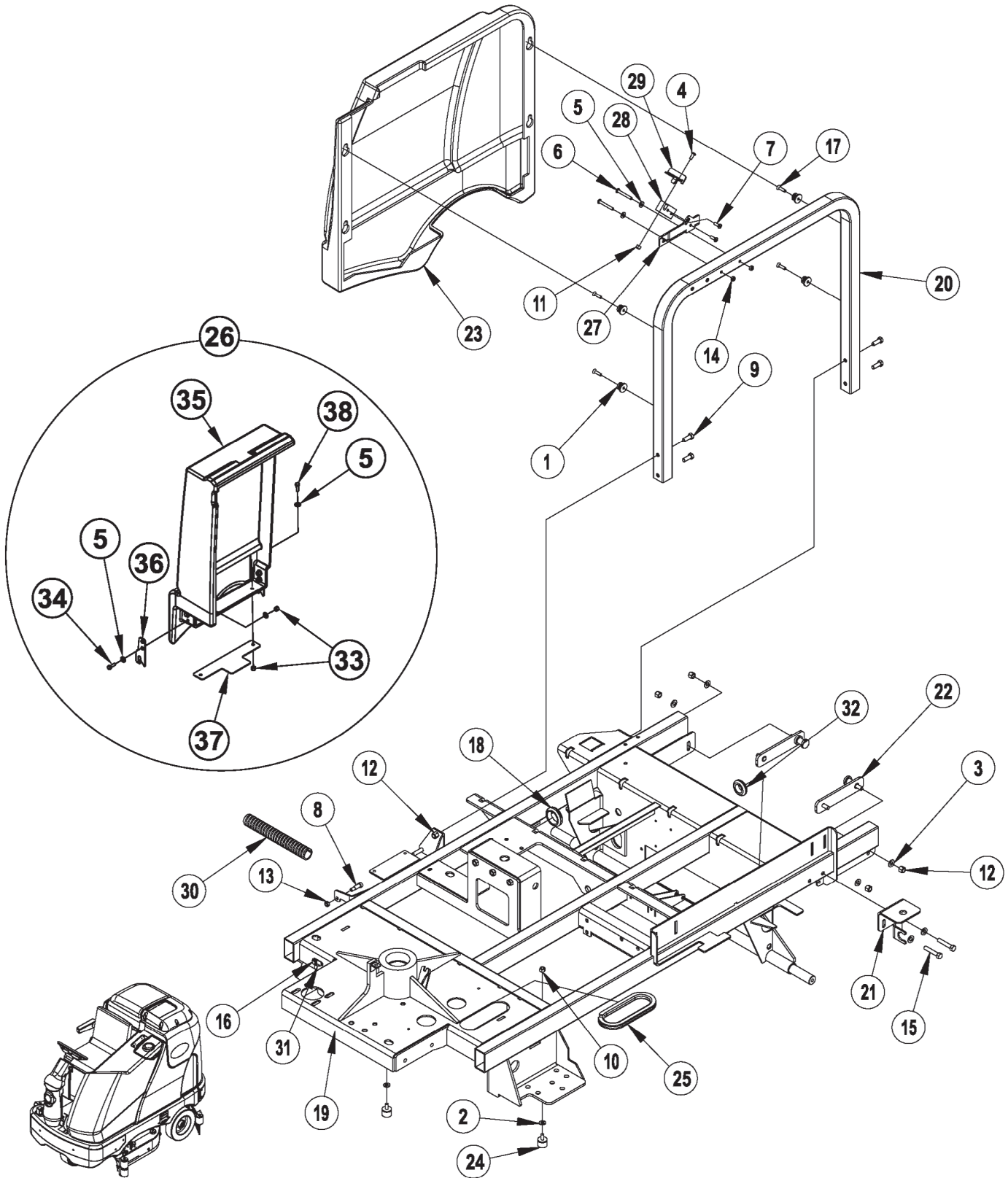
Advance

DESCRIPTION	PAGE
Chassis System	2-3
Decal System	4-5
Drive Wheel System.....	6-7
Drive Wheel System - Steering Assy	8-9
Electrical System.....	10-11
Rear Wheel System	12-13
Recovery System	14-15
Scrub System-Cylindrical.....	16-17
Scrub System-Cylindrical-Scrub Assy Before SN1000038193	18-19
Scrub System-Cylindrical-Scrub Assy After SN1000038193	20-21
Scrub System-Cylindrical - Skirt & Bumper Assy	22-23
Scrub System-Disk.....	24-25
Scrub System-Disk-40 Inch Scrub Assy.....	26-27
Scrub System-Disk-45 & 48 Inch Scrub Assy.....	28-29
Scrub System-Disk - Skirt Assy.....	30-31
Solution System	32-33
Solution System - Chemical Metering Kit.....	34-35
Solution System - Drive Pedal & Elect. Panel Assy	36-37
Squeegee System.....	38-39
Squeegee System - Squeegee Arm Assy	40-41
Squeegee System - Squeegee Assy F - 40"	42-43
Squeegee System - Squeegee Assy G - 45", H - 48"	44-45
Sweep System	46-47
Sweep System - Side Broom Assy.....	48-49
Ladder Diagram	50-51
Optional Kits & Accessories	52-53
Brush Selector Guide-Disk.....	54
Brush Selector Guide-Cylindrical	55
Squeegee Selector Guide.....	56

WHEN ORDERING PARTS

- * Use the numbers from the "Ref. No." columns in this parts list.
- * Specify the model and serial number of the machine.
- * Use the space below to record the model and serial number for future reference.

Model _____ Serial No. _____



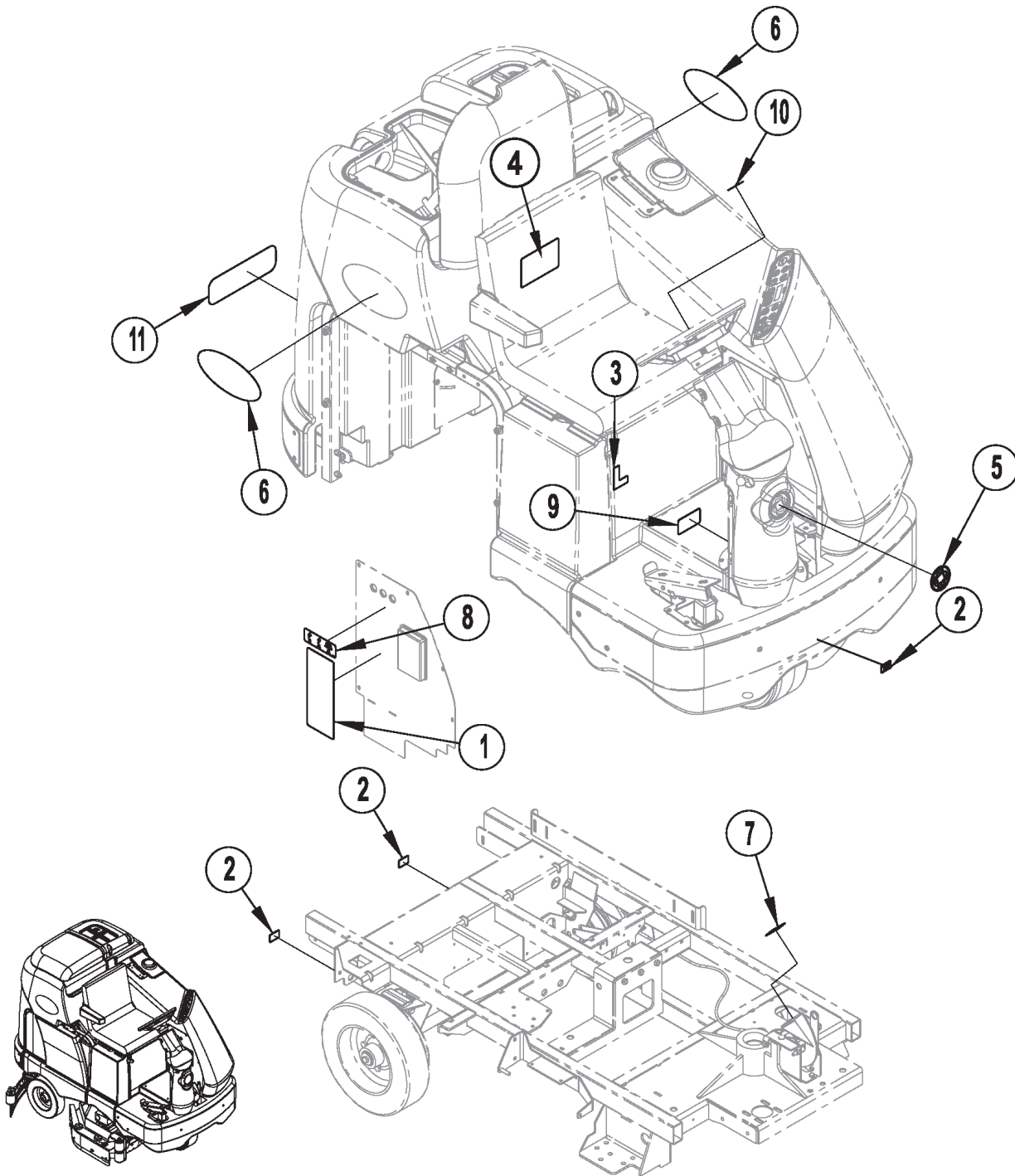
05-11

CHASSIS SYSTEM

08-5

Condor™**3**

Item	Ref. No.	Qty	Description
1	56365777	4	Lug, Brush Driver
2	56001939	2	Wsh, Flt SAE 5/16
3	56002063	6	Wsh, Flt SAE 3/8
4	56002066	1	Scr, Pan Phil 1/4-20 X .62
5	56002098	2	Wsh, Flt SAE 1/4
6	56002108	2	Scr, Pan Phil 1/4-20 X 2.00
7	56002507	2	Scr, Pan Phil 1/4-20 X .75
8	56002622	1	Scr, Soc Shd .38 X .75 X 5/16-18
9	56002663	4	Scr, Hex 3/8-16 X 1.00
10	56002701	2	Nut, Hex Nyl Loc 5/16-18
11	56002708	1	Nut, Hex Nyl Loc 1/4-20
12	56002769	8	Nut, Hex Nyl Loc 3/8-16
13	56002826	1	Nut, Hex Nyl Loc-Thin 5/16-18
14	56002840	2	Nut, Hex Nyl Loc-Thin 1/4-20
15	56003031	2	Scr, Hex Hd Loc 3/8-16x2.00
16	56009033	1	Scr, Hex Thd Form 1/4-20 X .50
17	56009101	4	Scr, Flt Phil Thd Form 1/4-20x1.00
18	56054715	1	Grommet
19	56413035	1	Weld't, Chassis
20	56413252	1	Support, Chassis
21	56413254	1	Support
22	56413373	2	Pin Plate Weldt
23	56413386	1	Panel, Side Rear
24	56413714	2	Bumper, Rubber
25	56413724	1	Trim, Edge
26	56413795	1	Side Panel Assy (#33-37)
27	56413798	1	Plate, Latch Mount
28	56413802	1	Latch, RH
29	56413843	1	Lever
30	56413847	1	Conduit
31	56486112	1	Clamp, P
32	56486116	1	Grommet
33	56003403	6	Nut, Hex Nyl Loc M6-1
34	56003454	6	Scr, Hex Thd To Hd SS M6-1 X 20mm
35	56413387	1	Panel, Side Front
36	56413433	2	Hinge
37	56413796	1	Plate



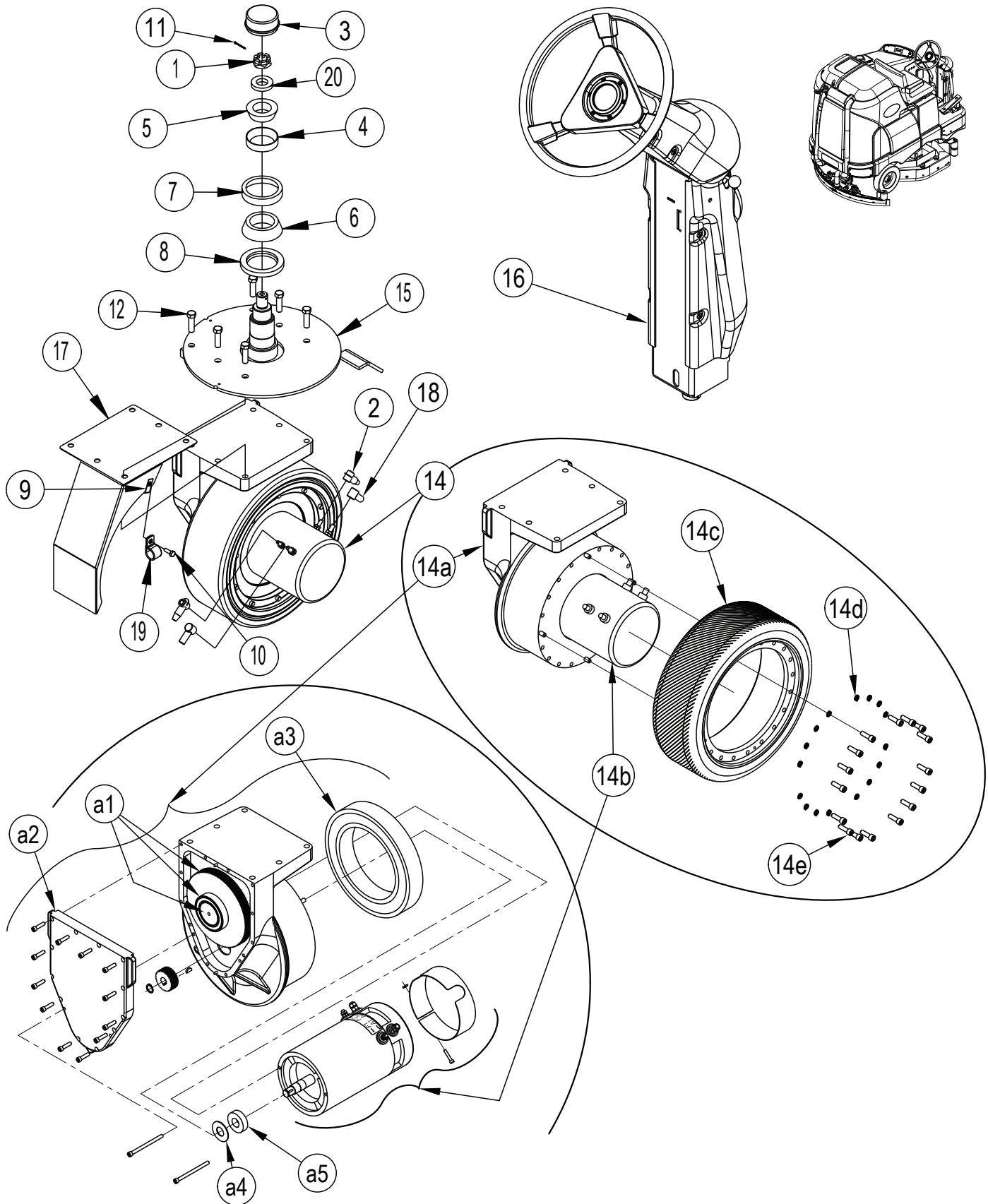
05-11

DECAL SYSTEM

10-3

Condor™**5**

Item	Ref. No.	Qty	Description
1	56014601	1	Decal, Caution
2	56015370	3	Decal, Tie Down
3	56015179	1	Decal, Emergency
4	56015272	1	Decal, Battery Wiring Diagram
5	56015276	1	Decal, Logo
6	56016735	2	Decal, Condor
	56016736	2	Decal, Condor AXP
	56381116	2	Decal Condor EcoFlex
7	56413797	1	Mat, Pedal
8	56015374	1	Decal, Circuit Breaker
9	56016401	1	Decal, Parking Brake
10	56015281	1	Decal, Logo 2 Inch
11	56016730	1	Decal, Advance



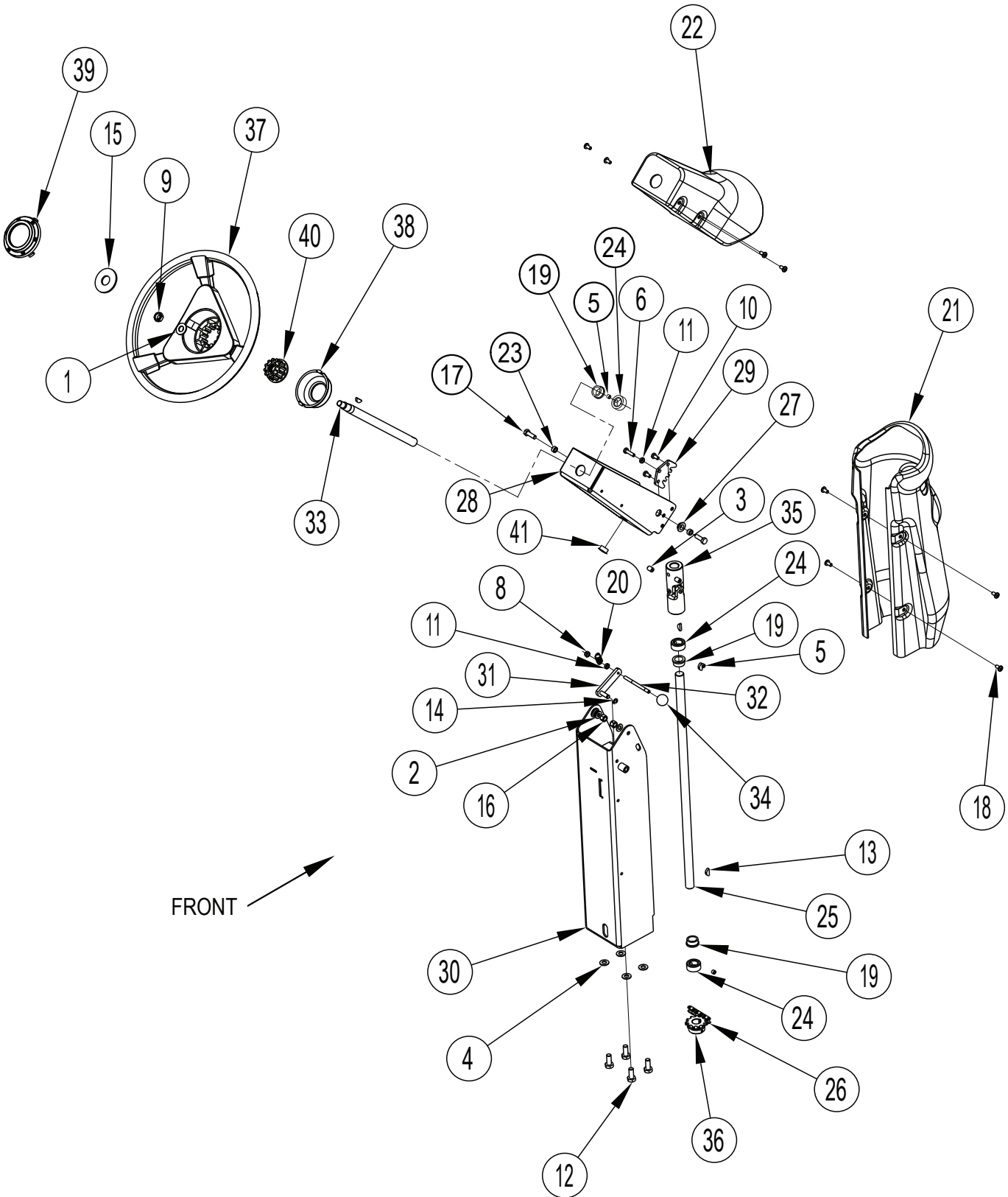
05-11	DRIVE WHEEL SYSTEM			
13-8	Condor™			7

Item	Ref. No.	Qty	Description
1	56110817	1	Nut, Castle 7/8-14
2	56409538	2	Insulator, Terminal
3	56483135	1	Cap, Grease
4	56492697	1	Bearing, Cup
5	56492699	1	Bearing, Cone
6	56492700	1	Bearing, Cone
7	56492702	1	Bearing, Cup
8	56493191	1	Seal, Radial Lip
9	56009289	1	Nut, Retainer 1/4-20
10	56002155	1	Scr, Hex 1/4-20 X .75
11	56002181	1	Pin Cotter, 1/8 X 1 1/2
12	56003743	6	Scr, Hex 7/16-14 X 1.75
14#	56382717	1	Wheel Drive Poly Assy TSB-FC-2013-125
14a	56382664	1	Drive Motor Assy
a1	56380262	1	Kit Gear Driven NOTE 1
a2	56380267	1	Cover Gear
a3	56380268	1	Bearing Wheel
a4	56380270	1	Washer Wave
a5	56380271	1	Bearing Motor
14b	56413615	1	Motor, Traction (M1)
[]	56413616	1	Carbon Brush Set (for 56413615)
[]	56413617	4	Brush Spring-Motor (for 56413615)
[]	56413618	1	Brush Box Assembly-Motor (for 56413615)
14c	56380443	1	Poly Front Wheel
14d	56003781	16	Wsh, High Collar Lock 5/16
14e	56003203	16	Scr, Soc Hd 5/16-18 x 1.00
15	56413160	1	Front Spindle Weld't
16	56413174	1	Steering Assy
17	56413178	1	Splash Guard
18	56492305	2	Boot, Rubber
19	56496276	1	Clamp, Hose Support
20	56497241	1	Bushing

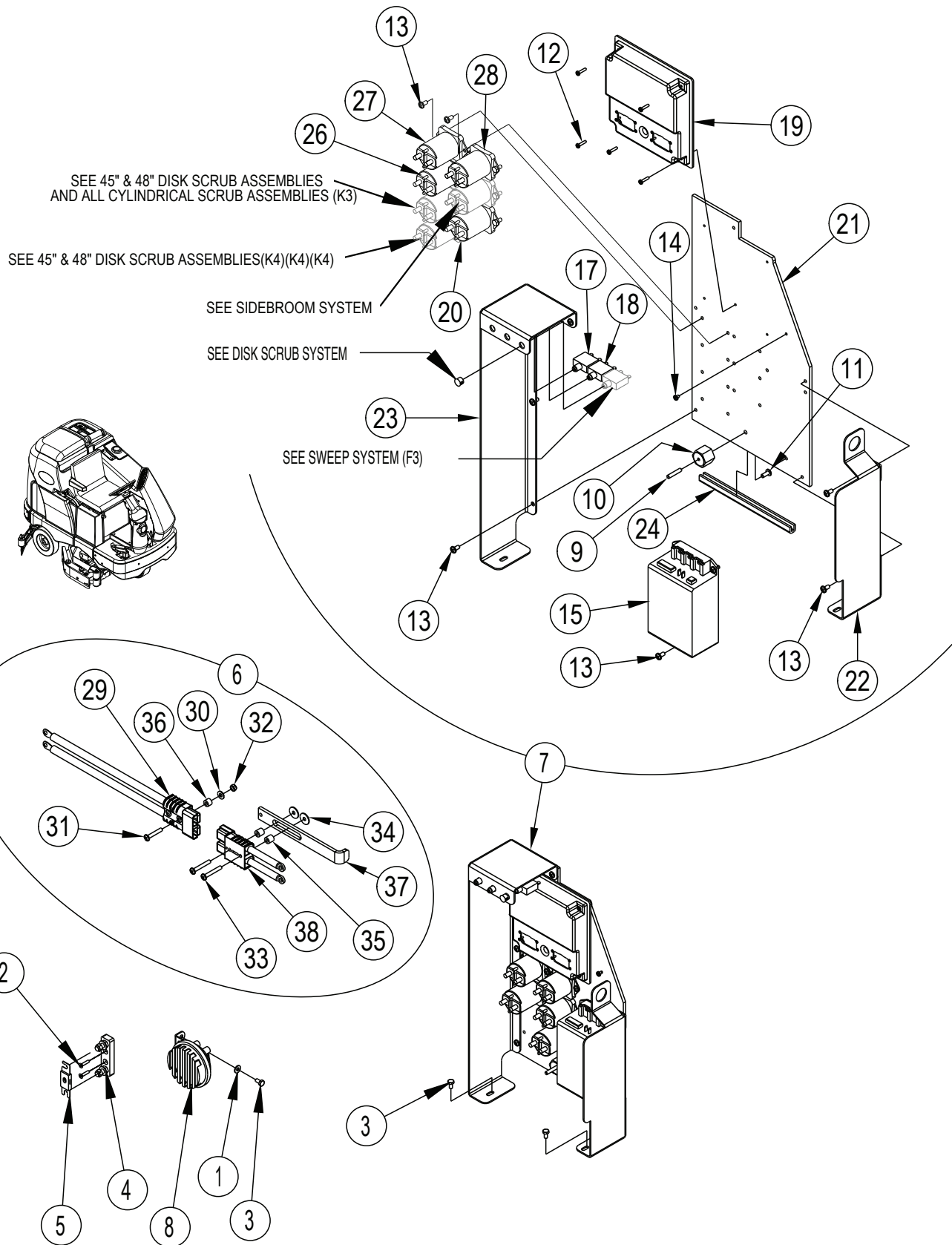
[] = Not Shown

= Revised or new since last update

NOTE 1: 56380262 contains (2) bearings, (1) woodruff key, (1) driven gear and (1) gear shaft.

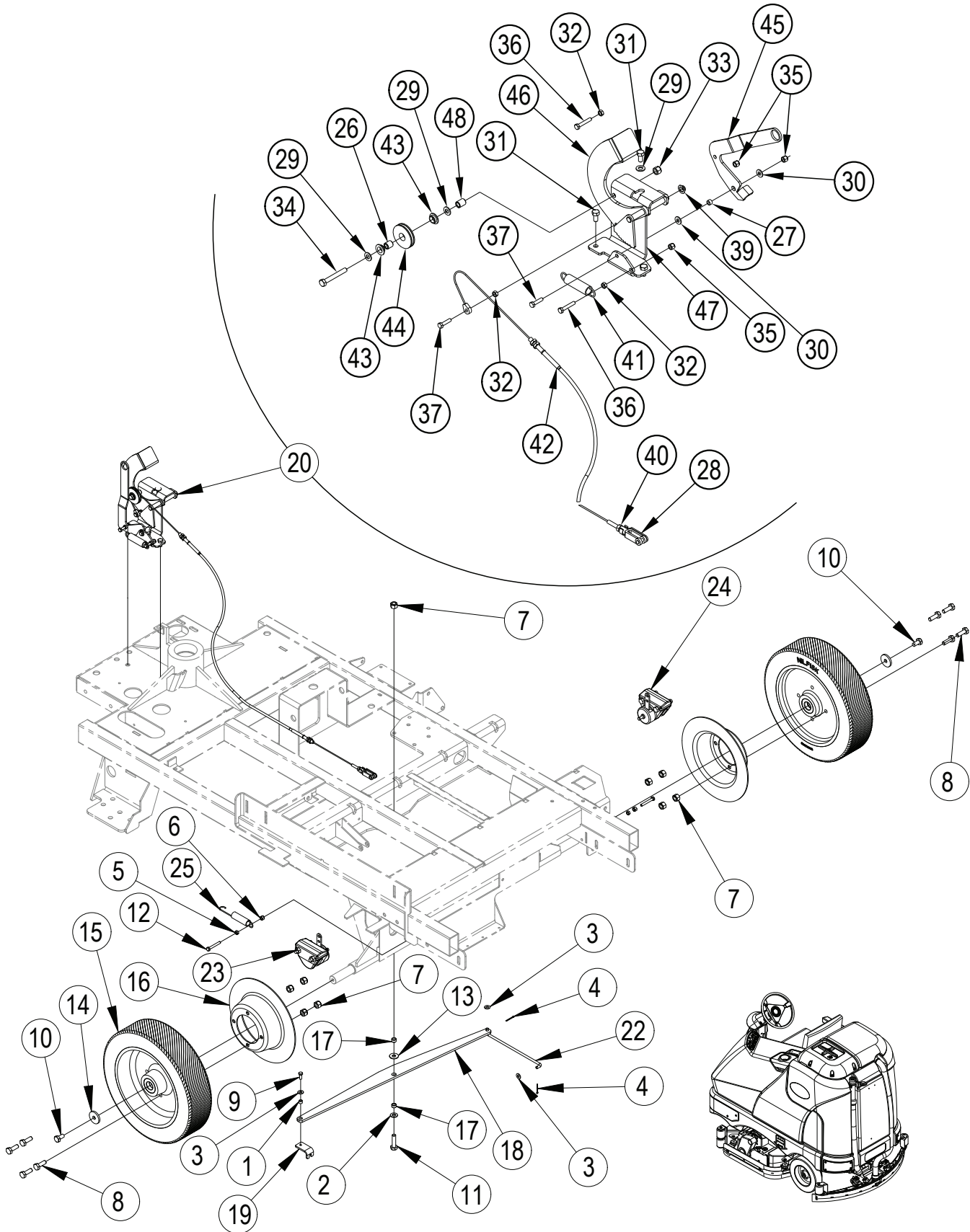


Item	Ref. No.	Qty	Description
1	56001879	1	Wsh, Flt SAE 1/2
2	56001939	2	Wsh, Flt SAE 5/16
3	56001958	2	Scr, Soc Set Loc 3/8-16 x .50
4	56002063	4	Wsh, Flt SAE 3/8
5	56002086	3	Scr, Soc Set Loc 5/16-18 x .25
6	56002093	1	Scr, Hex 1/4-20 x 1.00
8	56002840	1	Nut, Hex Nyl Loc-Thin 1/4-20
9	56002843	1	Nut, Hex Nyl Loc-Thin 1/2-13
10	56002933	2	Scr, Hex Hd Loc 1/4-20 x .38 (before serial number 1926681)
	56003039	2	Scr, Hex Hd Loc 1/4-20 x .50 (after serial number 1926680)
11	56003145	2	Nut, Hex Jam SS 1/4-20
12	56003186	4	Scr, Hex Thd To Hd M10-1.5 x 25mm
13	56003228	4	Key, Wdf .75 x .19
14	56003261	1	Ring, Ret Ext Type E 0.31 Dia
15	56003342	1	Washer Flt .88 x 2.25 x .13
16	56003389	2	Nut, Hex Nyl Loc M8-1.25
17	56003436	2	Scr, Hex SS M8-1.25 x 25mm
18	56009062	8	Scr, Pan Phil Thd Form 1/4-20 x .50
19	56250414	3	Bearing, Flange
20	56305072	1	Spring, Extension .075
21	56314295	1	Shroud, Lower Column
22	56314296	1	Shroud, Upper Column
23	56320595	2	Bushing .32 x .50 x .28
24	56367095	3	Collar, Shaft
25	56413175	1	Shaft, Lower Steering
26	56412198	1	Chain, Roller
27	56413211	2	Bearing, Flange .625 x .500 x .250
28	56413657	1	Column, Upper
29	56413658	1	Ratchet, Steering Column
30	56413659	1	Lower Column Weldment
31	56413661	1	Steering Pawl Weldment
32	56413664	1	Rod
33	56420059	1	Shaft, Upper Steering
34	56440817	1	Knob
35	56454081	1	Universal Joint
36	56471148	1	Sprocket
37	56497306	1	Steering Wheel
38	56497308	1	Cup
39	56497543	1	Cap
40	56497560	1	Wheel Adapter
41	56900041	1	Plug, Cap



Item	Ref. No.	Qty	Description
1	56002098	1	Wsh, Flt SAE 1/4
2	56002417	2	Scr, Flt Phil 10-24 X .88
3	56009033	3	Scr, Hex Thd Form 1/4-20 X .50
4	56303295	1	Fuse Block
5	56410044	1	Fuse, 250 Amp (F4)
6	56413067	1	Disconnect, Battery (#29-38)
7	56413631	1	Electrical Component Assembly (#9-28) Used on machines built before SN1000038925
	56381084	1	Electrical Component Assembly (#9-28) Used on machines built after SN1000038924
8	56482365	1	Horn 36v (H4)
9	56009203	1	Stud, 1/4-20
10	56469858	1	Electrical Mount
11	56002066	1	Scr, Pan Phil 1/4-20 X .62
12	56003698	5	Scr, Pan Phil Thd Form 8-32 X .75
13	56009033	18	Scr, Hex Thd Form 1/4-20 X .50
14	56009030	1	Scr, Pan Phil Thd Form 10-24 X .38
15	56413041	1	Controller, 36vdc (A1) TSBUS2011-0022
17	56413406	1	Circuit Breaker, 3.0 Amp (Control / F1)
18	56413407	1	Circuit Breaker, 15 Amp (Auxiliary / F2)
19	56413483	1	Main PCB Box Assembly (A2) Used on machines built before SN1000038925
	56381049	1	Main PCB Box Assembly (A2) Used on machines built after SN1000038924
20	56413516	1	Contacto, 36vdc 200A (Main / K7) TSBUS2008-1020
21	56413622	1	Mount, Electrical
22	56413623	1	Mount, Electrical Panel
23	56413627	1	Mount, Electrical
24	56413841	1	Edge Trim, .25
26	56413516	1	Contacto, 36vdc 200A (Right Brush / K2) TSBUS2008-1020
27	56413516	1	Contacto, 36vdc 200A (Vacuum / K1) TSBUS2008-996
28	56413516	1	Contacto, 36vdc 200A (Auxiliary / K5) TSBUS2008-996
29	56409444	1	Connector Assy
30	56002098	1	Wsh, Flt SAE 1/4
31	56002786	1	Scr, Pan Phil 1/4-20 X 1.50
32	56002840	1	Nut, Hex Nyl Loc-Thin 1/4-20
33	56002997	2	Scr, Pan Phil 1/4-20 X 1.75
34	56009002	2	Wsh, Flt .266 X .906 X .060
35	56046309	2	Spacer, Phenolic
36	56050872	1	Spacer, Phenolic
37	56413132	1	Bar, Disconnect
38	56413217	1	Connector Assy
*	56409485	5	Cable, Battery
*	56383246	1	Harness-Main
*	56413883	5	Ferrite Bead (Found on Main harness)
*	56413881	1	Ferrite Bead (Found on Main Harness)
*	56413216	1	Harness, Traction Motor
*	56413219	1	Cable Asm, Blk 4-1
*	56413220	1	Cable Asm, Red 1-3
*	56413221	1	Cable Asm, Red 6-1
*	56413222	1	Cable Asm, Red 4-1
*	56478246	5	Tie, Cable
*	56477613	20	Tie, Cable
*	56413847	1	Conduit

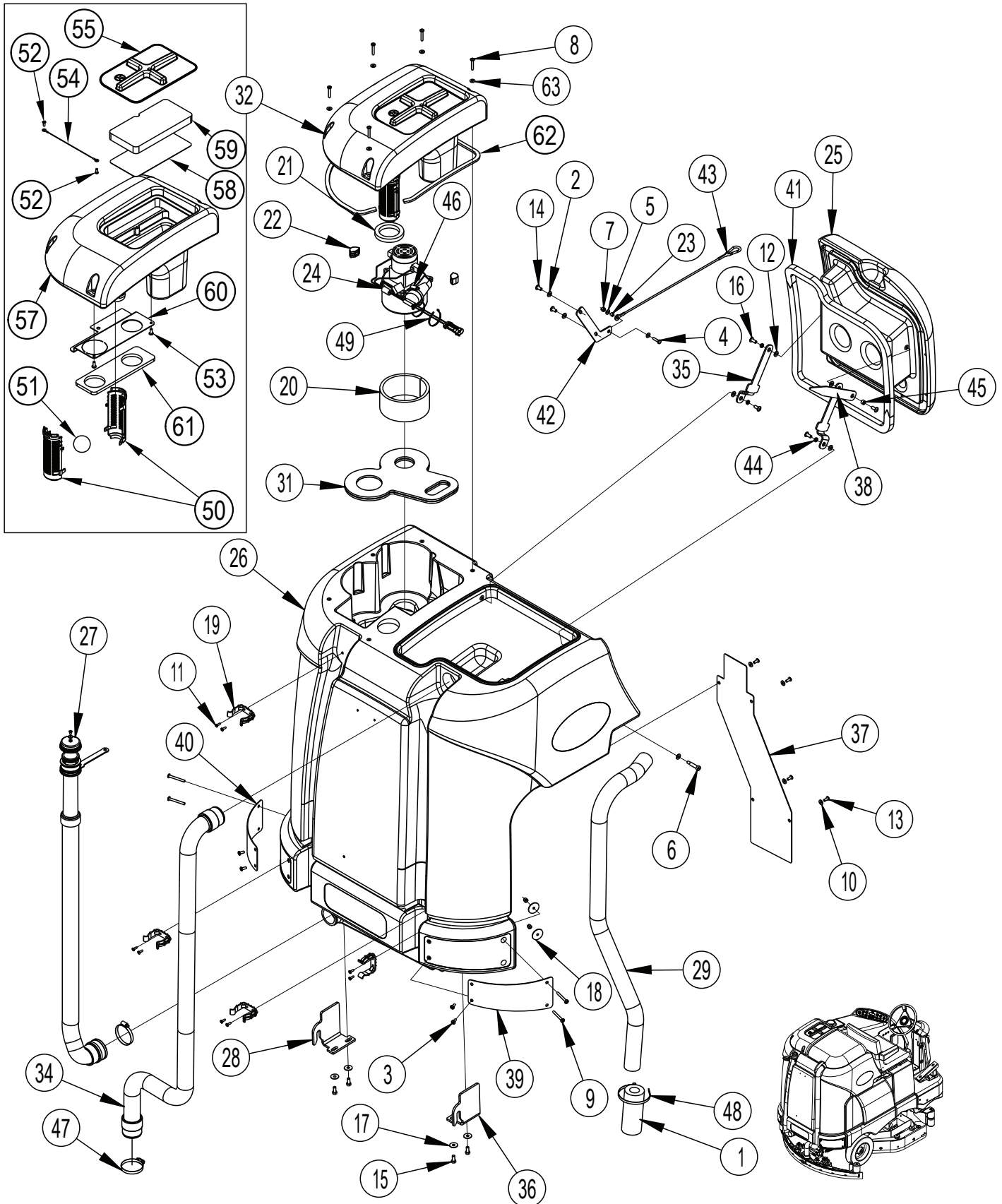
* = Not Shown



Kit	Item	Ref. No.	Qty	Description
	1	56453849	1	Bushing .26 x .37 x .28
	2	56002063	1	Wsh, Flt SAE 3/8
	3	56002098	3	Wsh, Flt SAE 1/4
	4	56001882	2	Pin, Cotter 1/16 x 3/4
	5	56003350	2	Nut, Hex M6-1 TSBUS2006-936 / NOTE 1
	6	56003403	2	Nut, Hex Nyl Loc M6-1 TSBUS2006-936 / NOTE 1
	7	56003406	9	Nut, Hex Nyl Loc M10-1.5
	8	56003439	8	Scr, Hex SS M10-1.5 x 30mm
	9	56003441	1	Scr, Hex Loc M6-1 x 16mm
	10	56003442	2	Scr, Hex Loc M10-1.5 x 20mm
	11	56003491	1	Scr, Hex M10-1.5 x 40mm
	12	56003631	2	Scr, Hex M6-1 x 45mm TSBUS2006-936 / NOTE 1
	13	56009213	1	Wsh, Flt .392 x 1.00 x .075
	14	56367117	2	Wsh, Flt .406 x 1.5 x .1875
	15	56382655	2	Wheel, Rear NOTE 2
	*	56412243	6	Ball Bearing for 56382655 (3 per wheel) TSBUS2009-1043
	16	56413293	2	Rotor
	17	56413498	2	Spacer-Bushing .410 x .500 x .280
	18	56413500	1	Equalizer
	19	56413501	1	Yoke
	20	56413533	1	Brake Pedal Assy (#26-48)
	22	56413598	1	Linkage, Brake
	23	56413025	1	Brake-CW TSBUS2006-936 / TSBUS2007-970
	24	56413024	1	Brake-CCW TSBUS2006-936 / TSBUS2007-970
	25	56413812	2	Spring, Extension TSBUS2006-936
	26	56228052	1	Bushing
	27	56413888	1	Bushing
	28	56407133	1	Yoke, Clevis
	29	56001939	3	Wsh, Flt SAE 5/16
	30	56002098	2	Wsh, Flt SAE 1/4
	31	56002929	3	Scr, Hex Hd Loc 5/16-18 x .62
	32	56003350	3	Nut, Hex M6-1
	33	56003389	1	Nut, Hex Nyl Loc M8-1.25
	34	56003398	1	Scr, Hex M8-1.25 x 60mm
	35	56003403	3	Nut, Hex Nyl Loc M6-1
	36	56003420	2	Scr, Hex M6-1 x 35mm
	37	56003430	2	Scr, Hex SS M6-1 x 25mm
	39	56009123	1	Nut, Push Cap 3/8
	40	56009142	1	Nut, Hex Machine 1/4-28
	41	56397348	1	Spring, Extension
	42	56413208	1	Cable Assy
	43	56413211	2	Bearing, Flange .625 x .500 x .250
	44	56413508	1	Pulley
	45	56413988	1	Pawl
	46	56413989	1	Brake Pedal Weldt
	47	56413992	1	Bracket-Brake Pedal
	48	56413787	1	Spacer

NOTE 1: Machines built after serial number 1959307 have a modified chassis which eliminates the need for these hardware items.

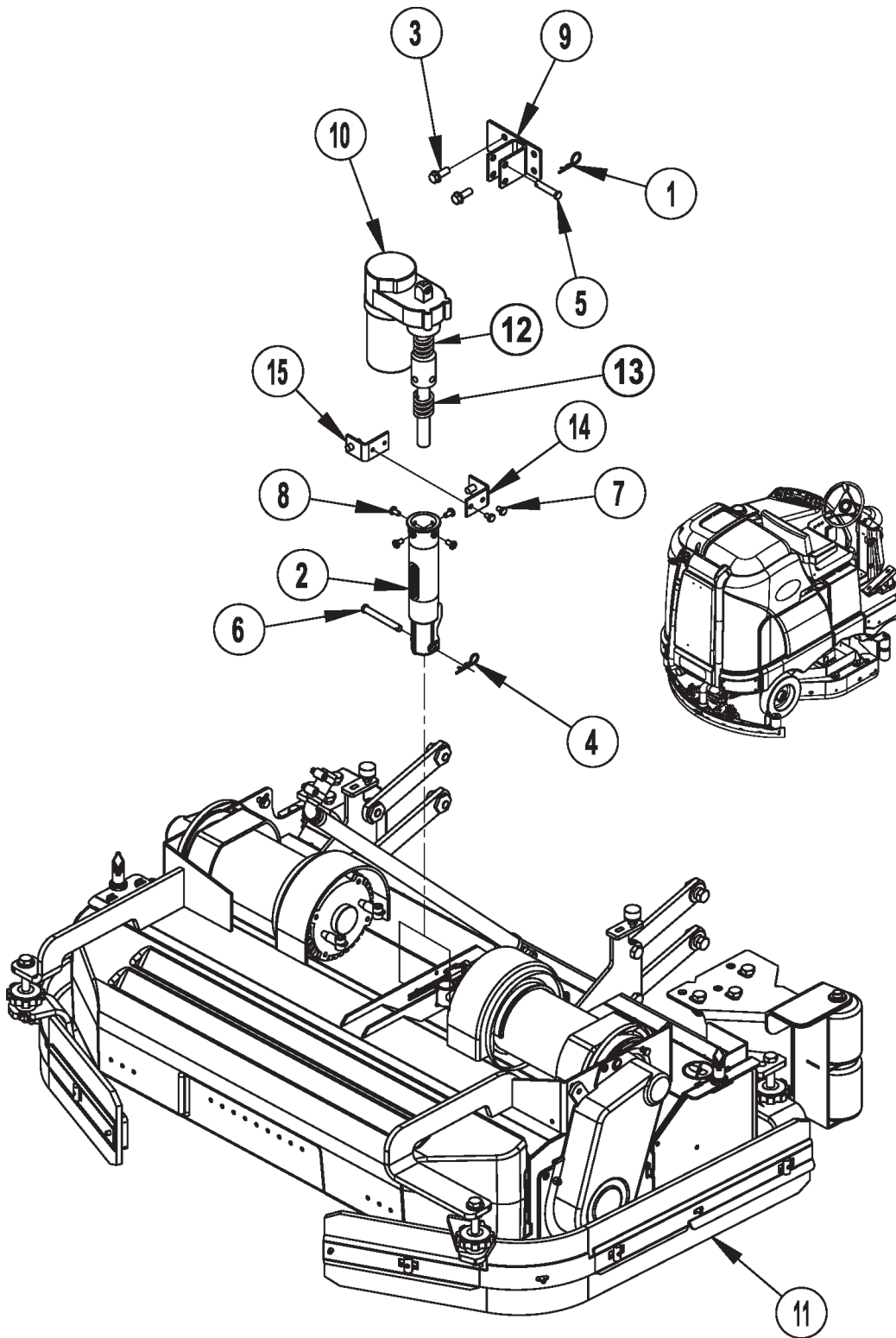
NOTE 2: Rear wheel 56382655 (uses three bearings per wheel) replaced Rear Wheel 56109559 which used two bearings per wheel.



Item	Ref. No.	Qty	Description	Item	Ref. No.	Qty	Description
1	56391807	1	Foam, Acoustical	32	56413196	1	Top Cover Assy (50-61)
2	56001939	3	Wsh, Flt SAE 5/16	33	56383247	1	Harness-Recovery Tank
3	56002066	4	Scr, Pan Phil 1/4-20 x .62	34	56413377	1	Hose, Squeegee Vac
4	56002507	1	Scr, Pan Phil 1/4-20 x .75	35	56413404	2	Arm, Lid Hinge
5	56002098	2	Wsh, Flt SAE 1/4	36	56413555	1	Hinge Plate, Right
6	56002624	1	Scr, Soc Shd .38 x 1.25 x 5/16-18	37	56413577	1	Panel, Exhaust
7	56002708	5	Nut, Hex Nyl Loc 1/4-20	38	56413589	1	Prop
8	56002786	5	Scr, Pan Phil 1/4-20 x 1.50	39	56413960	1	Bumper-Right Rear
9	56002788	4	Scr, Pan Phil 1/4-20 x 2.25	40	56413961	1	Bumper-Left Rear
10	56002859	4	Wsh, Flt SAE SS 1/4	41	56413699	1	Gasket, Recovery Lid
11	56002896	8	Scr, Pan Phil SS 10-24 x .62	42	56413458	1	Plate, Cable Mount
12	56002938	4	Wsh, Flt SAE SS 5/16	43	56413723	1	Cable Assembly
13	56002989	4	Scr, Pan Phil SS 1/4-20 x .62	44	56413800	3	Bushing .32x.50x.18
14	56003003	2	Scr, Pan Phil 5/16-18 X .62	45	56413801	1	Bushing .32x.50x.35
15	56003012	4	Scr, Hex SS 5/16-18 X .75	46	56440213	1	Clamp, Hose SAE #32
16	56003014	4	Scr, Pan Phil Ss 5/16-18 X .75	47	56456797	2	Clamp, Hose SAE #36
17	56003696	4	Wsh, Flt SS .33 X 1.00 X.060	48	56477613	1	Tie, Cable
18	56009225	4	Wsh, Fender .281x1.50x.074	49	56478246	1	Tie, Cable
19	56212236	4	Clamp, Plastic	50	56324497	2	Cage, Float
20	56314488	1	Muffler, Vac	51	56391690	1	Ball, Float
21	56314760	1	Gasket, Vacuum Duct	52	56009191	2	Scr, Pan Phil Plastite 10-14 X .50
22	56315141	2	Mount, Vibration	53	56009210	2	Scr, Pan Phil Type B 1/4-14 X .62
23	56368989	1	Bushing	54	56314400	1	Wire Rope, 9 Inch
24#	56410065	1	Vac Motor Assy (M5) / TSB-FC-2013-116	55	56109539	1	Vac Filter Lid NOTE 1
25	56413091	1	Lid, Recovery Tank	57	56413155	1	Top, Recovery Tank
26	56413150	1	Tank, Recovery	58	56413194	1	Screen, Filter
27	56381937	1	Drain Hose Ribbed	59	56413195	1	Filter
*	56601411	1	Drain Hose Cap Kit	60	56413408	1	Plate, Vac Cover
28	56413163	1	Mount, Recovery Tank	61	56413416	1	Gasket, Vac Fan Top
29	56413171	1	Hose, Vac 2.00 X 42.00 X 975018	62	56413846	1	Gasket, RS Strip
31	56382651	1	Seal Assembly Vac Fan	63	56009002	5	Wsh, Flt .266 x .906 x .060

= Revised or new since last update

NOTE 1: 56314461 and 56314491 are no longer used in production. If you need to replace either of these items please order 56109539.



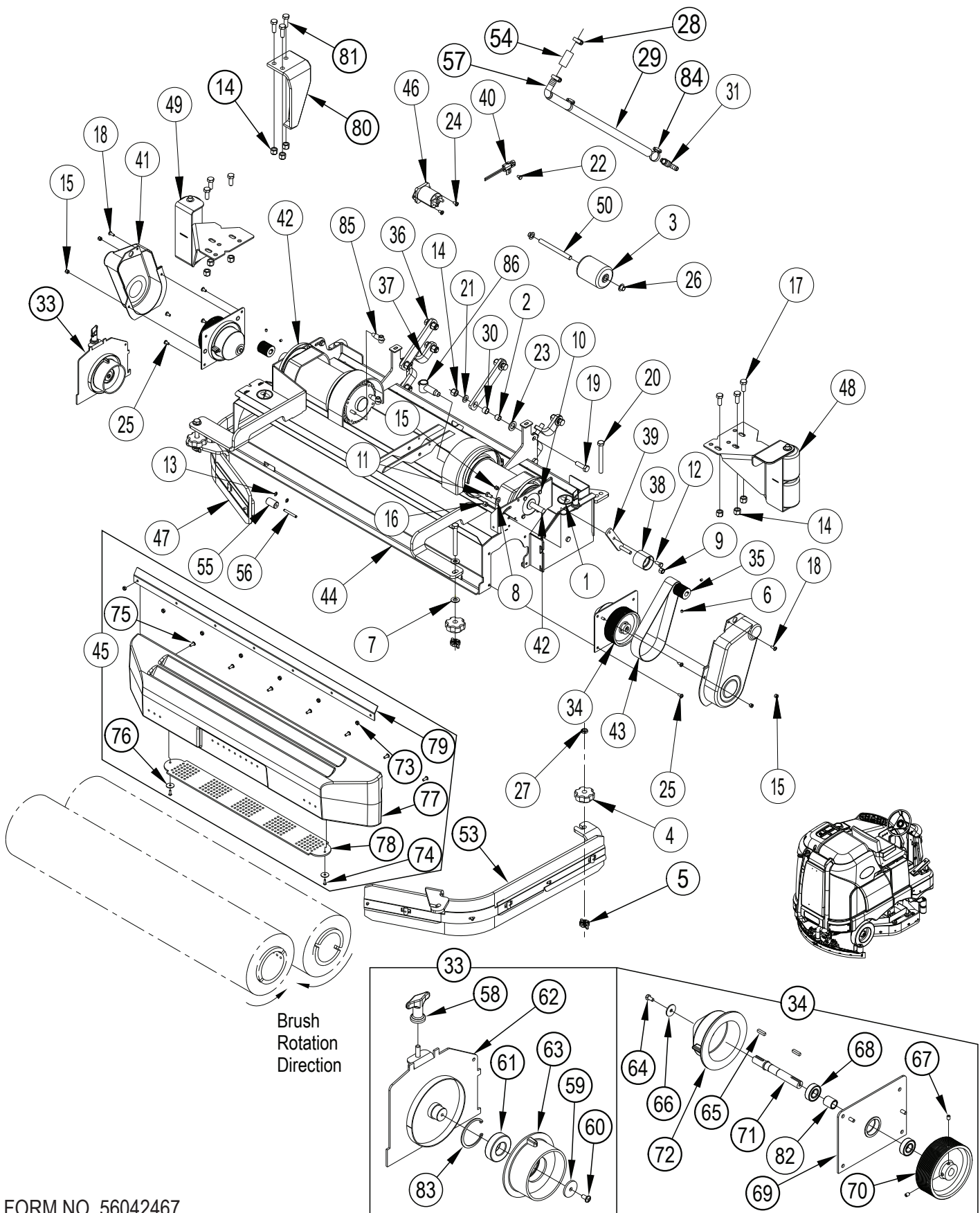
05-11

SCRUB SYSTEM-CYLINDRICAL

08-5

Condor™**17**

Item	Ref. No.	Qty	Description
1	56002959	1	Pin, Cotter Hair
2	56412262	1	Housing, Spring
3	56002256	2	Scr, Hex Type 1 3/8-16 X 1.00
4	56003120	1	Pin, Cotter Hair .0915 X .375
5	56003597	1	Pin, Clevis .375 X 1.75
6	56003704	1	Pin, Clevis .38 X 3.00
7	56009019	2	Scr, Hex Thd Form 1/4-20 X .38
8	56009062	4	Scr, Pan Phil Thd Form 1/4-20 X .50
9	56413455	1	Mount Weldment
10	56413700	1	Actuator (M2)
11	56413788	1	40" Cyl Scrub Assembly
	56413790	1	45" Cyl Scrub Assembly
	56413792	1	48" Cyl Scrub Assembly
12	56413828	1	Spring, Upper Housing
13	56413829	1	Spring, Lower Housing
14	56420019	1	Nut Retainer
15	56420020	1	Nut Retainer

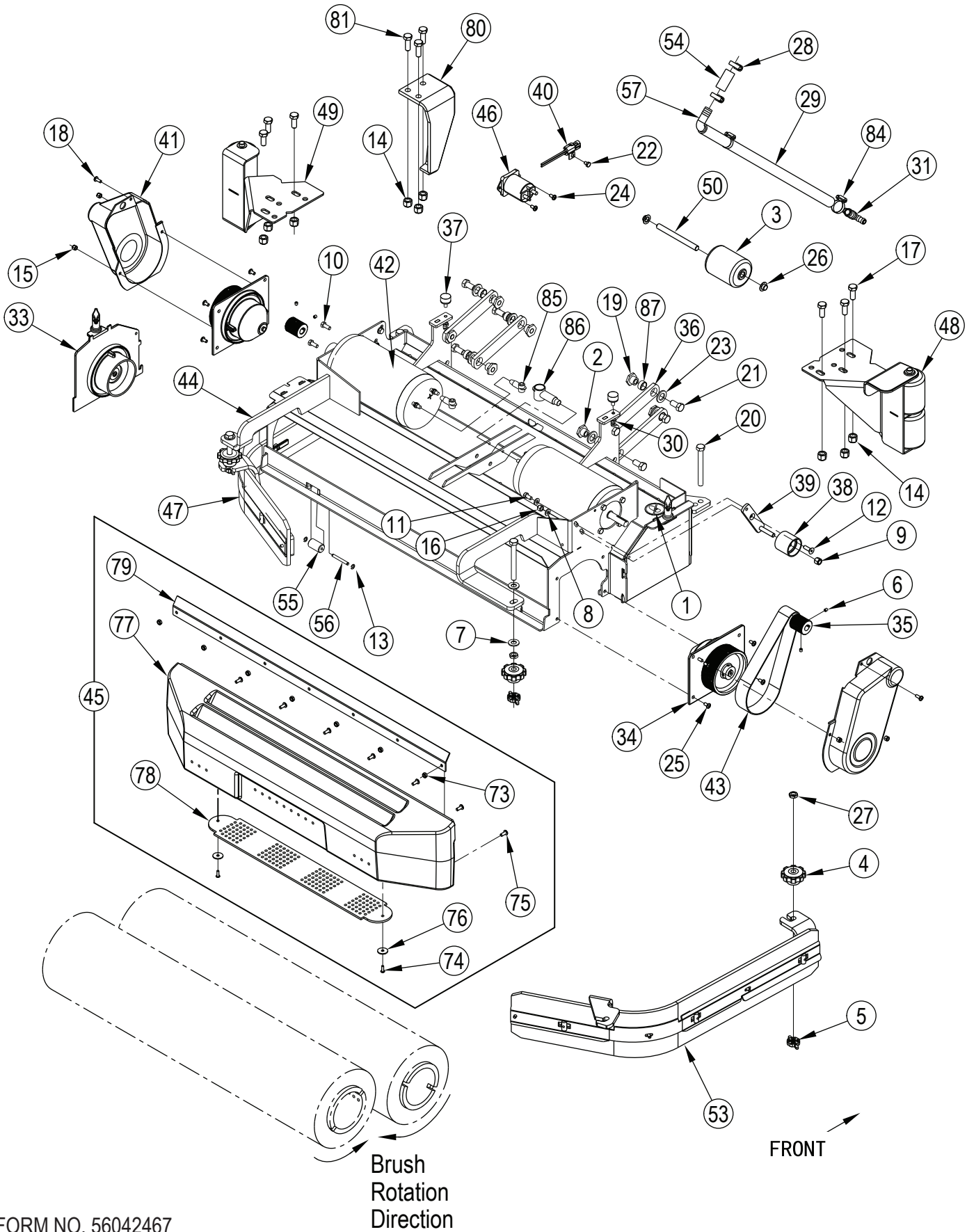


Item	Ref. No.	Qty	Description	Item	Ref. No.	Qty	Description
	56413788	1	40" Cyl Scrub Assembly	45	56413331	1	Hopper Assembly-40 (40") (73-79)
	56413790	1	45" Cyl Scrub Assembly		56413443	1	Hopper Assembly-45 (73-79)
	56413792	1	48" Cyl Scrub Assembly		56413346	1	Hopper Assembly-48 (48") (73-79)
1	56016163	2	Decal, No Step	46	56413516	1	Contactora, 36vdc 200A (K3) TSBUS2008-1020
2	56367206	8	Bushing	47	56413871	1	Left Skirt Assembly (40")
3	56407006	2	Wheel, Roller		56413556	1	Left Skirt Assembly (45" & 48")
4	56380149	4	Knob TSBUS2010-1060	48	56413578	1	Right Guard Assy
5	56601578	4	Knob	49	56413584	1	Left Guard Assy (45" & 48")
6	56001841	4	Scr, Soc Set Loc 1/4-20 X .25	50	56413596	2	Pin
7	56001879	4	Wsh, Flt SAE 1/2	53	56413609	1	Right Skirt Assembly
8	56002063	2	Wsh, Flt SAE 3/8	54	56413813	1	Hose, .75 Clear PVC
9	56002769	2	Nut, Hex Nyl Loc 3/8-16	55	56413817	2	Roller, Rear
10	56003179	8	Scr-Hex Thd to Hd M8-1.25 x 20mm	56	56413818	2	Pin
11	56003178	2	Scr, Hex M8-1.25 X 16mm	57	56900272	1	Barb, 3/4 90 Deg. Elbow
12	56003179	2	Scr, Hex Thd To Hd M8-1.25 X 20mm	58	56370711	1	Nut, Thumb
13	56003268	4	Ring, Ret Ext Type E Reinf. 0.25 Dia	59	56009199	1	Wsh, Flt Brass .266 x 1.250 x .125
14	56003312	14	Nut, Hex Nyl Loc M12-1.75	60	56009069	1	Scr, Pan Phil Loc 1/4-20 X .50
15	56003403	6	Nut, Hex Nyl Loc M6-1	61	56111531	1	Bearing- Ball NOTE 1
16	56003405	2	Nut, Hex Nyl Loc SS M8-1.25	62	56109572	1	Broom Hanger
17	56003418	6	Scr, Hex M12-1.75 X 30mm	63	56109690	1	Idler, Brush NOTE 1 (TSBUS2009-1048)
18	56003627	2	Scr, Pan Phil M6-1 X 16mm	64	56003155	1	Scr, Hex M6-1 X 12mm
19	56003637	8	Scr, Hex M12-1.75 X 40mm	65	56003238	2	Key, Sq. .19 X .78
20	56003707	4	Scr, Hex Thd To Hd M12-1.75 X 110mm	66	56009060	1	Wsh, Flt SS .260 X 1.000 X .074
21	56009017	8	Wsh, Flt Harden .516x.938 X.75	67	56002930	2	Scr, Soc Set Loc 1/4-20 X .38
22	56009019	1	Scr, Hex Thd Form 1/4-20 X .38	68	56303050	2	Bearing, Ball
23	56009022	8	Wsh, Flt .754 X 1.250 X .120	69	56109573	1	Broom Hanger
24	56009062	2	Scr, Pan Phil Thd Form 1/4-20 X .50	70	56413284	1	Sheave, Poly V
25	56009069	8	Scr, Pan Phil Loc 1/4-20 X .50	71	56413620	1	Shaft, Broom Drive Lug
26	56009097	4	Nut, Push Cap 1/2	72	56109628	1	Drive Lug
27	56009258	4	Nut, Hex Jam M12-1.75	73	56002850	7	Nut, Hex Nyl Loc-Thin Ss 1/4-20
28	56112771	4	Clamp, Hose SAE #10	74	56002896	2	Scr, Pan Phil SS 10-24 X .62
29	56303394	1	Hose, Spiral .75 x 25.00	75	56002989	7	Scr, Pan Phil SS 1/4-20 X .62
30	56304586	8	Bearing .750 X .625 X .500	76	56009060	2	Wsh, Flt SS .260 X 1.000 X .074
31	56305760	1	Tee, Barb 3/4 X 1/2 X 1/2	77	56413333	1	Hopper, 40 In. (40")
33	56413269	2	Broom Idler Assy (58-63, 83)		56413444	1	Hopper, 45 In. (45")
34	56413275	2	Broom Drive Lug Assy (64-72, 82)		56413348	1	Hopper, 48 In. (48")
35	56413285	2	Sheave, Poly V	78	56413338	1	Screen, Hopper-40 In. (40")
36	56413302	2	Arm Parallel 6 In		56413446	1	Screen, Hopper-45 In. (45")
37	56413303	2	Arm, Adjustable Assy		56413349	1	Screen, Hopper-48 In. (48")
38	56413324	2	Idler	79	56413339	1	Threshold, Hopper-40 In. (40")
39	56413325	2	Tensioner Weld't		56413447	1	Threshold, Hopper-45 In. (45")
40	56413393	1	Resistor Assy, 10k Ohm (40" / R2)		56413350	1	Threshold, Hopper-48 In. (48")
	56413391	1	Resistor Assy, 40k Ohm (45" & 48" / R2)	80	56413965	1	Roll Bar Weldt (40")
41	56413395	2	Guard, Belt	81	56003415	3	Scr, Hex M12-1.75 x 35mm (40")
42	56382654	2	Kit 36VDC 1.5HP Motor (M9 / M10) NOTE 2, TSBUS2011-0005	82	56413877	1	Spacer
*	56381479	1	Kit Brush Amer Motor (for 56382654)	83	56003314	1	Ring, Retainer NOTE 1
*	56413628	1	Brush & Spring Kit (for obsolete motor 56413398)	84	56244969	1	Clamp, Hose SAE #12
43	56413419	2	Belt, 260j16	85	56409538	3	Insulator, Terminal
44	56413962	1	Cyl Scrub Deck Weldt-40 (40")	86	56493357	1	Insulator, Terminal
	56413963	1	Cyl Scrub Deck Weldt-45 (45")				
	56413964	1	Cyl Scrub Deck Weldt-48 (48")				

* = Not Shown

NOTE 1: If you need to replace these items before SN 100022903 please order Broom Idler Kit 56414000.

NOTE 2: Brush motor 56413398 is no longer used in production and replaced by 56382654. The Water Shields 56413604 & 56413605 used on 56413398 are also obsolete. To replace brush motor 56413398, order Motor Kit 56382654.



Item	Ref. No.	Qty	Description	Item	Ref. No.	Qty	Description
	56413788	1	40" Cyl Scrub Assembly	45	56413331	1	Hopper Assembly-40 (40") (73-79)
	56413790	1	45" Cyl Scrub Assembly		56413443	1	Hopper Assembly-45 (73-79)
	56413792	1	48" Cyl Scrub Assembly		56413346	1	Hopper Assembly-48 (48") (73-79)
1	56016163	2	Decal, No Step	46	56413516	1	Contact, 36vdc 200A (K3) TSBUS2008-1020
2	56380646	2	Scr, Bushing Cam	47	56413871	1	Left Skirt Assembly (40")
3	56407006	2	Wheel, Roller		56413556	1	Left Skirt Assembly (45" & 48")
4	56380149	4	Knob TSBUS2010-1060	48	56413578	1	Right Guard Assy
5	56601578	4	Knob	49	56413584	1	Left Guard Assy (45" & 48")
6	56001841	4	Scr, Soc Set Loc 1/4-20 X .25	50	56413596	2	Pin
7	56002918	4	Wsh-Fit SAE SS 1/2	53	56413609	1	Right Skirt Assembly
8	56002938	4	Wsh-Fit SAE SS 5/16	54	56413813	1	Hose, .75 Clear PVC
9	56003219	2	Nut-Hex Nyl Loc SS 3/8-16	55	56413817	2	Roller, Rear
10	56003435	8	Scr-Hex SS M8-1.25 x 20mm	56	56413818	2	Pin
11	56003908	2	Scr-Hex SS M8-1.25 X 16mm	57	56900272	1	Barb, 3/4 90 Deg. Elbow
12	56003907	2	Scr-Fit Soc SS 5/16-18 x 1.00	58	56370711	1	Nut, Thumb
13	56003268	4	Ring, Ret Ext Type E Reinf. 0.25 Dia	59	56009199	1	Wsh, Fit Brass .266 x 1.250 x .125
14	56003450	6	Nut-Hex Nyl Loc SS M12-1.75	60	56009069	1	Scr, Pan Phil Loc 1/4-20 X .50
15	56003426	4	Nut-Hex Nyl Loc SS M6-1	61	56111531	1	Bearing- Ball NOTE 1
16	56002856	2	Nut-Hex Nyl Loc SS 5/16-18	62	56109572	1	Broom Hanger
17	56003905	3	Scr-Hex SS M12-1.75 X 30mm	63	56109690	1	Idler, Brush NOTE 1 (TSBUS2009-1048)
18	56003911	2	Scr-Pan Phil SS M6-1 X 8MM	64	56003155	1	Scr, Hex M6-1 X 12mm
19	56380614	6	Bushing, 1/2-20 x 3/4 Od	65	56003238	2	Key, Sq. 19 X .78
20	56003910	4	Scr-Hex FT SS M12-1.75 X 110mm	66	56009060	1	Wsh, Fit SS .260 X 1.000 X .074
21	56003909	8	Scr-Hex SS 1/2-20 x 1.00	67	56002930	2	Scr, Soc Set Loc 1/4-20 X .38
22	56009019	1	Scr, Hex Thd Form 1/4-20 X .38	68	56303050	2	Bearing, Ball
23	56009022	8	Wsh, Fit .754 X 1.250 X .120	69	56109573	1	Broom Hanger
24	56009062	2	Scr, Pan Phil Thd Form 1/4-20 X .50	70	56413284	1	Sheave, Poly V TSBUS2010-1070
25	56003897	8	Scr-Pan Phil Loc SS 1/4-20 X .50	71	56413620	1	Shaft, Broom Drive Lug
26	56009097	4	Nut, Push Cap 1/2	72	56109628	1	Drive Lug TSBUS2010-1070
27	56003657	4	Nut-Hex Jam SS M12-1.75	73	56002850	7	Nut, Hex Nyl Loc-Thin Ss 1/4-20
28	56112771	4	Clamp, Hose SAE #10	74	56002896	2	Scr, Pan Phil SS 10-24 X .62
29	56303394	1	Hose, Spiral .75 x 25.00	75	56002989	7	Scr, Pan Phil SS 1/4-20 X .62
30	56009141	2	Nut-Hex Jam SS 5/16-18	76	56009060	2	Wsh, Fit SS .260 X 1.000 X .074
31	56305760	1	Tee, Barb 3/4 X 1/2 X 1/2	77	56413333	1	Hopper, 40 In. (40")
33	56413269	2	Broom Idler Assy (58-63, 83)		56413444	1	Hopper, 45 In. (45")
34	56413275	2	Broom Drive Lug Assy (64-72, 82)		56413348	1	Hopper, 48 In. (48")
35	56413285	2	Sheave, Poly V TSBUS2010-1070	78	56413338	1	Screen, Hopper-40 In. (40")
36	56380153	4	Arm Parallel 6 In TSBUS2010-1070		56413446	1	Screen, Hopper-45 In. (45")
37	56413714	2	Bumper, Rubber		56413349	1	Screen, Hopper-48 In. (48")
38	56413324	2	Idler	79	56413339	1	Threshold, Hopper-40 In. (40")
39	56413325	2	Tensioner Weld't		56413447	1	Threshold, Hopper-45 In. (45")
40	56413393	1	Resistor Assy, 10k Ohm (40" / R2)		56413350	1	Threshold, Hopper-48 In. (48")
	56413391	1	Resistor Assy, 40k Ohm (45" & 48" / R2)	80	56413965	1	Roll Bar Weldt (40")
41	56413395	2	Guard, Belt	81	56003453	3	Scr-Hex SS M12-1.75 X 35mm (40")
42	56382654	2	Kit 36VDC 1.5HP Motor (M9 / M10) NOTE 2, NOTE 3	82	56413877	1	Spacer
*	56381479	1	Kit Brush Amer Motor (for 56382654)	83	56003314	1	Ring, Retainer NOTE 1
*	56413628	1	Brush & Spring Kit (for obsolete motor 56413398)	84	56244969	1	Clamp, Hose SAE #12
43	56413419	2	Belt, 260J16	85	56409538	3	Insulator, Terminal
44	56413962	1	Cyl Scrub Deck Weldt-40 (40")	86	56493357	1	Insulator, Terminal
	56413963	1	Cyl Scrub Deck Weldt-45 (45")	87#	56380152	8	Bearing IGUS
	56413964	1	Cyl Scrub Deck Weldt-48 (48")				

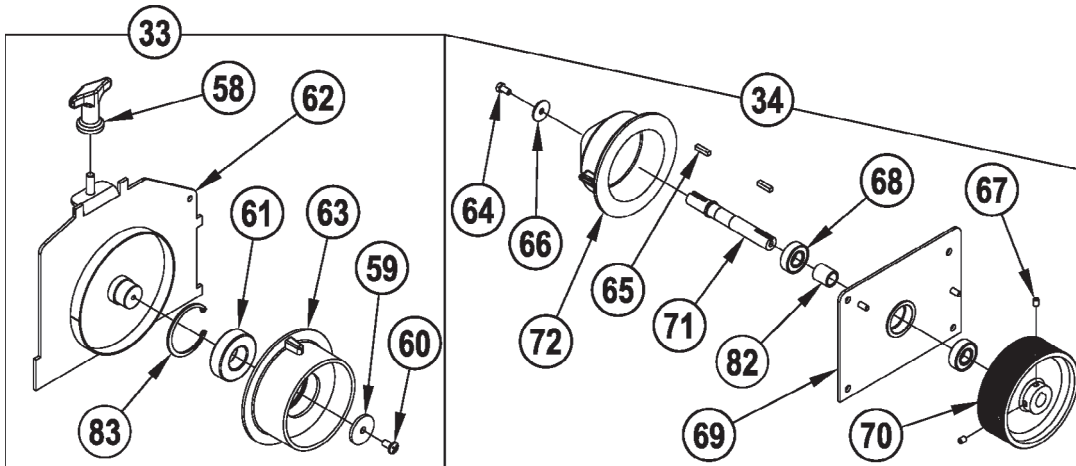
* = Not Shown

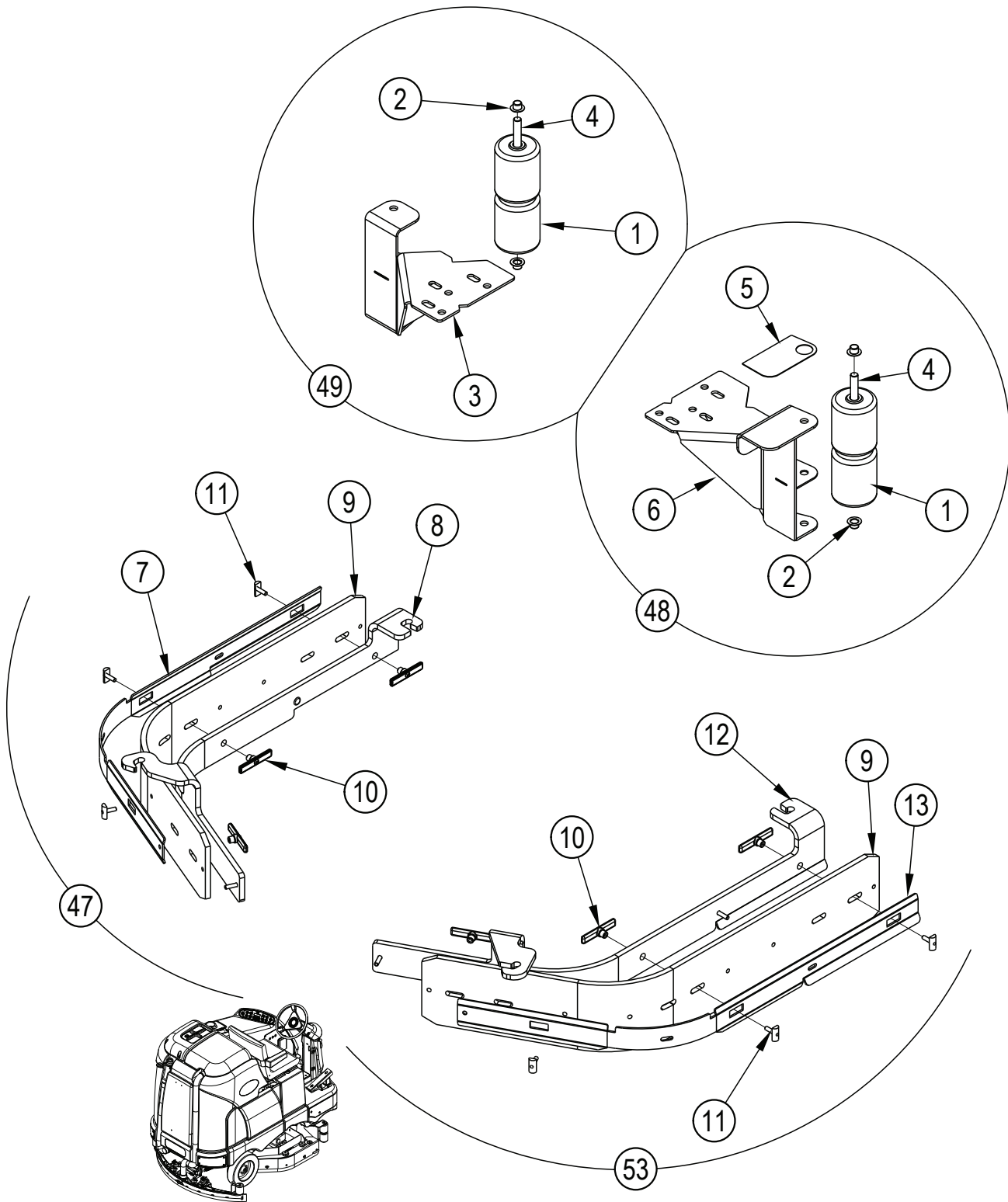
= Revised or new since last update

NOTE 1: If you need to replace these items before SN 100022903 please order Broom Idler Kit 56414000.

NOTE 2: Brush motor 56413398 is no longer used in production and replaced by 56382654. The Water Shields 56413604 & 56413605 used on 56413398 are also obsolete. To replace brush motor 56413398, order Motor Kit 56382654.

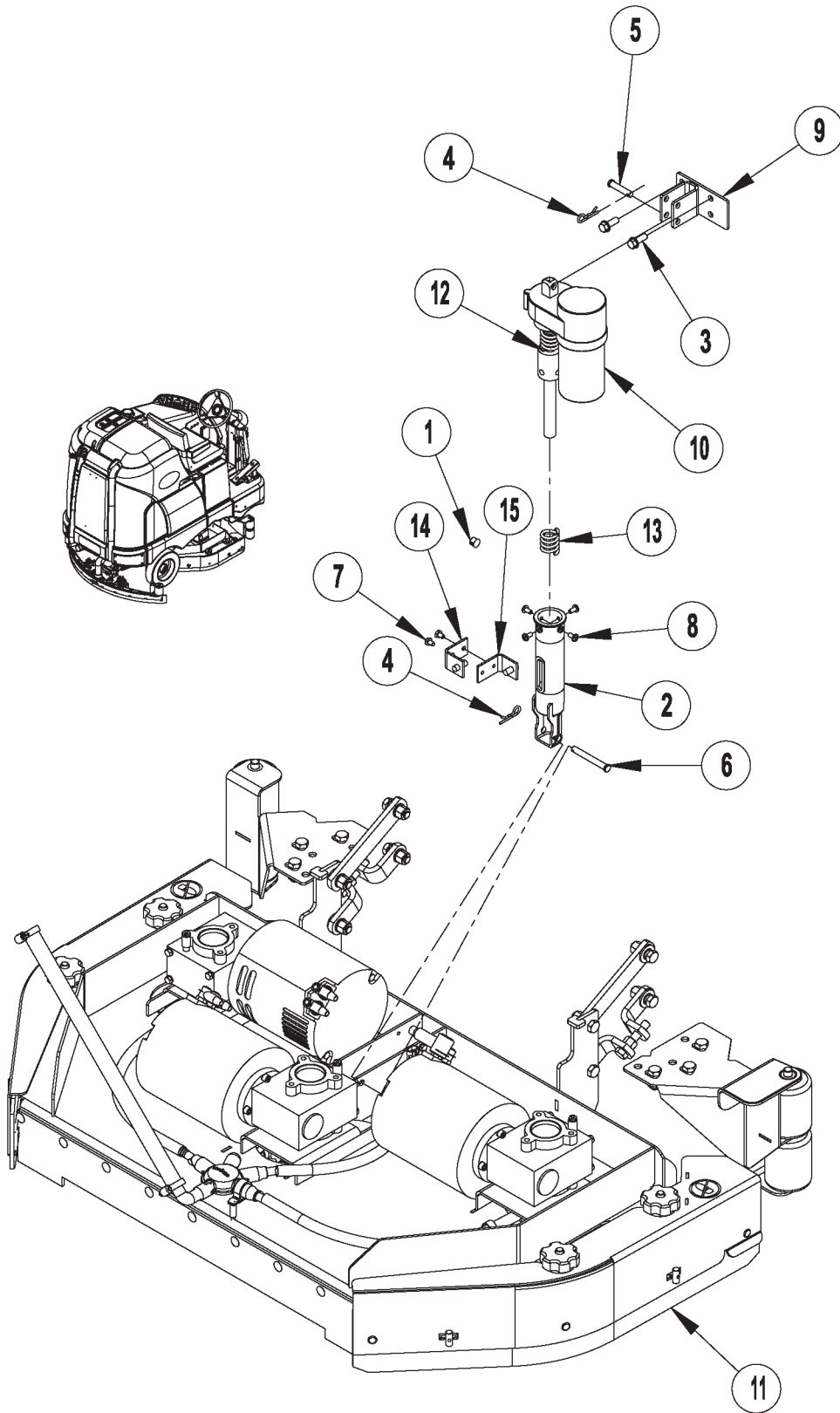
NOTE 3: TSBUS2011-0005





Item	Ref. No.	Qty	Description
47	56413871	1	Left Skirt Assembly (#7-11 / 40")
47	56413556	1	Left Skirt Assembly (#7-11 / 45" & 48")
48	56413578	1	Right Guard Assy (#1, 2, 4, 5, 6)
49	56413584	1	Left Guard Assy (#1-4 / 45" & 48")
53	56413609	1	Right Skirt Assembly (#9-13)
1	56407006	4	Wheel, Roller
2	56009097	4	Nut, Push cap 1/2
3	56413967	1	Left Guard Weldt
4	56413590	2	Pin
5	56413721	1	Grip Surface
6	56413968	1	Right Guard Weld't.
7	56413860	1	Strap, Skirt-LT
8	56413969	1	Left Bracket Weldt-40 (40")
	56413970	1	Left Bracket Weldt 45-48 (45" & 48")
9	56413654	2	Skirt, Linatex
**	56413820	2	Skirt, Gum Rubber
**	56413743	2	Skirt, Polyurethane
10	56413717	6	Thumb Nut
11	56413850	6	Skirt Retainer Assy
12	56413971	1	Right Bracket Weldt
13	56413857	1	Strap, Skirt-RT

** = Optional, Not Included



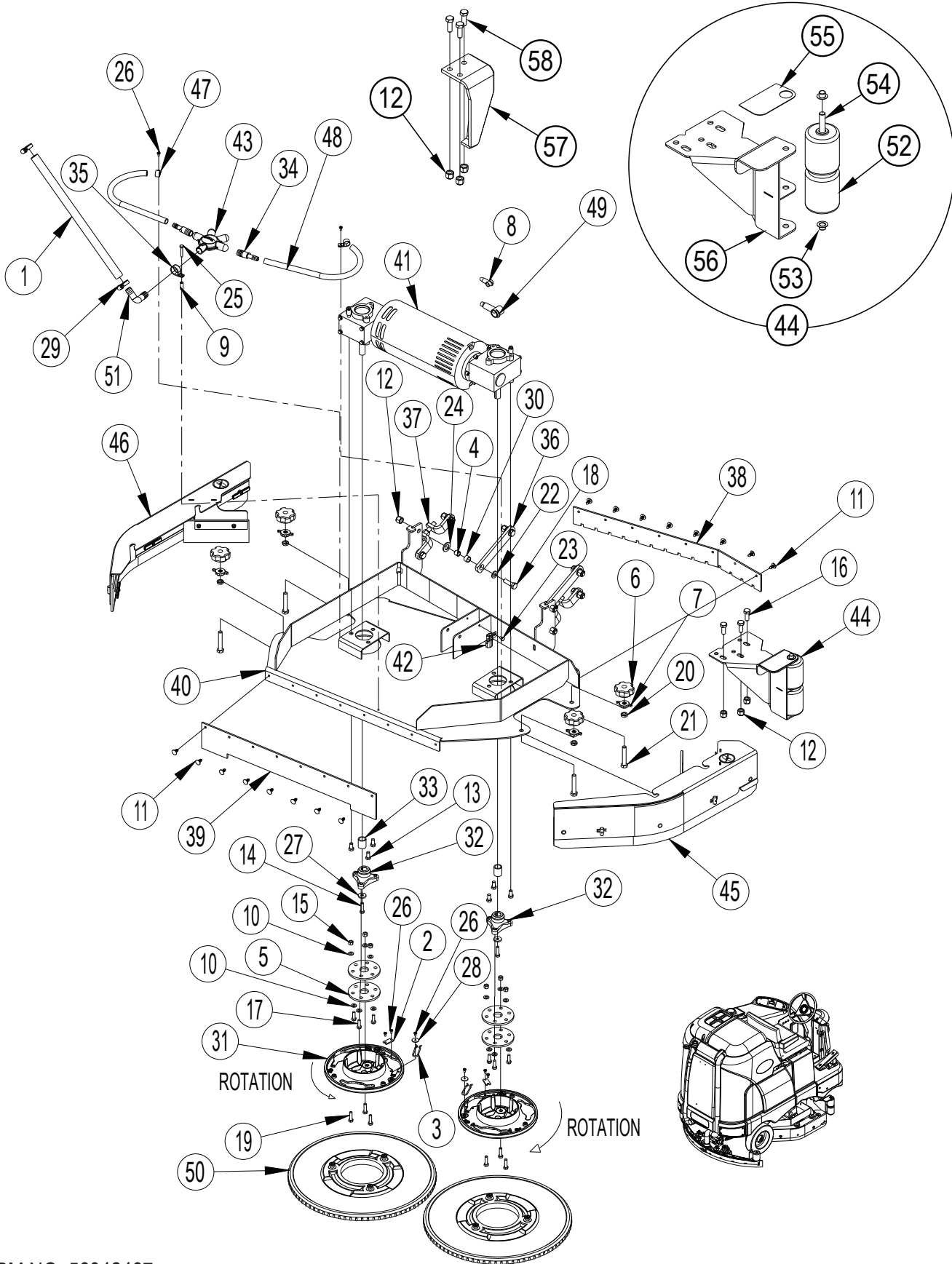
05-11

SCRUB SYSTEM-DISK

08-5

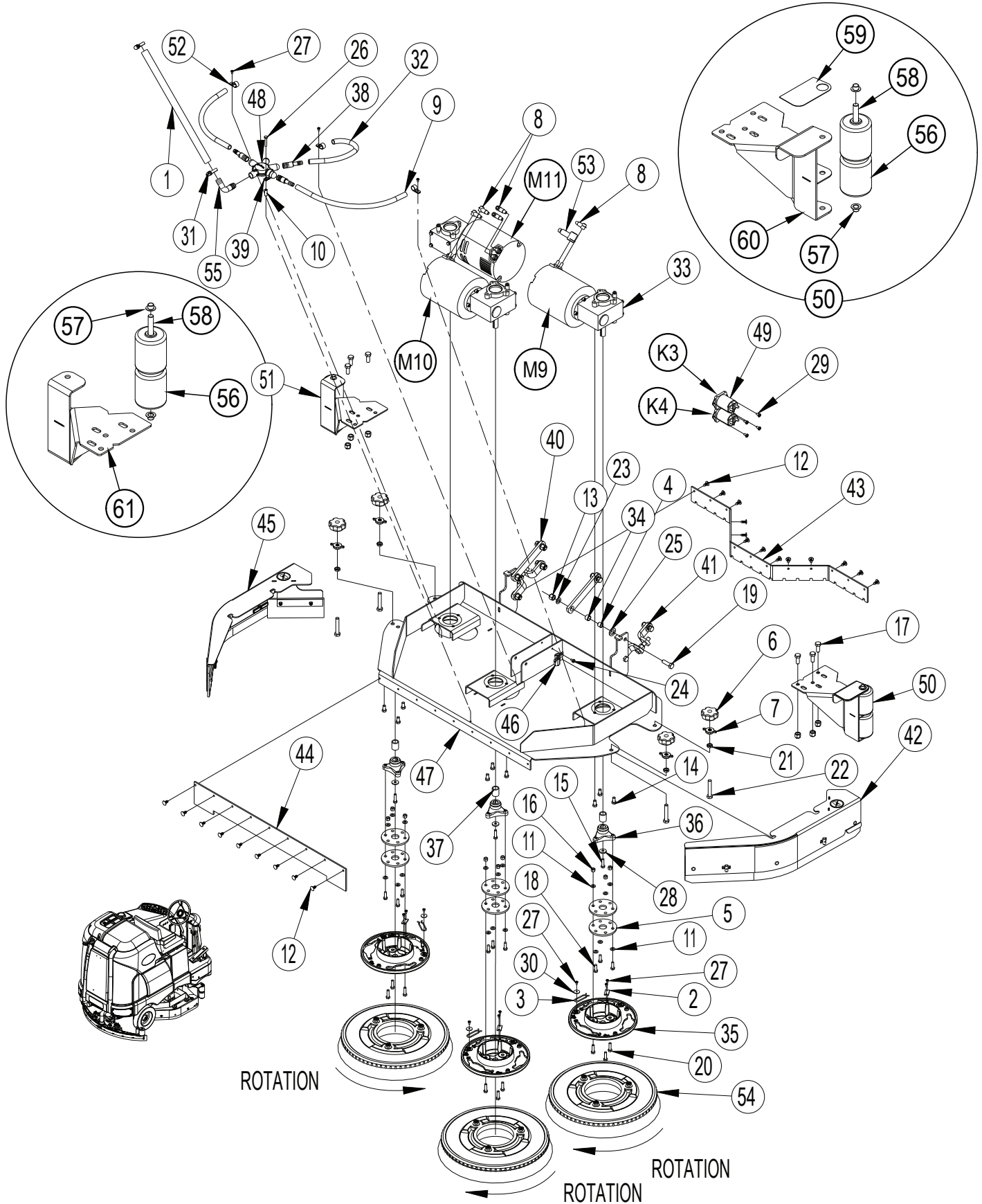
Condor™**25**

Item	Ref. No.	Qty	Description
1	56323560	1	Plug, Cap
2	56412262	1	Housing, Spring
3	56002256	2	Scr, Hex Type 1 3/8-16 X 1.00
4	56003222	2	Pin, Cotter Hair
5	56003597	1	Pin, Clevis .375 X 1.75
6	56003704	1	Pin, Clevis .38 X 3.00
7	56009019	2	Scr, Hex Thd Form 1/4-20 X .38
8	56009062	4	Scr, Pan Phil Thd Form 1/4-20 X .50
9	56413455	1	Mount Weldment
10	56413700	1	Actuator (M2)
11	56413794	1	40" Disk Scrub Assembly
	56413789	1	45" Disk Scrub Assembly
	56413791	1	48" Disk Scrub Assembly
12	56413828	1	Spring, Upper Housing
13	56413829	1	Spring, Lower Housing
14	56420019	1	Nut Retainer
15	56420020	1	Nut Retainer



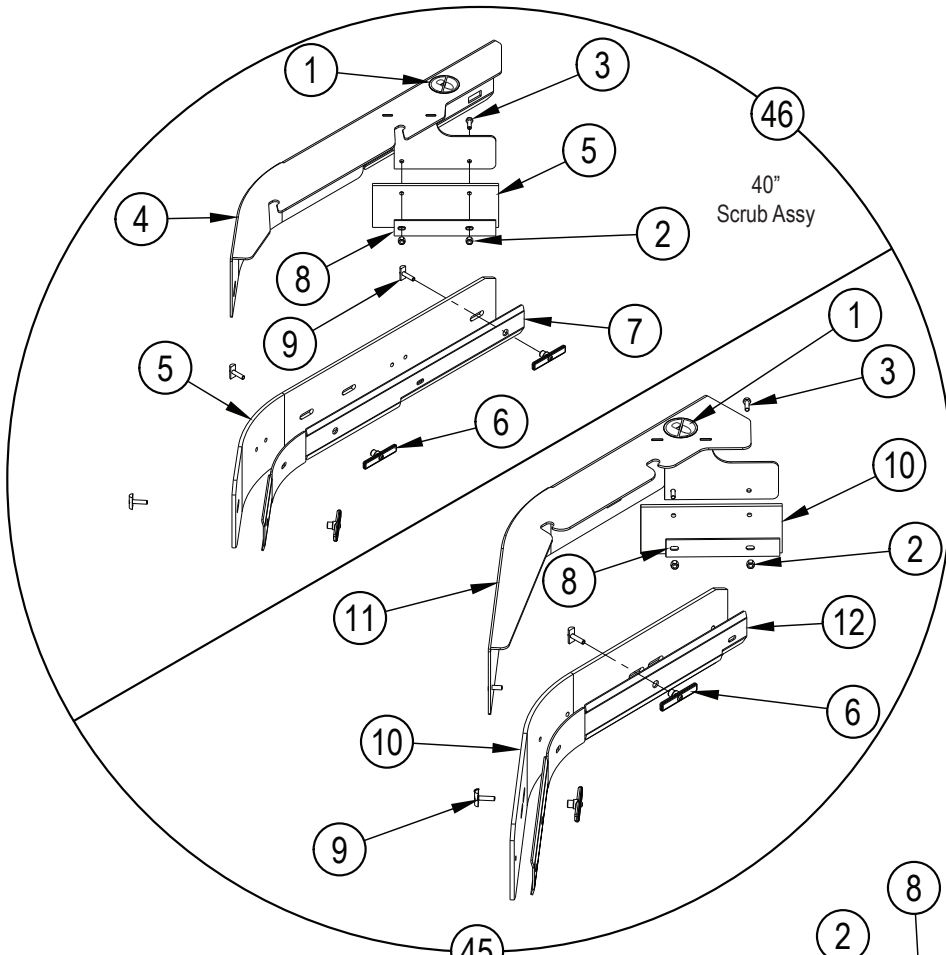
Item	Ref. No.	Qty	Description	Item	Ref. No.	Qty	Description
	56413794	1	40" Disk Scrub Assembly	31	56314030	2	Brush Holder
1	56264262	1	Hose	32	56314108	2	Hub, Drive
2	56366455	2	Plate, Stop	33	56314109	2	Spacer
3	56366463	2	Spring Retainer	34	56315625	2	Barb, Coupler 1/2 X 3/4
4	56367206	8	Bushing	35	56410223	1	Clamp, P
5	56383238	4	Brush Drive Disc	36	56413302	2	Arm Parallel 6 In
6	56380149	4	Knob TSBUS2010-1060	37	56413303	2	Arm, Adjustable Asm
7	56601578	4	Knob	38	56413318	1	Blade, Front
8	56409538	1	Insulator, Terminal	39	56413319	1	Blade, Rear
9	56471220	1	Bushing	40	56413966	1	Weldment-40 Disk
10	56002938	12	Wsh, Flt Sae Ss 5/16	41	56413336	1	Gearbox Assembly, 20» (M9)
11	56003263	16	Rivet, Nylon Tree Push-In (.25)	*	56410182	1	Bearing B.E. (for 56413336)
12	56003450	14	Nut Hx Nyl Loc SS M12-1.75	*	56410183	1	Bearing F.E. (for 56413336)
13	56002885	6	Scr, Hex SS 3/8-16 X .75	*	56412266	1	Brush Board Assy (for 56413336)
14	56003372	2	Scr, Hex Loc Ss 5/16-18 X 1.25	*	56407500	1	Brush Assy Kit (for 56413336)
15	56003405	6	Nut, Hex Nyl Loc Ss M8-1.25	*	56389395	1	Brush Spring Set (for 56413336)
16	56003905	3	Scr-Hex SS M12-1.75 X 30mm	*	56407196	1	Gearbox (for 56413336)
17	56003477	6	Scr, Hex Loc Ss M8-1 X 25mm	42	56413390	1	Resistor Assy, 1k Ohm (R2)
18	56003906	8	Scr-Hex SS M12-1.75 X 40mm	43	56413426	1	Manifold, Solution
19	56003639	6	Scr, Hex Ss M8-1.25 X 30mm	44	56413578	1	Right Guard Assy (#52-56)
20	56003657	4	Nut, Hex Jam Ss M12-1.75	45	56413307	1	Right Skirt Assembly
21	56003658	4	Scr, Hex Thd To Hd Ss M12-1.75 X 70mm	46	56413313	1	Left Skirt Assembly
22	56009017	8	Wsh, Flt Harden .516x.938 X.75	47	56442003	2	Clamp,P
23	56009019	1	Scr, Hex Thd Form 1/4-20 X .38	48	56459064	2	Hose, PVC Clear 21.00 In.
24	56009022	8	Wsh, Flt .754 X 1.250 X .120	49	56493357	1	Insulator, Terminal
25	56009028	1	Scr, Hex Thd Form 1/4-20 X 1.50	50	56505794	2	Brush Prolene 20
26	56009030	8	Scr, Pan Phil Thd Form 10-24 X .38	51	56900272	1	Barb, 3/4 90 Deg. Elbow
27	56009057	2	Wsh, Flt Harden .344x1.000x.120/.135	52	56407006	2	Wheel, Roller
28	56009096	2	Wsh, Flt .193 X .875 X .060	53	56009097	2	Nut, Push Cap 1/2
29	56112771	2	Clamp, Hose Sae #10	54	56413590	1	Pin
30	56304586	8	Bearing .750 X .625 X .500	55	56413721	1	Grip Surface
				56	56413968	1	Right Guard Weldt
				57	56413965	1	Roll Bar Weldt 40
				58	56003453	3	Scr Hex SS M12-1.75 X 35MM

* = Not Shown



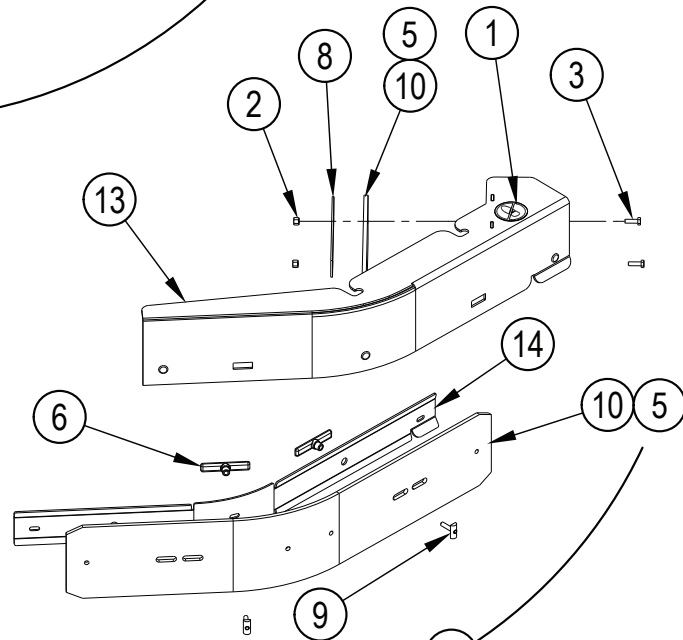
Item	Ref. No.	Qty	Description	Item	Ref. No.	Qty	Description
1	56264262	1	Hose	31	56112771	2	Clamp, Hose SAE #10
2	56366455	3	Plate, Stop	32	56380543	1	Hose PVC Clear 15.00 In.
3	56366463	3	Spring Retainer	33	56303083	3	Gearmotor (M9, M10, M11)
4	56367206	8	Bushing	*	56303444	4	Carbon Brush Assy (for 56303083)
5	56383238	6	Brush Drive Disc	*	56303419	4	Brush Spring (for 56303083)
6	56380149	4	Knob TSBUS2010-1060	34	56304586	8	Bearing .750 X .625 X .500
7	56601578	4	Knob	35	56314030	3	Brush Holder
8	56409538	5	Insulator, Terminal	36	56314108	3	Hub, Drive
9	56459064	2	Hose, PVC Clear 21.00 In	37	56314109	3	Spacer
10	56471220	1	Bushing	38	56315625	3	Barb, Coupler 1/2 X 3/4
11	56002938	18	Wsh, Flt SAE SS 5/16	39	56410223	1	Clamp, P
12	56003263	22	Rivet, Nylon Tree Push-In (.25)	40	56413302	2	Arm Parallel 6 In
13	56003450	14	Nut Hx Nyl Loc SS M12-1.75	41	56413303	2	Arm, Adjustable Assy
14	56002885	9	Scr, Hex SS 3/8-16 X .75	42	56413307	1	Right Skirt Assembly
15	56003372	3	Scr, Hex Loc SS 5/16-18 X 1.25	43	56413374	1	Blade Front
16	56003405	9	Nut, Hex Nyl Loc SS M8-1.25	44	56413379	1	Blade, Rear
17	56003905	6	Scr-Hex SS M12-1.75 X 30MM	45	56413381	1	Left Skirt Assembly
18	56003477	9	Scr, Hex Loc SS M8-1 X 25mm	46	56413392	1	Resistor Assy, 20k Ohm (R2)
19	56003906	8	Scr-Hex SS M12-1.75 X 40MM	47	56413979	1	Weldment-45 Disk Deck
20	56003639	9	Scr, Hex SS M8-1.25 X 30mm		56413995	1	Weldment-48 Disk Deck
21	56003657	4	Nut, Hex Jam SS M12-1.75	48	56413426	1	Manifold, Solution
22	56003658	4	Scr, Hex Thd To Hd SS M12-1.75 X 70mm	49	56413516	2	Contact, 36vdc 200A (K3, K4) TSBUS2008-1020
23	56009017	8	Wsh, Flt Harden .516x.938 X.75	50	56413578	1	Right Guard Assy (#56-60)
24	56009019	1	Scr, Hex Thd Form 1/4-20 X .38	51	56413584	1	Left Guard Assy (#56-58 & 61)
25	56009022	8	Wsh, Flt .754 X 1.250 X .120	52	56442003	3	Clamp,P
26	56009028	1	Scr, Hex Thd Form 1/4-20 X 1.50	53	56493357	1	Insulator, Terminal
27	56009030	12	Scr, Pan Phil Thd Form 10-24 X .38	54	56505834	3	Brush, Prolene 16 (45")
28	56009057	3	Wsh, Flt Harden .344x1.000x.120/.135		56505784	3	Brush Prolene 17 (48")
29	56009062	4	Scr, Pan Phil Thd Form 1/4-20 X .50	55	56900272	1	Barb, 3/4 90 Deg. Elbow
30	56009096	3	Wsh, Flt .193 X .875 X .060	56	56407006	2	Wheel, Roller (qty per assy)
				57	56009097	2	Nut, Push Cap 1/2 (qty per assy)
				58	56413590	1	Pin (qty per assy)
				59	56413721	1	Grip Surface
				60	56413968	1	Right Guard Weldt
				61	56413967	1	Left Guard Weldt

* = Not Shown



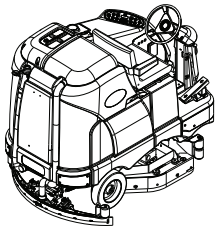
40" Scrub Assy

45" / 48" Scrub Assy



45" / 48" Scrub Assy

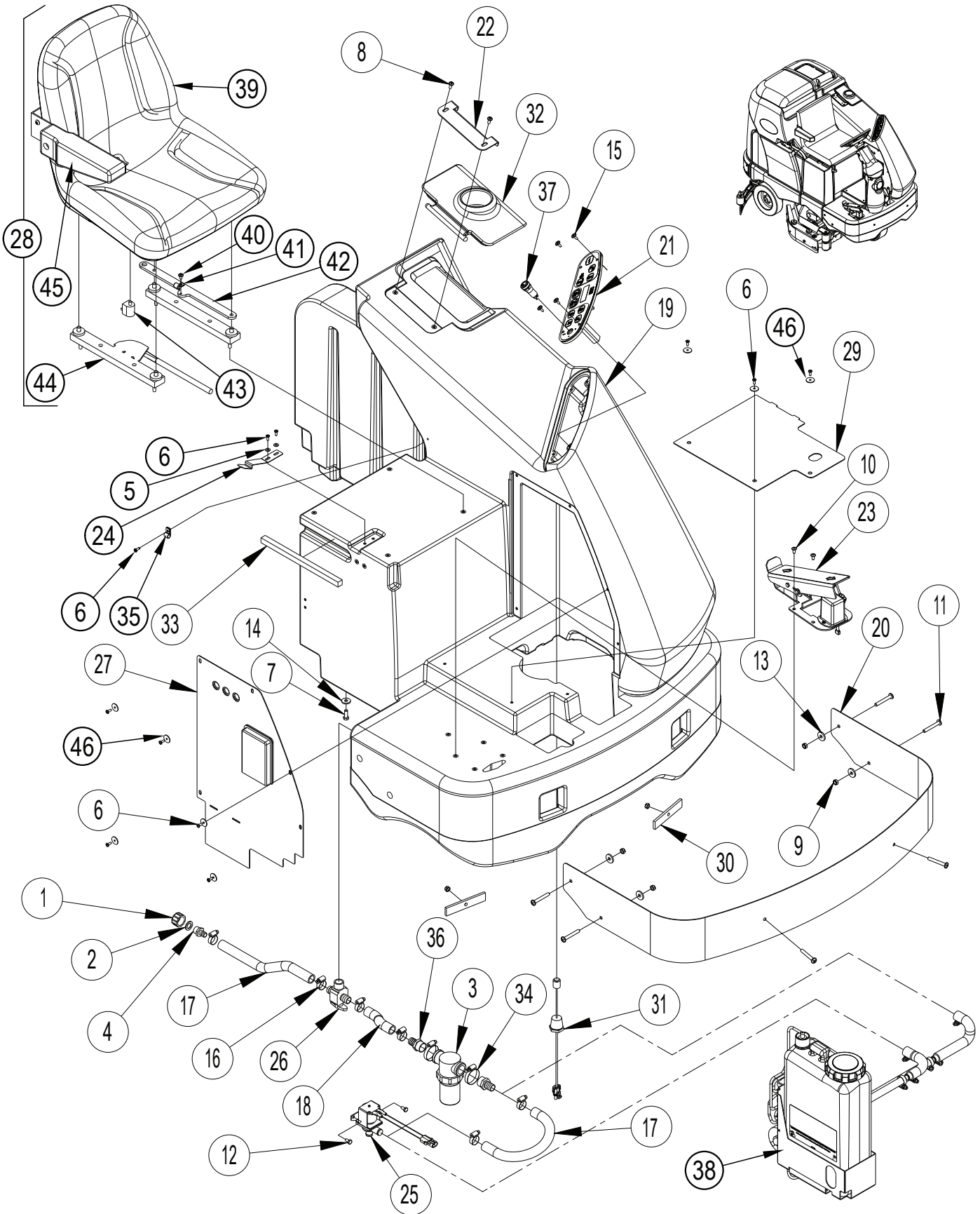
40" Scrub Assy



Item	Ref. No.	Qty	Description
45	56413307	1	Right Skirt Assembly (40")
46	56413313	1	Left Skirt Assembly (40")
42	56413307	1	Right Skirt Assembly (45" & 48")
45	56413381	1	Left Skirt Assembly (45" & 48")
1	56016163	1	Decal, No Step (qty per skirt assy)
2	56003426	2	Nut, Hex Nyl loc SS M6-1.00 (qty per skirt assy)
3	56003454	2	Scr, Hex Thd to Hd SS M6-1.00 x 20mm (qty per skirt assy)
4	56413980	1	Skirt Weldt-Left 40D (40")
5	56413768	1	Kit, Linatex 40 Disk Blade NOTE 1
**	56413767	1	Kit, Gum Rubber 40 Disk Blade NOTE 1
**	56413754	1	Kit, Polyurethane 40 Disk Blade NOTE 1
6	56413717	3	Thumb Nut (40" / qty per skirt assy)
	56413717	2	Thumb Nut (45" & 48" / qty per skirt assy)
7	56413981	1	Strap-Left 40D (40")
8	56413991	1	Strap (qty per skirt assy)
9	56413850	3	Skirt Retainer Assy (40" / qty per skirt assy)
	56413850	2	Skirt Retainer Assy (45" & 48" / qty per skirt assy)
10	56413770	1	Kit, Linatex (45" & 48") Disk Blade NOTE 1
**	56413769	1	Kit, Gum Rubber (45" & 48") Disk Blade NOTE 1
**	56413755	1	Kit, Polyurethane (45" & 48") Disk Blade NOTE 1
11	56413982	1	Skirt Weldt-Left 45D-48D (45" & 48")
12	56413983	1	Strap-Left 45D-48D (45" & 48")
13	56413984	1	Skirt Weldt-Right Disk (40", 45" & 48")
14	56413985	1	Strap-Right 40D-45D-48D (40", 45" & 48")

** = Optional, Not Included

NOTE 1: All scrub deck blade kits include enough blades to replace all blades on both skirt assemblies.



Item	Ref. No.	Qty	Description
1	56255076	1	Cap, Pipe Ght Nylon
2	56368776	1	Washer, Rubber
3	56407162	1	Filter
4	56900273	1	Barb
5	56001954	2	Wsh, Flt SAE #10
6	56001993	11	Scr, Pan Phil 10-24 X .50
7	56002037	4	Scr, Hex 5/16-18 X .88
8	56002066	2	Scr, Pan Phil 1/4-20 X .62
9	56002826	6	Nut, Hex Nyl Loc-Thin 5/16-18
10	56003119	5	Scr, Pan Phil SS 1/4-20 X .50
11	56003718	6	Scr, Pan Phil 5/16-18 X 2.25
12	56009033	2	Scr, Hex Thd Form 1/4-20 X .50
13	56009057	4	Wsh, Flt Harden .344x1.000x.120/.135
14	56009294	4	Wsh, Flt .354 X 1.247 X .125
15	56009206	4	Scr, Truss Phil-Blk 10-24x.50
16	56112771	6	Clamp, Hose SAE #10 (qty of 4 on AXP™ & EcoFlex models)
17	56392193	2	Hose, .75 X 14.00 (qty of 1 on EcoFlex models)
18	56413876	1	Hose .75 X 5.50
19	56413081	1	Tank, Solution
20	56413975	1	Bumper-Front
21	56413157	1	Touch Pad Assy (A3) NOTE 3
	56381083	1	Touch Pad Assy (A3) NOTE 4
[]	56383138	1	Panel Assembly (for 56381083) NOTE 4
22	56413976	1	Mount-Lid
23	56413421	1	Pedal Assy TSBUS2008-1001
24	56413482	1	Clip
25	56413510	1	Solenoid Valve Assy
26	56413581	1	Valve, T Shutoff
27	56413594	1	Panel, Elect. Cover Asm
28	56413619	1	Seat Mounting Assembly (39-45) NOTE 1
*	56003032	1	Scr, Hex Hd loc 1/2-13 x .75 NOTE 2
*	56003119	4	Scr, Pan Phil SS 1/4-20 x .50 NOTE 2
*	56109291	1	Seat Assy NOTE 1
*	56409613	1	Switch, Seat (S2) NOTE 2
*	56409536	1	Strap NOTE 2
*	56323260	1	Clamp, Hose Support NOTE 2
*	56002507	1	Scr, Pan Phil 1/4-20 x .75 NOTE 2
29	56413977	1	Floor Plate
30	56413653	2	Mount Plate, Bumper
31	56413669	1	Switch, Liquid Level (S5)
32	56413683	1	Solution Lid Assembly
*	56413682	1	Solution Lid Gasket
33	56413811	1	Gasket, .62 X .62 X 11.50"
34	56413839	2	Clamp, Hose SAE #20
35	56342319	1	Clamp, P
36	56900292	2	Barb, Adapter 3/4 X 3/4npt
37	1450372000	1	Key Switch (S1)
*	1462887000	1	Key, Replacement
38	56413862	1	Chemical Metering Assy NOTE 3
	56381105	1	Chemical Metering Assy NOTE 4
39	7-69-00008	1	Seat
40	56003603	1	Scr, Pan Phil Thd Form 1/4-20 x .38
41	56323260	1	Clamp, Hose Support
42	56109274	1	Strap
43	7-82-00050	1	Switch
44	56109300	1	Slide, Seat
45	7-03-04250	1	Arm Rest Option
46	56009096	8	Wsh, Flt .193 x .875 x .060

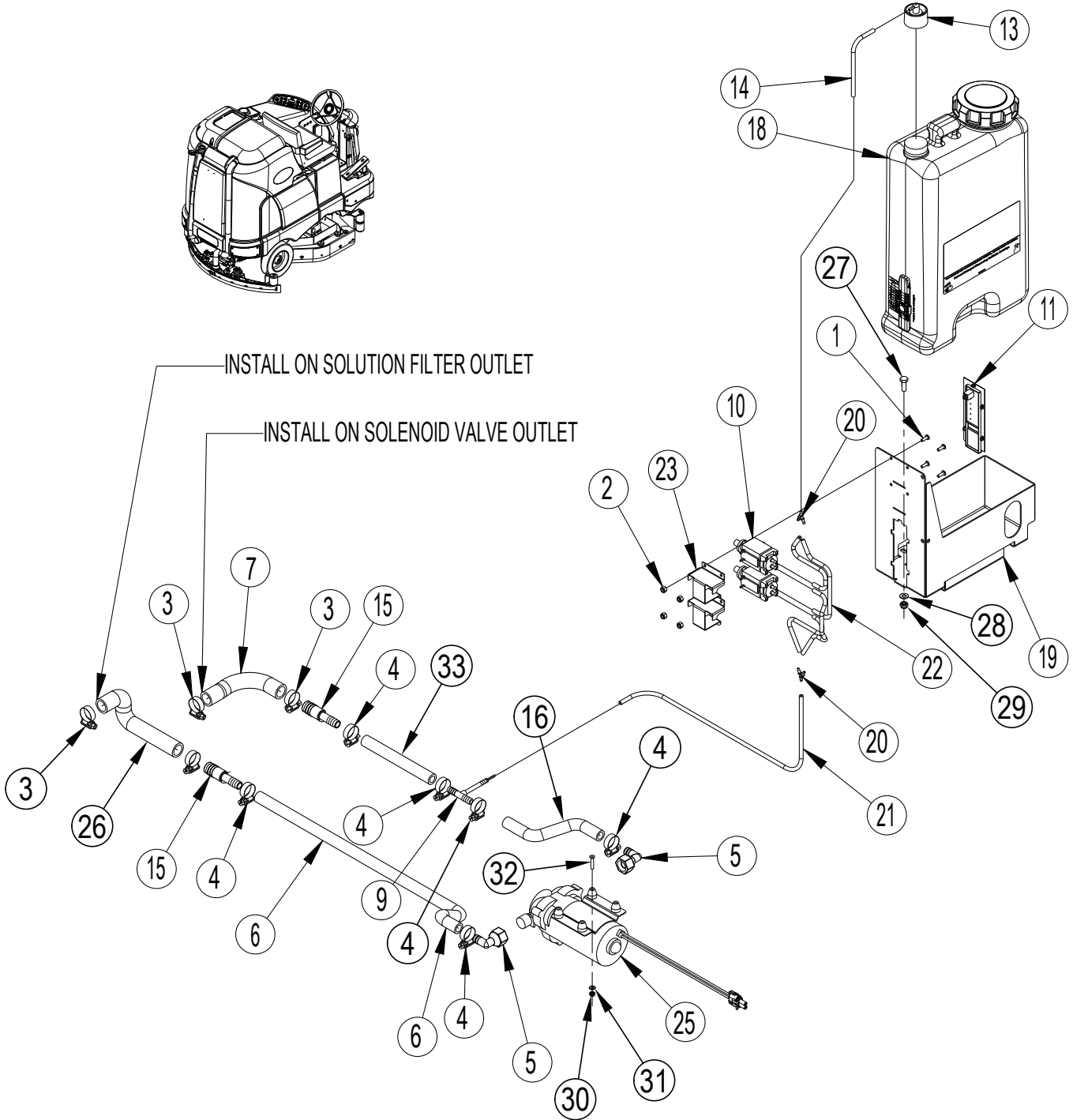
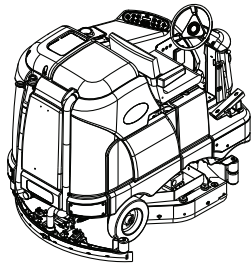
* = Not Shown

NOTE 1: Starting in August 2007 Seat Assy 56409021 will no longer be available. If you order part number 56409021 you will automatically receive Seat Assy Kit 56109291. When replacing 56409021 with 56109291 you will also need to order items (40, 41 & 42) above. Machines built after August 2007 will have the new seat assembly as pictured on the left.

NOTE 2: These items are replacement parts for machines built prior to August 2007. If your seat assembly looks like the one pictured on the left these parts are not used on your machine.

NOTE 3: Only used before SN1000038925

NOTE 4: Only used after SN1000038924.

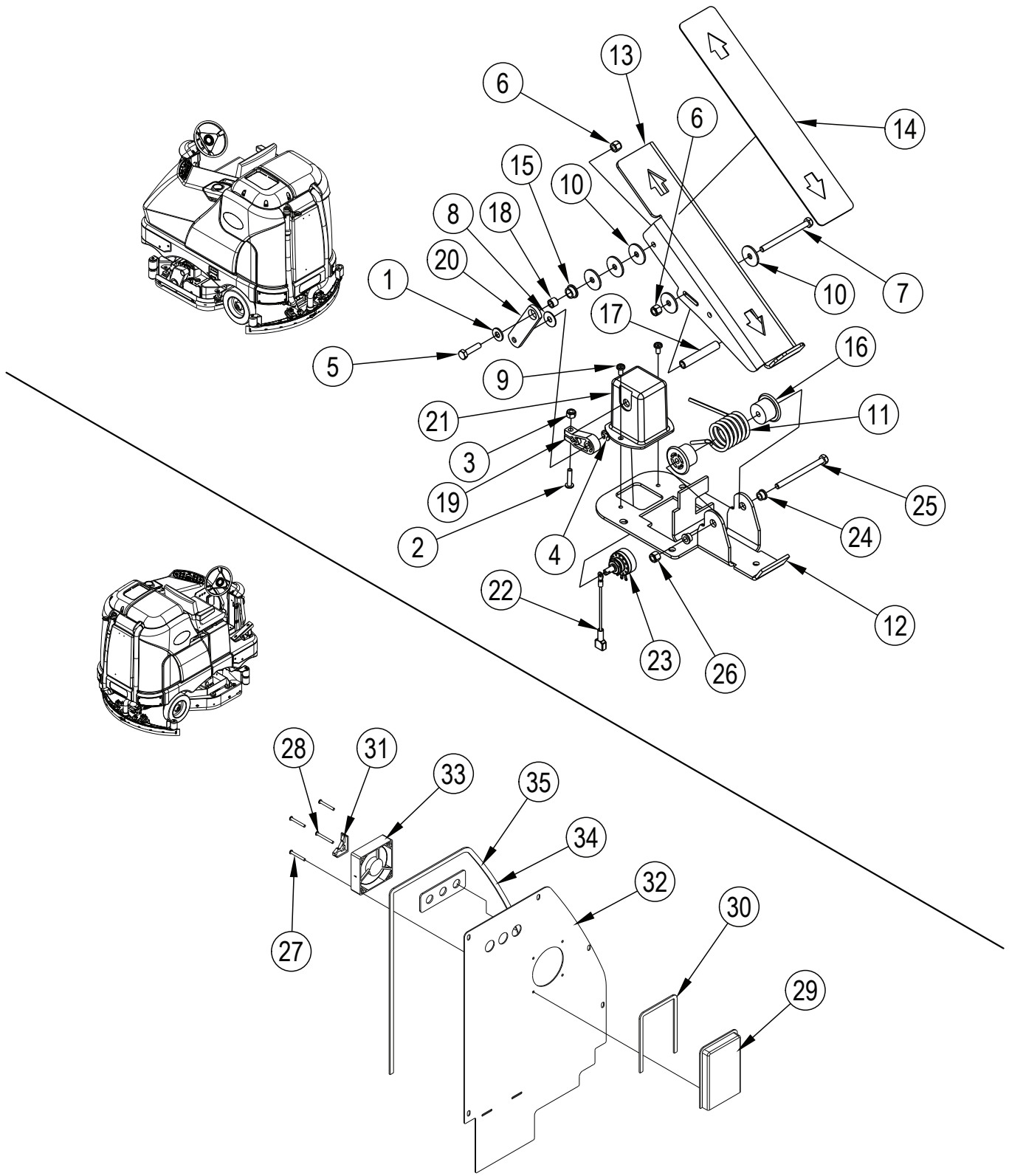


Item	Ref. No.	Qty	Description
	56413862	1	Chemical Metering Assy NOTE 3
	56381105	1	Chemical Metering Assy NOTE 4
1	56002003	4	Scr, Pan Phil 8-32 X .50
2	56002808	4	Nut, Hex Nyl Loc 8-32
3	56112771	4	Clamp, Hose SAE #10
4	56219932	6	Clamp, Hose SAE #6
5	56261246	2	Elbow
6	56412275	1	Hose, Spiral .50
7	56305762	1	Hose, Spiral .750
9	56314983	1	Tee Assembly
10	56314984	2	Pump-Detergent (M13 / M16)
11	56315340	1	Chemical Sensor Assy (A4) NOTE 3
13	56315523	1	Cap, Dry Break, 1/8 Barb, 90
14	56315524	1	Hose, Chemical Resistant, 7.00
15	56315625	2	Barb, Coupler 1/2 X 3/4
16	56262180	1	Hose, Spiral .50
18	56413999	1	Bottle, Chemical Assy-EDS NOTE 3
	56111855	1	Bottle, Chemical Assy-EcoFlex NOTE 4
19	56413330	1	Plate, Mount, Chemical Meter
20	56413691	2	Fitting, Y, Barb
21	56413692	1	Hose, Chemical Resistant, 21.00
22	56413693	4	Hose, Chemical Resistant, 5.00
23	56413775	2	Bracket, Pump Mount
25	56413810	1	Pump-Solution Control (M12) TSBUS2008-988
26	56481452	1	Hose, Spiral .750
27	56002507	3	Scr, Pan Phil 1/4-20 x .75
28	56002098	3	Wsh, Flt SAE 1/4
29	56002708	3	Nut, Nyl Loc 1/4-20
30	56002768	4	Nut, Nyl Loc 10-24
31	56001954	4	Wsh, Flt SAE #10
32	56002136	4	Scr, Flat Phil 10-24 x 1.25
33	56412276	1	Hose, Spiral .50
*	56478246	2	Tie-Cable

* = Not Shown

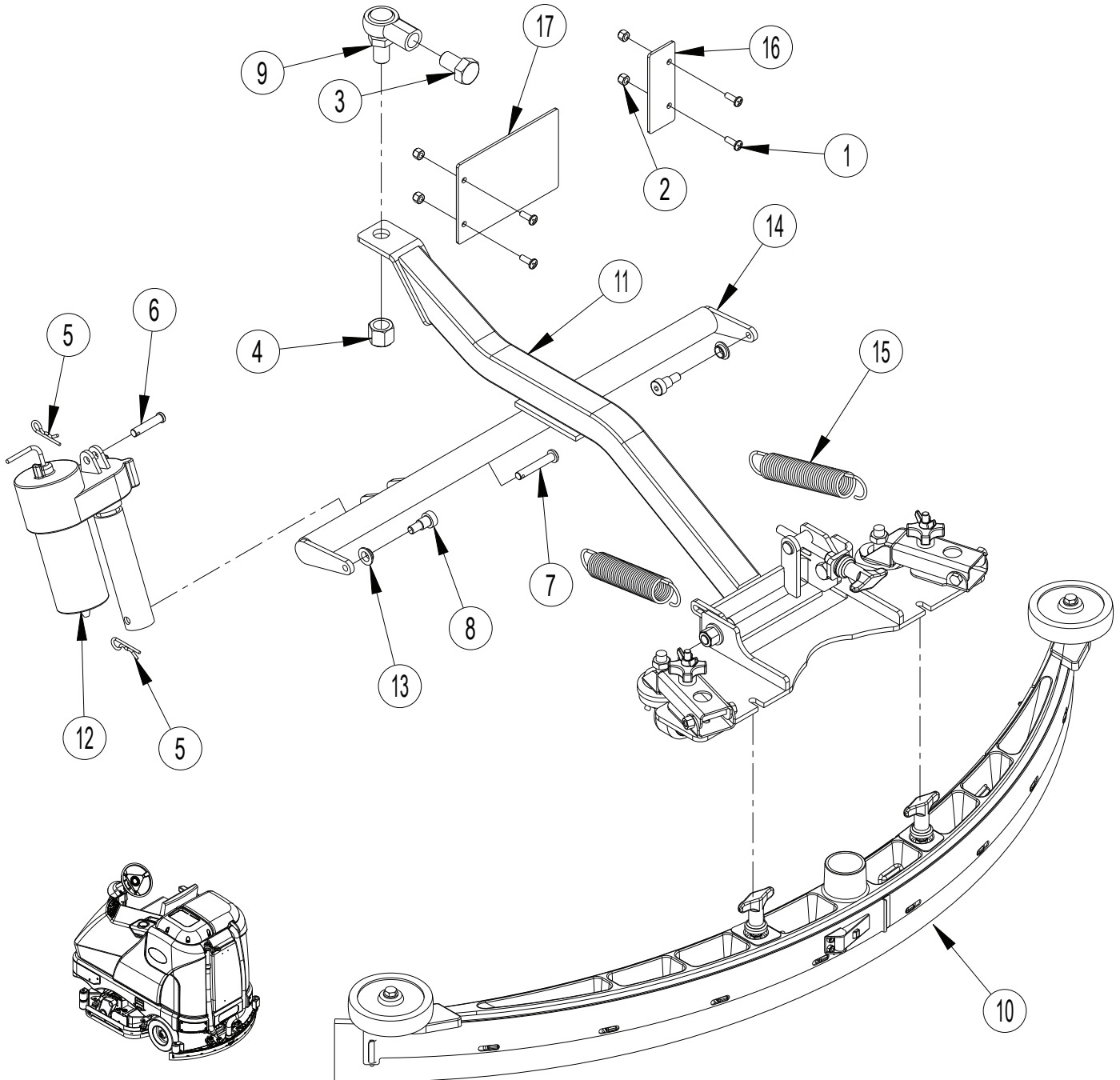
NOTE 3: Only used before SN1000038925

NOTE 4: Only used after SN1000038924.



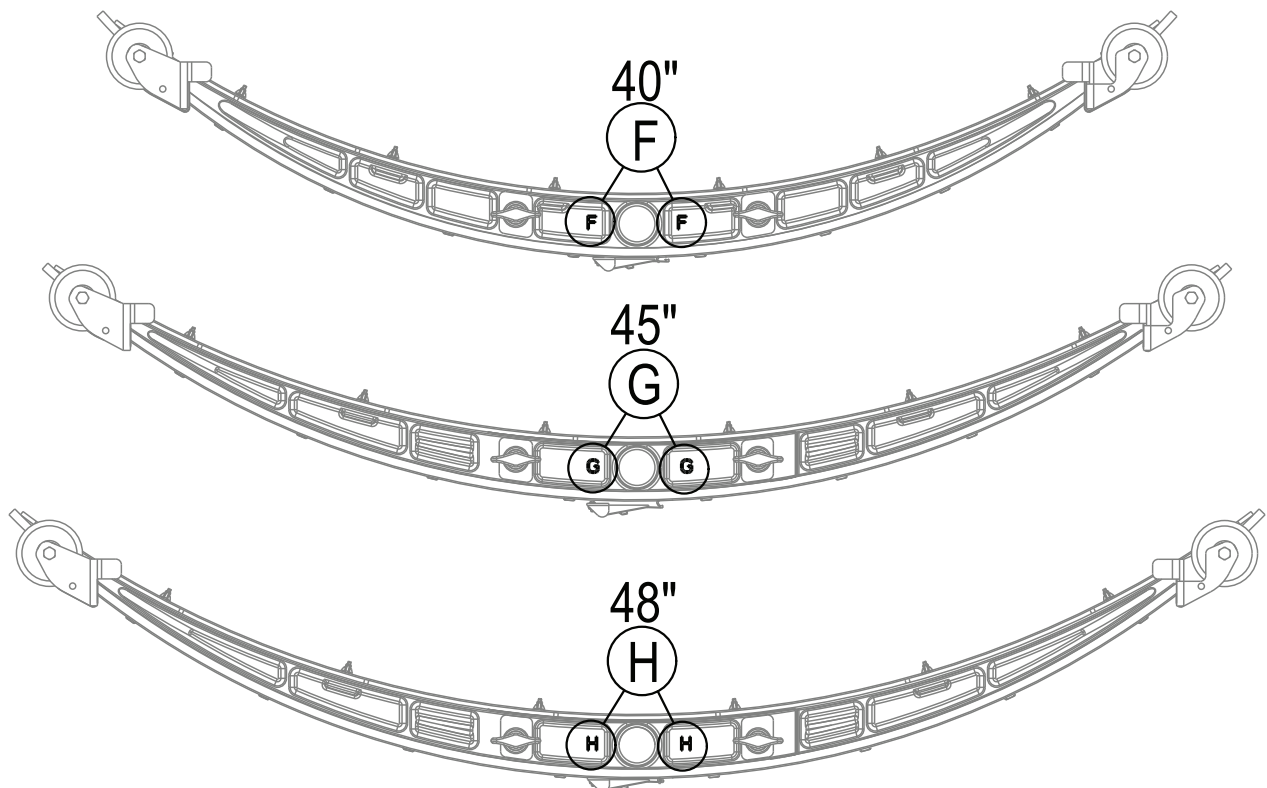
Item	Ref. No.	Qty	Description
	56413421	1	Pedal Assy (#1-26) TSBUS2008-1001
	56413594	1	Panel, Elect. Cover Assy (#27-35)
1	56002098	1	Wsh, Flt Sae 1/4
2	56002733	1	Scr, Pan Phil 10-24 X .88
3	56002768	1	Nut, Hex Nyl Loc 10-24
4	56003268	1	Ring, Ret Ext Type E Reinf. 0.25 Dia
5	56003358	1	Scr, Hex M6-1 X 25mm
6	56003403	2	Nut, Hex Nyl Loc M6-1
7	56003428	1	Scr, Hex M6-1 X 75mm
8	56009025	1	Wsh, Flt .266 X .750 X .036
9	56009030	2	Scr, Pan Phil Thd Form 10-24 X .38
10	56009060	5	Wsh, Flt Ss .260 X 1.000 X .074
11	56314037	1	Spring, Torsion
12	NA	1	Bracket, Foot Pedal NOTE 1
13	NA	1	Foot Pedal NOTE 1
14	56314176	1	Mat, Pedal
15	56324505	1	Bearing, Flange
16	56380438	2	Spacer, Spring
17	56380439	1	Bushing
18	56380440	1	Bushing, M6 X .375 X .295
19	56409471	1	Lever, Throttle
20	56409610	1	Link Weldment
21	56412094	1	Housing, Potentiometer
22	56412331	1	Wire Assy.
23	56454740	1	Potentiometer, 5k (R1)
24	56756318	2	Bearing, Flange
25	56002603	1	Scr-Hex 1/4-20 x 3.00
26	56002708	1	Nut-Hex Nyl Loc 1/4-20
27	56003199	3	Scr, Pan Phil Plastite 8-16 X 1.50
28	56003635	1	Scr, Pan Phil Plastite 8-16 X 1.75
29	56314590	1	Cover, Fan
30	56314594	1	Gasket
31	56314595	1	Board Holder
32	56413986	1	Cover-Electrical
33	56413597	1	Fan Assy (M14)
34	56413625	1	Gasket, Panel
35	56413626	1	Gasket, Circuit Breaker

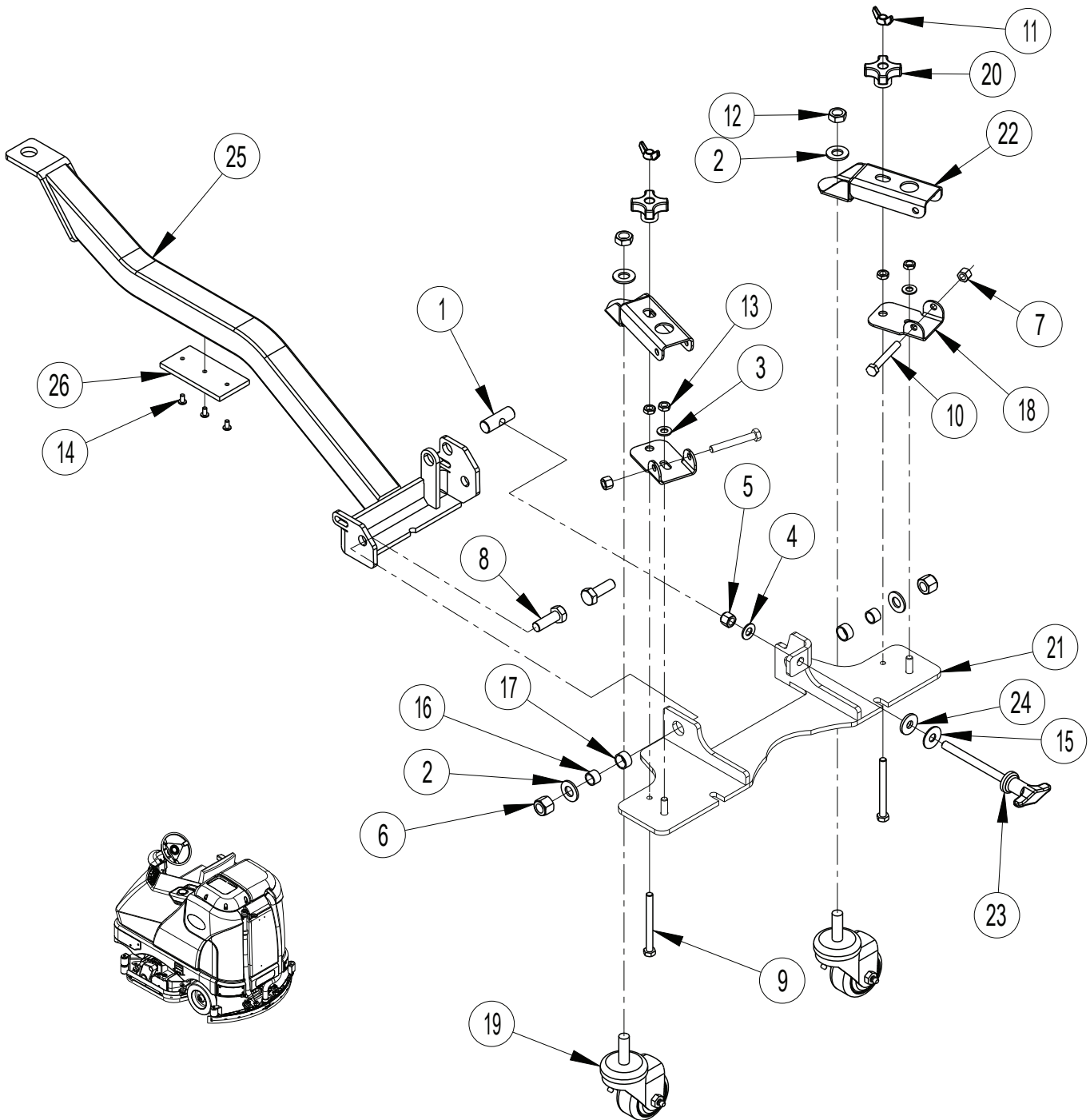
NOTE 1: If you need to replace either of these items please order Pedal Assembly 56413421.



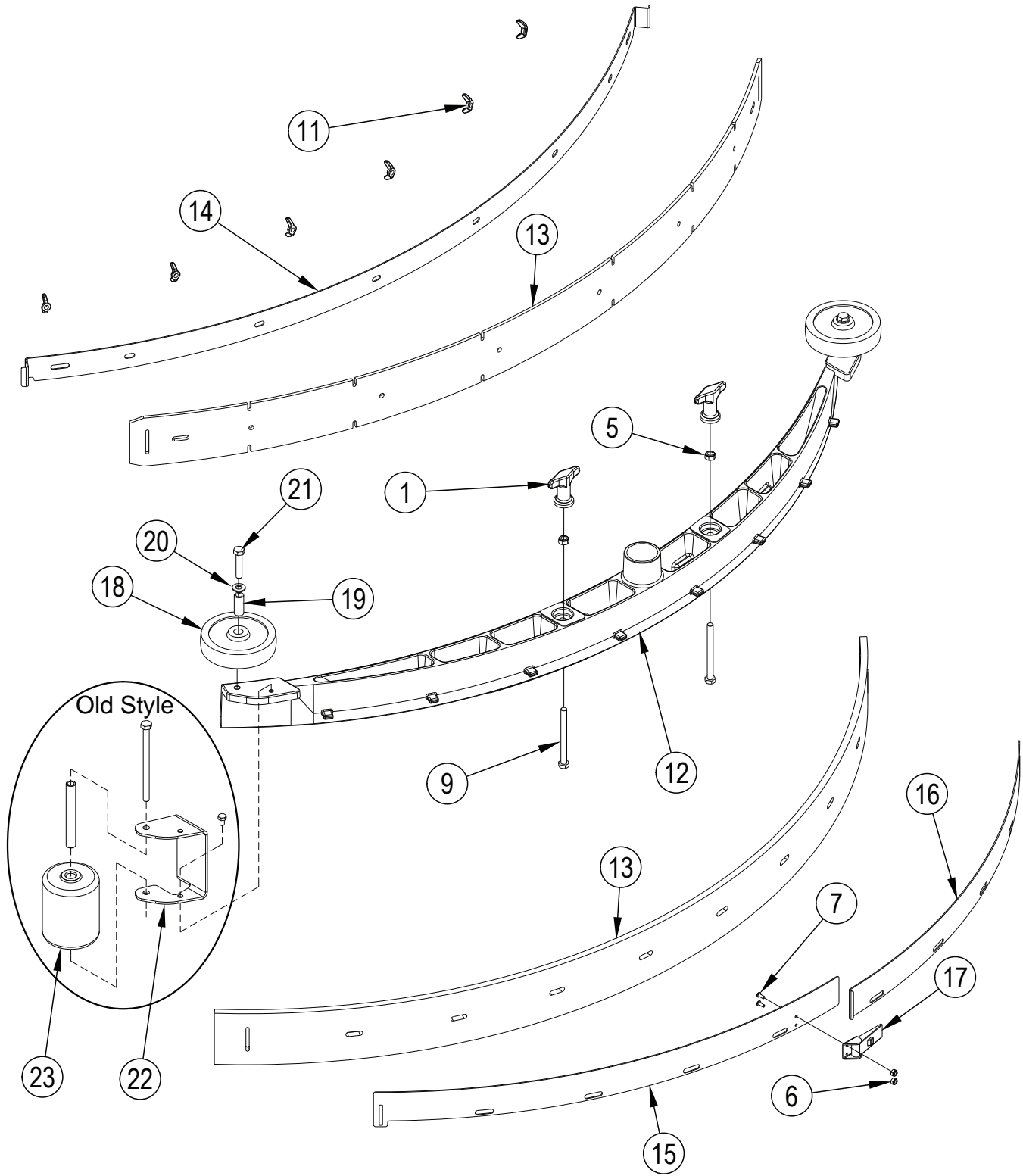
Item	Ref. No.	Qty	Description
1	56002957	4	Scr Pan Phil SS 1/4-20 X .75
2	56002491	4	Nut Hex Nyl Loc SS 1/4-20
3	56002739	1	Scr, Hex 3/4-16 X 1.25 Grade 8
4	56002863	1	Nut, Hex Nyl Loc 3/4-16
5	56003222	2	Pin, Cotter Hair
6	56003597	1	Pin, Clevis .375 X 1.75
7	56003656	1	Pin, Clevis .375 X 2.25
8	56003912	2	Scr-Soc Shd SS .50X.50X3/8-16
9	56380431	1	Ball Joint TSBUS2008-987
10	56413038	1	Squeegee Assembly F (40")
	56413478	1	Squeegee Assembly G (45")
	56413641	1	Squeegee Assembly H (48")
11	56383111	1	Squeegee Arm Assembly
12	56413111	1	Actuator 36v (M3)
13	56413211	2	Bearing, Flange .625 X .500 X .250
14	56413994	1	Squeegee Lift Arm Weldment
15	56412216	2	Spring, Extension
16	56413776	1	Stop Plate, Small (40")
17	56413778	1	Stop Plate, Large (40")
*	56413777	2	Stop Plate, Medium (45" & 48")

* = Not Shown





Item	Ref. No.	Qty	Description
	56383111	1	Squeegee Arm Assembly
1	56324369	1	Pin
2	56002918	4	Wsh-Fit SAE SS 1/2
3	56002938	2	Wsh-Fit SAE SS 5/16
4	56002910	1	Wsh-Fit SAE SS 3/8
5	56002769	1	Nut, Hex Nyl Loc 3/8-16
6	56003450	2	Nut-Hex Nyl Loc SS M12-1.75
7	56003405	2	Nut, Hex Nyl Loc Ss M8-1.25
8	56003453	2	Scr-Hex SS M12-1.75 X 35mm
9	56003463	2	Scr, Hex Thd To Hd SS 5/16-18 X 3.25
10	56003464	2	Scr, Hex SS M8-1.25 X 60mm
11	56003465	2	Nut, Wing SS 5/16-18
12	56009016	2	Nut, Hex Jam 1/2-13
13	56009086	4	Nut, Hex Jam 5/16-18
14	56003913	3	Scr-Pan Phil Loc SS 10-24 X .38
15	56151068	1	Washer, Fibre
16	56360627	2	Bushing
17	56370878	2	Bearing, Sleeve
18	56111936	2	Bracket
19	56407344	2	Caster Wheel
20	56407510	2	Knob, 5/16-18 Nyl Loc
21	56413972	1	Squeegee Mount Weldt
22	56413974	2	Bracket
23	56413576	1	Knob
24	56413599	1	Washer, Rubber
25	56413973	1	Squeegee Arm Weldment
26	56413742	1	Pad, Wear, Squeegee Arm

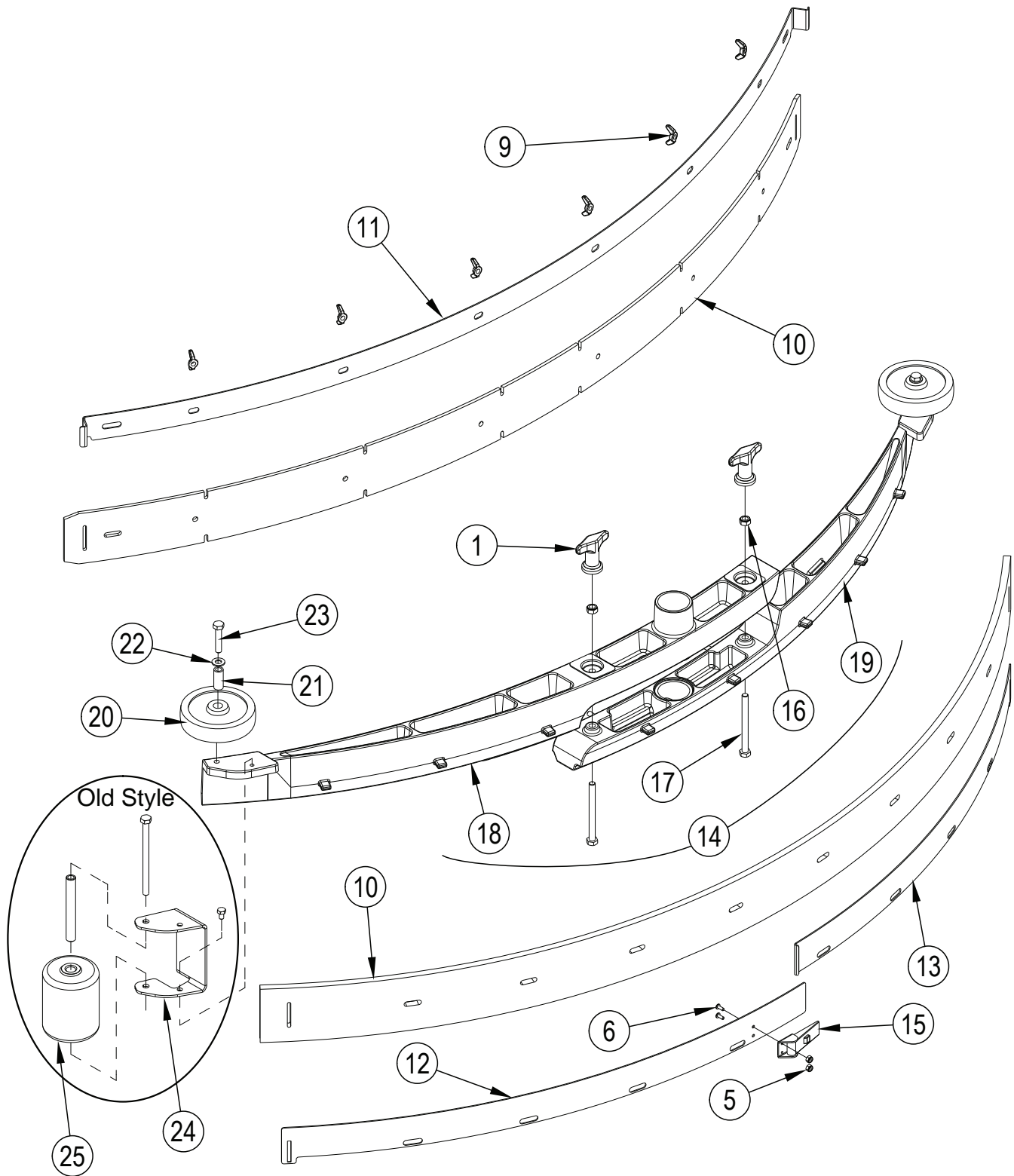


Item	Ref. No.	Qty	Description
	56413038	1	Squeegee Assembly F (40")
1	56370711	2	Nut, Thumb
5	56002851	2	Nut, Hex Nyl Loc-Thin Ss 5/16-18
6	56002907	2	Nut, Hex Nyl Loc SS 6-32
7	56002909	2	Scr, Pan Phil SS 6-32 X .38
9	56003481	2	Scr, Hex Thd To Hd Ss 5/16-18 X 3.50
11	56009111	6	Nut, Wing SS 1/4-20
12	56413037	1	Squeegee, Cast F
13	56413762	1	Kit, Linatex Squeegee Blade F NOTE 1
**	56413761	1	Kit, Gum Rubber Squeegee Blade F NOTE 1
**	56413745	1	Kit, Polyurethane Squeegee Blade F NOTE 1
14	56109614	1	Strap, Front "F"
15	56109615	1	Strap, Rear F
16	56413329	1	Strap, Rear F
17	56471194	1	Latch Assembly
18	56111639	2	Wheel
19	56109581	2	Bushing
20	56001939	2	Wsh-Flt SAE 5/16
21	56003437	2	Scr-Hex SS M8-1.25 x 40mm
22	56407375	2	Bracket NOTE 2
23	56407006	2	Wheel, Roller NOTE 2

** = Optional, Not Included

NOTE 1: All squeegee blade kits include both front and rear squeegee blades.

NOTE 2: Items 22-23 are no longer used. To replace them order a quantity of 2 each of items 18, 19, 20 & 21.

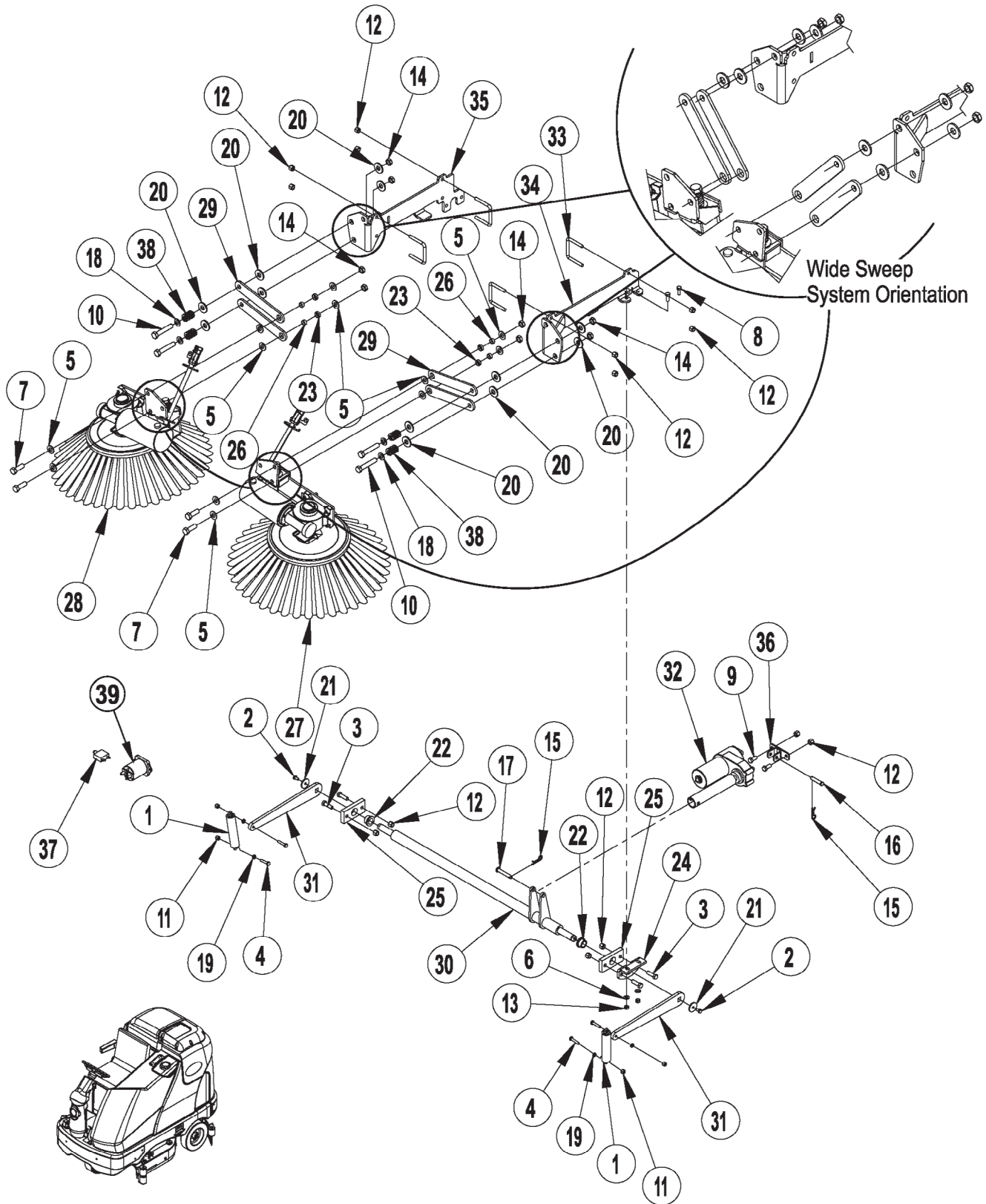


Item	Ref. No.	Qty	Description
	56413478	1	Squeegee Assembly G (45")
	56413641	1	Squeegee Assembly H (48")
1	56370711	2	Nut, Thumb
5	56002907	2	Nut, Hex Nyl Loc SS 6-32
6	56002909	2	Scr, Pan Phil SS 6-32 X .38
9	56009111	6	Nut, Wing SS 1/4-20
10	56413757	1	Kit, Linatex Squeegee Blade G (45") NOTE 1
	56413766	1	Kit, Linatex Squeegee Blade H (48") NOTE 1
**	56413756	1	Kit, Gum Rubber Squeegee Blade G (45") NOTE 1
**	56413765	1	Kit, Gum Rubber Squeegee Blade H (48") NOTE 1
**	56413746	1	Kit, Polyurethane Squeegee Blade G (45") NOTE 1
**	56413747	1	Kit, Polyurethane Squeegee Blade H (48") NOTE 1
11	56109617	1	Strap, Front G (45")
	56109620	1	Strap, Front H (48")
12	56109618	1	Strap, Left Rear G (45")
	56109621	1	Strap, Left Rear H (48")
13	56413521	1	Strap, Right Rear G (45")
	56109677	1	Strap, Right Rear H (48")
14	56413680	1	Squeegee Cast Assy G (45") (#16-19)
	56413679	1	Squeegee Cast Assy H (48") (#16-19)
15	56471194	1	Latch Assembly
16	56002851	2	Nut, Hex Nyl Loc-Thin SS 5/16-18
17	56003481	2	Scr, Hex Thd to Hd SS 5/16-18 x 3.50
18	56413499	1	Squeegee, Cast G Top (45")
	56413645	1	Squeegee, Cast H Top (48")
19	56413515	1	Squeegee, Cast G Bottom (45")
	56413644	1	Squeegee, Cast H Bottom (48")
20	56111639	2	Wheel
21	56109581	2	Bushing
22	56001939	2	Wsh-Flt SAE 5/16
23	56003437	2	Scr-Hex SS M8-1.25 x 40mm
24	56407375	2	Bracket NOTE 2
25	56407006	2	Wheel, Roller NOTE 2

** = Optional, Not Included

NOTE 1: All squeegee blade kits include both front and rear squeegee blades.

NOTE 2: Items 24-25 are no longer used. To replace them order a quantity of 2 each of items 20, 21, 22 & 23.



05-11

SWEEP SYSTEM

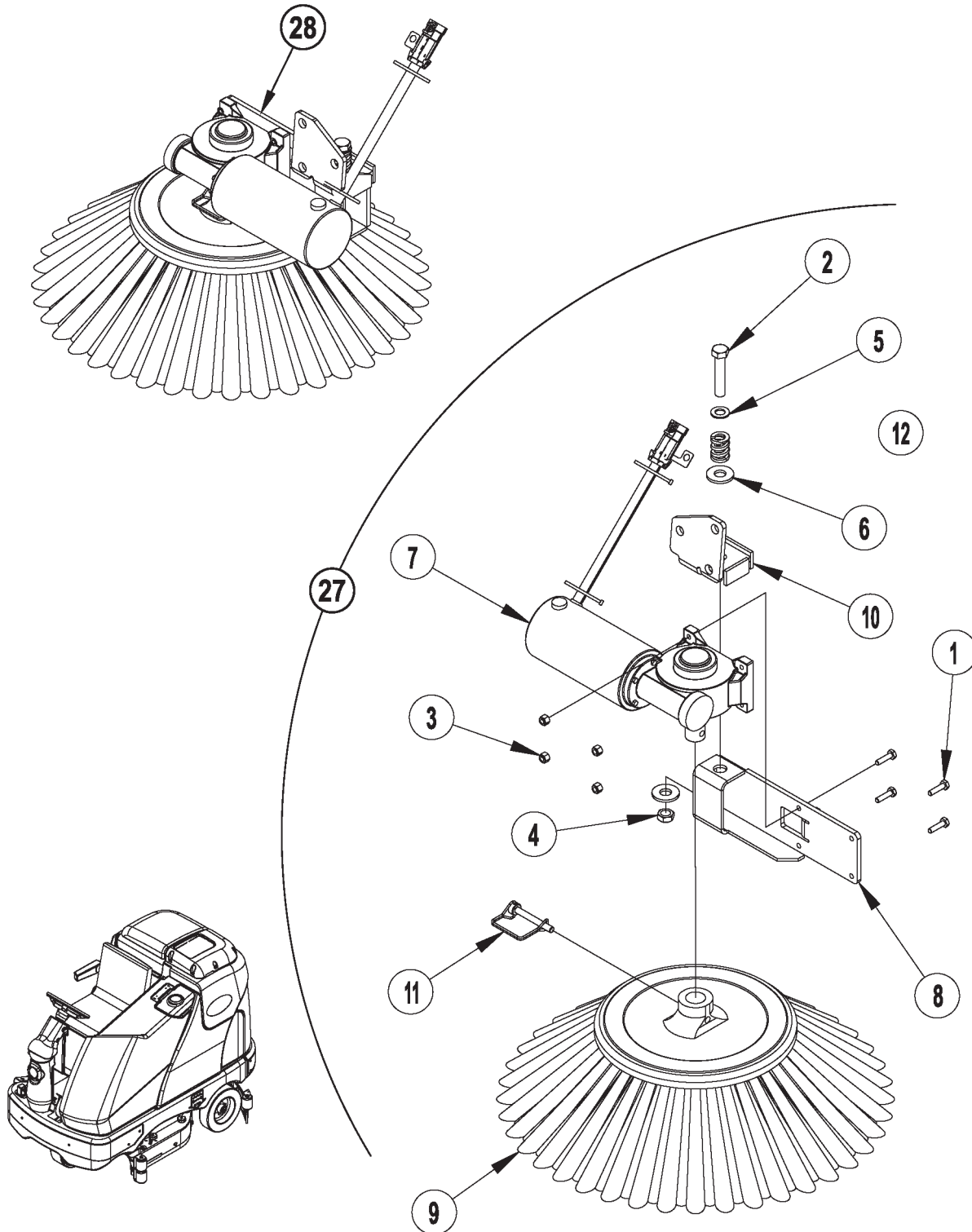
08-11

Condor™**47**

Item	Ref. No.	Qty	Description
1	56407335	2	Chain Assembly
2	56001854	2	Scr, Hex 1/4-20 X .50
3	56001858	4	Scr, Hex 3/8-16 X 1.25
4	56001878	4	Scr, Hex 1/4-20 X 1.25
5	56001879	12	Wsh, Flt SAE 1/2
6	56001939	2	Wsh, Flt SAE 5/16
7	56001968	4	Scr, Hex 1/2-13 X 1.50
8	56002037	2	Scr, Hex 5/16-18 X .88
9	56002271	2	Scr, Hex 3/8-16 X .88
10	56002680	4	Scr, Hex 1/2-13 X 2.75
11	56002708	4	Nut, Hex Nyl Loc 1/4-20
12	56002769	14	Nut, Hex Nyl Loc 3/8-16
13	56002826	2	Nut, Hex Nyl Loc-Thin 5/16-18
14	56002843	8	Nut, Hex Nyl Loc-Thin 1/2-13
15	56003222	2	Pin, Cotter Hair
16	56003597	1	Pin, Clevis .375 X 1.75
17	56003656	1	Pin, Clevis .375 X 2.25
18	56009017	4	Wsh, Flt Harden .516x.938 X.75
19	56009087	4	Nut, Hex Jam 1/4-20
20	56009115	12	Wsh, Flt Harden .594x1.375x.134
21	56009199	2	Wsh, Flt Brass .266x1.250x.125
22	56303071	2	Bearing, Flange
23	56304893	4	Bearing, Sleeve .625 X .750 X .250
24	56305080	1	Bracket, Side Broom Lift
25	56305091	2	Pillow Block
26	56365030	4	Bushing .50x.62x.27
27	56413039	1	Left Side Broom Assembly
28	56413040	1	Right Side Broom Assembly
29	56413048	4	Link
30	56413053	1	Sidebroom Lift Arm Weldment
31	56413055	2	Lift Arm
32	56413129	1	Actuator, Motor 36V (M4)
33	56413403	4	Clamp, Wide
34	56413453	1	Sidebroom Brkt Weld't, Lt
35	56413454	1	Sidebroom Brkt Weld't, Rt
36	56413479	1	Actuator Mount
37	56413822	1	Circuit Breaker, 20 Amp
38	56416508	4	Spring, Die
39	56413516	1	Contactora, 36vdc 200a (K6) TSBUS2008-996

* = Not Shown

NOTE: As of October 2008 machines are no longer being manufactured with the "Narrow Sweep" system.



05-11

SWEEP SYSTEM - SIDE BROOM ASSY

11-2

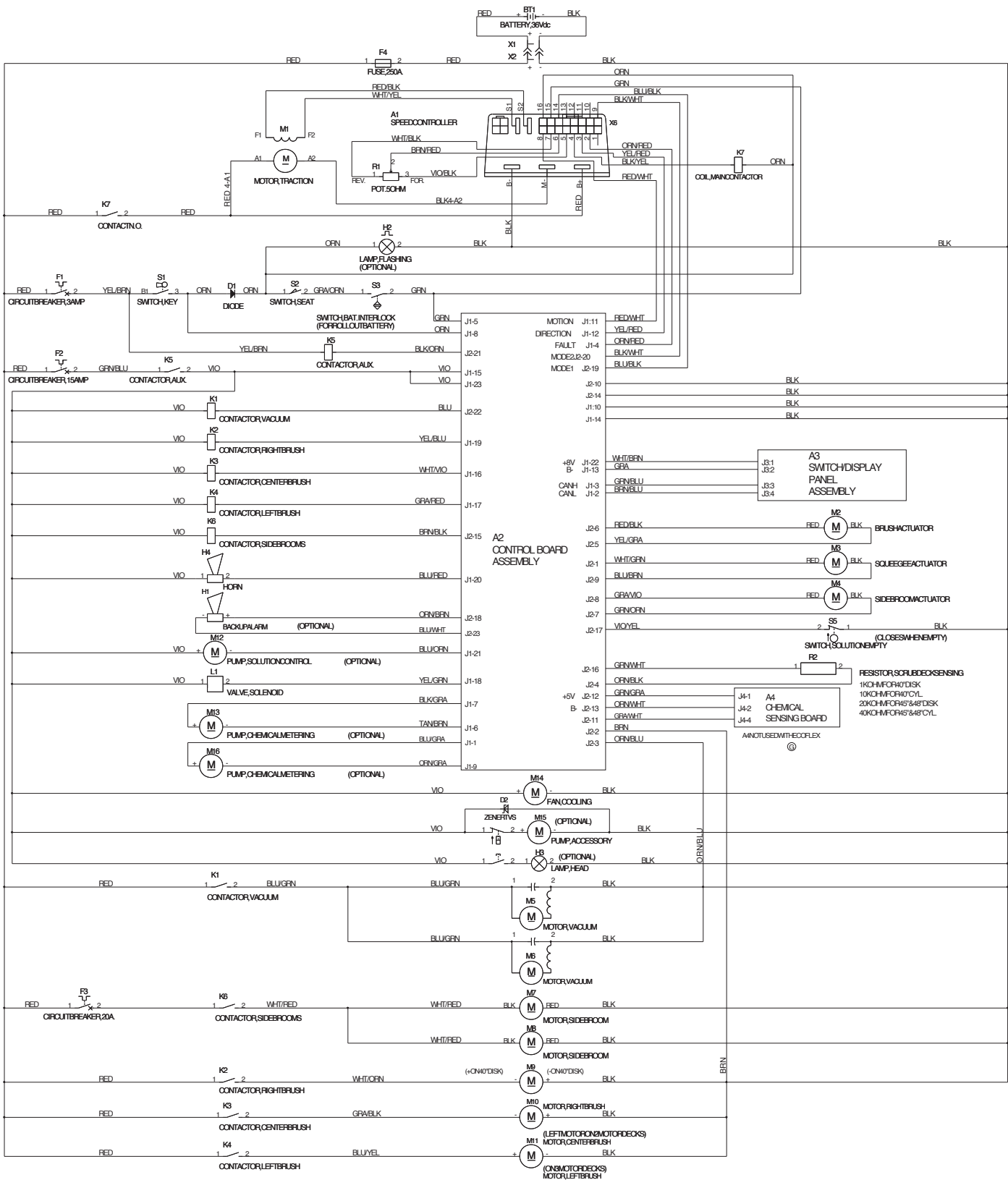
Condor™

49

Item	Ref. No.	Qty	Description
27	56413039	1	Left Side Broom Assembly
28	56413040	1	Right Side Broom Assembly
1	56002093	4	Scr, Hex 1/4-20 X 1.00
2	56002533	1	Scr, Hex 1/2-13 X 2.50
3	56002708	4	Nut, Hex Nyl Loc 1/4-20
4	56002843	1	Nut, Hex Nyl Loc-Thin 1/2-13
5	56009017	1	Wsh, Flt Harden .516x.938 X.75
6	56009115	2	Wsh, Flt Harden .594x1.375x.134
7	56413695	1	Gearmotor Assembly, 36VDC (Left-56413039 / M7)
*	56413696	1	Gearmotor Assembly, 36VDC (Right-56413040 / M8)
*	52803A	2	Carbon Brush for 56413695 / 56413696
8	56413051	1	Sidebroom Bracket Weld't, Lt (56413039)
*	56413062	1	Sidebroom Bracket Weld't, Rt (56413040)
9	56413056	1	Sidebroom (Standard)
**	56380335	1	Sidebroom (Commercial Option)
10	56413142	1	Sidebroom Spring Mt Weld't, Lt (56413039)
*	56413143	1	Sidebroom Spring Mt Weld't, Rt (56413040)
11	56413845	1	Pin, .31 With Retainer
12	56416508	1	Spring, Die

* = Not Shown

** = Optional, Not Included



Item	Ref. No.	Qty	Description	Item	Ref. No.	Qty	Description
A1	56413041	1	Speed Control	M9	56413336	1	Gearbox Assy (40" disk)
A2	56413483	1	Control Board Assembly NOTE 1	*	56410182	1	Bearing B.E. (for 56413336)
	56381049	1	Control Board Assembly NOTE 2	*	56410183	1	Bearing F.E. (for 56413336)
A3	56413157	1	Switch/Display Panel Assembly NOTE 1	*	56412266	1	Brush Board Assy (for 56413336)
	56381083	1	Switch/Display Panel Assembly NOTE 2	*	56407500	1	Brush Assy Kit (for 56413336)
A4	56315340	1	Chemical Sensing Board NOTE 1	*	56389395	1	Brush Spring Set (for 56413336)
BT1	N/A		Battery	M9	56303083	1	Gearmotor (45" & 48" disk right motor)
D1	NA	1	Diode	*	56303444	4	Carbon Brush Assy (for 56303083)
D2	NA	1	Diode (part of M15)	*	56303419	4	Brush Spring (for 56303083)
F1	56413406	1	Circuit Breaker, 3 Amp (Control Circuit)	M9	56382654	1	Kit 36VDC 1.5HP Motor (all cylindrical right motor) NOTE 3
F2	56413407	1	Circuit Breaker, 15 Amp (Auxiliary Circuit)	*	56381479	1	Kit Brush Amer Motor (for 56382654)
F3	56413822	1	Circuit Breaker, 20 Amp (Side Brooms)	*	56413628	1	Brush & Spring Kit (for obsolete motor 56413398)
F4	56410044	1	Fuse, 250 Amp	M10	56303083	1	Gearmotor (45" & 48" disk center motor)
H1	56412177	1	Backup Alarm (optional)	*	56303444	4	Carbon Brush Assy (for 56303083)
H2	56305223	1	Strobe Light (optional)	*	56303419	4	Brush Spring (for 56303083)
H3	56409239	1	Headlight (optional)	M10	56382654	1	Kit 36VDC 1.5HP Motor (all cylindrical left motor) NOTE 3
H4	56482365	1	Horn	*	56381479	1	Kit Brush Amer Motor (for 56382654)
K1	56413516	1	Contact, Vacuum TSBUS2008-996	*	56413628	1	Brush & Spring Kit (for obsolete motor 56413398)
K2	56413516	1	Contact, Right Brush (all models) TSBUS2008-1020	M11	56303083	1	Gearmotor (45" & 48" disk left motor)
K3	56413516	1	Contact, Center Brush (45" & 48" disk and all cylindrical) TSBUS2008-1020	*	56303444	4	Carbon Brush Assy (for 56303083)
K4	56413516	1	Contact, Left Brush (45" & 48" disk only)	**	56303419	4	Brush Spring (for 56303083)
K5	56413516	1	Contact, Auxiliary TSBUS2008-996	**	56109587	1	Pump Head Assy (for 56212014)
K6	56413516	1	Contact, Side Brooms TSBUS2008-996	**	56109588	1	Check Valve Assy (for 56212014)
K7	56413516	1	Contact, Main TSBUS2008-1020	M16	56314984	1	Pump-Detergent (AXP / ECOFLEX)
L1	56413510	1	Solenoid Valve	R1	56454740	1	Potentiometer, 5K Ohm
M1	56413615	1	Motor, Traction	R2	56413390	1	Resistor Assy, 1k Ohm (40" disk)
*	56413616	1	Carbon Brush Set		56413393	1	Resistor Assy, 10k Ohm (40" cylindrical)
M2	56413700	1	Lift Actuator, Brush		56413392	1	Resistor Assy, 20k Ohm (45" & 48" disk)
M3	56413111	1	Lift Actuator, Squeegee		56413391	1	Resistor Assy, 40k Ohm (45" & 48" cylindrical)
M4	56413129	1	Lift Actuator, Side Broom	S1	1450372000	1	Switch, Key
M5#	56410065	1	Motor Assy, Vac TSB-FC-2013-116	*	1462887000	1	Key, Replacement
*	56212223	1	Carbon Brush Set	S2	56409613	1	Switch, Seat
M6#	56410065	1	Motor Assy, Vac (Optional) / TSB-FC-2013-116	S3	56305053	1	Switch, Batter Interlock (optional)
*	56212223	1	Carbon Brush Set	S5	56413669	1	Switch, Solution Empty
M7	56413695	1	Gearmotor Assy, 36VDC (Left-cylindrical models only)				
*	52803A	2	Carbon Brush for 56413695				
M8	56413696	1	Gearmotor Assy, 36VDC (Right-cylindrical models only)				
*	52803A	2	Carbon Brush for 56413696				

* = Not Shown

= Revised or new since last update

NOTE 1: Used on machines built before SN 1000038925.**NOTE 2:** Used on machines built after SN 1000038924.**NOTE 3:** Brush motor 56413398 is no longer used in production and replaced by 56382654.

OPTIONAL KITS & ACCESSORIES

05-11

52

Condor™

13-8

Item	Ref. No.	Qty	Description	Item	Ref. No.	Qty	Description
Optional Kits				40" Cylindrical Scrub Brushes			
**	56413740	1	Kit, Battery Tray Only	**	56413113	2	Soft Nylon
**	56413821	1	Vacuum Motor Kit, (2nd Vac Motor)	**	56413114	2	Hard Nylon
**	56413089	1	Kit, Heavy Front Bumper	**	56413118	2	Prolene
**#	56413764	1	Kit, Deluxe Seat NOTE 5	**	56413115	2	180 Grit
**	56413687	1	Kit, Spray Wand	**	56413116	2	80 Grit
**	56413649	1	Kit, Warning Beacon	45" Cylindrical Scrub Brushes			
**	56413681	1	Kit, Back-Up Alarm	**	56413434	2	Soft Nylon
**	56413774	1	Kit, Overhead Guard	**	56413435	2	Hard Nylon
**#	56383455	1	Kit, Seat Belt NOTE 2	**	56413439	2	Prolene
**#	56419369	1	Seat Belt Kit NOTE 5	**	56413436	2	180 Grit
**	56314313	1	Kit, Headlight	**	56413437	2	80 Grit
**	56413773	1	Kit, Operator Foot Guard	48" Cylindrical Scrub Brushes			
**	56413685	1	Kit, Solution Auto-Fill	**	56413352	2	Soft Nylon
**	56303386	1	Kit, Battery Bracket Disconnect	**	56413353	2	Hard Nylon
**	56413819	1	Kit, Floor Mat	**	56413357	2	Prolene
**	56381108	1	Kit- Chemical Metering (only used after SN1000038924)	**	56413354	2	180 Grit
40" Disk Scrub Brushes				**	56413355	2	80 Grit
**	56505790	2	Short Trim Pad Holder	** = Optional, Not Included			
**	56505195	2	Pad Retainer for 56505750	# = Revised or new since last update			
**	56505791	2	MagnaGrit				
**	56505792	2	DynaGrit				
**	56505793	2	AgLite				
**	56505794	2	Prolene				
**	56505795	2	ProLite				
**	56505796	2	Union Mix				
**	56505797	2	MidGrit				
**	56505798	2	MidLite Grit				
45" Disk Scrub Brushes							
**	56505830	2	Short Trim Pad Holder				
**	56505195	2	Pad Retainer for 56505750				
**	56505831	2	MagnaGrit				
**	56505832	2	DynaGrit				
**	56505833	2	AgLite				
**	56505834	2	Prolene				
**	56505835	2	ProLite				
**	56505836	2	Union Mix				
**	56505837	2	MidGrit				
**	56505838	2	MidLite Grit				
48" Disk Scrub Brushes							
**	56505780	2	Short Trim Pad Holder				
**	56505195	2	Pad Retainer for 56505750				
**	56505781	2	MagnaGrit				
**	56505782	2	DynaGrit				
**	56505783	2	AgLite				
**	56505784	2	Prolene				
**	56505785	2	ProLite				
**	56505786	2	Union Mix				
**	56505787	2	MidGrit				
**	56505788	2	MidLite Grit				

NOTE 1: Replacement parts for the kits listed above can be found on each kit's associated instruction sheet.

NOTE 2: Seat Belt Kit 56383455 has replaced Seat Belt Kit 56109306 and is backwards compatible.

NOTE 5: Only Seat Belt Kit 56419369 can be installed with Deluxe Seat Kit 56413764.

Item	Ref. No.	Qty	Description
			40" Squeegee Blade Kits
**	56413761	1	Kit, Gum Rubber Squeegee Blade F NOTE 3
	56413762	1	Kit, Linatex Squeegee Blade F (Std) NOTE 3
**	56413745	1	Kit, Polyurethane Squeegee Blade F NOTE 3
			45" Squeegee Blade Kits
**	56413756	1	Kit, Gum Rubber Squeegee Blade G NOTE 3
	56413757	1	Kit, Linatex Squeegee Blade G (Std) NOTE 3
**	56413746	1	Kit, Polyurethane Squeegee Blade G NOTE 3
			48" Squeegee Blade Kits
**	56413765	1	Kit, Gum Rubber Squeegee Blade H NOTE 3
	56413766	1	Kit, Linatex Squeegee Blade H (Std) NOTE 3
**	56413747	1	Kit, Polyurethane Squeegee Blade H NOTE 3
			40" Disk Deck Blade Kits
**	56413767	1	Kit, Gum Rubber 40 Disk Blade NOTE 4
	56413768	1	Kit, Linatex 40 Disk Blade (Std) NOTE 4
**	56413754	1	Kit, Polyurethane 40 Disk Blade NOTE 4
			45", 48" Disk Deck Blade Kits
**	56413769	1	Kit, Gum Rubber 45/48 Disk Blade NOTE 4
	56413770	1	Kit, Linatex 45/48 Disk Blade (Std) NOTE 4
**	56413755	1	Kit, Poyurethane 45/48 Disk Blade NOTE 4
			Cylindrical Deck Blades
**	56413820	2	Skirt, Gum Rubber
	56413654	2	Skirt, Linatex (Std)
**	56413743	2	Skirt, Polyurethane
			Optional Battery Kits
**	56380425	1	Kit, Battery Roll Out – No Batt
**	56380485	1	Kit, Battery Roll Out – No Batt
			Accessories
**	56409441	1	Programmer, 1311 User
**	56410508	1	Programmer Cable
**	56303429	1	Cart, Battery Exchange
**	56303430	1	Rack, Battery Storage
**	56044380	1	Literature Pack (before SN1000038925)
**	56044589	1	Literature Pack (after SN1000038924)

** = Optional, Not Included

NOTE 3: Squeegee Blade Kits include both front & rear squeegee blades.

NOTE 4: Disk Deck Blade Kits include all skirt assembly blades.

We provide brushes and pad holders that will give you the best possible performance between machine and floor. Following are descriptions of the materials and their applications.

Union Mix:	Medium grade natural fibers for polishing finished floors with standard-speed equipment. Recommended for use in place of white pads.
ProLite:	Bristles are made from light-duty polypropylene for general scrubbing when you do not want to scratch or remove finish from the floor. Recommended for use in place of red pads.
Prolene:	Polypropylene material for medium-duty scrubbing on concrete, terrazzo and vinyl floor tile. Recommended for use in place of green or blue pads.
Magna Grit:	For extreme heavy-duty scrubbing or stripping of floors. This brush has extra large diameter silicon carbide grit impregnated synthetic bristles. Recommended for use in place of black pads.
Dyna Grit:	For aggressive, heavy-duty scrubbing or stripping of floors. Recommended for use in place of brown pads.
MidLite Grit:	For general purpose scrubbing of sealed or unsealed concrete, stone, terrazzo, quarry tile and other resilient hard floor surfaces. Recommended for use in place of green or blue pads.
MidGrit:	For general purpose scrubbing when you need a lighter action for sealed or unsealed concrete, stone, terrazzo, quarry tile and other resilient hard floor surfaces. Recommended for use in place of green or blue pads.
AgLite Grit:	For light scrubbing when used wet; buffing or polishing when used dry on urethane coated, sealed concrete or other resilient hard surface floors. Recommended for use in place of red or white pads.
Short Trim Pad Holder:	Made with a structural foam block and center ring for correct pad centering. It has a "shower feed" design for getting solution to the floor.

40" BRUSHES

56505790 - Short Trim Pad Holder
 56505195 - Pad Retainer for 56505790
 56505795 - Prolite
 56505794 - Prolene
 56505796 - Union Mix
 56505793 - AgLite Grit
 56505797 - MidGrit
 56505798 - MidLite Grit
 56505792 - Dyna Grit
 56505791 - Magna Grit

45" BRUSHES

56505830 - Short Trim Pad Holder
 56505195 - Pad Retainer for 56505830
 56505835 - Prolite
 56505834 - Prolene
 56505836 - Union Mix
 56505833 - AgLite Grit
 56505837 - MidGrit
 56505838 - MidLite Grit
 56505832 - Dyna Grit
 56505831 - Magna Grit

48" BRUSHES

56505780 - Short Trim Pad Holder
 56505195 - Pad Retainer for 56505780
 56505785 - Prolite
 56505784 - Prolene
 56505786 - Union Mix
 56505783 - AgLite Grit
 56505787 - MidGrit
 56505788 - MidLite Grit
 56505782 - Dyna Grit
 56505781 - Magna Grit

DISC BRUSH APPLICATION GUIDE (SUGGESTION ONLY)

Application	46 Grit	80 Grit	180 Grit	240 Grit	500 Grit	Prolene	Prolite	Union Mix
Stripping:								
Concrete	X	X						
Terrazzo	X	X						
Ceramic/Quarry tile		X						
Vinyl tile		X						
General Scrubbing:								
Concrete	X	X	X	X		X		
Terrazzo			X	X	X	X		
Ceramic/Quarry tile			X	X	X	X		
Marble					X		X	
Vinyl tile			X		X	X		
Raised-rubber tile					X		X	
Polishing:								
Raised Disc Tile								X
Marble								X
Vinyl tile								X

We provide brushes and pad holders that will give you the best possible performance between machine and floor. Following are descriptions of the materials and their applications.

- 80 Grit Brush:** Medium aggressive grit brush. Good all-around brush for medium to heavy buildup removal. Can also be used for general stripping operations.
- 180 Grit Brush:** Least aggressive grit brush. Used for daily cleaning of hard-finished floors.
- Polypropylene Brush:** Standard equipment brush. Low cost, yet effective in cleaning many common floor surfaces.
- Stiff Nylon Brush:** Cleaning action similar to polypropylene. More durable and wear-resistant than polypropylene.
- Soft Nylon Brush:** Least aggressive brush available. Used on soft-finish floors where a more aggressive brush would leave scratch marks, or in applications requiring very light cleaning.

40" BRUSHES

56413113 - Soft Nylon
 56413114 - Hard Nylon
 56413118 - Prolene
 56413115 - 180 Grit
 56413116 - 80 Grit

45" BRUSHES

56413434 - Soft Nylon
 56413435 - Hard Nylon
 56413439 - Prolene
 56413436 - 180 Grit
 56413437 - 80 Grit

48" BRUSHES

56413352 - Soft Nylon
 56413353 - Hard Nylon
 56413357 - Prolene
 56413354 - 180 Grit
 56413355 - 80 Grit

CYLINDRICAL BRUSH APPLICATION GUIDE (SUGGESTION ONLY)

Application	80 Grit	180 Grit	Polypropylene	Stiff Nylon	Soft Nylon
Stripping:					
Concrete	X				
Terrazzo	X				
Ceramic/Quarry tile	X				
Vinyl tile	X				
General Scrubbing:					
Concrete	X	X	X	X	
Terrazzo		X	X	X	X
Ceramic/Quarry tile		X	X	X	X
Marble		X		X	X
Vinyl tile		X	X	X	X
Raised-rubber tile		X			X

- Gum Rubber: Provides superior wiping action on tile, terrazzo, and polished floors.
- Red Gum Rubber: Provides longest life on finished or unfinished concrete floors.
- Polyurethane: Oil resistance provides superior life in applications with oily floors.

SQUEEGEE BLADE APPLICATION GUIDE(SUGGESTION ONLY)

Performance Traits	Gum Rubber (Natural Rubber)	Red Gum Rubber (Natural Rubber)	Polyurethane/ Pentathane
Resilience	X		X
Tear Strength	X		X
Abrasion Resistance	X	X	X
Wear Resistance		X	X
Low Temp Flexibility	X	X	
High Temp Flexibility	X		X
Ozone Resistance			
Chemical Resistance			X
Applications			
Oil Resistant Applications			X
General Purpose	X	X	X
Hot Water Applications		X	X
Chemical Applications			X
Color	Tan	Red	Translucent



Nilfisk-Advance Equipamentos de Limpeza Ltda.
Av. Dep. Emílio Carlos, 2.499 - Bairro do Limão - 02721-200
São Paulo - SP - Brasil
www.nilfisk-advance.ind.br
www.plataforma.ind.br
Tel.: (11) 3959-0300
Fax: (11) 3959-0306
©2013 Nilfisk-Advance, Inc.



14600 21st Avenue North
Plymouth, MN 55447-3408
www.advance-us.com
Phone: 800-989-2235
Fax: 800-989-6566
©2013 Nilfisk-Advance, Inc.

A Nilfisk-Advance Brand