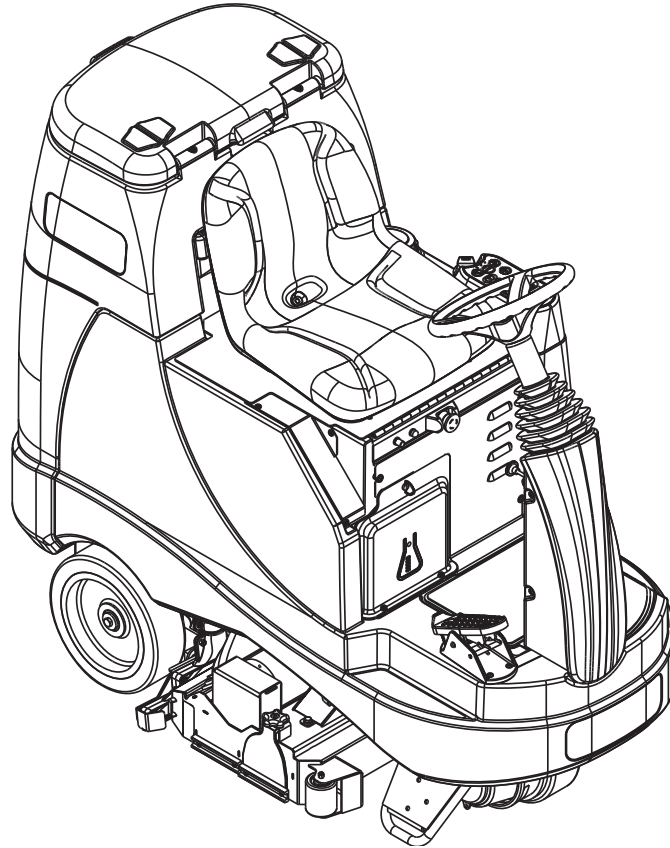


ES4000



PARTS LIST

MODELS 56344200, 56344210



Advance

TABLE OF CONTENTS

DESCRIPTION	PAGE
Chassis System-1	2-3
Chassis System-2	4-5
Decal System	6-7
Deck System	8-9
Shoe Linkage Assy	10
Solenoid Valve Assy	11
Electrical System	12-13
Electrical System-with Suppression	14-15
Onboard Charger Assy	16-17
Control System	18-19
Recovery System	20-21
Solution System	22-23
Ladder Diagram-1	24-25
Ladder Diagram-2	26-27
Optional Kits and Accessories	28

WHEN ORDERING PARTS

- * Use the part numbers from the "Ref. No." columns in this parts list. If the "Ref. No." column is blank; look under the "Kit" column to identify which kit contains the part in question, then use the kit callout, for example "K1", to find the "Ref. No." for that kit.

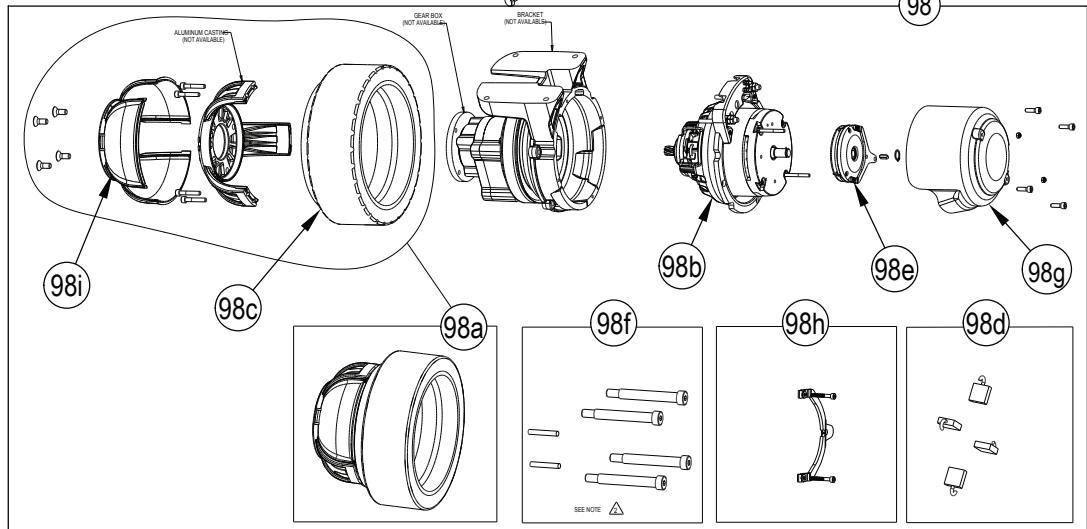
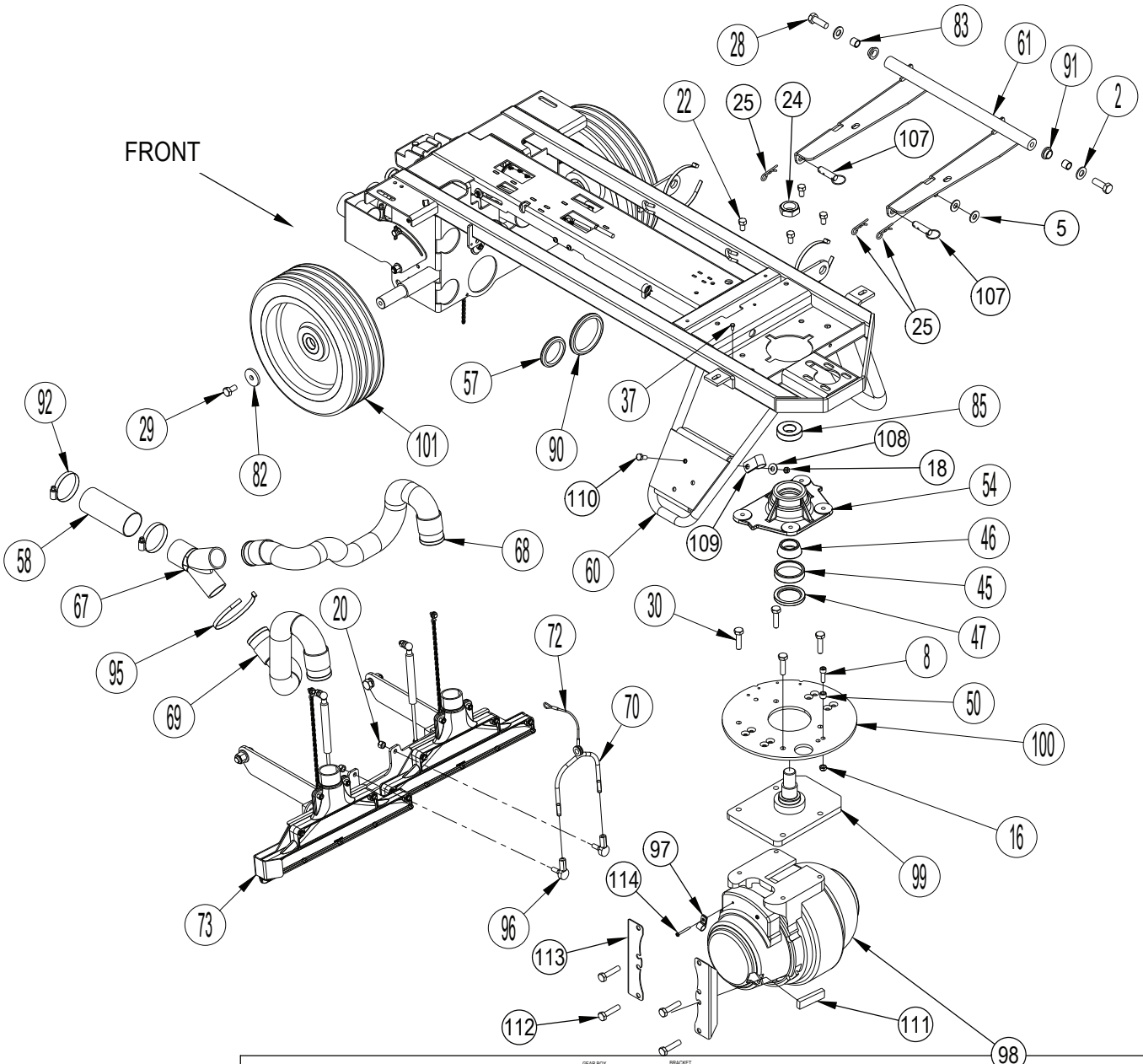
Kit	Item	Ref. No.	Qty	Description
K1	1		16	Washer Flat 3/16 Zinc Plat
K1	2		2	Screw-BHS-Brass-10-32x3/8-MS
K1	3		3	Washer EPDM 7/32 X 1/8
	4	805	1	Chain-Cover
	5	905	2	Caster Swivel 4 Gray Non MA
K1	6		2	Nut, Hex Nyl Loc 10-24
K1	7		3	Scr- Hex SS 1/4-20 X .75
K1	8		16	Scr, Hex Hd Loc 1/4-20 x .50
K1	9		3	Wsh, Flt SS .260 X 1.000 X .074
	10	56113012	1	Solution Tank
	11	56113034	2	Hinge Plate
K1		56113103	1	Kit-Hardware Solution Tank

- * Specify the model and serial number of the machine.

- * Use the space below to record the model and serial number for future reference.

Model _____ Serial No. _____

CHASSIS SYSTEM-1

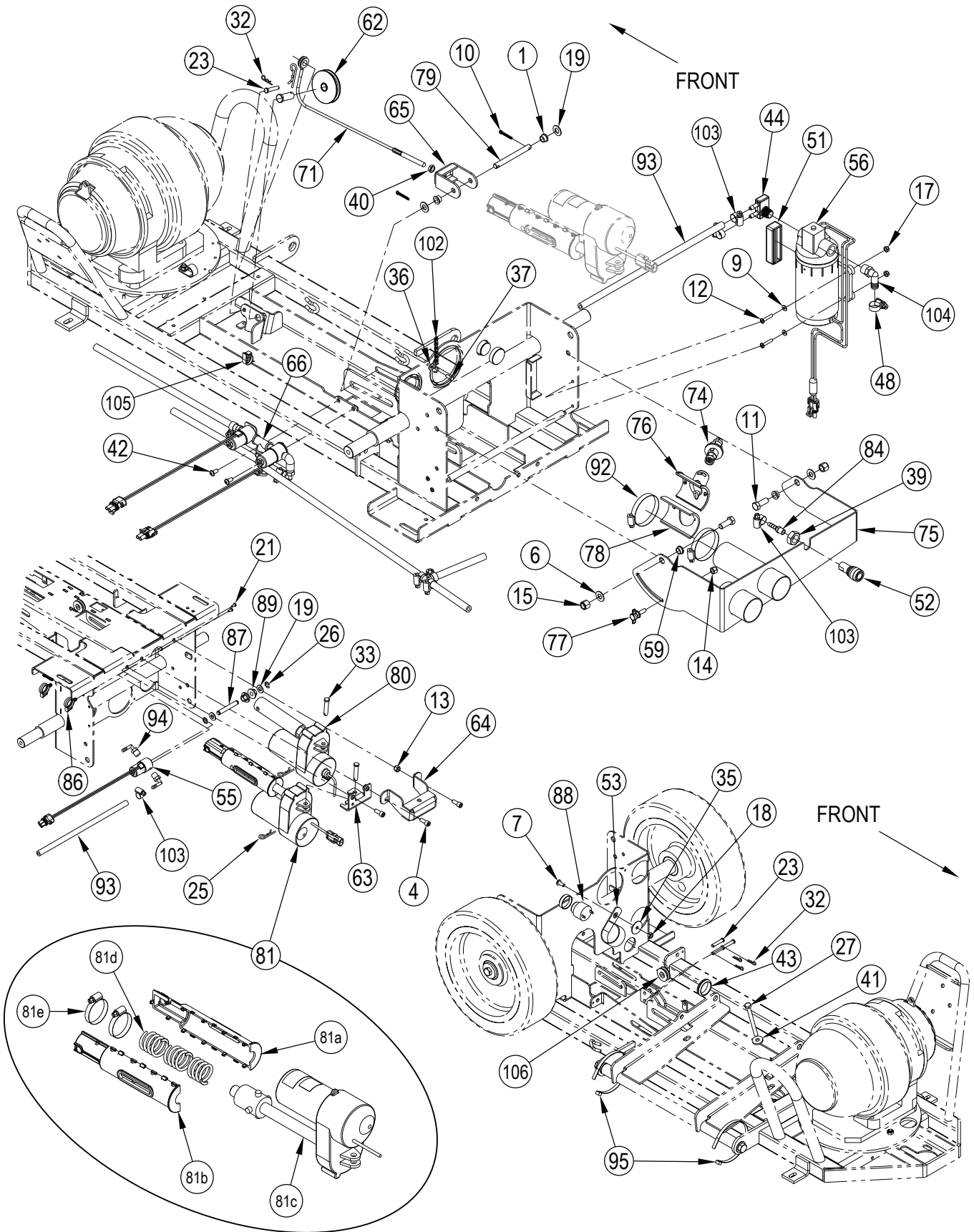


CHASSIS SYSTEM-1

Kit	Item	Ref. No.	Qty	Description	Kit	Item	Ref. No.	Qty	Description
		56418162	2	Bearing, Flange		70	56344107	1	Lift Bar
K1	2		2	Wsh-Flt Sae 1/2		71	56344108	1	Wire Rope Assembly
K4	4		3	Scr, Soc Hd 5/16-18 X 0.75		72	56344111	1	Wire Rope Assembly
K1	5		2	Wsh, Flt Std 3/8		73	56344122	1	Shoe Linkage Assembly (See Page 10)
K4	6		2	Wsh, Flt Sae 3/8		74	56344132	1	Misting Nozzle Assy
K4	7		1	Scr-Pan Phil 1/4-20 X .62		[]	56344150	1	Nozzle-Quick Veejet W/Body
K4	8		1	Scr, Soc Hd 5/16-18 X 1.00		75	56344143	1	Connector Bracket Weldment
K4,K15	9		2	Wsh, Flt Sae #8		76	56344151	1	Misting Chamber Adapter
K5	10		2	Pin,Cotter 1/8 X 1		77	56344153	1	T-Knob Assembly
K4	11		2	Scr, Hex 3/8-16 X 1.00		78	56344154	1	Gasket
K4,K15	12		2	Scr-Pan Phil 10-24 X 1.00		79	56344157	1	Pin
K4	13		1	Nut, Hex Nyl Loc 5/16-18		80	56344160	1	Actuator-Motor 24v (M3)
K4	14		1	Nut, Hex Nyl Loc 1/4-20		81	56344161	1	Lift Actuator Assembly (M4)
K4	15		2	Nut-Hex Nyl Loc 3/8-16		81a	56109546	1	Spring Housing
K4	16		1	Nut, Hex Nyl Loc-Thin 5/16-18		81b	56109547	1	Spring Housing
K4,K15	17		2	Nut, Hex Nyl Loc-Thin 10-24		81c	56109597	1	Actuator-Motor
K4	18		2	Nut, Hex Nyl Loc-Thin 1/4-20		81d	56412071	3	Compression Spring
K5,K6	19		4	Wsh-Flt Sae Ss 3/8		81e	56329145	2	Clamp-Hose SAE 24
K4	20		2	Nut, Hex Nyl Loc 5/16-24		82	56367117	2	Wsh, Flt .406 X 1.5 X .1875
K4	21		2	Scr, Pan Phil Ss 8-32 X .38	K1	83		2	Bushing
K2,K4	22		4	Scr,Hex Hd Loc 3/8-16x.62		84	56369594	1	Barb, Adapter 1/4 X 1/8npt
K5,K6	23		4	Pin-Clevis .25 X 1.25	K2,K3	85		1	Bearing Ball
K4	24		1	Nut, Hex Nyl Loc-Thin 1-14		86	56410247	2	Clip, Conduit
K1,K4,	25		6	Pin, Cotter Hair		87	56412088	1	Pin
K5						88	56412177	1	Horn/Backup Alarm (H1)
K6	26		2	Ring, Ret Ext Type E 0.38 Dia	K6	89		2	Spacer, Squeegee Cable
K4	27		1	Scr, Hex 5/16-18 X 3.75	K5	90		1	Grommet
K1	28		2	Scr, Hex Loc M12-1.75 X 35mm	K1	91		2	Bearing, Flange
K4	29		2	Scr, Hex Loc M10-1.5 X 20mm		92	56440213	4	Clamp- Hose Sae #32
K4	30		4	Scr-Hex M10-1.5 X 40mm		93	56456560	2	15.00" Hose
K5	31		1	Pin-Clevis .50 X 1.25		94	56470138	2	Barb, 90 Elbow 1/4 X 1/4npt
K5,K6	32		4	Cotter, Hair Pin		95	56477613	3	Tie, Cable
K4	33		2	Pin-Clevis .375 X 1.75		96	56477756	2	Rod End
K4	35		1	Wsh-Flt Ss .281 X 1.25 X .05		97	56486112	1	Clamp-P
K4	36		1	Wsh, Int Shprf #10		98	56601050	1	Motor / Drive Wheel (M1)
K4	37		2	Scr, Hex Thd Form 10-24 X .38		98a	56601472	1	Kit, Drive Motor Tire W/Hub (for 56601050)
K4	39		1	Nut-Hex Jam Ss 5/8-18		98b	56601473	1	Replacement Motor, Drive Motor (for 56601050)
K5	40		1	Nut, Hex Jam 5/16-18		98c	56601471	1	Tire (for 56601050)
K4	41		1	Wsh, Flt .344 X .938 X .125		98d	56601509	1	Carbon Brush Kit (for 56601050)
K4	42		2	Scr, Button Soc 1/4-20 X .50		98e	56601507	1	Brake, Electromagnetic (for 56601050) (Y1)
	43	56056871	1	Grommet		98f	56422174	1	Tire Puller Kit (for 56601050)
K15	44	56109503	1	Double Barb Assy		98g	56504482	1	Drive Motor Cover (for 56601050)
K2,K3	45		1	Bearing Cup		98h	56380310	1	Kit, Brake Lever (for 56601050)
K2,K3	46		1	Bearing Cone		98i	56504481	1	Cover, Gearbox Motor (for 56601050)
K2,K3	47		1	Seal,Shaft		99	56601077	1	Spindle Weldt
K15	48	56219932	1	Clamp- Hose Sae #6		100	56314116	1	Plate Steering
	50	56244941	1	Bushing		101	56382693	2	Wheel
	51	56265033	1	Mount, Pump		102	56601716	1	Ground Chain
	52	56265208	1	Socket-1/8 Fpt	K15	103	56756364	6	Clamp- Hose Sae #4
	53	56305024	1	P-Clamp	K15	104	56109566	1	Barb, 90 Elbow 1/2 X 3/8npt
K2	54		1	Block, Bearing		105	56900756	1	Clip, Conduit
	55	56317024	1	Valve, Solenoid 24v (L1)		106	57275a	1	Pulley Squ. Cable
K15	56		1	Pump, 24vdc (M9, S5)	K1	107		2	Pin, Ring .50 X 1.25
	[]	56109587	1	Pump Head Assembly (for 56344177)		108	56002220	1	Wsh Flt STD 5/16
	[]	56109588	1	Check Valve Assembly (for 56344177)		109	56469380	1	Clamp-P
	57	56324195	1	Grommet		110	56002667	1	Scr Hex 5/16-18 X .75
	58	56324358	1	Hose, Vac 2.00 X 5.00 X 975018		111	56418703	1	Gasket Strip
	59	56324505	2	Bearing, Flange		112	56003445	4	Scr Hex Nyl Loc M10-1.50x45mm
	60	56344033	1	Chassis Weldment		113	56344100	2	Bracket Wheel
K1	61		1	Deck Linkage Weldment		114	L08603733	1	Screw M4 X 40
	62	56344043	1	Pulley-Wire Rope		K1	56344180	1	Hardware Kit - Deck Linkage
	63	56344056	1	Bracket-Actuator Weldt		K2	56344188	1	Bearing Block Assembly
	64	56344057	1	Bracket-Actuator		K3	56344181	1	Bearing Kit - Spindle
	65	56344059	1	Yoke Weldment		K4	56344185	1	Hardware Kit - Chassis
	66	56344064	1	Valve Assembly (See Page 11)		K5	56344186	1	Hardware Kit - Deck Lift
	67	56344070	1	Y-Tube		K6	56344187	1	Hardware Kit - Shoe Lift
	68	56344075	1	Hose Assembly	K15	56344177	1	Pump Kit	
	69	56344086	1	Hose Assembly					

[] = Not Shown

CHASSIS SYSTEM-2

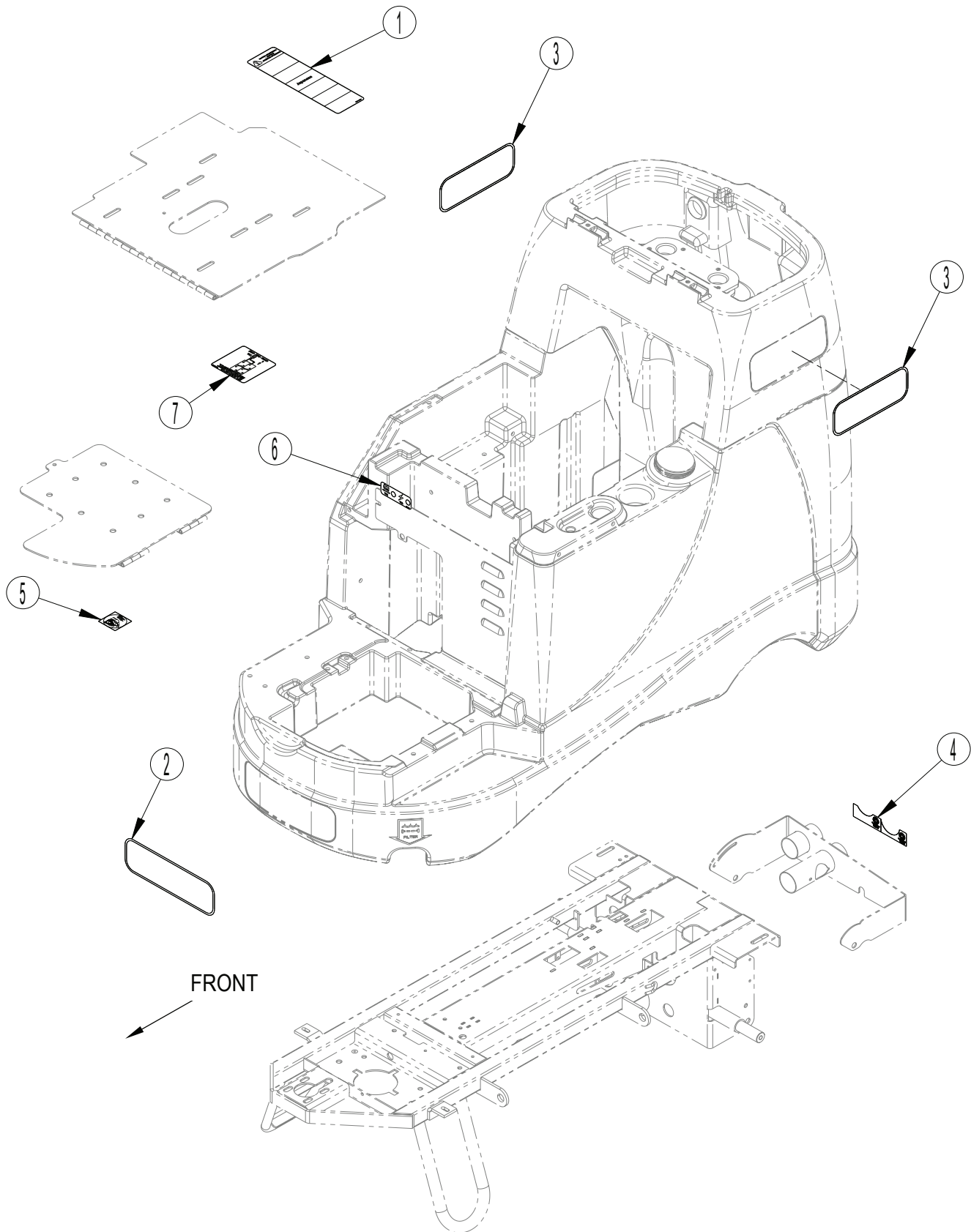


CHASSIS SYSTEM-2

Kit	Item	Ref. No.	Qty	Description	Kit	Item	Ref. No.	Qty	Description
		56418162	2	Bearing, Flange		70	56344107	1	Lift Bar
K1	2		2	Wsh-Flt Sae 1/2		71	56344108	1	Wire Rope Assembly
K4	4		3	Scr, Soc Hd 5/16-18 X 0.75		72	56344111	1	Wire Rope Assembly
K1	5		2	Wsh, Flt Std 3/8		73	56344122	1	Shoe Linkage Assembly (See Page 10)
K4	6		2	Wsh, Flt Sae 3/8		74	56344132	1	Misting Nozzle Assy
K4	7		1	Scr-Pan Phil 1/4-20 X .62		[]	56344150	1	Nozzle-Quick Veejet W/Body
K4	8		1	Scr, Soc Hd 5/16-18 X 1.00		75	56344143	1	Connector Bracket Weldment
K4,K15	9		2	Wsh, Flt Sae #8		76	56344151	1	Misting Chamber Adapter
K5	10		2	Pin,Cotter 1/8 X 1		77	56344153	1	T-Knob Assembly
K4	11		2	Scr, Hex 3/8-16 X 1.00		78	56344154	1	Gasket
K4,K15	12		2	Scr-Pan Phil 10-24 X 1.00		79	56344157	1	Pin
K4	13		1	Nut, Hex Nyl Loc 5/16-18		80	56344160	1	Actuator-Motor 24v (M3)
K4	14		1	Nut, Hex Nyl Loc 1/4-20		81	56344161	1	Lift Actuator Assembly (M4)
K4	15		2	Nut-Hex Nyl Loc 3/8-16		81a	56109546	1	Spring Housing
K4	16		1	Nut, Hex Nyl Loc-Thin 5/16-18		81b	56109547	1	Spring Housing
K4,K15	17		2	Nut, Hex Nyl Loc-Thin 10-24		81c	56109597	1	Actuator-Motor
K4	18		2	Nut, Hex Nyl Loc-Thin 1/4-20		81d	56412071	3	Compression Spring
K5,K6	19		4	Wsh-Flt Sae Ss 3/8		81e	56329145	2	Clamp-Hose SAE 24
K4	20		2	Nut, Hex Nyl Loc 5/16-24		82	56367117	2	Wsh, Flt .406 X 1.5 X .1875
K4	21		2	Scr, Pan Phil Ss 8-32 X .38	K1	83		2	Bushing
K2,K4	22		4	Scr,Hex Hd Loc 3/8-16x.62		84	56369594	1	Barb, Adapter 1/4 X 1/8npt
K5,K6	23		4	Pin-Clevis .25 X 1.25	K2,K3	85		1	Bearing Ball
K4	24		1	Nut, Hex Nyl Loc-Thin 1-14		86	56410247	2	Clip, Conduit
K1,K4,	25		6	Pin, Cotter Hair		87	56412088	1	Pin
K5						88	56412177	1	Horn/Backup Alarm (H1)
K6	26		2	Ring, Ret Ext Type E 0.38 Dia	K6	89		2	Spacer, Squeegee Cable
K4	27		1	Scr, Hex 5/16-18 X 3.75	K5	90		1	Grommet
K1	28		2	Scr, Hex Loc M12-1.75 X 35mm	K1	91		2	Bearing, Flange
K4	29		2	Scr, Hex Loc M10-1.5 X 20mm		92	56440213	4	Clamp- Hose Sae #32
K4	30		4	Scr-Hex M10-1.5 X 40mm		93	56456560	2	15.00" Hose
K5	31		1	Pin-Clevis .50 X 1.25		94	56470138	2	Barb, 90 Elbow 1/4 X 1/4npt
K5,K6	32		4	Cotter, Hair Pin		95	56477613	3	Tie, Cable
K4	33		2	Pin-Clevis .375 X 1.75		96	56477756	2	Rod End
K4	35		1	Wsh-Flt Ss .281 X 1.25 X .05		97	56486112	1	Clamp-P
K4	36		1	Wsh, Int Shprf #10		98	56601050	1	Motor / Drive Wheel (M1)
K4	37		2	Scr, Hex Thd Form 10-24 X .38		98a	56601472	1	Kit, Drive Motor Tire W/Hub (for 56601050)
K4	39		1	Nut-Hex Jam Ss 5/8-18		98b	56601473	1	Replacement Motor, Drive Motor (for 56601050)
K5	40		1	Nut, Hex Jam 5/16-18		98c	56601471	1	Tire (for 56601050)
K4	41		1	Wsh, Flt .344 X .938 X .125		98d	56601509	1	Carbon Brush Kit (for 56601050)
K4	42		2	Scr, Button Soc 1/4-20 X .50		98e	56601507	1	Brake, Electromagnetic (for 56601050) (Y1)
	43	56056871	1	Grommet		98f	56422174	1	Tire Puller Kit (for 56601050)
K15	44	56109503	1	Double Barb Assy		98g	56504482	1	Drive Motor Cover (for 56601050)
K2,K3	45		1	Bearing Cup		98h	56380310	1	Kit, Brake Lever (for 56601050)
K2,K3	46		1	Bearing Cone		98i	56504481	1	Cover, Gearbox Motor (for 56601050)
K2,K3	47		1	Seal,Shaft		99	56601077	1	Spindle Weldt
K15	48	56219932	1	Clamp- Hose Sae #6		100	56314116	1	Plate Steering
	50	56244941	1	Bushing		101	56382693	2	Wheel
	51	56265033	1	Mount, Pump		102	56601716	1	Ground Chain
	52	56265208	1	Socket-1/8 Fpt	K15	103	56756364	6	Clamp- Hose Sae #4
	53	56305024	1	P-Clamp	K15	104	56109566	1	Barb, 90 Elbow 1/2 X 3/8npt
K2	54		1	Block, Bearing		105	56900756	1	Clip, Conduit
	55	56317024	1	Valve, Solenoid 24v (L1)		106	57275a	1	Pulley Squ. Cable
K15	56		1	Pump, 24vdc (M9, S5)	K1	107		2	Pin, Ring .50 X 1.25
	[]	56109587	1	Pump Head Assembly (for 56344177)		108	56002220	1	Wsh Flt STD 5/16
	[]	56109588	1	Check Valve Assembly (for 56344177)		109	56469380	1	Clamp-P
	57	56324195	1	Grommet		110	56002667	1	Scr Hex 5/16-18 X .75
	58	56324358	1	Hose, Vac 2.00 X 5.00 X 975018		111	56418703	1	Gasket Strip
	59	56324505	2	Bearing, Flange		112	56003445	4	Scr Hex Nyl Loc M10-1.50x45mm
	60	56344033	1	Chassis Weldment		113	56344100	2	Bracket Wheel
K1	61		1	Deck Linkage Weldment		114	L08603733	1	Screw M4 X 40
	62	56344043	1	Pulley-Wire Rope		K1	56344180	1	Hardware Kit - Deck Linkage
	63	56344056	1	Bracket-Actuator Weldt		K2	56344188	1	Bearing Block Assembly
	64	56344057	1	Bracket-Actuator		K3	56344181	1	Bearing Kit - Spindle
	65	56344059	1	Yoke Weldment		K4	56344185	1	Hardware Kit - Chassis
	66	56344064	1	Valve Assembly (See Page 11)		K5	56344186	1	Hardware Kit - Deck Lift
	67	56344070	1	Y-Tube		K6	56344187	1	Hardware Kit - Shoe Lift
	68	56344075	1	Hose Assembly		K15	56344177	1	Pump Kit
	69	56344086	1	Hose Assembly					

[] = Not Shown

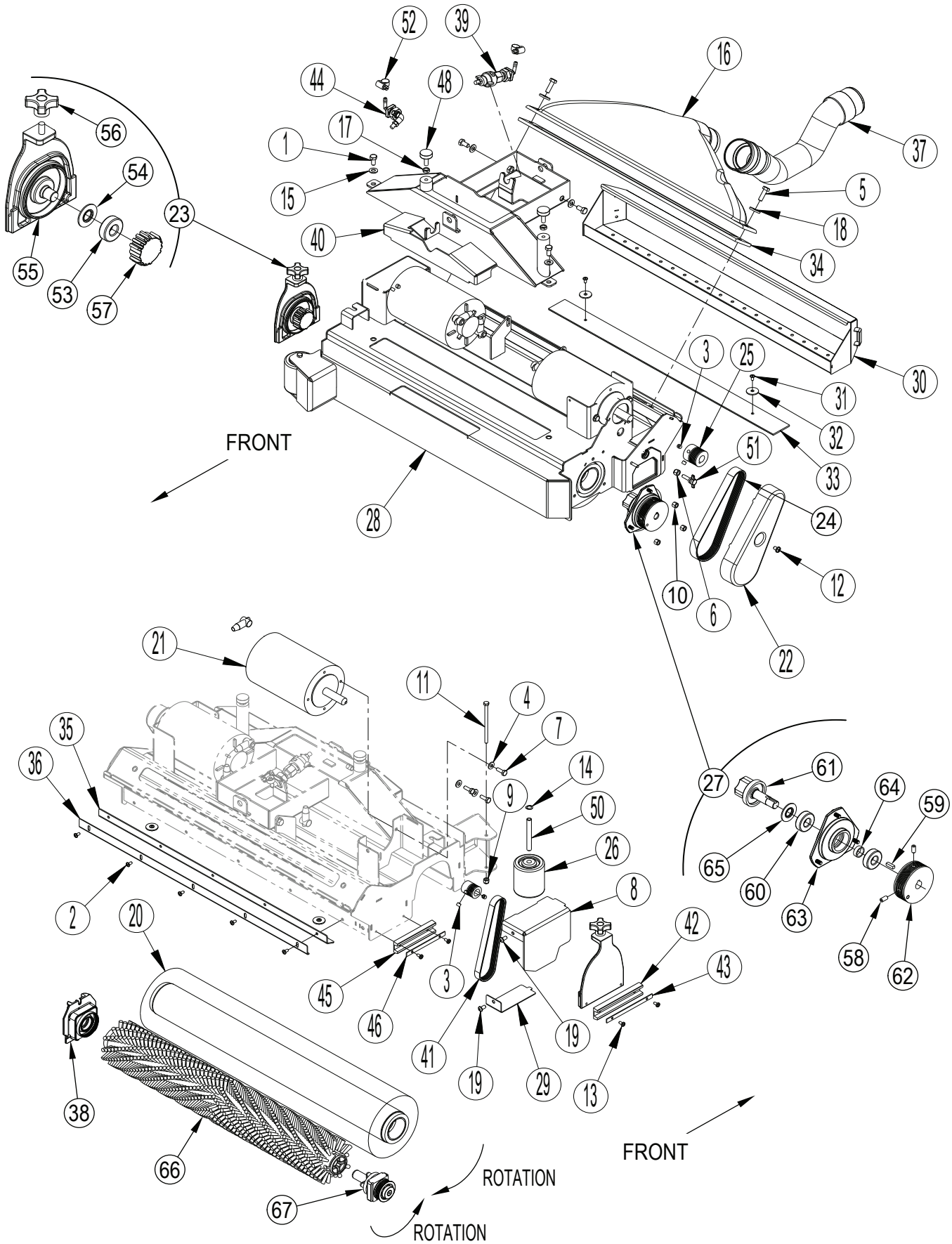
DECAL SYSTEM



DECAL SYSTEM

Kit	Item	Ref. No.	Qty	Description
K23	1		1	Decal, Caution
K23	2		1	Decal-Advance
K23	3		2	Decal
K23	4		1	Decal-Wet Dry
K23	5		1	Decal Open When Charging
K23	6		1	Decal, Circuit Breaker
K23	7		1	Decal-Battery Wiring
	K23	56344197	1	Decal Kit – ES4000

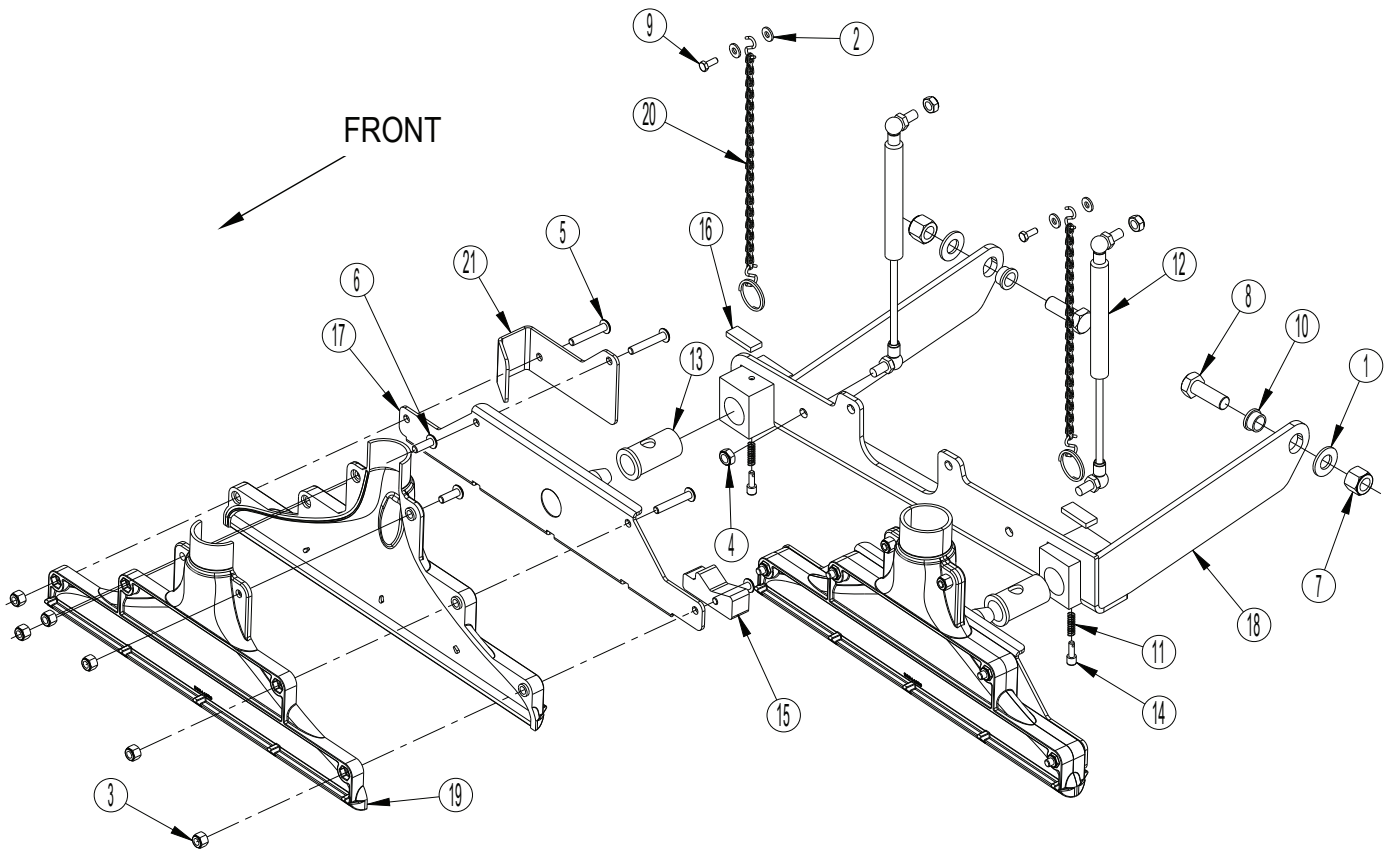
DECK SYSTEM



DECK SYSTEM

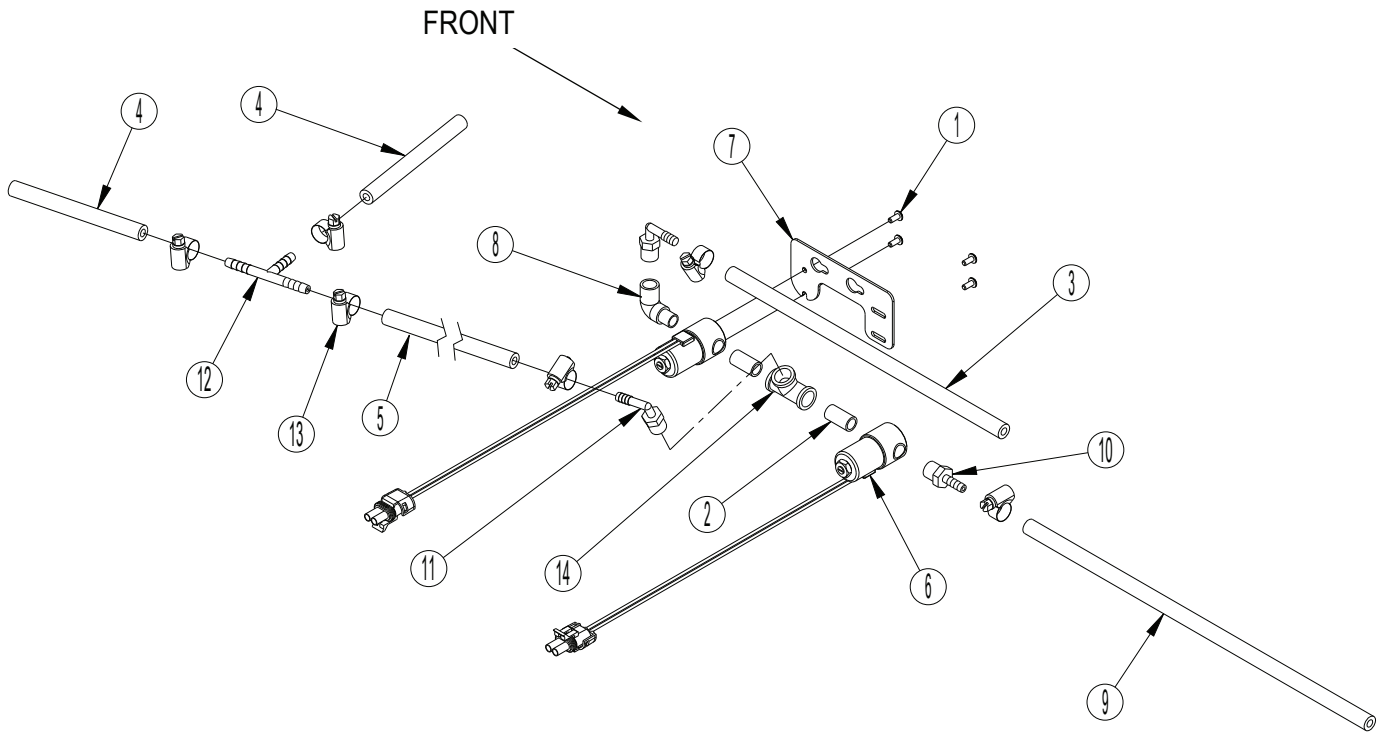
Kit	Item	Ref. No.	Qty	Description	Kit	Item	Ref. No.	Qty	Description
K20	1		4	Scr, Hex Ss 5/16-18 X .62		40	56344081	1	Deck Bracket Weldment
K7	2		5	Scr-Pan Phil Ss 10-24 X .38		41	56344141	1	Belt-Auto Tension
K20	3		4	Scr, Soc Set Loc 5/16-18 X .25	K9	42		1	Bumper
K20	4		6	Wsh, Flt Sae 1/4	K9	43		1	Bumper Retainer
K20	5		2	Scr, Hex Ss 5/16-18 X 1.00		44	56344156	1	Restoration Nozzle Assy
K20	6		1	Nut, Hex Nyl Loc Ss 1/4-20		[]	56344138	1	Nozzle-Spray
K20	7		6	Scr,Hex Hd Loc 1/4-20x.75	K9	45		1	Bumper
	8	56344028	1	Belt Guard	K9	46		1	Bumper Retainer
K8	9		1	Nut-Hex Nyl Loc M6-1		47	56344170	1	Sheave Poly-V
K20	10		3	Nut, Hex Nyl Loc Ss M6-1		48	56401783	2	Leg Leveler 5/16-18
K8	11		1	Scr-Hex M6-1 X 100mm		49	56409538	4	Insulator, Terminal
K20	12		1	Scr, Pan Phil Thd Form 1/4-20 X .38	K8	50		1	Bushing
K9	13		4	Scr, Pan Phil Thd Form 10-24 X .38		51	56602244	1	T-Knob Assembly
K20	14		2	Wsh, Bowed .375x.578x.060		52	56756364	2	Clamp- Hose Sae #4
K20	15		4	Wsh, Int Shprf 5/16		53	56106070	1	Bearing, Ball
	16	56344080	1	Tube Intake		54	56407558	1	Washer Bearing
K20	17		2	Nut, Hex Jam 5/16-18		55	56315447	1	Idler Bearing Plate
K20	18		2	Wsh, Flt .344 X .938 X .125		56	56407303	1	Knob
K20	19		2	Scr, Button Soc 1/4-20 X .50		57	56407551	1	Hub Brush
	20	56314633	1	Brush Multi Surface 28		58	56002119	2	Scr, Soc Set Loc 1/4-20 X .50
	21	56315061	2	Motor-24 Vdc .5 Hp 1800 Rpm (M7, M8)		59	56003237	1	Key, Sq .19 X .62
	[]	56412257	1	Brush Cap Assy (for 56315061)		60	56106070	2	Bearing, Ball
	[]	56412287	1	Motor Brush/Spring Kit (for 56315061)		61	56109527	1	Spindle
	[]	56412258	4	Brush Assy (for 56315061)		62	56316054	1	Sheave, Poly-V
	[]	56412259	4	Brush Spring (for 56315061)		63	56381765	1	Bearing Plate
	22	56315445	1	Cover Belt		64	56407389	1	Spacer
	23	56314445	1	Idler End Assy (#53-57)		65	56407558	1	Washer Bearing
	24	56316053	1	Belt, Auto Tension	K10,K14	66		1	Brush Multi-Surface
	25	56316066	1	Sheave, Poly-V	K11	67		1	Pulley/Drive Spindle Kit
K8	26		1	Wheel		K7	56344182	1	Rear Deflector Kit
	27	56317157	1	Drive End Assy (#58-65)		K8	56344183	1	Bumper Wheel Kit
	28	56344000	1	Deck Weldment		K9	56344184	1	Bumper Kit
	29	56344011	1	Bracket-Belt Cover		K10	56344191	1	Brush Assembly
K18	30		1	Hopper Weldment		K11	56344192	1	Pulley/Drive Spindle Kit
K18	31	56003189	2	Scr, Pan Phil Ss 10-24 X .38		K14	56344178	1	Bearing Kit
K18	32	56009060	2	Wsh, Flt Ss .260 X 1.000 X .074		K18	56344179	1	Hopper Assembly
K18	33	56344140	1	Blade Hopper		K20	56344194	1	Hardware Kit - Scrub System
K18	[]	56344099	1	Magnet-Screw Mount					
K18	[]	56002907	1	Nut Hex Nyl Loc SS 6-32					
K18	[]	56003870	1	Scr-Flt Phil SS 6-32 X .38					
	34	56344083	1	Gasket Intake					
K7	35		1	Deflector-Rear					
K7	36		1	Clamping Bar					
	37	56344110	1	Hose-Molded					
	38	56382873	1	Brush Bearing End Cover Kit					
	39	56344137	1	Maintenance Nozzle Assy					
	[]	56262099	1	Nozzle-Spray					

[] = Not Shown



SHOE LINKAGE ASSY

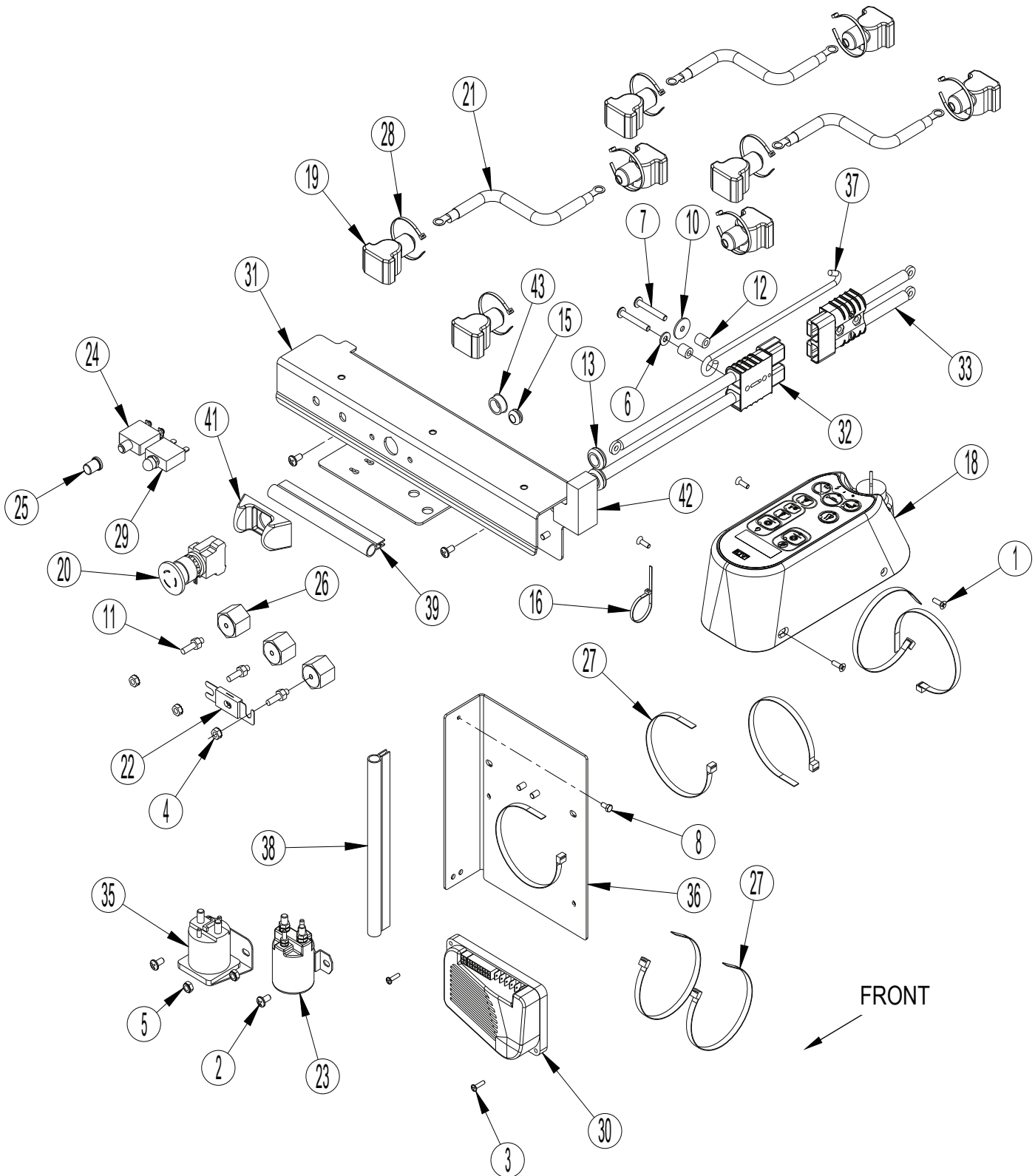
Kit	Item	Ref. No.	Qty	Description
K13	1		2	Wsh-Fit Sae 1/2
K13	2		4	Wsh, Fit Sae #10
K12	3		12	Nut, Hex Nyl Loc Ss 1/4-20
K13	4		4	Nut, Hex Nyl Loc-Thin 5/16-18
K12	5		8	Scr, Pan Phil Ss 1/4-20 X 1.50
K12	6		4	Scr, Pan Phil Ss 1/4-20 X .75
K13	7		2	Nut-Hex Nyl Loc M12-1.75
K13	8		2	Scr-Hex M12-1.75 X 35mm
K13	9		2	Scr, Hex Thd Form 10-24 X .50
K13	10		2	Bearing, Flange
K13	11		2	Spring, Compression
	12	56314206	2	Gas Spring
	13	56317092	2	Bearing, Flange
K13	14		2	Pin
	15	56317156	1	Shoe Spacer, Foam
	16	56317164	2	Foam Strip
K12	17		2	Shoe Bracket Weldment
	18	56344039	1	Shoe Support Weldment
K12	19		4	Shoe-Extractor
	20	56344123	2	Chain Assembly
	21	56344139	1	Deflector
K12		56344189	1	Shoe Assembly
K13		56344190	1	Hardware Kit - Shoe Linkage



SOLENOID VALVE ASSY

Kit	Item	Ref. No.	Qty	Description
		56344064	1	Valve Assembly
K19	1	56003018	4	Scr, Pan Phil Ss 8-32 X .38
	2		2	Nipple, 1/4npt X .88/1.12
	3	56220043	1	Solution Feed Hose
	4	56264260	2	5.00" Hose
	5	56265373	1	Hose, 1/4 X 21.00l, E00160
	6	56317024	2	Valve, Solenoid 24v (L2, L3)
	7	56344063	1	Bracket-Valve
K19	8		1	Elbow, 90 Street
	9	56456560	1	15.00" Hose
K19	10		1	Barb, Adapter 1/4 X 1/4npt
K19	11		2	Barb, 90 Elbow 1/4 X 1/4npt
	12	56508441	1	Tee, 1/4 Id Hose, Barb
	13	56756364	6	Clamp- Hose Sae #4
K19	14		1	Tee, Female Union
K19		56344174	1	Fitting Kit - Valve Assembly

ELECTRICAL SYSTEM

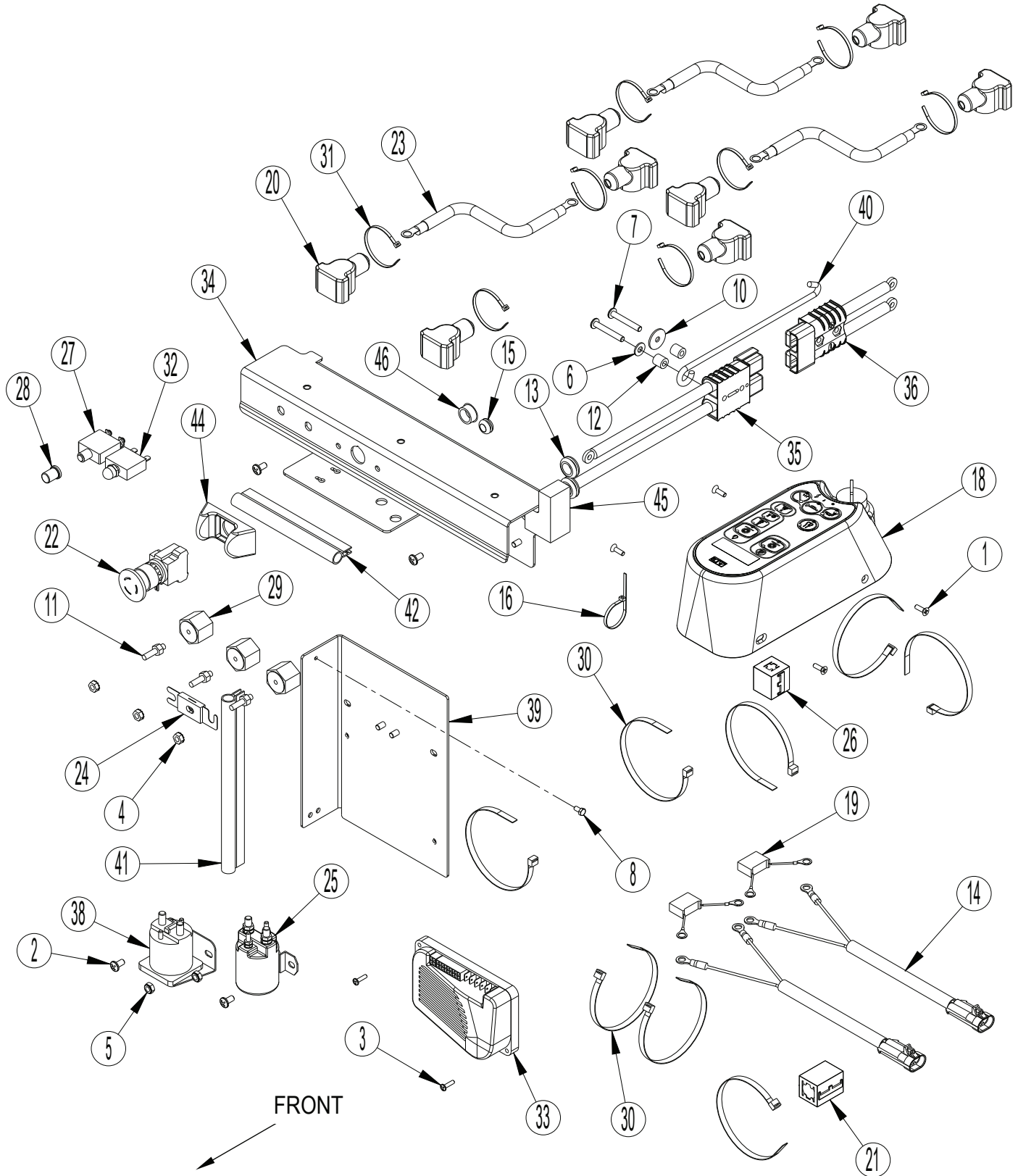


ELECTRICAL SYSTEM

Kit	Item	Ref. No.	Qty	Description
K22	1		4	Scr, Flt Phil 10-24 X .62
K22	2		4	Scr-Pan Phil Loc 1/4-20 X .50
K22	3		2	Scr-Pan Phil 8-32 X .62
K22	4		3	Nut, Hex W/ Shprf 1/4-20
K22	5		2	Nut, Hex Nyl Loc-Thin 1/4-20
K22	6		1	Wsh-Flt Sae Ss 1/4
K22	7		2	Scr-Pan Phil 1/4-20 X 1.75
K22	8		1	Scr, Hex Thd Form 10-24 X .38
K22	10		1	Wsh, Flt Ss .260 X 1.000 X .074
K22	11		3	Stud, 1/4-20
	12	56046309	2	Spacer, Phenolic
	13	56157376	2	Grommet
[14]		56315320	2	Harness, Brush Motor
	15	56321540	1	Grommet
	16	56325219	1	Tie, Cable
[17]		56344092	1	Harness-Main
	18	56344096	1	Kit-Control Board (A1)
	[]	56344093	1	Kit, Interface Panel (Membrane Switch, Interface Panel)
	[]	56303553	1	Key Switch (S1)
	[]	56303526	A/R	Replacement Key Set
	19	56372673	8	Boot-Battery Post
	20	56407130	1	Disconnect, Emergency (S4)
	21	56409485	3	Cable, Battery
	22	56412089	1	Fuse, 150 Amp (F1)
	23	56412179	1	Contact, 24 Vdc (K2)
	24	56454429	1	Circuit Breaker, 70 Amp (CB1)
	25	56459369	1	Boot, Reset Button
	26	56469858	3	Electrical Mount
	27	56477613	9	Tie, Cable
	28	56478246	8	Tie, Cable
	29	56507644	1	Circuit Breaker, 10 Amp (CB2)
	30	56601061	1	Controller, Speed (A2)
	31	56601105	1	Panel
	32	56601171	1	Connector Assy
	33	56601172	1	Connector Assy
[34]		56344205	1	Harness-Traction
	35	56601183	1	Contact, 24v, 100 Amp (K1)
	36	56601185	1	Panel
	37	56601215	1	Prop Rod, Seat
	38	56601251	1	Gasket
	39	56601252	1	Gasket
[40]		56601431	1	Cable, Jumper
	41	56601434	1	Emergency Button Guard
	42	56601600	1	Foam Insert
	43	56900144	1	Plug, Cap
K22		56344196	1	Hardware Kit – Electrical System

[] = Not Shown

ELECTRICAL SYSTEM-WITH SUPPRESSION

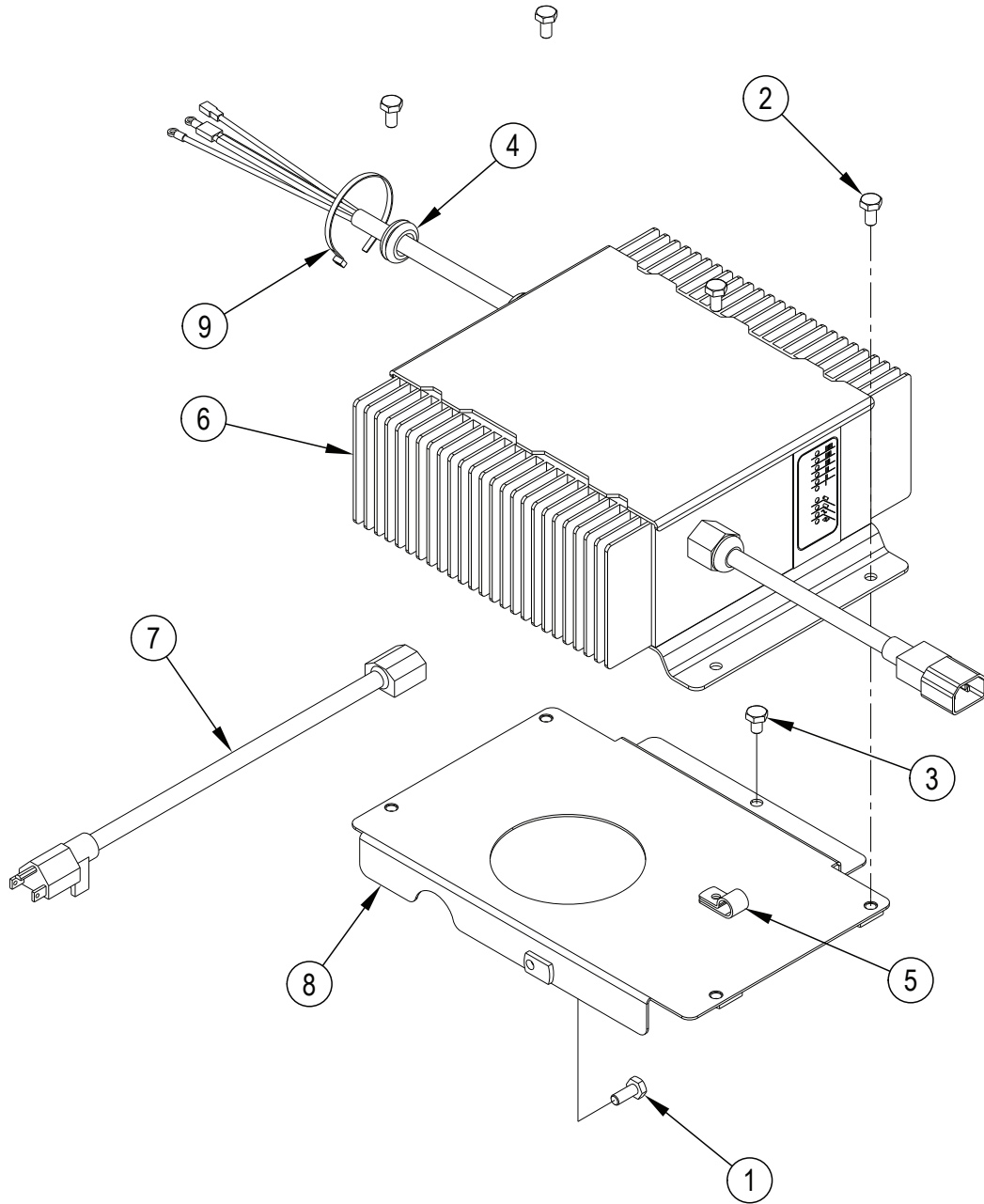


ELECTRICAL SYSTEM-WITH SUPPRESSION

Kit	Item	Ref. No.	Qty	Description
K22	1		4	Scr, Flt Phil 10-24 X .62
K22	2		4	Scr-Pan Phil Loc 1/4-20 X .50
K22	3		2	Scr-Pan Phil 8-32 X .62
K22	4		3	Nut, Hex W/ Shprf 1/4-20
K22	5		2	Nut, Hex Nyl Loc-Thin 1/4-20
K22	6		1	Wsh-Flt Sae Ss 1/4
K22	7		2	Scr-Pan Phil 1/4-20 X 1.75
K22	8		1	Scr, Hex Thd Form 10-24 X .38
K22	10		1	Wsh, Flt Ss .260 X 1.000 X .074
K22	11		3	Stud, 1/4-20
	12	56046309	2	Spacer, Phenolic
	13	56157376	2	Grommet
[14]		56315320	2	Harness-Brush Motor
	15	56321540	1	Grommet
	16	56325219	1	Tie, Cable
[17]		56344092	1	Harness-Main
	18	56344096	1	Kit-Control Board (A1)
	[]	56344093	1	Kit, Interface Panel (Membrane Switch, Interface Panel)
	[]	56303553	1	Key Switch (S1)
	[]	56303526	A/R	Replacement Key Set
	19	56344173	2	Capacitor Assy
	20	56372673	8	Boot-Battery Post
	21	56380004	1	Ferrite Bead
	22	56407130	1	Disconnect, Emergency (S4)
	23	56409485	3	Cable,Battery
	24	56412089	1	Fuse, 150 Amp (F1)
	25	56412179	1	Contact, 24 Vdc (K2)
	26	56413883	1	Ferrite Bead
	27	56454429	1	Circuit Breaker, 70 Amp (CB1)
	28	56459369	1	Boot, Reset Button
	29	56469858	3	Electrical Mount
	30	56477613	10	Tie, Cable
	31	56478246	8	Tie, Cable
	32	56507644	1	Circuit Breaker, 10 Amp (CB2)
	33	56601061	1	Controller, Speed (A2)
	34	56601105	1	Panel
	35	56601171	1	Connector Assy
	36	56601172	1	Connector Assy
[37]		56344205	1	Harness-Traction
	38	56601183	1	Contact, 24v, 100 Amp (K1)
	39	56601185	1	Panel
	40	56601215	1	Prop Rod, Seat
	41	56601251	1	Gasket
	42	56601252	1	Gasket
[43]		56601431	1	Cable, Jumper
	44	56601434	1	Emergency Button Guard
	45	56601600	1	Foam Insert
	46	56900144	1	Plug, Cap
K22		56344196	1	Hardware Kit – Electrical System

[] = Not Shown

ONBOARD CHARGER ASSY



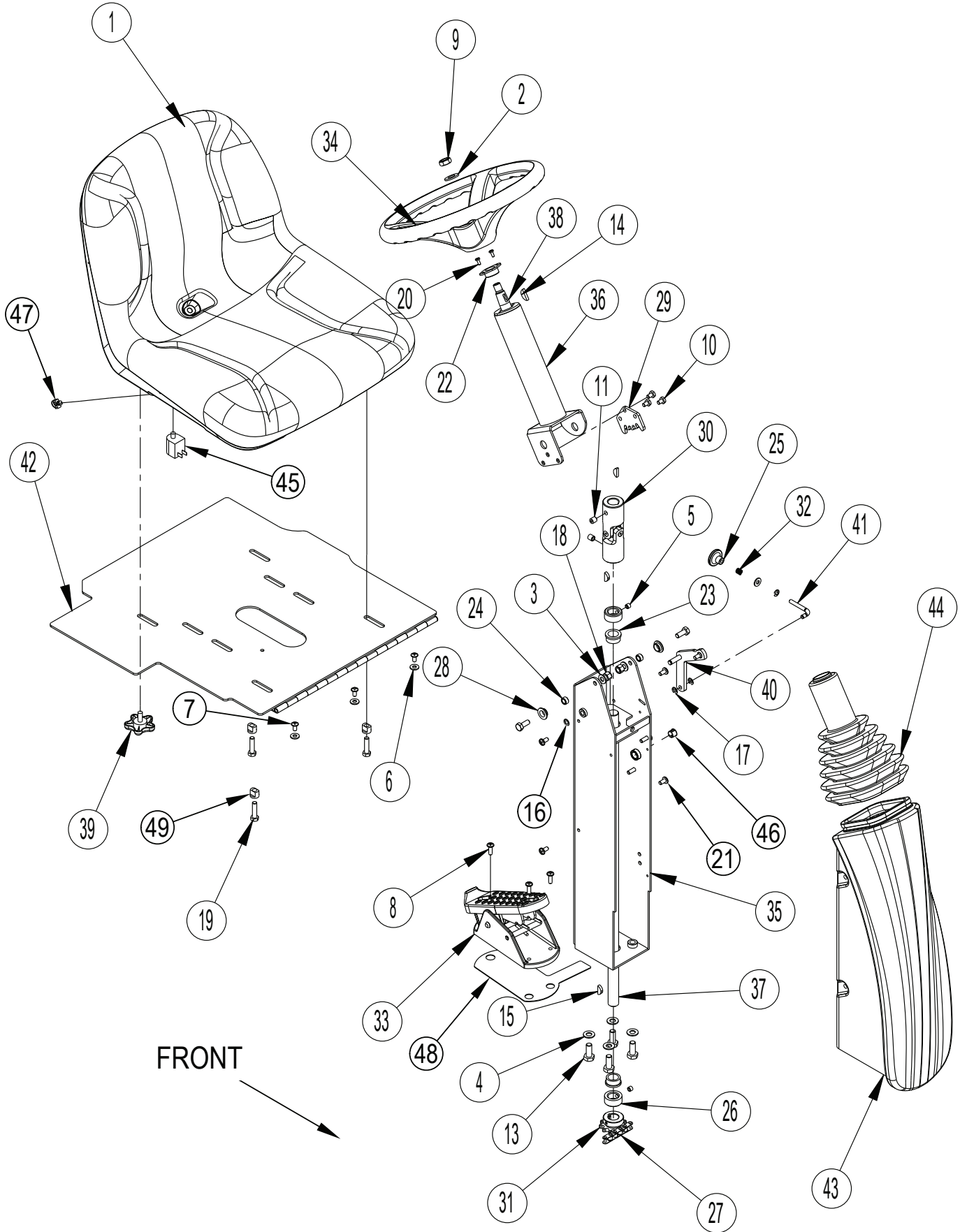
ONBOARD CHARGER ASSY

Kit	Item	Ref. No.	Qty	Description
		NA	1	Onboard Charger Assembly NOTE 1
	1	56001836	1	Scr, Hex 1/4-20 X .62
	2	56001854	4	Scr, Hex 1/4-20 X .50
	3	56009019	1	Scr, Hex Thd Form 1/4-20 X .38
	4	56157376	1	Grommet
	5	56172017	1	Clamp, P
	6	56315773	1	Charger, On-Board 24V TSBUS2008-984
	7#	56383385	1	Cord Charger Yellow US
	8	56601417	1	Charger Mount Bracket
	9	56478246	1	Cable Tie

= Revised or new since last update

NOTE 1: Standard in the following packages: 56344203, 56344204, 56344213, 56344214

CONTROL SYSTEM

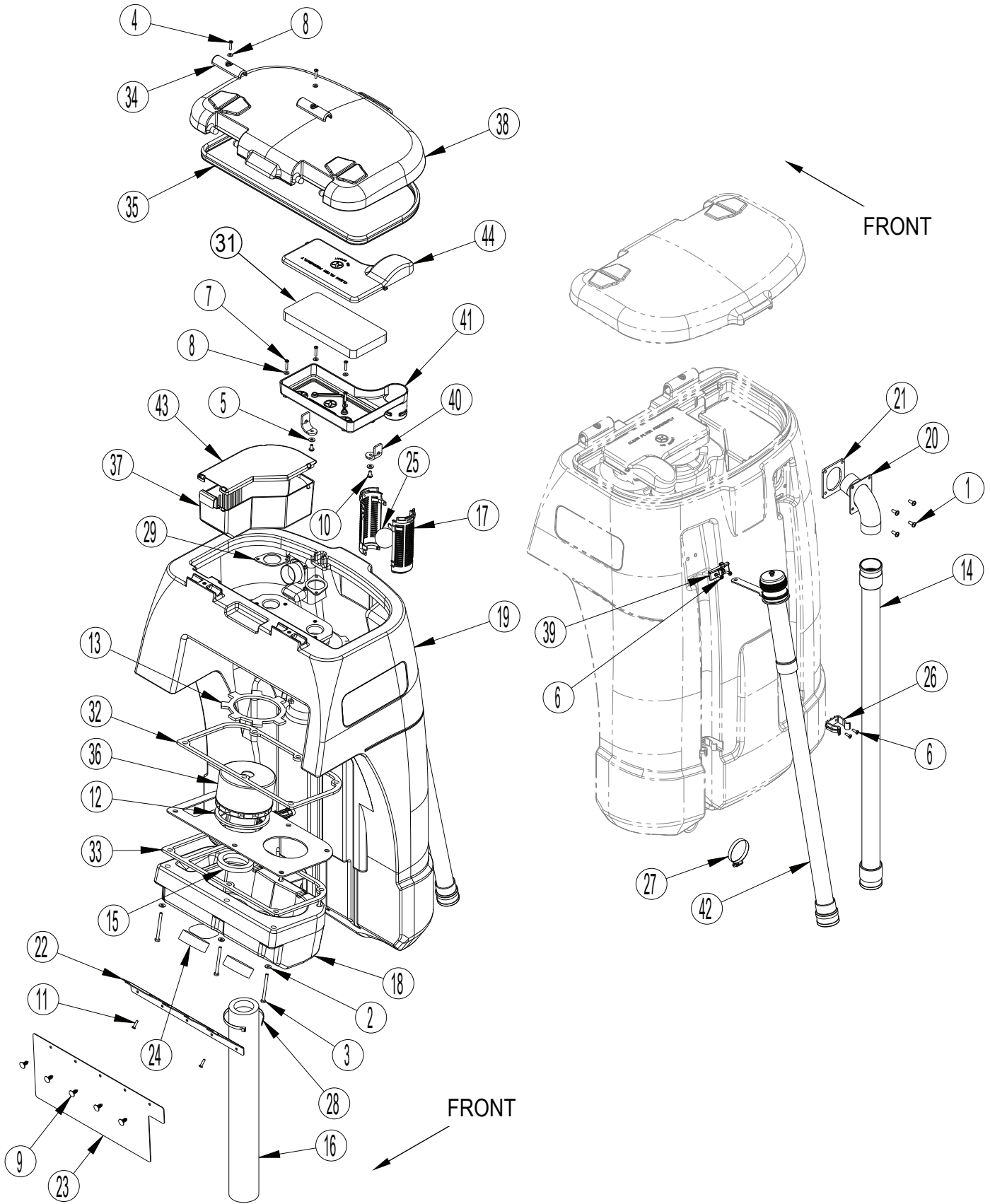


CONTROL SYSTEM

Item	Ref. No.	Qty	Description
1	56383187	1	Seat NOTE 1
2	56001879	1	Wsh, Flt SAE 1/2
3	56001939	2	Scr, Flt SAE 5/16
4	56002063	4	Wsh, Flt SAE 3/8
5	56002086	2	Scr, Soc Set Loc 5/16-18 X .25
6	56002098	4	Wsh, Flt SAE 1/4
7	56002145	3	Scr, Pan Phil 1/4-20 X .50
8	56002507	3	Scr, Pan Phil 1/4-20 X .75
9	56002843	1	Nut, Hex Nyl Loc-Thin 1/2-13
10	56002933	3	Scr, Hex Hd Loc 1/4-20x.38
11	56003081	2	Scr, Soc Set Loc 3/8-16 X .38
12	56003179	2	Scr, Hex Thd To Hd M8-1.25 X 20mm
13	56003186	4	Scr, Hex Thd To Hd M10-1.5 X 25mm
14	56003227	1	Key, Wdf .62 X .19
15	56003228	3	Key, Wdf .75 X .19
16	56003261	1	Ring, Ret Ext Type E 0.31 Dia
17	56003268	3	Ring, Ret Ext Type E Reinf. 0.25 Dia
18	56003389	2	Nut, Hex Nyl Loc M8-1.25
19	56001834	3	Scr Hex 5/16-18 X 1.25
20	56009051	2	Scr, Pan Phil Thd Form 8-32 X .38
21	56009062	4	Scr, Pan Phil Thd Form 1/4-20 X .50
22	56100393	1	Bushing
23	56250414	2	Bearing, Flange
24	56320595	2	Bushing .32 x .50 x .28
25	56362778	1	Knob
26	56367095	2	Collar, Shaft
27	56412198	1	Chain, Roller
28	56413211	2	Bearing, Flange .625 X .500 X .250
29	56413658	1	Ratchet, Steering Column
30	56454081	1	Universal Joint
31	56471148	1	Sprocket
32	56578222	1	Spring, Compression
33	56601052	1	Foot Pedal Assy (R1)
34	56601060	1	Steering Wheel
35	56601163	1	Lower Column Weldment
36	56601169	1	Upper Column Weldment
37	56601223	1	Shaft, Lower Steering
38	56601224	1	Shaft, Upper Steering
39	56601271	1	Knob, 5/16 Stud
40	56601284	1	Steering Pawl Weldment
41	56601292	1	Pull Lever
42	56601362	1	Seat Panel Weldment
43	56601484	1	Shroud, Lower Column
44	56601500	1	Boot, Steering
45	7-82-00050	1	Switch (S2)
46	56601683	1	Plug-Cap
47	56315382	1	Clip-Conduit
48	56601601	1	Foot Pedal Plate
49	56383230	3	Flanged Bushing Seat

NOTE 1: Seat 8-69-00022 has been replaced by Seat 56383187 in production as of June 2013. Please order Seat Kit 56383240 when replacing Seat 8-69-00022.

RECOVERY SYSTEM

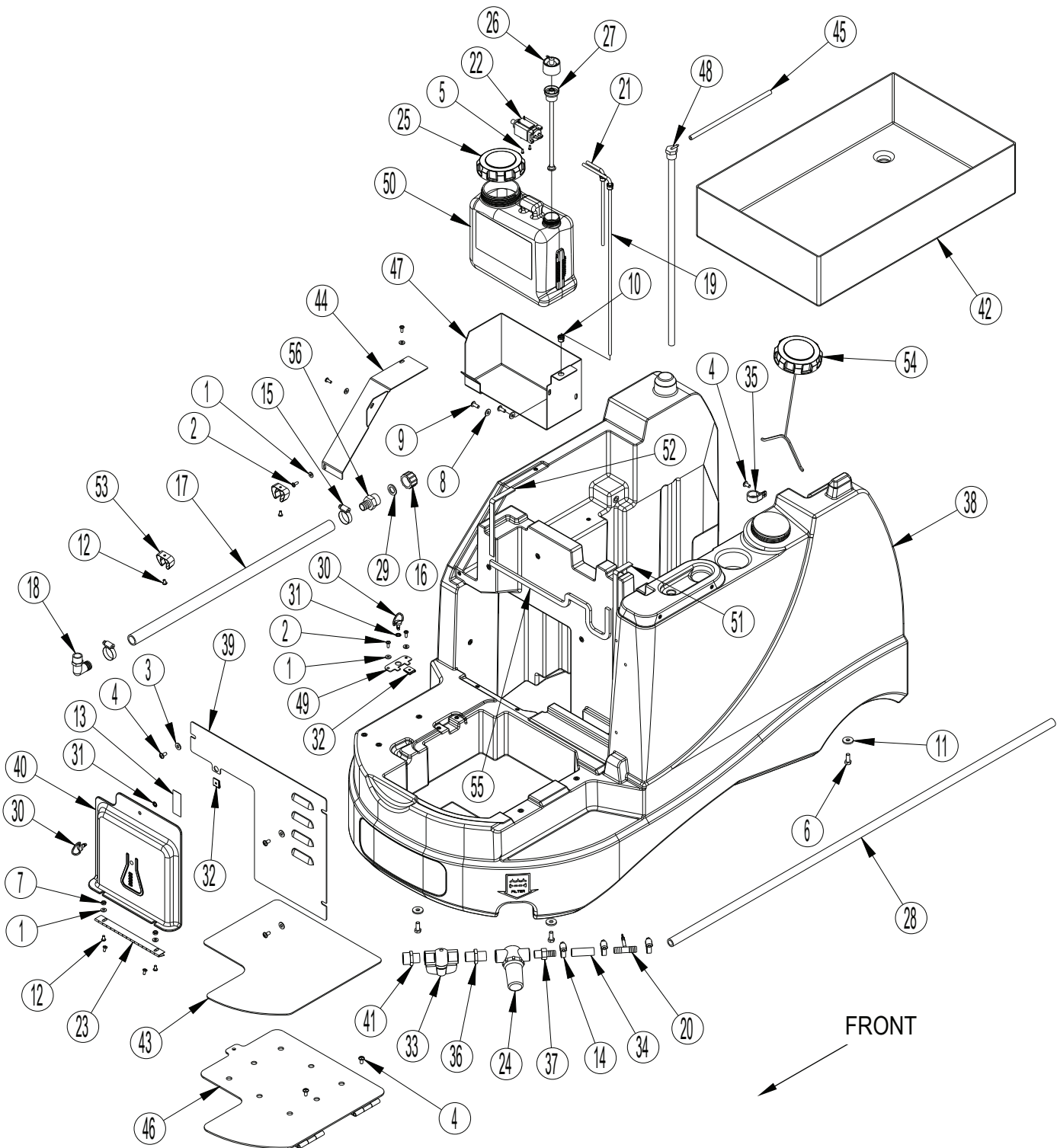


RECOVERY SYSTEM

Kit	Item	Ref. No.	Qty	Description
K16	1		4	Scr-Pan Phil 1/4-20 X .62
K16	2		6	Wsh, Flt Sae 1/4
K16	3		6	Scr, Hex 1/4-20 X 3.00
K16	4		2	Scr-Pan Phil 10-24 X .88
K16	5		2	Wsh-Flt Sae Ss 1/4
K16	6		6	Scr, Pan Phil Ss 10-24 X .62
K16	7		4	Scr, Pan Phil Ss 10-24 X 1.00
K16	8		6	Wsh-Flt Sae Ss #10
K16	9		5	Rivet, Nylon Tree Push-In (.25)
K16	10		2	Scr, Pan Phil Ss Plastite 1/4-10 X .50
K16	11		2	Scr, Pan Phil Ss Type Ab 10-16 X .75
K17	12		2	Gasket, Vacuum Duct
K17	13		2	Gasket, Vacuum Motor
	14	56314517	1	Vac Hose Assembly
K17	15		2	Gasket, Vacuum Duct
	16	56315847	1	Foam Tube Assembly
	17	56324497	2	Cage, Float
	18	56344074	1	Cover-Vac Motor
	19	56344114	1	Tank-Recovery
	20	56344116	1	Elbow Weldment
	21	56344118	1	Gasket-Inlet
	22	56344164	1	Bracket
	23	56344165	1	Flap
	24	56344168	2	Filter
	25	56391690	1	Ball, Float
	26	56407361	2	Clamp, Plastic
	27	56440213	1	Clamp- Hose Sae #32
	28	56477613	1	Tie, Cable
	29	56601121	2	Gasket, Vac Filter
	30	56601122	1	Plate, Vac
	31	56601125	1	Filter
	32	56601126	1	Gasket, Exhaust
	33	56601127	1	Gasket, Vac
	34	56601128	2	Hinge Clamp
	35	56114185	1	Gasket-Recovery Tank
K17	36		2	Motor, Vac 24vdc (M5, M6)
	[]	56397098	1	Carbon Brush Set of 2 (for 56344176)
K24	36		2	Motor, Vac W/Suppression 24vdc (M5, M6)
	[]	56397098	1	Carbon Brush Set of 2 (for 56344199)
	37	56601138	1	Strainer Basket
	38	56601139	1	Recovery Lid
	39	56601204	1	Hook, Drain Hose
	40	56601250	2	Strap, Filter Cover
	41	56601253	1	Filter Box
	42	56381921	1	Drain Hose Ribbed
	[]	56601411	1	Drain Hose Cap Kit
	[]	56601410	1	Drain Hose Extension
	43	56601421	1	Cover, Debris
	44	56344198	1	Cover, Fltr Box W/Gskt
K16	56344175		1	Hardware Kit – Recovery System
K17	56344176		1	Vacuum Motor Gasket Kit (Standard)
K24	56344199		1	Vacuum Motor Gasket Kit (EMC Suppression)

[] = Not Shown

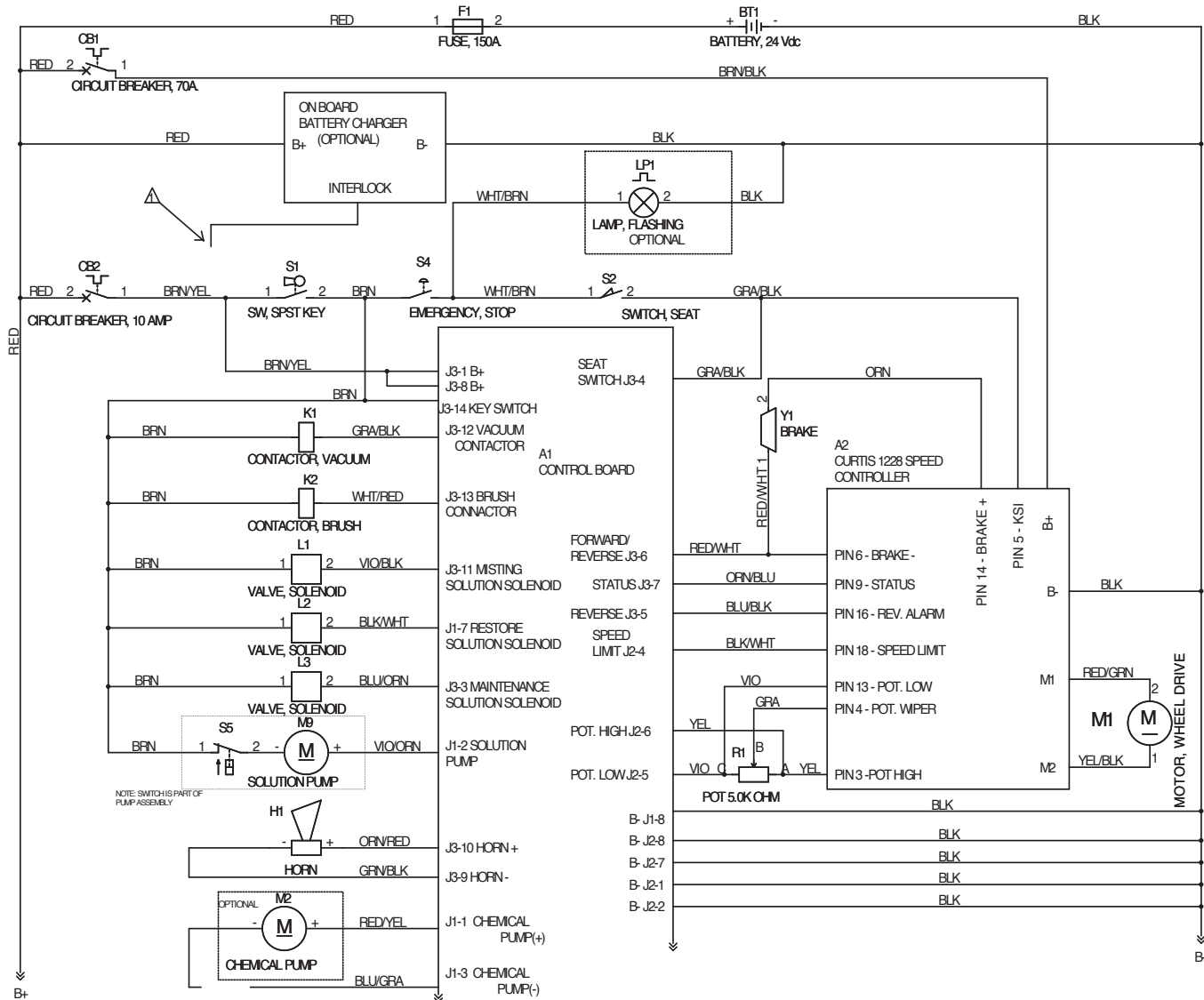
SOLUTION SYSTEM



SOLUTION SYSTEM

Kit	Item	Ref. No.	Qty	Description
K21	1		7	Wsh, Flt Sae #10
K21	2		5	Scr-Pan Phil 10-24 X .50
K21	3		3	Wsh, Flt Sae 1/4
K21	4		8	Scr-Pan Phil 1/4-20 X .50
K21	5		2	Scr, Pan Phil Thd Form 6-32 X .31
K21	6		4	Scr, Hex 5/16-18 X .75
K21	7		2	Nut, Hex Nyl Loc-Thin 10-24
K21	8		2	Wsh-Flt Sae Ss 1/4
K21	9		2	Scr, Pan Phil Ss 1/4-20 X .62
K21	10		3	Bushing, 1/4 Id Snub
K21	11		4	Wsh, Flt .344 X .938 X .125
K21	12		6	Scr, Pan Phil Loc 10-24 X .38
	13	56016331	1	Decal-Chemical Ratio
	14	56219932	3	Clamp- Hose Sae #6
	15	56244969	2	Clamp- Hose Sae #12
	16	56255076	1	Cap, Pipe Ght Nylon
	17	56261265	1	Hose, .75 Clear Pvc, 25.00
	18	56314757	1	Barb, 90 Elbow 3/4 X 1/2npt
	19	56314942	1	Hose, Chem Resistant
	20	56314983	1	Tee Assembly
	21	56314991	1	Hose, Chem Resistant 14"
	22	56315241	1	Pump, Chemical (M2)
	23	56315285	1	Hinge
	24	56315296	1	Solution Filter
	25	56315517	1	Cap, Raw
	26	56315523	1	Cap, Dry Break, 1/8 Barb, 90°
	27	56315527	1	Insert, Dry Break
	28	56344069	1	Hose Pvc Clear .50 Id
	29	56368776	1	Washer, Rubber
	30	56380132	2	Latch, 1/4 Turn
	31	56380137	2	Retainer
	32	56380141	2	Nut, Clamp
	33	56381475	1	Ball Valve
	34	56396330	1	Hose, Pvc Clear
	35	56410097	3	Clamp, P
	36	56412182	1	Nipple, Hex 3/4-14
	37	56412184	1	Barb, Adapter 1/2 X 1/2 Npt
	38	56601076	1	Solution Tank
	39	56601106	1	Panel
	40	56601202	1	Chemical Bottle Cover
	41	56601212	1	Nipple, Reducer 3/4"Npt X 1/2"Npt
	42	56601213	1	Battery Box
	43	56601246	1	Mat
	44	56601268	1	Plate
	45	56112553	1	Hose
	46	56601339	1	Charger Cover Weldment
	47	56601398	1	Bracket
	48	56344172	1	Tube, Pressure Sensing W/Elbow
	49	56601511	1	Plate
	50	56601544	1	Chemical Bottle Assy
	51	56601569	1	Gasket
	52	56601570	1	Gasket
	53	56601598	2	Hose Clip
	54	56601599	1	Cap - Raw With Tether
	55	56601685	1	Gasket
	56	56900273	1	Barb, Adapter 3/4 X 3/4ght
K21	56344195		1	Hardware Kit – Solution Assembly

LADDER DIAGRAM-1

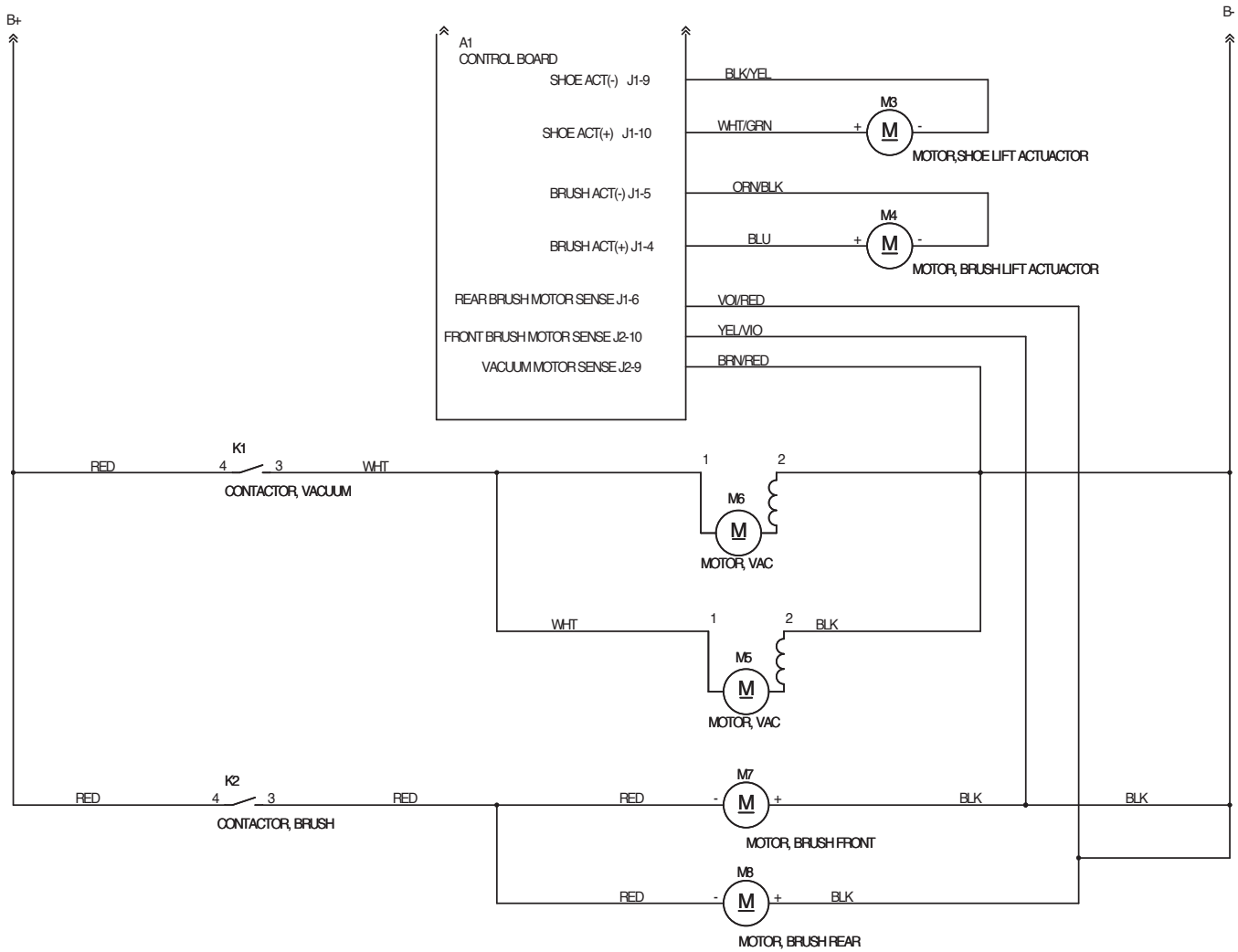


NOTES:
 1. DISCONNECT RED WIRE ON OB2 AND REPLACE WITH GREEN WIRE FROM CHARGER WHEN ON BOARD CHARGER IS USED

LADDER DIAGRAM-1

Item	Ref. No.	Qty	Description
A1	56344096	1	Kit-Control Board
A2	56601061	1	Controller, Speed
BT1	N/A		Battery
CB1	56454429	1	Circuit Breaker, 70 Amp
CB2	56507644	1	Circuit Breaker, 10 Amp
F1	56412089	1	Fuse, 150 Amp
H1	56412177	1	Horn/Backup Alarm
K1	56601183	1	Contactora 24v, 100 Amp
K2	56412179	1	Contactora, 24 Vdc
L1	56317024	1	Valve, Solenoid 24v
L2	56317024	1	Valve, Solenoid 24v
L3	56317024	1	Valve, Solenoid 24v
LP1	56601085	1	Beacon, Warning (optional)
M1	56601050	1	Motor / Drive Wheel
M2	56315241	1	Pump, Chemical
M3	56344160	1	Actuator-Motor 24v
M4	56344161	1	Lift Actuator Assembly
M5	56601132	1	Motor, Vac 24vdc
M6	56601132	1	Motor, Vac 24vdc
M7	56315061	1	Motor-24 Vdc .5 Hp 1800 Rpm TSBUS2010-1058
M8	56315061	1	Motor-24 Vdc .5 Hp 1800 Rpm TSBUS2010-1058
M9	56317045	1	Solution Pump, 24vdc
R1	N/A	1	Part of Footpedal Assy 56601052
S1	56303553	1	Ket Switch
S2	7-82-00050	1	Switch
S4	56407130	1	Disconnect, Emergency
Y1	56601507	1	Brake, Electromagnetic
	56315773	1	Charger, On-Board 24v TSBUS2008-984

LADDER DIAGRAM-2



LADDER DIAGRAM-2

Item	Ref. No.	Qty	Description
A1	56344096	1	Kit-Control Board
A2	56601061	1	Controller, Speed
BT1	N/A		Battery
CB1	56454429	1	Circuit Breaker, 70 Amp
CB2	56507644	1	Circuit Breaker, 10 Amp
F1	56412089	1	Fuse, 150 Amp
H1	56412177	1	Horn/Backup Alarm
K1	56601183	1	Contactora 24v, 100 Amp
K2	56412179	1	Contactora, 24 Vdc
L1	56317024	1	Valve, Solenoid 24v
L2	56317024	1	Valve, Solenoid 24v
L3	56317024	1	Valve, Solenoid 24v
LP1	56601085	1	Beacon, Warning (optional)
M1	56601050	1	Motor / Drive Wheel
M2	56315241	1	Pump, Chemical
M3	56344160	1	Actuator-Motor 24v
M4	56344161	1	Lift Actuator Assembly
M5	56601132	1	Motor, Vac 24vdc
M6	56601132	1	Motor, Vac 24vdc
M7	56315061	1	Motor-24 Vdc .5 Hp 1800 Rpm TSBUS2010-1058
M8	56315061	1	Motor-24 Vdc .5 Hp 1800 Rpm TSBUS2010-1058
M9	56317045	1	Solution Pump, 24vdc
R1	N/A	1	Part of Footpedal Assy 56601052
S1	56303553	1	Ket Switch
S2	7-82-00050	1	Switch
S4	56407130	1	Disconnect, Emergency
Y1	56601507	1	Brake, Electromagnetic
	56315773	1	Charger, On-Board 24v TSBUS2008-984

OPTIONAL KITS & ACCESSORIES

Item	Ref. No.	Qty	Description
Kits			
*	56397453	1	Kit-Battery Fill Indicator
*	7-03-04249	1	Kit-Seat Armrests (only used on Seat 8-69-00022)
*	56383188	1	Arm Rest Kit R/H + L/H (only used on Seat 56383187)
*	56601085	1	Kit-Warning Beacon
*	56422162	1	Kit-Seat Belt
*	56601527	1	Battery Watering Kit
*	56315732	1	Quiq Programmer Kit
*	56344093	1	Interface Panel Kit
*	56380572	1	Aquawand Carpet Scrub Wand 13
*	56265174	1	15 Ft. Hose Assembly
*	56601545	1	Chemical Bottle Assembly

Replacement parts for the kits listed above can be found on each kit's associated instruction sheet.

Brushes			
*	56314633	1	Brush Multi-Surface 28 (Front)
*	56344191	1	Brush Assembly (Rear)

Accessories			
*	56409441	A/R	Programmer, 1311 User
*	56409823	A/R	Programmer Cable
*	56044604	1	Literature Pack

* = Optional, Not Included



Nilfisk-Advance Equipamentos de Limpeza Ltda.
Av. Dep. Emílio Carlos, 2.499 - Bairro do Limão - 02721-200
São Paulo - SP - Brasil
www.nilfisk-advance.ind.br
www.plataforma.ind.br
Tel.: (11) 3959-0300
Fax: (11) 3959-0306
©2013 Nilfisk-Advance, Inc.



14600 21st Avenue North
Plymouth, MN 55447-3408
www.advance-us.com
Phone: 800-989-2235
Fax: 800-989-6566
©2013 Nilfisk-Advance, Inc.

A Nilfisk-Advance Brand