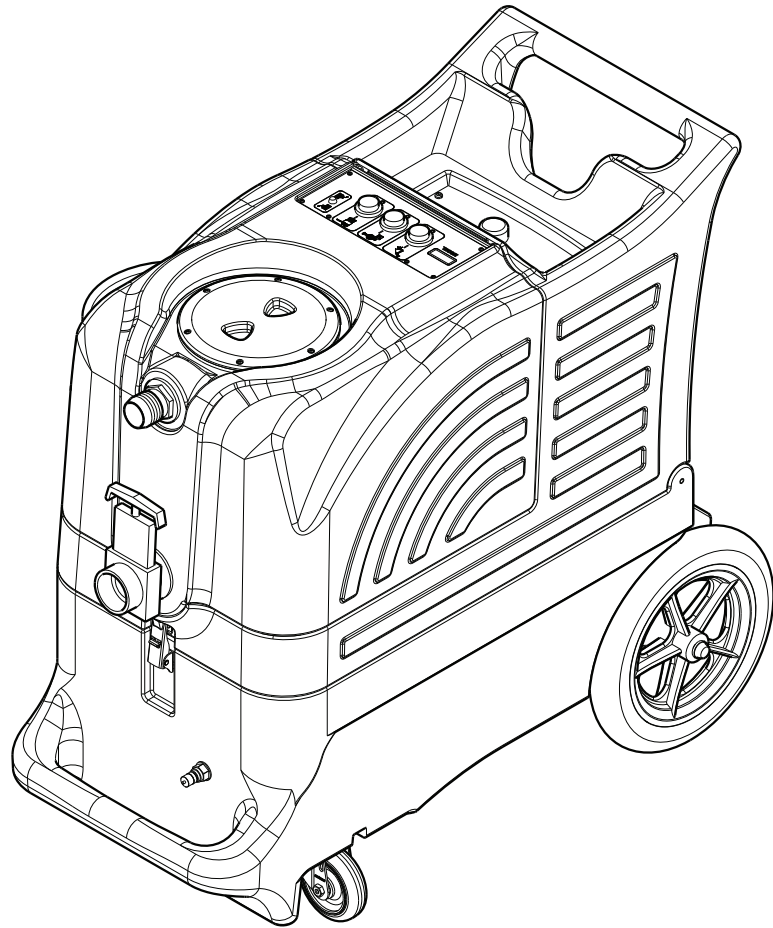


ET600



PARTS LIST

MODELS 56105312 (100), 56105313 (100H), 56105314 (400H)



Advance

7/11 revised 4/13 FORM NO. 56042585

TABLE OF CONTENTS

| DESCRIPTION | PAGE |
|----------------------------|-------|
| Base System - 400H..... | 2-3 |
| Base System - 100H..... | 4-5 |
| Base System - 100 | 6-7 |
| Recovery System..... | 8-9 |
| Solution System..... | 10-11 |
| Ladder Diagram..... | 12-13 |
| Decal System..... | 14 |
| Options & Accessories..... | 15 |

WHEN ORDERING PARTS

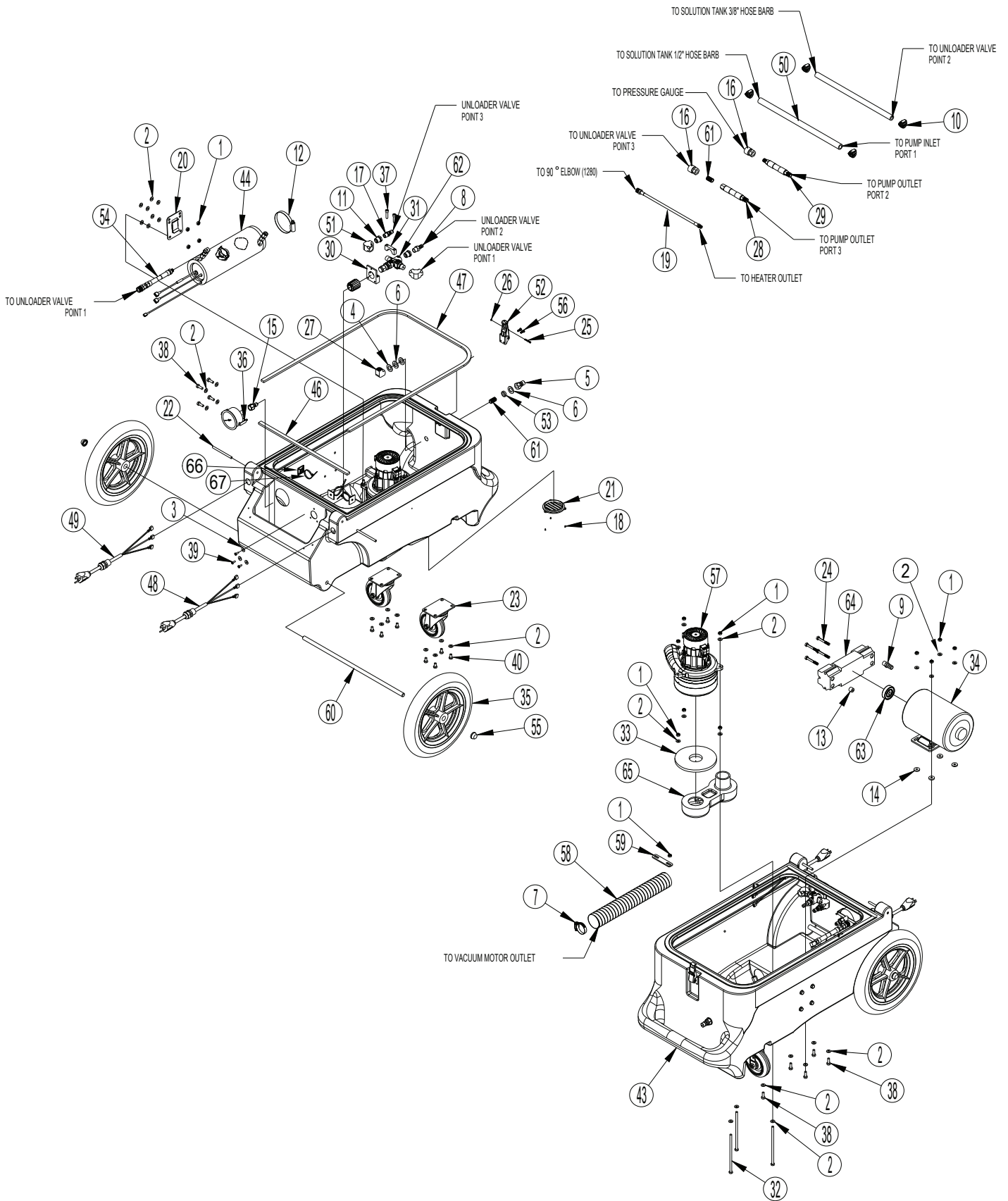
- * Use the part numbers from the "Ref. No." columns in this parts list. If the "Ref. No." column is blank; look under the "Kit" column to identify which kit contains the part in question, then use the kit callout, for example "K1", to find the "Ref. No." for that kit.

| Kit | Item | Ref. No. | Qty | Description |
|-----|------|----------|-----|---------------------------------|
| K1 | 1 | | 16 | Washer Flat 3/16 Zinc Plat |
| K1 | 2 | | 2 | Screw-BHS-Brass-10-32x3/8-MS |
| K1 | 3 | | 3 | Washer EPDM 7/32 X 1/8 |
| | 4 | 805 | 1 | Chain-Cover |
| | 5 | 905 | 2 | Caster Swivel 4 Gray Non MA |
| K1 | 6 | | 2 | Nut, Hex Nyl Loc 10-24 |
| K1 | 7 | | 3 | Scr- Hex SS 1/4-20 X .75 |
| K1 | 8 | | 16 | Scr, Hex Hd Loc 1/4-20 x .50 |
| K1 | 9 | | 3 | Wsh, Flt SS .260 X 1.000 X .074 |
| | 10 | 56113012 | 1 | Solution Tank |
| | 11 | 56113034 | 2 | Hinge Plate |
| K1 | | 56113103 | 1 | Kit-Hardware Solution Tank |

- * Specify the model and serial number of the machine.
- * Use the space below to record the model and serial number for future reference.

Model _____ Serial No. _____

BASE SYSTEM - 400H

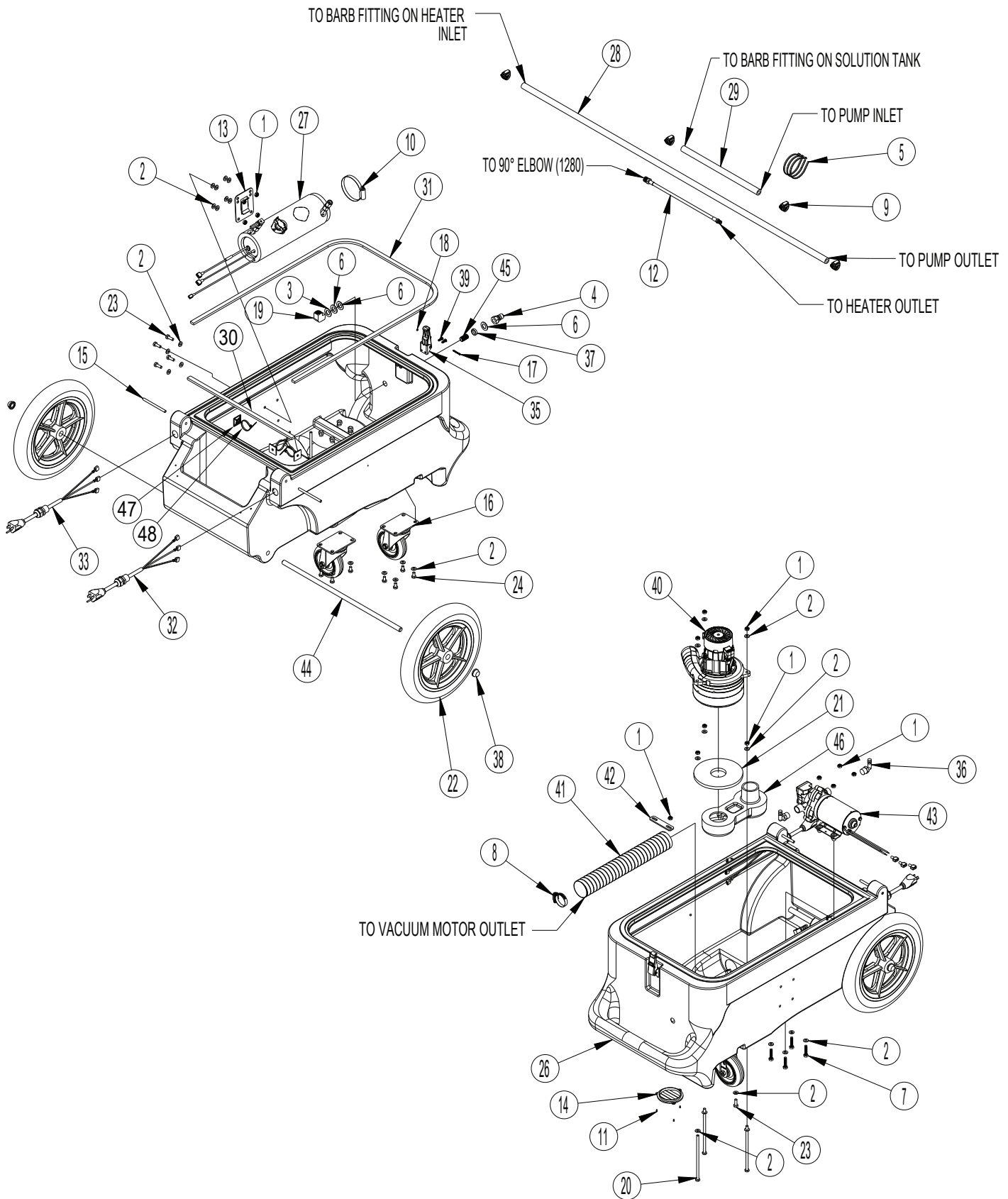


BASE SYSTEM - 400H

| Kit | Item | Ref. No. | Qty | Description | Kit | Item | Ref. No. | Qty | Description |
|-------|------|----------|-----|---|----------|------|----------|-----|--------------------------------------|
| K1 | 1 | | 15 | Nut-Nylock-Zp-1-4-20 | | 35 | 2092 | 2 | Wheel 12"X1" Black On Gray 1/2" Axle |
| K1 | 2 | | 38 | Washer Flat 3/16 Zinc Plat | | 36 | 2165 | 1 | Gage-Pressure |
| K1 | 3 | | 3 | Washer-Flat-SS-10 | K1 | 37 | | 2 | Scr, Soc Hd 1/4-20 X 1.00 |
| K1 | 4 | | 1 | Washer Brass Half Hard 1 X 9/16 X 1/16 | K1 | 38 | | 9 | Scr- Hex SS 1/4-20 X .75 |
| | 5 | 45USP | 1 | Quick Disconnect Plug Male | K1 | 39 | | 3 | Scr, Pan Phil SS 8-32 X .50 |
| K1 | 6 | | 3 | Washer 1 Od X 9/16 Id X | K1 | 40 | | 8 | Scr, Hex Hd Loc 1/4-20x.50 |
| | 7 | 156USP | 1 | Hose Clamp-Size 28-1-9/16- 2 1/2 | K2,K4 | [41] | | 1 | Harness-Wire 400psi Pump Mtr |
| K5 | 8 | | 1 | Hose Barb With Male 1/4 Pipe X 3/8 Hose Brass | | [42] | 56105348 | 1 | Harness-Main |
| K2,K3 | 9 | | 1 | Hose Barb 1/4 Pipe X 1/2 Hose Brass | | 43 | 56105353 | 1 | Base-400 PSI Grey |
| | 10 | 166USP | 4 | Hose Clamp-SS-3/8-7/8 | | 44 | 56105375 | 1 | Heater 1750w 120v (E1) |
| K5 | 11 | | 2 | Bushing 3/8 X 1/4 Pipe Brass | | 45 | 56105401 | 1 | Hose 3/8 Id Red |
| | 12 | 198USP | 1 | Hose Clamp 48 3-1/2dia 9 | | 46 | 56105407 | 1 | Gasket-Poron 1/4x1/2x16.5 |
| K2,K3 | 13 | | 1 | Plug Brass Pipe 1/4 Pipe Hex Drive | | 47 | 56105408 | 1 | Gasket-Poron 1/4x1/2x63.5 |
| K1 | 14 | | 4 | Washer-Flat-1/4x3/4x1/8-60 Dur0 | | 48 | 56105414 | 1 | Power Cord Pigtail-Yellow |
| | 15 | 219USP | 1 | Quick Connect Brass 1/4 FPT | | 49 | 56105415 | 1 | Power Cord Pigtail-Red |
| | 16 | 220 | 2 | Qd-Brass-1/4 FPT-Socket Straight | | 50 | 56263561 | 1 | Hose, Spiral .500 |
| K5 | 17 | | 1 | Qd-Plug-Brass-1/4 MPT-St | K5 | 51 | | 2 | Elbow 90 Degree 3/8 Brass |
| K1 | 18 | | 3 | Screw-Fhp-SS-2x1/4-Sms | | 52 | 56471194 | 1 | Latch Assembly |
| | 19 | 313 | 1 | Hose S/S Braided Teflon 1/4 | | 53 | 116A | 1 | Bushing 3/4 X 9/16 |
| | 20 | 455USP | 1 | Mount Heat Exchanger | | 54 | 1581A | 1 | 26 In-Tube-Blue-Fmjic X Mp |
| | 21 | 459USP | 1 | Louver 2-1/2 Gray Plastic | | 55 | 27AUSP | 2 | Axel Cap Black Pal Nut |
| | 22 | 801 | 2 | Hinge Pin Rod S/S 1/4 X | K1 | 56 | | 2 | Bolt-Php-SS-8-32x1/2 |
| | 23 | 905USP | 2 | Caster Swivel 4 Gray Non Ma | | 57 | 408G | 1 | Vacuum Motor, 3-Stage, 5.7 (M2) |
| K1,K2 | 24 | | 4 | Screw-Shcs-SS-1/4-20x2x1 | | [] | 56113056 | 1 | Vac Motor Brush Kit-120v |
| K1 | 25 | | 1 | Screw 2-56 X1 Panhead Philip | | 58 | 430A | 1 | Vac Hose 2" Id X 13.5 Black Rubber |
| K1 | 26 | | 1 | Nut. Finish 2-56 Thread Zp | | 59 | 4404C | 1 | Tank Mate Bar |
| | 27 | 1280 | 1 | Elbow 90 Deg 1/4 Fpt X 1/4 F | | 60 | 910-1863 | 1 | Rod-Axel-Zinc Plt-1/2-18-63 |
| | 28 | 1284 | 1 | Hose-19 In-Puls-Damp | | 61 | 92AUSP | 2 | Nipple-SS-1/4 Pipe-Length .90 |
| | 29 | 1506 | 1 | Hose Assembly 21 X 1/4 MPT | K5 | 62 | | 1 | Unloader Valve For 500 Psi Pump |
| | 30 | 1554 | 1 | Mount-Plate-Valve | K2,K3,K4 | 63 | | 1 | Bearing & Cam Assembly .110 |
| | 31 | 1555 | 1 | Clamp-Valve-Mount | K2,K3 | 64 | | 1 | Pump Piston Style 300-500 Ps |
| K1 | 32 | | 3 | Bolt 1/4 X 20 6l Full Thread | | 65 | MA-6 | 1 | Manifold For Cobra Black |
| | 33 | 2013 | 1 | Gasket 1 Side Adhesive 5-1/2 O | | 66 | 1312 | 3 | Mounting Pad |
| K2,K4 | 34 | | 1 | Motor A/C 1/3 HP For 300 PSI P (M1) | | 67 | 35 | 3 | Tie 4" Black Weather Resistant |
| | | | | | | [] | 2154 | 2 | Power Cord 12/3 SJTW 25 Y |
| | | | | | | [] | SUBSYP1 | 1 | Syphon Hose For HHP-12 |
| | | | | | | K1 | 56105216 | 1 | Hardware Kit-Base |
| | | | | | | K2 | 56105218 | 1 | Kit-Pump Complete 400PSI |
| | | | | | | K3 | 56105219 | 1 | Kit-Pump Head 400PSI |
| | | | | | | K4 | 56105220 | 1 | Kit-Pump Motor 400PSI |
| | | | | | | K5 | 56105221 | 1 | Kit-Unloader Valve 400PSI |
| | | | | | | [] | FP256 | 1 | Repair Kit Heat Bi-Metallic |

[] = Not Shown

BASE SYSTEM - 100H

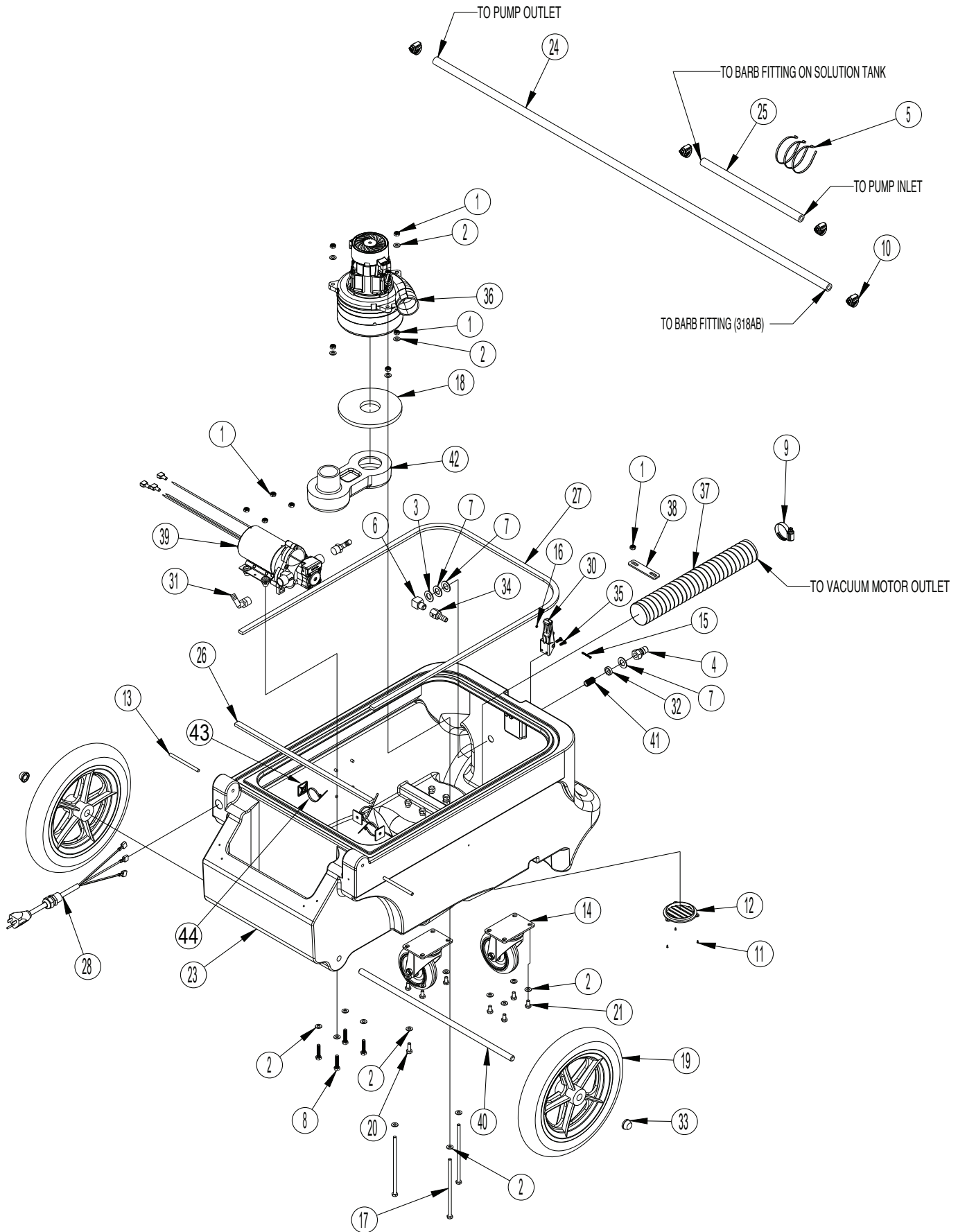


BASE SYSTEM - 100H

| Kit | Item | Ref. No. | Qty | Description |
|-----|------|----------|-----|--|
| K1 | 1 | | 15 | Nut-Nylock-Zp-1-4-20 |
| K1 | 2 | | 34 | Washer Flat 3/16 Zinc Plat |
| K1 | 3 | | 1 | Washer Brass Half Hard 1 X 9/16 X 1/16 |
| | 4 | 45USP | 1 | Quick Disconnect Plug Male |
| | 5 | 79 | 3 | Tie, 8" Black |
| K1 | 6 | | 3 | Washer 1 Od X 9/16 Id X |
| K1 | 7 | | 4 | Bolt-Hex-SS-Zinc Plate-1/4-20x1-1/4 |
| | 8 | 156USP | 1 | Hose Clamp-Size 28-1-9/16- 2 1/2 |
| | 9 | 166USP | 4 | Hose Clamp-SS-3/8-7/8 |
| | 10 | 198USP | 1 | Hose Clamp 48 3-1/2dia 9 |
| K1 | 11 | | 3 | Screw-Fhp-SS-2x1/4-Sms |
| | 12 | 313 | 1 | Hose S/S Braided Teflon 1/4 |
| | 13 | 455USP | 1 | Mount Heat Exchanger |
| | 14 | 459USP | 1 | Louver 2-1/2 Gray Plastic |
| | 15 | 801 | 2 | Hinge Pin Rod S/S 1/4 X |
| | 16 | 905USP | 2 | Caster Swivel 4 Gray Non Ma |
| K1 | 17 | | 1 | Screw 2-56 X1 Panhead Philip |
| K1 | 18 | | 1 | Nut. Finish 2-56 Thread Zp |
| | 19 | 1280 | 1 | Elbow 90 Deg 1/4 Fpt X 1/4 F |
| K1 | 20 | | 3 | Bolt 1/4 X 20 6l Full Thread |
| | 21 | 2013 | 1 | Gasket 1 Side Adhesive 5-1/2 O |
| | 22 | 2092 | 2 | Wheel 12"X1" Black On Gray 1/2" Axle |
| K1 | 23 | | 5 | Scr- Hex SS 1/4-20 X .75 |
| K1 | 24 | | 8 | Scr, Hex Hd Loc 1/4-20x.50 |
| | [25] | 56105348 | 1 | Harness-Main |
| | 26 | 56105351 | 1 | Base-100 Psi Grey |
| | 27 | 56105372 | 1 | Heater 1750w 120v |
| | 28 | 56105398 | 1 | Hose 3/8 Id Red |
| | 29 | 56105399 | 1 | Hose 3/8 Id Red |
| | 30 | 56105407 | 1 | Gasket-Poron 1/4x1/2x16.5 |
| | 31 | 56105408 | 1 | Gasket-Poron 1/4x1/2x63.5 |
| | 32 | 56105414 | 1 | Power Cord Pigtail-Yellow |
| | 33 | 56105415 | 1 | Power Cord Pigtail-Red |
| K2 | 34 | | 3 | Term .250 Ins Tab |
| | 35 | 56471194 | 1 | Latch Assembly |
| K2 | 36 | | 2 | Hose Barb Nylon 90 3/8 X 3/8 |
| | 37 | 116A | 1 | Bushing 3/4 X 9/16 |
| | 38 | 27AUSP | 2 | Axel Cap Black Pal Nut |
| K1 | 39 | | 2 | Bolt-Php-SS-8-32x1/2 |
| | 40 | 408G | 1 | Vacuum Motor, 3-Stage, 5.7 (M2) |
| | [] | 56113056 | 1 | Vac Motor Brush Kit-120v |
| | 41 | 430A | 1 | Vac Hose 2" Id X 13.5 Black Rubber |
| | 42 | 4404C | 1 | Tank Mate Bar |
| K2 | 43 | | 1 | Pump 100 Psi |
| | 44 | 910-1863 | 1 | Rod-Axel-Zinc Plt-1/2-18-63 |
| | 45 | 92AUSP | 1 | Nipple-SS-1/4 Pipe-Length .90 |
| | 46 | MA-6 | 1 | Manifold For Cobra Black |
| | 47 | 1312 | 3 | Mounting Pad |
| | 48 | 35 | 3 | Tie 4" Black Weather Resistant |
| | [] | 2154 | 2 | Power Cord 12/3 SJTW 25 Y |
| | [] | SUBSYP1 | 1 | Syphon Hose For HHP-12 |
| | K1 | 56105216 | 1 | Hardware Kit-Base |
| | K2 | 56105217 | 1 | Kit-Pump Complete 100PSI |
| | [] | FP256 | 1 | Repair Kit Heat Bi-Metallic |

[] = Not Shown

BASE SYSTEM - 100

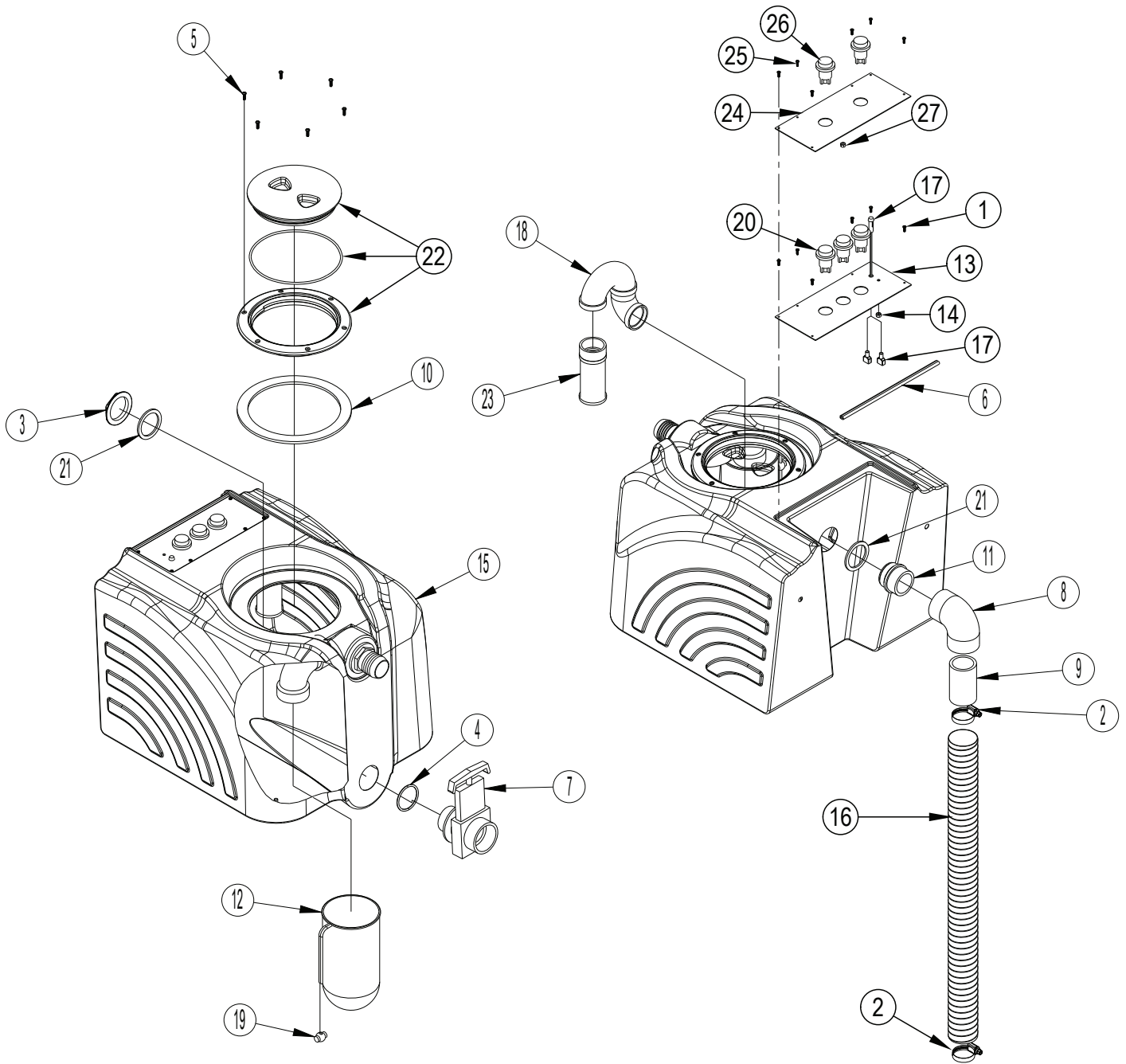


BASE SYSTEM - 100

| Kit | Item | Ref. No. | Qty | Description |
|-----|------|----------|-----|--|
| K1 | 1 | | 11 | Nut-Nylock-Zp-1-4-20 |
| K1 | 2 | | 22 | Washer Flat 3/16 Zinc Plat |
| K1 | 3 | | 1 | Washer Brass Half Hard 1 X 9/16 X 1/16 |
| | 4 | 45USP | 1 | Quick Disconnect Plug Male |
| | 5 | 79 | 3 | Tie, 8" Black |
| | 6 | 91USP | 1 | Elbow 90 Deg Angle 1/4 Male |
| K1 | 7 | | 3 | Washer 1 Od X 9/16 Id X |
| K1 | 8 | | 4 | Bolt-Hex-SS-Zinc Plate-1/4-20x1-1/4 |
| | 9 | 156USP | 1 | Hose Clamp-Size 28-1-9/16- 2 1/2 |
| | 10 | 166USP | 4 | Hose Clamp-SS-3/8-7/8 |
| K1 | 11 | | 3 | Screw-Fhp-SS-2x1/4-Sms |
| | 12 | 459USP | 1 | Louver 2-1/2 Gray Plastic |
| | 13 | 801 | 2 | Hinge Pin Rod S/S 1/4 X |
| | 14 | 905USP | 2 | Caster Swivel 4 Gray Non Ma |
| K1 | 15 | | 1 | Screw 2-56 X1 Panhead Philip |
| K1 | 16 | | 1 | Nut. Finish 2-56 Thread Zp |
| K1 | 17 | | 3 | Bolt 1/4 X 20 6l Full Thread |
| | 18 | 2013 | 1 | Gasket 1 Side Adhesive 5-1/2 O |
| | 19 | 2092 | 2 | Wheel 12"X1" Black On Gray 1/2" Axle |
| K1 | 20 | | 1 | Scr- Hex SS 1/4-20 X .75 |
| K1 | 21 | | 8 | Scr, Hex Hd Loc 1/4-20x.50 |
| | [22] | 56105348 | 1 | Harness-Main |
| | 23 | 56105352 | 1 | Base-100 Psi Grey No Heat |
| | 24 | 56105398 | 1 | Hose 3/8 Id Red |
| | 25 | 56105399 | 1 | Hose 3/8 Id Red |
| | 26 | 56105407 | 1 | Gasket-Poron 1/4x1/2x16.5 |
| | 27 | 56105408 | 1 | Gasket-Poron 1/4x1/2x63.5 |
| | 28 | 56105414 | 1 | Power Cord Pigtail-Yellow |
| K2 | 29 | | 3 | Term .250 Ins Tab |
| | 30 | 56471194 | 1 | Latch Assembly |
| K2 | 31 | | 2 | Hose Barb Nylon 90 3/8 X 3/8 |
| | 32 | 116A | 1 | Bushing 3/4 X 9/16 |
| | 33 | 27AUSP | 2 | Axel Cap Black Pal Nut |
| | 34 | 318AB | 1 | Hose Barb Solution Tank Standard |
| K1 | 35 | | 2 | Bolt-Php-SS-8-32x1/2 |
| | 36 | 408G | 1 | Vacuum Motor, 3-Stage, 5.7 (M2) |
| | [] | 56113056 | 1 | Vac Motor Brush Kit-120v |
| | 37 | 430A | 1 | Vac Hose 2" Id X 13.5 Black Rubber |
| | 38 | 4404C | 1 | Tank Mate Bar |
| K2 | 39 | | 1 | Pump 100 PSI |
| | 40 | 910-1863 | 1 | Rod-Axel-Zinc Plt-1/2-18-63 |
| | 41 | 92AUSP | 1 | Nipple-SS-1/4 Pipe-Length .90 |
| | 42 | MA-6 | 1 | Manifold For Cobra Black |
| | 43 | 1312 | 3 | Mounting Pad |
| | 44 | 35 | 3 | Tie 4" Black Weather Resistant |
| | [] | 2154 | 1 | Power Cord 12/3 SJTW 25 Y |
| | [] | SUBSYP1 | 1 | Syphon Hose For HHP-12 |
| K1 | | 56105216 | 1 | Hardware Kit-Base |
| K2 | | 56105217 | 1 | Kit-Pump Complete 100PSI |

[] = Not Shown

RECOVERY SYSTEM



RECOVERY SYSTEM

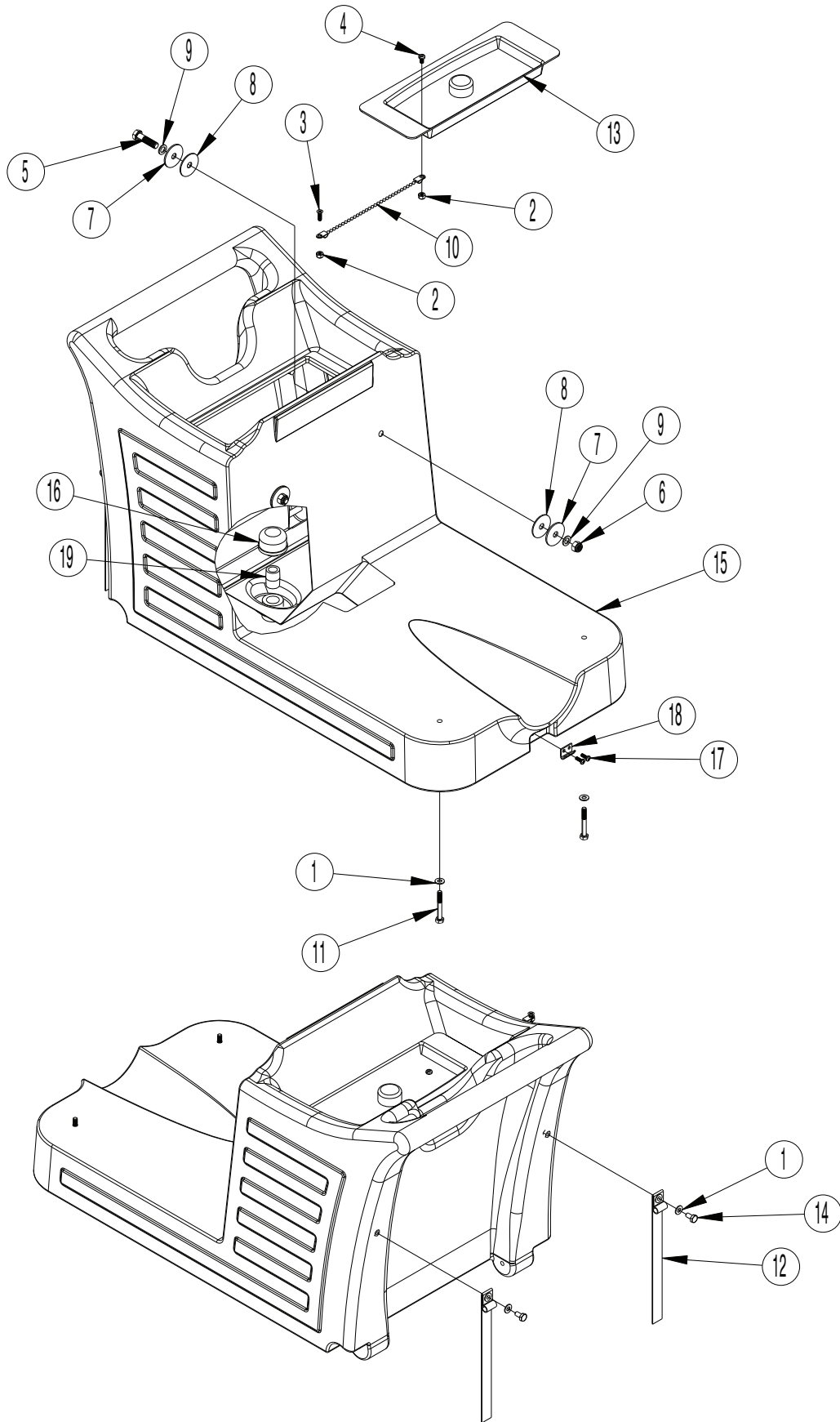
| Kit | Item | Ref. No. | Qty | Description |
|-----|------|-----------|------|---|
| | 1 | 28 | 6 | Screw-Php-SS-4x3/8-Sms NOTE 1 |
| | 2# | 156USP | 2 | Hose Clamp-Size 28-1-9/16- 2 1/2 |
| | 3 | 185USP | 1 | Nut Die Cast Alum 1-1/2 N |
| | 4 | 187USP | 1 | O-Ring-Bunan-1-3/4idx.125 Thick |
| | 5 | 267 | 6 | Screw-Php-SS-6x1/2-Sms |
| | 6 | 425 | 9.5" | Gasket 40 Shore-Santoprene |
| | 7 | 903USP | 1 | Drain Gate Valve Black 1-1/2 |
| | 8 | 922USP | 1 | Elbow 90 PVC 1-1/2 Slip X F |
| | 9 | 935 | 3" | PVC Pipe 1-1/2 Sch 40 |
| K1 | 10 | | 1 | Gasket-Lid-Xlpe-6.5idx3/16 Thick |
| K2 | 11 | | 1 | Adapter Abs 1-1/2 Trap SI |
| | 12 | 2146 | 1 | Filter Bag Solus 800 Micron |
| | 13 | 2167 | 1 | Switch Plate 3-Hole 9.5 X 4 NOTE 1 |
| | 14 | 56002964 | 1 | Nut Hex Nyl Loc Thin SS 6-32 NOTE 1 |
| | 15 | 56105333 | 1 | Recovery Tank-Grey |
| | 16 | 56105367 | 1 | Vac Hose-2.0 Id X 25.50 In |
| | 17# | 56113091 | 1 | Light Green 250V Assy (H2) NOTE 1 |
| K2 | 18 | | 1 | Adapter Abs 1-1/2 P-Trap |
| | 19 | 1465A | 1 | Cord Lock For Filter Draw Co |
| | 20 | 1623R | 3 | Switch On-Off Illuminated Cle (S1, S2, S3) NOTE 1 |
| | 21 | 187B | 2 | Washer-Flat-Buna'n-1-3/4idx0.125 |
| K1 | 22 | | 1 | Lid-Clear With Ring |
| K1 | | 56380968 | 1 | O-Ring For 2086A Lid |
| | 23 | 929B | 1 | Filter S/S Ball Float |
| | 24 | 2167-100C | 1 | Label Advantage 100 PSI NOTE 2 |
| | 25 | 28 | 6 | Screw-Php-SS-4x3/8-Sms NOTE 2 |
| | 26 | 1623R | 2 | Switch On-Off Illuminated Cle (S1, S2) NOTE 2 |
| | 27 | 56009008 | 1 | Nut, Hex Machine 6-32 NOTE 2 |
| | K1 | 56105214 | 1 | Lid Kit-Recovery Tank |
| | K2 | 56105226 | 1 | Trap Assy-Ball Float |

= Revised or new since last update

NOTE 1: 100 and 400 PSI dual cord heated models (56105313 and 56105314)

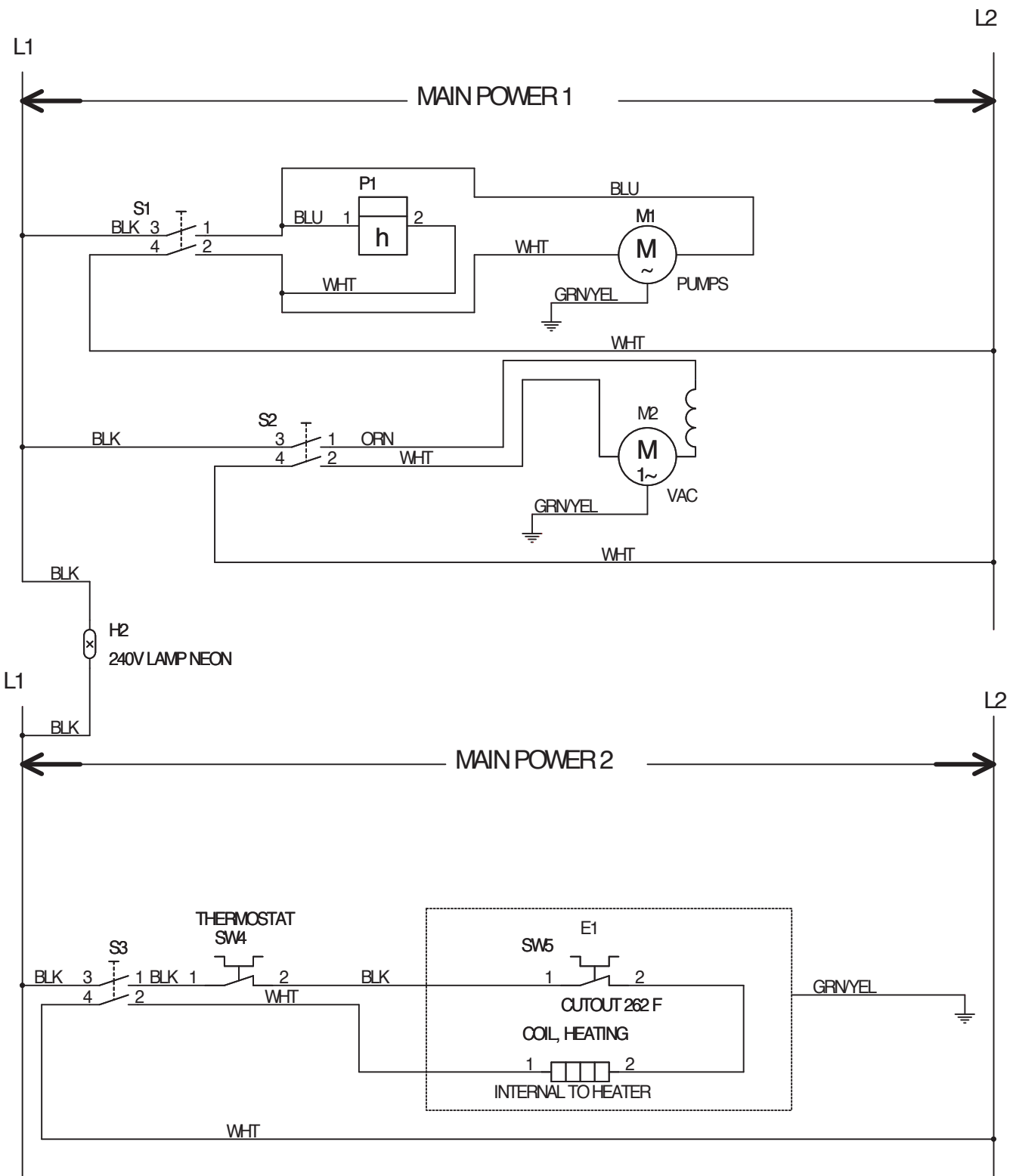
NOTE 2: 100 PSI single cord no heat model (56105312)

SOLUTION SYSTEM



SOLUTION SYSTEM

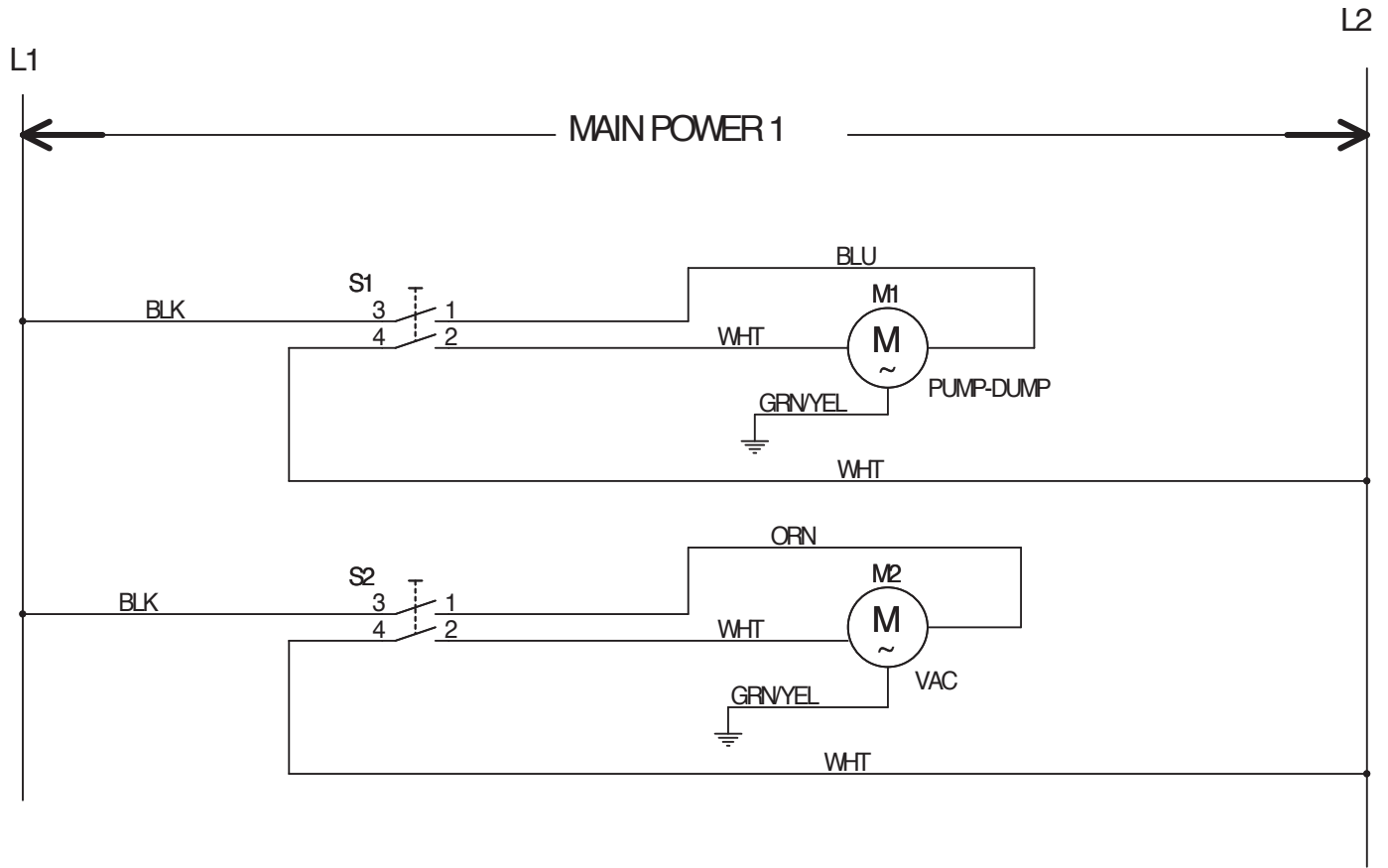
| Kit | Item | Ref. No. | Qty | Description |
|-----|------|----------|-----|---|
| K1 | 1 | | 4 | Washer Flat 3/16 Zinc Plat |
| K1 | 2 | | 2 | Nut-Nylon Lock-SS-10-32 |
| K1 | 3 | | 1 | Fhp-10-32 5-8 |
| K1 | 4 | | 1 | Screw-Bhs-Brass-10-32x3/8-1/2 |
| K1 | 5 | | 2 | Bolt-Hex-SS-3/8-16x1-1/2 |
| K1 | 6 | | 2 | Nut-Nylon Lock-SS-3/8-16 |
| K1 | 7 | | 4 | Washer Fender S/S 3/8 X 11/ |
| K1 | 8 | | 4 | Washer Rubber 3/8 Id X 1-1 |
| K1 | 9 | | 4 | Washer Nylon White 3/8 Id |
| | 10 | 805USP | 1 | Chain-Cover |
| K1 | 11 | | 2 | Screw-Shcs-SS-1/4-20x2x1 |
| | 12 | 1603 | 2 | Strap-Buckle/Cord-W/Spur Grommet |
| | 13 | 2175 | 1 | Lid-MPE-Solution Tank-Vac Formed |
| K1 | 14 | | 2 | Scr, Hex Hd Loc 1/4-20x.50 |
| | 15 | 56105335 | 1 | Solution Tank-Grey |
| | | 56105379 | 1 | Solution Tank-Grey 100 (100 PSI) |
| | 16 | 207A | 1 | Filter 40 Mesh S/S 1/2npt Fem |
| K1 | 17 | | 2 | Bolt-Php-SS-8-32x1/2 |
| | 18 | 909A | 1 | Latch-Strike-SS-No 8 Hole |
| | 19 | 92BUSP | 1 | Nipple PVC 1/2 N.P.T. |
| K1 | | 56105215 | 1 | Hardware Kit-Solution Tank |



LADDER DIAGRAM - DUAL CORD

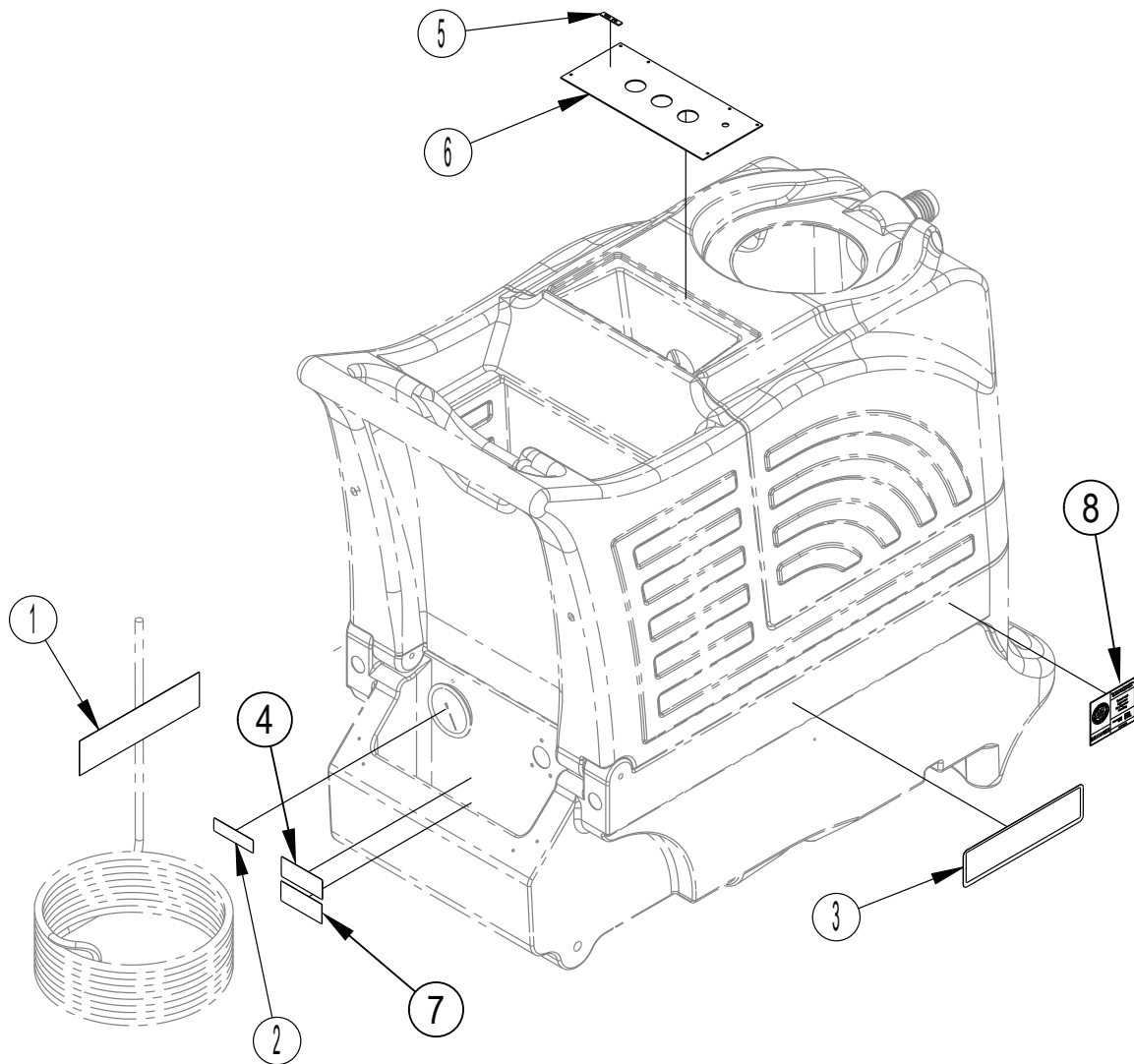
| Kit | Item | Ref. No. | Qty | Description | Item | Ref. No. | Qty | Description |
|-----|------|-------------|-----|--|------|----------|-----|-------------------------------|
| | E1 | 56105375 | 1 | Heater 1750w 120v | S2 | 1623R | 1 | Switch On-Off Illuminated Cle |
| | H2# | 56113091 | 1 | Light Green 250V Assy | S3 | 1623R | 1 | Switch On-Off Illuminated Cle |
| K1 | M1 | | 1 | Motor A/C 1/3 Hp For 300 Psi P (400 PSI) | S4 | | 1 | Thermostat |
| K2 | | | 1 | Pump 100 PSI (100 PSI) | S5 | NA | 1 | Part of E1 |
| | M2 | 408G | 1 | Vacuum Motor, 3-Stage, 5.7 | K1 | 56105217 | 1 | Kit-Pump Complete 100PSI |
| | [] | 56113056 | 1 | Vac Motor Brush Kit-120v | K2 | 56105218 | 1 | Kit-Pump Complete 400PSI |
| | P1 | 423-120-240 | 1 | Hour Meter 115/230 Volts With (optional) | | | | |
| | S1 | 1623R | 1 | Switch On-Off Illuminated Cle | | | | |

= Revised or new since last update



LADDER DIAGRAM - SINGLE CORD

| Kit | Item | Ref. No. | Qty | Description |
|-----|------|----------|-----|-------------------------------|
| K1 | M1 | | 1 | Pump 100 PSI |
| | M2 | 408G | 1 | Vacuum Motor, 3-Stage, 5.7 |
| | [] | 56113056 | 1 | Vac Motor Brush Kit-120V |
| | S1 | 1623R | 1 | Switch On-Off Illuminated Cle |
| | S2 | 1623R | 1 | Switch On-Off Illuminated Cle |
| | K1 | 56105217 | 1 | Kit-Pump Complete 100PSI |



DECAL SYSTEM

| Item | Ref. No. | Qty | Description |
|------|-----------|-----|---|
| 1 | 4339 | 2 | Label Caution / Extension Cord |
| 2 | 4344 | 1 | Label Gauge Priming Warning 2 (400 PSI) |
| 3 | 56105396 | 2 | Decal-ET600 |
| 4 | 56380692 | 1 | Label Danger Electric Shock |
| 5 | 2167-400 | 1 | Label Advantage 400 PSI |
| | 2167-100 | 1 | Label Advantage 100 PSI |
| 6 | 2167-2C | 1 | Overlay Advantage (100 & 400 PSI) |
| | 56105387 | 1 | Switchplate Overlay-100 NH (100 PSI NH) |
| 7 | 1503A | 1 | Label Danger Electric Shock |
| 8 | 2001A-CRI | 2 | Decal-Cri Bronze (all models except 56105312) |

OPTIONS & ACCESSORIES

| Ref. No. | Qty | Description |
|------------|-----|---|
| 56113108 | 1 | Kit-Hour Meter 120/240 (all models) |
| FPHT-5 | 1 | Hand Tool Detailer S/S (all models) |
| # FP153 | 1 | Vac Hose/Pressure Ln. 15 MPE (all models) |
| FP635-MPE | 1 | Vac Hose/Pressure Ln. 25 For (all models) |
| # FP195 | 1 | Vac Hose/Pressure Ln 25 1/8 (all models) |
| # FP196 | 1 | Vac Hose/Pressure Ln 25 Ext (all models) |
| CSW-12 | 1 | Carpet Scrub Wand 12 Head-LP (100psi models) |
| CSW-12DBLP | 1 | Carpet Scrub Wand 12 Head Doub (100psi models) |
| CSW-13-150 | 1 | Carpet Scrub Wand 13 Head-150 (100psi models) |
| # 56380572 | 1 | Aquawand Carpet Scrub Wand 13 (100psi models) |
| CSW-12-MPE | 1 | Carpet Scrub Wand 12 Head-HP F (400psi models) |
| CSW-12HP | 1 | Carpet Scrub Wand 12 Head-HP (400psi models) |
| 56380456 | 1 | Carpet Scrub Wand 13 Head-300 (400psi models) |
| CSW-13-500 | 1 | Carpet Scrub Wand 13 Head-500 (400psi models) |

= Revised or new since last update



Nilfisk-Advance Equipamentos de Limpeza Ltda.
Av. Dep. Emílio Carlos, 2.499 - Bairro do Limão - 02721-200
São Paulo - SP - Brasil
www.nilfisk-advance.ind.br
www.plataforma.ind.br
Tel.: (11) 3959-0300
Fax: (11) 3959-0306
©2013 Nilfisk-Advance, Inc.



14600 21st Avenue North
Plymouth, MN 55447-3408
www.advance-us.com
Phone: 800-989-2235
Fax: 800-989-6566
©2013 Nilfisk-Advance, Inc.

A Nilfisk-Advance Brand