

GD 5, GD 10, GD 5 Battery

Model:
GD 10 BACK
GD 5 BACK



Part List US-English

08-07-2009

Table of Contents

GD 5, GD 10, GD 5 Battery

Motor and motor parts	3
Electrical parts	5
Container parts	7
Straps parts	9
Filters	11
Nozzles ø32 mm	13
Tubes, hose ø32 mm	15
Overview GD 5 Battery	17
Container parts GD 5 Battery	19
Motor parts GD 5 Battery	21
Nozzles Ø 32mm GD 5 Battery	23
Tube and hose Ø32mm GD 5 Battery	25

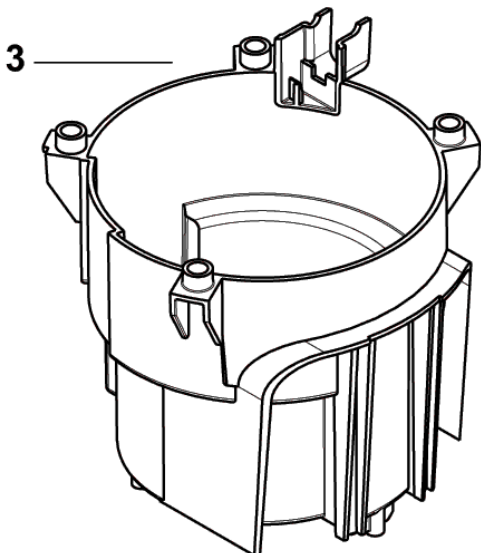
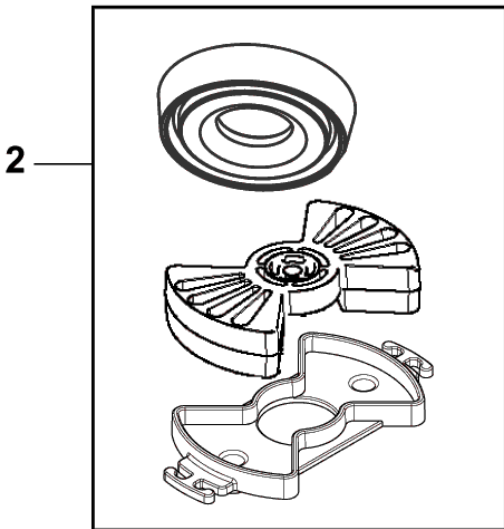
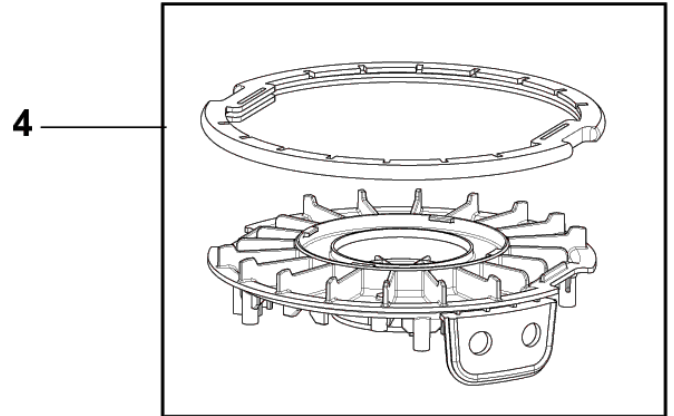
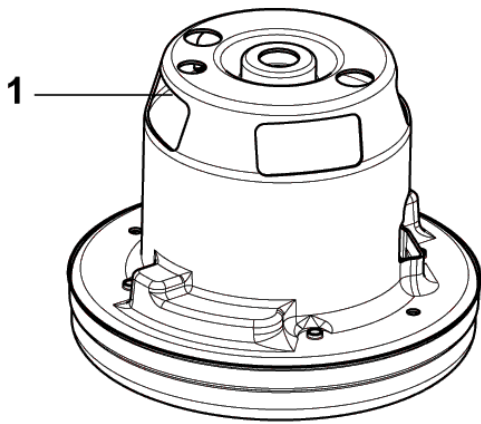
Motor and motor parts

GD 5, GD 10, GD 5 Battery

08-07-2009

Part List ID
B10633

3



Motor and motor parts

GD 5, GD 10, GD 5 Battery

08-07-2009

Part List ID
B10633

4

Pos	Part no.	Qty	Description	EAN
1	147 1109 500	1	FAN UNIT 100-120V 1300W	7319519665
1	147 1109 510	1	FAN UNIT 220-240V 1300W	7319519665
2	147 1111 500	1	MOTOR SUSPENSION KIT	7319519665
3	147 1088 500	1	MOTOR COVER	7319519665
4	147 1086 500	1	CHASSIS DARK GREY	7319519665

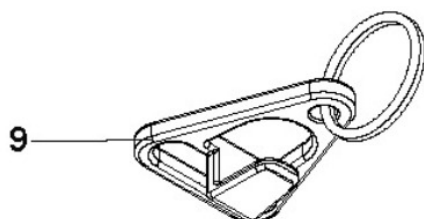
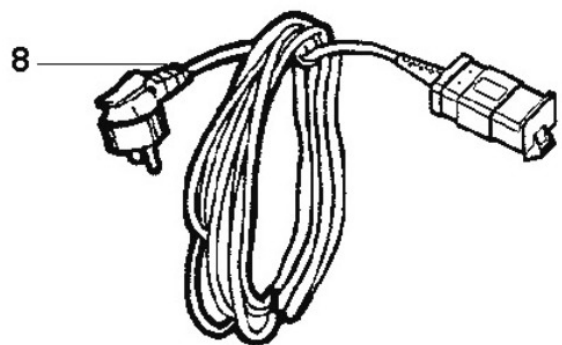
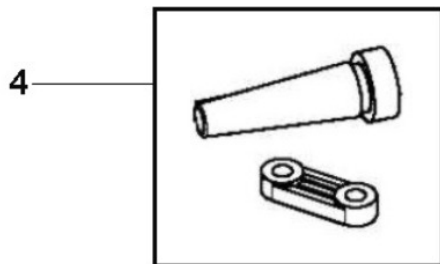
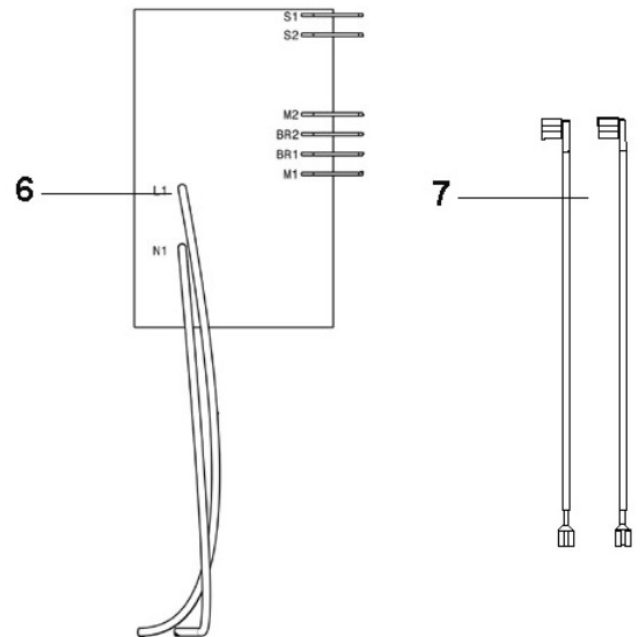
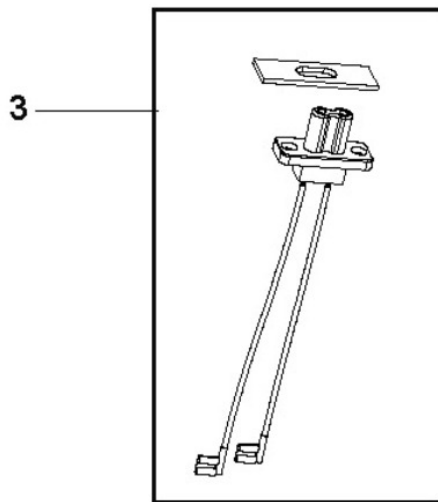
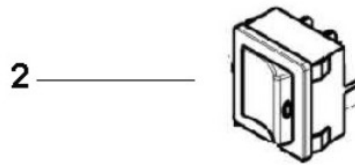
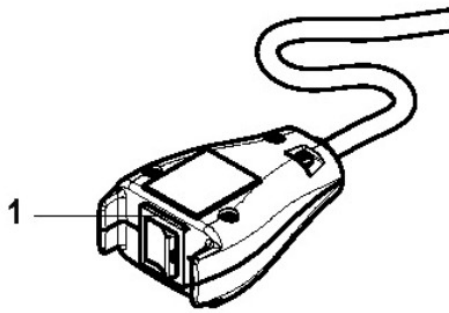
Electrical parts

GD 5, GD 10, GD 5 Battery

08-07-2009

Part List ID
B10635

5



Electrical parts

GD 5, GD 10, GD 5 Battery

08-07-2009

Part List ID
B10635

6

Pos	Part no.	Qty	Description	EAN
1	147 1105 500	1	SWITCH COMPLETE	7319519665
2	140 5496 510	1	SWITCH UL KIT	7319519631
3	140 8497 530	1	CONNECTOR	7319519664
4	140 7035 500	1	PROTECTION SLEEVE KIT	7319519631
5	12003803	1	CORD SET AU/NZ CPL. L 15M	5715492003
5	140 6702 500	1	CORD SET JP 15.5M	7319519651
5	147 0504 510	1	CORD SET CN 15M	7319519663
6	147 1231 500	1	CIRQUIT BOARD 220-240V	7319519665
6	147 1231 510	1	CIRQUIT BOARD 100-120V	7319519665
7	140 7040 510	1	INTERNAL WIRE KIT	7319519664
8	22156201	1	CORD CPL. EU VERSION	5715492006
8	22156202	1	CORD CPL. UK VERSION	5715492006
9	140 8433 500	1	CABLE RELIEF LIT	7319519629
5B	140 8057 500	1	CORD WITH MALE PLUG	7319519664

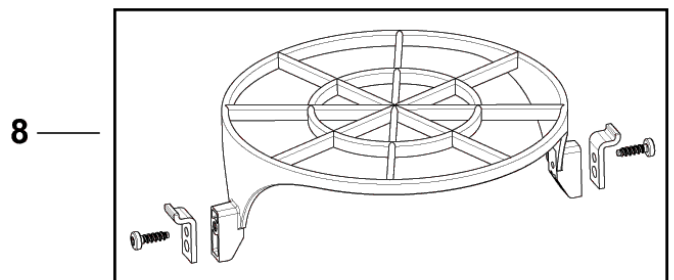
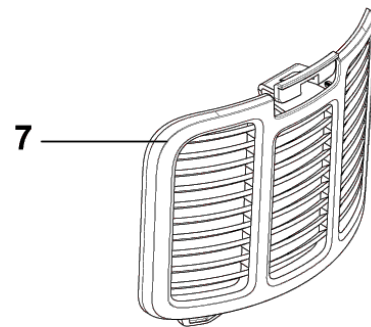
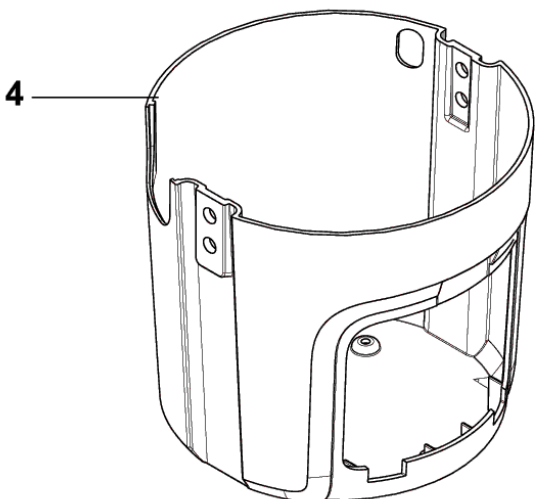
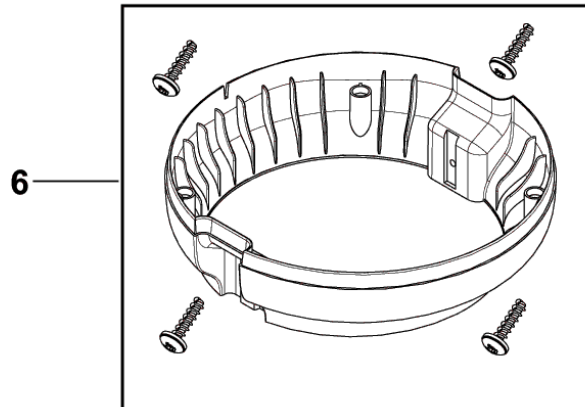
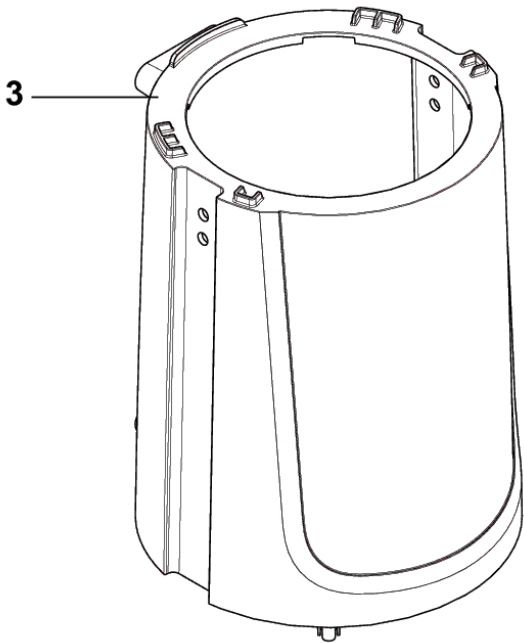
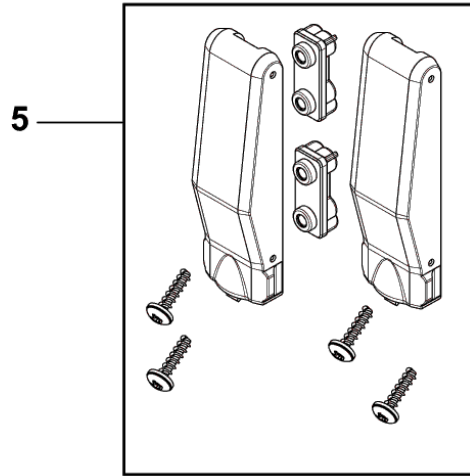
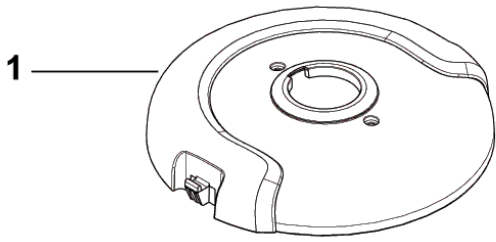
Container parts

GD 5, GD 10, GD 5 Battery

08-07-2009

Part List ID
B10637

7



Container parts

GD 5, GD 10, GD 5 Battery

08-07-2009

Part List ID
B10637

8

Pos	Part no.	Qty	Description	EAN
1	147 1077 500	1	OUTER LID 5L LIGHT GREY	7319519665
1	147 1080 500	1	OUTER LID 10 L LIGHT GREY	7319519665
3	147 1076 500	1	CONTAINER 5L LIGHT GREY	7319519665
3	147 1079 500	1	CONTAINER 10L LIGHT GREY	7319519665
4	147 1075 500	1	COVER OUTER DARK GREY	7319519665
4	147 1075 510	1	COVER OUTER DARK GREY	7319519665
5	147 1101 500	1	LATCH KIT	7319519665
6	147 1078 500	1	ADAPTOR 10L LIGHT GREY	7319519665
7	147 1082 500	1	GRID EXHAUST DARK GREY	7319519665
8	147 1115 500	1	BASKET SACK FILTER	7319519665

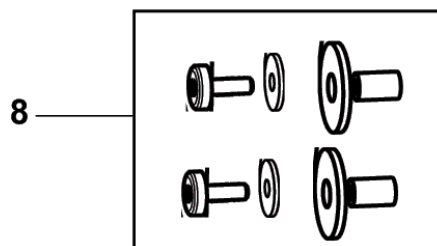
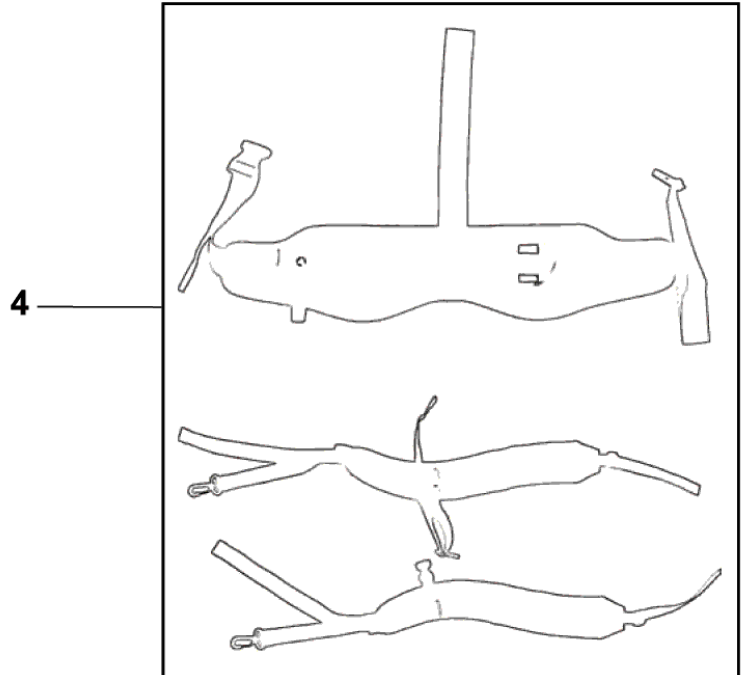
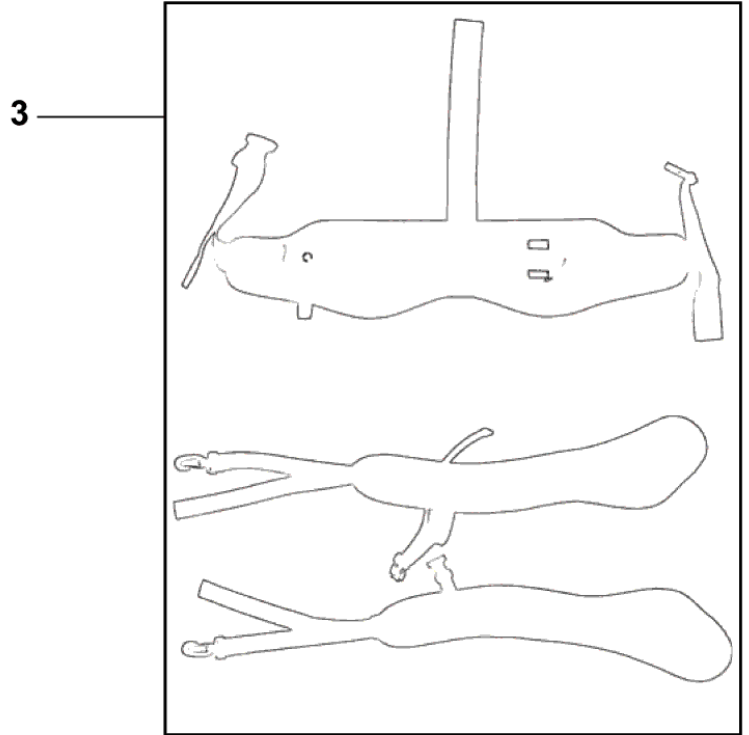
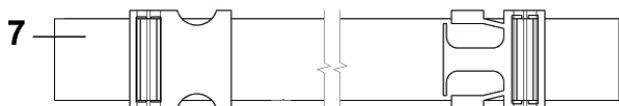
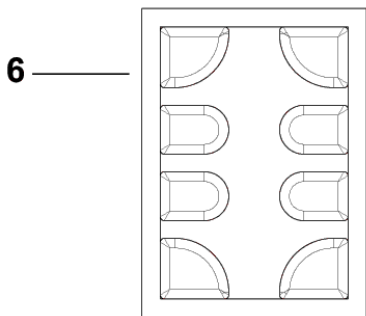
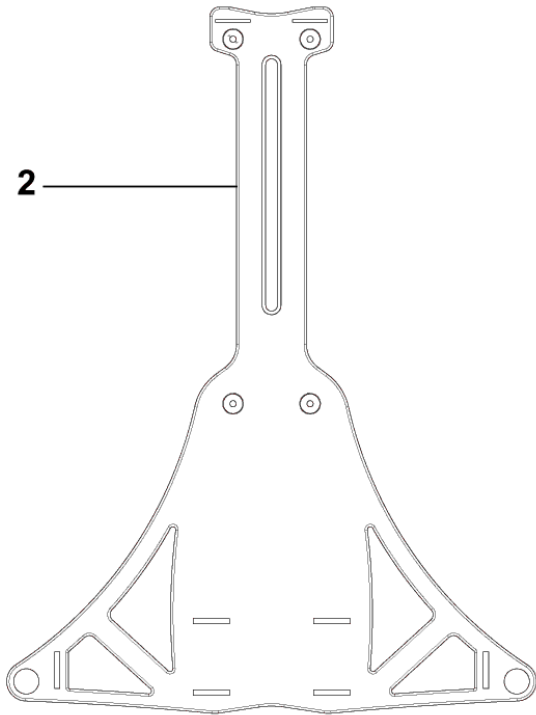
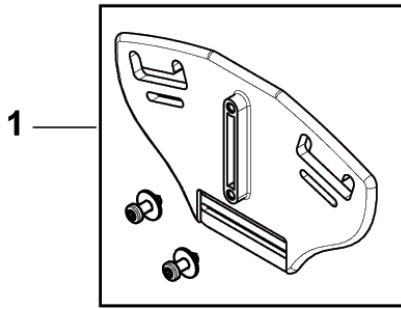
Straps parts

GD 5, GD 10, GD 5 Battery

08-07-2009

Part List ID
B10639

9



Straps parts

GD 5, GD 10, GD 5 Battery

08-07-2009

Part List ID
B10639

10

Pos	Part no.	Qty	Description	EAN
1	147 1092 500	1	ADJUSTING PLATE	7319519665
2	147 1091 500	1	HARNESS SUPPORT	7319519665
3	147 1246 500	1	HARNESS PREMIUM	7319519665
4	147 1090 500	1	HARNESS STD.	7319519665
4	147 1090 510	1	HARNESS STD.CPL	7319519665
5	147 1247 500	1	LIFTING STRAP	7319519665
6	147 1248 500	1	PADDING BACK PLATE	7319519665
7	147 1249 500	1	EXTENTION BELT	7319519665
8	147 1246 600	1	SCREW KIT	7319519665

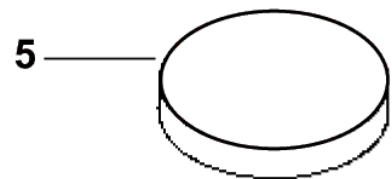
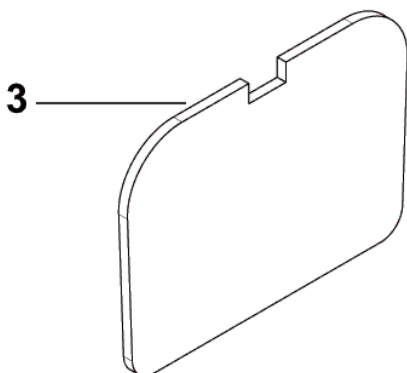
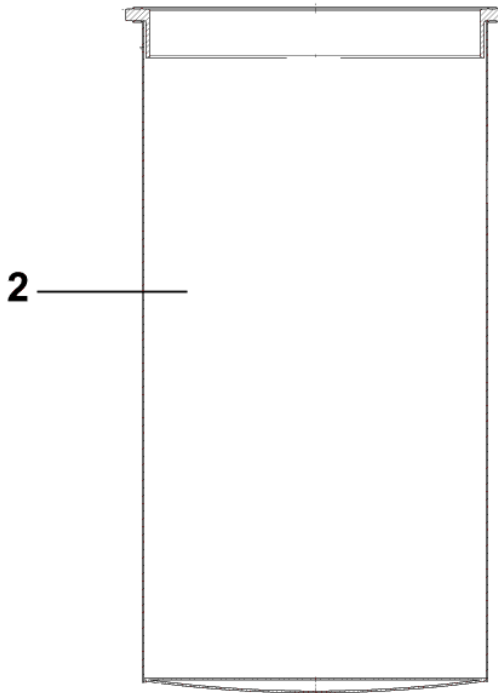
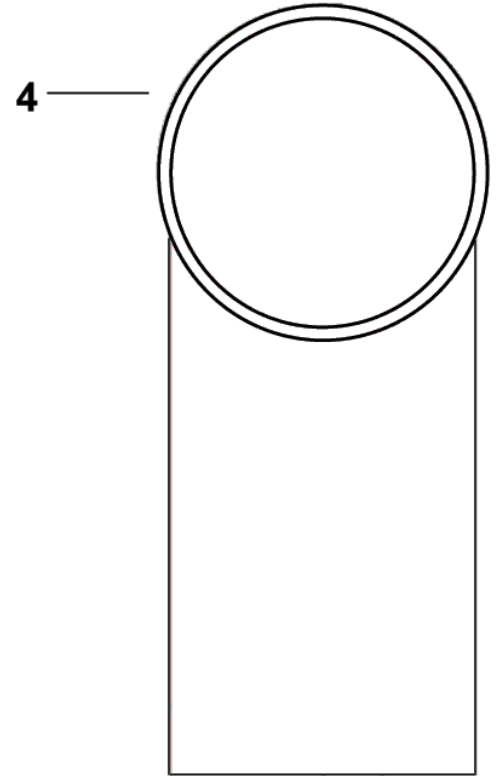
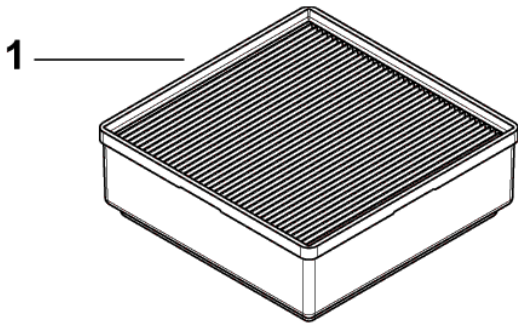
Filters

GD 5, GD 10, GD 5 Battery

08-07-2009

Part List ID
B106311

11



Filters

GD 5, GD 10, GD 5 Battery

08-07-2009

Part List ID

B106311

12

Pos	Part no.	Qty	Description	EAN
1	147 1104 500	1	HEPA FILTER COMPLETE	7319519665
2	147 1099 500	1	SACK FILTER 10L	7319519665
2	147 1100 500	1	SACK FILTER 5L	7319519665
3	147 1089 500	1	6XHAUST FILTER	7319519665
4	147 1097 500	1	DUST BAG KIT 10L 5-P	7319519665
			1 Pre-filter included	
4	147 1098 500	1	DUST BAG KIT 5L 5-P	7319519665
			1 Pre-filter included	
5	147 1095 500	1	PREFILTER	7319519665
			Kit with 3 Pre-filters	

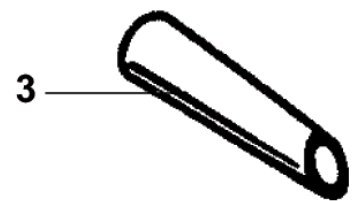
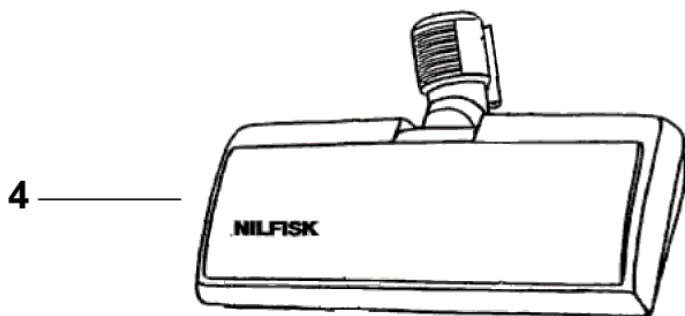
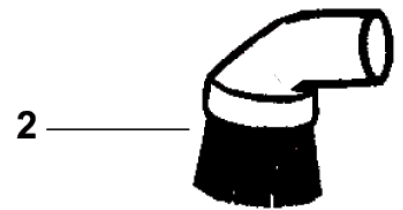
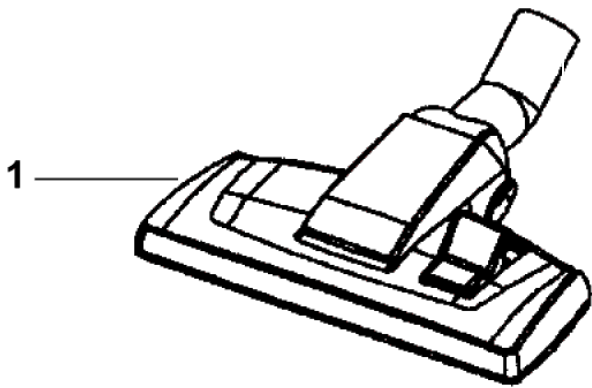
Nozzles $\varnothing 32$ mm

GD 5, GD 10, GD 5 Battery

08-07-2009

Part List ID
B106313

13



Nozzles ø32 mm

GD 5, GD 10, GD 5 Battery

08-07-2009

Part List ID
B106313

14

Pos	Part no.	Qty	Description	EAN
1	140 8492 520	1	COMBI NOZZLE KIT	7319519636
2	140 8244 500	1	BRUSH NOZZLE KIT	7319519658
3	81140900	1	CREVICE NOZZLE KIT	7319519658
4	22203000	1	NOZZLE ELECTRO	7319519502

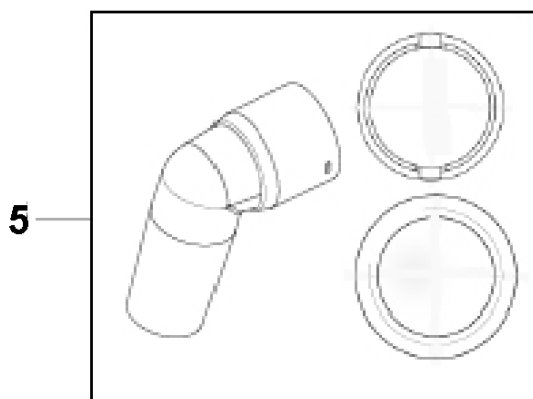
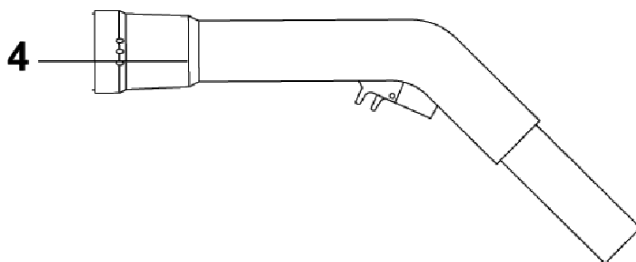
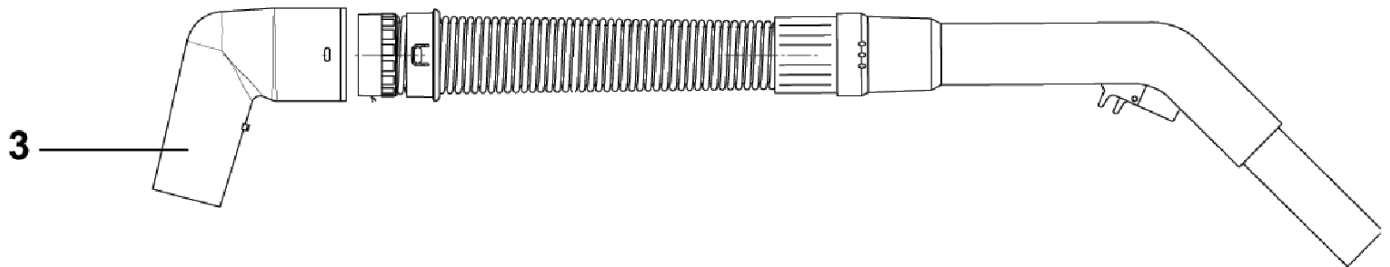
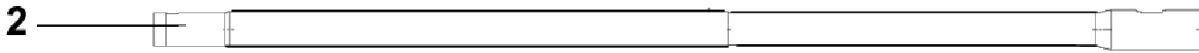
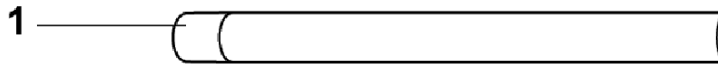
Tubes, hose ø32 mm

GD 5, GD 10, GD 5 Battery

08-07-2009

Part List ID
B106315

15



Tubes, hose ø32 mm

GD 5, GD 10, GD 5 Battery

08-07-2009

Part List ID

B106315

16

Pos	Part no.	Qty	Description	EAN
1	011 6431 500	1	EXTENSION TUBE ALUMINIUM	7319519631
2	011 8130 500	1	TELESCOPIC TUBE ALUMINIUM	7319519631
3	147 1236 500	1	HOSE CONICAL COMPLETE	7319519665
4	140 7584 500	1	HOSE HANDLE CPL.	7319519631
5	147 1085 500	1	HOSE COUPLING CPL.	7319519667

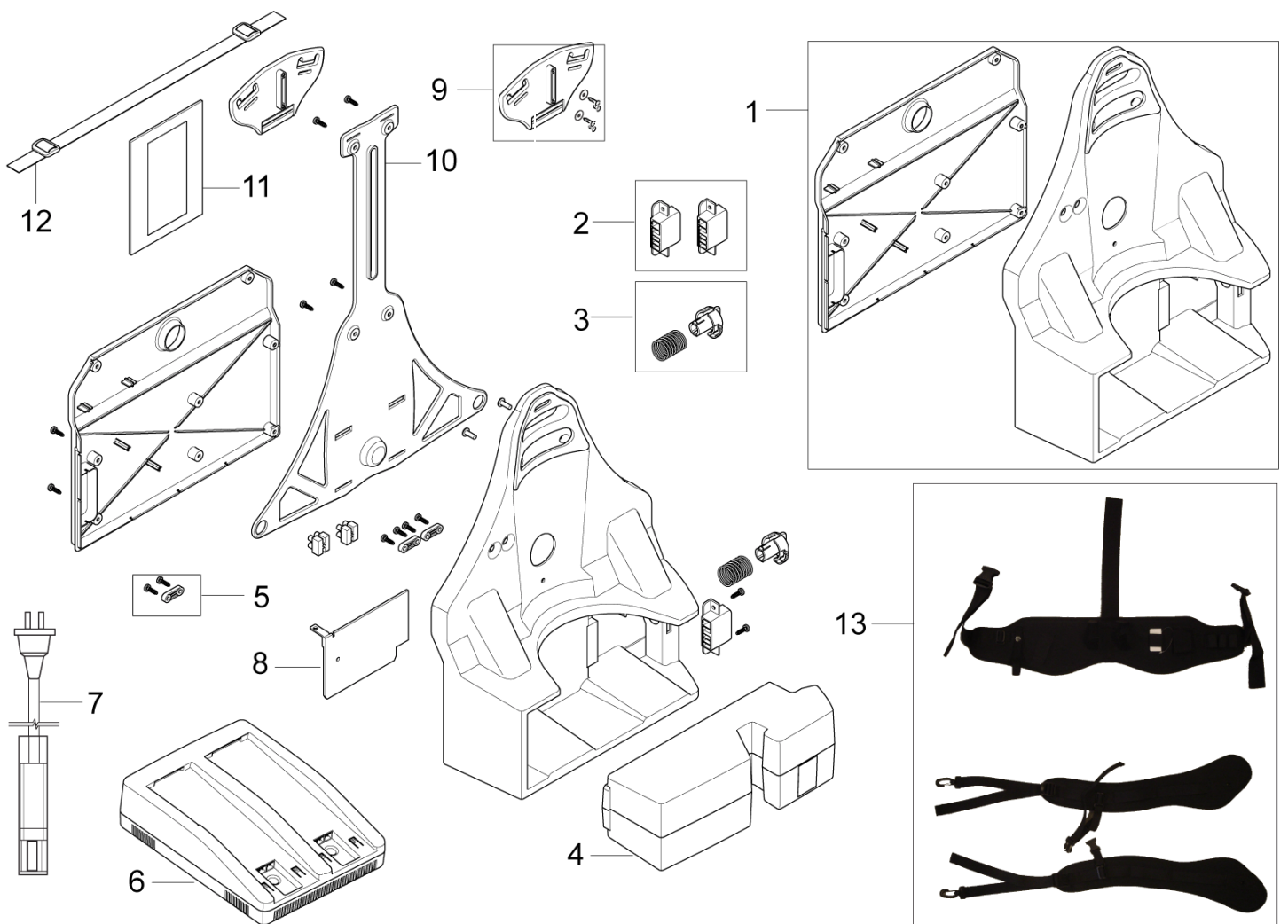
Overview GD 5 Battery

GD 5, GD 10, GD 5 Battery

08-07-2009

Part List ID
GD5B02

17



Overview GD 5 Battery

GD 5, GD 10, GD 5 Battery

08-07-2009

Part List ID

GD5B02

18

Pos	Part no.	Qty	Description	EAN
1	147 1442 500	1	HOLDER BATTERY KIT	7319519675
2	147 1209 500	1	CONTACT HOUSING 5-PIN KIT	7319519663
3	147 1444 500	1	LOCK BATTERY KIT	7319519675
4	147 1197 000	1	BATTERY FOR GD 911	7319519663
5	140 6560 500	1	ANTI STRAIN CLIP	7319519640
6	147 1202 000	1	CHARGER FOR GD 911	7319519663
7	147 1208 500	1	CORD CHARGER EU KIT	7319519663
7	147 1208 510	1	CORD CHARGER UK KIT	7319519663
7	147 1208 520	1	CORD CHARGER AUS KIT	7319519663
7	147 1208 530	1	CORD CHARGER US KIT	7319519663
7	147 1208 540	1	CORD CHARGER JP KIT	7319519663
8	147 1199 500	1	CONTROL BOARD KIT	7319519663
9	147 1092 500	1	ADJUSTING PLATE	7319519665
10	147 1091 500	1	HARNES SUPPORT	7319519665
11	147 1248 500	1	PADDING BACK PLATE	7319519665
12	147 1247 500	1	LIFTING STRAP	7319519665
13	147 1246 500	1	HARNES PREMIUM	7319519665

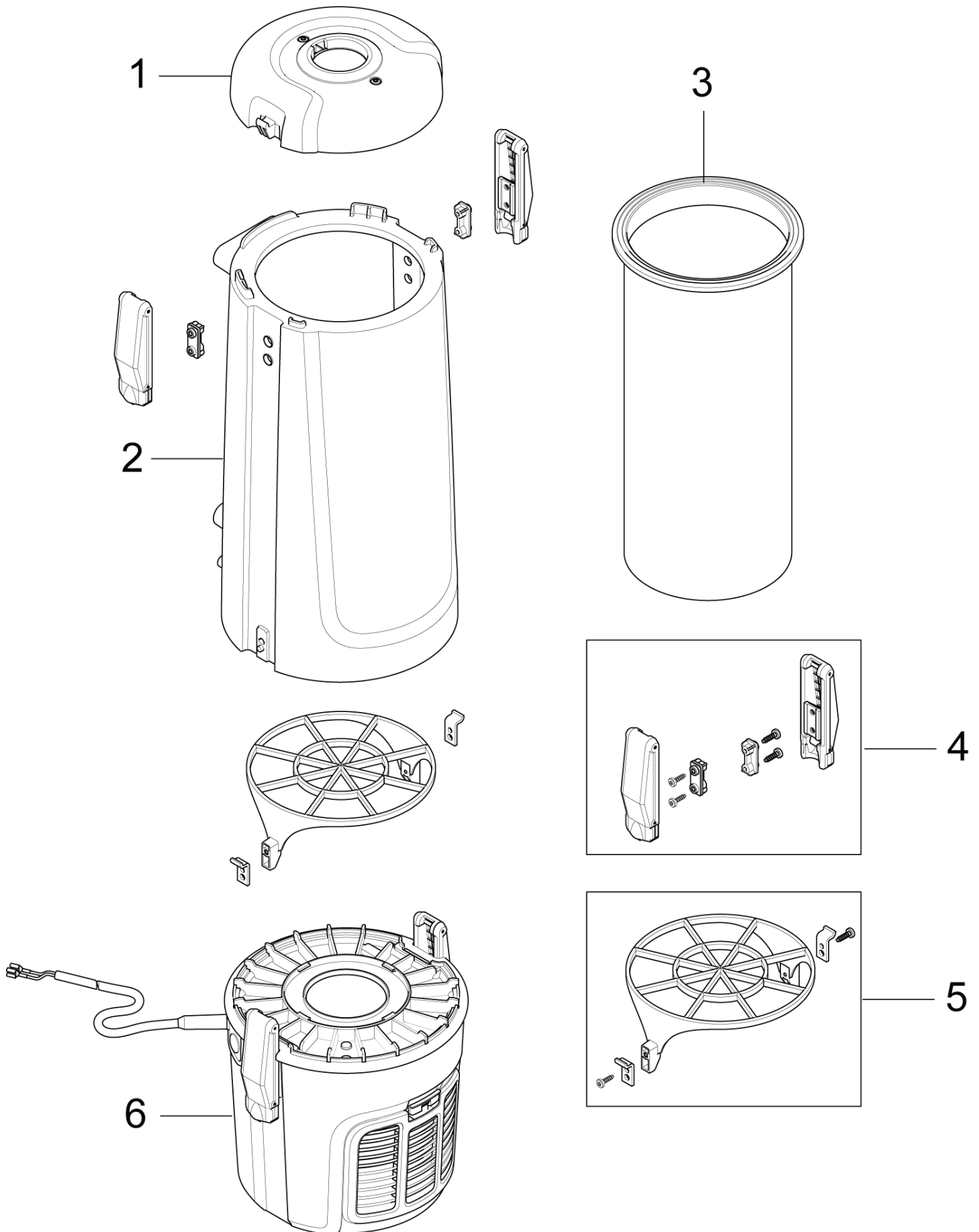
Container parts GD 5 Battery

GD 5, GD 10, GD 5 Battery

08-07-2009

Part List ID
GD5B04

19



Container parts GD 5 Battery

GD 5, GD 10, GD 5 Battery

08-07-2009

Part List ID

GD5B04

20

Pos	Part no.	Qty	Description	EAN
1	147 1077 500	1	OUTER LID 5L LIGHT GREY	7319519665
1	147 1080 500	1	OUTER LID 10 L LIGHT GREY	7319519665
2	147 1076 500	1	CONTAINER 5L LIGHT GREY	7319519665
2	147 1079 500	1	CONTAINER 10L LIGHT GREY	7319519665
3	147 1099 500	1	SACK FILTER 10L	7319519665
3	147 1100 500	1	SACK FILTER 5L	7319519665
4	147 1101 500	1	LATCH KIT	7319519665
5	147 1115 500	1	BASKET SACK FILTER	7319519665
6		1	USE LINK	Motor parts

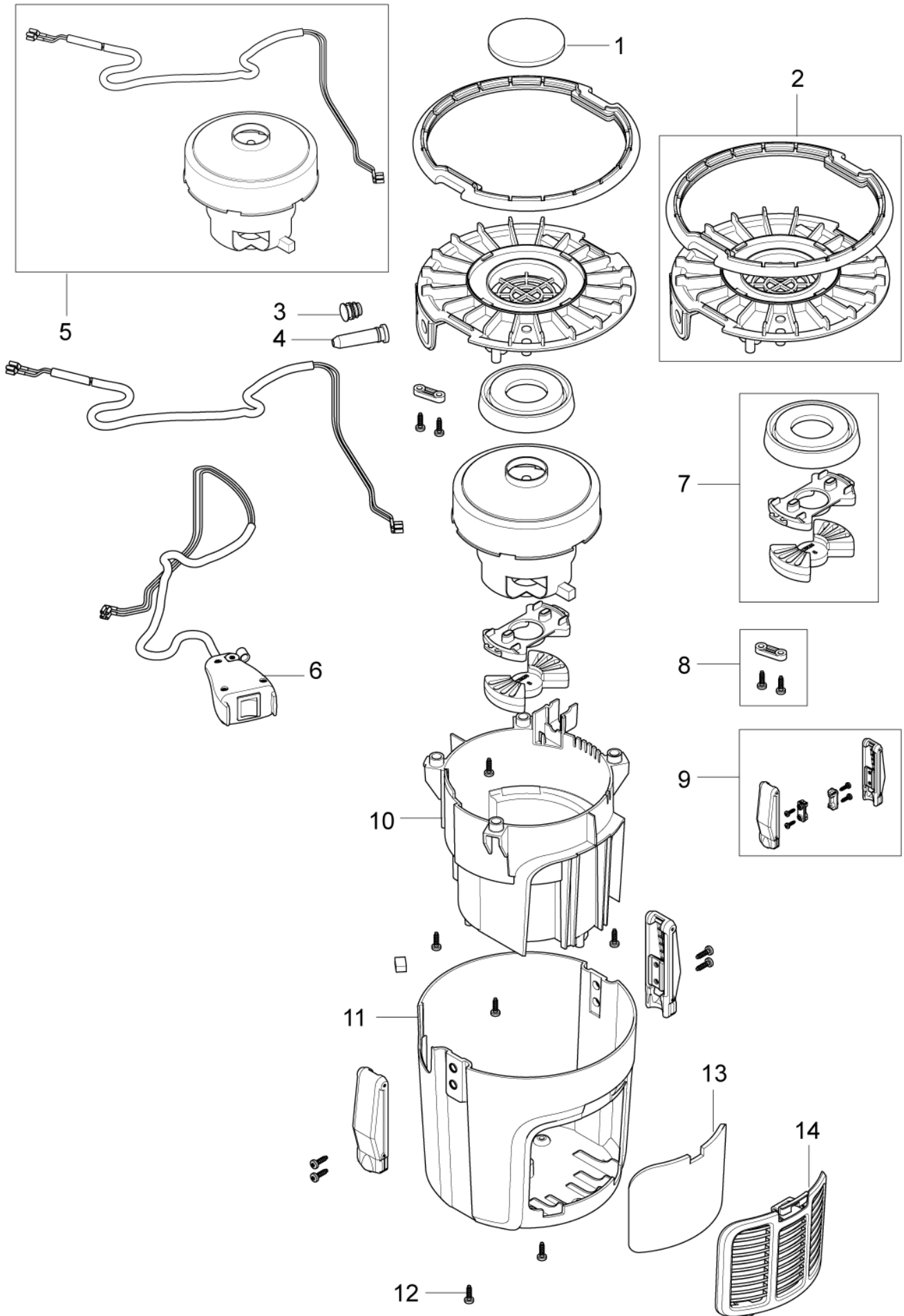
Motor parts GD 5 Battery

GD 5, GD 10, GD 5 Battery

08-07-2009

Part List ID
GD5B06

21



Motor parts GD 5 Battery

GD 5, GD 10, GD 5 Battery

08-07-2009

Part List ID
GD5B06

22

Pos	Part no.	Qty	Description	EAN
1	147 1095 500	1	PREFILTER Kit with 3 pcs.	7319519665
2	147 1086 500	1	CHASSIS DARK GREY	7319519665
4	093 1027 010	1	CABLE PROTECTION USA	7319519353
5	147 1196 510	1	FAN UNIT 24V GD5 BATTERY	7319519675
6	147 1105 510	1	SWITCH CPL.GD5 BATTERY	7319519675
7	147 0560 500	1	MOTOR SUSPENSION KIT	7319519647
8	140 6560 500	1	ANTI STRAIN CLIP	7319519640
9	147 1101 500	1	LATCH KIT	7319519665
10	147 1088 500	1	MOTOR COVER	7319519665
11	147 1075 500	1	COVER OUTER DARK GREY	7319519665
12	140 9214 040	1	SCREW PTK TORX 40X14 MM FZB	7319519418
13	147 1089 500	1	6XHAUST FILTER	7319519665
14	147 1082 500	1	GRID EXHAUST DARK GREY	7319519665

Nozzles Ø 32mm GD 5 Battery

GD 5, GD 10, GD 5 Battery

08-07-2009

Part List ID
GD5B08

23



1



2



3

Nozzles Ø 32mm GD 5 Battery

GD 5, GD 10, GD 5 Battery

08-07-2009

Part List ID

GD5B08

24

Pos	Part no.	Qty	Description	EAN
1	140 8492 520	1	COMBI NOZZLE KIT	7319519636
2	140 8244 500	1	BRUSH NOZZLE KIT	7319519658
3	81140900	1	CREVICE NOZZLE KIT	7319519658

Tube and hose Ø32mm GD 5 Battery

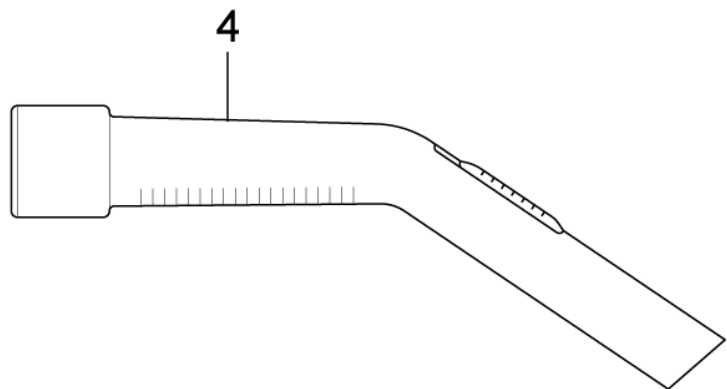
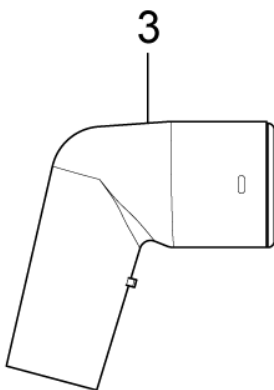
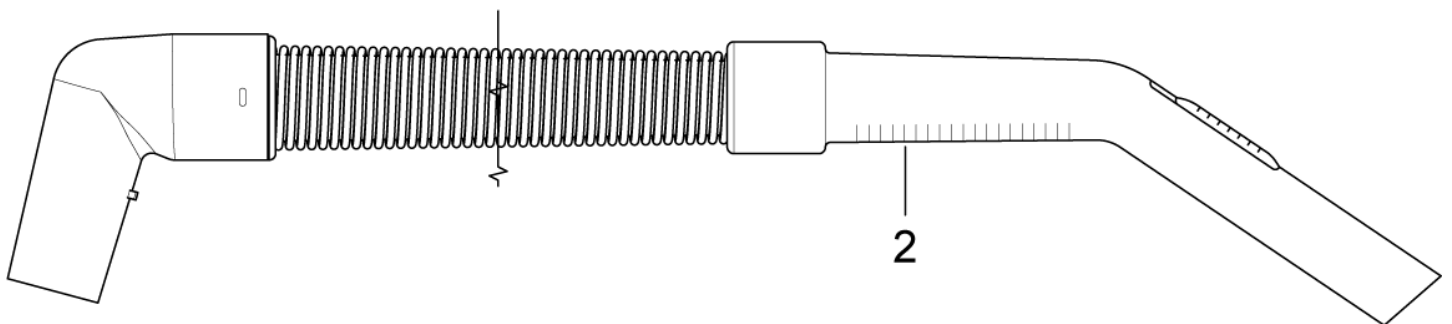
GD 5, GD 10, GD 5 Battery

08-07-2009

Part List ID

GD5B10

25



Tube and hose Ø32mm GD 5 Battery

GD 5, GD 10, GD 5 Battery

08-07-2009

Part List ID

GD5B10

26

Pos	Part no.	Qty	Description	EAN
1	140 8246 040	1	EXTENSION TUBE STEEL D32	7319519607
2	147 1449 500	1	CONDUCTIVE HOSE CONICAL CPL.	7319519675
3	147 1085 500	1	HOSE COUPLING CPL.	7319519667
4	21640505	1	BENT PLASTIC TUBE BLACK	7319519620