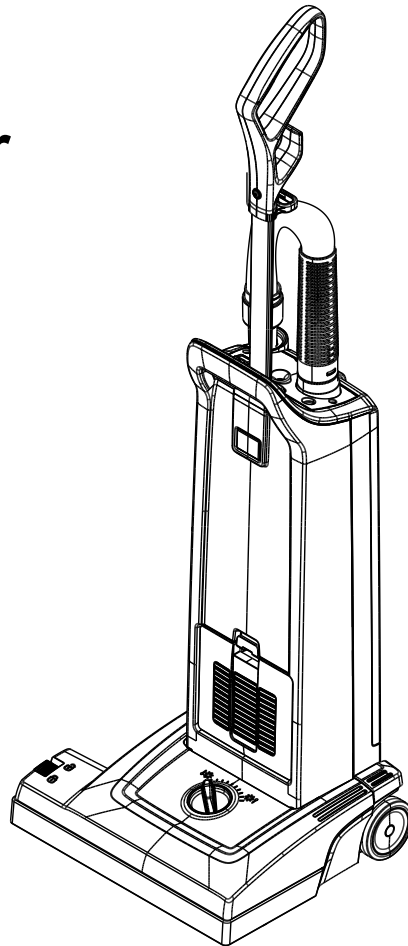


ProSense Dual Motor Vacuum Cleaner



WHEN ORDERING PARTS

- * Use the digit numbers from the "Part No." columns in this spare parts list.
- * Specify the model and serial number of the machine.
- * Use the space below to record the model and serial number for future reference.

Model _____ Serial no. _____

Triple S reserves the right to make changes or improvements to its machine without notice.
Always use genuine Triple S Parts for repair.

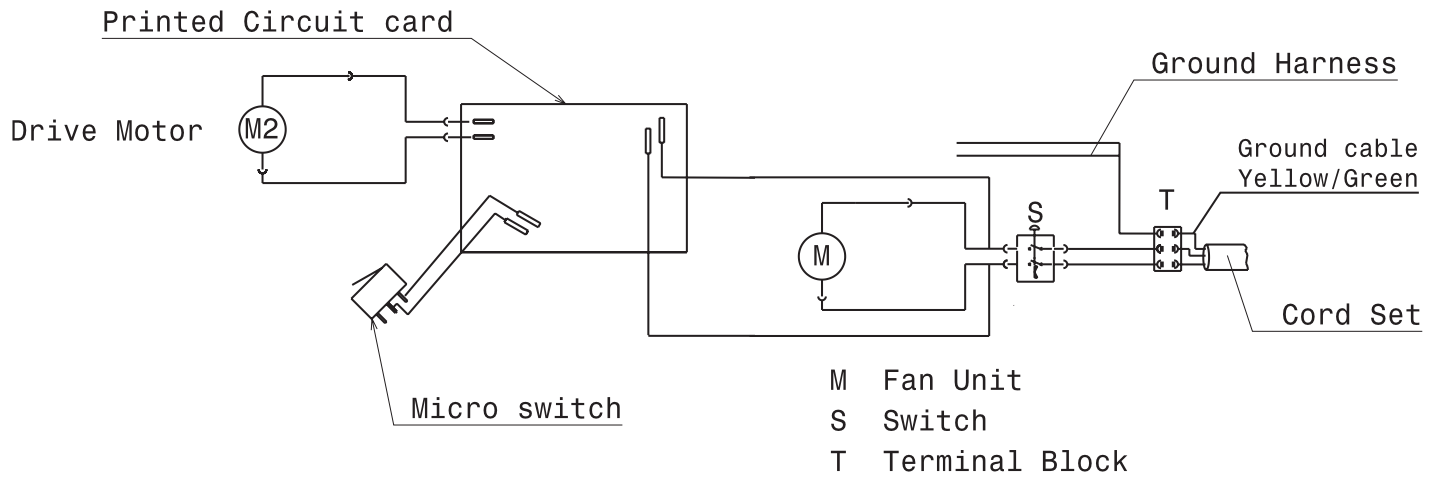
Table of Contents

Wiring diagram	3
Body	4
Base	6
Filters	8
Nozzles and tubes	10

Wiring diagram

ProSense Dual Motor Vacuum Cleaner

Double motor version - Grounded



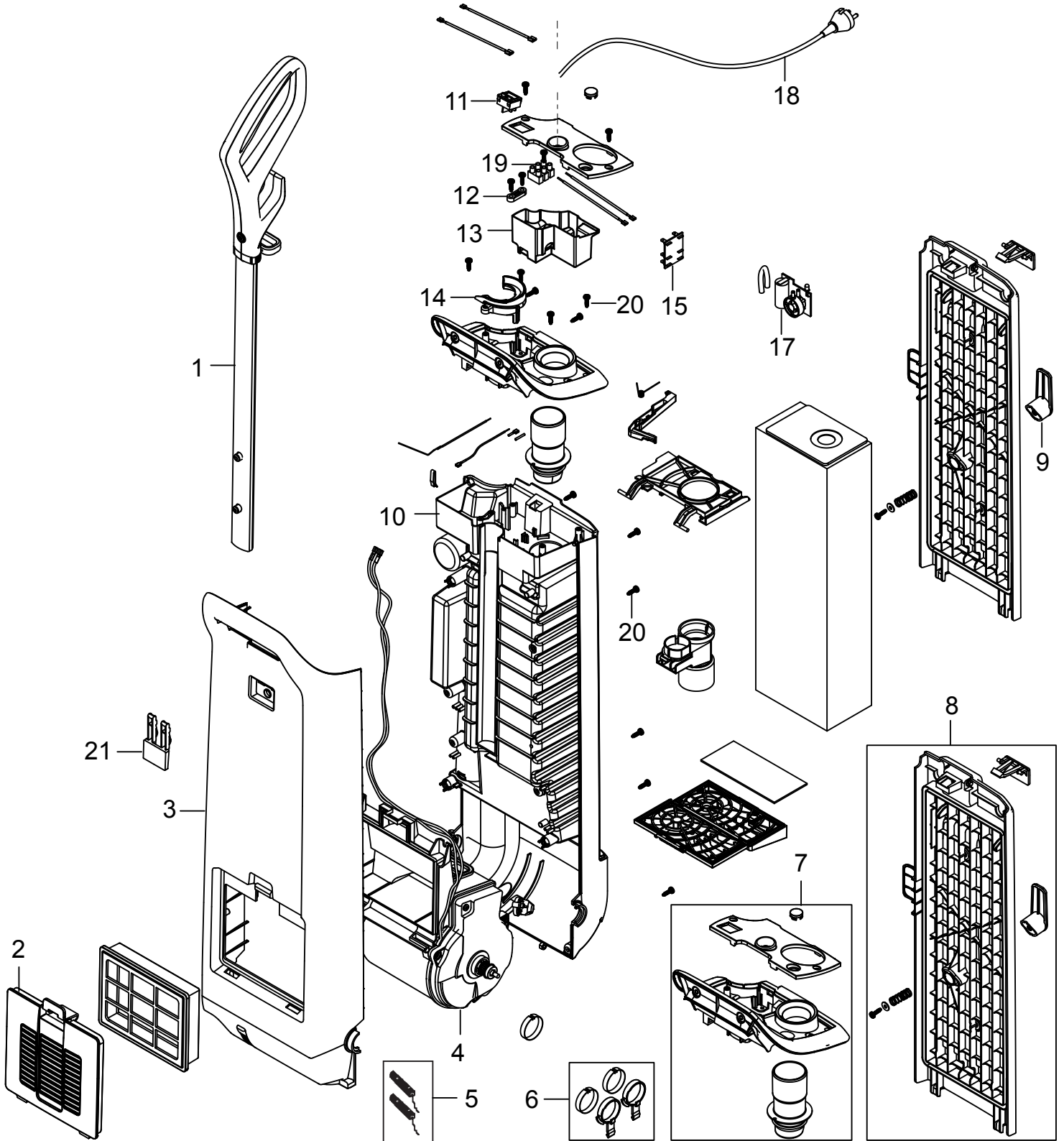
Body

ProSense Dual Motor Vacuum Cleaner

01-05-2012

Part List ID
107407047

4



Body

ProSense Dual Motor Vacuum Cleaner

01-05-2012

Part List ID

107407047

1

Pos	Part no.	Qty	Description	EAN
1	147 0833 500	1	HANDLE COMPLETE	7319519663
2	147 0965 500	1	COVER EXHAUST FILTER GREY	7319519663
3	147 0847 500	1	COVER BODY FRONT GREY	7319519664
4	147 0864 510	1	MOTOR CASSETTE 110-120V	7319519662
5	147 1326 500	1	CARBON BRUSH KIT	7319519664
6	147 0927 500	1	JOINT BASE TO BODY W RING	7319519670
7	147 0842 500	1	COVER TOP KIT GREY	7319519663
8	147 0857 500	1	LID CPL GREY	7319519663
9	147 0852 500	1	HOOK FOR CORD	7319519663
10	147 0850 500	1	COVER BODY REAR	7319519663
11	140 5496 510	1	SWITCH UL KIT INSULTATION COVER INCLUDE	7319519631
12	056 1014 060	1	TRIPPER	7319519352
13	147 0843 500	1	ELECTRIC BOX	7319519662
14	147 1062 500	1	HOLDER TUBE	7319519663
17	147 0987 500	1	BAG FULL DEVICE	7319519675
18	140 3859 640	1	CORD SET US/TW 15M YELLOW	7319519663
19	82240100	1	CONNECTOR	7319519493
20	140 9214 040	22	SCREW	7319519418
21	107401794	1	MUSTANG BUTTON BLACK	5703887107

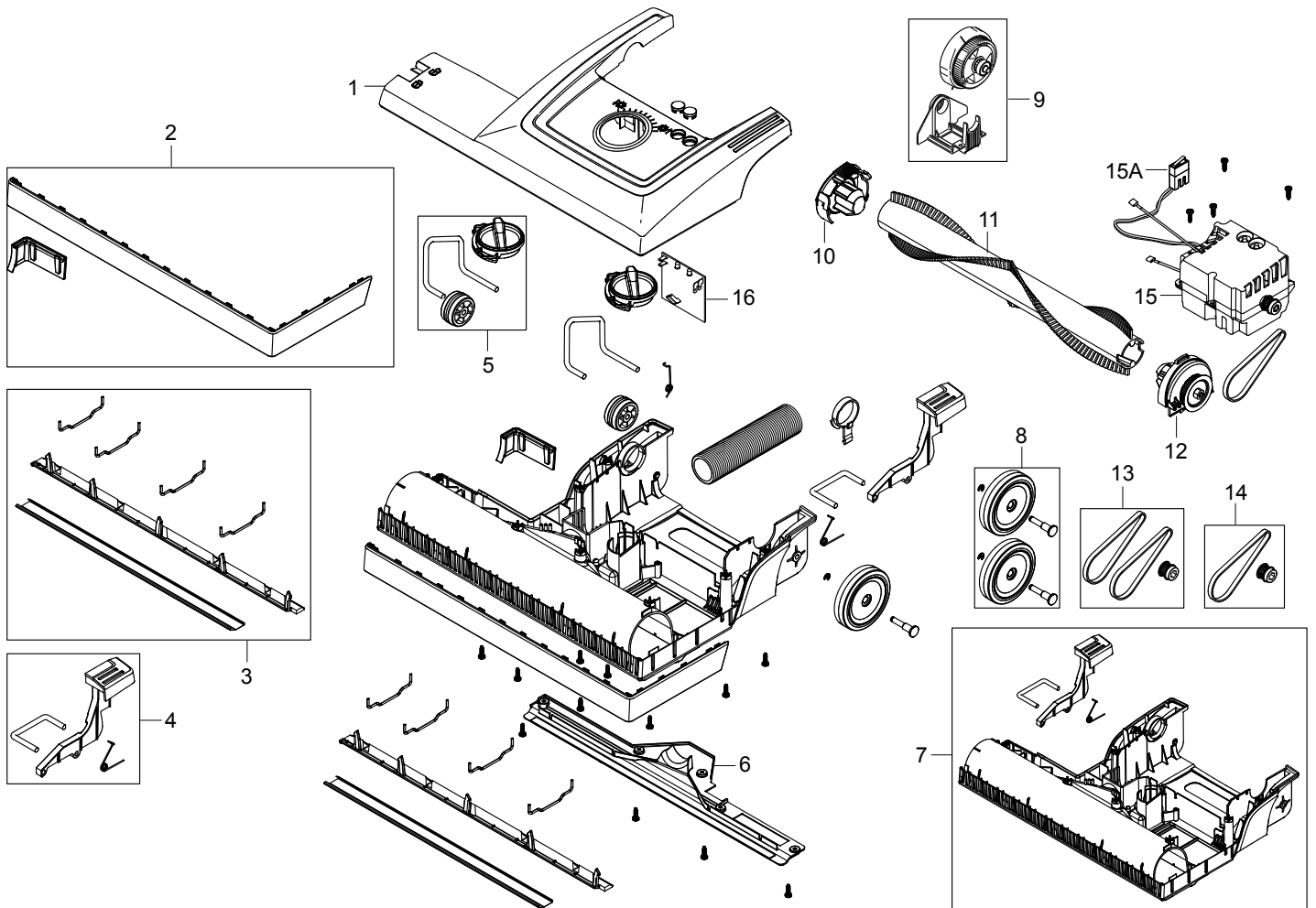
Base

ProSense Dual Motor Vacuum Cleaner

01-05-2012

Part List ID
107407047

6



Base

ProSense Dual Motor Vacuum Cleaner

01-05-2012

Part List ID

107407047

7

Pos	Part no.	Qty	Description		EAN
1	147 0924 600	1	COVER BRUSH HOUSE GREY	12"/305 incl. lens	7319519663
1	147 0925 600	1	COVER BRUSH GREY	15"/355 incl. lens	7319519663
2	147 0886 500	1	BUMPER KIT 12 INCH/305		7319519663
2	147 0889 500	1	BUMPER KIT 15" 355		7319519663
3	147 0992 500	1	SUPPORT BRUSH KIT 12"	12"/305	7319519663
3	147 0992 510	1	SUPPORT BRUSH SHOE KIT	15"/355	7319519663
4	147 0935 500	1	PEDAL W SHAFT AND SPRING		7319519670
5	147 0901 500	1	ROLLER KIT		7319519663
6	147 0988 500	1	BRUSH SHOE 12 INCH/305 NEW ARTICLE		7319519663
6	147 0989 500	1	BRUSH SHOE 15/355		7319519663
7	147 0885 500	1	CHASSIS 12 INCH /305		7319519663
7	147 0888 500	1	CHASSIS 15 INCHES/355		7319519663
8	147 0898 500	1	WHEEL KIT		7319519663
9	147 0906 500	1	CLUTCH & BEARING KIT		7319519663
10	147 0944 500	1	COVER		7319519663
11	147 0930 500	1	BRUSH 12" 305		7319519663
11	147 0930 510	1	BRUSH 15" 355		7319519663
12	147 0913 500	1	BEARING		7319519663
13	147 0905 500	1	DRIVE BELT KIT		7319519663
14	147 0905 510	1	DRIVE BELT KIT DOUBLE MOTOR		7319519664
15	147 0984 510	1	MOTOR CASSETTE 100-120V		7319519662
15A	147 1170 500	1	MICROSWITCHKIT		
16	107401946	1	PCB 230V KIT		5703887108
16	107401947	1	PCB 120V KIT		5703887108

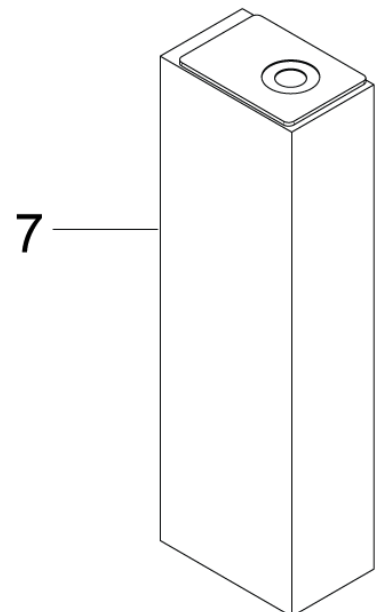
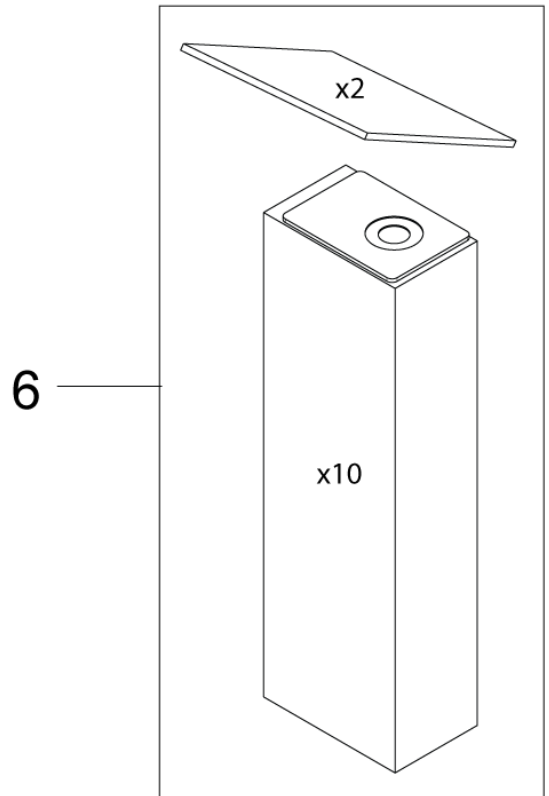
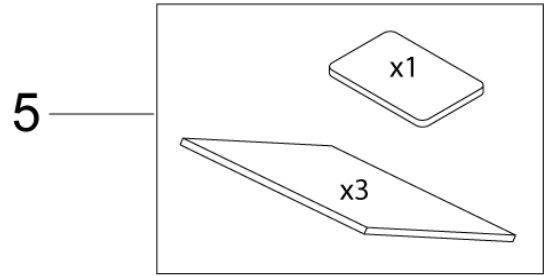
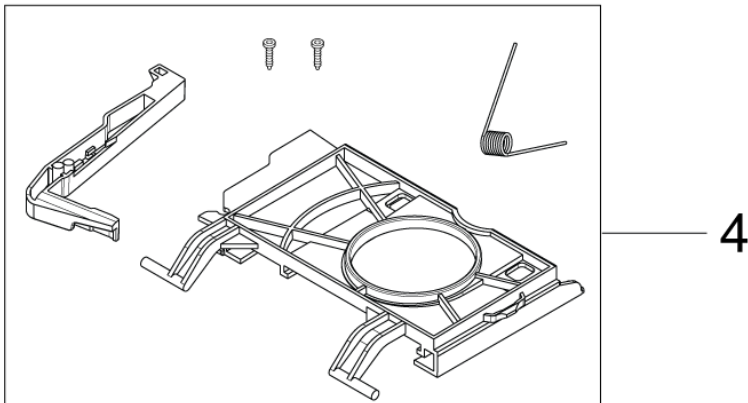
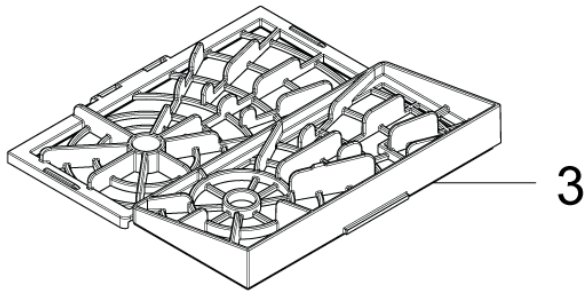
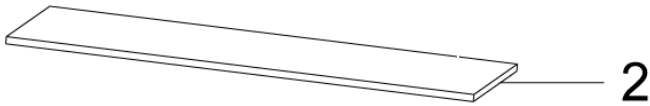
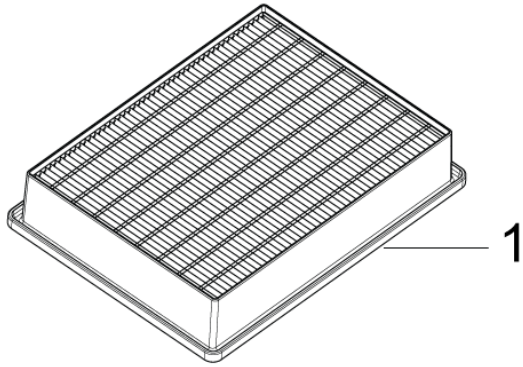
Filters

ProSense Dual Motor Vacuum Cleaner

01-05-2012

Part List ID
107407047

i



Filters

01-05--2012

Part List ID
107407047

ProSense Dual Motor Vacuum Cleaner

9

Pos	Part no.	Qty	Description	EAN
1	147 1250 600	1	HEPA FILTER H13	7319519664
2	147 0966 500	1	EXHAUST FILTER	7319519663
3	147 0958 500	1	HOLDER PRE FILTER KIT with 1 Prefilter	7319519663
4	147 0854 500	1	HOLDER DUST BAG KIT	7319519663
5	147 0960 500	1	PRE FILTER KIT with 1 fragrance chip and 3 Prefilters	7319519663
6	147 1058 500	1	DUST BAG 408X78 10 PK with 10 bags and 2 Prefilters	7319519663
7	147 1059 500	1	DUST BAG REUSEABLE	7319519664

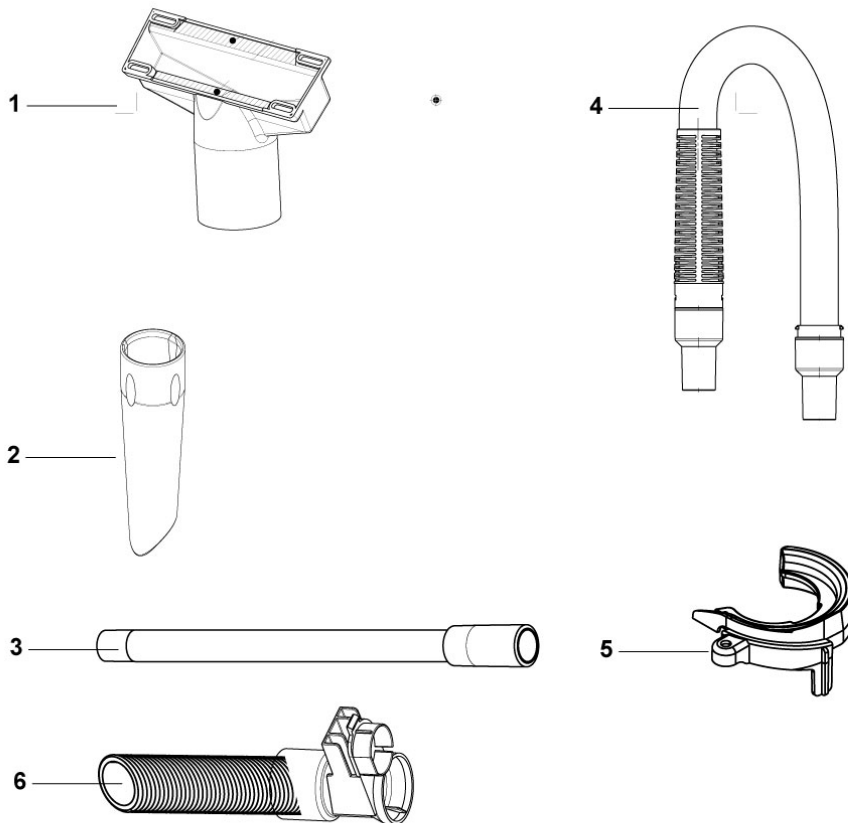
Nozzles and tubes

ProSense Dual Motor Vacuum Cleaner

01-05-2012

Part List ID
107407047

F€



Nozzles and tubes

ProSense Dual Motor Vacuum Cleaner

01-05-2012

Part List ID
107407047

1F

Pos	Part no.	Qty	Description	EAN
1	147 1205 500	1	UPHOLSTERY NOZZLE	7319519663
2	147 1203 500	1	CREVICE NOZZLE 35	7319519663
3	147 0851 500	1	EXTENSION TUBE 35MM	7319519664
4	147 0950 500	1	HOSE STRETCHABLE	7319519663
5	147 1062 500	1	HOLDER TUBE	7319519663
6	147 0919 500	1	ADAPTER BASE TO TUBE W HOSE	7319519670

