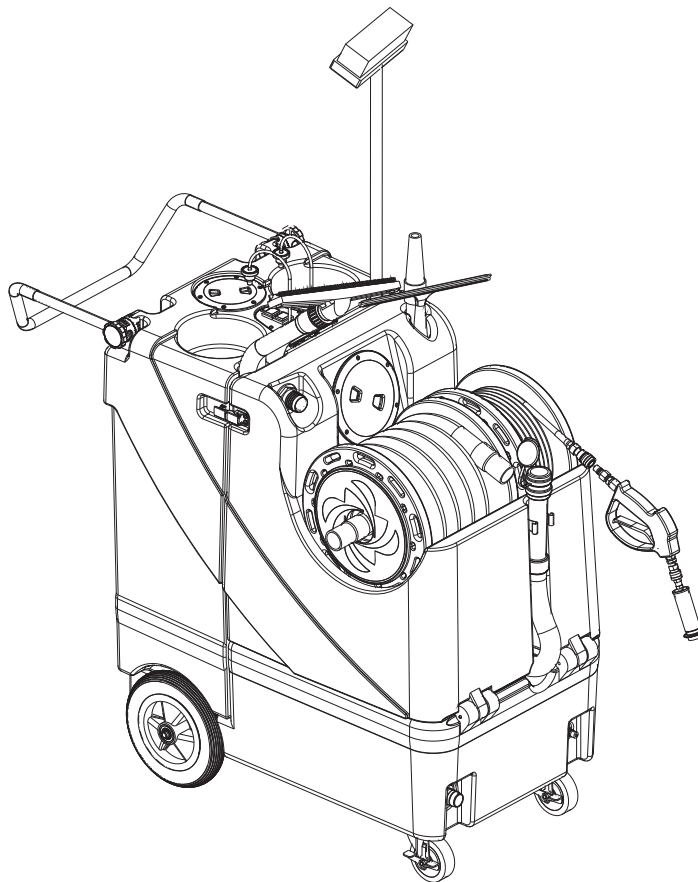


Reel Cleaner™



PARTS LIST

MODEL 56108050



TABLE OF CONTENTS

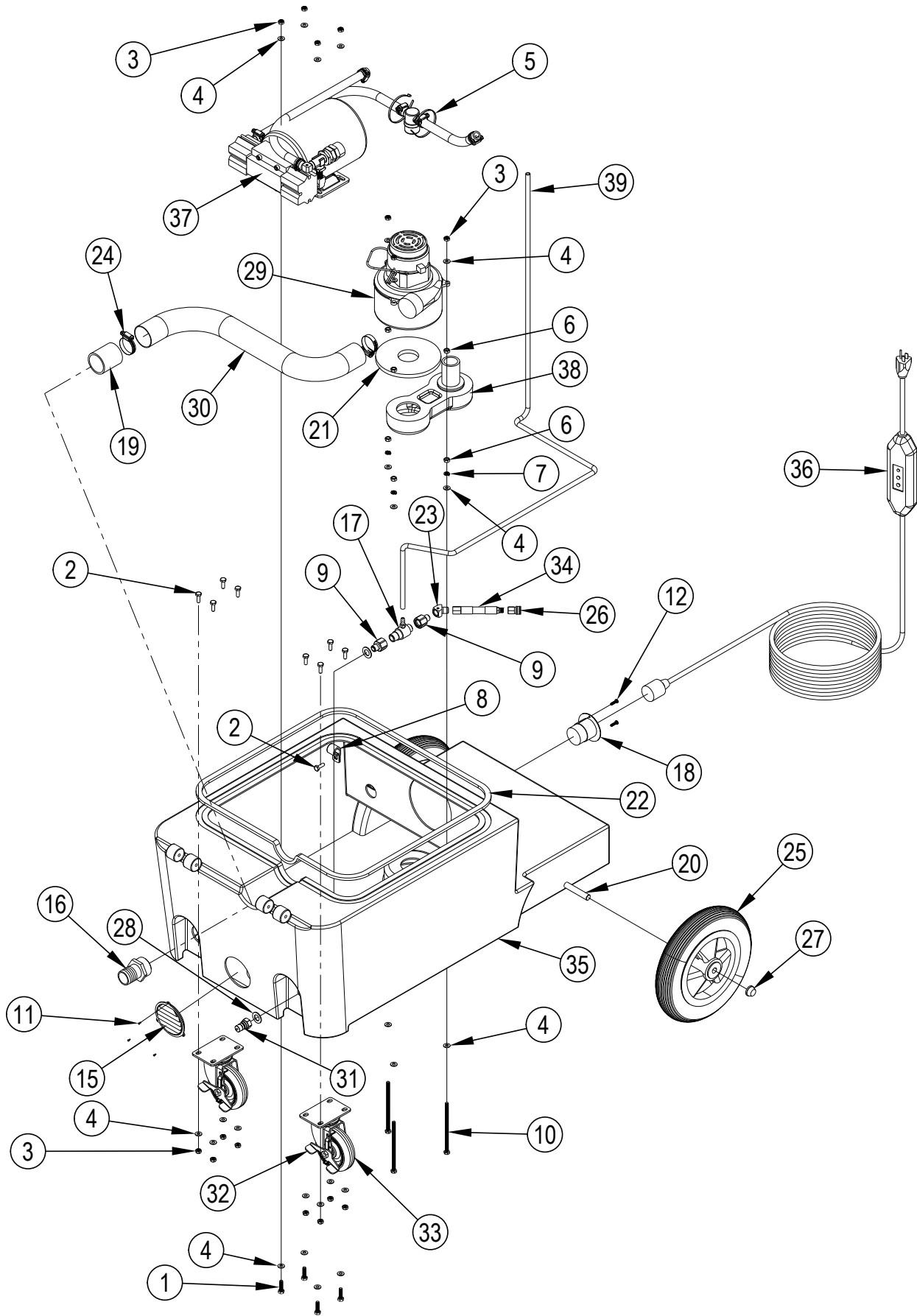
DESCRIPTION	PAGE
Base Assy	2-3
Pump Assy	4-5
Recovery Tank.....	6-7
Solution Tank.....	8-9
Switch Plate Assy.....	10-11
Tools & Accessories	12-13
Wiring Diagram	13

WHEN ORDERING PARTS

- * Use the part numbers from the "Ref. No." columns in this parts list.
- * Specify the model and serial number of the machine.
- * Use the space below to record the model and serial number for future reference.

Model _____ Serial No. _____

BASE ASSY



BASE ASSY

Kit Item	Ref. No.	Qty	Description
	1#	4	Bolt-Hex-Flthrd-Ss-Zp-1-4-20x1
K1,K6	2#	12	Bolt Hex 1/4-20 X 3/4 Full
K1,K6	3#	15	Nut-Nylock-Zp-1-4-20
K1,K6	4#	25	Washer Flat 3/16 Zinc Plat
	5#	79	Tie, 8" Black
K1	6#	6	Nut-SS-Zp-1/4-20
K1	7#	3	Washer-Slitlock-Ss-Zp-1/4
	8#	196	Clamp For Wire Harness For
K7	9#	217	Reducer 3/8 Pipe Female To 1
K1	10#	3	Bolt-Full Thread-Ss-Zp-1/4-20x5
	11#	297	Screw-Fhp-Ss-2x1/4-Sms
	12#	376	Screw-Ph-Combo-Tapping-8x5/8 Ab
	[13]#	437	24" Tape Cloth 2 X 60 Yds Bla
	[14]#	452	6" Tape High-Temp Electrical 13
	15#	928	Louver 3 Gray Plastic
	16#	973	Adapter Pvc 1 1/4 X Mipt S
K7	17#	1049	Injector Chemical Brass 4500
	18#	1062	Electrical Inlet Twist Lock Ne
	19#	1077	Adapter Pvc Sxf 1 1/4 Lasco
	20#	FP549	Apc-S.S. Axle 22.81 Inches
K5	21#	2013	Gasket 1 Side Adhesive 5-1/2 O
	22#	FP228A	Gasket Base Poron KCEs 1/4
	23#	140USP	ELBOW 45deg.ANGLE 1/4 MALE X 1
K2	24#	156USP	Hose Clamp-Size 28-1-9/16- 2 1/2
K8	25#	2084A	Wheel 10 Grey Precision Bea
K4	26#	222USP	Quick Disconnect Socket Bras
K8	27#	27AUSP	Axel Cap Black Pal Nut
K4	28#	31USP	Washer Brass Half Hard 1 X
K5	29#	408A	Vacuum Motor 3 Stage 5.7 1
	[]#	56260950	Brush Mech.2 Brushes (for 408A)
	30#	430E	Hose 2 Id X 25 Blackrubbe
K4	31#	45USP	Quick Disconnect Plug Male
K6	32#	905A	Brake Kit For 4 Caster 905
K6	33#	905USP	Caster Swivel 4 Gray Non Ma
K3	34#	982A	49 In-Hose-1/8 Mpt X 1/4 Fpt
	35#	B-APC	Base For Apc Dark Gray
	36#	FP438	Power Cord 50 FT W/GFCI Inst
	37#	SUB153-M	Pump Assembly For Apc 120v. A/
	38#	FP300	Vacuum Manifold Kit 56108095
K3	39#	FP277	Hose 1/4 Id X 61 Chemical
	[]#	APC-LABEL	2 Label APC 12 Long X 2 Wide M
	K1#	FP295	1 Base Hardware Kit 56108046
	K2#	FP296	1 Clamp Kit 56108047
	K3#	FP297	1 Hose Kit 56108048
	K4#	FP298	1 Quick Disconnect Kit 56108049
	K5#	FP299	1 Vacuum Motor Kit 56108031
	K6#	FP302	2 Caster Kit 56108097
	K7#	FP303	1 Injector Kit 56108098
	K8#	FP304	2 Wheel Kit APC 56108099

[] = Not Shown

= Revised or new since last update

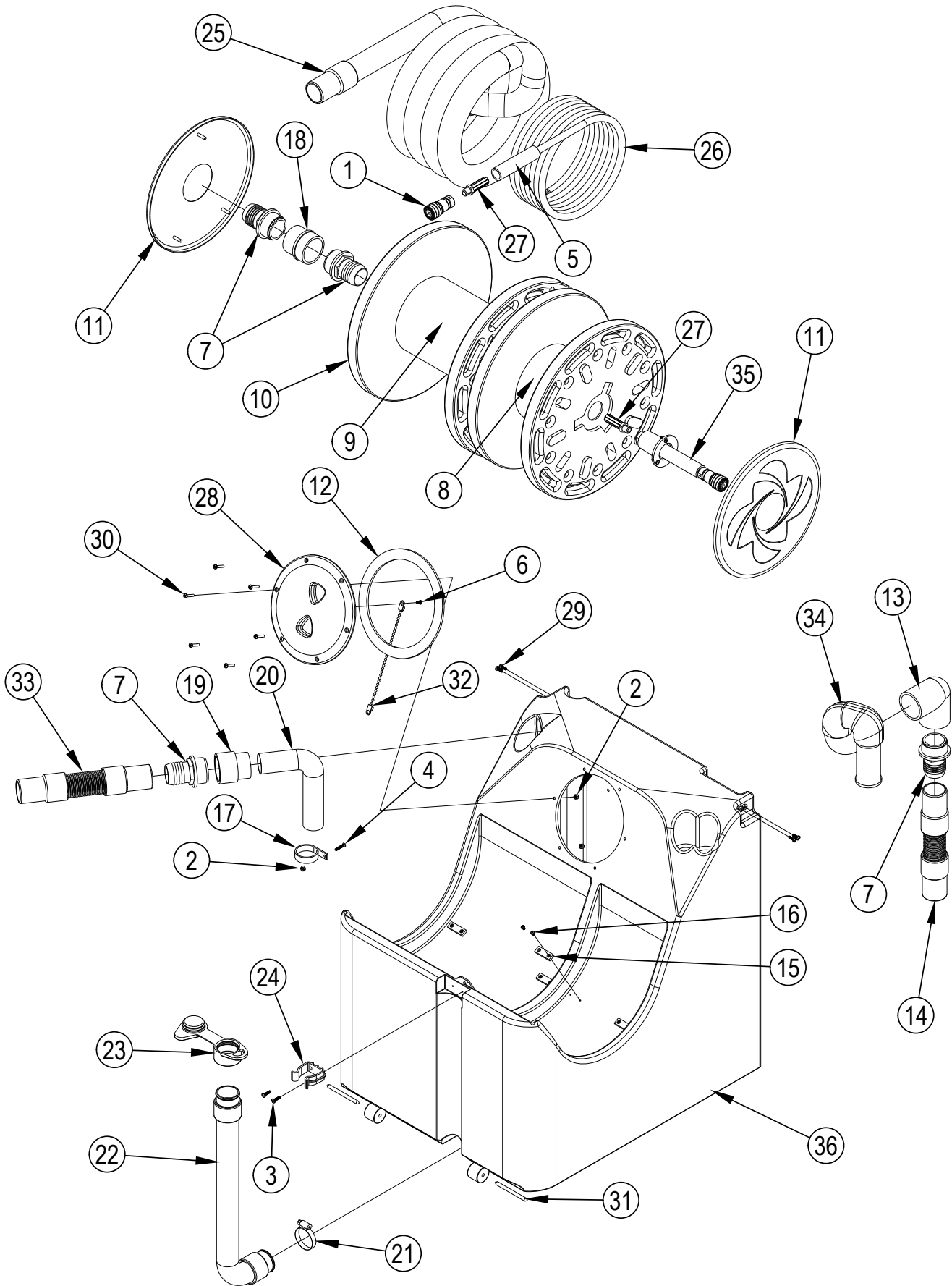
PUMP ASSY

Kit Item	Ref. No.	Qty	Description
K3,K4 1#	97	1	Bushing Pipe 1/4 Male Pipe X
K3,K4 2#	165	1	Hose Barb 1/4 Pipe X 1/2 Hose Brass
K3,K4 3#	211	1	Plug Brass Pipe 1/4 Pipe H
K4 4#	216	1	Elbow 1/4 Street 90 Deg. Br
5#	218	4	Washer-Flat-1/4x3/4x1/8-60 Dur0
K3,K4 6#	223	1	Quick Disconnect Plug Brass
K2 7#	FP282	1	Hose By-Pass 3/8 X 20 APC
K2 8#	FP278	1	Hose Inlet 1/2 X 15 Pump/
K2 9#	FP279	1	Hose Inlet 1/2 X 9 Filter/Ta
10#	1050	1	Filter Water In-Line
K4 11#	1147	4	Screw-Shcs-Ss-1/4-20x2x1
K4 12#	1541	1	Hose Barb 90 3/8 Hose 1/4mpt
13#	2060	1	Motor A/C 1/3 Hp For 300 Psi P
K1 14#	166USP	6	Hose Clamp-Ss-3/8-7/8
K3,K415#	92C	1	Nipple Pipe Stainless Steel 1/
K4 16#	945A	1	Bypass Valve W/ 0-600 Psi Spri
K4 17#	950A	1	Bearing & Cam Assembly .110
K4 18#	950F	1	Pump Piston Style 300-500 Ps
[]#	250USP	1	Rebuild Kit Pump Piston & S
[]#	229USP	1	Rebuild Kit Pump Valves & O-
K1#	FP296	1	Clamp Kit 56108047
K2#	FP297	1	Hose Kit 56108048
K3#	FP298	1	Quick Disconnect Kit 56108049
K4#	FP270	1	Pump Complete No Motor APC

[] = Not Shown

= Revised or new since last update

RECOVERY TANK

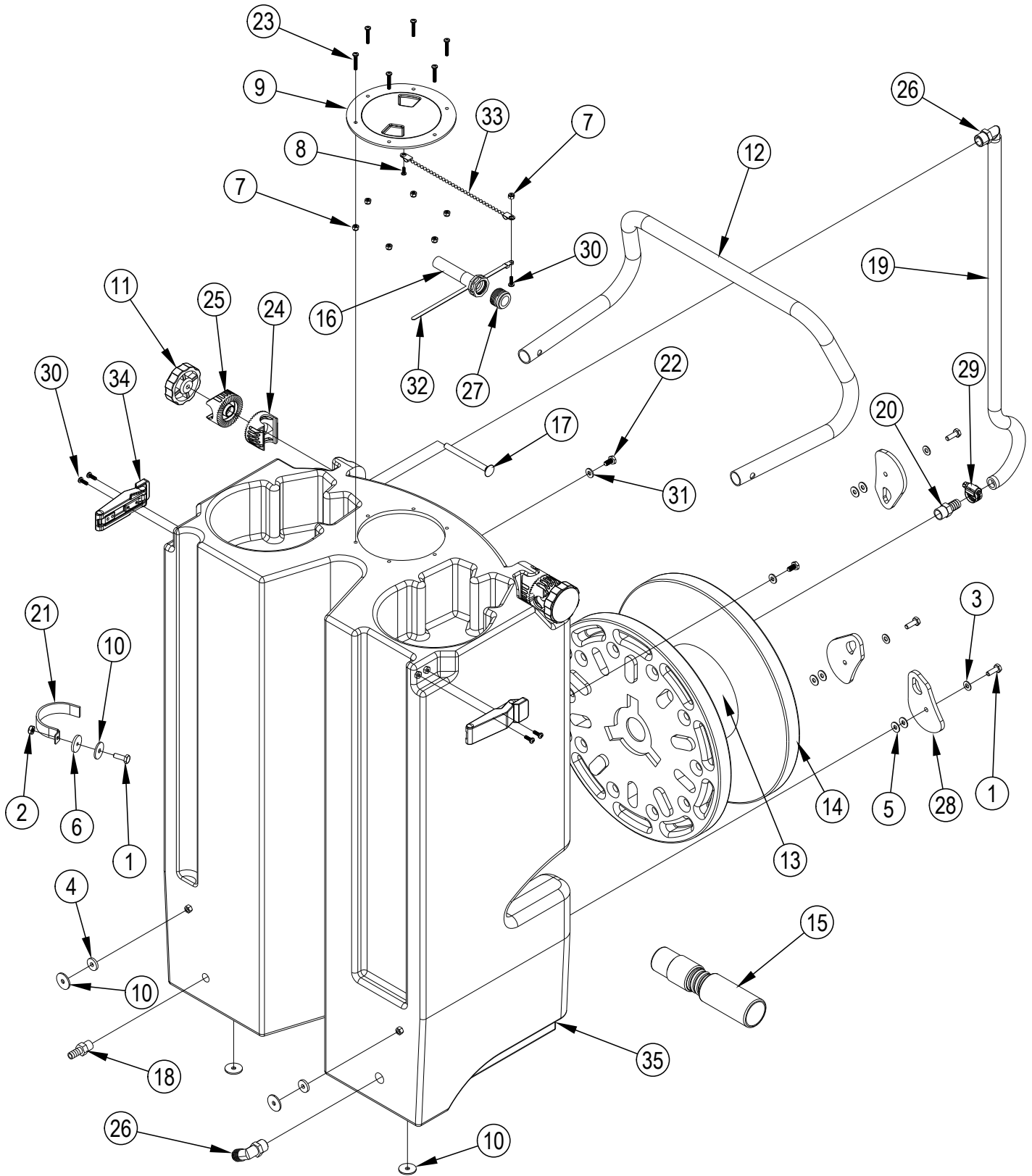


RECOVERY TANK

Kit Item	Ref. No.	Qty	Description
K6,K8 1#	46	1	Quick Disconnectsocket Femal
K2,K5 2#	325	7	Nut-Nylon Lock-Ss-8-32
K3 3#	376	2	Screw-Ph-Combo-Tapping-8x5/8 Ab
K5 4#	388	1	Screw-Fhp-Ss-8-32x7/8
K6,K8 5#	460	4"	Tube-Blk-3-4 Id X 1 X 100ft
K2 6#	808	1	Screw 6x3/8 S/S Trushead P
K9 7#	907	4	Hose Barb Fitting Black Abs
K1 8#	1053	1	Reel Core 6 X 4.5
K9 9#	1054	1	Reel Core 6 X 9
K1,K9 10#	1055	2	Reel Flange 14 (Set Of 2)
K1,K9 11#	1064	2	Hubcap-Reels-W/Ctr Hole
K2 12#	1074	1	Gasket-Lid-Xlpe-6.5idx3/16 Thick
13#	1075	1	Elbow Pvc 90 1-1/2 Fipt X Fi
14#	1076	1	Hose Vacuum Clear 1.5 X 38
K7 15#	1088	8	Strip Glide
K7 16#	1089	16	Screw-Php-Ss-6-1/4
K5 17#	1107	1	Clamp Self Closing Screw Moun
K9 18#	1110	1	Spin Weld 1-1/2 Fpt Raised D
19#	1137	1	Adapter-Abs 1-1/2
20#	1155	9.75"	Hose 1-1/4 X 50 Ft Wire R
K4 21#	1518	1	Hose Clamp 3/4 X 1 3/4 Ss
K4 22#	56262143	1	Hose Assembly
K4 23#	56393772	1	Plug Drain 1 1/2
K3 24#	56407361	1	Clamp, Plastic
K9 25#	FP306A	1	Hose Vac 5 To 1 Stretch W/CU
K6,K8 26#		50'	Hose Power Clean 1/4 Id X 5
K6,K8 27#		2	Crimp Fitting 1/4 X 1/4 Mal
K2 28#	2086A	1	Lid-Clear With Ring
29#	325C	4	Bolt-Php-Ss-8-32x1/2
K2 30#	1148	6	Screw 8-32 X 1 Panhead P
31#	801A	2	Rod Stainless/Steel 1/4 X 3 1
K2 32#	805USP	1	Chain-Cover
K9 33#	919F	1	Hose Vacuum 1-1/2 X 21 Black
34#	56113039	1	Ball Float Assy
K8 35#	FP306	1	Swivel Hose Kit 56108015
36#	FP558	1	Vacuum Tank Apc Light Grey (includes items 16 & 17)
K1#	FP274	1	Reel For Solution Hose APC
K2#	FP285	1	Recovery Lid Kit
K3#	FP287	1	Recovery Hose Clamp Kit
K4#	FP288	1	Dump Hose Kit 56108071
K5#	FP307	1	Recovery Hose Clamp Kit 56108
K6#	FP275	1	Solution-Hose-QD-APC
K7#	FP342	1	Teflon Glides Kit 8ea.& Screws
K8#	FP310	1	Hose-Assembly-Solution-50-FT-A
K9#	FP377	1	Vac Hose & Reel Kit Assembled

= Revised or new since last update

SOLUTION TANK

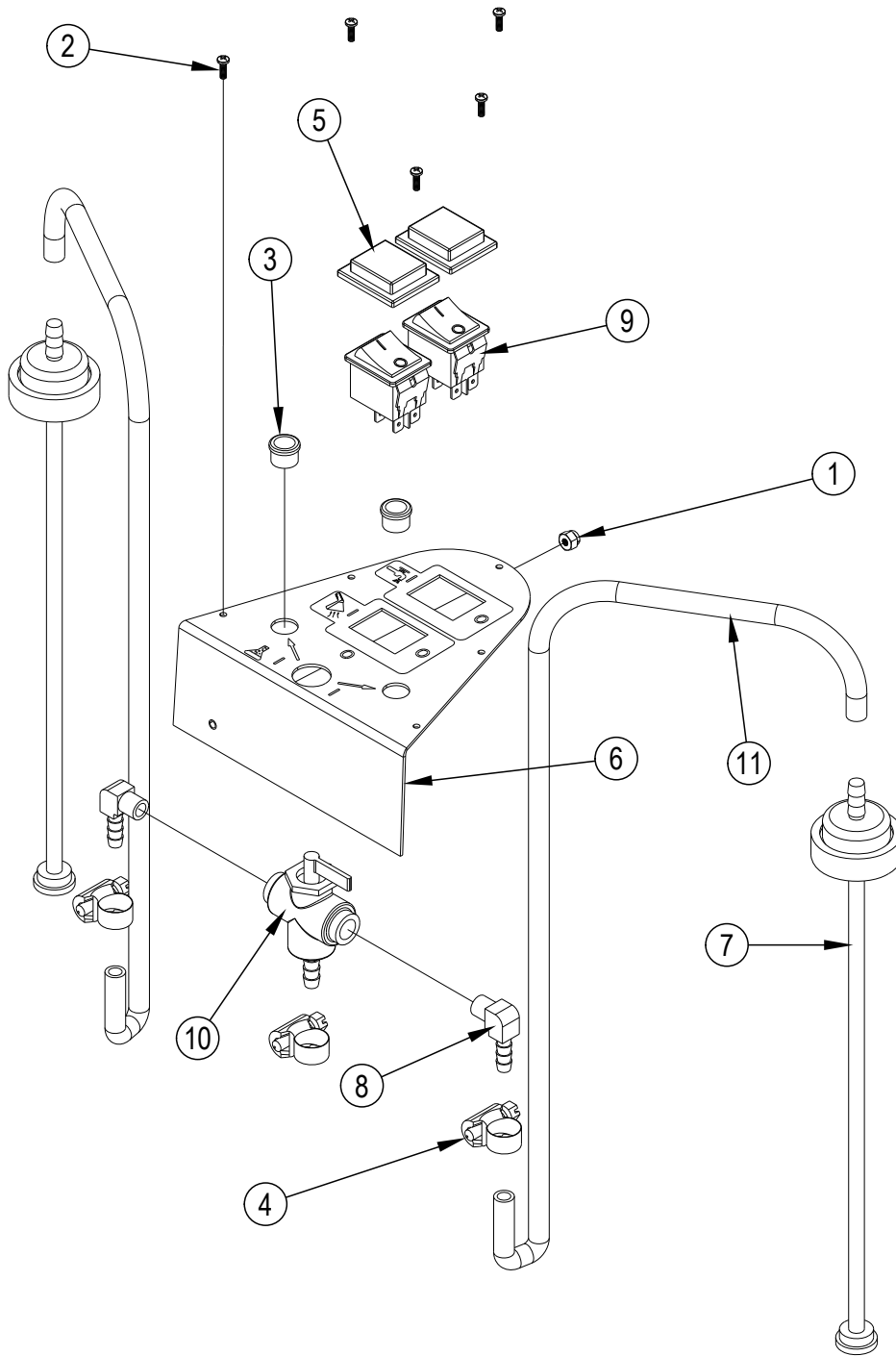


SOLUTION TANK

Kit Item	Ref. No.	Qty	Description
K4,K9 1#	5	4	Bolt Hex 1/4-20 X 3/4 Full
K4 2#	8	1	Nut-Nylock-Zp-1-4-20
K4,K9 3#	14	3	Washer Flat 3/16 Zinc Plat
K4 4#	218	2	Washer-Flat-1/4x3/4x1/8-60 Dur0
K9 5#	233	6	Washer-Flat-Nylon-Black-1/4idx5/8odx1/16 Thick
6#	290	1	Washer Epdm 7/32 X 1/8
K4 7#	325	7	Nut-Nylon Lock-Ss-8-32
K7 8#	808	1	Screw 6x3/8 S/S Trusshead P
K7 9#	983	1	LID And RING 4 LID CLEAR
K4 10#	1033	5	Washer-Flat-Zp-1/4 Id X 1 Od
K5 11#	1047	2	Knob Handle Ratchet
12#	FP271	1	Handle Tube Powder Coat Black
K3 13#	1053	1	Reel Core 6 X 4.5
K3 14#	1055	1	Reel Flange 14 (Set Of 2)
15#	1058	1	Hose Vacuum Black 1.25 X 13
K8 16#	1065	1	5' Hose Fill Apc
K5 17#	1078	2	Bolt Carriage 5/16-18 X 3 1/2
K2 18#	1083	1	Hose Barb, 3/8 Barb X 1/4 Mpt
K6 19#	1085	25"	Tubing Clear 1/2 Id X 3/4 O
K6 20#	1090	1	Hose Barb Nylon 3/8 Mpt X 1/2
K4 21#	1091	1	Clamp Stainless Steel Insulate
22#	1097	2	Bolt-Hex-1/4-20 X 1/2-Ss
K4 23#	382C	6	Screw 8-32 X 7/8 Panhead Phi
K5 24#	56264118	2	Ratchet
K5 25#	56264123	2	Ratchet
K2,K6 26#	56380688	2	Hose Barb/Elbow 90 Deg Nyl 1/2
K8 27#	1065A	1	Adapter Faucet Inside/Outsid
K4,K9 28#	1087B	3	Reel Keeper Tear Drop Shape
K1,K6 29#	166USP	1	Hose Clamp-SS-3/8-7/8
30#	325C	5	Bolt-Php-SS-8-32x1/2
31#	398A	2	Washer 1/4 An S/S Flat .515
K4 32#	79B	1	Tie Wire 8 W/Mounting Hole
K7 33#	805USP	1	Chain-Cover
34#	908A	2	Latch & Strike Draw Rubber Ma
35#	FP370	1	Holding Tank APC Light Grey (includes items 1, 3, 5, 18, 20, 26, 28)
K1#	FP296	1	Clamp Kit 56108047
K2#	FP298	1	Quick Disconnect Kit 56108049
K3#	FP272	1	Reel For Blower Hose APC
K4#	FP289	1	Solution Tank Hardware Kit
K5#	FP290	1	Handle Knob Kit 56108083
K6#	FP291	1	Solution Hose Kit 56108084
K7#	FP292	1	Solution Lid Kit 56108085
K8#	FP305	1	Hose Fill Kit APC
K9#	FP378	1	Keeper Reel Swivel Kit 561080

= Revised or new since last update

SWITCH PLATE ASSY

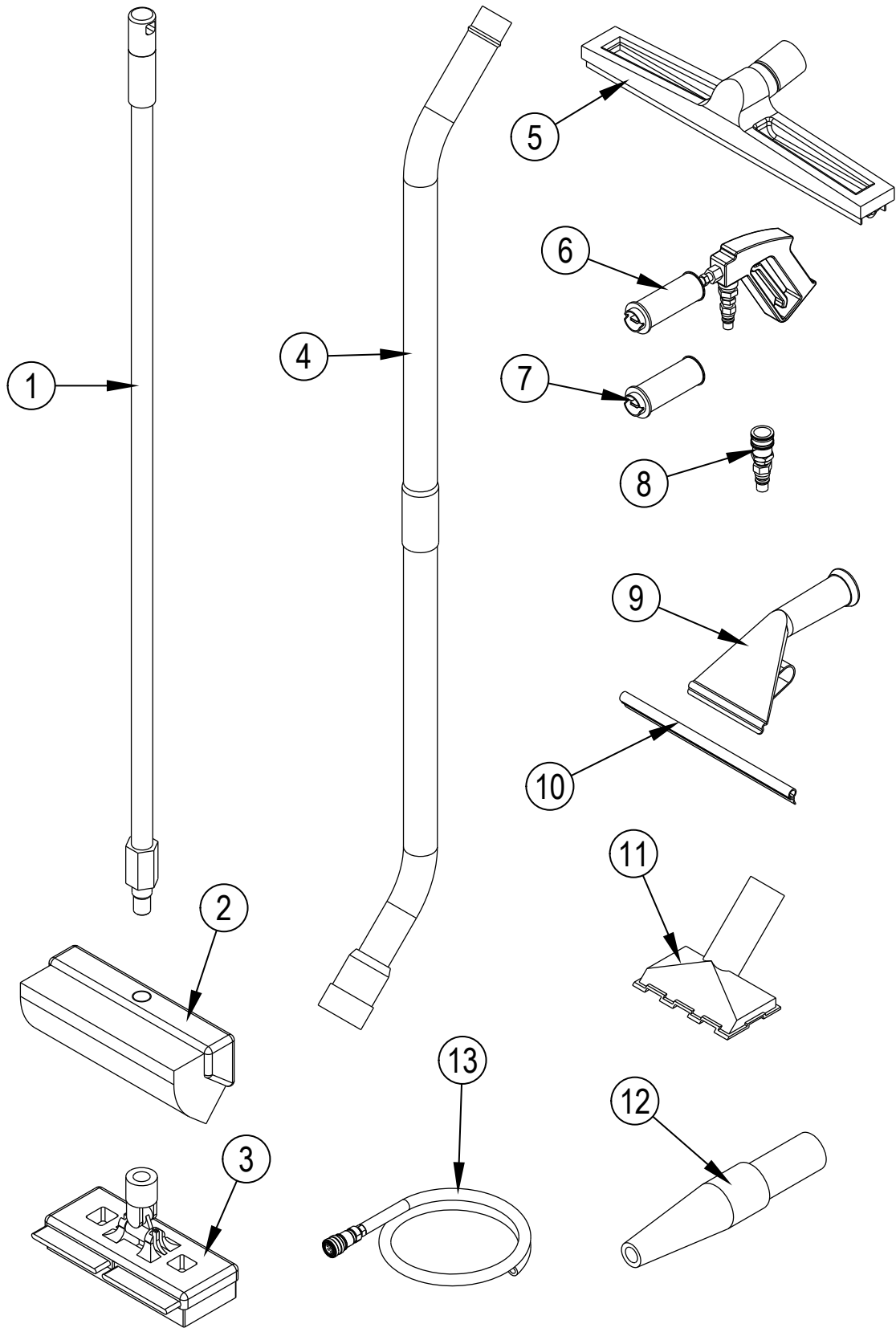


SWITCH PLATE ASSY

Kit Item	Ref. No.	Qty	Description
	1# 16	1	Nut Nylon Lock 6/32 Z.P.
K1	2# 28	5	Screw-Php-Ss-4x3/8-Sms
	3# 311	2	Bushing Plastic 1/2 X 3/8
	4# 385	3	Hose Clamp 1/4 X 5/8 X 7/16 Wi
K2	5# 397	2	Splashguard For 48 50 1
	6# 1052	1	Switchplate Apc
	7# 1079	2	Chemical Feed Cap & Tube W/Ff
K3	8# 56755726	2	Barb, Hose Male
K2	9# 1005A	2	Switch Rocker On-Off
K3	10# 988B	1	Valve 3-Way For Spotter & Apc
	11# FP280	2	Hose 1/4 X 30 Chem/Bottle
K1#	FP289	1	Solution Tank Hardware Kit
K2#	FP293	1	Switch Kit 56108086
K3#	FP294	1	Solution Valve Kit 56108087

= Revised or new since last update

TOOLS & ACCESSORIES

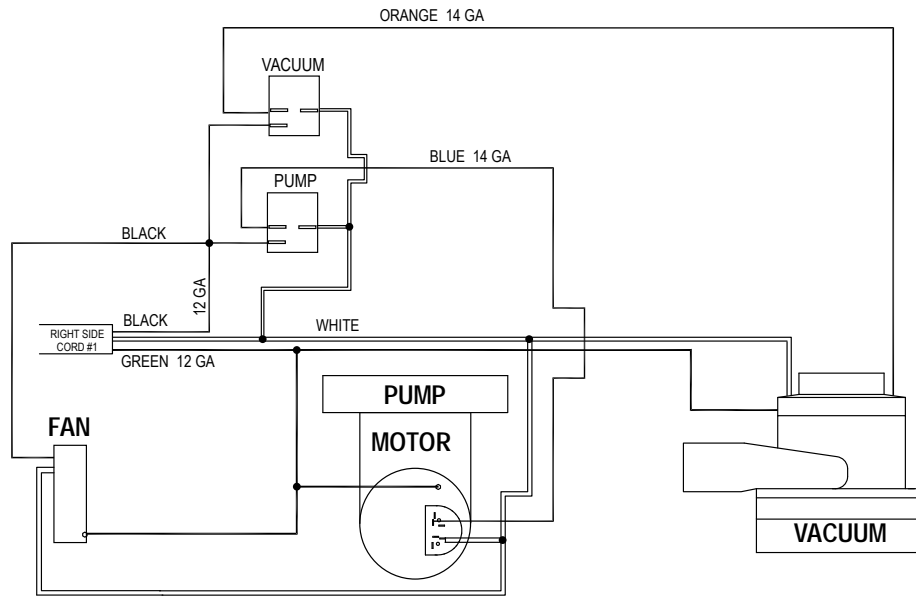


TOOLS & ACCESSORIES

KitItem	Ref. No.	Qty	Description
1#	56108022	1	Handle, Aluminum, 4ft.
2#	56108026	1	Brush, Scrub
3#	56108094	1	Grout Scrub Brush
4#	56108027	1	Wand, 2 pieces, Aluminum
5#	56108028	1	Floor Squeegee Tool, 14"
6#	56108072	1	Spray Gun Complete
7#	56108060	1	Spray Tip, Variable
8#	56108025	1	Extraction Tool Adapter Kit
9#	56108018	1	Quick Release Aluminum Squeegee Handle
10#	56108017	1	12" Aluminum Channel w/ Rubber Blade
11#	56108029	1	Drain Tool, 5"
12#	56108066	1	Nozzle, Blower, Rubber
13#	SUBSYP1	1	Syphon Hose For Hhp-12
[]#	56108030	1	Metering Tip Kit (4 pieces / for 56108072 / Table 1)
[]#	56108021	1	Dry Caddy Bag
[]#	56108016	1	Replacement Rubber Soft Blade – 12 Pack (for 56108017)
[]#	56108011	1	Squeegee Service Kit (for 56108028)

Color	Size	Flow Rate
Red Purple	0.007	1/2 oz. per gallon
Light Purple	0.009	1 oz. per gallon
Purple	0.014	2 oz. per gallon
Yellow	0.020	4 oz. per gallon

[] = Not Shown
 # = Revised or new since last update



WIRING DIAGRAM

Kit Item	Ref. No.	Qty	Description
	FP301	1	Fan Kit
	2060	1	Motor, Pump, 120V
	FP299	1	Vacuum Motor Kit
[]	56260950	1	Brush Mech.2 Brushes (for 408A)
[]	FP293	1	Switch Kit (includes two switches: one pump switch & one vacuum switch)
[]	FP438	1	Power Cord 50 FT W/GFCI Inst

[] = Not Shown



Nilfisk-Advance Equipamentos de Limpeza Ltda.
Av. Dep. Emílio Carlos, 2.499 - Bairro do Limão - 02721-200
São Paulo - SP - Brasil
www.nilfisk-advance.ind.br
www.plataforma.ind.br
Tel.: (11) 3959-0300
Fax: (11) 3959-0306
©2012 Nilfisk-Advance, Inc.



14600 21st Avenue North
Plymouth, MN 55447-3408
www.advance-us.com
Phone: 800-989-2235
Fax: 800-989-6566
©2012 Nilfisk-Advance, Inc.

A Nilfisk-Advance Brand