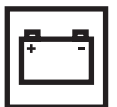
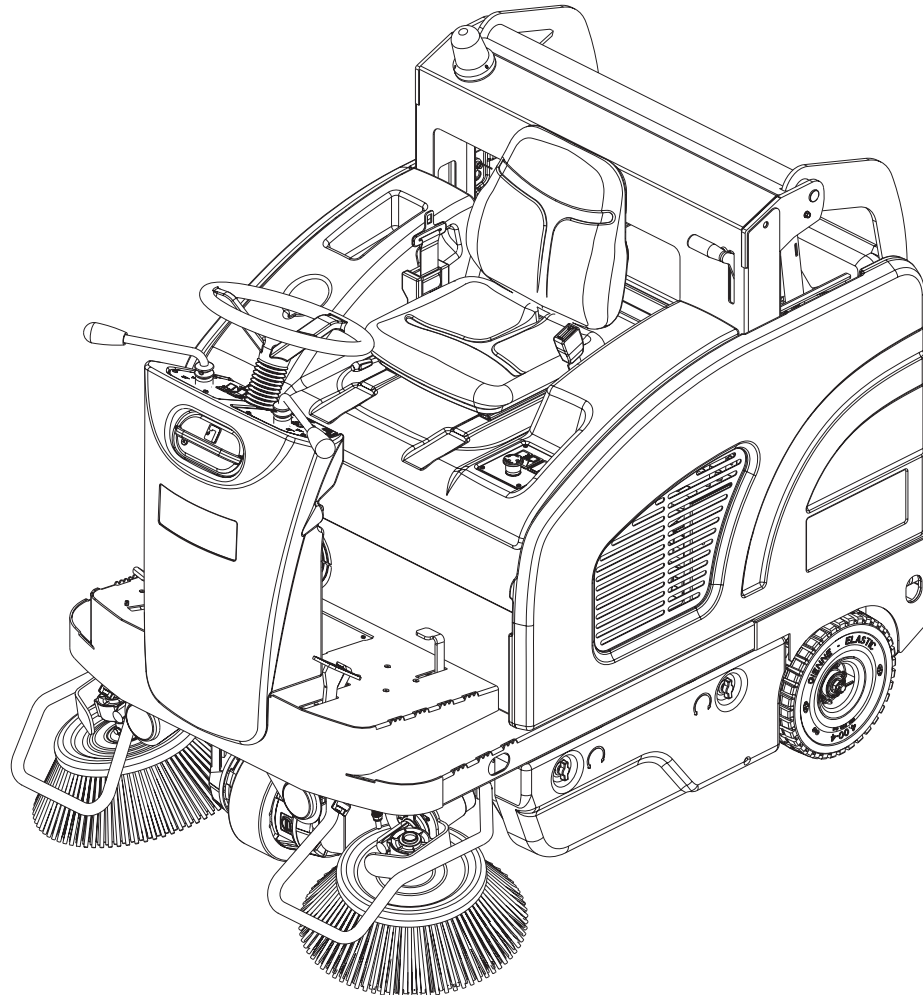


# SW4000



## PARTS LIST

Advance model: 9084403010



## TABLE OF CONTENTS

| ENG                         | PAGE    |
|-----------------------------|---------|
| GENERAL VIEW                | 2 - 3   |
| FRAME SYSTEM                | 4 - 7   |
| EXTENSIBLE ARM              | 8 - 9   |
| FRAME                       | 10 - 13 |
| SEAT COVER                  | 14 - 15 |
| LATERAL COVERS              | 16 - 17 |
| ELECTRIC WHEEL              | 18 - 19 |
| MOTOR WHEEL                 | 20 - 21 |
| RIGHT BROOM                 | 22 - 23 |
| LEFT BROOM                  | 24 - 25 |
| MAIN BROOM                  | 26 - 27 |
| BROOM CLOSING               | 28 - 29 |
| MAIN BROOM ADJUSTMENT       | 30 - 31 |
| FRONT LIFT FLAP             | 32 - 33 |
| VACUUM SYSTEM               | 34 - 35 |
| PANEL FILTER                | 36 - 37 |
| LIFTING ARMS                | 38 - 39 |
| HOPPER SYSTEM               | 40 - 41 |
| PEDAL BRAKE                 | 42 - 43 |
| ACCELERATOR PEDAL           | 44 - 45 |
| STEERING COLUMN             | 46 - 47 |
| BROOM LEVERS                | 48 - 49 |
| CONTROL PANEL               | 50 - 51 |
| CONTROL PANEL COVER         | 52 - 53 |
| ELECTRIC SYSTEM             | 54 - 55 |
| HYDRAULIC SYSTEM            | 56 - 57 |
| BATTERIES                   | 58 - 59 |
| GUARD LEFT/RIGHT SIDE BROOM | 60 - 61 |
| FLOOR MAT AND BEACON        | 62 - 63 |
| ACCESSORIES                 | 64 - 69 |
| WIRING SYSTEM               | 70 - 71 |
| RECOMMENDED SPARE PARTS     | 72      |
| OPTIONALS                   | 73      |

### WHEN ORDERING PARTS

- \* Use the part numbers from the "Ref. No." columns in this parts list.
- \* Specify the model and serial number of the machine.
- \* Use the space below to record the model and serial number for future reference.

Model

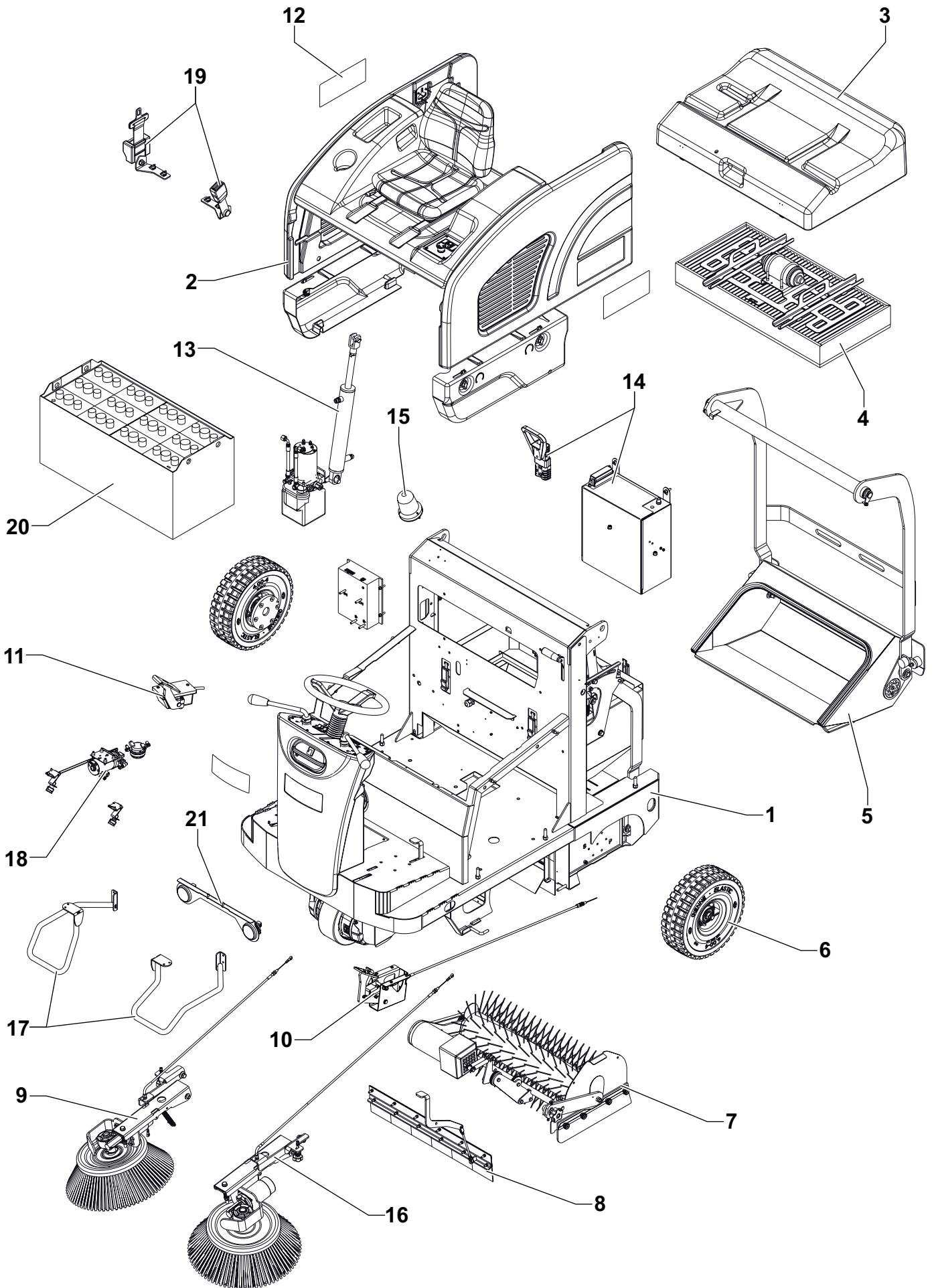
Serial No.

\* = Optional

# = Modified item No. or New item No.

[ ] = Not shown

GENERAL VIEW



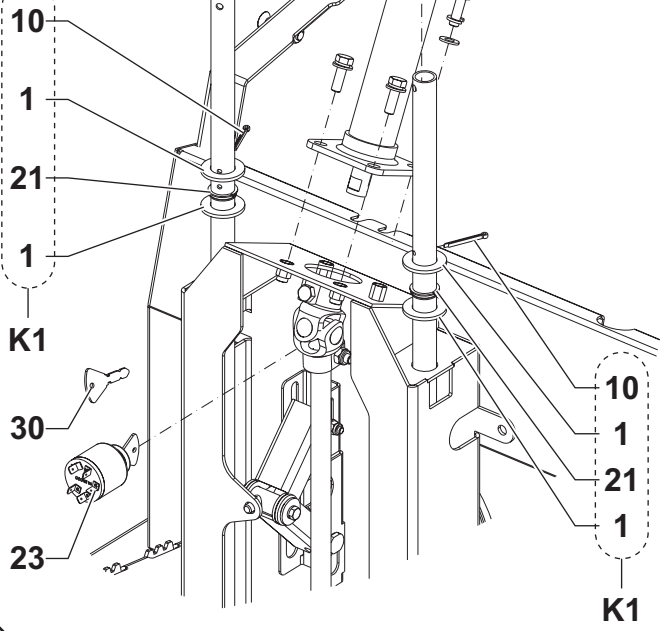


## GENERAL VIEW

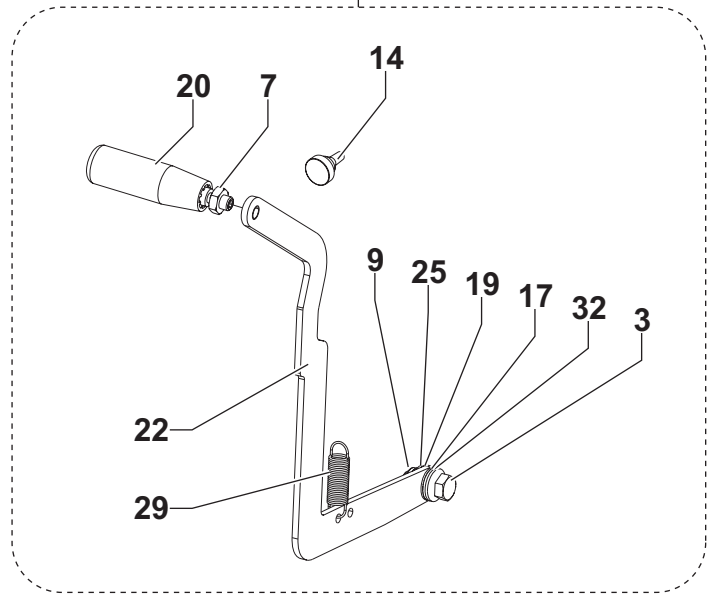
| ITEM | REF. NO.   | QTY | DESCRIPTION                      |
|------|------------|-----|----------------------------------|
| 1    | -          |     | CHASSIS ASSY                     |
| 2    | -          |     | COVERS AND COFFINS ASSY          |
| 3    | -          |     | VACUUM COVER ASSY                |
| 4    | -          |     | PANEL FILTER ASSY                |
| 5    | -          |     | HOPPER ASSY                      |
| 6    | -          |     | REAR WHEELS ASSY                 |
| 7    | -          |     | CENTRAL BROOM ASSY               |
| 8    | -          |     | FRONT FLAP ASSY                  |
| 9    | -          |     | RIGHT BROOM ASSY                 |
| 10   | -          |     | BRAKE PEDAL ASSY                 |
| 11   | -          |     | ACCELERATOR PEDAL ASSY           |
| 12   | 1464832000 | 1   | DECALS SW4000 B ADVANCE KIT      |
| 13   | -          |     | HYDRAULIC SYSTEM ASSY            |
| 14   | -          |     | ELECTRIC SYSTEM ASSY             |
| 15   | -          |     | FLASHING LIGHT ASSY              |
| 16   | -          |     | LEFT BROOM ASSY                  |
| 17   | -          |     | SIDE BROOM GUARD ASSY            |
| 18   | -          |     | DUSTGUARD SYSTEM ASSY (OPTIONAL) |
| 19   | -          |     | SAFETY BELTS ASSY (OPTIONAL)     |
| 20   | -          |     | BATTERY ASSY (OPTIONAL)          |
| 21   | -          |     | WORKING LIGHT ASSY (OPTIONAL)    |

FRAME SYSTEM

SEE STEERING  
COLUMN ASSY

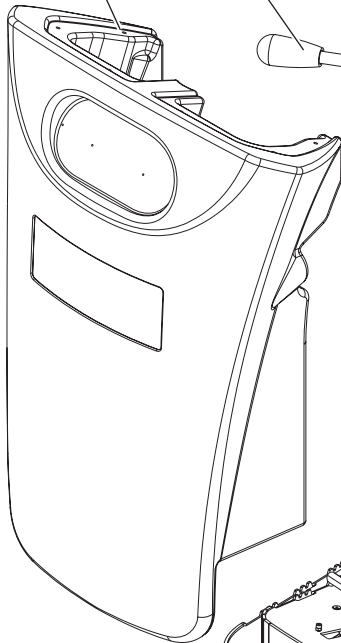


K2

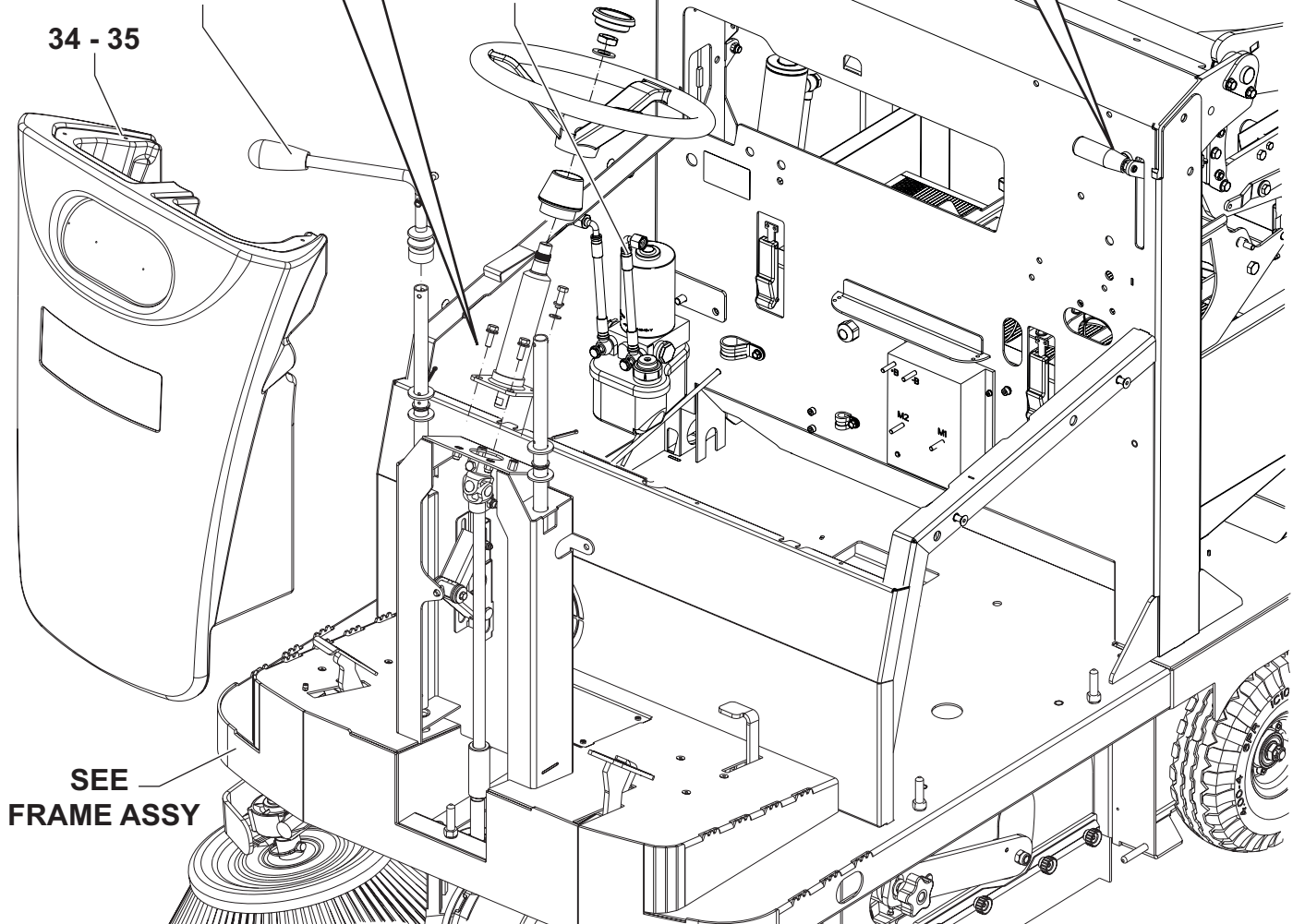


SEE LEVERS  
BROOM ASSY

34 - 35



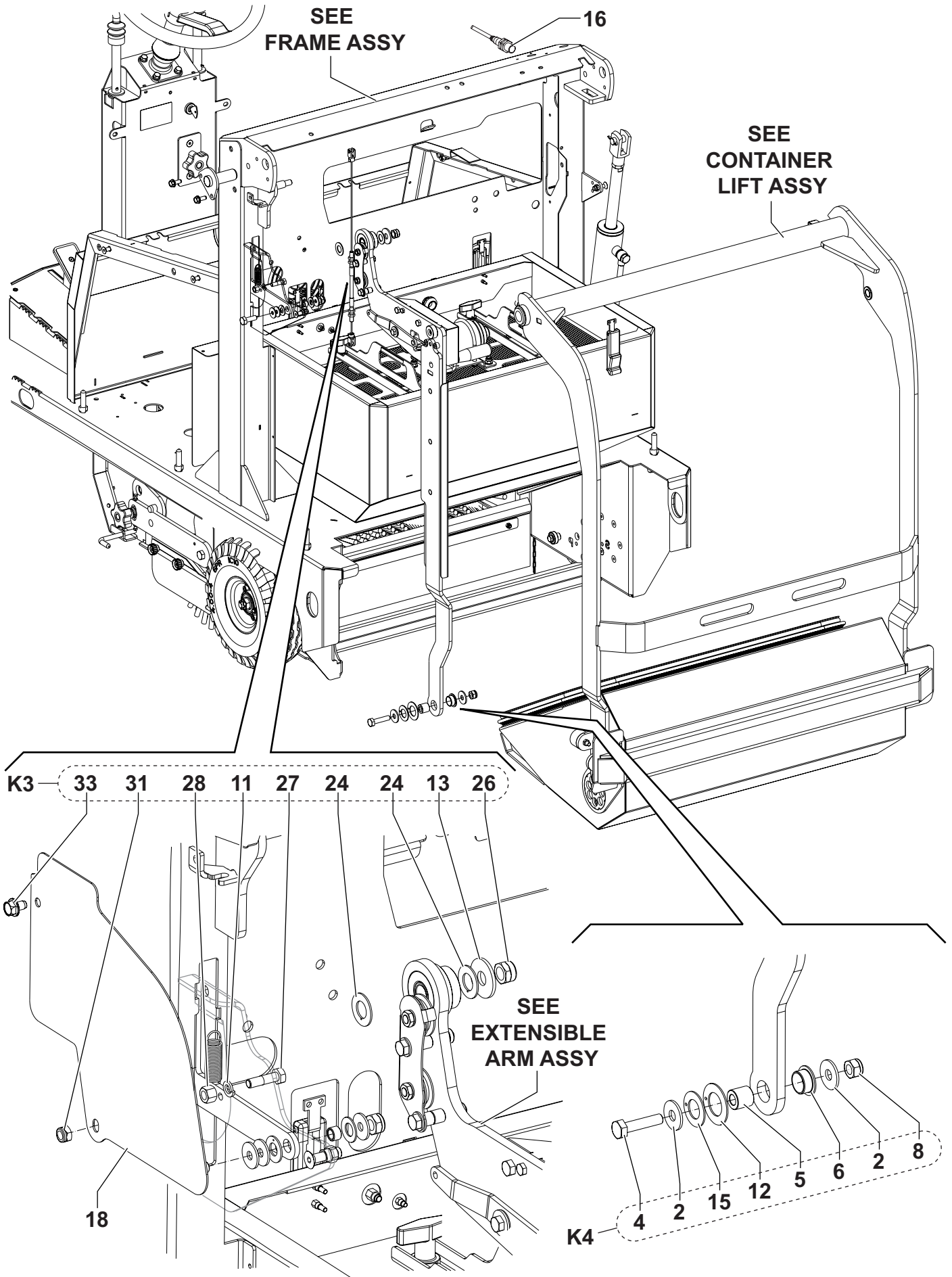
SEE HYDRAULIC  
SYSTEM ASSY



## FRAME SYSTEM

|    | ITEM       | REF. NO.    | QTY | DESCRIPTION                            |
|----|------------|-------------|-----|--|
| K1 | 1          |             | 4   | WASHER, FLAT 21x37                     |
| K4 | 2          |             | 2   | WASHER, FLAT XL 10.5x30x2.5            |
| K2 | 3          |             | 1   | SCREW, HEX THD TO HD M10x30            |
| K4 | 4          |             | 1   | SCREW, HEX THD TO HD M10x45            |
| K4 | 5          |             | 1   | PIN HOPPER                             |
| K4 | 6          |             | 1   | BUSHING GFM-2023-11                    |
| K2 | 7          |             | 1   | NUT, HEX THIN M10                      |
| K4 | 8          |             | 1   | NUT, HEX NYL LOC HVY M10               |
| K2 | 9          |             | 1   | NUT, HEX NYL LOC THIN M10              |
| K1 | 10         |             | 4   | PIN, COTTER                            |
| K3 | 11         |             | 1   | WASHER, SPLIT LOCK d.8                 |
| K4 | 12         |             | 1   | BEARING GTM-2442-015                   |
| K3 | 13         |             | 1   | WASHER, FLAT XL                        |
| K2 | 14         |             | 1   | BUMPER, RUBBER                         |
| K4 | 15         |             | 1   | FIFTH WHEEL GTM-2036-015               |
|    | 16         | 33018521    | 1   | SENSOR, PROXIMITY (S1)                 |
| K2 | 17         |             | 1   | BUSHING IGUS 12x24x1.5                 |
|    | 18         | 1465286000  | 1   | COVER                                  |
| K2 | 19         |             | 1   | SPACER                                 |
| K2 | 20         |             | 1   | ROTATING HANDLE                        |
| K1 | 21         |             | 3   | BUSHING IGLIDUR MCM-20-03              |
| K2 | 22         |             | 1   | LEVER HOPPER RELEASE                   |
|    | 23         | 33020442    | 1   | KEY START ASSY WITH SPAREKEY KIT (SW1) |
| K3 | 24         |             | 2   | BUSHING IGUS 16x30x1.5                 |
| K2 | 25         |             | 1   | BELLEVILLE WASHER 12,2 X 23 X 1,25     |
| K3 | 26         |             | 1   | NUT, HEX NYL LOC THIN M12              |
| K3 | 27         |             | 1   | SCREW, HEX THD TO HD M8x25 SS          |
| K3 | 28         |             | 1   | NUT HEX HVY M8                         |
| K2 | 29         | 1463356000  | 1   | SPRING                                 |
|    | 30         | 146 0073 00 | 1   | KEY                                    |
| K3 | 31         |             | 1   | NUT, HEX NYL LOC THIN M8               |
| K2 | 32         |             | 3   | WASHER, FLAT XL                        |
| K3 | 33         |             | 1   | THREAD ROLLING SCREW M8X12             |
|    | 34         | 1464178000  | 1   | COVER FRONT                            |
|    | 35         | 1464598000  | 1   | TANK WATER (FOR DUSTGUARD KIT)         |
| K1 | 1465031000 |             | 1   | HARDWARE KIT HW FOR LEVERS BROOM KIT   |
| K2 | 1464915000 |             | 1   | LEVER RELEASE CONTAINER KIT            |
| K3 | 1465034000 |             | 1   | HW HOPPER RELEASE MAIN LEVER KIT       |
| K4 | 1465035000 |             | 1   | HARDWARE FOR TELESCOPIC ARM KIT        |

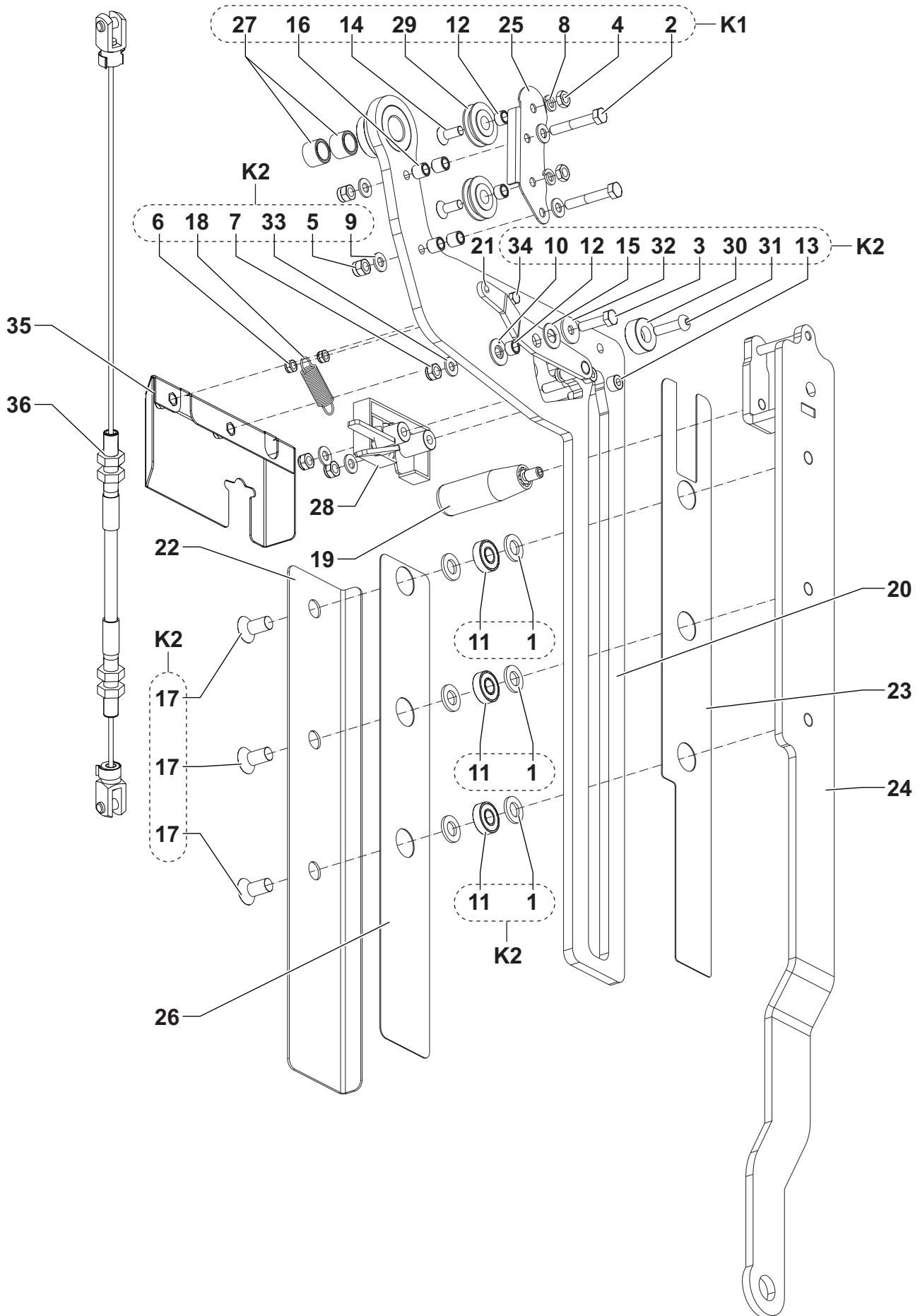
FRAME SYSTEM



## FRAME SYSTEM

|    | ITEM       | REF. NO.    | QTY | DESCRIPTION                            |
|----|------------|-------------|-----|--|
| K1 | 1          |             | 4   | WASHER, FLAT 21x37                     |
| K4 | 2          |             | 2   | WASHER, FLAT XL 10.5x30x2.5            |
| K2 | 3          |             | 1   | SCREW, HEX THD TO HD M10x30            |
| K4 | 4          |             | 1   | SCREW, HEX THD TO HD M10x45            |
| K4 | 5          |             | 1   | PIN HOPPER                             |
| K4 | 6          |             | 1   | BUSHING GFM-2023-11                    |
| K2 | 7          |             | 1   | NUT, HEX THIN M10                      |
| K4 | 8          |             | 1   | NUT, HEX NYL LOC HVY M10               |
| K2 | 9          |             | 1   | NUT, HEX NYL LOC THIN M10              |
| K1 | 10         |             | 4   | PIN, COTTER                            |
| K3 | 11         |             | 1   | WASHER, SPLIT LOCK d.8                 |
| K4 | 12         |             | 1   | BEARING GTM-2442-015                   |
| K3 | 13         |             | 1   | WASHER, FLAT XL                        |
| K2 | 14         |             | 1   | BUMPER, RUBBER                         |
| K4 | 15         |             | 1   | FIFTH WHEEL GTM-2036-015               |
|    | 16         | 33018521    | 1   | SENSOR, PROXIMITY (S1)                 |
| K2 | 17         |             | 1   | BUSHING IGUS 12x24x1.5                 |
|    | 18         | 1465286000  | 1   | COVER                                  |
| K2 | 19         |             | 1   | SPACER                                 |
| K2 | 20         |             | 1   | ROTATING HANDLE                        |
| K1 | 21         |             | 3   | BUSHING IGLIDUR MCM-20-03              |
| K2 | 22         |             | 1   | LEVER HOPPER RELEASE                   |
|    | 23         | 33020442    | 1   | KEY START ASSY WITH SPAREKEY KIT (SW1) |
| K3 | 24         |             | 2   | BUSHING IGUS 16x30x1.5                 |
| K2 | 25         |             | 1   | BELLEVILLE WASHER 12,2 X 23 X 1,25     |
| K3 | 26         |             | 1   | NUT, HEX NYL LOC THIN M12              |
| K3 | 27         |             | 1   | SCREW, HEX THD TO HD M8x25 SS          |
| K3 | 28         |             | 1   | NUT HEX HVY M8                         |
| K2 | 29         | 1463356000  | 1   | SPRING                                 |
|    | 30         | 146 0073 00 | 1   | KEY                                    |
| K3 | 31         |             | 1   | NUT, HEX NYL LOC THIN M8               |
| K2 | 32         |             | 3   | WASHER, FLAT XL                        |
| K3 | 33         |             | 1   | THREAD ROLLING SCREW M8X12             |
|    | 34         | 1464178000  | 1   | COVER FRONT                            |
|    | 35         | 1464598000  | 1   | TANK WATER (FOR DUSTGUARD KIT)         |
| K1 | 1465031000 |             | 1   | HARDWARE KIT HW FOR LEVERS BROOM KIT   |
| K2 | 1464915000 |             | 1   | LEVER RELEASE CONTAINER KIT            |
| K3 | 1465034000 |             | 1   | HW HOPPER RELEASE MAIN LEVER KIT       |
| K4 | 1465035000 |             | 1   | HARDWARE FOR TELESCOPIC ARM KIT        |

EXTENSIBLE ARM

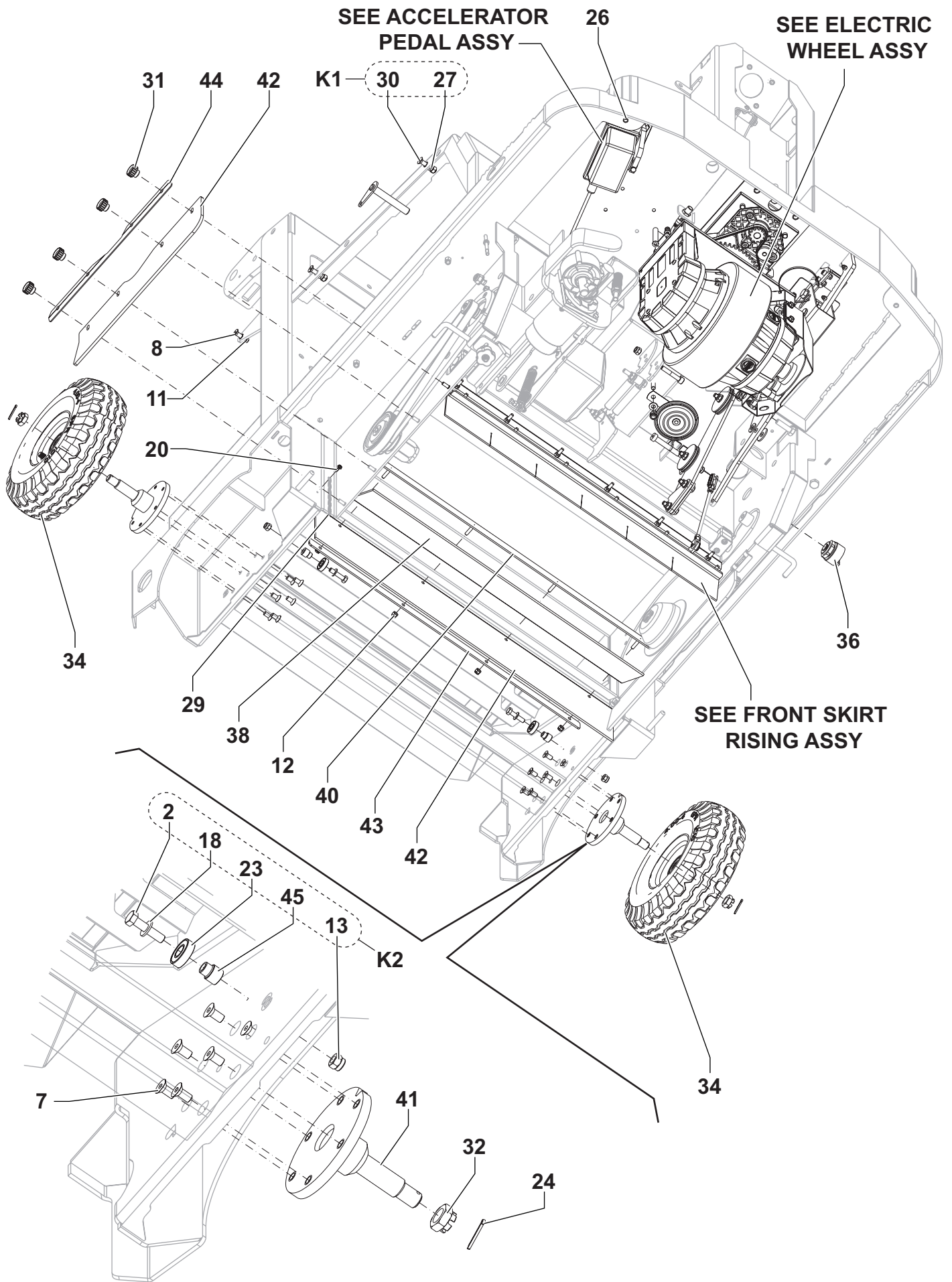


## EXTENSIBLE ARM

|  | ITEM | REF. NO.   | QTY | DESCRIPTION                                 |
|--|------|------------|-----|---|
|  | K2   | 1          | 6   | WASHER, FLAT 13X24                          |
|  | K1   | 2          | 2   | SCREW, HEX HD M8X50                         |
|  | K2   | 3          | 1   | SCREW, HEX THD TO HD M8X30                  |
|  | K1   | 4          | 2   | NUT, HEX THIN M8                            |
|  | K2   | 5          | 2   | NUT, HEX NYL LOC HVY M8                     |
|  | K2   | 6          | 2   | NUT, HEX NYL LOC THIN M6                    |
|  | K2   | 7          | 4   | NUT, HEX NYL LOC THIN M8                    |
|  | K1   | 8          | 2   | WASHER, SPLIT LOCK D.8                      |
|  | K2   | 9          | 7   | WASHER, FLAT 8.4X16X1.6                     |
|  | K2   | 10         | 1   | BUSHING IGUS 12X24X1.5                      |
|  | K2   | 11         | 3   | BEARING, DUAL SEALED BALL                   |
|  | K1-2 | 12         | 3   | SPACER                                      |
|  | K2   | 13         | 2   | SCREW, TCEI SOC HD                          |
|  | K1   | 14         | 2   | SCREW, FLAT SOCKET HEAD                     |
|  | K2   | 15         | 1   | BELLEVILLE WASHER 12,2 X 23 X 1,25          |
|  | K1   | 16         | 4   | SPACER                                      |
|  | K2   | 17         | 3   | SCREW, FLAT SOCKET HEAD                     |
|  | K2   | 18         | 1   | 1463356000 SPRING                           |
|  |      | 19         | 1   | 1464792000 ROTATING HANDLE                  |
|  |      | 20         | 1   | 1465261000 ARM GUIDE                        |
|  |      | 21         | 1   | 1465262000 LEVER FOR RELEASE LOCK           |
|  |      | 22         | 1   | 1465266000 PLASTIC PROTECTION               |
|  |      | 23         | 1   | 1465268000 PLASTIC SPACER                   |
|  |      | 24         | 1   | 1465269000 TELESCOPIC ARM                   |
|  | K1   | 25         | 1   | SUPPORT FOR THE PULLEY                      |
|  |      | 26         | 1   | 1465276000 PLASTIC SPACER                   |
|  | K1   | 27         | 2   | 1465281000 CYLINDRICAL BEARING 16 X 22 X 15 |
|  |      | 28         | 1   | 1465282000 LOCK                             |
|  | K1   | 29         | 2   | 1465288000 PULLEY                           |
|  | K2   | 30         | 1   | 1465289000 SPACER                           |
|  | K2   | 31         | 1   | SCREW, BUTTON SOC M8X30                     |
|  | K2   | 32         | 1   | WASHER, FLAT XL                             |
|  | K2   | 33         | 1   | WASHER, FLAT 8X17X1.6 SS                    |
|  | K2   | 34         | 1   | SCREW, HEX THD TO HD M6X30 SS               |
|  |      | 35         | 1   | 1465388000 PROTECTION FOR LATCH KIT         |
|  |      | 36         | 1   | 1465273000 CAVO COMANDO SERRATURA           |
|  | K1   | 1465032000 | 1   | FIXING LEVER CONTAINER RELEASE KIT          |
|  | K2   | 1465033000 | 1   | FIXING PIVOT LEVER KIT                      |



FRAME

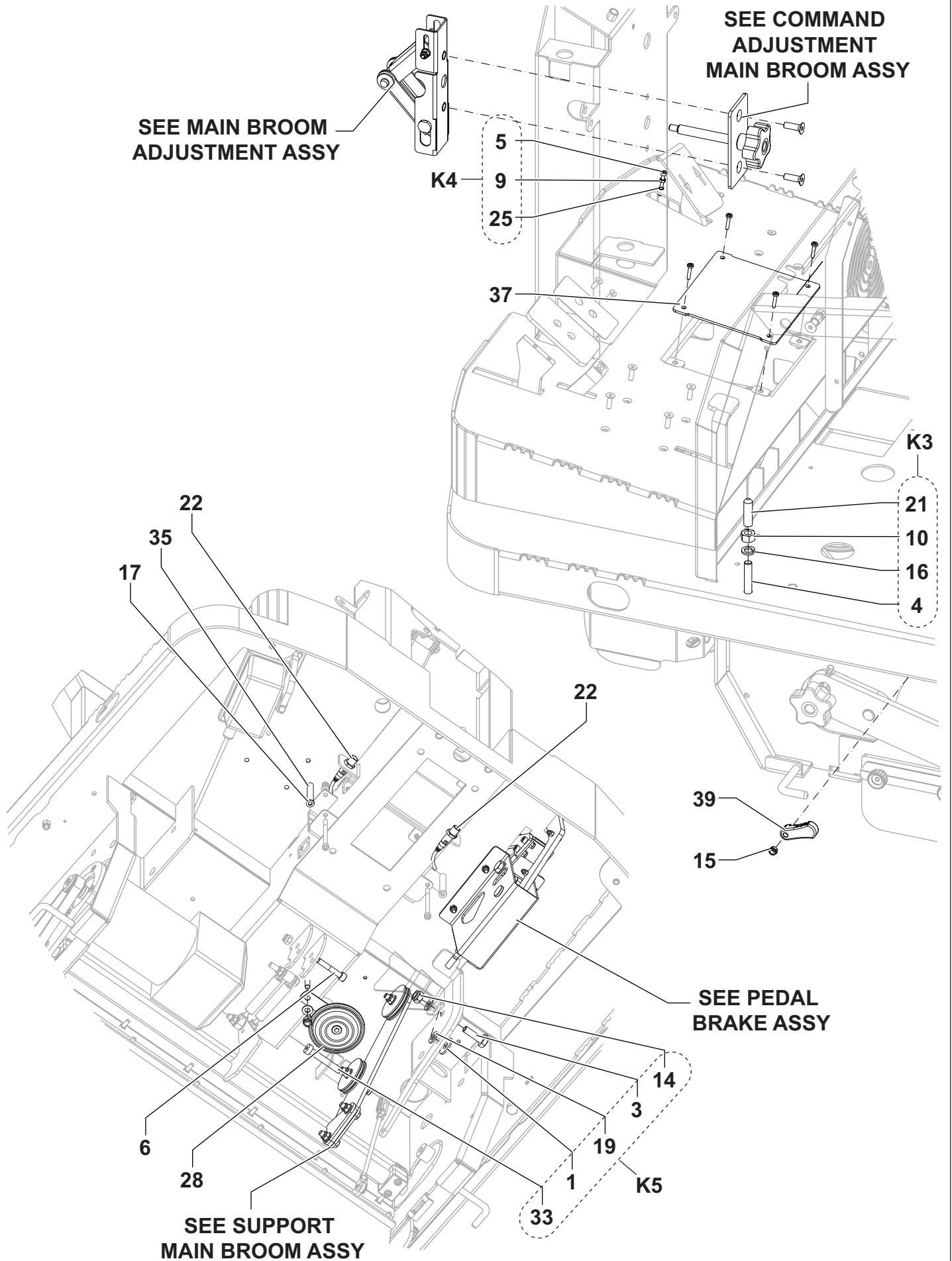




## FRAME

|  | ITEM       | REF. NO.            | QTY      | DESCRIPTION                                |
|--|------------|---------------------|----------|--|
|  | K5         | 1                   | 1        | WASHER, FLAT XL 10.5x30x2.5                |
|  | K2         | 2                   | 2        | SCREW, HEX THD TO HD M8x35                 |
|  | K5         | 3                   | 1        | SCREW, HEX THD TO HD M10x35                |
|  | K3         | 4                   | 7        | SCREW, HEX THD TO HD M10x50                |
|  | K4         | 5                   | 1        | SCREW M4X20 UNI5931                        |
|  | 6          | 33004370            | 1        | SCREW M8X45 UNI5931                        |
|  | 7          | 33004590            | 12       | SCREW, FLAT SOCKET HEAD                    |
|  | 8          | 33004593            | 2        | SCREW, FLAT SOCKET HEAD                    |
|  | K4         | 9                   | 1        | NUT, HEX HVY M4                            |
|  | K3         | 10                  | 7        | NUT, HEX HVY M10                           |
|  | K1         | 11                  | 6        | NUT, HEX M8                                |
|  | 12         | 33005562            | 6        | NUT, HEX NYL LOC HVY M6                    |
|  | K2         | 13                  | 5        | NUT, HEX NYL LOC HVY M8                    |
|  | K5         | 14                  | 1        | NUT, HEX NYL LOC HVY M10                   |
|  | 15         | 33005604            | 2        | NUT, HEX NYL LOC THIN M6                   |
|  | K3         | 16                  | 7        | WASHER, SPLIT LOCK d.10                    |
|  | 17         | 33005913            | 4        | WASHER, FLAT 6,4x12,5                      |
|  | K2         | 18                  | 6        | WASHER, FLAT 8.4x16x1.6                    |
|  | K5         | 19                  | 2        | WASHER, FLAT 10,5x21                       |
|  | K1         | 20                  | 1        | THREAD ROLLING SCREW M4X12                 |
|  | K3         | 21                  | 7        | PROTECTION CAP                             |
|  | 22         | 33018521            | 2        | SENSOR, PROXIMITY (S2-S3)                  |
|  | K2         | 23                  | 2        | BEARING, DUAL SEALED BALL                  |
|  | 24         | 33005791            | 2        | PIN SPLIT 4X45 UNI1336                     |
|  | K4         | 25                  | 18       | HEX INSERT                                 |
|  | 26         | 145 4772 000        | 12       | HEX INSERT                                 |
|  | K1         | 27                  | 16       | HEX INSERT                                 |
|  | 28         | 145 8881 000        | 1        | HORN, 24V (HN)                             |
|  | 29         | 146 0611 000        | 1        | CHAIN L=159                                |
|  | K1         | 30                  | 4        | SCREW, FLAT SOCKET HEAD                    |
|  | 31         | 146 2471 000        | 4        | HANDWHEEL M6                               |
|  | 32         | 1464841000          | 3        | NUT HEX M16 LOW UNI5594                    |
|  | K1         | 33                  | 1        | SCREW SHOULDER 10X60 M8                    |
|  | 34         | 146 1876 000        | 2        | WHEEL SOLID 4.00-4 BLACK                   |
|  | <b>34*</b> | <b>146 0329 000</b> | <b>2</b> | <b>WHEEL NO MARKING</b>                    |
|  | <b>34*</b> | <b>1465313000</b>   | <b>1</b> | <b>WHEELS SOLID 4.00-4 NON MARKING KIT</b> |
|  | 35         | 1464847000          | 2        | SPACER 6.25x10x60                          |
|  | 36         | 909 6126 000        | 1        | BUZZER 5-32V (BZ1)                         |
|  | 37         | 1464469000          | 1        | COVER                                      |
|  | 38         | 1464275000          | 1        | SKIRT BACK RECYCLE                         |
|  | 39         | 1463931000          | 2        | LEVER BROOM DOOR FIXING                    |
|  | 40         | 1464276000          | 1        | PLATE REAR SKIRT FIXING                    |
|  | 41         | 1464171000          | 2        | HUB REAR WHEEL                             |
|  | 42         | 1465396000          | 1        | SKIRTS KIT                                 |
|  | <b>42*</b> | <b>1464951000</b>   | <b>1</b> | <b>SKIRTS NON MARKING KIT</b>              |
|  | 43         | 1464277000          | 1        | PLATE REAR SKIRT                           |
|  | 44         | 1464278000          | 1        | PLATE SIDE SKIRT FIXING                    |
|  | K2         | 45                  | 2        | PIN BEARING HOPPER                         |
|  | K1         | 1465036000          | 1        | HARDWARE FOR SIDE COVER KIT                |
|  | K2         | 1465037000          | 1        | PIN HOPPER BEARING KIT                     |
|  | K3         | 1465038000          | 1        | HARDWARE FOR PIVOT LATERAL COVER KIT       |
|  | K4         | 1465039000          | 1        | HARDWARE FOR ACCELERATOR ADJ. KIT          |
|  | K5         | 1465040000          | 1        | KIT HW FOR DEVICE SKIRT                    |

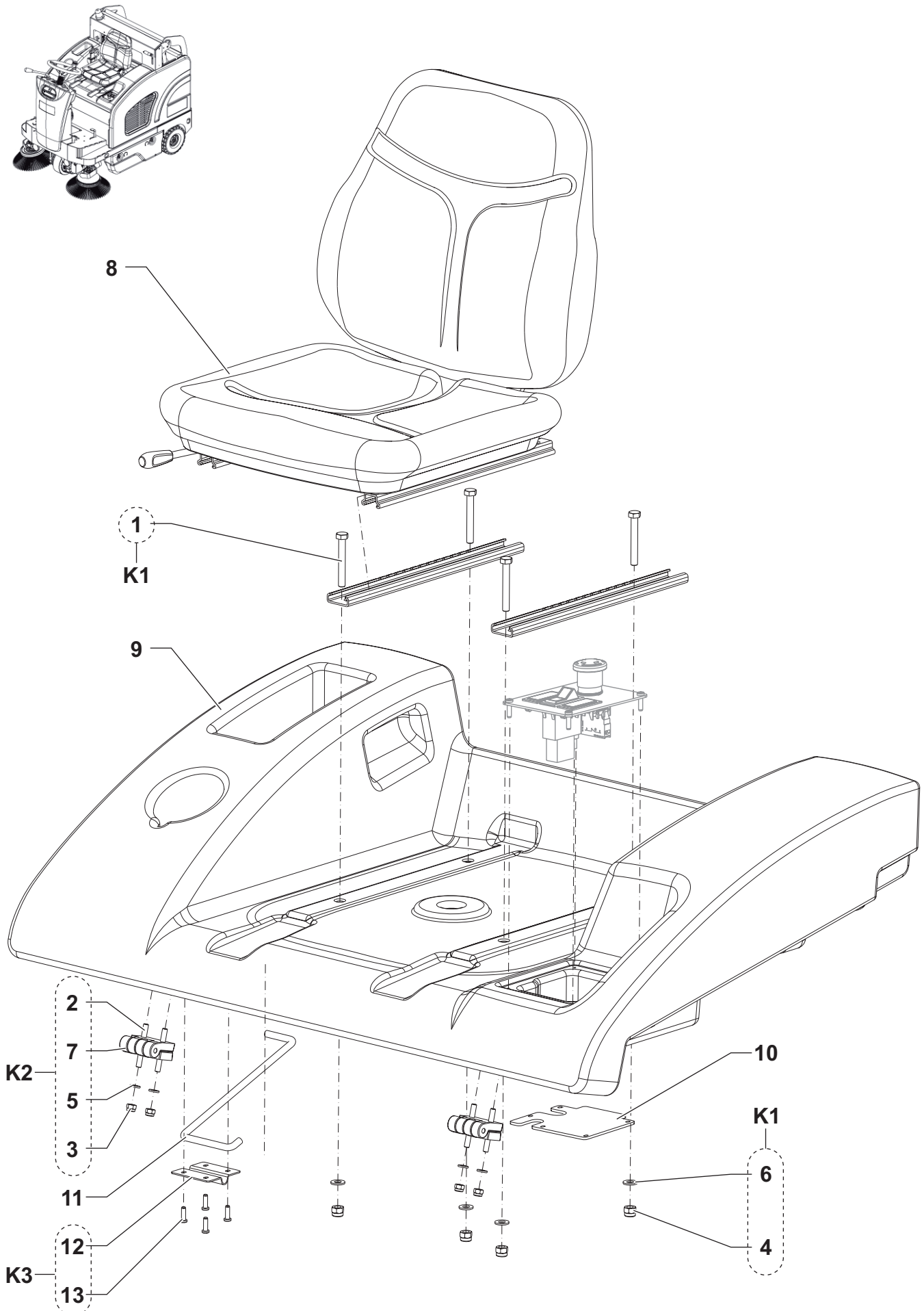
FRAME



## FRAME

|  | ITEM       | REF. NO.            | QTY      | DESCRIPTION                                |
|--|------------|---------------------|----------|--|
|  | K5         | 1                   | 1        | WASHER, FLAT XL 10.5x30x2.5                |
|  | K2         | 2                   | 2        | SCREW, HEX THD TO HD M8x35                 |
|  | K5         | 3                   | 1        | SCREW, HEX THD TO HD M10x35                |
|  | K3         | 4                   | 7        | SCREW, HEX THD TO HD M10x50                |
|  | K4         | 5                   | 1        | SCREW M4X20 UNI5931                        |
|  | 6          | 33004370            | 1        | SCREW M8X45 UNI5931                        |
|  | 7          | 33004590            | 12       | SCREW, FLAT SOCKET HEAD                    |
|  | 8          | 33004593            | 2        | SCREW, FLAT SOCKET HEAD                    |
|  | K4         | 9                   | 1        | NUT, HEX HVY M4                            |
|  | K3         | 10                  | 7        | NUT, HEX HVY M10                           |
|  | K1         | 11                  | 6        | NUT, HEX M8                                |
|  | 12         | 33005562            | 6        | NUT, HEX NYL LOC HVY M6                    |
|  | K2         | 13                  | 5        | NUT, HEX NYL LOC HVY M8                    |
|  | K5         | 14                  | 1        | NUT, HEX NYL LOC HVY M10                   |
|  | 15         | 33005604            | 2        | NUT, HEX NYL LOC THIN M6                   |
|  | K3         | 16                  | 7        | WASHER, SPLIT LOCK d.10                    |
|  | 17         | 33005913            | 4        | WASHER, FLAT 6,4x12,5                      |
|  | K2         | 18                  | 6        | WASHER, FLAT 8.4x16x1.6                    |
|  | K5         | 19                  | 2        | WASHER, FLAT 10,5x21                       |
|  | K1         | 20                  | 1        | THREAD ROLLING SCREW M4X12                 |
|  | K3         | 21                  | 7        | PROTECTION CAP                             |
|  | 22         | 33018521            | 2        | SENSOR, PROXIMITY (S2-S3)                  |
|  | K2         | 23                  | 2        | BEARING, DUAL SEALED BALL                  |
|  | 24         | 33005791            | 2        | PIN SPLIT 4X45 UNI1336                     |
|  | K4         | 25                  | 18       | HEX INSERT                                 |
|  | 26         | 145 4772 000        | 12       | HEX INSERT                                 |
|  | K1         | 27                  | 16       | HEX INSERT                                 |
|  | 28         | 145 8881 000        | 1        | HORN, 24V (HN)                             |
|  | 29         | 146 0611 000        | 1        | CHAIN L=159                                |
|  | K1         | 30                  | 4        | SCREW, FLAT SOCKET HEAD                    |
|  | 31         | 146 2471 000        | 4        | HANDWHEEL M6                               |
|  | 32         | 1464841000          | 3        | NUT HEX M16 LOW UNI5594                    |
|  | K1         | 33                  | 1        | SCREW SHOULDER 10X60 M8                    |
|  | 34         | 146 1876 000        | 2        | WHEEL SOLID 4.00-4 BLACK                   |
|  | <b>34*</b> | <b>146 0329 000</b> | <b>2</b> | <b>WHEEL NO MARKING</b>                    |
|  | <b>34*</b> | <b>1465313000</b>   | <b>1</b> | <b>WHEELS SOLID 4.00-4 NON MARKING KIT</b> |
|  | 35         | 1464847000          | 2        | SPACER 6.25x10x60                          |
|  | 36         | 909 6126 000        | 1        | BUZZER 5-32V (BZ1)                         |
|  | 37         | 1464469000          | 1        | COVER                                      |
|  | 38         | 1464275000          | 1        | SKIRT BACK RECYCLE                         |
|  | 39         | 1463931000          | 2        | LEVER BROOM DOOR FIXING                    |
|  | 40         | 1464276000          | 1        | PLATE REAR SKIRT FIXING                    |
|  | 41         | 1464171000          | 2        | HUB REAR WHEEL                             |
|  | 42         | 1465396000          | 1        | SKIRTS KIT                                 |
|  | <b>42*</b> | <b>1464951000</b>   | <b>1</b> | <b>SKIRTS NON MARKING KIT</b>              |
|  | 43         | 1464277000          | 1        | PLATE REAR SKIRT                           |
|  | 44         | 1464278000          | 1        | PLATE SIDE SKIRT FIXING                    |
|  | K2         | 45                  | 2        | PIN BEARING HOPPER                         |
|  | K1         | 1465036000          | 1        | HARDWARE FOR SIDE COVER KIT                |
|  | K2         | 1465037000          | 1        | PIN HOPPER BEARING KIT                     |
|  | K3         | 1465038000          | 1        | HARDWARE FOR PIVOT LATERAL COVER KIT       |
|  | K4         | 1465039000          | 1        | HARDWARE FOR ACCELERATOR ADJ. KIT          |
|  | K5         | 1465040000          | 1        | KIT HW FOR DEVICE SKIRT                    |

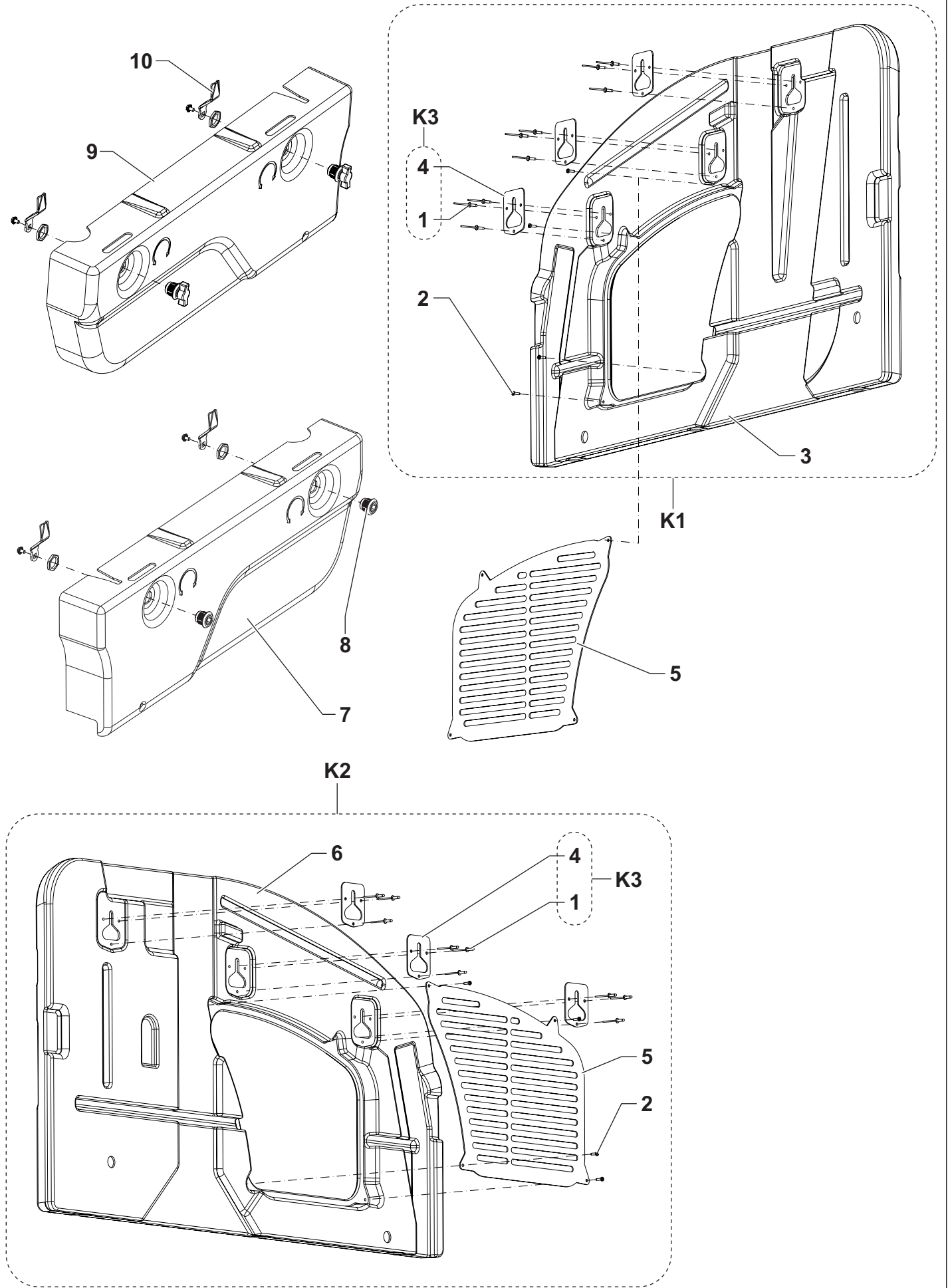
## SEAT COVER



## SEAT COVER

|  | ITEM | REF. NO.     | QTY | DESCRIPTION                |
|--|------|--------------|-----|----------------------------|
|  | K1   | 1            | 4   | SCREW, HEX THD TO HD M8x60 |
|  | K2   | 2            | 8   | SCREW M6X20 UNI5931        |
|  | K2   | 3            | 4   | NUT, HEX NYL LOC HVY M6    |
|  | K1   | 4            | 4   | NUT, HEX NYL LOC HVY M8    |
|  | K2   | 5            | 4   | WASHER, FLAT 6,4x12,5      |
|  | K1   | 6            | 4   | WASHER, FLAT 8.4x16x1.6    |
|  | K2   | 7            | 2   | HINGE                      |
|  | 8    | 145 5975 000 | 1   | SEAT WITH MICROSWITCH      |
|  | 9    | 1463908000   | 1   | SUPPORT SEAT               |
|  | 10   | 1464975000   | 1   | HARNESS COVERAGE           |
|  | 11   | 1464286000   | 1   | ROD BONNET                 |
|  | K3   | 12           | 1   | SUPPORT BONNET ROD         |
|  | K3   | 13           | 4   | SCREW, THREAD ROLLING 5x16 |
|  | K1   | 1465043000   | 1   | HARDWARE FOR SEAT KIT      |
|  | K2   | 1465041000   | 1   | HINGE FOR BONNET KIT       |
|  | K3   | 1465042000   | 1   | SUPPORT FOR SAFETY ROD KIT |

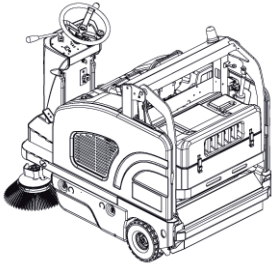
LATERAL COVERS



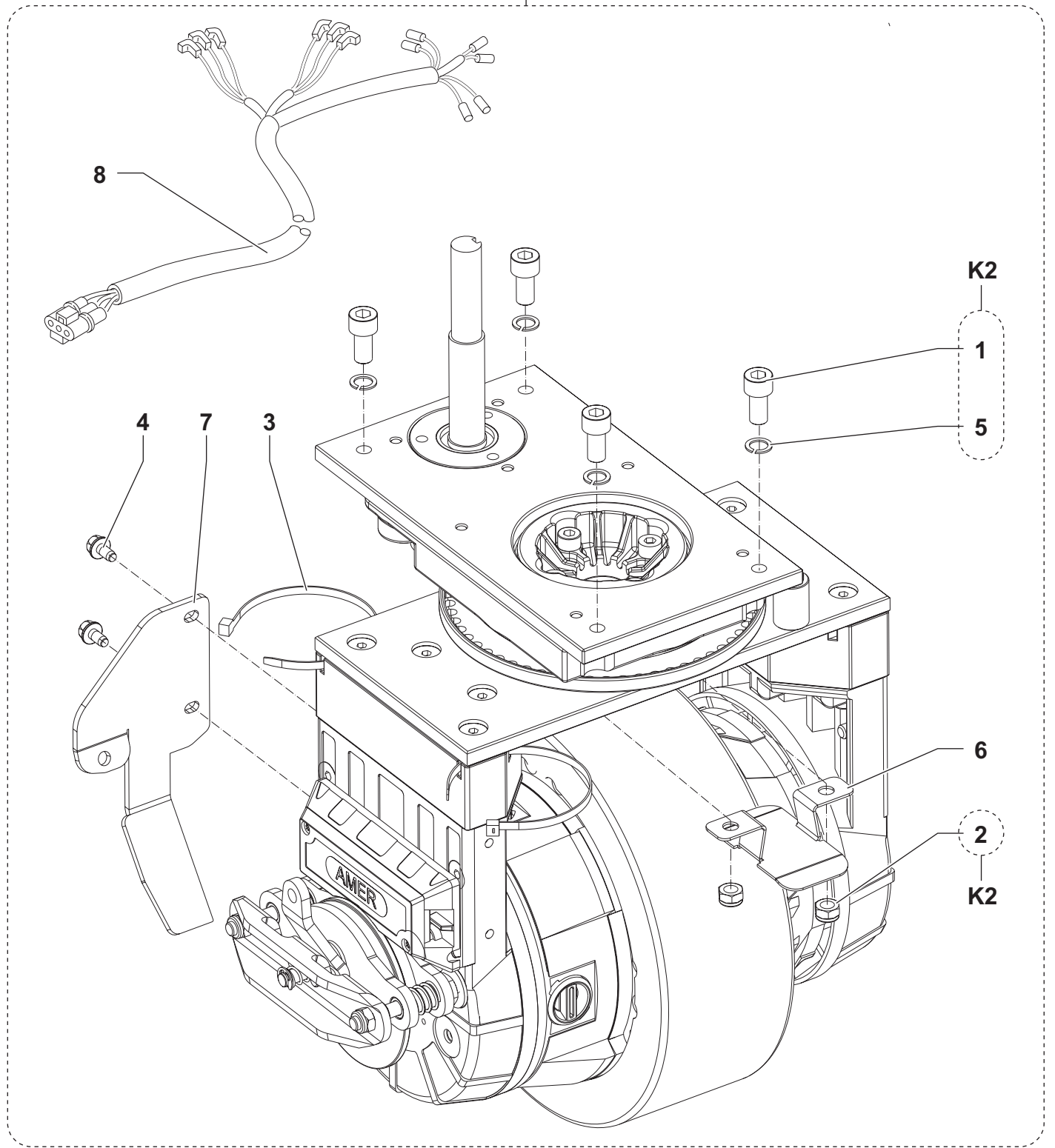
**LATERAL COVERS**

|  | ITEM | REF. NO. | QTY | DESCRIPTION                           |
|--|------|----------|-----|---------------------------------------|
|  | K3   | 1        | 18  | ALUMINUM RIVETS                       |
|  | K1-2 | 2        | 8   | PAN HEAD SCREW                        |
|  | K1   | 3        | 1   | COVER RIGHT                           |
|  | K3   | 4        | 6   | PLATE                                 |
|  | K2   | 5        | 2   | 1464354000 GRID VENTING               |
|  | K2   | 6        | 1   | COVER LEFT                            |
|  |      | 7        | 1   | 1464191000 HATCH RIGHT SIDE           |
|  |      | 8        | 2   | 1464794000 LOCK WITH KEY FOR HATCH    |
|  |      | 9        | 1   | 1464192000 HATCH LEFT SIDE            |
|  |      | 10       | 4   | 1463889000 FASTLOC LOCK               |
|  |      | K1       | 1   | 1464925000 COVER RIGHT KIT            |
|  |      | K2       | 1   | 1464923000 COVER LEFT KIT             |
|  |      | K3       | 1   | 1465044000 PLATE FOR PANEL FIXING KIT |

ELECTRIC WHEEL



K1

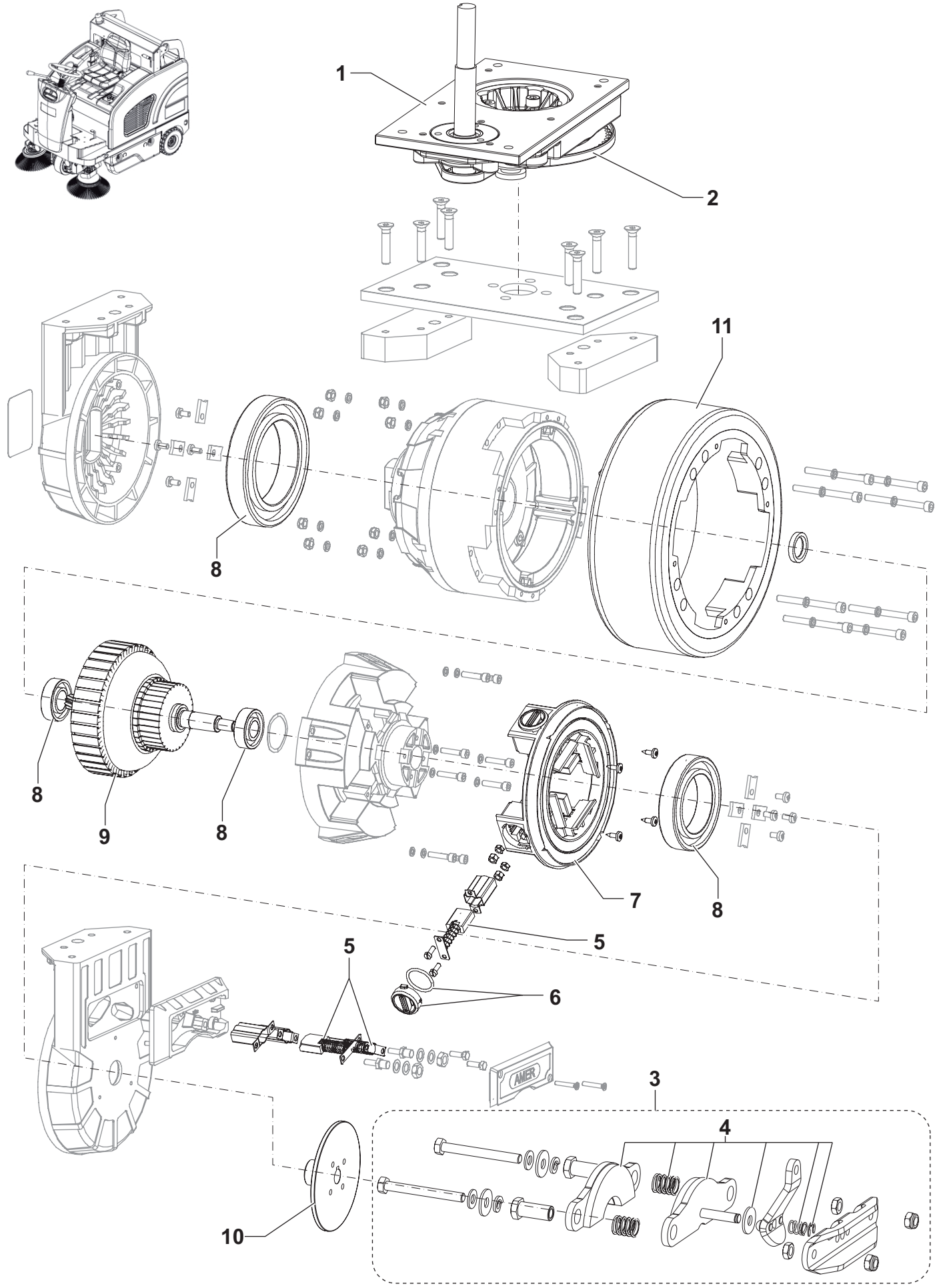




**ELECTRIC WHEEL**

|  | ITEM       | REF. NO.          | QTY        | DESCRIPTION                           |
|--|------------|-------------------|------------|---------------------------------------|
|  | K2         | 1                 | 4          | SCREW M10X20 UNI5931                  |
|  | K2         | 2                 | 2          | NUT, HEX NYL LOC THIN M8              |
|  | K1         | 3                 | 6          | THREAD ROLLING SCREW M6X12            |
|  | K1         | 4                 | 2          | TIE, CABLE 4,8X200                    |
|  | K2         | 5                 | 4          | WASHER, SPLIT LOCK d.10               |
|  | K1         | 6                 | 1464600000 | 1 COVER FOR DRIVEWHEEL HARNESS        |
|  | K1         | 7                 | 1465342000 | 1 CARTER DISK BRAKE                   |
|  | K1         | 8                 | 1464407000 | 1 HARNESS TRACTION WHEEL              |
|  | K1         | 1464913000        | 1          | MOTORWHEEL KIT                        |
|  | <b>K1*</b> | <b>1465170000</b> | <b>1</b>   | <b>WHEEL TRACTION NON MARKING KIT</b> |
|  | K1         | K2                | 1465045000 | 1 HARDWARE STEERING SYSTEM FIXING KIT |

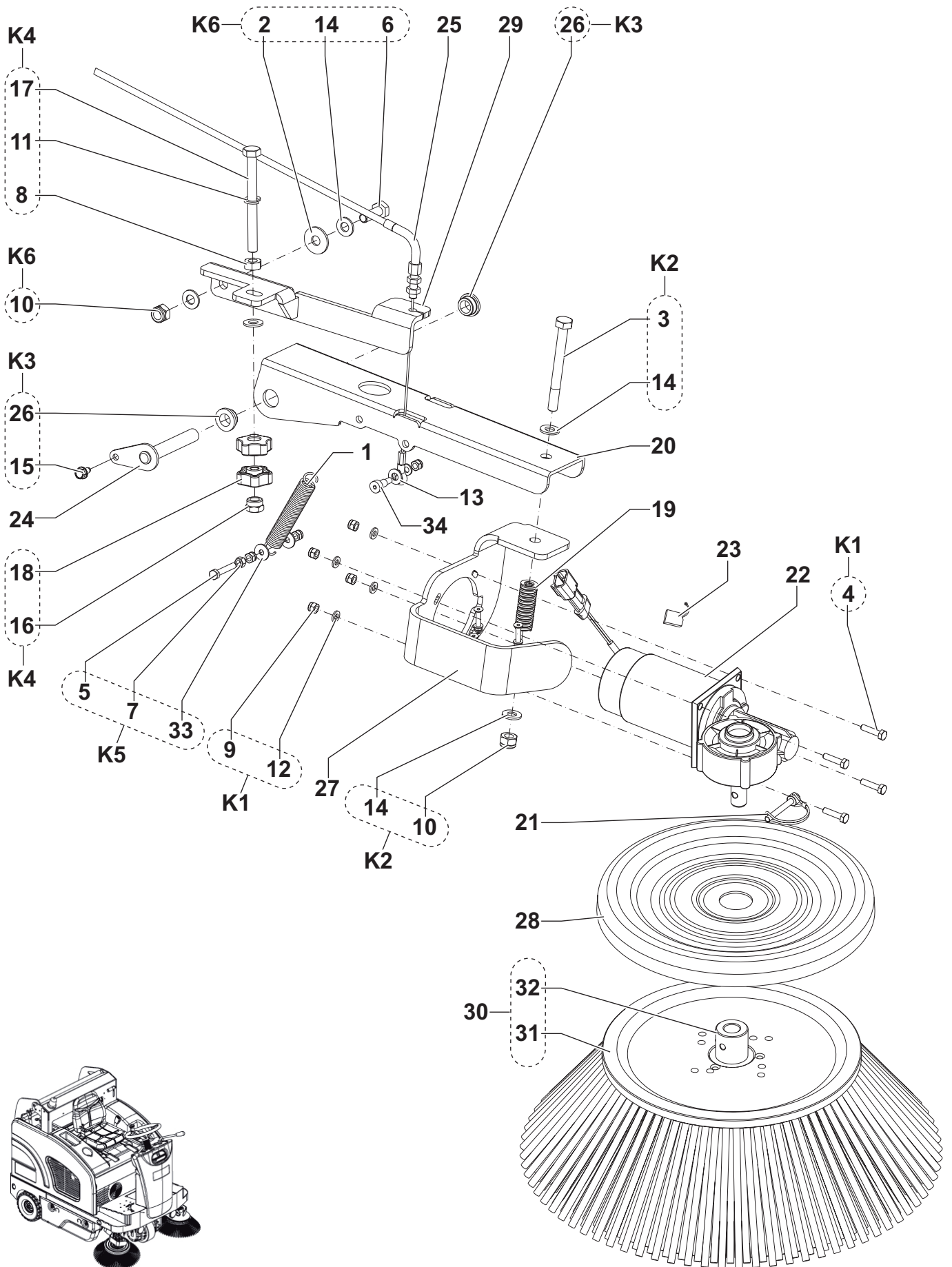
MOTOR WHEEL



**MOTOR WHEEL**

| ITEM       | REF. NO.          | QTY      | DESCRIPTION                            |
|------------|-------------------|----------|--|
| 1          | 1464834000        | 1        | STEERING SYSTEM                        |
| 2          | 1465133000        | 1        | CHAIN FOR STEERING                     |
| 3          | 1464804000        | 1        | BRAKE KIT                              |
| 4          | 1464805000        | 1        | PAD BRAKE KIT                          |
| 5          | 9096960000        | 1        | CARBON BRUSHES TRACTION WHEEL KIT      |
| 6          | 9096969000        | 4        | PLUG                                   |
| 7          | 9096968000        | 1        | RING                                   |
| 8          | 9096959000        | 1        | BALL BEARING KIT                       |
| 9          | 1465182000        | 1        | ARMATURE                               |
| 10         | 1464803000        | 1        | BRAKE DISC Ø100                        |
| 11         | 1465314000        | 1        | RING FOR MOTORWHEEL KIT                |
| <b>11*</b> | <b>1464955000</b> | <b>1</b> | <b>RING NON MARKING MOTORWHEEL KIT</b> |
|            | 1465241000        | 1        | INSTALLATION INSTRUCTION               |

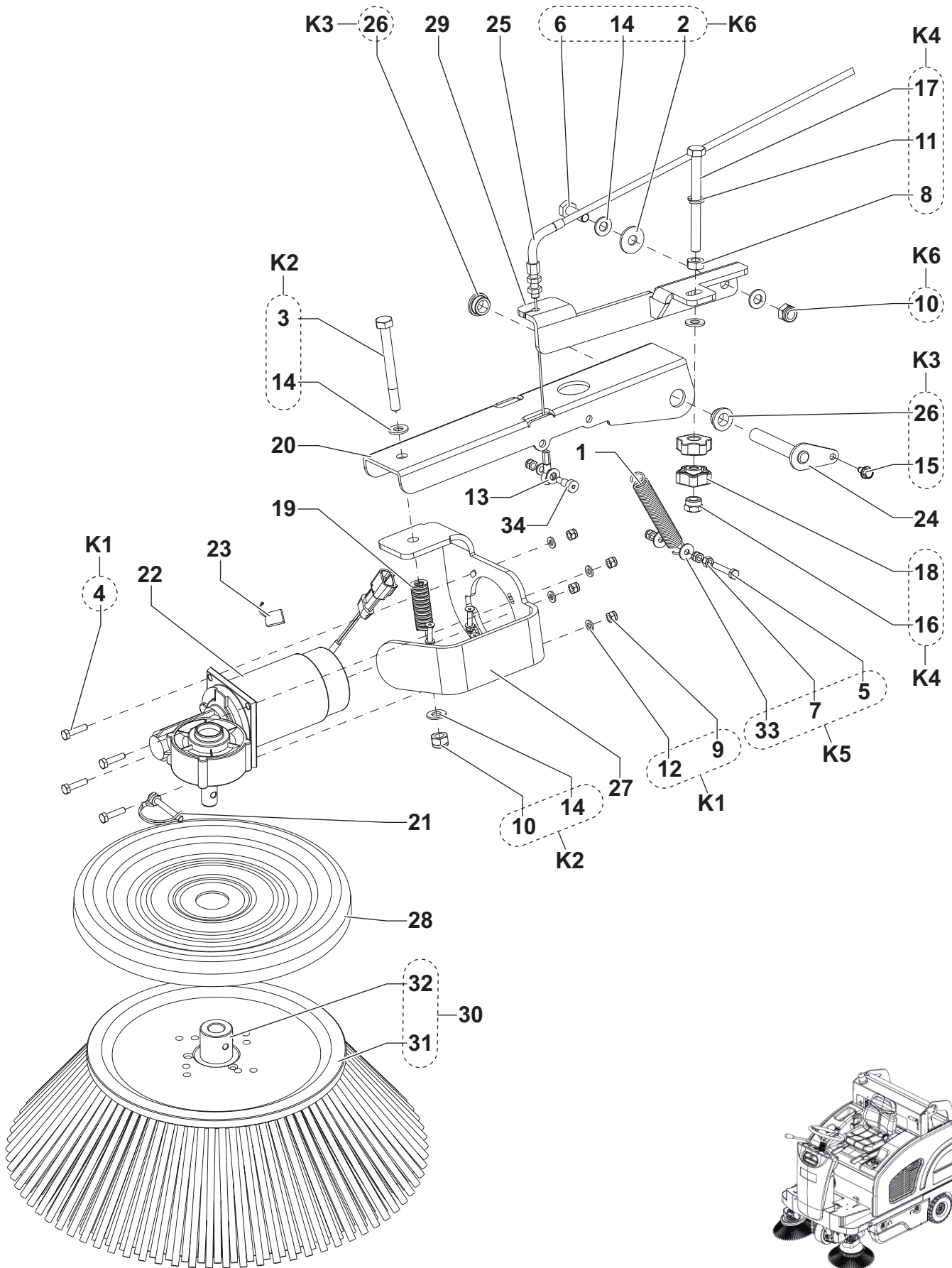
RIGHT BROOM



## RIGHT BROOM

|        | ITEM       | REF. NO.          | QTY      | DESCRIPTION                             |
|--------|------------|-------------------|----------|---|
|        | 1          | 146 0986 000      | 1        | SPRING                                  |
| K6     | 2          |                   | 1        | WASHER, FLAT XL 10.5x30x2.5             |
| K2     | 3          |                   | 1        | SCREW, HEX HD M10x100                   |
| K1     | 4          |                   | 4        | SCREW, HEX THD TO HD M6x25              |
| K5     | 5          |                   | 1        | SCREW, HEX THD TO HD M6x35              |
| K6     | 6          |                   | 1        | SCREW, HEX THD TO HD M10x30             |
| K5     | 7          |                   | 1        | NUT, HEX HVY M6                         |
| K4     | 8          |                   | 1        | NUT, HEX M10                            |
| K1     | 9          |                   | 7        | NUT, HEX NYL LOC HVY M6                 |
| K2-6   | 10         |                   | 2        | NUT, HEX NYL LOC HVY M10                |
| K4     | 11         |                   | 1        | WASHER, SPLIT LOCK d.10                 |
| K1     | 12         |                   | 5        | WASHER, FLAT 6,4x12,5                   |
|        | 13         | 33005915          | 1        | WASHER, FLAT 8.4x16x1.6                 |
| K2-4-6 | 14         |                   | 5        | WASHER, FLAT 10,5x21                    |
| K3     | 15         |                   | 1        | THREAD ROLLING SCREW M6X12              |
| K4     | 16         |                   | 1        | NUT, HEX NYL LOC HVY M10                |
| K4     | 17         |                   | 1        | SCREW, HEX THD TO HD M10X110            |
| K4     | 18         |                   | 2        | KNOB M10                                |
|        | 19         | 146 1317 000      | 1        | SPRING FOR MAIN BROOM                   |
|        | 20         | 1463903000        | 1        | LEVER SIDE BROOM LIFTING                |
|        | 21         | 1463960000        | 1        | CLIP WITH PIN                           |
|        | 22         | 1464241000        | 1        | GEARMOTOR FOR RIGHT SIDE BROOM (M6)     |
|        | 23         | 145 5125 000      | 2        | CARBON BRUSH                            |
|        | 24         | 1464412000        | 1        | PIN FOR SIDE BROOM ARM                  |
|        | 25         | 1464414000        | 1        | CABLE RIGHT SIDE BROOM                  |
| K3     | 26         |                   | 2        | BUSHING SIDE BROOM                      |
|        | 27         | 1464464000        | 1        | BRACKET FOR RIGHT SIDE BROOM            |
|        | 28         | 1464499000        | 1        | COVER SIDE BROOM                        |
|        | 29         | 1464507000        | 1        | BRACKET RIGHT SIDE BROOM ADJUSTMENT     |
|        | 30         | 1465320000        | 1        | BROOM SIDE PPL D.450MM KIT              |
|        | <b>30*</b> | <b>1465318000</b> | <b>1</b> | <b>BROOM SIDE D.450MM MIX STEEL KIT</b> |
|        | <b>30*</b> | <b>1465319000</b> | <b>1</b> | <b>BROOM SIDE D.450 MIX 5 KIT</b>       |
|        | 31         |                   | 1        | SIDE BROOM                              |
|        | 32         | 1464843000        | 1        | HUB SIDE BROOM                          |
| K5     | 33         |                   | 2        | WASHER, FLAT XL                         |
|        | 34         | 1464243000        | 1        | SCREW SHOULDER 8X12 M6                  |
| K1     | 1465046000 |                   | 1        | HARDWARE GEARMOTOR KIT                  |
| K2     | 1465047000 |                   | 1        | HARDWARE GEARMOTOR SUPPORT KIT          |
| K3     | 1465048000 |                   | 1        | PIN FOR SIDE BROOM SUPPORT KIT          |
| K4     | 1465049000 |                   | 1        | KNOB SIDE BROOM KIT                     |
| K5     | 1465050000 |                   | 1        | HW SIDE BROOM SPRING SUPPORT KIT        |
| K6     | 1465051000 |                   | 1        | HARDWARE SIDE BROOM ADJ. BRACKET KIT    |

LEFT BROOM

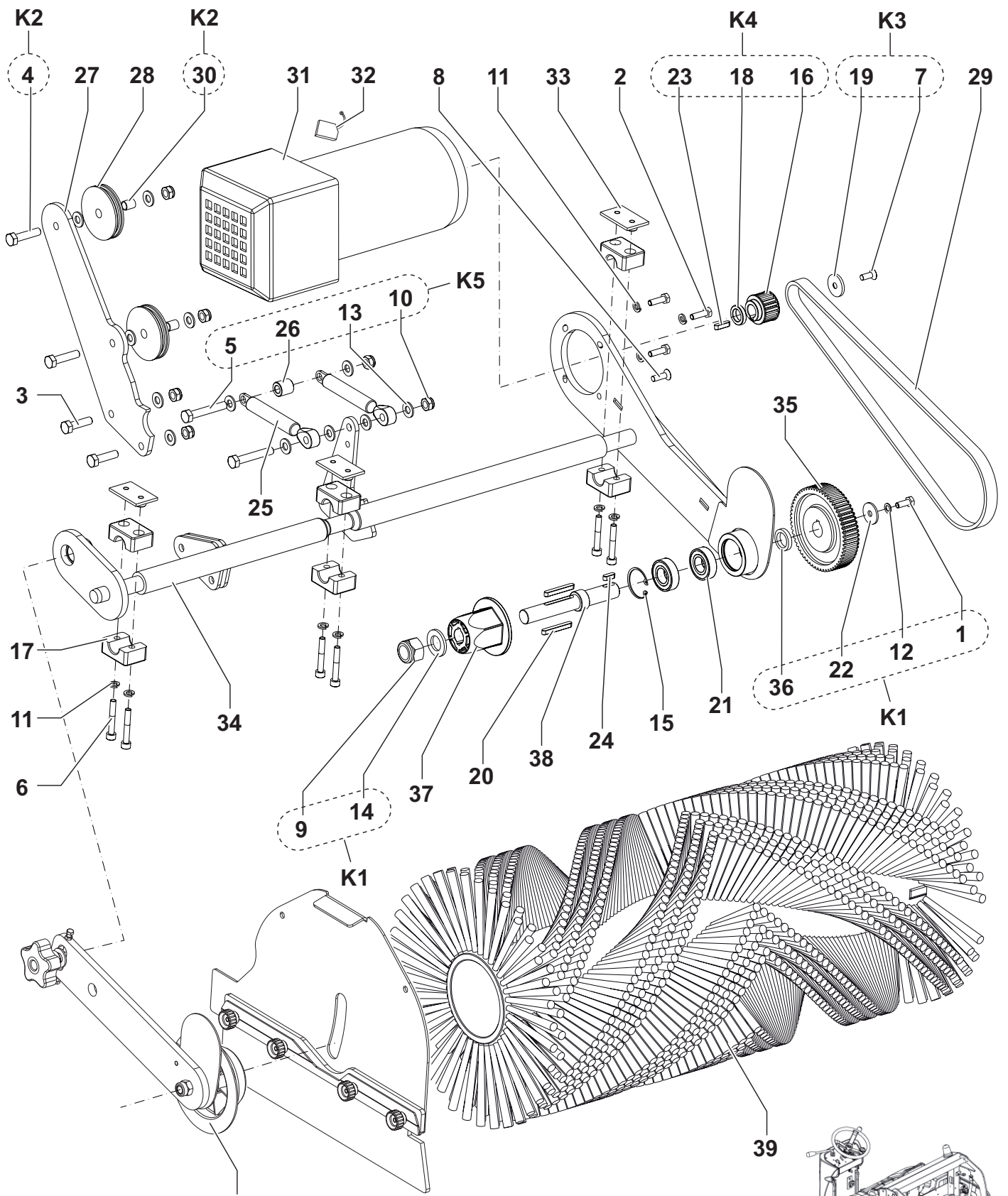


## LEFT BROOM

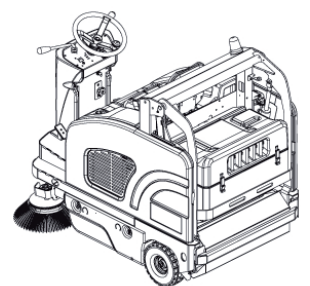
|        | ITEM       | REF. NO.          | QTY      | DESCRIPTION                             |
|--------|------------|-------------------|----------|---|
|        | 1          | 146 0986 000      | 1        | SPRING                                  |
| K6     | 2          |                   | 1        | WASHER, FLAT XL 10.5x30x2.5             |
| K2     | 3          |                   | 1        | SCREW, HEX HD M10x100                   |
| K1     | 4          |                   | 4        | SCREW, HEX THD TO HD M6x25              |
| K5     | 5          |                   | 1        | SCREW, HEX THD TO HD M6x35              |
| K6     | 6          |                   | 1        | SCREW, HEX THD TO HD M10x30             |
| K5     | 7          |                   | 1        | NUT, HEX HVY M6                         |
| K4     | 8          |                   | 1        | NUT, HEX M10                            |
| K1     | 9          |                   | 7        | NUT, HEX NYL LOC HVY M6                 |
| K2-6   | 10         |                   | 2        | NUT, HEX NYL LOC HVY M10                |
| K4     | 11         |                   | 1        | WASHER, SPLIT LOCK d.10                 |
| K1     | 12         |                   | 5        | WASHER, FLAT 6,4x12,5                   |
|        | 13         | 33005915          | 1        | WASHER, FLAT 8.4x16x1.6                 |
| K2-4-6 | 14         |                   | 5        | WASHER, FLAT 10,5x21                    |
| K3     | 15         |                   | 1        | THREAD ROLLING SCREW M6X12              |
| K4     | 16         |                   | 1        | NUT, HEX NYL LOC HVY M10                |
| K4     | 17         |                   | 1        | SCREW, HEX THD TO HD M10X110            |
| K4     | 18         |                   | 2        | KNOB M10                                |
|        | 19         | 146 1317 000      | 1        | SPRING FOR MAIN BROOM                   |
|        | 20         | 1463903000        | 1        | LEVER SIDE BROOM LIFTING                |
|        | 21         | 1463960000        | 1        | CLIP WITH PIN                           |
|        | 22         | 1464242000        | 1        | GEARMOTOR LEFT SIDE BROOM (M7)          |
|        | 23         | 145 5125 000      | 2        | CARBON BRUSH                            |
|        | 24         | 1464412000        | 1        | PIN FOR SIDE BROOM ARM                  |
|        | 25         | 1464415000        | 1        | CABLE SIDE BROOM                        |
| K3     | 26         |                   | 2        | BUSHING SIDE BROOM                      |
|        | 27         | 1464500000        | 1        | BRACKET FOR LEFT SIDE BROOM             |
|        | 28         | 1464499000        | 1        | COVER SIDE BROOM                        |
|        | 29         | 1464427000        | 1        | BRACKET LEFT SIDE BROOM ADJUSTMENT      |
|        | 30         | 1465320000        | 1        | BROOM SIDE PPL D.450MM KIT              |
|        | <b>30*</b> | <b>1465318000</b> | <b>1</b> | <b>BROOM SIDE D.450MM MIX STEEL KIT</b> |
|        | <b>30*</b> | <b>1465319000</b> | <b>1</b> | <b>BROOM SIDE D.450 MIX 5 KIT</b>       |
|        | 31         |                   | 1        | SIDE BROOM                              |
|        | 32         | 1464843000        | 1        | HUB SIDE BROOM                          |
| K5     | 33         |                   | 2        | WASHER, FLAT XL                         |
|        | 34         | 1464243000        | 1        | SCREW SHOULDER 8X12 M6                  |
| K1     | 1465046000 |                   | 1        | HARDWARE GEARMOTOR KIT                  |
| K2     | 1465047000 |                   | 1        | HARDWARE GEARMOTOR SUPPORT KIT          |
| K3     | 1465048000 |                   | 1        | PIN FOR SIDE BROOM SUPPORT KIT          |
| K4     | 1465049000 |                   | 1        | HARDWARE SIDE BROOM KNOB KIT            |
| K5     | 1465050000 |                   | 1        | HW SIDE BROOM SPRING SUPPORT KIT        |
| K6     | 1465051000 |                   | 1        | HARDWARE SIDE BROOM ADJ. BRACKET KIT    |



MAIN BROOM



SEE BROOM CLOSING

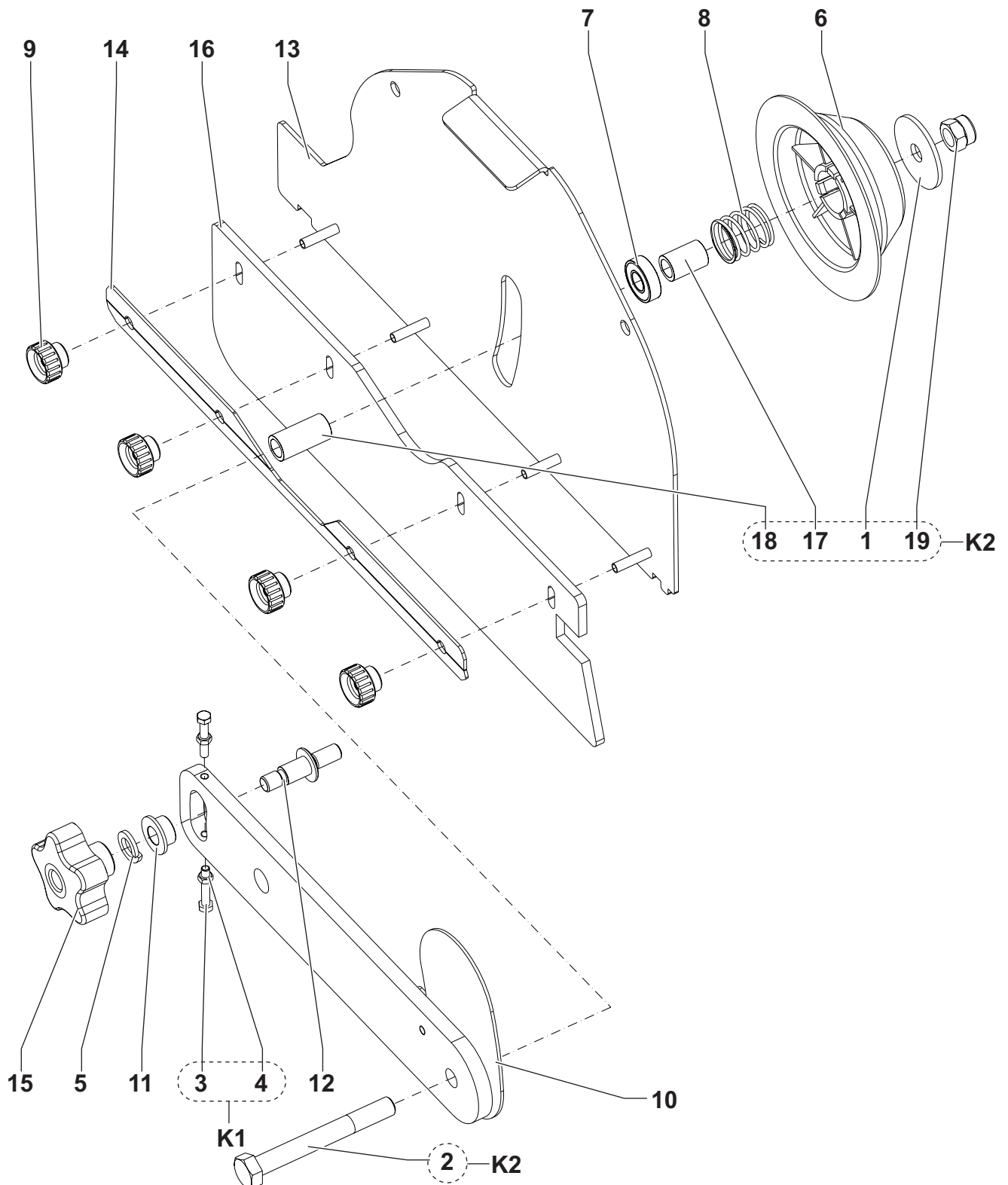
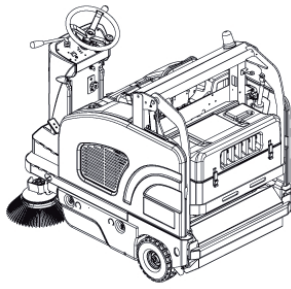




## MAIN BROOM

|      | ITEM       | REF. NO.          | QTY      | DESCRIPTION                         |
|------|------------|-------------------|----------|-------------------------------------|
| K1   | 1          |                   | 1        | SCREW, HEX THD TO HD M6X16          |
|      | 2          | 33003975          | 3        | SCREW, HEX THD TO HD M6X20          |
|      | 3          | 33003996          | 2        | SCREW, HEX THD TO HD M8X30          |
| K2   | 4          |                   | 2        | SCREW, HEX THD TO HD M8X35          |
| K5   | 5          |                   | 2        | SCREW, HEX THD TO HD M8X50          |
|      | 6          | 33004350          | 6        | SCREW, SOC HD                       |
| K3   | 7          |                   | 1        | SCREW, FLAT SOCKET HEAD             |
|      | 8          | 33004578          | 1        | SCREW, FLAT SOCKET HEAD             |
| K1   | 9          |                   | 1        | NUT, HEX NYL LOC HVY M16            |
| K2-5 | 10         |                   | 6        | NUT, HEX NYL LOC THIN M8            |
|      | 11         | 33005851          | 9        | WASHER, SPLIT LOCK D.6              |
| K1   | 12         |                   | 1        | WASHER, EXT. SHPRF Ø 6              |
| K2-5 | 13         |                   | 12       | WASHER, FLAT 8.4X16X1.6             |
| K1   | 14         |                   | 1        | WASHER, FLAT 17X30                  |
|      | 15         | 33006165          | 1        | RING, RET. INT.                     |
| K4   | 16         |                   | 1        | PULLEY HTD 20 5M 15 6F              |
|      | 17         | 145 1891 000      | 3        | COLLAR PIPE FIXING                  |
| K4   | 18         |                   | 1        | SPACER                              |
| K3   | 19         |                   | 1        | SPACER                              |
|      | 20         | 145 8011 000      | 2        | KEY 5X5X40 UNI6604A                 |
|      | 21         | 145 8415 000      | 2        | BEARING, DUAL SEALED BALL           |
| K1   | 22         |                   | 1        | WASHER, FLAT XL                     |
| K4   | 23         |                   | 1        | KEY                                 |
|      | 24         | 146 1017 000      | 1        | KEY 5X5X15                          |
|      | 25         | 1463358000        | 2        | SPRING GAS 40 KG 2                  |
| K5   | 26         |                   | 1        | SPACER FOR GAS SPRING               |
|      | 27         | 1464232000        | 1        | BRACKET PULLEYS SUPPORT             |
|      | 28         | 1464239000        | 2        | PULLEY BROOM LEVER                  |
|      | 29         | 1464266000        | 1        | BELT HTD 825-5M                     |
| K2   | 30         |                   | 2        | BUSHING FOR PULLEY                  |
|      | 31         | 1464444000        | 1        | MOTOR MAIN BROOM 24V 600W (M4)      |
|      | 32         | L08603949         | 1        | BRUSH CARBON KIT 4PCS               |
|      | 33         | 1464983000        | 3        | PLATE THREADED                      |
|      | 34         | 1464986000        | 1        | SHAFT FOR MAIN BROOM                |
|      | 35         | 1464987000        | 1        | PULLEY HTD 60 5M 15 - 6W            |
| K1   | 36         |                   | 1        | SPACER 24X17.2X4.5                  |
|      | 37         | 1464990000        | 1        | HUB MAIN BROOM                      |
|      | 38         | 1465202000        | 1        | MAIN BROOM PIN                      |
|      | 39         | 1463913000        | 1        | MAIN BROOM 340X700MM PPL            |
|      | <b>39*</b> | <b>1463854000</b> | <b>1</b> | <b>BROOM MAIN 340X700MM MIX 5</b>   |
|      | <b>39*</b> | <b>1464947000</b> | <b>1</b> | <b>MAIN BROOM 340X700 MIX STEEL</b> |
| K1   | 1465052000 |                   | 1        | HARDWARE MAIN BROOM HUB KIT         |
| K2   | 1465053000 |                   | 1        | HARDWARE MAIN BROOM PULLEY KIT      |
| K3   | 1465054000 |                   | 1        | HARDWARE MAIN BR. MOTOR PULLEY KIT  |
| K4   | 1465055000 |                   | 1        | PULLEY MAIN BR. MOTOR KIT           |
| K5   | 1465056000 |                   | 1        | HARDWARE FOR GAS SPRING KIT         |

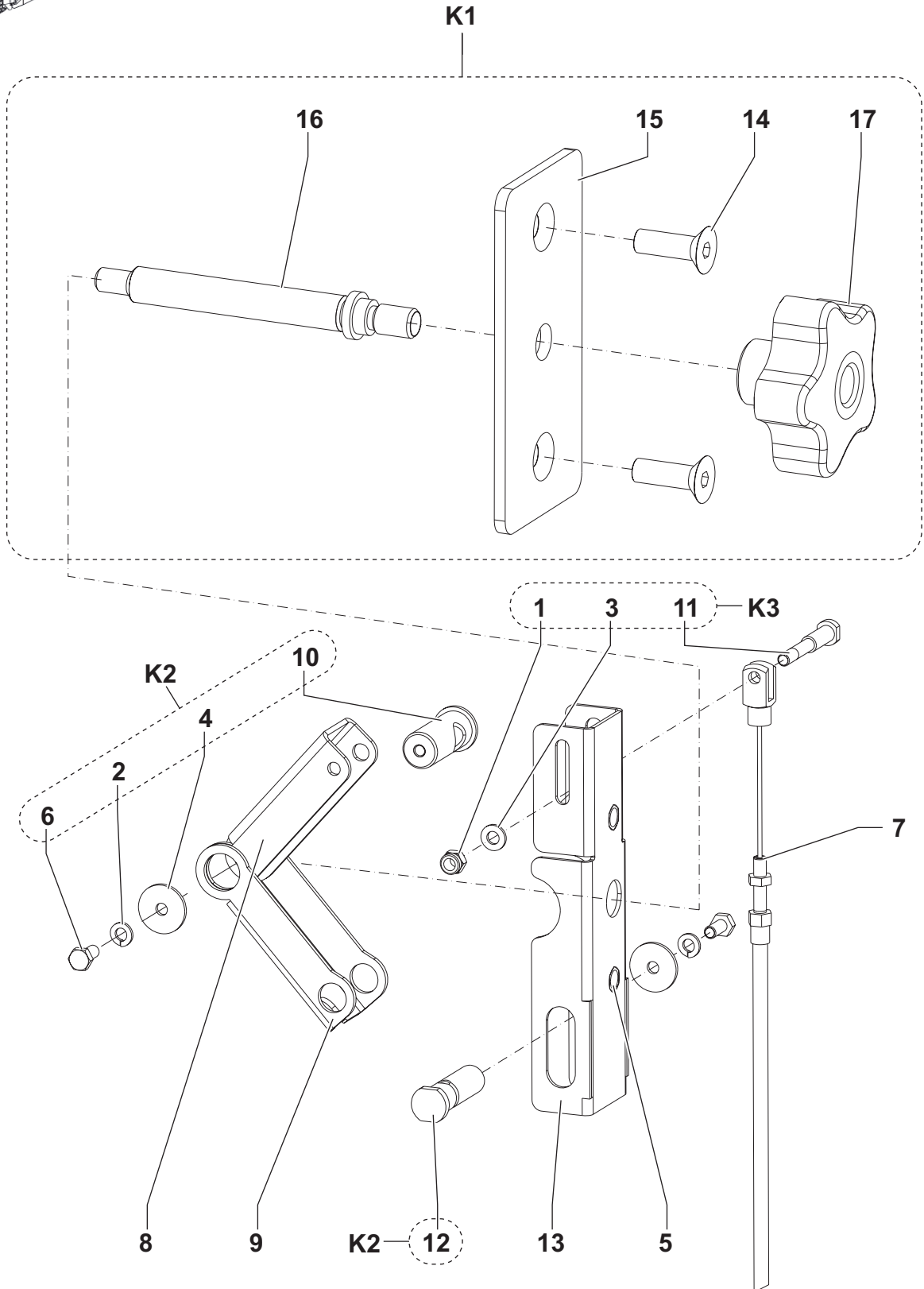
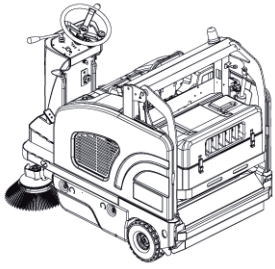
## BROOM CLOSING



**BROOM CLOSING**

|    | ITEM       | REF. NO.          | QTY      | DESCRIPTION                      |
|----|------------|-------------------|----------|----------------------------------|
| K2 | 1          |                   | 1        | WASHER, FLAT XL                  |
| K2 | 2          |                   | 1        | SCREW, HEX HD M12X100            |
| K1 | 3          |                   | 2        | SCREW, HEX THD TO HD M5X30       |
| K1 | 4          |                   | 2        | NUT, HEX M5                      |
|    | 5          | 33006010          | 1        | WASHER, SPLIT LOCK D.12          |
|    | 6          | 145 0269 000      | 1        | HUB LEFT FOR CENTRAL BROOM       |
|    | 7          | 145 0270 000      | 1        | BEARING, DUAL SEALED BALL        |
|    | 8          | 145 0271 000      | 1        | SPRING, COMPRESSION              |
|    | 9          | 146 2471 000      | 4        | HANDWHEEL M6                     |
|    | 10         | 1464180000        | 1        | LEVER MAIN BROOM SUPPORT         |
|    | 11         | 1464181000        | 1        | BUSHING SUPPORT LEVER            |
|    | 12         | 1464182000        | 1        | PIN MAIN BROOM ARM               |
|    | 13         | 1464183000        | 1        | HATCH MAIN BROOM                 |
|    | 14         | 1464278000        | 1        | PLATE SIDE KIRT FIXING           |
|    | 15         | 1464476000        | 1        | KNOB BLACK/YELLOW                |
|    | 16         | 1465396000        | 1        | SKIRTS KIT                       |
|    | <b>16*</b> | <b>1464951000</b> | <b>1</b> | <b>SKIRTS NON MARKING KIT</b>    |
| K2 | 17         |                   | 1        | SPACER                           |
| K2 | 18         |                   | 1        | SPACER                           |
| K2 | 19         |                   | 1        | NUT, HEX NYL LOC M12             |
|    | K1         | 1465057000        | 1        | HW MAIN BROOM LEVER SUPPORT KIT  |
|    | K2         | 1465058000        | 1        | HARDWARE MAIN BROOM IDLE HUB KIT |

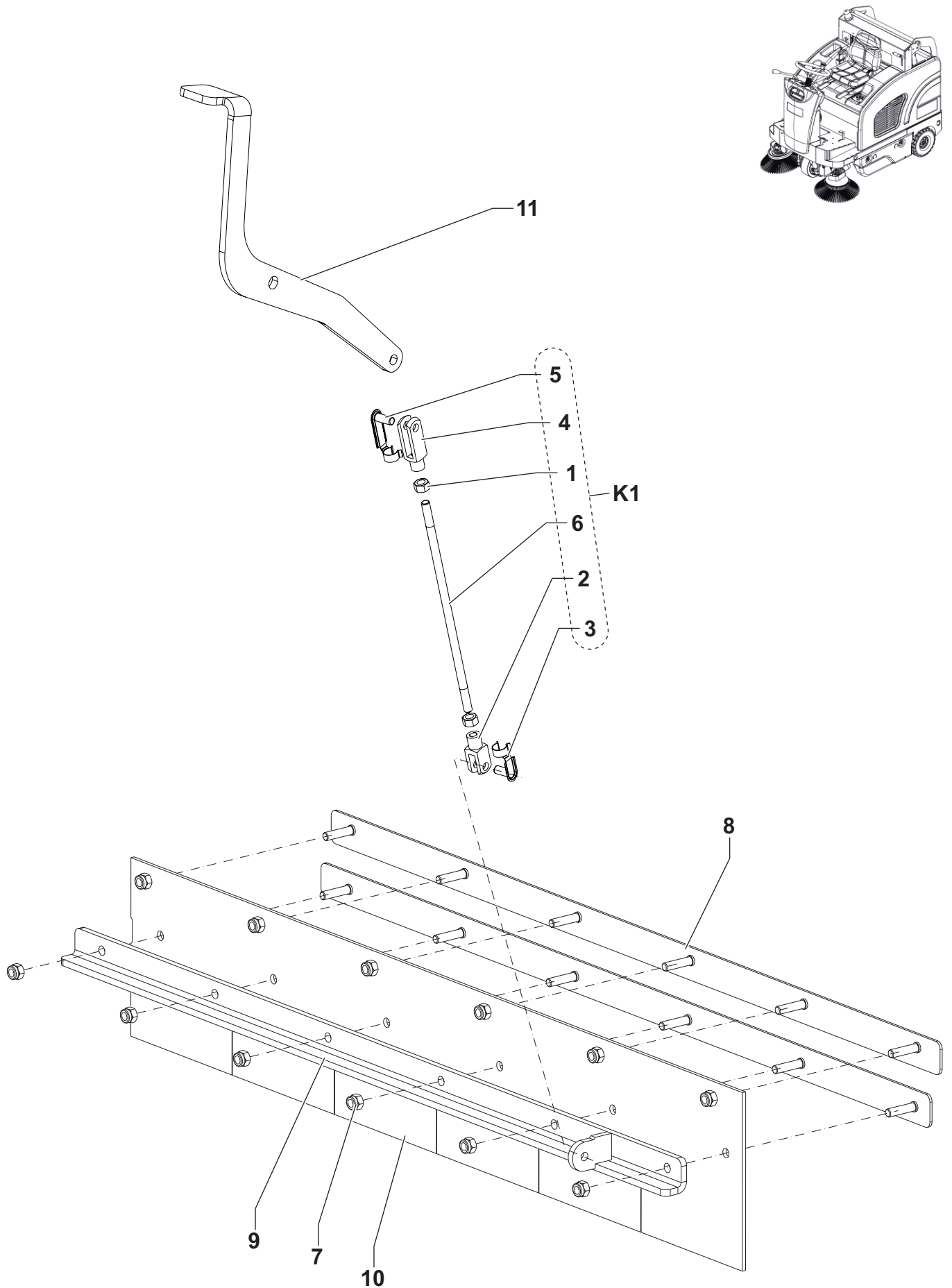
MAIN BROOM ADJUSTMENT



## MAIN BROOM ADJUSTMENT

|  | ITEM | REF. NO.     | QTY | DESCRIPTION                       |
|--|------|--------------|-----|-----------------------------------|
|  | K3   | 1            | 1   | NUT, HEX NYL LOC HVY M6           |
|  | K2   | 2            | 2   | WASHER, SPLIT LOCK d.6            |
|  | K3   | 3            | 1   | WASHER, FLAT 6,4x12,5             |
|  | K2   | 4            | 2   | WASHER, FLAT XL 6x24 SS           |
|  | 5    | 145 4773 000 | 2   | HEX INSERT                        |
|  | K2   | 6            | 2   | SCREW, HEX THD TO HD M6x14        |
|  | 7    | 1464413000   | 1   | CABLE MAIN BROOM                  |
|  | 8    | 1464449000   | 1   | UPPER ARM FOR THE REGULATION      |
|  | 9    | 1464450000   | 1   | BRACKET BROOM SETTING             |
|  | K2   | 10           | 1   | PIN FOR ARMS CONTROL BROOM        |
|  | K3   | 11           | 1   | PIN, UPPER ARM CONTROL MAIN BROOM |
|  | K2   | 12           | 1   | PIN FOR LOWER ARM, MAIN BROOM     |
|  | 13   | 1464462000   | 1   | GUIDE, MAIN BROOM SETTING         |
|  | K1   | 14           | 2   | SCREW, FLAT SOCKET HEAD           |
|  | K1   | 15           | 1   | PLATE ADJUST MAIN BROOM           |
|  | K1   | 16           | 1   | ADJUSTMENT PIN BROOM              |
|  | K1   | 17           | 1   | KNOB BLACK/YELLOW                 |
|  | K1   | 1464914000   | 1   | BROOM MAIN SETTING KIT            |
|  | K2   | 1465059000   | 1   | FIXING MAIN BROOM SETTING KIT     |
|  | K3   | 1465060000   | 1   | FIXING MAIN BROOM CABLE KIT       |

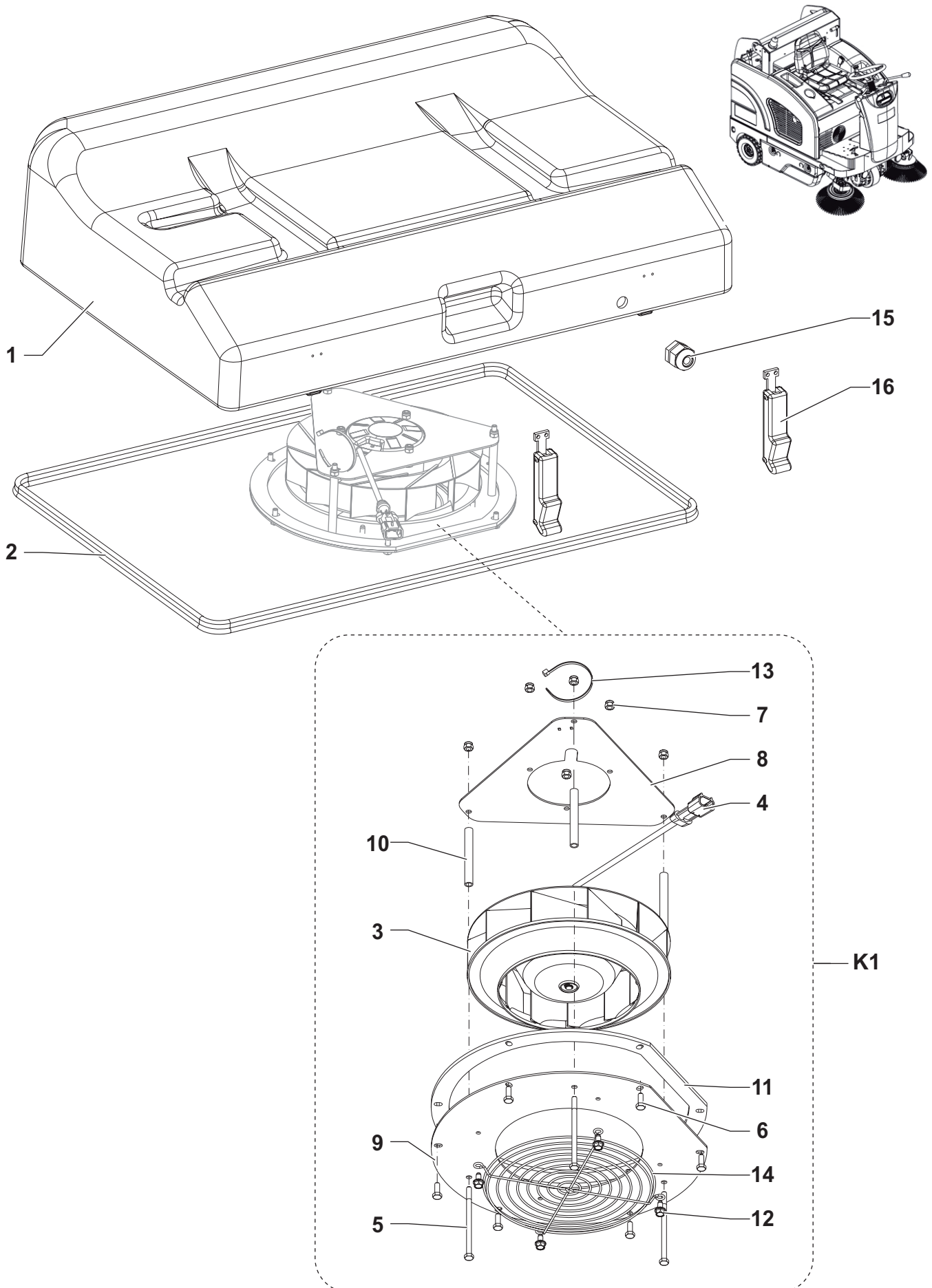
## FRONT LIFT FLAP



**FRONT LIFT FLAP**

|  | ITEM | REF. NO.   | QTY | DESCRIPTION               |
|--|------|------------|-----|---------------------------|
|  | K1   | 1          | 2   | NUT, HEX HVY M6           |
|  | K1   | 2          | 1   | FORK M6                   |
|  | K1   | 3          | 1   | CLIP SHORT M6             |
|  | K1   | 4          | 1   | FORK M6                   |
|  | K1   | 5          | 1   | CLIP LONG M6              |
|  | K1   | 6          | 1   | TENDER FOR CONTROL FLAP   |
|  | 7    | 33005562   | 12  | NUT, HEX NYL LOC HVY M6   |
|  | 8    | 1463916000 | 2   | PLATE FRONT SKIRT         |
|  | 9    | 1464337000 | 1   | FLAP METAL FRONT          |
|  | 10   | 1464497000 | 1   | SKIRT FRONT               |
|  | 11   | 1464185000 | 1   | PEDAL DEVICE SKIRT RISING |
|  | K1   | 1464921000 | 1   | ROD FOR FLAP KIT          |

## VACUUM SYSTEM

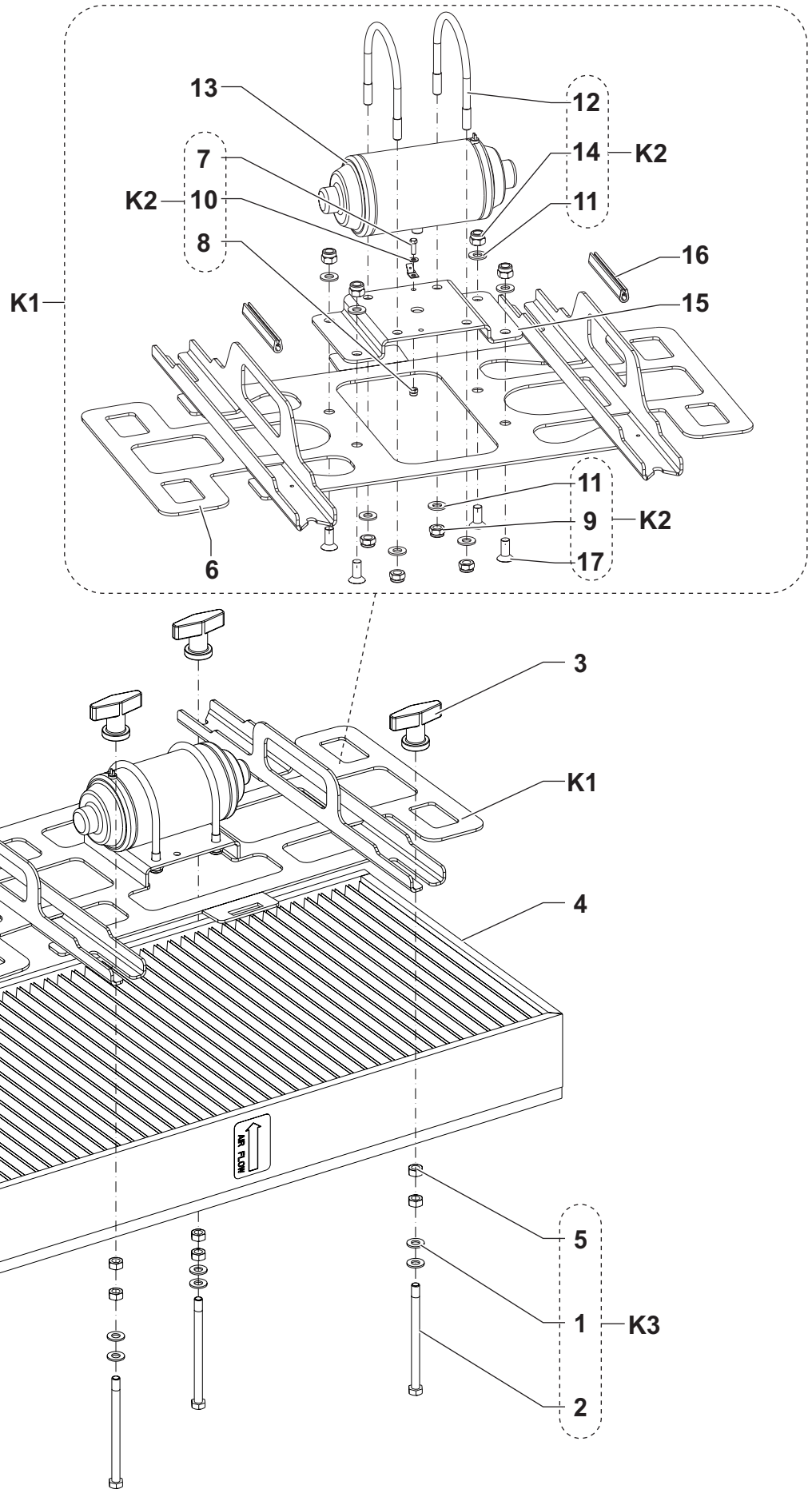
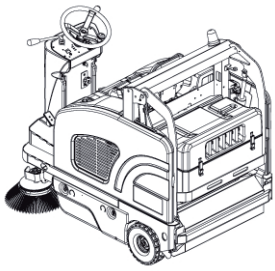




## VACUUM SYSTEM

|    | ITEM | REF. NO.     | QTY | DESCRIPTION                |
|----|------|--------------|-----|----------------------------|
|    | 1    | 1464190000   | 1   | CONTAINER VACUUM MOTOR     |
|    | 2    | 1464198000   | 1   | GASKET VACUUM CONTAINER    |
| K1 | 3    | 1463374000   | 1   | VACUUM FAN 24V (M1)        |
| K1 | 4    |              | 1   | CABLE LOCK                 |
| K1 | 5    |              | 3   | SCREW, HEX HD M6X100       |
| K1 | 6    |              | 6   | SCREW, HEX THD TO HD M6X16 |
| K1 | 7    |              | 6   | NUT, HEX NYL LOC HVY M6    |
| K1 | 8    |              | 1   | SUPPORT, VAC               |
| K1 | 9    |              | 1   | PLATE, VAC                 |
| K1 | 10   |              | 3   | SPACER                     |
| K1 | 11   |              | 1   | GASKET                     |
| K1 | 12   |              | 4   | THREAD ROLLING SCREW M6X12 |
| K1 | 13   |              | 1   | TIE, CABLE 3,6X140         |
| K1 | 14   |              | 1   | GRILL                      |
|    | 15   | 146 1892 000 | 1   | STRAIN RELIEF 4-6.5MM      |
|    | 16   | 1464313000   | 4   | HATCH RUBBER               |
|    | K1   | 1464927000   | 1   | FAN KIT                    |

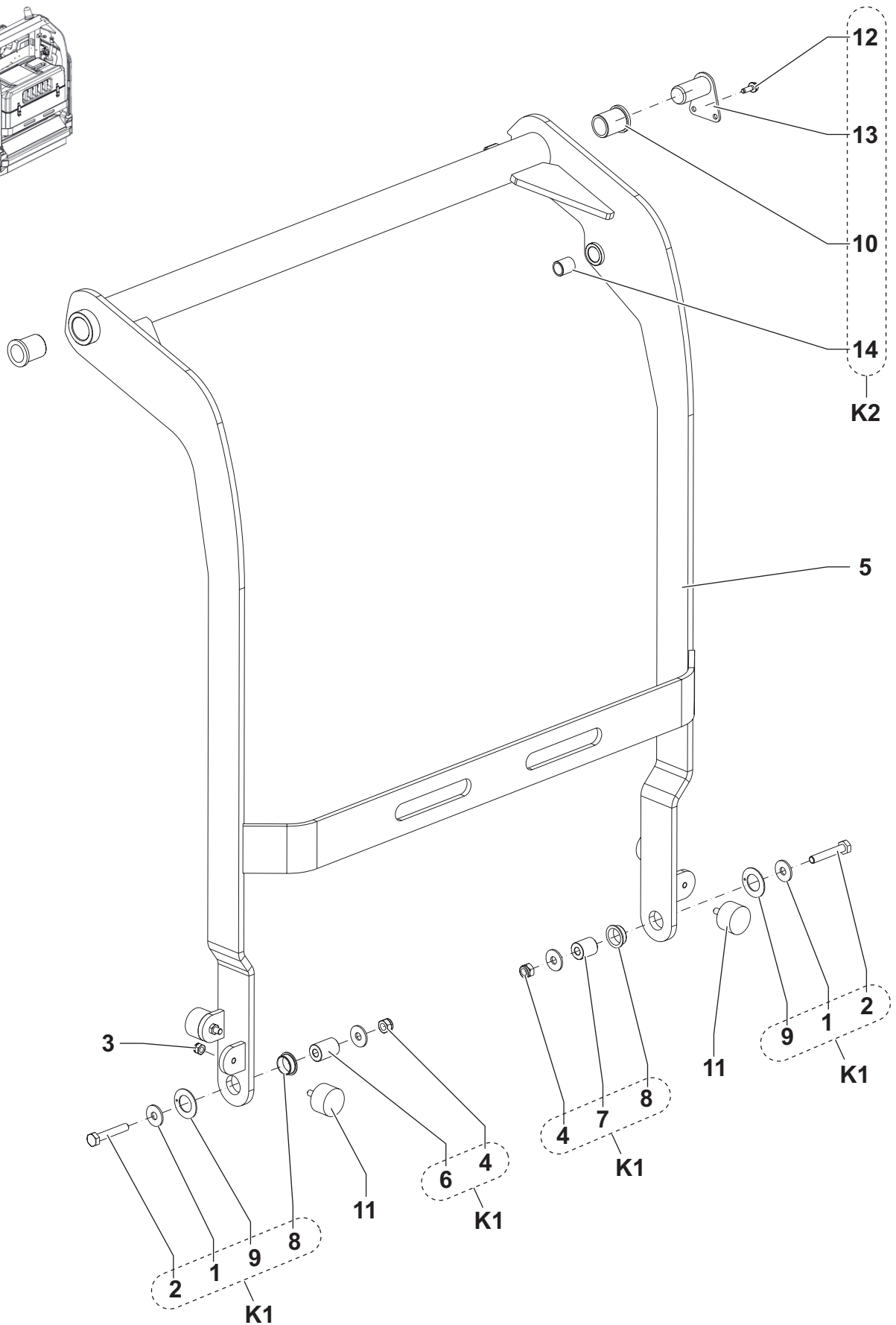
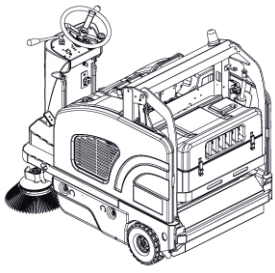
PANEL FILTER



## PANEL FILTER

|    | ITEM      | REF. NO.          | QTY      | DESCRIPTION                      |
|----|-----------|-------------------|----------|----------------------------------|
| K3 | 1         |                   | 8        | WASHER, FLAT 8.4x16x1.6          |
| K3 | 2         |                   | 4        | SCREW, HEX HD                    |
|    | 3         | 9098257000        | 4        | NUT THUMB, SQUEEGEE FIXING       |
|    | 4         | 1464189000        | 1        | FILTER PANEL PAPER               |
|    | <b>4*</b> | <b>1464839000</b> | <b>1</b> | <b>FILTER PANEL POLYESTER</b>    |
| K3 | 5         |                   | 8        | NUT, 5/16" UNC INOX              |
| K1 | 6         |                   | 1        | SHAKER, PANEL FILTER             |
| K2 | 7         |                   | 1        | SCREW, HEX THD TO HD M4x12       |
| K2 | 8         |                   | 1        | NUT, HEX NYL LOC HVY M4          |
| K2 | 9         |                   | 4        | NUT, HEX NYL LOC THIN M8         |
| K2 | 10        |                   | 1        | WASHER, FLAT 4,3x9               |
| K2 | 11        |                   | 8        | WASHER, FLAT 8.4x16x1.6          |
| K2 | 12        |                   | 2        | CLAMP Ø2" ½                      |
| K1 | 13        | 145 5539 000      | 1        | SHAKER MOTOR 24V 90W (M2)        |
| K2 | 14        |                   | 4        | NUT, HEX NYL LOC HVY M8          |
| K1 | 15        |                   | 1        | BRAKET FILTER SHAKER             |
| K1 | 16        |                   | 2        | SEAL L = 90                      |
| K2 | 17        |                   | 4        | SCREW, FLAT SOCKET HEAD          |
|    | K1        | 1464918000        | 1        | SHAKER FILTER KIT                |
| K1 | K2        | 1465061000        | 1        | HARDWARE SHAKER FIXING KIT       |
|    | K3        | 1465062000        | 1        | HARDWARE FILTER PLATE FIXING KIT |

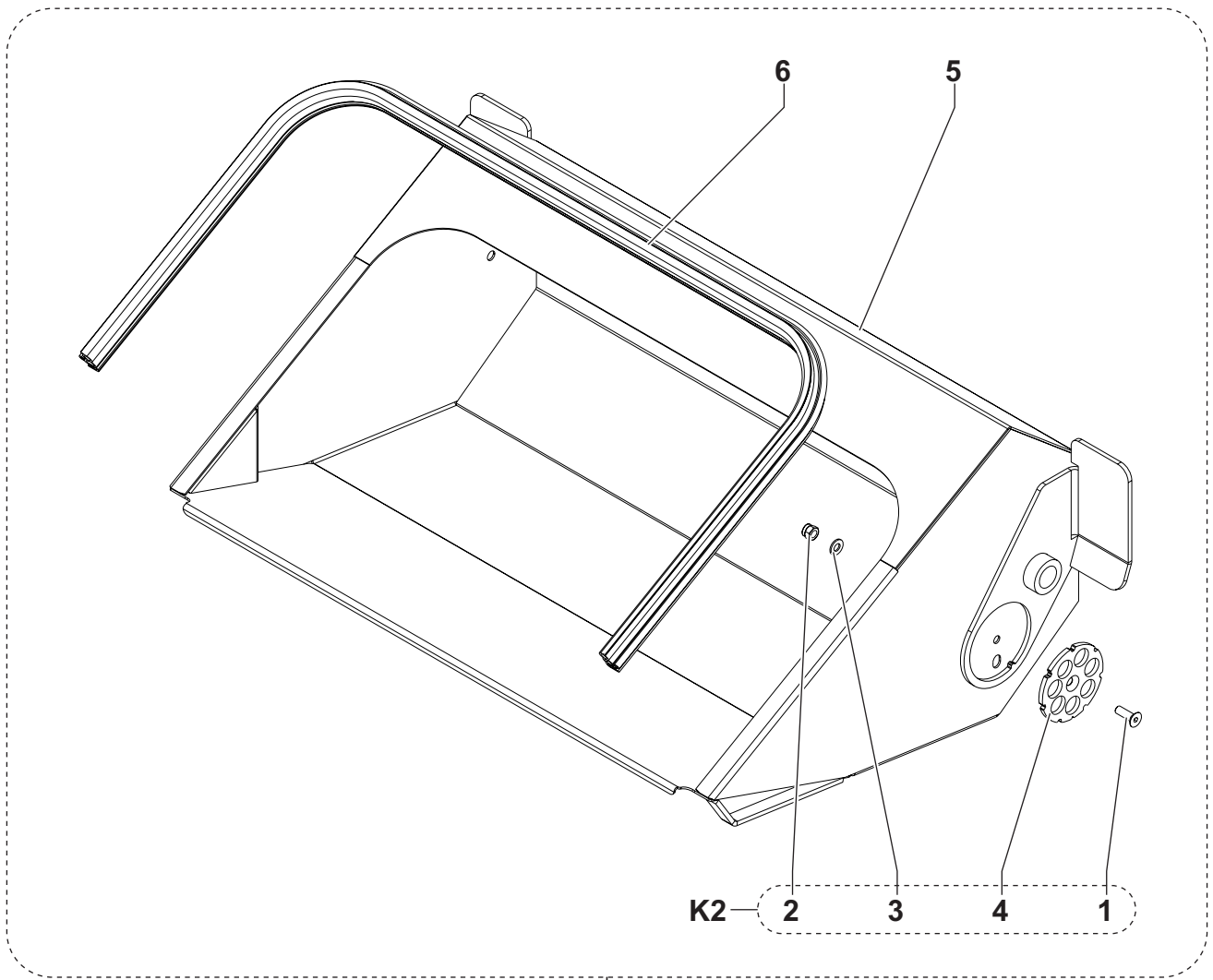
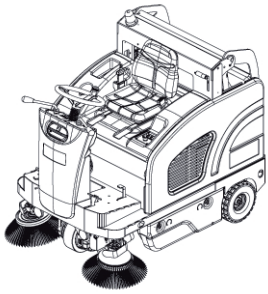
LIFTING ARMS



## LIFTING ARMS

|    | ITEM | REF. NO.   | QTY | DESCRIPTION                   |
|----|------|------------|-----|-------------------------------|
| K1 | 1    |            | 4   | WASHER, FLAT XL 10.5x30x2.5   |
| K1 | 2    |            | 2   | SCREW, HEX THD TO HD M10x60   |
|    | 3    | 33005533   | 4   | NUT, HEX THIN M8              |
| K1 | 4    |            | 2   | NUT, HEX NYL LOC HVY M10      |
|    | 5    | 1464159000 | 1   | ARM HOPPER LIFTING            |
| K1 | 6    |            | 1   | PIN HOPPER                    |
| K1 | 7    |            | 1   | PIN HOPPER                    |
| K1 | 8    |            | 2   | BUSHING FLANGED GFM-2427-10   |
| K1 | 9    |            | 2   | FIFTH WHEEL GTM-2442-015      |
| K2 | 10   |            | 2   | IGUS BEARING, FLANGE          |
|    | 11   | 1464475000 | 4   | VIBRATION DAMPING M8 D.40x25  |
| K2 | 12   |            | 2   | THREAD ROLLING SCREW M6X20    |
| K2 | 13   |            | 2   | PIN                           |
| K2 | 14   |            | 1   | CYLINDRICAL BEARING 16x18x15  |
|    | K1   | 1465063000 | 1   | FIXING HOPPER PRIMARY ARM KIT |
|    | K2   | 1465064000 | 1   | PIN PRIMARY ARM KIT           |

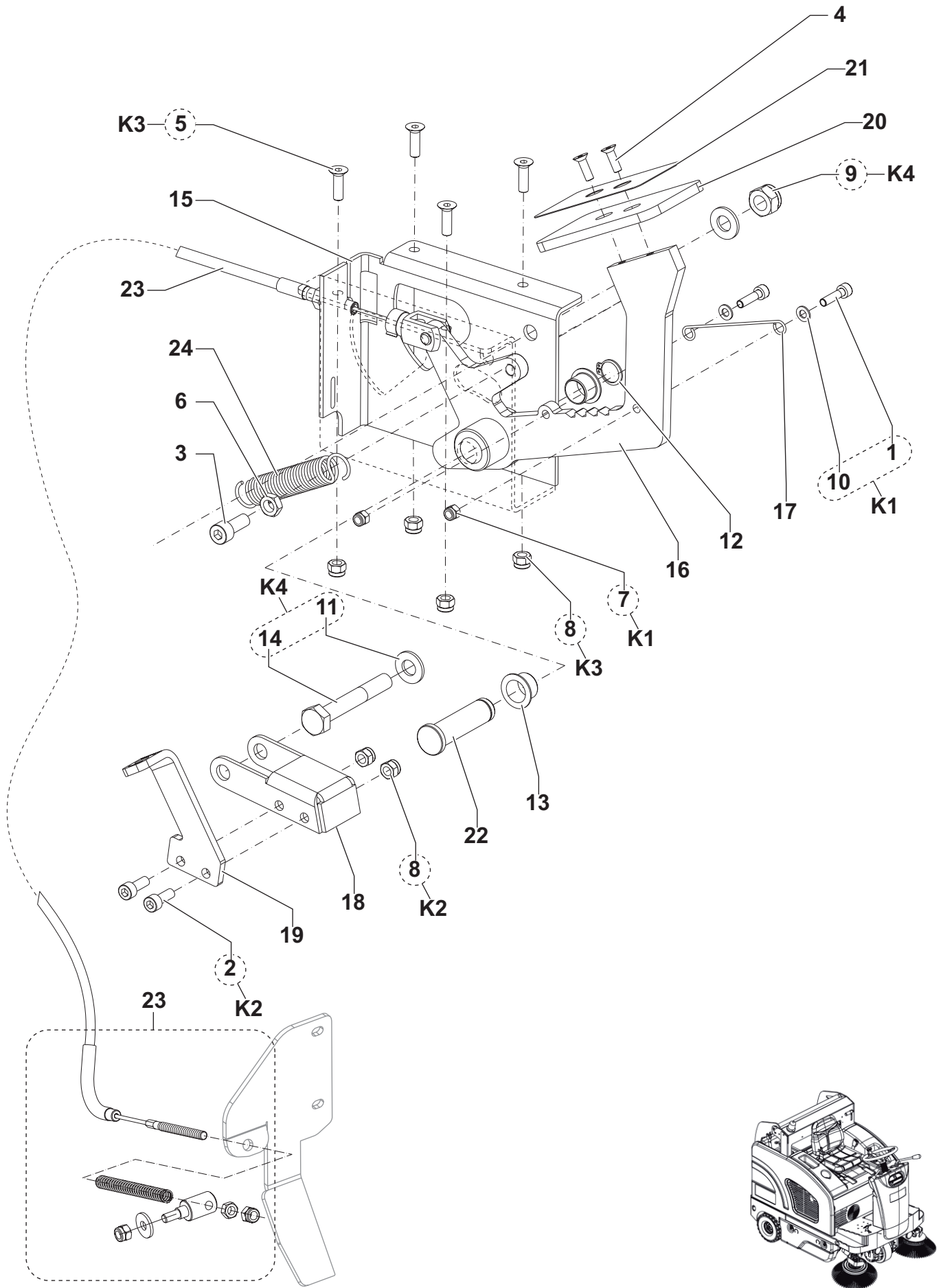
# HOPPER SYSTEM



**HOPPER SYSTEM**

|  | ITEM | REF. NO. | QTY | DESCRIPTION               |
|--|------|----------|-----|---------------------------|
|  | K2   | 1        | 1   | SCREW, FLAT SOCKET HEAD   |
|  | K2   | 2        | 1   | NUT, HEX NYL LOC HVY M8   |
|  | K2   | 3        | 1   | WASHER, FLAT 8.4x16x1.6   |
|  | K2   | 4        | 1   | FLANGE HOPPER SETTING     |
|  | K1   | 5        | 1   | HOPPER                    |
|  | K1   | 6        | 1   | GASKET EPDM               |
|  |      | K1       | 1   | 1464535000                |
|  |      | K1       | 1   | 1464917000                |
|  |      | K2       | 1   | 1465065000                |
|  |      |          |     | HOPPER KIT                |
|  |      |          |     | FLANGE HOPPER SETTING KIT |

PEDAL BRAKE

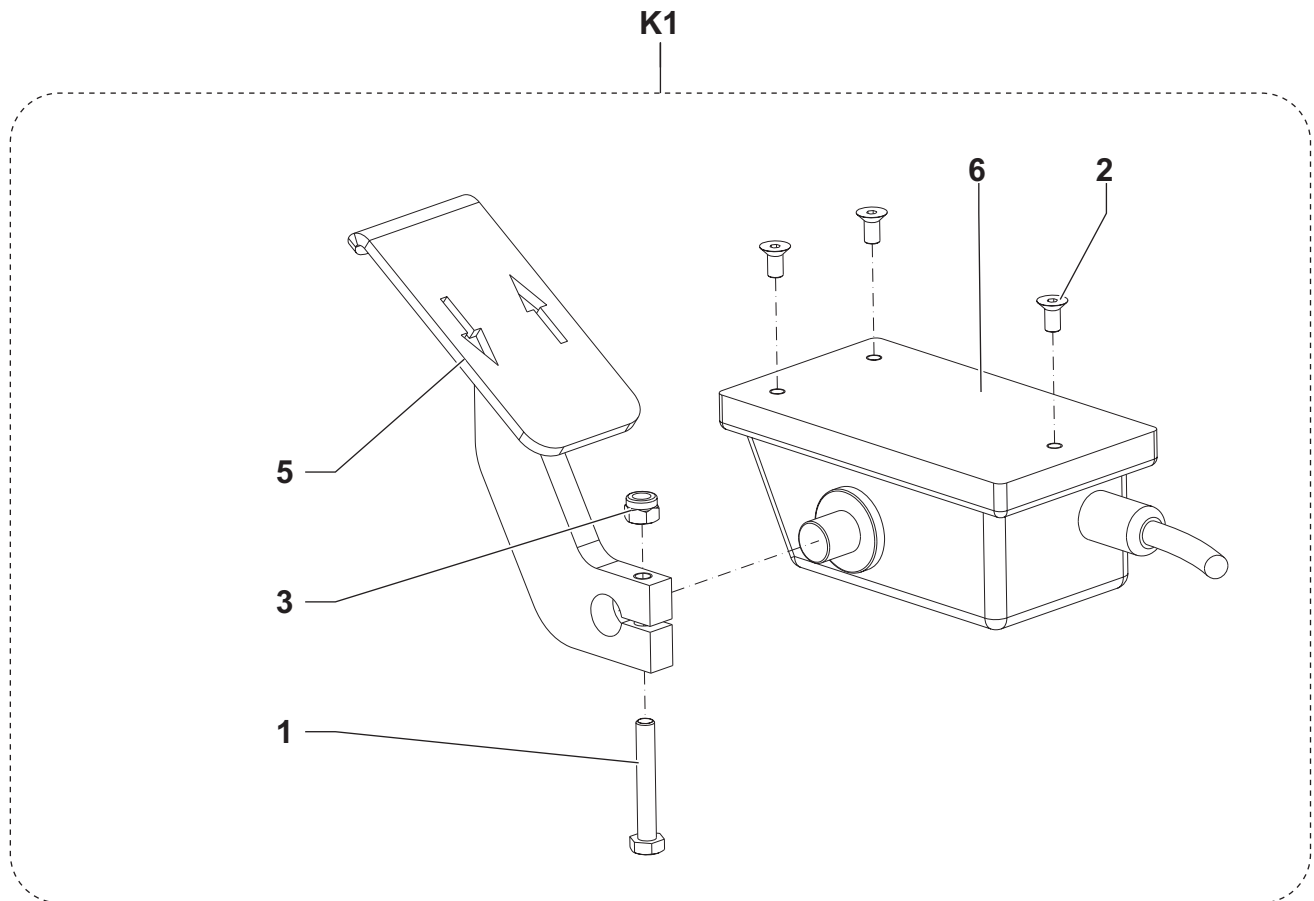
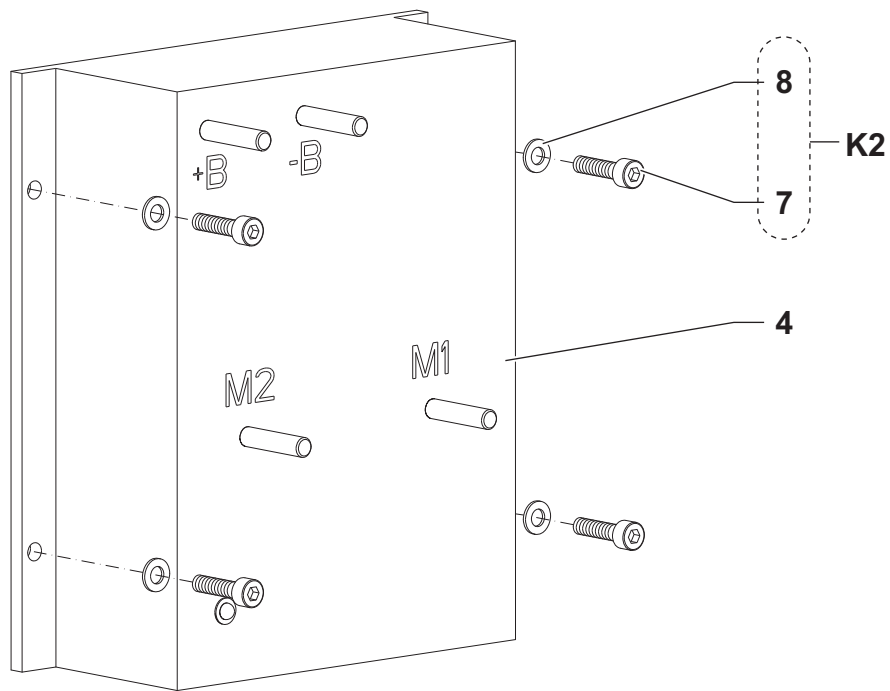




## PEDAL BRAKE

|  | ITEM | REF. NO.   | QTY          | DESCRIPTION         |                                |
|--|------|------------|--------------|---------------------|--------------------------------|
|  | K1   | 1          | 2            | SCREW M5X20 UNI5931 |                                |
|  | K2   | 2          | 2            | SCREW M6X16 UNI5931 |                                |
|  |      | 3          | 33004365     | 1                   | SCREW M8X20 UNI5931            |
|  |      | 4          | 33004563     | 2                   | SCREW, FLAT SOCKET HEAD        |
|  | K3   | 5          |              | 4                   | SCREW, FLAT SOCKET HEAD        |
|  |      | 6          | 33005533     | 1                   | NUT, HEX THIN M8               |
|  | K1   | 7          |              | 2                   | NUT, HEX NYL LOC HVY M5        |
|  | K2-3 | 8          |              | 6                   | NUT, HEX NYL LOC HVY M6        |
|  | K4   | 9          |              | 1                   | NUT, HEX NYL LOC HVY M10       |
|  | K1   | 10         |              | 2                   | WASHER, FLAT 5,3x10            |
|  | K4   | 11         |              | 2                   | WASHER, FLAT 10,5x21           |
|  |      | 12         | 33006054     | 1                   | SHAFT RING D15                 |
|  |      | 13         | 146 0903 000 | 2                   | IGUS BEARING, FLANGE           |
|  | K4   | 14         |              | 1                   | SCREW, HEX HD M10X35           |
|  |      | 15         | 1464217000   | 1                   | SUPPORT BRAKE                  |
|  |      | 16         | 1464218000   | 1                   | BRAKE LEVER                    |
|  |      | 17         | 1464219000   | 1                   | SPRING FOR LOCK BRAKE          |
|  |      | 18         | 1464220000   | 1                   | TOOTH LOCK BRAKE PEDAL         |
|  |      | 19         | 1464221000   | 1                   | LOCK BRAKE PEDAL               |
|  |      | 20         | 1464222000   | 1                   | BRAKE PEDAL                    |
|  |      | 21         | 1464223000   | 1                   | MAT PEDAL                      |
|  |      | 22         | 1464224000   | 1                   | PIN FOR BRAKE PEDAL            |
|  |      | 23         | 1465390000   | 1                   | BRAKE CABLE KIT                |
|  |      | 24         | 1464431000   | 1                   | SPRING FOR BRAKE               |
|  | K1   | 1465066000 |              | 1                   | HARDWARE SPRING LOCK BRAKE KIT |
|  | K2   | 1465067000 |              | 1                   | HARDWARE LOCK BRAKE PEDAL KIT  |
|  | K3   | 1465068000 |              | 1                   | HARDWARE SUPPORT BRAKE KIT     |
|  | K4   | 1465069000 |              | 1                   | HARDWARE LOCK TOOTH KIT        |

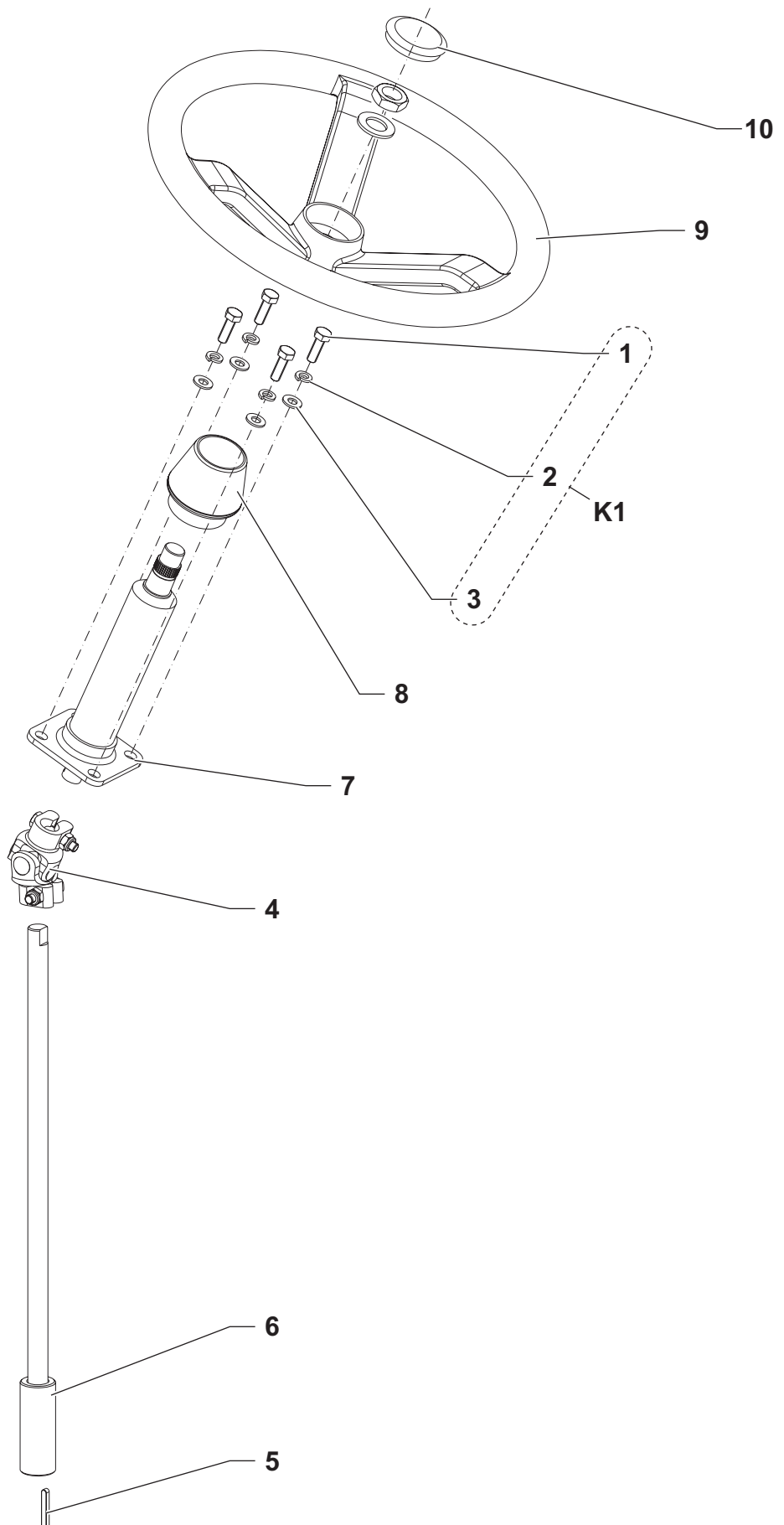
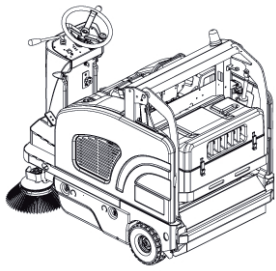
## ACCELERATOR PEDAL



**ACCELERATOR PEDAL**

|    | ITEM | REF. NO.   | QTY | DESCRIPTION                     |
|----|------|------------|-----|---------------------------------|
| K1 | 1    |            | 1   | SCREW, HEX THD TO HD M6x40      |
| K1 | 2    |            | 3   | SCREW, FLAT SOCKET HEAD         |
| K1 | 3    |            | 1   | NUT, HEX NYL LOC HVY M6         |
|    | 4    | 1464206000 | 1   | ELECTRIC CARD OF TRACTION (EB1) |
| K1 | 5    | 1464368000 | 1   | THROTTLE PEDAL                  |
| K1 | 6    | 1464425000 | 1   | ACCELERATOR PEDAL (R1)          |
| K2 | 7    |            | 4   | SCREW, SOC HD                   |
| K2 | 8    |            | 4   | WASHER, FLAT 5,3x10             |
|    | K1   | 1464922000 | 1   | ACCELERATOR ELECTRONIC KIT      |
|    | K2   | 1465070000 | 1   | HARDWARE TRACTION BOARD KIT     |

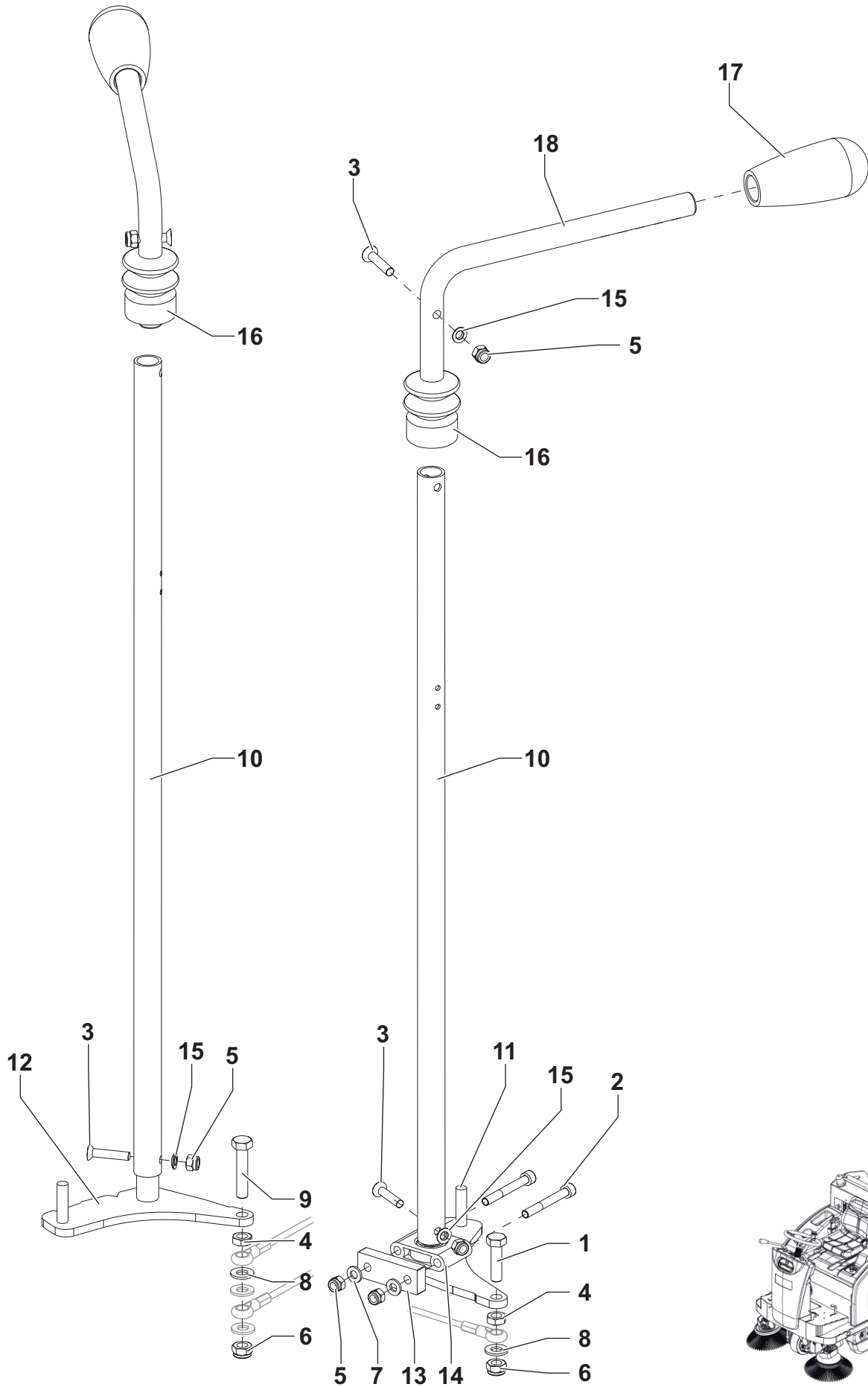
STEERING COLUMN



**STEERING COLUMN**

|    | ITEM | REF. NO.     | QTY | DESCRIPTION                  |
|----|------|--------------|-----|------------------------------|
| K1 | 1    |              | 4   | SCREW, HEX THD TO HD M8x25   |
| K1 | 2    |              | 4   | WASHER, SPLIT LOCK d.8       |
| K1 | 3    |              | 4   | WASHER, FLAT 8.4x16x1.6      |
|    | 4    | 145 9619 000 | 1   | JOINT UNIVERSAL 17           |
|    | 5    | 146 0830 000 | 1   | KEY 5X5X35                   |
|    | 6    | 1463895000   | 1   | STEERING SHAFT               |
|    | 7    | 1464136000   | 1   | STEERING COLUMN              |
|    | 8    | 1464989000   | 1   | COVER FOR STEERING           |
|    | 9    | 1464523000   | 1   | WHEEL Ø362                   |
|    | 10   | 145 8753 000 | 1   | PLUG, STEERING WHEEL         |
|    | K1   | 1465071000   | 1   | HARDWARE STEERING COLUMN KIT |

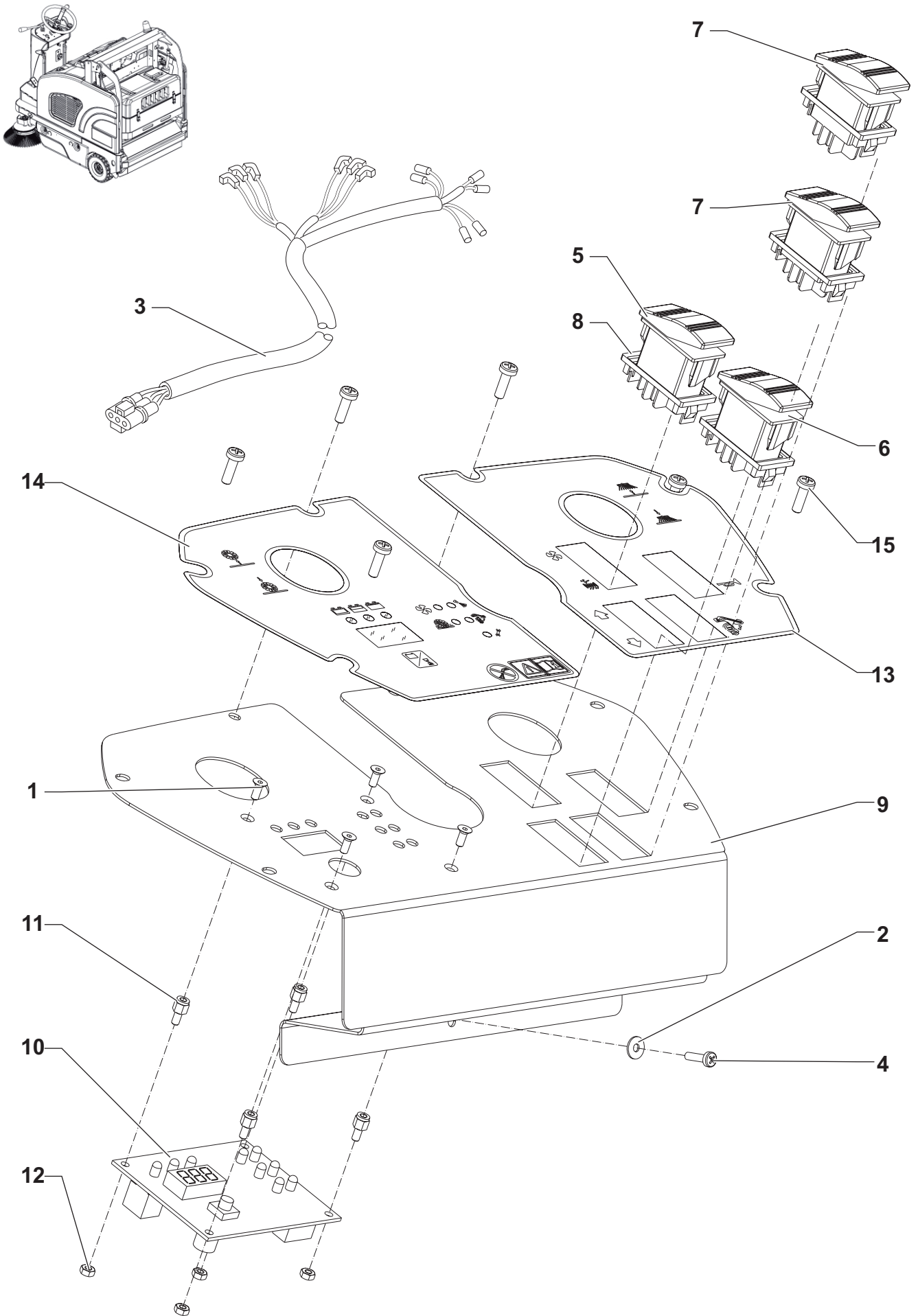
**BROOM LEVERS**



## BROOM LEVERS

|  | ITEM | REF. NO.   | QTY          | DESCRIPTION                |                                     |
|--|------|------------|--------------|----------------------------|-------------------------------------|
|  | K1   | 1          | 1            | SCREW, HEX THD TO HD M8x30 |                                     |
|  | K1   | 2          | 2            | SCREW, SOC HD              |                                     |
|  | K1   | 3          | 4            | SCREW, FLAT SOCKET HEAD    |                                     |
|  | K1   | 4          | 2            | NUT, HEX THIN M8           |                                     |
|  | K1   | 5          | 6            | NUT, HEX NYL LOC HVY M6    |                                     |
|  | K1   | 6          | 2            | NUT, HEX NYL LOC THIN M8   |                                     |
|  | K1   | 7          | 2            | WASHER, FLAT 6,4x12,5      |                                     |
|  | K1   | 8          | 2            | WASHER, FLAT 8.4x16x1.6    |                                     |
|  | K1   | 9          | 1            | SCREW, HEX THD TO HD M8x40 |                                     |
|  |      | 10         | 1464174000   | 2                          | PIPE EXTENSION LEVER                |
|  |      | 11         | 1464175000   | 1                          | LEVER MAIN BROOM                    |
|  |      | 12         | 1464176000   | 1                          | LEVER SIDE BROOM                    |
|  |      | 13         | 1465090000   | 1                          | ESTM PLATE FOR PILLOW BLOCK BEARING |
|  |      | 14         | 1465091000   | 1                          | ARTICULATED SUPPORT TO OMEGA        |
|  | K1   | 15         |              | 4                          | SPHERICAL WASHERS                   |
|  |      | 16         | 146 2456 000 | 2                          | BELLOW RUBBER                       |
|  |      | 17         | 1464151000   | 2                          | ELESA HANDLE                        |
|  |      | 18         | 1464177000   | 2                          | LEVER                               |
|  | [K1] | 1464820000 | 1            | HARDWARE BROOM LEVERS KIT  |                                     |

CONTROL PANEL

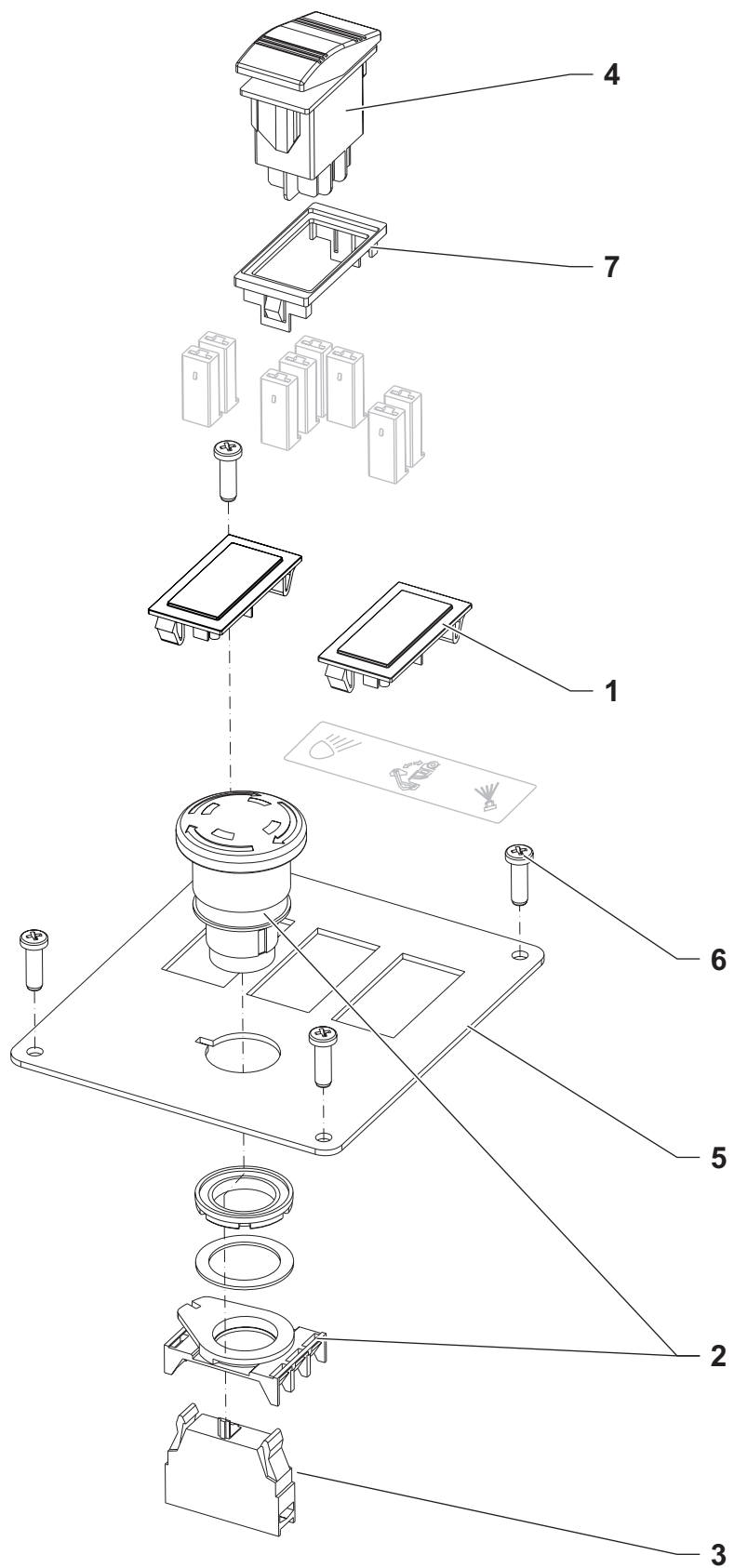
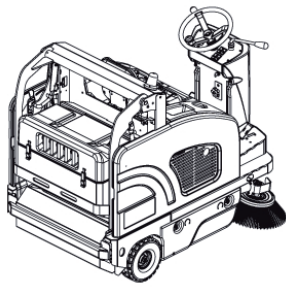




**CONTROL PANEL**

|    | ITEM | REF. NO.     | QTY | DESCRIPTION                           |
|----|------|--------------|-----|---------------------------------------|
| K1 | 1    |              | 4   | SCREW, FLAT SOCKET HEAD               |
| K1 | 2    |              | 1   | WASHER, FLAT XL 4,3x16                |
|    | 3    | 1465290000   | 1   | PLANK HARNESS                         |
| K1 | 4    |              | 1   | SCREW, PAN PHIL M4x16                 |
|    | 5    | 146 2088 000 | 1   | SWITCH (SW3)                          |
|    | 6    | 1465178000   | 1   | SWITCH 2 POSITIONS MOMENTARY (SW2)    |
|    | 7    | 146 2087 000 | 2   | PUSH BUTTON (SW4) (SW6)               |
|    | 8    | 146 2089 000 | 4   | ADAPTER FOR PUSH BUTTONS              |
|    | 9    | 1464179000   | 1   | DASHBOARD                             |
|    | 10   | 1464258000   | 1   | ELECTRIC CARD FOR CONTROL PANEL (EB2) |
| K1 | 11   |              | 4   | EXAGONAL SPACER RICHCO HTSN-N4        |
| K1 | 12   |              | 4   | NUT RICHCO NNE-34814-M4               |
|    | 13   | 1464611000   | 1   | RIGHT DECAL CONTROL PANEL SW4000      |
|    | 14   | 1464612000   | 1   | LEFT DECAL CONTROL PANEL SW4000B      |
| K1 | 15   |              | 6   | SCREW, PAN PHIL M5x16                 |
|    | [K1] | 1465072000   | 1   | HARDWARE FOR DISPLAY BOARD KIT        |

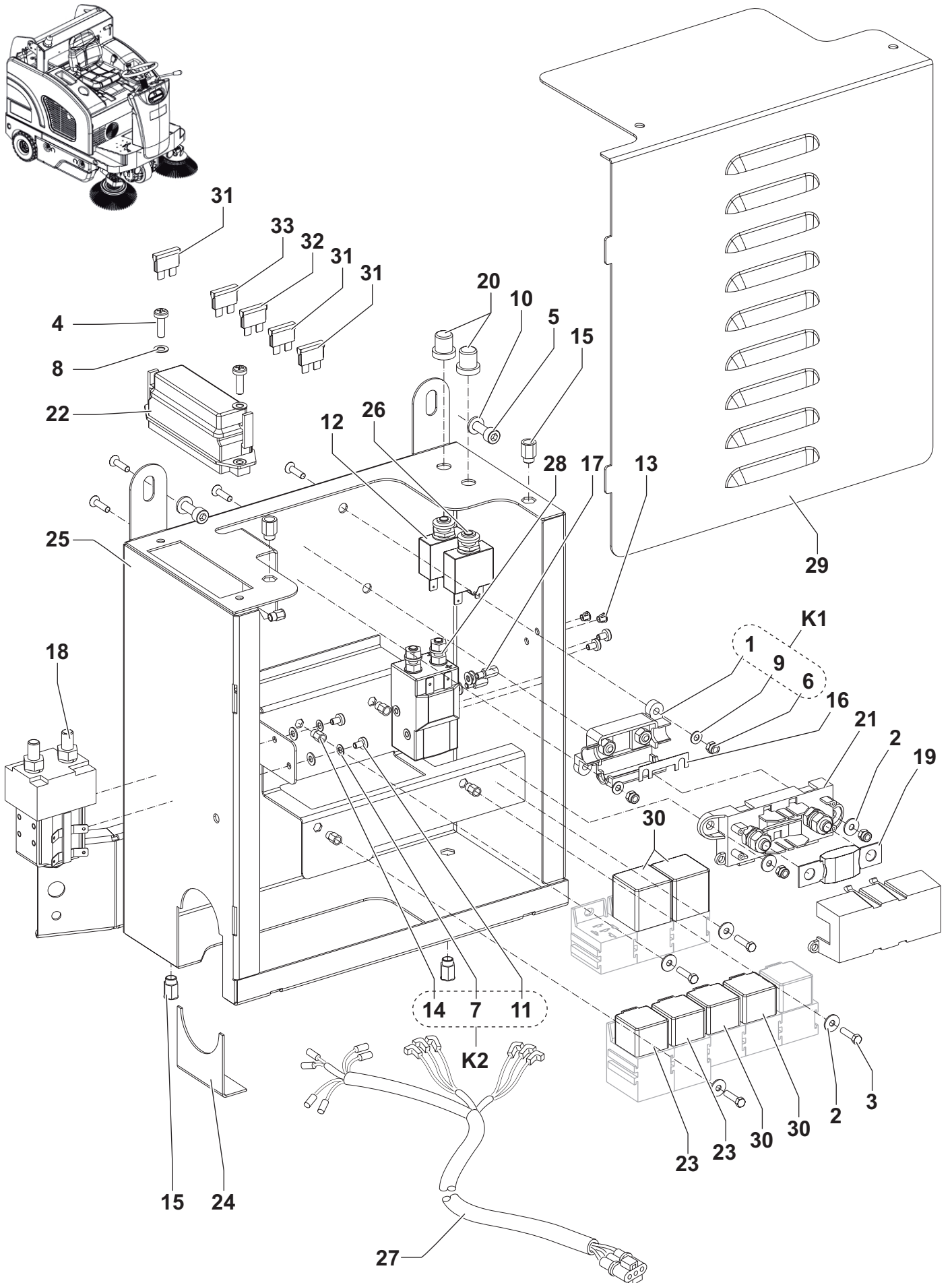
# CONTROL PANEL COVER



**CONTROL PANEL COVER**

|    | ITEM | REF. NO.     | QTY | DESCRIPTION                  |
|----|------|--------------|-----|------------------------------|
|    | 1    | 146 1284 000 | 2   | PLUG, SWITCH HOLE            |
|    | 2    | 146 1727 000 | 1   | SWITCH, EMERGENCY STOP (SW0) |
|    | 3    | 146 1728 000 | 1   | CONTACT, N.C.                |
|    | 4    | 146 2088 000 | 1   | SWITCH (SW5)                 |
|    | 5    | 1464411000   | 1   | PLATE                        |
| K1 | 6    |              | 4   | THREAD ROLLING SCR 5x16      |
|    | 7    | 146 2089 000 | 1   | ADAPTER FOR PUSH BUTTONS     |

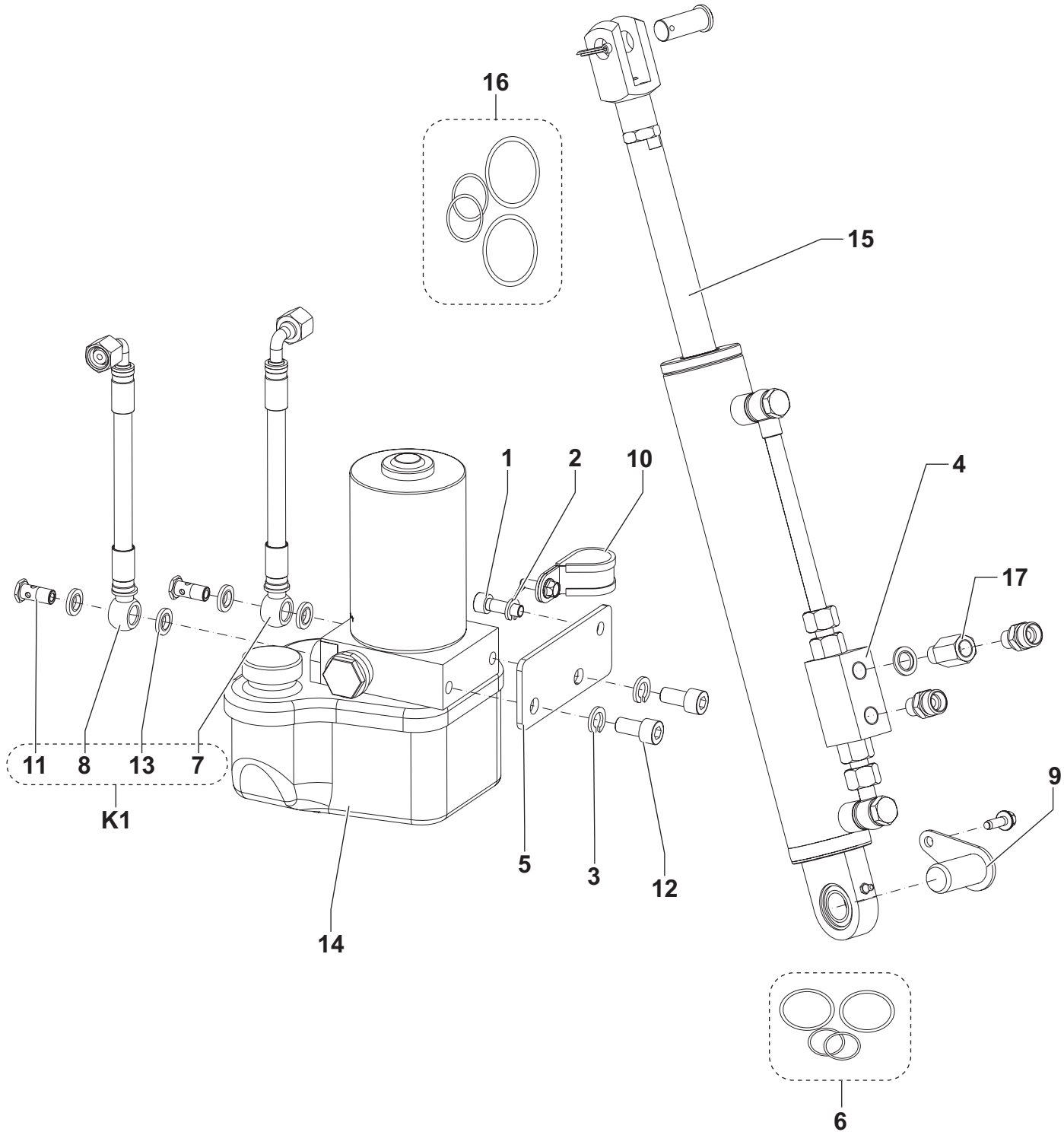
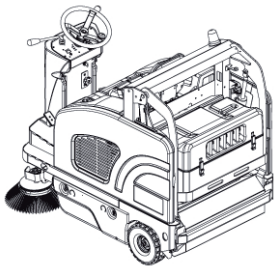
ELECTRIC SYSTEM



## ELECTRIC SYSTEM

|  | ITEM | REF. NO.   | QTY          | DESCRIPTION                      |                                    |
|--|------|------------|--------------|----------------------------------|------------------------------------|
|  | K1   | 1          | 1            | FUSE HOLDER                      |                                    |
|  | K3   | 2          | 6            | WASHER, FLAT XL SS               |                                    |
|  | K3   | 3          | 4            | SCREW, HEX THD TO HD M4X16       |                                    |
|  | K3   | 4          | 2            | SCREW, SOC HD                    |                                    |
|  | K3   | 5          | 2            | SCREW, SOC HD                    |                                    |
|  | K1   | 6          | 4            | NUT, HEX NYL LOC HVY M4          |                                    |
|  | K2   | 7          | 4            | WASHER, EXT. SHPRF Ø 4           |                                    |
|  | K3   | 8          | 2            | WASHER, EXT. SHPRF Ø 5.3         |                                    |
|  | K1   | 9          | 8            | WASHER, FLAT 4,3X9               |                                    |
|  | K3   | 10         | 2            | WASHER, FLAT 6,4X12,5            |                                    |
|  | K2   | 11         | 4            | SCREW, PAN PHIL M4X6             |                                    |
|  | K3   | 12         | 1464336000   | 1                                | CIRCUIT BREAKER, 15 A (FR1)        |
|  | K3   | 13         | 2            | PLUG, BLACK PLASTIC              |                                    |
|  | K2   | 14         | 6            | HEX INSERT                       |                                    |
|  | K3   | 15         | 4            | HEX INSERT                       |                                    |
|  | K3   | 16         | 145 9854 000 | 1                                | FUSE 50 A (FA)                     |
|  | K3   | 17         | 2            | HEX MALE/FEMALE                  |                                    |
|  | K3   | 18         | 1464982000   | 1                                | CONTACTOR, 24V 120 A (ES0)         |
|  | K3   | 19         | 146 0840 000 | 1                                | FUSE, 150 A (F0)                   |
|  | K3   | 20         | 146 0841 000 | 2                                | COVER, CIRCUIT BREAKER             |
|  | K3   | 21         | 146 1169 000 | 1                                | FUSE HOLDER                        |
|  | K3   | 22         | 146 1170 000 | 1                                | FUSE HOLDER, 8-PLACE               |
|  | K3   | 23         | 909 6622 000 | 2                                | RELAY 24V 40 A (K1-K2)             |
|  | K3   | 24         | 1463923000   | 1                                | PLATE                              |
|  | K3   | 25         | 1464248000   | 1                                | ELECTRIC BOX                       |
|  |      | 26         | 1464336000   | 1                                | CIRCUIT BREAKER, 15 A (FR2)        |
|  | K3   | 27         | 1            | EL. BOX HARNESS                  |                                    |
|  | K3   | 28         | 9097208000   | 1                                | CONTACTOR 24V 70 A (ES1)           |
|  |      | 29         | 1464249000   | 1                                | COVER, ELECTRIC BOX                |
|  | K3   | 30         | 1464289000   | 4                                | RELAIS 24V 20/30 A (K3A-K3B-K4-K5) |
|  | K3   | 31         | 145 8514 000 | 3                                | FUSE, BLADE 25 A (F1-F2-F6)        |
|  | K3   | 32         | 145 8368 000 | 1                                | FUSE, BLADE 3 A (F3)               |
|  | K3   | 33         | 146 0068 00  | 1                                | FUSE, BLADE 10 A (F4)              |
|  | K3   | K1         | 1465073000   | 1                                | FUSE HOLDER KIT                    |
|  | K3   | K2         | 1465074000   | 1                                | HARDWARE CONTACTOR KIT             |
|  | [K3] | 1464246000 | 1            | BOX ELECTRIC CPL BATTERY VERSION |                                    |

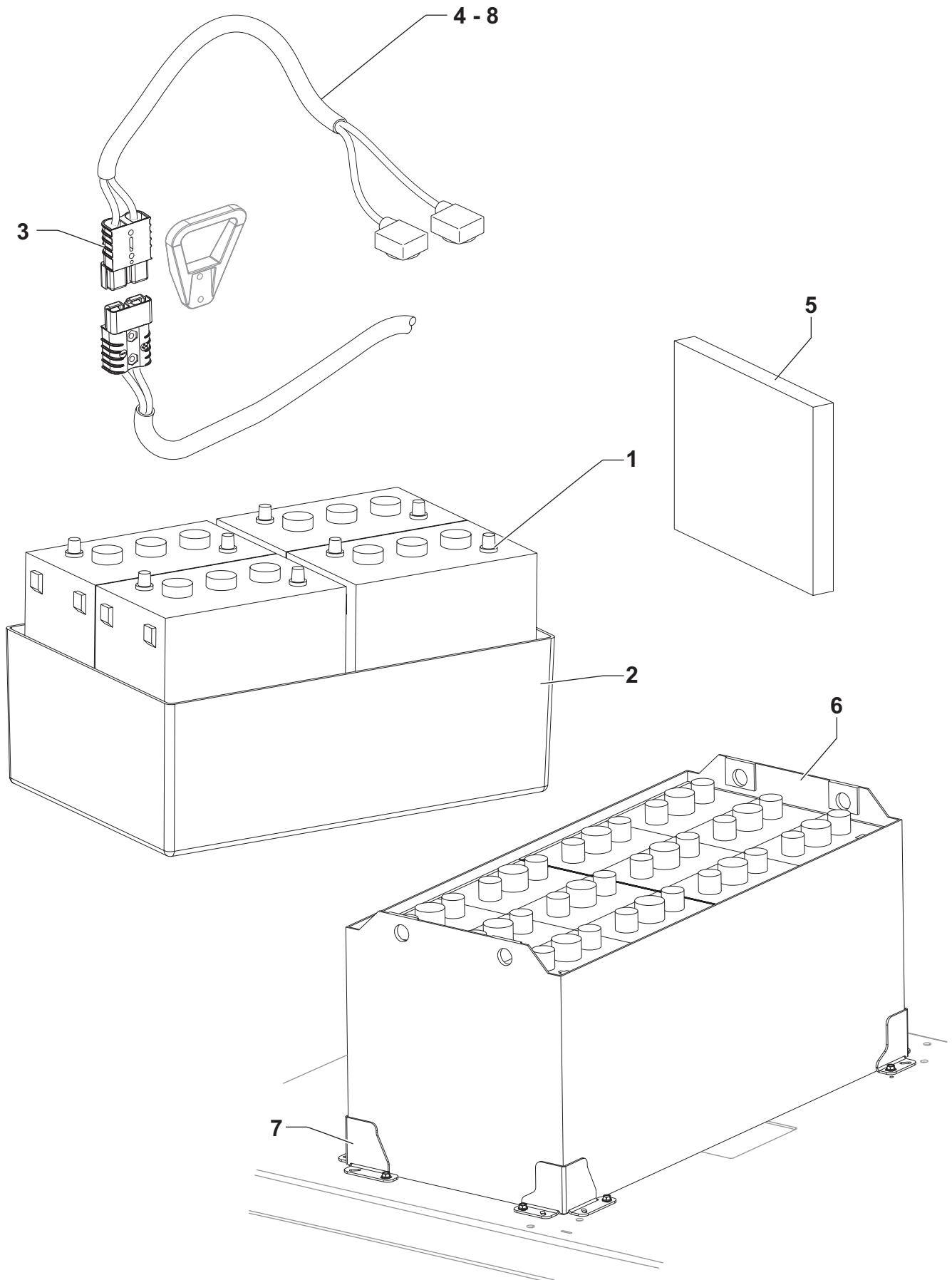
HYDRAULIC SYSTEM



## HYDRAULIC SYSTEM

|    | ITEM | REF. NO.     | QTY | DESCRIPTION                       |
|----|------|--------------|-----|-----------------------------------|
|    | 1    | 33004366     | 1   | SCREW, SOC HD                     |
|    | 2    | 33005842     | 1   | WASHER, SPLIT LOCK D.8            |
|    | 3    | 33005843     |     | WASHER, SPLIT LOCK D.10 2         |
|    | 4    | 1464981000   | 1   | VALVE BLOCK                       |
|    | 5    | 1464233000   | 1   | BRACKET FOR IDRAULIC UNIT         |
|    | 6    | 1465095000   | 1   | GASKETS FOR PISTON KIT            |
| K1 | 7    |              | 1   | HYDRAULIC HOSE                    |
| K1 | 8    |              | 1   | HYDRAULIC HOSE                    |
|    | 9    | 1464247000   | 1   | PIN LOWER CILYNDER                |
|    | 10   | 33020367     | 1   | CLAMP, HOSE Ø25                   |
| K1 | 11   |              | 2   | BOLT G 1/8", BANJO                |
|    | 12   | 145 5742 000 | 2   | SCREW, SOC HD                     |
| K1 | 13   |              | 4   | RONDELLA BONDED                   |
|    | 14   | 1465177000   | 1   | GEARCASE HYDRAULIC 24V (M3)       |
|    | 15   | 1464920000   | 1   | CYLINDER KIT                      |
|    | 16   | 1465096000   | 1   | GASKETS FOR CYLINDER KIT          |
|    | 17   | 1465097000   | 1   | CYLINDER FIXING KIT               |
| K1 | K1   | 1464919000   | 1   | HOSES HYDRAULIC WITH HARDWARE KIT |

BATTERIES

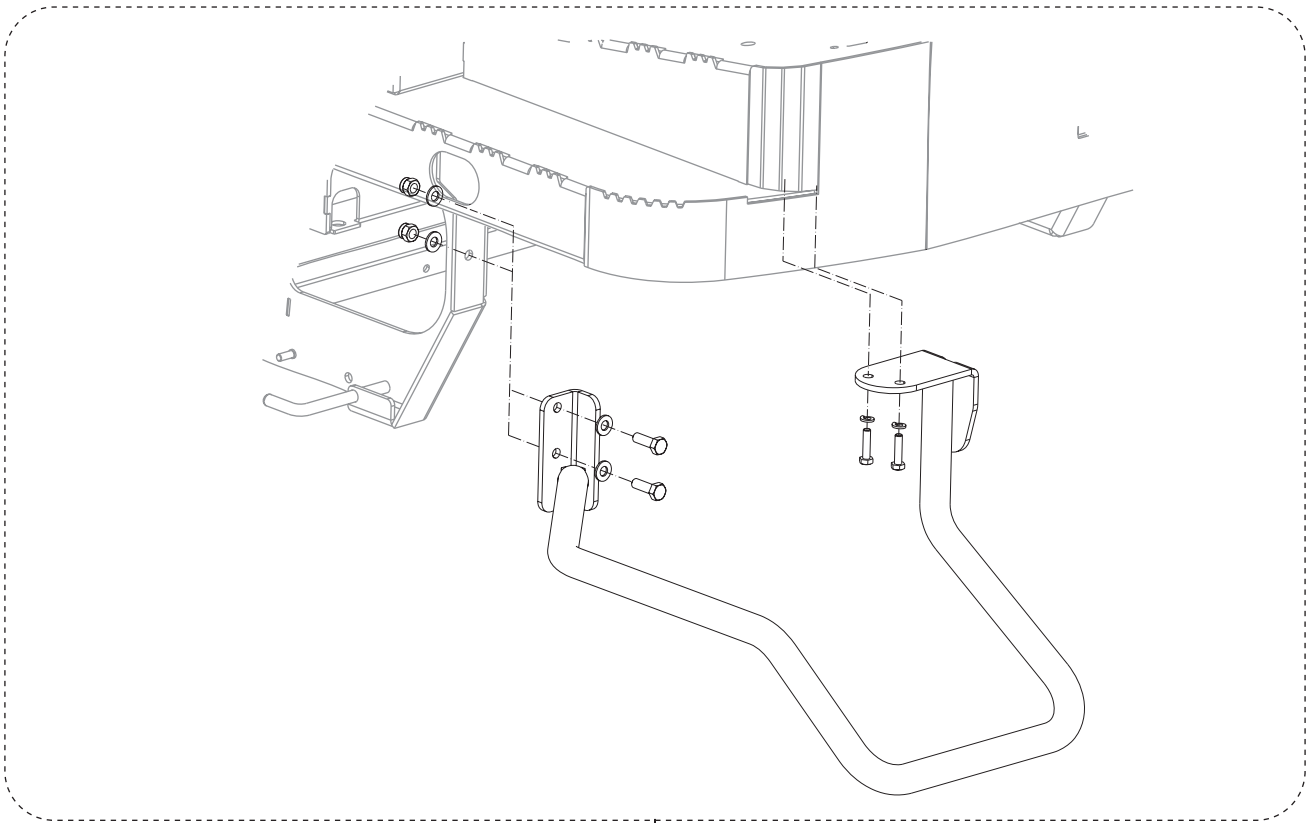




**BATTERIES**

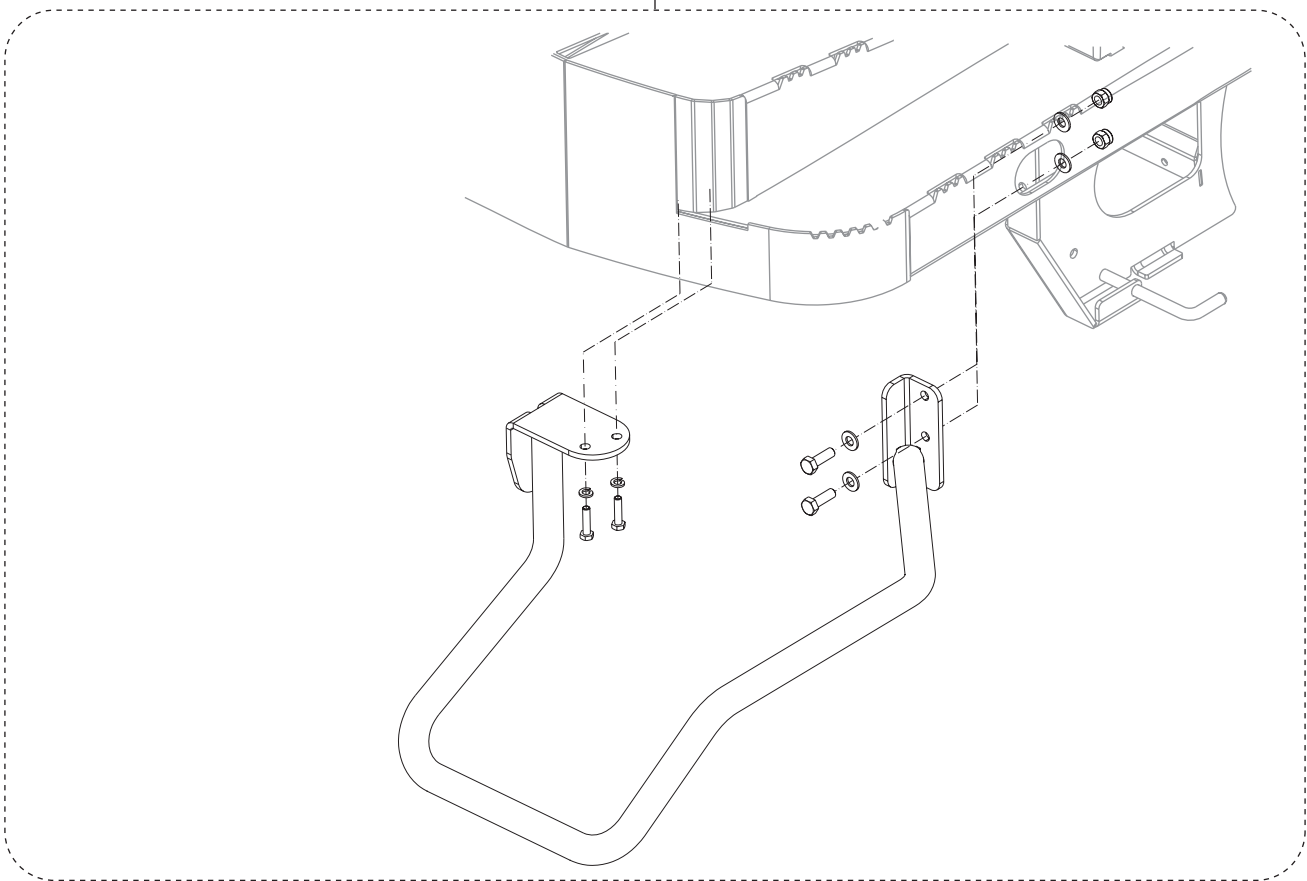
|  | ITEM | REF. NO.     | QTY | DESCRIPTION                                |
|--|------|--------------|-----|--|
|  | 1*   | 80565000     | 4   | BATTERY 6V-255AH WET SEMI T MONOBLOC (BAT) |
|  | 1*   | 80564000     | 4   | BATTERY 6V-180AH GEL MONOBLOC (BAT)        |
|  | 1*   | 80564100     | 4   | BATTERY 6V-240AH GEL MONOBLOC (BAT)        |
|  | 2    | 145 4692 000 | 1   | CONTAINER, BATTERY                         |
|  | 3    | 145 6063 000 | 2   | CONNECTOR 175A RED (C1)                    |
|  | 4    | 1464408000   | 1   | BATTERY HARNESS                            |
|  | 5    | 146 0668 000 | 4   | SPACER BATTERIES                           |
|  | 6*   | 80565200     | 1   | TRACTION 24V 360 AH WET (BAT)              |
|  | 6*   | 80565300     | 1   | TRACTION 24V 360 AH GEL (BAT)              |
|  | 7*   | 1465171000   | 1   | BRACKETS BATTERY STOP KIT                  |
|  | 8    | 1465179000   | 1   | BATTERY HARNESS                            |

### GUARD LEFT/RIGHT SIDE BROOM



K1

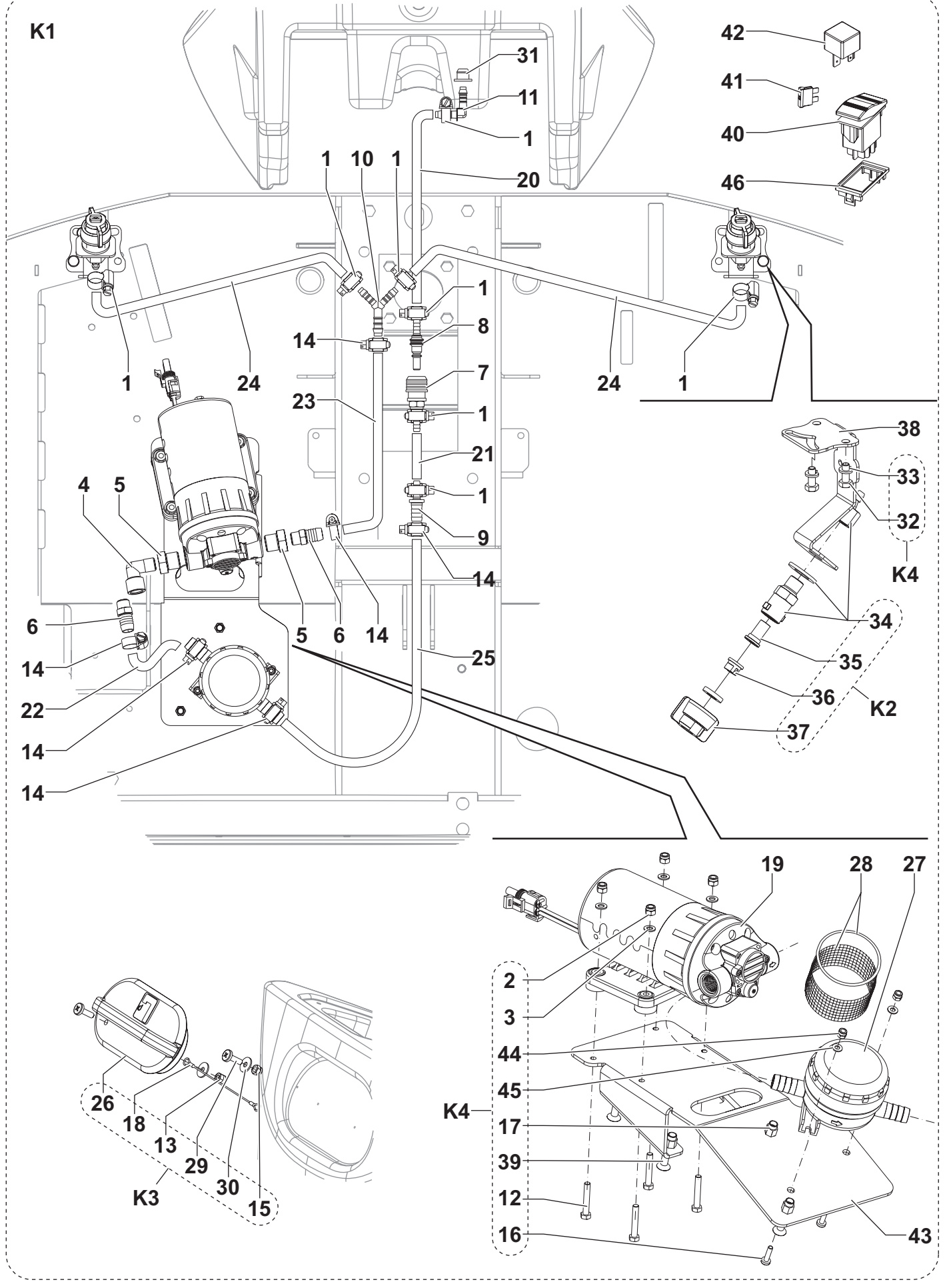
K2



**GUARD LEFT/RIGHT SIDE BROOM**

|  | ITEM | REF. NO.   | QTY | DESCRIPTION                |
|--|------|------------|-----|----------------------------|
|  | K1   | 1464958000 | 1   | GUARD RIGHT SIDE BROOM KIT |
|  | K2   | 1464959000 | 1   | GUARD LEFT SIDE BROOM KIT  |

ACCESSORIES

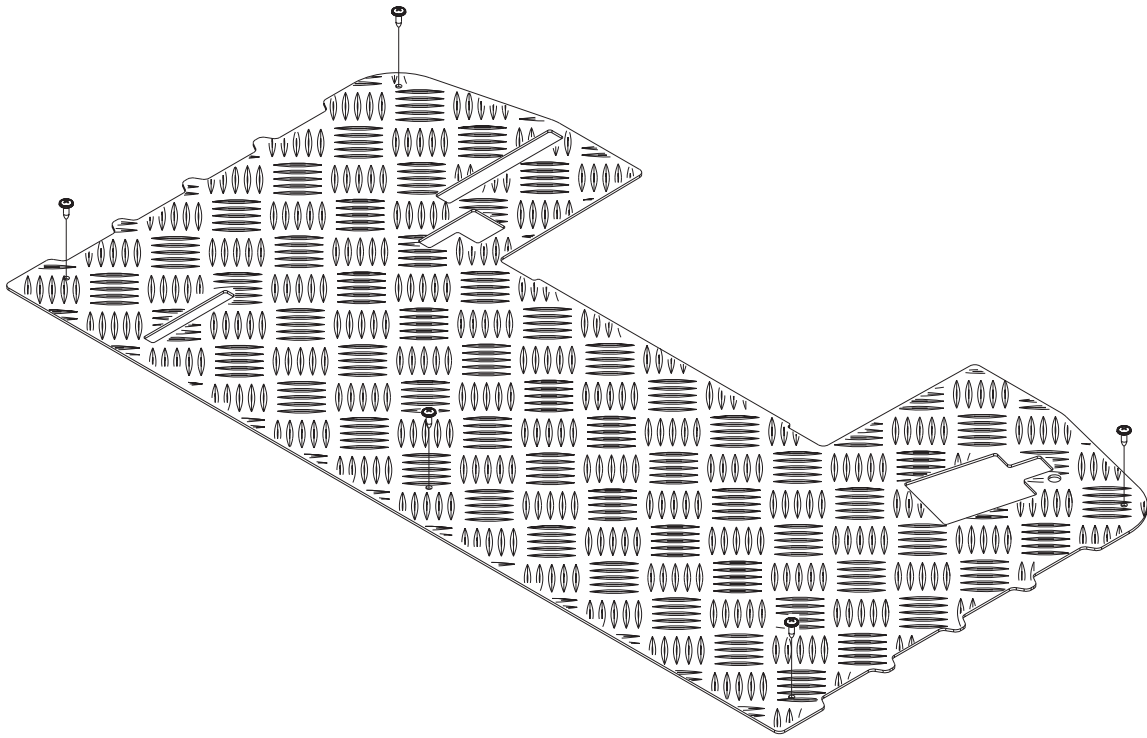


## ACCESSORIES

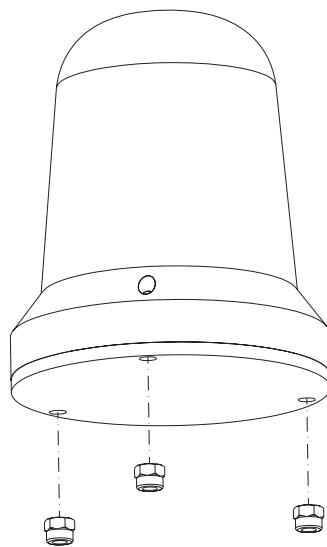
|    | ITEM       | REF. NO.          | QTY      | DESCRIPTION                      |
|----|------------|-------------------|----------|----------------------------------|
| K5 | 1          |                   | 8        | CLAMP, HOSE 9/8-12               |
| K4 | 2          |                   | 4        | NUT, HEX NYL LOC HVY M5          |
| K4 | 3          |                   | 4        | WASHER, FLAT 5,3X10              |
| K6 | 4          |                   | 1        | FITTING, ELBOW M/F 1/4" H2O      |
| K6 | 5          |                   | 2        | FITTING, REDUCER M-F 3/8" - 1/4" |
| K6 | 6          |                   | 2        | BARB. HOSE 1/4" d.10.5           |
| K1 | 7          | 33018190          | 1        | CONNECTOR FEMALE                 |
| K1 | 8          | 33018191          | 1        | CONNECTOR MALE                   |
| K6 | 9          |                   | 1        | STRAIGHT NIPPLE AS RUBBER HOLDER |
| K6 | 10         |                   | 1        | FITTING Y 6-8-6 PLASTIC          |
| K6 | 11         |                   | 1        | HOLDER PLASTIC WN6 90°           |
| K4 | 12         |                   | 4        | SCREW, HEX THD TO HD M5X30       |
| K3 | 13         |                   | 1        | NUT, HEX METRIC                  |
| K5 | 14         |                   | 6        | CLAMP, HOSE 8/9-16               |
| K3 | 15         |                   | 1        | NUT, HEX NYL LOC HVY M6          |
| K4 | 16         |                   | 2        | SCREW, PAN PHIL M4X16 SS         |
| K4 | 17         |                   | 6        | HEX INSERT                       |
| K3 | 18         |                   | 1        | ROPE FOR CAP REFILLING POINT     |
| K1 | 19         | 1465116000        | 1        | WATER PUMP (M8)                  |
| K5 | 20         |                   | 1        | MISTING HOSE L=130MM             |
| K5 | 21         |                   | 1        | MISTING HOSE L=80MM              |
| K5 | 22         |                   | 1        | HOSE L=80MM ØI=10MM ØE=15MM      |
| K5 | 23         |                   | 1        | MISTING HOSE L=300MM             |
| K5 | 24         |                   | 2        | MISTING HOSE L=640MM             |
| K5 | 25         |                   | 1        | MISTING HOSE L=650MM             |
| K3 | 26         |                   | 1        | CAP SOLUTION TANK                |
| K1 | 27         | 9097404000        | 1        | FILTER SOLUTION                  |
| K1 | 28         | 909 5215 000      | 1        | NET GASKET WATER FILTER          |
| K3 | 29         |                   | 2        | SCREW, PAN PHIL M6x20            |
| K3 | 30         |                   | 2        | WASHER, FLAT XL SS               |
| K6 | 31         |                   | 1        | GROMMET, RUBBER WS6              |
| K4 | 32         |                   | 4        | SCREW, HEX THD TO HD M6x16       |
| K4 | 33         |                   | 4        | WASHER, SPLIT LOCK d.6           |
| K2 | 34         | 33020865          | 2        | ADAPTER SPRAY KIT                |
| K2 | 35         | 33022026          | 2        | SPRAY FILTER                     |
| K2 | 36         | 33020816          | 2        | NOZZLE SPRAY 0.33                |
| K2 | 36         | 33022072          | 2        | NOZZLE SPRAY 0.53                |
| K2 | 37         | 33020817          | 2        | RING NUT QUICK COUPLING          |
| K1 | 38         | 1464473000        | 2        | SUPPORT NOZZLE                   |
| K4 | 39         |                   | 6        | SCREW, FLAT SOCKET HEAD          |
| K1 | 40         | 1465180000        | 1        | SWITCH 2 POSITIONS (SW8)         |
| K1 | 41         | 145 9852 000      | 1        | FUSE, BLADE 5 A (F5)             |
| K1 | 42         | 1464289000        | 1        | RELE' 24V 20/30 A (K6)           |
| K1 | 43         | 1465172000        | 1        | PLATE FOR WATER PUMP             |
| K4 | 44         |                   | 2        | NUT, HEX NYL LOC HVY M4          |
| K4 | 45         |                   | 2        | WASHER, FLAT 4,3X9               |
| K1 | 46         | 146 2089 000      | 1        | ADAPTER FOR PUSH BUTTONS         |
|    | <b>K1*</b> | <b>1465418000</b> | <b>1</b> | <b>DUSTGUARD KIT</b>             |
|    |            | 1465419000        | 1        | INSTALLATION INSTRUCTION         |
| K1 | K2         | 33019324          | 2        | NOZZLE SPRAY KIT                 |
| K1 | K3         | 1465355000        | 1        | CAP SOLUTION TANK KIT            |
| K1 | K4         | 1465356000        | 1        | HARDWARE DUSTGUARD KIT           |
| K1 | [K5]       | 1465357000        | 1        | HOSES DUSTGUARD KIT              |
| K1 | [K6]       | 1465358000        | 1        | FITTINGS AND REDUCTIONS KIT      |

ACCESSORIES

K1



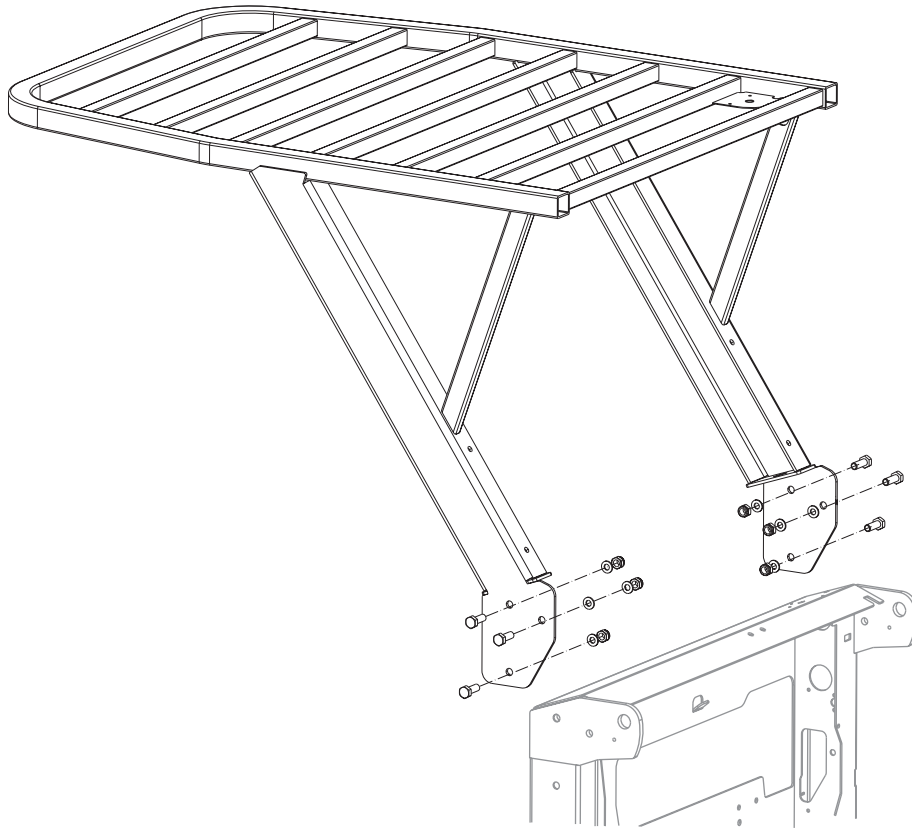
K2



**ACCESSORIES**

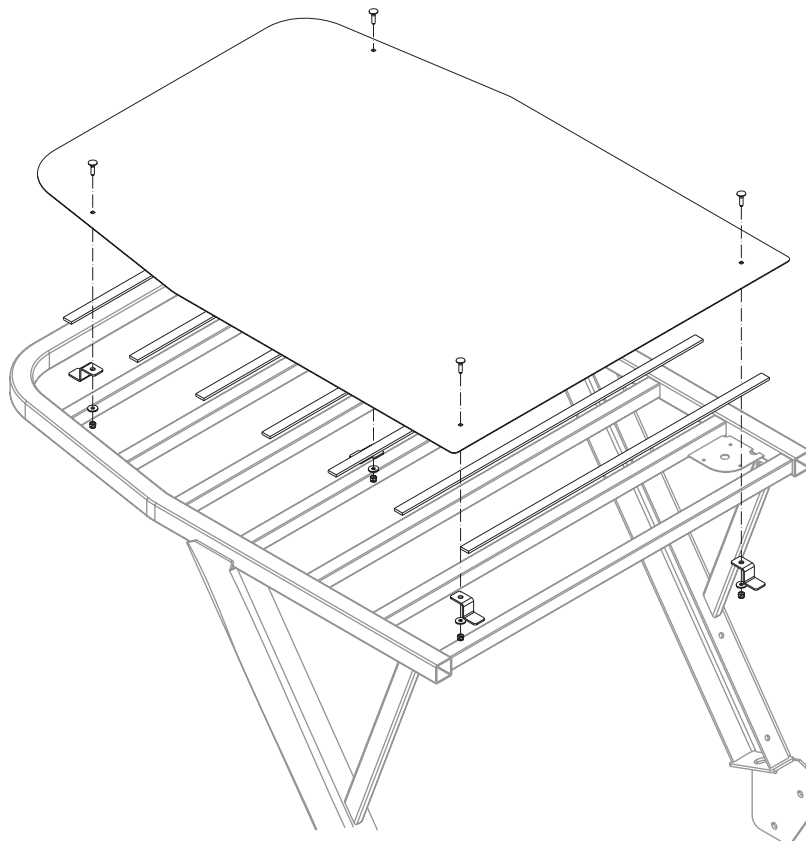
|  | ITEM       | REF. NO.          | QTY      | DESCRIPTION              |
|--|------------|-------------------|----------|--------------------------|
|  | <b>K1*</b> | <b>1464957000</b> | <b>1</b> | <b>MAT FLOOR KIT</b>     |
|  | <b>K2*</b> | <b>1464948000</b> | <b>1</b> | <b>BEACON KIT (BE)</b>   |
|  |            | 1465248000        | 1        | INSTALLATION INSTRUCTION |

ACCESSORIES



K1

K2



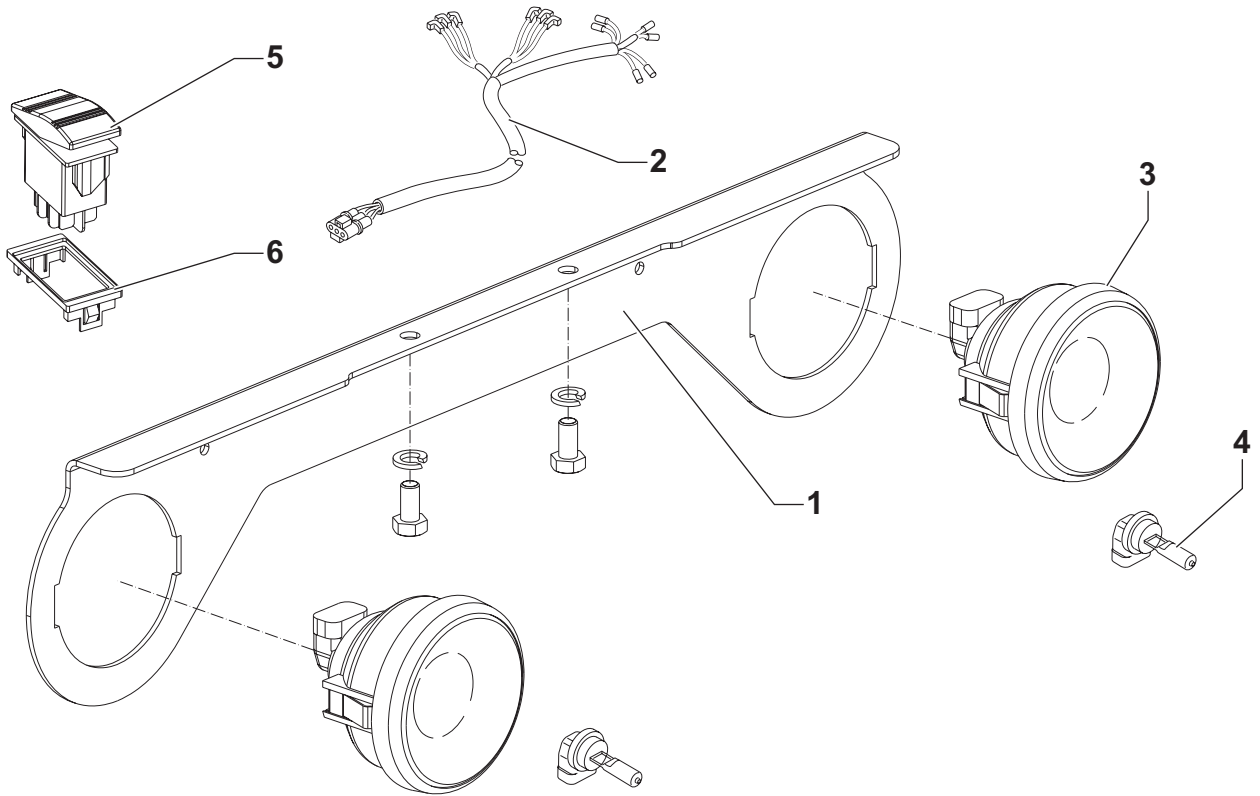


**ACCESSORIES**

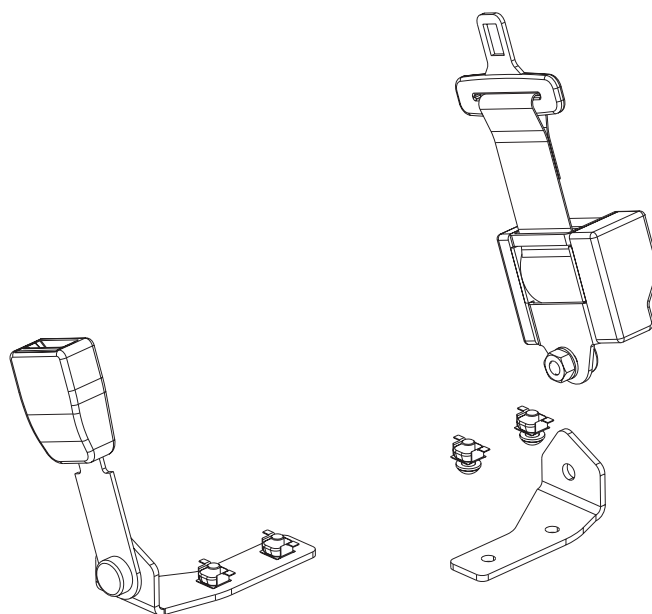
|  | ITEM       | REF. NO.          | QTY      | DESCRIPTION               |
|--|------------|-------------------|----------|---------------------------|
|  | <b>K1*</b> | <b>1464952000</b> | <b>1</b> | <b>OVERHEAD GUARD KIT</b> |
|  |            | 1465246000        | 1        | INSTALLATION INSTRUCTION  |
|  | <b>K2*</b> | <b>1464956000</b> | <b>1</b> | <b>CANOPY KIT</b>         |
|  |            | 1465247000        | 1        | INSTALLATION INSTRUCTION  |

ACCESSORIES

K1



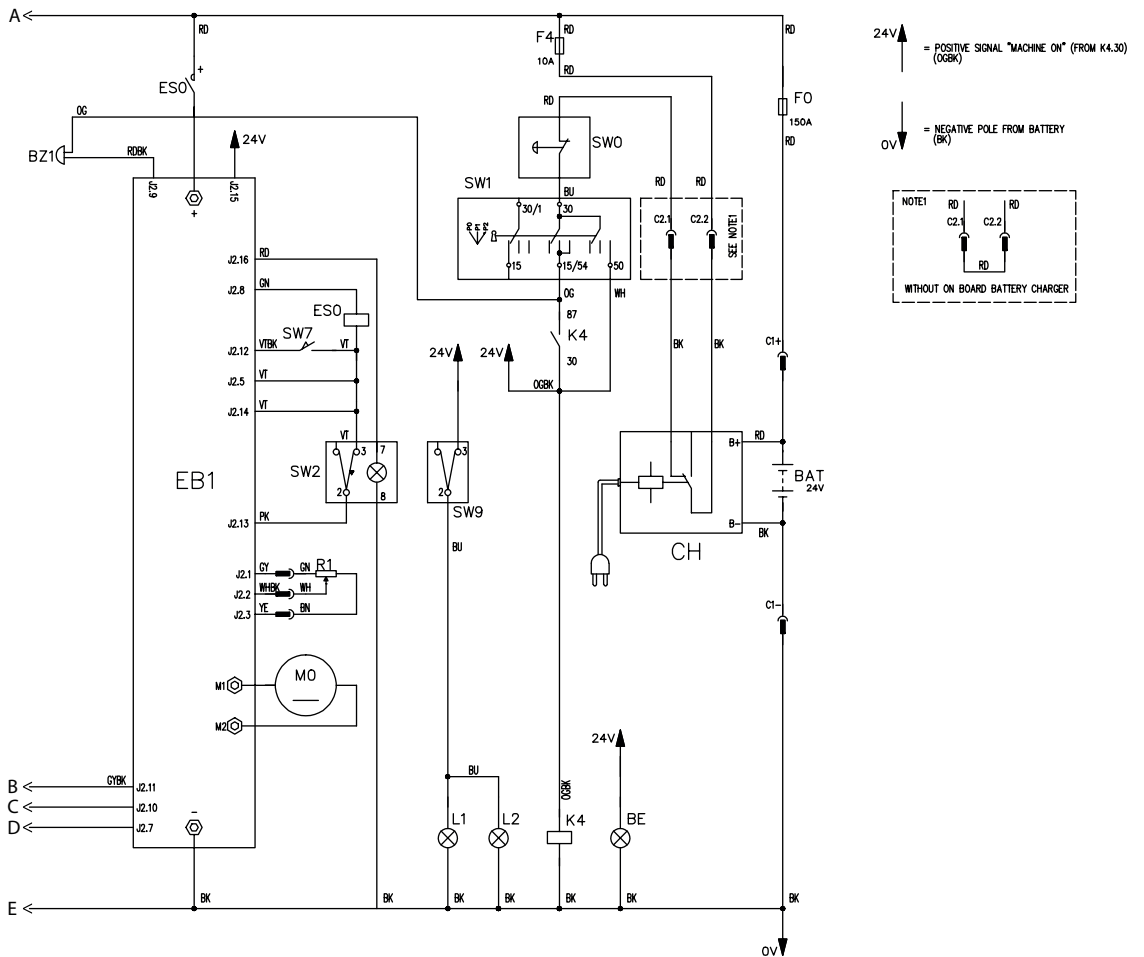
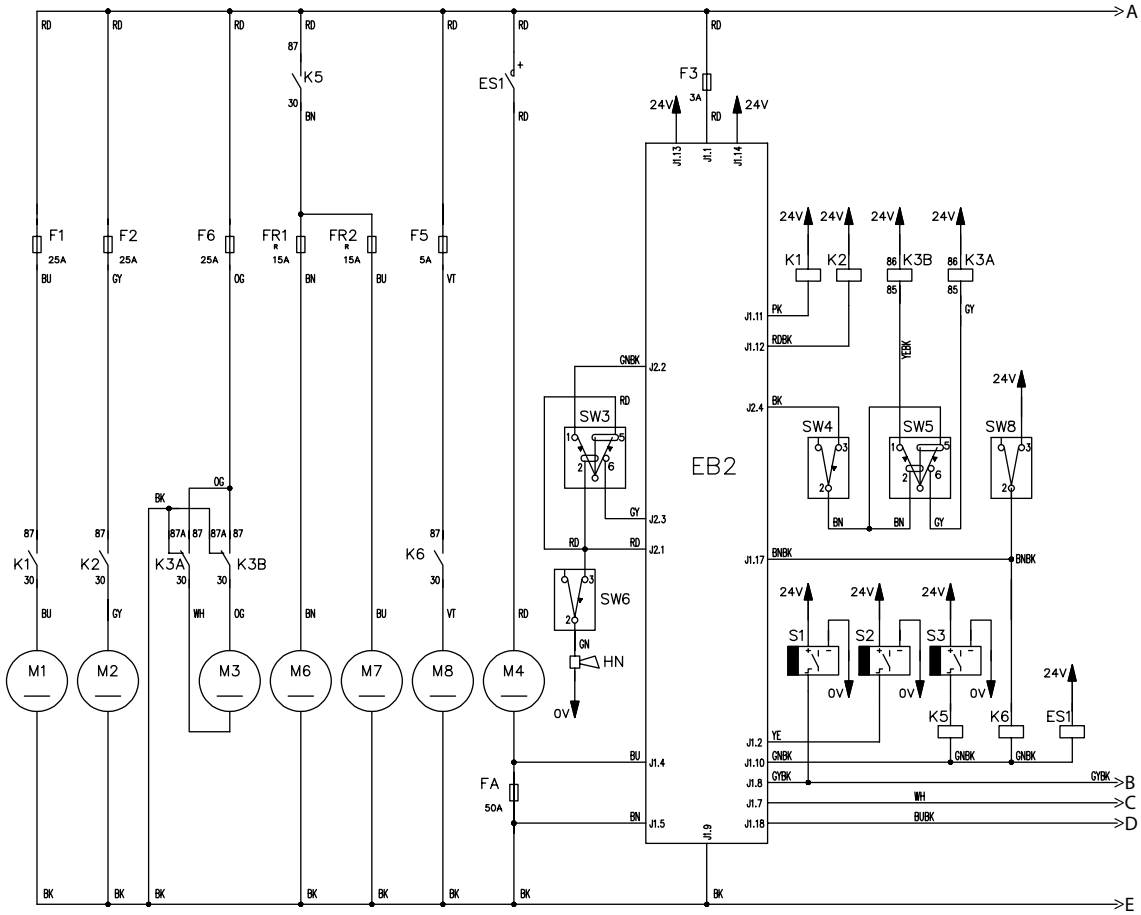
K2



## ACCESSORIES

|    | ITEM         | REF. NO.          | QTY      | DESCRIPTION               |
|----|--------------|-------------------|----------|---------------------------|
| K1 | 1            | 1464465000        | 1        | T FRONT LIGHT             |
| K1 | 2            | 1464944000        | 1        | HARNESS WORKING LIGHTS    |
| K1 | 3            | 33019229          | 2        | LIGHT 24V 70W (L1, L2)    |
| K1 | 4            | 33019734          | 2        | LAMP 48V 70W              |
| K1 | 5            | 1465180000        | 1        | SWITCH 2 POSITIONS (SW9)  |
| K1 | 6            | 146 2089 000      | 1        | ADAPTER FOR PUSH BUTTONS  |
|    | <b>K1*</b>   | <b>1465421000</b> | <b>1</b> | <b>LIGHTS FRONT KIT</b>   |
|    |              | 1465422000        | 1        | INSTALLATION INSTRUCTION  |
|    | <b>K2*</b>   | <b>1464954000</b> | <b>1</b> | <b>BELT KIT</b>           |
|    |              | 1465248000        | 1        | INSTALLATION INSTRUCTION  |
|    | <b>[K3*]</b> | <b>33019556</b>   | <b>1</b> | <b>ARM REST RIGHT KIT</b> |
|    |              | 33019211          | 1        | INSTALLATION INSTRUCTION  |
|    | <b>[K4*]</b> | <b>1464960000</b> | <b>1</b> | <b>ARM REST LEFT KIT</b>  |
|    |              | 1465249000        | 1        | INSTALLATION INSTRUCTION  |

WIRING DIAGRAM



## WIRING DIAGRAM

| KEY    | REF. NO.     | DESCRIPTION                                   |
|--------|--------------|---|
| BAT    | -            | 24V BATTERIES                                 |
| BZ1    | 909 6126 000 | REVERSE GEAR BUZZER                           |
| BE     | 1464948000   | FLASHING LIGHT                                |
| C1     | 145 6063 000 | BATTERY CONNECTOR                             |
| CH     | -            | BATTERY CHARGER                               |
| EB1    | 1464206000   | DRIVE SYSTEM ELECTRONIC BOARD                 |
| EB2    | 1464258000   | DASHBOARD ELECTRONIC BOARD                    |
| ES0    | 1464982000   | LINE ELECTROMAGNETIC SWITCH                   |
| ES1    | 9097208000   | MAIN BROOM ELECTROMAGNETIC SWITCH             |
| FA     | 145 9854 000 | MAIN BROOM FUSE (50 A)                        |
| F0     | 146 0840 000 | MAIN FUSE (150 A)                             |
| F1     | 145 8514 000 | VACUUM SYSTEM FUSE (25 A)                     |
| F2     | 145 8514 000 | FILTER SHAKER FUSE (25 A)                     |
| F3     | 145 8368 000 | DISPLAY ELECTRONIC BOARD (3 A)                |
| F4     | 146 0068 00  | KEY CIRCUIT FUSE (10 A)                       |
| F5     | 145 9852 000 | DUSTGUARD SYSTEM PUMP FUSE (5 A) (OPT.)       |
| F6     | 145 8514 000 | HOPPER PUMP FUSE (25 A)                       |
| FR1    | 1464336000   | RIGHT SIDE BROOM CIRCUIT BREAKER (15 A)       |
| FR2    | 1464336000   | LEFT SIDE BROOM CIRCUIT BREAKER (15 A) (OPT.) |
| HN     | 145 8881 000 | HORN  |
| K1     | 909 6622 000 | VACUUM SYSTEM RELAY                           |
| K2     | 909 6622 000 | FILTER SHAKER RELAY                           |
| K3A    | 1464289000   | HOPPER LIFTING RELAY                          |
| K3B    | 1464289000   | HOPPER LOWERING RELAY                         |
| K4     | 1464289000   | MACHINE ON RELAY                              |
| K5     | 1464289000   | SIDE BROOM RELAY                              |
| K6     | 1464289000   | DUSTGUARD SYSTEM PUMP RELAY (OPT.)            |
| L1, L2 | 33019229     | WORKING LIGHTS (OPT.)                         |
| M0     | 1464913000   | DRIVING WHEEL                                 |
| M1     | 1463374000   | VACUUM SYSTEM MOTOR                           |
| M2     | 145 5539 000 | FILTER SHAKER MOTOR                           |
| M3     | 1465177000   | HOPPER PUMP MOTOR                             |
| M4     | 1464444000   | MAIN BROOM MOTOR                              |
| M6     | 1464241000   | RIGHT SIDE BROOM MOTOR                        |
| M7     | 1464242000   | LEFT SIDE BROOM MOTOR (OPT.)                  |
| M8     | 1465116000   | DUSTGUARD SYSTEM PUMP MOTOR (OPT.)            |
| R1     | 1464425000   | DRIVE PEDAL                                   |
| S1     | 33018521     | HOPPER LIFTING SENSOR                         |
| S2     | 33018521     | MAIN BROOM LEVER SENSOR                       |
| S3     | 33018521     | SIDE BROOM LEVER SENSOR                       |
| SW0    | 146 1727 000 | EMERGENCY PUSH-BUTTON                         |
| SW1    | 33020442     | IGNITION KEY                                  |
| SW2    | 1465178000   | FORWARD/REVERSE GEAR SWITCH                   |
| SW3    | 146 2088 000 | FILTER SHAKER/VACUUM SYSTEM SWITCH            |
| SW4    | 146 2087 000 | HOPPER ENABLING SWITCH                        |
| SW5    | 146 2088 000 | HOPPER LIFTING/LOWERING SWITCH                |
| SW6    | 146 2087 000 | HORN SWITCH                                   |
| SW7    | -            | DRIVER'S SEAT SAFETY MICROSWITCH              |
| SW8    | 1465180000   | DUSTGUARD SYSTEM SWITCH (OPT.)                |
| SW9    | 1465180000   | WORKING LIGHT SWITCH (OPT.)                   |

| KEY | COLOUR     |
|-----|------------|
| BK  | BLACK      |
| BU  | LIGHT BLUE |
| BN  | BROWN      |
| GN  | GREEN      |
| GY  | GREY       |
| OG  | ORANGE     |

| KEY | COLOUR |
|-----|--------|
| PK  | PINK   |
| RD  | RED    |
| VT  | VIOLET |
| WH  | WHITE  |
| YE  | YELLOW |

## RECOMMENDED SPARE PARTS

| REF. NO.   | QTY | DESCRIPTION                            |
|------------|-----|--|
|            |     | <b>NORMAL WEAR</b>                     |
| 33018521   | 3   | SWITCH BACK UP PROXIMITY (S1-S2-S3)    |
|            |     | <b>ORDINARY MAINTENANCE</b>            |
| 33020442   | 1   | KEY START ASSY WITH SPAREKEY KIT (SW1) |
|            |     | <b>EXTRAORDINARY MAINTENANCE</b>       |
| 33006165   | 1   | RING D 35 UNI7437                      |
| 33019229   | 2   | HEADLIGHT 24V (L1, L2)                 |
| 33019324   | 2   | NOZZLE SPRAY KIT                       |
| 33019734   | 2   | LAMP 48V 70W                           |
| 33020816   | 2   | NOZZLE SPRAY DIAM 0.33                 |
| 33022026   | 2   | CHECK VALVE FILTER                     |
| 33022072   | 2   | NOZZLE SPRAY                           |
| 1463356000 | 2   | SPRING TRACTION CARBON STEEL           |
| 1463358000 | 2   | SPRING GAS 40KG                        |
| 1463374000 | 1   | MOTOR VACUUM 24V (M1)                  |
| 1463916000 | 1   | PLATE FRONT SKIRT                      |
| 1464181000 | 1   | BUSHING SUPPORT LEVER                  |
| 1464189000 | 1   | FILTER PANEL PAPER                     |
| 1464198000 | 1   | GASKET VACUUM CONTAINER L.2200 KIT     |
| 1464206000 | 1   | CARD ELECTRONIC TRACTION (EB1)         |
| 1464219000 | 1   | SPRING LOCK BRAKE                      |
| 1464241000 | 1   | GEARMOTOR FOR RIGHT SIDE BROOM (M6)    |
| 1464242000 | 1   | GEARMOTOR FOR LEFT SIDE BROOM (M7)     |
| 1464258000 | 1   | CARD ELECTRONIC CONTROL PANEL (EB2)    |
| 1464266000 | 1   | BELT HTD 825-5M                        |
| 1464275000 | 1   | SKIRT REAR RECYCLE                     |
| 1464276000 | 1   | PLATE REAR SKIRT FIXING                |
| 1464277000 | 1   | PLATE REAR SKIRT                       |
| 1464278000 | 2   | PLATE SIDE KIRT FIXING                 |
| 1464289000 | 4   | RELAIS 24V 20/30A (K3A-K3B-K4-K5)      |
| 1464336000 | 1   | CIRCUIT BREAKER 15A (FR1)              |
| 1464337000 | 1   | FLAP METAL FRONT                       |
| 1464413000 | 1   | CABLE MAIN BROOM                       |
| 1464414000 | 1   | CABLE RIGHT SIDE BROOM                 |
| 1464415000 | 1   | CABLE LEFT SIDE BROOM                  |
| 1464425000 | 1   | ACCELERATOR ELECTRONIC (R1)            |
| 1464431000 | 1   | SPRING BRAKE                           |
| 1464444000 | 1   | MOTOR MAIN BROOM 24V 600W (M4)         |
| 1464465000 | 1   | BRACKET FRONT LIGHT                    |
| 1464476000 | 2   | KNOB BLACK/YELLOW                      |
| 1464497000 | 1   | SKIRT FRONT                            |
| 1464498000 | 1   | SPARK PLUG BPR6ES (SPK)                |
| 1464535000 | 1   | GASKET HOPPER L.1430MM KIT             |
| 1464794000 | 2   | LOCK WITH KEY FOR HATCH                |
| 1464803000 | 1   | DISC BRAKE                             |
| 1464804000 | 1   | CALIPER BRAKE COMPLETE KIT             |
| 9096960000 | 1   | CARBON BRUSHES TRACTION WHEEL KIT      |
| 1464919000 | 1   | HOSES HYDRAULIC WITH HARDWARE KIT      |
| 1464920000 | 1   | CYLINDER KIT                           |
| 1464921000 | 1   | ROD FOR FLAP KIT                       |
| 1464944000 | 1   | HARNESS WORK LIGHTS                    |
| 1464982000 | 1   | SWITCH ELECTROMAGNETIC 24V 120A (ES0)  |
| 1464987000 | 1   | PULLEY HTD 60 5M 15 6W                 |
| 1464990000 | 1   | HUB MAIN BROOM                         |
| 1465037000 | 1   | PIN HOPPER BEARING KIT                 |
| 1465040000 | 1   | HARDWARE FRONT FLAP KIT                |
| 1465049000 | 1   | KNOB SIDE BROOM KIT                    |
| 1465052000 | 1   | HARDWARE MAIN BROOM HUB KIT            |
| 1465095000 | 1   | GASKETS FOR PISTON KIT                 |

## RECOMMENDED SPARE PARTS

| REF. NO.     | QTY | DESCRIPTION                            |
|--------------|-----|--|
| 1465096000   | 1   | GASKETS FOR CYLINDER HEAD KIT          |
| 1465116000   | 1   | PUMP WATER 24V DC (M8)                 |
| 1465177000   | 1   | GEARCASE HYDRAULIC 12V-24V (M3)        |
| 1465273000   | 1   | CABLE LOCK RELEASE                     |
| 1465281000   | 2   | BEARING CYLINDRICAL 16x22x15           |
| 1465314000   | 1   | RING FOR MOTORWHEEL KIT                |
| 1465355000   | 1   | CAP SOLUTION TANK KIT                  |
| 1465356000   | 1   | HARDWARE DUSTGUARD KIT                 |
| 1465357000   | 1   | HOSES DUSTGUARD KIT                    |
| 1465358000   | 1   | FITTINGS AND REDUCTIONS DUST GUARD KIT |
| 1465390000   | 1   | CABLE BRAKE KIT                        |
| 1465396000   | 1   | SKIRTS KIT                             |
| 146 2088 000 | 1   | SWITCH 3 POSITIONS (SW5)               |
| 146 2087 000 | 1   | SWITCH MOMENTARY (SW4)                 |
| 1465178000   | 1   | SWITCH 2 POSITIONS MOMENTARY (SW2)     |
| 1465180000   | 1   | SWITCH 2 POSITIONS (SW8)               |
| 9096959000   | 1   | BALL BEARING KIT                       |
| 9096969000   | 4   | CAP WITH GASKET                        |
| 9097208000   | 1   | SWITCH ELECTROMAGNETIC 24V (ES1)       |
| 9097404000   | 1   | FILTER WATER                           |
| 145 0269 000 | 1   | HUB                                    |
| 145 0270 000 | 1   | BALL BEARING 6001 2RS                  |
| 145 0271 000 | 1   | SPRING                                 |
| 145 5125 000 | 2   | CARBON BRUSH                           |
| 145 5539 000 | 1   | MOTOR FILTER SHAKER 90W 24V (M2)       |
| 145 8368 000 | 1   | FUSE 3A (F3)                           |
| 145 8415 000 | 2   | BALL BEARING 6003 2RS                  |
| 145 8514 000 | 3   | FUSE BLADE 25A UL (F1-F2-F6)           |
| 145 9619 000 | 1   | JOINT UNIVERSAL D.17                   |
| 145 9852 000 | 1   | FUSE BLADE 5A UL (F5)                  |
| 145 9854 000 | 1   | FUSE 50A (FA)                          |
| 146 0068 00  | 1   | FUSE 10A (F4)                          |
| 146 0329 000 | 2   | WHEEL FRONT NON MARKING                |
| 146 0840 000 | 1   | FUSE MEGAFUSE 150A (F0)                |
| 146 2087 000 | 1   | SWITCH MOMENTARY (SW6)                 |
| 146 2088 000 | 1   | SWITCH 3 POSITIONS (SW3)               |
| 146 0903 000 | 2   | BALL BEARING                           |
| 146 0986 000 | 1   | SPRING                                 |
| 1465180000   | 1   | SWITCH 2 POSITIONS (SW9)               |
| 146 1317 000 | 1   | SPRING                                 |
| 146 1727 000 | 1   | SWITCH EMERGENCY (SW0)                 |
| 146 1728 000 | 1   | CONTACT. NC.                           |
| 146 1876 000 | 2   | WHEEL SOLID 4.00-4 BLACK               |
| 146 2471 000 | 8   | HANDWHEEL                              |
| 909 5215 000 | 1   | NET & GASKET WATER FILTER              |
| 909 6622 000 | 2   | RELAY 24V 40A (K1-K2)                  |
| L08603949    | 1   | BRUSH CARBON KIT 4PCS                  |
| 1464805000   | 1   | PADS BRAKE KIT                         |
| 1465055000   | 1   | PULLEY MAIN BR. MOTOR KIT              |
| 1464982000   | 1   | SWITCH ELECTROMAGNETIC 24V 120A        |
| 1464951000   | 1   | SKIRTS NON MARKING KIT                 |

## OPTIONALS

|  | REF. NO.     | QTY | DESCRIPTION                                |
|--|--------------|-----|--|
|  | 1464951000   | 1   | SKIRTS NON MARKING KIT                     |
|  | 146 0329 000 | 2   | WHEEL NO MARKING                           |
|  | 1465313000   | 1   | WHEELS SOLID 4.00-4 NON MARKING KIT        |
|  | 1465170000   | 1   | WHEEL TRACTION NON MARKING KIT             |
|  | 1464955000   | 1   | RING NON MARKING MOTORWHEEL KIT            |
|  | 1465318000   | 1   | BROOM SIDE D.450MM MIX STEEL KIT           |
|  | 1465319000   | 1   | BROOM SIDE D.450 MIX 5 KIT                 |
|  | 1463854000   | 1   | BROOM MAIN 340X700MM MIX 5                 |
|  | 1464947000   | 1   | MAIN BROOM 340X700 MIX STEEL               |
|  | 1464839000   | 1   | FILTER PANEL POLYESTER                     |
|  | 80565000     | 4   | BATTERY 6V-255AH WET SEMI T MONOBLOC (BAT) |
|  | 80564000     | 4   | BATTERY 6V-180AH GEL MONOBLOC (BAT)        |
|  | 80564100     | 4   | BATTERY 6V-240AH GEL MONOBLOC (BAT)        |
|  | 80565200     | 1   | TRACTION 24V 360 AH WET (BAT)              |
|  | 80565300     | 1   | TRACTION 24V 360 AH GEL (BAT)              |
|  | 1465171000   | 1   | BRACKETS BATTERY STOP KIT                  |
|  | 1465418000   | 1   | DUSTGUARD KIT                              |
|  | 1464952000   | 1   | OVERHEAD GUARD KIT                         |
|  | 1464956000   | 1   | CANOPY KIT                                 |
|  | 1465421000   | 1   | LIGHTS FRONT KIT                           |
|  | 1464954000   | 1   | BELT KIT                                   |
|  | 33019556     | 1   | ARM REST RIGHT KIT                         |
|  | 1464960000   | 1   | ARM REST LEFT KIT                          |







14600 21st Avenue North  
Plymouth, MN 55447-3408

[www.advance-us.com](http://www.advance-us.com)

Phone: 800-989-2235

Fax: 800-989-6566

©2013 Nilfisk-Advance, Inc.