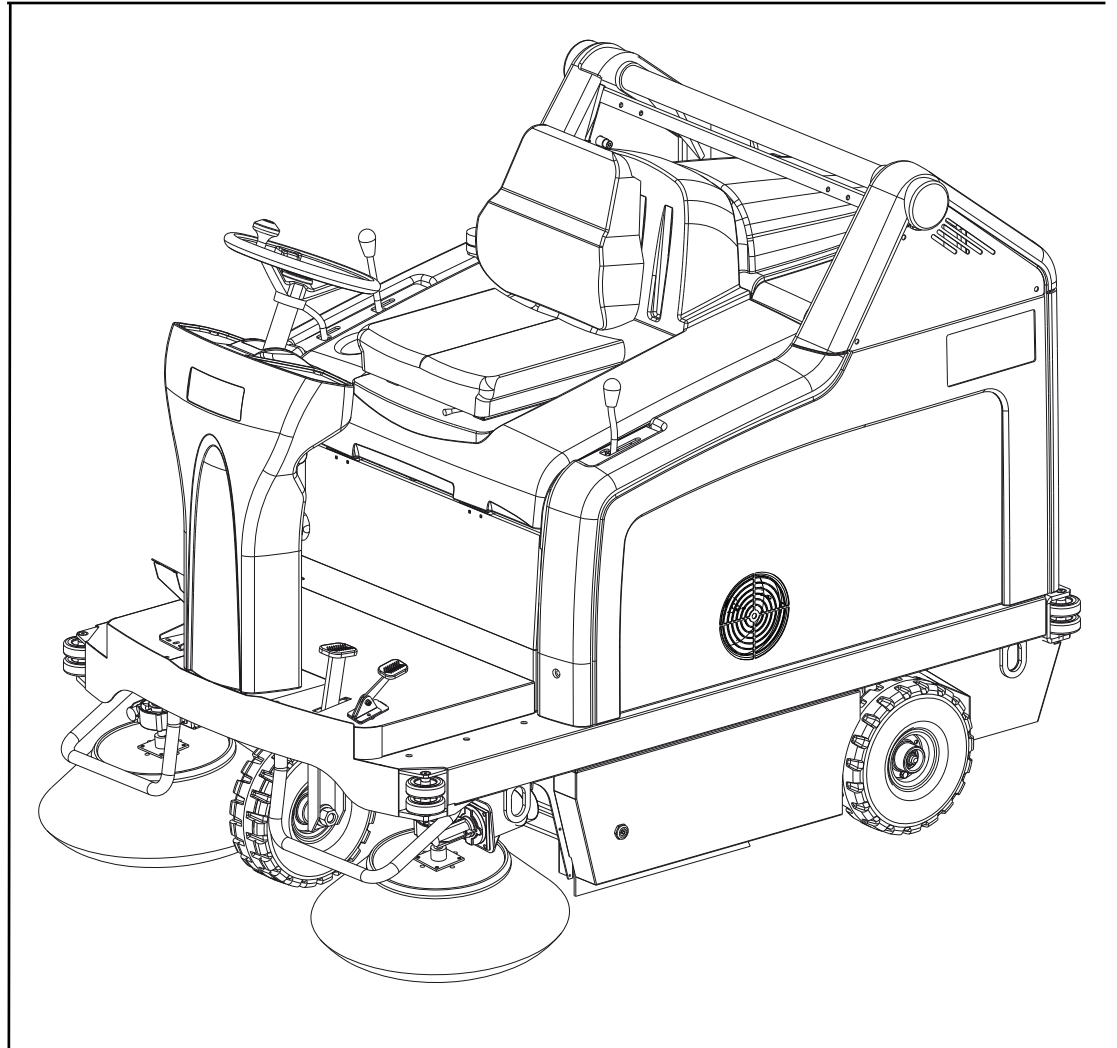


# Terra™ 5200B

---



## PARTS LIST

Advance model: 9084513010

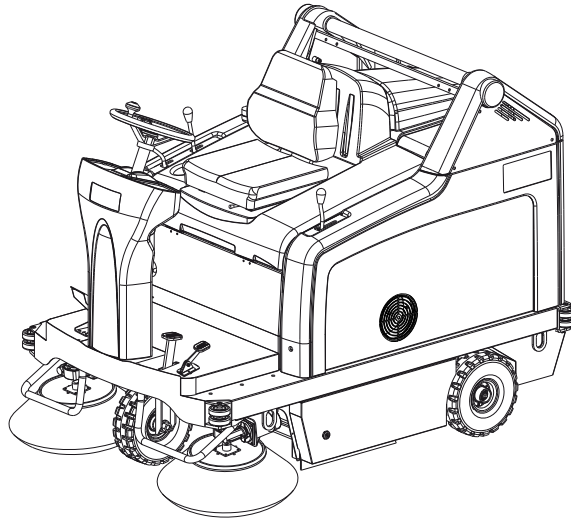


# Advance

by Nilfisk-Advance

1463544000(1)2008-07



**GB**Pagina  
Page

GENERAL VIEW	2 - 3
ROTOMOLDED ASSEMBLY	4 - 5
CHASSIS ASSEMBLY	6 - 7
DRIVE ASSEMBLY	8 - 9
STEERING ASSEMBLY	10 - 11
CONTROL PEDALS ASSEMBLY	12 - 13
WASTE CONTAINER ASSEMBLY	14 - 15
FILTER ASSEMBLY	16 - 17
VACUUM MOTOR	18 - 19
MAIN BROOM CONTROL ASSEMBLY	20 - 21
MAIN BROOM ASSEMBLY	22 - 23
RIGHT SIDE BROOM ASSEMBLY	24 - 25
LEFT SIDE BROOM ASSEMBLY	26 - 27
CONTROL PANEL ASSEMBLY	28 - 29
ELECTRICAL COMPONENTS BOX	30 - 31
ELECTRICAL COMPONENTS	32 - 33
HYDRAULIC SYSTEM	34 - 35
ACCESSORIES	36 - 39
ELECTRIC DIAGRAM	40 - 41
HYDRAULIC DIAGRAM	42
RECOMMENDED SPARE PARTS	43 - 44
ACCESSORIES	45

**WHEN ORDERING PARTS**

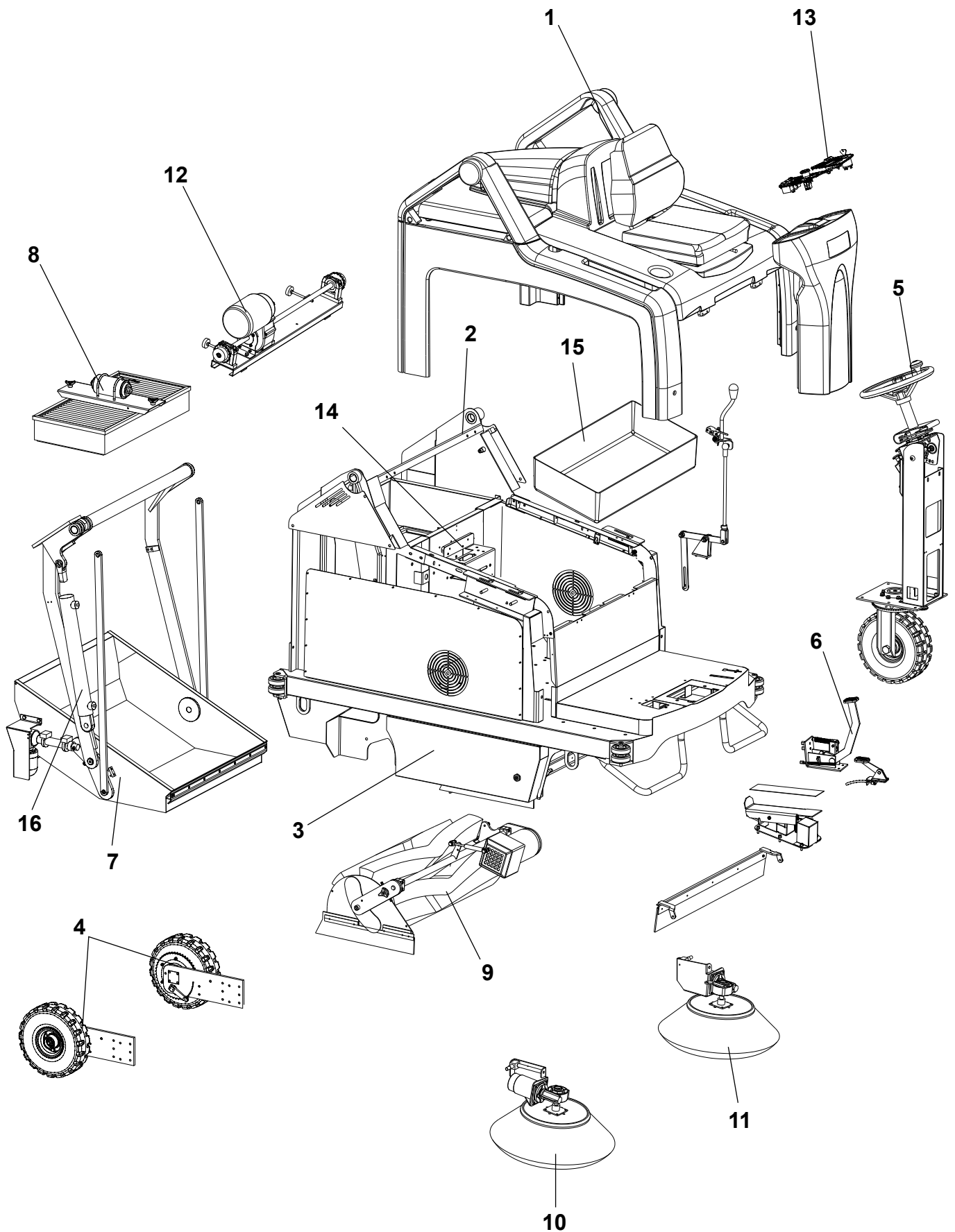
- \* Use the 8, 9 or 10 digit numbers from the "Ref. No." columns in this parts list.
- \* Specify the model and serial number of the machine.
- \* Use the space below to record the model and serial number for future reference.

Model \_\_\_\_\_ Serial No. \_\_\_\_\_

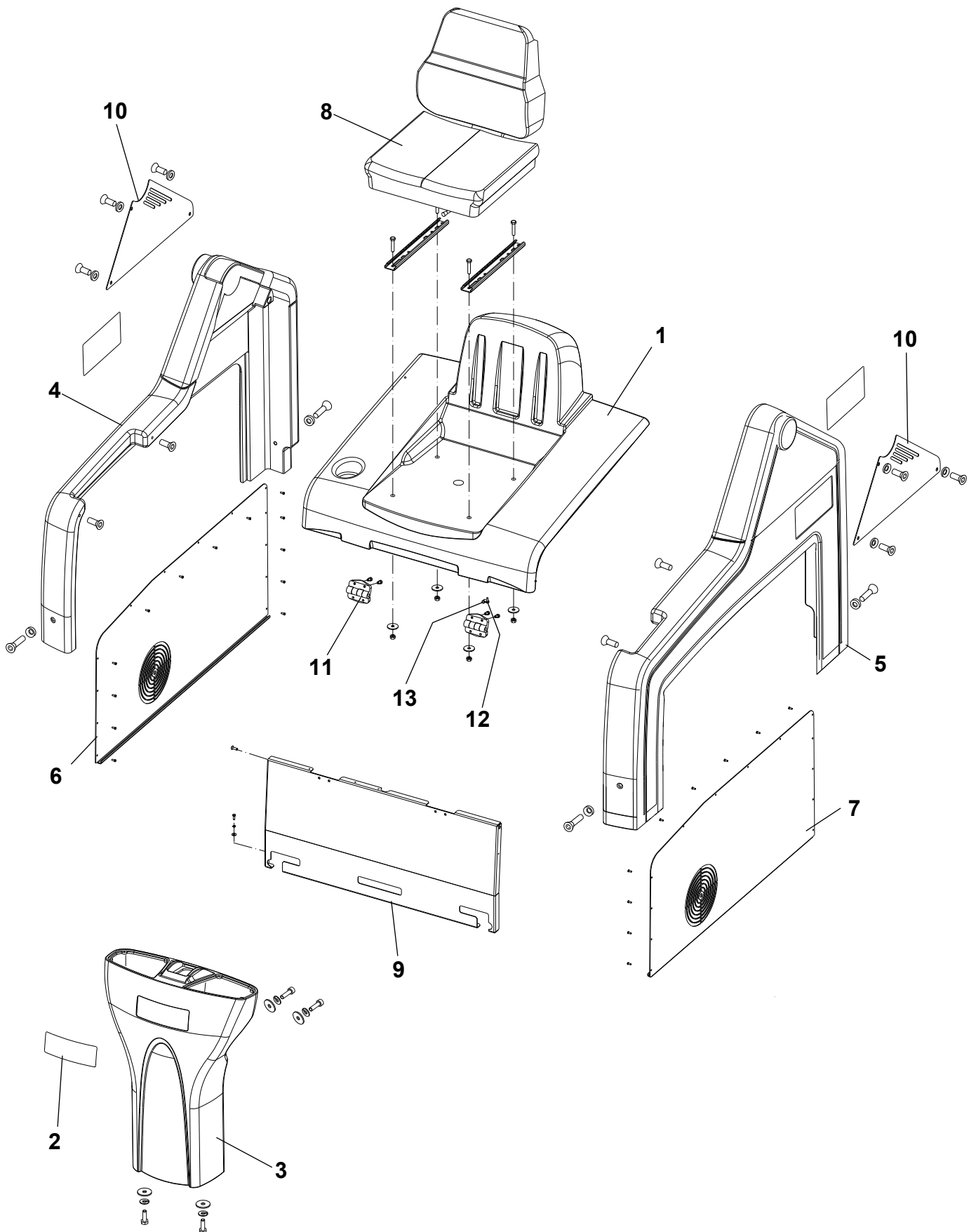
**\* = Optional**

**# = Modified item No. or New item No.**

**0 = Not shown**

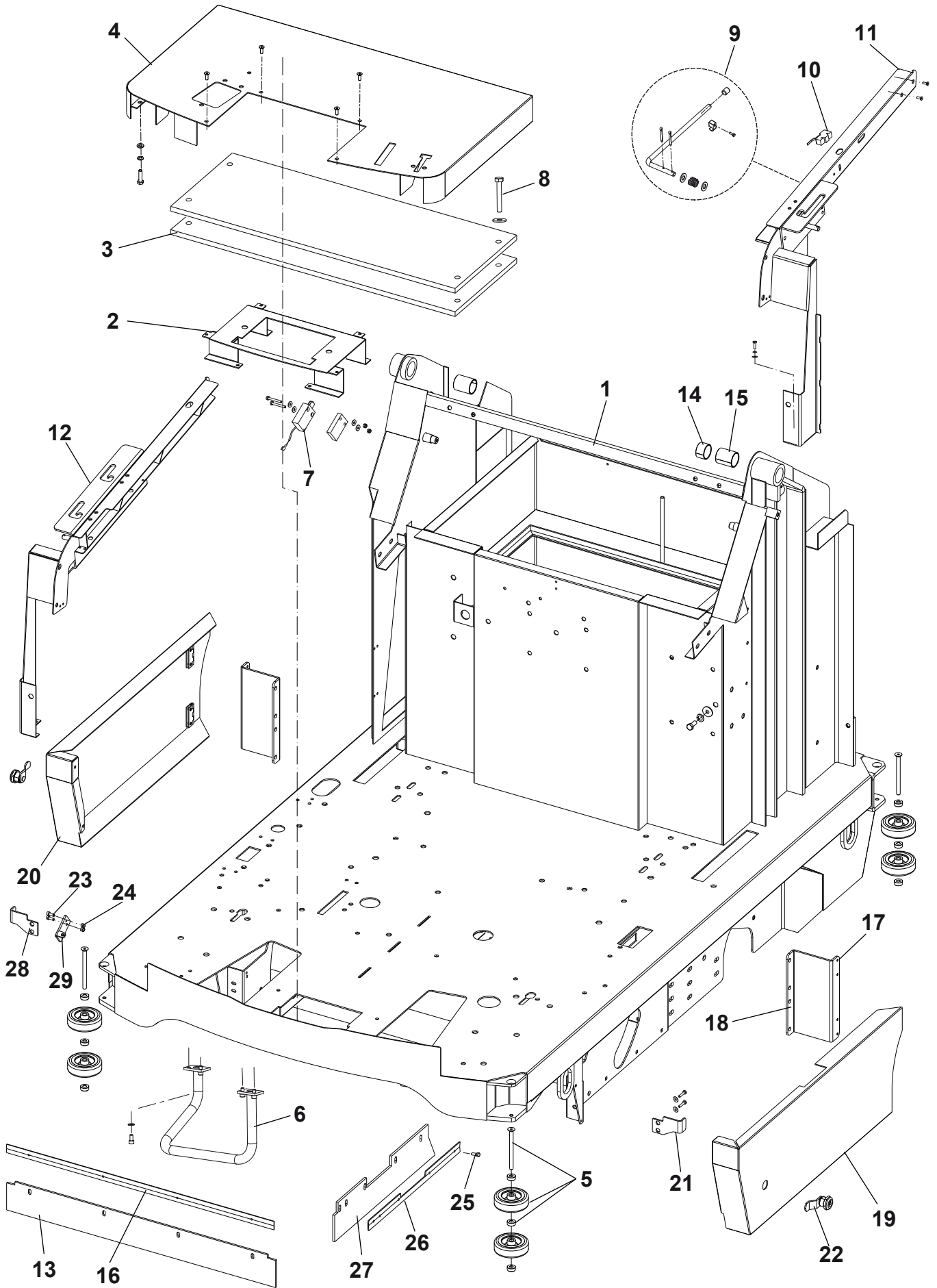


Item	Ref. No.	Qty	Description
1		1	ROTOMOLDED ASSEMBLY
2		1	CHASSIS ASSEMBLY
3		1	SIDE HATCHS ASSEMBLY
4		1	DRIVE ASSEMBLY
5		1	STEERING ASSEMBLY
6		1	CONTROL PEDALS ASSEMBLY
7		1	WASTE CONTAINER ASSEMBLY
8		1	FILTER ASSEMBLY
9		1	MAIN BROOM ASSEMBLY
10		1	RIGHT SIDE BROOM ASSEMBLY
11		1	LEFT SIDE BROOM ASSEMBLY
12		1	EL. MOTOR ASSEMBLY
13		1	CONTROL PANEL ASSEMBLIES
14		1	ELECTRICAL COMPONENTS BOX
15		1	ELECTRICAL COMPONENTS
16		1	HYDRAULIC SYSTEM



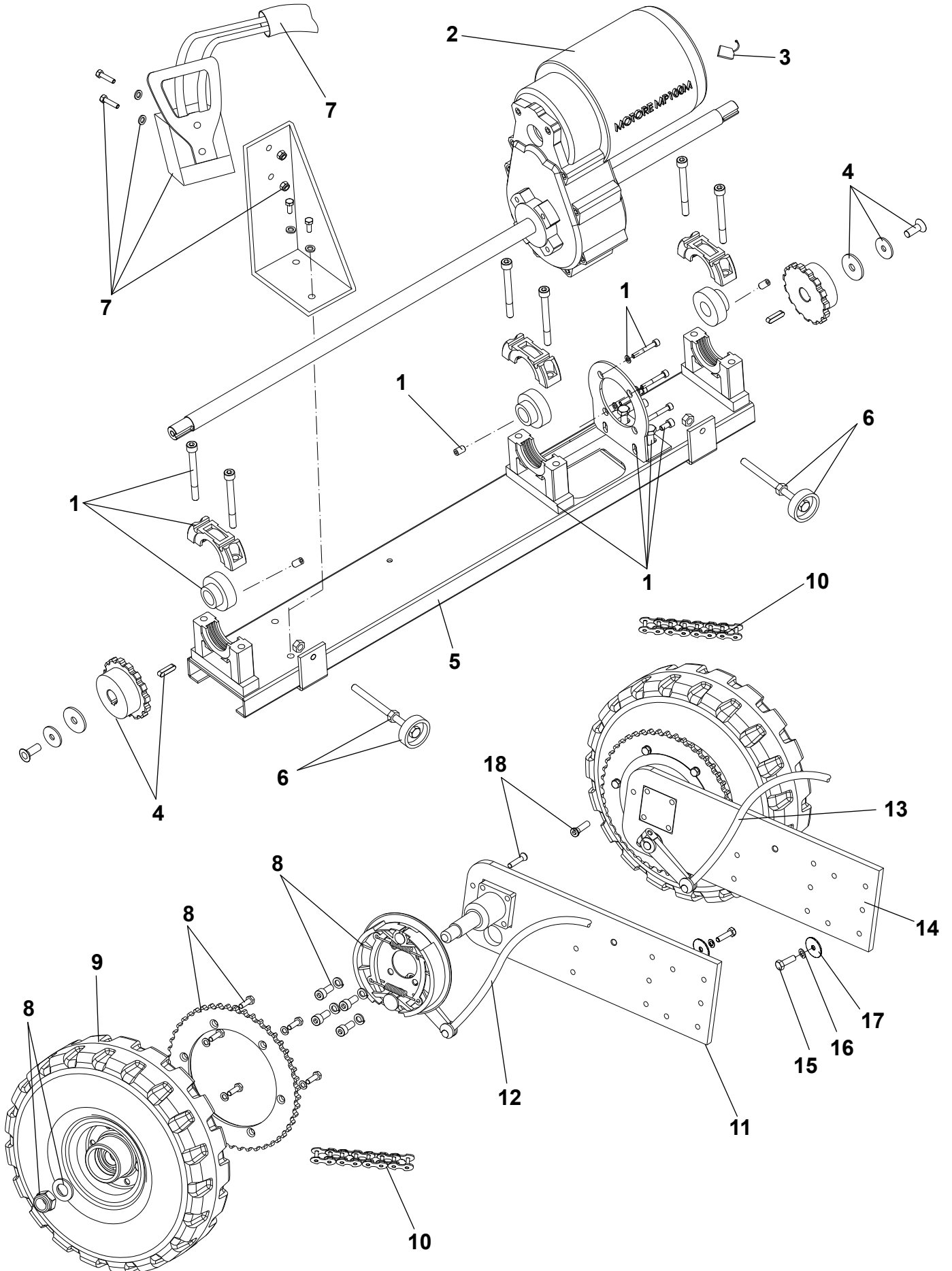
**2008-07****ROTOMOLDED ASSEMBLY****Terra™ 5200B****5**

<b>Item</b>	<b>Ref. No.</b>	<b>Qty</b>	<b>Description</b>
1	146 2863 000	1	BONNET,SEAT HOLDER KIT
2	1463748000	1	LABELS KIT FOR TERRA 5200B
3	1463345000	1	COVER FRONT
4	1463720000	1	COVER RIGHT SIDE KIT
5	1463560000	1	COVER LEFT SIDE KIT
6	1463561000	1	PANEL RIGHT SIDE KIT
7	1463722000	1	PANEL LEFT SIDE KIT
8	145 5975 000	1	SEAT
9	1463569000	1	PANEL FRONT KIT
10	1463564000	1	PROTECTION KIT
11	1463719000	1	HINGE KIT
12	146 1184 000	1	HARDWARE,ROTOM.ASSY KIT
13	L08239900	1	CLAMP GREY

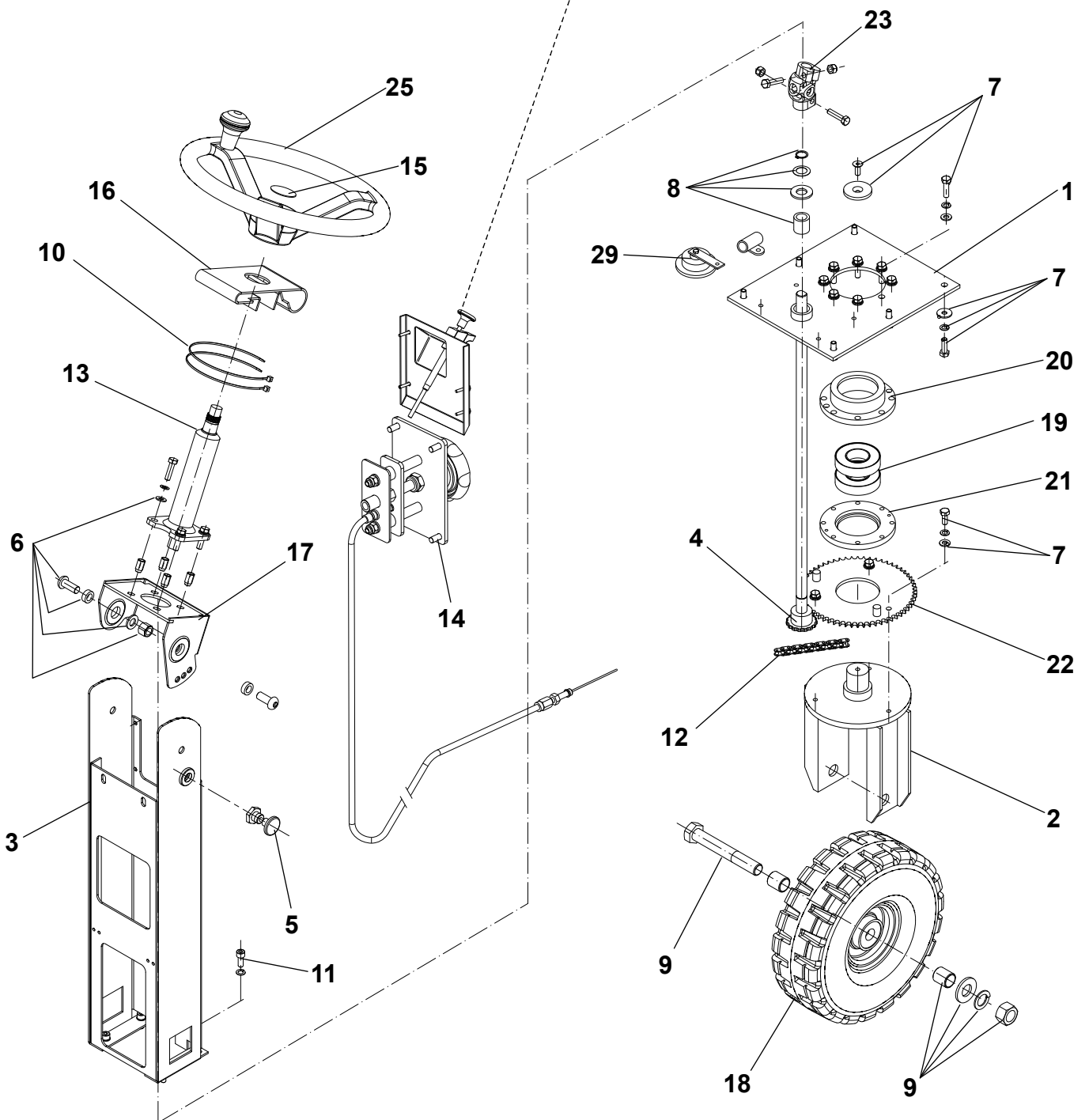
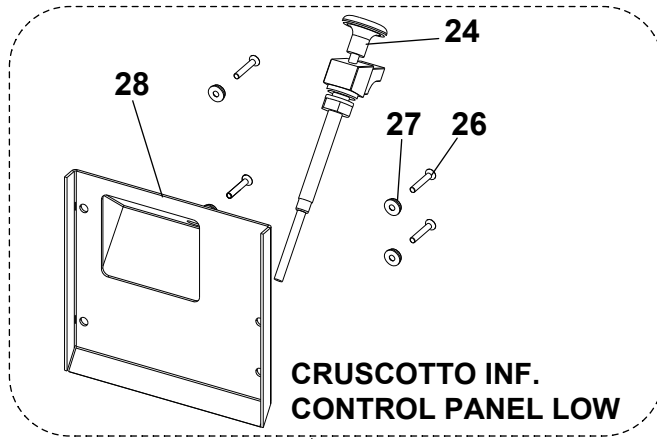




Item	Ref. No.	Qty	Description
1	1463311000	1	CHASSIS
2	146 0946 000	1	SUPPORT
3	146 1195 000	2	WEIGHT
4	1463745000	1	BOARD FOOT KIT
5	1463566000	1	ROLLER BUMPER KIT
6	1463567000	1	PROTECTION SIDE RIGHT BRO
7	1463568000	1	MICROSWITCH KIT
8	146 2163 000	4	SCREW M10X70 UNI5737
9	146 2164 000	1	ROD BONNET SUPPORTING KIT
10	145 9679 000	1	MICROSWITCH 16A 250V
11	1463317000	1	SUPPORT LEFT
12	1463370000	1	SUPPORT RIGHT
13	145 4654 000	1	SKIRT REAR
<b>13*</b>	<b>146 1151 000</b>	<b>1</b>	<b>NON MARKING REAR SKIRT</b>
14	146 1033 000	1	BUSH PAP 30 20 P10
15	146 1050 000	2	BUSH PAP 30 40 P10
16	145 4657 000	1	PLATE REAR SKIRT
17	33004563	8	SCREW M5X16 UNI5933
18	146 0912 000	2	SUPPORT,SIDE HATCH
19	1463342000	1	HATCH LEFT
20	1463341000	1	HATCH RIGHT
21	1463323000	1	BRACKET LEFT BLOCK
22	1463322000	2	BLOCK
23	33004328	6	SCREW M5X16 UNI5931
24	33005561	2	NUT SELF L. M5 UNI7473
25	145 5868 000	4	SCREW 4,8X19 UNI6950
26	145 5929 000	1	PLATE SIDE SKIRT
27	145 5927 000	1	SKIRT SIDE
<b>27*</b>	<b>146 1150 000</b>	<b>1</b>	<b>NON MARKING SIDE SKIRT</b>
28	1463324000	1	BRACKET RIGHT BLOCK
29	1463325000	1	BRACKET

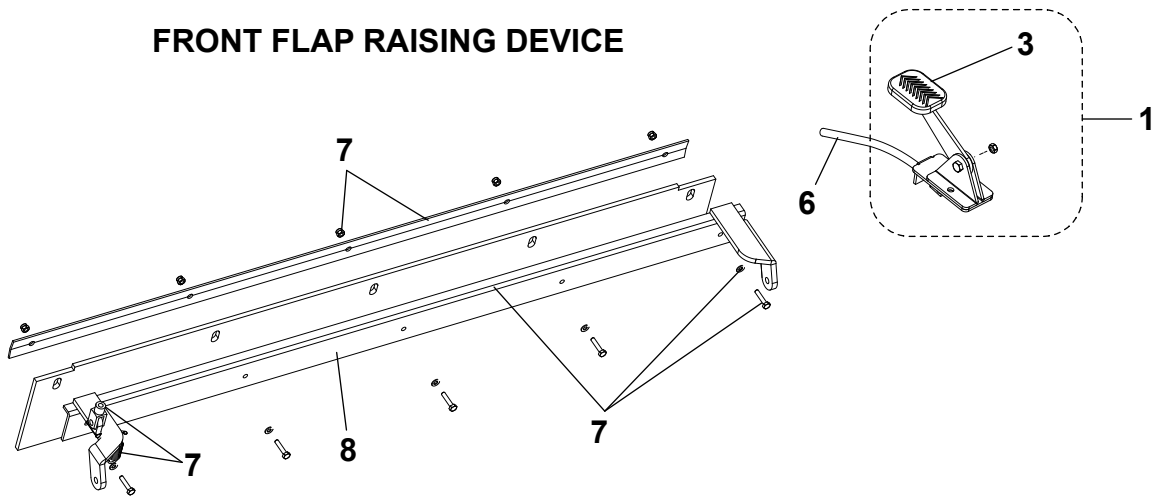


Item	Ref. No.	Qty	Description
1	1463723000	1	SUPPORTS DRIVE KIT
2	146 1016 000	1	MOTOR DRIVE 750W 24V
3	L08603949	1	BRUSH CARBON KIT (4PCS)
4	1463724000	1	PINION KIT
5	146 2388 000	1	SUPPORT
6	1463725000	1	DIFFERENTIAL ADJUSTER KIT
7	1463726000	1	BATTERY HARNESS KIT
8	1463575000	1	BRAKE REAR KIT
9	146 1875 000	2	WHEEL REAR
<b>9*</b>	<b>146 0330 000</b>	<b>2</b>	<b>WHEEL REAR NON MARKING</b>
10	146 1114 000	2	CHAIN
11	146 0879 000	1	SUPPORT
12	146 2335 000	1	CABLE BRAKE RIGHT
13	146 2336 000	1	CABLE BRAKE LEFT
14	146 0880 000	1	SUPPORT
15	909 5361 000	18	SCREW M8X20 UNI5739
16	33005842	18	WASHER M8 UNI1751B
17	145 9787 000	18	WASHER
18	33004590	2	SCREW M8X16 UNI5933

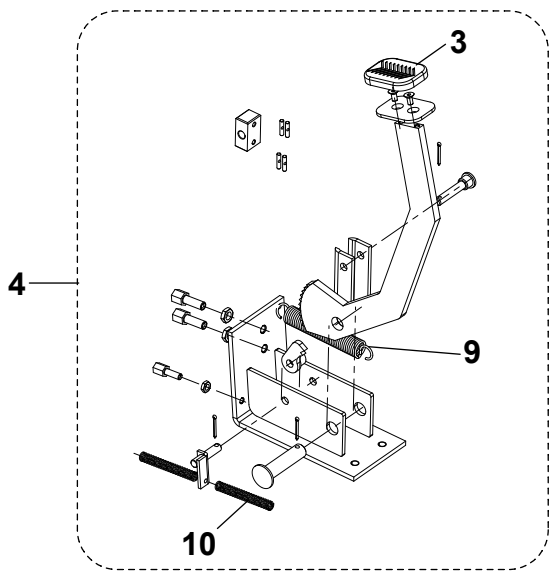


Item	Ref. No.	Qty	Description
1	1463432000	1	PLATE SUPPORTING
2	145 5662 000	1	SUPPORT
3	1463313000	1	STEERING COLUMN
4	1463430000	1	SHAFT STEERING
5	146 0961 000	1	PLUNGER INDEXING
6	1463576000	1	COLUMN STEERING KIT
7	1463577000	1	HARDWARE SHAFT STEERING KIT
8	1463578000	1	HARDWARE PLATE SUPPORTING KIT
9	1463579000	1	HARDWARE WHEEL FRONT KIT
10	L08812587	2	CLAMP 4,8X430 WHITE
11	33004365	4	SCREW M8X20 UNI5931
12	1463431000	1	CHAIN 3/8 - 67 PASSI
13	145 1946 000	1	COLUMN STEERING
14	1463315000	1	CONTROLLER MAIN BROOM
15	145 8753 000	1	CAP
16	146 1668 000	1	PROTECTION
17	146 2030 000	1	SUPPORT
18	146 1876 000	1	WHEEL FRONT
18	<b>146 0329 000</b>	<b>1</b>	<b>WHEEL,FRONT NON MARKING</b>
19	145 2357 000	2	BALL BEARING 6207 2RS
20	145 2586 000	1	FLANGE
21	145 2587 000	1	FLANGE
22	145 2714 000	1	CROWN
23	145 9619 000	1	JOINT UNIVERSAL D.17
24	146 0991 000	1	CABLE
25	146 1722 000	1	WHEEL, STEERING D.362
26	146 0963 000	4	SCREW M4X25 UNI5933
27	145 4514 000	4	WASHER 4,3X12,5X3
28	1463469000	1	SUPPORT LEVERS
29	145 8881 000	1	HORN 24V

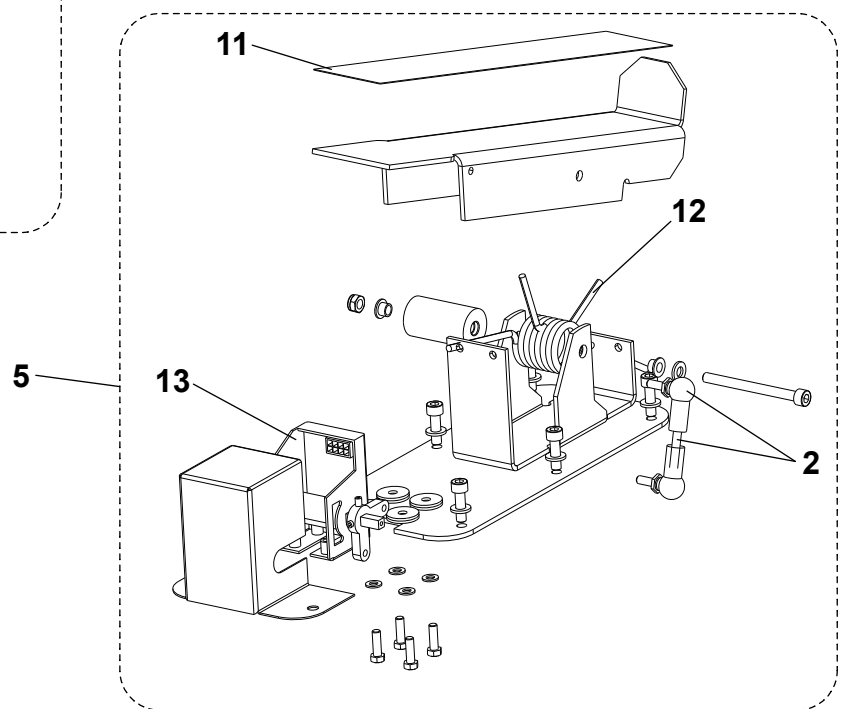
FRONT FLAP RAISING DEVICE



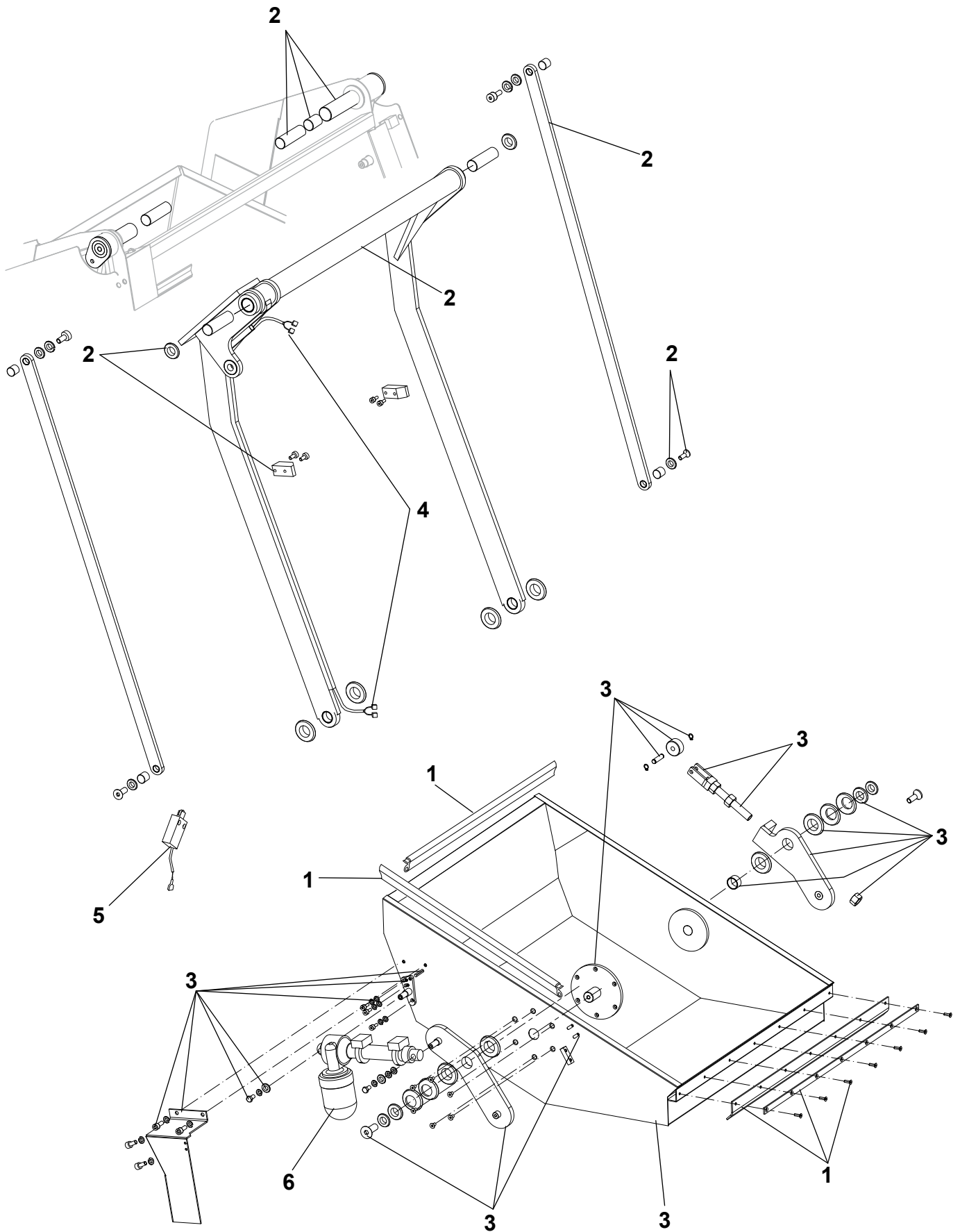
BRAKE PEDAL ASSEMBLY



ACCELERATOR PEDAL ASSEMBLY



Item	Ref. No.	Qty	Description
1	1463582000	1	PEDAL SKIRT RAISING DEVIC
2	1463728000	1	TENSION ROD KIT
3	145 8478 000	2	COVER,PEDAL
4	1463583000	1	PEDAL BRAKE KIT
5	1463727000	1	PEDAL SPEED CONTROL KIT
6	1463363000	1	CABLE
7	1463581000	1	SKIRT RAISING DEVICE KIT
8	145 4653 000	1	SKIRT FRONT
<b>8*</b>	<b>146 1152 000</b>	<b>1</b>	<b>SKIRT FRONT NON MARKING</b>
9	146 0986 000	1	SPRING
10	145 1935 000	2	SPRING
11	146 1154 000	1	MAT, ANTISKID
12	146 0895 000	2	SPRING,ZERO ADJUSTER
13	146 0844 000	1	BOARD, PEDAL CONTROL





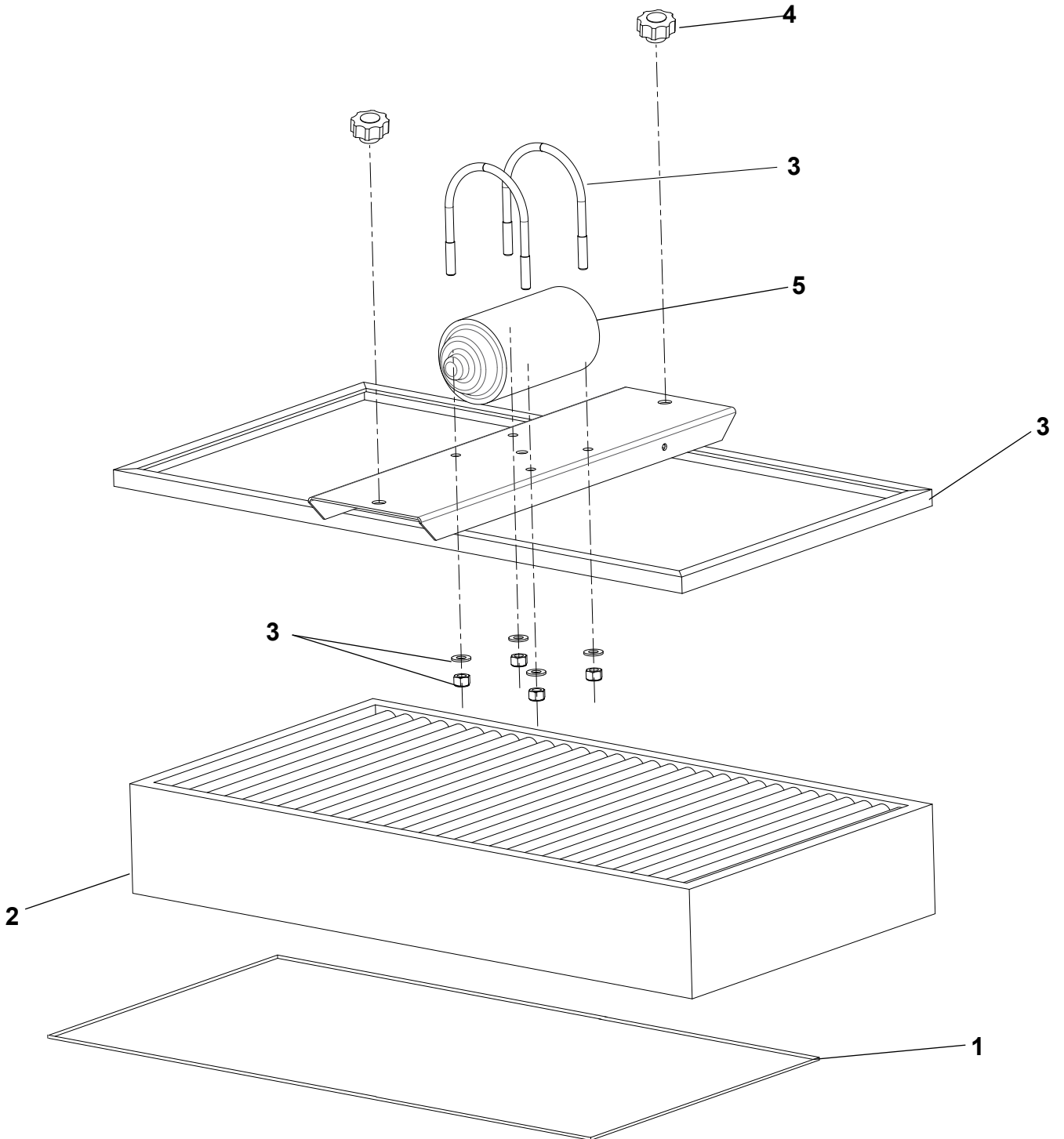
2008-07

**WASTE CONTAINER ASSEMBLY**

**Terra™ 5200B**

**15**

Item	Ref. No.	Qty	Description
1	1463584000	1	GASKETS WASTE CONTAINER KIT
2	1463585000	7	SUPPORT LEVERS KIT
3	1463586000	1	CONTAINER WASTE KIT
4	146 1994 000	1	HARNES CONTAINER
5	146 0848 000	1	MICROSWITCH 16A 250V
6	146 0929 000	1	ACTUATOR 24V



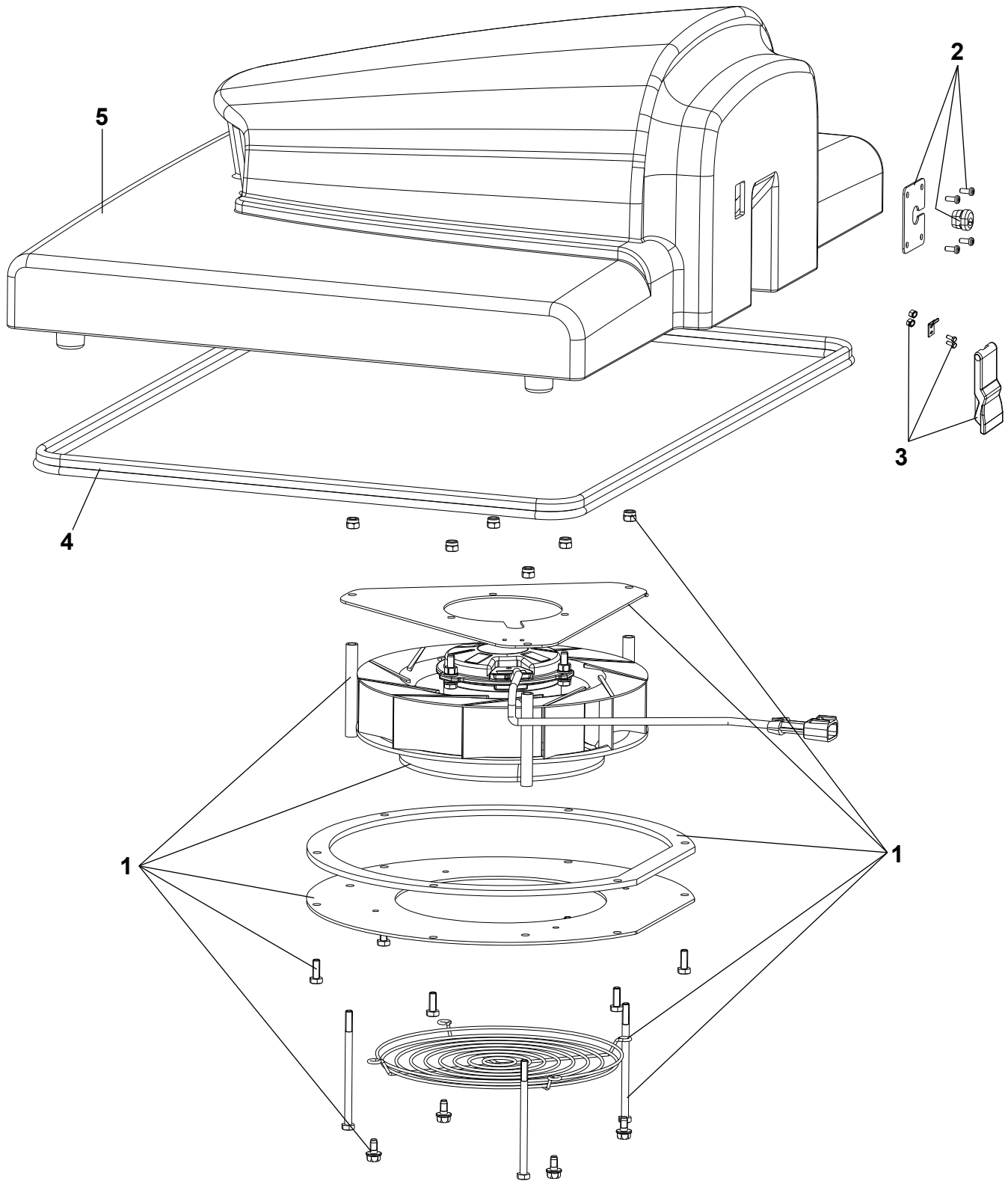
2008-07

**FILTER ASSEMBLY**

**Terra™ 5200B**

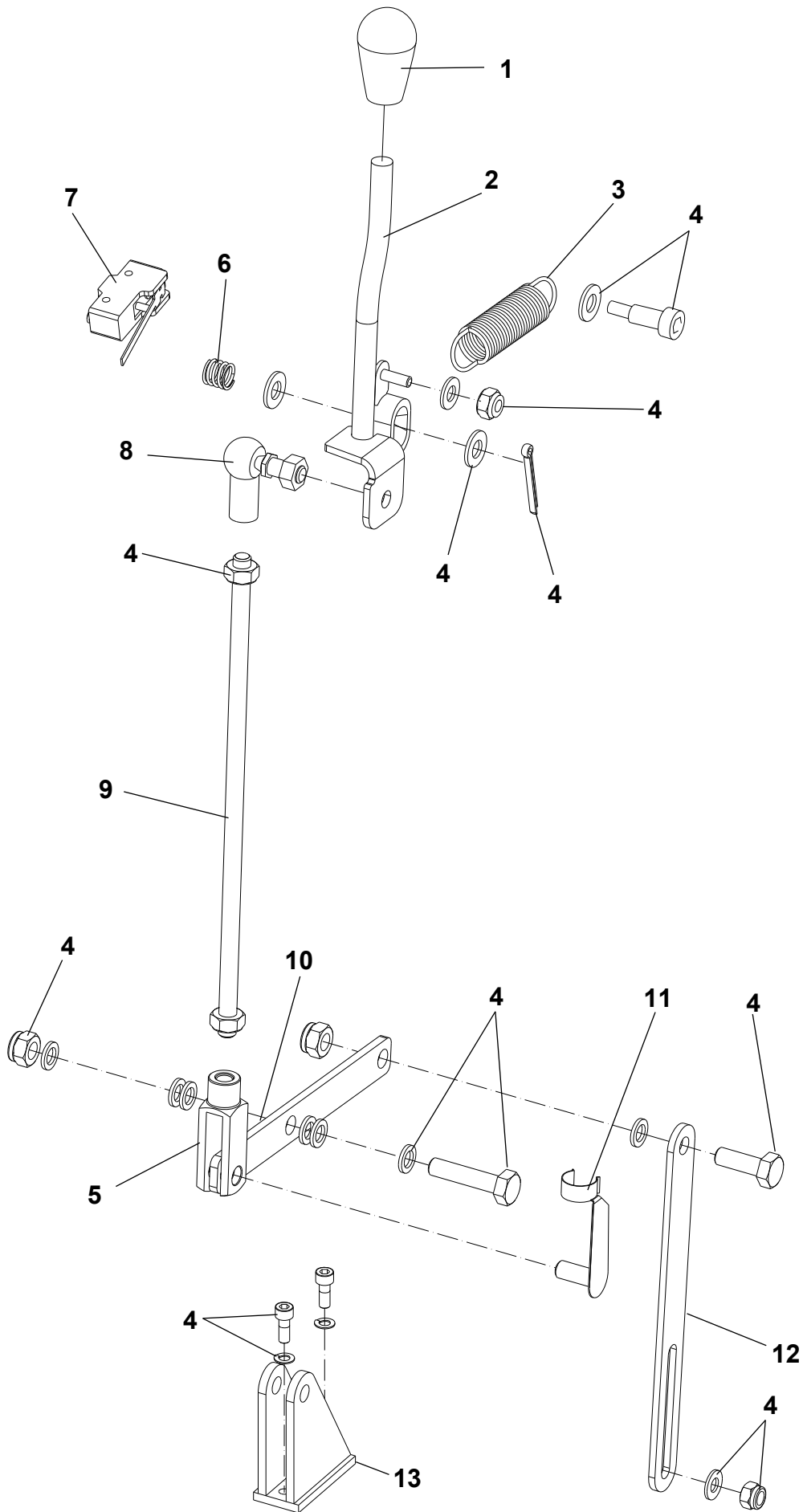
17

Item	Ref. No.	Qty	Description
1	146 1158 000	1	GASKET
2	1463523000	1	FILTER AIR PANEL
<b>2*</b>	<b>145 6013 000</b>	<b>1</b>	<b>FILTER POLYESTER</b>
3	1463776000	1	HARDWARE FILTER SHAKER MOTOR KIT
4	145 5035 000	2	KNOB M8
5	145 5539 000	1	MOTOR FILTER SHAKER 90W

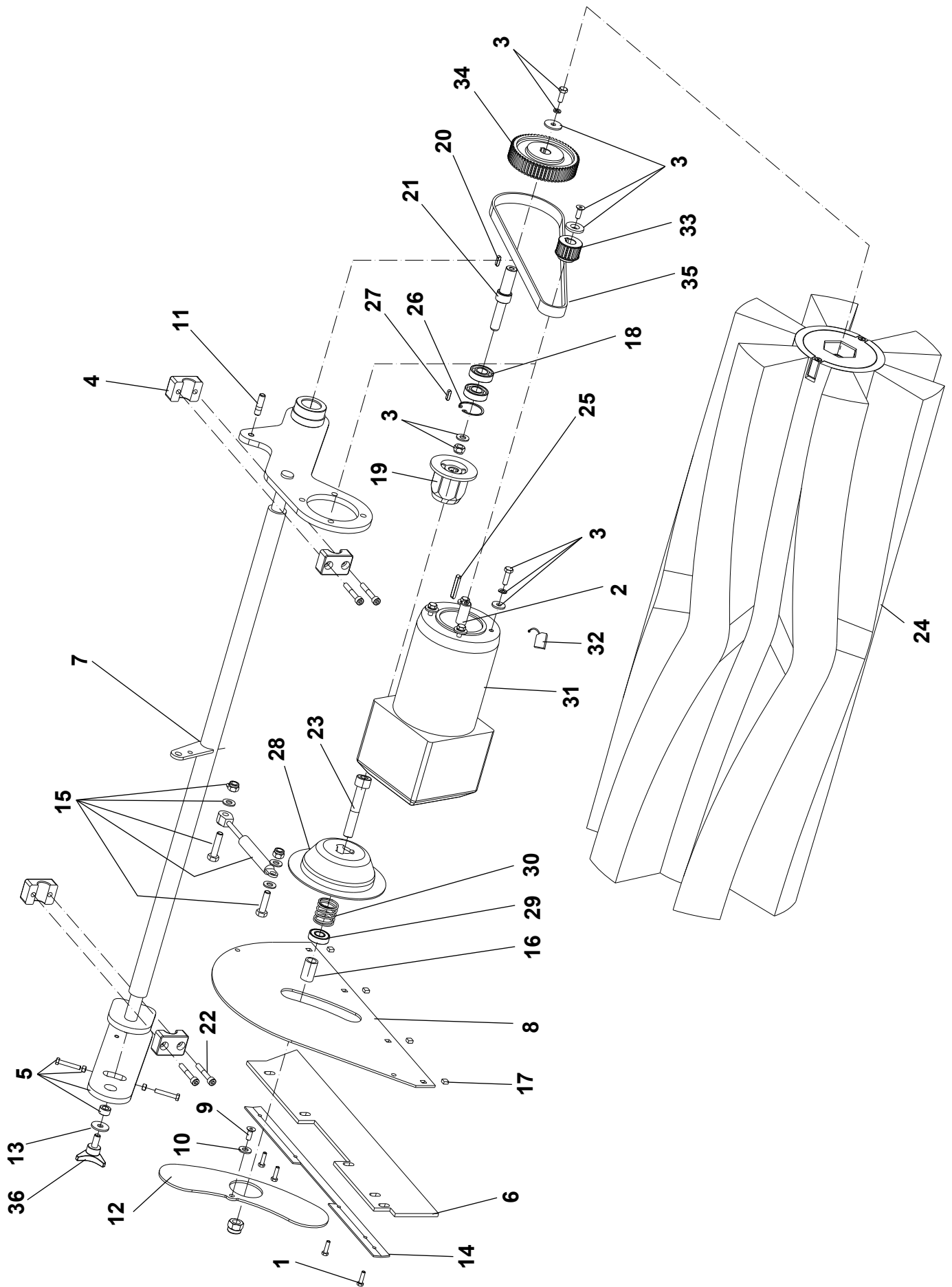


2008-07	VACUUM MOTOR			
	Terra™ 5200B			19

Item	Ref. No.	Qty	Description
1	1463588000	1	MOTOR VACUUM KIT
2	1463589000	1	CABLE MOTOR VACUUM KIT
3	1463590000	1	LATCH KIT
4	146 1147 000	1	GASKET
5	1463310000	1	SUPPORT VACUUM MOTOR

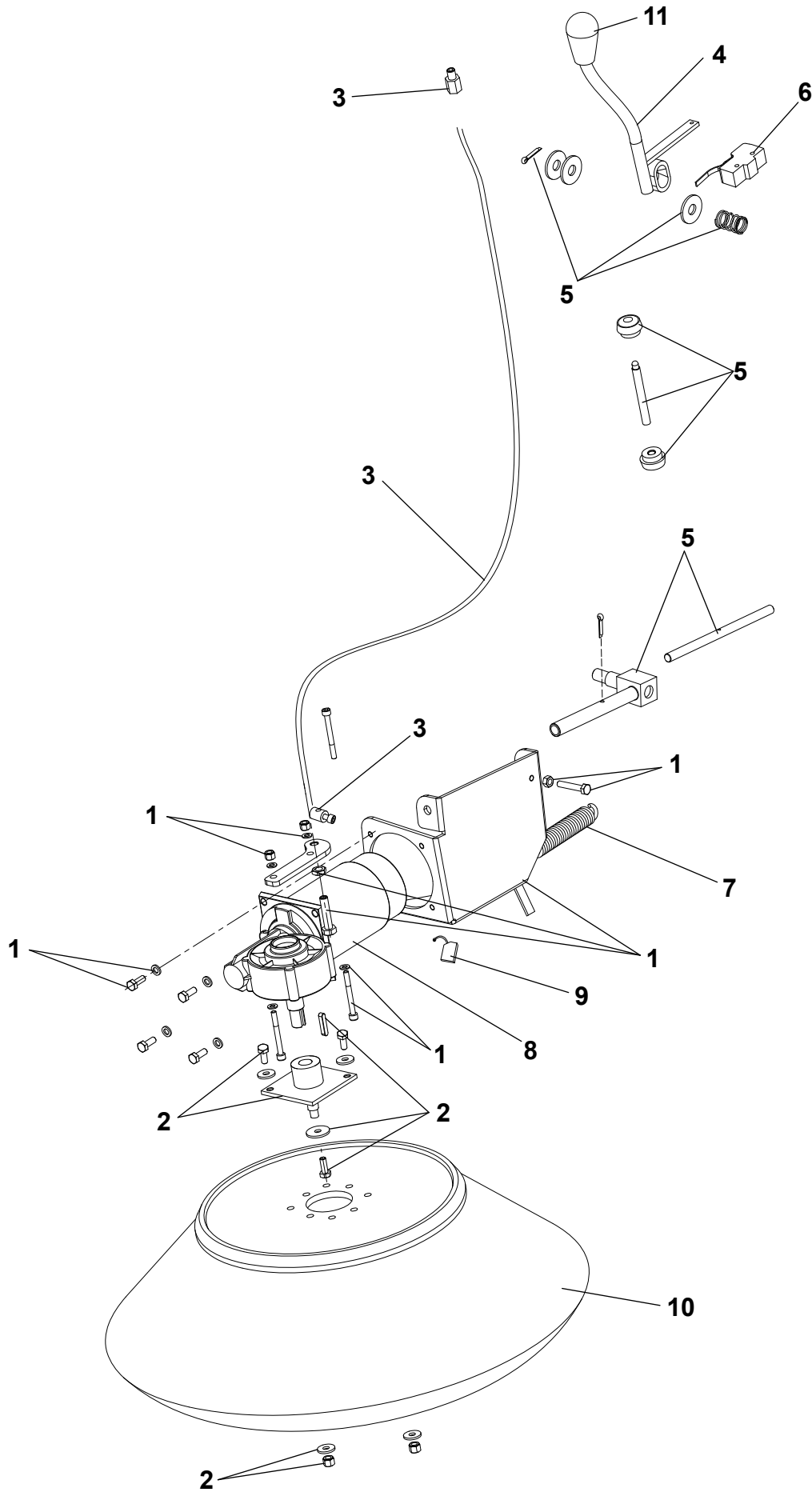


Item	Ref. No.	Qty	Description
1	146 0975 000	1	KNOB
2	1463318000	1	LEVER MAIN BROOM
3	1463356000	1	SPRING
4	1463591000	1	HARDWARE CONTROLLER MAIN BROOM KIT
5	145 9666 000	1	FORK M10
6	145 9578 000	1	SPRING
7	145 9679 000	1	MICROSWITCH 16A 250V
8	145 9769 000	1	JOINT BALL M10
9	1463468000	1	ROD THREAD M10X300 DIN975
10	1463328000	1	BRACKET
11	145 4540 000	1	CIRCLIP M10
12	1463329000	1	TENSION ROD
13	146 0949 000	1	SUPPORT





Item	Ref. No.	Qty	Description
1	145 5868 000	4	SCREW 4,8X19 UNI6950
2	145 1950 000	1	SPACER 14X23X5
3	1463593000	1	HARDWARE MAIN BROOM KIT
4	145 1891 000	4	COLLAR PIPE FIXING D.18
5	146 1238 000	1	BROOM MAIN ADJUSTMENT KIT
6	145 5927 000	1	SKIRT SIDE
<b>6*</b>	<b>146 1150 000</b>	<b>1</b>	<b>SKIRT SIDE NON MARKING</b>
7	1463320000	1	SHAFT MAIN BROOM
8	1463327000	1	HATCH RIGHT MAIN BROOM
9	33004576	1	SCREW M6X16 UNI5933
10	33005915	1	WASHER M8 UNI6592
11	1463529000	1	STUD BOLT M8X30
12	1463530000	1	GASKET MAIN BROOM PROTEC.
13	L08300000	1	WASHER 8X24 UNI6592
14	145 5929 000	1	PLATE SIDE SKIRT
15	1463592000	1	SPRING GAS KIT
16	145 2662 000	1	SPACER 12X17X28
17	33005691	4	NUT HEX M5 UNI5588
18	145 8196 000	2	BALL BEARING
19	145 4769 000	1	HUB MAIN BROOM
20	146 1489 000	1	KEY 4X4X15 UNI6604A
21	145 1791 000	1	PIN MAIN BROOM
22	33004350	4	SCREW M6X40 UNI5931
23	33004442	1	SCREW M12X70 UNI5931
24	146 1018 000	1	BROOM MAIN 300X800 PPL0,8
<b>24*</b>	<b>145 6135 000</b>	<b>1</b>	<b>BROOM MAIN 300X800</b>
<b>24*</b>	<b>145 4963 000</b>	<b>1</b>	<b>BROOM MAIN 300X800</b>
25	146 0830 000	1	KEY 5X5X36 UNI6604A
26	33006162	1	RING D 32 UNI7437
27	145 8197 000	1	KEY 4X4X20 UNI6604A
28	145 0269 000	1	HUB
29	145 0270 000	1	BALL BEARING 6001 2RS
30	145 0271 000	1	SPRING
31	146 2792 000	1	MOTOR BROOM MAIN KIT
32	145 8360 000	4	CARBON BRUSHES
33	145 1849 000	1	PULLEY HTD 20 5M 15 6F
34	145 1850 000	1	PULLEY HTD 60 5M 15 6W
35	145 1851 000	1	BELT HTD 5M 15 710
36	145 5035 000	1	KNOB M8



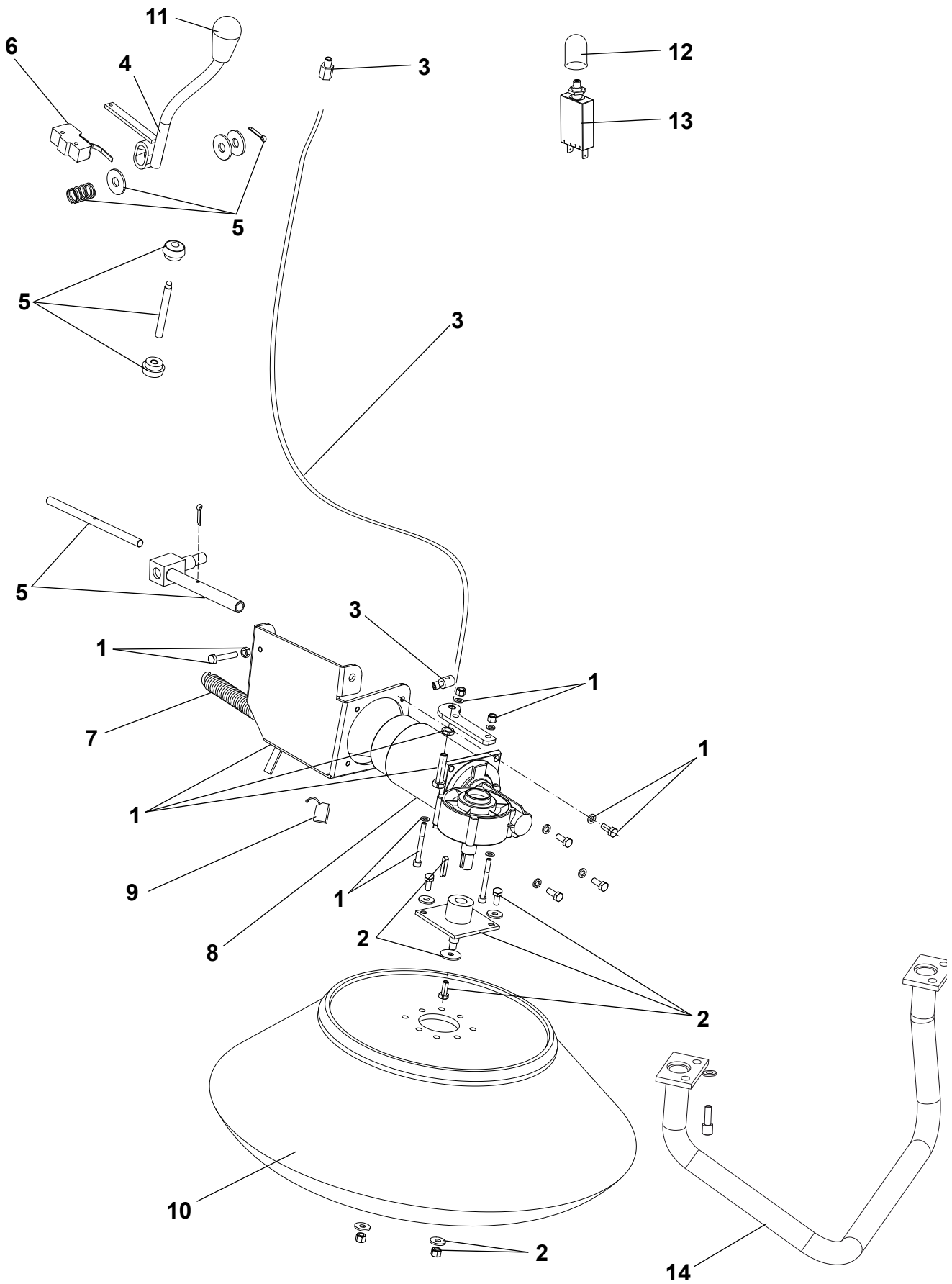
2008-07

## RIGHT SIDE BROOM ASSEMBLY

Terra™ 5200B

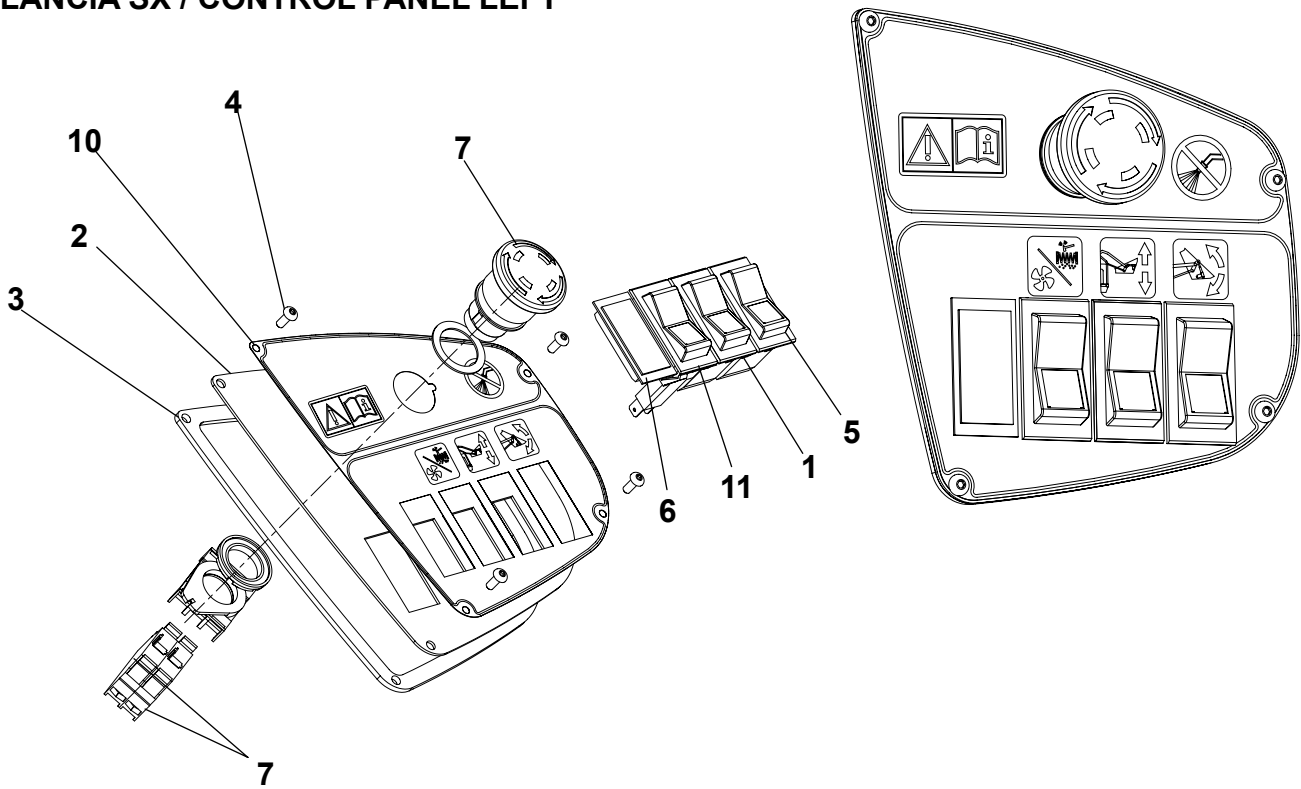
25

Item	Ref. No.	Qty	Description
1	1463594000	1	RIGHT BRACKET KIT
2	1463595000	1	HUB KIT
3	1463596000	1	RIGHT SIDE BROOM CABLE KIT
4	1463371000	1	LEVER RIGHT SIDE BROOM
5	1463597000	1	HARDWARE SIDE BROOM KIT
6	145 9679 000	1	MICROSWITCH 16A 250V
7	146 0986 000	1	SPRING
8	146 1039 000	1	REDUCTION GEARMOTOR 90W
9	145 5125 000	2	CARBON BRUSH
10	146 1025 000	1	BROOM SIDE 280x500 PPL
<b>10*</b>	<b>146 1148 000</b>	<b>1</b>	<b>BROOM SIDE 280X500</b>
<b>10*</b>	<b>146 1149 000</b>	<b>1</b>	<b>BROOM SIDE 280X500</b>
11	146 0975 000	1	KNOB

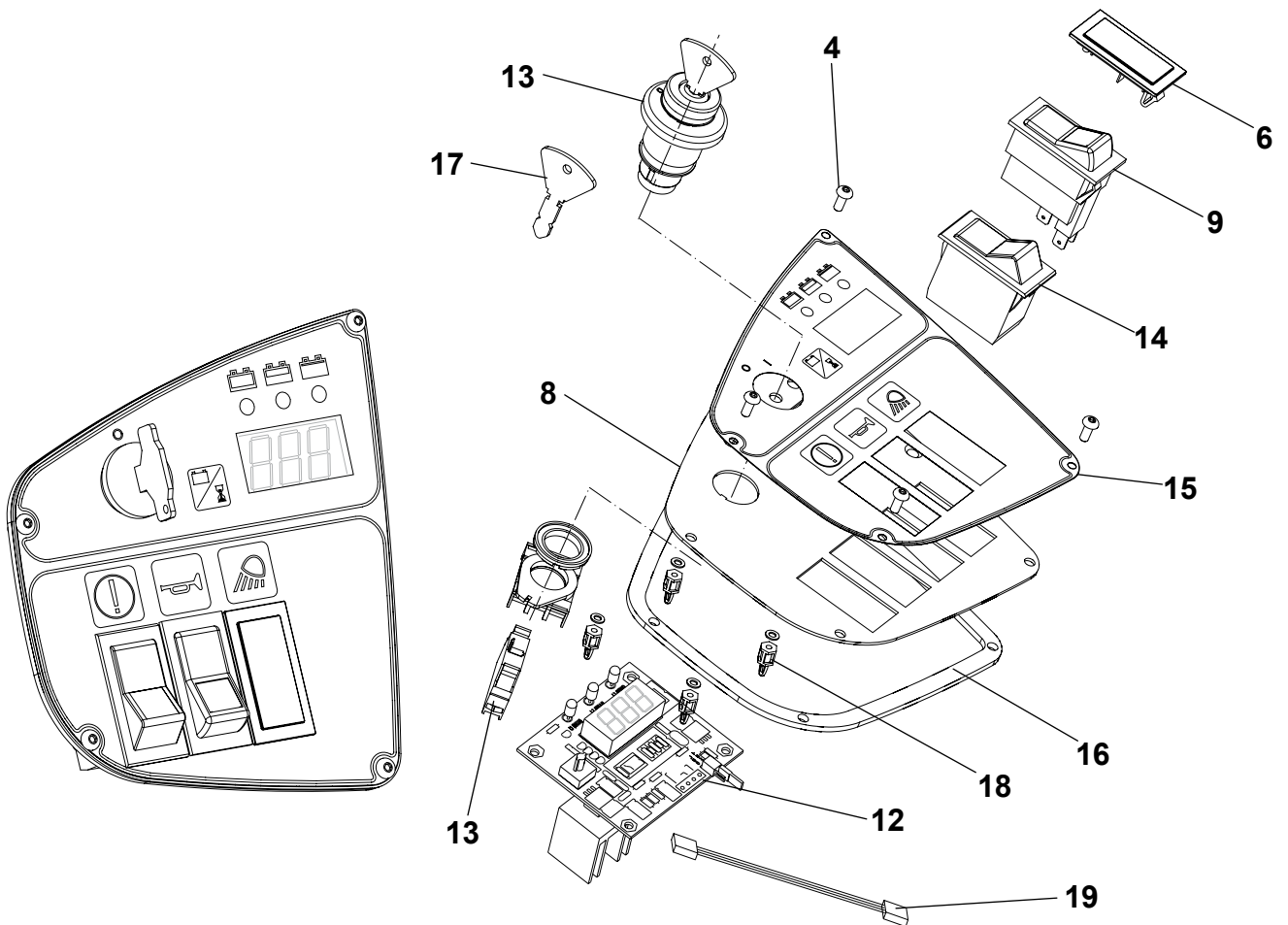


Item	Ref. No.	Qty	Description
1	1463716000	1	LEFT BRACKET KIT
2	1463595000	1	HUB KIT
3	1463715000	1	LEFT SIDE BROOM CABLE KIT
4	1463372000	1	LEVER LEFT SIDE BROOM
5	1463597000	1	HARDWARE SIDE BROOM KIT
6	145 9679 000	1	MICROSWITCH 16A 250V
0	146 0854 000	1	HARNESS MICROSWITCH
7	146 0986 000	1	SPRING
8	146 1135 000	1	REDUCTION GEARMOTOR 90W
9	145 5125 000	2	CARBON BRUSH
10	146 1025 000	1	BROOM SIDE 280x500 PPL
<b>10*</b>	<b>146 1148 000</b>	<b>1</b>	<b>BROOM SIDE 280X500</b>
<b>10*</b>	<b>146 1149 000</b>	<b>1</b>	<b>BROOM SIDE 280X500</b>
11	146 0975 000	1	KNOB
12	146 0841 000	1	CAP,PROTECTION FUSE
13	L08812633	1	CIRCUIT BREAKER 10A
14	1463721000	1	PROTECTION SIDE LEFT BROOM

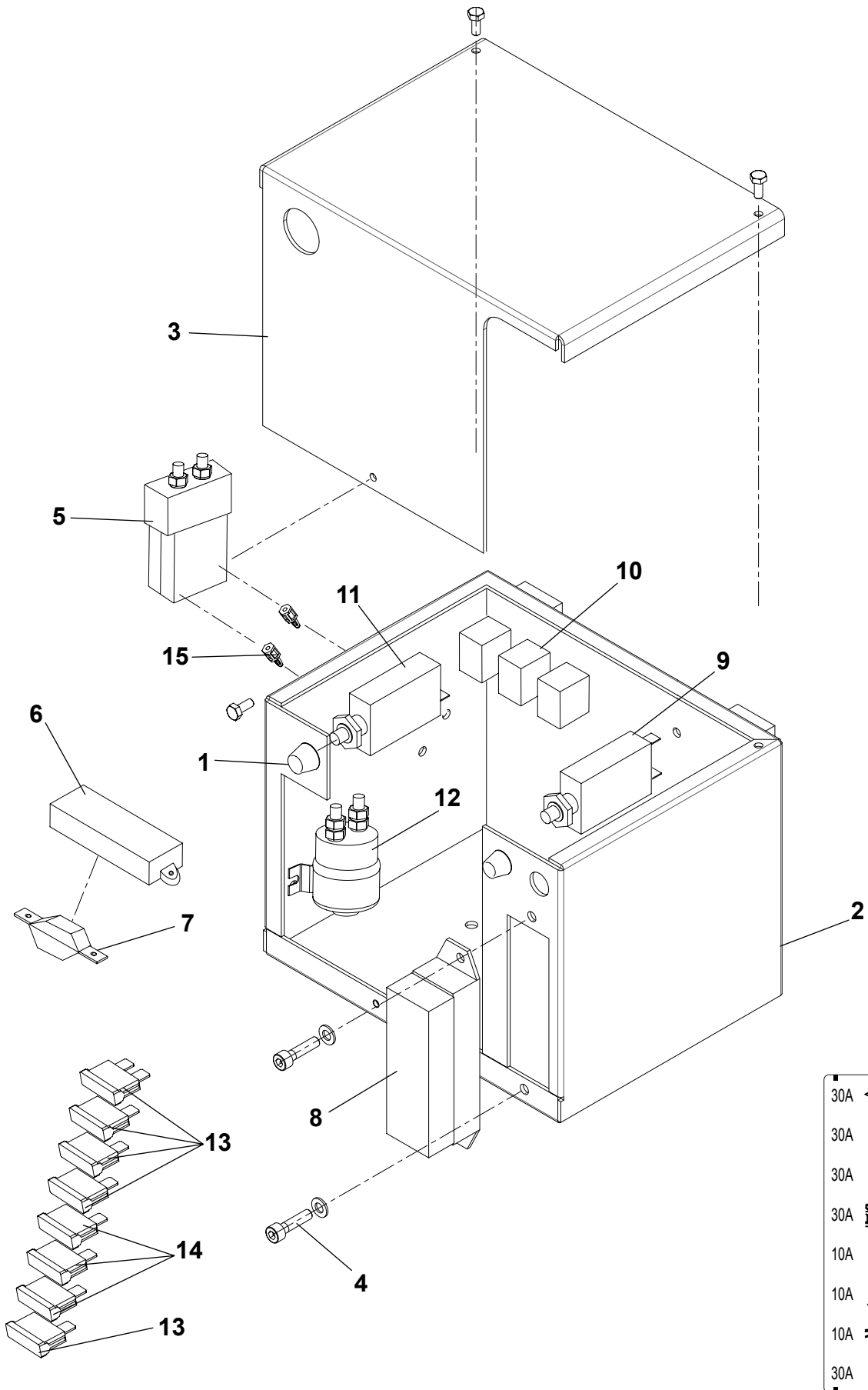
PLANCIA SX / CONTROL PANEL LEFT



PLANCIA DX / CONTROL PANEL RIGHT



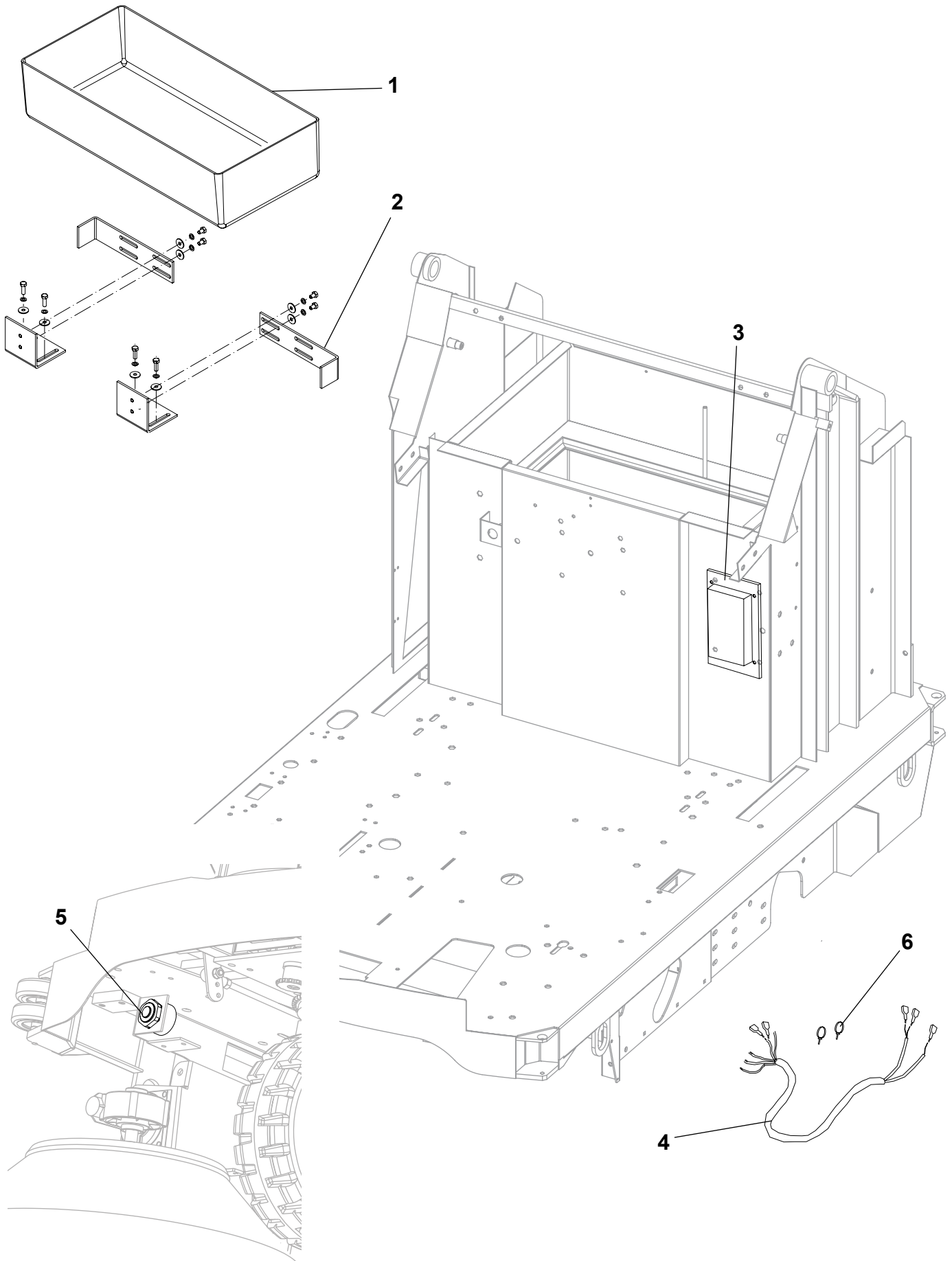
Item	Ref. No.	Qty	Description
1	146 0846 000	1	BUTTON
2	146 1021 000	1	CONTROL PANEL RIGHT
3	146 1230 000	1	GASKET,RIGHT CONTR. PANEL
4	145 0572 000	8	SCREW
5	146 0847 000	1	BUTTON
6	146 1284 000	2	CAP
7	1463710000	1	SWITCH EMERGENCY KIT
8	146 2071 000	1	CONTROL PANEL LEFT
9	145 8180 000	1	HORN SWITCH
10	1463390000	1	DECAL CONTROL PANEL RIGHT
11	1463368000	1	SWITCH
12	146 1721 000	1	COUNTER HOUR 24V
13	1463729000	1	SWITCH KEY KIT
14	146 0845 000	1	WASTE CONT.SAFETY SWITCH
15	1463389000	1	DECAL CONTROL PANEL LEFT
16	146 1231 000	1	GASKET,LEFT CONTR. PANEL
17	1463253000	1	KEY
18	146 0657 000	4	SPACER
19	1463524000	1	HARNESS CONTROL PANEL



- 30A
- 30A
- 30A
- 30A
- 10A
- 10A
- 10A
- 30A



Item	Ref. No.	Qty	Description
1	146 0841 000	3	CAP,PROTECTION FUSE
2	146 2414 000	1	BOX, ELECTRIC COMPONENTS
3	146 2415 000	1	COVER
4	146 1194 000	1	HARDWARE, EL.COMP. BOX
5	146 0839 000	1	SWITCH ELECTROMAGNETIC
6	146 1169 000	1	HOLDER,FUSE
7	146 0840 000	1	FUSE MEGAFUSE 150A
8	146 1170 000	1	HOLDER,FUSE 8 WAYS
9	L08812633	2	CIRCUIT BREAKER 10A
10	145 3712 000	3	RELAY 24V
11	909 5706 000	1	CIRCUIT BREAKER 30A
12	145 0300 000	1	SWITCH ELECTROM.24V 120A
13	145 8513 000	5	FUSE BLADE 30A UL
14	146 0068 00	3	FUSE 10A
15	146 0627 000	2	SPACER M4 L10
0	1463526000	1	HARNESS EL.COMPON.BOX



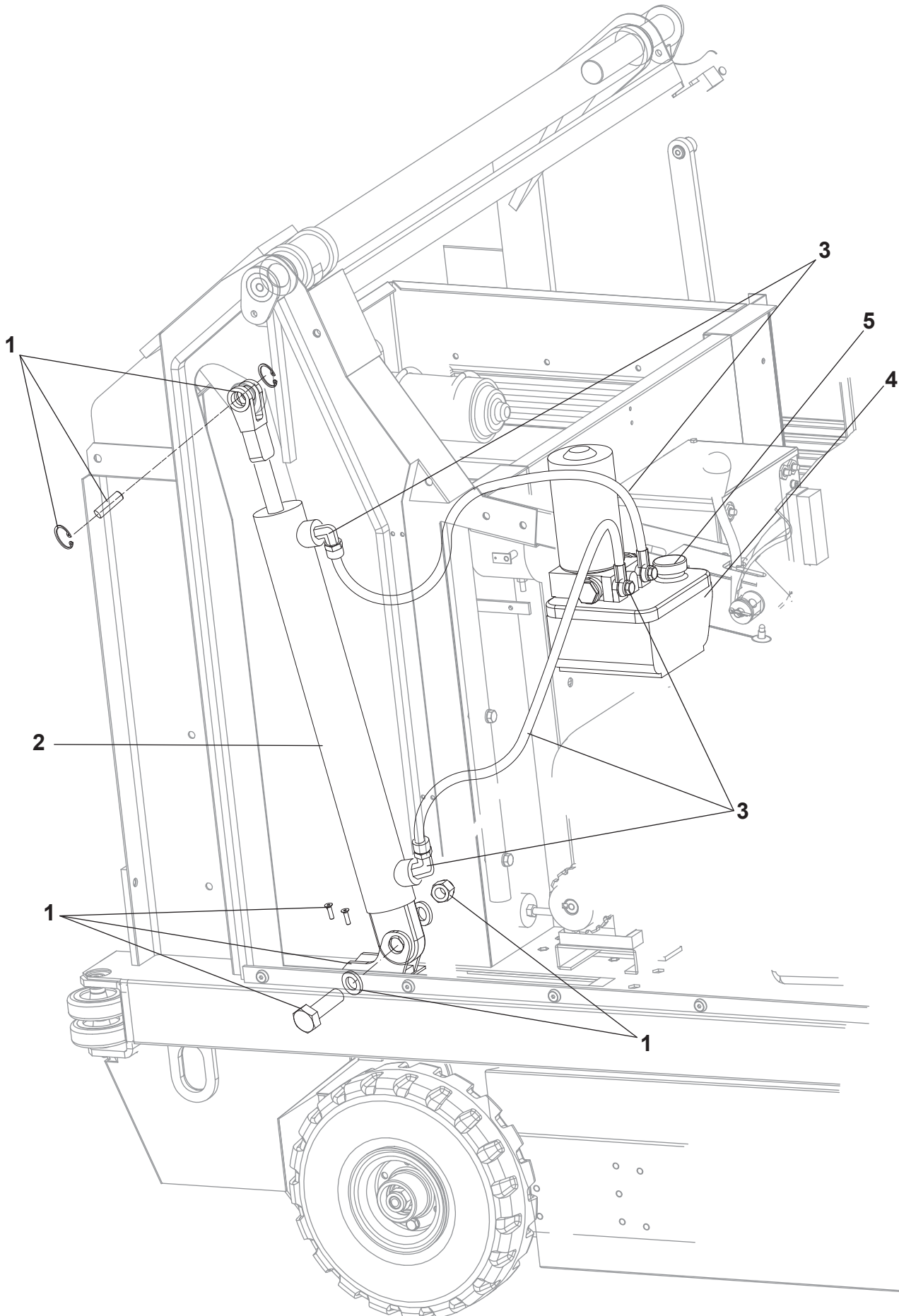
2008-07

**ELECTRICAL COMPONENTS**

**Terra™ 5200B**

**33**

Item	Ref. No.	Qty	Description
1	145 6126 000	1	CONTAINER BATTERY
2	1463730000	1	HARDWARE ELECTRICAL COMPONENTS KIT
3	146 0838 000	1	BOARD ELECTR.,TRACTION
4	1463525000	1	HARNESS MACHINE
5	909 6126 000	1	BUZZER 5-32V
6	146 0987 000	2	CLAMP



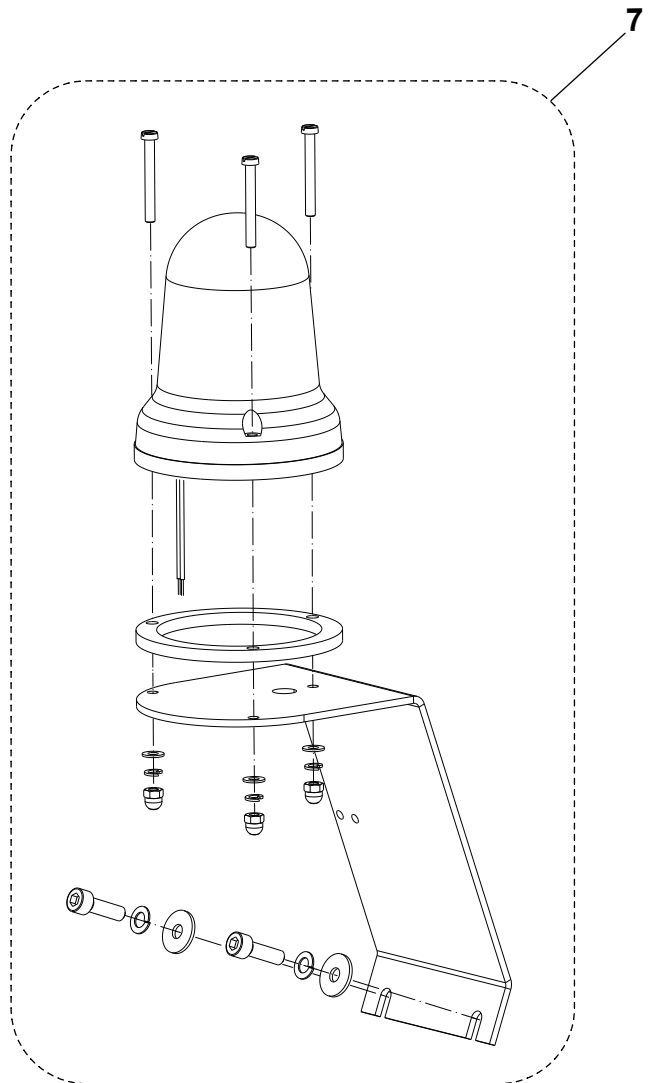
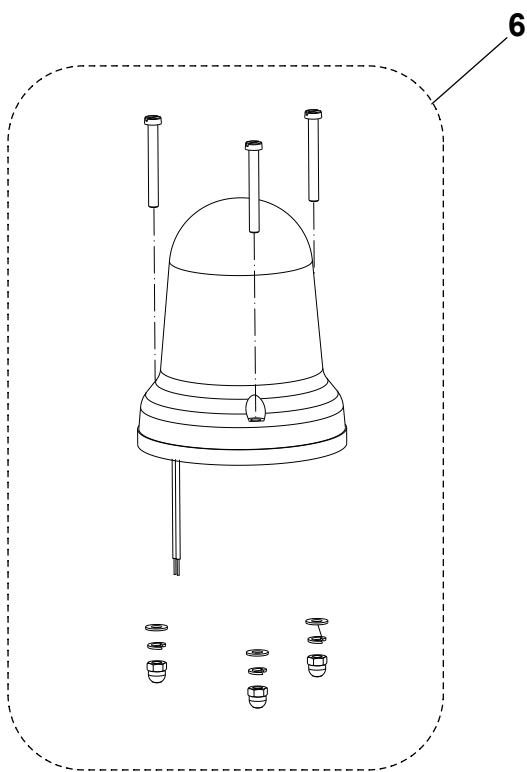
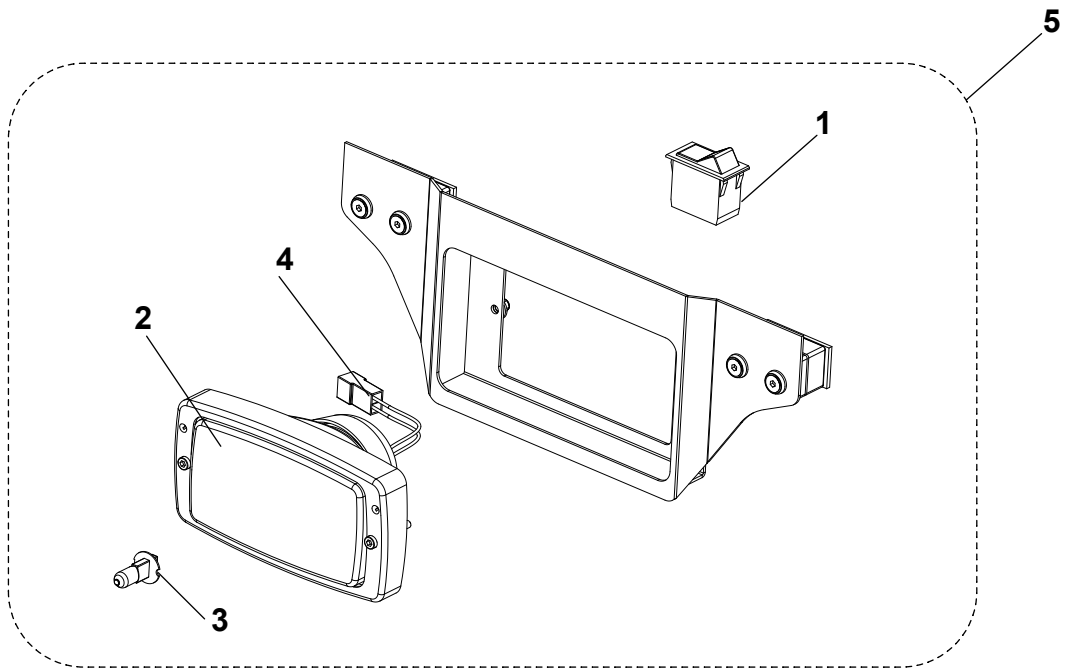
2008-07

**HYDRAULIC SYSTEM**

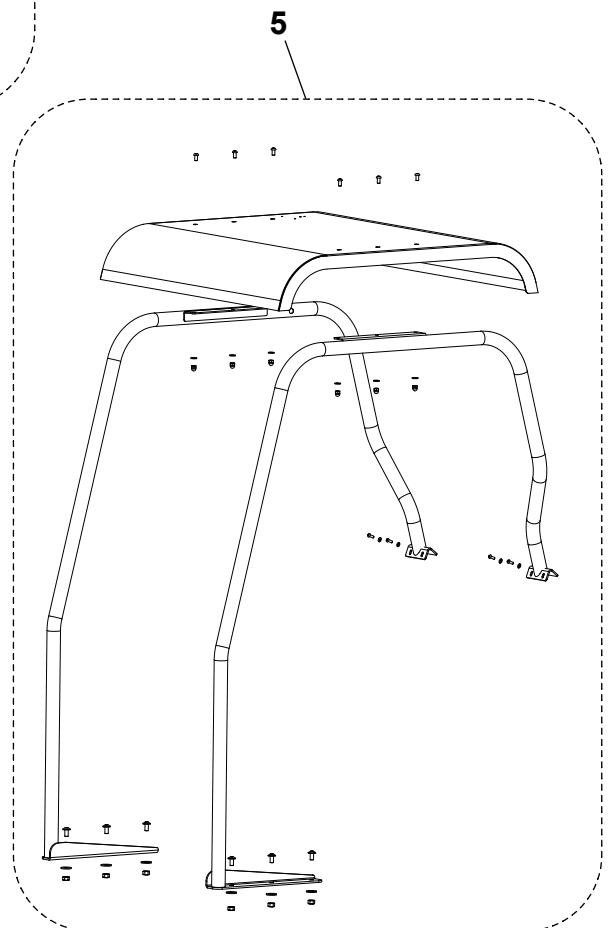
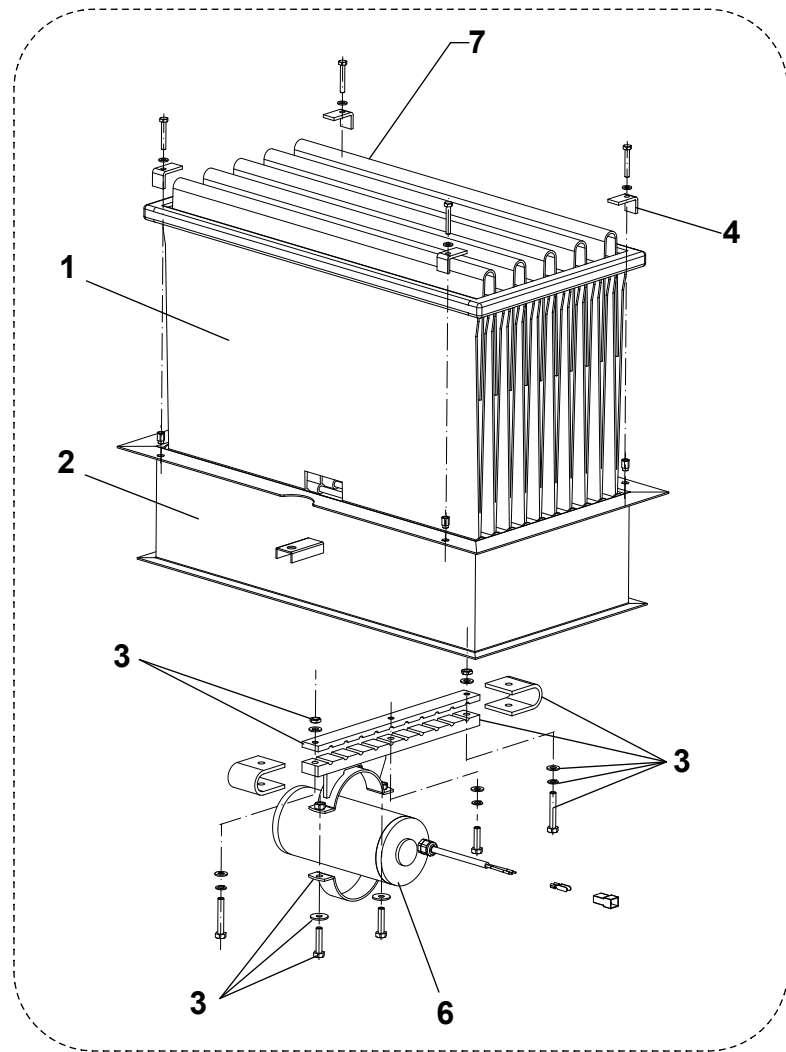
**Terra™ 5200B**

**35**

Item	Ref. No.	Qty	Description
1	1463711000	1	HYDRAULIC SYSTEM KIT
2	146 0885 000	1	CYLINDER HIDRAULIC
3	1463815000	1	HOSES HYDRAULIC CYLINDER KIT
4	146 0921 000	1	GEARCASE, HYDRAULIC 24V
5	146 1868 000	1	CAP RED

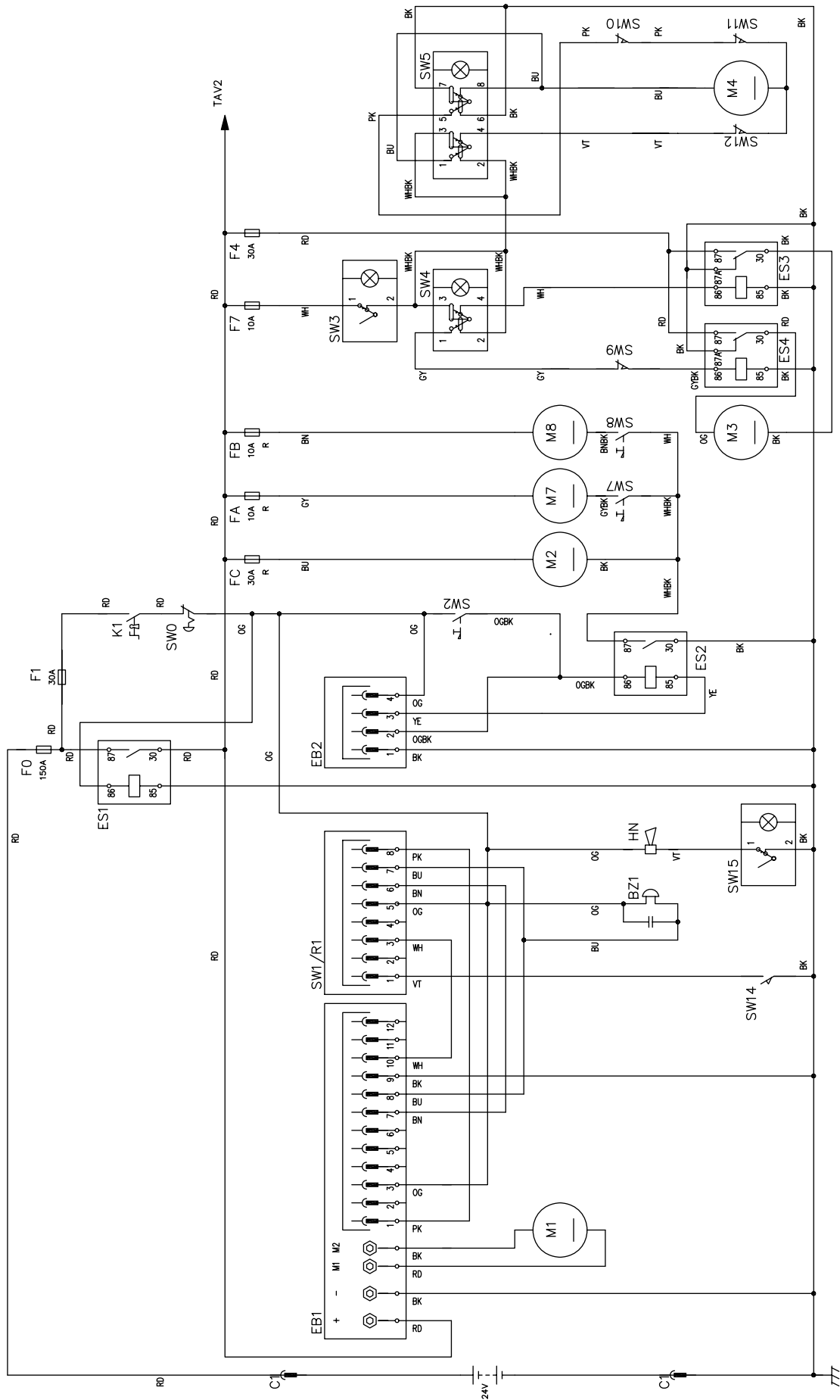


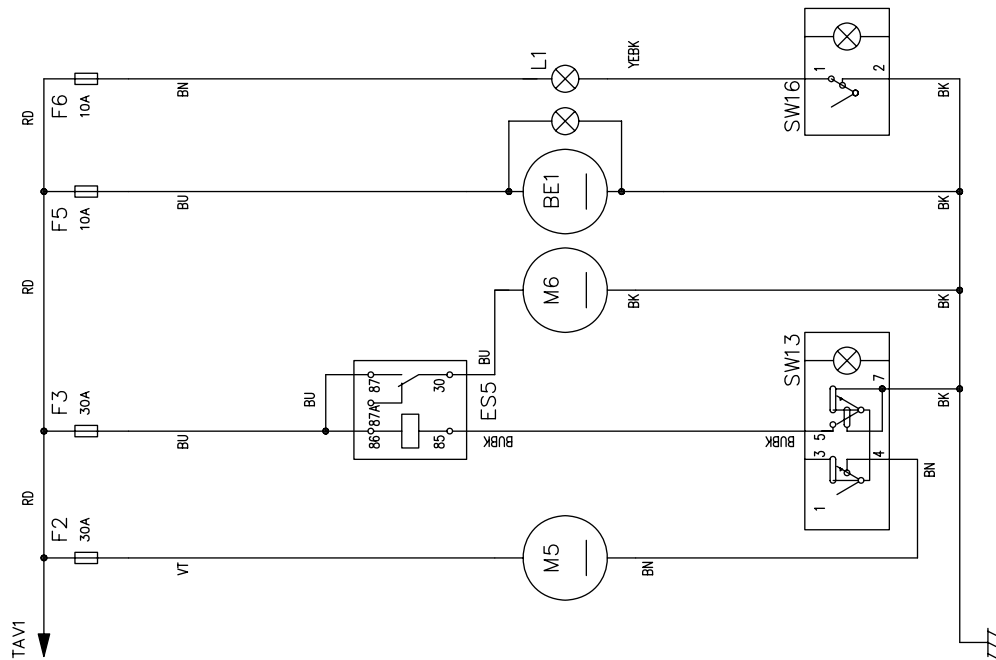
Item	Ref. No.	Qty	Description
1	146 1167 000	1	SWITCH
2	146 1196 000	1	WORKING LIGHT
3	146 1198 000	1	LAMP
4	146 2179 000	1	HARNES
<b>5*</b>	<b>146 2180 000</b>	<b>1</b>	<b>LIGHT, WORKING KIT 24V</b>
0	146 1713 000	1	INSTRUCTIONS INSTALLATION
<b>6*</b>	<b>146 2098 000</b>	<b>1</b>	<b>BEACON FL.OV/HD GUARD KIT</b>
0	146 2099 000	1	INSTRUCTIONS INSTALLATION
<b>7*</b>	<b>146 1157 000</b>	<b>1</b>	<b>BEACON FLASH.ON SUP.KIT</b>
0	146 1156 000	1	INSTRUCTIONS INSTALLATION





Item	Ref. No.	Qty	Description
1	146 1239 000	1	FILTER, CLOTH POCKET
2	146 2776 000	1	SUPPORT FILTER
3	1463717000	1	HARDWARE FILTER CLOTH POCKET KIT
4	146 1664 000	4	BRACKET, FILTER FIXING
<b>5*</b>	<b>146 2093 000</b>	<b>1</b>	<b>GUARD OVERHEAD KIT</b>
0	146 2097 000	1	INSTRUCTIONS INSTALLATION
6	146 2269 000	1	MOTOR FILTER SHAKER KIT
7	146 1674 000	1	SEPARATOR, FILTER CLOTH
<b>8*</b>	<b>146 2677 000</b>	<b>1</b>	<b>FILTER, CLOTH POCKET KIT</b>
0	146 1235 000	1	INSTRUCTIONS INSTALLATION





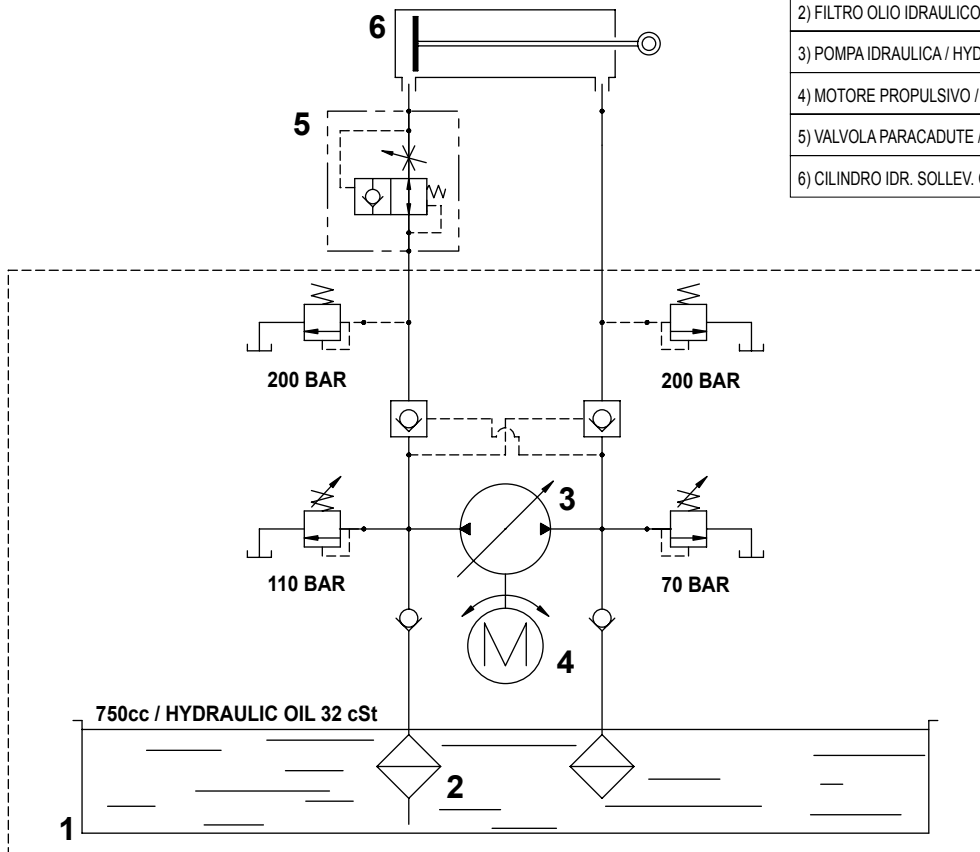
COMPONENTI	COMPONENTS	
BE1	GIROFARO (OPT)	BEACON (OPT)
BZ1	BUZZER	BUZZER
C1	CONNETTORE BATTERIA	BATTERIES CONNECTOR
EB1	SCHEDA TRAZIONE	TRACTION BOARD
EB2	SCHEDA DISPLAY	DISPLAY BOARD
ES1	RELE' GENERALE	LINE EL. SWITCH
ES2	RELE' SPAZZOLA PRINCIPALE	MAIN BRUSH EL. SWITCH
ES3	RELE' POMPA (ALTO)	PUMP RELAYS (UP)
ES4	RELE' POMPA (BASSO)	PUMP RELAYS (DOWN)
ES5	RELE' ASPIRAZIONE	VACUUM RELAYS
F0	FUSIBILE PRINCIPALE	MAIN FUSE
F1	FUSIBILE CHIAVE	KEY FUSE
F2	FUSIBILE SCUOTIFILTRO	FILTER SHAKER FUSE
F3	FUSIBILE ASPIRAZIONE	VACUUM MOTOR FUSE
F4	FUSIBILE POMPA	PUMP FUSE
F5	FUSIBILE GIROFARO	BEACON FUSE
F6	FUSIBILE LUCI LAVORO	WORKING LIGHT FUSE
F7	FUSIBILE MARTINETTO	ACTUATOR FUSE
FA	FUSIBILE RIPRIST. SPAZZOLA DESTRA	RIGHT BRUSH CIRCUIT BREAKER
FB	FUSIBILE RIPRIST. SPAZZOLA SINISTRA	LEFT BRUSH CIRCUIT BREAKER (OPT)
FC	FUSIBILE RIPRIST. SPAZZOLA PRINCIPALE	MAIN BRUSH CIRCUIT BREAKER
K1	CHIAVE AVVIAMENTO	KEY SWITCH
HN	CLACSON	HORN
L1	FARI DI LAVORO (OPT)	WORKING LIGHT (OPT)
M1	MOTORE TRAZIONE	DRIVE MOTOR
M2	MOTORE SPAZZOLA PRINCIPALE	MAIN BRUSH MOTOR
M3	POMPA	PUMP
M4	MARTINETTO	ACTUATOR
M5	MOTORE SCUOTIFILTRO	SHAKER MOTOR
M6	MOTORE ASPIRAZIONE	VACUUM MOTOR
M7	MOTORE SPAZZOLA DESTRA	R BRUSH MOTOR
M8	MOTORE SPAZZOLA SINISTRA (OPT)	L BRUSH MOTOR (OPT)
R1	POTENZIOMETRO	DRIVE POT.
SW0	PULSANTE D' EMERGENZA	EMERGENCY STOP SWITCH
SW1	INTERRUTTORE MARCIA AVANTI-INDIETRO	DRIVE FW-REW MODE SWITCH
SW2	LEVA SPAZZOLA PRINCIPALE	MAIN BRUSH SWITCH
SW3	INTERRUTTORE SICUREZZA CASSONE	HOPPER SAFETY SWITCH
SW4	INTERRUTTORE CASSONE ALTO-BASSO	HOPPER UP-DOWN SWITCH
SW5	INTERRUTTORE APERTURA-CHIUSURA CASSONE	HOPPER OPEN-CLOSE SWITCH
SW7	LEVA SPAZZOLA DESTRA	R BRUSH SWITCH
SW8	LEVA SPAZZOLA SINISTRA (OPT)	L BRUSH SWITCH (OPT)
SW9	FINECORSO CASSONE ORIZZONTALE	ORIZ. HOPPER MICROSWITCH
SW10	FINECORSO CASSONE ALTO	UP HOPPER MICROSWITCH
SW11	FINECORSO CASSONE APERTO	OPEN HOPPER MICROSWITCH
SW12	FINECORSO CASSONE CHIUSO	CLOSE HOPPER MICROSWITCH
SW13	INTERRUTTORE ASPIRAZIONE-SCUOTIFILTRO	VACUUM / SHAKER SWITCH
SW14	MICRO SICUREZZA SEDILE	SAFETY SWITCH (SEAT)
SW15	INTERRUTTORE CLACSON	HORN SWITCH
SW16	INTERRUTTORE LUCE DI LAVORO (OPT)	WORKING LIGHT SWITCH (OPT)

COLORI		COLORS
BK	NERO	BLACK
BN	MARRONE	BROWN
BU	AZZURRO	BLUE
GN	VERDE	GREEN
GY	GRIGIO	GREY
OG	ARANCIO	ORANGE
PK	ROSA	PINK
RD	ROSSO	RED
VT	VIOLA	VIOLET
WH	BIANCO	WHITE
YE	GIALLO	YELLOW

**SCHEMA IDRAULICO DELL'IMPIANTO DI SOLLEVAMENTO CONTENITORE RIFIUTI  
HOPPER LIFTING SYSTEM HYDRAULIC DIAGRAM**

**LEGENDA / KEY**

1) SERBATOIO OLIO IDRAULICO / HYDRAULIC OIL TANK
2) FILTRO OLIO IDRAULICO / HYDRAULIC OIL FILTER
3) POMPA IDRAULICA / HYDRAULIC PUMP
4) MOTORE PROPULSIVO / ENGINE
5) VALVOLA PARACADUTE / HOSE BURST VALVE
6) CILINDRO IDR. SOLLEV. CASSONE / DUMPER LIFTING CYLINDER



Ref. No.	Qty	Description	Ref. No.	Qty	Description
		<b>ROTOMOLDED ASSEMBLY</b>			<b>WASTE CONTAINER ASSEMBLY</b>
145 5975 000	1	SEAT	1463584000	1	GASKETS WASTE CONTAINER KIT
1463569000	1	PANEL FRONT KIT	1463585000	7	SUPPORT LEVERS KIT
1463564000	1	PROTECTION KIT	146 1994 000	1	HARNES CONTAINER
1463719000	1	HINGE KIT	146 0848 000	1	MICROSWITCH 16A 250V
			146 0929 000	1	ACTUATOR 24V
		<b>CHASSIS ASSEMBLY</b>			<b>FILTER ASSEMBLY</b>
1463566000	1	ROLLER BUMPER KIT			
1463567000	1	PROTECTION SIDE RIGHT BROOM	146 1158 000	1	GASKET
1463568000	1	MICROSWITCH KIT	1463523000	1	FILTER AIR PANEL
145 9679 000	1	MICROSWITCH 16A 250V	1463776000	1	HARDWARE FILTER SHAKER MOTOR KIT
145 4654 000	1	SKIRT REAR			
145 4657 000	1	PLATE REAR SKIRT	145 5035 000	2	KNOB M8
1463322000	2	BLOCK	145 5539 000	1	MOTOR FILTER SHAKER 90W
145 5929 000	1	PLATE SIDE SKIRT			<b>VACUUM MOTOR</b>
145 5927 000	1	SKIRT SIDE			
		<b>DRIVE ASSEMBLY</b>	1463588000	1	MOTOR VACUUM KIT
			1463589000	1	CABLE MOTOR VACUUM KIT
1463723000	1	SUPPORTS DRIVE KIT	1463590000	1	LATCH KIT
146 1016 000	1	MOTOR DRIVE 750W 24V	146 1147 000	1	GASKET
L08603949	1	BRUSH CARBON KIT (4PCS)	1463310000	1	SUPPORT VACUUM MOTOR
1463724000	1	PINION KIT			<b>MAIN BROOM CONTROL ASSEMBLY</b>
1463726000	1	BATTERY HARNES KIT			
1463575000	1	BRAKE REAR KIT	146 0975 000	1	KNOB
146 1875 000	2	WHEEL REAR	1463318000	1	LEVER MAIN BROOM
146 1114 000	2	CHAIN	1463356000	1	SPRING
146 2335 000	1	CABLE BRAKE RIGHT	1463591000	1	HARDWARE CONTROLLER MAIN BROOM KIT
146 2336 000	1	CABLE BRAKE LEFT			
		<b>STEERING ASSEMBLY</b>	145 9578 000	1	SPRING
			145 9679 000	1	MICROSWITCH 16A 250V
146 0961 000	1	PLUNGER INDEXING			<b>MAIN BROOM ASSEMBLY</b>
1463431000	1	CHAIN 3/8 - 67 PASSI			
146 1876 000	1	WHEEL FRONT	1463593000	1	HARDWARE MAIN BROOM KIT
145 2357 000	2	BALL BEARING 6207 2RS	145 1891 000	4	COLLAR PIPE FIXING D.18
145 2586 000	1	FLANGE	1463320000	1	SHAFT MAIN BROOM
145 2587 000	1	FLANGE	1463530000	1	GASKET MAIN BROOM PROTEC.
145 2714 000	1	CROWN	1463592000	1	SPRING GAS KIT
146 0991 000	1	CABLE	145 8196 000	2	BALL BEARING
146 1722 000	1	WHEEL, STEERING D.362	145 4769 000	1	HUB MAIN BROOM
145 8881 000	1	CLACSON	145 1791 000	1	PIN MAIN BROOM
		<b>CONTROL PEDALS ASSEMBLY</b>	146 1018 000	1	BROOM MAIN 300X800 PPL0,8
			145 0269 000	1	HUB
1463582000	1	PEDAL SKIRT RAISING DEVICE KIT	145 0270 000	1	BALL BEARING 6001 2RS
1463728000	1	TENSION ROD KIT	145 0271 000	1	SPRING
145 8478 000	2	COVER,PEDAL	146 2792 000	1	MOTOR BROOM MAIN KIT
1463583000	1	PEDAL BRAKE KIT	145 8360 000	4	CARBON BRUSHES
1463727000	1	PEDAL SPEED CONTROL KIT	145 1849 000	1	PULLEY HTD 20 5M 15 6F
1463363000	1	CABLE	145 1850 000	1	PULLEY HTD 60 5M 15 6W
1463581000	1	SKIRT RAISING DEVICE KIT	145 1851 000	1	BELT HTD 5M 15 710
145 4653 000	1	SKIRT FRONT	145 5035 000	1	KNOB M8
146 0986 000	1	SPRING	145 5927 000	1	SKIRT SIDE
145 1935 000	2	SPRING	145 5929 000	1	PLATE SIDE SKIRT
146 1154 000	1	MAT, ANTISKID			
146 0895 000	2	SPRING,ZERO ADJUSTER			
146 0844 000	1	BOARD, PEDAL CONTROL			

**RECOMMENDED SPARE PARTS**

**2008-07**

**44**

**Terra™ 5200B**

Ref. No.	Qty	Description	Ref. No.	Qty	Description
<b>RIGHT SIDE BROOM ASSEMBLY</b>			<b>ELECTRICAL COMPONENTS</b>		
1463594000	1	RIGHT BRACKET KIT	146 0838 000	1	BOARD ELECTR.,TRACTION
1463595000	1	HUB KIT	1463525000	1	HARNESS MACHINE
1463596000	1	RIGHT SIDE BROOM CABLE KIT	909 6126 000	1	BUZZER 5-32V
1463371000	1	LEVER RIGHT SIDE BROOM			
1463597000	1	HARDWARE SIDE BROOM KIT			<b>HYDRAULIC SYSTEM</b>
145 9679 000	1	MICROSWITCH 16A 250V	146 0885 000	1	CYLINDER HIDRAULIC
146 0986 000	1	SPRING	1463815000	1	HOSES HYDRAULIC CYLINDER KIT
146 1039 000	1	REDUCTION GEARMOTOR 90W	146 0921 000	1	GEARCASE, HYDRAULIC 24V
145 5125 000	2	CARBON BRUSH	146 1868 000	1	CAP RED
146 1025 000	1	BROOM SIDE 280x500 PPL			<b>HYDRAULIC HOSE SYSTEM</b>
146 0975 000	1	KNOB	146 1086 000	1	TANK OIL KIT
<b>LEFT SIDE BROOM ASSEMBLY</b>					
1463716000	1	LEFT BRACKET KIT			
1463595000	1	HUB KIT			
1463715000	1	LEFT SIDE BROOM CABLE KIT			
1463372000	1	LEVER LEFT SIDE BROOM			
1463597000	1	HARDWARE SIDE BROOM KIT			
145 9679 000	1	MICROSWITCH 16A 250V			
146 0986 000	1	SPRING			
146 1039 000	1	REDUCTION GEARMOTOR 90W			
145 5125 000	2	CARBON BRUSH			
146 1025 000	1	BROOM SIDE 280x500 PPL			
146 0975 000	1	KNOB			
1463721000	1	PROTECTION SIDE LEFT BROOM			
<b>CONTROL PANEL</b>					
146 0846 000	1	BUTTON			
146 0847 000	1	BUTTON			
146 1284 000	2	CAP			
1463710000	1	SWITCH EMERGENCY KIT			
145 8180 000	1	HORN SWITCH			
1463390000	1	DECAL CONTROL PANEL RIGHT			
1463368000	1	SWITCH			
1463729000	1	SWITCH KEY KIT			
146 0845 000	1	WASTE CONT.SAFETY SWITCH			
1463389000	1	DECAL CONTROL PANEL LEFT			
146 1721 000	1	BOARD ELECTRONIC DISPLAY			
146 1231 000	1	GASKET,LEFT CONTR. PANEL			
1463253000	1	KEY			
<b>ELECTRIC COMPONENTS BOX</b>					
146 0839 000	1	SWITCH ELECTROMAGNETIC			
146 1169 000	1	HOLDER,FUSE			
146 0840 000	1	FUSE MEGAFUSE 150A			
146 1170 000	1	HOLDER,FUSE 8 WAYS			
L08812633	2	CIRCUIT BREAKER 10A			
145 3712 000	3	RELAY 24V			
909 5706 000	1	CIRCUIT BREAKER 30A			
145 0300 000	1	SWITCH ELECTROM.24V 120A			
145 8513 000	5	FUSE BLADE 30A UL			
146 0068 00	3	FUSE 10A			

Ref. No.	Qty	Description
146 1151 000	1	NON MARKING REAR SKIRT
146 1150 000	2	NON MARKING SIDE SKIRT
146 0330 000	2	WHEEL REAR NON MARKING
146 0329 000	1	WHEEL,FRONT NON MARKING
146 1152 000	1	SKIRT FRONT NON MARKING
145 6013 000	1	FILTER POLYESTER
145 6135 000	1	BROOM MAIN 300X800
145 4963 000	1	BROOM MAIN 300X800
146 1148 000	1	BROOM SIDE 280X500
146 1149 000	1	BROOM SIDE 280X500
146 2180 000	1	LIGHT, WORKING KIT 24V
146 2098 000	1	BEACON FL.OV/HD GUARD KIT
146 1157 000	1	BEACON FLASH.ON SUP.KIT
146 2093 000	1	GUARD OVERHEAD KIT
146 2677 000	1	FILTER, CLOTH POCKET KIT



**Nilfisk-Advance, Inc.**

14600 21st Avenue North  
Plymouth, MN, 55447-3408  
[www.nilfisk-advance.com](http://www.nilfisk-advance.com)

Phone: 800-989-2235

Fax: 800-989-6566

©2008 Nilfisk-Advance, Inc.,  
Plymouth, MN 55447-3408

Printed in Italy