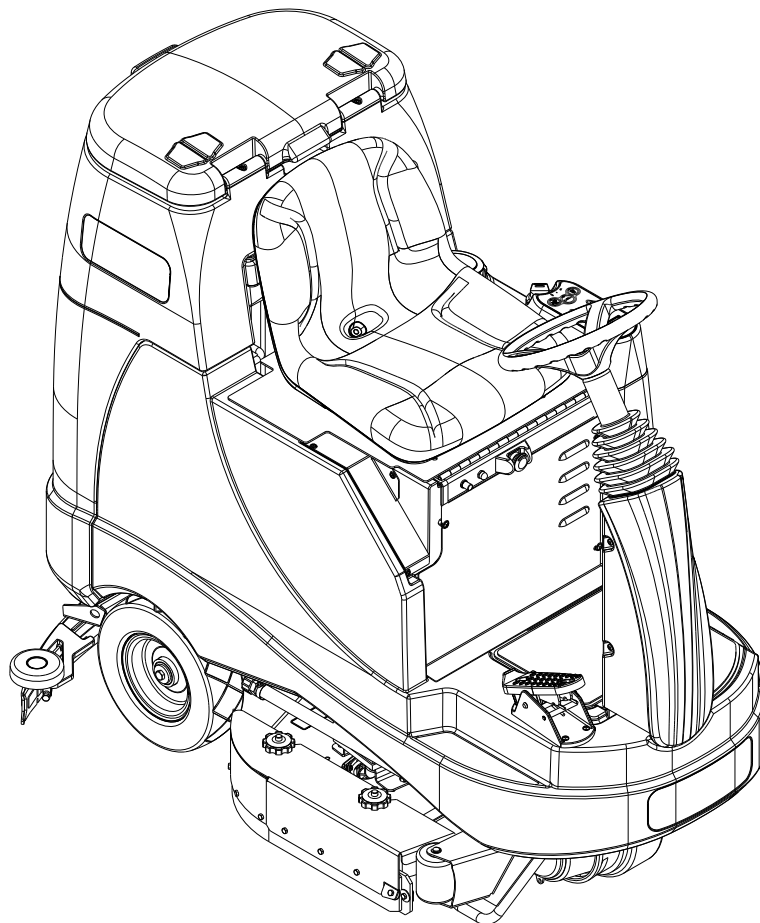


Advenger™ 2800ST, 3400ST

Parts List

11/2008 revised 3/2018 REV I
Form no. 56042495



Active Models:

56601000 (2805D), 56601003 (2800D ST), 56601004 (3400D ST) 56601005 (X2805D),
56601006 (X3405D), 56601007 (X2805C), 56601011 (X2805D-C), 56601012 (X3405D-C),
56601013 (X2805C-C) 56601891 (X2805R-C), 56601892 (X2805R)

Obsolete Models:

56601001 (3405D), 56601002 (2805C), 56601008 (2805D-C),
56601009 (3405D-C), 56601010 (2805C-C), 56601019 (2800D-C ST),
56601020 (3400D-C ST), 56601022 (3400D-C ST)

TABLE OF CONTENTS

DESCRIPTION	PAGE
Chassis System-STD, EcoFlex and REV	2-3
Chassis System-ST	4-5
Control System	6-7
Decal System.....	8-9
Electrical System	10-11
Onboard-Charger-Assy.....	12-13
Recovery System.....	14-15
Scrub System-Cylindrical.....	16-17
Scrub System-Cylindrical Skirt Assemblies	18-19
Scrub System-Disk 28 Inch	20-21
Scrub System-Disk 34 Inch	22-23
Scrub System-Disk- Skirt Assemblies.....	24-25
Scrub System-REV	26-27
Scrub System-REV Skirt Assemblies	28-29
Solution System-EcoFlex and REV	30-31
Solution System-STD	32-33
Solution System-ST	34-35
Squeegee System-STD, EcoFlex and REV	36-37
Squeegee System-ST.....	38-39
Squeegee Assy-28 Inch.....	40
Squeegee Assy-34 Inch.....	41
Ladder Diagram-STD and EcoFlex.....	42-43
Ladder Diagram-ST	44-45
Ladder Diagram-REV	46-47
Optional Kits and Accessories	48
Brush Selector Guide-Disk	49
Brush Selector Guide-Cylindrical.....	50
Squeegee Blade Selector Guide	51

WHEN ORDERING PARTS

* Use the part numbers from the "Ref. No." columns in this parts list. If the "Ref. No." column is blank; look under the "Kit" column to identify which kit contains the part in question, then use the kit callout, for example "K1", to find the "Ref. No." for that kit.

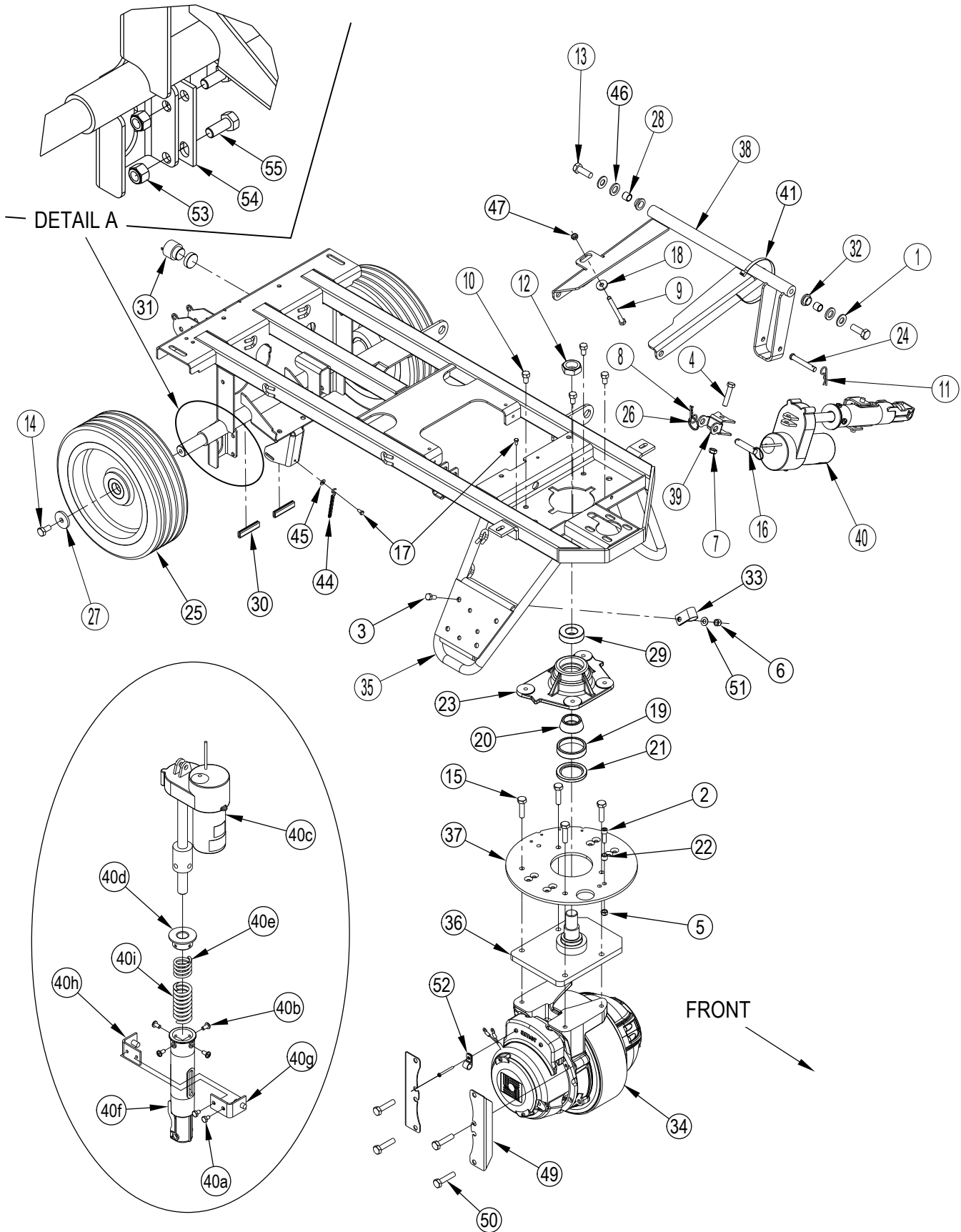
Kit	Item	Ref. No.	Qty	Description
K1	1		16	Washer Flat 3/16 Zinc Plat
K1	2		2	Screw-BHS-Brass-10-32x3/8-MS
K1	3		3	Washer EPDM 7/32 X 1/8
	4	805	1	Chain-Cover
	5	905	2	Caster Swivel 4 Gray Non MA
K1	6		2	Nut, Hex Nyl Loc 10-24
K1	7		3	Scr- Hex SS 1/4-20 X .75
K1	8		16	Scr, Hex Hd Loc 1/4-20 x .50
K1	9		3	Wsh, Flt SS .260 X 1.000 X .074
	10	56113012	1	Solution Tank
	11	56113034	2	Hinge Plate
K1		56113103	1	Kit-Hardware Solution Tank

* Specify the model number and serial number of the machine.

* Use the space below to record the model number and serial number for future reference.

Model No. _____ Serial No. _____

CHASSIS SYSTEM-STD, ECOFLEX AND REV



CHASSIS SYSTEM-STD, ECOFLEX AND REV

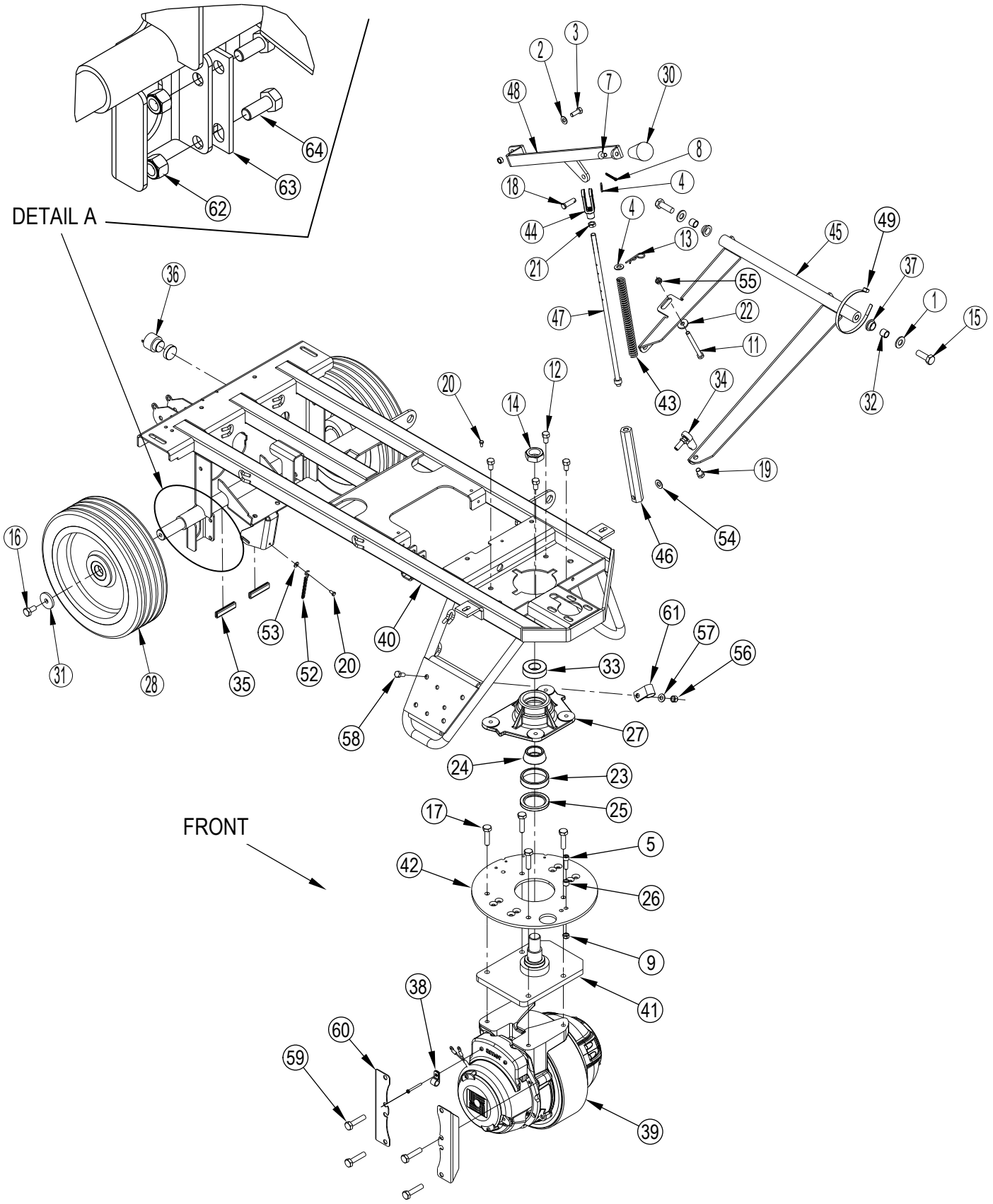
Item	Ref. No.	Qty	Description	Item	Ref. No.	Qty	Description
1	56001879	2	Wsh, Flt SAE 1/2	34	56601050	1	Motor / Drive Wheel (M1)
2	56002129	1	Scr, Soc Hd 5/16-18 X 1.00 NOTE 1	[]	56601472	1	Tire With Hub
3	56002667	1	Scr Hex 5/16-18 X .75	[]	56601473	1	Motor
4	56002684	1	Scr, Hex 3/8-16 X 1.75	[]	56601509	1	Carbon Brush Kit
5	56002826	1	Nut, Hex Nyl Loc-Thin 5/16-18 NOTE 1	[]	56601471	1	Tire
6	56002701	1	Nut Hex Nyl Loc 5/16-18	[]	56601507	1	Electromagnetic Brake
7	56002841	1	Nut, Hex Nyl Loc-Thin 3/8-16	[]	56422174	1	Tire Puller Kit
8	56002959	1	Pin, Cotter Hair	[]	56504482	1	Drive Motor Cover
9	56003008	1	Scr, Hex Thd To Hd 5/16-18 X 3.50	[]	56504481	1	Drive Motor Cover
10	56003040	4	Scr, Hex Hd Loc 3/8-16x.62	[]	56380310	1	Brake Lever Kit
11	56003120	1	Pin, Cotter Hair .0915 X .375	35	56114199	1	Chassis Weldment
12	56003220	1	Nut, Hex Nyl Loc-Thin 1-14		56601763	1	Chassis Weldment (REV)
13	56003412	2	Scr, Hex Loc M12-1.75 X 35mm	36	56601077	1	Spindle Weldt
14	56003442	2	Scr, Hex Loc M10-1.5 X 20mm	37	56314116	1	Plate, Steering
15	56003491	4	Scr, Hex M10-1.5 X 40mm	38	56601239	1	Deck Linkage Weldt
16	56003679	1	Pin, Ring .50 X 1.63		56601774	1	Deck Linkage Weldt (REV)
17	56009012	2	Scr, Hex Thd Form 10-24 X .38	39	56601328	1	Yoke, Actuator
18	56009122	1	Wsh, Flt .344 X .938 X .125	40	56601432	1	Lift Actuator Assy (M4)
19	56158143	1	Bearing Cup		56601810	1	Lift Actuator Assy (M4 / REV)
20	56158151	1	Bearing Cone	40a	56009019	2	Scr, Hex Thd Form 1/4-20 X .38
21	56171081	1	Seal, Shaft	40b	56009062	4	Scr, Pan Phil Thd Form 1/4-20 X .50
22	56244941	1	Bushing NOTE 1	40c	56393303	1	Actuator
23	56314032	1	Block, Bearing		56601811	1	Actuator (REV)
24	56003803	1	Pin-Clevis SS .375 x 2.50	40d	56396268	1	Spring Housing Guide
25#	56382693	2	Wheel TSB-FC-2015-033, TSB-FC-2017-059	40e	56412071	1	Compression Spring
26	56317071	1	Ring	40f	56412262	1	Housing, Spring
27	56367117	2	Wsh, Flt .406 X 1.5 X .1875	40g	56420019	1	Nut Retainer
28	56367206	2	Bushing	40h	56420020	1	Nut Retainer
29	56378380	1	Bearing Ball	40i	56601470	1	Compression Spring
30	56412122	2	Trim Edge	41	56477613	1	Tie-Cable
31	56412177	1	Horn/Backup Alarm (H2)	44	56601716	1	Ground Chain
32	56420160	2	Bearing, Flange	45	56009011	1	Wsh, Int Shprf 10
33	56469380	1	Clamp-P	46	56154717	2	Washer, Rubber (REV only)
				47	56009086	1	Nut Hex Jam 5/16-18 NOTE 1
				49	56344100	2	Bracket-Wheel
				50	56003445	4	Scr Hex Nyl Loc M10-1.50X45MM
				51	56002220	1	Wsh Fit Std 5/16
				52	56486112	1	Clamp, P
				53	56002856	2	Nut-Hex Nyl Loc SS 5/16-18
				54	56601675	1	Bracket
				55	56003925	2	Scr-Hex Loc SS 5/16-18 x .75

[] = Not Shown

= Revised or new since last update

NOTE 1: Quantity of 2 on REV models.

CHASSIS SYSTEM-ST



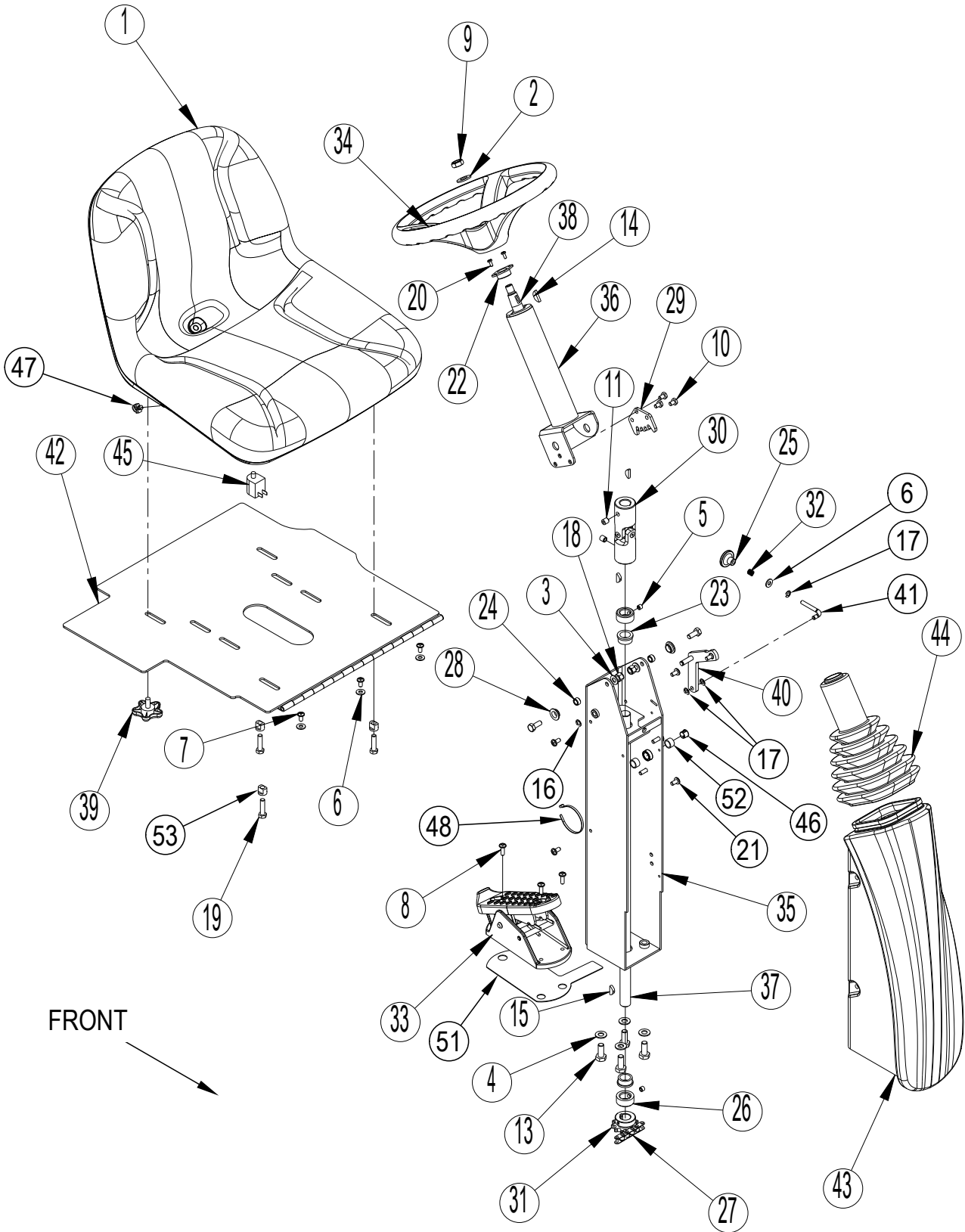
CHASSIS SYSTEM-ST

Item	Ref. No.	Qty	Description	Item	Ref. No.	Qty	Description
1	56001879	2	Wsh, Flt SAE 1/2	31	56367117	2	Wsh, Flt .406 X 1.5 X .1875
2	56001939	1	Wsh, Flt SAE 5/16	32	56367206	2	Bushing
3	56002037	1	Scr, Hex 5/16-18 X .88	33	56378380	1	Bearing Ball
4	56002063	2	Wsh, Flt SAE 3/8	34	56397385	1	Rod End
5	56002129	1	Scr, Soc Hd 5/16-18 X 1.00	35	56412122	2	Trim Edge
7	56002476	1	Scr, Flt Phil 5/16-18 X .62	36	56412177	1	Horn/Backup Alarm (H2)
8	56002529	1	Pin, Cotter 1/8 X 1	37	56420160	2	Bearing, Flange
9	56002826	1	Nut, Hex Nyl Loc-Thin 5/16-18	38	56486112	1	Clamp,P
11	56003008	1	Scr, Hex Thd To Hd 5/16-18 X 3.50	39	56601050	1	Motor / Drive Wheel (M1)
12	56003040	4	Scr, Hex Hd Loc 3/8-16x.62	[]	56601472	1	Tire With Hub
13	56003120	1	Pin, Cotter Hair .0915 X .375	[]	56601473	1	Motor
14	56003220	1	Nut, Hex Nyl Loc-Thin 1-14	[]	56601509	1	Carbon Brush Kit
15	56003412	2	Scr, Hex Loc M12-1.75 X 35mm	[]	56601471	1	Tire
16	56003442	2	Scr, Hex Loc M10-1.5 X 20mm	[]	56601507	1	Electromagnetic Brake
17	56003491	4	Scr, Hex M10-1.5 X 40mm	[]	56422174	1	Tire Puller Kit
18	56003589	1	Pin, Clevis .375 X 1.25	[]	56504482	1	Drive Motor Cover
19	56003674	1	Scr, Hex Loc SS 3/8-24 X .62	[]	56504481	1	Drive Motor Cover
20	56009012	2	Scr, Hex Thd Form 10-24 X .38	[]	56380310	1	Brake Lever Kit
21	56009103	1	Nut, Hex Jam 3/8-24	40	56114199	1	Chassis, Weldment
22	56009122	1	Wsh, Flt .344 X .938 X .125	41	56601077	1	Spindle Weldt
23	56158143	1	Bearing Cup	42	56314116	1	Plate, Steering
24	56158151	1	Bearing Cone	43	56601293	1	Spring, Comp
25	56171081	1	Seal, Shaft	44	56601342	1	Yoke, .375-24
26	56244941	1	Bushing	45	56601354	1	Linkage, Weldt
27	56314032	1	Block, Bearing	46	56601356	1	Connecting Rod
28#	56382693	2	Wheel TSB-FC-2015-033, TSB-FC-2017-059	47	56601358	1	Connecting Rod Weldt
29	56320595	1	Bushing .32 x .50 x .28	48	56601381	1	Lift Lever Weldt
30	56364527	1	Knob	49	56477613	1	Tie-Cable
				52	56601716	1	Ground Chain
				53	56009011	1	Wsh, Int Shprf 10
				54	56009112	1	Wsh, Int Shprf 3/8
				55	56009086	1	Nut Hex Jam 5/16-18
				56	56002701	1	Nut Hex Nyl Loc 5/16-18
				57	56002220	1	Wsh Flt Std 5/16
				58	56002667	1	Scr Hex 5/16-18 X .75
				59	56003445	4	Scr Hex Nyl Loc M10-1.50 x 45mm
				60	56344100	2	Bracket Wheel
				61	56469380	1	Clamp Cable .75 E00129
				62	56002856	2	Nut-Hex Nyl Loc SS 5/16-18
				63	56601675	1	Bracket
				64	56003925	2	Scr-Hex Loc SS 5/16-18 x .75

[] = Not Shown

= Revised or new since last update

CONTROL SYSTEM



CONTROL SYSTEM

Kit	Item	Ref. No.	Qty	Description
	1	56383187	1	Seat NOTE 1
	2	56001879	1	Wsh. Flt SAE 1/2
	3	56001939	2	Wsh. Flt SAE 5/16
	4	56002063	4	Wsh. Flt SAE 3/8
	5	56002086	2	Scr. Soc Set Loc 5/16-18 X .25
K1	6	56002859	4	Wsh Flt SAE SS 1/4
K1	7	56003119	3	Scr Pan Phil SS 1/4-20 X .50
	8	56002957	3	Scr Pan Phil SS 1/4-20 X .75
	9	56002843	1	Nut. Hex Nyl Loc-Thin 1/2-13
	10	56002933	3	Scr. Hex Hd Loc 1/4-20x.38
	11	56003081	2	Scr. Soc Set Loc 3/8-16 X .38
	12	56003179	2	Scr. Hex Thd To Hd M8-1.25 X 20mm
	13	56003186	4	Scr. Hex Thd To Hd M10-1.5 X 25mm
	14	56003227	1	Key. Wdf .62 X .19
	15	56003228	3	Key. Wdf .75 X .19
	16	56003261	1	Ring. Ret Ext Type E 0.31 Dia
	17	56003268	3	Ring. Ret Ext Type E Reinf. 0.25 Dia
	18	56003389	2	Nut. Hex Nyl Loc M8-1.25
K1	19	56001834	3	Scr-Hex 5/16-18 x 1.25
	20	56002523	2	Scr. Pan Phil Thd Form 8-32 X .38
	21	56009062	4	Scr. Pan Phil Thd Form 1/4-20 X .50
	22	56100393	1	Bushing
	23	56250414	2	Bearing. Flange
	24	56320595	2	Bushing .32 x .50 x .28
	25	56362778	1	Knob
	26	56367095	2	Collar. Shaft
	27	56412198	1	Chain. Roller
	28	56413211	2	Bearing. Flange .625 X .500 X .250
	29	56413658	1	Ratchet. Steering Column
	30	56454081	1	Universal Joint
	31	56471148	1	Sprocket
	32	56578222	1	Spring. Compression
	33#	56385084	1	Foot Pedal Assy TSB-FC-2017-053
	34	56601060	1	Steering Wheel
	35	56601850	1	Lower Column Weldment
	36	56601169	1	Upper Column Weldment
	37	56601223	1	Shaft. Lower Steering
	38	56601224	1	Shaft. Upper Steering
	39	56601271	1	Knob. 5/16 Stud
	40	56601284	1	Steering Pawl Weldment
	41	56601292	1	Pull Lever
	42	56601362	1	Seat Panel Weldment
	43	56601484	1	Shroud. Lower Column
	44	56601500	1	Boot. Steering
	45	7-82-00050	1	Switch (S2)
	46	56601683	1	Plug-Cap (STD / EcoFlex / REV)
	47	56315382	1	Clip-Conduit
	48	56478246	1	Tie. Cable (ST)
	51	56601601	1	Foot Pedal Plate
	52	56366633	2	Bearing-Sleeve (ST)
K1	53	56383230	3	Flanged Bushing Seat

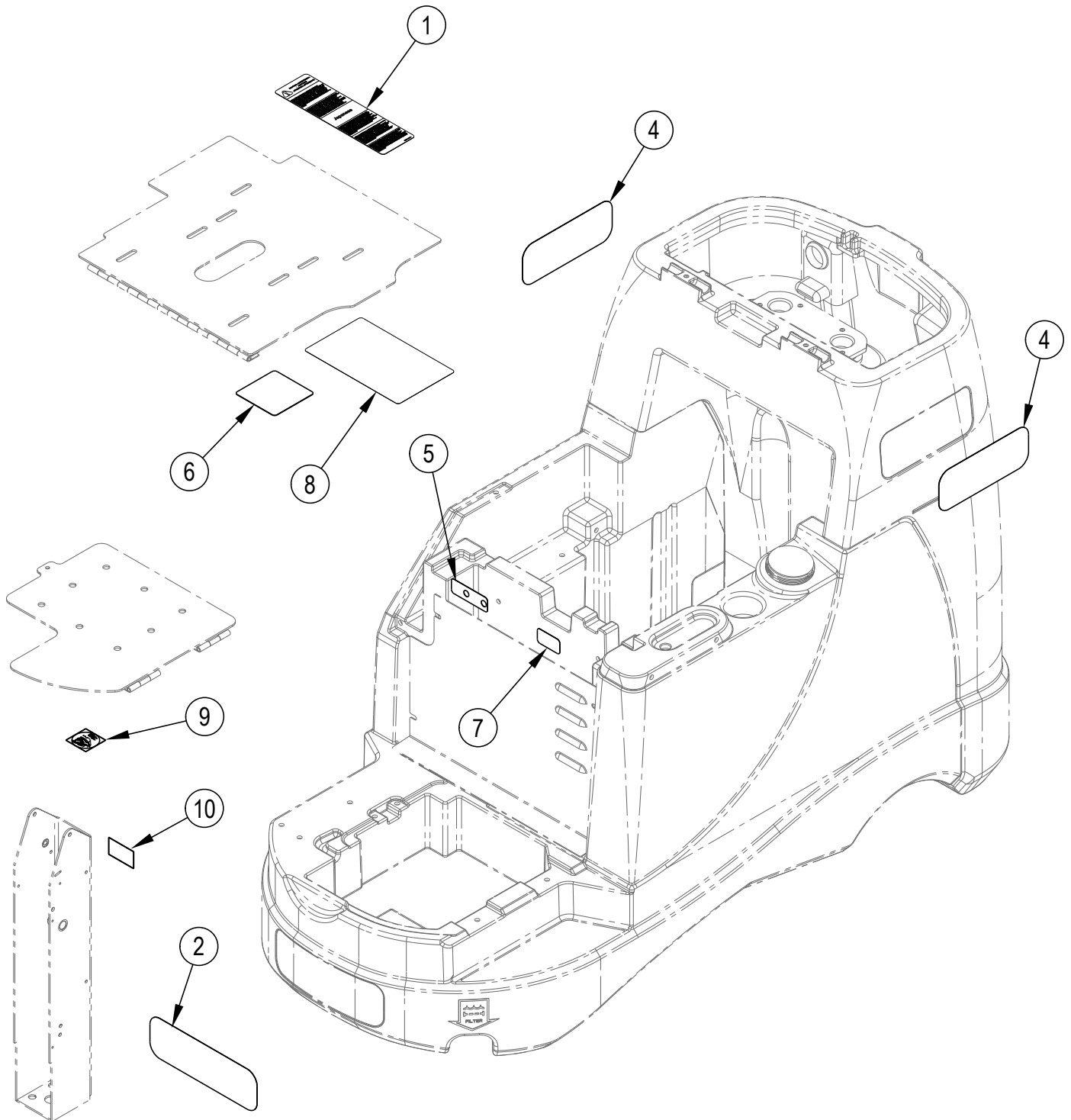
Service Kits

K1 56114304 1 Hardware Kit-Seat

= Revised or new since last update

NOTE 1: Seat 8-69-00022 (steel seat pan) has been replaced by Seat 56383187 (plastic seat pan) in production. Please order Seat Kit 56383240 when replacing Seat 8-69-00022 or seat 56601149.

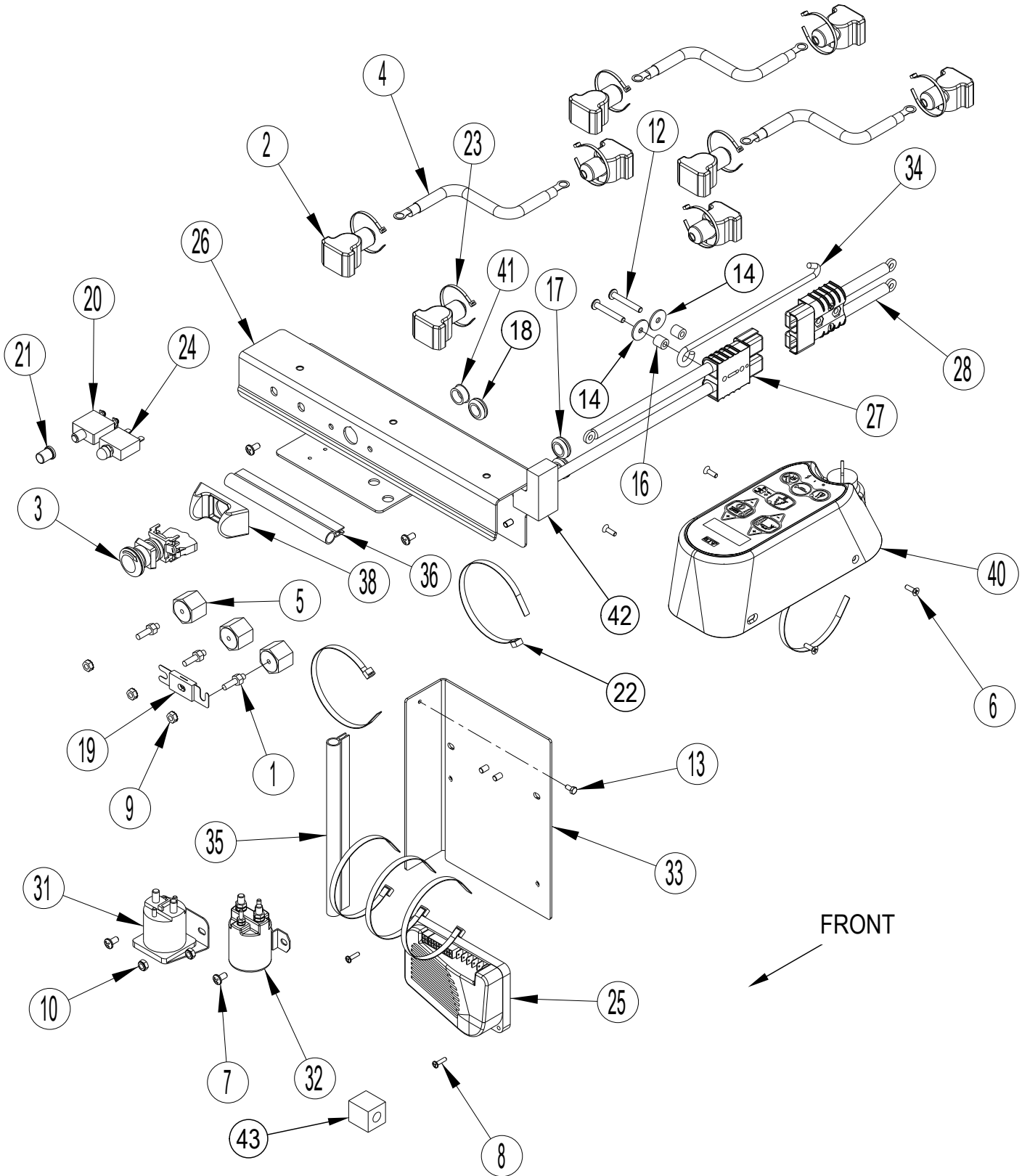
DECAL SYSTEM



DECAL SYSTEM

Item	Ref. No.	Qty	Description
1	56014601	1	Decal. Caution
2	56016730	1	Decal. Advance
4	56601298	2	Decal. 2800 ST (ST)
	56601299	2	Decal. 3400 ST (ST)
	56601300	2	Decal-Advenger (STD)
	56601301	2	Decal-Advenger EcoFlex (EcoFlex / REV)
5	56601414	1	Decal. Circuit Breaker
6	56601416	1	Decal. Battery Wiring
7	56601418	1	Decal (ST)
8	56601579	1	Decal-Error Codes (STD / EcoFlex / REV)
9	56380254	1	Decal. Open When Charging
10	71362A	1	Label. NFSI

ELECTRICAL SYSTEM



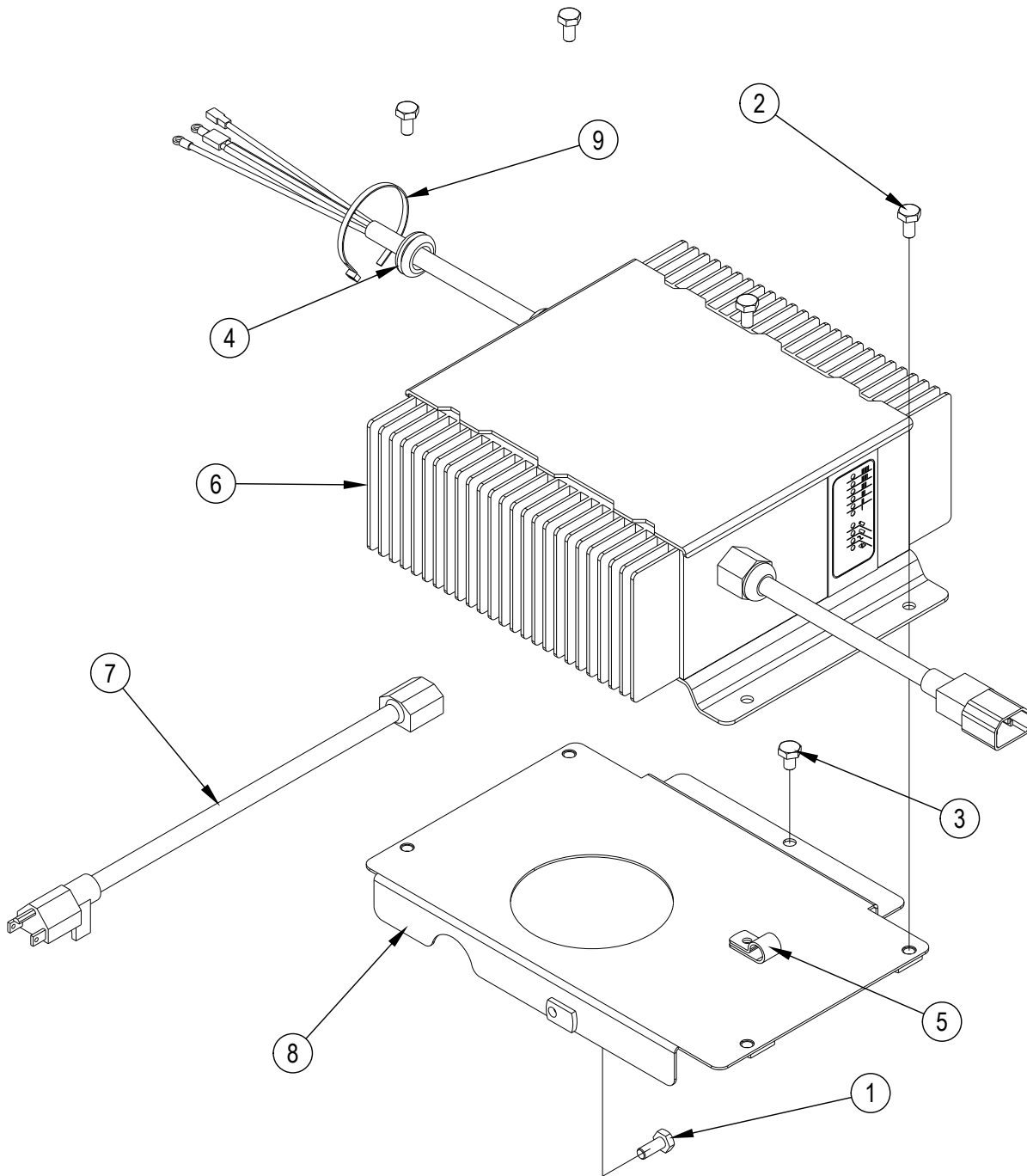
ELECTRICAL SYSTEM

Item	Ref. No.	Qty	Description
1	83302A	3	Stud, 1/4-20
2	56372673	8	Boot, Battery Post
3	56407130	1	Disconnect, Emergency (S4)
4	56409485	3	Cable, Battery
5	56469858	3	Electrical Mount
6	56003056	4	Scr Flt Phil SS 10-24 X .62
7	56009069	4	Scr-Pan Phil Loc 1/4-20 X .50
8	56002146	2	Scr, Pan Phil 8-32 X .62
9	56002561	3	Nut, Hex W/ Shprf 1/4-20
10	56002840	2	Nut, Hex Nyl Loc-Thin 1/4-20
12	56002997	2	Scr, Pan Phil 1/4-20 X 1.75
13	56009012	1	Scr, Hex Thd Form 10-24 X .38
14	56009060	2	Wsh, Flt SS .260 X 1.000 X .074
16	56046309	2	Spacer, Phenolic
17	56157376	2	Grommet
18	56321540	1	Grommet (STD / EcoFlex / REV)
	56157376	1	Grommet (ST)
19	56412089	1	Fuse, 150 Amp (F1)
20	56454429	1	Circuit Breaker, 70 Amp (CB1)
21	56459369	1	Boot, Reset Button
22	56477613	9	Tie, Cable
23	56478246	9	Tie, Cable
24	56507644	1	Circuit Breaker, 10 Amp (CB2)
25	56601061	1	Speed Control (A2)
	56601812	1	Speed Control (A2 / REV)
26	56601854	1	Panel (STD / EcoFlex / REV)
	56601420	1	Panel (ST)
27	56601171	1	Connector Assy
28	56601172	1	Connector Assy
[29]	56601174	1	Harness Main (STD / EcoFlex)
[]	56601323	1	Harness ST Main (ST)
[]	56601805	1	Harness-Main (REV)
[30]	56344205	1	Harness-Traction
31	56601183	1	Contacto 24v, 100 Amp (K1)
32	56412179	1	Contacto 24v (K2)
33	56601185	1	Panel
34	56601215	1	Prop Rod, Seat
35	56601251	1	Gasket
36	56601252	1	Gasket
[37]	56601431	1	Cable, Jumper
38	56601434	1	Emergency Button Guard
40#	56384462	1	Interface Panel Assy (STD / EcoFlex) (A1) TSB-FC-2017-058
[]	56601096	1	Kit, Interface Panel (STD / EcoFlex) (Membrane Switch, Interface Panel)
[]	56303553	1	Key Switch (S1)
[]	56303526	A/R	Replacement Key Set
40#	56384474	1	Interface Panel Assy (ST) (A1)
[]	56601097	1	Kit, Interface Panel (ST) (Membrane Switch, Interface Panel)
[]	56303553	1	Key Switch (S1)
[]	56303526	A/R	Replacement Key Set
40	56601800	1	Interface Panel Assy (REV) (A1)
[]	56601799	1	Kit-Interface Panel REV (REV) (Membrane Switch, Interface Panel)
[]	56303553	1	Key Switch (S1)
[]	56303526	A/R	Replacement Key Set
41	56900144	1	Plug, Cap
42	56601600	1	Foam Insert
43	40849A	1	Suppressor Emi Split (only used on 56601022)

[] = Not Shown

= Revised or new since last update

ONBOARD-CHARGER-ASSY

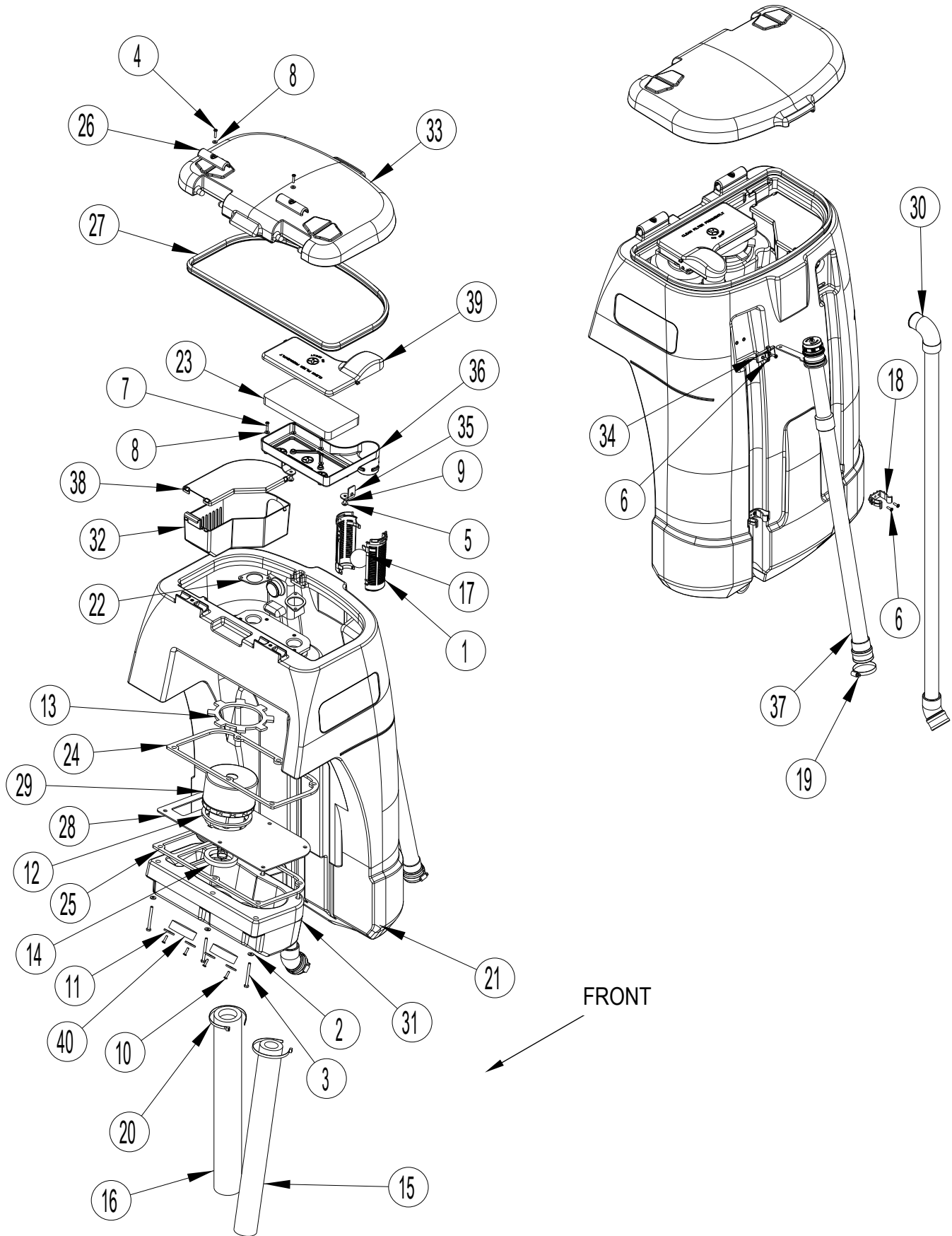


ONBOARD-CHARGER-ASSY

<u>Item</u>	<u>Ref. No.</u>	<u>Qty</u>	<u>Description</u>
		1	Onboard Charger Assembly NOTE 1
1	56001836	1	Scr. Hex 1/4-20 X .62
2	56001854	4	Scr. Hex 1/4-20 X .50
3	56009019	1	Scr. Hex Thd Form 1/4-20 X .38
4	56157376	1	Grommet
5	56172017	1	Clamp. P
6	56315773	1	Charger. On-Board 24V TSBUS2008-984
7	56383385	1	Cord Charger Yellow - US
8	56601417	1	Charger Mount Bracket
9	56478246	1	Cable Tie

NOTE 1: Standard on the following models: 56601008, 56601009, 56601010, 56601011, 56601012, 56601013, 56601019, 56601020, 56601022

RECOVERY SYSTEM

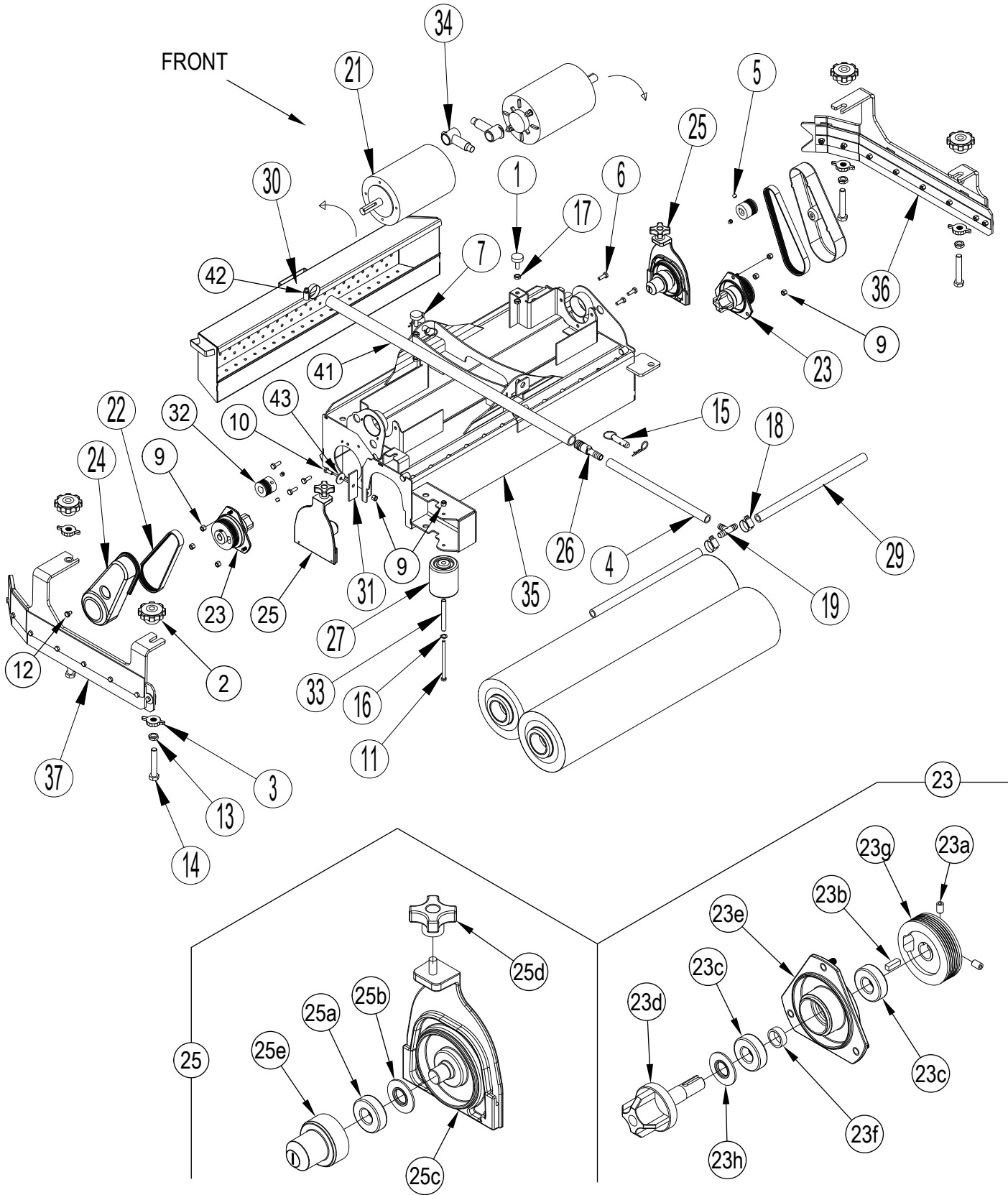


RECOVERY SYSTEM

Item	Ref. No.	Qty	Description
1	56324497	2	Cage, Float
2	56002098	6	Wsh, Flt SAE 1/4
3	56003867	6	Scr-Hex Hd Loc 1/4-20 X 3.00
4	56003951	2	Scr-Pan Phil Loc SS 10-24 X .88
5	56002859	2	Wsh, Flt SAE SS 1/4
6	56002896	6	Scr, Pan Phil SS 10-24 X .62
7	56002898	4	Scr, Pan Phil SS 10-24 X 1.00
8	56002916	6	Wsh, Flt SAE SS #10
9	56003799	2	Scr, Pan Phil SS Plastite 1/4-10 X .50
10	56009005	4	Scr, Pan Phil SS Type Ab 10-16 X .75 (STD / EcoFlex / REV)
11	56003817	4	Wsh-Flt SS .281 x 1.25 x .05 (STD / EcoFlex / REV)
12	56212143	1	Gasket, Vacuum Duct
13	56264103	1	Gasket, Vacuum Motor
14	56314760	1	Gasket, Vacuum Duct
15	56315375	1	Foam, Acoustical
16	56315847	1	Foam Tube Assembly (STD / EcoFlex / REV)
17	56391690	1	Ball, Float
18	56407361	2	Clamp, Plastic
19	56440213	1	Clamp, Hose SAE #32
20	56477613	2	Tie, Cable
21	56601120	1	Tank, Recovery
22	56601121	2	Gasket, Vac Filter
23	56601125	1	Filter
24	56601126	1	Gasket, Exhaust
25	56601127	1	Gasket, Vac
26	56601128	2	Hinge Clamp
27	56114185	1	Gasket-Recovery Tank
28	56601131	1	Vac Plate, Standard
29	56601132	1	Motor, Vac 24vdc (M5)
	56601488	1	Vac Motor W/Suppression (M5 / only used on 56601022)
[]	56397098	1	Carbon Brush (set of 2)
30	56601136	1	Recovery Hose
31	56601137	1	Cover, Vac Motor
32	56601138	1	Strainer Basket (STD / EcoFlex / REV)
33	56601139	1	Recovery Lid
34	56601204	1	Hook, Drain Hose
35	56601250	2	Strap, Filter Cover
36	56601253	1	Filter Box
37	56383319	1	Drain Hose Assy-1.5
38	56601421	1	Cover, Debris (STD / EcoFlex / REV)
39	56601451	1	Cover, Fltr Box W/Gskt
40	56344168	2	Filter (STD / EcoFlex / REV)

[] = Not Shown

SCRUB SYSTEM-CYLINDRICAL



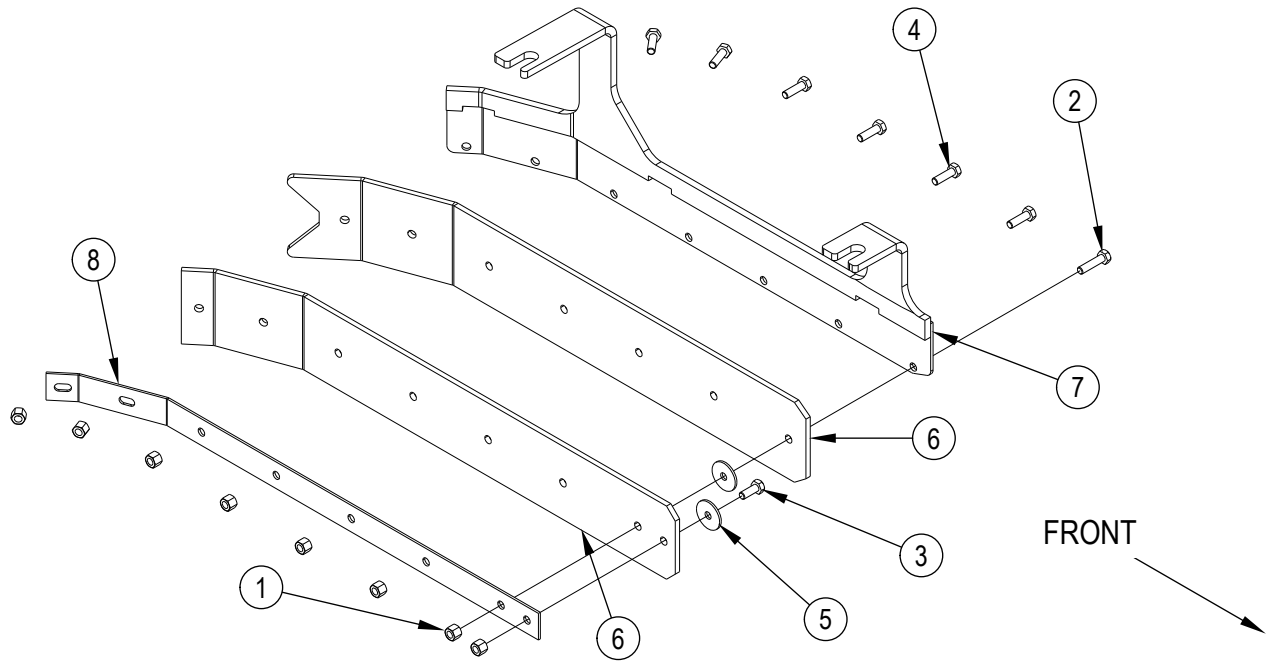
SCRUB SYSTEM-CYLINDRICAL

Item	Ref. No.	Qty	Description
1	56401783	2	Leveler
2	56380149	4	Knob TSBUS2010-1060
3	56601578	4	Knob
4	56409462	1	Hose, Spiral
5	56002086	4	Scr, Soc Set Loc 5/16-18 X .25
6	56002948	6	Scr, Hex Hd Loc 1/4-20 x .75
7	56002959	2	Pin, Cotter Hair
9	56003426	9	Nut, Hex Nyl Loc SS M6-1
10	56003431	2	Scr, Hex SS M6-1 X 16mm
11	56003939	1	Scr-Hex SS M6-1 X 95mm
12	56009019	2	Scr, Hex Thd Form 1/4-20 X .38
13	56003657	4	Nut, Hex Jam SS M12-1.75
14	56003658	4	Scr, Hex Thd To Hd SS M12-1.75 X 70mm
15	56003671	2	Pin, Ring .50 X 1.25
16	56009045	2	Wsh, Bowed .375 x .578 x .060
17	56009086	4	Nut, Hex Jam 5/16-18
18	56112771	2	Clamp, Hose SAE #10
19	56262549	1	Tee, Barb
21	56315061	2	Motor, 24 VDC, .5 HP, 1800 RPM (M7 / M8) TSBUS2010-1058
[]	56412287	1	Motor Brush / Spring Kit
[]	56412258	4	Brush Assy
[]	56412259	4	Brush Spring
22	56315321	2	Belt, Auto Tension
23	56115318	2	Drive End Assy
23a	56002930	2	Scr Soc Set Loc 1/4-20 X .38
23b	56003237	1	Key, Sq .19 x .62
23c	56106070	2	Bearing, Ball
23d	56115319	1	Spindle-Long
23e	56381765	1	Bearing, Plate
23f	56407389	1	Spacer
23g	56115316	1	Sheave, Poly-V
23h	56407558	1	Washer, Bearing
24	56115314	2	Cover, Belt
25	56115344	2	Idler End Assy
25a	56106070	1	Bearing, Ball
25b	56407558	1	Washer, Bearing
25c	56315447	1	Idler Bearing Plate
25d	56407303	1	Knob
25e	56115273	1	Hub-Idler
26	56315625	1	Barb, Coupler 1/2 X 3/4
27	56316089	1	Wheel
28	56316210	2	Harness, Brush Motor (Not Shown)
29	56316553	2	Manifold, PVC 28 Adv
30	56601049	1	Hopper Weld't
31	56407391	2	Blade
32	56407433	2	Sheave, Poly-V
33	56412176	1	Bushing
34	56493357	2	Insulator, Terminal
35	56601048	1	Housing Weld't
36	56601468	1	Left Skirt Assy
37	56601476	1	Right Skirt Assy
38			Intentionally Omitted
39			Intentionally Omitted
40			Intentionally Omitted
41	56379139	1	Tube PVC
42	56244969	1	Clamp Hose SAE 12
43	56009060	2	Wsh Flt SS .260x1.000x.074

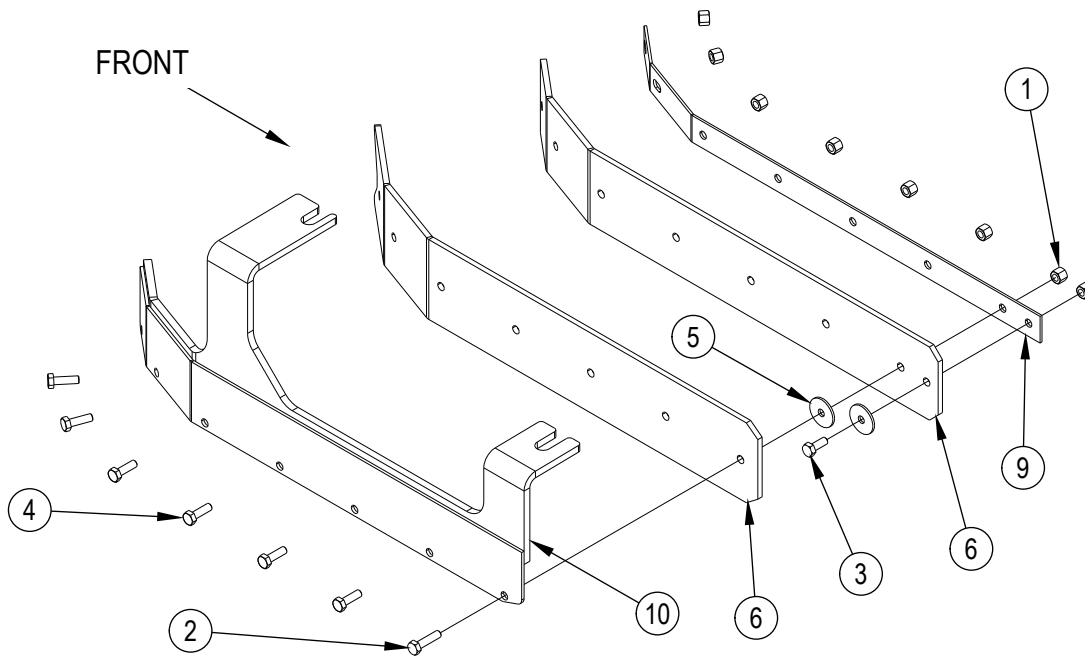
[] = Not Shown

SCRUB SYSTEM-CYLINDRICAL SKIRT ASSEMBLIES

56601468 - Left Skirt Assy



56601476 - Right Skirt Assy



SCRUB SYSTEM-CYLINDRICAL SKIRT ASSEMBLIES

Item	Ref. No.	Qty	Description
	56601468	1	Left Skirt Assy (1-8)
	56601476	1	Right Skirt Assy (1-6, 9, 10)
1	56003426	8	Nut, Hex Nyl Loc SS M6-1
2	56003430	1	Scr, Hex SS M6-1 X 25mm
3	56003431	1	Scr, Hex SS M6-1 X 16mm
4	56003454	6	Scr, Hex Thd To Hd SS M6-1 X 20mm
5	56009060	2	Wsh, Flt SS .260 X 1.000 X .074
6	56316194	1	Blade Kit-Gum NOTE 2
*	56601538	1	Blade Kit-PU Cyl NOTE 2
*	56601681	1	Blade Kit-Red Gum NOTE 2
7	56601047	1	Skirt Bracket Weld't (Left)
8	56601046	1	Retainer, Skirt (Left)
9	56601045	1	Retainer, Skirt (Right)
10	56601044	1	Skirt Bracket Weld't (Right)

* = Optional, Not Included

NOTE 1: Quantities shown for items 1-7 are for one skirt assembly. There are two skirt assemblies on the machine.

NOTE 2: All deck blade kits include all blades necessary.

SCRUB SYSTEM-DISK 28 INCH

Item	Ref. No.	Qty	Description	Item	Ref. No.	Qty	Description
1	56380149	4	Knob <u>TSBUS2010-1060</u>	29	56601134	2	Motor Gearbox Assy (M7 / M8)
2	56601578	4	Knob	[]	56601533	1	Gearbox
3	56002192	2	Scr. Pan Phil 10-24 X .75	[]	56314580	1	Bearing (fan end)
4	56002667	3	Scr. Hex 5/16-18 X .75	[]	56601537	1	Bearing (brush end)
5	56002701	3	Nut, Hex Nyl Loc 5/16-18	[]	56601534	2	Carbon Brush
6	56002959	2	Pin, Cotter Hair	[]	56601535	1	Key-6mm Square
7	56003012	2	Scr. Hex SS 5/16-18 X .75	[]	56601508	1	Brush Motor Cover
8	56003211	8	Scr. Hex SS M6-1 X 12mm	[]	56601536	1	Motor Fan
9	56003335	2	Scr. Hex Loc SS 5/16-18 X .88	30	56601248	1	Blade-Front Gum
10	56003426	6	Nut, Hex Nyl Loc SS M6-1	*	56601521	1	Blade-Front PU
11	56003454	5	Scr. Hex Thd To Hd SS M6-1 X 20mm	31	56601733	1	Brush Plate Assy NOTE 1
12	56003526	2	Key, Square .25 X 1.44	32	56601289	2	Rod, Up Stop
13	56003657	4	Nut, Hex Jam SS M12-1.75	33	56601319	2	Shaft, Hub Mount
14	56003658	4	Scr. Hex Thd To Hd SS M12-1.75 X 70mm	34	56601032	1	Roller Brkt 28
15	56003786	2	Pin, Ring .500 X 1.18	35	56601734	1	Brush Plate Assy
16	56003798	2	Scr. Soc Hd 5/16-18 X 1.25 Zinc Plated	35a	56112521	1	Gimbal Assy
17	56009029	2	Scr. Pan Phil Thd Form 10-24 X .50	35b	56366455	1	Plate, Stop
18	56009057	2	Wsh, Flt Harden .344x1.000x.120/.135	35c	56109653	2	Spring Retainer
19	56003264	2	Ring-Ret Ext Type E .50 Dia	35d	56009002	2	Wsh, Flt .266 X .906 X .060
20	56016163	1	Decal, No Step	35e	56009247	3	Scr. Pan Phil Plastite 10-14 X .38
21	56266108	2	Hose, Spiral .500	35f	56601056	1	Spring, Brush Holder
22	56305760	1	Tee, Barb 3/4 X 1/2 X 1/2	35g	56601118	1	Brush Plate
23	56314359	2	Key, 6mm Sq	35h	56001954	1	Wsh, Flt STD #10
25	56328064	2	Clamp,P	36	56601388	2	Up Stop Mount
26	56407006	1	Wheel, Roller	37	56601389	2	Bracket, Motor
27	56601580	1	Pin	38	56383471	1	Skirt Assy-Left-28D NOTE 2
28	56601113	1	Scrub Deck, Cast	39	56383470	1	Skirt Assy-Right-28-34D NOTE 2
				40	56601793	1	Hose-.75X36.00
				41	56244969	1	Clamp-Hose SAE 12
				42	56003695	1	Scr. Hex Thd To Hd SS M6-1 X 25mm
				43	56409463	1	Clamp-1.25 Hose Support
				44	56003696	1	Wsh-Flt SS .33 X 1.00 X.060
				45	56302164	2	Nylon Bearing
				[]	56477613	1	Tie-Cable

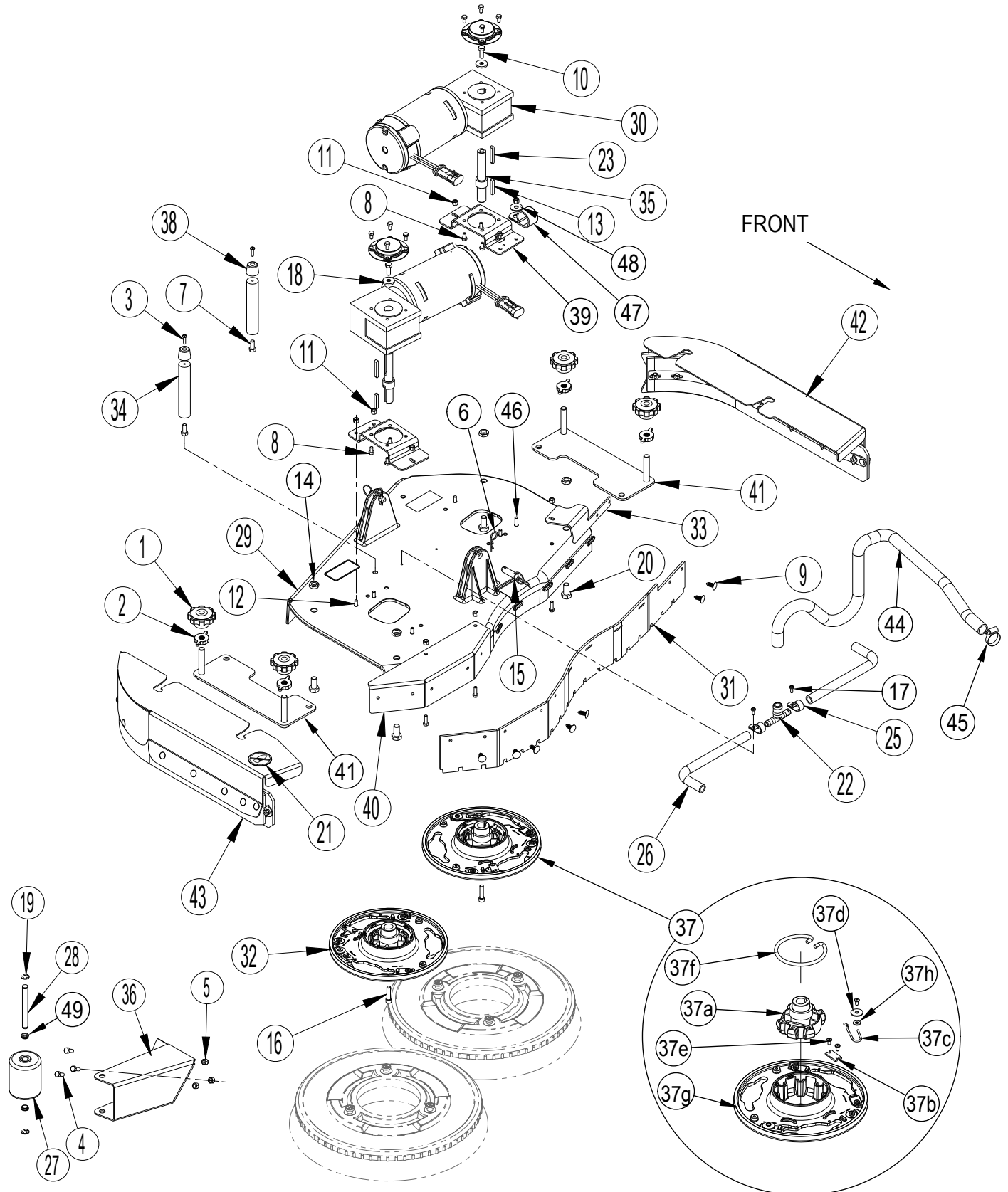
* = Optional, Not Included

[] = Not Shown

NOTE 1: Item 31 (56601733) consists of the exact same components as item 35 (56601734).

NOTE 2: The Side Skirt Assemblies have been updated as of January 20, 2014. The original Skirt Assemblies are no longer available. **If you have a machine built prior to January 20, 2014** and you need to replace either skirt assembly you should order Skirt Assy Kit 56383468 and replace them as a matched pair.

SCRUB SYSTEM-DISK 34 INCH



SCRUB SYSTEM-DISK 34 INCH

Item	Ref. No.	Qty	Description
1	56380149	4	Knob TSBUS2010-1060
2	56601578	4	Knob
3	56002192	2	Scr. Pan Phil 10-24 X .75
4	56002667	3	Scr. Hex 5/16-18 X .75
5	56002701	3	Nut, Hex Nyl Loc 5/16-18
6	56002959	2	Pin, Cotter Hair
7	56003012	2	Scr. Hex SS 5/16-18 X .75
8	56003211	8	Scr. Hex SS M6-1 X 12mm
9	56003263	7	Rivet, Nylon Tree Push-In (.25)
10	56003335	2	Scr. Hex Loc SS 5/16-18 X .88
11	56003426	9	Nut, Hex Nyl Loc SS M6-1
12	56003454	8	Scr. Hex Thd To Hd SS M6-1 X 20mm
13	56003526	2	Key, Square .25 X 1.44
14	56003657	4	Nut, Hex Jam SS M12-1.75
15	56003786	2	Pin, Ring .500 X 1.18
16	56003798	2	Scr. Soc Hd 5/16-18 X 1.25 Zinc Plated
17	56009029	2	Scr. Pan Phil Thd Form 10-24 X .50
18	56009057	2	Wsh, Flt Harden .344x1.000x.120/.135
19	56003264	2	Ring-Ret Ext Type E .50 Dia
20	56009119	4	Scr. Hex Thd To Hd M12-1.75 X 25mm
21	56016163	1	Decal, No Step
22	56305760	1	Tee, Barb 3/4 X 1/2 X 1/2
23	56314359	2	Key, 6mm Sq
25	56328064	2	Clamp, P
26	56387302	2	Hose, Spiral .500
27	56407006	1	Wheel, Roller
28	56601580	1	Pin
29	56601113	1	Scrub Deck, Cast

Item	Ref. No.	Qty	Description
30	56601134	2	Motor Gearbox Assy (M7 / M8)
[]	56601533	1	Gearbox
[]	56314580	1	Bearing (fan end)
[]	56601537	1	Bearing (brush end)
[]	56601534	2	Carbon Brush
[]	56601535	1	Key-6mm Square
[]	56601508	1	Brush Motor Cover
[]	56601536	1	Motor Fan
31	56601275	1	Blade-Front Gum
*	56601522	1	Blade-Front PU
32	56601733	1	Brush Plate Assy NOTE 1
33	56601278	1	Skirt Bracket, Front 34
34	56601289	2	Rod, Up Stop
35	56601319	2	Shaft, Hub Mount
36	56601031	1	Roller Brkt 34
37	56601734	1	Brush Plate Assy
37a	56112521	1	Gimbal Assy
37b	56366455	1	Plate, Stop
37c	56109653	2	Spring Retainer
37d	56009002	1	Wsh, Flt .266 X .906 X .060
37e	56009247	4	Scr. Pan Phil Plastite 10-14 X .38
37f	56601056	1	Spring, Brush Holder
37g	56601118	1	Brush Plate
37h	56001954	1	Wsh, Flt STD #10
38	56601388	2	Up Stop Mount
39	56601389	2	Bracket, Motor
40	56601452	1	Brush Cover
41	56601034	2	Side Skirt Weldment
42	56383472	1	Skirt Assy-Left-34D NOTE 4
43	56383470	1	Skirt Assy-Right-28-34D NOTE 4
44	56601793	1	Hose-.75X36.00
45	56244969	1	Clamp-Hose SAE 12
46	56003695	1	Scr. Hex Thd To Hd SS M6-1 X 25mm
47	56409463	1	Clamp-1.25 Hose Support
48	56003696	1	Wsh-Flt SS .33 X 1.00 X.060
49	56302164	2	Nylon Bearing
[]	56477613	1	Tie-Cable
[]	56601687	1	Ferrite Bead (only used on 56601022) NOTE 2
[]	56601686	2	Ferrite Bead (only used on 56601022) NOTE 3

* = Optional, Not Included

[] = Not Shown

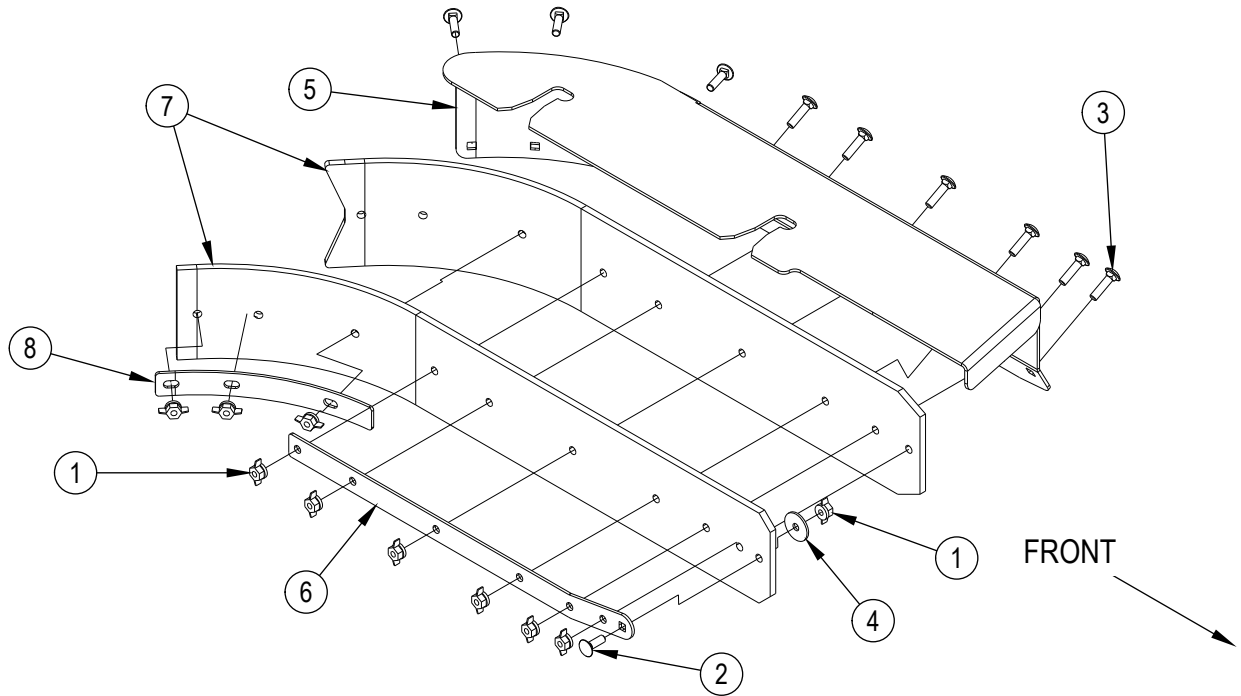
NOTE 1: Item 32 (56601733) consists of the exact same components as item 37

(56601734).

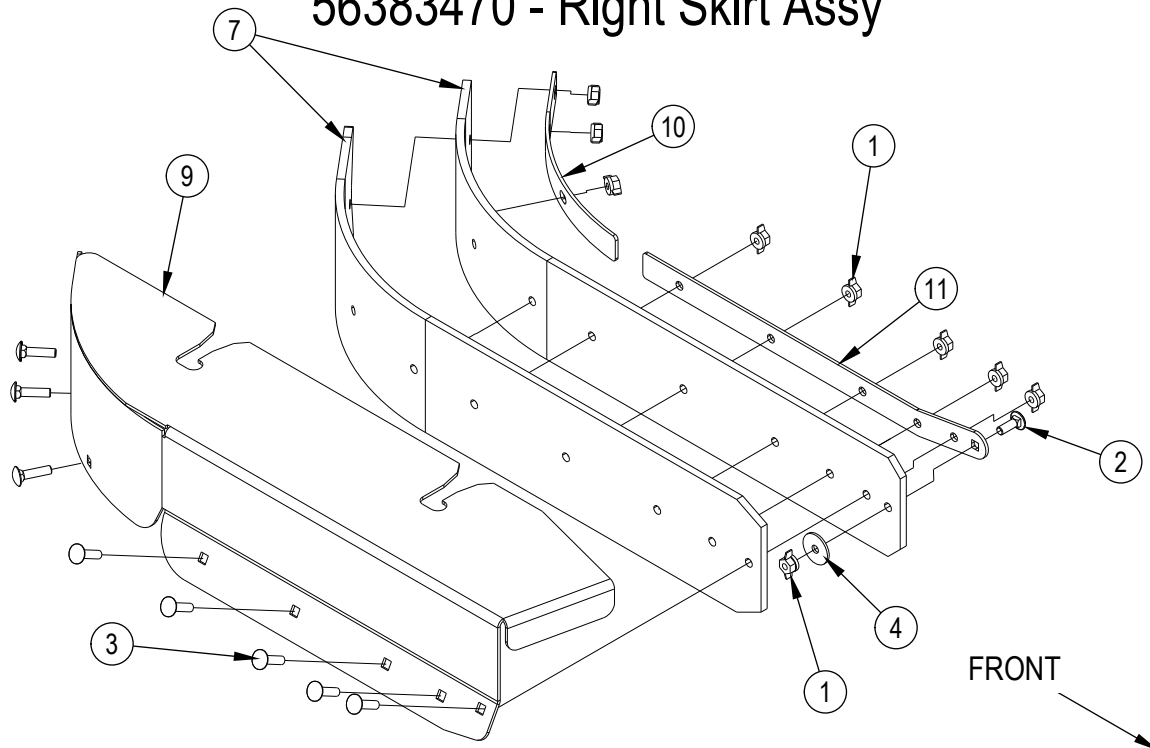
NOTE 2: Installed on main harness.**NOTE 3:** Installed on each brush drive motor.**NOTE 4:** The Side Skirt Assemblies have been updated as of January 20, 2014. The original Skirt Assemblies are no longer available. **If you have a machine built prior to January 20, 2014** and you need to replace either skirt assembly you should order Skirt Assy Kit 56383469 and replace them as a matched pair.

SCRUB SYSTEM-DISK SKIRT ASSEMBLIES

56383471 (28") / 56383472 (34") - Left Skirt Assy



56383470 - Right Skirt Assy



SCRUB SYSTEM-DISK SKIRT ASSEMBLIES

<u>Item</u>	<u>Ref. No.</u>	<u>Qty</u>	<u>Description</u>
	56383471	1	Skirt Assy-Left-28D (28" / 1-8) NOTE 3
	56383472	1	Skirt Assy-Left-34D (34" / 1-8) NOTE 3
	56383470	1	Skirt Assy-Right-28-34D (All Models / 1-4, 7, 9, 10, 11) NOTE 3
1	56003824	9	Nut-Wing Plastic Loc 1/4-20 (qty of 10 in 56383472)
2	56003715	1	Scr-Carriage SS 1/4-20 x .75
3	56003828	8	Scr-Carriage SS 1/4-20 x 1.00 (qty of 9 in 56383472)
4	56009060	1	Wsh Flt SS .260X1.000X.074
5	56383492	1	Skirt Bkt Weldt-Left-28D (28" / Left)
5	56383493	1	Skirt Bkt Weldt-Left-34D (34" / Left)
6	56383473	1	Strap-Front-28-34D (28" / Left)
6	56383474	1	Strap-Front-Left-34D (34" / Left)
7	56383488	1	Skirt Blade Kit-Gum NOTE 2
*	56383490	1	Skirt Blade Kit-PU NOTE 2
*	56383489	1	Skirt Blade Kit-Red Gum NOTE 2
8	56114386	1	Strap Rear 28D 34D (28" / Left)
8	56114387	1	Strap Rear 34D LT (34" / Left)
9	56383491	1	Skirt Bkt Weldt-Right-28-34D (All Models / Right)
10	56114386	1	Strap Rear 28D 34D (All Models / Right)
11	56383473	1	Strap-Front-28-34D (All Models / Right)

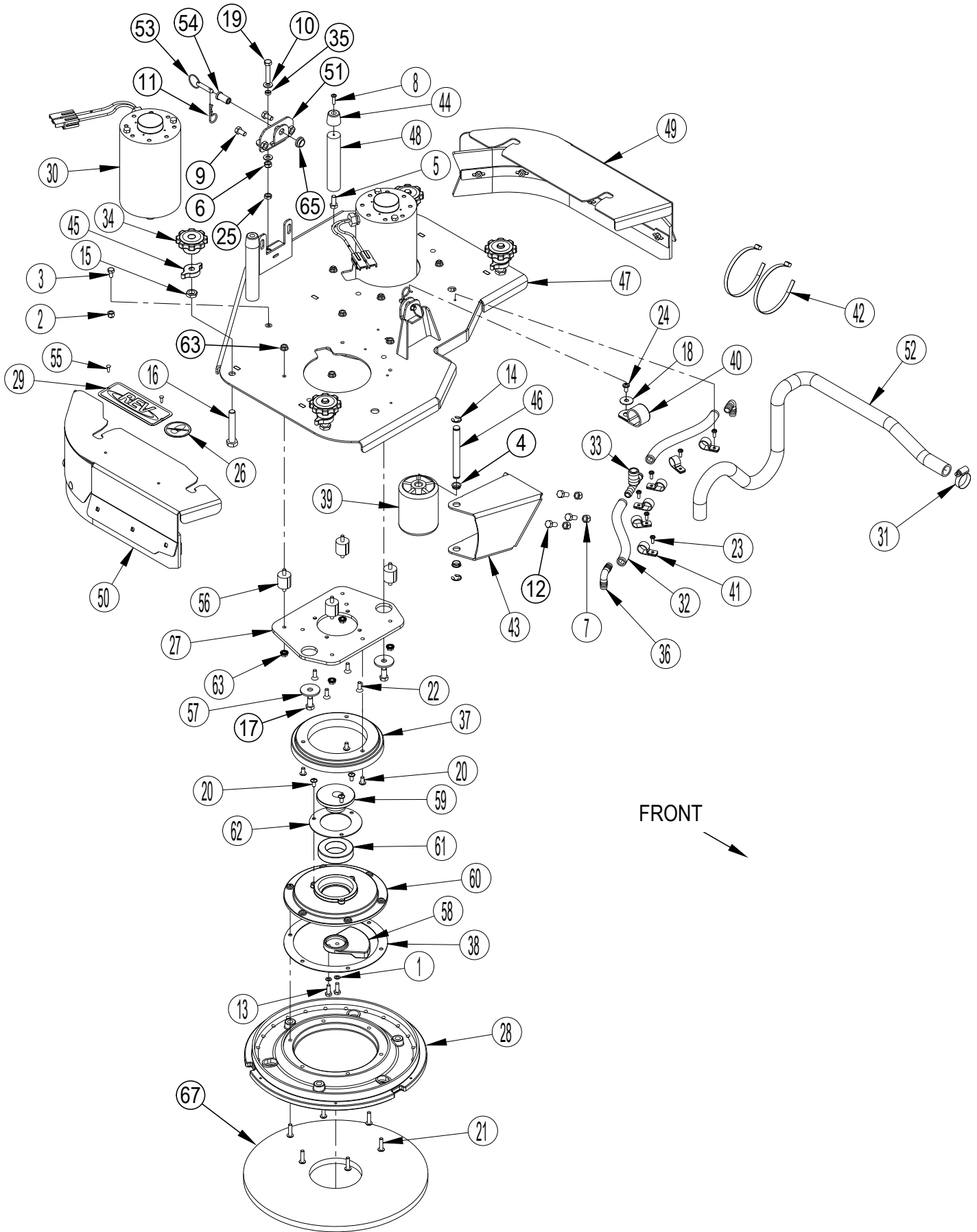
* = Optional, Not Included

NOTE 1: All quantities shown are for one skirt assembly. There are two skirt assemblies on the machine.

NOTE 2: All disk deck blade kits include all side skirt blades.

NOTE 3: The Side Skirt Assemblies have been updated as of January 20, 2014. The original Skirt Assemblies are no longer available. **If you have a machine built prior to January 20, 2014** and you need to replace either skirt assembly you should order **Skirt Assy Kit 56383468 for 28 inch models** or **Skirt Assy Kit 56383469 for 34 inch models** and replace them as a matched pair.

SCRUB SYSTEM-REV



SCRUB SYSTEM-REV

Kit Item	Ref. No.	Qty	Description
K2	1	4	Helical Spring Lock Washer Washer Lock 1/4
K2	2	1	Nut-Hex Nyl Loc SS 1/4-20
K2	3	1	Scr- Hex SS 1/4-20 X .50
	4	56302164	2 Bearing-Flange
K2	5	2	Scr-Hex Loc SS 5/16-18 x .75
K2	6	1	Nut, Hex Nyl Loc-Thin SS 5/16-18
	7	56002856	3 Nut-Hex Nyl Loc SS 5/16-18
K2	8	2	Scr-Pan Phil SS 10-24 X .75
K2	9	2	Scr-Hex Loc SS 5/16-18 X .62
K2	10	2	Wsh-Flt SAE SS 5/16
	11	56002959	2 Pin, Cotter Hair
	12	56003012	3 Scr- Hex SS 5/16-18 X .75
K2	13	4	Scr-Hex Loc SS 1/4-20 X .75
	14	56003264	2 Ring, Ret Ext Type E 0.50 Dia
	15	56003657	4 Nut, Hex Jam SS M12-1.75
	16	56003658	4 Scr-Hex Thd To Hd SS M12-1.75 X 70mm
	17	56003338	4 Scr-Hex Loc SS 3/8-16 X .75
K1	18	56003696	1 Wsh-Flt SS .33 X 1.00 X.060
K2	19	1	Scr- Hex Thd To Hd SS 5/16-18 X 1.75
K2	20	12	Scr-Pan Phil Loc SS 1/4-20 X .50
K2	21	12	Scr-Pan Phil Loc SS 1/4-20 X 1.00
K2	22	8	Scr-Flt Phil Loc SS 1/4-20x.75
K1	23	56009029	6 Scr, Pan Phil Thd Form 10-24 X .50
K1	24	56009062	1 Scr, Pan Phil Thd Form 1/4-20 X .50
K2	25	1	Nut, Hex Jam 5/16-18
	26	56016163	1 Decal, No Step
	27	56601815	2 Motor Plate
	28	56112744	2 Kit-Pad Driver
	[]	56112751	2 Kit-Pad Driver Hook 14
	29	56112723	1 Decal-Rev Embossed
	30#	56112749	2 Motor 24 VDC
	[]#	56413628	2 Motor Brush/Spring Kit
	[]	40645A	2 Connector Housing Pp75 Black
	[]	40657A	2 Connector Contact
	31	56244969	1 Clamp- Hose SAE #12
K1	32	56262663	2 Hose PVC

Kit Item	Ref. No.	Qty	Description
K1	33	56305760	1 Tee, Barb 3/4 X 1/2 X 1/2
	34	56380149	4 Knob - M12-1.75 Thru
K2	35	1	Bushing .32x.44x.15
K1	36	56386183	2 Barbed Elbow 90
	37	56390011	2 Shield Splash
	38	56390038	2 Gasket Driver
	39	56407006	1 Wheel, Roller
K1	40	56409463	1 Clamp, 1.25 Hose Support
K1	41	56442003	6 Clamp-P
	42	56477613	2 Tie, Cable
	43	56601032	1 Roller Brkt 28
	44	56601388	2 Up Stop Mount
	45	56601578	4 Knob
	46	56601580	1 Pin
	47	56601776	1 Scrub Deck Weldt-Rev
	48	56601817	2 Rod-Up Stop
	49	56601782	1 Skirt Assy Lh Rev
	50	56601784	1 Skirt Assy Rh Rev
	51	56601789	1 Bracket Weldt
K1	52	56601793	1 Hose-.75x36.00
	53	56601796	2 Pin Ring .31 X 1.18
	54	56601797	2 Bushing
K2	55	2	Rivet, 0.156 Dia X 1/2
	56	56380193	8 Isolator-40 Duro 1/4-20
	57	56009242	4 Wsh-Flt .406 x 1.50 x .125
	58	56390002	2 Weight Counter
	59	56390021	2 Eccentric
	60	56390027	2 Driver Motor
	61	50736A	2 Bearing
	62	61775A	2 Retainer, Bearing
K2	63	16	Nut, Serrated Flange
	64		Intentionally Omitted
	65	501141	2 Bushing Link Arm Fm
	66		Intentionally Omitted
	67	976038	2 Pads CS 14 Red 51
	*	56384450	2 Pad-Maroon-14-10/Cs
	*	56112734	2 Pad Micro Fiber-14 In
	*	56112746	2 Velcro 2 Sided 14

Service Kits

K1	56601794	1	Kit-Solution Hose
K2	56601795	1	Kit-Deck Hardware REV3

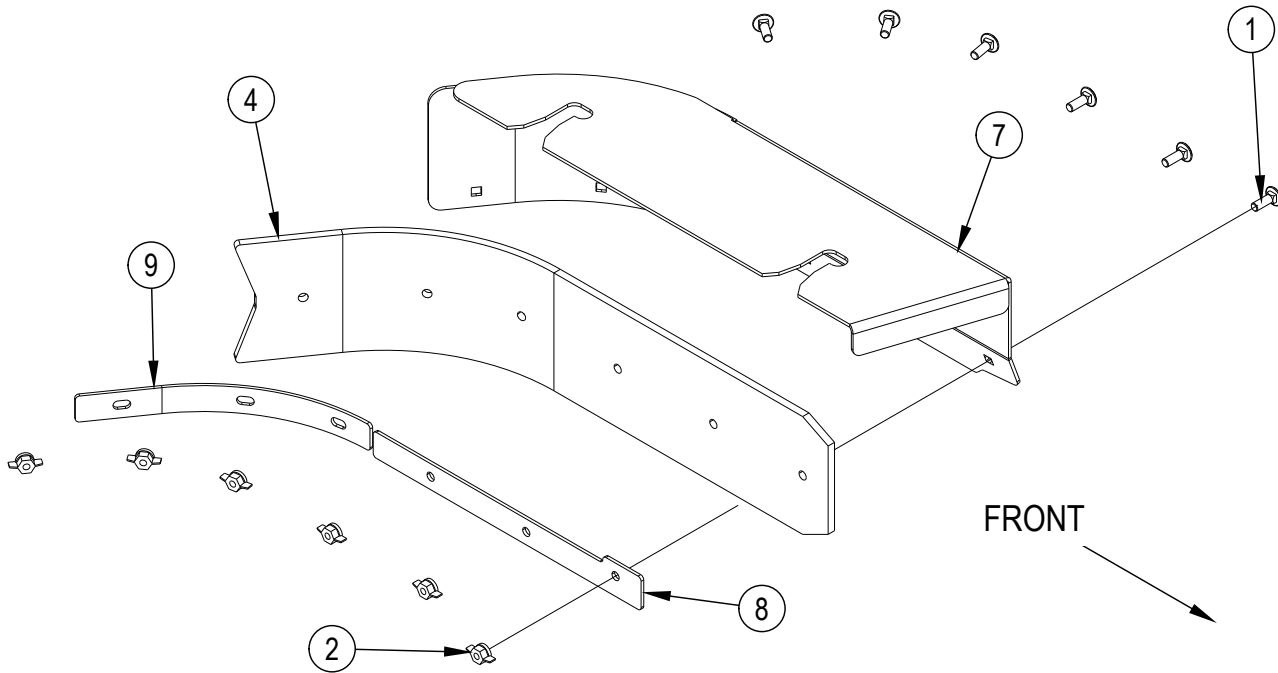
[] = Not Shown

* = Optional, Not Included

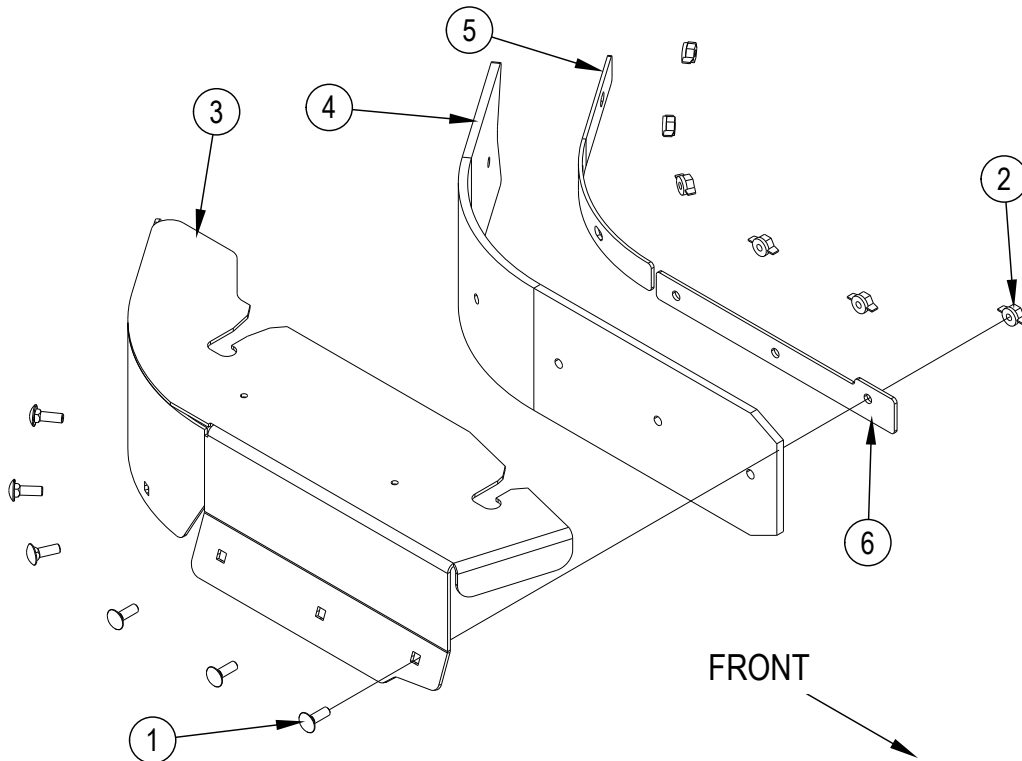
= Revised or new since last update

SCRUB SYSTEM-REV SKIRT ASSEMBLIES

56601782 - Left Skirt Assy



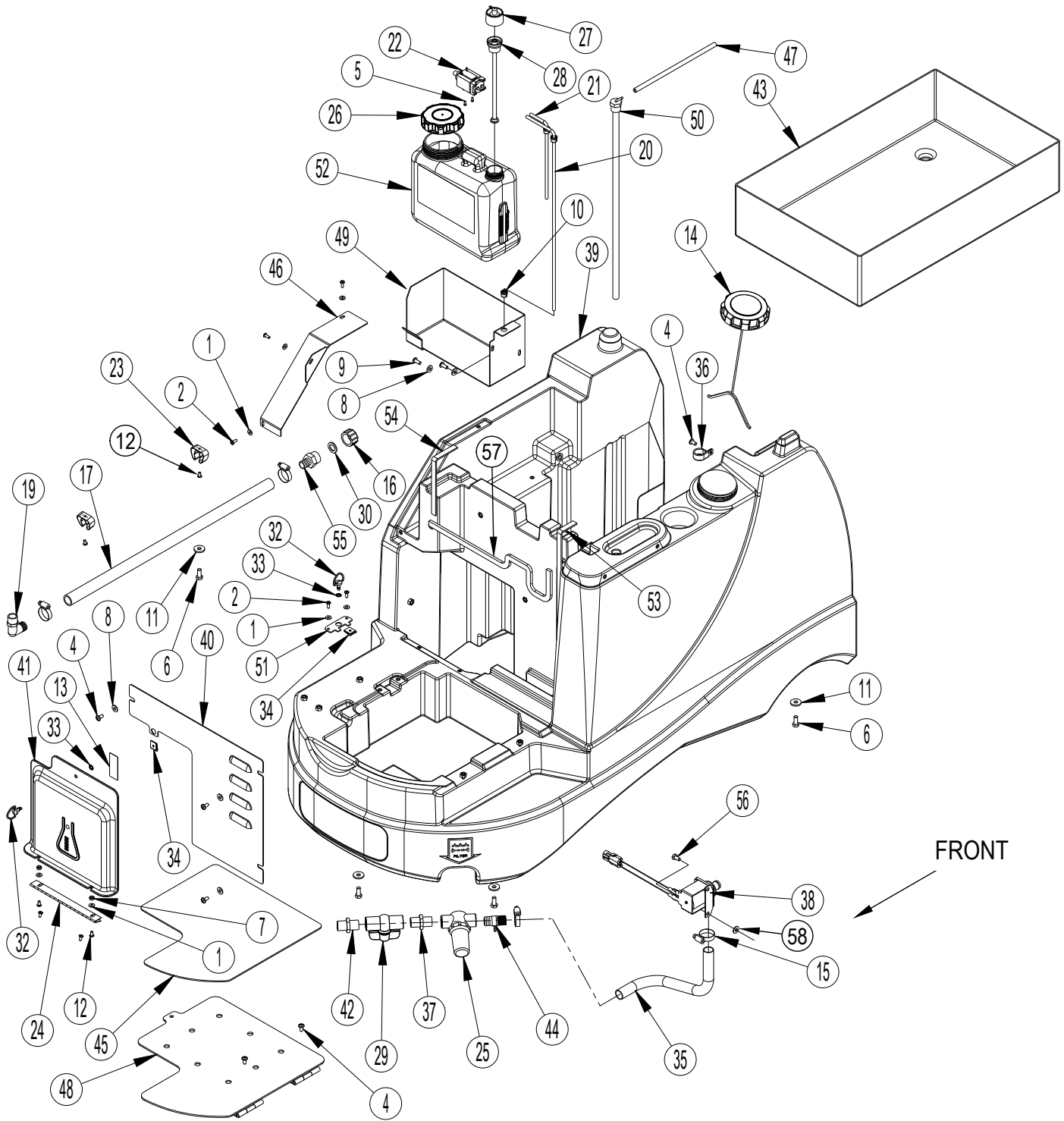
56601784 - Right Skirt Assy



SCRUB SYSTEM-REV SKIRT ASSEMBLIES

Item	Ref. No.	Qty	Description
	56601782	1	Skirt Assy LH REV (1, 2, 4, 7-9)
	56601784	1	Skirt Assy RH REV (1-6)
1	56003715	12	Scr-Carriage SS 1/4-20 X .75
2	56003824	12	Nut- Wing Plastic Loc 1/4-20
3	56601785	1	Frame Skirt RH REV (56601784)
4	56601816	1	Kit-Blade Gum
5	56601792	1	Retainer Skirt (56601784)
6	56601809	1	Retainer Skirt (56601784)
7	56601783	1	Frame Skirt LH REV (56601782)
8	56601808	1	Retainer Skirt (56601782)
9	56601791	1	Retainer Skirt (56601782)

SOLUTION SYSTEM-ECOFLEX AND REV



SOLUTION SYSTEM-ECOFLEX AND REV

Item	Ref. No.	Qty	Description	Item	Ref. No.	Qty	Description
1	56002916	7	Wsh Flt SAS SS 10	43	56601213	1	Battery Box
2	56003400	5	Scr Pan Phil SS Loc 10-24x.50	[]	5660178	2	Battery Spacer (15 x 4 x1) NOTE 2
4	56003119	8	Scr Pan Phil SS 1/4-20 X .50	[]	56314119	1	Spacer. Battery (18 x 4 x1.5) NOTE 2
5	56002539	2	Scr. Pan Phil Thd Form 6-32 X .31	44	56601236	1	Tee. Special.3/4 X 3/16 X 1/2npt
6	56002667	4	Scr. Hex 5/16-18 X .75	45	56601246	1	Mat
7	56002849	2	Nut Hex Nyl Loc-Thin SS 10-24	46	56601268	1	Plate
8	56002859	5	Wsh. Flt SAE SS 1/4	47	56112553	1	Hose
9	56002989	2	Scr. Pan Phil SS 1/4-20 X .62	48	56601339	1	Charger Cover Weldt
10	56003699	3	Bushing, 1/4 Id Snub	49	56601845	1	Bracket
11	56009122	4	Wsh. Flt .344 X .938 X .125	50	56344172	1	Tube-Pressure Sensing W/Elbow
12	56003913	6	Scr-Pan Phil Loc SS 10-24x.38	51	56601843	1	Plate
13	56016331	1	Decal. Chemical Ratio	52	56601544	1	Chemical Bottle Assy
14	56510442	1	Cap-Extra Vent TSB-FC-2015-031	*	56601545	1	Chemical Bottle Assy (26, 28 & 52)
15	56244969	4	Clamp. Hose SAE #12	53	56601569	1	Gasket
16	56255076	1	Cap. Pipe Ght Nylon	54	56601570	1	Gasket
17	56261265	1	Hose. .75 Clear Pvc. 25.00	55	56900273	1	Barb. Adapter 3/4 X 3/4ght
19	56314757	1	Barb. 90 Elbow 3/4 X 1/2npt	56	56002935	1	Scr Hex Loc SS 1/4-20 X .75
20	56314942	1	Hose. Chem Resistant	57	56601685	1	Gasket
21	56314991	1	Hose. Chem Resistant 14"	58	56009064	1	Wsh Int Shprf 1/4
22	56315241	1	Pump. Chemical (M2)				
23	56601598	2	Hose Clip				
24	56315285	1	Hinge				
25	56315296	1	Solution Filter				
*	56601594	1	Solution Filter Kit (includes O-Ring, Mesh Filter & Filter Housing)				
26	9100001512	1	Cap. Plastic F Chemical Tank				
27	56315523	1	Cap. Dry Break, 1/8 Barb. 90				
28	56315527	1	Insert. Dry Break				
29	56381475	1	Ball Valve				
30	56368776	1	Washer. Rubber				
32	56380132	2	Latch, 1/4 Turn				
33	56380137	2	Retainer				
34	56380141	2	Nut. Clamp				
35	30445A	1	Hose-Solution				
36	56410097	3	Clamp. P				
37	56412182	2	Coupling-1/2npt To 1/2npt				
38	56601064	1	Solenoid Valve Assy (L1) TSB-FC-2015-023				
39	56601076	1	Solution Tank				
40	56601106	1	Panel				
41	56601202	1	Chemical Bottle Cover				
42	56601212	1	Nipple Reducer NOTE 1				

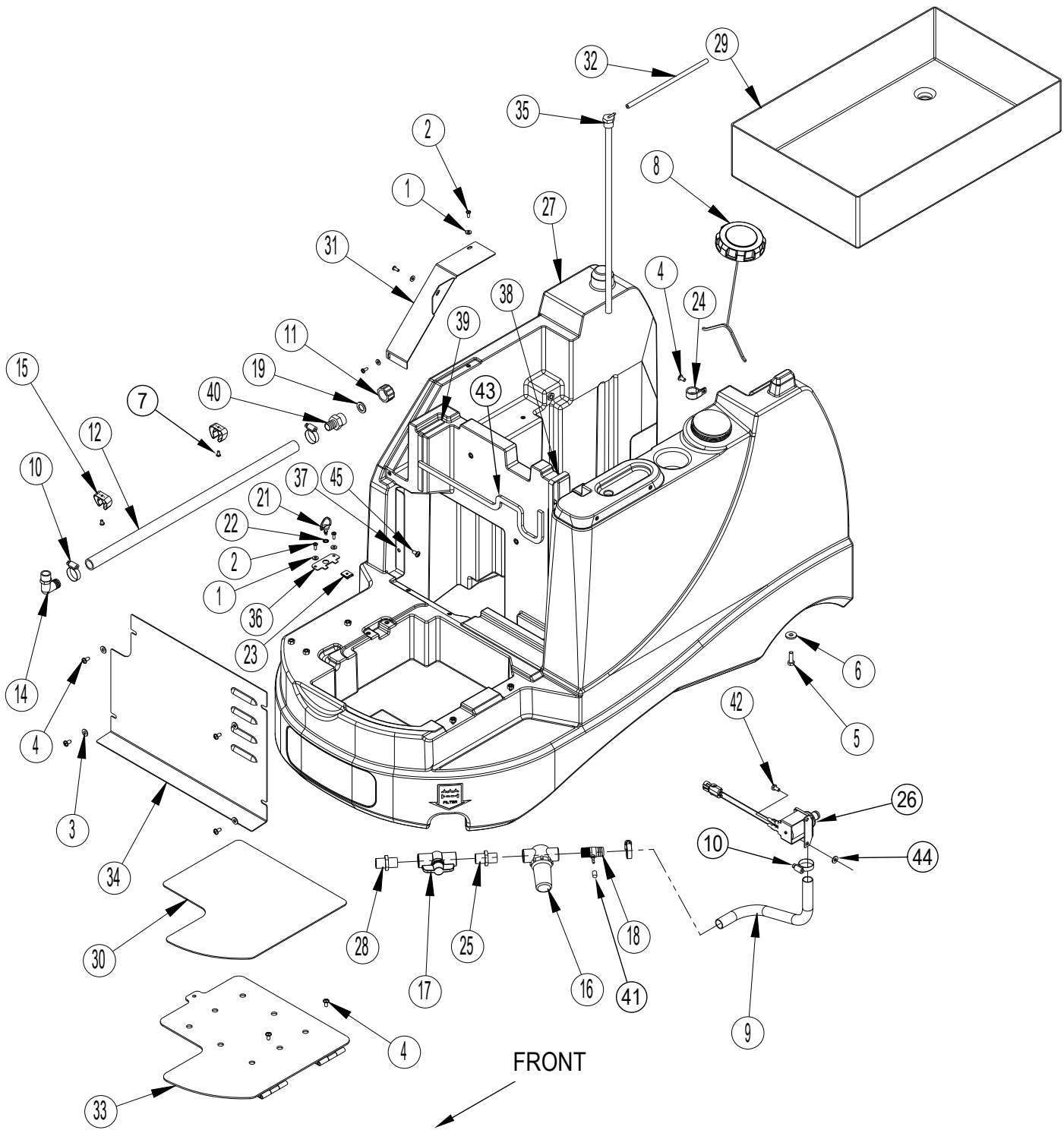
* = Optional, Not Included

[] = Not Shown

NOTE 1: 56601212 is only used on machines built before December 16, 2013. After that date it is replaced with 56412182.

NOTE 2: Not used in all machine packages.

SOLUTION SYSTEM-STD



SOLUTION SYSTEM-STD

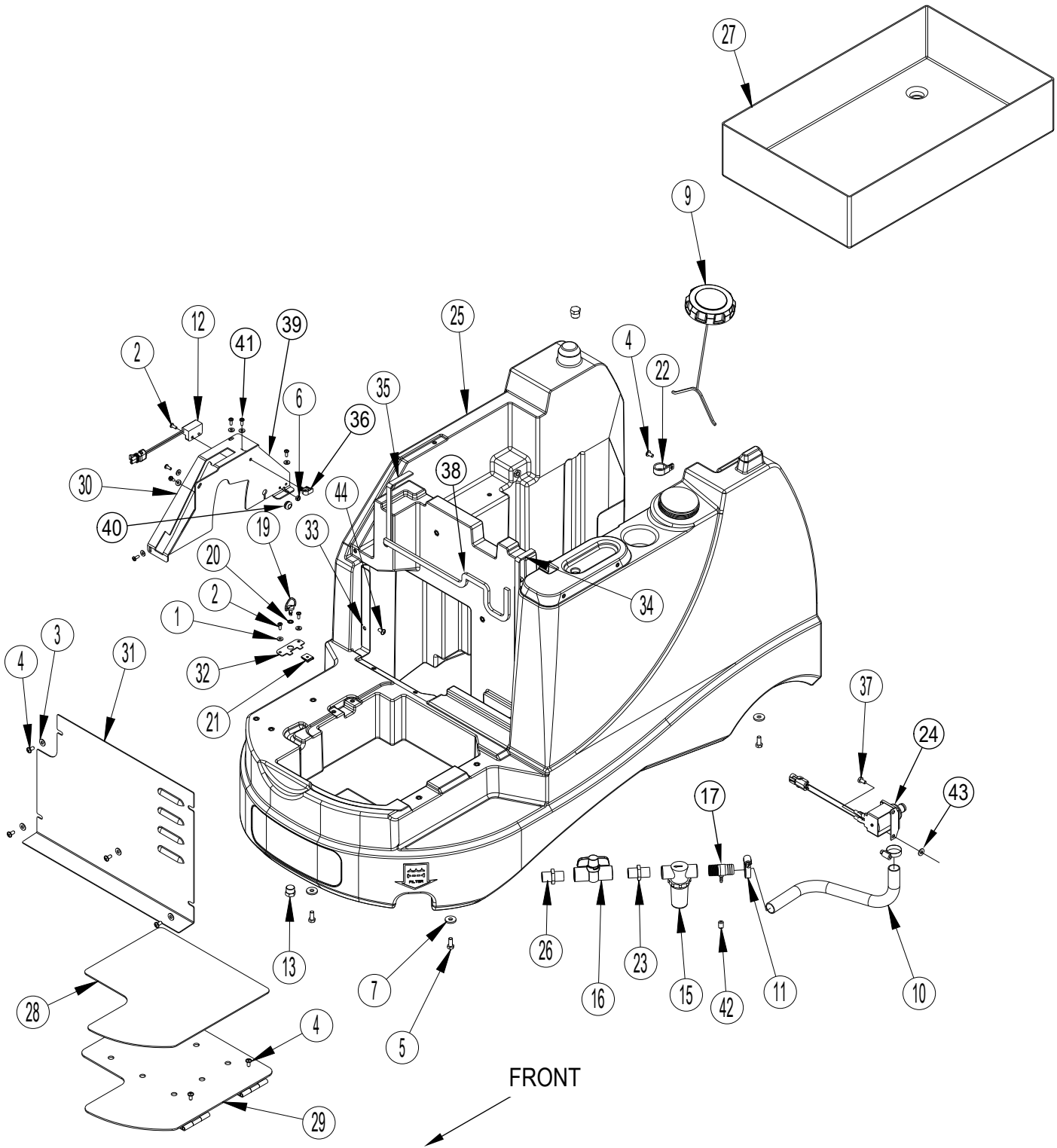
Item	Ref. No.	Qty	Description
1	56002916	5	Wsh Flt SAE SS 10
2	56003400	5	Scr Pan Phil SS Loc 10-24x.50
3	56002859	4	Wsh Flt SAE SS 1/4
4#	56003119	9	Scr Pan Phil SS 1/4-20 X .50
5	56002667	4	Scr. Hex 5/16-18 X .75
6	56009122	4	Wsh. Flt .344 X .938 X .125
7	56003913	2	Scr-Pan Phil Loc SS 10-24x.38
8	56510442	1	Cap-Extra Vent TSB-FC-2015-031
9	30445A	1	Hose, Solution
10	56244969	4	Clamp, Hose SAE #12
11	56255076	1	Cap. Pipe Ght Nylon
12	56261265	1	Hose, .75 Clear Pvc, 25.00
14	56314757	1	Barb. 90 Elbow 3/4 X 1/2npt
15	56601598	2	Hose Clip
16	56315296	1	Solution Filter
*	56601594	1	Solution Filter Kit (includes O-Ring, Mesh Filter & Filter Housing)
17	56381475	1	Ball Valve
18	56601236	1	Barb, Adaptor 3/4 X 1/2 Npt
19	56368776	1	Washer, Rubber
21	56380132	1	Latch, 1/4 Turn
22	56380137	1	Retainer
23	56380141	1	Nut, Clamp
24	56410097	3	Clamp, P
25	56412182	2	Coupling-1/2npt To 1/2npt
26	56601064	1	Solenoid Valve Assy (L1) TSB-FC-2015-023
27	56601076	1	Solution Tank
28	56601212	1	Nipple Reducer NOTE 1
29	56601213	1	Battery Box
30	56601246	1	Mat
31	56601268	1	Plate
32	56112553	1	Hose
33	56601339	1	Charger Cover Weldt
34	56601842	1	Electrical Cover Panel
35	56344172	1	Tube Pressure Sensing W/Elbow
36	56601843	1	Plate
37	56601848	1	Bracket, L
38	56601569	1	Gasket
39	56601570	1	Gasket
40	56900273	1	Barb. Adapter 3/4 X 3/4ght
41	56051209	1	Rubber Tip-Black
42	56002935	1	Scr Hex Loc SS 1/4-20 X .75
43	56601685	1	Gasket
44	56009064	1	Wsh Int Shprf 1/4
45#	56003897	1	Scr-Pan Phil Loc SS 1/4-20 X .50

* = Optional, Not Included

= Revised or new since last update

NOTE 1: 56601212 is only used on machines built before December 16, 2013. After that date it is replaced with 56412182.

SOLUTION SYSTEM-ST



SOLUTION SYSTEM-ST

Item	Ref. No.	Qty	Description
1	56002916	8	Wsh Flt SAE SS 10
2	56003400	7	Scr Pan Phil SS Loc 10-24x.50
3	56002859	4	Wsh Flt SAE SS 1/4
4#	56003119	9	Scr Pan Phil SS 1/4-20 X .50
5	56002667	4	Scr. Hex 5/16-18 X .75
6	56002836	1	Nut Hex Nyl Loc SS 10-24
7	56009122	4	Wsh. Flt .344 X .938 X .125
9	56510442	1	Cap-Extra Vent TSB-FC-2015-031
10	30445A	1	Hose, Solution
11	56244969	2	Clamp, Hose SAE #12
12	56305053	1	Sensor, Proximity
13	56305547	2	Plug, 1/2 Hex Pipe
15	56315296	1	Solution Filter
*	56601594	1	Solution Filter Kit (includes O-Ring, Mesh Filter & Filter Housing)
16	56381475	1	Ball Valve
17	56601236	1	Tee Special 3/4 X 3/16 X 1/2
19	56380132	1	Latch, 1/4 Turn
20	56380137	1	Retainer
21	56380141	1	Nut, Clamp
22	56410097	3	Clamp, P
23	56412182	2	Coupling-1/2npt To 1/2npt
24	56601064	1	Solenoid Valve Assy (L1) TSB-FC-2015-023
25	56601076	1	Solution Tank
26	56601212	1	Nipple Reducer NOTE 2
27	56601213	1	Battery Box
28	56601246	1	Mat
29	56601339	1	Charger Cover Weldt
30	56601713	1	Handle Cover-Top Panel NOTE 1
31	56601842	1	Electrical Cover Panel
32	56601843	1	Plate
33	56601848	1	Bracket, L
34	56601569	1	Gasket
35	56601570	1	Gasket
36	56507793	1	Clip-Conduit
37	56002935	1	Scr Hex Loc SS 1/4-20 X .75
38	56601685	1	Gasket
39	56601714	1	Handle Cover Weldt. NOTE 1
40	56321540	1	Grommet
41	56009029	2	Scr-Pan Phil Thd Form 10-24 x .50
42	56051209	1	Rubber Tip-Black
43	56009064	1	Wsh Int Shprf 1/4
44#	56003897	1	Scr-Pan Phil Loc SS 1/4-20 X .50

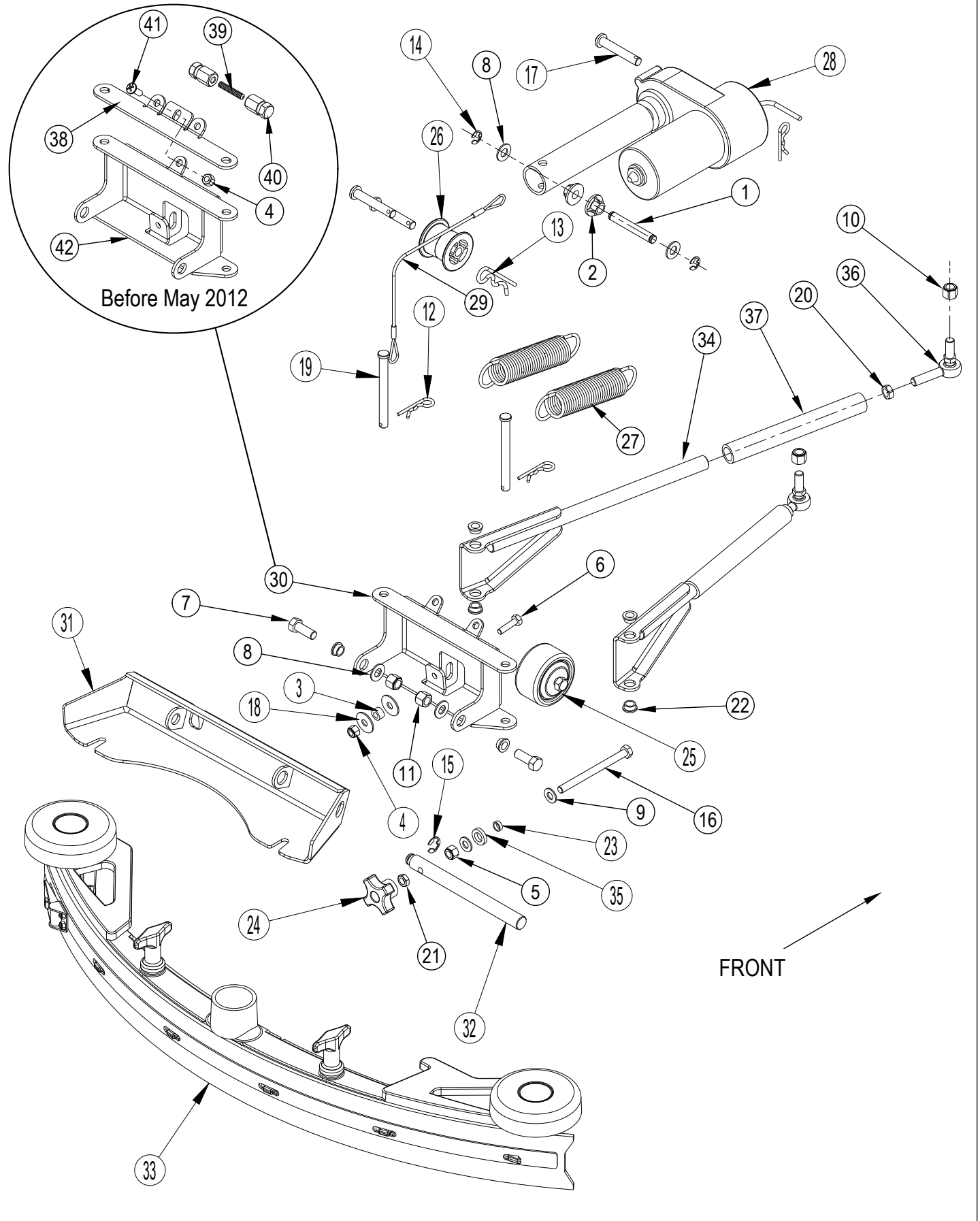
* = Optional, Not Included

= Revised or new since last update

NOTE 1: Handle Cover 56601344 is no longer used in production. If you order 56601344 you will receive Handle Panel Kit 56601730 which contains items (1, 30, 39, 40 & 41).

NOTE 2: 56601212 is only used on machines built before December 16, 2013. After that date it is replaced with 56412182.

SQUEEGEE SYSTEM-STD, ECOFLEX AND REV



SQUEEGEE SYSTEM-STD, ECOFLEX AND REV

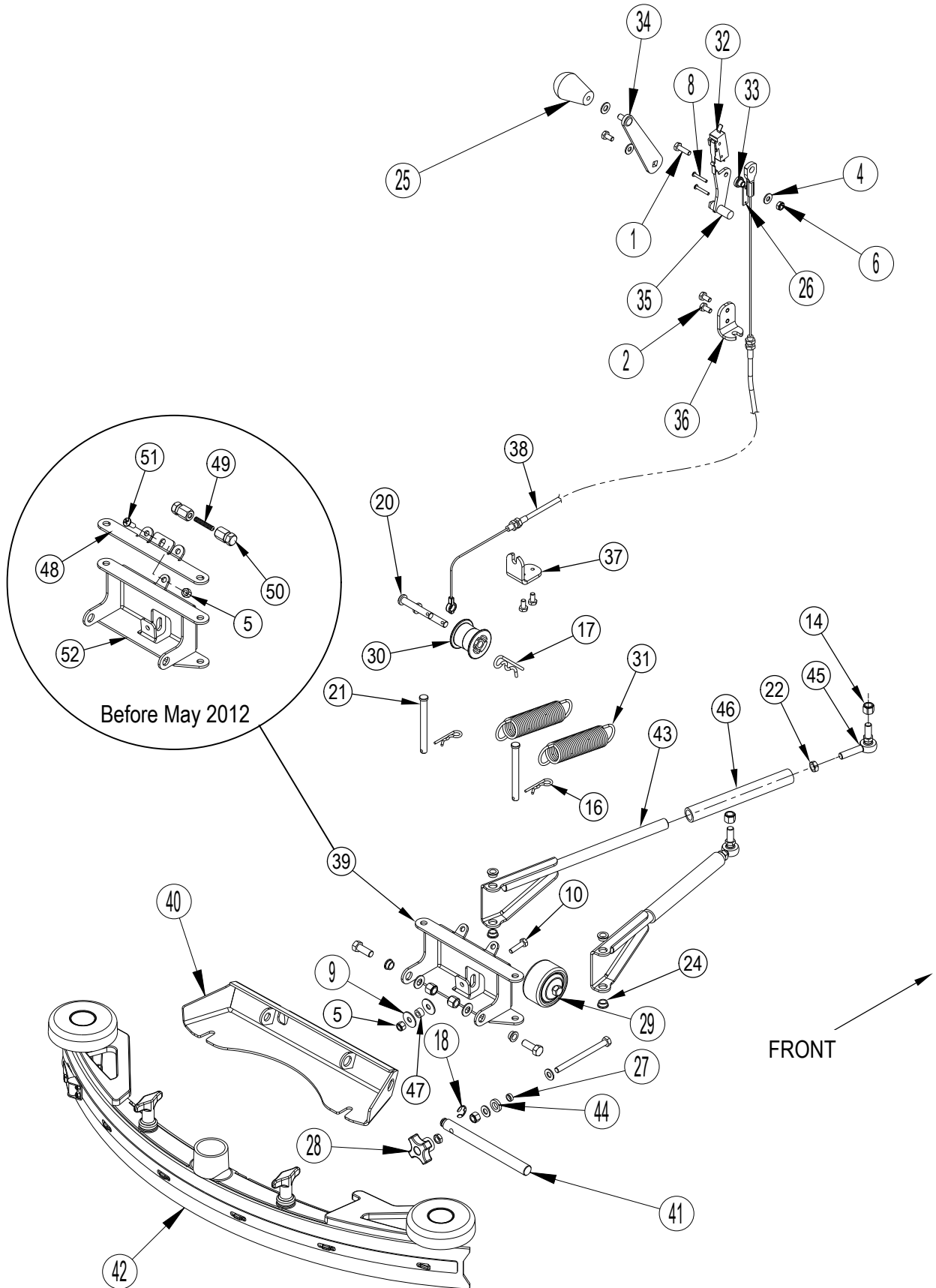
Item	Ref. No.	Qty	Description
1	56412088	1	Pin
2	56412248	2	Spacer, Squeegee Cable
3	56453691	1	Spacer
4	56002491	2	Nut, Hex Nyl Loc SS 1/4-20 NOTE 1
5	56002856	1	Nut, Hex Nyl Loc SS 5/16-18
6	56002883	1	Scr. Hex SS 1/4-20 X 1.00
7	56002886	2	Scr. Hex SS 3/8-16 X 1.00
8	56002910	4	Wsh. Flt SAE SS 3/8
9	56002938	2	Wsh. Flt SAE SS 5/16
10	56002951	2	Nut, Hex Nyl Loc 3/8-24
11	56003219	2	Nut, Hex Nyl Loc SS 3/8-16
12	56003222	3	Pin, Cotter Hair
13	56003223	1	Pin, Cot Hair .148 X Dia .62/1.00
14	56003262	2	Ring, Ret Ext Type E 0.38 Dia
15	56003264	1	Ring, Ret Ext Type E 0.50 Dia
16	56003486	1	Scr. Hex Thd To Hd SS 5/16-18 X 4.00
17	56003656	3	Pin, Clevis .375 X 2.25
18	56003696	2	Wsh. Flt SS .33 X 1.00 X.060
19	56003713	2	Pin, Clevis .38 X 3.75
20	56009103	2	Nut, Hex Jam 3/8-24
21	56009141	1	Nut, Hex Jam SS 5/16-18
22	56324505	6	Bearing, Flange
23	56381818	1	Bushing .32x.44x.15
24	56407303	1	Knob
25	56412124	1	Wheel
26	56412208	1	Roller
27	56412216	2	Spring, Extension NOTE 1
28	56601147	1	Actuator, Motor 24v (M3)
29	56601257	1	Cable Assembly
30	56601038	1	Weldt-Squeegee Pivot NOTE 2
31	56601037	1	Weldt-Squeegee Mount
32	56601442	1	Shaft
33	56601449	1	Squeegee Assy (28") (Includes Gum Rubber Blades)
	56601454	1	Squeegee Assy (34") (Includes Gum Rubber Blades)
34	56601460	2	Bar Weldment
35	56601463	1	Washer, Polyurethane
36	56601469	2	Rod End
37	56601512	2	Hose
38	56382623	1	Bracket-Spring Advenger NOTE 1
39	56382637	1	Rod-Threaded .25 X 1.25 NOTE 1
40	56382624	2	Nut-Spring NOTE 1
41	56002957	1	Scr Pan Phil SS 1/4-20 X .75 NOTE 1
42	56601436	1	Squeegee Pivot Bracket Weld't NOTE 3

NOTE 1: These parts were implemented in production as of November 2011 to increase squeegee down pressure. Order Squeegee Spring Kit 56382635 to upgrade your machine to include this improvement. Only used before May 2012.

NOTE 2: After April 2012.

NOTE 3: Before May 2012.

SQUEEGEE SYSTEM-ST



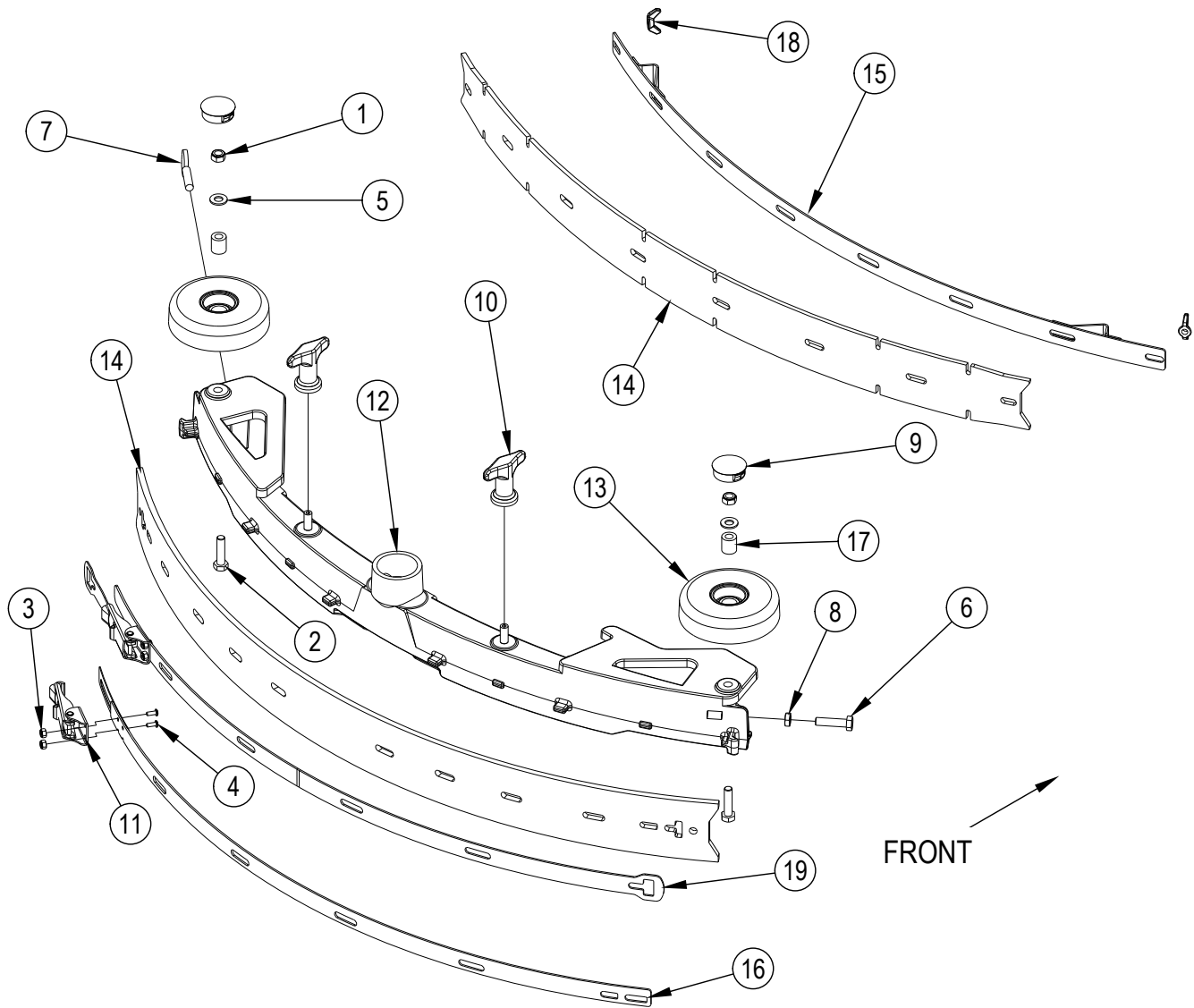
SQUEEGEE SYSTEM-ST

Item	Ref. No.	Qty	Description
1	56001821	1	Scr. Hex 1/4-20 X .88
2	56001854	4	Scr. Hex 1/4-20 X .50
3	56001939	1	Wsh. Flt SAE 5/16
4	56002098	2	Wsh. Flt SAE 1/4
5	56002491	2	Nut. Hex Nyl Loc SS 1/4-20 NOTE 1
6	56002840	1	Nut. Hex Nyl Loc-Thin 1/4-20
7	56002856	1	Nut. Hex Nyl Loc SS 5/16-18
8	56002858	2	Scr. Pan Phil 6-32 X 1.00
9	56002859	2	Wsh. Flt SAE SS 1/4
10	56002883	1	Scr. Hex SS 1/4-20 X 1.00
11	56002886	2	Scr. Hex SS 3/8-16 X 1.00
12	56002910	2	Wsh. Flt SAE SS 3/8
13	56002938	2	Wsh. Flt SAE SS 5/16
14	56002951	2	Nut. Hex Nyl Loc 3/8-24
15	56003219	2	Nut. Hex Nyl Loc SS 3/8-16
16	56003222	2	Pin. Cotter Hair
17	56003223	1	Pin. Cot Hair .148 X Dia .62/1.00
18	56003264	1	Ring. Ret Ext Type E 0.50 Dia
19	56003486	1	Scr. Hex Thd To Hd SS 5/16-18 X 4.00
20	56003656	2	Pin. Clevis .375 X 2.25
21	56003713	2	Pin. Clevis .38 X 3.75
22	56009103	2	Nut. Hex Jam 3/8-24
23	56009141	1	Nut. Hex Jam SS 5/16-18
24	56324505	6	Bearing. Flange
25	56364527	1	Knob
26	56376015	1	Nut Plate
27	56381818	1	Bushing .32x.44x.15
28	56407303	1	Knob
29	56412124	1	Wheel
30	56412208	1	Roller
31	56412216	2	Spring. Extension NOTE 1
32	56601160	1	Switch. Snap. Spst No
33	56601190	1	Bushing. Cable
34	56601218	1	Linkage Arm
35	56601221	1	Linkage. Weldment
36	56601233	1	Bracket. Cable
37	56601234	1	Bracket. Cable
38	56601235	1	Cable
39	56601038	1	Weldt-Squeegee Pivot NOTE 2
40	56601037	1	Weldt-Squeegee Mount
41	56601442	1	Shaft
42	56601449	1	Squeegee Assembly (28") (Includes Gum Rubber Blades)
	56601454	1	Squeegee Assembly (34") (Includes Gum Rubber Blades)
43	56601460	2	Bar Weldment
44	56601463	1	Washer. Polyurethane
45	56601469	2	Rod End
46	56601512	2	Hose
47	56453849	1	Bushing
48	56382623	1	Bracket-Spring Advenger NOTE 1
49	56382637	1	Rod-Threaded .25 X 1.25 NOTE 1
50	56382624	2	Nut-Spring NOTE 1
51	56002957	1	Scr Pan Phil SS 1/4-20 X .75 NOTE 1
52	56601436	1	Squeegee Pivot Bracket Weld't NOTE 3
53	56003039	1	Scr Hex Loc 1/4-20 x .50

NOTE 1: These parts were implemented in production as of November 2011 to increase squeegee down pressure. Order Squeegee Spring Kit 56382635 to upgrade your machine to include this improvement. Only used before May 2012.

NOTE 2: After April 2012.

NOTE 3: Before May 2012.



SQUEEGEE ASSY-28 INCH

Item	Ref. No.	Qty	Description	Item	Ref. No.	Qty	Description
	56601449	1	Squeegee Assembly (Includes Gum Rubber Blades)	13	56601450	2	Wheel, 4.00 Od
1	56002851	2	Nut, Hex Nyl Loc-Thin SS 5/16-18	14	56382734	1	Blade Kit-Squeegee-Gum 28 After October 2011 NOTE 1 / NOTE 5
2	56003302	2	Scr Hex Thd/Hd SS 5/16-18X1.25	56601744	1	Blade Kit-Squeegee-Gum 28 Before November 2011 NOTE 1	
3	56002907	2	Nut, Hex Nyl Loc SS 6-32 Before June 2012	*	56382737	1	Blade Kit-Squeegee-PU 28 After October 2011 / NOTE 1 / NOTE 5
4	56002909	2	Scr. Pan Phil SS 6-32 X .38 Before June 2012	*	56601745	1	Blade Kit, Squeegee PU Before November 2011 / NOTE 1
5	56002938	2	Wsh. Flt SAE SS 5/16	*	56382735	1	Blade Kit-Squeegee-Red Gum 28 After October 2011 NOTE 1 / NOTE 5
6	56003302	1	Scr. Hex Thd To Hd SS 5/16-18 X 1.25	*	56601746	1	Blade Kit, Squeegee Red Gum Before November 2011 NOTE 1
7	56003792	1	Scr. Thumb SS 5/16-18 X 1.25	15	56601489	1	Front Strap Weldment
8	56009141	1	Nut, Hex Jam SS 5/16-18	16	56601591	1	Strap, Rear NOTE 3
9	56111444	2	Button Plug-1.25	56382676	1	Strap, Rear NOTE 4	
10	56370711	2	Nut, Thumb	17	56601499	2	Bushing, Nylon
11	56471194	1	Latch Before June 2012	18	56009111	2	Nut-Wing SS 1/4-20 NOTE 3
12	NA	1	Squeegee Casting NOTE 2	19	56382697	1	Clamp-Band 28 In Assy After May 2012

* = Optional, Not Included

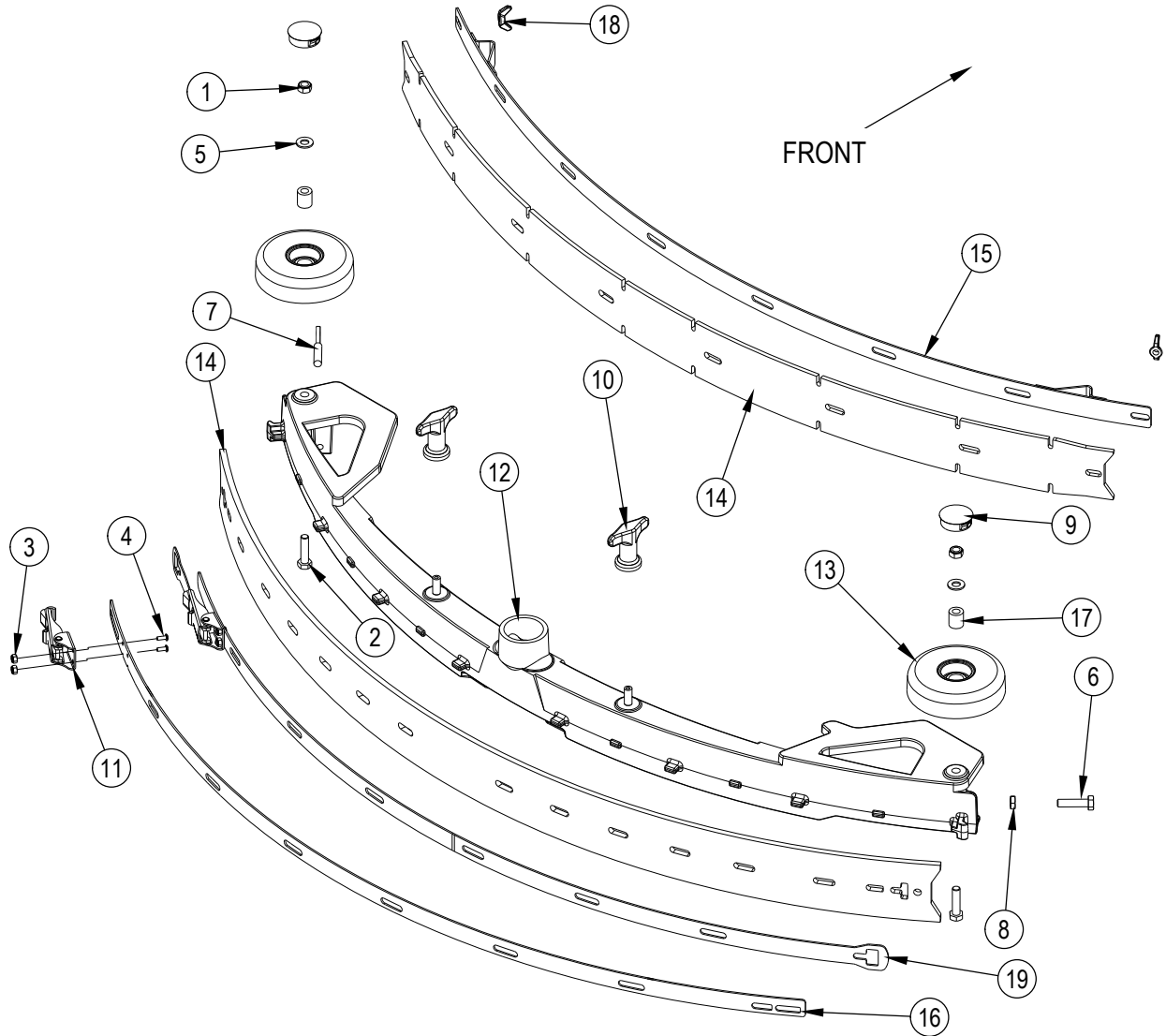
NOTE 1: All squeegee blade kits include both front and rear squeegee blades.

NOTE 2: The squeegee casting is not available for sale separately. If you need to replace your squeegee casting please order a new Squeegee Assembly part number 56601449.

NOTE 3: TSBUS2009-1041 - Only used before SN 3000023100.

NOTE 4: TSBUS2009-1041 - Only used after SN 3000023099 and before June 2012.

NOTE 5: These squeegee blades are designed to provide increased performance and reduced streaking. When installing these blades on a machine built before November 2011 you must also order a new rear strap part number 56382676.



SQUEEGEE ASSY-34 INCH

Item	Ref. No.	Qty	Description
	56601454	1	Squeegee Assembly (Includes Gum Rubber Blades)
1	56002851	2	Nut, Hex Nyl Loc-Thin SS 5/16-18
2	56003302	2	Scr Hex Thd/Hd SS 5/16-18X1.25
3	56002907	2	Nut, Hex Nyl Loc SS 6-32 Before May 2012
4	56002909	2	Scr. Pan Phil SS 6-32 X .38 Before May 2012
5	56002938	2	Wsh, Flt SAE SS 5/16
6	56003302	1	Scr. Hex Thd To Hd SS 5/16-18 X 1.25
7	56003792	1	Scr. Thumb SS 5/16-18 X 1.25
8	56009141	1	Nut, Hex Jam SS 5/16-18
9	56111444	2	Button Plug-1.25
10	56370711	2	Nut, Thumb

Item	Ref. No.	Qty	Description
11	56471194	1	Latch Before May 2012
12	NA	1	Squeegee Casting NOTE 2
13	56601450	2	Wheel, 4.00 Od
14	56382738	1	Blade Kit-Squeegee-Gum 34 NOTE 1
*	56382740	1	Blade Kit-Squeegee-PU 34 NOTE 1
*	56382739	1	Blade Kit-Squeegee-Red Gum 34 NOTE 1
15	56601495	1	Front Strap Weldment (34")
16	56601496	1	Strap, Rear NOTE 4
	56601593	1	Strap, Rear NOTE 3
17	56601499	2	Bushing, Nylon
18	56009111	2	Nut-Wing SS 1/4-20 NOTE 3
19	56382698	1	Clamp-Band 34 In Assy After April 2012

* = Optional, Not Included

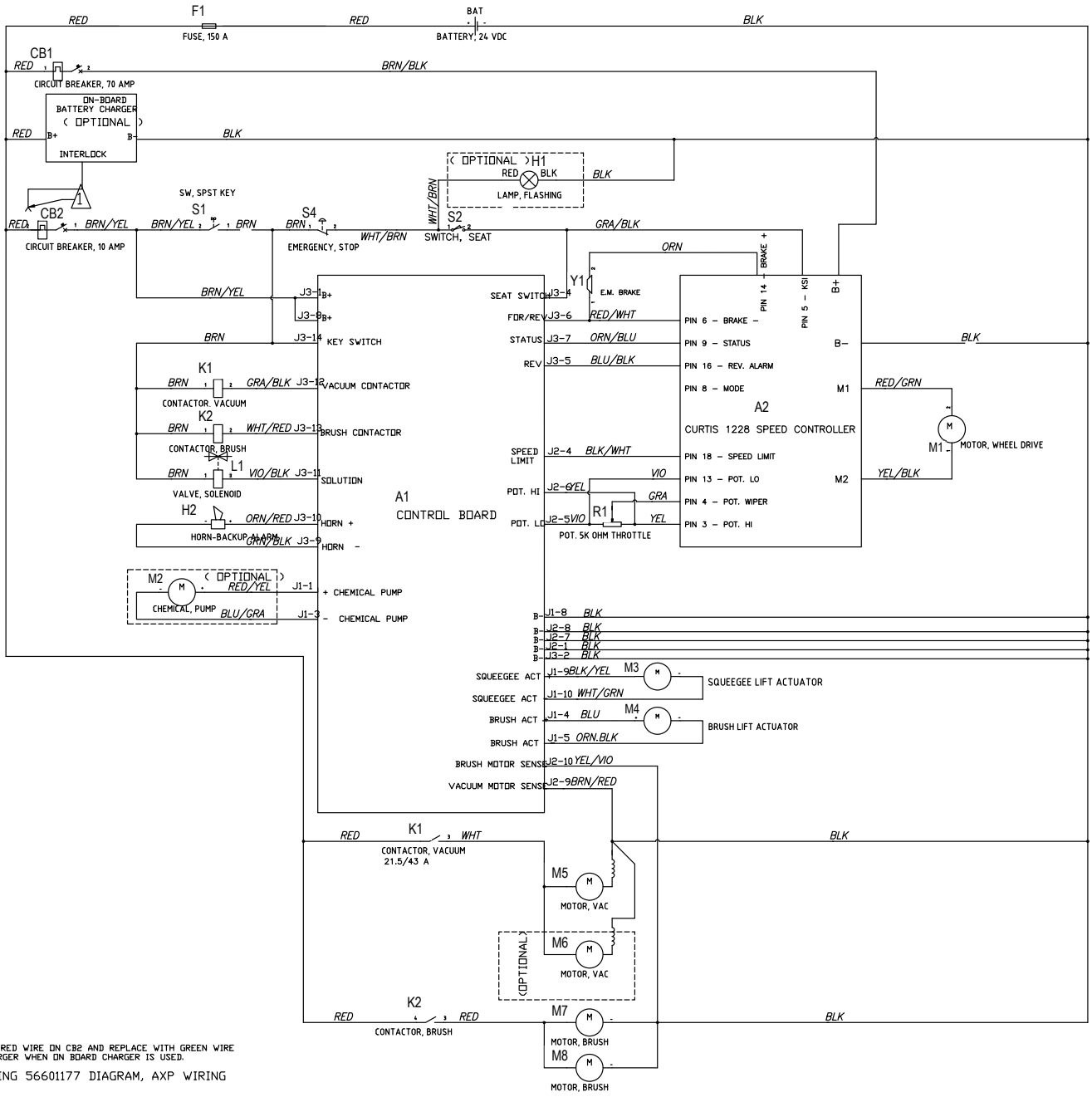
NOTE 1: All squeegee blade kits include both front and rear squeegee blades.

NOTE 2: The squeegee casting is not available for sale separately. If you need to replace your squeegee casting please order a new Squeegee Assembly part number 56601454.

NOTE 3: TSBUS2009-1041 - Only used before SN 300006847.

NOTE 4: TSBUS2009-1041 - Only used after SN 300006846 and before May 2012.

LADDER DIAGRAM-STD AND ECOFLEX



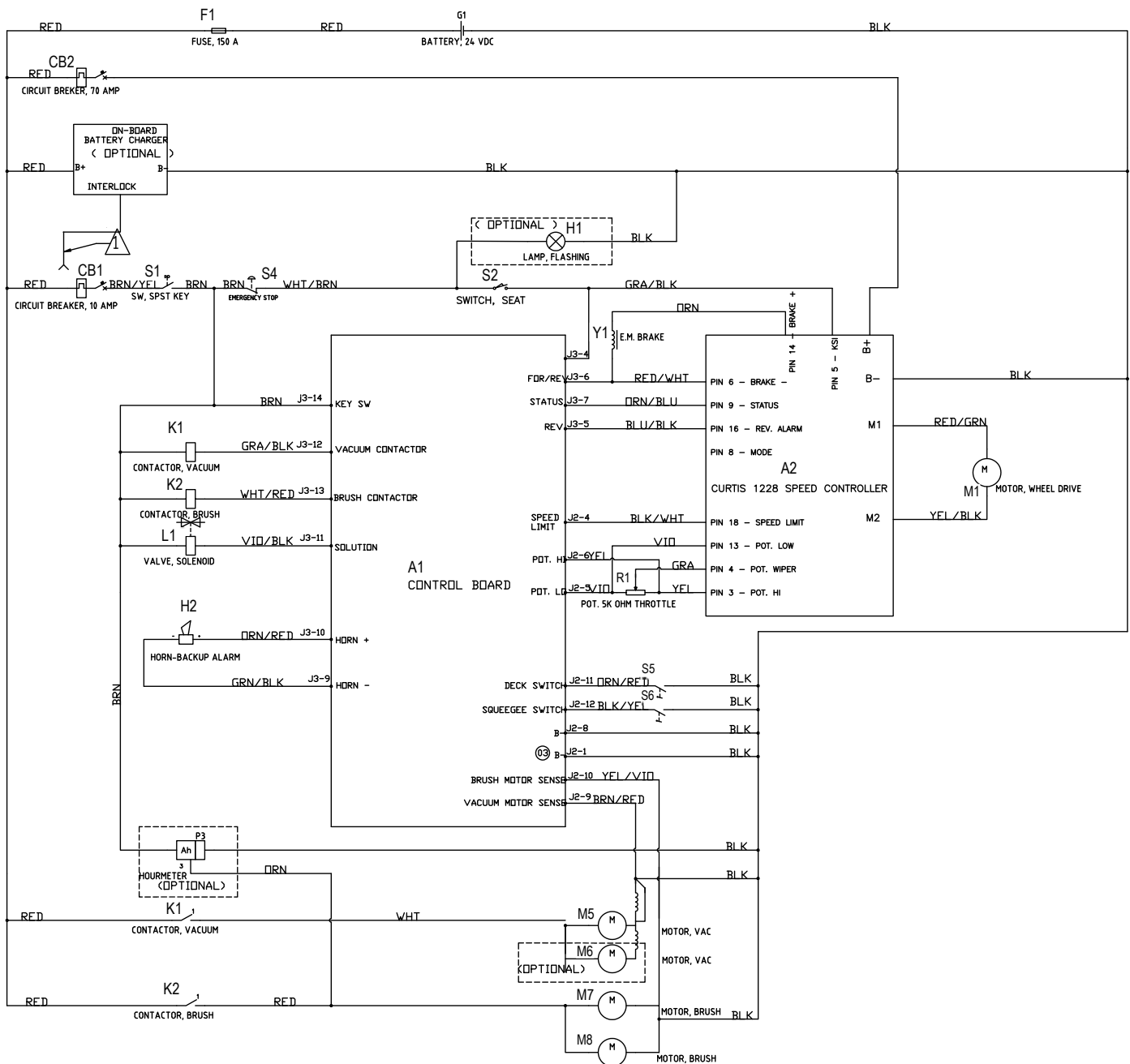
NOTES:
 ⚠ DISCONNECT RED WIRE ON CB2 AND REPLACE WITH GREEN WIRE FROM CHARGER WHEN ON BOARD CHARGER IS USED.
 REF DRAWING 56601177 DIAGRAM, AXP WIRING

LADDER DIAGRAM-STD AND ECOFLEX

<u>Item</u>	<u>Ref. No.</u>	<u>Qty</u>	<u>Description</u>
A1#	56384462	1	Interface Panel Assy TSB-FC-2017-058
A2	56601061	1	Controller, Speed
BAT	N/A		Battery
F1	56412089	1	Fuse, 150 Amp
CB1	56454429	1	Circuit Breaker, 70 Amp
CB2	56507644	1	Circuit Breaker, 10 Amp
H1	56307166	1	Beacon, Warning (optional)
H2	56412177	1	Horn/Backup Alarm
K1	56601183	1	Contactactor 24v, 100 Amp
K2	56412179	1	Contactactor 24v
L1	56601064	1	Solenoid Valve Assy TSB-FC-2015-023
M1	56601050	1	Motor / Drive Wheel
M2	56315241	1	Pump, Chemical
M3	56601147	1	Actuator, Motor 24v
M4	56601432	1	Lift Actuator Assembly
M5	56601132	1	Motor, Vac 24vdc
M6	56601132	1	Motor, Vac 24vdc (optional)
M7	56315061	1	Motor, 24 Vdc, .5 Hp, 1800 Rpm (cyl) TSBUS2010-1058
	56601134	2	Motor Gearbox Assy (disk)
M8	56315061	1	Motor, 24 Vdc, .5 Hp, 1800 Rpm (cyl) TSBUS2010-1058
	56601134	2	Motor Gearbox Assy (disk)
R1	N/A	1	Part of 56385084
S1	56303553	1	Key Switch
*	56303526	A/R	Replacement Key Set
S2	7-82-00050	1	Switch, Seat
S4	56407130	1	Disconnect, Emergency
Y1	56601507	1	Brake, Electromagnetic
	56315773	1	Charger, On-Board 24v TSBUS2008-984

= Revised or new since last update

LADDER DIAGRAM-ST



NOTES:
 ⚠ DISCONNECT RED WIRE ON CB2 AND REPLACE WITH GREEN WIRE FROM CHARGER WHEN ON BOARD CHARGER IS USED
 REF. DRAWING 56601179 DIAGRAM, ST WIRING

LADDER DIAGRAM-ST

<u>Item</u>	<u>Ref. No.</u>	<u>Qty</u>	<u>Description</u>
A1#	56384474	1	Interface Panel Assy
A2	56601061	1	Speed Control
BAT	N/A		Battery
F1	56412089	1	Fuse, 150 Amp
CB1	56454429	1	Circuit Breaker, 70 Amp
CB2	56507644	1	Circuit Breaker, 10 Amp
H1	56307166	1	Beacon, Warning (optional)
H2	56412177	1	Horn/Backup Alarm
K1	56601183	1	Contactora 24v, 100 Amp
K2	56412179	1	Contactora 24v
L1	56601064	1	Solenoid Valve Assy TSB-FC-2015-023
M1	56601050	1	Motor / Drive Wheel
M5	56601132	1	Motor, Vac 24vdc
M6	56601132	1	Motor, Vac 24vdc (optional)
M7	56601134	2	Motor Gearbox Assy
M8	56601134	2	Motor Gearbox Assy
R1	N/A	1	Part of 56385084
S1	56303553	1	Key Switch
*	56303526	A/R	Replacement Key Set
S2	7-82-00050	1	Switch, Seat
S4	56407130	1	Disconnect, Emergency
S5	56305053	1	Sensor-Proximity (Deck)
S6	56601160	1	Switch, Squeegee
Y1	56601507	1	Brake, Electromagnetic
	56315773	1	Charger, On-Board 24v TSBUS2008-984

= Revised or new since last update

LADDER DIAGRAM-REV

<u>Item</u>	<u>Ref. No.</u>	<u>Qty</u>	<u>Description</u>
BT1	N/A		Battery
E1	56601812	1	Controller, Speed
E2	56315773	1	Charger, On-Board 24v TSBUS2008-984
E3	56601800	1	Interface Panel Assy
F1	56412089	1	Fuse, 150 Amp
CB1	56454429	1	Circuit Breaker, 70 Amp
CB2	56507644	1	Circuit Breaker, 10 Amp
H1	56412177	1	Horn/Backup Alarm
K1	56601183	1	Contactora 24v, 100 Amp
K2	56412179	1	Contactora 24v
L1	56601064	1	Solenoid Valve Assy TSB-FC-2015-023
LP1	56307166	1	Beacon, Warning (optional)
M1	56601050	1	Motor / Drive Wheel
M2	56601432	1	Lift Actuator Assembly
M3	56601811	1	Actuator
M4	56112749	1	Motor 24VDC
M5	56112749	1	Motor 24VDC
M8	56601132	1	Motor, Vac 24vdc
M9	56601132	1	Motor, Vac 24vdc (optional)
M10	56315241	1	Pump, Chemical
SW1	7-82-00050	1	Switch, Seat
SW2	56303553	1	Key Switch
*	56303526	A/R	Replacement Key Set
SW3	56407130	1	Disconnect, Emergency
SW4	N/A	1	Part of 56385084
Y1	56601507	1	Brake, Electromagnetic

OPTIONAL KITS & ACCESSORIES

Item	Ref. No.	Qty	Description	Item	Ref. No.	Qty	Description
Kits				28" Disk Scrub Brushes (See Brush Selector Guide)			
*	56397453	1	Kit-Battery Fill Indicator	*	56505800	2	Short Trim Pad Holder
*	7-03-04249	1	Kit-Seat Armrests NOTE 5	*	56505195	2	Pad Retainer for 56505750
*	56383188	1	Arm Rest Kit R/H + L/H NOTE 6	*	56505805	2	ProLite
*	56601085	1	Kit-Warning Beacon	*	56505804	2	Prolene
*	56601087	1	Kit-Vacuum Wand With Caddy	*	56505806	2	Union Mix
*	56422162	1	Kit-Seat Belt	*	56505803	2	AgLite Grit 500
*	56601098	1	Kit-Dual Vac Motor	*	56505807	2	MidGrit 240
*	56601527	1	Battery Watering Kit	*	56505808	2	MidLite Grit 180
*	56302198	1	Kit-Hour Meter	*	56505802	2	Dyna Grit 80
*	56315732	1	Quiq Programmer Kit	*	56505801	2	Magna Grit 46
*	56601088	1	Kit-Vacuum Sound Reduction	34" Disk Scrub Brushes (See Brush Selector Guide)			
*	56383240	1	Seat Kit	*	56505780	2	Short Trim Pad Holder
*	56601546	A/R	Kit-28" Disk Deck	*	56505195	2	Pad Retainer for 56505750
*	56601547	A/R	Kit-34" Disk Deck	*	56505785	2	ProLite
*	56601548	A/R	Kit-28" Cylindrical Deck	*	56505784	2	Prolene
*	56601084	A/R	Kit-Battery Rollout	*	56505786	2	Union Mix
*	56383697	1	Skirt Ext-Concrete Polish Kit	*	56505783	2	AgLite Grit 500
*	56384137	1	Idler W/O-Ring Kit	*	56505787	2	MidGrit 240
*	56385108	1	Wire Assembly Kit (REV models only)	*	56505788	2	MidLite Grit 180
28" Squeegee Blade Kits				*	56505782	2	Dyna Grit 80
	56382734	1	Blade Kit-Squeegee-Gum 28	*	56505781	2	Magna Grit 46
After October 2011 NOTE 1 / NOTE 4				28" Cylindrical Scrub Brushes (See Brush Selector Guide)			
	56601744	1	Blade Kit-Squeegee-Gum 28	*	56412191	2	Soft Nylon
Before November 2011 NOTE 1				*	56412192	2	Hard Nylon
*	56382737	1	Blade Kit-Squeegee-PU 28	*	56412046	2	Prolene
After October 2011 / NOTE 1 / NOTE 4				*	56412193	2	MidLite Grit 180
*	56601745	1	Blade Kit, Squeegee PU	*	56412194	2	Dyna Grit 80
Before November 2011 / NOTE 1				*	56412195	2	Magna Grit 46
*	56382735	1	Blade Kit-Squeegee-Red Gum 28	REV Pads			
After October 2011 NOTE 1 / NOTE 4				*	56384450	2	Pad-Maroon-14-10/Cs
*	56601746	1	Blade Kit, Squeegee Red Gum	*	56112734	2	Pad Micro Fiber-14 In
Before November 2011 NOTE 1				*	56112746	2	Velcro 2 Sided 14
34" Squeegee Blade Kits				* = Optional, Not Included			
	56382738	1	Blade Kit-Squeegee-Gum 34 NOTE 1				
*	56382740	1	Blade Kit-Squeegee-PU 34 NOTE 1				
*	56382739	1	Blade Kit-Squeegee-Red Gum 34 NOTE 1				
Disk Deck Blade Kits							
	56383488	1	Skirt Blade Kit-Gum NOTE 2				
*	56383490	1	Skirt Blade Kit-PU NOTE 2				
*	56383489	1	Skirt Blade Kit-Red Gum NOTE 2				
Cylindrical Deck Blade Kits							
	56316194	1	Blade Kit-Gum NOTE 3				
*	56601538	1	Blade Kit-PU NOTE 3				
*	56601681	1	Blade Kit-Red Gum NOTE 3				
REV Deck Blade Kits							
	56601816	1	Blade Kit-Deck-Gum NOTE 2				
	56601821	1	Blade Kit-Deck-Red Gum NOTE 2				
	56601823	1	Blade Kit-Deck-Pu NOTE 2				
Accessories							
*	56383571	A/R	Programmer-User				
*	56383572	A/R	Programmer Cable-Molex				
*	56044418	1	Literature Pack				

NOTE 1: All squeegee blade kits include both front and rear squeegee blades.

NOTE 2: All disk and REV deck blade kits include all side skirt blades.

NOTE 3: All cylindrical deck blade kits include all blades necessary.

NOTE 4: These squeegee blades are designed to provide increased performance and reduced streaking. When installing these blades on a machine built before November 2011 you must also order a new rear strap part number 56382676.

NOTE 5: Only for 8-69-00022 (seat with steel seat pan).

NOTE 6: Only for 56383187 (seat with plastic seat pan).

BRUSH SELECTOR GUIDE-DISK

We provide brushes and pad holders that will give you the best possible performance between machine and floor. Following are descriptions of the materials and their applications.

ProLite:	Bristles are made from light-duty polypropylene for general scrubbing when you do not want to scratch or remove finish from the floor. Recommended for use in place of red pads.
Prolene:	Polypropylene material for medium-duty scrubbing on concrete, terrazzo and vinyl floor tile. Recommended for use in place of green or blue pads.
Union Mix:	Medium grade natural fibers for polishing finished floors with standard-speed equipment. Recommended for use in place of white pads.
AgLite Grit 500:	For light scrubbing when used wet; buffing or polishing when used dry on urethane coated, sealed concrete or other resilient hard surface floors. Recommended for use in place of red or white pads.
MidGrit 240:	For general purpose scrubbing when you need a lighter action for sealed or unsealed concrete, stone, terrazzo, quarry tile and other resilient hard floor surfaces. Recommended for use in place of green or blue pads.
MidLite Grit 180:	For general purpose scrubbing of sealed or unsealed concrete, stone, terrazzo, quarry tile and other resilient hard floor surfaces. Recommended for use in place of green or blue pads.
Dyna Grit 80:	For aggressive, heavy-duty scrubbing or stripping of floors. Recommended for use in place of brown pads.
Magna Grit 46:	For extreme heavy-duty scrubbing or stripping of floors. This brush has extra large diameter silicon carbide grit impregnated synthetic bristles. Recommended for use in place of black pads.
Short Trim Pad Holder:	Made with a structural foam block and center ring for correct pad centering. It has a "shower feed" design for getting solution to the floor.

28" BRUSHES

56505800 - Short Trim Pad Holder
 56505195 - Pad Retainer for 56505800
 56505805 - ProLite
 56505804 - Prolene
 56505806 - Union Mix
 56505803 - AgLite Grit 500
 56505807 - MidGrit 240
 56505808 - MidLite Grit 180
 56505802 - Dyna Grit 80
 56505801 - Magna Grit 46

34" BRUSHES

56505780 - Short Trim Pad Holder
 56505195 - Pad Retainer for 56505780
 56505785 - Prolite
 56505784 - Prolene
 56505786 - Union Mix
 56505783 - AgLite Grit 500
 56505787 - MidGrit 240
 56505788 - MidLite Grit 180
 56505782 - Dyna Grit 80
 56505781 - Magna Grit 46

DISC BRUSH APPLICATION GUIDE (SUGGESTION ONLY)

Application	46 Grit	80 Grit	180 Grit	240 Grit	500 Grit	Prolene	Prolite	Union Mix
Stripping:								
Concrete	X	X						
Terrazzo	X	X						
Ceramic/Quarry tile		X						
Vinyl tile		X						
General Scrubbing:								
Concrete	X	X	X	X		X		
Terrazzo			X	X	X	X		
Ceramic/Quarry tile			X	X	X	X		
Marble					X		X	
Vinyl tile			X		X	X		
Raised-rubber tile					X		X	
Polishing:								
Raised Disc Tile								X
Marble								X
Vinyl tile								X

BRUSH SELECTOR GUIDE-CYLINDRICAL

We provide brushes and pad holders that will give you the best possible performance between machine and floor. Following are descriptions of the materials and their applications.

- Soft Nylon:** Least aggressive brush available. Used on soft-finish floors where a more aggressive brush would leave scratch marks, or in applications requiring very light cleaning.
- Stiff Nylon:** Cleaning action similar to polypropylene. More durable and wear-resistant than polypropylene.
- Prolene:** Low cost, yet effective in cleaning many common floor surfaces.
- MidLite Grit 180:** Least aggressive grit brush. Used for daily cleaning of hard-finished floors.
- Dyna Grit 80:** Medium aggressive grit brush. Good all-around brush for medium to heavy buildup removal. Can also be used for general stripping operations.
- Magna Grit 46:** Most aggressive grit brush. Used primarily to clean heavy buildup on concrete floors in factories, or for heavy stripping of finish.

28" BRUSHES

- 56412191 - Soft Nylon
- 56412192 - Hard Nylon
- 56412046 - Prolene
- 56412193 - MidLite Grit 180
- 56412194 - Dyna Grit 80
- 56412195 - Magna Grit 46

CYLINDRICAL BRUSH APPLICATION GUIDE (SUGGESTION ONLY)

Application	46 Grit	80 Grit	180 Grit	Polypro- pylene	Stiff Nylon	Soft Nylon
Stripping:						
Concrete	X	X				
Terrazzo	X	X				
Ceramic/Quarry tile		X				
Vinyl tile		X				
General Scrubbing:						
Concrete	X	X	X	X	X	
Terrazzo			X	X	X	X
Ceramic/Quarry tile			X	X	X	X
Marble			X		X	X
Vinyl tile			X	X	X	X
Raised-rubber tile			X			X

SQUEEGEE BLADE SELECTOR GUIDE

Gum Rubber: Provides superior wiping action on tile, terrazzo, and polished floors.

Red Gum Rubber: Provides longest life on finished or unfinished concrete floors.

Polyurethane: Oil resistance provides superior life in applications with oily floors.

SQUEEGEE BLADE APPLICATION GUIDE(SUGGESTION ONLY)

	Gum Rubber (Natural Rubber)	Red Gum Rubber (Natural Rubber)	Polyurethane/Pentathane
Performance Traits			
Tear Strength		X	X
Abrasion Resistance		X	X
Applications			
Oil Resistant Applications			X
Appearance	Tan	Red	Translucent



9435 Winnetka Ave North
Minneapolis, MN 55445
www.advance-us.com
Phone: 800-989-2235
Fax: 800-989-6566
©2018 Nilfisk, Inc.

