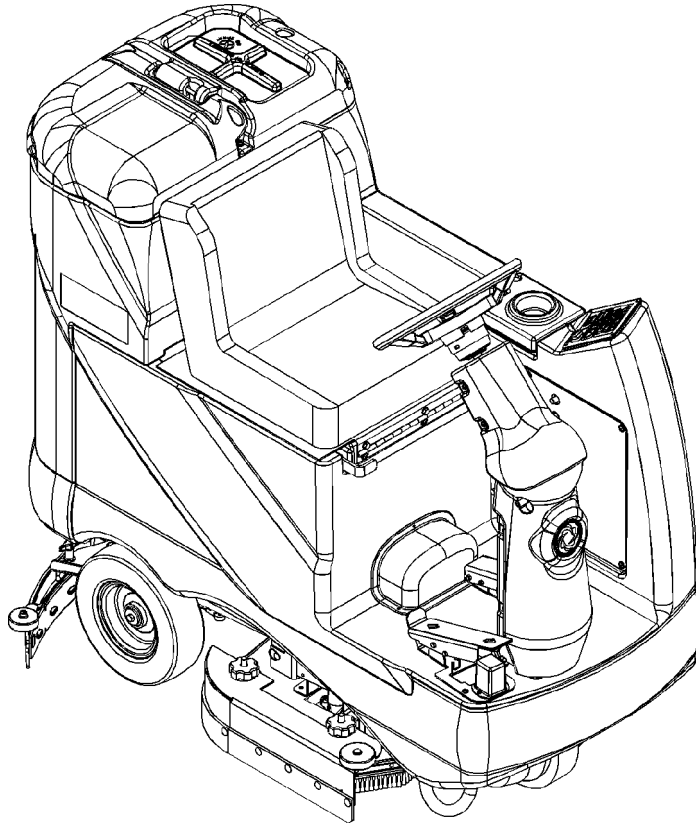


Advenger™, Advenger™ AXP

BR 600S, 650S, 700S, 800S



PARTS LIST

Advance MODELS 56314000(2400D), 56314001(2600D), 56314002(2810D),
56314003(3210D), 56314004(2400C), 56314005(2600C), 56314006(2810C),
56314007(3210C), 56314791(2600D-AXP), 56314994(2810C-AXP),
56314992(2810D-AXP), 56314995(3210C-AXP), 56314993(3210D-AXP)
Nilfisk MODELS 56314010(600S), 56314011(650S)(obs.), 56314012(700S),
56314013(800S), 56314014(600SC), 56314015(650SC)(obs.), 56314016(700SC),
56314017(800SC), 56316517(600S EDS), 56316518(600SC EDS), 56314998(700SC EDS),
56314996(700S EDS), 56314999(800SC EDS), 56314997(800S EDS)



**Nilfisk
Advance**

setting standards

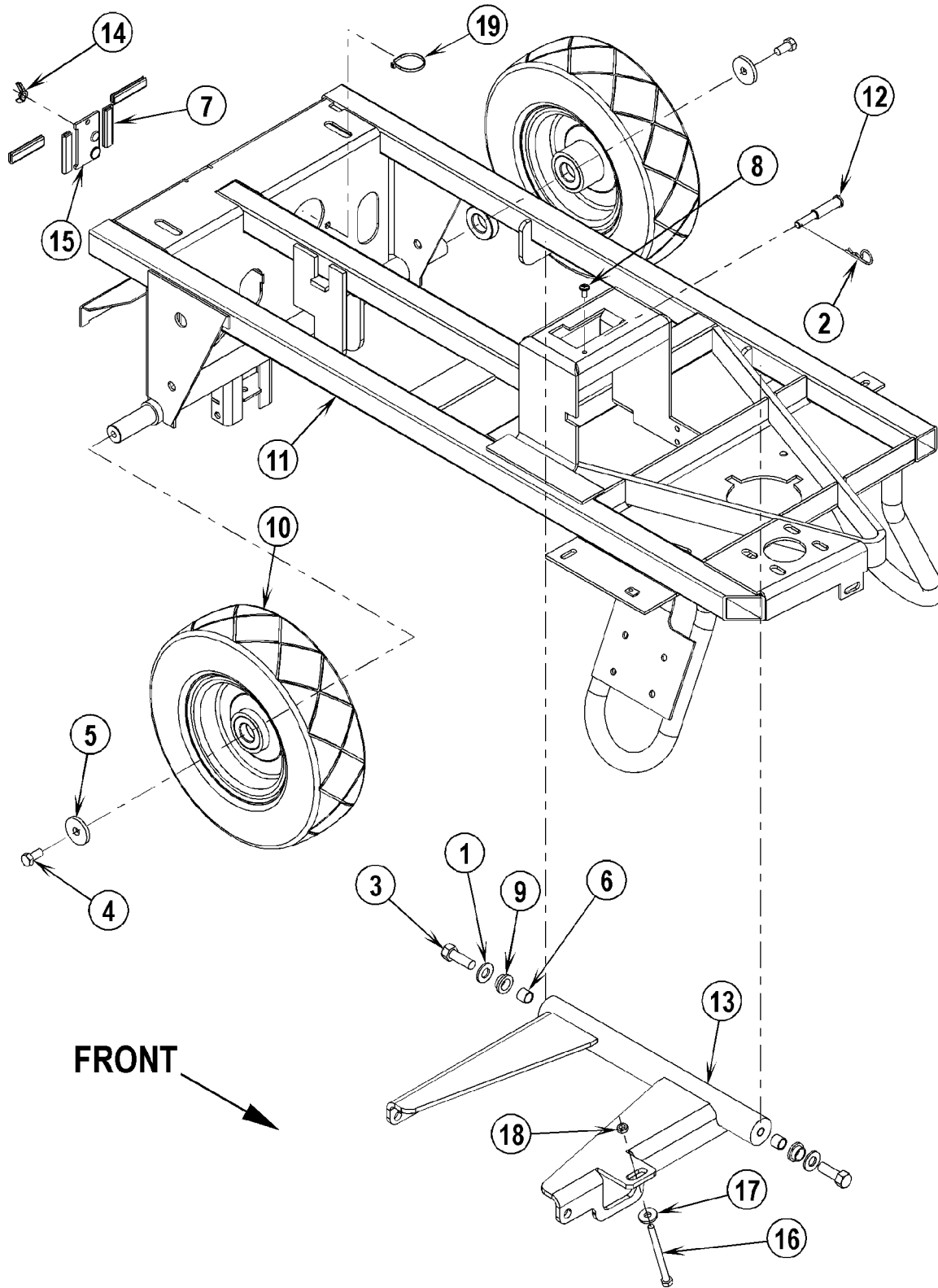
1/03 revised 9/08 FORM NO. 56042438

DESCRIPTION	PAGE
Chassis System	2-3
Decal System	4-5
Detergent Injection System (AXP/EDS)	6-7
Drive & Brake Pedal Assemblies.....	8-9
Electrical Panel Assembly	10-11
Front Wheel Assembly	12-13
Recovery System	14-15
Scrub System-Cylindrical	16-17
Scrub System-Disk (24", 26", 28"/BR 600S, 650S, 700S)	18-19
Scrub System-Disk (32" / BR 800S).....	20-21
Skirt Assemblies-Cylindrical	22-23
Skirt Assemblies-Disk (Before TSBUS2004-884).....	24-25
Skirt Assemblies-Disk (After TSBUS2004-884).....	26-27
Solution System (Standard)	28-29
Solution System (AXP/EDS)	30-31
Squeegee Assembly	32-33
Squeegee System.....	34-35
Steering Column Assembly	36-37
Battery Watering System.....	38-39
Wiring Diagram before SN Chart	40-41
Wiring Diagram after SN Chart	42-43
Brush Selector Guide-Disk.....	44
Brush Selector Guide-Cylindrical	45
Optional Kits And Accessories	46-47

WHEN ORDERING PARTS

- * Use the 8 digit numbers from the "Ref. No." columns in this parts list.
- * Specify the model and serial number of the machine.
- * Use the space below to record the model and serial number for future reference.

Model _____ Serial No. _____



03-1

CHASSIS SYSTEM

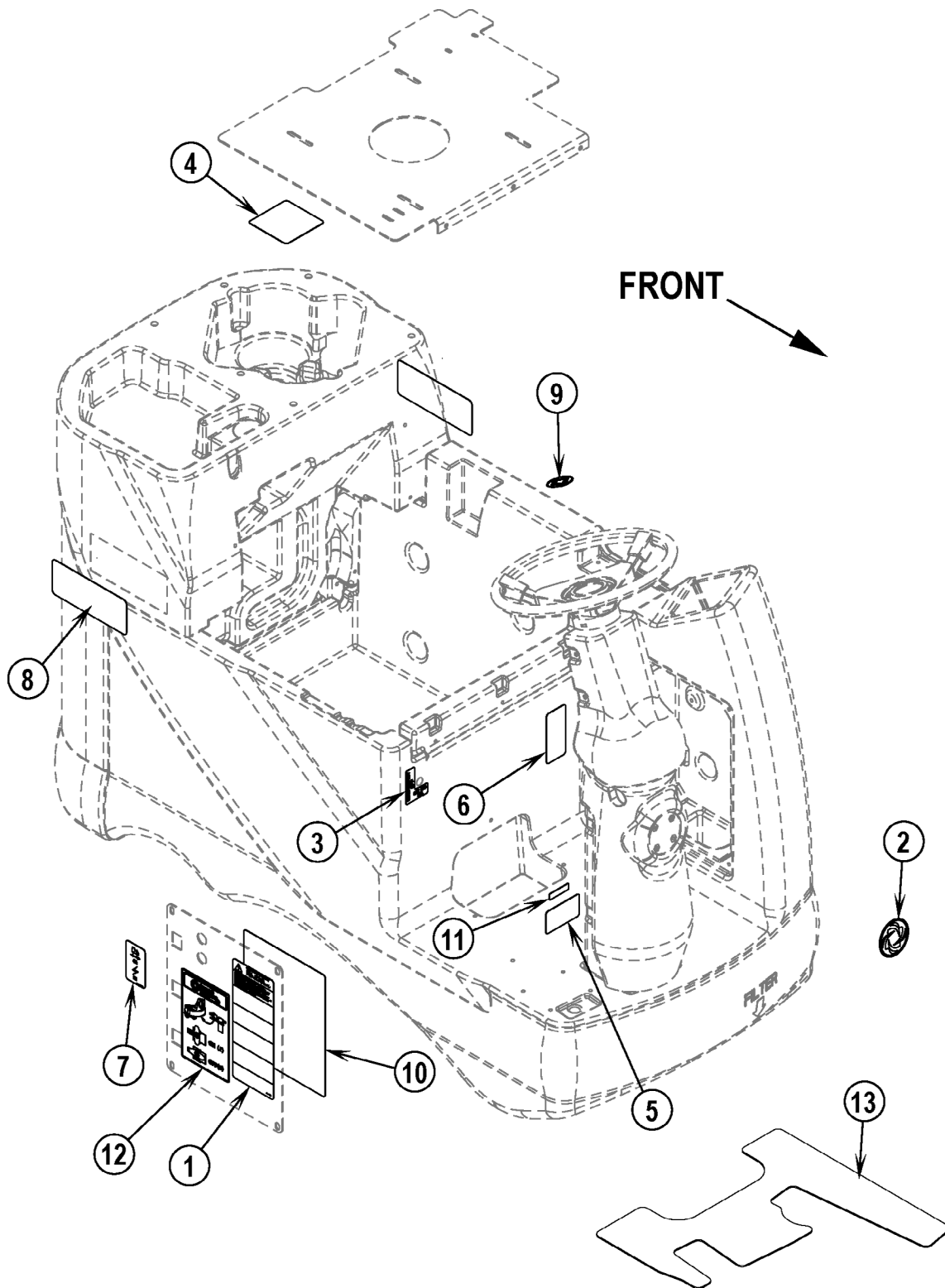
08-3

Advenger™ / BR 600S, 650S, 700S, 800S**3**

Item	Ref. No.	Qty	Description
1	56001879	2	Wsh, Flt SAE 1/2
2	56002959	1	Pin, Cotter Hair
3	56003412	2	Scr, Hex Nyl Loc M12-1.25 x 35mm
4	56003442	2	Scr, Hex Nyl Loc M10-1.50 x 20mm
5	56367117	2	Wsh, Flt .406 x 1.50 x .1875
6	56367206	2	Bushing
7	56412122	4	Trim Edge
8	56009062	1	Scr, Pan Phil Thd Form 1/4-20 x .50
9	56420160	2	Bearing, Flange
10	56316540	2	Assembly, Wheel and Bearing (each assembly includes two bearings)
	56412243	4	Bearing, Ball
**	56412341	2	Wheel Assy, Scrubber
**	56316541	2	Wheel Assy, Grey Non-Marking
11	56314092	1	Weldment, Chassis
12	56314152	1	Pin, Actuator
13	56314495	1	Linkage, Arm Weldment
14	56002084	1	Nut, Wing 1/4-20
15	56314537	1	Squeegee Stop Bracket
16	56002461	1	Scr, Hex Thd To Hd 5/16-18 x 4.00
17	56009122	1	Wsh, Flt .344 x .938 x .125
18	56009086	1	Nut, Hex Jam 5/16-18
19	56478246	1	Tie, Cable
*	56478246	5	Tie, Cable
*	56477613	9	Cable Tie

* = Not Shown

** = Optional



Item	Ref. No.	Qty	Description
1	56014601	1	Decal, Caution
2	56015276	1	Decal, Logo (Advance only)
	56016348	1	Decal, Logo (Nilfisk only)
3	56015179	1	Decal, Emergency
4	56015168	1	Decal, Battery Wiring
5	56016401	1	Decal, Parking Brake
6	56016402	1	Decal, Solution Flow (before TSBUS2004-874)
	56015445	1	Decal, Solution Flow (after TSBUS2004-874) (not used on AXP/EDS models)
7	56016403	1	Decal, Circuit Breaker
8	56016405	2	Decal, Advenger (Advance only) NOTE 1
	56016404	2	Decal, Advenger (Advance only) NOTE 2
	56016637	2	Decal, Advenger AXP (Advance only)
	56016406	2	Decal, Nilfisk BR600S (Nilfisk only) NOTE 1
	56016671	2	Decal, Nilfisk BR600S (Nilfisk only) NOTE 2
	56016630	2	Decal, Nilfisk BR600S EDS (Nilfisk only)
	56016452	2	Decal, Nilfisk BR650S (Nilfisk only) NOTE 1
	56016672	2	Decal, Nilfisk BR650S (Nilfisk only) NOTE 2
	56016453	2	Decal, Nilfisk BR700S (Nilfisk only) NOTE 1
	56016673	2	Decal, Nilfisk BR700S (Nilfisk only) NOTE 2
	56016631	2	Decal, BR 700S EDS (Nilfisk only)
	56016454	2	Decal, Nilfisk BR800S (Nilfisk only) NOTE 1
	56016674	2	Decal, Nilfisk BR800S (Nilfisk only) NOTE 2
	56016632	2	Decal, BR 800S EDS (Nilfisk only)
9	56015281	1	Decal, Logo 2 Inch (Advance only)
	56016421	1	Decal, Logo 2 Inch (Nilfisk only)
10	56016667	1	Decal, Ladder Diagram NOTE 3
	56016746	1	Decal, Ladder Diagram NOTE 4
11	56014450	1	Decal, Patent Number
12	56016407	1	Decal, Smart Solutions (Advance only) NOTE 1
	56016455	1	Decal, ECO Solutions (Nilfisk only) NOTE 1
13	56314876	1	Floor Mat (Nilfisk only after Sept. 2004)

NOTE 1: Used on machines built after serial number chart (ECO Solution & Smart Solution implemented).

NOTE 2: Used on machines built before serial number Chart A.

NOTE 3: Used on machines built before serial number Chart B.

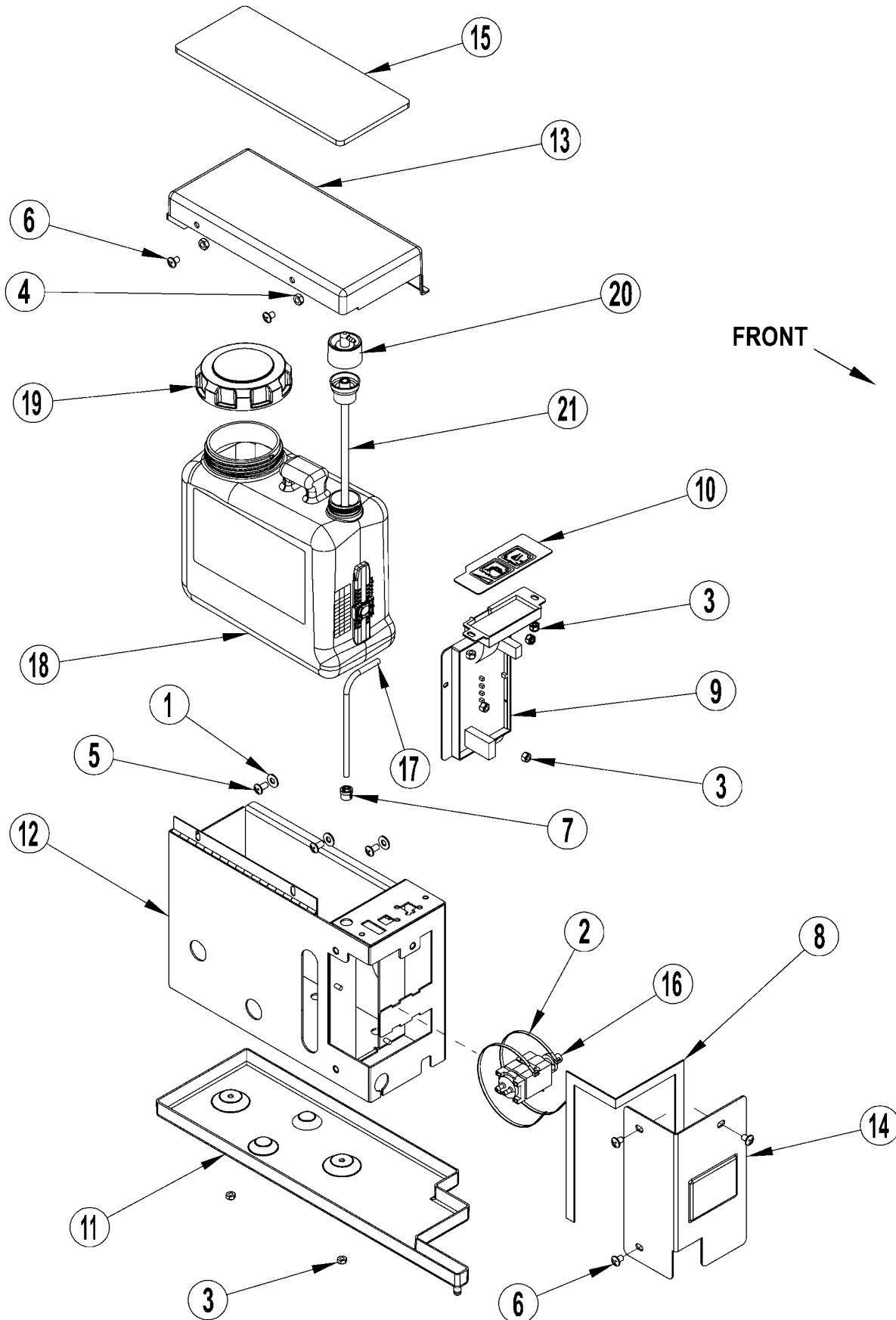
NOTE 4: Used on machines built after serial number Chart B.

NOTE 1 & 2 SERIAL NUMBER CHART "A"

1750239 - Advenger™ 2400D
 1757986 - Advenger™ 2810D
 1757999 - Advenger™ 3210D
 1759162 - Advenger™ 2400C
 1750252 - Advenger™ 2600C
 1758000 - Advenger™ 2810C
 1758002 - Advenger™ 3210C
 1752024 - BR 600S
 1752041 - BR 700S
 1752046 - BR 800S
 1752052 - BR 600SC
 1752054 - BR 700SC
 1753522 - BR 800SC

NOTE 3 & 4 SERIAL NUMBER CHART "B"

1837726 - Advenger™ 2400D
 1839732 - Advenger™ 2600D
 1837203 - Advenger™ 2810D
 1837599 - Advenger™ 3210D
 1839732 - Advenger™ 2400C
 1839732 - Advenger™ 2600C
 1837200 - Advenger™ 2810C
 1837197 - Advenger™ 3210C
 1837616 - BR 600S
 1837623 - BR 700S
 1839156 - BR 800S
 1837650 - BR 600SC
 1837652 - BR 700SC
 1839732 - BR 800SC



03-1

DETERGENT INJECTION SYSTEM (AXP/EDS)

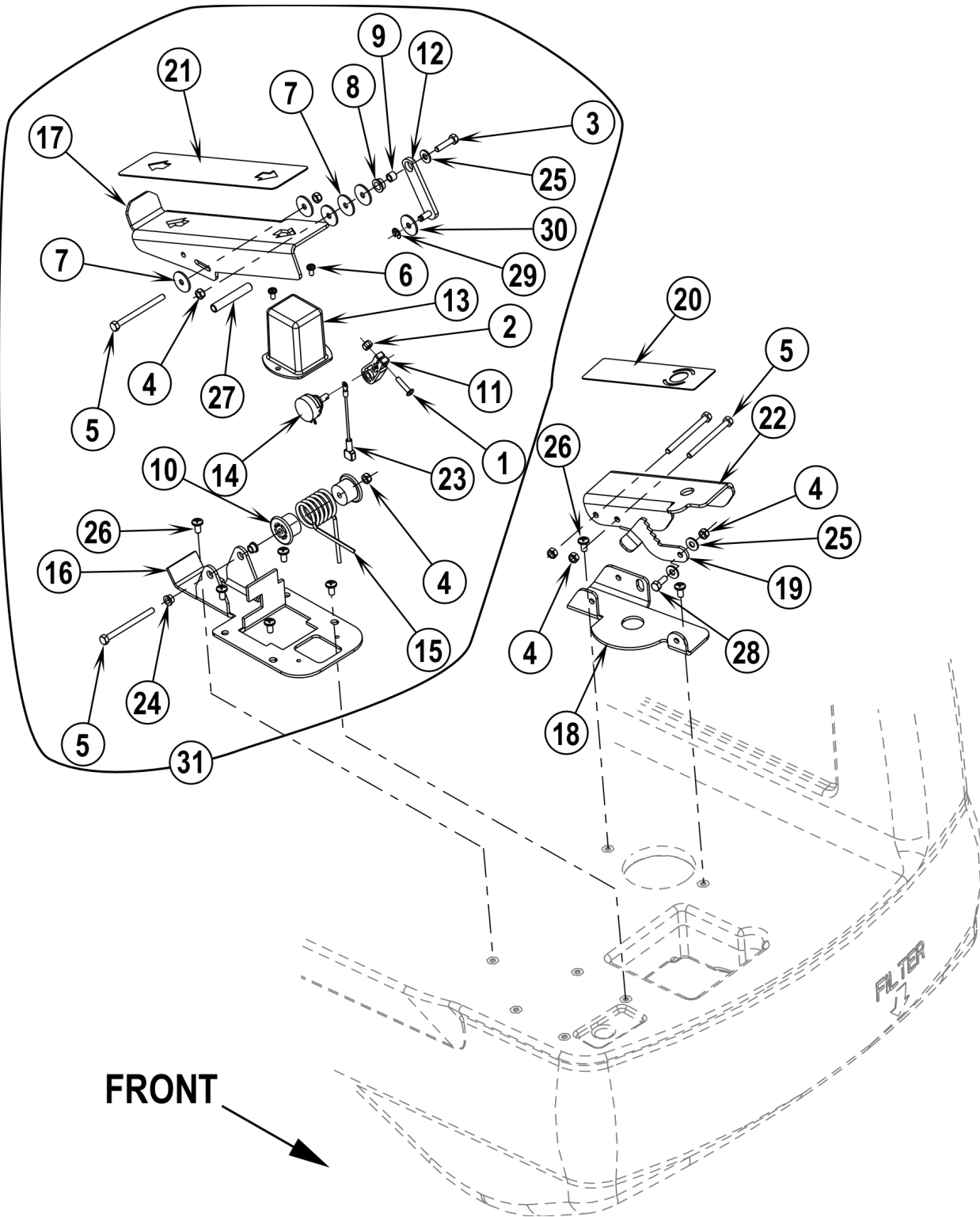
08-3

Advenger™ / BR 600S, 650S, 700S, 800S

7

Item	Ref. No.	Qty	Description
	56316537	1	Detergent Injection Assembly (items 1-21) TSBUS2006-922
1	56009025	3	Wsh, Flt .266 x .750 x .036
2	56478523	2	Tie, Cable
3	56002832	8	Nut, Hex Nyl Loc-Thin 10-24
4	56002840	2	Nut, Hex Nyl Loc-Thin 1/4-20
5	56002145	3	Scr, Pan Phil 1/4-20 x .50
6	56003580	5	Scr, Pan Phil SS 1/4-20 x .38
7	56003699	1	Bushing, 1/4 ID Snub
8	56200754	1	Gasket, Strip (Advance only)
9	56316110	1	Control Assembly TSBUS2006-922
10	56314937	1	Control Decal
11	56314939	1	Tray, Detergent
12	56314944	1	Weldment, Detergent Box
13	56314945	1	Cover, Detergent
14	56314946	1	Cover, Pump
15	56314953	1	Pad, Detergent
16	56314984	1	Pump, Detergent
17	56314991	1	Hose, Chem Resistant 14"
18	56315502	1	Chemical Bottle Assy.
	56315511	1	Indicator Assy
**	56315535	A/R	AXP Neutral Cleaner, 4 pack
**	56315537	A/R	AXP Heavy Duty Cleaner & Degreaser, 4 pack
**	56315503	A/R	Chem Bottle Assy (18-21)
19	56315517	1	Cap, Raw
20	56315523	1	Cap, Dry Break, 1/8 Barb, 90°
21	56315527	1	Insert, Dry Break

** = Optional, Not Included

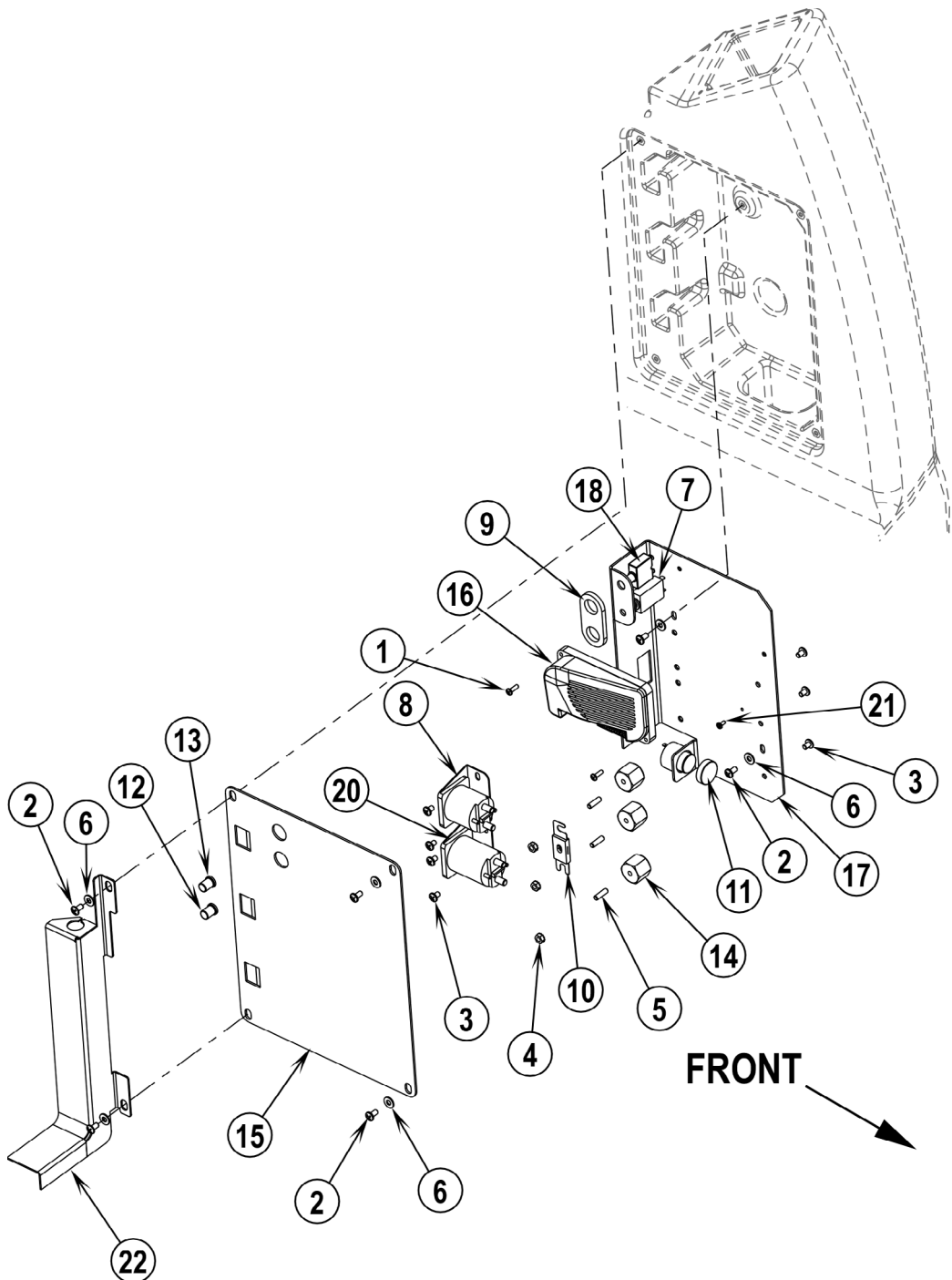


Item	Ref. No.	Qty	Description
1	56002733	1	Scr, Pan Phil 10-24 x .88
2	56002768	1	Nut, Hex Nyl Loc 10-24 (Advance only)
3	56003358	1	Scr, Hex M6-1.00 x 25mm
4	56003403	6	Nut, Hex Nyl Loc M6-1.00
5	56003428	4	Scr, Hex M6-1.00 x 75mm
6	56009030	2	Scr, Pan Phil Thd Form 10-24 x .38
7#	56009060	5	Wsh, Flt SS .260 x 1.000 x .074
8	56324505	1	Bearing, Flange
9#	56380440	1	Bushing, M6 x .375 x .295
10#	56380438	2	Spacer, Spring
11	56409471	1	Lever, Throttle
12	56409610	1	Link Weldment
13	56412094	1	Housing, Potentiometer
14	56454740	1	Potentiometer, 5K (R1)
15	56314037	1	Spring, Torsion
16#	NA	1	Bracket, Foot Pedal NOTE 1
17#	NA	1	Foot Pedal NOTE 1
18#	56314121	1	Bracket, Brake (Before SN 2062591) NOTE 2
#	56314677	1	Bracket, Brake (After SN 2062591)
19	56314122	1	Lock, Brake
20	56314138	1	Mat, Pedal
21	56314176	1	Mat, Pedal
22#	56314463	1	Pedal Weldment (Before SN 2062591) NOTE 2
#	56314678	1	Pedal Weldment (After SN 2062591)
23	56412331	1	Wire Assy.
24	56756318	2	Bearing, Flange
25#	56002098	4	Wsh, Flt SAE 1/4
26	56003119	7	Scr, Pan Phil SS 1/4-20 x .50
27#	56380439	1	Bushing
28	56003174	1	Scr, Hex Thd to Hd M6-1.0 x 16mm
29	56003268	1	Ring, Ret Ext Type E Reinf. 0.25 Dia
30#	56009025	1	Wsh, Flt .266 x .750 x .036
31#	56413421	1	Pedal Assy

= Revised or new since last update

NOTE 1: If you need to replace either of these items please order Pedal Assembly 56413421.

#NOTE 2: If you need to replace either of these items on machines before SN (2062591) please order Brake Pedal Assembly 56314676.



Item	Ref. No.	Qty	Description
1	56002192	2	Scr, Pan Phil 10-24 x .75
2	56003119	6	Scr, Pan Phil SS 1/4-20 x .50
3	56002462	7	Scr, Pan Phil 1/4-20 x .38
4	56002561	3	Nut, Hex W/SHPRF 1/4-20
5	56009020	3	Stud
6	56002098	6	Wsh, Flt SAE 1/4
7	56387316	1	Circuit Breaker, 10 Amp (Control Circuit / F3)
8	56395455	1	Contactora (Brush Drive / K1) (Advance only)
9	56407193	1	Gasket
10	56412089	1	Fuse, 150 Amp (F1)
11	56412177	1	Horn / Backup Alarm (H1)
12	56459367	1	Boot, Reset Button
13	56459369	1	Boot, Reset Button
14	56469858	3	Standoff, Insulated
15#	56109533	1	Cover, Electrical
16	56314067	1	Controller (A1)
17	56314068	1	Electrical Panel
18	56364294	1	Circuit Breaker, 45 Amp (Wheel Drive / F2)
19#			Deleted
20	56395453	1	Contactora (Vacuum System / K2) (Advance only)
21	56009051	1	Scr, Pan Phil Thd Form 8-32 x .38
22	56314956	1	Weldment, Harness Guide (Detergent Injection models only)

= Revised or new since last update

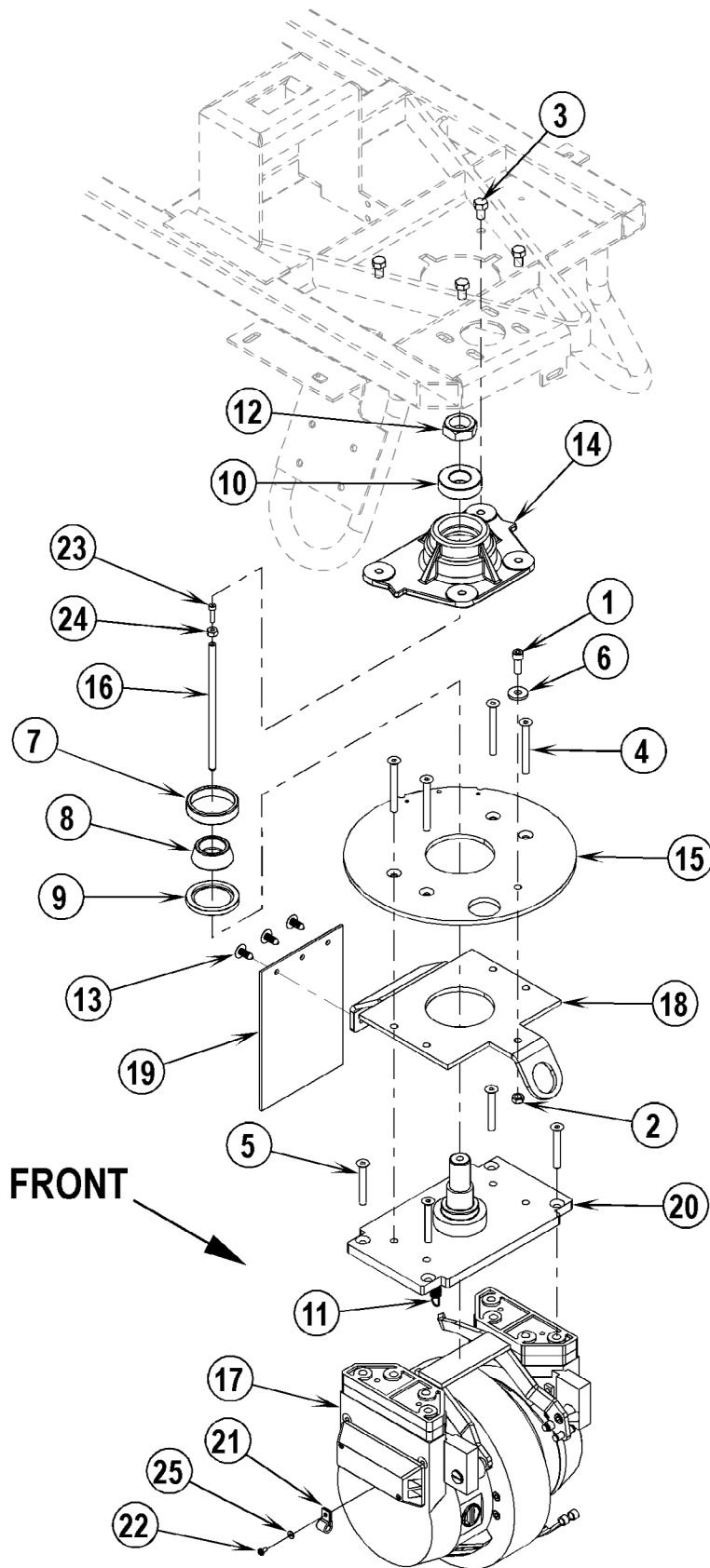
FRONT WHEEL ASSEMBLY

03-1

12

Advenger™ / BR 600S, 650S, 700S, 800S

03-7



Item	Ref. No.	Qty	Description
1	56002158	1	Scr, Soc Hd 5/16-18 x .88
2	56002826	1	Nut, Hex Nyl Loc-Thin 5/16-18
3	56003040	4	Scr, Hex Hd Loc 3/8-16 x .62
4	56003273	4	Scr, Soc Hd M8-1.25 x 70mm
5	56003274	4	Scr, Soc Hd M8-1.25 x 55mm
6	56009122	1	Wsh, Flt .344 x .938 x .125
7	56158143	1	Bearing Cup
8	56158151	1	Bearing Cone
9	56171081	1	Seal, Shaft
10	56378380	1	Bearing, Ball
11	56481699	1	Spring
12	56003220	1	Nut, Hex Nyl Loc-Thin 1-14 UNF
13	56003263	3	Rivet, Nylon Tree Push-In
14	56314032	1	Block, Bearing
15	56314116	1	Plate, Steering
16	56314157	1	Rod, Brake
17#	56314268	1	Motor / Drive Wheel Assy (M3) TSBUS2004-869, TSBUS2008-1004
*	56314920	1	Drive Wheel Harness Kit TSBUS2004-869
*	56314282	1	Brake Lever Weldment
*	56314289	1	Brake Band TSBUS2008-1004
*	56412320	1	Carbon Brush Cover Kit (contains 4 seal rings & 4 brush covers)
*	56412321	1	Sealing Ring
*	56412322	1	Bearing, Ball, Gearbox Side
*	56412323	1	Bearing, Ball, Brush Side
*	56412325	1	Carbon Brush Kit
*	56314291	1	Brake Bar
#			Deleted
*	56314269	1	Drive Wheel – P7 Scrubber Compound
**	56412339	1	Drive Wheel – Polyurethane
18	56314278	1	Plate, Splash Guard
19	56314283	1	Splash Guard
20	56314085	1	Spindle Weldment TSBUS2005-913
21	56305317	1	Clamp, P
22	56003653	1	Scr, Pan Phil M4 x 8
23	56003659	1	Scr, Button Soc SS 10-24 x .75
24	56009293	1	Nut, Hex Machine SS 10-24
25	56002006	1	Wsh, Flt SAE #6

= Revised or new since last update

* = Not Shown

** = Optional

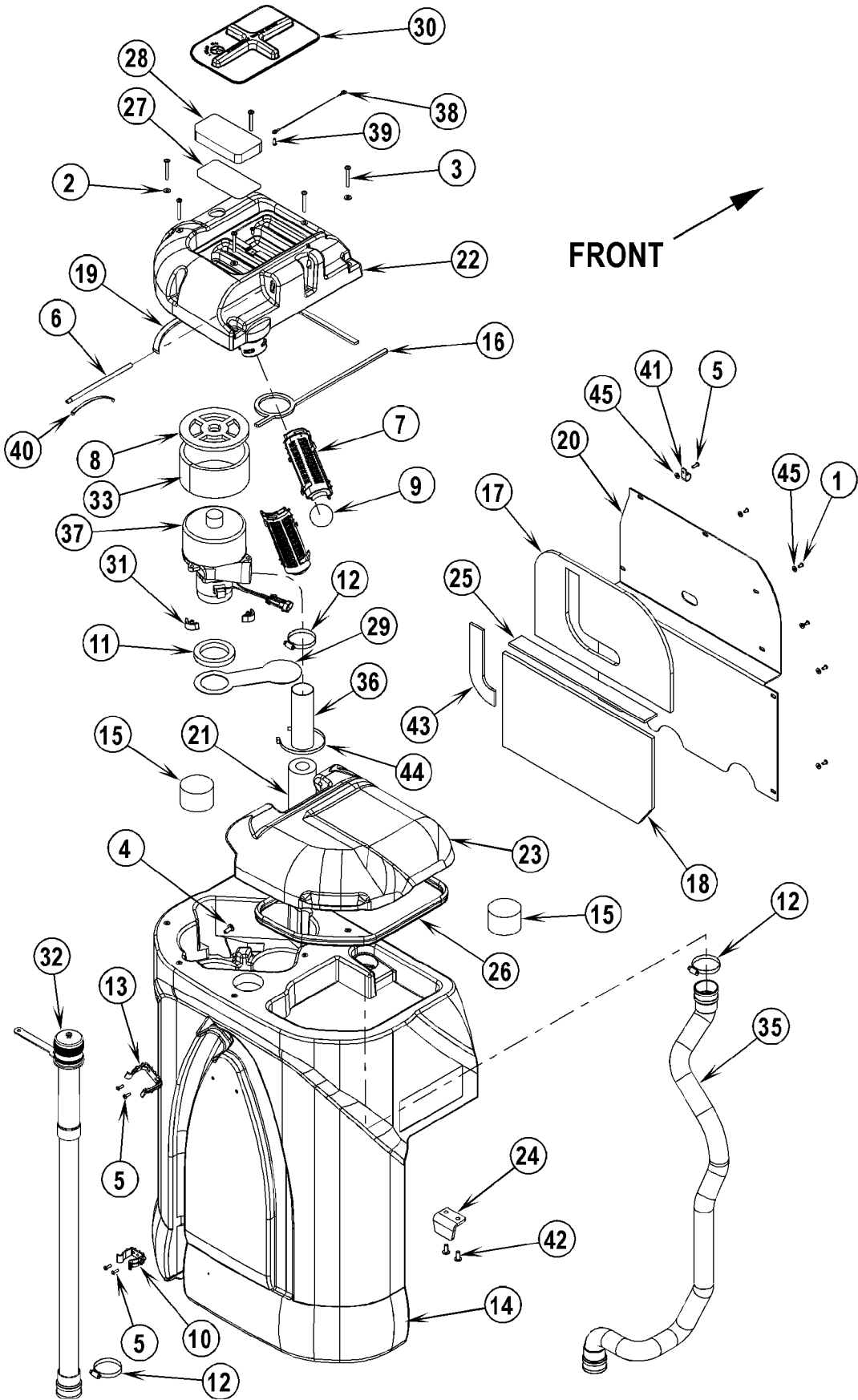
RECOVERY SYSTEM

03-1

14

Advenger™ / BR 600S, 650S, 700S, 800S

08-9



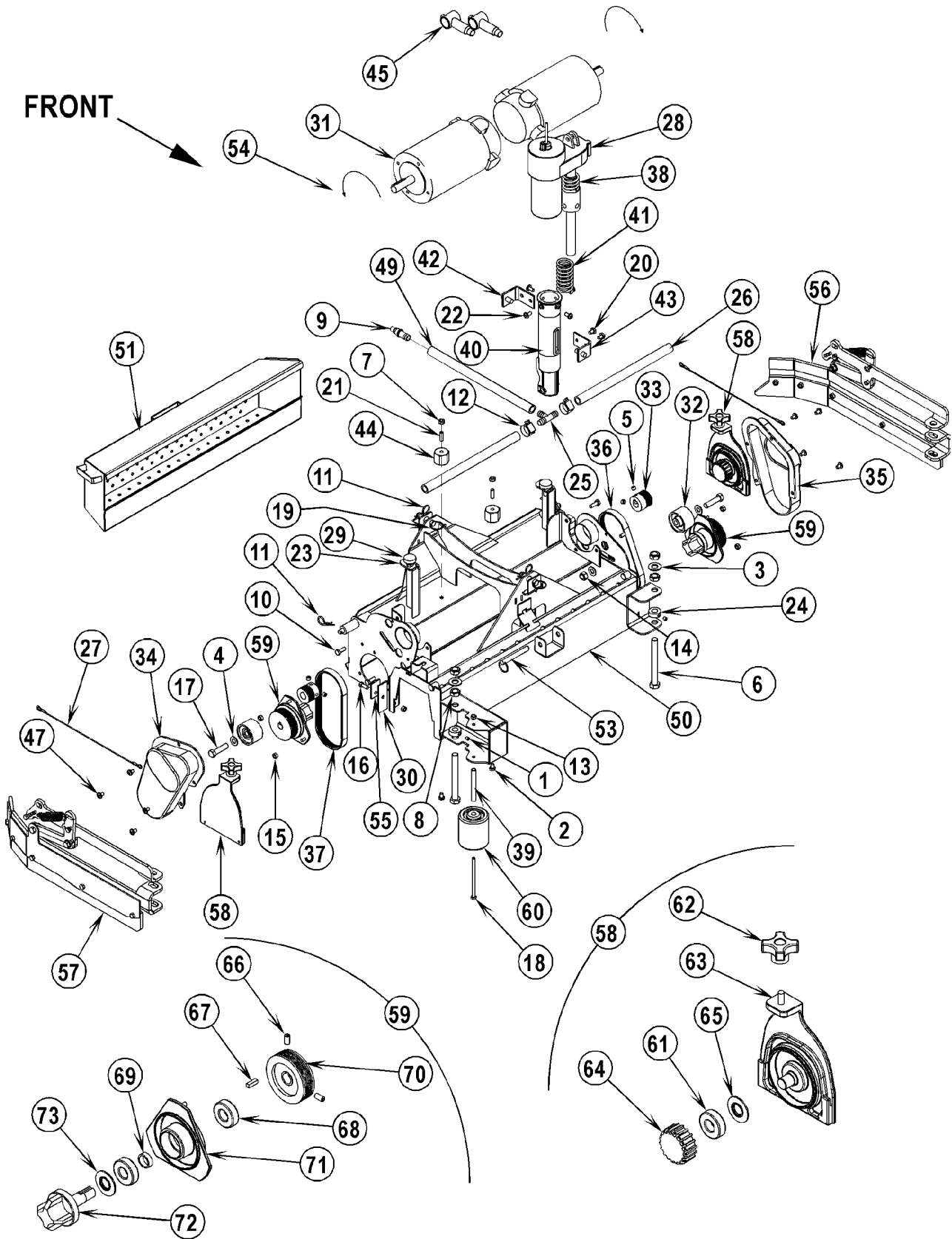
Item	Ref. No.	Qty	Description	NOTE 1 & 2 SERIAL NUMBER CHART
1	56002043	8	Scr, Pan Phil 10-24 x .38	1750239 - Advenger™ 2400D
2	56002098	7	Wsh, Flt SAE 1/4	1757986 - Advenger™ 2810D
3	56002108	6	Scr, Pan Phil 1/4-20 x 2.00	1757999 - Advenger™ 3210D
4	56002793	1	Scr, Pan Phil 5/16-18 x .75	1759162 - Advenger™ 2400C
5	56002896	5	Scr, Pan Phil SS 10-24 x .62	1750252 - Advenger™ 2600C
6	56314115	1	Pin, Cover Pivot	1758000 - Advenger™ 2810C
7	56324497	2	Cage, Float	1758002 - Advenger™ 3210C
8	56314704	1	Gasket	1752024 - BR 600S
9	56391690	1	Ball, Float	1752041 - BR 700S
10	56407361	1	Clamp, Plastic	1752046 - BR 800S
11	56314760	1	Gasket, Vacuum Duct	1752052 - BR 600SC
12	56440213	3	Clamp, Hose SAE #32	1752054 - BR 700SC
13	56212236	1	Clamp, Plastic	1753522 - BR 800SC
14	56314036	1	Tank, Recovery	
15	56314098	2	Foam Cylinder	
16	56314099	1	Gasket	
17	56314100	1	Muffler, Top Panel	
18	56314101	1	Muffler, Bottom Panel	
19	56314103	1	Gasket	
20	56314749	1	Cover, Exhaust NOTE 1	
21	56391807	1	Foam Acoustical NOTE 2	
22	56314201	1	Cover, Vac Motor	
23	56314203	1	Lid, Recovery	
24	56314220	2	Tank Mount Bracket	
25	56314706	1	Foam, Sound NOTE 2	
26	56314371	1	Gasket	
27	56314372	1	Screen, Filter	
28	56314373	1	Filter	
29	56314376	1	Plate, Separator	
30#	56109539	1	Lid, Vac Filter	
31	56314484	3	Mount, Vibration	
32#	56601404	1	Drain Hose TSBUS2008-985	
[]#	56601411	1	Drain Hose Cap Kit	
[]#	56601410	1	Drain Hose Extension	
33	56314488	1	Muffler, Vac	
34#			Deleted	
35	56314533	1	Vac Hose Assy	
36	56458457	1	Hose, Vac 2.00 x 6.0 x 975018 NOTE 2	
37	56397228	1	Motor, Vac 36VDC (M5 / Advance only)	
*	56212223	1	Carbon Brush Set	
	56410065	1	Vac Motor Assy (M5 / Nilfisk only)	
*	56212223	1	Carbon Brush Set	
38	56314400	1	Wire Rope, 9 Inch	
39	56009191	2	Scr, Pan Phil Plastite 10-14 x .50	
40	56314509	1	Spring	
41	56385564	1	Clamp, P	
42	56002507	4	Scr, Pan Phil 1/4-20 x .75	
43	56314705	1	Foam, Sound NOTE 2	
44	56477613	1	Tie, Cable NOTE 2	
*	56314251	1	Harness Vac	
45#	56001954	9	Wsh, Flt SAE #10	

[] = Not Shown

= Revised or new since last update

NOTE 1: 56314749 replaces previous parts 56314199 and 56314200 after serial number chart.**NOTE 2:** Used on machines built after serial number chart.

FRONT



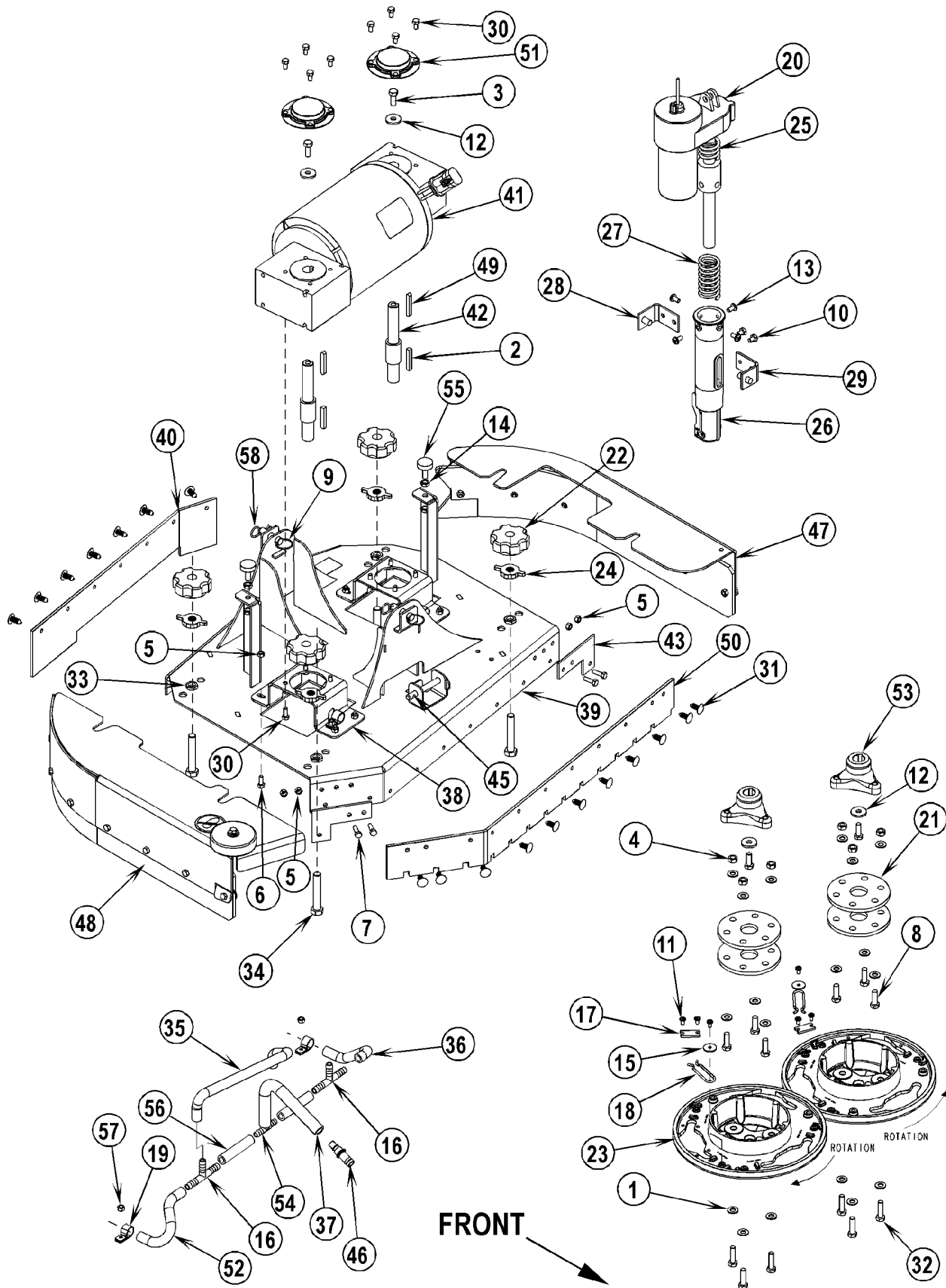
Item	Ref. No.	Qty	Description	Item	Ref. No.	Qty	Description
1	56001841	2	Scr, Soc Set Loc 1/4-20 x .25	39	56412176	1	Bushing
2	56001861	2	Scr, Hex Hd 1/4-20 x .38	40	56412262	1	Housing, Spring
3	56001879	2	Wsh, Flt SAE 1/2	41	56420018	1	Compression Spring
4	56002063	4	Wsh, Flt SAE 3/8	42	56420019	1	Nut Retainer
5	56002086	4	Scr, Soc Set Loc 5/16-18 x .25	43	56420020	1	Nut Retainer
6	56002484	2	Scr, Hex Hd 1/2-13 x 4.50	44	56469858	2	Standoff, Insulated
7	56002561	2	Nut, Hex W/SHPRF 1/4-20	45	56493357	2	Insulator, Terminal
8	56002843	4	Nut, Hex Nyl Loc-Thin 1/2-13	47	56003603	8	Scr, Pan Phil Thd Form 1/4-20 x .38mm
9	56314310	1	Coupling, Quick Disconnect, Male (only before TSBUS2005-888)	48			Serial Plate
10	56002948	6	Scr, Hex Hd Loc 1/4-20 x .75	49	56409462	1	Tube, Solution, Main
11	56002959	4	Pin, Cotter Hair	50	56316568	1	Housing Weld't, 24" (BR 600S)
12	56112771	2	Clamp, Hose				TSBUS2003-854 / TSBUS2005-899
13	56003403	1	Nut, Hex Nyl Loc M6-1.00	56316569	1	Housing Weld't, 26" (BR 650S)	TSBUS2003-854 / TSBUS2005-899
14	56003406	2	Nut, Hex Nyl Loc M10-1.50				Housing Weld't, 28" (BR 700S)
15	56003426	8	Nut, Hex Nyl Loc SS M6-1.00				TSBUS2003-854 / TSBUS2005-899
16	56003431	2	Scr, Hex Hd SS M6-1.00 x 16mm	56316571	1	Housing Weld't, 32" (BR 800S)	TSBUS2003-854 / TSBUS2005-899
17	56003491	2	Scr, Hex M10-1.50 x 40mm				TSBUS2003-854 / TSBUS2005-899
18	56003492	1	Scr, Hex M6-1.00 x 95mm	51	56314226	1	Hopper Weld't, 24" (BR 600S)
19	56003671	2	Pin, Ring .50 x 1.25				56314232 1 Hopper Weld't, 26" (BR 650S)
20	56009019	2	Scr, Hex Thd Form 1/4-20 x .38				56397442 1 Hopper Weld't, 28" (BR 700S)
21	56009020	2	Stud				56397443 1 Hopper Weld't, 32" (BR 800S)
22	56009062	4	Scr, Pan Phil Thd Form 1/4-20 x .50	52	56314254	1	Harness, Brush Motor (Not Shown)
23	56009086	4	Nut, Hex Jam 5/16-18	53	56314294	1	Pin, Hitch Cotterless
24	56152811	2	Collar	55	56314436	2	Strap
25	56262549	1	Tee, Barb	56	56314443	1	Left Skirt Assy NOTE 2
26	56316555	2	Manifold, PVC 24 (BR 600S)	57	56314444	1	Right Skirt Assy NOTE 2
	56316554	2	Manifold, PVC 26 (BR 650S)	58	56314445	2	Idler End Assy (#61-65)
	56316553	2	Manifold, PVC 28 (BR 700S)	59	56407559	2	Drive End Assy (#66-73)
	56316552	2	Manifold, PVC 32 (BR 800S)	60	56412459	1	Wheel
27	56330391	2	Wire Rope, 12"	61	56106070	1	Bearing, Ball
28	56393303	1	Lift Actuator, Brush (M1)	62	56407303	1	Knob
*	56388520	1	Plastic Nut	63	56315447	1	Idler Bearing Plate
29	56401783	2	Leveler	64	56407551	1	Hub
30	56407391	2	Blade	65	56407558	1	Washer, Bearing
31	56407431	2	Motor, 36VDC, .75HP (M7 / M8)	66	56002119	2	Scr, Soc Set Loc 1/4-20 x .50
			TSBUS2004-868	67	56003237	1	Key, Sq. .19 x .62
*#	56407489	1	Armature (Advance only)	68	56106070	2	Bearing, Ball
*#	56410183	1	Bearing	69	56407389	1	Spacer
*	56407492	1	Brush Cap Assy	70	56407442	1	Sheave, Poly-V
*	56407493	4	Carbon Brush Assy	71	56315405	1	Bearing Plate
*	56407494	4	Brush Cover Cap	72#	56109527	1	Spindle
32	56407432	2	Idler, Belt	73	56407558	1	Washer, Bearing
33	56407433	2	Sheave, Poly-V				
34	56407434	1	Guard, Right Belt				
35	56407435	1	Guard, Left Belt				
36	56407465	1	Belt, Poly-V 180J6				
37	56407466	1	Belt, Poly-V 190J6				
38	56412071	1	Compression Spring				

* = Not Shown

= Revised or new since last update

NOTE: See "BRUSH SELECTOR GUIDE" at back of manual for available scrub brushes.

NOTE 2: See "SKIRT ASSEMBLIES-CYLINDRICAL".



Item	Ref. No.	Qty	Description	Item	Ref. No.	Qty	Description
1	56002938	18	Wsh, Flt SAE SS 5/16	42	56314218	2	Shaft, Hub Mount
2	56003246	2	Key, Sq .25 x 1.62	43	56314261	2	Skirt Bracket, Forward (26" & 28" / BR 650S & BR 700S only)
3	56003335	4	Scr, Hex Loc SS 5/16-18 x .88	44			Intentionally Omitted
4	56003405	6	Nut, Hex Nyl Loc SS M8-1.25	45	56314294	1	Pin, Hitch Cotterless
5	56003426	12	Nut, Hex Nyl Loc SS M6-1.00 (qty 8 on 24")	46	56314310	1	Coupling, Quick Disconnect, Male (only before TSBUS2005-888)
6	56003431	8	Scr, Hex Hd SS M6-1.00 x 16mm	47	56314349	1	Skirt Assy, Left (before TSBUS2004-884) NOTE 4 (24", 26", 28" / BR 600S, BR 650S, BR 700S)
7	56003443	4	Scr, Hex Hd SS M6-1.00 x 20mm (26" & 28" / BR 650S & BR 700S only)		56314885	1	Skirt Assy, Left (after TSBUS2004-884) NOTE 5 (24", 26", 28" / BR 600S, BR 650S, BR 700S)
8	56003477	6	Scr, Hex Loc SS M8-1.25 x 25mm	48	56314350	1	Skirt Assy, Right (All Models / before TSBUS2004-884) NOTE 4
9	56003671	2	Pin, Ring .50 x 1.25		56314884	1	Skirt Assy, Right (All Models / after TSBUS2004-884) NOTE 5
10	56009019	2	Scr, Hex Thd Form 1/4-20 x .38	49	56314359	2	Key, 6mm Sq. NOTE 4
11	56009030	6	Scr, Pan Phil Thd Form 10-24 x .38	50	-		See Disk Deck Blade Kits below
12	56009057	4	Wsh, Flt Harden .344 x 1.000 x .120/.135	51	56314499	2	Cover, Gearbox NOTE 4
13	56009062	4	Scr, Pan Phil Thd Form 1/4-20 x .50	52	56392277	1	Tube, Solution
14	56009086	4	Nut, Hex Jam 5/16-18	53	56314108	2	Hub, Drive
15	56009096	2	Wsh, Flt .193 x .875 x .060	54	56397300	1	Tee, Barb
16	56249280	2	Tee, Barb	55	56401783	2	Leg Leveler, 5/16-18
17	56366455	2	Plate, Stop	56	56412187	2	Hose, Spiral .375
18	56366463	2	Spring Retainer	57	56002768	2	Nut, Hex Nyl Loc 10-24 (Advance only)
19	56385564	2	Clamp, P	58	56002959	2	Pin, Cotter Hair
20	56393303	1	Lift Actuator, Brush (M1)				
*	56388520	1	Plastic Nut				
21	56407053	4	Thermoid Disk				
22	56407114	4	Knob TSBUS2007-963				
23	56314030	2	Brush Holder				
24	56407334	4	Knob				
25	56412071	1	Compression Spring				
26	56412262	1	Housing, Spring				
27	56420018	1	Compression Spring				
28	56420019	1	Nut Retainer				
29	56420020	1	Nut Retainer				
30	56003211	16	Scr, Hex Hd SS M6-1.00 x 12mm				
31	56003263	18	Rivet, Nylon Tree Push-In				
32	56003639	6	Scr, Hex Hd SS M8-1.25 x 30mm				
33	56003657	4	Nut, Hex Jam M12-1.75				
34	56003658	4	Scr, Hex Thd To Hd SS M12-1.75 x 70mm				
35	56412189	1	Hose, Spiral .375				
36	56249682	1	Tube, Solution				
37	56262180	1	Tube, Spiral .375				
38	56314053	2	Bracket, Motor				
39	56314081	1	Weld't, Disk Deck (24", 26", 28" / BR 600S, BR 650S, BR 700S)				
40	-		See Disk Deck Blade Kits below				
41	56314139	1	Motor Gearbox Assy (24" / BR 600S / M7)				
	56314140	1	Motor Gearbox Assy (26" / BR 650S / M7)				
	56314141	1	Motor Gearbox Assy (28" / BR 700S / M7)				
*	56314359	2	Key, 6mm Square				
*	56314499	2	Cover, Gearbox				
*	56314560	2	Gearbox				
*	56314580	1	Bearing (Fan End)				
*	56412323	1	Bearing (Brush End)				
*	56314582	1	Brush Ring				
*	56314583	4	Carbon Brush				
#		1	Deleted				

= Revised or new since last update

* = Not Shown

** = Optional

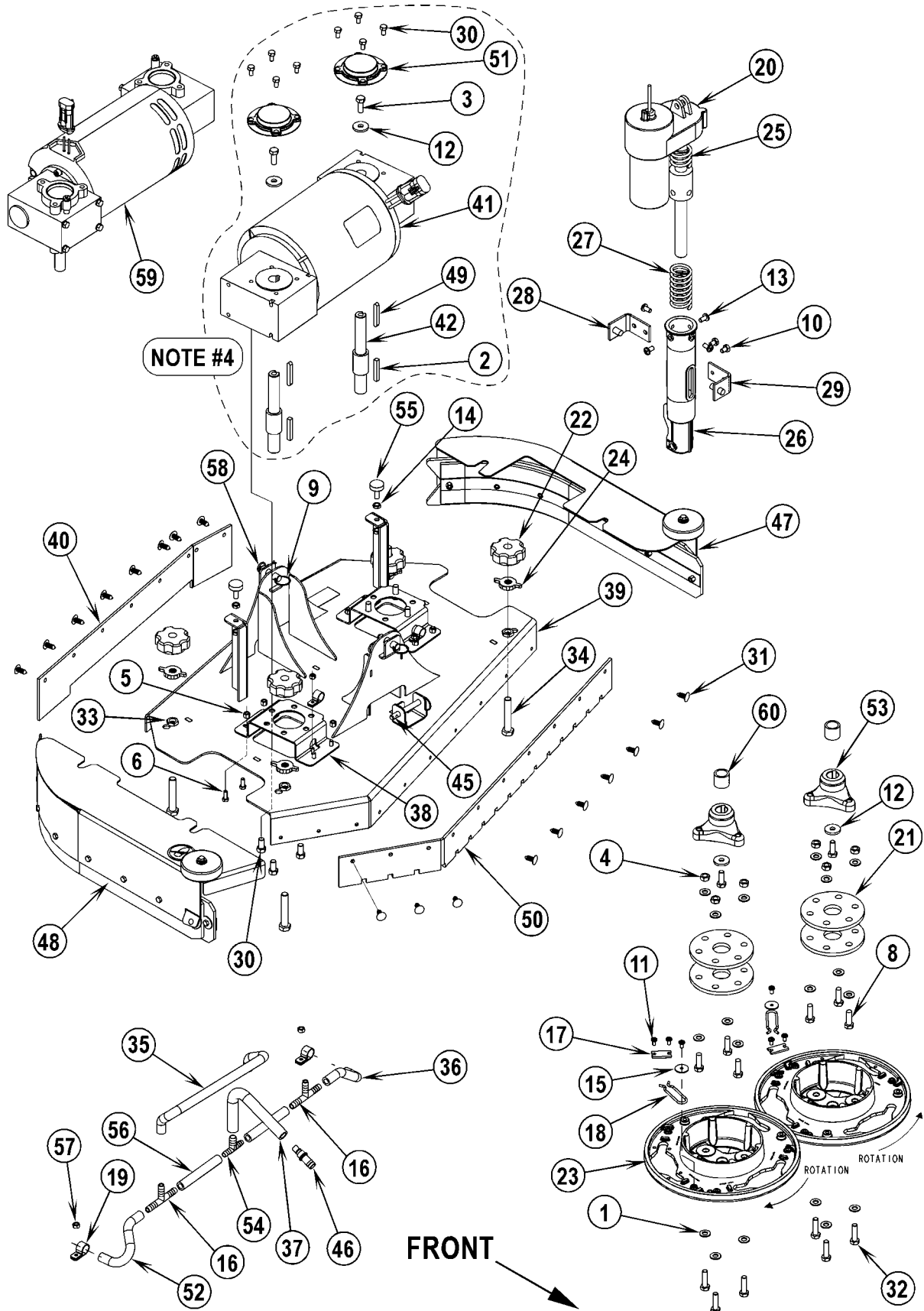
NOTE: See "BRUSH SELECTOR GUIDE" at back of manual for available scrub brushes.

NOTE 2: Disk Deck Blade Kits include the mounting fasteners (Rivet, Nylon Tree Push-In 56003263 item 31), the two blades (items 40 & 50) and two blades for use in Skirt Assemblies (items 47 & 48).

NOTE 3: These Disk Deck Blade Kits include just the blades for use in the two Skirt Assemblies.

NOTE 4: See "SKIRT ASSEMBLIES-DISK (before TSBUS2004-884)".

NOTE 5: See "SKIRT ASSEMBLIES-DISK (after TSBUS2004-884)".



Item	Ref. No.	Qty	Description	Item	Ref. No.	Qty	Description
1	56002938	18	Wsh, Flt SAE SS 5/16	42	56314218	2	Shaft, Hub Mount NOTE 4
2	56003246	2	Key, Sq .25 x 1.62 NOTE 4	43			Intentionally Omitted
3	56003335	4	Scr, Hex Loc SS 5/16-18 x .88 (qty of 2 after NOTE 3)	44			Intentionally Omitted
4	56003405	6	Nut, Hex Nyl Loc SS M8-1.25	45	56314294	1	Pin, Hitch Cotterless
5	56003426	8	Nut, Hex Nyl Loc SS M6-1.00	46	56314310	1	Coupling, Quick Disconnect, Male (only before TSBUS2005-888)
6	56003431	8	Scr, Hex Hd SS M6-1.00 x 16mm	47	56314347	1	Skirt Assy, Left (32" / BR 800S / before TSBUS2004-884) NOTE 6
7			Intentionally omitted		56314894	1	Skirt Assy, Left (32" / BR 800S / after TSBUS2004-884) NOTE 7
8	56003477	6	Scr, Hex Loc SS M8-1.25 x 25mm	48	56314350	1	Skirt Assy, Right (All Models / before TSBUS2004-884) NOTE 6
9	56003671	2	Pin, Ring .50 x 1.25		56314884	1	Skirt Assy, Right (All Models / after TSBUS2004-884) NOTE 7
10	56009019	2	Scr, Hex Thd Form 1/4-20 x .38	49	56314359	2	Key, 6mm Sq. NOTE 4
11	56009030	6	Scr, Pan Phil Thd Form 10-24 x .38	50			See Disk Deck Blade Kits below
12	56009057	4	Wsh, Flt Harden .344 x 1.000 x .120/.135 (qty of 2 after NOTE 3)	51	56314499	2	Cover, Gearbox NOTE 4
13	56009062	4	Scr, Pan Phil Thd Form 1/4-20 x .50	52	56392277	1	Tube, Solution
14	56009086	4	Nut, Hex Jam 5/16-18	53	56314108	2	Hub, Drive
15	56009096	2	Wsh, Flt .193 x .875 x .060	54	56397300	1	Tee, Barb
16	56249280	2	Tee, Barb	55	56401783	2	Leg Leveler, 5/16-18
17	56366455	2	Plate, Stop	56	56412187	2	Hose, Spiral .375
18	56366463	2	Spring Retainer	57	56002768	2	Nut, Hex Nyl Loc 10-24 (Advance only)
19	56385564	2	Clamp, P	58	56002959	2	Pin, Cotter Hair
20	56393303	1	Lift Actuator, Brush (M1)	59	56315704	1	Gearbox Assy (32" / BR 800S / M7) NOTE 3
*	56388520	1	Plastic Nut	*	56315711	2	Gearbox
21	56407053	4	Thermoid Disk	*	56407500	1	Brush Assy Kit
22	56407114	4	Knob TSBUS2007-963	60	56315705	2	Spacer NOTE 3
23	56314030	2	Brush Holder				32" / BR 800S Disk Deck Blade Kits (before TSBUS2004-884)
24	56407334	4	Knob	**	56314127	1	Kit, Gum Rubber 32 Disk NOTE 2
25	56412071	1	Compression Spring	**	56314173	1	Kit, Neoprene 32 Disk NOTE 2
26	56412262	1	Housing, Spring	**	56314398	1	Kit, Linatex 32 Disk NOTE 2
27	56420018	1	Compression Spring	**	56315724	1	Kit, Gum Rubber NOTE 5
28	56420019	1	Nut Retainer	**	56315723	1	Kit, Red Gum Rubber NOTE 5
29	56420020	1	Nut Retainer				32" / BR 800S Disk Deck Blade Kits (after TSBUS2004-884)
30	56003211	16	Scr, Hex Hd SS M6-1.00 x 12mm NOTE 4	**	56314914	1	Kit, Gum Rubber 32 Disk NOTE 2
	56002885	6	Scr, Hex SS 3/8-16 x .75 NOTE 3	**	56314918	1	Kit, Linatex 32 Disk NOTE 2
31	56003263	18	Rivet, Nylon Tree Push-In	**	56315722	1	Kit, Gum Rubber NOTE 3
32	56003639	6	Scr, Hex Hd SS M8-1.25 x 30mm	**	56315721	1	Kit, Red Gum Rubber NOTE 3
33	56003657	4	Nut, Hex Jam M12-1.75				# = Revised or new since last update
34	56003658	4	Scr, Hex Thd To Hd SS M12-1.75 x 70mm				* = Not Shown
35	56412189	1	Hose, Spiral .375				** = Optional
36	56249682	1	Tube, Solution				NOTE: See "BRUSH SELECTOR GUIDE" at back of manual for available scrub brushes.
37	56262180	1	Tube, Spiral .375				
38	56314053	2	Bracket, Motor NOTE 4				
	56315701	2	Bracket, Motor NOTE 3				
39	56314090	1	Weld't, Disk Deck (32" / BR 800S)				
40			See Disk Deck Blade Kits below				
41	56314335	1	Motor Gearbox Assy (32" / BR 800S / M7) NOTE 4				
*	56314359	2	Key, 6mm Square				
*	56314499	2	Cover, Gearbox				
*	56314560	2	Gearbox				
*	56314580	1	Bearing (Fan End)				
*	56412323	1	Bearing (Brush End)				
*	56314582	1	Brush Ring				
*	56314583	4	Carbon Brush				
#			Deleted				

NOTE 2: Disk Deck Blade Kits include the mounting fasteners (Rivet, Nylon Tree Push-In 56003263 item 31), the two blades (items 40 & 50) and two blades for use in Skirt Assemblies (items 47 & 48).

NOTE 3: Only used after serial number 1931775.

NOTE 4: Only used before serial number 1931776.

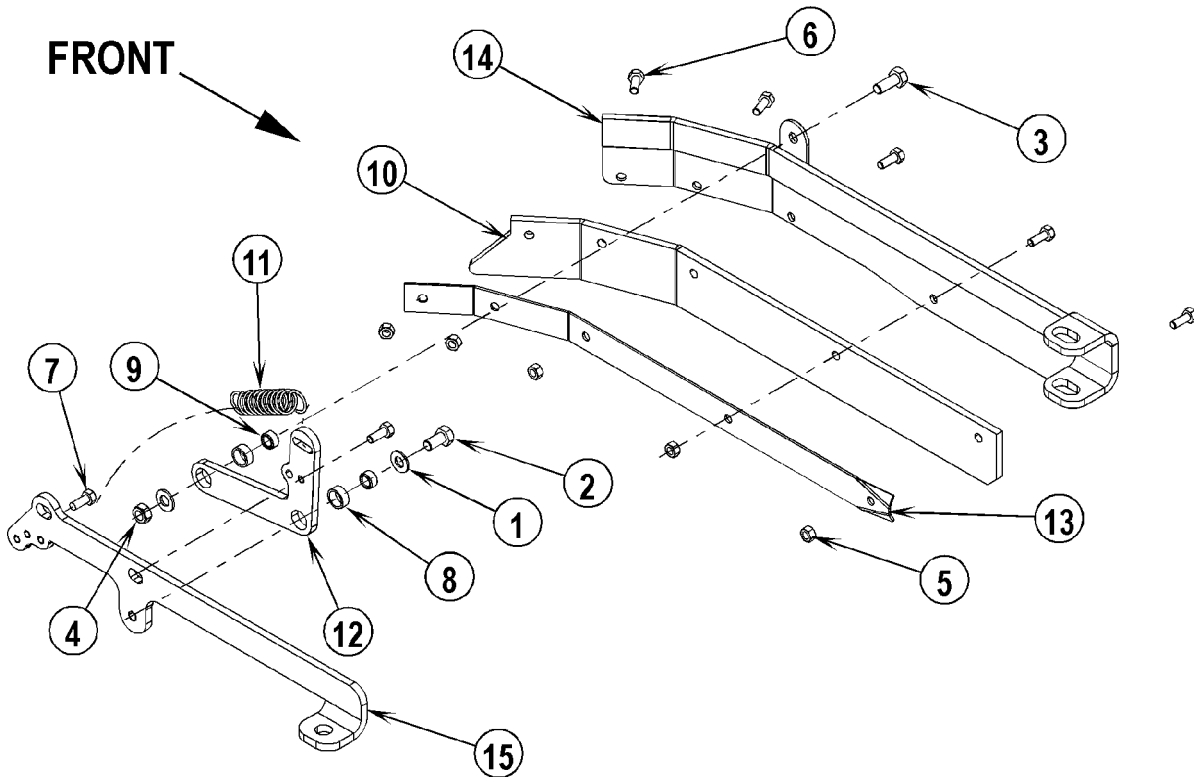
NOTE 5: These Disk Deck Blade Kits include just the blades for use in the two Skirt Assemblies.

NOTE 6: See "SKIRT ASSEMBLIES-DISK (before TSBUS2004-884)".

NOTE 7: See "SKIRT ASSEMBLIES-DISK (after TSBUS2004-884)".

LEFT SKIRT ASSEMBLY SHOWN

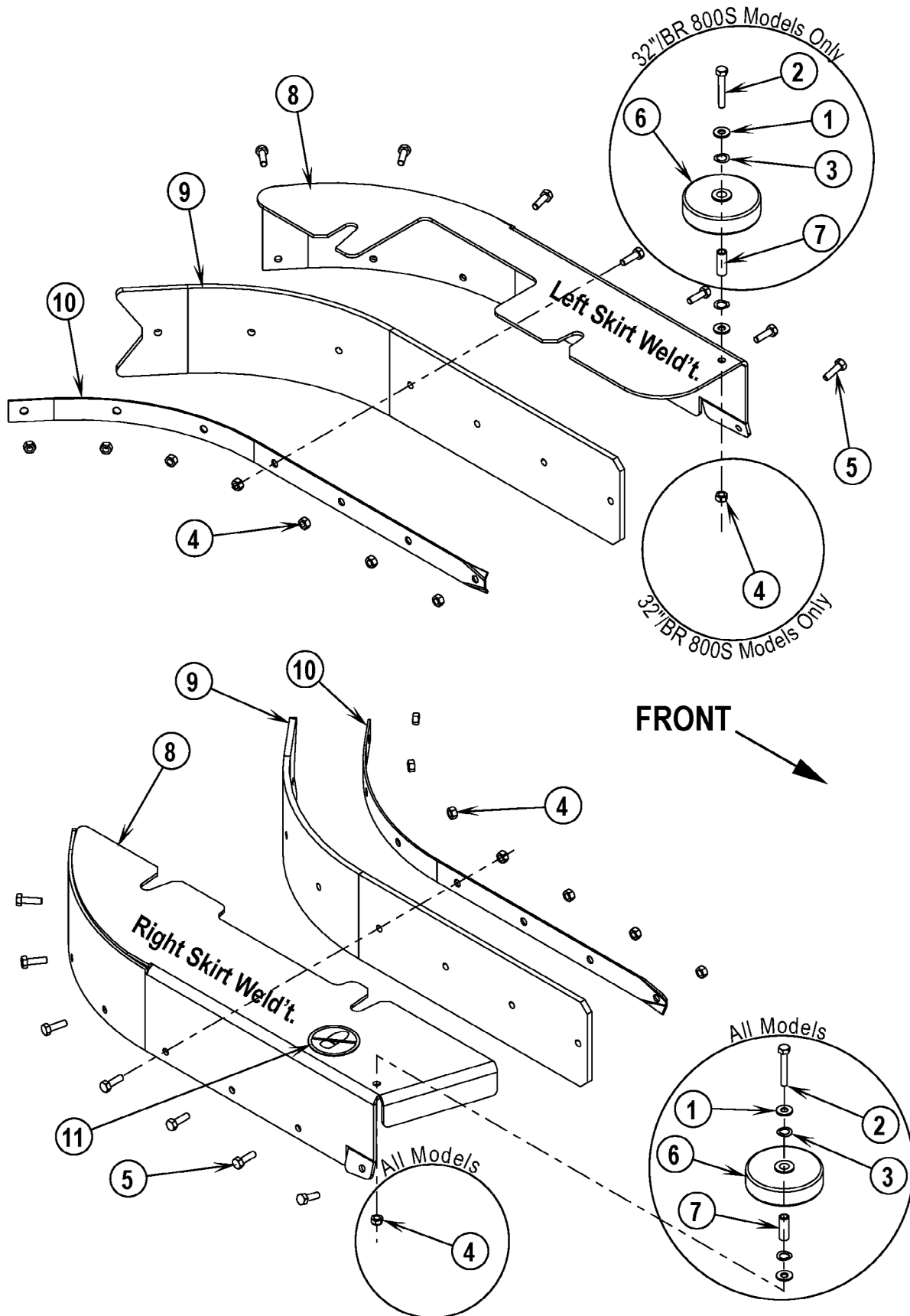
FRONT



Item	Ref. No.	Qty	Description
	56314443	1	Left Skirt Assembly
	56314444	1	Right Skirt Assembly
1	56001939	2	Wsh, Flt SAE 5/16
2	56003178	1	Scr, Hex M8-1.25 x 16mm
3	56003179	1	Scr, Hex Thd To Hd M8-1.25 x 20mm
4	56003389	1	Nut, Hex Nyl Loc M8-1.25
5	56003426	5	Nut, Hex Nyl Loc SS M6-1.00
6	56003431	6	Scr, Hex Hd SS M6-1.00 x 16mm
7	56003441	1	Scr, Hex Nyl Loc M6-1.00 x 15mm
8	56185263	2	Bearing, Sleeve
9	56320595	2	Bushing, .32 x .50 x .28
10	56407447	1	Skirt, Gum Rubber
**	56407392	1	Skirt, Neoprene
**	56410335	1	Skirt
11	56470672	1	Spring, Extension
12	56314435	1	Arm, Mount
13	56314437	1	Retainer, Skirt
14	56314439	1	Skirt Bracket Weld't, Left
	56314438	1	Skirt Bracket Weld't, Right
15	56314440	1	Bracket, Mount, Left
	56314441	1	Bracket, Mount, Right

** = Optional

NOTE: All quantities are for one skirt assembly only, there are two skirt assemblies on the machine.



Item	Ref. No.	Qty	Description
	56314347	1	Left Skirt Assembly (32" / BR 800S)
	56314349	1	Left Skirt Assembly (24", 26", 28" / BR 600S, BR 650S, BR 700S)
	56314350	1	Right Skirt Assembly (All Models)
1	56002098	2	Wsh, Flt SAE 1/4 NOTE 1
2	56003167	1	Scr, Hex M6-1.00 x 40mm NOTE 1
3	56009045	2	Wsh, Bowed .375 x .578 x .060 NOTE 1
4	56003426	8	Nut, Hex Nyl Loc SS M6-1.00
5	56003454	7	Scr, Hex Thd to Hd SS M6-1.00 x 20mm
6	56324499	1	Wheel, 3.00 NOTE 1
7	56471220	1	Bushing NOTE 1
8	56314058	1	Frame, Skirt LH
	56314059	1	Frame, Skirt RH
9	-		See Disk Deck Blade Kits below
10	56314341	1	Retainer, Blade
11	56016163	1	Decal, No Step (Right Skirt Assembly only)
			24" / BR 600S Disk Deck Blade Kits
**	56314124	1	Kit, Gum Rubber 24 Disk NOTE 3
**	56314170	1	Kit, Neoprene 24 Disk NOTE 3
**	56314395	1	Kit, Linatex 24 Disk NOTE 3
**	56315724	1	Kit, Gum Rubber NOTE 4
**	56315723	1	Kit, Red Gum Rubber NOTE 4
			26" / BR 650S Disk Deck Blade Kits
**	56314125	1	Kit, Gum Rubber 26 Disk NOTE 3
**	56314171	1	Kit, Neoprene 26 Disk NOTE 3
**	56314396	1	Kit, Linatex 26 Disk NOTE 3
**	56315724	1	Kit, Gum Rubber NOTE 4
**	56315723	1	Kit, Red Gum Rubber NOTE 4
			28" / BR 700S Disk Deck Blade Kits
**	56314126	1	Kit, Gum Rubber 28 Disk NOTE 3
**	56314172	1	Kit, Neoprene 28 Disk NOTE 3
**	56314397	1	Kit, Linatex 28 Disk NOTE 3
**	56315724	1	Kit, Gum Rubber NOTE 4
**	56315723	1	Kit, Red Gum Rubber NOTE 4
			32" / BR 800S Disk Deck Blade Kits
**	56314127	1	Kit, Gum Rubber 32 Disk NOTE 3
**	56314173	1	Kit, Neoprene 32 Disk NOTE 3
**	56314398	1	Kit, Linatex 32 Disk NOTE 3
**	56315724	1	Kit, Gum Rubber NOTE 4
**	56315723	1	Kit, Red Gum Rubber NOTE 4

** = Optional

NOTE 1: These items are on the Right Skirt Assembly **PN 56314350** on all models, but only on the 32" / BR 800S Left Skirt Assembly **PN56314347**.

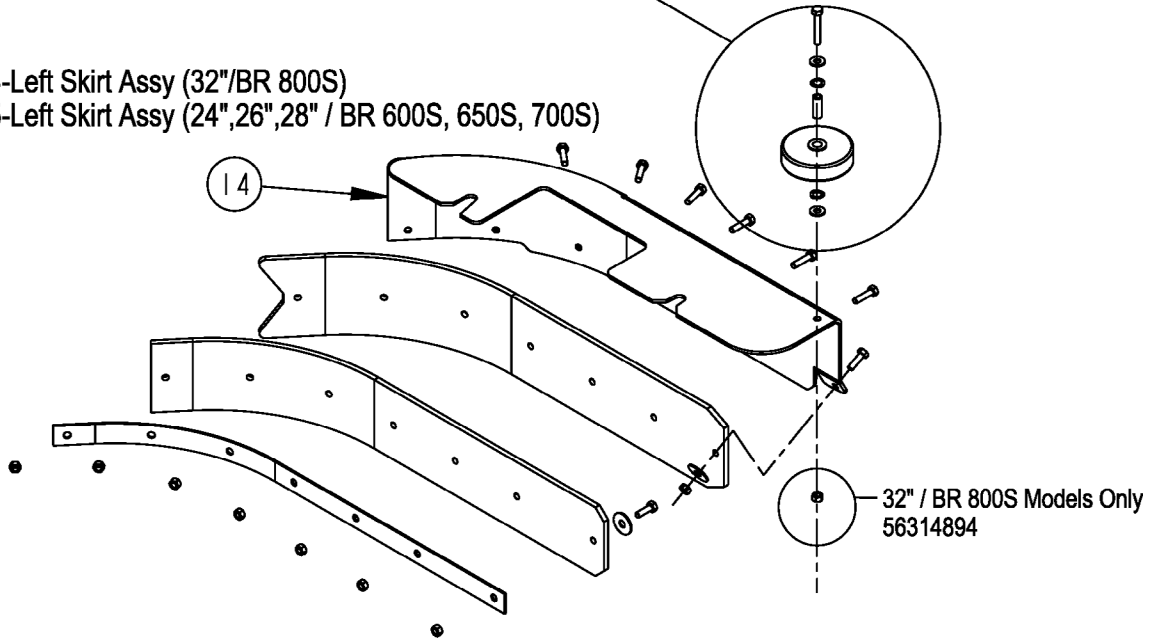
NOTE 2: All quantities are for one skirt assembly only, there are two skirt assemblies on the machine.

NOTE 3: Disk Deck Blade Kits include the mounting fasteners (Rivet, Nylon Tree Push-In 56003263), two skirt blades (item 9) and the two deck blades (front & rear).

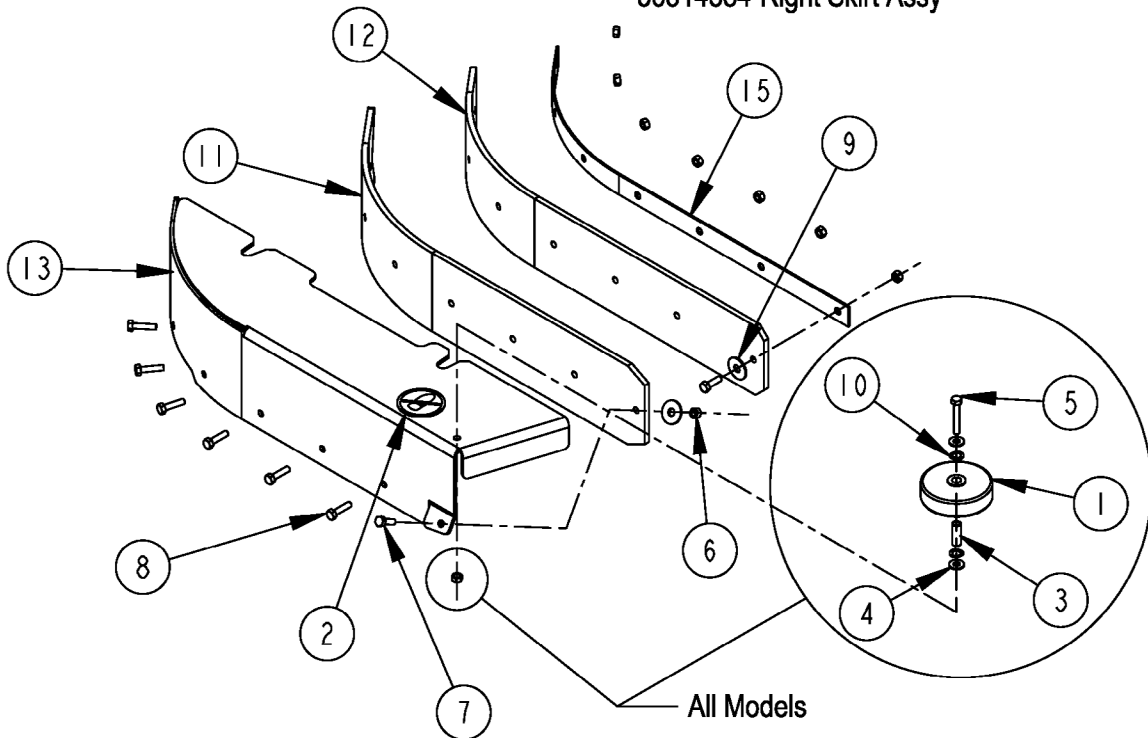
NOTE 4: These Disk Deck Blade Kits include just the blades for use in the two Skirt Assemblies.

32" / BR 800S Models Only
56314894

56314894-Left Skirt Assy (32"/BR 800S)
56314885-Left Skirt Assy (24",26",28" / BR 600S, 650S, 700S)



56314884-Right Skirt Assy



Item	Ref. No.	Qty	Description
	56314894	1	Left Skirt Assembly (32" / BR 800S)
	56314885	1	Left Skirt Assembly (24", 26", 28" / BR 600S, BR 650S, BR 700S)
	56314884	1	Right Skirt Assembly (All Models)
1	56324499	1	Wheel 3.00 NOTE 1
2	56016163	1	Decal, No Step (Right Skirt Assembly Only)
3	56471220	1	Bushing NOTE 1
4	56002098	2	Wsh, Flt Sae 1/4 NOTE 1
5	56003167	1	Scr,Hex M6-1.0x40mm NOTE 1
6	56003426	9	Nut, Hex Nyl Loc Ss M6x1.0 (qty of 8 on 56314885)
7	56003454	2	Scr Hex Thd To Hd Ss M6-1.0 X 20mm
8	56003695	6	Scr Hex Thd To Hd Ss M6-1.0 X 25mm
9	56003696	2	Wsh, Flt Ss .33 X 1.00 X.060
10	56009045	2	Wsh, Bowed .375x.578x.060 NOTE 1
11	-		See Disk Deck Blade Kits below
12	-		See Disk Deck Blade Kits below
13	56314888	1	Frame, Skirt Rh
14	56314889	1	Frame, Skirt Lh
15	56314891	1	Retainer, Blade
			24" / BR 600S Disk Deck Blade Kits
**	56314911	1	Kit, Gum Rubber 24 Disk NOTE 3
**	56314915	1	Kit, Linatex 24 Disk NOTE 3
**	56315722	1	Kit, Gum Rubber NOTE 4
**	56315721	1	Kit, Red Gum Rubber NOTE 4
			26" / BR 650S Disk Deck Blade Kits
**	56314912	1	Kit, Gum Rubber 26 Disk NOTE 3
**	56314916	1	Kit, Linatex 26 Disk NOTE 3
**	56315722	1	Kit, Gum Rubber NOTE 4
**	56315721	1	Kit, Red Gum Rubber NOTE 4
			28" / BR 700S Disk Deck Blade Kits
**	56314913	1	Kit, Gum Rubber 28 Disk NOTE 3
**	56314917	1	Kit, Linatex 28 Disk NOTE 3
**	56315722	1	Kit, Gum Rubber NOTE 4
**	56315721	1	Kit, Red Gum Rubber NOTE 4
			32" / BR 800S Disk Deck Blade Kits
**	56314914	1	Kit, Gum Rubber 32 Disk NOTE 3
**	56314918	1	Kit, Linatex 32 Disk NOTE 3
**	56315722	1	Kit, Gum Rubber NOTE 4
**	56315721	1	Kit, Red Gum Rubber NOTE 4

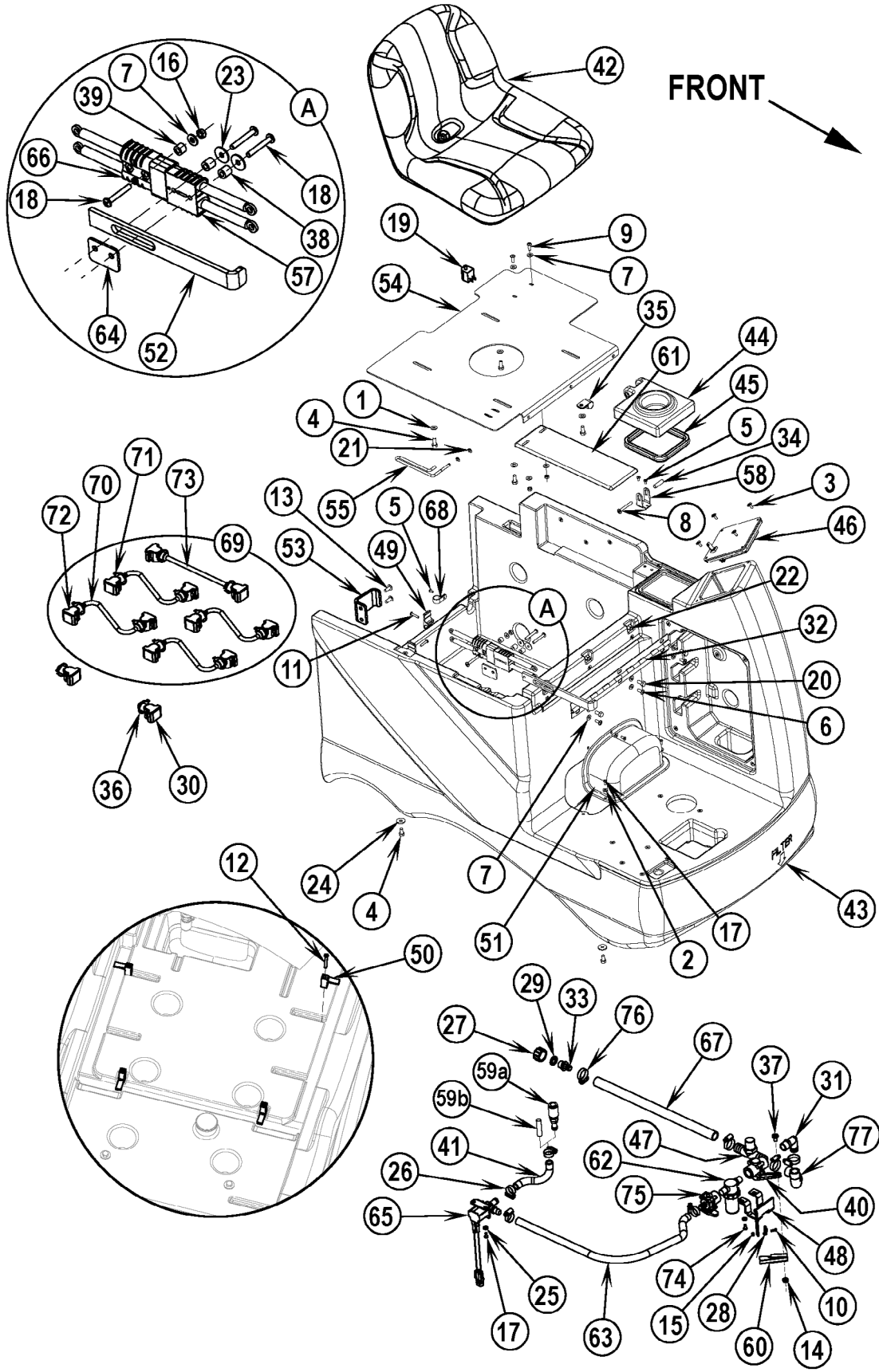
** = Optional

NOTE 1: These items are on the Right Skirt Assembly PN 56314884 on all models, but only on the 32" / BR 800S Left Skirt Assembly PN56314894.

NOTE 2: All quantities are for one skirt assembly only, there are two skirt assemblies on the machine.

NOTE 3: Disk Deck Blade Kits include the mounting fasteners (Rivet, Nylon Tree Push-In 56003263), four skirt blades (items 11 & 12) and the two deck blades (front & rear).

NOTE 4: These Disk Deck Blade Kits include just the blades for use in the two Skirt Assemblies.



Item	Ref. No.	Qty	Description	Item	Ref. No.	Qty	Description
1	56001939	4	Wsh, Flt SAE 5/16	46	56314072	1	Control Panel Assy (before TSBUS2006-922)
2	56001954	3	Wsh, Flt SAE #10		56316109	1	Control Panel Assy (after TSBUS2006-943)
3	56009206	4	Scr, Truss Phil-Blk 10-24 x .50	*	56314713	1	Membrane Switch Assy TSBUS2006-932
4	56002035	8	Scr, Hex Hd 5/16-18 x .62	*	56396188	1	Switch, Key
5	56002043	3	Scr, Pan Phil 10-24 x .38	*	56396189	1	Key, Spare
6	56002066	3	Scr, Pan Phil 1/4-20 x .62	47	56314153	1	Tee NOTE 3
7	56002098	11	Wsh, Flt SAE 1/4		56314758	1	Tee, Barb NOTE 4
8	56002108	1	Scr, Pan Phil 1/4-20 x 2.00	48	56314759	1	Bracket, Valve (Before TSBUS2004-874) (Advance only)
9	56002507	2	Scr, Pan Phil 1/4-20 x .75		56314882	1	Bracket, Valve (After TSBUS2004-874)
10	56002589	1	Scr, Hex Hd 6-32 x .50	49	56314155	5	Clamp, Cable
11	56002674	5	Scr, Pan Phil 10-24 x 1.00	50	56314608	4	Clamp, Cable
12	56002171	4	Scr, Pan Phil 10-24 x 2.00	51	56314213	1	Cover, Actuator NOTE 7
13	56002793	2	Scr, Pan Phil 5/16-18 x .75		56314975	1	Cover, Actuator Closed NOTE 8
14	56002826	1	Nut, Hex Nyl Loc-Thin 5/16-18	52	56314292	1	Bar, Disconnect
15	56002830	1	Nut, Hex Nyl Loc 6-32	53	56316526	1	Tank Mount Bracket
16	56002840	3	Nut, Hex Nyl Loc-Thin 1/4-20	54	56314221	1	Weld't, Seat Mount NOTE 2, NOTE 7
17	56002900	5	Scr, Pan Phil SS 10-24 x .50		56314951	1	Weld't, Seat Mount NOTE 8
18	56002997	3	Scr, Pan Phil 1/4-20 x 1.75	55	56314223	1	Prop Rod
19	7-82-00050	1	Switch (S2)	56	56314971	1	Harness, Main (before TSBUS2006-922)
20	56003178	3	Scr, Hex M8-1.25 x 16mm		56316114	1	Harness, Main (after TSBUS2006-922)
21	56003268	3	Ring, Ret Ext Type E Reinf. .25 Dia.	57	56314253	1	Charge Connector Assy
22	56003389	3	Nut, Hex Nyl Loc M8-1.25	58	56314264	1	Hinge Bracket
23	56009002	2	Wsh, Flt .266 x .906 x .060	59a	56314311	1	Coupling, Quick Disconnect Female (before TSBUS2005-888)
24	56009122	4	Wsh, Flt .344 x .938 x .125	59b	56314904	1	Tube (after TSBUS2005-888)
25	56009205	4	Wsh, Flt SS #10	60	56314401	1	Bracket, Water Valve (Before TSBUS2004-874) (Advance only)
26	56219932	4	Clamp, Hose SAE #6		56314881	1	Bracket, Water Valve (After TSBUS2004-874)
27	56255076	1	Cap, Pipe GHT Nylon	61	56314532	1	Panel, Battery Box
28	56344265	1	Clamp, Cable	62	56314538	1	Strainer NOTE 3
29	56368776	1	Washer, Rubber		56314756	1	Strainer NOTE 4
30	56372673	2	Boot, Battery Post	63	56386182	1	Hose, Spiral .50ID x 26.0
31	56409152	1	Barb, 90 Elbow, 1/2 x 1/2NPT NOTE 3	64	56397189	1	Spacer
	56314757	1	Barb, 90 Elbow 3/4 x 1/2NPT NOTE 4	65	56397215	1	Solenoid Valve Assy, 36V (L1)
32	56412196	1	Hinge NOTE 7	66	56397508	1	Charge Connector Assy
	56314973	1	Hinge NOTE 8 (Advance only)	67	56264318	1	Hose, Spiral .500 NOTE 3
33	56412273	1	Barb, Adapter, 1/2 x 3/4GHT NOTE 3		56263218	1	Hose, .75 Clear PVC NOTE 4
	56900273	1	Barb NOTE 4	68	56442003	1	Clamp, P
34	56468553	1	Bushing, .27 x .37 x 1.30	69	56314339	1	Kit, Battery Connector (includes items 70-73) (Advance only) NOTE 1
35	56469380	1	Clamp, P	70	56456460	4	Cable, Battery
36	56478246	2	Tie, Cable	71	56478246	10	Tie, Cable
37	56003003	1	Scr, Pan Phil 5/16-18 x .62	72	56372673	10	Boot, Battery Post
38	56046309	2	Spacer, Phenolic	73	56441600	1	Cable, Battery
39	56050872	1	Spacer, Phenolic	74	56001993	2	Scr, Pan Phil 10-24 x .50 NOTE 4
40	56314899	1	Valve, Ball	75	56314755	1	Valve, Solution NOTE 4
41	56262180	1	Hose, Spiral .50ID x 7.00	76	56112771	4	Clamp, Hose SAE #10 NOTE 4
42	8-69-00022	1	Seat NOTE 5		56219932	4	Clamp, Hose SAE #6 NOTE 3
43	56314049	1	Solution Tank NOTE 7 (Advance only)	77	56410162	1	Hose, Spiral .75 ID x 7.00 NOTE 4
	56314940	1	Solution Tank NOTE 8		56262180	1	Hose, Spiral .50 ID x 7.00 NOTE 3
44	56314066	1	Cover, Solution Tank, Assy	*	56314119	1	Battery Spacer (Advance only)
45	56314069	1	Gasket	78#	56264318	1	Hose, Spiral .500
				79#	56111385	1	Hose, Spiral .500

* = Not Shown

= Revised or new since last update

NOTE 1: For Advance models "Battery Connector Kit" (56314339) is included with machine. For Nilfisk models battery cables are not included (after SN 1688856), but "Battery Connector Kit" (56314326) can be ordered separately if battery connectors are desired.

NOTE 2: Seat Weldment 56314221 was modified as of serial #1726172 to accommodate Onboard Charger Kit 56314753.

NOTE 3: Used on machines built before serial number chart "A".

NOTE 4: Used on machines built after serial number chart "A".

NOTE 5: Seat 56314035 is obsolete and replaced by 8-69-00022 in production. Order Seat kit 56109292 to replace in the field.

NOTE 6: Used on machines built after serial number chart "B".

NOTE 7: Used on machines built before TSBUS2005-896.

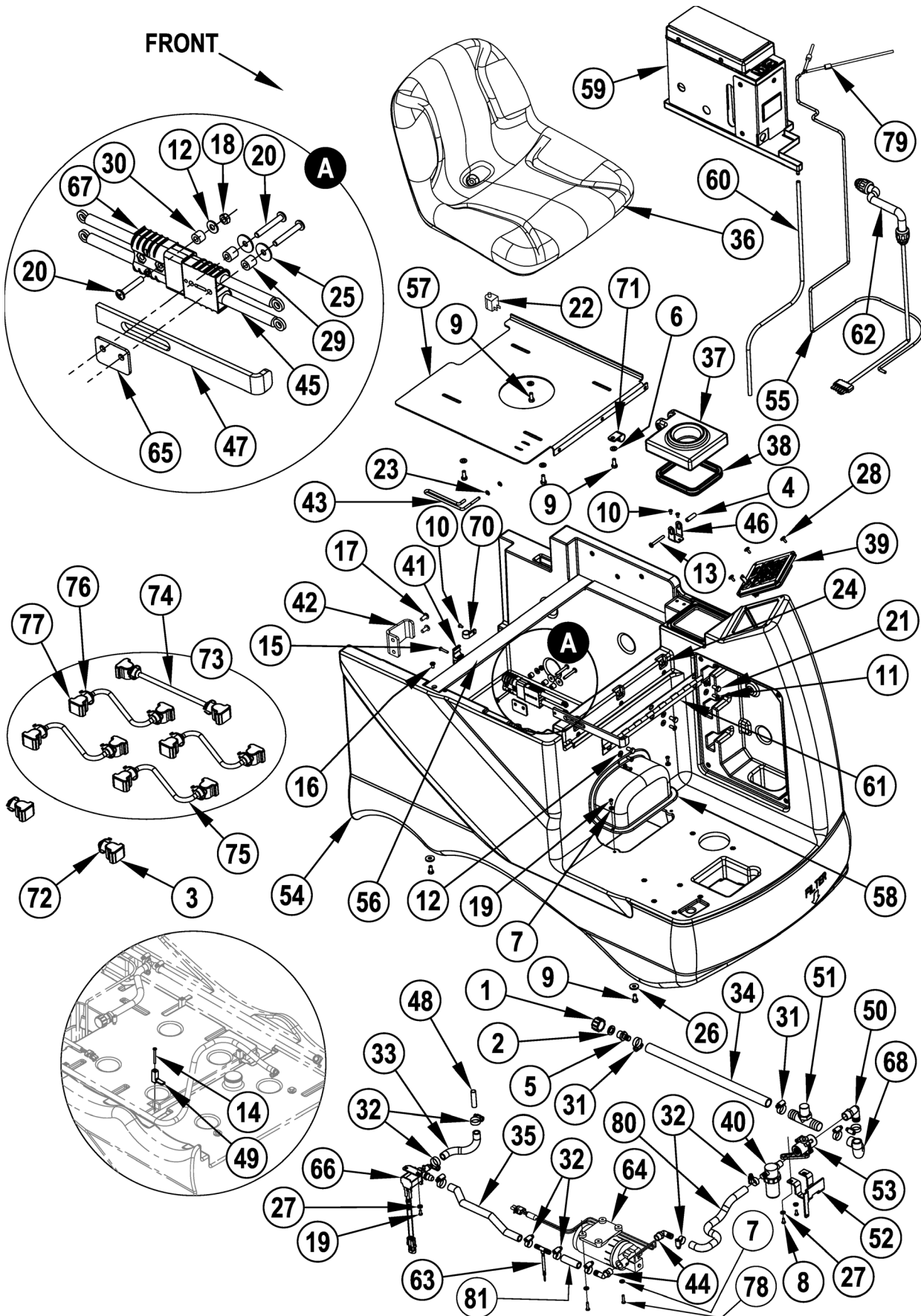
NOTE 8: Used on machines built after TSBUS2005-896.

NOTE 3 & 4**SERIAL NUMBER CHART "A"**

1750239 - Advenger 2400D
 1757986 - Advenger 2810D
 1757999 - Advenger 3210D
 1759162 - Advenger 2400C
 1750252 - Advenger 2600C
 1758000 - Advenger 2810C
 1758002 - Advenger 3210C
 1752024 - BR 600S
 1752041 - BR 700S
 1752046 - BR 800S
 1752052 - BR 600SC
 1752054 - BR 700SC
 1753522 - BR 800SC

NOTE 5 & 6**SERIAL NUMBER CHART "B"**

1837726 - Advenger 2400D
 1839732 - Advenger 2600D
 1837203 - Advenger 2810D
 1837599 - Advenger 3210D
 1839732 - Advenger 2400C
 1839732 - Advenger 2810C
 1837200 - Advenger 2810C
 1837197 - Advenger 3210C
 1837616 - BR 600S
 1837623 - BR 700S
 1839156 - BR 800S
 1837650 - BR 600SC
 1837652 - BR 700SC
 1839732 - BR 800SC



Item	Ref. No.	Qty	Description	Item	Ref. No.	Qty	Description
1	56255076	1	Cap, Pipe GHT Nylon	40	56314147	1	Strainer
2	56368776	1	Washer, Rubber	41	56314155	5	Clamp, Cable
3	56372673	2	Boot, Battery Post	42	56316526	1	Tank Mount Bracket
4	56468553	1	Bushing, .27 x .37 x 1.3	43	56314223	1	Prop Rod
5	56900273	1	Barb	44	56900069	2	Barb, 90 Elbow 1/2 x 3/8NPT
6	56001939	4	Wsh, Flt SAE 5/16	*	56314971	1	Harness, Main (before TSBUS2006-922)
7	56001954	5	Wsh, Flt SAE #10		56316114	1	Harness, Main (after TSBUS2006-922)
8			Intentionally Omitted	45	56314253	1	Charge Connector Assy
9	56002035	8	Scr, Hex 5/16-18 x .62	46	56314264	1	Hinge Bracket
10	56002043	3	Scr, Pan Phil 10-24 x .38	47	56314292	1	Bar, Disconnect
11	56002066	3	Scr, Pan Phil 1/4-20 x .62	48	56314904	1	Tube
12	56002098	7	Wsh, Flt SAE 1/4	49	56314608	4	Clamp, Cable
13	56002108	1	Scr, Pan Phil 1/4-20 x 2.00	50	56314757	1	Barb, 90 Elbow 3/4 x 1/2NPT
14	56002171	4	Scr, Pan Phil 10-24 x 2.00	51	56314758	1	Tee, Barb
15	56002674	5	Scr, Pan Phil 10-24 x 1.00	52	56314881	1	Bracket, Valve
16	56002755	1	Scr, Flt Phil 1/4-20 x .50	53	56314899	1	Valve, Solution
17	56002793	2	Scr, Pan Phil 5/16-18 x .75	54	56314940	1	Solution Tank
18	56002840	1	Nut, Hex Nyl Loc-Thin 1/4-20	55	56314947	1	Hose, Chem Resistant (Advance only)
19	56002900	7	Scr, Pan Phil SS 10-24 x .50	56	56314943	1	Brkt, Seat
20	56002997	3	Scr, Pan Phil 1/4-20 x 1.75	57	56314949	1	Weld't, Seat Mount
21	56003178	3	Scr, Hex M8-1.25 x 16mm	58	56314960	1	Cover, Actuator
22	7-82-00050	1	Switch (S2)	59	56316537	1	Assembly, Detergent Inject. (TSBUS2006-922) (see Detergent Injection System)
23	56003268	2	Ring, Ret Ext Type E Reinf. 0.25 Dia	60	56314965	1	Hose, PVC 1/4 x 3/8
24	56003389	3	Nut, Hex Nyl Loc M8-1.25	61	56314973	1	Hinge (Advance only)
25	56009002	2	Wsh, Flt .266 x .906 x .060	62	56314980	1	Harness, Chemical System
26	56009122	4	Wsh, Flt .344 x .938 x .125	63	56314983	1	Tee Assembly
27	56009205	4	Wsh, Flt SS .219 x .500 x .047/.062	64	56212014	1	Pump, 36VDC
28	56009206	4	Scr, Truss Phil-Blk 10-24 x .50	65	56397189	1	Spacer
29	56046309	2	Spacer, Phenolic	66	56397215	1	Solenoid Valve Assy. 36V
30	56050872	1	Spacer, Phenolic	67	56397508	1	Charge Connector Assy
31	56112771	4	Clamp, Hose SAE #10	68	56410162	1	Hose, Spiral .75 ID x 7.00
32	56219932	8	Clamp, Hose SAE #6	69			Intentionally Omitted
33#	56262180	1	Hose, Spiral .50 Id x 7.00	70	56442003	1	Clamp, P
34	56263218	1	Hose, .75 Clear PVC	71	56469380	1	Clamp, P
35	56409462	1	Hose, Spiral .50 ID x 12	72	56478246	2	Tie, Cable
36	8-69-00022	1	Seat NOTE 1	73	56314339	1	Kit, Battery Connector (items 74-77) (Advance only)
37	56314066	1	Cover, Solution Tank, Assy	74	56441600	1	Cable, Battery
38	56314069	1	Gasket	75	56456460	4	Cable, Battery
39	56314072	1	Control Panel Assy (before TSBUS2006-922)	76	56478246	10	Tie, Cable
	56316109	1	Control Panel Assy (after TSBUS2006-943)	77	56372673	10	Boot, Battery Post
*	56314713	1	Membrane Switch Assy TSBUS2006-932	78	56002733	2	Scr, Pan Phil 10-24 x .88
*	56396188	1	Switch, Key	*	56314119	1	Spacer, Battery (Advance only)
*	56396189	1	Key, Spare	79	56316209	1	Check Valve Assy TSBUS2006-937
				80#	56264318	1	Hose, Spiral .500
				81#	56111385	1	Hose, Spiral .500

* = Not Shown

= Revised or new since last update

NOTE 1: Seat 56314035 is obsolete and replaced by 8-69-00022 in production. Order Seat kit 56109292 to replace in the field.

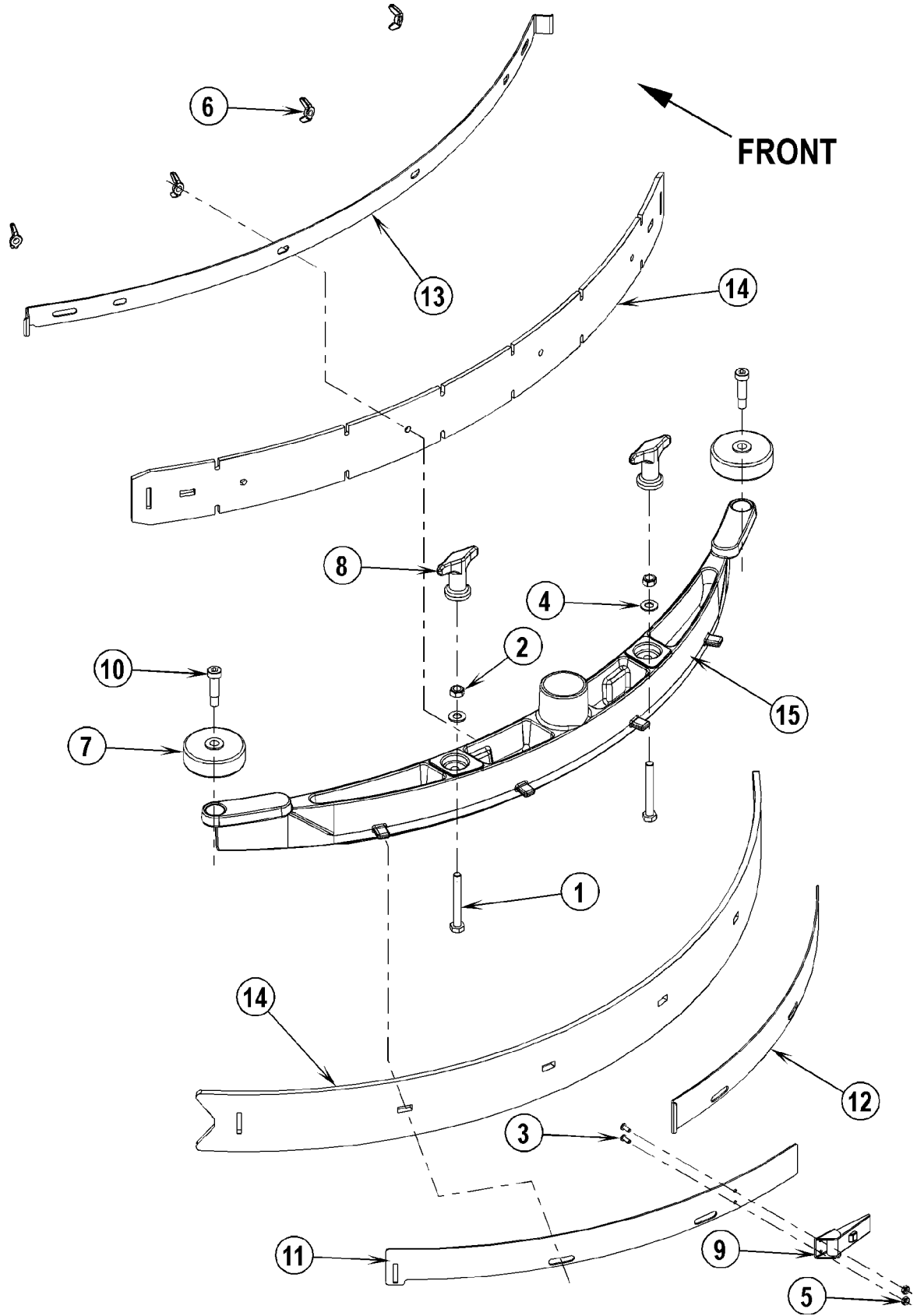
SQUEEGEE ASSEMBLY

03-1

32

Advenger™ / BR 600S, 650S, 700S, 800S

04-3

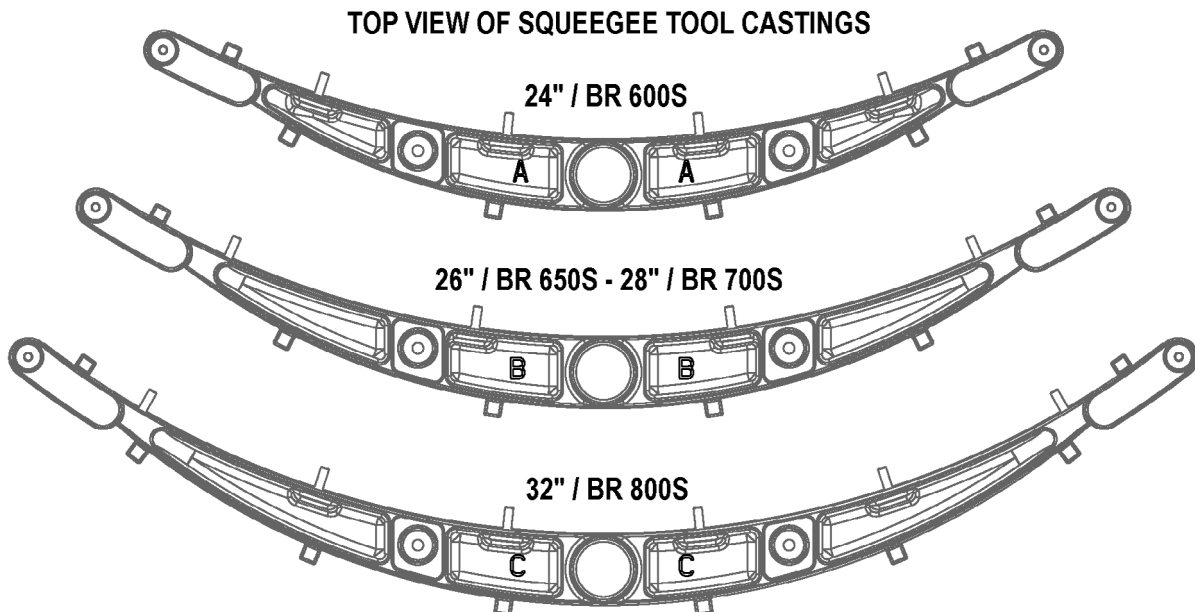


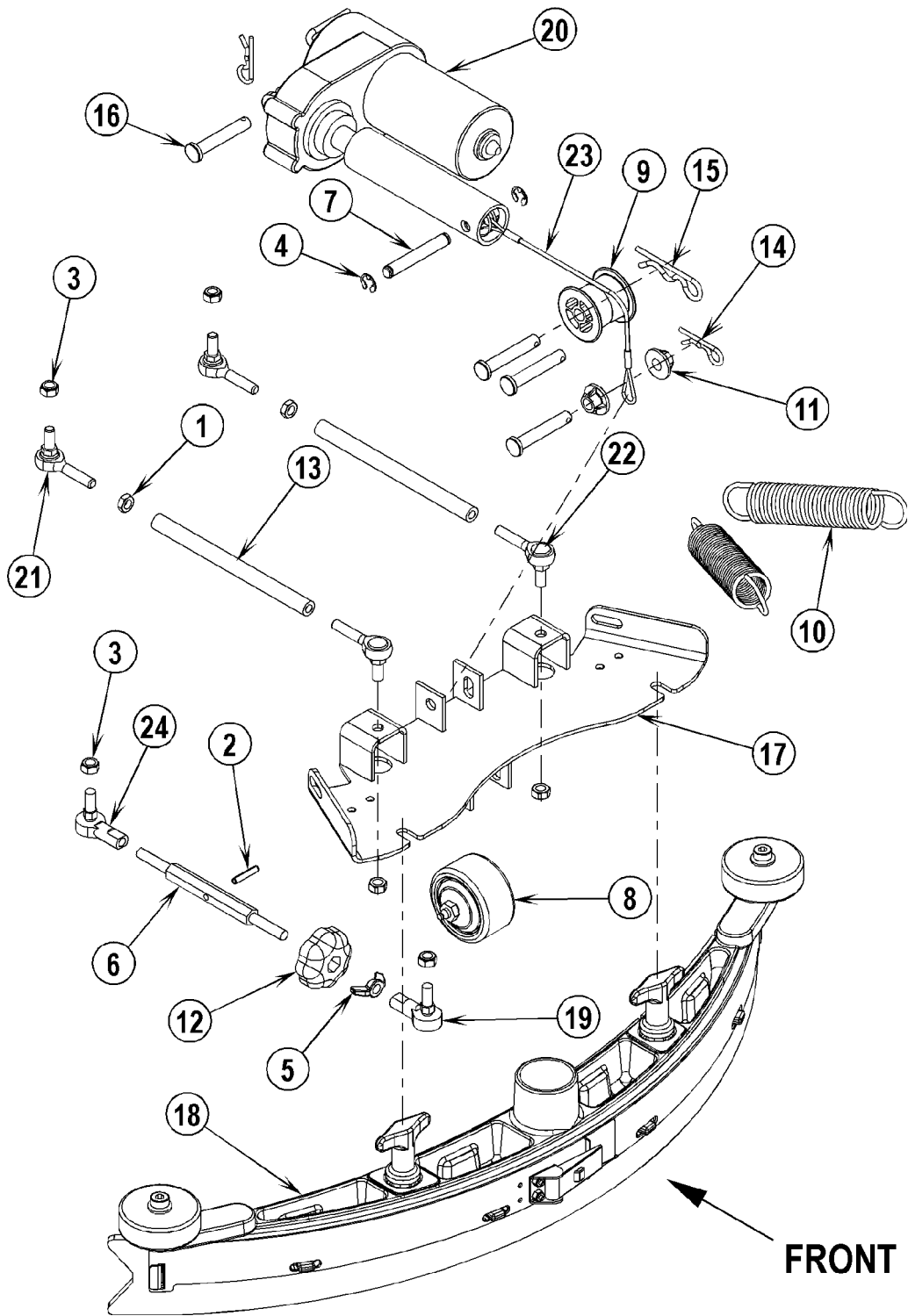
Item	Ref. No.	Qty	Description
	56314327	1	Squeegee Assy (24" / BR 600S)
	56314020	1	Squeegee Assy (26" & 28" / BR 650S & BR 700S)
	56314358	1	Squeegee Assy (32" / BR 800S)
1	56003736	2	Scr, Hex Hd SS 5/16-18 x 2.75
2	56002851	2	Nut, Hex Nyl Loc-Thin SS 5/16-18
3	56002909	2	Scr, Pan Phil SS 6-32 x .38
4	56002938	2	Wsh, Flt SAE SS 5/16
5	56002907	2	Nut, Hex Nyl Loc SS 6-32 (Advance only)
6	56009111	4	Nut, Wing SS 1/4-20
7	56324350	2	Wheel
8	56370711	2	Nut, Thumb
9	56471194	1	Latch Assy
10	56003472	2	Scr, Soc Shd .38 x 1.00 x 5/16-18
11	56314317	1	Strap, Left Rear (24" / BR 600S)
	56314026	1	Strap, Left Rear (26" & 28" / BR 650S & BR 700S)
	56314323	1	Strap, Left Rear (32" / BR 800S)
12	56314318	1	Strap, Right Rear (24" / BR 600S)
	56314027	1	Strap, Right Rear (26" & 28" / BR 650S & BR 700S)
	56314324	1	Strap, Right Rear (32" / BR 800S)
13	56314316	1	Strap, Front (24" / BR 600S)
	56314028	1	Strap, Front (26" & 28" / BR 650S & BR 700S)
	56314322	1	Strap, Front (32" / BR 800S)
14	56314054	1	Kit, Standard Squeegee Blade (24" / BR 600S) NOTE #1
	56314303	1	Kit, Standard Squeegee Blade (26" & 28" / BR 650S & BR 700S) NOTE #1
	56314060	1	Kit, Standard Squeegee Blade (32" / BR 800S) NOTE #1
15	56314319	1	Squeegee Tool, Cast (24" / BR 600S)
	56314271	1	Squeegee Tool, Cast (26" & 28" / BR 650S & BR 700S)
	56314325	1	Squeegee Tool, Cast (32" / BR 800S)
			24" / BR 600S Squeegee Blade Kits
**	56314055	1	Kit, Linatex Squeegee Blade NOTE #1
**	56314056	1	Kit, Neoprene Squeegee Blade NOTE #1
			26" & 28" / BR 650S & BR 700S Squeegee Blade Kits
**	56314304	1	Kit, Linatex Squeegee Blade NOTE #1
**#	56315854	1	Blade Kit-Squeegee PU B NOTE #1
			32" / BR 800S Squeegee Blade Kits
**	56314061	1	Kit, Linatex Squeegee Blade NOTE #1
**#	56315855	1	Blade Kit-Squeegee PU C NOTE #1

= Revised or new since last update

** = Optional, Not Included

NOTE #1: All squeegee blade kits include both front and rear squeegee blades.





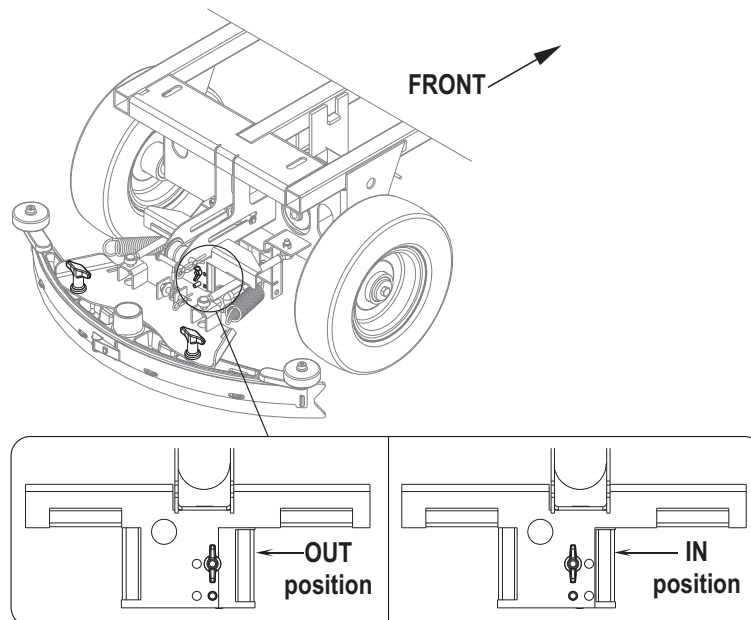
Item	Ref. No.	Qty	Description
1	56001884	2	Nut, Hex Jam 5/16-24
2	56002082	1	Pin, SPR .19 x 1.00
3	56002866	6	Nut, Hex Nyl Loc-Thin 5/16-24
4	56003262	2	Ring, Ret Ext Type E .38 Dia.
5	56003497	1	Nut, Wing SS 5/16-24
6	56412067	1	Connecting Rod
7	56412088	1	Pin
8	56412124	1	Wheel
9	56412208	1	Roller
10	56412216	2	Spring, Extension
11	56412248	4	Spacer, Squeegee Cable
12	56412284	1	Knob, Squeegee Adjust
13	56412314	2	Connecting Rod
14	56003222	2	Pin, Cotter Hair
15	56003223	1	Pin, Cot Hair .148 x Dia .62/1.00
16	56003656	4	Clevis Pin .375 x 2.25
17	56314023	1	Squeegee Mount Weld't.
18	56314327	1	Squeegee Assy (2400) NOTE 1
	56314020	1	Squeegee Assy (2600, 2810) (BR 600S, 650S) NOTE 1
	56314358	1	Squeegee Assy (3210) (BR 700S, 800S) NOTE 1
19	56395755	1	Rod End
20	56397230	1	Lift Actuator, Squeegee (M2) NOTE 2 TSBUS2004-864
21	56412312	2	Rod End, 5/16
22	56412313	2	Rod End, 5/16
23	56412340	1	Cable Assembly
24	56477756	1	Rod End

* = Not Shown

NOTE 1: BR 600S models before SN 1819567 used Squeegee Assy 56314327, after SN use Squeegee Assy 56314020. If replacing squeegee 56314327 with 56314020 on either one of these two models (SN before 1819567) the Squeegee Stop Bracket needs to be set at the "IN" position. See **TSBUS2005-891**.

BR 700S models before SN1819567 used Squeegee Assy 56314020, after SN use Squeegee Assy 56314358. If replacing squeegee 56314020 with 56314358 on either one of these two models (SN before 1819567) the Squeegee Stop Bracket needs to be set at the "IN" position. See **TSBUS2005-891**.

NOTE 2: From August of 2003 through March 1, 2004 Squeegee Lift Actuator 56314118 was used. All machines built prior to August 2003 and shipped after March 1, 2004 use Actuator 56397230. If you have a machine built between these two dates and are experiencing control panel circuit board or squeegee lift actuator problems you should order **Control & Actuator Update Kit, part number 56314710**.



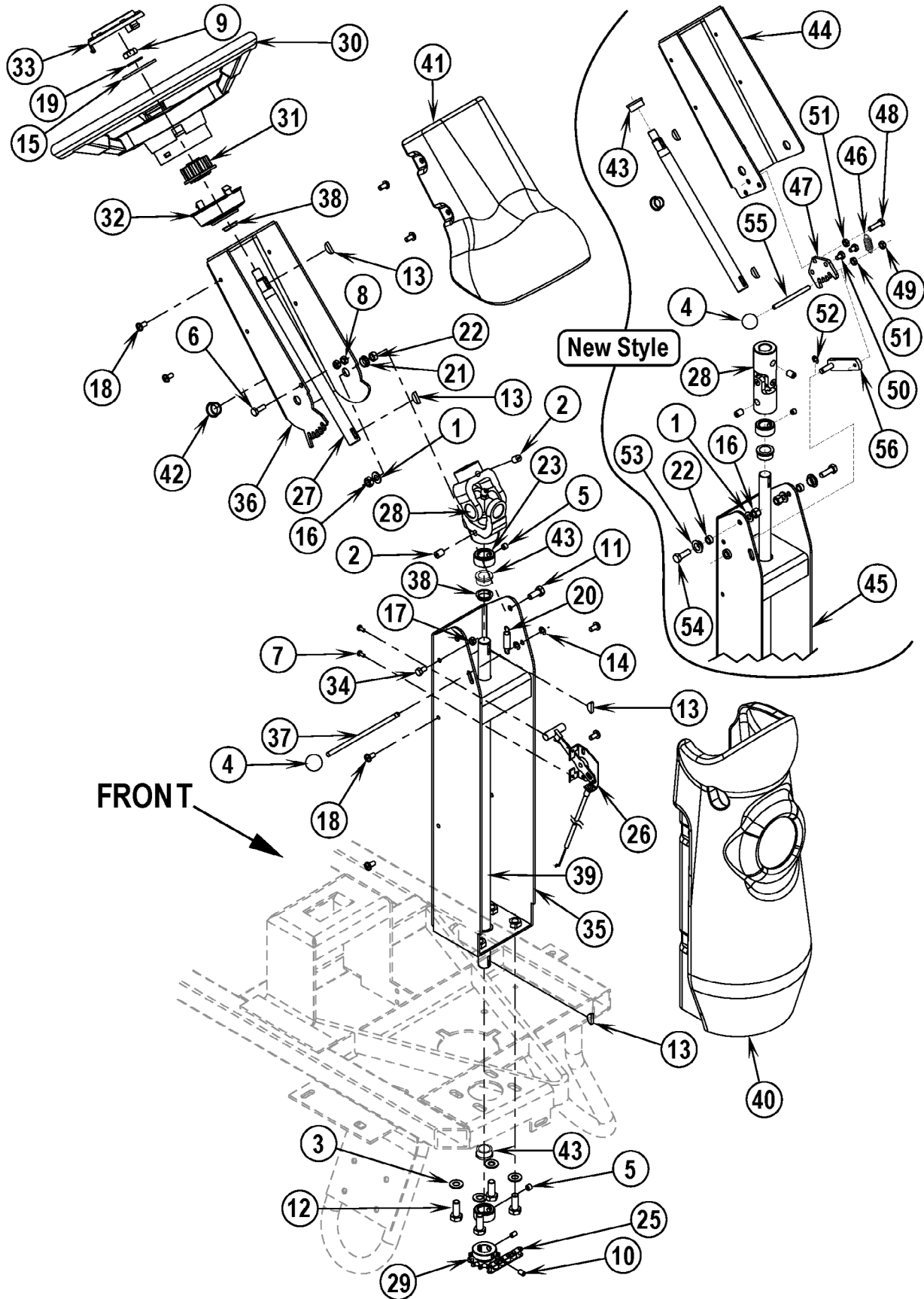
STEERING COLUMN ASSEMBLY

03-1

36

Advenger™ / BR 600S, 650S, 700S, 800S

08-3



Item	Ref. No.	Qty	Description	Item	Ref. No.	Qty	Description
1	56001939	2	Wsh, Flt SAE 5/16	44	56413657	1	Column, Upper NOTE 4 (Advance only)
2	56001958	2	Scr, Soc Set Loc 3/8-16 x .50	45	56413659	1	Lower Column Weldment NOTE 4 (Advance only)
3	56002063	4	Wsh, Flt SAE 3/8	46	56305072	1	Spring, Extension .075 NOTE 4
4	56440817	1	Knob	47	56413658	1	Ratchet, Steering Column NOTE 4
5	56002086	2	Scr, Soc Set Loc 5/16-18 x .25	48	56002093	1	Scr, Hex 1/4-20 x 1.00 NOTE 4
6	56002155	1	Scr, Hex Hd 1/4-20 x .75 NOTE 3	49	56002840	1	Nut, Hex Nyl Loc-Thin 1/4-20 NOTE 4
7	56002523	2	Scr, Pan Phil Thd Form 8-32 x .38 NOTE 5	50	56003039	2	Scr, Hex Hd Loc 1/4-20 x .50 NOTE 4
8	56002840	2	Nut, Hex Nyl Loc-Thin 1/4-20 NOTE 3	51	56003145	2	Nut, Hex Jam SS 1/4-20 NOTE 4
9	56002843	1	Nut, Hex Nyl Loc-Thin 1/2-13	52	56003261	1	Ring, Ret Ext Type E 0.31 Dia NOTE 4
10	56002930	2	Scr, Soc Set Loc 1/4-20 x .38	53	56413211	2	Bearing, Flange .625 x .500 x .250 NOTE 4 (Advance only)
11	56003179	2	Scr, Hex Thd To Hd M8-1.25 x 20mm NOTE 3	54	56003436	2	Scr, Hex SS M8-1.25 x 25mm NOTE 4
12	56003186	4	Scr, Hex Thd To Hd M10-1.50 x 25mm	55	56413664	1	Rod NOTE 4
13	56003228	4	Key, WDF .75 x .19	56	56413661	1	Steering Pawl Weldment NOTE 4 (Advance only)
14	56003268	2	Ring, Ret Ext Type E Reinf .25 Dia NOTE 3				
15	56003342	1	Wsh, Flt .88 x .25 x .13				
16	56003389	2	Nut, Hex Nyl Loc M8-1.25				
17	56003403	1	Nut, Hex Nyl Loc M6-1.00 NOTE 3				
18	56009062	8	Scr, Pan Phil Thd Form 1/4-20 x .50				NOTE 1: Used on machines built before serial number chart.
19	56001879	1	Wsh, Flt SAE 1/2				
20	56245008	1	Spring, Extension NOTE 3				
21	56302164	2	Bearing, Flange NOTE 3				
22	56320595	2	Bushing .32 x .50 x .28				
23	56367095	2	Collar, Shaft				
24			Deleted Intentionally				
25	56412198	1	Chain, Roller				
26	56412281	1	Solution Control Cable NOTE 5				
27	56420059	1	Shaft, Upper Steering				
28	56454081	1	Universal Joint				
29	56471148	1	Sprocket				
30	56497306	1	Steering Wheel				
31	56497560	1	Wheel Adapter				
32	56497308	1	Cup				
33	56497543	1	Cap				
34	56003155	1	Scr, Hex M6-1.00 x 12mm NOTE 3				
35	56314048	1	Lower Column Weldt NOTE 1 TSBUS2005-887 (Advance only)				
	56314877	1	Lower Column Weldt NOTE 2 TSBUS2005-887 NOTE 3				
36	56314093	1	Column, Steering NOTE 3 TSBUS2007-960				
37	56314094	1	Rod, Steering lock NOTE 3				
38	56314148	3	Bearing, Nyliner (qty of 1 after serial number chart) TSBUS2005-887 NOTE 3				
39	56314195	1	Shaft, Lower Steering				
40	56314295	1	Shroud, Lower Column				
41	56314296	1	Shroud, Upper Column				
42	56900041	1	Plug, Cap				
43	56250414	2	Bearing, Flange NOTE 2 TSBUS2005-887 (qty of 3 after serial number 1942863)				

NOTE 2: Used on machines built after serial number chart.

NOTE 3: Used on machines built before serial number 1942864.

NOTE 4: Used on machines built after serial number 1942863.

NOTE 5: Not used on AXP/EDS models.

NOTE 1 & 2 SERIAL NUMBER CHART

1797475 - Advenger™ 2400C, 2400D, 2600C, 2600D, 2810D

1797186 - Advenger™ 3210D

1797261 - Advenger™ 2810C

1797187 - Advenger™ 3210C

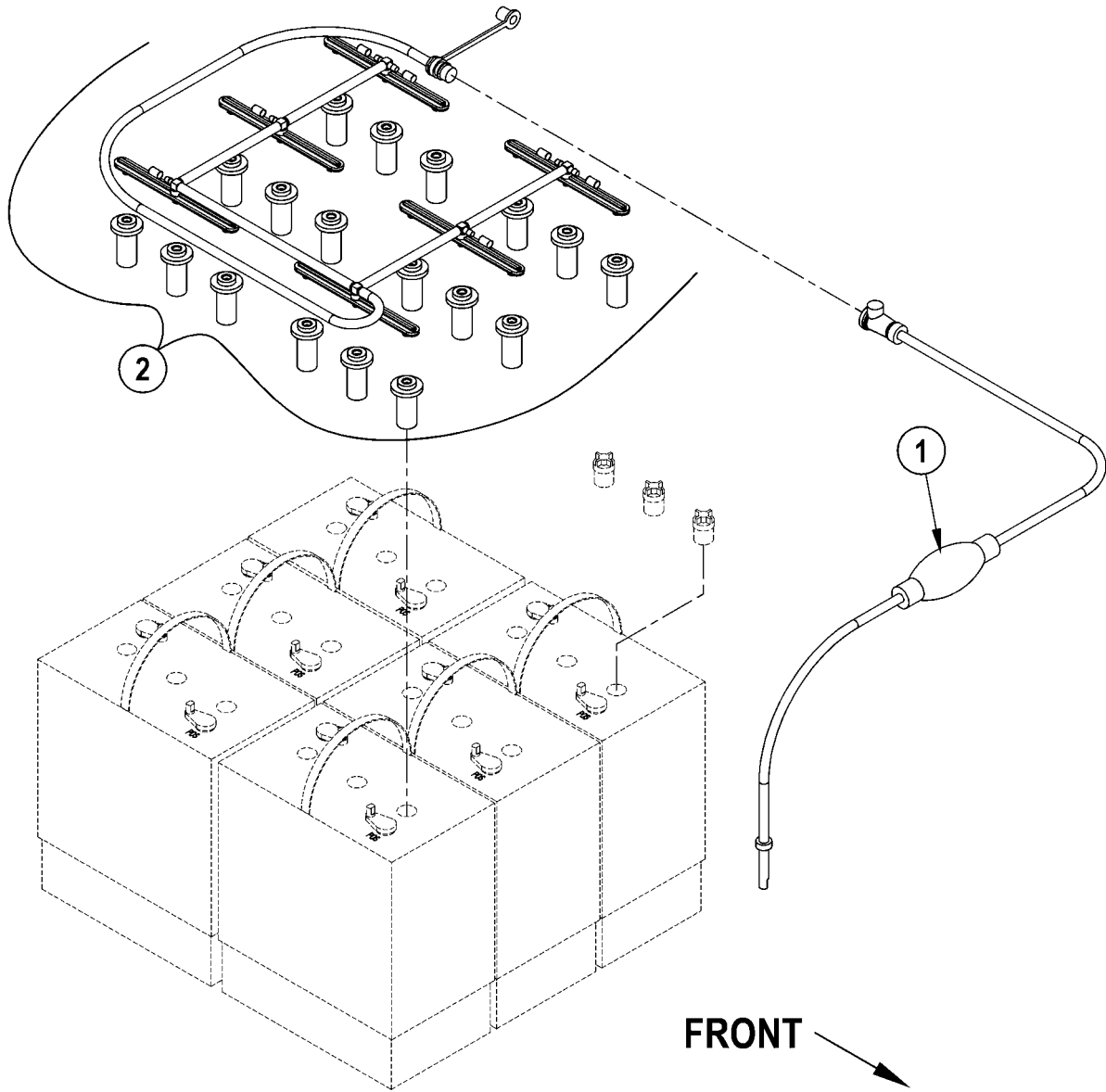
1796877 - BR 600S

1796885 - BR 700S

1796896 - BR 800S

1796903 - BR 700SC

1796906 - BR 800SC



03-1

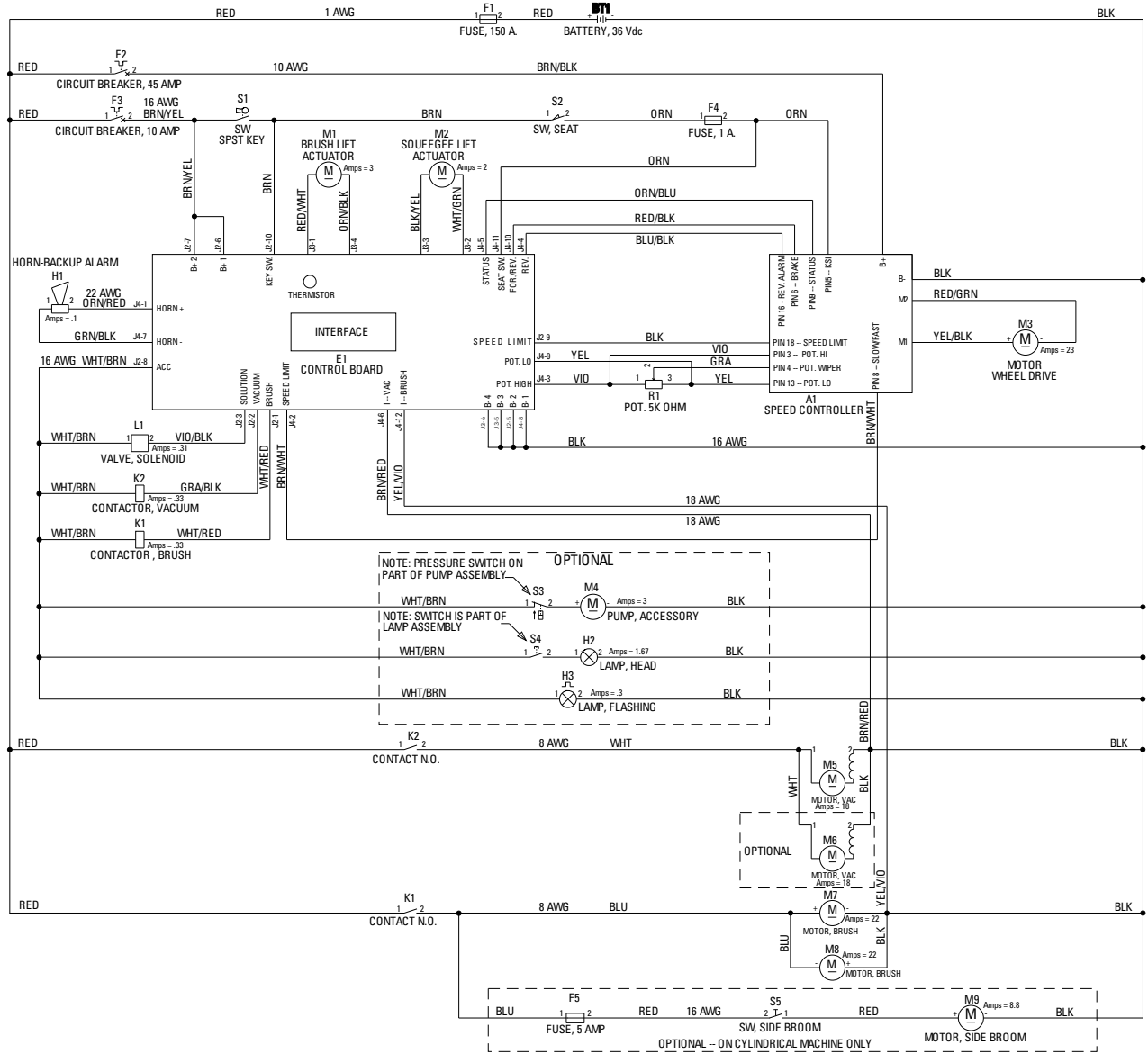
BATTERY WATERING SYSTEM

08-3

Advenger™ / BR 600S, 650S, 700S, 800S

39

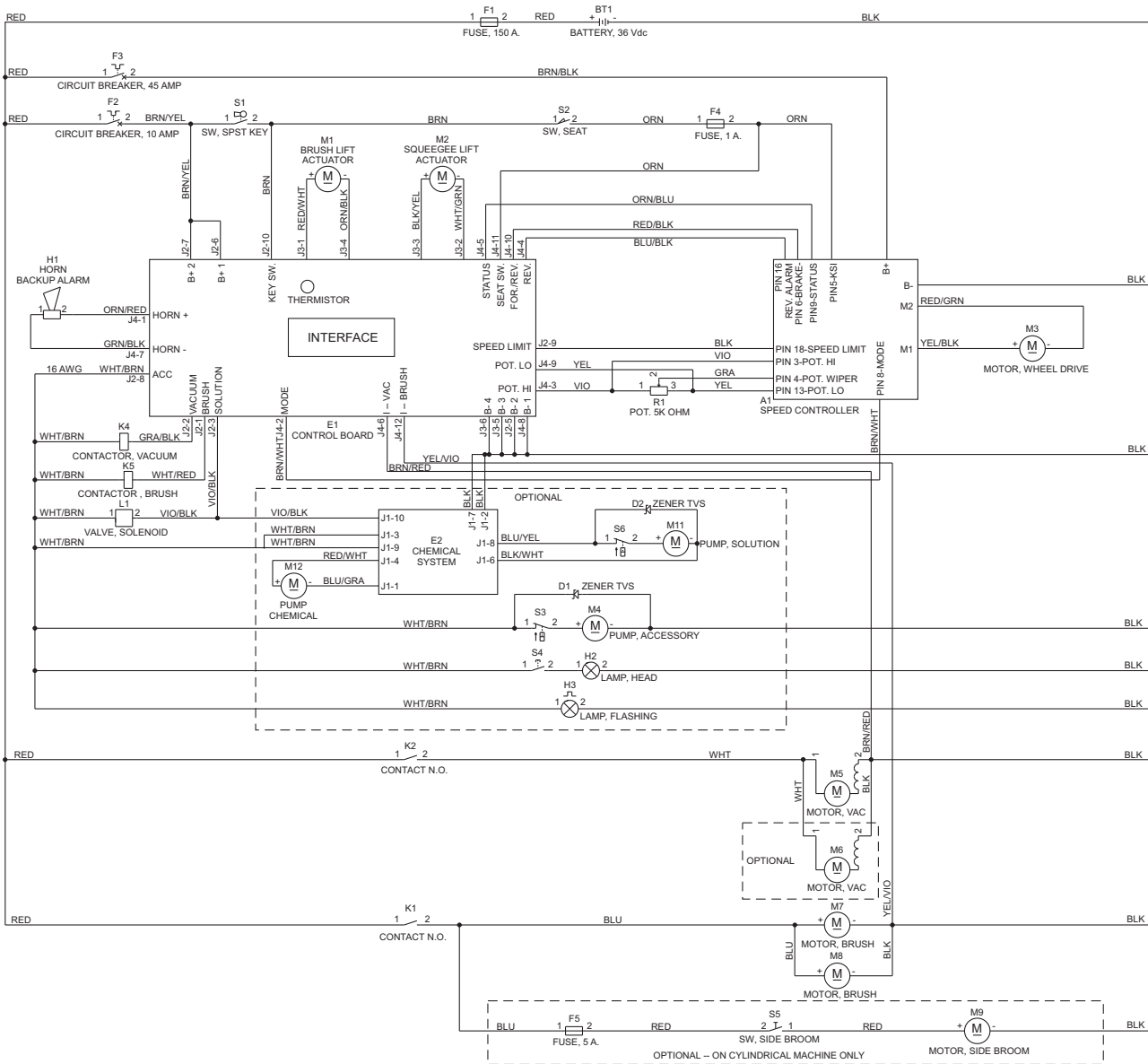
Item	Ref. No.	Qty	Description
	56314974	1	Battery Watering System (items 1-2) (Standard on Advance Detergent Injection Models) (Advance only)
	56314981	1	Battery Watering Kit (includes 56314974) (Advance only)
1	56314978	1	Pump (Advance only)
2	56314979	1	Manifold Assembly (Advance only)



Item	Ref. No.	Qty	Description	Item	Ref. No.	Qty	Description
A1	56314067	1	Controller	M7	56314139	1	Motor Gearbox Assy (24" / BR 600S - Disk)
BT1	N/A		Battery		56314140	1	Motor Gearbox Assy (26" / BR 650S - Disk)
E1	56314072	1	Control Panel Assy (before TSBUS2006-922)		56314141	1	Motor Gearbox Assy (28" / BR 700S - Disk)
	56316109	1	Control Panel Assy (after TSBUS2006-943)		56314335	1	Motor Gearbox Assy (32" / BR 800S - Disk)
*	56314713	1	Membrane Switch Assy TSBUS2006-932	*	56314359	2	Key, 6mm Square
*	56396188	1	Switch, Key	*	56314499	2	Cover, Gearbox
*	56396189	1	Key, Spare	*	56314560	2	Gearbox
F1	56412089	1	Fuse, 150 Amp	*	56314580	1	Bearing (Fan End)
F2	56364294	1	Circuit Breaker, 45 Amp (Wheel Drive)	*	56412323	1	Bearing (Brush End)
F3	56387316	1	Circuit Breaker, 10 Amp (Control Circuit)	*	56314582	1	Brush Ring
F4	N/A	1	Fuse, 1 Amp	*	56314583	4	Carbon Brush
F5		1	Fuse, 5 Amp (Side Broom / optional)	#			Deleted
H1	56412177	1	Horn / Backup Alarm		56407431	1	Motor, 36VDC, .75HP (Cylindrical)
H2	56314063	1	Headlight (optional)		TSBUS2004-868		
H3	56416433	1	Strobe Light (optional)	*#	56407489	1	Armature (for 56407431) (Advance only)
K1	56395455	1	Contactora, Brush Motor	*#	56410183	1	Bearing (for 56407431)
K2	56395453	1	Contactora, Vac Motor	*	56407492	1	Brush Cap Assy (for 56407431)
L1	56397215	1	Solenoid Valve	*	56407493	4	Carbon Brush Assy (for 56407431)
M1	56393303	1	Lift Actuator, Brush	*	56407494	4	Brush Cover Cap (for 56407431)
*	56388520	1	Plastic Nut	M8	56407431	1	Motor, 36VDC, .75HP (Cylindrical)
M2	56397230	1	Lift Actuator, Squeegee TSBUS2004-864		TSBUS2004-868		
M3#	56314268	1	Motor, Drive Wheel TSBUS2004-869, TSBUS2008-1004	*#	56407489	1	Armature (for 56407431) (Advance only)
*	56314920	1	Drive Wheel Harness Kit TSBUS2004-869	*#	56410183	1	Bearing (for 56407431)
*	56314282	1	Brake Bar	*	56407492	1	Brush Cap Assy (for 56407431)
*	56314289	1	Brake Band TSBUS2008-1004	*	56407493	4	Carbon Brush Assy (for 56407431)
*	56412320	1	Carbon Brush Cover Kit (contains 4 seal rings & 4 brush covers)	*	56407494	4	Brush Cover Cap (for 56407431)
*	56412321	1	Sealing Ring	M9	56469530	1	Motor, Side Broom (optional)
*	56412322	1	Bearing, Ball, Gearbox Side	R1	56454740	1	Potentiometer, 5K
*	56412323	1	Bearing, Ball, Brush Side	S1	56396188	1	Switch, Key
*	56412325	1	Carbon Brush Kit	*	56396189	1	Key, Spare
*	56314269	1	Drive Wheel – P7 Scrubber Compound	S2	7-82-00050	1	Switch, Seat
**	56412339	1	Drive Wheel – Polyurethane	S3	N/A	1	Switch, Pump (part of M4)
M4	56212014	1	Motor, Pump (optional)	S4	N/A	1	Switch, Headlight (part of H2)
M5	56397228	1	Motor, Vac 36VDC (Advance only)	S5	56372088	1	Switch, Side Broom (optional)
*	56212223	1	Carbon Brush Set				# = Revised or new since last update
	56410065	1	Vac Motor Assy (Nilfisk only)				* = Not Shown
*	56212223	1	Carbon Brush Set				** = Optional
M6	56397228	1	Motor, Vac 36VDC (optional)				
*	56212223	1	Carbon Brush Set				

**Wiring diagram for Machines built
before this Serial Number Chart**

2400D-1837726
2400C-1839732
2600D-1839732
2600C-1839732
2810D-1837203
3210D-1837599
2810C-1837200
3210C-1837197
BR600S-1837616
BR700S-1837623
BR800S-1839156
BR600SC-1837650
BR700SC-1837652
BR800SC-1839732
Lowes 3210D-1837646



Item	Ref. No.	Qty	Description	Item	Ref. No.	Qty	Description
A1	56314067	1	Controller	M7	56314139	1	Motor Gearbox Assy (24" / BR 600S - Disk)
BT1	N/A		Battery		56314140	1	Motor Gearbox Assy (26" / BR 650S - Disk)
					56314141	1	Motor Gearbox Assy (28" / BR 700S - Disk)
E1	56314072	1	Control Panel Assy (before TSBUS2006-922)		56314335	1	Motor Gearbox Assy (32" / BR 800S - Disk)
	56316109	1	Control Panel Assy (after TSBUS2006-943)	*	56314359	2	Key, 6mm Square
*	56314713	1	Membrane Switch Assy TSBUS2006-932	*	56314499	2	Cover, Gearbox
*	56396188	1	Switch, Key	*	56314560	2	Gearbox
*	56396189	1	Key, Spare	*	56314580	1	Bearing (Fan End)
E2	56316110	1	Control Assy. (Chemical Injection only) TSBUS2006-922	*	56412323	1	Bearing (Brush End)
				*	56314582	1	Brush Ring
F1	56412089	1	Fuse, 150 Amp	*	56314583	4	Carbon Brush
F2	56387316	1	Circuit Breaker, 10 Amp (Control Circuit)	#			Deleted
F3	56364294	1	Circuit Breaker, 45 Amp (Wheel Drive)		56407431	1	Motor, 36VDC, .75HP (Cylindrical)
F4	N/A	1	Fuse, 1 Amp	#	56407489	1	Armature (for 56407431) (Advance only)
F5		1	Fuse, 5 Amp (Side Broom / optional)	#	56410183	1	Bearing (for 56407431)
H1	56412177	1	Horn / Backup Alarm	*	56407492	1	Brush Cap Assy (for 56407431)
H2	56314063	1	Headlight (optional)	*	56407493	4	Carbon Brush Assy (for 56407431)
H3	56416433	1	Strobe Light (optional)	*	56407494	4	Brush Cover Cap (for 56407431)
K1	56395455	1	Contactora, Brush Motor	M8	56407431	1	Motor, 36VDC, .75HP (Cylindrical)
K2	56395453	1	Contactora, Vac Motor	#	56407489	1	Armature (for 56407431) (Advance only)
L1	56397215	1	Solenoid Valve	#	56410183	1	Bearing (for 56407431)
M1	56393303	1	Lift Actuator, Brush	*	56407492	1	Brush Cap Assy (for 56407431)
*	56388520	1	Plastic Nut	*	56407493	4	Carbon Brush Assy (for 56407431)
M2	56397230	1	Lift Actuator, Squeegee	*	56407494	4	Brush Cover Cap (for 56407431)
M3#	56314268	1	Motor, Drive Wheel TSBUS2004-869, TSBUS2008-1004	M9	56469530	1	Motor, Side Broom (optional)
*	56314282	1	Brake Bar	M11	56212014	1	Pump, Solution (Detergent Injection only)
*	56314289	1	Brake Band	M12	56314984	1	Pump, Chemical (Detergent Injection only)
*	56412320	1	Carbon Brush Cover Kit (contains 4 seal rings & 4 brush covers)	R1	56454740	1	Potentiometer, 5K
*	56412321	1	Sealing Ring	S1	56396188	1	Switch, Key
*	56412322	1	Bearing, Ball, Gearbox Side	*	56396189	1	Key, Spare
*	56412323	1	Bearing, Ball, Brush Side	S2	7-82-00050	1	Switch, Seat
*	56412325	1	Carbon Brush Kit	S3	N/A	1	Switch, Pump (part of M4)
*	56314269	1	Drive Wheel – P7 Scrubber Compound	S4	N/A	1	Switch, Headlight (part of H2)
**	56412339	1	Drive Wheel – Polyurethane	S5	56372088	1	Switch, Side Broom (optional)
M4	56212014	1	Motor, Pump (optional)	S6	N/A	1	Switch, Pump (part of M11)
M5	56397228	1	Motor, Vac 36VDC (Advance only)				# = Revised or new since last update
*	56212223	1	Carbon Brush Set				* = Not Shown
	56410065	1	Vac Motor Assy (Nilfisk only)				** = Optional
*	56212223	1	Carbon Brush Set				
M6	56397228	1	Motor, Vac 36VDC (optional / Advance)				
*	56212223	1	Carbon Brush Set				
	56410065	1	Vac Motor Assy (optional / Nilfisk)				
*	56212223	1	Carbon Brush Set				

**Wiring diagram for Machines built after
this Serial Number Chart**

2400D-1837726
2400C-1839732
2600D-1839732
2600C-1839732
2810D-1837203
3210D-1837599
2810C-1837200
3210C-1837197
BR600S-1837616
BR700S-1837623
BR800S-1839156
BR600SC-1837650
BR700SC-1837652
BR800SC-1839732
Lowes 3210D-1837646

We provide brushes and pad holders that will give you the best possible performance between machine and floor. Following are descriptions of the materials and their applications.

Union Mix:	Medium grade natural fibers for polishing finished floors with standard-speed equipment. Recommended for use in place of white pads.
ProLite:	Bristles are made from light-duty polypropylene for general scrubbing when you do not want to scratch or remove finish from the floor. Recommended for use in place of red pads.
Prolene:	Polypropylene material for medium-duty scrubbing on concrete, terrazzo and vinyl floor tile. Recommended for use in place of green or blue pads.
Magna Grit:	For extreme heavy-duty scrubbing or stripping of floors. This brush has extra large diameter silicon carbide grit impregnated synthetic bristles. Recommended for use in place of black pads.
Dyna Grit:	For aggressive, heavy-duty scrubbing or stripping of floors. Recommended for use in place of brown pads.
MidLite Grit:	For general purpose scrubbing of sealed or unsealed concrete, stone, terrazzo, quarry tile and other resilient hard floor surfaces. Recommended for use in place of green or blue pads.
MidGrit:	For general purpose scrubbing when you need a lighter action for sealed or unsealed concrete, stone, terrazzo, quarry tile and other resilient hard floor surfaces. Recommended for use in place of green or blue pads.
AgLite Grit:	For light scrubbing when used wet; buffing or polishing when used dry on urethane coated, sealed concrete or other resilient hard surface floors. Recommended for use in place of red or white pads.
Short Trim Pad Holder:	Made with a structural foam block and center ring for correct pad centering. It has a "shower feed" design for getting solution to the floor.

24" BRUSHES

56505750 - Short Trim Pad Holder
 56505195 - Pad Retainer for 56505750
 56505751 - Magna Grit
 56505752 - Dyna Grit
 56505753 - AgLite Grit
 56505754 - Prolene
 56505755 - Prolite
 56505756 - Union Mix
 56505757 - MidGrit
 56505758 - MidLite Grit

26" BRUSHES

56505760 - Short Trim Pad Holder
 56505195 - Pad Retainer for 56505760
 56505761 - Magna Grit
 56505762 - Dyna Grit
 56505763 - AgLite Grit
 56505764 - Prolene
 56505765 - Prolite
 56505766 - Union Mix
 56505767 - MidGrit
 56505768 - MidLite Grit

28" BRUSHES

56505800 - Short Trim Pad Holder
 56505195 - Pad Retainer for 56505800
 56505801 - Magna Grit
 56505802 - Dyna Grit
 56505803 - AgLite Grit
 56505804 - Prolene
 56505805 - Prolite
 56505806 - Union Mix
 56505807 - MidGrit
 56505808 - MidLite Grit

32" BRUSHES

56505830 - Short Trim Pad Holder
 56505195 - Pad Retainer for 56505830
 56505831 - Magna Grit
 56505832 - Dyna Grit
 56505833 - AgLite Grit
 56505834 - Prolene
 56505835 - Prolite
 56505836 - Union Mix
 56505837 - MidGrit
 56505838 - MidLite Grit

DISC BRUSH APPLICATION GUIDE (SUGGESTION ONLY)

Application	46 Grit	80 Grit	180 Grit	240 Grit	500 Grit	Prolene	Prolite	Union Mix
Stripping:								
Concrete	X	X						
Terrazzo	X	X						
Ceramic/Quarry tile		X						
Vinyl tile		X						
General Scrubbing:								
Concrete	X	X	X	X		X		
Terrazzo			X	X	X	X		
Ceramic/Quarry tile			X	X	X	X		
Marble					X		X	
Vinyl tile			X		X	X		
Raised-rubber tile					X		X	
Polishing:								
Raised Disc Tile								X
Marble								X
Vinyl tile								X

We provide brushes and pad holders that will give you the best possible performance between machine and floor. Following are descriptions of the materials and their applications.

- 46 Grit Brush: Most aggressive grit brush. Used primarily to clean heavy buildup on concrete floors in factories, or for heavy stripping of finish.
- 80 Grit Brush: Medium aggressive grit brush. Good all-around brush for medium to heavy buildup removal. Can also be used for general stripping operations.
- 180 Grit Brush: Least aggressive grit brush. Used for daily cleaning of hard-finished floors.
- Polypropylene Brush: Standard equipment brush. Low cost, yet effective in cleaning many common floor surfaces.
- Stiff Nylon Brush: Cleaning action similar to polypropylene. More durable and wear-resistant than polypropylene.
- Soft Nylon Brush: Least aggressive brush available. Used on soft-finish floors where a more aggressive brush would leave scratch marks, or in applications requiring very light cleaning.

24" BRUSHES

56314389 - Soft Nylon
 56314390 - Hard Nylon
 56314391 - Prolene
 56314392 - 180 Grit
 56314393 - 80 Grit
 56314394 - 46 Grit

28" BRUSHES

56412191 - Soft Nylon
 56412192 - Hard Nylon
 56412046 - Prolene
 56412193 - 180 Grit
 56412194 - 80 Grit
 56412195 - 46 Grit

26" BRUSHES

56314383 - Soft Nylon
 56314384 - Hard Nylon
 56314385 - Prolene
 56314386 - 180 Grit
 56314387 - 80 Grit
 56314388 - 46 Grit

32" BRUSHES

56407473 - Soft Nylon
 56407474 - Hard Nylon
 56407475 - Prolene
 56407476 - 180 Grit
 56407477 - 80 Grit
 56407478 - 46 Grit

CYLINDRICAL BRUSH APPLICATION GUIDE (SUGGESTION ONLY)

Application	46 Grit	80 Grit	180 Grit	Polypro- pylene	Stiff Nylon	Soft Nylon
Stripping:						
Concrete	X	X				
Terrazzo	X	X				
Ceramic/Quarry tile		X				
Vinyl tile		X				
General Scrubbing:						
Concrete	X	X	X	X	X	
Terrazzo			X	X	X	X
Ceramic/Quarry tile			X	X	X	X
Marble			X		X	X
Vinyl tile			X	X	X	X
Raised-rubber tile			X			X

Item	Ref. No.	Qty	Description
Common Kits			
**	56314753	1	Kit, On-Board Charger TSBUS2004-872 / TSBUS2008-984
**	56316251	1	Kit, OnBoard Charger, AGM TSBUS2008-984
**	56314301	1	Kit, Seat Armrests
**	56314302	1	Kit, Warning Beacon
**	56314306	1	Kit, Right Side Broom
**	56314308	1	Kit, Scrub-N-Vac Tool W/Pump
**	56412223	1	Kit, Vacuum Wand caddy
**	56314312	1	Kit, Seatbelt
**	56314313	1	Kit, Headlight headlight ,kit
Advance Only Kits			
**	56314474	1	Kit, Deck 2400D (Advance only)
**	56314475	1	Kit, Deck 2400C (Advance only)
**	56314476	1	Kit, Deck 2600D (Advance only)
**	56314477	1	Kit, Deck 2600C (Advance only)
**	56314478	1	Kit, Deck 2810D (Advance only)
**	56314479	1	Kit, Deck 2810C (Advance only)
**	56314717	1	Kit, Deck 3210D (Advance only)
**	56314481	1	Kit, Deck 3210C (Advance only)
**	56314338	1	Kit, Dual Vac Motor (Advance only)
**	56314981	1	Kit, Battery Watering (Advance only)
**	56397453	1	Kit, Battery Fill Indicator (Advance only)
**	56314698	1	Kit, OnBoard Charger, GEL (Advance only) TSBUS2008-984
Nilfisk Only Kits			
**	56316520	1	Kit, Deck BR 600S (Nilfisk only)
**	56316521	1	Kit, Deck BR 600SC (Nilfisk only)
**	56316522	1	Kit, Deck BR 700S (Nilfisk only)
**	56316523	1	Kit, Deck BR 700SC (Nilfisk only)
**	56316186	1	Kit, Dual Vac Motor (Nilfisk only)

Replacement parts for the kits listed above can be found on each kit's associated instruction sheet.

24" / BR 600S Squeegee Blade Kits			
**	56314054	1	Kit, Standard Squeegee Blade NOTE 1
**	56314055	1	Kit, Linatex Squeegee Blade NOTE 1
**	56314056	1	Kit, Neoprene Squeegee Blade NOTE 1
26" & 28" / BR 650S & BR 700S Squeegee Blade Kits			
**	56314303	1	Kit, Standard Squeegee Blade NOTE 1
**	56314304	1	Kit, Linatex Squeegee Blade NOTE 1
**#	56315854	1	Blade Kit-Squeegee PU B NOTE #1
32" / BR 800S Squeegee Blade Kits			
**	56314060	1	Kit, Standard Squeegee Blade NOTE 1
**	56314061	1	Kit, Linatex Squeegee Blade NOTE 1
**#	56315855	1	Blade Kit-Squeegee PU C NOTE #1
24" / BR 600S Disk Deck Blade Kits (Before TSBUS2004-884)			
**	56314124	1	Kit, Gum Rubber 24 Disk NOTE 2
**	56314170	1	Kit, Neoprene 24 Disk NOTE 2
**	56314395	1	Kit, Linatex 24 Disk NOTE 2
**	56315724	1	Kit, Gum Rubber NOTE 3
**	56315723	1	Kit, Red Gum Rubber NOTE 3
26" / BR 650S Disk Deck Blade Kits (Before TSBUS2004-884)			
**	56314125	1	Kit, Gum Rubber 26 Disk NOTE 2
**	56314171	1	Kit, Neoprene 26 Disk NOTE 2
**	56314396	1	Kit, Linatex 26 Disk NOTE 2
**	56315724	1	Kit, Gum Rubber NOTE 3
**	56315723	1	Kit, Red Gum Rubber NOTE 3
28" / BR 700S Disk Deck Blade Kits (Before TSBUS2004-884)			
**	56314126	1	Kit, Gum Rubber 28 Disk NOTE 2
**	56314172	1	Kit, Neoprene 28 Disk NOTE 2
**	56314397	1	Kit, Linatex 28 Disk NOTE 2
**	56315724	1	Kit, Gum Rubber NOTE 3
**	56315723	1	Kit, Red Gum Rubber NOTE 3
32" / BR 800S Disk Deck Blade Kits (Before TSBUS2004-884)			
**	56314127	1	Kit, Gum Rubber 32 Disk NOTE 2
**	56314173	1	Kit, Neoprene 32 Disk NOTE 2
**	56314398	1	Kit, Linatex 32 Disk NOTE 2
**	56315724	1	Kit, Gum Rubber NOTE 3
**	56315723	1	Kit, Red Gum Rubber NOTE 3

Item	Ref. No.	Qty	Description
------	----------	-----	-------------

24" / BR 600S Disk Deck Blade Kits (After TSBUS2004-884)

**	56314911	1	Kit, Gum Rubber 24 Disk NOTE 2
**	56314915	1	Kit, Linatex 24 Disk NOTE 2
**	56315722	1	Kit, Gum Rubber NOTE 3
**	56315721	1	Kit, Red Gum Rubber NOTE 3

26" / BR 650S Disk Deck Blade Kits (After TSBUS2004-884)

**	56314912	1	Kit, Gum Rubber 26 Disk NOTE 2
**	56314916	1	Kit, Linatex 26 Disk NOTE 2
**	56315722	1	Kit, Gum Rubber NOTE 3
**	56315721	1	Kit, Red Gum Rubber NOTE 3

28" / BR 700S Disk Deck Blade Kits (After TSBUS2004-884)

**	56314913	1	Kit, Gum Rubber 28 Disk NOTE 2
**	56314917	1	Kit, Linatex 28 Disk NOTE 2
**	56315722	1	Kit, Gum Rubber NOTE 3
**	56315721	1	Kit, Red Gum Rubber NOTE 3

32" / BR 800S Disk Deck Blade Kits (After TSBUS2004-884)

**	56314914	1	Kit, Gum Rubber 32 Disk NOTE 2
**	56314918	1	Kit, Linatex 32 Disk NOTE 2
**	56315722	1	Kit, Gum Rubber NOTE 3
**	56315721	1	Kit, Red Gum Rubber NOTE 3

Advance Optional Batteries

**	56391391	6	Battery, 6V, 305A/H (Advance only) TSBUS2008-984
**	56206079	6	Battery, 6V, 235A/H (Advance only) TSBUS2008-984
**	56315959	6	Battery, 6V, 315A/H AGM (Advance only) TSBUS2008-984

Advance Optional Battery Chargers

**	56395101	A/R	Battery Charger, 36VDC, Auto, 20Amp, 120VAC/60HZ (Advance only)
**	56388502	A/R	Battery Charger, 36VDC, Auto, 25Amp, 120VAC/60HZ (Advance only)
**	56388120	A/R	Battery Charger, 36VDC, Auto, 36Amp, 120VAC/60HZ (Advance only)
**	56372190	A/R	Battery Charger, 36VDC, 20Amp, 230VAC/50HZ (Advance only)
**	56388119	A/R	Battery Charger, 36VDC, 36Amp, 230VAC/50HZ (Advance only)

Nilfisk Optional Batteries

**	L00200025	1	Battery Complete, 36V, 240A/H (Nilfisk only)
**	L00210019	1	Battery Complete, 36V, 220A/H (Nilfisk only)
**	80566600	1	Battery Complete, 36V, 180A/H (set of 6) (Nilfisk only)
**	80567900	1	Battery Complete, 36V, 255A/H (set of 6) (Nilfisk only)
**	80564000	6	Battery, 36V, 180A/H (Nilfisk only)
**	80565000	6	Battery, 36V, 255A/H (Nilfisk only)

Nilfisk Optional Battery Chargers

**	L00173642	A/R	Battery Charger-UK, 36VDC, Auto, 40Amp, 230VAC/50HZ (used on L00200025, 80567900, 80565000) (Nilfisk only)
**	80569100	A/R	Battery Charger-UK, 36VDC, Auto, 20Amp, 230VAC/50HZ (used on L00210019, 80566600, 80564000) (Nilfisk only)
**	L00193642	A/R	Battery Charger-EU, 36VDC, Auto, 40Amp, 230VAC/50HZ (used on L00200025, 80567900, 80565000) (Nilfisk only)
**	80569000	A/R	Battery Charger-EU, 36VDC, Auto, 20Amp, 230VAC/50HZ (used on L00210019, 80566600, 80564000) (Nilfisk only)

Common Accessories

**	56409441	A/R	Programmer, 1311 User
**	56409823	A/R	Programmer Cable

Advance Only Accessories

**#	56044323	A/R	Literature Pack
-----	----------	-----	-----------------

Nilfisk Only Accessories

**#	56044330	A/R	Literature Pack
-----	----------	-----	-----------------

** = Optional, Not Included

= Revised or new since last update

NOTE 1: All squeegee blade kits include both front and rear squeegee blades.

NOTE 2: Disk Deck Blade Kits include required mounting fasteners (Rivet, Nylon Tree Push-In 56003263), the 2 blades (forward and rear) for the deck and all skirt assembly blades.

NOTE 3: These Disk Deck Blade Kits include just the blades for use in the two Skirt Assemblies.

