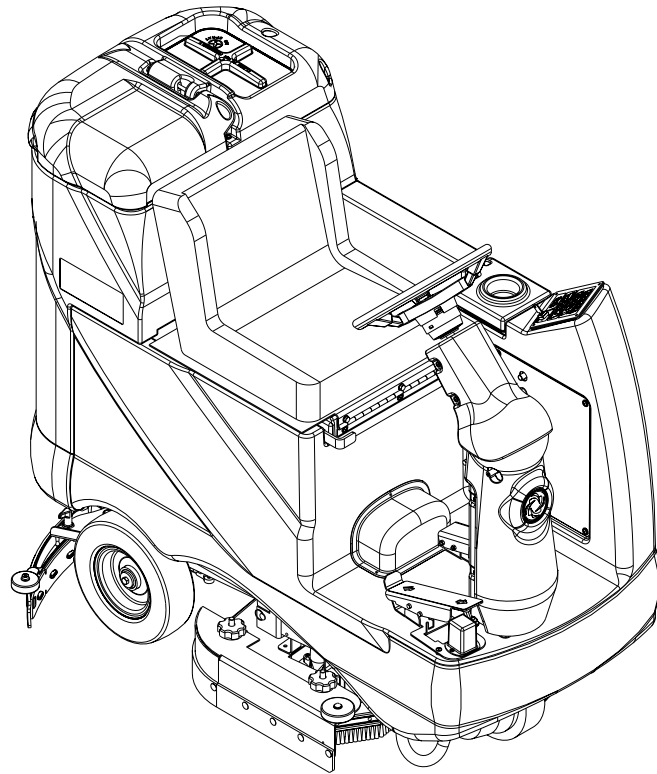


Advenger™

BR 600S, 650S, 700S, 800S



PARTS LIST

Advance MODELS 56314000, 56314001, 56314002, 56314003, 56314004,
56314005, 56314006, 56314007

Nilfisk MODELS 56314010, 56314011, 56314012, 56314013, 56314014,
56314015, 56314016, 56314017



**Nilfisk
Advance**

setting standards

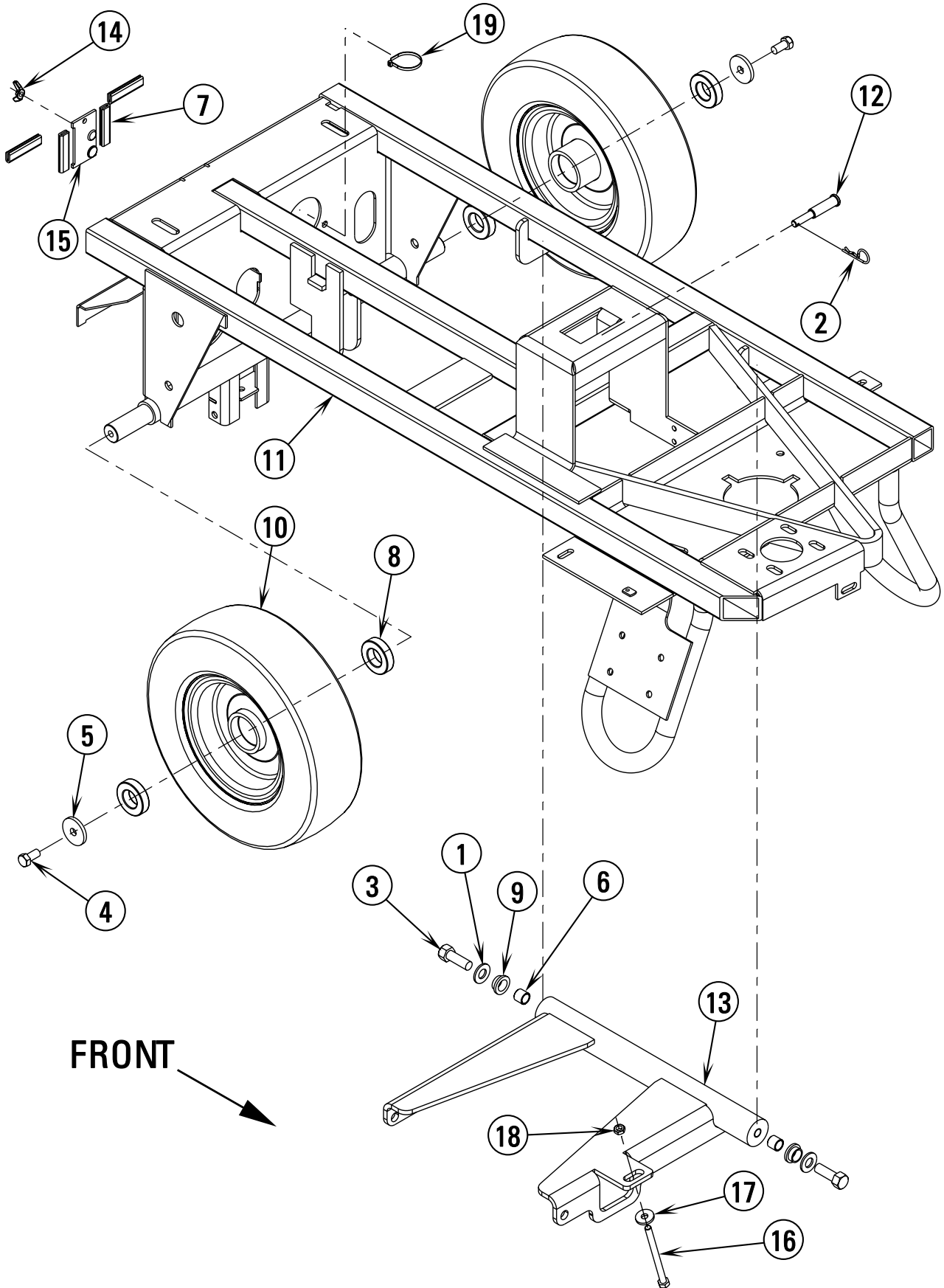
1/03 revised 4/04 FORM NO. 56042438
BOOK E SECTION 13.3.1

DESCRIPTION	PLAN
Chassis System	E-13.3.1-3
Decal System	E-13.3.1-5
Drive & Brake Pedal Assemblies	E-13.3.1-7
Electrical Panel Assembly	E-13.3.1-9
Front Wheel Assembly	E-13.3.1-11
Recovery System	E-13.3.1-13
Scrub System-Cylindrical	E-13.3.1-15
Scrub System-Disk	E-13.3.1-17
Skirt Assemblies-Cylindrical	E-13.3.1-19
Skirt Assemblies-Disk	E-13.3.1-21
Solution System	E-13.3.1-23
Squeegee Assembly	E-13.3.1-25
Squeegee System	E-13.3.1-27
Steering Column Assembly	E-13.3.1-29
Optional Light Kits	E-13.3.1-31
Dual Vac Motor Kit	E-13.3.1-33
Scrub-N-Vac Tool Kit	E-13.3.1-35
Vacuum Wand Caddy Kit	E-13.3.1-37
On-Board Charger Kit	E-13.3.1-39
Side Broom Kit	E-13.3.1-41
Optional Deck Kits	E-13.3.1-42-49
Wiring Diagram	E-13.3.1-51
Brush Selector Guide-Disk	E-13.3.1-52
Brush Selector Guide-Cylindrical	E-13.3.1-53
Optional Kits And Accessories	E-13.3.1-54

WHEN ORDERING PARTS

- * Use the 8 digit numbers from the "Ref. No." columns in this parts list.
- * Specify the model and serial number of the machine.
- * Use the space below to record the model and serial number for future reference.

Model _____ Serial No. _____

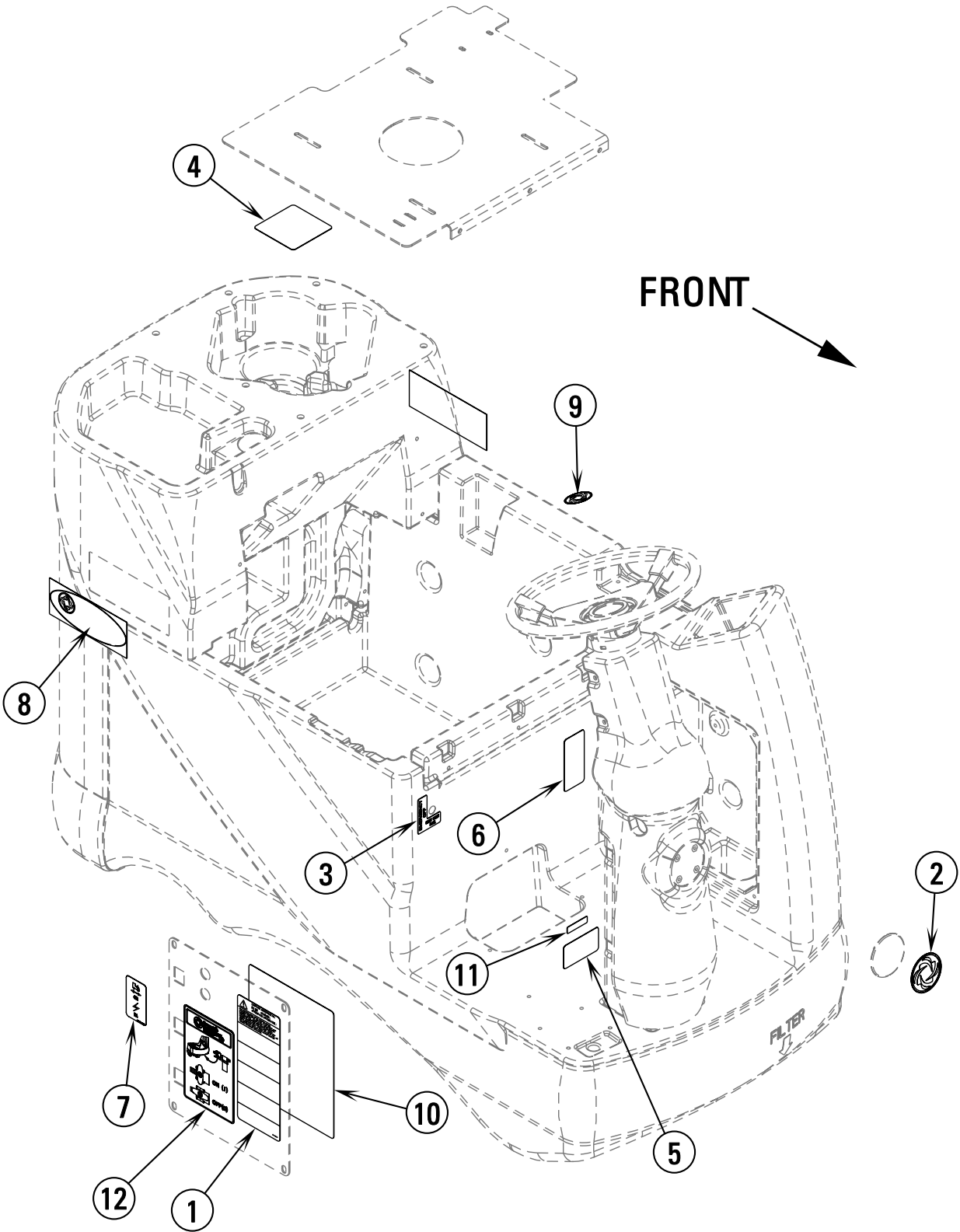


03-1	CHASSIS SYSTEM	BOOK E		
04-3	Advenger™ / BR 600S, 650S, 700S, 800S	E	13.3.1	3

Item	Ref. No.	Qty	Description
1	56001879	2	Wsh, Flt SAE 1/2
2	56002959	1	Pin, Cotter Hair
3	56003412	2	Scr, Hex Nyl Loc M12-1.25 x 35mm
4	56003442	2	Scr, Hex Nyl Loc M10-1.50 x 20mm
5	56367117	2	Wsh, Flt .406 x 1.50 x .1875
6	56367206	2	Bushing
7	56412122	4	Trim Edge
8	56412243	4	Bearing, Ball
9	56420160	2	Bearing, Flange
10	56314033	2	Wheel, 12.00 x 3.50
**	56412341	2	Wheel Assy, Scrubber
11	56314092	1	Weldment, Chassis
12	56314152	1	Pin, Actuator
13	56314495	1	Linkage, Arm Weldment
14	56002084	1	Nut, Wing 1/4-20
15	56314537	1	Squeegee Stop Bracket
16	56002461	1	Scr, Hex Thd To Hd 5/16-18 x 4.00
17	56009122	1	Wsh, Flt .344 x .938 x .125
18	56009086	1	Nut, Hex Jam 5/16-18
19	56478246	1	Tie, Cable
*	56478246	5	Tie, Cable
*	56477613	9	Cable Tie

* = Not Shown

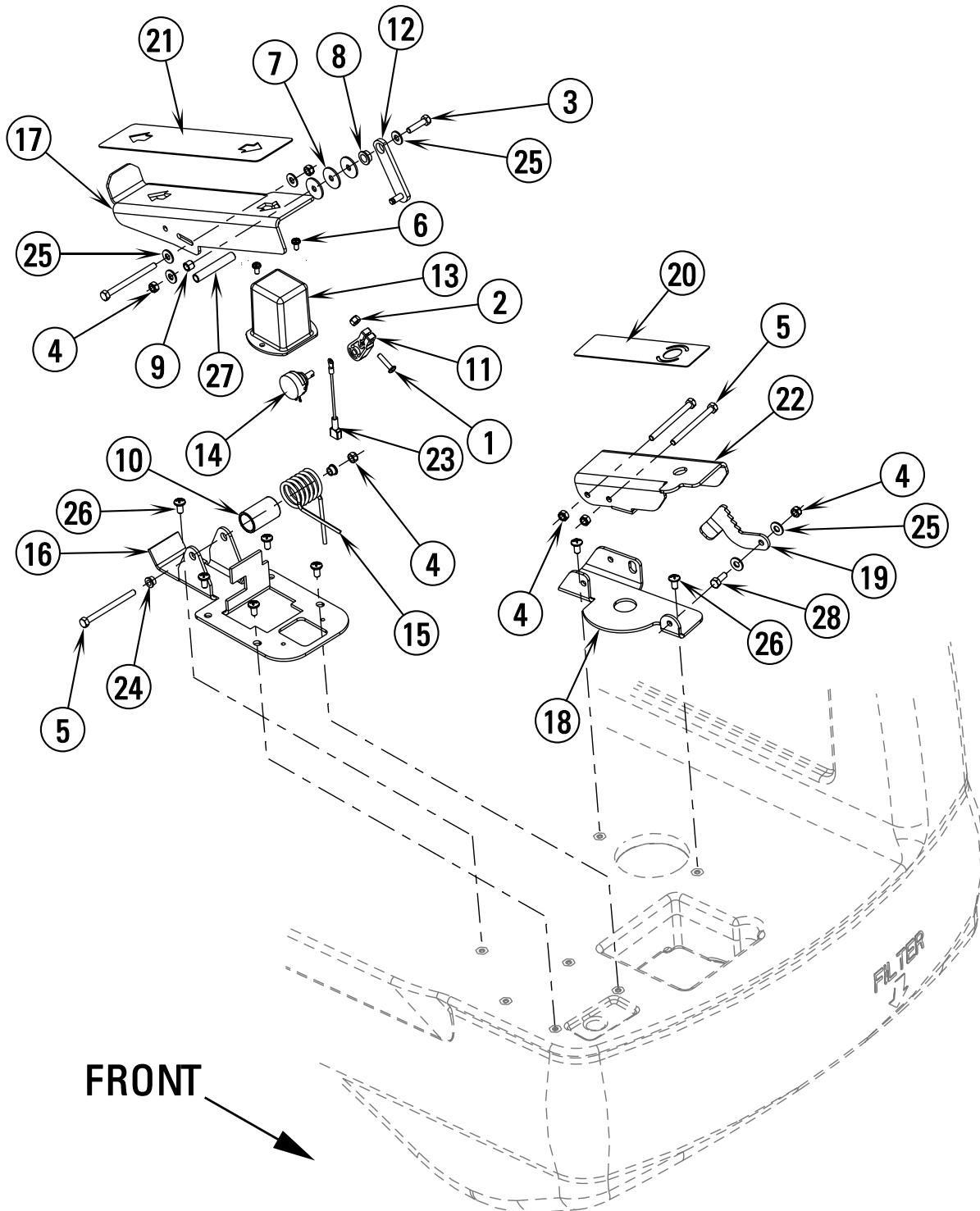
** = Optional



03-1	DECAL SYSTEM	BOOK E		
04-3	Advenger™ / BR 600S, 650S, 700S, 800S	E	13.3.1	5

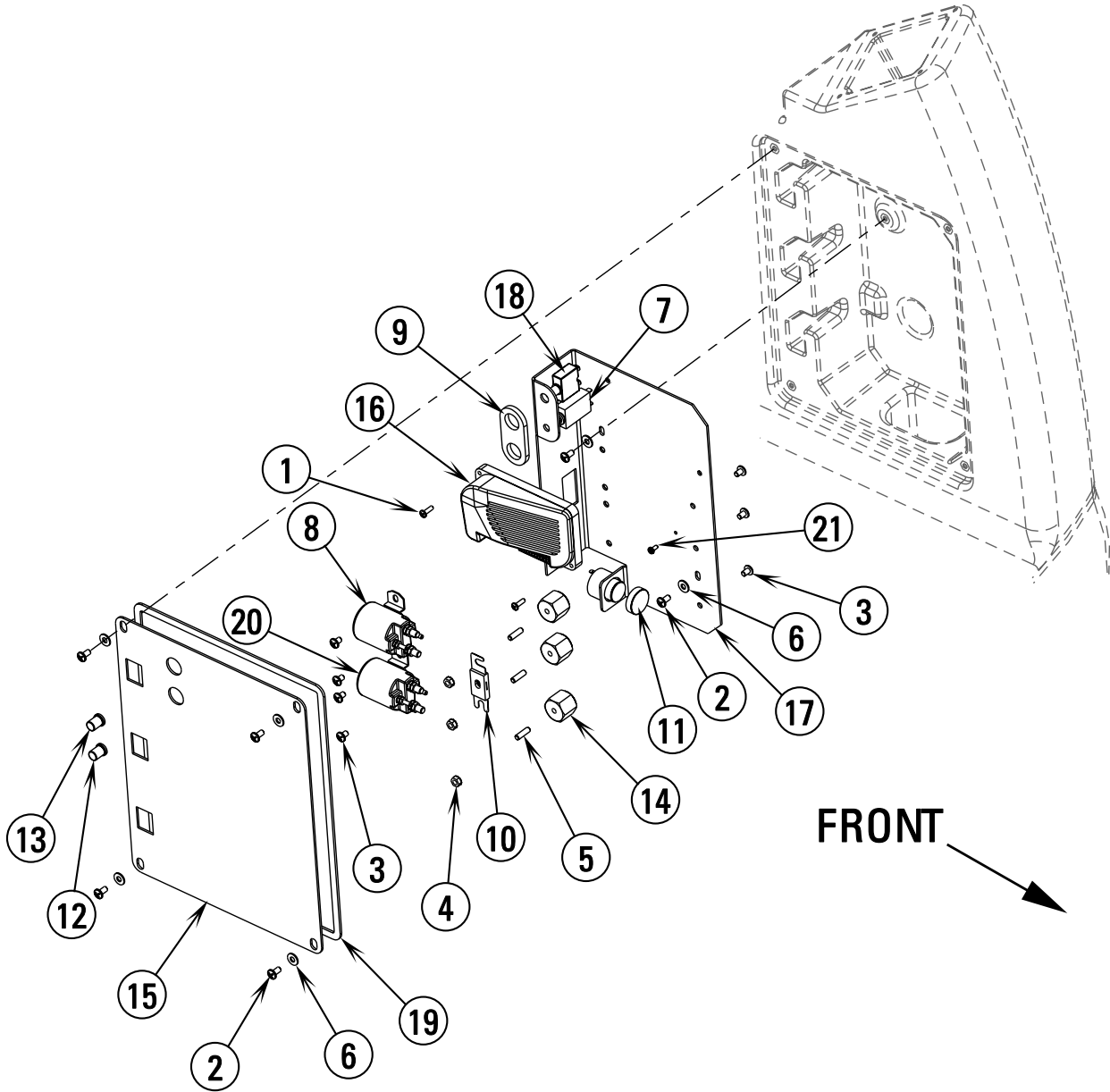
Item	Ref. No.	Qty	Description
1	56014601	1	Decal, Caution
2	56016348	1	Decal, Logo
3	56015179	1	Decal, Emergency
4	56015168	1	Decal, Battery Wiring
5	56016401	1	Decal, Parking Brake
6	56016402	1	Decal, Solution Flow
7	56016403	1	Decal, Circuit Breaker
8	56016405	2	Decal, Advenger NOTE 1
	56016406	2	Decal, Nilfisk BR600S NOTE 1
	56016452	2	Decal, Nilfisk BR650S NOTE 1
	56016453	2	Decal, Nilfisk BR700S NOTE 1
	56016454	2	Decal, Nilfisk BR800S NOTE 1
9	56016421	1	Decal, Logo 2 Inch
10	56016667	1	Decal, Ladder Diagram
11	56014450	1	Decal, Patent Number
12	56016407	1	Decal, Smart Solutions (Advance model) NOTE 1
	56016455	1	Decal, ECO Solutions (Nilfisk models) NOTE 1

NOTE 1: Used on machines built after April 2004.



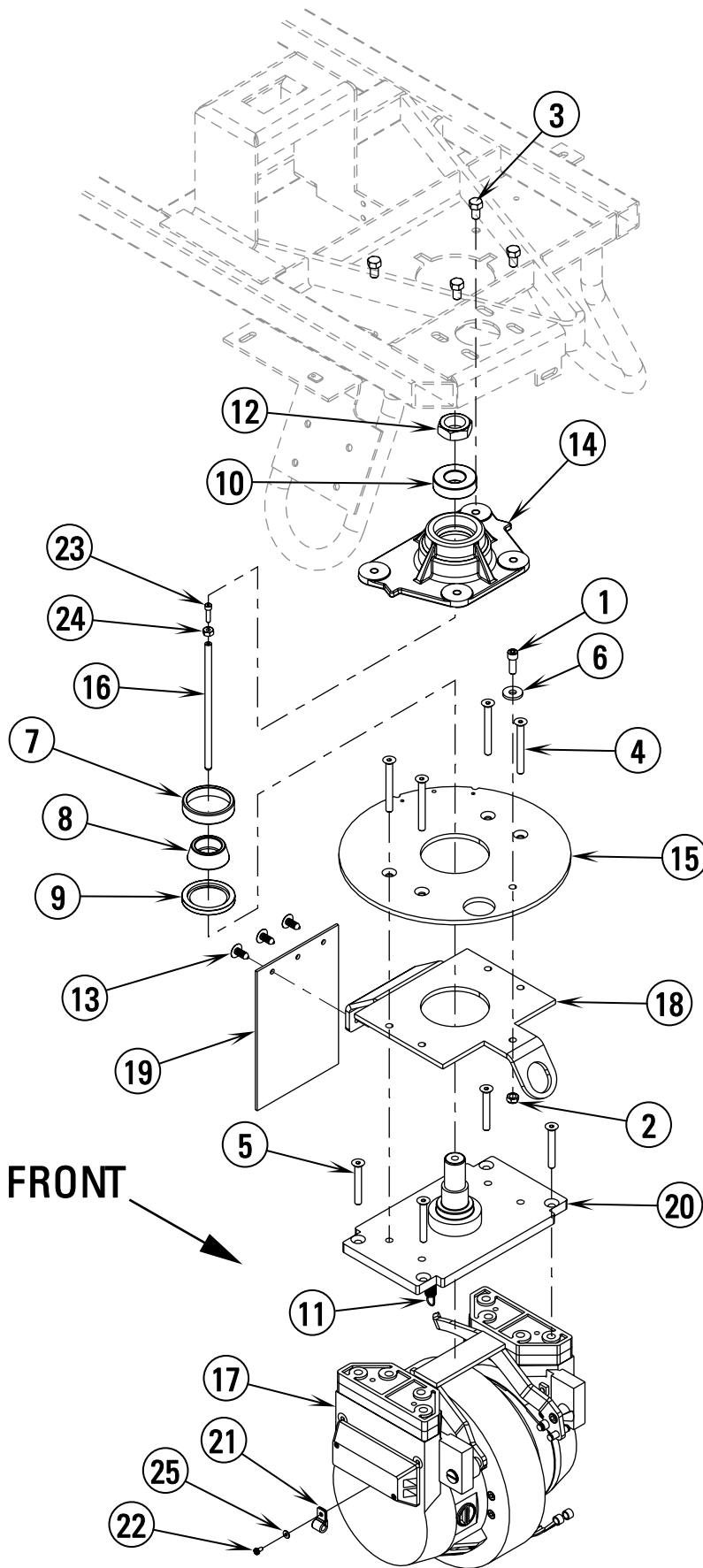
03-1	DRIVE & BRAKE PEDAL ASSEMBLIES	BOOK E		
03-7	Advenger™ / BR 600S, 650S, 700S, 800S	E	13.3.1	7

Item	Ref. No.	Qty	Description
1	56002733	1	Scr, Pan Phil 10-24 x .88
2	56002768	1	Nut, Hex Nyl Loc 10-24
3	56003358	1	Scr, Hex M6-1.00 x 25mm
4	56003403	6	Nut, Hex Nyl Loc M6-1.00
5	56003428	4	Scr, Hex M6-1.00 x 75mm
6	56009030	2	Scr, Pan Phil Thd Form 10-24 x .38
7	56009060	3	Wsh, Flt SS .260 x 1.000 x .074
8	56324505	1	Bearing, Flange
9	56368989	1	Bushing
10	56409378	1	Spacer, Nylon
11	56409471	1	Lever, Throttle
12	56409610	1	Link Weldment
13	56412094	1	Housing, Potentiometer
14	56454740	1	Potentiometer, 5K (R1)
15	56314037	1	Spring, Torsion
16	56314038	1	Bracket, Foot Pedal
17	56314039	1	Foot Pedal
18	56314121	1	Bracket, Brake
19	56314122	1	Lock, Brake
20	56314138	1	Mat, Pedal
21	56314176	1	Mat, Pedal
22	56314463	1	Pedal Weldment
23	56412331	1	Wire Assy.
24	56756318	2	Bearing, Flange
25	56002098	6	Wsh, Flt SAE 1/4
26	56003119	7	Scr, Pan Phil SS 1/4-20 x .50
27	56314561	1	Bushing
28	56003174	1	Scr, Hex Thd to Hd M6-1.0 x 16mm



03-1	ELECTRICAL PANEL ASSEMBLY	BOOK E		
03-7	Advenger™ / BR 600S, 650S, 700S, 800S	E	13.3.1	9

Item	Ref. No.	Qty	Description
1	56002192	2	Scr, Pan Phil 10-24 x .75
2	56003119	6	Scr, Pan Phil SS 1/4-20 x .50
3	56002462	7	Scr, Pan Phil 1/4-20 x .38
4	56002561	3	Nut, Hex W/SHPRF 1/4-20
5	56009020	3	Stud
6	56002098	6	Wsh, Flt SAE 1/4
7	56387316	1	Circuit Breaker, 10 Amp (Control Circuit / F3)
8	56395450	1	Contacto r (Brush Drive / K1)
9	56407193	1	Gasket
10	56412089	1	Fuse, 150 Amp (F1)
11	56412177	1	Horn / Backup Alarm (H1)
12	56459367	1	Boot, Reset Button
13	56459369	1	Boot, Reset Button
14	56469858	3	Standoff, Insulated
15	56314065	1	Cover, Electrical
16	56314067	1	Controll er (A1)
17	56314068	1	Electrical Panel
18	56364294	1	Circuit Breaker, 45 Amp (Wheel Drive / F2)
19	56407169	1	Gasket
20	56395450	1	Contacto r (Vacuum System / K2)
21	56009051	1	Scr, Pan Phil Thd Form 8-32 x .38

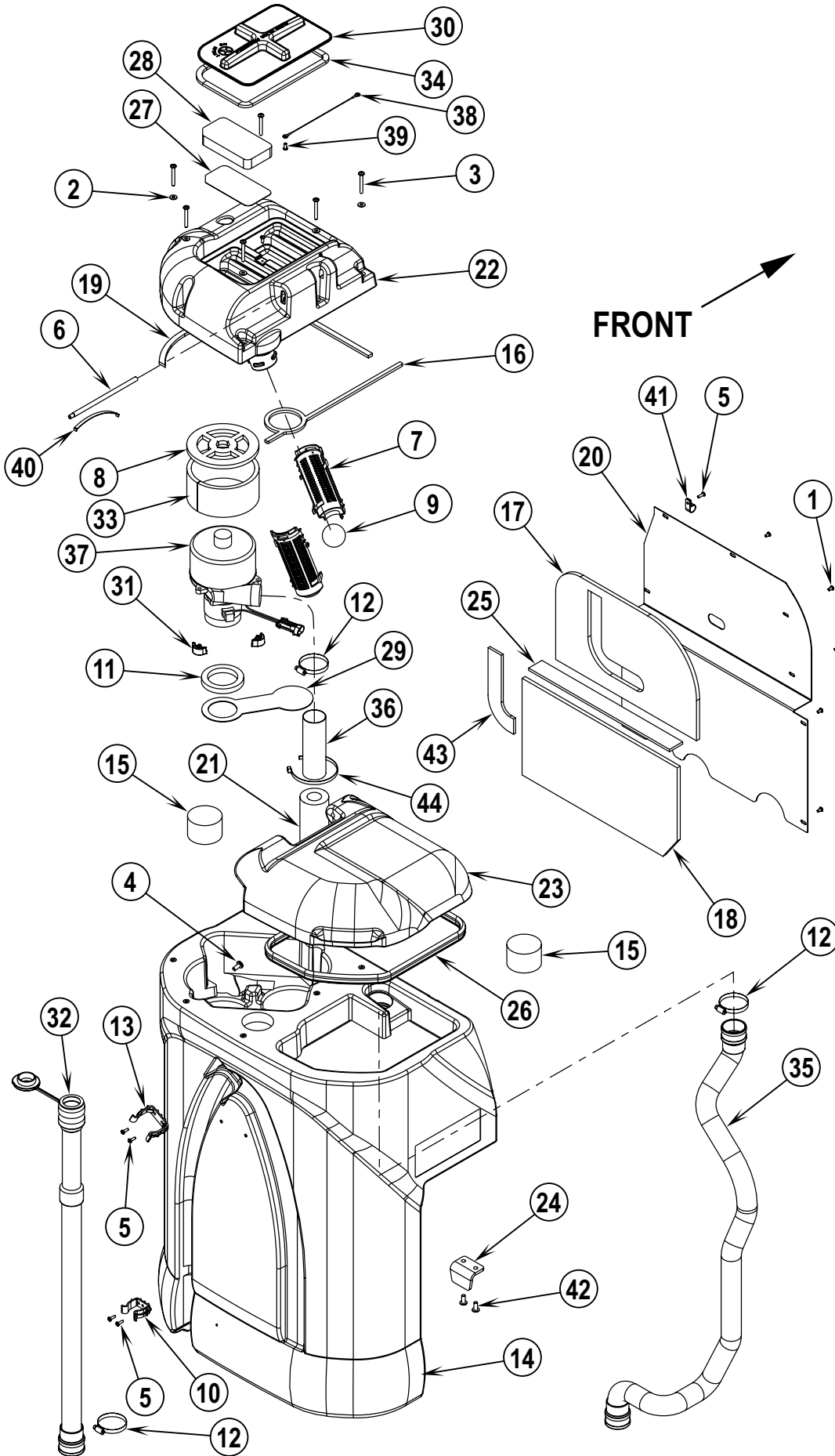


03-1	FRONT WHEEL ASSEMBLY	BOOK E		
04-3	Advenger™ / BR 600S, 650S, 700S, 800S	E	13.3.1	11

Item	Ref. No.	Qty	Description
1	56002158	1	Scr, Soc Hd 5/16-18 x .88
2	56002826	1	Nut, Hex Nyl Loc-Thin 5/16-18
3	56003040	4	Scr, Hex Hd Loc 3/8-16 x .62
4	56003273	4	Scr, Soc Hd M8-1.25 x 70mm
5	56003274	4	Scr, Soc Hd M8-1.25 x 55mm
6	56009122	1	Wsh, Flt .344 x .938 x .125
7	56158143	1	Bearing Cup
8	56158151	1	Bearing Cone
9	56171081	1	Seal, Shaft
10	56378380	1	Bearing, Ball
11	56481699	1	Spring
12	56003220	1	Nut, Hex Nyl Loc-Thin 1-14 UNF
13	56003263	3	Rivet, Nylon Tree Push-In
14	56314032	1	Block, Bearing
15	56314116	1	Plate, Steering
16	56314157	1	Rod, Brake
17	56314268	1	Motor / Drive Wheel Assy (M3)
*	56314282	1	Brake Lever Weldment
*	56314289	1	Brake Band
*	56412320	1	Carbon Brush Cover Kit (contains 4 seal rings & 4 brush covers)
*	56412321	1	Sealing Ring
*	56412322	1	Bearing, Ball, Gearbox Side
*	56412323	1	Bearing, Ball, Brush Side
*	56412325	1	Carbon Brush Kit
*	56314291	1	Brake Bar
*	56314370	4	Spacer Block
*	56314269	1	Drive Wheel – P7 Scrubber Compound
**	56412339	1	Drive Wheel – Polyurethane
18	56314278	1	Plate, Splash Guard
19	56314283	1	Splash Guard
20	56314085	1	Spindle Weldment
21	56305317	1	Clamp, P
22	56003653	1	Scr, Pan Phil M4 x 8
23	56003659	1	Scr, Button Soc SS 10-24 x .75
24	56009293	1	Nut, Hex Machine SS 10-24
25	56002006	1	Wsh, Flt SAE #6

* = Not Shown

** = Optional



03-1	RECOVERY SYSTEM	BOOK E		
04-3	Advenger™ / BR 600S, 650S, 700S, 800S	E	13.3.1	13

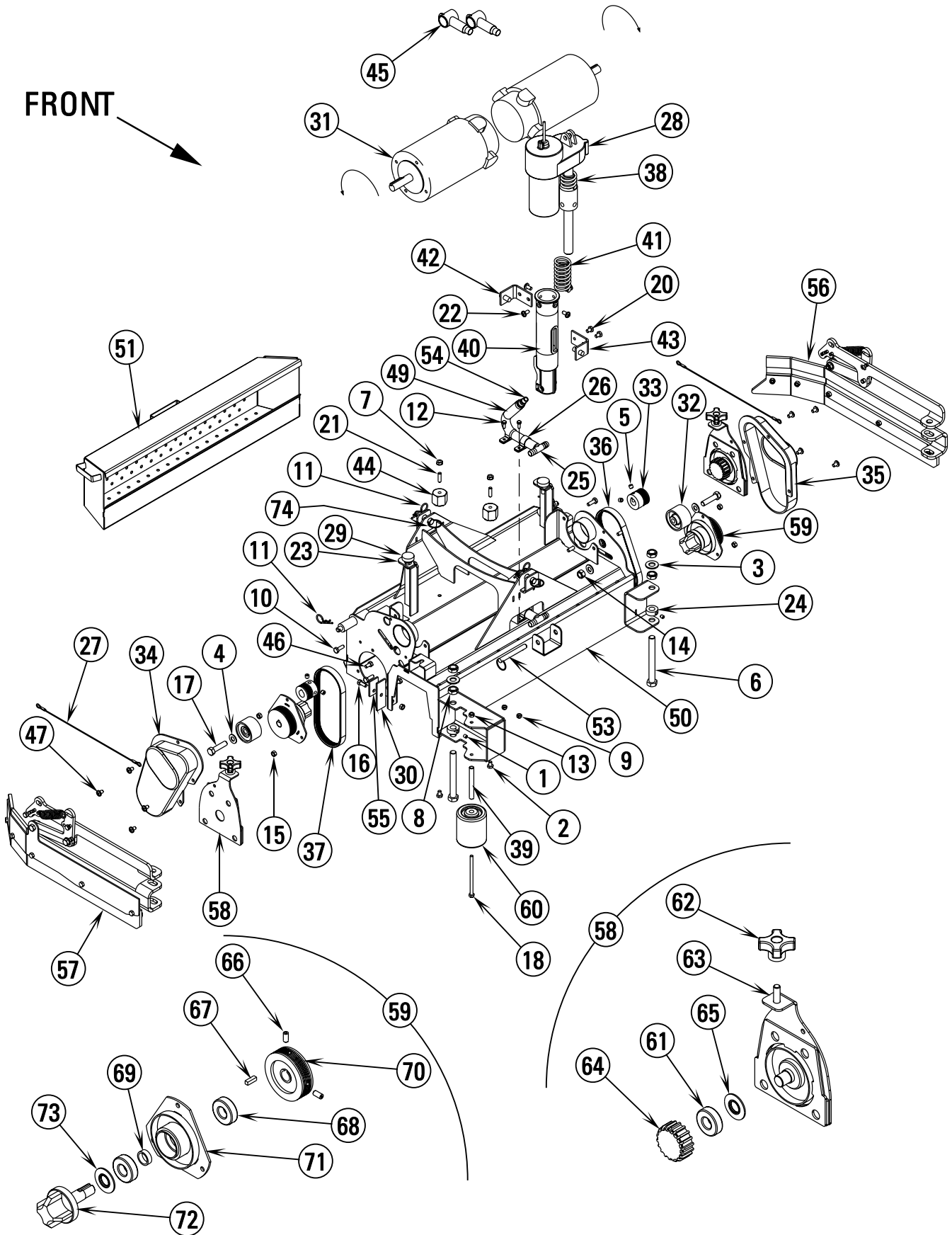
Item	Ref. No.	Qty	Description
1	56002043	8	Scr, Pan Phil 10-24 x .38
2	56002098	7	Wsh, Flt SAE 1/4
3	56002108	6	Scr, Pan Phil 1/4-20 x 2.00
4	56002793	1	Scr, Pan Phil 5/16-18 x .75
5	56002896	5	Scr, Pan Phil SS 10-24 x .62
6	56314115	1	Pin, Cover Pivot
7	56324497	2	Cage, Float
8	56314704	1	Gasket
9	56391690	1	Ball, Float
10	56407361	1	Clamp, Plastic
11	56314760	1	Gasket, Vacuum Duct
12	56440213	3	Clamp, Hose SAE #32
13	56212236	1	Clamp, Plastic
14	56314036	1	Tank, Recovery
15	56314098	2	Foam Cylinder
16	56314099	1	Gasket
17	56314100	1	Muffler, Top Panel
18	56314101	1	Muffler, Bottom Panel
19	56314103	1	Gasket
20	56314749	1	Cover, Exhaust NOTE 1
21	56391807	1	Foam Acoustical NOTE 2
22	56314201	1	Cover, Vac Motor
23	56314203	1	Lid, Recovery
24	56314220	2	Tank Mount Bracket
25	56314706	1	Foam, Sound NOTE 2
26	56314371	1	Gasket
27	56314372	1	Screen, Filter
28	56314373	1	Filter
29	56314376	1	Plate, Separator
30	56314461	1	Lid, Vac Filter
31	56314484	3	Mount, Vibration
32	56314487	1	Drainhose
33	56314488	1	Muffler, Vac
34	56314491	1	Gasket
35	56314533	1	Vac Hose Assy
36	56458457	1	Hose, Vac 2.00 x 6.0 x 975018 NOTE 2
37	56397228	1	Motor, Vac 36VDC (M5)
*	56212223	1	Carbon Brush Set
38	56314400	1	Wire Rope, 9 Inch
39	56009191	2	Scr, Pan Phil Plastite 10-14 x .50
40	56314509	1	Spring
41	56385564	1	Clamp, P
42	56002507	4	Scr, Pan Phil 1/4-20 x .75
43	56314705	1	Foam, Sound NOTE 2
44	56477613	1	Tie, Cable NOTE 2
*	56314251	1	Harness Vac

* = Not Shown

NOTE 1: 56314749 replaces previous parts 56314199 and 56314200 after April 2004.

NOTE 2: Used on machines built after April 2004.

FRONT

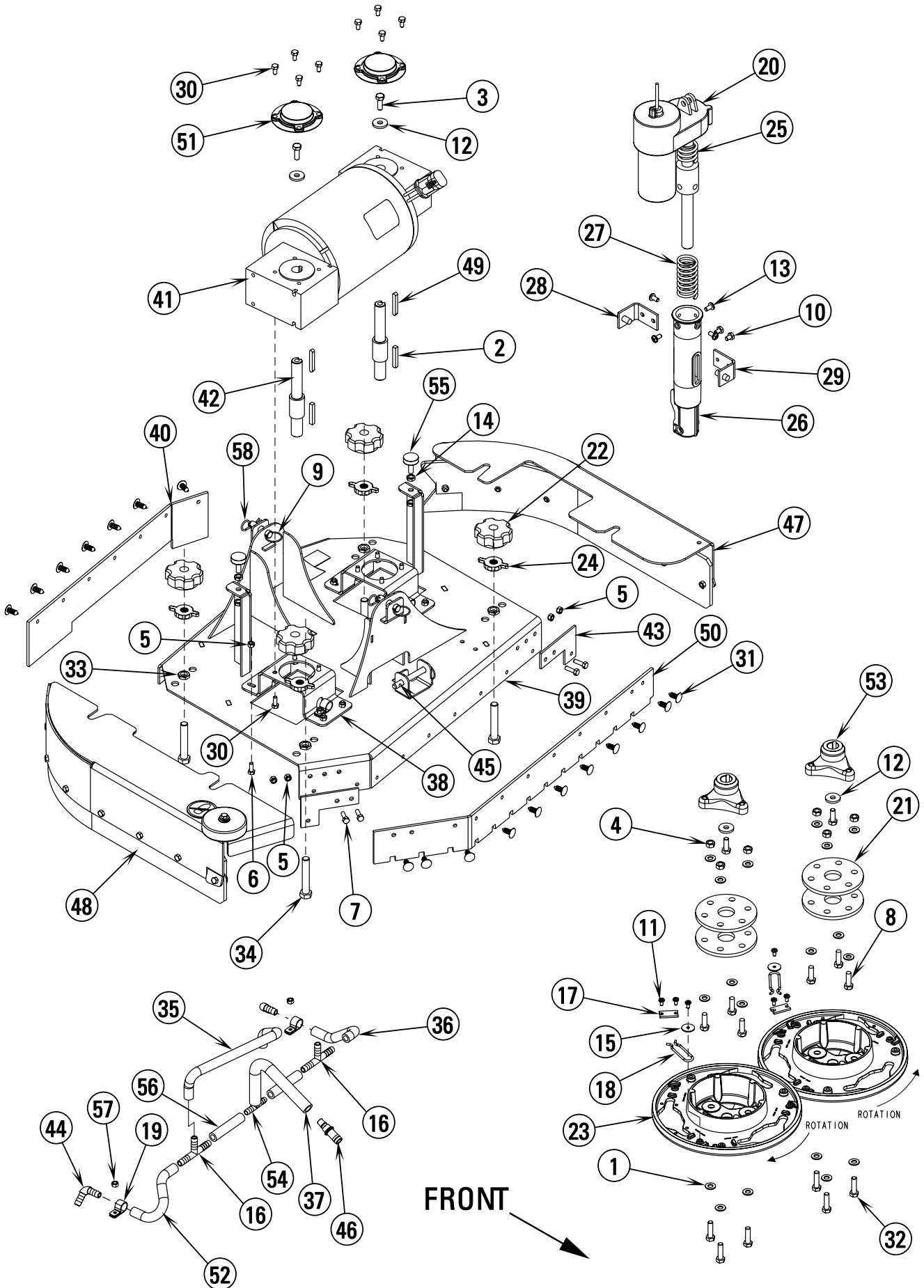


03-1	SCRUB SYSTEM-CYLINDRICAL	BOOK E		
03-10	Advenger™ / BR 600S, 650S, 700S, 800S	E	13.3.1	15

Item	Ref. No.	Qty	Description	Item	Ref. No.	Qty	Description
1	56001841	2	Scr, Soc Set Loc 1/4-20 x .25	39	56412176	1	Bushing
2	56001861	2	Scr, Hex Hd 1/4-20 x .38	40	56412262	1	Housing, Spring
3	56001879	2	Wsh, Flt SAE 1/2	41	56420018	1	Compression Spring
4	56002063	4	Wsh, Flt SAE 3/8	42	56420019	1	Nut Retainer
5	56002086	4	Scr, Soc Set Loc 5/16-18 x .25	43	56420020	1	Nut Retainer
6	56002484	2	Scr, Hex Hd 1/2-13 x 4.50	44	56469858	2	Standoff, Insulated
7	56002561	2	Nut, Hex W/SHPRF 1/4-20	45	56493357	2	Insulator, Terminal
8	56002843	4	Nut, Hex Nyl Loc-Thin 1/2-13	46	56003211	6	Scr, Hex Hd SS M6-1.00 x 12mm
9	56002849	2	Nut, Hex Nyl Loc-Thin SS 10-24	47	56003603	8	Scr, Pan Phil Thd Form 1/4-20 x .38mm
10	56002948	6	Scr, Hex Hd Loc 1/4-20 x .75	48			Serial Plate
11	56002959	4	Pin, Cotter Hair	49	56409462	1	Tube, Solution, Main
12	56002987	2	Scr, Hex Hd SS 10-24 x .50	50	56314088	1	Housing Weld't, 24" TSBUS2003-854
13	56003403	1	Nut, Hex Nyl Loc M6-1.00		56314087	1	Housing Weld't, 26" TSBUS2003-854
14	56003406	2	Nut, Hex Nyl Loc M10-1.50		56314086	1	Housing Weld't, 28" TSBUS2003-854
15	56003426	8	Nut, Hex Nyl Loc SS M6-1.00		56314089	1	Housing Weld't, 32" TSBUS2003-854
16	56003431	2	Scr, Hex Hd SS M6-1.00 x 16mm	51	56314226	1	Hopper Weld't, 24"
17	56003491	2	Scr, Hex M10-1.50 x 40mm		56314232	1	Hopper Weld't, 26"
18	56003492	1	Scr, Hex M6-1.00 x 95mm		56397442	1	Hopper Weld't, 28"
19	56003671	2	Pin, Ring .50 x 1.25		56397443	1	Hopper Weld't, 32"
20	56009019	2	Scr, Hex Thd Form 1/4-20 x .38	52	56314254	1	Harness, Brush Motor (Not Shown)
21	56009020	2	Stud	53	56314294	1	Pin, Hitch Cotterless
22	56009062	4	Scr, Pan Phil Thd Form 1/4-20 x .50	54	56314310	1	Coupling, Quick Disconnect, Male
23	56009086	4	Nut, Hex Jam 5/16-18	55	56314436	2	Strap
24	56152811	2	Collar	56	56314443	1	Left Skirt Assy
25	56262549	1	Tee, Barb	57	56314444	1	Right Skirt Assy
26	56328064	2	Clamp, P	58	56314445	2	Idler End Assy (#61-65)
27	56330391	2	Wire Rope, 12"	59	56407559	2	Drive End Assy (#66-73)
28	56393303	1	Lift Actuator, Brush (M1)	60	56412459	1	Wheel
*	56470433	1	Carbon Brush Kit	61	56106070	1	Bearing, Ball
*	56393790	2	Limit Switch	62	56407303	1	Knob
*	56388520	1	Plastic Nut	63	56314442	1	Idler Bearing Plate Weld't.
29	56401783	2	Leveler	64	56407551	1	Hub
30	56407391	2	Blade	65	56407558	1	Washer, Bearing
31	56407431	2	Motor, 36VDC, .75HP (M7 / M8)	66	56002119	2	Scr, Soc Set Loc 1/4-20 x .50
*	56417489	1	Armature	67	56003237	1	Key, Sq. .19 x .62
*	56407490	1	Bearing	68	56106070	2	Bearing, Ball
*	56407492	1	Brush Cap Assy	69	56407389	1	Spacer
*	56407493	4	Carbon Brush Assy	70	56407442	1	Sheave, Poly-V
*	56407494	4	Brush Cover Cap	71	56407556	1	Bearing Plate Weld't.
32	56407432	2	Idler, Belt	72	56407557	1	Spindle
33	56407433	2	Sheave, Poly-V	73	56407558	1	Washer, Bearing
34	56407434	1	Guard, Right Belt				
35	56407435	1	Guard, Left Belt				
36	56407465	1	Belt, Poly-V 180J6				
37	56407466	1	Belt, Poly-V 190J6				
38	56412071	1	Compression Spring				

* = Not Shown

NOTE: See "BRUSH SELECTOR GUIDE" at back of manual for available scrub brushes.



03-1	SCRUB SYSTEM-DISK	BOOK E		
04-3	Advenger™ / BR 600S, 650S, 700S, 800S	E	13.3.1	17

Item	Ref. No.	Qty	Description	Item	Ref. No.	Qty	Description
1	56002938	18	Wsh, Flt SAE SS 5/16	39	56314081	1	Weld't, Disk Deck (24", 26", 28")
2	56003246	2	Key, Sq .25 x 1.62		56314090	1	Weld't, Disk Deck (32")
3	56003335	4	Scr, Hex Loc SS 5/16-18 x .88	40	56314137	1	Blade, Rear (24", 26", 28")
4	56003405	6	Nut, Hex Nyl Loc SS M8-1.25		56314342	1	Blade, Rear (32")
5	56003426	12	Nut, Hex Nyl Loc SS M6-1.00 (qty 8 on 24" & 32")	41	56314139	1	Motor Gearbox Assy (24" / M7)
6	56003431	8	Scr, Hex Hd SS M6-1.00 x 16mm		56314140	1	Motor Gearbox Assy (26" / M7)
7	56003443	4	Scr, Hex Hd SS M6-1.00 x 20mm		56314141	1	Motor Gearbox Assy (28" / M7)
8	56003477	6	Scr, Hex Loc SS M8-1.25 x 25mm		56314335	1	Motor Gearbox Assy (32" / M7)
9	56003671	2	Pin, Ring .50 x 1.25	*	56314359	2	Key, 6mm Square
10	56009019	2	Scr, Hex Thd Form 1/4-20 x .38	*	56314499	2	Cover, Gearbox
11	56009030	6	Scr, Pan Phil Thd Form 10-24 x .38	*	56314560	2	Gearbox
12	56009057	4	Wsh, Flt Harden .344 x 1.000 x .120/.135	*	56314580	1	Bearing (Fan End)
13	56009062	4	Scr, Pan Phil Thd Form 1/4-20 x .50	*	56314581	1	Bearing (Brush End)
14	56009086	4	Nut, Hex Jam 5/16-18	*	56314582	1	Brush Ring
15	56009096	2	Wsh, Flt .193 x .875 x .060	*	56314583	4	Carbon Brush
16	56249280	2	Tee, Barb	*	56314584	1	Safety Hook
17	56366455	2	Plate, Stop	42	56314218	2	Shaft, Hub Mount
18	56366463	2	Spring Retainer	43	56314261	2	Skirt Bracket, Forward (26" & 28" only)
19	56385564	2	Clamp, P	44	56314272	2	Barbed Elbow, 90
20	56393303	1	Lift Actuator, Brush (M1)	45	56314294	1	Pin, Hitch Cotterless
*	56470433	1	Carbon Brush Kit	46	56314310	1	Coupling, Quick Disconnect, Male
*	56393790	2	Limit Switch	47	56314349	1	Skirt Assy, Left (24", 26", 28")
*	56388520	1	Plastic Nut		56314347	1	Skirt Assy, Left (32")
21	56407053	4	Thermoid Disk	48	56314350	1	Skirt Assy, Right (All Models)
22	56407114	4	Knob	49	56314359	2	Key, 6mm Sq.
23	56314030	2	Brush Holder	50	56314362	1	Blade, Forward (24")
24	56407334	4	Knob		56314363	1	Blade, Forward (26")
25	56412071	1	Compression Spring		56314146	1	Blade, Forward (28")
26	56412262	1	Housing, Spring		56314343	1	Blade, Forward (32")
27	56420018	1	Compression Spring	51	56314499	2	Cover, Gearbox
28	56420019	1	Nut Retainer	52	56392277	1	Tube, Solution
29	56420020	1	Nut Retainer	53	56314031	2	Hub, Drive
30	56003211	16	Scr, Hex Hd SS M6-1.00 x 12mm	54	56397300	1	Tee, Barb
31	56003263	18	Rivet, Nylon Tree Push-In	55	56401783	2	Leg Leveler, 5/16-18
32	56003639	6	Scr, Hex Hd SS M8-1.25 x 30mm	56	56412187	2	Hose, Spiral .375
33	56003657	4	Nut, Hex Jam M12-1.75	57	56002768	2	Nut, Hex Nyl Loc 10-24
34	56003658	4	Scr, Hex Thd To Hd SS M12-1.75 x 70mm	58	56002959	2	Pin, Cotter Hair
35	56412189	1	Hose, Spiral .375				
36	56249682	1	Tube, Solution				
37	56262180	1	Tube, Spiral .375	**	56314124	1	24" Disk Deck Blade Kits Kit, Gum Rubber 24 Disk NOTE 2
38	56314053	2	Bracket, Motor	**	56314170	1	Kit, Neoprene 24 Disk NOTE 2
				**	56314395	1	Kit, Linatex 24 Disk NOTE 2
				**	56314125	1	26" Disk Deck Blade Kits Kit, Gum Rubber 26 Disk NOTE 2
				**	56314171	1	Kit, Neoprene 26 Disk NOTE 2
				**	56314396	1	Kit, Linatex 26 Disk NOTE 2
				**	56314126	1	28" Disk Deck Blade Kits Kit, Gum Rubber 28 Disk NOTE 2
				**	56314172	1	Kit, Neoprene 28 Disk NOTE 2
				**	56314397	1	Kit, Linatex 28 Disk NOTE 2
				**	56314127	1	32" Disk Deck Blade Kits Kit, Gum Rubber 32 Disk NOTE 2
				**	56314173	1	Kit, Neoprene 32 Disk NOTE 2
				**	56314398	1	Kit, Linatex 32 Disk NOTE 2

* = Not Shown

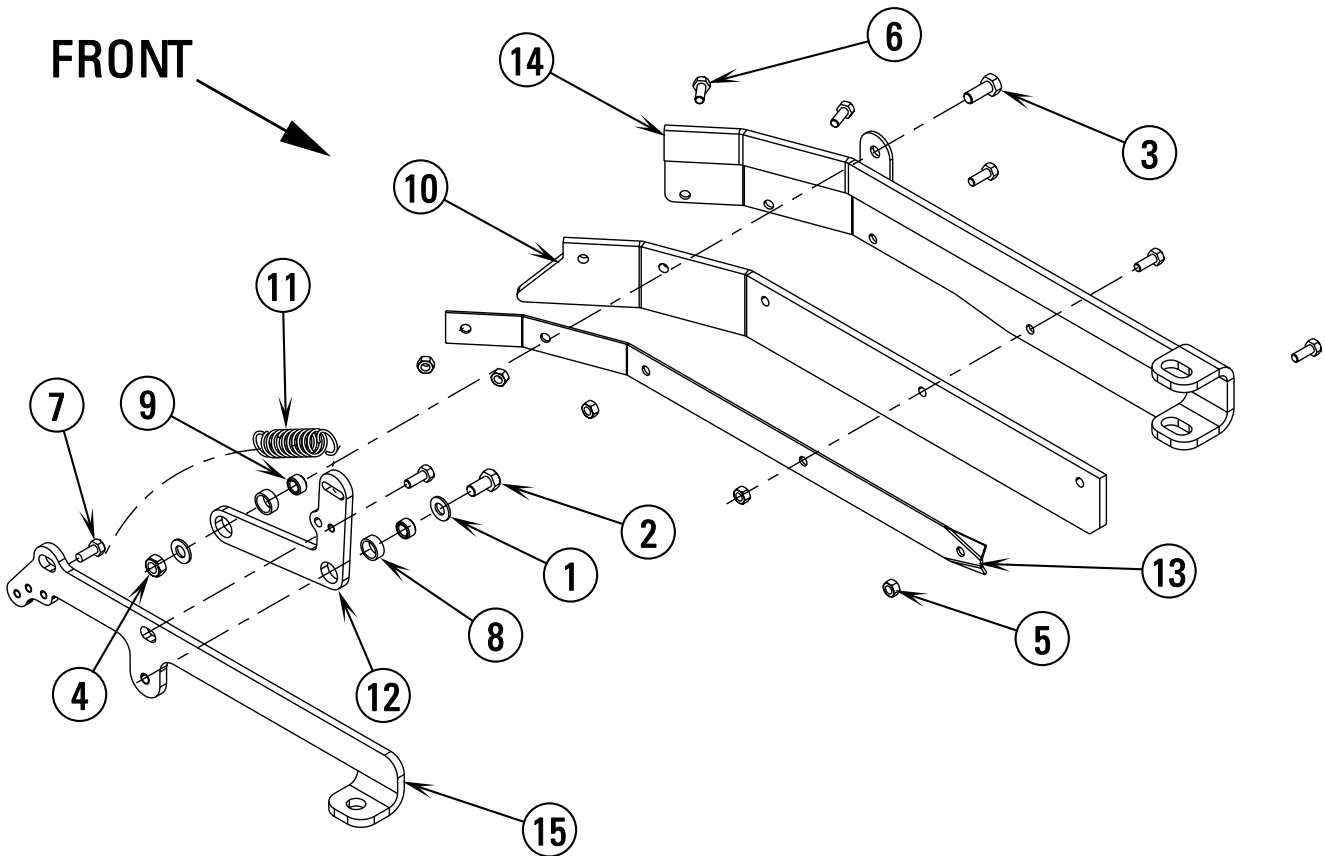
** = Optional

NOTE: See "BRUSH SELECTOR GUIDE" at back of manual for available scrub brushes.

NOTE 2: Disk Deck Blade Kits include the required mounting fasteners (Rivet, Nylon Tree Push-In 56003263).

LEFT SKIRT ASSEMBLY SHOWN

FRONT

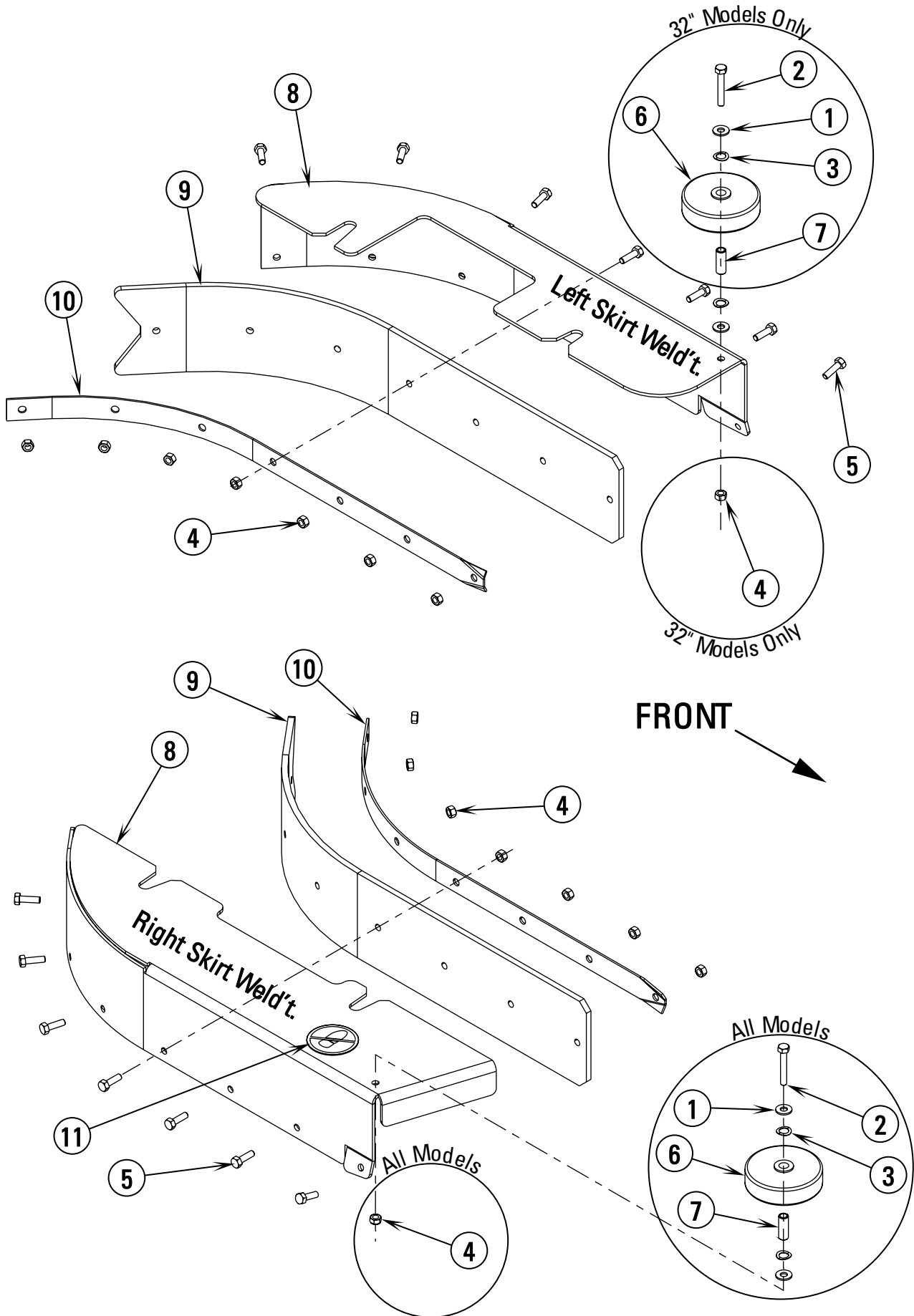


03-1	SKIRT ASSEMBLIES-CYLINDRICAL	BOOK E		
04-3	Advenger™ / BR 600S, 650S, 700S, 800S	E	13.3.1	19

Item	Ref. No.	Qty	Description
	56314443	1	Left Skirt Assembly
	56314444	1	Right Skirt Assembly
1	56001939	2	Wsh, Flt SAE 5/16
2	56003178	1	Scr, Hex M8-1.25 x 16mm
3	56003179	1	Scr, Hex Thd To Hd M8-1.25 x 20mm
4	56003389	1	Nut, Hex Nyl Loc M8-1.25
5	56003426	5	Nut, Hex Nyl Loc SS M6-1.00
6	56003431	6	Scr, Hex Hd SS M6-1.00 x 16mm
7	56003441	1	Scr, Hex Nyl Loc M6-1.00 x 15mm
8	56185263	2	Bearing, Sleeve
9	56320595	2	Bushing, .32 x .50 x .28
10	56407447	1	Skirt, Gum Rubber
**	56407392	1	Skirt, Neoprene
**	56410335	1	Skirt
11	56470672	1	Spring, Extension
12	56314435	1	Arm, Mount
13	56314437	1	Retainer, Skirt
14	56314439	1	Skirt Bracket Weld't, Left
	56314438	1	Skirt Bracket Weld't, Right
15	56314440	1	Bracket, Mount, Left
	56314441	1	Bracket, Mount, Right

** = Optional

NOTE: All quantities are for one skirt assembly only, there are two skirt assemblies on the machine.



03-1	SKIRT ASSEMBLIES-DISK	BOOK E		
03-7	Advenger™ / BR 600S, 650S, 700S, 800S	E	13.3.1	21

Item	Ref. No.	Qty	Description
	56314347	1	Left Skirt Assembly (32")
	56314349	1	Left Skirt Assembly (24", 26", 28")
	56314350	1	Right Skirt Assembly (All Models)
1	56002098	2	Wsh, Flt SAE 1/4 NOTE 1
2	56003167	1	Scr, Hex M6-1.00 x 40mm NOTE 1
3	56009045	2	Wsh, Bowed .375 x .578 x .060 NOTE 1
4	56003426	8	Nut, Hex Nyl Loc SS M6-1.00
5	56003454	7	Scr, Hex Thd to Hd SS M6-1.00 x 20mm
6	56324499	1	Wheel, 3.00 NOTE 1
7	56471220	1	Bushing NOTE 1
8	56314058	1	Frame, Skirt LH
	56314059	1	Frame, Skirt RH
9	56314340	1	Blade, Gum Rubber
10	56314341	1	Retainer, Blade
11	56016163	1	Decal, No Step (Right Skirt Assembly only)

NOTE 1: These items are on the Right Skirt Assembly **PN 56314350** on all models, but only on the 32" Left Skirt Assembly **PN56314347**.
NOTE 2: All quantities are for one skirt assembly only, there are two skirt assemblies on the machine.

03-1	SOLUTION SYSTEM	BOOK E		
04-3	Advenger™ / BR 600S, 650S, 700S, 800S	E	13.3.1	23

Item	Ref. No.	Qty	Description	Item	Ref. No.	Qty	Description
1	56001939	4	Wsh, Flt SAE 5/16	43	56314049	1	Solution Tank
2	56001954	3	Wsh, Flt SAE #10	44	56314066	1	Cover, Solution Tank, Assy
3	56009206	4	Scr, Truss Phil-Blk 10-24 x .50	45	56314069	1	Gasket
4	56002035	4	Scr, Hex Hd 5/16-18 x .62	46	56314072	1	Control Panel Assembly
5	56002043	3	Scr, Pan Phil 10-24 x .38	*	56396188	1	Switch, Key
6	56002066	3	Scr, Pan Phil 1/4-20 x .62	*	56396189	1	Key, Spare
7	56002098	11	Wsh, Flt SAE 1/4	47	56314153	1	Tee NOTE 3
8	56002108	1	Scr, Pan Phil 1/4-20 x 2.00		56314758		Tee, Barb NOTE 4
9	56002507	2	Scr, Pan Phil 1/4-20 x .75	48	56314759	1	Bracket, Valve
10	56002589	1	Scr, Hex Hd 6-32 x .50	49	56314155	5	Clamp, Cable
11	56002674	5	Scr, Pan Phil 10-24 x 1.00	50	56314608	4	Clamp, Cable
12	56002171	4	Scr, Pan Phil 10-24 x 2.00	51	56314213	1	Cover, Actuator
13	56002793	2	Scr, Pan Phil 5/16-18 x .75	52	56314292	1	Bar, Disconnect
14	56002826	1	Nut, Hex Nyl Loc-Thin 5/16-18	53	56314220	1	Tank Mount Bracket
15	56002830	1	Nut, Hex Nyl Loc 6-32	54	56314221	1	Weld't, Seat Mount NOTE 2
16	56002840	3	Nut, Hex Nyl Loc-Thin 1/4-20	55	56314223	1	Prop Rod
17	56002900	5	Scr, Pan Phil SS 10-24 x .50	56	56314250	1	Harness, Main (Not Shown)
18	56002997	3	Scr, Pan Phil 1/4-20 x 1.75	57	56314253	1	Charge Connector Assy
19	56003179	4	Scr, Hex Thd to Hd M8-1.25 x 20mm	58	56314264	1	Hinge Bracket
20	56003178	3	Scr, Hex M8-1.25 x 16mm	59	56314311	1	Coupling, Quick Disconnect Female
21	56003268	3	Ring, Ret Ext Type E Reinf. .25 Dia.	60	56314401	1	Bracket, Water Valve
22	56003389	3	Nut, Hex Nyl Loc M8-1.25	61	56314532	1	Panel, Battery Box
23	56009002	2	Wsh, Flt .266 x .906 x .060	62	56314538	1	Strainer NOTE 3
24	56009122	4	Wsh, Flt .344 x .938 x .125		56314756	1	Strainer NOTE 4
25	56009205	4	Wsh, Flt SS #10	63	56386182	1	Hose, Spiral .50ID x 26.00
26	56219932	4	Clamp, Hose SAE #6	64	56397189	1	Spacer
27	56255076	1	Cap, Pipe GHT Nylon	65	56397215	1	Solenoid Valve Assy, 36V (L1)
28	56344265	1	Clamp, Cable	66	56397508	1	Charge Connector Assy
29	56368776	1	Washer, Rubber	67	56264318	1	Hose, Spiral .500 NOTE 3
30	56372673	2	Boot, Battery Post		56263218	1	Hose, .75 Clear PVC NOTE 4
31	56409152	1	Barb, 90 Elbow, 1/2 x 1/2NPT NOTE 3	68	56442003	1	Clamp, P
	56314757	1	Barb, 90 Elbow 3/4 x 1/2NPT NOTE 4	69	56314339	1	Kit, Battery Connector (includes items 70-73)
32	56412196	1	Hinge				(Advance Models only) NOTE 1
33	56412273	1	Barb, Adapter, 1/2 x 3/4GHT NOTE 3	70	56456460	4	Cable, Battery
	56900273	1	Barb NOTE 4	71	56478246	10	Tie, Cable
34	56468553	1	Bushing, .27 x .37 x 1.30	72	56372673	10	Boot, Battery Post
35	56469380	1	Clamp, P	73	56441600	1	Cable, Battery
36	56478246	2	Tie, Cable	74	56001993	2	Scr, Pan Phil 10-24 x .50 NOTE 4
37	56003003	1	Scr, Pan Phil 5/16-18 x .62	75	56314755	1	Valve, Solution NOTE 4
38	56046309	2	Spacer, Phenolic	76	56244969	4	Clamp, Hose SAE #12 NOTE 4
39	56050872	1	Spacer, Phenolic		56219932	4	Clamp, Hose SAE #6 NOTE 3
40	56057830	1	Valve, Ball	77	56410162	1	Hose, Spiral .75 ID x 7.00 NOTE 4
41	56262180	1	Hose, Spiral .50ID x 7.00		56262180	1	Hose, Spiral .50 ID x 7.00 NOTE 3
42	56314035	1	Seat	*	56314119	1	Battery Spacer (Advance Models only)
*	56409613	1	Switch, Seat (S2)				

* = Not Shown

NOTE 1: For Advance models "Battery Connector Kit" (56314339) is included with machine.

For Nilfisk models battery cables are not included (after SN 1688856), but "Battery Connector Kit" (56314326) can be ordered separately if battery connectors are desired.

NOTE 2: Seat Weldment 56314221 was modified as of serial #1726172 to accommodate Onboard Charger Kit 56314753.

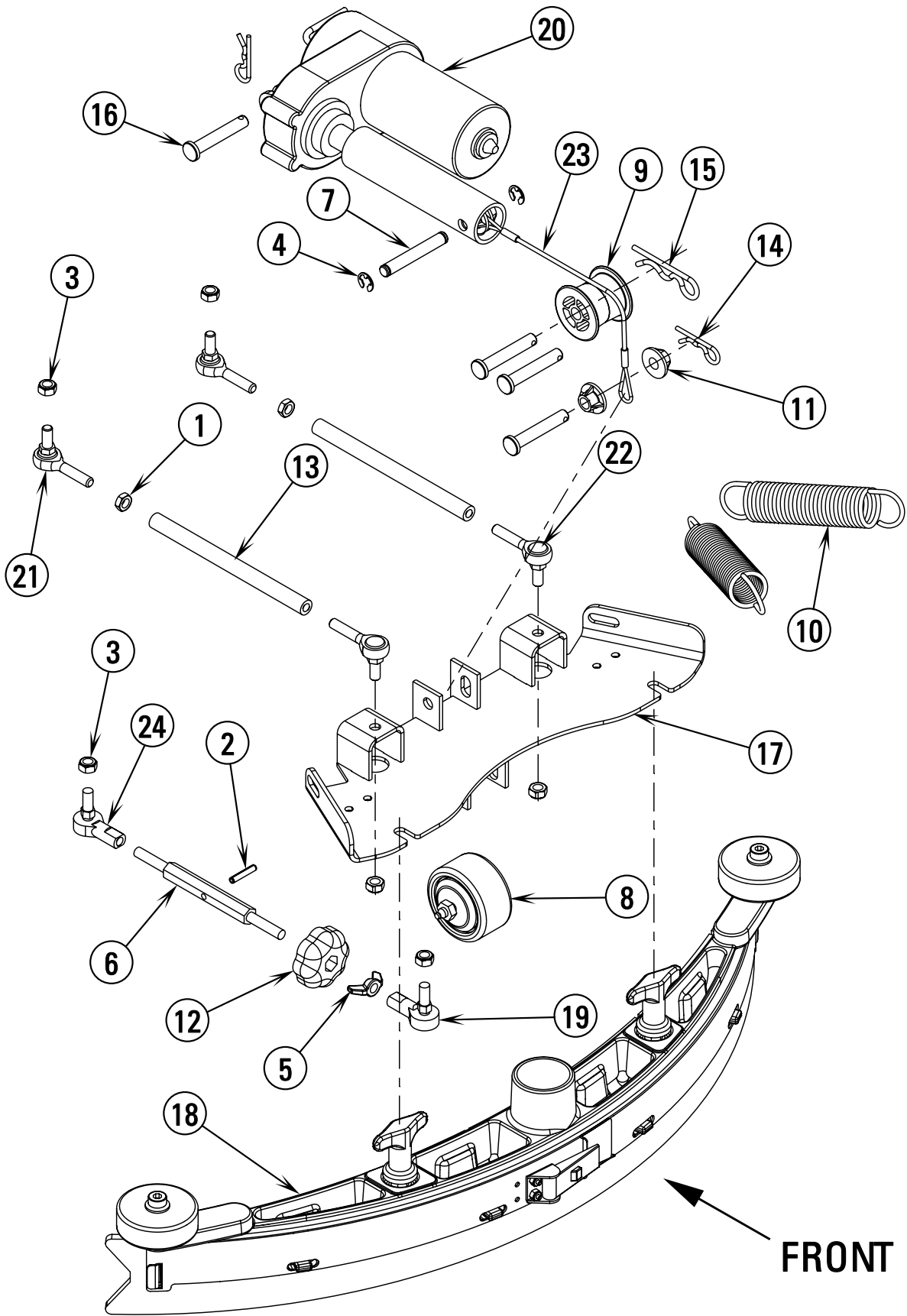
NOTE 3: Used on machines built before May 2004.

NOTE 4: Used on machines built after April 2004.

03-1	SQUEEGEE ASSEMBLY	BOOK E		
04-3	Advenger™ / BR 600S, 650S, 700S, 800S	E	13.3.1	25

Item	Ref. No.	Qty	Description
	56314327	1	Squeegee Assy (24")
	56314020	1	Squeegee Assy (26" & 28")
	56314358	1	Squeegee Assy (32")
1	56003666	2	Scr, Hex Hd SS 5/16-18 x 2.75
2	56002851	2	Nut, Hex Nyl Loc-Thin SS 5/16-18
3	56002909	2	Scr, Pan Phil SS 6-32 x .38
4	56002938	2	Wsh, Flt SAE SS 5/16
5	56002907	2	Nut, Hex Nyl Loc SS 6-32
6	56009111	4	Nut, Wing SS 1/4-20
7	56324350	2	Wheel
8	56370711	2	Nut, Thumb
9	56471194	1	Latch Assy
10	56003472	2	Scr, Soc Shd .38 x 1.00 x 5/16-18
11	56314317	1	Strap, Left Rear (24")
	56314026	1	Strap, Left Rear (26" & 28")
	56314323	1	Strap, Left Rear (32")
12	56314318	1	Strap, Right Rear (24")
	56314027	1	Strap, Right Rear (26" & 28")
	56314324	1	Strap, Right Rear (32")
13	56314316	1	Strap, Front (24")
	56314028	1	Strap, Front (26" & 28")
	56314322	1	Strap, Front (32")
14	56314054	1	Kit, Standard Squeegee Blade (24")
	56314303	1	Kit, Standard Squeegee Blade (26" & 28")
	56314060	1	Kit, Standard Squeegee Blade (32")
15	56314319	1	Squeegee Tool, Cast (24")
	56314271	1	Squeegee Tool, Cast (26" & 28")
	56314325	1	Squeegee Tool, Cast (32")
24" Squeegee Blade Kits			
**	56314055	1	Kit, Linatex Squeegee Blade
**	56314056	1	Kit, Neoprene Squeegee Blade
26" & 28" Squeegee Blade Kits			
**	56314304	1	Kit, Linatex Squeegee Blade
**	56314305	1	Kit, Neoprene Squeegee Blade
32" Squeegee Blade Kits			
**	56314061	1	Kit, Linatex Squeegee Blade
**	56314062	1	Kit, Neoprene Squeegee Blade

** = Optional, Not Included

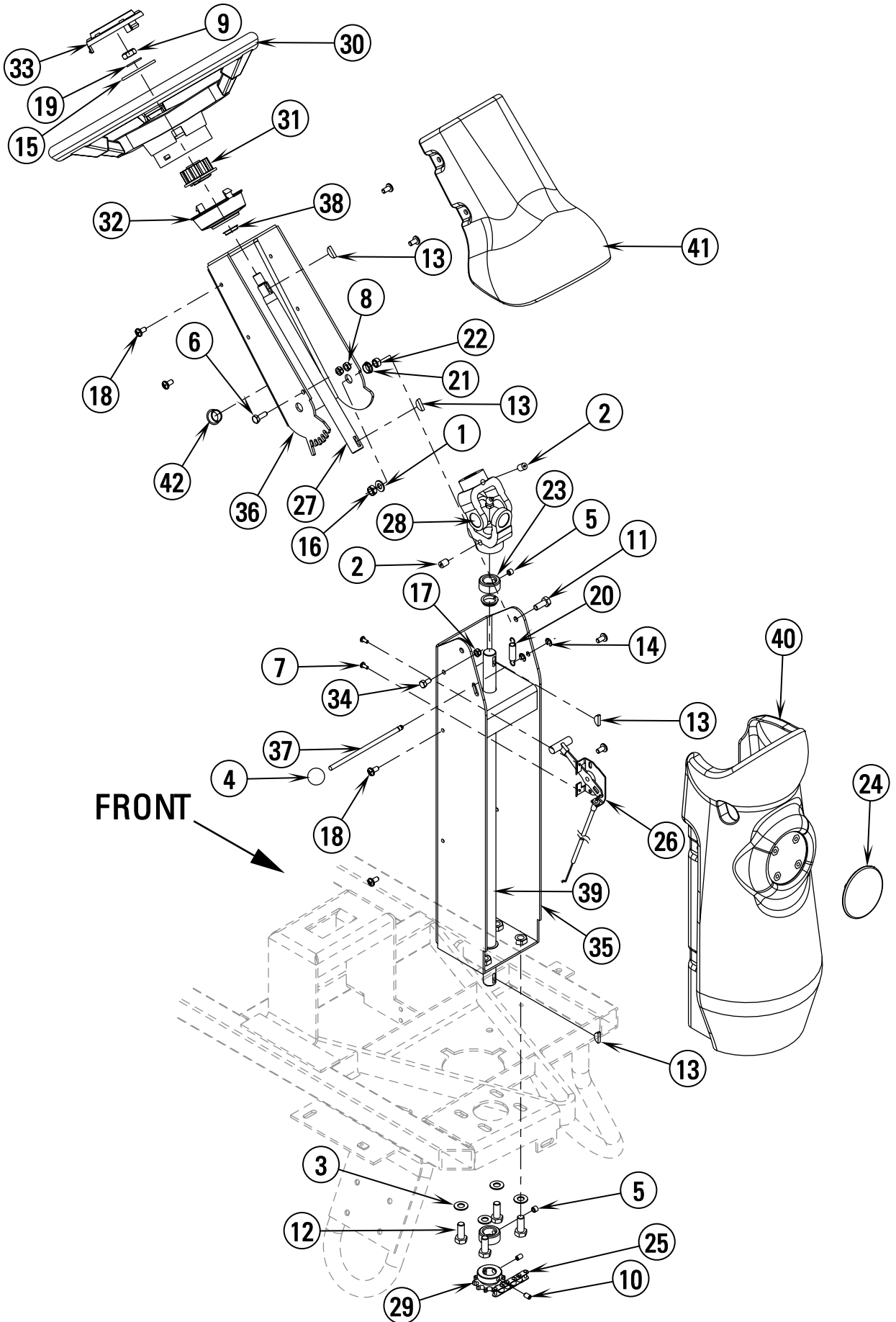


03-1	SQUEEGEE SYSTEM	BOOK E		
04-4	Advenger™ / BR 600S, 650S, 700S, 800S	E	13.3.1	27

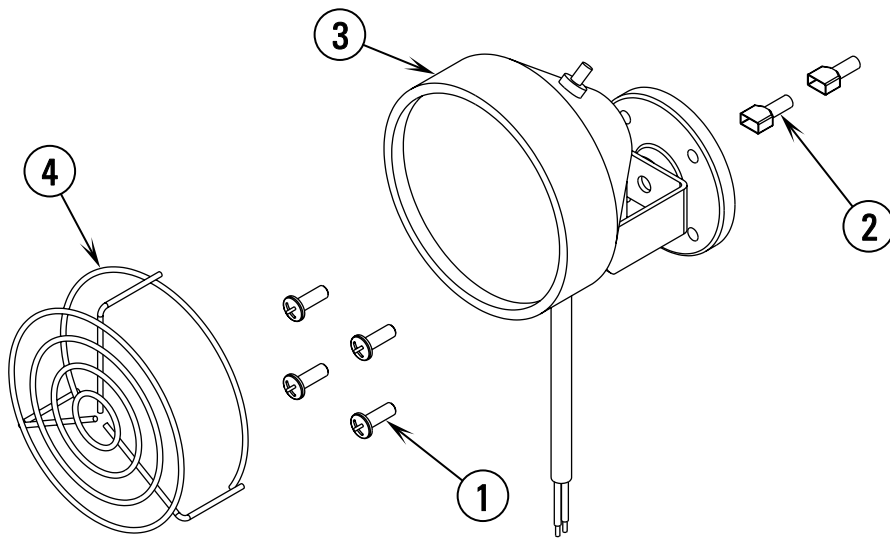
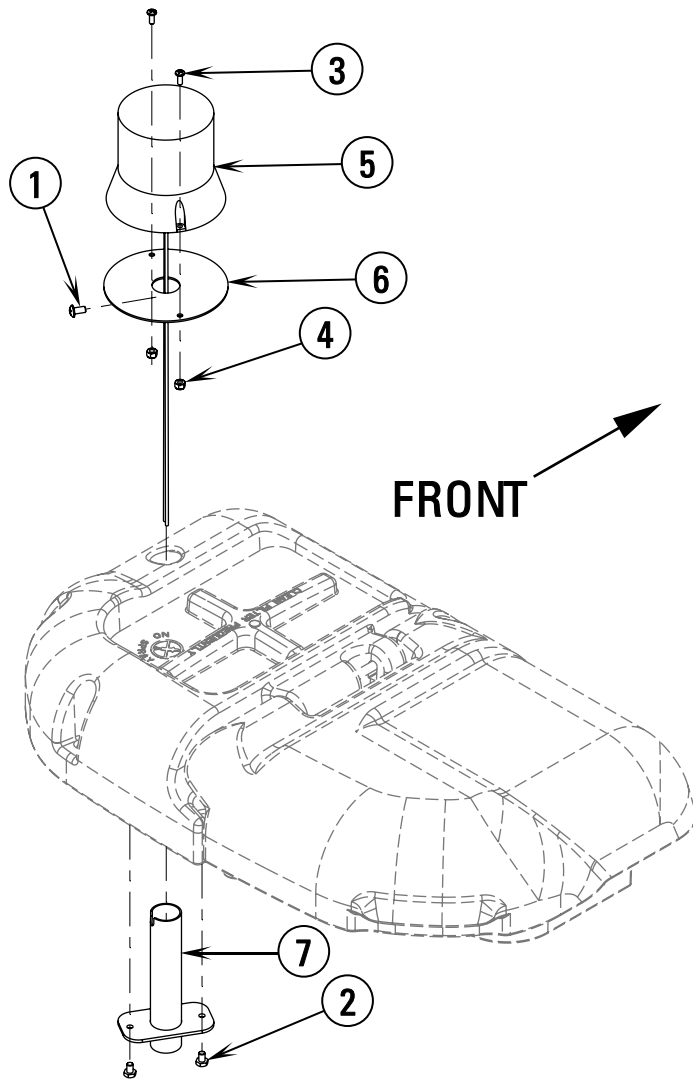
Item	Ref. No.	Qty	Description
1	56001884	2	Nut, Hex Jam 5/16-24
2	56002082	1	Pin, SPR .19 x 1.00
3	56002866	6	Nut, Hex Nyl Loc-Thin 5/16-24
4	56003262	2	Ring, Ret Ext Type E .38 Dia.
5	56003497	1	Nut, Wing SS 5/16-24
6	56412067	1	Connecting Rod
7	56412088	1	Pin
8	56412124	1	Wheel
9	56412208	1	Roller
10	56412216	2	Spring, Extension
11	56412248	4	Spacer, Squeegee Cable
12	56412284	1	Knob, Squeegee Adjust
13	56412314	2	Connecting Rod
14	56003222	2	Pin, Cotter Hair
15	56003223	1	Pin, Cot Hair .148 x Dia .62/1.00
16	56003656	4	Clevis Pin .375 x 2.25
17	56314023	1	Squeegee Mount Weld't.
18	56314327	1	Squeegee Assy (24")
	56314020	1	Squeegee Assy (26" & 28")
	56314358	1	Squeegee Assy (32")
19	56395755	1	Rod End
20	56397230	1	Lift Actuator, Squeegee (M2) NOTE
21	56412312	2	Rod End, 5/16
22	56412313	2	Rod End, 5/16
23	56412340	1	Cable Assembly
24	56477756	1	Rod End

* = Not Shown

NOTE: From August of 2003 through March 1, 2004 Squeegee Lift Actuator 56314118 was used. All machines built prior to August 2003 and shipped after March 1, 2004 use Actuator 56397230. If you have a machine built between these two dates and are experiencing control panel circuit board or squeegee lift actuator problems you should order **Control & Actuator Update Kit, part number 56314710**.

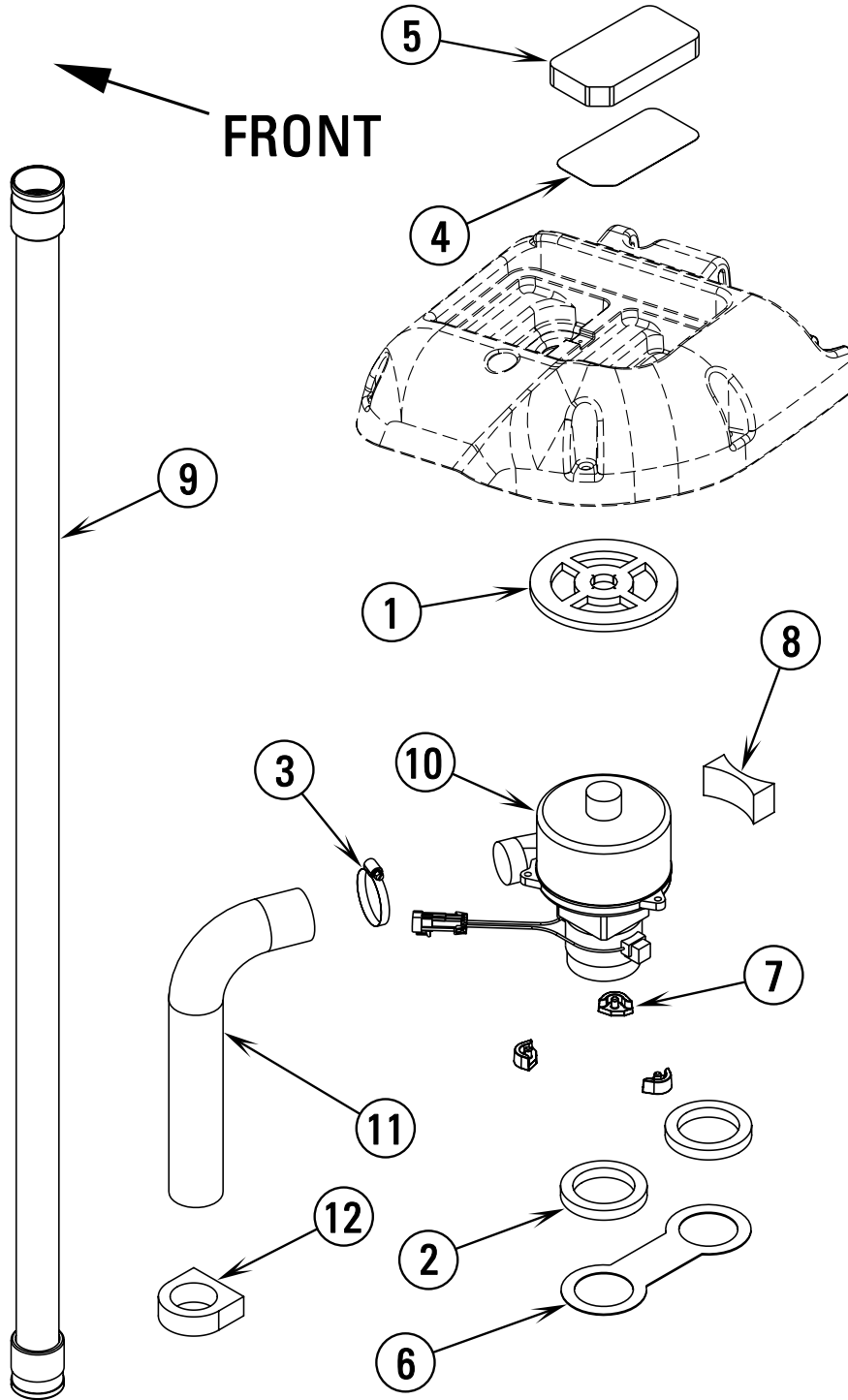


Item	Ref. No.	Qty	Description
1	56001939	2	Wsh, Flt SAE 5/16
2	56001958	2	Scr, Soc Set Loc 3/8-16 x .50
3	56002063	4	Wsh, Flt SAE 3/8
4	56440817	1	Knob
5	56002086	2	Scr, Soc Set Loc 5/16-18 x .25
6	56002155	1	Scr, Hex Hd 1/4-20 x .75
7	56002523	2	Scr, Pan Phil Thd Form 8-32 x .38
8	56002840	2	Nut, Hex Nyl Loc-Thin 1/4-20
9	56002843	1	Nut, Hex Nyl Loc-Thin 1/2-13
10	56002930	2	Scr, Soc Set Loc 1/4-20 x .38
11	56003179	2	Scr, Hex Thd To Hd M8-1.25 x 20mm
12	56003186	4	Scr, Hex Thd To Hd M10-1.50 x 25mm
13	56003228	4	Key, WDF .75 x .19
14	56003268	2	Ring, Ret Ext Type E Reinf .25 Dia
15	56003342	1	Wsh, Flt .88 x .25 x .13
16	56003389	2	Nut, Hex Nyl Loc M8-1.25
17	56003403	1	Nut, Hex Nyl Loc M6-1.00
18	56009062	8	Scr, Pan Phil Thd Form 1/4-20 x .50
19	56001879	1	Wsh, Flt SAE 1/2
20	56245008	1	Spring, Extension
21	56302164	2	Bearing, Flange
22	56320595	2	Bushing .32 x .50 x .28
23	56367095	2	Collar, Shaft
24	56412095	1	Plaque, Decal Logo
25	56412198	1	Chain, Roller
26	56412281	1	Solution Control Cable
27	56420059	1	Shaft, Upper Steering
28	56454081	1	Universal Joint
29	56471148	1	Sprocket
30	56497306	1	Steering Wheel
31	56497560	1	Wheel Adapter
32	56497308	1	Cup
33	56497543	1	Cap
34	56003155	1	Scr, Hex M6-1.00 x 12mm
35	56314048	1	Lower Column Weldment
36	56314093	1	Column, Steering
37	56314094	1	Rod, Steering lock
38	56314148	3	Bearing, Nyliner
39	56314195	1	Shaft, Lower Steering
40	56314295	1	Shroud, Lower Column
41	56314296	1	Shroud, Upper Column
42	56900041	1	Plug, Cap



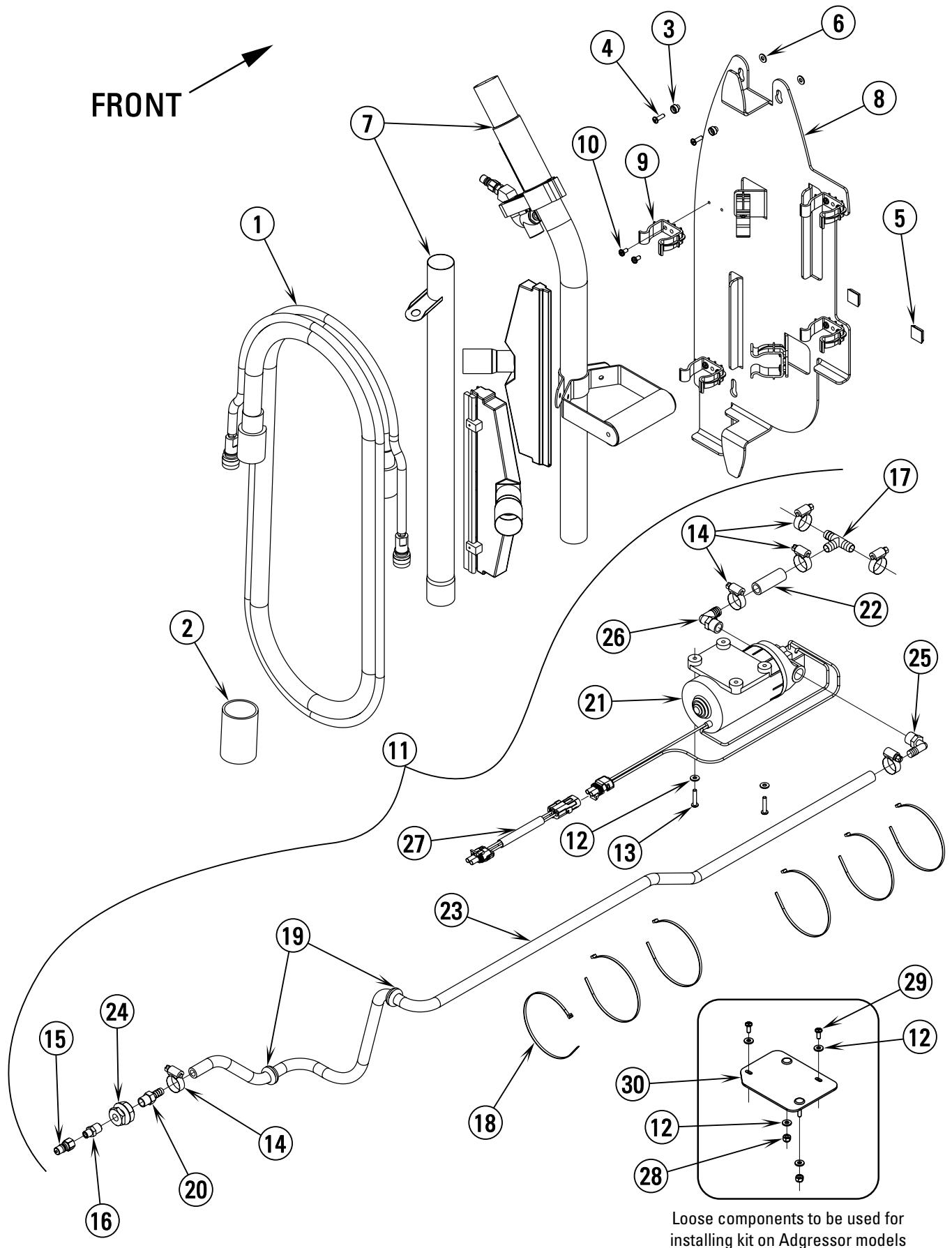
03-1	OPTIONAL LIGHT KITS	BOOK E		
03-7	Advenger™ / BR 600S, 650S, 700S, 800S	E	13.3.1	31

Item	Ref. No.	Qty	Description
	56314302	1	Warning Beacon Kit
*	56040788	1	Instruction Sheet
1	56003119	1	Pan Phil SS 1/4-20 x .50
2	56001861	2	Scr, Hex Hd 1/4-20 x .38
3	56001993	2	Scr, Pan Phil 10-24 x .50
4	56002768	2	Nut, Hex Nyl Loc 10-24
5	56416433	1	Strobe
6	56314287	1	Plate Weldment
7	56314288	1	Tube Weldment
	56314313	1	Headlight Kit
*	56040791	1	Instruction Sheet
1	56002507	4	Scr, Pan Phil 1/4-20 x .75
2	56172230	2	Term .250 Ins Tab
3	56409239	1	Headlight
4	56409557	1	Guard, Headlight



03-1	DUAL VAC MOTOR KIT	BOOK E		
04-3	Advenger™ / BR 600S, 650S, 700S, 800S	E	13.3.1	33

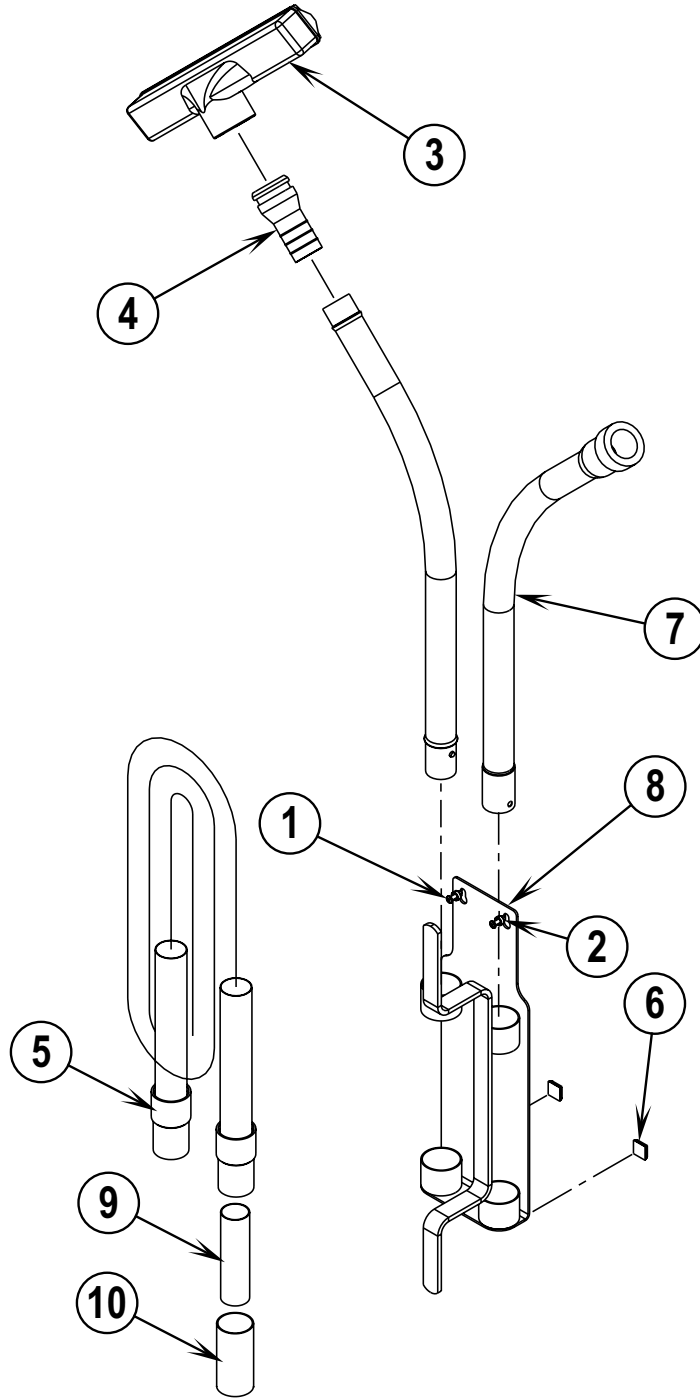
Item	Ref. No.	Qty	Description
	56314338	1	Dual Vacuum Motor Kit
*	56040792	1	Instruction Sheet
1	56314704	1	Gasket
2	56314760	2	Gasket, Vacuum Duct
3	56440213	1	Clamp, Hose SAE #32
4	56314372	1	Screen, Filter
5	56314373	1	Filter
6	56314377	1	Plate, Separator (2 Mtr)
7	56314484	3	Mount, Vibration
8	56314708	1	Spacer, Foam
9	56314535	1	Vac Hose Assy.
10	56397228	1	Motor, Vac 36VDC
11	56459937	1	Vac Hose
12	56314761	1	Gasket, Hose



03-1	SCRUB-N-VAC TOOL KIT	BOOK E		
04-3	Advenger™ / BR 600S, 650S, 700S, 800S	E	13.3.1	35

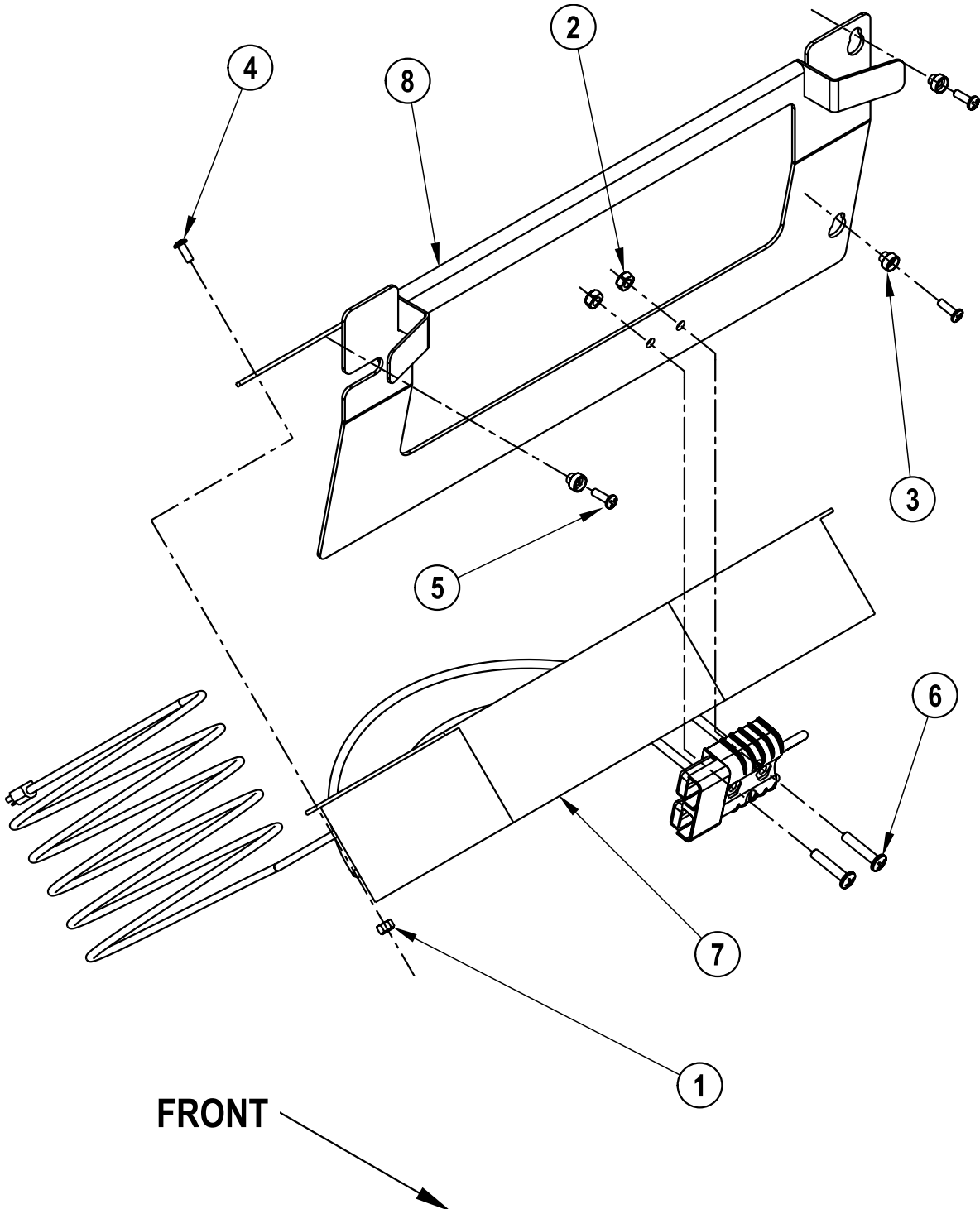
Item	Ref. No.	Qty	Description
	56314308	1	Scrub-N-Vac Kit
*	56040783	1	Instruction Sheet
1	56220035	1	Hose, Assembly
2	56314399	1	Coupler
3	56412310	3	Bushing, Stepped
4	56002124	3	Scr, Pan Phil 10-24 x .62
5	56402940	2	Bumper, .812 Sq.
6	56009205	2	Washer, Flt. SS .219 x .50 x .047
7	56314402	1	Wand Assembly
8	56314403	1	Caddy
9	56407361	6	Clamp
10	56009030	12	Scr, Pan Phil Thd Form 10-24 x .38
11	56314309	1	Pump Assembly (includes items 12-30)
12	56001954	6	Wsh, Flt SAE #10
13	56002674	2	Scr, Pan Phil 10-24 x 1.00
14	56219932	6	Clamp, Hose SAE #6
15	56220055	1	Plug
16	56220074	1	Nipple 1/4 to 1/8 NPT
17	56262549	1	Tee, Barb
18	56478523	6	Tie, Cable
19	56052338	2	Grommet
20	56155640	1	Barb, Adapter 3/8 x 1/4 NPT
21	56212014	1	Pump, 36VDC
22	56262560	1	Hose, Nylon Braid
23	56314432	1	Hose, Spiral .375 x 63.00
24	56745543	1	Adapter Blk Hd 1/4
25	56900035	1	Barb, 90 Elbow 27/64 x 3/8 NPT
26	56900069	1	Barb, 90 Elbow 1/2 x 3/8 NPT
27	56314585	1	TVS Assembly
28	56002768	2	Nut, Hex Nyl Loc 10-24 NOTE 1
29	56001993	2	Scr, Pan Phil 10-24 x .50 NOTE 1
30	56314644	1	Plate Weldment NOTE 1

NOTE 1: These parts are included with this kit, but are only required for installation on Adgressor models.



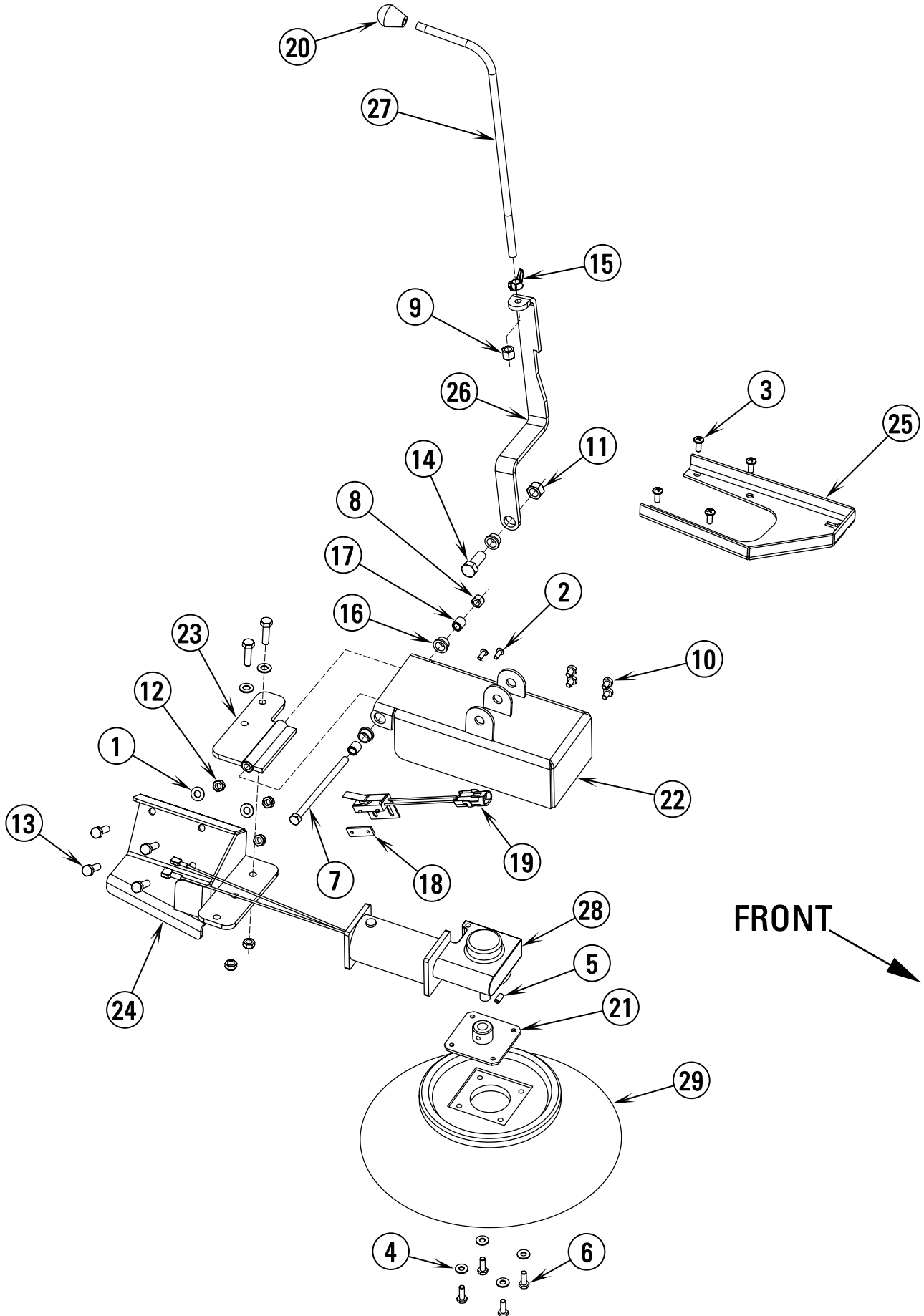
03-1	VACUUM WAND CADDY KIT	BOOK E		
04-3	Advenger™ / BR 600S, 650S, 700S, 800S	E	13.3.1	37

Item	Ref. No.	Qty	Description
	56412223	1	Vacuum Wand Caddy Kit
*	56040686	1	Instruction Sheet
1	56002124	2	Scr, Pan Phil 10-24 x .62
2	56412310	2	Spacer, Stepped
3	56205114	1	Squeegee Tool, 14"
4	56301339	1	Coupler
5	56329062	1	Vac Hose, 1.50
6	56402940	2	Bumper
7	56409563	1	Wand, 2 Piece
8	56412227	1	Caddy Weldment
9	56204536	1	Extension Coupler
10	56314399	1	Coupler



03-1	ON-BOARD CHARGER KIT	BOOK E		
04-3	Advenger™ / BR 600S, 650S, 700S, 800S	E	13.3.1	39

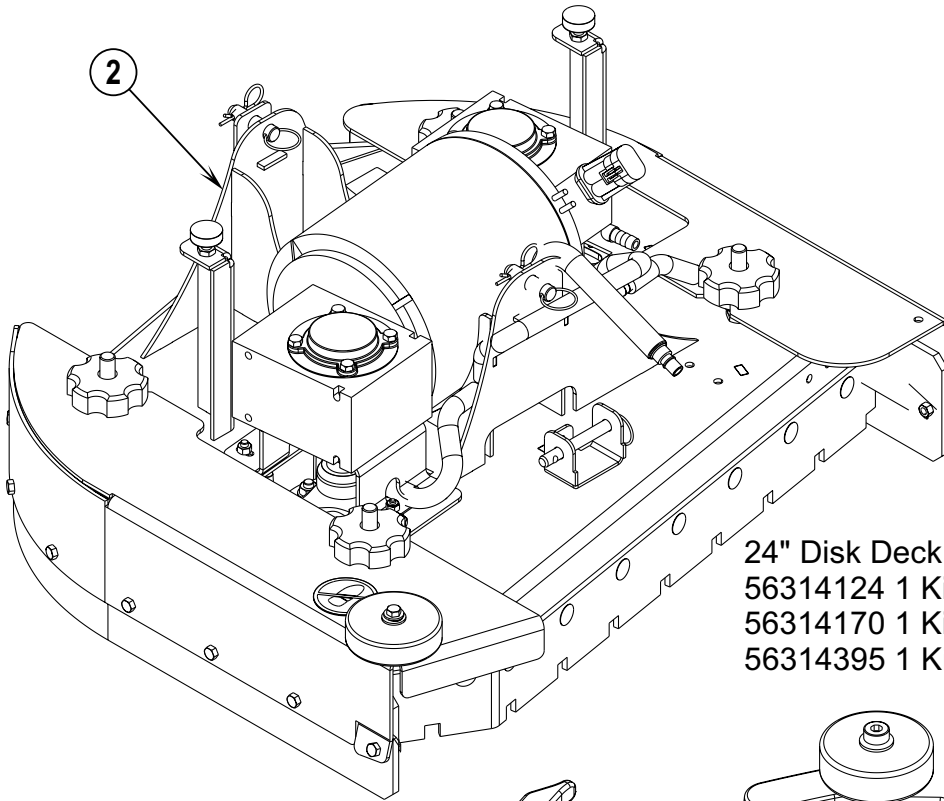
Item	Ref. No.	Qty	Description
	56314753	1	Onboard Charger Kit
*	56040787	1	Instruction Sheet
1	56002768	6	Nut, Hex Nyl Loc 10-24
2	56002840	2	Nut,Hex Nyl Loc-Thin 1/4-20
3	56412310	3	Spacer, Stepped
4	56001993	6	Scr,Pan Phil 10-24x.50
5	56002124	3	Scr,Pan Phil 10-24x.62
6	56002825	2	Scr,Pan Phil 1/4-20x1.25
7	56314750	1	Charger, 36v, 25amp
8	56314752	1	Weldment, Charger



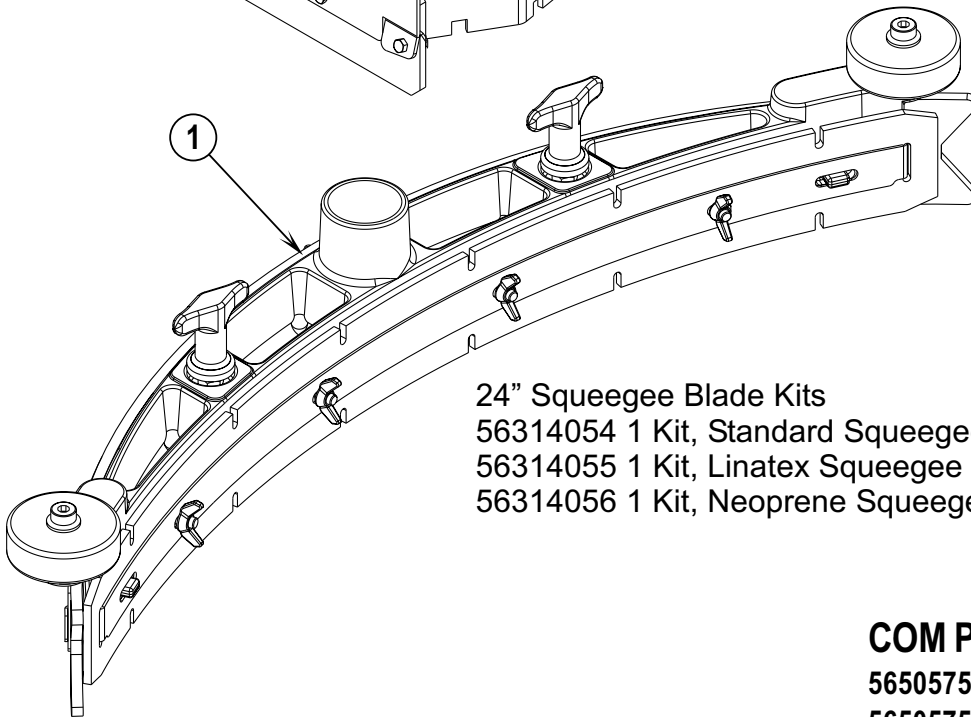
03-1	SIDE BROOM KIT	BOOK E		
04-3	Advenger™ / BR 600S, 650S, 700S, 800S	E	13.3.1	41

Item	Ref. No.	Qty	Description
	56314306	1	Side Broom Kit
*	56040789	1	Instruction Sheet
1	56003312	1	Nut, Hex Nyl Loc M12-1.75
2	56003389	6	Nut, Hex Nyl Loc M8-1.25
3	56185264	3	Bearing, Flange
4	56228052	2	Bushing
5	56324310	1	Nut Plate
6	56372088	1	Switch, Waterproof
7	56378534	1	Knob
8	56001939	6	Wsh, Flt SAE 5/16
9	56001993	2	Scr, Pan Phil 10-24 x .50
10	56002066	4	Scr, Pan Phil 1/4-20 x .62
11	56002098	4	Wsh, Flt SAE 1/4
12	56002119	1	Scr, Soc Set Loc 1/4-20 x .50
13	56002155	4	Scr, Hex Hd 1/4-20 x .75
14	56002691	1	Scr, Hex Hd 5/16-18 x 5.50
15	56002701	1	Nut, Hex Nyl Loc 5/16-18
16	56002769	1	Nut, Hex Nyl Loc 3/8-16
17	56002933	4	Scr, Hex Hd Loc 1/4-20 x .38
18	56003416	6	Scr, Hex M8-1.25 x 30mm
19	56003418	1	Scr, Hex M12-1.75 x 30mm
20	56009252	1	Nut, Wing SS 3/8-16
21	56314095	1	Brush Holder Weldment
22	56314167	1	Sidebroom Arm Weldment
23	56314174	1	Pivot Weldment
24	56314178	1	Bracket Weldment
25	56314190	1	Bracket, Lift
26	56314194	1	Bar, Lift
27	56314198	1	Rod, Lift
28	56469530	1	Motor Assy 24V
29	1451899000	1	Brush, Sidebroom
*	56314259	1	Harness, Sidebroom
*	56478246	1	Wire Tie

* = Not Shown



24" Disk Deck Blade Kits
 56314124 1 Kit, Gum Rubber 24 Disk
 56314170 1 Kit, Neoprene 24 Disk
 56314395 1 Kit, Linatex 24 Disk

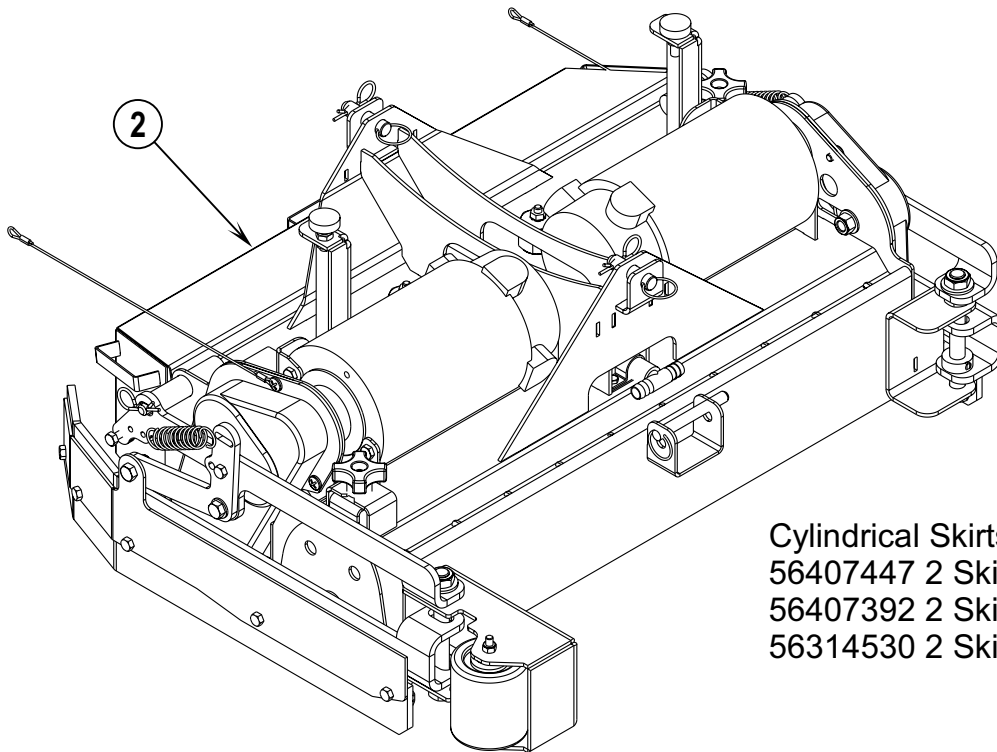


24" Squeegee Blade Kits
 56314054 1 Kit, Standard Squeegee Blade
 56314055 1 Kit, Linatex Squeegee Blade
 56314056 1 Kit, Neoprene Squeegee Blade

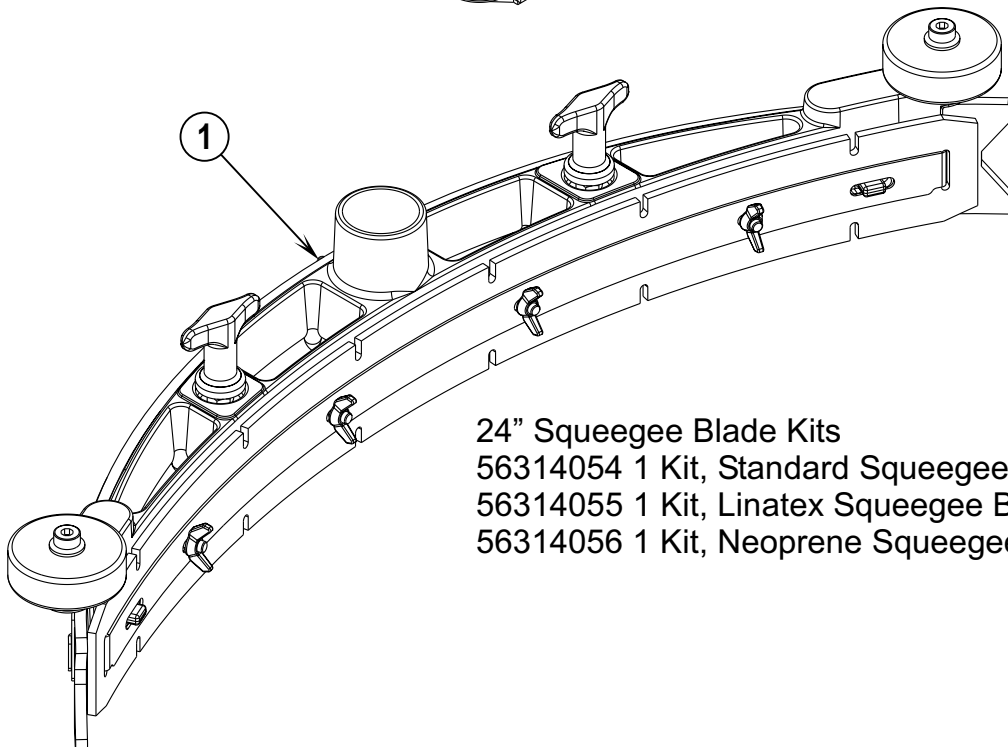
COM PATIBLE BRUSHES

- 56505750 - Short Trim Pad Holder
- 56505751 - Magna Grit
- 56505752 - Dyna Grit
- 56505753 - AgLite Grit
- 56505754 - ProLite
- 56505755 - Prolene
- 56505756 - Union M ix
- 56505757 - M idGrit
- 56505758 - M idLite Grit

Item	Ref. No.	Qty	Description
	56314474	1	24" Disk Deck Kit
*	56040794	1	Instruction Sheet
1	56314327	1	Squeegee Assembly
2	56314513	1	24" Disk Deck Assembly



Cylindrical Skirts
 56407447 2 Skirt, Gum Rubber
 56407392 2 Skirt, Neoprene
 56314530 2 Skirt, Linatex

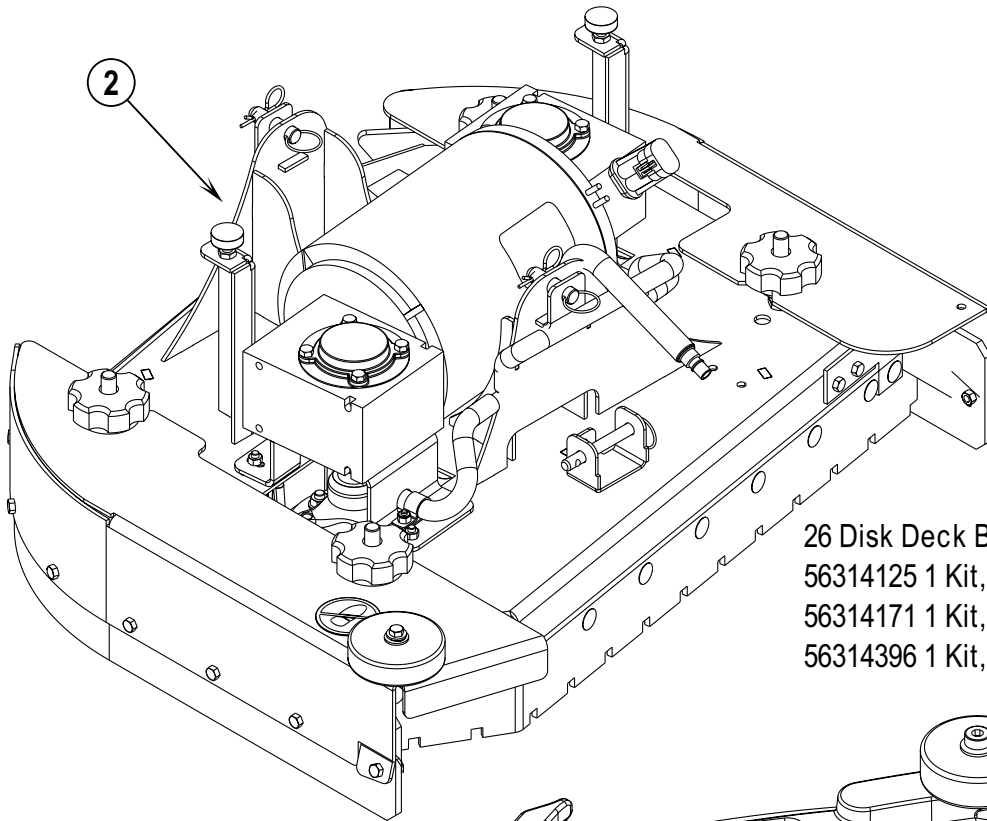


24" Squeegee Blade Kits
 56314054 1 Kit, Standard Squeegee Blade
 56314055 1 Kit, Linatex Squeegee Blade
 56314056 1 Kit, Neoprene Squeegee Blade

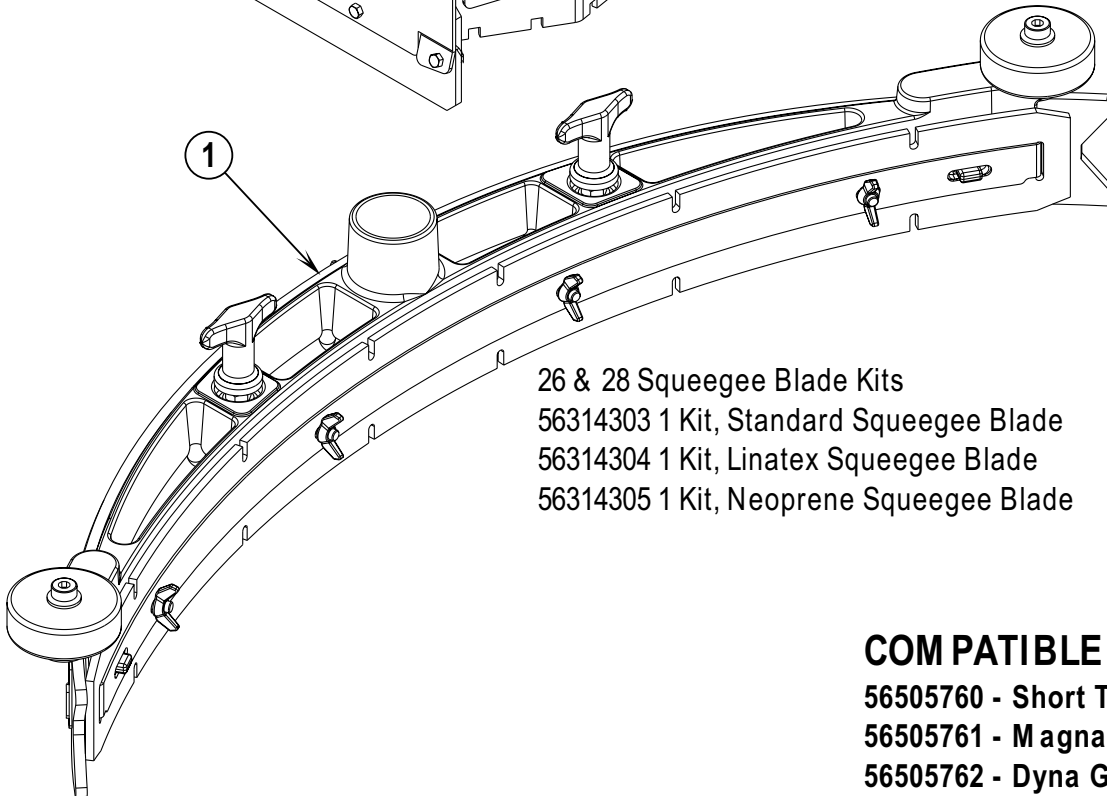
Item	Ref. No.	Qty	Description
	56314475	1	24" Cylindrical Deck Kit
*	56040794	1	Instruction Sheet
1	56314327	1	Squeegee Assembly
2	56314523	1	24" Cylindrical Deck Assembly

COMPATIBLE BRUSHES

56314389 - Soft Nylon
 56314390 - Hard Nylon
 56314391 - Prolene
 56314392 - 180 Grit
 56314393 - 80 Grit
 56314394 - 46 Grit



26 Disk Deck Blade Kits
 56314125 1 Kit, Gum Rubber 26 Disk
 56314171 1 Kit, Neoprene 26 Disk
 56314396 1 Kit, Linatex 26 Disk

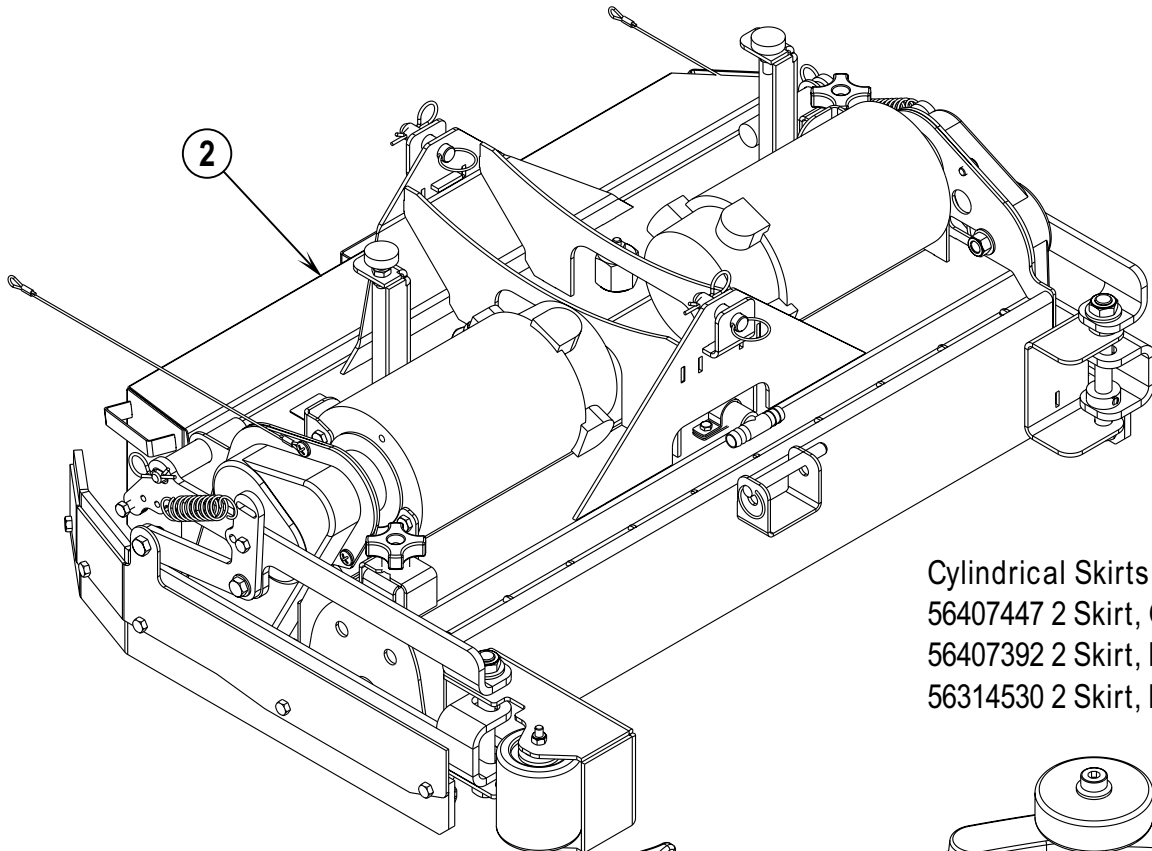


26 & 28 Squeegee Blade Kits
 56314303 1 Kit, Standard Squeegee Blade
 56314304 1 Kit, Linatex Squeegee Blade
 56314305 1 Kit, Neoprene Squeegee Blade

COM PATIBLE BRUSHES

- 56505760 - Short Trim Pad Holder
- 56505761 - Magna Grit
- 56505762 - Dyna Grit
- 56505763 - AgLite Grit
- 56505764 - ProLite
- 56505765 - Prolene
- 56505766 - Union Mix
- 56505767 - MidGrit
- 56505768 - MidLite Grit

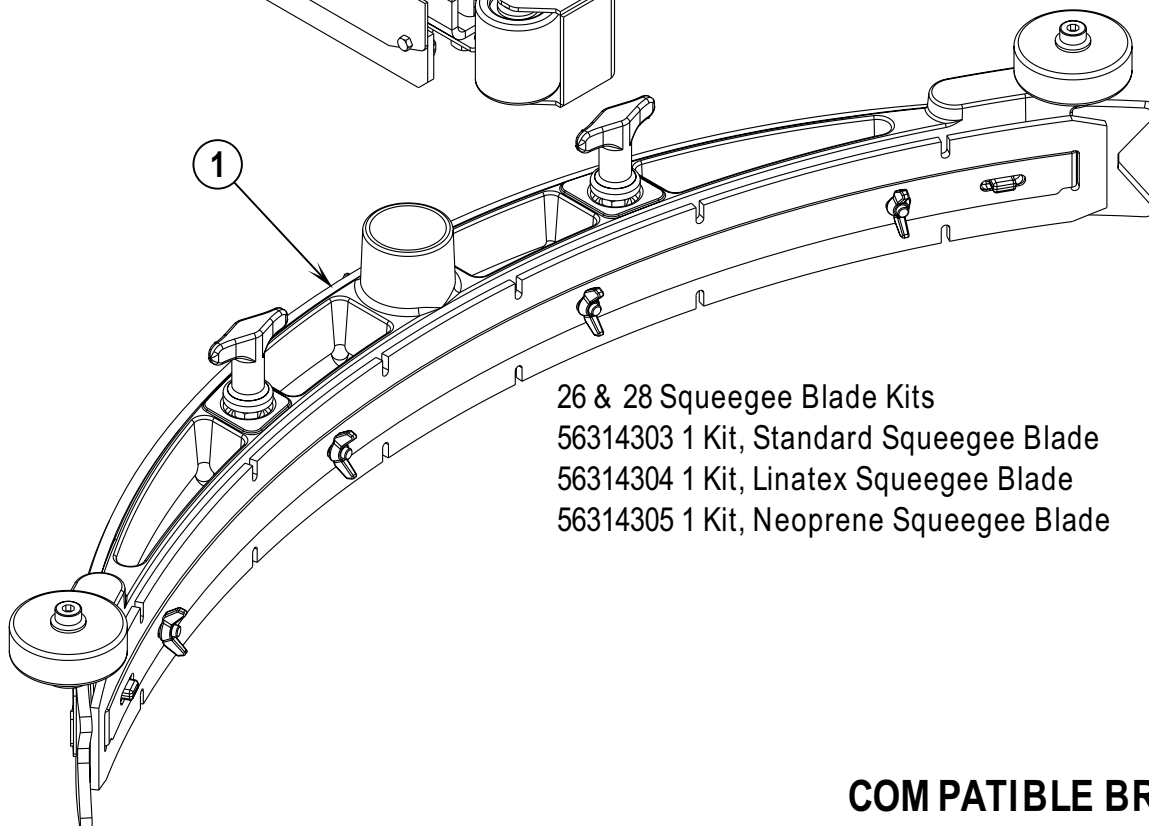
Item	Ref. No.	Qty	Description
	56314476	1	26" Disk Deck Kit
*	56040794	1	Instruction Sheet
1	56314020	1	Squeegee Assembly
2	56314512	1	26" Disk Deck Assembly

**Cylindrical Skirts**

56407447 2 Skirt, Gum Rubber

56407392 2 Skirt, Neoprene

56314530 2 Skirt, Linatex

**26 & 28 Squeegee Blade Kits**

56314303 1 Kit, Standard Squeegee Blade

56314304 1 Kit, Linatex Squeegee Blade

56314305 1 Kit, Neoprene Squeegee Blade

Item	Ref. No.	Qty	Description
	56314477	1	26 Cylindrical Deck Kit
*	56040794	1	Instruction Sheet
1	56314020	1	Squeegee Assembly
2	56314522	1	26 Cylindrical Deck Assembly

COMPATIBLE BRUSHES

56314383 - Soft Nylon

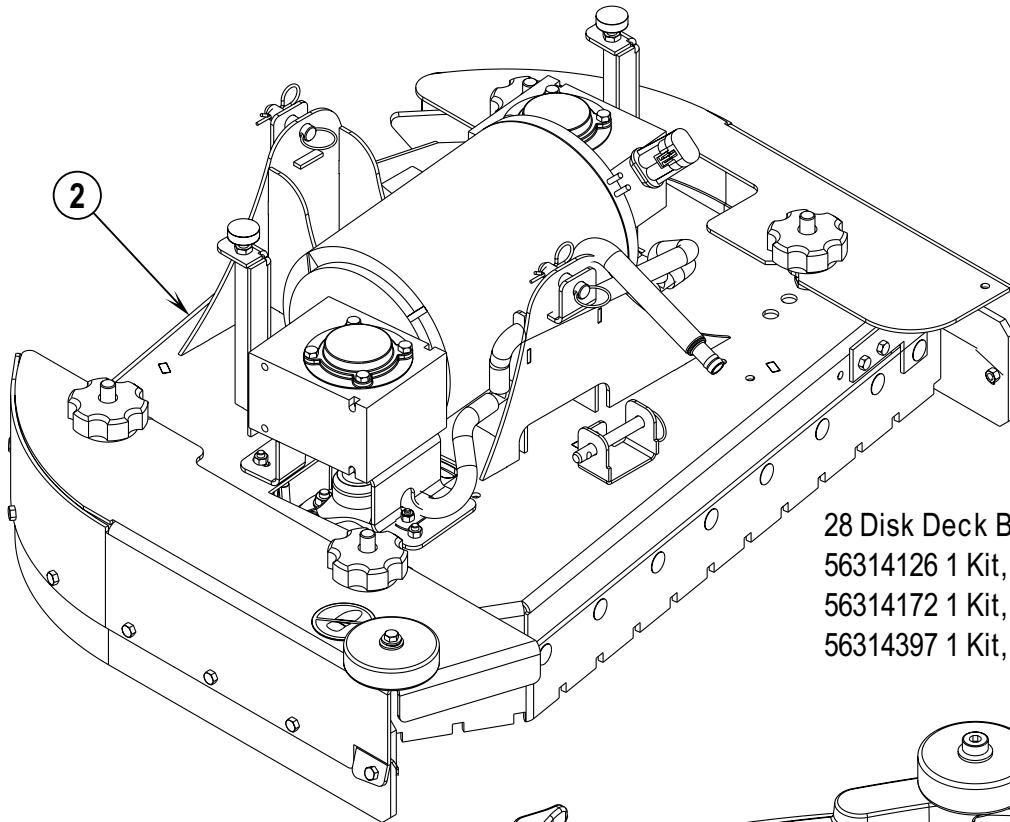
56314384 - Hard Nylon

56314385 - Prolene

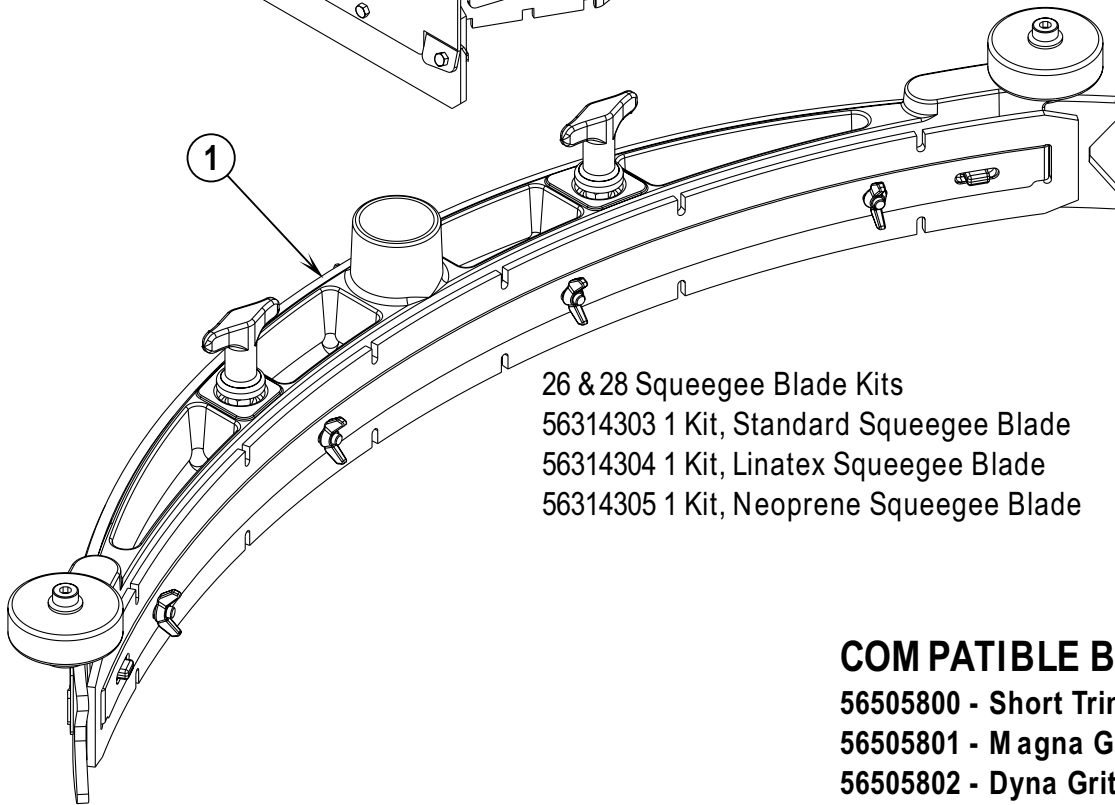
56314386 - 180 Grit

56314387 - 80 Grit

56314388 - 46 Grit



28 Disk Deck Blade Kits
 56314126 1 Kit, Gum Rubber 28 Disk
 56314172 1 Kit, Neoprene 28 Disk
 56314397 1 Kit, Linatex 28 Disk

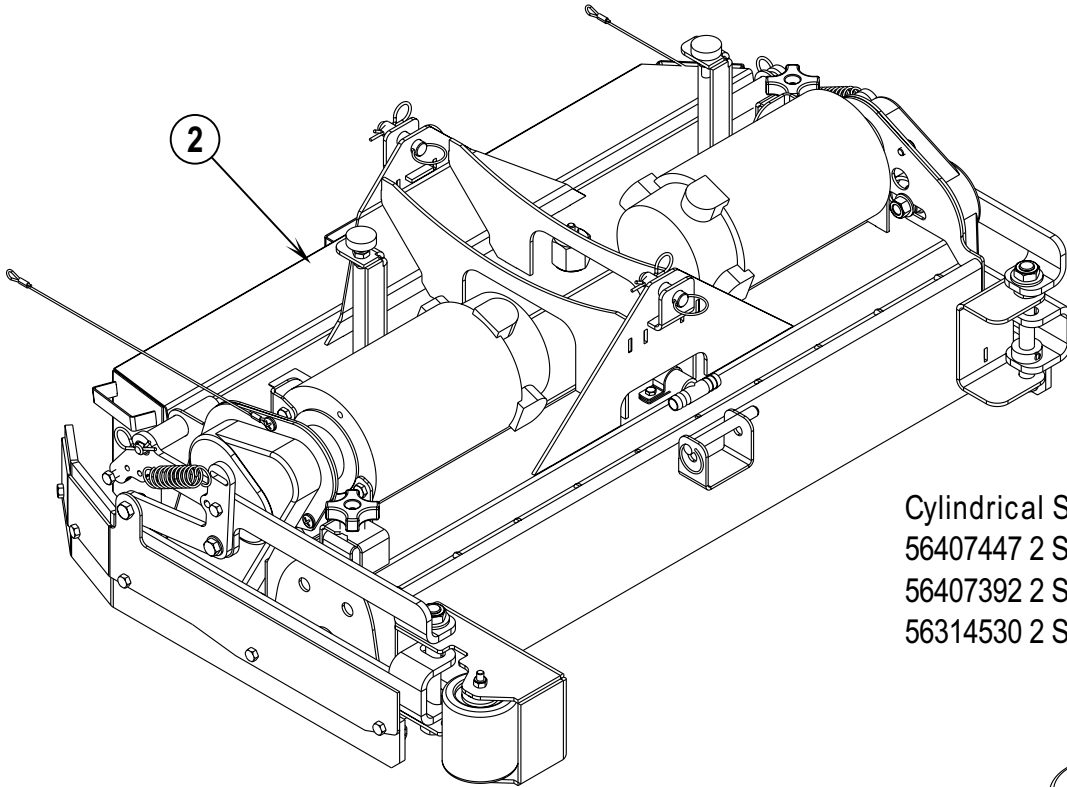


26 & 28 Squeegee Blade Kits
 56314303 1 Kit, Standard Squeegee Blade
 56314304 1 Kit, Linatex Squeegee Blade
 56314305 1 Kit, Neoprene Squeegee Blade

COM PATIBLE BRUSHES

- 56505800 - Short Trim Pad Holder
- 56505801 - Magna Grit
- 56505802 - Dyna Grit
- 56505803 - AgLite Grit
- 56505804 - ProLite
- 56505805 - Prolene
- 56505806 - Union Mix
- 56505807 - M idGrit
- 56505808 - M idLite Grit

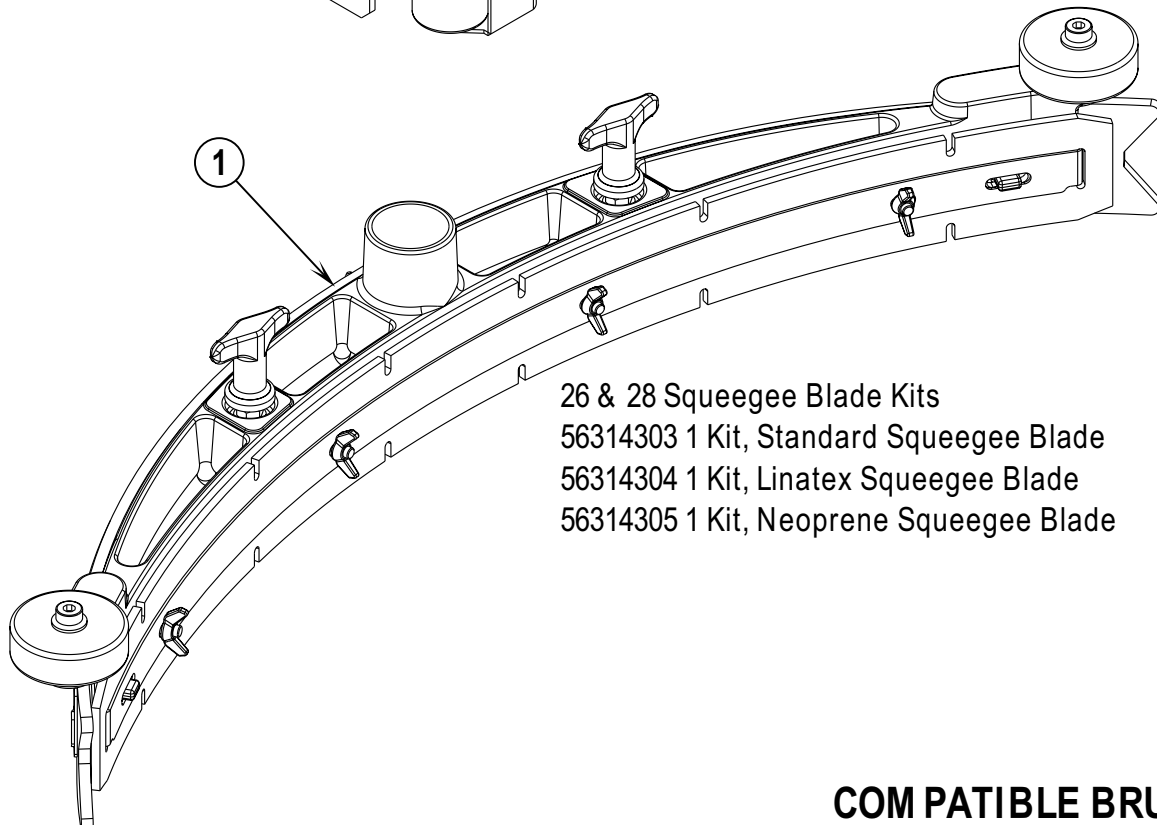
Item	Ref. No.	Qty	Description
	56314478	1	28 Disk Deck Kit
*	56040794	1	Instruction Sheet
1	56314020	1	Squeegee Assembly
2	56314511	1	28 Disk Deck Assembly

**Cylindrical Skirts**

56407447 2 Skirt, Gum Rubber

56407392 2 Skirt, Neoprene

56314530 2 Skirt, Linatex

**26 & 28 Squeegee Blade Kits**

56314303 1 Kit, Standard Squeegee Blade

56314304 1 Kit, Linatex Squeegee Blade

56314305 1 Kit, Neoprene Squeegee Blade

Item	Ref. No.	Qty	Description
	56314479	1	28 Cylindrical Deck Kit
*	56040794	1	Instruction Sheet
1	56314020	1	Squeegee Assembly
2	56314521	1	28 Cylindrical Deck Assembly

COM PATIBLE BRUSHES

56412191 - Soft Nylon

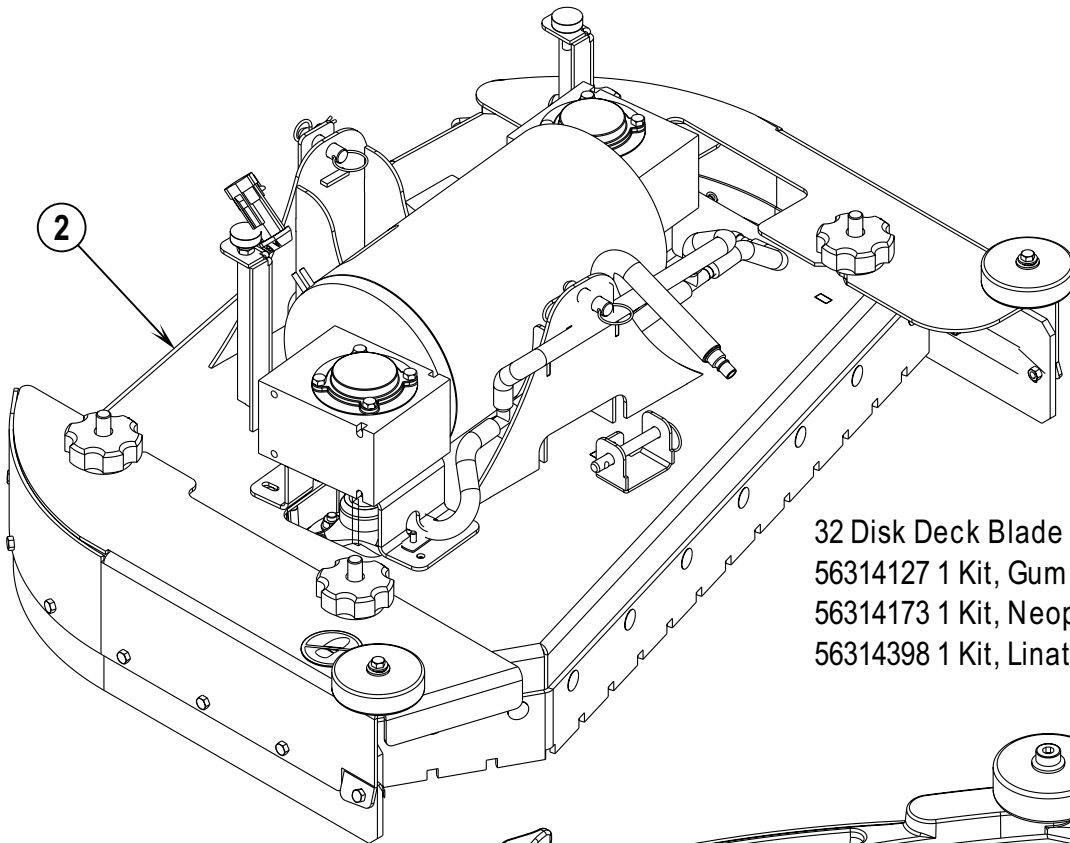
56412192 - Hard Nylon

56412046 - Prolene

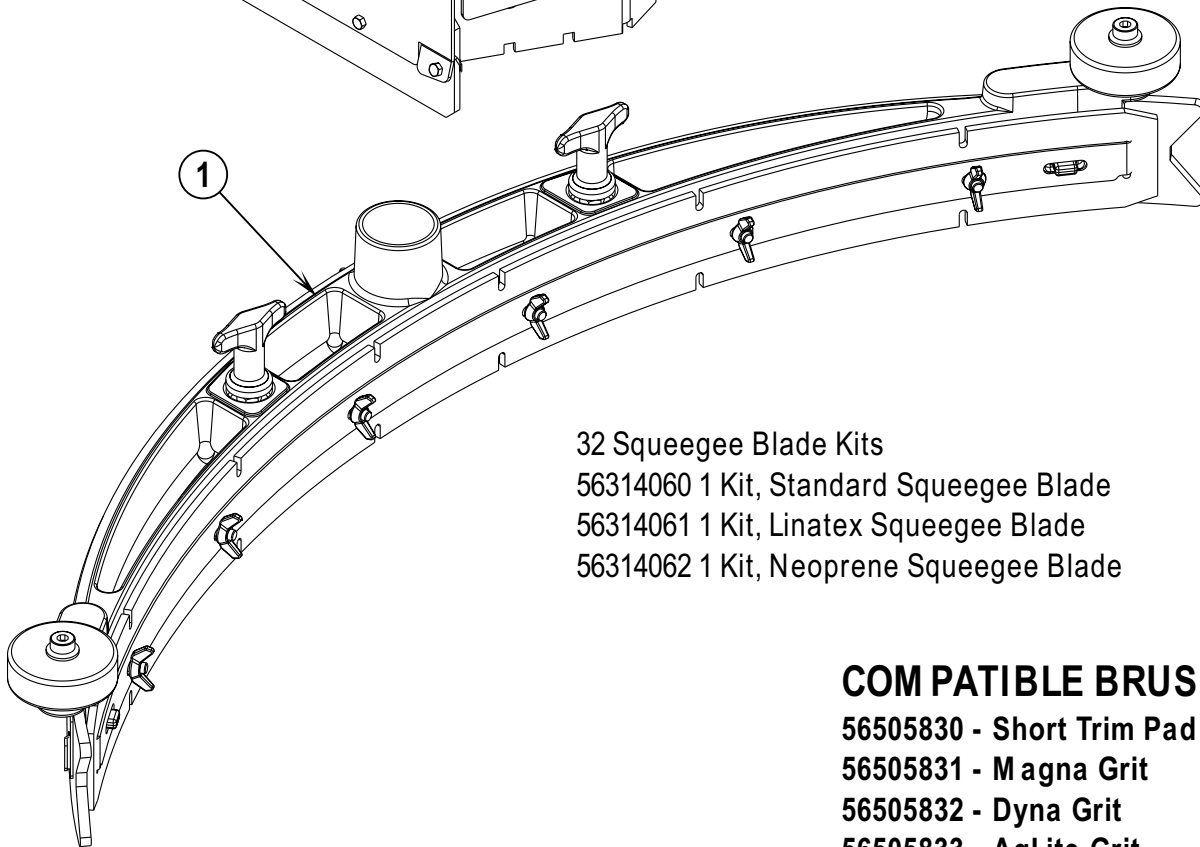
56412193 - 180 Grit

56412194 - 80 Grit

56412195 - 46 Grit



32 Disk Deck Blade Kits
 56314127 1 Kit, Gum Rubber 32 Disk
 56314173 1 Kit, Neoprene 32 Disk
 56314398 1 Kit, Linatex 32 Disk

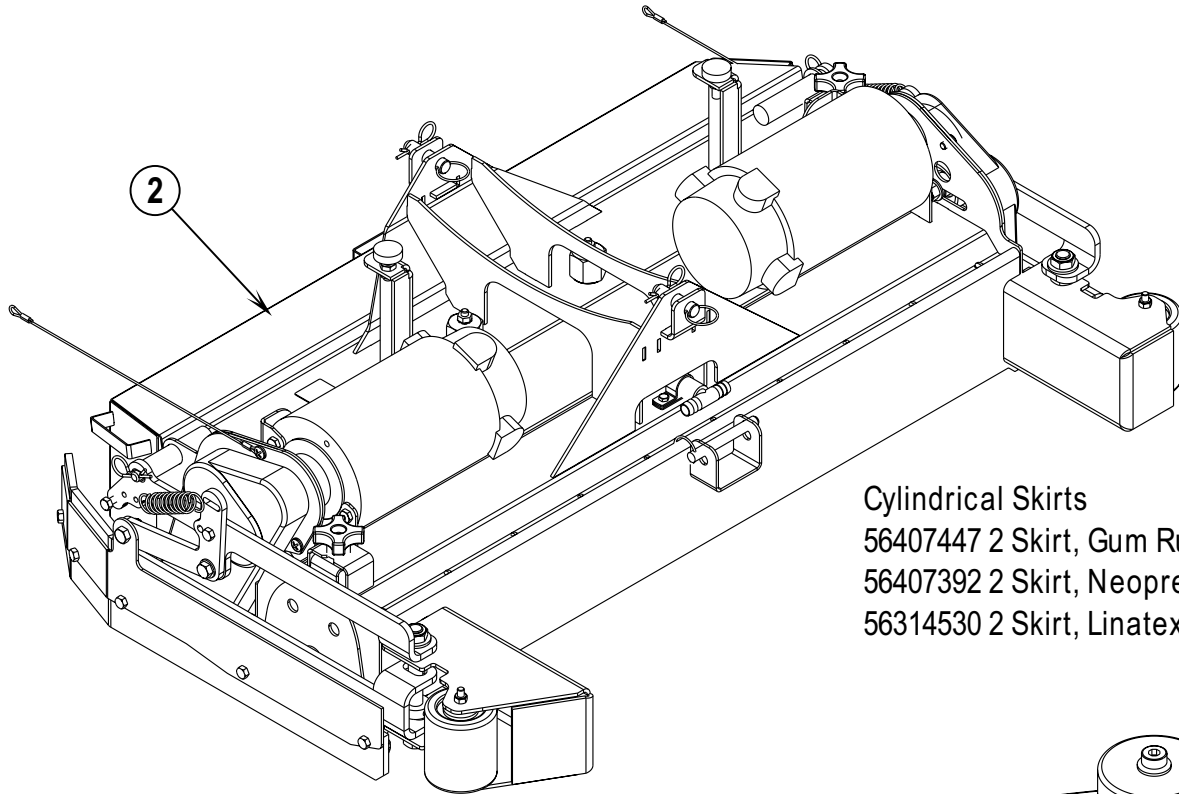


32 Squeegee Blade Kits
 56314060 1 Kit, Standard Squeegee Blade
 56314061 1 Kit, Linatex Squeegee Blade
 56314062 1 Kit, Neoprene Squeegee Blade

COM PATIBLE BRUSHES

- 56505830 - Short Trim Pad Holder
- 56505831 - Magna Grit
- 56505832 - Dyna Grit
- 56505833 - AgLite Grit
- 56505834 - ProLite
- 56505835 - Prolene
- 56505836 - Union Mix
- 56505837 - MidGrit
- 56505838 - MidLite Grit

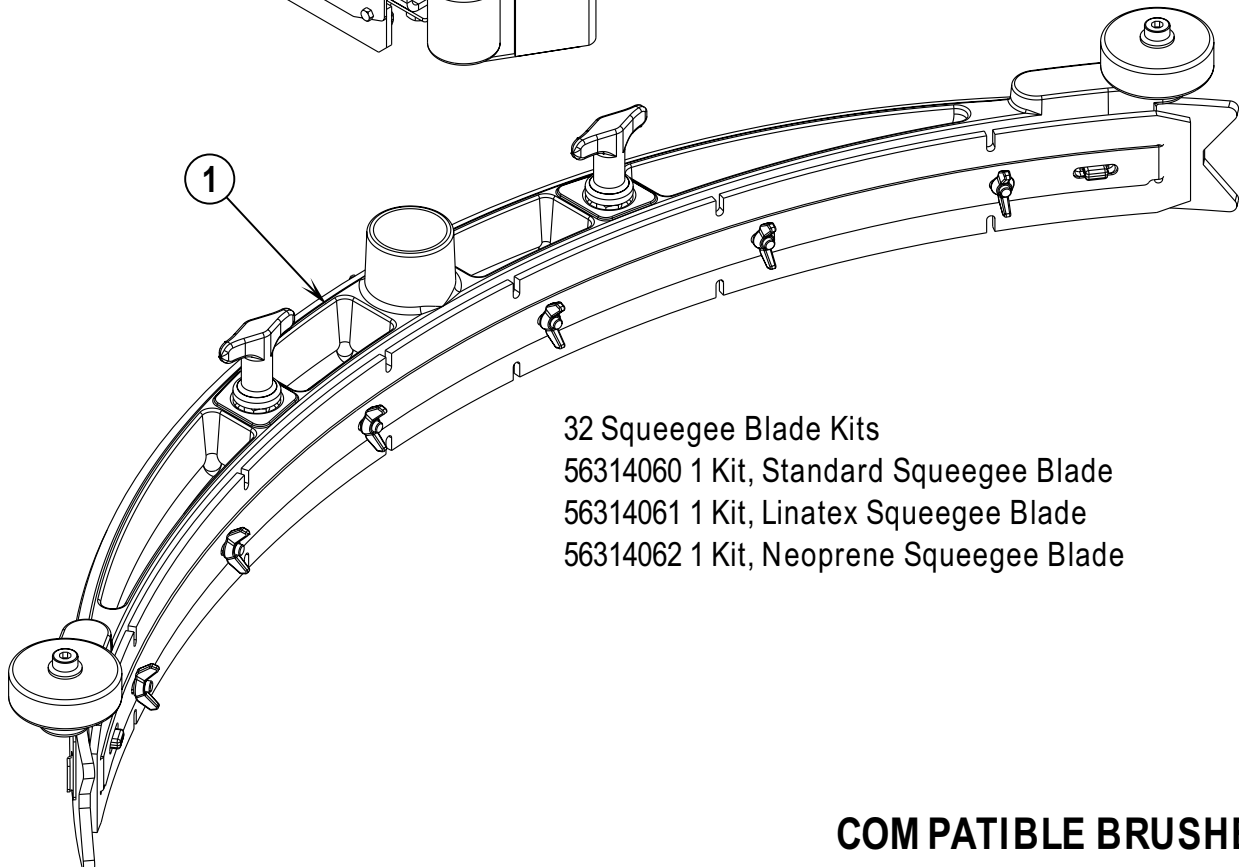
Item	Ref. No.	Qty	Description
	56314480	1	32 Disk Deck Kit
*	56040794	1	Instruction Sheet
1	56314358	1	Squeegee Assembly
2	56314510	1	32 Disk Deck Assembly

**Cylindrical Skirts**

56407447 2 Skirt, Gum Rubber

56407392 2 Skirt, Neoprene

56314530 2 Skirt, Linatex

**32 Squeegee Blade Kits**

56314060 1 Kit, Standard Squeegee Blade

56314061 1 Kit, Linatex Squeegee Blade

56314062 1 Kit, Neoprene Squeegee Blade

Item	Ref. No.	Qty	Description
	56314481	1	32 Cylindrical Deck Kit
*	56040794	1	Instruction Sheet
1	56314358	1	Squeegee Assembly
2	56314520	1	32 Cylindrical Deck Assembly

COMPATIBLE BRUSHES

56407473 - Soft Nylon

56407474 - Hard Nylon

56407475 - Prolene

56407476 - 180 Grit

56407477 - 80 Grit

56407478 - 46 Grit

Item	Ref. No.	Qty	Description	Item	Ref. No.	Qty	Description
A1	56314067	1	Controller	M7	56314139	1	Motor Gearbox Assy (24" / Disk)
BT1	N/A		Battery		56314140	1	Motor Gearbox Assy (26" / Disk)
E1	56314072	1	Control Panel Assembly		56314141	1	Motor Gearbox Assy (28" / Disk)
F1	56412089	1	Fuse, 150 Amp		56314335	1	Motor Gearbox Assy (32" / Disk)
F2	56364294	1	Circuit Breaker, 45 Amp (Wheel Drive)	*	56314359	2	Key, 6mm Square
F3	56387316	1	Circuit Breaker, 10 Amp (Control Circuit)	*	56314499	2	Cover, Gearbox
F4	N/A	1	Fuse, 1 Amp	*	56314560	2	Gearbox
F5		1	Fuse, 5 Amp (Side Broom / optional)	*	56314580	1	Bearing (Fan End)
H1	56412177	1	Horn / Backup Alarm	*	56314581	1	Bearing (Brush End)
H2	56314063	1	Headlight (optional)	*	56314582	1	Brush Ring
H3	56416433	1	Strobe Light (optional)	*	56314583	4	Carbon Brush
K1	56395450	1	Contactora, Brush Motor	*	56314584	1	Safety Hook
K2	56395450	1	Contactora, Vac Motor		56407431	1	Motor, 36VDC, .75HP (Cylindrical)
L1	56397215	1	Solenoid Valve	*	56417489	1	Armature (for 56407431)
M1	56393303	1	Lift Actuator, Brush	*	56407490	1	Bearing (for 56407431)
*	56470433	1	Carbon Brush Kit	*	56407492	1	Brush Cap Assy (for 56407431)
*	56393790	2	Limit Switch	*	56407493	4	Carbon Brush Assy (for 56407431)
*	56388520	1	Plastic Nut	*	56407494	4	Brush Cover Cap (for 56407431)
M2	56397230	1	Lift Actuator, Squeegee	M8	56407431	1	Motor, 36VDC, .75HP (Cylindrical)
M3	56314268	1	Motor, Drive Wheel	*	56417489	1	Armature (for 56407431)
*	56314282	1	Brake Bar	*	56407490	1	Bearing (for 56407431)
*	56314289	1	Brake Band	*	56407492	1	Brush Cap Assy (for 56407431)
*	56412320	1	Carbon Brush Cover Kit (contains 4 seal rings & 4 brush covers)	*	56407493	4	Carbon Brush Assy (for 56407431)
*	56412321	1	Sealing Ring	*	56407494	4	Brush Cover Cap (for 56407431)
*	56412322	1	Bearing, Ball, Gearbox Side	M9		1	Motor, Side Broom (optional)
*	56412323	1	Bearing, Ball, Brush Side	R1	56454740	1	Potentiometer, 5K
*	56412325	1	Carbon Brush Kit	S1	56396188	1	Switch, Key
*	56314269	1	Drive Wheel – P7 Scrubber Compound	*	56396189	1	Key, Spare
**	56412339	1	Drive Wheel – Polyurethane	S2	56409613	1	Switch, Seat
M4	56212014	1	Motor, Pump (optional)	S3	N/A	1	Switch, Pump (part of M4)
M5	56397228	1	Motor, Vac 36VDC	S4	N/A	1	Switch, Headlight (part of H2)
*	56212223	1	Carbon Brush Set	S5		1	Switch, Side Broom (optional)
M6	56397228	1	Motor, Vac 36VDC (optional)				
*	56212223	1	Carbon Brush Set				

* = Not Shown

** = Optional

We manufacture brushes and pad holders that will give you the best possible performance between machine and floor. Following are descriptions of the materials and their applications.

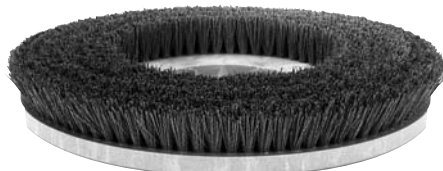
- Union Mix:** Medium grade natural fibers for polishing finished floors with standard-speed equipment. Recommended for use in place of white pads.
- ProLite:** Bristles are made from light-duty polypropylene for general scrubbing when you do not want to scratch or remove finish from the floor. Recommended for use in place of red pads.
- Prolene:** Polypropylene material for medium-duty scrubbing on concrete, terrazzo and vinyl floor tile. Recommended for use in place of green or blue pads.
- Magna Grit:** For extreme heavy-duty scrubbing or stripping of floors. This brush has extra large diameter silicon carbide grit impregnated synthetic bristles. Recommended for use in place of black pads.
- Dyna Grit:** For aggressive, heavy-duty scrubbing or stripping of floors. Recommended for use in place of brown pads.
- MidLite Grit:** For general purpose scrubbing of sealed or unsealed concrete, stone, terrazzo, quarry tile and other resilient hard floor surfaces. Recommended for use in place of green or blue pads.
- MidGrit:** For general purpose scrubbing when you need a lighter action for sealed or unsealed concrete, stone, terrazzo, quarry tile and other resilient hard floor surfaces. Recommended for use in place of green or blue pads.
- AgLite Grit:** For light scrubbing when used wet; buffing or polishing when used dry on urethane coated, sealed concrete or other resilient hard surface floors. Recommended for use in place of red or white pads.
- Short Trim Pad Holder:** Made with a structural foam block and center ring for correct pad centering. It has a "shower feed" design for getting solution to the floor.

- Ref. No.: 24" BRUSHES**
- 56505750 - Short Trim Pad Holder
 - 56505751 - Magna Grit
 - 56505752 - Dyna Grit
 - 56505753 - AgLite Grit
 - 56505754 - ProLite
 - 56505755 - Prolene
 - 56505756 - Union Mix
 - 56505757 - MidGrit
 - 56505758 - MidLite Grit

- Ref. No.: 28" BRUSHES**
- 56505800 - Short Trim Pad Holder
 - 56505801 - Magna Grit
 - 56505802 - Dyna Grit
 - 56505803 - AgLite Grit
 - 56505804 - ProLite
 - 56505805 - Prolene
 - 56505806 - Union Mix
 - 56505807 - MidGrit
 - 56505808 - MidLite Grit

- Ref. No.: 26" BRUSHES**
- 56505760 - Short Trim Pad Holder
 - 56505761 - Magna Grit
 - 56505762 - Dyna Grit
 - 56505763 - AgLite Grit
 - 56505764 - ProLite
 - 56505765 - Prolene
 - 56505766 - Union Mix
 - 56505767 - MidGrit
 - 56505768 - MidLite Grit

- Ref. No.: 32" BRUSHES**
- 56505830 - Short Trim Pad Holder
 - 56505831 - Magna Grit
 - 56505832 - Dyna Grit
 - 56505833 - AgLite Grit
 - 56505834 - ProLite
 - 56505835 - Prolene
 - 56505836 - Union Mix
 - 56505837 - MidGrit
 - 56505838 - MidLite Grit



We manufacture brushes and pad holders that will give you the best possible performance between machine and floor. Following are descriptions of the materials and their applications.

- 46 Grit Brush:** Most aggressive grit brush. Used primarily to clean heavy buildup on concrete floors in factories, or for heavy stripping of finish.
- 80 Grit Brush:** Medium aggressive grit brush. Good all-around brush for medium to heavy buildup removal. Can also be used for general stripping operations.
- 180 Grit Brush:** Least aggressive grit brush. Used for daily cleaning of hard-finished floors.
- Polypropylene Brush:** Standard equipment brush. Low cost, yet effective in cleaning many common floor surfaces.
- Stiff Nylon Brush:** Cleaning action similar to polypropylene. More durable and wear-resistant than polypropylene.
- Soft Nylon Brush:** Least aggressive brush available. Used on soft-finish floors where a more aggressive brush would leave scratch marks, or in applications requiring very light cleaning.

Ref. No.: 24" BRUSHES
 56314389 - Soft Nylon
 56314390 - Hard Nylon
 56314391 - Prolene
 56314392 - 180 Grit
 56314393 - 80 Grit
 56314394 - 46 Grit

Ref. No.: 28" BRUSHES
 56412191 - Soft Nylon
 56412192 - Hard Nylon
 56412046 - Prolene
 56412193 - 180 Grit
 56412194 - 80 Grit
 56412195 - 46 Grit

Ref. No.: 26" BRUSHES
 56314383 - Soft Nylon
 56314384 - Hard Nylon
 56314385 - Prolene
 56314386 - 180 Grit
 56314387 - 80 Grit
 56314388 - 46 Grit

Ref. No.: 32" BRUSHES
 56407473 - Soft Nylon
 56407474 - Hard Nylon
 56407475 - Prolene
 56407476 - 180 Grit
 56407477 - 80 Grit
 56407478 - 46 Grit



Item	Ref. No.	Qty	Description
			Optional Kits
**	56314753	1	Kit, On-Board Charger
**	56314301	1	Kit, Seat Armrests
**	56314302	1	Kit, Warning Beacon
**	56314306	1	Kit, Right Side Broom
**	56314308	1	Kit, Scrub-N-Vac Tool W/Pump
**	56314312	1	Kit, Seatbelt
**	56314313	1	Kit, Headlight
**	56314338	1	Kit, Dual Vac Motor
**	56397453	1	Kit, Battery Fill Indicator
**	56314474	1	Kit, 24" Disk Deck
**	56314475	1	Kit, 24" Cylindrical Deck
**	56314476	1	Kit, 26" Disk Deck
**	56314477	1	Kit, 26" Cylindrical Deck
**	56314478	1	Kit, 28" Disk Deck
**	56314479	1	Kit, 28" Cylindrical Deck
**	56314480	1	Kit, 32" Disk Deck
**	56314481	1	Kit, 32" Cylindrical Deck
			24" Squeegee Blade Kits
**	56314054	1	Kit, Standard Squeegee Blade
**	56314055	1	Kit, Linatex Squeegee Blade
**	56314056	1	Kit, Neoprene Squeegee Blade
			26" & 28" Squeegee Blade Kits
**	56314303	1	Kit, Standard Squeegee Blade
**	56314304	1	Kit, Linatex Squeegee Blade
**	56314305	1	Kit, Neoprene Squeegee Blade
			32" Squeegee Blade Kits
**	56314060	1	Kit, Standard Squeegee Blade
**	56314061	1	Kit, Linatex Squeegee Blade
**	56314062	1	Kit, Neoprene Squeegee Blade
			24" Disk Deck Blade Kits
**	56314124	1	Kit, Gum Rubber 24 Disk NOTE 1
**	56314170	1	Kit, Neoprene 24 Disk NOTE 1
**	56314395	1	Kit, Linatex 24 Disk NOTE 1
			26" Disk Deck Blade Kits
**	56314125	1	Kit, Gum Rubber 26 Disk NOTE 1
**	56314171	1	Kit, Neoprene 26 Disk NOTE 1
**	56314396	1	Kit, Linatex 26 Disk NOTE 1
			28" Disk Deck Blade Kits
**	56314126	1	Kit, Gum Rubber 28 Disk NOTE 1
**	56314172	1	Kit, Neoprene 28 Disk NOTE 1
**	56314397	1	Kit, Linatex 28 Disk NOTE 1
			32" Disk Deck Blade Kits
**	56314127	1	Kit, Gum Rubber 32 Disk NOTE 1
**	56314173	1	Kit, Neoprene 32 Disk NOTE 1
**	56314398	1	Kit, Linatex 32 Disk NOTE 1
			Accessories
**	56409441	A/R	Programmer, 1307 User
**	56409823	A/R	Programmer Cable

** = Optional, Not Included

NOTE 1: Disk Deck Blade Kits include required mounting fasteners (Rivet, Nylon Tree Push-In 56003263).

DANMARK

Nilfisk-Advance Nordic A/S
Sognevej 25 - Box 344
DK-2605 Broendby
☎ 43 23 83 50 – Fax 43 42 15 95

NORGE

Nilfisk-Advance AS
Enebakvæn, 119, 0680 Oslo, Postboks 196, Manglerud,
0612 Oslo
☎ 22 08 63 50 – Fax 22 08 63 63
Distriktsrepresentanter over hele landet

SVERIGE

Nilfisk-Advance AB
Sjöbjörnsvägen 5, 117 67 Stockholm
☎ 085 55 944 00 – Fax 085 55 944 30

FINLAND/ SUOMI

BERNER Ltd. Facotek Department
Etäleranta 4B, 00130 Helsinki
☎ +358 9 1345 1382

AUSTRALIA

Nilfisk-Advance Pty. Ltd.
48 Egerton Street
Silverwater NSW 2128
☎ (02) 8748 5905 – Fax (02) 9648 2711
Customer Responce Centre:
☎ 1 800 011 013

BELGIQUE / BELGIË/ LUXEMBOURG

Nilfisk-Advance s.a./n.v.
Doornveld/ Sphere Business Park
Industrie Asse 3, nr 11 – bus 41
1731 Zellik-Asse
☎ (02) 467.60.50 Fax (02) 463.44.16

CANADA

Nilfisk-Advance Ltd.
396 Watline Avenue
Mississauga, Ontario L4Z 1X
☎ (905) 712-3260 – Fax (905) 712-3255

DEUTSCHLAND

Nilfisk-Advance AG
Siemensstraße 25-27
25462 Rellingen
☎ (041 01) 3990 – Fax (04101) 399191
Zentraler Kundenservice
☎ für die Industrie: 0180 535 67 97
☎ Institutionen und Gebäudereiniger: 0180 500 11 70

FRANCE

Nilfisk-Advance S.A.
BP 246
91944 Courtaboeuf Cedex
☎ (01) 69.59.87.00 Télécopie (01) 69.59.87.01

HONG KONG

Nilfisk-Advance Ltd.
2001, 20/F HK Worsted Mills
Industrial Building
31-39 Wo Tong Tsui Street
Kwai Chung, N.T.
☎ 2427 59 51 – Fax 2487 5828

IRELAND

Nilfisk-Advance Ltd.
28 Sandford Office Park
Dublin 18
☎ +353 1 2943838 – Fax +353 1 2943845

JAPAN

Nilfisk-Advance Inc.
3-4-9 Chigasaki Minami
Tsuzuki-Ku Yokohama 224 0037
☎ 045-942-7741 – Fax 045-942-6545

MALAYSIA

Nilfisk-Advance Sdn Bhd
Lot 2, 1st. Floor
Lorong 19/1A
46300 Petaling Jaya
Selangor Darul Ehsan
☎ 03-7568188/03-7568189/03-7568388 – Fax 03-7566828

NEDERLAND

Nilfisk-Advance B.V.
Flevolaan 7, Postbus 341
1380 AH Weesp
☎ 0294-462121 – Fax 0294-430053

NEW ZEALAND

Nilfisk-Advance Limited
477 Great South Road, Penrose
Auckland
☎ (09) 525 0092 – Fax (09) 525 6440

SCHWEIZ / SUISSE

Nilfisk-Advance AG
Ringstrasse 19, 9533 Kirchberg/Wil
☎ 719 23 52 83 – Fax 719 23 84 44

SINGAPORE

Nilfisk-Advance Pte. Ltd.
22, Woodlands Industrial Park E1
Singapore 757740
☎ (65) 759 9100 – Fax (65) 759 9133

TAIWAN

Nilfisk-Advance Ltd.
1 F, No.23, Lane 132, Sec. 2
Ta An Road, Taipei
☎ 700 22 68 – Fax 784 08 43

UNITED KINGDOM

Nilfisk-Advance Limited
Newmarket Road
Bury St. Edmunds
Suffolk IP 33 3SR
☎ (01284) 763163 – Fax (01284) 750562

USA

Nilfisk-Advance Inc.
14600 21st Avenue North
Plymouth, MN 55447-3408
☎ +1 800 989 2235 – Fax 1 800 989 6566

Nilfisk-Advance of America, Inc.
300 Technology Drive
Malvern, PA 19355
☎ (610) 647 647-6427

ÖSTERREICH

Nilfisk-Advance GmbH
Vorarlberg Allee 46
1230 Wien
☎ 1 616 58 30 – Fax 1 616 58 30 40

ESPAÑA

Nilfisk-Advance, S.A.
Torre D'Ara
Passeig del Rengle, 5 Pl.9-10
E-08302 – Mataró (Barcelona)
☎ Tel. 93 741 24 00 – Fax: 93 757 80 20
Central atención al cliente: 902 200 201
nilfisk@nilfisk-advance.es – www.nilfisk-advance.com
Distribuidores y Servicio Técnico en toda España y Andorra

ITALIA

Nilfisk-Advance Italia Spa
Località Novella Terza
26862 Guardamiglio (LO)
Italy
☎ +39 0377 414067-54 – Fax +39 0377 414097
www.nilfisk-advance.com

PORTUGAL

Nilfisk-Advance Lda.
Rua Cândido de Figueiredo, 91-i, 1500-133 LISBOA
☎ 01/7784142 – Fax 01/7785613
Porto 02/526766 – Fax 02/520739
Açores 096/628092/3 – Fax 096/628129
Madeira 091/228965 – Fax 091/228796

GREECE

Embiom S.A.
Λεωφ. Βουλιαγμένης 60
Αργυρούπολη
164 52 Αθήνα
☎ 9950613 - Fax 9951680

