

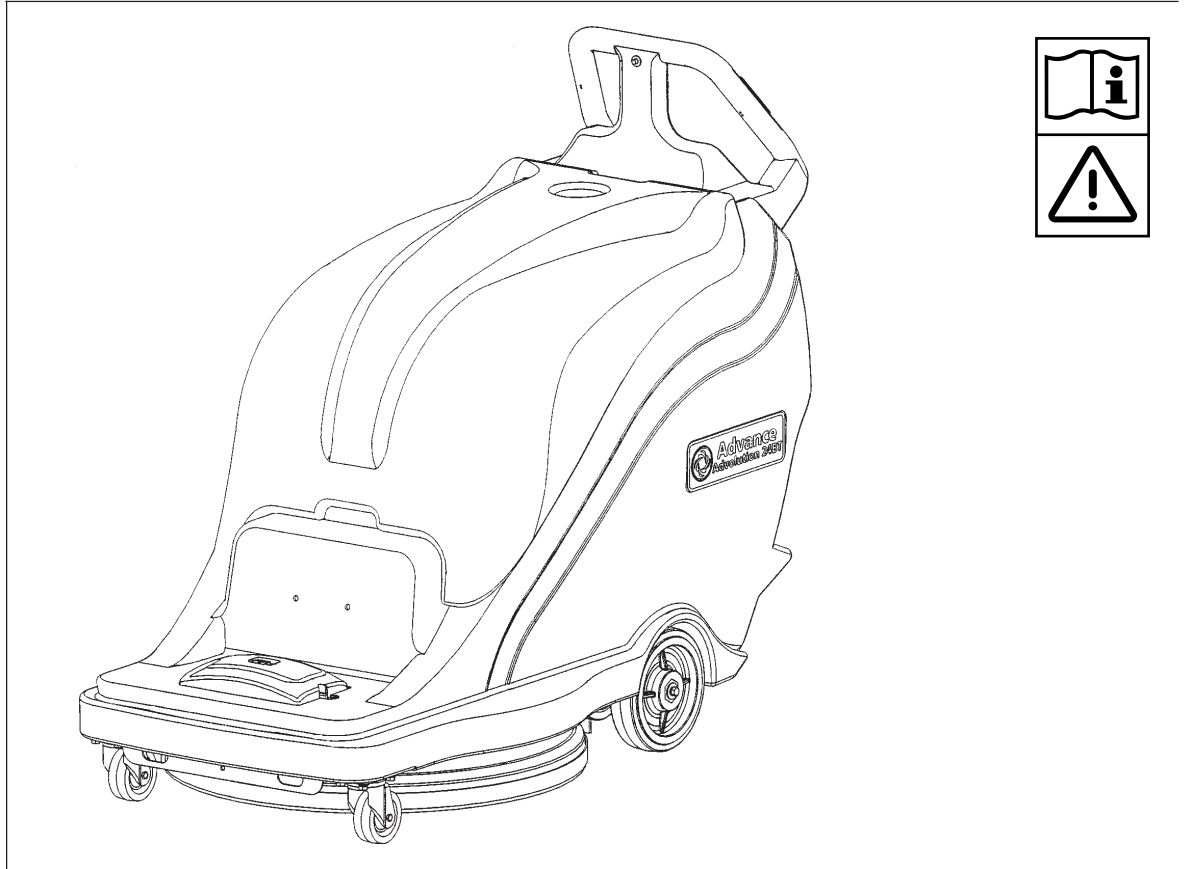
---

# Advolution 24B

---

# Advolution 24BT

---



---

Instructions For Use and Parts List  
Instrucciones para el uso y lista de piezas  
Guides d'utilisation et liste des pièces

Advance Models: 01574A (24BT 220AH), 01575A (24B 220AH),  
01576A (24BT 234AH AGM), 01547A (24B 234AH AGM)

Advance Models (w/Active Vac): 01564A (24BT 220AH), 01565A (24B 220AH),  
01566A (24BT 234AH AGM), 01567A (240B 234AH AGM)

**EN** English (2 - 10)

**ES** Español (12 - 20)

**FR** Français (22 - 30)

**PARTS LIST (31 - 57)**



# TABLE OF CONTENTS

Safety Instructions .....	3
Know Your Machine .....	4
Introduction .....	5
Parts and Service .....	5
Nameplate .....	5
Uncrating the Machine .....	5
Preparing the Machine for Use .....	5
Servicing Batteries .....	5
Battery Installation .....	7
Pad Installation .....	7
Dust Bag Installation .....	7
Maintenance .....	8
Maintenance Schedule .....	8
Battery Maintenance .....	8
Troubleshooting .....	8
Machine Vibration .....	8
Swirl Marks .....	8
Reduced Running Time .....	8
Pad Assist Machine Does Not Pull Itself .....	8
Specifications .....	10
Section II Parts List .....	31

## WARNING!

The Products sold with this Manual contain or may contain chemicals that are known to certain governments (such as the State of California, as identified in its Proposition 65 Regulatory Warning Law) to cause cancer, birth defects or other reproductive harm. In certain locations (including the State of California) purchasers of these Products that place them in service at an employment job site or a publicly accessible space are required by regulation to make certain notices, warnings or disclosures regarding the chemicals that are or may be contained in the Products at or about such work sites. It is the purchaser's responsibility to know the content of, and to comply with, any laws and regulations relating to the use of these Products in such environments. The Manufacturer disclaims any responsibility to advise purchasers of any specific requirements that may be applicable to the use of the Products in such environments.

## IMPORTANT SAFETY INSTRUCTIONS

This machine is only suitable for commercial use, for example in hotels, schools, hospitals, factories, shops and offices other than normal residential housekeeping purposes.

When using this appliance, basic precautions should always be followed, including the following:

### **WARNING!**

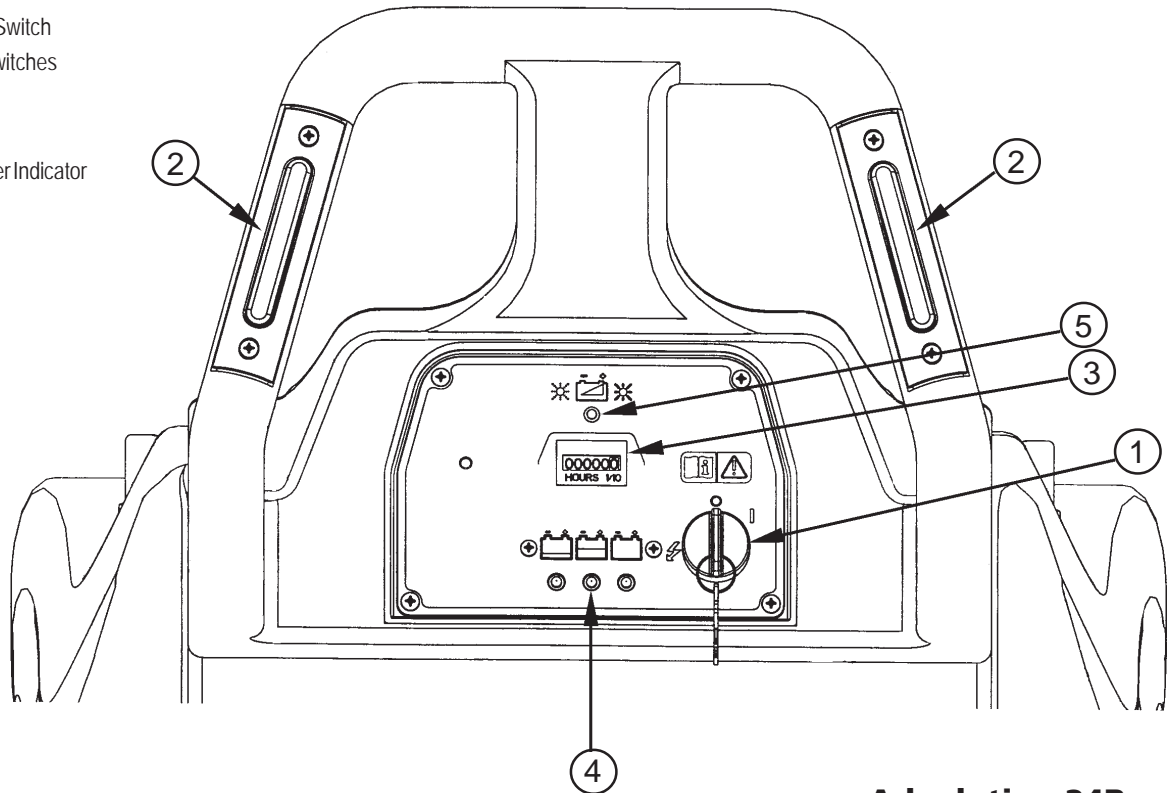
To reduce risk of fire, electric shock, injury or property damage, read all instructions before using.

- \* Do not operate this machine until it is completely assembled. Inspect the machine carefully before operation.
- \* Machines can cause an explosion when operated near flammable materials and vapors. Do not use this machine with or near fuels, grain dust, solvents, thinners, or other flammable materials.
- \* Lead acid batteries generate gases which can cause an explosion. Keep sparks and flames away from batteries. Do not smoke around the machine. Charge the batteries only in an area with good ventilation. Make sure that you unplug the AC charger from the wall outlet before disconnecting from the machine.
- \* Waste Disposal Method: Dispose as hazardous waste. Observe all federal, state and local environmental regulations for acid or lead scrap. Send batteries to lead smelter for reclamation following applicable federal, state and local regulations.
- \* Working with batteries can be dangerous! Always wear eye protection and protective clothing when working near batteries. Remove all jewelry. Do not put tools or other metal objects across the battery terminals, or the tops of the batteries.
- \* Using a charger with a damaged power cord could result in an electrocution. Do not use the charger if the power cord is damaged.
- \* Operating this machine from anywhere other than the back of the machine could result in injury or damage.
- \* This machine is heavy. Get assistance before attempting to transport or move it. Use two able persons to move the machine on a ramp or incline. Always move slowly. Do not turn the machine on a ramp. If operating machine on a gradient over 2%, do not stop, turn, or park.
- \* Machines can topple over if guided over the edges of stairs or loading docks and cause injury or damage. Stop and leave this machine only on a level surface. When you stop the machine, turn the key "OFF".
- \* Alterations or modifications not authorized by the manufacturer voids any and all warranties and liabilities and could result in damage to the machine or injury to the operator or other bystanders.
- \* Maintenance and repairs performed by unauthorized personnel could result in damage or injury.
- \* Keep the electrical components of the machine dry. Wipe the machine down after each use. For storage, keep the machine in a dry building.
- \* Read all machine labels before attempting to operate. Make sure all of the labels and instructional information are attached or fastened to the machine.
- \* Use only commercially available floor cleaners and waxes intended for machine operation. Do not use flammable materials.
- \* When cleaning, servicing or maintaining the machine, replacing parts or converting to another function, the power source should be switched off.
- \* Use of this machine to move other objects or to climb on could result in injury or damage. Do not use this machine as a step or furniture. Do not ride on this machine.
- \* Your machine warranty will be voided if anything other than Nilfisk-Advance parts are used on your machine.

## SAVE THESE INSTRUCTIONS

### KNOW YOUR MACHINE

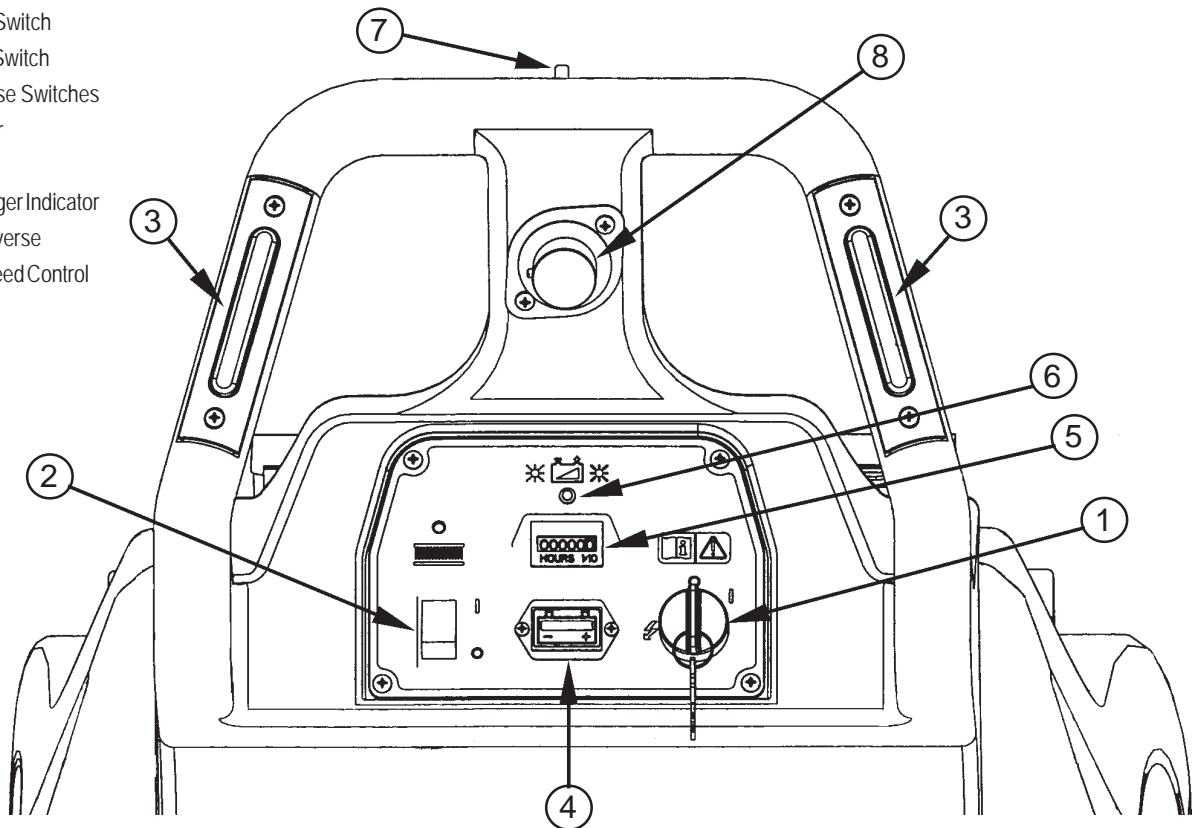
- 1 On / Off Key Switch
- 2 Pad Power Switches
- 3 Hour Meter
- 4 Battery Meter
- 5 Battery Charger Indicator



**Advolution 24B**

### KNOW YOUR MACHINE

- 1 On/Off Key Switch
- 2 Pad Power Switch
- 3 Pad / Traverse Switches
- 4 Battery Meter
- 5 Hour Meter
- 6 Battery Charger Indicator
- 7 Traverse Reverse
- 8 Traverse Speed Control



**Advolution 24BT**

## INTRODUCTION

This manual will help you get the most from your Nilfisk-Advance floor machine. Read it thoroughly before operating the machine.

This product is intended for commercial use only.

### PARTS AND SERVICE

Repairs, when required, should be performed by your Authorized Nilfisk-Advance Service Center, who employs factory trained service personnel, and maintains an inventory of Nilfisk-Advance original replacement parts and accessories.

Call the Nilfisk-Advance dealer named below for repair parts or service. Please specify the Model and Serial Number when discussing your machine.

(Dealer, affix service sticker here.)

### NAME PLATE

The Model Number and Serial Number of your machine are shown on the Nameplate on the bottom of the machine. This information is needed when ordering repair parts for the machine. Use the space below to note the Model Number and Serial Number of your machine for future reference.

MODEL NUMBER \_\_\_\_\_

SERIAL NUMBER \_\_\_\_\_

### UNCRATE THE MACHINE

When the machine is delivered, carefully inspect the shipping carton and the machine for damage. If damage is evident, save the shipping carton so that it can be inspected. Contact the Nilfisk-Advance Customer Service Department immediately to file a freight damage claim (phone number is provided on the back cover of this manual).

## PREPARING THE MACHINE FOR USE

### WARNING!

Use extreme caution when working with batteries. Sulfuric acid in batteries can cause severe injury if allowed to contact the skin or eyes. Explosive hydrogen gas is vented from inside the batteries through openings in the battery caps. This gas can be ignited by any arc, spark or flame.

#### WHEN SERVICING BATTERIES...

- Remove all jewelry
- Do not smoke
- Wear safety glasses
- Work in a well-ventilated area
- Do not allow tools to touch more than one battery terminal at a time.

### CAUTION!

Electrical components in this machine can be severely damaged if the batteries are not installed and connected properly. Batteries should be installed by your local Nilfisk-Advance dealer or by a qualified electrician.

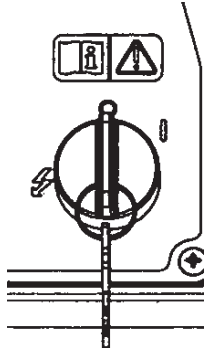
The Advolution 24B and 24BT may be used with three 12 volt 220 amp hour batteries or three 12 volt 234 amp hour AGM batteries.

### CAUTION!

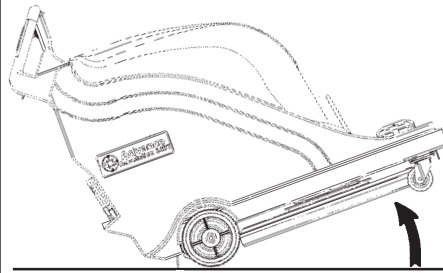
The battery charger must be reprogrammed when switching from lead acid to AGM batteries. See the Charger Manual for instructions.

# C

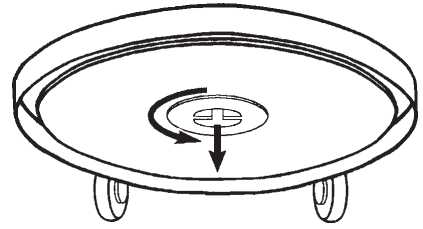
1



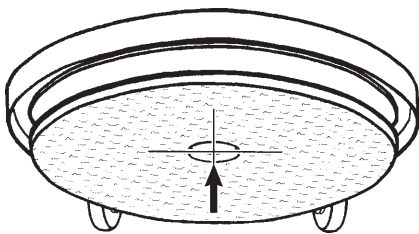
2



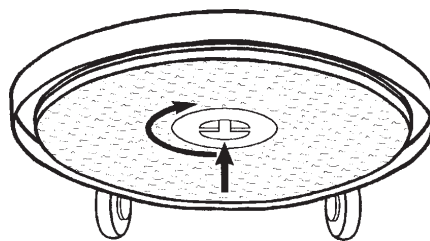
3



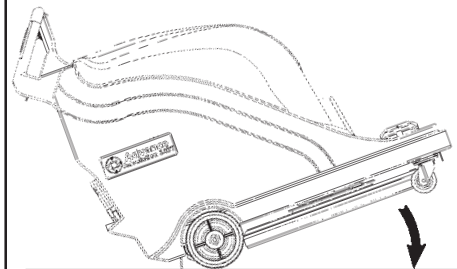
4



5

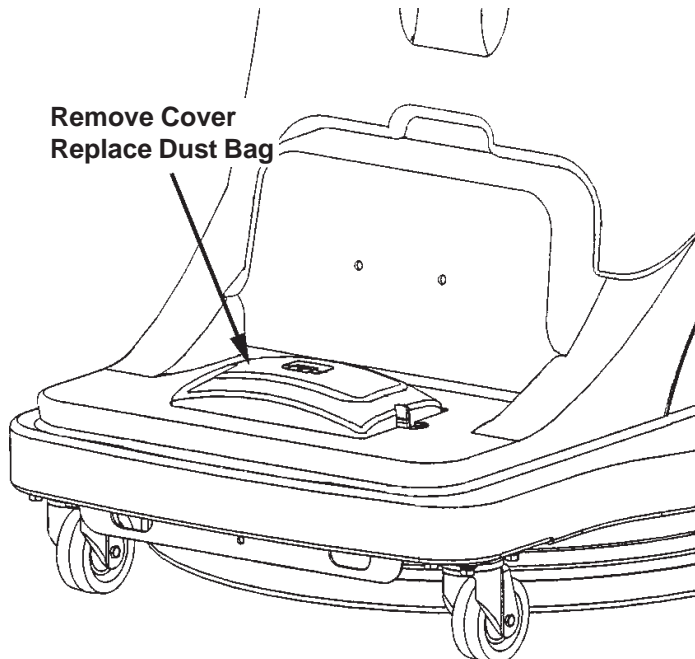


6



# D

Remove Cover  
Replace Dust Bag

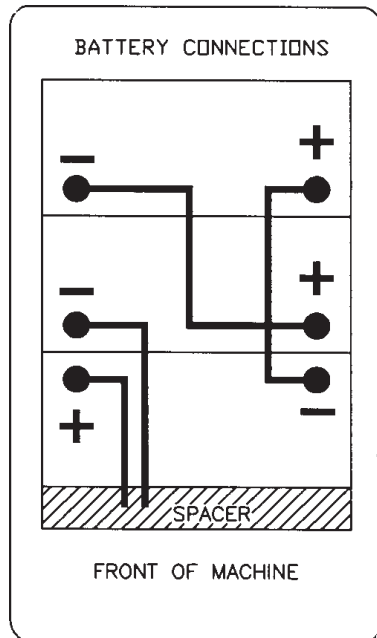


# PREPARING THE MACHINE FOR USE

## (B)-INSTALLING THE BATTERIES

- 1 Carefully lift the batteries into the battery tray. Arrange as shown in Figure B.

### B



- 2 Make sure the key switch is in the OFF position.
- 3 Install the battery cables as shown in figure B, with the terminals marked "P" on the positive battery posts and the terminals marked "N" on the negative battery posts. Position the cables so that the caps can be easily removed when it is necessary to add water to the batteries.
- 4 Tighten the nut on each battery terminal just enough to keep the terminal from being turned on the battery post. Then tighten the nut one more full turn.
- 5 Coat all the terminals and posts with grease, petroleum jelly or spray-on battery coating (available at most auto parts stores).
- 6 Put on the black rubber "boots" over each of the terminals and use the plastic tie straps to hold them in place.
- 7 Join the connector from the battery pack to the connector on the control panel.
- 8 Reassemble machine.

**NOTE:** Charge the batteries before using the machine.

## (C)-PAD INSTALLATION

Your local Nilfisk-Advance distributor can provide the proper pads and floor finishes for use with this machine.

### ⚠ CAUTION!

Using the wrong kind of pad on this machine can damage the floor. The pad must be centered properly on the pad holder to prevent machine vibration.

For pad installation, follow the steps below (see steps 1 - 6 in Figure C):

- 1 Turn the key switch off.
- 2 Put the machine in the position shown, to access the pad retainer.
- 3 Go to the front of the machine. While holding the pad retainer with one hand, rotate the pad and pad driver counter clockwise to loosen the pad retainer.
- 4 Remove the old pad and install a new one, being careful to center it on the outside diameter of the pad driver. **NOTE: Vibration could occur if you center the hole in the pad to the opening for the pad retainer. Always use a high quality pad rated to operate at 2000 rpm.**
- 5 Retighten the pad retainer as tight as possible.
- 6 Raise the back of the machine to lower the pad housing by lifting as shown.

## (D)-DUST BAG INSTALLATION

Your local Nilfisk-Advance distributor can provide the proper pads and floor finishes for use with this machine.

### IMPORTANT!

Install dust collector bag (part number 56201569) on top of control housing (see Figure D). The dust collection system will not operate properly if the collector bag is full or torn.

# MAINTENANCE

## MAINTENANCE SCHEDULE

Maintenance Item	Daily	Monthly	Yearly
Charge Batteries	x		
Check/Replace Dust Bags	x		
Check/Replace Skirt	x		
Clean Pad	x		
Lubrication		x	
Check/Service Pad Motor Brushes		x	
Service Drive Motor Brushes			x

## BATTERY MAINTENANCE

Charge the batteries each time the machine is used for 1 hour or longer, or whenever the Battery Meter reads in the red area.

### To Charge the Batteries...

- 1 Remove cover.
- 2 Plug charger in.
- 3 Check the fluid level in all battery cells after charging the batteries. Add distilled water, if necessary, to bring the fluid level up to the bottom of the filler tubes.

## CAUTION!

To avoid damage to floor surfaces, wipe water and acid from the top of the batteries after charging.

## CAUTION!

Acid can spill onto the floor if the batteries are overfilled.

## IMPORTANT

Motor damage resulting from failure to service carbon brushes is not covered under warranty. See the Limited Warranty statement.

# TROUBLESHOOTING

## MACHINE VIBRATION

- 1 Pad is not centered properly.
- 2 Defective pad. Replace.

## SWIRL MARKS

- 1 Pad is too aggressive for the floor finish.
- 2 Pad is dirty, Check and replace.

## REDUCED RUNNING TIME

- 1 Battery needs to be charged.
- 2 Batteries need water. Add just enough to cover the plates in each cell. Then charge the batteries and check the water level again.

## (E) PAD ASSIST MACHINE DOES NOT PULL ITSELF

For pad assist adjustment, follow the steps below (see steps 1 - 6 in Figure E):

- 1 Tip burnisher back as shown to gain access to the pivot bracket.
- 2 Remove the dust bag.
- 3 Pull down on the dust skirt to gain access to the adjustment hardware.
- 4 Loosen pivot bracket adjustment hardware and pivot bolts and rotate bracket counterclockwise to increase pad assist.
- 5 Pivot bracket has slots to allow adjustment.
- 6 Adjust pivot bracket so pad is tipped down towards the RH side of the machine to increase the pad assist. Then retighten the adjustment hardware.

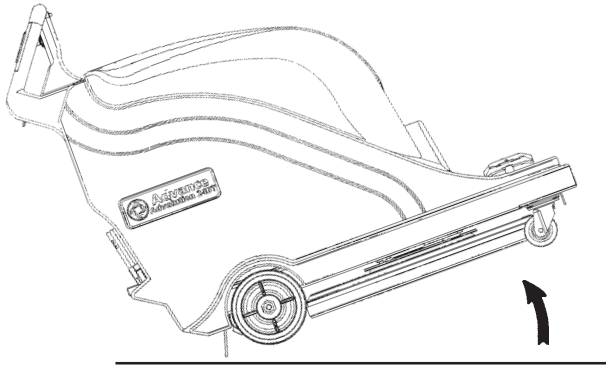
## CAUTION!

Pad assist will vary depending on the aggressiveness of pad and the floor finish. If the deck is angled too much it could result in the pad burning the floor on the RH side.



# E

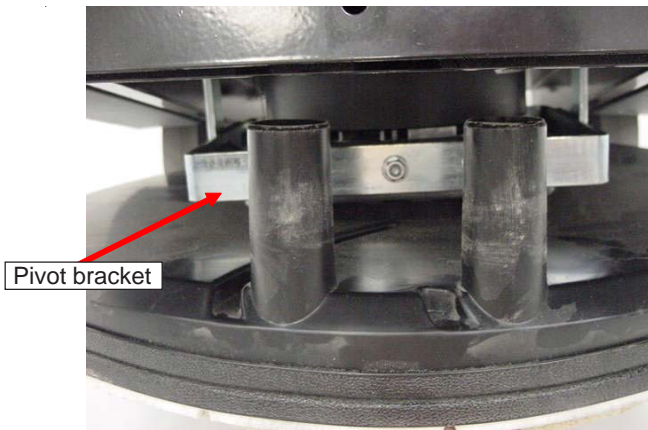
1



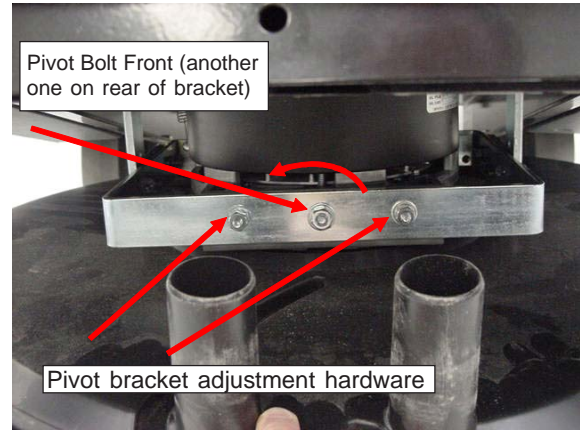
2



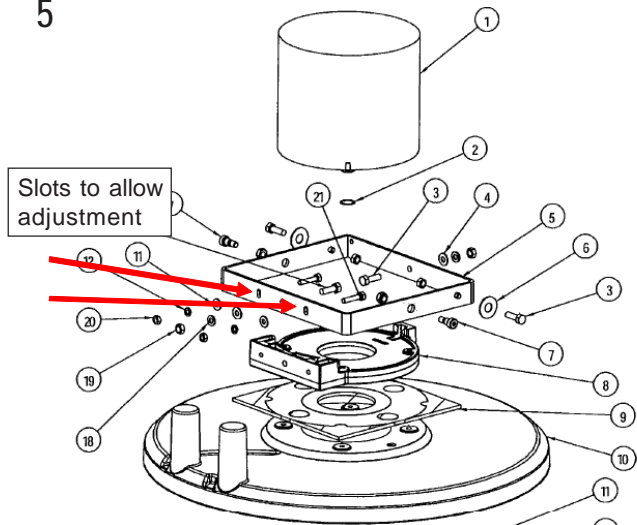
3



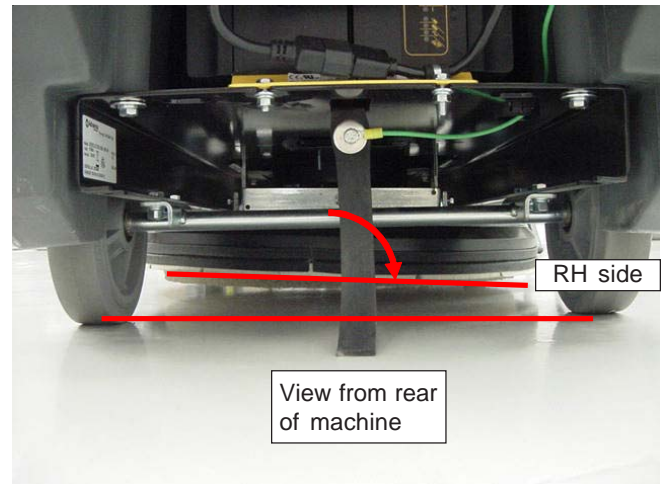
4



5



6



# SPECIFICATIONS

## SPECIFICATIONS:

Model	Advolution 24B	Advolution 24BT	Advolution 24B	Advolution 24BT
<b>Model Number</b>	01575A 01565A (w/active vac)	01574A 01564A (w/active vac)	01577A 01567A (w/active vac)	01576A 01566A (w/active vac)
<b>Power Supply</b>	36 volt 220AH	36 volt 220AH	36 volt 234AH AGM	36 volt 234AH AGM
<b>Motor, Pad</b>	3.25 hp (2.4 kW) 85 amp	3.25 hp (2.4 kW) 85 amp	3.25 hp (2.4 kW) 85 amp	3.25 hp (2.4 kW) 85 amp
<b>Motor Traction</b>		.5 hp PM / .37 kW		.5 hp PM / .37 kW
<b>Drive System</b>	Pad Assist	Direct Drive	Pad Assist	Direct Drive
<b>Pad</b>	24" (61cm)	24" (61cm)	24" (61cm)	24" (61cm)
<b>Pad Speed</b>	1600 rpm	1600 rpm	1600 rpm	1600 rpm
<b>Pad Pressure</b>	0-30 lbs.	0-30 lbs	0-30 lbs.	0-30 lbs
<b>Speed, Forward</b>	Pad Assist	0 - 240 ft/min.	Pad Assist	0 - 240 ft/min.
<b>Speed, Reverse</b>	Pad Assist	0 - 170 ft/min.	Pad Assist	0 - 170 ft/min.
<b>Vibration</b>	<2.5 m/s <sup>2</sup>	<2.5 m/s <sup>2</sup>	<2.5 m/s <sup>2</sup>	<2.5 m/s <sup>2</sup>
<b>Sound Level (dbA)</b>	65	65	65	65
<b>Drive Wheel</b>	1.62"x8.00" (4cmx20cm)	1.62"x8.00" (4cmx20cm)	1.62"x8.00" (4cmx20cm)	1.62"x8.00" (4cmx20cm)
<b>Charger</b>	36V, 25A, 85-265V / 45-65Hz	36V, 25A, 85-265V / 45-65Hz	36V, 25A, 85-265V / 45-65Hz	36V, 25A, 85-265V / 45-65Hz
<b>Length</b>	54.5 inches (138cm)	54.5 inches (138cm)	54.5 inches (138cm)	54.5 inches (138cm)
<b>Width</b>	27 inches (69cm)	27 inches (69cm)	27 inches (69cm)	27 inches (69cm)
<b>Height</b>	42.5 inches (108cm)	42.5 inches (108cm)	42.5 inches (108cm)	42.5 inches (108cm)
<b>Burnishing Swath</b>	24 inch (61cm)	24 inch (61cm)	24 inch (61cm)	24 inch (61cm)
<b>Polishing Rate</b>	28,800 sq. ft./hr.	28,800 sq. ft./hr.	28,800 sq. ft./hr.	28,800 sq. ft./hr.
<b>Weight (w/3 - 220AH)</b>	558 lbs./ 253 kg	572 lbs./259 kg	638 lbs./ 289 kg	652 lbs./296 kg
<b>Shipping Weight</b>	689 lbs./313 kg	703 lbs./319 kg	769 lbs./349 kg	783 lbs./355 kg

Lined writing area with multiple horizontal lines for text entry.

# INDICE

Instrucciones de seguridad .....	13
Conozca su máquina .....	14
Introducción .....	15
Piezas y servicio .....	15
Placa de identificación .....	15
Desempacar la máquina .....	15
Preparación de la máquina para su funcionamiento .....	15
Hacer el servicio de las baterías .....	15
Instalación de las baterías .....	17
Instalación de la almohadilla .....	17
Instalación de la bolsa de polvo .....	17
Mantenimiento .....	18
Programa de mantenimiento .....	18
Mantenimiento de las baterías .....	18
Resolución de problemas .....	18
Vibración de la máquina .....	18
Marcas de remolinos .....	18
Tiempo de ejecución reducido .....	18
La máquina auxiliar del disco no se tracciona a sí misma .....	18
Especificaciones .....	19
Sección II Listado de piezas .....	31

## ADVERTENCIA:

Los Productos a la venta en este Manual contienen, o pueden contener, productos químicos reconocidos por algunos gobiernos (como el Estado de California, según lo indica en su Proposición 65, Ley de Advertencia Regulatoria) como causantes de cáncer, defectos de nacimiento u otros daños reproductivos. En algunas jurisdicciones (incluido el Estado de California), los compradores de estos Productos que los coloquen en servicio en un emplazamiento laboral o en un espacio de acceso público tienen la obligación regulatoria de realizar determinados avisos, advertencias o divulgaciones respecto de los productos químicos contenidos o posiblemente contenidos en los Productos utilizados en tal lugar. Es la responsabilidad del comprador conocer y cumplir con todas las leyes y reglamentaciones relacionadas con el uso de estos Productos en tales entornos. El Fabricante niega toda responsabilidad de informar a los compradores sobre requisitos específicos que pueden regir el uso de los Productos en tales entornos.

## INSTRUCCIONES DE SEGURIDAD PARA EL OPERADOR

Esta máquina únicamente es apropiada para el uso comercial, por ejemplo, en hoteles, escuelas, hospitales, fábricas, negocios y oficinas y no para ser utilizada en la limpieza doméstica normal.

Al usar este artefacto eléctrico es necesario tomar precauciones básicas en todo momento, incluyendo:

### ¡ADVERTENCIA!

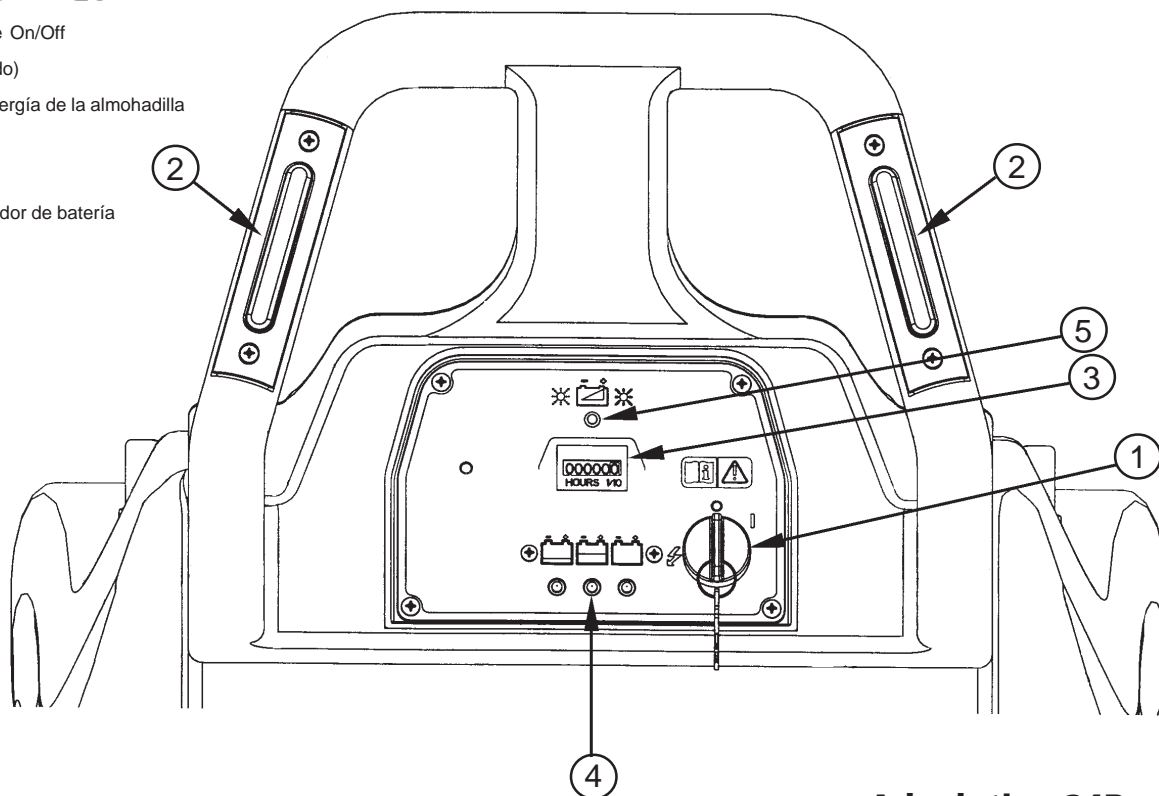
Antes de usar el artefacto, lea todas las instrucciones a fin de reducir el riesgo de incendio, descarga eléctrica, lesiones o daño a la propiedad.

- \* No opere la máquina antes de que esté completamente montada. Compruebe cuidadosamente el estado de la máquina antes de cada utilización.
- \* Riesgo de explosión y de incendio. No use nunca la máquina con o cerca de combustibles, polvo de granos, disolventes, diluyentes u otros materiales inflamables.
- \* Las baterías ácido/plomo generan gases que pueden originar una explosión. Procure que no haya ninguna llama ni chispa cerca de las baterías. No fume. Cargue las baterías sólo en un local perfectamente ventilado. Antes de desconectar el cargador de la máquina, compruebe que el enchufe del cargador CA está desconectada de la toma de red.
- \* Método de eliminación de desechos: Eliminar como desechos peligrosos. Cumplir con todas las reglamentaciones ambientales nacionales, provinciales/estatales y locales con relación a los desechos de plomo y ácidos. Enviar las baterías a una fundición de plomo para su reciclaje de acuerdo con las reglamentaciones nacionales, provinciales/estatales y locales aplicables.
- \* Cuando trabaja cerca de las baterías, siempre lleve gafas o ropas de protección. Quite su reloj y sus joyas. No introduzca ninguna herramienta ni otros objetos metálicos entre las bornas o sobre la tapa de las baterías.
- \* Riesgo de electrocución si Ud. utilice un cargador cuyo cable de alimentación está dañado. No use nunca un cargador cuyo cable de alimentación está dañado.
- \* La única posición correcta para el operador es la posición de pie, detrás de la máquina.
- \* Esta máquina pesa. No intente transportarla o desplazarla sin la ayuda de otra persona. Se necesitan dos personas para desplazarla sobre una rampa de carga. Siempre desplace la máquina despacio. No gire la máquina sobre una rampa. No deje nunca la máquina parada sobre un plano inclinado. Si está manejando la máquina en una superficie con una pendiente superior a 2%, no la detenga, gire ni estacione.
- \* Las máquinas pueden volcar y causar lesiones o daños si se las conduce por bordes de escalones o de muelles de carga. Detenga la máquina y déjela solamente en superficies uniformes. Cuando detenga la máquina coloque todos los interruptores en la posición "OFF" (apagado).
- \* Las alteraciones o modificaciones no autorizadas por el fabricante invalidan cualquier garantía y responsabilidad y podrían ocasionar daños en la máquina o lesiones en el operador o cualquier otra persona que se encuentre en el lugar.
- \* Sólo el personal cualificado y autorizado por Nilfisk Advance puede efectuar el mantenimiento y las reparaciones de nuestras máquinas. ¡ Se trata de su seguridad !
- \* Procure que el sistema eléctrico sea siempre seco. Seque cuidadosamente la máquina después de cada utilización. Guarde la máquina en un local seco.
- \* Es indispensable leer todas las instrucciones escritas en la máquina antes de la primera utilización. Compruebe que todos los adhesivos y todas las instrucciones estén colocados en los sitios previstos.
- \* Use sólo productos de limpieza y ceras especialmente concebidos para máquinas. No use productos inflamables.
- \* Durante la limpieza, la reparación o el mantenimiento de la máquina, durante el reemplazo de partes o durante el cambio de función, debe desconectarse la fuente de energía.
- \* No use la máquina como taburete o escabel. No úsela como medio de transporte o mueble. Corre el peligro de causar lesiones o daños materiales
- \* Se anulará la garantía de la máquina si se utiliza piezas que no son piezas originales Nilfisk-Advance. Sólo use recambios Nilfisk-Advance.

## GUARDE ESTAS INSTRUCCIONES

## CONOZCA SU MÁQUINA

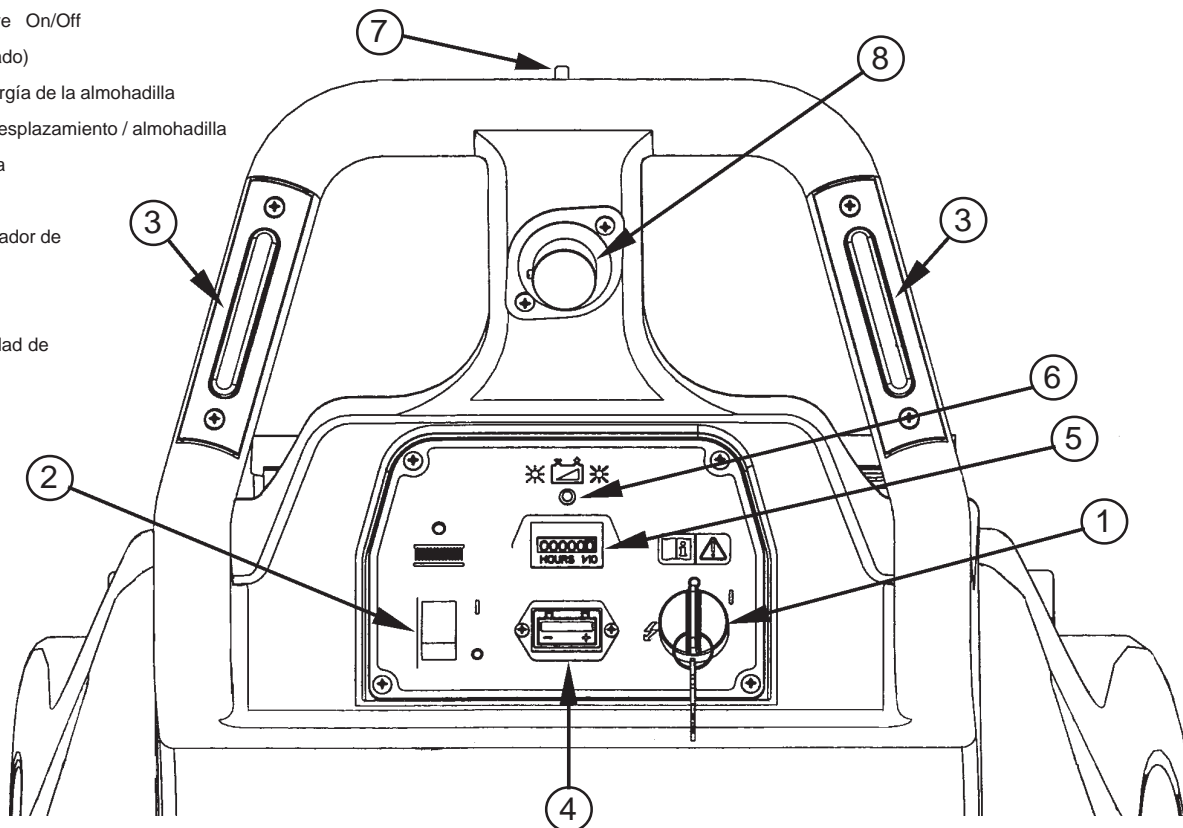
- 1 Interruptor de llave On/Off  
(encendido/apagado)
- 2 Interruptores de energía de la almohadilla
- 3 Cuentavueltas
- 4 Medidor de batería
- 5 Indicador del cargador de batería



**Advolution 24B**

## CONOZCA SU MÁQUINA

- 1 Interruptor de llave On/Off  
(encendido/apagado)
- 2 Interruptor de energía de la almohadilla
- 3 Interruptores de desplazamiento / almohadilla
- 4 Medidor de batería
- 5 Cuentavueltas
- 6 Indicador del cargador de batería
- 7 Marcha atrás
- 8 Control de velocidad de desplazamiento



**Advolution 24BT**

## INTRODUCTION

Este manual lo ayudará a aprovechar al máximo su máquina para pisos Nilfisk-Advance. Léalo a fondo antes de poner la máquina en funcionamiento.

Este producto está diseñado para uso comercial solamente.

## PIEZAS Y MANTENIMIENTO

Cuando sea necesario realizar reparaciones, las mismas deben ser efectuadas por el Centro de Servicios autorizado de Nilfisk-Advance, el cual emplea personal de mantenimiento capacitado en fábrica y dispone de un inventario de piezas de recambio y accesorios originales Nilfisk-Advance.

Llame al distribuidor Nilfisk-Advance citado más adelante para obtener piezas de reemplazo o servicios de mantenimiento. Al referirse a la máquina, por favor especifique el modelo y número de serie de la misma.

(Distribuidor, pegue la calcomanía de mantenimiento aquí)

## PLACA DE IDENTIFICACIÓN

El número de modelo y el número de serie de su máquina aparecen en la placa de identificación ubicada en la parte inferior de la máquina. Es necesario contar con esta información para realizar pedidos de piezas de recambio para la máquina. Use el espacio provisto o a continuación para anotar el número de modelo y el número de serie de su máquina para referencia futura.

NÚMERO DE MODELO \_\_\_\_\_

NÚMERO DE SERIE \_\_\_\_\_

## DESEMBALAJE DE LA MÁQUINA

Cuando reciba la máquina, inspeccione con cuidado la caja de embarque y la máquina, para verificar si hay algún daño. Si hay algún daño evidente, guarde la caja de embarque de modo que se la pueda inspeccionar. Comuníquese con el Departamento de Atención al Cliente de Nilfisk-Advance inmediatamente para presentar un reclamo por daños en el flete (el número de teléfono aparece en la contratapa de este manual.)

## PREPARACIÓN DE LA MÁQUINA PARA SU FUNCIONAMIENTO

### ¡ADVERTENCIA!

Tome suma precaución cuando trabaje con baterías. El ácido sulfúrico en las baterías puede causar graves lesiones si entra en contacto con la piel o los ojos. Las baterías emiten gas hidrógeno explosivo a través de las aberturas de las tapas. Este gas puede encenderse con cualquier arco eléctrico, chispa o llama.

### CUANDO HAGA EL SERVICIO DE LAS BATERÍAS...

- Sáquese todas las joyas.
- No fume
- Use gafas de seguridad
- Trabaje en un área bien ventilada.
- No permita que las herramientas toquen más de un terminal de la batería a la vez.

### ¡PRECAUCIÓN!

Los componentes eléctricos de esta máquina pueden sufrir serios daños si las baterías no se instalan y conectan de manera adecuada. Las baterías deben ser instaladas por su representante local de Nilfisk-Advance o por un electricista calificado.

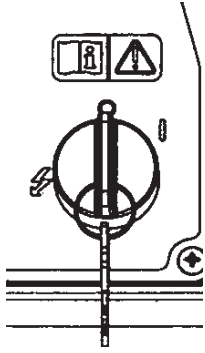
Advolution 24B y 24BT pueden usarse con tres baterías de 12 voltios 220 amperios hora o tres baterías AGM de 12 voltios 234 amperios hora.

### ¡PRECAUCIÓN!

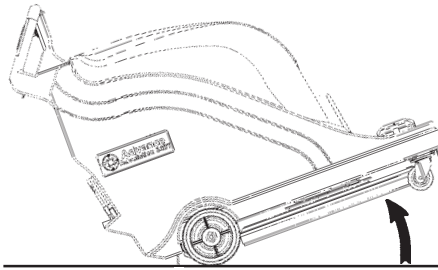
Es necesario reprogramar el cargador de baterías cuando se pasa de baterías de plomo a baterías AGM. Consulte el Manual del Cargador para ver las instrucciones correspondientes.

**C**

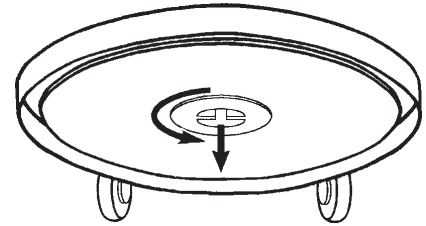
1



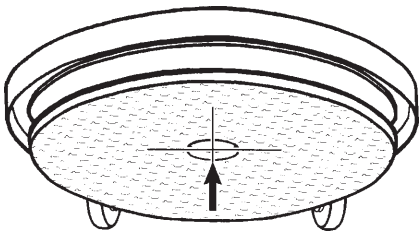
2



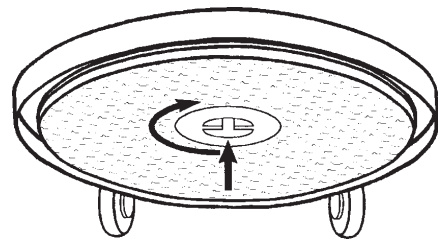
3



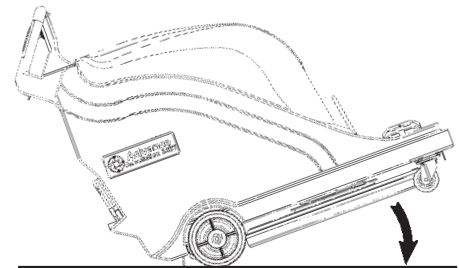
4



5

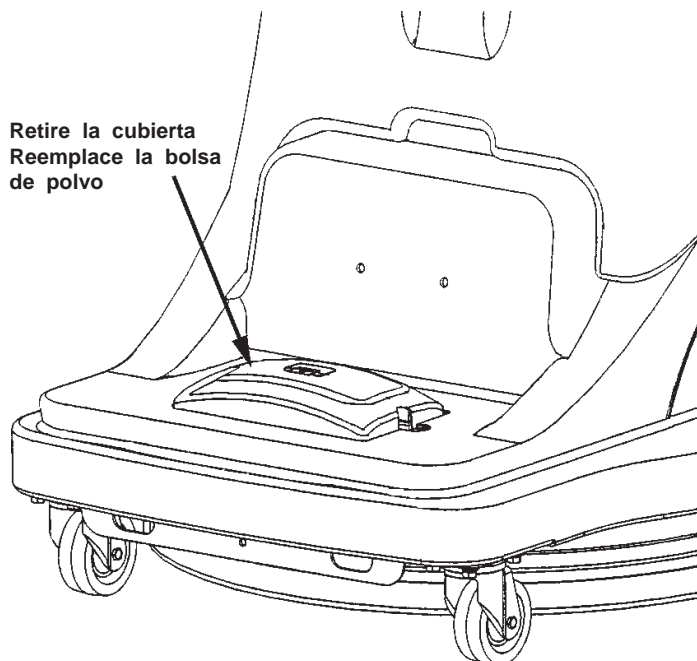


6



**D**

Retire la cubierta  
Reemplace la bolsa  
de polvo



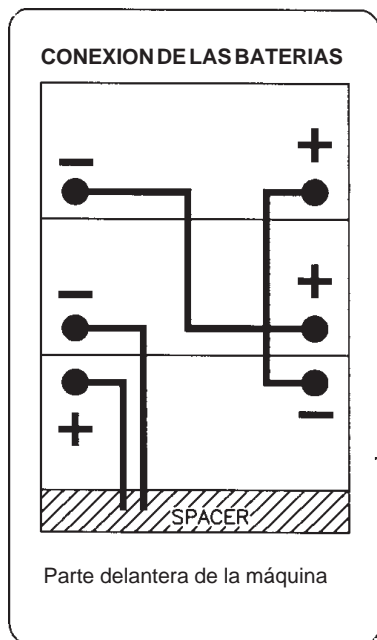


# PREPARACIÓN DE LA MÁQUINA PARA SU FUNCIONAMIENTO

## (B)-INSTALACIÓN DE LAS BATERÍAS

- 1 Coloque cuidadosamente las baterías en la bandeja de baterías. Ordénelas de la forma que se muestra en la figura B.

**B**



- 2 Asegúrese de que el interruptor de llave se encuentre en la posición "OFF" (0).
- 3 Instale los cables de la batería como se muestra en la figura B, con los terminales marcados con la letra "P" en los bornes positivos de la batería y los terminales marcados con la letra "N" en los bornes negativos. Coloque los cables de manera tal que se puedan quitar las tapas fácilmente cuando sea necesario agregar agua a las baterías.
- 4 Apriete la tuerca de cada terminal de la batería justo lo suficiente como para evitar que el terminal se vuelva sobre el borne de la batería. Luego apriete la tuerca una vuelta más.
- 5 Cubra todos los terminales y los bornes con grasa, vaselina o rocíe sobre el revestimiento de la batería (disponible en la mayoría de los negocios de repuestos).
- 6 Coloque las "botas" de goma negra sobre cada uno de los terminales y utilice las tiras de amarres plásticos para sostenerlas en su lugar.
- 7 Una el conector del paquete de baterías al conector del panel de control.
- 8 Vuelva a ensamblar la máquina.

**NOTA :** Cargue las baterías antes de utilizar la máquina.

## (C)-INSTALACIÓN DE LA ALMOHADILLA

Su distribuidor local de Nilfisk-Advance le puede proveer las almohadillas y los acabados de piso adecuados para utilizar con esta máquina.

### ⚠ ¡PRECAUCIÓN!

Si utiliza un tipo de almohadilla equivocada en esta máquina, puede dañar el piso. La almohadilla debe estar correctamente centrada en el soporte para evitar que la máquina vibre.

Para instalar la almohadilla, siga los pasos de abajo (ver pasos 1 - 6 en la figura C):

- 1 Gire el interruptor de llave hasta la posición "OFF" (apagado).
- 2 Coloque la máquina en la posición que se muestra (2) para tener acceso al retenedor de almohadilla.
- 3 Póngase delante de la máquina. Manteniendo con una mano la sujeción del disco, gire el disco y el portadisco en el sentido contrario de las agujas del reloj para aflojar la sujeción.
- 4 Extraiga el disco usado e instale uno nuevo, teniendo cuidado de centrarlo sobre el diámetro exterior del motor del disco. **NOTA: Podría ocurrir vibración si centra el orificio del disco en la abertura del retén del disco. Siempre utilice un disco de alta calidad adecuado para operar a 2000 rpm.**
- 5 Vuelva a apretar la sujeción al máximo.
- 6 Levante la parte trasera de la máquina para bajar el alojamiento del disco, tirando de las empuñaduras hacia arriba como indicado en la figura C (6).

## (D)-INSTALACIÓN DE LA BOLSA DE POLVO

### ¡IMPORTANTE!

Instale la bolsa colectora de polvo (pieza número 56201569) encima del alojamiento del control (figura D). El sistema de recolección de polvo no funcionará correctamente si la bolsa colectora está llena o rota.

# MANTENIMIENTO

## PROGRAMA DE MANTENIMIENTO

Elemento de mantenimiento	Diariamente	Mensualmente	Anualmente
Cargar las baterías	x		
Controlar/reemplazar las bolsas de polvo	x		
Controlar/reemplazar el faldón	x		
Limpiar la almohadilla	x		
Lubricación		x	
Controlar/ Hacer el servicio de los cepillos del motor de la almohadilla		x	
Hacer el servicio de los cepillos del motor de accionamiento			x

## MANTENIMIENTO DE LA BATERÍA

Cargue las baterías cada vez que utilice la máquina durante una hora o más, o siempre que el medidor de baterías indique el área roja.

### Para cargar las baterías...

- 1 Retirar la cubierta.
- 2 Enchufar el cargador.
- 3 Controlar el nivel de líquido de todos los elementos de las baterías después de cargarlas. Si es necesario, agregue agua destilada para llevar el nivel de líquido hasta la parte inferior de los tubos de llenado.

## ¡PRECAUCIÓN!

Para evitar que se dañen las superficies de los pisos, limpie el agua y el ácido de la parte de arriba de las baterías después de cargarlas.

## ¡PRECAUCIÓN!

El ácido puede derramarse en el piso si las baterías están sobrecargadas.

## IMPORTANTE

La garantía no cubre los daños del motor que resulten de una falla al hacer el servicio de las escobillas de carbono. Consulte la declaración de Garantía Limitada.

# RESOLUCIÓN DE PROBLEMAS

## VIABRACIÓN DE LA MÁQUINA

- 1 La almohadilla no está centrada de manera adecuada.
- 2 Almohadilla defectuosa. Reemplácela.

## MARCAS DE REMOLINOS

- 1 La almohadilla es demasiado agresiva para el acabado del piso.
- 2 La almohadilla está sucia. Contrólela y reemplácela.

## TIEMPO DE EJECUCIÓN REDUCIDO

- 1 Es necesario cargar la batería
- 2 Las baterías necesitan agua. Agregue justo el agua suficiente para cubrir las placas de cada elemento. Luego cargue las baterías y controle el nivel de agua nuevamente.

## (E) LA MÁQUINA AUXILIAR DEL DISCO NO SE TRACCIONA A SÍ MISMA

Para el ajuste del dispositivo auxiliar del disco, siga los siguientes pasos (vea pasos 1 – 6 en la Figura E):

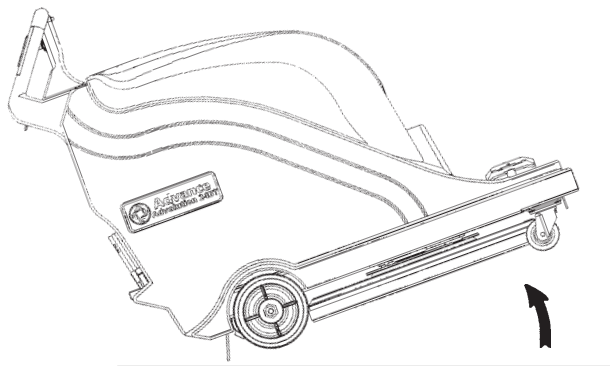
- 1 Incline la bruñidora hacia atrás, como se muestra en la ilustración, para tener acceso a la ménsula de pivote.
- 2 Retire la bolsa colectora de polvo.
- 3 Tire del faldón de polvo hacia abajo para tener acceso al hardware de ajuste.
- 4 Afloje el hardware de ajuste de la ménsula de pivote y los pernos de pivote y rote la ménsula en sentido contrario a las agujas del reloj para incrementar el dispositivo auxiliar del disco.
- 5 La ménsula de pivote tiene ranuras para permitir el ajuste.
- 6 Ajuste la ménsula de pivote de manera que el disco se incline de manera descendente hacia el lateral derecho de la máquina para incrementar el dispositivo auxiliar del disco. Luego, vuelva a apretar con tensión el hardware de ajuste.

## ¡PRECAUCIÓN!

El dispositivo auxiliar del disco varía dependiendo de la agresividad del disco y del acabado del piso. Si la plataforma es demasiado angulada podría resultar en que el disco queme el piso sobre el lateral derecho.

E

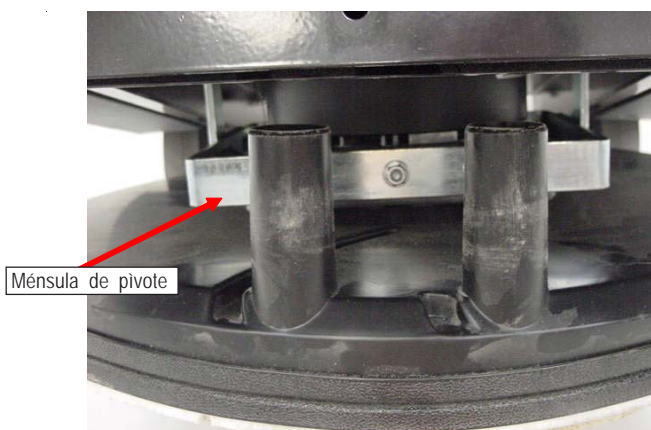
1



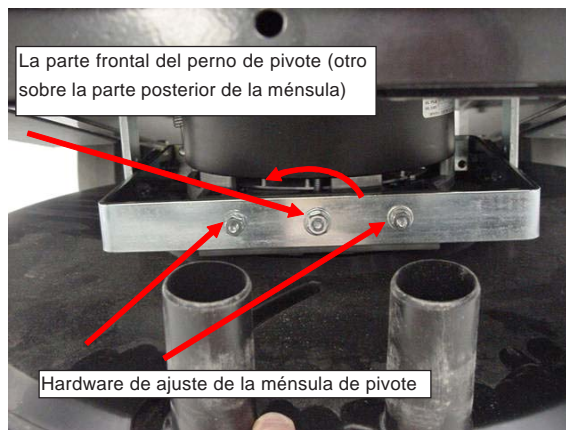
2



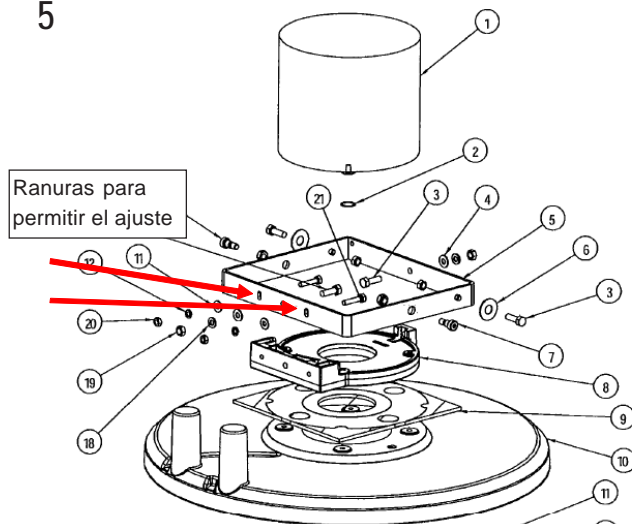
3



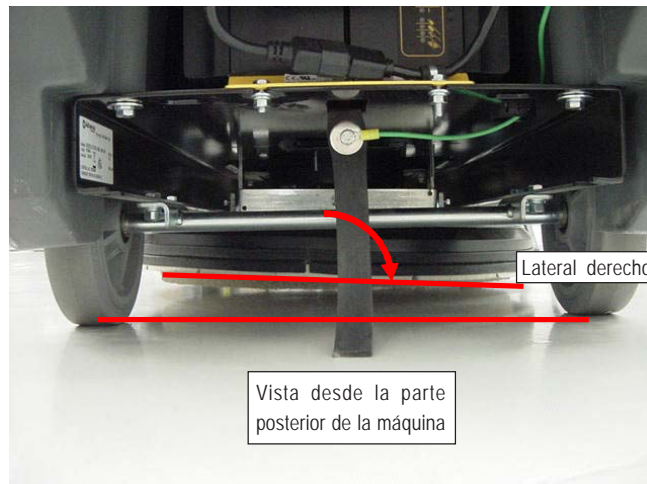
4



5



6



## CARACTERÍSTICAS TÉCNICAS

Modelo	Advolution 24B	Advolution 24BT
Número modelo	01575A 01565A (con Vacío Activo)	01574A 01564A (con Vacío Activo)
Alimentación	36V 220 Ah	36V 220 Ah
Motor del disco	2,4 kW, 85 Amp	2,4 kW, 85 Amp
Tracción del motor		.5 potencia PM / .37 kW
Sistema conductor	con asistencia del disco	Accionamiento directo
Disco	61 cm	61 cm
Velocidad de rotación del disco	1.600 r/min.	1.600 r/min.
Presión del disco	0 - 13,6 kg	0 - 13,6 kg
Velocidad marcha adelante	(con asistencia del disco)	0 - 75 m/min.
Velocidad marcha atrás	(con asistencia del disco)	0 - 52 m/min.
Vibración	<2,5 m/s <sup>2</sup>	<2,5 m/s <sup>2</sup>
Nivel acústico (dba)	65	65
Rueda motriz	4 cm x 20 cm	4 cm x 20 cm
Cargador	36V, 25A, 85-265V / 45-65Hz	36V, 25A, 85-265V / 45-65Hz
Longitud	138 cm	138 cm
Anchura	69 cm	69 cm
Altura	108 cm	108 cm
Anchura faja pulida	61 cm	61 cm
Rendimiento	2.676 m <sup>2</sup> /h	2.676 m <sup>2</sup> /h
Peso (con 3-195Ah)	253 kg	259 kg
Peso entregado	313 kg	319 kg

Modelo	Advolution 24B	Advolution 24BT
Número modelo	01577A 01567A (con Vacío Activo)	01576A 01566A (con Vacío Activo)
Alimentación	36V 234 Ah (AGM)	36V 234 Ah (AGM)
Motor del disco	2,4 kW, 85 Amp	2,4 kW, 85 Amp
Tracción del motor		.5 potencia PM / .37 kW
Sistema conductor	con asistencia del disco	Accionamiento directo
Disco	61 cm	61 cm
Velocidad de rotación del disco	1.600 r/min.	1.6000 r/min.
Presión del disco	0 - 13,6 kg	0 - 13,6 kg
Velocidad marcha adelante	(con asistencia del disco)	0 - 75 m/min.
Velocidad marcha atrás	(con asistencia del disco)	0 - 52 m/min.
Vibración	<2,5 m/s <sup>2</sup>	<2,5 m/s <sup>2</sup>
Nivel acústico (dba)	65	65
Rueda motriz	4 cm x 20 cm	4 cm x 20 cm
Cargador	36V, 25A, 85-265V / 45-65Hz	36V, 25A, 85-265V / 45-65Hz
Longitud	138 cm	138 cm
Anchura	69 cm	69 cm
Altura	108 cm	108 cm
Anchura faja pulida	61 cm	61 cm
Rendimiento	2.676 m <sup>2</sup> /h	2.676 m <sup>2</sup> /h
Peso (con 3-220Ah)	289 kg	296 kg
Peso entregado	349 kg	355 kg



# INDEX

Consignes de sécurité .....	23
A la découverte de votre machine .....	24
Introduction .....	25
Liste des pièces et entretien .....	25
Plaque signalétique .....	25
Déballer la machine .....	25
Préparer la machine en vue de son utilisation .....	25
Entretien des batteries .....	25
Installation des batteries .....	27
Installation du disque .....	27
Installation du sac à poussières .....	27
Maintenance .....	28
Programme de maintenance .....	28
Maintenance des batteries .....	28
Dépannage .....	28
Vibrations de la machine .....	28
Marques circulaires .....	28
Temps de fonctionnement réduit .....	28
Le système d'assistance du disque de la machine ne se propulse pas lui-même .....	28
Spécifications .....	30
Section II Liste des pièces .....	31

## INSTRUCTIONS POUR LA SECURITE DE L'OPÉRATEUR

Cette machine est conçue uniquement pour une utilisation commerciale comme dans des hôtels, des écoles, des hôpitaux, des usines, des magasins et des bureaux, tout ce qui ne concerne pas les travaux ménagers.

Lors de l'utilisation de cette machine, il convient de toujours respecter des précautions élémentaires, dont les suivantes :

### AVERTISSEMENT !

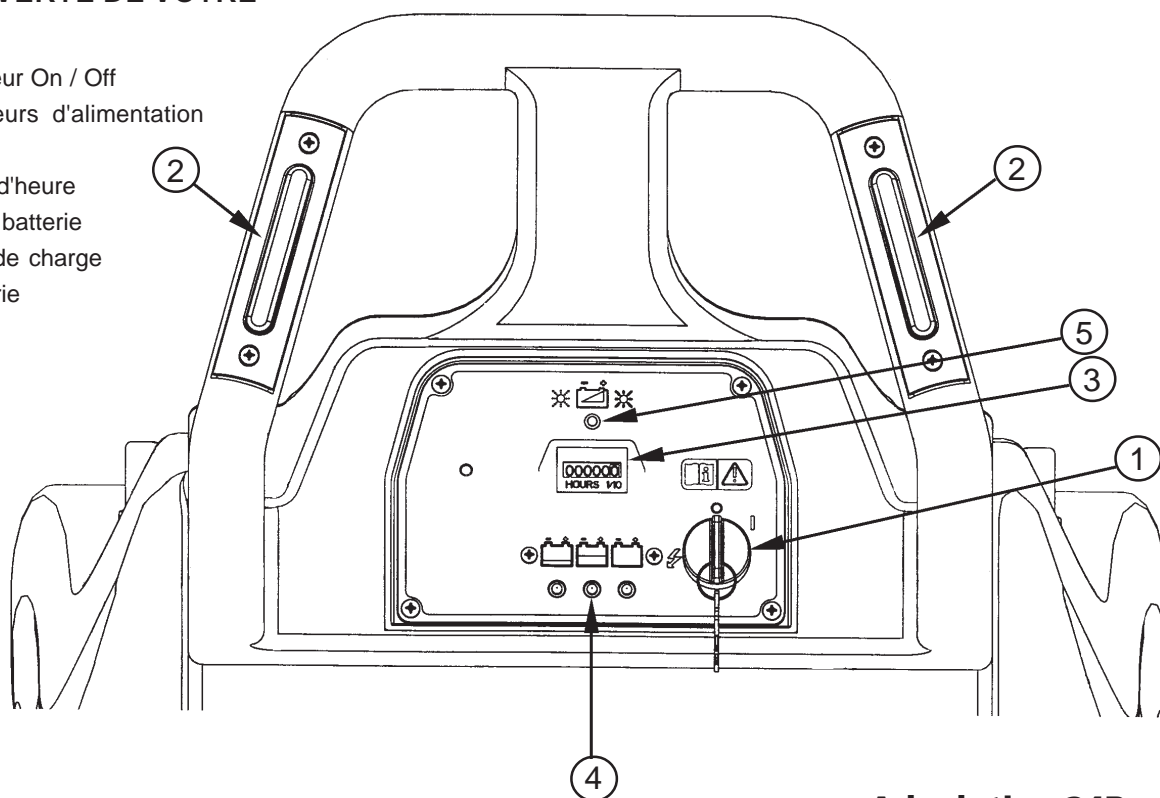
Pour réduire le risque d'incendie, de choc électrique, de blessure ou de dégâts de biens, lisez toutes les instructions avant d'utiliser cette machine.

- \* Ne mettez pas la machine en service avant qu'elle ne soit complètement montée. Vérifiez soigneusement l'état de la machine avant chaque utilisation.
- \* Risque d'explosion et d'incendie. N'utilisez jamais la machine avec ou près de combustibles, de grains de poussière, de solvants, de diluants ou d'autres matériaux inflammables.
- \* Les batteries acide-plomb dégagent des gaz qui peuvent provoquer une explosion. Veillez à ce qu'il n'y ait ni étincelle ni flamme à proximité des batteries. NE FUMEZ PAS. Procédez à la charge des batteries dans un endroit bien ventilé. Avant de déconnecter le chargeur de la machine, vérifiez que la fiche du chargeur CA est bien débranchée de la prise réseau.
- \* Mise au rebut: Considérer le produit comme un déchet dangereux. Suivre tous les règlements nationaux, provinciaux et locaux sur l'environnement concernant les déchets de plomb et les acides. Envoyer les batteries à une fonderie traitant le plomb en vue de récupération selon les règlements nationaux, provinciaux et locaux sur la valorisation des déchets.
- \* Quand vous travaillez à proximité des batteries, portez toujours des lunettes ou des vêtements de protection. Enlevez montres et bijoux. N'introduisez pas d'outils ou autres objets métalliques entre les bornes ou sur le couvercle des batteries.
- \* Risque d'électrocution si vous utilisez un chargeur dont le câble d'alimentation est endommagé. N'utilisez jamais un chargeur dont le câble d'alimentation est endommagé.
- \* La seule position correcte pour l'opérateur est debout, derrière la machine. Toute autre position de conduite risque de provoquer des blessures ou des dégâts.
- \* Cette machine est lourde. Faites-vous aider avant d'essayer de la transporter ou de la déplacer. Faites appel à deux personnes solides pour la déplacer le long d'une rampe ou d'un plan incliné. Procédez toujours en douceur. Ne retournez pas la machine sur une rampe. Lors d'un transfert, ne vous arrêtez pas et ne laissez pas la machine toute seule sur un rampe ou un plan incliné. En cas d'utilisation de la machine sur une pente de degré supérieur à 2%, ne pas s'arrêter, tourner ou stationner.
- \* La machine peut basculer si elle est en porte-à-faux sur un escalier ou une rampe de chargement et provoquer des blessures ou des dégâts matériels. N'abandonnez la machine que si vous l'avez arrêtée sur une surface plane et si vous avez placé l'interrupteur principal à clé sur "O".
- \* Les modifications et changements qui n'ont pas été expressément autorisés par le fabricant annihilent toute garantie et peuvent endommager la machine ou blesser l'opérateur ou d'autres personnes se trouvant à proximité.
- \* Seul un personnel qualifié a le droit d'effectuer les réparations et l'entretien de nos machines. Il y va de votre sécurité!
- \* Veillez à ce qu'il soit toujours bien sec. Essuyez la machine après utilisation. Entreposez la machine à l'abri de l'humidité.
- \* Il est indispensable de lire toutes les indications figurant sur la machine avant de procéder à la mise en service. Vérifier que tous les adhésifs et toutes les instructions sont placés aux endroits corrects.
- \* Seuls des nettoyants et cires du commerce spéciaux pour machines peuvent être utilisés. Ne pas utiliser de produits inflammables.
- \* Lors du nettoyage, de la réparation ou de l'entretien des machines, du remplacement de pièce ou de changement de fonction, le commutateur devrait être en position d'arrêt.
- \* Ne pas utiliser cette machine comme tabouret ou escabeau. Ne pas l'utiliser comme moyen de transport ou comme meuble. Risque de blessures ou de dégâts.
- \* La garantie sera annulée si d'autres pièces que les pièces d'origine Nilfisk-Advance sont montées sur la machine.

## CONSERVEZ CES CONSIGNES

## A LA DECOUVERTE DE VOTRE MACHINE

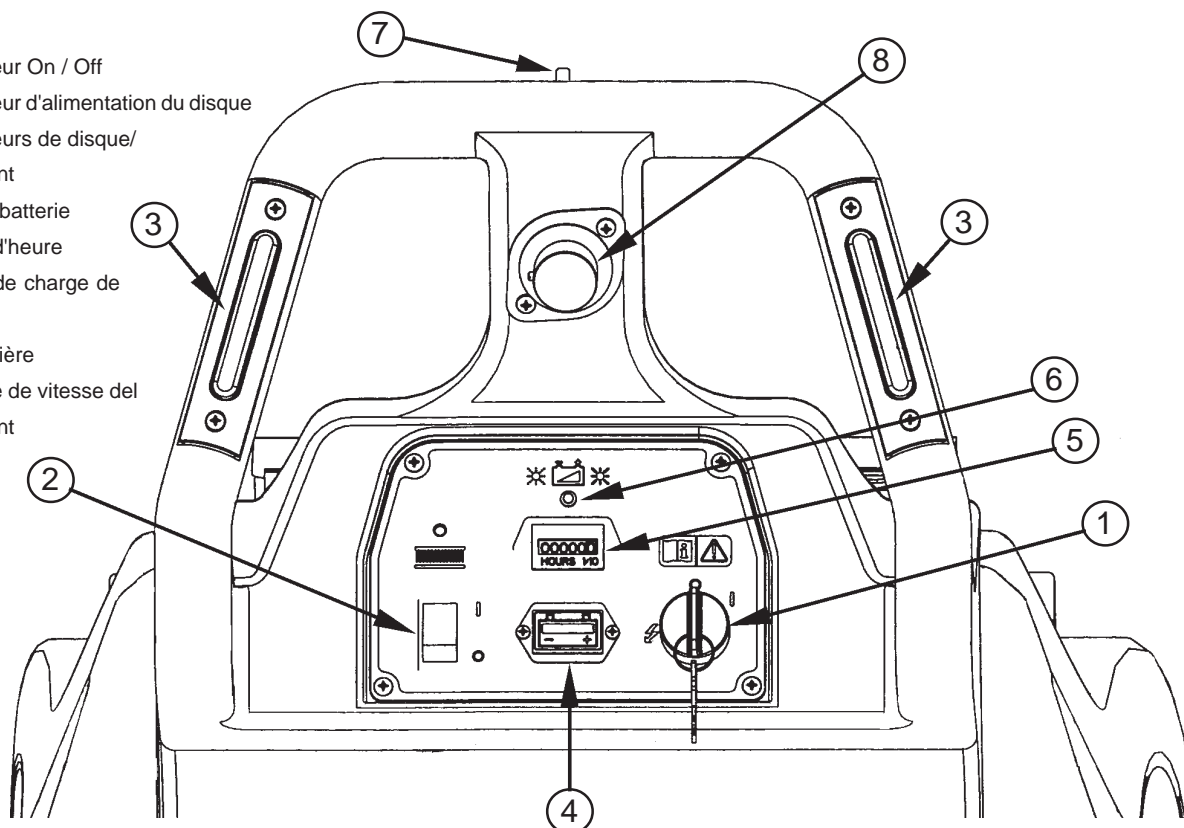
- 1 Commutateur On / Off
- 2 Commutateurs d'alimentation du disque
- 3 Compteur d'heure
- 4 Cadran de batterie
- 5 Indicateur de charge de la batterie



**Advolution 24B**

## A LA DECOUVERTE DE VOTRE MACHINE

- 1 Commutateur On / Off
- 2 Commutateur d'alimentation du disque
- 3 Commutateurs de disque/déplacement
- 4 Cadran de batterie
- 5 Compteur d'heure
- 6 Indicateur de charge de la batterie
- 7 Marche arrière
- 8 Commande de vitesse del déplacement



**Advolution 24BT**



## INTRODUCTION

Ce manuel vous permettra de tirer le maximum de profit de votre machine Nilfisk-Advance de nettoyage de sols. Lisez-le attentivement avant d'utiliser la machine. Ce produit est conçu pour un usage commercial uniquement.

## PIÈCES ET ENTRETIEN

Les réparations, lorsqu'elles sont requises, devront être réalisées par votre centre d'entretien agréé Nilfisk-Advance qui emploie un personnel d'entretien formé en usine, et stocke un inventaire de pièces de remplacement et d'accessoires originaux Nilfisk-Advance.

Contactez le concessionnaire Nilfisk-Advance indiqué ci-dessous pour toute réparation, pièce ou entretien. Veuillez spécifier le Modèle et le Numéro de série relatif à votre machine.

(Concessionnaire, placez ici l'adhésif de votre service d'entretien.)

## PLAQUE SIGNALÉTIQUE

Le numéro du modèle et numéro de série de votre machine sont indiqués sur la plaque signalétique audessous de la machine. Ces informations sont nécessaires lorsque vous commandez des pièces de remplacement pour la machine. Utilisez l'espace ci-dessous pour noter le numéro du modèle et numéro de série de votre machine pour consultation ultérieure.

NUMÉRO DU MODÈLE \_\_\_\_\_

NUMÉRO DE SÉRIE \_\_\_\_\_

## DÉBALLER LA MACHINE

Lorsque la machine vous est livrée, contrôlez minutieusement que la boîte d'emballage et la machine ne présentent aucun dommage. Si elles sont endommagées, conservez la boîte d'emballage afin qu'elle puisse être inspectée. Contactez immédiatement le service d'entretien Nilfisk-Advance pour déposer une demande de remboursement des dégâts de transport (le numéro de téléphone est indiqué au dos de ce manuel).

## PRÉPARER LA MACHINE EN VUE DE SON UTILISATION

### AVERTISSEMENT !

Soyez très prudent lorsque vous manipulez les batteries. L'acide sulfurique contenu dans les batteries peut engendrer des blessures graves s'il entre en contact avec la peau ou les yeux. De l'hydrogène explosif sort de l'intérieur des batteries par les orifices ménagés dans les bouchons de batterie. Ce gaz peut être allumé par un arc, une étincelle ou une flamme.

#### LORS DE L'ENTRETIEN DES BATTERIES...

- Retirez tous vos bijoux
- Ne fumez pas
- Portez des lunettes de protection
- Travaillez dans un espace bien aéré
- Ne laissez pas des outils entrer en contact avec les deux bornes de la batterie en même temps.

### ATTENTION !

Les composants électriques de cette machine peuvent être gravement endommagés si les batteries ne sont pas installées et branchées correctement. Les batteries doivent être installées par votre revendeur Nilfisk-Advance local ou par un électricien qualifié.

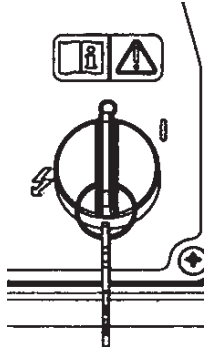
Les modèles Advolution 24B et 24BT peuvent être utilisés avec trois batteries de 12 volt 220 amp ou trois batteries de 12 volt 234 amp AGM.

### ATTENTION !

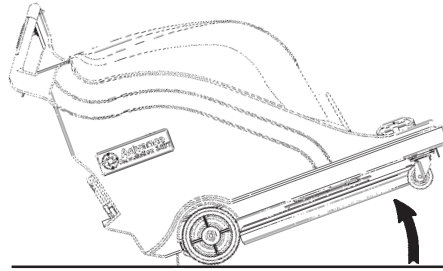
Le chargeur de batterie doit être reprogrammé lors d'un changement des batteries plomb-acide pour des batteries AGM. Se référer au Manuel du chargeur pour les consignes.

# C

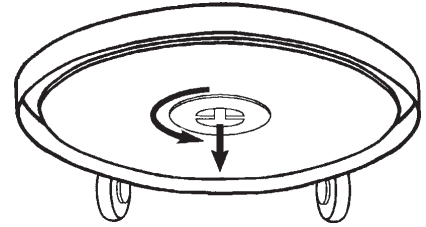
1



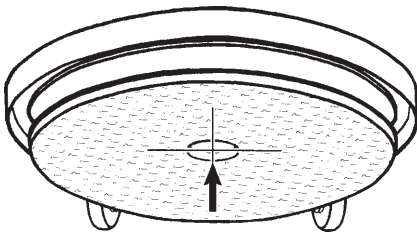
2



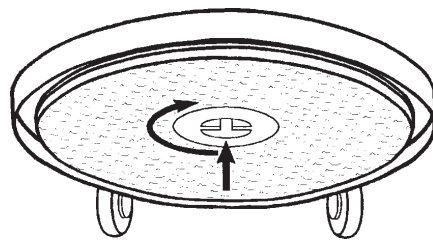
3



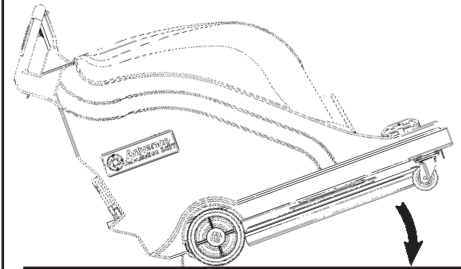
4



5

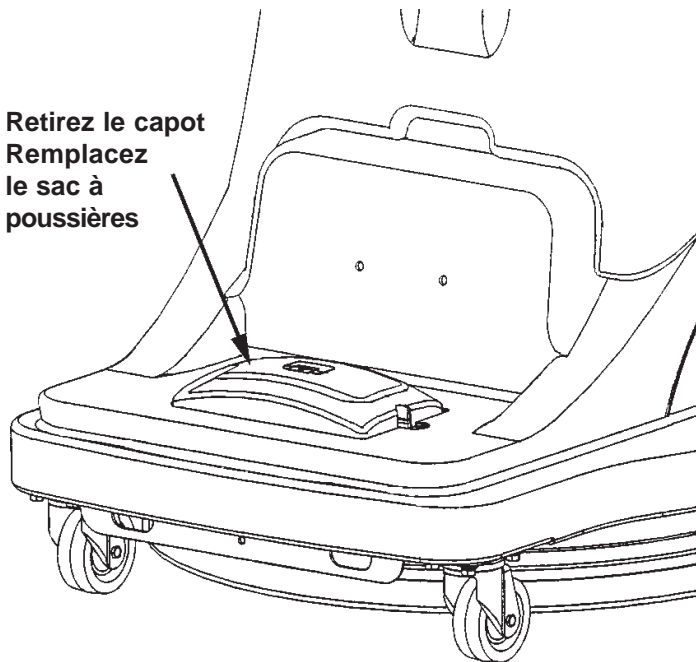


6



# D

Retirez le capot  
Remplacez  
le sac à  
poussières

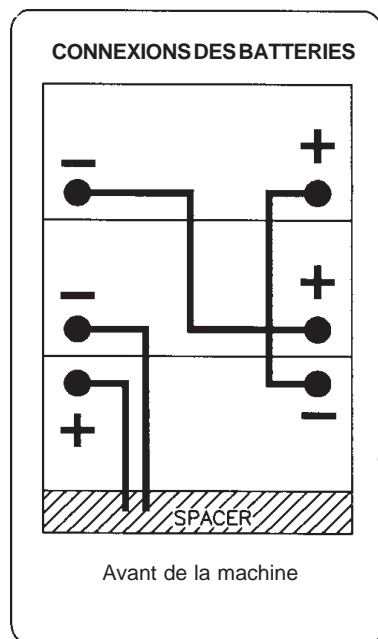


# PREPARER LA MACHINE EN VUE DE SON UTILISATION

## (B)-INSTALLATION DES BATTERIES

- 1 Placez les batteries avec précaution dans le compartiment des batteries. Disposez-le comme illustré à la figure B.

**B**



- 2 Assurez-vous que le commutateur se trouve en position OFF (O).
- 3 Installez les câbles de batterie comme illustré à la figure B, les bornes marquées "P" sur les bornes positives de la batterie et les bornes marquées "N" sur les bornes négatives de la batterie. Placez les câbles de manière à pouvoir retirer facilement les caches lorsqu'il faut ajouter de l'eau aux batteries.
- 4 Serrez la cosse sur chaque borne de la batterie juste assez pour éviter que la borne ne se désolidarise de la borne de la batterie. Tournez ensuite la cosse d'un tour complet.
- 5 Appliquez sur toutes les bornes et les cosses de la graisse, de la gelée ou un aérosol à base de pétrole (disponibles dans tous les magasins de vente de pièces pour automobile).
- 6 Placez le capuchon en caoutchouc noir sur chacune des bornes et utilisez de l'adhésif pour le maintenir en place.
- 7 Reliez le connecteur de l'ensemble batterie au connecteur sur le tableau de commande.
- 8 Remontez la machine.

**REMARQUE :** Chargez les batteries avant d'utiliser la machine.

## (C)- INSTALLATION DU DISQUE

Votre distributeur Nilfisk-Advance local peut vous fournir les disques et les produits de finition de sol adaptés à cette machine.

### ⚠ ATTENTION !

Si vous utilisez un type de disque incorrect sur cette machine, vous risquez d'endommager le sol. Le disque doit être correctement centré sur le support de disque pour éviter que la machine ne vibre.

Pour installer le disque, suivez les étapes ci-dessous (voir étapes 1 - 6 dans la figure C):

- 1 Placez le commutateur sur off.
- 2 Placez la machine dans la position illustrée (2) pour accéder au dispositif de retenue du disque.
- 3 Allez à l'avant de la machine. Tout en maintenant d'une main la fixation du disque, faites tourner le disque et le porte-disque dans le sens anti-horlogique pour desserrer la fixation.
- 4 Retirez l'ancien disque et installez un disque neuf en prenant soin de le centrer sur le diamètre externe du porte-disque. **REMARQUE:** Des vibrations peuvent se produire si vous centrez l'orifice du disque avec l'ouverture de la fixation du disque. Utilisez toujours un disque de haute qualité prévu pour une vitesse de 2000 tr./min.
- 5 Resserrez la fixation au maximum.
- 6 Leve la parte trasera de la máquina para bajar el alojamiento del disco, tirando de las empuñaduras hacia arriba como indicado en la figura C (6).

## (D)-INSTALLATION DU SAC À POUSSIÈRES

### IMPORTANT!

Installez le sac à poussières (numéro de pièce 54195A) au sommet du logement de commande. Le système de collecte de la poussière ne fonctionnera pas correctement si le sac à poussières est plein ou déchiré.

## PROGRAMME DE MAINTENANCE

Type de maintenance	Tous les jours	Tous les mois	Tous les ans
Charger les batteries	x		
Vérifier/remplacer les sacs à poussières	x		
Vérifier/remplacer la jupe	x		
Nettoyer le disque	x		
Lubrification		x	
Vérifier/entretenir les brosses du moteur de disque		x	
Entretenir les brosses du moteur d'entraînement			x

### MAINTENANCE DES BATTERIES

Chargez les batteries à chaque fois que la machine est utilisée pendant une heure ou plus, ou à chaque fois que l'indicateur de batterie se trouve dans la zone rouge.

#### Pour charger les batteries...

- 1 Retirez le capot.
- 2 Branchez le chargeur.
- 3 Vérifiez le niveau d'eau dans toutes les cellules de la batterie après l'avoir chargée. Le cas échéant, ajoutez de l'eau distillée, pour que le niveau d'eau dépasse le haut des tubes de remplissage.

### ATTENTION !

Pour éviter d'endommager les surfaces du sol, essuyez l'eau et l'acide de la partie supérieure des batteries après le chargement.

### ATTENTION !

De l'acide peut être projeté sur le sol si les batteries sont trop remplies.

## IMPORTANT

Si le moteur est endommagé car vous avez négligé d'entretenir les brosses en carbone, la garantie ne fonctionne pas. Consultez le certificat de garantie limitée.

## DIAGNOSTIC DE PANNES

### VIBRATIONS DE LA MACHINE

- 1 Le disque n'est pas centré correctement.
- 2 Defective pad. Replace.

### MARQUES CIRCULAIRES

- 1 Le disque est trop agressif par rapport à la surface du sol.
- 2 Le disque est sale. Vérifiez et remplacez le.

### TEMPS DE FONCTIONNEMENT RÉDUIT

- 1 Les batteries doivent être chargées.
- 2 Les batteries ont besoin d'eau. Ajoutez suffisamment d'eau pour couvrir les plaques dans chaque cellule. Ensuite, chargez les batteries, puis vérifiez à nouveau le niveau d'eau.

### (E) LE SYSTÈME D'ASSISTANCE DU DISQUE DE LA MACHINE NE SE PROPULSE PAS LUI-MÊME

Pour le réglage de l'assistance du disque, suivez les étapes ci-dessous (voir les étapes 1 à 6 de la figure E).

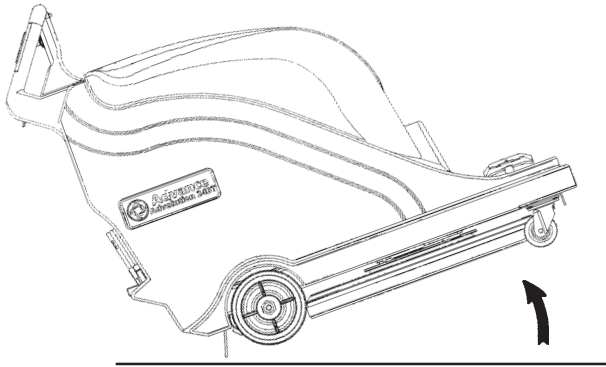
- 1 Remplacez le polisseur à sa position d'origine pour accéder au support du pivot.
- 2 Retirez le sac à poussières
- 3 Appuyez vers le bas sur la jupe anti-poussière pour accéder au système de réglage.
- 4 Desserrez le système de réglage du support du pivot et les boulons du pivot, puis faites tourner le support dans le sens contraire des aiguilles d'une montre pour augmenter l'assistance du disque.
- 5 Le support du pivot est muni d'encoches qui permettent le réglage.
- 6 Réglez le support du pivot de manière que le disque soit enfoncé vers le bas du côté droit de la machine afin d'augmenter l'assistance du disque. Puis, serrez le système de réglage.

### ATTENTION !

L'assistance du disque varie en fonction de la granularité du disque et de la finition du sol. Si la plate-forme est trop penchée, le disque risque de brûler le sol du côté droit.

E

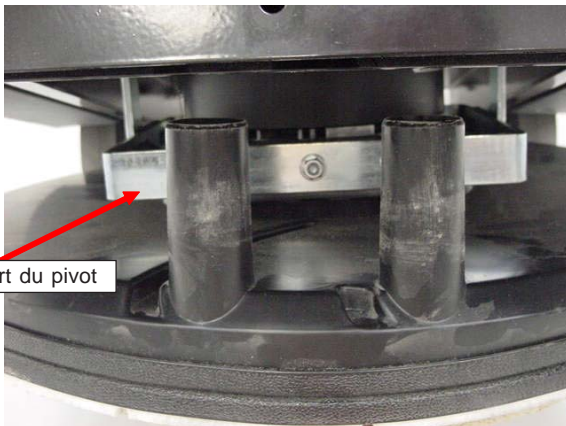
1



2

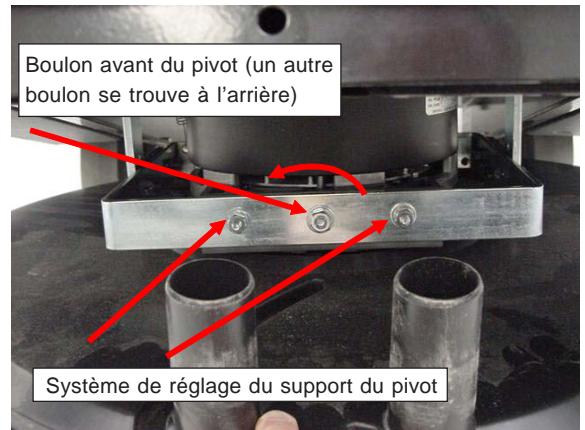


3



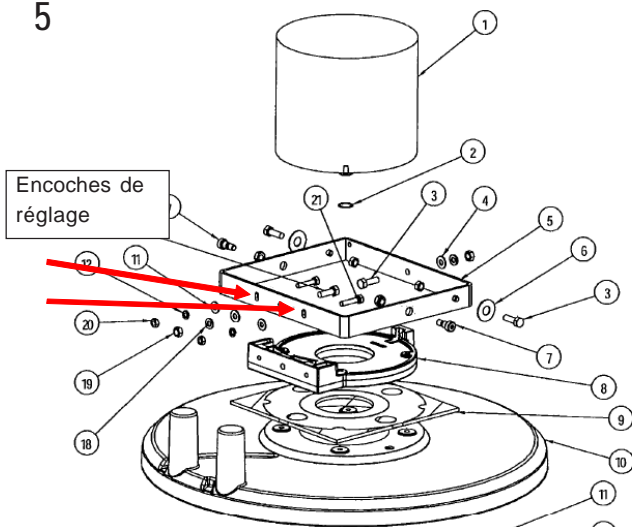
Support du pivot

4

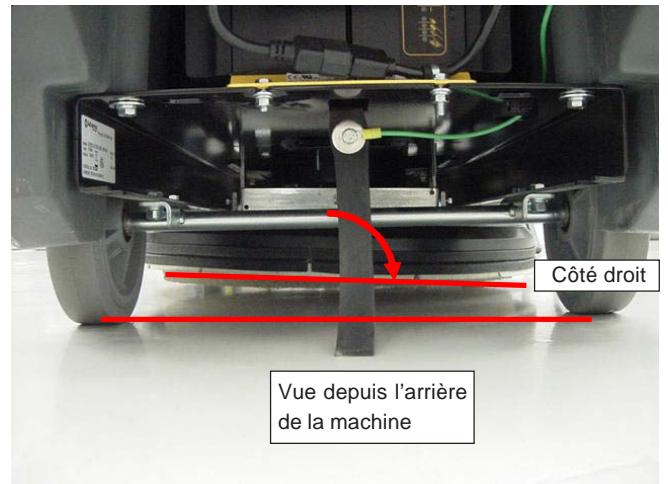


Système de réglage du support du pivot

5



6



# CARACTERISTIQUES TECHNIQUES

## Caractéristiques techniques

Modèle	Advolution 24B	Advolution 24BT
Nombre modèle	01575A 01565A (avec/Vide Actif)	01574A 01564A (avec/Vide Actif)
Alimentation	36V 220 Ah	36V 220 Ah
Moteur du disque	2,4 kW, 85 Amp	2,4 kW, 85 Amp
Démarrage du moteur de traction		.5 hp PM / .37 kW
Démarrage du système de commande	Avec assistance du disque	Commande directe
Disque	61 cm	61 cm
Vitesse rotation disque	1.600 t/min	1.600 t/min
Pression disque	0 - 13,6 kg	0 - 13,6 kg
Vitesse M/AV	Avec assistance du disque	0 - 75m/min
Vitesse M/AR	Avec assistance du disque	0 - 52m/min
Vibration	<2,5 m/s <sup>2</sup>	<2,5 m/s <sup>2</sup>
Niveau de bruit (dba)	65	65
Roue motrice	4 cm x 20 cm	4 cm x 20 cm
Chargeur	36V, 25A, 85-265V / 45-65Hz	36V, 25A, 85-265V / 45-65Hz
Longueur	138 cm	138 cm
Largeur	69 cm	69 cm
Hauteur	108 cm	108 cm
Largeur bande polie	61 cm	61 cm
Rendement	2 676 m <sup>2</sup> /h	2 676 m <sup>2</sup> /h
Poids (avec 3-195Ah)	253 kg	259 kg
Poids livré	313 kg	319 kg

Modèle	Advolution 24B	Advolution 24BT
Nombre modèle	01577A 01567A (avec/Vide Actif)	01576A 01566A (avec/Vide Actif)
Alimentation	36V 234 Ah (AGM)	36V 234 Ah (AGM)
Moteur du disque	1,9 kW, 65 Amp	1,9 kW, 65 Amp
Démarrage du moteur de traction		.5 hp PM / .37 kW
Démarrage du système de commande	Avec assistance du disque	Commande directe
Disque	61 cm	61 cm
Vitesse rotation disque	1.600 t/min	1.6000 t/min
Pression disque	0 - 13,6 kg	0 - 13,6 kg
Vitesse M/AV	Avec assistance du disque	0 - 75m/min
Vitesse M/AR	Avec assistance du disque	0 - 52m/min
Vibration	<2,5 m/s <sup>2</sup>	<2,5 m/s <sup>2</sup>
Niveau de bruit (dba)	65	65
Roue motrice	4 cm x 20 cm	4 cm x 20 cm
Chargeur	36V, 25A, 85-265V / 45-65Hz	36V, 25A, 85-265V / 45-65Hz
Longueur	138 cm	138 cm
Largeur	69 cm	69 cm
Hauteur	108 cm	108 cm
Largeur bande polie	61 cm	61 cm
Rendement	2 676 m <sup>2</sup> /h	2 676 m <sup>2</sup> /h
Poids (avec 3-195Ah)	289 kg	296 kg
Poids livré	349 kg	355 kg

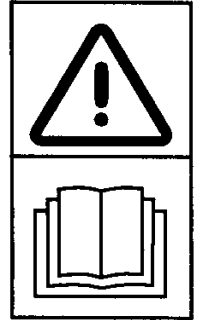
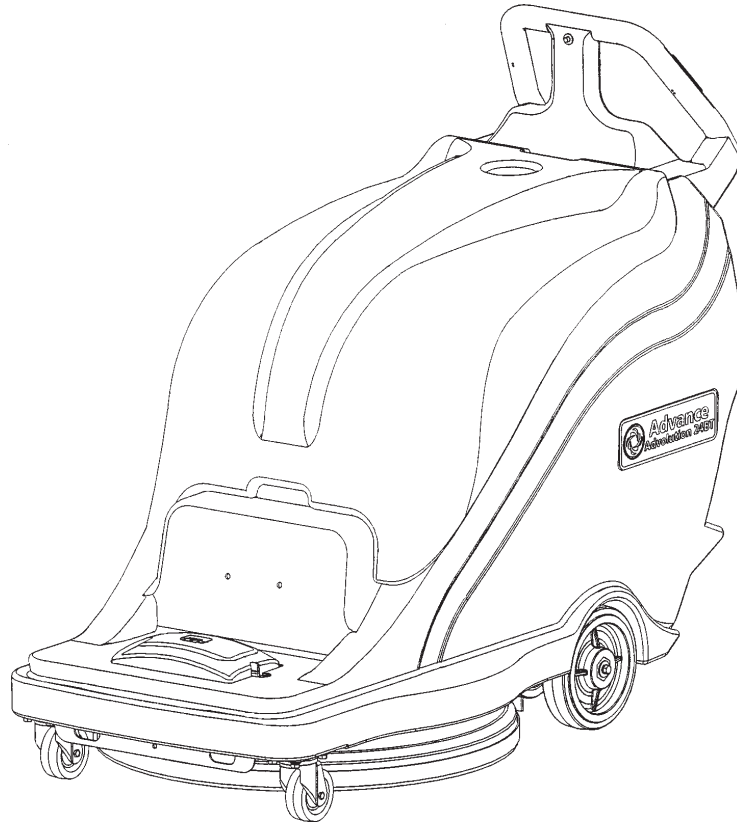
---

# Advolution 24B

---

# Advolution 24BT

---



## SECTION II: PARTS LIST

Advance Models: 01574A (24BT 220AH), 01575A (24B 220AH),  
01576A (24BT 234AH AGM), 01547A (24B 234AH AGM)

Advance Models (w/Active Vac): 01564A (24BT 220AH), 01565A (24B 220AH),  
01566A (24BT 234AH AGM), 01567A (240B 234AH AGM)



<u>DESCRIPTION</u>	<u>PAGE</u>
Note Page .....	33
Assembly Drawing Advolution 24B .....	34
Assembly Parts List Advolution 24B .....	35
Assembly Drawing Advolution 24BT .....	36
Assembly Parts List Advolution 24BT .....	37
Frame Assembly Drawing Advolution 24B .....	38
Frame Assembly Parts List Advolution 24B .....	39
Frame Assembly Drawing Advolution 24BT .....	40
Frame Assembly Parts List Advolution 24BT .....	41
Handle Assembly Drawing Advolution 24B .....	42
Handle Assembly Parts List Advolution 24B .....	43
Handle Assembly Drawing Advolution 24BT .....	44
Handle Assembly Parts List Advolution 24BT .....	45
Body Assembly Drawing Advolution 24B .....	46
Body Assembly Parts List Advolution 24B .....	47
Body Assembly Drawing Advolution 24BT .....	48
Body Assembly Parts List Advolution 24BT .....	49
Head Assembly Drawing .....	50
Head Assembly Parts List .....	51
Active Vac Kit Drawing .....	52
Active Vac Kit Parts List .....	53
Transaxle Drawing .....	54
Transaxle Parts List .....	55
Wiring Schematic Advolution 24B .....	56
Wiring Schematic Advolution 24BT .....	57

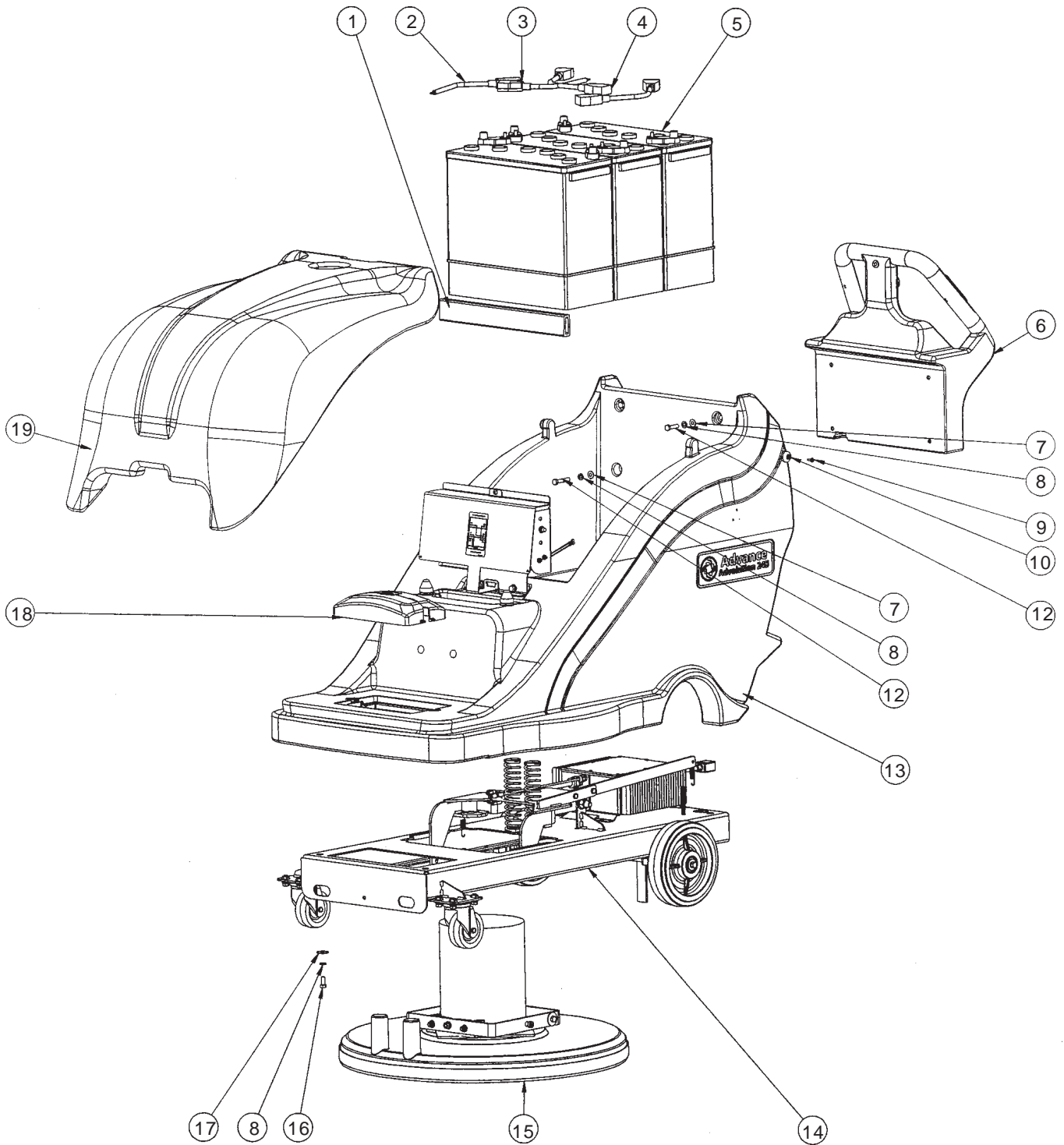
**WHEN ORDERING PARTS**

- \* Use the 6 or 8 digit numbers from the "Part No." columns in this parts list.
- \* Specify the model and serial number of the machine.
- \* Use the space below to record the model and serial number for future reference.

Model \_\_\_\_\_ Serial No. \_\_\_\_\_



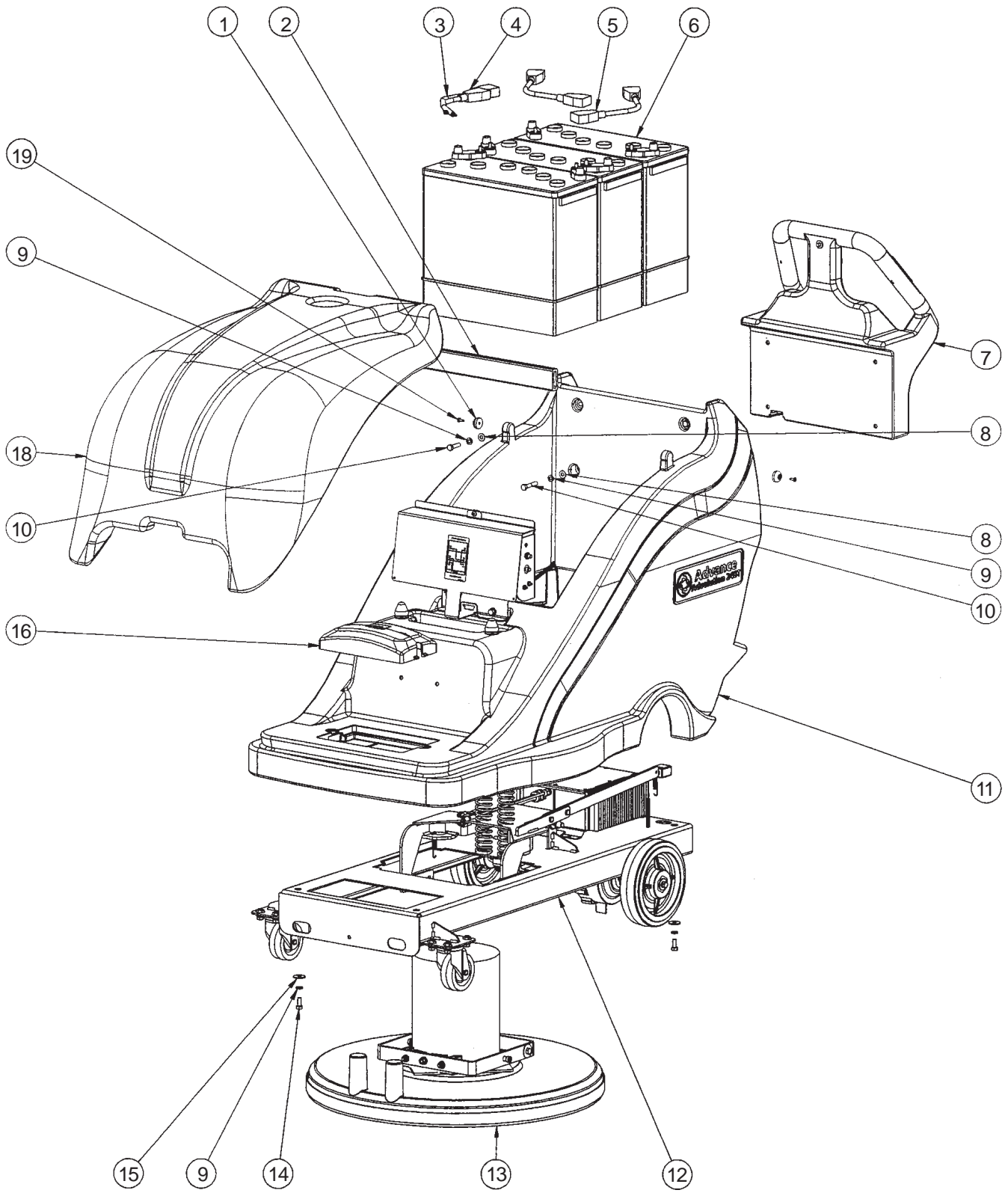




Ref. #	Part No.	Description	Qty.
1	30787A	Spacer, Battery	1
2	41050A	Battery Cable Neg Series	1
3	41051A	Battery Cable Series Pos	1
4	41217A	Cable, Battery Series	2
5	871334	Battery, 195 AH Wet 12 Volt	3
6#	Page 42	Handle Asm., 24B	1
7	980651	Washer, 5/16 Flat	4
8	980652	Washer, 5/16 Lock	8
9	962957	Screw, 10-16 x 1/2 Self Tap	2
10	51609A	Bumper, Rear	2
12	85816A	Screw, 5/16-18 x 1.75 Hex Hd	4
13#	Page 46	Body Asm., 24B	1
14#	Page 38	Mainframe Asm., 24B	1
15#	Page 50	Head, Burnisher 24"	1
16	85811A	Screw, 5/16-18 x 3/4 Hex Hd	4
17	980205	Washer, .31 I.D. x 1.06 O.D.	4
18	30741A	Cover, Dust Bag	1
19	30780A	Cover, Top	1

# = Revised or new since last update

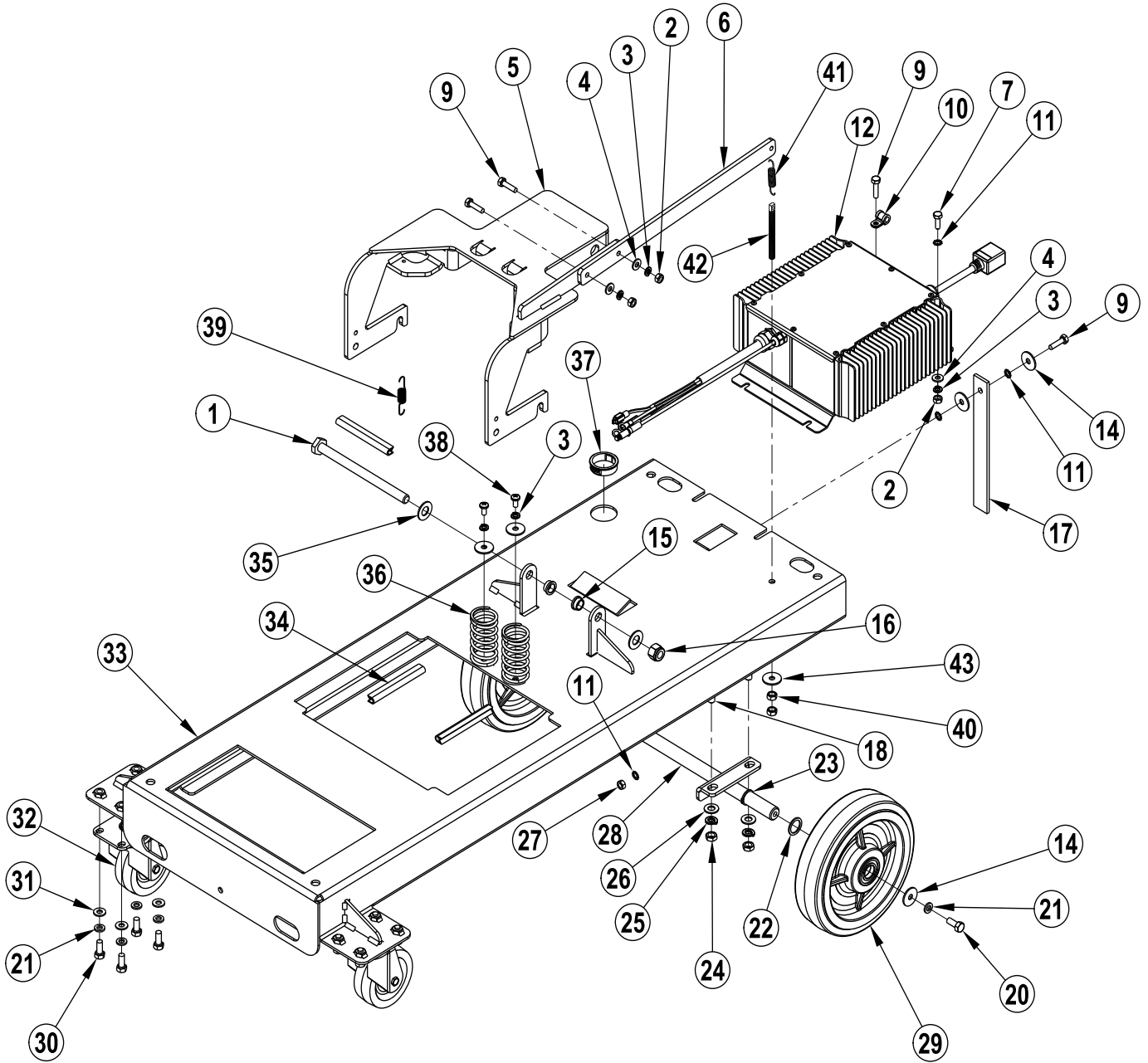
ACCESSORIES AVAILABLE	
DESCRIPTION	PART NO.
Dust Bag - Package of 10	56201569
Burnishing Pads - Case of 5:	
Natural Blend, Tan HS 24"	976356
Aqua 24"	976256
Natural Blend 24"	976331
Active Vac Kit	11223A



Ref. #	Part No.	Description	Qty.
1	51609A	Bumper, Rear	2
2	30787A	Spacer, Battery	1
3	41050A	Battery Cable Neg. Series	1
4	41051A	Battery Cable Series Pos.	1
5	41217A	Cable, Battery Series	2
6	40276A	Battery, 220 AH Wet 12 Volt	3
7#	Page 44	Handle Asm., 24BT	1
8	980651	Washer, 5/16 Flat	4
9	980652	Washer, 5/16 Lock	8
10	85816A	Screw, 5/16-18 x 1.75 Hex Hd.	4
11#	Page 48	Body Asm., 24BT	1
12#	Page 40	Mainframe Asm., 24BT	1
13#	Page 50	Head, Burnisher 24"	1
14	85811A	Screw, 5/16-18 x 3/4 Hex Hd.	4
15	980205	Washer, .311 I.D. x 1.06 O.D.	4
16	30741A	Cover, Dust Bag	1
18	30780A	Cover, Top	1
19	962957	Screw, 10-18 x 1/2 Self Tap	2

# = Revised or new since last update

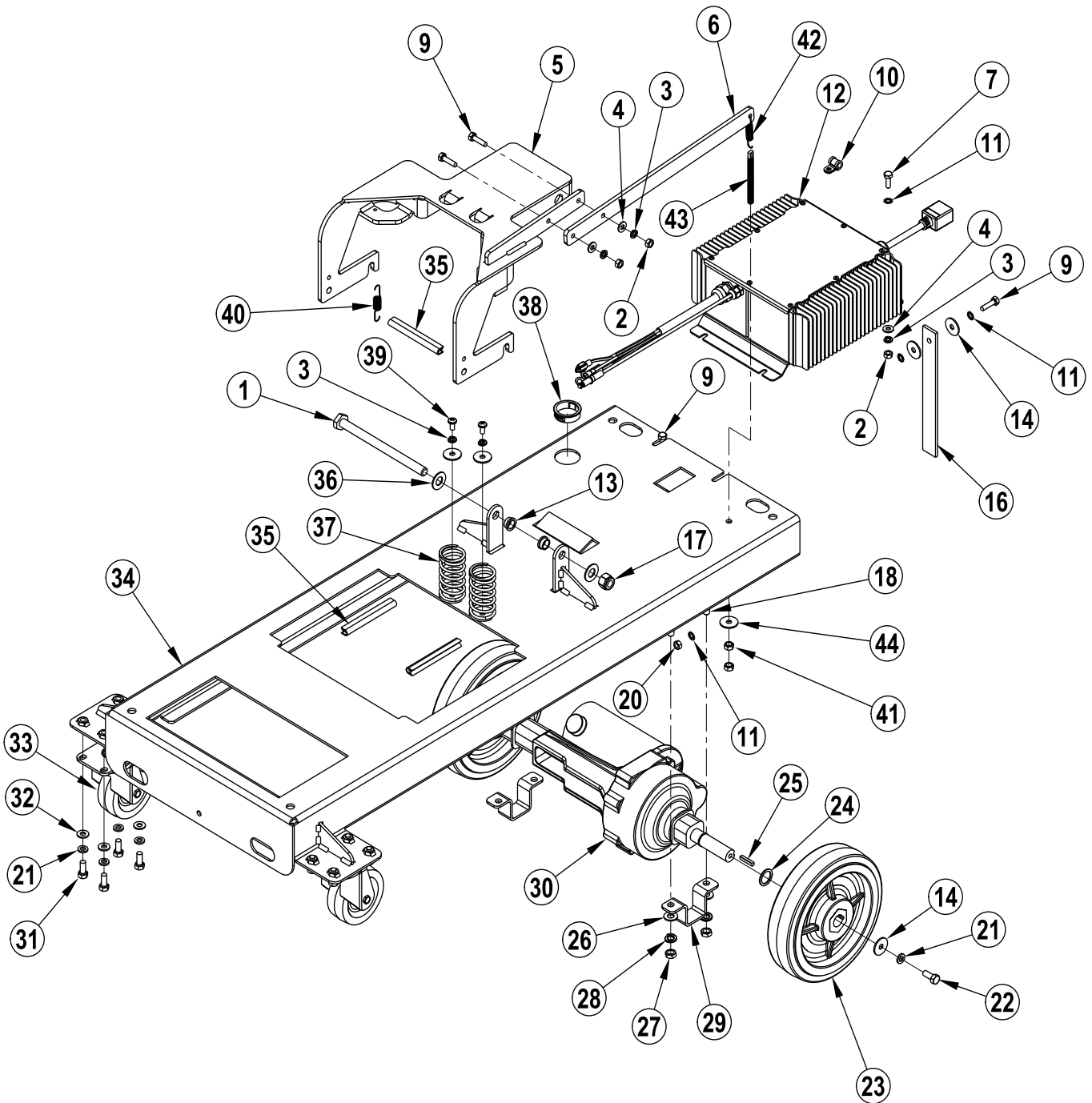
ACCESSORIES AVAILABLE	
DESCRIPTION	PART NO.
Dust Bag - Package of 10	56201569
Burnishing Pads - Case of 5:	
Natural Blend, Tan HS 24"	976356
Aqua 24"	976256
Natural Blend 24"	976331
Active Vac Kit	11223A



Ref. #	Part No.	Description	Qty.
1	80376A	Screw, 1/2-13 x 7 H.H.C.S.	1
2	920208	Nut, 1/4-20 Hex	4
3	980657	Washer, Lock 1/4	6
4	980646	Washer, 1/4" Flat	4
5	60565A	Head, Lift Weldment	1
6	60567A	Arm, Adjustment	1
7	85806A	Screw, 1/4-20 x 3/4 Hex SZ	1
9	85700A	Screw, 1/4-20 x 1 H.H. C.S.	4
10	54768A	Clamp, P 5/16 Steel	1
11	980614	Washer, 1/4" Starlock Ext.	4
12	41036A	Charger, Battery 36VDC/21A	1
14	980205	Washer, .31 I.D. X 1.06 O.D.	6
15	54453A	Bushing, 3/8 x 1/2 Nominal	2
16	920365	Nut, 1/2-13 Nylock	1
17	69639A	Strap, Static	1
18	962244	Screw, 3/8-16 x .75 Hex	4
20	962620	Screw, 5/16-24 x 3/4" Hex Hd.	2
21	980652	Washer, 5/16 Lock	10
22	87616A	Washer, Flat 1 x .75 x .06 Nylon	2
23	57423A	Retaining Ring, Ext.	2
24	920260	Nut, 3/8-16 Hex	4
25	170883	Washer, Lock 3/8"	4
26	980645	Washer, 3/8" S.A.E. Flat	4
27	81104A	Nut, 1/4" Nylock	1
28	61917A	Weldment, Non-Transpose Axle	1
29#	54691A	Wheel, 8"	2
30	85811A	Screw, 5/16-18 x 3/4 Hex Hd.	8
31	980651	Washer, 5/16 Flat	8
32	54454A	Caster, 3 1/2 Front Swivel	2
33	61913A	Mainframe, Weldment 24"	1
34	193951	Trim, Flexible	3
35	980648	Washer, 17/32 x 1 1/16 Plain	2
36	50949A	Spring, 5.75 Compression	2
37	87060A	Insulating Bushing	1
38	962823	Screw, 1/4-20 x 1/2 P.H.	2
39	54698A	Spring, Extension .420 x 2.39 Zinc	1
40#	170854	Nut, 5/16 Hex <b>NOTE 1</b>	2
41#	50960A	Spring, Ext. <b>NOTE 1</b>	1
42#	60579A	Adjustment Rod <b>NOTE 1</b>	1
43#	980205	Washer, .31 I.D.X1.06 O.D. <b>NOTE 1</b>	1

# = Revised or new since last update

**NOTE 1:** These items are only used after April 2010.

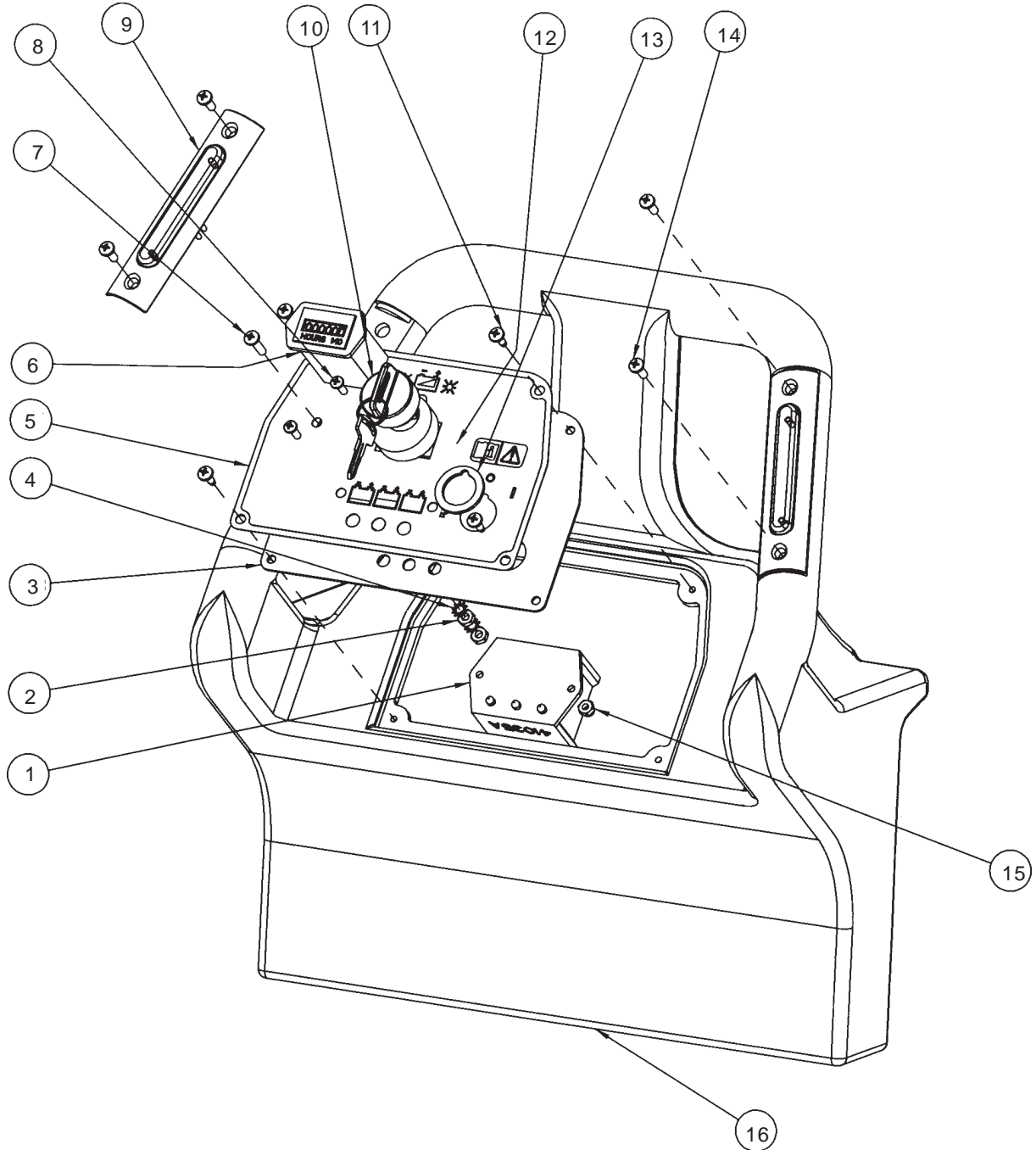




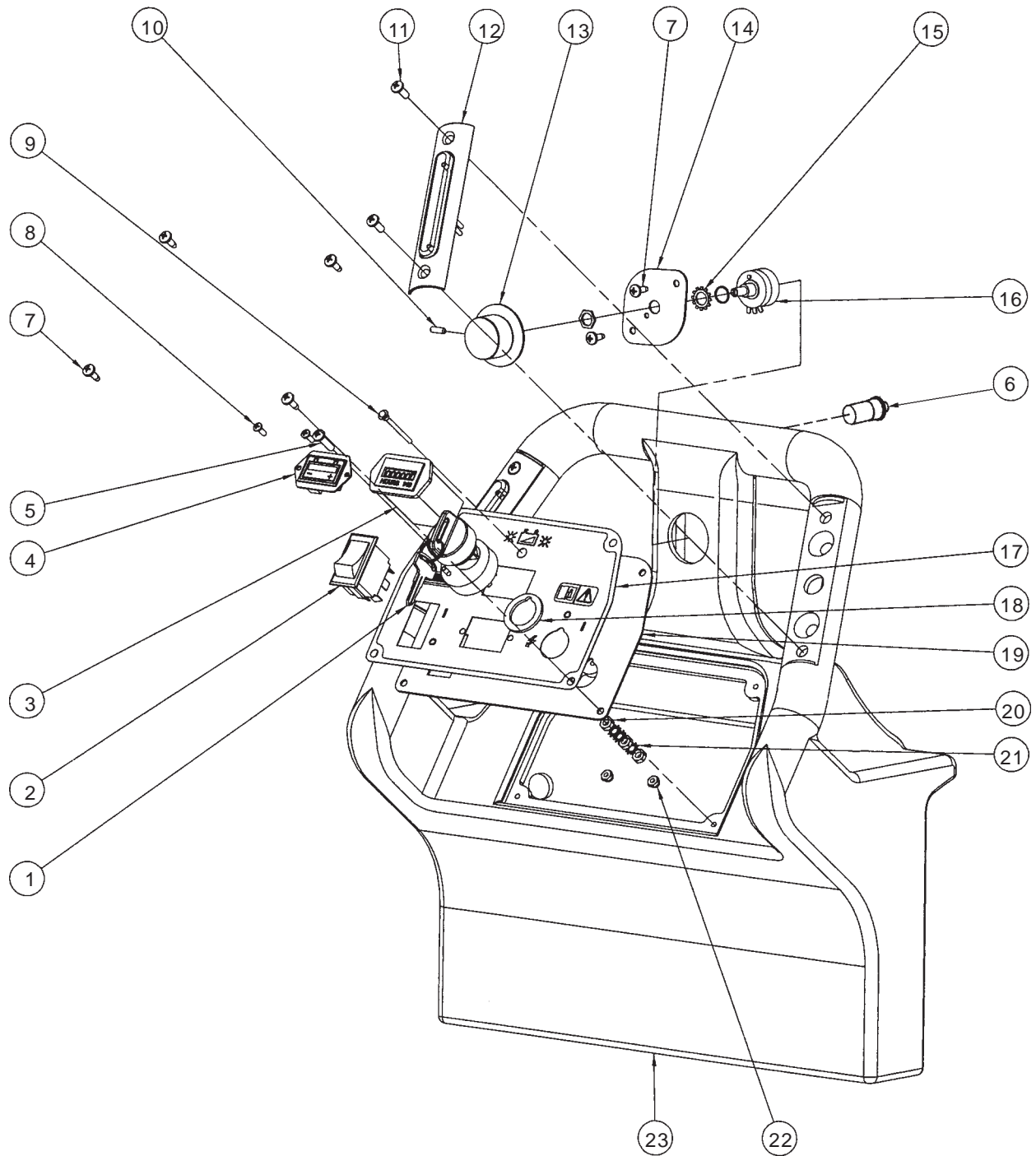
Ref.#	Part No.	Description	Qty.
1	80376A	Screw, 1/2-13 x 7 H.H.C.S.	1
2	920208	Nut, 1/4-20 Hex	4
3	980657	Washer, Lock 1/4	6
4	980646	Washer, 1/4" Flat	4
5	60565A	HeadLift Weldment	1
6	60567A	Arm, Adjustment	1
7	85806A	Screw, 1/4-20 x 3/4 Hex SZ	1
9	85700A	Screw, 1/4-20 x 1 H.H. C.S.	4
10	54768A	Clamp, P 5/16 Steel	1
11	980614	Washer, 1/4" Starlock External	4
12	41036A	Charger, Battery 36VDC/21A	1
13	54453A	Bushing, 3/8 x 1/2 Nominal	2
14	980205	Washer, .31 I.D. x 1.06 O.D.	6
16	69639A	Strap, Static	1
17	920365	Nut, 1/2-13 Nylock	1
18	962244	Screw, 3/8-16 x .75 Hex	4
20	81104A	Nut, 1/4" Nylock	1
21	980652	Washer, 5/16 Lock	10
22	962620	Screw, 5/16-24 x 3/4" Hex Hd.	2
23#	54692A	Wheel, 8"	2
24	87616A	Washer, Flat 1 x .75 x .06 Nylon	2
25	915044	Key, 3/16 Sq.	1
26	980645	Washer, 3/8" S.A.E. Flat	4
27	920260	Nut, 3/8-16 Hex	4
28	170883	Washer, Lock 3/8"	4
29	62435A	Clamp, Transaxle	2
30	41043A	Transaxle	1
31	85811A	Screw, 5/16-18 x 3/4 Hex	8
32	980651	Washer, 5/16" Flat	8
33	54454A	Caster, 3 1/2 Front Swivel	2
34	61913A	Mainframe, Weldment 24"	1
35	193951	Trim, Flexible	3
36	980648	Washer, 17/32 x 1 1/16 Plain	2
37	50949A	Spring, 5.75 Compression	2
38	87060A	Insulating Bushing	1
39	962823	Screw, 1/4-20 x 1/2 P.H.	2
40#	54698A	Spring, Extension	1
41#	170854	Nut, 5/16 Hex NOTE 1	2
42#	50960A	Spring, Ext. NOTE 1	1
43#	60579A	Adjustment Rod NOTE 1	1
44#	980205	Washer, .31 I.D.x1.06 O.D. NOTE 1	1

# = Revised or new since last update

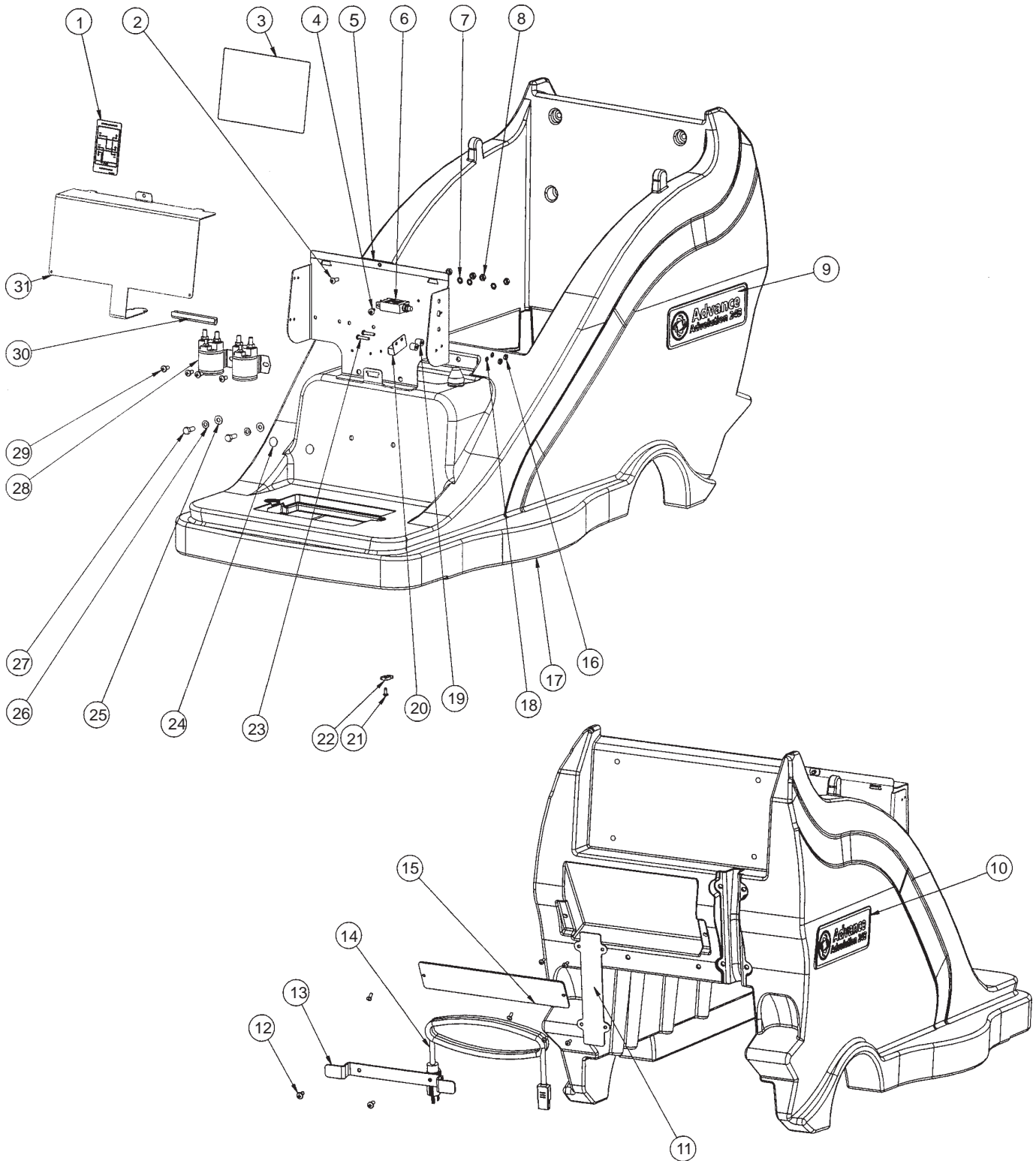
NOTE 1: These items are only used after April 2010.



Ref. #	Part No.	Description	Qty.
1	41035A	Meter, Battery / Low Voltage	1
2	920224	Nut, 10-32 Hex	2
3	61919A	Panel, Control	1
4	980603	Washer, #10 Lock Ext. Tooth	2
5	71423A	Label, Control Panel	1
6	912226	Meter, Hour 12V DC	1
7	85383A	Screw, 10-32 x 3/4 P.H.	1
8	962027	Screw, 8-32 x 1/2 PH	2
9	11178A	Switch Assembly, Handle	1
10	40786A	Switch, Key	1
11	962957	Screw, 10-16 x 1/2 Self Tap	4
12	41036A	LED, Battery Charger	1
13	40786S	Spacer, Key Switch	1
14	80104A	Screw, 10-32 x 1/2 S.S.	4
15	920065	Nut, 8-32 E.S.N.A.	2
16	30684A	Handle	1

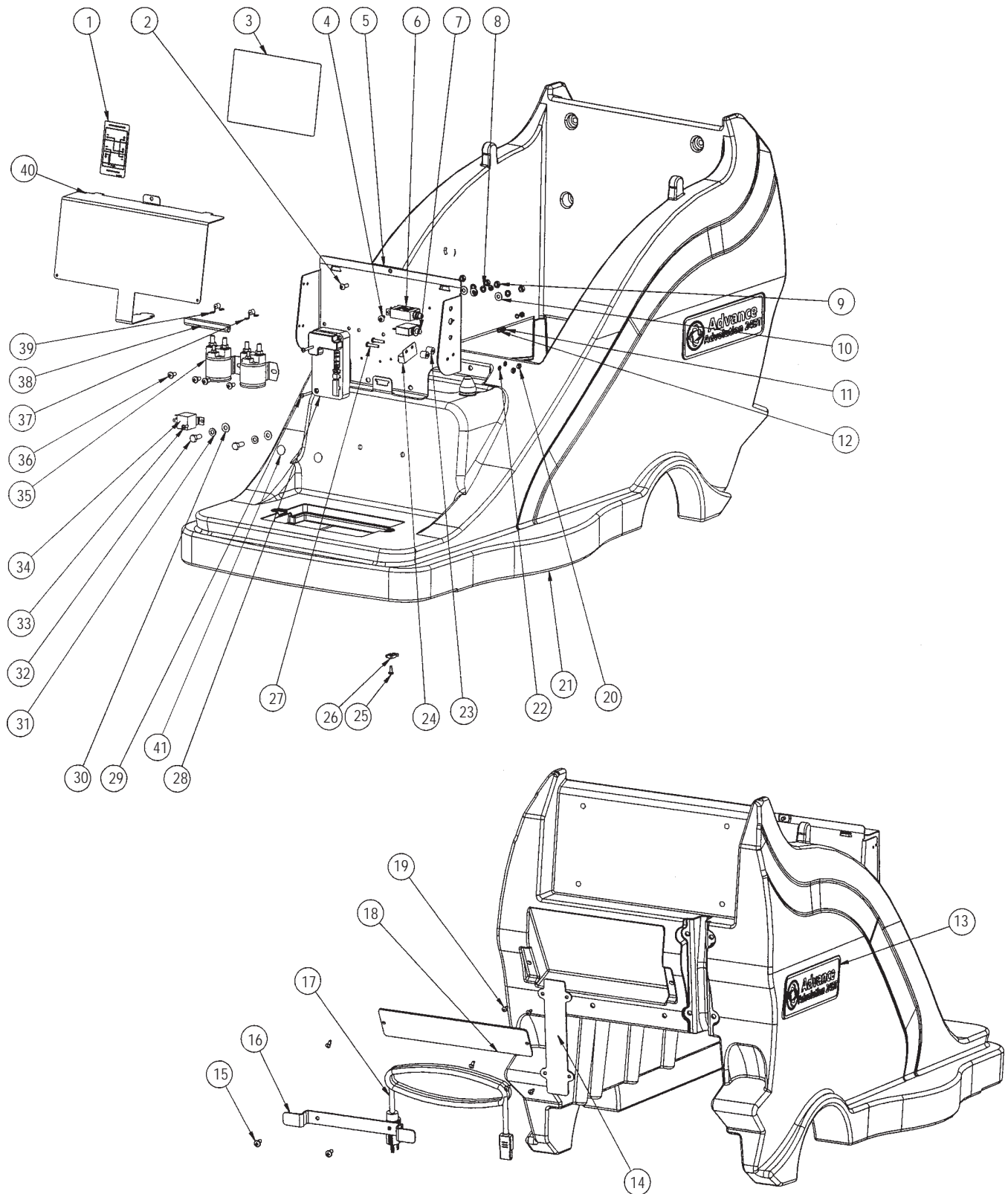


Ref. #	Part No.	Description	Qty.
1	40786A	Switch, Key	1
2	47381B	Switch, Rocker	1
3	912226	Meter, Hour 12V DC	1
4	41008A	Display, Tru-Charge	1
5	85383C	Screw, 10-32 x 3/4 P.H.	1
6	52556A	Switch, Push Button	1
7	962957	Screw, 10-16 x 1/2 Self Tap	6
8	85313C	Screw, PHMS 6-32 x 3/8	2
9	41036A	LED, Battery Charger	1
10	962262	Screw, Set 8-32 x 1/2"	1
11	80104A	Screw, 10-32 x 1/2 S.S.	4
12	11178A	Switch, Assembly Handle	2
13	50962A	Knob, Speed Control	1
14	61922A	Retainer, 5K Potentiometer	1
15	980666	Washer, 3/8 Starlock External	1
16	40750A	Harness, Potentiometer Asm.	1
17	71424A	Label, Control Panel	1
18	40786S	Spacer, Key Switch	1
19	61906A	Panel, Control	1
20	920224	Nut, 10-32 Hex	3
21	980603	Washer, #10 Lock Ext. Tooth	4
22	920056	Nut, 6-32 E.S.N.A. Nylock	2
23	30684A	Handle, Advolution BT	1



Ref.#	Part No.	Description	Qty.
1	79985A	Label, Battery Connection	1
2	962822	Screw, 1/4-20 x 5/8 BTST Soc	1
3	79987A	Label, Connection Diagram	1
4	80208A	Screw, M6 x 1 x 10mm P.H.	2
5	61905B,	Plate,, Electrical Weldment	1
6	40664A	Breaker, Circuit	1
7	980614	Washer, 1/4" Starlock Ext.	4
8	920208	Nut, 1/4 - 20 Hex	4
9	84237A	Screw, 10-32 x .50 P.H.	6
10	71384A	Label, Advolution 24B	2
11	30402A	Cover, Harness	1
12	85395A	Screw, 1/4-20 x 1/2" P.H.	2
13	61598A	Bracket, Cord Wrap	1
14	40740A	Cord, Charger NEMA	1
15	38740A	Strap, Retention (Dust Bags)	1
16	920224	Nut, 10-32 Hex	2
17	30812A	Body, Advolution 24 B	1
18	980603	Washer, #10 Lock Ext. Tooth	2
19	80142A	Spacer, Nylon .194IDx.500Dx.50LG	2
20	41039A	Switch, Tilt	1
21	962957	Screw, 10-16 x 1/2 Self Tap	3
22	62548A	Tab, 1/4" Screw	3
23	98470A	Screw, 10-32 x 1.00	2
24	54770A	Fastener, Ratchet	2
25	980651	Washer, 5/16 Flat	2
26	980652	Washer, 5/16 Lock	2
27	85811A	Screw, 5/16-18 x 3/4 Hex Hd.	2
28	41801A	Contactor, Main 36V	2
29	962823	Screw, 1/4-20 x 1/2 P.H.	4
30	193951	Trim, 3" Flexible	1
31	61909A	Cover, Front Elec. Plate	1
NI	40278A	Harness, Power Trav.	1

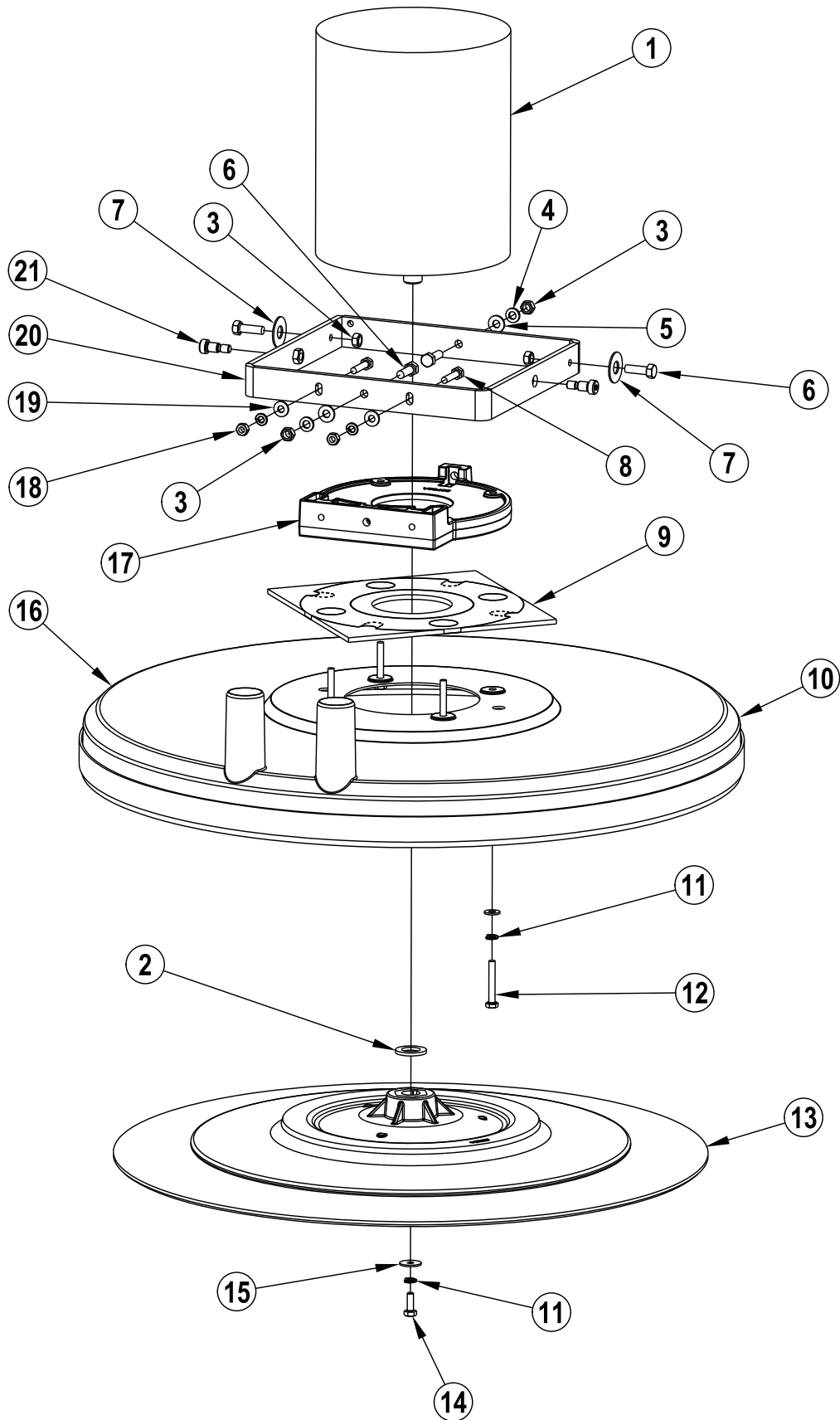
NI = Not Illustrated





Ref. #	Part No.	Description	Qty.
1	79985A	Label, Battery Conn.	1
2	962822	Screw, 1/4-20 x 5/8 BT ST Soc	1
3	79984A	Label, Connection Dia.	1
4	80208A	Screw, M6 x 1.00 x 10mm PH	2
5	61905B	Plate, Electrical Weldment	1
6	40664A	Breaker, Circuit	1
7	41448B	Breaker, 30A Circuit	1
8	980657	Washer, Lock 1/4	4
9	920208	Nut, 1/4-20 Hex	4
10	980646	Washer, 1/4" Flat	4
11	920108	Nut, 8-32	3
12	87200A	Washer, Lock #8	3
13	71383A	Label, Advolution 24BT	1
14	30402A	Cover, Harness	1
15	85395A	Screw, 1/4-20 x 1/2" PH	2
16	61598A	Bracket, Cord Wrap	1
17	40740A	Cord, Charger NEMA	1
18	38740A	Strap, Retention (Dust Bags)	1
19	85517A	Screw, #10-24 x 1/2 PHCR	6
20	920224	Nut, 10-32 Hex	2
21	30812A	Body, Advolution 24B & BT	1
22	980603	Washer, #10 Lock Ext. Tooth	2
23	80142A	Spacer, Nylon .194 ID x .500D x .50 LG	2
24	41039A	Switch, Tilt	1
25	962957	Screw, 10-16 x 1/2 Self Tap	3
26	52548A	Tab, 1/4" Screw	3
27	98470A	Screw, 10-32 x 1.00	2
28	41042A	Controller, i-Drive 36V Traverse	1
29	80380A	Screw, 8-32 x 1 1/4" P.H.	2
30	980651	Washer, 5/16 Flat	2
31	980652	Washer, 5/16 Lock	2
32	85811A	Screw, 5/16-18 x 3/4" Hex Hd.	2
33	962027	Screw, 8-32 x 1/2 P.H.	1
34	41007A	Relay, Traverse Power	1
35	41801A	Contactor, Main 36V	2
36	962823	Screw, 1/4-20X 1/2 P.H.	4
37	42401A	Diode, Asm. Contactor	1
38	193951	Trim, Flexible	1
39	41022A	Diode, Avalanche Asm.	1
40	61909A	Cover, Front Electric Plate	1
41	54770A	Fastener, Ratchet	2
NI	40278A	Harness, Power Trav.	1

NI = Not Illustrated

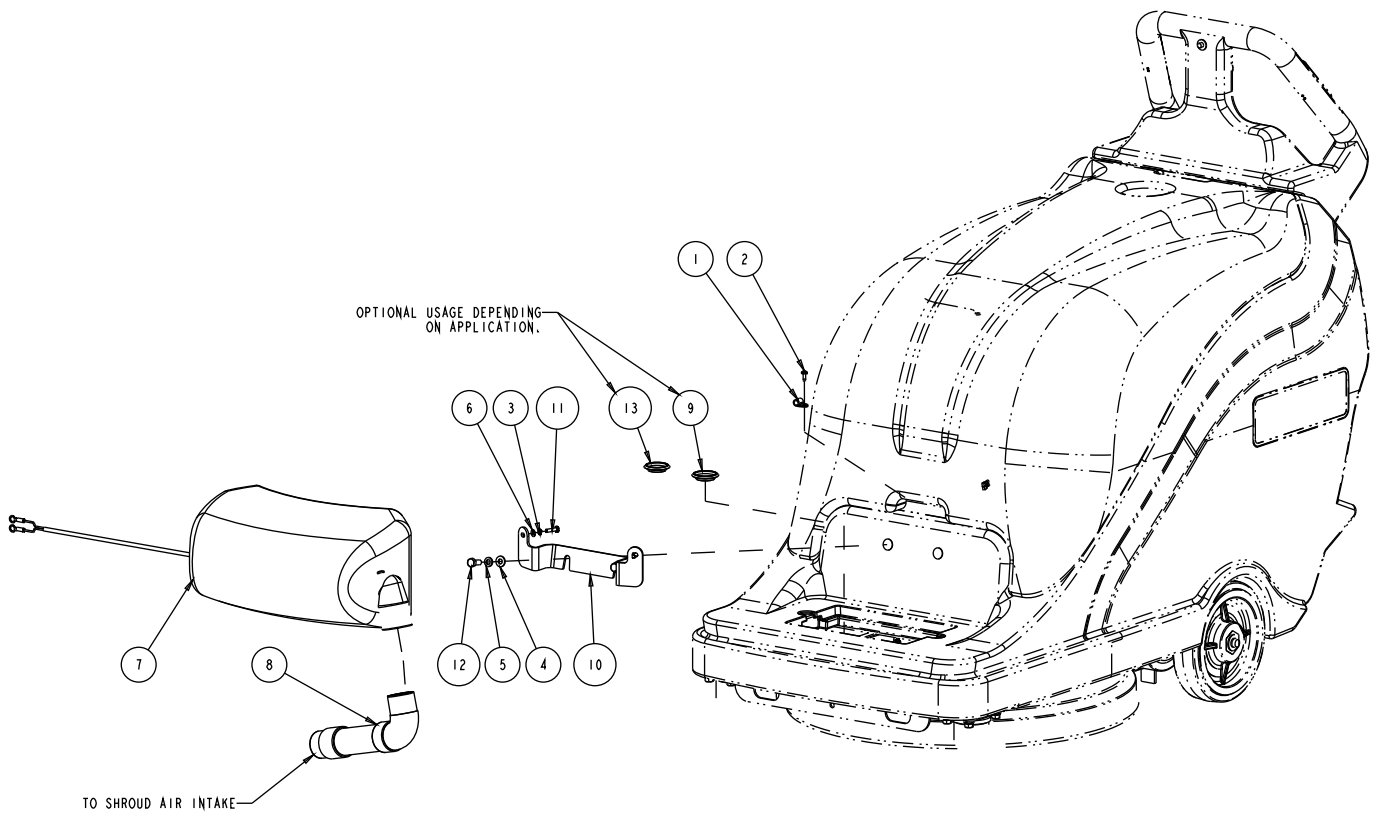


Ref. #	Part No.	Description	Qty.
1	40266A	Motor	1
2#	56009022	WSH, FLT .754 x 1.250 x .120	1
3	170854	Nut, 5/18 Hex	4
4	980652	Washer, 5/16 Lock	2
5	980651	Washer, 5/16 Flat	2
6	85813A	Screw, 5/16-18 x 1.00 Hex Hd.	4
7	87607A	Washer, Nylon 1.25 x .52 x .06 Flat	2
8	962481	Screw, 1/4-20 x 1 1/4 H.H.C.S.	2
9	54435A	Gasket, 2 Piece	1
10	30773A	Skirt Assembly	1
11	980657	Washer, Lock 1/4	7
12	85702A	Screw, 1/4-20 x 1 3/4 Hex Cap	4
13	50323A	Pad Driver Assembly	1
[ ]	57369A	Center Lock	1
14	85806A	Screw, 1/4-20 x 3/4 Hex Sz.	1
15	980413	Washer, Retainer	1
16	38736A	Dust Shroud, 24"	1
17	30783A	Mount, Motor	1
18	920208	Nut, 1/4-20 Hex	2
19	980646	Washer, 1/4" Flat	6
20	60566A	Frame, Motor Weldment	1
21	80041A	Screw, Shoulder 3/8 x 1/2	2

[ ] = Not Shown

# = New or revised since last update

NOTE: This is offered as an optional kit but comes standard on the following models only: 01564A, 01565A, 01566A, 01567A



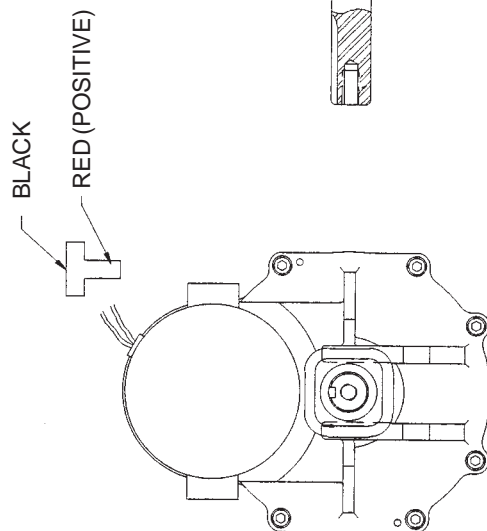
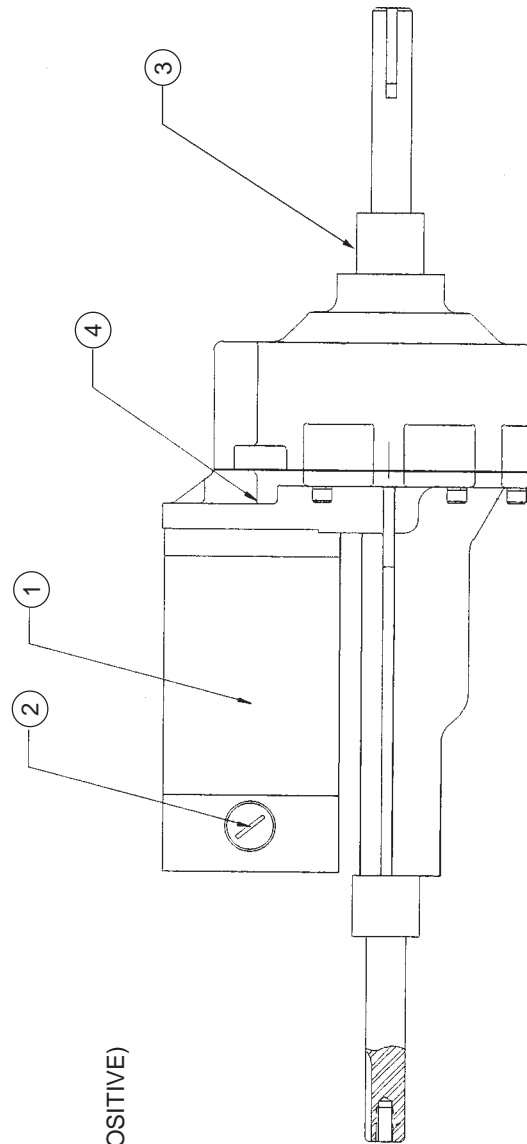
ITEM	PART NO.	QTY	DESCRIPTION
[ ]	71473A	1	Instruction Sheet
1	872102	1	Clamp, Wire .312 ID
2	962957	1	Screw, 10-16 x 1/2 Self Tap
3	980650	2	Washer, #10 Lock
4	980651	2	Washer, 5/16 Flat
5	980652	2	Washer, 5/16 Lock
6	980982	2	Washer, #10 SAE Flat
7	11224A	1	Vacuum, Active
8	38044A	1	Hose, Vacuum
9	38045A	1	Cap, Shroud
10#	61921A	1	Bracket, Active Vac
11	80205A	2	Screw, M5 x 0.8 x 20MM Pan Head
12	85811A	2	Screw, 5/16-18 x 3/4 Hex Hd
13	56380133	1	Plug-Hole 1-5/16

**Accessories**

[ ]	1406554010	A/R	Dust Bag-58 Gallon-Pack of 5
[ ]	1406794010	A/R	Round Motor Protection Filter-Pack of 1
[ ]	1406597500	A/R	Exhaust Filter-Pack of 3
[ ]	1406908000	A/R	Cloth Dust Bag-Reusable/Shake out

[ ] = Not Shown

# = Revised or new since last update



## MOTOR SPECIFICATIONS:

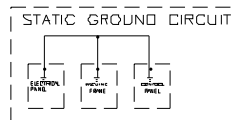
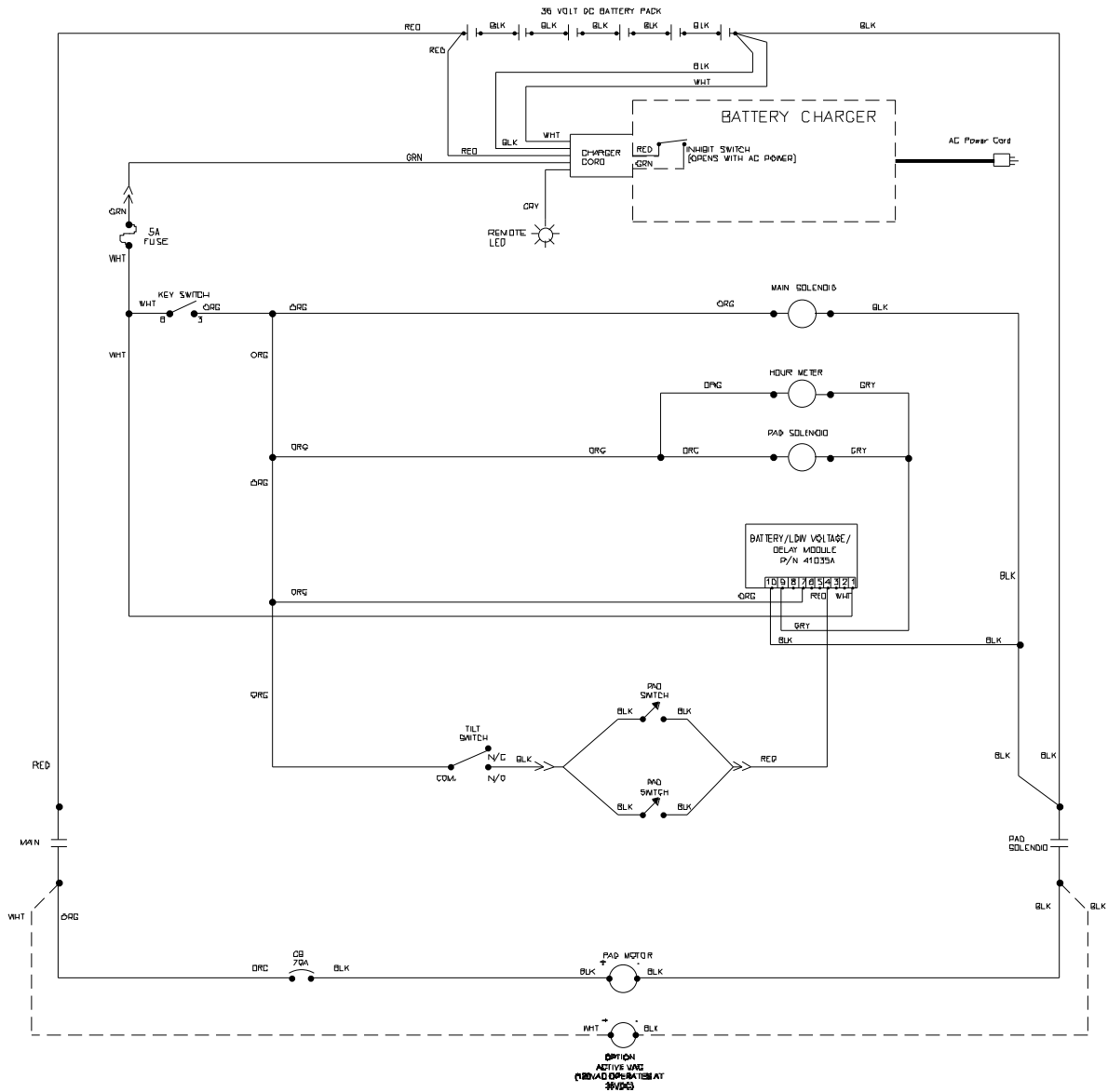
Voltage: 36 VDC

Free Speed: ~ 130 RPM

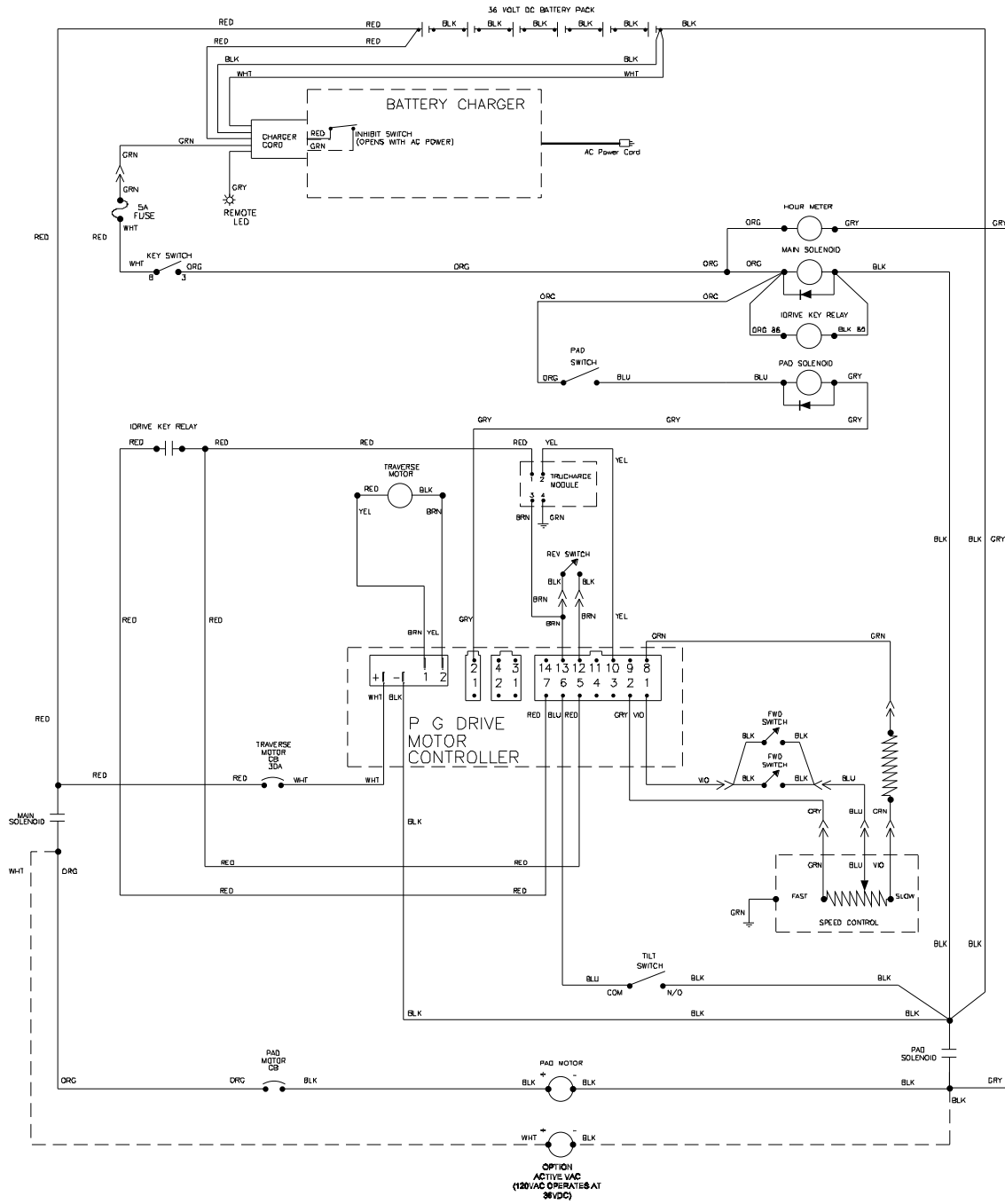
Torque: 140 in-lbs @ 110 RPM (Ref. Only)

## PARTS LIST

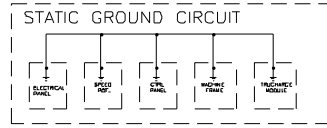
Ref. #	Part No.	Description	Qty.
1	52804A	Motor, Transaxle	1
2	52803A	Brush, Asm.	2
3	51056A	Elastomeric Sleeve	2
4	52801A	Coupler, Transaxle	1







- PENNY & GILES  
CONTROL CONNECTIONS
- 1 THROTTLE WIPER
  - 2 THROTTLE HIGH
  - 3 AUX 2 OUT
  - 4 SLOW/FAST SWT
  - 5 KEY SW
  - 6 INHIBIT 1 PROGRAM TO INHIBIT TRAV AND PAD WHEN TILT SWITCH IS CLOSED
  - 7 FUSED 36V OUT
  - 8 THROTTLE LOW
  - 9 BELLY SWT
  - 10 STATUS IND.
  - 11 AUX 3 OUT
  - 12 REV SWT
  - 13 D VOLT
  - 14 INHIBIT 2 CHARGER





**Advance**

14600 21st Avenue North  
Plymouth, MN 55447-3408

[www.advance-us.com](http://www.advance-us.com)

Phone: 800-989-2235

Fax: 800-989-6566

©2010 Nilfisk-Advance, Inc.

---

**A Nilfisk-Advance Brand**