

# AERO FLOOR DRYER

## IMPORTANT SAFETY INSTRUCTIONS

### SAVE THESE INSTRUCTIONS

READ AND UNDERSTAND ALL INSTRUCTIONS  
BEFORE OPERATING OR SERVICING MACHINE

THIS MACHINE IS INTENDED FOR COMMERCIAL USE ONLY



## DANGER!

Failure to Observe These Instructions Can Cause Fire, Electrical Burn,  
Shock or Electrocution To Machine Operator or Bystanders.

- **NEVER** attempt to operate machine unless you have been trained in its operation.
- **NEVER** operate in standing water.
- **NEVER** lexpose to rain. **ALWAYS** store indoors.
- **ALWAYS** disconnect cord before changing brushes, pads, etc.
- **NEVER** operate machine with Intake screens or Exhaust grill removed.
- **NEVER** operate machine with a cut, abraded, or taped cord.
- **NEVER** operate machine with a broken grounding blade on the plug.
- **ALWAYS** replace entire cord when cord or plug is damaged in any manner. See page 2 for wiring diagram.
- **NEVER** handle machine, cord or plug with wet hands.
- **NEVER** drop or insert any object into any machine opening.
- **ALWAYS** keep face, fingers, hair or any body part, or loose clothing away from any machine opening or moving part
- **NEVER** attempt to service or perform maintenance functions while machine is plugged into electrical outlet.
- **NEVER** leave machine unattended when plugged in. Unplug machine from electrical outlet when not in use.
- **ALWAYS** turn machine off before unplugging from electrical outlet.
- **NEVER** operate machine in the presence of flammable or combustible liquid or fumes.

## WARNING: Failure to Observe These Instructions Can Cause Machine or Property Damage and Possible Injury to Machine Operator or Bystanders.

When any electrical motor, switch, cord or plug service is required, maintenance should only be done by an authorized service station, an electrician or other qualified persons.

Never operate machine if it is not working properly, if it has been dropped, damaged, exposed to weather, or dropped into water. Return machine to service center for examination and repair.

Never operate machine with any air opening blocked. Keep all air openings free of dust, lint, hair etc.

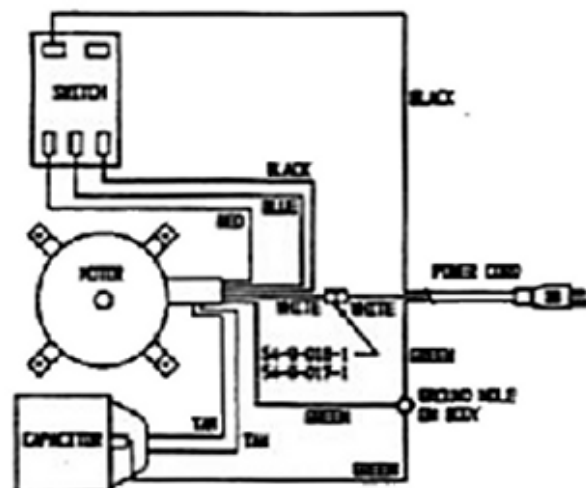
Always store machine indoors. Protect from rain or snow. Never spray top of machine with liquids.

Do not pull or carry machine by electrical supply cord, use cord as a handle, close door on cord, pull cord around sharp edges or corners and expose to heated surfaces.

Never disconnect plug by pulling on cord. To disconnect from outlet grasp the plug, not the cord.



# WARNING: DO NOT ATTEMPT MAINTENANCE OR REPAIRS BEFORE DISCONNECTING CORD FROM ELECTRICAL POWER SOURCE. READ ALL INSTRUCTIONS AND FOLLOW ALL ILLUSTRATIONS CAREFULLY.



GREEN ground wire must be attached to the motor ground and to the body to properly ground the entire machine.

FAILURE TO DO SO MAY CAUSE ELECTROCUTION due to improper connection of ground.

Replacement cords must be UL listed / CSA approved and be of the identical electrical specifications as the original equipment cord.

Check nameplate on machine to be sure voltage and cycle stated on nameplate is the same as voltage and cycle of electrical outlet. DO NOT attempt to plug a 115 volt machine into a 230 volt outlet or a 230 volt machine into a 115 volt outlet.

The grounding blade on the plug must remain intact if the machine is to be properly grounded when plugged in and operated. An ungrounded machine can cause shock to the operator. See Figure A.

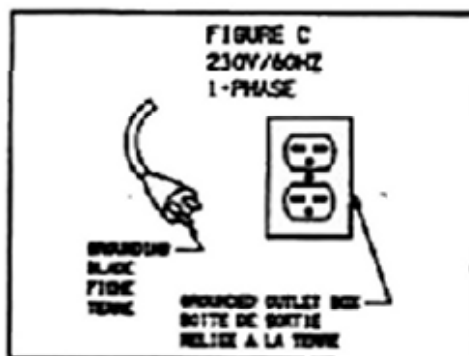
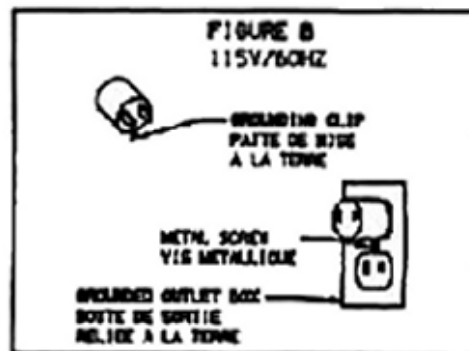
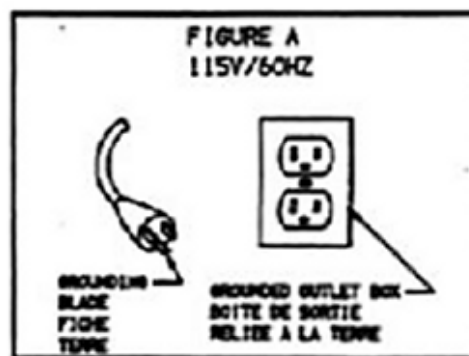
If connecting to an outlet that accepts only two blades use an adapter as in Figure B. NEVER REMOVE THE GROUNDING BLADE.

When grounding blade on plug is broken, it is preferable to replace the whole cord.

If you choose to replace 3-wire plug for 115V, use only U.L. Listed/CSA approved plug with rating of 125V, 15 amps (for 230V, use a 3-wire plug with a rating consistent with voltage and amps required.) Be sure that the green wire of the cord is connected to the green screw, and the black wire to gold screw of the replacement plug.

ALWAYS remember when replacing plug, that if the grounding wire (green) is connected to a live terminal at the machine or plug, the machine will become electrically charged and will result in electrical shock or electrocution.

If it is necessary to use the adapter shown in Figure B, the machine is only properly grounded if the adapter's green-colored clip is tied under screw that holds electrical outlet cover to the wall. A metal screw must be used.

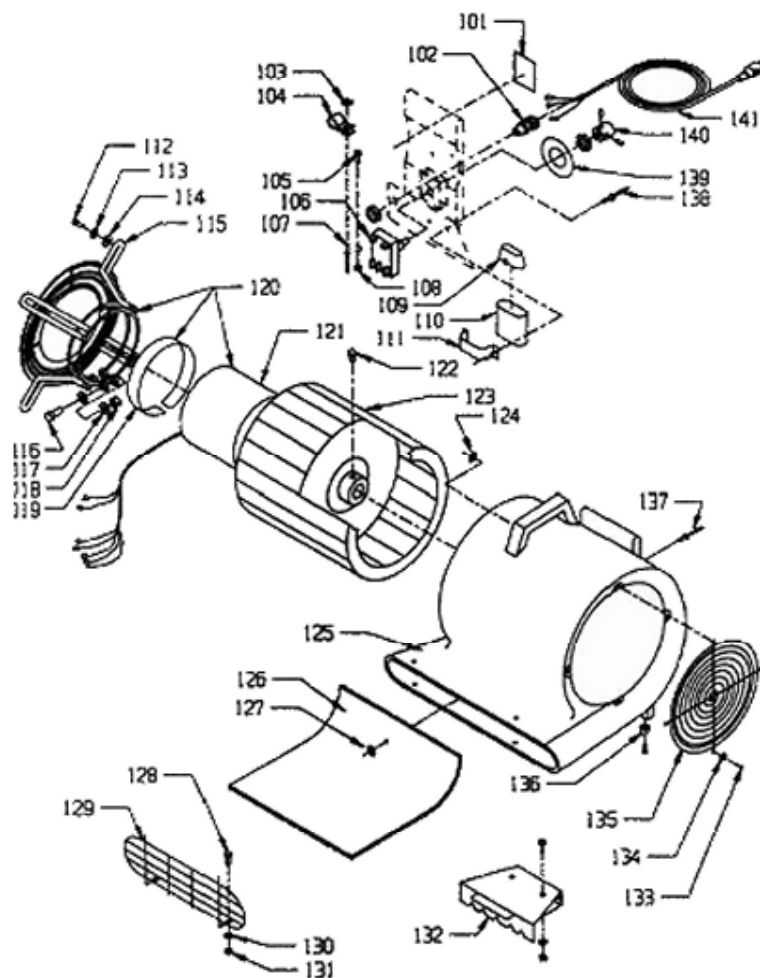


NOTE: IN CANADA, THE USE OF A TEMPORARY ADAPTOR IS NOT PERMITTED BY CANADIAN ELECTRICAL CODE

Note. Au Canada, l'utilisation d'un adaptateur temporaire n'est pas autorisée par le Code canadien de l'électricité.

Always use a properly grounded 3-wire extension cord which has male and female plugs. Use only 16-3 ST or SO type extension cords for a total cord length up to 75 feet.

**Aero Floor Dryer**  
**Illustrated Parts List**  
**Model No. 47-4704,47-4705**



ITEM NUMBER	PART NUMBER	DESCRIPTION	QUANTITY	ITEM NUMBER	PART NUMBER	DESCRIPTION	QUANTITY
101	47-9-055-1	WARNING LABEL, SHOCK	1	122	—	SCREW, 5/16 X 1/2 SQ. HD SET	1
102	48-9-083-1	STRAIN RELIEF #3213 HEYCO	1	123	47-9-057-1	FAN CONVEX	1
103	—	WASHER 3/16 FLAT	1	124	—	WASHER 3/16 FLAT	4
104	48-9-085-1	CABLE CLAMP, #COV-090-KMC	1	125	47-9-066-1	HOUSING	1
105	—	BOLT, 1/4-20 X 3/4 HEX HD-GROUND SCREW	1	126	47-9-067-1	AIR DEFLECTOR	1
106	47-9-056-1	SWITCH, 3-SPEED, 115/240V	1	127	—	WASHER, 3/16 FLAT	1
107	—	POP RIVET, 3/16 X 1/2	1	128	—	BOLT, 1/4-20X3/4 HEX HD	2
108	—	NUT, 1/4-20 NYLOCK	1	129	47-9-107-1	GUARD, FINGER	1
109	47-9-103-1	CAP BOOT	1	130	—	WASHER, 1/4 FLAT	2
110	47-9-058-1	CAPACITOR 115V	1	131	—	NUT, 1/4-20 NYLOCK	2
	47-9-059-1	CAPACITOR 240V	1	132	47-9-050-1	CARPET CLAMP (OPTIONAL)	1
111	47-9-060-1	CAPACITOR STRAP	1		INCL.	BOLT, 1/4-20 X 3/4 HEX HD	2
112	—	1/4 X 20 X 3/4 HEX BOLT	4		INCL.	NUT, 1/4-20 NYLOCK	2
113	—	1/4 LOCK WASHER	4	133	—	#6 X 1/2 BLACK SHEET METAL SCREW	4
114	—	1/4 FLAT WASHER	4	134	—	#10 S/S WASHER	4
115	47-9-104-1	GRILL, MOTOR MOUNT	1	135	47-9-105-1	GRILL	1
116	—	1/4 X 20 X 1 HEX BOLT	2	136	67-9-337-1	RUBER FOOT W/SCREW #6 S.T.	4
117	—	1/4 FLAT WASHER	4	137	—	POP RIVET 3/16 X 1/2 BLACK	1
118	—	NUT 1/4-20 NYLOCK	2	138	—	POP RIVET 3/16 X 1/2 BLACK	2
119	47-9-106-1	CORKSTRIP	1	139	47-9-069-1	LABEL, SWITCH SPEED	1
120	47-9-109-1	MOTOR, 115V MOTOR WITH LEGS + GRILL	1	140	47-9-070-1	KNOB, SWITCH W/SCREW #6-32 X 1/4 SET	1
	47-9-110-1	MOTOR, 240V MOTOR WITH LEGS + GRILL	1	141	47-9-071-1	POWER CORD, 115V	1
121	47-9-063-1	MOTOR, 115V MOTOR ONLY	1		47-9-108-1	POWER CORD, 240V	1
	47-9-064-1	MOTOR, 240V MOTOR ONLY	1				

# ASSEMBLY, OPERATION & MAINTENANCE INSTRUCTIONS

## **ASSEMBLY**

The NSS AERO FLOOR DRYER comes completely assembled and ready to use.

### **3 POSITION**

1. Flat for floors and carpet.
2. 45° for walls and furniture.
3. 90° for ceilings.

### **FAN SPEEDS**

1. LOW: To dry waxes and sealers on bare floors. Use the 45° position.
2. MEDIUM: To dry medium size areas - avoids moving papers on desks.
3. HIGH: To dry large open areas.

### **TO SPEED THE DRYING OF STRETCHED WALL TO WALL CARPET**

1. (All furniture should be removed from room). Peel back one corner of carpet. A scratch awl or any pointed instrument will make this easier.
2. Position fan so that the exhaust snout is under the carpeting pointing toward the center of the room. Be sure the intake screens are not blocked. Secure carpet to AERO with optional carpet clamp.
3. Plug into a grounded outlet and turn switch to desired speed. Fan forces air under and through the carpet to speed drying time. Carpet will billow in the center of the room.
4. Remove fan when dry and stretch carpet back into place.

**WARNING: Do not attempt maintenance or repairs before disconnecting cord from electrical power source.**

## **MAINTENANCE**

The only maintenance required on the NSS AERO is periodic cleaning of intake screens and exhaust grill.

### **TROUBLESHOOTING**

<b>Problem</b>	<b>Cause</b>	<b>Solution</b>
Motor won't run	Circuit Overloaded	Check circuit breakers for wall outlet and reset.
	Motor Overheated	Let motor cool and determine what caused it to overheat (see below).
	Switch broken	Replace switch.
	Loose wiring	Tighten wiring; replace if necessary.
Motor won't turn, makes humming noise	Severe jolt that has caused blower fan to slide against housing.	Remove intake screen (#113) and loosen set screw (#119) and realign fan (#120).
Motor overheated.	Intake or exhaust screen blocked	Turn machine off and remove whatever is blocking the air flow and let motor cool.*

\*The dryer's motor is thermally protected and will therefore automatically shut down when overheated. When cool, the motor will restart automatically.



**THE NATIONAL SUPER SERVICE COMPANY**

3115 FRENCHMENS ROAD, TOLEDO, OHIO 43607-2958

PHONE (419) 531-2121 • FAX (419) 531-3761