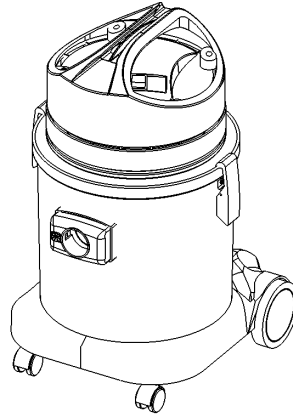
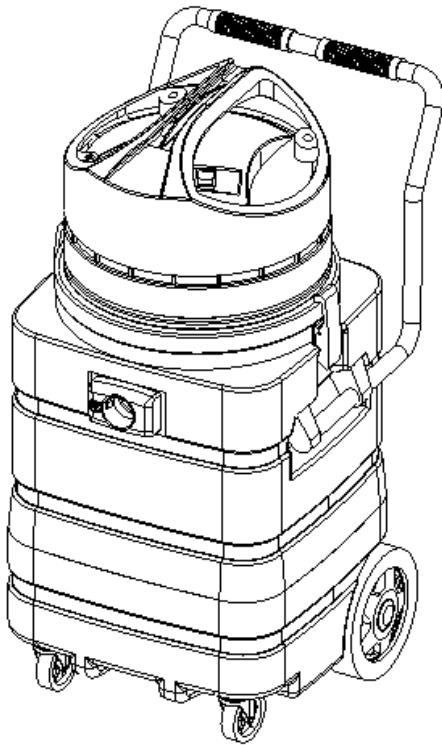


# PARTS LIST

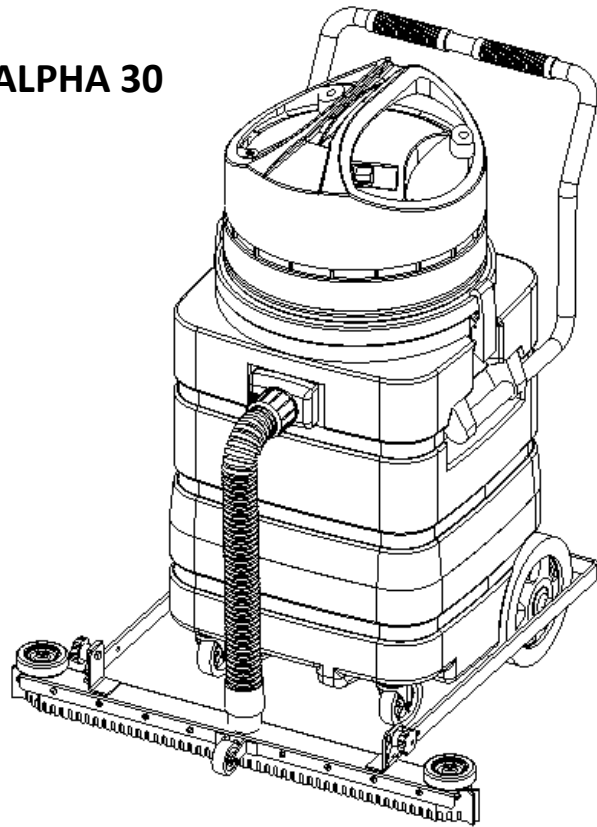
## ALPHA – WET / DRY VACUUM (ALS)



**ALPHA 30**



**ALPHA 100**



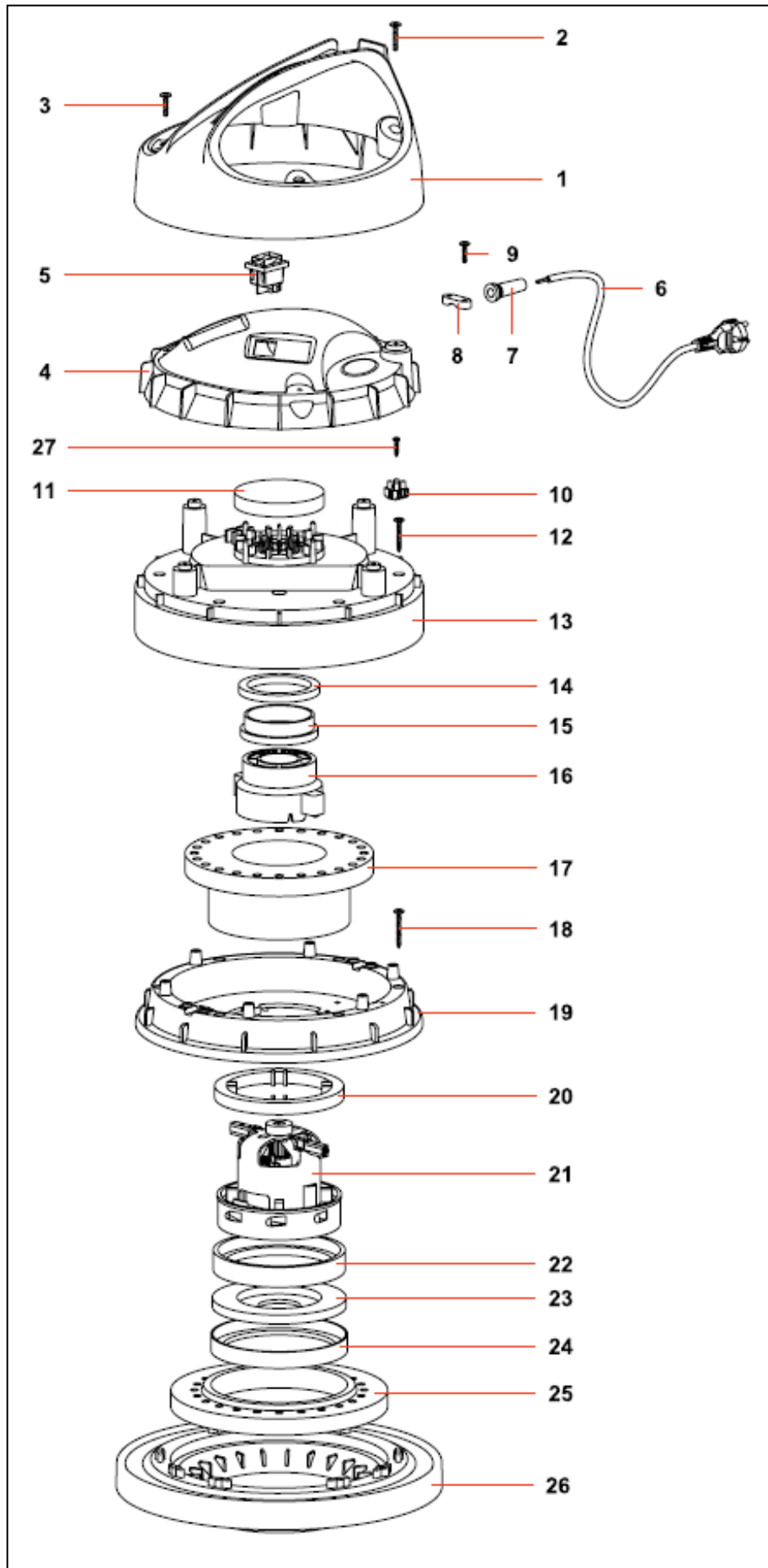
**ALPHA 100 FMS**



## ALPHA 30 MOTOR ASSEMBLY

<u>ITEM</u>	<u>PART#</u>	<u>DESCRIPTION</u>	<u>QTY</u>
1	5797781	LIFT HANDLE	1
2	5792611	SCREW – SELF TAP 5X25	2
3	5791441	SCREW – SELF TAP 5 X 20	2
4	5797791	TOP MOTOR COVER	1
5	5791411	SWITCH	1
6	5797801	CORD	1
7	5791021	RUBBER STRAIN RELIEF	1
8	5791041	CORD CLAMP	1
9	5791441	SCREW – SELF TAP M5 X 65	1
10	5797811	TERMINAL – WIRE CLAMP	1
11	5791731	FILTER MTP/65	1
12	5792631	SCREW – SELF TAP 5 X 35	6
13	5797821	COVER, INNER MOTOR	1
14	5791741	WASHER H8 D85 X 65	1
15	5790261	PLASTIC RING	1
16	5797831	CARBON BRUSH COVER	1
17	5791711	FOAM FILTER	1
18	5792631	SCREW – SELF TAP 5 X 35	6
19	5797841	MOTOR SEPARATOR BRACKET	1
20	5797851	MOTOR GASKET TOP	1
21	5797861	VAC MOTOR 220V	1
22	5797871	MOTOR GASKET BOTTOM	1
23	5797881	MOTOR MOUNTING PLATE	1
24	5791721	“L” GASKET	1
25	5791691	WASHER MTP – 65MM – 230 X 145	1
26	5797891	BOTTOM MOTOR COVER	1
27	5797901	SCREW – SELF TAP 4.5 X 20	1
*	3491721	NSS LOGO LABEL	1
*	3491791	ALHPA 30 NAME LABEL	1

# ALPHA 30 MOTOR ASSEMBLY



## ALPHA 30 FILTER ASSEMBLY

<u>ITEM</u>	<u>PART#</u>	<u>DESCRIPTION</u>	<u>QTY</u>
1	5790871	PLASTIC SLEEVE	4
2	5791641	SCREW – SELF TAP M6 X 25	4
3	5792181	FLOAT HOUSING	1
4	5792191	FLOAT	1
5	5795091	FILTER BAG ASSEMBLY	1

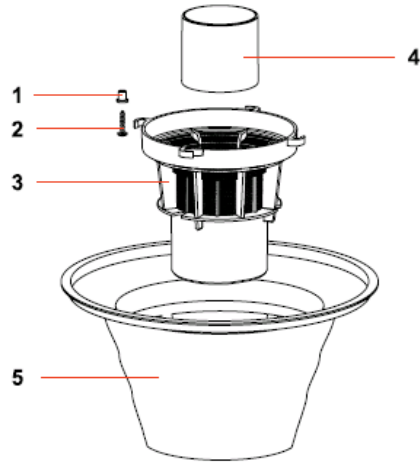
## ALPHA 30 TANK ASSEMBLY

<u>ITEM</u>	<u>PART#</u>	<u>DESCRIPTION</u>	<u>QTY</u>
1	5796031	PLASTIC INTAKE COMPLETE	1
2	5796021	INTAKE GASKET	1
3	5797161	SCREW – SELF TAP M5 X 14	1
4	5796551	INTAKE SUPPORT	1
5	5797911	Tank, 30L	1
6	5791451	SCREW – SELF TAP M5 X 25	4
7	5791621	POP RIVET, 5 X 19	4
8	5792531	LID CLAMP	2

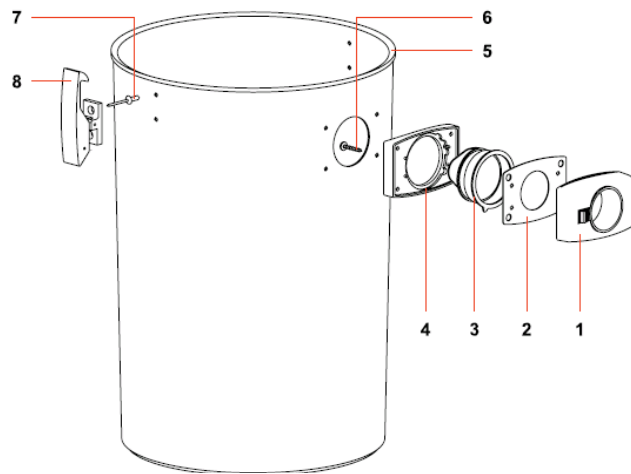
## ALPHA 30 TRANSPORT ASSEMBLY

<u>ITEM</u>	<u>PART#</u>	<u>DESCRIPTION</u>	<u>QTY</u>
1	5797601	TRANSPORT FRAME	1
2	5796051	HOODED CASTER	2
3	5797161	SCREW – SELF TAP M5 X 14	4
4	5797611	BACK WHEEL	2
5	5797621	WHEEL CAP	2

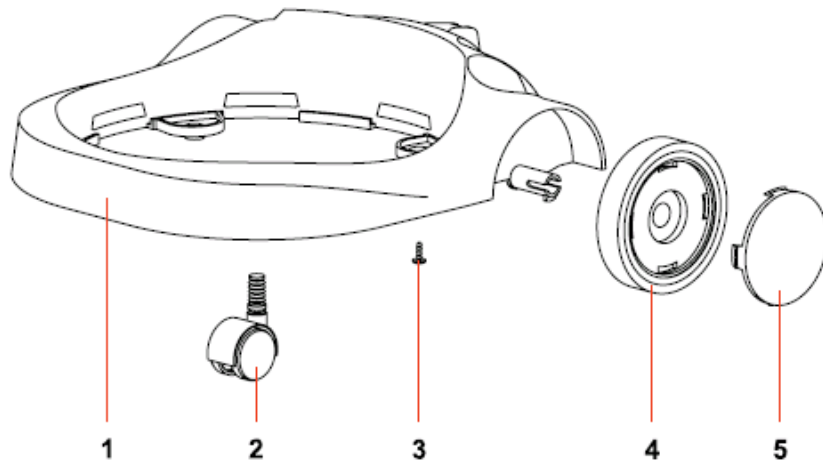
## ALPHA 30 FILTER ASSEMBLY



## ALPHA 30 TANK ASSEMBLY



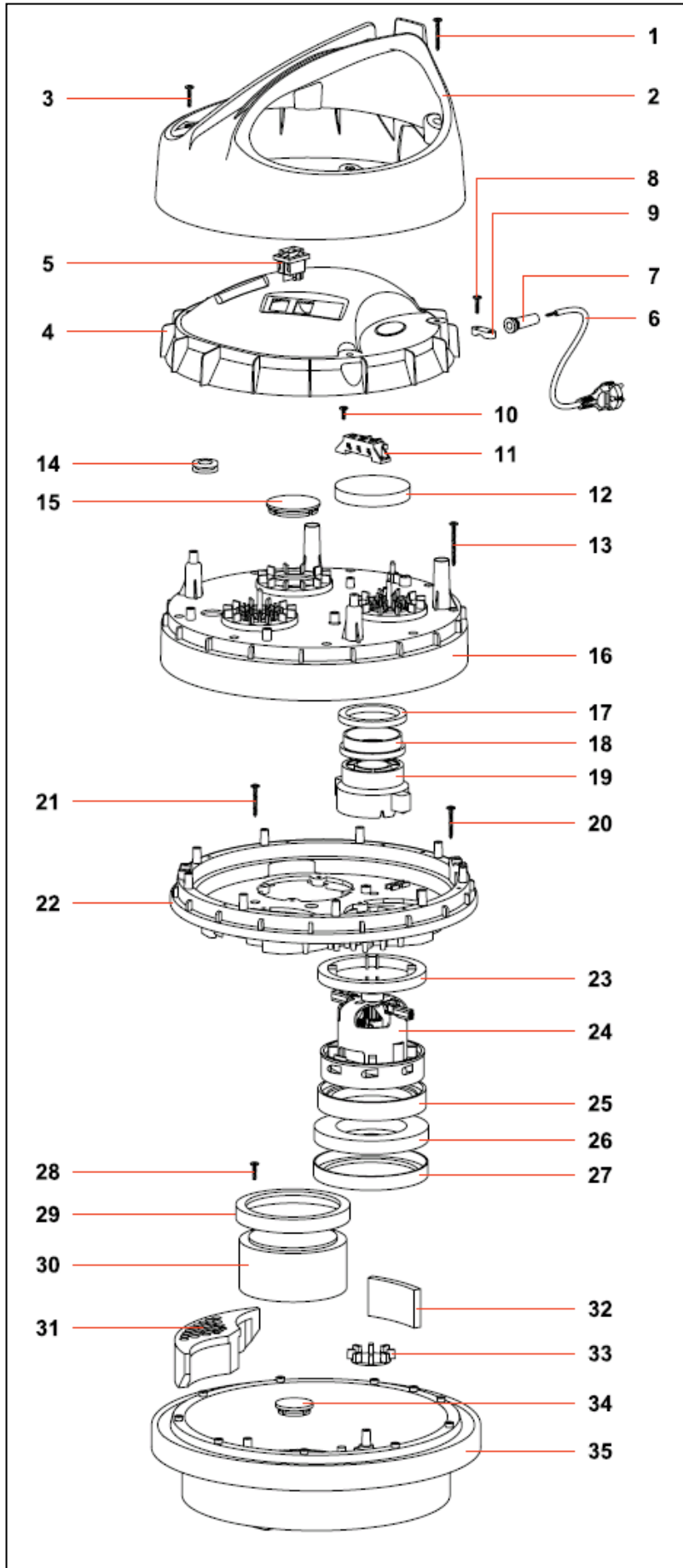
## ALPHA 30 TRANSPORT ASSEMBLY



## ALPHA 100 MOTOR ASSEMBLY

<u>ITEM</u>	<u>PART#</u>	<u>DESCRIPTION</u>	<u>QTY</u>
1	5797921	SCREW	2
2	5797931	COVER, LIFT HANDLE	1
3	5797941	SCREW	2
4	5797951	COVER, MOTOR, TOP	1
5	5792441	SWITCH LIGHTED	2
6	5797801	CORD	1
7	5791021	RUBBER STRAIN RELIEF	1
8	5791441	SCREW - SELF TAP M5 X 20	1
9	5791041	CORD CLAMP	1
10	5797161	SCREW – SELF TAP M5 X 14	2
11	5797811	WIRE TERMINAL	1
12	5791731	FILTER MTP / 65	2
13	5792461	SCREW – SELF TAP 5.2 X 50	9
14	5797961	SPACER	1
15	5797971	CAP	1
16	5797981	COVER, INNER MOTOR	1
17	5791741	WASHER H8 D85 X 65	2
18	5790261	PLASTIC RING	2
19	5797831	COVER, CARBON BRUSH	2
20	5797921	SCREW	9
21	5797921	SCREW	4
22	5798881	BRACKET, MOTOR SEPARATOR	1
23	5797851	GASKET, MOTOR TOP	2
24	5797861	MOTOR, VAC, 220V	2
25	5798891	GASKET, MOTOR BOTTOM	2
26	5798901	PLATE, MOTOR MOUNTING	2
27	5798911	L GASKET	2
28	5791441	SCREW – SELF TAP M5 X 20	4
29	5791721	“L” GASKET	1
30	5798921	SPACER OR MUFFLER	1
31	5792311	TRIANGULAR SPACER	3
32	5790901	GASKET	3
33	5792341	AUTOMATIC VALVE	2
34	5791611	BASE CUP	1
35	5798931	COVER, BOTTOM MOTOR	1
*	3491721	NSS LOGO LABEL	1
*	3491801	ALPHA 100 NAME LABEL	1

# ALPHA 100 MOTOR ASSEMBLY



## ALPHA 100 FILTER ASSEMBLY

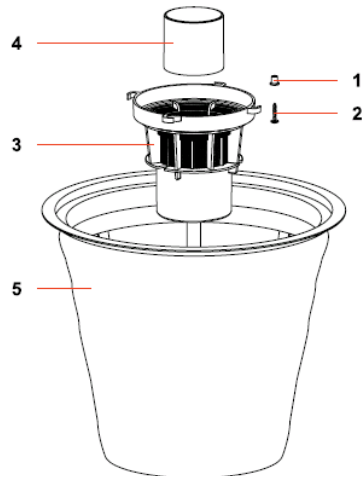
<u>ITEM</u>	<u>PART#</u>	<u>DESCRIPTION</u>	<u>QTY</u>
1	5790871	PLASTIC SLEEVE	4
2	5791641	SCREW – SELF TAP M5 X 25	4
3	5797581	FLOAT CAGE	1
4	5792191	FLOAT	1
5	5795281	FILTER ASSEMBLY	1

## ALPHA 100 TANK ASSEMBLY

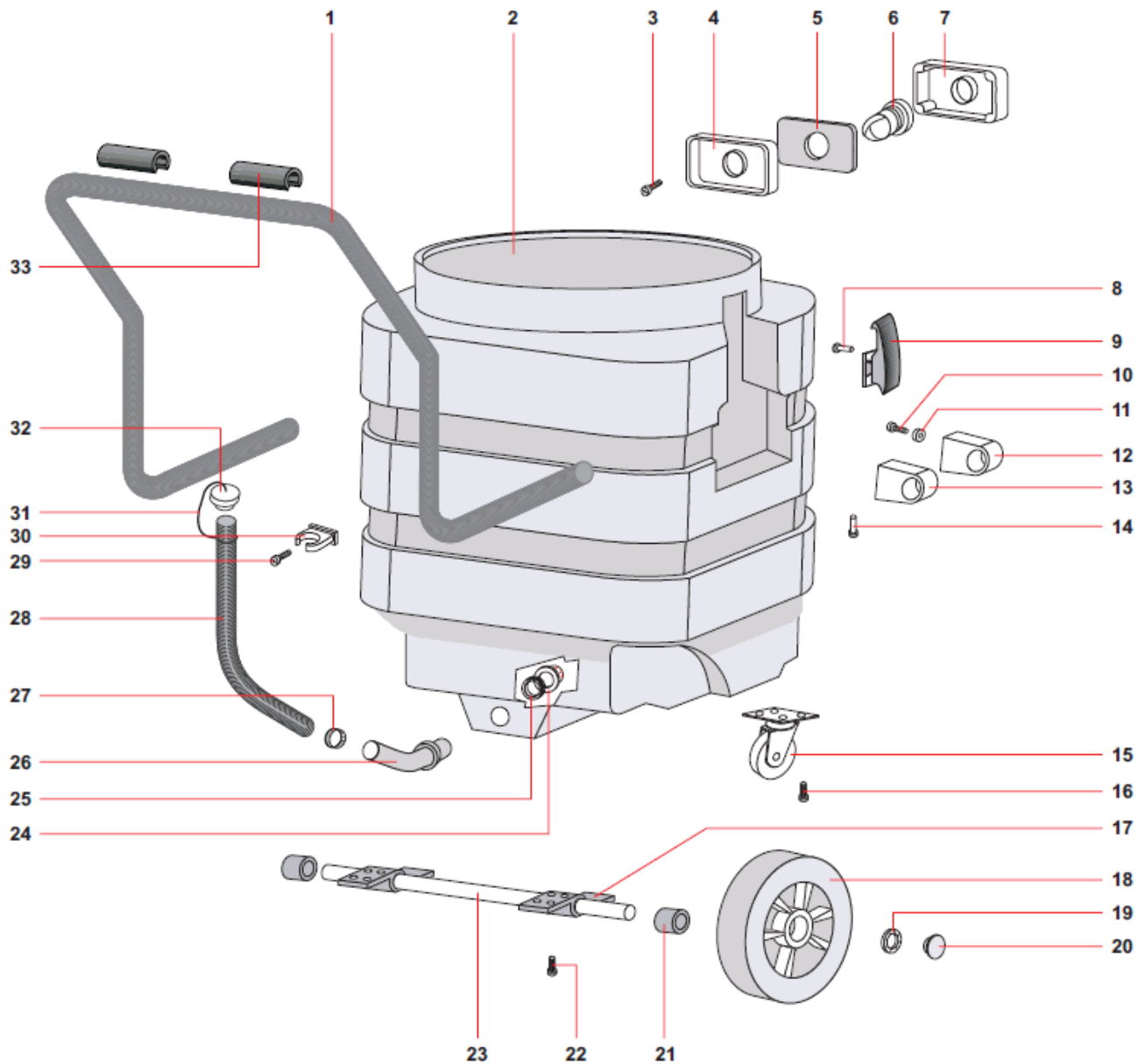
<u>ITEM</u>	<u>PART#</u>	<u>DESCRIPTION</u>	<u>QTY</u>
1	5791841	HANDLE	1
2	5790581	PLASTIC TANK	1
3	5791451	SCREW – SELF TAP M5 X 30	4
4	5796281	INTAKE SUPPORT	1
5	5791251	INTAKE GASKET	1
6	5793381	INTAKE DEFLECTOR	1
7	5796031	PLASTIC INTAKE COMPLETE	1
8	5792671	LID CLAMP RIVET	4
9	5792531	LID CLAMP	2
10	5792631	SCREW – SELF TAP 5 X 35	8
11	5792661	PLASTIC WASHER	8
12	5791461	HANDLE BRACKET	2
13	5796291	PASSING HANDLE BRACKET	2
14	5791621	POP RIVET 5 X 19	2
15	5796301	PLASTIC CASTER	2
16	5792581	SCREW – SELF TAP 4 X 15	8
17	5796331	TANK SUPPORT BRACKET	2
18	5796311	REAR WHEEL	2
19	5796351	SNAP RING	2
20	5791681	WHEEL CAP	2
21	5796341	WHEEL SPACER	2
22	5791441	SCREW – SELF TAP M5 X 20	8
23	5796321	AXLE	1
24	5796381	DRAIN HOSE CONNECTOR	1
25	5796371	DRAIN SEAL GASKET	1
26	5796361	DRAIN HOSE BARB	1
27	5797681	HOSE CLAMP	1
28	5796391	DRAIN HOSE	1
29	5798141	SCREW – SELF TAP M5 X 20	1
30	5796411	HOSE CLAMP	1
31	5796421	PLUG HOLDING STRAP	1
32	5796431	DRAIN HOSE PLUG	1
33	5791761	HANDLE GRIPS	2



## ALPHA 100 FILTER ASSEMBLY



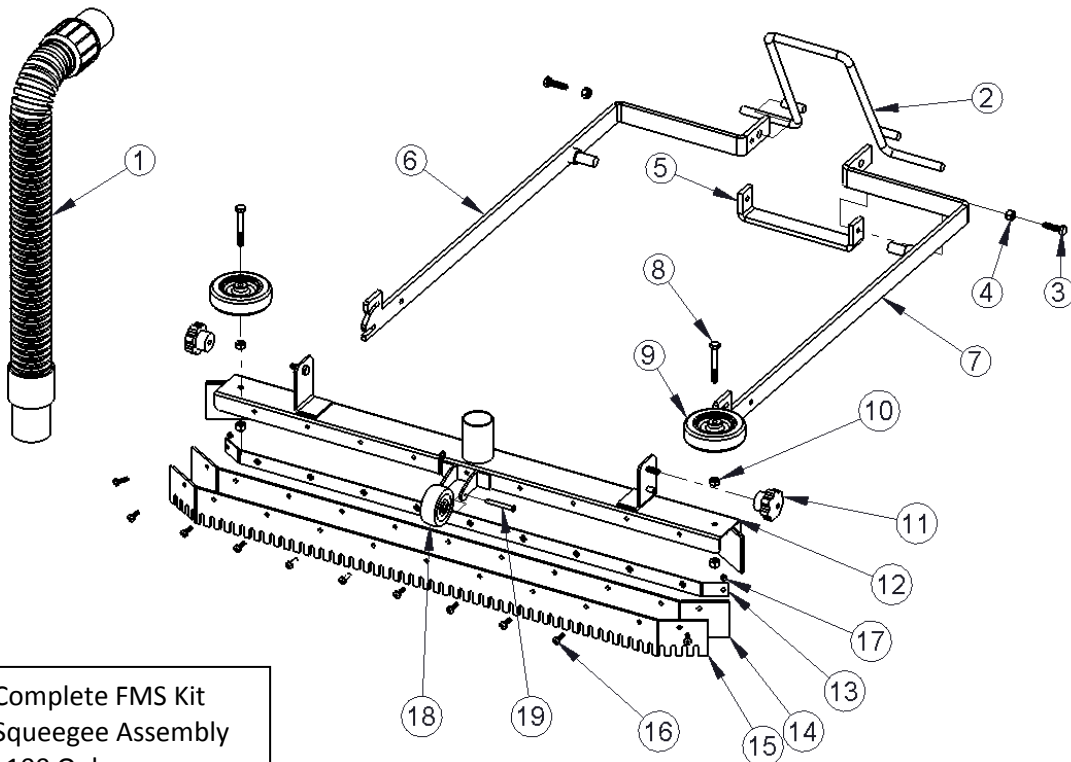
## ALPHA 100 TANK ASSEMBLY



## ALPHA 100 SQUEEGEE ASSEMBLY

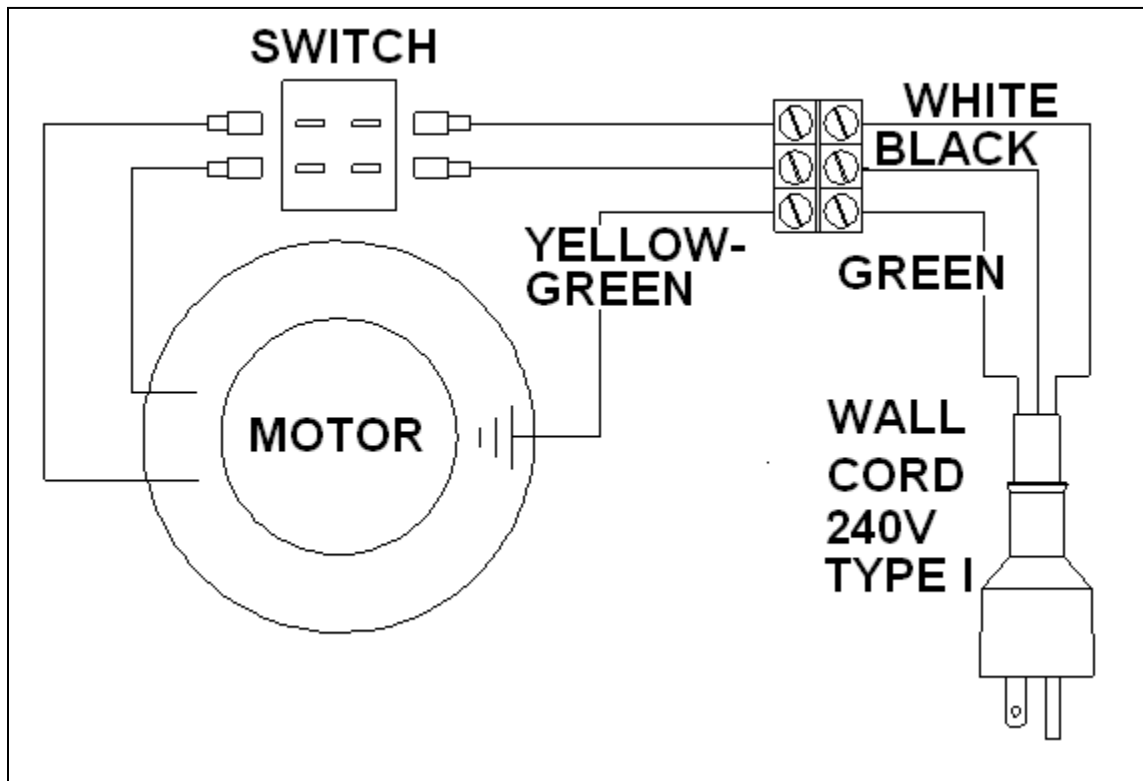
<u>ITEM</u>	<u>PART#</u>	<u>DESCRIPTION</u>	<u>QTY</u>
1	5795441	HOSE	1
2	5795161	CROSS BAR	1
3	9121250	1/4-20 X 3/4 HEX BOLT	2
4	9120900	1/4-20 HEX NUT WITH NYLOK INSERT	4
5	5795431	LATCH	1
6	5792681	BRACKET, LIFT-ARM, RIGHT, FMS	1
7	5792691	BRACKET, LIFT-ARM, LEFT, FMS	1
8	9121145	1/4-20 X 2 HEX BOLT	2
9	5795401	WHEEL	2
10	9120920	1/4-20 HEX NUT	2
11	5795211	KNOB	2
12	5792701	HOUSING, FMS SQUEEGEE	1
13	5795381	BLADE SUPPORT	2
14	5795121	SQUEEGEE SOLID	2
15	5795111	SQUEEGEE SLOTTED	2
16	9120430	10-24 X 3/4 ROUND HEAD PHILLIPS SCREW	22
17	9120350	10-24 HEX NUT WITH NYLOK INSERT	4
18	5792741	WHEEL, 2" DIA x 13/16", GREY	1
19	5792761	PIN, CLEVIS W/REUSABLE COTTER	1

### ALPHA 100 SQUEEGEE ASSEMBLY



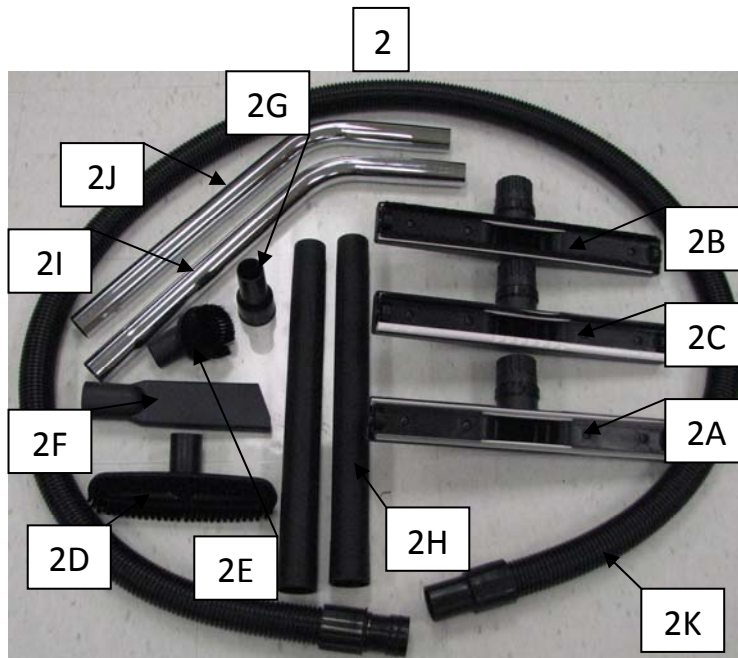
5792739 Complete FMS Kit  
 5792729 Squeegee Assembly  
 Fits Alpha 100 Only

# WIRING DIAGRAM



## ACCESSORIES

ITEM	PART#	DESCRIPTION	QTY
2	3098290	KIT (ALPHA 30, 100)	
2A	5797011	15" SQUEEGEE WITH WHEELS	1
2B	5797021	15" DRY FLOOR TOOL	1
2C	5797031	15" CARPET TOOL	1
2D	5790301	7" BRUSH WALL TOOL	1
2E	5790111	2-1/2" ROUND BRUSH	1
2F	5790291	CREVICE TOOL	1
2G	5790311	ADAPTOR	1
2H	5790321	PLASTIC TUBE	2
2I	5790471	LOWER WAND	1
2J	5790481	UPPER WAND	1
2K	5797061	8' HOSE	1
	5790229	17 INCH SQUEEGE RUBBER - SET OF 4 - REPLACEMENT	
	5793341	FILTER BAG WITH RING - INCLUDES BAG RING, BAG STAND, AND FILTER BAG	





**NSS Asia Limited Shanghai**

501LiYuan Road, Building A7, Suite 7112  
Lu Wan District, Shanghai, China 61371251