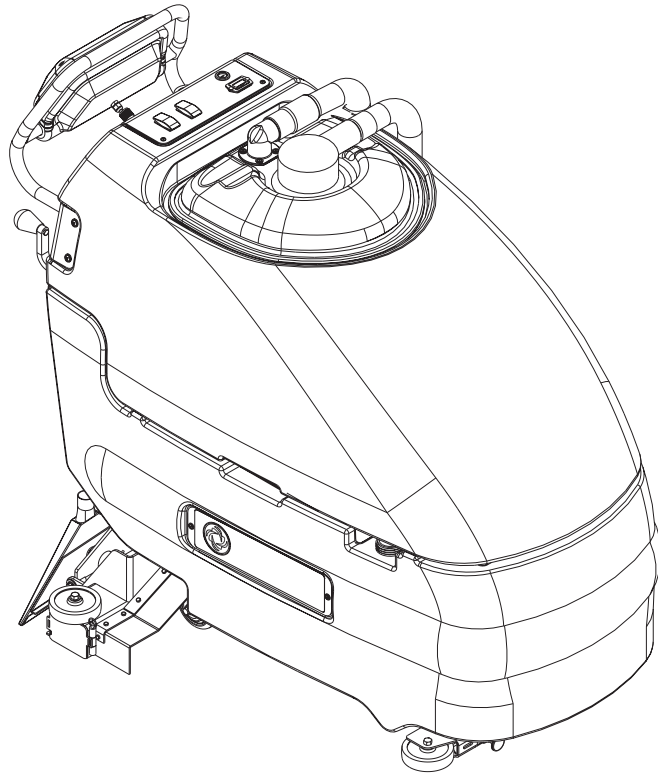


# AquaMAX™

---

## AX 650



---

### PARTS LIST

Advance MODEL 56212000

Nilfisk MODEL 56212260



**Nilfisk  
Advance**  
*setting standards*

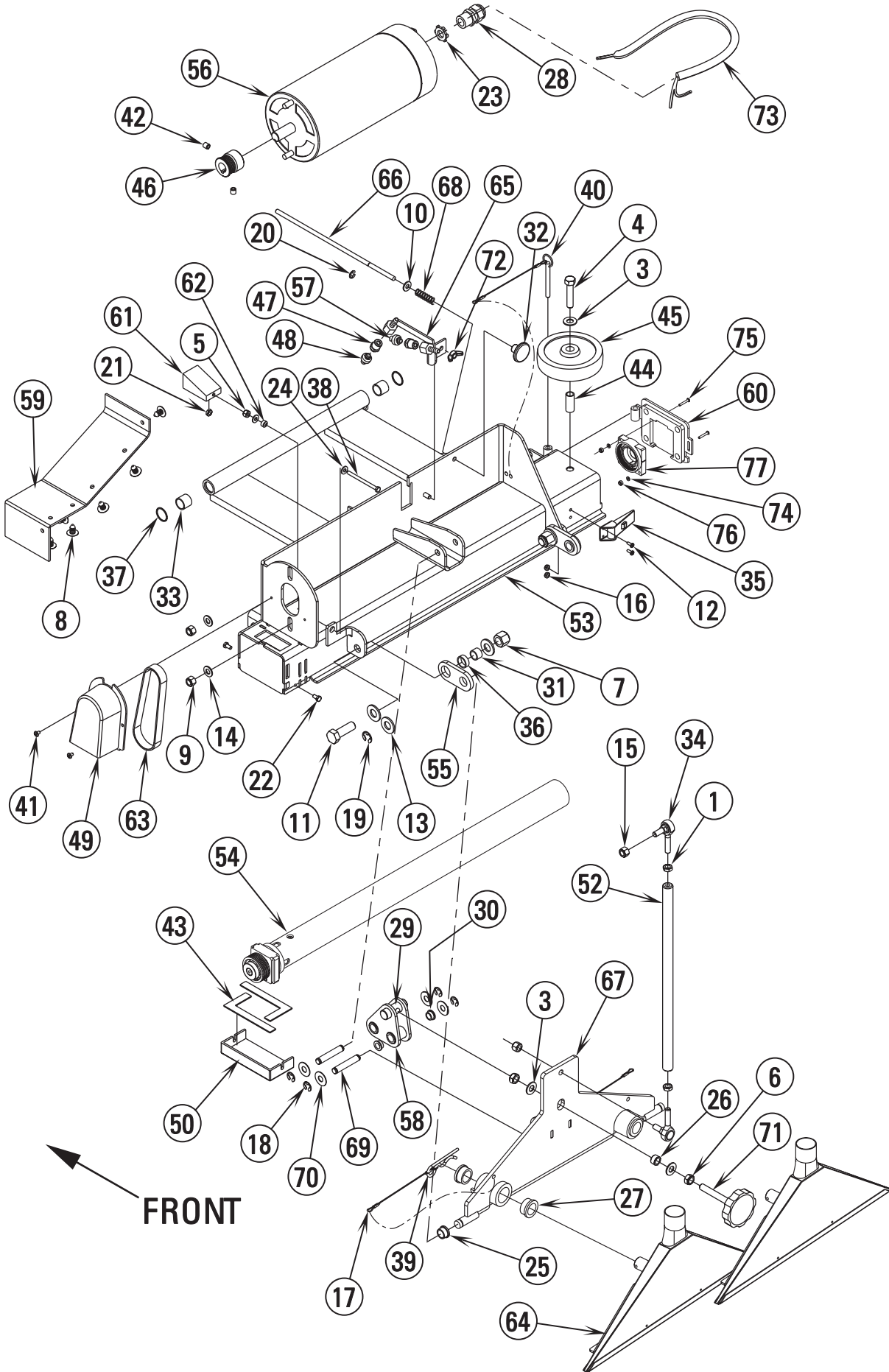
10/01 revised 6/03 FORM NO. 56042420  
BOOK C SECTION 2.3.1

DESCRIPTION	PAGE
BRUSH SYSTEM .....	2-3
RECOVERY SYSTEM .....	4-5
CONTROL PANEL / HANDLE PADDLE ASSEMBLIES .....	6-7
DECAL SYSTEM .....	8-9
CHASSIS SYSTEM-1 .....	10-11
CHASSIS SYSTEM-2 .....	12-13
SOLUTION SYSTEM .....	14-15
TRACTION SYSTEM .....	16-17
WIRING DIAGRAM .....	18-19

#### WHEN ORDERING PARTS

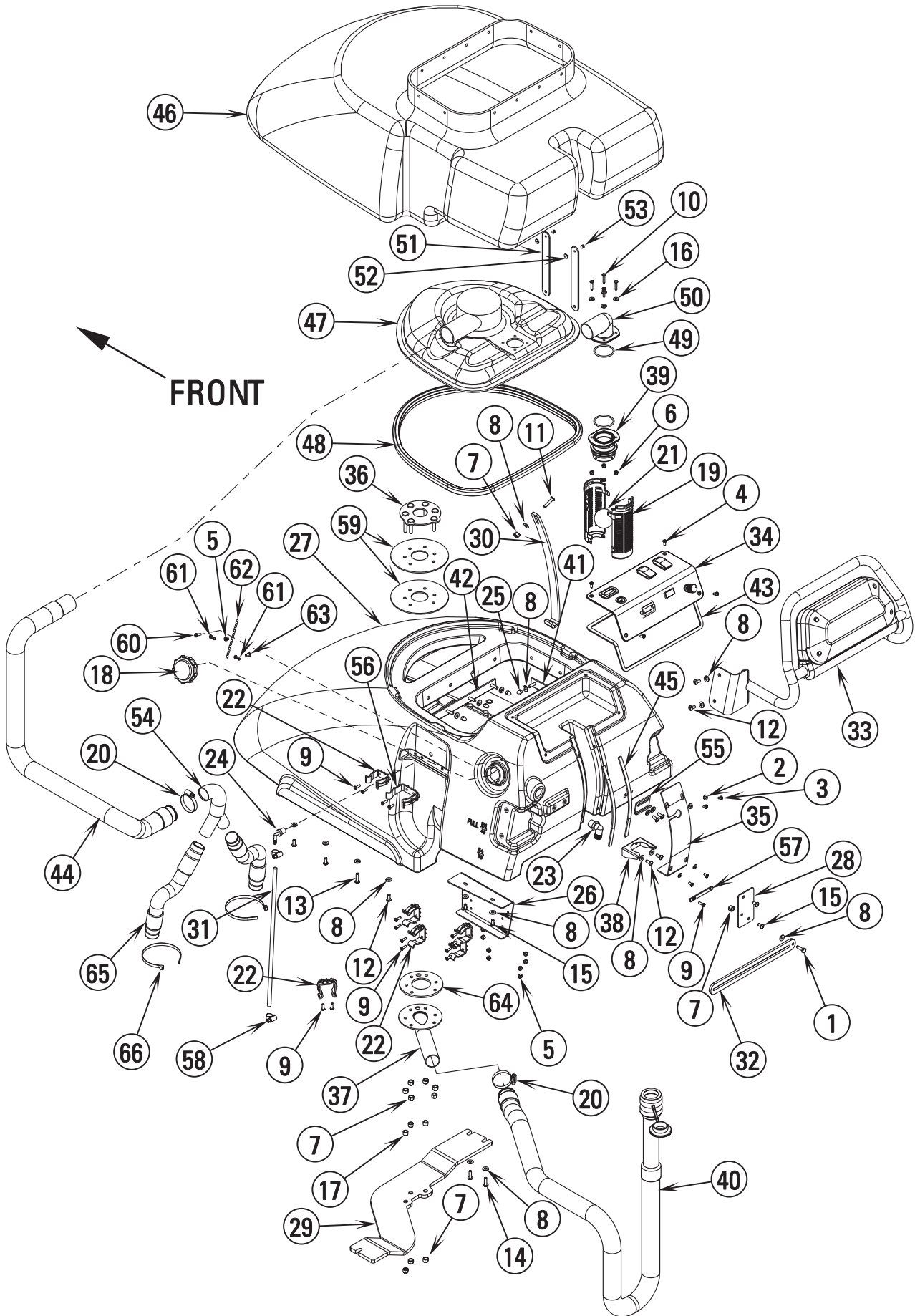
- \* Use the 8 digit numbers from the "Ref. No." columns in this parts list.
- \* Specify the model and serial number of the machine.
- \* Use the space below to record the model and serial number for future reference.

Model \_\_\_\_\_ Serial No. \_\_\_\_\_



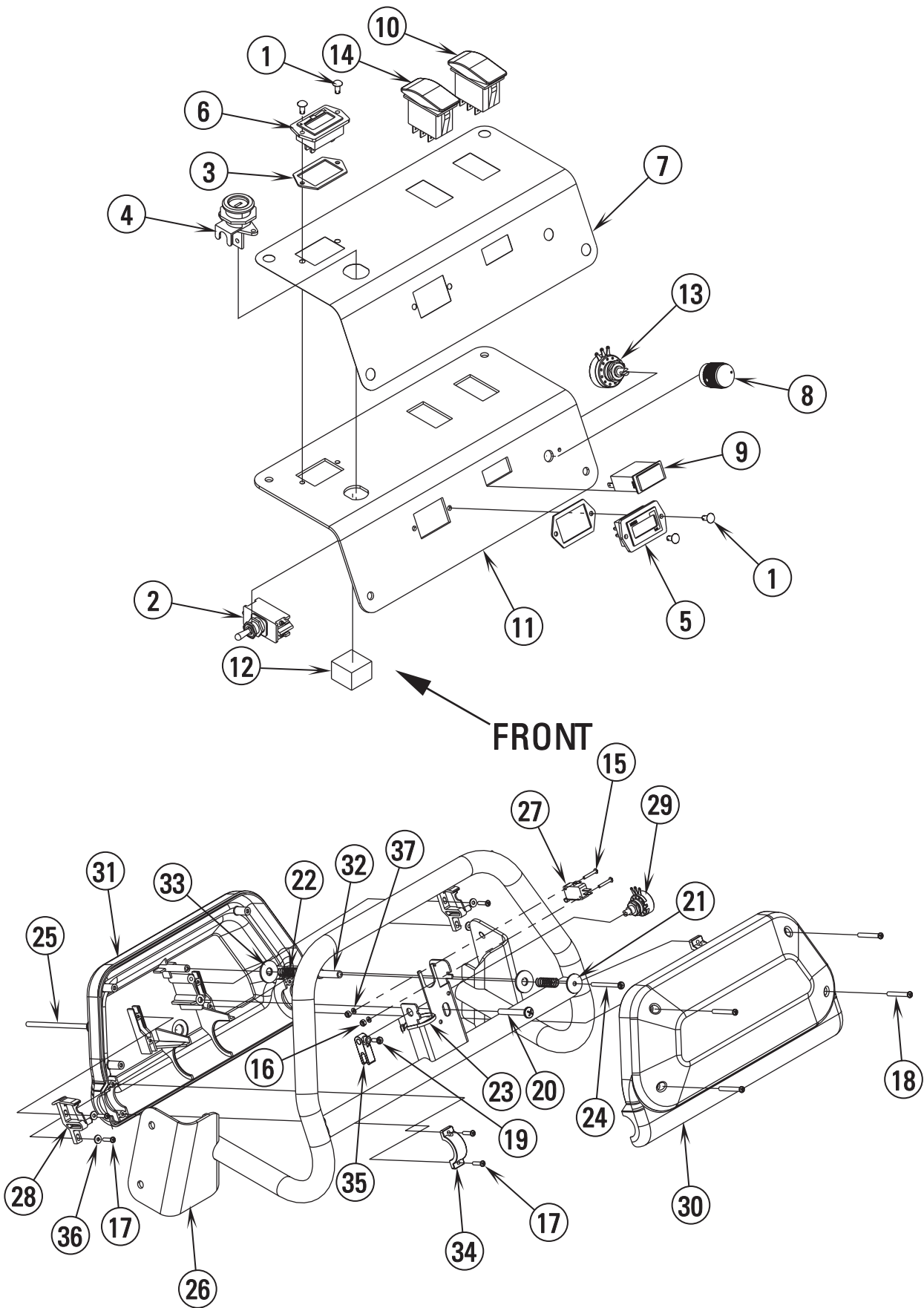
Item	Ref. No.	Qty	Description	Item	Ref. No.	Qty	Description
1	56001884	2	Nut, Hex Jam 5/16-24	40	56003153	1	Pin, Hitch Cotterless(tethered) .25 x 2.50
3	56002063	3	Wsh, Flt SAE 3/8	41	56003188	2	Scr, Pan Phil SS 8-32 x .25
4	56002684	1	Scr, Hex Hd 3/8-16 x 1.75	42	56009131	2	Scr, Soc Set Loc 5/16-18 x .31
5	56002836	1	Nut, Hex Nyl Loc SS 10-24	43	56467039	2	Gasket
6	56002841	2	Nut, Hex Nyl Loc-Thin 3/8-16	44	56054018	1	Spacer, Steel
7	56002846	2	Nut, Hex Nyl Loc SS 1/2-13	45	56111639	1	Wheel
8	56212241	12	Clip, Panel	46	56212027	1	Sheave, Poly-V
9	56002856	2	Nut, Hex Nyl Loc SS 5/16-18	47	56212036	2	Body, Nozzle
10	56002859	1	Wsh, Flt SAE SS 1/4	48	56212037	1	Nozzle, Spray (.24 gal/min)
11	56003495	2	Scr, Hex Hd SS 1/2-13 x 1.50	49	56212042	1	Guard, Belt
12	56002909	2	Scr, Pan Phil SS 6-32 x .38	50	56212045	1	Cover, Pulley
13	56002918	6	Wsh, Flt SAE SS 1/2	51			Intentionally Omitted
14	56002938	2	Wsh, Flt SAE SS 5/16	52	56212060	1	Rod, Lift
15	56002950	2	Nut, Hex Nyl Loc 5/16-24	53	56212067	1	Housing Weld't.
16	56002964	2	Nut, Hex Nyl Loc-Thin SS 6-32	54	56212098	1	Brush Assembly
17	56410254	3	Wire Rope, 6 Inch	*	56212240	1	Brush/Bearing Kit
18	56003262	4	Ring, Ret Ext Type E .38 Dia	55	56212099	2	Link
19	56003264	2	Ring, Ret Ext Type E .50 Dia	56	56212100	1	Motor, DC-36V, 1/2HP, 1800RPM
20	56003268	1	Ring, Ret Ext Type E Reinf .25 Dia	*	56212233	1	Brush Kit, Replacement
21	56009009	1	Nut, Hex Machine 10-24	*	56003239	1	Square Key .19" x 1.00", Replacement
22	56009012	2	Scr, Hex Thd Form 10-24 x .38	57	56212103	1	Nozzle, Spray (1.2 gal/min)
23	56009095	1	Nut, Conduit Lock 1/2-14	58	56212106	1	Brush Adjust Weld't.
24	56009205	2	Wsh, Flt SS #10	59	56212154	2	Skirt, Deck
25	56185264	2	Bearing, Flange	60	56212157	1	Bearing Retainer Weld't. <b>TSB 803</b>
26	56232181	1	Bushing	61	56212166	1	Block, Tensioner
27	56250414	4	Bearing, Flange	62	56212167	1	Bushing
28	56323135	1	Strain Relief	63	56212168	1	Belt, Poly-V
29	56324369	1	Pin	64	56212174	2	Shoe Weld't.
30	56324505	2	Bearing, Flange	65	56212197	1	Nozzle Weld't.
31	56360627	2	Bushing	66	56212209	1	Rod, Lock
32	56362778	1	Knob	67	56212214	1	Shoe Support Weld't.
33	56212239	2	Bearing, Sleeve	68	56228142	1	Spring, Compression
34	56412312	2	Rod End 5/16	69	56212104	2	Pin
35	56471194	1	Latch Assembly	70	56632681	4	Washer, 3/8 PL. Nylon
36	56478781	2	Bearing, Sleeve	71	56635868	1	Assy, Knob Adjustment
37	56003105	2	Ring, Ret Int Type WHT	72	56009048	1	Nut, Wing Loc 1/4-20
38	56003131	1	Scr, Hex Hd SS 10-24 x 2.50	73	56212050	1	Cord Assy 14/2
39	56003152	2	Pin, Cot Hair SS .148 x .62/1.00	74	56002431	2	Wsh, Flt SAE #4
				75	56002745	2	Scr, Pan Phil SS 4-40 x .75
				76	56002746	2	Nut, Hex Nyl Loc SS 4-40
				77	56262648	1	Bearing, Block <b>TSB 803</b>

\* = Not Shown



Item	Ref. No.	Qty	Description	Item	Ref. No.	Qty	Description
1	56001821	1	Scr, Hex Hd 1/4-20 x .88	33	56212064	1	Paddle, Handle Assembly
2	56001954	4	Wsh, Flt SAE #10	34	56212066	1	Assembly, Control Panel
3	56002043	4	Scr, Pan Phil 10-24 x .38	35	56212083	1	Breaker Plate
4	56002831	4	Scr, Pan Phil Blk 10-24 x .50	36	56212084	1	Bladder Mount Weld't.
5	56002836	9	Nut, Hex Nyl Loc SS 10-24	37	56212085	1	Weld't., Bladder Drain
6	56002849	4	Nut, Hex Nyl Loc-Thin SS 10-24	38	56212087	1	Bracket, Drain Hose
7	56002701	11	Nut, Hex Nyl Loc 5/16-18	39	56212091	1	Coupling, Float
8	56002859	30	Wsh, Flt SAE SS 1/4	40	56212122	1	Drain Hose
9	56002896	15	Scr, Pan Phil SS 10-24 x .62	41	56212133	2	Plate, Bladder Mount
10	56002898	4	Scr, Pan Phil SS 10-24 x 1.00	42	56212140	2	Bar, Bladder Mount
11	56002958	1	Scr, Pan Phil SS 1/4-20 x 1.25	43	56212148	1	Gasket
12	56002989	11	Scr, Pan Phil SS 1/4-20 x .62	44	56212151	1	Hose, Vac
13	56003067	1	Scr, Pan Phil SS 1/4-20 x 1.00	45	56212170	2	Gasket
14	56003087	2	Scr, Pan Phil SS 1/4-20 x .88	46	56212171	1	Bladder, Extractor
15	56003119	4	Scr, Pan Phil SS 1/4-20 x .50		56212189	1	Lid, Dome Complete <b>(items 6, 10, 16, 19, 21, 39, 47-53)</b>
16	56209261	4	Washer, Sealing 9/16				
17	56228046	3	Bushing, .31 x .50 x .37	47	56212245	1	Lid, Dome
18	56244866	1	Cap	48	56212205	1	Gasket, Press-On
19	56324497	2	Cage, Float	49	56212206	2	O-Ring
20	56329145	2	Clamp, Hose SAE #24	50	56212208	1	Elbow, 1.75" OD
21	56391690	1	Ball, Float	51	56212058	2	Strap, Retaining
22	56407361	6	Clamp, Plastic	52	56009098	2	Wsh, Flt SS .125 x .500 x .036
23	56456802	1	Barb, 90 Elbow 11/16 x 3/4NPT	53	56003293	2	Rivet, Pop A/S .125 x .38/.50
24	56470138	1	Barb, 90 Elbow 19/64 x 1/4NPT	54	56212231	1	Tee
25	56003195	12	Nut, Acorn, SS 1/4-20 High Crown	55	56212232	1	Strike, Latch
26	56212018	1	Bracket, Hose	56	56212236	1	Clamp, Plastic
27	56212022	1	Tank, Recovery	57	56396167	1	Strap
28	56212028	1	Bracket, Prop	58	56756364	2	Clamp, Hose SAE #4
29	56212043	1	Brace, Tank	59	56212210	2	Gasket, Upper
30	56212046	1	Brace, Side	60	56002894	1	Scr, Pan Phil SS 10-24 x .75
31	56212052	1	Hose, PVC 1/4 x 3/8 x 17	61	56311057	2	Coupler, Chain
32	56212059	1	Bar, Prop	62	56212242	1	Chain
				63	56003633	1	Scr, Pan Phil SS Type B 10-16 x .50
				64	56212211	1	Gasket, Bottom
				65	56212230	2	Hose, Vac
				66	56477613	2	Tie, Cable

\* = Not Shown

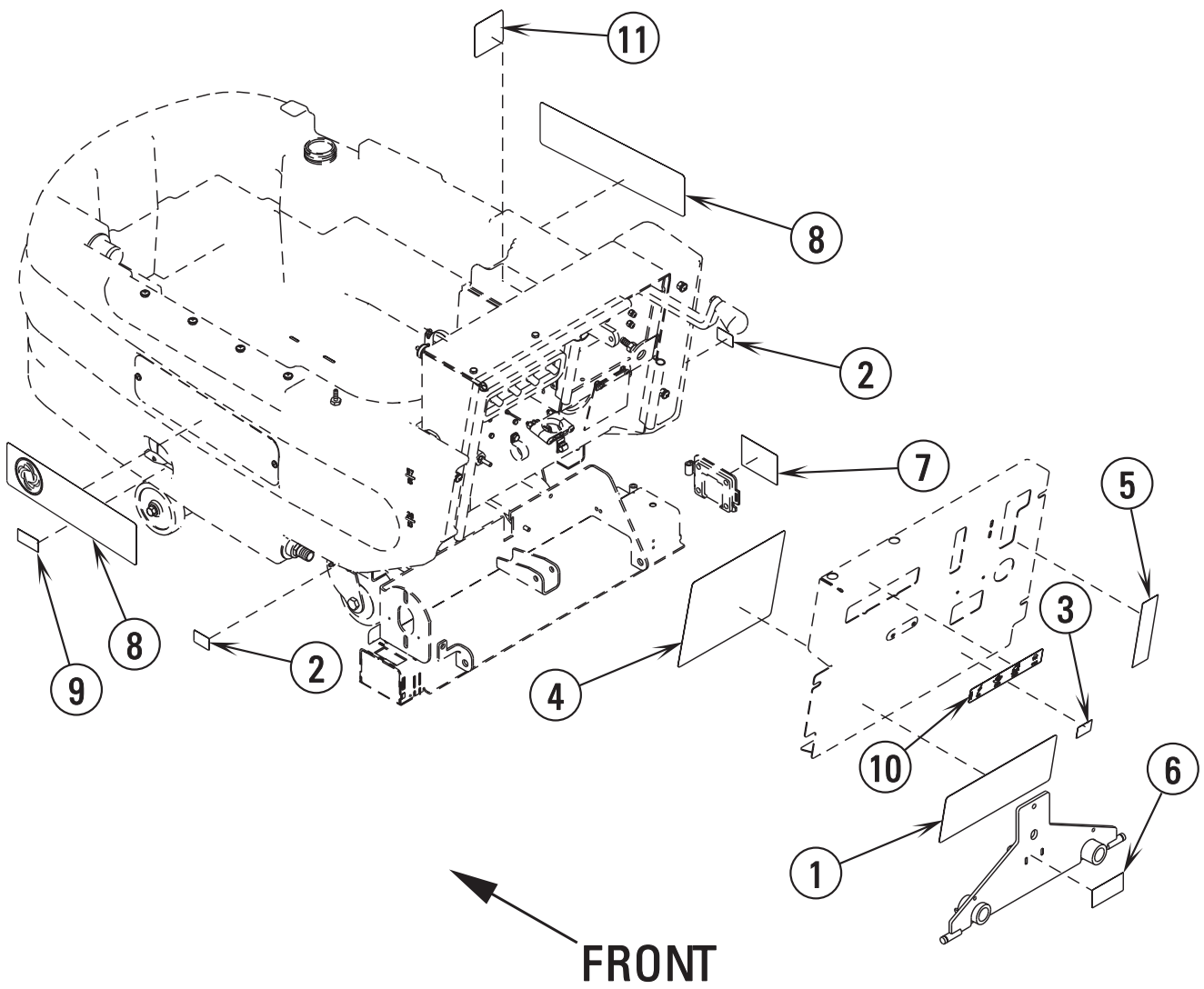




Item	Ref. No.	Qty	Description	Item	Ref. No.	Qty	Description
	56212066	1	Control Panel Assembly <b>(#1-14)</b>		56212064	1	Handle Paddle Assembly <b>(#15-37)</b>
1	56009192	4	Rivot, Push Nylon Black	15	56002713	2	Scr, Pan Phil 4-40 x .75
2	56301636	1	Switch, Toggle <b>(Main Power)</b>	16	56002838	2	Nut, Hex Nyl Loc 4-40
3	56392845	2	Gasket	17	56003197	8	Scr, Pan Phil Plastite 6-18 x .62
4	56393325	1	Bracket, Keylock	18	56003199	4	Scr, Pan Phil Plastite 8-15 x 1.50
*	56393415	A/R	Replacement Key	19	56003354	1	Scr, Pan Phil M4 x 12
5	56393718	1	Hourmeter	20	56003527	1	Scr, Pan Phil Plastite 1/4-10 x 2.00
6	56416395	1	Fuel Gauge, Battery	21	56009096	1	Wsh, Flt .193 x .875 x .060
7	56016305	1	Decal, Instrument Panel	22	56325654	2	Spring, Compression
8	56056596	1	Knob	23	56478246	1	Tie, Cable
9	56212015	1	Ammeter, 0-25 ADC	24	56009287	1	Scr, Pan Phil Type B 8 x 2.00
10	56212017	1	Switch, Rocker <b>(Vacuum)</b>	25	56212024	1	Harness, Handle
11	56212065	1	Panel, Control	26	56212063	1	Weld't., Handle
12	56212119	1	Relay Module Assembly	27	56263174	1	Switch, Snap SPDT <b>(Brush)</b>
13	56397123	1	Potentiometer, 25K <b>(Speed Limit)</b>	28	56397015	2	Cam Controller
14	56212017	1	Switch, Rocker <b>(Pump)</b>	29	56397029	1	Potentiometer, 5K <b>(Throttle)</b>
				30	56397030	1	Paddle, Front Molded
				31	56212056	1	Paddle, Back Molded
				32	56397109	1	Sleeve
				33	56397170	3	Washer, Plastic
				34	56397171	2	Clamp
				35	56397172	1	Potentiometer Fork
				36	56002006	4	Wsh, Flt SAE #6
				37	56002431	2	Wsh, Flt SAE #4

\* = Not Shown





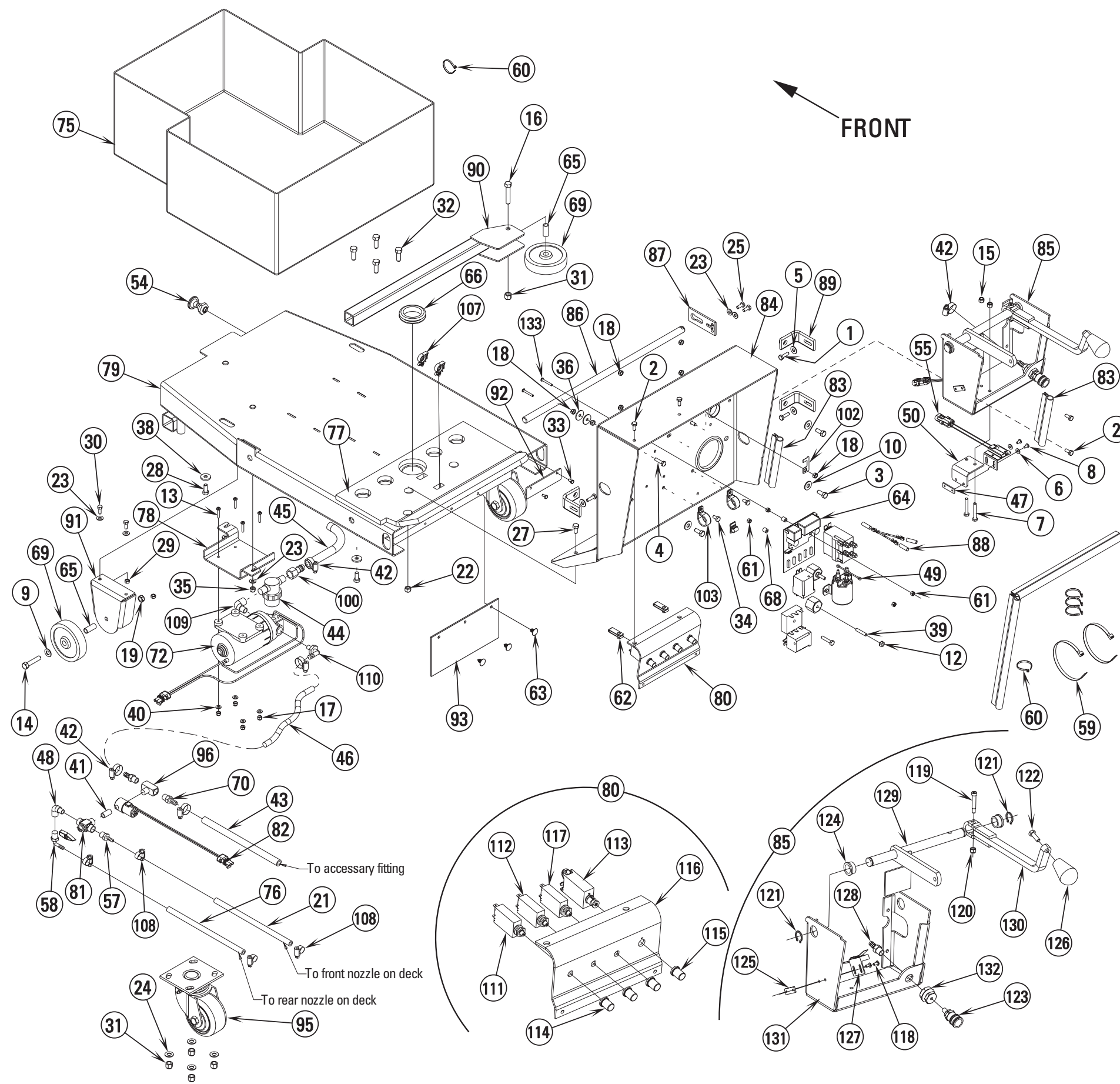
01-10

**DECAL SYSTEM****BOOK C**

03-6

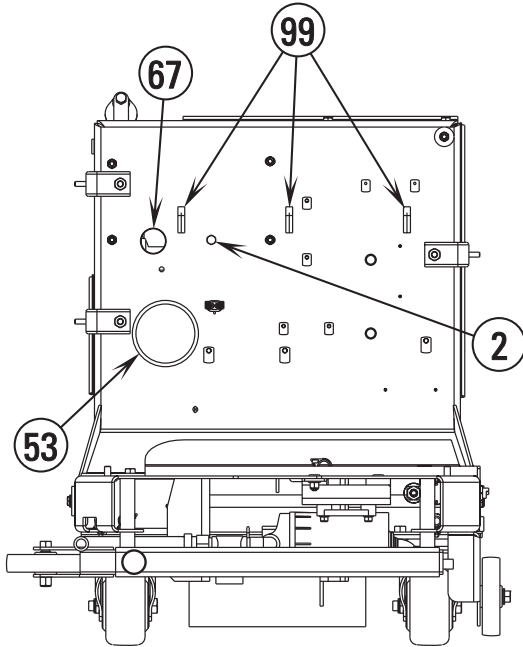
**AquaMAX™ / AX 650****C****2.3.1****9**

<b>Item</b>	<b>Ref. No.</b>	<b>Qty</b>	<b>Description</b>
1	56014601	1	Decal Caution
2	56015370	2	Decal, Tie Down
3	56016324	1	Decal, Charger
4	56016298	1	Decal, Ladder Diagram
5	56015022	1	Decal, Brush Pressure
6	56015024	1	Decal, Brush Adjustment
7	56015034	1	Decal, Brush Assembly
8	56016299	2	Decal, AquaMAX
	56016326	2	Decal, AX 650
9	56016302	1	Decal, Nozzle Selector
10	56016303	1	Decal, Circuit Breaker
11	56016304	1	Decal, Battery Wiring

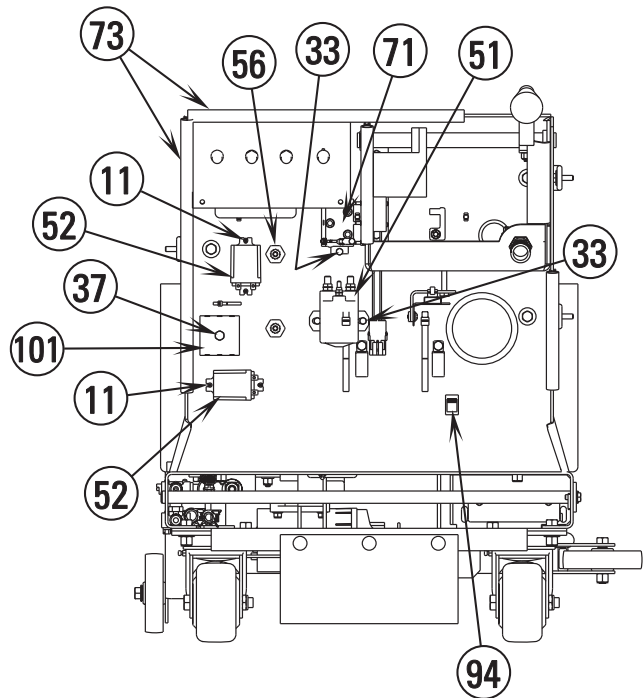


Item	Ref. No.	Qty	Description	Item	Ref. No.	Qty	Description
1	56001821	3	Scr, Hex Hd 1/4-20 x .88	72	56212014	1	Pump, 36VDC
2	56001836	6	Scr, Hex Hd 1/4-20 x .62	74	56212019	1	Harness, Main <b>(Not Shown)</b>
3	56002667	3	Scr, Hex Hd 5/16-18 x .75	75	56212026	1	Battery Box
4	56002093	1	Scr, Hex Hd 1/4-20 x 1.00	76	56212049	1	Hose (35.00)
5	56001906	3	Wsh, Flt STD 1/4	77	56212051	1	Pad, Frame
6	56001954	2	Wsh, Flt SAE #10	78	56212073	1	Bracket, Pump Mount
7	56001967	2	Scr, Hex Hd 1/4-20 x 1.75	79	56212076	1	Weldment, Chassis
8	56002043	2	Scr, Pan Phil 10-24 x .38	80	56212136	1	Circuit Breaker Assy <b>(#111-117)</b>
9	56002063	1	Wsh, Flt SAE 3/8	81	56212137	1	Valve, 3-Way Ball
10	56002220	3	Wsh, Flt STD 5/16	82	56212138	1	Valve, Solenoid 36V
12	56002561	2	Nut, Hex W/SHPRF 1/4-20	83	56212145	2	Gasket
13	56002674	4	Scr, Pan Phil 10-24 x 1.00	84	56212159	1	Rear Frame Weld't.
14	56002684	1	Scr, Hex Hd 3/8-16 x 1.75	85	56212160	1	Lift Handle Assy <b>(#118-132)</b>
15	56002708	2	Nut, Hex Nyl Loc 1/4-20	86	56212193	1	Bar, Deck Pivot
16	56002800	1	Scr, Hex Hd SS 3/8-16 x 2.00	87	56212194	1	Bar, Steel
17	56002836	4	Nut, Hex Nyl Loc SS 10-24	88	56212204	1	Diode Assy
18	56002840	7	Nut, Hex Nyl Loc-Thin 1/4-20	89	56212215	3	L Bracket
19	56002841	1	Nut, Hex Nyl Loc-Thin 3/8-16	90	56212219	1	Arm Weld't.
21	56212212	1	Hose, Polyester Braid (30.5)	91	56212222	1	Bracket, Wheel
22	56002856	2	Nut, Hex Nyl Loc SS 5/16-18	92	56212224	1	Plate, Slide
23	56002859	6	Wsh, Flt SAE SS 1/4	93	56212226	1	Skirt, Chassis
24	56002910	8	Wsh, Flt SAE SS 3/8	95	56365555	2	Caster Swivel 4 x 2
25	56002922	2	Scr, Hex Hd Loc 1/4-20 x .62	96	56372506	1	Tee, Branch 1/4 Br
27	56002988	2	Scr, Hex Hd SS 5/16-18 x .62	97	56372673	12	Boot, Battery Post <b>(Not Shown)</b>
28	56003012	2	Scr, Hex Hd SS 5/16-18 x .75	100	56397145	1	Barb, Hose Female
29	56003426	2	Nut, Hex Nyl Loc SS M6-1.00	102	56409769	1	Clip, Weatherpack Mount
30	56003431	2	Scr, Hex Hd SS M6-1.00 x 16mm	103	56410223	2	Clamp, P
31	56003219	9	Nut, Hex Nyl Loc SS 3/8-16	104	56460033	5	Cable, Ring/Ring <b>(Not Shown)</b>
32	56002886	8	Scr, Hex Hd SS 3/8-16 x 1.00	105	56460034	1	Cable, Ring/Ring <b>(Not Shown)</b>
33	56009012	2	Scr, Hex Thd Form 10-24 x .38	106	56460035	1	Cable, Ring/Ring <b>(Not Shown)</b>
34	56009033	2	Scr, Hex Thd Form 1/4-20 x .50	107	56900756	2	Clip, Conduit
35	56002491	2	Nut, Hex Nyl Loc SS 1/4-20	108	56756364	4	Clamp, Hose SAE #4
36	56009060	2	Wsh, Flt SS .260 x 1.00 x .074	109	56900021	1	Elbow, 90 Street
38	56009122	2	Wsh, Flt .344 x .938 x .125	110	56900035	1	Barb, 90 Elbow 27/64 x 3/8NPT
39	56009203	2	Stud, 1/4-20	111	56329177	1	Circuit Breaker, 6 Amp <b>(Control Circuit)</b>
40	56009205	4	Wsh, Flt SS #10	112	56395454	1	Circuit Breaker, 20 Amp <b>(Brush Motor)</b>
41	56150223	1	Nipple, 1/4-18	113	56452193	1	Circuit Breaker, 40 Amp <b>(Vac Motors)</b>
42	56219932	5	Clamp, Hose SAE #6	114	56459367	3	Boot, Reset Button
43	56249723	1	Hose (45.81)	115	56459368	1	Boot, Reset Button
44	56260905	1	Strainer	116	56212132	1	Bracket, Breaker Mount
45	56262180	1	Hose, Spiral .50	117	56395454	1	Circuit Breaker, 20 Amp <b>(Drive Motor)</b>
46	56264345	1	Hose	118	56002043	2	Scr, Pan Phil 10-24 x .38
47	56324310	1	Nut Plate	119	56002619	1	Scr, Soc Shd .31 x 1.25 x 1/4-20
48	56369632	1	Elbow, 90 Street	120	56002708	1	Nut, Hex Nyl Loc 1/4-20
49	56389265	1	Rectifier Assy	121	56003257	2	Ring, Ret Ext
50	56393582	1	Bracket, Switch	122	56003335	1	Scr, Hex Hd Loc SS 5/16-18 x .88
54	56420062	1	Latch Assembly	123	56249568	1	Coupling
55	56462362	1	Switch Assy, N.C. <b>(Charger Interlock)</b>	124	56250414	2	Bearing, Flange
57	56470111	1	Barb, Adapter 1/4 x 1/4NPT	125	56324310	1	Nut Plate
58	56470138	1	Barb, 90 Elbow 19/64 x 1/4NPT	126	56364527	1	Knob
59	56477613	2	Tie, Cable	127	56372088	1	Switch, Waterproof
60	56478246	16	Tie, Cable	128	56155640	1	Barb, Adapter 3/8 x 1/4NPT
61	56002808	4	Nut, Hex Nyl Loc 8-32	129	56212032	1	Lift Bar Weld't.
62	56009289	2	Nut, U Multi-Thread 1/4-20	130	56212035	1	Lift Lever Weld't.
63	56212241	3	Clip, Panel	131	56212112	1	Bracket, Lift
64	56212261	1	Speed Control	132	56745543	1	Adapter Blk Hd 1/4
65	56054018	2	Spacer, Steel	133	56002697	2	Scr, Pan Phil 8-32 x 1.25
66	56056215	1	Grommet				
68	56057428	1	Spacer, Aluminum				
69	56111639	2	Wheel				
70	56155640	2	Barb, Adapter 3/8 x 1/4NPT				

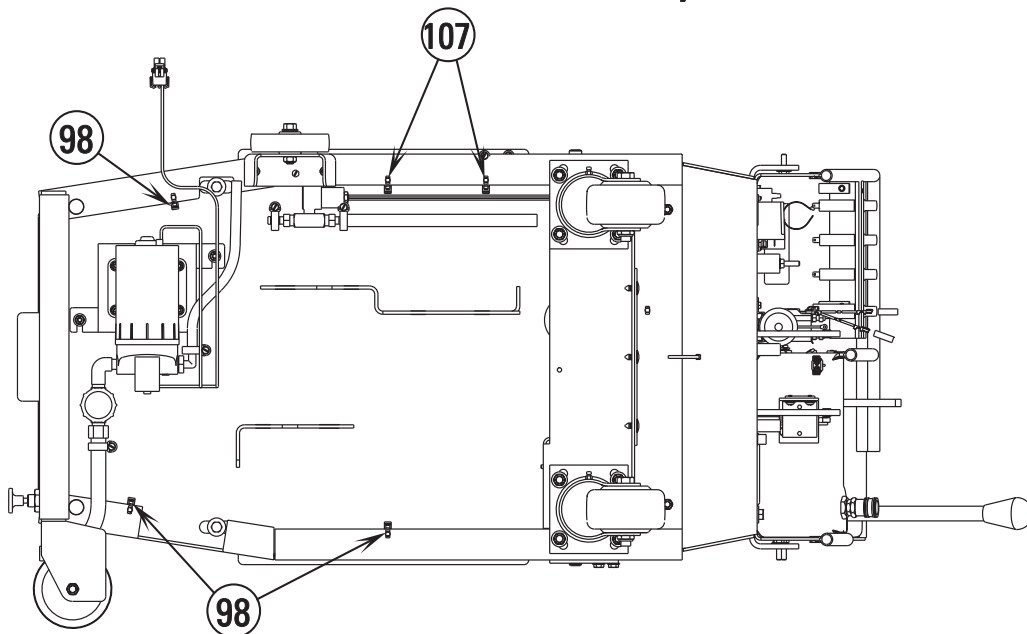
Front View of Chassis System



Rear View of Chassis System



Bottom View of Chassis System



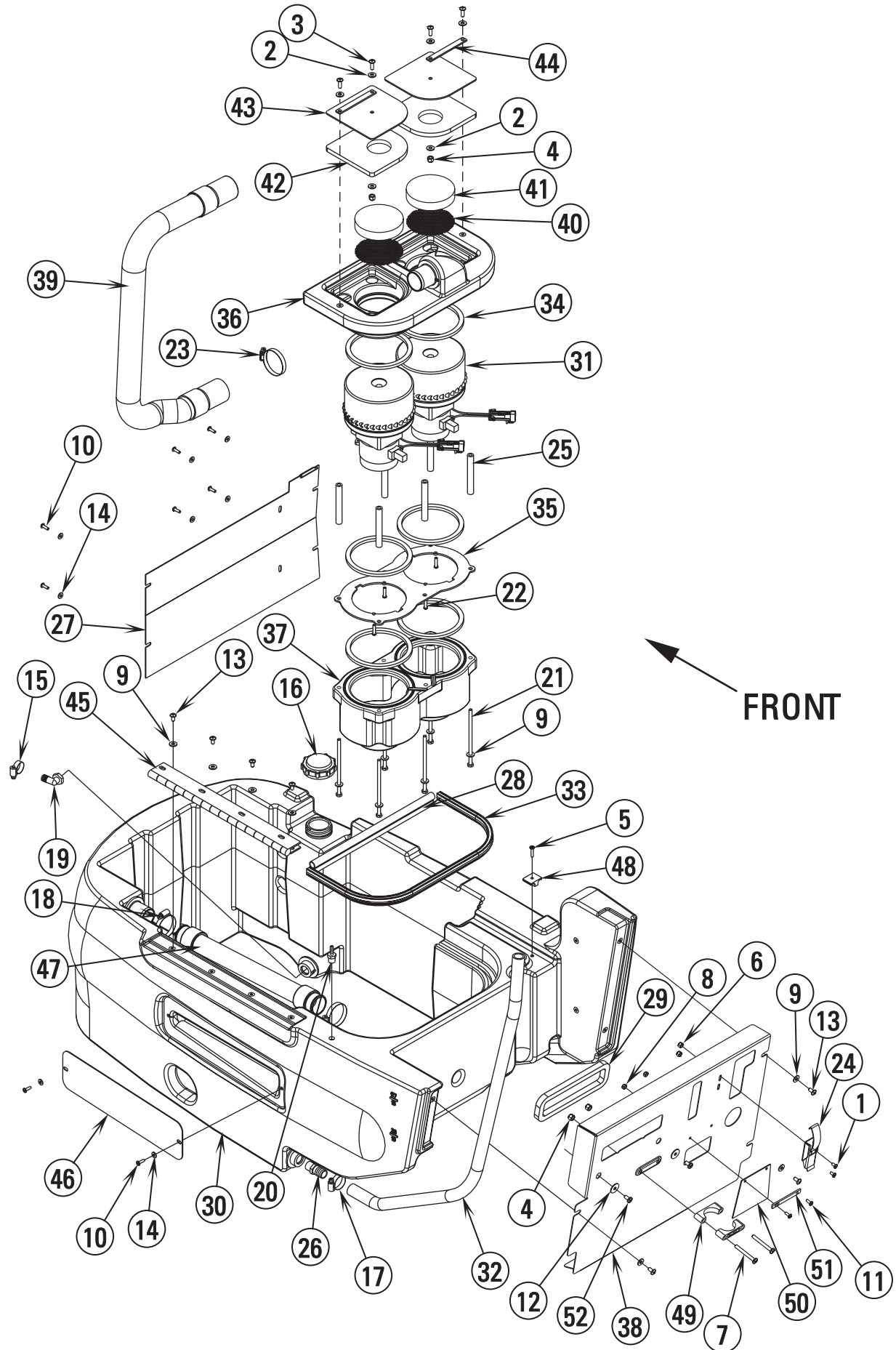
01-10

**CHASSIS SYSTEM-2****BOOK C**

03-6

**AquaMAX™ / AX 650****C****2.3.1****13**

Item	Ref. No.	Qty	Description
2	56001836	1	Scr, Hex Hd 1/4-20 x .62
11	56002539	4	Scr, Pan Phil Thd Form 6-32 x .31
33	56009012	4	Scr, Hex Thd Form 10-24 x .38
37	56009088	1	Scr, Hex Thd Form 1/4-20 x 1.25
51	56395450	1	Contactor, 36V ( <b>Vac Motor</b> )
52	56416157	2	Relay, SPST ( <b>Reverse Speed Limit &amp; Pump</b> )
53	56416516	1	Grommet
56	56469858	2	Elect. Mount
67	56056871	1	Grommet
71	56212012	1	Contactor, Reversing ( <b>Brush Motor</b> )
73	56212016	2	Gasket
94	56212228	1	Clip, .375 Push Mt. Wire
98	56386407	3	Clip, Conduit
99	56393471	3	Clip, Conduit
101	56409314	1	Time Delay Assy, 10 Sec
107	56900756	2	Clip, Conduit





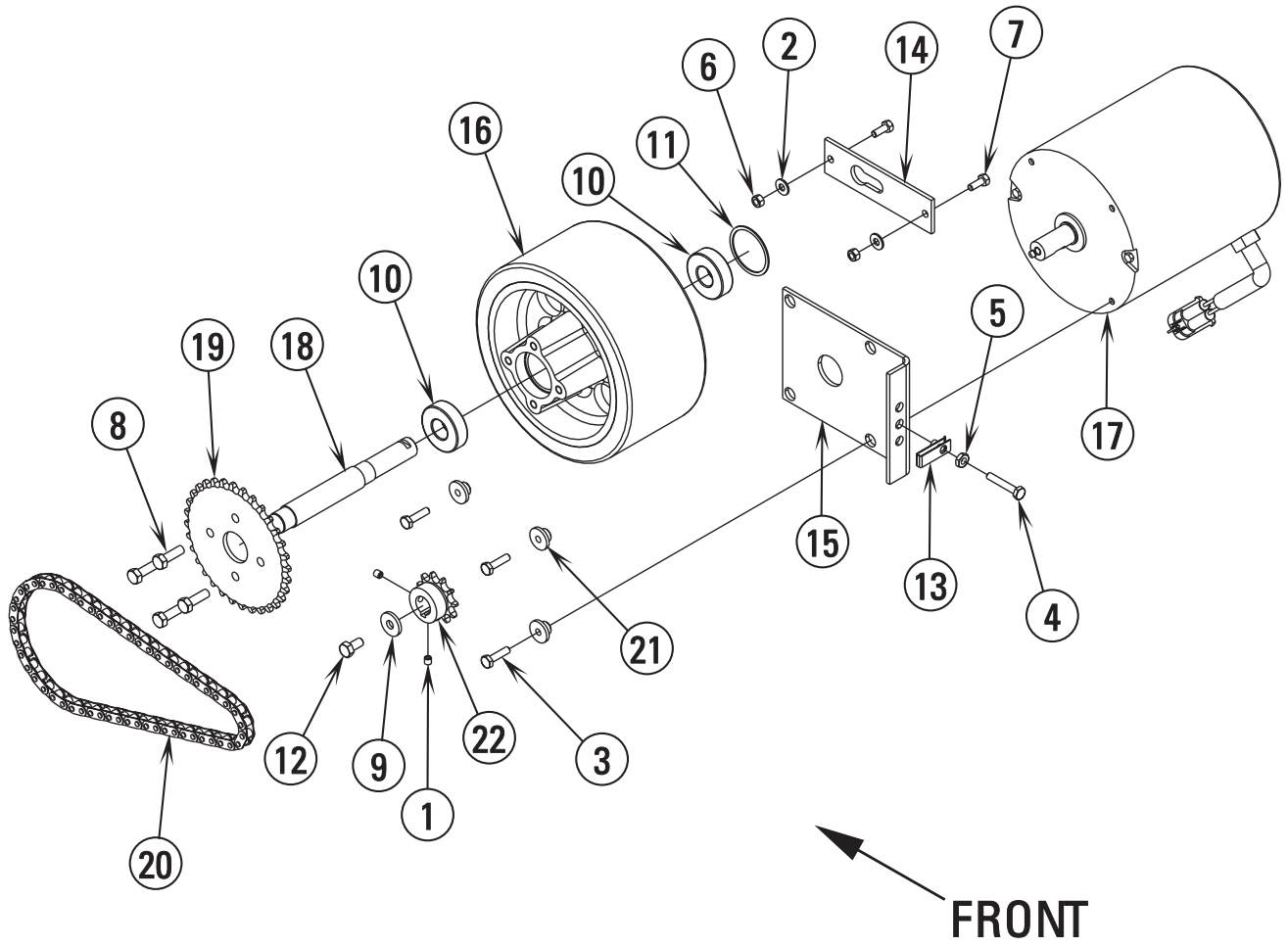
01-10	<b>SOLUTION SYSTEM</b>	<b>BOOK C</b>		
03-6	<b>AquaMAX™ / AX 650</b>	<b>C</b>	<b>2.3.1</b>	<b>15</b>

Item	Ref. No.	Qty	Description
1	56002043	2	Scr, Pan Phil 10-24 x .38
2	56002098	6	Wsh, Flt SAE 1/4
3	56002957	4	Scr, Pan Phil SS 1/4-20 x .75
4	56002708	4	Nut, Hex Nyl Loc 1/4-20
5	56002733	1	Scr, Pan Phil 10-24 x .88
6	56002768	2	Nut, Hex Nyl Loc 10-24
7	56002788	2	Scr, Pan Phil 1/4-20 x 2.25
8	56002832	2	Nut, Hex Nyl Loc-Thin 10-24
9	56002859	13	Wsh, Flt SAE SS 1/4
10	56002896	10	Scr, Pan Phil SS 10-24 x .62
11	56002900	2	Scr, Pan Phil SS 10-24 x .50
12	56009002	2	Wsh, Flt .266 x .906 x .060
13	56003119	7	Scr, Pan Phil SS 1/4-20 x .50
14	56009205	10	Wsh, Flt SS #10
15	56219932	1	Clamp, Hose SAE #6
16	56244866	1	Cap
17	56244969	1	Clamp, Hose SAE #12
18	56329145	2	Clamp, Hose SAE #24
19	56409152	1	Barb, 90 Elbow 1/2 x 1/2NPT
20	56470111	1	Barb, Adapter 1/4 x 1/4NPT
21	56003154	6	Scr, Hex Hd SS 1/4-20 x 5.50
22	56002738	4	Scr, Pan Phil Plastite 8-15 x .62
23	56049999	1	Clamp, Hose SAE #28
24	56054306	1	Clamp, Toggle Latch
25	56054780	6	Spacer, Phenolic
26	56057868	1	Fitting, Barb
27	56212013	1	Plate, Vac Compartment
28	56212016	1	Gasket
29	56212020	1	Gasket
30	56212021	1	Tank, Solution
31	56212081	2	Motor, Vac 36VDC
*	56212223	1	Carbon Brush Set
32	56212086	1	Hose, .75 ID
33	56212141	1	Gasket, Cut
34	56212143	6	Gasket, Vacuum Duct
35	56212144	1	Plate, Vac
36	56212146	1	Cover, Vac
37	56212147	1	Housing, Vac
38	56212149	1	Panel, Rear
39	56212150	1	Hose, Vac
40	56212182	2	Screen, Vac Intake
41	56212184	2	Filter, Round
42	56212185	2	Gasket, Vac Filter
43	56212186	2	Cover, Vac Filter
44	56212187	2	Strap
45	56212188	1	Hinge
46	56212225	2	Plate, Decal
47	56212235	1	Vac Hose
48	56212238	1	Clamp, Cable
49	56249313	2	Block
50	56396166	1	Flap, Charger Plug
51	56396167	1	Strap
52	56009062	2	Scr, Pan Phil Thd Form 1/4-20 x .50
**	56801000	A/R	Aqua Kit

\* = Not Shown

\*\* = Optional

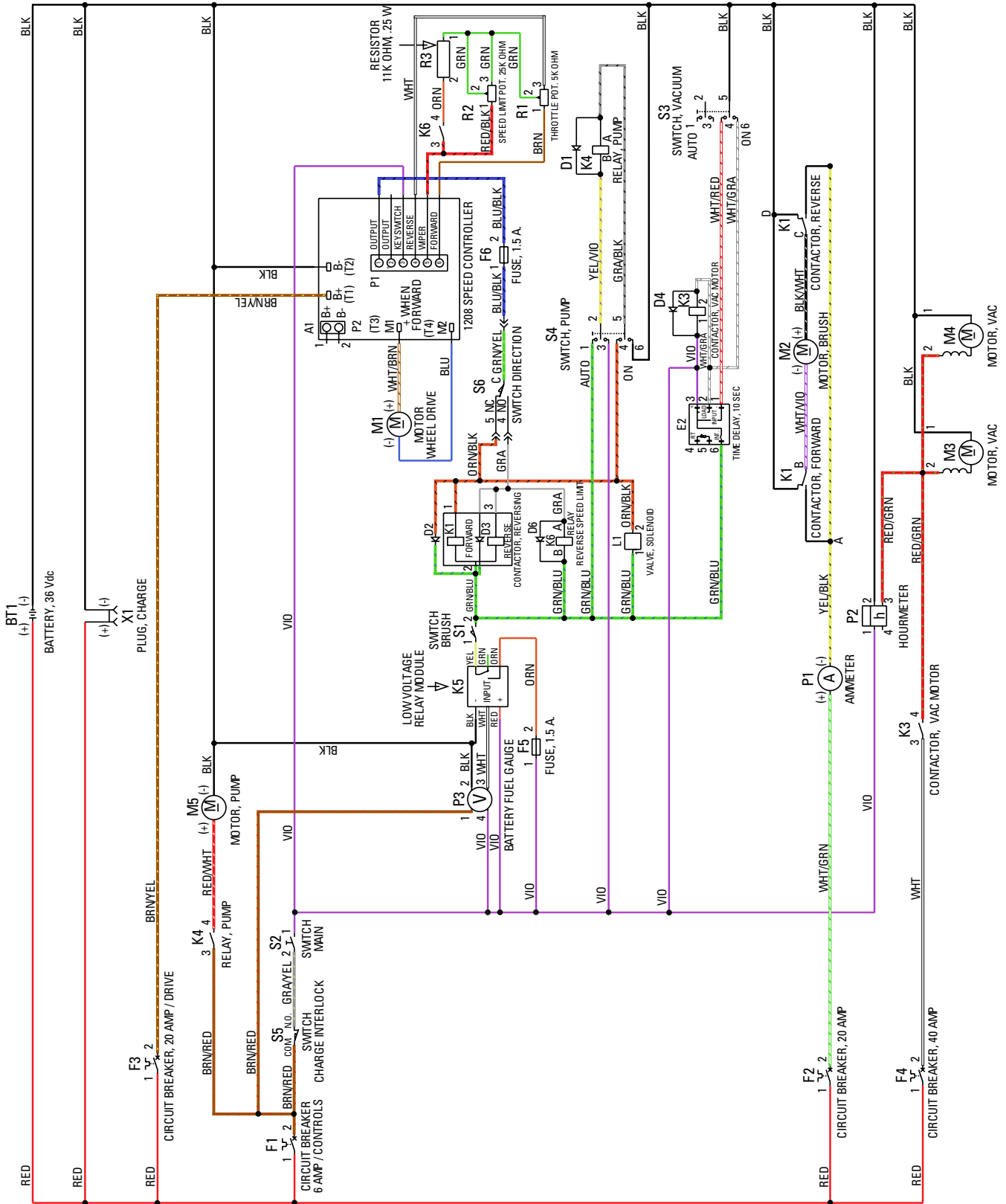




01-10	<b>TRACTION SYSTEM</b>	<b>BOOK C</b>		
03-6	<b>AquaMAX™ / AX 650</b>	<b>C</b>	<b>2.3.1</b>	<b>17</b>

Item	Ref. No.	Qty	Description
1	56001841	2	Scr, Soc Set Loc 1/4-20 x .25
2	56002859	2	Wsh, Flt SAE SS 1/4
3	56002883	3	Scr, Hex Hd SS 1/4-20 x 1.00
4	56003125	1	Scr, Hex Thd To Hd SS 1/4-20 x 1.50
5	56003145	1	Nut, Hex Jam 1/4-20
6	56003426	2	Nut, Hex Nyl Loc SS M6-1.00
7	56003431	2	Scr, Hex Hd SS M6-1.00 x 16mm
8	56003477	4	Scr, Hex Loc SS M8-1.00 x 25mm
9	56009122	1	Wsh, Flt .344 x .938 x .125
10	56154091	2	Bearing, Ball
11	56444731	1	Ring, Ret Int.
12	56002937	1	Scr, Hex Loc SS 5/16-18 x .62
13	56009289	1	Nut, U Multi-Thread 1/4-20
14	56057763	1	Bar, Steel
15	56057833	1	Bracket, Tension-Traction Drive
16	56212094	1	Wheel
17	56212175	1	Motor, 36Vdc, 1/2HP
*	56026857	4	Carbon Brush
18	56397003	1	Axle
19	56397005	1	Sprocket
20	56397017	1	Chain, #40-32
21	56397085	3	Bushing
22	56741122	1	Sprocket

\* = Not Shown



Item	Ref. No.	Qty	Description
A1	56212261	1	Speed Controller
BT1	N/A	6	Battery, 36Vdc
D1		1	Diode
D2		1	Diode
D3		1	Diode
D4		1	Diode
D5		1	Diode
D6		1	Diode
E2	56409314	1	Time Delay, 10 Sec
F1	56329177	1	Circuit Breaker, 6Amp <b>(Controls)</b>
F2	56395454	1	Circuit Breaker, 20Amp <b>(Brush Motor)</b>
F3	56395454	1	Circuit Breaker, 20Amp <b>(Drive)</b>
F4	56452193	1	Circuit Breaker, 40Amp <b>(Vac Motor)</b>
F5		1	Fuse, 1.5A
F6		1	Fuse, 1.5A
K1	56212012	1	Contactor, Reversing <b>(Brush)</b>
K3	56395450	1	Contactor <b>(Vac Motor)</b>
K4	56416157	1	Relay, Pump
K5	56212119	1	Low Voltage Relay Module
K6	56416157	1	Relay, Reverse Speed Limit
L1	56212138	1	Valve, Solenoid
M1	56212175	1	Motor, Wheel Drive
*	56026857	4	Carbon Brush
M2	56212100	1	Motor, Brush
*	56212233	1	Brush Kit, Replacement
M3	56212081	1	Motor, Vac
*	56212223	1	Carbon Brush Set
M4	56212081	1	Motor, Vac
*	56212223	1	Carbon Brush Set
M5	56212014	1	Motor, Pump
P1	56212015	1	Ammeter
P2	56393718	1	Hourmeter
P3	56416395	1	Battery Fuel Gauge
R1	56397029	1	Potentiometer, 5K Ohm <b>(Throttle)</b>
R2	56397123	1	Potentiometer, 25K Ohm <b>(Speed Limit)</b>
R3		1	Resistor, 11K Ohm, .25W
S1	56372088	1	Switch, Brush
S2	56301636	1	Switch, Main
S3	56212017	1	Switch, Vacuum
S4	56212017	1	Switch, Pump
S5	56462362	1	Switch, Charger Interlock
S6	56263174	1	Switch, Direction
X1		1	Plug, Charge
*	56212019	1	Harness, Main

\* = Not Shown

**DANMARK**

Nilfisk-Advance Nordic A/S  
Sognevej 25 - Box 344  
DK-2605 Broendby  
☎ 43 23 83 50 – Fax 43 42 15 95

**NORGE**

Nilfisk-Advance AS  
Enebakkvn, 119, 0680 Oslo, Postboks 196, Manglerud,  
0612 Oslo  
☎ 22 08 63 50 – Fax 22 08 63 63  
Distriktsrepresentanter over hele landet

**SVERIGE**

Nilfisk-Advance AB  
Sjöbjörnsvägen 5, 117 67 Stockholm  
☎ 085 55 944 00 – Fax 085 55 944 30

**FINLAND/ SUOMI**

BERNER Ltd. Facotek Department  
Etäleranta 4B, 00130 Helsinki  
☎ +358 9 1345 1382

**AUSTRALIA**

Nilfisk-Advance Pty. Ltd.  
48 Egerton Street  
Silverwater NSW 2128  
☎ (02) 8748 5905 – Fax (02) 9648 2711  
Customer Responce Centre:  
☎ 1 800 011 013

**BELGIQUE / BELGIË/ LUXEMBOURG**

Nilfisk-Advance s.a./n.v.  
Doornveld/ Sphere Business Park  
Industrie Asse 3, nr 11 – bus 41  
1731 Zellik-Asse  
☎ (02) 467.60.50 Fax (02) 463.44.16

**CANADA**

Nilfisk-Advance Ltd.  
396 Watline Avenue  
Mississauga, Ontario L4Z 1X  
☎ (905) 712-3260 – Fax (905) 712-3255

**DEUTSCHLAND**

Nilfisk-Advance AG  
Siemensstraße 25-27  
25462 Rellingen  
☎ (041 01) 3990 – Fax ( 04101) 399191  
Zentraler Kundenservice  
☎ für die Industrie: 0180 535 67 97  
☎ Institutionen und Gebäudereiniger: 0180 500 11 70

**FRANCE**

Nilfisk-Advance S.A.  
BP 246  
91944 Courtaboeuf Cedex  
☎ (01) 69.59.87.00 Télécopie (01) 69.59.87.01

**HONG KONG**

Nilfisk-Advance Ltd.  
2001, 20/F HK Worsted Mills  
Industrial Building  
31-39 Wo Tong Tsui Street  
Kwai Chung, N.T.  
☎ 2427 59 51 – Fax 2487 5828

**IRELAND**

Nilfisk-Advance Ltd.  
28 Sandford Office Park  
Dublin 18  
☎ +353 1 2943838 – Fax +353 1 2943845

**JAPAN**

Nilfisk-Advance Inc.  
3-4-9 Chigasaki Minami  
Tsuzuki-Ku Yokohama 224 0037  
☎ 045-942-7741 – Fax 045-942-6545

**MALAYSIA**

Nilfisk-Advance Sdn Bhd  
Lot 2, 1<sup>st</sup>. Floor  
Lorong 19/1A  
46300 Petaling Jaya  
Selangor Darul Ehsan  
☎ 03-7568188/03-7568189/03-7568388 – Fax 03-7566828

**NEDERLAND**

Nilfisk-Advance B.V.  
Flevolaan 7, Postbus 341  
1380 AH Weesp  
☎ 0294-462121 – Fax 0294-430053

**NEW ZEALAND**

Nilfisk-Advance Limited  
477 Great South Road, Penrose  
Auckland  
☎ (09) 525 0092 – Fax (09) 525 6440

**SCHWEIZ / SUISSE**

Nilfisk-Advance AG  
Ringstrasse 19, 9533 Kirchberg/Wil  
☎ 719 23 52 83 – Fax 719 23 84 44

**SINGAPORE**

Nilfisk-Advance Pte. Ltd.  
22, Woodlands Industrial Park E1  
Singapore 757740  
☎ (65) 759 9100 – Fax (65) 759 9133

**TAIWAN**

Nilfisk-Advance Ltd.  
1 F, No.23, Lane 132, Sec. 2  
Ta An Road, Taipei  
☎ 700 22 68 – Fax 784 08 43

**UNITED KINGDOM**

Nilfisk-Advance Limited  
Newmarket Road  
Bury St. Edmunds  
Suffolk IP 33 3SR  
☎ (01284) 763163 – Fax (01284) 750562

**USA**

Nilfisk-Advance Inc.  
14600 21<sup>st</sup> Avenue North  
Plymouth, MN 55447-3408  
☎ +1 800 989 2235 – Fax 1 800 989 6566

Nilfisk-Advance of America, Inc.  
300 Technology Drive  
Malvern, PA 19355  
☎ (610) 647 647-6427

**ÖSTERREICH**

Nilfisk-Advance GmbH  
Vorarlberg Allee 46  
1230 Wien  
☎ 1 616 58 30 – Fax 1 616 58 30 40

**ESPAÑA**

Nilfisk-Advance, S.A.  
Torre D'Ara  
Passeig del Rengle, 5 Pl.9-10  
E-08302 – Mataró (Barcelona)  
☎ Tel. 93 741 24 00 – Fax: 93 757 80 20  
Central atención al cliente: 902 200 201  
[nilfisk@nilfisk-advance.es](mailto:nilfisk@nilfisk-advance.es) – [www.nilfisk-advance.com](http://www.nilfisk-advance.com)  
Distribuidores y Servicio Técnico en toda España y Andorra

**ITALIA**

Nilfisk-Advance Italia Spa  
Località Novella Terza  
26862 Guardamiglio (LO)  
Italy  
☎ +39 0377 414067-54 – Fax +39 0377 414097  
[www.nilfisk-advance.com](http://www.nilfisk-advance.com)

**PORTUGAL**

Nilfisk-Advance Lda.  
Rua Cândido de Figueiredo, 91-i, 1500-133 LISBOA  
☎ 01/7784142 – Fax 01/7785613  
Porto 02/526766 – Fax 02/520739  
Açores 096/628092/3 – Fax 096/628129  
Madeira 091/228965 – Fax 091/228796

**GREECE**

Embiom S.A.  
Λεωφ. Βουλιαγμένης 60  
Αργυρούπολη  
164 52 Αθήνα  
☎ 9950613 - Fax 9951680



# Material composition of the Nilfisk AX 650

