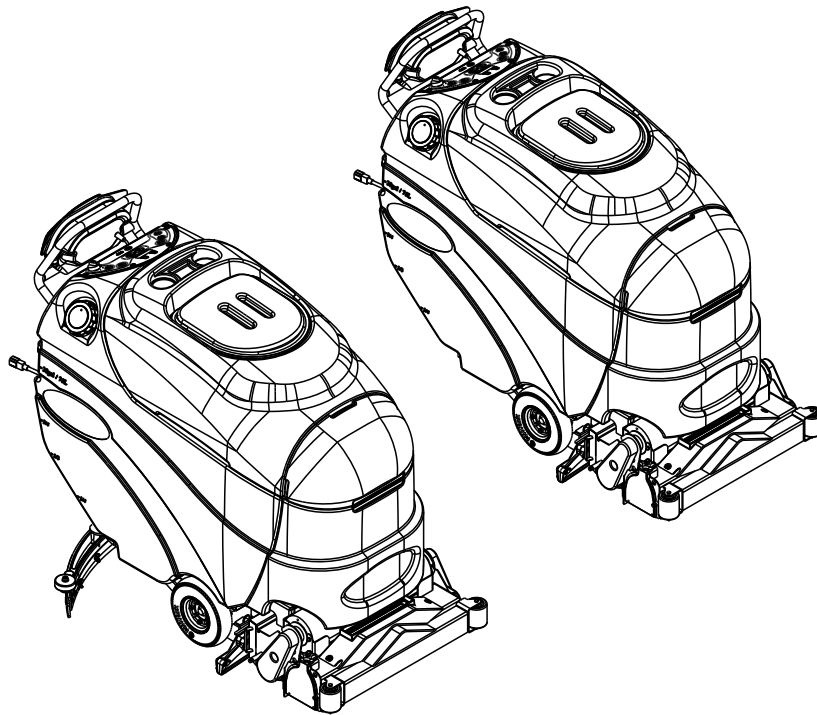


AquaPLUS™, AquaPLUS™ AXP Adphibian™ Parts List

4/2007 revised 1/2018 REV G
Form no. 56042476



Active Models:
56317000
56317002

Obsolete Models:
56317001

TABLE OF CONTENTS

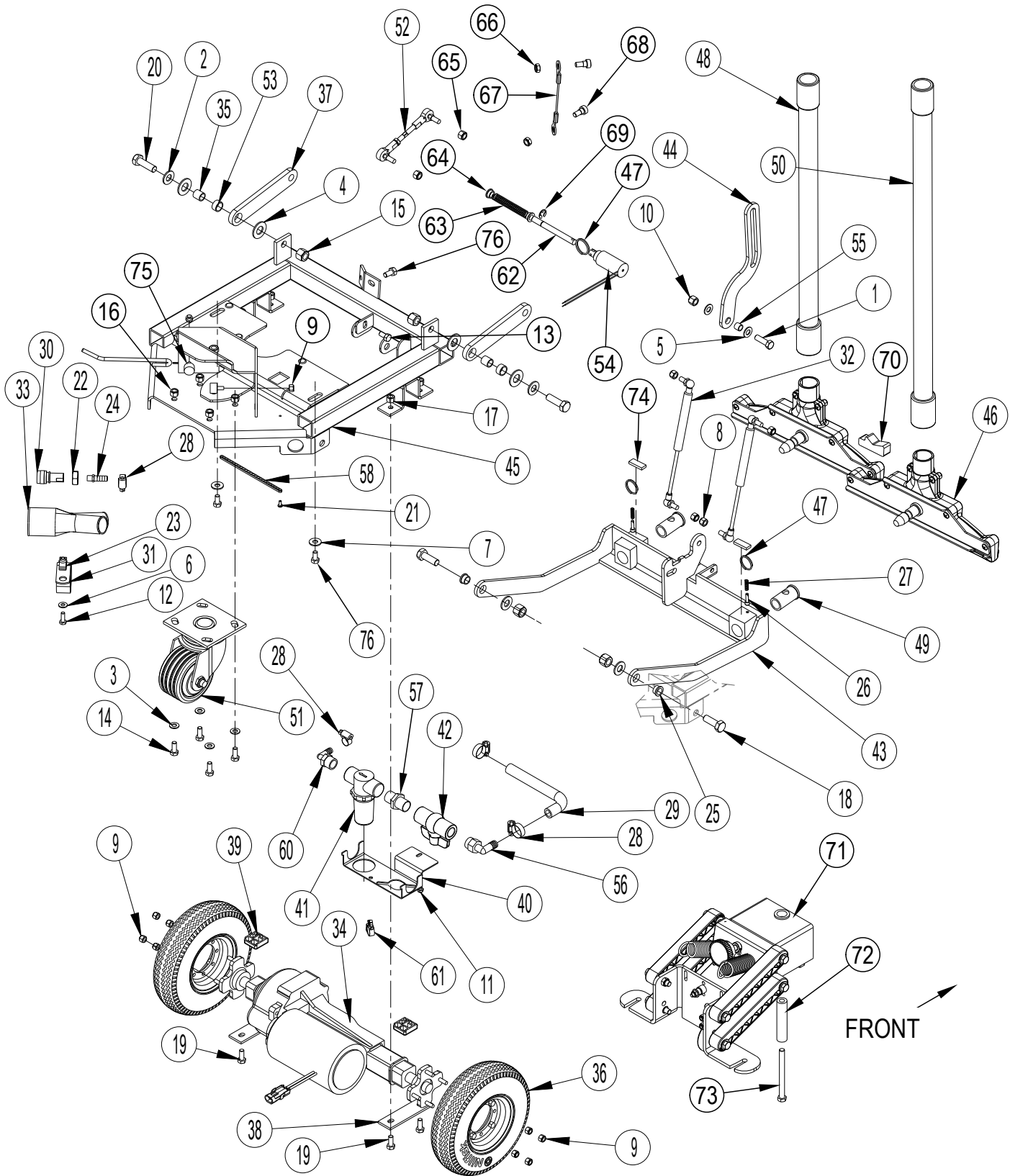
DESCRIPTION	PAGE
Chassis System	2-3
Chassis System-Squeegee Linkage Assy	4-5
Decal System.....	6-7
Recovery System.....	8-9
Scrub System	10-11
Solution System-Electrical-1.....	12-13
Solution System-Electrical-2.....	14-15
Chemical Assy-AXP Models Only.....	16-17
Paddle Assy	18-19
Squeegee Assy-Adphibian.....	20-21
Wiring Diagram	22-23
Optional Kits & Accessories.....	24
Brush Selector Guide.....	25
Squeegee Blade Selector Guide	26

WHEN ORDERING PARTS

- * Use the part numbers from the "Ref. No." columns in this parts list.
- * Specify the model number and serial number of the machine.
- * Use the space below to record the model number and serial number for future reference.

Model No. _____ Serial No. _____

CHASSIS SYSTEM



CHASSIS SYSTEM

Item	Ref. No.	Qty	Description	Item	Ref. No.	Qty	Description
1	56001858	1	Scr, Hex 3/8-16 x 1.25	41	56315296	1	Solution Filter
2	56001879	4	Wsh, Flt SAE 1/2	42	56381475	1	Ball Valve NOTE 5
3	56001939	4	Wsh, Flt SAE 5/16	43	56317029	1	Shoe Support Weld't
4	56002022	4	Wsh, Flt SAE 5/8	44	56317035	1	Link, Lift
5	56002063	2	Wsh, Flt SAE 3/8	45	56317039	1	Chassis Weldt
6	56002098	1	Wsh, Flt SAE 1/4	46	56317041	2	Shoe Assembly TSBUS2008-999
7	56002220	2	Wsh, Flt STD 5/16	[]	56317097	2	Replacement Shoe (for 56317041)
8	56002701	4	Nut, Hex Nyl Loc 5/16-18	[]	56317063	2	Shoe Bracket Weld't. (for 56317041)
9	56002708	8	Nut, Hex Nyl Loc 1/4-20 (NOTE 1)	47	56317071	2	Ring (NOTE 2)
10	56002769	1	Nut, Hex Nyl Loc 3/8-16	48	56317091	1	Hose, Vac
11	56002832	1	Nut, Hex Nyl Loc-Thin 10-24	49	56317092	2	Bearing, Flange
12	56002948	1	Scr, Hex Hd Loc 1/4-20 x .75	50	56317093	1	Hose, Vac
13	56002988	1	Scr, Hex SS 5/16-18 x .62	51	56317121	1	Caster Swiv 4.0 x 2.0
14	56003179	4	Scr, Hex Thd To Hd M8-1.25 X 20mm	52	56317127	1	Turnbuckle
15	56003312	4	Nut, Hex Nyl Loc M12-1.75	53	56370878	2	Bearing, Sleeve
16	56003389	4	Nut, Hex Nyl Loc M8-1.25	54	56317100	1	Solenoid, Pull Type (L3 / NOTE 3)
17	56003405	4	Nut, Hex Nyl Loc SS M8-1.25	55	56388326	1	Bushing
18	56003415	2	Scr, Hex M12-1.75 x 35mm	56	56409152	1	Barb, 90 Elbow 1/2 x 1/2npt
19	56003435	4	Scr, Hex SS M8-1.25 x 20mm	57	56381474	1	Nipple NOTE 5
20	56003637	2	Scr, Hex M12-1.75 x 40mm	58	56467544	1	Chain
21	56009029	1	Scr Panphil Thd Form 10-24X.50	60	56900033	1	Barb, 90 Elbow 3/8 x 1/2npt
22	56009078	1	Nut, Hex Jam SS 5/8-18	61	56900756	1	Clip, Conduit
23	56009289	1	Nut, Retainer 1/4-20	62	56317070	1	Rod, Latch (NOTE 3)
24	56104299	1	Barb, Adapter 3/8 x 1/8 Npt	63	56317067	1	Spring, Compression (NOTE 3)
25	56185264	2	Bearing, Flange	64	56324505	2	Bearing, Flange (NOTE 3)
26	56317139	2	Pin	65	56002950	2	Nut, Hex Nyl Loc 5/16-24
27	56201448	2	Spring, Compression	66	56002826	2	Nut, Hex Nyl Loc-Thin 5/16-18
28	56219932	4	Clamp, Hose SAE #6	67	56304126	1	Cable Assy
29	56262180	1	Hose, Spiral .500	68	56003730	2	Scr, Soc Hd .38 x .25 x 5/16-18
30	56265208	1	Socket, 1/8 FPT	69	56003262	1	Ring, Ret Ext Type E .38 Dia (NOTE 3)
31	56305492	1	P-Clamp	70	56317156	1	Shoe Spacer, Foam
32	56314206	2	Gas Spring	71	56315165	1	Assy, Squeegee Linkage (NOTE 4)
33	56314557	1	Y-Tube	72	56315154	1	Bushing, Spacer (NOTE 4)
34	56315062	1	Transaxle, 24V (M8)	73	56009241	1	Scr, Hex 3/8-16 x 4.25 (NOTE 4)
[]	56315377	1	Motor (for 56315062)	74	56317164	2	Foam Strip
[]	56315378	4	Carbon Brush (for 56315062)	75	56315111	2	Cylindrical Mount (NOTE 4)
[]	56315379	2	Neoprene Mounting Sleeve (for 56315062)	76	56003012	3	Scr, Hex SS 5/16-18 x .75
[]	56380497	A/R	Transaxle Kit (for 56315062) TSBUS2008-1014				[] = Not Shown
[]	56380503	A/R	Transaxle Hub Kit (for 56315062) TSBUS2008-1018				
[]	56380161	1	Kit-Coupling				
35	56315080	2	Bushing				
36	56315115	2	Wheel, Drive				
37	56315179	2	Linkage Arm				
38	56380499	2	Plate				
39	56315258	2	Shim				
40	56381476	1	Bracket, Filter Mount NOTE 5				

NOTE 1: QTY of 10 on Adphibian

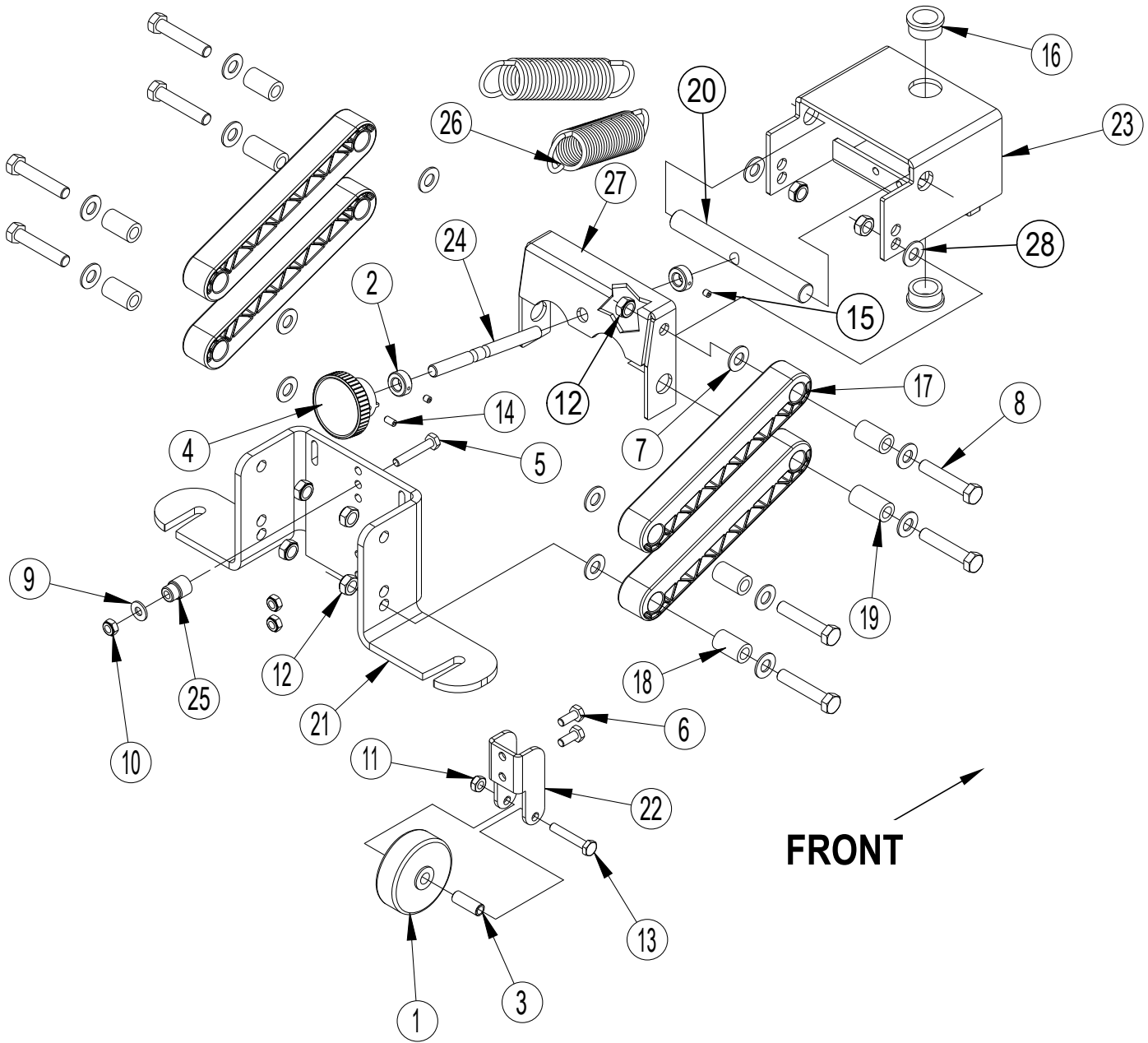
NOTE 2: QTY of 3 on AquaPLUS AXP, Adphibian

NOTE 3: Only used on AquaPLUS AXP, Adphibian

NOTE 4: Only used on Adphibian

NOTE 5: Ball Valve 56381475 has replaced Ball Valve 56315607. When replacing 56315607 please order Ball Valve Bracket Kit 56381521 which includes items (40, 42 & 57).

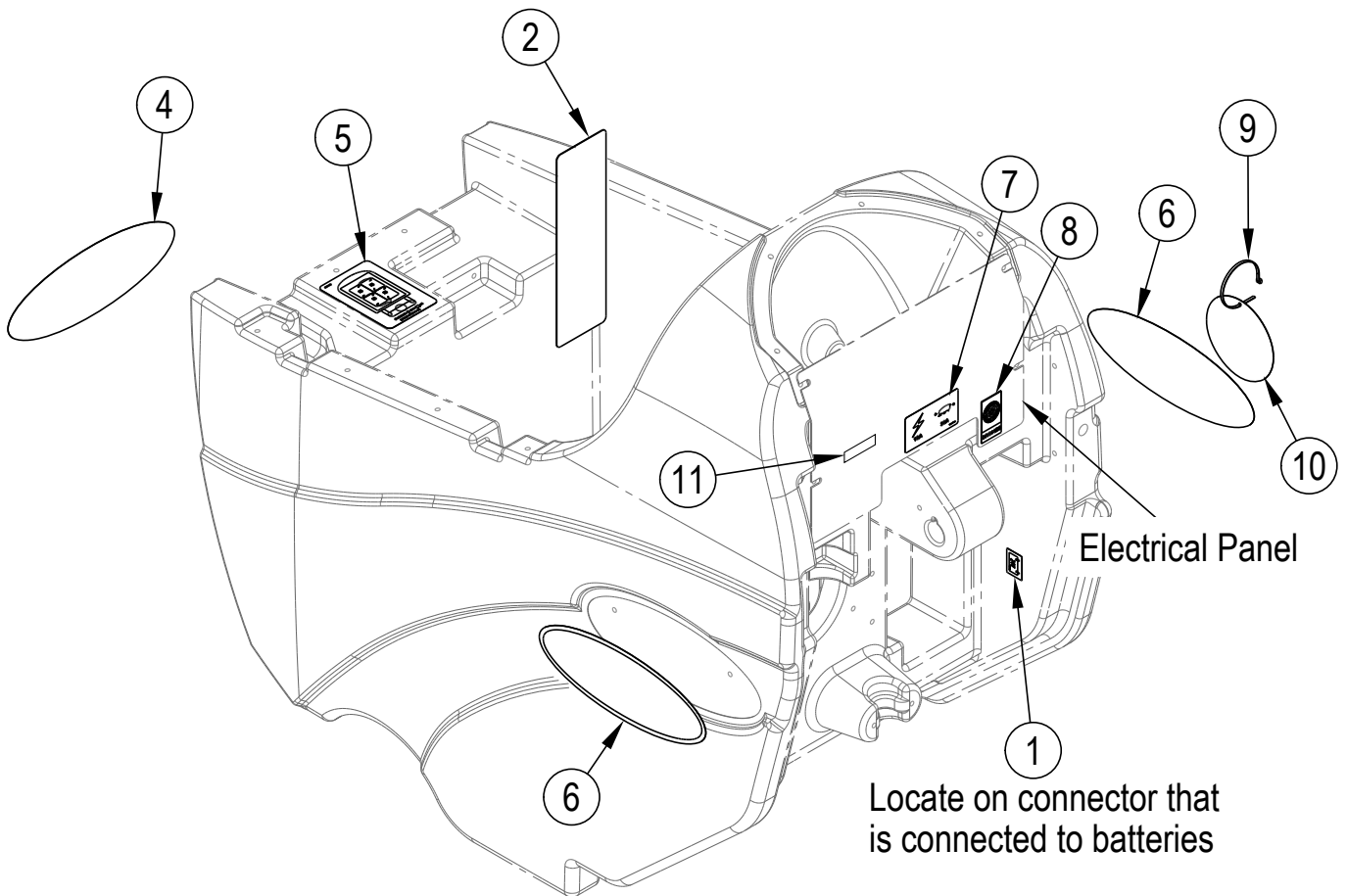
CHASSIS SYSTEM-SQUEEGEE LINKAGE ASSY



CHASSIS SYSTEM-SQUEEGEE LINKAGE ASSY

Item	Ref. No.	Qty	Description
	56315165	1	Squeegee Linkage Assembly (Only used on Adphibian)
1	56324350	1	Wheel
2	56331076	2	Collar
3	56315580	1	Bushing
4	56475480	1	Knob
5	56001833	1	Scr, Hex 1/4-20 X 1.50
6	56001836	2	Scr, Hex 1/4-20 X .62
7	56002063	14	Wsh, Flt SAE 3/8
8	56002091	8	Scr, Hex 3/8-16 X 2.00
9	56002098	1	Wsh, Flt SAE 1/4
10	56002840	3	Nut, Hex Nyl Loc-Thin 1/4-20
11	56002850	1	Nut, Hex Nyl Loc-Thin Ss 1/4-20
12	56003219	8	Nut Hex Nyl Loc SS 3/8-16
13	56002880	1	Scr, Hex Loc SS 1/4-20 X 1.75
14	56003123	1	Scr, Soc Set 10-2 4x .38
15	56009084	2	Scr, Soc Set Loc 10-24 X .19
16	56250414	2	Bearing, Flange
17	56315941	4	Linkage Arm, Molded
18	56315067	6	Spacer, Phenolic
19	56315068	2	Spacer, Phenolic
20	56315082	1	Pin
21	56315151	1	Bracket, Squeegee Mount
22	56315153	1	Bracket, Wheel
23	56315196	1	Weldment, Squeegee
24	56315240	1	Rod, Adjustment
25	56315245	1	Bushing, Squeegee Cable
26	56315295	2	Spring, Extension
27	56315713	1	Bracket, Squeegee Level
28	56002940	2	Wsh, Flt SAE SS 5/8

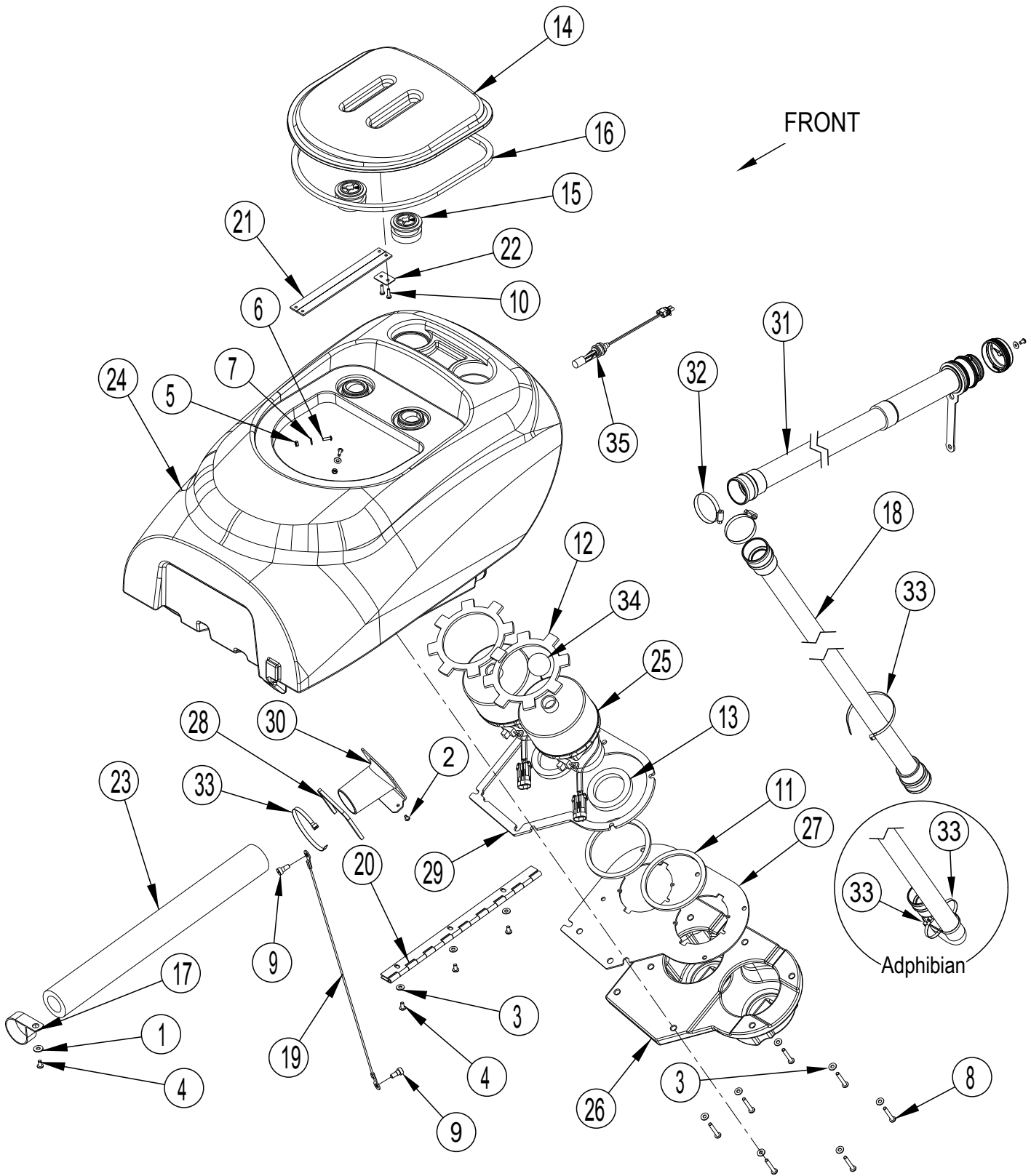
DECAL SYSTEM



DECAL SYSTEM

Item	Ref. No.	Qty	Description
1	56054192	1	Decal, Charger
2	56014601	1	Decal, Caution
4	56016349	1	Decal, Advance
5	56016688	1	Decal, Battery Wiring
6	56317125	2	Decal, AquaPLUS AXP
	56317124	2	Decal, AquaPLUS
	56317123	2	Decal, Adphibian
7	56317131	1	Decal, Circuit Breaker
8	56317151	1	Decal, CRI Bronze
9	56325789	1	Tie, Cable
10	56040958	1	Tag, CRI
11	56014450	1	Decal, Patent

RECOVERY SYSTEM



RECOVERY SYSTEM

Item	Ref. No.	Qty	Description
1	56001906	1	Wsh, Flt STD 1/4
2	56002043	2	Scr, Pan Phil 10-24 X .38
3	56002098	10	Wsh, Flt SAE 1/4
4	56002145	4	Scr, Pan Phil 1/4-20 X .50
5	56002849	2	Nut, Hex Nyl Loc-Thin SS 10-24
6	56002896	2	Scr, Pan Phil SS 10-24 X .62
7	56002919	2	Wsh, Flt Std SS #10
8	56002997	7	Scr, Pan Phil 1/4-20 X 1.75
9	56003730	2	Scr Soc Hd.38X.25 5/16-18
10	56003711	2	Scr Pan SS Plastite 10-14 X.62
11	56212143	2	Gasket, Vacuum Duct
12	56264103	2	Gasket, Vacuum Motor
13	56314760	2	Gasket, Vacuum Duct
14	56315176	1	Cover, Recovery Tank
15	56315099	2	Screen, Fan Inlet
16	56315220	1	Gasket, Recovery Lid
17	56315257	1	Clamp, P
18	56317150	1	Vac Hose Assy (AquaPLUS & AquaPLUS AXP)
	56315268	1	Vac Hose Assy (Adphibian)
19	56315272	1	Cable Assy
20	56315293	1	Hinge
21	56315303	2	Retaining, Strap
22	56315346	1	Plate
23	56317149	1	Foam, Acoustical
24	56317020	1	Tank, Recovery (AquaPLUS & AquaPLUS AXP)
	56317146	1	Tank, Recovery (Adphibian)
25	56317025	2	Motor, Vac 24vdc (M6 / M7)
[]	56397098	1	Carbon Brush set of 2 (for 56317025 / 56317133)
26	56317030	1	Cover, Vac
27	56317031	1	Plate, Vac
28	56317033	1	Gasket, Exhaust
29	56317034	1	Gasket, Cover
30	56317052	1	Tube, Exhaust
31	56383321	1	Drain Hose Assy-1.5 NOTE 2
[]	56383353	1	Drain Hose Cap Kit-1.5 (for 56383321 only)
[]	56601411	1	Drain Hose Cap Kit (for 56381924 only)
[]	56601412	1	Drain Hose Kit NOTE 2
*	56601410	1	Drain Hose Extension (for 56381924 only)
32	56440213	2	Clamp, Hose SAE #32
33	56477613	2	Tie, Cable (Qty of 3 on Adphibian)
34	56391690	1	Ball, Float (Adphibian)
35	56315096	1	Switch, Float (S2) NOTE 1

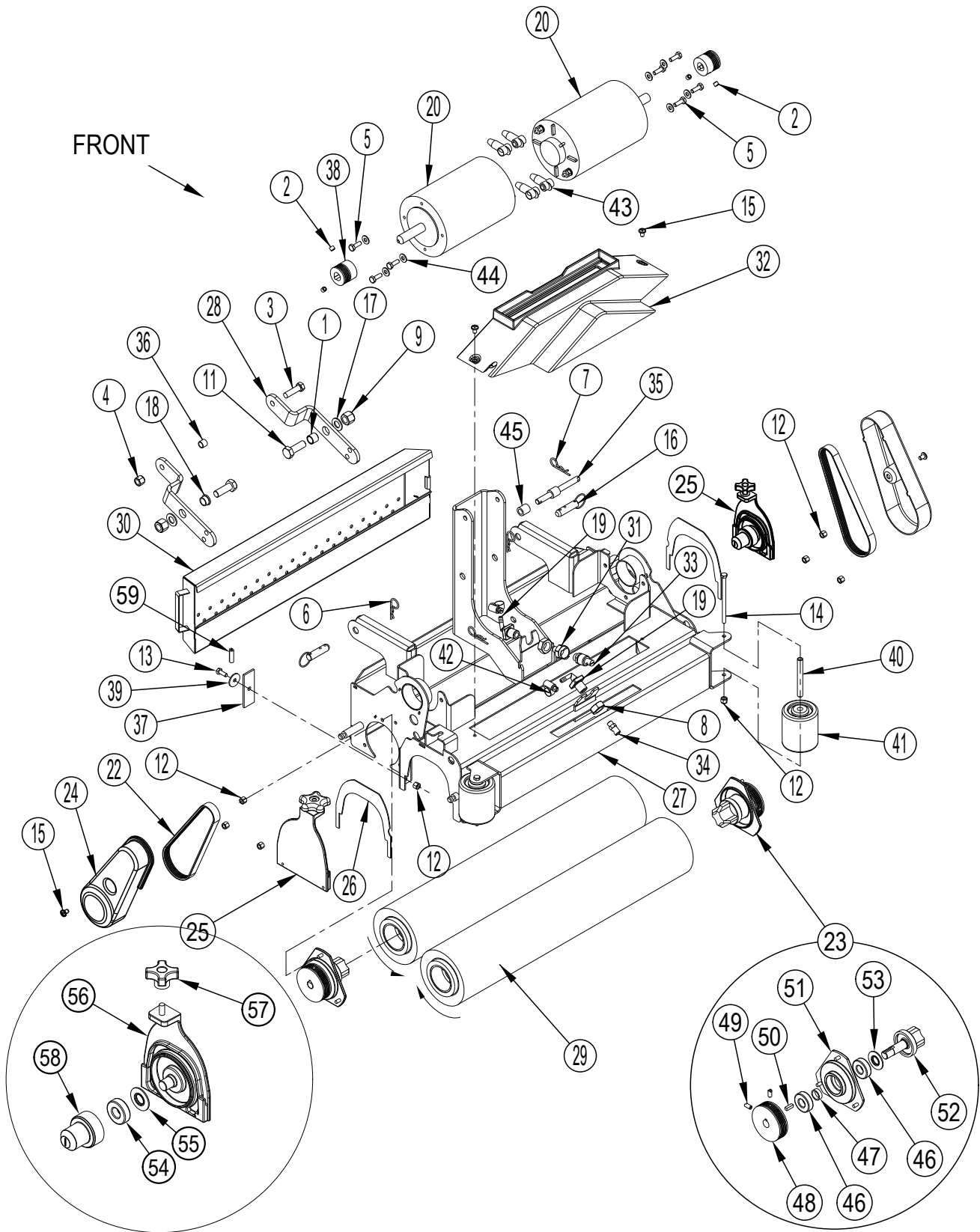
[] = Not Shown

* = Optional, Not Included

NOTE 1: Float Switch 56315096 is optional on the AquaPLUS models and standard on the Adphibian.

NOTE 2: Drain Hoses 56397142 and 56381924 have been replaced by Drain Hose 56383321 in production. When replacing 56397142 or 56381924 you need to order Drain Hose Kit 56601412.

SCRUB SYSTEM



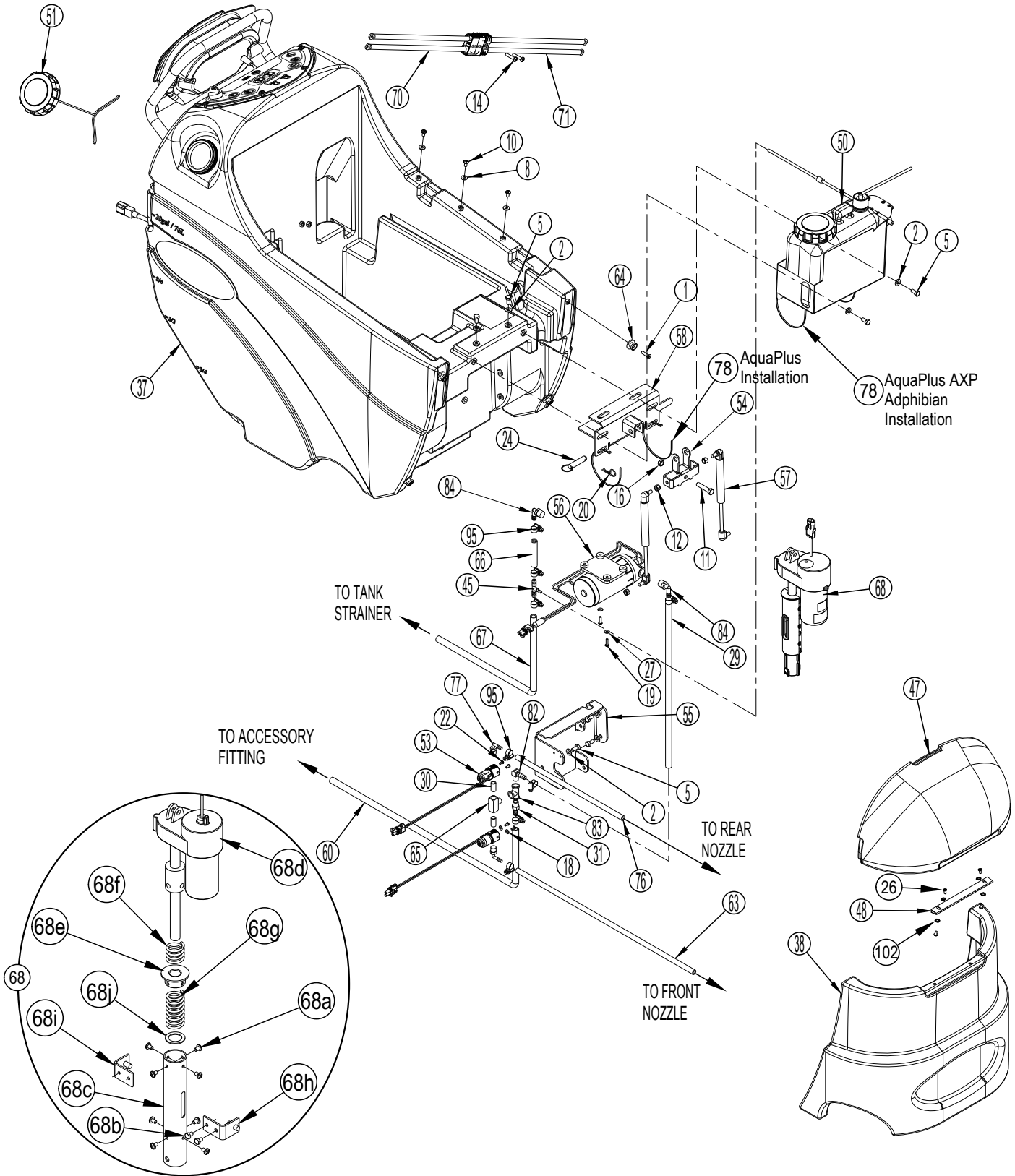
SCRUB SYSTEM

Item	Ref. No.	Qty	Description	Item	Ref. No.	Qty	Description
1	56367206	1	Bushing	46	56106070	2	Bearing, Ball
2	56002086	4	Scr, Soc Set Loc 5/16-18 X .25	47	56407389	1	Spacer
3	56001858	1	Scr, Hex 3/8-16 X 1.25	48	56316054	1	Sheave, Poly-V TSBUS2008-1000
4	56002841	1	Nut, Hex Nyl Loc-Thin 3/8-16	49	56002119	2	Scr, Soc Set Loc 1/4-20 x .50
5	56002948	7	Scr,Hex Hd Loc 1/4-20 X.75	50	56003237	1	Key, Sq. .19 x .62
6	56002959	2	Pin, Cotter Hair	51	56381765	1	Bearing Plate
7	56003120	2	Pin, Cotter Hair .0915 X .375	52	56109527	1	Spindle
8	56003272	2	Nut, Hex Jam SS 5/8-11	53	56407558	1	Washer, Bearing
9	56003312	2	Nut, Hex Nyl Loc M12-1.75				
11	56003415	2	Scr, Hex M12-1.75 X 35mm	54	56106070	1	Bearing, Ball
12	56003426	10	Nut, Hex Nyl Loc SS M6-1	55	56407558	1	Washer, Bearing
13	56003431	2	Scr, Hex SS M6-1 X 16mm	56	56315447	1	Idler Bearing Plate
14	56003492	2	Scr, Hex M6-1 X 95mm	57	56407303	1	Knob
15	56003603	4	Scr, Pan Phil Thd Form 1/4-20 X .38	58	56115273	1	Hub NOTE 5
16	56003671	2	Pin, Ring .50 X 1.25	*	56384137	1	Idler W/O-Ring Kit NOTE 4
17	56009003	2	Wsh, Flt .516 X .938 X .075				
18	56185264	1	Bearing, Flange	59	56317158	2	Channel, Rubber
19	56265388	2	Elbow, Panel Mount				
20	56315061	2	Motor, 24 Vdc, .5 Hp, 1800 RPM (M4 / M5) TSBUS2010-1058				
[]	56412287	1	Brush / Spring Kit (for 56315061) NOTE 3				
[]	56380003	1	Brush / Spring Kit (for 56315061) NOTE 3				
21	56315320	2	Harness, Brush				
22	56316053	2	Belt, Auto Tension TSBUS2008-1000				
23	56317157	2	Drive End Assy (#46-53)				
24#	56115314	2	Cover, Belt				
25	56115344	2	Idler End Assy (#54-58)				
26	56316191	2	Gasket				
27	56317021	1	Housing Weldment 24"				
28	56317036	2	Link, Pivot				
29	56314389	2	Brush, Soft Nylon 24" NOTE 1				
	56317047	2	Brush, Multi-Surface NOTE 2				
30	56317049	1	Hopper Weld't, Extractor				
31	56317053	1	Body, Nozzle Qija				
32	56317054	1	Cover, Nozzle				
33	56317064	1	Nozzle, Spray #1				
34	56265052	1	Nozzle, Spray				
35	56317084	1	Pin, Actuator				
36	56388326	1	Bushing				
37	56407391	2	Blade				
38	56316066	2	Sheave, Poly-V				
39	56009060	2	Wsh Flt SS .260X1.000X.074				
40	56412176	2	Bushing				
41	56412459	2	Wheel				
42	56219932	2	Clamp, Hose SAE #6				
43	56409538	4	Insulator, Terminal				
44	56009064	7	Wsh, Int Shprf 1/4				
45	56317163	1	Spacer, Phenolic				

[] = Not Shown
 # = Revised or new since last update

- NOTE 1:** Only used on AquaPLUS & AquaPLUS AXP
- NOTE 2:** Only used on Adphibian
- NOTE 3:** If your cylindrical scrub motor has a serial tag from Scott Motors Co. (4BB1344) order Carbon Brush Set 56412287. If your cylindrical scrub motor has a serial tag from Nilfisk-Advance (ZD22000) order Carbon Brush Set 56380003.
- NOTE 4:** Idler Kit 56384137 can be used to replace Hub 56407551 if you are having noise problems.
- NOTE 5:** Hub 56407551 is by 56115273.

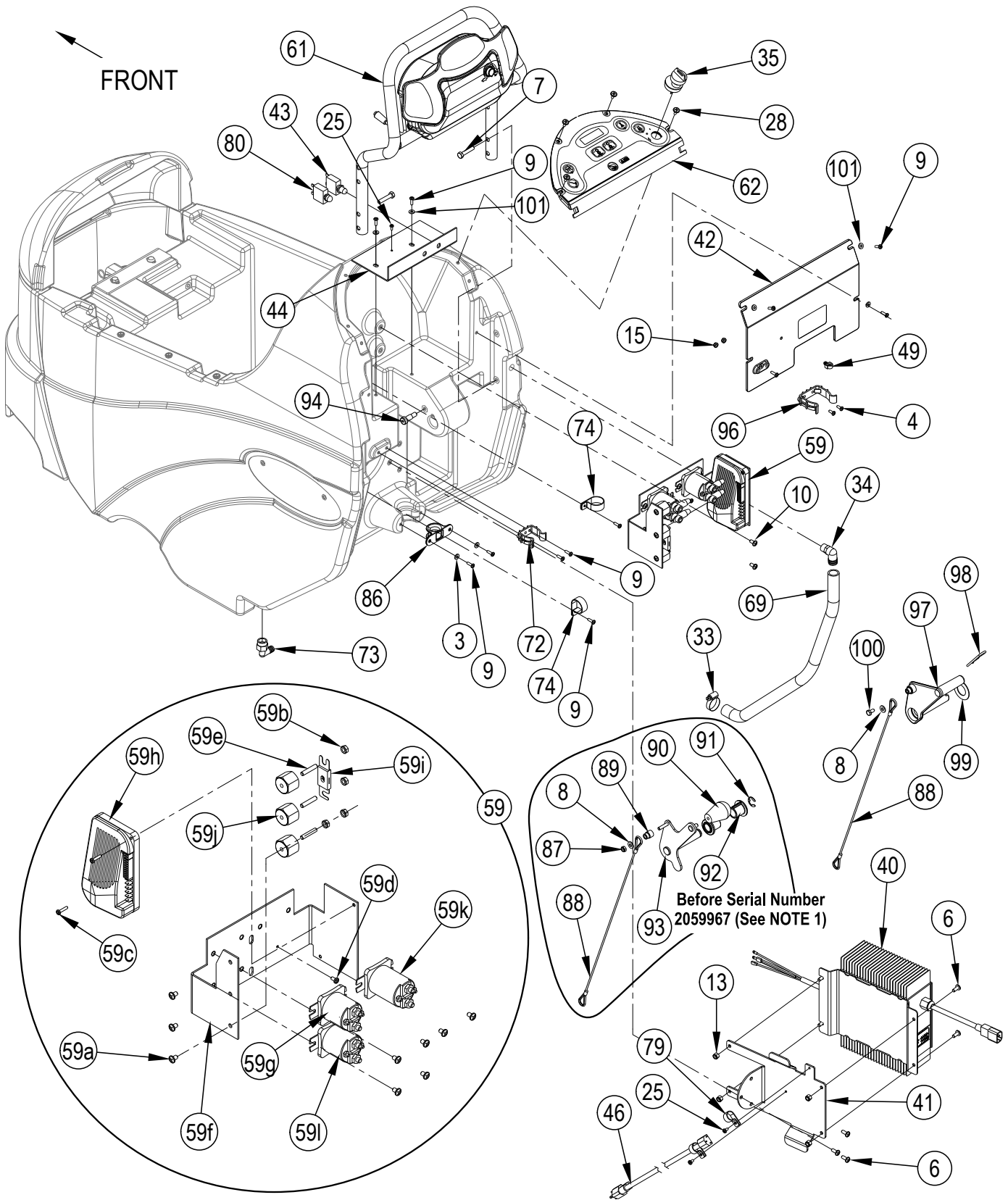
SOLUTION SYSTEM-ELECTRICAL-1



SOLUTION SYSTEM-ELECTRICAL-1

Item	Ref. No.	Qty	Description	Item	Ref. No.	Qty	Description
1	56001832	4	Scr, Flt Phil 1/4-20 X 1.00	61	56317098	1	Assembly, Paddle
2	56009122	7	Wsh, Flt (QTY of 5 on AquaPLUS)	62	56317111	1	Control Panel Assy (A1) NOTE 1
3	56001954	2	Wsh, Flt Sae #10	*	56317114	1	Replacement Membrane Switch Assy for 56317111 NOTE 1
4	56001993	2	Scr, Pan Phil 10-24 X .50				
5	56002667	7	Scr, Hex 5/16-18 X .75		56317107	1	Control Panel Assy (A1) NOTE 2
6	56002066	7	Scr, Pan Phil 1/4-20 X .62	*	56317117	1	Replacement Membrane Switch Assy for 56317107 NOTE 1
7	56002094	4	Scr, Hex 5/16-18 X 1.50	63	56317122	1	Hose, 1/4 X 25.00 Long
8	56002098	4	Wsh, Flt Sae 1/4	64	56365777	4	Lug, Brush Driver
			(Qty of 3 on AquaPLUS & AquaPLUS AXP)	65	56372506	1	Tee, Branch 1/4 Br
9	56002124	12	Scr, Pan Phil 10-24 X .62	66	56387214	1	Hose, 3.0" E00169 NOTE 3
			(Qty of 10 on AquaPLUS & AquaPLUS AXP)	67	56391773	1	Hose, 23" NOTE 3
10	56002145	5	Scr, Pan Phil 1/4-20 X .50	[]	56317132	1	Hose, 27" (AquaPLUS)
11	56002684	1	Scr, Hex 3/8-16 X 1.75	68	56317161	1	Lift Actuator Assembly (M3 / 68a-68j) TSBUS2008-997
12	56002826	4	Nut, Hex Nyl Loc-Thin 5/16-18	68a	56003603	8	Scr, Pan Phil Thd Form 1/4-20 x .38
13	56002708	4	Nut, Hex Nyl Loc 1/4-20	68b	56009019	2	Scr, Hex Thd Form 1/4-20 x .38
14	56002825	2	Scr, Pan Phil 1/4-20 X 1.25	68c	56317162	1	Tube
15	56002832	2	Nut, Hex Nyl Loc Thin 10-24 NOTE 5	68d	56393303	1	Actuator, Motor
16	56002841	1	Nut, Hex Nyl Loc-Thin 3/8-16	*	56388520	1	Plastic Nut
18	56002875	2	Wsh, Flt Sae Ss #8	68e	56396268	1	Spring Housing Guide
19	56002894	2	Scr, Pan Phil Ss 10-24 X .75	68f	56412071	1	Compression Spring
20	56002959	1	Pin, Cotter Hair	68g	56420018	1	Compression Spring
22	56003018	4	Scr, Pan Phil Ss 8-32 X .38	68h	56420019	1	Nut Retainer
24	56003679	1	Pin, Ring .50 X 1.63	68i	56420020	1	Nut Retainer
25	56009030	3	Scr, Pan Phil Thd Form 10-24 X .38	68j	56748926	1	Wsh, Flt .075 x 1.03 x 1.50
26	56009139	4	Scr, Pan Phil Loc 10-24 X .38	69	56396143	1	Hose, Pvc
27	56009205	2	Wsh, Flt Ss .219 X .500 X .047/.062	70	56397187	1	Connector Assy (connected to batteries)
28	56009206	4	Scr, Truss Phil-Blk 10-24x.50	71	56397188	1	Connector Assy (connected to machine)
29	56054146	1	Tube, Vinyl	72	56407361	1	Clamp, Plastic
30	56150223	2	Nipple, 1/4npt X .88/1.12	73	56409152	1	Barb, 90 Elbow 1/2 X 1/2npt
31	56155640	1	Barb, Adapter 3/8 X 1/4npt	74	56410166	2	Clamp,P
33	56244969	1	Clamp, Hose Sae #12	76	56456560	1	15.00" Hose
34	56264442	1	Barb, 90 Elbow 3/4 X 3/8npt	77	56470138	2	Barb, 90 Elbow 1/4 X 1/4npt
35	56303553	1	Key Switch Assembly (S1)	78	56478523	2	Tie, Cable
[]	56303526	A/R	Set of 2 Replacement Keys	79	56486112	2	Clamp,P
37	56315089	1	Tank, Solution TSBUS2008-1017	80	56507644	1	Circuit Breaker, 10 Amp (CB1)
*	56109561	1	Solution Tank Kit NOTE 7	82	56756739	1	Elbow,90 Barb Male
38	56315104	1	Nose Cone, 24-26 Commercial	83	56900027	1	Tee, Female Union
40	56315773	1	Charger, On-Board 24v	84	56382545	2	Elbow 90 Barb Male 3/8X3/8 NPT
			TSBUS2007-979 / TSBUS2008-984	86	56315121	1	Guide, Cable NOTE 2
41	56315206	1	Bracket, Charger	87	56002840	1	Nut, Hex Nyl Loc-Thin 1/4-20 NOTE 2 / NOTE 4
42	56109502	1	Panel, Electrical NOTE 5	88	56315243	1	Cable Assy NOTE 2
43	56315256	1	Circuit Breaker, 30 Amp (CB2)	89	56315245	1	Bushing, Squeezegee Cable NOTE 2 / NOTE 4
44	56109553	1	Plate, Circuit Breaker NOTE 6	90	56364527	1	Knob NOTE 2 / NOTE 4
45	56315265	1	Tee, Barb NOTE 3	91	56003266	1	Ring, Ret Ext Type E .75 Dia NOTE 2 / NOTE 4
46	56383385	1	Cord Charge Yellow US	92	56315193	2	Bushing, Flange NOTE 2 / NOTE 4
47	56315284	1	Cover, Chemical Bottle	93	56315236	1	Weldt, Squeezegee Lift NOTE 2 / NOTE 4
48	56315285	1	Hinge	94	56002962	1	Scr, Soc Shd .38 x .62 x 5/16-18 NOTE 2 / NOTE 4
49	56315382	1	Clip, Conduit	95	56219932	8	Clamp, Hose SAE #6 (QTY of 6 on AquaPLUS)
50	56315501	1	Chemical Tank AS NOTE 3	96	56212236	1	Clamp, Plastic
51#	56601599	1	Cap, Raw W/Tether TSB-FC-2015-031	97	56315730	1	Lever, Squeezegee Lift NOTE 2 / NOTE 4
53	56317024	2	Valve, Solenoid 24v (L1 / L2)	98	56003223	1	Pin, Cot Hair NOTE 2 / NOTE 4
54	56317026	1	Yoke, Actuator	99	56009117	1	Wsh, Flt 1.03 x 1.85 x .48 NOTE 2 / NOTE 4
55	56317038	1	Bracket Linkage Pivot	100	56001854	1	Scr, Hex 1/4-20 x .50 NOTE 2 / NOTE 4
56	56317045	1	Pump, 24vdc (M1)	101	56002053	6	Wsh, Flt STD #10
[]	56109587	1	Pump Head Assy (for 56317045)	102	310	4	Washer External Star 3/16
[]	56109588	1	Check Valve Assy (for 56317045)				
57	56317072	2	Gas Spring				
58	56317078	1	Actuator Bracket Weldt	[] = Not Shown			
59	56317128	1	Assy, Electrical Box (59a-59k) NOTE 1	* = Optional, Not Included			
	56317082	1	Assy, Electrical Box (59a-59l) NOTE 2	# = Revised or new since last update			
59a	56002462	9	Scr, Pan Phil 1/4-20 X .38	NOTE 1: Only used on AquaPLUS & AquaPLUS AXP			
			(Qty of 7 on AquaPLUS & AquaPLUS AXP)	NOTE 2: Only used on Adphibian			
59b	56002561	4	Nut, Hex W/ Shprf 1/4-20	NOTE 3: Only used on AquaPLUS AXP, Adphibian			
59c	56003698	2	Scr, Pan Phil Thd Form 8-32 X .75	NOTE 4: As of serial number 2059967 the following items (56002962, 56364527, 56002840, 56003266, 56315193, 56315236 & 56315245) are no longer used in production. If you need to replace any of these items please order the following group of parts (56315730, 56009117, 56003223, 56001854 / items 97 through 100) in a quantity of 1 each.			
59d	56009030	1	Scr, Pan Phil Thd Form 10-24 X .38	NOTE 5: As of serial number 2059967 the following items (56002832, 56315222 & 56412285) are no longer used in production. If you need to replace 56315222 or 56412285 please order 56109502.			
59e	56009203	3	Stud, 1/4-20	NOTE 6: 56315259 and 56315532 are no longer used in production. If you need to replace either of these items please order 56109553.			
59f	56317081	1	Panel, Electrical	NOTE 7: If replacing the solution tank on a machine with the old style squeezegee lift level (56315236), please order Solution Tank Kit 56109561.			
59g	56317101	1	Contact, 24vdc 100a (K2)				
59h	56317102	1	Controller, Speed (A2)				
59i	56412089	1	Fuse, 150 Amp (F1)				
59j	56469858	3	Standoff, Insulated				
59k	56317116	1	Contact, 24vdc 200a (K1) TSBUS2008-1020				
59l	56317101	1	Contact, 24vdc 100a (K3) NOTE 2				
60	56317083	1	Hose, 33"				

SOLUTION SYSTEM-ELECTRICAL-2



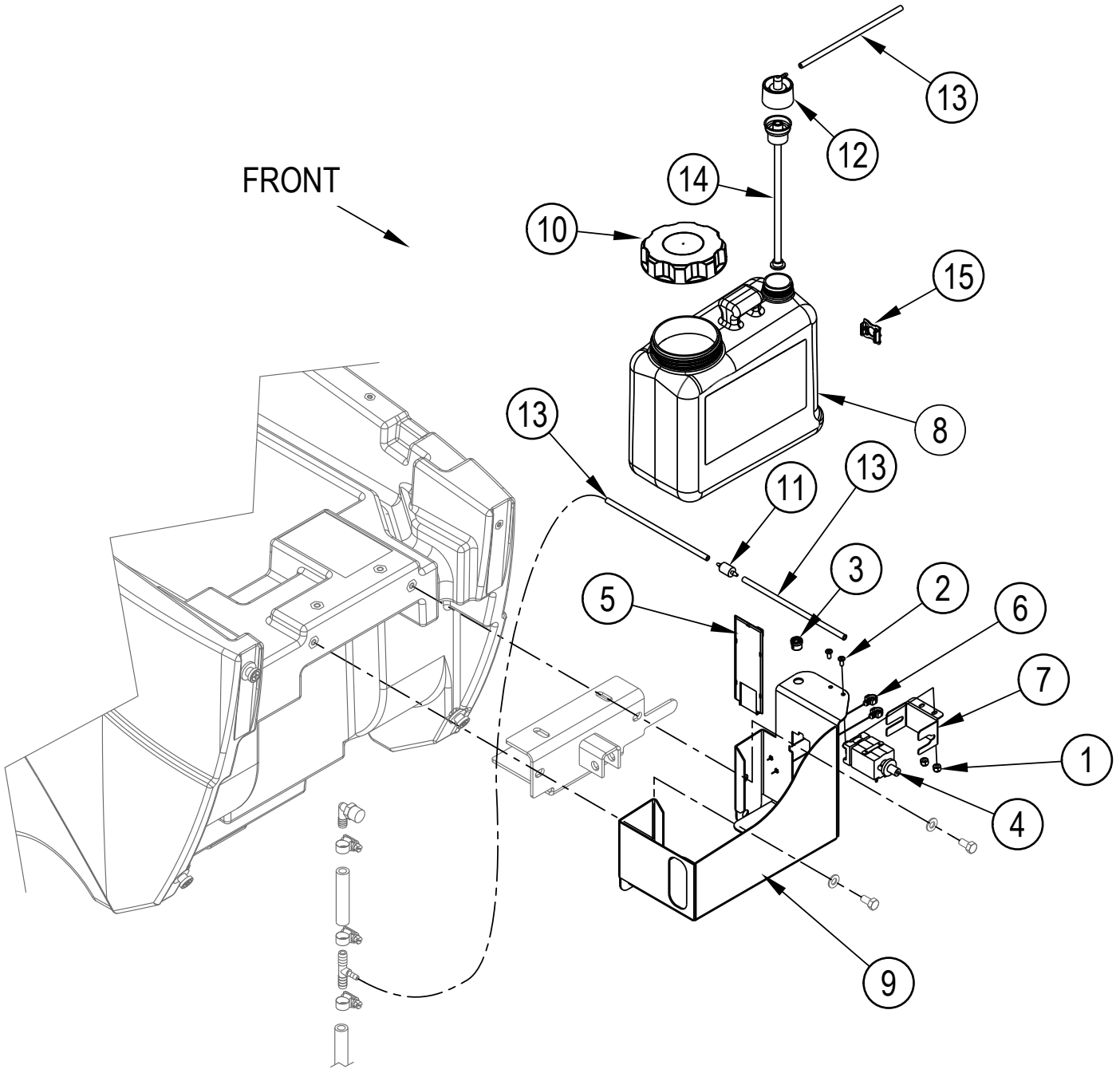
SOLUTION SYSTEM-ELECTRICAL-2

Item	Ref. No.	Qty	Description	Item	Ref. No.	Qty	Description
1	56001832	4	Scr, Flt Phil 1/4-20 X 1.00	61	56317098	1	Assembly, Paddle
2	56009122	7	Wsh, Flt (QTY of 5 on AquaPLUS)	62	56317111	1	Control Panel Assy (A1) NOTE 1
3	56001954	2	Wsh, Flt Sae #10	*	56317114	1	Replacement Membrane Switch Assy for 56317111 NOTE 1
4	56001993	2	Scr, Pan Phil 10-24 X .50				
5	56002667	7	Scr, Hex 5/16-18 X .75		56317107	1	Control Panel Assy (A1) NOTE 2
6	56002066	7	Scr, Pan Phil 1/4-20 X .62	*	56317117	1	Replacement Membrane Switch Assy for 56317107 NOTE 1
7	56002094	4	Scr, Hex 5/16-18 X 1.50	63	56317122	1	Hose, 1/4 X 25.00 Long
8	56002098	4	Wsh, Flt Sae 1/4	64	56365777	4	Lug, Brush Driver
			(Qty of 3 on AquaPLUS & AquaPLUS AXP)	65	56372506	1	Tee, Branch 1/4 Br
9	56002124	12	Scr, Pan Phil 10-24 X .62	66	56387214	1	Hose, 3.0" E00169 NOTE 3
			(Qty of 10 on AquaPLUS & AquaPLUS AXP)	67	56391773	1	Hose, 23" NOTE 3
10	56002145	5	Scr, Pan Phil 1/4-20 X .50	[]	56317132	1	Hose, 27" (AquaPLUS)
11	56002684	1	Scr, Hex 3/8-16 X 1.75	68	56317161	1	Lift Actuator Assembly (M3 / 68a-68j) TSBUS2008-997
12	56002826	4	Nut, Hex Nyl Loc-Thin 5/16-18	68a	56003603	8	Scr, Pan Phil Thd Form 1/4-20 x .38
13	56002708	4	Nut, Hex Nyl Loc 1/4-20	68b	56009019	2	Scr, Hex Thd Form 1/4-20 x .38
14	56002825	2	Scr, Pan Phil 1/4-20 X 1.25	68c	56317162	1	Tube
15	56002832	2	Nut, Hex Nyl Loc Thin 10-24 NOTE 5	68d	56393303	1	Actuator, Motor
16	56002841	1	Nut, Hex Nyl Loc-Thin 3/8-16	*	56388520	1	Plastic Nut
18	56002875	2	Wsh, Flt Sae Ss #8	68e	56396268	1	Spring Housing Guide
19	56002894	2	Scr, Pan Phil Ss 10-24 X .75	68f	56412071	1	Compression Spring
20	56002959	1	Pin, Cotter Hair	68g	56420018	1	Compression Spring
22	56003018	4	Scr, Pan Phil Ss 8-32 X .38	68h	56420019	1	Nut Retainer
24	56003679	1	Pin, Ring .50 X 1.63	68i	56420020	1	Nut Retainer
25	56009030	3	Scr, Pan Phil Thd Form 10-24 X .38	68j	56748926	1	Wsh, Flt .075 x 1.03 x 1.50
26	56009139	4	Scr, Pan Phil Loc 10-24 X .38	69	56396143	1	Hose, Pvc
27	56009205	2	Wsh, Flt Ss .219 X .500 X .047/.062	70	56397187	1	Connector Assy (connected to batteries)
28	56009206	4	Scr, Truss Phil-Blk 10-24x.50	71	56397188	1	Connector Assy (connected to machine)
29	56054146	1	Tube, Vinyl	72	56407361	1	Clamp, Plastic
30	56150223	2	Nipple, 1/4npt X .88/1.12	73	56409152	1	Barb, 90 Elbow 1/2 X 1/2npt
31	56155640	1	Barb, Adapter 3/8 X 1/4npt	74	56410166	2	Clamp,P
33	56244969	1	Clamp, Hose Sae #12	76	56456560	1	15.00" Hose
34	56264442	1	Barb, 90 Elbow 3/4 X 3/8npt	77	56470138	2	Barb, 90 Elbow 1/4 X 1/4npt
35	56303553	1	Key Switch Assembly (S1)	78	56478523	2	Tie, Cable
[]	56303526	A/R	Set of 2 Replacement Keys	79	56486112	2	Clamp,P
37	56315089	1	Tank, Solution TSBUS2008-1017	80	56507644	1	Circuit Breaker, 10 Amp (CB1)
*	56109561	1	Solution Tank Kit NOTE 7	82	56756739	1	Elbow,90 Barb Male
38	56315104	1	Nose Cone, 24-26 Commercial	83	56900027	1	Tee, Female Union
40	56315773	1	Charger, On-Board 24v	84	56382545	2	Elbow 90 Barb Male 3/8X3/8 NPT
			TSBUS2007-979 / TSBUS2008-984	86	56315121	1	Guide, Cable NOTE 2
41	56315206	1	Bracket, Charger	87	56002840	1	Nut, Hex Nyl Loc-Thin 1/4-20 NOTE 2 / NOTE 4
42	56109502	1	Panel, Electrical NOTE 5	88	56315243	1	Cable Assy NOTE 2
43	56315256	1	Circuit Breaker, 30 Amp (CB2)	89	56315245	1	Bushing, Squeegee Cable NOTE 2 / NOTE 4
44	56109553	1	Plate, Circuit Breaker NOTE 6	90	56364527	1	Knob NOTE 2 / NOTE 4
45	56315265	1	Tee, Barb NOTE 3	91	56003266	1	Ring, Ret Ext Type E .75 Dia NOTE 2 / NOTE 4
46	56383385	1	Cord Charge Yellow US	92	56315193	2	Bushing, Flange NOTE 2 / NOTE 4
47	56315284	1	Cover, Chemical Bottle	93	56315236	1	Weldt, Squeegee Lift NOTE 2 / NOTE 4
48	56315285	1	Hinge	94	56002962	1	Scr, Soc Shd .38 x .62 x 5/16-18 NOTE 2 / NOTE 4
49	56315382	1	Clip, Conduit	95	56219932	8	Clamp, Hose SAE #6 (QTY of 6 on AquaPLUS)
50	56315501	1	Chemical Tank AS NOTE 3	96	56212236	1	Clamp, Plastic
51#	56601599	1	Cap, Raw W/Tether TSB-FC-2015-031	97	56315730	1	Lever, Squeegee Lift NOTE 2 / NOTE 4
53	56317024	2	Valve, Solenoid 24v (L1 / L2)	98	56003223	1	Pin, Cot Hair NOTE 2 / NOTE 4
54	56317026	1	Yoke, Actuator	99	56009117	1	Wsh, Flt 1.03 x 1.85 x .48 NOTE 2 / NOTE 4
55	56317038	1	Bracket Linkage Pivot	100	56001854	1	Scr, Hex 1/4-20 x .50 NOTE 2 / NOTE 4
56	56317045	1	Pump, 24vdc (M1)	101	56002053	6	Wsh, Flt STD #10
[]	56109587	1	Pump Head Assy (for 56317045)	102	310	4	Washer External Star 3/16
[]	56109588	1	Check Valve Assy (for 56317045)				
57	56317072	2	Gas Spring				
58	56317078	1	Actuator Bracket Weldt				
59	56317128	1	Assy, Electrical Box (59a-59k) NOTE 1				
	56317082	1	Assy, Electrical Box (59a-59l) NOTE 2				
59a	56002462	9	Scr, Pan Phil 1/4-20 X .38				
			(Qty of 7 on AquaPLUS & AquaPLUS AXP)				
59b	56002561	4	Nut, Hex W/ Shprf 1/4-20				
59c	56003698	2	Scr, Pan Phil Thd Form 8-32 X .75				
59d	56009030	1	Scr, Pan Phil Thd Form 10-24 X .38				
59e	56009203	3	Stud, 1/4-20				
59f	56317081	1	Panel, Electrical				
59g	56317101	1	Contact, 24vdc 100a (K2)				
59h	56317102	1	Controller, Speed (A2)				
59i	56412089	1	Fuse, 150 Amp (F1)				
59j	56469858	3	Standoff, Insulated				
59k	56317116	1	Contact, 24vdc 200a (K1) TSBUS2008-1020				
59l	56317101	1	Contact, 24vdc 100a (K3) NOTE 2				
60	56317083	1	Hose, 33"				

[] = Not Shown
 * = Optional, Not Included
 # = Revised or new since last update

NOTE 1: Only used on AquaPLUS & AquaPLUS AXP
 NOTE 2: Only used on Adphibian
 NOTE 3: Only used on AquaPLUS AXP, Adphibian
 NOTE 4: As of serial number 2059967 the following items (56002962, 56364527, 56002840, 56003266, 56315193, 56315236 & 56315245) are no longer used in production. If you need to replace any of these items please order the following group of parts (56315730, 56009117, 56003223, 56001854 / items 97 through 100) in a quantity of 1 each.
 NOTE 5: As of serial number 2059967 the following items (56002832, 56315222 & 56412285) are no longer used in production. If you need to replace 56315222 or 56412285 please order 56109502.
 NOTE 6: 56315259 and 56315532 are no longer used in production. If you need to replace either of these items please order 56109553.
 NOTE 7: If replacing the solution tank on a machine with the old style squeegee lift level (56315236), please order Solution Tank Kit 56109561.

CHEMICAL ASSY



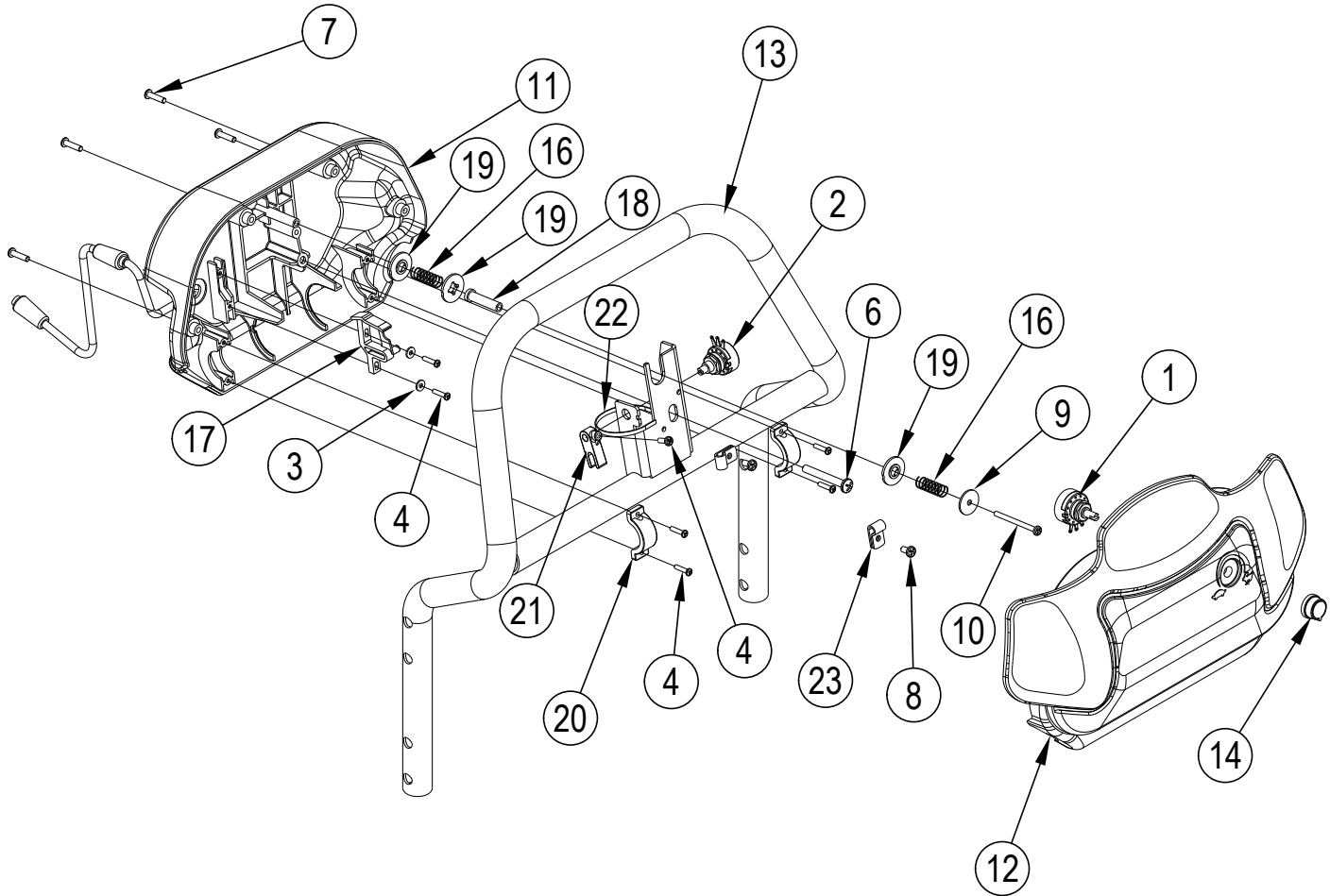
CHEMICAL ASSY

Item	Ref. No.	Qty	Description
	56315501	1	Chemical Tank Assy (1-14) (Only used on AquaPLUS AXP, Adphibian)
1	56002877	2	Nut, Hex Nyl Loc SS 8-32
2	56003018	2	Scr, Pan Phil SS 8-32 x .38
3	56003699	1	Bushing, 1/4 ID Snub
4	56315241	1	Pump, Chemical (M2)
5	56315340	1	Circuit Board Assy
6	56315382	2	Clip, Conduit
7	56315476	1	Bracket, Chemical Pump
8	56315502	1	Chemical Bottle As
9	56315515	1	Bracket, Tank Mounting
10#	9100001512	1	Cap, Plastic F Chemical Tank
11	56315522	1	Check Valve, 1/8 Barb, 125PSI
12	56315523	1	Cap, Dry Break, 1/8 Barb, 90°
13	56315524	3	Hose, Chemical Resistant, 7"
14	56315527	1	Insert, Dry Break
15	56315511	1	Indicator Assy
	* 56315503	A/R	Chemical Bottle Assy (8, 10, 14)

* = Optional, Not Included

= Revised or new since last update

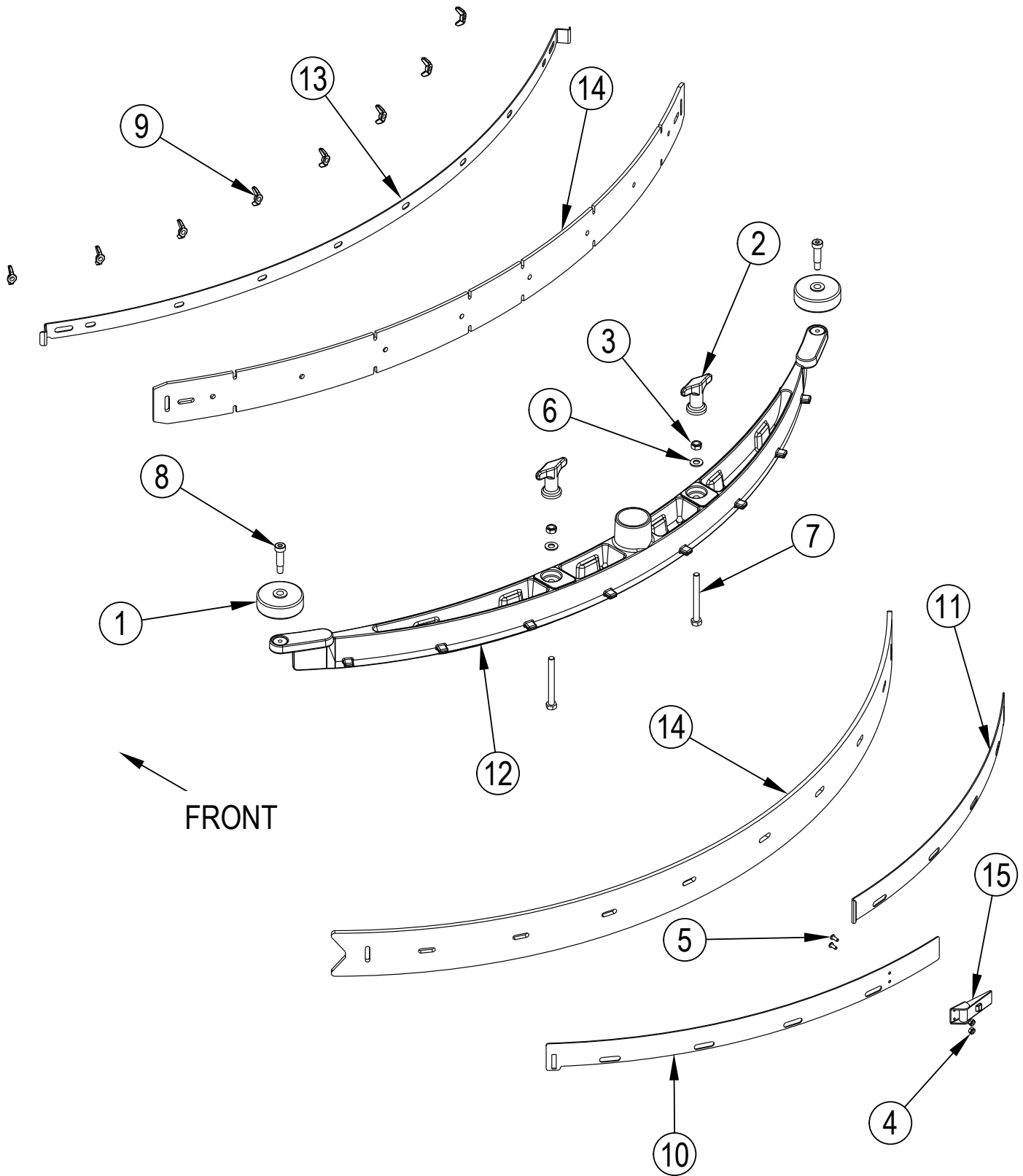
PADDLE ASSY



PADDLE ASSY

Item	Ref. No.	Qty	Description
	56317098	1	Assembly, Paddle
1	56396197	1	Potentiometer, 100k (R2)
2	56397029	1	Potentiometer, 5k (R1)
3	56002006	2	Wsh, Flt SAE #6
4	56003197	7	Scr, Pan Phil Plastite 6-18 X .62
6	56003527	1	Scr, Pan Phil Plastite 1/4-1 X 2.00
7	56003545	4	Scr, Pan Phil Plastite 8-10 X .75
8	56009030	2	Scr, Pan Phil Thd Form 10-24 X .38
9	56009096	1	Wsh, Flt .193 X .875 X .060
10	56009287	1	Scr, Pan Phil Type B 8 X 2.00
11	56109716	1	Paddle, Back Cover
12	56315230	1	Paddle, Front Cover
13	56315251	1	Weldment, Handle Bar
14	56315280	1	Knob
15	56317112	1	Harness, Handle
16	56325654	2	Spring, Compression
17	56397015	1	Cam Controller
18	56397109	1	Sleeve
19	56397170	3	Washer, Plastic
20	56397171	2	Clamp
21	56109648	1	Potentiometer Fork
22	56478246	1	Tie, Cable
23	56481890	2	Clamp, P

SQUEEGEE ASSY



SQUEEGEE ASSY

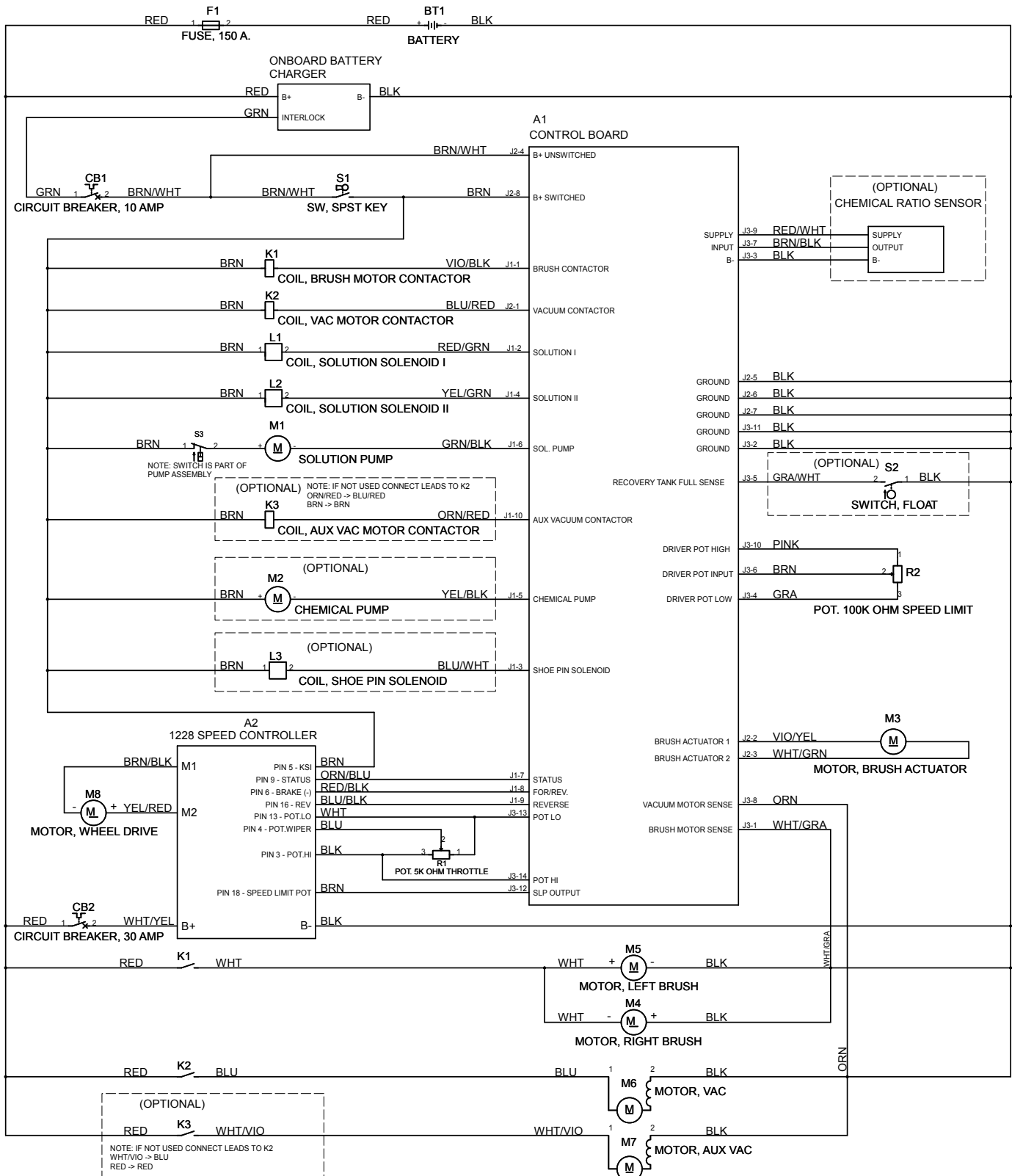
Item	Ref. No.	Qty	Description
	56315290	1	Squeegee Assembly "C" NOTE 2 (Only used on Adphibian)
1	56324350	2	Wheel
2	56370711	2	Nut, Thumb
3	56002851	2	Nut, Hex Nyl Loc-Thin SS 5/16-18
4	56002907	2	Nut, Hex Nyl Loc SS 6-32
5	56002909	2	Scr, Pan Phil SS 6-32x.38
6	56002938	2	Wsh, Flt SAE SS 5/16
7	56003736	2	Scr, Hex Thd to Hd SS 5/16-18 x 3.00
8	56003472	2	Scr, Soc Shd .38 X 1.00 X 5/16-18
9	56009111	6	Nut, Wing SS 1/4-20
10	56109664	1	Strap-Left Rear "C" NOTE 2 / TSBUS2009-1037
11	56109665	1	Strap-Right Rear "C" NOTE 2 / TSBUS2009-1037
12	56314325	1	Squeegee Tool, Cast "C" TSBUS2008-998
13	56314322	1	Strap, Front "C"
14	56315348	1	Squeegee Blade kit NOTE 1
15	56471194	1	Latch Assembly TSBUS2009-1037
			Squeegee Blade Kits
	56315348	1	Kit, Gum Rubber Squeegee Blade NOTE 1
*	56315352	1	Kit, Red Gum Rubber Squeegee Blade NOTE 1
*	56315855	1	Kit, Squeegee Blade PU C NOTE 1

* = Optional, Not Included

NOTE 1: All squeegee blade kits include both front and rear squeegee blades.

NOTE 2: To replace all squeegee straps as a set order 56109666-Strap Kit-C
This kit includes both rear straps, front strap and the latch.

LADDER DIAGRAM



LADDER DIAGRAM

Item	Ref. No.	Qty	Description
A1	56317111	1	Control Panel Assy NOTE 2
	56317107	1	Control Panel Assy NOTE 3
A2	56317102	1	Speed Control
BT1		4	Battery (see "Optional Kits & Accessories" page)
CB1	56507644	1	Circuit Breaker, 10 Amp
CB2	56315256	1	Circuit Breaker, 30 Amp
F1	56412089	1	Fuse, 150 Amp
K1	56317116	1	Contactora, Brush Motor TSBUS2008-1020
K2	56317101	1	Contactora, Vac Motor
K3	56317101	1	Contactora, Aux Vac Motor NOTE 3
L1	56317024	1	Solenoid 1, Solution
L2	56317024	1	Solenoid 2, Solution
M1	56317045	1	Pump, Solution
M2	56315241	1	Pump, Chemical NOTE 4
M3	56317161	1	Lift Actuator Assembly TSBUS2008-997
M4	56315061	1	Motor, 24 Vdc, .5 Hp, 1800 RPM (Right) TSBUS2010-1058
	[]	56412287	Brush / Spring Kit (for 56315061) NOTE 5
	[]	56380003	Brush / Spring Kit (for 56315061) NOTE 5
M5	56315061	1	Motor, 24 Vdc, .5 Hp, 1800 RPM (Left) TSBUS2010-1058
	[]	56412287	Brush / Spring Kit (for 56315061) NOTE 5
	[]	56380003	Brush / Spring Kit (for 56315061) NOTE 5
M6	56317025	1	Motor, Vac 24vdc
	[]	56397098	Carbon Brush set of 2 (for 56317025)
M7	56317025	1	Motor, Vac 24vdc
	[]	56397098	Carbon Brush set of 2 (for 56317025)
M8	56315062	1	Transaxle, 24V
	[]	56315377	Motor (for 56315062)
	[]	56315378	Carbon Brush (for 56315062)
	[]	56315379	Neoprene Mounting Sleeve (for 56315062)
R1	56397029	1	Potentiometer, 5K Ohm, Throttle
R2	56396197	1	Potentiometer, 100K Ohm, Speed Limit
S1	56303553	1	Key Switch Assembly
	[]	56303526	A/R Set of 2 Replacement Keys
S2	56315096	1	Switch, Float NOTE 1
S3		1	Switch (part of M7)
	[]	56315773	Charger, Onboard 24V (Onboard Charger Models Only) TSBUS2007-979 / TSBUS2008-984
	[]	56315747	Thermistor Repair Kit for 56315773
	[]	56315340	Chemical Ratio Sensor (AXP Models Only)
	[]	56317109	Harness, Main
	[]	56317115	Harness, Scrub Deck Ground
	[]	56416445	Cable Assy 4 AWG (Battery Cables)
	[]	56372673	Boot, Battery Post
	[]	56478523	Tie, Cable
	[]	56478246	Tie, Cable
	[]	56314119	Spacer, Battery

[] = Not Shown

NOTE 1: Float Switch 56315096 is optional on the AquaPLUS models and standard on the Adphibian.**NOTE 2:** Only used on AquaPLUS & AquaPLUS AXP**NOTE 3:** Only used on Adphibian**NOTE 4:** Only used on AquaPLUS AXP, Adphibian**NOTE 5:** If your cylindrical scrub motor has a serial tag from Scott Motors Co. (4BB1344) order Carbon Brush Set 56412287.
If your cylindrical scrub motor has a serial tag from Nilfisk-Advance (ZD22000) order Carbon Brush Set 56380003.

OPTIONAL KITS & ACCESSORIES

Ref. No.	Qty	Description
Common Kits		
* 56317136	1	Kit, Scrub & Vac Tool W/Caddy
* 56317117	A/R	Panel Assy NOTE 2
* 56315732	1	QuiQ Programmer Kit TSBUS2007-979
Squeegee Kits		
56315348	1	Kit, Gum Rubber Squeegee Blade NOTE 3
* 56315352	1	Kit, Red Gum Rubber Squeegee Blade NOTE 3
* 56315855	1	Kit, Squeegee Blade PU C NOTE 3
* 56109666	1	Strap Kit-C
Scrub Brushes		
* 56314389	2	Soft Nylon
* 56314390	2	Hard Nylon
* 56314391	2	Prolene
* 56314392	2	180 Midlite
* 56314393	2	80 DynaGrit
* 56314394	2	46 MagnaGrit
* 56317047	2	Multi-Surface
Accessories		
* 56397453	6	Indicator, Battery Level (1 per battery)
* 56262209	A/R	Light Duty Soft Floor Drag Wand
* 56265305	A/R	Heavy Duty Soft Floor Drag Wand
* 56220109	A/R	Upholstery Tool Assy
* 56220070	A/R	Upholstery Tool Assy
* 56265368	A/R	Hose Assy, 8 FT
* 56384041	A/R	15FT Hose And Coupler Kit
* 56317153	1	Kit, Float Switch NOTE 1
* 56317114	A/R	Panel Assy NOTE 1
* 56315316	A/R	Tote Bag
* 56384137	1	Idler W/O-Ring Kit
* 56383571	1	Programmer-User
* 56383572	1	Programmer Cable-Molex
* 56044397	1	Literature Pack (AquaPlus)
* 56044411	1	Literature Pack (Adphibian)

[] = Not Shown

* = Optional, Not Included

NOTE 1: Only used on AquaPLUS & AquaPLUS AXP**NOTE 2:** Only used on Adphibian**NOTE 3:** All squeegee blade kits include both front and rear squeegee blades.

BRUSH SELECTOR GUIDE-CYLINDRICAL

We provide brushes and pad holders that will give you the best possible performance between machine and floor. Following are descriptions of the materials and their applications.

Soft Nylon Brush:	Least aggressive brush available. Used on soft-finish floors where a more aggressive brush would leave scratch marks, or in applications requiring very light cleaning.
Hard Nylon Brush:	Cleaning action similar to polypropylene. More durable and wear-resistant than polypropylene.
Polypropylene Brush:	Standard for carpet only models. Low cost, yet effective cleaning for carpeted areas and many common floor surfaces.
180 Grit Brush:	Least aggressive grit brush. Used for daily cleaning of hard-finished floors.
80 Grit Brush:	Medium aggressive grit brush. Good all-around brush for medium to heavy buildup removal. Can also be used for general stripping operations.
46 Grit Brush:	Most aggressive grit brush. Used primarily to clean heavy buildup on concrete floors in factories, or for heavy stripping of finish.
Multi-Surpose:	Standard for multi-surface models. Anti microbial brush designed for all flooring surfaces.

BRUSHES

56314389 - Soft Nylon
 56314390 - Hard Nylon
 56314391 - Prolene
 56314392 - 180 Grit
 56314393 - 80 Grit
 56314394 - 46 Grit
 56317047 - Multi-Surface

CYLINDRICAL BRUSH APPLICATION GUIDE (SUGGESTION ONLY)

Application	46 Grit	80 Grit	180 Grit	Polypro- pylene	Stiff Nylon	Soft Nylon	Multi Surface
Stripping:							
Concrete	X	X					
Terrazzo	X	X					
Ceramic/Quarry tile		X					
Vinyl tile		X					
General Scrubbing:							
Concrete	X	X	X	X	X		
Terrazzo			X	X	X	X	X
Ceramic/Quarry tile			X	X	X	X	X
Marble			X		X	X	X
Vinyl tile			X	X	X	X	X
Raised-rubber tile			X			X	X
Extraction:							
Carpet				X		X	X

SQUEEGEE BLADE SELECTOR GUIDE

Gum Rubber: Provides superior wiping action on tile, terrazzo, and polished floors.

Red Gum Rubber: Provides longest life on finished or unfinished concrete floors.

Polyurethane: Oil resistance provides superior life in applications with oily floors.

SQUEEGEE BLADE APPLICATION GUIDE(SUGGESTION ONLY)

	Gum Rubber (Natural Rubber)	Red Gum Rubber (Natural Rubber)	Polyurethane/ Pentathane
Performance Traits			
Tear Strength		X	X
Abrasion Resistance		X	X
Applications			
Oil Resistant Applications			X
Appearance	Tan	Red	Translucent

9435 Winnetka Ave North
Minneapolis, MN 55445
www.advance-us.com
Phone: 800-989-2235
Fax: 800-989-6566
©2018 Nilfisk, Inc.

