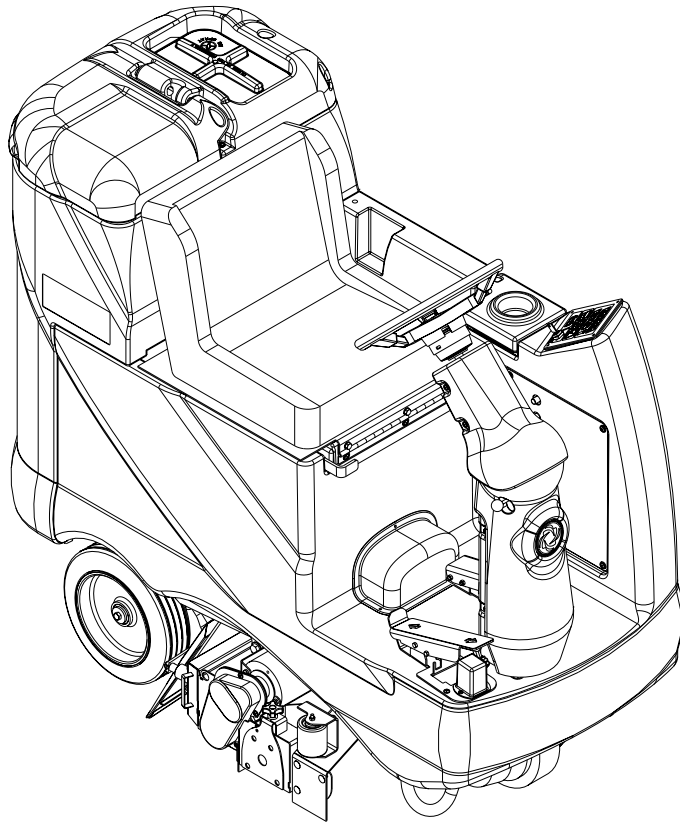


AquaRide™ SE

BRX 700



PARTS LIST

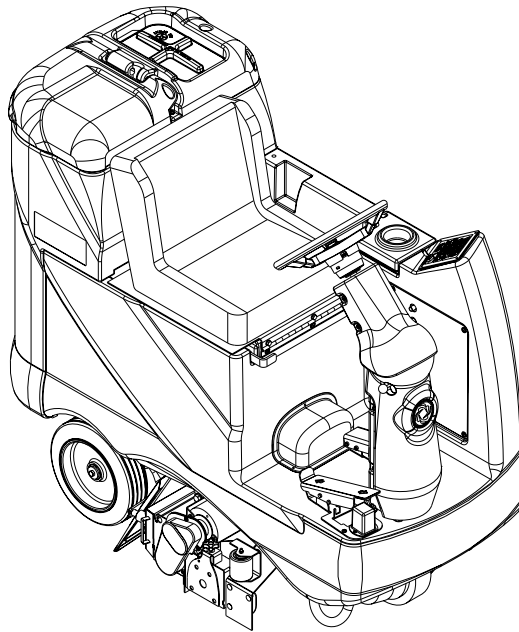
Advance MODEL 56314009

Nilfisk MODEL 56314019



**Nilfisk
Advance**
setting standards

2/03 revised 3/04 FORM NO. 56042439
BOOK C SECTION 2.6.1

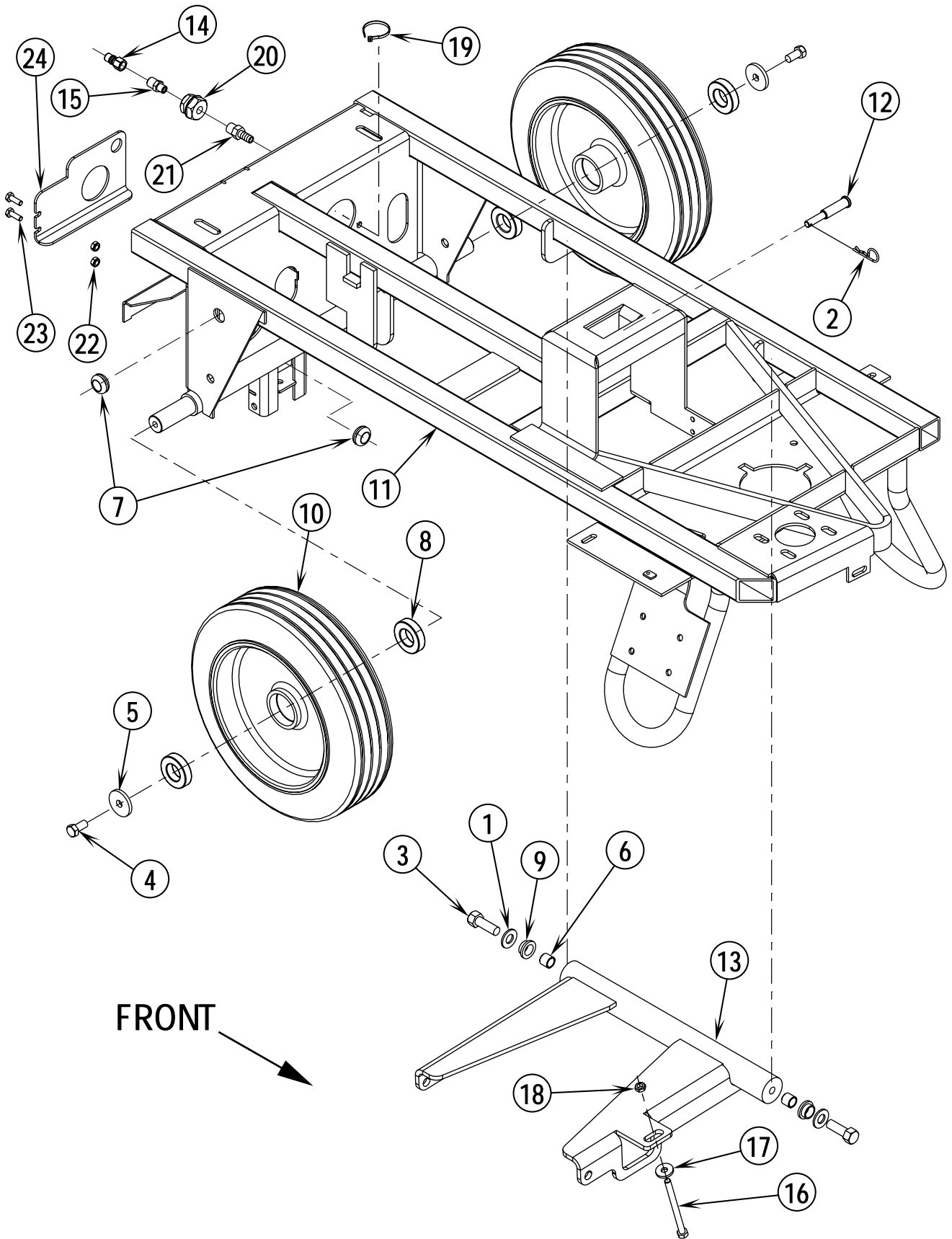


DESCRIPTION	PAGE
Chassis	C-2.6.1-3
Decal System	C-2.6.1-5
Drive & Brake Pedal Assemblies	C-2.6.1-7
Drive Wheel	C-2.6.1-9
Electrical Panel Assembly	C-2.6.1-11
Extract / Sweep System	C-2.6.1-13
Recovery System	C-2.6.1-15
Solution Pump Assembly	C-2.6.1-17
Solution Tank Assembly	C-2.6.1-19
Steering Column Assembly	C-2.6.1-21
Wiring Diagram	C-2.6.1-23
Optional Light Kits	C-2.6.1-25
Right Side Broom Kit	C-2.6.1-27
Scrub-N-Vac Tool Caddy Kit	C-2.6.1-29
Onboard Charger Kit	C-2.6.1-31
Optional Kits and Accessories	C-2.6.1-32

WHEN ORDERING PARTS

- * Use the 8 digit numbers from the "Ref. No." columns in this parts list.
- * Specify the model and serial number of the machine.
- * Use the space below to record the model and serial number for future reference.

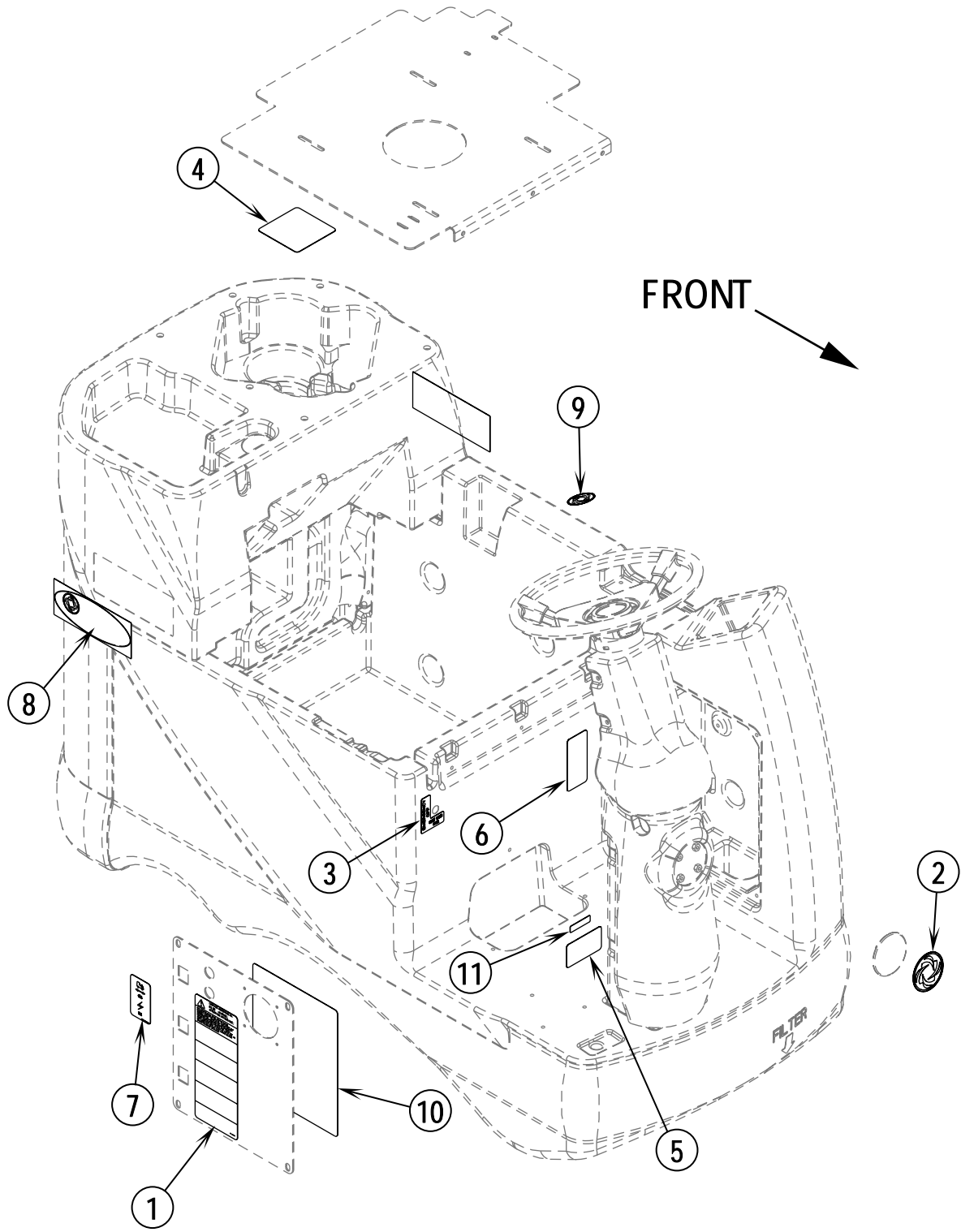
Model _____ Serial No. _____



03-2	CHASSIS SYSTEM	BOOK C		
04-1	AquaRide™ SE / BRX 700	C	2.6.1	3

Item	Ref. No.	Qty	Description
1	56001879	2	Wsh, Flt SAE 1/2
2	56002959	1	Pin, Cotter Hair
3	56003412	2	Scr, Hex Nyl Loc M12-1.25 x 35mm
4	56003442	2	Scr, Hex Nyl Loc M10-1.50 x 20mm
5	56367117	2	Wsh, Flt .406 x 1.50 x .1875
6	56367206	2	Bushing
7	56052338	2	Grommet
8	56412243	4	Bearing, Ball
9	56420160	2	Bearing, Flange
10	56412317	2	Non-Marking Wheel, 12.0 x 3.5
11	56314092	1	Weldment, Chassis
12	56314152	1	Pin, Actuator
13	56314495	1	Linkage, Arm Weldment
14	56220055	1	Plug
15	56220074	1	Nipple 1/4 to 1/8 NPT
16	56002461	1	Scr, Hex Thd To Hd 5/16-18 x 4.00
17	56009122	1	Wsh, Flt .344 x .938 x .125
18	56009086	1	Nut, Hex Jam 5/16-18
19	56478246	1	Tie, Cable
20	56745543	1	Adapter Blk Hd 1/4
21	56155640	1	Barb, Adapter 3/8 x 1/4 NPT
22	56002840	2	Nut, Hex Nyl Loc-Thin 1/4-20
23	56002155	2	Scr, Hex Hd 1/4-20 x .75
24	56314204	1	Bracket, Accessory
*	56478246	5	Tie, Cable
*	56477613	9	Tie, Cable

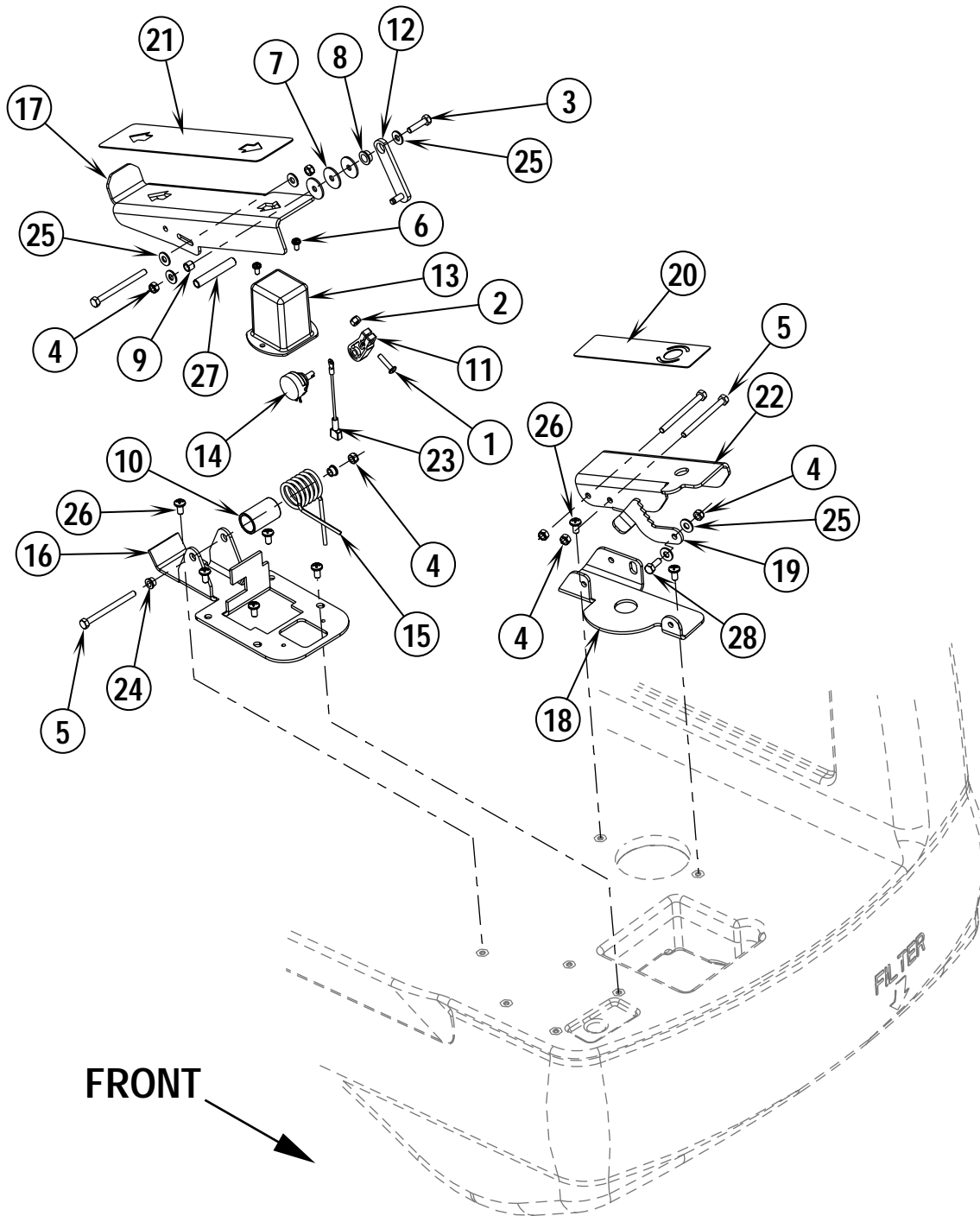
* = Not Shown



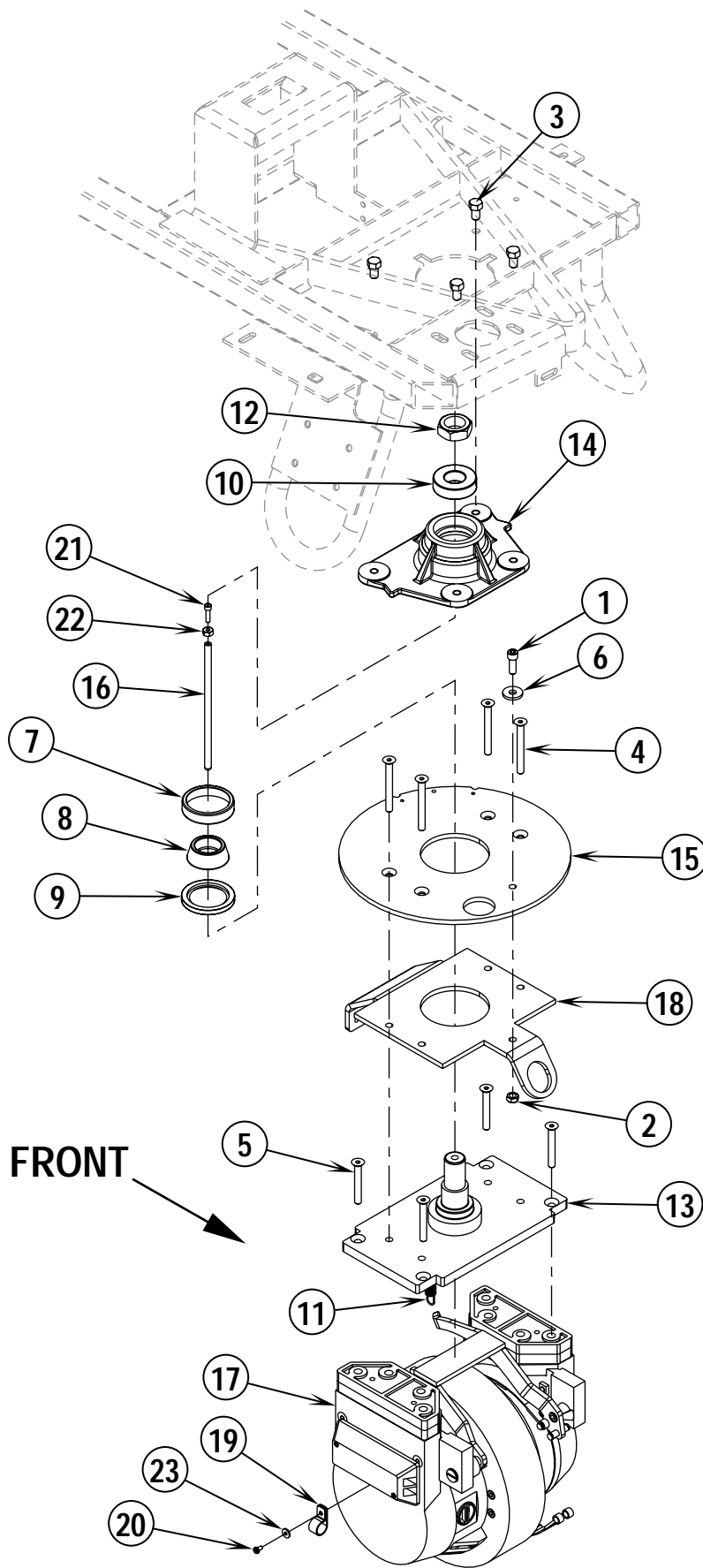
03-2	DECAL SYSTEM	BOOK C		
04-1	AquaRide™ SE / BRX 700	C	2.6.1	5

Item Ref. No. Qty Description

1	56014601	1	Decal, Caution
2	56016348	1	Decal, Logo
3	56015179	1	Decal, Emergency
4	56015168	1	Decal, Battery Wiring
5	56016401	1	Decal, Parking Brake
6	56016668	1	Decal, Ladder Diagram
7	56016403	1	Decal, Circuit Breaker
8	56016669	2	Decal, AquaRide
	56015173	2	Decal, BRX 700
9	56016421	1	Decal, Logo 2 Inch
10	56014450	1	Decal, Patent Number



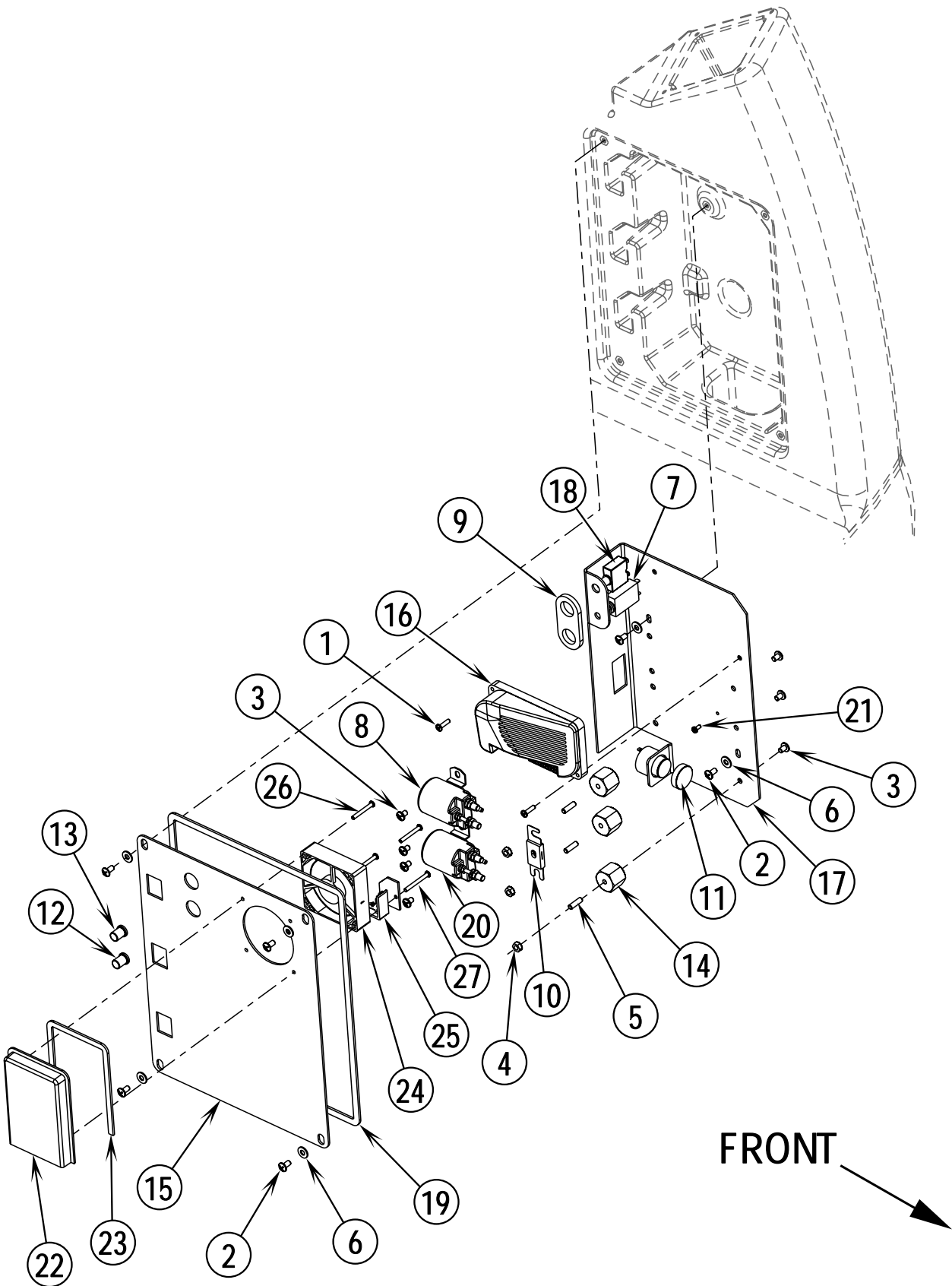
Item	Ref. No.	Qty	Description
1	56002733	1	Scr, Pan Phil 10-24 x .88
2	56002768	1	Nut, Hex Nyl Loc 10-24
3	56003358	1	Scr, Hex M6-1.00 x 25mm
4	56003403	6	Nut, Hex Nyl Loc M6-1.00
5	56003428	4	Scr, Hex M6-1.00 x 75mm
6	56009030	2	Scr, Pan Phil Thd Form 10-24 x .38
7	56009060	3	Wsh, Flt SS .260 x 1.000 x .074
8	56324505	1	Bearing, Flange
9	56368989	1	Bushing
10	56409378	1	Spacer, Nylon
11	56409471	1	Lever, Throttle
12	56409610	1	Link Weldment
13	56412094	1	Housing, Potentiometer
14	56454740	1	Potentiometer, 5K (R1)
15	56314037	1	Spring, Torsion
16	56314038	1	Bracket, Foot Pedal
17	56314039	1	Foot Pedal
18	56314121	1	Bracket, Brake
19	56314122	1	Lock, Brake
20	56314138	1	Mat, Pedal
21	56314176	1	Mat, Pedal
22	56314463	1	Predal Weldment
23	56412331	1	Wire Assy.
24	56756318	2	Bearing, Flange
25	56002098	6	Wsh, Flt SAE 1/4
26	56003119	7	Scr, Pan Phil SS 1/4-20 x .50
27	56314561	1	Bushing
28	56003174	1	Scr, Hex Thd to Hd M6-1.0 x 16mm



03-2	DRIVE WHEEL ASSEMBLY	BOOK C		
04-1	AquaRide™ SE / BRX 700	C	2.6.1	9

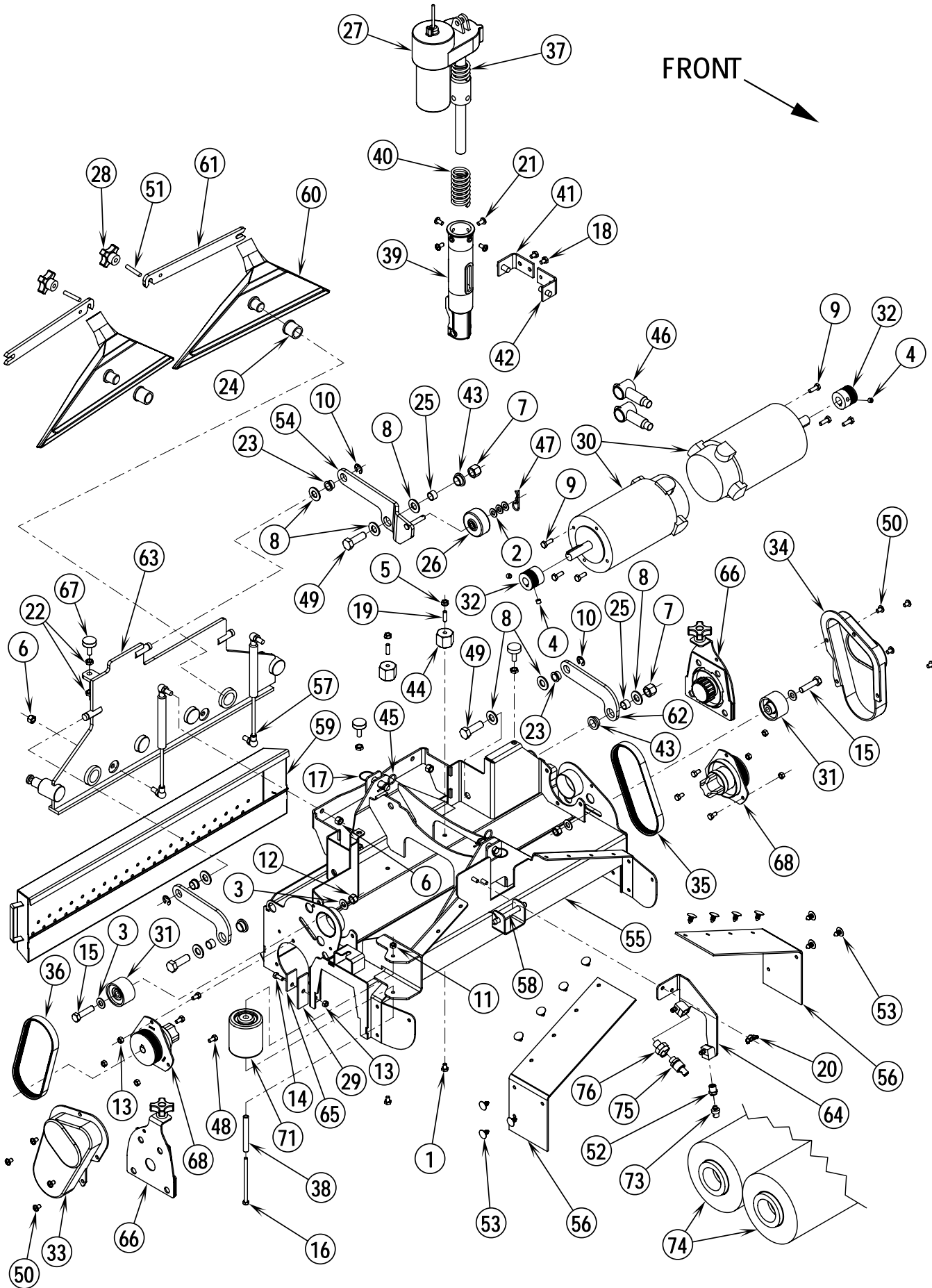
Item	Ref. No.	Qty	Description
1	56002158	1	Scr, Soc Hd 5/16-18 x .88
2	56002826	1	Nut, Hex Nyl Loc-Thin 5/16-18
3	56003040	4	Scr, Hex Hd Loc 3/8-16 x .62
4	56003273	4	Scr, Soc Hd M8-1.25 x 70mm
5	56003274	4	Scr, Soc Hd M8-1.25 x 55mm
6	56009122	1	Wsh, Flt .344 x .938 x .125
7	56158143	1	Bearing Cup
8	56158151	1	Bearing Cone
9	56171081	1	Seal, Shaft
10	56378380	1	Bearing, Ball
11	56481699	1	Spring
12	56003220	1	Nut, Hex Nyl Loc-Thin 1-14 UNF
13	56314085	1	Spindle Weldment
14	56314032	1	Block, Bearing
15	56314116	1	Plate, Steering
16	56314157	1	Rod, Brake
17	56314215	1	Motor / Drive Wheel Assy (M3)
*	56314282	1	Brake Bar
*	56314289	1	Brake Band
*	56412320	1	Carbon Brush Cover Kit (contains 4 seal rings & 4 brush covers)
*	56412321	1	Sealing Ring
*	56412322	1	Bearing Ball, Gearbox Side
*	56412323	1	Bearing Ball, Brush Side
*	56412325	1	Carbon Brush Kit
*	56412339	1	Drive Wheel
18	56314278	1	Plate, Splash Guard
19	56305317	1	Clamp, P
20	56003653	1	Scr, Pan Phil M4 x 8
21	56003659	1	Scr, Button Soc SS 10-24 x .75
22	56009293	1	Nut, Hex Machine SS 10-24
23	56002006	1	Wsh, Flt SAE #6

* = Not Shown

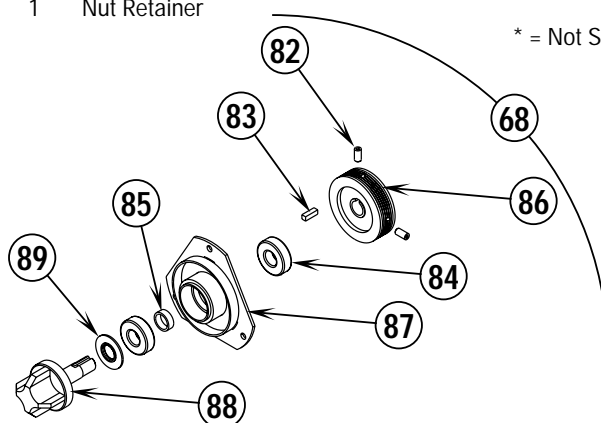


03-2	ELECTRICAL PANEL ASSEMBLY	BOOK C		
04-1	AquaRide™ SE / BRX 700	C	2.6.1	11

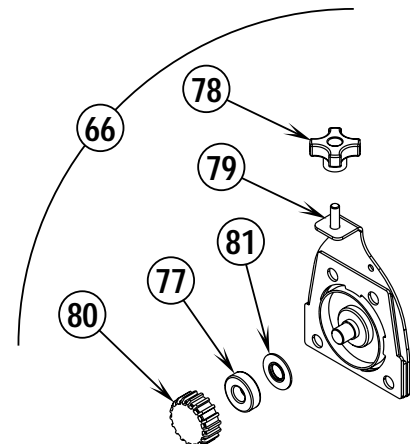
Item	Ref. No.	Qty	Description
1	56002192	2	Scr, Pan Phil 10-24 x .75
2	56003119	6	Scr, Pan Phil SS 1/4-20 x .50
3	56002462	7	Scr, Pan Phil 1/4-20 x .38
4	56002561	3	Nut, Hex W/SHPRF 1/4-20
5	56009020	3	Stud
6	56002098	6	Wsh, Flt SAE 1/4
7	56387316	1	Circuit Breaker, 10 Amp (Control Circuit / F3)
8	56395450	1	Contactora (Brush Drive / K1)
9	56407193	1	Gasket
10	56412089	1	Fuse, 150 Amp (F1)
11	56412177	1	Horn / Backup Alarm (H1)
12	56459367	1	Boot, Reset Button
13	56459369	1	Boot, Reset Button
14	56469858	3	Standoff, Insulated
15	56314591	1	Cover, Electrical TSBUS2003-855
16	56314091	1	Controller (A1)
17	56314068	1	Electrical Panel
18	56364294	1	Circuit Breaker, 45 Amp (Wheel Drive / F2)
19	56407169	1	Gasket
20	56395450	1	Contactora (Vacuum System / K2)
21	56009051	1	Scr, Pan Phil Thd Form 8-32 x .38
22	56314590	1	Cover, Fan TSBUS2003-855
23	56314594	1	Gasket TSBUS2003-855
24	56314700	1	Fan Assy TSBUS2003-855
25	56314595	1	Board Holder TSBUS2003-855
26	56003199	3	Scr, Pan Phil Plastite 8-15 x 1.50 TSBUS2003-855
27	56003635	1	Scr, Pan Phil Plastite 8-15 x 1.75 TSBUS2003-855



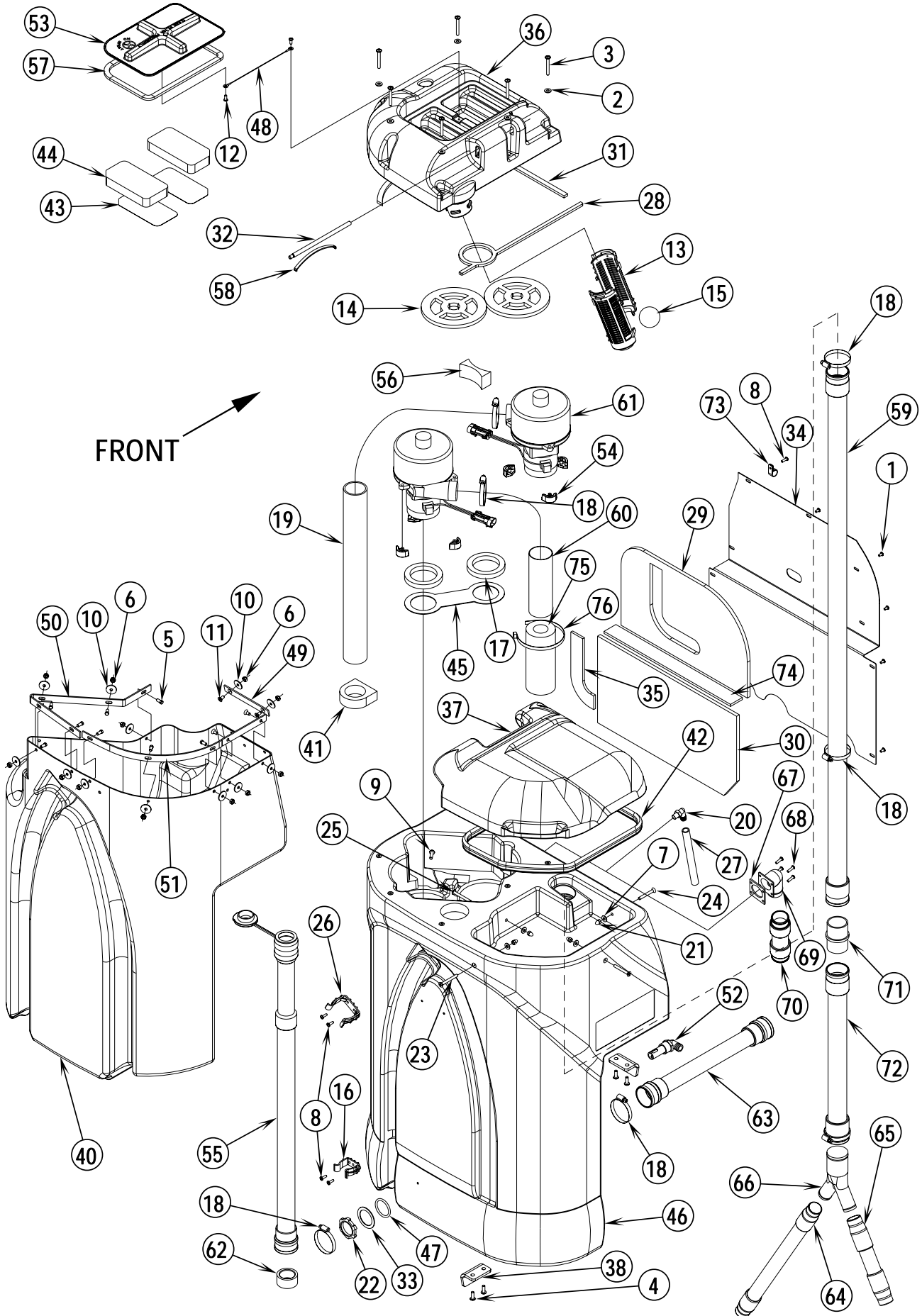
Item	Ref. No.	Qty	Description	Item	Ref. No.	Qty	Description
1	56001861	2	Scr,Hex Hd 1/4-20 x .38	43	56420160	3	Bearing, Flange
2	56001939	3	Wsh, Flt SAE 5/16	44	56469858	2	Standoff, Insulated
3	56002063	4	Wsh, Flt SAE 3/8	45	56003671	2	Pin, Ring .50 x 1.25
4	56002086	4	Scr, Soc Set Loc 5/16-18 x .25	46	56493357	2	Insulator, Terminal
5	56002561	2	Nut, Hex W/ Shprf 1/4-20	47	56003120	1	Pin, Cotter Hair .0915 x .375
6	56002701	4	Nut, Hex Nyl Loc 5/16-18	48	56003211	6	Scr,Hex Hd Ss M6-1.0 x 12mm
7	56002846	3	Nut, Hex Nyl Loc SS 1/2-13	49	56003495	3	Scr,Hex Hd Ss 1/2-13 x 1.50
8	56002918	9	Wsh, Flt SAE SS 1/2	50	56003603	8	Scr, Pan Phil Thd Form 1/4-20 x .38
9	56002948	6	Scr,Hex Hd Loc 1/4-20 x .75	51	56003665	2	Threaded Stud, Stainless
10	56003264	3	Ring, Ret Ext Type E 0.50 Dia	52	56212036	1	Body, Nozzle
11	56003403	1	Nut, Hex Nyl Loc M6-1.00	53	56212241	14	Clip, Panel
12	56003406	2	Nut, Hex Nyl Loc M10-1.50	54	56314136	1	Link Arm Pivot Weldment
13	56003426	8	Nut, Hex Nyl Loc SS M6 x 1.0	55	56314143	1	Deck Weld't, Sweep/Ext
14	56003431	2	Scr, Hex Hd SS M6-1.0 x 16mm	56	56314164	2	Skirt, Extractor Deck
15	56003491	2	Scr, Hex M10-1.50 x 40mm	57	56314206	2	Gas Spring
16	56003492	1	Scr, Hex M6-1.0 x 95mm	58	56314294	1	Pin, Hitch Cotterless
17	56002959	2	Pin, Cotter Hair	59	56314332	1	Hopper Weld't, Extractor
18	56009019	2	Scr, Hex Thd Form 1/4-20 x .38	60	56314351	2	Shoe Weldment
19	56009020	2	Stud	61	56314404	2	Strap
20	56009048	1	Nut, Wing Loc 1/4-20	62	56314406	2	Link Arm, Offset
21	56009062	4	Scr, Pan Phil Thd Form 1/4-20 x .50	63	56314409	1	Shoe Support Weld't
22	56009086	6	Nut, Hex Jam 5/16-18	64	56314434	1	Nozzle Bracket Weldment
23	56185264	3	Bearing, Flange	65	56314436	2	Strap
24	56250414	2	Bearing, Flange	66	56314445	2	Idler End Assy (#77-81)
25	56360627	3	Bushing	67	56401783	3	Leg Leveler 5/16-18
26	56392726	1	Wheel, Rubber	68	56407559	2	Drive End Assy (#82-89)
27	56393303	1	Actuator, Motor (M1)	69			Intentionally Omitted
*	56388520	1	Replacement Plastic Nut	70			Intentionally Omitted
*	56470433	1	Carbon Brush Set	71	56412459	1	Wheel
28	56407303	2	Knob	72			Intentionally Omitted
29	56407391	2	Blade	73	56314576	1	Nozzle, Spray #3
30	56407431	2	Motor, 36Vdc, .75 HP (M7 & M8)	74	56412191	2	Brush, Soft Nylon 28"
*	56407492	1	Brush Cap Assembly	75	56314577	1	Nozzle, Spray #7.5
*	56407493	4	Brush Assembly (qty of 4 is per motor)	76	56314578	1	Body, Nozzle QJJA
*	56407494	4	Brush Cover Cap (qty of 4 is per motor)	77	56106070	1	Bearing, Ball
*	56314254	1	Harness, Brush Motor	78	56407303	1	Knob
31	56407432	2	Idler, Belt	79	56314442	1	Idler Bearing Plate Weld't.
32	56407433	2	Sheave, Poly-V	80	56407551	1	Hub
33	56407434	1	Guard, Right Belt	81	56407558	1	Washer, Bearing
34	56407435	1	Guard, Left Belt	82	56002119	2	Scr, Soc Set Loc 1/4-20 x .50
35	56407465	1	Belt, Poly V 180J6	83	56003237	1	Key, Sq. .19 x .62
36	56407466	1	Belt, Poly V 190J6	84	56106070	2	Bearing, Ball
37	56412071	1	Compression Spring	85	56407389	1	Spacer
38	56412176	1	Bushing	86	56407442	1	Sheave, Poly-V
39	56412262	1	Housing, Spring	87	56407556	1	Bearing Plate Weld't.
40	56420018	1	Compression Spring	88	56407557	1	Spindle
41	56420019	1	Nut Retainer	89	56407558	1	Washer, Bearing
42	56420020	1	Nut Retainer				



* = Not Shown



FORM NO. 56042439



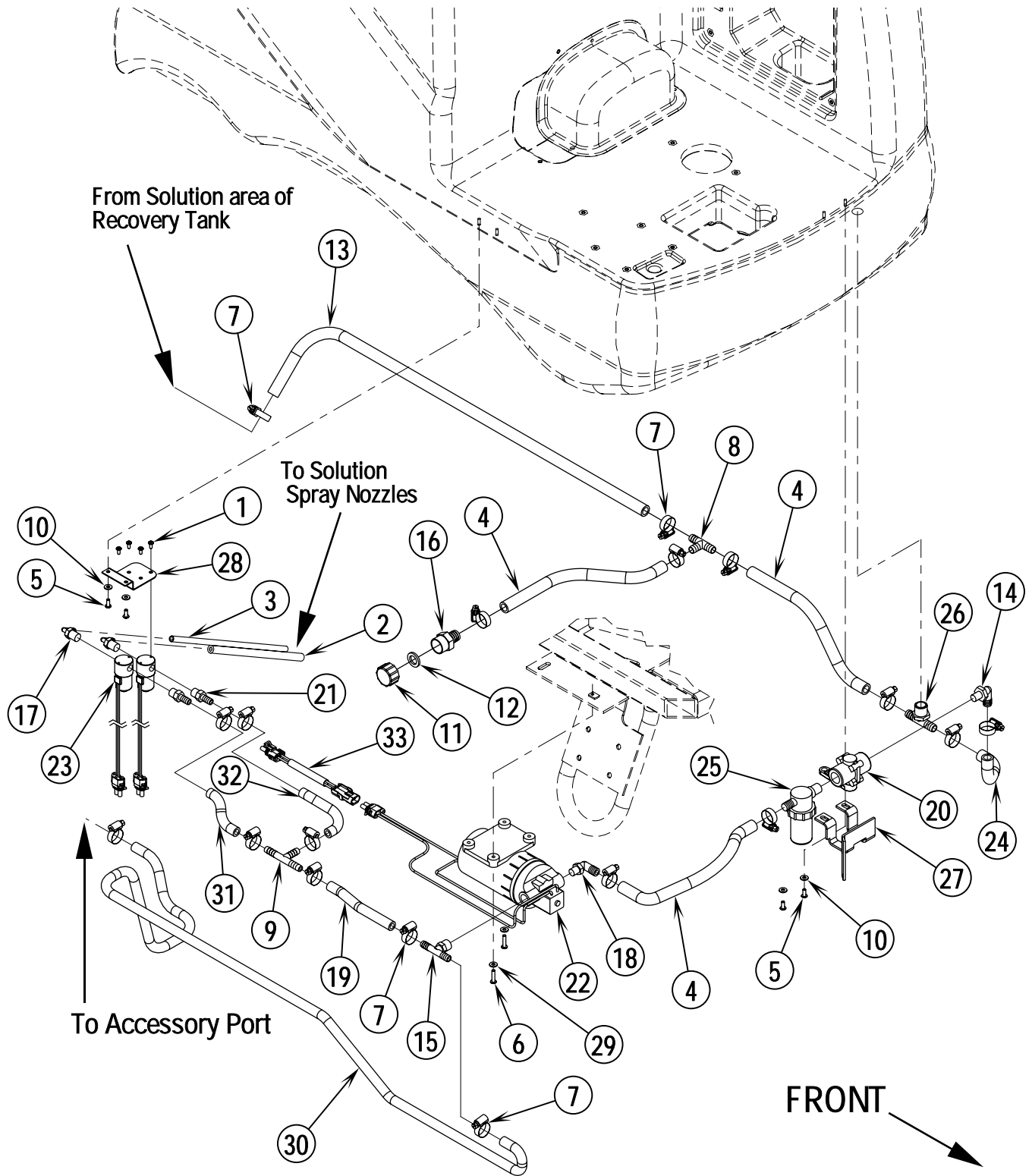
03-2	RECOVERY SYSTEM	BOOK C		
04-4	AquaRide™ SE / BRX 700	C	2.6.1	15

Item	Ref. No.	Qty	Description	Item	Ref. No.	Qty	Description
1	56002043	8	Scr, Pan Phil 10-24 x .38	51	56314458	1	Strap
2	56002098	6	Wsh, Flt SAE 1/4	52	56314460	1	Elbow Assembly
3	56002108	6	Scr, Pan Phil 1/4-20 x 2.00	53	56314461	1	Lid, Vac Filter
4	56002507	4	Scr, Pan Phil 1/4-20 x .75	54	56314484	6	Mount, Vibration
5	56002801	8	Scr, Hex Hd SS 1/4-20 x .50	55	56314487	1	Drainhose
6	56002850	12	Nut, Hex Nyl Loc-Thin SS 1/4-20	56	56314708	1	Spacer, Foam NOTE 3
7	56002859	5	Wsh, Flt SAE SS 1/4	57	56314491	1	Gasket
8	56002896	5	Scr, Pan Phil SS 10-24 x .62	58	56314509	1	Spring
9	56003067	1	Scr, Pan Phil SS 1/4-20 x 1.00	59	56314535	1	Vac Hose Assy
10	56009060	12	Wsh, Flt SS .260 x 1.000 x .074	60	56458457	1	Hose, Vac
11	56009151	4	Scr, Flt Phil SS 1/4-20 x .50	61	56397228	2	Motor, Vac 36VDC (M5 & M6)
12	56009191	2	Scr, Pan Phil Plastite 10-14 x .50	*	56212223	1	Carbon Brush Set
13	56324497	2	Cage, Float	62	56410446	1	Adapter
14	56314704	2	Gasket	63	56314114	1	Hose, Vac
15	56391690	1	Ball, Float	64	56314519	1	Hose, Vac
16	56407361	1	Clamp, Plastic	65	56314524	1	Hose, Vac
17	56314760	2	Gasket, Vacuum Duct	66	56314557	1	Y-Tube, Weldment
18	56440213	7	Clamp, Hose SAE #32	67	56391644	1	Gasket (after SN 1685778)
19	56459937	1	Hose, Vac	68	56003091	4	Scr, Pan Phil Plastite 10-14 x .75 (after SN 1685778)
20	56900069	1	Barb, 90 Elbow 1/2 x 3/8 NPT before SN 1685779	69	56314609	1	Adaptor, Hose (after SN 1685778)
21	56003195	5	Nut, Acorn SS 1/4-20 High Crown	70	56314612	1	Vac Hose (after SN 1685778)
22	56003232	1	Nut, Conduit Lock 1 1/4-12 NPS	71	56314244	1	Coupler (after SN 1681196)
23	56003660	1	Scr, Flt Phil SS 1/4-20 x 2.25	72	56314242	1	Vacuum Hose Assy. (after SN 1681196)
24	56003661	2	Scr, Flt Phil SS 1/4-20 x 2.00	73	56385564	1	Clamp, P (after SN 1681196)
25	56003662	1	Scr, Pan Phil SS 1/4-20 x 2.25	74	56314706	1	Foam, Sound NOTE 2
26	56212236	1	Clamp, Plastic	75	56391807	1	Foam, Acoustical
27	56397207	1	Hose, PVC Clear 7.00 before SN 1685779	76	56477613	1	Tie, Cable
28	56314099	1	Gasket	* = Not Shown			
29	56314100	1	Muffler, Top Panel				
30	56314101	1	Muffler, Bottom Panel				
31	56314103	1	Gasket				
32	56314115	1	Pin, Cover Pivot				
33	56314191	1	Washer, Flat				
34	56314749	1	Cover, Exhaust NOTE 1				
35	56314705	1	Foam, Sound				
36	56314201	1	Cover, Vac Motor				
37	56314203	1	Lid, Recovery				
38	56314220	2	Tank Mount Bracket				
39	56314251	2	Harness, Vac (Not Shown)				
40	56314279	1	Bladder				
41	56314761	1	Gasket, Hose				
42	56314371	1	Gasket				
43	56314372	2	Screen, Filter				
44	56314373	2	Filter				
45	56314377	1	Plate, Separator (2 MTR)				
46	56314379	1	Tank, Recovery				
47	56314380	1	O-Ring				
48	56314400	1	Wire Rope, 9 inch				
49	56314456	2	Strap				
50	56314457	1	Strap				

NOTE 1: 56314749 replaces previous parts 56314199 & 56314200 after April 2004.

NOTE 2: 56314706 replaces previous part 56314762 after April 2004.

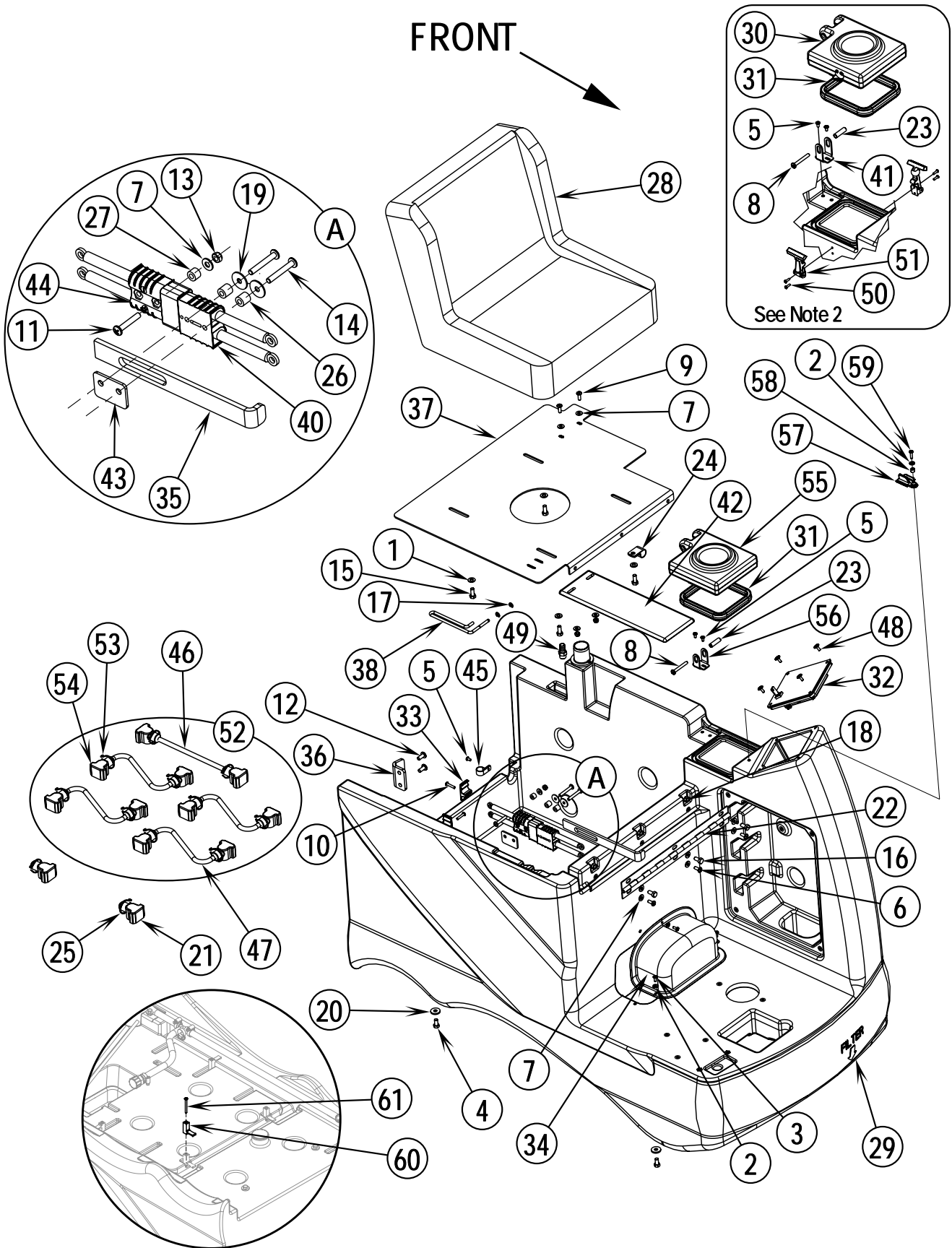
NOTE 3: 56314708 replaces previous part 56314500 after April 2004.



03-2	SOLUTION PUMP ASSEMBLY	BOOK C		
04-1	AquaRide™ SE / BRX 700	C	2.6.1	17

Item	Ref. No.	Qty	Description
1	56001818	4	Scr, Pan Phil 8-32 x .38
2	56264346	1	5.00 Hose
3	56220043	1	Solution Feed Hose
4	56409462	3	Hose, Spiral .50 ID x 12.00
5	56002900	4	Scr, Pan Phil SS 10-24 x .50
6	56002733	2	Scr, Pan Phil 10-24 x .88
7	56219932	18	Clamp, Hose SAE #6
8	56262549	1	Tee, Barb
9	56249280	1	Tee, Barb
10	56009205	4	Wsh, Flt SS #10
11	56255076	1	Cap, Pipe GHT Nylon
12	56368776	1	Washer, Rubber
13	56392663	1	Hose, Spiral .500
14	56409152	1	Barb, 90 Elbow 1/2 x 1/2 NPT
15	56412204	1	Tee, Barb 3/8 x 3/8 NPT
16	56412273	1	Barb, Adapter 1/2 x 3/4GHT
17	56470138	2	Barb, 90 Elbow 19/64 x 1/4NPT
18	56900069	1	Barb, 90 Elbow 1/2 x 3/8NPT
19	56054293	1	Hose, Spiral .375
20	56057830	1	Valve, Ball
21	56155640	2	Barb, Adapter 3/8 x 1/4NPT
22	56212014	1	Pump 36VDC (M4)
23	56314255	2	Valve, Solenoid 36V
24	56262180	1	Hose, Spiral .50 ID x 7.00
25	56314147	1	Strainer
26	56314153	1	Tee, .5MPT x .5 Hose x .5 Hose
27	56314154	1	Bracket, Valve
28	56314197	1	Bracket, Solenoid Mount
29	56001954	2	Wsh, Flt SAE #10
30	56314432	1	Hose, Spiral .375 x 63
31	56392277	1	Hose, Spiral .375
32	56644845	1	Hose, Spiral .375
33	56314585	1	TVS Assy. (transient voltage suppressor)

FRONT



See Note 2

03-2	SOLUTION TANK ASSEMBLY	BOOK C		
04-2	AquaRide™ SE / BRX 700	C	2.6.1	19

Item	Ref. No.	Qty	Description	Item	Ref. No.	Qty	Description
1	56001939	4	Wsh, Flt SAE 5/16	53	56478246	10	Tie, Cable
2	56001954	4	Wsh, Flt SAE #10	54	56372673	10	Boot, Battery Post
3	56002900	3	Scr, Pan Phil SS 10-24 x .50	55	56314066	1	Cover Solution Tank
4	56002035	4	Scr, Hex Hd 5/16-18 x .62	56	56314619	1	Bracket, Hinge TSBUS2003-851
5	56002043	3	Scr, Pan Phil 10-24 x .38	57	56314617	1	Latch, Plastic TSBUS2003-851
6	56002066	3	Scr, Pan Phil 1/4-20 x .62	58	56453849	1	Bushing .26 x .37 x .28 TSBUS2003-851
7	56002098	11	Wsh, Flt SAE 1/4	59	56002192	1	Scr, Pan Phil 10-24 x .75
8	56002108	1	Scr, Pan Phil 1/4-20 x 2.00				NOTE 3 TSBUS2003-851
9	56002507	2	Scr, Pan Phil 1/4-20 x .75	60	56314608	4	Clamp, Cable
10	56002674	5	Scr, Pan Phil 10-24 x 1.00	61	56002171	4	Scr, Pan Phil 10-24 x 2.00
11	56002786	1	Scr, Pan Phil 1/4-20 x 1.50	*	56314119	1	Battery Spacer (Advance Models only)
12	56002793	2	Scr, Pan Phil 5/16-18 x .75				
13	56002840	3	Nut, Hex Nyl Loc-Thin 1/4-20				* = Not Shown
14	56002997	2	Scr, Pan Phil 1/4-20 x 1.75				
15	56003179	4	Scr, Hex Thd to Hd M8-1.25 x 20mm				
16	56003178	3	Scr, Hex M8-1.25 x 16mm				
17	56003268	3	Ring, Ret Ext Type E Reinf. .25 Dia.				
18	56003389	3	Nut, Hex Nyl Loc M8-1.25				
19	56009002	2	Wsh, Flt .266 x .906 x .060				
20	56009122	4	Wsh, Flt .344 x .938 x .125				
21	56372673	2	Boot, Battery Post				
22	56412196	1	Hinge				
23	56468553	1	Bushing, .27 x .37 x 1.30				
24	56469380	1	Clamp, P				
25	56478246	2	Tie, Cable				
26	56046309	2	Spacer, Phenolic				
27	56050872	1	Spacer, Phenolic				
28	56314035	1	Seat				
29	56314541	1	Solution Tank				
30	56314615	1	Cover, Solution Tank, Assy NOTE 2				
31	56314069	1	Gasket				
32	56314083	1	Control Panel Assembly				
*	56396188	1	Switch, Key				
*	56396189	1	Key, Spare				
33	56314155	5	Clamp, Cable				
34	56314213	1	Cover, Actuator				
35	56314292	1	Bar, Charge Disconnect				
36	56314220	1	Tank Mount Bracket				
37	56314221	1	Weld't, Seat Mount NOTE 4				
38	56314223	1	Prop Rod				
39	56314250	1	Harness, Main (Not Shown)				
40	56314253	1	Charge Connector Assy				
41	56314264	1	Hinge Bracket (used on AquaRide before SN 1698112, and BRX 700 before SN 1697092)				
42	56314532	1	Panel, Battery Box				
43	56397189	1	Spacer				
44	56397508	1	Charge Connector Assy				
45	56442003	1	Clamp, P				
46	56441600	1	Cable, Battery				
47	56456460	4	Cable, Battery				
48	56009206	4	Scr, Truss Phil-Blk 10-24 x .50				
49	56409507	1	Barb, Adapter 1/2 x 3/8 NPT (before SN 1685779)				
50	56003528	4	Scr, Pan Phil Plastite 6-18 x .50 NOTE 2				
51	56393560	2	Latch Assy NOTE 2				
52	56314339	1	Kit, Battery Connector (includes items 46-47, 53-54) (Advance Models only) NOTE 1				

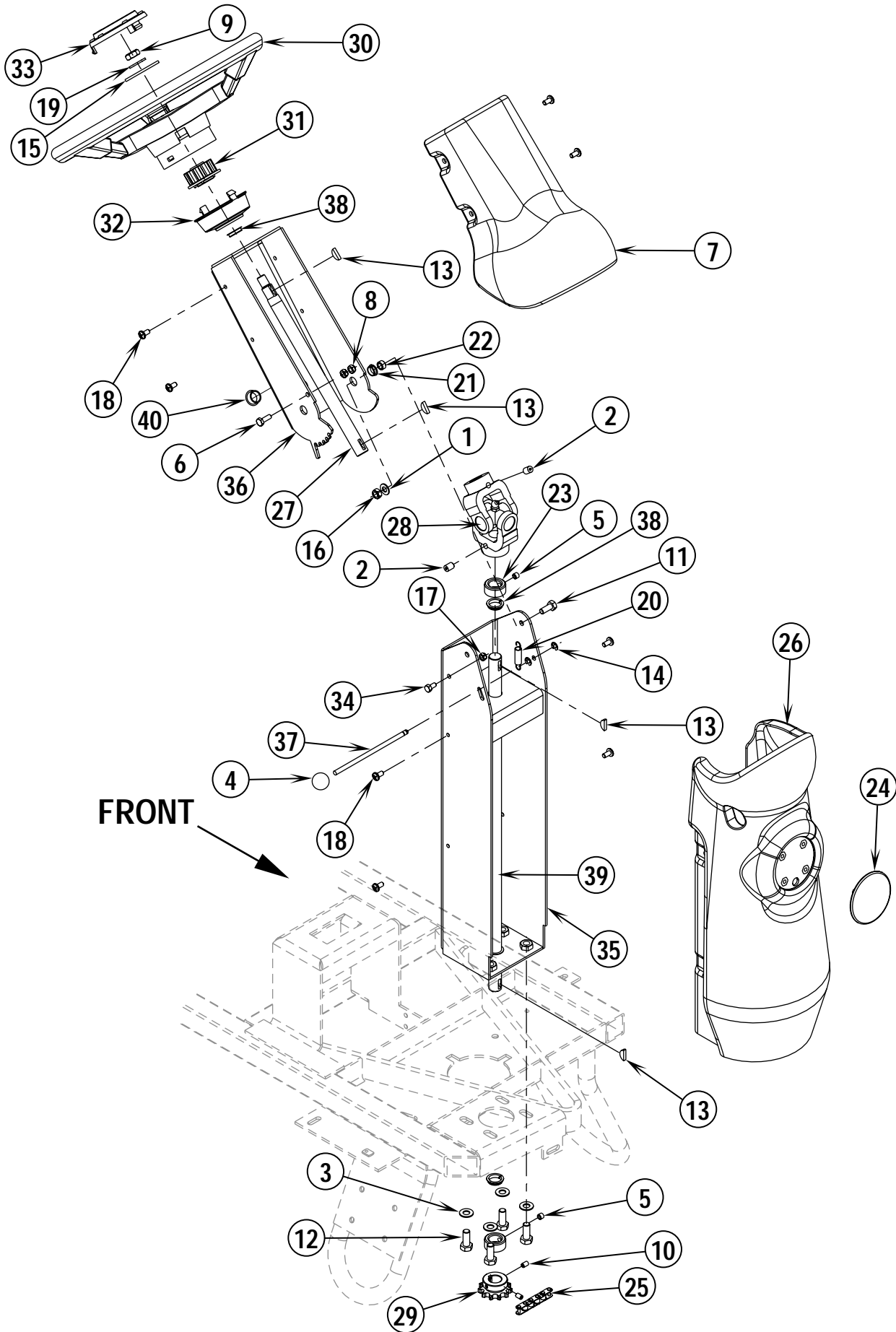
NOTE 1: For Advance models "Battery Connector Kit" (56314339) is included with machine.

For Nilfisk models battery cables are not included (after SN 1688856), but "Battery Connector Kit" (56314326) can be ordered separately if battery connectors are desired.

NOTE 2: For AquaRide SE machines (between SN 1685779 & 1698112), and for BRX 700 machines (between SN 1685779 & 1697092).

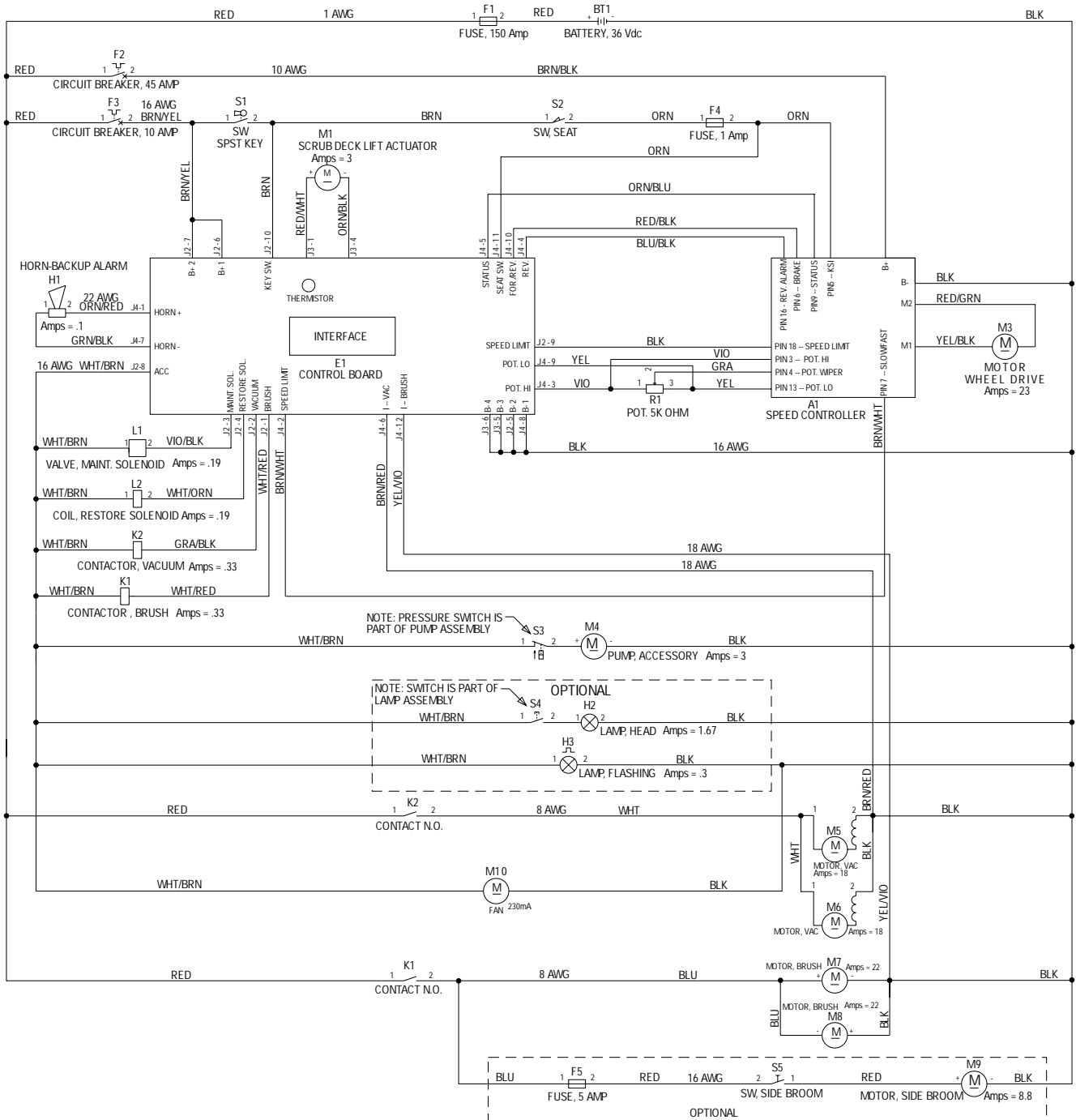
NOTE 3: Some machines use a Screw, Pan Phil Plastite 10-14 x 1.00 in this location, if there is not a tank insert.

NOTE 4: Seat Weldt 56314221 was modified as of serial #1726172 to accommodate Onboard Charger Kit 56314753.



03-2	STEERING COLUMN ASSEMBLY	BOOK C		
04-1	AquaRide™ SE / BRX 700	C	2.6.1	21

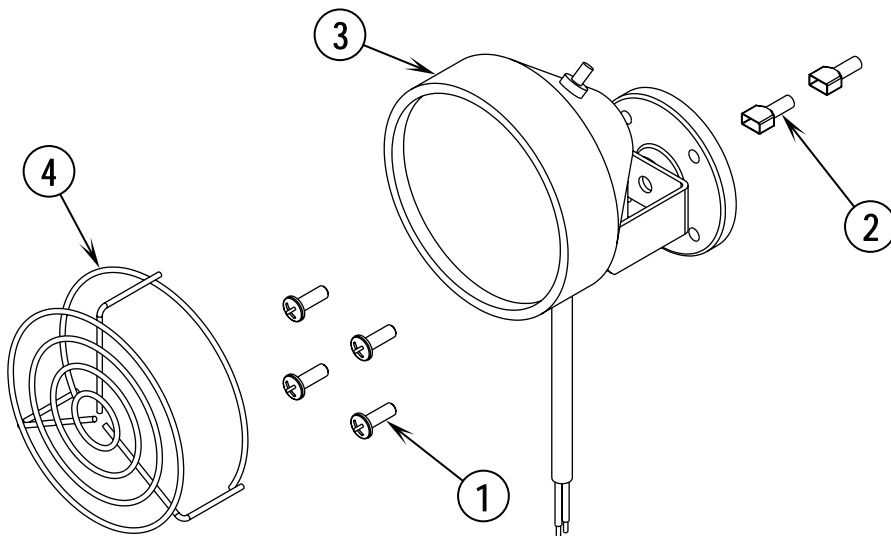
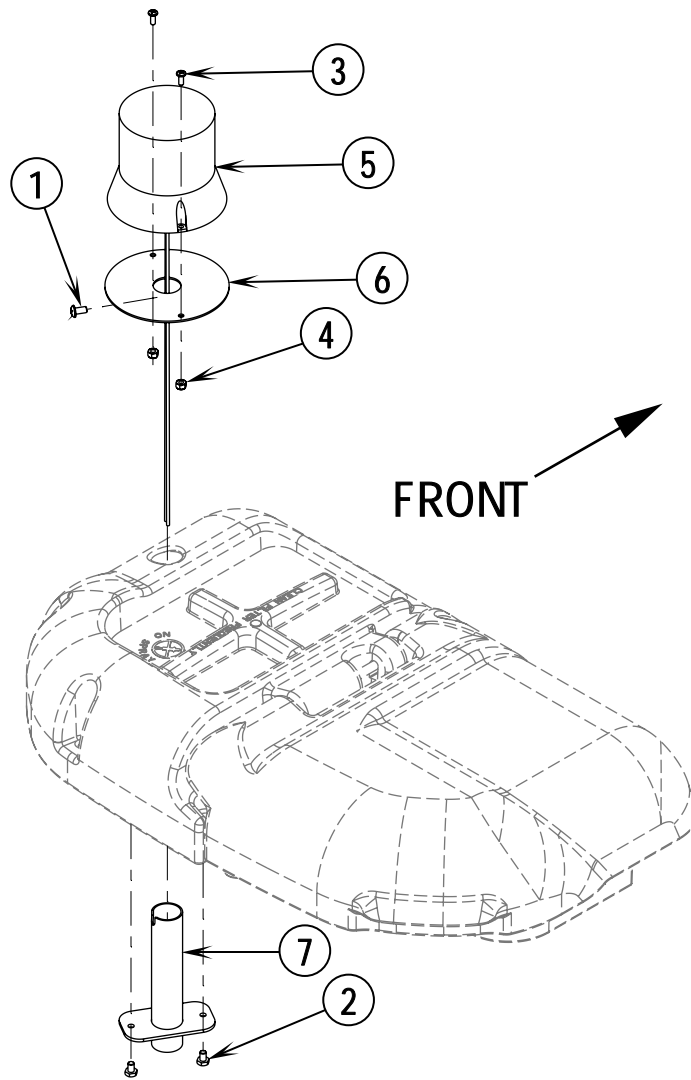
Item	Ref. No.	Qty	Description
1	56001939	2	Wsh, Flt SAE 5/16
2	56001958	2	Scr, Soc Set Loc 3/8-16 x .50
3	56002063	4	Wsh, Flt SAE 3/8
4	56440817	1	Knob
5	56002086	2	Scr, Soc Set Loc 5/16-18 x .25
6	56002155	1	Scr, Hex Hd 1/4-20 x .75
7	56314296	1	Shroud, Upper Column
8	56002840	2	Nut, Hex Nyl Loc-Thin 1/4-20
9	56002843	1	Nut, Hex Nyl Loc-Thin 1/2-13
10	56002930	2	Scr, Soc Set Loc 1/4-20 x .38
11	56003179	2	Scr, Hex Thd To Hd M8-1.25 x 20mm
12	56003186	4	Scr, Hex Thd To Hd M10-1.50 x 25mm
13	56003228	4	Key, WDF .75 x .19
14	56003268	2	Ring, Ret Ext Type E Reinf .25 Dia
15	56003342	1	Wsh, Flt .88 x .25 x .13
16	56003389	2	Nut, Hex Nyl Loc M8-1.25
17	56003403	1	Nut, Hex Nyl Loc M6-1.00
18	56009062	8	Scr, Pan Phil Thd Form 1/4-20 x .50
19	56001879	1	Wsh, Flt SAE 1/2
20	56245008	1	Spring, Extension
21	56302164	2	Bearing, Flange
22	56320595	2	Bushing .32 x .50 x .28
23	56367095	2	Collar, Shaft
24	56412095	1	Plaque, Decal Logo
25	56412198	1	Chain, Roller
26	56314295	1	Shroud, Lower Column
27	56420059	1	Shaft, Upper Steering
28	56454081	1	Universal Joint
29	56471148	1	Sprocket
30	56497306	1	Steering Wheel
31	56497560	1	Wheel Adapter
32	56497308	1	Cup
33	56497543	1	Cap
34	56003155	1	Scr, Hex M6-1.00 x 12mm
35	56314048	1	Lower Column Weldment
36	56314093	1	Column, Steering
37	56314094	1	Rod, Steering lock
38	56314148	3	Bearing, Nyliner
39	56314195	1	Shaft, Lower Steering
40	56900041	1	Plug, Cap



03-2	WIRING DIAGRAM	BOOK C		
04-1	AquaRide™ SE / BRX 700	C	2.6.1	23

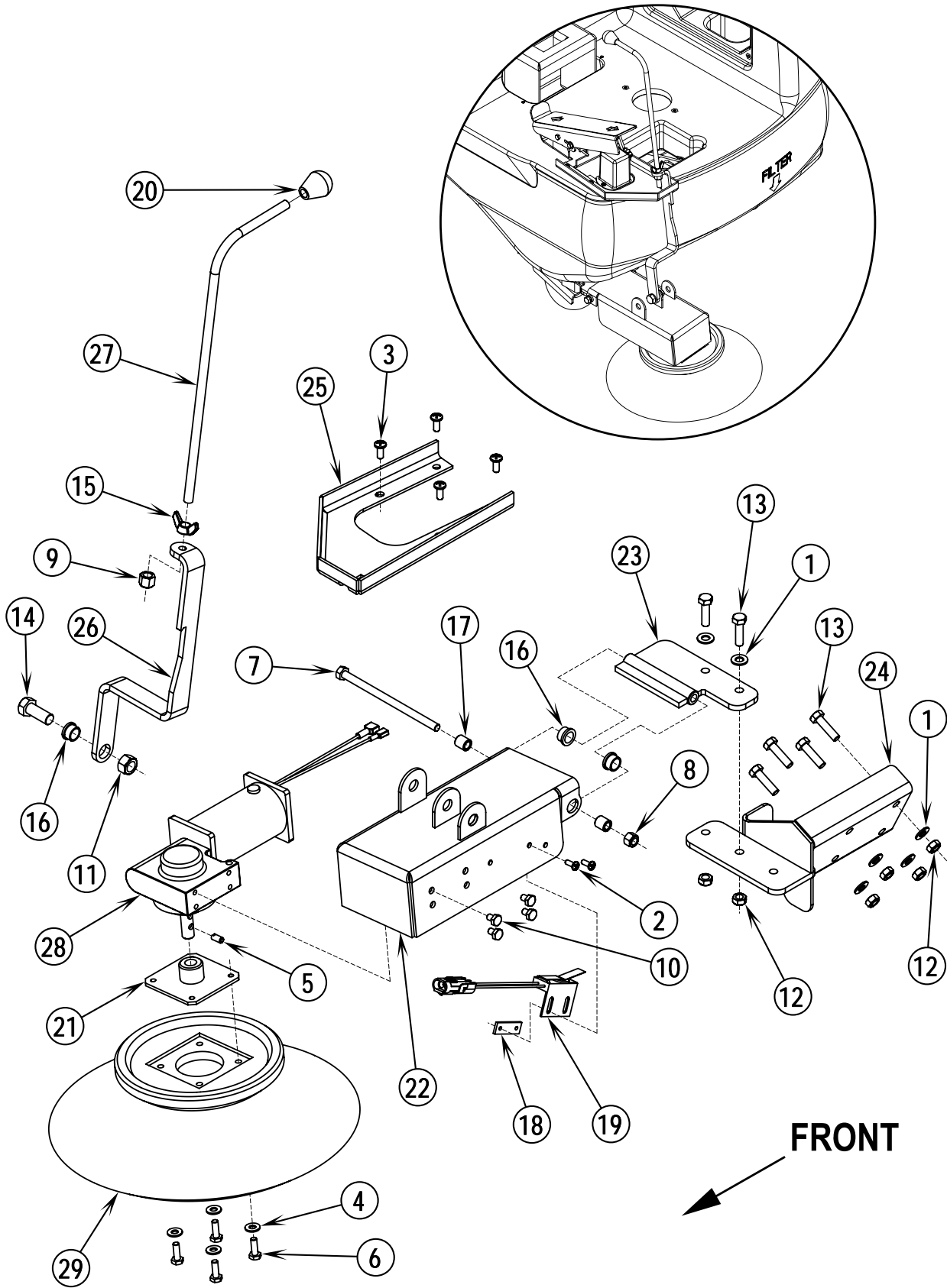
Item	Ref. No.	Qty	Description
A1	56314091	1	Controller
BT1	N/A		Battery
E1	56314083	1	Control Panel Assembly
F1	56412089	1	Fuse, 150 Amp
F2	56364294	1	Circuit Breaker, 45 Amp (Wheel Drive)
F3	56387316	1	Circuit Breaker, 10 Amp (Control Circuit)
F4	N/A	1	Fuse, 1 Amp
F5		1	Circuit Breaker, 10 Amp (Side Broom / optional)
H1	56412177	1	Horn / Backup Alarm
H2	56314063	1	Headlight (optional)
H3	56416433	1	Strobe Light (optional)
K1	56395450	1	Contactor, Brush Motor
K2	56395450	1	Contactor, Vac Motor
L1	56314255	1	Solenoid Valve, (Maintenance)
L2	56314255	1	Solenoid Valve, (Restoration)
M1	56393303	1	Lift Actuator, Brush
*	56470433	1	Carbon Brush Kit
*	56393790	2	Limit Switch
*	56388520	1	Plastic Nut
M3	56314215	1	Motor, Drive Wheel
M4	56212014	1	Motor, Pump
M5	56397228	1	Motor, Vac 36VDC
*	56212223	1	Carbon Brush Set
M6	56397228	1	Motor, Vac 36VDC
*	56212223	1	Carbon Brush Set
M7	56407431	1	Motor, 36VDC, .75HP
*	56417489	1	Armature
*	56407490	1	Bearing
*	56407492	1	Brush Cap Assy
*	56407493	4	Carbon Brush Assy
*	56407494	4	Brush Cover Cap
M8	56407431	1	Motor, 36VDC, .75HP
*	56417489	1	Armature
*	56407490	1	Bearing
*	56407492	1	Brush Cap Assy
*	56407493	4	Carbon Brush Assy
*	56407494	4	Brush Cover Cap
M9		1	Motor, Side Broom (optional)
M10	56314700	1	Motor, Fan TSBUS2003-855
R1	56454740	1	Potentiometer, 5K
S1	56396188	1	Switch, Key
*	56396189	1	Key, Spare
S2	56409613	1	Switch, Seat
S3	N/A	1	Switch, Pump (part of M4)
S4	N/A	1	Switch, Headlight (part of H2)
S5		1	Switch, Side Broom (optional)

* = Not Shown



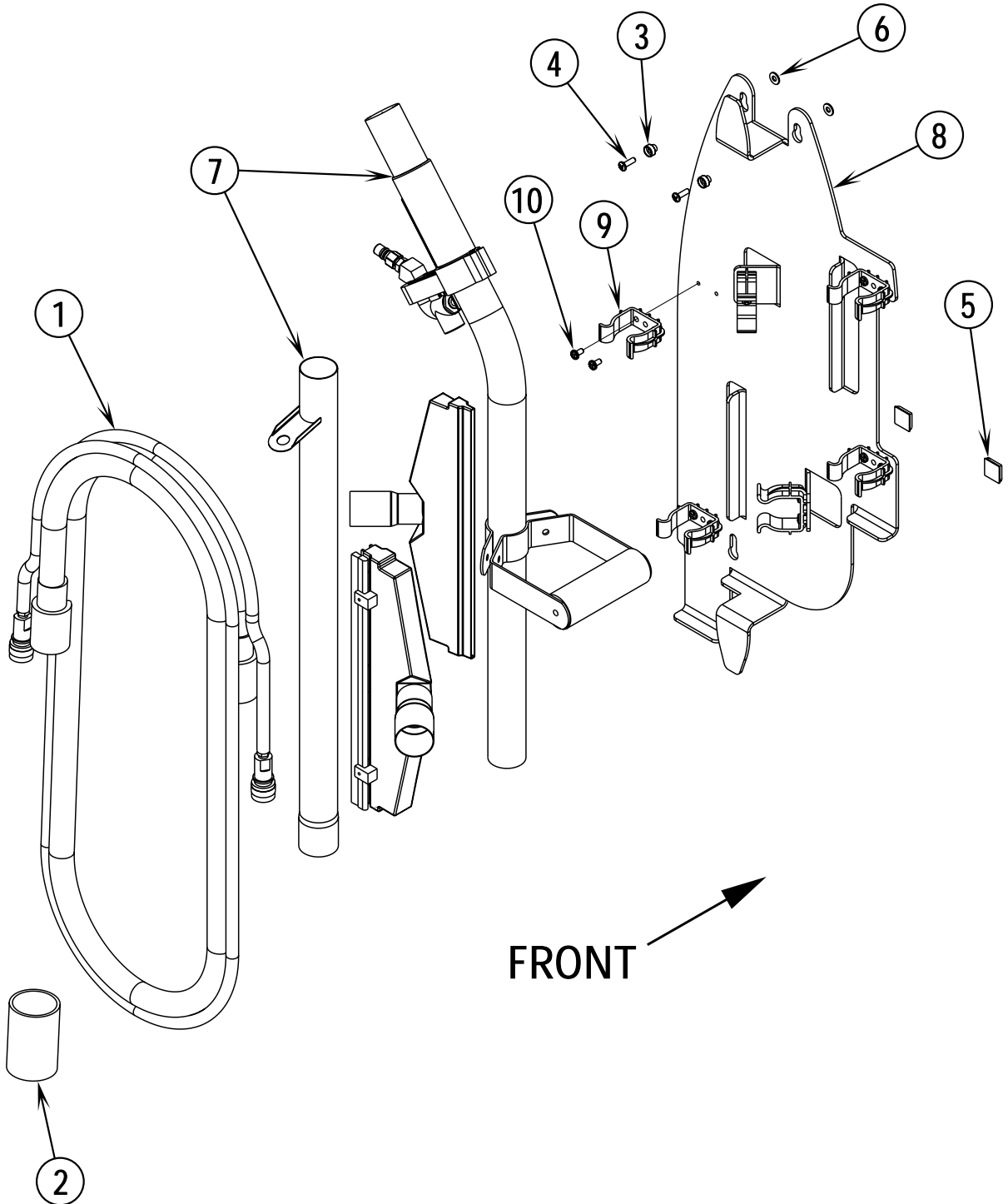
03-2	OPTIONAL LIGHT KITS	BOOK C		
04-1	AquaRide™ SE / BRX 700	C	2.6.1	25

Item	Ref. No.	Qty	Description
	56314302	1	Warning Beacon Kit
*	56040788	1	Instruction Sheet
1	56003119	1	Pan Phil SS 1/4-20 x .50
2	56001861	2	Scr, Hex Hd 1/4-20 x .38
3	56001993	2	Scr, Pan Phil 10-24 x .50
4	56002768	2	Nut, Hex Nyl Loc 10-24
5	56416433	1	Strobe
6	56314287	1	Plate Weldment
7	56314288	1	Tube Weldment
	56314313	1	Headlight Kit
*	56040791	1	Instruction Sheet
1	56002507	4	Scr, Pan Phil 1/4-20 x .75
2	56172230	2	Term .250 Ins Tab
3	56409239	1	Headlight
4	56409557	1	Guard, Headlight



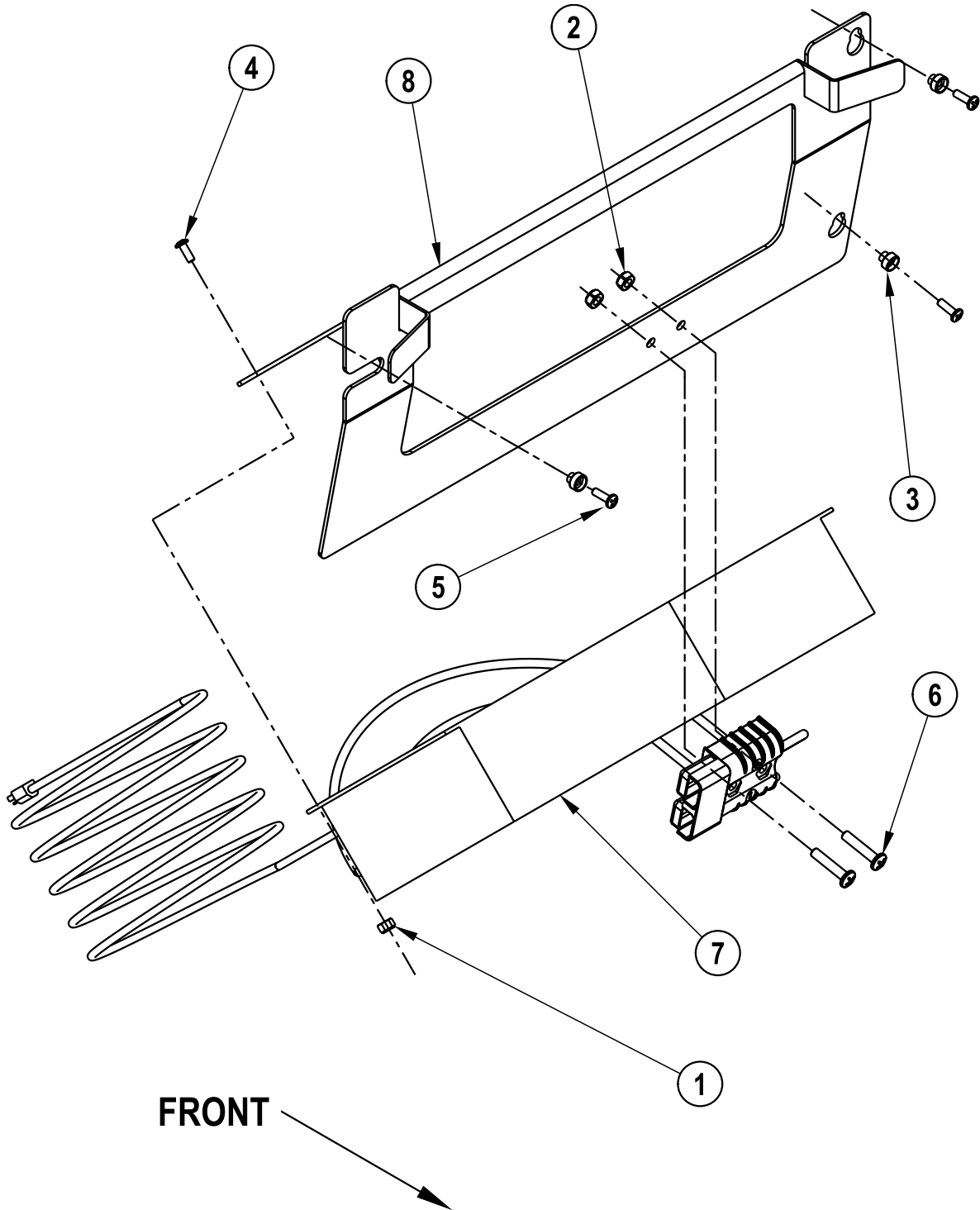
Item	Ref. No.	Qty	Description
	56314306	1	Right Side Broom Kit
*	56040789	1	Instruction Sheet
1	56001939	6	Wsh, Flt SAE 5/16
2	56001993	2	Scr, Pan Phil 10-24 x .50
3	56002066	4	Scr, Pan Phil 1/4-20 x .62
4	56002098	4	Wsh, Flt SAE 1/4
5	56002119	1	Scr, Soc Set Loc 1/4-20 x .50
6	56002155	4	Scr, Hex Hd 1/4-20 x .75
7	56002691	1	Scr, Hex Hd 5/16-18 x 5.50
8	56002701	1	Nut, Hex Nyl Loc 5/16-18
9	56002769	1	Nut, Hex Nyl Loc 3/8-16
10	56002933	4	Scr, Hex Hd Loc 1/4-20 x .38
11	56003312	1	Nut, Hex Nyl Loc M12-1.75
12	56003389	6	Nut, Hex Nyl Loc M8-1.25
13	56003416	6	Scr, Hex M8-1.25 x 30mm
14	56003418	1	Scr, Hex M12-1.75 x 30mm
15	56009252	1	Nut, Wing SS 3/8-16
16	56185264	3	Bearing, Flange
17	56228052	2	Bushing
18	56324310	1	Nut Plate
19	56372088	1	Switch, Waterproof
20	56378534	1	Knob
21	56314095	1	Brush Holder Weldment
22	56314167	1	Sidebroom Arm Weldment
23	56314174	1	Pivot Weldment
24	56314178	1	Bracket Weldment
25	56314190	1	Bracket, Lift
26	56314194	1	Bar, Lift
27	56314198	1	Rod, Lift
28	56469530	1	Motor Assembly 24V
29	1451899000	1	Brush, Sidebroom
*	56314259	1	Harness, Sidebroom
*	56478246	1	Wire Tie

* = Not Shown



03-2	SCRUB-N-VAC TOOL CADDY KIT	BOOK C		
04-1	AquaRide™ SE / BRX 700	C	2.6.1	29

Item	Ref. No.	Qty	Description
	56314307	1	Scrub-N-Vac Kit
*	56040790	1	Instruction Sheet
1	56220035	1	Hose, Assembly
2	56314399	1	Coupler
3	56412310	3	Bushing, Stepped
4	56002124	3	Scr, Pan Phil 10-24 x .62
5	56402940	2	Bumper, .812 Sq.
6	56009205	2	Washer, Flt. SS .219 x .50 x .047
7	56314402	1	Wand Assembly
8	56314403	1	Caddy
9	56407361	6	Clamp
10	56009030	12	Scr, Pan Phil Thd Form 10-24 x .38



03-2	ONBOARD CHARGER KIT	BOOK C		
04-2	AquaRide™ SE / BRX 700	C	2.6.1	31

Item	Ref. No.	Qty	Description
	56314753	1	Onboard Charger Kit
*	56040787	1	Instruction Sheet
1	56002768	6	Nut, Hex Nyl Loc 10-24
2	56002840	2	Nut,Hex Nyl Loc-Thin 1/4-20
3	56412310	3	Spacer, Stepped
4	56001993	6	Scr,Pan Phil 10-24x.50
5	56002124	3	Scr,Pan Phil 10-24x.62
6	56002825	2	Scr,Pan Phil 1/4-20x1.25
7	56314750	1	Charger, 36v, 25amp
8	56314752	1	Weldment, Charger

Item	Ref. No.	Qty	Description
------	----------	-----	-------------

Optional Kits

**	56397453	A/R	Kit, Battery Fill Indicator
**	56314753	A/R	Kit, On-Board Charger
**	56314301	A/R	Kit, Seat Armrests
**	56314302	A/R	Kit, Warning Beacon
**	56314306	A/R	Kit, Right Side Broom
**	56314307	A/R	Kit, Scrub-N-Vac Tool Caddy
**	56314312	A/R	Kit, Seatbelt
**	56314313	A/R	Kit, Headlight

Accessories

**	56409441	A/R	Programmer, 1307 User
**	56409823	A/R	Programmer Cable

Replacement Parts**Vacuum**

*	56212223	1	Carbon Brush set of 2
---	----------	---	-----------------------

Brush Drive

*	56407492	1	Brush Cap Assembly
*	56407493	4	Brush Assembly
*	56407494	4	Brush Cover Cap

Wheel Drive

*	56412320	1	Carbon Brush Cover Kit (contains 4 seal rings & 4 brush covers)
*	56412321	1	Sealing Ring
*	56412322	1	Bearing, Ball, Gearbox Side
*	56412323	1	Bearing, Ball, Brush Side
*	56412325	1	Carbon Brush Kit
*	56412339	1	Drive Wheel
*	56314289	1	Brake Band
*	56314282	1	Brake Bar

Solution

*	56314147	1	Inline Strainer
*	56314576	1	Maintenance Spray Nozzle #3
*	56314577	1	Restoration Spray Nozzle #7.5

* = Not Shown

** = Optional, Not Included

DANMARK

Nilfisk-Advance Nordic A/S
Sognevej 25 - Box 344
DK-2605 Brøndby
☎ 43 23 83 50 – Fax 43 42 15 95

NORGE

Nilfisk-Advance AS
Enebakkn, 119, 0680 Oslo, Postboks 196, Manglerud,
0612 Oslo
☎ 22 08 63 50 – Fax 22 08 63 63
Distriktsrepresentanter over hele landet

SVERIGE

Nilfisk-Advance AB
Sjöbjörnsvägen 5, 117 67 Stockholm
☎ 085 55 944 00 – Fax 085 55 944 30

FINLAND/ SUOMI

BERNER Ltd. Facotek Department
Etäläranta 4B, 00130 Helsinki
☎ +358 9 1345 1382

AUSTRALIA

Nilfisk-Advance Pty. Ltd.
48 Egerton Street
Silverwater NSW 2128
☎ (02) 8748 5905 – Fax (02) 9648 2711
Customer Responce Centre:
☎ 1 800 011 013

BELGIQUE / BELGIË/ LUXEMBOURG

Nilfisk-Advance s.a./n.v.
Doornveld/ Sphere Business Park
Industrie Asse 3, nr 11 – bus 41
1731 Zellik-Asse
☎ (02) 467.60.50 Fax (02) 463.44.16

CANADA

Nilfisk-Advance Ltd.
396 Watline Avenue
Mississauga, Ontario L4Z 1X
☎ (905) 712-3260 – Fax (905) 712-3255

DEUTSCHLAND

Nilfisk-Advance AG
Siemensstraße 25-27
25462 Rellingen
☎ (041 01) 3990 – Fax (04101) 399191
Zentraler Kundenservice
☎ für die Industrie: 0180 535 67 97
☎ Institutionen und Gebäudereiniger: 0180 500 11 70

FRANCE

Nilfisk-Advance S.A.
BP 246
91944 Courtaboeuf Cedex
☎ (01) 69.59.87.00 Télécopie (01) 69.59.87.01

HONG KONG

Nilfisk-Advance Ltd.
2001, 20/F HK Worsted Mills
Industrial Building
31-39 Wo Tong Tsui Street
Kwai Chung, N.T.
☎ 2427 59 51 – Fax 2487 5828

IRELAND

Nilfisk-Advance Ltd.
28 Sandyford Office Park
Dublin 18
☎ +353 1 2943838 – Fax +353 1 2943845

JAPAN

Nilfisk-Advance Inc.
3-4-9 Chigasaki Minami
Tsuzuki-Ku Yokohama 224 0037
☎ 045-942-7741 – Fax 045-942-6545

MALAYSIA

Nilfisk-Advance Sdn Bhd
Lot 2, 1st. Floor
Lorong 19/1A
46300 Petaling Jaya
Selangor Darul Ehsan
☎ 03-7568188/03-7568189/03-7568388 – Fax 03-7566828

NEDERLAND

Nilfisk-Advance B.V.
Flevolaan 7, Postbus 341
1380 AH Weesp
☎ 0294-462121 – Fax 0294-430053

NEW ZEALAND

Nilfisk-Advance Limited
477 Great South Road, Penrose
Auckland
☎ (09) 525 0092 – Fax (09) 525 6440

SCHWEIZ / SUISSE

Nilfisk-Advance AG
Ringstrasse 19, 9533 Kirchberg/Wil
☎ 719 23 52 83 – Fax 719 23 84 44

SINGAPORE

Nilisk-Advance Pte. Ltd.
22, Woodlands Industrial Park E1
Singapore 757740
☎ (65) 759 9100 – Fax (65) 759 9133

TAIWAN

Nilfisk-Advance Ltd.
1 F, No.23, Lane 132, Sec. 2
Ta An Road, Taipei
☎ 700 22 68 – Fax 784 08 43

UNITED KINGDOM

Nilfisk-Advance Limited
Newmarket Road
Bury St. Edmunds
Suffolk IP 33 3SR
☎ (01284) 763163 – Fax (01284) 750562

USA

Nilfisk-Advance Inc.
14600 21st Avenue North
Plymouth, MN 55447-3408
☎ +1 800 989 2235 – Fax 1 800 989 6566

Nilfisk-Advance of America, Inc.
300 Technology Drive
Malvern, PA 19355
☎ (610) 647 647-6427

ÖSTERREICH

Nilfisk-Advance GmbH
Vorarberg Allee 46
1230 Wien
☎ 1 616 58 30 – Fax 1 616 58 30 40

ESPAÑA

Nilfisk-Advance, S.A.
Torre D'Ar
Passeig del Rengle, 5 Pl.9-10
E-08302 – Mataró (Barcelona)
☎ Tel. 93 741 24 00 – Fax: 93 757 80 20
Central atención al cliente: 902 200 201
nilfisk@nilfisk-advance.es – www.nilfisk-advance.com
Distribuidores y Servicio Técnico en toda España y Andorra

ITALIA

Nilfisk-Advance Italia Spa
Località Novella Terza
26862 Guardamiglio (LO)
Italy
☎ +39 0377 414067-54 – Fax +39 0377 414097
www.nilfisk-advance.com

PORTUGAL

Nilfisk-Advance Lda.
Rua Cândido de Figueiredo, 91-i, 1500-133 LISBOA
☎ 01/7784142 – Fax 01/7785613
Porto 02/526766 – Fax 02/520739
Açores 096/628092/3 – Fax 096/628129
Madeira 091/228965 – Fax 091/228796

GREECE

Embiom S.A.
Λεωφ. Βουλιαγμένης 60
Αργυρούπολη
164 52 Αθήνα
☎ 9950613 - Fax 9951680

