

Aquamatic Selectric™



PARTS LIST

**Advance MODELS 56263501(120V)
56263510(100V / Obsolete)**

This Parts List is for Machines After Serial No. 521546



**Nilfisk
Advance**
setting standards

8/92 revised 6/01 FORM NO. 56042271

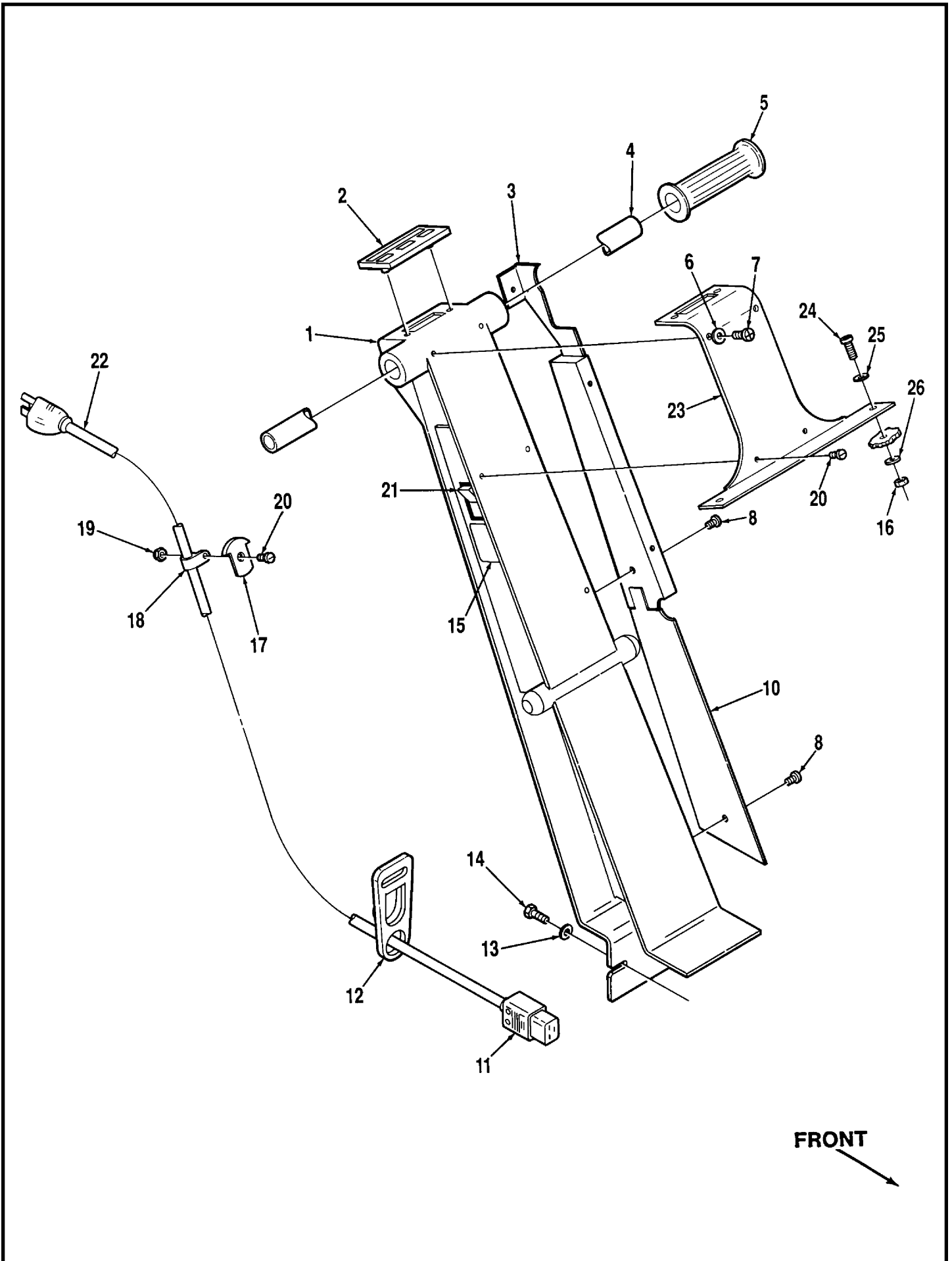
TABLE OF CONTENTS

DESCRIPTION	PAGE
Handle	1-2
Pivot Box	3-4
Chassis	5-6
Wiring Diagram	7-8
Electrical Schematic	9-10
Drive System	11-12
Brush Lift	13-14
Brush Motor and Pump	15-16
Vac Motor and Pick-Up	17-18
Tank Assembly (before SN 539680)	19-20
Tank Assembly (after SN 539679)	21-22

WHEN ORDERING PARTS

- * Use the 8 digit numbers from the "Ref. No." columns in this parts list.
- * Specify the model and serial number of the machine.
- * Use the space below to record the model and serial number for future reference.

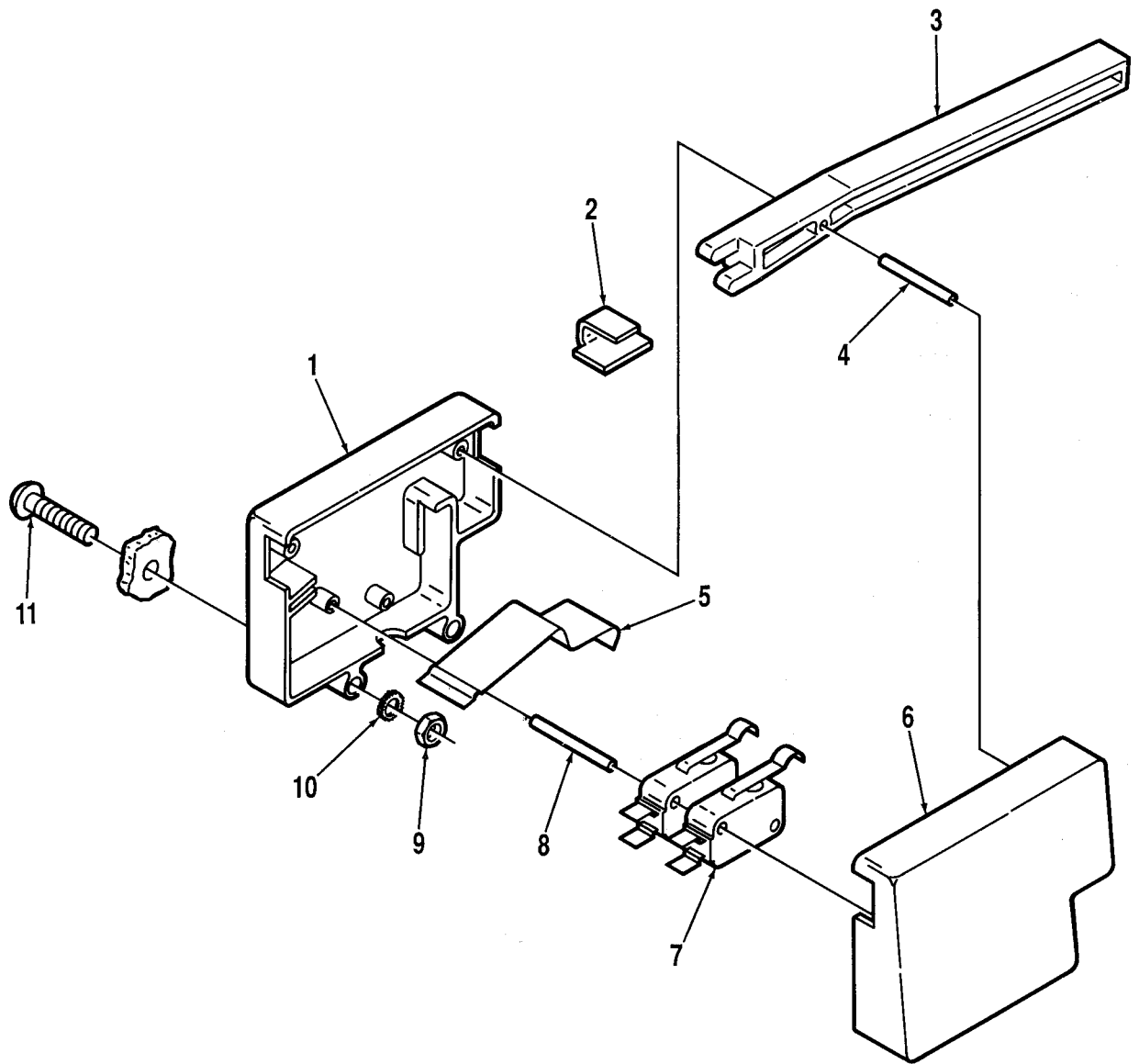
Model _____ Serial No. _____



HANDLE

Item	Ref. No.	Qty	Description
1	56263847	1	Control Handle
2	56263691	1	Membrane Switch Assembly
	56263694	1	Membrane Switch
	56263696	1	Bracket
	56263707	2	Retainer
3	56263577	1	Upper Handle Panel
4	56263576	1	Handle Tube
5	56388545	2	Hand Grip
6	56002098	2	1/4 Flat Washer
7	56002513	2	1/4-20 x 1/2 HP-5 Screw
8	56706097	2	#8-15 x 1/2 Screw
9			Intentionally Omitted
10	56263846	1	Lower Handle Panel
11	56180270	1	Connector
12	56262535	1	Belt Clip
13	56454626	2	Washer
14	56002093	2	1/4-20 x 1 Screw
*	56002491	2	1/4-20 Lock Nut
15	56015132	1	Decal, Power
16	56002491	2	1/4-20 Stainless Steel Lock Nut
17	56171801	1	Cord Mount
18	56342319	1	P-Clamp
19	56009110	8	#8-32 Acorn Nut
20	56002003	6	#8-32 x 1/2 Screw
21	56262551	1	Power Switch
22	56263686	1	Power Cord 120V (includes #11 & 12)
	56263392	1	Power Cord 100V (includes #11 & 12)
23	56263885	1	Handle Plate
24	56002957	2	1/4-20 x 3/4 Stainless Steel Screw
25	56002859	2	1/4 Stainless Steel Flat Washer
26	56900737	2	Sealing Washer

* = Not Shown

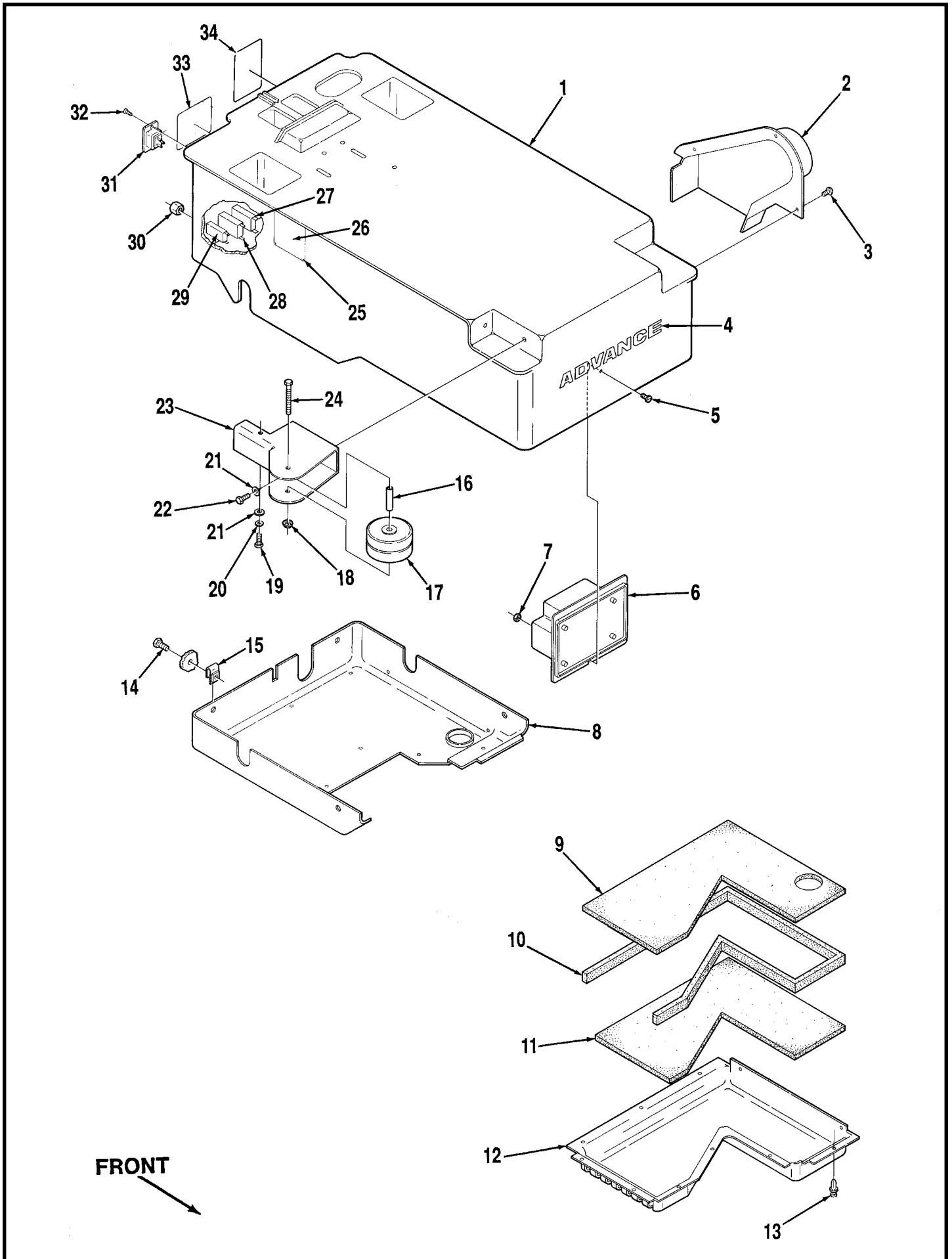


FRONT
↘

PIVOT BOX ASSEMBLY

Item	Ref. No.	Qty	Description
1	56263645	1	Pivot Box
2	56263580	1	Clip
3	56263578	2	Lever
4	56002763	2	Pin
5	56263648	1	Spring Plate
6	56263646	1	Pivot Box Cover
7	56262027	2	Switch TSB 729
8	56002765	2	Pin
9	56002808	2	#8-32 Nut
10	56001940	2	#8 Lock Washer
11	56001868	2	#8-32 x 1 Screw
*	56263557	2	Wire White/Green
*	56263817	2	Wire Red/Green

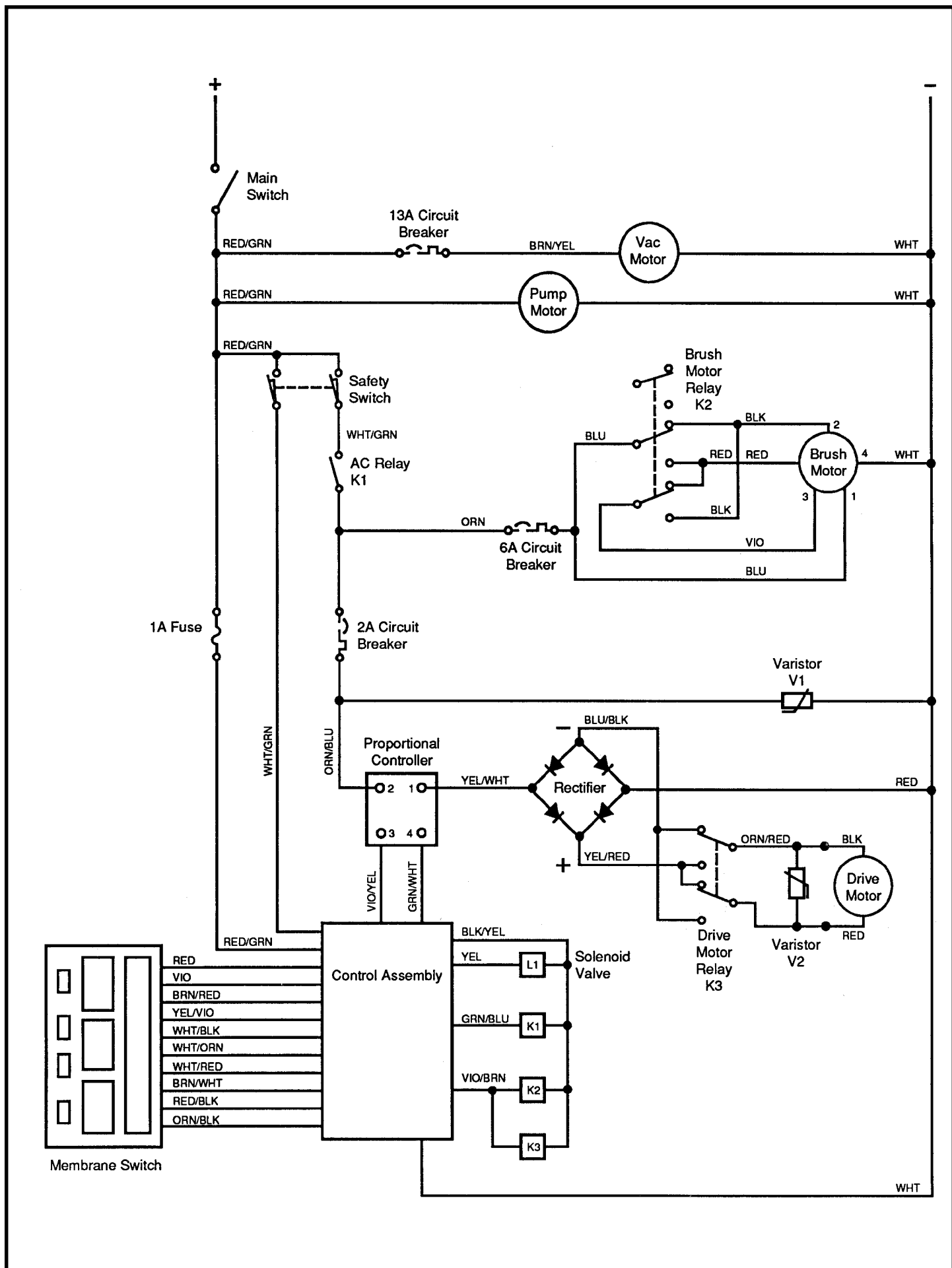
* = Not Shown



CHASSIS

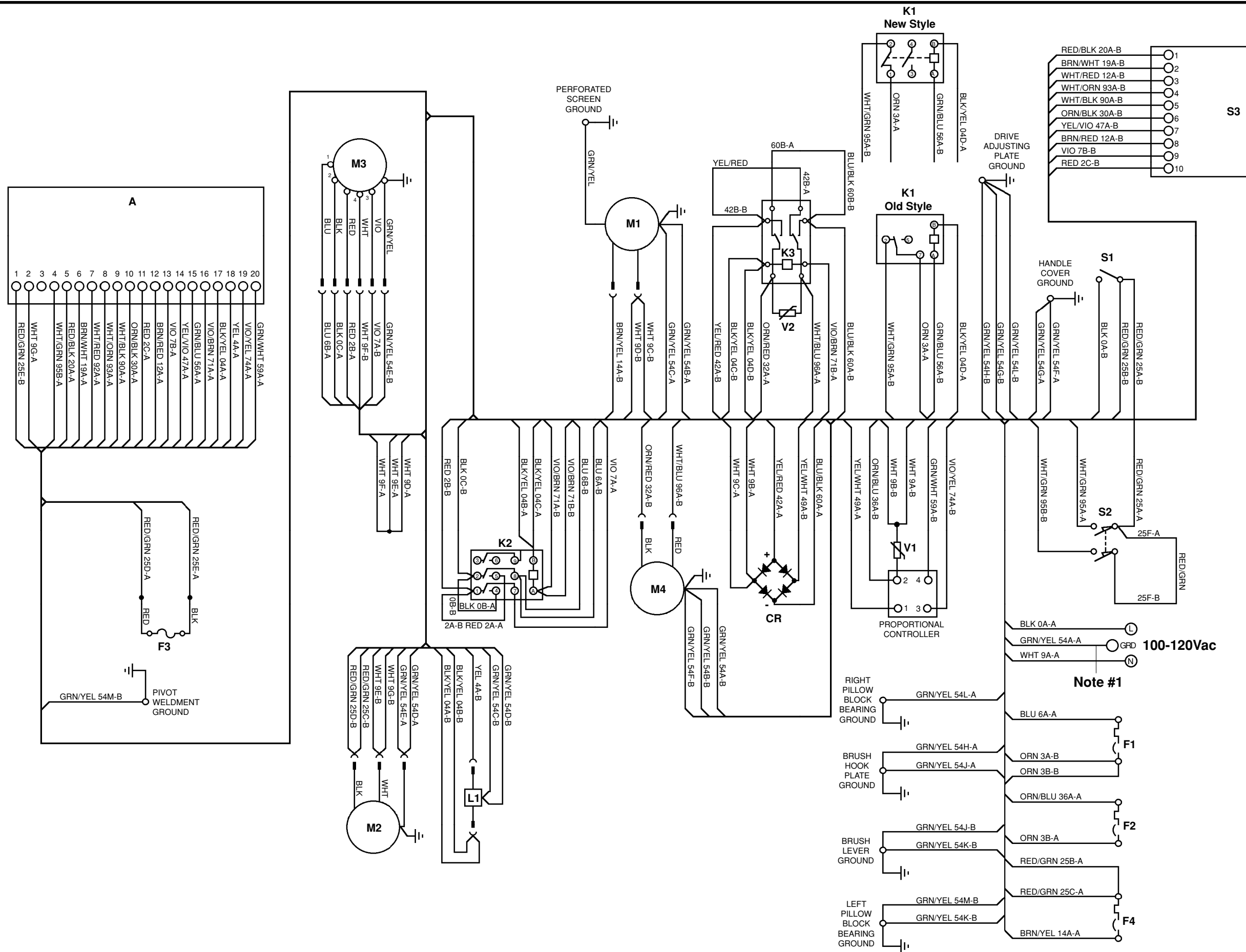
Item	Ref. No.	Qty	Description
1	56263876	1	Chassis
2	56263550	1	Belt Cover
3	56002520	3	#10-24 x 1/2 Screw
*	56249946	3	Brass Insert
4	56014794	1	Decal, Advance
5	56002002	1	#6-32 x 3/4 Screw
6	56263702	1	Control Assembly
7	56002563	3	#6-32 Nut
	56263836	1	Muffler Assembly (#8-13)
8	56263588	1	Bottom Cover
9	56263838	1	Foam
10	56263839	1	Foam
11	56263835	1	Foam
12	56263834	1	Muffler Housing
13	56263843	11	Panel Retainer
14	56002145	4	1/4-20 x 3/4 Screw
15	56323193	4	Nut Clamp
16	56263570	2	Bushing
17	56323721	4	Wheel
18	56002491	6	1/4-20 Lock Nut
19	56002807	4	1/4-20 x 3/4 Stainless Steel Screw
20	56001803	4	1/4 Shakeproof Washer
21	56002098	12	1/4 Flat Washer
22	56002093	4	1/4-20 x 1 Screw
23	56263560	1	Right Bracket
*	56263813	1	Left Bracket
24	56001856	2	1/4-20 x 2-1/4 Screw
25	56263605	4	Pop Rivet
26	56015295	1	Data Nameplate 120V
	56015380	1	Data Nameplate 100V
27	56168786	1	13A Circuit Breaker
28	56329177	1	6A Circuit Breaker
29	56326512	1	2A Circuit Breaker
30	56171541	3	Nut
31	56180272	1	Connector TSB 741
32	56002332	2	#6-32 x 5/8 Screw
*	56002563	3	#6-32 Nut
33	56015170	1	Decal, Instructions
34	56015287	1	Decal, Warning

* = Not Shown



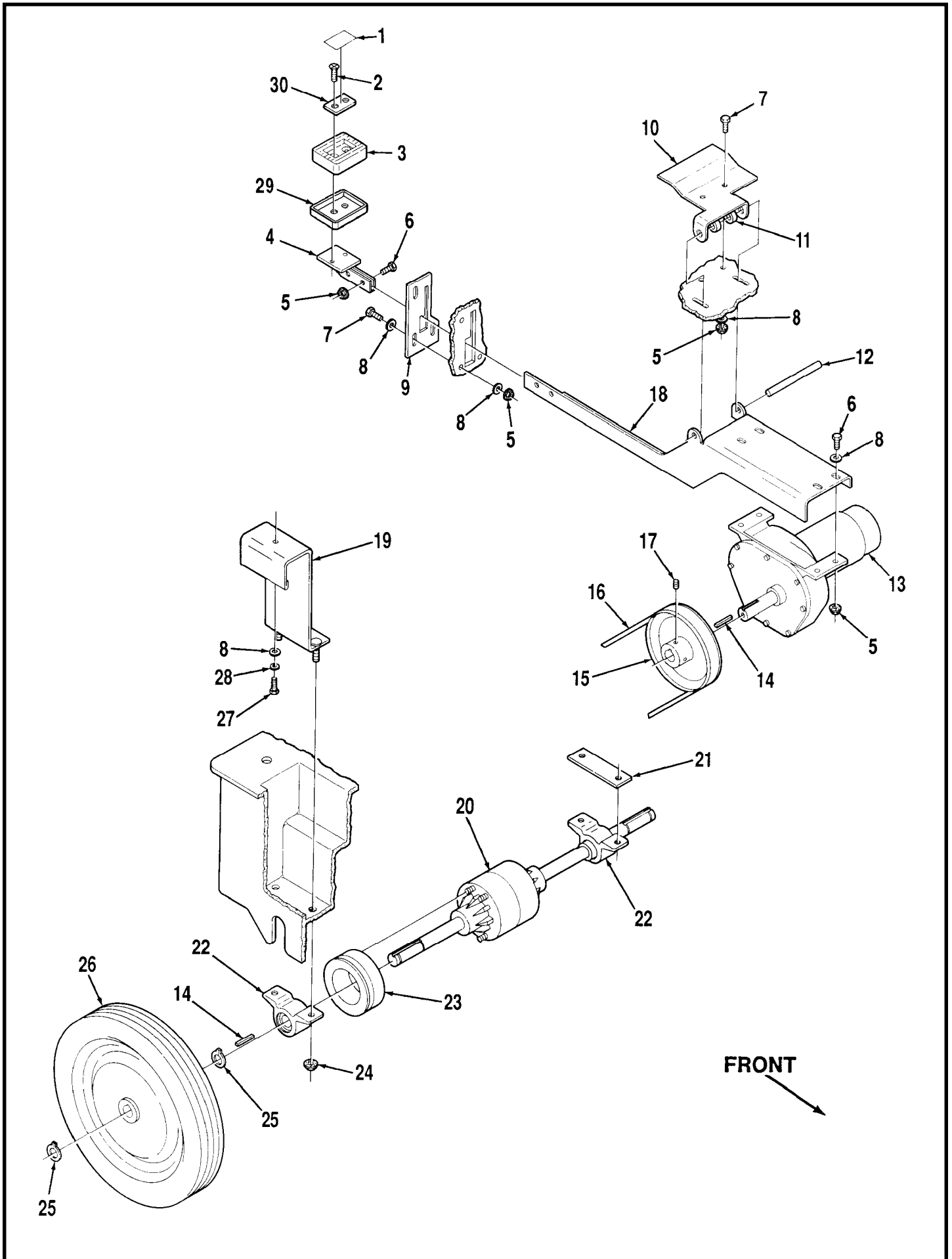
WIRING LADDER DIAGRAM

Ref. No.	Qty	Description
56329177	1	Circuit Breaker, Brush Motor 6A
56326512	1	Circuit Breaker, Drive Motor 2A
56168786	1	Circuit Breaker, Vacuum Motor 13A
56263702	1	Control Assembly
56263711	1	Fuse 1A
56263700	1	Main Wiring Harness
56263390	1	Motor, Brush 100V
56263542	1	Motor, Brush 120V
56263597	1	Motor, Drive
56262568	1	Motor, Pump TSB 703
56263601	1	Motor, Vacuum
56263593	1	Proportional Controller
56180163	1	Rectifier
56263596	1	Relay, AC
56263595	1	Relay, Brush Motor
56263594	1	Relay, Drive Motor
56100039	1	Solenoid Valve
56262551	1	Switch, Main
56263691	1	Switch, Membrane
56262027	2	Switch, Safety TSB 729
56263592	1	Varistor V1
56755897	1	Varistor V2



- A CONTROLLER ASSEMBLY
- CR RECTIFIER
- F1 CIRCUIT BREAKER, 6 AMP
- F2 CIRCUIT BREAKER, 2 AMP
- F3 FUSE, 1 AMP
- F4 CIRCUIT BREAKER, 13 AMP
- K1 AC RELAY
- K2 BRUSH MOTOR RELAY
- K3 DRIVE MOTOR RELAY
- S1 MAIN SWITCH
- S2 SAFETY SWITCH
- S3 SWITCH PAD ASSEMBLY
- L1 SOLENOID VALVE
- M1 VACUUM MOTOR
- M2 PUMP MOTOR
- M3 BRUSH MOTOR
- M4 DRIVE MOTOR
- V1 VARISTOR
- V2 VARISTOR

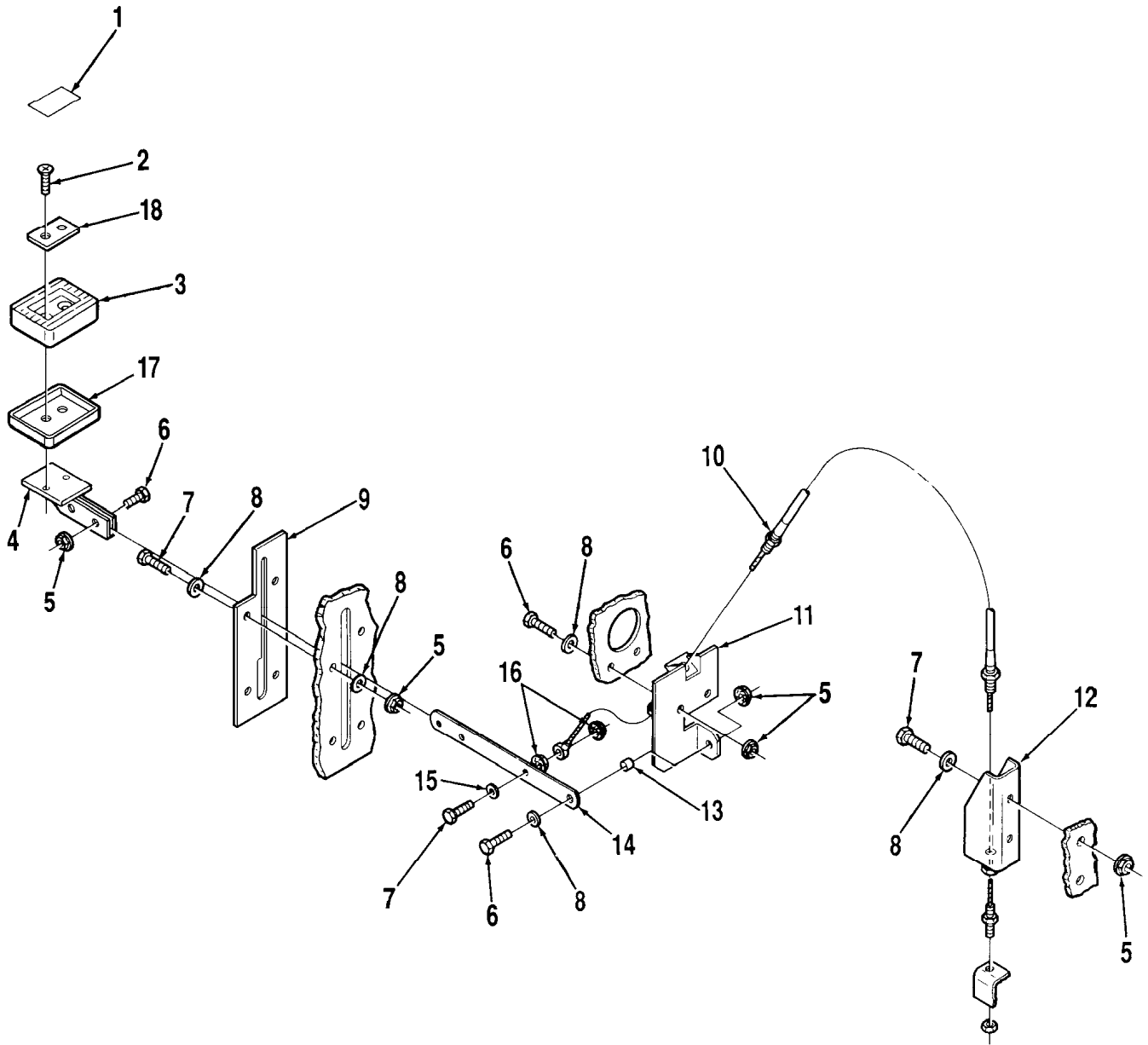
Note #1: The GRN/YEL ground wire is found only on the 120V machine.



DRIVE SYSTEM

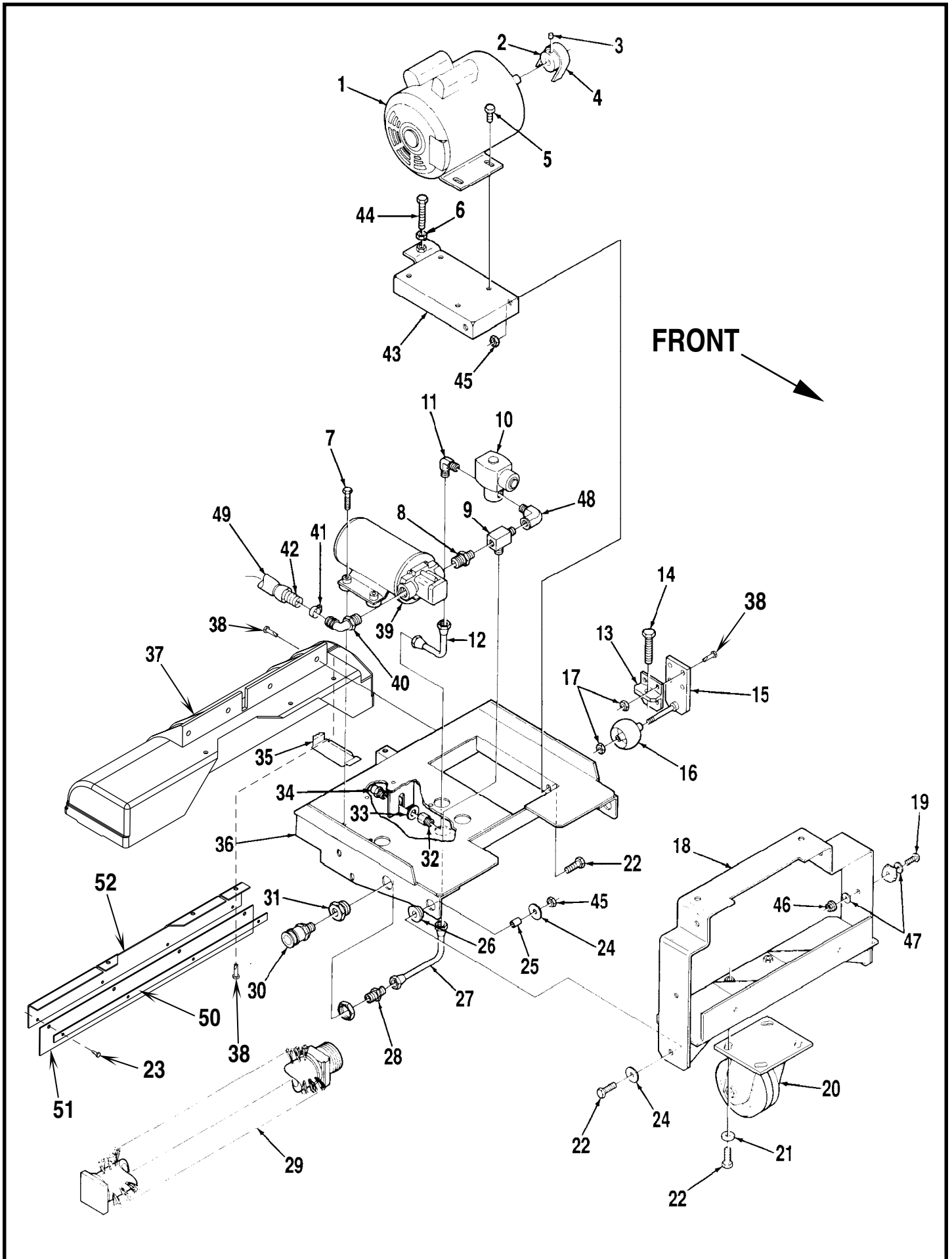
Item	Ref. No.	Qty	Description
1	56015175	1	Decal, Pedal
2	56002521	2	1/4-20 x 3/4 Screw
3	56365082	1	Pad
4	56263641	1	Pedal
5	56002491	11	1/4-20 Lock Nut
6	56002155	6	1/4-20 x 3/4 Screw
7	56002093	5	1/4-20 x 1 Screw
8	56002098	14	1/4 Flat Washer
9	56263536	1	Adjusting Plate
10	56263531	1	Motor Bracket
11	56331076	2	Collar
*	56001935	2	#10-24 x 3/16 Set Screw
12	56263532	1	Pin
13	56263597	1	Drive Motor
14	56443719	3	Key
15	56263527	1	Sheave
16	56471087	1	Belt
17	56002119	2	1/4-20 x 1/2 Set Screw
18	56263540	1	Motor Mount
19	56263538	2	Bolt Anchor
20	56263537	1	Differential
21	56263827	1	Spacer
22	56263525	2	Pillow Block
23	56263533	1	Sheave
24	56002804	4	5/16-18 Lock Nut
25	56900884	4	Retaining Ring
26	56263583	2	Wheel
27	56002807	2	1/4-20 x 3/4 Stainless Steel Screw
28	56001803	2	1/4 Shakeproof Washer
29	56365083	1	Pedal Cup
30	56365081	1	Plate

* = Not Shown



BRUSH LIFT LEVER

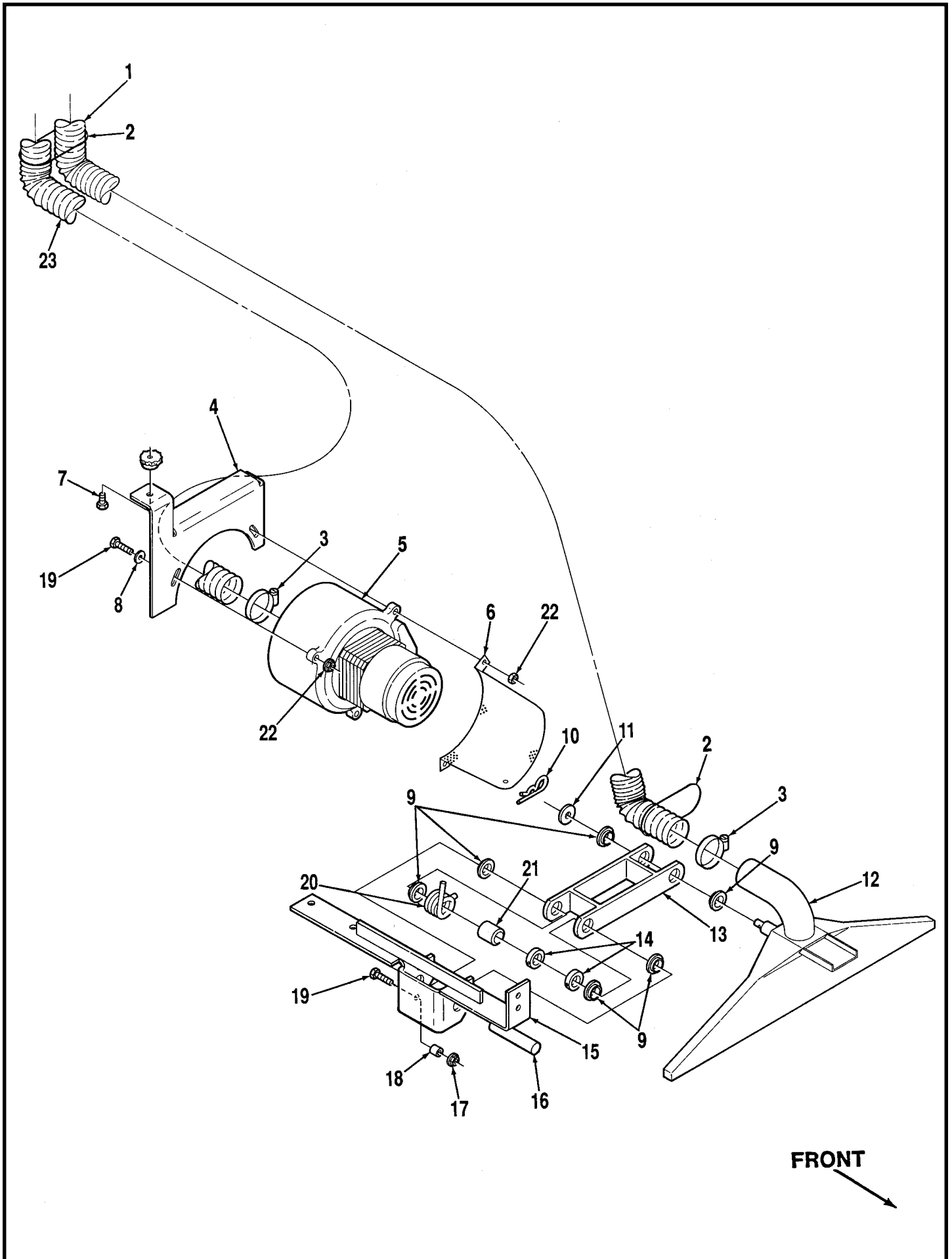
Item	Ref. No.	Qty	Description
1	56015174	1	Decal, Pedal
2	56002521	2	1/4-20 x 3/4 HP-5 Screw
3	56365082	1	Pad
4	56263641	1	Pedal
5	56002491	11	1/4-20 Lock Nut
6	56002155	5	1/4-20 x 3/4 Screw
7	56002093	7	1/4-20 x 1 Screw
8	56002098	13	1/4 Flat Washer
9	56263708	1	Plate
10	56263640	1	Cable with Nuts
11	56263867	1	Pivot Bracket
12	56263638	1	Bracket
13	56379298	1	Bushing
14	56263632	1	Arm
15	56001803	1	1/4 Shakeproof Washer
16	56002850	2	1/4-20 Stainless Steel Lock Nut
17	56365083	1	Pedal Cup
18	56365081	1	Plate



BRUSH MOTOR & PUMP

Item	Ref. No.	Qty	Description	Item	Ref. No.	Qty	Description
1	56263542	1	Brush Motor 120V	29	56263548	1	Brush Assembly
	56263390	1	Brush Motor 100V	*	56262559	1	Pulley
2	56263544	1	Sheave	*	56262625	1	Right Bearing Block
3	56001841	1	1/4-20 x 1/4 Set Screw	*	56262624	1	Left Bearing Block
4	56263676	1	Belt	*	56262626	1	Right Bearing
5	56001974	4	5/16-18 x 3/4 Bolt	*	56372773	1	Left Bearing
6	56002025	1	5/16-18 Nut	30	56249568	1	Quick Disconnect
7	56002540	4	#10-24 x 3/4 HP-5 Screw	31	56745543	1	Bulkhead Adapter with Nut
8	56263810	1	Reducer TSB 703	32	56263551	1	Adapter
9	56263552	1	Tee	33	56001953	2	7/16 Flat Washer
10	56100039	1	Solenoid Valve	34	56250042	1	Nozzle
11	56900028	1	Elbow	35	56262600	1	Guard
12	56263884	1	Tube	36	56263609	1	Brush Bracket
13	56263822	2	Lift Bracket	37	56263555	1	Brush Housing
14	56002800	2	3/8-16 x 2 SS Bolt	38	56009018	11	1/4-20 x 3/4 HP-5 Screw
15	56263830	2	Axle	39	56262568	1	Pump TSB 703
16	56323025	2	Wheel	40	56900069	1	Elbow TSB 703
17	56002491	6	1/4-20 SS Nyl Loc Nut	41	56219932	1	Hose Clamp
18	56263617	1	Pivot Bracket	42	56386182	1	Solution Hose
19	56002292	4	1/4-20 x 1 Screw	43	56263543	1	Motor Mount
20	56365555	1	Caster	44	56002802	1	5/16-18 x 2 SS Bolt
	56365742		Wheel for 56365555	45	56002804	4	5/16-18 Lock Nut
21	56001939	4	5/16 Flat Washer	46	56002491	4	1/4-20 Lock Nut
22	56002221	8	5/16-18 x 1 Bolt	47	56002098	8	1/4 Flat Washer
23	56009063	4	Scr, Hex Thd Form 10-24 x .25	48	56111309	1	Elbow
24	56183555	4	1/4 SS Washer	49	56263845	1	Tube
25	56244941	2	Bushing		56263928	1	Flap Assembly (#23, 50-52)
26	56261145	2	Bearing	50	56263925	1	Strap
27	56263883	1	Tube	51	56263927	1	Flap
28	56263556	1	Adapter	52	56263926	1	Support

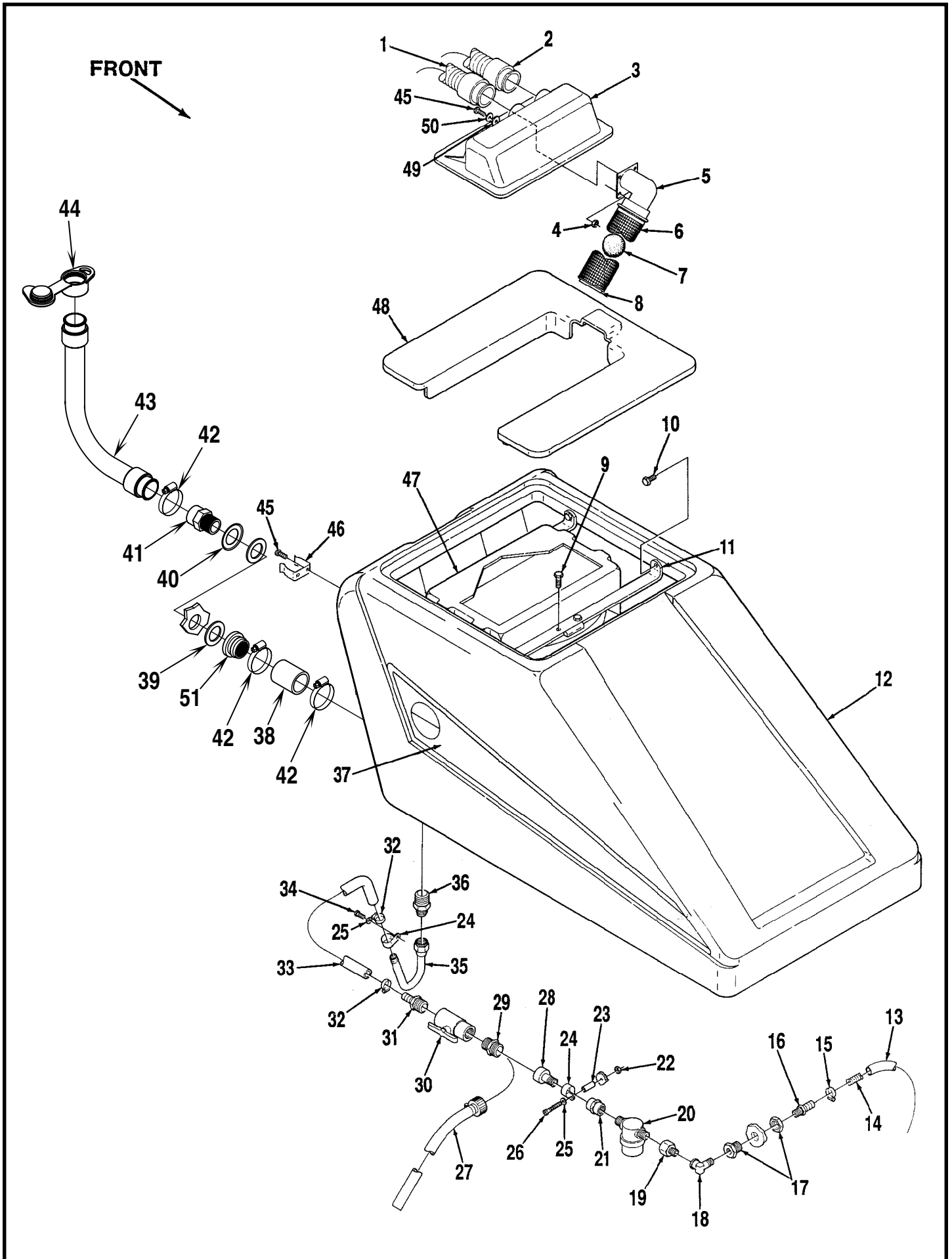
* = Not Shown



VACUUM MOTOR & PICK-UP TOOL

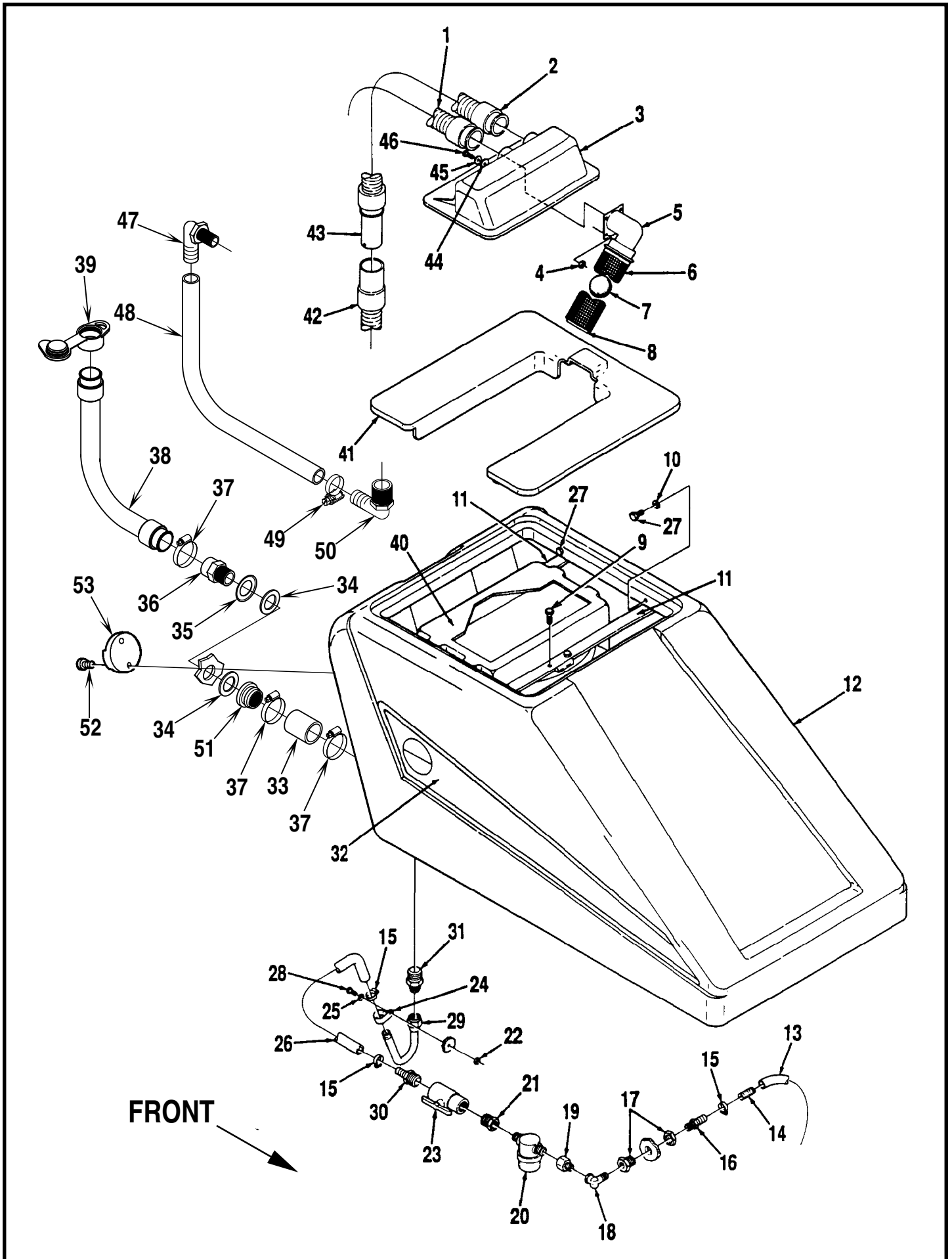
Item	Ref. No.	Qty	Description
1	56263877	1	Recovery Hose
2	56477613	2	Cable Tie
3	56329145	2	Hose Clamp
4	56263562	1	Motor Mount
5	56263601	1	Vacuum Motor
*	56260950	1	Carbon Brush Set for 56263601
6	56263059	1	Shield
7	56002513	2	1/4-20 x 1/2 HP-5 Screw
8	56002098	2	1/4 Flat Washer
	56263649	1	Pick-Up Tool Assembly (#9-21)
9	56100084	6	Bearing
10	56321406	1	Cotter Hair Pin
11	56180200	1	Washer
12	56263566	1	Pick-Up Tool
13	56263564	1	Bracket
14	56449228	2	Collar
*	56001840	2	#8-32 x 1/8 Set Screw
15	56263654	1	Pivot Bracket
16	56263652	1	Pivot Pin
17	56001827	1	1/4-20 Whiz Nut
18	56321532	1	Bushing
19	56001878	4	1/4-20 x 1-1/4 Screw
20	56263563	1	Torsion Spring
21	56263653	1	Bushing
22	56002491	3	1/4-20 Lock Nut
23	56263889	1	Vacuum Hose

* = Not Shown



TANK ASSEMBLY (before SN 539680)

Item	Ref. No.	Qty	Description	Item	Ref. No.	Qty	Description
1	56263889	1	Vacuum Hose	28	56263852	1	Coupler
2	56263877	1	Recovery Hose	*	56368776	1	Rubber Washer
3	56324046	1	Cover	29	56263851	1	Adapter
*	56262576	1	Gasket for Cover	30	56263853	1	Valve
4	56001831	2	#10-24 Brass Nut	31	56118117	1	Barb
5	56324298	1	Float Elbow	32	56112771	2	Hose Clamp
6	56391691	1	Float Cage	33	56260930	1	Hose
7	56391690	1	Float Ball	34	56001993	1	#10-24 x 1/2 Screw
8	56324013	1	End Cap	35	56263850	1	Tube
9	56002913	6	5/16-18 x 1 Stainless Steel Bolt	36	56263849	1	Adapter
*	56263887	2	Nut Plate	37	56015386	1	Decal, Right Stripe
10	56003012	2	5/16-18 x 3/4 Stainless Steel Bolt	*	56015387	1	Decal, Left Stripe
*	56002856	2	5/16-18 Stainless Steel Nut	38	56263204	1	Hose, Union
*	56002938	4	5/16 Stainless Steel Flat Washer	39	56263208	2	Gasket
11	56263865	2	Hold Down	40	56263206	1	Compression Plate
12	56263923	1	Solution Tank Assembly	41	56263870	1	Hose Nut
13	56263845	1	Electrical Tube	42	56329145	3	Hose Clamp
14	56263857	1	Solution Tube	43	56372222	1	Recovery Tank Drain Hose
15	56219932	1	Hose Clamp	44	56324180	1	Drain Plug
16	56373456	1	Barb	45	56378229	4	Screw
17	56745543	1	Bulkhead Fitting	*	56209596	2	Rubber Washer
18	56369632	1	Elbow	*	56249992	2	Washer
19	56759072	1	Adapter	*	56001831	2	#10-24 Brass Nut
20	56260905	1	Strainer	46	56404336	1	Hose Clamp
21	56757289	1	Coupler	47	56263863	1	Recovery Tank
22	56002768	2	#10-24 Lock Nut	48	56263864	1	Cover
23	56263856	1	Spacer	49	56209596	2	Rubber Washer
24	56442003	2	P-Clamp	50	56249992	2	Washer
25	56001954	2	#10 Flat Washer	51	56263205	1	Nut, Tank
26	56002171	1	#10-24 x 2 Screw				
27	56263854	1	Extended Drain Hose Assembly				* = Not Shown



TANK ASSEMBLY (after SN 539679)

Item	Ref. No.	Qty	Description	Item	Ref. No.	Qty	Description
1	56263889	1	Vacuum Hose	27	56002988	2	Scr Hex Hd SS 5/16-18 x 5/8 **
*	56015655	1	Decal, Direction	28	56001993	1	10-24 x 1/2 Screw
2	56263900	1	Upper Rec. Hose (includes #43) **	29	56263850	1	Tube **
*	56015655	1	Decal, Direction	30	56118117	1	Barb
3	56324045	1	Cover Assembly (#3-8, 44-46) **	31	56263849	1	Adapter **
	56324046	1	Cover only	32	56015386	1	Decal, Right Stripe **
*	56263220	1	Retaining Strap	*	56015387	1	Decal, Left Stripe **
*	56262576	1	Gasket for Cover	33	56263204	1	Hose Union
*	56324299	2	Clamp	34	56263208	2	Gasket **
4	56001831	2	10-24 Brass Nut	35	56263206	1	Compression Plate **
5	56324298	1	Float Elbow	36	56263870	1	Hose Nut **
6	56391691	1	Float Cage	37	56329145	3	Hose Clamp **
7	56391690	1	Float Ball	38	56372222	1	Recovery Tank Drain Hose **
8	56324013	1	End Cap	39	56324180	1	Drain Plug **
9	56002913	6	5/16-18 x 1 SS Screw **	40	56263211	1	Recovery Tank
*	56263887	2	Support Plate**	41	56263070	1	Cover **
*	56002856	6	5/16 SS Nut **	*	56260148	1	Chain **
10	56002938	4	5/16 SS Flat Washer **	*	56002899	1	Scr Hex Hd SS #6-32 x 3/4**
11	56263865	2	Hold Down Strap **	*	56002907	1	Nut Hex Nyl Loc SS #6-32 **
12	56263923	1	Solution Tank Assy (includes #47-50)	42	56263901	1	Lower Rec. Hose
13	56263845	1	Tube	43	56263897	1	Tube
14	56386182	1	Solution Tube	44	56209596	2	Rubber Washer
15	56219932	3	Hose Clamp	45	56249992	2	Washer
16	56373456	1	Barb	46	56378229	4	Screw
17	56745543	1	Bulkhead Adapter with Nut	47	56264442	1	Barb, Elbow 90° 3/4 x 3/8 NPT
18	56369632	1	Elbow	48	56263218	1	Tube, PVC
19	56759072	1	Adapter	49	56112771	1	Clamp, Hose SAE #10
20	56260905	1	Strainer	50	56456802	1	Barb, Elbow 90° 3/4 x 3/4 NPT
21	56751687	1	Bushing	51	56263205	1	Nut, Tank
22	56002768	2	10-24 Lock Nut	52	56009031	2	Scr, Pan Phil Thd Form 8-32 x .50
23	56263853	1	Valve	53	56171800	1	Wall Plate, Plug Lug
24	56328064	2	P-Clamp				
25	56001954	2	#10 Flat Washer				
26	56261263	1	Hose				

* = Not Shown

** = Included in Tank Assembly 56263209



Nilfisk-Advance, Inc.
14600 21st Avenue North
Plymouth, MN, 55447-3408
www.nilfisk-advance.com
Phone: 800-989-2235
Fax: 800-989-6566
©2000 Nilfisk-Advance, Inc.,
Plymouth, MN 55447-3408
Printed in the U.S.A.