

AQUATRON

MODELS: A160

A160-5

A160H

A160H-5

A160J

AFTER SERIAL NO. 905813

FORM NO. 042 114

AUG. 1984

PARTS LIST



© 1984 Advance Machine Company, Spring Park, MN 55384-0275

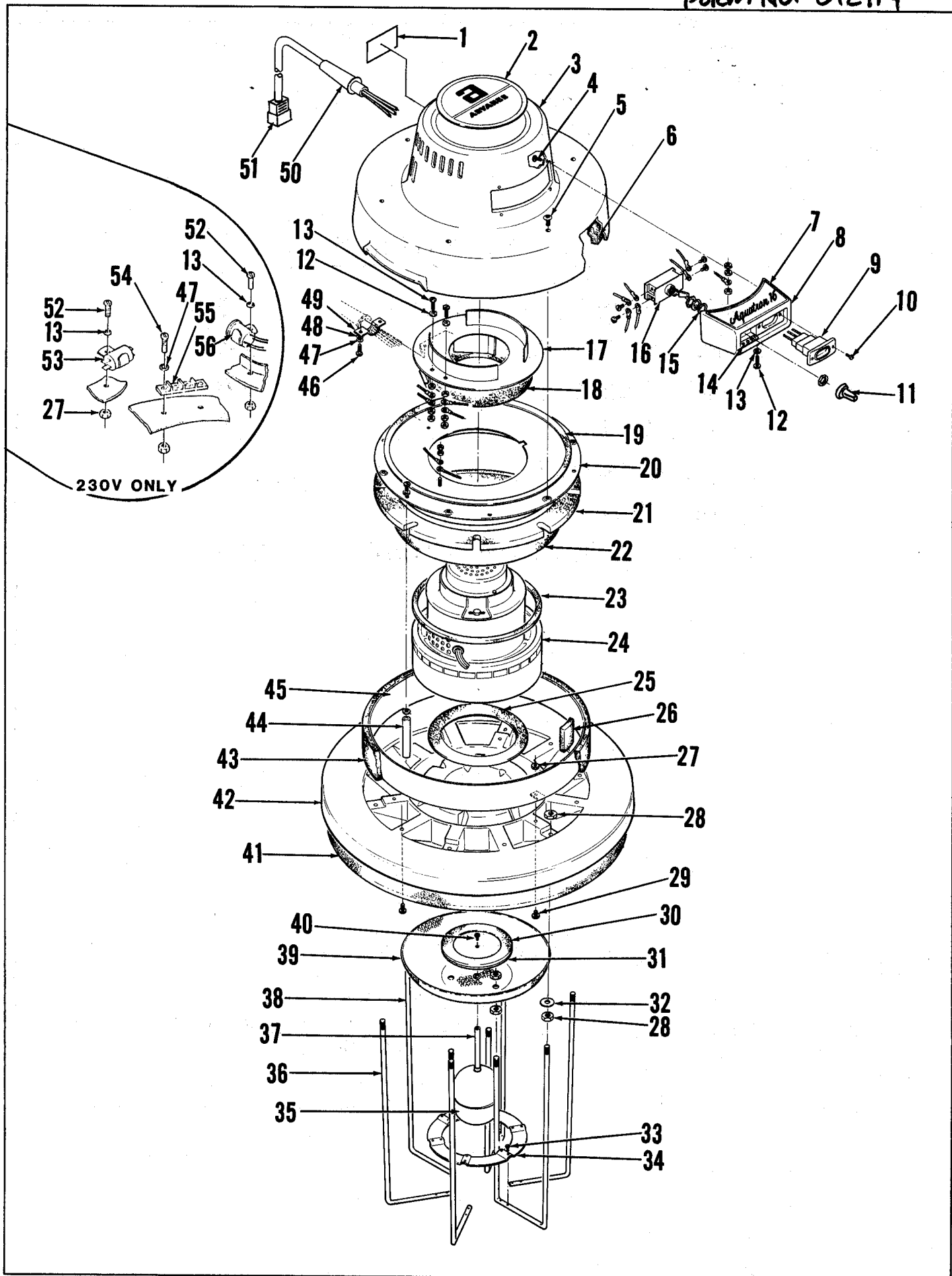
ADVANCE
MACHINE COMPANY

INTERNATIONAL HEADQUARTERS, Spring Park, Minnesota 55384-0275
EUROPE, 4 Rue Jean Engling, L-1466 Luxembourg
CANADA, 1295 Crestlawn Drive, Mississauga, Ontario L4W 1A9



INDEX FOR FORM NUMBER 042114

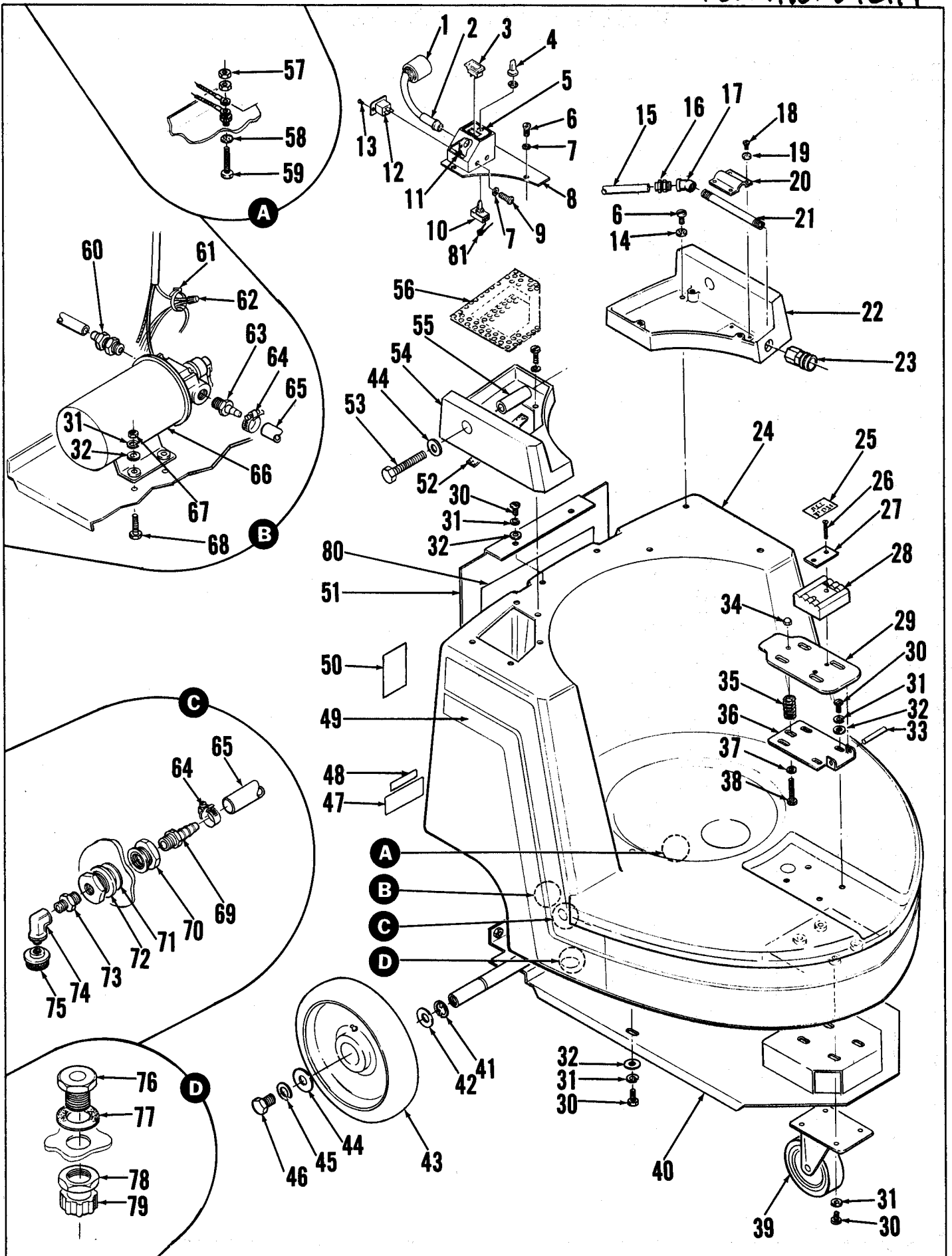
Description	Location	Page
Motor, Vacuum	F8	7
Pump	F7	6
Tank, Recovery	F6	5
Tank, Solution	F4	3
Vacuum Head, HEPA	F10	9
Vacuum Head, Standard	F2	1
Wiring Diagram	F9	8



VACUUM HEAD ASSEMBLY

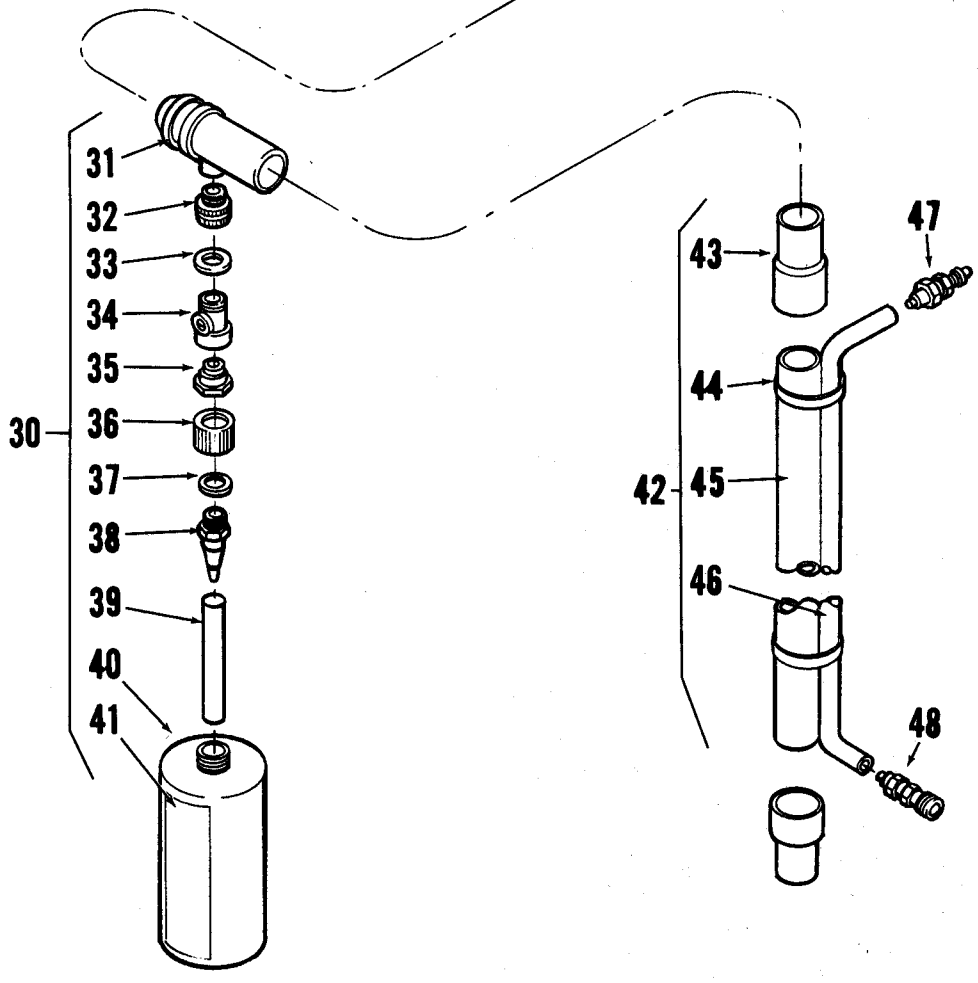
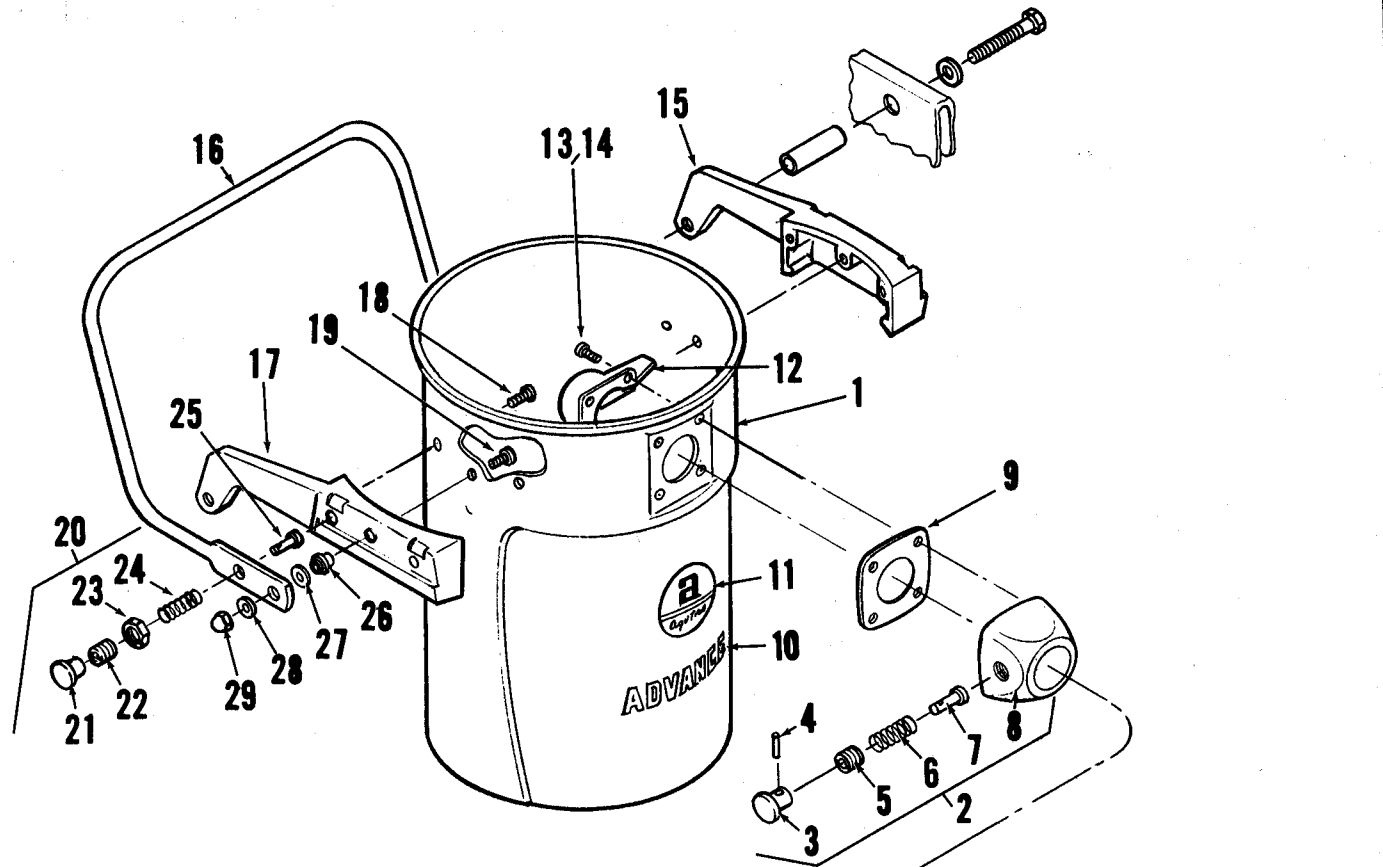
ITEM	PART NO.	QTY	DESCRIPTION
1	015 084	1	DECAL, WARNING
2	015 076	1	DECAL, ADVANCE
3	205 650	1	SHROUD, COVER
4	249 680	4	SCREW, HEX HD #6-32 X 1/2
5	570 220	6	SCREW, BLK #10 X .50
6	205 651	2	FOAM, SOUND REDUCING
7	017 779	1	DECAL, AQUATRON 16
8	249 602	1	CONSOLE
9	209 826	1	RECEPTACLE
10	570 514	2	SCREW #6 X .375
11	756 514	1	BOOT, TOGGLE SWITCH
12		3	SCREW, PAN HD #10-24 X 5/8
13		20	WASHER, SHAKEPROOF #10
14	023 224	1	DECAL, ON-OFF
15		1	WASHER, SHAKEPROOF 1/2
16	200 340	1	SWITCH, TOGGLE 115V
	301 636	1	SWITCH, TOGGLE 230V
17	249 612	1	RING
18	249 533	1	FOAM, SOUND REDUCING
19	249 648	1	GASKET
20	249 622	1	RING, MOUNTING
21	205 653	1	FOAM, SOUND REDUCING
22	205 655	1	FOAM, SOUND REDUCING
23	249 656	1	GASKET, MOTOR
24	249 525	1	MOTOR 115V
	249 526	1	MOTOR 230V
25	249 642	1	GASKET
26	205 652	6	FOAM, SOUND REDUCING
27		18	NUT, HEX #10-24
28		18	NUT, HEX 3/16-18
29	209 488	15	SCREW, PAN HD #10-24 X .43
30	249 646	1	GASKET
31	200 522	1	WASHER
32		6	WASHER, FLAT 5/16
33	200 673	12	RIVET
34	200 670	1	RING, BASKET
35	200 603	1	FLOAT, METAL BALL
36	200 646	3	ROD, BASKET
37	200 584	1	STEM, FLOAT
38	200 654	3	ROD, BASKET
39	200 492	1	SHIELD, PERFORATED
40		1	SCREW, #8-32 X .31
41	250 099	1	GASKET
42	205 638	1	COVER, BASE
43	249 535	1	FOAM, SOUND REDUCING
44	209 440	6	SPACER #10 X 2.75
45	250 086	1	RING
46		2	SCREW, PAN HD #8-32 X .50
47		4	WASHER, SHAKEPROOF #8
48		2	WASHER, FLAT #8
49	300 542	1	CLAMP, STRAIN RELIEF
50	301 396	1	STRAIN RELIEF
51	250 224	1	PLUG ASSEMBLY
52		2	SCREW, PAN HD. #10-24 X .50
53	249 530	1	FILTER
54		2	SCREW, PAN HD #8-32 X .63
55	290 572	1	TERMINAL BLOCK
56	249 532	1	COIL, CHOKE

TSB
434
G-12



MAIN ASSEMBLY

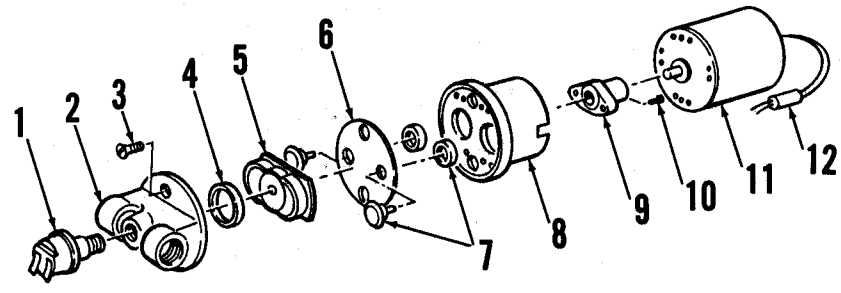
ITEM	PART NO.	QTY	DESCRIPTION
1	250 188	1	CORD SET 14/3 X 16
2	301 396	1	STRAIN RELIEF
3	249 527	1	LIGHT, INDICATOR
4	756 514	1	BOOT
5	017 792	1	DECAL, PUMP SWITCH
6	209 485	17	SCREW, 10-24 X 1/2 SS
7		11	WASHER, SHAKEPROOF #10
8	250 161	1	COVER, SWITCHBOX
9		3	SCREW, PAN HD. #10-24 X 3/4
10	207 075	1	SWITCH, TOGGLE
11		2	WHIZ NUT #6-32
12	250 228	1	RECEPTACLE
13		2	SCREW, #6-32 X .50 NYLON
14		13	LOCKWASHER #10
15	249 827	1	TUBE, 1/4 X 3/8 X 25.5"
16	249 928	1	CONNECTOR, 1/8 MNPT
17	748 794	1	ELBOW, 1/8 X 45°
18		4	SCREW, #8-32 X .325
19		4	LOCKWASHER, SHAKEPROOF #8
20	249 964	1	CLAMP
21	249 924	1	NIPPLE
22	249 990	1	BRACKET, LEFT
23	249 936	1	SOCKET, DISCONNECT
24	249 906	1	TANK BASE
25	057 202	1	DECAL, RELEASE
26		2	SCREW, FLAT HD 1/4-20 X .75
27	365 081	1	PLATE, PEDAL
28	365 082	1	PAD, RUBBER
36	578 342	1	BRACKET
30		12	SCREW 1/4-20 X 1/2
31		16	LOCKWASHER 1/4
32		12	WASHER, FLAT 1/4
33		1	PIN, SPRING 3/16 X 2
34	209 720	1	NUT, ACORN
35	228 142	1	SPRING
29	578 330	1	LATCH
37	249 992	8	WASHER .219 X .500 SS
38		1	SCREW, PAN HD #10-24 X 1 1/2
39	206 725	1	CASTER, SWIVEL
40	249 981	1	BASE
41	249 940	2	RING, RETAINING
42	362 883	2	WASHER, SPRING
43	362 336	2	WHEEL
44		4	WASHER, FLAT 3/8
45		2	LOCKWASHER 3/8
46		2	SCREW, 3/8-16 X .75
47	015 324	1	NAMEPLATE, ADVANCE
48	057 195	1	DECAL, PATENT
49	017 773	1	DECAL, RIGHT STRIPE
	017 775	1	DECAL, LEFT STRIPE
	017 778	2	DECAL, STRIPE
50	014 828	1	DECAL, WARNING
51	249 986	1	PANEL, REAR
52	220 088	1	GASKET
53		2	SCREW, HEX HD 3/8-16 X 2.50
54	250 004	1	BRACKET, RIGHT
55	249 952	2	BUSHING
56	249 976	1	STRAINER
57		3	NUT, HEX HD #10-24
58		1	WASHER, SHAKEPROOF #10
59		1	SCREW, #10-24 X 3/4
60	249 934	1	CONNECTOR, MALE 3/8 NPT
61	325 219	1	CABLE TIE
62	321 737	1	WIRE NUT
63	244 983	1	BARB 3/8 X 3/8 X 90 PE
64	219 932	2	CLAMP, HOSE #6
65	250 050	1	TUBE, 3/8 X 5/8 X 7"
66	249 930	1	PUMP 115V
	249 932	1	PUMP 230V
67		6	NUT, HEX HD 1/4-20
68		4	SCREW, HEX HD 1/4-20 X 3/4
69	155 640	1	BARB 3/8 X 1/4 BRASS
70	745 543	1	ADAPTOR, BLK HD. 1/4
71	249 975	1	GASKET
72	249 625	1	RETAINER, GASKET
73	249 979	1	NIPPLE, REDUCING
74	111 309	1	ELBOW, ST 1/8 X 90°
75	750 857	1	STRAINER
76	249 973	1	CONNECTOR
77	249 977	1	GASKET
78	249 971	1	NUT 3/4-11.5
79	255 076	1	CAP, PIPE
80	017 788	1	DECAL, WIRING
81	250 168	1	VARIATOR ASSEMBLY 230V ONLY
*	250 190	1	INPUT CORD 115V (NOT SHOWN)
	300 227	1	INPUT CORD 230V (NOT SHOWN)
	249 927	1	INPUT CORD JAPAN (NOT SHOWN)



TANK ASSEMBLY

ITEM	PART NO.	QTY	DESCRIPTION
1	578 256	1	TANK, 12 GALLON
2	201 386	1	CONNECTOR ASSEMBLY (INCLUDES ITEMS 3-8)
3	201 405	1	KNOB
4	201 472	1	PIN
5	201 383	1	SOCKET
6	201 488	1	SPRING
7	201 391	1	PIN, SPRING
8	201 377	1	CONNECTOR
9	201 390	1	GASKET
10	016 519	1	DECAL, ADVANCE
11	017 770	1	DECAL, AQUATRON
12	201 394	1	DEFLECTOR
13	209 519	1	SCREW #10-16 X 3/4
14	209 521	3	SCREW #10-16 X 1
15	249 967	1	HANDLE, LEFT HAND
16	578 220	1	HANDLE
17	249 969	1	HANDLE, RIGHT HAND
18		4	SCREW, PAN HD. 1/4-20 X 5/8
19		2	SCREW, PAN HD. 1/4-20 X 2
20	578 214	1	LOCK ASSEMBLY (INCLUDES ITEMS 21-25)
21	362 778	1	KNOB
22	578 216	1	SOCKET
23	578 218	1	NUT
24	278 222	1	SPRING
25	578 226	1	PIN
26	578 244	2	BUSHING, STEP .250
27	151 041	2	WASHER, SPRING
28		2	WASHER, FLAT 1/4
29	172 066	2	NUT, ACORN 1/4-20 S.S.
30	249 941	1	DEFOAMER ASSEMBLY (INCLUDES ITEMS 31-41)
31	201 841	1	SWIVEL ASSEMBLY
32	249 959	1	CONNECTOR, SWIVEL
33	368 776	1	WASHER, RUBBER
34	756 404	1	VALVE
35	249 960	1	ADAPTOR 3/4-14 NPT
36	249 955	1	CAP
37	249 915	1	WASHER, NYLON
38	155 640	1	BARB
39	150 231	1	TUBE
40	249 690	1	BOTTLE
41	017 810	1	DECAL, BOTTLE
42	249 910	1	HOSE ASSEMBLY (INCLUDES ITEMS 43-48)
43	207 306	2	CUFF, HOSE
44	477 613	11	TIE WRAP
45	582 071	180"	HOSE, VAC
46	249 920	203"	TUBE
47	249 918	1	PLUG
48	249 916	1	SOCKET

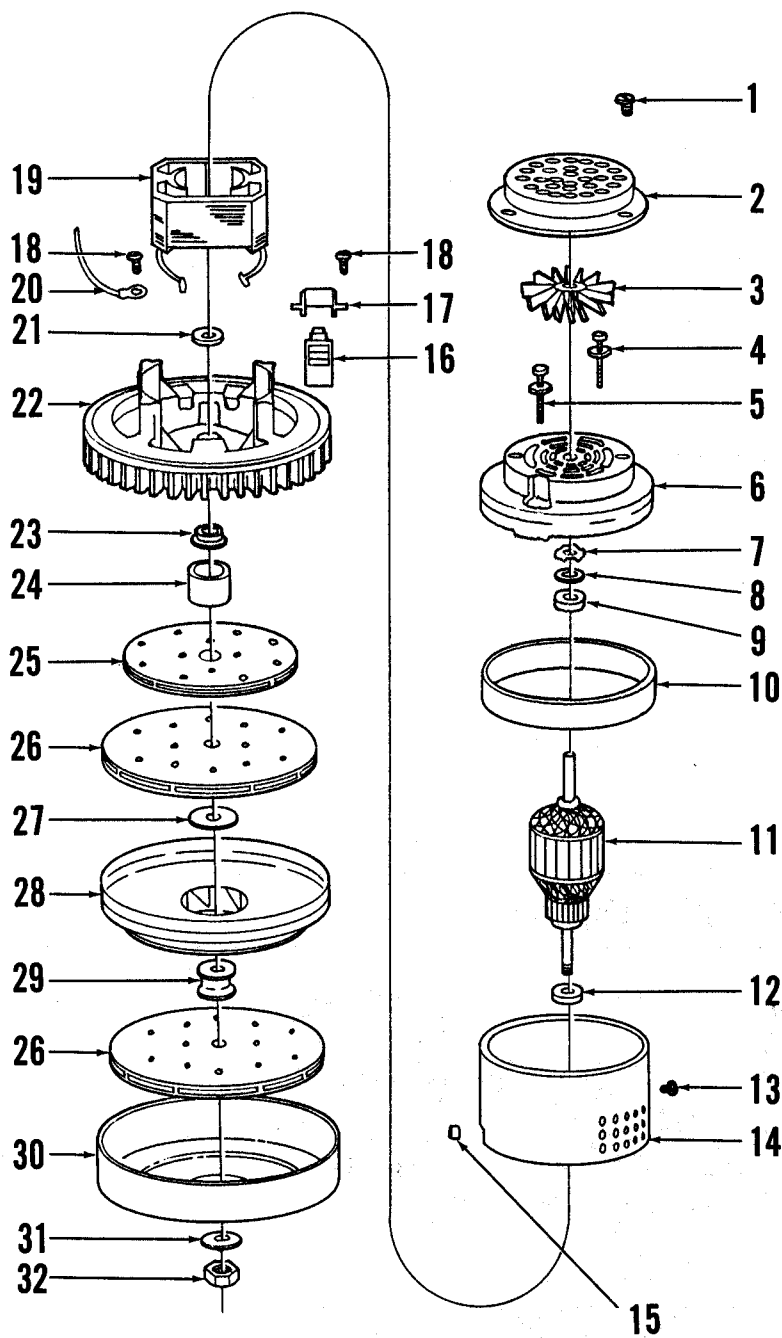
FLO-JET PUMP



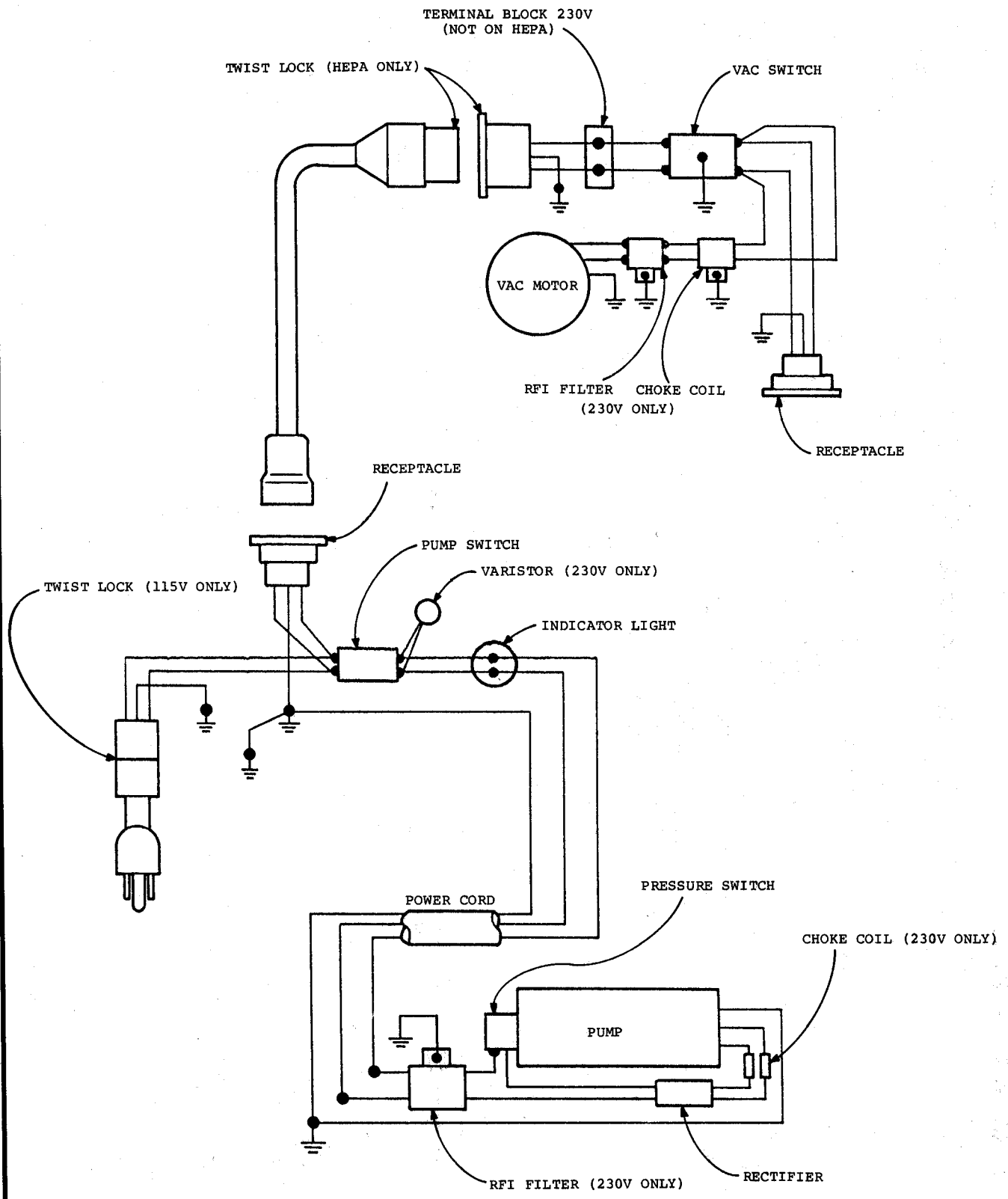
ITEM	PART NO.	QTY	DESCRIPTION	ITEM	PART NO.	QTY	DESCRIPTION
1	249 947	1	PRESSURE SWITCH	8	249 961	1	BEARING COVER
2	249 963	1	PUMPHOUSING	9	249 935	1	BEARING ASSEMBLY
3		6	SCREW, #10-32 X 1	10		2	SCREW, #10-32 X .50
4	249 945	1	SEAL RING	11	249 949	1	MOTOR 115V
5	249 943	1	CHECK VALVE ASSEMBLY		249 963	1	MOTOR 230V
6	249 939	1	DIAPHRAGM, NITRILE	12	249 933	1	RECTIFIER ASSEMBLY
7	249 937	1 SET	PISTON				

VACUUM MOTOR

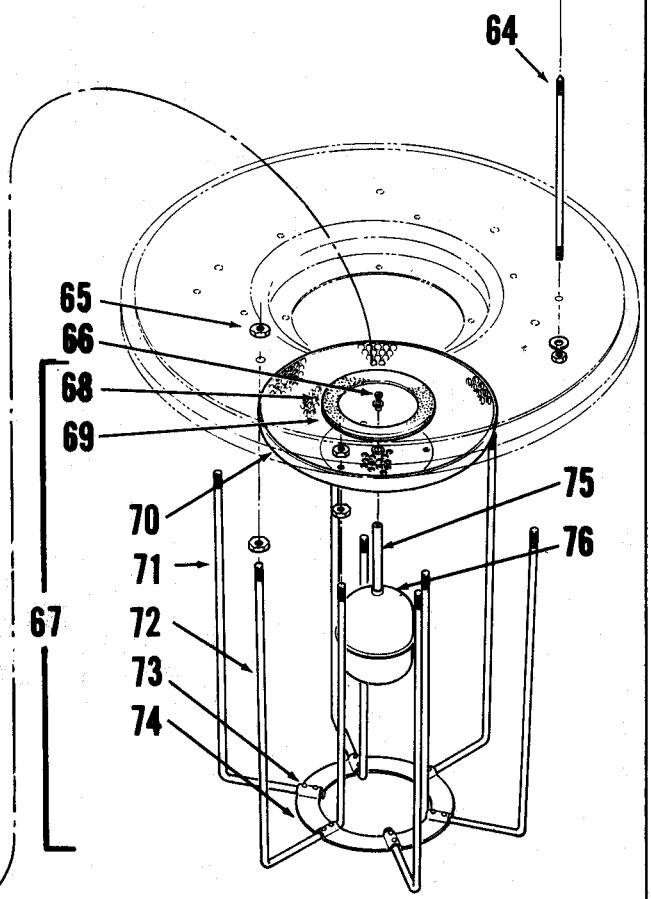
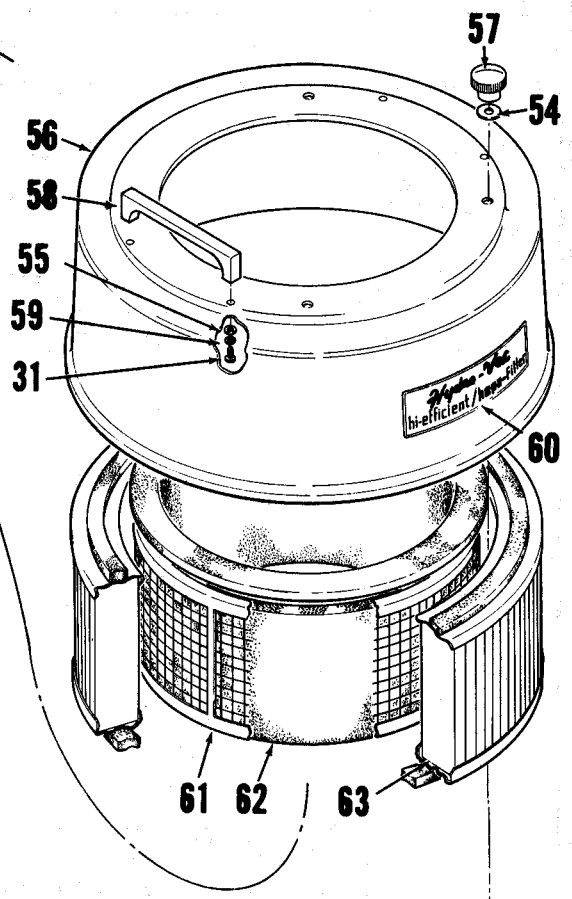
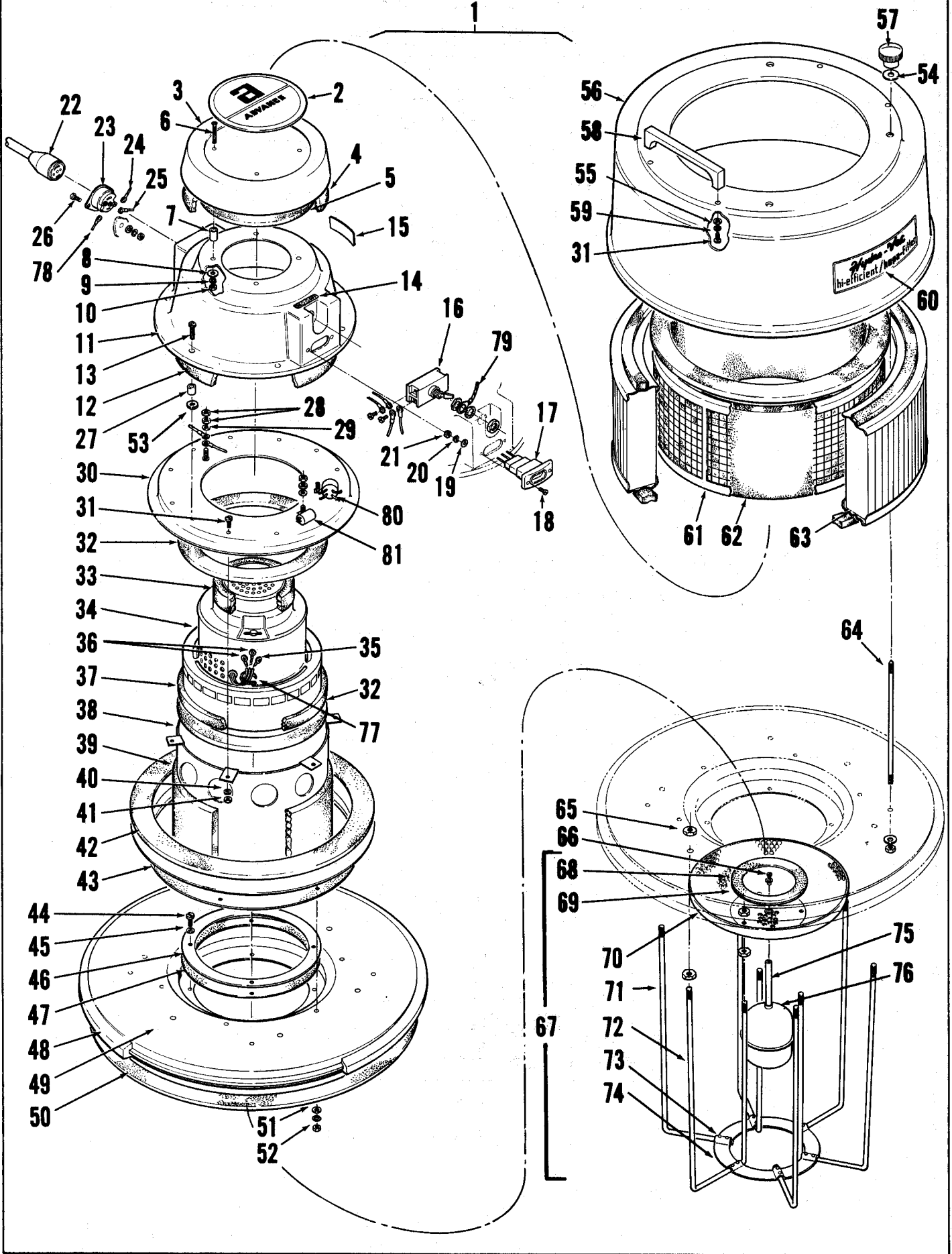
ITEM	PART NO.	QTY	DESCRIPTION
1	249 725	2	SCREW
2	249 727	1	COVER
3	249 729	1	FAN
4	249 759	2	WASHER
5	249 731	2	SCREW
6	202 584	1	BRACKET
7	249 733	1	LOAD SPRING
8	249 735	1	DISC
9	249 737	1	BEARING
10	249 739	1	AIR VENT RING
11	249 743	1	ARMATURE 115V
	249 741	1	ARMATURE 230V
12	228 051	1	BEARING
13	202 754	1	SCREW
14	249 745	1	BAND
15	202 762	1	SNAP BUSHING
16	207 403	2	BRUSH MECHANISM (SET)
17	208 132	2	CLAMP
18	202 772	5	SCREW
19	207 373	1	FIELD 115V
	202 536	1	FIELD 230V
20	202 738	1	LEAD & TERMINAL
21	249 747	1	NEOPRENE WASHER
22	249 749	1	FAN END BRACKET
23	203 424	1	SPACER
24	249 751	1	SLINGER
25	249 753	1	FAN
26	202 592	2	FAN
27	202 770	1	WASHER
28	249 755	1	STATIONARY FAN
29	203 516	1	SPACER
30	249 757	1	FAN SHELL
31	203 432	1	WASHER
32	203 440	1	NUT



WIRING DIAGRAM



1



"HEPA" FILTER POWERHEAD

ITEM	PART NO.	QTY	DESCRIPTION
1	207 024	1	"HEPA" POWERHEAD 115V
	207 027	1	"HEPA" POWERHEAD 230V
2	015 076	1	DECAL, ADVANCE
3	206 036	1	COVER
4	204 072	1	GASKET
5	204 099	1	LINER
6		4	SCREW, FLAT HD. #6-32 X 1.25
7	200 239	4	BUSHING
8		6	WASHER, FLAT #6
9		6	LOCKWASHER #6
10		6	NUT, #6-32
11	207 022	1	COVER 115V
	207 082	1	COVER 230V
12	207 038	2	FOAM, SOUND REDUCING
13		6	SCREW, #10-24 X 3/4
14	015 080	1	DECAL, ON-OFF
15	015 084	1	DECAL, WARNING
16	200 340	1	SWITCH, TOGGLE 115V
	301 636	1	SWITCH, TOGGLE 230V
17	206 014	1	RECEPTACLE
18		2	SCREW, #4-40 X 5/8
19		2	WASHER, FLAT #4
20		2	LOCKWASHER #4
21		2	NUT #4-40
22	250 159	1	CORD SET 115V
	250 167	1	CORD SET 230V
23	207 064	1	INLET, TWIST-LOK 115V
	207 086	1	INLET, TWIST-LOK 230V
24	207 114	1	WIRE ASSEMBLY
25	207 094	1	WIRE ASSEMBLY
26		2	SCREW, #6-32 X 1/2
27	200 123	6	BUSHING
28		4	NUT, HEX #8-32
29		2	WASHER, FLAT #8
30	207 072	1	TOP, MOTOR MOUNTING
31		10	SCREW, PAN HD #10-24 X 5/8
32	207 010	2	GASKET
33	207 020	1	GASKET, MOTOR
34	249 525	1	MOTOR 115V
	249 526	1	MOTOR 230V
35	207 110	1	TERMINAL RING #8
36	311 229	2	TERMINAL RING #6
37	449 227	1	GASKET
38	207 032	1	MOTOR MOUNT
39	207 078	1	FOAM, SOUND REDUCING
40		10	LOCKWASHER #10
41		6	NUT, HEX #10-24
42	207 050	2	GASKET, PREFILTER
43	207 102	1	GASKET
44		4	SCREW, PAN HD. 1/4-20 X .375
45		10	LOCKWASHER 1/4
46	207 034	1	PLATE, VAC SHUT OFF
47	207 122	1	GASKET
48	572 705	1	BUMPER, COVER
49	207 052	1	COVER, TANK
50	250 099	1	GASKET
51		10	WASHER, FLAT 1/4
52		10	NUT 1/4-20
53	200 190	6	WASHER, FIBRE .171
54	380 875	4	WASHER, FIBRE .253
55	209 596	4	WASHER, RUBBER .156
56	207 018	1	COVER, FILTER
57	207 088	4	KNOB
58	300 101	2	HANDLE
59		4	WASHER, FLAT #10
60	015 090	1	DECAL
61	207 026	1	RING, PREFILTER
62	207 048	1	PREFILTER
63	207 014	1	FILTER, HEPA
64	207 046	4	STUD, FILTER COVER
65		24	NUT, 5/16-18
66		1	SCREW, #8-32 X 3/8
67	200 495	1	BASKET ASSEMBLY
68	249 646	1	GASKET
69	200 522	1	WASHER
70	200 492	1	SHIELD, SUDS
71	200 654	1	ROD, BASKET
72	200 646	1	ROD, BASKET
73	200 673	12	RIVET
74	200 670	1	RING, BASKET
75	200 584	1	STEM
76	200 603	1	FLOAT
77	325 219	2	CABLE TIE
78	207 096	1	WIRE ASSEMBLY
79	209 900	1	WIRE ASSEMBLY 115V
80	249 532	1	COIL, CHOKE 230V
81	249 530	1	RFI FILTER 230V