

AquaTron™



PARTS LIST

Advance MODELS A160XL, A160XL-5

This parts list is for machines after serial number 157941



**Nilfisk
Advance**

setting standards

1/88 revised 3/01 Form Number 042177

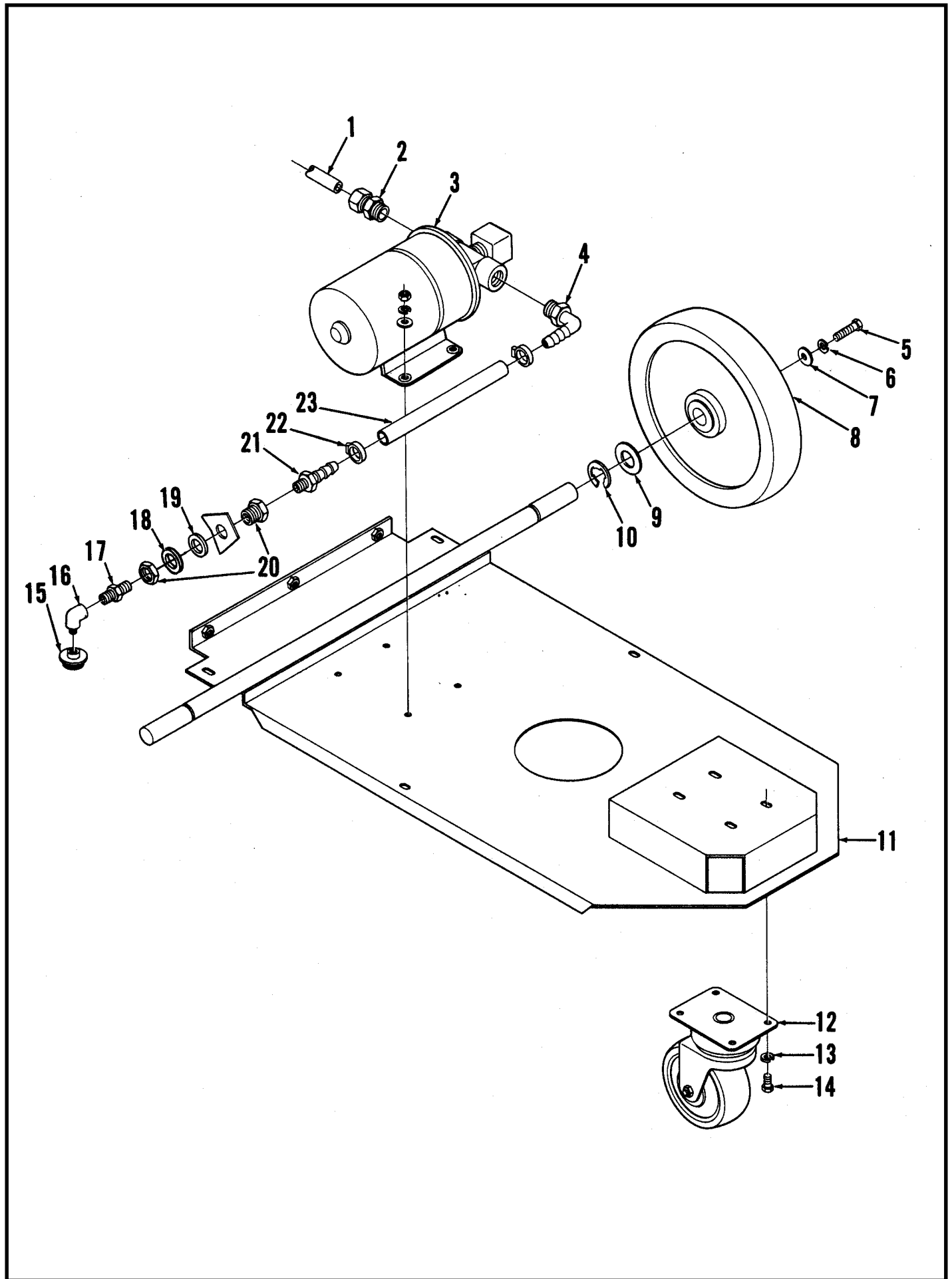
TABLE OF CONTENTS

<u>DESCRIPTION</u>	<u>PAGE</u>
WHEELS, CHASSIS & PUMP	1-2
SOLUTION TANK	3-4
RECOVERY TANK	5-6
VACUUM HEAD	7-8
WIRING DIAGRAM	9-10
FLOOR TOOL (OPTIONAL)	11-12
VACUUM MOTOR	13-14
REPLACEMENT PUMP PARTS	15

WHEN ORDERING PARTS

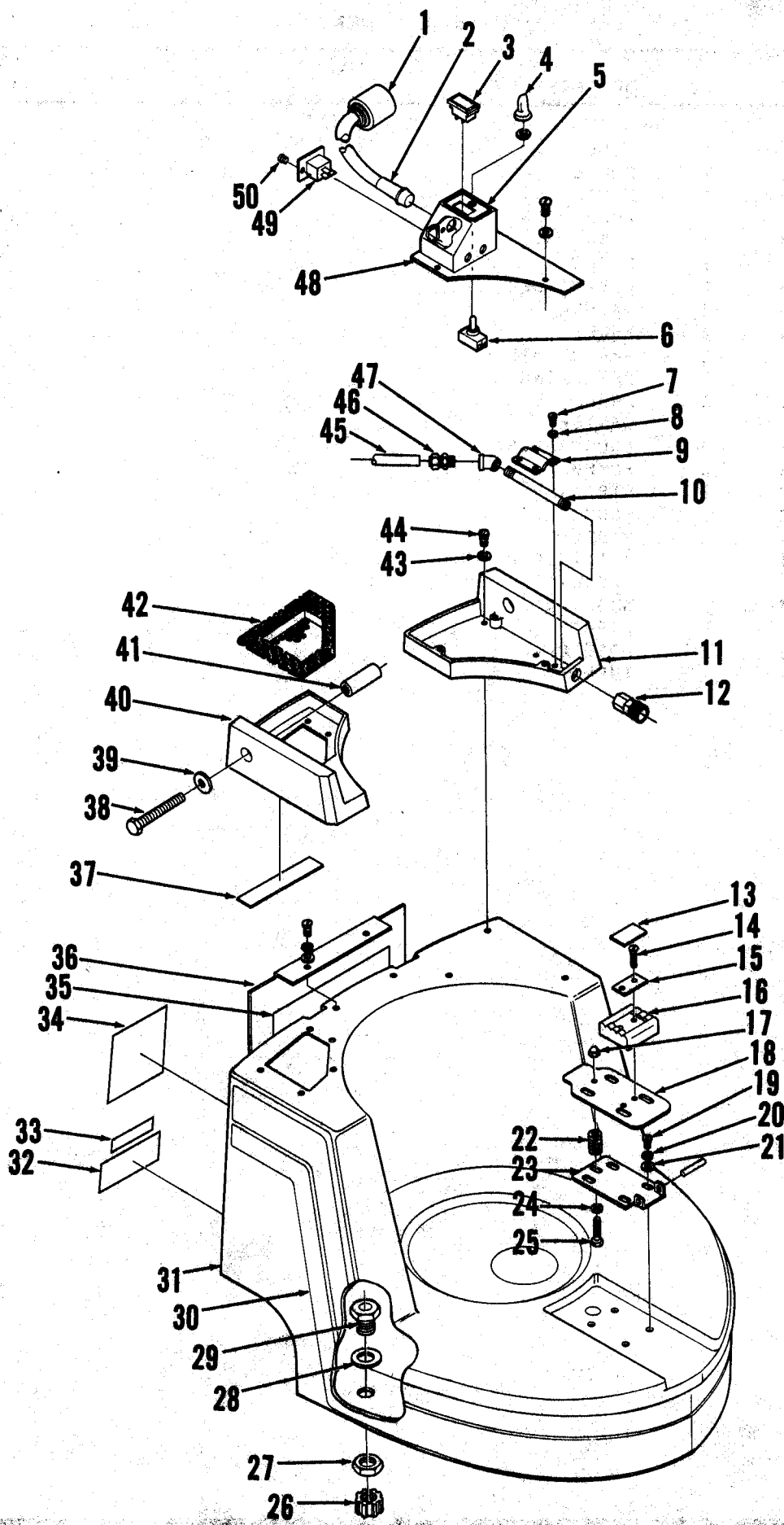
- * Use the 6 digit numbers from the "Part No." columns in this parts list.
- * Specify the model and serial number of the machine.
- * Use the space below to record the model and serial number for future reference.

Model _____ Serial No. _____



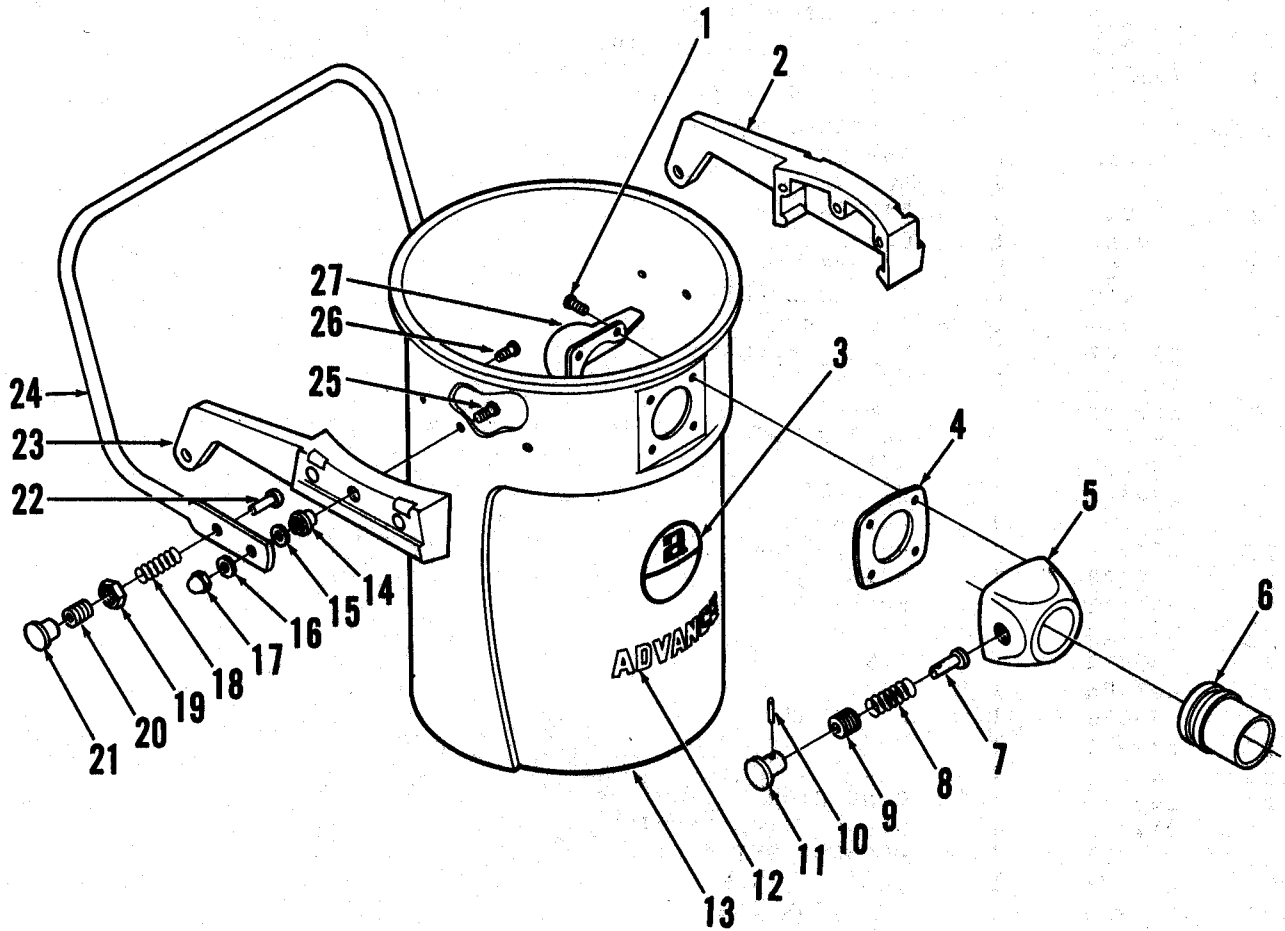
FRAME AND PUMP

I	PART #	QTY	DESCRIPTION
1	249827	1	TUBE
2	249934	1	CONNECTOR
3	249930	1	PUMP 115V
	249932		PUMP 230V
4	244983	1	BARB
5	002127	2	SCREW
6	001990	2	LOCKWASHER
7	002063	2	WASHER
8	362336	2	WHEEL
9	362883	2	SPRING WASHER
10	249940	2	RETAINING RING
11	249981	1	FRAME
12	206725	1	CASTER
13	001907	4	LOCKWASHER
14	001854	4	SCREW
15	750857	1	STRAINER
16	111309	1	ELBOW
17	249979	1	NIPPLE
18	249625	1	RETAINER GASKET
19	249975	1	GASKET
20	745543	1	ADAPTER
21	155640	1	BARB
22	219932	2	HOSE CLAMP
23	250050	1	TUBE



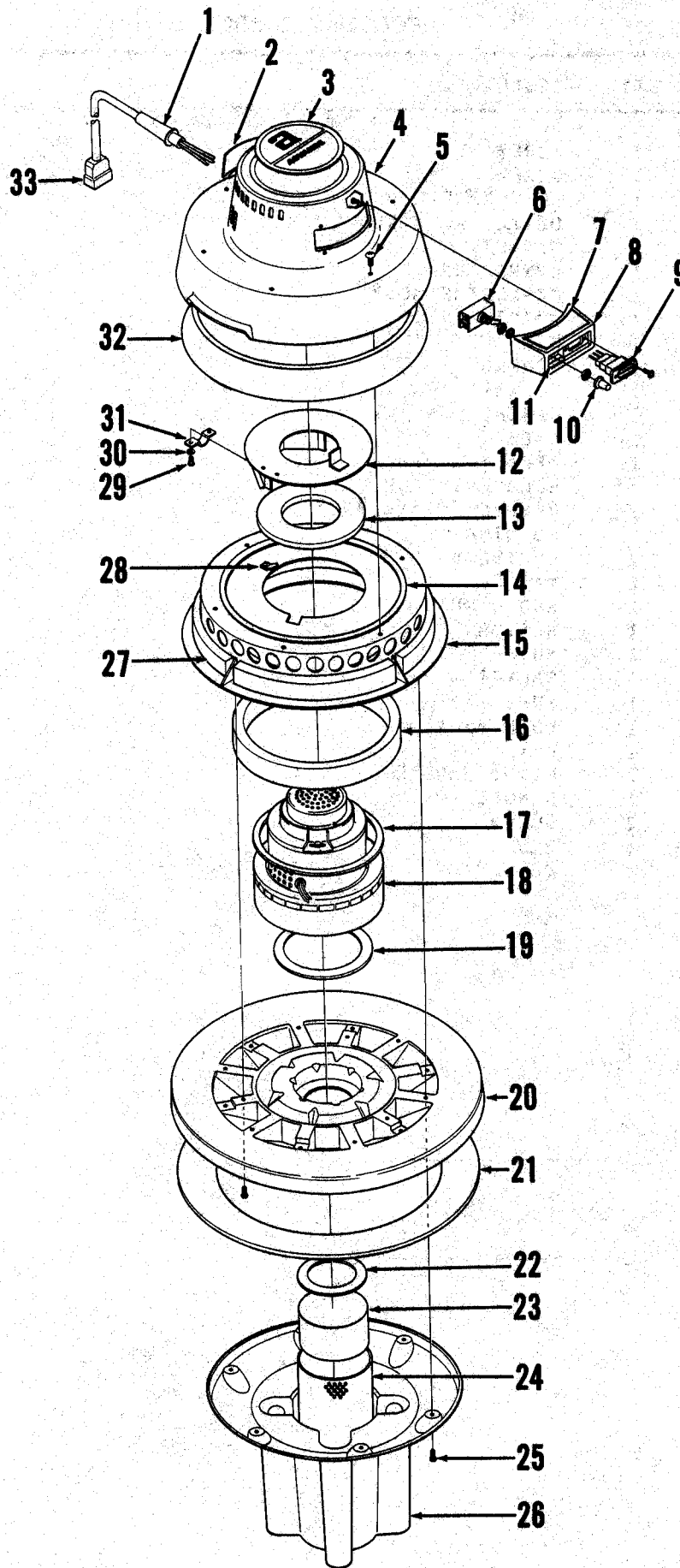
SOLUTION TANK

I	PART #	QTY	DESCRIPTION
1	250188	1	CORD ASSY 115V
	250156	1	CORD ASSY 230V
2	301396	1	STRAIN RELIEF
3	249527	1	INDICATOR LIGHT 115V
	249529	1	INDICATOR LIGHT 230V
4	756514	1	BOOT
5	017792	1	DECAL, PUMP SWITCH
6	207075	1	SWITCH 115V
	301636	1	SWITCH 230V
7	001818	4	SCREW
8	001940	4	WASHER
9	249964	1	CLAMP
10	249924	1	NIPPLE
11	249990	1	LEFT BRACKET
12	249936	1	COUPLER
13	057202	1	DECAL, RELEASE
14	002081	2	SCREW
15	365081	1	PLATE
16	365082	1	RUBBER PAD
17	209720	1	NUT
23	578342	1	BRACKET
19	001854	8	SCREW
20	001907	8	LOCKWASHER
21	002098	8	WASHER
22	228142	1	SPRING
18	578330	1	LATCH
24	249992	1	WASHER
25	002108	1	SCREW
26	255076	1	PIPE CAP
27	249971	1	NUT
28	249977	1	GASKET
29	249973	1	CONNECTOR
30	017773	1	DECAL, RIGHT STRIPE
	017775	1	DECAL, LEFT STRIPE
	017778	1	DECAL, STRIPE
31	249906	1	SOLUTION TANK
32	115324	1	NAMEPLATE 115V
	015401	1	NAMEPLATE 230V
33	057192	1	DECAL, PATENT
34	014828	1	DECAL, WARNING
35	017788	1	DECAL, WIRING
36	249986	1	REAR PANEL
37	220088	1	GASKET
38	001873	2	SCREW
39	002063	2	WASHER
40	250004	1	RIGHT BRACKET
41	249952	2	BUSHING
42	249976	1	STRAINER
43	001981	13	LOCKWASHER
44	209485	13	SCREW
45	249827	1	TUBE
46	249928	1	CONNECTOR
47	748794	1	ELBOW
48	250161	1	SWITCH BOX COVER
49	250228	1	RECEPTACLE
50	180276	2	SCREW



RECOVERY TANK

I	PART #	QTY	DESCRIPTION
1	209521	3	SCREW
	209519	1	SCREW
2	249967	1	LEFT HANDLE
3	017770	1	DECAL, AQUATRON
4	201390	1	GASKET
5	201377	1	CONNECTOR
	201386	1	CONNECTOR ASSY
6	201820	1	ADAPTER
7	201391	1	PIN
8	201448	1	SPRING
9	201383	1	SOCKET
10	201472	1	SPRING PIN
11	201405	1	KNOB
12	016519	1	DECAL, ADVANCE
13	578256	1	RECOVERY TANK
	249439	1	RECOVERY TANK ASSY
14	578244	2	BUSHING
15	151041	2	SPRING WASHER
16	002098	2	WASHER
17	172066	2	ACORN NUT
18	578222	1	SPRING
19	578218	1	NUT
20	578216	1	SOCKET
21	362778	1	KNOB
	578214	1	LOCK ASSY
22	578226	1	PIN
23	249969	1	RIGHT HANDLE
24	578220	1	HANDLE
25	002108	2	SCREW
26	002066	4	SCREW
27	201 394	1	DEFLECTOR

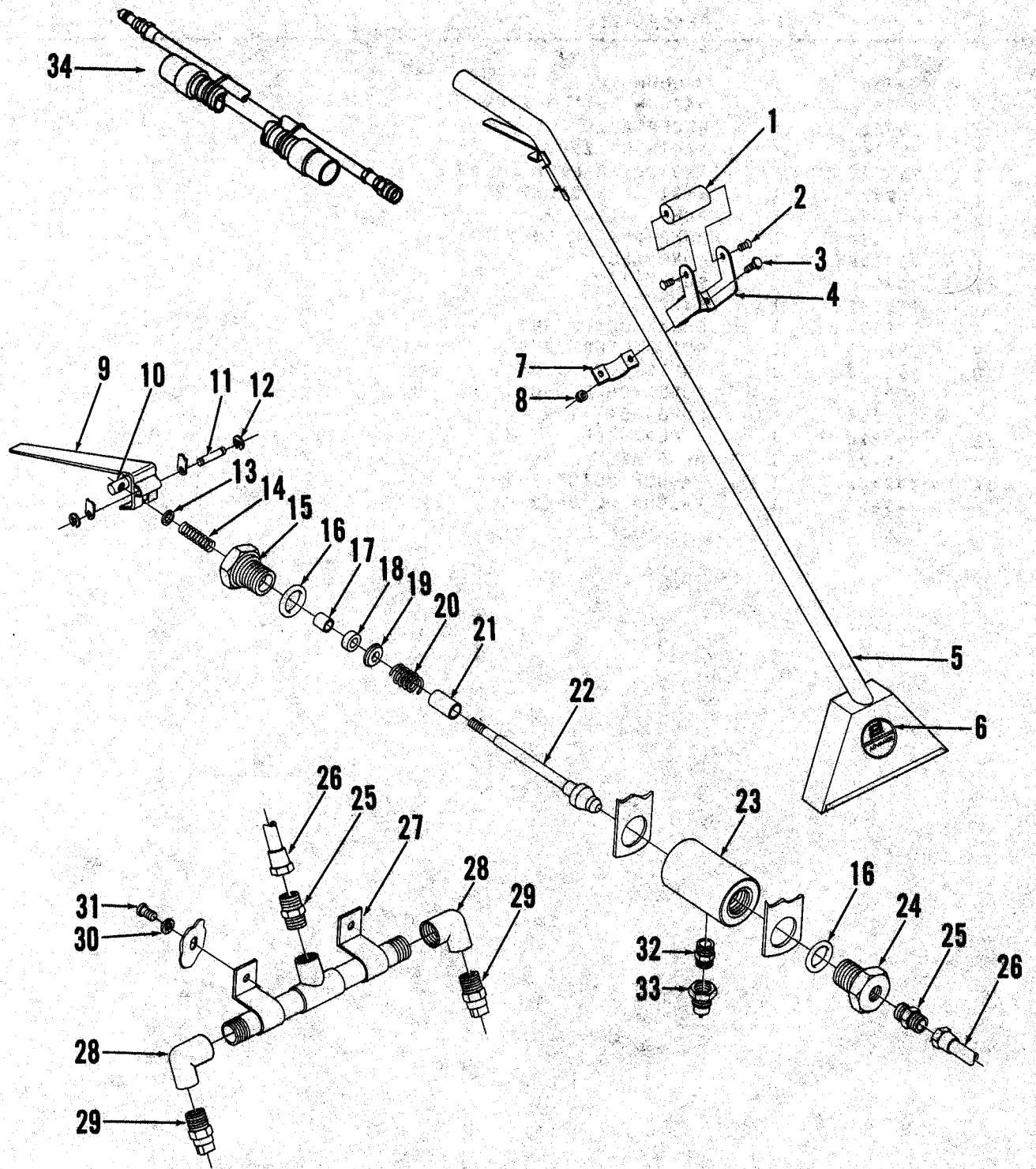


VACUUM HEAD ASSEMBLY

I	PART #	QTY	DESCRIPTION
1	301396	1	STRAIN RELIEF
2	015084	1	DECAL, WARNING
3	015076	1	DECAL, ADVANCE
4	249401	1	VAC HEAD COVER
	249403	1	VAC HEAD ASSY 115V
	249396	1	VAC HEAD ASSY 230V
5	570220	6	SCREW
6	200340	1	TOGGLE SWITCH 115V
	301636	1	TOGGLE SWITCH 230V
7	017814	1	DECAL, AQUATRON
8	249602	1	CONSOLE
9	209826	1	RECEPTACLE
10	756514	1	BOOT
11	023224	1	DECAL, ON-OFF
12	249612	1	RING
13	249533	1	FOAM
14	249648	1	GASKET
15	249452	1	VAC MOTOR RING
16	249535	1	FOAM
17	249656	1	GASKET
18	249502	1	VAC MOTOR 115V
	249497	1	VAC MOTOR 230V
19	249642	1	GASKET
20	249404	1	BASE COVER
21	250099	1	GASKET
22	249646	1	GASKET
23	209571	1	FLOAT
24	209566	1	SHIELD
25	209488	16	SCREW
26	249455	1	FLOAT HOUSING
27	249447	4	FOAM
28	249559	2	TAB
29	002146	2	SCREW
30	001940	2	WASHER
31	300542	1	CLAMP
32	205651	1	FOAM
33	250224	1	PLUG ASSY

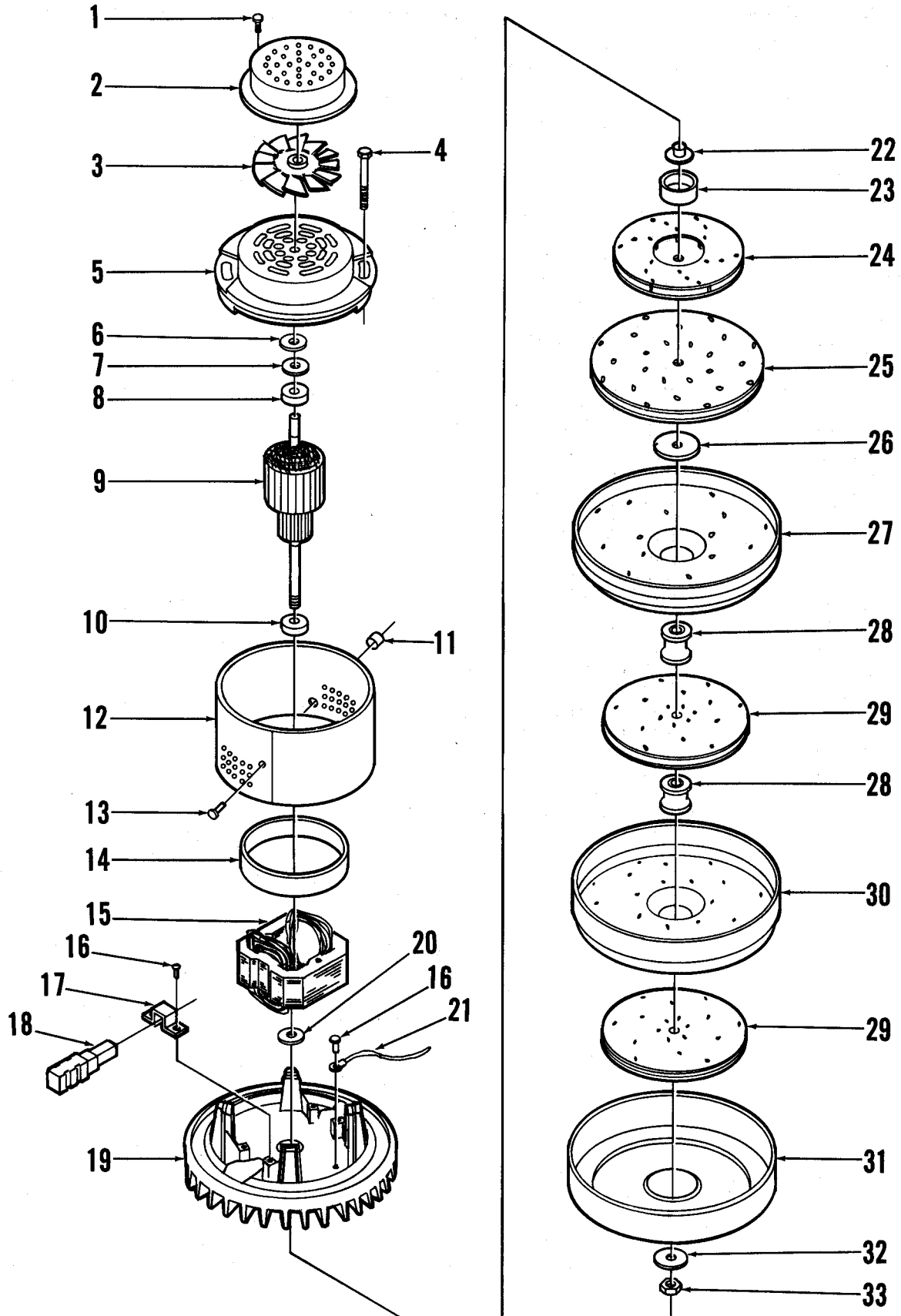
WIRING DIAGRAM

I	PART #	QTY	DESCRIPTION
1	200340	1	VACUUM SWITCH 115V
	301636	1	VACUUM SWITCH 230V
2	209826	1	RECEPTACLE
3	250168	1	VARISTOR 230V
4	249527	1	INDICATOR LIGHT 115V
	249529	1	INDICATOR LIGHT 230V
5	207075	1	PUMP SWITCH 115V
	301636	1	PUMP SWITCH 230V
6	250156	1	CORD ASSY
7	249930	1	PUMP 115V
	249932	1	PUMP 230V
8	249534	2	CHOKE COIL 230V
9	249538	1	RFI FILTER 230V
10	250190	1	POWER CORD 115V
	300227	1	POWER CORD 230V
11	250188	1	CORD SET 115V
12	250228	1	RECEPTACLE
13	250224	1	PLUG ASSY
14	249502	1	VACUUM MOTOR 115V
	249497	1	VACUUM MOTOR 230V



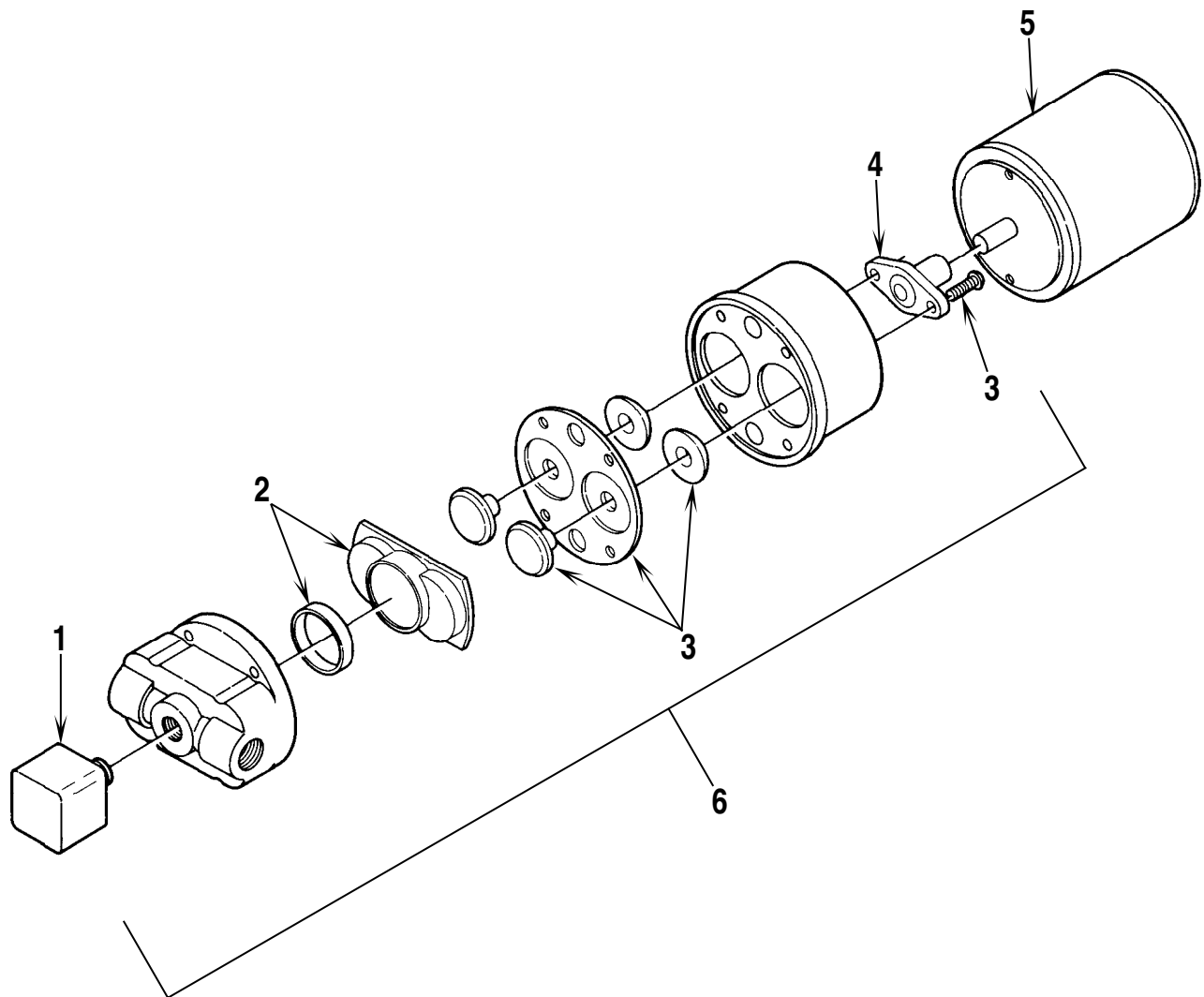
OPTIONAL FLOOR TOOL

I	PART #	QTY	DESCRIPTION
1	260363	1	HANDLE
2		2	5/16-18 X .75 SCREW
3		2	5/16-18 X .50 SCREW
4	260361	1	BRACKET
5	260370	1	WAND
6	017019	1	DECAL, ADVANCE
7	260362	1	CLAMP
8		2	5/16-18 WHIZ NUT
9	260364	1	LEVER
10	260328	1	HANDLE GUIDE
11	260324	1	LEVER PIN
12	321128	2	RETAINING RING
13		1	#6 FLAT WASHER
14	260310	1	SPRING
15	260304	1	REAR VALVE PLUG
16	900039	2	O-RING
17	260330	1	BUSHING
18	900037	1	QUAD-RING
19	260306	1	VALVE WASHER
20	260308	1	SPRING
21	260309	1	VALVE STOP
22	260399	1	POPPET & STEM ASSY
23	260302	1	VALVE BODY
24	260303	1	FRONT VALVE PLUG
25	900025	2	MALE CONNECTOR
26	260366	1	TUBE ASSY
27	260367	1	MANIFOLD ASSY
28	111295	2	BRASS ELBOW
29	249381	2	SPRAY NOZZLE
30		4	#8 SHPRF WASHER
31	900619	4	SCREW
32	900044	1	NIPPLE
33	220526	1	COUPLING
34	249910	1	OPTIONAL EXTRACTOR HOSE ASSY



VACUUM MOTOR PARTS

Item	Part No.	Qty	Description
1	249725	2	Screw
2	249727	1	Cover
3	249729	1	Ventilating Fan
4	260156	2	Screw
5	202584	1	Bracket
6	249651	1	Load Spring
7	203238	1	Disc
8	249737	1	Ball Bearing
9	260157	1	Armature (115 volt)
10	228051	1	Ball Bearing
11	202762	1	Bushing
12	249745	1	Band
13	249653	1	Screw
14	249739	1	Air Vent Ring
15	260158	1	Field (115 volt)
16	202772	5	Screw
17	203254	2	Clamp
18	260159	2	Brush Mechanism
19	249658	1	End Bracket
20	202330	1	Neoprene Washer
21	260160	1	Ground Lead
22	260162	1	Spacer
23	249751	1	Slinger
24	249753	1	Rotating Fan
25	202592	1	Rotating Fan
26	249661	1	Washer
27	249755	1	Stationary Fan
28	203516	2	Spacer
29	372588	2	Rotating Fan
30	260163	1	Stationary Fan
31	249757	1	Shell
32	202711	1	Washer
33	203440	1	Nut



REPLACEMENT PARTS FOR 115V PUMP (249930)

Item	Part No.	Description
1	249947	Pressure Switch
2	249943	Valve Kit
3	249939	Diaphragm Kit (series 2000 pump only)
3	249834	Diaphragm Kit (series 2100 pump only)
4	249935	Cam/Bearing Assy (series 2000 pump only)
4	249835	Cam/Bearing Assy (series 2100 pump only)
5	249820	End Bell/Rectifier
6	249840	Pump Head Assembly

REPLACEMENT PARTS FOR 230V PUMP (249932)

Item	Part No.	Description
1	249947	Pressure Switch
2	249943	Valve Kit
3	249939	Diaphragm Kit (series 2000 pump only)
3	249834	Diaphragm Kit (series 2100 pump only)
4	249935	Cam/Bearing Assy (series 2000 pump only)
4	249835	Cam/Bearing Assy (series 2100 pump only)
5	249822	End Bell/Rectifier
6	249841	Pump Head Assembly



Nilfisk-Advance, Inc.
14600 21st Avenue North
Plymouth, MN, 55447-3408
www.nilfisk-advance.com
Phone: 800-989-2235
Fax: 800-989-6566
©2001 Nilfisk-Advance, Inc.,
Plymouth, MN 55447-3408
Printed in the U.S.A.