

# PARTS LIST

**AQUATRON**

**MODELS A-80 115V**

**A80-5 230V**

**FORM 042019**

**REV. NOV. 1982**



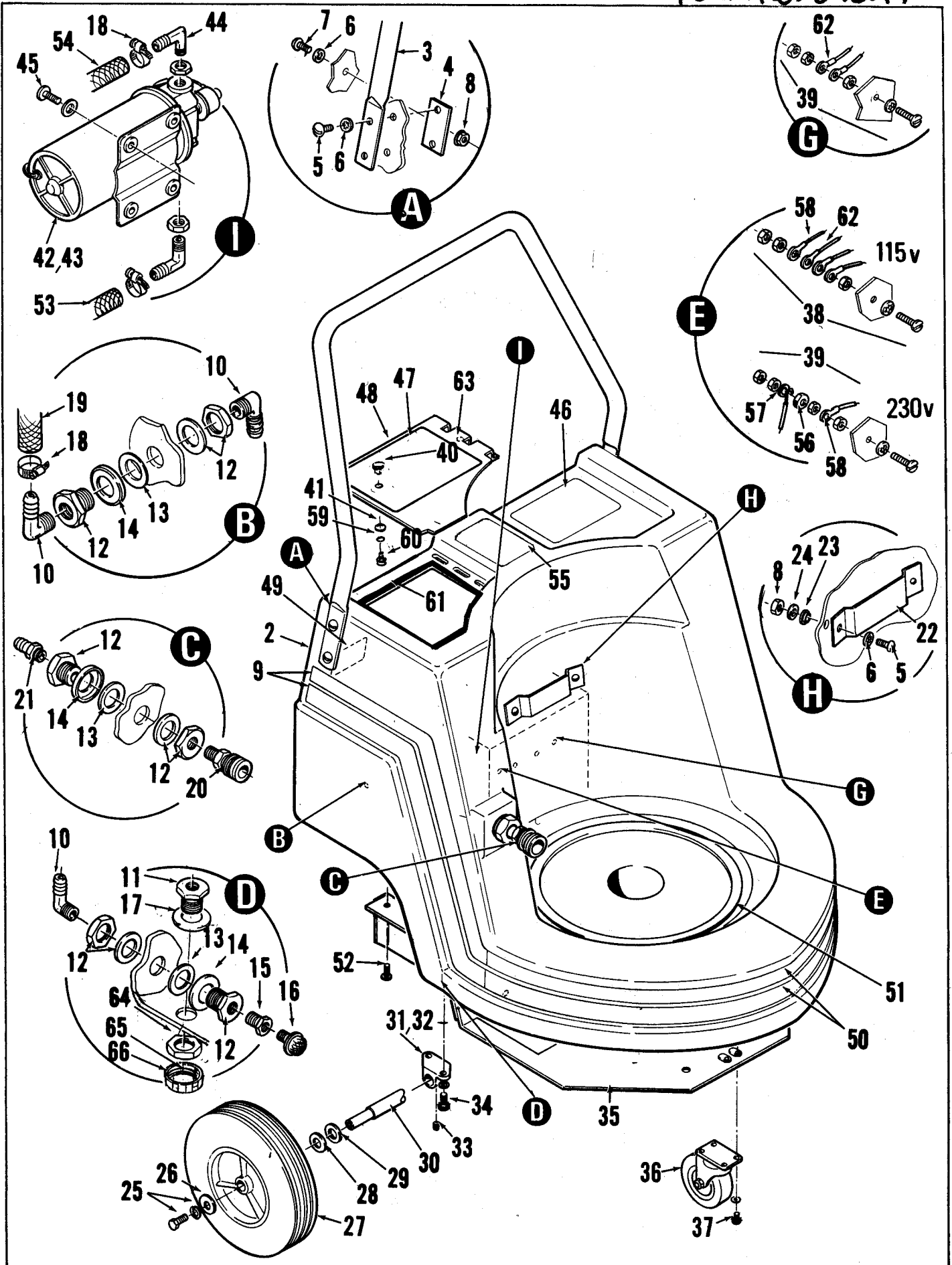
**ADVANCE**  
**MACHINE COMPANY**

**INTERNATIONAL HEADQUARTERS, Spring Park, Minnesota 55384 USA**  
**EUROPE, 4 Rue Jean Engling, L - 1466 Luxembourg**  
**CANADA, 1295 Crestlawn Drive, Mississauga, Ontario L4W 1A9**



## INDEX FOR FORM NUMBER 042019

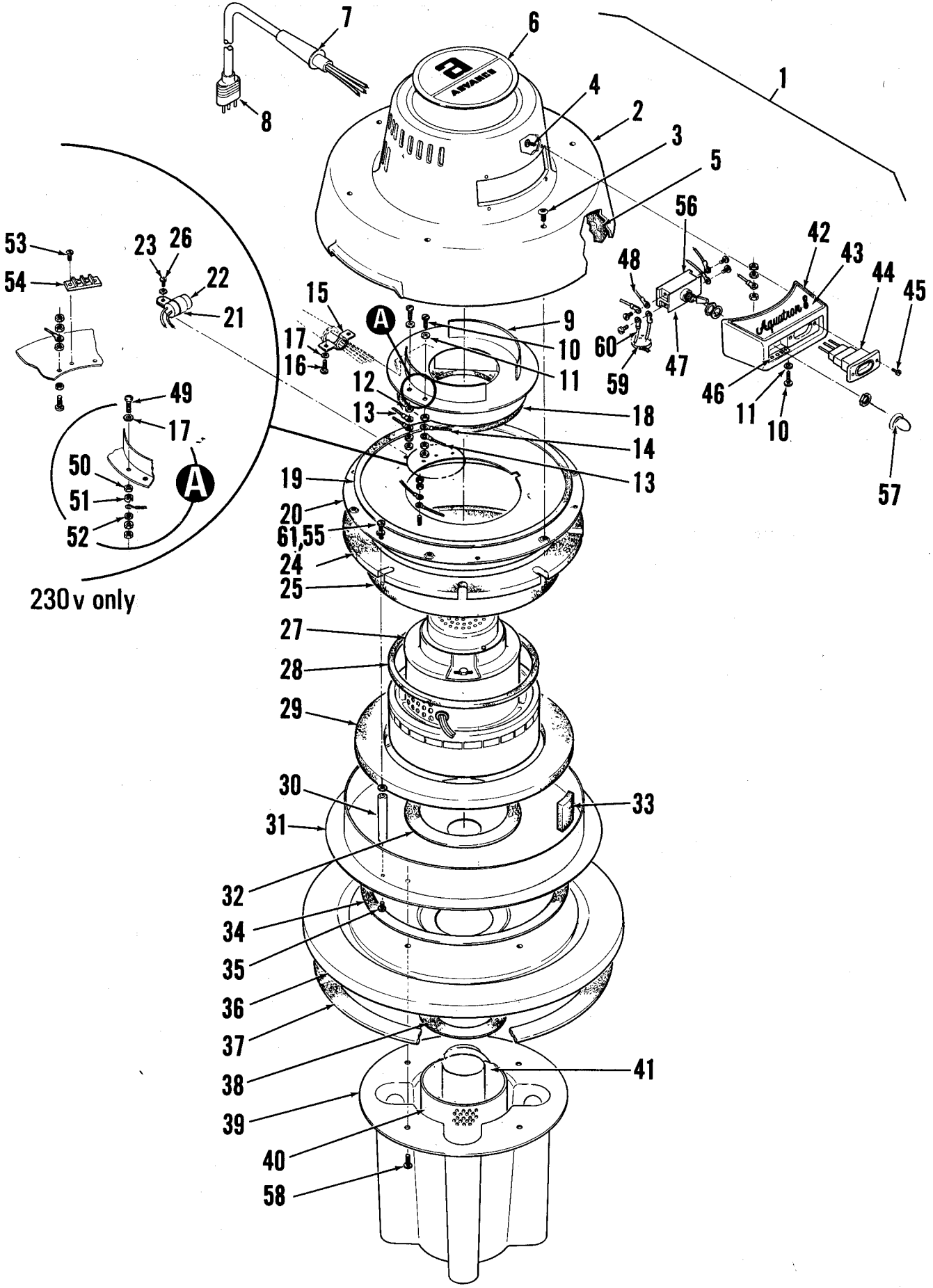
<u>Description</u>	<u>Location</u>	<u>Page</u>
Control Panel	D7	7
Motor, Vacuum	D8	8
Pump	D6	6
Tank, Recovery & Hose	D5	5
Tank, Solution	D1	1
Vacuum Head	D3	3
Wiring Diagram, 115 Volt	D9	9
Wiring Diagram, 230 Volt	D10	10



MAIN ASSEMBLY

## MAIN ASSEMBLY

ITEM	PART NO	QTY	DESCRIPTION
1	249 560	1	TANK ASSEMBLY (INCL:ITEMS 1 THRU' 24,64,65,66)
2	249 509	1	TANK, BASE
3	249 562	1	HANDLE
4	249 566	2	PLATE, NUT
5	249 584	6	SCREW, NC SS 1/4 x .75
6		8	WASHER, SHAKEPROOF 1/4
7	576 518	2	SCREW, NC SS 1/4 x .62
8		4	NUT, UNC-2 1/4-20 BRASS
9	017 800	1	STRIPE, RIGHT
	017 802	1	STRIPE LEFT
10	756 739	3	BARB, 3/8 x 1/4 x 90 BRASS
11	249 973	1	CONNECTOR, GHT
12	745 543	3	ADAPTOR, BLKHD 1/4
13	249 975	3	GASKET, 1-1/8 x 3/4 x .12
14	249 625	3	GASKET, RESTRAINER
15	249 570	1	NIPPLE, REDUCING 1/4 x 1/8
16	750 857	1	STRAINER
17	249 977	1	GASKET, 1-1/2 x 1-1/16 x 1/8
18	219 932	2	CLAMP, HOSE SAE #6
19	249 920	1	TUBE, 9"
20	249 568	1	QUICK CONNECT COUPLING 1/4 MPT
21	155 640	1	BARB, 3/8 x 1/4 BRASS
22	249 564	1	BRACKET
23	204 218	2	WASHER, SEALING .250
24	249 581	3	WASHER, .257 x .500 S.S.
25		2	SCREW, HEX HD. W/LKW 1/4-20 x .50
26	151 114	2	WASHER, .265 x .90 x .06
27	346 594	2	WHEEL, 8.00 x 1.75
28	155 373	2	WASHER, SPRING .515
29	155 411	2	WASHER, .515 x .93 x .07
30	249 552	1	AXLE
31	201 618	1	BLOCK, AXLE RIGHT
32	201 626	1	BLOCK, AXLE LEFT
33		2	SCREW, SOCKET SET 1/4-20 x 1/4
34		4	SCREW, PAN HD. W/SHKPRF 10-24 x .75
35	249 542	1	BASE WELDMENT
36	201 693	1	CASTER, SWV 3/0 x .81
37		4	SCREW, PAN HD. W/SHKPRF 10-24 x 7/16
38		1	SCREW, PAN HD. W/SHKPRF & 3 NUTS 10-24 x .75
39		1	SCREW, PAN HD. W/SHKPRF & 3 NUTS 8-32 x .75 (230 V)
40	151 017	1	KNOB
41		1	WASHER, FLAT #10
42	249 930	1	PUMP, 115V
43	249 932	1	PUMP, 230V
44	244 983	2	BARB, 3/8 x 3/8 x 90
45		4	SCREW, RD. HD W/FLAT WSHR. 1/4-20 x .625
46	017 808	1	DECAL, WARNING
47	017 812	1	DECAL, MACHINE PREP.
48	249 652	1	PLATE, COVER
49	015 325	1	OVERLAY, NAMEPLATE
50	017 804	2	DECAL, STRIPE
51	249 684	1	GASKET
52		6	SCREW, RD. HD. 1/4-20 x 3/8
53	249 688	1	HOSE, 12"
54	249 686	1	HOSE, 15"
55	014 828	1	DECAL, WARNING
56	325 274	1	WASHER, CUPPED (230V)
57	325 276	1	WASHER (230V)
58	249 615	1	WIRE ASS'Y. #14 x10
59		1	WASHER, SHAKEPROOF #10
60		1	SCREW, 10-24 x 3/8
61	200 754	1	GASKET, COVER
62	325 329	1	TERMINAL RING #10
63		1	SCREW, PAN HD. S.T 1/4-20 x .50
64	249 971	1	NUT, 3/4- 11-1/2 N.H.T
65	740 154	1	WASHER, RUBBER
66	255 076	1	CAP, PIPE GHT NYLON
67	014 119	1	DECAL, GND SYMBOL (230V)

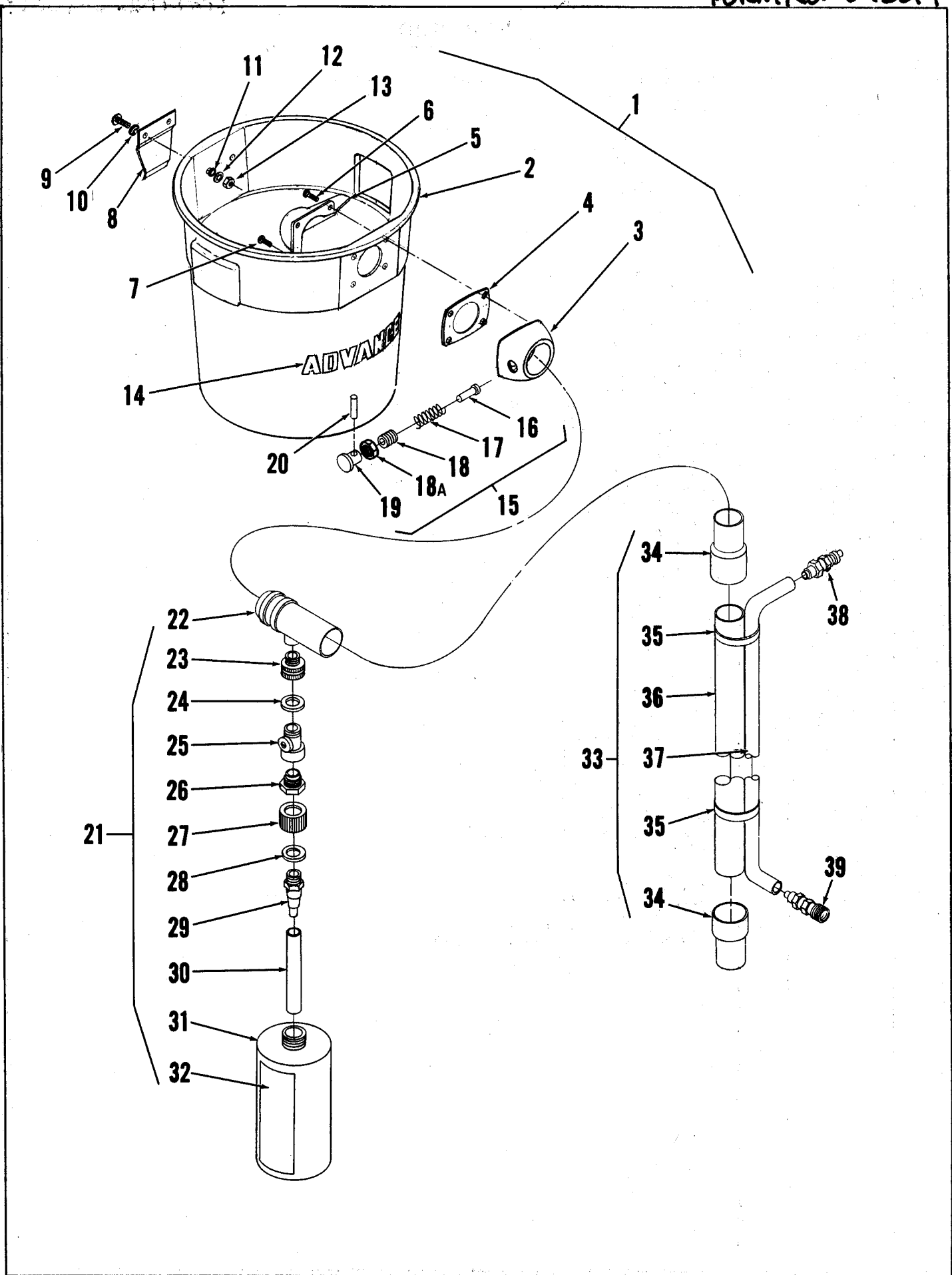


230v only

VACUUM HEAD

## VACUUM HEAD

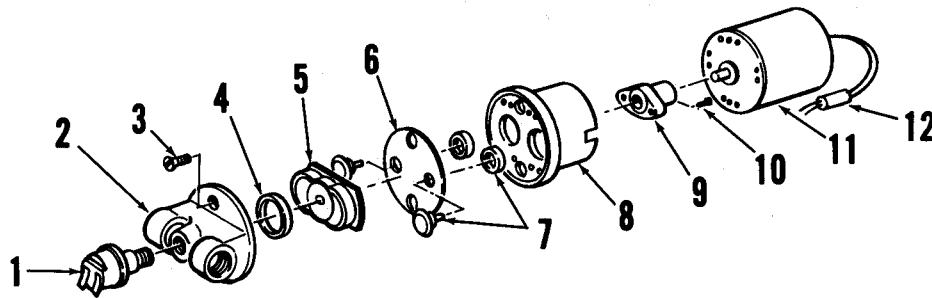
ITEM	PART NO	QTY	DESCRIPTION
1	249 600	1	VAC HEAD ASSEMBLY, 115V
	249 601	1	VAC HEAD ASSEMBLY, 230V
2	249 513	1	COVER, SHROUD
3	570 220	6	SCREW, BLK #10 x.50
4	249 680	4	SCREW, W/WASHER HEX HD. #6-32 x.50
5	249 537	2	FOAM, (SOUND REDUCING)
6	015 076	1	DECAL, ADVANCE
7	301 396	1	STRAIN RELIEF
8	250 224	1	PLUG ASSEMBLY
9	249 612	1	RING
10		3	SCREW, PAN HD. #10-24 x.62
11		15	WASHER, SHAKEPROOF #10
12		11	NUT, HEX #10-24
13	249 615	2	WIRE ASSEMBLY, #14 x 10
14	325 314	3	TERMINAL RING, #10
15	300 542	1	CLAMP, CORD
16		2	SCREW, PAN HD. #8-32 x.50
17		2	WASHER, SHAKEPROOF #8
18	249 533	1	FOAM, (SOUND REDUCING)
19	249 648	1	GASKET, MOTOR
20	249 622	1	RING, MOUNTING
21		2	CHOKE, RFI FILTER 230V
22		1	FILTER, RFI 230V
23		1	SCREW, PAN HD. W/WASHER #10-24 x.375
24	205 653	1	FOAM, (SOUND REDUCING)
25	249 535	1	FOAM, (SOUND REDUCING)
26		1	SCREW, PAN HD. #10-24 x.25
27	249 525	1	MOTOR, VAC 115V
	249 526	1	MOTOR, VAC 230V
28	249 656	1	GASKET, MOTOR
29	249 531	1	FOAM, (SOUND REDUCING)
30	209 440	6	ROD, SPACER #10 x2.75
31	249 606	1	RING, BAFFLE
32	249 642	1	GASKET, BASE
33	205 652	1	FOAM, (SOUND REDUCING)
34	249 644	1	GASKET, BASE
35	209 488	12	SCREW, S.S. #10 x .43
36	249 639	1	COVER, BASE
37	249 640	1	GASKET, BASE
38	249 629	1	GASKET, BASE
39	249 604	1	HOUSING, FLOAT
40	249 626	1	SHIELD (PERF).
41	209 571	1	FLOAT,
42	429 602	1	CONSOLE
43	017 805	1	DECAL, AQUATRON 8
44	209 826	1	RECEPTACLE
45	570 510	2	SCREW, BLK PAN HD. #6-32 x.375
46	023 224	1	DECAL, ON-OFF
47	200 340	1	SWITCH, TOGGLE DPST 115V
	301 636	1	SWITCH, TOGGLE DPST 230V
48	311 229	4	TERMINAL RING #6 (8 USED ON 230V)
49		1	SCREW, PAN HD. #8-32 x.625
50		3	NUT, HEX #8-32
51	325 274	1	WASHER, CUPPED
52	325 276	1	WASHER
53		2	SCREW, PAN HD. TCS #8-32 x .625
54	290 572	1	TERMINAL BLOCK, 230V
55	249 559	2	TAB
56	584 994	1	INSULATOR, SWITCH
57	756 514	1	BOOT, SWITCH
58	209 485	4	SCREW, S.S. #10 x.62
59	325 219	3	CABLE TIE, 230V
60	207 031	2	WIRE ASSEMBLY, #14 x 14 230V
61		2	SCREW, HEX WASHER HD. HP-5 #10-24 x.375



PICK UP TANK

### PICK UP TANK

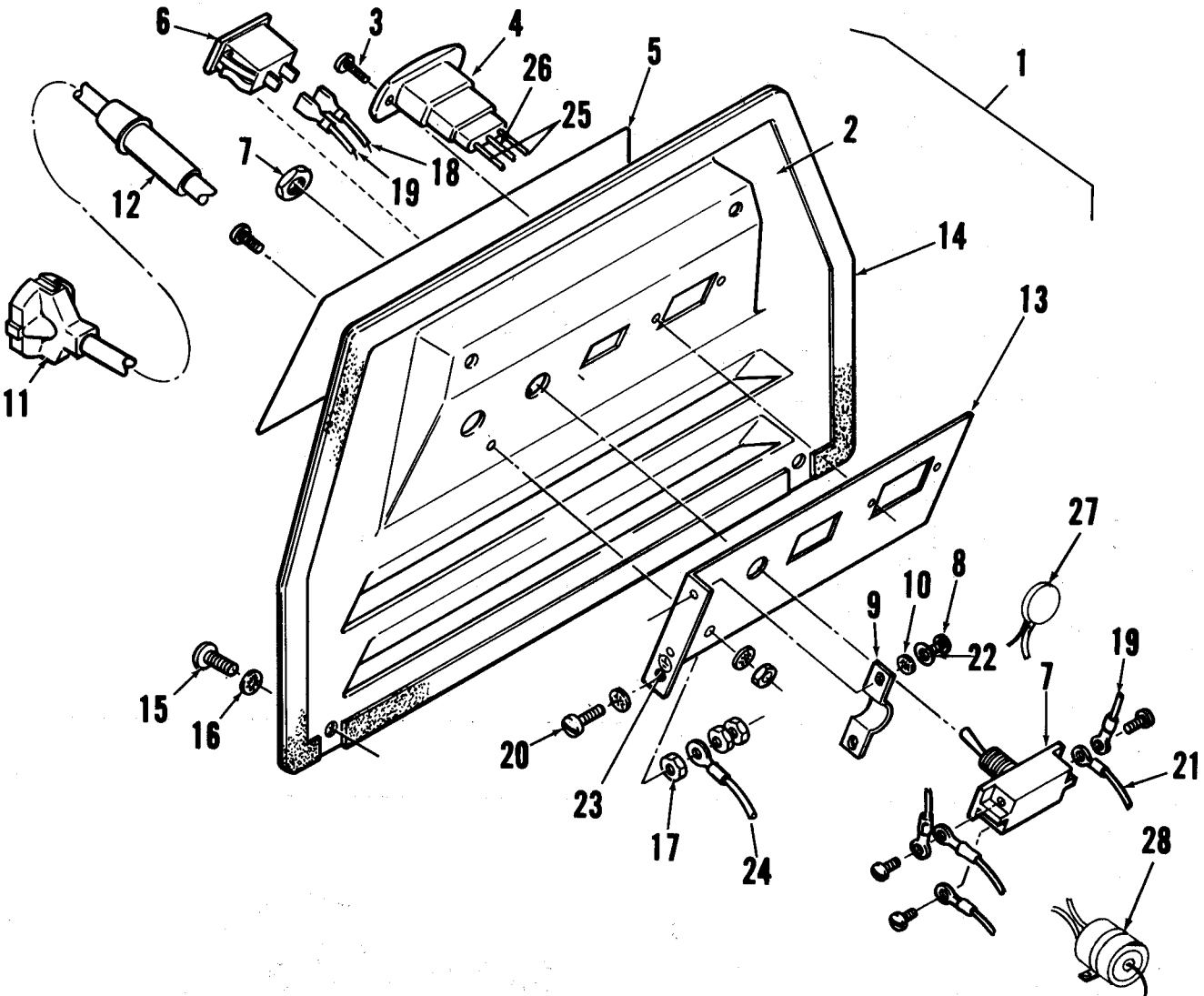
ITEM	PART NO	QTY	DESCRIPTION
1	249 580	1	TANK ASSY. (INCLUDES THE FOLLOWING ITEMS 1 THRU 14)
2	249 507	1	TANK, RECOVERY
3	201 386	1	CONNECTOR ASSY. 1½ (INCLUDES ITEMS 15 THRU 20)
4	201 390	1	GASKET
5	201 394	1	DEFLECTOR
6	209 521	3	SCREW, 10-16 x 1 S.S.
7	209 519	1	SCREW, #10 x .75 ST. S.S.
8	249 582	1	BRACKET
9	249 584	2	SCREW, 1/4 x .75 NC S.S.
10		2	WASHER, SHAKEPROOF 1/4
11	204 218	2	WASHER, SEALING .250
12	249 581	2	WASHER, .257 x .500 S.S.
13		2	NUT, HEX 1/4-20 UNC 2 BRASS
14	016 519	1	DECAL, ADVANCE
15	365 548	1	LOCK PIN ASSEMBLY (INCLUDES THE FOLLOWING ITEMS 16 THRU 20)
16	201 391	1	PIN
17	201 448	1	SPRING
18	201 383	1	SOCKET
18A	201 413	1	NUT
19	201 405	1	KNOB
20	201 472	1	PIN
21	249 941	1	DEFOAMER ASSEMBLY (INCLUDES THE FOLLOWING ITEMS 22 THRU 32)
22	201 841	1	SWIVEL ASSEMBLY
23	249 959	1	CONNECTOR, SWIVEL
24	368 776	1	WASHER, RUBBER
25	756 404	1	VALVE
26	249 960	1	ADAPTER
27	249 955	1	CAP
28	249 915	1	WASHER
29	155 640	1	BARB
30	150 231	1	TUBE
31	249 690	1	BOTTLE
32	017 810	1	DECAL, BOTTLE
33	249 910	1	HOSE ASSEMBLY (INCLUDES ITEMS 34 THRU 39)(OPTIONAL)
34	207 306	2	CUFF
35	477 613	11	WIRE TIE
36	582 071	1	HOSE VAC
37	250 062	1	TUBE
38	249 918	1	PLUG
39	249 916	1	SOCKET



### FLO JET PUMP

ITEM	PART NO	QTY	DESCRIPTION	ITEM	PART NO	QTY	DESCRIPTION
1	249 947	1	PRESSURE SWITCH	8	249 961	1	BEARING COVER
2	249 963	1	PUMPHOUSING	9	249 935	1	BEARING ASSEMBLY
3		6	SCREW, PHILLIPS HD. 10-32 x 1	10		2	SCREW, PHILLIPS HD. 10-32 x .50
4	249 945	1	SEAL RING	11	249 949	1	MOTOR, 115V
5	249 943	1	CHECK VALVE ASSEMBLY		249 951	1	MOTOR, 230V
6	249 939	1	DIAPHRAGM, NITRILE	12	249 933	1	RECTIFIER ASSEMBLY
7	249 937	1 Set	PISTON				

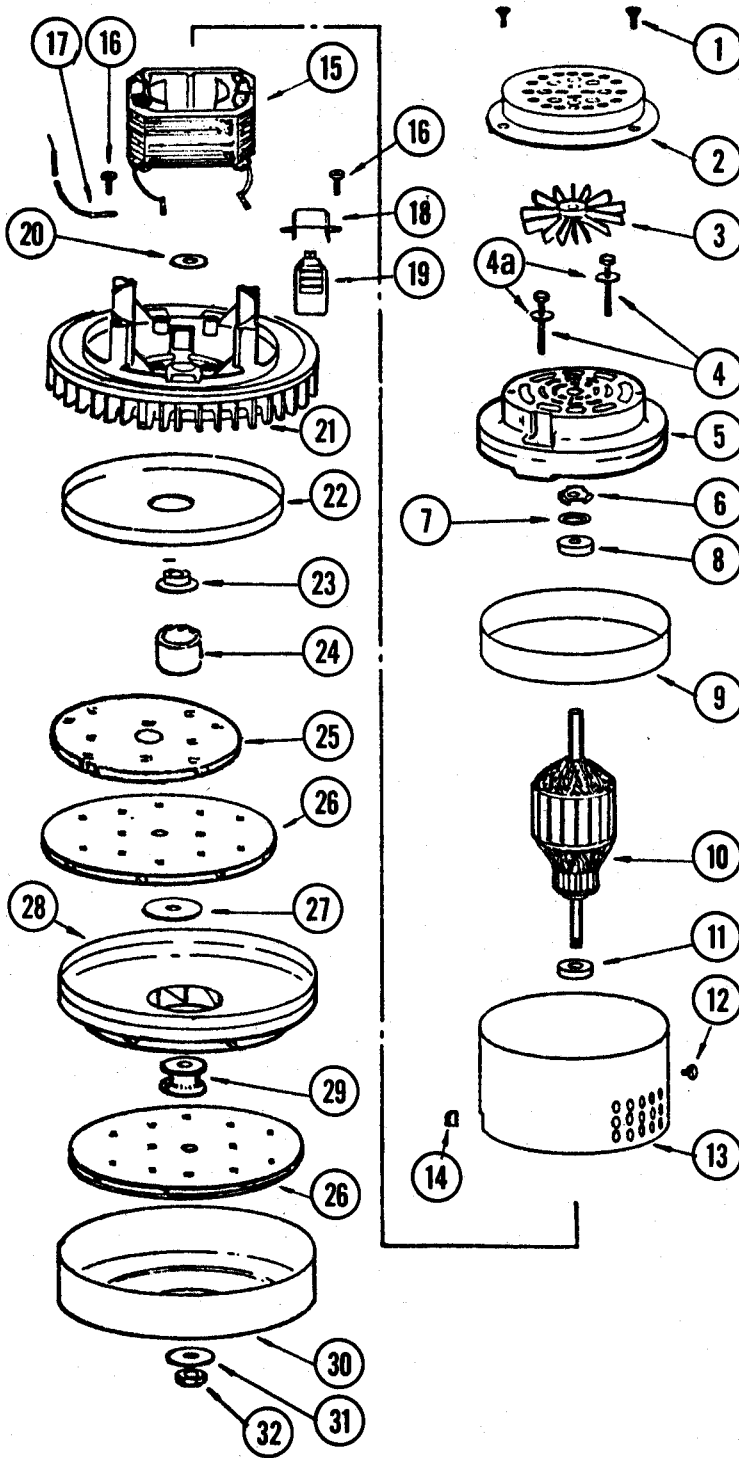




PANEL ASSEMBLY

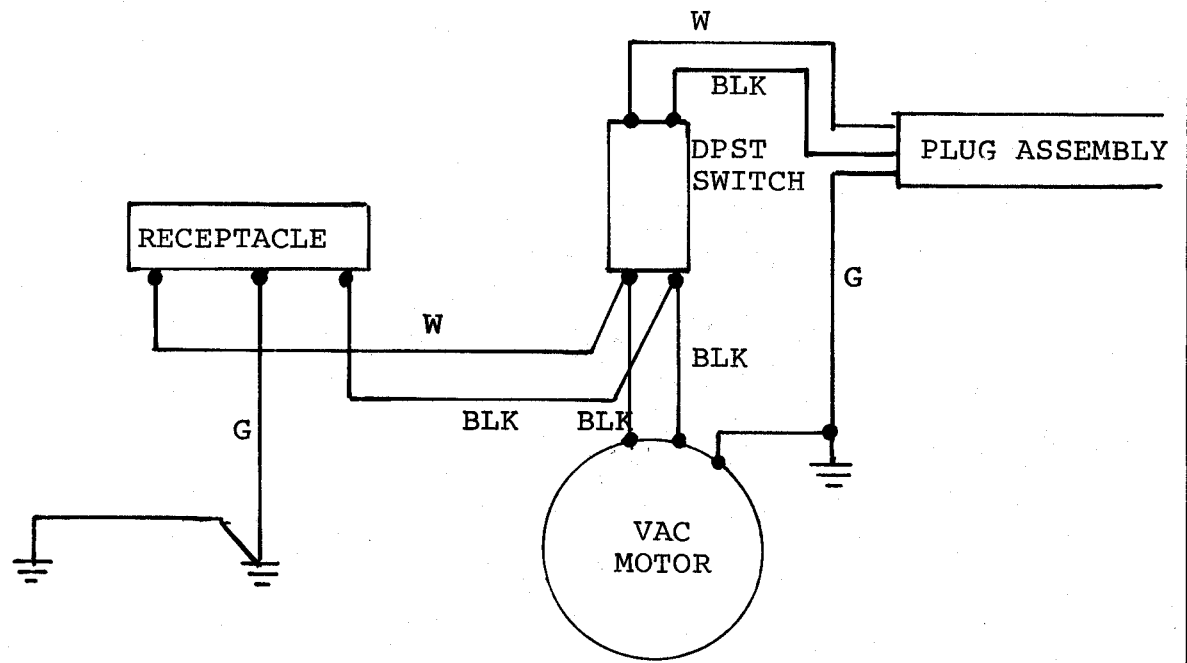
ITEM	PART NO	QTY	DESCRIPTION	ITEM	PART NO	QTY	DESCRIPTION
1	249 630	1	PANEL ASSEMBLY, 115V	16		1	WASHER, SHAKEPROOF #10
	249 636	1	PANEL ASSEMBLY, 230V	17		4	NUT, HEX #10-24
2	249 522	1	COVER, PANEL	18	249 672	1	WIRE ASSEMBLY, #14 x 6
3	180 276	2	SCREW, PAN HD. NYLON #6-32 x .50	19	249 670	1	WIRE ASSEMBLY, #14 x 4
4	250 228	1	RECEPTACLE, 15A	20		1	SCREW, PAN HD. #10-24 x .62
5	017 806	1	DECAL, CONTROL	21	249 994	1	WIRE ASSEMBLY, #14 x 17 (#5)
6	249 527	1	INDICATOR LIGHT, 115V	22		2	WASHER, FLAT #8
	249 529	1	INDICATOR LIGHT, 230V	23		2	NUT, HEX #6-32
7	207 075	1	SWITCH, TOGGLE DPST 115V	24	249 615	1	WIRE ASSEMBLY, #14 x 10 115V
	301 636	1	SWITCH, TOGGLE DPST 230V		325 217	1	WIRE ASSEMBLY, #14 x 9 230V
8		2	SCREW, PAN HD. #8-32 x .50 115V	25	250 236	2	WIRE ASSEMBLY, #14 x 8
		3	SCREW, PAN HD. #8-32 x .88 230V	26	250 238	1	WIRE ASSEMBLY, #14 x 8
9	300 542	1	CLAMP, CORD	27	250 168	1	VARISTOR ASSEMBLY, 230V
10		2	WASHER, SHAKEPROOF #8 (3 ON 230V)	28		1	RFI FILTER ASSEMBLY, 230V
11	249 638	1	CORD SET #14/3 x 40 115V				
	209 769	1	CORD SET #14/3 x 40 230V				
12	301 396	1	STRAIN RELIEF				
13	249 632	1	BRACKET				
14	200 754	47"	GASKET, COVER				
15		1	SCREW, PAN HD. #10-24 x .50				

# VACUUM MOTOR

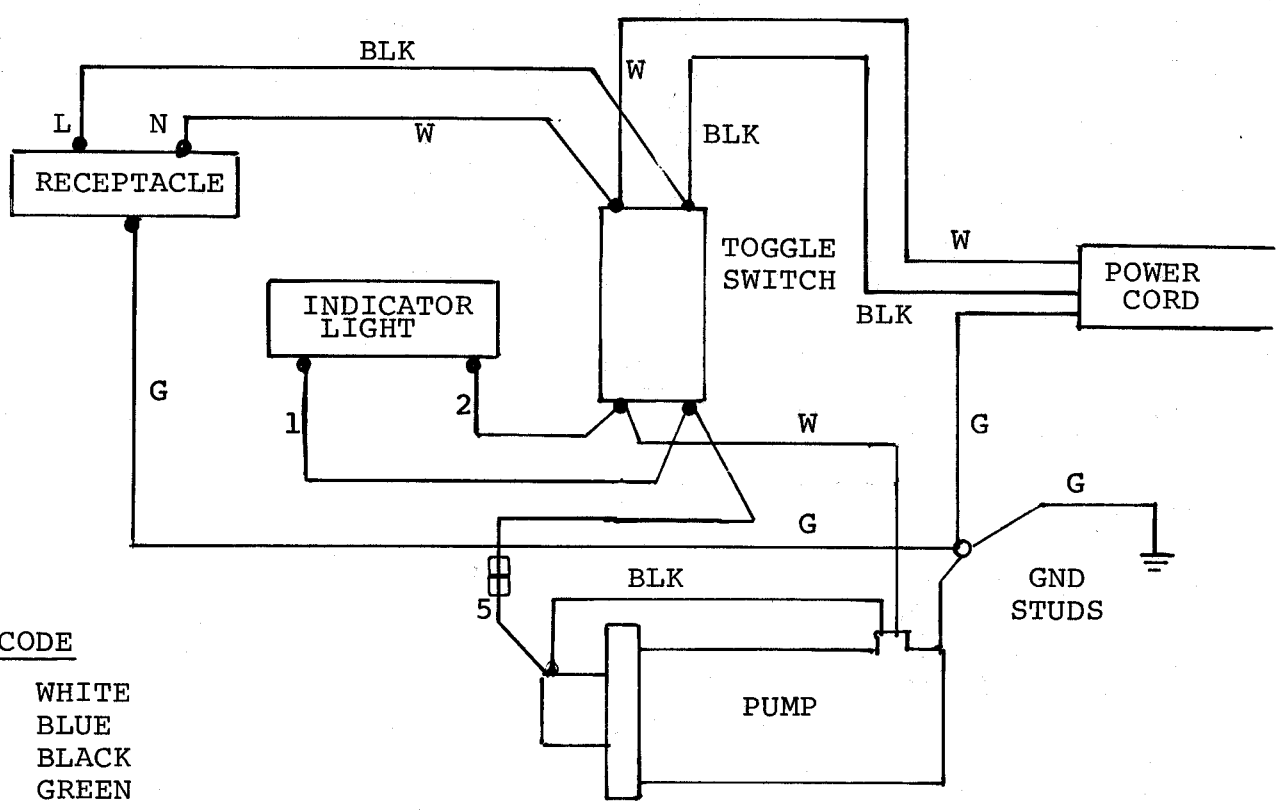


ITEM	PART NO.	QTY	DESCRIPTION
1	249 725	2	SCREW
2	249 727	1	COVER
3	249 729	1	FAN
4	249 731	2	SCREW
5		1	BRACKET
6	249 733	1	LOAD SPRING
7	249 735	1	DISC
8	249 737	1	BEARING
9	249 739	1	AIR VENT RING
10	249 743	1	ARMATURE 115 VOLT
	249 741	1	ARMATURE 220 VOLT
11	228 051	1	BEARING
12	202 754	1	SCREW
13	249 745	1	BAND
14	202 762	1	GROMMET
15		1	FIELD 115 VOLT
		1	FIELD 220 VOLT
16		5	SCREW
17		1	LEAD & TERM
18	208 132	2	CLAMP
19	207 403	2	BRUSH MECHANISM (SET)
20	249 747	1	NEOPRENE WASHER
21	249 749	1	FAN END BRACKET
22	202 703	1	SHELL
23	203 424	1	SPACER
24	249 751	1	SLINGER
25	249 753	1	FAN
26	202 592	2	FAN
27	202 770	1	WASHER
28	249 755	1	STATIONARY FAN
29	203 516	1	SPACER
30	249 757	1	FAN SHELL
31	203 432	1	WASHER
32	203 440	1	NUT
4A	249 759	2	WASHER

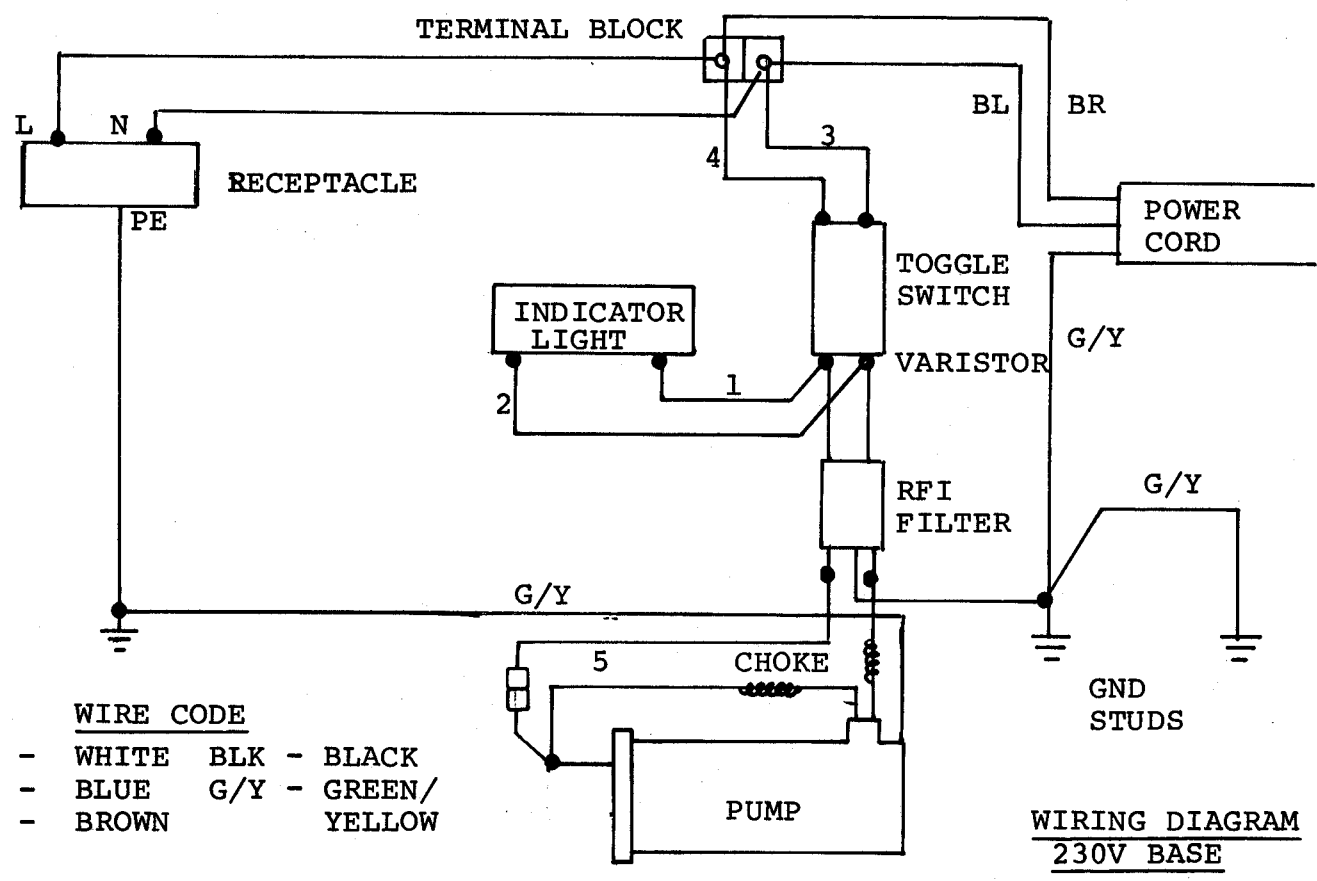
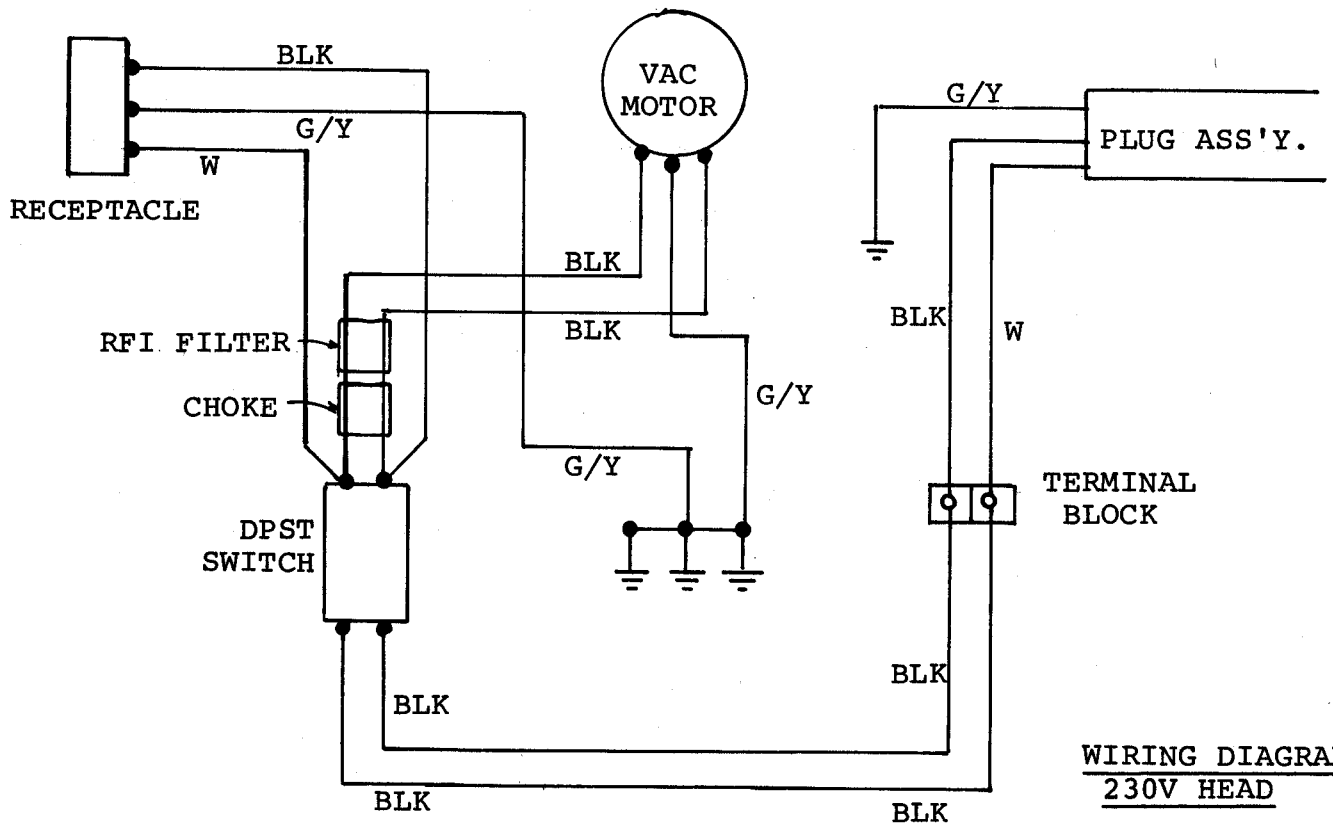
115V HEAD WIRING DIAGRAM



115V BASE WIRING DIAGRAM



- WIRE CODE
- W - WHITE
  - BL - BLUE
  - BLK - BLACK
  - G - GREEN





**Nilfisk  
Advance**

*setting standards*

Nilfisk-Advance, Inc.

14600 21st Avenue North  
Plymouth, MN, 55447-3408

[www.nilfisk-advance.com](http://www.nilfisk-advance.com)

Phone: 800-989-2235

Fax: 800-989-6566

©2001 Nilfisk-Advance, Inc.,  
Plymouth, MN 55447-3408

Printed in the U.S.A.