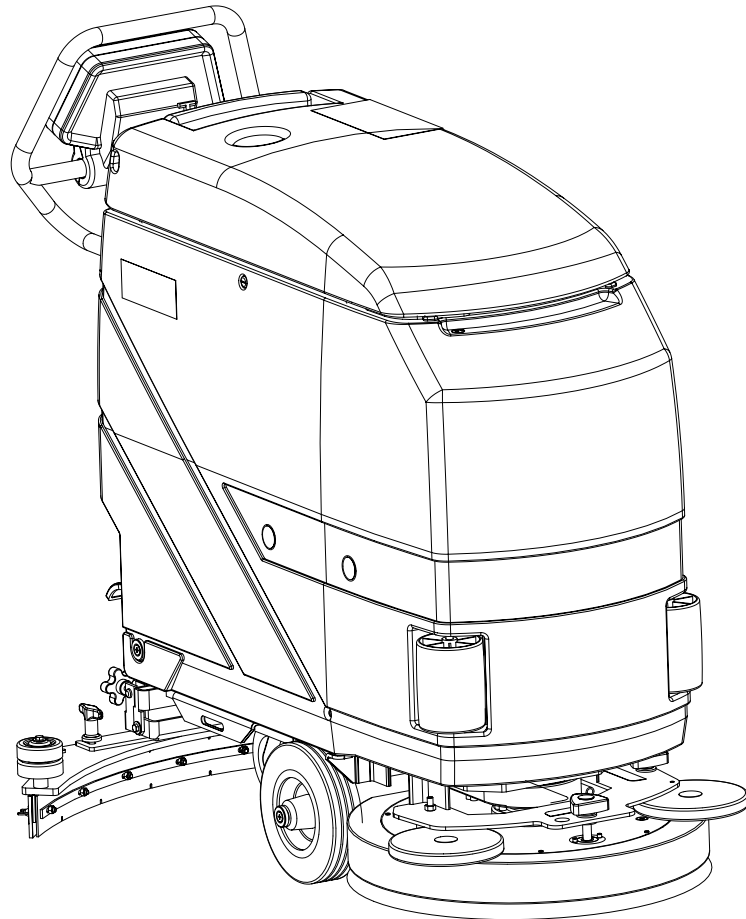


# BA 5321/D - BA 6124D

---



## PARTS LIST

Advance Models:

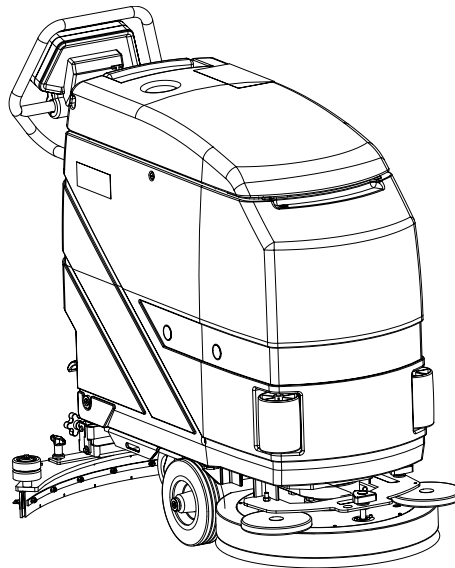
08838130 - 08838135 - 908 7014 020



**Advance**  
by Nilfisk-Advance

08812649(5)2003-02





DESCRIPTION	PLAN
Tank Assembly	2 - 3
Tank Assembly	4 - 5
Chassis System	6 - 7
Pedal Lifting	8 - 9
Brush Drive System BA 5321-BA5321D	10 - 11
Brush Drive System BA 6124D	12 - 13
Squeegee System BA 5321-BA 5321D	14 - 15
Squeegee System BA 6124D	16 - 17
Switch housing BA 5321D-BA 6124D	18 - 19
Switch housing BA 5321	20 - 21
Control panel Assembly	22 - 23
Solution System	24 - 25
Wiring System BA 5321 with battery charger	26 - 27
Wiring System BA 5321D with battery charger	28 - 29
Wiring System BA 6124D with battery charger	30 - 31
Pad holder Assemblies	32 - 33
Wiring diagram	34
Wiring diagram	35
Wiring diagram	36
Recommended spare parts	37

#### WHEN ORDERING PARTS

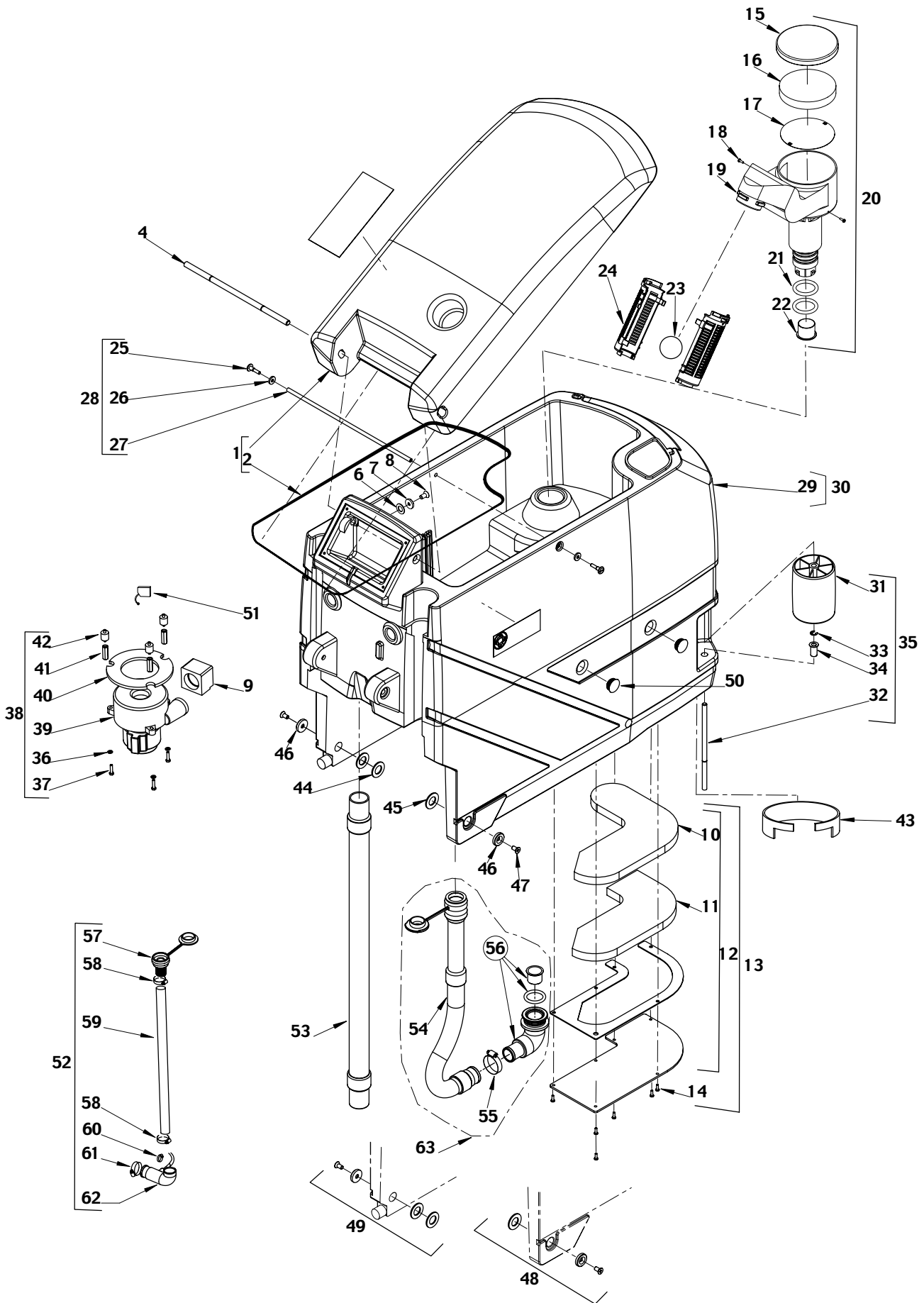
- \* Use the 8,9 or 10 digit part numbers from the "Ref. No." columns in this parts list.
  - \* Specify the model and serial number of the machine.
  - \* Use the space below to record the model and the serial number for future reference.
- Model \_\_\_\_\_ Serial No. \_\_\_\_\_

**\*\* = Optional**

**# = New Item no.**

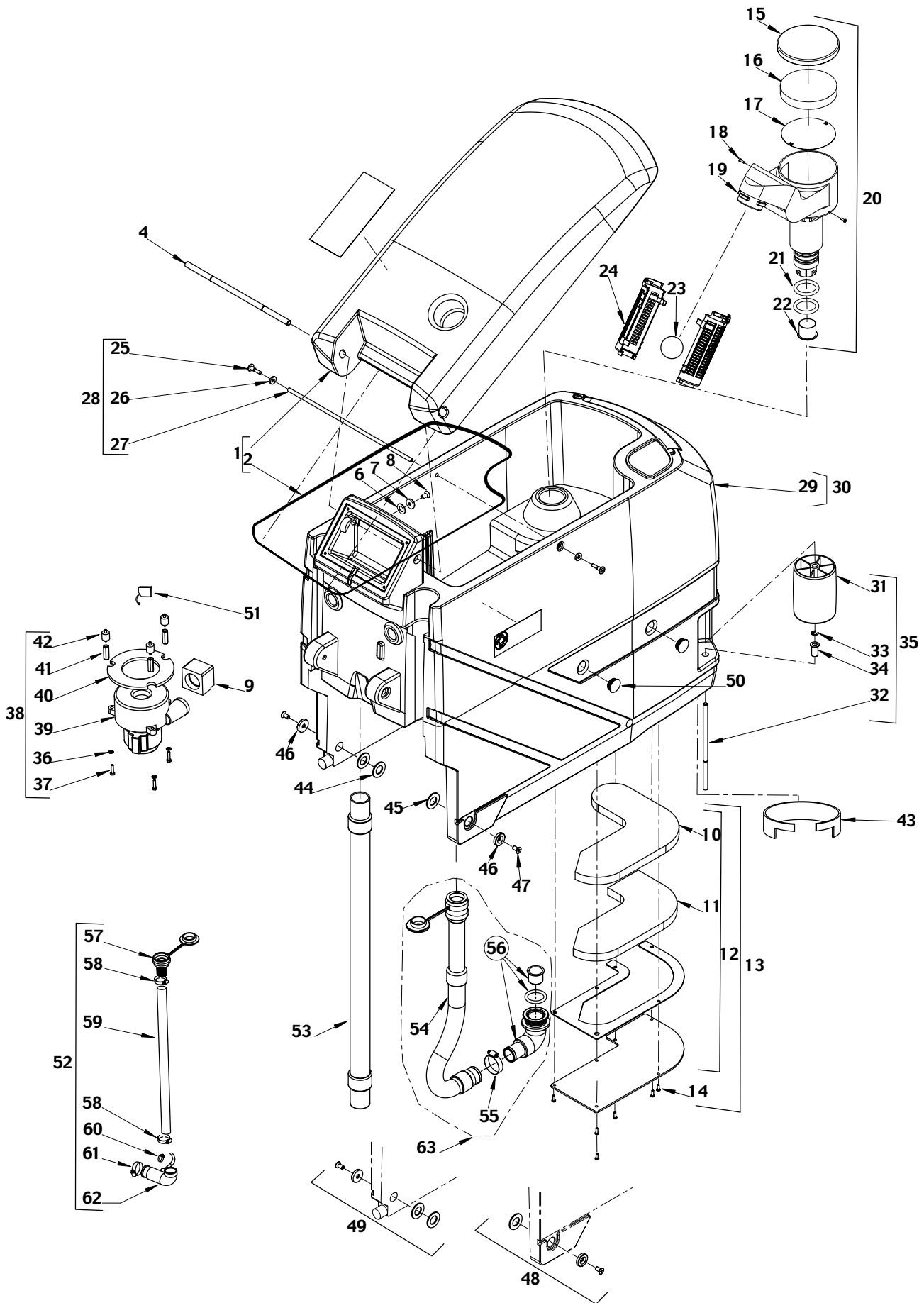
**[ ] = Not shown**

**xxxxxxx = Included in a Kit**



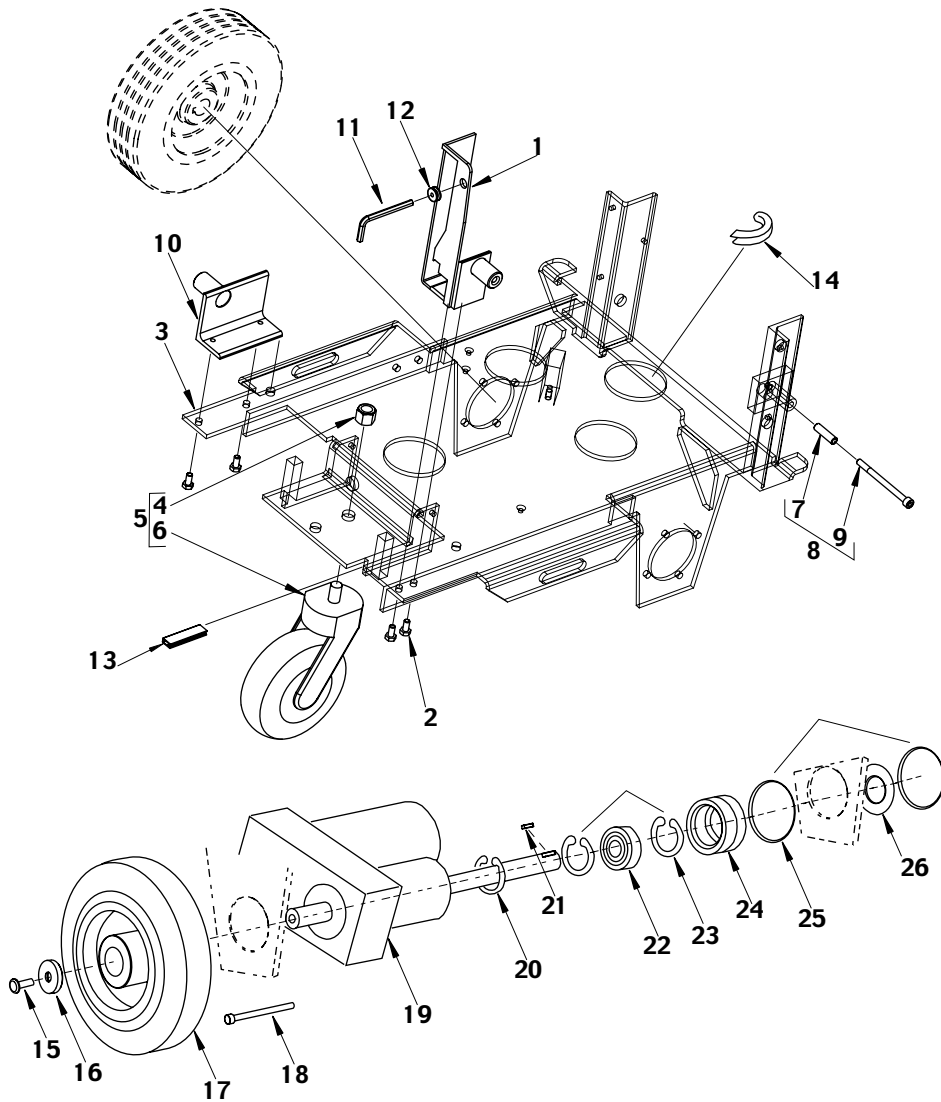
2003-02	TANK ASSEMBLY		
	BA 5321 - BA 5321D - BA 6124D		3

Item no.	Ref. No.	Qty	Description
1	08812712	1	Tank lid with seal
2	56325511	1	Seal
4	08812254	1	Axle, tank lid
6	56325516	2	Gasket
7	56325517	2	Washer flat 10x30 SS
8	56325519	2	Screw hex hd
9	56325520	1	Sleeve
10	56325523	1	Foam acustic upper
11	08812443	1	Insulating panel
12	08603650	1	Cover w/seal complete
13	56325526	1	Acoustic cover/ seal and screw complete
14	08812804	6	Screw cyl 4x12 thd form
15	56325532	1	Cover pre-filter+screw
16	56325529	1	Filter
17	08602017	1	Grate
18	08603123	2	Screw cyl hd thd form 3,5x11 SS
19	08812256	1	Filter housing
20	56325534	1	Pre-filter complete
21	56325535	2	O-ring
22	56325536	1	Sleeve
23	56391690	1	Floating ball
24	56324497	2	Float cage complete
25	08812687	2	Fitting screw M6x16 nylon
#26	08812686	2	Rubber bushing 7x18x3
27	08812688	1	Tank adjuster pin
28	56325539	1	Rod with fastening assy
29	08812711	1	Tank
#30	08812875	1	Tank complete TSB 2001-015
31	56325542	2	Bumper roller
32	56325543	2	Axle for bumper roller
33	56325544	2	Retaining ring
34	56325545	2	Bushing
35	56325546	2	Bumper roller assy
#36	08602395	3	Washer flat M6x12,5
37	08603680	3	Screw hex hd
38	56325549	1	Turbine 24V complete
#39	08603888	1	Vacuum motor 24V w/connector
40	56325551	1	Seal
41	56325552	3	Distance bolt
42	56325553	3	Rubber buffer
43	909 5042 000	1	Acustic insulation interchangeable with the previous one
44	56325554	2	Washer plastic
45	56325555	1	Washer
46	56325580	2	Bushing
47	56325579	2	Screw 8x20
48	56325558	1	Tank reinforce right assy
49	56325559	1	Tank reinforce left assy
#50	08812457	4	Tank locking cap
#51	08812887	2	Carbon brush
#52	08603903	1	Kit clean water hose
#53	08603883	1	Suction hose
#54	08812869	1	Drain hose
55	145 0543 000	1	Clamp
56	08812874	1	Elbow assy.

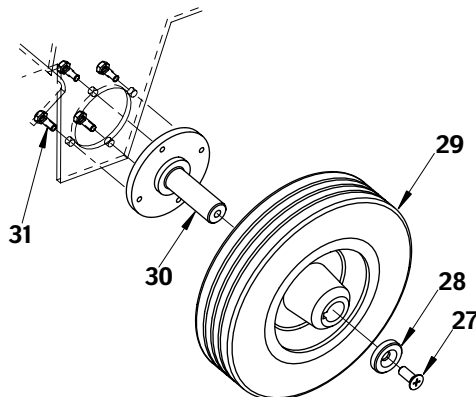


2003-02	TANK ASSEMBLY			
	BA 5321 - BA 5321D - BA 6124D			5

Item no.	Ref. No.	Qty	Description
57	08603868	1	Closure clean water hose
58	08603916	2	Clamp
59	08603869	1	Hose clean water
60	08603901	1	Clamp
61	56325632	1	Clamp
62	08603870	1	Elbow
63	08812873	1	Drain hose kit



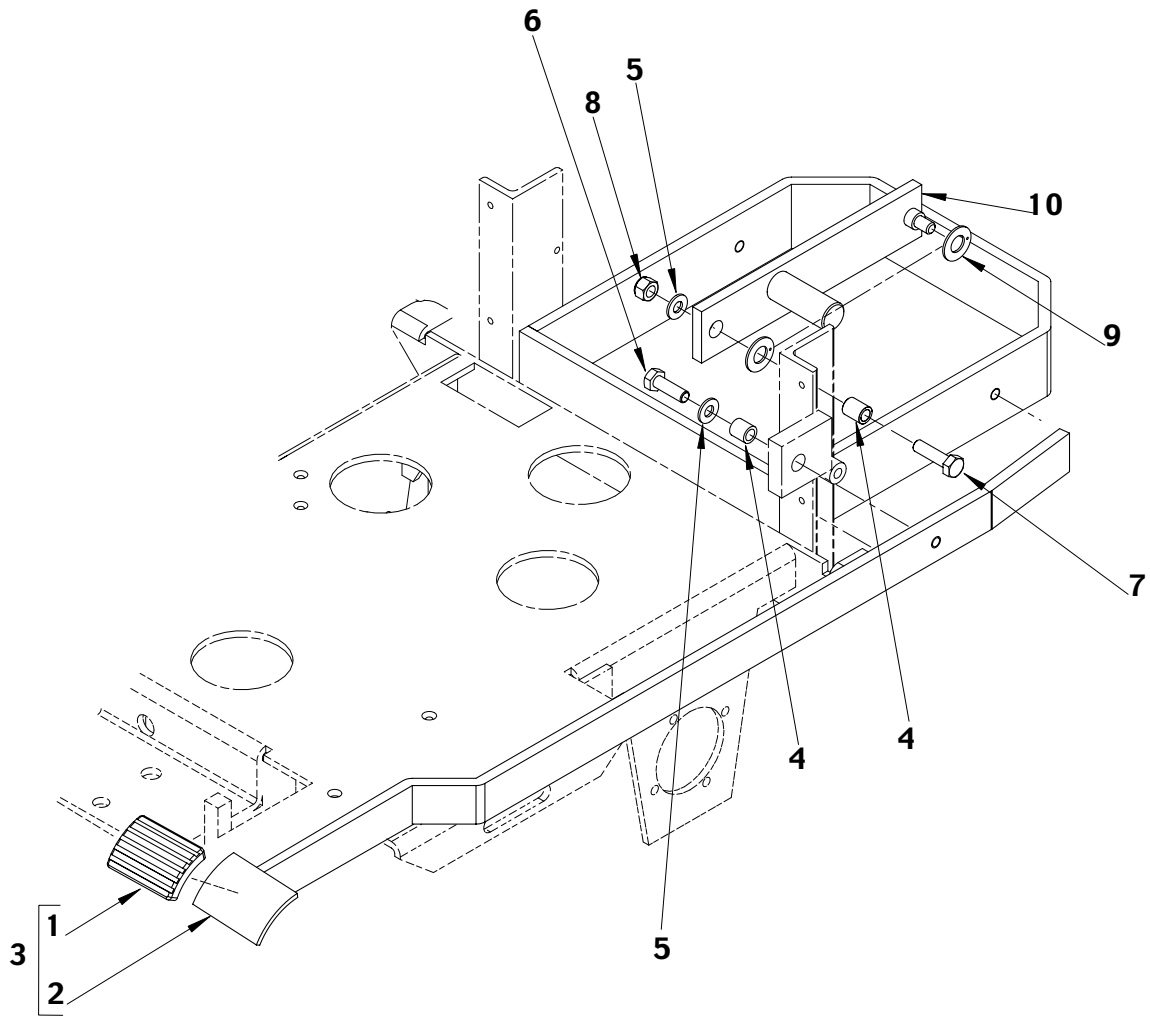
**BA 5321**





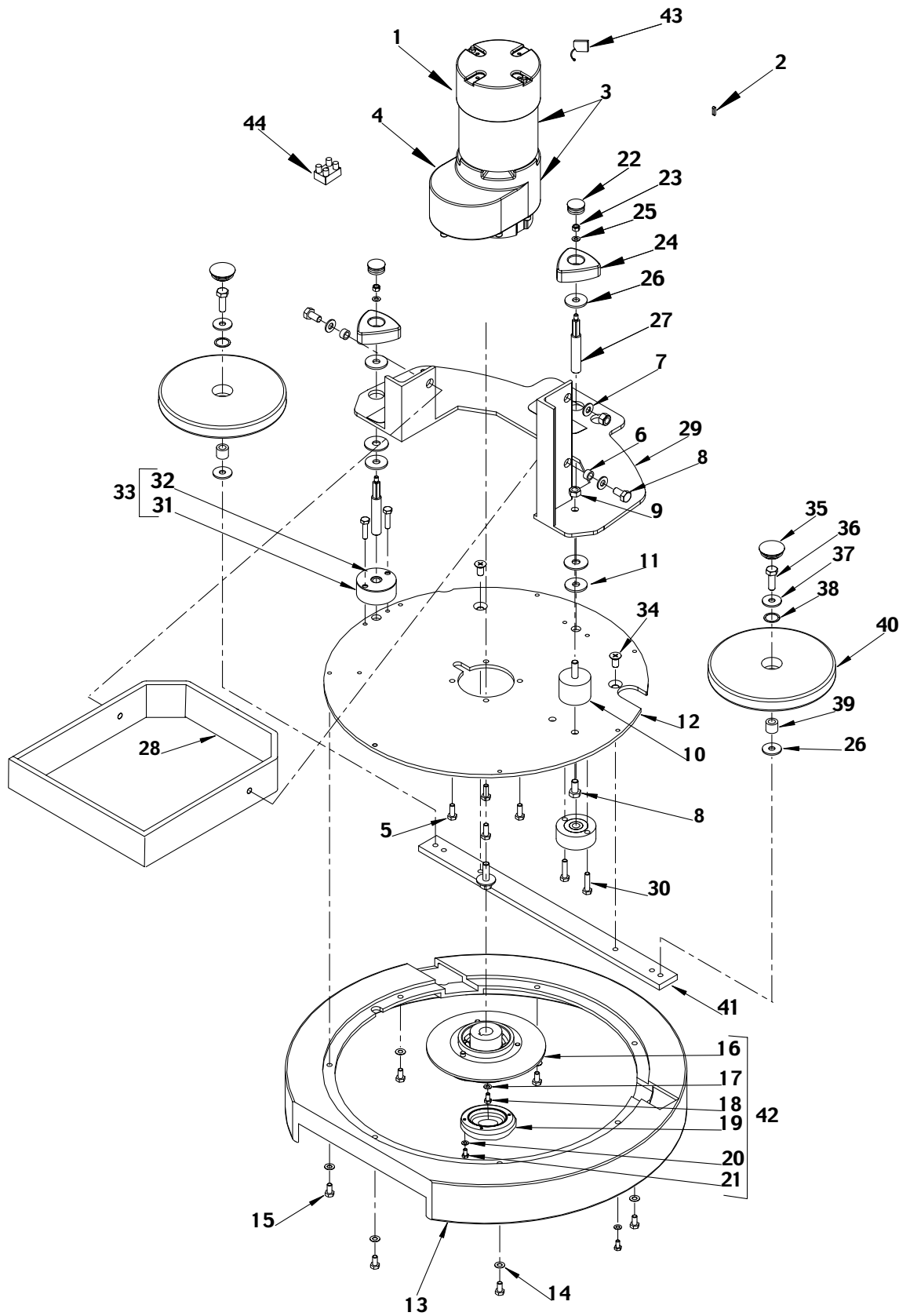
2003-02	CHASSIS SYSTEM			
	BA 5321 - BA 5321D - BA 6124D			7

Item no.	Ref. No.	Qty	Description
1	56325560	1	Tank axle right
2	56325561	4	Screw Hex Hd M6x12
3	56325562	1	Chassis
4	56325563	1	Nut Hex. Nyl. Loc. M12
5	56325564	1	Caster assy
#6	08812954	1	Caster
7	08603681	1	Screw socket Hd. M6x80 SS
8	56325565	1	Tank safety screw assy
9	08812449	1	Spacer
10	56325566	1	Tank axle left
11	56325785	1	Allen Wrench M5
12	56325786	1	Grommet
13	08812634	1	Reinforced seal
14	08812661	1	Seal
ONLY BA 5321D - BA 6124D			
15	56325567	2	Screw Hex. Hd. M10x25
16	56325568	2	Washer flat 10x30
17	08603792	2	Drive wheel
18	56325561	4	Screw Hd. M6x12
19	56325571	1	Drive motor
20	08182700	2	Retaining ring
21	56325572	2	Feather key 6x6x35
22	56325573	1	Ball bearing
23	56325574	2	Lock washer
24	56325576	1	Bearing support
25	56325577	2	Lock washer
26	56325578	1	Washer
ONLY BA 5321			
27	56325579	2	Screw M8x20
28	56325580	2	Bushing
29	08603696	2	Wheel w/Hub
30	56325582	2	Wheel stud
31	56325570	4	Screw Hex. Hd. M6x16



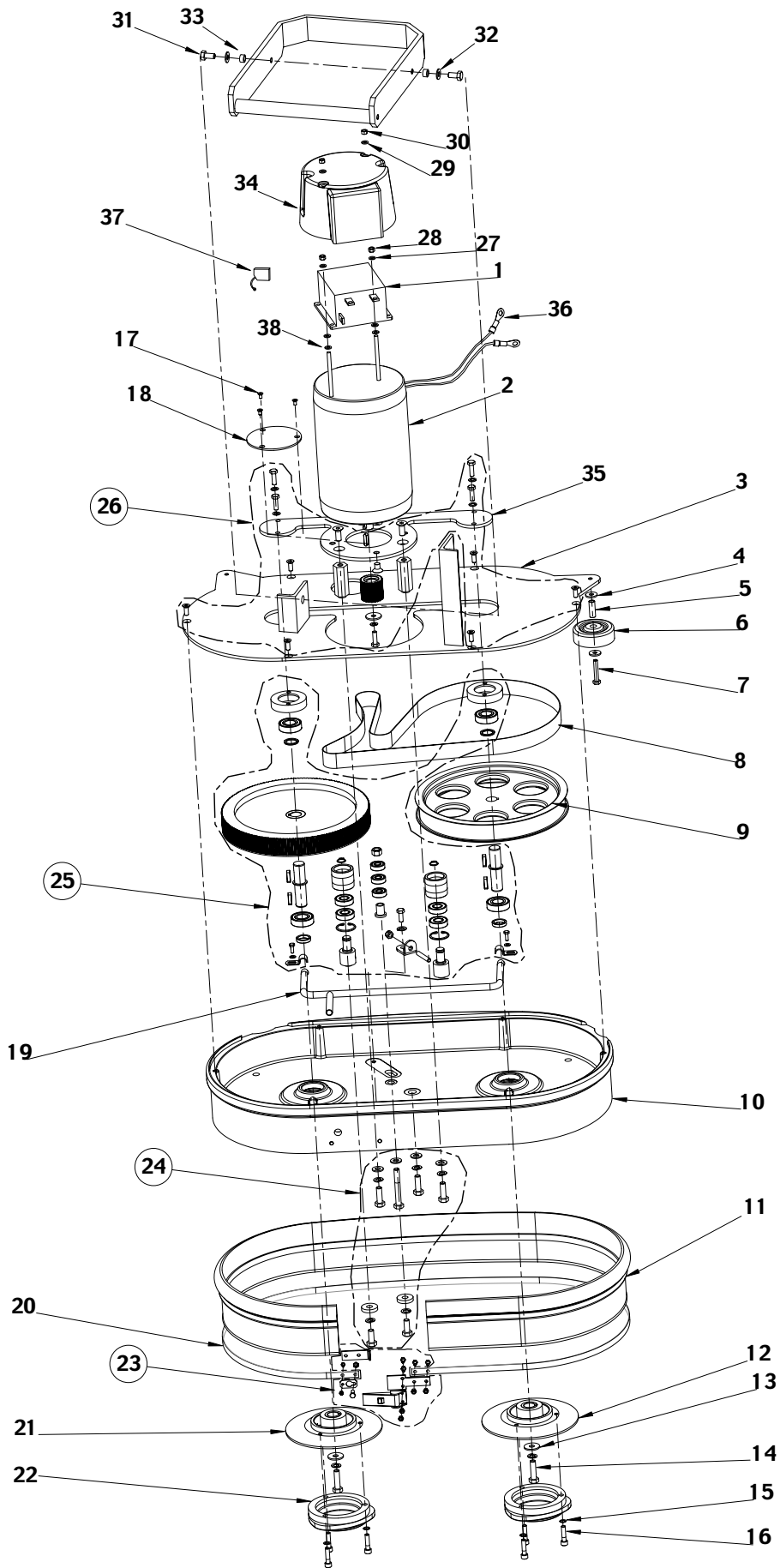
2003-02	PEDAL LIFTING		
	BA 5321 - BA 5321D - BA 6124D		9

Item no.	Ref. No.	Qty	Description
1	56325584	1	Rubber pedal
2	08812223	1	Pedal weldment
3	56325585	1	Pedal complete
4	56325586	2	Sleeve
5	56325587	6	Washer
6	56325625	1	Screw Hex. Hd. M8x25
9	56325588	1	Screw Hex. Hd. M8x30
8	56003389	2	Nut Hex. M8
9	56325591	2	Washer
10	56325592	1	Lever



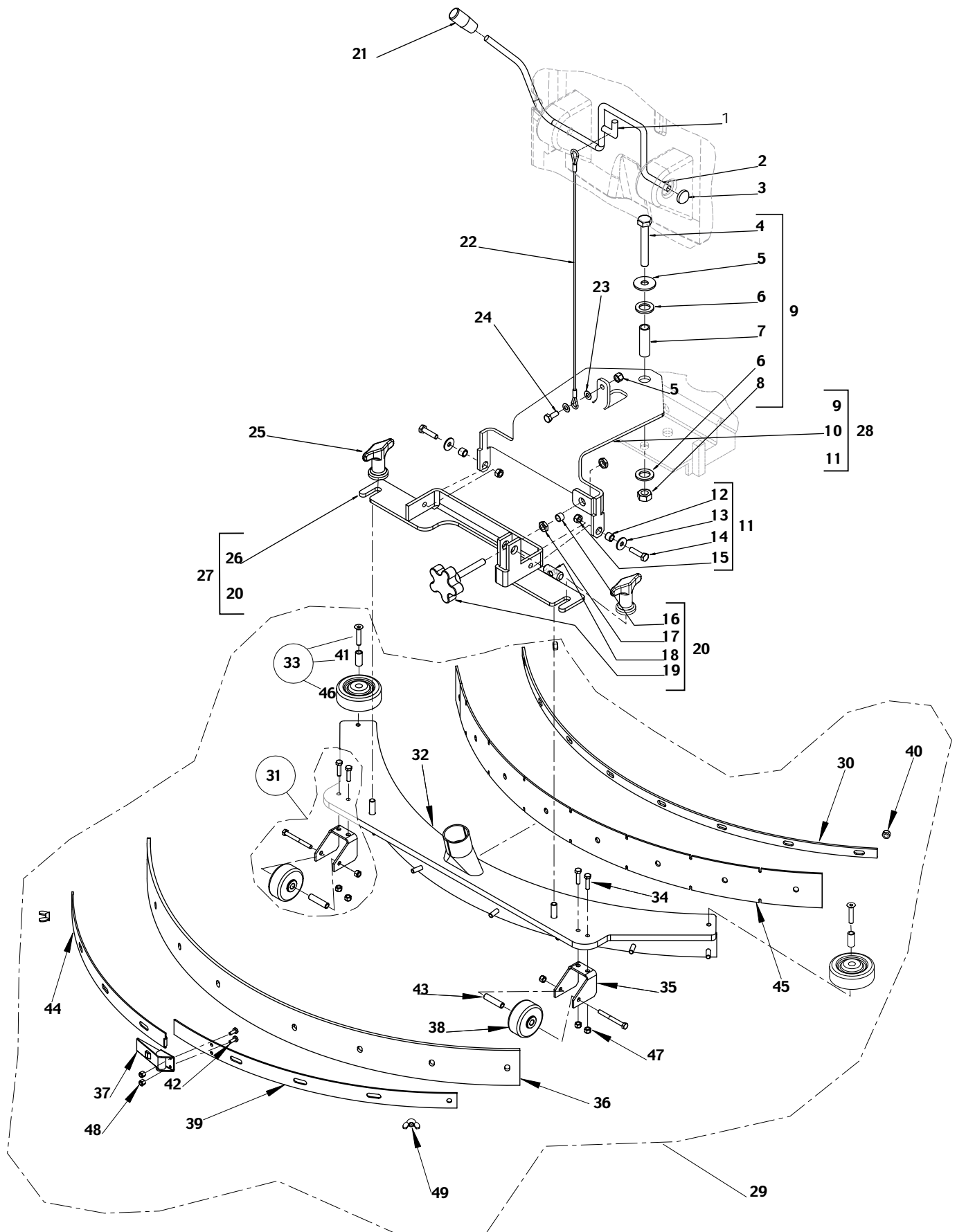
2003-02	BRUSH DRIVE SYSTEM BA 5321 - BA 5321D		
	BA 5321 - BA 5321D - BA 6124D		11

Item no.	Ref. No.	Qty	Description
1	08603848	1	Brush motor
2	145 9774 000	1	Feather key
3	08812919	1	Brush motor+ Gear case complete TSB.....
4	08603849	1	Gear case
5	56325570	4	Screw Hex. Hd. M6x16
6	56325598	4	Sleeve
7	56325587	4	Washer
8	56325600	5	Screw Hex. Hd. M8x16
9	56325601	1	Nut Hex. M8
10	56325602	1	Buffer
11	08812719	1	Washer flat 9x28
12	56325604	1	Base plate
13	56325605	1	Brush cover
14	56325538	7	Washer flat 6x18
15	56325561	7	Screw Hex. Hd. M6x12
16	56325608	1	Polygonal Holder
17	145 9171 000	1	Washer flat 8x32
18	56325588	1	Screw Hex. Hd. M8x30
#19	56325611	1	Polygon Holder
20	56325612	3	Washer M6
21	56325613	3	Screw Soc. Hd. self lock. M6x25 SS
22	56325614	2	Plug
#23	56003364	2	Nut Hex. M5
24	56325616	2	Knob
25	56003366	2	Washer flat 5x10
26	08812718	2	Rubber gasket
27	08812706	2	Dowel brush plate fixing
28	56325619	1	Frame
29	56325620	1	Plate
30	56325621	2	Screw Hex. Hd. M6x25
31	56325622	2	Buffer
32	08812779	1	Vibration damping plate
33	08812780	1	Brush fixing plate assy.
34	56325623	2	Screw counterunk Hd.8x12
35	08812999	2	Plug
36	56325625	2	Screw Hex. Hd. M8x25 SS
37	56325609	2	Washer flat 8x24
38	56325626	2	Spring washer
39	56325627	2	Sleeve
40	56325628	2	Bumper rollers
41	56325629	1	Fitting strip
#42	08812589	1	Polygonal Holder Assembly
43	08603850	1	Carbon brushes kit
44	56325732	1	Luster terminal



2003-02	BRUSH DRIVE SYSTEM BA 6124D			
	BA 5321 - BA 5321D - BA 6124D			13

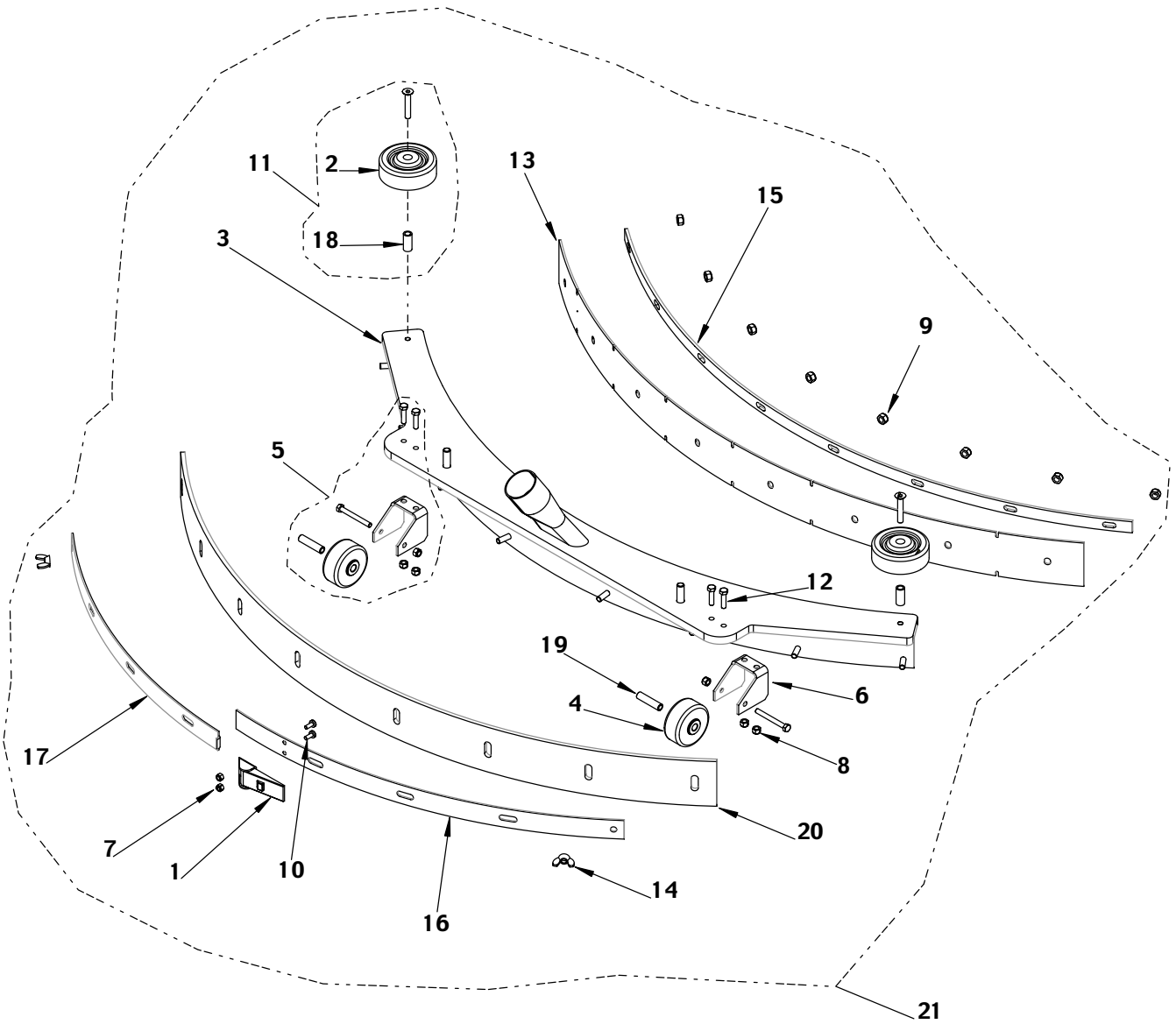
Item no.	Ref. No.	Qty	Description
1	909 5016 000	1	Electronic card
2	08603820	1	Brush motor 24V
3	08603810	1	Cover
4	145 9229 000	4	Washer flat 6,6x18
5	08602461	2	Bushing
6	56363855	2	Bumper roller
7	145 9232 000	2	Screw hex hd M6x25
8	08603821	1	Belt
9	08603811	1	Pulley
10	08603809	1	Brush deck 24"
11	08603837	1	Splash guard
12	56325608	1	Hub right
13	56325609	1	Washer flat
14	145 9281 000	2	Screw hex hd M8x30
15	56325612	6	Washer M6
16	56325613	6	Screw self lock M6x25
17	08603976	3	Screw M4x8 SS
18	08603904	1	Closure
19	08603815	1	Copper hose
20	08603826	1	Splash guard holder
21	08603822	1	Hub left
22	56325611	2	Hub
23	08603979	1	Kit splash guard fixing
24	08603980	1	Kit hardware bush deck
25	08603981	1	Kit pulleys fixing
26	08603982	1	Kit hardware brush motor
27	145 9154 000	2	Washer
28	145 9134 000	2	Nut hex M5
29	145 9133 000	2	Washer flat
30	08603704	2	Nut hex self lock M5
31	56325600	2	Screw hex M8x16
32	56325587	2	Washer flat
33	56325598	2	Bushing
34	909 5020 000	1	Cover electr. card
35	08603823	1	Flange motor
36	146 0725 000	2	Terminal
37	08603949	1	Charbon brushes kit
38	56003366	4	Washer flat 5x10





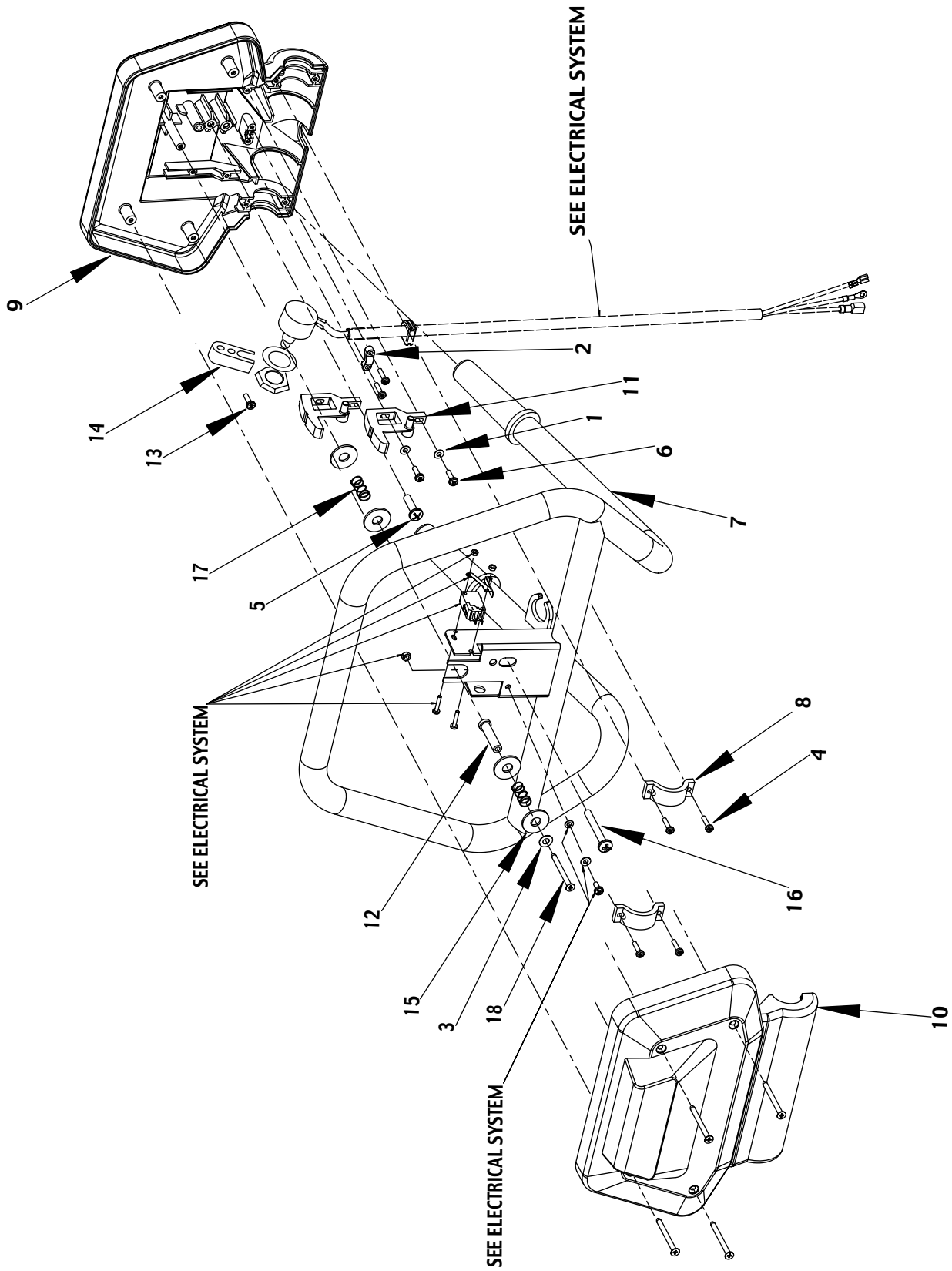
2003-02	SQUEEGEE SYSTEM BA 5321 - BA 5321D			
	BA 5321 - BA 5321D - BA 6124D			15

Item no.	Ref. No.	Qty	Description
1	08603935	1	Plug
2	56325709	1	Squeegee lever
3	56325710	1	Closing cap
4	08602211	1	Screw
5	56325568	1	Washer
6	08238300	2	Washer
7	08812391	1	Spacer
8	08082100	1	Knob
9	56325681	1	Fixture kit
10	08603655	1	Squeegee support plate
11	56325682	1	Fixture for nozzle holder left / right
12	08601854	2	Spacer
13	56325538	2	Washer
14	56325621	2	Screw
15	08361400	2	Nut
16	08602422	1	Spacer
17	08600317	2	Nut
18	08601509	1	Pin
19	08601574	1	Knob
20	56325684	1	Adjustment screw kit
21	56325708	1	Ball grip
22	56325711	1	Squeegee lift cable
23	56325538	2	Washer
24	08603680	1	Screw hex hd
25	08603675	2	Thumb nut
26	08812228	1	Squeegee holder
27	56325683	1	Nozzle holder set
28	08603657	1	Linkage arm complete
29	08603878	1	Kit squeegee complete
30	08603672	1	Blade fixer latch
31	08603879	1	Kit squeegee wheel
32	08603676	1	Squeegee weldment
33	08603880	1	Kit squeegee bumper roller
34	08603687	1	Screw
35	08603666	2	Support squeegee wheel
36	56325685	1	Squeegee balde rear
37	56471194	1	Latch for squeegee
38	08603665	2	Rubber wheel
39	56393290	1	Rear strap for hook
40	08603682	8	Nut
41	08812937	2	Spacer
42	08603684	2	Screw
43	08812948	2	Spacer
44	56393289	1	Rear strap for hook
45	56393285	1	Squeegee blade front
46	56363855	2	Bumper roller
47	08603688	6	Nut
48	08603685	2	Nut
49	145 0461 000	2	Wing nut
#[50]	08603922	1	Kit bumper roller opt.
#[51]	08837060	1	Straight squeegee assembly
#[52]	08837041	1	Oil resistant squeegee blades kit for curved squeegee
#[53]	08812403	1	Wear pack:squ.blades, sol.filter, pre filter f.straight sq.BA 450/530
#[54]	08812404	1	Wear pack:squ.blades, sol.filter, pre filter f.curved sq.BA 450/530
#[55]	08812405	1	Wear pack:oil resist. squ.blades, sol.filter, pre filter f. curved sq. BA 450/530



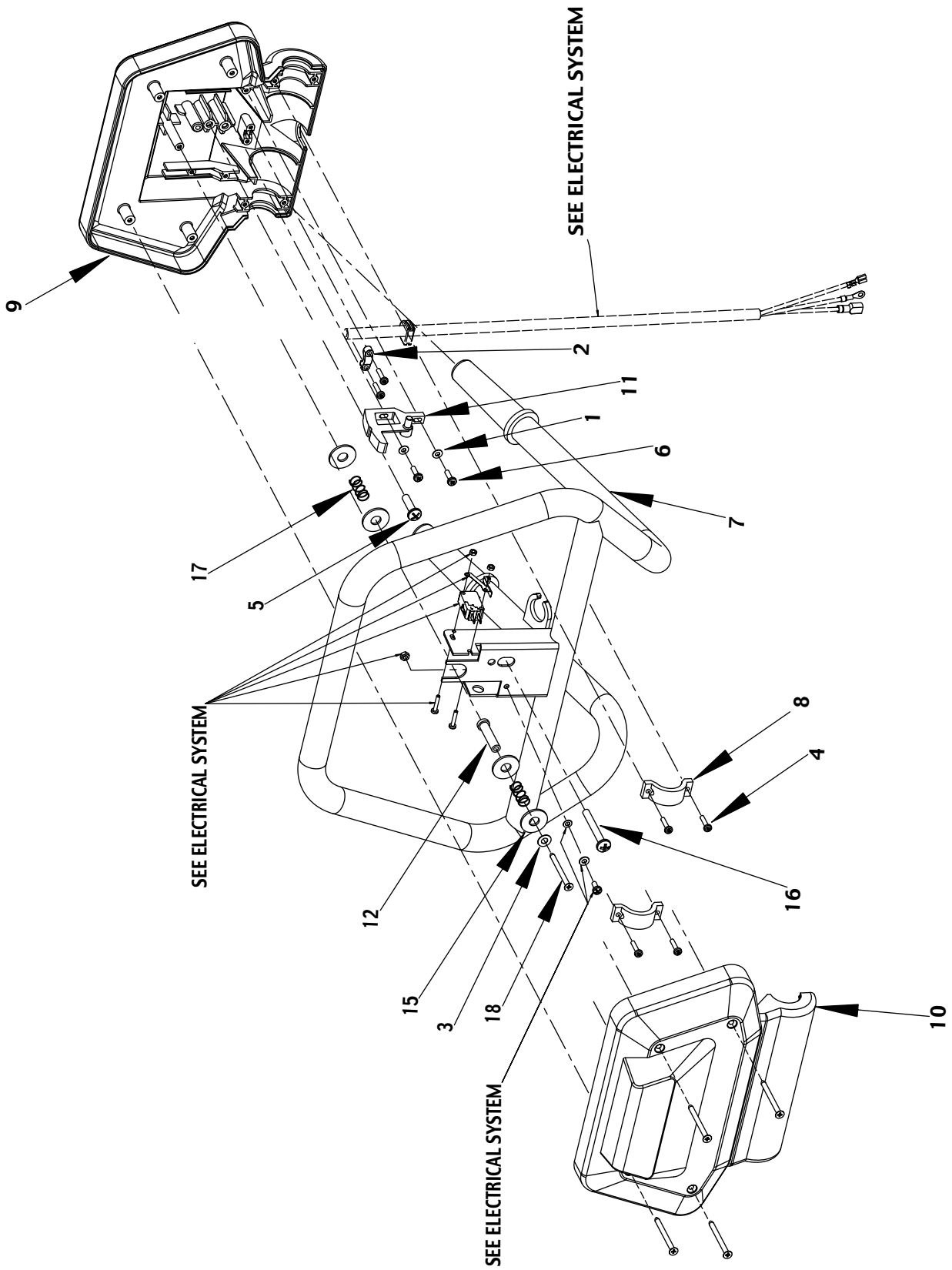
2003-02	SQUEEGEE SYSTEM BA 6124D			
	BA 5321 - BA 5321D - BA 6124D			17

Item no.	Ref. No.	Qty	Description
1	56471194	1	Latch for squeegee
2	56363855	2	Bumper roller
3	08603828	1	Weldment, squeegee tool
4	56391218	2	Squeegee wheel
5	08603879	1	Kit squeegee wheel
6	08603666	2	Support squeegee wheel
7	08603685	2	Nut self loc M4 SS
8	08603688	6	Nut self loc M5 SS
9	08603682	8	Nut self loc M6 SS
10	08603684	2	Screw M4x10
11	08603880	1	Kit squeegee bumper roller
12	08603687	4	Screw hex hd M5x20 SS
13	08603830	1	Squeegee blade front
14	145 0461 000	2	Wing nut
15	08603831	1	Strap front
16	08603834	1	Right rear strap
17	08603833	1	Left rear strap
18	08812937	2	Spacer
19	08812948	2	Spacer
20	08603832	2	Squeegee blade rear
21	909 5005 000	1	Kit squeegee complete
[22]	08603973	1	Kit oil resistant blades
[23]	909 5004 000	1	Wear pack - kit oil resistant blades for curved squeegee
[24]	909 5006 000	1	Wear pack - kit squeegee blades for curved squeegee



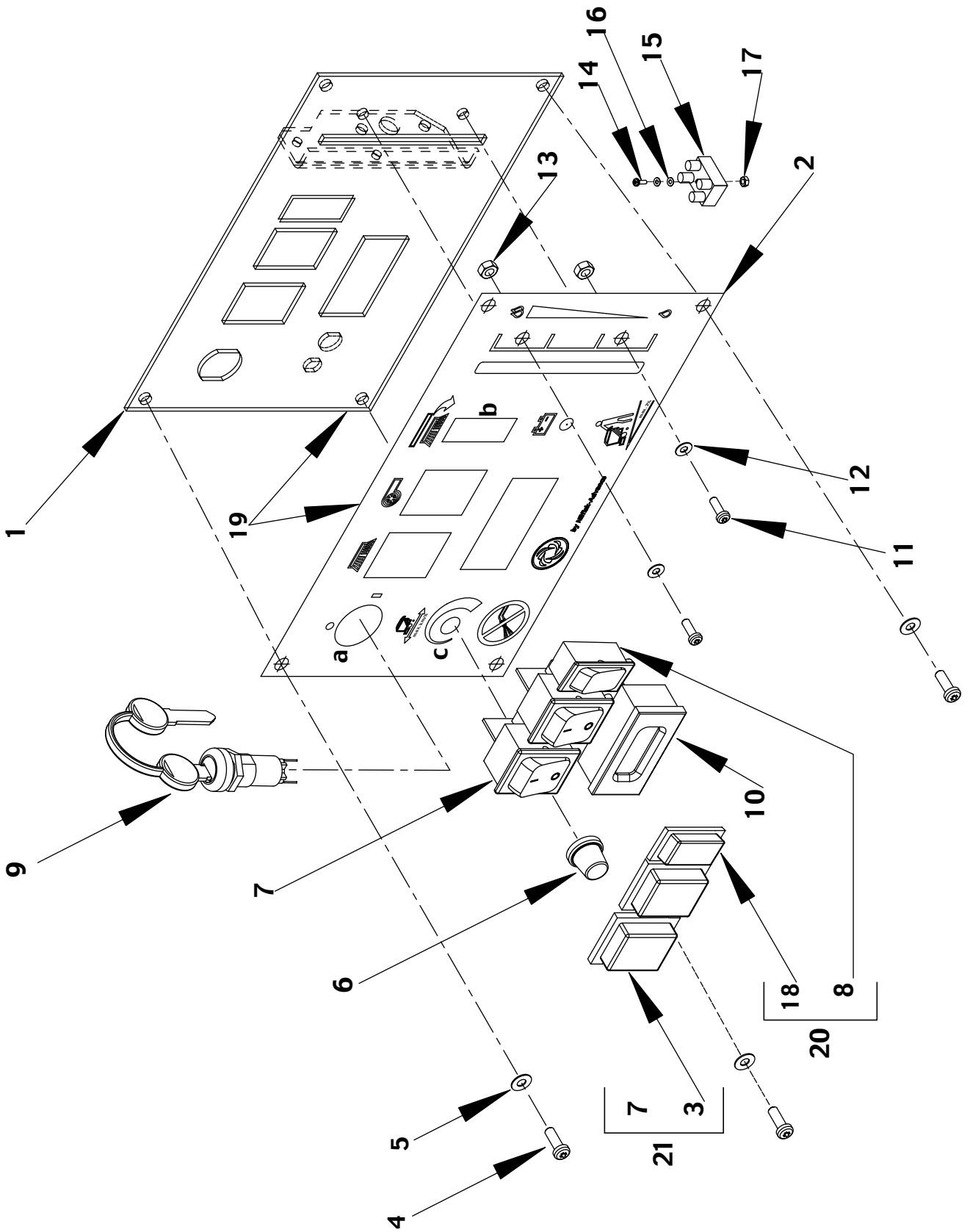
2003-02	SWITCH HOUSING BA 5321D - BA 6124D		
	BA 5321 - BA 5321D - BA 6124D		19

Item no.	Ref. No.	Qty	Description
1	08200800	4	Washer flat 4x9x0,8 SS
2	56340083	1	Cables fixing block
3	08602395	1	Washer flat 6x12,5
4	56325661	6	Screw thd form M3,5x16
5	56340224	1	Screw cyl hd thd form M6x25 SS
6	08603668	4	Screw cyl hd thd form M4x14 SS
7	56325658	1	Handle bar
8	56325662	2	Clamp
9	56325659	1	Switch housing rear
10	56325651	1	Switch housing front
11	56325664	2	Micro switch cam
12	56325655	1	Distance sleeve
13	56325640	1	Screw pan hd phil M4x10
14	56325657	1	Potentiometer fork
15	56325653	4	Washer flat nylon 9x25
16	56325660	1	Screw with dome 6x50 thd form
17	56325654	2	Drive control spring
18	56325650	5	Screw flat hd 4,2x50 thd form



2003-02	SWITCH HOUSING BA 5321		
	BA 5321 - BA 5321D - BA 6124D		21

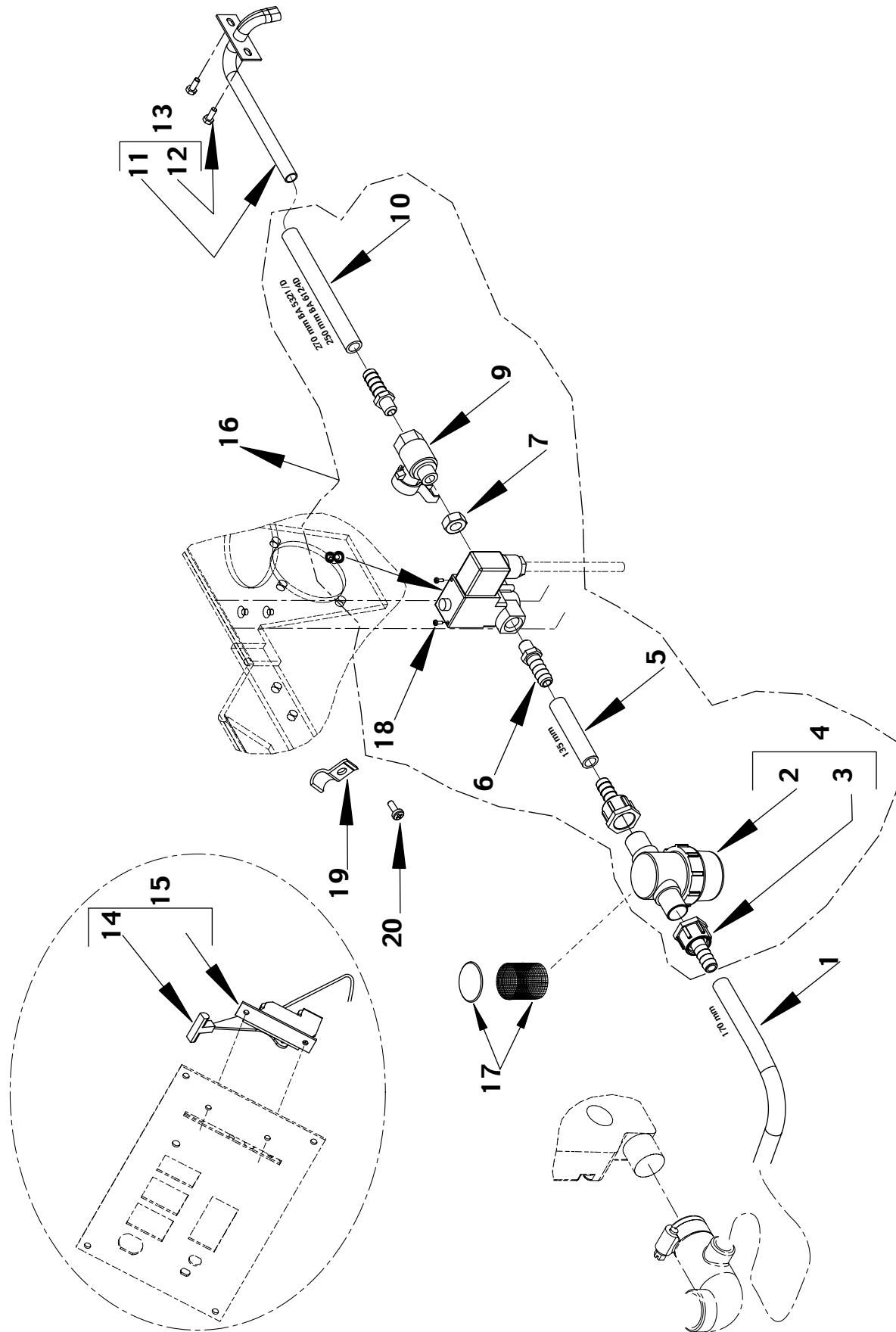
Item no.	Ref. No.	Qty	Description
1	08200800	4	Washer flat 4x9x0,8 SS
2	56340083	1	Cables fixing block
3	08602395	1	Washer flat 6x12,5
4	56325661	1	Screw thd form M3,5x16
5	56340224	1	Screw cyl hd thd form M6x25 SS
6	08603668	2	Screw cyl hd thd form M4x14 SS
7	56325658	1	Handle bar
8	56325662	2	Clamp
9	56325659	1	Switch housing rear
10	56325651	1	Switch housing front
11	56325664	1	Micro switch cam
12	56325655	1	Distance sleeve
15	56325653	4	Washer flat nylon 9x25
16	56325660	1	Screw with dome 6x50 thd form
17	56325654	2	Drive control spring
18	56325650	5	Screw flat hd 4,2x50 thd form





2003-02	CONTROL PANEL ASSEMBLY		
	BA 5321 - BA 5321D - BA 6124D		23

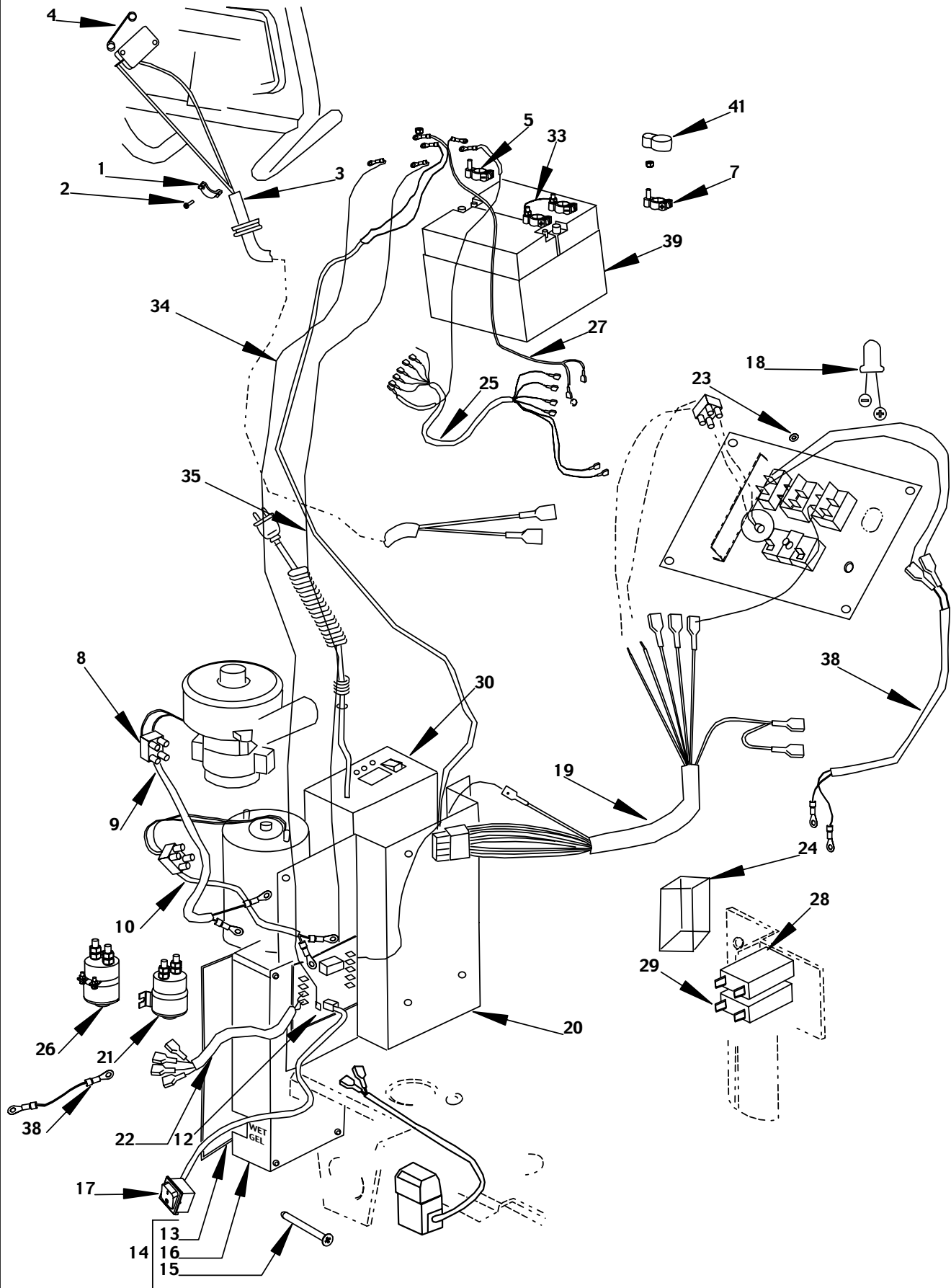
Item no.	Ref. No.	Qty	Description
#1	08603942	1	Control panel
2	08603983	1	Decal BA 5321
2	08603943	1	Decal BA 5321D - 6124D
3	08603193	2	Plastic bracket w/seal and switch protection cap
4	08812804	4	Screw cyl hd 4x12 thd form
5	56325716	4	Washer flat 4x9 SS
6	56325720	1	Knob for potentiometer
7	56340199	2	Switch pump/ vacuum
8	08603944	1	Switch click off
9	56325718	1	Key switch complete BA 5321D - BA 6124D
10	56325728	1	Hour meter
11	08604077	2	Screw cyl hd M4x10
12	145 9144 000	2	Washer flat 4x9
13	56003351	2	Nut hex M4
14	08603705	1	Screw pan hd M3x25
15	56325726	1	Luster terminal
16	08102800	2	Washer lock
17	08048300	1	Nut hex M3
18	08603945	1	Plastic bucket w/seal and switch protection
19	56325715	1	Kit control panel with decal BA 5321
19	56325724	1	Kit control panel with decal BA 5321D
#19	909 5055 000	1	Kit control panel with decal w/click off BA 5321
#19	909 5054 000	1	Kit control panel with decal w/click off BA 5321D
20	08603950	1	Kit switch click off w/ cap
21	56325719	2	Kit switch w/ cap



2003-02	SOLUTION SYSTEM		
	BA 5321 - BA 5321D - BA 6124D		25

Item no.	Ref. No.	Qty	Description
1	08603914	1	Hose 170 mm
2	08603808	1	Filter
3	08603662	2	Hose barb.
4	08603864	1	Filter w/ hose barb kit
5	08603913	1	Hose 135 mm
6	56325648	2	Screwed socket
7	56325646	1	Nut hex
8	08812642	1	Solenoid valve 24V
9	56325647	1	Valve
10	08603915	1	Hose 270 mm
11	08812326	1	Copper hose
12	146 0632 000	2	Screw hex M4x8
13	56325641	1	Copper hose complete
14	08603790	1	Handle
15	08603791	1	Lever w/cable
16	56325649	1	Solenoid valve kit
17	08603893	1	Kit net filter int. w/gasket
18	56325645	2	Screw flat hd phil M4x10 SS
19	56325638	1	Clamp
20	08600124	1	Screw hex hd M6x8

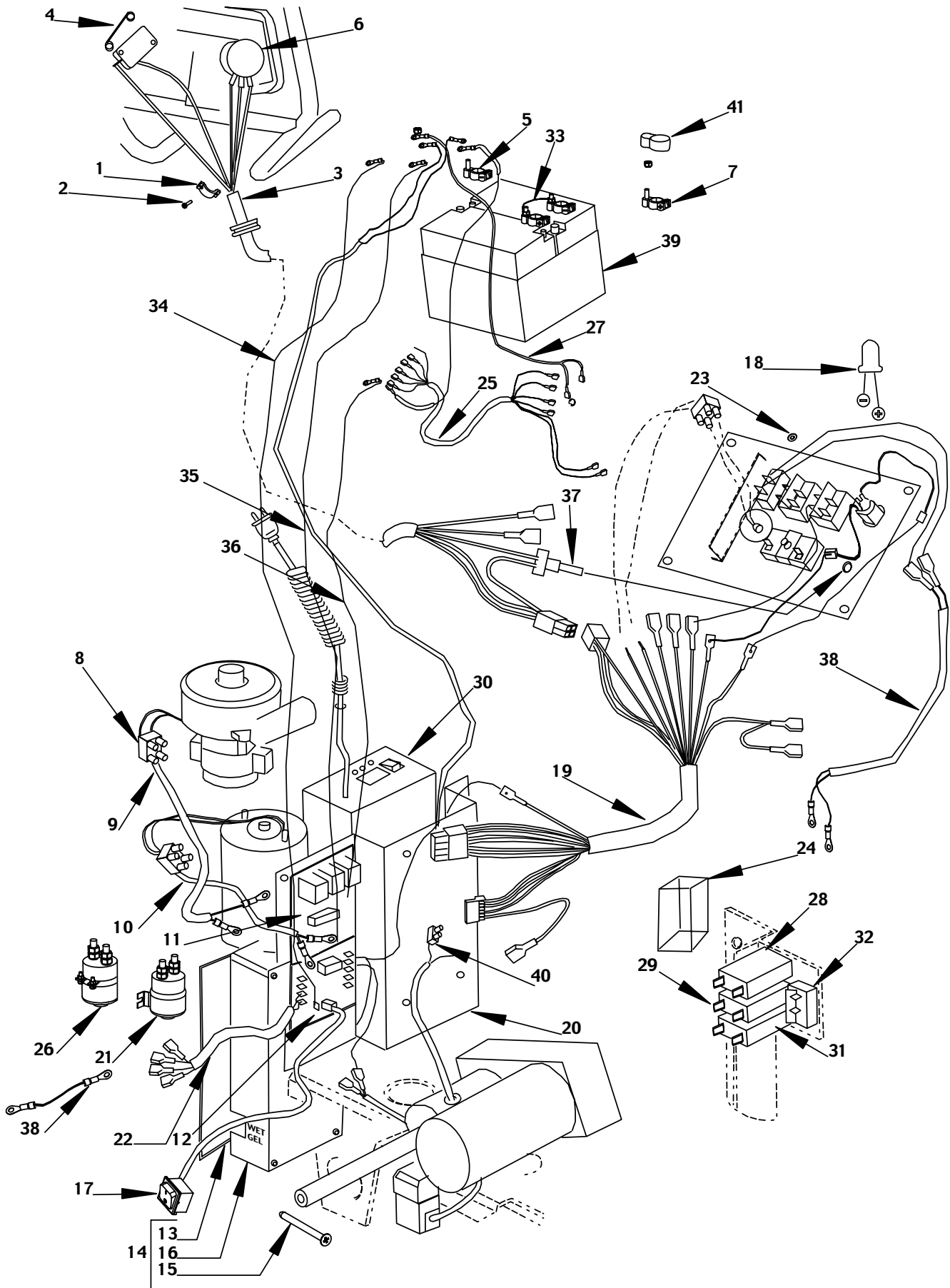
BA 5321



2003-02	Wiring system BA 5321 with battery charger			
	BA 5321 - BA 5321D - BA 6124D			27

Item no.	Ref. No.	Qty	Description
1	08600168	1	Cable fixing block
2	08603192	2	Screw cyl hd thd form 3,6x16
3	56325769	1	Harness control panel/ microswitch
4	08812377	1	Contact for micro
5	08812064	2	Battery clamp -
7	08812063	2	Battery clamp +
8	56325734	1	Plug
9	56325736	1	Harness vacuum mot./elect. card
10	08603711	1	Harness brush motor/ electronic card
12	08812814	1	Electronic card release 3
13	08812354	1	Gasket
14	56325740	1	Kit closure electronic card
15	56325723	4	Screw cyl hd 4x70
16	08812284	1	Cover electronic card
17	56325725	1	Cable for electronic card cover
18	56325741	1	Led red
19	56325745	1	Harness machine
20	56325743	1	Support for el. card
21	145 0300 000	1	Electromagnetic switch vacuum motor
22	08603717	1	Harness coil/electronic card
23	08812801	1	Spacer
24	56325761	1	Fuse cover
25	08603714	1	Cable fuses/ electronic card
26	08603934	1	Electromagnetic switch brushes
27	56325752	1	Harness fuses/battery
28	56325754	1	Fuse 25A
29	08603727	1	Fuse 30A
30	08812996	1	Battery charger
33	56325750	1	Lead cable
34	56325747	1	Strand red, battery clamp + / electronic card
35	56325756	1	Strand black, battery clamp - / electronic card
38	08603929	1	Harness click off
39	08812758	1	Battery container
41	08812093	4	Cap for battery clamp

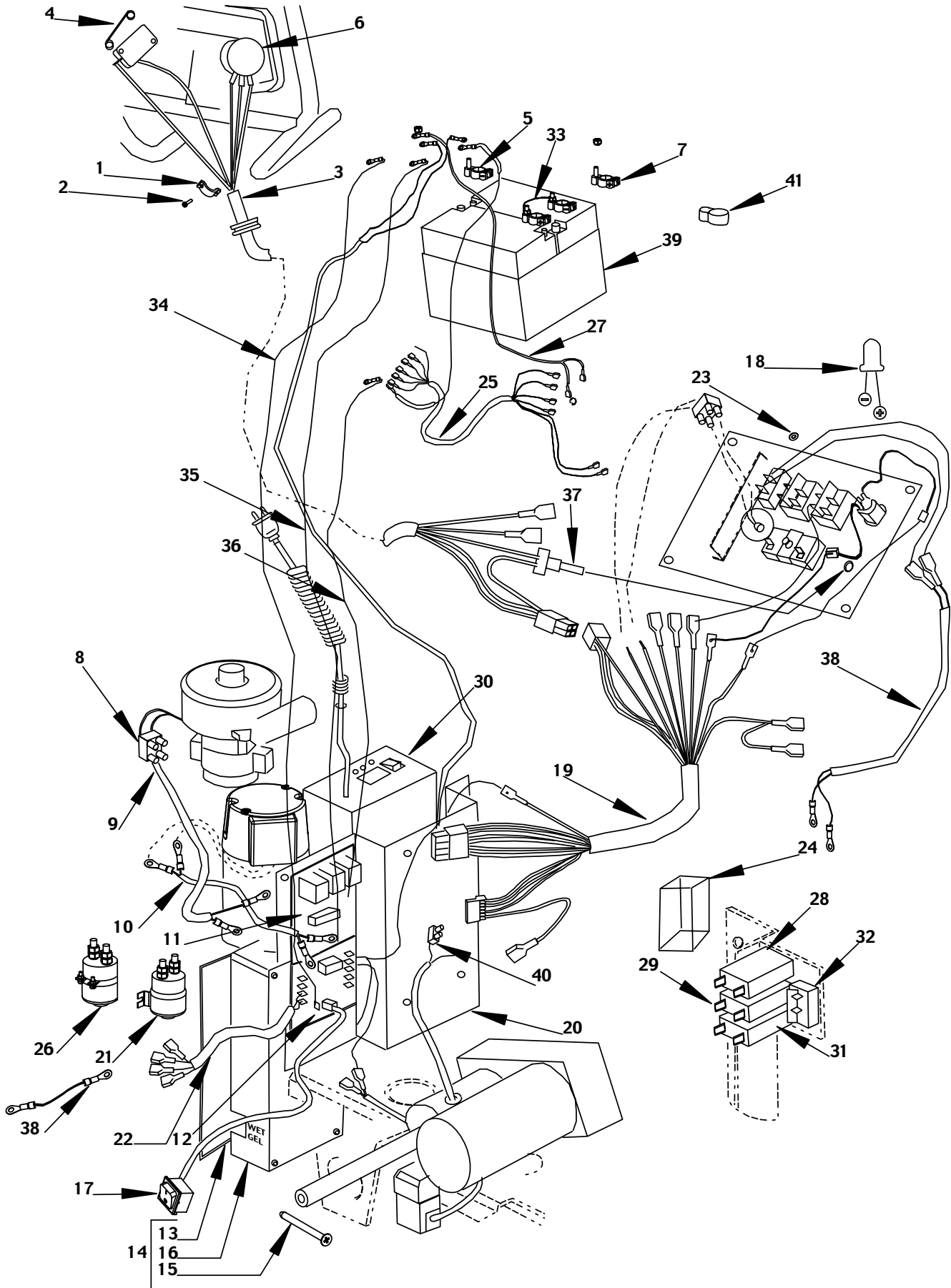
BA 5321 D



2003-02	Wiring system BA 5321D with battery charger			
	BA 5321 - BA 5321D - BA 6124D			29

Item no.	Ref. No.	Qty	Description
1	56340083	1	Cable fixing block
2	56325661	2	Screw cyl hd thd form 3,6x16
3	56325733	1	Harness - traction
4	08812377	1	Contact for micro
5	08812064	2	Battery clamp -
6	08812292	1	Potentiometer traction adjuster
7	08812063	2	Battery clamp +
8	56325734	1	Plug
9	56325736	1	Harness vacuum mot./elect. card
10	909 5014 000	1	Harness brush motor
11	56325738	1	Traction card
12	08812814	1	Electronic card release 3
13	08812354	1	Gasket
14	56325740	1	Kit closure electronic card
15	56325723	4	Screw cyl hd 4x70
16	08812284	1	Cover electronic card
17	56325725	1	Cable for electronic card cover
18	56325741	1	Led red
19	56325742	1	Harness machine
20	56325743	1	Support for el. card
21	145 0300 000	1	Electromagnetic switch vacuum motor
22	08603717	1	Harness coil/electronic card
23	08812801	1	Spacer
24	56325761	1	Fuse cover
25	08603715	1	Cable fuses/ electronic card
26	08603934	1	Electromagnetic switch brushes
27	56325752	1	Harness fuses/batteries
28	56325754	1	Fuse 25A
29	08603727	1	Fuse 30A
30	08812996	1	Battery charger
31	08812872	1	Fuse 15A
32	56325719	1	Kit switch w/cap
33	56325750	1	Lead cable
34	56325747	1	Strand red, battery clamp + / electronic card
35	56325756	1	Strand black, battery clamp - / electronic card
36	56325745	1	Strand black, battery clamp - / traction card
37	08812371	1	Potentiometer speed adjuster
38	08603929	1	Harness click off
39	08812758	1	Battery container
40	56325746	1	Connection
41	08812093	4	Cap for battery clamp

BA 6124D

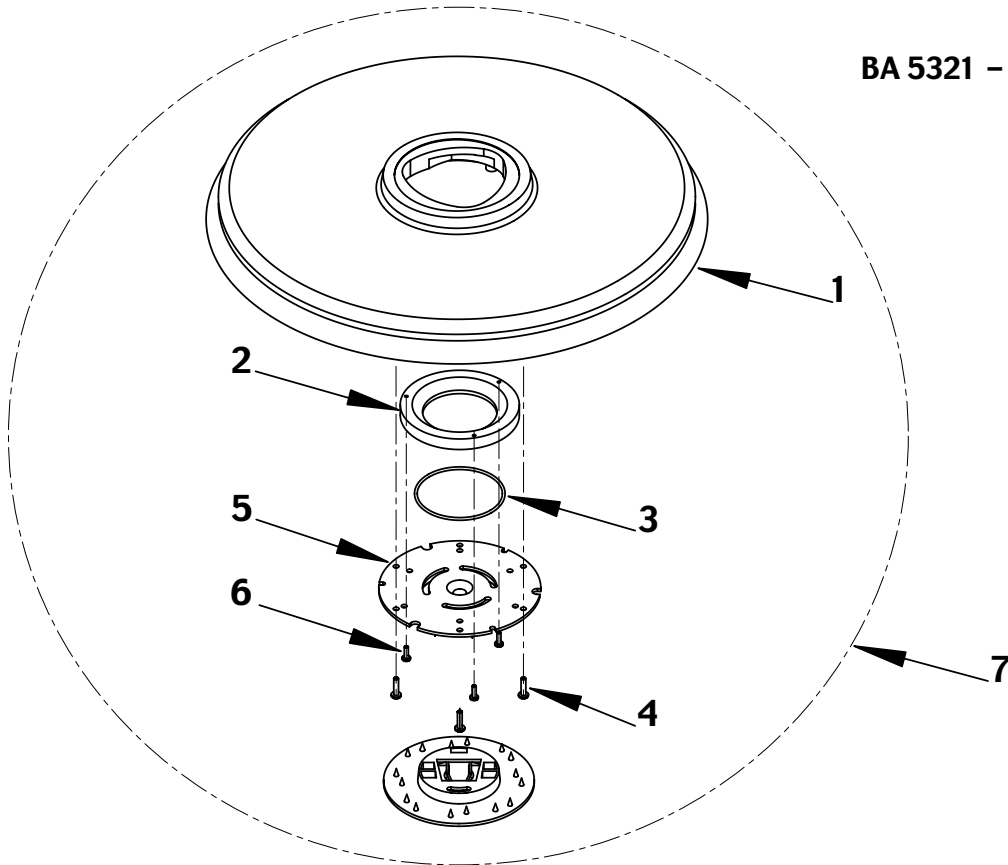




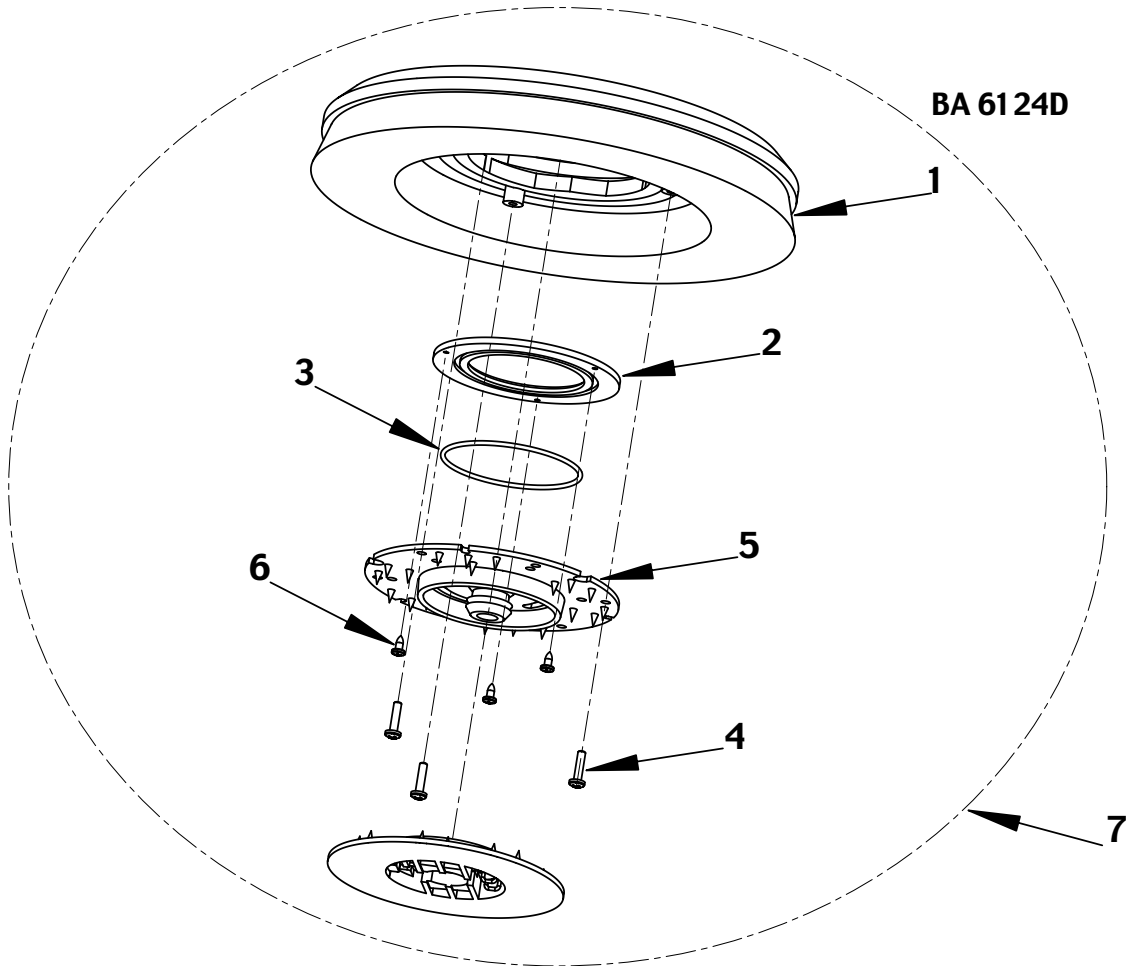
2003-02	Wiring system BA 6124D with battery charger			
	BA 5321 - BA 5321D - BA 6124D			31

Item no.	Ref. No.	Qty	Description
1	56340083	1	Cable fixing block
2	56325661	2	Screw cyl hd thd form 3,6x16
3	56325733	1	Harness - traction
4	08812377	1	Contact for micro
5	08812064	2	Battery clamp -
6	08812292	1	Potentiometer traction adjuster
7	08812063	2	Battery clamp +
8	56325734	3	Plug
9	56325736	1	Harness vacuum mot./elect. card
10	909 5014 000	1	Harness brush motor
11	56325738	1	Traction card
12	08812814	1	Electronic card release 3
13	08812354	1	Gasket
14	56325740	1	Kit closure electronic card
15	56325723	4	Screw cyl hd 4x70
16	08812284	1	Cover electronic card
17	56325725	1	Cable for electronic card cover
18	56325741	1	Led red
19	56325742	1	Harness machine
20	56325743	1	Support for el. card
21	145 0300 000	1	Electromagnetic switch vacuum motor
22	08603717	1	Harness coil/electronic card
23	08812801	1	Spacer
24	56325761	1	Fuse cover
25	08603715	1	Cable fuses/ electronic card
26	08603934	1	Electromagnetic switch brushes
27	56325752	1	Harness fuses/batteries
28	56325754	1	Fuse 25A
29	08603727	1	Fuse 30A
30	08812996	1	Battery charger
31	08812872	1	Fuse 15A
32	56325719	1	Switch
33	56325750	1	Lead cable
34	56325747	1	Strand red, battery clamp + / electronic card
35	56325756	1	Strand black, battery clamp - / electronic card
36	56325745	1	Strand black, battery clamp - / traction card
37	08812371	1	Potentiometer speed adjuster
38	909 5015 000	1	Harness click off
39	08812758	1	Battery container
40	56325746	1	Connection
41	08812093	4	Cap for battery clamp

**BA 5321 - BA 5321D**

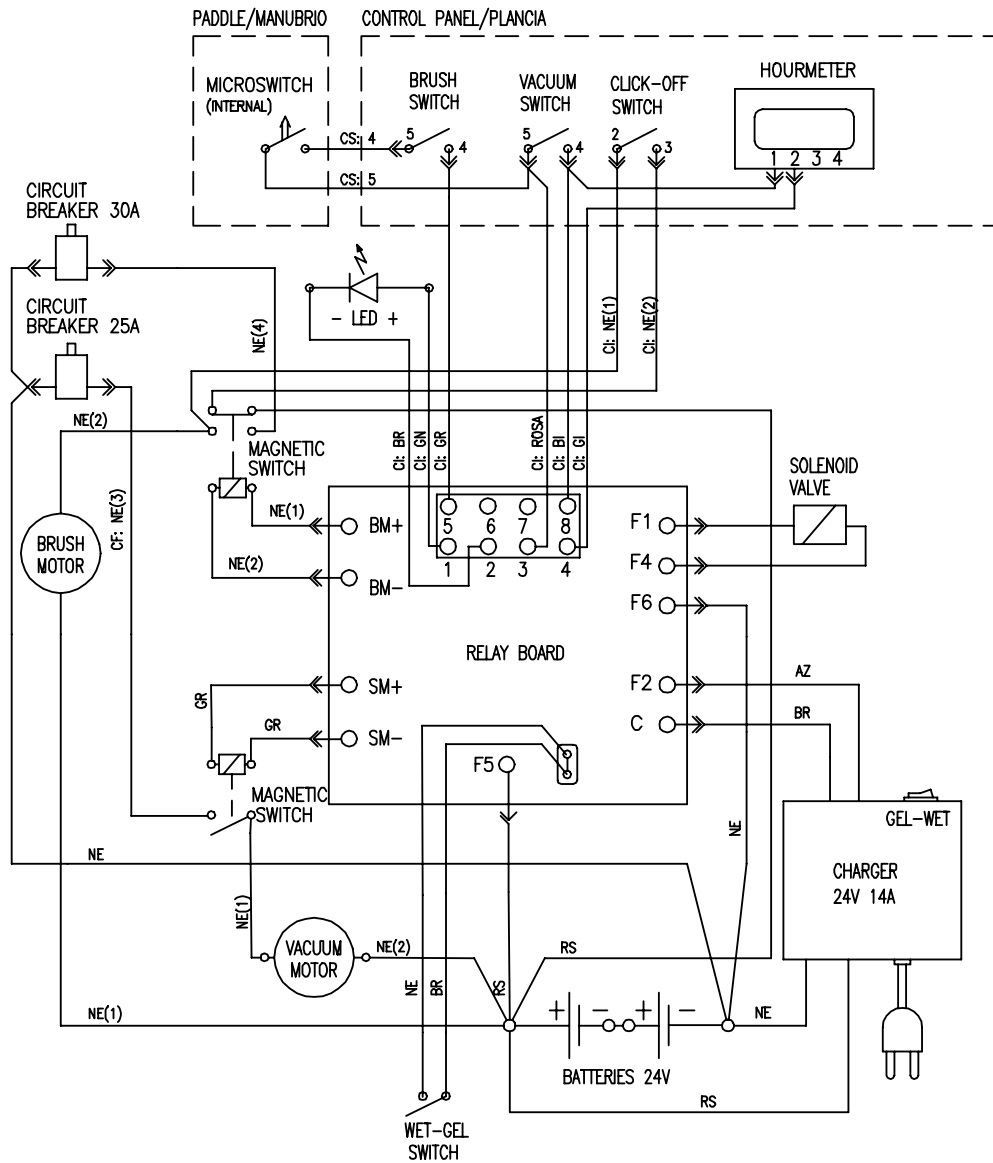


**BA 6124D**



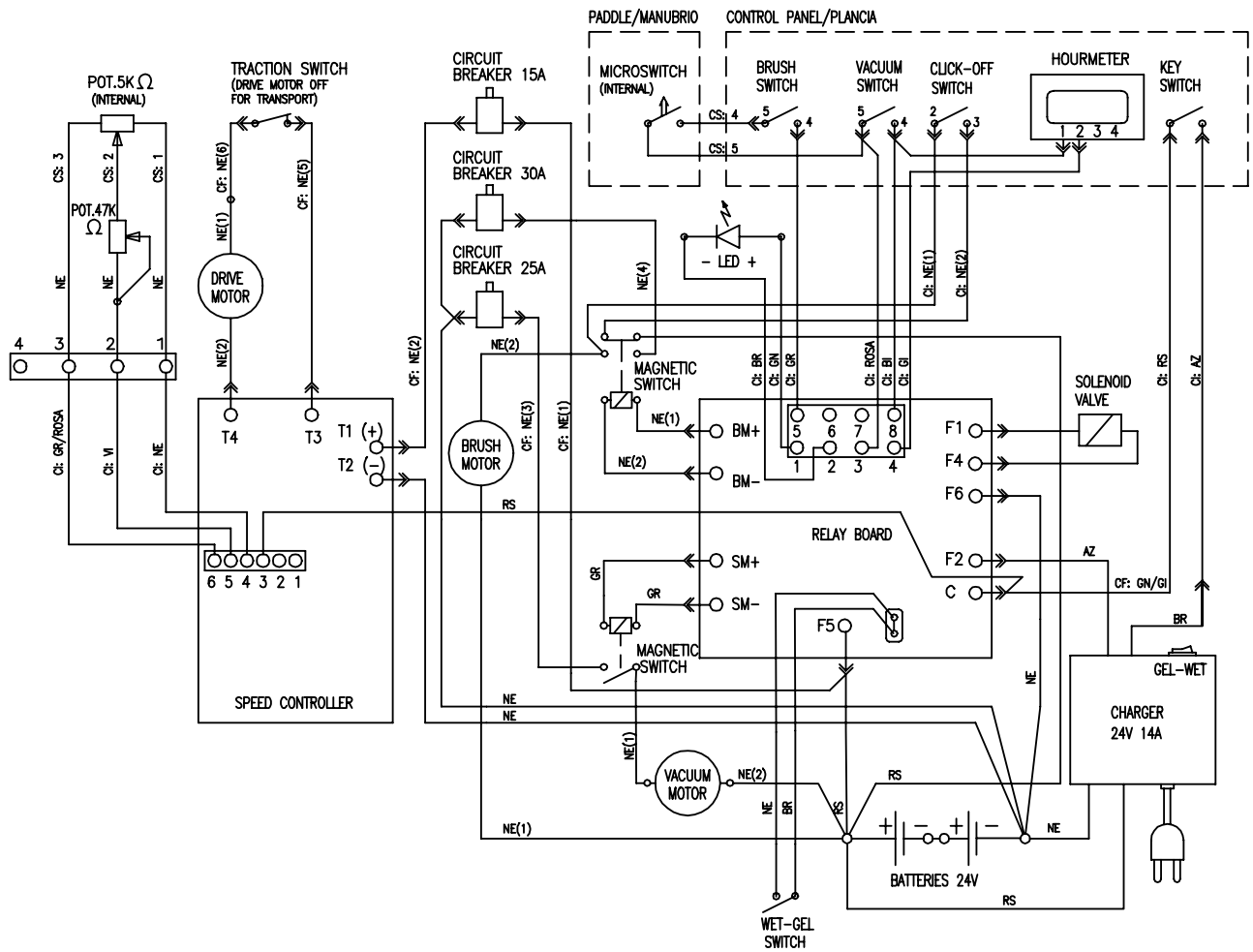
2003-02	PAD HOLDER ASSEMBLIES		
	BA 5321 - BA 5321D - BA 6124D		33

Item no.	Ref. No.	Qty	Description
BA 5321 - BA 5321D			
1	08812466	1	Pad holder
2	08603966	1	Ring for pad
3	08603965	1	Seal
4	08812590	3	Screw cyl hd 4.6x19.2 thd form
5	08837030	1	Hub
6	08603244	3	Screw cyl 3.9x13 thd form
7	56325502	1	Pad holder kit
BA 6124D			
1	08603841		Pad holder
2	08603936		Ring for pad
3	08603965		Seal
4	08812590		Screw cyl hd 4.6x19.2 thd form
5	08837030		Hub
6	145 5872 000		Screw 4.2x9.5 thd form SS
7	08603939		Pad holder kit



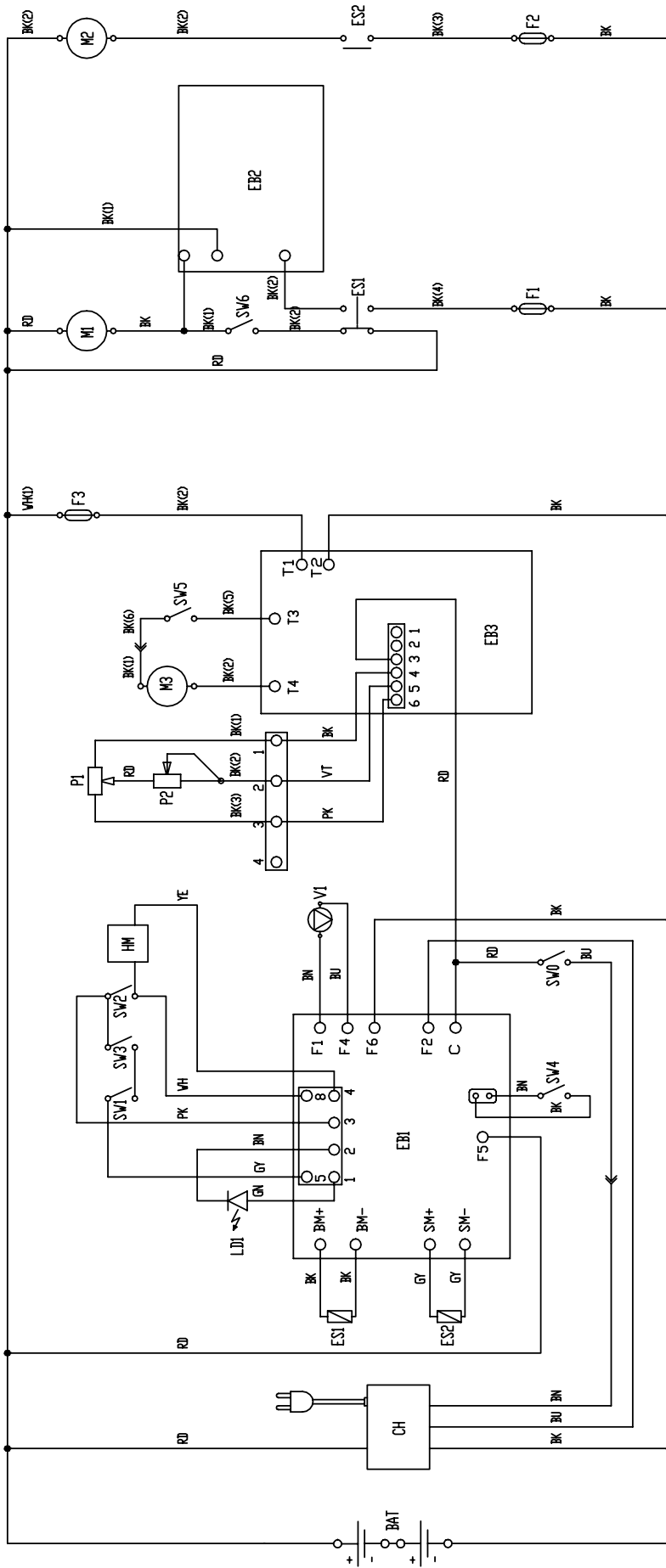
CI: CABLE INTERNAL-CAVI INTERNI  
 CF: CABLE FUSE-CAVI FUSIBILI  
 CS: CABLE SWITCH HOUSING-CAVI INTERRUTTORI

TABELLA COLORI	COLORS CODES
AZ =	BLEU
BI =	WHITE
GI =	YELLOW
GR =	GREY
BR =	BROWN
NE =	BLAK
ROSA =	PINK
RS =	RED
VI =	VIOLET
OR =	ORANGE
GN =	GREEN



CI: CABLE INTERNAL-CAVI INTERNI  
 CF: CABLE FUSE-CAVI FUSIBILI  
 CS: CABLE SWITCH HOUSING-CAVI INTERRUTTORI

TABELLA COLORI - COLORS CODES	
AZ =	BLEU
BI =	WHITE
GI =	YELLOW
GR =	GREY
BR =	BROWN
NE =	BLACK
ROSA =	PINK
RS =	RED
VI =	VIOLET
OR =	ORANGE
GN =	GREEN



COMPONENTS	
BAT 24V BATTERIES	M2 VACUUM MOTOR 08603888
CH 24V 13A BATTERY CHARGER	M3 DRIVE MOTOR 08812234
EBI LOGIC ELECTRONIC BOARD	P1 DRIVE SPEED POTENT.(5kOhm) 08812292
EBR BRUSHES ELECTRONIC BOARD 909 5016 000	P2 DRIVE MAX SPEED POTENT.(47kOhm) 08812371
EBS DRIVE ELECTRONIC BOARD	SW KEY SWITCH 08812604
ESI BRUSHES ELECTROM. SWITCH	SW BRUSHES SWITCH 08603151
ES2 VACUUM ELECTROM. SWITCH	SW VACUUM SWITCH 08603151
F1 BRUSHES.MOT.CIRC.BREAKER(30A)	SW3 PADDLE MICRUSWITCH included in 08812602
F2 VACUUM.MOT.CIRC.BREAKER(25A)	SW4 PB/GEL BATTERIES SELECTOR 08812574
F3 DRIVE.MOT.CIRC.BREAKER(15A)	SW5 TRACTION SWITCH 08812562
HM HOURMETER	SW6 CLICK-OFF SWITCH 08603950
LDI BATTERIES STATUS LED	V1 WATER ELECTROVALVE 08812642
M1 BRUSHES MOTOR	

COLORS CODES
BK BLACK nero
BU BLUE azzurro
BN BROWN marrone
GN GREEN verde
GY GREY grigio
OG ORANGE arancio
PK PINK rosa
RD RED rosso
VT VIOLET viola
WH WHITE bianco
YE YELLOW giallo

2003-02	RECOMMENDED SPARE PARTS			
	BA 5321 - BA 5321D - BA 6124D			37

Item no.	Ref. No.	Qty	Description
			Tank Assembly
	08812712	1	Seal
	56325529	1	Filter
	08603883	1	Suction hose
	08603869	1	Hose clean water
	08603903	1	Kit clean water hose
	08812873	1	Drain hose kit
	08603888	1	Vacuum motor 24V w/connector
	909 5042 000	1	Acustic insulation
	56325523	1	Foam acustic upper Chassis system
	08603792	2	Drive wheel w/Hub BA 5321D/BA 6124D
	08603696	2	Wheel w/Hub BA 5321
	08603954	1	Caster
			Pedal lifting
	56325625	1	Screw Hex Hd M8x25 Brush drive system BA 5321/BA 5321D
	08812919	1	Brush motor + gear case complete
	08603848	1	Brush motor
	08603850	1	Carbon brushes kit
	[56325504]	1	Brush polypropylene
	56325611	1	Polygon holder
	56325622	2	Buffer
	56003366	2	Washer 5x10
	56325623	2	Screw countersunk Hd. 8x12 Brush drive system BA 6124 D
	08603820	1	Brush motor
	08603949	1	Carbon brushes kit
	56003366	4	Washer 5x10 Squeegee systems BA 5321/BA 5321D/BA 6124D
	56325711	1	Squeegee lift cable
	56393285	1	Squeegee blade front BA 5321/BA 5321D
	56325685	1	Squeegee blade rear BA 5321/BA 5321D
	08603830	1	Squeegee blade front BA 6124D
	08603832	1	Squeegee blade rear BA 6124D Switch housings BA 5321/BA 5321D/BA 6124D
	56340083	1	Cables fixing block
	56325662	1	Clamp
	56325657	1	Potentiometer fork BA 5321D/BA 6124D
	56325654	1	Drive control spring
	56325653	4	Washer flat nylon 9x25 Solution system
	56325649	1	Solenoid valve kit
	08812642	1	Solenoid valve 24V
	08603864	1	Filter w/hose barb kit Control panel assembly
	56340199	1	Switch pump/vacuum
	56340195	1	Plastic bracket w/seal and switch protection
	56325718	1	Key switch complete BA 5321D/BA 6124D Wiring systems BA 5321/BA 5321D/BA 6124D
	56325769	1	Harness control panel/microswitch BA 5321
	56325733	1	Harness traction
	145 0300 000	1	Electromagnetic switch vacuum motor
	08603934	1	Electromagnetic switch brush/es
	56325738	1	Traction card
	08812814	1	Electronic card release 3 (from Serial no.1514570 for machine before this serial number contact the Service Center)



Nilfisk-Advance, Inc.  
14600 21st Avenue North  
Plymouth, MN, 55447-3408  
[www.nilfisk-advance.com](http://www.nilfisk-advance.com)  
Phone: 800-989-2235  
Fax: 800-989-6566  
©2003 Nilfisk-Advance, Inc.,  
Plymouth, MN 55447-3408  
Printed in Italy